

PARTS

Quick Reference Manual

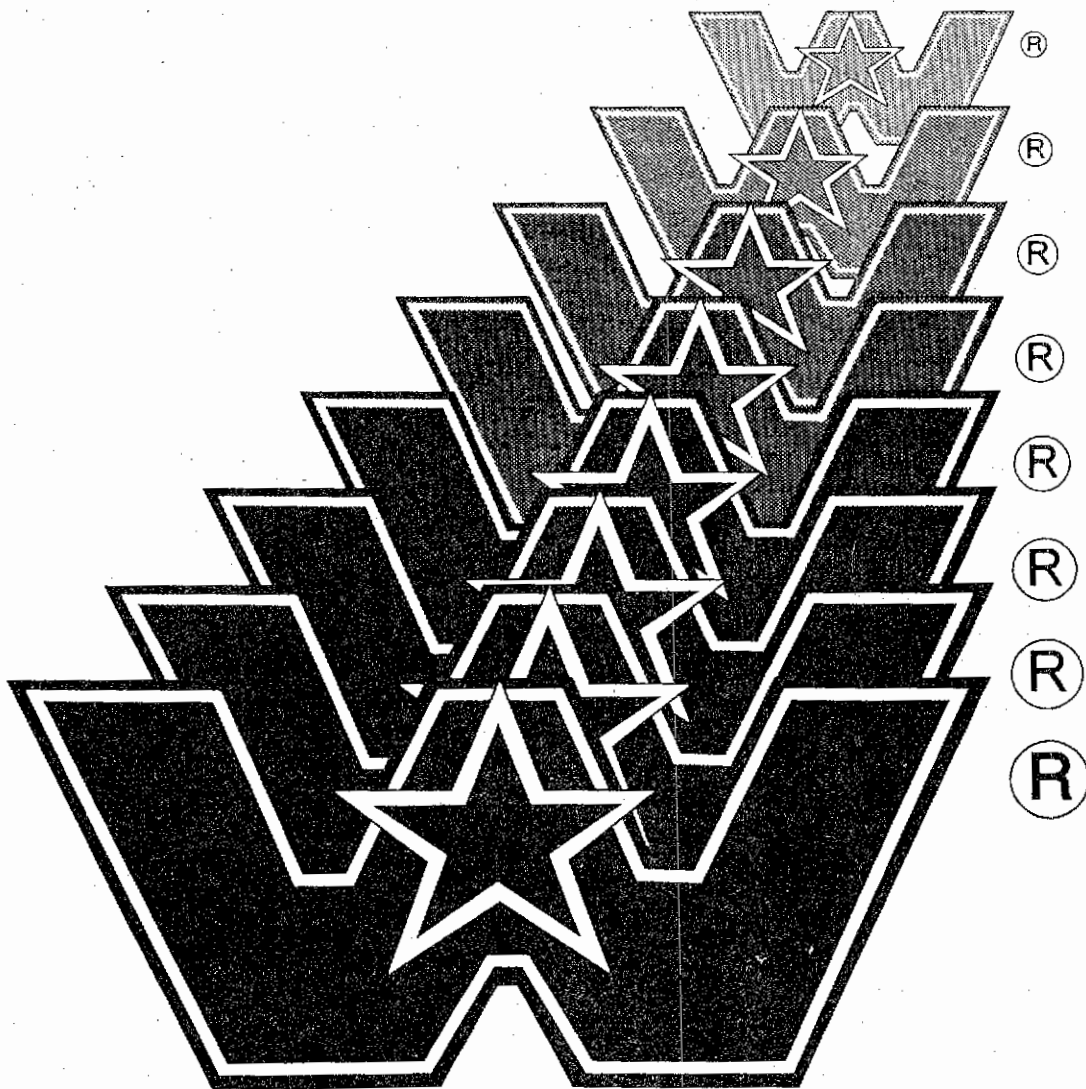




Table of Contents

	Page
Air Reservoirs	34A
Air Ride Cab Retrofit Kits	29
Ametek Gauges	16
Applique Chart	19
Back of Cab Pipes - Chrome Crossover	76A
Back-Up Alarm	113
Bendix AD-4 Air Dryer	34G
Bendix AD-9 Air Dryer	34i
Bosch Air to Electric Wiper Retrofit Kit	5
Bosch Phase 1 Windshield Wipers	4A
Bostrom 915 Seat Breakdown	28E
Bostrom 960 Seat Breakdown	28G
Brackets, Aluminum to Steel Crossovers	117
Brakes	65
Bugscreens	3
Cab Door Parts	11
Cab Wiring	22C
Cab Wiring Dash Harness	22A
Clutch Linkage	62
Dash Components	13
Decimal to Fraction Conversion Chart	10B
Door Wedges	12C
Drag Links	52
Drive Shafts	93
Exhaust	67
Fan Clutch / Hub Assemblies	51
Fifth Wheel Air Slide Controls	34E
Front Brake Kits	66A
Grover 24" Air Horn	34K
Hadley 29" Air Horn	34M
Hayden Oil Cooler	54C
Headlight Switch Wiring	14B
Hendrickson Rear Air Suspensions	87
How to Use Your Microfiche	2
Indicator Lens Chart	17
Insulation, Bulk	12D
Interior Trim Moulded Parts	22E
Kysor Low Coolant Alarm	16A
Lighted Toggle Switches	14A
Lock Sets	12D
Luberfiner Oil Filter	54E
Master Reference Number Index	1
Mudflaps	112A
National Cushionaire Seat Breakdown	28C
Neway Rear Suspensions	77
Ponsio Master Reference Index	119

Continued



Table of Contents (continued)

Page

Power Steering Pump Supersessions	54A
Quarter Fenders	109
Roof Fairings	35
Rotating Beacons	115
Seat Belts	28I
Seat Upholstery Kits	23
Seat Upholstery, Tuff Tex	28A
Service Cabs	10C
Sleeper Boot	39
Sleepers, Service	38A
Spicer Clutches	55
Stainless Steel Mirror Arms	12A
Sunroof	37
V-Belts	43
Warning Lamps & Buzzer	16C
Windshield Wiper Motor Wiring	10A
Winterfronts	4
Yoke Crossovers	105



Master Reference Number Index

ENGINE:
 1010 Mounting
 1020 Model & Horsepower
 1030 Engine Brake
 1040 Compression Release
 1050 Heater, block, pan, Wabasto
 1060 Oil Fill & check
 1070 Oil Filter, bypass
 1080 Oil Filter, full flow
 1090 P.T.O., flywheel
 1100 P.T.O., crankshaft front
 1110 Shutdown & Alarms
 1120 Starting Aids
 1130 Throttle Control

CLUTCH:
 1140 Model & Size
 1150 Clutch Control

MAIN TRANSMISSION:
 1160 Model
 1161 Rear Supports
 1170 Oil Filter

AUX. TRANSMISSION
 1180 Model
 1190 Oil Filter
 1200 Shift Control
 1210 Supports
 1220 Propeller Shaft Yokes

PROPS
 1230 Inter-Axle

REAR AXLE:
 1240 Model & Ratio
 1260 Bearings
 1270 Brakes
 1290 Cast Wheels & Drums
 1300 Hubs & Drums
 1310 Oil Seals
 1320 Tag or Pusher Axle
 1330 Vee Belt Drive

STEERING:
 1340 Gear
 1350 Pump, Cylinders & Lines
 1360 Reservoir
 1370 Steering Wheel
 1500 Anti-Lock: Valves & Controls
 1510 Wheel Equipment

FRAME:
 2010 Rail Material
 2020 Wheelbase
 2030 Overhang, Rear
 2040 Bumper, Front

CROSSMEMBER:
 2050 Engine Front
 2060 CAB, Front & Rear, Eng. Rear
 2070 Intermediate
 2080 Suspension, Rear
 2090 Frame Rear & Tow Devices
 2100 Tow Devices, Front

FRONT AXLE:
 2110 Model
 2120 Bearings
 2130 Brakes
 2140 Cast Wheels (Drums)
 2150 Hubs (Drums)
 2160 Oil Seals
 2170 Set Back Dimension

FRONT SUSPENSION:
 2180 Front Springs
 2190 Shock Absorbers
 2200 Spring Brackets, Front

REAR SUSPENSION:
 2210 Tandem Axle Brackets
 2220 Axle Spacing
 2230 Shock Absorbers
 2240 Torque Rods

AIR PRESSURE SYSTEM:
 2250 Compressor
 2260 Alcohol Evaporator
 2270 Moist. Eject. / Air Dryer
 2280 Hand Control Valve
 2290 Horns: Air
 2300 Front Wheel Limiting Valve
 2320 Piping (air lines)
 2330 Reservoirs (air tanks)
 2350 Trailer Hoses
 2360 Trailer Hose Support
 2370 Valves & Controls

AIR INTAKE:
 3010 Air Cleaner
 3020 Air Ducting
 3030 Restriction Indicator
 3040 Cooling: Fan

RADIATOR:
 3051 Radiator Supports
 3060 Radiator Hoses & Piping

SHUTTERS:
 3070 Sight Glass
 3080
 3090 Water Conditioner

EXHAUST:
 3100 Pipe, elbow at manifold

FUEL TANKS - RHS
 3110
FUEL TANKS - LHS
 3110
 3130 Lines: Primary Filter
 3140 Lines: Secondary Filter

ELECTRICAL:
 3150 Alternator
 3160 Batteries & Wiring
 3170 Battery Box
 3180 Horns: Electric

LAMPS:
 3190 Back-up
 3200 Cab Marker & Roof
 3210 Driving
 3220 Headlamps
 3240 Spotlamps
 3250 Tail, Turn & Stop
 3260 Turn Signal, Markers
 3280 Polarity

STARTER:
 3290 Tractor Trailer Cable
 3300 Trailer Cable Receptacle
 3310
 3320 Voltage Regulator

WIRING:
 3321 Cab (radios)
 3322 Chassis

FIFTH WHEEL:
 3330 make & location
 3331 Mounting Accessories
 3340 Skid Ramp
 3350 P.T.O. - Main Trans.
 3360 P.T.O. - Aux. Trans.

SLEEPER:

CAB:
 4010 Shell & Doors
 4011 Floorboards, Centre
 4012 Engine Cover
 4020 Air Conditioner
 4021 Compressor, freon
 4030 Floor Mats
 4040 Glass, Incl. Rear Window
 4050 Grab Handle, Door Pull Strap
 4060 Heater & Defroster
 4070 Insulation
 4090 Interior Trim
 4100 Mirrors
 4110 Seats
 4120 Seat Belts
 4130 Steps
 4140 Windshield Washer
 4150 Windshield Wiper

INSTRUMENTS: Panels
 4160
 4170 Group No. 1
 4180 Group No. 2
 4190 Air Application Gauge
 4200 Pyrometer
 4210 Speedometer & Odometer
 4220 Tachometer
 4230 Temp. Gauge - Eng. Water, etc.
 4240 Temp. Gauge - R. Axle Oil
 4250 Temp. Gauge - Trans Oil

HOOD & FENDERS:
 4260 Grille

TIRES: Make
 4270
 4280 Size, Ply, Cords
 4290 Tread, Types
 4330 Disc Wheels, Front
 4340 Disc Wheels, Rear
 4350 RIMS: Front
 4360 RIMS: Rear
 4370 Documentation
 4371 EPA Certification

4380 Misc. Chassis (Mudflaps)
 4390 Misc. Cabs (Mudflaps)

HOW TO USE YOUR MICROFICHE

You will find our Master Reference Number Index on page 1, and a detailed "Parts to Master Reference Numbers Guide" on pages 113-130. We hope these lists will assist you in finding the correct Bills of Material.

Trucks built after 1985 have the complete parts list and assembly breakdowns on the Truck Serial Number fiche. To find the part you are looking for simply find the correct Master Reference and all parts required will be listed. If the assembly breakdown you are looking for does not appear on the truck microfiche you may want to check your newest copy of the "Assembly Lists" as this list is continually being updated and added to.

Trucks built in 1985 or before use a two-part method to find information. You use the Truck Serial Number microfiche to find the Bills of Material required, then go to a second set of microfiche called "Current Bills of Material" to find your part number. The Bills of Material number is made up of the Master Reference number, then a three digit list number, and a two digit level number. This is the number used to locate a part on the blue header "Bills of Materials" fiche if you are looking up a truck that was built before 1985.

Example :

Suppose you wish to find the part number for a Power Steering Reservoir for Truck Serial Number 908348. Start with the Truck Serial Number fiche with the pink header. You will also need to know the Master Reference for power steering reservoirs. You can find this on the Master Reference Index or the Parts to Master Reference Guide. The master reference for Power Steering Reservoirs is 1360, so once you have found the serial number of the truck, follow down the listings until you find the Bills of Material of 1360. You will see it listed as 1360-014-00. Next go to the microfiche with the blue headers titled "Current Bills of Material" for Master Reference 1360. In the upper right of each page is a box that breaks down the parts list number into its three parts - the Master Reference number, the three digit list number, and the first digit of the level number. Each column of the parts list has the two digit number for the parts list for a particular truck. In this case the column you need to look down is -00-. Most of the time, that's all you need to do to get a part number.

Sometimes, under the Bills of Material there is a notation "TJT" followed by a number. This means there is a deletion or addition to the Bills of Material for this application. This is a special option requested by the customer. When you find a TJT number underneath the Bills of Material, look it up on the "TJT Bills of Material" fiche with the red header.

There is one other important microfiche you will find useful. This is the "Assembly Lists" with the green header. This fiche lists breakdowns of vendor assemblies by the assembly part number. For example, to find a heater / air conditioner motor, find the part number of the heater assembly in this fiche and you will find a list of the components in the assembly including the motor. This fiche is constantly being updated and new assemblies added to it. When you receive a new set of these discard the old fiche.

BUGSCREENS

Parts List Callup	Application	Bugscreen
PRE 86' (Pre Cornerstone) 4390-024-00/01 4390-024-02 4390-024-03/05 4390-024-11	Bugscreen, Standard Tilt & Small Butterfly Bugscreen, Butterfly Hood Wide Nose Bugscreen, Supertilt with Canvas Winterfront Bugscreen, 48/49 Supertilt & Butterfly Hoods	04-9004271 04-9020000 04-9049048 04-9050327
86' MODEL (Pre Cornerstone) 4390-024-20/22/24	Bugscreen, 48/49Supertilt & Butterfly Hoods	67501-3405
CORNERSTONE (88'onward) 4800 & 4900 STANDARD HOODS 4390-510-01/07 4390-510-01 4390-510-04	Behind Grille Mounted, Bugscreen (Between Grille and Grille Brackets) Bezel Mounted, Bugscreen (Common- Sense Fasteners required on bezel) Grille Mounted, Bugscreen (Lift Dot Fasteners required on Grille)	67501-3406 67501-3407 67501-3410
CORNERSTONE (88'onward) 4800X & 4900X SLOPED HOODS 4390-510-10 4390-510-11	Behind Grille Mounted, Bugscreen (Between Grille and Grille Brackets) Grille Mounted, Bugscreen (Lift Dot Fasteners required on Grille)	67501-3414 67501-3413
CORNERSTONE (88'onward) 3800 & 5900 4390-520-00/03 4390-520-01	Behind Grille Mounted, Bugscreen (Between Grille and Grille Brackets) Grille Mounted, Bugscreen (Lift Dot Fasteners required on Grille)	67501-3408 67501-3409
CORNERSTONE (88'onward) 6900 4390-521-00 4390-521-01	Behind Grille Mounted, Bugscreen (Between Grille and Grille Brackets) Grille Mounted, Bugscreen (Lift Dot Fasteners required on Grille)	67501-3406 67501-3411

Pre Cornerstone Bugscreens were Bezel Mounted with Common-Sense Fasteners (twist type). Because of their size they are not interchangeable with Cornerstone Bugscreens.

Cornerstone Bugscreens originally were introduced in 1988 with the same mounting system as pre-cornerstone, then later had a design improvement to grille mount with lift dot fasteners. If retrofitting a Cornerstone truck that was not originally supplied with a bugscreen it is recommended to use the grille mount with lift dot fasteners style.

WINTERFRONTS

* Note: Caterpillar Engines with Air to Air have the letters ATA or ATAAC in the model description.

Parts List Callup	Application	Engines w/o Air to Air	Engines with Air to Air
PRE 86' (Pre Cornerstone) 4390-024-0/1 4390-024-04/05	Winterfront, 48/49 Supertilt & Butterfly Hoods Canvas Winterfront, Supertilt Hood Only	04-9050824 04-9049049	* See note
86' MODEL (Pre Cornerstone) 4390-024-21/24	Winterfront, 48/49 Supertilt & Butterfly Hood	67503-3404	67503-3405
CORNERSTONE (88' onward) 4800 & 4900 STANDARD HOODS 4390-510-02/03 4390-510-05/06	Bezel Mounted Winterfront (Common-Sense Fasteners required on bezel) Grille Mounted Winterfront (Lift Dot Fasteners required on Grille)	67503-3406 67503-3409	67503-3407 67503-3411
CORNERSTONE (88' onward) 4800X & 4900X SLOPED HOODS 4390-510-12/13	Grille Mounted Winterfront (Lift Dot Fasteners required on Grille)	67503-3414	67503-3415
CORNERSTONE (88' onward) 3800 & 5900 4390-520-02/04	Grille Mounted Winterfront (Lift Dot Fasteners required on Grille)	67503-3408	67503-3413
CORNERSTONE (88' onward) 6900 4390-521-02	Grille Mounted Winterfront (Lift Dot Fasteners required on Grille)	67503-3410	67503-3412

Pre Cornerstone Winterfronts were Bezel Mounted with Common-Sense Fasteners (twist type). Because of their size they are not interchangeable with Cornerstone Winterfronts.

Cornerstone Winterfronts originally were introduced in 1988 with the same mounting system as pre-cornerstone, then later had a design improvement to grille mount with lift dot fasteners. If retrofitting a Cornerstone truck that was not originally supplied with a winterfront it is recommended to use the grille mount with lift dot fasteners style.

Note: Fasteners are available as service parts for installation on Grilles and Bezels as follows:

	Bezel Mounted	Grille Mounted
Common-Sense Fastener Rivet	04-9004465 647599	
Lift Dot Fastener & Nut Assembly		47290-4400



Master Reference Number Index

ENGINE:
 1010 Mounting
 1020 Model & Horsepower
 1030 Engine Brake
 1040 Compression Release
 1050 Heater, block, pan, Wabasto
 1060 Oil Fill & check
 1070 Oil Filter, bypass
 1080 Oil Filter, full flow
 1090 P.T.O., flywheel
 1100 P.T.O., crankshaft front
 1110 Shutdown & Alarms
 1120 Starting Aids
 1130 Throttle Control

CLUTCH:
 1140 Model & Size
 1150 Clutch Control

MAIN TRANSMISSION:
 1160 Model
 1161 Rear Supports
 1170 Oil Filter

AUX. TRANSMISSION
 1180 Model
 1190 Oil Filter
 1200 Shift Control
 1210 Supports
 1220 Propeller Shaft Yokes

PROPS
 1230 Inter-Axle

REAR AXLE:
 1240 Model & Ratio
 1260 Bearings
 1270 Brakes
 1290 Cast Wheels & Drums
 1300 Hubs & Drums
 1310 Oil Seals
 1320 Tag or Pusher Axle
 1330 Vee Belt Drive

STEERING:
 1340 Gear
 1350 Pump, Cylinders & Lines
 1360 Reservoir
 1370 Steering Wheel
 1500 Anti-Lock: Valves & Controls
 1510 Wheel Equipment

FRAME:
 2010 Rail Material
 2020 Wheelbase
 2030 Overhang, Rear
 2040 Bumper, Front

CROSSMEMBER:
 2050 Engine Front
 2060 CAB, Front & Rear, Eng. Rear
 2070 Intermediate
 2080 Suspension, Rear
 2090 Frame Rear & Tow Devices
 2100 Tow Devices, Front

FRONT AXLE:
 2110 Model
 2120 Bearings
 2130 Brakes
 2140 Cast Wheels (Drums)
 2150 Hubs (Drums)
 2160 Oil Seals
 2170 Set Back Dimension

FRONT SUSPENSION:
 2180 Front Springs
 2190 Shock Absorbers
 2200 Spring Brackets, Front

REAR SUSPENSION:
 2210 Tandem Axle Brackets
 2220 Axle Spacing
 2230 Shock Absorbers
 2240 Torque Rods

AIR PRESSURE SYSTEM:
 2250 Compressor
 2260 Alcohol Evaporator
 2270 Moist. Eject. / Air Dryer
 2280 Hand Control Valve
 2290 Horns: Air
 2300 Front Wheel Limiting Valve
 2320 Piping (air lines)
 2330 Reservoirs (air tanks)
 2350 Trailer Hoses
 2360 Trailer Hose Support
 2370 Valves & Controls

AIR INTAKE:
 3010 Air Cleaner
 3020 Air Ducting
 3030 Restriction Indicator
 3040 Cooling: Fan

RADIATOR:
 3050 Radiator Supports
 3060 Radiator Hoses & Piping

SHUTTERS:
 3070 Sight Glass
 3080 Water Conditioner
 3090

EXHAUST:
 3100 Pipe, elbow at manifold

FUEL TANKS - RHS
 3110 **FUEL TANKS - LHS**
 3130 Lines: Primary Filter
 3140 Lines: Secondary Filter

ELECTRICAL:
 3150 Alternator
 3160 Batteries & Wiring
 3170 Battery Box
 3180 Horns: Electric

LAMPS:
 3190 Back-up
 3200 Cab Marker & Roof
 3210 Driving
 3220 Headlamps
 3240 Spotlamps
 3250 Tail, Turn & Stop
 3260 Turn Signal, Markers
 3280 Polarity

3290 STARTER:
 3300 Tractor Trailer Cable
 3310 Trailer Cable Recepticle
 3320 Voltage Regulator

WIRING:
 3321 Cab (radios)
 3322 Chassis

FIFTH WHEEL:
 3330 make & location
 3331 Mounting Accessories
 3340 Skid Ramp
 3350 P.T.O. - Main Trans.
 3360 P.T.O. - Aux. Trans.

3390 SLEEPER:

CAB:
 4010 Shell & Doors
 4011 Floorboards, Centre
 4012 Engine Cover
 4020 Air Conditioner
 4021 Compressor, freon
 4030 Floor Mats
 4040 Glass, incl. Rear Window
 4050 Grab Handle, Door Pull Strap
 4060 Heater & Defroster
 4070 Insulation
 4090 Interior Trim
 4100 Mirrors
 4110 Seats
 4120 Seat Belts
 4130 Steps
 4140 Windshield Washer
 4150 Windshield Wiper

4160 INSTRUMENTS: Panels
 4170 Group No. 1
 4180 Group No. 2
 4190 Air Application Gauge
 4200 Pyrometer
 4210 Speedometer & Odometer
 4220 Tachometer
 4230 Temp. Gauge - Eng. Water, etc.
 4240 Temp. Gauge - R. Axle Oil
 4250 Temp. Gauge - Trans Oil

4260 HOOD & FENDERS:
 4261 Grille

4270 TIRES: Make
 4280 Size, Ply, Cords
 4290 Tread, Types
 4330 Disc Wheels, Front
 4340 Disc Wheels, Rear
 4350 RIMS: Front
 4360 RIMS: Rear
 4370 Documentation
 4371 EPA Certification

4380 Misc. Chassis (Mudflaps)
 4390 Misc. Cabs (Mudflaps)

HOW TO USE YOUR MICROFICHE

You will find our Master Reference Number Index on page 1, and a detailed "Parts to Master Reference Numbers Guide " on pages 113-130. We hope these lists will assist you in finding the correct Bills of Material.

Trucks built after 1985 have the complete parts list and assembly breakdowns on the Truck Serial Number fiche. To find the part you are looking for simply find the correct Master Reference and all parts required will be listed. If the assembly breakdown you are looking for does not appear on the truck microfiche you may want to check your newest copy of the "Assembly Lists" as this list is continually being updated and added to.

Trucks built in 1985 or before use a two-part method to find information. You use the Truck Serial Number microfiche to find the Bills of Material required, then go to a second set of microfiche called "Current Bills of Material" to find your part number. The Bills of Material number is made up of the Master Reference number, then a three digit list number, and a two digit level number. This is the number used to locate a part on the blue header "Bills of Materials" fiche if you are looking up a truck that was built before 1985.

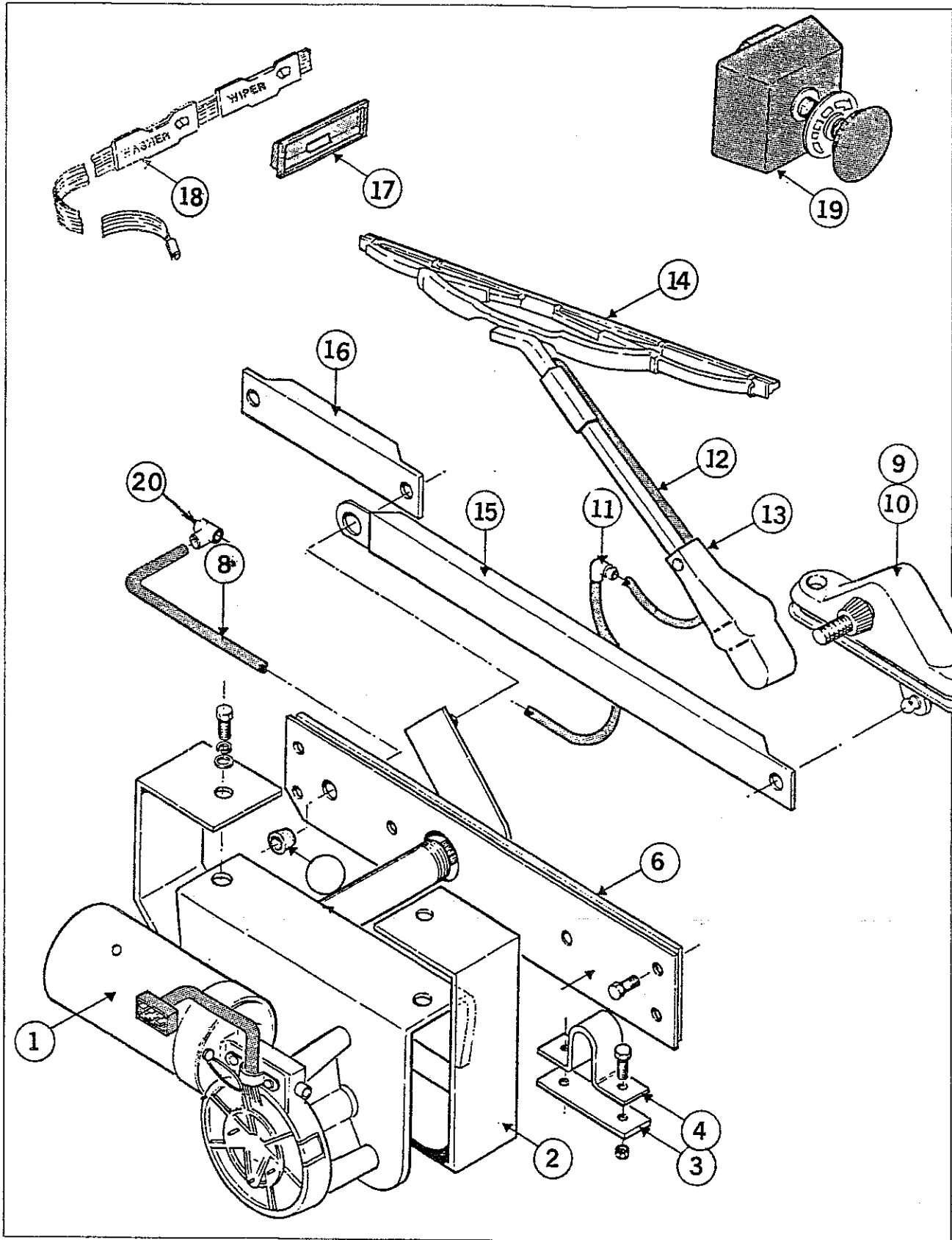
Example :

Suppose you wish to find the part number for a Power Steering Reservoir for Truck Serial Number 908348. Start with the Truck Serial Number fiche with the pink header. You will also need to know the Master Reference for power steering reservoirs . You can find this on the Master Reference Index or the Parts to Master Reference Guide The master reference for Power Steering Reservoirs is 1360, so once you have found the serial number of the truck, follow down the listings until you find the Bills of Material of 1360. You will see it listed as 1360-014-00. Next go to the microfiche with the blue headers titled "Current Bills of Material" for Master Reference 1360. In the upper right of each page is a box that breaks down the parts list number into its three parts - the Master Reference number, the three digit list number, and the first digit of the level number. Each column of the parts list has the two digit number for the parts list for a particular truck. In this case the column you need to look down is -00-. Most of the time, that's all you need to do to get a part number.

Sometimes,, under the Bills of Material there is a notation "TJT" followed by a number. This means there is a deletion or addition to the Bills of Material for this application. This is a special option requested by the customer. When you find a TJT number underneath the Bills of Material, look it up on the "TJT Bills of Material" fiche with the red header.

There is one other important microfiche you will find useful. This is the "Assembly Lists" with the green header. This fiche lists breakdowns of vendor assemblies by the assembly part number. For example, to find a heater / air conditioner motor, find the part number of the heater assembly in this fiche and you will find a list of the components in the assembly including the motor. This fiche is constantly being updated and new assemblies added to it. When you receive a new set of these discard the old fiche.

Bosch Phase I Windshield Wipers





Bosch Phase I Windshield Wipers

Bosch Phase 1 wiper systems were used in late Pre-cornerstone and early Cornerstone applications. A Bosch Phase 1 installation can be recognized by the fact that the wiper motor is mounted under the hood on the firewall.

Item	Part Number	Qty	Description
1	62801-3409	1	Motor Assy, Windshield Wipers
2	62820-3401	1	Protective Cover
3	50140-3406	1	Reinforcing Plate
4	62803-3405	1	Bracket, Drive Shaft
5	62803-3408	1	Blanking Plate
6	62828-3403	1	Gasket
7	638613	1	Grommet
8	04-9053526	3	Rubber Hose
9	62809-3404	1	Pivot and Housing Left Hand
10	62809-3405	1	Pivot and Housing Right Hand
11	62910-3401	2	Bulkhead Connectors
12	04-9053526	2	Rubber Hose
13	62805-3404	2	Wiper Arm Assy
14	62806-3406	2	Wiper Blade
15	62832-3408	1	Connecting Link LH
16	62832-3409	1	Connecting Link RH
17	02-7015917	1	Bezel
18	57016-3408	1	Optic Tape, Wipe/Washer
19	62802-3406	1	Switch, Intermittant Wipers
19	62802-3405	1	Switch, Continuous Wipers
20	62908-3401	1	Windshield Washer Tee

This kit is NLA - must purchase components

SUBJECT: BOSCH ELECTRIC WINDSHIELD WIPER RETROFIT KIT PART NUMBER 62890-4402

Western Star Trucks has recently switched to Bosch electric windshield wipers as standard on all trucks. With this change, Engineering has released a retrofit kit to allow trucks in service to use this product improvement. The following schematic, installation drawing and parts list explains how to retrofit the new Bosch kits. By following the instructions and drawings you will be able to retrofit the Bosch wipers.

NOTE: When converting from dual air operated wipers, part number 62820-3402, cover and part number 437709, plug, are also required.

INSTALLATION INSTRUCTIONS FOR BOSCH ELECTRIC WINDSHIELD WIPERS

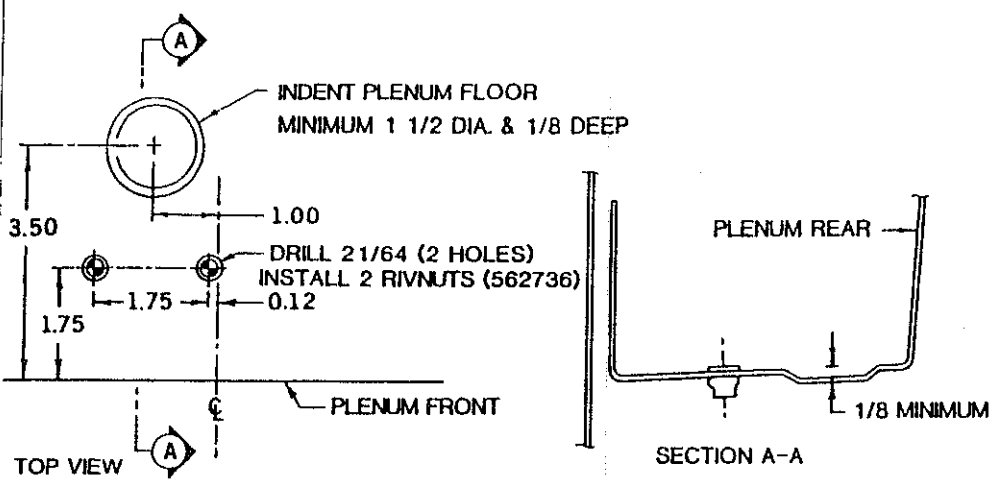
1. Remove existing wiper arms and wiper motor.
2. a) For existing single wiper motor system:

Remove switch, air valve, and air piping to manifold 72401-3401 located under dash. Remove elbow fitting on bulkhead connector on manifold and install plug A11052X to close off air supply. Increase diameter of existing 1/2" diameter switch hole in dash to 5/8" diameter. Install switch 62802-3404.
- b) For existing dual wiper motor system:

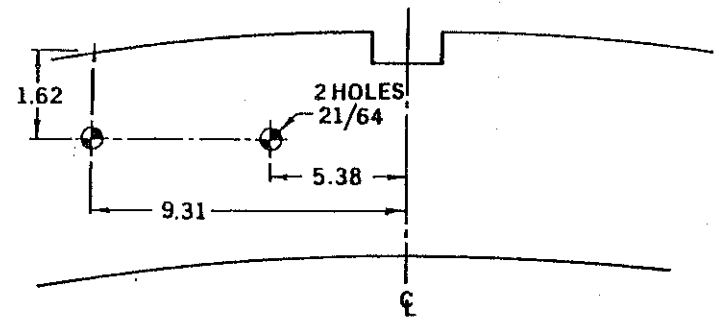
Follow instructions as per above for both switches but increase only one 1/2" diameter switch hole to 5/8" diameter. Blank off second 1/2" diameter switch hole with plug 437709.
- c) For existing wiper systems with Kysor air filter:

Remove Kysor air filter and air piping.
3. Install blanking plate 62803-3408 and use as template to cutout firewall for drive shaft clearance and for motor mounting holes as shown on installation drawing.

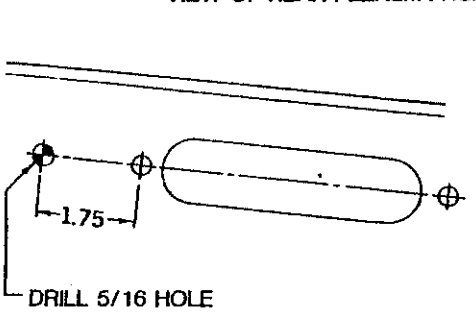
4. Install support bracket 62804-3401 under cowl skin on passenger side as shown on installation drawing.
5. Install cover plate 62820-3402 over second motor mounting hole in firewall if retrofitting over dual Sprague system.
6. Mount motor and bracket assembly to blanking plate per installation drawing.
7.
 - a) Install washer bulkhead elbow to washer tee with hose 04-9053526 through motor mounting plate as shown on installation drawing.
 - b) Connect hose 04-9053526 to washer tee inside air plenum as shown on installation drawing.
8. Install pivot tower assembly on cowl drivers and passenger side as shown on installation drawing.
9.
 - a) Connect washer hose on wiper arms to bulkhead elbows as described on installation drawing. Point elbows on wiper arms toward windshield.
 - b) Connect hose 04-9053526 inside plenum to bottom of washer towers.
10. Connect links 62832-3408 drivers side and 62832-3409 passenger side and drive shaft support bracket 62803-3405 as shown on installation drawing.
11. Install additional 20 AMP circuit breaker on electrical panel. Plug male end of connector on harness 87333-3406 into female end of motor harness. Feed harness 87333-3406 through nearest available port in firewall. Connect harness 87333-3406 and cable assembly K8258F-054BS to switch 62802-3404 and circuit breaker as shown on wiring schematic.
12. Test linkage and wiper arm positioning by turning motor over. Make any adjustments necessary to linkage or wiper arms and torque down as instructed on installation drawing.



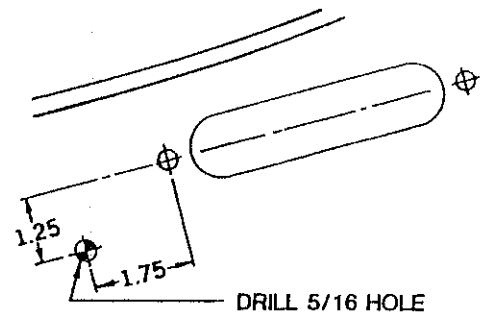
DETAIL ①



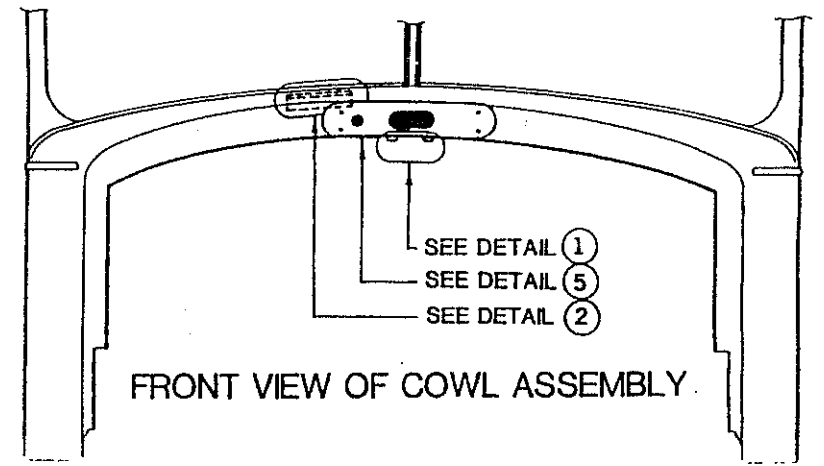
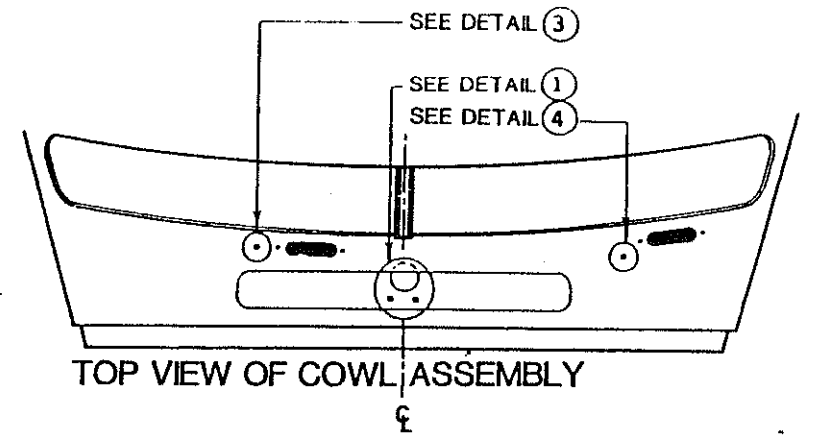
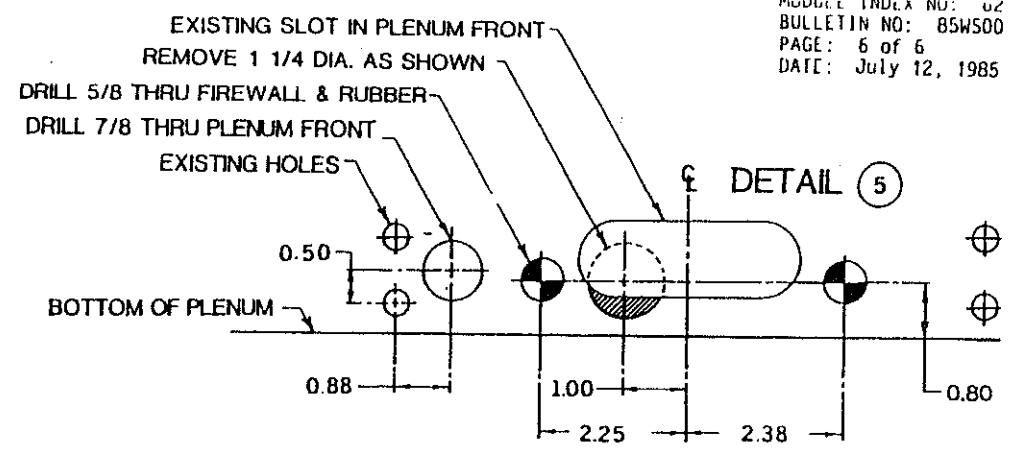
DETAIL ②



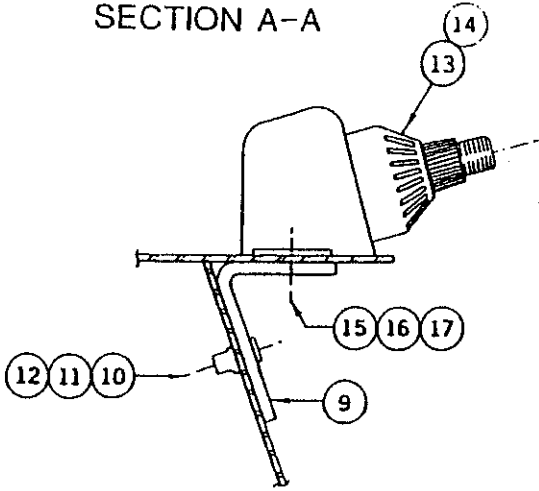
DETAIL ③



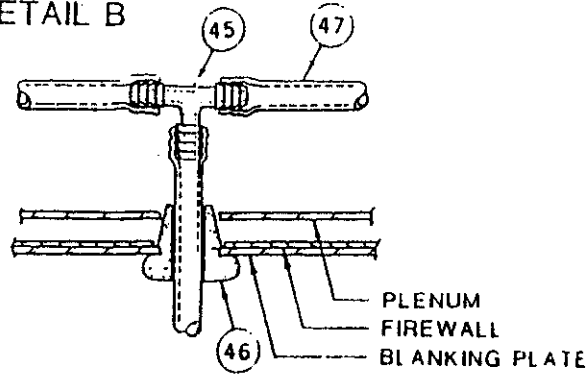
DETAIL ④



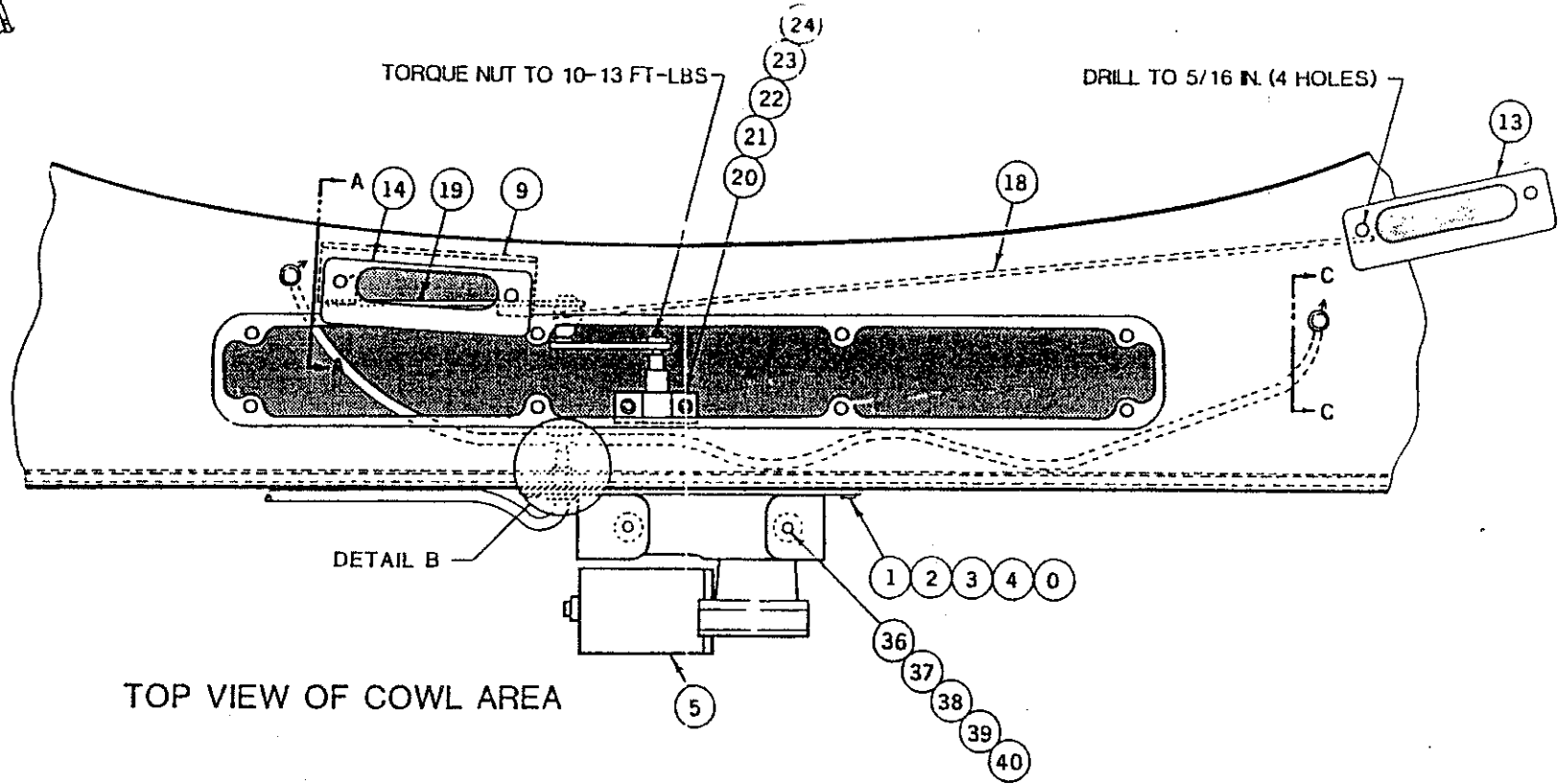
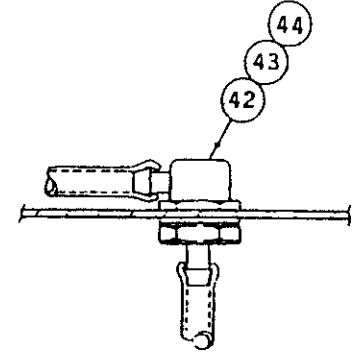
SECTION A-A



DETAIL B

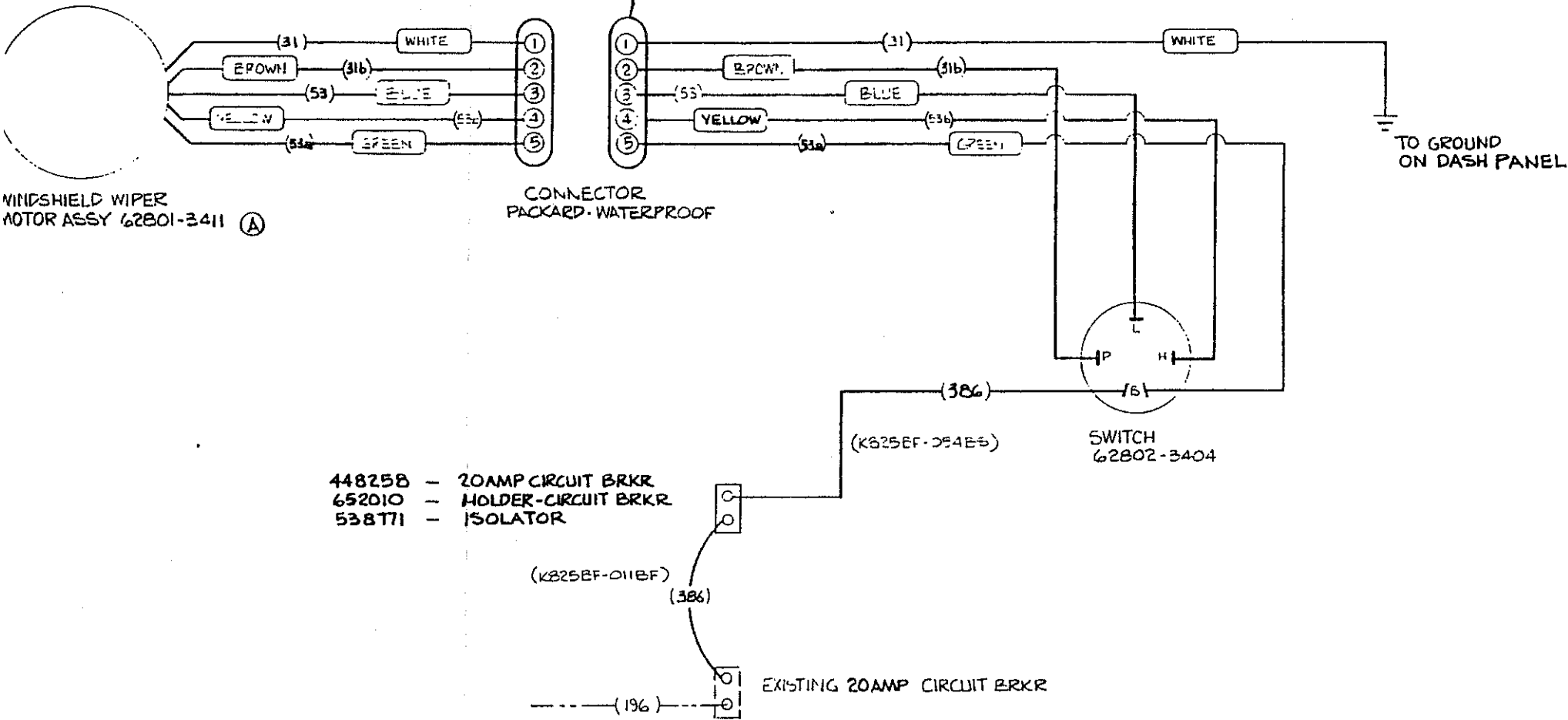


SECTION C-C



TOP VIEW OF COWL AREA

HARNESS 87333-3406
 SUPPLIED BY BOSCH



- 448258 - 20AMP CIRCUIT BRKR
- 652010 - HOLDER-CIRCUIT BRKR
- 538T71 - ISOLATOR

ELECTRIC WINDSHIELD WIPER RETROFIT WIRING SCHEMATIC

ITEM	DESCRIPTION	QTY.	PART NUMBER
0	NUT, HEX .25-20	4	99-120375
1	BLANKING PLATE	1	62803-3408
2	BOLT, HEX .25-20 x 1.25	4	99-180024
3	WASHER, LOCK .25	4	99-120380
4	WASHER, FLAT .38x.81x.06	4	99-120394
5	MOTOR ASSEMBLY	1	62801-3411
6	BOLT, HEX .25-20x.50	2	99-180016
7	WASHER, LOCK .25	2	99-120380
8	WASHER, FLAT .25x.62	2	99-120392
NOTE: MOUNT (1) BLANKING PLATE TO (5) MOTOR ASSEMBLY FIRST, USING (6) (7) (8). THEN MOUNT UNIT TO FIREWALL USING (2) (3) (4)			
9	REINFORCEMENT ANGLE	1	62804-3401
10	NUTSERT .25-20x.50	2	562736
11	WASHER, FLAT .25x.62	2	99-120392
12	BOLT, HEX .25-20x.75	2	99-180020
13	PIVOT & HOUSING ASSY DRVR	1	62809-3404
14	PIVOT & HOUSING ASSY PASS	1	62809-3405
15	SCREW, PHILLIPS .25-20x1.00	4	04-9028591
16	WASHER, LOCK .25	4	99-120380
17	NUT, HEX .25-20	4	99-120375
NOTE: MOUNT (9) REINFORCEMENT ANGLE TO PLENUM USING (10) (11) (12) MOUNT (13) (14) PIVOT & HOUSING ASSY TO COWL USING (15) (16) (17)			
18	LINK,CONNECTING DRVR	1	62832-3408
19	LINK,CONNECTING PASS	1	62832-3409
20	BRACKET, WIPER MOTOR DRIVE	1	62803-3405
21	NUTSERT, .25-20x.50	2	562736
22	WEATH-R-SEAL WASHER	2	04-9041024
23	WASHER, FLAT .25x.62	2	99-120392
24	BOLT, HEX .25-20x.75	2	99-180020
25	WIPER ARM ASSY BOSCH	2	62805-3404
26	WIPER BLADE, WET ARM BOSCH	2	62806-3406
27	SWITCH, W/S WIPER, W/O WASH	1	62802-3404
NOTE: DRILL EXISTING HOLE TO .625 DIA.			
28	CIRCUIT BREAKER 20 AMP	1	448258
29	BRACKET, CIRCUIT BREAKER	1	652010
30	INSULATOR	1	538771
31	TE IAL, FLAG 14/16 GA.	1	04-9051532

ITEM	DESCRIPTION	QTY.	PART NUMBER
32	WASHER, FLAT +10x.22	1	99-120391
33	CABLE ASSY, C BRKR TO C BRKR	1	K825BF-011BF
34	HARNESS, W/WIPERS	1	87333-3406
35	CABLE ASSY, SW TO C BRKR	1	K825BF-054BS
36	COVER, W/WIPER MOTOR	1	62820-3401
37	WELLNUT	2	667388
38	BOLT, HEX .25-20x.75	2	99-180020
39	WASHER, FLAT .25x.62	2	99-120392
40	WASHER, LOCK .25	2	99-120380
41	PLUG .125 NPT	2	A11052X
NOTE: INSTALL AS REQ'D IN MANIFOLD SUPPLY PORTS			
42	CONNECTOR, BULKHEAD ELBOW	2	62910-3401
43	WASHER, M8	2	4011-3402
44	NUT, HEX M8	2	4012-3402
45	TEE, W/ WASHER	1	62908-3401
46	GROMMET	1	638613
47	HOSE	54 IN.	04-9053526

NOTE: THESE PARTS ARE NOT INCLUDED IN KIT -MUST BE ORDERED SEPERATELY
FOR DUAL WIPERS USE:

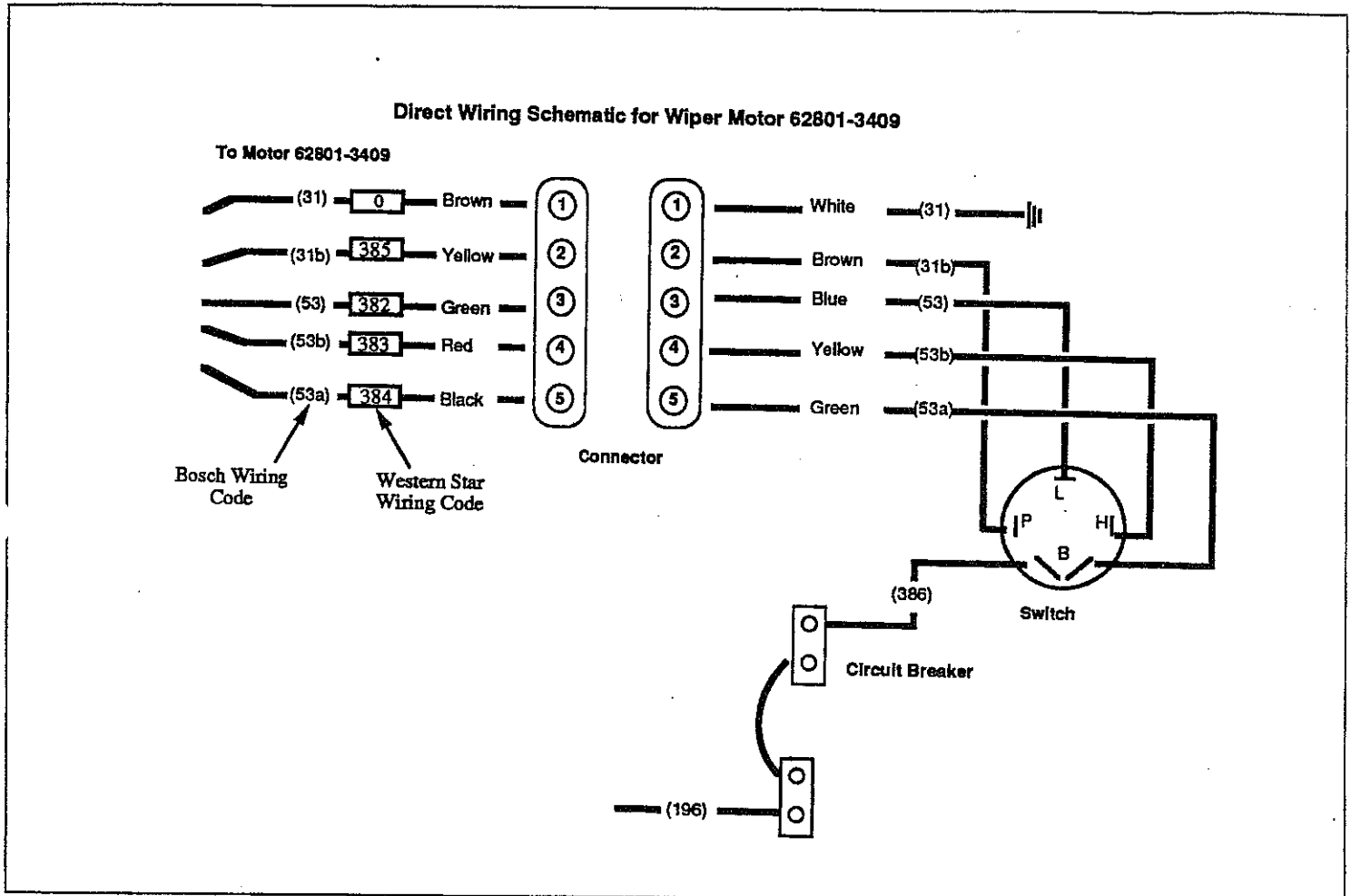
COVER, WIPER MOTOR CUTOUT	1	62820-3402
BOLT, HEX .25-20x1.25	4	99-180024
WASHER, LOCK .25	4	99-120380
NUT, HEX .25-20	4	99-120375
PLUG, .50 CHROME, WIPER SW	2	437709

MODULE INDEX NO:
BULLETIN NO: 854
PAGE: 3 of 6
DATE: July 12, 1



Windshield Wiper Motor - Wiring Change

Due to a production change of the connector plug on the wiring harness of Windshield Wiper Motor part number 62801-3409, it may not directly replace a older existing motor. Should a change be noted the following schematic illustrates a direct hook up for the wiring.





Notes

Decimal / Fraction Conversion Chart

.02	1 / 64	.52	33 / 64
.03	1 / 32	.53	17 / 32
.05	3 / 64	.55	35 / 64
.06	1 / 16	.56	9 / 16
.08	5 / 64	.58	37 / 64
.09	3 / 32	.59	19 / 32
.11	7 / 64	.61	39 / 64
.12	1 / 8	.62	5 / 8
.14	9 / 64	.64	41 / 64
.16	5 / 32	.66	21 / 32
.17	11 / 64	.67	43 / 64
.19	3 / 16	.69	11 / 16
.20	13 / 64	.70	45 / 64
.22	7 / 32	.72	23 / 32
.23	15 / 64	.73	47 / 64
.25	1 / 4	.75	3 / 4
.27	17 / 64	.77	49 / 64
.28	9 / 32	.78	25 / 32
.30	19 / 64	.80	51 / 64
.31	5 / 16	.81	13 / 16
.33	21 / 64	.83	53 / 64
.34	11 / 32	.84	27 / 32
.36	23 / 64	.86	55 / 64
.38	3 / 8	.88	7 / 8
.39	25 / 64	.89	57 / 64
.41	13 / 32	.91	29 / 32
.42	27 / 64	.92	59 / 64
.44	7 / 16	.94	15 / 16
.45	29 / 64	.95	61 / 64
.47	15 / 32	.97	31 / 32
.48	31 / 64	.98	63 / 64
.50	1 / 2	1.00	1



* *BARE CAB SHELLS ONLY. Service Cabs HTG SERVICE CABS NLA.*

Service Cabs are now built **As Per Serial Number** of the truck they are being ordered for. They are painted a single colour to match the original paint scheme unless otherwise requested. For the purpose of quoting prices Western Star has set up **estimate** prices. Final prices will vary according to the options the customer requests, and will be confirmed when the Purchase Order is received by Customer Service in Kelowna. Delivery time is approximately 6 weeks from date of order.

All Service Cabs and Sleepers are delivered Freight On Board from Kelowna.

Econo Cab

Includes:

(This cab is the standard build from our Data Book with no options.)

- Standard non-tilt Ross Column with 22" plastic Steering Wheel
- Omit Tractor Protection and Hand Control Valves
- Single 24" Air Horn
- Single 13" Nelson Air Cleaners, Painted
- Single 'B' Cab Exhaust Brackets
- Cab Heater
- Econo Upholstery
- Rubber Floor Mats
- Cushion-Aire Low Back Driver's Seat w/ Naugahyde Upholstery
- Tubular Frame Passenger Seat w/ Naugahyde Upholstery
- Basic Gauges
- Standard Rear Window Opening

Medium Cab

Includes:

- Tilt Steering Column with 20" Plastic Steering Wheel
- Tractor Protection and Hand Control Valves
- Dual 25" Hadley Air Horns
- Dual 13" Nelson Air Cleaners, Painted
- Dual 'B' Cab Exhaust Brackets
- Cab Heater/Air Conditioner
- Severe Service Cab Reinforcing
- Super Appearance Upholstery
- Right Hand Visibility Window in Door
- Rubber Floor Mats
- Cushion-Aire High Back Driver's & Passenger's Seats with Cloth Inserts
- Extra Gauges
- Standard Rear Window Opening
- Heated Mirrors



Service Cabs

Deluxe Cab

Includes:

- Tilt Steering Column with 18" Leather Steering Wheel
- Tractor Protection and Hand Control Valves
- Ether Start
- Dual 29" Hadley Air Horns
- Dual 13" Nelson Air Cleaners, Stainless Steel
- Dual 'B' Cab Exhaust Brackets
- Cab Heater/Air Conditioner
- Lightweight Cab
- Stainless Steel Cab Skirts
- Super Appearance with Velour Upholstery
- Alpine AM/FM Cassette Deck & Clock
- Right Hand Visibility Window in Door
- Cab Carpeting
- Bostrom High Back Driver's & Passenger's Seats with Cloth Inserts
- Extra Gauges
- Standard Rear Window Opening
- Dual Moto-Mirrors, Heated and Lighted
- Chrome Back-up Lamps on Mirrors
- Dual Spot Lamps

Cab Door Parts

Old Style Lever Type Door Handle

(note - this uses same latch, etc. as listed with push button handle)

<i>Description:</i>	<i>WST Part No.</i>
<i>Outside Handle, RH or LH</i>	<i>544548</i>
<i>Escutcheon</i>	<i>687544</i>

Later Style Push Button Stationary Door Handle

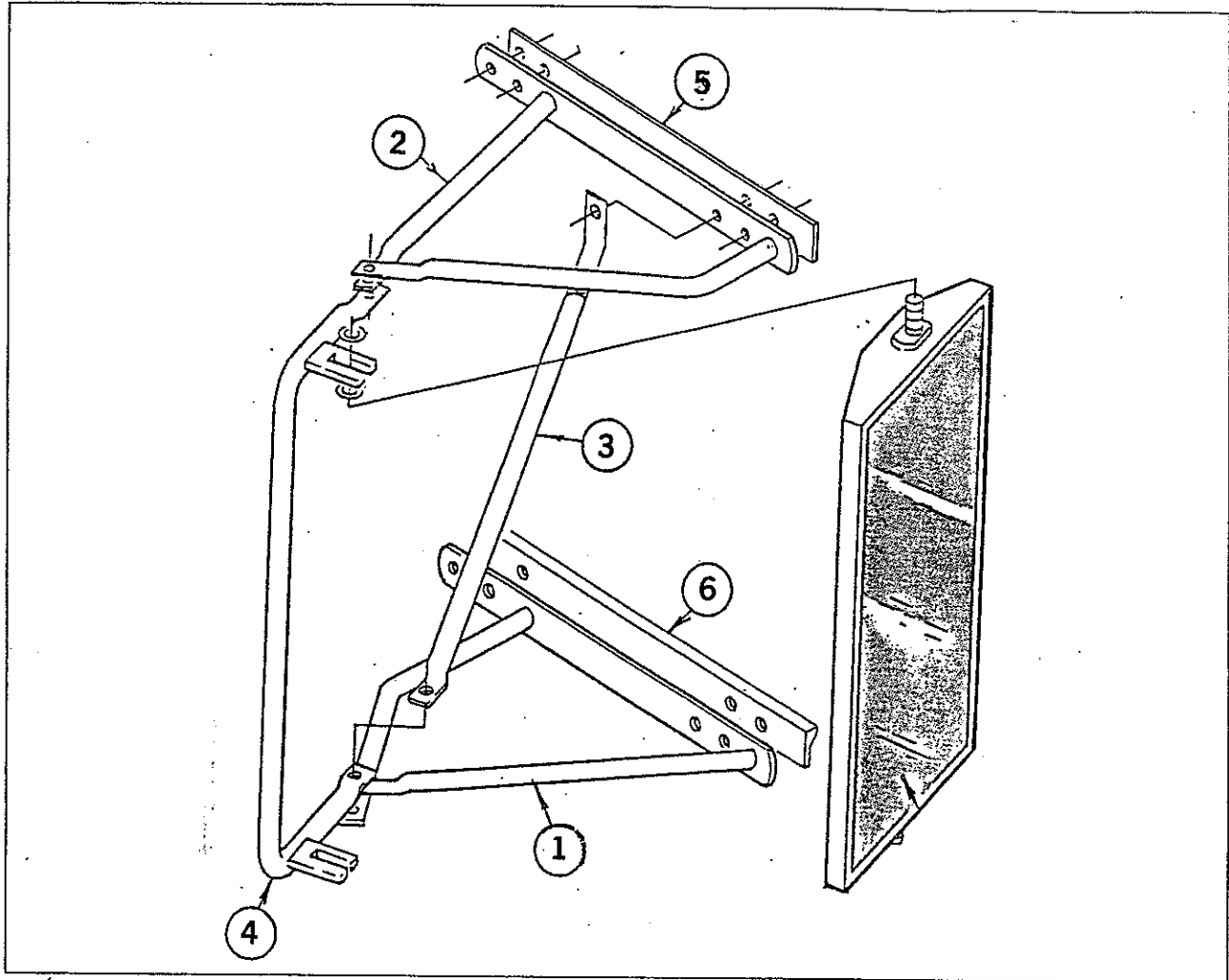
<i>Description:</i>	<i>WST Part No.</i>
<i>Outside Handle, RH or LH</i>	<i>02-7011511</i>
<i>Gasket, Door Handle</i>	<i>02-7012822</i>
<i>Gasket, Door Handle</i>	<i>02-7012883</i>
<i>Reinforcement</i>	<i>02-7012894</i>
<i>Screw</i>	<i>622712</i>
<i>Locknut</i>	<i>02-7012897</i>
<i>Cylinder, Door Lock</i>	<i>02-7011518</i>
<i>Escutcheon, Lock Cylinder</i>	<i>687544</i>
<i>Ring, Lock Cylinder</i>	<i>657544</i>
<i>Remote Control Rod Assembly</i>	<i>02-7011466</i>
<i>Inside Handle, RH or LH</i>	<i>474209A</i>
<i>Escutcheon</i>	<i>473761</i>
<i>Pin</i>	<i>347014</i>
<i>Handle, Window Regulator, RH or LH</i>	<i>672006</i>
<i>Escutcheon</i>	<i>473761</i>
<i>Pin</i>	<i>347014</i>
<i>Latch Assembly, on door, LH</i>	<i>565200</i>
<i>Latch Assembly, on door, RH</i>	<i>565201</i>
<i>Screw (3 per assembly)</i>	<i>02-7106500</i>
<i>Latch Keeper Assembly, on cab, LH</i>	<i>02-7106360</i>
<i>Latch Keeper Assembly, on cab, RH</i>	<i>02-7106361</i>
<i>Screw (3 per assembly)</i>	<i>02-7106375</i>
<i>Dovetail, on door</i>	<i>02-7106438</i>
<i>Retainer, tapping plate</i>	<i>02-7011469</i>
<i>Tapping Plate</i>	<i>02-7012922</i>
<i>Screw</i>	<i>02-7106374</i>
<i>Dovetail Assembly, on cab</i>	<i>02-7011474</i>
<i>Window Regulator, LH</i>	<i>565914</i>
<i>Window Regulator, RH</i>	<i>565211</i>

Cab Door Parts

Current Style Paddle Type Door Handles

<i>Description:</i>	<i>WST Part No.</i>
<i>Outside Handle, RH</i>	<i>04-9048335</i>
<i>Outside Handle, LH</i>	<i>04-9045727</i>
<i>Retainer, Cylinder Lock</i>	<i>50296-0003</i>
<i>Spacer, Lock Retainer</i>	<i>1090412</i>
<i>Key, (Wedge)</i>	<i>50274-0001</i>
<i>Spring Clip</i>	<i>05066-0</i>
<i>Inside Handle, RH</i>	<i>50271-3401</i>
<i>Inside Handle, LH</i>	<i>50270-3401</i>
<i>Handle, Window Regulator, RH or LH</i>	
<i>Escutcheon</i>	<i>672006</i>
<i>Pin</i>	<i>473761</i>
<i>Latch Assembly, inside door, RH</i>	<i>50277-3401</i>
<i>Latch Assembly, inside door, LH</i>	<i>50276-3401</i>
<i>Latch Assembly, outside door, RH</i>	<i>50251-3401</i>
<i>Latch Assembly, outside door, LH</i>	<i>50250-3401</i>
<i>Rod, inside handle release, RH</i>	<i>50286-3402</i>
<i>Rod, inside handle release, LH</i>	<i>50286-3401</i>
<i>Rod, lock button, RH</i>	<i>04-9048296</i>
<i>Rod, lock button, LH</i>	<i>04-9048009</i>
<i>Rod, key, locking, RH</i>	<i>04-9048013</i>
<i>Rod, key, locking, LH</i>	<i>04-9048012</i>
<i>Rod, outside handle</i>	<i>04-9048008</i>
<i>Window Regulator, RH</i>	<i>565211</i>
<i>Window Regulator, LH</i>	<i>565914</i>
<i>Dovetail Plate, on door, RH</i>	<i>50277-3404</i>
<i>Dovetail Plate, on door, LH</i>	<i>50276-3404</i>
<i>Capscrew</i>	<i>4019-3429</i>
<i>Dovetail, on cab</i>	<i>50253-3401</i>
<i>Tapping Plate, dovetail</i>	<i>50258-3401</i>
<i>Striker Pin</i>	<i>50107-0001</i>
<i>Mounting Plate</i>	<i>50106-0004</i>
<i>Shim</i>	<i>50275-0001</i>
<i>Screw</i>	<i>02-7106374</i>

Stainless Steel Mirror Arms



Item	Part Number	Quantity	Description
			MIRROR ARMS, LH SIDE, OUTSIDE AIR
1	62203-3443	1	Mirror Arm, Lower LH
2	62203-3439	1	Mirror Arm Assembly, Upper
3	62203-3447	1	Mirror Arm, Diagonal, LH
4	62203-3451	1	Mirror Arm, Dee
5	62208-3404	1	Isolator, Mirror Upper
6	62208-3405	1	Isolator, Mirror Lower
-	4001-3409	2	Bolt, SST Hex .25-20 X4 (To Cab)
-	4001-3408	2	Bolt, SST Hex .25-20 X 3.0 (To Cab)
-	4006-3401	4	Nut, Hex SST, 1/4-20 UNC (To Cab)
-	4002-3404	8	Flat Washer SST 1/4 Std (To Cab)
-	9055185	4	Acorn Nut SST 1/4-20 (To Cab)
-	9028590	4	Screw, Pan Phi SST .25-20 X .75 (To Cab)
-	4001-3411	2	Bolt, SST Hex .388-16 X 1.0 (To Dee Arms)
-	9055186	2	Nut, Acorn SST 3/8-16 (To Dee Arms)
-	4002-3402	4	Flat Washer SST .38 Std (To Dee Arms)
-	4002-3403	2	Lock Washer SST 3/8 (To Dee Arms)



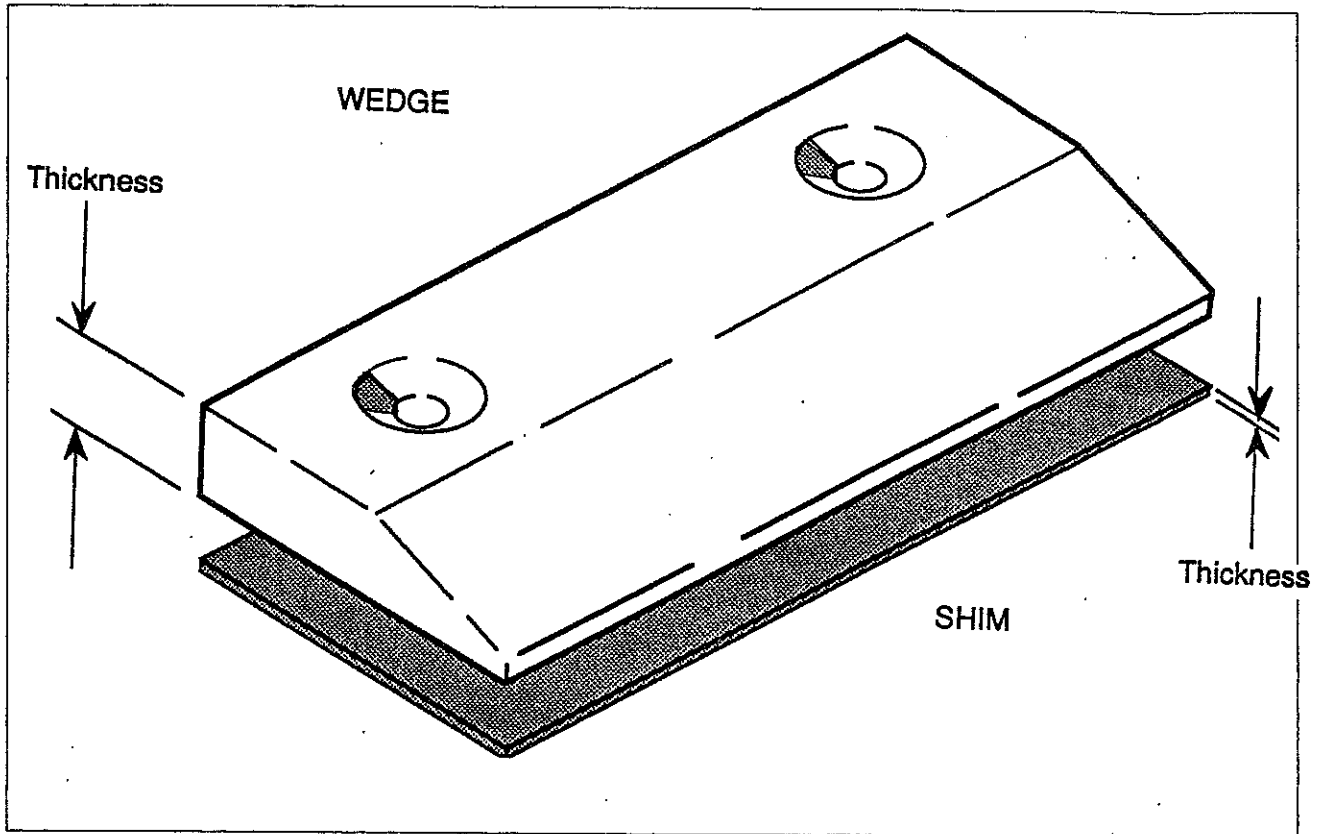
Stainless Steel Mirror Arms

Item	Part Number	Quantity	Description
			MIRROR ARMS, RH SIDE, OUTSIDE AIR
1	62203-3445	1	Mirror Arm, Lower RH
2	62203-3439	1	Mirror Arm Assembly, Upper
3	62203-3449	1	Mirror Arm, Diagonal, RH
4	62203-3451	1	Mirror Arm, Dee
5	62208-3404	1	Isolator, Mirror Upper
6	62208-3405	1	Isolator, Mirror Lower
-	4001-3409	2	Bolt, SST Hex .25-20 X4 (To Cab)
-	4001-3408	2	Bolt, SST Hex .25-20 X 3.0 (To Cab)
-	4006-3401	4	Nut, Hex SST, 1/4-20 UNC (To Cab)
-	4002-3404	8	Flat Washer SST 1/4 Std (To Cab)
-	9055185	4	Acorn Nut SST 1/4-20 (To Cab)
-	9028590	4	Screw, Pan Phi SST .25-20 X .75 (To Cab)
-	4001-3411	2	Bolt, SST Hex .388-16 X 1.0 (To Dee Arms)
-	9055186	2	Nut, Acorn SST 3/8-16 (To Dee Arms)
-	4002-3402	4	Flat Washer SST .38 Std (To Dee Arms)
-	4002-3403	2	Lock Washer SST 3/8 (To Dee Arms)

Item	Part Number	Quantity	Description
			MIRROR ARMS, LH SIDE, INSIDE / OUTSIDE AIR
1	62203-3453	1	Mirror Arm, Lower LH
2	62203-3439	1	Mirror Arm Assembly, Upper
3	62203-3447	1	Mirror Arm, Diagonal, LH
4	62203-3451	1	Mirror Arm, Dee
5	62208-3404	1	Isolator, Mirror Upper
6	62208-3405	1	Isolator, Mirror Lower
-	4001-3409	2	Bolt, SST Hex .25-20 X4 (To Cab)
-	4001-3408	2	Bolt, SST Hex .25-20 X 3.0 (To Cab)
-	4006-3401	4	Nut, Hex SST, 1/4-20 UNC (To Cab)
-	4002-3404	8	Flat Washer SST 1/4 Std (To Cab)
-	9055185	4	Acorn Nut SST 1/4-20 (To Cab)
-	9028590	4	Screw, Pan Phi SST .25-20 X .75 (To Cab)
-	4001-3411	2	Bolt, SST Hex .388-16 X 1.0 (To Dee Arms)
-	9055186	2	Nut, Acorn SST 3/8-16 (To Dee Arms)
-	4002-3402	4	Flat Washer SST .38 Std (To Dee Arms)
-	4002-3403	2	Lock Washer SST 3/8 (To Dee Arms)

Item	Part Number	Quantity	Description
			MIRROR ARMS, RH SIDE, INSIDE / OUTSIDE AIR
1	62203-3455	1	Mirror Arm, Lower RH
2	62203-3439	1	Mirror Arm Assembly, Upper
3	62203-3449	1	Mirror Arm, Diagonal, RH
4	62203-3451	1	Mirror Arm, Dee
5	62208-3404	1	Isolator, Mirror Upper
6	62208-3405	1	Isolator, Mirror Lower
-	4001-3409	2	Bolt, SST Hex .25-20 X4 (To Cab)
-	4001-3408	2	Bolt, SST Hex .25-20 X 3.0 (To Cab)
-	4006-3401	4	Nut, Hex SST, 1/4-20 UNC (To Cab)
-	4002-3404	8	Flat Washer SST 1/4 Std (To Cab)
-	9055185	4	Acorn Nut SST 1/4-20 (To Cab)
-	9028590	4	Screw, Pan Phi SST .25-20 X .75 (To Cab)
-	4001-3411	2	Bolt, SST Hex .388-16 X 1.0 (To Dee Arms)
-	9055186	2	Nut, Acorn SST 3/8-16 (To Dee Arms)
-	4002-3402	4	Flat Washer SST .38 Std (To Dee Arms)
-	4002-3403	2	Lock Washer SST 3/8 (To Dee Arms)

Cab Door Wedges and Shims



Door Wedges

Part Number	Thickness
50275-3408	1/4"
50275-3409	5/16"
50275-3410	3/8"
50275-3411	7/16"
50275-3413	1/2"
50275-3414	9/16"
50275-3415	5/8"
50275-3417	3/16"

Shims

Part Number	Thickness
50275-3416 (Aluminum)	0.06"
50275-3418 (Plastic)	0.03"
50275-3420 (Plastic)	0.01"
50275-3426 (Plastic)	0.06
50275-3427 (Plastic)	0.12"



Notes

Locks Set, Cab & Ignition # 50901-3414

Lock Set, Cab, Ignition, and Sleeper # 50901-3415

Blank Key # 50902-3402

Digital Alarm Clock # 59201-3402

Bulb for Ametec Speedo or Tach # Y101506

Bulk Aluminized Insulation - Doghouse & Firewall # 04-9037248

Bulk Cab Floor Insulation # 04-9001077 (req. 24 Sq Ft.)

Bulk Hood Insulation # 04-9034359 (req. 16 Sq Ft.)

Electronic Window Switch 7808-3450.

Clearance Lights - 7808-3438

Dash Components - Cornerstone Vehicles

Lighted Toggle Switch (if light source fails, replace complete switch)

SPST = single pole, single throw

SPDT = single pole, double throw

DPST = double pole, single throw

DPDT = double pole, double throw

Description (switches are used in more than one application)

Part No.

Back of Sleeper Back Up Lamp - ON (green) / OFF (amber) - SPST	7807-3412
Back Up Lamp - ON (red) / OFF (amber) - SPST	7808-3411
Brake Saver Auto / Manual - ON (red) / OFF (amber) - STST	7808-3411
Cruise Control - ON (green) / OFF (amber) - SPST	7808-3412
Cruise Control - ON (amber) / OFF (clear) / ON (green)	7808-3413
Cruise Control - Set / Coast - ON (amber) / OFF (clear) / ON (red) - DPDT	7808-3414
Cruise Control - Resume/Accel - ON (amber) / OFF (clear) / ON (red) - DPDT	7808-3414
Cruise Control - ON (amber) / ON (momentary-green) - SPDT - Diagnostic switch	7808-3415-7808-3
Cruise Control - ON (red) / OFF (amber) - DPST	7808-3418
DDEC - ON (red) / OFF (amber) - STST	7808-3411
Defroster Fan - ON (amber) / OFF (clear) / ON (green) - DPDT	7808-3413
Driving Lamp - ON (red) / OFF (amber) - SPST	7808-3411
Dual Fuel Tank Sender - ON (amber) / ON (amber) - SPST	7808-3417
Engine Brake - ON (amber) / OFF (clear) / ON (green) - DPDT	7808-3413
Fog Lamp - ON (red) / OFF (amber) - SPST	7808-3411
Fuel / Water Filter - ON (red) / OFF (amber) - SPST	7808-3411
Fuel Heater - ON (red) / OFF (amber) - SPST	7808-3411
Headlamp - ON (amber) / OFF (clear) / ON (green) - DPDT	7808-3413 3439
Heated Mirrors - ON (amber) / OFF (clear) / ON (green) - DPDT	7808-3413
Jake Brake - ON (red) / OFF (amber) - SPST	7808-3411
Jake 2 Position - ON (amber) / ON (green) - DPDT	7808-3420
Jake 3 Position - ON (amber) / ON (green) / ON (green) - DPDT	7808-3421
Rotating Beacon - ON (red) / OFF (amber) - SPST	7808-3411
Spot Lamp - ON (red) / OFF (amber) - SPST	7808-3411
Sleeper Courtesy Lamp - ON (red) / OFF (amber) - SPST	7808-3411
Sleeper Interior Lamp - ON (amber) / ON (amber) - SPST	7808-3417
Sleeper Start - ON (red) / OFF (amber) - DPST	7808-3418
Spare Optional - ON (red) / OFF (amber) - SPST	7808-3411
Tractor Marker Lamp - ON (green) / OFF (amber) - SPST	7808-3412
Trailer Lamps - ON (green) / OFF (amber) - SPST	7808-3412 (343)
Webasto - ON (red) / OFF (amber) - SPST	7808-3411

Other Toggle Switches:

ON / ON - SPST	7808-3401
(used on dual fuel tank sender, sleeper interior light)	
ON / ON (momentary, used on rig saver) - SPDT	7808-3406
ON / OFF / ON - DPDT	7808-3410
ON / ON - SPDT	559232

Item 1 - Circuit Breaker:

10 Amp	87001-3402
15 Amp	87001-3403
20 Amp	87001-3404
30 Amp	87001-3405

Item 2 - Fuse: (plug-in Littell fuse brand)

3 Amp	7641-3402
5 Amp	7641-3403
7.5 Amp	7641-3404
10 Amp	7641-3405
15 Amp	7641-3406
20 amp	7641-3407

Item 3 - Breaker / Fuse Holder - 7529-3406

Item 4 - Terminal: (female)

16 Gage	7821-3403
10 Gage	7821-3404
14 Gage	7821-3405

Item 5 - Plug-In Relay: (normally open) - 87324-3438 (30/40 Amp)

Item 6 - Relay Module: 7529-0016

Item 7 - Relay Rack - 57002-3552

Item 8 - Instrument Panel Lower LH - 57002-3551

Misc: (not shown)

CB Post - red	59104-0001
CB Post - black	59104-0002

Flasher Unit for Turn Signal: (located under steering column) - 84402-3402

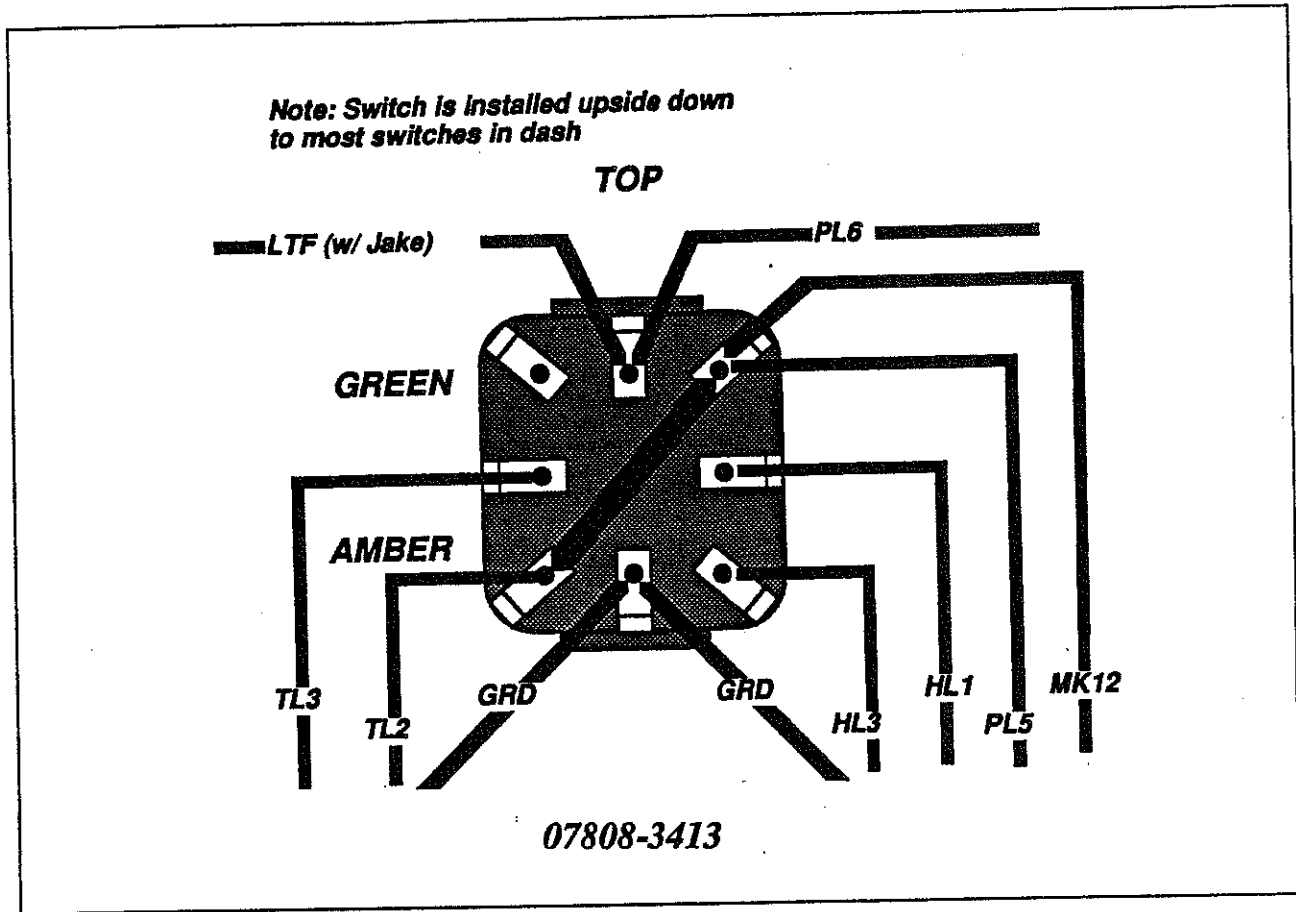


Lighted Toggle Switches

Lighted switches are shown from the back, illustrating the pin locations. On some switches it is noted that they are momentarily on, and will turn off when the switch is released.

<p>7808-3411</p> <p>Off Amber</p> <p>On Red</p>	<p>7808-3416</p> <p>Off Amber</p> <p>On Red</p> <p>Momentary</p>	<p>7808-3425 ³⁴¹² ₃₄₃₈</p> <p>Off Amber</p> <p>On Green</p>
<p>7808-3412</p> <p>Off Amber</p> <p>On Green</p>	<p>7808-3417</p> <p>On Amber</p> <p>On Amber</p>	<p>7808-3426 ³⁴⁴⁸</p> <p>Momentary</p> <p>On Amber</p> <p>Off Clear</p> <p>On Green</p> <p>Momentary</p>
<p>7808-3413</p> <p>On Amber</p> <p>Off Clear</p> <p>On Green</p>	<p>7808-3418</p> <p>Off Amber</p> <p>On Red</p>	<p>7808-3427</p> <p>Off Amber</p> <p>On Green</p>
<p>7808-3414</p> <p>On Amber</p> <p>Off Clear</p> <p>On Red</p>	<p>7808-3420</p> <p>On Amber</p> <p>On Green</p>	<p>7808-3428</p> <p>Momentary</p> <p>On Amber</p> <p>Off Clear</p> <p>On Amber</p> <p>Momentary</p>
<p>7808-3415</p> <p>Off Amber</p> <p>On Green</p> <p>Momentary</p>	<p>7808-3421</p> <p>On Amber</p> <p>On Green</p> <p>On Green</p>	<p>7808-3429</p> <p>On Amber</p> <p>On Red</p>

Headlight Switch Wiring



Notes

➤ Cornerstone Headlamp Switch # 07808-3413 s/s 07808-3439

Pre-Cornerstone Headlamp Switch # 676473

Old Rocker Style Headlamp Switch # 02-7024006

Dash Dimmer

- Cornerstone # 07808-3419

- Pre-Cornerstone # 02-7016866

Momentary Switch for Electric Windows - 07808-3428

Circuit Breaker: (post type)

8 Amp	7050-3401
10 Amp	449492
15 Amp	888988
20 Amp	448258
30 Amp	515428

Fuse Holder: (glass cylinder type fuse) - 8002306

Fuse: (1 1/4 glass)

1 Amp	99-145510
3 Amp	87319-3404
5 Amp	99-142630
15 Amp	99-120151

Junction Block: (5 post type) - 04-9035686

— Page 22B Item 8

Relay: (large type, 12V 75A) 87324-3412

Panel Lamps Dimmer Switch - 7808-3419

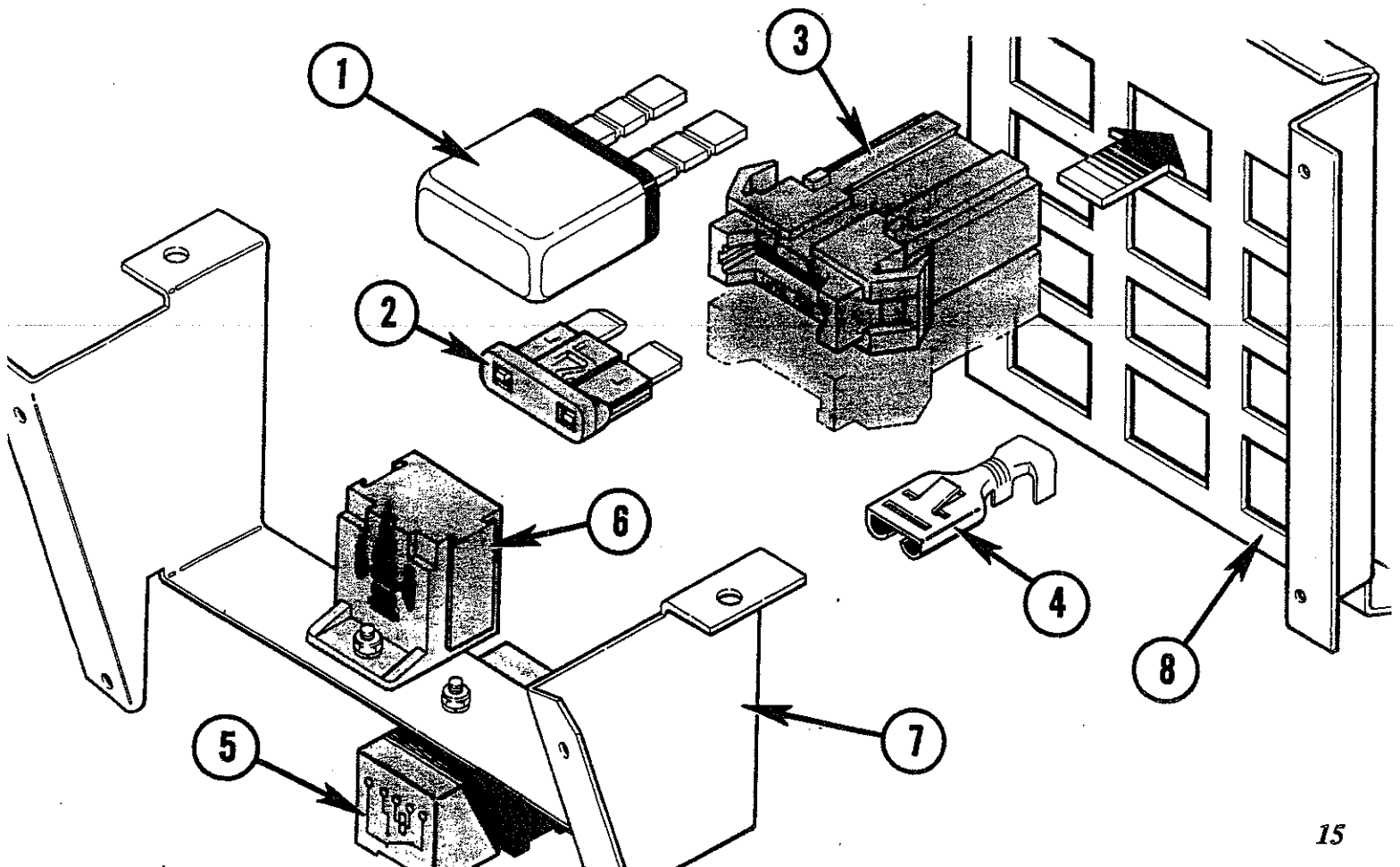
22D Item 40

Windshield Wiper Switch - 62802-3407

Intermittent Windshield Wiper Switch - 62802-3408

Push Button Start Switch - 681897

Safety Guard for Toggle Switch - 49304-3403

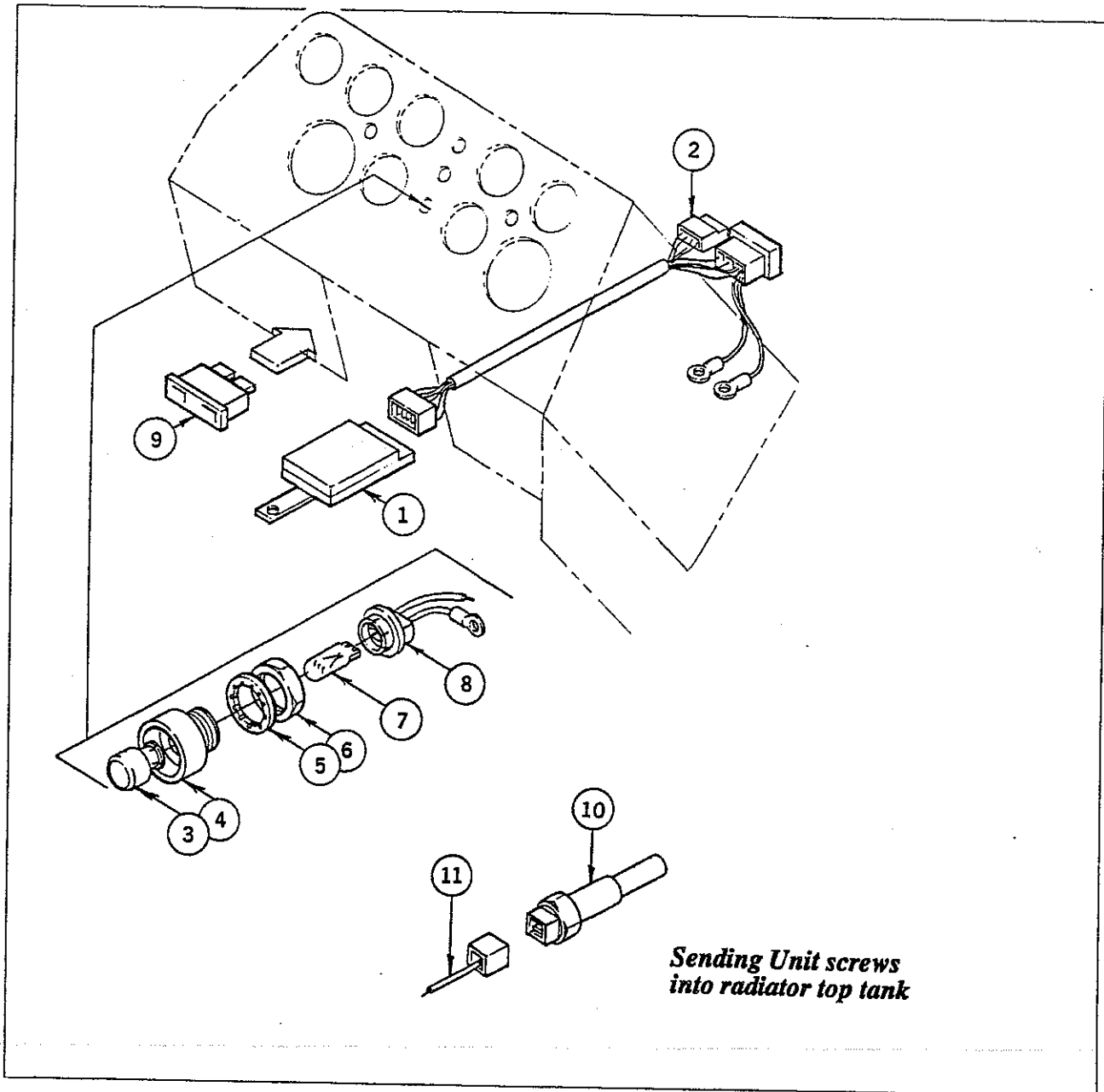


Ametek Gauge Kits to replace Stewart Warner Gauges

Description	Stewart Warner Gauge	Ametek Gauge Kit	Ametek Gauge
Fuel Level Gauge E - F	43901-0008	43901-4401	43901-3419
Oil Pressure Gauge 0 - 100 PSI	13801-0004	43901-4402	13801-3407
Volt Meter 10 - 16 Volts	80401-0005	43901-4403	80401-3404
Air Pressure Gauge 0 - 150 PSI	02-7015914	43901-4404	70301-3419
Water Temp. Gauge N Grd. 100 - 230 F	14001-0006	43901-4405	14001-3415
Oil Temp Gauge N Grd 140 - 320 F	9034139	43901-4406	13902-3413
Water Temp Gauge 100 - 265 F	02-7133761	43901-4407	14001-3416
Oil Pressure Gauge 0 - 100 PSI	13801-3406	43901-4408	13801-3408
Oil Temp Gauge Metric 60 - 160 C	13902-3411	43901-4409	13902-3414
Water Temp Gauge Metric 40 - 110 C	14001-0007	43901-4410	14001-3417
Dual Air Pressure Gauge Metric 0 - 1000 KPA	70301-0007	43901-4411	70301-3420
Dual Air Pressure 0 - 150 PSI	70301-3410	43901-4412	70301-3418

Stewart Warner Gauges may be replaced with Ametek Gauge Kits. The Ametek Kits are comprised of the Ametek Gauge plus a 5/8 " light socket (part number 87307-3402).

Kysor Low Coolant Alarm

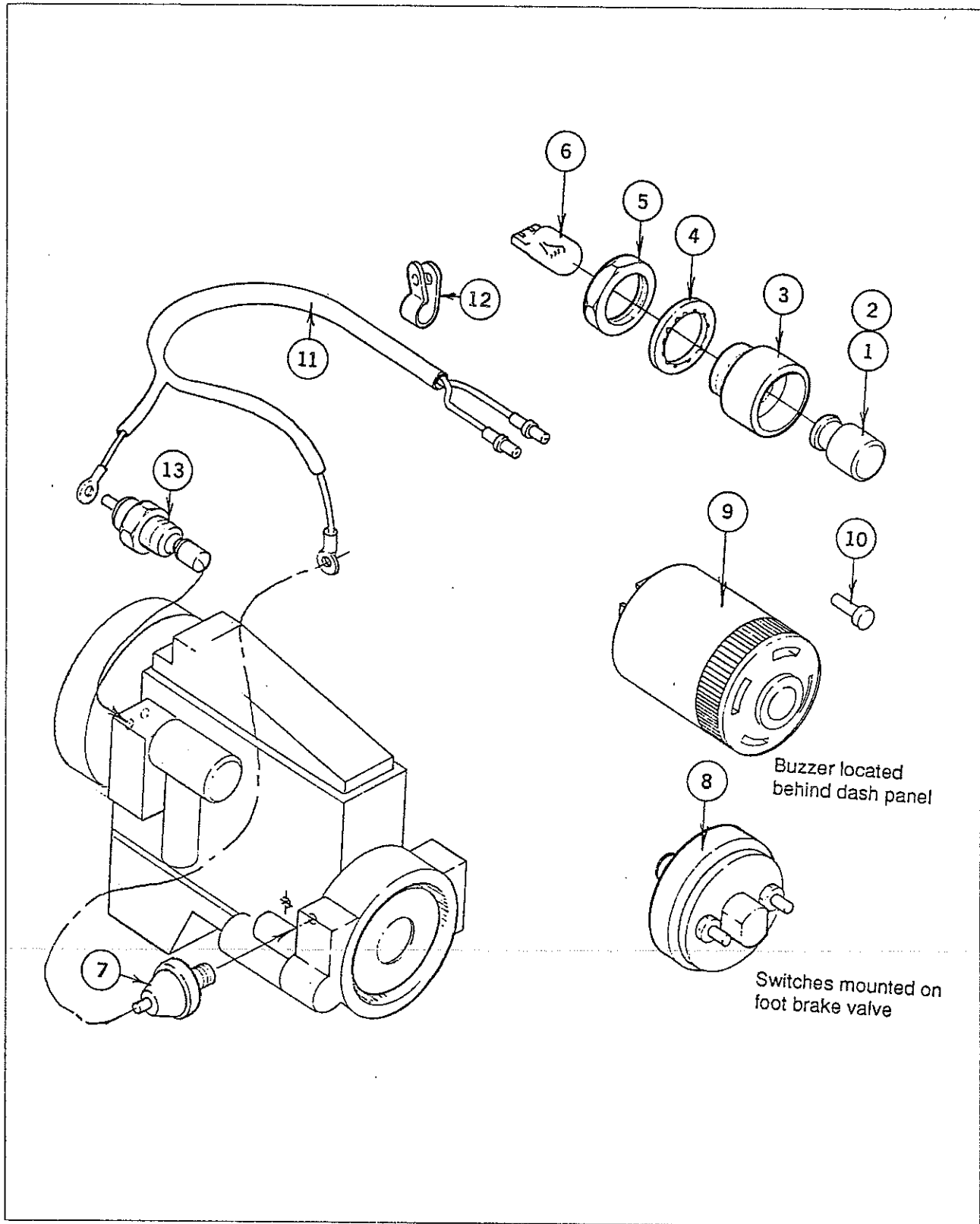


Item	Part Number	Qty	Description
1	13212-3410	1	Module, Kysor Low Coolant Alarm
2	13212-3414	1	Harness, Kysor Warnings & Shutdowns
3	7079-3409	1	Lens, Low Water
4	7079-0022	1	Bezel, Indicator Lamp
5	8003028	1	Washer, Star
6	8003029	1	Nut, .75-32
7	7060-3402	1	Bulb
8	7641-3402	1	Fuse, Fast Acting 3 amp, install in position F-21
9	23201-3407	1	Sensor, Coolant Level
10	13214-3461	1	Harness



Notes

Warning Indicator Lamps & Buzzer



High Water Temperature / Low Oil Pressure / Low Air Pressure Warning Indicator Lamps and Buzzer - For Non-Electronic Engines










Warning Indicator Lamps & Buzzer

High Water Temperature / Low Oil Pressure / Low Air Pressure Warning Indicator Lamps and Buzzer
- For Non-Electronic Engines

Item	Part Number	Qty	Description
1	7079-0035	1	Lens, Oil & Water
2	7079-0033	1	Lens, Low Air
3	7079-0022	2	Bezel
4	8003028	2	Star Washer
5	8003029	2	Nut, .75-32
6	7060-3402	2	Bulb, #53
7	641876	1	Switch, Low Oil Pressure
OR 7	04-9031412	1	Pressurestat
8	70402-0001	2	Low Air Switch
9	13213-3407	1	Buzzer, Four Input
OR 9	13213-3406	1	Buzzer, One Input
10	99-11500125	1	Screw, 4.2 X 3.5 x 20mm Special
11	87201-3514	1	Harness, Engine Senders
12	04-9038114	3	Clip, .38 std x 1.0" Dia
13	13202-3406	1	Alarmstat

Indicator Lens Chart

Colour	Symbol (if any)	Label	WST #	Vendor #
Green		Turn Signal	07079-0011	97234-G202
Red		Diff Lock	07079-0012	97234-R203
Red		Water	07079-0013	97234-R204
Red		Low Oil	07079-0014	97234-R205
Red		Trans Temp	07079-0015	97234-R206
Red		Blank	07079-0018	97234-R
Amber		Anti Lock	07079-0019	97234-A209
Red		Low Air	07079-0020	97234-R210
Red		Oil Water	07079-0025	97234-R246
Blue		Hi Beam	07079-0026	97246-B201
Green		Turn Signal	07079-0027	97837-G174
Red		Coolant Temp	07079-0028	97837-R176
Red		Oil Pressure	07079-0029	97837-R175
Blue		Hi Beam	07079-0030	97246-B17
Red		Diff Lock	07079-0031	97246-R103
Amber		Anti-Lock	07079-0032	97246-A109
Red		Low Air	07079-0033	97246-R110
Red		Blank	07079-0034	97246-R
Red		Oil Press/Coolant Temp	07079-0035	97837-R178
Red		Trans Temp	07079-0036	97246-R106
Blue		Headlamp	07079-3401	97246-B271
Red		Check Trans	07079-3402	97246-R199
Red		Stop Engine	07079-3403	97246-R305
Amber		Check Engine	07079-3404	97246-A306
Red		PEEC	07079-3405	-
Amber		Anti-Lock	07079-3406	97246-A109
Blue		Anti-Lock	07079-3407	97246-B109
Red		Trac-Diff	07079-3408	97246-R181
Red		Low Water	07079-3409	97246-R190
Blue		Park Brake	07079-3410	97246-B307
Red		Park Brake	07079-3411	97246-R307
Green		Headlamp (DRL)	07079-3412	97246-G171
Red		Antilock	07079-3413	97246-R109

Continues

Indicator Lens Chart

Bezel - Round - Black - 07079-0022

Bezel Lockwasher - 8003028

Bezel Nut - 8003029

Bulb - use in old style metal sockets - 7060-3402

Bulb - use in Cornerstone style plastic sockets, most applications - 7060-3403

Bulb - use in Cornerstone style plastic sockets, for Hi Beam & DRL - 7060-3404

Replacement Socket Assembly - old style metal socket - 7789-3420

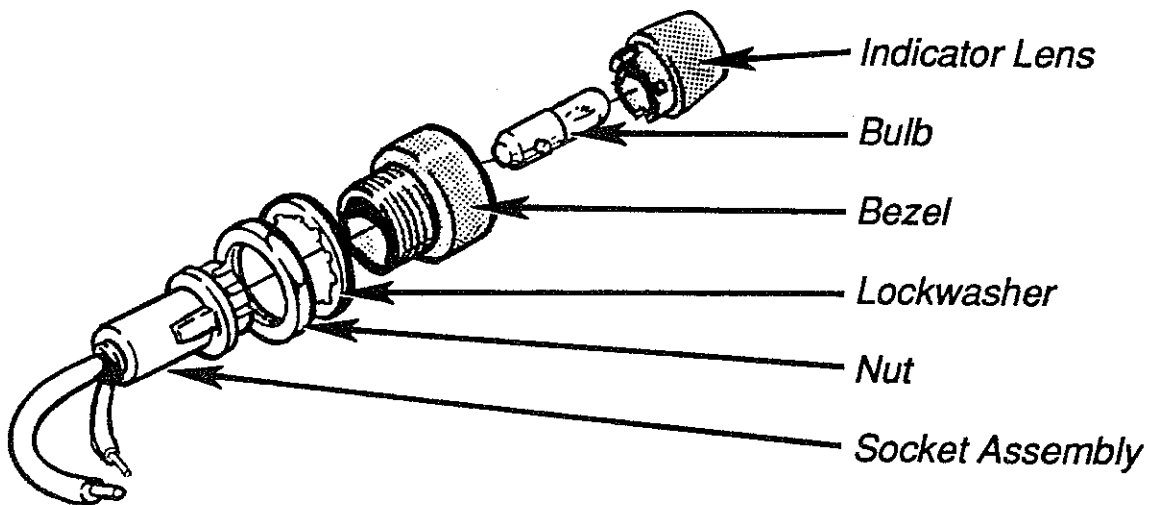
Replacement Socket Assembly - Cornerstone style plastic socket - 87307-3409

Small Blue Indicator Lamp - 7061-3403 (used for Cruise Control)

Small Red Indicator Lamp - 7061-3401 (used for Rotating Beacons, etc)

Socket Assembly - 7061-3402

Typical Indicator Lamp Assembly



Applique Chart

Size	Wording	WST #	Vendor #
1.00"	Plow Lps	57021-3429	535
1.00"	Dryer Htr	57021-3423	-
1.00"	Third Axle	57021-3416	615
1.00"	Compt. Lights	57021-3415	590
1.00"	Work Lights	57021-3414	572
1.00"	Fan	57021-3413	808
1.00"	Glow Plug	57021-3412	509
1.00"	Aux. Heater	57021-3411	612
1.00"	Beacon	57021-3410 -	534 3466
1.00"	Eng. Brake	57021-3409	588
1.00"	Ht. Mirror	57021-3408 -	563 3464
1.00"	Fog Lts	57021-3407 -	502 3463
1.00"	Driving Lts	57021-3406 -	587 3462
1.00"	Backup	57021-3405	561
1.50"	Wiper	57021-3401	-
1.50"	Trailer Lamps	04-9036754	-
1.50"	Throttle	57021-3403	-
1.50"	Lighter	57021-3404	-
1.50"	Diff Lock	57021-3417	-
1.50"	5th Wheel	57021-3418	-
1.50"	Deep Reduction	57021-3419	-
1.50"	2-Speed Axle	57021-3420	-
1.50"	Front Brake Limit	57021-3421	-
1.50"	Tag/Pusher Axle	57021-3424	-
1.50"	Loader	57021-3426	-
1.50"	Wipe/Wash	57021-3428	-
1.50"	Cruise Ctrl	57021-3430	-
1.50"	Engine Override	57021-3431	-
1.50"	Error Codes	57021-3432	-
1.50"	Air Suspension	57021-3433	-
1.50"	Intermittent	57021-3434	-
1.50"	Cruise/Jake Ctrl	57021-3435	-
1.50"	Set/Accel	57021-3436	-
1.50"	Resume/Declr	57021-3437	-
1.50"	Diagnostic Lamp	57021-3438	-
1.50"	Inter-Axle	57021-3439	-
1.50"	Pusher Steering	57021-3440	-
1.50"	Vs-Governor	57021-3441	-
1.50"	Air Hitch	57021-3442	-

Chart Continues

No STEP STICKER 45099-3402

Applique Chart

Size	Wording	WST #	Vendor #
1.50"	Trailer 5th Wheel	57021-3443	-
1.50"	Bunk Lock	57021-3444	-
1.50"	Trailer Dump	57021-3445	-
1.50"	Suspension Height	57021-3446	-
1.50"	Power Take Off	57021-3447	-
1.50"	Sleeper Start	57021-3448	-
1.50"	Slpr Int Lamps	57021-3449	-
1.50"	RH Spot Lamp	57021-3450	-
1.50"	Brakesaver	57021-3451	-
1.50"	Webasto Htr	57021-3452	-
1.50"	Fuel Tank	57021-3453	-
1.50"	RH Mirror	57021-3455	-
1.50"	Interior Lamps	57021-3456	-
1.50"	Backup	57021-3461	-
1.50"	Driving Lamps	57021-3462	-
1.50"	Fog Lamps	57021-3463	-
1.50"	Htd Mirror	57021-3464	-
1.50"	Engine Brake	57021-3465	-
1.50"	Beacon	57021-3466	-
1.50"	Aux. Heater	57021-3467	-
1.50"	Glow Plug	57021-3468	-
1.50"	Fan	57021-3469	-
1.50"	Work Lamps	57021-3470	-
1.50"	Compt. Lamps	57021-3471	-
1.50"	Third Axle	57021-3472	-
1.50"	Dryer Heater	57021-3473	-
1.50"	Plow Lps	57021-3474	-
1.50"	Trailer Backup	57021-3475	-
1.50"	Backup Alarm	57021-3476	-
1.50"	Fourth Axle	57021-3477	-
1.50"	LH Mirror	57021-3478	-
1.50"	Htd Mirrors	57021-3479	-
1.50"	Traction Diff	57021-3480	-
1.50"	Tarp 1	57021-3481	-
1.50"	Tarp 2	57021-3482	-
1.50"	Gate 1	57021-3483	-
1.50"	Gate 2	57021-3484	-
1.50"	Master	57021-3485	-
1.50"	Cruise	57021-3486	-
1.50"	Set	57021-3487	-

Chart Continues —

Applique Chart

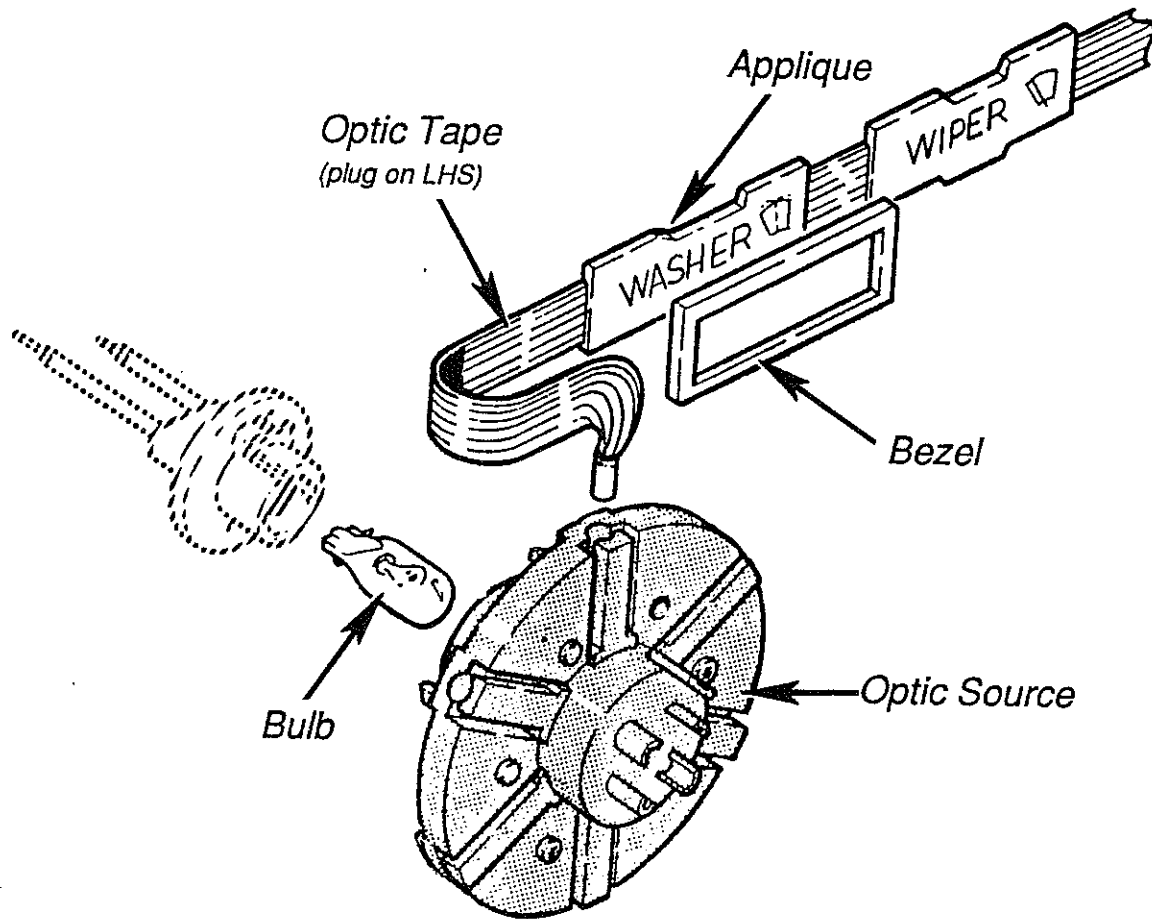
Size	Wording	WST #	Vendor #
1.50"	Resume	57021-3488	-
1.50"	Set/Coast	57021-3489	-
1.50"	Resume/Accel	57021-3490	-
1.50"	Lift Axle	57021-3491	-
1.50"	LH Spot Lamp	57021-3492	-
1.50"	Retarder	57021-3493	-
1.50"	RH Backup Lamp	57021-3494	-
1.50"	LH Backup Lamp	57021-3495	-
1.50"	Engine Fast Idle	57021-3496	-
1.50"	Back Up Pin	57021-3497	-
1.50"	Pup	57021-3498	-
1.50"	Olson	57021-3499	-
1.50"	Rack	57021-3501	-
1.50"	Hood	57021-3502	-
1.50"	Fwd Diff & I/A	57021-3503	-
1.50"	Tractor CL/ID Lps	57021-3504	-
1.50"	Lights	57021-3505	-
1.50"	Panel Lps	57021-3506	-
1.50"	Wipe/Wash	57021-3507	-
1.50"	Work Select	57021-3508	-
1.50"	Hold in Gear	57021-3509	-
1.50"	Clearance	57021-3511	-
1.50"	RH Window	57021-3512	-
1.50"	Mirror	57021-3513	-
1.50"	Lights	57021-3514	-
1.50"	Back-Up Lights	57021-3515	-
1.50"	Flash Lights	57021-3516	-
1.50"	Revolve Lights	57021-3517	-
1.50"	Engine Fan	57021-3518	-
1.50"	LH Window	57021-3519	-
1.50"	RH Beacon	57021-3520	-
1.50"	LH Beacon	57021-3521	-

Optic Tape Assemblies (see next page for illustration)

Length	Plug on LH	Appliques <small>(starting from plug)</small>	WST No.
21.50	LH	blank, panel lps, lights, tractor cl/id lps, blank	57016-3401
21.75	LH	blank, washer, wiper	57016-3402
27.50	LH	blank, blank, blank, blank	57016-3403
19.88	LH	wipe / wash	57016-3406
26.50	LH	wipe / wash, blank, blank, blank, blank	57016-3409
23.88	LH	blank, blank, blank	57016-3410

View of Optic Tape Assembly

Note: Order Optic Tapes by the length required and the number of tags on the tape.
Appliques simply stick onto the tags and may be reused.
Order the appropriate appliques for your vehicle.



Optic Source - 02-7015943

Bulb - 02-7016817

Optic Tape - see previous sheet for part numbers

Bezel - 1.50" length - 02-7015917

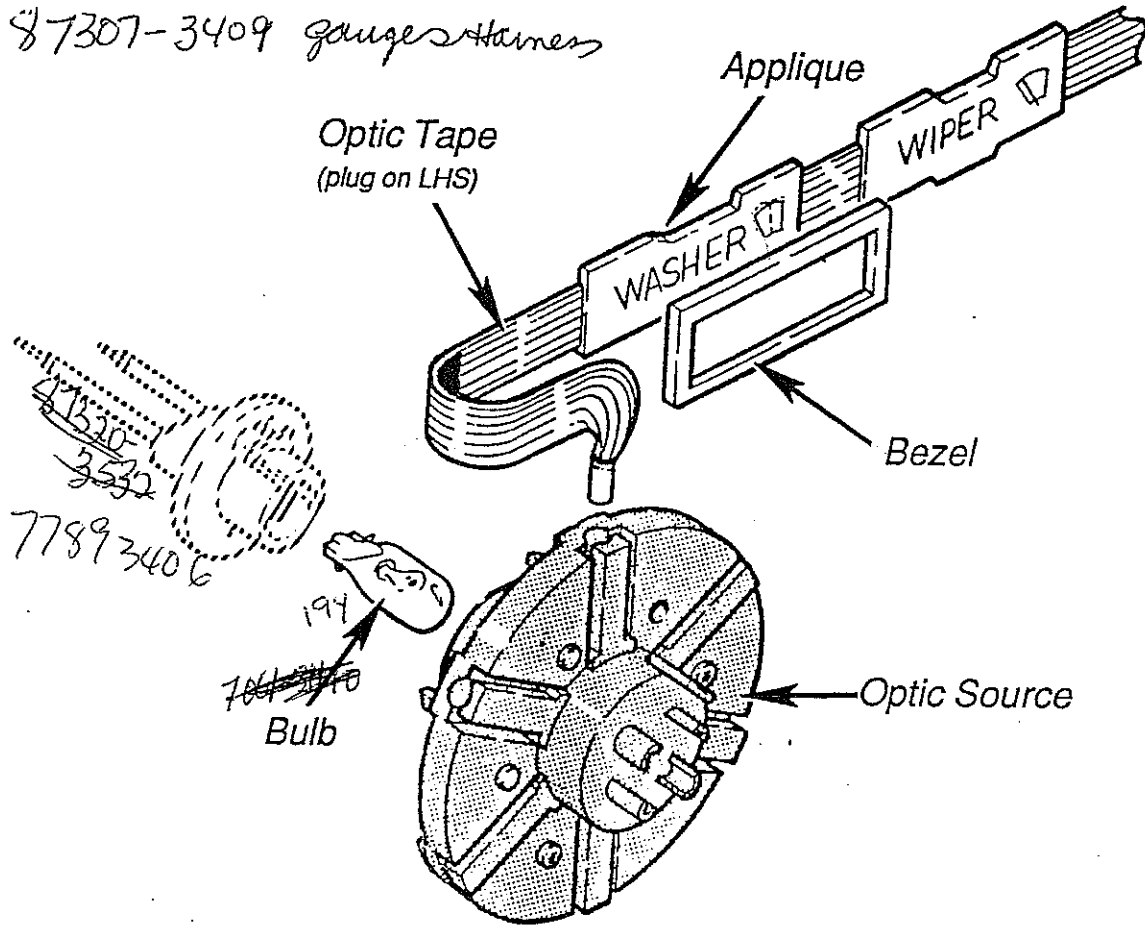
- 1.00" length - 57020-3401

2141

View of Optic Tape Assembly

Note: Order Optic Tapes by the length required and the number of tags on the tape.
Appliques simply stick onto the tags and may be reused.
Order the appropriate appliques for your vehicle.

87307-3409 gauges harness



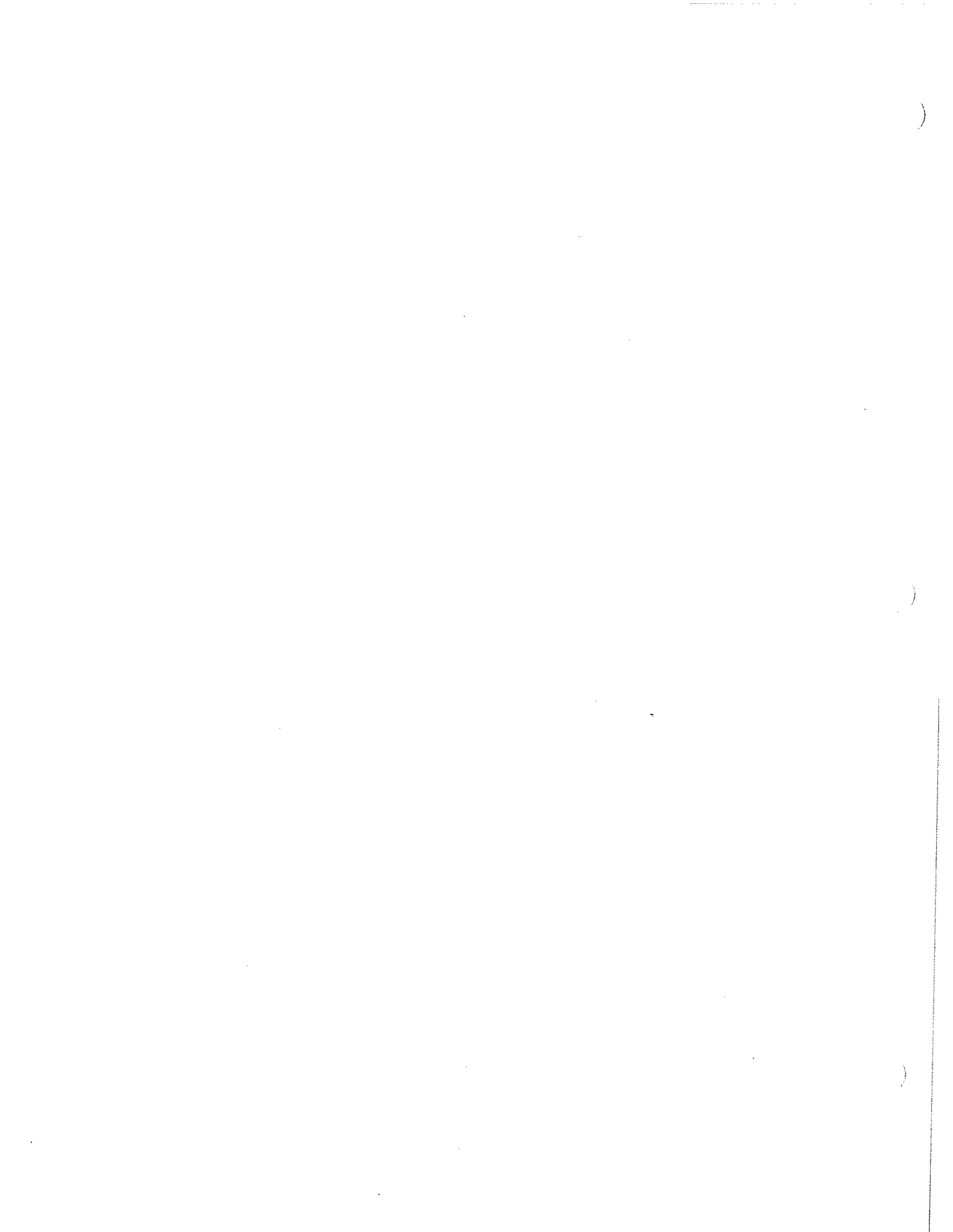
Optic Source - 02-7015943

Bulb - 02-7016817

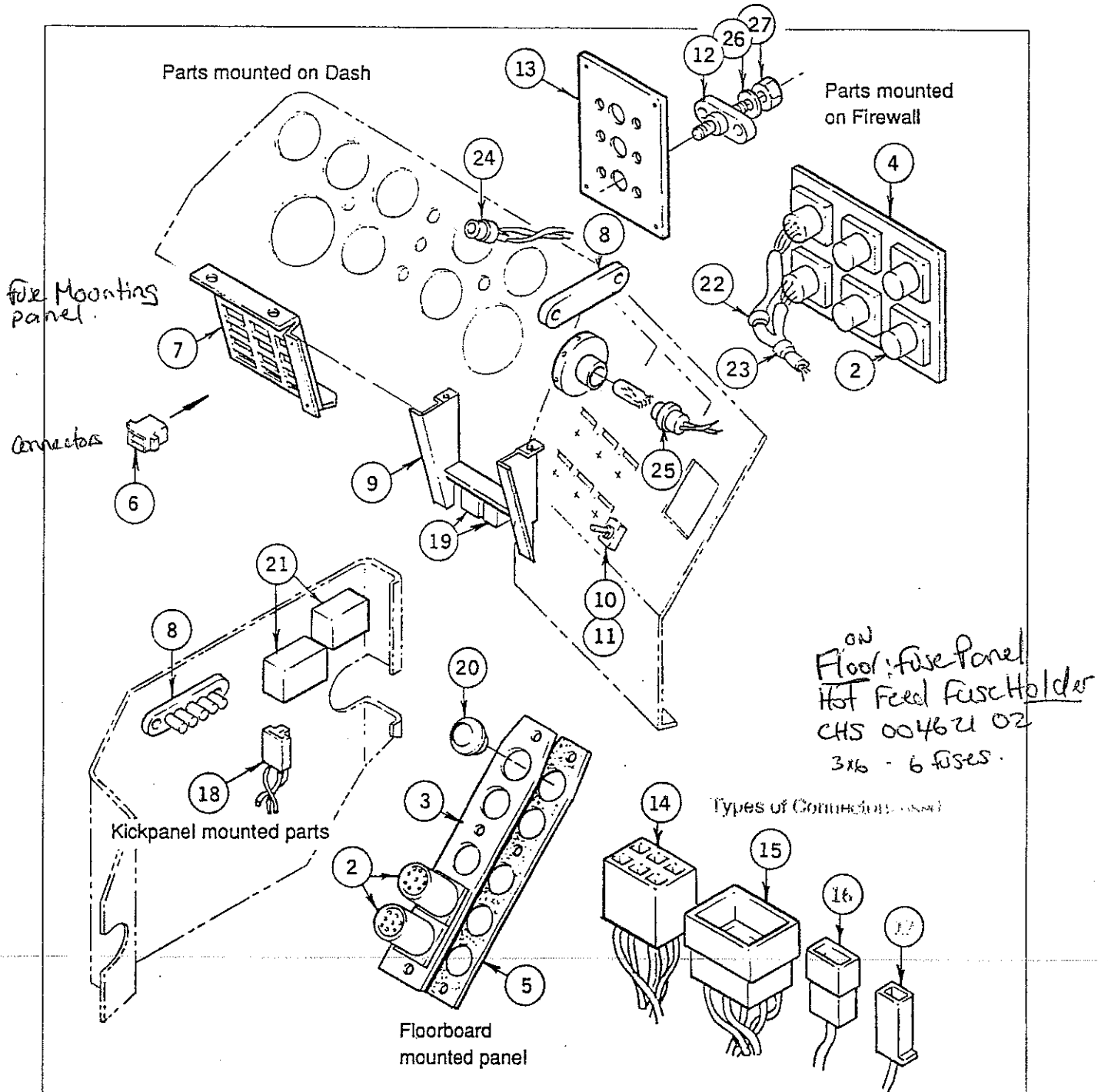
Optic Tape - see previous sheet for part numbers

Bezel - 1.50" length - 02-7015917

- 1.00" length - 57020-3401



Main Cab Wiring Harness - Cornerstone Vehicles



Note: All of the parts shown here are included as part of the Main Cab Wiring Harness Assembly. The wires are not shown to keep things easier to understand, but are included as part of the assembly.

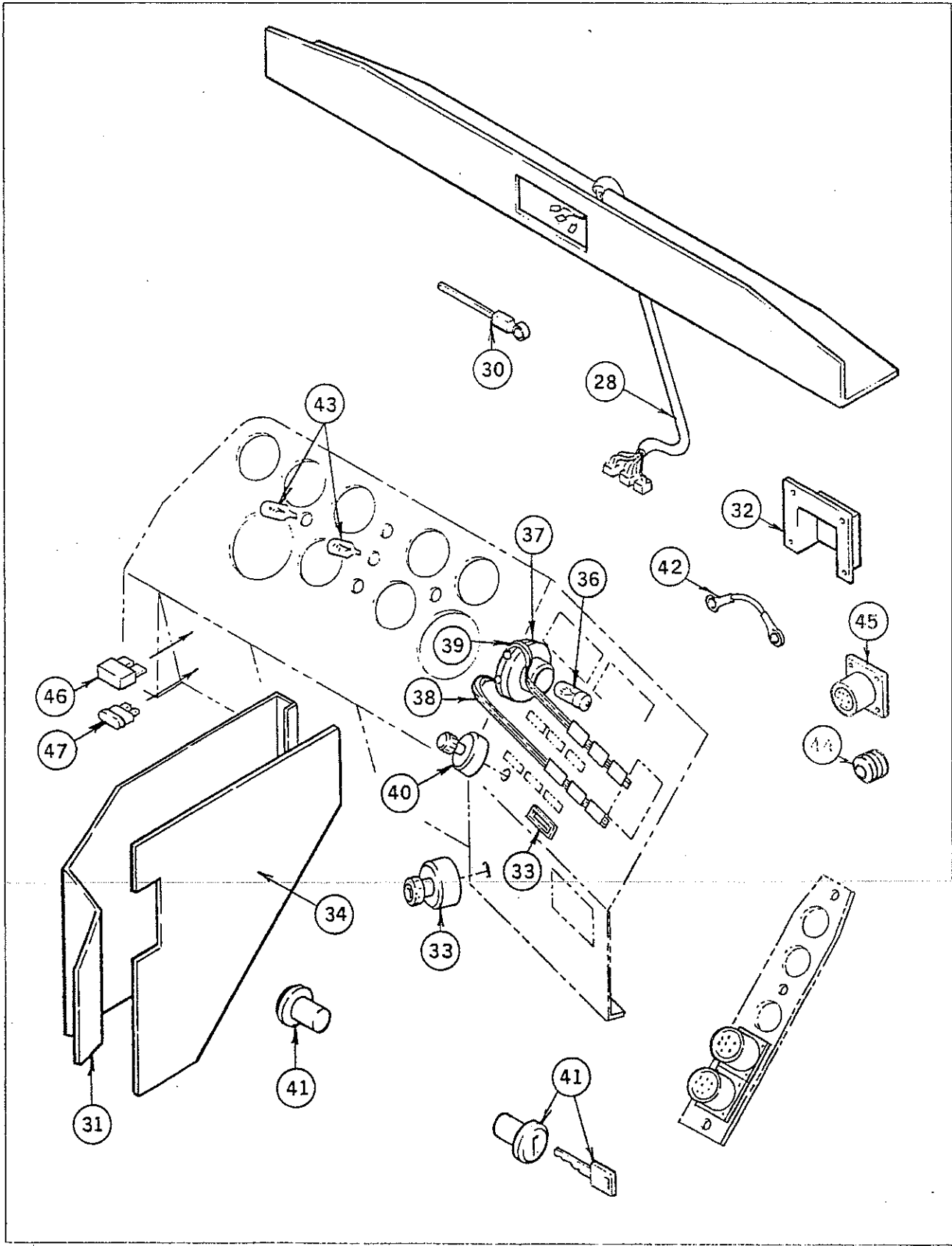


Main Cab Wiring Harness - Cornerstone Vehicles

The following parts are included with the Main Cab Wiring Harness. The harness wiring is not listed but is included as part of the assembly.

Item	Part Number	Qty	Description
1	87320-3556	1	Harness, Main Cab
2	7520-3409	8	9 CAV Connector
3	7030-3402	1	Mounting Plate
4	7030-3404	1	Mounting Plate
5	75060-3409	1	Foam Gasket
6	7529-3406	24	2 CAV Connector
7	57002-3551	1	Mounting Panel
8	-	3	5 Position Terminal Strip
8	57002-3552	1	Mounting Bracket
10	7808-3413	1	Headlight Switch
11	7808-3412	1	Marker Lamps Switch
12	694844	3	Pass Thru Stud
13	7030-3404	1	Mounting Plate
14	607745	4	6 CAV Connector
15	697747	1	6 CAV Connector
16	690898	5	1 CAV Connector
17	690897	7	1 CAV Connector
18	-	2	2 CAV Connector
19	7529-0015	11	5 CAV Relay Connector
20	7671-3405	2	Hole Plug
21	87324-3412	2	75 AMP Relay
22	-	30	8.0 Tye Wrap
23	-	26	14.5 Tye Wrap
24	7061-3410	16	Lamp Socket
25	02-7016477	1	2 CAV Connector
26	-	4	Washer, Lock 1/4
27	-	5	Nut, Hex 1/4 - 20

Cab Wiring - Cornerstone Vehicles



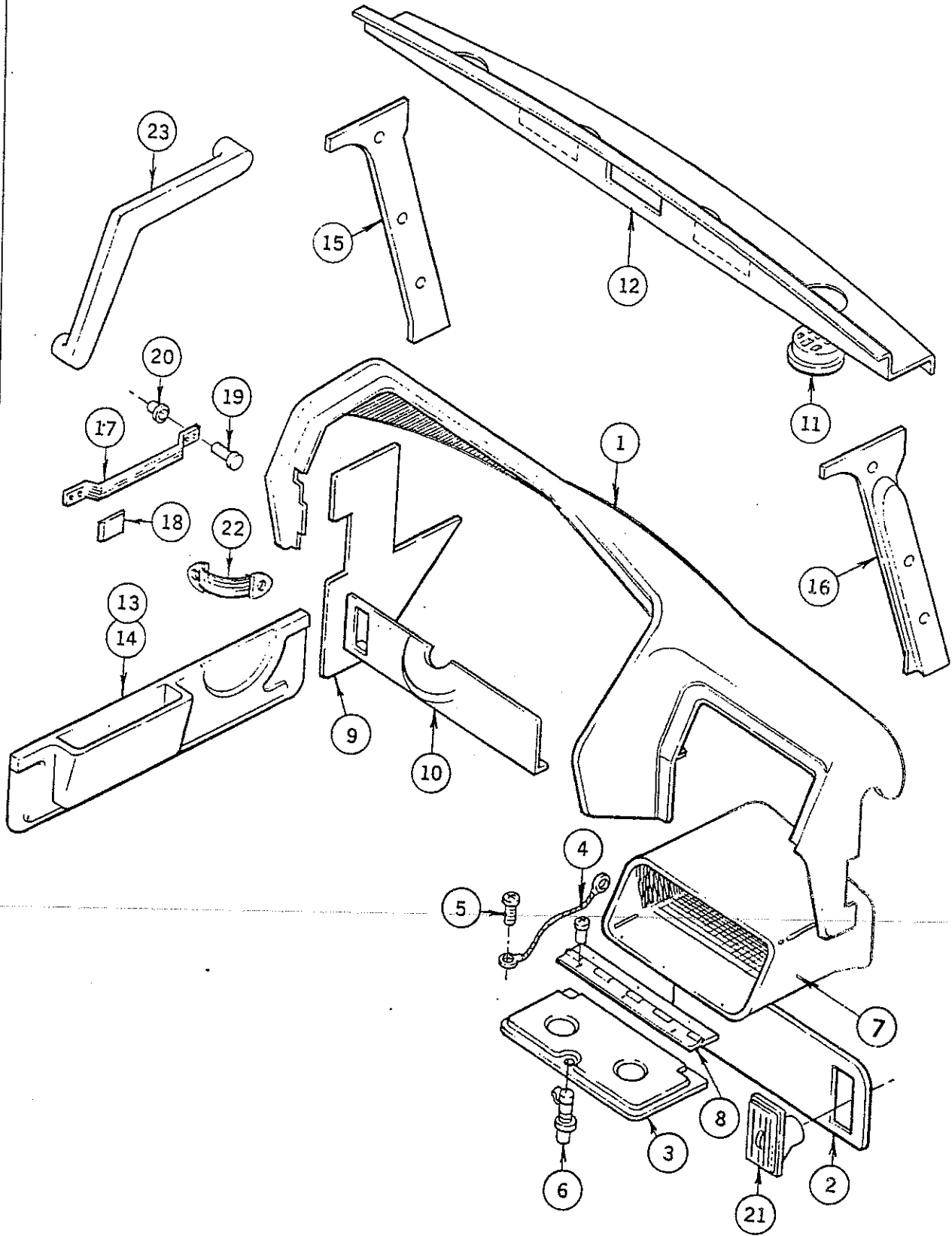


Cab Wiring - Cornerstone Vehicles

Item	Part Number	Qty	Description
28	87320-3524	1	Harness, Overhead Console
30	7790-3412	4	Push Button Mount Tie Wraps
31	87311-3412	1	Panel, Lower Electrical
32	87330-3423	1	Cover, Firewall Connections
33	02-7007473	1	Ignition Switch
34	87330-3414	1	Cover Panel, Electrical Junction, Black
35	02-7015917	4	Bezel, 1.5"
36	02-7016817	1	Bulb
37	02-7015943	1	Optic Source Assembly
38	57016-3401	1	Optic Tape, Lights
39	57016-3409	1	Optic Tape, Wipe/Wash
40	7808-3419	1	Dimmer Switch
41	50901-3414	1	Assy, Keypad - Ignition & Cab
41	50901-3415	1	Assy, Keypad - Ignition, Cab & Sleeper
41	50901-3416	1	Assy, Keypad - Ignition, Cab, Sleeper & Sleeper Start
41	50902-3402	AR	Blank Key
43	7060-3404	1	Bulb, Wedge Base, Highbeam Indicator
44	7671-3405	2	Grommet 1.31", insert in toe board holes
45	7530-3411	1	Deutsch Connector Plug, 9 Pin
46	87001-3402	1	Circuit Breaker 10 AMP
46	87001-3403	2	Circuit Breaker 15 AMP
46	87001-3404	3	Circuit Breaker 20 AMP
46	87001-3405	1	Circuit Breaker 30 AMP
47	7641-3402	1	Fuse, Fast Acting, 3 AMP
47	7641-3403	1	Fuse, Fast Acting, 5AMP
47	7641-3404	1	Fuse, Fast Acting, 7.5 AMP
47	7641-3405	1	Fuse, Fast Acting, 10 AMP
47	7641-3406	1	Fuse, Fast Acting, 15 AMP
47	7641-3407	1	Fuse, Fast Acting, 20 AMP
47	7641-3408	1	Fuse, Fast Acting, 30 AMP

Note: For overhead console see Master Reference 4090

Interior Trim





Interior Trim

Item	Part Number	Qty	Description
1	57012-3449	1	Dash Cover
-	526388	AR	Snap Fastener (Dash Cover to Frame)
-	526367	AR	Speednut (Instrument Panel to Dash)
-	04010-3404	AR	Screw #10-16 x .75 (Instrument Panel to Dash)
2	57013-3401	1	Heater Panel
3	54508-3405	1	Glove Box Door, Black
4	54503-3401	1	Cable, Glove Box
5	99-193256	1	Screw, #8-32 x .38
6	54504-3401	1	Latch, Glove Box Door
7	54501-3404	1	Glove Box
8	54502-3403	1	Hinge
9	54002-3409	1	Kick Panel
10	57012-3440	1	Cover, Steering Column
11	60056-3404	1	Round Vent (Overhead Console)
12	54001-3486	1	Overhead Console, Cutout for Radio
13	97120-3407	1	Trim Panel, Lower Door LH
14	97120-3409	1	Trim Panel, Lower Door RH
15	54001-3471	1	Cover Moulding, Hinge Pillar LH
16	54001-3472	1	Cover Moulding, Hinge Pillar RH
17	54018-3404	2	Inside Door Pull Strap
18	54019-3401	4	End Cap, Pull Strap (2 each Strap)
19	163836	8	Screw, #10-32 x 1.0
20	645587	8	Rivenut (Installed on door)
21	60056-3401	4	Heater Vent
22	50201-3401	2	Door Check Strap
23	54301-3404	2	Arm Rest LH or RH

SEAT UPHOLSTERY KITS

NOTE: When ordering seats or upholstery kits and components, naugahyde colour codes are to be inserted to replace the dash as the sixth character in the Western Star Part Number.

W -	Walnut	R -	Rawhide
B -	Blue	P -	Parchment
S -	Spruce	K -	Buckskin
N -	Black	D -	Indian Red
C -	Crimson	G -	Grey
Q -	Hampton Parchment		

example: 52001B3569

* Older part numbers from the 04-9000000 series include the color code as the last character.

* example: 04-9053990B

Bare cushions, backs, and arm rests are often requested. The following service parts may be ordered from Western Star for 18" National Cushionaire seats listed on the following pages.

National Cushionaire Bare 18" Seat Cushion	224556-03 (National part number)
National Cushionaire Bare Low Back Cushion	SK-97401 (National part number)
National Cushionaire Bare High Back Cushion	SK-97407 (National part number)
National Cushionaire Bare Arm Rest RH or LH	52041-3408

Note: Arm rests may be added to National Cushionaire seats by ordering two bare arm rests then matching the upholstery style to the corresponding seat that had armrests, and ordering the arm rest upholstery for RH & LH.

The following bare cushions and backs are available for Bostrom 715E and 760E seats:

Bare 18" Seat Cushion	1106333-003 (Bostrom part number)
Bare Low Back Cushion	1107586-003 (Bostrom part number)
Bare High Back Cushion	1107587-003 (Bostrom part number)

UPHOLSTERY KITS - HI-BACK SEATS WITH ARM RESTS

PLAIN UPHOLSTERY (NAUGAHYDE)

	NATIONAL CUSHIONAIRE	NATIONAL CUSHIONAIRE	BOSTROM 715E & 760E	SEATS CANADA ELDORADO
Seat Assembly	52001_3461 & 52101_3426	52002_3421	52001_3531 & 52001_3496	52001_3573 & 52001_3588
Plain Upholstery Kit	52019_4418	52040_4421	52019_4479	
Bottom Seat Cover	52019_4401	52040_4417	52040_4401	52040_4456
Hi-Back Cover	52019_4405	52019_4405	52040_4409	52040_4455
RH Arm Cover	52019_4413	52019_4413	52040_4413	52040_4437
LH Arm Cover	52019_4414	52019_4414	52040_4414	52040_4437
Pouch, Seatback	52019_3401	52019_3401	52019_3401	52019_3401

TUCK AND ROLL UPHOLSTERY (PLEATED NAUGAHYDE)

	NATIONAL CUSHIONAIRE	NATIONAL CUSHIONAIRE	BOSTROM 715E & 760E	SEATS CANADA ELDORADO
Seat Assembly	52001_3462 & 52101_3416	52002_3422	52001_3498 & 52001_3533 & 52001_3568	52001_3574 & 52001_3577
T&R Upholstery Kit	52019_4422	52040_4422	52019_4481	
Bottom Seat Cover	52019_4402	52040_4418	52040_4402	52040_4457
Hi-Back Cover	52019_4406	52019_4406	52040_4410	52040_4460
RH Arm Cover	52019_4413	52019_4413	52040_4413	52040_4437
LH Arm Cover	52019_4414	52019_4414	52040_4414	52040_4437
Pouch, Seatback	52019_3401	52019_3401	52019_3401	52019_3401

PLAIN CLOTH INSERTS UPHOLSTERY

	NATIONAL CUSHIONAIRE	NATIONAL CUSHIONAIRE	BOSTROM 715E & 760E	SEATS CANADA ELDORADO
Seat Assembly	52001_3463 & 52101_3427	52002_3423	52001_3501 & 52001_3535 & 52001_3565	52001_3575 & 52001_3589
Cloth Upholstery Kit	52019_4426	52040_4423	52019_4483	
Bottom Seatcover	52019_4403	52040_4419	52040_4403	52040_4458
Hi-Back Cover	52019_4407	52019_4407	52040_4411	52040_4461
RH Arm Cover	52019_4415	52019_4415	52040_4415	52040_4438
LH Arm Cover	52019_4416	52019_4416	52040_4416	52040_4438
Pouch, Seatback	52019_3401	52019_3401	52019_3401	52019_3401

PLEATED CLOTH INSERTS UPHOLSTERY

	NATIONAL CUSHIONAIRE	NATIONAL CUSHIONAIRE	BOSTROM 715E & 760E	SEATS CANADA ELDORADO
Seat Assembly	52001_3464 & 52101_3428	52002_3424	52001_3503 & 52001_3537 & 52001_3581	52001_3576 & 52001_3578
Pleated Upholstery Kit	52019_4430	52040_4424	52019_4485	
Bottom Seat Cover	52019_4404	52040_4420	52040_4404	52040_4459
Hi-Back Cover	52019_4408	52019_4408	52040_4412	52040_4462
RH Arm Cover	52019_4415	52019_4415	52040_4415	52040_4438
LH Arm Cover	52019_4416	52019_4416	52040_4416	52040_4438
Pouch, Seatback	52019_3401	52019_3401	52019_3401	52019_3401

UPHOLSTERY KITS - HI-BACK SEATS WITHOUT ARM RESTS

PLAIN UPHOLSTERY (NAUGAHYDE)

	NATIONAL CUSHIONAIRE	NATIONAL CUSHIONAIRE	BOSTROM 715E & 760E	SEATS CANADA ELDORADO
Seat Assembly	52001_3457 & 52101_3401	52002_3417	52001_3495 & 52001_3530	52001_3569 & 52001_3590
Plain Upholstery Kit	52019_4417	52040_4425	52019_4478	
Bottom Seat Cover	52019_4401	52040_4417	52040_4401	52040_4456
Hi-Back Cover	52019_4405	52019_4405	52040_4409	52040_4455
Pouch, Seatback	52019_3401	52019_3401	52019_3401	52019_3401

TUCK AND ROLL UPHOLSTERY (PLEATED NAUGAHYDE)

	NATIONAL CUSHIONAIRE	NATIONAL CUSHIONAIRE	BOSTROM 715E & 760E	SEATS CANADA ELDORADO
Seat Assembly	52001_3458 & 52101_3402	52002_3418	52001_3497 & 52001_3532	52001_3570 & 52001_3591
T&R Upholstery Kit	52019_4421	52040_4426	52019_4480	
Bottom Seat Cover	52019_4402	52040_4418	52040_4402	52040_4457
Hi-Back Cover	52019_4406	52019_4406	52040_4410	52040_4460
Pouch, Seatback	52019_3401	52019_3401	52019_3401	52019_3401

PLAIN CLOTH INSERTS UPHOLSTERY

	NATIONAL CUSHIONAIRE	NATIONAL CUSHIONAIRE	BOSTROM 715E & 760E	SEATS CANADA ELDORADO
Seat Assembly	52001_3459 & 52101_3403	52002_3419	52001_3499 & 52001_3534 & 52002_3425	52001_3571 & 52001_3592
Cloth Upholstery Kit	52019_4425	52040_4427	52019_4482	
Bottom Seat Cover	52019_4403	52040_4419	52040_4403	52040_4458
Hi-Back Cover	52019_4407	52019_4407	52040_4411	52040_4461
Pouch, Seatback	52019_3401	52019_3401	52019_3401	52019_3401

PLEATED CLOTH INSERTS UPHOLSTERY

	NATIONAL CUSHIONAIRE	NATIONAL CUSHIONAIRE	BOSTROM 715E & 760E	SEATS CANADA ELDORADO
Seat Assembly	52001_3460 & 52101_3404	52002_3420	52001_3502 & 52001_3536 & 52001_3587	52001_3572 & 52001_3593
Pleated Upholstery Kit	52019_4429	52040_4428	52019_4484	
Bottom Seat Cover	52019_4404	52040_4420	52040_4404	52040_4459
Hi-Back Cover	52019_4408	52019_4408	52040_4412	52040_4462
Pouch, Seatback	52019_3401	52019_3401	52019_3401	52019_3401

UPHOLSTERY KITS - LO-BACK SEATS WITH ARM RESTS

PLAIN UPHOLSTERY (NAUGAHYDE)

	NATIONAL CUSHIONAIRE	NATIONAL CUSHIONAIRE	BOSTROM 715E & 760E	SEATS CANADA ELDORADO
Seat Assembly	52001_3453	52002_3413	52001_3513 & 52001_3515	52002_3401
Plain Upholstery Kit	52019_4420	52040_4429	52019_4487	
Bottom Seat Cover	52019_4401	52040_4417	52040_4401	52040_4456
Lo-Back Cover	52019_4409	52019_4409	52040_4405	52040_4463
RH Arm Cover	52019_4413	52019_4413	52040_4413	52040_4437
LH Arm Cover	52019_4414	52019_4414	52040_4414	52040_4437
Pouch, Seatback	52019_3401	52019_3401	52019_3401	52019_3401

TUCK AND ROLL UPHOLSTERY (PLEATED NAUGAHYDE)

	NATIONAL CUSHIONAIRE	NATIONAL CUSHIONAIRE	BOSTROM 715E & 760E	SEATS CANADA ELDORADO
Seat Assembly	52001_3454	52002_3414	52001_3517 & 52001_3519	52002_3402 & 52001_3482
T&R Upholstery Kit	52019_4424	52040_4430	52019_4489	
Bottom Seat Cover	52019_4402	52040_4418	52040_4402	
Lo-Back Cover	52019_4410	52019_4410	52040_4406	52040_4464
RH Arm Cover	52019_4413	52019_4413	52040_4413	52040_4437
LH Arm Cover	52019_4414	52019_4414	52040_4414	52040_4437
Pouch, Seatback	52019_3401	52019_3401	52019_3401	52019_3401

PLAIN CLOTH INSERTS UPHOLSTERY

	NATIONAL CUSHIONAIRE	NATIONAL CUSHIONAIRE	BOSTROM 715E & 760E	SEATS CANADA ELDORADO
Seat Assembly	52001_3455	52002_3415	52001_3521 & 52001_3523	52002_3403
Cloth Upholstery Kit	52019_4428	52040_4431	52019_4491	
Bottom Seat Cover	52019_4403	52040_4419	52040_4403	52040_4458
Lo-Back Cover	52019_4411	52019_4411	52040_4407	52040_4466
RH Arm Cover	52019_4415	52019_4415	52040_4415	52040_4438
LH Arm Cover	52019_4416	52019_4416	52040_4416	52040_4438
Pouch, Seatback	52019_3401	52019_3401	52019_3401	52019_3401

PLEATED CLOTH INSERTS UPHOLSTERY

	NATIONAL CUSHIONAIRE	NATIONAL CUSHIONAIRE	BOSTROM 715E & 760E	SEATS CANADA ELDORADO
Seat Assembly	52001_3456	52002_3416	52001_3525 & 52001_3527	52002_3404
Pleated Upholstery Kit	52019_4432	52040_4432	52019_4403	
Bottom Seat Cover	52019_4404	52040_4420	52040_4404	52040_4459
Lo-Back Cover	52019_4412	52019_4412	52040_4408	52040_4465
RH Arm Cover	52019_4415	52019_4415	52040_4415	52040_4438
LH Arm Cover	52019_4416	52019_4416	52040_4416	52040_4438
Pouch, Seatback	52019_3401	52019_3401	52019_3401	52019_3401

LOW BACK SEATS WITHOUT ARM RESTS

PLAIN UPHOLSTERY (NAUGAHYDE)

	NATIONAL CUSHIONAIRE	NATIONAL CUSHIONAIRE	BOSTROM 715E & 760E	SEATS CANADA ELDORADO
	52001_3449 & 52101_3429	52002_3409	52001_3512 & 52001_3514	52001_3596
Plain Upholstery Kit	52019_4419	52040_4433	52019_4486	
Bottom Seat Cover	52019_4401	52040_4417	52040_4401	52040_4456
Lo-Back Cover	52019_4409	52019_4409	52040_4405	52040_4463
Pouch, Seatback	52019_3401	52019_3401	52019_3401	52019_3401

TUCK AND ROLL UPHOLSTERY (PLEATED NAUGAHYDE)

	NATIONAL CUSHIONAIRE	NATIONAL CUSHIONAIRE	BOSTROM 715E & 760E	SEATS CANADA ELDORADO
Seat Assembly	52001_3450 & 52101_3430	52002_3410	52001_3516 & 52001_3518	52001_3597
T&R Upholstery Kit	52019_4423	52040_4434	52019_4488	
Bottom Seat Cover	52019_4402	52040_4418	52040_4402	52040_4457
Lo-Back Cover	52019_4410	52019_4410	52040_4406	52040_4464
Pouch, Seatback	52019_3401	52019_3401	52019_3401	52019_3401

PLAIN CLOTH INSERTS UPHOLSTERY

	NATIONAL CUSHIONAIRE	NATIONAL CUSHIONAIRE	BOSTROM 715E & 760E	SEATS CANADA ELDORADO
Seat Assembly	52001_3451 & 52101_3431	52002_3411	52001_3520 & 52001_3522	52001_3598
Cloth Upholstery Kit	52019_4427	52040_4435	52019_4490	
Bottom Seat Cover	52019_4403	52040_4419	52040_4403	52040_4458
Lo-Back Cover	52019_4411	52019_4411	52040_4407	52040_4466
Pouch, Seatback	52019_3401	52019_3401	52019_3401	52019_3401

PLEATED CLOTH INSERTS UPHOLSTERY

	NATIONAL CUSHIONAIRE	NATIONAL CUSHIONAIRE	BOSTROM 715E & 760E	SEATS CANADA ELDORADO
Seat Assembly	52001_3452 & 52101_3432	52002_3412	52001_3524 & 52001_3526	52001_3599
Pleated Upholstery Kit	52019_4431	52040_4436	52019_4492	
Bottom Seat Cover	52019_4404	52040_4420	52040_4404	52040_4459
Lo-Back Cover	52019_4412	52019_4412	52040_4408	52040_4465
Pouch, Seatback	52019_3401	52019_3401	52019_3401	52019_3401

BOSTROM T-BAR SEAT UPHOLSTERY

Bostrom T-Bar Seat Assembly, with Plain Upholstery 04-9053368_
 Plain Upholstery Kit 52019_4466
 Bottom Seat Cover 52019_4467
 Back Cover 52019_4468

Bostrom T-Bar Seat Assembly, Tuck & Roll Upholstery 04-9053369_
 Tuck and Roll Upholstery Kit 52019_4469
 Bottom Seat Cover 52019_4470
 Back Cover 52019_4471

Bostrom T-Bar Seat Assembly, Cloth Upholstery 04-9053370_
 Plain Cloth Inserts Kit 52019_4472
 Bottom Seat Cover 52019_4473
 Back Cover 52019_4474

Bostrom T-Bar Seat Assembly, Pleated Cloth Upholstery 04-9053371_
 Pleated Cloth Inserts Kit 52019_4475
 Bottom Seat Cover 52019_4476
 Back Cover 52019_4477



Tuff Tex Seat Upholstery

Seat Upholstery for National Cusionaire and Bostrom Seats is now available with Tuff Tex inserts. This upholstery is stronger than the standard cloth upholstery and can be ordered in place of it for any seats newer than 1988.

Tuff Tex cloth inserts are available in two colours, black or black/grey. A second color code is added to the end of the part number to describe which colour of Tuff Tex is desired.

EG: 52040G4467BLK would be a grey naugahyde with a black Tuff Tex insert.
 52040G4467BGY would be a grey naugahyde with a black/grey Tuff Tex insert.

Use the standard naugahyde colour codes for the naugahyde colour, and either **BLK** or **BGY** for the Tuff Tex Colour.

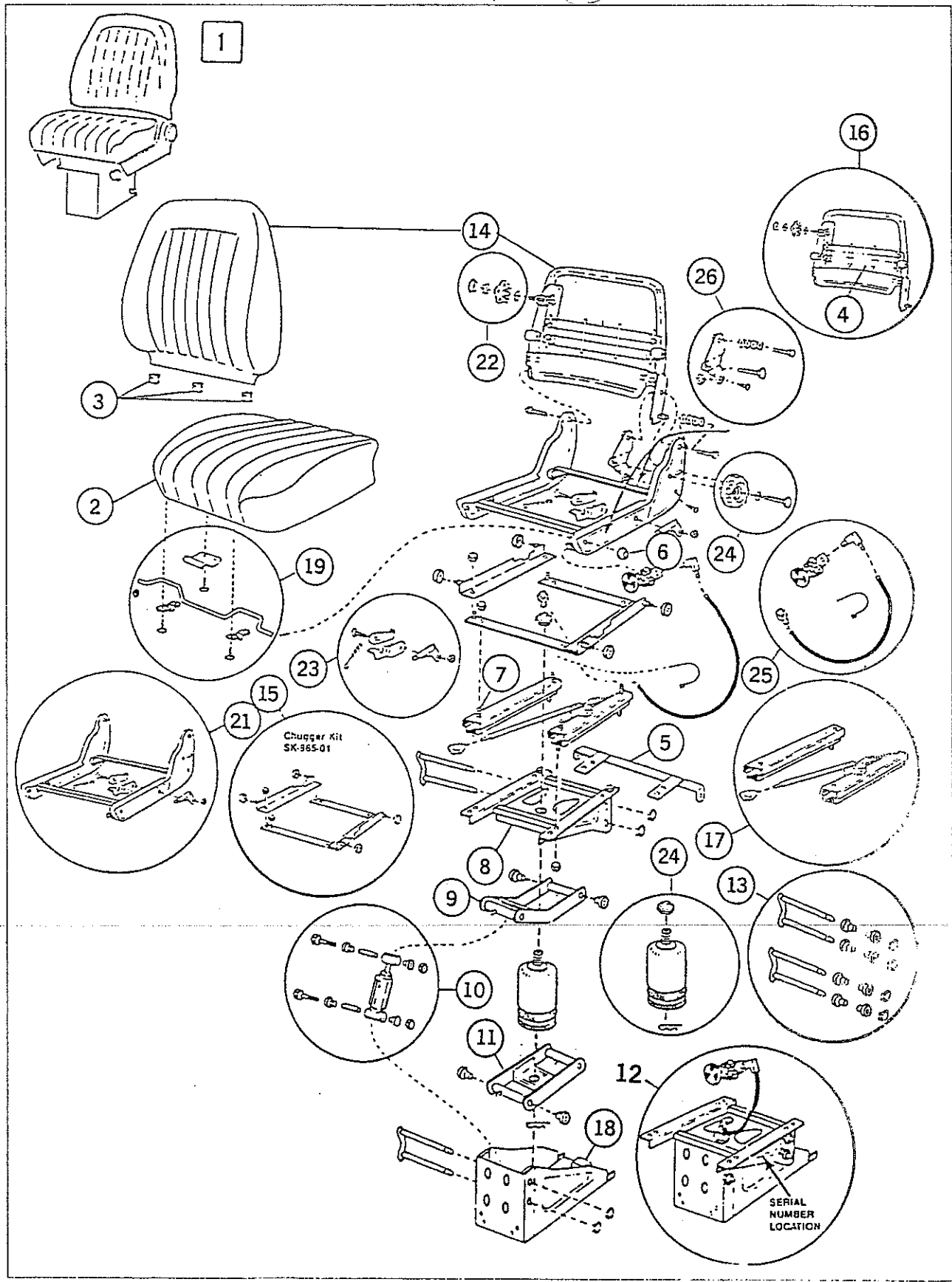
TUFF TEX SEAT UPHOLSTERY	
BOSTROM SEATS	
Description	Part Number
Hi Back Cover with Tuff Tex plain inserts	52040_4467__
Hi Back Cover with Tuff Tex pleated inserts	52040_4469__
Low Back Cover with Tuff Tex plain inserts	52040_4468__
Low Back Cover with Tuff Tex pleated inserts	52040_4486__
Seat Bottom Cover with Tuff Tex plain inserts	52040_4470__
Seat Bottom Cover with Tuff Tex pleated inserts	52040_4471__
LH Arm Rest Cover with Tuff Tex	52040_4472__
RH Arm Rest Cover with Tuff Tex	52040_4473__
NATIONAL 95 & 195 SEATS	
Description	Part Number
Hi Back Cover with Tuff Tex plain inserts	52040_4474__
Hi Back Cover with Tuff Tex pleated inserts	52040_4475__
Low Back Cover with Tuff Tex plain inserts	52040_4487__
Low Back Cover with Tuff Tex pleated inserts	52040_4476__
Seat Bottom Cover with Tuff kTex plain inserts	52040_4477__
Seat Bottom Cover with Tuff Tex pleated inserts	52040_4478__
LH Arm Rest Cover with Tuff Tex	52040_4479__
RH Arm Rest Cover with Tuff Tex	52040_4480__



Notes



National Cushionaire Models 95 & 195 Seat Breakdowns

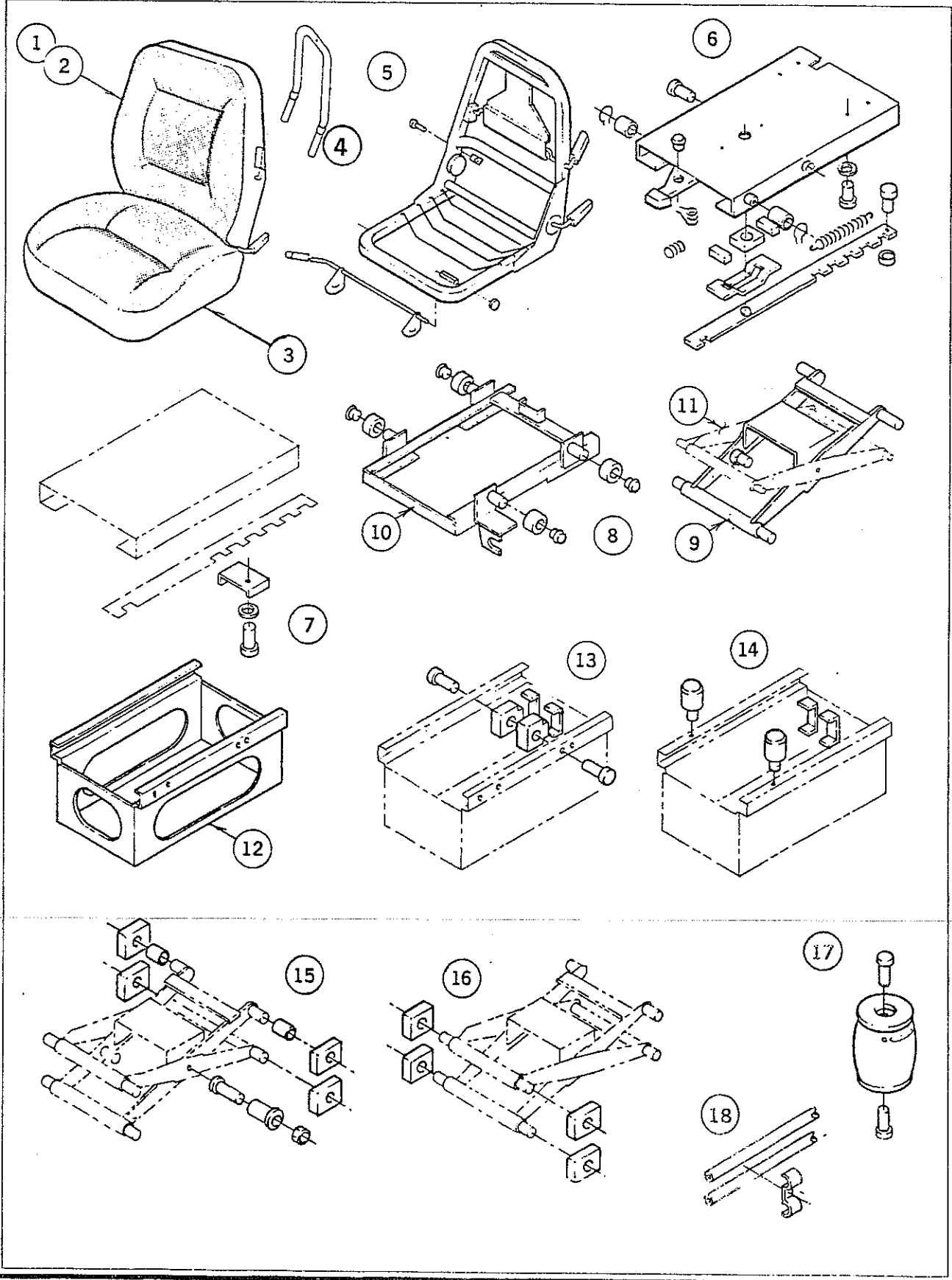




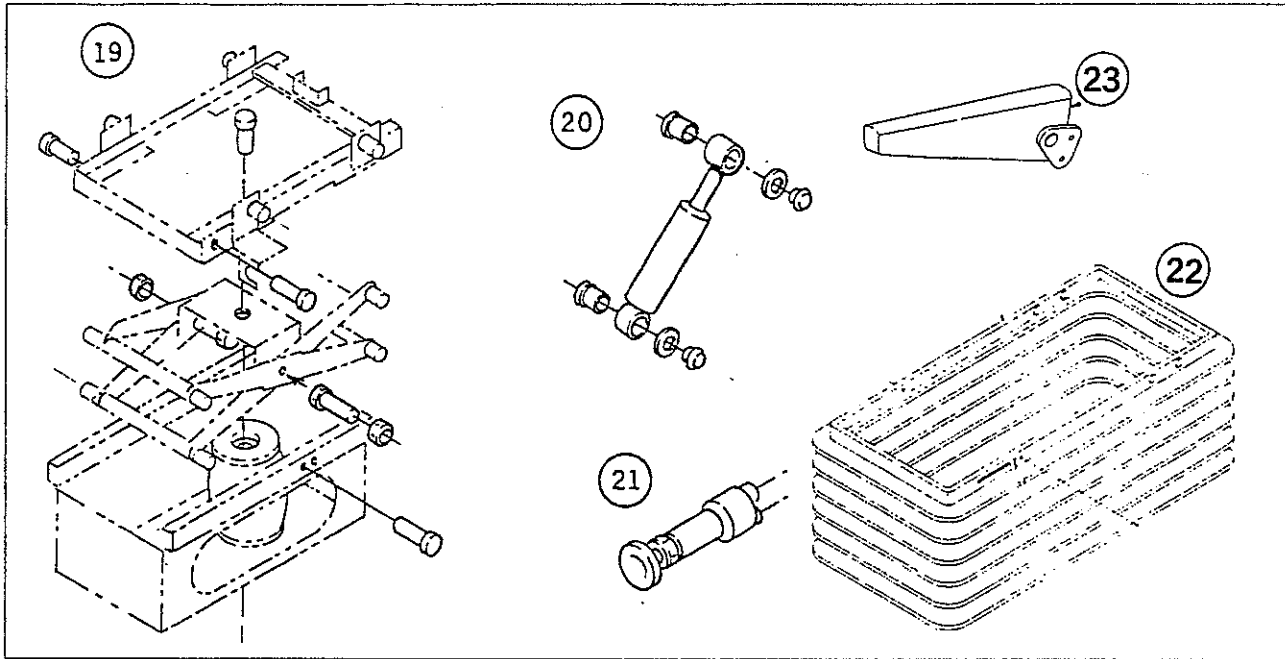
National Cushionaire Models 95 & 195 Seat Breakdowns

Item	Part Number	Qty	Description
1	52002-3466	1	Bare Low Back Seat Assembly
1	52002-3462	1	Bare High Back Seat Assembly
2	224556-03	1	Bare Cushion, Seat Bottom
3	177063-21	3	Tinnerman "U" Clips
4	222954-01	1	Flex O Lator
5	424711-01	1	Tether Bar, Seat Belt Mounting
6	177063-39	2	Cap, Cushion Adjuster Knob
7	177082-11	4	Bolt, 5/16 x .75 for Track
8	422415-01	1	Seat Support Assembly
9	318087-01	1	Upper Arm Assembly
10	SK-582-2	1	Shock Kit
11	318086-01	1	Lower Arm Assembly
12	422416-01	1	Base Assembly
13	SK-735	1	Shaft Kit
14	SK-974-01	1	Bare Cushion & Frame Assy., Low Back
14	SK-974-07	1	Bare Cushion & Frame Assy., High Back
15	SK-965-01	1	Chugger Kit
16	SK-964-07	1	Back Frame Kit
17	P229-6	1	Track Kit
18	22443-01	1	Rubber Bumper, Down Stop
19	SK-1085	1	Cushion Adjusting Rod Kit
20	SK-1026-18	1	Knob Kit, Lumbar Adjustment
21	SK-1023	1	Lower Frame Assembly
22	SK-1025	1	Knob Kit, Backrest Adjust
23	SK-1193-01	1	Chugger Lockout Kit
24	SK-748	1	Air Spring Kit
25	SK-1034	1	Air Valve Kit
26	SK-1192	1	Hardware Kit, Back to Frame
-	52041-3408	2	Bare Armrests

Note: For seats built after January 1989

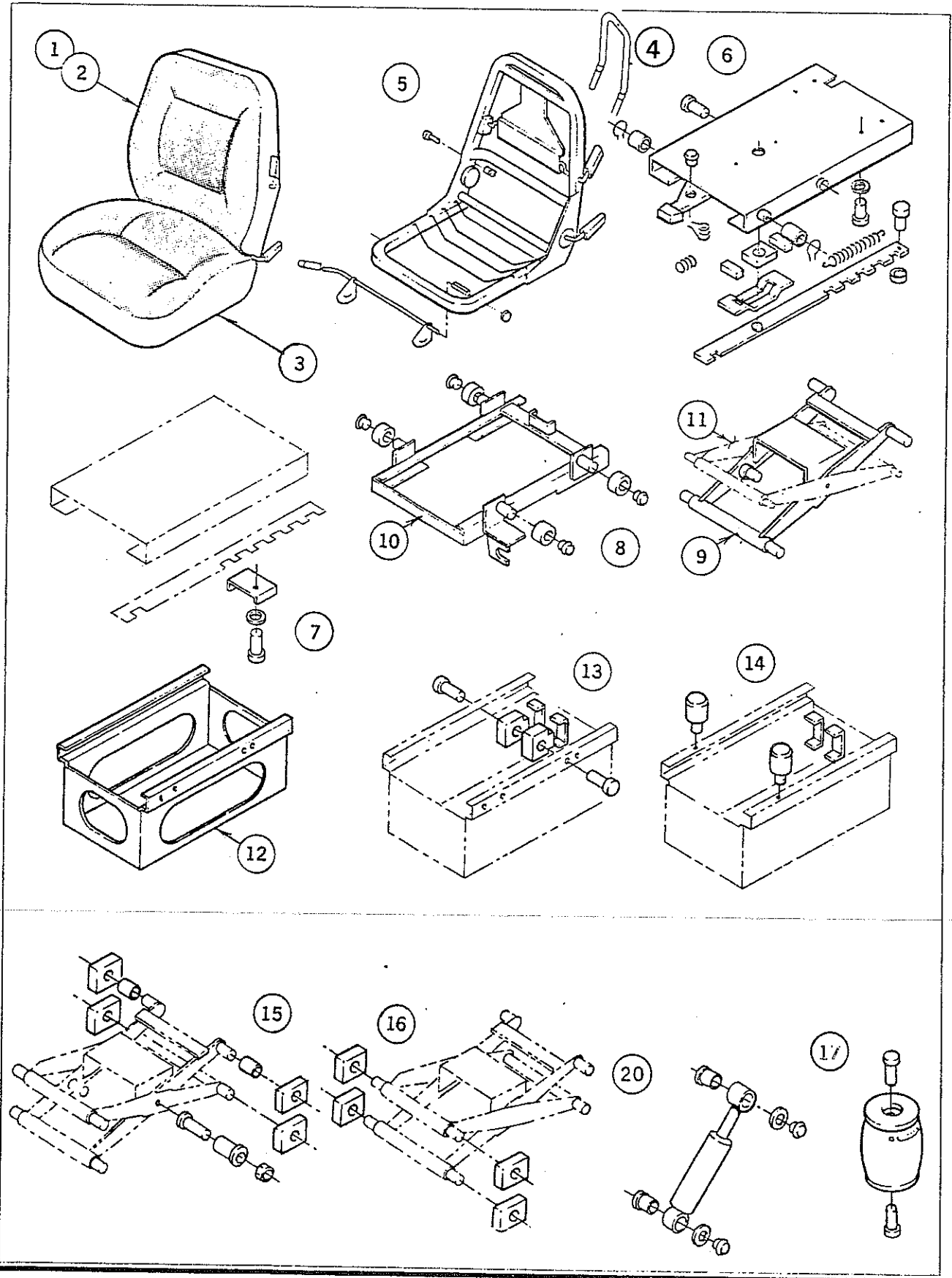
Bostrom 915 Seat Breakdowns

Bostrom 915 Seat Breakdowns



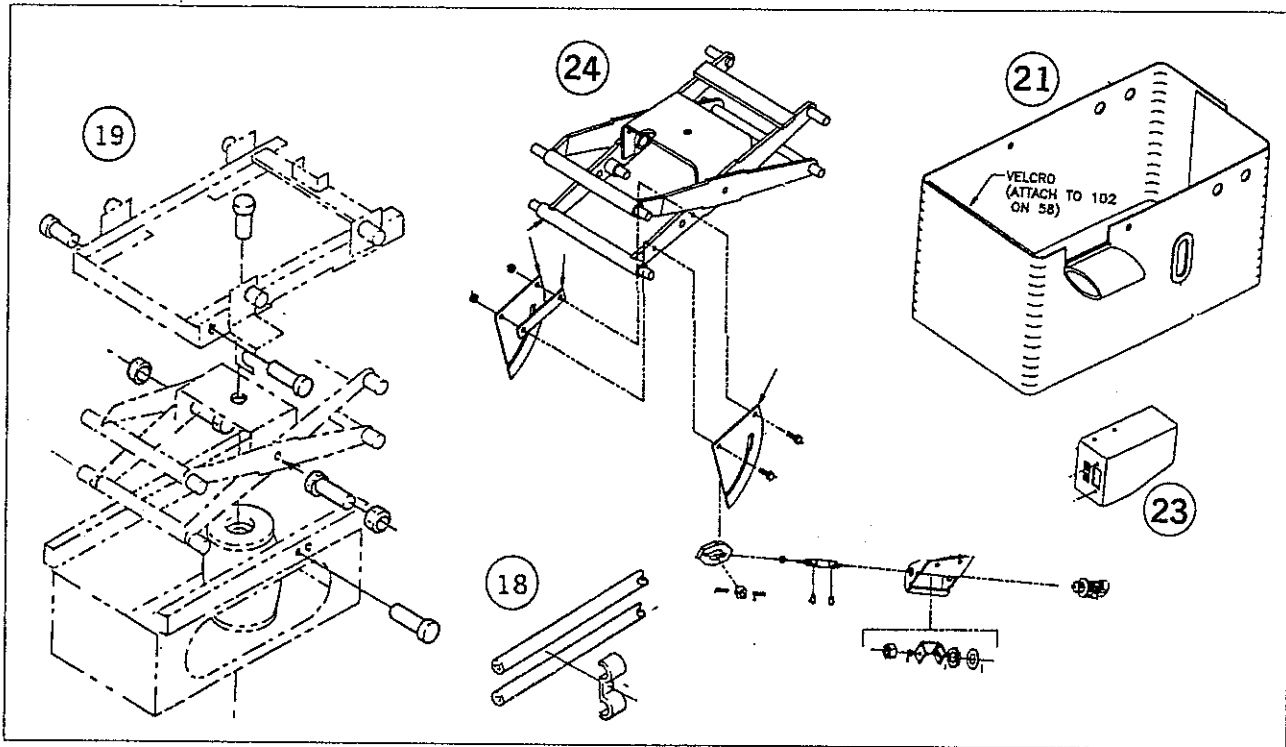
Item	Vendor Part Number	Qty	Description
1	1107586-003	1	Top Bare Foam Cushion, Low Back
2	1107587-003	1	Top Bare Foam Cushion, Hi Back
3	110633-003	1	Bottom Bare Foam Cushion
4	1106380-003	1	Head Restraint Tube, Hi Back only
5	1222021-001	1	Frame Assembly Low/Hi
6	1222000-001	1	Kit, Fore & Aft Isolators
7	1107031-001	1	Kit, Adjustment Restriction
8	1106729-001	1	Kit, Fore & Aft Rollers
9	1200095-001	1	Lever Assembly, Inner
10	1200097-001	1	Upper Plate Assembly
11	1064662	1	Lever Assembly
12	1200061-001	1	Riser Assembly
13	1222006-001	1	Kit, Stop Blocks
14	1222008-001	1	Kit, Bumper Top & Bottom
15	1222009-001	1	Kit, Suspension Bearings
16	1068864-002	1	Bearing Block Assembly
17	1222010-001	1	Kit, Air Spring Assembly
18	1222013-001	1	Kit, Tubing
19	1222015-001	1	Kit, Suspension Fasteners
20	1222016-001	1	Kit, Damper
21	1107990-002	1	Air Valve
-	1222019-001	1	Kit, Major Suspension Repair (Includes # 6, 8, 13, 15, 19 & Seat Mounting Bolts)
22	1224401-001	1	Kit, Suspension Cover
23	1107320-132	1	Kit, Bare Armrests

Bostrom 960 Seat Breakdowns





Bostrom 960 Seat Breakdowns



Item	Vendor Part Number	Qty	Description
1	1107586-003	1	Top Bare Foam Cushion, Low Back
2	1107587-003	1	Top Bare Foam Cushion, Hi Back
3	110633-003	1	Bottom Bare Foam Cushion
4	1106380-003	1	Head Restraint Tube, Hi Back only
5	1222021-001	1	Frame Assembly Low/Hi
6	1222000-001	1	Kit, Fore & Aft Isolators
7	1107031-001	1	Kit, Adjustment Restriction
8	1106729-001	1	Kit, Fore & Aft Rollers
9	1200095-001	1	Lever Assembly, Inner
10	1200097-001	1	Upper Plate Assembly
11	1064662	1	Lever Assembly
12	1200061-001	1	Riser Assembly
13	1222006-001	1	Kit, Stop Blocks
14	1222008-001	1	Kit, Bumper Top & Bottom
15	1222009-001	1	Kit, Suspension Bearings
16	1068864-002	1	Bearing Block Assembly
17	1222010-001	1	Kit, Air Spring Assembly
18	1222037-001	1	Kit, Tubing
19	1222015-002	1	Kit, Suspension Fasteners
20	1222016-001	1	Kit, Damper
-	1222019-001	1	Kit, Major Suspension Repair (Includes # 6, 8, 13, 15, 19 & Seat Mounting Bolts)
21	1224413-002	1	Kit, Suspension Cover
22	1107320-132	1	Kit, Bare Armrests
23	1222038-001	1	Kit, Height/Weight Control Module
24	122041-001	1	Kit, Height/Weight Adjust Mechanism

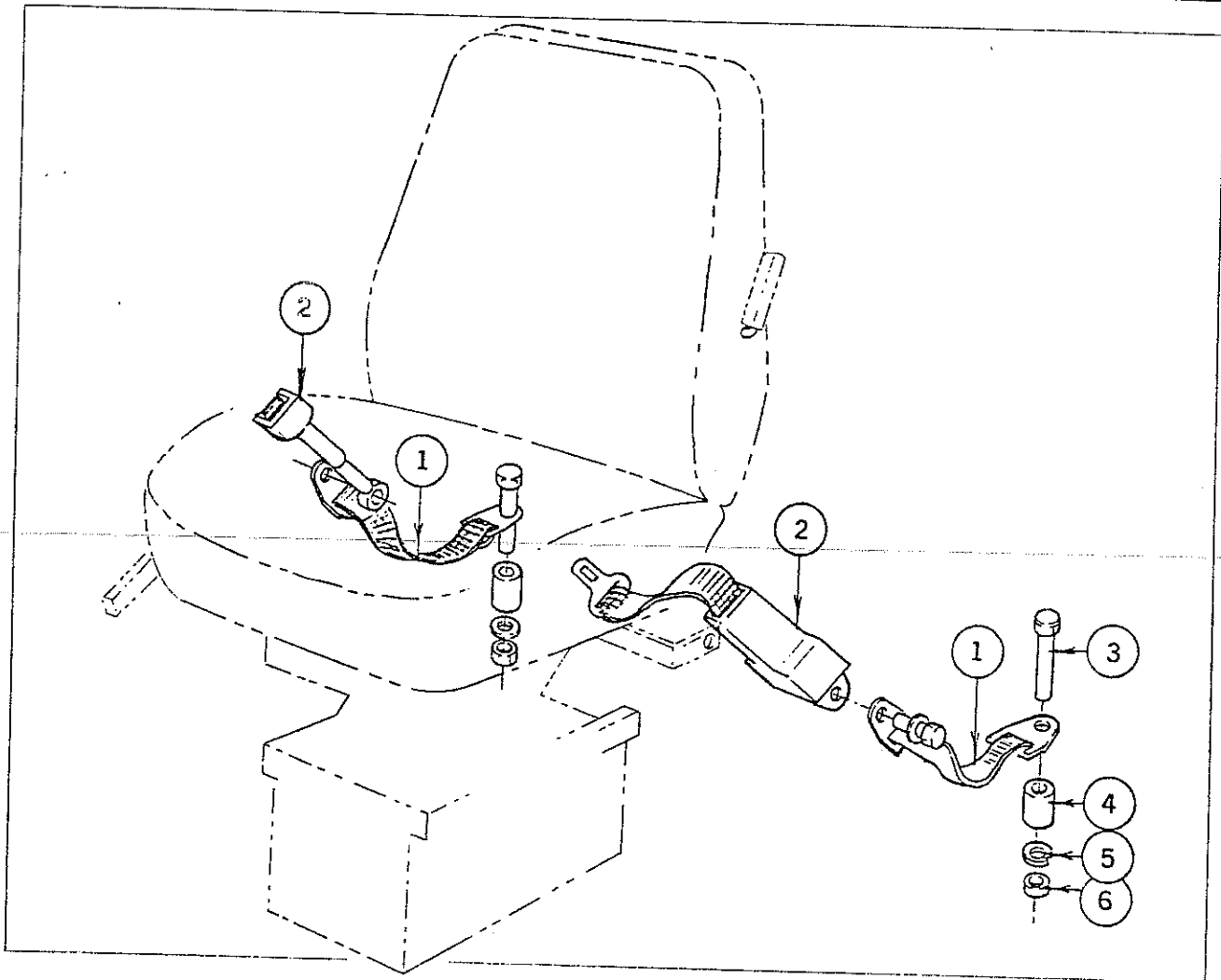
Seat Belts

Driver's or Passenger's Seat Belt - National Cushionaire or Eldorado Suspension Seats

Item	Part Number	Qty	Description
1	52201-3404	2	Tether Strap Assembly 20"
2	52203-3403	1	Lap Belt Assembly
3	4019-3407-3.00	2	Bolt, .44-20 X 3.0
4	4007-3428	2	Spacer
5	99-120383	2	Washer, Lock
6	657699	2	Nut, .44-20

Driver's or Passenger's Seat Belt -Bostrom Suspension Seats

Item	Part Number	Qty	Description
1	52201-3404	2	Tether Strap Assembly
2	52203-3409	1	Lap Belt Assembly
3	562518	2	Bolt, .44-20 X 2.56
4	473240	2	Spacer
5	99-120383	2	Washer, Lock
6	99-271506	2	Nut, .44-20





Notes

Cab Air Ride Retrofit Kit - 66028-4403

For Straight Tubular BOC Crossmember - 4900 / 5900 Series

Note: for assembly drawings, see Fig's 1, 2 & 3

Item	Description	Qty.	WST Part No.
1	Saddle - 'Weld-On'	1	66006-3406
2	Air Bag	2	66003-3404
3	Bracket - Cab Bumpstop	1	66006-3405
4	Rebound Rubber	1	110-13-341
5	Rear Cab Support Bracket	1	66024-3421
6	Rear Cab Support Bracket Plate	1	66024-3422
7	Height Control Valve	1	66007-0001
8	Height Control Rod Assembly	1	13307-3505
9	Retainer - Isolator	2	02-7130093
10	Insulator	2	02-7006298
11	Limiting Stud - Cab Restraint	1	66011-3406
12	Rebound Washer	1	105-13-872
13	Cab Isolator Washer	4	66016-3403
14	Nut - Hex Slotted 5/8-18	1	99-125267
15	Shock Absorber	2	66010-3402
16	Spacer - 17/32 ID x 1 1/4 OD x 11/16 long	2	4007-3421

NOTE:

- Not suitable for fuel tank skirts
- Trucks with Dual 'B' Exhaust, the part below to be ordered seperately

-	Pipe - Rear Dual B Air Ride	1	23529-3444
---	-----------------------------	---	------------

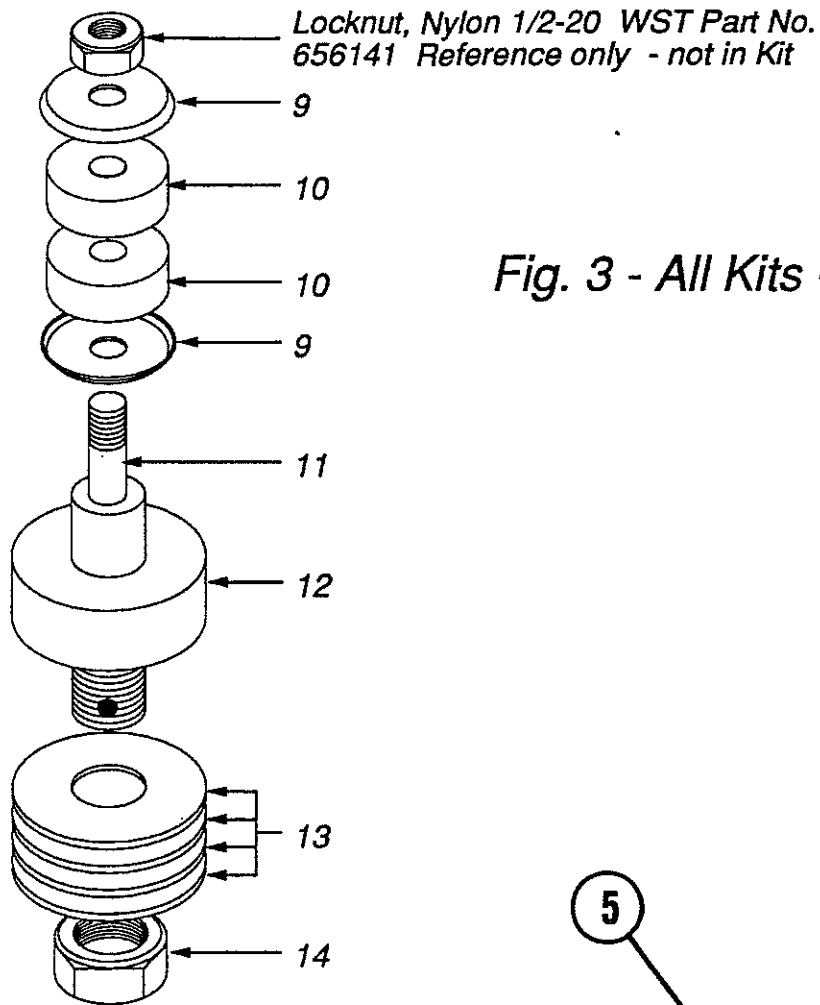


Fig. 3 - All Kits - Assembly of Limit Stud

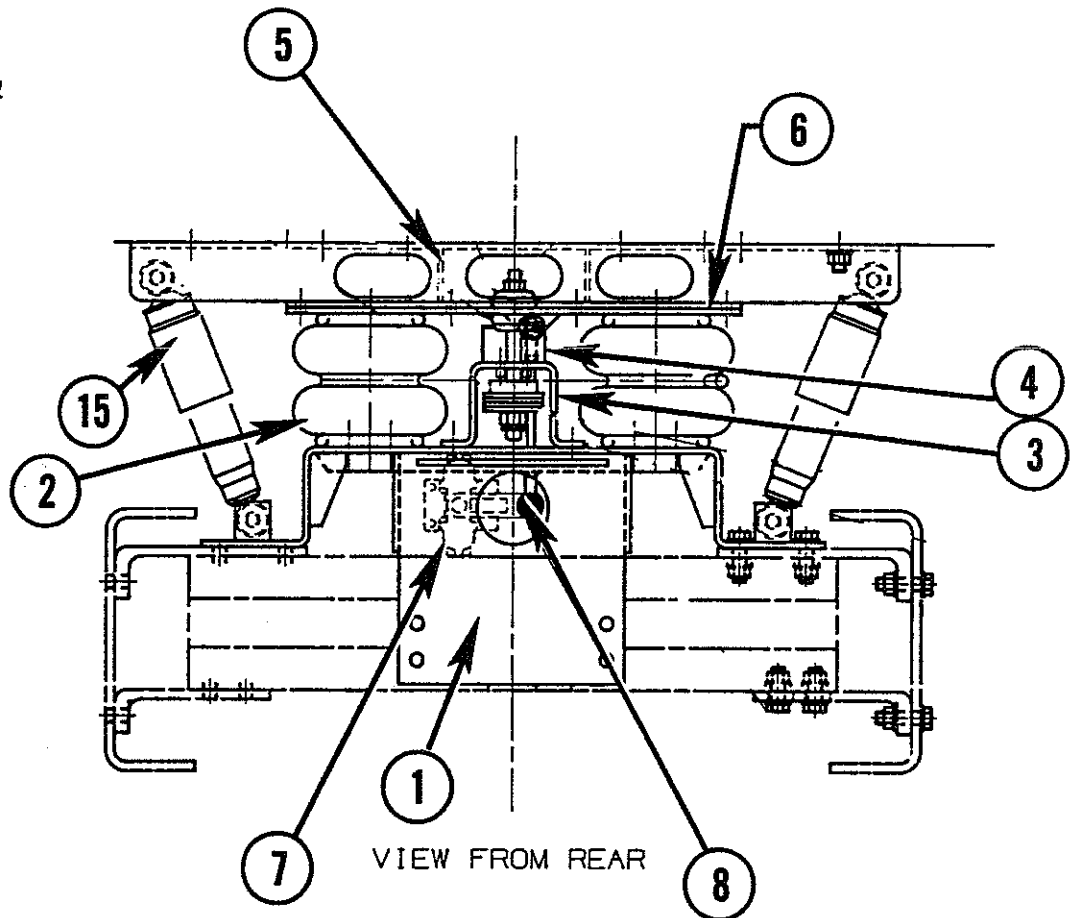
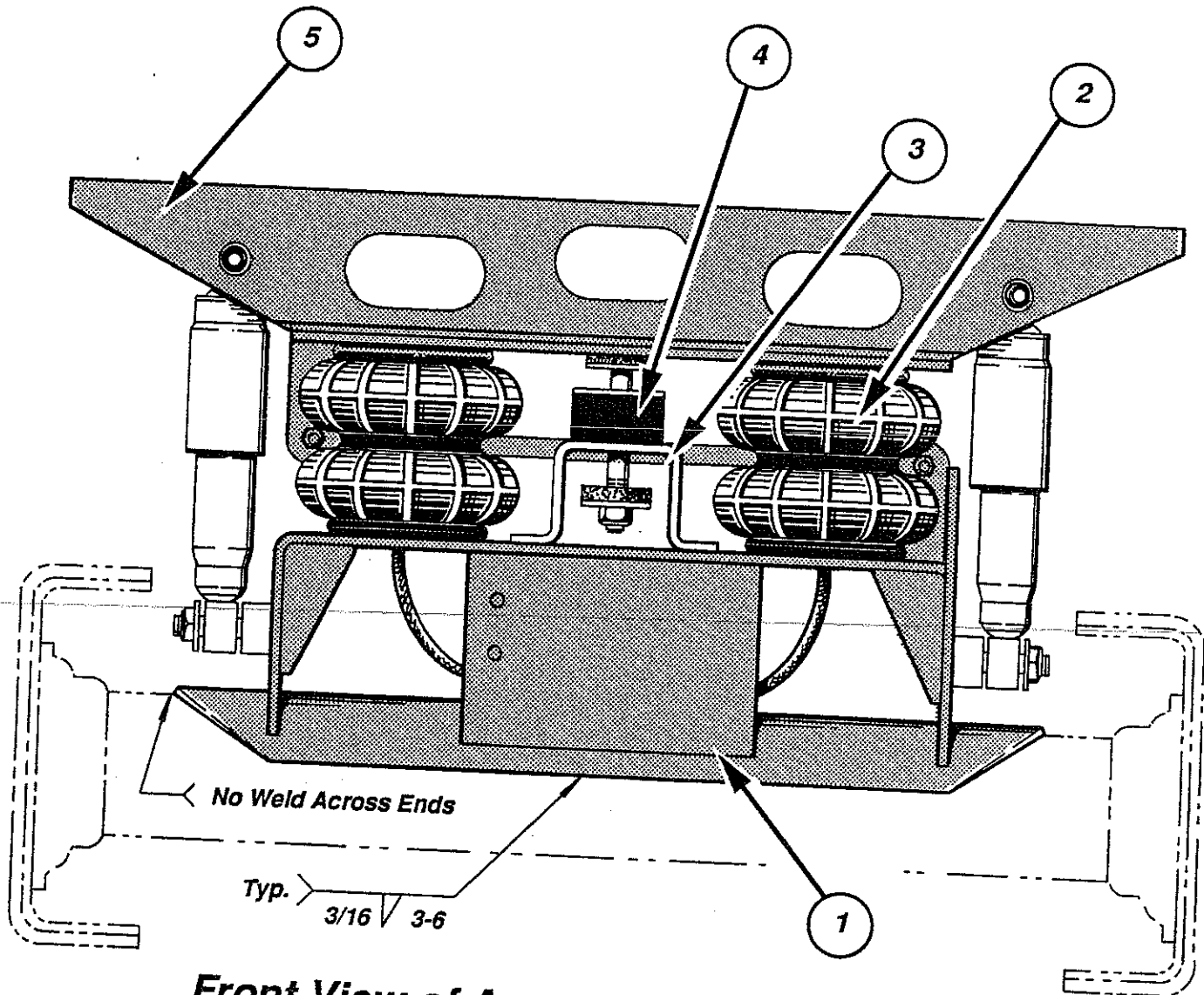
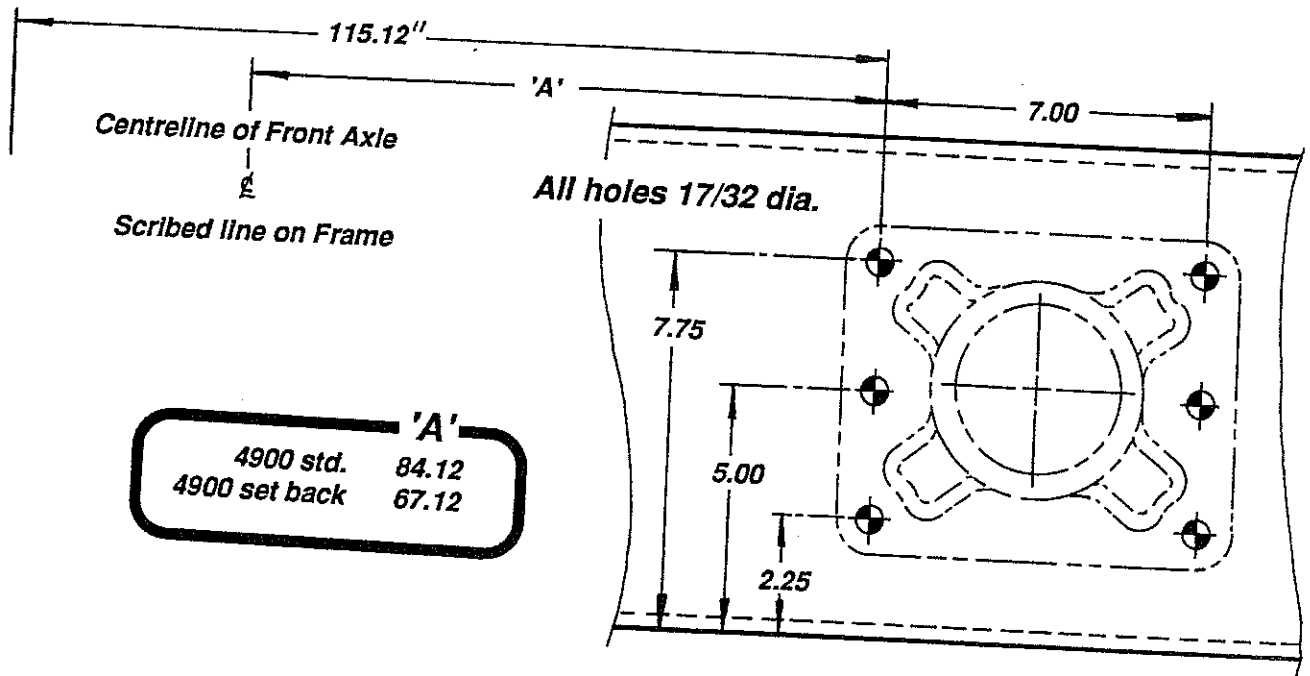


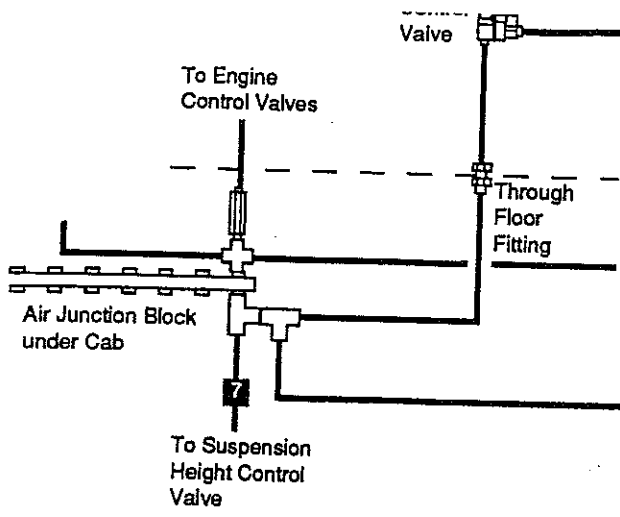
Fig. 4 - Assembly for Kits 66028-4404 & 66028-4405

Station '0'

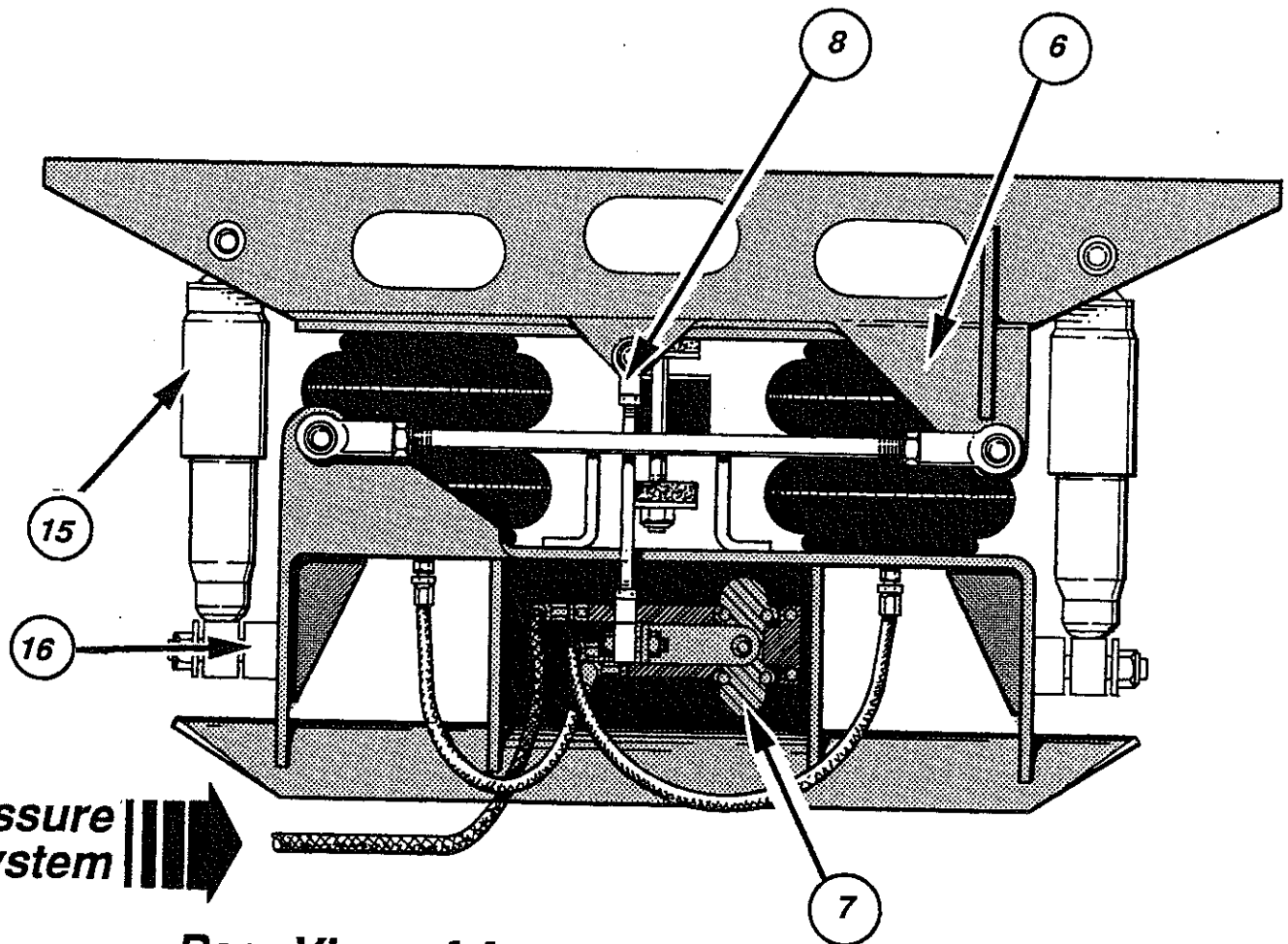
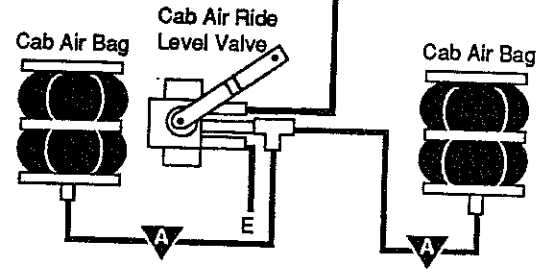


Front View of Assembly
(details may differ - typical assembly only)

Fig. 1 - Kit No. 66028-4403



Air Line Diagram for Cab Air Ride System:



Rear View of Assembly

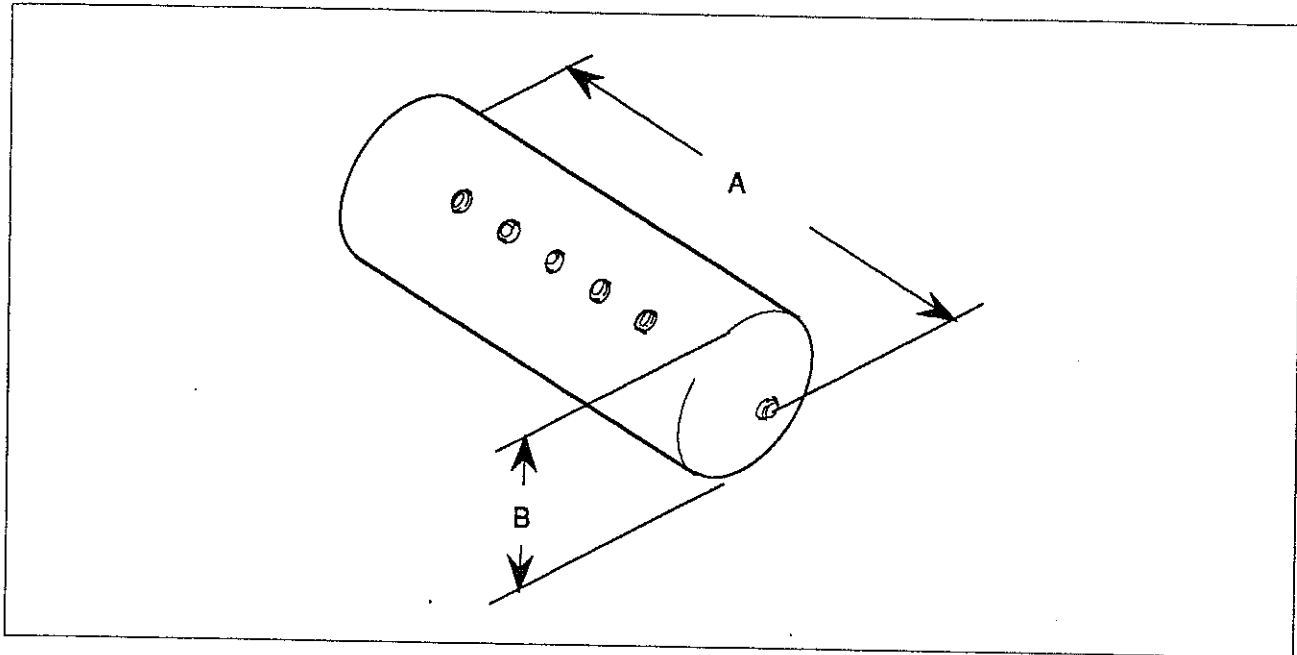
(showing height control valve)

(horizontal rod assembly no longer used)

(details may differ - typical assembly only)

Fig. 2 - Kit No. 66028-4403

Air Reservoirs



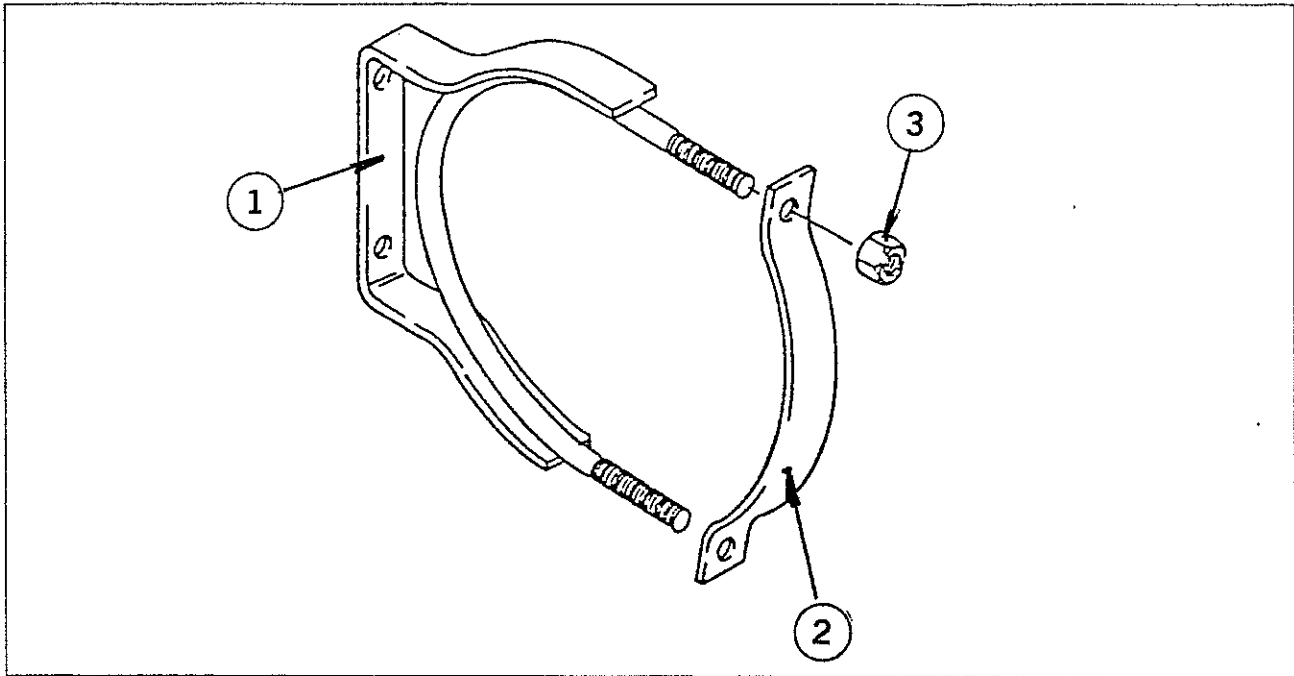
Part Number	Capacity	Material	Length 'A'	Dia 'B'	Ports		
					End	End	Side
02-7013229	900	Alum	14"	9-1/2"	2@1/4"	2@1/4"	None
02-7024574	1010	Steel	28"	7-3/16"	1@1/4"	2@1/4"	3@1/2"
04-9038102	900	Steel	14-1/2"	9-11/16"	1@1/2"	1@1/2"	1@3/8"
04-9038399	2770	Steel	41"	9-11/16"	3@1/2"	1@1/2"	2@1/2"
04-9039620	1750	Steel	26-1/2"	9-11/16"	1@1/4"	1@1/4"	1@3/8"
04-9039621	2000	Steel	30"	9-11/16"	1@1/2"	1@1/2"	4@1/2"
04-9044110	900	Alum	14-1/2"	9-11/16"	1@1/4"	1@1/4"	1@3/8"
04-9044111	2770	Alum	41"	9-11/16"	3@1/2"	1@1/2"	2@1/2"
04-9044112	1750	Alum	26-1/5"	9-11/16"	1@1/2"	1@1/2"	4@1/2"
04-9044113	2000	Alum	30"	9-11/16"	1@1/4"	1@1/4"	1@3/8"
71101-0001	800	Steel	22"	7-1/4"	1@1/2"	1@1/2"	4@1/2"
71101-0002	1570	Steel	42"	7-1/4"	1@1/4"	1@1/4"	1@3/8"
71101-0003 (Obsolete use 71101-0014)	1345	Steel	36"	7-1/4"	1@3/8"	1@3/8"	2@3/8"
					1@1/4"	1@1/4"	2@1/4"
					1@1/2"	1@1/2"	4@1/2"
					1@1/4"	1@1/4"	1@3/8"



Air Reservoirs

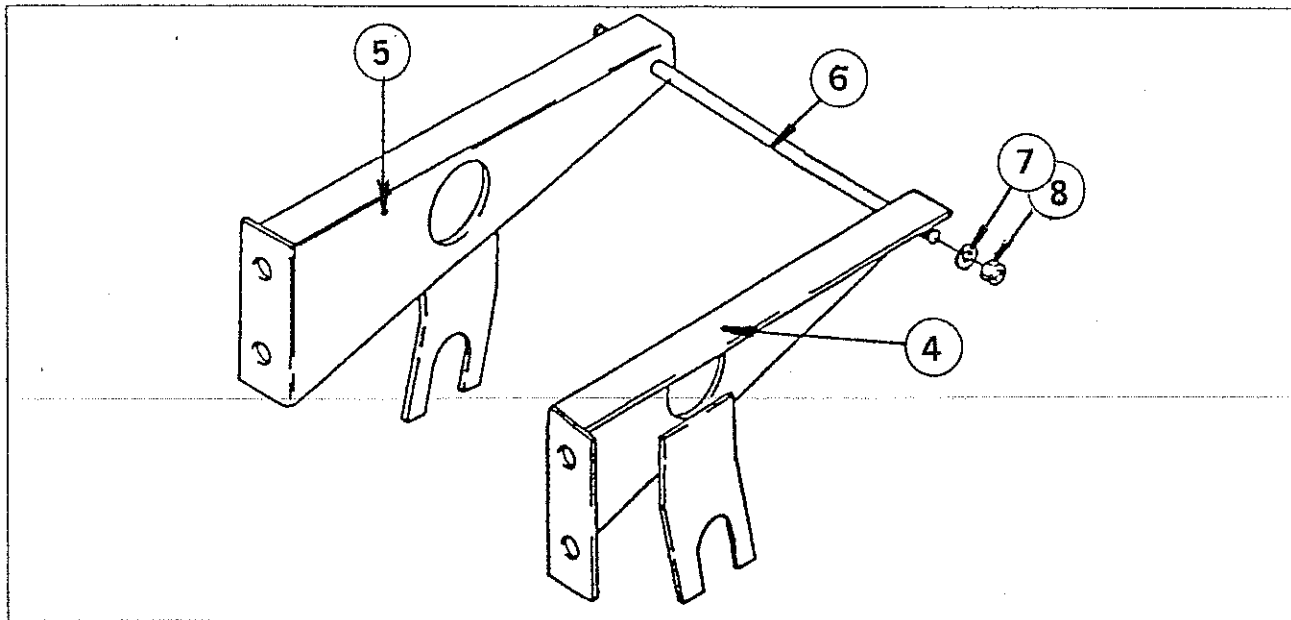
Part Number	Capacity	Material	Length 'A'	Dia 'B'	Ports		
					End	End	Side
71101-0004 (Obsolete use 71101-0013)	960	Steel	26"	7-1/4"	2@1/4" 1@1/2"	2@1/4" 1@1/2"	1@1/4" 2@3/8"
71101-0005 (Obsolete use 71101-0016)	2670	Steel	34"	9-1/4"	1@1/4" 1@1/2"	1@1/4" 1@1/2"	4@1/4"
71101-0009	967	Alum	26"	7-1/4"	2@1/4" 1@1/2"	2@1/4" 1@1/2"	1@1/2" 2@3/8"
71101-0010	1352	Alum	36"	7-14"	2@1/4" 1@1/2"	2@1/4" 1@1/2"	1@1/2" 2@3/8"
71101-0011 (Obsolete use 71101-0015)	1530	Steel	44"	7-1/4"	1@1/4" 1@1/2"	1@1/4" 1@1/2"	4@1/2"
71101-0012	975/1625	Steel	44"	9-1/4"	2@1/4" 1@1/2"	2@1/4" 1@1/2"	1@1/4" 4@1/2 1@3/8"
71101-0013	1920	Steel	26"	7-1/4"	2@1/4" 1@1/2"	2@1/4" 1@1/2"	2@1/2" 2@3/8"
71101-0014	1345	Steel	36"	7-1/4"	2@1/4" 1@1/2"	2@1/4" 1@1/2"	2@1/2" 2@3/8"
71101-0015	1530	Steel	44"	7-1/4"	2@1/4" 1@1/2"	2@1/4" 1@1/2"	2@1/2" 2@3/8"
71101-0016	2670	Steel	44"	9-1/4"	2@1/4" 1@1/2"	2@1/4" 1@1/2"	2@1/2" 2@3/8"
71101-0017	1530	Alum	44"	7-1/4"	2@1/4" 1@1/2"	2@1/4" 1@1/2"	2@1/2" 2@3/8"
71101-0018	2670	Alum	44"	9-1/4"	2@1/4" 1@1/2"	2@1/4" 1@1/2"	2@1/2" 2@3/8"
71101-0019	975/1625	Alum	44"	9-1/4"	2@1/4" 1@1/2"	2@1/4" 1@1/2"	1@1/2" 1@3/8" 4@1/2"
71101-0020	1043	Alum	28"	7-1/4"	2@1/4" 1@1/2"	2@1/4" 1@1/2"	2@1/2" 2@3/8"
71101-0021	1043	Steel	28"	7-1/4"	1@1/2" 2@1/4"	1@1/2" 2@1/4"	2@1/2" 2@3/8"
71101-3406	3000	Steel	44-1/4"	9-11/16"	1@1/2" 1@1/4"	1@1/2" 1@1/4"	4@1/2" 1@3/8"
71101-3407	900/1750	Steel	42-1/2"	9-11/16"	1@1/2" 1@1/4"	3@1/2" 1@1/4"	4@1/2"
71101-3801	1571	Steel	30"	8-11/16"	2@1/4" 1@1/2"	2@1/4" 1@1/2"	2@1/2" 2@3/8"
71101-3802	1232	Steel	24"	8-11/16"	2@1/4" 1@1/2"	2@1/4" 1@1/2"	2@1/2" 2@3/8"
71101-3803	1857	Steel	29"	9-11/16"	2@1/4" 1@1/2"	2@1/4" 1@1/2"	2@1/2" 2@3/8"
71101-3805	2351	Steel	30"	10-3/4"	2@1/4" 1@1/2"	2@1/4" 1@1/2"	2@1/2" 2@3/8"

Air Reservoir Mounting Brackets



Air Reservoir Brackets Mounted Inside Frame Rails

Item	Part Number	Qty	Description
1	71103-3414	2	Bracket, Air Tank
2	71103-3411	2	Mounting Strap, Air Tank
3	656312	4	Nut, Nylock 3/8-24

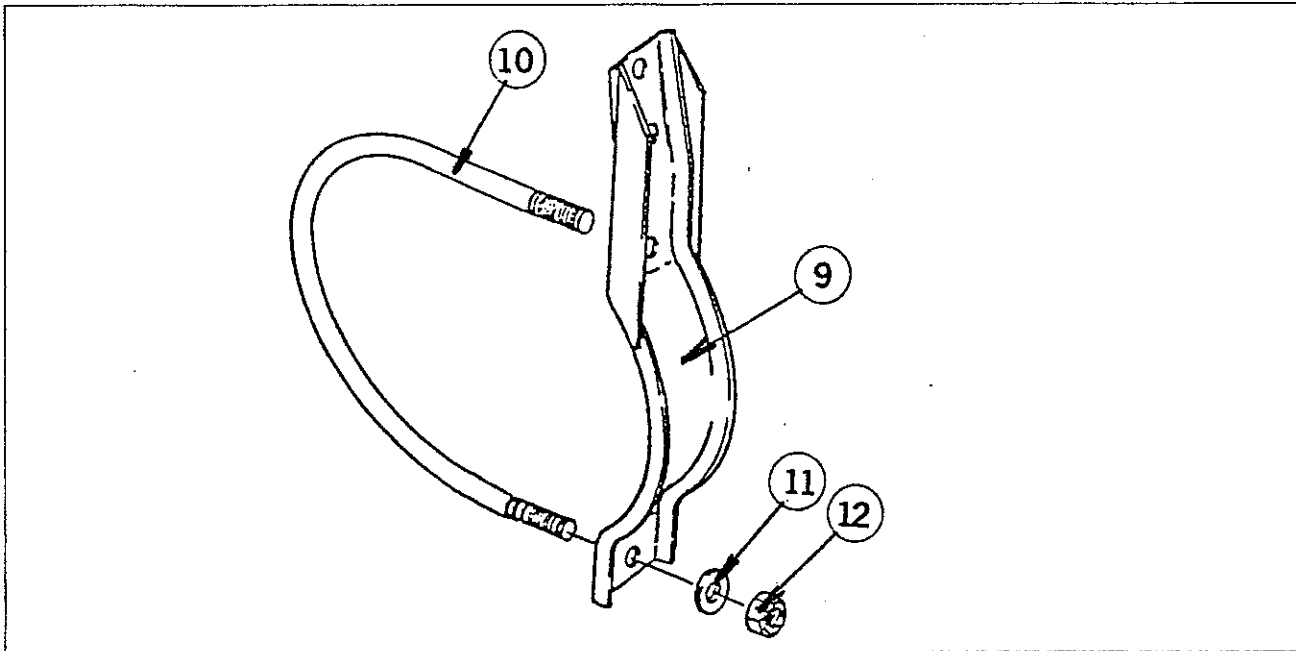


Air Reservoir Brackets Mounted Inside Frame Rails

Item	Part Number	Qty	Description
4	71103-3418	1	Bracket, Air Tank
5	712103-3419	1	Bracket, Air Tank
6	04-9041420	1	Tie Rod
7	99-120369	4	Nut
8	99-120382	4	Washer



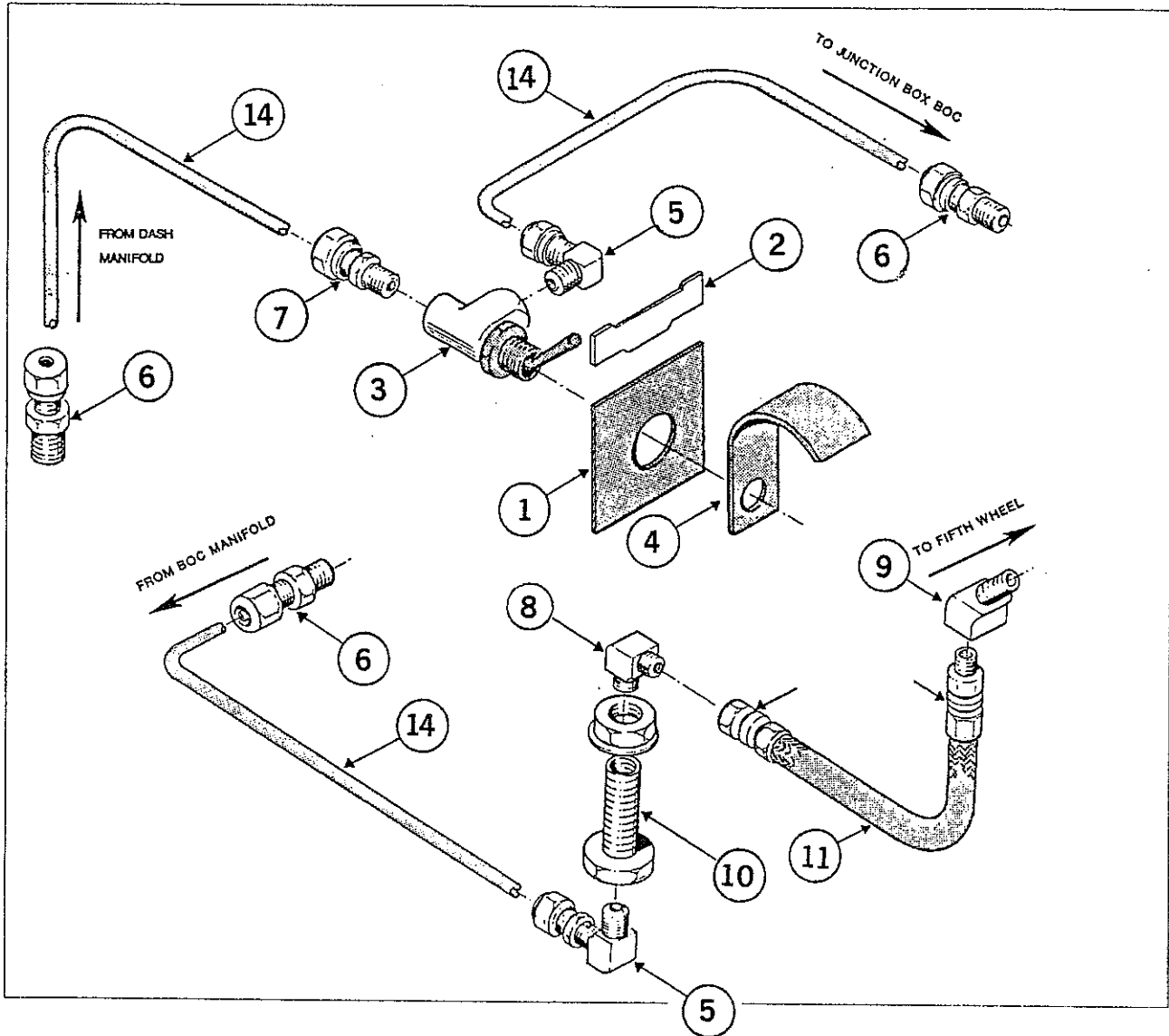
Air Reservoir Mounting Brackets



Air Reservoir Brackets Mounted Under Frame Rails

Item	Part Number	Qty	Description
9	71103-3412	2	Bracket, Air Tank
10	71108-3402	2	U-Bolt
11	99-120394	4	Washer
12	656312	4	Nut

Fifth Wheel Air Slide Controls



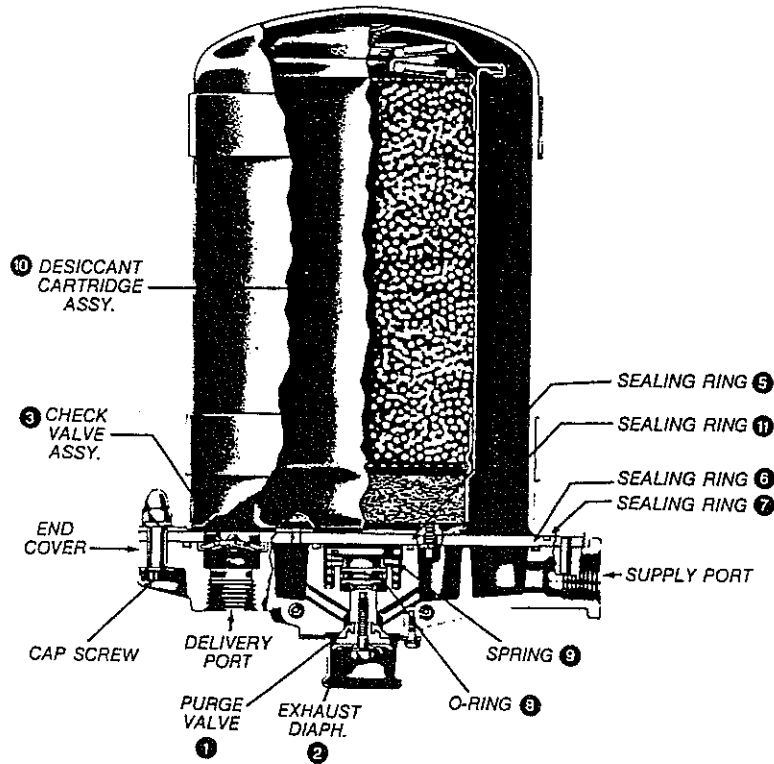
The following parts are common to all Fifth Wheel Air Slide Installations

Item	Part Number	Qty	Description
1	49304-3406	1	Nameplate, Fifth Wheel Slide
2	57021-3418	1	Applique, Fifth Wheel Slide
3	72403-3402	1	Control Valve, Fifth Wheel
4	49304-3403	1	Guard, Control Valve
5	5290-0001	2	Elbow, 90 Deg 1/4 Nyl X 1/8 Npt
6	5170-0002	3	Connector 1/4 Nyl X 1/4 Npt
7	5170-0001	1	Connector 1/8 Npt X 1/4 Nyl
8	118753	1	Elbow, 90 Deg # 4 X 1/8 Npt
9	542642	1	Elbow 45 Deg #4 X 1/4Npt
10	539763	1	Anchor Coupling
11	04-9054858	2	Nipple, Stratoflex
12	04-9054849	2	Socket, Stratoflex
13	-		Hose, #4 Stratoflex
14	-		Tube 1/4" Nylon

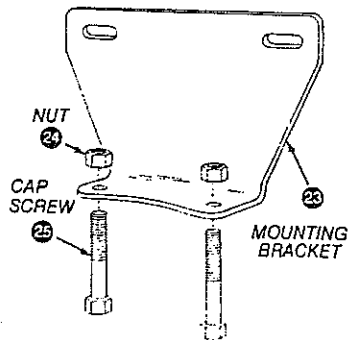
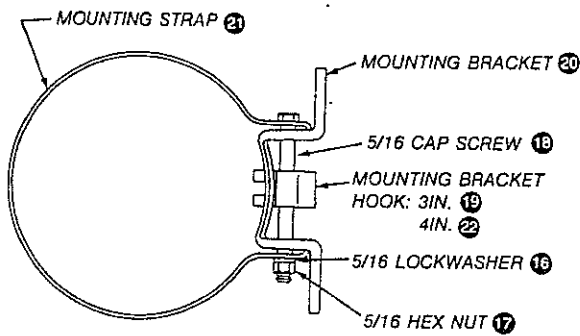


Notes

Bendix AD-4 Air Dryer - Maintenance Kits

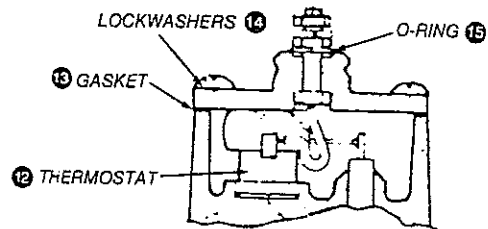


MOUNTING BRACKETS

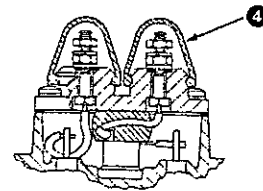


UNIVERSAL MOUNTING
PLATE PC. NO. 248478

THERMOSTAT TERMINALS



**SINGLE TERMINAL
THERMOSTAT SECTIONAL
(PARTIAL VIEW)**



**DUAL TERMINAL THERMOSTAT
SECTIONAL (PARTIAL VIEW)**



Bendix AD-4 Air Dryer - Maintenance Kits

Bendix AD-4 Air Dryer - Western Star Part Number 71304-3402

Purge Valve Replacement Kit		71390-4452
Item	Description	Qty
1	Purge Valve	1
2	Exhaust Diaphragm	1

Seal Kit		71390-4465
Item	Description	Qty
3	Check Valve Assembly	1
4	Boot	1
5	Sealing Ring	1
6	Sealing Ring	1
7	Sealing Ring	1

End Cover Kit		71390-4453
Item	Description	Qty
-	Purge Valve Kit 71390-4452	1
-	Seal Kit 103879	1
8	O-Ring	1
9	Piston Spring	1

Major Maintenance Kit		71390-4454
Item	Description	Qty
10	Desicant Cartridge	1
-	End Cover Kit 71390-4453	1
11	Sealing Ring	1

Desicant Cartridge Kit		71390-4455
Item	Description	Qty
10	Desicant Cartridge	1
-	Seal Kit 71390-4465	1
11	Sealing Ring	1

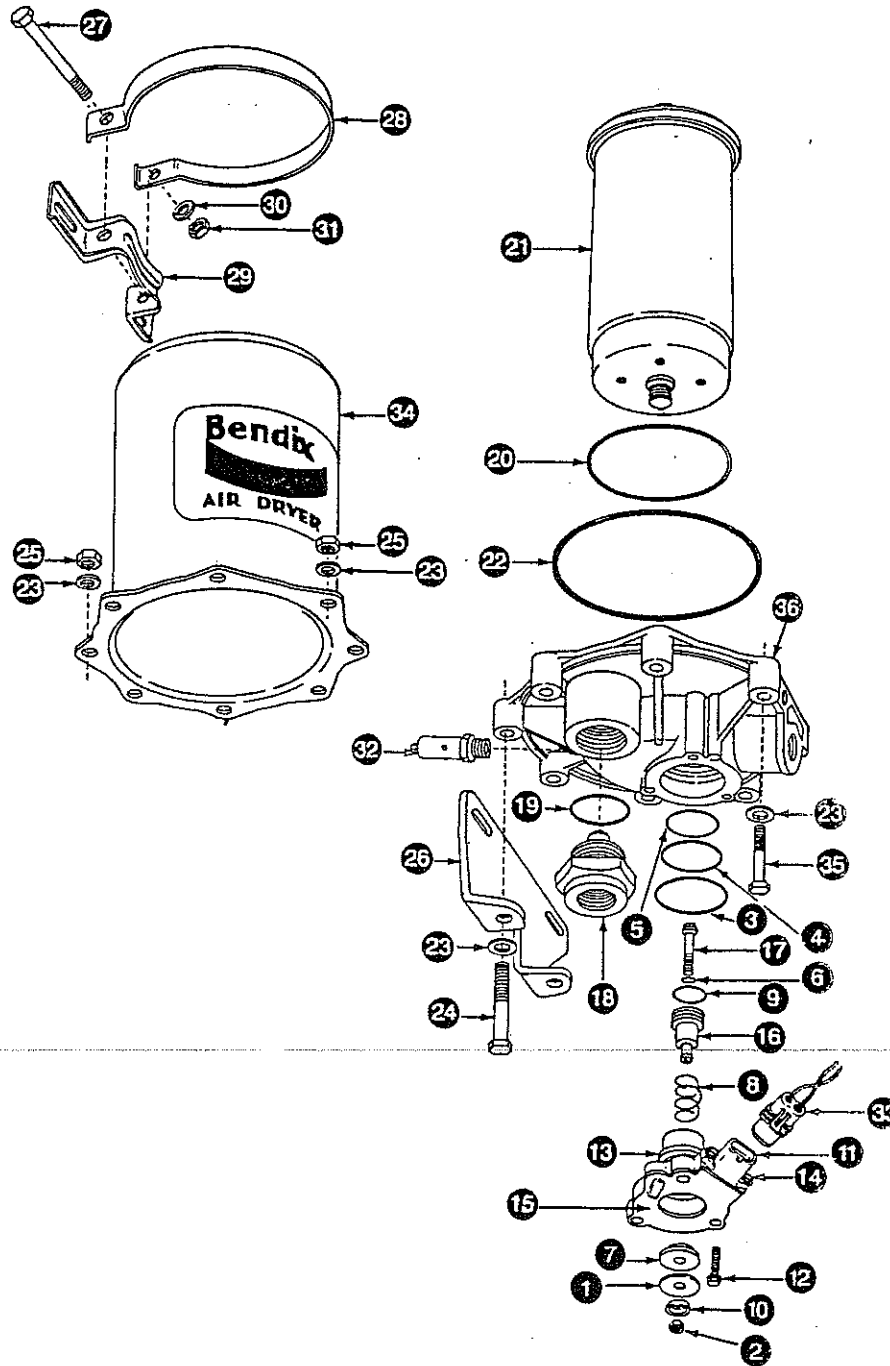
Thermostat Maintenance Kit		71390-4456
Item	Description	Qty
12	Thermostat	1
13	Gasket	1
14	Lockwasher	4
15	Boot	1
16	O-Ring	1

Mounting Bracket Kit		71390-4457
Item	Description	Qty
16	5/16" Lockwasher	2
17	5/16" Nut	2
18	5/16" Cap Screw	2
19	Mounting Braacket Hook	1
20	Mounting Bracket	2
21	Mounting Bracket Strap	2
22	Mounting Bracket Hook	2

Safety Valve		71390-4458
---------------------	--	-------------------



Bendix AD-9 Air Dryer - Maintenance Kits





Bendix AD-9 Air Dryer - Maintenance Kits

Bendix AD-9 Air Dryer - Western Star Part Number 71304-3404

Purge Valve Replacement Kit		71390-4459
Item	Description	Qty
1	Exhaust Diaphragm	1
2	Purge Valve Lock Nut	1
3-6	O-Ring	4
7	Purge Valve	1
8	Spring	1
9	O-Ring	1
10	Exhaust Diaphragm Washer	1
11	Heater and Thermostat Assy	1
12	Cap Screw and Washer	3
13	Purge Valve Housing	1
14	Self Tapping Screw	1
15	Exhaust Cover	1
16	Purge Piston	1
17	Torx Head Bolt	1

Purge Valve Maintenance Kit		71390-4460
Item	Description	Qty
1	Exhaust Diaphragm	1
2	Purge Valve Lock Nut	1
3-6	O-Ring	4
7	Purge Valve	1
8	Spring	1
9	O-Ring	1
10	Exhaust Diaphragm Washer	1

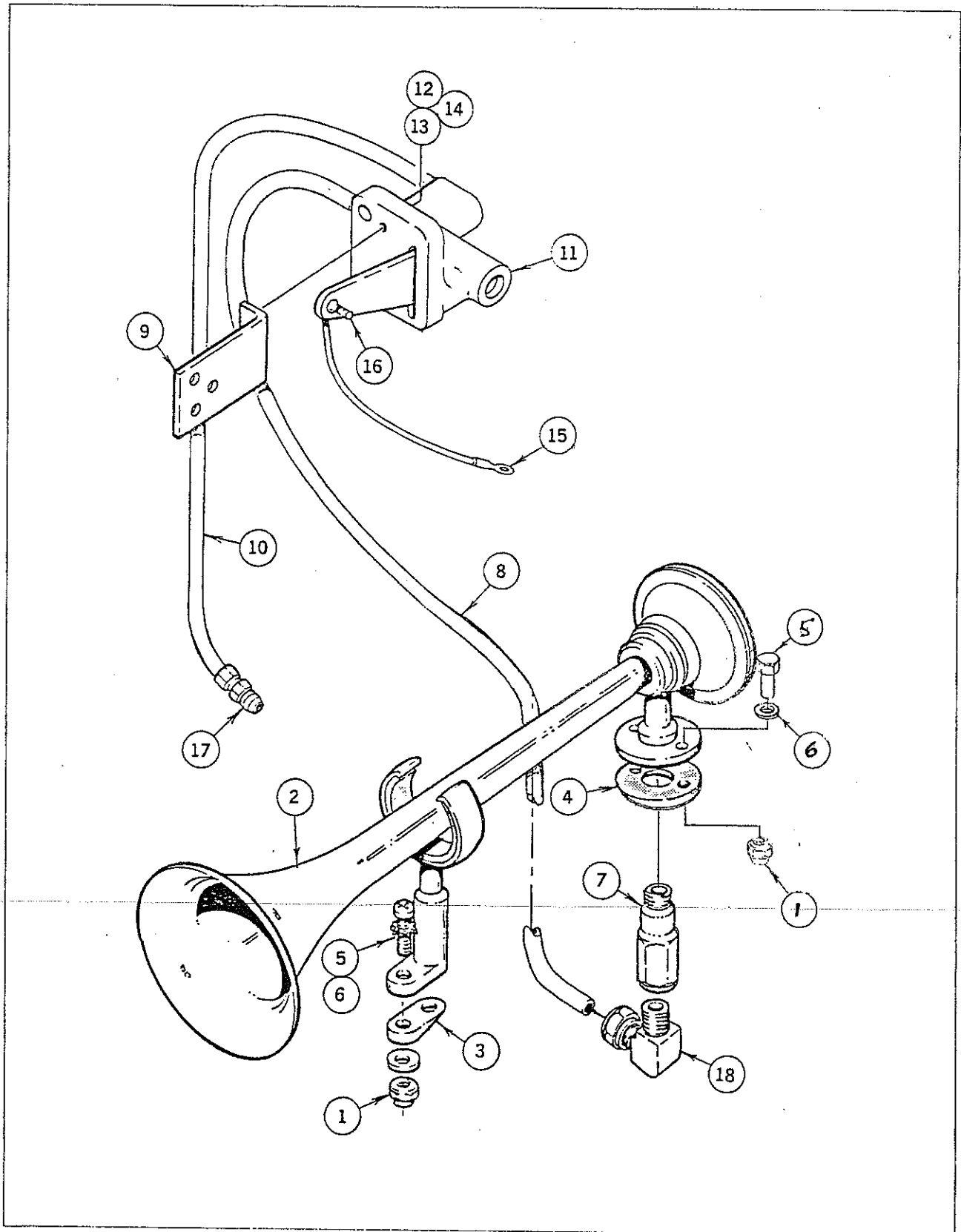
End Cover Check Valve Maintenance Kit		71390-4461
Item	Description	Qty
18	Check Valve Assembly	1
19	Check Valve O-Ring	1

Desicant Cartridge Kit		71390-4463
Item	Description	Qty
20	O-Ring	1
21	Desicant Cartridge	1
22	O-Ring	1

Mounting Bracket Kit		71390-4464
Item	Description	Qty
23	3/8" Lockwasher	4
24	3/8" X 2 3/8" Capscrew	2
25	Lock Nut	2
26	Lower Mounting Bracket	1
27	6/16" X 4 1/2" Upper Brkt Cap Screw	1
28	Upper Bracket Strap	1
29	Upper Mounting Bracket	1

Safety Valve	71390-4458
Wiring Harness and Connector	71390-4466

Grover 24" Air Horn

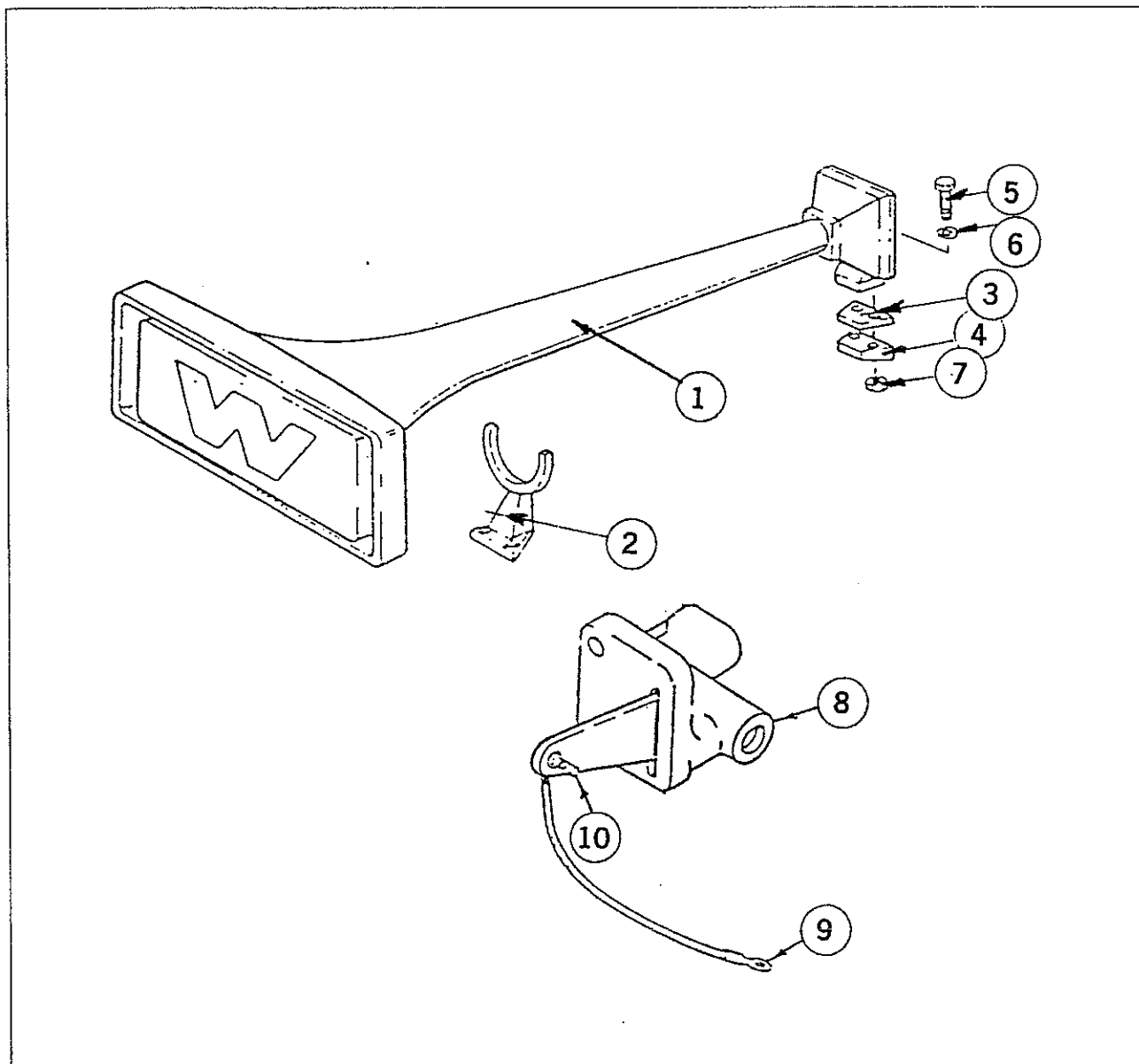




Grover 24" Air Horn

Item	Part Number	Qty	Description
1	562736	3	Nutsert, .25-20 x .5
2	63001-3405	1	Air Horn, Grover 24"
-	999750	1	Snowshield, attaches to front of air horn
3	04-9002032	1	Gasket, Pedestal
4	547620	1	Gasket, Stanchion
5	4001-3421	3	Bolt, Hex Stainless .25-20 x 1.0
6	04-9054012	3	Washer, Nylon
7	835454	1	Extension
-	99-120392	2	Washer, .25 x .62
8	6641-38.0	1	Nylon Tube, .25 x 38.0"
9	63015-3403	1	Bracket, Horn Valve
10	6641-52.0	1	Nylon Tube, .25 x 52.0"
11	63002-3402	1	Valve, Single Air Horn
12	99-155053	5	Screw, #8 - 32 x .75
13	99-120622	5	Nut, #8 - 32
14	99-131182	5	Washer, Lock #8
15	63004-3401	1	Pull Cord
16	669813	1	Crimp, JT Pull Cord
17	5270-0002	1	Connctor, Male .25 Nyl x .25 NPT
18	5290-0002	1	Elbow, 90 Deg .25 NPT x .25 Nyl

Hadley 29" Air Horn



Item	Part Number	Qty	Description
1	63001-3401	1	29" Hadley Air Horn
2	63010-3401	1	- Pedestal
-	H13729-1	1	- Snow Shield
-	H13732-9	1	- Sticker, Logo
3	63006-3402	1	Gasket
4	63007-3401	1	Spacer
5	4001-3421	4	Bolt
6	04-9041024	4	Washer
7	4006-3401	4	Nut
8	63002-3402	1	Valve
9	63004-3401	1	Pull Cord
10	669813	1	Crimp, Cord



Notes

CAB FAIRINGS

CAB ONLY - WITHOUT SLEEPER

Figure 1

- | | | |
|---|------------------|------------|
| 1 | Roof Fairing Kit | 62112-3416 |
| 2 | Side Shield Kit | 62112-3417 |
| 3 | Trim Tab Kit | 62112-3418 |

See TJT 049039 for additional installation hardware 3800/4800 model
See TJT 047981 for additional installation hardware 4900 model
See TJT 052475 for additional installation hardware 5900 model

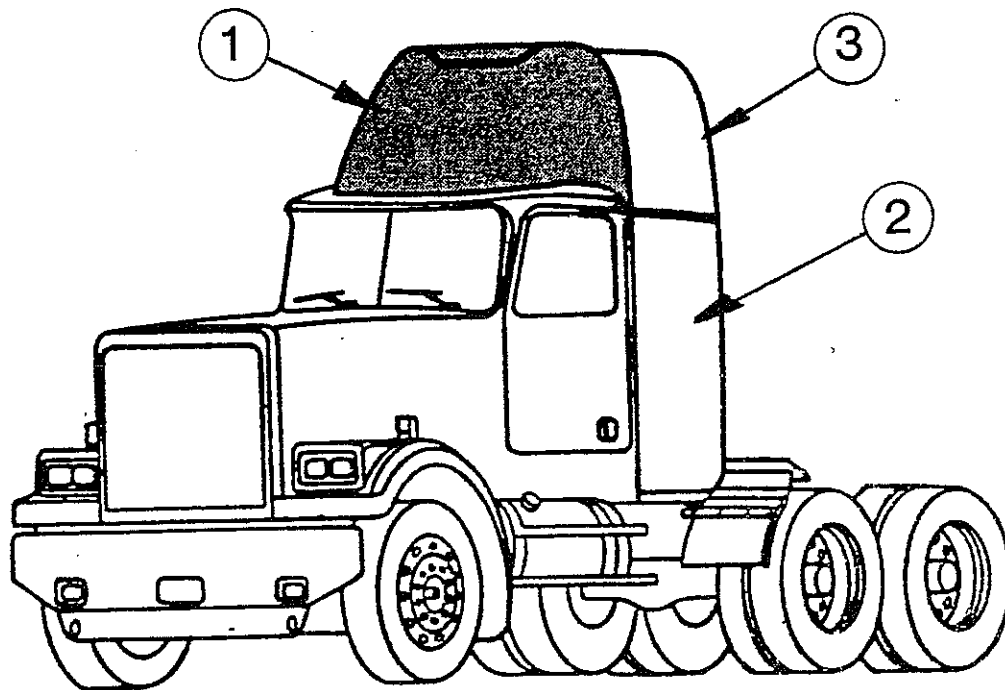


Fig. 1

SLEEPER FAIRINGS

42" SLEEPER ROOF FAIRING

Figure 2

1	Roof Fairing Kit	62112-3403
*2	Trim Tab Kit (See Note)	62112-3406
	See TJT 048248 for additional installation hardware	

54" SLEEPER ROOF FAIRING

Figure 2

1	Roof Fairing Kit	62112-3430
*2	Trim Tab Kit (See Note)	62112-3411
	See TJT 057338 for additional installation hardware	

66" SLEEPER ROOF FAIRING

Figure 2

1	Roof Fairing Kit	62112-3410
*2	Trim Tab Kit (See Note)	62112-3411
	See TJT 056031 for additional installation hardware	

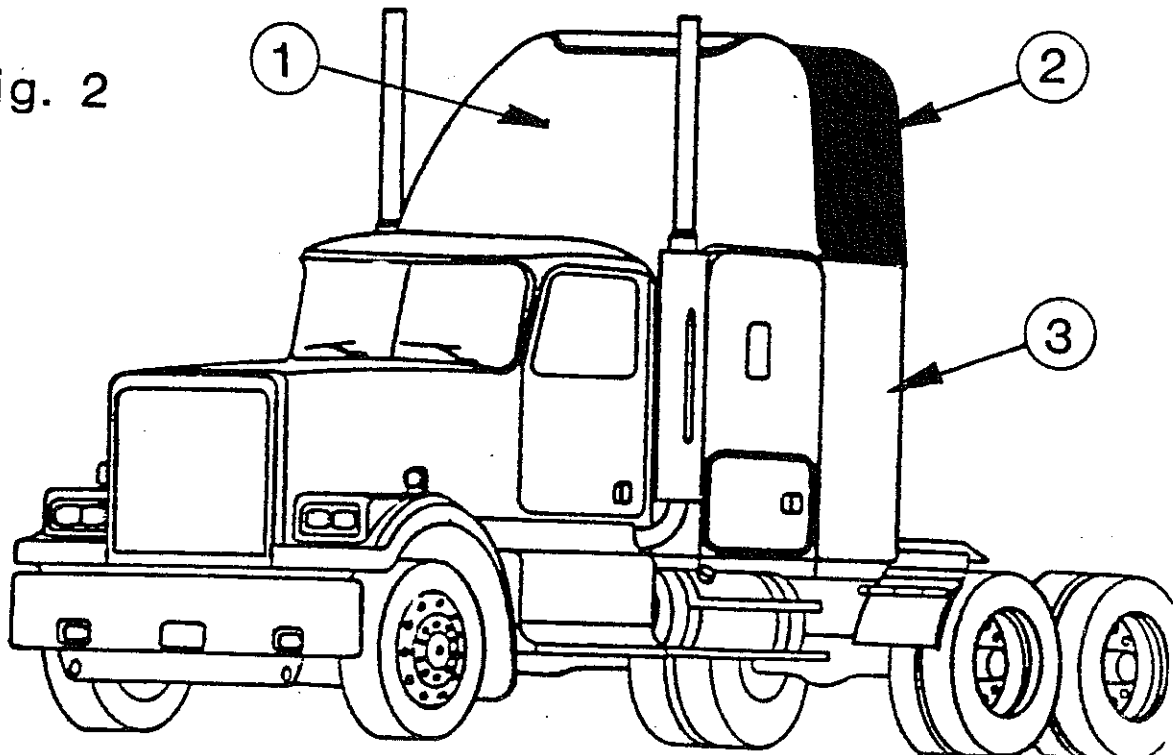
NOTE: If Trim Tab Kits are installed, Back of Sleeper Side Fairings must also be installed. However, Back of Sleeper Side Fairings may be installed alone.

BACK OF SLEEPER SIDE FAIRINGS - ALL SLEEPERS

Figure 2

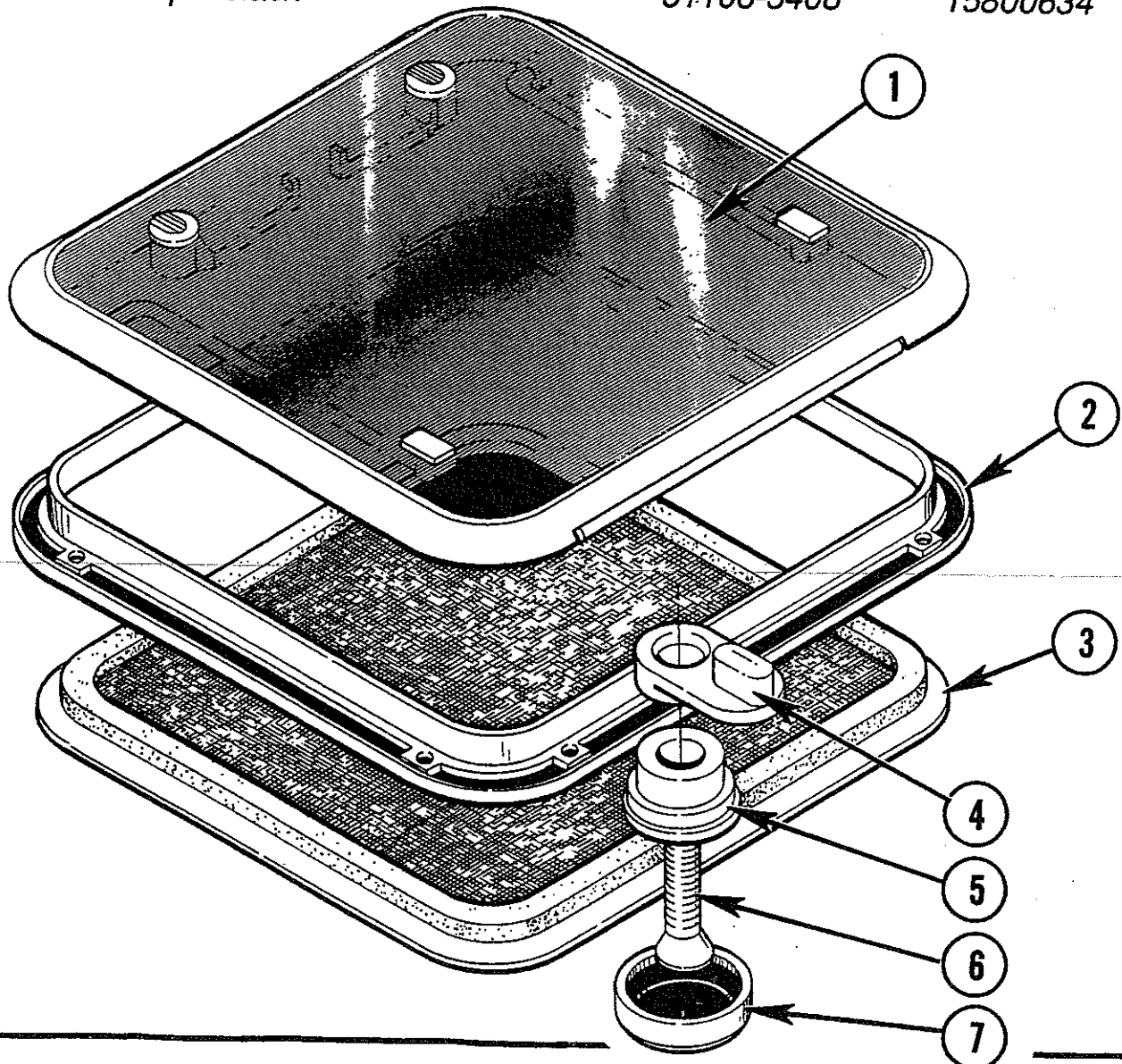
	Description	Part Number	Quantity
3	Side Fairing LH	62101-3423	1
3	Side Fairing RH	62101-3424	1
	Installation Hardware:		
	Brace	62102-3437	4
	Bolt .25-20x1.00	4001-3421	16
	Screw .25-20x1.00	04-9028591	16
	Nut .25-20	4006-3401	4
	Flat Washer 1/4 std	4002-3404	36
	Lock Washer f1/4 std	4004-3401	16
	Washer, Nylon	4011-3433	52
	Sponge - Skirt	63306-3413	10 ft
	Spacer - Side Shield Bracket	62104-3402	4
	Rivut	7008910	28
	Installation Drawing	621A1-3407	

Fig. 2



Lewmar Sunroof Replacement Parts

Item No.	Description	W.S.T. No.	Lewmar No.
1	Complete Sunroof Assembly	51001-3407	76007
-	- Lid Assembly with glass	51190-4401	197600700
-	- LH Handle Assembly	51190-4406	18800090
-	- RH Handle Assembly	51190-4407	18800089
-	- LH Stay	51190-4404	18800511
-	- RH Stay	51190-4405	18800513
-	- Lower Frame including Hinge	51190-4402	18800504
2	Trim Ring - Black	51106-3404	15800629
3	Bugscreen	51106-3405	87762
4	Swing Tab - Black	51106-3406	15800632
5	Cup Washer - Black	51106-3407	15800633
6	Screw	4010-3405	B1164
7	Cap - Black	51106-3408	15800634





Service Sleepers

Service Sleepers are now built ***As Per Serial Number*** of the truck they are being ordered for. They are painted a single colour to match the original paint scheme unless otherwise requested. For the purpose of quoting prices Western Star has set up ***estimate*** prices. Final prices will vary according to the options the customer requests, and will be confirmed when the Purchase Order is received by Customer Service in Kelowna. Delivery time is approximately 6 weeks from date of order.

All Service Sleepers are delivered Freight On Board from Kelowna.

Econo Sleepers

36"

42"

60"

Econo Package Includes:

(These sleepers are the standard build from our Data Book with no options.)

- Low Roof Sleeper
- Mounting Brackets & Sleeper Boot
- Foam Mattress
- Rubber Floor Mats
- Sleeper Heater
- Econo Upholstery
- Sleeper Access Step

54" Econo Sleeper

Econo package with the addition of:

- High Roof
- Double Bunks with Foam Mattresses

66" Econo Sleeper

Econo Package with the addition of:

- High Roof
- Super Appearance Upholstery



Service Sleepers

Deluxe Sleepers

36"

42"

60"

Deluxe Sleepers include:

- Low Roof
- Mounting Brackets & Sleeper Boot
- Back-up Lamps on back of Sleeper
- Special Lighting Package & Clock
- Two Speakers
- 12V Receptacle
- Spring Mattress
- Dual 30" Stainless Steel Grab Handles back of Sleeper
- Rubber Floor Mats
- Sleeper Heater
- Super Appearance with Velour Upholstery
- Sleeper Access Step

66" Elite Suite

Elite Suite Sleepers include:

- High Roof with Vista Window
- Mounting Brackets & Sleeper Boot
- Sleeper Start
- Special Lighting Package & Clock
- Two Speakers
- 12V Receptacle
- Spring Mattress
- Cabinets
- Rubber Floor Mats
- Sleeper Heater
- Super Appearance with Velour Upholstery
- Sleeper Access Step

SUBJECT: NEW SLEEPER BOOT

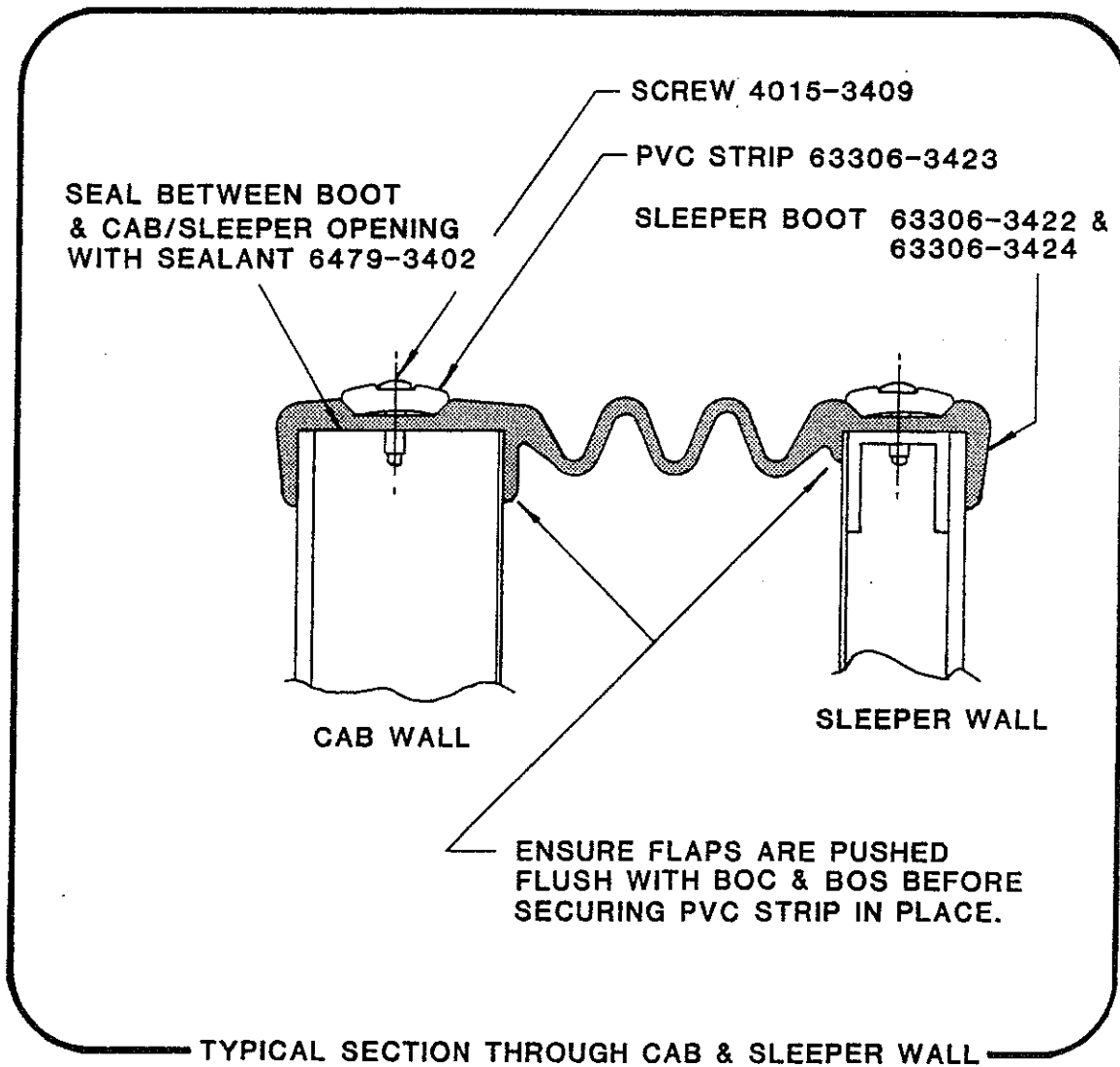
Western Star Engineering has released new style sleeper boots to correct leaking boots in the field. The new boots are constructed of black neoprene with an accordion-style design. The new boots are only available in black neoprene - no colours to match upholstery, and available for 36" x 36" square, (36" and 42" sleepers) and 36" x 42" vee (60" and 66" sleepers) openings. No boot has been designed for the old style 36" x 19" opening (although a new boot could be cut and adapted to the smaller size). The boots are held in place by screwing through nylon retaining strips (two per vehicle). The parts breakdown is as follows:

For 36" x 36" square openings (36" and 42" sleepers)

<u>Quantity</u>	<u>Description</u>	<u>Part Number</u>
1	Sleeper Boot	63306-3424
2	Trim Strip	63306-3423
66	Screw	4015-3409
AR	Sealant	6479-3402

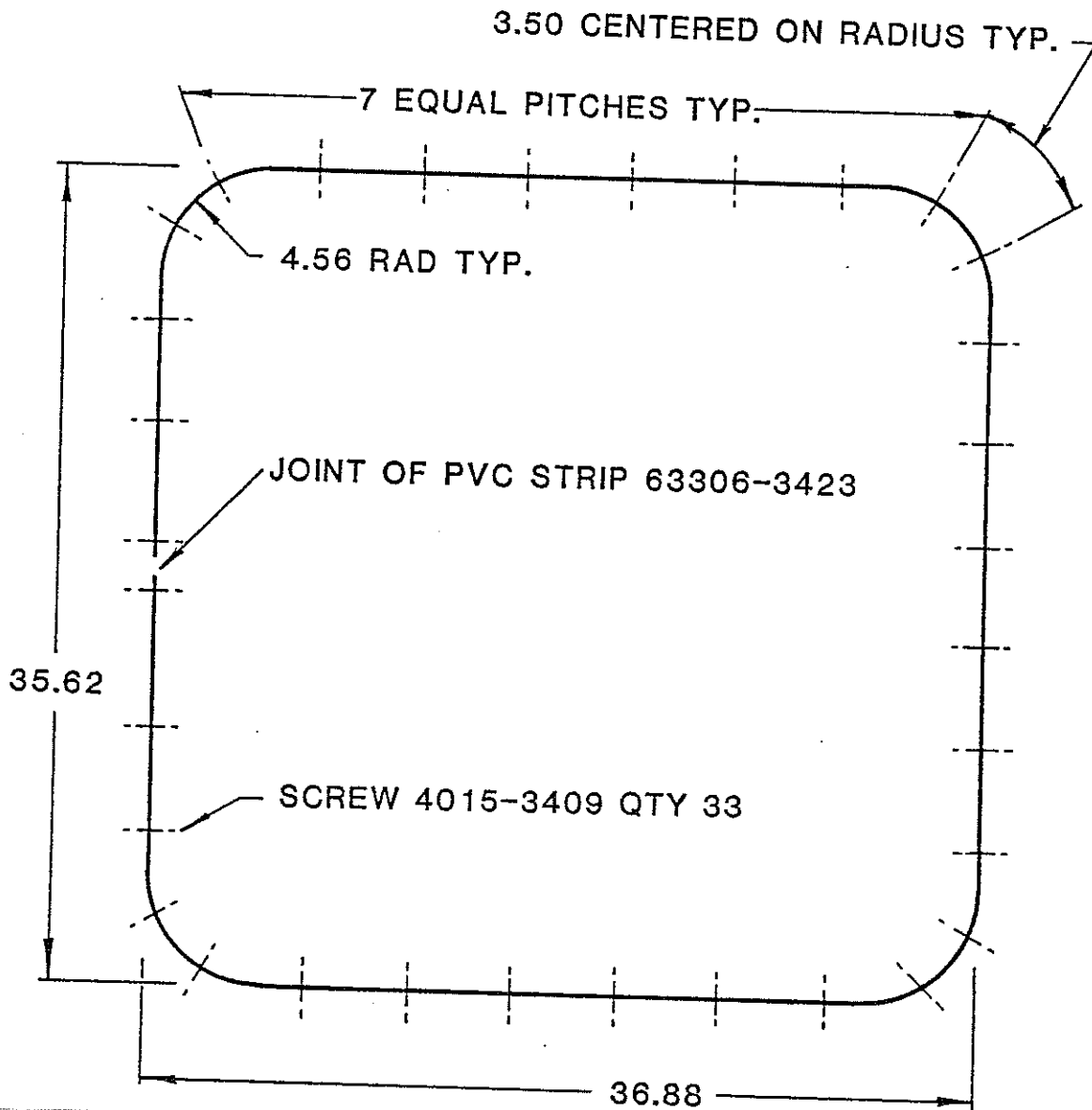
For 36" x 42" vee openings (60" and 66" sleepers)

<u>Quantity</u>	<u>Description</u>	<u>Part Number</u>
1	Sleeper Boot	63306-3422
2	Trim Strip	63306-3423
74	Screw	4015-3409
AR	Sealant	6479-3402

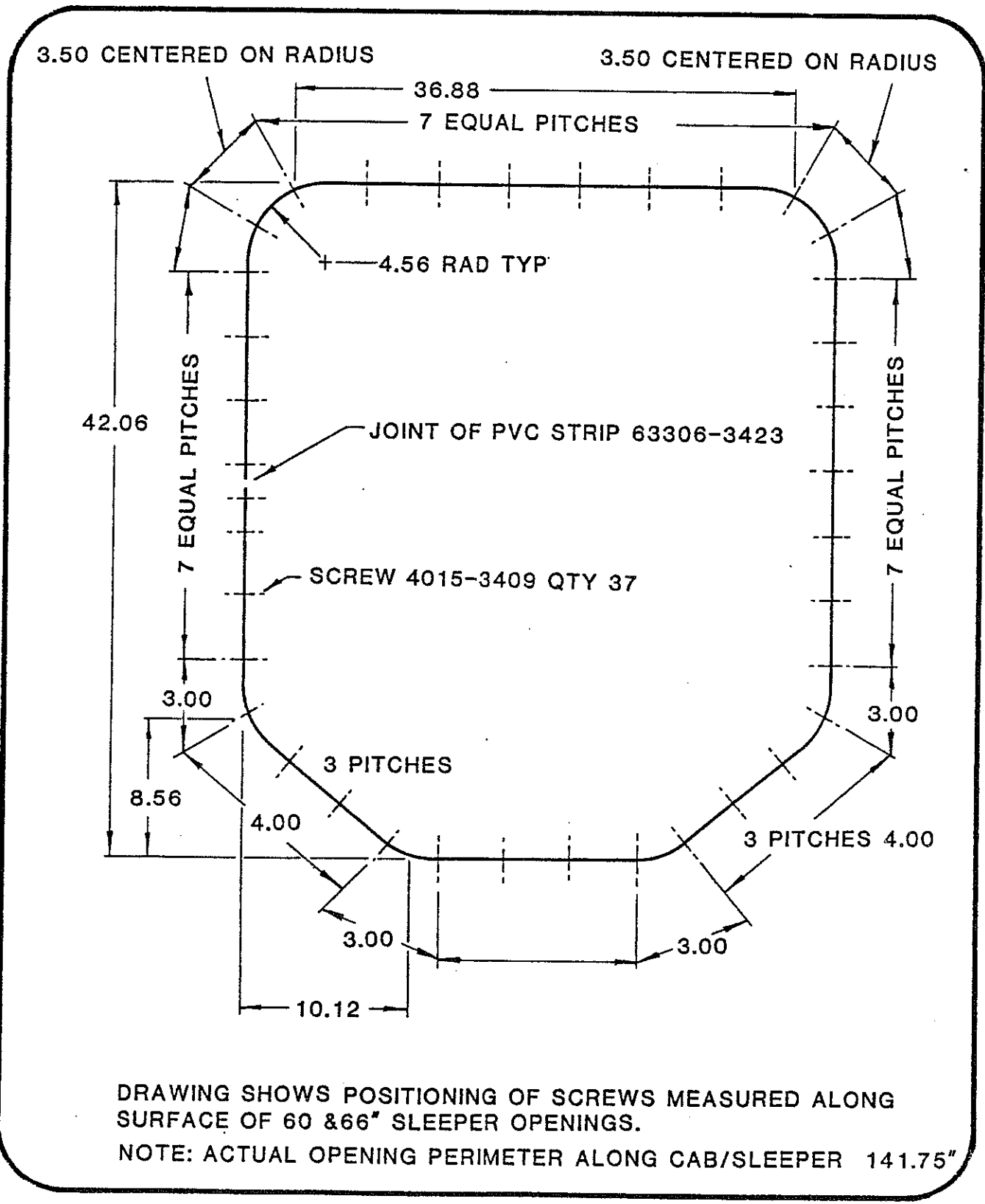


The above diagram shows a cross section of the new sleeper boot as it sits on the cab and sleeper. When installing the boot, ensure that the boot is correctly positioned to avoid leaks.

Of special importance are the flaps on the outside of cab and sleeper. These flaps should be tightly held against the surface of the cab and sleeper.



NOTE: ACTUAL OPENING PERIMETER ALONG CAB/SLEEPER 136.75"
DRAWING SHOWS POSITIONING OF SCREWS MEASURED ALONG 36
& 42 SLEEPER OPENINGS.



May 5, 1989

TO: ALL BRANCH AND DEALER SERVICE MANAGERS (CANADA & USA)

GENERAL SERVICE LETTER #89-9

SUBJECT: WESTERN STAR FAN, ALTERNATOR, AND AIR CONDITIONING COMPRESSOR BELTS

In response to requests from the field, we have compiled a complete listing for your quick reference, of all the fan, alternator, and air conditioning compressor belts. These charts are listed by engine model, truck model, alternator type, and with or without air conditioning. The Western Star part numbers are shown where applicable.

On the diagrams, the notation of, for example, "Belt .50 x 2" indicates that two half inch belts are used. All views are from the front of the vehicle.

Sincerely,

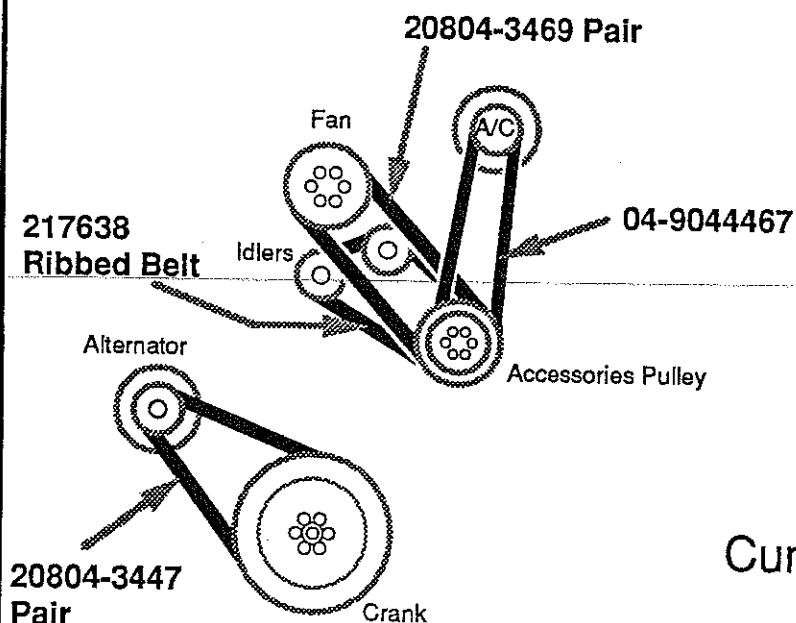
Dave Glendinning
Factory Service Representative

DAG / vf

Enclosure

Note:
Example of General Service Letter Released
in 1989. The information following has been
updated from the original release.

BELT CHART:

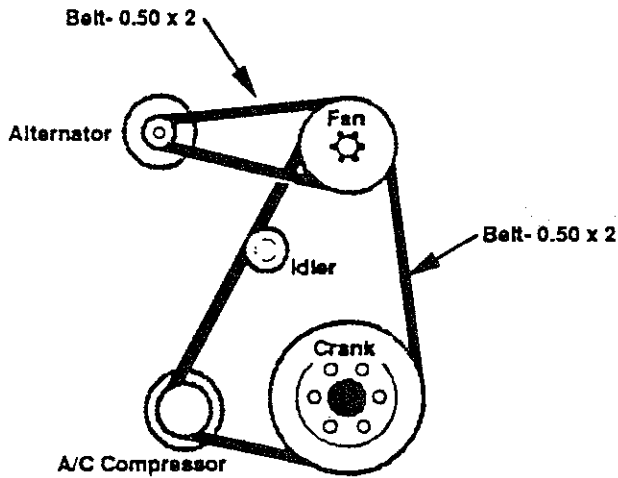


Cummins N14 Engines

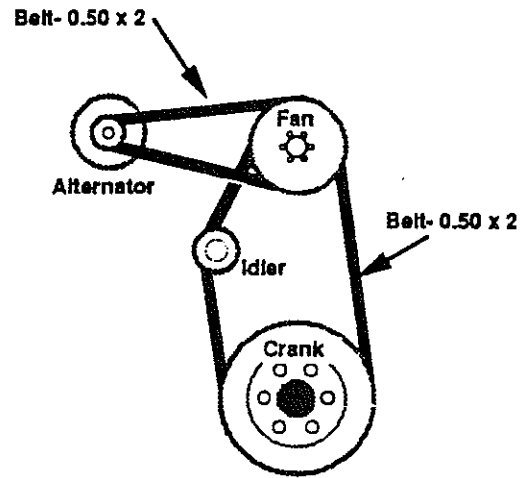
WESTERN STAR TRUCKS INC.

BELT CHART

Caterpillar Engine Configurations



**CAT 3306B
with Air Conditioning**

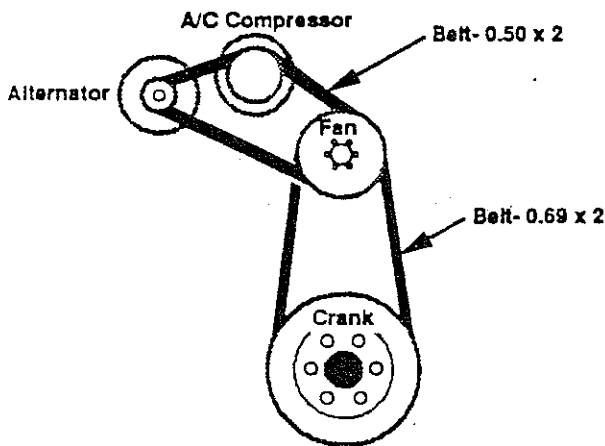


**CAT 3306B
w/o Air Conditioning**

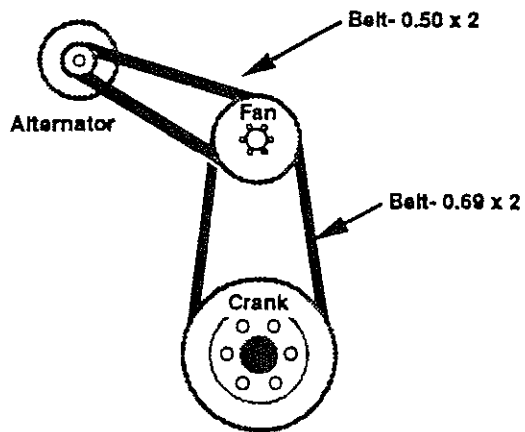
ENGINE 3306B	MODEL SERIES	FAN BELTS	ALTERNATOR	ALTERNATOR BELTS
✓	3800			
✓	4800	With A/C (2) .50x77.0 20804-3459	12V Leece Neville 12V Delco	Caterpillar (2) .50x47.50 Cat # 6L8161
		Without A/C (2) .50x69.0 20804-3458	Leece Neville Duvac/Elite Suite	
✓ ✓ ✓	4900 5900 6900			

BELT CHART

Caterpillar Engine Configurations



**CAT 3406B
with Air Conditioning**

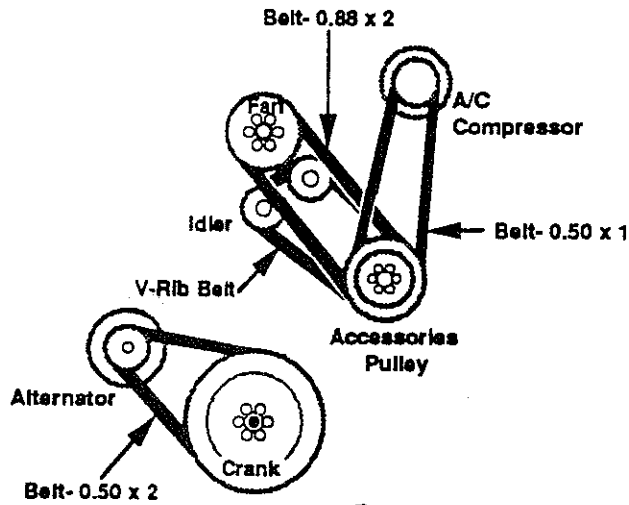


**CAT 3406B
w/o Air Conditioning**

ENGINE 3406B	MODEL SERIES	FAN BELTS	ALTERNATOR	ALTERNATOR BELTS
✓	3800			
✓	4800	(2) .69x63.0 20804-3432	12V Leece Neville	With A/C (2) .50x52.50 20804-3434
✓	4900		12V Delco	
✓	5900		12/24V T.R. Leece Neville	Without A/C (2) .50x48.0 04-9038205
			12/24V T.R. Delco	
✓	6900	(2) .69x69.0 20804-3460	Leece Neville Duvac/Eilts Sulte	

BELT CHART

Cummins Engine Configurations

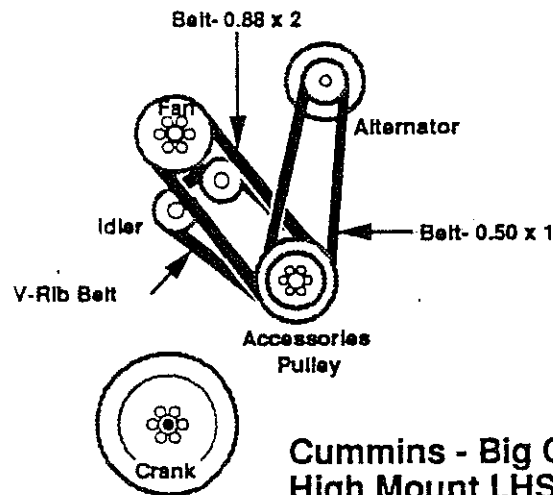


**Cummins - Big Cam IV
Low Mount RHS Alternator
with Air Conditioning**

BIG CAM IV LO MNT RHS	MODEL SERIES	FAN BELTS	FREON COMP. BELTS	ALTERNATOR	ALTERNATOR BELTS	ACCESSORIES BELT (Water Pump)
✓	3800					
✓	4800	(2) .88x49.5 20804-3457	(1) .50x40.0 20804-3426	12V Leece Neville	(2) .50x44.0 20804-3455	Cummins 4 Rib Poly-V 42.5 # 3083024
✓	4900			12V Delco 65A 27SI 75A 25SI 80A 27SI		
✓	5900			12/24V T.R. Leece Neville		
				Leece Neville Duvac/Elite Suite		
			12V Delco 90A 30 SI	(2) .50x45.0 20804-3416		
			12/24V T.R. Delco			
✓	6900	(2) .88x55.5 20804-3461				

BELT CHART

Cummins Engine Configurations

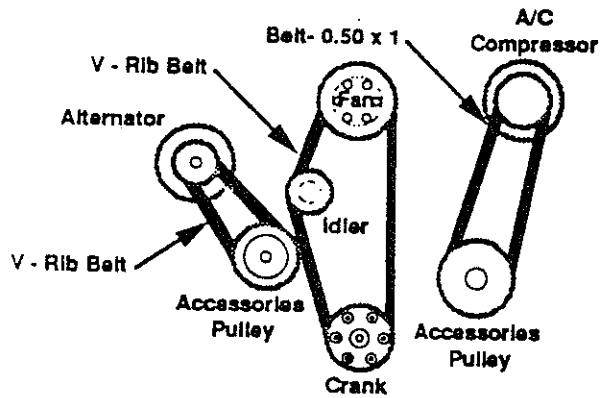


**Cummins - Big Cam IV
High Mount LHS Alternator
w/o Air Conditioning**

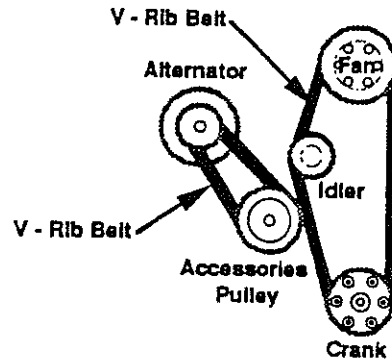
BIG CAM IV HI MNT LHS	MODEL SERIES	FAN BELTS	ALTERNATOR	ALTERNATOR BELTS	ACCESSORIES BELT (Water Pump)
√	3800				
√	4800	(2) .88x49.5 20804-3457	12V Leece Neville	(1) .50x36.0 04-9050980	Cummins 4 Rib Poly-V 42.5 # 3063024
√	4900		12V Delco 65A 27SI 80A 27SI		
√	5900		Leece Neville Duvac/Elite Suite	(1) .50x37.25 04-9006507	
			12V Delco 75A 25SI 90A 30SI		
		12/24V T.R. Leece Neville			
			12/24V T.R. Delco		
√	6900	(2) .88x55.5 20804-3461			

BELT CHART

Cummins Engine Configurations



Cummins - LTA 10
with Air Conditioning

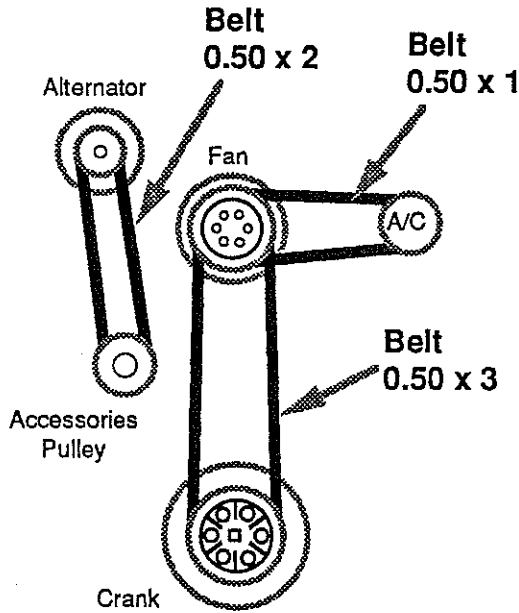


Cummins - LTA 10
w/o Air Conditioning

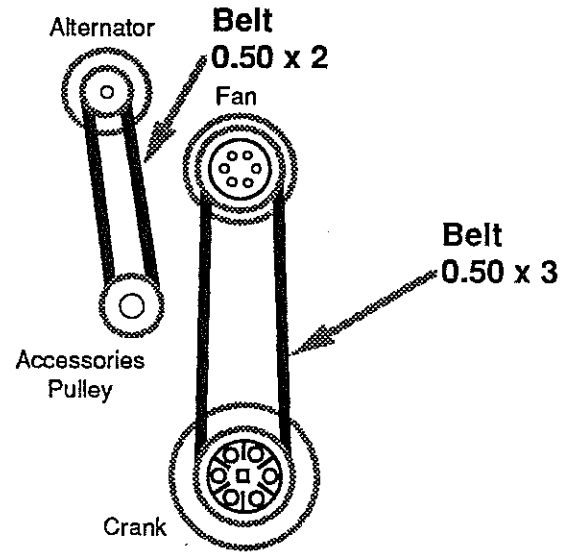
ENGINE LTA-10	MODEL SERIES	FAN BELTS	FREON COMP. BELTS	ALTERNATOR	ALTERNATOR BELTS
✓	3800	Cummins 8 Rib Poly -V 58.5 # 3034945	With A/C (1) .50x52.5 20804-3430	12V Leeco Neville	Cummins 5 Rib Poly-V 35.0 # 3039376
✓	4800			12V Delco	
✓	4900			12V Leeco Neville	
				12V Delco	
				12/24V T.R/ Leeco Neville	
				12/24V T.R. Delco	
				Leeco Neville Duvac/Elite Sulte	
N/A	5900				
N/A	6900				

BELT CHART:

Detroit Diesel Engine Configurations



Detroit Diesel - Series 60
with Air Conditioning



Detroit Diesel - Series 60
without Air Conditioning

ENGINE SERIES 60	MODEL SERIES	FAN BELTS	FREON COMP. BELTS	ALTERNATOR	ALTERNATOR BELTS
√ √ √ √	3800	(3) .50 x 65.5 04-9044584	With A/C (1) .50 x 56.0 20804-3449	12V Leece Neville	(2) .50 x 50.0 20804-3433
	4800			12V Delco	
	4900			12/24V T.R. Leece Neville	
	5900			12/24V T.R. Delco	
√	6900	(3) .50 x 72.0 20804-3462		Leece Neville Duvac / Elite Suite	

FAN CLUTCH/HUB ASSEMBLIES

Overhaul and repair kits are available for all Kysor Hub & Clutch Assemblies. To use the following chart find the assembly part number under the heading Hub/Clutch Assy. In the columns to the right of the assembly number the Hub, it's Overhaul kit, the Clutch, and its Repair Kit are listed.

8 HP HUB/CLUTCH

HP	Hub/Clutch Assy	Hub Assy	Hub Overhaul Kit	Clutch Assy	Clutch Repair Kit
8				20822-3462	20890-4441
8	20822-3465	20805-4414	20890-4445	20822-3462	20890-4441
8	20822-3461	20805-4415	20890-4446	20822-3462	20890-4441
8	20822-3474	20805-4416	20805-4416	20890-4450	20890-4441

15 HP HUB/CLUTCH

HP	Hub/Clutch Assy	Hub Assy	Hub Overhaul Kit	Clutch Assy	Clutch Repair Kit
15	20822-3466	20806-3402	20890-4445	20822-3451	20890-5035
15	20822-3467	20805-4415	20890-4446	20822-3451	20890-5035
15	20822-3443	20806-3402	20890-4445	20822-3451	20890-5035

22 HP HUB/CLUTCH

HP	Hub/Clutch Assy	Hub Assy	Hub Overhaul Kit	Clutch Assy	Clutch Repair Kit
22				20822-3486	20890-4444
22	20822-3470	20805-3402	20890-4445	20822-3486	20890-4444
22	20822-3472	20805-4415	20890-4446	20822-3486	20890-4444
22	20822-3473	20806-3402	20890-4445	20822-3486	20890-4444
22	20822-3482	20805-4418	20890-4450	20822-3486	20890-4444
22	20822-3484	20805-4415	20890-4446	20822-3486	20890-4444

Note: Fan Hub Overhaul Kits include: 2 Roller Bearings, 1 Seal, 1 Service Spacer, 1 Set Service Shims

Note: Fan Clutch Repair Kits include: Clutch Linings, O-Rings, Seals, & Hardware.

DRAG LINKS

Item	Description	Part Number
4	Drag Link, Rod & Socket Assy	38905-3421
4	Drag Link, Rod & Socket Assy	38905-3422
4	Drag Link, 6900	38905-3423
4	Drag Link, 6.5 Deg Bend	38904-3424

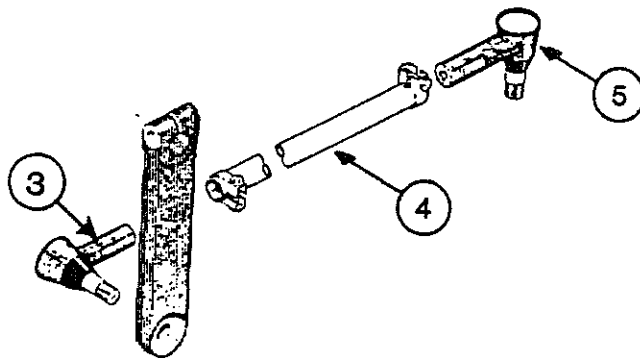
All of the above Drag Links use the following sockets:

3	- Socket Assy, Pitman Arm End	38909-4405
5	- Socket Assy, Steering Arm End	38909-4404

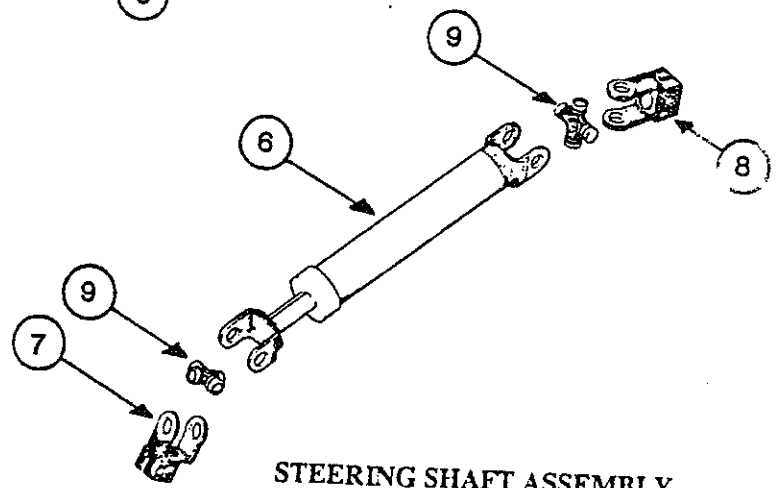
STEERING SHAFTS - Breakdowns

Listed below are current Steering Shaft breakdowns. After determining which Steering Shaft was used follow the column down to find the breakdown.

Item	Description								Part Number
6	Steering Shaft Assy	-	-	-	-	1	-	-	38201-3425
6	Steering Shaft Assy	-	-	-	1	-	-	-	38201-3426
6	Steering Shaft Assy	1	-	-	-	-	-	-	38201-3427
6	Steering Shaft Assy	-	1	-	-	-	-	-	38201-3428
6	Steering Shaft Assy	-	-	-	-	-	-	1	38201-3433
6	Steering Shaft Assy	-	-	-	-	-	1	-	38201-3434
6	Steering Shaft Assy	-	-	1	-	-	-	-	38201-3439
7	- Yoke (Str. Gear End)	1	1	1	1	1	-	1	38205-4401
7	- Yoke (Str. Gear End)	-	-	-	-	-	1	-	38205-4403
8	- Yoke (Column End)	1	1	1	-	-	-	-	38205-4402
8	- Yoke (Column End)	-	-	-	-	-	1	-	38205-4403
8	- Yoke (Column End)	-	-	-	1	1	-	1	38205-4401
9	- Journal & Bearings	2	2	2	2	2	2	2	1717517



DRAG LINK ASSEMBLY



STEERING SHAFT ASSEMBLY

Draglink

WS #	Vendor #	RH Thd Skt	WS #	LH Thd Skt	WS #	Notes
38905-3412	L28VT5496A11	L28SV5000B12	624960B	L28SV5003C11	38909-4403	LH IS AT PITMAN ARM END
38905-3413	L28VT5497A11	L28SV5000B12	624960B	L28SV5003C11	38909-4403	LH IS AT PITMAN ARM END
38905-3414	L28VT5498A11	L28SV5000B12	624960B	L28SV5003C11	38909-4403	LH IS AT PITMAN ARM END
38905-3418		L28SV5000B12	624960B	L28SV5003C11	38909-4403	LH IS AT PITMAN ARM END
38905-3419		L28SV5000B12	624960B	L28SV5003C11	38909-4403	LH IS AT PITMAN ARM END
38905-3420		L28SV5000B12	624960B	L28SV5003C11	38909-4403	LH IS AT PITMAN ARM END (Fabricated version of 38905-3418)
38905-3421		L28SV5000H29	38909-4406	L28SV5003B18	38909-4404	LH IS AT PITMAN ARM END
38905-3422		L28SV5000H29	38909-4406	L28SV5003B18	38909-4404	LH IS AT PITMAN ARM END
38905-3423		L28SV5000H29	38909-4406	L28SV5003B18	38909-4404	LH IS AT PITMAN ARM END
38905-3424		L28SV5000H29	38909-4406	L28SV5003B18	38909-4404	LH IS AT PITMAN ARM END
38905-3425		L28SV5000H29	38909-4406	L28SV5003B18	38909-4404	LH IS AT PITMAN ARM END
38905-3426		L28SV5000H29	38909-4406	L28SV5003B18	38909-4404	LH IS AT PITMAN ARM END
38905-3428		L28SV5000H29	38909-4406	L28SV5216D14	38909-4416	LH IS AT PITMAN ARM END
38905-3429		L28SV5000H29	38909-4406			BOTH SOCKETS ARE SAME
38905-3430		L28SV5000H29	38909-4406			BOTH SOCKETS ARE SAME

Draglink W/Valve

WS #	Vendor #	RH Thd Sk	WS #	VALVE	LH Thd Skt	WS#	BOOT	LENGTH
02-7100540		L28SV5008B12	624960B	GB 21-90-TL	n/a		02-7123899	19 3/8
02-7126704		L28SV5008B12	624960B	GB 21-90-TL	n/a		02-7123899	19 3/8
02-7129690		L28SV5008B12	624960B	GB 21-90-B	n/a		02-7123899	19 3/16
04-9003625				GB 21-90-TL				
04-9006630		L28SV5008B12	624960B	GB 21-90-TL	n/a		02-7123899	20 21/32
04-9021730		L28SV5008B12	624960B	GB 21-90-TL	n/a		02-7123899	19 3/8
04-9021731		SPECIAL 1 1/2"	CUT OFF	GB 21-90-TL	n/a		02-7123899	19 3/8
04-9023430				GB 21-90-TL				
04-9025700		L28SV5007D12	878884B	891627	L28KD011	38990-5012		
9002850		L28SV5007D12	878884B	891627	L28KD011	38990-5012		19 3/8

Draglink Horizontal Socket

WS #	Vendor #	Tube/Clamp	Vert Socket	WS #	Soc Kit	WS #	Boot	Dia	Ball Stud	WS #
Y524373A		641936	L28SV5000B12	624960B	L28KD011	38990-5012	02-7123899	1 3/4		
Y528108A			L28SV5000B12	624960B	L28KD011	38990-5012	02-7123899	1 3/4		
Y535286A			L28SV5000B12	624960B	L28KD011	38990-5012	02-7123899	1 3/4		
Y537712A			L28SV5000B12	624960B	L28KD011	38990-5012	02-7123899	1 3/4		
Y539280			L28SV5000B12	624960B	L28KD011	38990-5012	02-7123899	1 3/4		
Y545229			L28SV5007D12	878884B	L28KD011	38990-5012	02-7123899	1 3/4		
Y569159		Y569160	L28SV5000B12	924960B	L28KD011	38990-5012	02-7123899	1 3/4		
Y676286A		650281	L28SV5000B12	624960B	L28KD011	38990-5012	02-7123899	1 3/4		
Y695652A			L28SV5007D12	878884B	L28KD011	38990-5012	02-7123899	1 3/4		
Y696542A			L28SV5007D12	878884B	L28KD011	38990-5012	02-7123899	1 3/4		
Y698102A		696742	L28SV5000B12	624960B	L28KD011	38990-5012	02-7123899	1 3/4		

Note: Draglinks with Horizontal Sockets use a ball stud which is called up seperately in the 2110 Master Reference. The part number for the ball stud is 04-9052163.

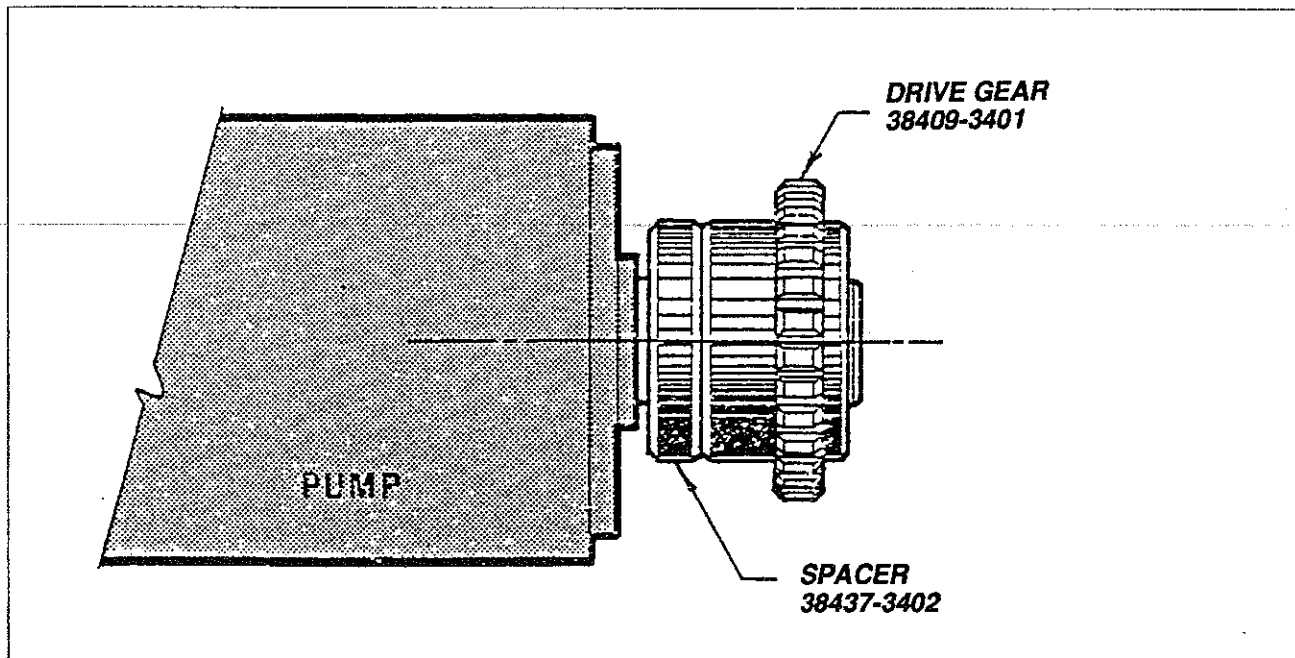
Draglink Horizontal Socket

WS #	Vendor #	Tube/Clamp	Vert Socket	WS #	Soc Kit	WS #	Boot	Dia	Ball Stud	WS #
04-9016820			L28SV5007D12	878884B	L28KD011	38990-5012	02-7123899	1 3/4		
04-9040289		566404 Bent	L28SV5000B12	624960B	L28KD011	38990-5012	02-7123899	1 3/4		
04-9040618		X559307 Bent	L28SV5007D12	878884B	L28KD011	38990-5012	02-7123899	1 3/4		
04-9042136		670325	L28SV5007D12	878884B	L28KD011	38990-5012	02-7123899	1 3/4		
04-9046290		566404 Bent	L28SV5000B12	624960B	L28KD011	38990-5012	02-7123899	1 3/4		
04-9047736		Bent	L28SV5000B12	624960B	L28KD011	38990-5012	02-7123899	1 3/4		
04-9047737		650281 Welded	L28SV5000B12	624960B	L28KD011	38990-5012	02-7123899	1 3/4		
04-9052287		566404 Welded	L28SV5000B12	624960B	L28KD011	38990-5012	02-7123899	1 3/4		
366401		566404	L28SV5000B12	624960B	L28KD011	38990-5012	02-7123899	1 3/4		
38905-3401		566404 - BENT	L28SV5000B12	624960B	L28KD011	38990-5012	02-7123899	1 3/4		
38905-3402	28HV5157A11		L28SV5007D12	878884B	L28KD011	38990-5012	456971	1 3/4	L28HS0508	04-9052163
38905-3403			L28SV5007D12	878884B	L28KD011	38990-5012	456971	1 3/4	L28HS0508	04-9052163
38905-3410		566404 - BENT	L28SV5000B12	624960B	L28KD011	38990-5012	02-7123899	1 3/4		
38905-3411		X559307 - Bent	L28SV5007D12	878884B	L28KD011	38990-5012	02-7123899	1 3/4		
38905-3415		649053 - Cut off	L28SV5000B12	624960B	L28KD011	38990-5012	02-7123899	1 3/4		
38905-3416			L28SV5000B12	624960B	L28KD011	38990-5012	02-7123899	1 3/4		
38905-3417			L28SV5000B12	624960B	L28KD011	38990-5012	02-7123899	1 3/4		
38905-3427	L32HV5002A11		L28SV5000H29	38909-4408	L28KD011	38990-5012	02-7123899	1 3/4		
512108A			L28SV5007D12	878884B	L28KD011	38990-5012	02-7123899	1 3/4		
514610A			L28SV5007D12	878884B	L28KD011	38990-5012	02-7123899	1 3/4		
515215A		651988	L28SV5000B12	624960B	L28KD011	38990-5012	02-7123899	1 3/4		
517837A		659848	L28SV5007D12	878884B	L28KD011	38990-5012	02-7123899	1 3/4		
519291A		659848	L28SV5007D12	878884B	L28KD011	38990-5012	02-7123899	1 3/4		
543967		543968	L28SV5000B12	924960B	L28KD011	38990-5012	02-7123899	1 3/4		
543971		543972	L28SV5000B12	924960B	L28KD011	38990-5012	02-7123899	1 3/4		
559306		X559307	L28SV5007D12	878884B	L28KD011	38990-5012	02-7123899	1 3/4		
566401		566404	L28SV5000B12	624960B	L28KD011	38990-5012	02-7123899	1 3/4		
624535A		624534	L28SV5000B12	624960B	L28KD011	38990-5012	02-7123899	1 3/4		
624536A			L28SV5000B12	624960B	L28KD011	38990-5012	02-7123899	1 3/4		
641935A		641936	L28SV5000B12	624960B	L28KD011	38990-5012	02-7123899	1 3/4		
645059A		641936	L28SV5000B12	624960B	L28KD011	38990-5012	02-7123899	1 3/4		
649051A		649053	L28SV5000B12	624960B	L28KD011	38990-5012	02-7123899	1 3/4		
649457A		649653	L28SV5000B12	624960B	L28KD011	38990-5012	02-7123899	1 3/4		
650280A		650281	L28SV5000B12	624960B	L28KD011	38990-5012	02-7123899	1 3/4		
650394		651988	L28SV5000B12	624960B	L28KD011	38990-5012	02-7123899	1 3/4		
651987A		651988	L28SV5000B12	624960B	L28KD011	38990-5012	02-7123899	1 3/4		
656193A		641936	L28SV5000B12	624960B	L28KD011	38990-5012	02-7123899	1 3/4		
659847		659848	L28SV5000B12	624960B	L28KD011	38990-5012	02-7123899	1 3/4		
661726		649053	L28SV5007D12	878884B	L28KD011	38990-5012	02-7123899	1 3/4		
665818A		670325	L28SV5007D12	878884B	L28KD011	38990-5012	02-7123899	1 3/4		
666652A		666653	L28SV5000B12	624960B	L28KD011	38990-5012	02-7123899	1 3/4		
666659A		624534	L28SV5000B12	624960B	L28KD011	38990-5012	02-7123899	1 3/4		
667726A		649053	L28SV5007D12	878884B	L28KD011	38990-5012	02-7123899	1 3/4		
696195A		887616	L28SV5007D12	878884B	L28KD011	38990-5012	02-7123899	1 3/4		
696743A		696742	L28SV5000B12	624960B	L28KD011	38990-5012	02-7123899	1 3/4		
697882A		624534	L28SV5000B12	624960B	L28KD011	38990-5012	02-7123899	1 3/4		
X543965		X543966	L28SV5000B12	924960B	L28KD011	38990-5012	02-7123899	1 3/4		
X543969		X543970	L28SV5000B12	924960B	L28KD011	38990-5012	02-7123899	1 3/4		
X559306		X559307	L28SV5007D12	878884B	L28KD011	38990-5012	02-7123899	1 3/4		
Y506008A		887616	L28SV5007D12	878884B	L28KD011	38990-5012	02-7123899	1 3/4		
Y515549A					L28KD011	38990-5012	02-7123899	1 3/4		
Y516811A		Y516812	L28SV5000B12	624960B	L28KD011	38990-5012	02-7123899	1 3/4		

Power Steering Pumps - Supersessions

Old Pump	New Pump	Additional Parts Required
04-9034771	38401-3420	Drive Gear 38409-3401 Spacer 38437-3402
04-9036077 04-9036078	38401-3465 38401-3463	
04-9036315	38401-3410	Drive Gear 38409-3401 Spacer 38437-3402
04-9036890 03-9036891 04-9036894 04-9036895 04-9036896 04-9036897 04-9036899 04-9039807 04-9041782 04-9042497 04-9042640 04-9042070 04-9042972 04-9043098 04-9044815	38401-3465 38401-3463 38401-3463 38401-3433 38401-3428 38401-3435 38401-3465 38401-3427 38401-3462 38401-3426 38401-3462 38401-3425 38401-3425 38401-3428 38401-3413	
04-9044816	38401-3410	Drive Gear 38409-3401 Spacer 38437-3402
04-9053337 38401-0057	38401-3463 38401-3422	

Note: Replacement pumps 38401-3410 and 38401-3420 (for Detroit Diesel only) require replacement drive and spacer as shown.

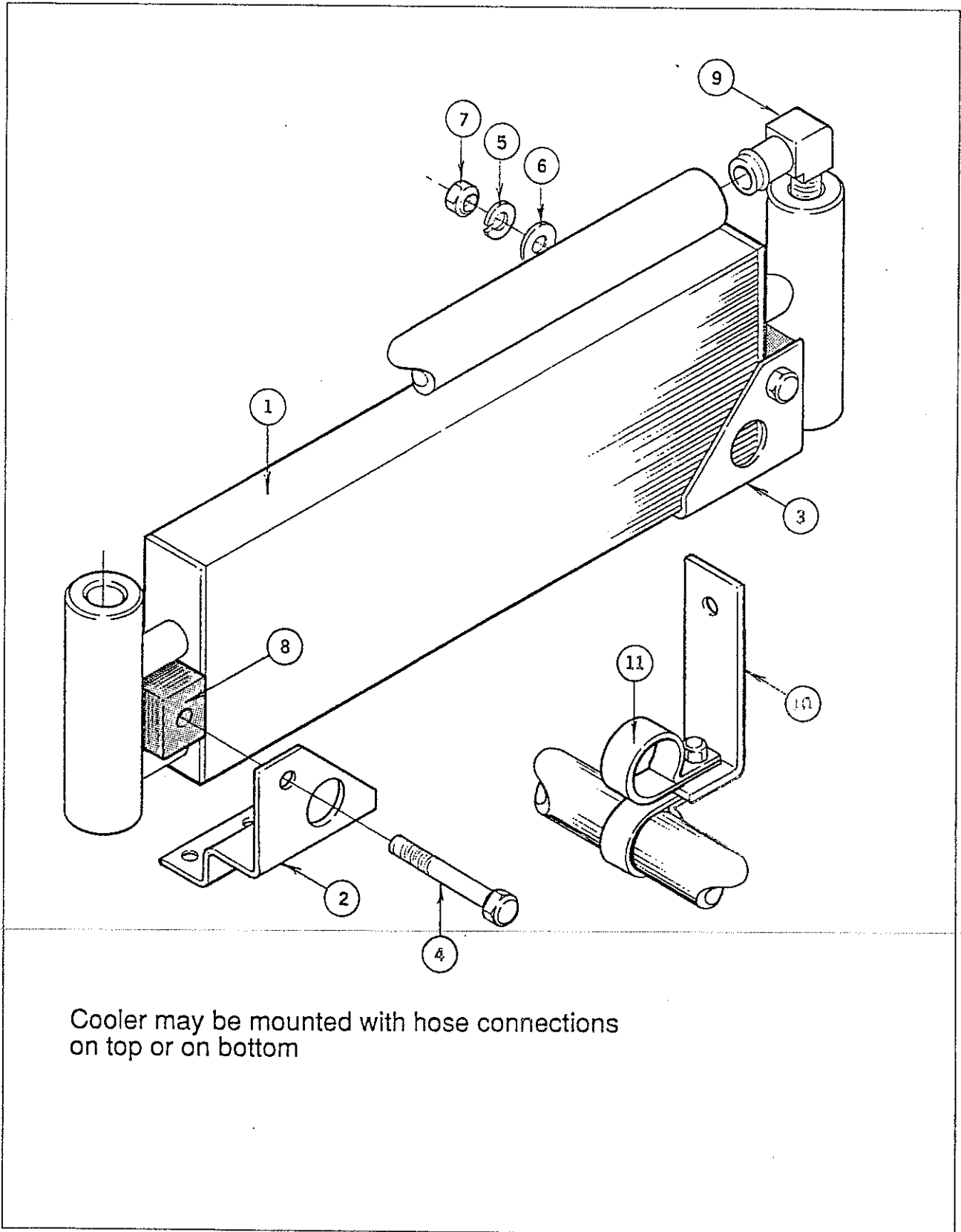




Notes

Horn Contact in Steering Wheel:
- Old Brass one - 38006-0007
- New Steel one - 38008-0002

Hayden Oil Cooler - Mounted Ahead of Radiator



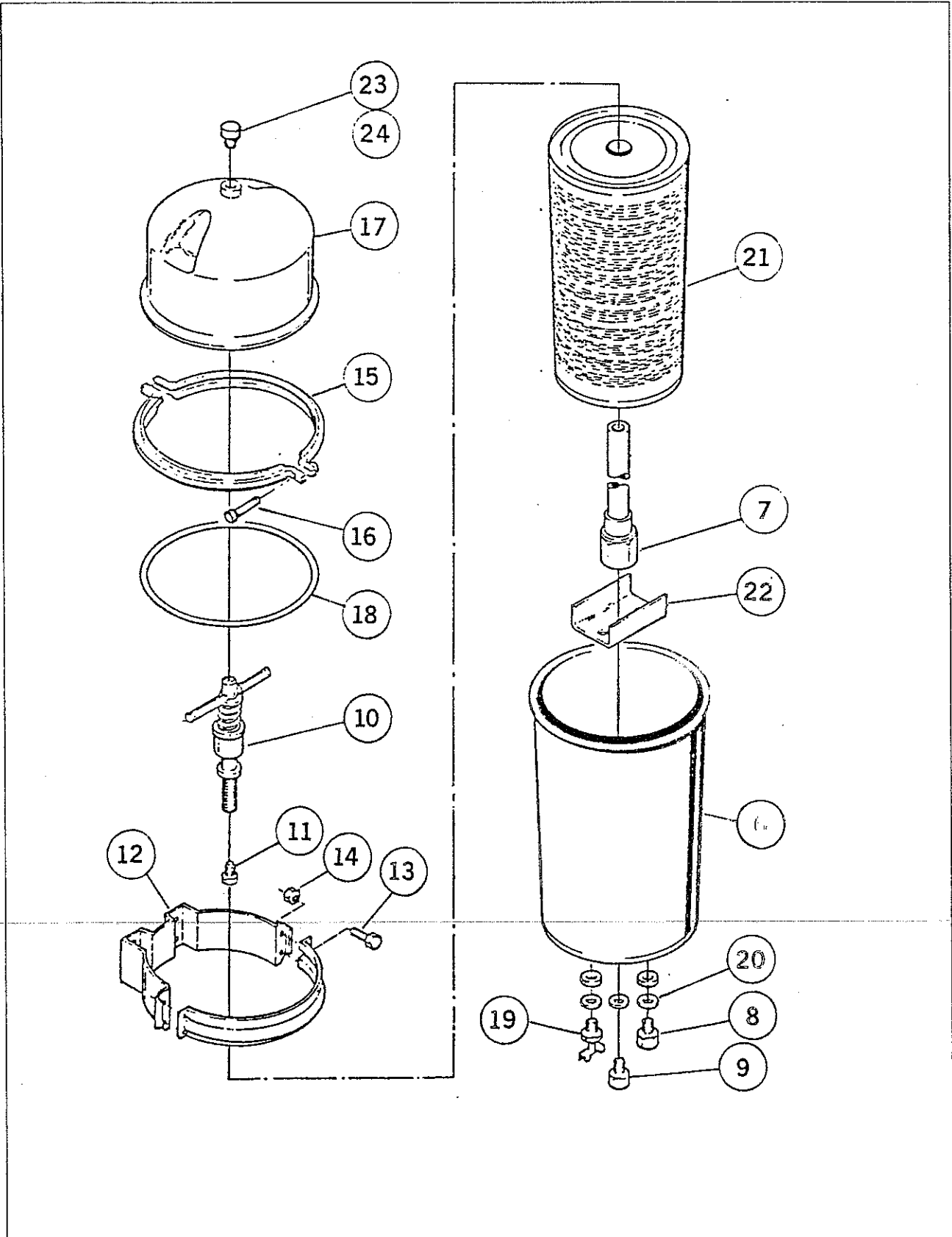
Cooler may be mounted with hose connections on top or on bottom



Hayden Oil Cooler - Mounted Ahead of Radiator

Item	Part Number	Qty	Description
1	28601-3413	1	Cooler, Hayden, Mounted ahead of Radiator
Brackets 6900 Model Truck:			
2	28603-3457	1	Bracket RH, CUMMINS N14
3	28603-3456	1	Bracket, LH CUMMINS N14
2	28603-3428	1	Bracket RH, CAT 3406
3	28603-3427	1	Bracket, LH, CAT 3406
Brackets 3800 & 5900 Model Trucks:			
2	28603-3439	1	Bracket RH
3	28603-3438	1	Bracket LH
Brackets 4800 & 4900 Model Trucks:			
2	28603-3428	1	Bracket RH
3	28603-3427	1	Bracket LH
4	99-180113	2	Bolt, Hex .31 - 18 X 3.00"
5	99-120214	2	Washer, Lock .31
6	99-120393	2	Washer .31 X .69
7	28690-3402	2	Nut, .31 - 18
8	28690-3401	2	Rubber Mount
9	5349-3402	2	Elbow, 90 Deg.
10	632620	1	Bracket
11	04-9005790	2	Clip
12	04-9055172-##.#	2	Hose, #12 PH STSW

Luberfiner Oil Filter





Luberfiner Oil Filter

	Painted Assembly 631658D	Chrome Assembly 17001-3402		
Item	Part Number	Part Number	Qty	Description
6	17111-4401	826649	1	Housing
7	17112-4401	17112-4401	1	Outlet Tube Assembly
8	17113-4401	826654	1	Inlet Check Valve Assembly
9	17113-4402	17113-4406	1	Outlet Check Valve Assembly
10	870987	870987	1	Pack Hold Down Assembly
11	17124-4402	17124-4402	1	Oriace Plug
12	17103-4401	826650	2	Mounting Bracket Assembly
13	17119-4401	17119-4403	8	- Bracket Screw
14	17120-4402	17120-4403	8	- Bracket Nut
15	17128-4401	17128-4402	1	Clamping Ring Assembly
16	17119-44-2	17119-4404	2	- Clamp Screw
17	17109-4401	17109-4403	1	Cover
18	17116-4401	17116-4401	1	Gasket, Cover
19	17117-4401	826653	1	Drain Cock
20	17118-4404	17118-4404	3	Aluminum Washer
21	17110-4402	17110-4402	1	Diesel Pack II Element
21	17110-4403	17110-4403	1	Fleet Pak Element (budget Price)
22	17103-4403	17103-4403	1	Pack Support
23	17117-4402	17117-4403	1	Vent Plug Capscrew
24	17118-4403	17118-4403	1	Vent Plug Washer, Aluminum

SPICER 14" CLUTCHES

(See Fig 1.)

SPICER 14" With Sealed Release Bearing

Facing	Description	Manual Adjusting	Self Adjusting
Organic Facing	Dampened Organic (1000 ft/lb)	25001-3418	25001-3423
	Dampened Organic Coaxial (1000 ft/lb)	25001-3416	25001-3424
Ceramic Facing	Super Dampened Ceramic Coaxial (1250 ft/lb)	25001-3473	25001-3489
	Super Dampened Ceramic Coaxial (1400 ft/lb)	25001-3445	25001-3490

SPICER 14" With Greasable Release Bearing

Facing	Description	Manual Adjusting	Self Adjusting
Organic Facing	Dampened Organic (850 ft/lb)	25001-3547	-
	Dampened Organic (1000 ft/lb)	25001-3469	25001-3501
	Dampened Organic Coaxial (1000 ft/lb)	25001-3477	25001-3478
Ceramic Facing	Dampened Ceramic (800 ft/lb)	25001-3548	-
	Super Dampened Ceramic Coaxial (1250 ft/lb)	25001-3479	25001-3505
	Super Dampened Ceramic Coaxial (1400 ft/lb)	25001-3474	25001-3506

SUB-COMPONENTS - SPICER 14" CLUTCHES

CLUTCH ASSEMBLY	Front Disc Itm 1,2,3	Rear Disc Itm 1,2,3	Inter. Plate Item 4	Cover Assy Itm 5-33	Anti-Rattle Sprg. Item 35	Drive Pin Item 34
25001-3416	25003-0042	25003-0043	509321	25008-4417	-	344671
25001-3418	25003-0051	25003-0052	509321	25008-4417	-	344671
25001-3423	25003-0051	25003-0052	509321	25008-4405	-	344671
25001-3424	25003-0042	25003-0043	509321	25008-4405	-	344671
25001-3436	25003-4403	25003-4404	509321	25008-4418	-	344671
25001-3445	25003-4413	25003-4414	25004-4401	25008-4417	25090-4409	344671
25001-3469	25003-0051	25003-0052	509321	02-7087580	-	344671
25001-3473	25003-4413	25003-4414	25004-4401	25008-4418	25090-4409	344671
25001-3474	25003-4413	25003-4414	25004-4401	7087580	25090-4409	344671
25001-3477	25003-0042	25003-0043	509321	02-7087580	-	344671
25001-3478	25003-0042	25003-0043	509321	25008-4403	-	344671
25001-3479	25003-4413	25003-4414	25004-4401	25008-4407	25090-4409	344671
25001-3489	25003-4413	25003-4414	25004-4401	25008-4404	25090-4409	344671
25001-3490	25003-4413	25003-4415	25004-4401	25008-4405	25090-4409	344671
25001-3505	25003-4413	25003-4414	25004-4401	25008-4402	-	344671
25001-3506	25003-4413	25003-4414	25004-4401	25008-4403	-	344671
25001-3547	25003-4417	25003-4418	509321	25008-4418	25090-4409	344671
25001-3548	25003-4415	25003-4416	509321	25008-4419	25090-4409	344671

Note: See following list of cover assemblies sub-components.

COVER ASSEMBLY SUB-COMPONENTS - 14" MANUAL ADJUSTING CLUTCHES

Component	Item	Cover Assembly				
		25008-4402	25008-4407	25008-4417	25008-4418	25008-4419
Flywheel Ring	5	02-7087309	02-7087309	02-7087309	02-7087309	02-7087309
Adjusting Ring	6	25013-4401	25013-4401	25013-4401	25013-4401	25013-4401
Pivot, Pressure Spring	8	02-7087302	02-7087302	02-7087302	02-7087302	02-7087302
Retainer, Release Spring	9	02-7087583	02-7087583	02-7087583	02-7087583	02-7087583
Pressure Spring	12	02-7087582	02-7087301	02-7087582	02-7087301	25090-4408
Ring, Release Sleeve	13	3113729	3113729	3113729	3113729	3113729
Snap Ring	14	02-7087308	02-7087308	02-7087308	02-7087308	02-7087308
Lever	15	25138-5001	25138-5001	25138-5001	25138-5001	25090-4401
Pressure Plate	16	02-708311	02-7087311	02-7087311	02-7087311	02-7087311
Spring, Return	17	02-7092133	02-7092133	02-7092133	02-7092133	02-7092133
Lock, Adjusting Ring	18	02-7091354	02-7091354	02-7091354	02-7091354	02-7091354
Bolt w/Lockwasher	20	04-905582	04-9055282	04-9055282	04-9055282	04-9055282
Release Bearing Assembly	23	02-7077512	02-7077512	25014-4415	25014-4415	02-7077512

COVER ASSEMBLY SUB-COMPONENTS - 14" SELF ADJUSTING CLUTCHES

Component	Item	Cover Assembly			
		25008-4402	25008-4403	25008-4404	25008-4405
Flywheel Ring	5	25012-4402	25012-4402	25012-4402	25012-4402
Adjusting Ring	6	25013-4402	25013-4402	25013-4402	25013-4402
Pivot, Pressure Spring	8	02-7087302	02-7087302	02-7087302	02-7087302
Retainer & Sleeve Spring	-	25015-4402	25015-4402	25015-4402	25015-4402
- Retainer Release Spring	10	25015-4401	25015-4401	25015-4401	25015-4401
- Sleeve Spring	11	25090-4407	25090-4407	25090-4407	25090-4407
Pressure Spring	12	02-7087301	02-7087582	02-7087301	02-7087582
Ring, Release Sleeve	13	3113729	3113729	3113729	3113729
Snap Ring	14	02-7087308	02-7087308	02-7087308	02-7087308
Lever	15	25138-5001	25138-5001	25138-5001	25138-5001
Pressure Plate	16	02-7087311	02-7087311	02-7087311	02-7087311
Spring, Return	17	02-7092133	02-7092133	02-7092133	02-7092133
Wear Compensator	19	25013-5003	25013-5003	25013-5003	25013-5003
Cap Screw	21	25090-4403	25090-4403	25090-4403	25090-4403
Release Bearing Assembly	23	02-7077512	02-7077512	25014-4415	25014-4415

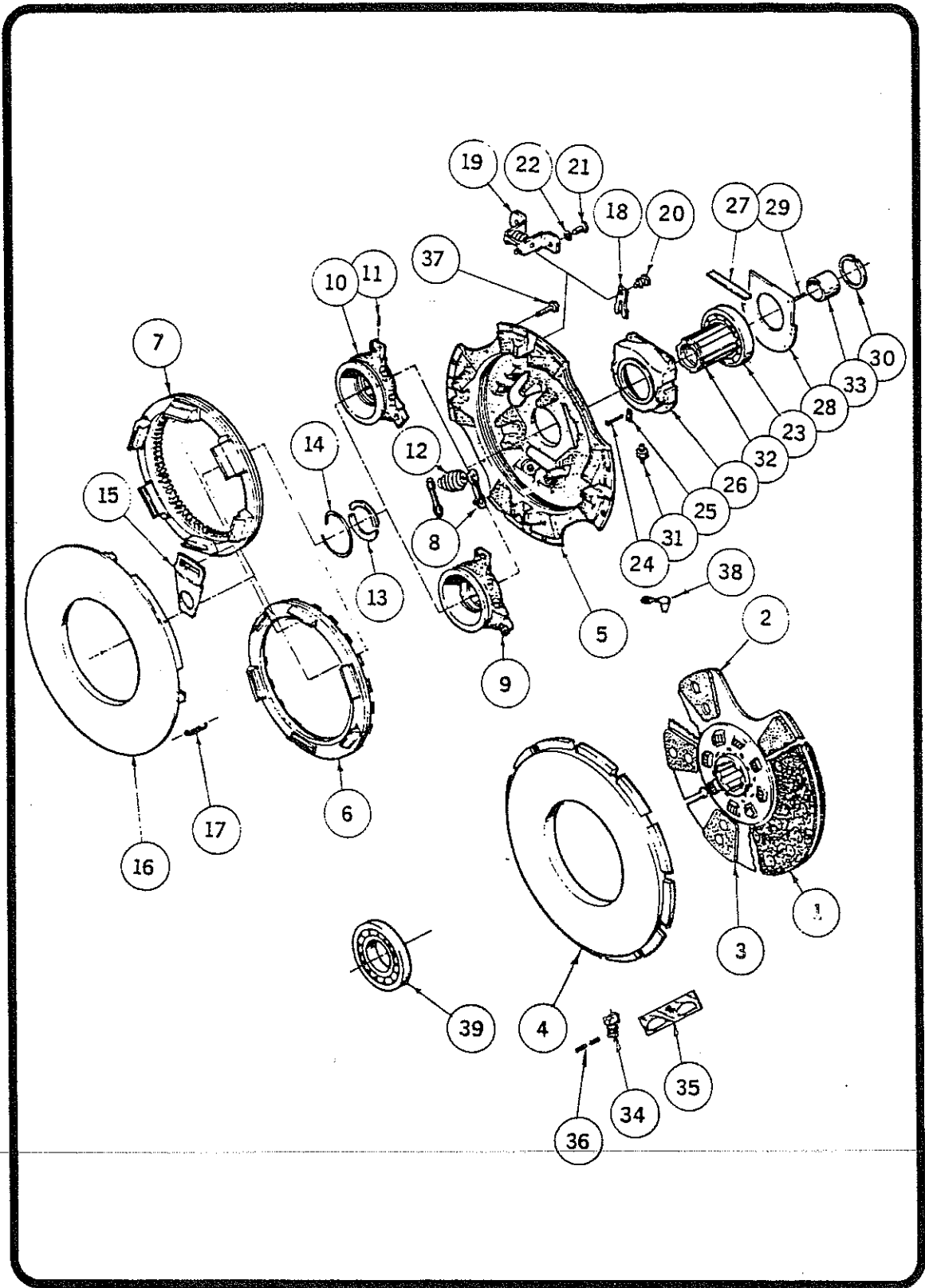


Fig. 1
Spicer 14" Clutches

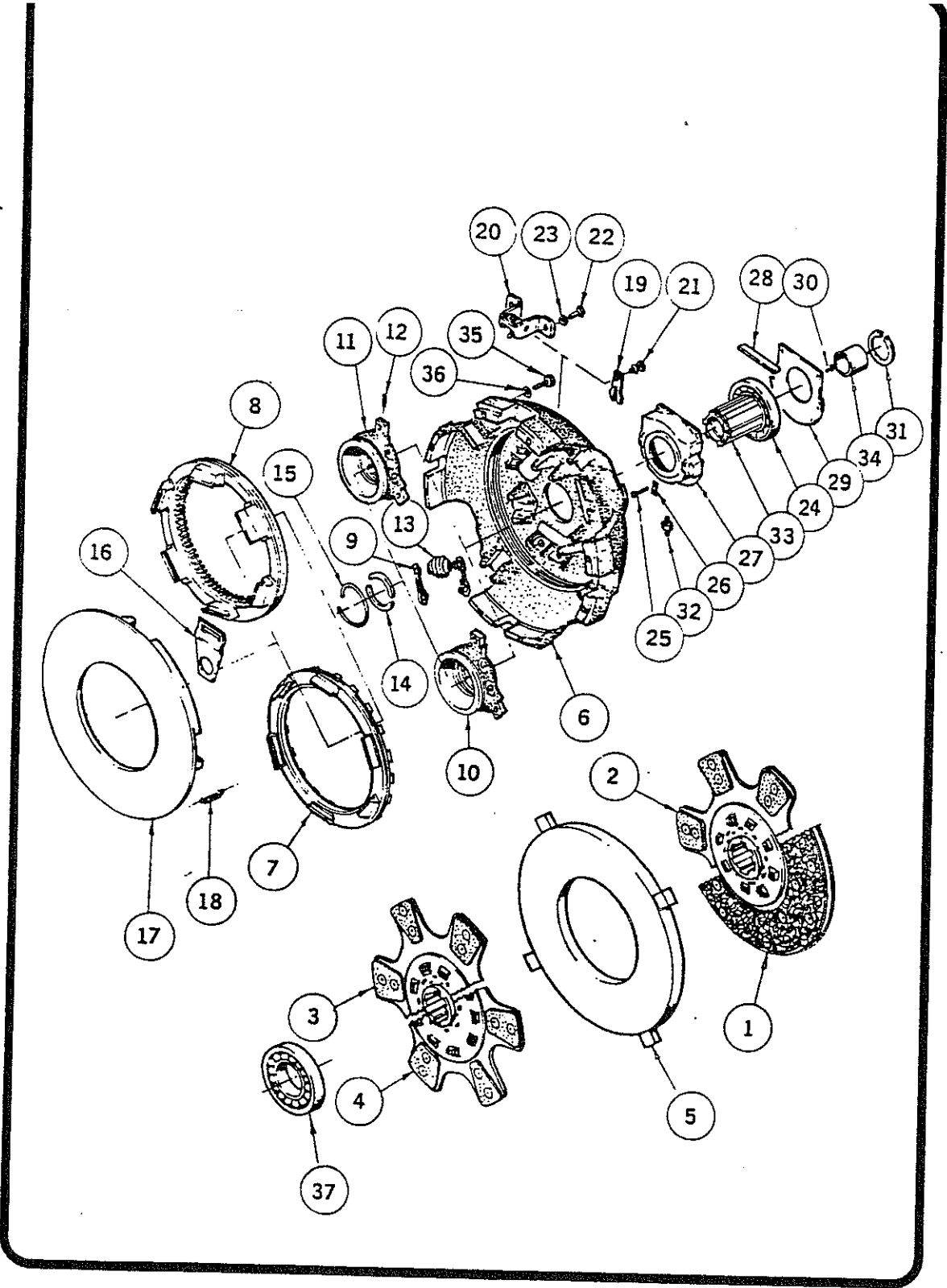


Fig. 2
Spicer 15" Clutches

SPICER 15" CLUTCHES (See Fig. 2)

SPICER 15" With Sealed Release Bearing

Facing	Description	Manual Adjusting	Self Adjusting
Organic Facing	Dampened Organic Coaxial (1250 ft/lb)	25001-3560	25001-3561
	Dampened Organic Coaxial (1400 ft/lb)	25001-3582	25001-3575
	Super Dampened Organic Coaxial (1450 ft/lb)	25001-3581	25001-3573
Ceramic Facing	Dampened Ceramic Coaxial (1275 ft/lb)	25001-3549	25001-3550
	Dampened Ceramic Coaxial (1400 ft/lb)(3200#)	25001-3553	25001-3554
	Dampened Ceramic Coaxial (1400 ft/lb)(3600#)	25001-3564	25001-3565
	Super Dampened Ceramic Coaxial (1450 ft/lb)	-	25001-3557
	Super Dampened Ceramic Coaxial (1650 ft/lb)	25001-3568	25001-3569

SPICER 15" With Greasable Release Bearing

Facing	Description	Manual Adjusting	Self Adjusting
Organic Facing	Dampened Organic Coaxial (1250 ft/lb)	25001-3562	25001-3563
	Dampened Organic Coaxial (1400 ft/lb)(4000#)	25001-3574	-
	Super Dampened Organic Coaxial (1450 ft/lb)	25001-3572	-
Ceramic Facing	Dampened Ceramic Coaxial (1275 ft/lb)	25001-3551	25001-3552
	Dampened Ceramic Coaxial (1400 ft/lb)(3200#)	25001-3555	25001-3556
	Dampened Ceramic Coaxial (1400 ft/lb)(3600#)	25001-3566	25001-3567
	Super Dampened Ceramic Coaxial (1450 ft/lb)	25001-3558	25001-3559
	Super Dampened Ceramic Coaxial (1650 ft/lb)	25001-3570	25001-3571

SUB-COMPONENTS - SPICER 15" CLUTCHES

CLUTCH ASSEMBLY	Front Disc Item 1 - 4	Rear Disc Item 1 - 4	Inter. Plate Item 5	Cover Assy Item 6 - 33
25001-3549	25003-4407	25003-4408	25004-4402	25008-4421
25001-3550	25003-4407	25003-4408	25004-4402	25008-4425
25001-3551	25003-4407	25001-4408	25004-4402	25008-4431
25001-3552	25003-4407	25003-4408	25004-4402	25008-4433
25001-3553	25003-4407	25003-4408	25004-4402	25008-4420
25001-3554	25003-4407	25003-4408	25004-4402	25008-4424
25001-3555	25003-4407	25003-4408	25004-4402	25008-4428
25001-3556	25003-4407	25003-4408	25004-4402	25008-4432
25001-3557	25003-4409	25003-4410	25004-4402	25008-4424
25001-3558	25003-4409	25003-4410	25004-4402	25008-4428
25001-3559	25003-4409	25003-4410	25004-4402	25008-4432
25001-3560	25003-0046	25003-0047	25004-4402	25008-4422
25001-3561	25003-0046	25003-0047	25004-4402	25008-4426
25001-3562	25003-0046	25003-0047	25004-4402	25008-4429
25001-3563	25003-0046	25003-0047	25004-4402	25008-4434
25001-3564	25003-4407	25003-4408	25004-4402	25008-4422
25001-3565	25003-4407	25003-4408	25004-4402	25008-4426
25001-3566	25003-4407	25003-4408	25004-4402	25008-4429
25001-3567	25003-4407	25003-4408	25004-4402	25008-4434
25001-3568	25003-4409	25003-4410	25004-4402	25008-4422
25001-3569	25003-4409	25003-4410	25004-4402	25008-4426
25001-3570	25003-4409	25003-4410	25004-4402	25008-4429
25001-3571	25003-4409	25003-4410	25004-4402	25008-4434
25001-3572	25003-4411	25003-4412	25004-4402	25008-4430

SUB-COMPONENTS - SPICER 15" CLUTCHES (Continued)

CLUTCH ASSEMBLY	Front Disc Item 1,2,3	Rear Disc Item 1,2,3	Inter. Plate Item 4	Cover Assy Item 5-33
25001-3573	25003-4411	25003-4412	25004-4402	25008-4427
25001-3574	25003-0046	25003-0047	25004-4402	25008-4430
25001-3575	25003-0046	25003-0047	25004-4402	25008-4427
25001-3581	25003-4411	25003-4412	25004-4402	25008-4423
25001-3582	25003-0046	25003-0047	25004-4402	25008-4423

Note: See following list of cover assemblies sub-components.

COVER ASSEMBLY SUB-COMPONENTS

- 15" MANUAL ADJUSTING CLUTCHES WITH SEALED RELEASE BEARING

Component	Item	Cover Assembly			
		25008-4420	25008-4421	25008-4422	25008-4423
Flywheel Ring	6	25012-4401	25012-4401	25012-4401	25012-4401
Adjusting Ring	7	25013-4401	25013-4401	25013-4401	25013-4401
Pivot, Pressure Spring	9	02-7087302	02-7087302	02-7087302	02-7087302
Release Sleeve Retainer	10	02-7087583	02-7087583	02-7087583	02-7087583
Pressure Spring	13	02-7087582	25006-4401	25006-5001	25006-4402
Ring, Release Sleeve	14	3113729	3113729	3113729	3113729
Snap Ring	15	02-7087308	02-7087308	02-7087308	02-7087308
Lever	16	25090-4401	25090-4401	25090-4401	25090-4401
Pressure Plate	17	25016-5003	25016-5003	25016-5003	25016-5003
Spring, Return	18	02-7092133	02-7092133	02-7092133	02-7092133
Lock, Adjusting Ring	19	02-7091354	02-7091354	02-7091354	02-7091354
Bolt w/Lockwasher	21	04-9055282	04-9055282	04-9055282	04-9055282
Release Bearing Assembly	24	25014-4415	25014-4415	25014-4415	25014-4415

COVER ASSEMBLY SUB-COMPONENTS

- 15" SELF ADJUSTING CLUTCHES WITH SEALED RELEASE BEARING

Component	Item	Cover Assembly			
		25008-4424	25008-4425	25008-4426	25008-4427
Flywheel Ring	6	25012-5002	25012-5002	25012-5002	25012-5002
Adjusting Ring	8	25013-4402	25013-4402	25013-4402	25013-4402
Pivot, Pressure Spring	9	02-7087302	02-7087302	02-7087302	02-7087302
Retainer & Sleeve Spring	-	25015-4402	25015-4402	25015-4402	25015-4402
- Retainer Release Spring	11	25015-4401	25015-4401	25015-4401	25015-4401
- Sleeve Spring	12	25090-4407	25090-4407	25090-4407	25090-4407
Pressure Spring	13	02-7087582	25006-4401	25006-5001	25006-4402
Ring, Release Sleeve	14	3113729	3113729	3113729	3113729
Snap Ring	15	02-7087308	02-7087308	02-7087308	02-7087308
Lever	16	25090-4401	25090-4401	25090-4401	25090-4401
Pressure Plate	17	25016-5003	25016-5003	25016-5003	25016-5003
Spring, Return	18	02-7092133	02-7092133	02-7092133	02-7092133
Wear Compensator	20	25013-5003	25013-5003	25013-5003	25013-5003
Release Bearing Assembly	24	25014-4415	25014-4415	25014-4415	25014-4415

COVER ASSEMBLY SUB-COMPONENTS

- 15" MANUAL ADJUSTING CLUTCHES WITH GREASABLE RELEASE BEARING

Component	Item	Cover Assembly			
		25008-4428	25008-4429	25008-4430	25008-4431
Flywheel Ring	6	25012-4401	25012-4401	25012-4401	25012-4401
Adjusting Ring	8	25013-4401	25013-4401	25013-4401	25013-4401
Pivot, Pressure Spring	9	02-7087302	02-7087302	02-7087302	02-7087302
Release Sleeve Retainer	10	02-7087583	02-7087583	02-7087583	02-7087583
Pressure Spring	13	02-7087582	25006-4401	25006-5001	25006-4402
Ring, Release Sleeve	14	3113729	3113729	3113729	3113729
Snap Ring	15	02-7087308	02-7087308	02-7087308	02-7087308
Lever	16	25090-4401	25090-4401	25090-4401	25090-4401
Pressure Plate	17	25016-5003	25016-5003	25016-5003	25016-5003
Spring, Return	18	02-7092133	02-7092133	02-7092133	02-7092133
Release Bearing Assembly	24	7077512	7077512	7077512	7077512

COVER ASSEMBLY SUB-COMPONENTS

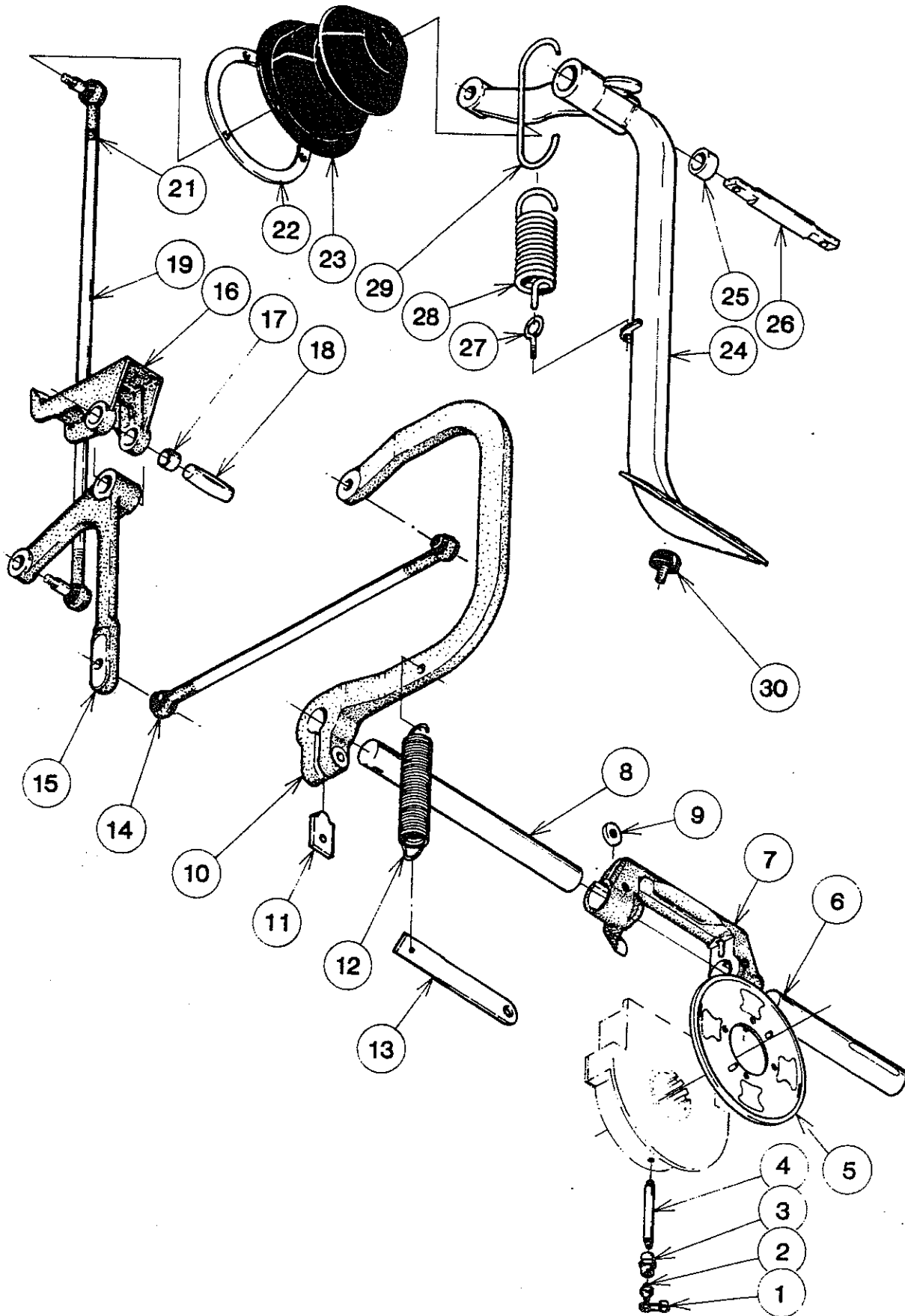
- 15" SELF ADJUSTING CLUTCHES WITH GREASABLE RELEASE BEARING

Component	Item	Cover Assembly		
		25008-4432	25008-4433	25008-4434
Flywheel Ring	6	25012-5002	25012-5002	25012-5002
Adjusting Ring	8	25013-4401	25013-4401	25013-4401
Pivot, Pressure Spring	9	02-7087302	02-7087302	02-7087302
Retainer & Sleeve Spring	-	25015-4402	25015-4402	25015-4402
- Retainer Release Spring	11	25015-4401	25015-4401	25015-4401
- Sleeve Spring	12	25090-4407	25090-4407	25090-4407
Pressure Spring	13	02-7087582	25006-4401	25006-5001
Ring, Release Sleeve	14	3113729	3113729	3113729
Snap Ring	15	02-7087308	02-7087308	02-7087308
Lever	16	25090-4401	25090-4401	25090-4401
Pressure Plate	17	25016-5003	25016-5003	25016-5003
Spring, Return	18	02-7092133	02-7092133	02-7092133
Wear Compensator Assy	20	25013-5003	25013-5003	25013-5003
Release Bearing Assembly	24	7077512	7077512	7077512

RELEASE BEARING ASSEMBLIES - 14" & 15" CLUTCHES

		Sealed Assy	Greaseable Assy
		25014-4415	02-7077512
Release Bearing	23	25014-4412	25014-4401
Rivet 1/8" x 1 1/2"	24	25014-4402	25014-4402
Plate, Shifter Yoke	25	25014-4403	25014-4403
Housing	26	25014-4413	25014-4404
Spring	27	25014-4405	25014-4405
Cover	28	25014-4406	25014-4406
Rivet 1/8" x 11/16"	29	25014-4407	25014-4407
Snap Ring	30	25014-4408	25014-4408
Grease Fitting	31	-	NPN
Release Assembly	-	25014-4409	25014-4409
Release Sleeve	32	25014-4410	25014-4410
Bushing	33	25014-4411	25014-4411

CLUTCH LINKAGE



CLUTCH LINKAGE

Item	Description	Qty	Part Number
1	Grease Fitting Cap	2	9001623
2	Grease Fitting 90°LH Side of Transmission	1	271285
2	Grease Fitting 45°RH Side of Transmission	1	9411016
3	Adaptor, Female 1/8 N.P.T.	1	5319-3405
4	Adaptor, Male 1/8 N.P.T.	1	5319-3406
5	Clutch Brake 2.0" Dia	1	7123009
5	Clutch Brake 1.75" Dia	1	7077397
6	Shaft, RH Release	1	25210-3406
7	Yoke	1	472920
8	Shaft, LH Release	1	25210-3405
9	Key, Yoke Shaft	1	344674
10	Clutch Release Lever	1	25122-3422
11	Key, Clutch Release Lever	1	25215-3401
12	Spring, Clutch Lever Return	1	353259
13	Stand- Off Bracket	1	9053921
14	Lower Clutch Rod	1	(See Chart)
-	Relay Lever Assy, 3800/4800 Models	1	25111-3429
15	- Relay Lever	1	25114-3425
16	- Relay Bracket	1	25119-3401
17	- Relay Bushing	2	519347
18	- Pin	1	513300
-	Relay Lever Assy, 4900/5900/6900 Models	1	25111-3430
15	- Relay Lever	1	25114-3426
16	- Relay Bracket	1	25119-3401
17	- Relay Bushing	2	519347
18	- Pin	1	513300
19	Upper Clutch Release Rod (3800/4800 Models & 6900 with Cat 3306 or Detroit Diesel Series 60 Engines)	1	25110-3470
19	Upper Clutch Release Rod (4900/5900 Models & 6900 Model with Cat 3406 Engine)	1	25110-3471
19	Upper Clutch Release Rod (6900 Model with Cummins KT Engine)	1	25110-3452
22	Boot Retainer	1	529639
23	Boot	1	526787
24	Clutch Pedal Assembly	1	25101-3410
25	- Bushing, Nylon	2	511749
26	Clutch Pedal Shaft	1	25210-3404
27	Eyebolt	1	685954
28	Spring, Pedal Return	1	9051393
29	Spring Extension	1	529634
30	Rubber Bumper	1	25124-3404

LOWER CLUTCH ROD - BREAKDOWNS (ITEM 14)

Model	Engine	Rod Assy	Rod Ends	Nut
3800	Cat 3176	25110-3472	25136-3404	99-012037
	Cat 3306	25110-3458	25136-3404	99-012037
	Cat 3306 with Rear PTO	25110-3459	25136-3404	99-012037
	Cat 3406	25110-3461	25136-3404	99-012037
	Cummins 'C' Series	25110-3463	25136-3402	99-012037
	Cummins 'C' Series with Rear PTO	25110-3464	25136-3402	99-012037
	Cummins BC IV & NTC & Detroit S60	25110-3462	25136-3404	99-012037
	Cummins L-10	25110-3457	25136-3404	99-012037
	Cummins L-10 with Rear PTO	25110-3460	25136-3404	99-012037
4800	Cat 3176	25510-3472	25136-3404	99-012037
	Cat 3306	25110-3458	25136-3404	99-012037
	Cat 3306 with Rear PTO	25110-3459	25136-3404	99-012037
	Cat 3406	25110-3461	25136-3404	99-012037
	Cummins L-10	25110-3457	25136-3404	99-012037
	Cummins L-10 with Rear PTO	25110-3460	25136-3404	99-012037
	Cummins BC IV & NTC & Detroit S60	25110-3462	25136-3404	99-012037
4900	Cat 3406	25110-3454	25136-3402	99-012037
	Cat 3406 with Brakesaver	25110-3456	25136-3402	99-012037
	Cummins BC IV & NTC & Detroit S60	25110-3455	25136-3402	99-012037
5900	Cat 3406	25110-3454	25136-3402	99-012037
	Cummins BC IV & NTC & Detroit S60	25110-3455	25136-3402	99-012037
6900	Cat 3406 & Cummins KT	25110-3468	25136-3402	99-012037
	Cat 3406 with Brakesaver	25110-3469	25136-3402	99-012037
	Cummins BC IV & NTC & Detroit S60	25110-3467	25136-3402	99-012037

ROCKWELL FRONT 'Q' BRAKES

Rockwell 15 X 4 Brake Assy		Backing Plate	Cam Brkt Assy	Shoe/Lining	Camshaft	Dust Shield
WST Part No.	75101-3509	76128-4407	75115-4410	75106-4405	75116-4406	76128-4409
Vendor No.	Q-1540-153	A 3236M2431	A41 3299M6019	A14 3222Q1837	2210J6666	3264V1088
WST Part No.	75101-3510	76128-4408	75115-4409	75106-4405	75116-4405	76128-4409
Vendor No.	Q-1540-154	A 3236L2430	A41 3299L6018	A14 3222Q1837	2210K6667	3264V1088

Rockwell 16.5 X 5 Brake Assy		Spider Assy	Cam Brkt Assy	Shoe/Lining	Camshaft	Dust Shields
WST Part No.	75101-3513	75107-4404	75115-4411	75106-4406	75116-4407	76128-5002 / 76128-4410
Vendor No.	Q-1655-465	A 3211A5071	C19 3299V5196	A28 3222E1383	2210T5506	3236L1936 / 3236M1937
WST Part No.	75101-3514	75107-4405	75115-4412	75106-4406	75116-4408	76128-5002 / 76128-4410
Vendor No.	Q-1655-466	A 3211Z5070	C19 3299U5195	A28 3222E1383	2210S5505	3236L1936 / 3236M1937
WST Part No.	75101-3537	75107-4404	75115-4411	75106-4406	75116-4409	76128-5002 / 76128-4410
Vendor No.	Q-1655-507	A 3211A5071	C19 3299V5196	A28 3222E1383	2110X5328	3236L1936 / 3236M1937
WST Part No.	75101-3538	75107-4405	75115-4412	75106-4406	75116-4410	76128-5002 / 76128-4410
Vendor No.	Q-1655-508	A 3211Z5070	C21 3299U5195	A28 3222E1383	2210W5327	3236L1937 / 3236M1937

Rockwell 16.5 X 6 Brake Assy		Spider Assy	Cam Brkt Assy	Shoe/Lining	Camshaft	Dust Shields
WST Part No.	75101-3519	75107-4402	75115-4413	75106-4404	75116-4411	76128-4404 / 76128-4406
Vendor No.	1-1656-337	A 3211C5073	B31 3299D3046	A19 3222V1348	2210R6674	3264S 227 / 3264T 228
WST Part No.	75101-3520	75107-4403	75115-4414	75106-4404	75116-4412	76128-4404 / 76128-4406
Vendor No.	Q-1656-338	A 3211B5072	B31 3299E3047	A19 3222V1348	2210Q6673	3264S 227 / 3264T 228
WST Part No.	75101-3521	75107-4402	75115-4415	75106-4404	75116-4413	76128-4404 / 76128-4406
Vendor No.	Q-1656-339	A 3211C5073	B33 3299D3046	A19 3222V1348	2210P6672	3264S 227 / 3264T 228
WST Part No.	75101-3522	75107-4403	75115-4416	75106-4404	75116-4414	76128-4404 / 76128-4406
Vendor No.	Q-1656-340	A 3211B5072	B33 3299E3047	A19 3222V1348	2210N6670	3264S 227 / 3264T 228
WST Part No.	75101-3523	75107-4402	75115-4404	75106-4404	75116-4403	76128-4404 / 76128-4406
Vendor No.	Q-1656-341	A 3211C5073	B35 3299D3046	A19 3222V1348	2210F6038	3264S 227 / 3264T 228
WST Part No.	75101-3524	75107-4403	75115-4408	75106-4404	75116-4404	76128-4404 / 76128-4406
Vendor No.	Q-1656-342	A 3211B5072	B35 3299E3047	A19 3222V1348	2210E6037	3264S 227 / 3264T 228
WST Part No.	75101-3573	75107-4402	75115-4415	75106-4407	75116-4413	76128-4404 / 76128-4406
Vendor No.	Q-1656-525	A 3211C5073	B33 3299D3046	A21 3222V1348	2210P6672	3264S 227 / 3264T 228
WST Part No.	75101-3574	75107-4403	75115-4416	75106-4407	75116-4414	76128-4404 / 76128-4406
Vendor No.	Q-1656-526	A 3211B5072	B33 3299E3047	A21 3222V1348	2210N6670	3264S 227 / 3264T 228
WST Part No.	75101-3575	75107-4402	75115-4404	75106-4407	75116-4403	76128-4404 / 76128-4406
Vendor No.	Q-1656-527	A 3211C5073	B35 3299D3046	A21 3222V1348	2210F6038	3264S 227 / 3264T 228
WST Part No.	75101-3576	75107-4403	75115-4408	75106-4407	75116-4404	76128-4404 / 76128-4406
Vendor No.	Q-1656-528	A 3211B5072	B35 3299E3047	A21 3222V1348	2210E6037	3264S 227 / 3264T 228
WST Part No.	75101-3539	75107-4402	75115-4417	75106-4404	75116-4403	76128-4404 / 76128-4406
Vendor No.	Q-1656-431	A 3211C5073	A33 3299E4763	A19 3222V1348	2210F6038	3264S 227 / 3264T 228
WST Part No.	75101-3540	75107-4403	75115-4418	75106-4404	75116-4404	76128-4404 / 76128-4406
Vendor No.	Q-1656-432	A 3211B5072	A33 3299F4764	A19 3222V1348	2210E6037	3264S 227 / 3264T 228

Rockwell 15.5 X 5 (6900 only)						
	Brake Assy	Spider Assy	Cam Brkt Assy	Shoe/Lining	Camshaft	Dust Shields
WST Part No.	75101-3559	75107-4404	75115-4411	75106-4406	75116-4409	76128-5002 / 76128-4410
Vendor No.	Q-1655-565	A 3211A5071	C31 3299V5196	A28 3222E1383	2210X5328	3236L1936 / 3236M1937
WST Part No.	75101-3560	75107-4405	75115-4412	75106-4406	75116-4410	76128-5002 / 76128-4410
Vendor No.	Q-1655-566	A 3211Z5070	C31 3299U5195	A28 3222E1383	2210W5327	3236L1936 / 3236M1937

EATON FRONT BRAKE ASSEMBLIES

Eaton 15.5 x 4	Brake Assy.	Spider Assy	Cam Brkt	Shoe/Lining	Camshaft	Dust Shields
WST Part No. Vendor No.	75101-3511 809000	75107-4406 806980	75115-4419 809064	75106-4408 1009000	75116-4415 1006948	76128-4411 1008079
WST Part No. Vendor No.	75101-3512 809001	75107-4407 806981	75115-4420 809065	75106-4408 1009000	75116-4416 1006949	76128-4411 1008079
WST Part No. Vendor No.	75101-3579 812410	75107-4412 812456	75115-4433 809476	75106-4412 807684	75116-4427 813494	76128-4411 1008079
WST Part No. Vendor No.	75101-3580 812411	75107-4413 812457	75115-4434 809477	75106-4412 807684	75116-4428 813495	76128-4411 1008079

Eaton 16.5 x 5	Brake Assy.	Spider Assy	Cam Brkt	Shoe/Lining	Camshaft	Dust Shields
WST Part No. Vendor No.	75101-3515 809002	75107-4408 807497	75115-4437 809480	75106-4409 805714	75116-4419 808794	76128-4413 1000693
WST Part No. Vendor No.	75101-3516 809003	75107-4409 807496	75115-4438 809481	75116-4409 805714	75116-4420 808795	76128-4413 1000693
WST Part No. Vendor No.	75101-3517 809004	75107-4408 807497	75115-4421 808994	75106-4409 805714	75116-4401 1000087	76128-4413 1000693
WST Part No. Vendor No.	75101-3518 809005	75107-4409 807496	75115-4422 808995	75106-4409 805714	75116-4402 1000088	76128-4413 1000693
WST Part No. Vendor No.	75101-3557 810604	75107-4408 807497	75115-4435 810072	75106-4409 805714	75116-4425 071306	76128-4413 1000693
WST Part No. Vendor No.	75101-3558 810605	75107-4409 807496	75115-4436 810073	75106-4409 805714	75116-4426 071307	76128-4413 1000693

Eaton 16.5 x 6	Brake Assy.	Spider Assy	Cam Brkt	Shoe/Lining	Camshaft	Dust Shields
WST Part No. Vendor No.	75101-3525 809008	75107-4410 806785	75115-423 808996	75106-4410 808465	75116-4417 808792	76128-4412 821332
WST Part No. Vendor No.	75101-3526 809009	75107-4411 806784	75115-4424 808997	75106-4410 808465	75116-4418 808793	76128-4412 821332
WST Part No. Vendor No.	75101-3527 809010	75107-4410 806785	75115-4425 808998	75106-4410 808465	75116-4419 808794	76128-4412 821332
WST Part No. Vendor No.	75101-3528 809011	75107-4411 806784	75115-4426 808999	75106-4410 808465	75116-4420 808795	76128-4412 821332
WST Part No. Vendor No.	75101-3529 809006	75107-4410 806785	75115-4427 808992	75106-4410 808465	75116-4421 070306	76128-4412 821332
WST Part No. Vendor No.	75101-3530 809007	75107-4411 806784	75115-4428 808993	75106-4410 808465	75116-4422 070307	76128-4412 821332
WST Part No. Vendor No.	75101-3541 810074	75107-4410 806785	75115-4435 810072	75106-4410 808465	75116-4425 071306	76128-4413 1000693
WST Part No. Vendor No.	75101-3542 810075	75107-4411 806784	75115-4436 810073	75106-4410 808465	75116-4426 071307	76128-4413 1000693
WST Part No. Vendor No.	75101-3551 810220	75107-4410 806785	75115-4429 809486	75106-4411 805721	75116-4423 076293	76128-4413 1000693
WST Part No. Vendor No.	75101-3552 810221	75107-4411 806784	75115-4430 809487	75106-4411 805721	75116-4424 076294	76128-4413 1000693
WST Part No. Vendor No.	75101-3553 810216	75107-4410 806785	75115-4431 809482	75106-4411 805721	75116-4425 071306	76128-4413 1000693
WST Part No. Vendor No.	75101-3554 810217	75107-4411 806784	75115-4432 809483	75106-4411 805721	75116-4426 071307	76128-4413 1000693
WST Part No. Vendor No.	75101-3571 811464	75107-4410 806785	75115-4435 810072	75106-4411 805721	75116-4425 071306	76128-4413 1000693
WST Part No. Vendor No.	75101-3572 810465	75107-4411 806784	75115-4436 810073	75106-4411 805721	75116-4426 071307	76128-4413 1000693



Front Axle Brake Kits

Western Star has developed the following Front Brake kits for retrofitting on trucks which were not built with front axle brakes from the factory.

Kit No. WS - B01

For use on the following axles with a maximum GAWR of 12,000 lbs:
Rockwell FF & FG 931
Rockwell FG 941
Eaton EFA 12F4
Westport WS12

For use on the following 14,000 lb axle:
Wesport WS14

May be used for White F3W series but may require the brake spider to be reamed out for a 6" pilot.

Kit consists of Eaton 15" x 4" 'S' Cam Brakes:

Qty	Description	Part Number
1	Left Hand Brake Assembly	806374
1	Right Hand Brake Assembly (Brake assemblies include Chamber and Slack Adjuster)	806375
2	Bulk Head Fitting	75703-0001
1	Quick Release Valve	KN3201

In order to complete the installation of the above kit, one set of the following drums is required:

Qty	Description	Part Number
2	Drums for Cast Spoke Wheels	90101-0017
or		
2	Drums for 10 hole Disc Wheel	90101-0020
or		
2	Drums for 8 hole Disc Wheel	90101-4401

Note: Kit WS-B01 replaces Kit WS-B02



Front Axle Brake Kits continued

Kit WS-B03

For Use on All Axles 14,000 lb Gawr except :
 Westport WS 14

Kit consists of Eaton 16.5" x 5" 'S' Cam Brakes:

Qty	Description	Part Number
1	Left Hand Brake Assembly	808238
1	Right Hand Brake Assembly	808239
2	12" Chamber	288795
2	5" Slack Adjuster	281984
2	Bulk Head Fitting	75703-0001
1	Quick Release Valve	KN32011

In order to complete the installation of the above kit, one set of the following drums is required:

Qty	Description	Part Number
2	Drums for Cast Spoke Wheels	02-7022715
or		
2	Drums for 10 hole Disc Wheel	90101-0001
or		
2	Drums for 8 hole Disc Wheel	90101-4403

Kit no. WS-B04

For use on the following axles with a maximum GAWR of 20,000 lbs
 Rockwell FL931
 Rockwell FL941

Kit consists of Rockwell 16.5" x 6" 'S' Cam Brakes:

Qty	Description	Part Number
1	Left Hand Brake Assembly	BG1656-777
1	Right Hand Brake Assembly	BG1656-778
2	24" Chamber	1427091P
2	5.5" Slack Adjuster	281983
2	Bulkhead Fitting	75703-0001
1	Quick Release Valve	KN32011

In order to complete the installation of the above kit, one set of the following is required

Qty	Description	Part Number
2	Drums for Cast Spoke Wheels	90101-0007
or		
2	Drums for 10 hole Disc Wheels	90101-0004

'B' Exhaust System

The Single or Dual 'B' system is the most common for on-road vehicles. The exhaust pipe(s) exit at the rear corner(s) of the cab into vertical muffler(s).

3800/4800 Series - see Fig. 1

Item	Description	Part Number	
1	Upper Turbo Pipe, Cummins LTA-10	23517-3532	
1	Upper Turbo Pipe, CAT 3306	23503-3411	
1	Upper Turbo Pipe, CAT 3176	23503-3490	
1	Upper Turbo Pipe, CAT 3406	23503-3427	
1	Upper Turbo Pipe, Cummins BC IV	23517-3538	
1	Upper Turbo Pipe, Cummins 'C'	23503-3460	
1	Upper Turbo Pipe, Cummins N14	23503-3522	
1	Upper Turbo Pipe, Detroit Diesel S-60	23517-3595	
2	Lower Turbo Pipe, Cummins LTA-10	23517-3530	
2	Lower Turbo Pipe, BC IV, 3406, S-60, N14	23527B3508-006	
2	Lower Turbo Pipe, Cummins 'C'	23503-3461	
2	Lower Turbo Pipe, CAT 3306	23503-3426	
2	Lower Turbo Pipe, CAT 3176	23527B3508-004	
3	Rear Pipe, Single 4", Cummins 'C'	23529-3426	
3	Rear Pipe, Single 5", BC IV, 3406, S-60, N14	23527-3437	
3	Rear Pipe, Single 5", LTA-10, 3176	23529-3417	
3	Rear Pipe, Single 5", 3306	23529-3430	
3	Rear Pipe, Dual 5", BC IV, 3406, S-60, N14	23527-3438	
4	Pipe, BOC, 4"	painted 23529B3427	chrome 23529C3427
4	Pipe, BOC, 5"	23527-3439	23527-3440
5	Flexpipe, 4"	23518-3402-012	
5	Flexpipe, 4", Cummins 'C'	23518-3402-009	
5	Flexpipe, 5"	23518-3401-015	
5	Flexpipe, 5", CAT 3176	23518-3401-010	
6	V-Band Clamp, 4"	23504-3413	
6	V-Band Clamp, 5"	543871	
7	Turbo Pipe Hanger Bracket, LTA-10, 3306	04-9039675	
8	Turbo Pipe Hanger Bracket	23513-3483	
8	Turbo Pipe Hanger Bracket, BC IV	23513-3487	
8	Turbo Pipe Hanger Bracket, S-60	23513-3507	
8	Turbo Pipe Hanger Bracket, CAT 3176	23513-3509	
9	U-Clamp, 4", LTA-10, 3306	669724	
9	U-Clamp, 5", S-60	519060	
10	Exhaust Support Clamp	23504-3411	
10	Exhaust Support Clamp, 3406	23504-3418	
11	Exhaust Stack Bracket Strap	23603-3428	
12	Clamp Plate	549017	
13	Preformed Seal Clamp, 4"	04-9045722	
13	Preformed Seal Clamp, 5"	04-9045723	

4900/5900 Series -see Fig. 1

Item	Description	Part Number
1	Upper Turbo Pipe, CAT 3406B	23517-3520
1	Upper Turbo Pipe, Cummins N14	23517-3566
1	Upper Turbo Pipe, Cummins BC IV	23517-3524
1	Upper Turbo Pipe, Detroit Diesel S-60	23517-3566
2	Lower Turbo Pipe, CAT 3406B	23517-3525
2	Lower Turbo Pipe, Cummins N14	23517-3567
2	Lower Turbo Pipe, Cummins BC IV	23517-3526
2	Lower Turbo Pipe, Detroit Diesel S-60	23517-3567
3	Rear Pipe, Single 4", Cummins 'C'	23529-3426
3	Rear Pipe, Single 5", BC IV, 3406, S-60, N14	23527-3437
3	Rear Pipe, Single 5", LTA-10, 3176	23529-3417
3	Rear Pipe, Single 5", 3306	23529-3430
3	Rear Pipe, Dual 5", BC IV, 3406, S-60, N14	23527-3438
		painted
4	Pipe, BOC, 4"	23529B3427
4	Pipe, BOC, 5"	23527-3439
		chrome
		23529C3427
		23527-3440
5	Flexpipe, 5"	23518-3401-015
6	V-Band Clamp, 5"	543871
8	Turbo Pipe Hanger Bracket	23513-3483
10	Stack Support Bracket	23504-3411
11	Exhaust Stack Bracket Strap	23603-3428
12	Clamp Plate	549017
13	Preformed Seal Clamp, 5"	04-9045723

All Series with Cab Mounted Fairing Packages use the following - see Fig. 1

3	Rear Pipe, Single 4", Cummins 'C'	23528-3428
3	Rear Pipe, Single 5", BC IV, 3406, S-60, N14	23528-3409
3	Rear Pipe, Single 5", LTA-10	23528-3443
3	Rear Pipe, Single 5", 3306	23528-3445
		painted
4	Pipe, BOC, 4", Cummins 'C'	23529-3429
4	Pipe, BOC, 5", BC IV, 3406, S-60, N14	23528-3410
4	Pipe, BOC, 5", LTA-10	23528-3444
4	Pipe, BOC, 5", 3306	23528-3446
		chrome
		23529-3434
		23528-3448
		23528-3458
		23528-3459

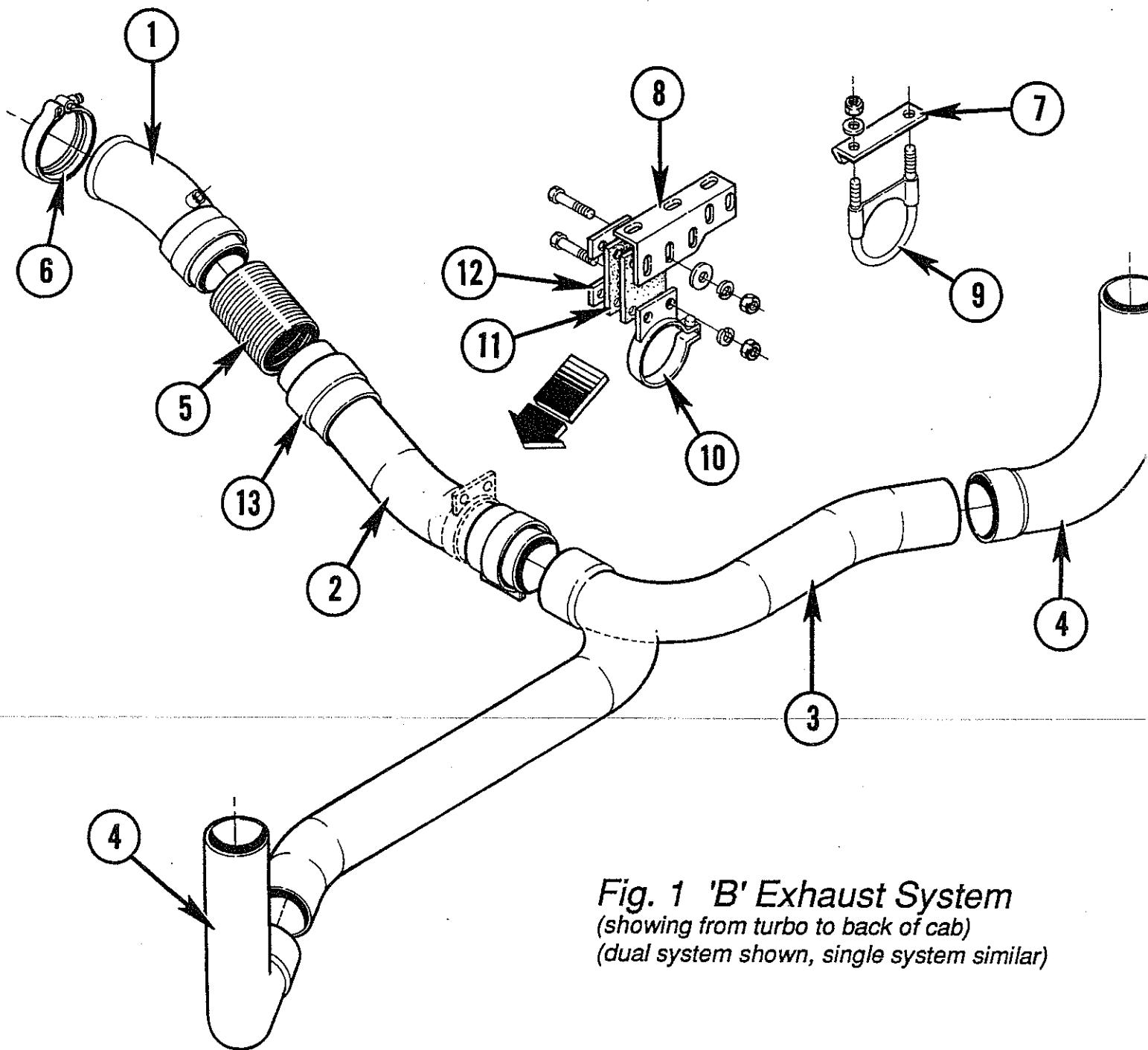


Fig. 1 'B' Exhaust System
 (showing from turbo to back of cab)
 (dual system shown, single system similar)

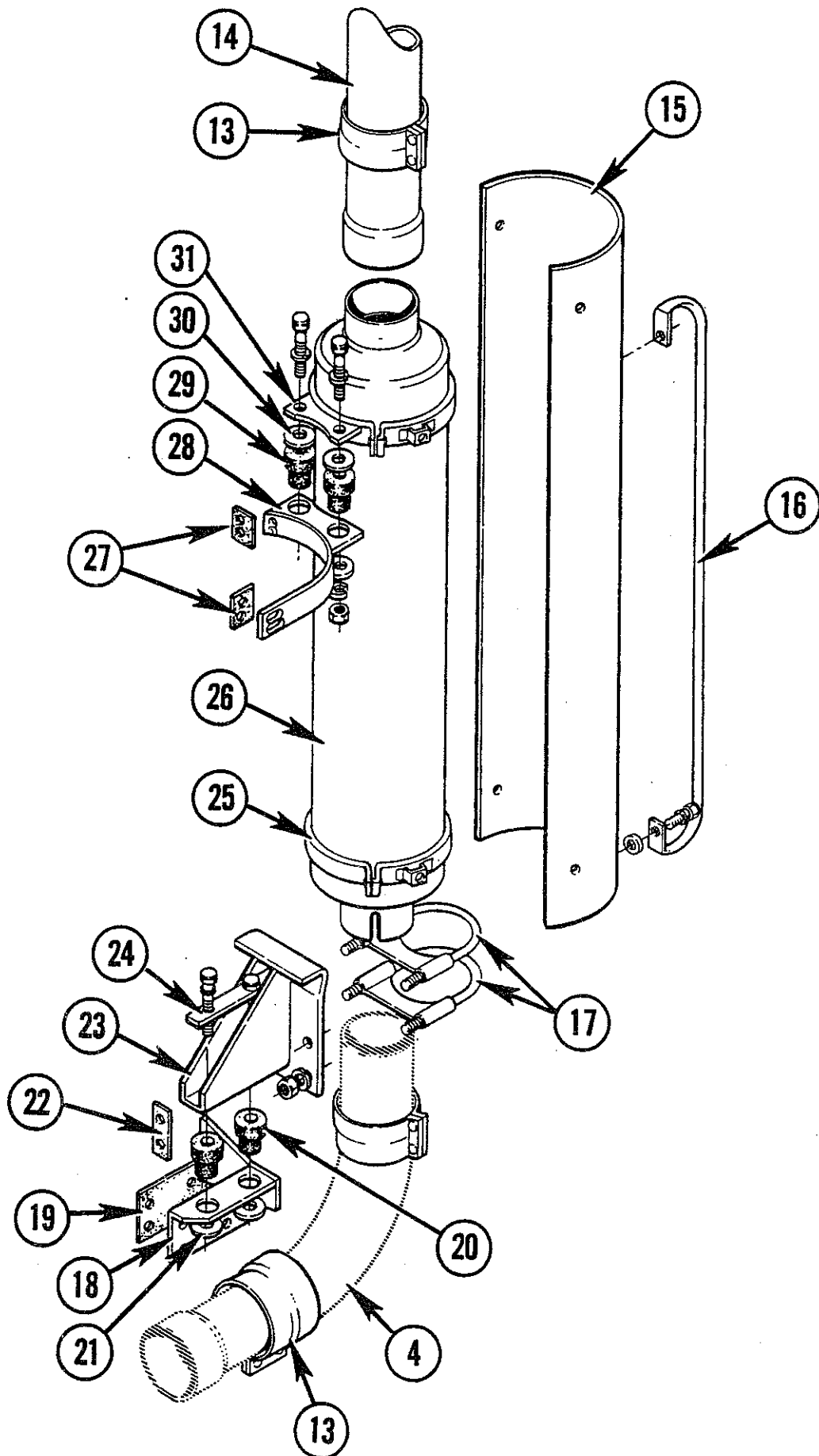


Fig. 2 'B' Exhaust System
 (showing from back of cab to stack)

'B' Exhaust System - cont'd

All Series Trucks - parts required from back of cab to exhaust stack - see Fig. 2

Item	Description	Part Number
13	Seal Clamp, 4"	04-9045722
13	Seal Clamp, 4" Chrome	04-9048820
13	Seal Clamp, 5"	04-9045723
13	Seal Clamp, 5" Chrome	04-9048821
14	Stack, 4" Straight Painted *	23527B3510-____
14	Stack, 4" Straight Chrome *	23527C3510-____
14	Stack, 4" Curved Chrome *	23202B3454-____
14	Stack, 5" Straight Painted *	23527C3508-____
14	Stack, 5" Straight Chrome *	23202B3408-____
14	Stack, 5" Curved Chrome *	23202C3453-____

* Note that Stacks are available in different lengths.

100" - Add **100** to end of Part Number Eg. - 23527B3508-100

4" Stack

- 20" - Add 020
- 26" - Add 026
- 32" - Add 032
- 34" - Add 034
- 38" - Add 038
- 44" - Add 044
- 50" - Add 050
- 56" - Add 056
- 60" - Add 060

5" Stack

- 10" - Add 010
- 12" - Add 012
- 16" - Add 016
- 22" - Add 022
- 28" - Add 028
- 34" - Add 034
- 40" - Add 040
- 46" - Add 046
- 50" - Add 050

15	Muffler Shield, Solid w/ Sleeper, L/R	23101-3423
15	Muffler Shield, Solid wo/ Sleeper, RH	23101-3426
15	Muffler Shield, Solid wo/ Sleeper, LH	23101-3425
15	Muffler Shield, Perforated w/ Sleeper, L/R	23101-3424
15	Muffler Shield, Perforated wo/ Sleeper, L/R	32101-3427
16	Grab Handle, 30" Stainless Steel	62401-3408
16	Grab Handle, 30" Stainless Steel, Polished	62401-3409
17	U-Clamp Assembly 4"	669724
17	U-Clamp Assembly 5"	519060
18	Bracket, Cab Exhaust Support, RH	23603-3424
18	Bracket, Cab Exhaust Support, LH	23603-3425
19	Isolator	23622-3410
20	Rubber Mount	636353
21	Washer, Hard 0.66 x 1.38 x 0.19	551107
22	Isolator	23622-3401

23	Bracket, Muffler Support	23603-3448
24	Plate, Muffler Support Spacer	23603-3423
25	Support, Shield w/ Sleeper	23103-3403
25	Support, Shield wo/ Sleeper	04-9041005
26	Muffler, CAT 3306, Single 'B', w/ Nelson	23001-3440
26	Muffler, 3406, L-10, Single 'B', w/ Nelson	23001-3430
26	Muffler, 3176, 3306, 3406, L-10, Dual, w/ Nelson	23001-3429
26	Muffler, 3176, Single, w/ Nelson	23001-3451
26	Muffler, 3176, Single, w/ Donaldson	23001-3433
26	Muffler, Cummins LTA-10	23001-3433
26	Muffler, CAT 3306, w/ Donaldson Air Cleaner	23001-3441
26	Muffler, Double Wrap, 3406, BCIV w/ Nelson, Single	23001-3432
26	Muffler, Double Wrap, 3406, BCIV w/ Nelson, Dual	23001-3431
27	Isolator	23622-3408
28	Bracket, Muffler Clamp, LH	23611-3401
28	Bracket, Muffler Clamp, RH	23611-3402
29	Isolator, Exhaust Bracket	23622-3414
30	Washer, SS 1.25 x 0.41 x 0.078	40020-3408
31	Clamp, Muffler, LH w/ Sleeper	23609-3412
31	Clamp, Muffler, LH wo/ Sleeper	23609-3414
31	Clamp, Muffler, RH w/ Sleeper	23609-3413
31	Clamp, Muffler, RH wo/ Sleeper	23609-3415

'C' Exhaust System

The Single or Dual 'C' system is commonly used with Dump Trucks and other specialized vehicles. The Muffler is mounted horizontally under the frame, with the stacks and shields mounted to the back of Cab.

1	Preformed Seal Clamp, 5"	04-9045723
2	Stack, 5" Straight Painted *	23527B3508-_____
2	Stack, 5" Straight Chrome *	23527C3508-_____
2	Stack, 5" Curved Painted *	23202B3453-_____
2	Stack, 5" Curved Chrome *	23202C3453-_____

* Note that Stacks are available in different lengths.

100" - Add 100 to end of Part Number Eg. - 23527B3508-100

5" Stack

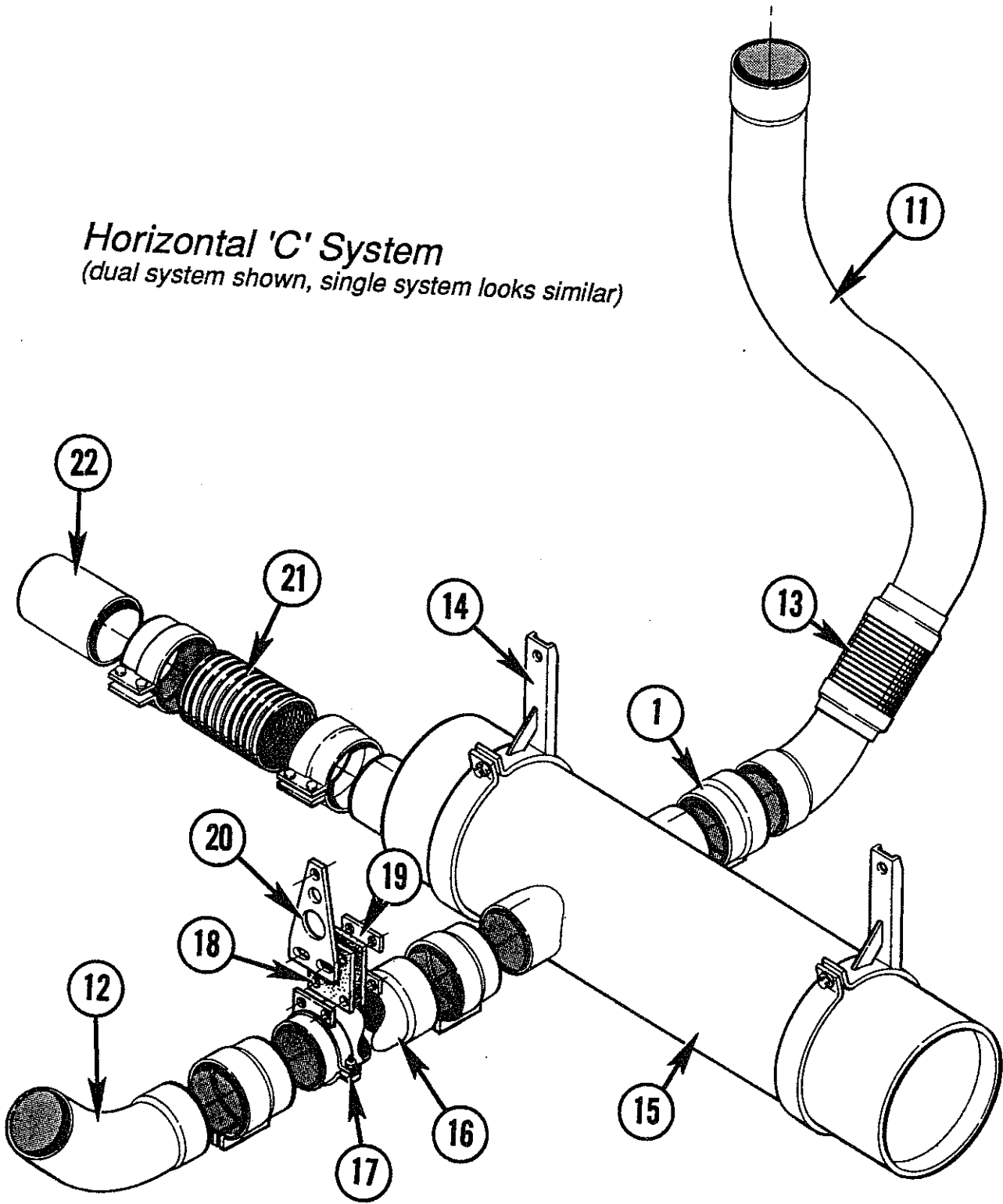
64"	- Add 064
70"	- Add 070
76"	- Add 076
82"	- Add 082
88"	- Add 088
94"	- Add 094
100"	- Add 100
104"	- Add 104

3	Pipe Shield, Solid	23101-3416
3	Pipe Shield, Perforated	23101-3417
4	Grab Handle, 30" Stainless Steel	62401-3408
4	Grab Handle, 30" Stainless Steel, Polished	62401-3409
5	Bracket	23611-3404
6	Isolator, Exhaust Bracket	23622-3414
7	Bracket, Cab Exhaust Support	23611-3403
8	Isolator, Cab Exhaust Support	23622-3408
9	Bracket, Exhaust	23611-3408
10	Bracket, Exhaust	23611-3407

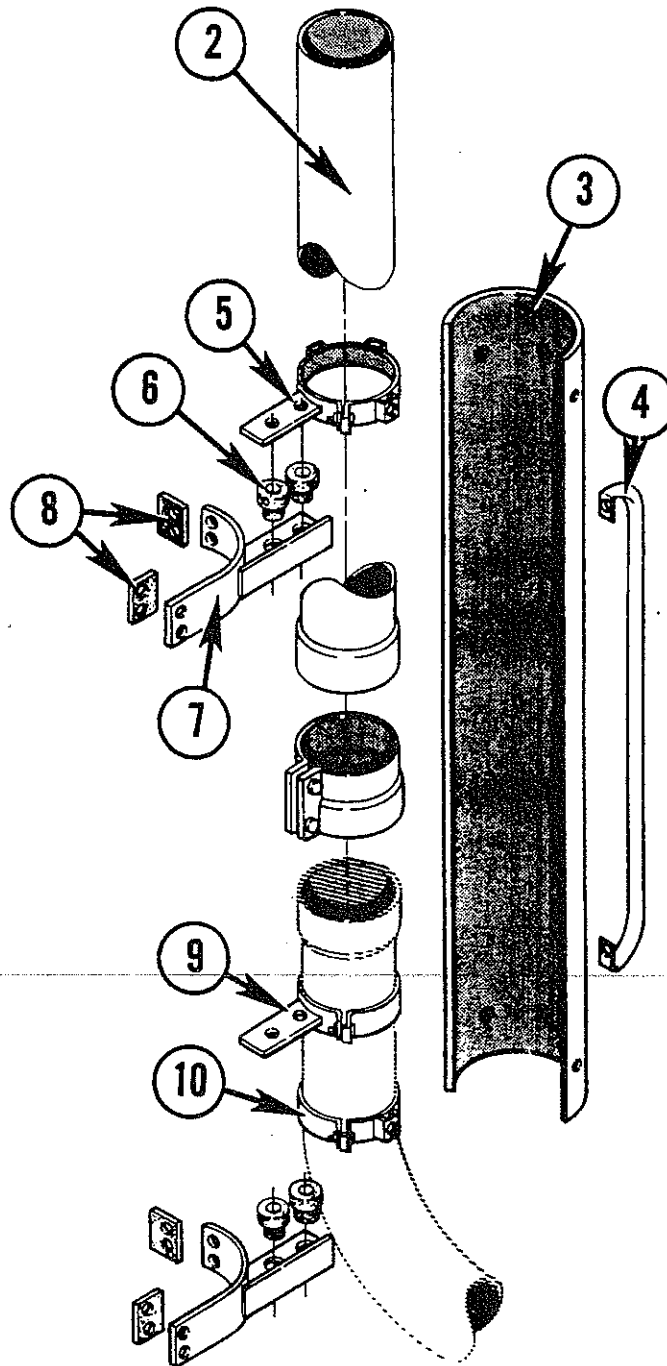
		paintd	chrome
11	Pipe, BOC, 5" Upper RH (4800F, 4900, 5900)	23528B3450-02	23528C3450-02
11	Pipe, BOC, 5" Upper RH (3800, 4800S)	23528B3450-16	23528C3450-16
11	Pipe, BOC, 5" Upper LH (4800F, 4900, 5900)	23528B3451-02	23528C3451-02
11	Pipe, BOC, 5" Upper LH (3800, 4800S)	23528B3451-16	23528C3451-16
12	Pipe, BOC, 5" Lower	23528B3436	23528C3436

13	Flexpipe, 5"	23518-3401-009
14	Bracket, Muffler Hanger	23603-3450
15	Muffler, Single 'C', Nelson	23001-3442
15	Muffler, Dual 'C', Nelson	23001-3443
15	Muffler, Single 'C', Donaldson	23001-3446
15	Muffler, Dual 'C', Donaldson	23001-3445
16	Pipe, Straight 30" bare	23527B3509-030
17	Exhaust Support Clamp	23504-3411

Horizontal 'C' System
(dual system shown, single system looks similar)



- | | | |
|----|--|----------------|
| 18 | Exhaust Stack Bracket Strap | 23603-3428 |
| 19 | Clamping Plate, painted | 549017 |
| 20 | Bracket, 'C' Exhaust Pipe Hanger LH | 23603-3452 |
| 21 | Flexpipe, 5" (use with Set Back Axle Models) | 23518-3401-012 |
| 21 | Flexpipe, 5" (use with Forward Axle Models) | 23518-3401-015 |
| 22 | Pipe, 5" (5" long) | 23527B3508-005 |
| 22 | Pipe, 5" (18" long, use with 4900F Model only) | 23527B3508-018 |





Back of Cab Pipes - Painted to Chrome X-over

Painted	Chrome
23509-3401	23510-3465
23509-3406	23510-3421
23509-3406	23510-3481
23509-3408	23509-3409
23509-3410	23509-3411
23509-3431	23509-3432
23509-3449	23509-3447
23509-3450	23509-3448
23509-3461	23509-3462
23509-3465	23509-3464
23509-3467	23509-3466
23509-3482	23509-3531
23509-3483	23509-3532
23509-3494	23509-3496
23509-3495	23509-3497
23509-3498	23509-3499
23509-3509	23509-3516
23509-3510	23509-3517
23509-3511	23509-3518
23509-3512	23509-3519
23509-3520	23509-3525
23509-3521	23509-3526
23509-3522	23509-3527
23509-3523	23509-3528
23509-3524	23509-3529
23509-3556	23509-3557
23509-3589	23509-3587
23509-3590	23509-3592
23509-3591	23509-3593
23510-3401	23510-3403
23510-3402	23510-3404
23510-3407	23510-3480
23510-3408	23510-3409
23510-3411	23510-3412
23510-3414	23510-3415
23510-3416	23510-3417
23510-3418	23510-3419
23510-3422	23510-3423
23510-3432	23510-3433
23510-3434	23510-3435
23510-3437	23510-3439
23510-3438	23510-3440
23510-3441	23510-3442
23510-3448	23510-3450
23510-3449	23510-3451
23510-3457	23510-3458
23510-3462	23510-3464
23510-3485	23510-3486
23510-3487	23510-3488
23510-3501	23510-3502
23510-3503	23510-3504

Painted	Chrome
23510-3529	23510-3529
23510-3531	23510-3532
23510-3544	23510-3545
23510-3546	23510-3547
23510-3548	23510-3549
23510-3551	23510-3552
23510-3553	23510-3554
23510-3564	23510-3565
23510-3566	23510-3567
23510-3568	23510-3569
23510-3570	23510-3571
23510-3572	23510-3573
23510-3574	23510-3575
23527-3403	23527-3404
23527-3439	23527-3440
23527-3446	23527-3447
23527-3448	23527-3487
23527-3449	23527-3488
23527-3450	23427-3464
23527-3452	23527-3482
23527-3458	23527-3489
23527-3470	23527-3483
23527-3471	23527-3484
23527-3472	23527-3459
23527-3473	23527-3460
23527-3474	23527-3461
23527-3475	23527-3463
23527-3477	23527-3462
23527-3478	23527-3485
23527-3479	23527-3486
23527-3527	23527-3548
23527-3528	23527-3549
23527-3529	23527-3544
23527-3530	23527-3545
23527-3531	23527-3547
23527-3532	23527-3546
23527-3533	23527-3543
23527-3534	23527-3540
23527-3535	23527-3541
23527-3536	23527-3542
23527-3537	23527-3552
23527-3539	23527-3551
23527-3556	23527-3557
23527-3563	23527-3564
23528-3410	23528-3448
23528-3444	23528-3458
23528-3446	23528-3459
23528-3449	23528-3460
23528B3401	23528C3401
23510-3505	23510-3506
23510-3507	23510-3508



Back of Cab Pipes - Painted to Chrome X-over

Painted	Chrome
23510-3517	23510-3518
23510-3519	23510-3520
23510-3527	23510-3528
23528B3402	23528C3402
23528B3403	23529C3403
23528B3404	23528C3404
23528B3405	23528C3405
23528B3406	23528C3406
23528B3407	23528C3407
23528B3413	23528C3413
23528B3431	23528C3431
23528B3434	23528C3434
23528B3435	23528C3435
23528B3436	23528C3436
23528B3450	23528C3450
23528B3451	23528C3451
23528B3471	23528C3471
23528B3485	23528C3485
23529-3429	23529-3434
23529B3427	23529C3427
9046133	9047750
9046134	9037751
9046136	9047935
9046137	9047936
9046300	9046302
9046301	9046303
9046305	9046306
9046307	9046308
9047880	9047887
9049558	9049559
9049747	9049751
9049748	9049752
9049749	9049753
9049750	9049754

Painted	Chrome
9051098	9051100
9051099	9051101
9052145	9052146
9052170	9052171
9052175	9052176
9052177	9052178
9052179	9052180
9052181	9052182
9052184	9052185
9052186	9052187
9052188	9052189
9052220	9052221
9052514	9052517
9052515	9052518
9052520	9052522
9052521	9052523
9052537	23509-3530
9053297	9053298
9053299	9053720
9054017	9054221
9054018	9054222
9054019	9054223
9054210	9054224
9054211	9054225
9054212	9054226
9054213	9054227
9054214	9054228
9054215	9054229
9054216	9054230
9054217	9054231
9054218	9054232
9054219	9054233
9054220	9054234
9054247	9054254



Neway ARD Rear Suspensions

NEWAY ARD 125-6 & 244-6 SUSPENSION KITS (See Fig 1)

Suspension Kit, Neway ARD 125-6 35501-3410
Suspension Kit, Neway ARD 244-6 35501-3411

Item	Description	Kit	Kit	Neway Part #	WST Part #
		35501-3410	35501-3411		
		Qty	Qty		
1	Air Spring	2	4	90557031	35003-4403
2	Equalizing Beam Assembly	2	4	90516178	35101-4416
3	- Front Bushing	2	4	90008131	35066-4443
4	- Centre Bushing	2	4	90008008	02-7093007
5	1 1/8 - 7 Cap Screw	2	4	93201046	35041-4406
6	1 1/8 - 7 Smart Nut	2	4	93900165	35056-4408
7	1 1/4 - 12 Lock Nut	2	4	93400509	35090-4431
8	1 1/4 Plain Washer	2	4	93600180	35090-4474
9	Spacer Washer	2	4	90036007	8002410
10	Lower Shock Bracket	2	4	90018071	-
11	Frame Bracket LH	1	2	90018478	35010-4433
11	Frame Bracket RH	1	2	90018479	35010-4432
12	Bushing, Transverse Beam	4	8	90008113	35033-4412
13	Air Spring Mounting Plate	2	4	90531001	3109144
15	3/4 - 10 x 3 1/2 Cap Screw	4	8	93003597	35290-4403
16	3/4 - 10 Lock Nut	4	8	93400492	35290-4402
17	3/4 - 16 Lock Nut Light, Thin	2	4	93400417	35090-4418
18	1/2 - 13 Hex Nut	2	4	93400136	35290-4405
19	1/2 Lock Washer	2	4	93600072	35090-4419
20	Shock Absorber Bracket, Upper	2	4	90018116	35010-4434
21	Cap Screw, 1/2 - 13 x 1.0	4	8	93002893	-
23	Roll Pin	2	4	90044174	35066-4445
24	Stud	2	4	90006380	-
25	Shock Absorber Bushing	8	16	90508004	35066-4444
26	Alignment Bushing	4	8	90008120	35033-4406
-	Spacer Washer	4	8	93600495	35025-0015
28	Adaptor Bushing	4	8	90001002	-
31	Transverse Beam	1	2	90544079	35007-0003
32	Shock Absorber	2	4	90044025	35901-0001



Neway ARD Rear Suspensions

NEWAY ARD 238-6 SUSPENSION KIT (See Fig 1)

Suspension Kit 35501-3405				
Item	Description	Qty	Neway Part #	WST Part #
1	Air Spring Assembly	4	90557031	35003-4403
2	- Equalizing Beam Assembly	4	90516151	35101-4421
3	-- Front Bushing	4	90008145	35066-4446
4	-- Centre Bushing	4	90008008	02-7093007
5	Rod Bolt 1 1/8 - 7 x 9 1/4"	4	93201046	35041-4406
6	1 1/8 - 7 Smart Nut	4	93900165	35056-4408
7	1 1/4 - 12 Lock Nut	4	93400509	35090-4431
8	1 1/4 Plain Washer	4	93600470	35212-4405
9	Spacer Washer	4	90036007	8002410
10	Lower Shock Bracket Plates	8	90033044	-
11	Frame Bracket	4	90018431	35010-4405
12	Transverse Beam Bushing	8	90008113	35033-4412
13	Air Spring Mounting Plate	4	90531001	3109144
14	Air Spring Mounting Plate Bracket	4	90018036	-
15	3/4 - 10 x 3 1/2 Hex Head Cap Screw	8	93003597	35290-4403
16	3/4 - 10 Lock Nut	12	93400492	35290-4402
17	3/4 - 16 Lock Nut, Light Thin	4	93400417	35090-4418
18	1/2 - 13 Hex Nut	4	93400136	35290-4405
19	1/2 Lock Washer	12	93600072	35090-4419
20	Shock Absorber Mounting Bracket	4	90018367	35902-4402
21	Cap Screw 1/2 - 13 x 1.0	8	93002893	-
22	Brace	4	90023131	-
23	Roll Pin	4	90044174	35066-4445
24	Stud	4	90006380	-
25	Shock Absorber Bushing	16	90508004	35066-4444
26	Alignment Bushing	8	90008150	35033-4404
28	Adaptor Bushing	8	90001002	-
29	Ca Screw 3/4 - 10 x 7.0	4	93003681	-
30	Washer 3/4 ID	8	93600157	35090-4407
31	Transverse Beam	2	90544755	35204-4406
32	Shock Absorber	4	90044025	35901-0001

Neway ARD Rear Suspensions

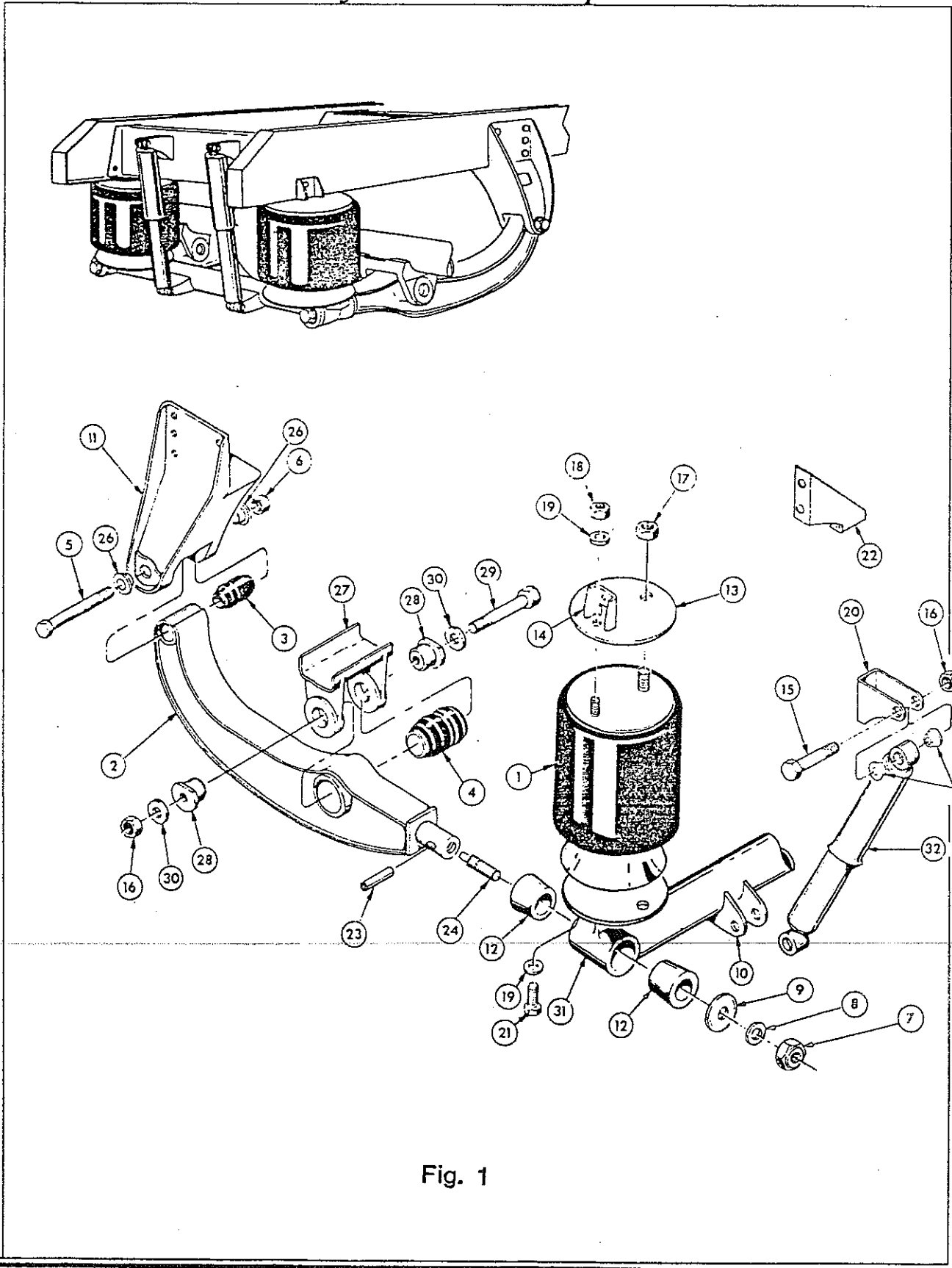


Fig. 1

NEWAY ARDAB REAR SUSPENSION

(See Fig. 2)

Western Star Part Number 35501-3412

Western Star's Neway ARDAB Air Suspension Kit 35501-3412 consists of a Front Axle Suspension Kit, and a Rear Axle Suspension Kit. Each is broken down separately in the Sub-Components lists. Note that Service kits are available for this suspension.

Description	Quantity	Neway #	Part Number
Neway ARDAB Air Suspension Kit	1	-	35501-3412
- Front Axle Suspension Kit	1	33000425	35501-4401
- Rear Axle Suspension Kit	1	33000426	35501-4402

SUB-COMPONENTS - FRONT AND REAR AXLE SUSPENSION KITS

(See Fig. 1)

FRONT AXLE SUSPENSION KIT	1	Neway #	Part Number
		333000425	35501-4401

Item	Description	Quantity	Neway #	Part Number
1	Frame Bracket Assembly, Adjustable	1	90018475	35010-4435
1	Frame Bracket Assembly, Fixed	1	90018474	35010-4436
2	Equalizing Beam Assembly LH	1	90516389	35101-4417
3	- Front Pivot Bushing	1	90008165	35066-4432
4	- Front Axle Bushing	1	90008172	35066-4433
5	- Rear Axle Bushing	1	90008169	35066-4434
6	- Axle Wear Pad	1	90028079	35090-4483
7	- Cap Screw 3/4" -10 x 1 1/2 Gr.8	1	93003551	35090-4484
8	- Lockwasher 3/4"	1	93600077	35090-4485
2	Equalizing Beam Assembly RH	1	90516390	35101-4418
3	- Front Pivot Bushing	1	90008165	35066-4432
4	- Front Axle Bushing	1	90008172	35066-4433
5	- Rear Axle Bushing	1	90008169	35066-4434
6	- Axle Wear Pad	1	90028079	35090-4483
7	- Cap Screw 3/4" -10 x 1 1/2 Gr.8	1	93003551	35090-4484
8	- Lockwasher 3/4"	1	93600077	35090-4485
9	Air Spring Mounting Plate	2	90531160	35066-4425
10	Air Spring	2	90054540	35003-4410
11	Shock Absorber Assembly	2	90044878	35901-4404
12	Axle Stop	2	90044871	35066-4426
13	Down Strap Assembly	2	90044882	35066-4427
14	- Guide, Down Strap	1	90520245	35066-4435
14	- Guide, Down Strap	1	90520246	35066-4436
15	Boss	2	90036159	35066-4428
16	Alignment Bushing	2	90008166	35033-4413

Continued

FRONT AXLE SUSPENSION KIT		1	Neway # 333000425	Part Number 35501-4401
Item	Description	Quantity	Neway #	Part Number
17	*Upper Axle Clamp Assy, Road Side	1	90501184	35090-4481
17	*Upper Axle Clamp Assy, Curb Side	1	90501187	35090-4482
*	Both of the Above Axle Clamp Assemblies use the following sub-components:			
18	- Plastic Shim	2	90044887	35090-4486
19	- Adapter Wear Pad L.H	1	90044883	35090-4487
19	- Adapter Wear Pad R.H	1	90044884	35090-4488
20	- Spring Pin	2	93900214	35090-4489
21	- Lock Nut 1/4" - 20	2	93400064	35090-4490
22	- Flat Washer 1/4"	2	93609112	35090-4491
23	- Retainer	2	90024932	35090-4492
24	- Cap Screw 1/4" - 20	2	93002353	35090-4493
25	Lower Axle Clamp, Road Side	1	90001136	35090-4478
25	Lower Axle Clamp, Curb Side	1	90001137	35090-4477
26	Shims, Axle Connections	8	90033327	35090-4479
27	Upper Shock Bracket	2	90024926	35010-4437
28	Track Bar Frame Bracket	1	90018472	35010-4439
29	Track Bar	1	90044877	35066-4431
30	Track Bar Axle Bracket	1	90044874	35010-4438
31	Shims, Track Bar Frame Bracket	2	90036160	35090-4480
32	Wear Washer	2	93900212	35066-4429
-	Fastener Kit (Includes #19 - #31)	1	33005016	35066-4430

REAR AXLE SUSPENSION KIT		1	Neway # 33000426	Part Number 35501-4402
Item	Description	Quantity	Neway #	Part Number
1	Frame Bracket Assembly, Adjustable	1	90018475	35010-4435
1	Frame Bracket Assembly, Fixed	1	90018474	35010-4436
2	Equalizing Beam Assembly LH	1	90516391	35101-4419
3	- Front Pivot Bushing	1	90008165	35066-4432
4	- Front Axle Bushing	1	90008172	35066-4433
5	- Rear Axle Bushing	1	90008172	35066-4433
6	- Axle Wear Pad	1	90028079	35090-4483
7	- Cap Screw 3/4" -10 x 1 1/2 Gr.8	1	93003551	35090-4484
8	- Lockwasher 3/4"	1	9360077	35090-4485
2	Equalizing Beam Assembly RH	1	90516390	35101-4418
3	- Front Pivot Bushing	1	90008165	35066-4432
4	- Front Axle Bushing	1	90008172	35066-4433
5	- Rear Axle Bushing	1	90008172	35066-4433
6	- Axle Wear Pad	1	90028079	35090-4483
7	- Cap Screw 3/4" -10 x 1 1/2 Gr.8	1	93003551	35090-4484
8	- Lockwasher 3/4"	1	9360077	35090-4485
9	Air Spring Mounting Plate	2	90531160	35066-4425
10	Air Spring	2	90054540	35003-4410
11	Shock Absorber Assembly	2	90044878	35901-4404
12	Axle Stop	2	90044871	35066-4426

Continued

Item	Description	Quantity	Neway #	Part Number
REAR AXLE SUSPENSION KIT				
		1	33000426	35501-4402
13	Down Strap Assembly	2	90044882	35066-4427
14	- Guide, Down Strap	1	90520245	35066-4435
14	- Guide, Down Strap	1	90520246	35066-4436
15	Boss	2	90036159	35066-4428
16	Alignment Bushing	2	90008166	35033-4413
17	*Upper Axle Clamp Assy, Road Side	1	90501186	35090-4475
17	*Upper Axle Clamp Assy, Curb Side	1	90501185	35090-4476
*	Both of the Above Axle Clamp Assemblies use the following sub-components:			
18	- Plastic Shim	2	90044887	35090-4486
19	- Adapter Wear Pad L.H	1	90044883	35090-4487
19	- Adapter Wear Pad R.H	1	90044884	35090-4488
20	- Spring Pin	2	93900214	35090-4489
21	- Lock Nut 1/4" - 20	2	93400064	35090-4490
22	- Flat Washer 1/4"	2	93609112	35090-4491
23	- Retainer	2	90024932	35090-4492
24	- Cap Screw 1/4" - 20	2	93002353	35090-4493
25	Lower Axle Clamp, Road Side	1	90001137	35090-4477
25	Lower Axle Clamp, Curb Side	1	90001136	35090-4478
26	Shims, Axle Connections	8	90033327	35090-4479
27	Upper Shock Bracket	2	90024926	35010-4437
28	Track Bar Frame Bracket	1	90018472	35010-4439
29	Track Bar	1	90044877	35066-4431
30	Track Bar Axle Bracket	1	90044874	35010-4438
31	Shims, Track Bar Frame Bracket	2	90036160	35090-4480
32	Wear Washer	2	93900212	35066-4429
-	Fastener Kit (Includes #19 - #31)	1	33005016	35066-4430

SERVICE KITS FORWARD AND REAR AXLE SUSPENSIONS

The following service kits are recommended instead of ordering individual components.

SERVICE KIT, BEAM WEAR PADS				
(Services two sides, Forward or Rear Axle)				
32	Wear Washer	2	93900212	35066-4429
19	Adapter Wear Pad L.H	1	90044883	35090-4487
	Adapter Wear Pad R.H	1	90044884	35090-4488
20	Spring Pin	2	93900214	35090-4489
21	Lock Nut 1/4" - 20	2	93400064	35090-4490
22	Flat Washer 1/4"	2	93609112	35090-4491
23	Retainer	2	90024932	35090-4492
24	Cap Screw 1/4" - 20	2	93002353	35090-4493
SERVICE KIT, PIVOT CONNECTION KIT				
(Services two sides, Forward or Rear Axle)				
3	Front Pivot Bushing	2	90008165	35066-4432
16	Alignment Bushing	4	90008166	35033-4413
33	Cap Screw 7/8" - 9 X 7 1/2"	2	93003905	35090-4494
36	Lock Nut, 7/8" x 9	2	93400498	35090-4495

SERVICE KIT, FWD AXLE CONNECTION KIT

SRK-189

35066-4439

(Services two sides)

34	Cap Screw, 7/8" - 9 x 12 1/2"	8	93900213	35090-4496
32	Wear Washer	2	93900212	35066-4429
4	Front Axle Bushing	2	90008172	35066-4433
5	Rear Axle Bushing	2	90008169	35066-4434
35	Flat Washer 7/8"	8	93600161	35090-4497
36	Lock Nut 7/8" - 9	8	93400498	35090-4495

SERVICE KIT, REAR AXLE CONNECTION KIT

SRK-190

35066-4440

(Services two sides)

34	Cap Screw, 7/8" - 9 x 12 1/2"	8	93900213	35090-4496
32	Wear Washer	2	93900212	35066-4429
4	Front Axle Bushing	4	90008172	35066-4433
35	Flat Washer 7/8"	8	93600161	35090-4497
36	Lock Nut 7/8" - 9	8	93400498	35090-4495

SERVICE KIT, SHOCK ABSORBER BUSHINGS

SRK-191

35066-4441

(One Kit required per Shock Absorber)

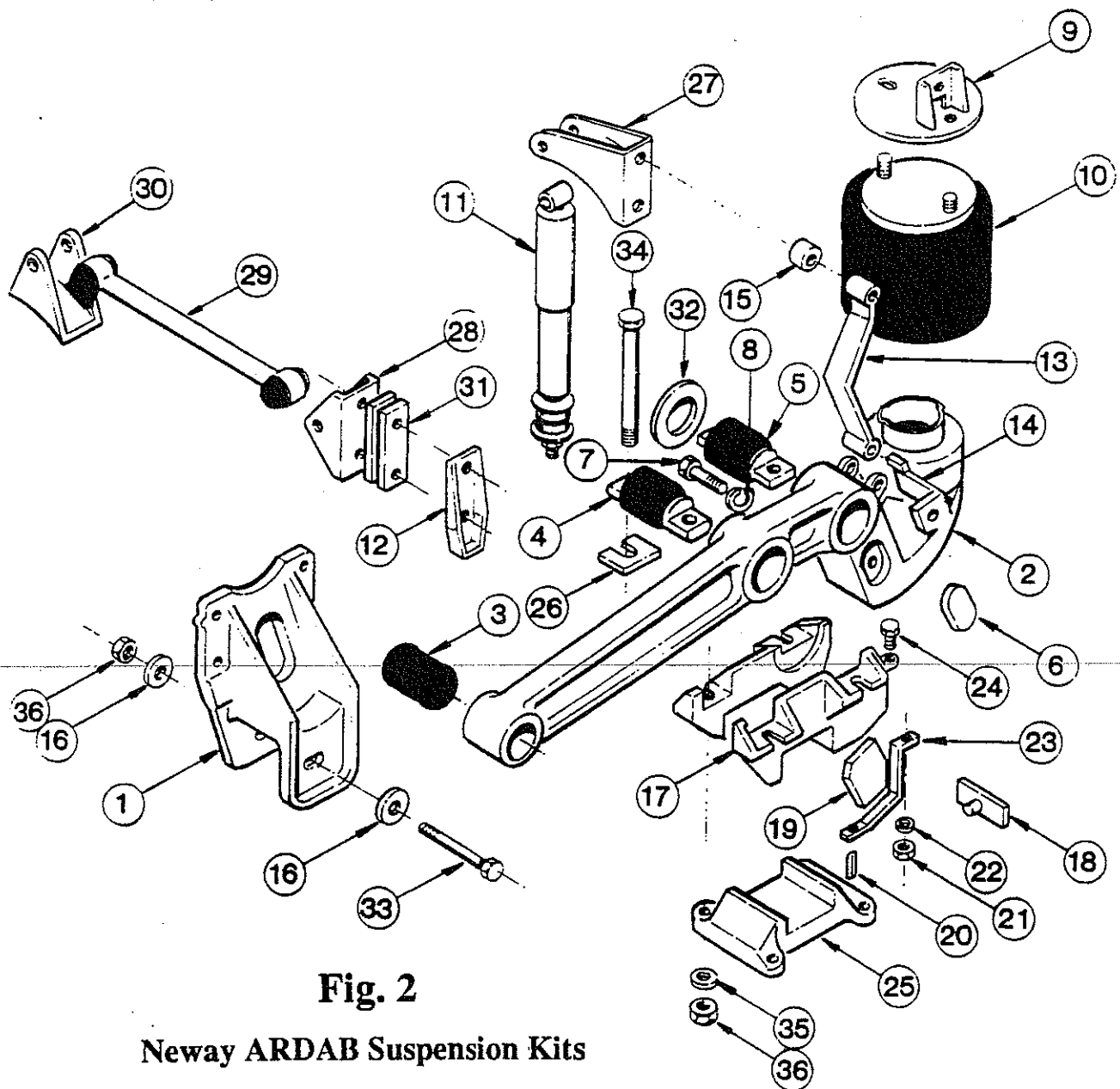


Fig. 2

Neway ARDAB Suspension Kits

VALVES AND CONTROLS - NEWAY AIR SUSPENSIONS

The following Air Controls are used on Neway ARD Air Suspensions

Description	Quantity	Part Number
Control Valve	1	72403-3402
Guard, Control Valve	1	49304-3403
Applique, Suspension Height	1	57021-3446
Bezel, 1/5"	1	02-7015917
Nameplate (On/Off)	1	68002-3550
Air Control Kit AC-77M-1 (includes the following)	1	9053773
Valve, Manual	1	35706-0001
Pilot Valve	1	35705-4401
Air Control Kit AC-3800 (includes the following)	1	35701-3406
Height Control Valve	2	02-7106793
Half Link	4	35707-4401
Axle Mounting Bracket	2	35702-4401
Exhaust Hose	2	35790-4401
Exhaust Fitting (Dump Valve)	2	35790-4401

The following Air Controls are used on Neway ARDAB Air Suspensions

Description	Quantity	Part Number
Control Valve	1	72403-3402
Guard, Control Valve	1	49304-3403
Applique, Suspension Height	1	57021-3446
Bezel, 1/5"	1	02-7015917
Nameplate (On/Off)	1	68002-3550
Air Control Kit AC-3800 (includes the following)	1	35701-3407
Height Control Valve	1	02-7106793
Axle Mounting Bracket	1	35702-4407
Half Link	1	35707-4403
Pilot Valve	1	35073-0008
Pilot Valve Bracket	1	35703-3404

**NEWAY ARD SUSPENSIONS
TUBULAR CROSSMEMBERS WITH SHOCK MOUNTS**

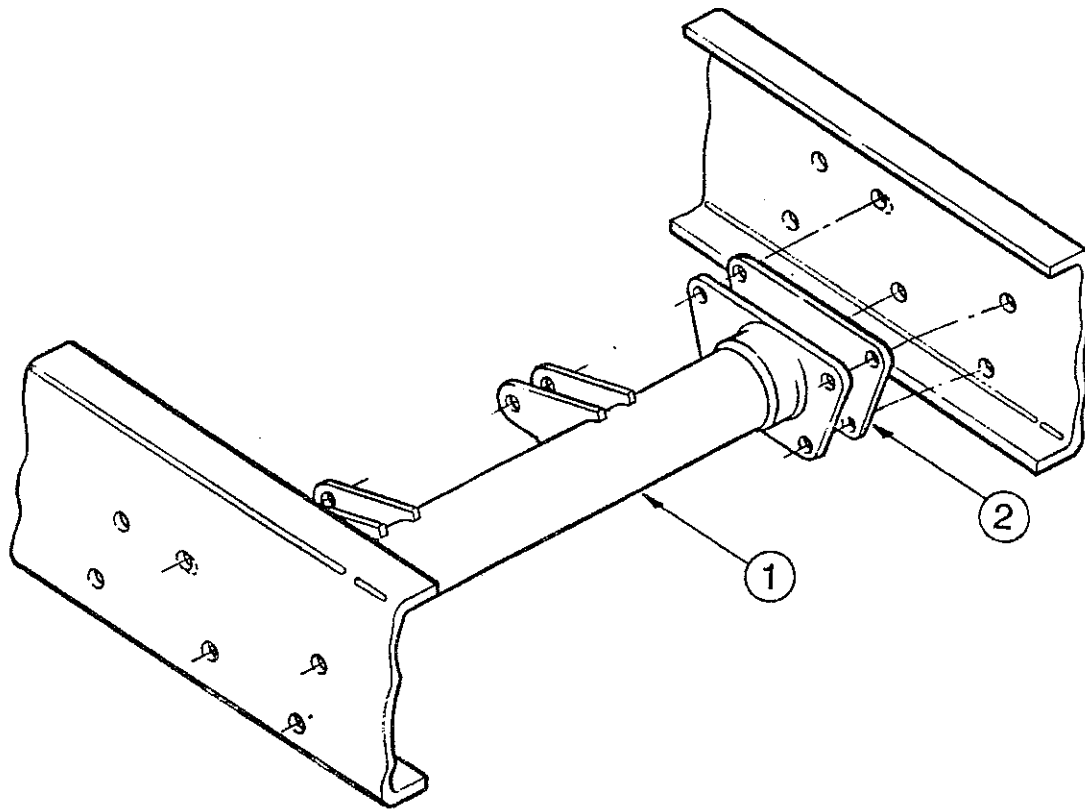
See Fig 3

Use With Aluminum Rails or Overhang Greater than 71"

Item Description	Quantity	Part Number
1 Crossmember, Shock Mtg. 32.5" long	1	41401-3535

Use With all other Frame Rails and Overhangs

Item Description	Quantity	Part Number
1 Crossmember, Shock Mtg. 32.75" long	1	41401-3526
2 Spacer 0.06	AR	41405-3416
2 Spacer 0.12	AR	41405-3417



HENDRICKSON HA-360/400/460 REAR SUSPENSIONS

Each HA rear suspension has been broken down into two categories, common sub-components, and unique sub-components. The common sub-components apply to all suspension kits of that model. Each suspension kit also uses the appropriate parts from the unique sub-components list.

HENDRICKSON HA-360 REAR SUSPENSIONS

Suspension Kit, Hendrickson HA-360 35001-3484
 Suspension Kit, Hendrickson HA-360 35001-3485

SUB-COMPONENTS COMMON TO ALL HENDRICKSON HA-360 SUSPENSION KITS

Item	Qty	Description	Part Number	Vendor Number
1	4	Frame Hanger	35010-4414	49726-1
2	4	Air Spring Frame Bracket	35010-4415	48159-0
3	2	Shock Frame Hanger Assembly	35010-4416	48924-0
4	1	Rebound Roller Kit	35066-4419	49175-5
7	4	Spring Spacer	35066-4410	48903-0
11	4	Main Support Member	35066-4424	48112-0
12	4	Top U-Bolt Pad	35066-4408	48797-0
14	2	Torque Rod Assembly, Front	35066-4414	47411-3
15	2	Torque Rod Assembly, Rear	35066-4415	48411-1
16	4	Torque Rod Shim	35066-4416	49689-0
17	1	Torque Rod Fastener Kit	35066-4417	49176-1
18	4	Air Spring	35003-4409	49048-0
19	2	Air Spring Bracket, LH	35010-4417	48908-1
20	2	Air Spring Bracket, RH	35010-4418	48908-2
21	1	Air Spring Fastener Kit	35066-4412	49177-2
22	2	Crosstube	35007-4402	44642-22
23	4	Shock Absorber	35066-4413	47902-8

SUB-COMPONENTS UNIQUE TO EACH HA-360 SUSPENSION KIT

Item	Description	SUSPENSION KIT	
		35001-3484	35001-3485
		Component Part #	Component Part #
5	Spring Seat Front LH	35021-4403	35021-4403
5	Spring Seat Front RH	35021-4403	35021-4403
6	Spring Seat Rear LH	35021-4408	35021-4402
6	Spring Seat Rear RH	35021-4408	35021-4402
8	Axle Brkt, Lower LHF	35010-4419	35010-4419
9	Axle Brkt, Lower RHF	35010-4420	35010-4420
10	Axle Brkt, Lower LHR	35010-4430	35010-4421
11	Axle Brkt, Lower RHR	35010-4424	35010-4419
14	U-Bolt Assembly Kit	35066-4409	35066-4409

HENDRICKSON HA-400 REAR SUSPENSIONS

Suspension Kit, Hendrickson HA-400	35001-3470
Suspension Kit, Hendrickson HA-400	35001-3471
Suspension Kit, Hendrickson HA-400	35001-3472
Suspension Kit, Hendrickson HA-400	35001-3482
Suspension Kit, Hendrickson HA-400	35001-3483
Suspension Kit, Hendrickson HA-400	35001-3498

SUB-COMPONENTS COMMON TO ALL HENDRICKSON HA-400 SUSPENSION KITS

Item	Qty	Description	Part Number	Vendor Number
1	4	Frame Hanger	35010-4414	49726-1
2	4	Air Spring Frame Bracket	35010-4415	48159-0
3	2	Shock Frame Hanger Assembly	35010-4416	48924-0
4	1	Rebound Roller Kit	35066-4407	49175-1
7	4	Spring Spacer	35066-4410	48903-0
11	4	Main Support Member	35066-4411	48874-0
12	4	Top U-Bolt Pad	35066-4408	48797-0
14	2	Torque Rod Assembly, Front	35066-4414	48411-3
15	2	Torque Rod Assembly, Rear	35066-4415	48411-1
16	4	Torque Rod Shim	35066-4416	49689-0
17	1	Torque Rod Fastener Kit	35066-4417	49176-1
18	4	Air Spring	35003-4409	49048-0
19	2	Air Spring Bracket, LH	35010-4417	48908-1
20	2	Air Spring Bracket, RH	35010-4418	48908-2
21	1	Air Spring Fastener Kit	35066-4412	49177-2
22	2	Crosstube	35007-4402	44642-22
23	4	Shock Absorber	35066-4413	47902-8

SUB-COMPONENTS UNIQUE TO EACH HA-400 SUSPENSION KIT

		SUSPENSION KIT					
Item	Description	35001-3470 Part #	35001-3471 Part #	35001-3472 Part #	35001-3482 Part #	35001-3483 Part #	35001-3498 Part #
5	Spring Seat Front LH	35021-4404	35021-4403	35021-4403	35021-4403	35021-4403	35021-4404
5	Spring Seat Front RH	35021-4406	35021-4403	35021-4403	35021-4409	35021-4409	35021-4406
6	Spring Seat Rear LH	35021-4411	35021-4402	35021-4408	35021-4410	35021-4413	35021-4405
6	Spring Seat Rear RH	35021-4412	35021-4402	35021-4408	35021-4408	35021-4402	35021-4407
8	Axle Brkt, Lower LHF	35010-4425	35010-4419	35010-4419	35010-4419	35010-4419	35010-4425
9	Axle Brkt, Lower RHF	35010-4426	35010-4420	35010-4420	35010-4422	35010-4422	35010-4426
10	Axle Brkt, Lower LHR	35010-4427	35010-4421	35010-4430	35010-4423	35010-4429	35010-4427
11	Axle Brkt, Lower RHR	35010-4428	35010-4419	35010-4424	35010-4424	35010-4419	35010-4428
14	U-Bolt Assembly Kit	35066-4418	35066-4409	35066-4409	35066-4409	35066-4409	35066-4418

HENDRICKSON HA-460 REAR SUSPENSIONS

Suspension Kit, Hendrickson HA-460	35001-3496
Suspension Kit, Hendrickson HA-460	35001-3501
Suspension Kit, Hendrickson HA-460	35001-3506
Suspension Kit, Hendrickson HA-460	35001-3507
Suspension Kit, Hendrickson HA-460	35001-3510

SUB-COMPONENTS COMMON TO ALL HENDRICKSON HA-460 SUSPENSION KITS

Item	Qty	Description	Part Number	Vendor Number
1	4	Frame Hanger	35010-4431	48533-4
2	4	Air Spring Frame Bracket	35010-4415	48159-0
3	2	Shock Frame Hanger Assembly	35010-4416	48924-0
4	1	Rebound Roller Kit	35066-4419	49175-5
7	4	Spring Spacer	35066-4410	48903-0
11	4	Main Support Member	35066-4420	48645-0
12	4	Top U-Bolt Pad	35066-4408	48797-0
14	2	Torque Rod Assembly, Front	35066-4421	32271-98
15	2	Torque Rod Assembly, Rear	35066-4422	32271-99
16	4	Torque Rod Shim	35066-4416	49689-0
17	1	Torque Rod Fastener Kit	35066-4417	49176-1
18	4	Air Spring	35003-4409	49048-0
19	2	Air Spring Bracket, LH	35010-4417	48908-1
20	2	Air Spring Bracket, RH	35010-4418	48908-2
21	1	Air Spring Fastener Kit	35066-4412	49177-2
22	2	Crosstube	35007-4402	44642-22
23	4	Shock Absorber	35066-4413	47902-8

SUB-COMPONENTS UNIQUE TO EACH HA-460 SUSPENSION KIT

Item	Description	SUSPENSION KIT				
		35001-3496 Part #	35001-3501 Part #	35001-3506 Part #	35001-3507 Part #	35001-3510 Part #
5	Spring Seat Front LH	35021-4404	35021-4403	35021-4404	35021-4403	35021-4404
5	Spring Seat Front RH	35021-4406	35021-4403	35021-4406	35021-4409	35021-4406
6	Spring Seat Rear LH	35021-4405	35021-4416	35021-4411	35021-4413	35021-4414
6	Spring Seat Rear RH	35021-4407	35021-4416	35021-4412	35021-4402	35021-4415
8	Axle Brkt, Lower LHF	35010-4425	35010-4419	35010-4425	35010-4419	35010-4425
9	Axle Brkt, Lower RHF	35010-4426	35010-4419	35010-4426	35010-4422	35010-4426
10	Axle Brkt, Lower LHR	35010-4428	35010-4419	35010-4428	35010-4429	35010-4428
11	Axle Brkt, Lower RHR	35010-4427	35010-4419	35010-4427	35010-4419	35010-4427
14	U-Bolt Assembly Kit	35066-4418	35066-4423	35066-4418	35066-4418	35066-4418

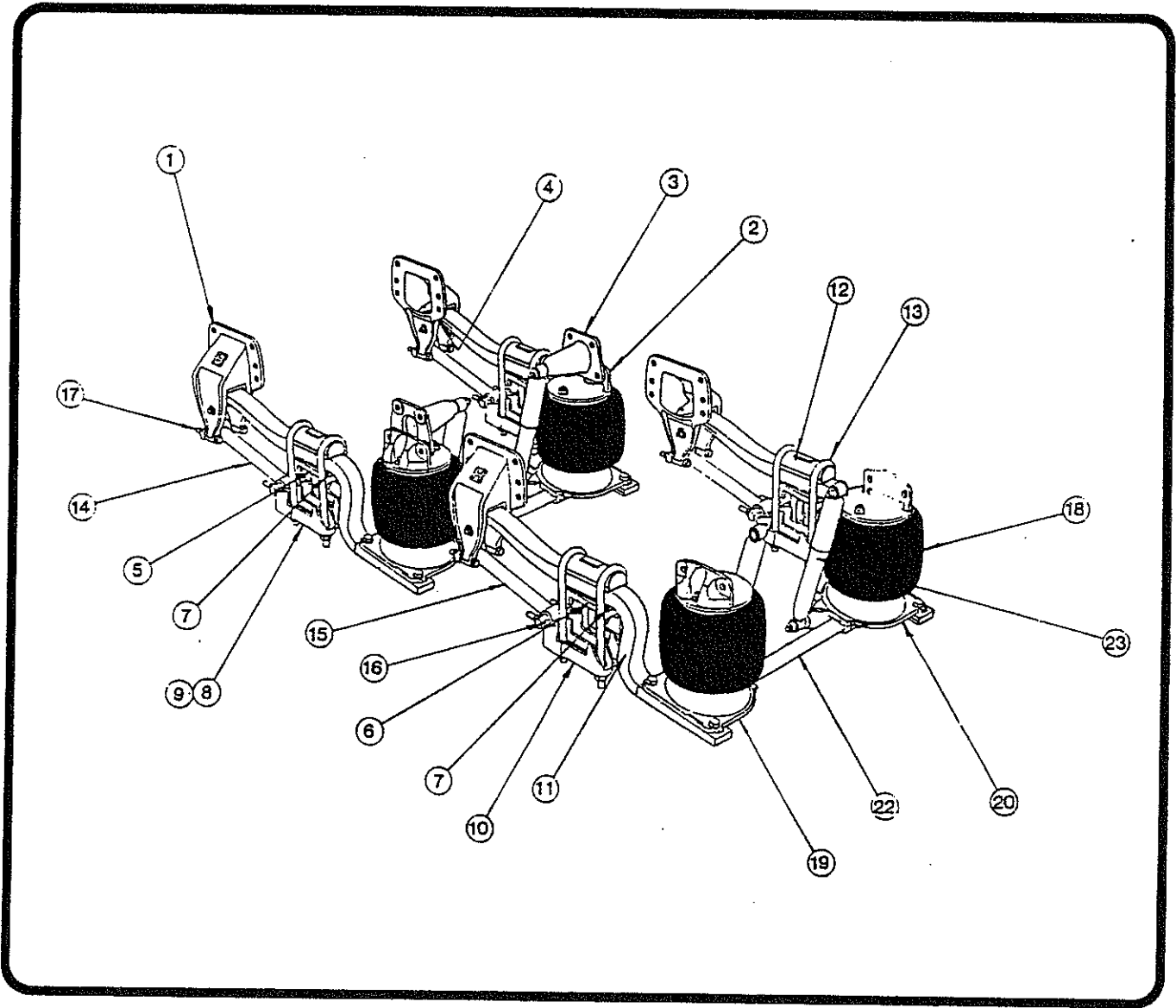


Fig. 1
Hendrickson HA Air Suspension Kits

HENDRICKSON HA REAR SUSPENSIONS (Continued)

VALVES AND CONTROLS -

All Hendrickson HA rear suspensions use the following components for installation.

Description	Part Number
Valve Control, Red Dot (Installed in Dash)	72403-3402
Nameplate - Suspension Dump Valve	68002-3520
Pilot Valve	35704-0008
Bracket, Pilot Valve	35703-3404
Check Valve	546233
Pressure Protection Valve	72807-3401
Nylon Tube 1/4"	6641-0000
Nylon Tube 1/2"	6643-0000
Linkage Assembly	35707-3403
Height Control Valve	66007-0001

TUBULAR CROSSMEMBERS WITH SHOCK MOUNTS:

TUBULAR X-MEMBERS FOR STRAIGHT FRAME

Item	Application	X-Member 41411-3409	X-Member 41411-3443
	HA 360/400		
1	With Full Frame Liner	-	1
1	Without Liner	1	-
	HA 460 Axle Spacing 52" & 54"		
1	With Full Frame Liner	-	1
1	Without Liner	1	-
	HA 460 Axle Spacing 60" & 72"		
1	With Full Frame Liner	-	2
	Without Liner		
1	(installed Fwd)	-	1
1	(installed Rear)	1	-

TUBULAR X-MEMBERS FOR TAPERED FRAME

Item	Application	X-Member 41411-3409	X- Member 41411-3443
1	HA 360 or 400	1	-
1	HA 460 52" or 54" Axle Spacing	1	-
	HA 460 60" or 72" Axle Spacing		
1	(installed Fwd)	-	1
1	(installed Rear)	1	-

Spacers may be required between the X-Member Gussets and the Frame Rail depending on the combination of linings in the rails, and the X-Member used.

(See Fig. 2)

Item	Description	Part Number
2	Spacer 0.06, Tubular Crossmember	41405-3441
2	Spacer 0.12, Tubular Crossmember	41405-3442

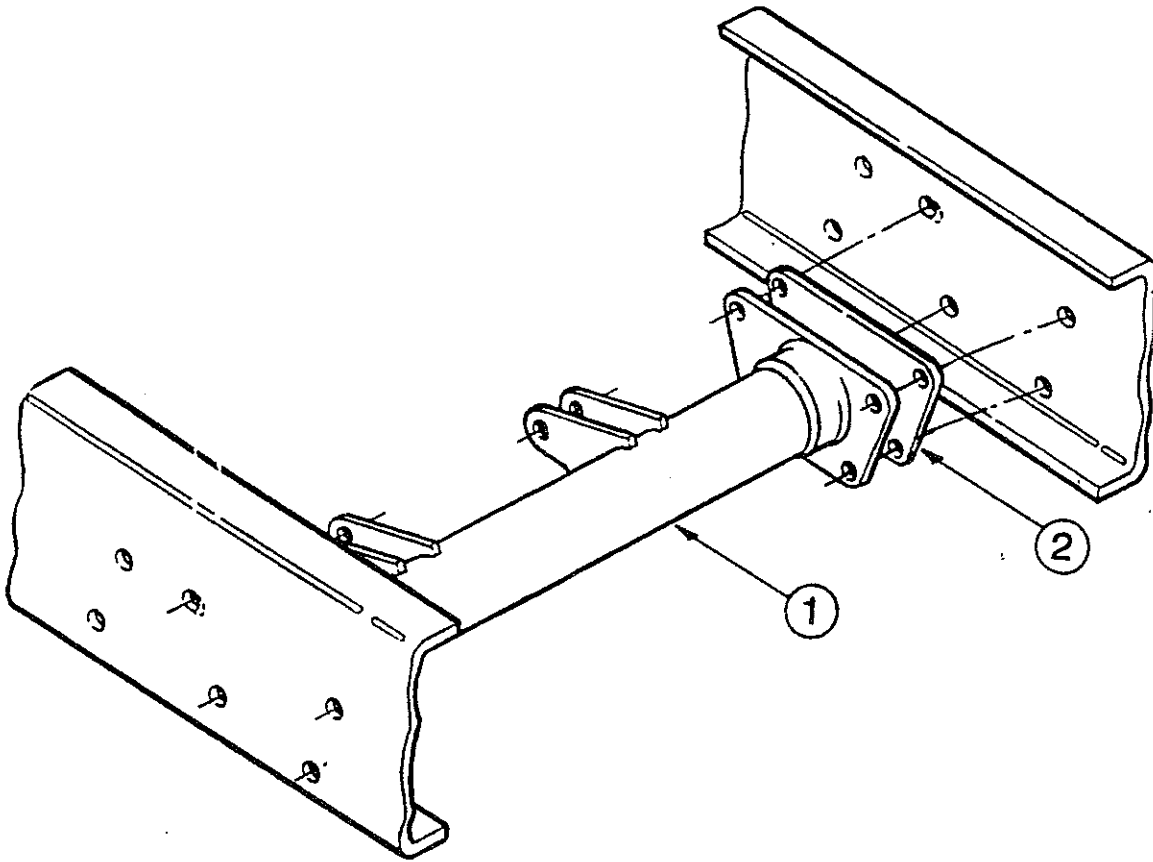


Fig. 2
Tubular Shock Mount Crossmembers
Hendrickson HA Suspensions

DRIVE SHAFTS - (Fig. 1)

Series 1710 30045-##.#

Item	Description	Qty	Part Number
1	Journal & Bearing Kit	2	02-7074362
2	Slip Yoke	1	02-7011844
3	Slip Tube Shaft	1	02-7100844
4	Tube 4 dia x .134 wall	1	32-30-52-##.##
5	Tube Yoke	1	546655

To determine tube length use the following formula:
The last three digits of the shaft assembly number are the shaft length. The first two digits of the length are the number of inches. The last digit of the length is tenths of an inch, .2 = .25", .5 = .5" .7 = .75". Subtract 18.5" from the shaft length. The number obtained is the tube length required. Put the length required at the end of the part number.

Example: 30045-29.5 is the part number.
29.5 is the shaft length. $29 = 29" + .5 = .5"$,
 $29.5" - 18.5" = 11.0"$
Therefore the Part Number for the tube required is
"32-30-52-11.00"

Series 1710 HD 04-9036508-###

Item	Description	Qty	Part Number
1	Journal & Bearing Kit	2	02-7074362
2	Slip Yoke	1	02-7011541
3	Slip Tube Shaft	1	02-7100844
4	Tube 4.095 dia x .180 wall	1	32-30-72-##.##
5	Tube Yoke	1	546655

To determine tube length use the following formula:
The last three digits of the shaft assembly number are the shaft length. The first two digits of the length are the number of inches. The last digit of the length is the number of 1/4"s. Subtract 18.5" from the shaft length. The number obtained is the tube length required. Put the length required at the end of the part number.

Example: 04-9036508-362 is the part number.
362 is the shaft length. $362 = 36" + 2/4" = 36.5"$
 $36.5" - 18.5" = 18.00"$. Therefore the Part Number for the
tube required is "32-30-72-18.00"

DRIVE SHAFTS (Continued) - (Fig. 1)

Series 1760

30049-###.#

Item	Description	Qty	Part Number
1	Journal & Bearing Kit	2	30090-5002
2	Slip Yoke	1	30006-4411
3	Slip Tube Shaft	1	02-7100844
4	Tube 4.062 dia x .165 wall	1	32-30-102-###.##
5	Tube Yoke	1	30006-0094

To determine tube length use the following formula:

The last three digits of the shaft assembly number are the shaft length. The first two digits of the length are the number of inches. The last digit of the length is tenths of an inch, .2 = .25", .5 = .5" .7 = .75". Subtract 18.5" from the shaft length. The number obtained is the tube length required. Put the length required at the end of the part number.

Example: 30049-35.5 is the part number.
 35.5 is the shaft length. $35 = 35" + .5 = .5"$,
 $35.5" - 18.5" = 17.0"$
 Therefore the Part Number for the tube required is
 "32-30-102-17.00"

Series 1760 HD

30050-3401-###.#

Item	Description	Qty	Part Number
1	Journal & Bearing Kit	2	30090-5002
2	Slip Yoke	1	30006-4411
3	Slip Tube Shaft	1	02-7100844
4	Tube 4.095 dia x .180 wall	1	32-30-72-###.##
5	Tube Yoke	1	30006-0094

To determine tube length use the following formula:

The last three digits of the shaft assembly number are the shaft length. The first two digits of the length are the number of inches. The last digit of the length is tenths of an inch, .2 = .25", .5 = .5" .7 = .75". Subtract 18.5" from the shaft length. The number obtained is the tube length required. Put the length required at the end of the part number.

Example: 30050-3401-35.5 is the part number.
 35.5 is the shaft length. $35 = 35" + .5 = .5"$,
 $35.5" - 18.5" = 17.0"$
 Therefore the Part Number for the tube required is
 "32-30-72-17.00"

DRIVE SHAFTS (Continued) - (Fig. 1)

Series 1810 30047-##.#

Item	Description	Qty	Part Number
1	Journal & Bearing Kit	2	02-7074363
2	Slip Yoke	1	02-7010256
3	Slip Tube Shaft	1	02-7010261
4	Tube 4.5 dia x .134 wall	1	36-30-62-##.##
5	Tube Yoke	1	02-7010258

To determine tube length use the following formula:
The last three digits of the shaft assembly number are the shaft length. The first two digits of the length are the number of inches. The last digit of the length is tenths of an inch, .2 = .25", .5 = .5" .7 = .75". Subtract 19.5" from the shaft length. The number obtained is the tube length required. Put the length required at the end of the part number.

Example: 30047-42.0 is the part number.
42.0 is the shaft length. $42 = 42" + .0 = .0"$,
 $42.0" - 19.5" = 22.5"$
Therefore the Part Number for the tube required is
"36-30-62-22.5"

Series 1810 HD 30048-##.#

Item	Description	Qty	Part Number
1	Journal & Bearing Kit	2	02-7074363
2	Slip Yoke	1	02-7010256
3	Slip Tube Shaft	1	30013-4401
4	Tube 4.5 dia x .259 wall	1	36-30-22-##.##
5	Tube Yoke	1	30006-0021

To determine tube length use the following formula:
The last three digits of the shaft assembly number are the shaft length. The first two digits of the length are the number of inches. The last digit of the length is tenths of an inch, .2 = .25", .5 = .5" .7 = .75". Subtract 19.5" from the shaft length. The number obtained is the tube length required. Put the length required at the end of the part number.

Example: 30048-30.0 is the part number.
30.0 is the shaft length. $30 = 30" + .0 = .0"$,
 $30.0" - 19.5" = 10.5"$
Therefore the Part Number for the tube required is
"36-30-22-10.5"

DRIVE SHAFTS WITH BEARINGS - Fig 2.

Series 1710

30145-##.#

Item	Description	Qty	Part Number
1	Journal & Bearing Kit	2	02-7074362
2	Tube Yoke	1	546655
3	Tube, 4 dia x .134 wall	1	32-30-52-##.##
4	MidShip Stub Shaft	1	546653
5	Centre Bearing	1	30118-4400
6	End Yoke	1	515694
7	Nut	1	30129-4401

To determine tube length use the following formula:

The last three digits of the shaft assembly number are the shaft length. The first two digits of the length are the number of inches. The last digit of the length is tenths of an inch, .2 = .25", .5 = .5" .7 = .75". Subtract 10.25" from the shaft length. The number obtained is the tube length required. Put the length required at the end of the part number.

Example: 30145-40.5 is the part number.
 40.5 is the shaft length. $40 = 40" + .5 = .5"$,
 $40.5" - 10.25" = 30.25"$
 Therefore the Part Number for the tube required is
 "32-30-52-30.25"

30145-3401-##.#

Item	Description	Qty	Part Number
1	Journal & Bearing Kit	2	02-7074362
2	Tube Yoke	1	546655
3	Tube, 4 dia x .134 wall	1	32-30-52-##.##
4	MidShip Stub Shaft	1	30013-4402
5	Centre Bearing	1	30118-4400
6	End Yoke	1	30006-4422
7	Nut	1	30129-4401

To determine tube length use the following formula:

The last three digits of the shaft assembly number are the shaft length. The first two digits of the length are the number of inches. The last digit of the length is tenths of an inch, .2 = .25", .5 = .5" .7 = .75". Subtract 10.25" from the shaft length. The number obtained is the tube length required. Put the length required at the end of the part number.

Example: 30145-40.5 is the part number.
 40.5 is the shaft length. $40 = 40" + .5 = .5"$,
 $40.5" - 10.25" = 30.25"$
 Therefore the Part Number for the tube required is
 "32-30-52-30.25"

DRIVE SHAFTS WITH BEARINGS (Continued) - (Fig 2)

Series 1710HD

30146-##.#

Item	Description	Qty	Part Number
1	Journal & Bearing Kit	2	02-7074362
2	Tube Yoke	1	546655
3	Tube, 4.095 dia x .180 wall	1	32-30-72-##.##
4	MidShip Stub Shaft	1	30013-0002
5	Centre Bearing	1	991790A
6	End Yoke	1	30006-4421
7	Nut	1	30129-4401

To determine tube length use the following formula:
 The last three digits of the shaft assembly number are the shaft length. The first two digits of the length are the number of inches. The last digit of the length is tenths of an inch, .2 = .25", .5 = .5" .7 = .75". Subtract 10.25" from the shaft length. The number obtained is the tube length required. Put the length required at the end of the part number.

Example: 30146-40.5 is the part number.
 40.5 is the shaft length. $40 = 40" + .5 = .5"$,
 $40.5" - 10.25" = 30.25"$
 Therefore the Part Number for the tube required is
 "32-30-52-30.25"

30146-3401-##.#

Item	Description	Qty	Part Number
1	Journal & Bearing Kit	2	02-7074362
2	Tube Yoke	1	546655
3	Tube, 4.095 dia x .180 wall	1	32-30-72-##.##
4	MidShip Stub Shaft	1	30013-4402
5	Centre Bearing	1	991790A
6	End Yoke	1	30006-4422
7	Nut	1	30129-4401

To determine tube length use the following formula:
 The last three digits of the shaft assembly number are the shaft length. The first two digits of the length are the number of inches. The last digit of the length is tenths of an inch, .2 = .25", .5 = .5" .7 = .75". Subtract 10.25" from the shaft length. The number obtained is the tube length required. Put the length required at the end of the part number.

Example: 30146-40.5 is the part number.
 40.5 is the shaft length. $40 = 40" + .5 = .5"$,
 $40.5" - 10.25" = 30.25"$
 Therefore the Part Number for the tube required is
 "32-30-52-30.25"

DRIVE SHAFTS WITH BEARINGS (Continued) - (Fig 2)

Series 1760 30127-###.#

Item	Description	Qty	Part Number
1	Journal & Bearing Kit	2	30090-5002
2	Tube Yoke	1	30006-0094
3	Tube, 4.062 dia x .165 wall	1	32-30-102-##.##
4	MidShip Stub Shaft	1	30013-0002
5	Centre Bearing	1	991790A
6	End Yoke	1	30006-4410
7	Nut	1	30129-4401

To determine tube length use the following formula:
The last three digits of the shaft assembly number are the shaft length. The first two digits of the length are the number of inches. The last digit of the length is tenths of an inch, .2 = .25", .5 = .5" .7 = .75". Subtract 11.25" from the shaft length. The number obtained is the tube length required. Put the length required at the end of the part number.

Example: 30127-34.5 is the part number.
34.5 is the shaft length. $34 = 34" + .5 = .5"$,
 $34.5" - 11.25" = 23.25"$
Therefore the Part Number for the tube required is
"32-30-102-23.25"

Series 1760 HD 30150-3401-###.#

Item	Description	Qty	Part Number
1	Journal & Bearing Kit	2	30090-5002
2	Tube Yoke	1	30006-0094
3	Tube, 4.095 dia x .180 wall	1	32-30-72-##.##
4	MidShip Stub Shaft	1	30014-4404
5	Centre Bearing	1	991790A
6	End Yoke	1	30006-4410
7	Nut	1	30129-4401

To determine tube length use the following formula:
The last three digits of the shaft assembly number are the shaft length. The first two digits of the length are the number of inches. The last digit of the length is tenths of an inch, .2 = .25", .5 = .5" .7 = .75". Subtract 11.25" from the shaft length. The number obtained is the tube length required. Put the length required at the end of the part number.

Example: 30150-3401-34.5 is the part number.
34.5 is the shaft length. $34 = 34" + .5 = .5"$,
 $34.5" - 11.25" = 23.25"$
Therefore the Part Number for the tube required is
"32-30-72-23.25"

DRIVE SHAFTS WITH BEARINGS (Continued) - (Fig 2)

Series 1810 30147-###.#

Item	Description	Qty	Part Number
1	Journal & Bearing Kit	2	02-7074363
2	Tube Yoke	1	02-7010258
3	Tube, 4.5 dia x .134 wall	1	32-30-62-###.#
4	MidShip Stub Shaft	1	02-7010585
5	Centre Bearing	1	991790A
6	End Yoke	1	02-7011627
7	Nut	1	30129-4401

To determine tube length use the following formula:
The last three digits of the shaft assembly number are the shaft length. The first two digits of the length are the number of inches. The last digit of the length is tenths of an inch, .2 = .25", .5 = .5" .7 = .75". Subtract 11.6" from the shaft length. The number obtained is the tube length required. Put the length required at the end of the part number.

Example: 30147-36.0 is the part number.
36.0 is the shaft length. $36 = 36" + .0 = .0"$,
 $36.0" - 11.6" = 24.4"$
Therefore the Part Number for the tube required is
"32-30-62-24.4"

Series 1810 HD 30148-###.#

Item	Description	Qty	Part Number
1	Journal & Bearing Kit	2	02-7074363
2	Tube Yoke	1	30006-0021
3	Tube, 4.25 dia x .259 wall	1	32-30-22-###.#
4	MidShip Stub Shaft	1	30014-4401
5	Centre Bearing	1	991790A
6	End Yoke	1	02-7011627
7	Nut	1	30129-4401

To determine tube length use the following formula:
The last three digits of the shaft assembly number are the shaft length. The first two digits of the length are the number of inches. The last digit of the length is tenths of an inch, .2 = .25", .5 = .5" .7 = .75". Subtract 11.75" from the shaft length. The number obtained is the tube length required. Put the length required at the end of the part number.

Example: 30148-34.5 is the part number.
34.5 is the shaft length. $34 = 34" + .5 = .5"$,
 $34.5" - 11.75" = 22.75"$
Therefore the Part Number for the tube required is
"32-30-22-22.75"

SHORT COUPLED & INTER-AXLE SHAFTS

Series 1610 - (Fig. 1) S986X####

Item	Description	Qty	Part Number
1	Journal & Bearing Kit	2	02-7074361
2	Slip Yoke	1	30006-4403
3	Slip Tube Shaft	1	30013-4403
4	Tube 3.5 dia x .134 wall	1	28-30-92-##.##
5	Tube Yoke	1	30006-4423

To determine tube length use the following formula:

The last four digits of the shaft assembly number are the shaft length. The first two digits of the length are the number of inches. The last two digits of the length is 1/32s of an inch. Subtract 17.5" from the shaft length. The number obtained is the tube length required. Put the length required at the end of the part number.

Example: S986X2316 is the part number.
 2316 is the shaft length. $23 = 23" + 16 = 16/32" \text{ or } .5"$.
 This equals 23.5"
 $23.5" - 17.5" = 6.0"$
 Therefore the Part Number for the tube required is
 "28-30-92-6.0"

S988X1800 - (Fig. 3)

Used with Rockwell Axle SSHD & Hendrickson Suspension on 50"

Spacing:

Item	Description	Qty	Part Number
1	Journal & Bearing Kit	2	02-7074361
2	Slip Yoke	1	30006-4419
3	Shaft Yoke	1	30006-4420

SHORT COUPLED & INTER-AXLE SHAFTS (Continued)

Series 1710

30045-3402-##.# (Fig.1)

Item	Description	Qty	Part Number
1	Journal & Bearing Kit	2	02-7074362
2	Slip Yoke	1	02-7011844
3	Slip Tube Shaft	1	02-7100844
4	Tube 4 dia x .134 wall	1	32-30-52-##.##
5	Tube Yoke	1	30006-4409

To determine tube length use the following formula:
 The last three digits of the shaft assembly number are the shaft length. The first two digits of the length are the number of inches. The last two digits of the length is 1/10 of an inch, Subtract 20.22" from the shaft length. The number obtained is the tube length required. Put the length required at the end of the part number.

Example: 30045-3402-29.5 is the part number.
 29.5 is the shaft length. $29 = 29" + .5 = 5/10"$ or ".5".
 This equals 29.5"
 $29.5" - 20.22" = 9.28"$
 Therefore the Part Number for the tube required is
 "32-30-52-9.28"

Series 1710HD

30046-3402-##.# (Fig.1)

Item	Description	Qty	Part Number
1	Journal & Bearing Kit	2	02-7074362
2	Slip Yoke	1	02-7011844
3	Slip Tube Shaft	1	02-7100844
4	Tube 4 dia x .134 wall	1	32-30-72-##.##
5	Tube Yoke	1	30006-4409

To determine tube length use the following formula:
 The last three digits of the shaft assembly number are the shaft length. The first two digits of the length are the number of inches. The last two digits of the length is 1/10 of an inch, Subtract 20.22" from the shaft length. The number obtained is the tube length required. Put the length required at the end of the part number.

Example: 30045-3402-29.5 is the part number.
 29.5 is the shaft length. $29 = 29" + .5 = 5/10"$ or ".5".
 This equals 29.5"
 $29.5" - 20.22" = 9.28"$
 Therefore the Part Number for the tube required is
 "32-30-52-9.28"

SHORT COUPLED & INTER-AXLE SHAFTS (Continued)

S984X#### (Fig.1)

Item	Description	Qty	Part Number
1	Journal & Bearing Kit	2	02-7074362
2	Slip Yoke	1	02-7011844
3	Slip Tube Shaft	1	02-7100837
4	Tube 4 dia x .134 wall	1	32-30-52-##.##
5	Tube Yoke	1	30006-4409

To determine tube length use the following formula:
 The last three digits of the shaft assembly number are the shaft length. The first two digits of the length are the number of inches. The last two digits of the length is 1/32 of an inch, Subtract 20.25" from the shaft length. The number obtained is the tube length required. Put the length required at the end of the part number.

Example: S984X2316 is the part number.
 2316 is the shaft length. $23 = 23" + 16 = 16/32" \text{ or } .5"$.
 This equals 23.5"
 $23.5" - 20.25" = 3.25"$
 Therefore the Part Number for the tube required is
 "32-30-52-3.25"

30062-3403 (Fig.3)

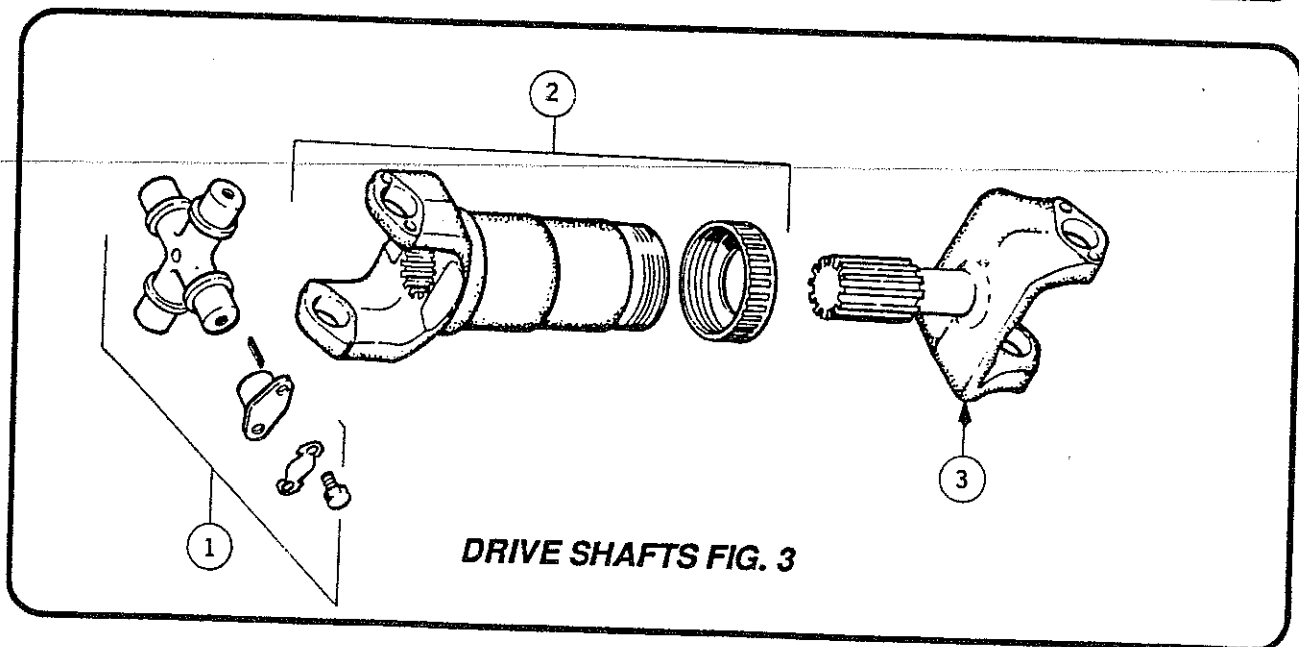
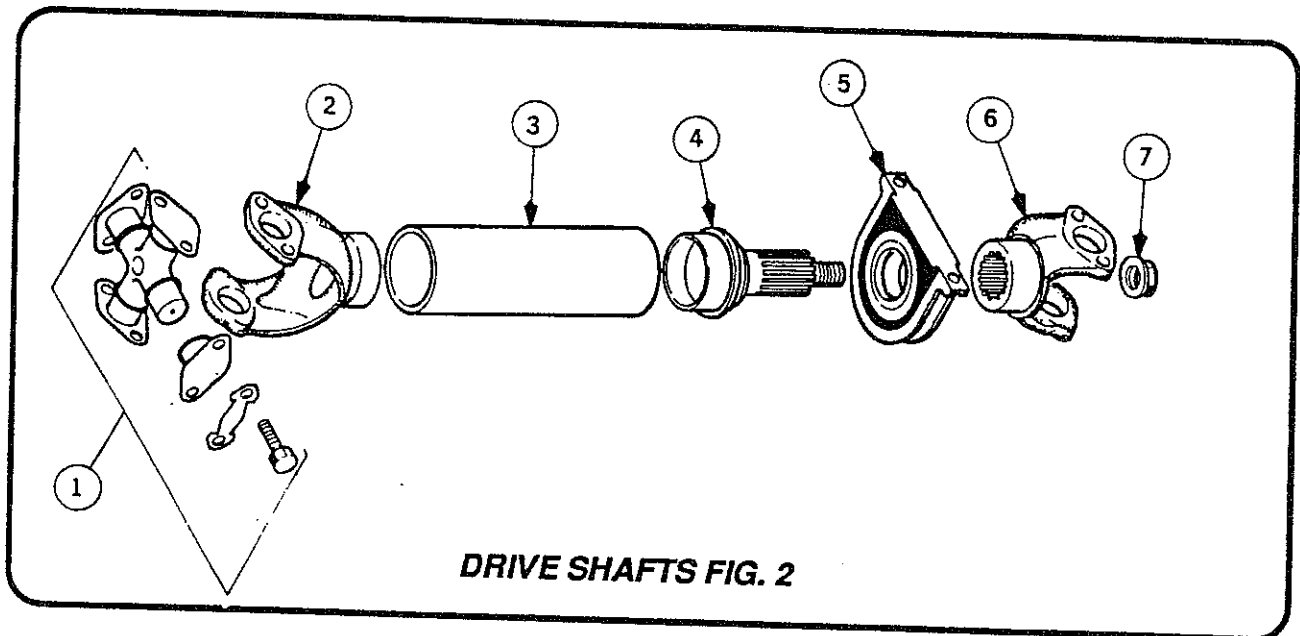
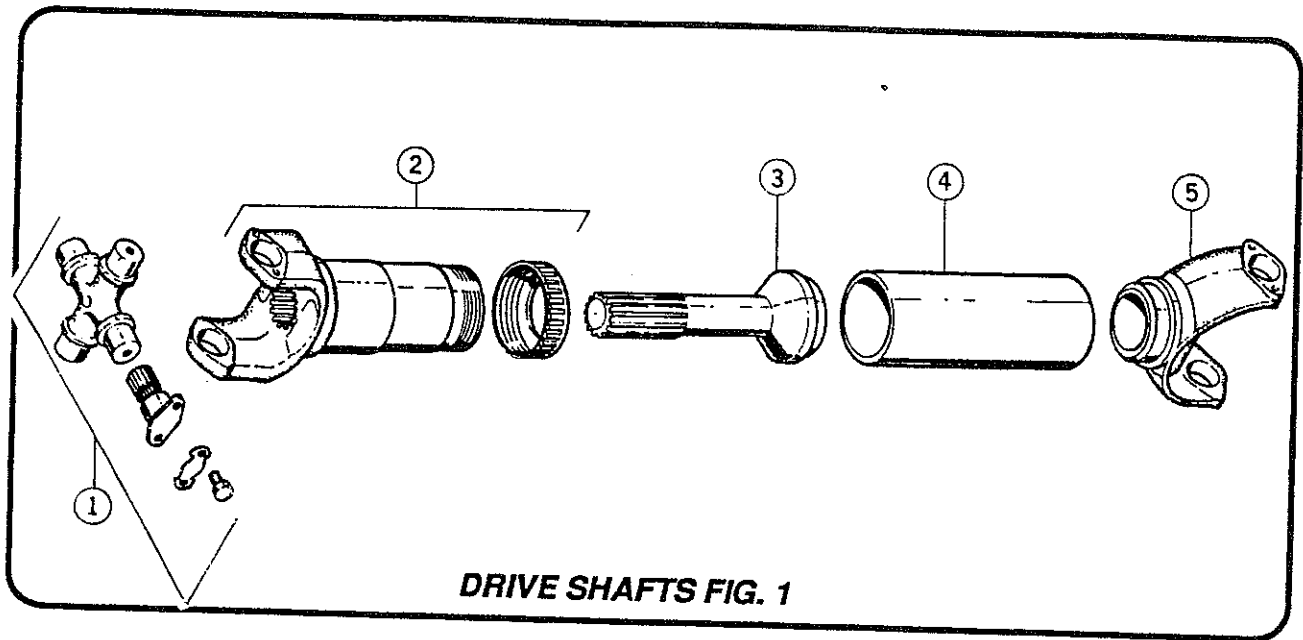
Item	Description	Qty	Part Number
1	Journal & Bearing Kit	2	02-7074362
2	Slip Yoke	1	02-7011541
3	Shaft Yoke	1	30006-4407

30062-3409-21.0 (Fig. 3)

Item	Description	Qty	Part Number
1	Journal & Bearing Kit	2	02-7074362
2	Slip Yoke	1	02-7011844
3	Shaft Yoke	1	30006-4407

30062-3409-22.0 (Fig.3)

Item	Description	Qty	Part Number
1	Journal & Bearing Kit	2	02-7074362
2	Slip Yoke	1	02-7011844
3	Shaft Yoke	1	30006-4414



REAR QUARTER FENDERS

REAR QUARTER FENDERS, KONETA MOULDED RUBBER (See Fig. 1)

X-TUBE & FRAME MOUNTED STYLE			
Item	Description	Qty.	Part Number
-	Quarter Fender Kit, Koneta Moulded Rubber	1	46506-3401
1	- Fender & Tube (Not available separately)	2	46506-4403
2	- End Cap, Tube	2	46511-4401
3	- Extension Flap, Black with WST Logo	2	46590-4416
-	- Extension Hardware Package	1	46590-4408
4	- Clamp	2	46590-4409
Hardware and X-Tube Mounting with Rear Air Suspensions			
5	U-Bolt, 5/16 x 4.75	2	9054398
6	Cross Over Tube	1	46505-3471
Hardware and X-Tube Mounting All Other Suspensions			
6	Cross Over Tube	1	46505-3471
7	Mounting Clamp	1 (Set)	9050981

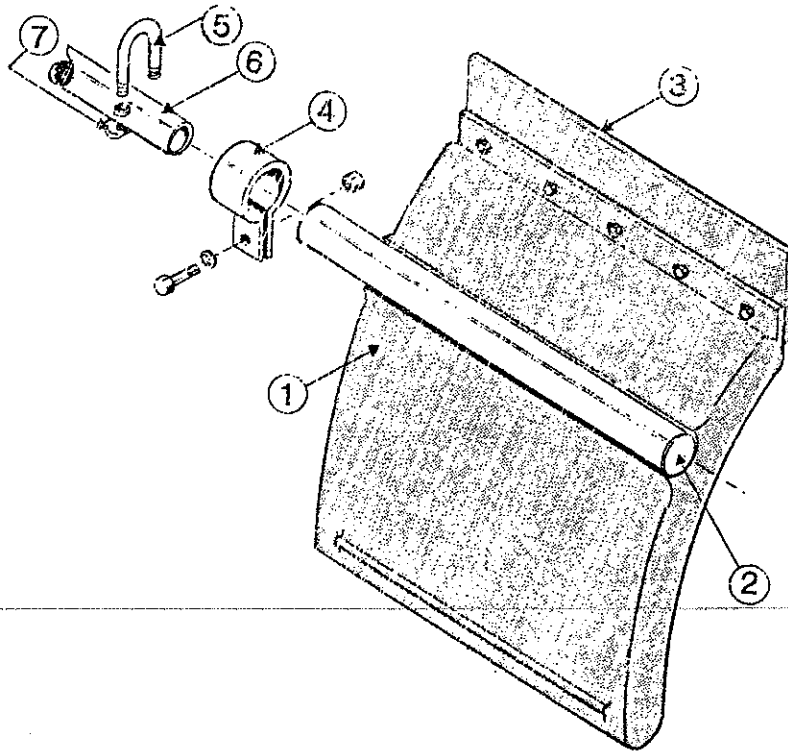


Fig. 1
Koneta Molded Rubber Fender

REAR QUARTER FENDERS, YOUNGSTOWN SST FLAT WITH WESTERN STAR LOGO (See Fig. 2)

CROSS TUBE MOUNTED STYLE			
Item	Description	Qty.	Part Number
-	Quarter Fender Kit, Youngstown	1	46506-3404
1	- Fender Panel, Stainless Steel	2	46506-4402
2	- End Cap, Tube	2	46590-4417
3	- Extension Flap, White with WST Logo	2	46590-4401
-	- Hardware Kit, Fender	1	46590-4405
4	- Cross Over Tube	1	46505-4401
-	- Hardware Kit, Tube to Frame	1	46590-4420

FRAME MOUNTED STYLE			
Item	Description	Qty.	Part Number
-	Quarter Fender Kit, Youngstown, Frame Mounted	1	46506-3405
1	- Fender Panel, Stainless Steel	2	46506-4402
2	- End Cap, Tube	2	46590-4417
3	- Extension Flap, White with WST Logo	2	46590-4401
4	- Slotted Tube	2	46505-4402
-	- Hardware Kit, Fender	1	46590-4405
-	- Hardware Kit, Fender to Frame Bracket	1	46590-4422

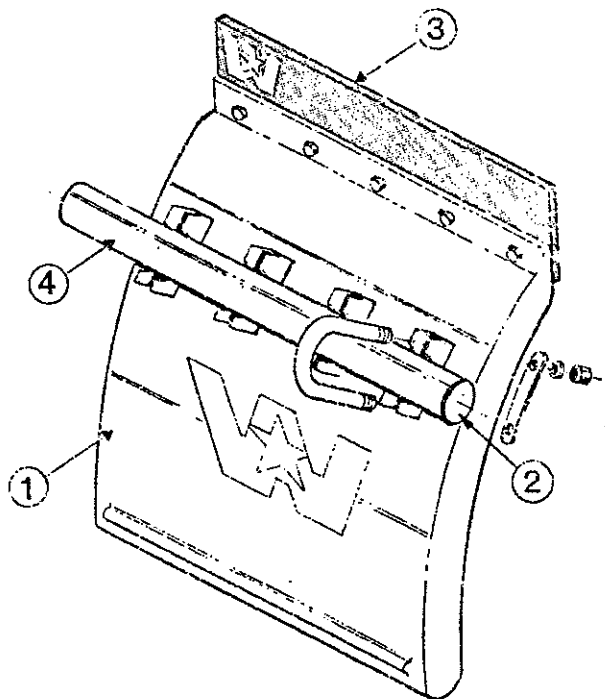


Fig. 2
SST With Logo Fenders

REAR QUARTER FENDERS, TUCKMAR SST, FLAT (See Fig. 3)

FRAME MOUNTED STYLE			
Item	Description	Qty.	Part Number
-	Quarter Fender Kit, Tuckmar Stainless Steel	1	7074986
1	- Fender Panel, Stainless Steel	2	46506-4405
2	- Slotted Tube	2	46505-4404
3	- End Cap	2	46511-4402
4	- Spacer	2	46590-4413
5	- Brace	6	46507-4402
6	- Clamp	2	46590-4414
7	- Extension Flap, Black	2	46590-4415
-	- Hardware Kit	1	46590-4412

REAR QUARTER FENDERS, NULINE STAINLESS STEEL (See Fig. 3)

CROSS TUBE MOUNTED STYLE			
Item	Description	Qty.	Part Number
-	Quarter Fender Kit, Nuline	1	46506-3409
1	- Fender Panel, Stainless Steel	2	46506-4404
2	- Slotted Tube	2	46505-4403
4	- Saddle	2	46590-4410
5	- Braces	6	46507-4401
6	- Clamp	2	46590-4404
7	- Extension Flap, Black	2	46590-4411
-	- Cross Over Pipe	1	46590-4418
-	- Hardware Package	1	46590-4412

FRAME MOUNTED STYLE			
Item	Description	Qty.	Part Number
-	Quarter Fender Kit, Nuline	1	46506-3410
1	- Fender Panel, Stainless Steel	2	46506-4404
2	- Slotted Tube	2	46505-4403
4	- Saddle	2	46590-4410
5	- Braces	6	46507-4401
6	- Clamp	2	46590-4404
7	- Extension Flap, Black	2	46590-4411
-	- Hardware Package	1	46590-4412

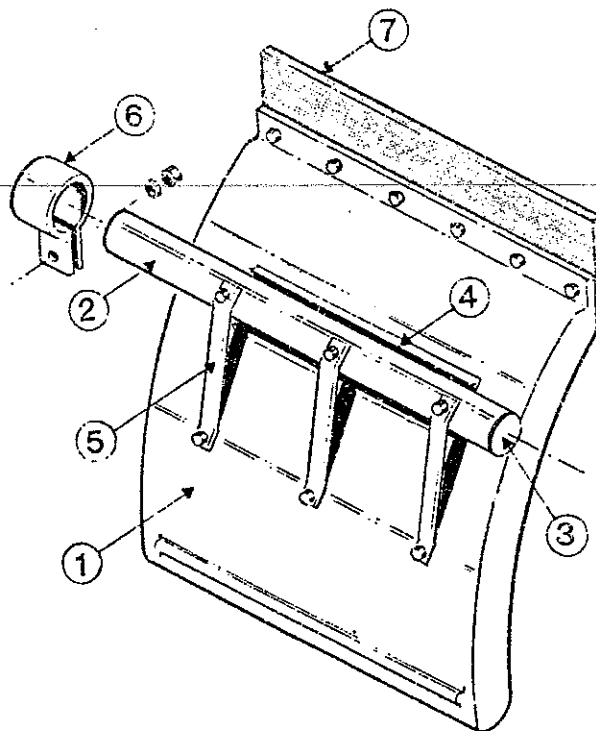


Fig. 3
SST Without Logo Fenders

STAINLESS STEEL CORRUGATED 1/4 Fenders (See Fig. 4)

Item	Description	Qty.	Part Number
-	Quarter Fender Kit, Stainless Steel Corrugated	1	46506-3413
1	- Fender Panel, Corrugated	2	46506-4401
2	- Extension Flap, White with WST Logo	2	46590-4421
3	- End Caps	2	46590-4417
4	- Slotted Tube	2	46590-4419
-	- Clamp Kit, Fender to Frame Bracket	1	46590-4422
-	- Hardware Kit	1	46590-4403

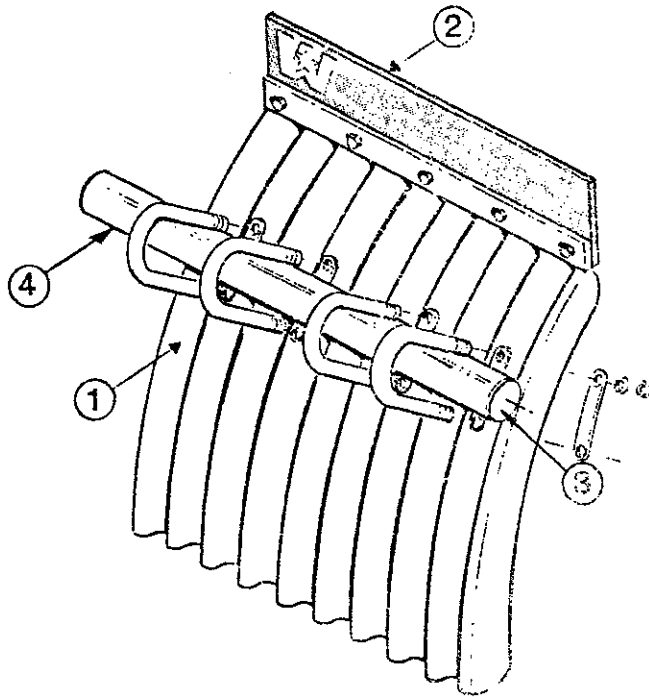


Fig. 4
Corrugated Stainless Steel Fenders

Mudflaps

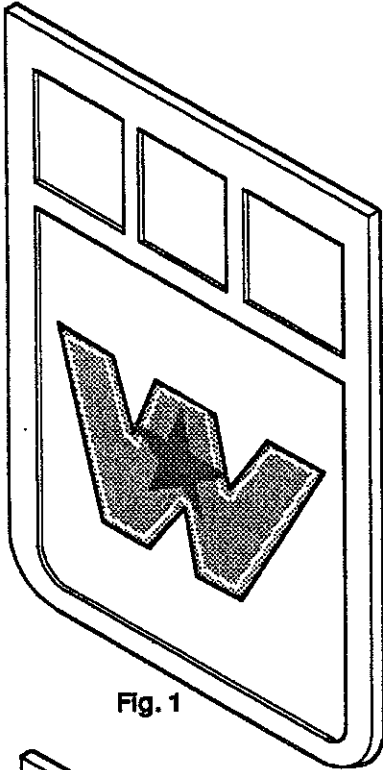


Fig. 1

Fig. 1
Part Number

46301-3404
46309-3410
46301-3415

Black Mudflap Without Logo
Size (Width x Height)

24" x 24"
24" x 30"
30" x 30"

Fig. 1
Part Number

46201-3404
671-5584

Black Mudflap With Logo
Size (Width x Height)

18" x 24" - Raised Logo
24" x 30" - Silkscreened Logo

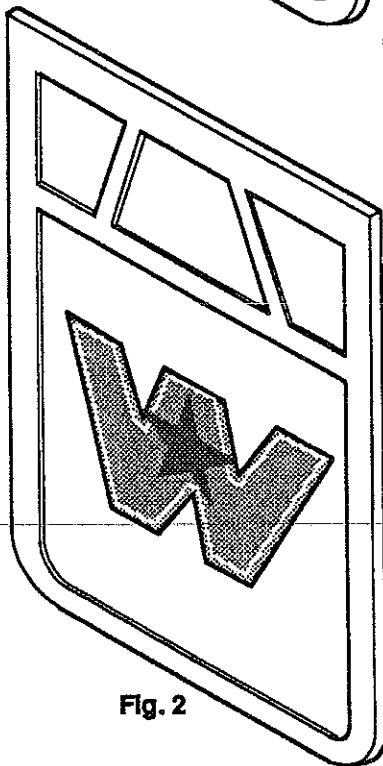


Fig. 2

Fig. 2
Part Number

04-9044348

Black Mudflap With Logo
Size (Width x Height)

24" x 30"

Fig. 2
Part Number

43301-4405

White Mudflap With Logo
Size (Width x Height)

24" x 30"



Mudflaps continued

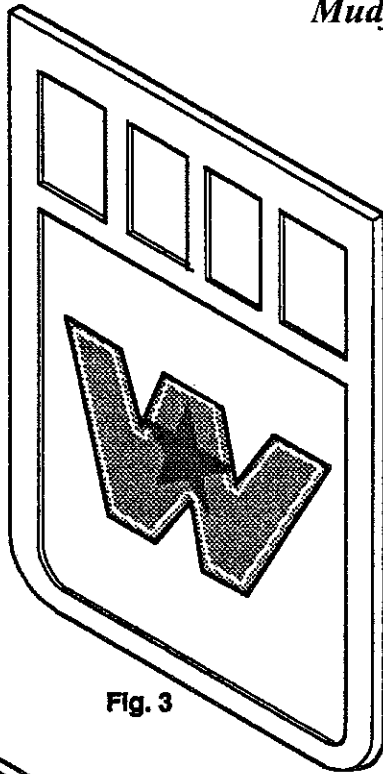


Fig. 3

Fig. 3
Part Number
04-9044347
43301-4404

Black Mudflap With Logo
Size (Width x Height)
24" x 24"
24" x 24"

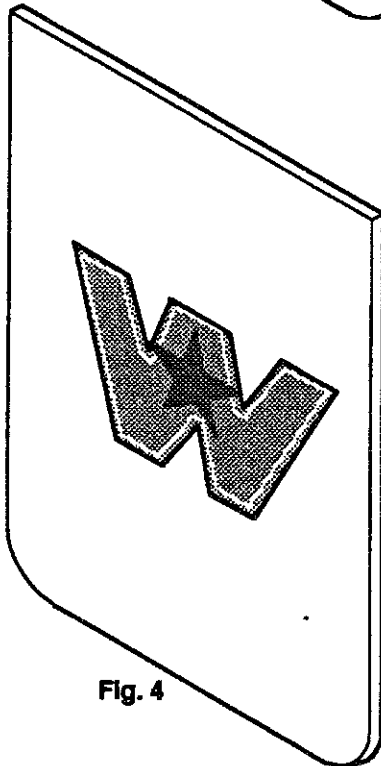


Fig. 4

Fig. 4
Part Number
04-9044349
04-9044350

White Mudflap With Logo
Size (Width x Height)
24" x 24"
24" x 30"

Fig. 4
Part Number
04-9052299

White Rainflap With Logo
Size (Width x Height)
24" x 30"



Mudflaps continued

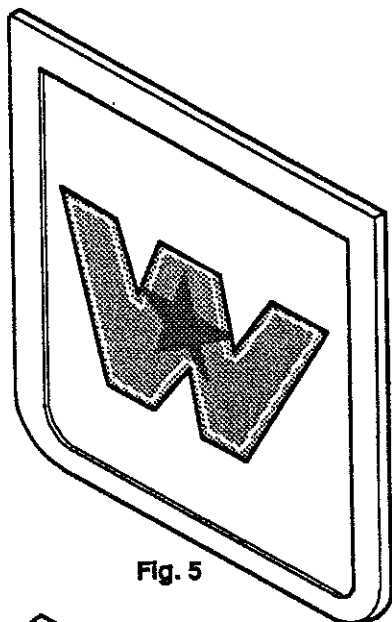


Fig. 5

Fig. 5
Part Number
46201-3407
46201-3408
46201-3410
46201-3427
9701110
9701111
9701112

Black Mudflap With Logo
Size (Width x Height)
16" x 11" Left Hand - Raised Logo
16" x 11" Right Hand - Raised Logo
18" x 16" - Raised Logo
24" x 14" - Raised Logo
20" x 15" - Silkscreened Logo
24" x 24" - Silkscreened Logo
24" x 30" - Silkscreened Logo

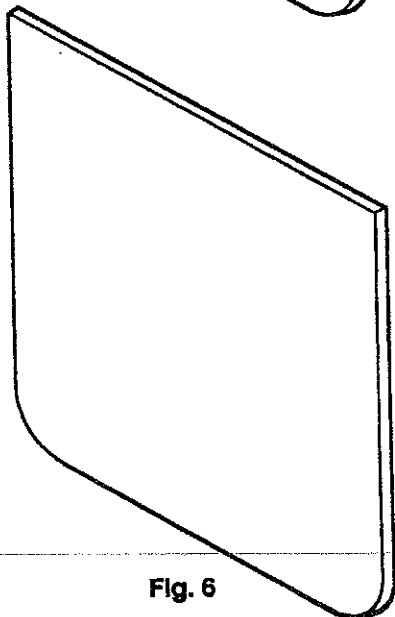


Fig. 6

Fig. 6
Part Number
46301-3425
46301-3428
46301-4403
46301-4402
671-4586

Plain Black Mudflap
Size (Width x Height)
18" x 16"
26" x 30"
24" x 24"
24" x 30"
24" x 36"



Mudflaps continued

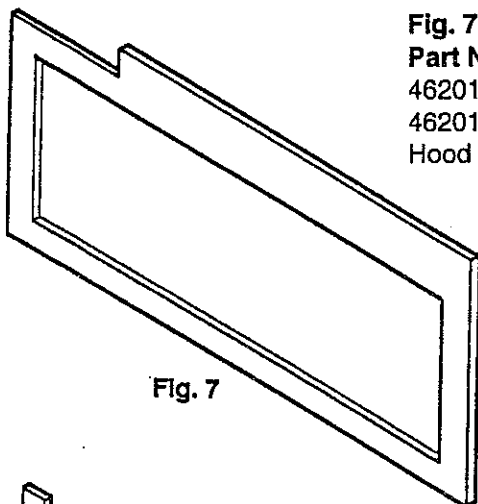


Fig. 7

Fig. 7
Part Number
46201-3405
46201-3406
Hood

Black Mudflap
Size (Width x Height)
24" x 13.5" Left Hand - Front Tilt Hood
24" x 13.5" Right Hand - Front Tilt

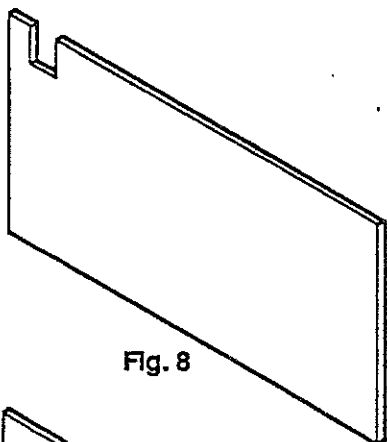


Fig. 8

Fig. 8
Part Number
46201-3430
46201-3433

Black Mudflap
Size (Width x Height)
19.5" x 7" - Front Tilt Hood
19.5" x 12.5" - Front Tilt Hood

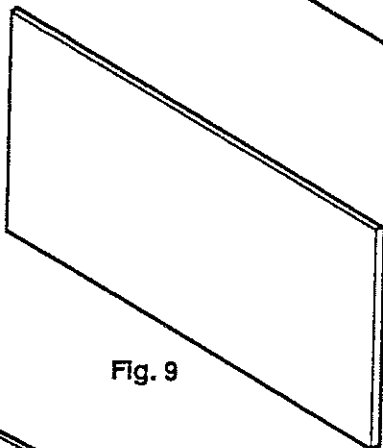


Fig. 9

Fig. 9
Part Number
46201-3426

Black Mudflap
Size (Width x Height)
19.5" x 7" - Front Tilt Hood

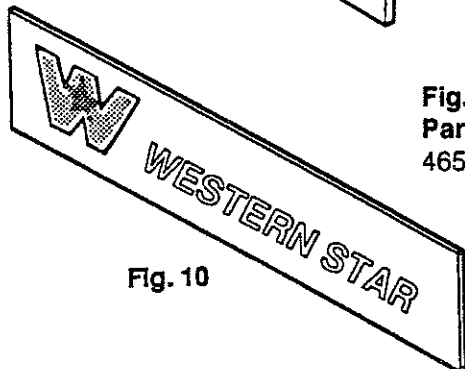


Fig. 10

Fig. 10
Part Number
46590-4401

White with Logo and WESTERN STAR
Size (Width x Height)
24" x 6" 1/4 Fender Flap

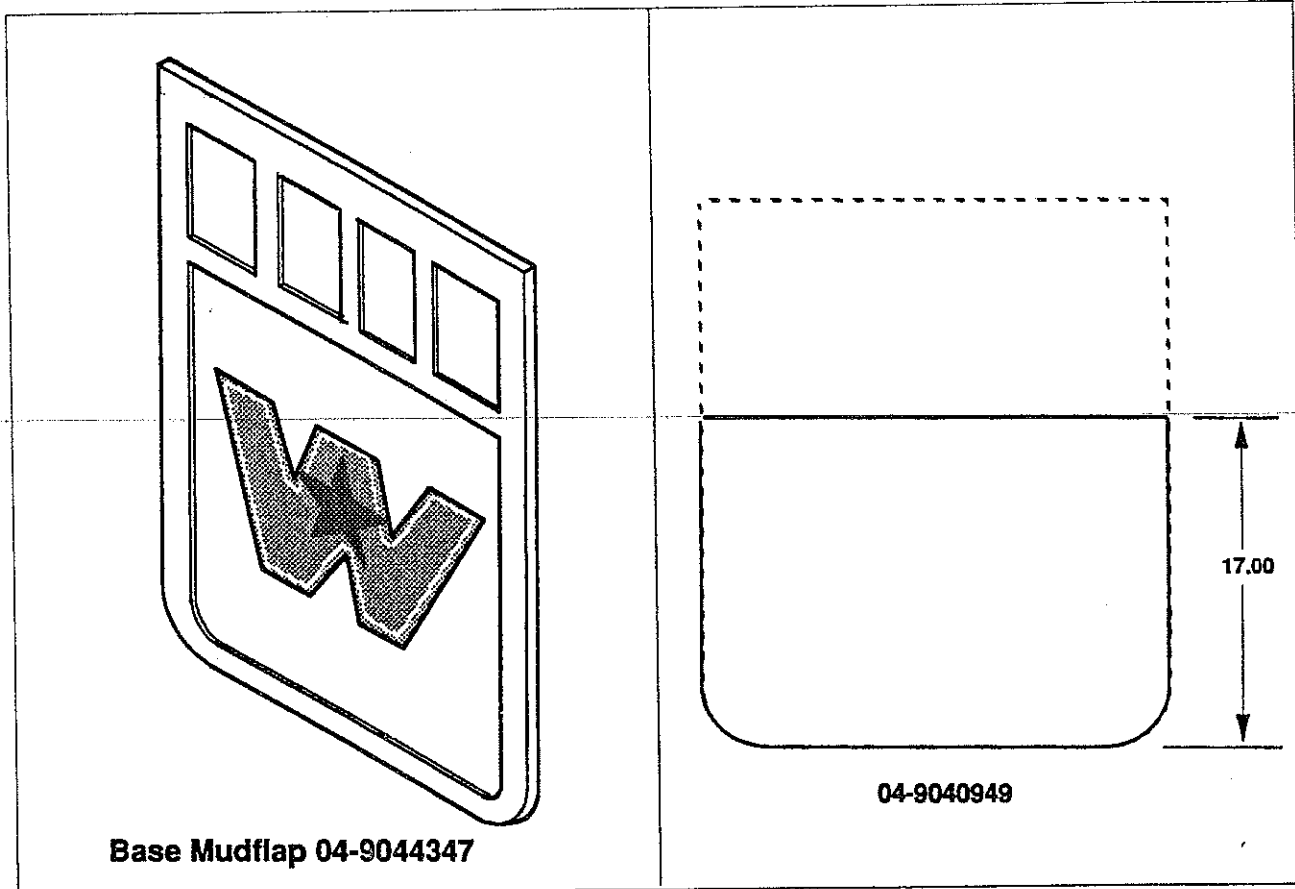


Mudflaps

In an effort to reduce the cost of some specialty mud flaps, and at the same time reduce your inventories, we are listing the mud flaps which are made by cutting base mud flaps. The base mud flaps are as follows:

Black With Logo	Size
46201-3404	18" x 24"
04-9044347	24" x 24"
04-9044348	24" x 30"

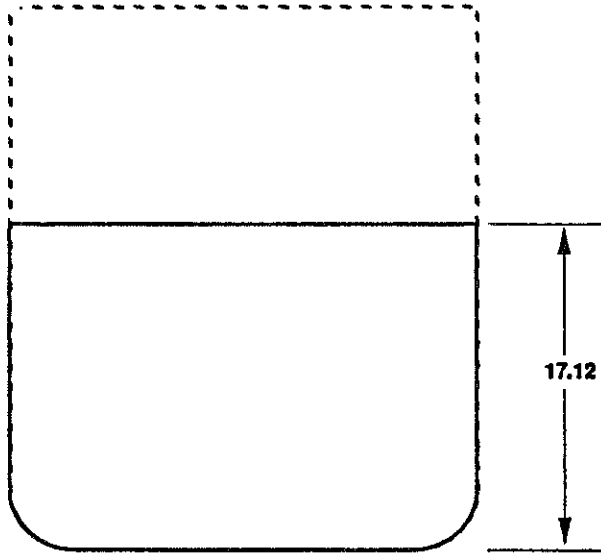
White With Logo	Size
04-9044349	24" x 24"
04-9044350	24" x 30"



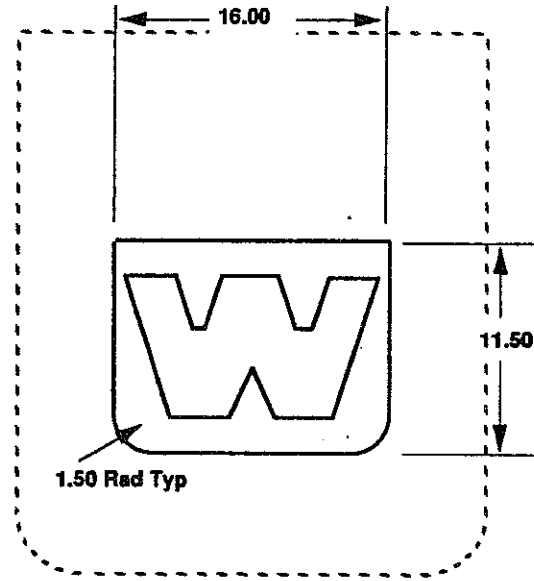


Mudflaps continued

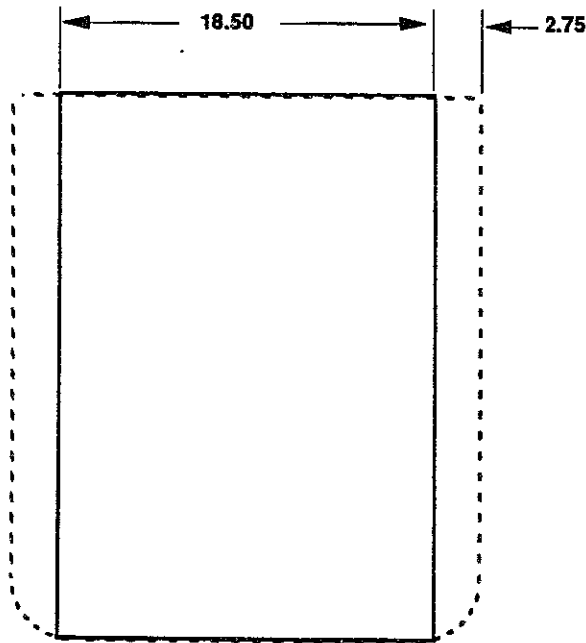
Base Flap 04-9044347



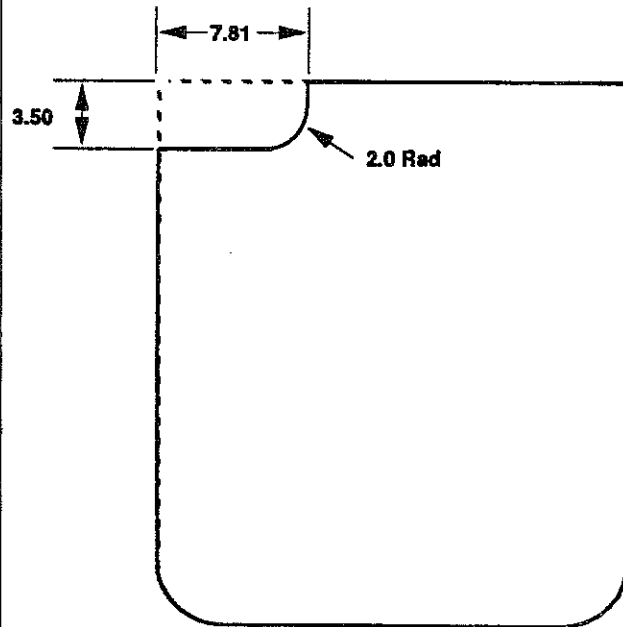
46301-3403



46201-3407 LHS
46201-3408 RHS



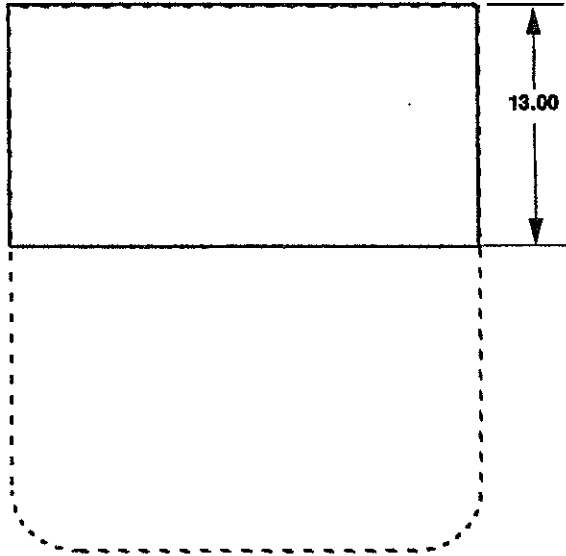
04-9050214



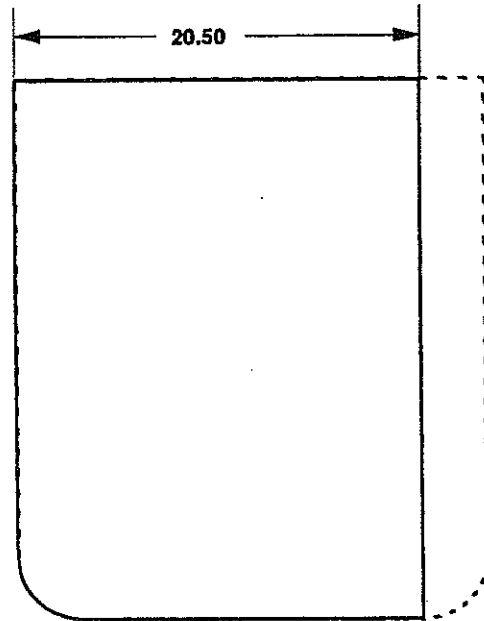
04-9049970 Shown
04-9049971 Opposite

Mudflaps continued

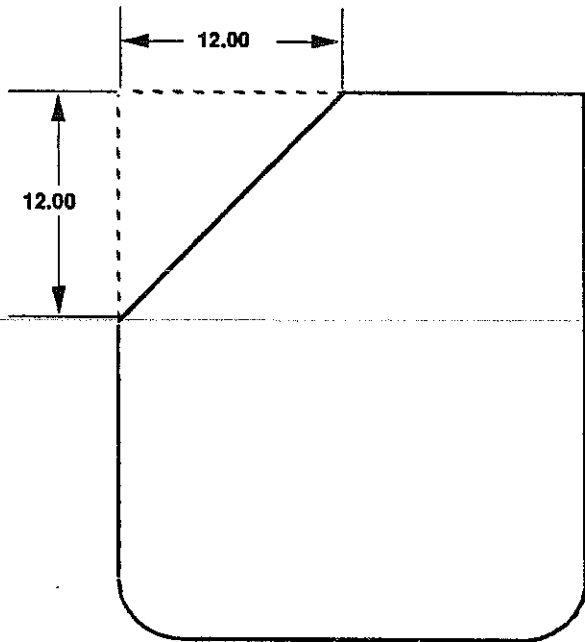
Base Flap 04-9044347



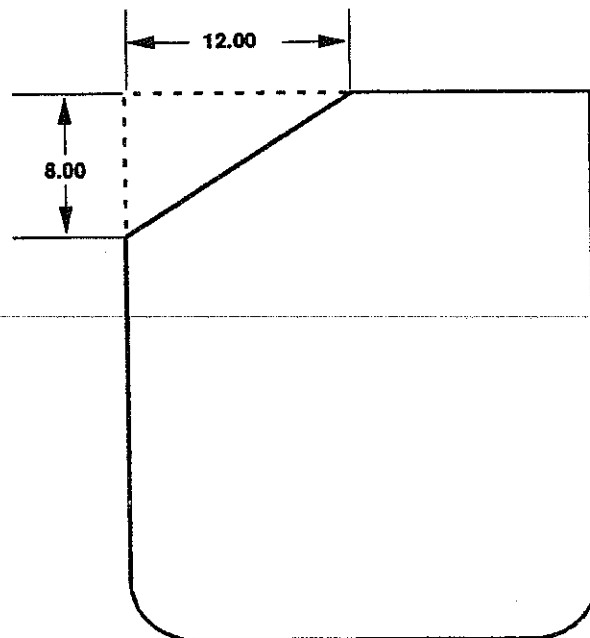
04-9045865



04-9045383 Shown
04-9045384 Opposite



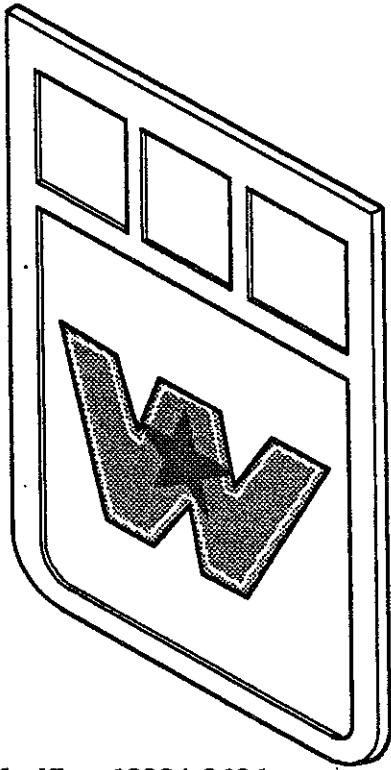
46401-3401 Shown
46301-3402 Opposite



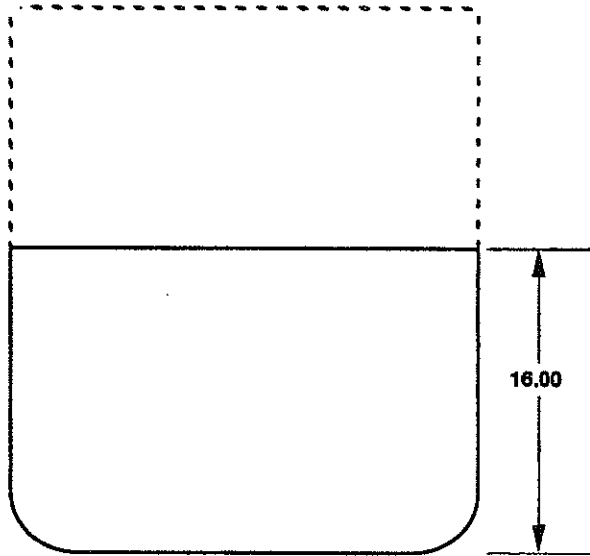
04-9036295 Shown
04-9036296 Opposite



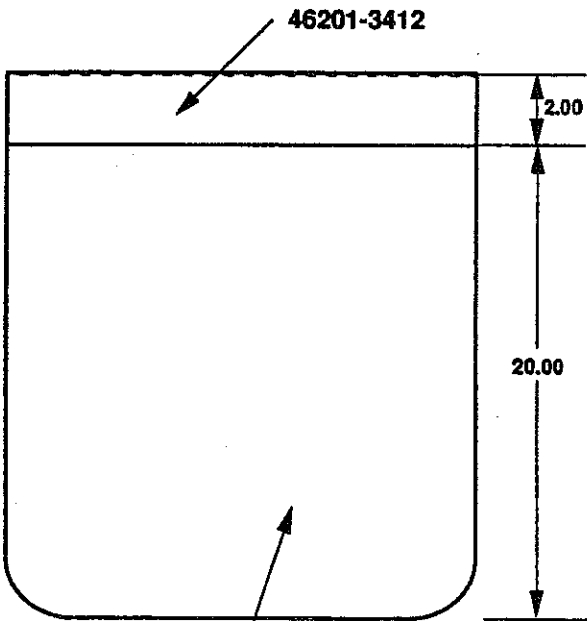
Mudflaps continued



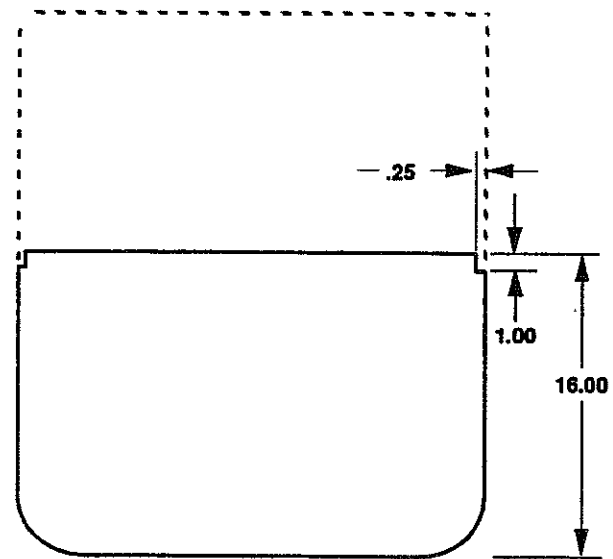
Base Mudflap 46201-3404



- 46201-3410
- 46201-3413
- 46201-3415
- 46201-3416



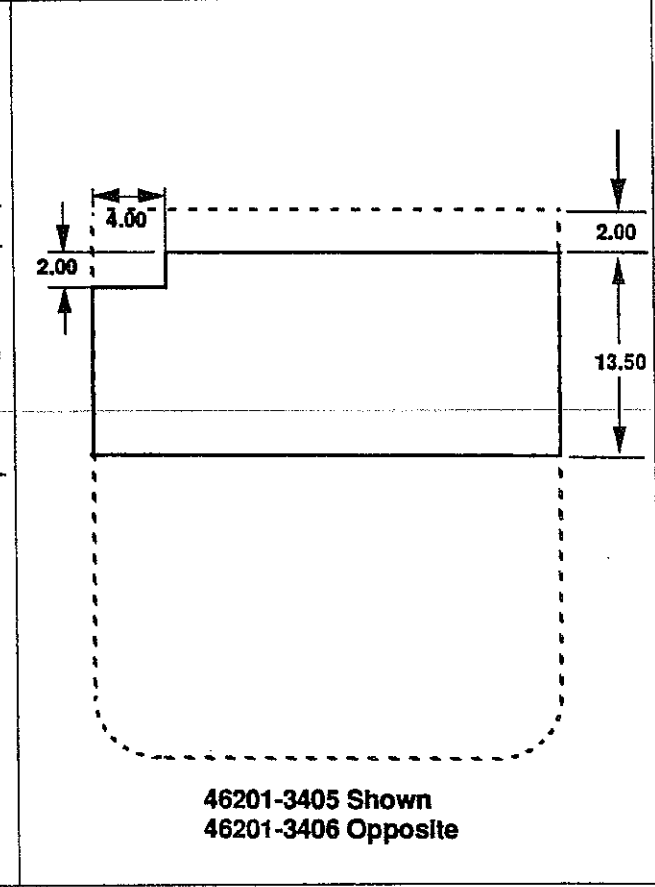
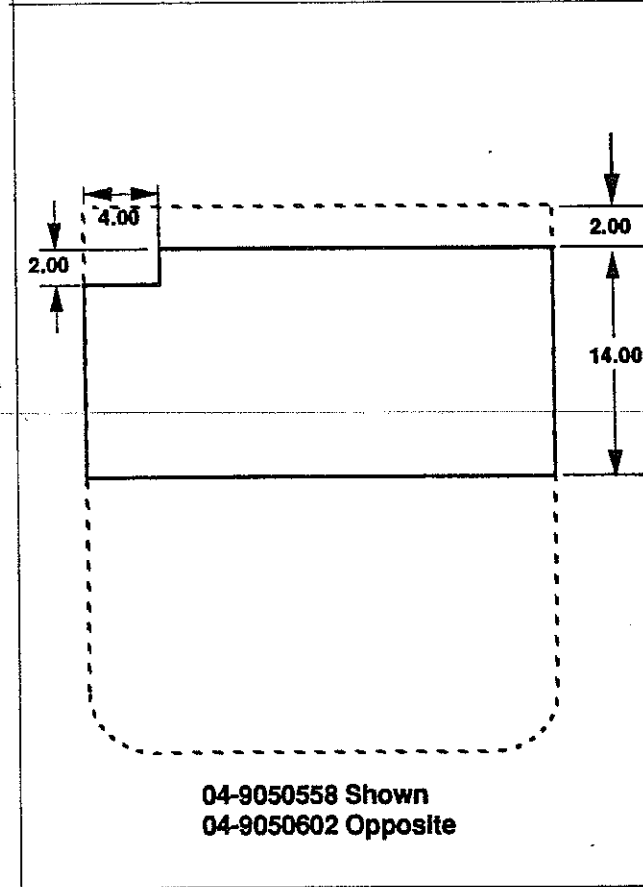
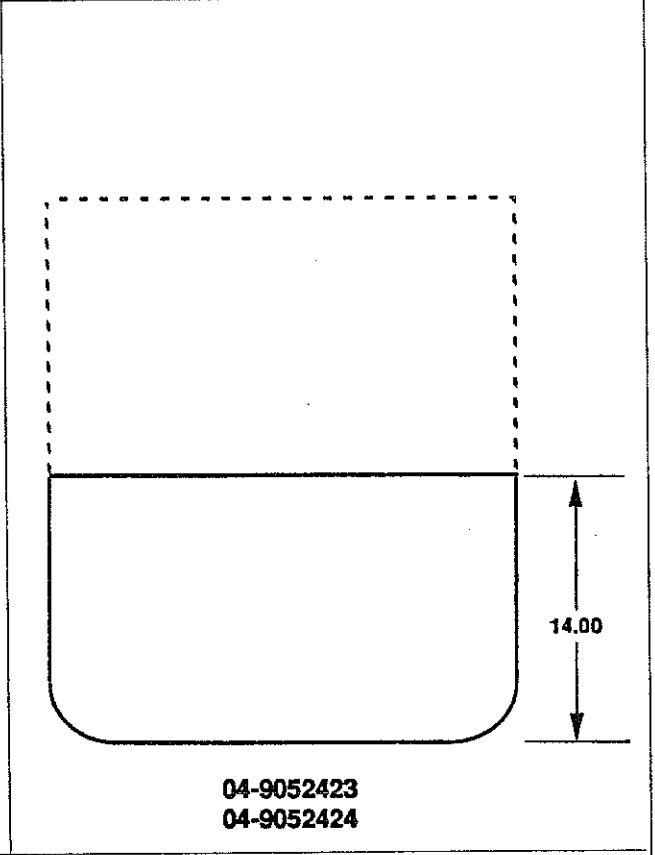
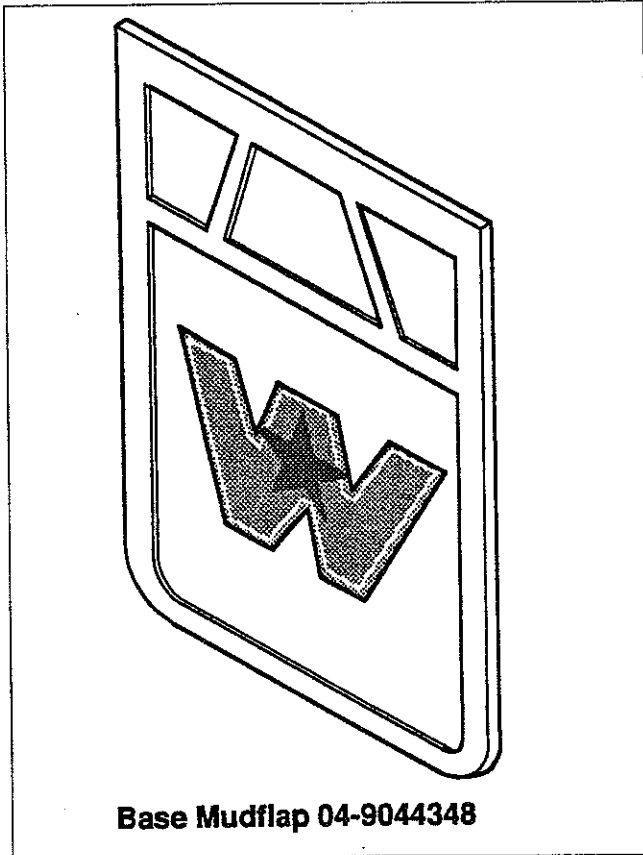
46201-3411



46201-3417

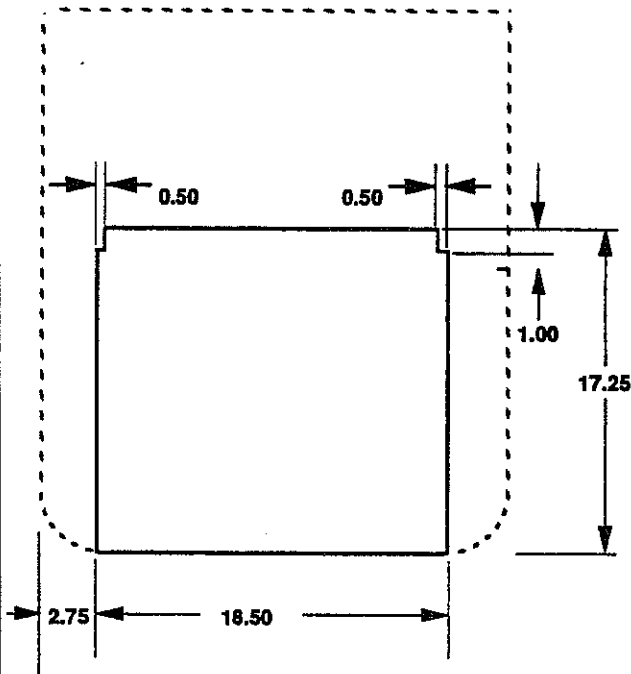


Mudflaps continued

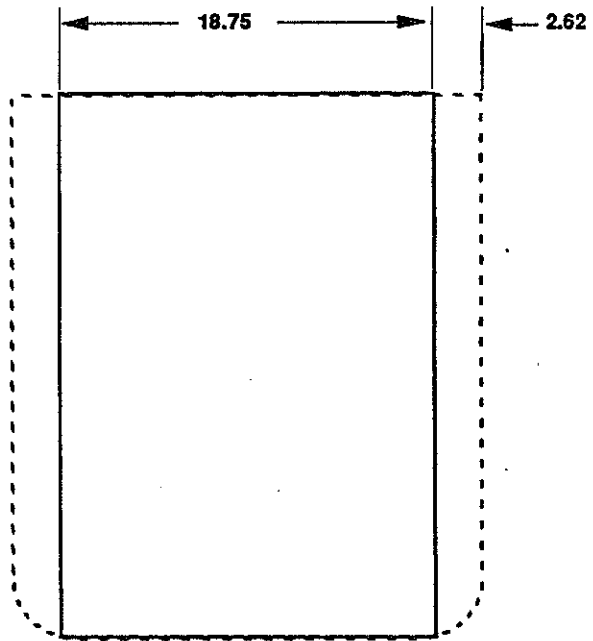


Mudflaps continued

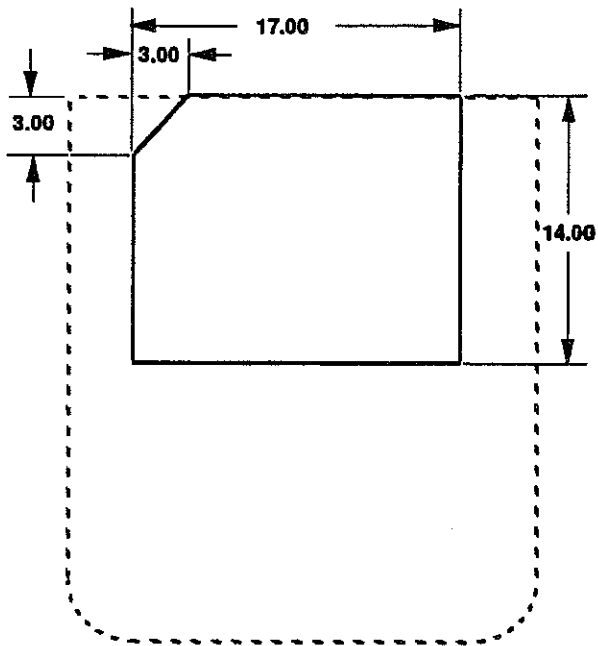
Base Mudflap 04-9044348



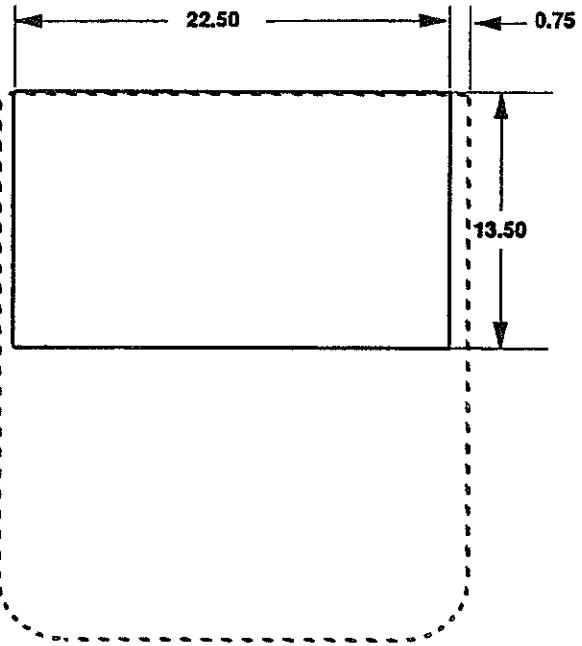
46201-3403



04-9049636



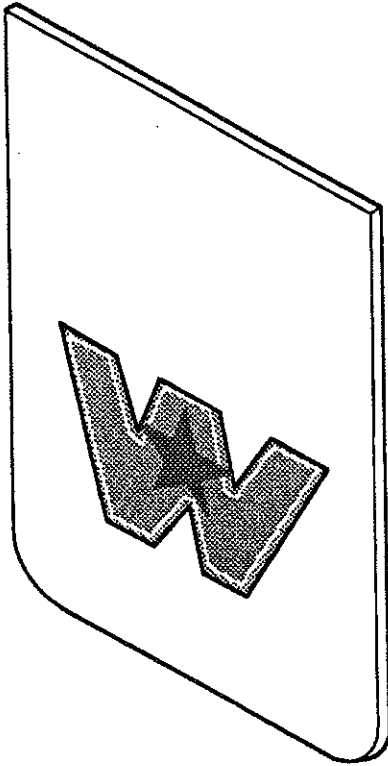
04-9041081



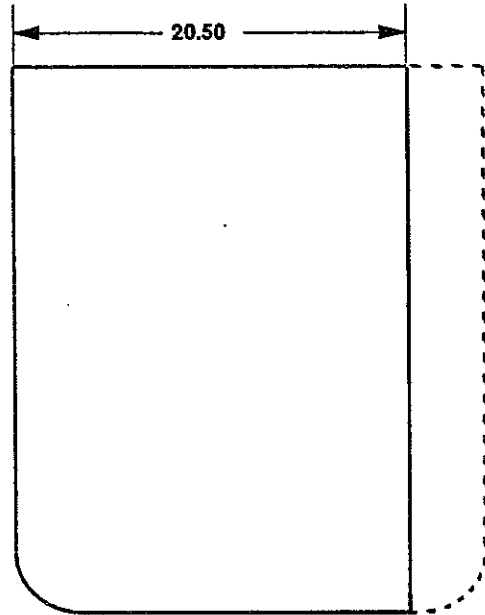
46201-3423



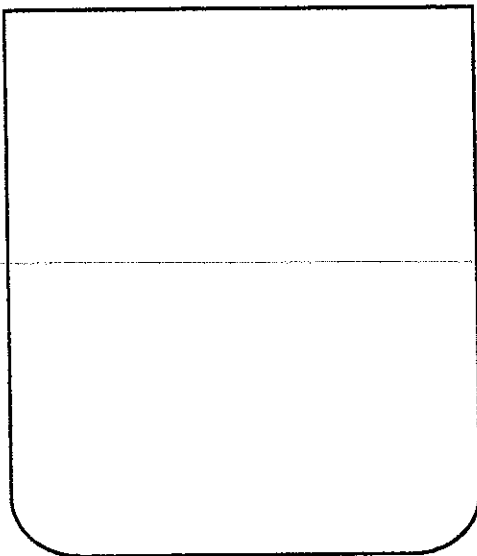
Mudflaps continued



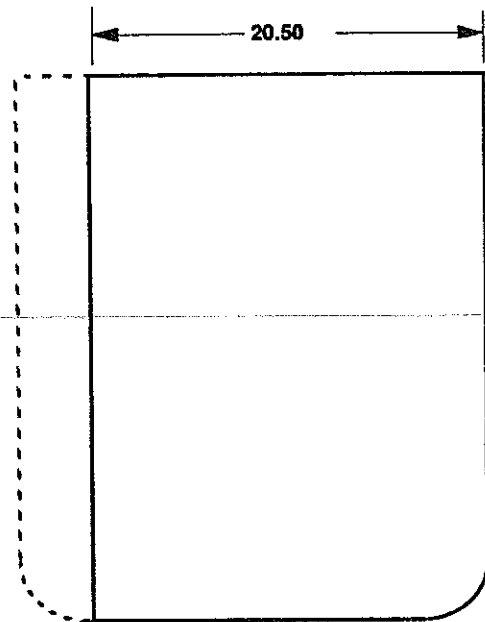
Base Mudflap 04-9044349 - White



04-9045381



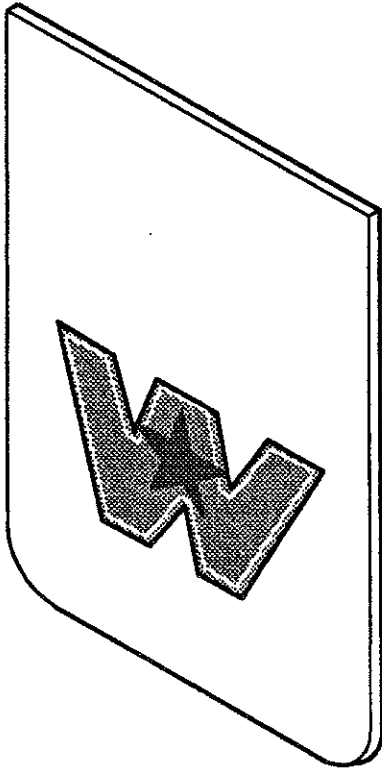
04-9053132
Hole Drilling only Required



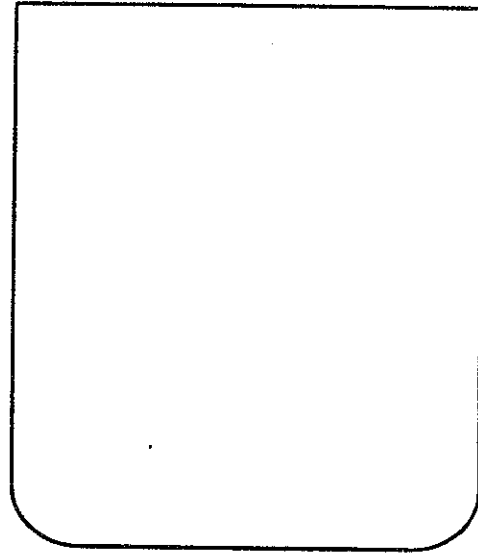
04-9045382



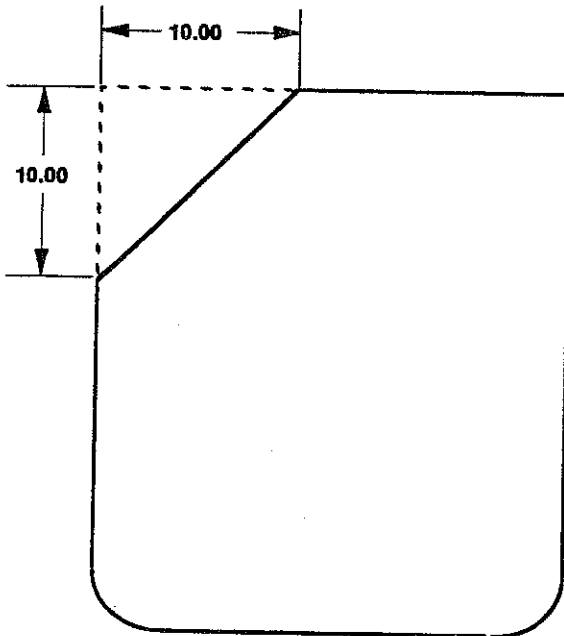
Mudflaps continued



Base Mudflap 04-9044350 - White

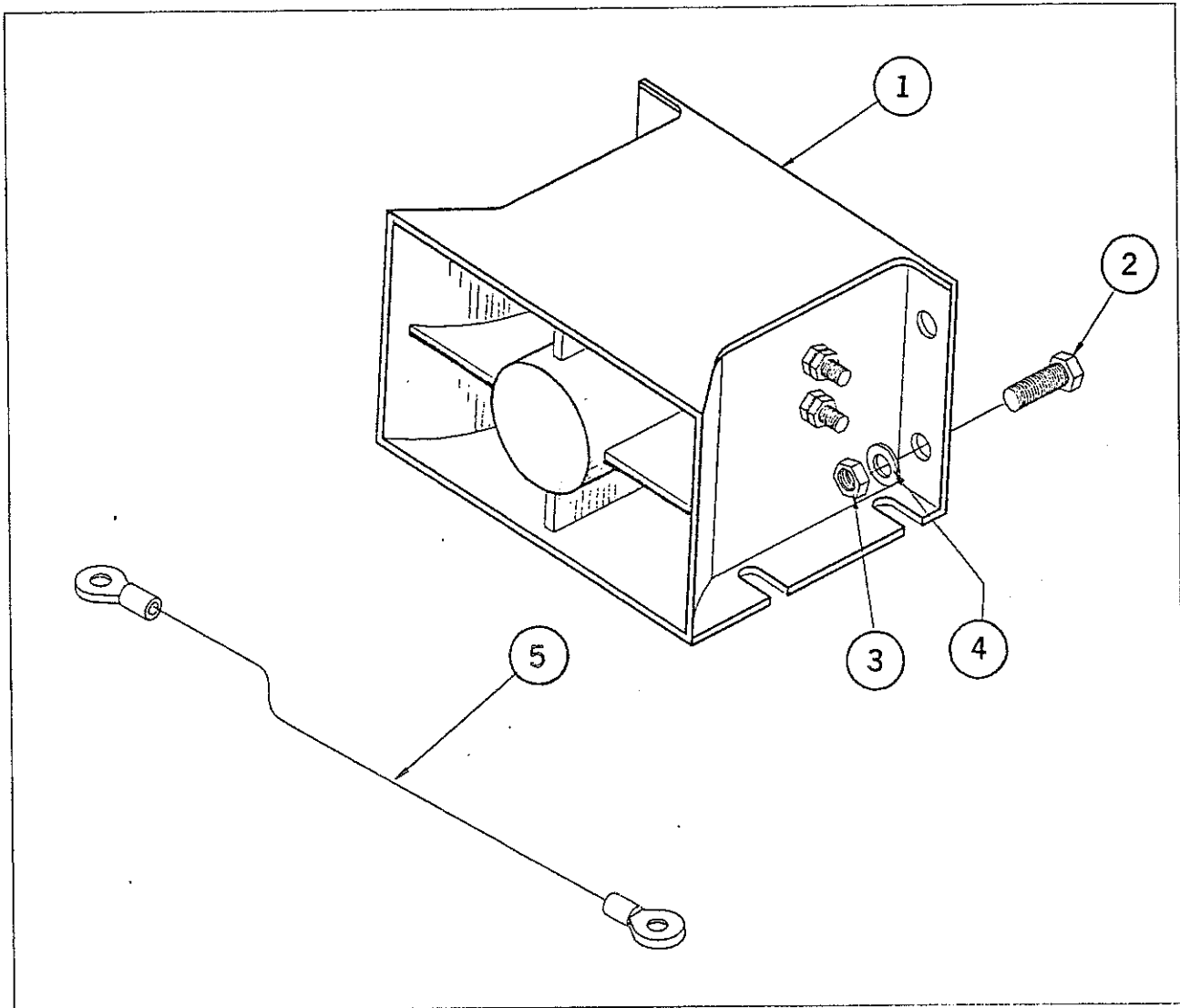


**04-9053133
Hole Drilling only Required**



**46301-3413 Shown
46301-3414 Opposite**

Back-Up Alarm

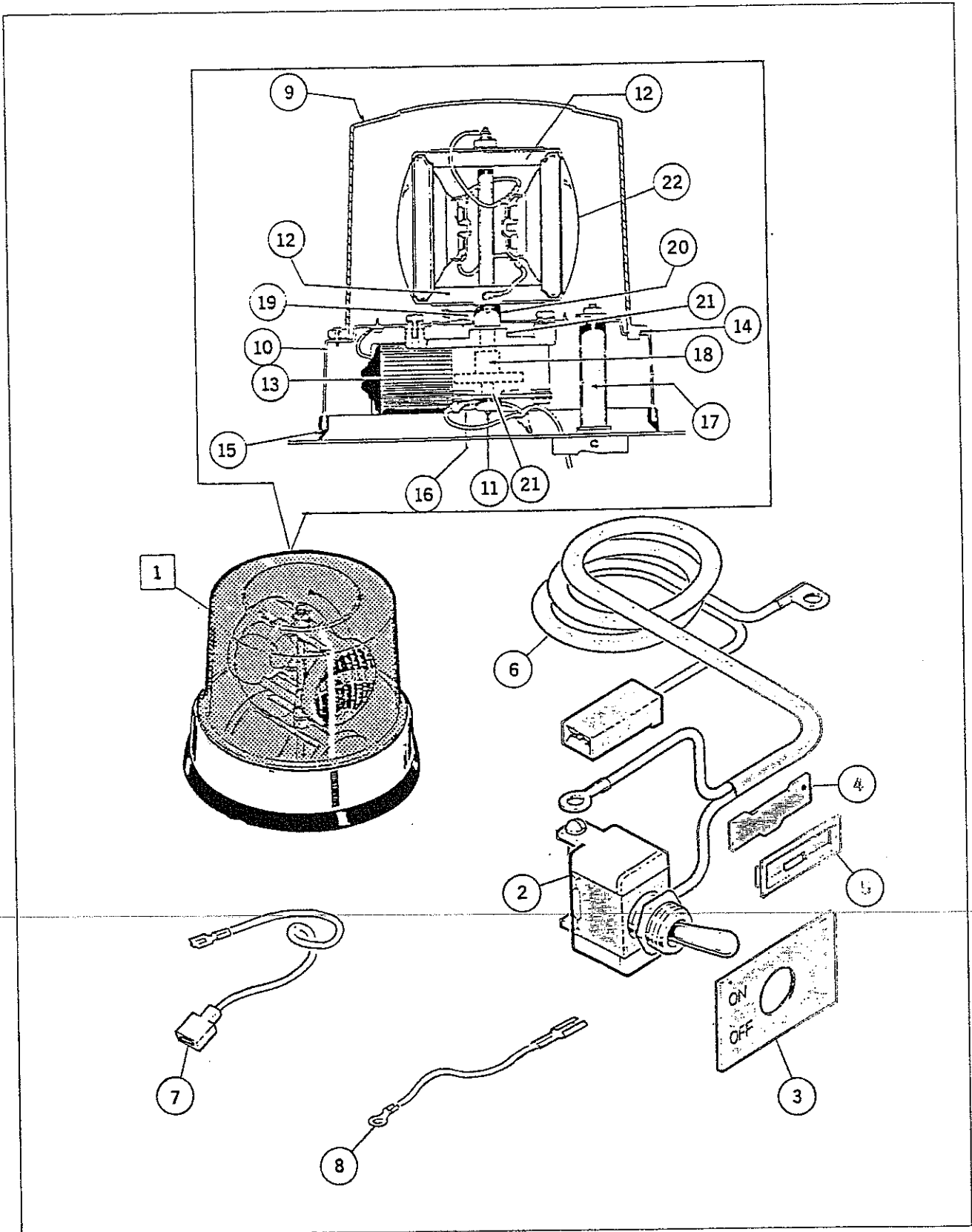


Item	Part Number	Qty	Description
1	89201-3405	1	Alarm, Backup
2	99-181595	4	Bolt, Hex % Znc 5/16 - 24 X .75
3	656311	4	Nut, Nylock Cad 5/16 - 20
4	W16BL-BN006GND	1	Cable, Ground



Notes

Rotating Beacons - Breakdowns





Rotating Beacons - Breakdowns

	2-Way Amber Lamp Assy 9032210	4-Way Amber Lamp Assy 9037259	4-Way Blue Lamp Assy 9043573		
Item	Part Number	Part Number	Part Number	Qty	Description
9	86790-44-1	86790-4416	86790-4417	1	Lens
10	86790-4403	86790-4418	86790-4418	1	Skirt
11	86790-4404	86790-4404	86790-4404	1	Collector Rod Assembly]
12	86790-4405	86790-4419	86790-4419	1	Holder, Sealed Beam
13	86790-4406	86790-4420	86790-4420	1	Motor and Drive Assembly
14	86790-4407	86790-4421	86790-4421	1	Gasket, Lens
15	86790-4408	86790-4422	86790-4422	1	Gasket, Skirt
16	86790-4409	86790-4423	86790-4423	1	Contact Brush Assembly
17	86790-4414	86790-4424	86790-4424	1	Mounting Hardware
18	86790-4410	86790-4410	86790-4410	1	Gear and Shaft Assembly
19	86790-4411	86790-4425	86790-4425	1	Brush and Lead Assembly
20	86790-4412	86790-4412	86790-4412	1	Slip Ring Assembly, Grnd
21	86790-4413	86790-4413	86790-4413	1	Kit, Shaft Bearings
22	86790-4415	86790-4415	86790-4415	4	Sealed Beam 4 1/2" 12V

Additional Installation Parts - All Assemblies

Item	Part Number	Qty	Description
2	7808-3411	1	Switch, SPST, Red / Amber
3	68002-3408	1	Nameplate, On/Off
4	57021-3466	1	Applique, 'Beacon'
5	02-7015917	1	Bezel, Optic Tape 1.50"
6	W16BM-BS042BN3	1	Cable, Beacon Ground
7	W16BR-DD076BN1	1	Cable, Beacon, Overhead
8	W16BK-BS023BN1	1	Cable, Beacon, Switch



Brackets - Aluminum to Steel crossovers

Aluminum Bracket	Steel Bracket	Aluminum Bracket	Steel Bracket
04-9039854	04-9039850	04-9048175	None
04-9039855	04-9039851	04-9048176	04-9048170
04-9039856	04-9039852	04-9048177	04-9048171
04-9039857	04-9039853	04-9048178	04-9048472
04-9043100	04-9048190	04-9048179	04-9048173
04-9043101	04-9048191	04-9048180	04-9048160
04-9043102	04-9048192	04-9048181	04-9048161
04-9043103	04-9048193	04-9048182	04-9048162
04-9043104	04-9048194	04-9048183	04-9048163
04-9043105	04-9048195	04-9048184	04-9048164
04-9043106	04-9048196	04-9048185	04-9048165
04-9043107	04-9048197	04-9048186	04-9048166
04-9043108	04-9048198	04-9048187	04-9048167
04-9043109	04-9048199	04-9048188	04-9048168
04-9043130	04-9048130	04-9049088	04-9049090
04-9043131	04-9048131	04-9049089	04-9049091
04-9043132	04-9048132	04-9049189	04-9049191
04-9043133	04-9048133	04-9049424	04-9049426
04-9043134	04-9048134	04-9049425	04-9049427
04-9043135	04-9048135	04-9049591	04-9049593
04-9043136	04-9048136	04-9049592	04-9049594
04-9043137	04-9048137	04-9049710	04-9049712
04-9043138	04-9048138	04-9049711	04-9049713
04-9043139	04-9048139	04-9049803	04-9049805
04-9044323	04-9048140	04-9049804	04-9049806
04-9044324	04-9048141	04-9049851	04-9047896
04-9044580	04-9048142	04-9050191	04-9048148
04-9044581	04-9048143	04-9050192	04-9048149
04-9044727	04-9048144	04-9050194	04-9048150
04-9044728	04-9048146	04-9050195	04-9048151
04-9044900	04-9048147	04-9050460	04-9050462
04-9045300	04-9048152	04-9050461	04-9050463
04-9045301	04-9048153	04-9050647	04-9050649
04-9045302	04-9048154	04-9050648	04-9050650
04-9045303	04-9048155	04-9050652	None
04-9045304	04-9048156	04-9050653	None
04-9045305	04-9048157	04-9051185	04-9051187
04-9045856	None	04-9051186	04-9051188
04-9045857	None	04-9051745	04-9051747
04-9045858	None		(Add holes)
04-9045960	None	04-9051746	04-9051748
04-9045961	None		(Add holes)
04-9045963	None	04-9052064	04-9052062
04-9046692	04-9048158	04-9052065	04-9052063
04-9046693	04-9048159	04-9052074	04-9052076
04-9048057	None	04-9052075	04-9052077
04-9048058	None	04-9052157	04-9051747
04-9048059	None		(Add holes)
04-9048174	None	04-9052158	04-9051748
			(Add holes)



Brackets - Aluminum to Steel crossovers

Aluminum Bracket	Steel Bracket
04-9053400	04-9053406
04-9053401	04-9053407
04-9053408	04-9053410
04-9053409	04-9053411
04-9053977	04-9053979
04-9053978	04-9053980
12002-3408	12002-3410
12002-3409	12002-3411
12002-3412	12002-3415
12002-3413	12002-3414
12002-3421	12002-3423
12002-3422	12002-3424
12002-3426	12002-3417
12002-3427	12002-3418
12002-3429	12002-3431
12002-3430	12002-3432
12002-3435	12002-3437
12002-3436	12002-3438
12002-3443	12002-3445
12002-3444	12002-3446
12002-3498	12002-3501
12002-3499	12002-3502
12002-3511	12002-3512
12002-3513	12002-3514
12002-3515	12002-3516
12002-3517	12002-3518
37102-3420	37102-3415
37102-3457	37102-3455
37102-3459	37102-3456
37102-3466	37102-3465
37102-3470	37102-3469
66004-3402	66004-3404
66004-3403	66004-3405
66004-3410	66004-3411
66004-3424	66004-3426
66004-3425	66004-3427

Parts to Master Reference Guide

Description	Mast Ref #
Accelerator Linkage	1130
Aftercooler	2260
Aftercooler	2270
Air - Buzzer Low Pressure	4170
Air Cleaner & Mounting Brackets	3010
Air Cleaner Ducting	3010
Air Cleaner Precleaner	3010
Air Cleaner Restriction Indicator	3030
Air Compressor	2250
Air Compressor Belts	2250
Air Compressor Discharge Line	2250
Air Compressor Hose	2250
Air Compressor Pulley	2250
Air Conditioning	4020
Air Conditioning Compressor	4021
Air Conditioning Compressor Belt	4021
Air Conditioning Compressor Pulley	4021
Air Conditioning Condensor	4020
Air Conditioning Controls	4020
Air Conditioning Ducting	4020
Air Conditioning Hose	4020
Air Conditioning Receiver/Dryer	4020
Air Dryer	2270
Air Horns & System	2290
Air Line Filter	2270
Air Line Piping	2320
Air Lines Trailer	2350
Air Operated Windows	4040
Air Pressure Gauge	4170
Air Pressure Gauge - Air Start	3290
Air Pressure Gauge - Brake Saver	1030
Air Pressure Gauge - Tractor Application	4190
Air Pressure Gauge - Trailer Emergency	4190
Air Pressure Gauge - Trailer Service	4190
Air Reservoir & Brackets	2330
Air Reservoir - Air Start	3290
Air Shields	4380
Air Start Tank Steps	4130
Air Starter	3290
Air Starter Piping	3290
Air Valves & Controls - Brakes	2370
Alarm - Back-Up	4380
AlarmStat	1110
Alcohol Evaporator & Hoses	2260

Parts to Master Reference Guide

Description	Mast Ref #
Alternator	3150
Alternator Belts	3150
Alternator Belts	3040
Alternator Belts (Included as part of Engine)	1020
Alternator Bracket (Included as part of Engine)	1020
Alternator Pulley	3150
Amp Meter	4180
Antenna	3321
Antifreeze - Windshield Washer	4140
Ash Tray	4090
Auxillary Heater	4060
Auxillary Transmission	1180
Auxillary Transmission Mount Brackets	1210
Auxillary Transmission Oil	1180
Auxillary Transmission Shift Control	1200
Auxillary Transmission Shift Lever	1200
Auxillary Transmission Shift Plate	1180
Axle - Front	2110
Axle - Rear	1240
Axle Brackets - Rear	2211
Axle Breather - Rear	1240
Axle Bump Stop - Front	2180
Axle Bump Stop - Rear	2211
Axle Rear Suspension Beam	2220
Axle Rear Wheel Capnuts	1300
Axle Shift Unit	1240
Back of Cab Deck Plate	4370
Back of Cab Deck Plate	4380
Back-Up Alarm	4380
Back-Up Lamp	3190
Battery	3160
Battery Box	3170
Battery Box Steps	4130
Battery Cables	3170
Battery Isolation Switch	3170
Beacon - Emergency	4390
Belts - Air Compressor	2250
Belts - Alternator	3150
Belts - Alternator	3040
Belts - Alternator (Included as part of engine)	1020
Belts - Fan	3040
Belts - Power Steering	1350
Block Heater, Plug & Hoses	1050
Blow-By Hose	1010

Parts to Master Reference Guide

Description	Mast Ref #
Bracket Air Cleaner & Mounting	3010
Bracket Alternator (Included as part of Engine)	1020
Brackets - Air Reservoir	2330
Brackets - Auxiliary Transmission Mount	1210
Brackets - Rear Axle	2211
Brake - Hand Control	2280
Brake Assembly - Front	2120
Brake Assembly - Rear	1270
Brake Chamber - Front	2120
Brake Chamber - Rear	1270
Brake Control - Dash Panel	2370
Brake Pedal	2370
Brake Saver	1030
Brake Saver Air Pressure Gauge	1030
Brake Valves & Controls	2370
Breather - Rear Axle	1240
Breather - Transmission	1160
Bug Screen	4390
Bump Stop - Front axle	2180
Bump Stop - Rear Axle	2211
Bumper Front	1240
Bumper Front	2040
Buzzer - Low Air	4170
Cab - Engine Cover	4012
Cab - Rubber Mounts	4070
Cab Doors	4010
Cab Firewall	4010
Cab Floorboards	4010
Cab Floorboards - Centre	4011
Cab Headliner	4010
Cab Isolation	4070
Cab Rust Proofing	4070
Cab Shell	4010
Cab Skirt	4010
Cab Support - Front	2060
Cab Support - Rear	2060
Cab Wiring & Switches	3321
Cables Battery	3170
Capnuts - Rear Wheels	1300
Cast Wheels & Drums - Front	2140
Cast Wheels & Drums - Rear	1290
Cast Wheels & Rotors - Rear	1290
Caster Shims	2180
Catspaw Shift Handle	4390

Parts to Master Reference Guide

.Description	Mast Ref #
CB Radio Prep	3321
Chassis Wiring	3322
Cigarette Lighter	3200
Clearance Lamps	3200
Clock	4390
Clutch - Engine	1140
Clutch Brake	1140
Clutch Linkage	1150
Coat Hook	4390
Compression Brake	1030
Compression Release	1030
Compressor - Air	2250
Compressor - Air Conditioning	4021
Compressor - Freon	4021
Compressor Pulley - Air	2250
Compressor Pulley - Air Conditioning	4021
Control - Hand Brake Valve	2280
Control - Hand Throttle	1030
Control - Hand Throttle Assembly	1130
Control - Heater	4060
Control Arm - Front Axle	2110
Convenience Lamps	3200
Convex Mirror	4100
Coolant - Radiator	3050
Coolant Low Level Probe	1110
Coolant Low Level Probe	1020
Crankcase Breather Hose	1010
Crankshaft Pulley	1100
Crossmember - Ahead of Rear Suspension	2080
Crossmember - Cab Front	2060
Crossmember - Cab Rear	2060
Crossmember - Engine Front	1010
Crossmember - Engine Front	2050
Crossmember - Engine Rear	1010
Crossmember - Engine Rear	2050
Crossmember - Intermediate	2070
Crossmember - Rear	2080
Crossmember - Rear	2090
Crossmember - Rear Suspension	2080
Crossmember - Rear Suspension Shock Mount	2090
Crossover Lines - Fuel	3130
Cruise Control	1130
Dash Louvres - Rectangular (Called Bezal in Parts list)	4020
Dash Panel	4160

Parts to Master Reference Guide

Description	Mast Ref #
Dash Panel - Brake Control	2370
Dash Panel Cover	4090
Deck Plate - Back of Cab	4370
Deck Plate - Back of Cab	4380
Defroster	4060
Defroster Fan	4060
Differential Lockout	1240
Digital Thermometer	4090
Disc Wheel Covers - Front	4330
Disc Wheel Covers - Rear	4340
Disc Wheels - Front	4330
Disc Wheels - Rear	4340
Discharge Line - Air Compressor	2250
Dog House	4012
Dome Lamp - Cab	3200
Door Panels	4090
Drag Link Assembly	1340
Drain Cock	1010
Driver's Seat	4110
Driving Lamps	3210
Drums & Hubs - Front	2150
Drums & Hubs - Rear	1300
Dry Air Reservoir	2270
Ducting - Air Cleaner	3010
Ducting - Air Conditioning	4020
Ducting - Heater	4060
Electric Clock	4390
Elston Sander	4380
Emergency Beacons	4390
Emergency Reflector Kit	4390
Emission Control Hose	1020
Engine	1020
Engine - Frame Mount Brackets	1010
Engine - Front Support	1010
Engine - Front Trunion	1010
Engine - Heater	1050
Engine - Mount Brackets	1010
Engine - Mounts Rubber	1010
Engine - Noise Panel Kits	1010
Engine - Sending Units	4230
Engine Cover - Cab	4012
Engine Front Crossmember	1010
Engine Front Crossmember	2050
Engine Oil	1010

Parts to Master Reference Guide

Description	Mast Ref #
Engine Oil Dipstick & Tube	1060
Engine Oil Filler Tube	1060
Engine Oil Filter By-Pass	1070
Engine Oil Filter Full-Flow	1080
Engine Oil Filter Hose	1070
Engine Rear Crossmember	1010
Engine Rear Crossmember	2050
Ether Inlet	1120
Evaporator - Alcohol	2260
Exhaust Heat Shield	1010
Exhaust Pipe Manifold	3101
Exhaust Piping & Brackets	3100
Exhaust Piping - Turbo	3101
Exhaust Rain Shield	4390
Fan - Auxilliary Defrost	4060
Fan - Radiator	3040
Fan Belts	3040
Fan CLutch	3040
Farings	4380
Fenderets - Front	4260
Fenders - Front	4260
Fenders - Half	4380
Fenders - Quarter	4370
Fenders - Quarter	4380
Fifth Wheel	3330
Fifth Wheel - Limit Stops	3331
Fifth Wheel - Slide	3330
Filter - Air Lines	2270
Filter - Fuel	3130
Filter - Water	3090
Fire Extinguisher	4370
Fire Extinguisher	4390
Firewall Cab	4010
Flex-a-stick	2360
Floor Mats	4030
Floorboards - Cab	4010
Floorboards - Centre	4011
Flywheel	1140
Flywheel Flexplate	1020
Flywheel Ring Gear	1140
Fog Lamps	3210
Fort Gary Slider	3331
Frame - Rear Suspension Bracket	2211
Frame Rail	2010

Parts to Master Reference Guide

Description	Mast Ref #
Frame Rail Liners	2010
Frame Rail Reinforcements	2010
Freon	4020
Freon - Compressor	4021
Frige	3390
Front - Brake Assembly	2120
Front - Brake Chamber	2120
Front - Bumper	1240
Front - Bumper	2040
Front - Cast Wheels & Drums	2140
Front - Disc Wheel Covers	4330
Front - Disc Wheels	4330
Front - Fenderets	4260
Front - Fenders	4260
Front - Hub Caps	2160
Front - Hubs & Drums	2150
Front - Hubs & Rotors	2150
Front - Lug Nut Covers	2150
Front - Rim	4350
Front - Rim Clamp	2140
Front - Shock Absorbers	2190
Front - Slack Adjuster	2120
Front - Tires	4270
Front - Wheel Covers	4380
Front Axle	2110
Front Axle - Bump Stop	2180
Front Axle - Control Arm	2110
Front Axle - Wheel Bearing Seals	2160
Front Axle - Wheel Bearings	2120
Front Suspension - Caster Shims	2180
Front Suspension - Spring Bracket	2200
Front Tow Pin Device	2100
Front Wheel - Limiting Control & Hoses	2300
Front Wheel - Nuts	2140
Fuel Crossover Lines	3130
Fuel Filter	3130
Fuel Gauge - Electrical	4170
Fuel Gauge - Mechanical	4170
Fuel Lines	3140
Fuel Pump AFC	1130
Fuel Pump Drive	2250
Fuel Tank & Brackets & Straps	3110
Fuel Tank Sending Unit	4170
Fuel Tank Skirts	4380

Parts to Master Reference Guide

Description	Mast Ref #
Fuel Tank Steps	4130
Fuel/Water Separator	3140
Gauge - Air Pressure	3170
Gauge - Air Pressure	4170
Gauge - Air Pressure - Air Start	3290
Gauge - Air Pressure - Brake Saver	1030
Gauge - Air Pressure - Tractor Application	4190
Gauge - Air Pressure - Trailer Emergency	4190
Gauge - Air Pressure - Trailer Service	4190
Gauge - Ammeter	4180
Gauge - Brakesaver Oil Temperature	1030
Gauge - Engine Oil Temperature	4230
Gauge - Fuel Electrical	4170
Gauge - Fuel Mechanical	4170
Gauge - Oil Pressure	4170
Gauge - Rear Axle Oil Temperature	4240
Gauge - Speedometer	4210
Gauge - Tachometer	4210
Gauge - Transmission Oil Temperature	4250
Gauge - Volt Meter	4180
Gauge - Water Temperature	4230
Glove Box Door	4090
Glove Box Door Cable	4090
Glow Plug	1120
Governor Assembly	2250
Governor Smoke Control Plate	1010
Governor Speed Limiting	1130
Grab Handle	4050
Grille - Radiator	4261
Half Fender	4380
Hand Brake Control Valve	2280
Hand Control Trailer Brake Hose	2280
Hand Throttle	1030
Hand Throttle Assembly	1130
Headlamp	3220
Headliner	4090
Headliner - Cab	4010
Heat/Cool Unit	4020
Heater	4060
Heater - Auxiliary	4060
Heater - Engine Block	1050
Heater - Oil Pan	1050
Heater - Sleeper	4060
Heater Controls	4060

Parts to Master Reference Guide

Description	Mast Ref #
Heater Ducting	4060
Heater Hose	4060
Heater Plug - Engine Block	1050
Hood	4260
Horn - Air	2290
Horn - Electric	3180
Hose - Air Compressor	2250
Hose - Air Conditioning	4020
Hose - Alcohol Evaporator	2260
Hose - Block Heater	1050
Hose - Crankcase Breather	1010
Hose - Emission Control	1020
Hose - Front Wheel Limiting Control	2300
Hose - Hand Control Trailer Brake	2280
Hose - Hanger	2360
Hose - Heater	4060
Hose - Oil Fill	1060
Hose - Oil Filter	1080
Hose - Overflow Radiator	3050
Hose - Power Steering	1350
Hose - Power Steering	1360
Hose - Rear Suspension	2210
Hose - Shutdown & Alarm	1110
Hose - Transmission	1160
Hose - Water Filter	3090
Hose Blow-By	1010
Hour Meter	4230
Hub Caps - Front	2160
Hub-O-Meter	4210
Hubs & Drums - Front	2150
Hubs & Drums - Rear	1300
Hubs & Rotors - Front	2150
Hubs & Rotors - Rear	1300
I.D. Lamps	3200
Idler Pulley Bracket	1010
Instrument Panel Cover	4090
Instrument Panels	4160
Interior Trim - Cab	4060
Isolation Switch	3170
Isolation Switch - Sleeper Start	3290
Jack	4390
Jake Switch	1030
Lamp - Back-Up	3190
Lamp - Cab Dome	3200

Parts to Master Reference Guide

Description	Mast Ref #
Lamp - Clearance	3200
Lamp - Convenience	3200
Lamp - Driving	3210
Lamp - Emergency Beacon	4390
Lamp - Fog	3210
Lamp - Front Turn Signal & Marker	3260
Lamp - Head	3220
Lamp - Low Air	4170
Lamp - Marker	3200
Lamp - Park Brake Applied Warning	4390
Lamp - Rear Turn & Back-Up	3250
Lamp - Side Marker	3230
Lamp - Spot Light	3240
Lamp - Stop	3250
Lamp - Tail	3250
Lamp - Work	3200
Lamps - Sleeper Interior	3200
Licence Plate Bracket - Rear	3250
Licence Plate Holder	2040
Linkage Accelerator	1130
Lock Sets - Door & Ignition	3321
Louvres - Dash Rectangular (Called Bezal in Parts list)	4020
Louvres - Overhead Round	4090
Low air Buzzer	4170
Low Air Lamp	4170
Low Air Pressure	4230
Low Air Switch	4170
Low Coolant Probe	1020
Low Coolant Probe	1110
Lug Nut Covers - Front	2150
M.V.T. Plumbing	1020
Manifold Exhaust Pipe	3101
Marker Lamp	3200
Mats - Floor	4030
Mirrors - Convex or Spot	4100
Mirrors - Westcoast	4100
Moisture Evector	2260
Moisture Evector	2270
Mounting Cab Front	2060
Mounting Cab Rear	2060
Mounts - Cab Rubber	4070
Mounts Rubber - Sleeper	3390
Mud Flap	4370
Mud Flap	4380

Parts to Master Reference Guide

Description	Mast Ref #
Mud Flap Hanger	4380
Mud Flap Support	4370
Muffler	3100
Muffler Shield	3100
Muffler Support Brackets	3100
Multistat	3070
Name Plate - CUSTOM ENGINEERED	4390
Neutral Safety Switch	3290
Oil - Auxillary Transmission	1180
Oil - Engine	1010
Oil - Rear Axle	1240
Oil - Steering Gear	1340
Oil - Transmission	1160
Oil Cooler - Power Steering	1350
Oil Cooler - Transmission	1160
Oil Dipstick & Tube - Engine	1060
Oil Dipstick & Tube - Transmission	1160
Oil Fill Hose	1060
Oil Filler Tube - Engine	1060
Oil Filter - Transmission	1170
Oil Filter By-Pass - Engine	1070
Oil Filter Full-Flow - Engine	1080
Oil Filter Hose	1080
Oil Filter Hose - Engine	1070
Oil Pan Assembly	1020
Oil Pan Heater	1050
Oil Pan Skid Guard	2040
Oil Pressure Gauge	4170
Oil Pump - Transmission	1160
Oil Seal - Front Axle	2160
Oil Seal - Rear Axle	1310
Oil Temperature Gauge - Brakesaver	1030
Oil Temperature Gauge - Engine	4230
Oil Temperature Gauge - Rear Axle	4240
Oil Temperature Gauge - Transmission	4250
Oil Temperature Sending Unit - Rear Axle	4240
Oil Temperature Sending Unit - Transmission	4250
Overflow Radiator Hose	3050
Overhead Louvres - Round	4090
P.T.O. Adaptor	1100
P.T.O. Auxilliary Transmission	3360
Panel - Dash	4160
Panhard Rod	2240
Park Brake Applied Warning Lamp	4390

Parts to Master Reference Guide

Description	Mast Ref #
Passenger Seat	4110
Pilot Bearing	1140
Piping - Air Starter	3290
Piping - Rear Axle	1240
Pitman Arm	1340
Pogo Stick	2360
Power Steering Belts	1350
Power Steering Cylinder	1350
Power Steering Gear	1340
Power Steering Hose	1350
Power Steering Hose	1360
Power Steering Oil Cooler	1350
Power Steering Pump	1350
Power Steering Pump Pulley	1350
Power Steering Reservoir & Brackets	1360
Precleaner Air Cleaner	3010
Primer Pump	1120
Propeller Shaft - Center Bearing	1220
Propeller Shaft - Interaxle	1230
Propeller Shaft - Interaxle Yokes	1230
Propeller Shaft Yokes	1220
Pulley - Air Compressor	2250
Pulley - Air Conditioning Compressor	4021
Pulley - Alternator	3150
Pulley - Crankshaft	1100
Pulley - Power Steering Pump	1350
Pusher Axle	1320
Pyrometer	4200
Quarter Fenders	4370
Quarter Fenders	4380
Quick Start	1120
Radiator Support	3051
Radiator Adaptors - Bottom	3060
Radiator Assembly	3050
Radiator Coolant	3050
Radiator Grille	4261
Radiator Hoses & Clamps	3060
Radiator Mounting Accessories	3051
Radiator Piping - Bottom	3060
Radiator Piping - Top	3060
Radiator Recirculation Shields	3050
Radiator Shroud	3040
Radiator Shutter	3070
Radiator Sight Glass & Filler Neck	3080

Parts to Master Reference Guide

Description	Mast Ref #
Radio	4390
Radio CB Prep	3321
Rain Shield - Exhaust	4390
Rear Axle	1240
Rear Axle - Brackets	2211
Rear Axle - Breather	1240
Rear Axle - Bump Stop	2211
Rear Axle - Differential Lockout	1240
Rear Axle - Oil	1240
Rear Axle - Oil Seal	1310
Rear Axle - Oil Temperature Gauge	4240
Rear Axle - Oil Temperature Sending Unit	4240
Rear Axle - Piping	1240
Rear Axle - Rod Bracket	2211
Rear Axle - Suspension Beam	2220
Rear Axle - Wheel Bearing Nuts	1240
Rear Axle - Wheel Bearing Seals	1310
Rear Axle - Wheel Bearings	1260
Rear Axle - Wheels Capnuts	1300
Rear Brake Assembly	1270
Rear Brake Chamber	1270
Rear Cast Wheels & Drums	1290
Rear Cast Wheels & Rotor	1290
Rear Disc Wheel Covers	4340
Rear Disc Wheels	4340
Rear Hubs & Drums	1300
Rear Hubs & Rotors	1300
Rear Rim	4360
Rear Rim Clamp	1290
Rear Rim Spacer	1290
Rear Shock Absorbers	2230
Rear Slack Adjuster	1270
Rear Suspension - Crossmember	2080
Rear Suspension - Frame Bracket	2211
Rear Suspension - Hose	2210
Rear Suspension - Panhard Rod	2240
Rear Suspension - Shock Mount Crossmember	2090
Rear Suspension - Spring Bracket	2211
Rear Suspension - Torque Rod	2240
Rear Suspension - Track Rod	2240
Rear Tires	4300
Rear Tow Device	2090
Receiver/Dryer - Air Conditioning	4020
Recirculation Shields - Radiator	3050

Parts to Master Reference Guide

Description	Mast Ref #
Reflectors	4390
Refrigerator	3390
Reservoir & Brackets - Air	2330
Reservoir - Air Start	3290
Restriction Indicator Air Cleaner	3030
Rim - Front	4350
Rim - Rear	4360
Rim Clamp - Front	2140
Rim Clamp - Rear	1290
Rim Spacer - Rear	1290
Rod Bracket - Rear Axle	2211
Roof Fairings	4380
Rotors & Hubs - Front	2150
Rotors & Hubs - Rear	1300
Rust Proofing - Cab	4070
Sander	4380
Seat Belts	4120
Seats	4110
Sending Unit - Fuel Tank	3110
Sending Unit - Rear Axle Oil Temperature	4240
Sending Unit - Transmission Oil Temperature	4250
Separator - Fuel/Water	3140
Shackles - Front Suspension	2180
Shift Cable - Transmission	1160
Shift Control - Auxillary Transmission	1200
Shift Control - Transmission	1160
Shift Lever - Auxiliary Transmission	1200
Shift Lever - Transmission	1160
Shift Lever Boot	4011
Shift Plate - Auxillary Transmission	1180
Shift Plate - Transmission	1160
Shift Unit Axle	1240
Shims - Caster	2180
Shock Absorbers - Front	2190
Shock Absorbers - Rear	2230
Shock Mounting Crossmember - Rear	2090
Shroud Radiator	3040
Shutdown & Alarm & Hose	1110
Shutdown Heat Shield	1110
Shutters	3070
Side Marker Lamp	3230
Skid Guard - Oil Pan	2040
Skid Ramp	3340
Skirt - Cab	4010

Parts to Master Reference Guide

Description	Mast Ref #
Skirt Fuel Tank	4380
Slack Adjuster - Front	2120
Slack Adjuster - Rear	1270
Sleeper Box	3390
Sleeper Box	4010
Sleeper Curtain	4091
Sleeper Heater	4060
Sleeper interior Lamps	3200
Sleeper Rubber Mounts	3390
Sleeper Upholstery	3390
Sleeper Upholstery	4010
Snow Plow Extensions	2040
Spacer - Rim	1290
Speedo/Tach Sensor - Electronic	4210
Speedograph	4210
Speedometer	4210
Speedometer Cable	4210
Speedometer/Tachometer	4210
Spot Light	3240
Spot Mirrors	4100
Spring Bracket - Front Suspension	2200
Spring Bracket - Rear Suspension	2211
Springs - Front Suspension	2180
Starter Motor	3290
Starter Solenoid	3290
Starter Switch - Cab	3290
Starter Switch - Sleeper	3290
Stat - Alarm	1110
Steering Arm	2110
Steering Column Assembly	1340
Steering Cylinder	1350
Steering Gear	1340
Steering Gear Oil	1340
Steering Pump	1350
Steering Shaft	1340
Steering Wheel	1370
Steps	4130
Stop Lamp	3250
Sunvisor	4090
Suspension - Rear	2210
Suspension Beam - Rear Axle	2220
Suspension Brackets - Rear	2211
Switch - Battery Isolation	3170
Switch - Low Air	4170

Parts to Master Reference Guide

Description	Mast Ref #
Switch - Low Air Pressure	4230
Switch - Sleeper Start Isolation	3290
Switch - Starter Cab	3290
Switch - Starter Sleeper	3290
Switch - Turn Signal	3260
Switches & Cab Wiring	3321
Tachograph	4220
Tachometer	4210
Tachometer	4220
Tachometer - Cable	4220
Tachometer - Flexible Shaft	4220
Tail Lamps	3250
Tape Deck	4390
Thermometer	4090
Thermometer	4390
Thermostat Gasket	1010
Throttle - Cruise Control	1130
Throttle - Foot Control Linkage	1130
Throttle - Linkage	1130
Tires - Front	4270
Tires - Rear	4300
Tool Box	4380
Torque Rod	2240
Torque Rod Bracket	2211
Torque Rod Bracket	2240
Tow Device - Rear	2090
Tow Pin Device - Front	2100
Track Rod	2240
Tractor Application Air Pressure Gauge	4190
Tractor Protection System	2280
Tractor/Trailer Power Cable	3300
Trailer Air Lines	2350
Trailer Cable Receptacle	3310
Trailer Emergency Air Pressure Gauge	4190
Trailer Hand Control Brake	2280
Trailer Service Air Pressure Gauge	4190
Transmission	1160
Transmission - Auxiliary	1180
Transmission Breather	1160
Transmission Catspaw Handle	4390
Transmission Frame Mount Brackets - Front	1010
Transmission Hose	1160
Transmission Mount - Rear	1161
Transmission Mount Brackets - Auxiliary	1210

Parts to Master Reference Guide

Description	Mast Ref #
Transmission Mount Brackets - Front	1010
Transmission Mount Rubber - Front	1010
Transmission Oil	1160
Transmission Oil Cooler	1160
Transmission Oil Dipstick & Tube	1160
Transmission Oil Temperature Gauge	4250
Transmission Oil Temperature Sending Unit	4250
Transmission Retarder Control	1160
Transmission Shift Control & Cable	1160
Transmission Shift Lever	1160
Transmission Shift Lever - Auxiliary	1200
Transmission shift lever Boot	4011
Transmission Shift Plate	1160
Transmission Support Rear	1161
Turbo Drain	1020
Turn & Back-Up Lamps - Rear	3250
Turn Signal & Marker Lamps - Front	3260
Turn Signal Switch	3260
Undercoating - Cab	4070
V-Belt - Air Compressor	2250
V-Belt - Air Conditioning Compressor	4021
V-Belt - Alternator	3150
V-Belt - Fan	3040
V-Belt - Power Steering	1350
V-Belt Idler	1010
V-Belt Idler	3150
Valves & Controls - Brakes	2370
Volt Meter	4180
Voltage Regulator	3320
Water Conditioner	3090
Water Filter	3090
Water Filter Hose	3090
Water Temperature Gauge	4230
Westcoast Mirrors	4100
Wheel Bearing Nuts - Rear Axle	1240
Wheel Bearing Seals - Front Axle	2160
Wheel Bearing Seals - Rear Axle	1310
Wheel Bearings - Front Axle	2120
Wheel Bearings - Rear Axle	1260
Wheel Covers - Front	4380
Wheel Nuts - Front	2140
Wheel Nuts - Rear	1290
Wheel Wrench	4390
Wheels & Drums - Front Cast	2140

Parts to Master Reference Guide

Description	Mast Ref #
Wheels & Drums - Rear Cast	1290
Wheels & Rotor - Rear Cast	1290
Wig Wag	4170
Wind Deflector	4390
Window Glass	4040
Windows Air Operated	4040
Windshield Washer	4140
Windshield Washer - Antifreeze	4140
Windshield Wiper	4150
Winter Front	4390
Yokes - Interaxle Propeller Shaft	1230
Yokes Propeller Shaft	1220
Zero Start	1120