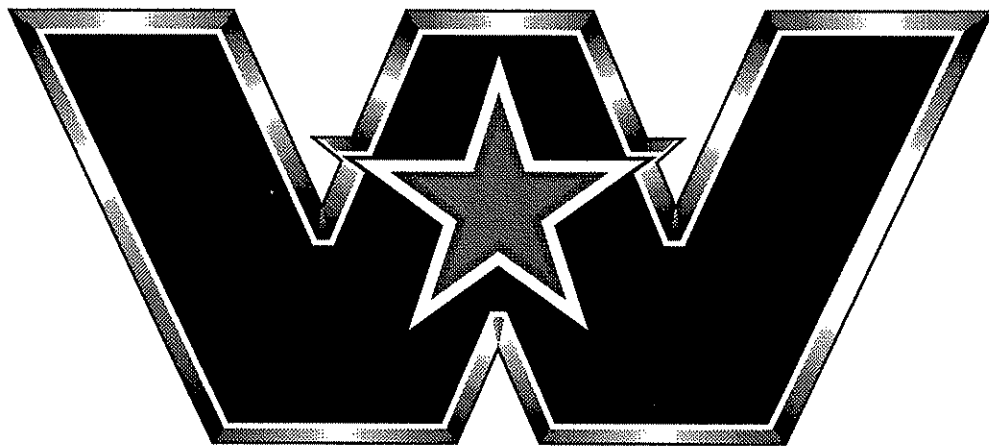
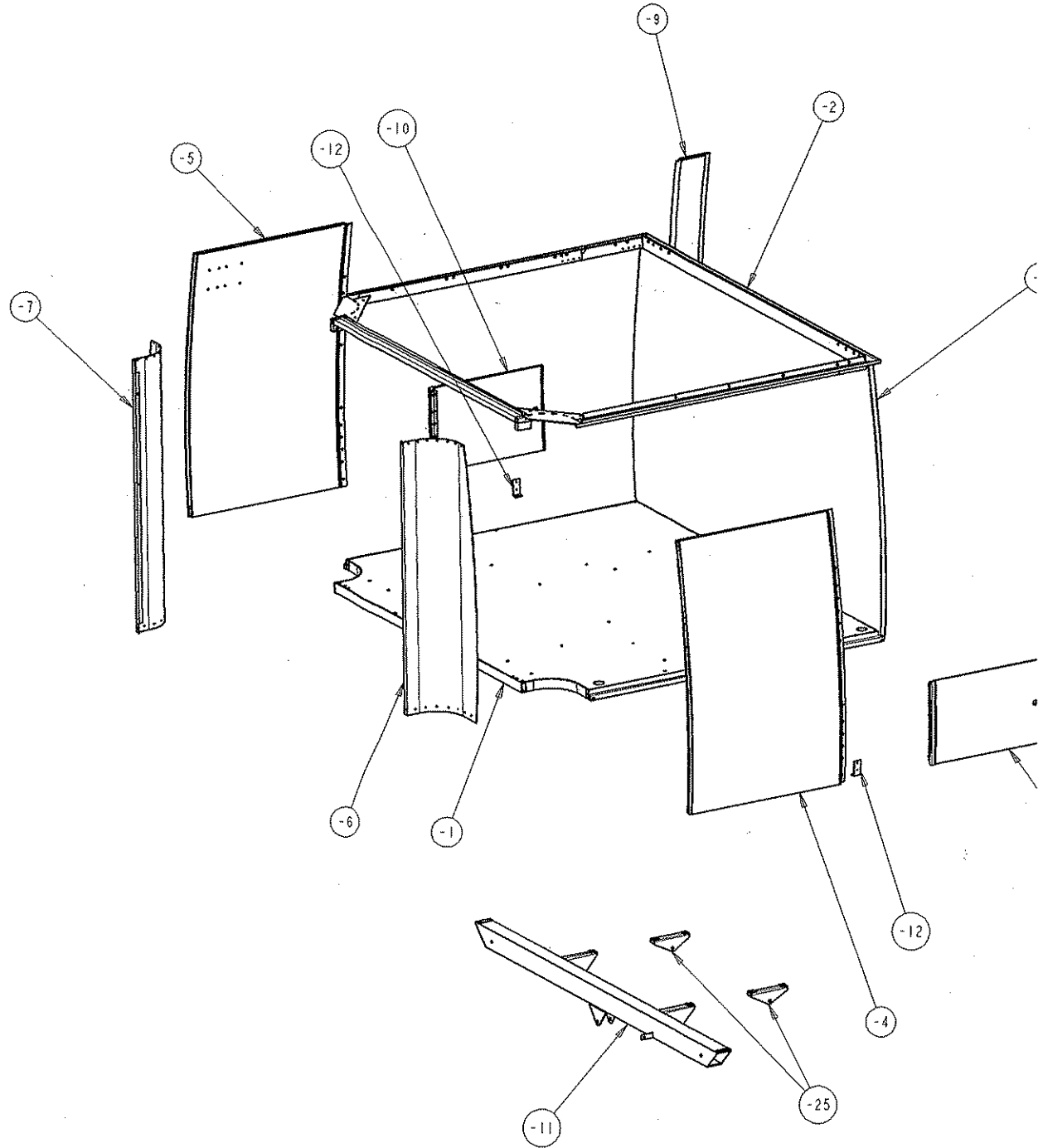


### **INDEX**

	<b>Section</b>	<b>Pages</b>
<b>Sleeper Mounting (Steel Sleeper)</b>	<b>13.0</b>	<b>1-6</b>
<b>Sleeper Structure (Steel Sleeper)</b>	<b>13.1</b>	<b>1-22</b>
<b>Sleeper Interior Trim (Steel Sleeper)</b>	<b>13.2</b>	<b>1-20</b>
<b>Sleeper Interior Electrical (Steel Sleeper)</b>	<b>13.3</b>	<b>1-4</b>
<b>Composite Sleeper Mounting</b>	<b>13.20</b>	<b>1-6</b>
<b>Composite Sleeper Structure</b>	<b>13.21</b>	<b>1-22</b>
<b>Composite Sleeper Shelving &amp; Double Bunk</b>	<b>13.22.1</b>	<b>1-10</b>
<b>Composite Sleeper Upholstery</b>	<b>13.22.2</b>	<b>1-22</b>
<b>Composite Sleeper Curtains</b>	<b>13.22.3</b>	<b>1-4</b>
<b>Composite Sleeper Mattresses</b>	<b>13.22.4</b>	<b>1-4</b>
<b>Composite Sleeper Carpets and Mats</b>	<b>13.22.5</b>	<b>1-4</b>

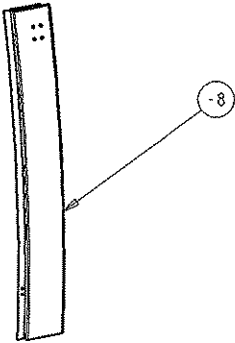


**WESTERN STAR TRUCKS®**  
*The Preferred Choice™*



- NOTES:
1. SLEEVE
  - W. S.
  2. TYPE
  - OTHE
  3. TORQ

ECO	CHG	CHANGE	BY	DATE	CKD	APVD
95817	A	ADDED DRILLING SIZE AND LOCATIONS FOR ITEMS 8, 9, 12 AND 14. ADDED LOCATING DIM FOR ITEM 12, QTY FOR ITEM 16 & 17 WAS 6, QTY FOR ITEM 18 WAS 12, ADDED ITEM 22, ADDED SECTIONS E, F AND G, ADDED ITEM 23 AND TORQUE VALUE, REVISED INTERFACE DIM'S SHT2.	CRG	18JAN98		WMA
100202	B	BOTTOM HOLES Ø25/64 IN ITEMS 63324-3420, 21, 35 WERE Ø11/32 - TOTAL 3 PER SIDE.	TGM	22OCT98		
103237	C	ADDED VENDOR INSTALLATION OF STORAGE COMPARTMENT DOOR CABLES (633A1-3555)	BRS	19990325		PJD
88255	D	ADDED ITEM 25 (P/N 63324-3434); QUANTITIES OF ITEMS 16, 17 & 18 WERE 8, 8 & 16 RESPECTIVELY	PJM	21JUNE99		PAF
106920	E	ADDED 63322-7002	BRS	19991203		BGK
107077	F	ADDED 63398-3571 AND 63398-3572 (SHEET 4)	SIN	15DEC99		PJD
108320	G	SET UP DEDICATED FRAME (ITEM -2) AND ADDED CABINET MOUNTING DRILLINGS FOR 63322-7002 63322-7002 RELEASED FOR PRODUCTION	BRS	20000315		BGK
111665	H	REVISED COMP -4, -5, NON CURRENTED 63322-3495	TPK	20NOV00		JB
111808	J	REVISED COMP -1, -12	SP	05DEC00		JB
111507	K	COMP. -6: 63324-3418 REPLACED WITH 63324-3513 AND COMP. -7: 63324-3419 REPLACED WITH 63324-3514.	HTM	18DEC00		JB
112239	L	ADDED 63322-7048, REVISED COMP. -3, CORRECTED PART NUMBERS FOR COMP -6 AND -7, REMOVED COMP -28 AND -29 (LHS AND RHS CABINET DRILLINGS)	JB	12JAPR01		JB



(G)	1	1	1	-27	DRLG LUGG DOOR SWITCH-RHS	63398-3572	
(F)	1	1	1	-26	DRLG LUGG DOOR SWITCH-LHS	63398-3571	
	2	2	2	-25	ASSEMBLY - SHOCK MOUNT	63324-3434	
	1	1	1	-24	VEND INST-DOOR CABLES	633A1-3555	
	AR	AR	AR	-23	LOCTITE		
	AR	AR	AR	-22	SEALANT, SIKA 251S	6479-3416	
(A)	8	8	8	-21	WASHER, PLATED	1/4	
	8	8	8	-20	NUT, GD 5	1/4-20	
	AR	AR	AR	-19	ADHESIVE, SIKA 252	4101-3420	
	24	24	24	-18	WASHER, PLATED	5/16Ø	
	12	12	12	-17	NUT, GD 5 NYLOC	5/16UNF	
	12	12	12	-16	BOLT, GD 5 PLATED	5/16UNF	2.75 LONG
(A)	4	4	4	-15	RIVET, CHERRY	3/16Ø	.50 GRIP
	10	10	10	-14	RIVET, CHERRY	3/16Ø	.375 GRIP
	32	32	32	-13	RIVET, CHERRY	3/16Ø	.25 GRIP
	2	2	2	-12	CLIP, BODYSIDE		63324-3435
	1	1	1	-11	ASSY, SUPPORT BEAM		63324-3432
	2	2	2	-10	ASSY, LUGGAGE DOOR		63324-3429
	1	1	1	-9	POST, RH REAR		63324-3421
	1	1	1	-8	POST, LH REAR		63324-3420
(K)	1	1	1	-7	PANEL, RH FRONT QTR		63324-3514
	1	1	1	-6	PANEL, LH FRONT QTR		63324-3513
	1	1	1	-5	ASSY, 76" RH BODYSIDE		63324-3416
	1	1	1	-4	ASSY, 76" LH BODYSIDE		63324-3414
	1	1	1	-3	ASSEMBLY, BACK PANEL		63322-7013
	1	1	1	-2	FRAME, 76" DRIP RAIL		63324-3502
(M) (G)	-	-	-	-2	FRAME, 76" DRIP RAIL		63324-3409
	-	-	-	-1	FLOOR ASSY COMPLETE		63324-7121
	-	-	-	-1	FLOOR ASSY COMPLETE		63324-3499
	-	-	-	-1	FLOOR ASSY COMPLETE		63324-3401

NEW	REV	DESCRIPTION	SIZE	MATERIAL
JNK	63322-7048			
MP	63322-7002			
MP	63322-3495			
<b>WESTERN STAR TRUCKS INC</b> COMPUTER GRAPHICS KELOWNA, B.C.				
TOLERANCES UNLESS NOTED:				
MACHINING			± .02 INCH	BY DATE
HOLE CENTERS			± .02 INCH	CKD WMA 30JUL97
HOLE DIAMETERS			± .02 INCH	APVD PJD 21NOV97
LINEAR			± .06 INCH	ECO 94026
ANGULAR			± 1/2 °	SCALE 1/16

TO BE ASSEMBLED IN ACCORDANCE WITH  
 I. 4104-3403  
 ALL BOND LINE .125" THK x .625" WIDE UNLESS  
 OTHERWISE NOTED.  
 ITEM 20 TO 40 IN/LBS.

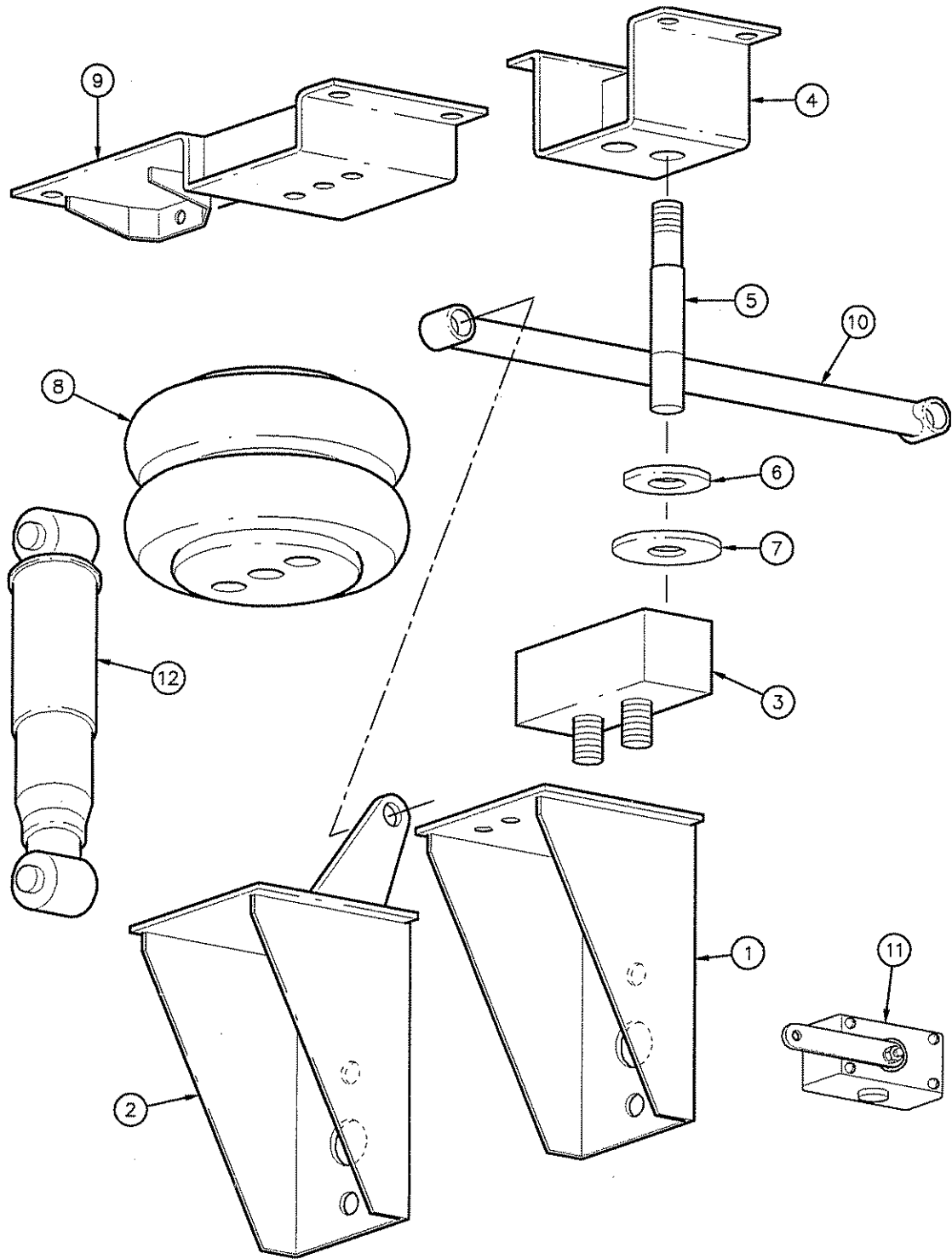
63322-3495  
 PRINT ISSUE DATE

**TABLE OF CONTENTS**

	<b>Section</b>	<b>Page</b>
<b>Sleeper Mounting .....</b>	<b>13.0.1 .....</b>	<b>2-3</b>
<b>Cab and Sleeper Interface .....</b>	<b>13.0.2 .....</b>	<b>4-5</b>

*Note: This publication is a generic parts book. Components may vary with different applications. For applications other than listed below the parts listings see the appropriate Bill of Material by truck serial number and use this publication as a guide only.*

**SLEEPER 13**



# SLEEPER SLEEPER MOUNTING

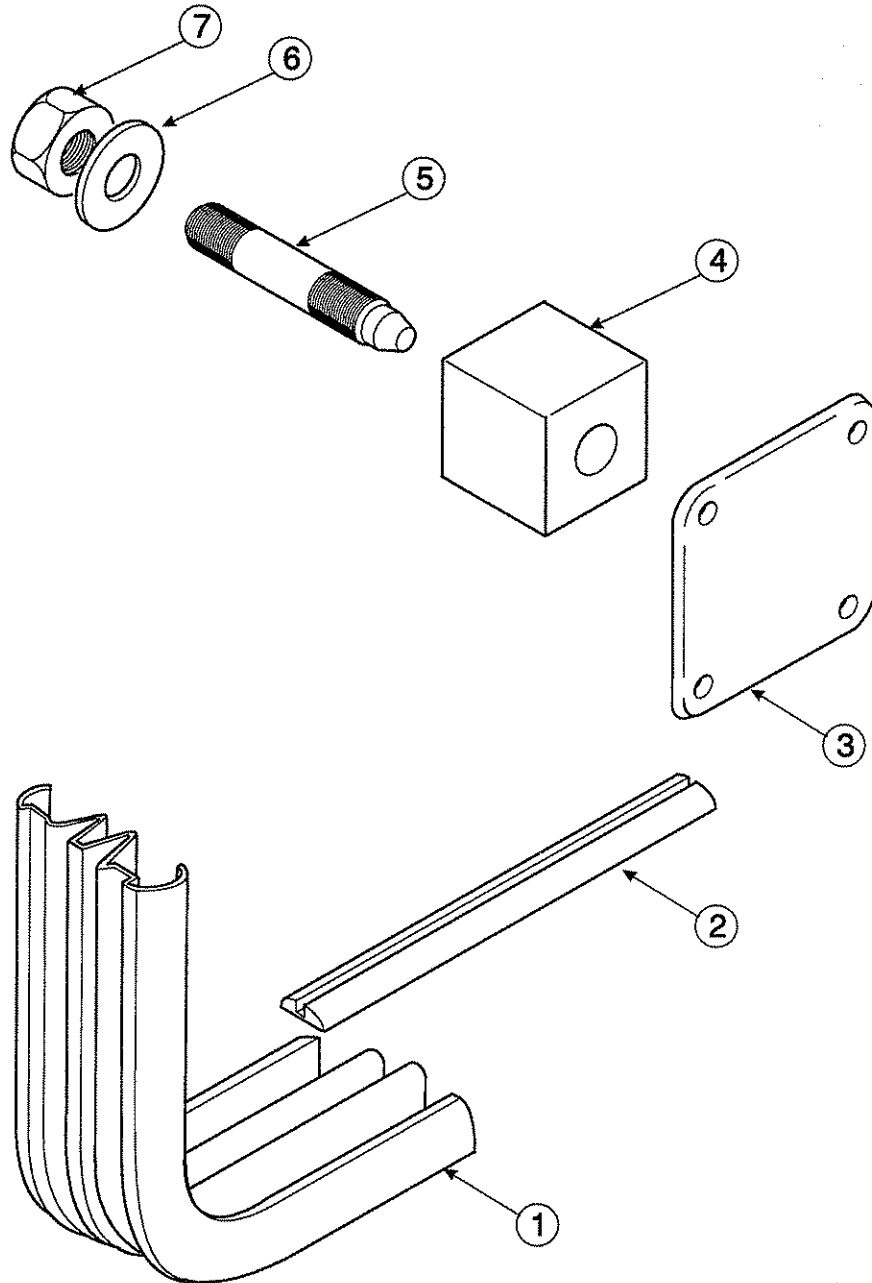
13.0.1

## SLEEPER MOUNTING

Item	Description	Part Number	Qty
1	Bracket, Frame, Bumper Limit	63303-3445	2
2	Bracket, Frame, Mount RH	63303-3454	1
2	Bracket, Frame, Mount LH	63303-3453	1
3	Rubber, Rebound	110-13-341	2
4	Bracket, Bumper Limit LH	63303-3446	1
4	Bracket, Bumper Limit RH	63303-3447	1
5	Limit Stud	66011-3401	2
6	Washer, Rebound	105-13-872	2
7	Washer, Rebound	66016-3403	2
8	Air Bag	66003-3404	2
9	Bracket, Sleeper Mounting LH	63303-3441	1
9	Bracket, Sleeper Mounting RH	63303-3456	1
10	Tie Rod	63303-3455	1
11	Valve, height control 604 cab	66007-3401	1
12	Shock Absorber	66010-3404	2

*Specific BOMs listed:* 3398-005-00/08

**SLEEPER 13**

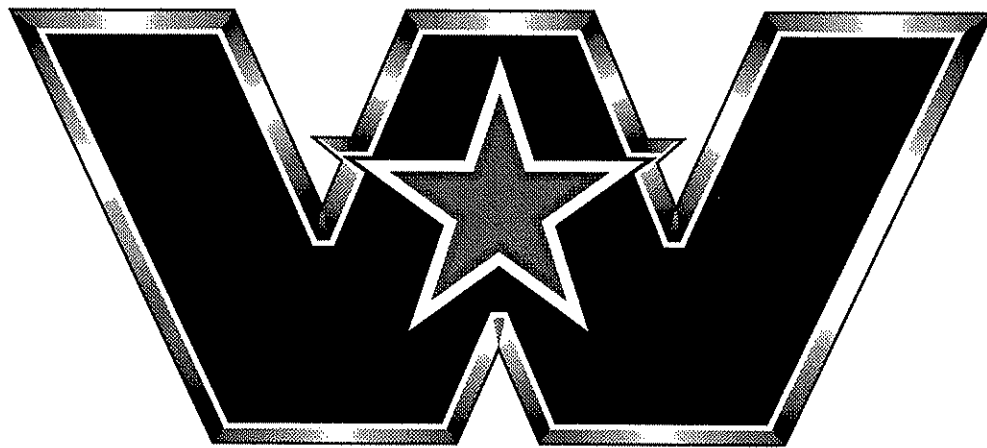


### CAB AND SLEEPER INTERFACE

Item	Description	Part Number	Qty
1	Sleeper Boot, Constellation Cab	63306-3470	1
2	Extrusion, Sleeper Boot	63306-3487	1
3	Trim Cover, Cab and Sleeper Interface	63316-3521	2
4	Spacer Block	63306-3471	4
5	Stud, Cab and Sleeper attaching	63306-3496	4
6	Washer, Cab and Sleeper attaching	4011-3415	4
7	Nut, Locking Cad .62-188	637372	4

Steel Sleeper Only  
Composite Sleeper No Boot

*Specific BOMs listed:* 4098-001-01/06, 4098-002-01/14, 4098-004-01/08, 3398-005-01/08



**WESTERN STAR TRUCKS®**  
*The Preferred Choice™*

# CONSTELLATION STEEL SLEEPERS

## SLEEPER STRUCTURE

13.1

### TABLE OF CONTENTS

	Section	Page
Sleeper Assemblies (Constellation Steel Sleeper)	13.1.1	2-3
Constellation Sleeper Body Shell	13.1.2	4-11
Constellation Sleeper Understructure	13.1.3	12-13
Constellation Sleeper Door Latches and Linkage	13.1.4	14-15
Constellation Sleeper Exterior Attaching Parts	13.1.5	16-17
Constellation Fiberglass Sleeper Skirts	13.1.6	18-19
Constellation Sleeper Air Fairings	13.1.8	20-21

*Note: This publication is a generic parts book. Components may vary with different applications. For applications other than listed after the parts listings, see the appropriate Bill of Material by truck serial number, and use this publication as a guide only.*

*Western Star Sleepers come with a variety of different options on the original truck order. If replacing a sleeper shell that came with options it may be necessary to order a basic sleeper, and add options later.*

*The following charts list the part numbers of sleeper shells that may be ordered with the original truck order. The supersession list shows PDC supersessions for replacement sleepers. Note: With PDC supersessions it may be necessary to order replacement upholstery for certain panels.*

45" Sleepers						
Sleeper P/N	CabcoP/N	Exit Door	Low Roof	Fairing	Deflector	Replacement Supersession
63320-3495	CS-00001	●	●			
63320-3581	CS-00011		●			63320-3495
63322-3461	CS-00037	●	●	●		63320-3495
63322-3462	CS-00038		●	●		63320-3495
63322-3463	CS-00039	●	●		●	63320-3495
63322-3464	CS-00040		●		●	63320-3495

58" Sleepers								
Sleeper P/N	CabcoP/N	Exit Door	Hi Roof	Low Roof	Sunroof	Window	Fairing	Replacement Supersession
63320-3494	CS00002	●		●				
63320-3571	CS00003	●	●					
63320-3580	CS00008	●	●		●			63320-3571
63320-3585	CS00009	●	●			●		63320-3571
63320-3584	CS00010	●	●		●	●		63320-3571
63320-3582	CS00012			●				63320-3494
63320-3591	CS00013		●					63320-3571
63320-3593	CS00015		●		●			63320-3571
63320-3596	CS00016		●			●		63320-3571
63320-3597	CS00017		●		●	●		63320-3571
63322-3438	CS00021	●	●					63320-3571
63322-3428	CS00022	●	●			●	●	63320-3571
63322-3427	CS00023	●	●		●		●	63320-3571
63322-3429	CS00024	●	●		●	●	●	63320-3571
63322-3439	CS00033		●				●	63320-3571
63322-3430	CS00034		●		●		●	63320-3571
63322-3431	CS00035		●				●	63320-3571
63322-3432	CS00036		●		●	●	●	63320-3571

# CONSTELLATION STEEL SLEEPERS

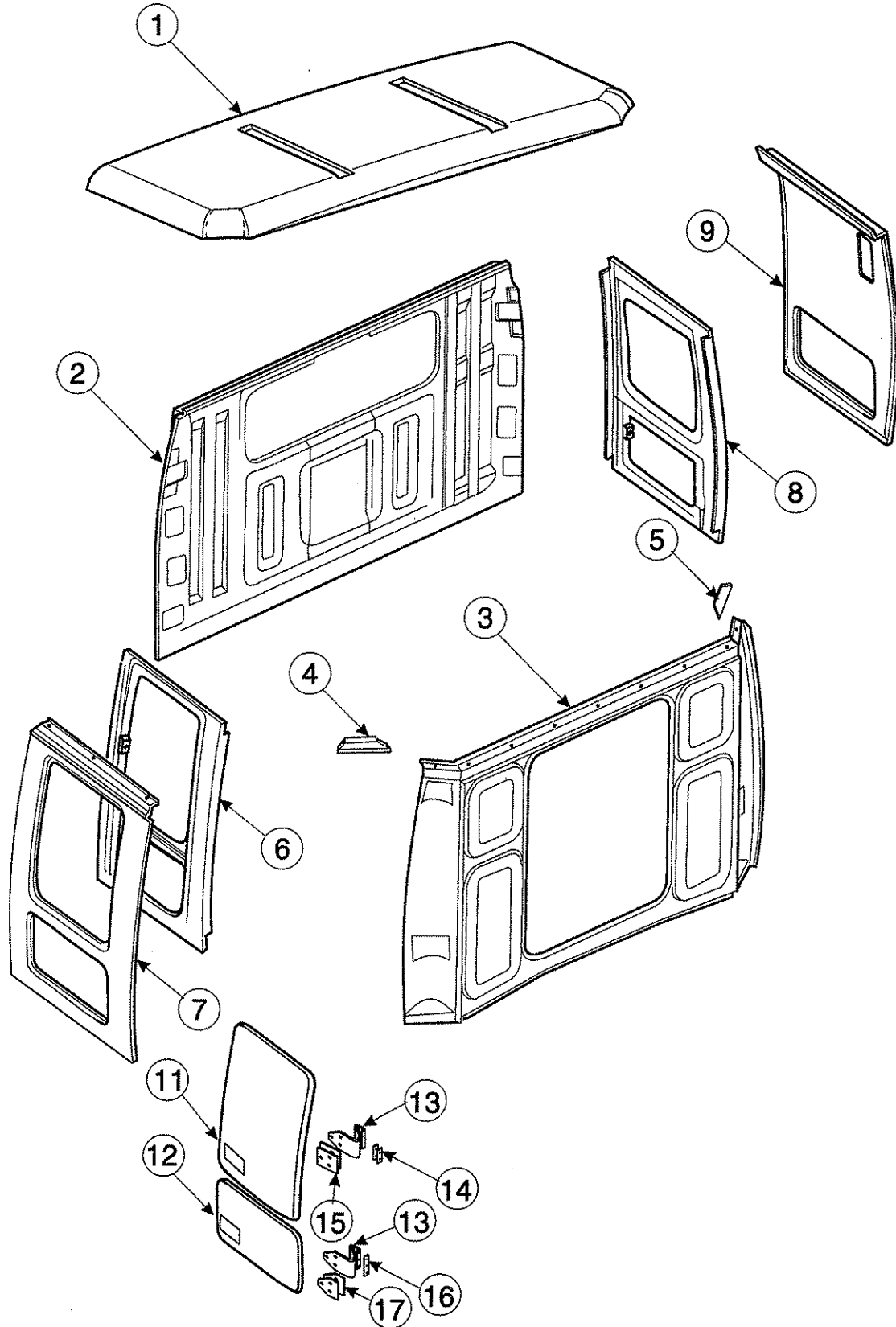
13.1.1

## SLEEPER ASSEMBLIES

72" Sleepers							
Sleeper P/N	Cabco P/N	Exit Door	Hi Roof	Sunroof	Window	Fairing	Replacement Supersession
63320-3493	CS00004	●	●				
63320-3577	CS00005	●	●	●			63320-3578
63320-3578	CS00006	●	●		●		
63320-3576	CS00007	●	●	●	●		63320-3578
63320-3592	CS00014		●				63320-3578
63320-3598	CS00018		●	●			63320-3578
63320-3599	CS00019		●		●		63320-3578
63322-3401	CS00020		●	●	●		63320-3578
63322-3436	CS00025	●	●			●	63320-3578
63322-3425	CS00026	●	●		●	●	63320-3578
63322-3424	CS00027	●	●	●		●	63320-3578
63322-3426	CS00028	●	●	●	●	●	63320-3578
63322-3437	CS00029		●			●	63320-3578
63322-3433	CS00030		●	●		●	63320-3578
63322-3434	CS00031		●		●	●	63320-3578
63322-3435	CS00032		●	●	●	●	63320-3578

**Specific BOMs listed: 3398-001-ALL, 3398-002-ALL, 3398-003-ALL, 3398-004-ALL**

**SLEEPERS 13**



# CONSTELLATION STEEL SLEEPERS

## BODY SHELL

13.12

### 45" Sleepers Basic - No door

1	Roof Assy, 45" Low	63301-3538	1
2	Assy, Rear Panels	63305-3437S	1
3	Assy, Front Panels	63305-3434S	1
4	Reinforcing, Upper Quarter Panel, RH	63309-3519S	1
5	Reinforcing, Upper Quarter Panel LH	63309-3518S	1
6	Bodyside Inner, Non Exit Door, 45" RH	63305-3457S	1
7	Bodyside, Outer, Non Exit Door, 45" RH	63305-3481S	1
8	Bodyside, Inner, Non Exit Door, 45" LH	63305-3456S	1
9	Bodyside, Outer, Non Exit Door, 45" LH	63305-3480S	1
12	Assy, Luggage Door Shell LH	63307-3471S	1
12	Assy, Luggage Door Shell RH	63307-3472S	1
13	Sleeper Hinge Assy, Luggage Door	50260-3416	2
16	Gasket, Hinge, Luggage Door	50260-3432	2
16	Spacer, Hinge, Luggage Door	50260-3433	1
17	Gasket, Hinge, Luggage Door	50260-3427	2
-	Plate, Hinge Reinforcing, Passenger Door	63307-3528	2
-	Tapped Plate, Striker	63311-3414	2
-	Tapped Plate, Hinge Bodyside LH	63307-3512	2
-	Butyl Sealant, Roof Cap to Cantrail	6479-3403	18ft.
—	Assy, Understructure 42"	63309-3476S	1

### RH Exit Door

6	Bodyside Inner, with Exit Door, 45" RH	63305-3491S	1
7	Bodyside, Outer, with Exit Door, 45" RH	63305-3472S	1
11	Passenger Door Shell	63307-3466S	1
13	Sleeper Hinge Assy, Passenger Door	50260-3417	2
14	Gasket, Hinge, Sleeper Passenger Door	50260-3430	2
15	Gasket, Hinge, Sleeper Passenger Door	50260-3426	2

### Extra Reinforcing in Sleeper Roof for Wind Deflector

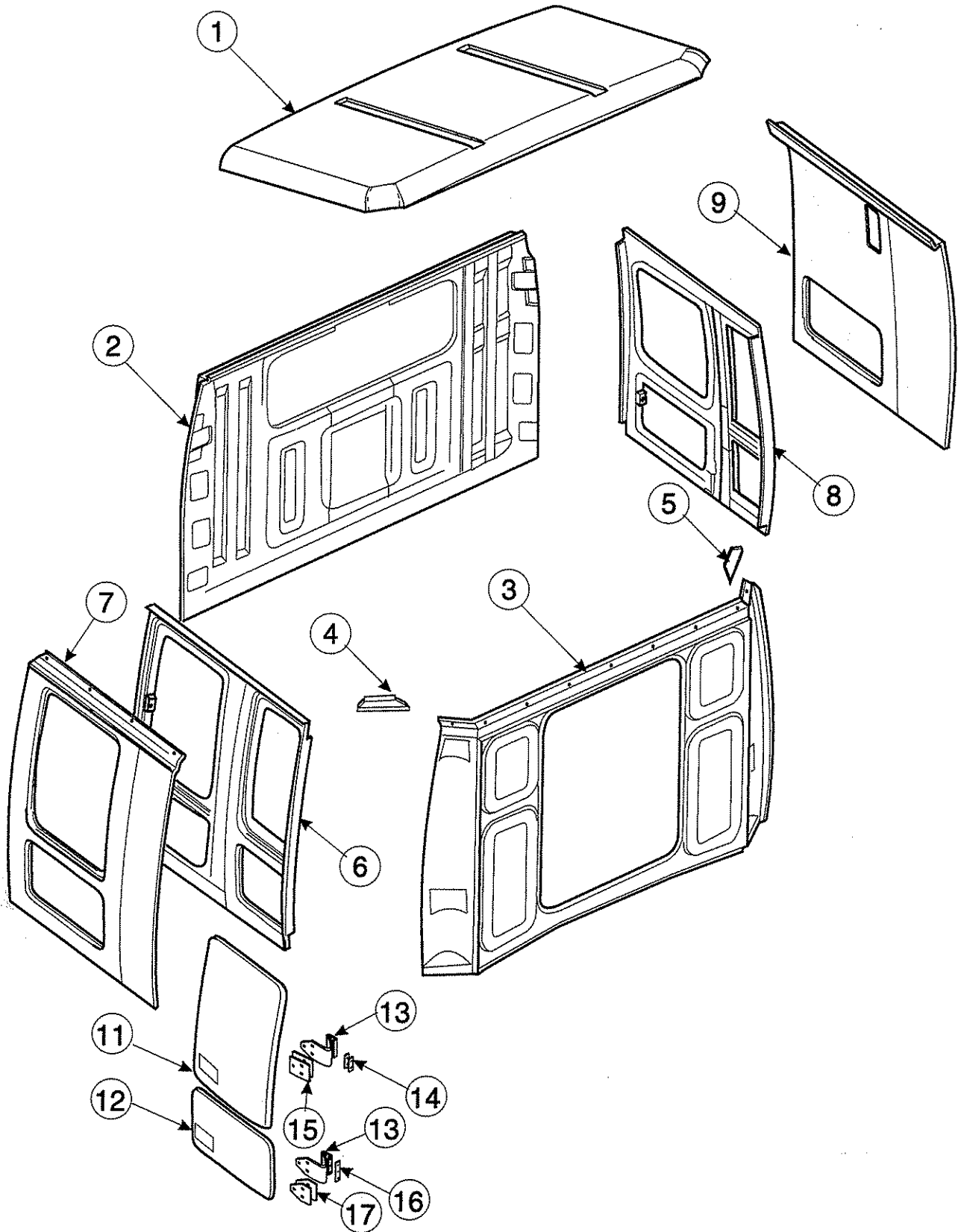
1	Roof Assy, 45" Low, with Wind Deflector	63301-3572	1
-	- Roof	63301-3538	1
-	- Support Channel RHS	62103-3408	1
-	- Support Channel LHS	62103-3407	1

### Extra Reinforcing in Sleeper Roof for Wind Deflector and Fairing Package

1	Roof Assy, 45" Low, with Wind Deflector	63301-3573	1
-	- Roof	63301-3538	1
-	- Nutplate	62102-3528	8

**Specific BOMs listed: 3398-004-ALL**

**SLEEPERS 13**



# CONSTELLATION STEEL SLEEPERS

13.12

## BODY SHELL

### 58" Sleepers

#### Basic - No door, Low Roof

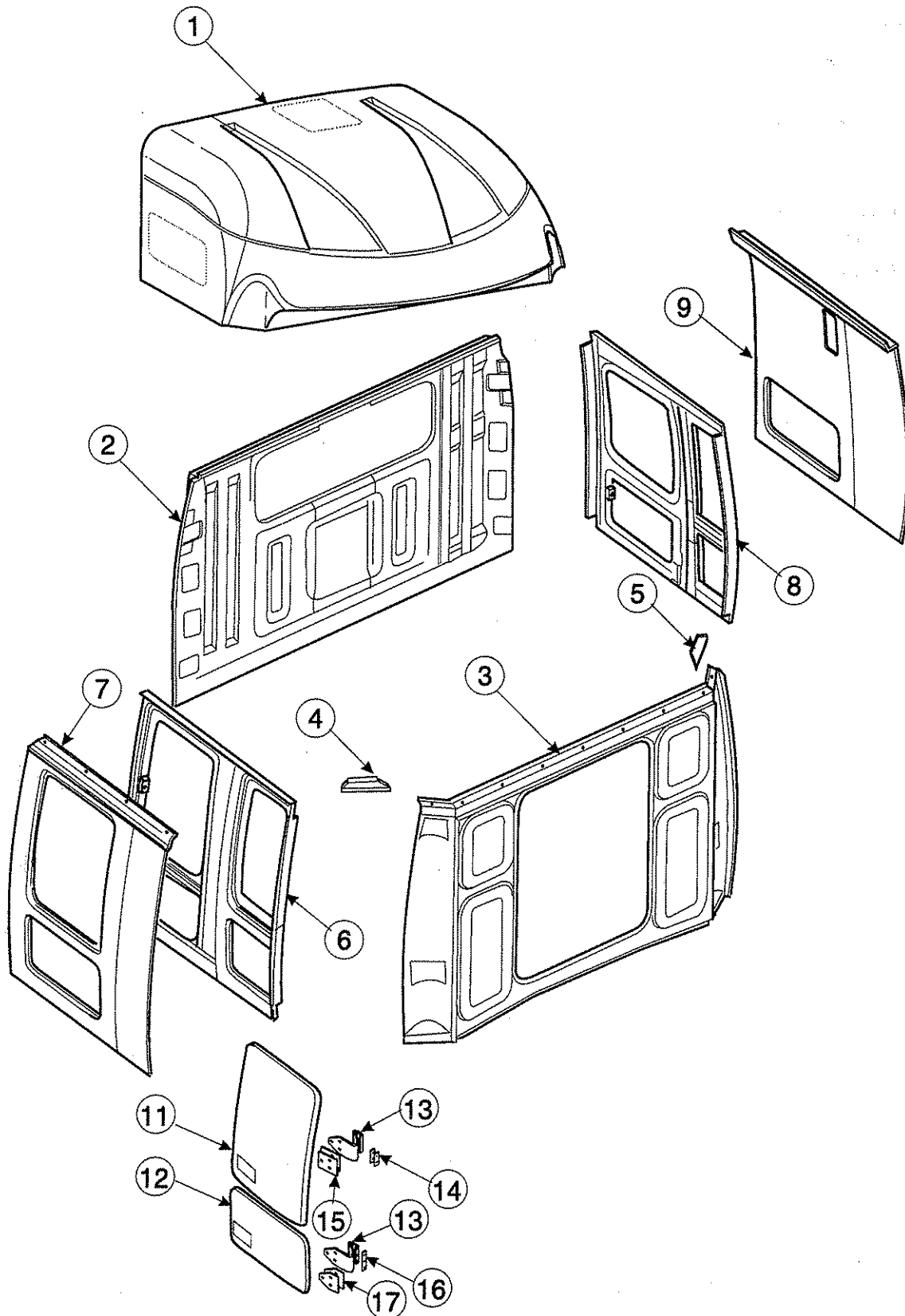
1	Roof Assy, 58" Low	63301-3539	1
2	Assy, Rear Panels	63305-3437S	1
3	Assy, Front Panels	63305-3434S	1
4	Reinforcing, Upper Quarter Panel, RH	63309-3519S	1
5	Reinforcing, Upper Quarter Panel LH	63309-3518S	1
6	Bodyside Inner, Non Exit Door, 58" RH	63305-3446S	1
7	Bodyside, Outer, Non Exit Door, 58" RH	63305-3484S	1
8	Bodyside, Inner, Non Exit Door, 58" LH	63305-3445S	1
9	Bodyside, Outer, Non Exit Door, 58" LH	63305-3478S	1
12	Assy, Luggage Door Shell LH	63307-3471S	1
12	Assy, Luggage Door RH	63307-3472S	1
13	Sleeper Hinge Assy, Luggage Door	50260-3416	2
16	Gasket, Hinge, Luggage Door	50260-3432	2
16	Spacer, Hinge, Luggage Door	50260-3433	1
17	Gasket, Hinge, Luggage Door	50260-3427	2
-	Plate, Hinge Reinforcing, Passenger Door	63307-3528	2
-	Tapped Plate, Striker	63311-3414	2
-	Tapped Plate, Hinge Bodyside LH	63307-3512	2
-	Butyl Sealant, Roofcap to Cantrail	6479-3403	18ft.
—	Assy, Understructure, 58"	63309-3475S	1

#### RH Exit Door

6	Bodyside Inner, with Exit Door, 58" RH	63305-3489S	1
7	Bodyside, Outer, with Exit Door, 58" RH	63305-3470S	1
11	Passenger Door Shell	63307-3466S	1
13	Sleeper Hinge Assy, Passenger Door	50260-3417	2
14	Gasket, Hinge, Sleeper Passenger Door	50260-3430	2
15	Gasket, Hinge, Sleeper Passenger Door	50260-3426	2

Specific BOMs listed: 3398-003-ALL

SLEEPERS 13



# CONSTELLATION STEEL SLEEPERS

13.12

**BODY SHELL****58" Sleepers****Basic - No Exit Door, Hi Roof**

1	Roof Assy, 58" Hi	(see list below)	1
2	Assy, Rear Panels	63305-3437S	1
3	Assy, Front Panels	63305-3434S	1
4	Reinforcing, Upper Quarter Panel, RH	63309-3519S	1
5	Reinforcing, Upper Quarter Panel LH	63309-3518S	1
6	Bodyside Inner, Non Exit Door, 58" RH	63305-3446S	1
7	Bodyside, Outer, Non Exit Door, 58" RH	63305-3484S	1
8	Bodyside, Inner, Non Exit Door, 58" LH	63305-3445S	1
9	Bodyside, Outer, Non Exit Door, 58" LH	63305-3478S	1
12	Assy, Luggage Door Shell LH	63307-3471S	1
12	Assy, Luggage Door Shell RH	63307-3472S	1
13	Sleeper Hinge Assy, Luggage Door	50260-3416	2
16	Gasket, Hinge, Luggage Door	50260-3432	2
16	Spacer, Hinge, Luggage Door	50260-3433	1
17	Gasket, Hinge, Luggage Door	50260-3427	2
-	Plate, Hinge Reinforcing, Passenger Door	63307-3528	2
-	Tapped Plate, Striker	63311-3414	2
-	Tapped Plate, Hinge Bodyside LH	63307-3512	2
-	Butyl Sealant, Roofcap to Cantrail	6479-3403	18ft.
—	Assy, Understructure, 58"	63309-3475S	1

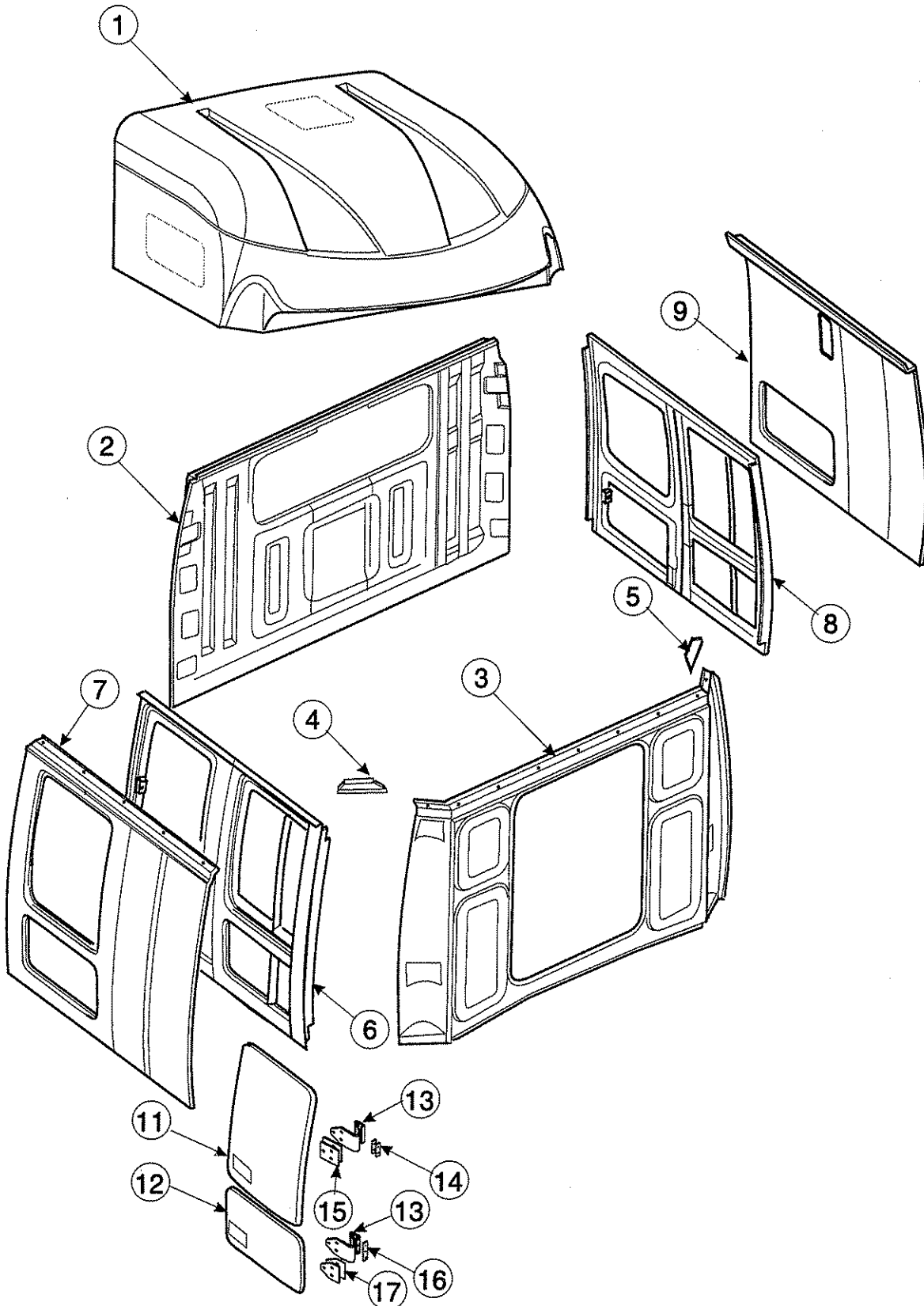
**RH Exit Door**

6	Bodyside Inner, with Exit Door, 58" RH	63305-3489S	1
7	Bodyside, Outer, with Exit Door, 58" RH	63305-3470S	1
11	Passenger Door Shell	63307-3466S	1
13	Sleeper Hinge Assy, Passenger Door	50260-3417	2
14	Gasket, Hinge, Sleeper Passenger Door	50260-3430	2
15	Gasket, Hinge, Sleeper Passenger Door	50260-3426	2

**Hi Roof**

1	Hi Roof, Plain 58"	63301-3540	1
1	Hi Roof, With Sunroof cutout 58"	63301-3558	1
1	Hi Roof, With Windows cutout 58"	63301-3560	1
1	Hi Roof, With Sunroof and Windows cutout 58"	63301-3562	1
1	Hi Roof, Plain with fairing prep 58"	63301-3564	1
1	Hi Roof, Sunroof cutout and fairing prep 58"	63301-3568	1
1	Hi Roof, Windows cutout and fairing prep 58"	63301-3566	1
1	Hi Roof, Sunroof, Windows cut, fairing prep 58"	63301-3569	1
-	- Nut Plate, 2 x 3/8 - 24, fairing reinforcement	62402-3404	2
-	- Nut Plate, 1 x 3/8 - 16, fairing reinforcement	62102-3528	9

**Specific BOMs listed: 3398-002-ALL****SLEEPERS 13**



# CONSTELLATION STEEL SLEEPERS

## BODY SHELL

13.12

### 72" Sleepers

#### Basic - No Exit Door, Low Roof

Item	Description	Part Number	Qty
1	Roof Assy, 72" Hi	63301-3541	1
2	Assy, Rear Panels	63305-3437S	1
3	Assy, Front Panels	63305-3434S	1
4	Reinforcing, Upper Quarter Panel, RH	63309-3519S	1
5	Reinforcing, Upper Quarter Panel LH	63309-3518S	1
6	Bodyside Inner, Non Exit Door, 72" RH	63305-3436S	1
7	Bodyside, Outer, Non Exit Door, 72" RH	63305-3483S	1
8	Bodyside, Inner, Non Exit Door, 72" LH	63305-3435S	1
9	Bodyside, Outer, Non Exit Door, 72" LH	63305-3482S	1
12	Assy, Luggage Door Shell LH	63307-3471S	1
12	Assy, Luggage Door Shell RH	63307-3472S	1
13	Sleeper Hinge Assy, Luggage Door	50260-3416	2
16	Gasket, Hinge, Luggage Door	50260-3432	2
16	Spacer, Hinge, Luggage Door	50260-3433	1
17	Gasket, Hinge, Luggage Door	50260-3427	2
-	Tapped Plate, Hinge Bodyside LH	63307-3512	2
-	Plate, Hinge Reinforcing, Passenger Door	63307-3528	2
-	Tapped Plate, Striker	63311-3414	2
—	Assy, Understructure, 72"	63309-3470S	1

#### RH Exit Door

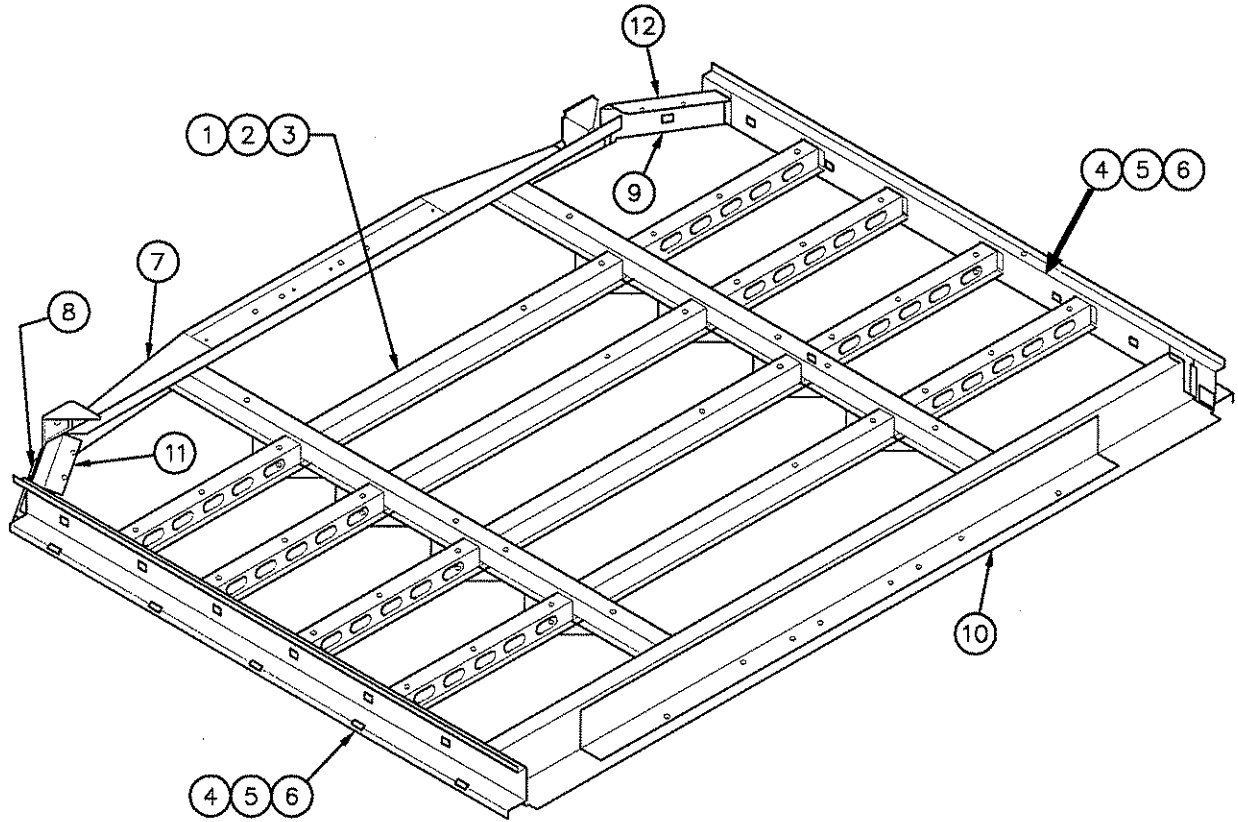
6	Bodyside Inner, with Exit Door, 72" RH	63305-3487S	1
7	Bodyside, Outer, with Exit Door, 72" RH	63305-3468S	1
11	Passenger Door Shell	63307-3466S	1
13	Sleeper Hinge Assy, Passenger Door	50260-3417	2
14	Gasket, Hinge, Sleeper Passenger Door	50260-3430	2
15	Gasket, Hinge, Sleeper Passenger Door	50260-3426	2

#### Hi Roof

1	Hi Roof, Plain 72"	63301-3541	1
1	Hi Roof, With Sunroof cutout 72"	63301-3557	1
1	Hi Roof, With Windows cutout 72"	63301-3559	1
1	Hi Roof, With Sunroof and Windows cutout, 72"	63301-3561	1
1	Hi Roof, Plain with fairing prep, 72"	63301-3565	1
1	Hi Roof, Windows cut and fairing prep, 72"	63301-3567	1
1	Hi Roof, Sunroof cut and fairing prep, 72"	63301-3570	1
1	Hi Roof, Sunroof, Windows cut, fairing prep, 72"	63301-3571	1
-	- Nut Plate, 2 x 3/8 - 24, fairing reinforcement	62402-3404	2

Specific BOMs listed: 3398-001-ALL, 3398-002-ALL, 3398-003-ALL, 3398-004-ALL

SLEEPERS 13



# CONSTELLATION STEEL SLEEPERS

## UNDERSTRUCTURE

13.1.3

### SLEEPER UNDERSTRUCTURE ASSEMBLY (PART OF COMPLETE SLEEPER ASSEMBLY)

#### 45" SLEEPER

Item	Description	Service P/N	Qty
	UNDERSTRUCTURE ASSEMBLY, SLEEPER 45"	63309-3476S	1
1	Ladder Frame Assembly, 45" Sleeper	63309-3477S	1
4	Sill Inner, 45" Sleeper	63309-3479S	2
7	Crossmember Front Assembly	63309-3480S	1
8	Quarter Crossmember LH	63309-3466S	1
9	Quarter Crossmember RH	63309-3467S	1
10	Rear Crossmember Assembly	63309-3469S	1
11	Quarter Crossmember Closer LH	63305-3416S	1
12	Quarter Crossmember Closer RH	63305-3417S	1

#### 58" SLEEPER

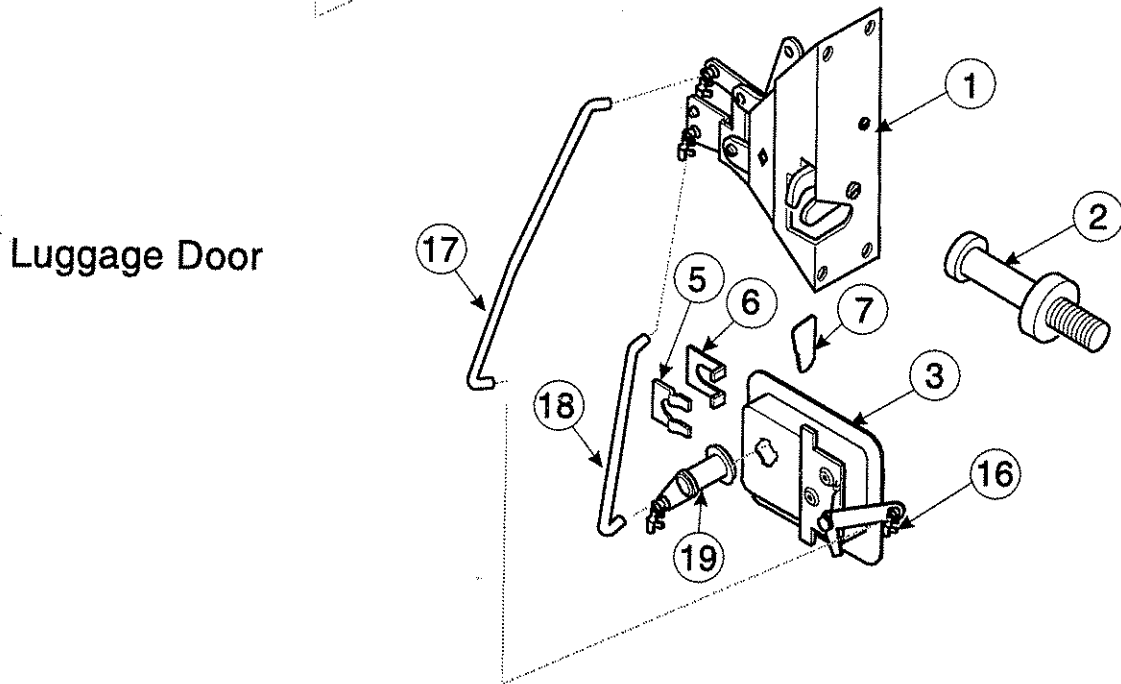
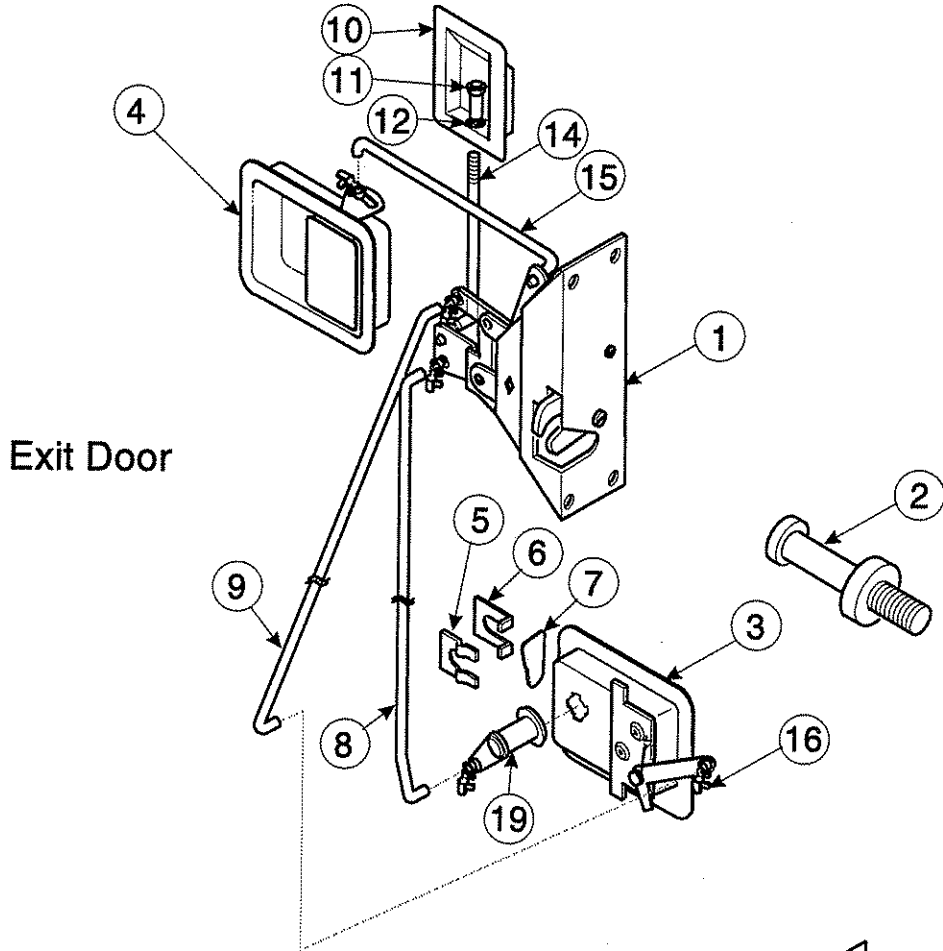
Item	Description	Service P/N	Qty
	UNDERSTRUCTURE ASSEMBLY, SLEEPER 58"	63309-3475S	1
2	Ladder Frame Assembly, 58" Sleeper	63309-3473S	1
5	Sill Inner, 58" Sleeper	63309-3474S	2
7	Crossmember Front Assembly	63309-3480S	1
8	Quarter Crossmember LH	63309-3466S	1
9	Quarter Crossmember RH	63309-3467S	1
10	Rear Crossmember Assembly	63309-3469S	1
11	Quarter Crossmember Closer LH	63305-3416S	1
12	Quarter Crossmember Closer RH	63305-3417S	1

#### 72" SLEEPER

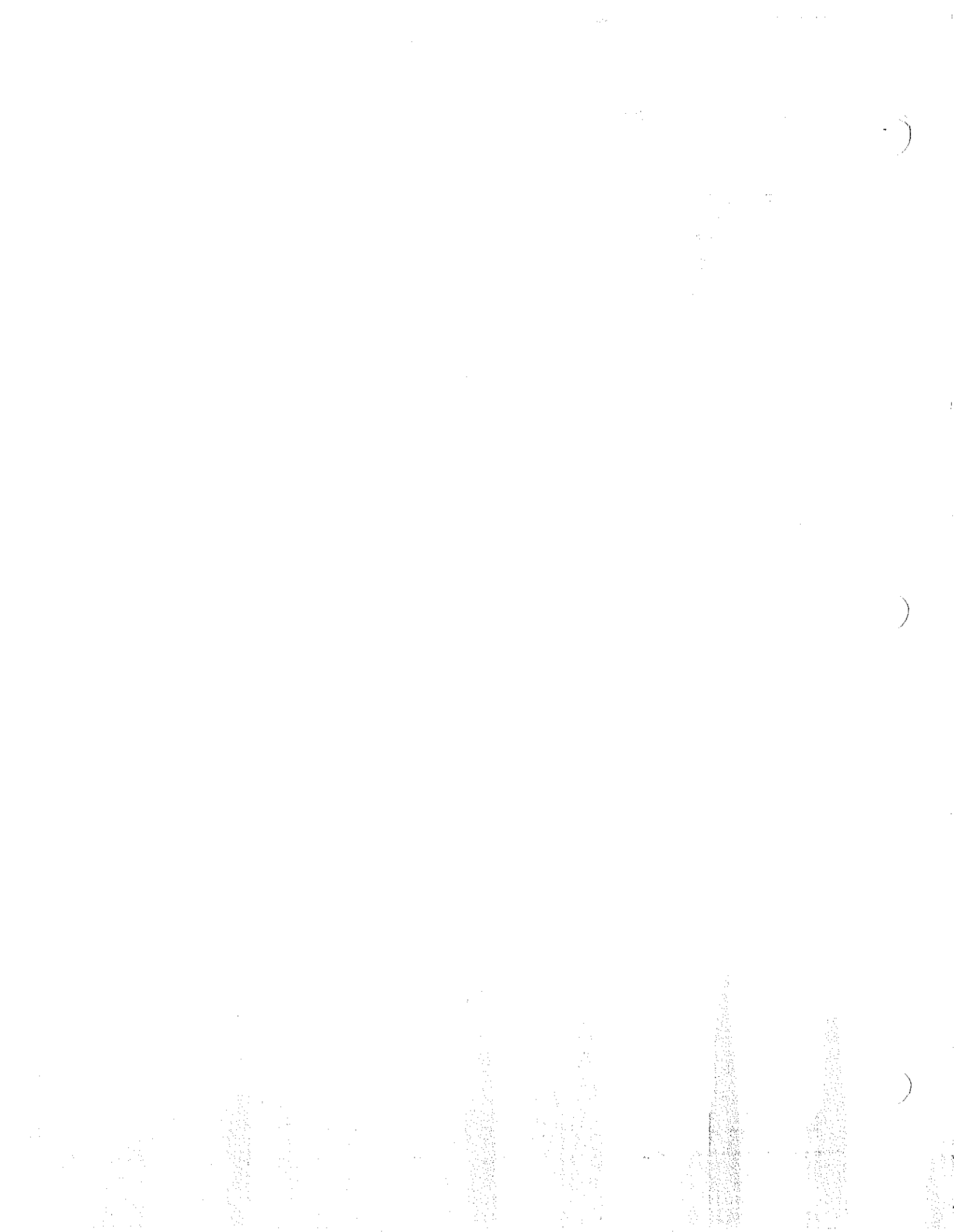
Item	Description	Service P/N	Qty
	UNDERSTRUCTURE ASSEMBLY, SLEEPER 72"	63309-3470S	1
3	Ladder Frame Assembly, 72" Sleeper	63309-3471S	1
6	Sill Inner, 72" Sleeper	63309-3465S	2
7	Crossmember Front Assembly	63309-3480S	1
8	Quarter Crossmember LH	63309-3466S	1
9	Quarter Crossmember RH	63309-3467S	1
10	Rear Crossmember Assembly	63309-3469S	1
11	Quarter Crossmember Closer LH	63305-3416S	1
12	Quarter Crossmember Closer RH	63305-3417S	1

*Specific BOMs listed: 3398-001-ALL, 3398-002-ALL, 3398-003-ALL, 3398-004-ALL*

**SLEEPERS 13**







# CONSTELLATION STEEL SLEEPERS

13.1.4

## DOOR LATCHES AND LINKAGE

### LH / RH LUGGAGE DOOR

Item	Description	Part Number	Qty
1	Latch Assembly, Door LH	50250-3402	1
2	Striker Pin, Door Latch	50107-3403	1
3	Handle, Outside Release, LH Luggage Door, Painted	50272-3402	1
3	Handle, Outside Release, LH Luggage Door, Chrome	50272-3404	1
3	Handle, Outside Release, RH Luggage & Exit, Painted	50273-3402	1
3	Handle, Outside Release, RH Luggage & Exit, Chrome	50273-3404	1
5	Retainer, Cylinder Lock	50296-0003	1
6	Spacer, Lock Retainer	1090412	1
7	Key, Retainer	50274-0001	2
16	Plastic Clip (retainer), Rod	50227-0001	AR
17	Rod, Luggage Door External Release	63311-3435	1
18	Rod, Luggage Door Key Lock	63311-3426	1
19	Door Lock Cylinder (See Lock Sets)	-	1

### RH EXIT DOOR

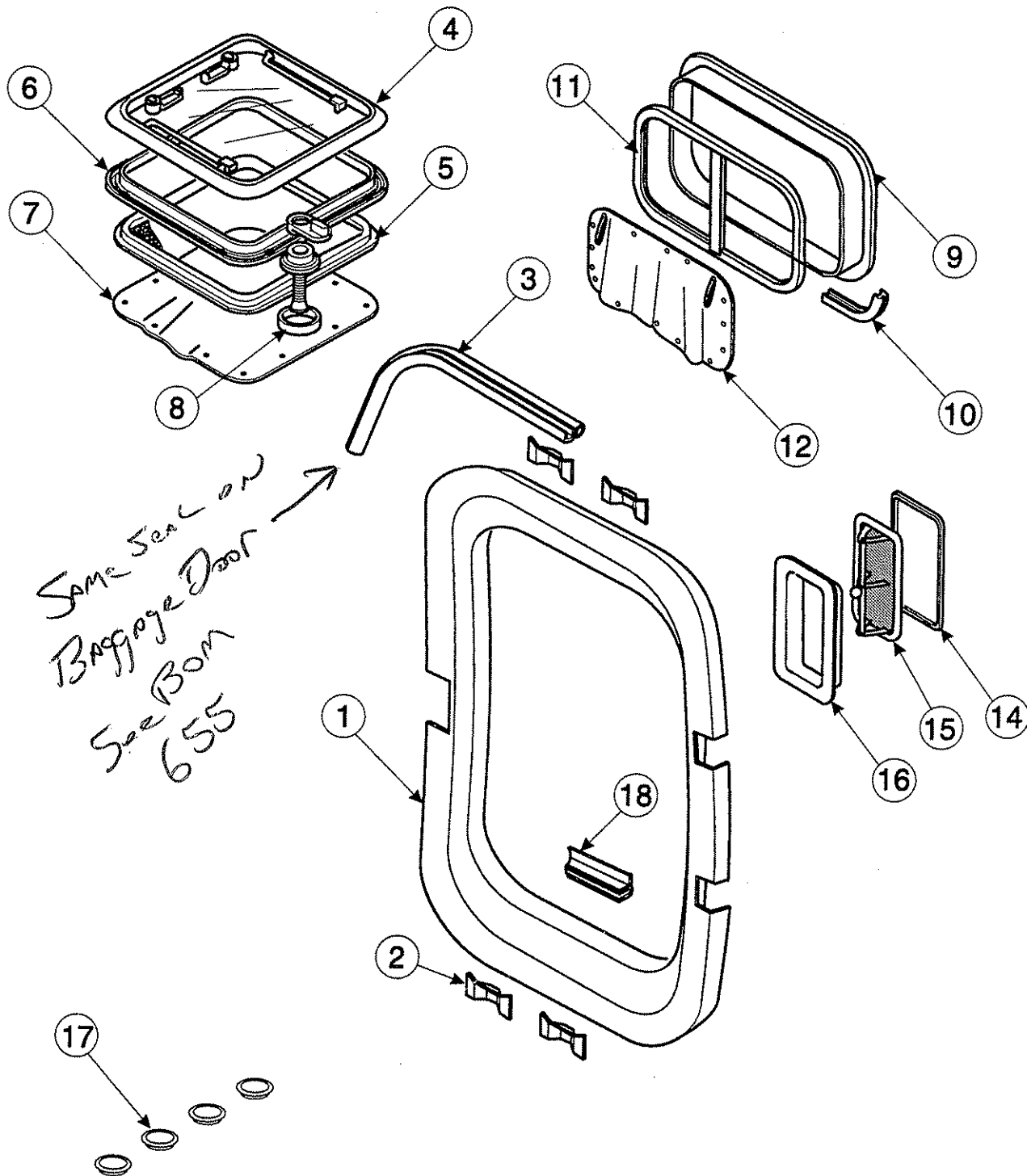
Item	Description	Part Number	Qty
1	Latch Assembly Door RH	50251-3402	1
2	Striker Pin, Door Latch	50107-3403	1
3	Handle, Outside Release, RH Luggage & Exit, Painted	50273-3402	1
3	Handle, Outside Release, RH Luggage & Exit, Chrome	50273-3404	1
4	Handle, Inside Release, Exit Door, Painted	50270-3403	1
4	Handle, Inside Release Exit Door, Chrome	50270-3404	1
5	Retainer, Cylinder Lock	50296-0003	1
6	Spacer, Lock Retainer	1090412	1
7	Key, Retainer	50274-0001	2
8	Rod, Exit Door, Key Lock	63311-3422	1
9	Rod, Exit Door, External Release	63311-3434	1
10	Housing Inside Door Lock	63308-3481	1
11	Knob, door Lock, Exit Door	50262-3403	1
12	Ferrule, Knob Locking	9665901	1
14	Rod, Exit Door, Lock Button	63311-3424	1
15	Rod, Exit Door, Interior Release	63311-3423	1
16	Plastic Clip (retainer), Rod	50227-0001	AR
19	Door Lock Cylinder (See Lock Sets)	-	1

### Lock Sets

Lock Set, 1 Ignition, 1 LH Door, 1 RH Door	50901-3414	1
Lock Set, 1 Ignition, 2 LH Doors, 2 RH Doors	50901-3415	1
Lock Set, 2 Ignition, 2 LH Doors, 2 RH Doors	50901-3416	1
Lock Set, 1 Ignition, 2 LH Doors, 3 RH Doors	50901-3442	1
Lock Set, 2 Ignition, 2 LH Doors, 3 RH Doors	50901-3443	1

**Specific BOMs listed:** 3398-001-ALL, 3398-002-ALL, 3398-003-ALL,  
3398-004-ALL, 3398-041-00/03

**SLEEPERS 13**



# CONSTELLATION STEEL SLEEPERS

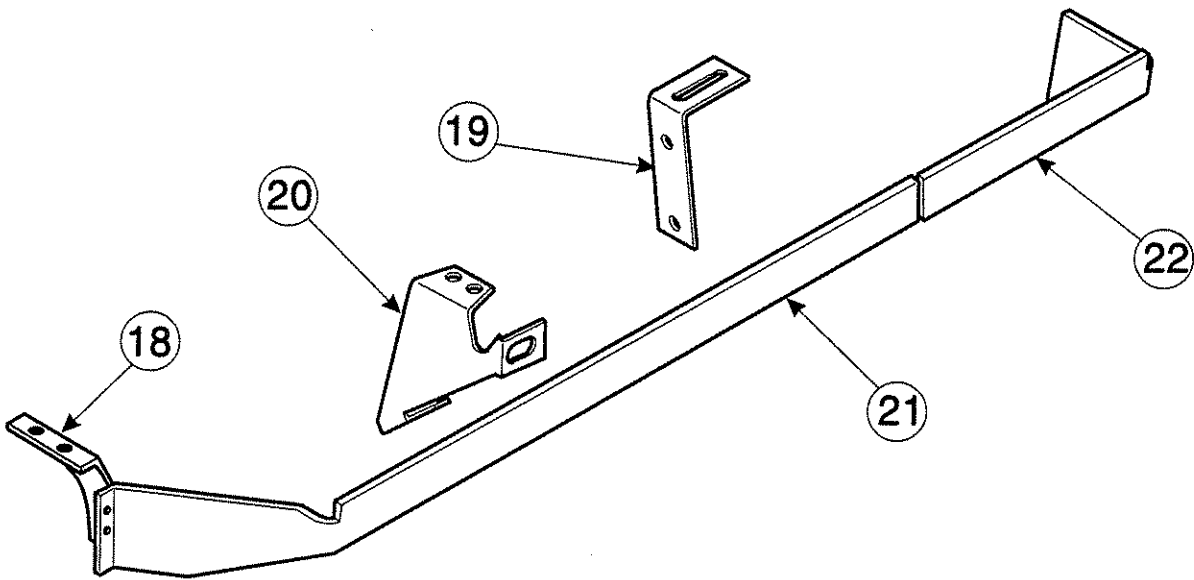
## EXTERIOR ATTACHING PARTS

13.15

Item	Description	Part Number	Qty
1	Trim Ring, Sleeper Door	63314-3554	1
2	Bracket, Door Surround	63314-3559	8
3	Bulb Seal	63307-3449	AR
-	Sunroof Assembly	51001-3407	1
4	- Lid with Glass	51190-4401	1
5	- Bugscreen	51106-3405	1
6	- Trim Ring, Black	51106-3404	1
8	- Swing Tab	51106-3406	2
	- Cup Washer	51106-3407	2
	- Screw	4010-3405	2
	- Cap	51106-3408	2
7	Curtain, Sunroof	56101-3431J	1
9	Window Trim Ring	63314-3553	1
10	Butyl Seal	6479-3403	1
11	Window Assembly LH	63320-3562	1
	- Glass, Sliding	63320-3562SG	1
	- Glass, Fixed	63320-3562FG	1
11	Window Assembly RH	63320-3563	1
	- Glass, Sliding	63320-3563SG	1
	- Glass, Fixed	63320-3562FG	1
12	Curtain, Side Window	56101-3440J	1
14	Cover, SST, Vent	63310-3408	1
15	Vent, Two Way	63310-3404	1
	- Round Knob	33051	1
16	Trim Ring	63310-3407	1
17	Blanking Plug:		
	1/2" Diameter	7671-3407	AR
	3/4" Diameter	7671-3406	AR
	2 1/8" Diameter	7671-3408	AR
	1 3/4" Diameter, Black	7671-3419	AR
	1 3/4" Diameter, Orange	7671-3421	AR
18	Interior seal/trim ring	56501-3531	1

**Specific BOMs listed:** 3398-001-ALL, 3398-002-ALL, 3398-003-ALL, 3398-004-ALL  
3398-036-00/03, 3398-037-00/01, 3398-038-00/01

SLEEPERS 13



# CONSTELLATION STEEL SLEEPERS

13.1.6

## FIBERGLASS SLEEPER SKIRTS

### FIBERGLASS SLEEPER SKIRTS

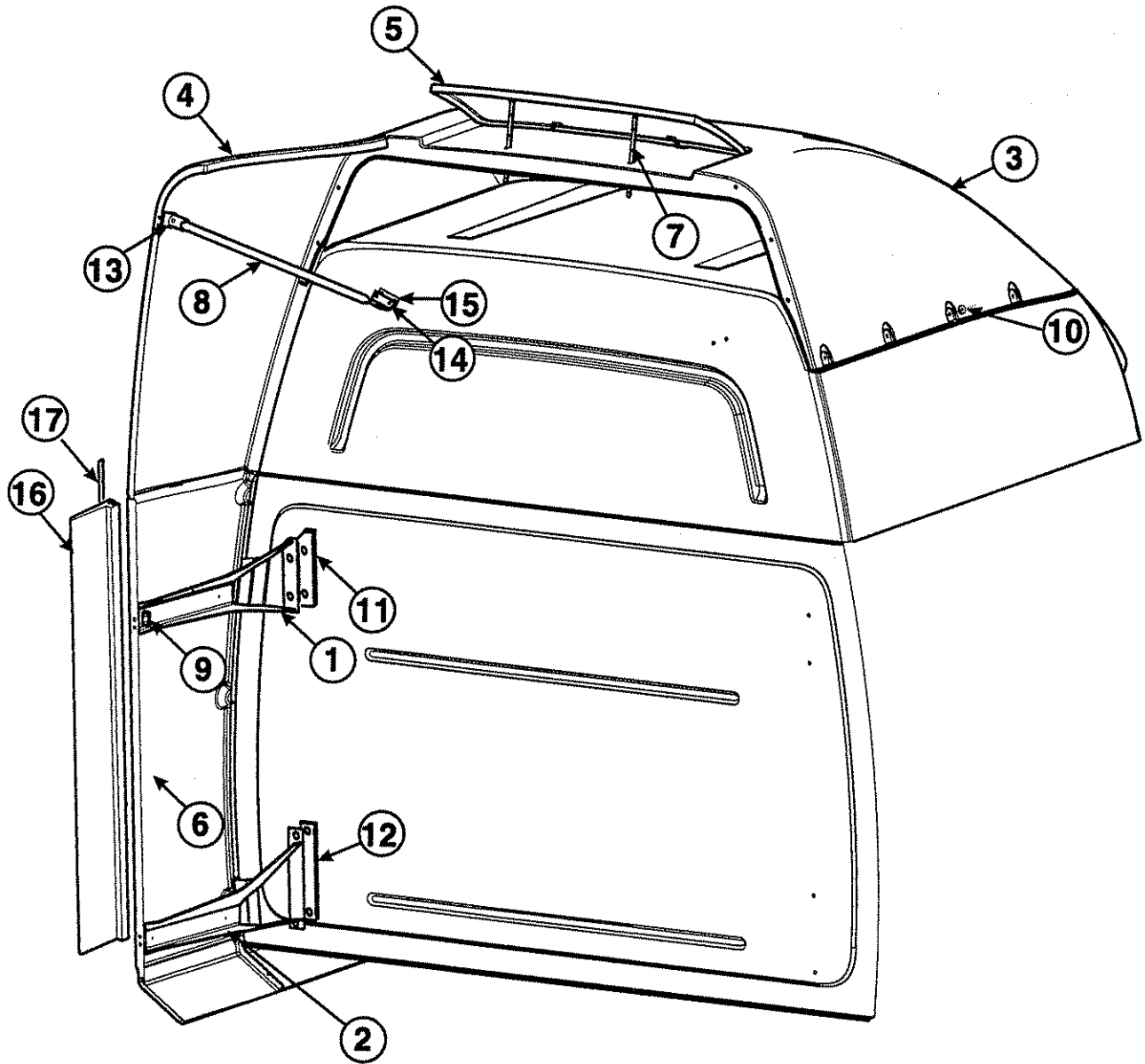
Item	Description	Part Number	Qty
18	Bracket, Front Sleeper Skirt Mounting	50413-3468	2
19	Bracket, Sleeper Skirt, Rear	63303-3425	2
20	Bracket, Sleeper Skirt, Side	63303-3424	4-8
21	LH Skirt, 45" sleeper	63306-3446F45	1
21	LH Skirt, 58" sleeper	63306-3446F58	1
21	LH Skirt, 72" sleeper	63306-3446F72	1
21	LH Skirt with fairing, 45" sleeper	63306-3489F45	1
21	LH Skirt with fairing, 58" sleeper	63306-3489F58	1
21	RH Skirt w/o step, 45" sleeper	63306-3447F45	1
21	RH Skirt w/o step, 58" sleeper	63306-3447F58	1
21	RH Skirt w/o step, 72" sleeper	63306-3447F72	1
21	RH Skirt with step, 45" sleeper	63306-3506F45	1
21	RH Skirt with step, 58" sleeper	63306-3506F58	1
21	RH Skirt with step, 72" sleeper	63306-3506F72	1
21	RH Skirt with fairing, w/o step, 45" sleeper	63306-3492F45	1
21	RH Skirt with fairing, w/o step, 58" sleeper	63306-3492F58	1
21	RH Skirt with fairing and step, 45" sleeper	63306-3507F45	1
21	RH Skirt with fairing and step, 58" sleeper	63306-3507F58	1

*Note: If the 72" sleeper has a fairing kit installed it requires a two piece sleeper skirt*

21	LH Front Skirt, with fairing, , 72" sleeper	63306-3489F72	1
21	RH Front Skirt, with fairing, w/o step, 72" sleeper	63306-3492F72	1
21	RH Front Skirt, with fairing and step, 72" sleeper	63306-3506F72	1
22	LH Rear Skirt, 72" with fairing	63306-3490	1
22	RH Rear Skirt, 72" with fairing	63306-3491	1

*Specific BOMs listed: 3398-020-00/012*

**SLEEPERS 13**



# CONSTELLATION STEEL SLEEPERS

AIR FAIRINGS

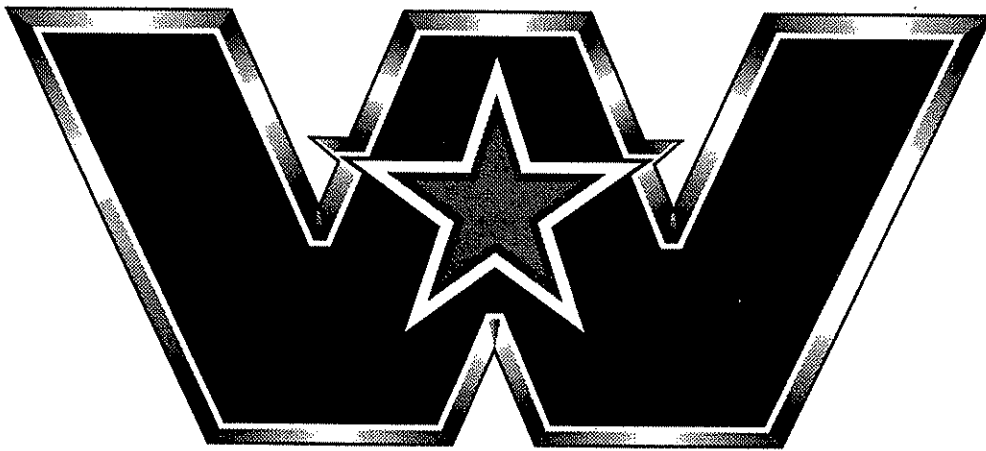
13.1.8

## SLEEPER AIR FAIRINGS

Item	Description	Part Number	Qty
1	Bracket, Side Shield, Upper, LH	62102-3529	1
1	Bracket, Side Shield, Upper, RH	62102-3530	1
2	Bracket, Side Shield, Lower, LH	62102-3531	1
2	Bracket, Side Shield, Lower, RH	62102-3532	1
3	Fairing, Roof, 72" Sleeper	62101-3542	1
3	Fairing, Roof, 58" Sleeper	62101-3543	1
4	Deflector, Side Upper LH	62101-3544	1
4	Deflector, Side Upper RH	62101-3545	1
5	Deflector, Trim Tab	62101-3550	1
6	Deflector, Side, Lower LH	62101-3551	1
6	Deflector, Side, Lower RH	62101-3552	1
6	Deflector, Side, Lower LH (holes for grab handle)	62101-3557	1
6	Deflector, Side, Lower RH (holes for grab handle)	62101-3558	1
6	Deflector, Side, Lower LH (cutout for fuel tank)	62101-3566	1
6	Deflector, Side, Lower RH (cutout for fuel tank)	62101-3567	1
7	Adjusting Bar, Trim Tab	62102-3533	2
-	Standoff Bracket	9000026	2
-	Pivot Bracket	62102-3527	6
8	Brace	62102-3523	2
9	Spacer, Side Shield Bracket	62102-3539	2
10	Gasket, Roof Fairing	62102-3537	11
11	Gasket, Upper Support Bracket	62102-3535	2
12	Gasket, Lower Support Bracket	62102-3534	2
13	Bracket, Brace	62102-3521	2
14	Bracket, Sleeper Roof	62102-3524	2
15	Gasket, Fairing Brace Bracket	62102-3536	2
16	Rubber Trim Strip	62101-3538	2
17	Retainer, Trim Strip	62101-3553	2

*Specific BOMs listed: 4398-060-16/21*

SLEEPERS 13



**WESTERN STAR TRUCKS®**  
*The Preferred Choice™*

**TABLE OF CONTENTS**

	<b>Section</b>	<b>Page</b>
Colour Codes.....	13.2.1 .....	2-3
Cabinetry .....	13.2.2 .....	4-7
Sleeper Upholstery .....	13.2.3 .....	9-17
Sleeper Heater AC Ducting .....	13.2.4 .....	18-19

*Note: This publication is a generic parts book. Components may vary with different applications. For applications other than listed below the parts listings see the appropriate Bill of Material by truck serial number and use this publication as a guide only.*

## CARPET COLOUR CODES

Carpets must be ordered with a corresponding colour code. On the truck microfiche it is listed in a second bill of material following the carpet pieces. When ordering replacement carpeting quote the colour code on your order in addition to the part number for the carpet. The colour codes for carpet are as follows:

Cambera Maroon, Dark Red	54030D3404AA
Shadow Blue, Blue	54030D3404AB
Dark Sable, Brown	54030D3404AC
Raven Black	54030D3404AD

*Note: The above numbers specify colour only.  
Always confirm the colour code from the truck microfiche under Master Reference 4038 and quote the correct colour code along with your order.*

**Specific BOMs listed: 4038-010-00/03**

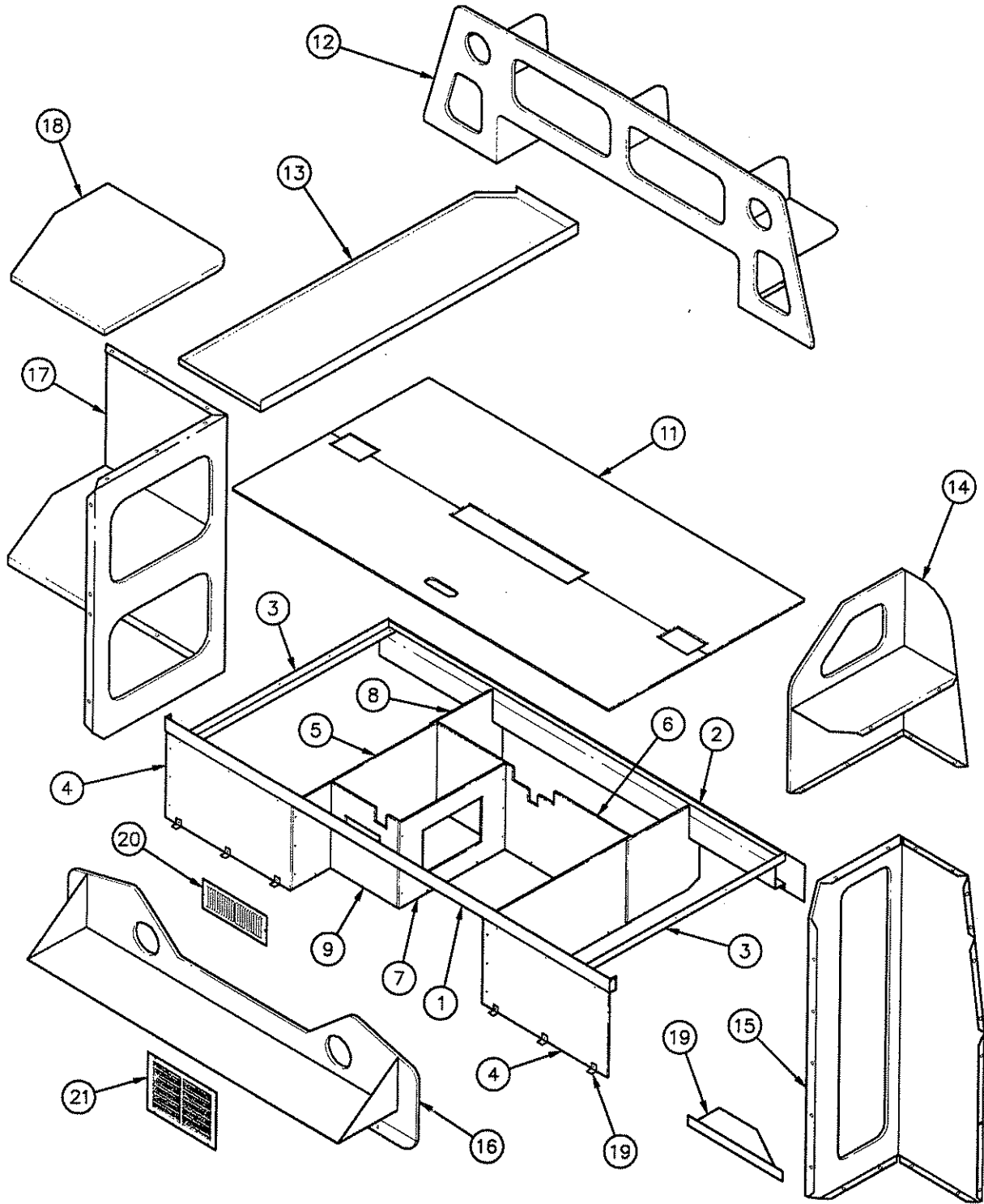
### UPHOLSTERY COLOUR CODES

Upholstery must be ordered with a corresponding colour code. It is listed on the truck microfiche in a second bill of material following the upholstery pieces. When ordering replacement upholstery quote the colour code in addition to the part number for the upholstery. The colour codes for upholstery are as follows:

Dakota, Dark Red	54030M3404CA
Dakota, Blue	54030M3404CB
Dakota, Tan	54030M3404CC
Dakota, Grey	54030M3404CD
Mesa, Dark Red	54030M3404BA
Mesa, Blue	54030M3404BB
Mesa, Tan	54030M3404BC
Mesa, Grey	54030M3404BD
Phoenix, Dark Red	54030M3404AA
Phoenix, Blue	54030M3404AB
Phoenix, Tan	54030M3404AC
Phoenix, Grey	54030M3404AD

**Note:** *The above numbers specify colour only.  
Always confirm the colour code from the truck microfiche under Master Reference 4098 and quote the correct colour code along with your order.*

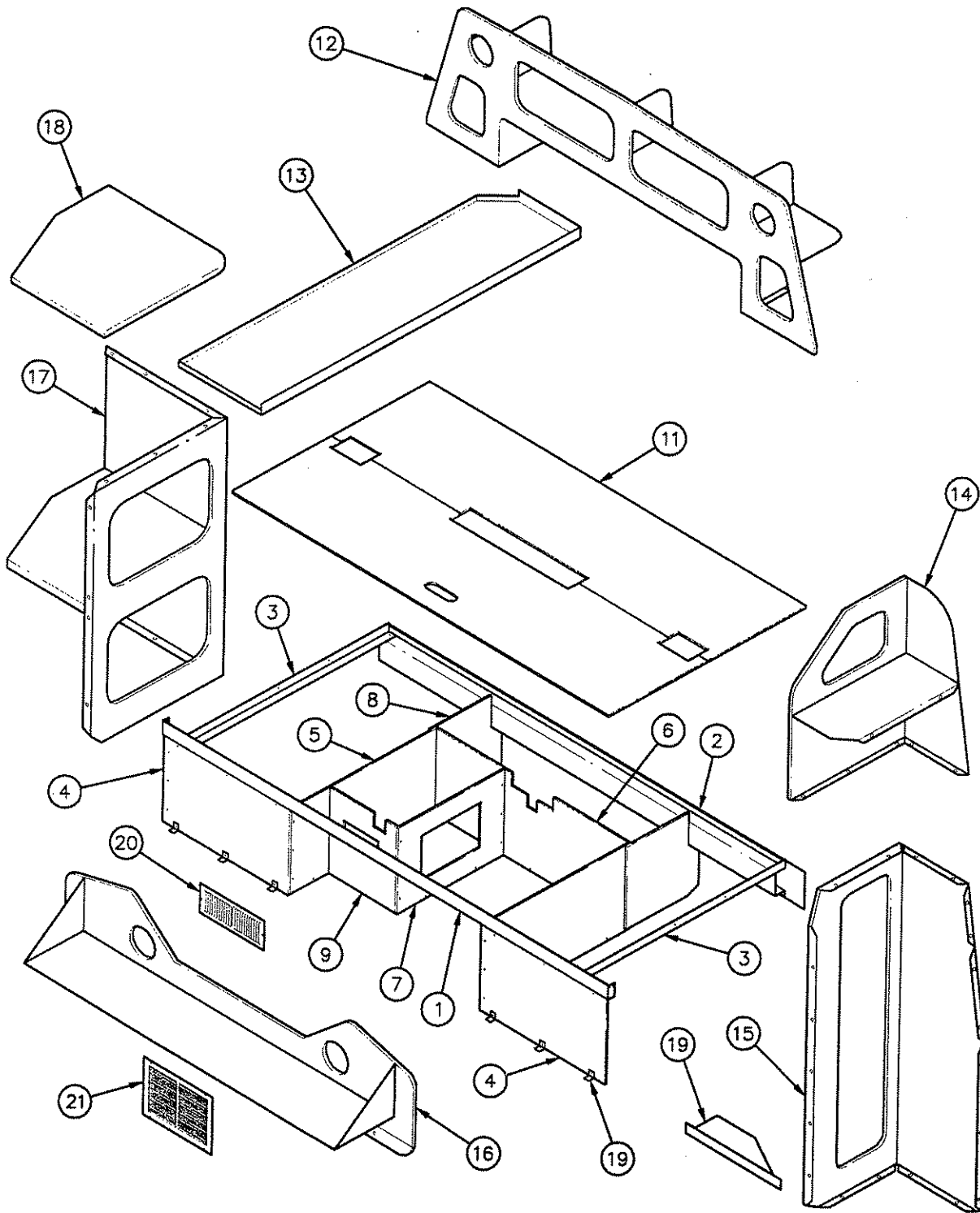
**Specific BOMs listed:** 4099-011-00/03



### SHELVING AND SUPPORTS

Item	Description	Part Number	Qty
1	Bunk Support Angle, Front 72" & 58" Sleeper	63312-3502	1
1	Bunk Support Angle, Front 45" Sleeper	63312-3519	1
2	Bunk Support, Rear	63312-3504	1
3	Bunk Support, Side, 72" Sleeper	63312-3503	2
3	Bunk Support, Side, 58" Sleeper	63312-3514	2
3	Bunk Support, Side, 72" Sleeper	63312-3520	2
4	Bunk Front Closure	63312-3506	2
5	Side Wall, Luggage Bay, 72" Sleeper	63312-3507	2
5	Side Wall, Luggage Bay, 58" Sleeper	63312-3507	2
5	Side Wall, Luggage Bay, 45" Sleeper	63312-3521	2
6	Centre Wall, Luggage Bay	63312-3508	1
7	Bunk Support, Side Heater	63312-3510	1
8	Partition Wall, Luggage Bay	63312-3511	2
9	Front Heater Wall	63312-3509	1
10	Clip, Floor	63308-3496	24
11	Mattress Tray, 72" Sleeper	63312-3513	1
11	Mattress Tray, 58" Sleeper	63312-3517	1
11	Mattress Tray, 45" Sleeper	63312-3522	1
12	Shelf, Upper Rear, Upholstered	63317-3482	1
13	Enclosure, ShelfRH 72" Sleeper, Upholstered	63317-3472	1
13	Enclosure, ShelfLH 72" Sleeper, Upholstered	63317-3470	1
13	Enclosure, ShelfRH 58" Sleeper, Upholstered	63317-3503	1
13	Enclosure, ShelfLH 58" Sleeper, Upholstered	63317-3501	1
13	Enclosure, ShelfRH 45" Sleeper, Upholstered	63317-3532	1
13	Enclosure, ShelfLH 45" Sleeper, Upholstered	63317-3529	1
14	Enclosure, Upper LH Front Corner, Upholstered	63317-3474	1
14	Enclosure, Upper RH Front Corner, Upholstered	63317-3476	1
15	Closet, LH, 72" Sleeper, Upholstered	63317-3464	1
15	Closet, RH, 72" Sleeper, Upholstered	63317-3466	1
15	Closet, LH, 58" Sleeper, Upholstered	63317-3505	1
15	Closet, RH, 58" Sleeper, Upholstered	63317-3507	1

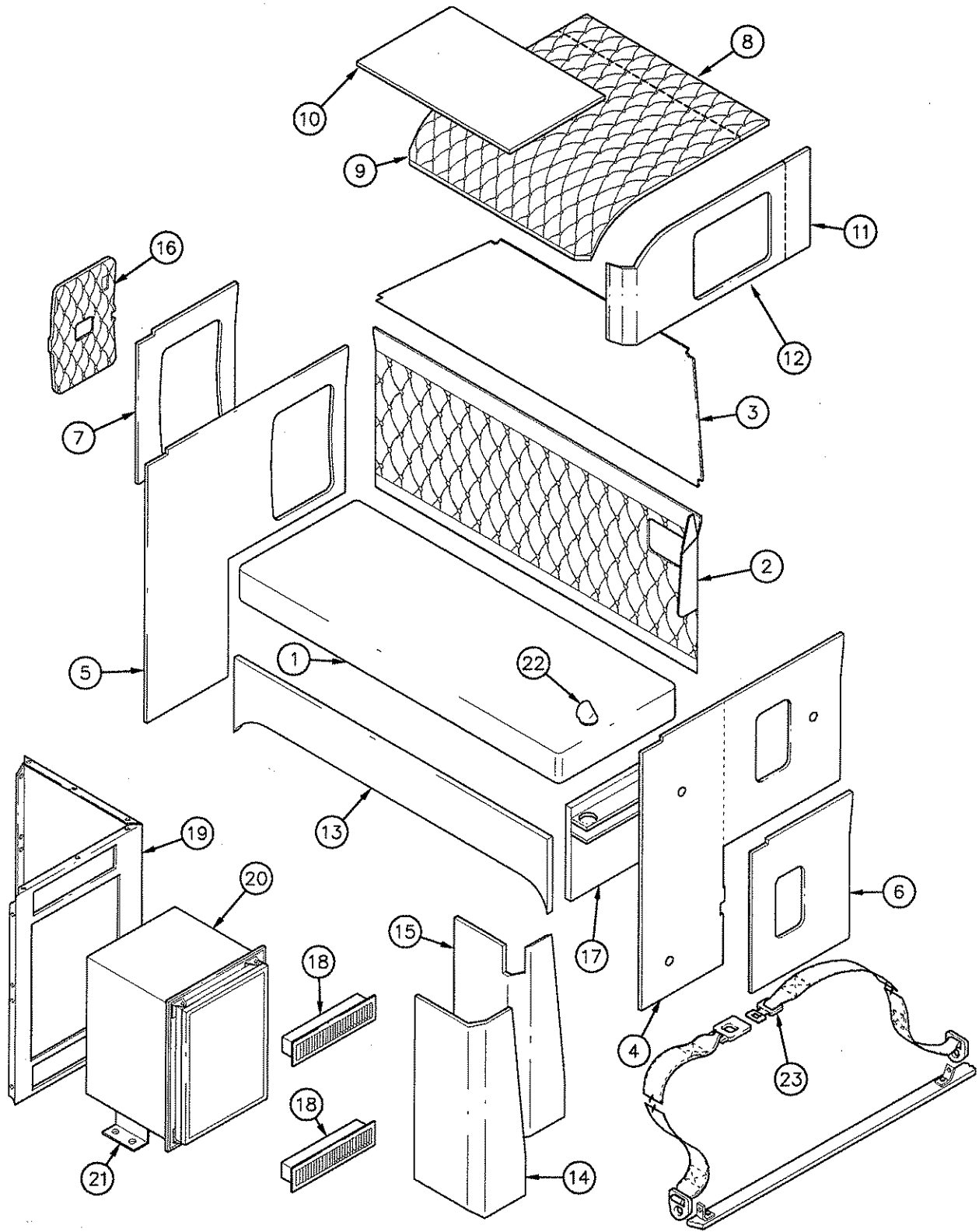
**Specific BOMs listed:** 3398-021-01, 3398-022-01, 3398-024-01, 3398-026-01/02,  
3398-027-01/02, 3398-029-01/02, 4099-ALL



### SHELVING AND SUPPORTS (CONTINUED)

Item	Description	Part Number	Qty
16	Facia, 72" & 58" Sleepers, Upholstered	63317-3468	1
16	Facia, 72" & 58" Sleepers, With Speaker Cut	63317-3537	1
17	Writing Desk, RH 72" Sleeper, Upholstered	63317-3486	1
17	Writing Desk, LH 72" Sleeper, Upholstered	63317-3484	1
17	Writing Desk, RH 58" Sleeper, Upholstered	63317-3521	1
17	Writing Desk, LH 58" Sleeper, Upholstered	63317-3519	1
18	Desk Top, RH 72" Sleeper	63317-3488	1
18	Desk Top, LH 72" Sleeper	63317-3487	1
18	Desk Top, RH 58" Sleeper	63317-3517	1
18	Desk Top, LH 58" Sleeper	63317-3516	1
19	Shelf, Closet LH, 72" Sleeper, Upholstered	63317-3543	1
19	Shelf, Closet RH, 72" Sleeper, Upholstered	63317-3544	1
20	Grille, Heater Compartment	63306-3408	1
21	Grille, Return Air	63306-3493	1

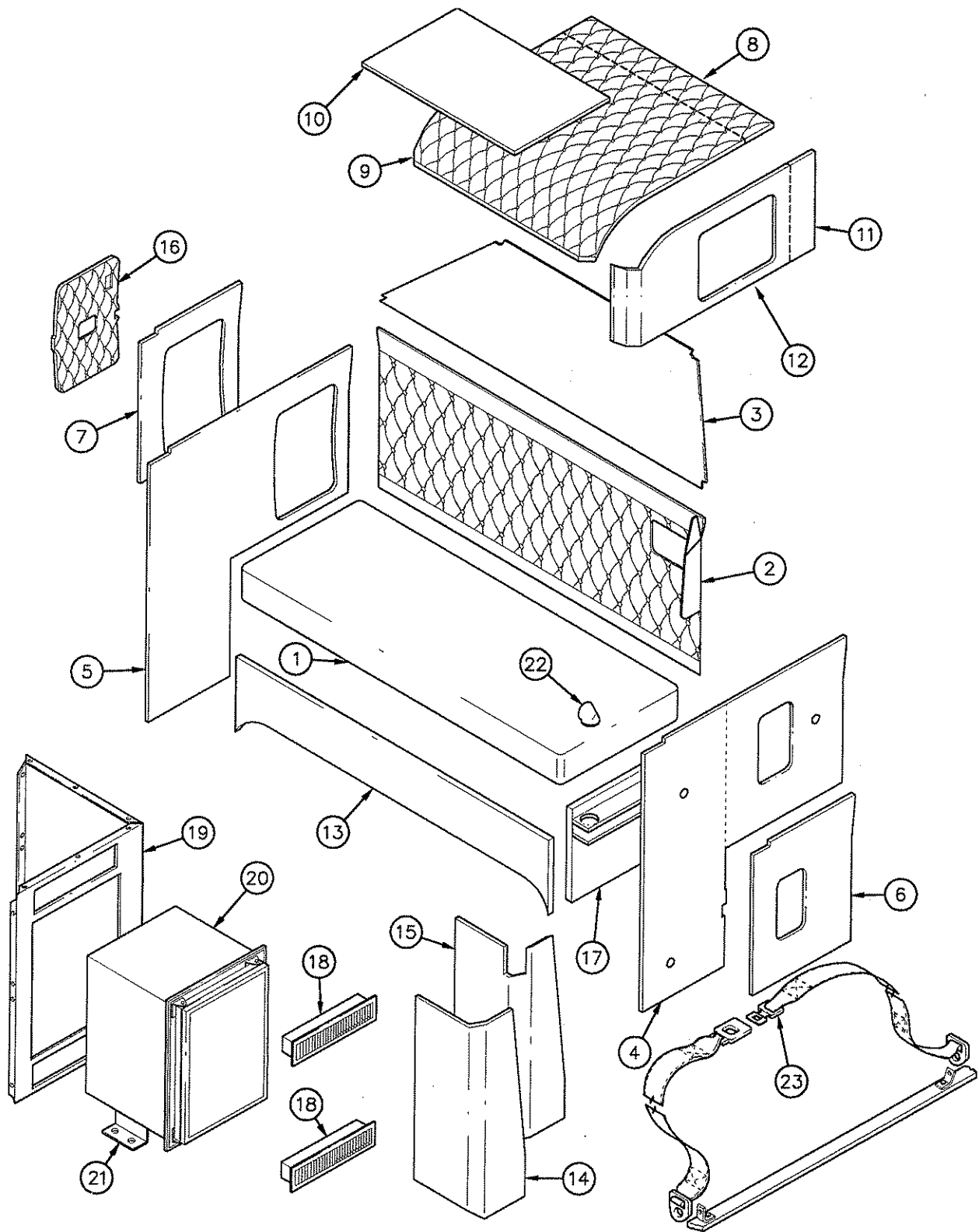
**Specific BOMs listed:** 3398-021-01, 3398-022-01, 3398-024-01, 3398-026-01/02,  
3398-027-01/02, 3398-029-01/02, 4099-ALL



### SLEEPER UPHOLSTERY

Item	Description	Part Number	Qty
1	Mattress, Spring, 72"	56001-3449	1
1	Mattress, Foam, 72"	56001-3450	1
1	Mattress, Spring, 58"	56001-3453	1
1	Mattress, Foam, 58"	56001-3454	1
1	Mattress, Spring, 45"	56001-3451	
1	Mattress, Foam, 45"	56001-3452	1
2	Panel, Lower Rear Wall, Mesa	56001-3449	1
2	Panel, Lower Rear Wall, Phoenix	56001-3474	1
2	Panel, Lower Rear Wall, Dakota	56001-3463	1
3	Panel, Upper Rear Wall, Mesa	56501-3450	1
3	Panel, Upper Rear Wall, Phoenix	56501-3475	1
4	Panel, LH Wall, 72" Mesa	56501-3451	1
4	Panel, LH Wall, 72" Phoenix	56501-3476	1
4	Panel, LH Wall, 58" Mesa	56501-3491	1
4	Panel, LH Wall, 58" Phoenix	56501-3506	1
4	Panel, LH Wall, 58" Dakota	56501-3498	1
5	Panel, RH Wall, 72" Mesa	56501-3452	1
5	Panel, RH Wall, 72" Phoenix	56501-3477	1
5	Panel, RH Wall, 58" Mesa	56501-3492	1
5	Panel, RH Wall, 58" Phoenix	56501-3507	1
5	Panel, RH Wall, 58" Dakota	56501-3499	1
6	Panel, LH Wall, 45" Mesa	56501-3518	1
6	Panel, LH Wall, 45" Phoenix	56501-3523	1
6	Panel, LH Wall, 45" Dakota	56501-3513	1
7	Panel, RH Wall, 45" Mesa	56501-3519	1
7	Panel, RH Wall, 45" Phoenix	56501-3524	1
7	Panel, RH Wall, 45" Dakota	56501-3514	1
8	Panel, Headliner 72" Mesa	56501-3453	1
8	Panel, Headliner 72" Phoenix	56501-3478	1
8	Panel, Headliner 58" Hi Roof, Mesa	56501-3493	1
8	Panel, Headliner 58" Hi Roof, Phoenix	56501-3508	1

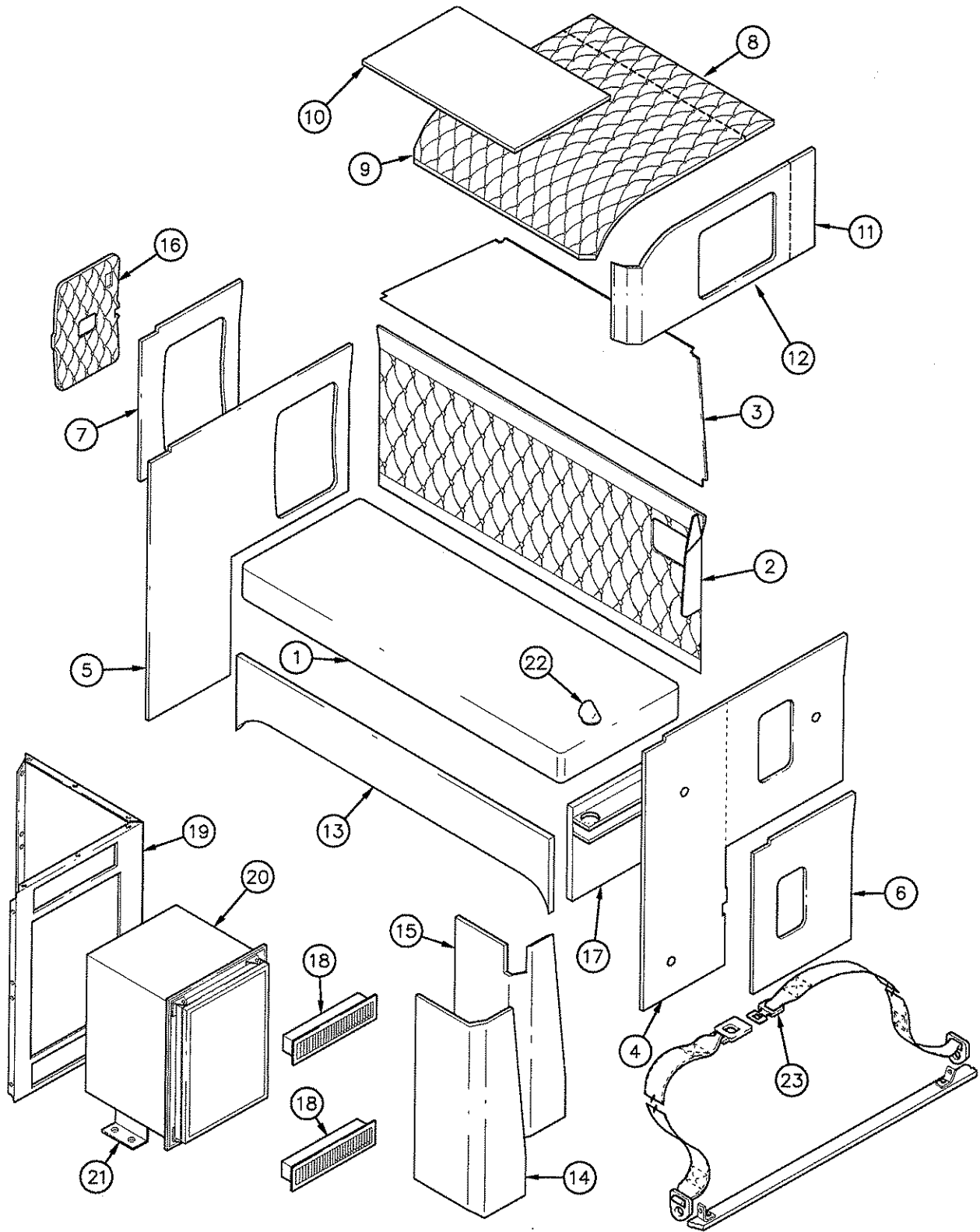
**Specific BOMs listed:** 3398-021-01, 3398-022-01, 3398-024-01, 3398-026-01/02,  
3398-027-01/02, 3398-029-01/02, 4099-ALL, 4128-003-00



**SLEEPER UPHOLSTERY (CONTINUED)**

Item	Description	Part Number	Qty
10	Panel, Headliner 45" Mesa	56501-3520	1
10	Panel, Headliner 45" Phoenix	56501-3525	1
10	Panel, Headliner 45" Dakota	56501-3515	1
10	Panel, Headliner 58" Low Roof Dakota	56501-3501	1
10	Panel, Headliner 58" Low roof Mesa	56501-3528	1
10	Panel, Headliner 58" Low Roof Phoenix	56501-3430	1
11	Panel, Roof LH 72" Mesa, with Window Cut	56501-3485	1
11	Panel, Roof LH 72" Phoenix, with Window Cut	56501-3489	1
11	Panel, Roof LH 72" Mesa, W/O Window Cut	56501-3454	1
11	Panel, Roof LH 72" Phoenix, W/O Window Cut	56501-3479	1
11	Panel, Roof RH 72" Mesa, with Window Cut	56501-3486	1
11	Panel, Roof RH 72" Phoenix, with Window Cut	56501-3490	1
11	Panel, Roof RH 72" Mesa, W/O Window Cut	56501-3455	1
11	Panel, Roof RH 72" Phoenix, W/O Window Cut	56501-3480	1
12	Panel, Roof LH 58" Mesa, with Window Cut	56501-3496	1
12	Panel, Roof LH 58" Phoenix, with Window Cut	56501-3511	1
12	Panel, Roof LH 58" Mesa, W/O Window Cut	56501-3494	1
12	Panel, Roof LH 58" Phoenix, W/O Window Cut	56501-3509	1
12	Panel, Roof RH 58" Mesa, with Window Cut	56501-3497	1
12	Panel, Roof RH 58" Phoenix, with Window Cut	56501-3512	1
12	Panel, Roof RH 58" Mesa, W/O Window Cut	56501-3495	1
12	Panel, Roof RH 58" Phoenix, W/O Window Cut	56501-3510	1
13	Panel, Front Wall, Mesa	56501-3458	1
13	Panel, Front Wall, Phoenix	56501-3483	1
13	Panel, Front Wall, Dakota	56501-3472	1
14	Panel, Quarter Panel LH, 72" & 58" Mesa	56501-3456	1
14	Panel, Quarter Panel LH, 72" & 58" Phoenix	56501-3481	1
14	Panel, Quarter Panel LH, 72" & 58" Dakota	56501-3470	1
14	Panel, Quarter Panel RH, 72" & 58" Mesa	56501-3457	1
14	Panel, Quarter Panel RH, 72" & 58" Phoenix	56501-3482	1
14	Panel, Quarter Panel RH, 72" & 58" Dakota	56501-3471	1

*Specific BOMs listed:*    3398-021-01, 3398-022-01, 3398-024-01, 3398-026-01/02,  
    3398-027-01/02, 3398-029-01/02, 4099-ALL, 4128-003-00



# SLEEPERS

## SLEEPER UPHOLSTERY

13.2.3

### SLEEPER UPHOLSTERY (CONTINUED)

Item	Description	Part Number	Qty
15	Panel, Quarter Panel LH, 45" Mesa	56501-3536	1
15	Panel, Quarter Panel LH, 45" Phoenix	56501-3538	1
15	Panel, Quarter Panel LH, 45" Dakota	56501-3534	1
15	Panel, Quarter Panel LH, 45" Mesa	56501-3537	1
15	Panel, Quarter Panel LH, 45" Phoenix	56501-3539	1
15	Panel, Quarter Panel LH, 45" Dakota	56501-3435	1
16	Panel, Sleeper Door RH, Mesa	56501-3461	1
16	Panel, Sleeper Door RH, Phoenix	56501-3484	1
16	Panel, Sleeper Door RH, Dakota	56501-3473	1
17	Headboard, 72" Sleeper, Upholstered	63317-3490	1
17	Headboard, 58" Sleeper, Upholstered	63317-3497	1
17	Headboard, 45" Sleeper, Upholstered	63317-3527	1
18	Grille, Fridge Vent	63306-3472	2
19	Desk, With Fridge RH, 72" Sleeper, Upholstered	63317-3495	1
19	Desk, With Fridge LH, 72" Sleeper, Upholstered	63317-3493	1
20	Norcold DC340 Fridge	59604-3405	1
21	Fridge Support, Spacer	63317-3540	1
22	Louver Assembly, Heat/AC Duct	61619-3404	2
23	Restraint Assembly, Sleeper Occupant	56201-3404	1

*R3800DC Fridge is 59604-3403*

**Specific BOMs listed:** 3398-021-01, 3398-022-01, 3398-024-01, 3398-026-01/02,  
3398-027-01/02, 3398-029-01/02, 4099-ALL, 4128-003-00

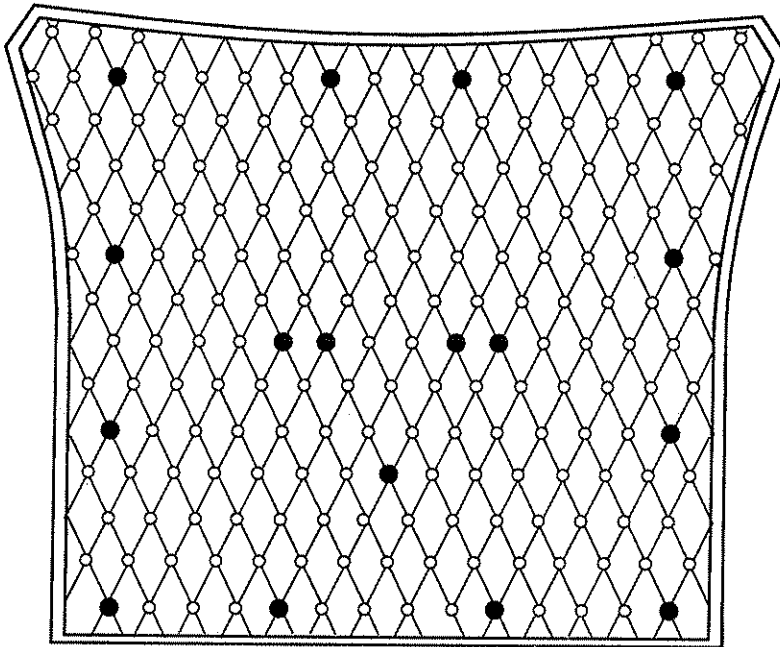
**SLEEPERS 13**

**UPHOLSTERY SNAP BUTTON LOCATIONS**

Snap buttons are used to hide the upholstery screws used to attach the upholstery panels. The following sketches show the location of the snap buttons for removal of the upholstery panels.

● = location of snap button.

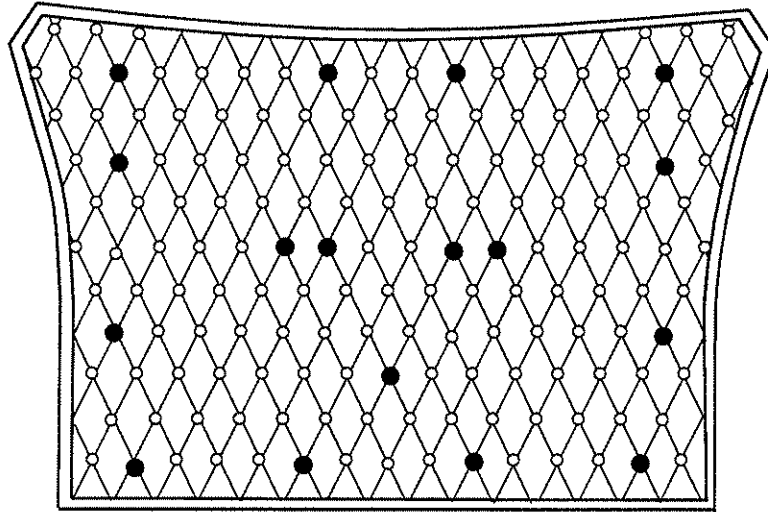
Item	Description	Part Number
-	Snap Button	54020-3419



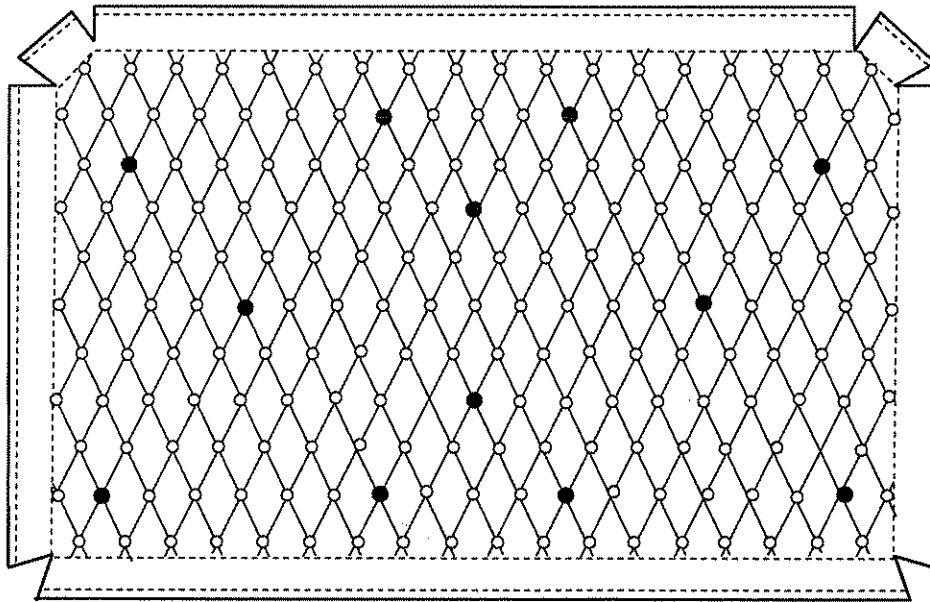
Item	Description	Part Number
8	Headliner, 72" Sleeper, Mesa Upholstery	56501-3453
8	Headliner, 72" Sleeper, Phoenix Upholstery	56501-3478

*Specific BOMs listed: 4099-ALL*

## SLEEPER UPHOLSTERY SNAP BUTTONS LOCATIONS

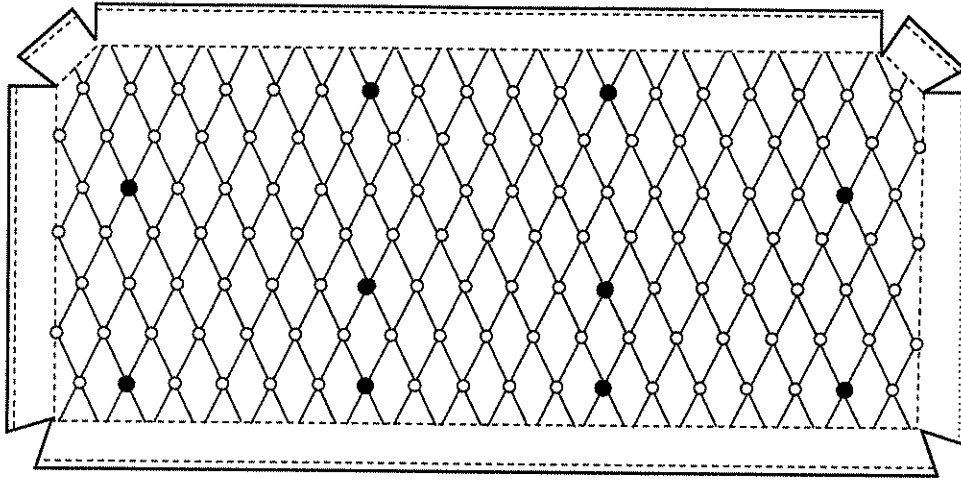


Item	Description	Part Number
8	Headliner, 58" Hi Roof Sleeper, Mesa Upholstery	56501-3493
8	Headliner, 58" Hi Roof Sleeper, Phoenix Upholstery	56501-3508

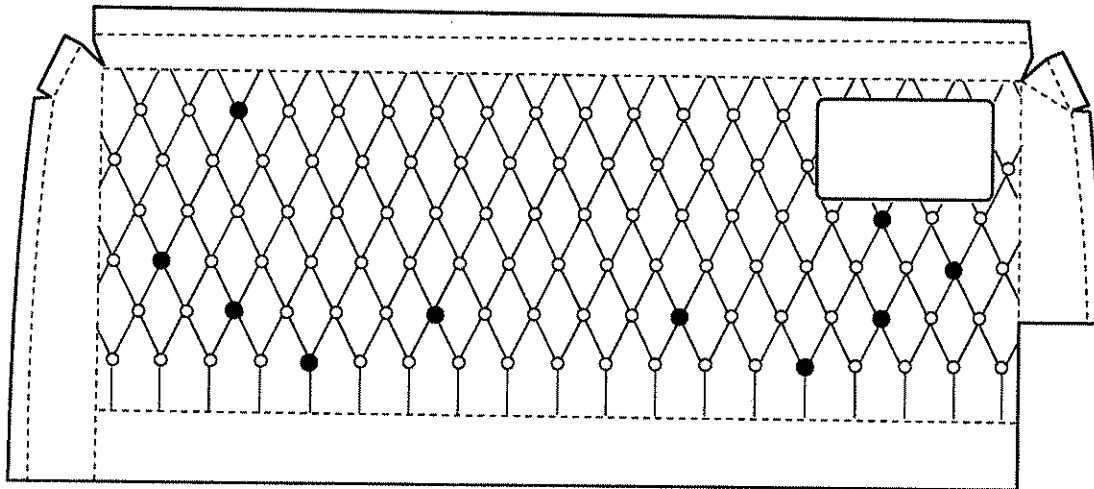


Item	Description	Part Number
10	Headliner, 58" Low Roof Sleeper, Mesa Upholstery	56501-3528
10	Headliner, 58" Low Roof Sleeper, Phoenix Upholstery	56501-3530

*Specific BOMs listed: 4099-ALL*



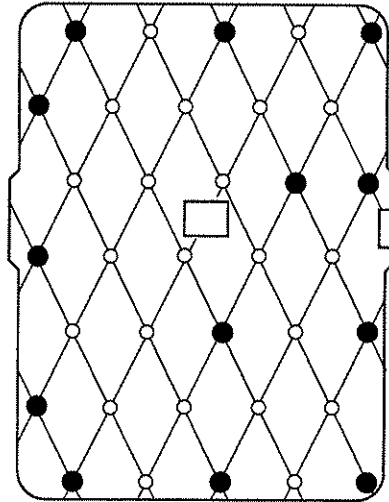
Item	Description	Part Number
10	Headliner, 45" Sleeper, Mesa Upholstery	56501-3520
10	Headliner, 45" Sleeper, Phoenix Upholstery	56501-3525



Item	Description	Part Number
2	Lower Rear Panel, Mesa Upholstery	56501-3449
2	Lower Rear Panel, Phoenix Upholstery	56501-3474

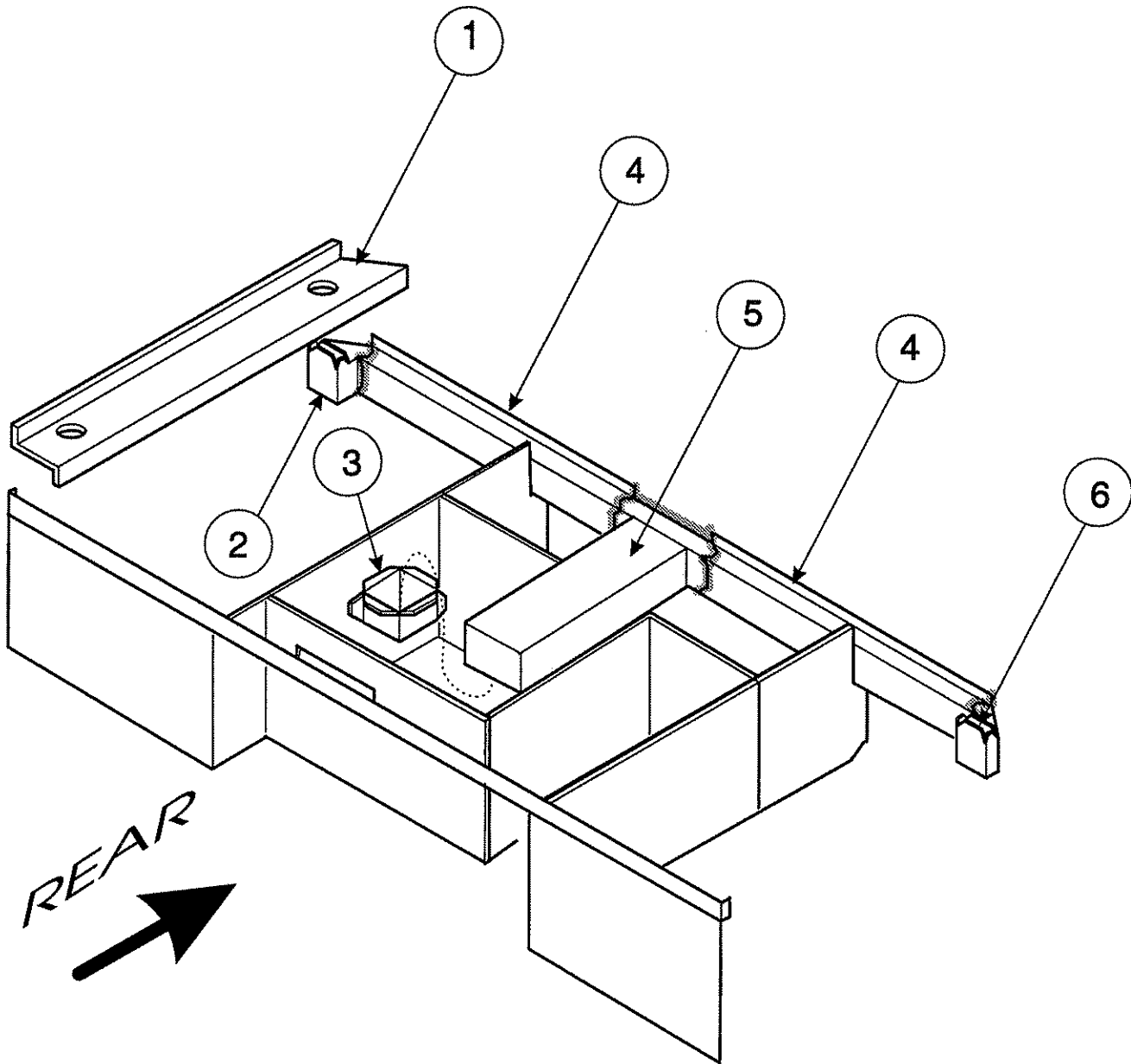
**Specific BOMs listed:** 4099-ALL

## SLEEPER UPHOLSTERY MOUNTING SCREWS LOCATIONS



Item	Description	Part Number
16	RH Door Panel, Mesa Upholstery	56501-3461
16	RH Door Panel, Phoenix Upholstery	56501-3484

*Specific BOMs listed:* 4099-ALL



# SLEEPERS

## SLEEPER HEATER AC DUCTING

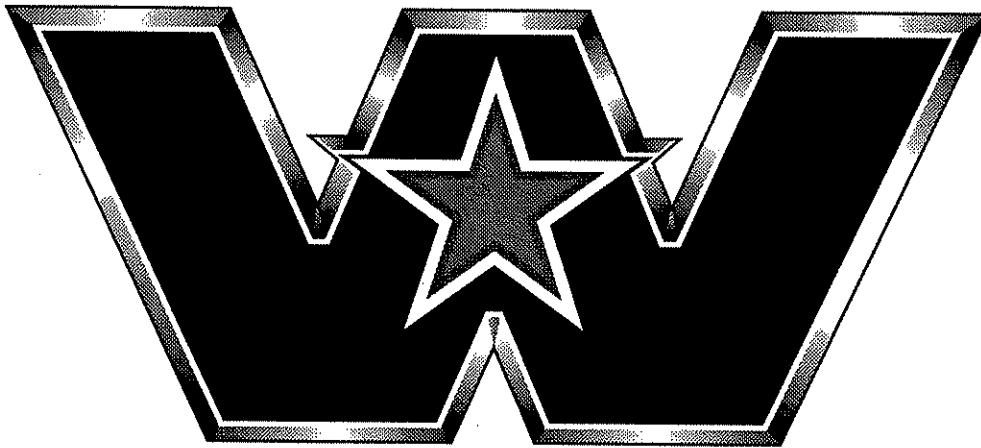
13.2.4

### SLEEPER HEATER AC DUCTING

Item	Description	Part Number	Qty
1	Plenum, 45" Sleeper	63317-3528	1
-	Carpet, Plenum, 45" Sleeper	56309-3572	1
1	Plenum, 58" Sleeper	63317-3498	1
-	Carpet, Plenum, 58" Sleeper	56309-3566	1
1	Plenum, 72" Sleeper	63317-3491	1
-	Carpet, Plenum, 72" Sleeper	56309-3557	1
2	RH Bridge Duct	61601-3413	1
3	Center Duct	61601-3414	1
4	Rear Duct	63312-3504	2
5	Fore and Aft Duct	61601-3411	1
6	LH Bridge Duct	61601-3412	1

*Specific BOMs listed:* 3398-021-01, 3398-022-01, 3398-024-01, 3398-026-01/02,  
3398-027-01/02, 3398-029-01/02, 4099-ALL, 4128-003-00

**SLEEPERS 13**

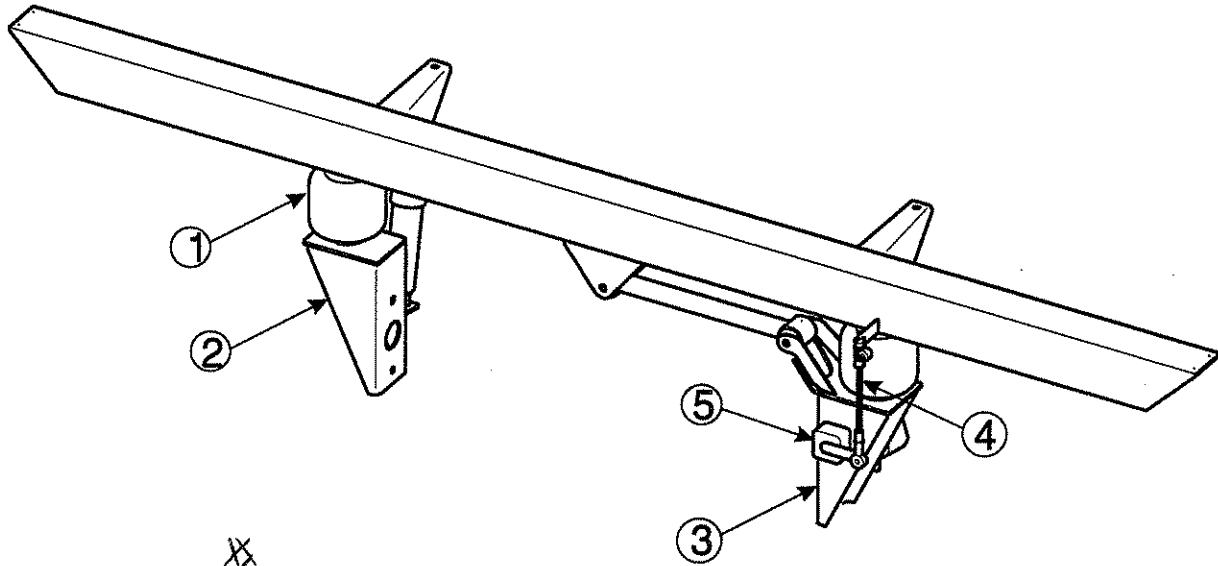


**WESTERN STAR TRUCKS®**  
*The Preferred Choice™*

**TABLE OF CONTENTS**

	<b>Section</b>	<b>Page</b>
Sleeper Mounting .....	13.20.1 .....	2-3
Cab and Sleeper Interface .....	13.20.2 .....	4-5

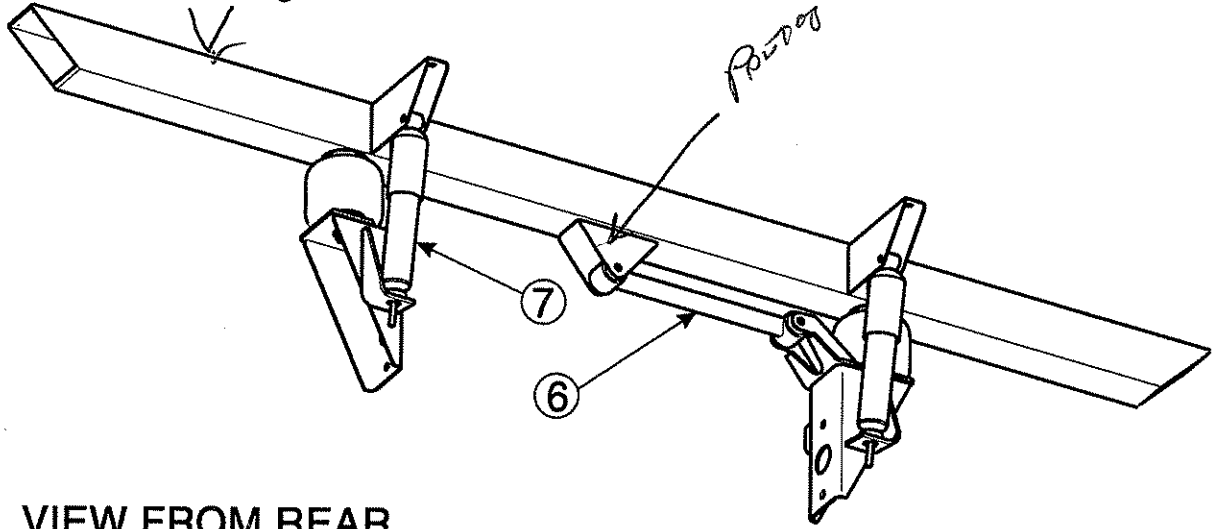
*Note: This publication is a generic parts book. Components may vary with different applications. For applications other than listed below the parts listings see the appropriate Bill of Material by truck serial number and use this publication as a guide only.*



VIEW FROM FRONT

*Per Unit*  
 |  
 Cross Beam  
 63324-3432 or  
 3520

*Rear Cross Beam*



VIEW FROM REAR

# SLEEPER

## COMPOSITE SLEEPER MOUNTING

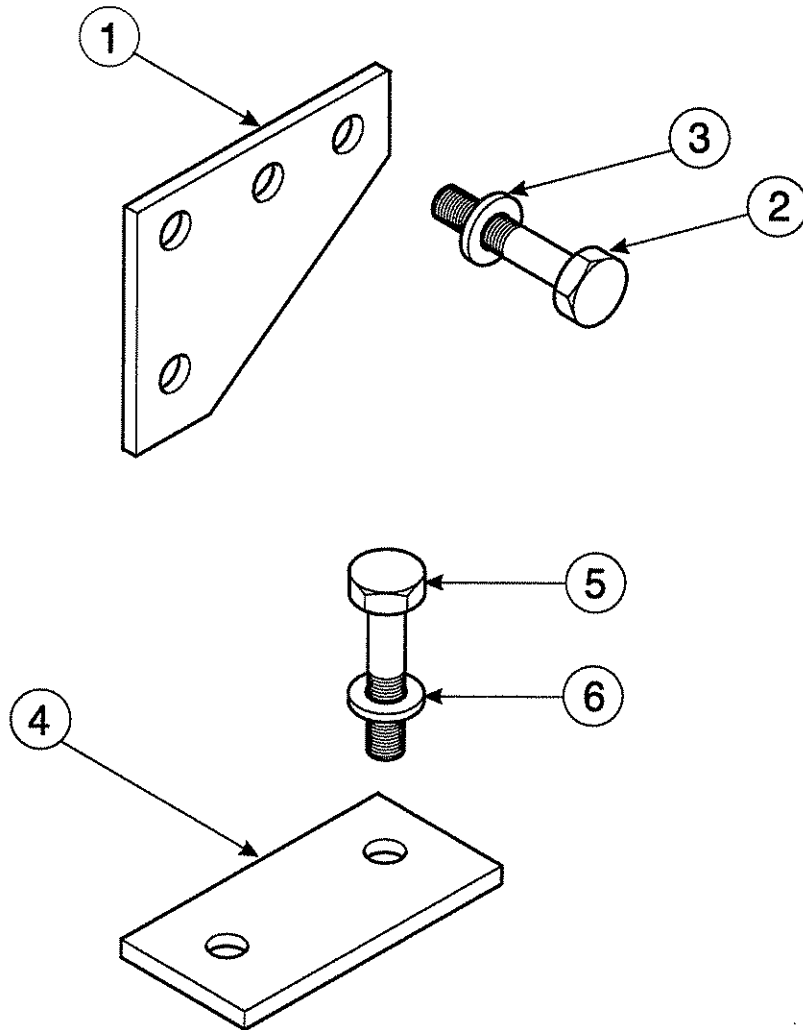
13.20.1

### SLEEPER MOUNTING

Item	Description	Part Number	Qty
1	Air Spring, Reversible Sleeve	66003-3406	2
2	Bracket, LH Frame Mounted	63303-3477	1
3	Bracket, RH Frame Mounted	63303-3474	1
4	Rod, Air Valve Height Control	66026-3405	1
5	Valve, Height Control	66007-3401	1
6	Rod, Lateral Restraint	63303-3478	1
7	Shock Absorber, Sleeper Mount	66010-3406	2

*Specific BOMs listed: 3398-046-30*

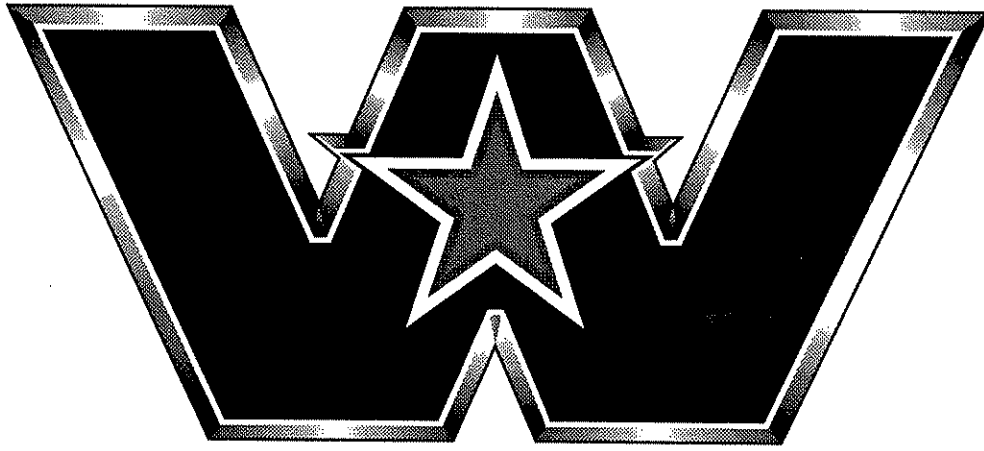
**SLEEPER 13**



**CAB/SLEEPER INTERFACE**

<b>Item</b>	<b>Description</b>	<b>Part Number</b>	<b>Qty</b>
1	Upper Mounting Bracket, Cab/Sleeper	63306-3578	2
2	Bolt, Bolt, 7/16 - 20 x 1.0" Long	4019-3407-1.00	8
3	Washer 7/16 x .88 x .10	4011-3412	8
4	Strap, Cab/Sleeper, Lower	63306-3572	4
5	Bolt, Hex 5ZNC .44-20 x 3.50	181680	8
6	Washer 7/16 x .88 x .10	4011-3412	8

*Specific BOMs listed: 3398-046-ALL*



**WESTERN STAR TRUCKS®**  
*The Preferred Choice™*

# COMPOSITE SLEEPERS

## COMPOSITE SLEEPER STRUCTURE

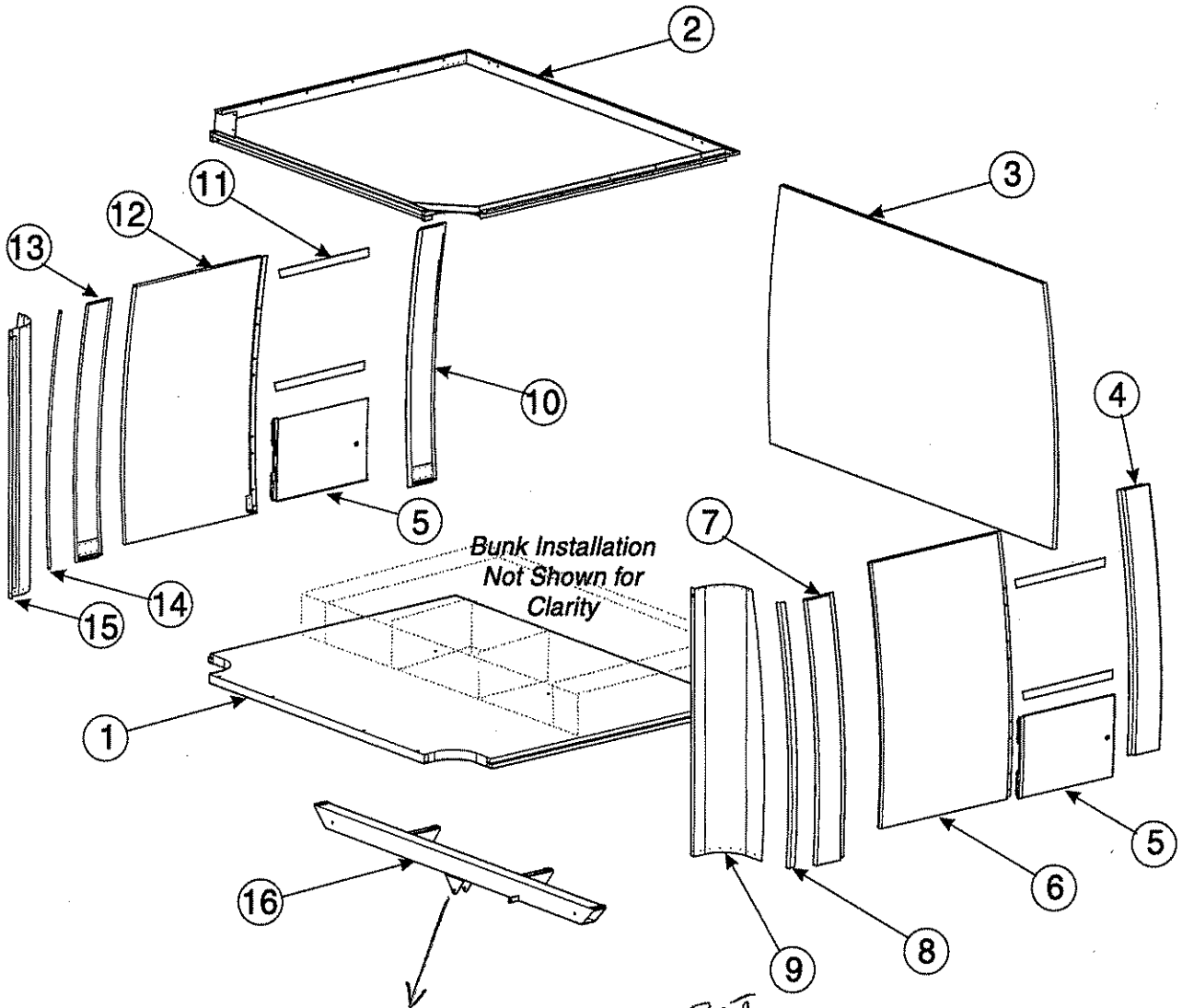
13.21


### TABLE OF CONTENTS


	Section	Page
Sleeper Assemblies .....	13.21.1 .....	2-7
Sleeper Exterior Attaching Parts .....	13.21.5 .....	8-15
Sleeper Skirts .....	13.21.6 .....	16-17
Sleeper Roof Fairing .....	13.21.8 .....	18-23

*Note: This publication is a generic parts book. Components may vary with different applications. For applications other than listed after the parts listings, see the appropriate Bill of Material by truck serial number, and use this publication as a guide only.*

SLEEPERS 13




 Lateral Rest Bar - BRKT  
 63824-4402  
 TSB 633-9925002


 - 1/8" Rubber Spacers = 6479-3429  
 Install Every 24" IN.

# COMPOSITE SLEEPERS

1321.1

## SERVICE SLEEPER SHELL

### SERVICE SLEEPERS

*In order to provide the greatest flexibility of sleepers for the aftermarket field, Service Sleeper Shells are available as an assembly for easy retrofit. They include a sleeper box shell with single bunk installation, all optional interior drilling, and upholstery hooks. Left hand and Right hand luggage doors are standard on the 48, 62, and 76" sleepers, and are included with the service sleeper. The 34" sleeper has an optional cargo door which must be ordered separately.*

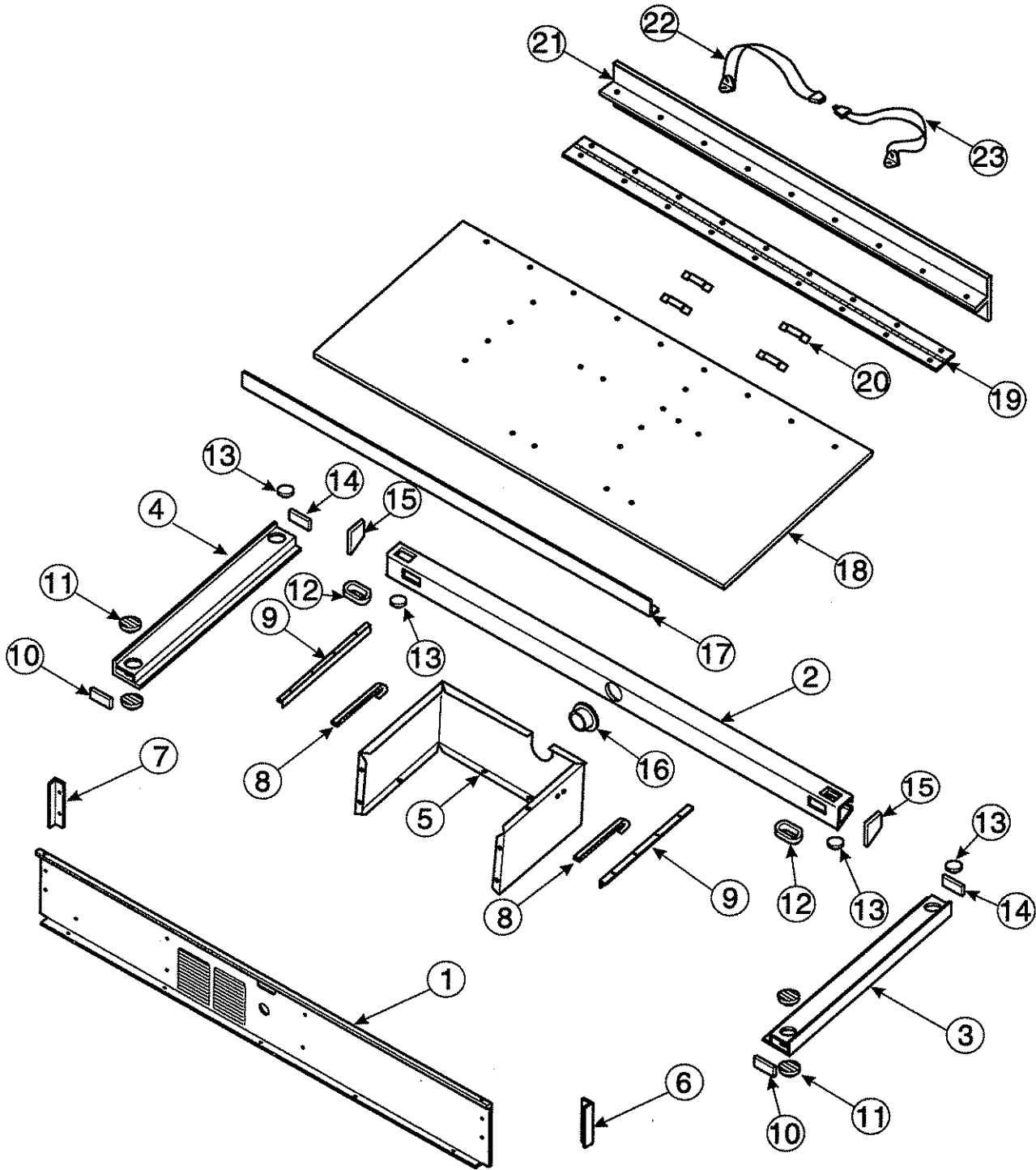
*Passenger Doors, Side Windows, and Roof Caps must be ordered separately to complete a service sleeper.*

Description	Part Number
76" Service Sleeper Box, Composite Sleeper	63322-4401
62" Service Sleeper Box, Composite Sleeper	63322-4402
48" Service Sleeper Box, Composite Sleeper	63322-4403
34" Service Sleeper Box, Composite Sleeper	63322-4404

Item	Description, Component	76"	62"	48"	34"
1	Floor Assembly, Service	63324-4401	63324-4403	63324-4405	63324-4407
2	Drip Rail Assembly	63324-3409	63324-3410	63324-3411	63324-3412
3	Rear Wall, Service	63324-4413	same	same	same
4	Post, Rear, Service, LH	63324-4420	same	same	same
5	Luggage Door Assembly	63324-3429	same	same	no
6	Bodyside, Service, LH	63324-4414	63324-4441	n/a	63324-4445
7	Post, Front, Service, LH, 48"	n/a	n/a	63324-4421	n/a
8	Angle, Front Corner, 48"	n/a	n/a	63324-3443	n/a
9	Front Quarter Panel, Service, LH	63324-4418	same	same	same
10	Post, Rear, Service, RH	63324-4421	same	same	same
11	Door Seal Rim	63322-3502	same	same	n/a
12	Bodyside, Service, RH	63324-4416	63324-4442	n/a	63324-4446
13	Post, Front, Service, RH, 48"	n/a	n/a	63324-4420	n/a
14	Angle, Front Corner, 48"	n/a	n/a	63324-3443	n/a
15	Front Quarter Panel, Service, RH	63324-4419	same	same	same
16	Support Beam Assembly	63324-3432	same	same	same
-	Sleeper Bunk Installation	61601-3431	61601-3434	61601-3438	61601-3437
-	Drilling, Closet, LH/RH	yes	yes	no	no
-	Drilling, Upper Enclosure	yes	yes	no	no
-	Drilling, Desk/Fridge	yes	desk	no	no
-	Drilling, Sleeper Control Panel	yes	yes	yes	no
-	Installation, Upholstery Hooks	yes	yes	yes	yes
-	Cutout, 34" Cargo Door, LH	no	no	no	63398-3563
-	Cutout, 34" Cargo Door, RH	no	no	no	63398-3564

**Specific BOMs listed:** 3398-048-00, 3398-049-00, 3398-050-00, 3398-051-00, 3398-067-00/01

SLEEPERS 13



# COMPOSITE SLEEPERS

1321.1

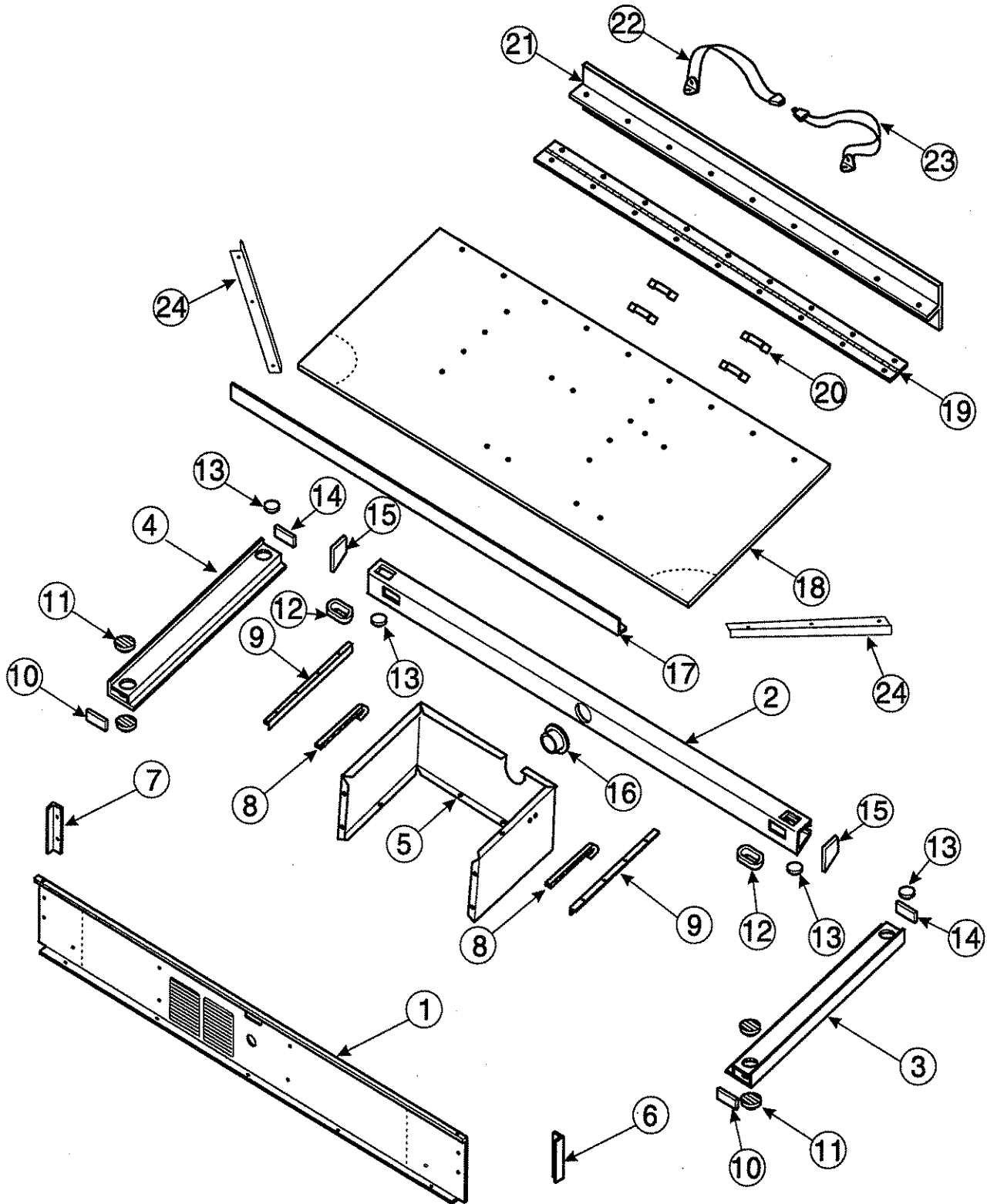
## SERVICE SLEEPER SHELL

### SLEEPER BUNK INSTALLATION 76"/62" (INCLUDED WITH SERVICE SLEEPER)

Item	Description	76" Sleeper 61601-3431	62" Sleeper 61601-3434	Qty
1	Front Wall, Bunk Support	63312-3557	63312-3557	1
2	Duct, Heater, Rear Wall	61601-3429	61601-3429	1
3	Side, Extrusion, LH	61601-3427	61601-3435	1
4	Side Extrusion, RH	61601-3428	61601-3436	1
5	Wall, Heater, Bunk Support	63312-3558	63312-3558	1
6	Angle, Bunk Side Support, LH	63312-3559	63312-3559	1
7	Angle, Bunk Side Support, RH	63312-3560	63312-3560	1
8	Support Stay, Bunk Tray	63312-3566	63312-3566	2
9	Angle, Bunk Tray, Strut Support	63312-3564	63312-3564	2
10	Plug, 2 x 4 Bunk Extrusion	61601-3423	61601-3423	2
11	Louvre, 2" Round	61601-3430	61601-3430	4
12	Foam Ring	61601-3433	61601-3433	AR
13	Grommet, 2 x 1.63 x 1.31	63312-3565	63312-3565	4
14	Foam Plug, 2 x 4	61601-3425	61601-3425	2
15	Foam Plug, 3.5 x 5	61601-3424	61601-3424	2
16	Tee Adaptor, 4"	61601-3426	61601-3426	1
17	Bunk Tray Support, Angle, Front	63312-3562	63312-3562	1
18	Tray, Bunk Support	63312-3561	63312-3567	1
19	Hinge, Sleeper Tray	63312-3563	63312-3563	1
20	Clip, Seat Belt	63317-3591	63317-3591	4
21	Extrusion, Rear Bunk Support	61601-3432	61601-3432	1
22	Seat Belt, Buckle Assy	56201-3419	56201-3421	2
23	Seat Belt, Connector Assy	56201-3420	56201-3422	2

*Specific BOMs listed:* 3398-048-00, 3398-049-00, 3398-050-00, 3398-051-00

**SLEEPERS 13**



# COMPOSITE SLEEPERS

## SERVICE SLEEPER SHELL

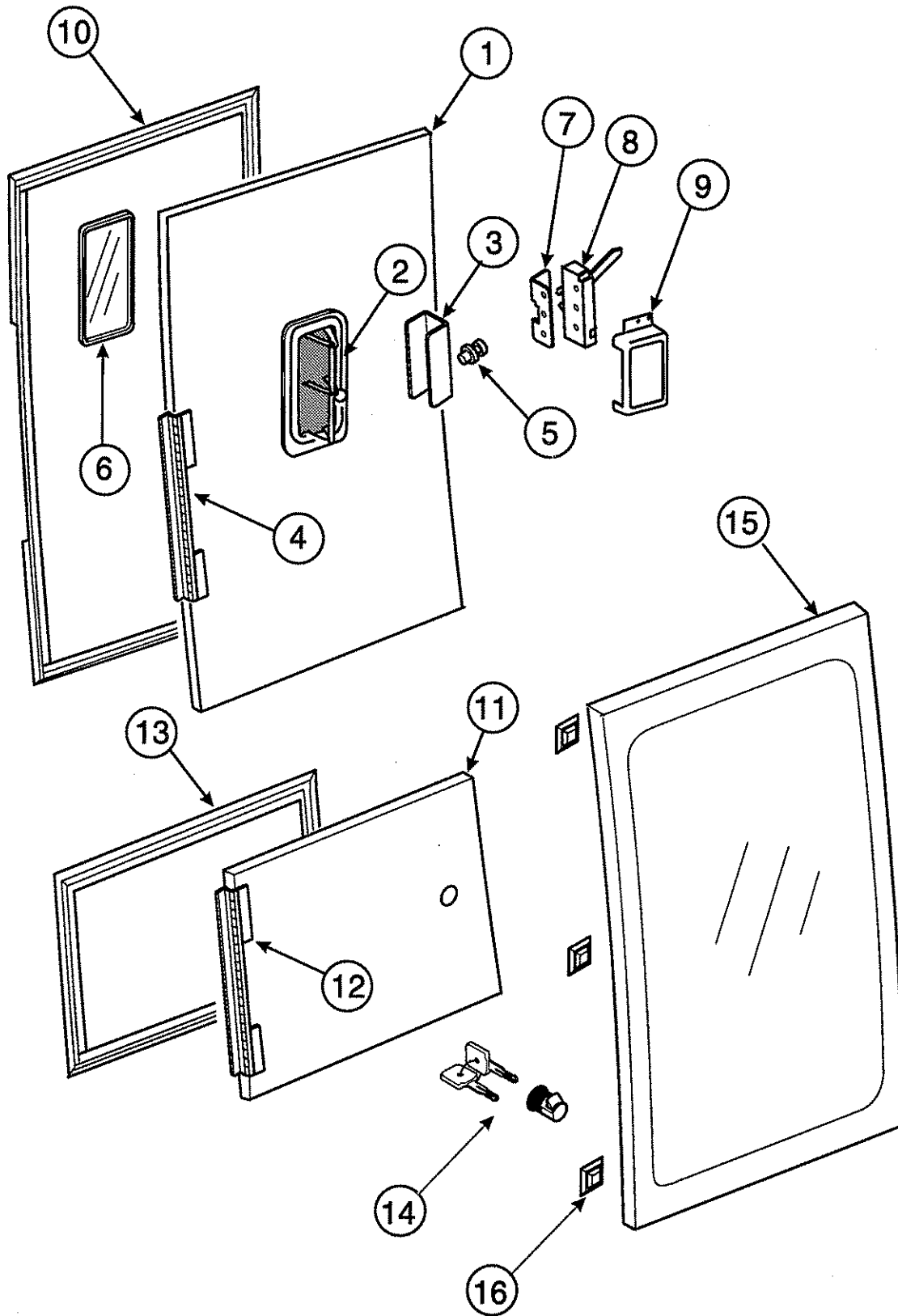
1321.1

### SLEEPER BUNK INSTALLATION 48"/34" (INCLUDED WITH SERVICE SLEEPER)

Item	Description	48" Sleeper	34"	Qty
-	Sleeper Bunk Installation	61601-3438	61601-3437	
1	Front Wall, Bunk Support	63312-3557	63312-3570	1
2	Duct, Heater, Rear Wall	61601-3429	-	1
3	Side, Extrusion, LH	61601-3436	61601-3439	1
4	Side Extrusion, RH	61601-3435	61601-3440	1
5	Wall, Heater, Bunk Support	63312-3558	63312-3558	1
6	Angle, Bunk Side Support, LH	63312-3559	-	1
7	Angle, Bunk Side Support, RH	63312-3560	-	1
8	Support Stay, Bunk Tray	63312-3566	63312-3566	2
9	Angle, Bunk Tray, Strut Support	63312-3564	63312-3564	2
10	Plug, 2 x 4 Bunk Extrusion	61601-3423	61601-3423	2
11	Louvre, 2" Round	61601-3430	-	4
12	Foam Ring	61601-3433	-	AR
13	Grommet, 2 x 1.63 x 1.31	63312-3565	63312-3565	4
14	Foam Plug, 2 x 4	61601-3425	61601-3425	2
15	Foam Plug, 3.5 x 5	61601-3424	-	2
16	Tee Adaptor, 4"	61601-3426	-	1
17	Bunk Tray Support, Angle, Front	63312-3562	63312-3569	1
18	Tray, Bunk Support	63312-3567	63312-3568	1
19	Hinge, Sleeper Tray	63312-3563	63312-3563	1
20	Clip, Seat Belt	63317-3591	63317-3591	4
21	Extrusion, Rear Bunk Support	61601-3432	61601-3432	1
22	Seat Belt, Buckle Assy	56201-3421	56201-3423	2
23	Seat Belt, Connector Assy	56201-3422	56201-3422	2
24	Angle, Bunk Tray Support, 34" Sleeper	-	63312-3571	2

*Specific BOMs listed: 3398-048-00, 3398-049-00, 3398-050-00, 3398-051-00*

**SLEEPERS 13**



# COMPOSITE SLEEPERS

## EXTERIOR ATTACHING PARTS

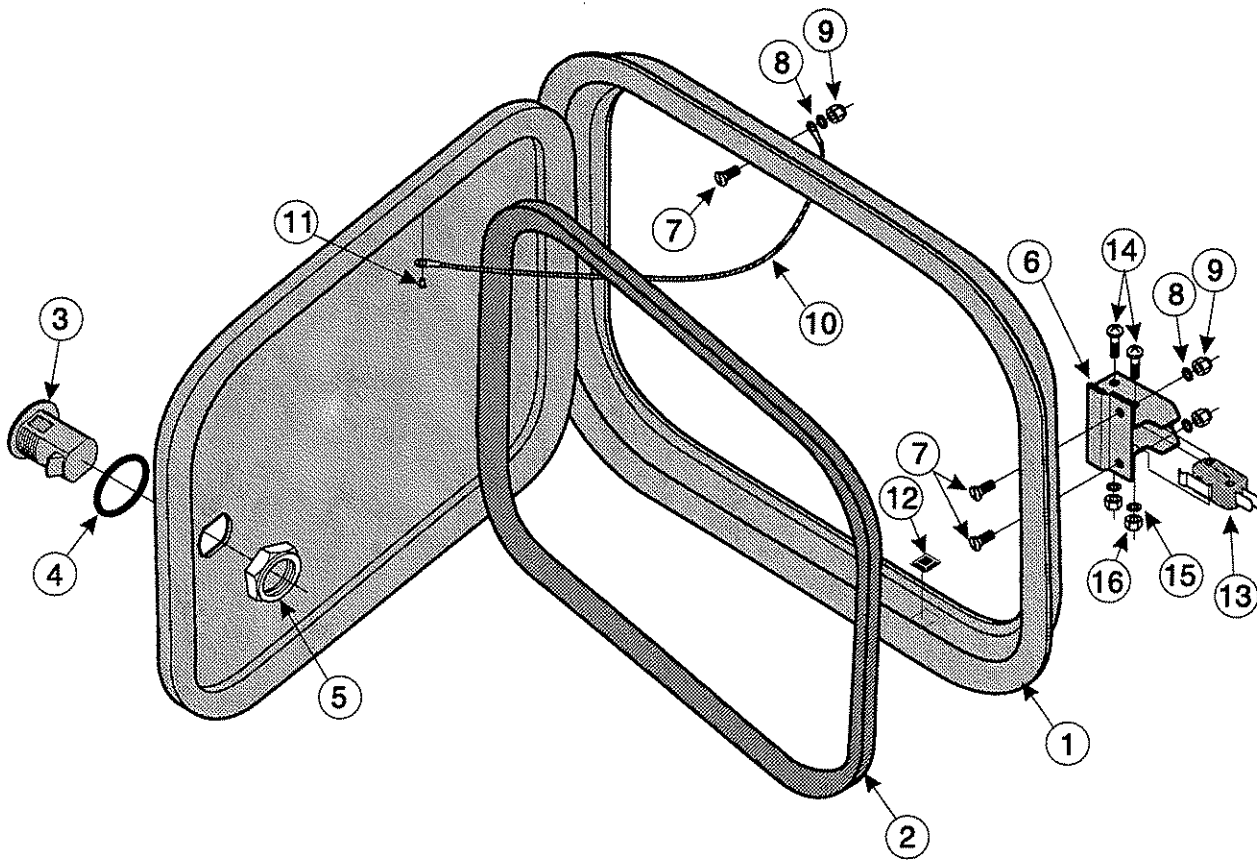
13215

### DOORS, SIDE WINDOW

Item	Description	Part Number	Qty
1	Service Door Assembly, Passenger	63324-4430	1
2	- Vent	63310-3404	1
-	- Vent Reinforcement	63324-3456	1
3	- Striker Bracket	NPN	1
4	- Door Hinge, Passenger Door	63324-3431	1
5	- Striker Pin	63324-3457	2
-	- Installation, Upholstery Hooks		
6	Vent Cover, Stainless Steel	63310-3408	1
7	Door Latch Bracket LH	63324-3460	2
7	Door Latch Bracket RH	63324-3458	2
8	Door Latch LH	63324-3459	2
8	Door Latch RH	63324-3461	2
9	Cover, Door Latch	63324-3464	1
10	Seal, Access Door	63307-3546	1
11	Luggage Door Assy (Inc. with Service Sleeper)	63324-3429	1
12	- Hinge, Luggage Door	63324-3431	1
13	Seal, Luggage Door	63307-3545	1
14	Latch and Key Kit, Luggage Door	63324-3462	1
15	Side Window	63324-3449	1
16	Spacer, Side Window	4007-3460	6

*Specific BOMs listed:* 3398-032-00/01, 3398-063-00/01

SLEEPERS 13



# COMPOSITE SLEEPERS

## EXTERIOR ATTACHING PARTS

13215

### CARGO DOOR - 34" SLEEPER

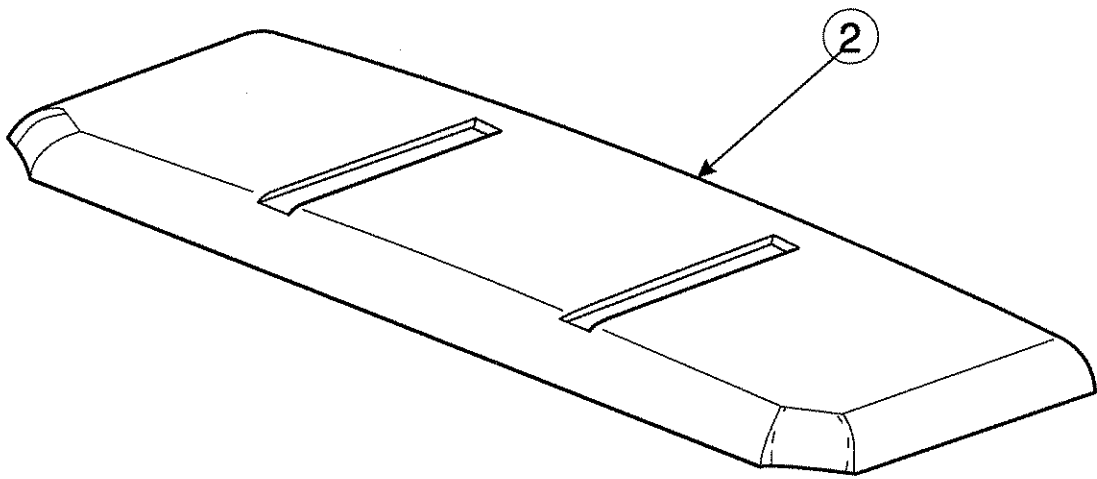
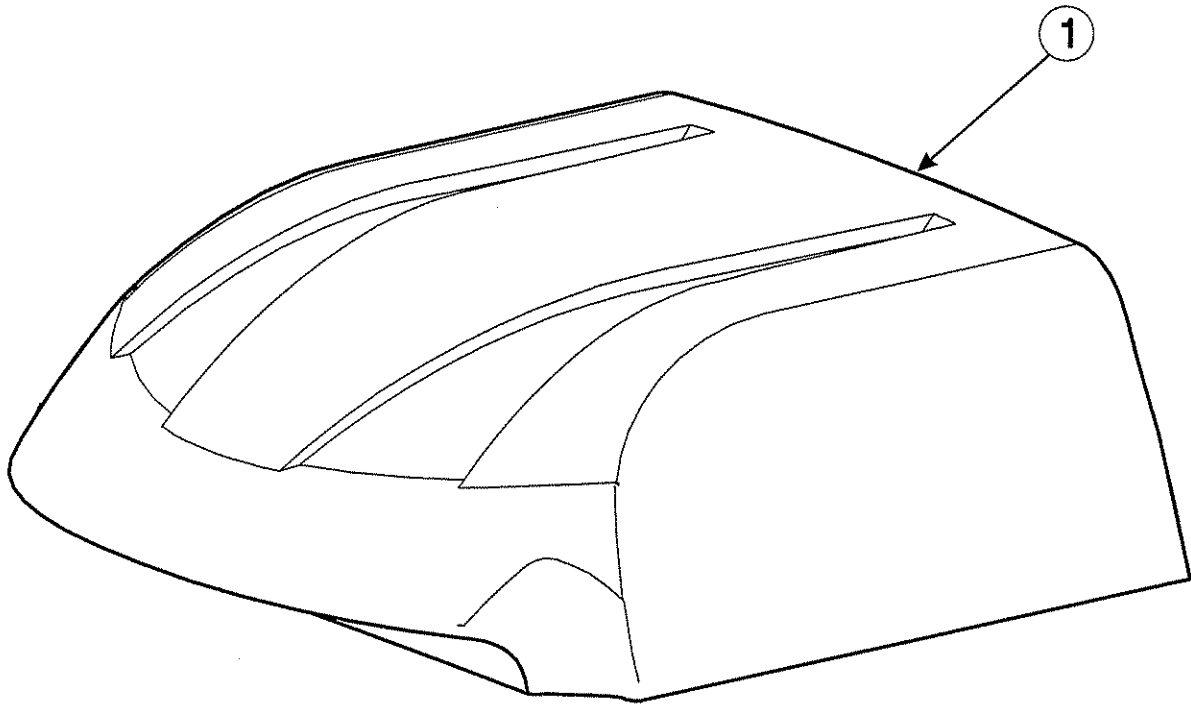
Item	Description	Part Number	Qty
1	Door and Frame Assembly	63324-3481	1
2	Door Seal	50246-3447	1
3	Latch Assembly	63324-3484	1
4	Latch O-Ring	63324-3484	1
5	Nut Thin 1-20 UNEF	4032- <del>3408</del> 3401	1
6	Striker Plate	63314-3482	1
7	Flat Screw 10-24 UNC x 3/4"	4015-3436	3
8	Lockwasher #10	131183	3
9	Elastic Lock Nut #10-24	54503-3402	3
10	Stop Cable	54503-3402	1
11	Rivet 3/16 x 1/8 SS	4013-3412	1
12	Spacers	4007-3460	1
13	Door Switch	86403-3404	1
14	Bolt	4014-3419	2
15	Lockwasher	131183	2
16	Hex Nut	4012-3413	2
-	Terminals	7821-3447	2
-	18 gauge wire	-	ar

Note: 34" Sleeper side panels may be ordered with the cargo door cutout pre cut. Specify drilling/cutout when ordering side panel.

-	Bodyside, 34" Sleeper, LH	63324-4445
-	Drilling/Cutout, 34" Cargo Door LH	63398-3563
-	Bodyside, 34" Sleeper, RH	63324-4446
-	Drilling/Cutout, 34" Cargo Door RH	63398-3564

**Specific BOMs listed: 3398-067-00/01**

**SLEEPERS 13**



# COMPOSITE SLEEPERS

13215

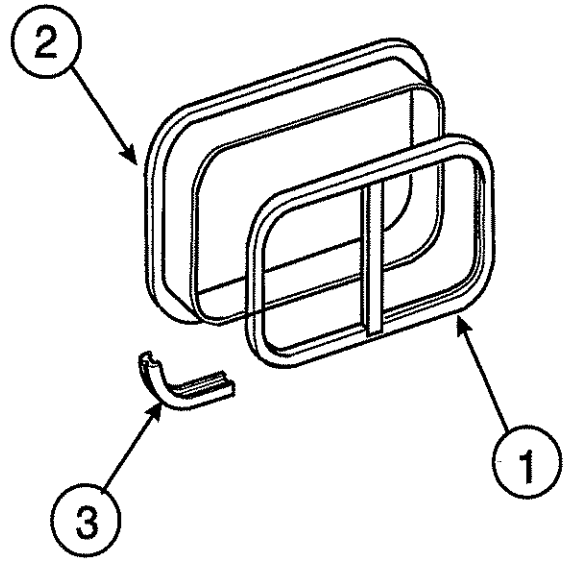
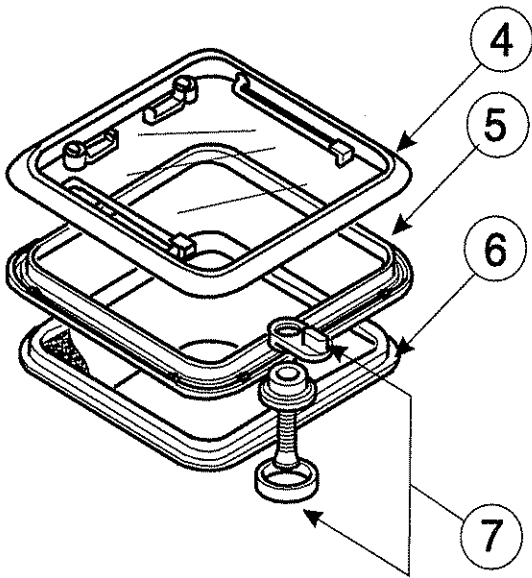
## EXTERIOR ATTACHING PARTS

### ROOF CAPS

Item	Description	Part Number
1	76" Hi Roof, Sun Roof Cutout	63301-3597
1	76" Hi Roof, Sun Roof & Side Windows (2) Cutouts	63301-3596
1	76" Hi Roof, Side Windows (2) Cutouts	63301-3595
1	76" Hi Roof, Fairing Prep, Side Windows (2) Cutouts	63301-3594
1	76" Hi Roof, Fairing Prep	63301-3593
1	76" Hi Roof, Plain	63301-3592
1	62" Hi Roof, Sun Roof Cutout	63301-3586
1	62" Hi Roof, Sun Roof & Side Windows (2) Cutouts	63301-3585
1	62" Hi Roof, Side Windows (2) Cutouts	63301-3584
1	62" Hi Roof, Fairing Prep, Side Windows (2) Cutouts	63301-3583
1	62" Hi Roof, Fairing Prep	63301-3582
1	62" Hi Roof, Plain	63301-3581
1	48" Hi Roof, Plain	63301-3587
1	48" Hi Roof, Fairing Prep	63301-3588
2	62" Low Roof	63301-3589
2	48" Low Roof	63301-3590
2	34" Low Roof	63301-3591

*Specific BOMs listed:* 3398-047-10, 3398-047-20, 3398-047-30/35, 3398-047-40/49

**SLEEPERS 13**



# COMPOSITE SLEEPERS

## EXTERIOR ATTACHING PARTS

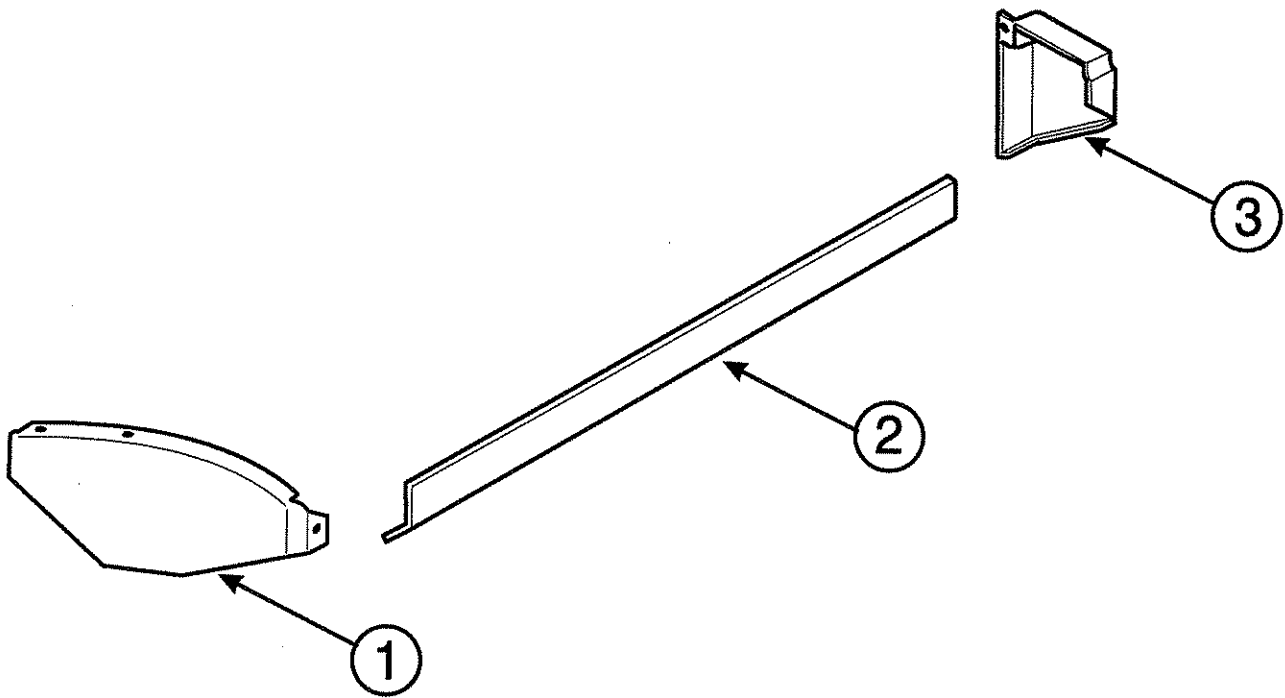
13215

### ROOF MOUNTED WINDOWS

Item	Description		Part Number
1	Window, Ventilation, Hi Roof Sleeper, LH	63320-3562	1
1	Window, Ventilation, Hi Roof Sleeper, Rh	63320-3563	1
2	Trim Ring, Sleeper Roof Window	63316-3598	2
3	Butyl Seal	6479-3403	12ft.
-	Sunroof Assembly	51001-3407	1
4	- Lid with Glass	51190-4401	1
5	- Bugscreen	51106-3405	1
6	- Trim Ring, Black	51106-3404	1
7	- Swing Tab	51106-3406	2
	-- Cup Washer	51106-3407	2
	-- Screw	4010-3405	2
	-- Cap	51106-3408	2

*Specific BOMs listed:* 3398-037-00/01, 3398-038-02

SLEEPERS 13



# COMPOSITE SLEEPERS

## SLEEPER SKIRTS

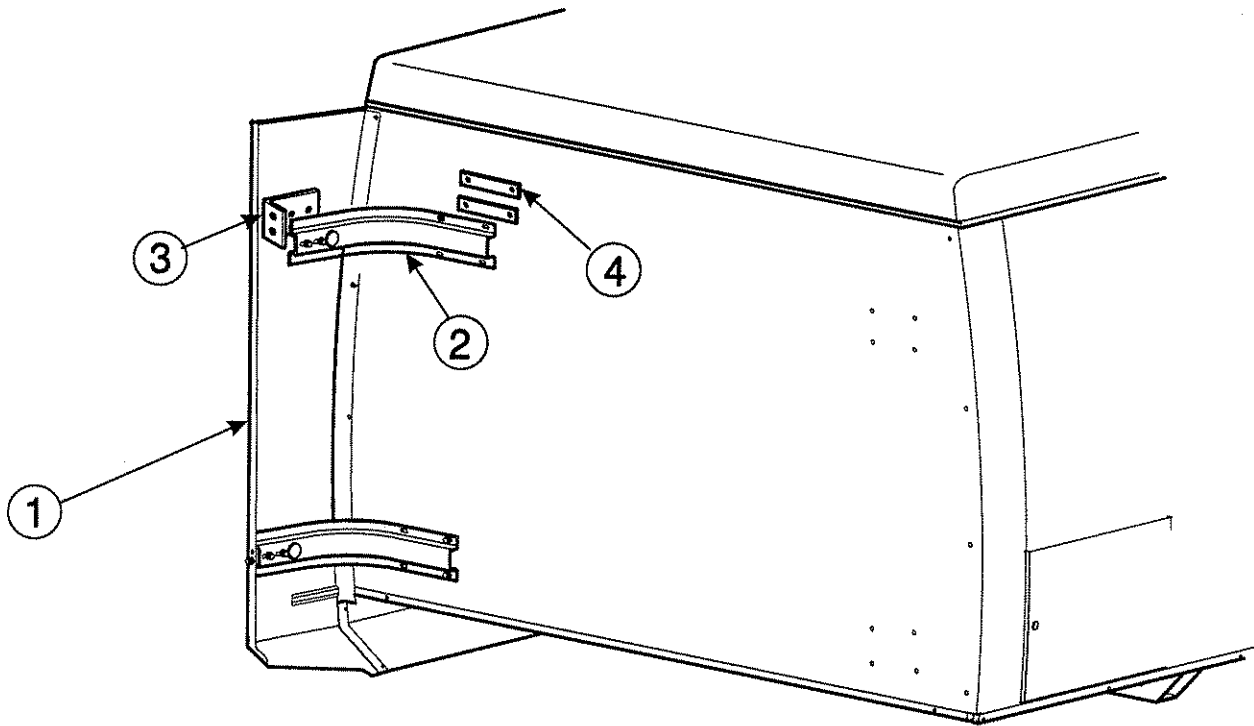
13216

### SLEEPER SKIRTS

Item	Description	Part Number	Qty
1	Skirt, Corner, Front LH	63306-3562	1
1	Skirt, Corner, Front, RH	63306-3563	1
2	Skirt, Side, 76" Sleeper	63306-3553	2
2	Skirt, Side, 62" Sleeper	63306-3559	2
2	Skirt, Side, 48" Sleeper	63306-3560	2
2	Skirt, Side, 34" Sleeper	63306-3561	2
3	Skirt, Rear Corner LH	63306-3564	1
3	Skirt, Rear Corner RH	63306-3565	1

*Specific BOMs listed:* 3398-060-00/07

SLEEPERS 13



# COMPOSITE SLEEPERS

## SLEEPER FAIRINGS

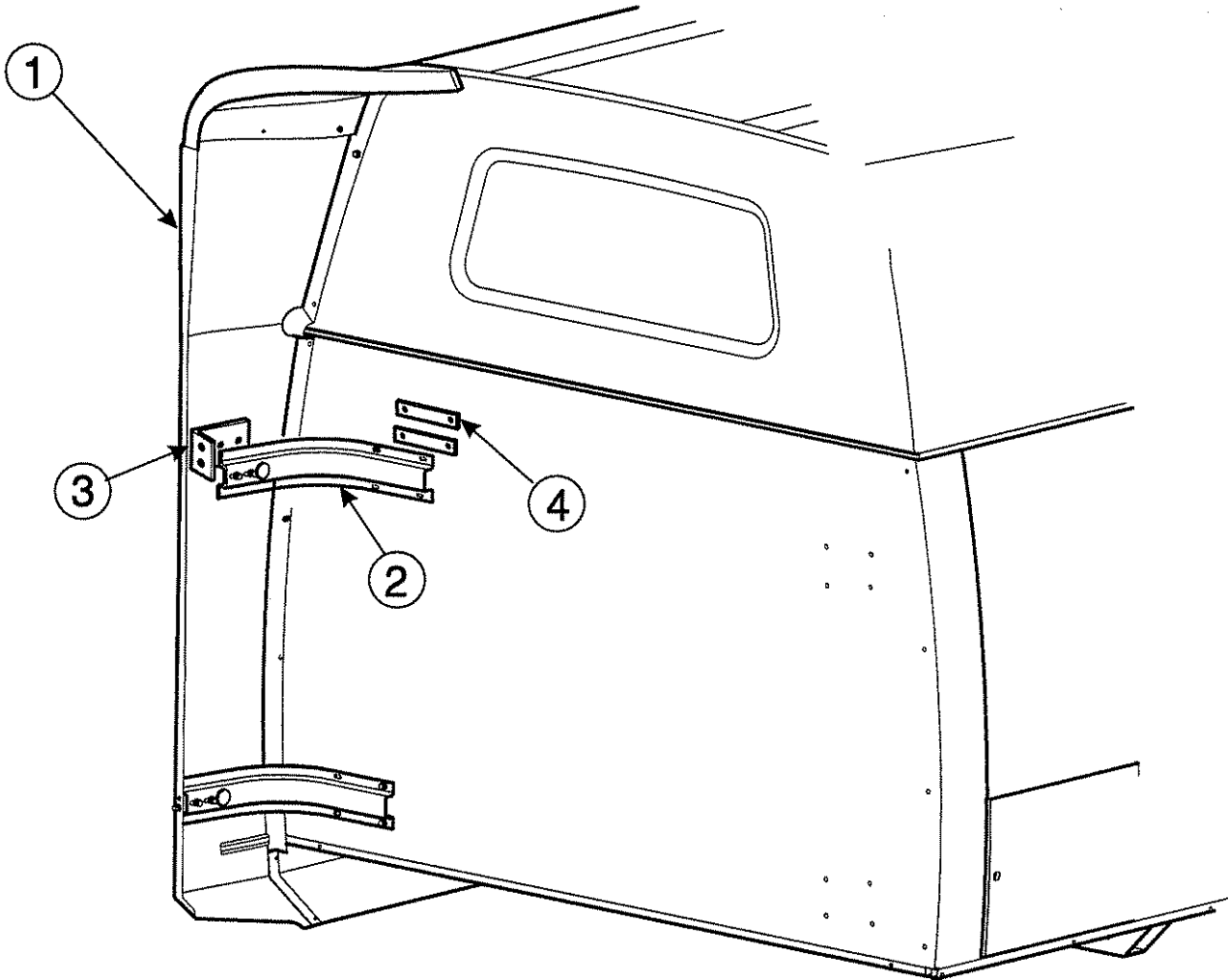
13218

### SIDE DEFLECTORS, LOW ROOF SLEEPERS

Item	Description	Part Number	Qty
1	Deflector, Lower, LH	62101-3597	1
1	Deflector, Lower, RH	62101-3598	1
2	Bracket, Mounting, Side Shield	62102-3544	4
3	Bracket Assembly, Side Shield	62102-3409	4
4	Gasket, Bracket, Side Shield	62102-3543	8

*Specific BOMs listed:* 4398-062-03/05

SLEEPERS 13



# COMPOSITE SLEEPERS

## SLEEPER FAIRINGS

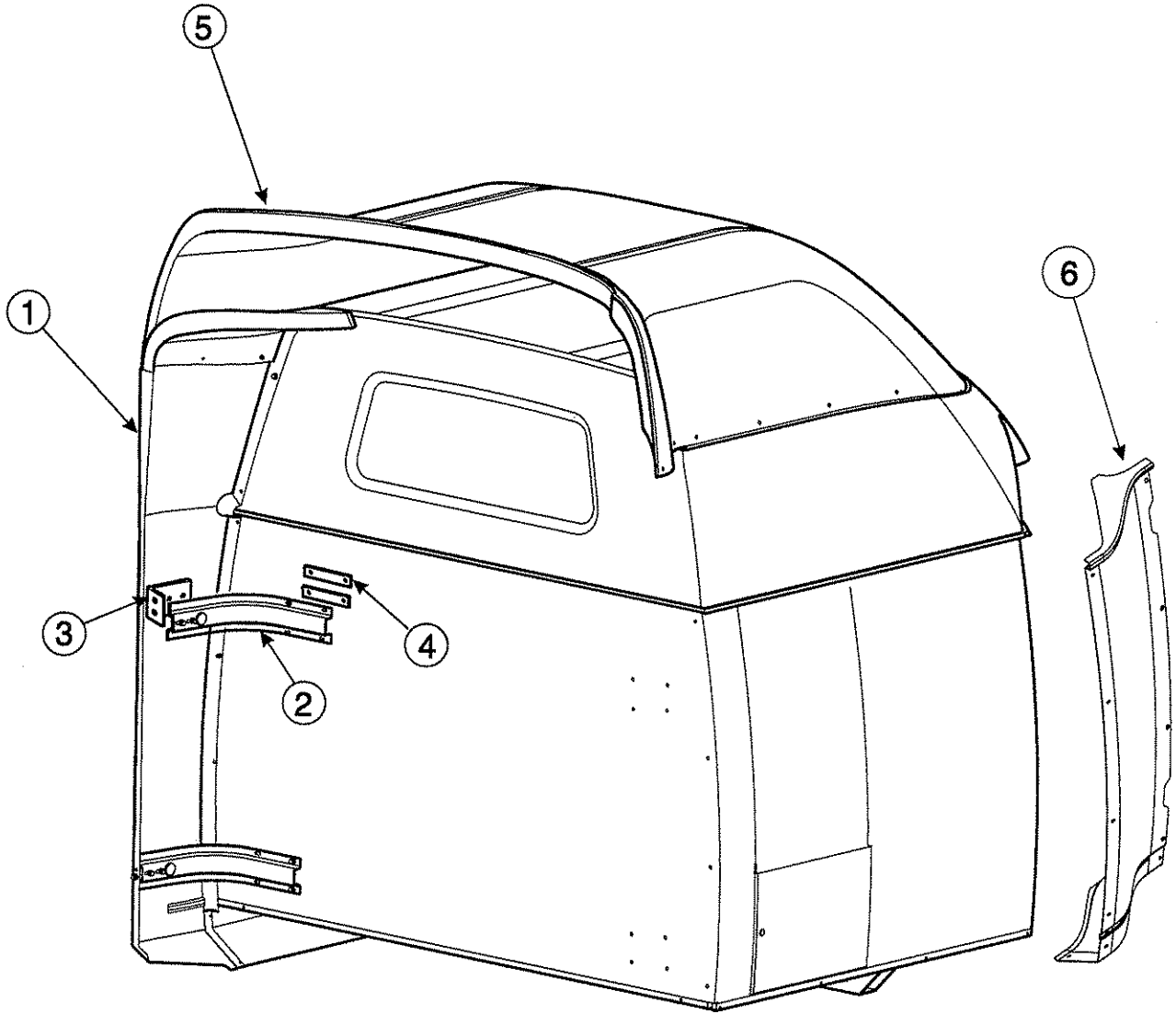
13218

### SIDE DEFLECTORS, HIGH ROOF SLEEPERS

Item	Description	Part Number	Qty
1	Deflector, , LH	62101-3595	1
1	Deflector, , RH	62101-3596	1
2	Bracket, Mounting, Side Shield	62102-3544	4
3	Bracket Assembly, Side Shield	62102-3409	4
4	Gasket, Bracket, Side Shield	62102-3543	8

*Specific BOMs listed:* 4398-062-06/08

**SLEEPERS 13**



# COMPOSITE SLEEPERS

## SLEEPER FAIRINGS

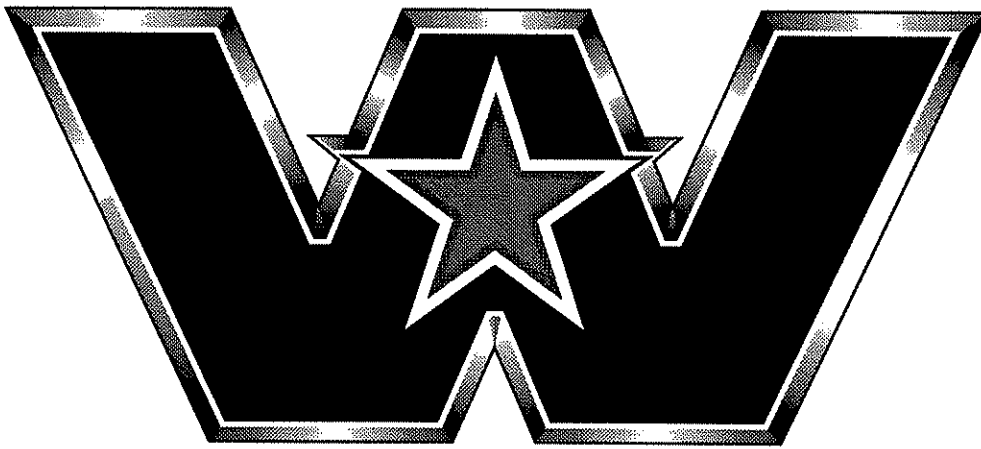
13218

### SIDE DEFLECTORS AND ROOF FAIRING, HIGH ROOF SLEEPERS

Item	Description	Part Number	Qty
1	Deflector, LH	62112-3440	1
1	Deflector, RH	62112-3441	1
2	Bracket, Mounting, Side Shield	62102-3544	4
3	Bracket Assembly, Side Shield	62102-3409	4
4	Gasket, Bracket, Side Shield	62102-3543	8
5	Roof Fairing 48" Sleeper	62112-3439	1
5	Roof Fairing, 62" Sleeper	62112-3438	1
5	Roof Fairing, 76" Sleeper	62101-3599	1
6	Exhaust Filler Panel, LH	62112-3444	1
6	Exhaust Filler Panel, RH	62112-3445	1

*Specific BOMs listed:* 4398-062-00/02, 4398-064-00/02

SLEEPERS 13



**WESTERN STAR TRUCKS®**  
*The Preferred Choice™*

# SLEEPERS

## COMPOSITE SLEEPER SHELVING & DOUBLE BUNK

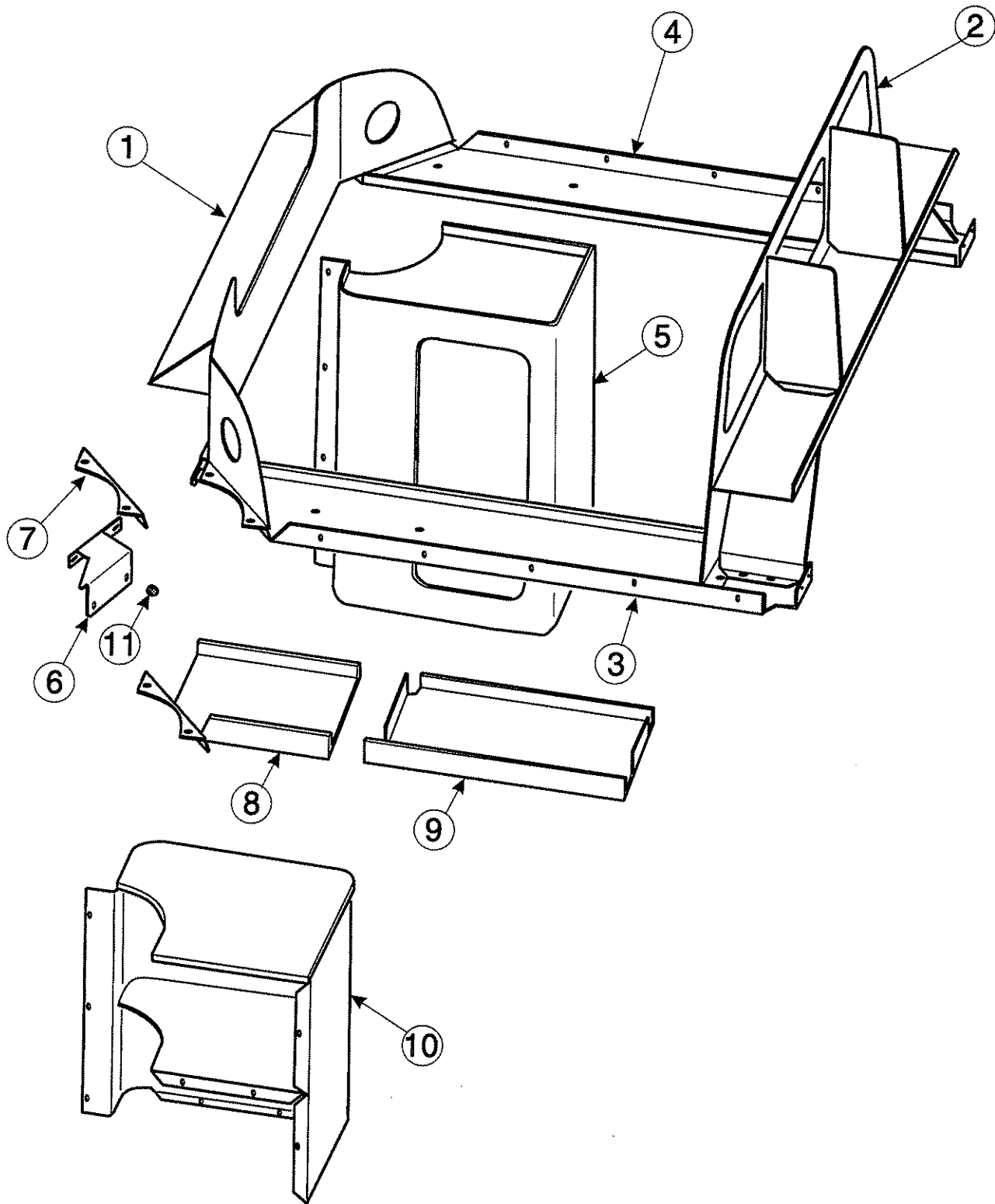
13.22.1

### TABLE OF CONTENTS

	Section	Page
Cabinets and Shelving .....	13.22.1 .....	2-7
Upper Bunk Support, Double Bunk .....	13.22.1 .....	8-9

*Note: This publication is a generic parts book. Components may vary with different applications. For applications other than listed at the bottom of the page, see the appropriate Bill of Material by Truck Serial Number, and use this publication as a guide only.*

SLEEPERS 13



# SLEEPERS

## COMPOSITE SLEEPER SHELVING 76" SLEEPERS

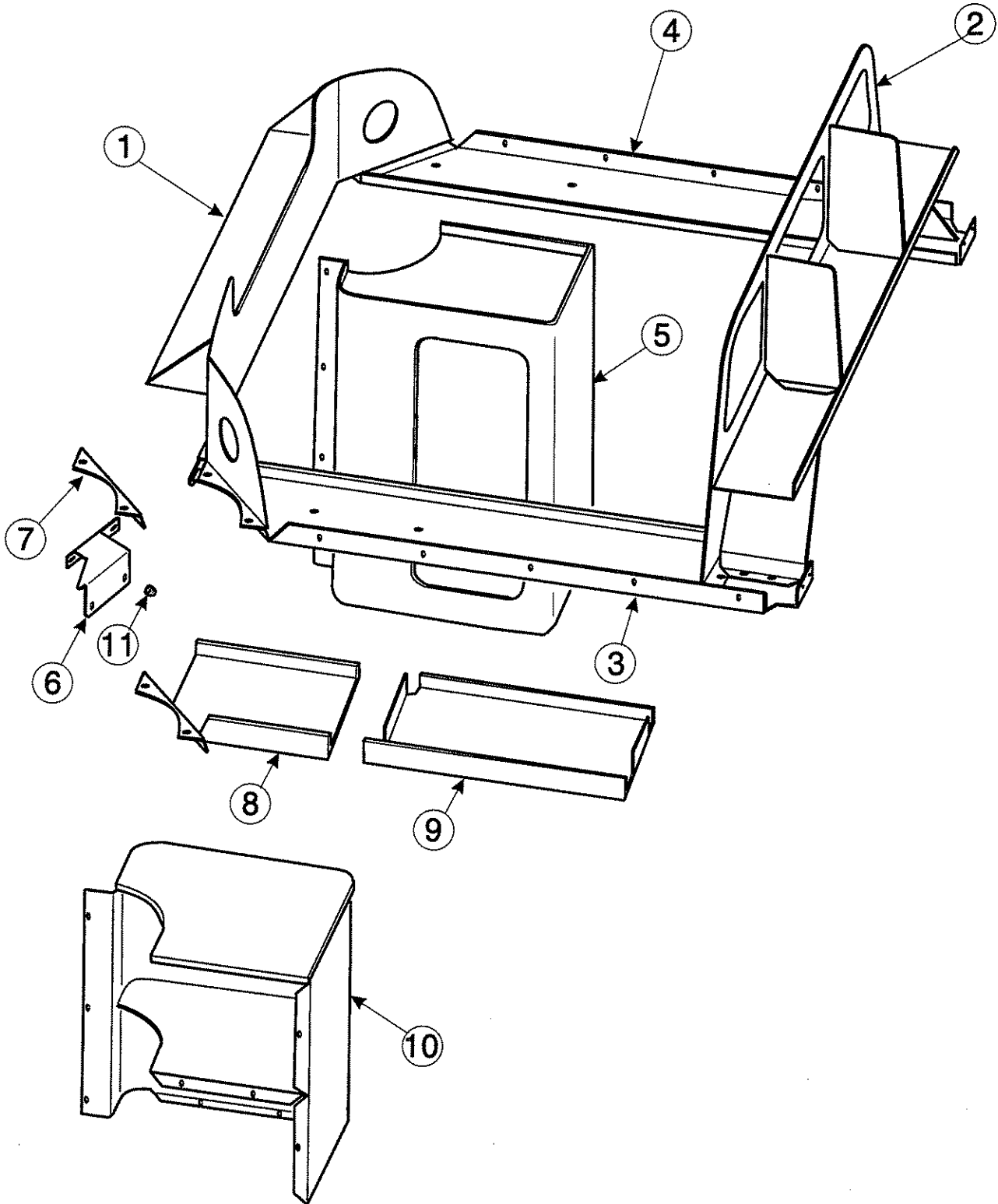
13.22.1

### SLEEPER CABINETS AND SHELVING 76" SLEEPER

Item	Description	Part Number	Qty
1	Facia, Front Hi Roof Sleeper, w/o speaker cutouts	63323-3407	1
1	Facia, Front Hi Roof Sleeper, with speaker cutouts	63323-3408	1
2	Enclosure, Rear Storage, Hi Roof Sleeper	63323-3409	1
-	- Cargo Net, Rear Enclosure	63306-3556	1
3	Storage Shelf, LH, 76" Single Bunk	63323-3455	1
4	Storage Shelf, RH, 76" Single Bunk	63323-3456	1
5	Closet, LH W/O Enclosure	63323-3459	1
5	Closet, LH With Enclosure,	63323-3467	
5	Closet, RH W/O Enclosure	63323-3460	1
5	Closet, RH With Enclosure	63323-3468	1
-	- Curtain, Closet	56311-3405	1
-	- Cargo Net, Closet Enclosure	63305-3558	1
6	Mounting Bracket, LH Shelf, High Roof, Single Bunk	63323-3479	1
6	Mounting Bracket, RH Shelf, High Roof, Single Bunk	63323-3480	1
7	Shelf Stiffener, LH Shelf, Single Bunk	63323-3471	1
7	Shelf Stiffener, RH Shelf, Single Bunk	63323-3472	1
8	Shelf Stub, LH 62,76, w/ Closet, Single Bunk	63323-3463	1
8	Shelf Stub, RH 62,76, w/ Closet, Single Bunk	63323-3464	1
10	Writing Desk Assembly, LH, without Fridge	63305-3414	1
-	- Cargo Net, Desk Assy	63306-3557	1
10	Writing Desk Assembly, RH, without Fridge	63305-3415	1
-	- Cargo Net, Desk Assy	63306-3557	1
10	Writing Desk Assembly, LH, with Fridge	63323-3419	1
10	Writing Desk Assembly, RH, with Fridge	63323-3420	1
-	Fridge, Igloo Model	59604-3406	1
-	Strap, Fridge Tie Down	59604-3407	1
-	Vent, Fridge Cover	63323-3416	1
-	Shelf, Fridge Support	63323-3417	1
-	Cushion, Fridge Support	63323-3418	1
-	Vent, Fridge Cover	63323-3421	1
-	Vent Deflector, Fridge	63323-3422	1
11	Cap, Black Plastic	63322-3444	4

**Specific BOMs listed:** 4099-020-00/01, 4099-021-09, 4099-022-09, 4099-023-20/25,  
4099-024-20/25, 4099-025-00/01, 4099-026-00/01, 4099-029-00

**SLEEPERS 13**

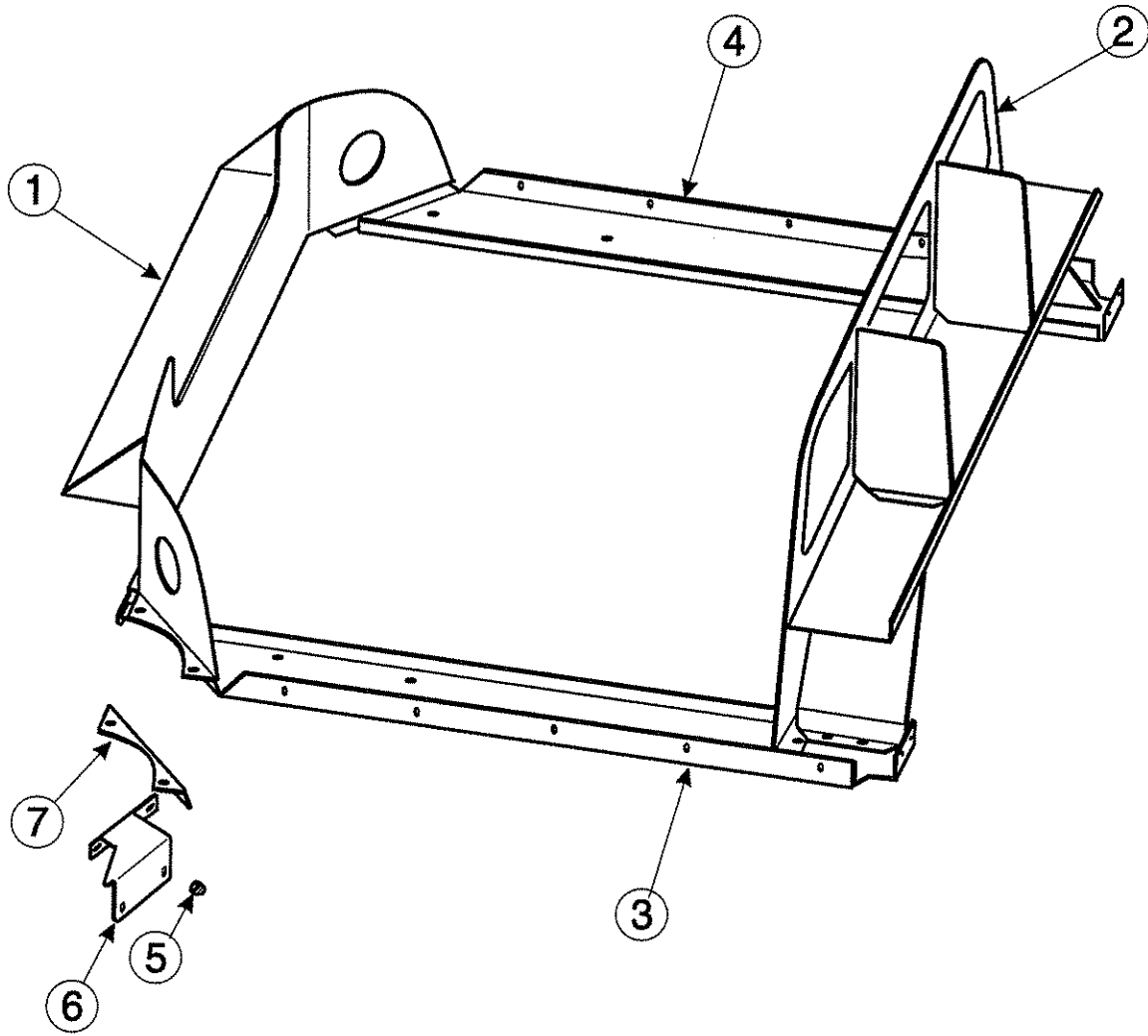


## COMPOSITE SLEEPER SHELVING 62" SLEEPERS

### SLEEPER CABINETS AND SHELVING 62" SLEEPER

Item	Description	Part Number	Qty
1	Facia, Front Hi Roof Sleeper w/o speaker cutouts	63323-3407	1
1	Facia, Front Hi Roof Sleeper, with speaker cutouts	63323-3408	1
2	Enclosure, Rear Storage, Hi Roof Sleeper	63323-3409	1
-	- Cargo Net, Rear Enclosure	63306-3556	1
3	Storage Shelf, LH, Low Roof 62" Sleeper, Single Bunk	63323-3449	1
3	Storage Shelf, LH, Hi Roof 62" Sleeper, Single Bunk	63323-3453	1
4	Storage Shelf, RH, Low Roof 62" Sleeper, Single Bunk	63323-3450	1
4	Storage Shelf, RH, High Roof 62" Sleeper, Single Bunk	63323-3454	1
5	Closet, LH W/O Enclosure	63323-3461	1
5	Closet, LH With Enclosure	63323-3469	1
5	Closet, RH W/O Enclosure	63323-3462	1
5	Closet, RH With Enclosure	63323-3470	1
-	- Curtain, Closet	56311-3405	1
6	Mounting Bracket, LH Shelf, Low Roof, Single Bunk	63323-3481	1
6	Mounting Bracket, LH Shelf, High Roof, Single Bunk	63323-3479	1
6	Mounting Bracket, RH Shelf, Low Roof, Single Bunk	63323-3482	1
6	Mounting Bracket, RH Shelf, High Roof, Single Bunk	63323-3480	1
7	Shelf Stiffener, LH Shelf, single bunk	63323-3471	1
7	Shelf Stiffener, RH Shelf, single bunk	63323-3472	1
8	Shelf Stub, LH 62,76, w/Closet, Single Bunk	63323-3463	1
8	Shelf Stub, RH 62,76, w/Closet, Single Bunk	63323-3464	1
9	Shelf, Filler, LH, BOS to Closet, Low Roof, Single Bunk	63323-3465	1
9	Shelf, Filler RH, BOS to Closet, Low Roof, Single Bunk	63323-3466	1
10	Writing Desk Assembly, LH, without Fridge	63323-3431	1
-	- Cargo Net, Desk Assy	63306-3557	1
10	Writing Desk Assembly, RH, without Fridge	63323-3432	1
-	- Cargo Net, Desk Assy	63306-3557	1
11	Cap, Black Plastic	63322-3444	4

**Specific BOMs listed:** 4099-020-00/01, 4099-021-07/08, 4099-021-10, 4099-022-07/08, 4099-022-10, , 4099-023-10/17, 4099-024-10/17, 4099-025-02, 4099-026-02, 4099-029-00



# SLEEPERS

## COMPOSITE SLEEPER SHELVING 48" SLEEPERS

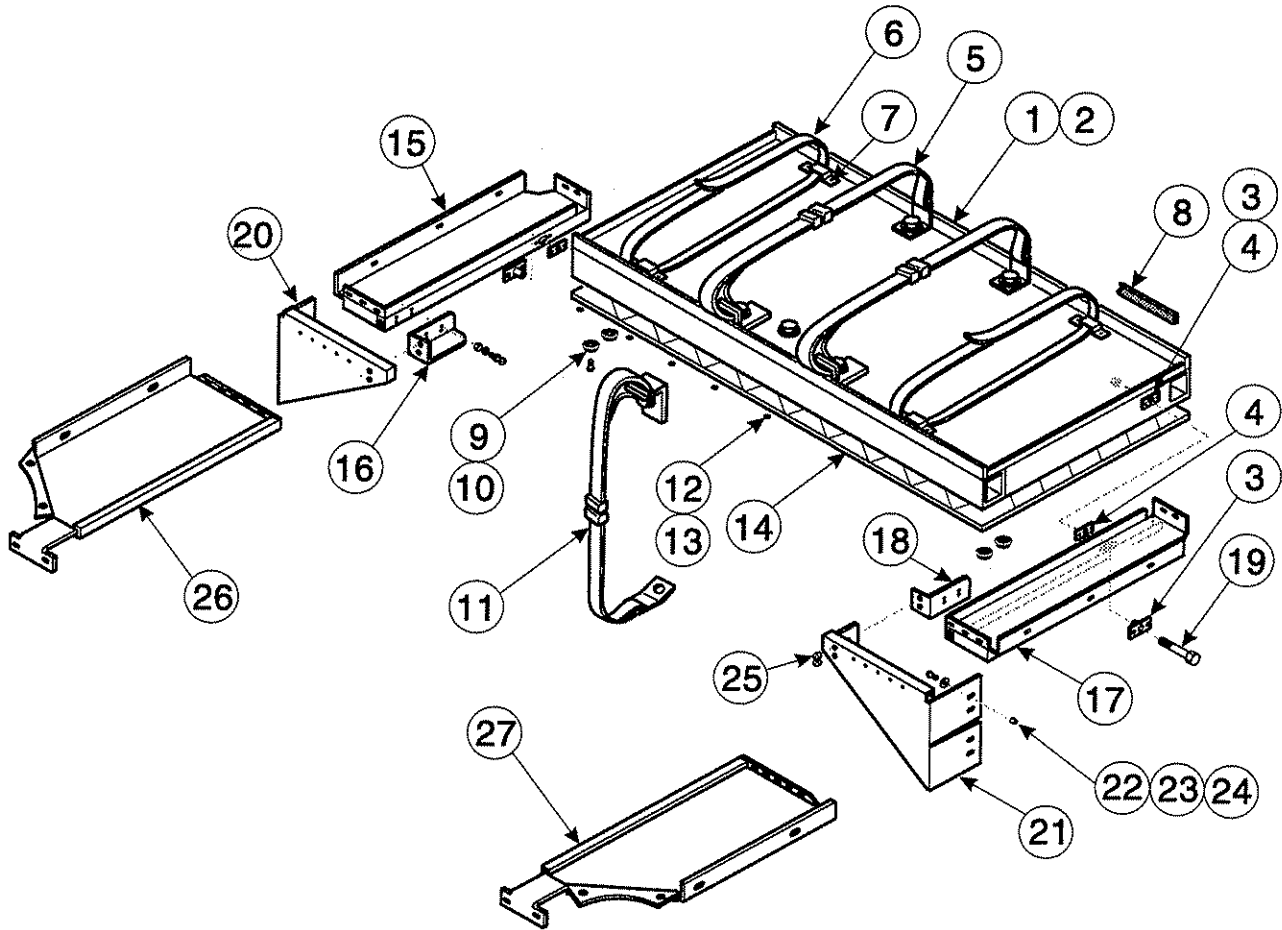
13.221

### SLEEPER CABINETS AND SHELVING (48" SLEEPER)

Item	Description	Part Number	Qty
1	Facia, FrontHi Roof Sleeper, w/o speaker cutouts	63323-3407	1
1	Facia, Front Hi Roof Sleeper, with speaker cutouts	63323-3408	1
2	Enclosure, Rear Storage, Hi Roof Sleeper	63323-3409	1
-	- Cargo Net, Rear Enclosure	63306-3556	1
3	Storage Shelf, LH, 48" Hi Roof Sleeper	63323-3451	1
3	Storage Shelf, RH, 48" Low Roof Sleeper	63323-3447	1
4	Storage Shelf, RH, 48" Hi Roof Sleeper	63323-3452	1
4	Storage Shelf, RH, 48" Low Roof Sleeper	63323-3448	1
5	Cap, Black Plastic	63322-3444	4
6	Mounting Bracket, LH Shelf, Low Roof	63323-3481	1
6	Mounting Bracket, LH Shelf, High Roof	63323-3479	1
6	Mounting Bracket, RH Shelf, Low Roof	63323-3482	1
6	Mounting Bracket, RH Shelf, High Roof	63323-3480	1
7	Shelf Stiffener, LH Shelf	63323-3471	1
7	Shelf Stiffener, RH Shelf	63323-3472	1

**Specific BOMs listed:** 4099-020-00/01, 4099-021-05/06, 4099-022-05/06, 4099-029-00

**SLEEPERS 13**



## UPPER BUNK SUPPORT AND SHELVING - 76" & 62" SLEEPERS

Item	Description	Part Number	Qty.
1	Upper Bunk Tray Assembly	63317-7001	1
2	- Tray Assembly	63317-3614	1
3	- Bushing	63317-3588	2
4	- Bushing Retainer	63317-3582	2
5	- Seat Belt	56201-3417	2
6	- Strap, Mattress	56201-3409	2
7	- Clip	63317-3591	4
8	- Mini Trim, 64.62"	04-9033680	2
9	- Rubber Bumper	63322-3446	4
10	- Screw, #8 x 1.00 Pan Phl Black	4015-3409	4
11	- Seat Belt, Bunk Retainer	56201-3418	1
12	- Snap Button	54020-3419	AR
13	- Upholstery Button Kit	54020-3420	AR
(Choose 1 Upholstery Panel, and specify color)			
14	Upholstery Panel, Upper Bunk, Mesa	56501-3571__	1
14	Upholstery Panel, Upper Bunk, Phoenix	56501-3572__	1
13	Snap Button (installation)	56201_3419__	8
15	Wing Assembly, Upper Bunk, RH	63323-3478	1
3	- Bushing	63317-3588	1
4	- Bushing Retainer	63317-3582	1
16	- Bunk Support RH	63317-3592	1
17	Wing Assembly, Upper Bunk, LH	63323-3477	1
3	- Bushing	63317-3588	1
4	- Bushing Retainer	63317-3582	1
18	- Bunk Support LH	63317-3589	1
19	Bolt, 8 Phos. .50-20X5.0	4019-3408-5.00	2
20	Bulkhead RH Double Bunk	63323-3442	1
21	Bulkhead LH Double Bunk	63323-3441	1
22	Screw, 25-20x1.75 Pan Phl	4009-3405	8
23	Washer, .28x1.00x.06	4011-3458	8
24	Rivnut, .25-20	4013-3435	8
25	Cap, Black Plastic Head .25	63322-3444	8
26	Shelf, 76" RH Fwd, Double Bunk	63323-3444	1
26	Shelf, 62" RH Fwd, Double Bunk	63323-3446	1
27	Shelf, 76" LH Fwd, Double Bunk	63323-3443	1
27	Shelf, 62" LH Fwd, Double Bunk	63323-3445	1

**Specific BOMs listed:** 3398-066-00/01, 3398-066-10/11



# SLEEPERS

## COMPOSITE SLEEPER UPHOLSTERY COLOUR CODES

13222

*Upholstery must be ordered with a colour code to complete the part number. The two letter codes are added at the end of the part number for the piece.*

EG: Panel, LH Wall, 76" Sleeper, Phoenix, Maroon	56502M3403AA
Panel, LH Wall, 76" Sleeper, Phoenix, Blue	56502M3403AB
Panel, LH Wall, 76" Sleeper, Phoenix, Tan	56502M3403AC
Panel, LH Wall, 76" Sleeper, Phoenix, Grey	56502M3403AD

### **Phoenix Colour Codes**

*Phoenix style is a cloth upholstery with the rear panel, and the door panel diamond stitched. Phoenix cloth upholstery requires a colour code inserted at the end of the part number to specify colour. Specify colour by using the following colour codes:*

AA	Maroon
AB	Blue
AC	Tan
AD	Grey

### **Mesa Colour Codes**

*Mesa upholstery is a vinyl upholstery with the rear panel, and the door panel diamond stitched. Mesa vinyl upholstery requires a colour code inserted at the end of the part number to specify colour. Specify colour by using the following colour codes:*

DA	Maroon
DB	Blue
DC	Tan
DD	Grey

### **Dakota Colour Codes**

*Dakota upholstery is a vinyl upholstery with all smooth panels. Dakota vinyl upholstery requires a colour code inserted at the end of the part number to specify colour. Specify colour by using the following colour codes:*

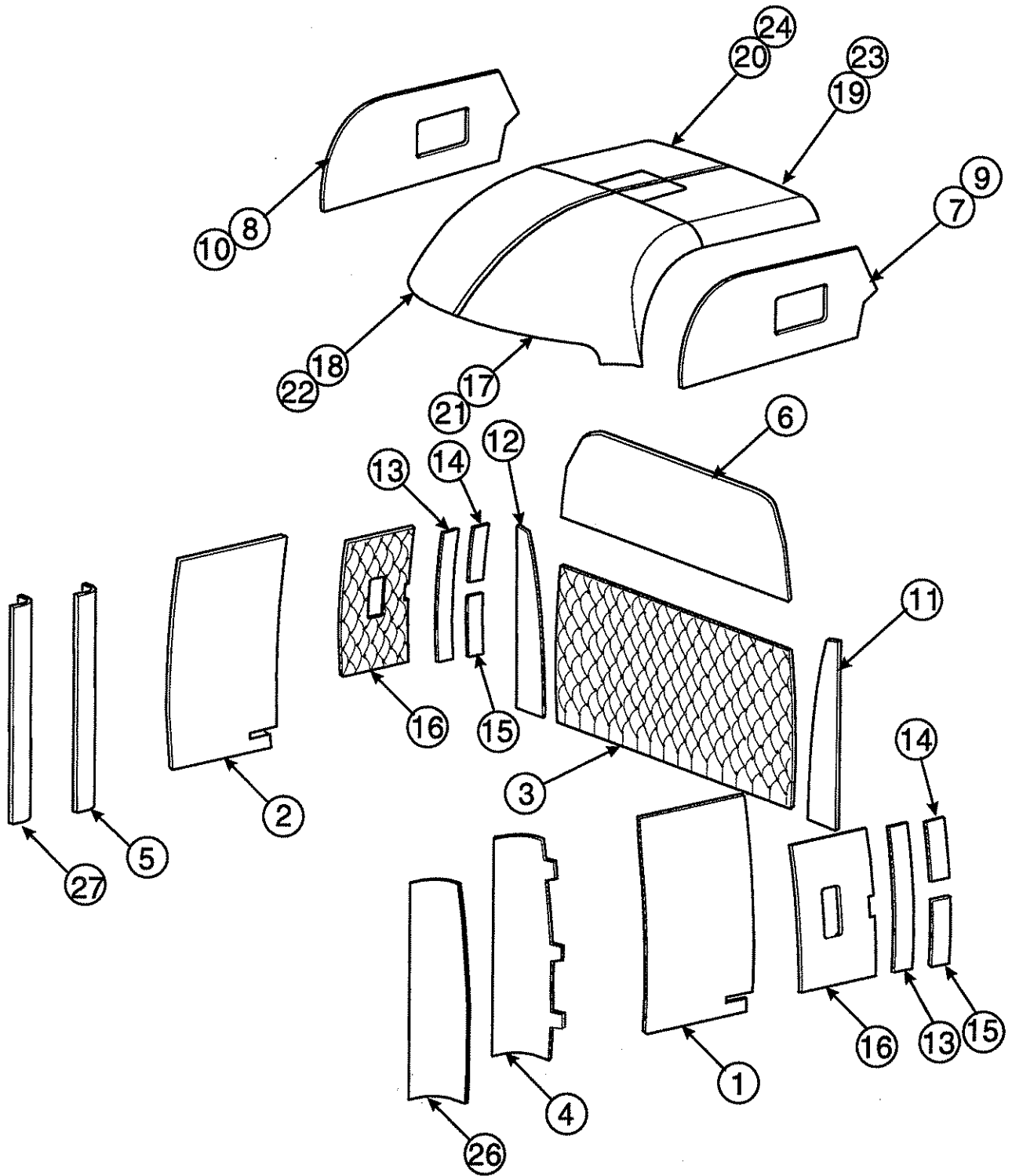
DA	Maroon
DB	Blue
DC	Tan
DD	Grey

### **Headliner Colour Codes**

*Headliners are a flocked material that does not change with upholstery styles. Specify colour by using the following colour codes:*

FA	Maroon
FB	Blue
FC	Tan
FD	Grey

SLEEPERS 13

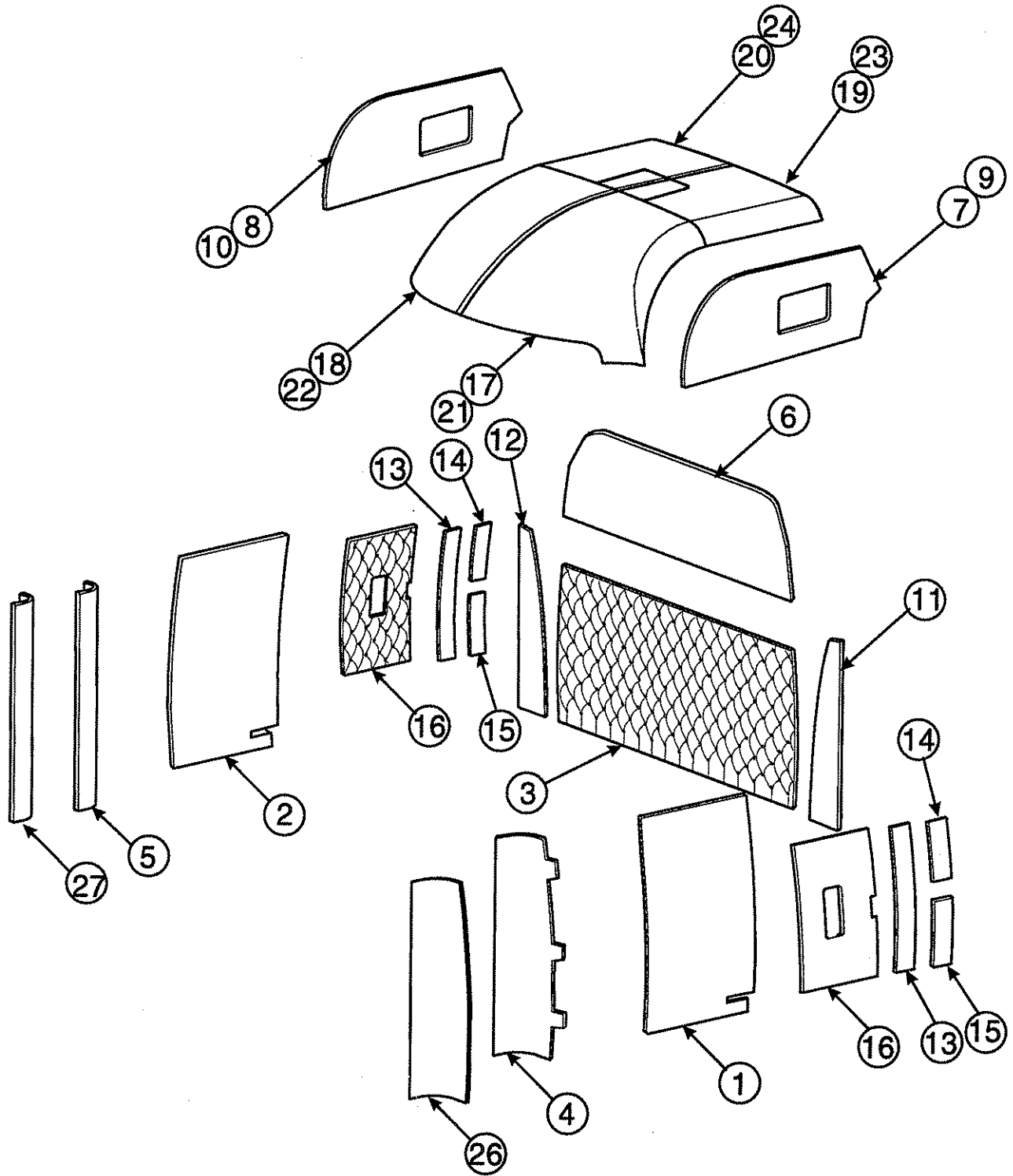


## COMPOSITE SLEEPER UPHOLSTERY PHOENIX 76"

### UPHOLSTERY PANELS - PHOENIX - 76"

Item	Description	Part Number	Qty
1	Panel, LH Wall, 76" Sleeper, Phoenix	56502M3403__	1
2	Panel, RH Wall, 76" Sleeper, Phoenix	56502M3404__	1
3	Panel, Rear Wall, Diamond Stitched, 76/62/48/34	56502M3407__	1
3	Panel, Rear Wall, Double Bunk	56502M3550__	1
4	Panel, Front Corner, LH 76/62/48/3, Phoenix	56502M3410__	1
5	Panel, Front Corner, RH 76/62/48/3, Phoenix	56502M3411__	1
6	Panel, Upper Rear Wall, Hi Roof, Phoenix	56502M3413__	1
6	Panel, Upper Rear Wall, Double Bunk	56502M3557__	1
7	Panel, Side Wall Roof, LH, Phoenix	56502M3416__	1
8	Panel, Side Wall Roof, RH, Phoenix	56502M3417__	1
9	Panel, Side Wall Roof, LH, w/Side Window	56502M3420__	1
10	Panel, Side Wall Roof, RH, w/Side Window	56502M3421__	1
11	Panel, Rear Corner LH, 76/62/48/34	56502M3424__	1
11	Panel, Rear Corner LH, Double Bunk	56502M3555__	1
12	Panel, Rear Corner RH, 76/62/48/34	56502M3425__	1
13	Panel, Side Strip, w/side window 76/62/48/34	56502M3427__	1
14	Panel, Side Strip Upper, 76/62/48/34, Phoenix	56502M3432__	2
15	Panel, Side Strip Lower, 76/62/48/34, Phoenix	56502M3434__	2
16	Panel, Door, Diamond Stitched, 76/62/48/34	56502M3430__	2
17	Headliner, LH Front, 76 Hi Roof	56502G3435__	1
18	Headliner, RH Front, 76 Hi Roof	56502G3436__	1
19	Headliner, LH Rear, 76 Hi Roof	56502G3437__	1
20	Headliner, RH Rear, 76 Hi Roof	56502G3438__	1
21	Headliner, LH Front, 76" Hi Roof w/Sun Roof	56502G3439__	1
22	Headliner, RH Front, 76" Hi Roof w/Sun Roof	56502G3440__	1
23	Headliner, LH Rear, 76" Hi Roof w/Sun Roof	56502G3441__	1
24	Headliner, RH Rear, 76" Hi Roof w/Sun Roof	56502G3442__	1
26	Insulation, Exhaust Well, LH	54604-3495	1
27	Insulation, Exhaust Well, RH	54604-3496	1

*Specific BOMs listed: 4099-292-00/07,, 4099-292-16/23, 4099-293-00/07*



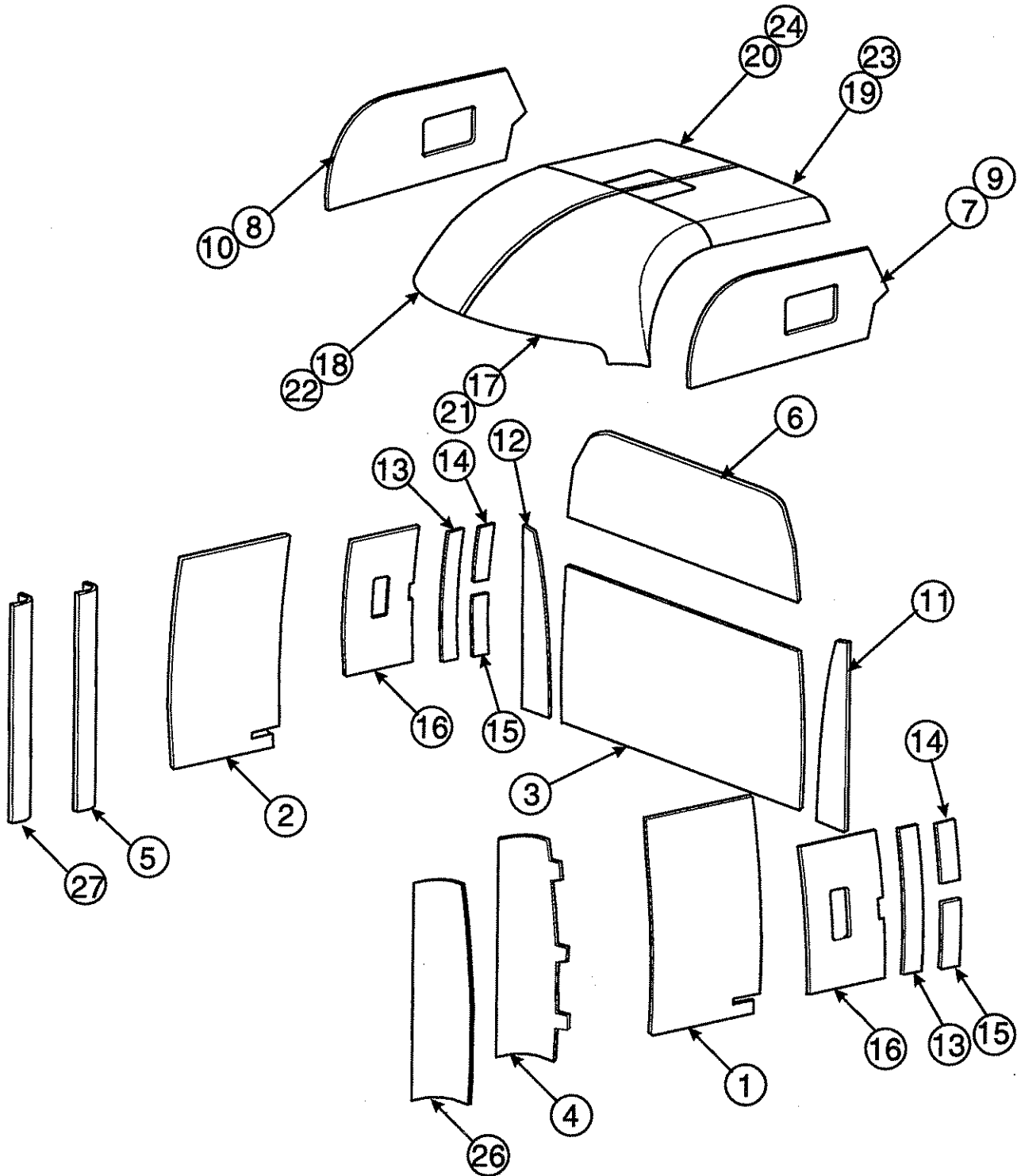
## COMPOSITE SLEEPER UPHOLSTERY MESA 76"

### UPHOLSTERY PANELS - MESA 76" SLEEPER

Item	Description	Part Number	Qty
1	Panel, LH Wall, 76" Sleeper, Mesa	56502M3401__	1
2	Panel, RH Wall, 76" Sleeper, Mesa	56502M3402__	1
3	Panel, Rear Wall, Diamond Stitched, 76/62/48/34	56502M3406__	1
3	Panel, Rear Wall, Double Bunk	56502M3549__	
4	Panel, Front Corner, LH 76/62/48/34, Mesa	56502M3408__	1
5	Panel, Front Corner, RH 76/62/48/34, Mesa	56502M3409__	1
6	Panel, Upper Rear Wall, Hi Roof, Mesa	56502M3412__	1
6	Panel, Upper Rear Wall, Double Bunk	56502M3556__	1
7	Panel, Side Wall Roof, LH, Mesa	56502M3414__	1
8	Panel, Side Wall Roof, RH, Mesa	56502M3415__	1
9	Panel, Side Wall Roof, LH, w/Side Window	56502M3418__	1
10	Panel, Side Wall Roof, RH, w/Side Window	56502M3419__	1
11	Panel, Rear Corner LH, 76/62/48/34, Mesa	56502M3422__	1
11	Panel, Rear Corner LH, Double Bunk	56502M3554__	1
12	Panel, Rear Corner RH, 76/62/48/34, Mesa	56502M3423__	1
13	Panel, Side Strip, w/side window 76/62/48/34	56502M3426__	1
14	Panel, Side Strip Upper, 76/62/48/34, Mesa	56502M3431__	2
15	Panel, Side Strip Lower, 76/62/48/34, Mesa	56502M3433__	2
16	Panel, Door, Diamond Stitched 76/62/48/34	56502M3429__	2
17	Headliner, LH Front, 76 Hi Roof	56502G3435__	1
18	Headliner, RH Front, 76 Hi Roof	56502G3436__	1
19	Headliner, LH Rear, 76 Hi Roof	56502G3437__	1
20	Headliner, RH Rear, 76 Hi Roof	56502G3438__	1
21	Headliner, LH Front, 76" Hi Roof w/Sun Roof	56502G3439__	1
22	Headliner, RH Front, 76" Hi Roof w/Sun Roof	56502G3440__	1
23	Headliner, LH Rear, 76" Hi Roof w/Sun Roof	56502G3441__	1
24	Headliner, RH Rear, 76" Hi Roof w/Sun Roof	56502G3442__	1
26	Insulation, Exhaust Well, LH	54604-3495	1
27	Insulation, Exhaust Well, RH	54604-3496	1

**Specific BOMs listed:** 4099-291-00/07, 4099-291-16/234099-293-00/07

**SLEEPERS 13**



# SLEEPERS

## COMPOSITE SLEEPER UPHOLSTERY DAKOTA 76"

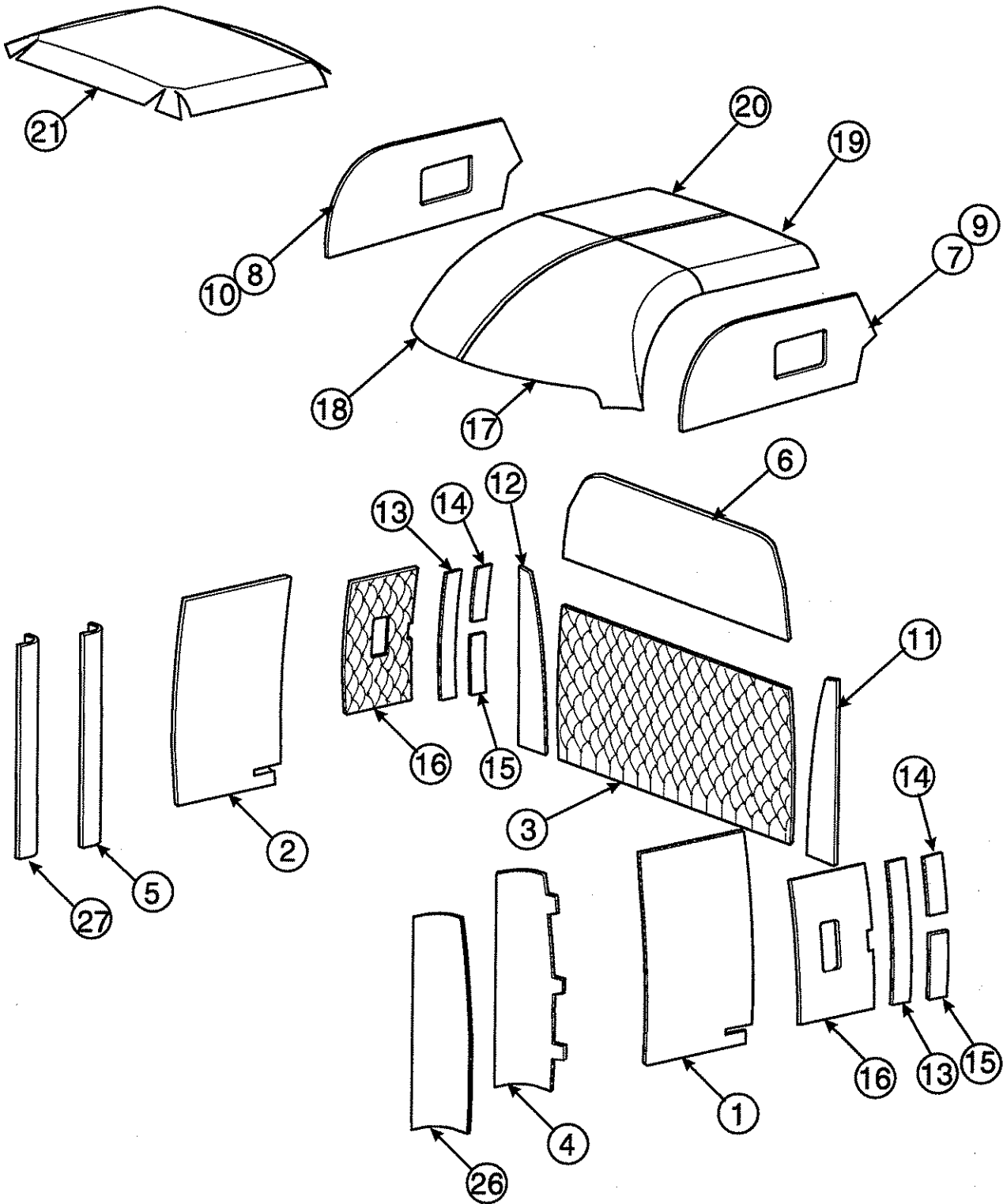
13222

### UPHOLSTERY PANELS - DAKOTA, 76" SLEEPER

Item	Description	Part Number	Qty
1	Panel, LH Wall, 76" Sleeper, Dakota	56502M3401__	1
2	Panel, RH Wall, 76" Sleeper, Dakota	56502M3402__	1
3	Panel, Rear Wall, 76/62/48/34, Dakota	56502M3405__	1
4	Panel, Front Corner, LH 76/62/48/34, Dakota	56502M3408__	1
5	Panel, Front Corner, RH 76/62/48/34, Dakota	56502M3409__	1
6	Panel, Upper Rear Wall, Hi Roof, Dakota	56502M3412	1
7	Panel, Side Wall Roof, LH, Dakota	56502M3414__	1
8	Panel, Side Wall Roof, RH, Dakota	56502M3415__	1
9	Panel, Side Wall Roof, LH, w/Side Window	56502M3418__	1
10	Panel, Side Wall Roof, RH, w/Side Window	56502M3419__	1
11	Panel, Rear Corner LH, 76/62/48/34, Dakota	56502M3422__	1
12	Panel, Rear Corner RH, 76/62/48/34, Dakota	56502M3423__	1
13	Panel, Side Strip, w/side window 76/62/48/34	56502M3426__	1
14	Panel, Side Strip Upper, 76/62/48/34, Dakota	56502M3431__	2
15	Panel, Side Strip Lower, 76/62/48/34, Dakota	56502M3433__	2
16	Panel, Door, 76/62/48/34, Dakota	56502M3428__	2
17	Headliner, LH Front, 76 Hi Roof	56502G3435__	1
18	Headliner, RH Front, 76 Hi Roof	56502G3436__	1
19	Headliner, LH Rear, 76 Hi Roof	56502G3437__	1
20	Headliner, RH Rear, 76 Hi Roof	56502G3438__	1
21	Headliner, LH Front, 76" Hi Roof w/Sun Roof	56502G3439__	1
22	Headliner, RH Front, 76" Hi Roof w/Sun Roof	56502G3440__	1
23	Headliner, LH Rear, 76" Hi Roof w/Sun Roof	56502G3441__	1
24	Headliner, RH Rear, 76" Hi Roof w/Sun Roof	56502G3442__	1
26	Insulation, Exhaust Well, LH	54604-3495	1
27	Insulation, Exhaust Well, RH	54604-3496	1

**Specific BOMs listed: 4099-290-00/07, 4099-293-00/07**

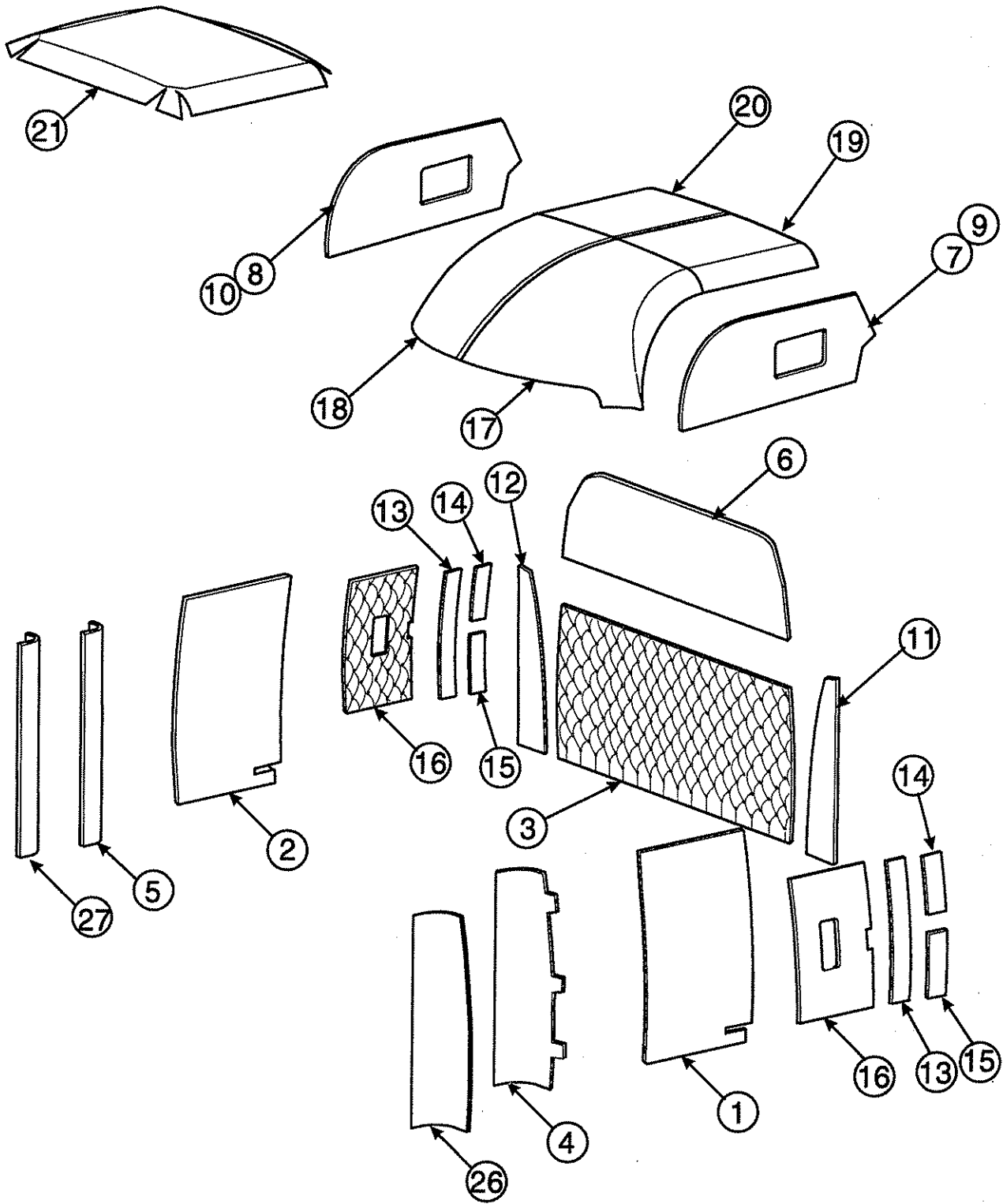
**SLEEPERS 13**



### UPHOLSTERY PANELS - PHOENIX - 62"

Item	Description	Part Number	Qty
1	Panel, LH Wall, 62" Sleeper, Phoenix	56502M3487__	1
2	Panel, RH Wall, 62" Sleeper, Phoenix	56502M3488__	1
3	Panel, Rear Wall, Diamond Stitched, 76/62/48/34	56502M3407__	1
3	Panel, Rear Wall, Double Bunk	56502M3550__	1
4	Panel, Front Corner, LH 76/62/48/3, Phoenix	56502M3410__	1
5	Panel, Front Corner, RH 76/62/48/3, Phoenix	56502M3411__	1
6	Panel, Upper Rear Wall, Hi Roof, Phoenix	56502M3413__	1
6	Panel, Upper Rear Wall, Hi Roof, Double Bunk	56502M3557__	1
7	Panel, Side Wall Roof 62" Hi LH, Phoenix	56502M3476__	1
8	Panel, Side Wall Roof 62" Hi RH, Phoenix	56502M3477__	1
9	Panel, Side Wall Roof, LH 62", Hi w/Window	56502M3480__	1
10	Panel, Side Wall Roof, RH 62", w/Window	56502M3481__	1
11	Panel, Rear Corner LH, Hi Roof, Phoenix	56502M3424__	1
11	Panel, Rear Corner LH, Hi Roof Double Bunk	56502M3555__	1
12	Panel, Rear Corner RH, Hi Roof, Phoenix	56502M3425__	1
11	Panel, Rear Corner LH, Low Roof, Phoenix	56502M3462__	1
12	Panel, Rear Corner RH, Low Roof, Phoenix	56502M3463__	1
13	Panel, Side Strip, w/side window 76/62/48/34	56502M3427__	1
14	Panel, Side Strip Upper, 76/62/48/34, Phoenix	56502M3432__	2
15	Panel, Side Strip Lower, 76/62/48/34, Phoenix	56502M3434__	2
16	Panel, Door, Diamond Stitched, 76/62/48/34	56502M3430__	2
17	Headliner, LH Front, 62" Hi Roof	56502G3435__	1
18	Headliner, RH Front, 62" Hi Roof	56502G3436__	1
19	Headliner, LH Rear, 62" Hi Roof	56502G3455__	1
20	Headliner, RH Rear, 62" Hi Roof	56502G3456__	1
21	Headliner, 62" Low Roof, Phoenix	56502G3484__	1
26	Insulation, Exhaust Well, LH	54604-3495	1
27	Insulation, Exhaust Well, RH	54604-3496	1

**Specific BOMs listed:** 4099-286-00/03, 4099-286-08/11, 4099-289-00/01, 4099-289-04/05  
4099-296-00/05

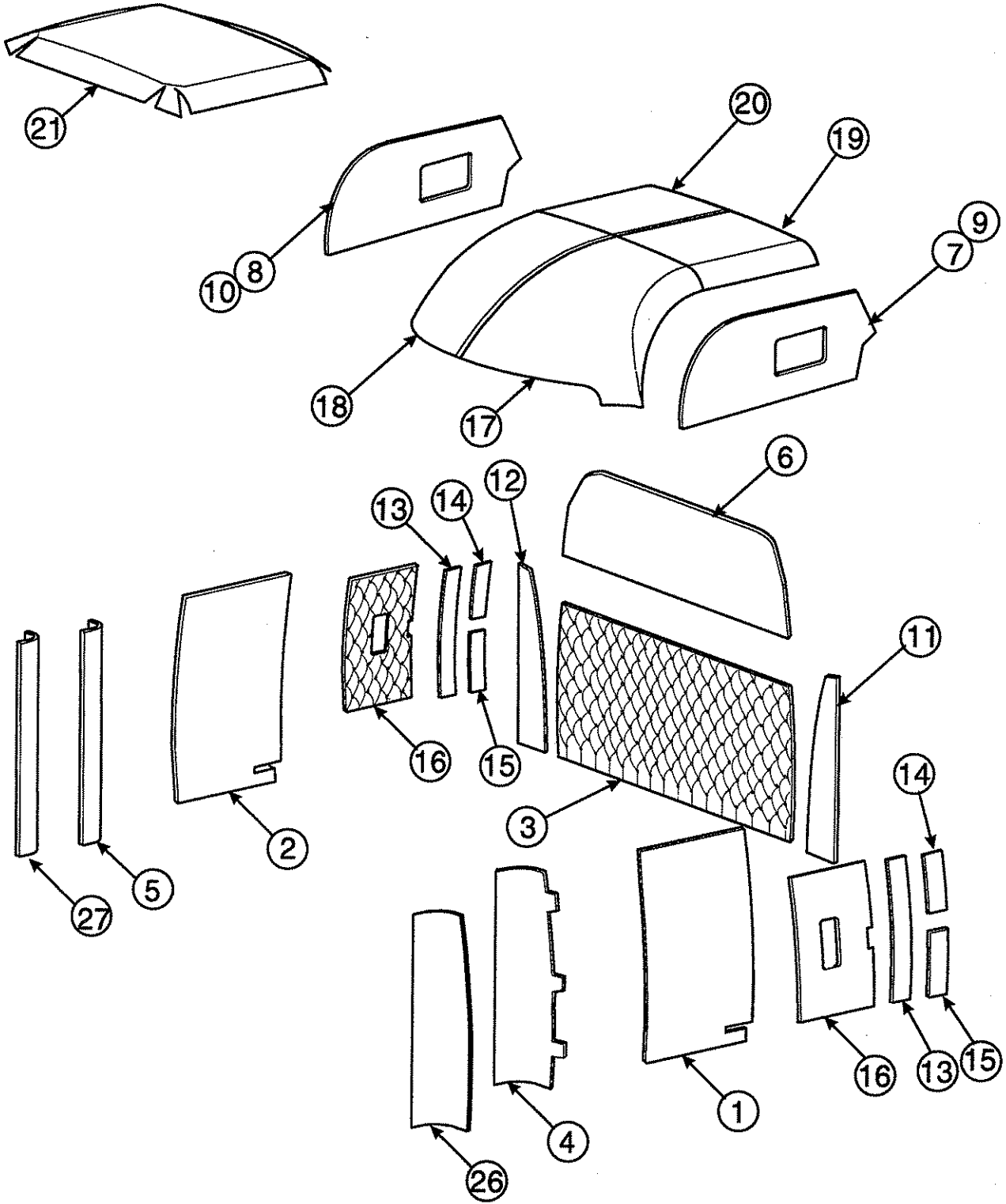


## COMPOSITE SLEEPER UPHOLSTERY MESA 62"

### UPHOLSTERY PANELS - MESA- 62"

Item	Description	Part Number	Qty
1	Panel, LH Wall, 62" Sleeper, Mesa	56502M3485__	1
2	Panel, RH Wall, 62" Sleeper, Mesa	56502M3486__	1
3	Panel, Rear Wall, 76/62/48/34	56502M3406__	1
3	Panel, Rear Wall, Double Bunk	56502M35549__	1
4	Panel, Front Corner, LH 76/62/48/3, Mesa	56502M3408__	1
5	Panel, Front Corner, RH 76/62/48/3, Mesa	56502M3409__	1
6	Panel, Upper Rear Wall, Hi Roof, Mesa	56502M3412__	1
6	Panel, Upper Rear Wall, Double Bunk	56502M3556__	1
7	Panel, Side Wall Roof 62" Hi LH, Mesa	56502M3474__	1
8	Panel, Side Wall Roof 62" Hi RH, Mesa	56502M3475__	1
9	Panel, Side Wall Roof, LH 62", Hi w/Window	56502M3478__	1
10	Panel, Side Wall Roof, RH 62", w/Window	56502M3479__	1
11	Panel, Rear Corner LH, Hi Roof, Mesa	56502M3422__	1
11	Panel, Rear Corner LH, Hi Roof Double Bunk	56502M3554__	1
12	Panel, Rear Corner RH, Hi Roof, Mesa	56502M3423__	1
11	Panel, Rear Corner LH, Low Roof, Mesa	56502M3460__	1
12	Panel, Rear Corner RH, Low Roof, Mesa	56502M3461__	1
13	Panel, Side Strip, w/side window 76/62/48/34	56502M3426__	1
14	Panel, Side Strip Upper, 76/62/48/34, Mesa	56502M3431__	2
15	Panel, Side Strip Lower, 76/62/48/34, Mesa	56502M3433__	2
16	Panel, Door, 76/62/48/34 Mesa	56502M3429__	2
17	Headliner, LH Front, 62" Hi Roof	56502G3435__	1
18	Headliner, RH Front, 62" Hi Roof	56502G3436__	1
19	Headliner, LH Rear, 62" Hi Roof	56502G3455__	1
20	Headliner, RH Rear, 62" Hi Roof	56502G3456__	1
21	Headliner, 62" Low Roof, Mesa	56502G3483__	1
26	Insulation, Exhaust Well, LH	54604-3495	1
27	Insulation, Exhaust Well, RH	54604-3496	1

**Specific BOMs listed:** 4099-285-00/03, 4099-285-08/11, 4099-288-00/01, 4099-288-04/04, 4099-296-00/05

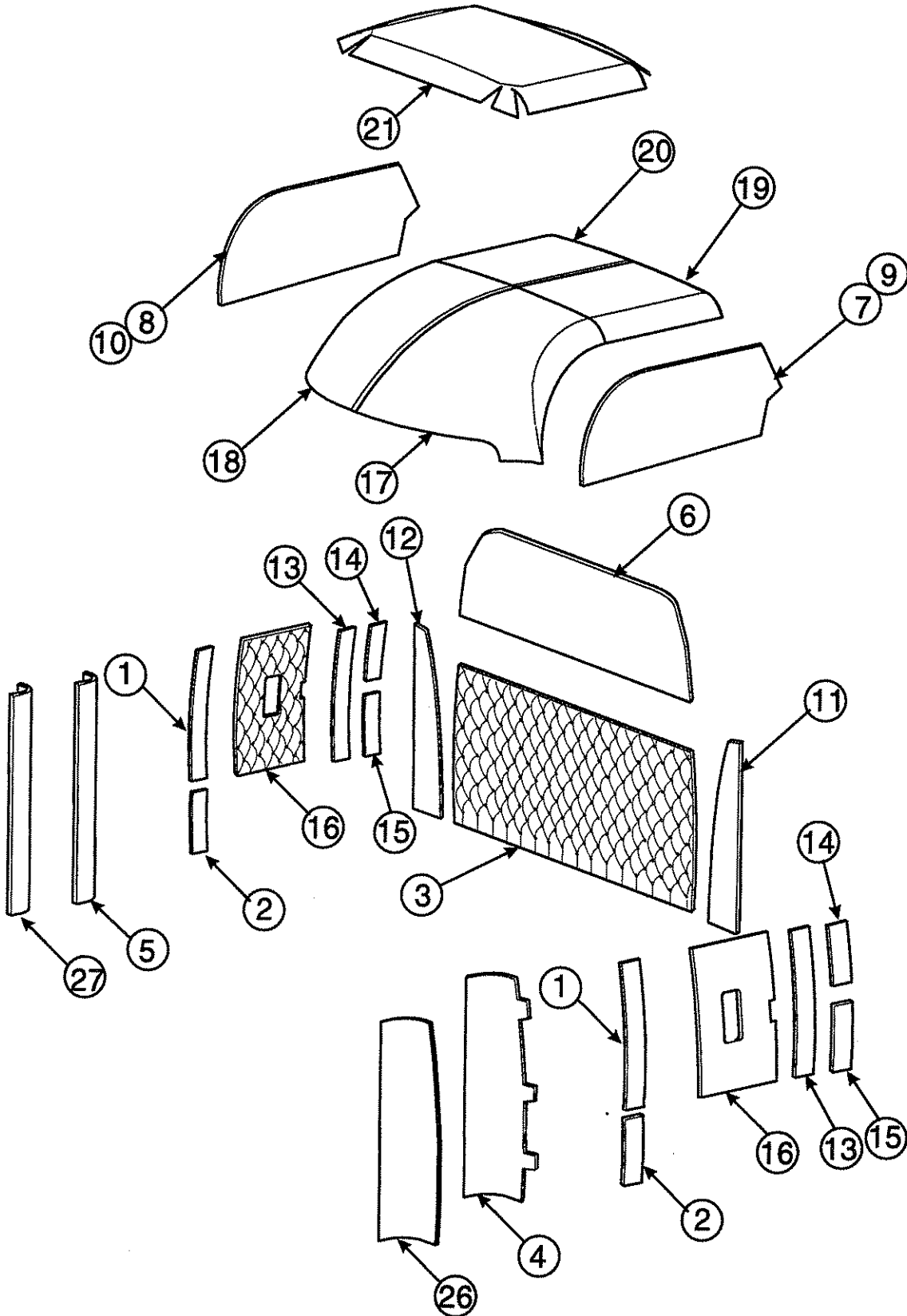


## COMPOSITE SLEEPER UPHOLSTERY DAKOTA 62"

### UPHOLSTERY PANELS - DAKOTA - 62"

Item	Description	Part Number	Qty
1	Panel, LH Wall, 62" Sleeper, Dakota	56502M3485__	1
2	Panel, RH Wall, 62" Sleeper, Dakota	56502M3486__	1
3	Panel, Rear Wall, 76/62/48/34	56502M3405__	1
3	Panel, Rear Wall, Double Bunk	56502M3548__	1
4	Panel, Front Corner, LH 76/62/48/3, Dakota	56502M3408__	1
5	Panel, Front Corner, RH 76/62/48/3, Dakota	56502M3409__	1
6	Panel, Upper Rear Wall, Hi Roof, Dakota	56502M3412__	1
7	Panel, Side Wall Roof 62" Hi LH, Dakota	56502M3474__	1
8	Panel, Side Wall Roof 62" Hi RH, Dakota	56502M3475__	1
9	Panel, Side Wall Roof, LH 62", Hi w/Window	56502M3478__	1
10	Panel, Side Wall Roof, RH 62", Hi w/Window	56502M3479__	1
11	Panel, Rear Corner LH, Hi Roof, Dakota	56502M3422__	1
12	Panel, Rear Corner RH, Hi Roof, Dakota	56502M3423__	1
11	Panel, Rear Corner LH, Low Roof, Dakota	56502M3460__	1
12	Panel, Rear Corner RH, Low Roof, Dakota	56502M3461__	1
13	Panel, Side Strip, w/side window 76/62/48/34	56502M3426__	1
14	Panel, Side Strip Upper, 76/62/48/34, Dakota	56502M3431__	2
15	Panel, Side Strip Lower, 76/62/48/34, Dakota	56502M3433__	2
16	Panel, Door, 76/62/48/34 Dakota	56502M3428__	2
17	Headliner, LH Front, 62" Hi Roof	56502G3435__	1
18	Headliner, RH Front, 62" Hi Roof	56502G3436__	1
19	Headliner, LH Rear, 62" Hi Roof	56502G3455__	1
20	Headliner, RH Rear, 62" Hi Roof	56502G3456__	1
21	Headliner, 62" Low Roof, Dakota	56502G3482__	1
26	Insulation, Exhaust Well, LH	54604-3495	1
27	Insulation, Exhaust Well, RH	54604-3496	1

**Specific BOMs listed:** 4099-284-00/03, 4099-287-00/01, 4099-287-04/05, 4099-296-00/05

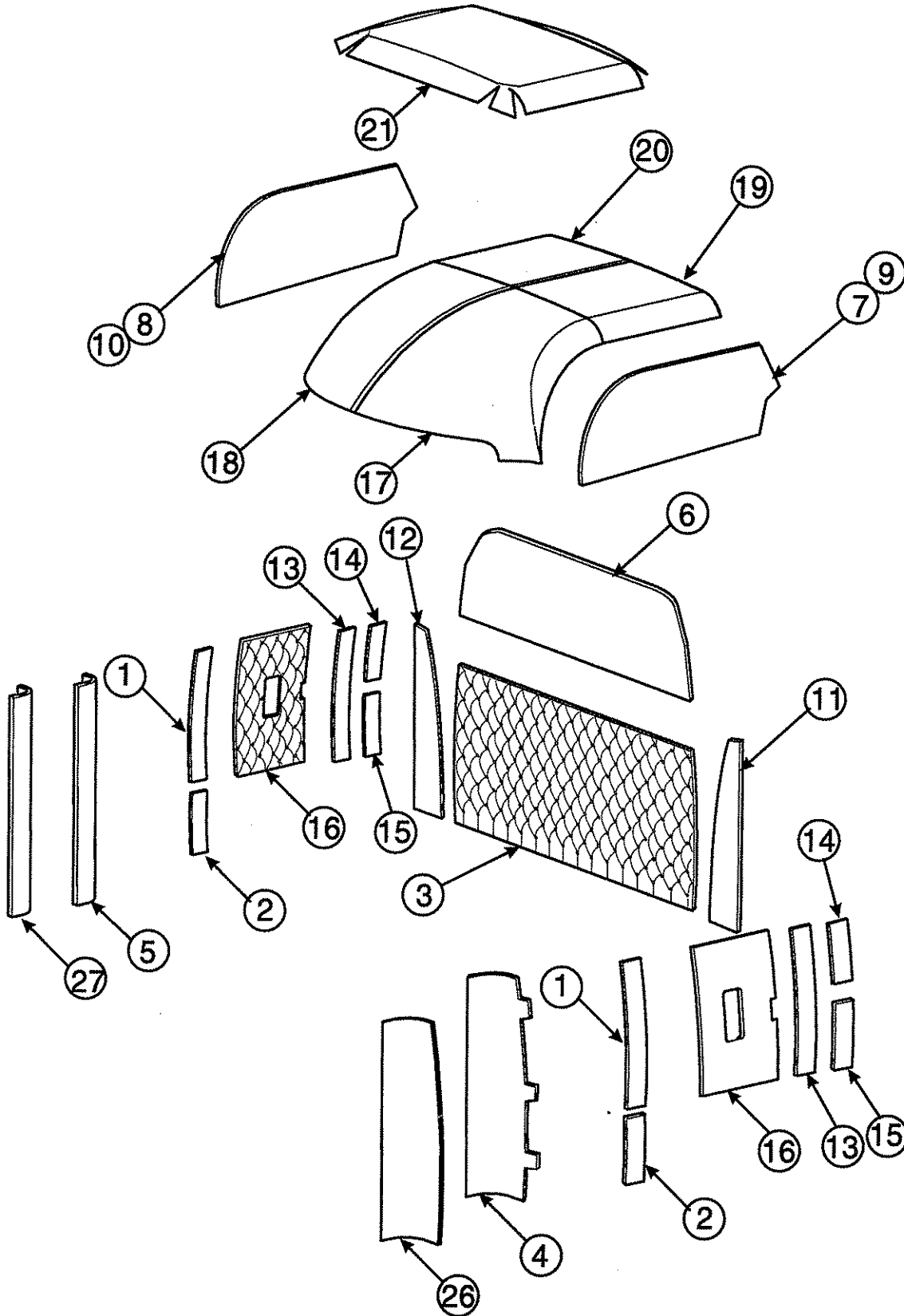


## COMPOSITE SLEEPER UPHOLSTERY PHOENIX 48"

### UPHOLSTERY PANELS - PHOENIX - 48"

Item	Description	Part Number	Qty
1	Panel, Upper Wall, 48" Sleeper, Phoenix	56502M3445__	1
2	Panel, Lower Wall, 48" Sleeper, Phoenix	56502M3446__	1
3	Panel, Rear Wall, Diamond Stitched, 76/62/48/34	56502M3407__	1
4	Panel, Front Corner, LH 76/62/48/34, Phoenix	56502M3410__	1
5	Panel, Front Corner, RH 76/62/48/34, Phoenix	56502M3411__	1
6	Panel, Upper Rear Wall, Hi Roof, Phoenix	56502M3413__	1
7	Panel, Side Wall Roof, LH 48" Sleeper, Phoenix	56502M3451__	1
8	Panel, Side Wall Roof, RH 48" Sleeper, Phoenix	56502M3452__	1
11	Panel, Rear Corner LH, Hi Roof, Phoenix	56502M3424__	1
12	Panel, Rear Corner RH, Hi Roof, Phoenix	56502M3425__	1
11	Panel, Rear Corner LH, Low Roof, Phoenix	56502M3462__	1
12	Panel, Rear Corner RH, Low Roof, Phoenix	56502M3463__	1
13	Panel, Side Strip, w/side window 76/62/48/34	56502M3427__	1
14	Panel, Side Strip Upper, 76/62/48/34, Phoenix	56502M3432__	2
15	Panel, Side Strip Lower, 76/62/48/34, Phoenix	56502M3434__	2
16	Panel, Door, Diamond Stitched, 76/62/48/34	56502M3430__	2
17	Headliner, LH Front, 48" Hi Roof	56502G3435__	1
18	Headliner, RH Front, 48" Hi Roof	56502G3436__	1
19	Headliner, LH Rear, 48" Hi Roof	56502G3453__	1
20	Headliner, RH Rear, 48" Hi Roof	56502G3454__	1
21	Headliner, 48" Low Roof, Phoenix	56502G3459__	1
26	Insulation, Exhaust Well, LH	54604-3495	1
27	Insulation, Exhaust Well, RH	54604-3496	1

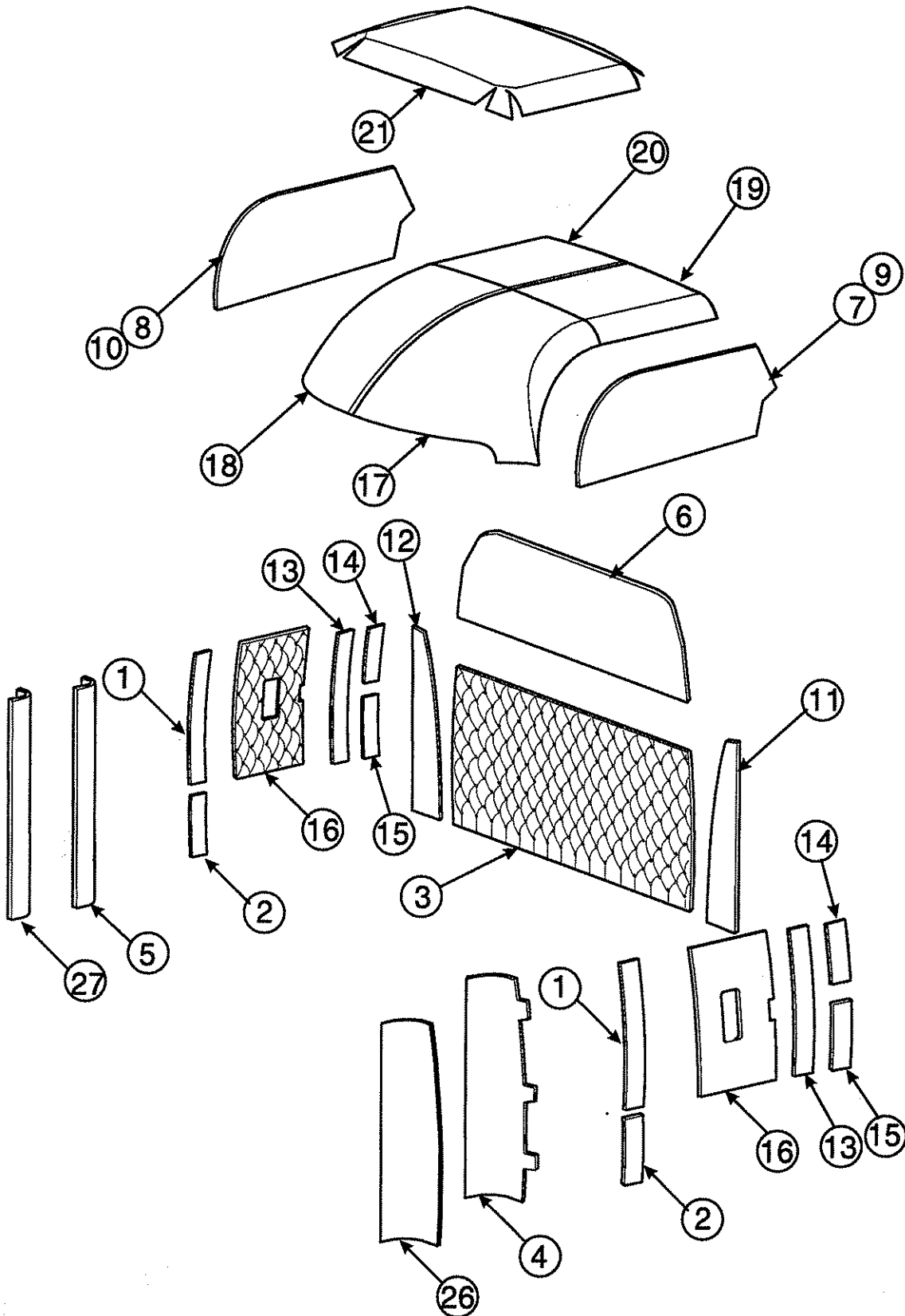
*Specific BOMs listed: 4099-032-00/03, 4099-294-00/06*



### UPHOLSTERY PANELS - MESA- 48"

Item	Description	Part Number	Qty
1	Panel, Upper Wall, 48" Sleeper, Mesa	56502M3444__	1
2	Panel, Lower Wall, 48" Sleeper, Mesa	56502M3446__	1
3	Panel, Rear Wall, Diamond Stitched, 76/62/48/34	56502M3406__	1
4	Panel, Front Corner, LH 76/62/48/34, Mesa	56502M3408__	1
5	Panel, Front Corner, RH 76/62/48/34, Mesa	56502M3409__	1
6	Panel, Upper Rear Wall, Hi Roof, Mesa	56502M3412__	1
7	Panel, Side Wall Roof, LH 48" Sleeper, Mesa	56502M3449__	1
8	Panel, Side Wall Roof, RH 48" Sleeper, Mesa	56502M3450__	1
11	Panel, Rear Corner LH, Hi Roof, Mesa	56502M3422__	1
12	Panel, Rear Corner RH, Hi Roof, Mesa	56502M3423__	1
11	Panel, Rear Corner LH, Low Roof, Mesa	56502M3460__	1
12	Panel, Rear Corner RH, Low Roof, Mesa	56502M3461__	1
13	Panel, Side Strip, w/side window 76/62/48/34	56502M3426__	1
14	Panel, Side Strip Upper, 76/62/48/34, Mesa	56502M3431__	2
15	Panel, Side Strip Lower, 76/62/48/34, Mesa	56502M3433__	2
16	Panel, Door, Diamond Stitched, 76/62/48/34	56502M3429__	2
17	Headliner, LH Front, 48" Hi Roof	56502G3435__	1
18	Headliner, RH Front, 48" Hi Roof	56502G3436__	1
19	Headliner, LH Rear, 48" Hi Roof	56502G3453__	1
20	Headliner, RH Rear, 48" Hi Roof	56502G3454__	1
21	Headliner, 48" Low Roof, Mesa	56502G3458__	1
26	Insulation, Exhaust Well, LH	54604-3495	1
27	Insulation, Exhaust Well, RH	54604-3496	1

*Specific BOMs listed: 4099-031-00/03, 4099-294-00/06*

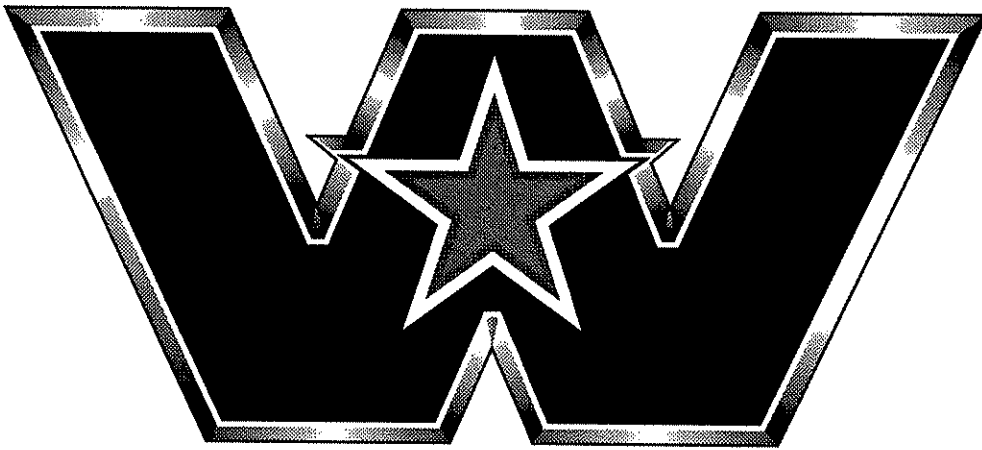


## COMPOSITE SLEEPER UPHOLSTERY DAKOTA 48"

### UPHOLSTERY PANELS - DAKOTA - 48"

Item	Description	Part Number	Qty
1	Panel, Upper Wall, 48" Sleeper, Dakota	56502M3444__	1
2	Panel, Lower Wall, 48" Sleeper, Dakota	56502M3446__	1
3	Panel, Rear Wall, Diamond Stitched, 76/62/48/34	56502M3405__	1
4	Panel, Front Corner, LH 76/62/48/34, Dakota	56502M3408__	1
5	Panel, Front Corner, RH 76/62/48/34, Dakota	56502M3409__	1
6	Panel, Upper Rear Wall, Hi Roof, Dakota	56502M3412__	1
7	Panel, Side Wall Roof, LH 48" Sleeper, Dakota	56502M3449__	1
8	Panel, Side Wall Roof, RH 48" Sleeper, Dakota	56502M3450__	1
11	Panel, Rear Corner LH, 76/62/48/34, Dakota	56502M3460__	1
12	Panel, Rear Corner RH, 76/62/48/34, Dakota	56502M3461__	1
13	Panel, Side Strip, w/side window 76/62/48/34	56502M3426__	1
14	Panel, Side Strip Upper, 76/62/48/34, Dakota	56502M3431__	2
15	Panel, Side Strip Lower, 76/62/48/34, Dakota	56502M3433__	2
16	Panel, Door, Diamond Stitched, 76/62/48/34	56502M3428__	2
17	Headliner, LH Front, 48" Hi Roof	56502G3435__	1
18	Headliner, RH Front, 48" Hi Roof	56502G3436__	1
19	Headliner, LH Rear, 48" Hi Roof	56502G3453__	1
20	Headliner, RH Rear, 48" Hi Roof	56502G3454__	1
21	Headliner, 48" Low Roof, Dakota	56502G3457__	1
26	Insulation, Exhaust Well, LH	54604-3495	1
27	Insulation, Exhaust Well, RH	54604-3496	1

*Specific BOMs listed: 4099-030-00/03, 4099-294-00/06*

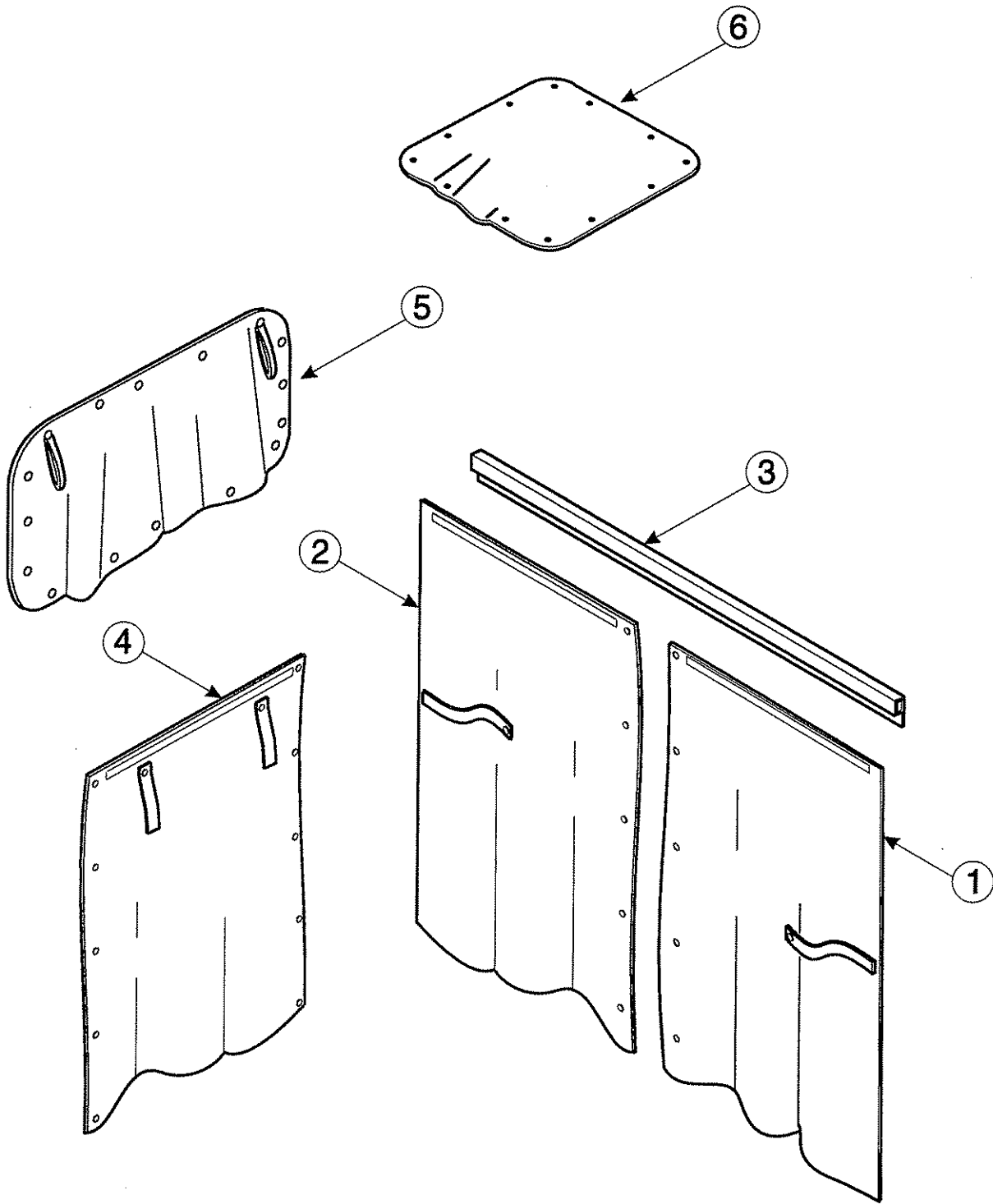


**WESTERN STAR TRUCKS®**  
*The Preferred Choice™*

TABLE OF CONTENTS

	Section	Page
Curtains .....	13.22.3	2-3

*Note: This publication is a generic parts book. Components may vary with different applications. For applications other than listed at the bottom of the page, see the appropriate Bill of Material by Truck Serial Number, and use this publication as a guide only.*



# SLEEPERS

## COMPOSITE SLEEPER CURTAINS

13.22.3

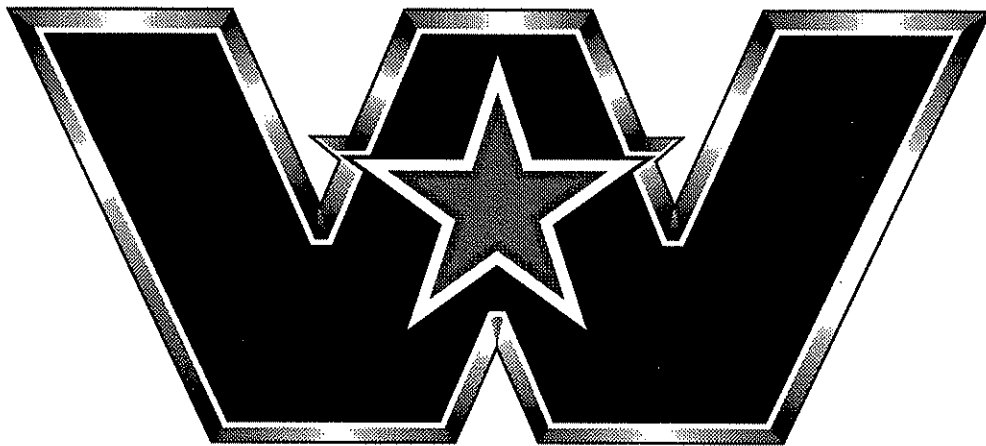
Item	Description	Part Number	Qty
1	Curtain, Main, RH	56101-3444J	1
2	Curtain, Main, LH	56101-3443J	1
3	Curtain Track, Composite Sleeper	56103-3408	2
4	Curtain, Side Window, Composite Sleeper	56101-3445J	1
5	Curtain, Ventilation Window, Hi Roof	56101-3440J	2
6	Curtain, Sunroof	56101-3431J	1

*FIT 48, 62 + 76 inch Sleeper*

*No side window CURTAIN For 34" Sleeper*

**Specific BOMs listed:** 4099-290-00/07, 4099-291-00/07, 4099-292-00/07, 3398-038-02

**SLEEPERS 13**

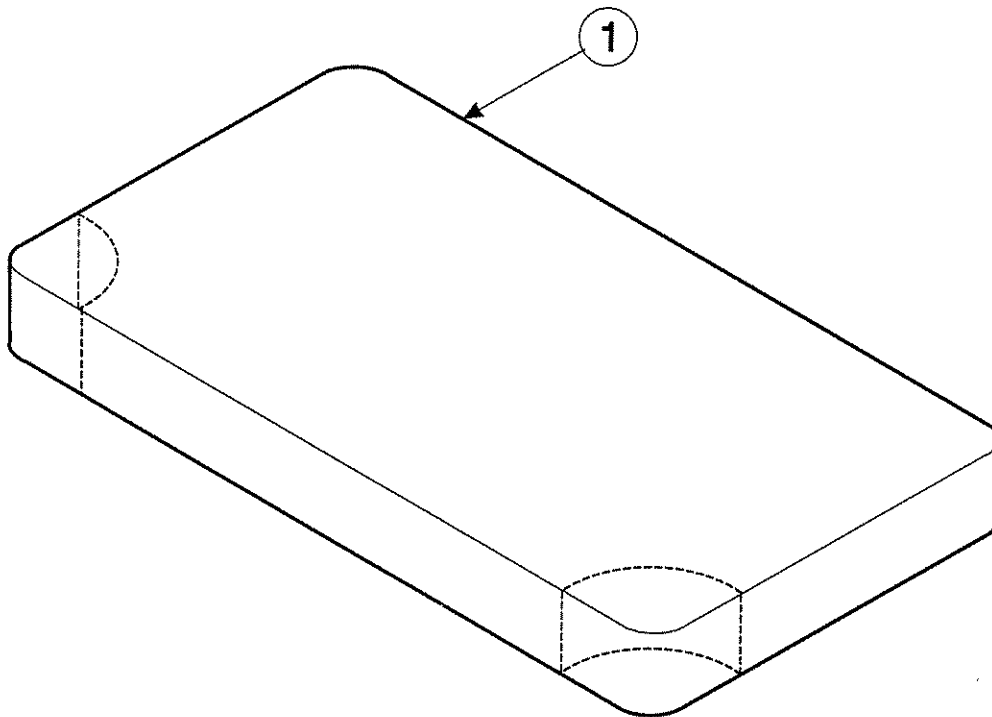
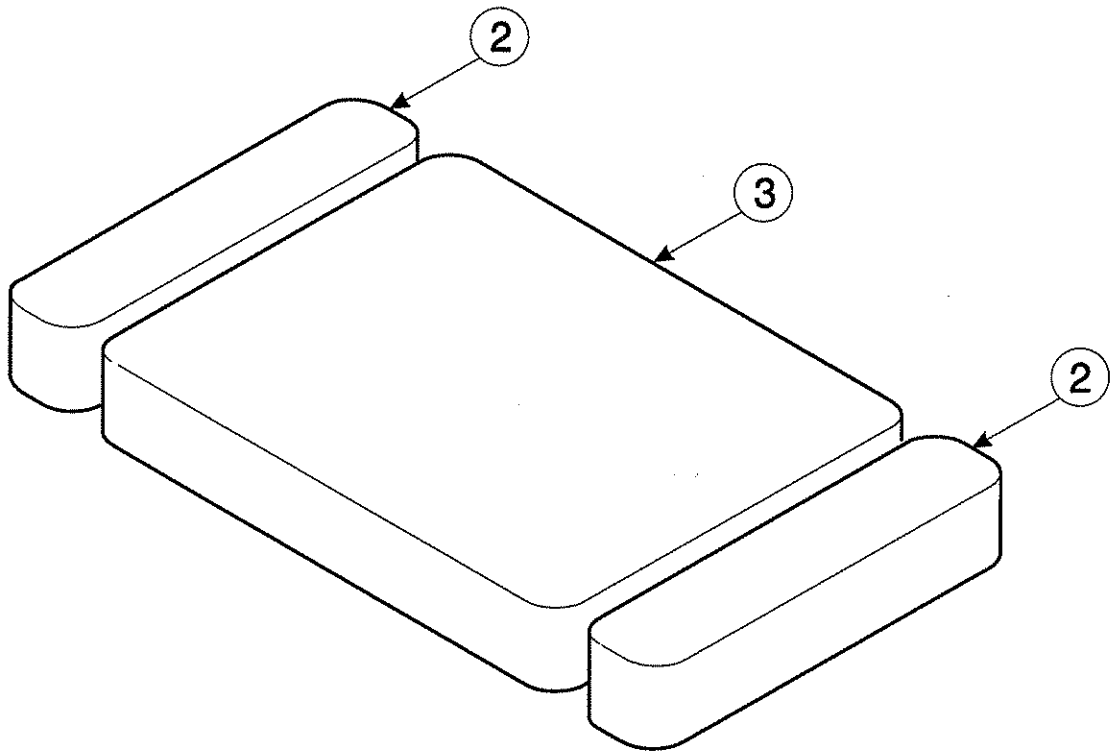


**WESTERN STAR TRUCKS®**  
*The Preferred Choice™*

TABLE OF CONTENTS

	Section	Page
Sleeper Mattress .....	13.22.4 .....	2-3

*Note: This publication is a generic parts book. Components may vary with different applications. For applications other than listed at the bottom of the page, see the appropriate Bill of Material by Truck Serial Number, and use this publication as a guide only.*



# SLEEPERS

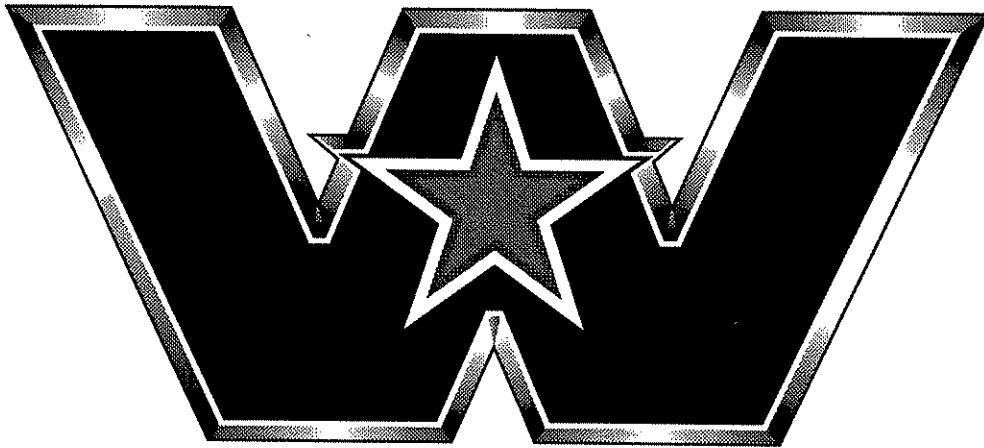
## COMPOSITE SLEEPER MATTRESS

13.22.4

Item	Description	Part Number	Qty.
1	Mattress, Foam, 34" Sleeper	56001-3460	1
1	Mattress, Deluxe, 34" Sleeper	56001-3461	1
1	Mattress, Foam, 48/62" Sleeper	56001-3462	1
1	Mattress, Deluxe, 48/62" Sleeper	56001-3463	1
1	Mattress, Foam, 76" Sleeper	56001-3464	1
1	Mattress, Deluxe, 76" Sleeper	56001-3465	1
2	Mattress, Wing, Upper Bunk, Foam	56001-3458	2
3	Mattress, Upper Bunk, Foam	56001-3457	1

**Specific BOMs listed:** 3398-053-00/01, 3398-055-00/01, 3398-057-00/01, 3398-058-00/01,  
3398-059-00/01

SLEEPERS 13

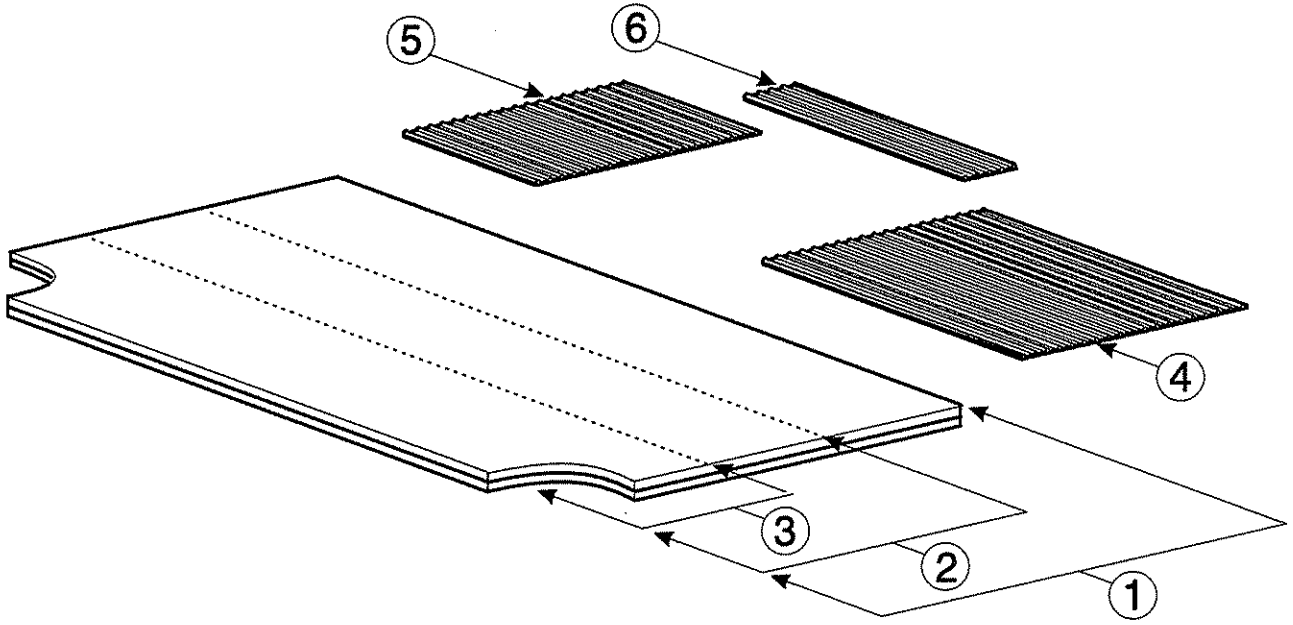


**WESTERN STAR TRUCKS®**  
*The Preferred Choice™*

### TABLE OF CONTENTS

	Section	Page
Carpet and Floor Mat .....	13.22.5 .....	2-3

*Note: This publication is a generic parts book. Components may vary with different applications. For applications other than listed at the bottom of the page, see the appropriate Bill of Material by Truck Serial Number, and use this publication as a guide only.*



# SLEEPERS

## COMPOSITE SLEEPER CARPETS & MATS

13225

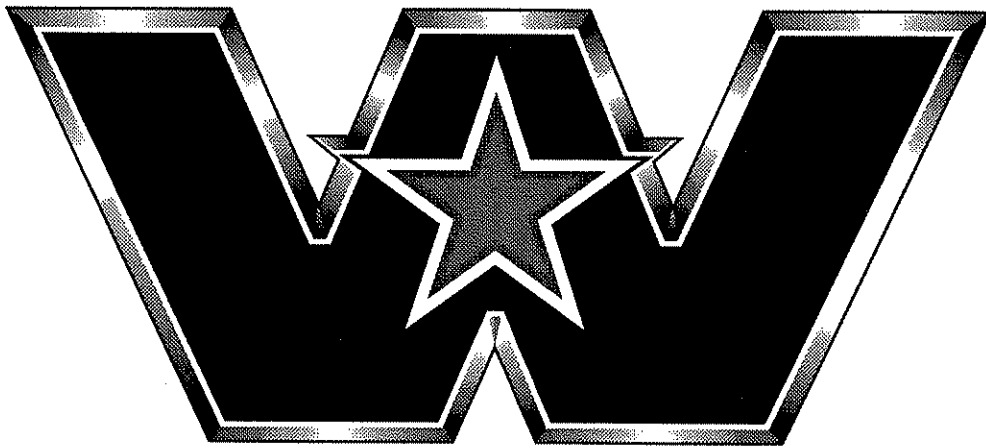
Item	Description	Part Number	Qty
1	Carpet and Underlay, 76" Sleeper	56314D3401__	1
2	Carpet and Underlay, 62" Sleeper	56314D3402__	1
3	Carpet and Underlay, 48" Sleeper	56314D3403__	1
4	Floor Mat, Luggage Compartment LH	56313-3445	1
5	Floor Mat, Luggage Compartment RH	56313-3447	1
6	Floor Mat, Luggage Compartment, Center	56313-3446	1

*Note: Sleeper Carpets require a colour code inserted at the end of the part number to specify colour. For Items 1-3 specify colour by using the following colour codes:*

*AA Dark Red*  
*AB Dark Blue*  
*AC Brown*  
*AD Black*  
*DA Maroon*  
*DB Blue*  
*DC Tan*  
*DD Grey*

**Specific BOMs listed: 4038-018-00/02, 4038-010-00/03**

**SLEEPERS 13**

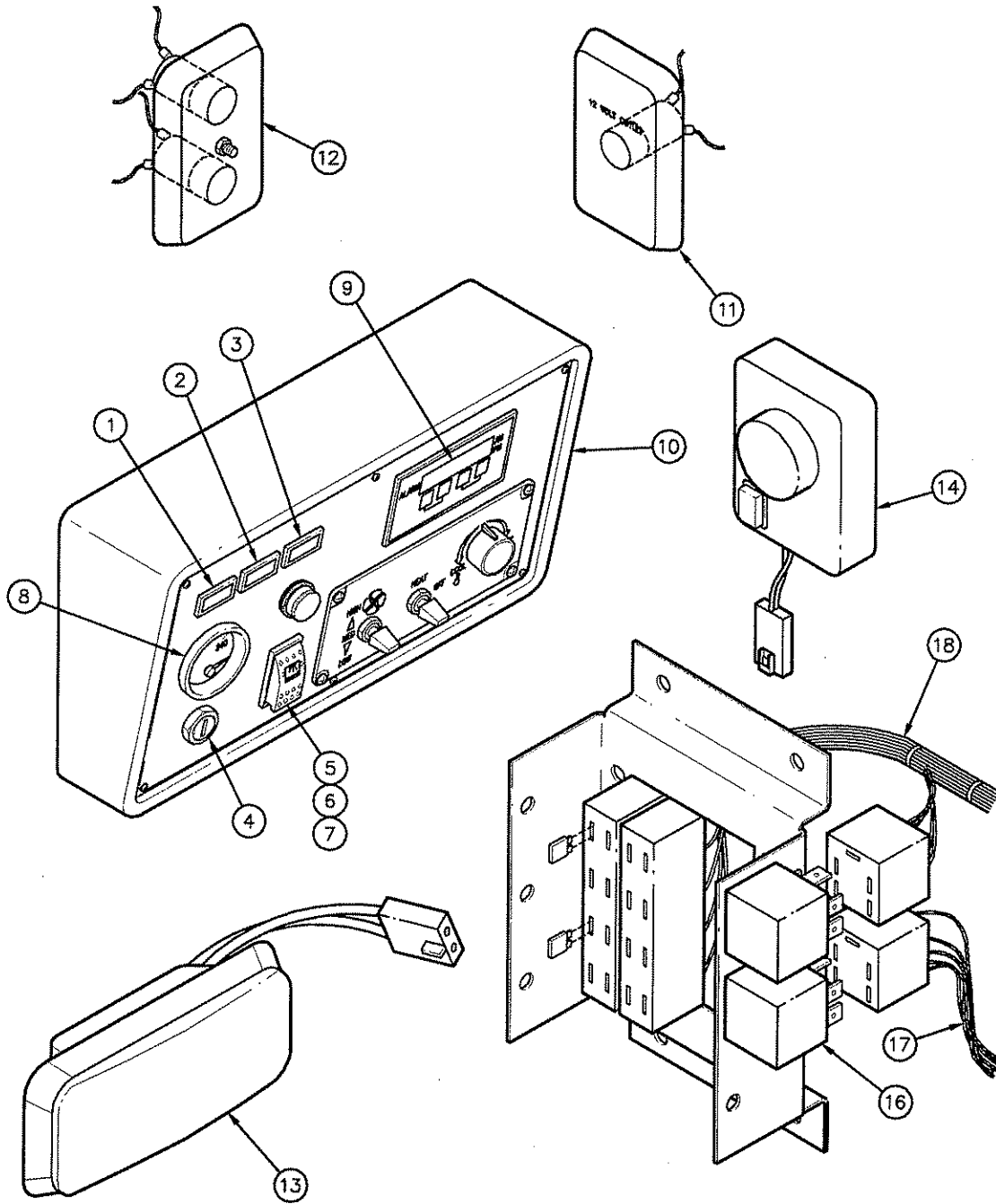


**WESTERN STAR TRUCKS®**  
*The Preferred Choice™*

**TABLE OF CONTENTS**

	<b>Section</b>	<b>Page</b>
Sleeper Interior Electrical.....	13.3.1	2-3

*Note: This publication is a generic parts book. Components may vary with different applications. For applications other than listed below the parts listings see the appropriate Bill of Material by truck serial number and use this publication as a guide only.*



# SLEEPERS

## SLEEPER INTERIOR ELECTRICAL

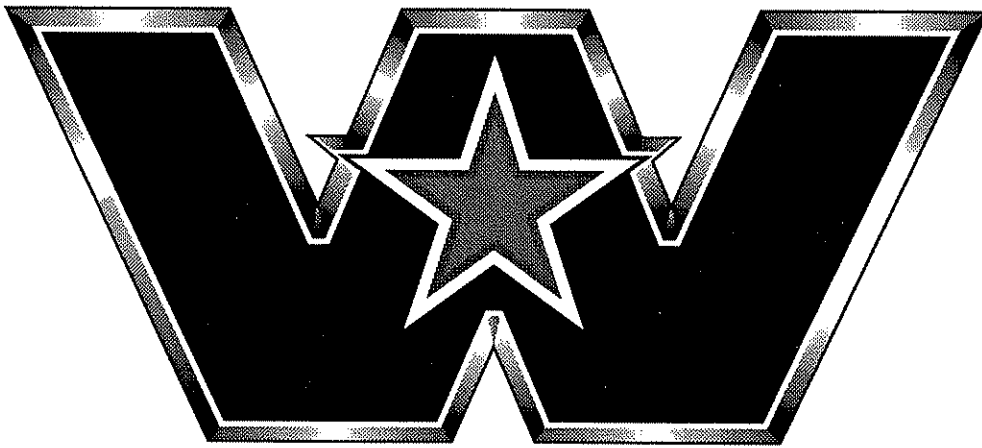
13.3.1

### SLEEPER INTERIOR ELECTRICAL

Item	Description	Part Number	Qty
1	Warning Lamp, "Ignition"	7061-3412	1
2	Warning Lamp, "Stop Engine"	7061-3413	1
3	Warning Lamp, "Check Engine"	7061-3414	1
4	Switch, Key	82201-3401	1
-	Lockset, Cab, Ignition, Sleeper Doors & Start	50901-3443	1
	<i>Note: Lockset includes key cylinders plus 2 keys</i>		
5	Switch, SPDT, 2 position Amber	7805-3406	1
6	Rocker "Sleeper Lights"	7830-3425	1
7	Shim	7805-3406	1
8	Gauge, Coolant Temperature	14001_3421 (G, C, or B)	1
9	Clock / Alarm	59201-3405	1
10	Panel, Sleeper Dash, Basic	57007_3514 (V, A)	1
10	Panel, Sleeper Dash, With Cutout for item #9	57007_3515 (V, A)	1
10	Panel, Sleeper Dash, With Cutouts for # 1,2,3,4,8,9	57007_3516 (V,A)	1
	<i>(See Section 11.2.3)</i>		
11	12 Volt Outlet, Single	63319-3406	1
12	12 Volt Outlet, Dual with Coaxial Connection	63319-3407	1
13	Lamp, Luggage Bay	86401-3421	1
14	Lamp, Desk	86401-3422	1
15	Bracket, Sleeper Distribution Centre	87311-3424	1
16	Relay, 40 Amp	87324-3434	2
17	Harness, Fridge	87336-3437	1
18	Harness, Standard Sleeper	87336-3431	1

**Specific BOMs listed:** 3399-010-01, 3399-010-03, 3399-010-05/08, 3399-030-01/03, 3399-030-21, 3399-030-31, 4168-040-01/03, 4168-040-11/13

**SLEEPERS 13**

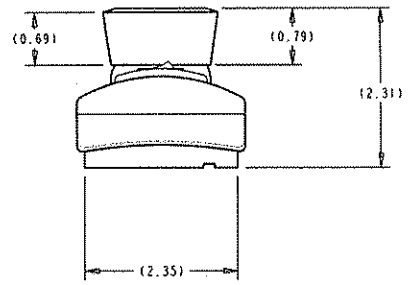
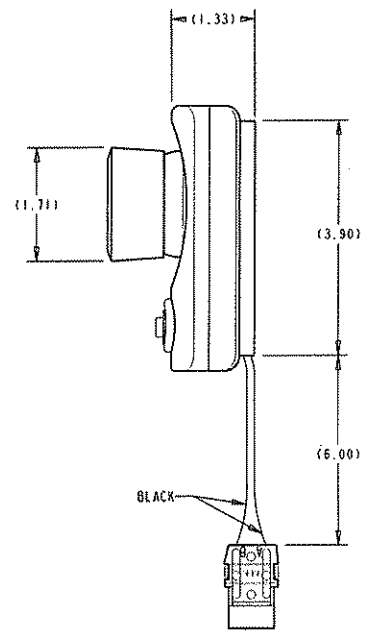
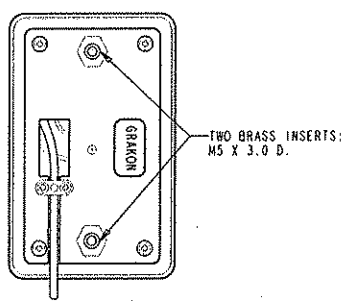
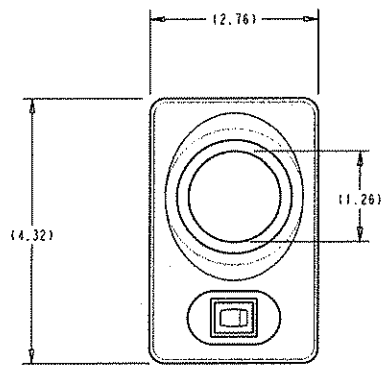


**WESTERN STAR TRUCKS®**  
*The Preferred Choice™*

# MOD 3399 - Fixtures

REMOVE ALL SHARP EDGES IF THE PART IS TO BE USED IN A HIGH STRESS AREA  
 E9 NOT SCALE DRAWING  
 EACH STAMP OR SERIAL PART NUMBER A SEMI-CON LETTER IN USABLE LOCATION  
 ORIGINAL CREATED ON WEST SOLID MODELING MODELSTATION

ECO CHG CHANGE BY DATE CKD APVD



86401-3436 SH1  
 PRINT ISSUE DATE OF 1  
 CNG NEW

NOTES:  
 - USE NUMBER 912 INCANDESCENT BULB  
 - 12 VOLT APPLICATIONS ONLY  
 - PIGTAIL LENGTH 8" ± OR - 1" FROM BACK OF HOUSING TO END OF CONNECTOR

CONNECTOR DATA:  
 - VEND# 1201 5271  
 - TYPE: JACK 2 WAY METRI-PACK

VENDOR: GRAKON INTERNATIONAL INC.

1	4099W	READING LIGHT	SINGLE	
REV	VEND. NO.	DESCRIPTION	SIZE	MATERIAL
		WESTERN STAR TRUCKS INC. COMPUTER GRAPHICS		KELONHA, S.C.
TOLERANCES UNLESS NOTED:				
			BY	DATE
	MACHINING	± .02 INCH	DWH ZAT	16AUG99
	HOLE CENTERS	± .02 INCH	CKD PTT	17AUG99
	HOLE DIAMETERS	± .02 INCH	APVD RGV	20OCT99
	LINEAR	± .06 INCH	ECO	103825-2
	ANGULAR	± 1/2 °	SCALE	NONE
THIS DOCUMENT CONTAINS PROPRIETARY INFORMATION AND IT SHALL NOT BE USED OR REPRODUCED OR ITS CONTENTS DISCLOSED IN WHOLE OR IN PART WITHOUT THE EXPRESS WRITTEN CONSENT OF WESTERN STAR TRUCKS, INC., KELONHA, SC.				
READING LAMP - SLEEPER INTERIOR			MR NO. 3399	
			86401-3436	SH1 OF 1

1)

... ..

... ..

2)

... ..

... ..

... ..

... ..

... ..

3)

... ..



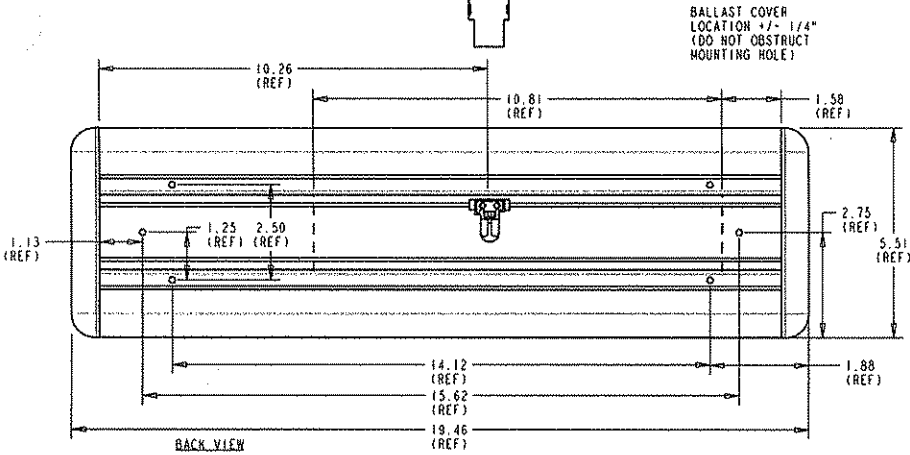
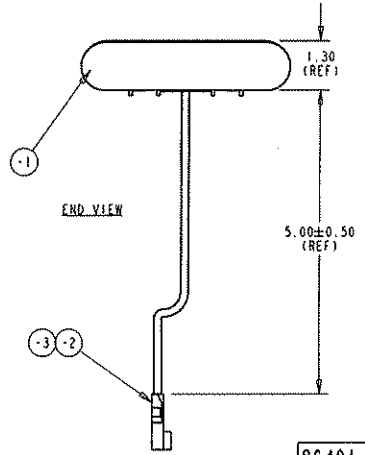
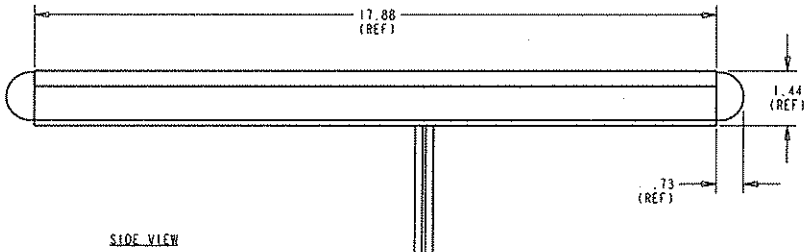
5)

6)

7)

RESUME ALL SHARP EDGES DO NOT SCALE DRAWING EXACT STAND ON VIEW TO PART NUMBER ORIGINAL CREATED ON WEST SOLID MODELING WORKSTATION  
IF 1000007 ASX A REV/ISSUE LETTER TO SUITABLE LOCATION

ECO	CHG	CHANGE	BY	DATE	CRD	APVD
96809	A	DIMENSION 8 +/- 2" WAS 9 +/- 1"	RGV	11MAR98		RGV
97681	B	ADDED ALUM. BALLAST COVER TO LIGHT	DJB	24APR98	PTT	RGV
98711	C	CHANGED VENDOR P/N 17918016 TO 17918096	DJB	22JUN98	RJS	RGV
102032	D	P/N 7520-3477 WAS 7520-3447 IN BOM TABLE	YTT	11JAN99	PTT	RGV
111335	E	ADDED HOLES AND BALLAST COVER LOCATION INFO ON BACK VIEW; WIRE LENGTH 5.00 +/- 0.5 WAS 8.00 +/- 2.0; 86401-3430 WAS REV D	MBF	05OCT00	PTT	RGV



86401-3430	SHT 1 OF 1
PRINT ISSUE DATE	CHG E

- NOTES:  
 1. VENDOR - RAMCO INDUSTRIES, INC  
 2. VENDOR P/N: 17918096  
 3. ALL DIMENSION ARE REFERENCE ONLY  
 4. MOUNTING HOLES SHALL PROVIDE #10 SCREW CLEARANCE

CONNECTOR DEFINITION TABLE							
REF	VENDOR PART NUMBER	WSTI PART NUM	DESCRIPTION	DESC	SEC LOCK	CAV PLUG	SEAL
	PED-1203-4344	7520-3477	JACK-MP-280	2-WAY	HINGED	NONE	NONE

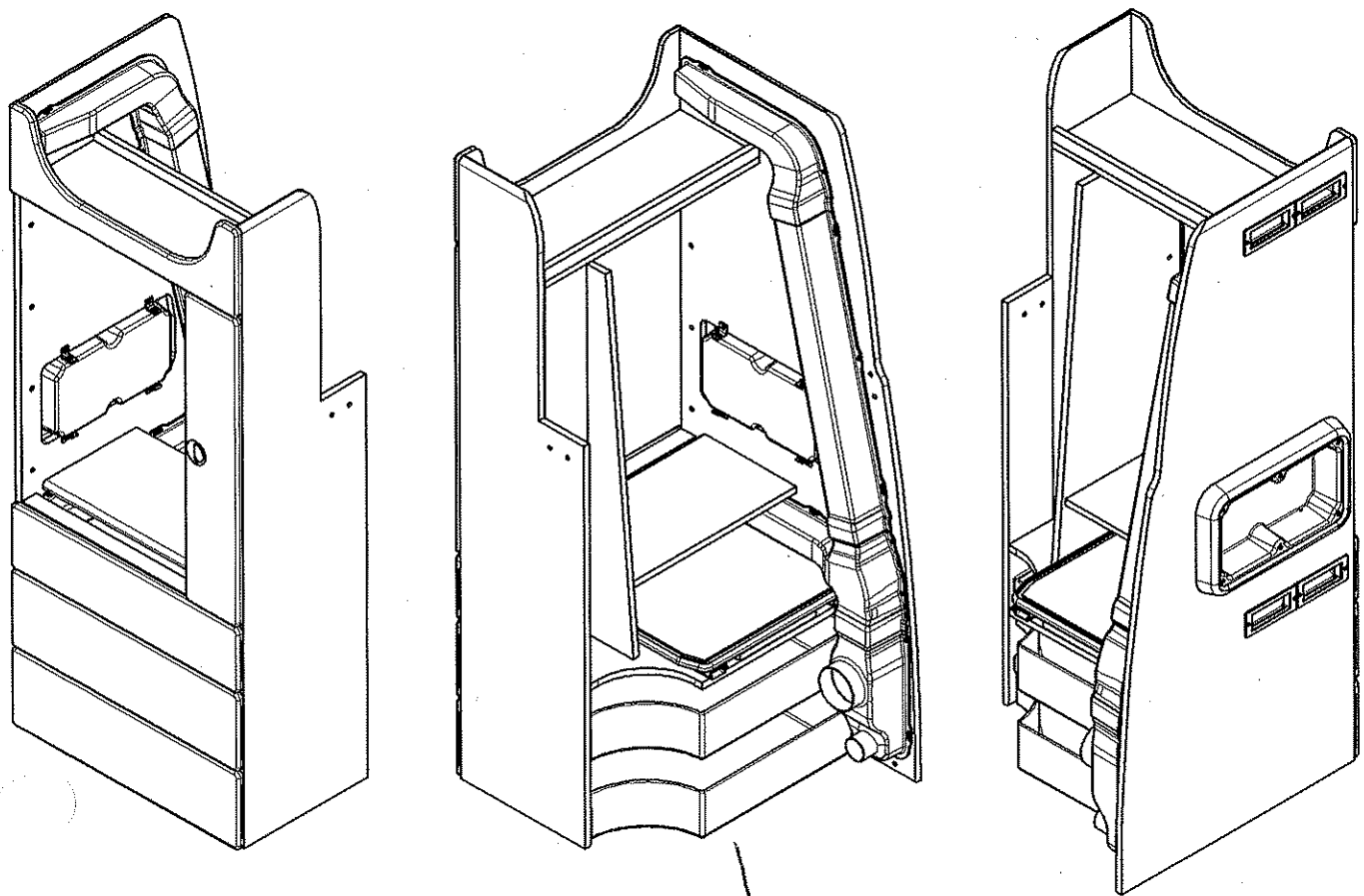
WIRE TERMINALS and/or CAVITY PLUGS				
QTY	VENDOR PART NUMBER	WSTI PN	DESCRIPTION	TYPE/GAUGE
2	12034047	7824-3403	TERMINAL BLADE AWG 18-20	18

2	-3	TERMINAL - PIN	18-20	7824-3403	
1	-2	MP 280 CONNECTOR	2-WAY	7520-3477	
1	-1	LAMP ASSY			
REV		COMP. NO.	DESCRIPTION	SIZE	PART NO.
L		WESTERN STAR TRUCKS INC. COMPUTER GRAPHICS MELONIA, B. C.			
TOLERANCES UNLESS NOTED:					
MACHINING		± .02 INCH	DWN	PTT	15JAN98
HOLE CENTERS		± .02 INCH	CRD	DJB	16JAN98
HOLE DIAMETERS		± .02 INCH	APVD	DRJ	16JAN98
LINEAR		± .06 INCH	ECO		95680
ANGULAR		± 1/2 °	SCALE		NONE
THIS DOCUMENT CONTAINS PROPRIETARY INFORMATION AND IT SHALL NOT BE USED OR REPRODUCED OR ITS CONTENTS DISCLOSED IN WHOLE OR IN PART WITHOUT THE PRIOR WRITTEN CONSENT OF WESTERN STAR TRUCKS, INC., MELONIA, BC					
LAMP - SLEEPER DOME FLUORESCENT				MR NO. 3399	
				86401-3430	SHT 1 OF 1

PDM Revision: 1.10 Designer: MFairfield

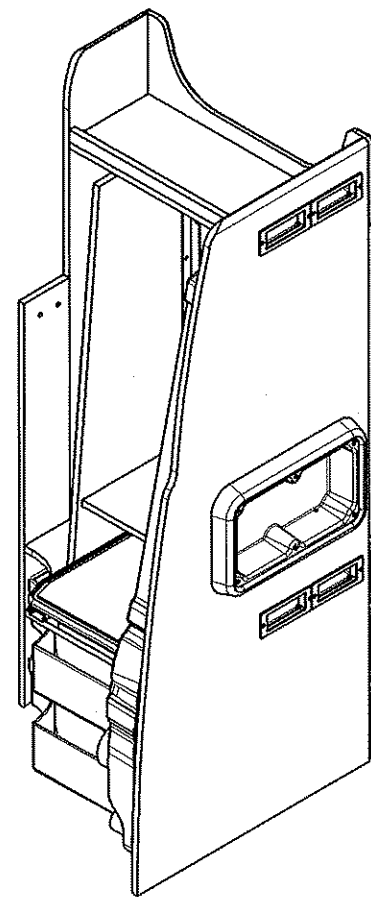
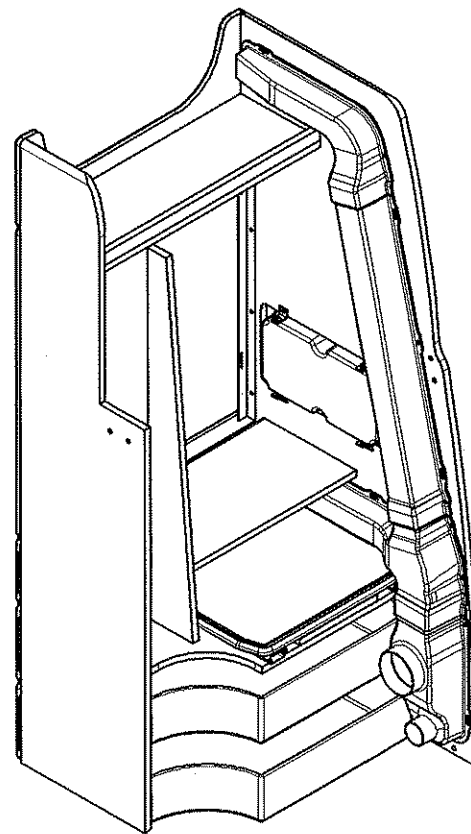
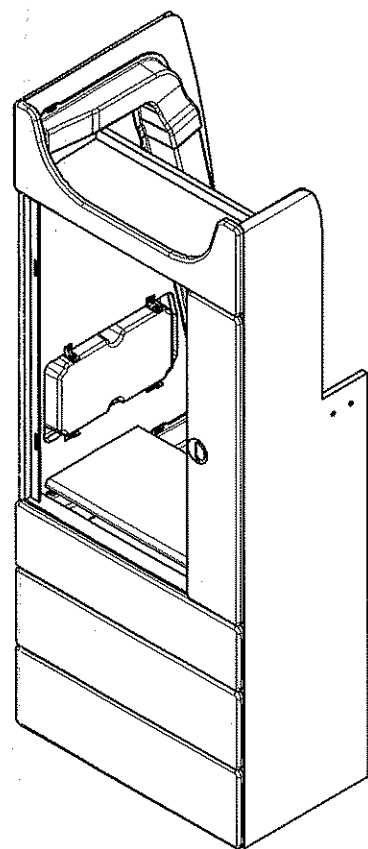
REMOVE ALL SHARP EDGES DO NOT SCALE DRAWING CAST, STAMP OR STENCIL PART NUMBER & REVISION LETTER IN SUITABLE LOCATION ORIGINAL CREATED ON WEST STAR SOLID MODELING WORKSTATION

ECO	CHG	CHANGE	BY	DATE	CKD	APVD
108889	A	REVISE DWG DUE TO UPDATE OF COMP. -10.	HTM	28AUG00		JB
111079	B	REVISE DWG DUE TO UPDATE OF COMP. -1.	HTM	29SEP00		JB
111418	C	REVISE DWG DUE TO UPDATE OF COMP. -1, ALSO REMOVED CABINET INSERT SUBASSY FROM DRAWING.	HTM	17OCT00		JB



Drawer catch is  
Soc E3 805

63323-7277 OR 63323-7279



2 FOLD

63323-7276 OR 63323-7278

4	4	4	4	-22	"U" NUT	#10	4012-3438
8	8	8	8	-21	PLAIN WASHER	#10	120391
4	4	4	4	-20	LOCK NUT	#8-32	454748
4	4	4	4	-19	MACHINE SCREW	#8-32X1.5"	155073
8	8	8	8	-18	SPRING WASHER	#10	120380
8	8	8	8	-17	BOLT	1/4"-20 X 1/2"	180016
4	4	4	4	-16	SCREW	#8X5/8"	4015-3437
30	30	30	30	-15	WOOD SCREW	#6X1/2"	
X	X	X	X	-14	FOAM TAPE	1"X1/4"	3M-4314
X	X	X	X	-13	FOAM TAPE	1/2"X1/8"	3M-4318
22	22	22	22	-12	SHOULDER WASHER		4046-3402
1	1	1	1	-11	CARPET		4101-3445-9
4	4	4	4	-10	BRKT-CONTROL PNL.		57014-3546
1	1	1	1	-9	FRIDGE BRKT-RHS		59604-3419
1	1	1	1	-8	FRIDGE BRKT-LHS		59604-3418
4	4	4	4	-7	LOUVER		60056-3412
1	1	1	1	-6	CONTROL PNL HOUSING		57014-3519
1	1	1	1	-5	UPPER HOR. DUCT		61601-3483
1	1	1	1	-4	VERTICAL DUCT		61601-3482
1	1	1	1	-3	LOWER HOR. DUCT		61601-3481
1	1	1	1	-2	ENTRY PLENUM DUCT		61601-3480
1	1	1	1	-1	SUBASSY:LHS CABINET,SLG		63323-7166
1	1	1	1	-1	SUBASSY:LHS CABINET,SLX		63323-7164

COMP. NO.	DESCRIPTION	SIZE	MATERIAL
<b>WESTERN STAR TRUCKS INC.</b> COMPUTER GRAPHICS KELOWNA, B.C.			
TOLERANCES UNLESS NOTED:			
MACHINING	± .02 INCH	DWN	HTM 25-Jul-00
HOLE CENTERS	± .02 INCH	CKD	
HOLE DIAMETERS	± .02 INCH	APVD	JB 25-Jul-00
LINEAR	± .06 INCH	ECO	110408
ANGULAR	± 1/2 °	SCALE	0.125

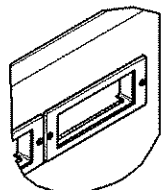
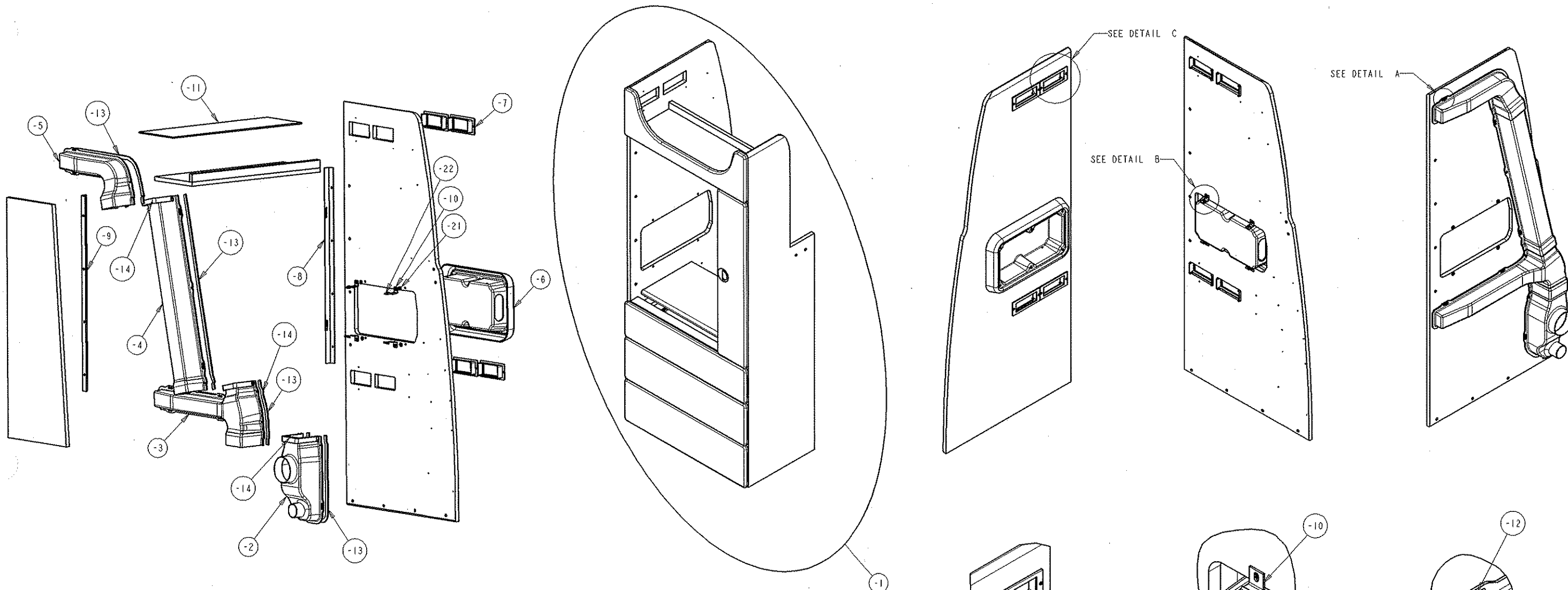
THIS DOCUMENT CONTAINS PROPRIETARY INFORMATION AND IT SHALL NOT BE USED OR REPRODUCED OR ITS CONTENTS DISCLOSED IN WHOLE OR IN PART WITHOUT THE PRIOR WRITTEN CONSENT OF WESTERN STAR TRUCKS INC., KELOWNA, BC

**VENDOR CERTIFICATION**

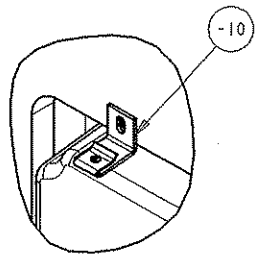
THIS PART OR ASSEMBLY REQUIRES CERTIFICATION OF CONFORMANCE TO THE EQUIPMENT REQUIREMENTS OF MOTOR VEHICLE SAFETY STANDARD NO. C/FMVSS 302

THIS PART MUST BE CERTIFIED BY THE VENDOR TO COMPLY WITH WESTERN STAR TRUCKS INC'S. REQUIREMENTS FOR CONTINUING CONFORMANCE OF CRITICAL PARTS TO DIMENSIONS AND SPECIFICATIONS AS INDICATED OR REFERENCED ON THIS DRAWING. NO CHANGE IS TO BE MADE TO THIS PART WITHOUT PRIOR WRITTEN APPROVAL OF THE ENGINEERING DEPARTMENT.

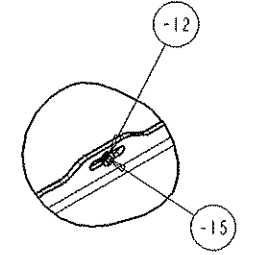
63323-7276  
PRINT ISSUE DATE



DETAIL C  
SCALE 0.250



DETAIL B  
SCALE 0.500



DETAIL A  
SCALE 0.500

ASSEMBLY PROCEDURE:

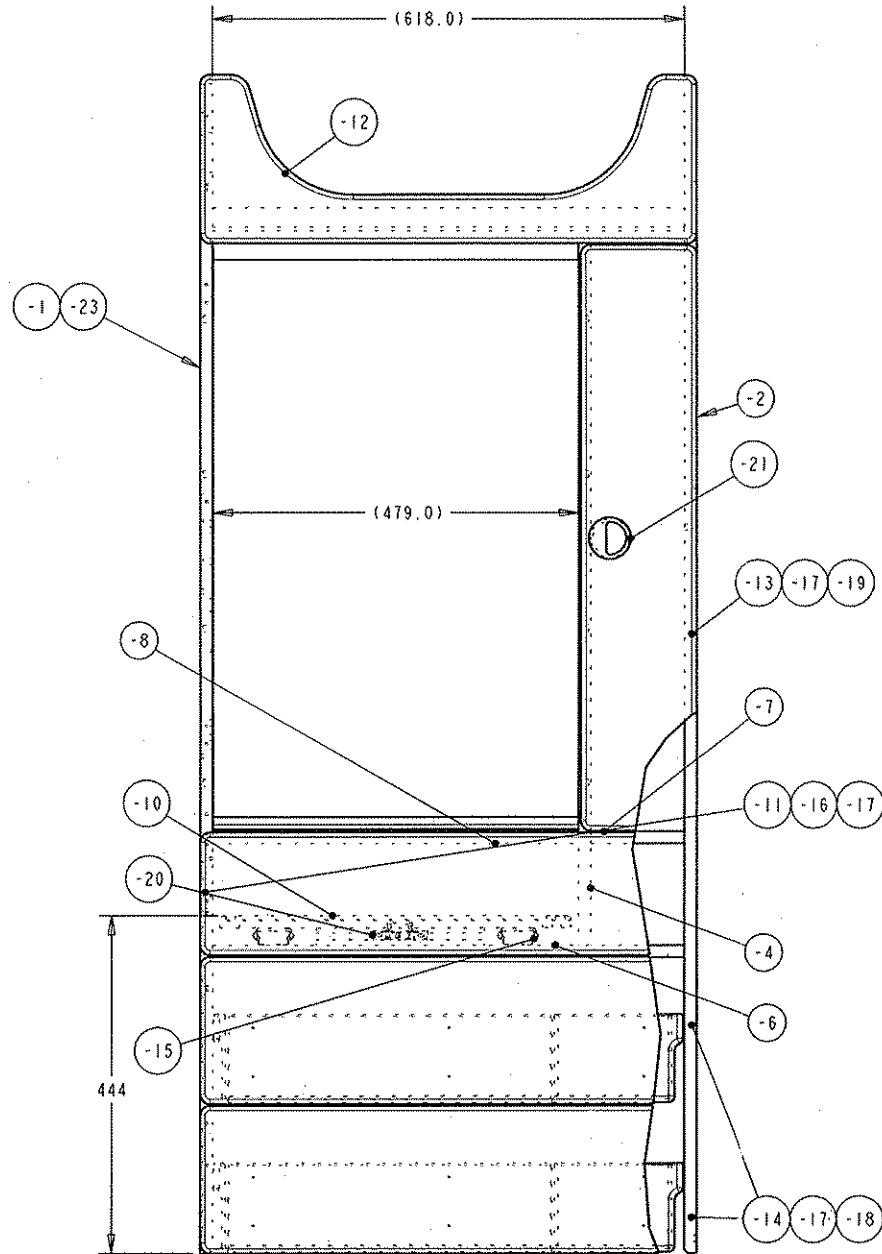
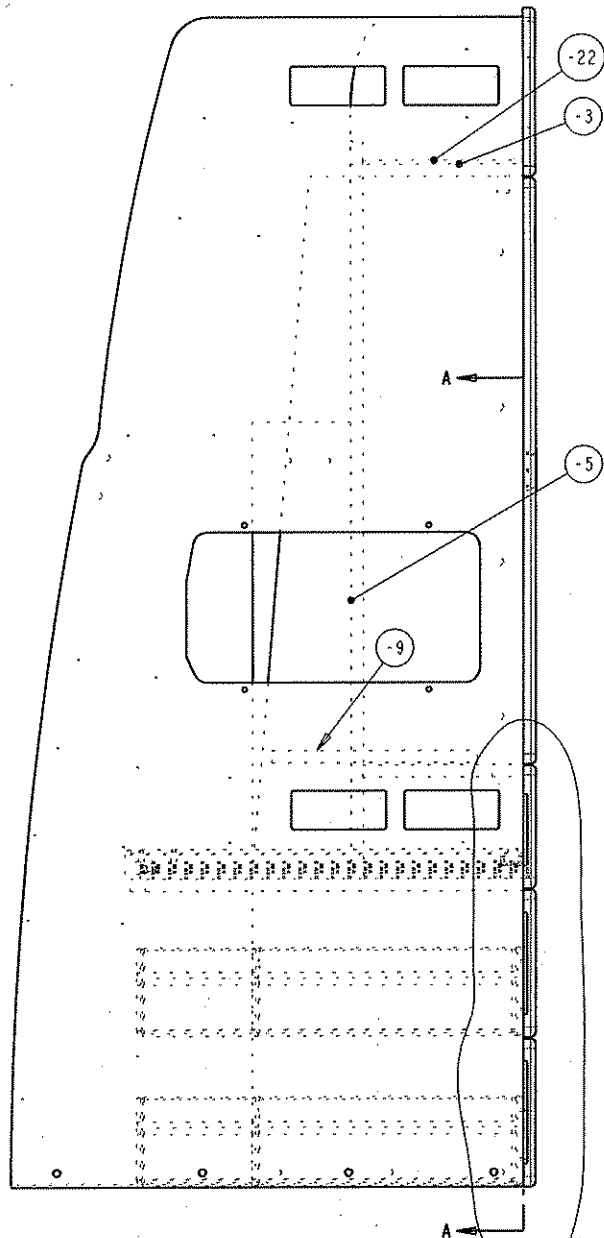
- 1) PRE ASSEMBLE COMPONENTS: -13, -14 TO COMPONENTS: -2, -3, -4, -5
- 2) USE COMPONENTS: -15, -12 TO INSTALL COMPONENTS: -2, -3, -4, -5 TO REAR GABLE.
- 3) USE COMPONENT: -15 TO MOUNT COMPONENT: -7 TO REAR GABLE.
- 4) USE COMPONENTS: -17, -18 TO INSTALL COMPONENTS: -8, -9 TO GABLES.
- 5) USE COMPONENTS: -19, -20, -21, -22 TO INSTALL COMPONENTS: -10 TO REAR GABLE.
- 6) USE COMPONENT: -16 TO MOUNT COMPONENT: -6 TO COMPONENT: -10

63323-7276  
PRINT ISSUE DATE

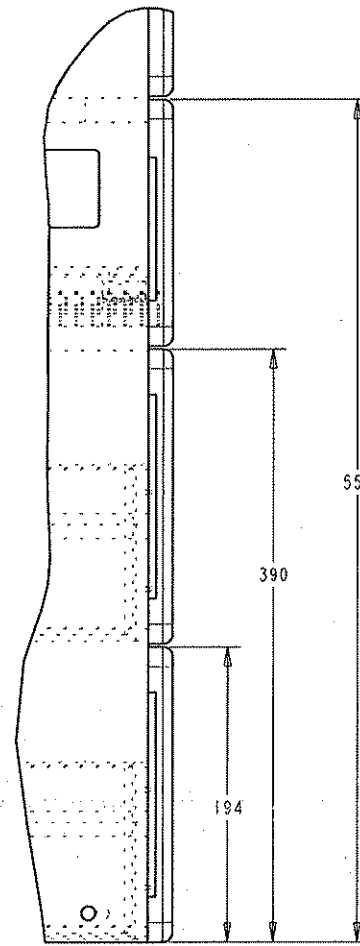
WESTERN STAR TRUCKS INC. COMPUTER GRAPHICS KELOWNA, B.C.				
TOLERANCES UNLESS NOTED:		BY	DATE	
MACHINING	± .02 INCH	DWN	HTM	25-Jul-00
HOLE CENTERS	± .02 INCH	CKD		
HOLE DIAMETERS	± .02 INCH	APVD	JB	25-Jul-00
LINEAR	± .06 INCH	ECO		110408
ANGULAR	± 1/2 °	SCALE		0.125

THIS DOCUMENT CONTAINS PROPRIETARY INFORMATION AND IT SHALL NOT BE USED OR REPRODUCED OR ITS CONTENTS DISCLOSED IN WHOLE OR IN PART WITHOUT THE PRIOR WRITTEN CONSENT OF WESTERN STAR TRUCKS INC., KELOWNA, BC

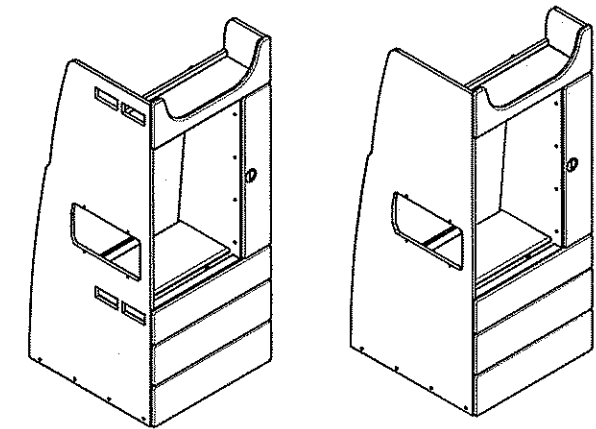
111418	B	1547 WAS 1575.1, 1547 WAS 1546, 220 WAS 248, 220 WAS 218.8, 650 WAS 649.7, 450 WAS 438.4, 200 WAS 203.2	HTM	23OCT00	JB
113203	C	ADDED COMPONENT -22, CARPET.	GEG	21MAY01	BGK
P17317-01	D	ADDED 63323-7408 AND 63323-7409 ADDED COMPONENT -23, COMP -23 DETAILED ON SHEET 2	MAN	06DEC01	RJS



SECTION A-A



DETAIL A  
SCALE 0.375



63323-7164  
63323-7166  
SCALE 0.063

63323-7408  
63323-7409  
SCALE 0.063

QTY	ITEM NO	DESCRIPTION	PART NO.	QTY	REMARKS
1	-23	REAR GABLE- W/O HTR	4101-3445-1	2	
1	-22	CARPET	56314-3441		
1	-21	DOOR HANDLE	HAFELE 158.23.300		
5	-20	LATCH & KEEPER	SOUTHCO C3-805		
1	-19	KIT - HINGE			
2	-18	KIT - DRAWER SLIDE	SEE NOTES		
4	-17	KIT - LATCH			
1	-16	KIT - HINGE	SEE NOTES		
2	-15	SLIDE	SEE NOTES		
2	-14	DRAWER ASSY.	4101-3445-6	15	
2	-14	DRAWER ASSY.	4101-3445-2	15	
1	-13	DOOR	4101-3445-6	14	
1	-13	DOOR	4101-3445-2	14	
1	-12	FACIA	4101-3445-6	13	
1	-12	FACIA	4101-3445-2	13	
1	-11	DROP DOOR	4101-3445-6	12	
1	-11	DROP DOOR	4101-3445-2	12	
1	-10	WORK SURFACE	4101-3445-4	11	
1	-10	WORK SURFACE	4101-3445-4	11	
1	-9	FRIDGE SUPPORT	4101-3445-1	10	
1	-8	STYLE	4101-3445-2	9	
1	-7	STYLE	4101-3445-1	8	
1	-6	SUPPORT	4101-3445-1	7	
1	-5	STYLE	4101-3445-1	6	
1	-4	GABLE INTERMED.	4101-3445-1	5	
1	-3	TOP SHELF	4101-3445-1	4	
1	-2	FWD GABLE	4101-3445-1	3	
1	-1	REAR GABLE- W/HTR	4101-3445-1	2	

NOTES:

- ITEM -11 : DOOR HINGED ALONG BOTTOM FOR " DROP DOWN " OPENING ACTION.
- ITEM -16 : FURNITURE HINGES, 110 OPENING ANGLE - OVERLAY APPLICATION.
- ITEM -11, -13, -14 : DOOR/DRAWER FRONTS ARE SIZED/SPACED NOMINALLY, CABINET SUPPLIER TO ESTABLISH HARDWARE REQUIREMENTS.
- ITEM -15 : 20" SLIDE LENGTH, 21" TRAVEL, UNDERMOUNT INSTALLATION.
- ITEM -18 : DRAWER SLIDE KIT - TO SUIT FULL TRAVEL ON SHORT (14") SLIDE OF DRAWER.

VENDOR CERTIFICATION

OR ASSEMBLY REQUIRES CERTIFICATION OF CONFORMANCE WITH REQUIREMENTS OF MOTOR VEHICLE SAFETY  
NO. C/FMVSS 302

PART MUST BE CERTIFIED BY THE VENDOR TO COMPLY WITH WESTERN TRUCKS INC'S. REQUIREMENTS FOR CONTINUING CONFORMANCE OF CAL PARTS TO DIMENSIONS AND SPECIFICATIONS AS INDICATED OR ENCED ON THIS DRAWING. NO CHANGE IS TO BE MADE TO THIS PART UT PRIOR WRITTEN APPROVAL OF THE ENGINEERING DEPARTMENT.

63323-7164  
PRINT TISSUE DATE  
D

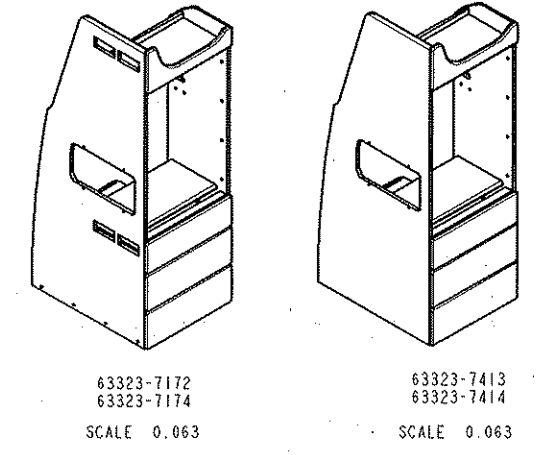
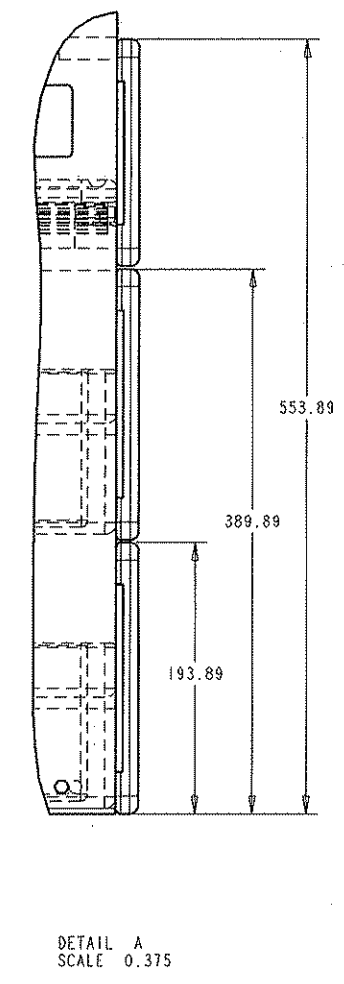
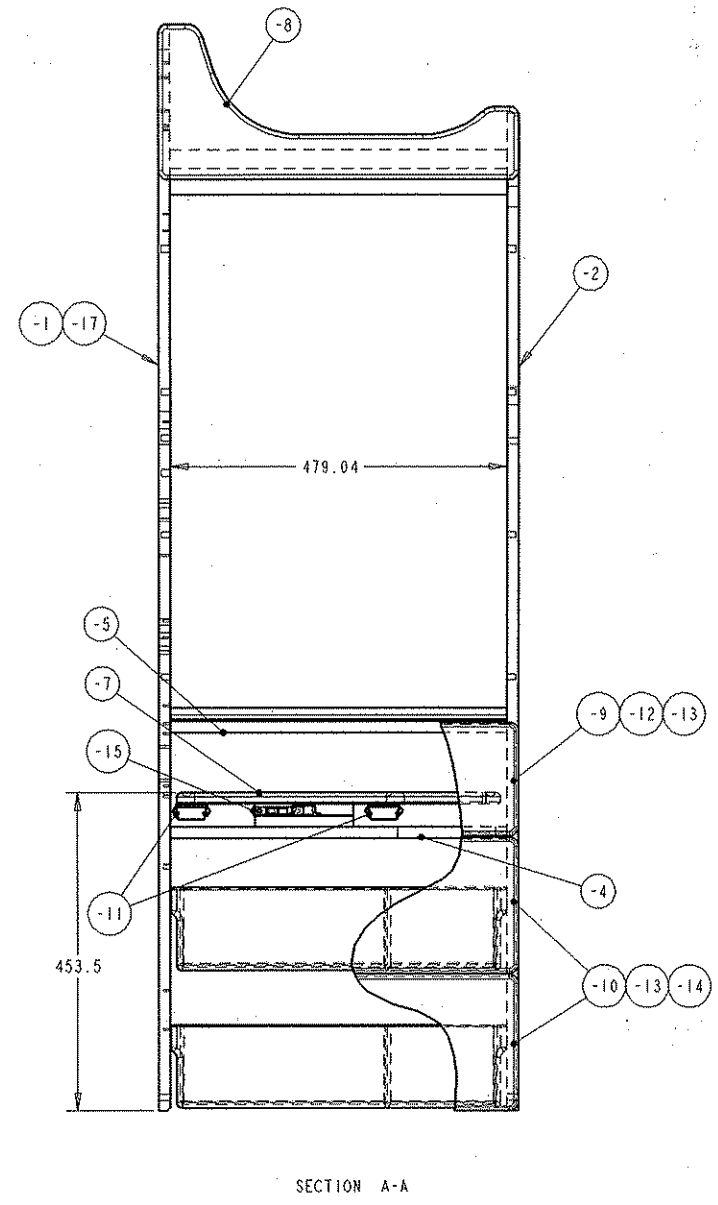
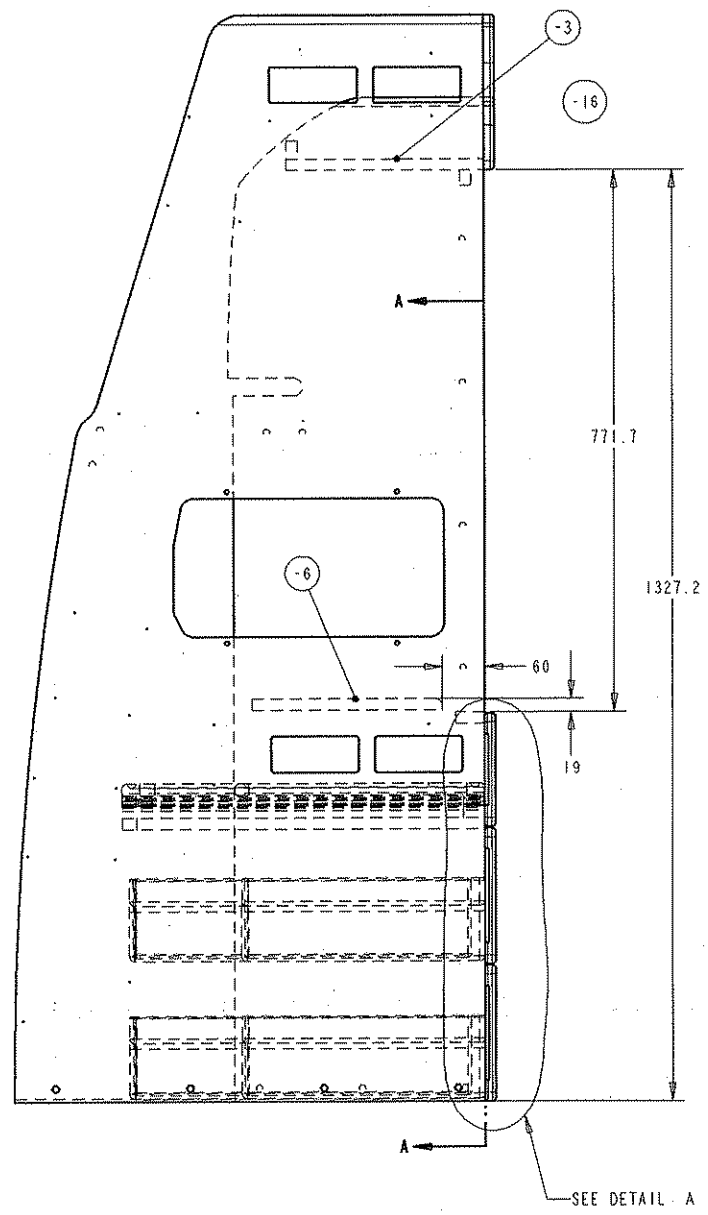
3 FOLD

COMP. NO.	DESCRIPTION	MATERIAL SPEC.	VENDOR PART NO.	SHEET
<b>WESTERN STAR TRUCKS INC.</b> COMPUTER GRAPHICS KELOWNA, B.C.				
TOLERANCES UNLESS NOTED:				
TRIM EDGE	± 1.50 mm	DWN	HTM	31-May-00
HOLE CENTERS	± 0.25 mm	CKD		
HOLE DIAMETERS	± 0.25 mm	APVD	JB	31-May-00
LINEAR/FORM	± 0.50 mm	ECO		109109
ANGULAR	± 1/2 °	SCALE		0.188
<small>THIS DOCUMENT CONTAINS PROPRIETARY INFORMATION AND IT SHALL NOT BE USED OR REPRODUCED OR ITS CONTENTS DISCLOSED IN WHOLE OR IN PART WITHOUT THE PRIOR WRITTEN CONSENT OF WESTERN STAR TRUCKS INC., KELOWNA, BC</small>				
VENDOR SUBASSY: LHS CABINET				M/REF 3396
76" ULTRA HIGH ROOF SLPR				63323-7164
				SHT 1 OF 16

1 FOLD

REMOVE ALL SHARP EDGES IF IN DOUBT ASK DO NOT SCALE DRAWING CAST, STAMP OR STENCIL PART NUMBER & REVISION LETTER IN SUITABLE LOCATION ORIGINAL CREATED ON NSI SOLID MODELING WORKSTATION

ECO	CHG	CHANGE	BY	DATE	CKD	APVD
109398	A	NUMEROUS CHANGES DONE TO ASSEMBLY.	HTM	17MAY00		JB
111079	B	LATCH & KEEPER ADDED, SIZE OF WORKING SURFACE MODIFIED 460 WAS 470	HTM	29SEP00		JB
111418	C	COMP. -1, -2, -8 REVISED. 1547 WAS 1549.5, 1430 WAS 1423.2, 375 WAS 394.7, 220 WAS 222.5, 103 WAS 96.3 200 WAS 203.2	HTM	23OCT00		JB
113203	D	ADDED COMPONENT -16, CARPET.	GEG	17MAY01		GEG
P17317-01	E	ADDED 63323-7413 AND 63323-7414. ADDED COMPONENT -17. REVISED SHEET 2 TO DETAIL	MAN	06DEC01		RJS



QTY	ITEM	DESCRIPTION	MATERIAL SPEC.	VENDOR PART NO.	SHEET
1	-17	REAR GABLE-NO HTR	4101-3445-1		2
1	-16	CARPET	56314-3439		
5	-15	LATCH & KEEPER	SOUTHCO C3-805		
2	-14	KIT-DRAWER SLIDE	SEE NOTES		1
3	-13	KIT-LATCH			1
1	-12	KIT-HINGE	SEE NOTES		1
2	-11	SLIDE	SEE NOTES		1
2	-10	DRAWER ASSY.	4101-3445-6		11
2	-10	DRAWER ASSY.	4101-3445-2		11
1	-9	DROP DOOR	4101-3445-6		10
1	-9	DROP DOOR	4101-3445-2		10
1	-8	FACIA	4101-3445-6		9
1	-8	FACIA	4101-3445-2		9
1	-7	WORK SURFACE	4101-3445-4		8
1	-7	WORK SURFACE	4101-3445-4		8
1	-6	FRIDGE SUPPORT	4101-3445-1		7
1	-5	STYLE	4101-3445-2		6
1	-4	SUPPORT	4101-3445-1		5
1	-3	TOP SHELF	4101-3445-1		4
1	-2	FWD GABLE	4101-3445-1		3
1	-1	REAR GABLE-HTR	4101-3445-1		2

- NOTES:
- ITEM -8 : DOOR HINGED ALONG BOTTOM FOR " DROP DOWN" OPENING ACTION.
  - ITEM -12 : FURNITURE HINGES, 110 OPENING ANGLE - OVERLAY APPLICATION.
  - ITEMS -8, -10 : DOOR/DRAWER FRONTS ARE SIZED/SPACED NOMINALLY, CABINET SUPPLIER TO ESTABLISH HARDWARE REQUIREMENTS.
  - ITEM -11 : 20" SLIDE LENGTH, 21" TRAVEL, UNDERMOUNT INSTALLATION.
  - ITEM -14 : DRAWER SLIDE KIT - TO SUIT FULL TRAVEL ON SHORT (14") SIDE OF DRAWER.

**V** **VENDOR CERTIFICATION**

THIS PART OR ASSEMBLY REQUIRES CERTIFICATION OF CONFORMANCE TO THE EQUIPMENT REQUIREMENTS OF MOTOR VEHICLE SAFETY STANDARD NO. **C/FMVSS 302**

THIS PART MUST BE CERTIFIED BY THE VENDOR TO COMPLY WITH WESTERN STAR TRUCKS INC.'S. REQUIREMENTS FOR CONTINUING CONFORMANCE OF CRITICAL PARTS TO DIMENSIONS AND SPECIFICATIONS AS INDICATED OR REFERENCED ON THIS DRAWING. NO CHANGE IS TO BE MADE TO THIS PART WITHOUT PRIOR WRITTEN APPROVAL OF THE ENGINEERING DEPARTMENT.

63323-7172  
PRINT ISSUE DATE  
E

COMP. NO. DESCRIPTION MATERIAL SPEC. VENDOR PART NO. SHEET

**WESTERN STAR TRUCKS INC.**  
COMPUTER GRAPHICS KELOWNA, B.C.

TOLERANCES UNLESS NOTED: BY DATE

TRIM EDGE ± 1,50mm DWN HTM 25-Apr-00

HOLE CENTERS ± 0,25mm CKD

HOLE DIAMETERS ± 0,25mm APVD BGK 27-Apr-00

LINEAR/FORM ± 0,50mm ECO 108762

ANGULAR ± 1/2° SCALE 0.188

THIS DOCUMENT CONTAINS PROPRIETARY INFORMATION AND IT SHALL NOT BE USED OR REPRODUCED OR ITS CONTENTS DISCLOSED IN WHOLE OR IN PART WITHOUT THE PRIOR WRITTEN CONSENT OF WESTERN STAR TRUCKS INC., KELOWNA, BC

VENDOR SUBASSY: LHS CABINET M/REF 3396

62" HIGH ROOF SLEEPER 63323-7172 SHT 1 OF 12

REMOVE ALL SHARP EDGES DO NOT SCALE DRAWING CAST STAMP OR STENCIL PART NUMBER ORIGINAL CREATED ON 08/16/04  
 IF IN DOUBT ASK A REVISION LETTER IN SUITABLE LOCATION SOL ID MODELING WORKSTATION

MATERIAL SPECIFICATION FOR LEATHER						
MANUFACTURER	CODE	MATERIAL	CODE	SPECIFICATION	COLOR	CODE
SPRINGS INDUSTRIES INC.	S	ULTRALEATHER HPA	A	100% POLYURETHANE WITH 100% RAYON BACKING 10 OZ. SQ. YD.	CHIANTI (MAROON) -1352	A
					NAVY (BLUE) -2592	B
					TAUPE -3779	C
					DOVE GREY -5728	D
CMI	C	PRESSWICK	G		BURGUNDY (MAROON) 175027-29	A
					NAVY BLUE (BLUE) 175027-31	B
					MED NEUTRAL LEATHER (TAN) 175027-41	C
					GREY (GREY) 175027-39	D

MATERIAL SPECIFICATION FOR FELT						
MANUFACTURER	CODE	MATERIAL	CODE	SPECIFICATION	COLOR	CODE
GUILFORD MILLS	G	GUILANA	F	GUILANA FABRIC LAMINATED TO 3mm THICK 2.1 LBS/CUBIC FT. POLYETHER FOAM.	GENEVA WINE (MAROON) (18M2)	A
					BLUE (6102)	B
					ANTELOPE (TAUPE) (5X08)	C
					STERLING SILVER (GREY) (601F)	D
					RED MAPLE (MAROON)	E
					ALPINE BLACK	F

MATERIAL SPECIFICATION FOR CLOTH						
MANUFACTURER	CODE	MATERIAL	CODE	SPECIFICATION	COLOR	CODE
MORBERN	M	MORDURA III	A	WEIGHT: 14 oz. SQ. YD THICKNESS: .049" THREAD COUNT (WxC): -FACE 10 x 30 -BACK 19 x 31 TENSILE STRENGTH: -W. 85 -C. 195	CAJON RED MAROON	A
					ORIENTAL BLUE BLUE	B
					TAUPE TAN	C
					MEDIUM GREY GREY	D
					BLACK	E

MATERIAL SPECIFICATION FOR EXPANDED VINYL						
MANUFACTURER	CODE	MATERIAL	CODE	SPECIFICATION	COLOR	CODE
MORBERN	M	HAMPTON VINYL	B	21.3 oz. SQ. YD.	H010 - SPANISH TILE MAROON	A
					H066 - COLUMBINE BLUE	B
					H054 - TAUPE TAN	C
					H020 - ASH GREY	D
					NEW RIVER TAUPE	E
					GAUCHO BLACK	F
MORBERN	M	ATLAS FR RASCAL	C	32.0 oz. SQ. YD.	CRIMSON - CRIMSON	A
					BLUE - BLUE	B
					PARCHEMENT - TAN	C
					ASH - GREY	D
MORBERN	M	OLYMPIA VINYL LORNE	D	24.0 oz. SQ. YD.	H010 - SPANISH TILE MAROON	A
					H066 - COLUMBINE BLUE	B
					H054 - TAUPE TAN	C
					H020 - ASH GREY	D
MORBERN	M	HUSKY	E		175012-227 - GREY	D

**V** **VENDOR CERTIFICATION**

THIS PART MUST BE CERTIFIED BY THE VENDOR TO COMPLY WITH WESTERN STAR TRUCKS INC.'S. REQUIREMENTS FOR CONTINUING CONFORMANCE OF CRITICAL PARTS TO DIMENSIONS AND SPECIFICATIONS AS INDICATED OR REFERENCED ON THIS DRAWING. NO CHANGE IS TO BE MADE TO THIS PART WITHOUT PRIOR WRITTEN APPROVAL OF THE ENGINEERING DEPARTMENT.

**V** THIS PART OR ASSEMBLY REQUIRES CERTIFICATION OF CONFORMANCE TO THE EQUIPMENT REQUIREMENTS OF MOTOR VEHICLE SAFETY STANDARD NO. 302

CHG	CHANGE	BY	DATE	CKD	APVD	PA/ME
38044	A CARPET ADDED	TWB	30MAY94	DVC	JRR	
89835	B D: CONVERTED TO PROE ADDED NEW MATERIAL FOR EXPANDED VINYL: OLYMPIA	SIN	4FEB97		TWB	
93223	C ADDED NEW MATERIAL SPEC FOR HUSKY	PJD	20AUG97		PJD	
95333	D ADDED GUILFORD MILLS CODES FOR 4 COLOURS	TGM	11DEC97			
95359	E ADDED ULTRALEATHER	TWB	15DEC97		TWB	
97074	F REVISED ULTRALEATHER COLORS, GREY WAS 902 MAROON WAS 903, BLUE WAS 904, TAUPE WAS 905	TWB	25MAR98		TWB	
97907	G REVISED ULTRALEATHER COLORS, GREY WAS 5666 MAROON WAS 1312, BLUE WAS 2556, TAUPE UNCHANGED	TWB	6MAY98		BGK	
102909	H ADDED VIAMM NYLON CARPET SPEC FOR THROW MATS	SCM	1MAR99		PJD	
108791	J ADDED SPEC'S FOR CMI	RJS	07APR00		RJS	
109816	K ADDED BLACK CLOTH SPEC	RJS	09JUN00		RJS	
112797	L ADDED NEW RIVER TAUPE AND GAUCHO BLACK VINYL	DVC	13MAR01		DVC	
P21767-01	M ADDED RED MAPLE COLOR	RPH	12MAR03	DRG	DRG	
M80917-05	N ADDED "ALPINE BLACK" TO THE MATERIAL SPECIFICATION FOR FELT	RJS	02SEP03		DRG	

MATERIAL SPECIFICATION FOR CARPET						
MANUFACTURER	CODE	MATERIAL	CODE	SPECIFICATION	COLOR	CODE
DORSETT OR SYTEC	D	POLYPROPYLENE	A	22 oz. CUT PILE	CAMBERA MAROON	A
					SHADOW BLUE BLUE	B
VIAMM	V	NYLON	B	16oz BULK CONT FIBER (BCF)	DARK SABLE BROWN	C
					RAVEN BLACK	D

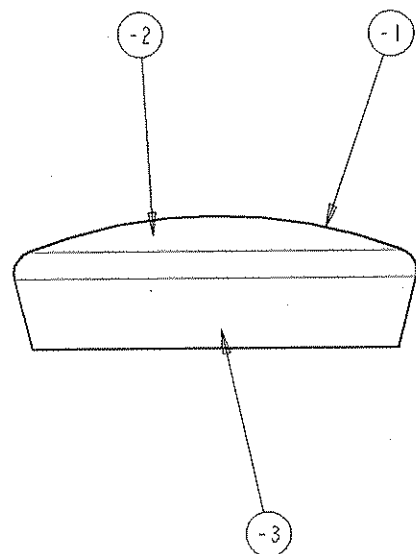
- PART NUMBER IS SELF ASSIGNING FOR MATERIAL AND COLOR
- REPLACE THE - OF THE PART NUMBER WITH A LETTER CODE REPRESENTING THE MANUFACTURER OF THE MATERIAL.
  - ADD A TWO LETTER SUFFIX TO THE PART NUMBER TO DESCRIBE THE TYPE OF MATERIAL AND THE COLOR. THE FIRST LETTER IS THE TYPE OF MATERIAL, THE SECOND IS THE COLOR.

54030-3404  
 PRINT ISSUE DATE  
 N

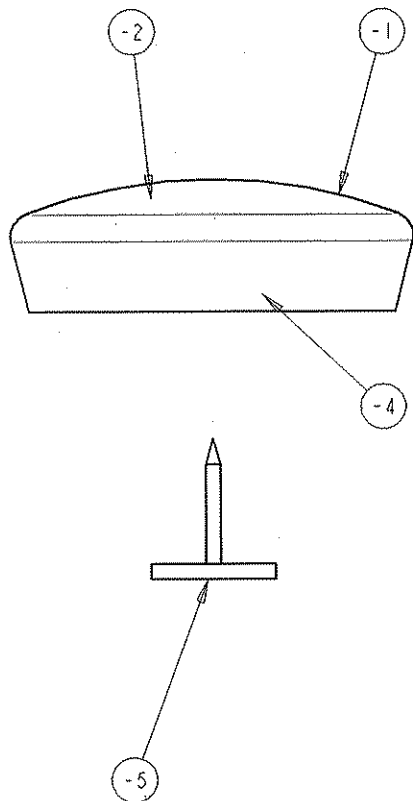
COMP. NO.	DESCRIPTION	SIZE	MATERIAL
	WESTERN STAR TRUCKS INC. COMPUTER GRAPHICS KELOWNA, B.C.		
		BY	DATE
		DWN	TWB 24MAY94
		CKD	DVC 24AUG94
		APVD	JRR 24AUG94
		EHO	38044
		SCALE	NONE
UPHOLSTERY COLOR CODING		MR NO. 4090	54030-3404

REMOVE ALL SHARP EDGES DO NOT SCALE DRAWING CAST, STAMP OR STENCIL PART NUMBER ORIGINAL CREATED ON THIS SOLID MODELING WORKSTATION IF IN DOUBT ASK & REVISION LETTER IN SUITABLE LOCATION

ECO	CHG	CHANGE	BY	DATE	CKD	APVD
26380	A	ADD 54020-3407	TGM	08DEC87		GR
T62730	B	ADD 54020-3415, -3417	DW	28MAY93		TWB
35833	C	ADD 54020-3418, -3419	DW	21JUN93		TWB
T68618	D	ADDED 54020-3421 AND 3422	TWB	28JUL94	DVC	JRR
81295	E	CLARIFY DESCRIPTION OF ITEM -5	JSM	20OCT95		PJD
104677	F	REMOVED 54020-3411, REDRAWN ON 54020-3411; REDRAWN ON PRO-E	RJS	24JUN99		PJD
111374	G	ADDED 52040-3424 AND 52040-3425 AND NOTES	RJS	11OCT00		RJS
P22149-01	H	ADDED ITEM -1 (MORDURA III) TO 52040-3421 AND 54020-3422	RJS	25APR03		DRG



BUTTON FOR SNAP



BUTTON WITH TACK

NOTES:

- FOR COMPLETE PART NUMBER THE DASH AFTER THE MODULE NUMBER MUST BE REPLACED BY A LETTER, NAUGAHYDE PER DRAWING 54030-3401 FOR HERITAGE OR 54030-3404 FOR CONSTELLATION, IE 54020G3406 IS GREY NAUGAHYDE FOR HERITAGE.
- FOR VELOUR PER 56311-3405 THE LETTER IS ADDED TO THE END DIGIT IE 54020-3406T IS TEAL VELOUR.
- SEE 56311-3477 FOR SHERPA CLOTH SPECIFICATION AND COLOR CODE.
- SEE 54030-3403 FOR HERITAGE CAB HAMPTON VINYL SPECIFICATION AND COLOR CODE 54030-3404 FOR CONSTELLATION.
- SEE 54030-3404 FOR CONSTELLATION CAB SPEC'S.
- 52040-3424 AND 52040-3425 HAVE "MORBERN OLYMPIA VINYL LORNE" 24.0 OZ PER SQUARE YARD, COLOR BLACK.

54020-3406	SHT 1 OF 1
PRINT ISSUE DATE	CHG H

ECO	CHG	DESCRIPTION	SIZE	MATERIAL
-5		PIVOT TACK, 1/2"		
-4		PIVOT BACK (FOR TACK)	#30	
-3		COLLET (FOR SNAP STUD)	#30	
-2		LOW DOME BUTTON SHELL	#30	
		COVER-OLYMPIA VINYL		SEE NOTE 6
-1		COVER-MORDURA III		SEE NOTE 5
-1		COVER-HAMPTON VINYL		SEE NOTE 4
-1		COVER-SHERPA CLOTH		SEE NOTE 3
-1		COVER-VELOUR		SEE NOTE 2
-1		COVER-NAUGAHYDE		SEE NOTE 1

COMP. NO.	DESCRIPTION	SIZE	MATERIAL
<b>WESTERN STAR TRUCKS INC.</b> COMPUTER GRAPHICS KELOWNA, B.C.			
	BY	DATE	
	DWN	TOM T	02MAY85
	CKD		
	APVD	K. McP.	03JUN85
	ECO		22833
	SCALE		4:1

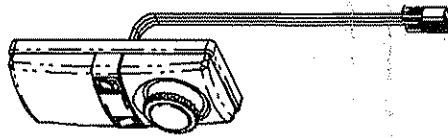
  

THIS DOCUMENT CONTAINS PROPRIETARY INFORMATION AND IT SHALL NOT BE USED OR REPRODUCED OR ITS CONTENTS DISCLOSED IN WHOLE OR IN PART WITHOUT THE PRIOR WRITTEN CONSENT OF WESTERN STAR TRUCKS INC., KELOWNA, BC	
<b>BUTTON, UPHOLSTERY</b>	MR NO. 4090 <b>54020-3406</b>
	SHT 1 OF 1

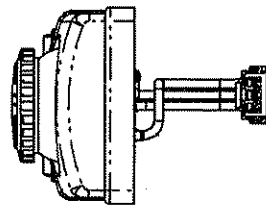
REMOVE ALL SHARP EDGES DO NOT SCALE DRAWING. CAST, STAMP OR STENCIL PART NUMBER & REVISION LETTER IN SUITABLE LOCATION ORIGINAL CREATED ON WSTI SOLID MODELING WORKSTATION

ECO CHG CHANGE BY DATE CKD APVD

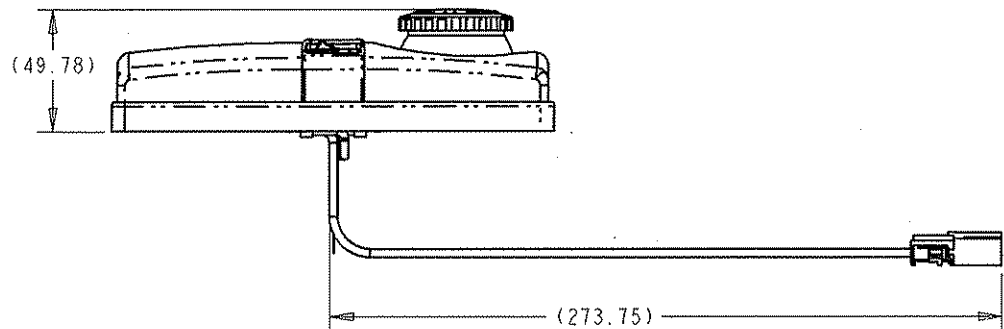
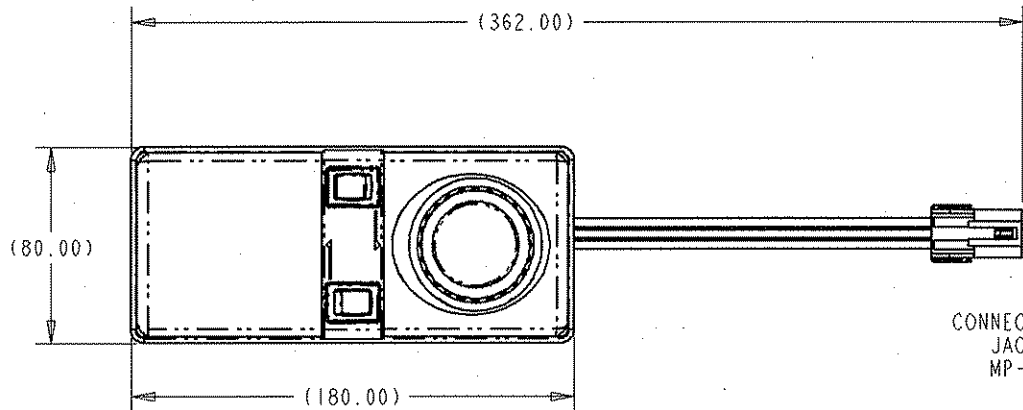
3-D VIEW



SCALE 0.250



CONNECTOR:  
JACK WSTI 7530-3510  
MP-280 1202 0397



SCALE 0.500

VENDOR:  
GRAKON INTERNATIONAL,  
SEATTLE, WA

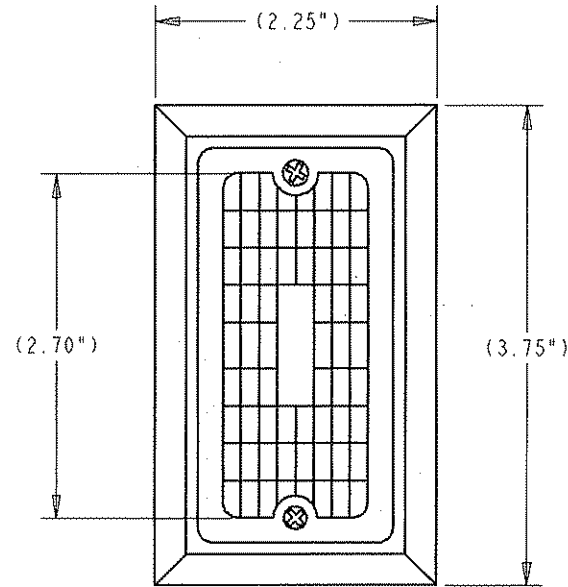
86401-3431-28	PART MODEL			
86401-3431-27	PART MODEL			
86401-3431-26	PART MODEL			
86401-3431-25	PART MODEL			
86401-3431-24	PART MODEL			
86401-3431-23	PART MODEL			
86401-3431-22	PART MODEL			
86401-3431-21	PART MODEL			
86401-3431-20	PART MODEL			
86401-3431-19	PART MODEL			
86401-3431-18	PART MODEL			
86401-3431-17	PART MODEL			
86401-3431-16	PART MODEL			
86401-3431-15	PART MODEL			
86401-3431-14	PART MODEL			
86401-3431-13	PART MODEL			

86401-3431 SHT 1 OF 1  
PRINT ISSUE DATE CHG NEW

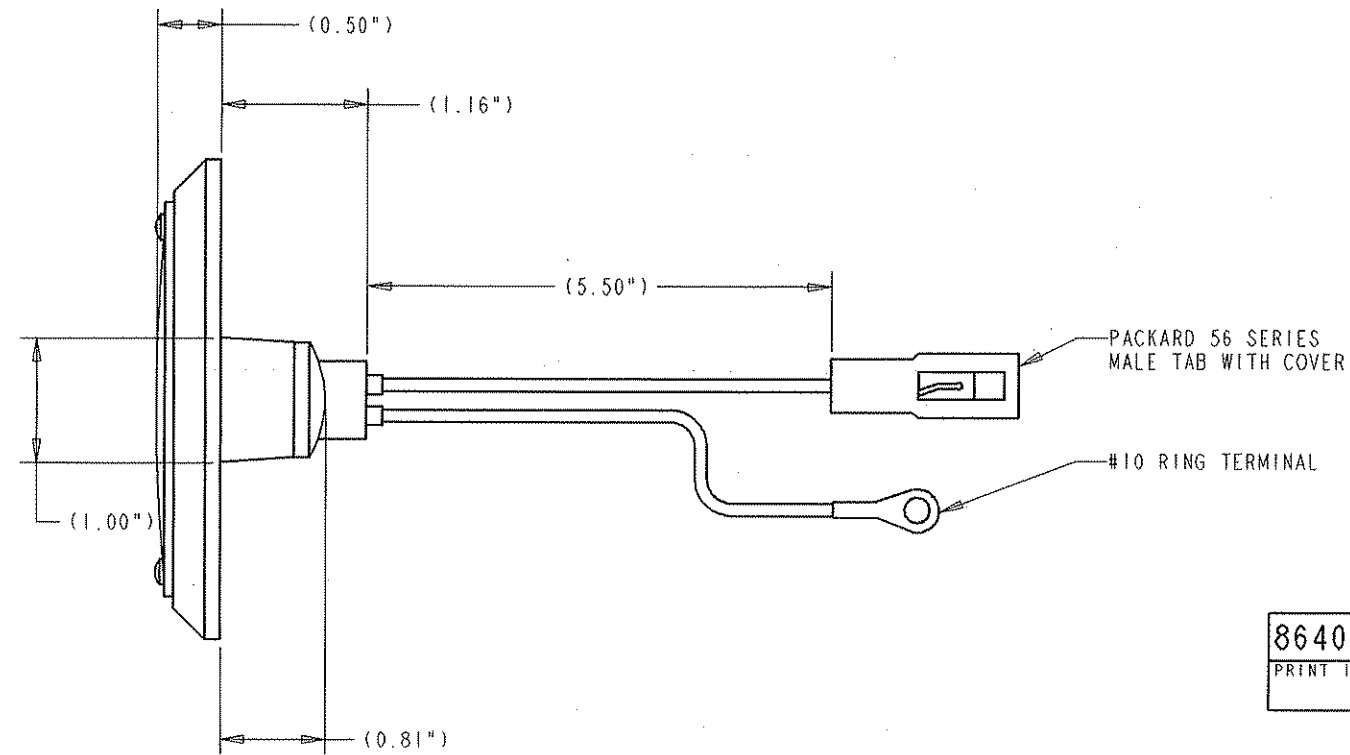
86401-3431-12	PART MODEL			
86401-3431-11	PART MODEL			
86401-3431-10	PART MODEL			
86401-3431-09	PART MODEL			
86401-3431-08	PART MODEL			
86401-3431-07	PART MODEL			
86401-3431-06	PART MODEL			
86401-3431-05	PART MODEL			
86401-3431-04	PART MODEL			
86401-3431-03	PART MODEL			
86401-3431-02	PART MODEL			
86401-3431-01	ASSEMBLY MODEL			
MODELS REQUIRED TO LOAD THIS DRAWING				
I 4070	LIGHT FIXTURE			

NEW	REV	VEND. NO.	DESCRIPTION	SIZE	MATERIAL
<b>WESTERN STAR TRUCKS INC.</b> COMPUTER GRAPHICS KELOWNA, B.C.					
TOLERANCES UNLESS NOTED:					
BY DATE					
TRIM EDGE	± 1,50 mm	DWN	RGV	18DEC98	
HOLE CENTERS	± 0,25 mm	CKD	PTT	28JAN99	
HOLE DIAMETERS	± 0,25 mm	APVD	RGV	28JAN99	
LINEAR/FORM	± 0,50 mm	ECO		101811	
ANGULAR	± 1/2 °	SCALE		HALF	
THIS DOCUMENT CONTAINS PROPRIETARY INFORMATION AND IT SHALL NOT BE USED OR REPRODUCED OR ITS CONTENTS DISCLOSED IN WHOLE OR IN PART WITHOUT THE PRIOR WRITTEN CONSENT OF WESTERN STAR TRUCKS INC., KELOWNA, BC					
<b>LIGHT FIXTURE- READING AND DESK</b>				MR NO. 3399	
				86401-3431	SHT 1 OF 1

REMOVE ALL SHARP EDGES DO NOT SCALE DRAWING IF IN DOUBT ASK  
 CAST, STAMP OR STENCIL PART NUMBER & REVISION LETTER IN SUITABLE LOCATION  
 ORIGINAL CREATED ON WST1 SOLID MODELING WORKSTATION  
 ECO CHG CHANGE BY DATE CKD APVD



FRONT VIEW



SIDE VIEW

NOTES:

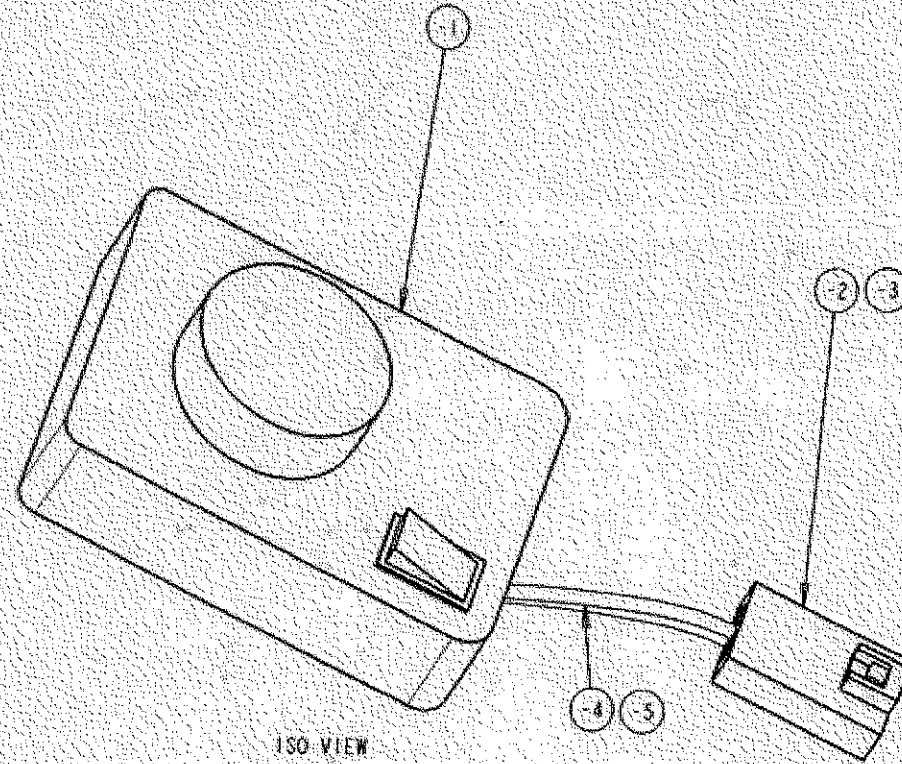
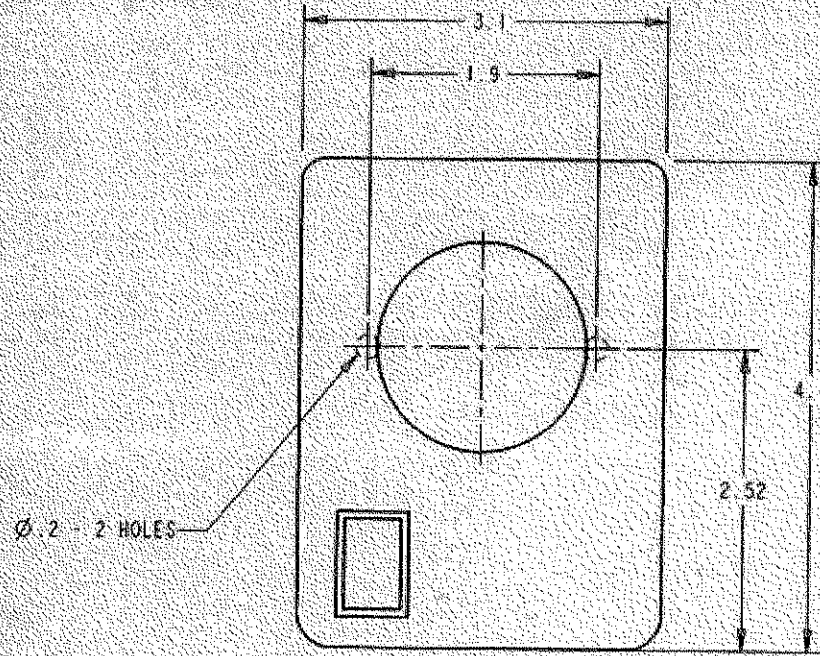
- VENDOR SHALL BE VSM MANUFACTURING
- BEZEL SHALL BE CHROME FINISH
- LENS SHALL BE CLEAR
- BULB SHALL BE GE193 OR GE194

86401-3432	SHT 1 OF 1
PRINT ISSUE DATE	CHG NEW

X	1505W	INTERIOR COURTESY LIGHT			
NEW	COMP. NO.	DESCRIPTION	SIZE	MATERIAL	
REV					
	WESTERN STAR TRUCKS INC. COMPUTER GRAPHICS KELOWNA, B.C.				
	TOLERANCES UNLESS NOTED:		BY	DATE	
	MACHINING	± .02 INCH	DWN	MBF	15JUN99
	HOLE CENTERS	± .02 INCH	CKD	YTT	16JUN99
	HOLE DIAMETERS	± .02 INCH	APVD	DJB	27AUG99
	LINEAR	± .06 INCH	ECO		104527
	ANGULAR	± 1/2 °	SCALE	NONE	
THIS DOCUMENT CONTAINS PROPRIETARY INFORMATION AND IT SHALL NOT BE USED OR REPRODUCED OR ITS CONTENTS DISCLOSED IN WHOLE OR IN PART WITHOUT THE PRIOR WRITTEN CONSENT OF WESTERN STAR TRUCKS INC., KELOWNA, BC.					
	COURTESY LIGHT - VSM MANUFACTURING		MR NO. 3200	86401-3432	SHT 1 OF 1

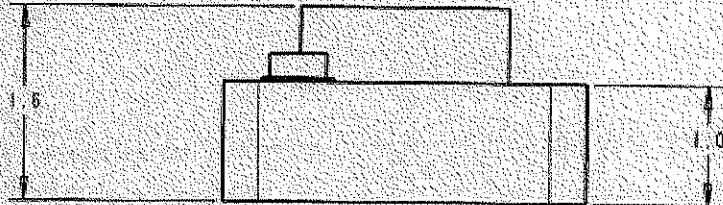
CAST, STAMP OR STENCIL MARK NUMBER IN SUITABLE LOCATION DO NOT SCALE DRAWING IF IN DOUBT ASK REMOVE ALL DRAFT LINES ORIGINAL CREATED ON WESTERN STAR MODELING WORKSTATION

ECO	CHG	CHANGE	BY	DATE	CKD	APVD
81093	A	WIRE GAUGE WAS SXL14 TERMINATOR WAS PED12034047 CONNECTOR WAS PED12034344 GRAXON P/N WAS 4074 PER GRAXON	JJK	30SEP95		DVC



ISO VIEW

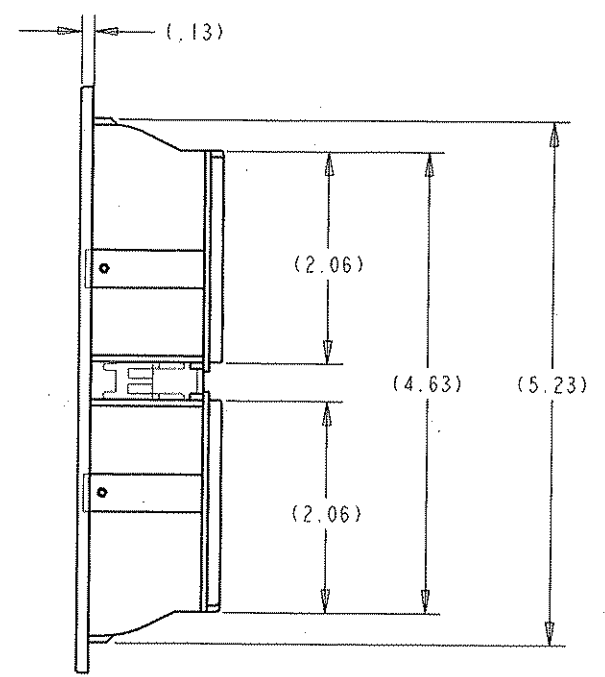
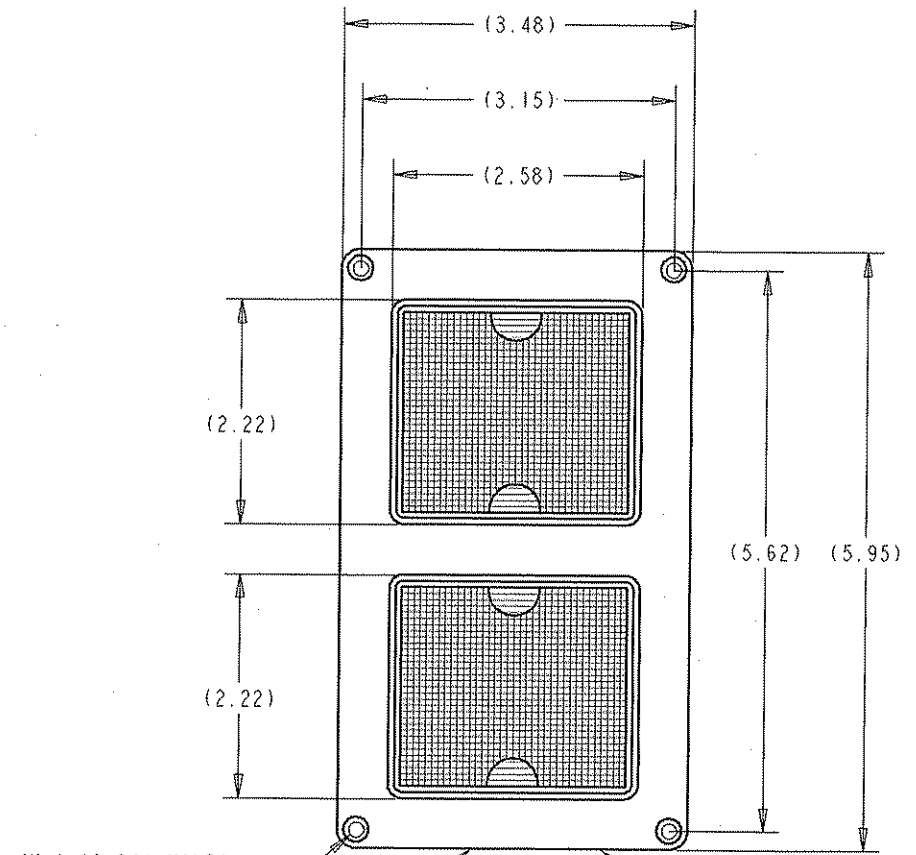
86401-3422	SHT 1 OF 1
PRINT ISSUE DATE	CHG A



1	-5	WIRE (-VE)	5"-SXL16, TO CAVITY-B
1	-4	WIRE (+VE)	5"-SXL16, TO CAVITY-A
2	-3	TERMINATORS	MP280-P/N: PED1202 0116
1	-2	CONNECTOR	MP280-P/N: PED1201 5271
1	-1	LAMP	GRAXON P/N: 4074W
A		COMP. NO.	DESCRIPTION
A		<b>WESTERN STAR TRUCKS INC.</b> COMPUTER GRAPHICS KELOWNA, B.C.	
86401-3422		TOLERANCES UNLESS NOTED:	BY DATE
C604		MACHINING ± .02 INCH	DWN JJK 11SEP95
APPLICATION		HOLE CENTERS ± .02 INCH	CKD
		HOLE DIAMETERS ± .02 INCH	APVD DVC 15SEP95
		LINEAR ± .06 INCH	ECO 80804
		ANGULAR ± 1/2°	SCALE NONE
		THIS DOCUMENT CONTAINS PROPRIETARY INFORMATION AND IT SHALL NOT BE USED OR REPRODUCED OR ITS CONTENTS DISCLOSED IN WHOLE OR IN PART WITHOUT THE WRITTEN CONSENT OF WESTERN STAR TRUCKS INC., KELOWNA, BC.	
		<b>LAMP-DESK (SLEEPER)</b>	MR. NO. 3208
		86401-3422	SHT 1 OF 1

REMOVE ALL SHARP EDGES DO NOT SCALE DRAWING IF IN DOUBT ASK  
 CAST, STAMP OR STENCIL PART NUMBER & REVISION LETTER IN SUITABLE LOCATION  
 ORIGINAL CREATED ON WST1 SOLID MODELING WORKSTATION

ECO	CHG	CHANGE	BY	DATE	CKD	APVD
105812	A	CAST, STAMP OR STENCIL P/N & REVISION ON PACKAGING FOR PART	ZAI	22SEP99		RGV
109438	B	ADDED BEZEL 86401-3438; DRAWING 86401-3434 WAS REV A.	ZAI	18MAY00	RGV	RGV



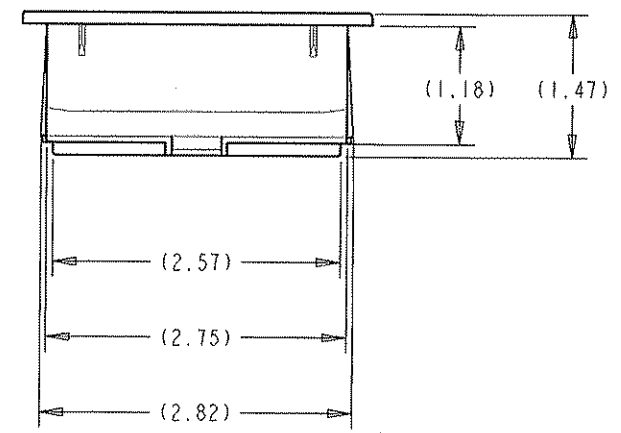
4X 0.13 DIA HOLES

1 ADD BEZEL TO COVER LAMP MOUNTING HOLES  
 2 ADD BEZEL TO COVER LAMP MOUNTING HOLES

86401-3434	SHT 1 OF 1
PRINT ISSUE DATE	CHG B

VENDOR: LITECO A DIVISION OF RAMCO INDUSTRIES INC.

LAMP FEATURES:  
 - BUILT IN REFLECTOR  
 - PART NUMBER 590 XENON BULB



1	2	LAMP BEZEL FOR 86401-3434	DOUBLE	38010-71BZL
	1	READING LAMP IN CANTRAIL	DOUBLE	06001014
NEW	A	COMP. NO.	DESCRIPTION	SIZE VENDOR NO.
		WESTERN STAR TRUCKS INC. COMPUTER GRAPHICS KELOWNA, B.C.		
		TOLERANCES UNLESS NOTED:		BY DATE
		MACHINING	± .02 INCH	DWN ZAI 17AUG99
		HOLE CENTERS	± .02 INCH	CKD PTT 18AUG99
		HOLE DIAMETERS	± .02 INCH	APVD RGV 20AUG99
		LINEAR	± .06 INCH	ECO 103825
		ANGULAR	± 1/2 °	SCALE NONE
THIS DOCUMENT CONTAINS PROPRIETARY INFORMATION AND IT SHALL NOT BE USED OR REPRODUCED OR ITS CONTENTS DISCLOSED IN WHOLE OR IN PART WITHOUT THE PRIOR WRITTEN CONSENT OF WESTERN STAR TRUCKS INC., KELOWNA, BC.				
		LAMP - READING ILLUMINATION		MR NO. 3208
		86401-3434		SHT 1 OF 1