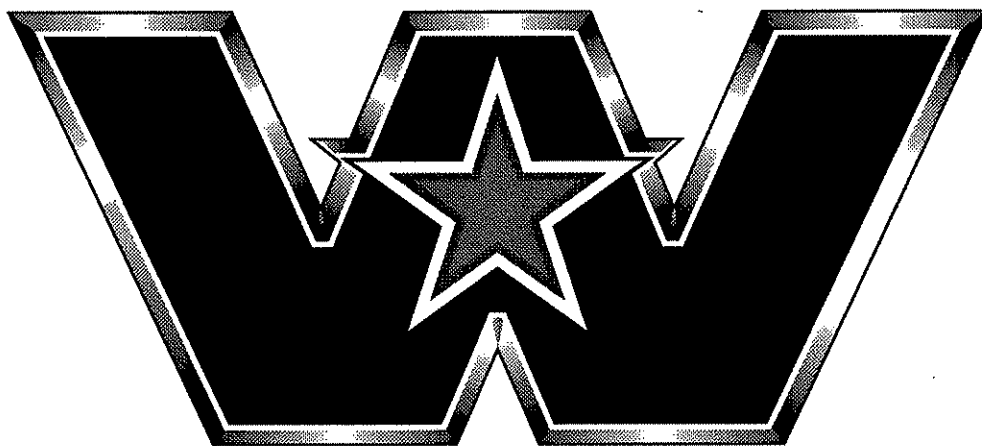


INDEX

	Section	Pages
Hendrickson RTE2-460 Rear Suspension	4.1.3	1-4
Hendrickson HAS 230/360/400/402/460	4.1.7	1-22
Hendrickson HFS 360/400 Rear Suspension	4.1.9	1-10
Hendrickson HAS 40LH	4.2.7	1-8
Torque Rods and Pan Hard Rods, Hendrickson	4.4.1	1-4



WESTERN STAR TRUCKS®
The Preferred Choice™

REAR SUSPENSION

HENDRICKSON RTE 2 - 460

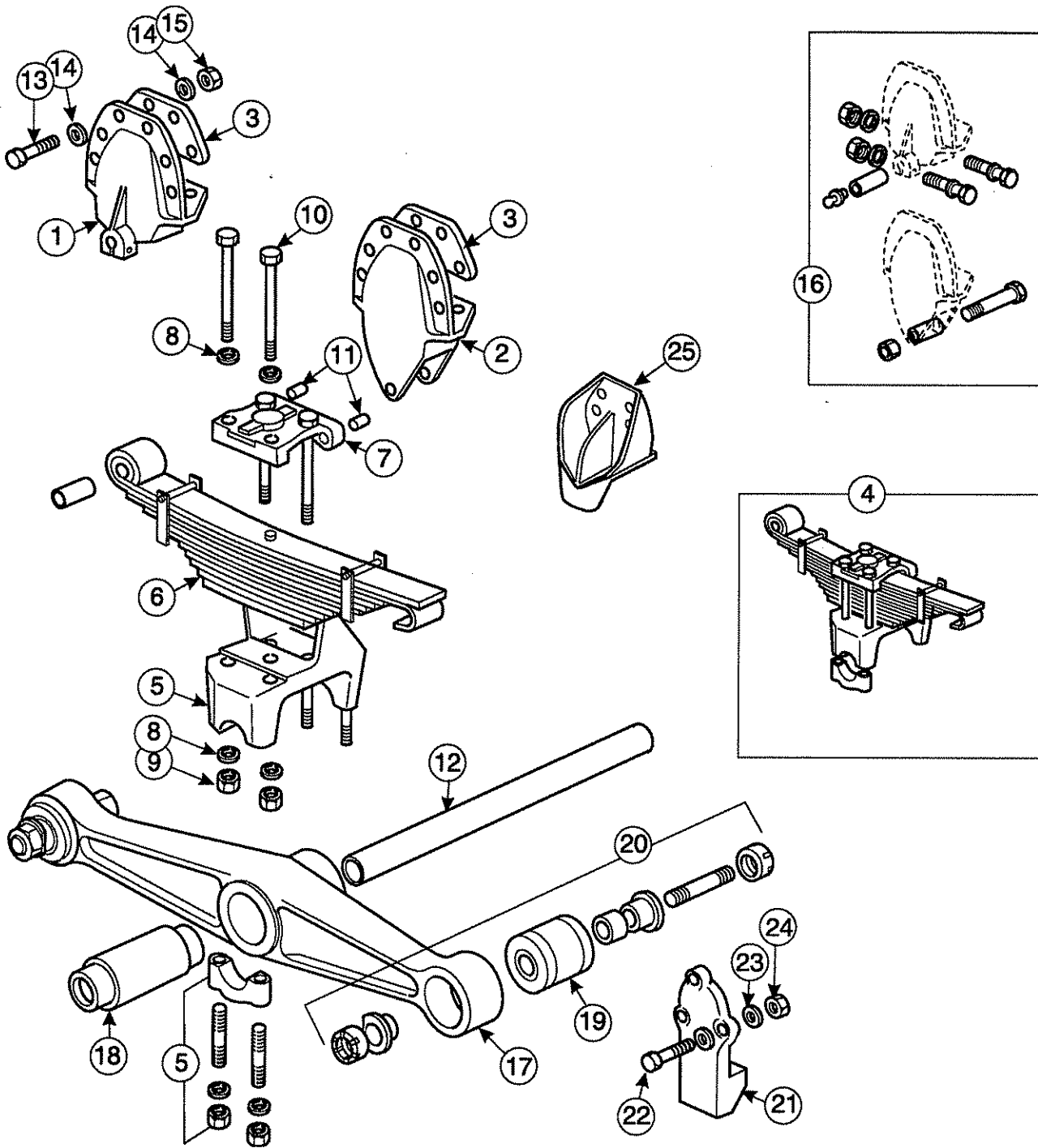
4.1.3

TABLE OF CONTENTS

	Section	Page
Hendrickson RTE 2-460	4.1.3	2-3

Note: *This publication is a generic parts book. Components may vary with different applications. For applications other than listed below see the appropriate Bill of Material by truck serial number and use this publication as a guide only.*

Specific BOMs listed: 2218-559-00/02, 2228-506-00/11



REAR SUSPENSION

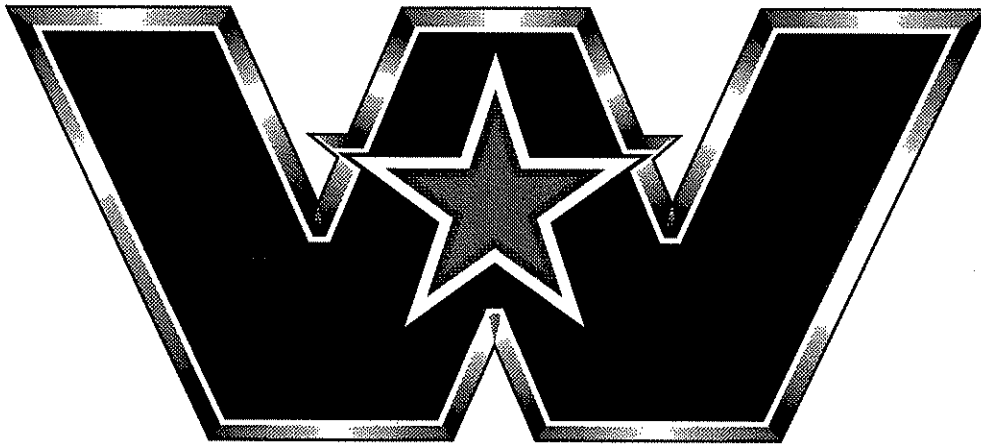
4.1.3

HENDRICKSON RTE 2 - 460

Item	Description	Part Number	Qty
1	Front Spring Hanger	35010-3451	2
2	Center Spring Hanger	35010-3452	2
4	Spring and Saddle Assembly LH	35002-3459	1
5	- Saddle and Cap Assembly	(HDR) 31017-006	
6	- Spring Assembly	(HDR) 58195-000	1
7	- Top Pad	(HDR) 35064-000	1
8	- Washer, Saddle Top Pad	(HDR) 22962-006	8
9	- Nut, Saddle Top Pad	(HDR) 08017-000	4
10	- Bolt, Saddle Top Pad	(HDR) 30550-007	4
11	- Set Screw Assembly	(HDR) 35370-002	
4	Spring and Saddle Assembly RH	35002-3460	1
5	- Saddle and Cap Assembly	(HDR) 31017-006	1
6	- Spring Assembly	(HDR) 58195-000	1
7	- Top Pad	(HDR) 35064-000	1
8	- Washer, Saddle Top Pad	(HDR) 22962-006	8
9	- Nut, Saddle Top Pad	(HDR) 08017-000	4
10	- Bolt, Saddle Top Pad	(HDR) 30550-009	4
11	- Set Screw Assembly	(HDR) 35370-002	2
12	Cross Tube	35007-0002	1
13	Bolt, Hex .62-18x 3.00"	4019-3410-3.00	AR
13	Bolt, Hex .62 - 18 x 2.50"	4019-3410-2.50	AR
13	Bolt, Hex .62 - 18 x 2.00"	4019-3410-2.00	AR
14	Washer, hard .62 x 1.26 x .16	4011-3415	AR
15	Nut, lock .62 - 18	4012-3421	AR
16	Spring Mounting Hardware Kit	35066-3402	1
17	Equalizing Beam (52" Axle Spacing)	35101-3432	2
17	Equalizing Beam (60" Axle Spacing)	35101-3426	2
17	Equalizing Beam (65" Axle Spacing)	04-9048967	2
17	Equalizing Beam (72" Axle Spacing)	35101-3427	2
18	- Beam Center Bushing	(HDR) 29483-005	1
19	- Beam End Bushing	(HDR) 45900-000	1
20	Beam End Adaptor Assembly	35105-3405	4
21	Axle Stop Bracket 5.12	35601-3436	4
22	Bolt, Hex .50 - 20 x 2.00	4019-3408-2.00	AR
23	Washer, Hard .50 x 1.0 x .1	4011-3413	AR
24	Nut, .50 - 20	4012-3419	AR
25	Spring Hanger Bracket #3	04-9048441	2

Note: Part Numbers with (HDR) represent Hendrickson service part numbers.

REAR SUSPENSION 4



WESTERN STAR TRUCKS®
The Preferred Choice™

REAR SUSPENSION

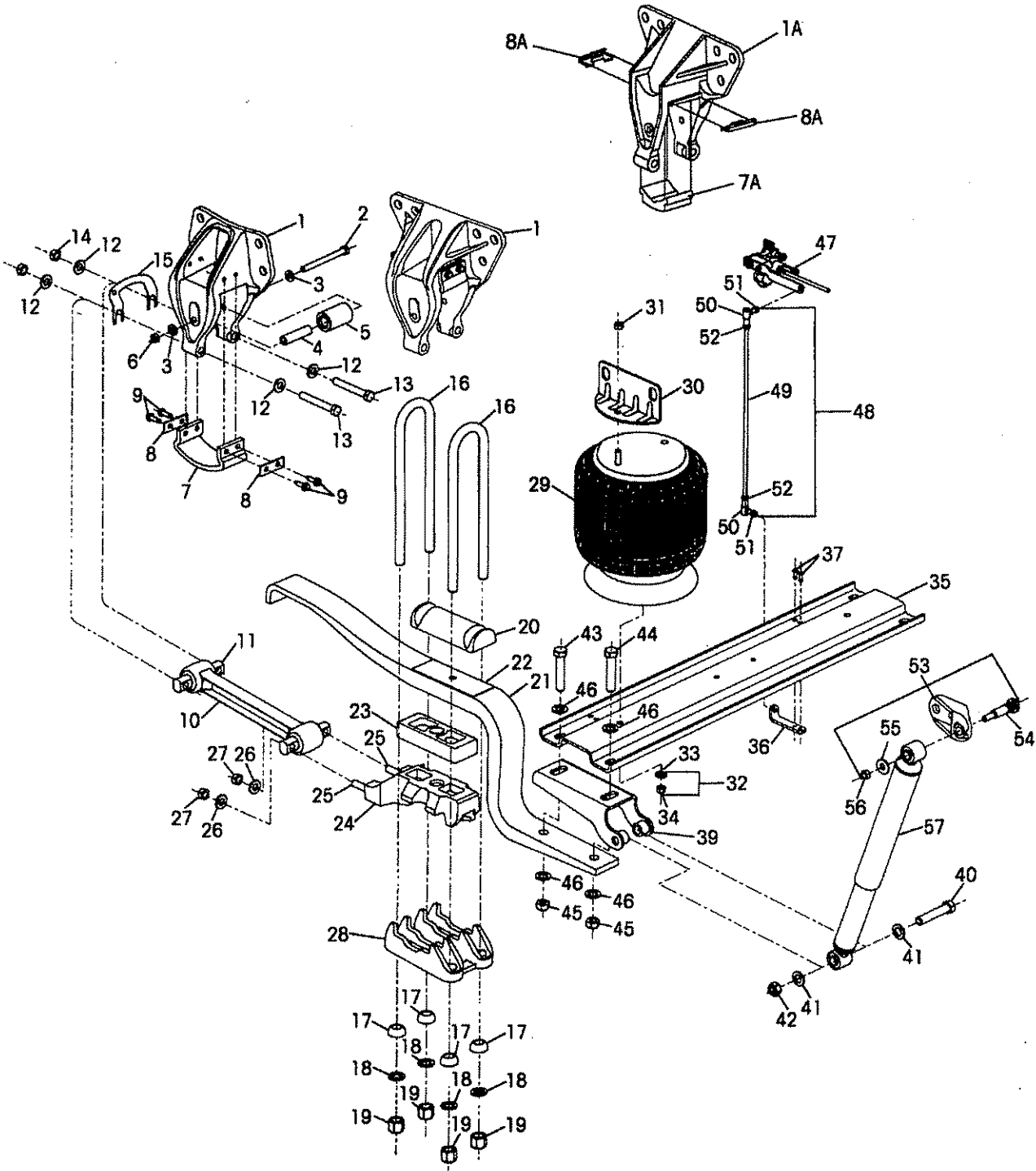
HAS 230/360/400/402/460 REAR SUSPENSION

4.1.7

TABLE OF CONTENTS

	Section	Page
Suspension Frame Kits	4.1.7	2-7
Suspension Seat Kits	4.1.7	8-19
Suspension Height Control	4.1.7	20-21
Suspension Air Fittings	4.1.7	21

Note: This publication is a generic parts book. Components may vary with different applications. For applications other than listed below the parts listings, see the appropriate Bill of Material by truck serial number, and use this publication as a guide only.



REAR SUSPENSION

HAS 230/360/400/402/460 REAR SUSPENSION

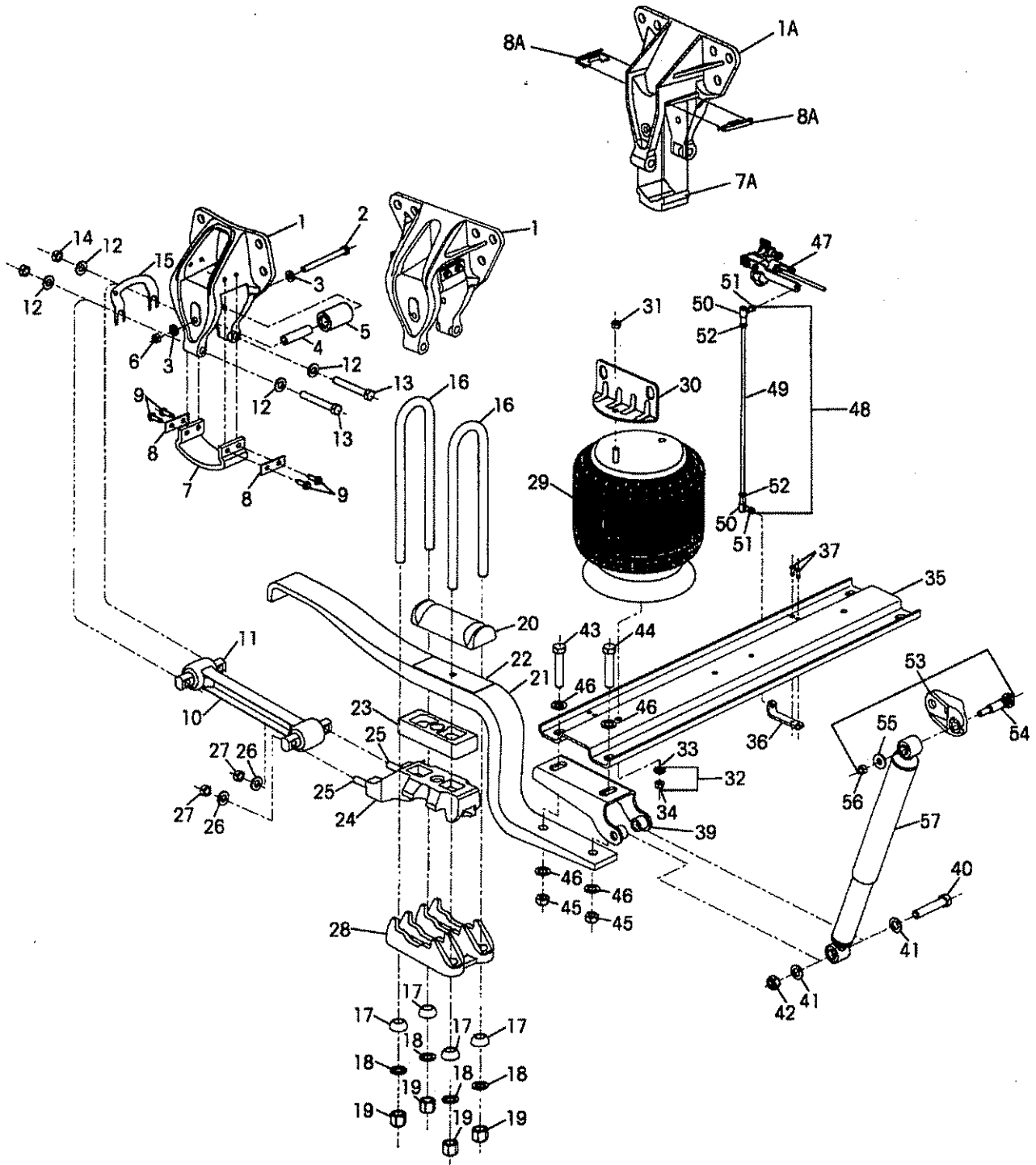
4.1.7

FRAME KITS

Item	Description	Qty	HAS 360	HAS 400	Notes
			Part Number	Part Number	
Suspension Kits			35501-3501	35501-3502	
1	Bracket Frame Hanger	4	50753-001	57190-001	
Rebound Roller Kit					
		1	49175-013	49175-013	Inc. 2-6
2	Rebound Bolt	4	24531-015	24531-015	
3	½" Washer	8	22962-014	22962-014	
4	Rebound Bolt Spacer	4	47458-000	47458-000	
5	Rebound Roller	4	48883-000	48883-000	
6	Rebound Bolt Nut	4	47458-000	47458-000	
Slipper Pad Kit					
		1	56557-002	56557-002	Inc. 7-9
7	Slipper Pad	4	50612-000	50612-000	
8	Retainer Plate	8	50597-000	50597-000	
9	3/8" Self Tapping Screw	16	57306-000	57306-000	
10	Torque Rod Assembly	4	48411-006	48411-006	
11	Torque Rod Bushing	8	47691-001	47691-000	
Torque Rod Fastener Kit					
		1	49176-001	49176-001	inc. 12-14
12	5/8" Hardened Washer	16	22962-004	22962-004	
13	Torque Rod Bolt	8	32043-005	32043-005	
14	Torque Rod Nut	8	47764-000	47764-000	
15	Torque Rod Shim	AR	49689-000	49689-000	
29	Air Spring	4	57122-001	57122-001	inc. 30-31
30	Air Spring Frame Hanger	4	50804-001	50804-001	
31	Air Spring Lock Nut	4	17700-010	17700-010	
32	Air Spring Fastener Kit	1	49177-005	49177-005	inc. 33-34
33	½" Hardened Washer	4	22962-014	22962-014	
34	Locknut	4	17700-010	17700-010	
35	Cross Channel	2	57318-002	57318-002	
36	Control Valve Arm Bracket	1	56789-000	56789-000	
37	Fastener Kit, Control Arm Bracket	1	57430-000	57430-000	inc. 36
38	Lower Shock Bracket Assembly	4	57356-000	57356-000	inc. 39-42
39	Lower Shock Bracket	4	57355-000	57355-000	
40	Bolt, 5 ½"	4	50734-002	50734-002	
41	¾" Hardened Washer	8	22962-001	22962-001	
42	Locknut	4	49842-000	49842-000	
Cross Channel Fastener Kit					
		1	50763-001	50763-001	inc.43-46
43	¾" Bolt x 3", Forward	4	50764-005	50764-005	
44	¾" Bolt x 2 ½", Rear	4	50764-007	50764-007	
45	Locknut	8	49842-000	49842-000	
46	¾" Hardened Washer	16	22962-001	22962-001	
53	Shock Frame Hanger Assy	4	57322-001	57322-001	inc. 54-56
54	½" Serrated Shank Bolt	4	50368-000	50368-000	
55	½" Hardened Washer	4	22962-031	22962-031	
56	Locknut	4	49846-000	49846-000	
57	Shock Absorber	4	57905-001	57905-001	

Specific BOMs listed: 2218-536-40/42, 2218-536-46, 2218-581-01/03, 2218-584-10/15, 2218-584-20/25, 2218-584-70, 2218-585-10/14, 2218-585-30

REAR SUSPENSION 4



REAR SUSPENSION

HAS 230/360/400/402/460 REAR SUSPENSION

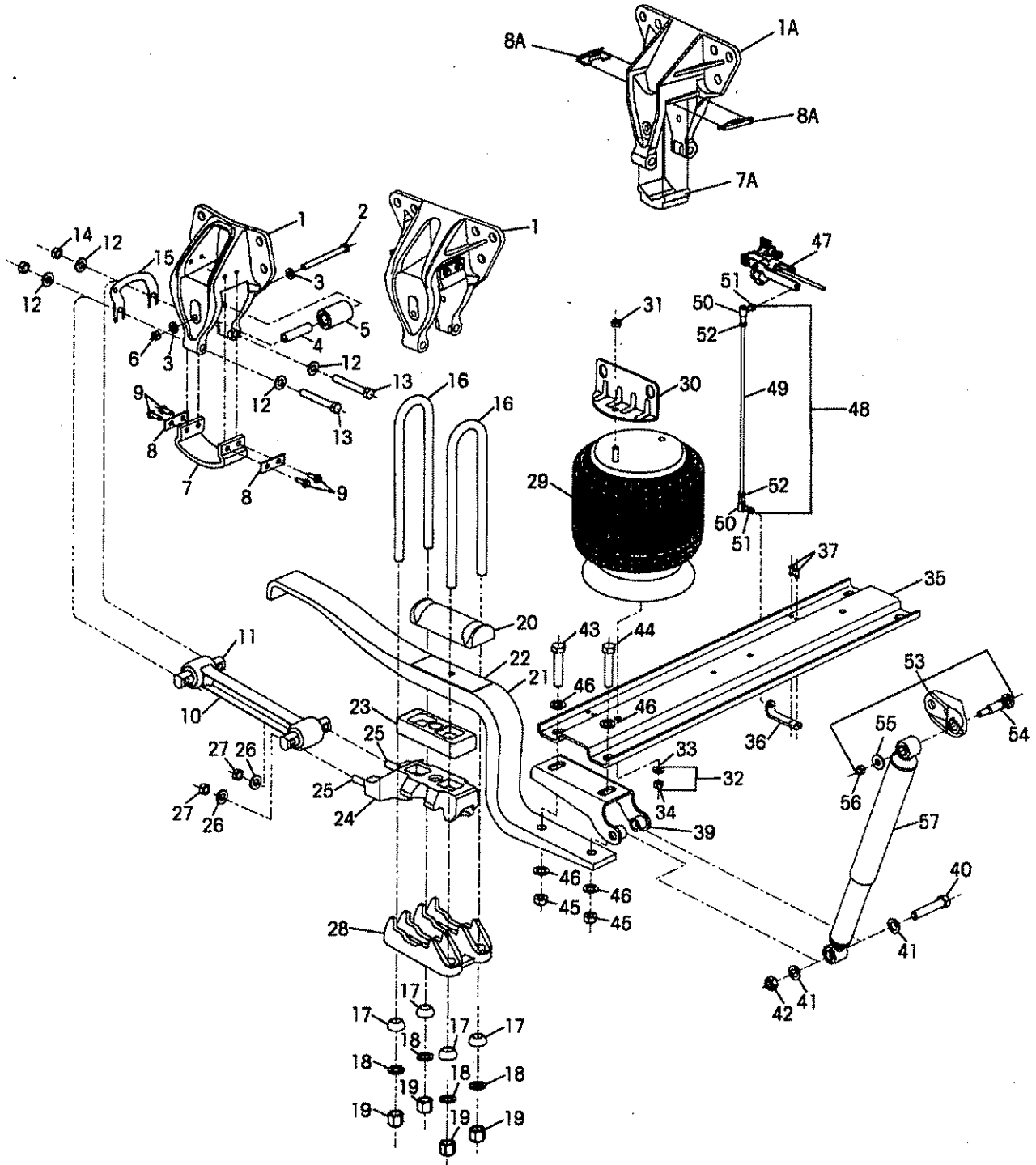
4.1.7

FRAME KITS

Item	Description	Qty	HAS 230 Part Number	Notes
Suspension Kit Assy			35501-3505	
1	Bracket Frame Hanger	2	57190-001	
	Rebound Roller Kit	1	49175-014	Inc. 2-6
2	Rebound Bolt	2	24531-015	
3	½" Washer	4	22962-014	
4	Rebound Bolt Spacer	2	47458-000	
5	Rebound Roller	2	48883-000	
6	Rebound Bolt Nut	2	47458-000	
7	Slipper Pad	2	50612-000	
8	Retainer Plate	4	50597-000	
9	3/8" Self Tapping Screw	8	57306-000	
10	Torque Rod Assembly	2	50376-001	
11	Torque Rod Bushing	8	47691-001	
	Torque Rod Fastener Kit	1	49176-003	inc. 12-14
12	5/8" Hardened Washer	8	22962-004	
13	Torque Rod Bolt	4	32043-005	
14	Torque Rod Nut	4	47764-000	
15	Torque Rod Shim	AR	49689-000	
29	Air Spring	2	57122-001	inc. 30-31
30	Air Spring Frame Hanger	2	50804-001	
31	Air Spring Lock Nut	2	17700-010	
32	Air Spring Fastener Kit	2	49177-006	inc. 33-34
33	½" Hardened Washer	2	22962-014	
34	Locknut	2	17700-010	
35	Cross Channel	1	57318-002	
36	Control Valve Arm Bracket	1	56789-000	
37	Fastener Kit, Control Arm Bracket	1	57430-000	inc. 36
38	Lower Shock Bracket Assembly	2	57356-000	inc. 39-42
39	Lower Shock Bracket	2	57355-000	
40	Bolt, 5 ½"	2	50734-002	
41	¾" Hardened Washer	4	22962-001	
42	Locknut	2	49842-000	
	Cross Channel Fastener Kit	1	50763-004	inc. 43-46
43	¾" Bolt x 3 ½", Forward	2	50764-003	
44	¾" Bolt x 3" Rear	2	50764-005	
45	Locknut	4	49842-000	
46	¾" Hardened Washer	8	22962-001	
53	Shock Frame Hanger Assy	2	57322-001	inc. 53-56
54	½" Serrated Shank Bolt	2	50368-000	
55	½" Hardened Washer	2	22962-031	
56	Locknut	2	49846-000	
57	Shock Absorber	2	57905-001	

Specific BOMs listed: 2218-582-00/01

REAR SUSPENSION 4



REAR SUSPENSION

HAS 230/360/400/402/460 REAR SUSPENSION

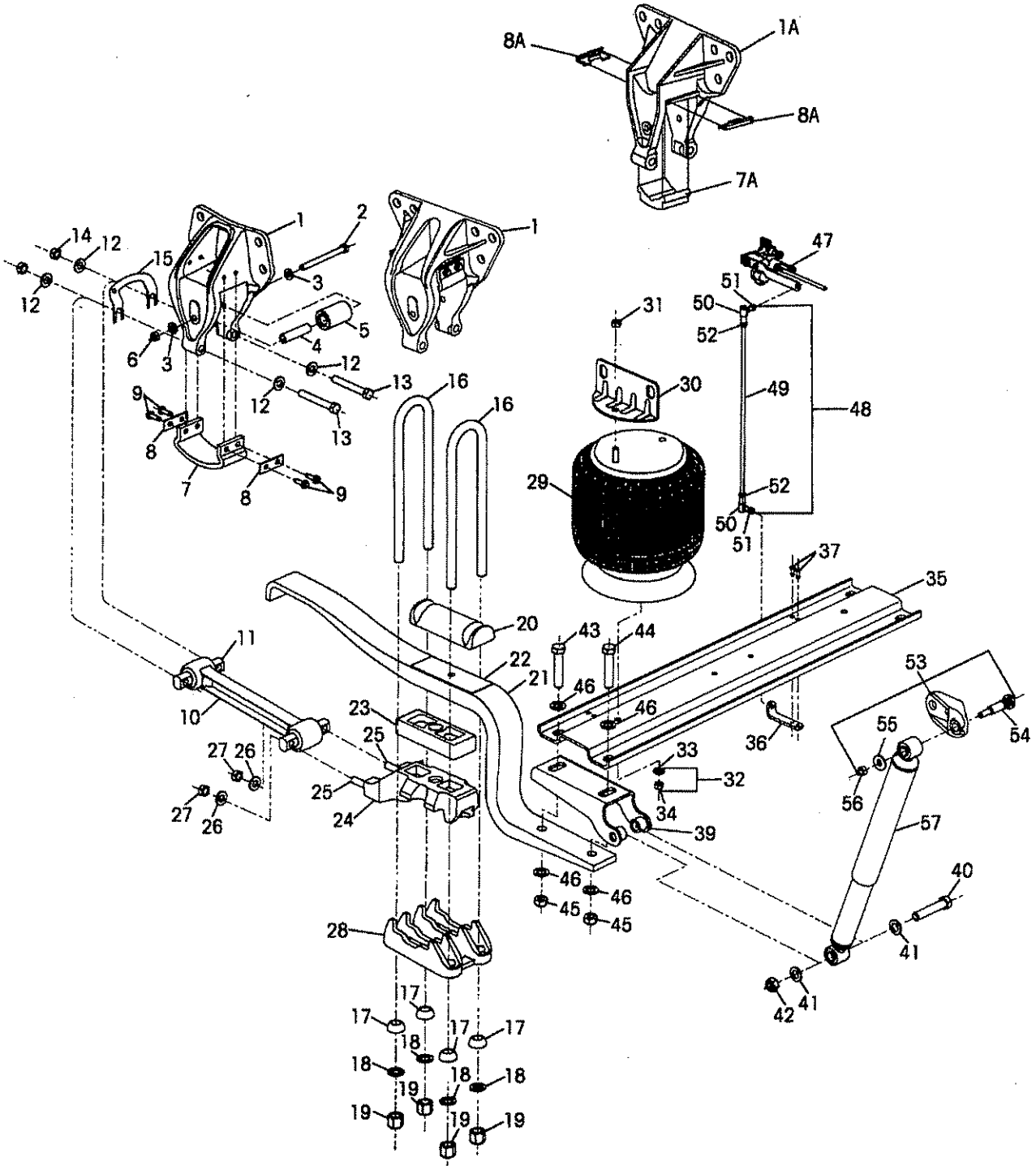
4.1.7

FRAME KITS

Item	Description		HAS 460 Part Number	HAS 460 Part Number	HAS 402 Part Number	Notes
Suspension Kit Assy			35501-3503	35501-3506	35501-3507	
1	Bracket Frame Hanger	4	50752-001	57190-001	57190-001	
	Rebound Roller Kit	1	49175-013	49175-013	49175-013	Inc. 2-6
2	Rebound Bolt	4	24531-015	24531-015	24531-015	
3	½" Washer	8	22962-014	22962-014	22962-014	
4	Rebound Bolt Spacer	4	47458-000	47458-000	47458-000	
5	Rebound Roller	4	48883-000	48883-000	48883-000	
6	Rebound Bolt Nut	4	47458-000	47458-000	47458-000	
	Slipper Pad Kit	1	56557-002	56557-002	56557-002	Inc. 7-9
7	Slipper Pad	4	50612-000	50612-000	50612-000	
8	Retainer Plate	8	50597-000	50597-000	50597-000	
9	3/8" Self Tapping Screw	16	57306-000	57306-000	57306-000	
10	Torque Rod Assembly	4	50376-001	50376-001	48411-006	
11	Torque Rod Bushing	8	57256-000	57256-000	47691-000	
	Torque Rod Fastener Kit	1	49176-001	49176-001	49176-001	inc. 12-14
12	5/8" Hardened Washer	16	22962-004	22962-004	22962-004	
13	Torque Rod Bolt	8	32043-005	32043-005	32043-005	
14	Torque Rod Nut	8	47764-000	47764-000	47764-000	
15	Torque Rod Shim	AR	49689-000	49689-000	49689-000	
29	Air Spring	4	57122-001	57122-001	57122-001	inc. 30-31
30	Air Spring Frame Hanger	4	50804-001	50804-001	50804-001	
31	Air Spring Lock Nut	4	17700-010	17700-010	17700-010	
32	Air Spring Fastener Kit	1	49177-005	49177-005	49177-005	inc. 33-34
33	½" Hardened Washer	4	22962-014	22962-014	22962-014	
34	Locknut	4	17700-010	17700-010	17700-010	
35	Cross Channel	2	57318-002	57318-002	57318-002	
36	Control Valve Arm Bracket	1	56789-000	56789-000		
37	Fastener Kit, Control Arm Bracket	1	57430-000	57430-000	57430-000	inc. 36
38	Lower Shock Bracket Assy	4	57356-000	57356-000	57356-000	inc. 39-42
39	Lower Shock Bracket	4	57355-000	57355-000	57355-000	
40	Bolt, 5 ½"	4	50734-002	50734-002	50734-002	
41	¾" Hardened Washer	8	22962-001	22962-001	22962-001	
42	Locknut	4	49842-000	49842-000	49842-000	
	Cross Channel Fastener Kit	1	50763-003	50763-003	50763-003	inc.43-46
43	¾" Bolt x 3 ½", Forward	4	50764-003	50764-003	50764-003	
44	¾" Bolt x 3" Rear	4	50764-005	50764-005	50764-005	
45	Locknut	8	49842-000	49842-000	49842-000	
46	¾" Hardened Washer	16	22962-001	22962-001	22962-001	
53	Shock Frame Hanger Assy	4	57322-001	57322-001	57322-001	inc. 54-56
54	½" Serrated Shank Bolt	2	50368-000	50368-000	50368-000	
55	½" Hardened Washer	2	22962-031	22962-031	22962-031	
56	Locknut	2	49846-000	49846-000	49846-000	
57	Shock Absorber, Front	2	57905-001	57905-001	57905-001	
57	Shock Absorber, Rear	2	57905-001	47902-026	57905-001	

**Specific BOMs listed: 2218-536-43/45, 2218-584-30/38, 2218-584-40/46, 2218-584-50/55
2218-584-60/69, 2218-585-20/21, 2218-585-31, 2218-588-00, 2218-588-30**

REAR SUSPENSION 4



REAR SUSPENSION

HAS 230/360/400/402/460 REAR SUSPENSION

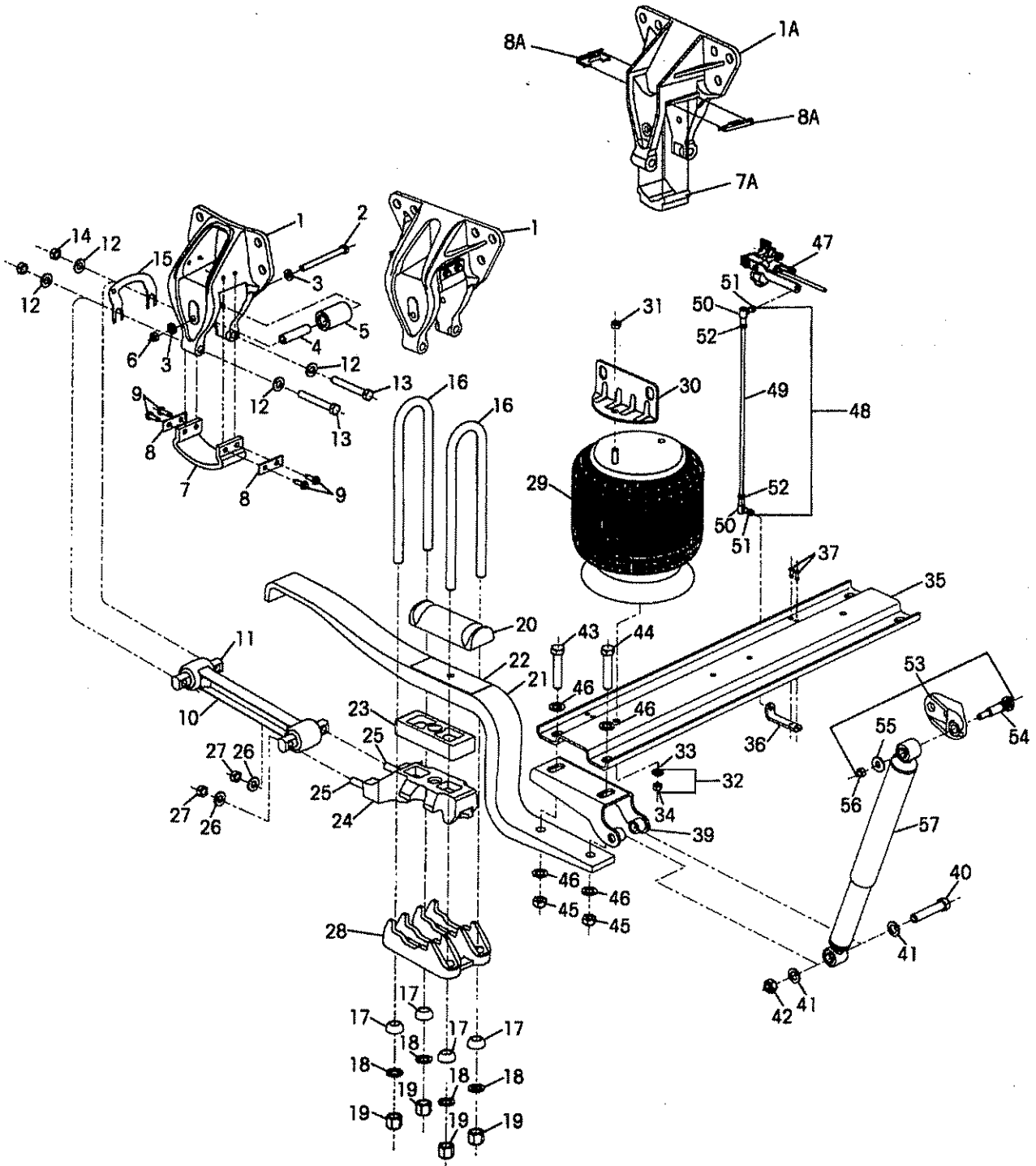
4.1.7

SEAT KITS

Description	#	35028-3493	35028-3494	35028-3507	35028-3552	35028-3557	35028-3558	35028-3459
U Bolt Assy inc. 16-19	-	48718-020	48718-002	48718-020	48718-061	48718-003	48718-003	48718-003
U Bolt 15"	16				47417-007			
U Bolt 15.5"	16				47417-008	47417-008	47417-008	47417-008
U Bolt 16.25	16	47417-001	47417-001	47417-001				
U Bolt 16.75	16	47417-005		47417-005		47417-005	47417-005	47417-005
Spherical Washer	17	48574-000	48574-000	48574-000	48574-000	48574-000	48574-000	48574-000
Flat Washer	18	22962-002	22962-002	22962-002	22962-002	22962-002	22962-002	22962-002
Nut	19	50765-000	50765-000	50765-000	50765-000	50765-000	50765-000	50765-000
Top Pad	20	56805-000	56805-000	56805-000	56805-000	56805-000	56805-000	56805-000
Main Member inc. 22	21	56946-000	56946-000	56946-000	56946-000	56943-000	56943-000	56943-000
Liner	22	47905-000	47905-000	47905-000	47905-000	47905-000	47905-000	47905-000
Spacer 1"	23	48902-000	48902-000	48902-000	48902-000	48902-000	48902-000	48902-000
Spacer 1 1/2"	23	48903-000	48903-000	48903-000	48903-000	48903-000	48903-000	48903-000
Seat LHF	24	50988-002	50970-002	50988-002	57419-023	50970-022	50970-0022	50970-022
Seat RHF	24	50994-002	50970-002	50994-002	57421-023	50976-019	50976-019	50976-019
Seat LHR	24	50997-008		50997-008	57310-000	50979-005	50979-004	50979-002
Seat RHR	24	50991-008		50991-008	57310-000	50973-005	50973-003	50973-002
Spring Seat Stud	25	50918-000	50918-000	50918-000	50918-000	50918-000	50918-000	50918-000
5/8" Washer	26	22962-004	22962-004	22962-004	22962-004	22962-004	22962-004	22962-004
Spring Seat Nut	27	47754-000	47754-000	47754-000	47754-000	47754-000	47754-000	47754-000
Bottom Cap LHF	28	50085-000	50216-000	50085-000	57311-000	50216-000	50216-000	50216-000
Bottom Cap RHF	28	50086-000	50216-000	50086-000	57312-000	50217-000	50217-000	50217-000
Bottom Cap LHR	28	50095-000		50095-000	57313-000	50221-000	50221-000	50221-000
Bottom Cap RHR	28	50094-000		50094-000	57314-000	50222-000	50222-000	50222-000

Specific BOMs listed: 2218-536-40, 2218-581-01, 2218-582-00/01, 2218-584-10/12, 2218-584-45, 2218-584-68

REAR SUSPENSION 4



REAR SUSPENSION

HAS 230/360/400/402/460 REAR SUSPENSION

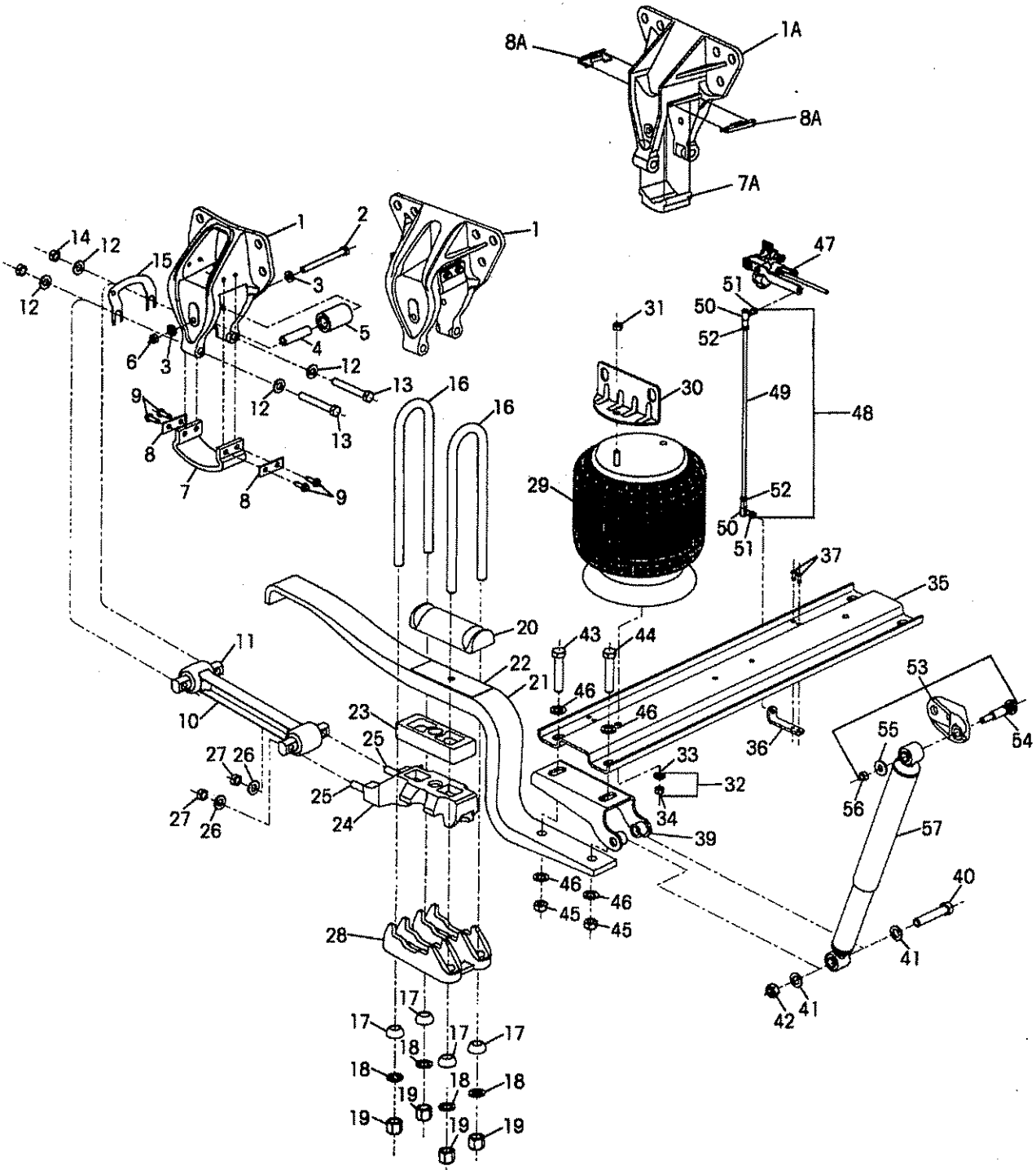
4.1.7

SEAT KITS

Description	#	35028-3560	35028-3561	35028-3562	35028-3563	35028-3564	35028-3565	35028-3566
U Bolt Assy								
inc. 16-19	—	48718-020	48718-020	48718-020	48718-020	48718-020	48718-020	48718-020
U Bolt 16.25	16	47417-001	47417-001	47417-001	47417-001	47417-001	47417-001	47417-001
U Bolt 16.75	16	47417-005	47417-005	47417-005	47417-005	47417-005	47417-005	47417-005
Spherical Washer	17	48574-000	48574-000	48574-000	48574-000	48574-000	48574-000	48574-000
Flat Washer	18	22962-002	22962-002	22962-002	22962-002	22962-002	22962-002	22962-002
Nut	19	50765-000	50765-000	50765-000	50765-000	50765-000	50765-000	50765-000
Top Pad	20	56805-000	56805-000	56805-000	56805-000	56805-000	56805-000	56805-000
Main Member								
inc. 22	21	56943-000	56943-000	56943-000	56943-000	56946-000	56946-000	56946-000
Liner	22	47905-000	47905-000	47905-000	47905-000	47905-000	47905-000	47905-000
Spacer 1"	23	48902-000	48902-000	48902-000	48902-000	48902-000	48902-000	48902-000
Spacer 1 1/2"	23	48903-000	48903-000	48903-000	48903-000	48903-000	48903-000	48903-000
Seat LHF	24	50988-017	50988-017	50988-017	50970-022	50988-017	50988-017	50988-017
Seat RHF	24	50994-012	50994-012	50994-012	50973-006	50994-012	50994-012	50994-012
Seat LHR	24	50997-008	50997-007	50997-007	50973-006	50997-008	50997-007	50997-004
Seat RHR	24	50991-008	50991-007	50991-007	50973-006	50991-008	50991-007	50991-004
Spring Seat Stud	25	50918-000	50918-000	50918-000	50918-000	50918-000	50918-000	50918-000
5/8" Washer	26	22962-004	22962-004	22962-004	22962-004	22962-004	22962-004	22962-004
Spring Seat Nut	27	47754-000	47754-000	47754-000	47754-000	47754-000	47754-000	47754-000
Bottom Cap LHF	28	50085-000	50085-000	50085-000	50216-000	50085-000	50085-000	50085-000
Bottom Cap RHF	28	50086-000	50086-000	50086-000	50217-000	50086-000	50086-000	50086-000
Bottom Cap LHR	28	50095-000	50095-000	50095-000	50221-000	50095-000	50095-000	50095-000
Bottom Cap RHR	28	50094-000	50094-000	50094-000	50222-000	50094-000	50094-000	50094-000

Specific BOMs listed: 2218-536-41/42, 2218-536-44, 2218-536-46, 2218-581-02,
2218-584-13/15, 2218-584-20/22, 2218-584-24, 2218-584-34/36

REAR SUSPENSION 4



REAR SUSPENSION

HAS 230/360/400/402/460 REAR SUSPENSION

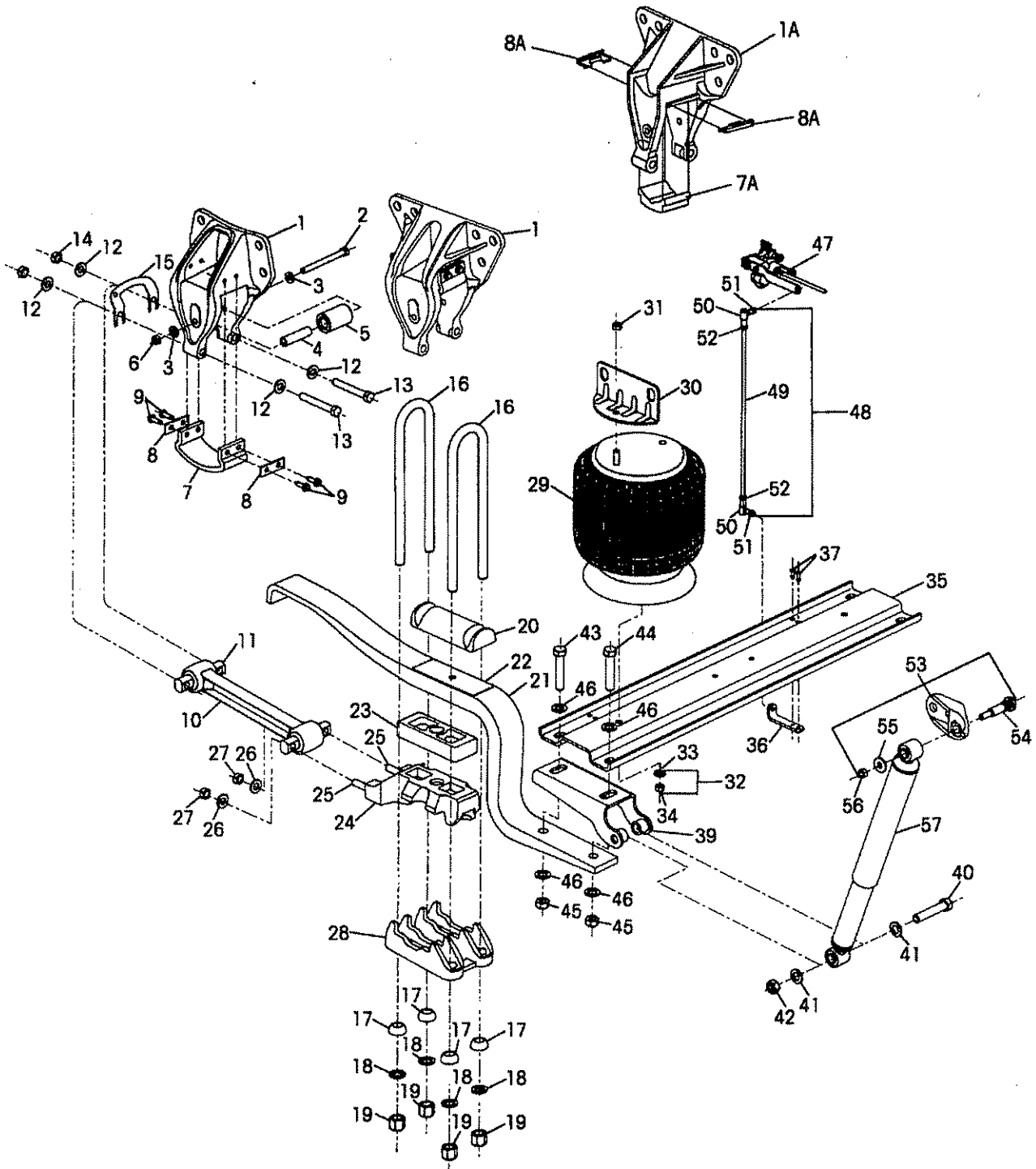
4.1.7

SEAT KITS

Description	#	35028-3567	35028-3568	35028-3569	35028-3570	35028-3571	35028-3572	35028-3573
U Bolt Assy inc. 16-19	—	48718-020	48718-020	48718-020	48718-020	48718-020	48718-020	48718-020
U Bolt 16.25	16	47417-001	47417-001	47417-001	47417-001	47417-001	47417-001	47417-001
U Bolt 16.75	16	47417-005	47417-005	47417-005	47417-005	47417-005	47417-005	47417-005
Spherical Washer	17	48574-000	48574-000	48574-000	48574-000	48574-000	48574-000	48574-000
Flat Washer	18	22962-002	22962-002	22962-002	22962-002	22962-002	22962-002	22962-002
Nut	19	50765-000	50765-000	50765-000	50765-000	50765-000	50765-000	50765-000
Top Pad	20	56805-000	56805-000	56805-000	56805-000	56805-000	56805-000	56805-000
Main Member inc. 22	21	56946-000	56943-000	56946-000	56946-000	56946-000	56946-000	56946-000
Liner	22	47905-000	47905-000	47905-000	47905-000	47905-000	47905-000	47905-000
Spacer 1"	23	48902-000	48902-000	48902-000	48902-000	48902-000	48902-000	48902-000
Spacer 1 1/2"	23	48903-000	48903-000	48903-000	48903-000	48903-000	48903-000	48903-000
Seat LHF	24	50988-017	57467-016	50970-022	50970-022	50970-022	50970-022	50970-022
Seat RHF	24	50994-012	50976-019	50976-019	50970-022	50970-022	50970-022	50970-022
Seat LHR	24	50997-001	50979-005	50979-004	50973-009	50973-008	50973-005	50973-002
Seat RHR	24	50991-004	50973-005	50973-004	50973-009	50973-008	50973-005	50973-002
Spring Seat Stud	25	50918-000	50918-000	50918-000	50918-000	50918-000	50918-000	50918-000
5/8" Washer	26	22962-004	22962-004	22962-004	22962-004	22962-004	22962-004	22962-004
Spring Seat Nut	27	47754-000	47754-000	47754-000	47754-000	47754-000	47754-000	47754-000
Bottom Cap LHF	28	50085-000	50216-000	50216-000	50216-000	50216-000	50216-000	50216-000
Bottom Cap RHF	28	50086-000	50217-000	50217-000	50216-000	50216-000	50216-000	50216-000
Bottom Cap LHR	28	50095-000	50221-000	50221-000	50222-000	50222-000	50222-000	50222-000
Bottom Cap RHR	28	50094-000	50222-000	50222-000	50222-000	50222-000	50222-000	50222-000

Specific BOMs listed: 2218-536-43, 2218-536-45, 2218-569-37, 2218-569-38, 2218-584-30/33, 2218-584-37, 2218-584-40/41, 2218-584-52, 2218-584-54, 2218-584-60/61, 2218-584-64/66, 2218-588-00, 2218-588-30

REAR SUSPENSION 4



REAR SUSPENSION

HAS 230/360/400/402/460 REAR SUSPENSION

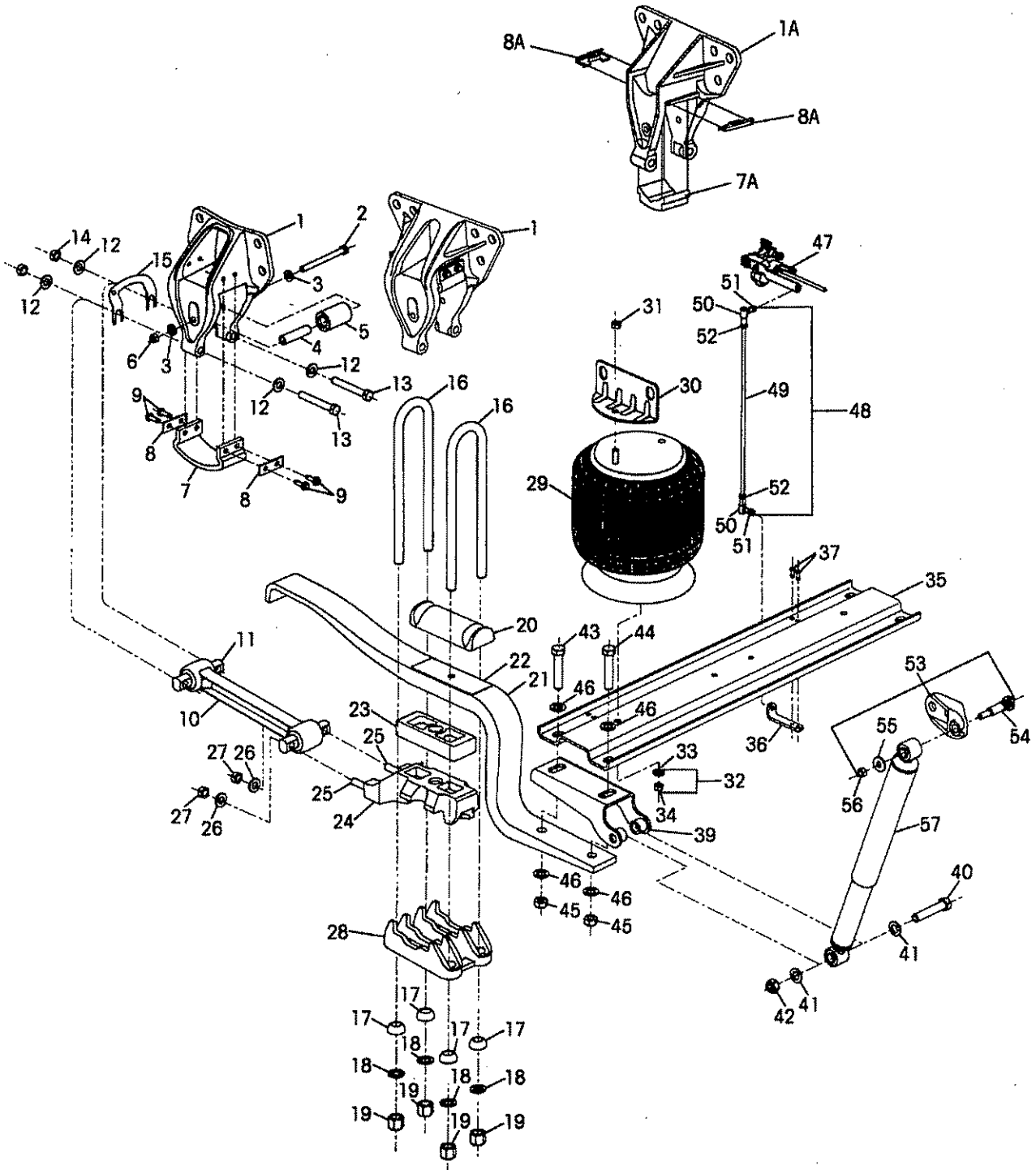
4.1.7

SEAT KITS

Description	#	35028-3574	35028-3575	35028-3576	35028-3577	35028-3578	35028-3579	35028-3580
U Bolt Assy inc. 16-19	—	48718-020	48718-020	48718-003	48718-003	48718-020	48718-020	48718-020
U Bolt 15.5"	16			47417-008	47417-008			
U Bolt 16.25	16	47417-001	47417-001			47417-001	47417-001	47417-001
U Bolt 16.75	16	47417-005	47417-005	47417-005	47417-005	47417-005	47417-005	47417-005
Spherical Washer	17	48574-000	48574-000	48574-000	48574-000	48574-000	48574-000	48574-000
Flat Washer	18	22962-002	22962-002	22962-002	22962-002	22962-002	22962-002	22962-002
Nut	19	50765-000	50765-000	50765-000	50765-000	50765-000	50765-000	50765-000
Top Pad	20	56805-000	56805-000	56805-000	56805-000	56805-000	56805-000	56805-000
Main Member inc. 22	21	56946-000	56946-000	56940-000	56940-000	56943-000	56946-000	56943-000
Liner	22	47905-000	47905-000	47905-000	47905-000	47905-000	47905-000	47905-000
Spacer 1"	23	48902-000	48902-000	48902-000	48902-000	48902-000	48902-000	48902-000
Spacer 1 ½"	23	48903-000	48903-000	48903-000	48903-000	48903-000	48903-000	48903-000
Seat LHF	24	50970-022	50970-022	50970-022	50970-022	50970-022	50970-022	50970-022
Seat RHF	24	50970-020	50970-020	50973-006	50973-009	50973-003	50976-019	50973-003
Seat LHR	24	50973-009	50973-006	50973-006	50973-009	50973-003	50979-002	50973-003
Seat RHR	24	50973-002	50973-006	50973-006	50973-009	50973-003	50973-002	50973-003
Spring Seat Stud	25	50918-000	50918-000	50918-000	50918-000	50918-000	50918-000	50918-000
5/8" Washer	26	22962-004	22962-004	22962-004	22962-004	22962-004	22962-004	22962-004
Spring Seat Nut	27	47754-000	47754-000	47754-000	47754-000	47754-000	47754-000	47754-000
Bottom Cap LHF	28	50216-000	50216-000	50216-000	50216-000	50216-000	50216-000	50216-000
Bottom Cap RHF	28	50216-000	50217-001	50217-001	50216-000	50217-000	50217-000	50216-000
Bottom Cap LHR	28	50217-000	50221-001	50221-001	50222-000	50221-000	50221-000	50222-000
Bottom Cap RHR	28	50221-001	50222-000	50222-000	50222-000	50222-000	50222-000	50222-000

Specific BOMs listed: 2218-584-23, 2218-584-42/44, 2218-584-46, 2218-584-70

REAR SUSPENSION 4



REAR SUSPENSION

HAS 230/360/400/402/460 REAR SUSPENSION

4.1.7

SEAT KITS

Description	#	35028-3581	35028-3582	35028-3585	35028-3586	35028-3596	35028-3597	35028-3598
U Bolt Assy inc. 16-19	—	48718-003	48718-050	48718-044	48718-044	48718-050	48718-050	48718-041
U Bolt 14"				47417-006	47417-006			
U Bolt 15"	16			47417-007	47417-007			47417-007
U Bolt 15.5"	16	47417-008	47417-008			47417-008	47417-008	47417-008
U Bolt 16.25	16		47417-001			47417-001	47417-001	
U Bolt 16.75	16	47417-005						
Spherical washer	17	48574-000	48574-000	48574-000	48574-000	48574-000	48574-000	48574-000
Flat Washer	18	22962-002	22962-002	22962-002	22962-002	22962-002	22962-002	22962-002
Nut	19	50765-000	50765-000	50765-000	50765-000	50765-000	50765-000	50765-000
Top Pad	20	56805-000	56805-000	56805-000	56805-000	56805-000	56805-000	56805-000
Main Member inc. 22	21	56946-000	56943-000	56943-000	56943-000	56946-000	56943-000	56943-000
Liner	22	47905-000	47905-000	47905-000	47905-000	47905-000	47905-000	47905-000
Spacer 1"	23	48902-000	48902-000	48902-000	48902-000	48902-000	48902-000	48902-000
Spacer 1 1/2"	23	48903-000	48903-000	48903-000	48903-000	48903-000	48903-000	48903-000
Seat LHF	24	50970-022	50970-022	50970-022	50970-022	57419-023	57467-016	50970-022
Seat RHF	24	50970-020	50973-002	50973-006	50973-010	57421-023	50976-016	50970-022
Seat LHR	24	50973-006	50973-002	50973-006	50973-010	57425-033	50979-006	50973-006
Seat RHR	24	50973-006	50973-002	50973-006	50973-010	57423-033	50973-006	50973-006
Spring Seat Stud	25	50918-000	50918-000	50918-000	50918-000	50918-000	50918-000	50918-000
5/8" Washer	26	22962-004	22962-004	22962-004	22962-004	22962-004	22962-004	22962-004
Spring Seat Nut	27	47754-000	47754-000	47754-000	47754-000	47754-000	47754-000	47754-000
Bottom Cap LHF	28	50216-000	50216-000	50216-000	50216-000	57311-000	50216-000	50216-000
Bottom Cap RHF	28	50216-000	50216-000	50216-000	50216-000	57312-000	50217-000	50217-000
Bottom Cap LHR	28	50222-000	50222-000	50221-000	50222-000	57313-000	50221-000	50221-000
Bottom Cap RHR	28	50222-000	50222-000	50222-000	50222-000	57314-000	50222-000	50222-000

Specific BOMs listed: 2218-581-03, 2218-584-25, 2218-584-50/51, 2218-584-53, 2218-584-55, 2218-584-62/63, 2218-584-67, 2218-585-00/01, 2218-585-12/14

REAR SUSPENSION 4

REAR SUSPENSION

HAS 230/360/400/402/460 REAR SUSPENSION

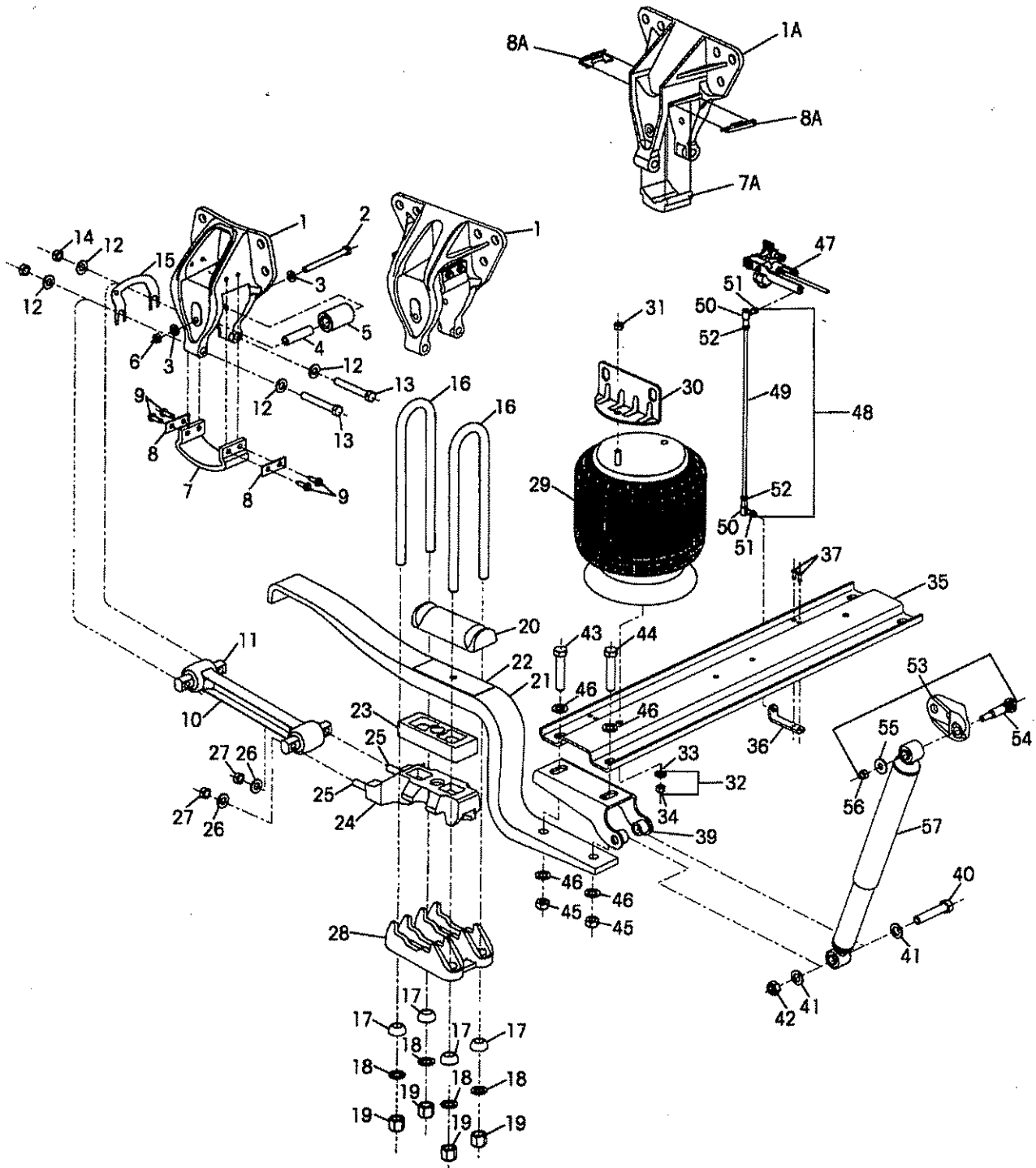
4.1.7

SEAT KITS

Description	#	35028-3599	35044-3404	35044-3405
U Bolt Assy inc. 16-19	—	48718-041	48718-041	48718-041
U Bolt 15"	16	47417-007	47417-007	47417-007
U Bolt 15.5"	16	47417-008	47417-008	47417-008
Spherical Washer	17	48574-000	48574-000	48574-000
Flat Washer	18	22962-002	22962-002	22962-002
Nut	19	50765-000	50765-000	50765-000
Top Pad	20	56805-000	56805-000	56805-000
Main Member inc. 22	21	56943-000	56943-000	56946-000
Liner	22	47905-000	47905-000	47905-000
Spacer ½"	23	48902-000	48902-000	48902-000
Spacer 1 ½"	23	48903-000	48903-000	48903-000
Seat LHF	24	57467-016	50970-002	50970-022
Seat RHF	24	57467-016	50976-002	50970-022
Seat LHR	24	50973-009	50979-002	50973-009
Seat RHR	24	50973-009	50973-002	50973-009
Spring Seat Stud	25	50918-000	50918-000	50918-000
5/8" Washer	26	22962-004	22962-004	22962-004
Spring Seat Nut	27	47754-000	47754-000	47754-000
Bottom Cap LHF	28	50216-000	50216-000	50216-000
Bottom Cap RHF	28	50216-000	50217-000	50216-000
Bottom Cap LHR	28	50222-000	50221-000	50222-000
Bottom Cap RHR	28	50222-000	50222-000	50222-000

Specific BOMs listed: 2218-585-10/11, 2218-585-20/21, 2218-585-30

REAR SUSPENSION 4



REAR SUSPENSION

HAS 230/360/400/402/460 REAR SUSPENSION

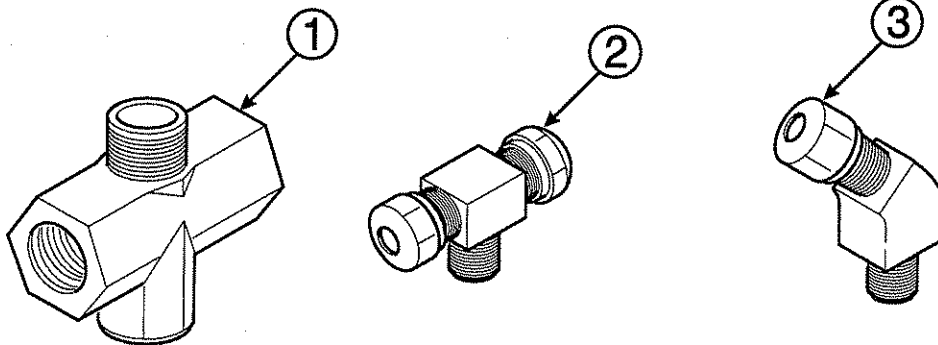
4.1.7

SUSPENSION HEIGHT CONTROL

Item	Description	Part Number
47	Height Control Valve	66007-3403
48	Linkage Kit	35707-3406

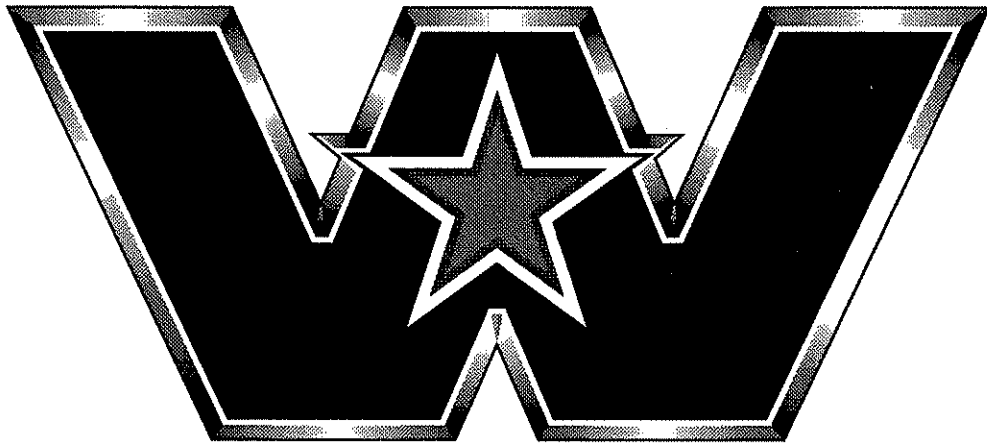
SUSPENSION AIR FITTINGS

Item	Description	Part Number
1	Pressure Protection Valve	72807-3402
2	Tee Branch, 1/4 NPT, 3/8 NY	6490-3402
3	Elbow 45Deg 1/4NPT, 3/8 NY	5291-0005



Specific BOMs listed: 2218-536-40/46, 2218-569-37/38, 2218-581-01/03, 2218-582-00/01, 2218-584-10/15, 2218-584-20/25, 2218-54-30/38, 2218-584-40/46, 2218-584-50/55, 2218-584-60/69, 2218-584-70, 2218-585-20/21, 2218-585-00/01, 2218-585-10/14, 2218-585-20/21, 2218-585-30/31, 2218-588-00, 2218-588-30

REAR SUSPENSION 4



WESTERN STAR TRUCKS®
The Preferred Choice™

REAR SUSPENSION

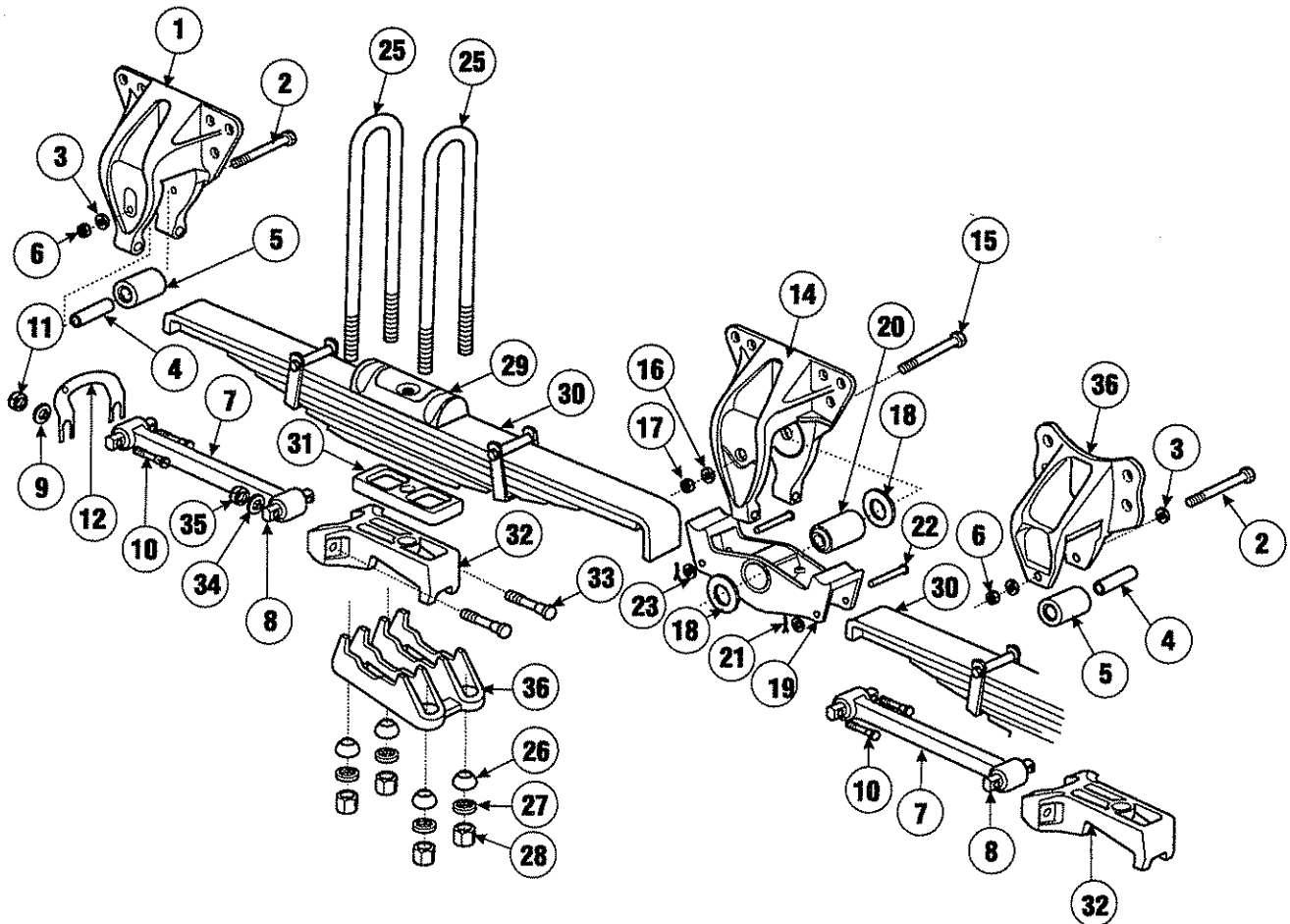
HENDRICKSON HFS 360/400

4.1.9

TABLE OF CONTENTS

	Section	Page
Frame Kits	4.1.9	2-3
Seat Kits	4.1.9	4-9

Note: This publication is a generic parts book. Components may vary with different applications. For applications other than listed below the parts listing see the appropriate Bill of Material by truck serial number and use this publication as a guide only.



REAR SUSPENSION

4.1.9

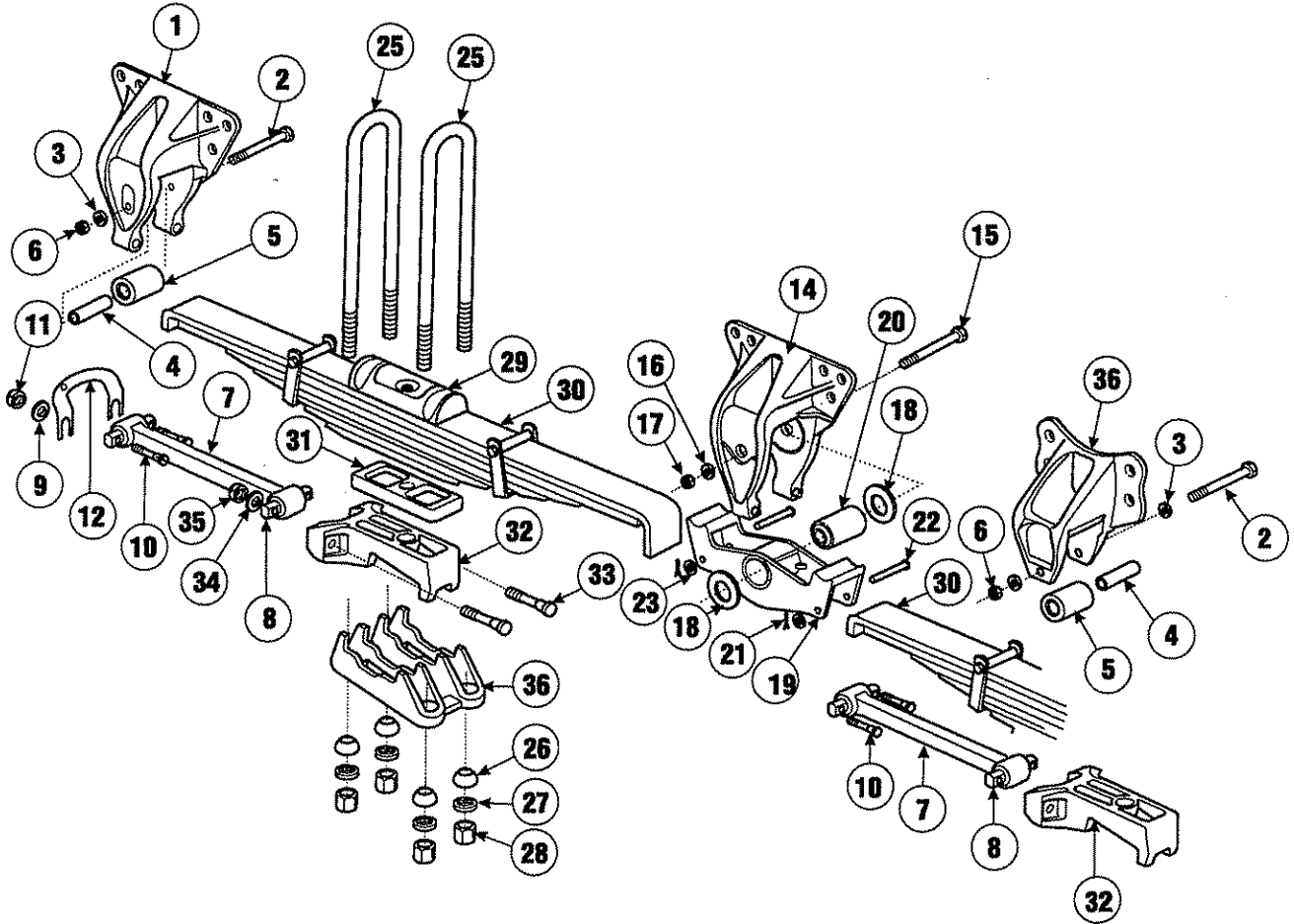
HENDRICKSON HFS 360/400

SUSPENSION FRAME KITS

Item	Description	HFS 360	HFS 400	Qty
		Kit P/N 35501-3524	Kit P/N 35501-3525	
		Part Number	Part Number	
1	Front Spring Hanger	50027-001	50292-001	2
2	Rebound Bolt	24531-015	24531-015	4
3	1/2" Hardened Washer	22962-014	22962-014	8
4	Rebound Bolt Spacer	47458-000	47458-000	4
5	Rebound Roller	48883-000	48883-000	4
6	Rebound Bolt Nut	49846-000	49846-000	4
7	Adjustable Torque Rod			
	Front 14.41"	48411-006	48411-006	2
	Rear 20.31"	48411-007	48411-007	2
8	Torque Rod Bushing	47691-000	47691-000	8
9	5/8" Hardened Washer	22962-004	22962-004	16
10	Torque Rod Bolt	32043-005	32043-005	8
11	Torque Rod Nut	47764-000	47764-000	8
12	Torque Rod Shim	49689-000	49689-000	8
13	Center Spring Hanger and Equalizing Beam Assy (inc. 14,15,16,17,18,19)	50026-001	50026-002	2
14	Center Spring Hanger	56676-001	56676-001	2
15	Center Bushing Bolt	30550-035	30550-035	2
16	1" Hardened Washer	22962-006	22962-006	4
17	Center Bushing Nut	08107-000	08107-000	2
18	Thrust Washer	47416-000	47416-000	4
19	Equalizing Beam Assy (inc. 20,21,22,23)	49803-002	49803-003	2
20	Center Bushing	47420-000	48402-000	2
21	Cotter Pin	17800-013	17800-013	4
22	Clevis Pin	50432-000	50432-00	4
23	5/8" Hardened Washer	50924-000	50924-000	4
24	Rear Spring Hanger	50028-001	50028-001	2

Specific BOMs listed: 2218-541-01/16, 2218-583-00/03

REAR SUSPENSION 4



REAR SUSPENSION

4.1.9

HENDRICKSON HFS 360/400

SPRING SEAT KITS

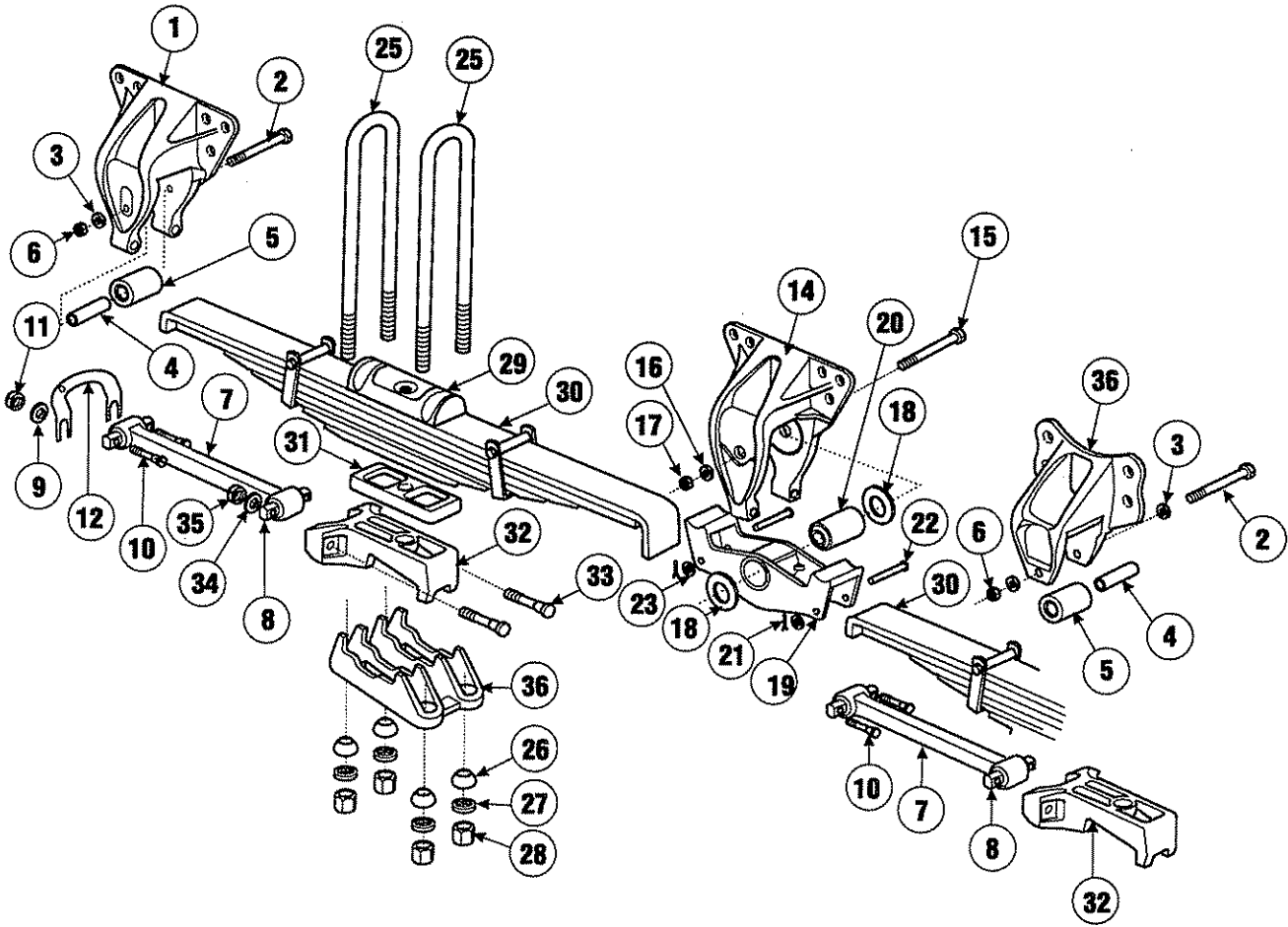
P/N 35028-3461
Spring Seat Kit for HFS 360
With Eaton D402 Rear Axle

P/N 35028-3463
Spring Seat Kit for HFS 400
With Eaton D402 Rear Axle

Item#	Description	Part Number	Part Number	Qty
-	U-Bolt Assy (inc. 25,26,27,28)	48718-011	48718-011	8
25	U-Bolt	47417-9	47417-9	8
26	Spherical Washer	48574-000	48574-000	16
27	7/8" Hardened Washer	22962-002	22962-002	16
28	U-Bolt Nut	50765-000	50765-000	16
29	Top Pad (inc. with 30)			
30	Spring & Top Pad Assy	50795-000	50796-000	4
31	1.50" Spacer	48903-000	48903-000	4
32	Seat RHR	50575-013	50575-013	1
32	Seat LHR	50575-013	50575-013	1
32	Seat RHF	50569-001	50569-001	1
32	Seat LHF	50569-001	50569-001	1
33	Spring Seat Bolt	49063-000	49063-000	8
34	5/8" Hardened Washer	22962-004	22962-004	8
35	Axle Cap Nut	47764-000	47764-000	8
36	Bottom Cap RHR	50222-000	50222-000	1
36	Bottom Cap LHR	50221-000	50221-000	1
36	Bottom Cap RHF	50217-000	50217-000	1
36	Bottom Cap LHF	50216-000	50216-000	1

Specific BOMs listed: 2218-541-01/16

REAR SUSPENSION 4



REAR SUSPENSION

4.1.9

HENDRICKSON HFS 360/400

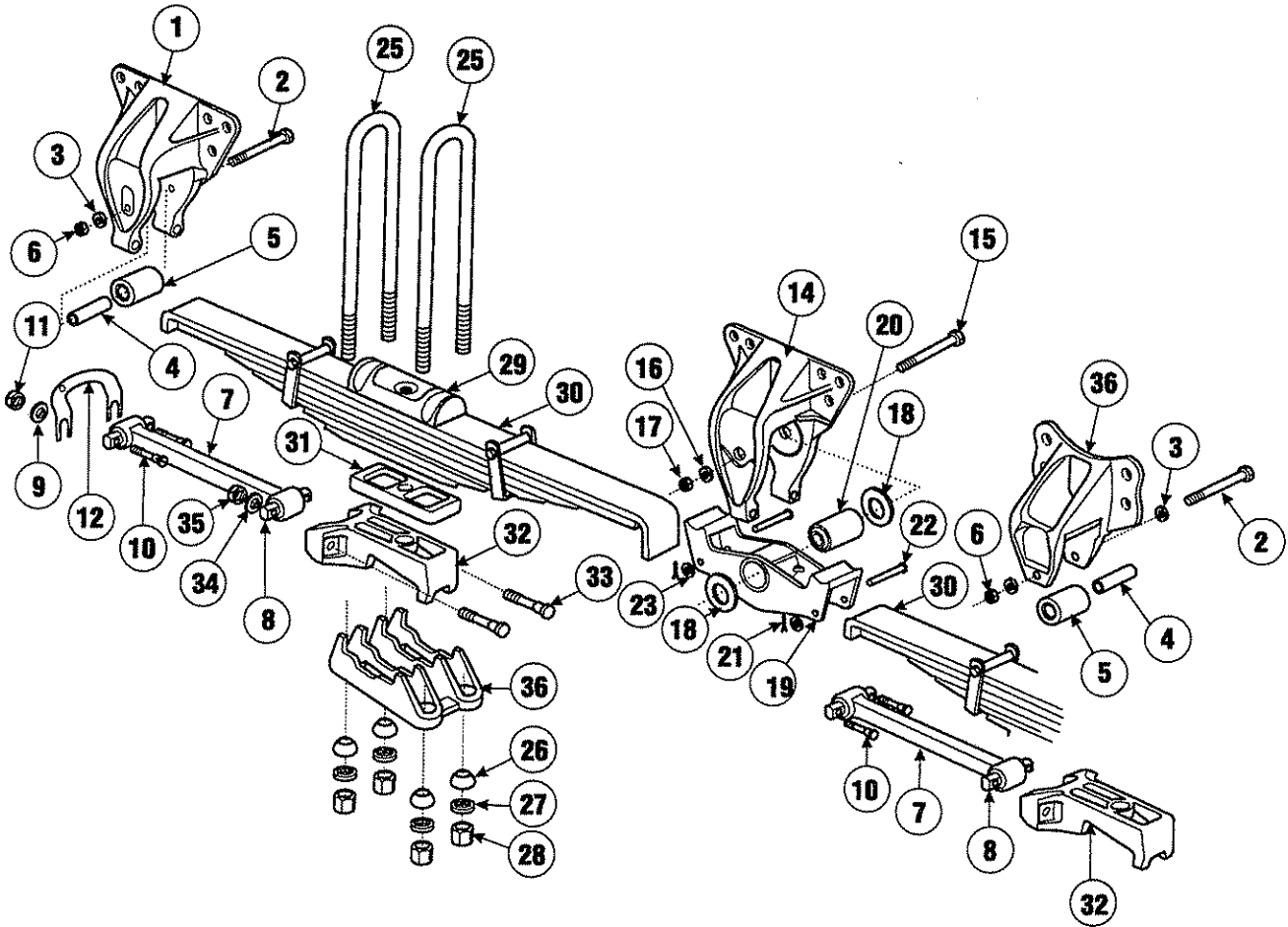
SPRING SEAT KITS

P/N 35028-3534**Spring Seat Kit for HFS 400
With Eaton D461 Rear Axle****P/N 35028-3533****Spring Seat Kit for HFS 400
With Rockwel RT Rear Axle**

Item#	Description	Part Number	Part Number	Qty
-	U-Bolt Assy (inc. 25,26,27,28)	48718-014	48718-063	8
25	U-Bolt	47417-1	47417-004	8
26	Spherical Washer	48574-000	48574-000	16
27	7/8" Hardened Washer	22962-002	22962-002	16
28	U-Bolt Nut	50765-000	50765-000	16
29	Top Pad (inc. with 30)			
30	Spring & Top Pad Assy	50796-000	50796-000	4
31	1.50" Spacer	48903-000	48903-000	4
32	Seat RHR	50991-008	50973-010	1
32	Seat LHR	50997-008	50973-010	1
32	Seat RHF	50994-002	50970-002	1
32	Seat LHF	50908-002	50970-002	1
33	Spring Seat Bolt	49063-000	49063-000	8
34	5/8" Hardened Washer	22962-004	22962-004	8
35	Axle Cap Nut	47764-000	47764-000	8
36	Bottom Cap RHR	50094-000	50222-000	1
36	Bottom Cap LHR	50095-000	50222-000	1
36	Bottom Cap RHF	50086-000	50216-000	1
36	Bottom Cap LHF	50085-000	50216-000	1

Specific BOMs listed: 2218-541-01/16, , 2218-583-00/03

REAR SUSPENSION 4



REAR SUSPENSION

4.1.9

HENDRICKSON HFS 360/400

SPRING SEAT KITS

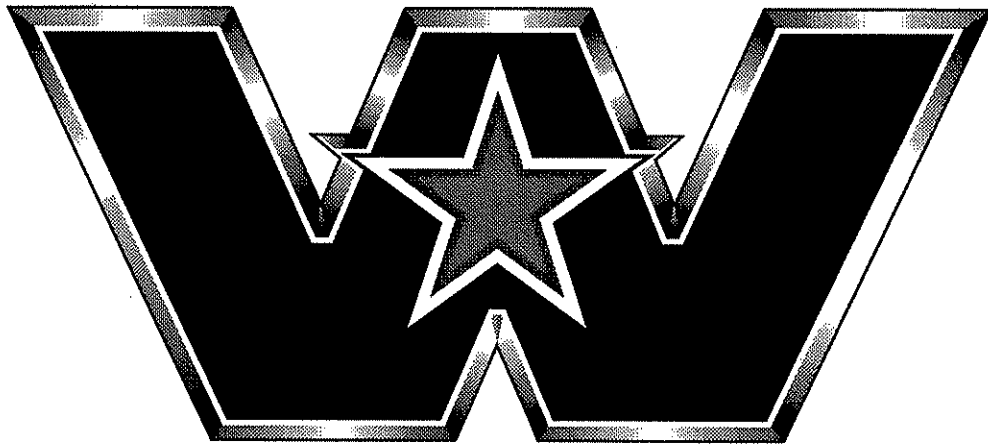
P/N 35028-3548

Spring Seat Kit for HFS 400
With Eaton D404/D454 Rear Axle

Item#	Description	Part Number	Qty
-	U-Bolt Assy (inc. 25,26,27,28)	48718-011	8
25	U-Bolt	47417-000	8
26	Spherical Washer	48574-000	16
27	7/8" Hardened Washer	22962-002	16
28	U-Bolt Nut	50765-000	16
29	Top Pad (inc. with 30)		
30	Spring & Top Pad Assy	50796-000	4
31	1.50" Spacer	48903-000	4
32	Seat RHR	50575-004	1
32	Seat LHR	50575-004	1
32	Seat RHF	50994-001	1
32	Seat LHF	50908-001	1
33	Spring Seat Bolt	49063-000	8
34	5/8" Hardened Washer	22962-004	8
35	Axle Cap Nut	47764-000	8
36	Bottom Cap RHR	50094-000	1
36	Bottom Cap LHR	50095-000	1
36	Bottom Cap RHF	50086-000	1
36	Bottom Cap LHF	50085-000	1

Specific BOMs listed: 2218-583-00/03

REAR SUSPENSION 4

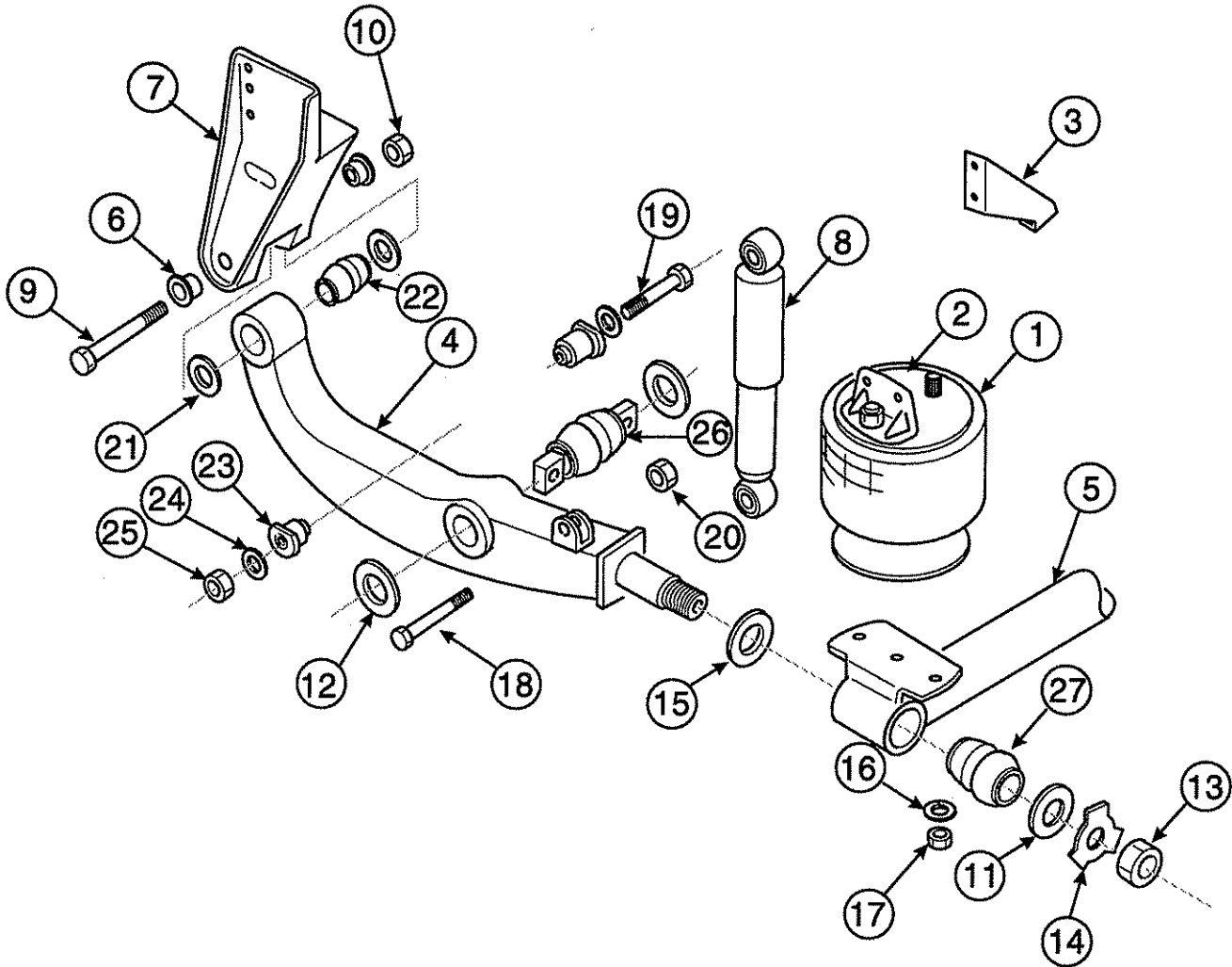


WESTERN STAR TRUCKS®
The Preferred Choice™

TABLE OF CONTENTS

	Section	Page
Neway AD 123/246/252	4.2.1	2-3
Neway ARDAB 240-5	4.2.2	4-7

Note: This publication is a generic parts book. Components may vary with different applications. For applications other than listed below the parts listings, see the appropriate Bill of Material by truck serial number, and use this publication as a guide only.



REAR SUSPENSION

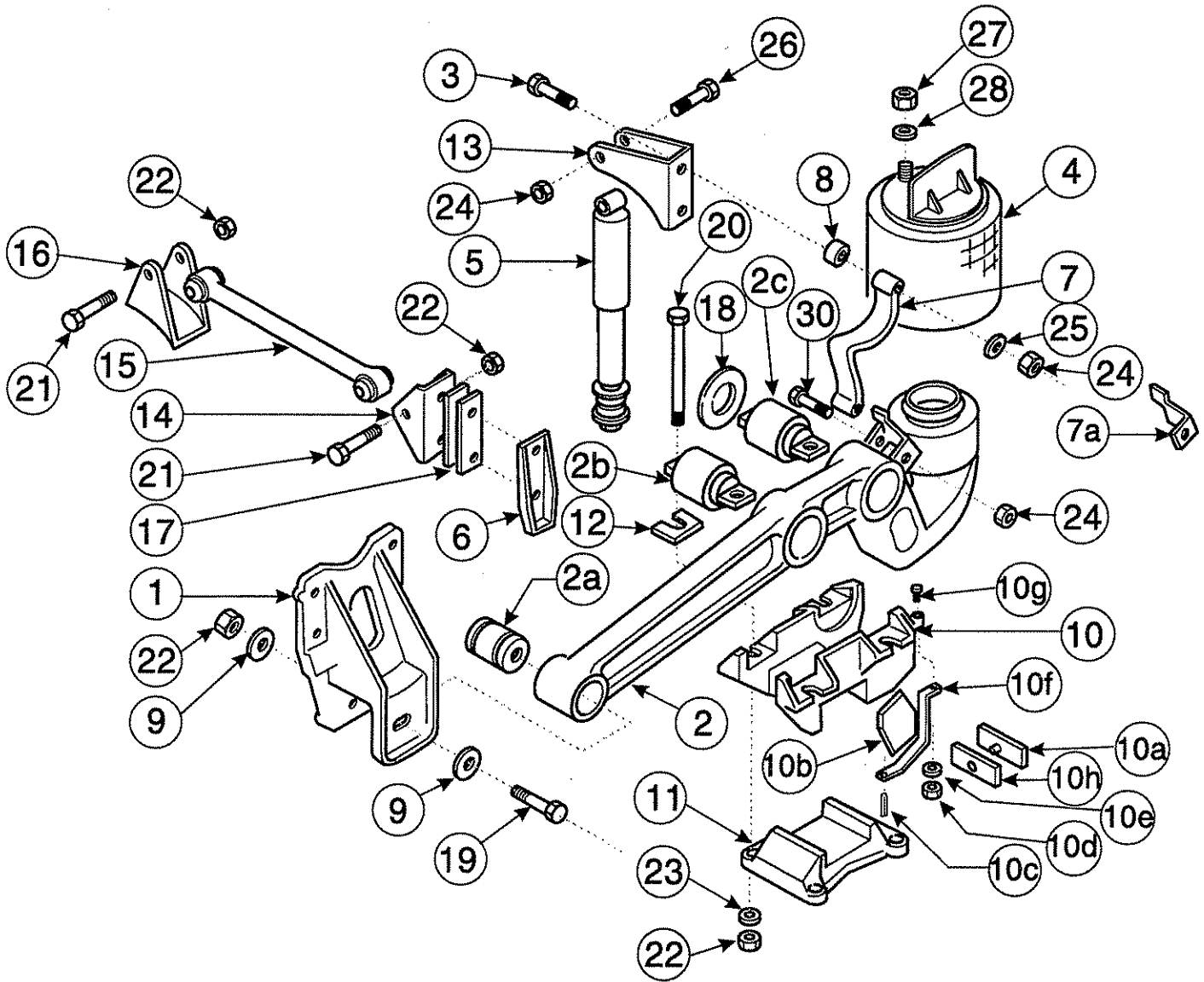
NEWAY AD123/246/252-10

4.2.1

Item	Neway P/N	Description	35501-3497	35501-3498	35501-3538
			AD123-10	AD246-10	AD252-10
			Qty	Qty	Qty
1	90557146	Air Spring Assy	2	4	
1	90557155	Air Spring Assy			4
2	90531001	Air Spring Mounting Plate			4
3	90023131	Air Spring Brace			4
4	90516610	Equalizing Beam LH	1	2	
4	90516611	Equalizing Beam RH	1	2	
4	90516721	Equalizing Beam LH			2
4	90516722	Equalizing Beam RH			2
5	90545220	Transverse Beam Assy	1	2	
5	90545987	Transverse Beam Assy			2
6	90008120	Alignment Bushing	4	8	8
7	90520573	Frame Bracket LH	1	2	
7	90520574	Frame Bracket RH	1	2	
7	90018586	Frame Bracket LH			2
7	90018587	Frame Bracket RH			2
8	90045132	Shock Absorber	2	4	4
10	93400506	Hex Nut 1.12-7 Gr. C	2	4	4
11	90036118	Washer Spacer 2.28	2	4	4
12	90036209	Washer Spacer 2.56	2	4	4
13	93400506	Hex Nut 2.25-8 Gr. A	2	4	4
14	90036184	Tab Washer	2	4	4
15	93600498	Washer	2	4	
16	93600072	Lock Washer 0.5	2	4	4
17	93400136	Hex Nut .5-13	2	4	4
18	93003615	Bolt .75-10 x 4.25 G. 5	2	4	4
19	93003591	Bolt .75-10 x 3.25	2	4	4
20	93400492	Lock Nut .75-10	2	4	4
21	93600502	Washer Spacer 1.12	4	8	8
22	90008151	Front Pivot Bushing	2	4	4
23	90001002	Adaptor Bushing	4	4	8
24	93600156	Washer, .75	4	4	8
25	93400492	Lock Nut .75-10	2	4	4
26	90008175	Bushing, Bar Pin	2	4	4
27	90008006	Bushing, Transverse Beam	2	4	4

Specific BOMs listed: 2218-590-01/03, 2218-590-10, 2218-624-00/03

REAR SUSPENSION 4



REAR SUSPENSION

NEWAY ARDAB 240-5

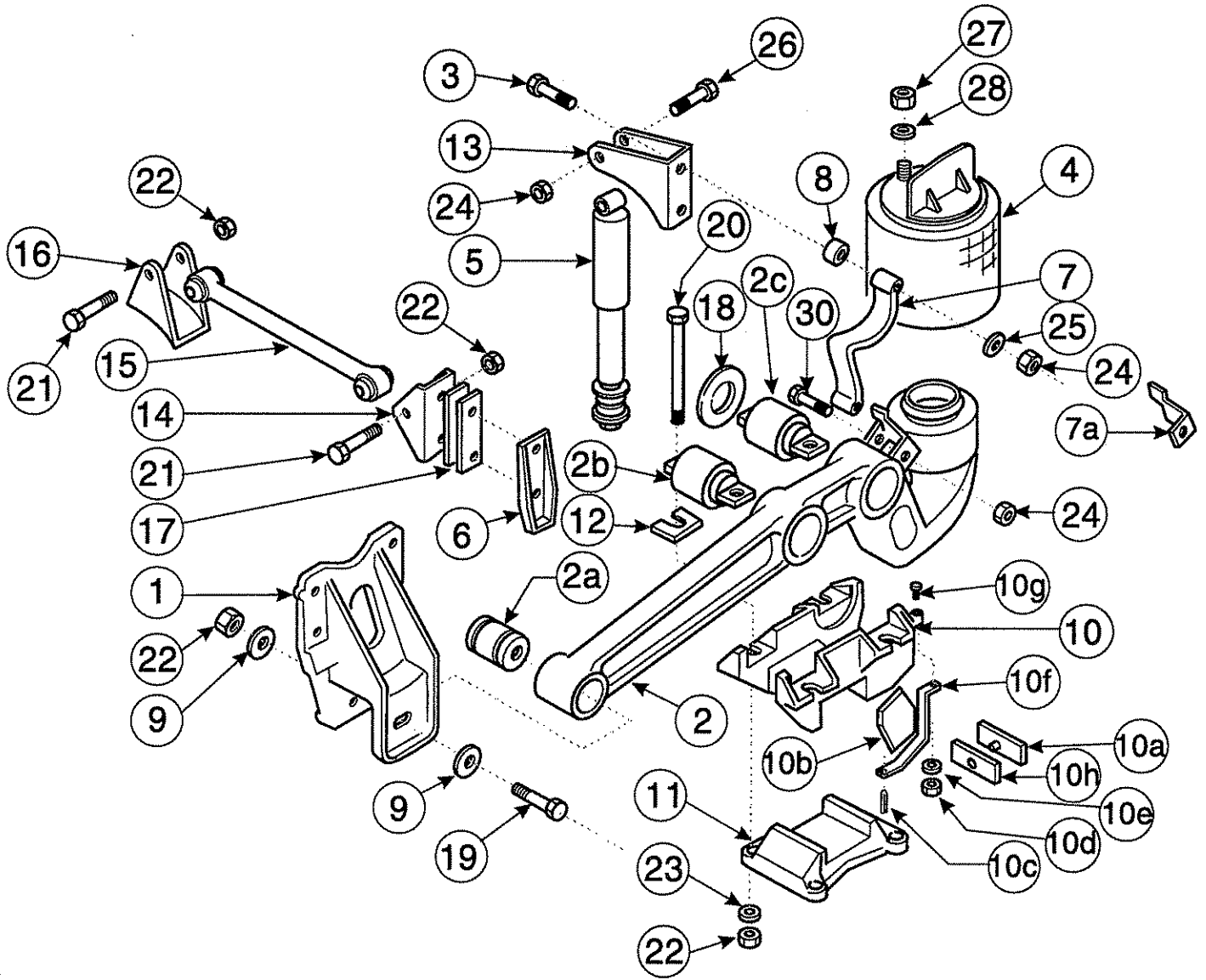
4.2.1

Neway ARDAB 240-5 Suspension Kit Breakdowns

Item	Part Number	Description	35501-3412	35501-3417
			Qty	Qty
1	90018475	Frame Bracket Adjustable	4	4
2	90516389	Equalizing Beam Assembly, LHFWD (inc. 2a-2c)	1	1
2	90516390	Equalizing Beam Assembly, RHFWD	1	1
2	90516391	Equalizing Beam Assembly, LH REAR	1	1
2	90516392	Equalizing Beam Assembly, RH REAR	1	1
2a	90008165	Front Pivot Bushing	4	4
2b	90018172	Bushing, Front Axle Connection	4	4
2c	90008169	Bushing, Rear Axle Connection	4	4
3	93003633	Cap Screw 3/4-10x 5" Gr. 5	4	4
4	90557123	Air Spring	4	4
5	90044907	Shock Absorber	4	4
6	90044871	Axle Stop	4	4
7	90044882	Down Strap	4	4
8	90036159	Spacer	4	4
9	90008116	Alignment Blocks	8	8
10	90501184	Upper Axle Clamp Road Fwd (inc. 10a - 10h)	1	
10	90501187	Upper Axle Clamp Curb Fwd (inc. 10a - 10h)	1	
10	90501186	Upper Axle Clamp Road RR (inc. 10a - 10h)	1	
10	90501185	Upper Axle Clamp Curb RR (inc. 10a - 10h)	1	
10	90501198	Upper Axle Clamp Road Fwd (inc. 10a - 10h)		1
10	90501199	Upper Axle Clamp Curb Fwd (inc. 10a - 10h)		1
10	90501198	Upper Axle Clamp Road RR (inc. 10a - 10h)		1
10	90501199	Upper Axle Clamp Curb RR (inc. 10a - 10h)		1
10a	90044887	Plastic Shim	4	4
10b	90044883	Wear Pad LH	2	2
10b	90044884	Wear Pad RH	2	2
10c	93900214	Spring Pin	4	4
10d	93400060	Lock Nut 1/4-20	4	4
10e	93600112	Washer 1/4	4	4
10f	90024932	Retainer	4	4
10g	93002353	Cap Screw 1/4-20x1" Gr.2	4	4
10h	90033376	Steel Shim	4	4
11	90001136	Lower Axle Clamp Curb	2	4
11	90001137	Lower Axle Clamp Road	2	-

Specific BOMs listed: 2218-594-00/11

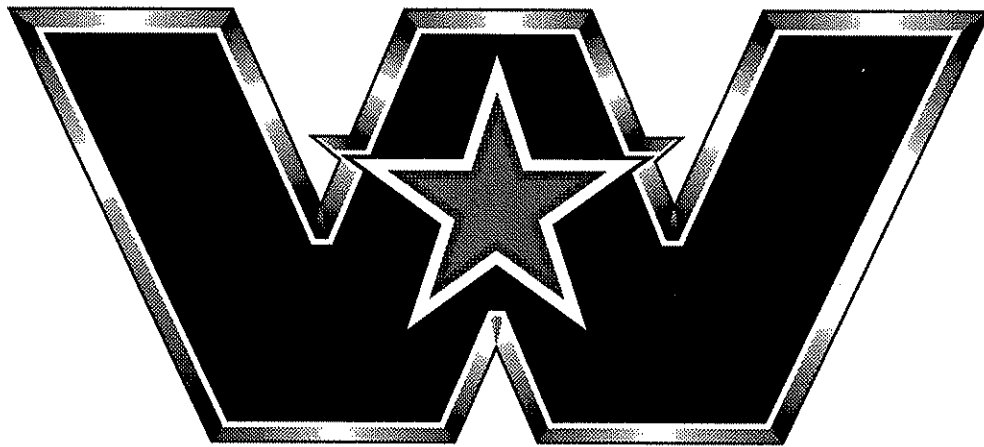
REAR SUSPENSION 4



REAR SUSPENSION

Neway ARDAB 240-5 Suspension Kit Breakdowns (Continued)

Item	Part Number	Description	35501-3412 Qty	35501-3417 Qty
12	90033327	Shim, Axle Connection	AR	AR
13	90024926	Upper Shock Bracket	4	4
14	90018472	Track Bar Frame Bracket	2	2
15	90044877	Track Bar	2	2
16	90044874	Track Bar Axle Bracket	2	2
17	90036160	Shim	4	4
18	93900212	Washer	4	4
19	93003905	Cap Screw 1/8 - 9x7 1/2" Gr.8	4	4
20	939002131	Cap Screw 7/8-9x12 1/2" Gr.8	16	16
21	93003831	Cap Screw 7/8-9x4 1/2" Gr.5	4	4
22	93400498	Lock Nut 7/8-9 Gr. C	24	24
23	93600162	Washer 7/8	12	12
24	93400492	Lock Nut 3/4-10 Gr. B	12	12
25	93600157	Washer 3/4	4	4
26	93003603	Cap Screw 3/4 - 10x3/4" Gr. 5	8	8
27	93400149	Hex Nut 3/4-16 Gr. B	4	4
28	93600077	Lock Washer 3/4	4	4



WESTERN STAR TRUCKS®
The Preferred Choice™

REAR SUSPENSION

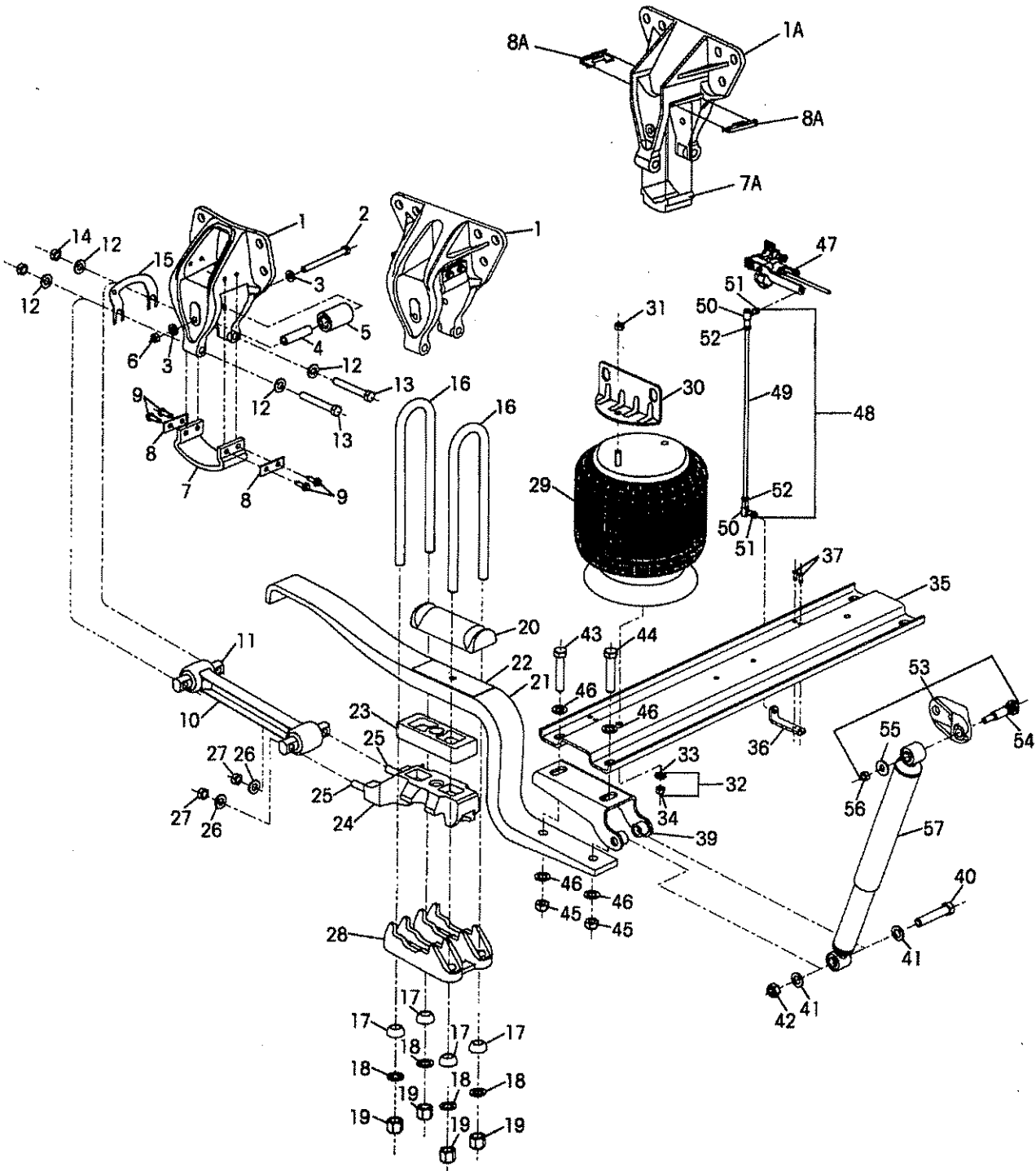
HENDRICKSON HAS 40LH

4.2.7

TABLE OF CONTENTS

	Section	Page
Suspension Frame Kits	4.2.7	2-3
Suspension Seat Kits	4.2.7	4-5
Suspension Height Control	4.2.7	6-7
Suspension Air Fittings	4.2.7	7

Note: This publication is a generic parts book. Components may vary with different applications. For applications other than listed below the parts listings, see the appropriate Bill of Material by truck serial number, and use this publication as a guide only.



REAR SUSPENSION HAS 40LH REAR SUSPENSION

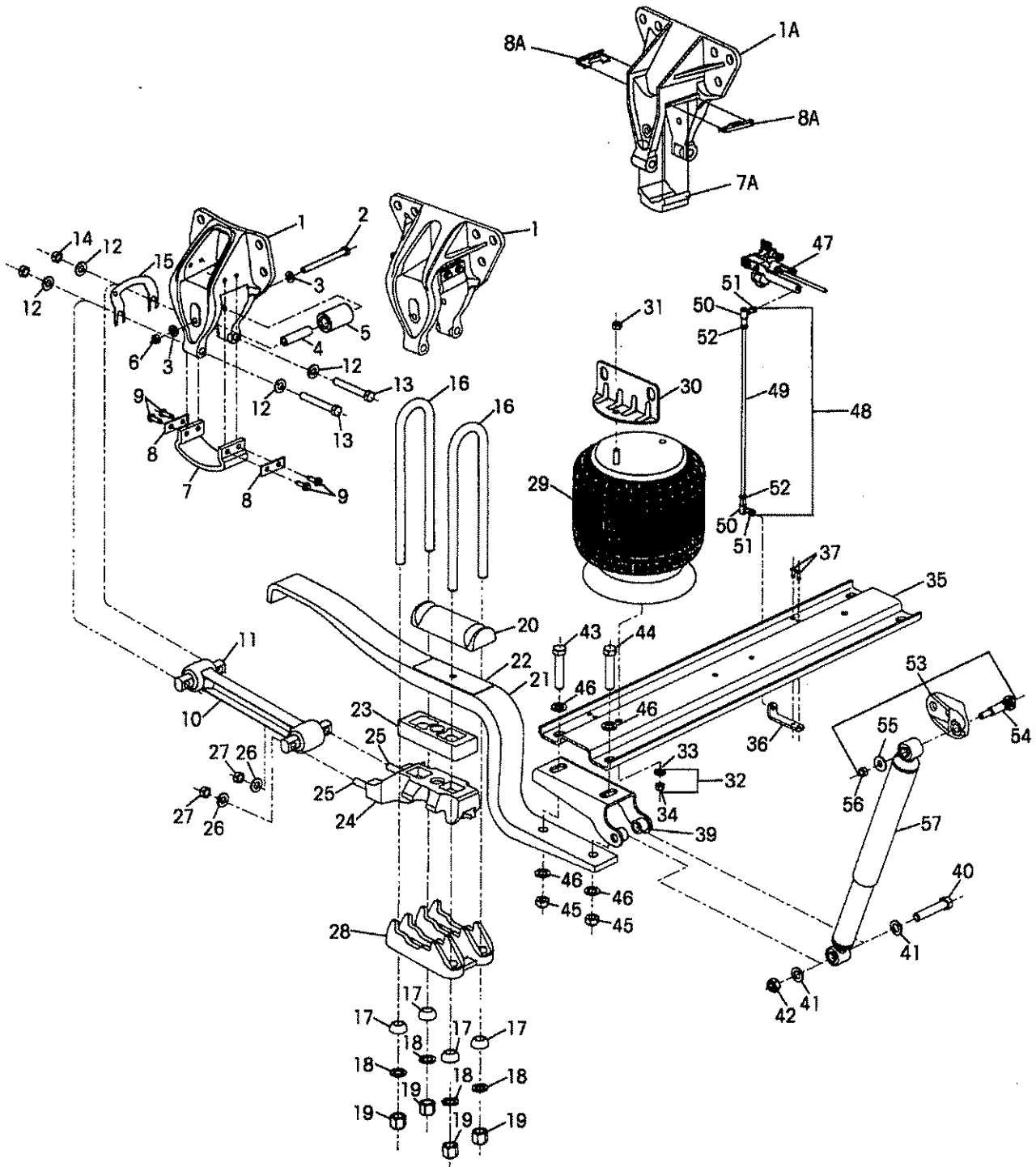
4.2.7

HAS REAR SUSPENSION - FRAME KIT

Item	Description	Qty	HAS 40LH		Notes
			Part Number		
	Suspension Kit		35501-3510		
1	Bracket Frame Hanger	4	57190-0001		
	Rebound Roller Kit	1	49175-013		Inc. 2-6
2	Rebound Bolt	4	24531-015		
3	½" Washer	8	22962-014		
4	Rebound Bolt Spacer	4	47458-000		
5	Rebound Roller	4	48883-000		
6	Rebound Bolt Nut	4	47458-000		
	Slipper Pad Kit	1	56557-002		Inc. 7-9
7	Slipper Pad	4	50612-000		
8	Retainer Plate	8	50597-000		
9	3/8" Self Tapping Screw	16	57306-000		
10	Torque Rod Assembly	4	48411-006		
11	Torque Rod Bushing	8	47691-001		
	Torque Rod Fastener Kit	1	49176-001		inc. 12-14
12	5/8" Hardened Washer	16	22962-004		
13	Torque Rod Bolt	8	32043-005		
14	Torque Rod Nut	8	47764-000		
15	Torque Rod Shim	AR	49689-000		
29	Air Spring	4	50898-001		inc. 30-31
30	Air Spring Frame Hanger	4	50804-001		
31	Air Spring Lock Nut	4	17700-010		
32	Air Spring Fastener Kit	1	49177-005		inc. 33-34
33	½" Hardened Washer	4	22962-014		
34	Locknut	4	17700-010		
35	Cross Channel	2	57192-001		
36	Control Valve Arm Bracket	1	56789-000		
37	Fastener Kit, Control Arm Bracket	1	57430-000		inc. 36
38	Lower Shock Bracket Assembly	4	57356-000		inc. 39-42
39	Lower Shock Bracket	4	57355-000		
40	Bolt, 5 ½"	4	50734-002		
41	¾" Hardened Washer	8	22962-001		
42	Locknut	4	49842-000		
	Cross Channel Fastener Kit	1	50763-001		inc.43-46
43	¾" Bolt x 3", Forward	4	50764-005		
44	¾" Bolt x 2 ½", Rear	4	50764-007		
45	Locknut	8	49842-000		
46	¾" Hardened Washer	16	22962-001		
51	Shock Frame Hanger Assy	4	57322-001		inc. 54-56
52	½" Serrated Shank Bolt	4	50368-000		
53	½" Hardened Washer	4	22962-031		
54	Locknut	4	49846-000		
55	Shock Absorber	4	57905-001		

Specific BOMs listed: 2218-595-00/04, 2218-625-00/02

REAR SUSPENSION 4



REAR SUSPENSION HAS 40LH REAR SUSPENSION

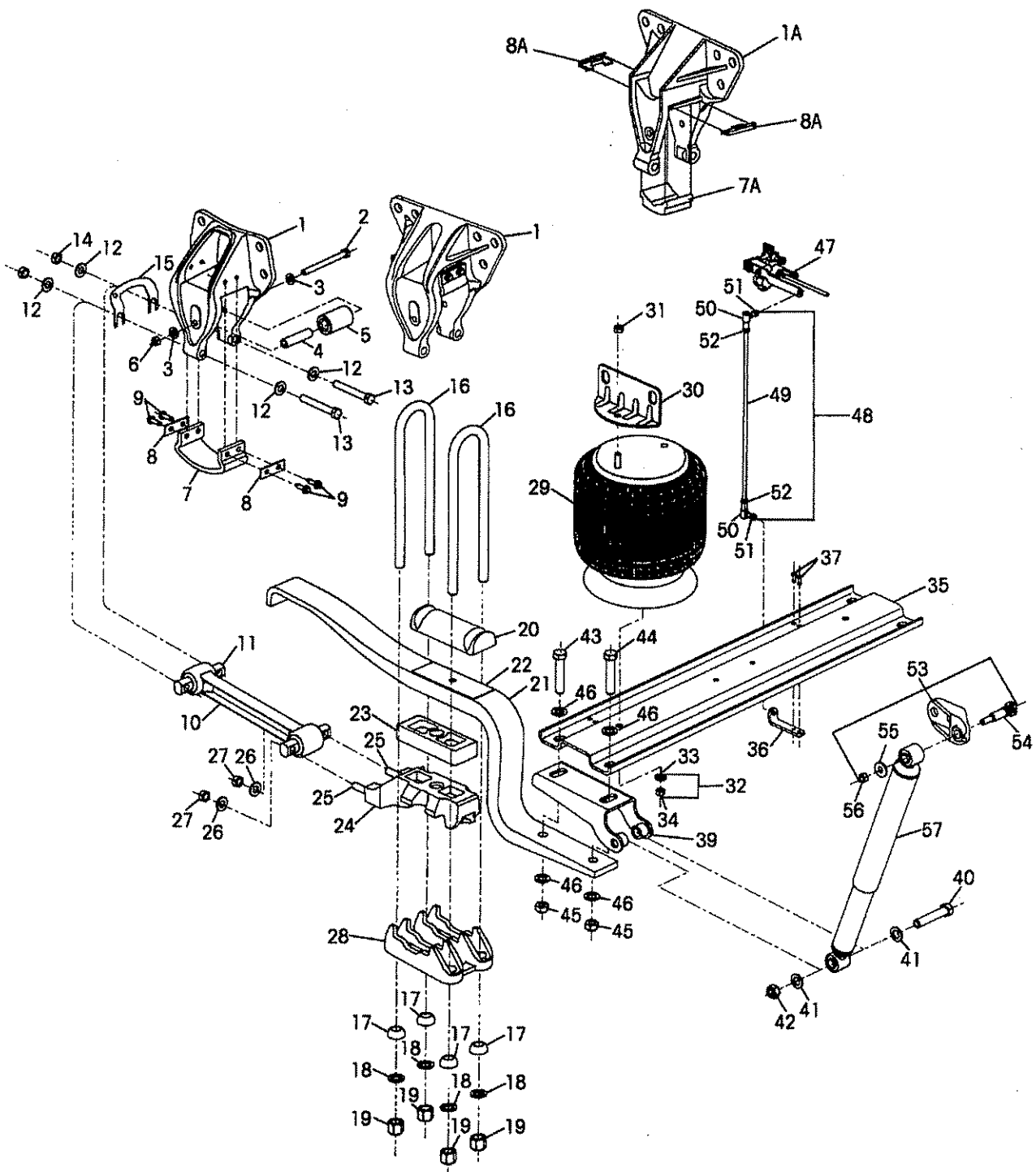
4.2.7

HAS REAR SUSPENSION - SEAT KITS

Description	#	35044-3403	35044-3407	35044-3409	35044-3410	35044-3411	35044-3413
U Bolt Assy inc. 16-19	-	48718-073	48718-073	48718-073	48718-073	48718-074	48718-082
U Bolt 14"	16					49684-001	49684-001
U Bolt 15"	16					49684-002	49684-002
U Bolt 15.5"	16	49684-003	49684-003	49684-003	49684-003		
U Bolt 16"	16	49684-014	49684-014	49684-014	49684-014		
Spherical Washer	17	48574-000	48574-000	48574-000	48574-000	48574-000	48574-000
Flat Washer	18	22962-002	22962-002	22962-002	22962-002	22962-002	22962-002
Nut	19	50765-000	50765-000	50765-000	50765-000	50765-000	50765-000
Top Pad	20	57195-000	57195-000	57195-000	57195-000	57195-000	57195-000
Main Member inc. 22	21	57217-000	57217-000	57217-000	57217-000	57217-000	57217-000
Liner	22	47905-000	47905-000	47905-000	47905-000	47905-000	47905-000
Spacer 1"	23	48902-000	48902-000	48902-000	48902-000	48902-000	48902-000
Spacer 1 1/2"	23	48903-000	48903-000	48903-000	48903-000	48903-000	48903-000
Seat LHF	24	50970-022	50970-022	50970-022	50970-022	50970-022	50970-022
Seat RHF	24	50970-022	50970-022	50973-006	50970-022	50970-022	50970-022
Seat LHR	24	50973-010	50973-009	50973-006	50973-008	50973-010	50973-006
Seat RHR	24	50973-010	50903-009	50973-006	50973-008	50973-010	50973-006
Spring Seat Stud	25	50918-000	50918-000	50918-000	50918-000	50918-000	50918-000
5/8" Washer	26	22962-004	22962-004	22962-004	22962-004	22962-004	22962-004
Spring Seat Nut	27	47754-000	47754-000	47754-000	47754-000	47754-000	47754-000
Bottom Cap LHF	28	50216-000	50216-000	50216-000	50216-000	50216-000	50216-000
Bottom Cap RHF	28	50216-000	50216-000	50216-000	50216-000	50216-000	50216-000
Bottom Cap LHR	28	50222-000	50222-000	50222-000	50222-000	50222-000	50222-000
Bottom Cap RHR	28	50222-000	50222-000	50222-000	50222-000	50222-000	50222-000

Specific BOMs listed: 2218-595-00/04, 2218-625-00/02

REAR SUSPENSION 4



REAR SUSPENSION HAS 40LH REAR SUSPENSION

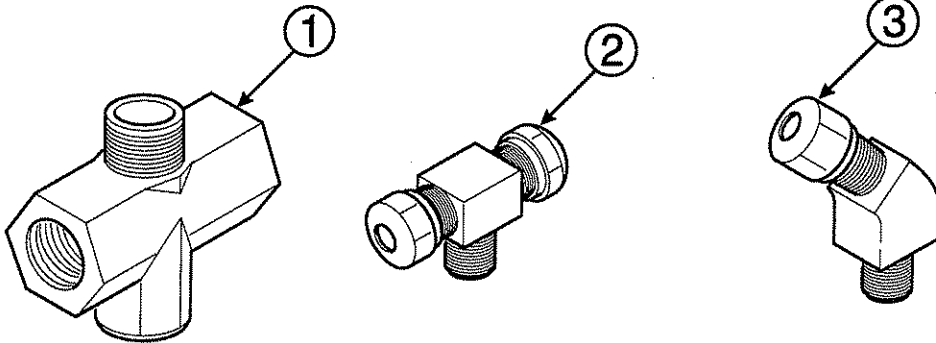
4.2.7

HAS REAR SUSPENSION - SUSPENSION HEIGHT CONTROL

Item	Description	Part Number
45	Height Control Valve	66007-3403
46	Linkage Kit	35707-3406

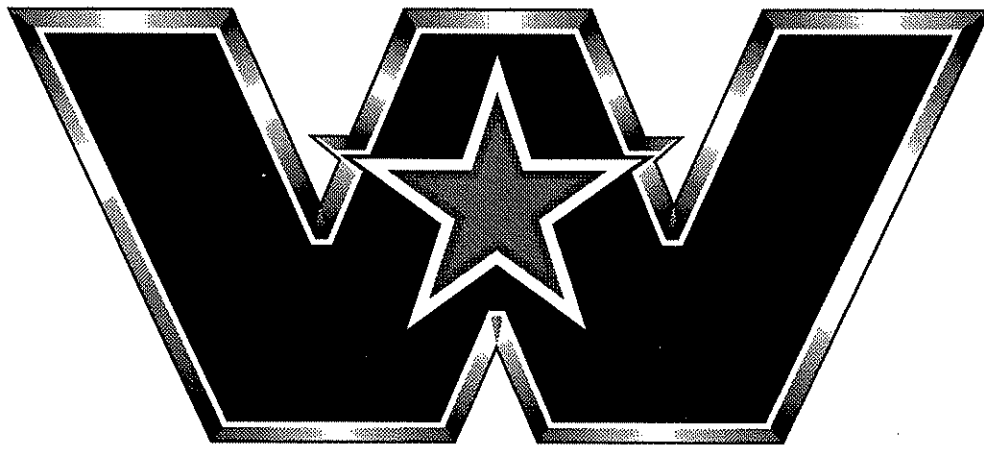
HAS REAR SUSPENSION - SUSPENSION AIR FITTINGS

Item	Description	Part Number
1	Pressure Protection Valve	72807-3402
2	Tee Branch, 1/4 NPT, 3/8 NY	6490-3402
3	Elbow 45Deg 1/4NPT, 3/8 NY	5291-0005



Specific BOMs listed: 2218-595-00/04, 2218-625-00/02

REAR SUSPENSION 4



WESTERN STAR TRUCKS®
The Preferred Choice™

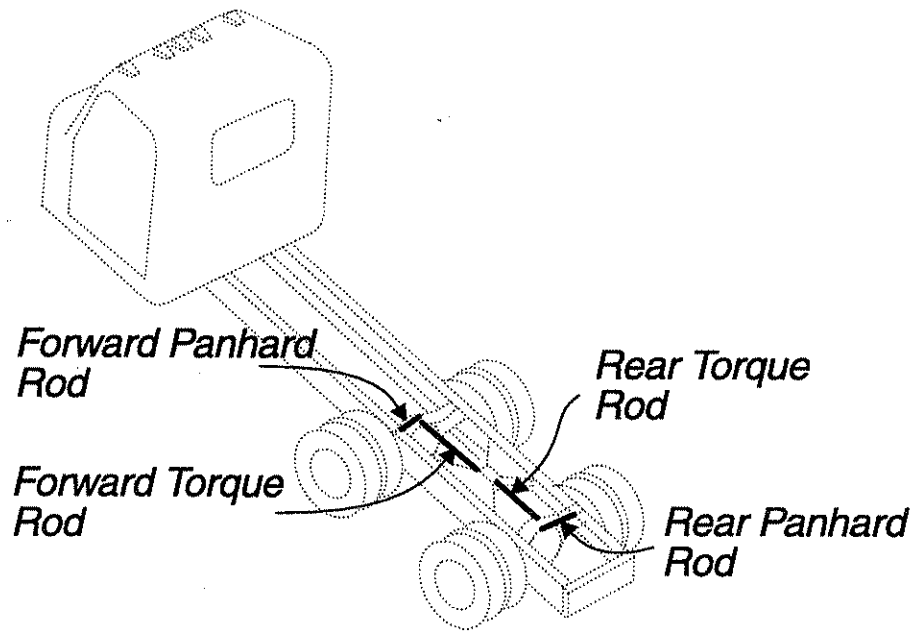
REAR SUSPENSION

TORQUE RODS AND PAN HARD RODS

4.4

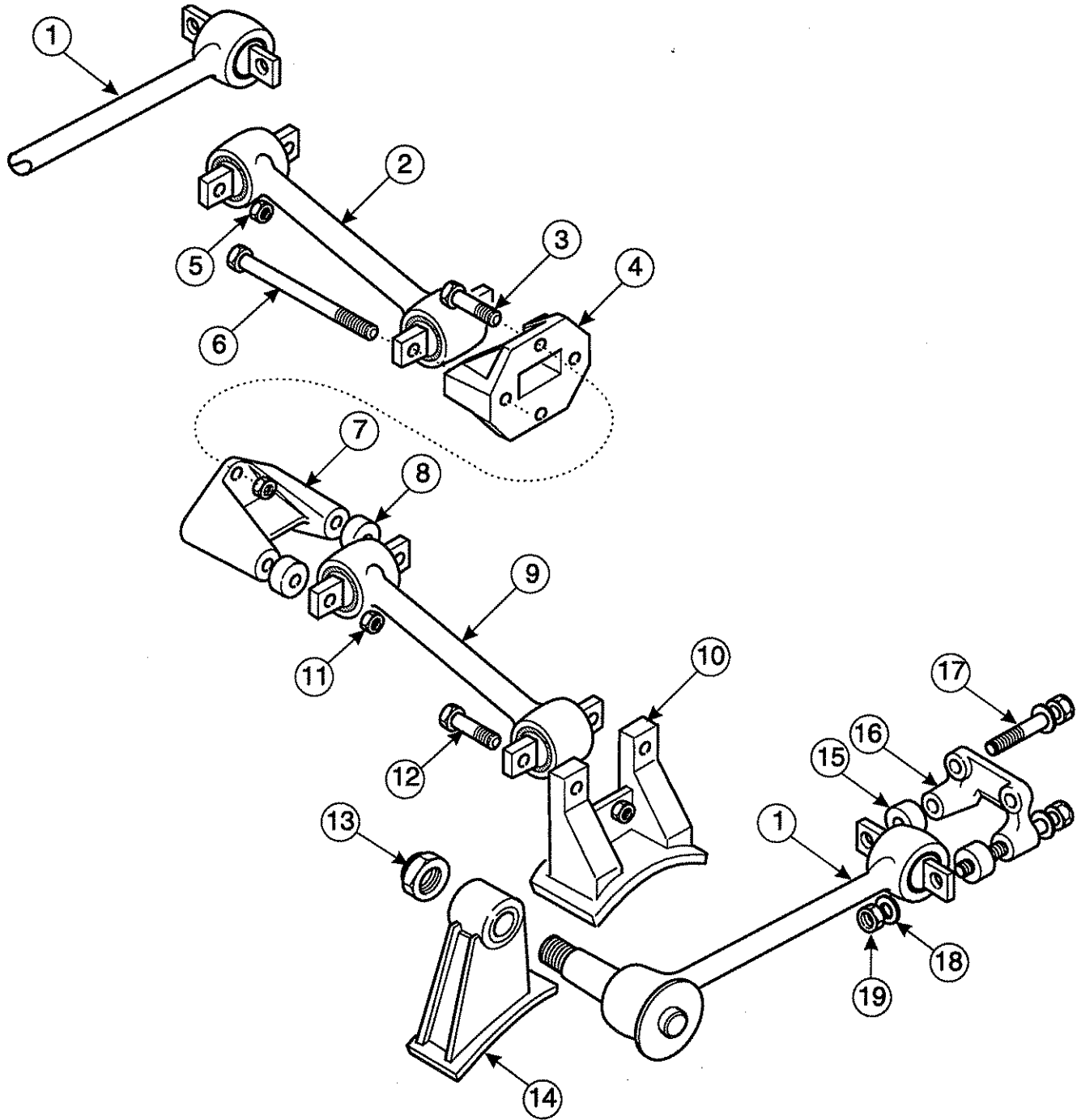
TABLE OF CONTENTS

	Section	Page
Rods for Hendrickson Suspensions	4.4.1	2-4



To differentiate between Torque Rods that run parallel to the frame, or perpendicular to the frame, Western Star uses the terms Torque rods and Panhard rods. Rods that run parallel to the frame are called Torque Rods. Rods that run perpendicular to the frame are called Panhard Rods.

Note: *This publication is a generic parts book. Components may vary with different applications. For applications other than listed below see the appropriate Bill of Material by truck serial number and use this publication as a guide only.*



REAR SUSPENSION

TORQUE RODS AND PAN HARD RODS

4.4.1

TORQUE RODS AND PANHARD RODS USED ON HENDRICKSON SUSPENSIONS

Item	Description	Part Number	Qty
1	Panhard Rod (forward or rear)	See Chart following page	2
-	- Replacement Bushing, Bar End	35801-5015	1
-	- Replacement Bushing, Taper End	35801-5016	1
2	Forward Torque Rod	See Chart following page	1
-	- Replacement Bushing, Bar End	35801-5015	2
3	Bolt, 8 Spl, .16 - 18 x 4.00	548225	2
4	Bracket, Torque Rod, Forward	35802-3416	1
5	Nut, Lock, .62-18	637372	6
6	Bolt, 8 Hex Spl .16-18 x 12.4	547719	2
7	Bracket, Torque Rod, Rear (Mounted on Rear of Bowtie Crossmember)	35802-3416	1
8	Spacer, .66 ID x 1.25 OD x .12	514833	As Required
8	Spacer, .66 ID x 1.25 OD x .25	514832	As Required
8	Spacer, .66 ID x 1.25 OD x .38	514834	As Required
8	Spacer, .66 ID x 1.25 OD x .50	665306	As Required
9	Rear Torque Rod	See Chart following page	1
-	- Replacement Bushing, Bar End	35801-5015	2
10	Axle Bracket, Torque Rod (Supplied with Rear Axle Assembly)	-	2
11	Nut, Lock, .62 - 18	4012-3421	4
12	Bolt, Hex, .62 - 18 x 5.25	548225	2
13	Nut, Pan Hard Rod, 1.25 - 12 inset	8003256	2
14	Axle Bracket, Pan Hard Rod	04-9051076	2
15	Bolt, Hex .62 x 18 x 5.25	4019-3410-5.25	4
16	Frame Bracket, Pan Hard Rod	35802-3422	2
17	Bolt, Hex, .62 -18 x 3.00	4019-3410-3.00	4
18	Washer, Hard, .62 x 1.26 x .16	4011-3415	8
19	Nut, Lock, .62 - 18	4012-3421	8

Specific BOMs listed: 2248-501-01/02, 2248-502-02/14, 2248-503-02/17, 2248-504-02/15
 2248-506-02/15, 2248-515-00/16, 2248-512-06/67, 2248-513-70/91
 2248-523-00, 2248-524-00/03

REAR SUSPENSION 4

1.25" Diameter Torque Rods - Hendrickson Suspensions

Length	Part Number
21.38	02-7006431
21.88	02-7006273
22.38	35801-3458
23.12	35801-3459
23.75	35801-0004
25.00	35801-3460
31.75	04-9036503

2.00" Diameter Severe Service Torque Rods - Hendrickson Suspensions

Length	Part Number
22.38	35801-3449
23.12	35801-3443
23.75	35801-3450
25.00	35801-3442
31.25	35801-3435

Panhard Rods

Length	Part Number
22.00	35801-0033
24.00	35801-3441
25.00	35801-0034