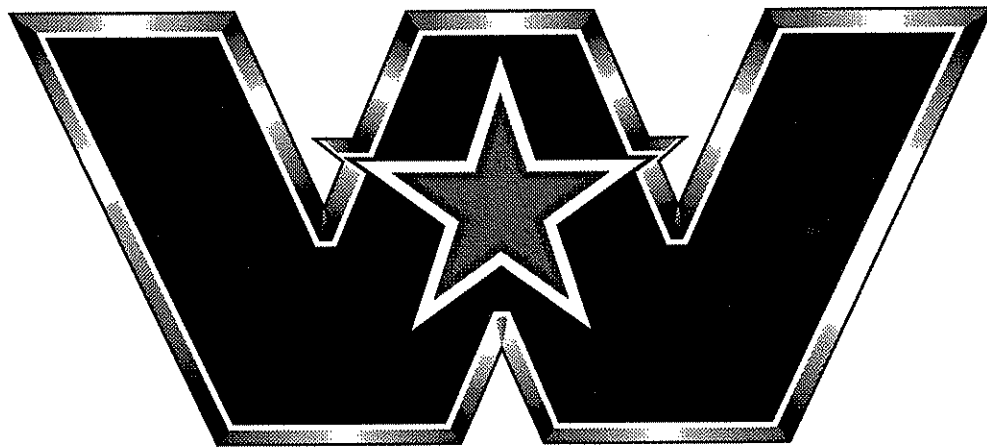


INDEX

	Section	Pages
Intermediate Crossmembers	6.2.5	1-8
Hendrickson Rear Suspension Crossmembers	6.2.6	1-22
Neway Rear Suspension Crossmembers	6.2.7	1-14
Chalmers/Reyco Rear Suspension XMembers	6.2.8	1-20
End of Frame Crossmembers	6.2.9	1-44
Bumpers, Accessories, and Tow Assemblies	6.3	1-20
Fuel Tanks and Brackets	6.5	1-30
Aero Fuel Tank Fairings	6.6.1	1-12
Battery and Tool Box	6.8.1	1-4
Steps	6.9.1	1-12
Rear Mud Flaps	6.12.1	1-6
<i>Engine Crossmembers</i>	<i>See Engine Section</i>	<i>1.4</i>
<i>Rad Crossmembers</i>	<i>See Cooling Section</i>	<i>8.0</i>
<i>Cab Crossmembers</i>	<i>See Cab Section</i>	<i>11.0</i>
<i>Sleeper Crossmembers</i>	<i>See Sleeper Section</i>	<i>13.0</i>

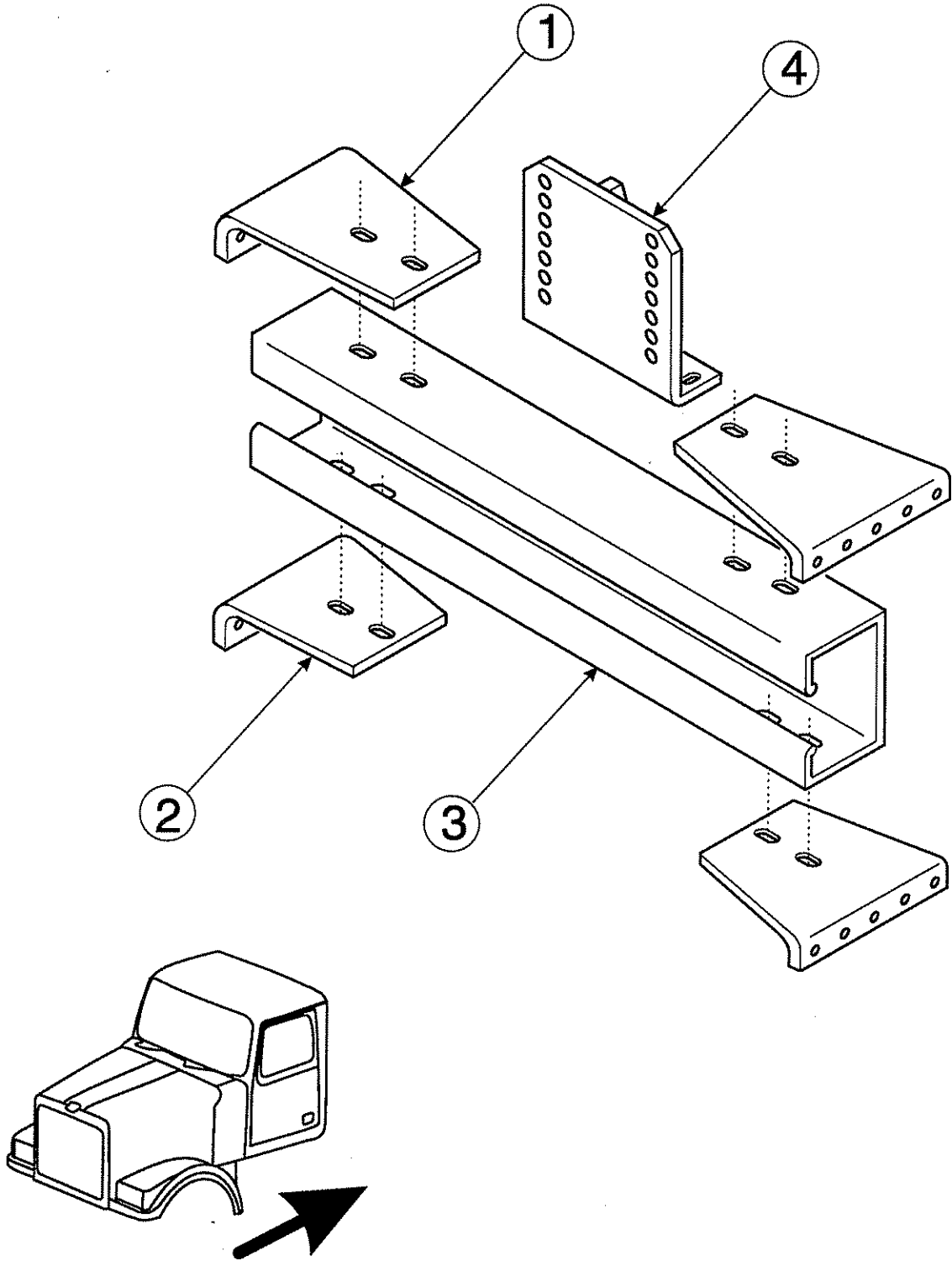


WESTERN STAR TRUCKS®
The Preferred Choice™

TABLE OF CONTENTS

	Section	Page
Extruded Aluminum Intermediate Crossmember	6.2.5	2-3
Humped Tubular Steel Intermediate Crossmember ..	6.2.5	4-5
Straight Tubular Steel Crossmember	6.2.5	6-7
Center Bearing Support Brackets	6.2.5	8-9

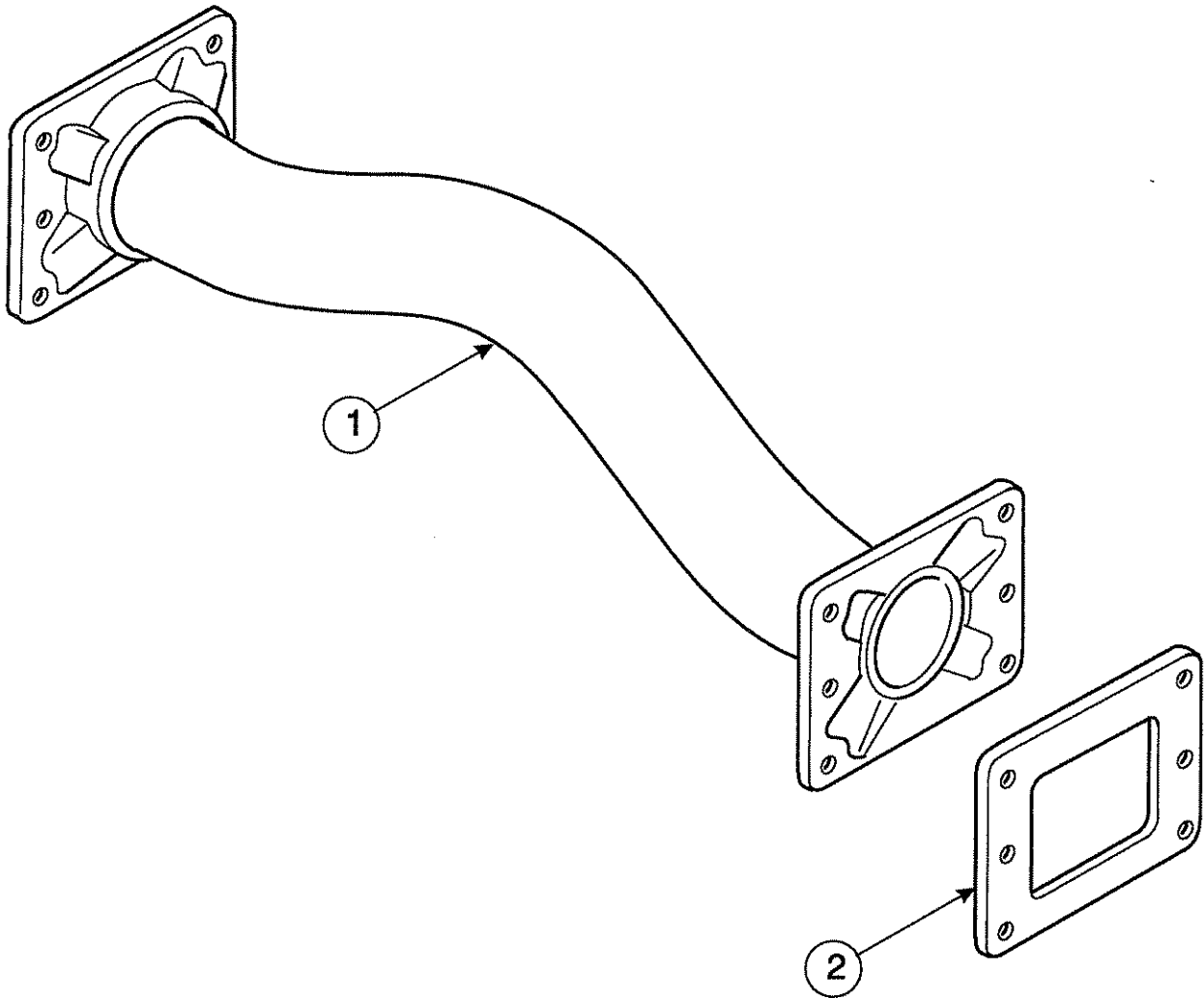
Note: This publication is a generic parts book. Components may vary with different applications. For applications other than listed at the bottom of the page, see the appropriate Bill of Material by truck serial number and use this publication as a guide only.



INTERMEDIATE CROSSMEMBERS**EXTRUDED ALUMINUM INTERMEDIATE CROSSMEMBER - CARRIER BEARING SUPPORT**

Item	Description	Part Number	Qty
1	Gusset, Top	66009-3419	2
2	Gusset, Bottom	66009-3420	2
3	Extruded Aluminum Crossmember	66002-3517	1
4	Center Bearing Support Bracket 1710	30103-3409	1
4	Center Bearing Support Bracket 1810	30103-3410	1

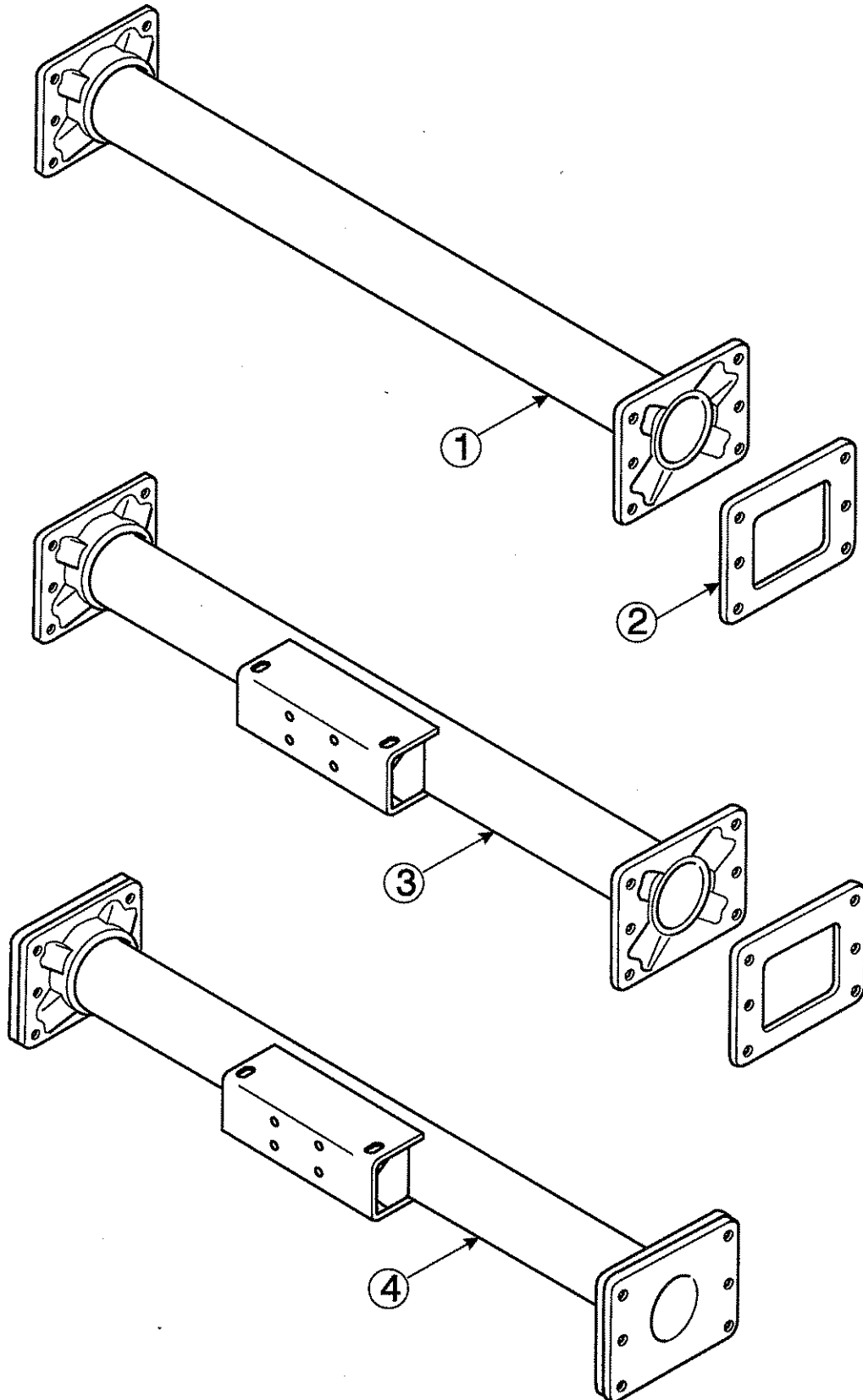
Specific BOMs listed: 2078-505-00, 2078-001-00/03, 2078-507-10, 2078-507-12,
2078-512-00/03



INTERMEDIATE CROSSMEMBERS**HUMPED TUBULAR CROSSMEMBER - AHEAD OF REAR SUSPENSION**

Item	Description	Part Number
1	Service Crossmember, Humped Tube <i>Note: Service Crossmembers are 31.25" in overall length to allow replacement of the crossmember without spreading the frame rails.</i>	40901-3472
2	Spacer, 1/16"	66009-3417
2	Spacer, 1/8"	66009-3418
2	Spacer, 1/4"	66009-3439
2	Spacer, 3/16"	66009-3440

Specific BOMs listed: 2088-510-ALL

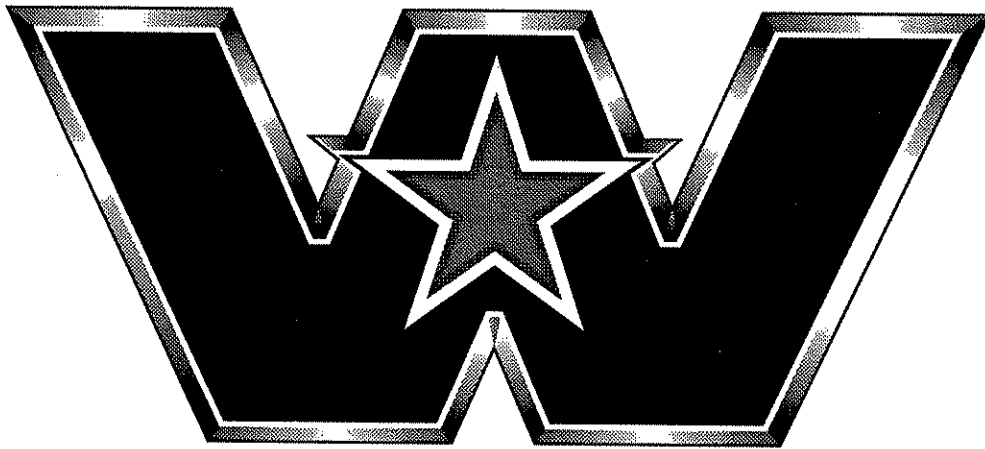


STRAIGHT TUBULAR CROSSMEMBER - INTERMEDIATE

Item	Description	Part Number
1	Service Crossmember	40901-3473
2	Spacer, 1/16"	66009-3417
2	Spacer, 1/8"	66009-3418
2	Spacer, 1/4"	66009-3439
2	Spacer, 3/16"	66009-3440
3	Service Crossmember	40901-3474
4	Service Crossmember, Heavy Duty	40901-3481

Note: Service Crossmembers are 31.25" in overall length to allow for replacement of the crossmember without spreading the frame rails.

Specific BOMs listed: 2078-505-ALL, 2078-509-ALL

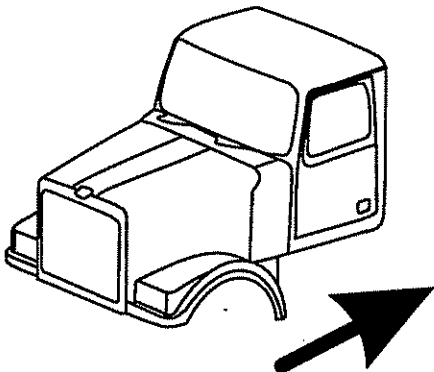
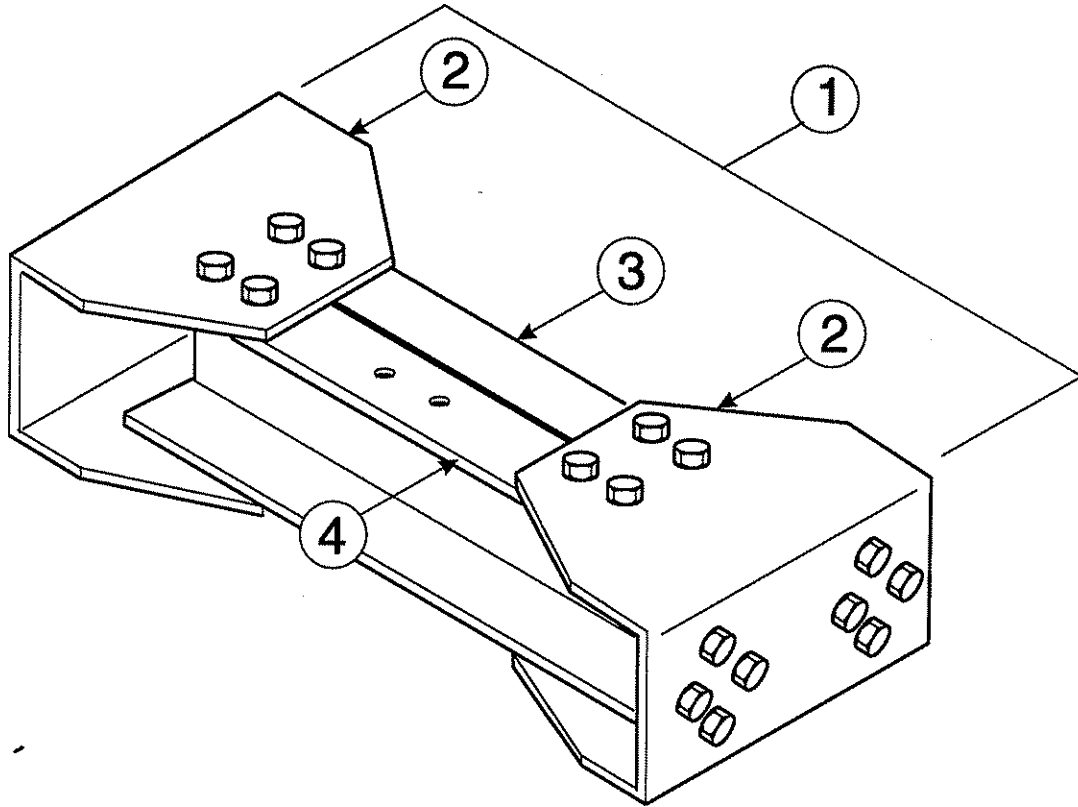


WESTERN STAR TRUCKS®
The Preferred Choice™

REAR SUSPENSION CROSSMEMBERS - HENDRICKSON**TABLE OF CONTENTS**

	Page
Bowtie Crossmember, HAS Suspension	2-3
Bowtie Crossmember, RT(E)2 Suspension	4-7
Bowtie Crossmember, RS Suspension	8-11
Bowtie Crossmember, RT2, RS-520 Heavy Duty	12-15
Bowtie Crossmember, R, RS, RT-650 Heavy Duty	16-21

Note: This publication is a generic parts book. Components may vary with different applications. For applications other than listed at the bottom of the page, see the appropriate Bill of Material by truck serial number, and use this publication as a guide only.



REAR SUSPENSION CROSSMEMBERS - HENDRICKSON

REAR SUSPENSION CROSSMEMBERS - HENDRICKSON HAS SUSPENSION

2088-536-00

1	Bowtie Crossmember (33.0")	41421-3437	1
2	- Gusset, LH/RH	41413-3517	2
3	- C-Channel	41402-3591	1
4	- C-Channel	41414-3452	1

2088-536-01

1	Bowtie Crossmember (32.88")	41421-3436	1
2	- Gusset, LH/RH	41413-3517	2
3	- C-Channel	41402-3590	1
4	- C-Channel	41414-3451	1

2088-536-02

1	Bowtie Crossmember (32.75")	41421-3435	1
2	- Gusset, LH/RH	41413-3517	2
3	- C-Channel	41402-3589	1
4	- C-Channel	41414-3450	1

2088-536-03

1	Bowtie Crossmember (32.50")	41421-3441	1
2	- Gusset, LH/RH	41413-3517	2
3	- C-Channel	41414-3417	1
4	- C-Channel	41414-3456	1

2088-536-10

1	Bowtie Crossmember (33.50")	41421-3440	1
2	- Gusset, LH/RH	41413-3517	2
3	- C-Channel	41402-3594	1
4	- C-Channel	41414-3455	1

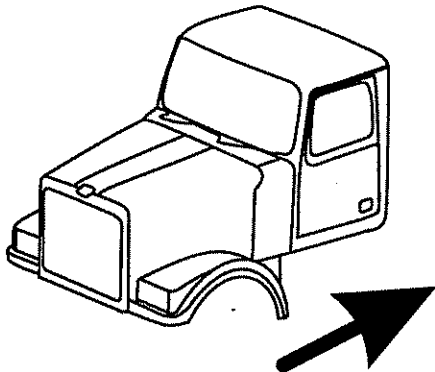
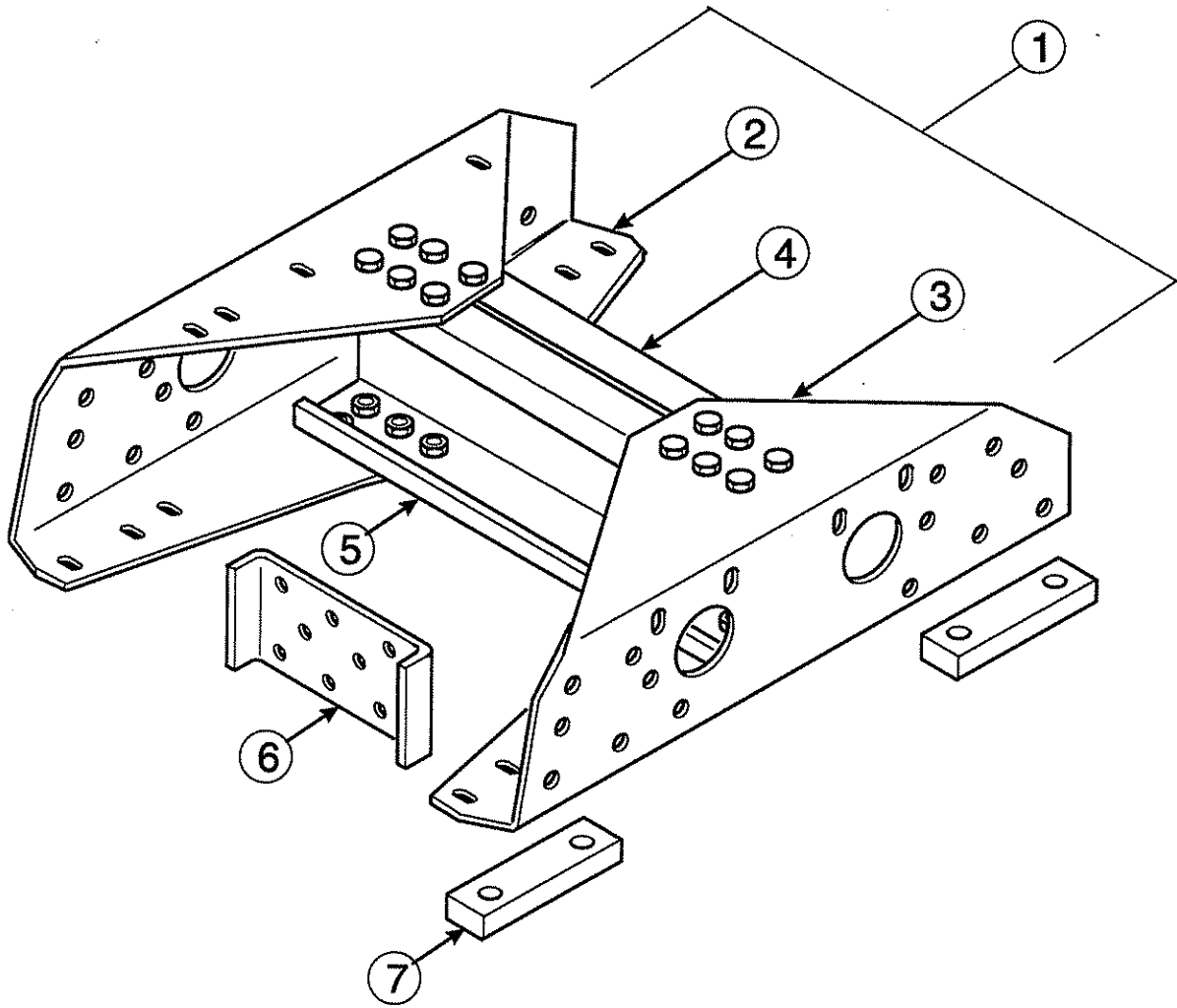
2088-536-11

1	Bowtie Crossmember (33.38")	41421-3439	1
2	- Gusset, LH/RH	41413-3517	2
3	- C-Channel	41402-3593	1
4	- C-Channel	41414-3454	1

2088-536-12

1	Bowtie Crossmember (33.25")	41421-3438	1
2	- Gusset, LH/RH	41413-3517	2
3	- C-Channel	41402-3592	1
4	- C-Channel	41414-3453	1

Specific BOMs listed: 2088-536-00/03, 2088-536-10/12



REAR SUSPENSION CROSSMEMBERS - HENDRICKSON

REAR SUSPENSION CROSSMEMBERS - HENDRICKSON RT(E)2 SUSPENSION

2088-537-00

1	Bowtie Crossmember (33.0")	41411-3590	1
2	- Gusset, RH	41423-3455	1
3	- Gusset, LH	41423-3454	1
4	- C-Channel, Forward	41402-3536	1
5	- C-Channel, Rear	41402-3540	1
6	Spacer, Torque Rod Bracket	35803-3409	2
7	Spacer, Rear Suspension	35025-3424	4

2088-537-01

1	Bowtie Crossmember (32.87")	41411-3591	1
2	- Gusset, RH	41423-3457	1
3	- Gusset, LH	41423-3456	1
4	- C-Channel, Forward	41402-3536	1
5	- C-Channel, Rear	41402-3540	1
6	Spacer, Torque Rod Bracket	35803-3409	2
7	Spacer, Rear Suspension	35025-3424	4

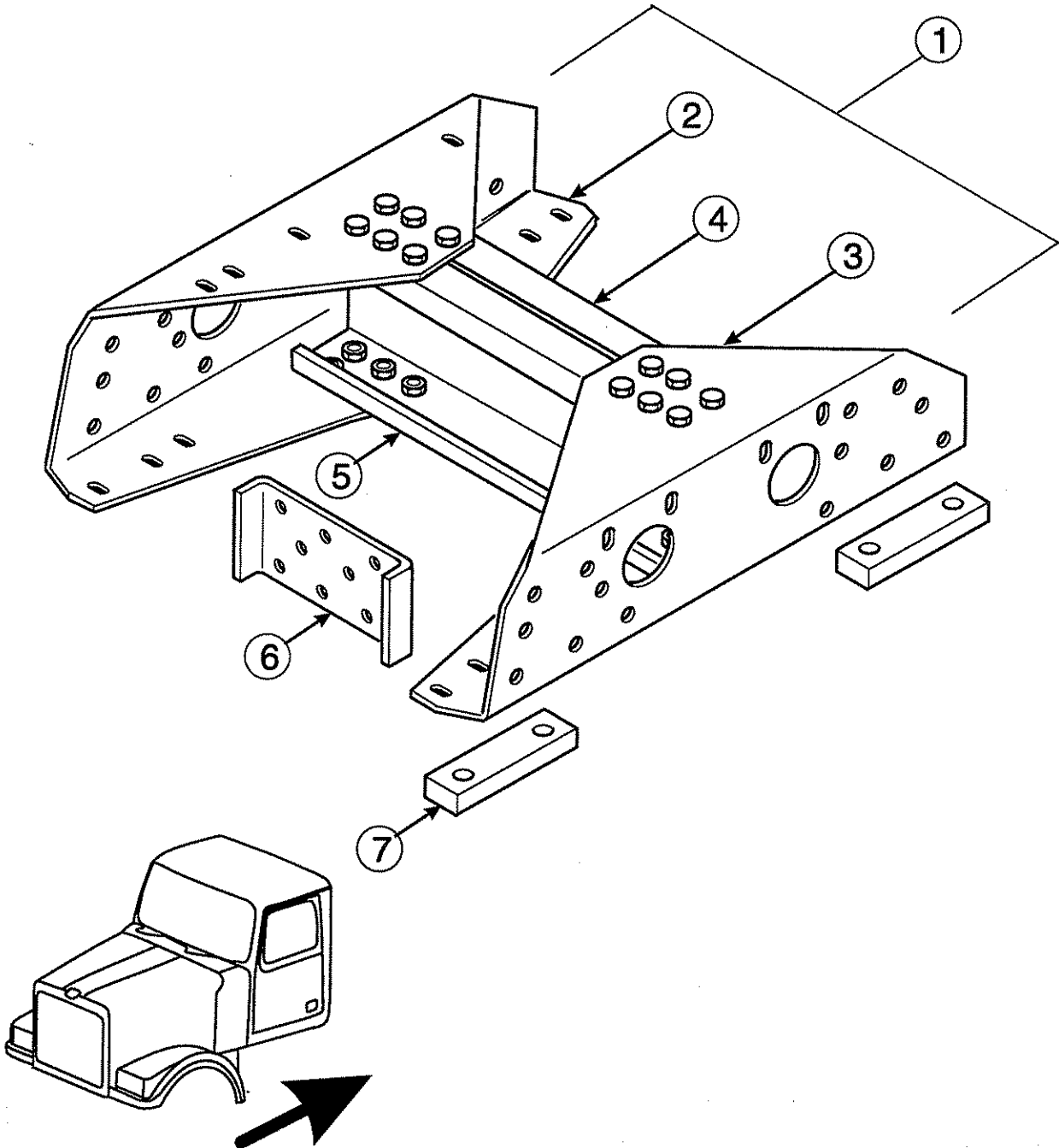
2088-537-02

1	Bowtie Crossmember (32.75")	41411-3592	1
2	- Gusset, RH	41423-3459	1
3	- Gusset, LH	41423-3458	1
4	- C-Channel, Forward	41402-3536	1
5	- C-Channel, Rear	41402-3540	1
6	Spacer, Torque Rod Bracket	35803-3409	2
7	Spacer, Rear Suspension	35025-3424	4

2088-537-03

1	Bowtie Crossmember (32.50")	41411-3593	1
2	- Gusset, RH	41423-3461	1
3	- Gusset, LH	41423-3460	1
4	- C-Channel, Forward	41402-3536	1
5	- C-Channel, Rear	41402-3540	1
6	Spacer, Torque Rod Bracket	35803-3409	2
7	Spacer, Rear Suspension	35025-3424	4

Specific BOMs listed: 2088-537-00/03



REAR SUSPENSION CROSSMEMBERS - HENDRICKSON

REAR SUSPENSION CROSSMEMBERS - HENDRICKSON RT(E)2 SUSPENSION

2088-537-10

1	Bowtie Crossmember (33.37")	41411-3588	1
2	- Gusset, RH	41423-3451	1
3	- Gusset, LH	41423-3450	1
4	- C-Channel, Forward	41402-3536	1
5	- C-Channel, Rear	41402-3540	1
6	Spacer, Torque Rod Bracket	35803-3409	2
7	Spacer, Rear Suspension	35025-3424	4

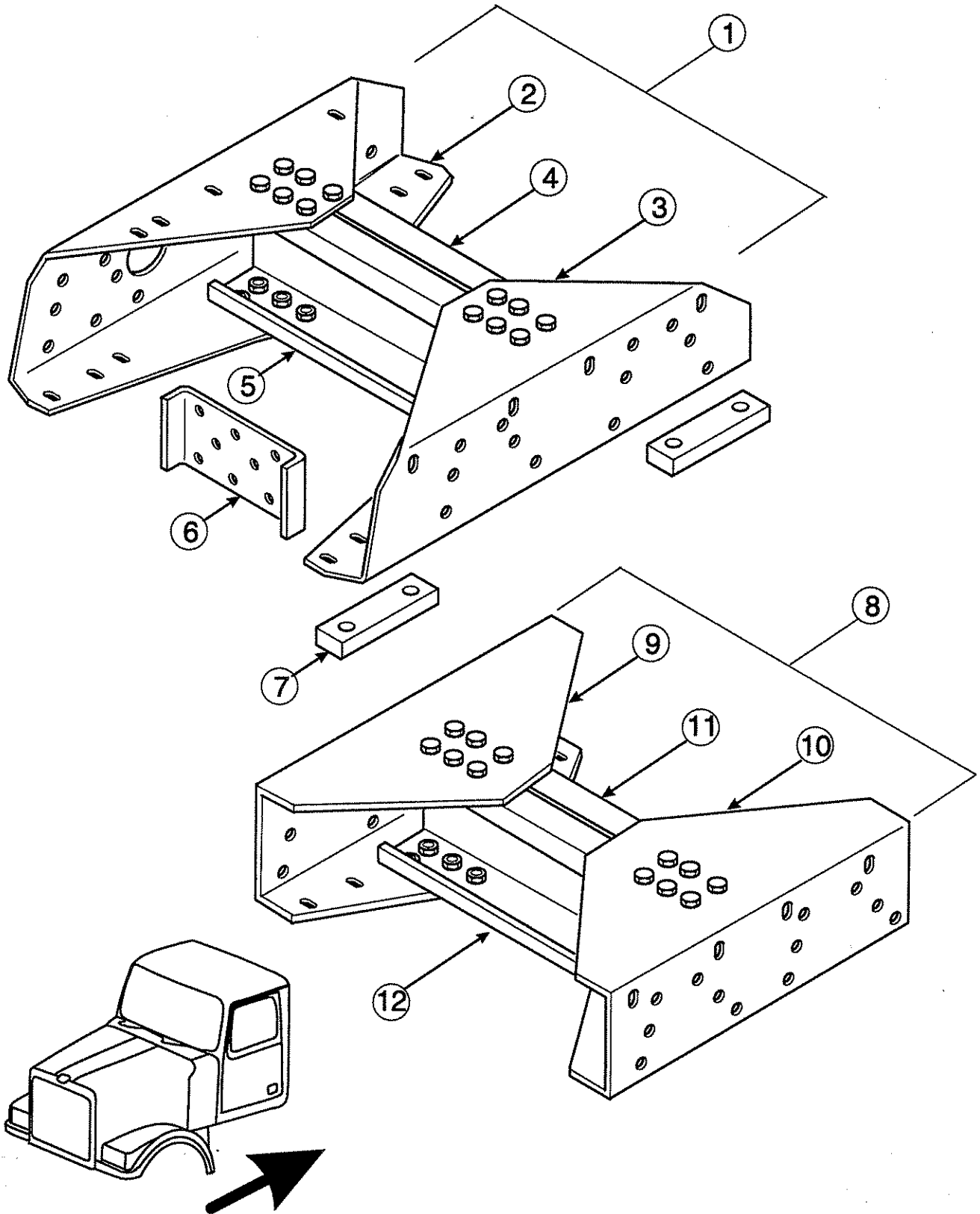
2088-537-11

1	Bowtie Crossmember (33.25")	41411-3589	1
2	- Gusset, RH	41423-3453	1
3	- Gusset, LH	41423-3452	1
4	- C-Channel, Forward	41402-3536	1
5	- C-Channel, Rear	41402-3540	1
6	Spacer, Torque Rod Bracket	35803-3409	2
7	Spacer, Rear Suspension	35025-3424	4

2088-537-12

1	Bowtie Crossmember (33.25")	41411-3589	1
2	- Gusset, RH	41423-3453	1
3	- Gusset, LH	41423-3452	1
4	- C-Channel, Forward	41402-3536	1
5	- C-Channel, Rear	41402-3540	1
6	Spacer, Torque Rod Bracket	35803-3409	2
7	Spacer, Rear Suspension	35025-3424	4

Specific BOMs listed: 2088-537-10/12



REAR SUSPENSION CROSSMEMBERS - HENDRICKSON

REAR SUSPENSION CROSSMEMBERS - HENDRICKSON RS SUSPENSION

2088-538-00

1	Bowtie Crossmember RS Steel (33.0")	41411-3453	1
2	- Gusset, RH	41413-3497	1
3	- Gusset, LH	41413-3496	1
4	- C-Channel, Forward	41402-3536	1
5	- C-Channel, Rear	41402-3540	1
6	Spacer, Torque Rod Bracket	35803-3409	2
7	Spacer, Rear Suspension .75"	35025-3425	4

2088-538-01

1	Bowtie Crossmember RS Steel (32.7")	41411-3452	1
2	- Gusset, RH	41413-3497	1
3	- Gusset, LH	41413-3496	1
4	- C-Channel, Forward	41402-3579	1
5	- C-Channel, Rear	41402-3580	1
6	Spacer, Torque Rod Bracket	35803-3409	2
7	Spacer, Rear Suspension .75"	35025-3425	4

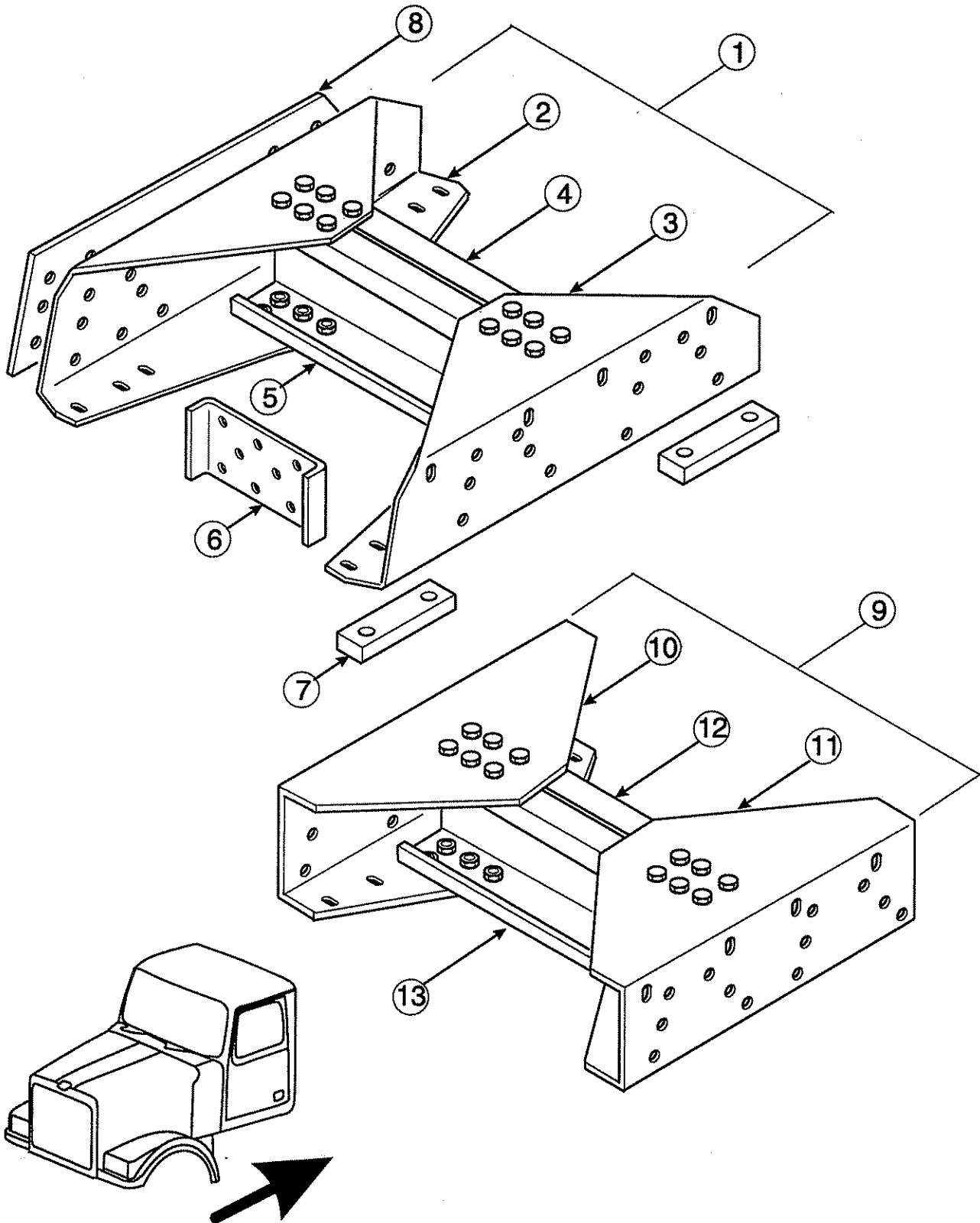
2088-538-02

1	Bowtie Crossmember RS Steel (32.7")	41411-3452	1
2	- Gusset, RH	41413-3497	1
3	- Gusset, LH	41413-3496	1
4	- C-Channel, Forward	41402-3579	1
5	- C-Channel, Rear	41402-3580	1
6	Spacer, Torque Rod Bracket	35803-3409	2
7	Spacer, Rear Suspension .75"	35025-3425	4

2088-538-03

1	Bowtie Crossmember RS Steel (32.5")	41411-3454	1
2	- Gusset, RH	41413-3497	1
3	- Gusset, LH	41413-3496	1
4	- C-Channel, Forward	41402-3581	1
5	- C-Channel, Rear	41402-3582	1
6	Spacer, Torque Rod Bracket	35803-3409	2
7	Spacer, Rear Suspension .75"	35025-3425	4

Specific BOMs listed: 2088-538-00/03



REAR SUSPENSION CROSSMEMBERS - HENDRICKSON

REAR SUSPENSION CROSSMEMBERS - HENDRICKSON RS SUSPENSION

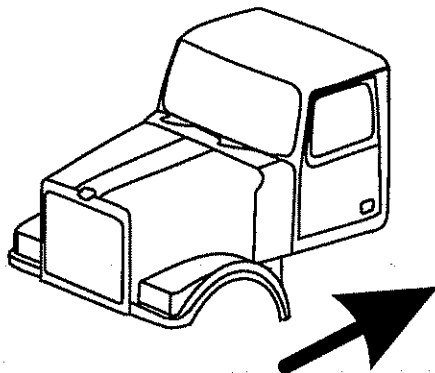
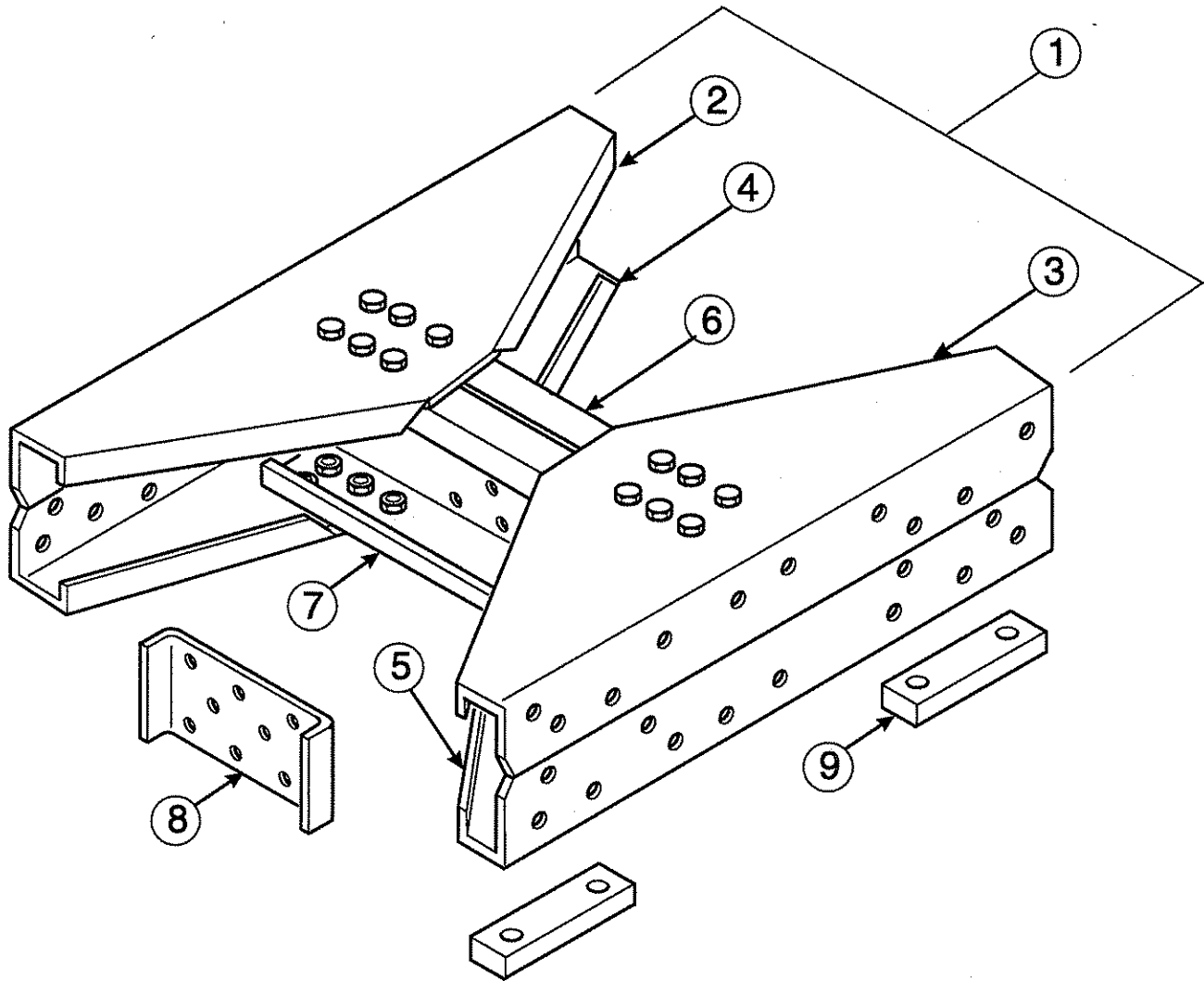
2088-538-11

1	Bowtie Crossmember RS Steel (33.0")	41411-3453	1
2	- Gusset, RH	41413-3497	1
3	- Gusset, LH	41413-3496	1
4	- C-Channel, Forward	41402-3536	1
5	- C-Channel, Rear	41402-3540	1
6	Spacer, Torque Rod Bracket	35803-3409	2
7	Spacer, Rear Suspension .75"	35025-3425	4
8	Spacer, .06, RS Crossmember	41405-3449	2
8	Spacer, .12, RS Crossmember	41405-3450	2

2088-538-14

9	Bowtie Crossmember RS Aluminum	41411-3455	1
10	- Gusset, RH	41413-3489	1
11	- Gusset, LH	41413-3488	1
12	- C-Channel, Forward	41402-3583	1
13	- C-Channel, Rear	41402-3584	1
6	Spacer, Torque Rod Bracket	35803-3429	2
7	Spacer, Rear Suspension .75"	35025-3425	4

Specific BOMs listed: 2088-538-11, 2088-538-14



REAR SUSPENSION CROSSMEMBERS - HENDRICKSON

REAR SUSPENSION CROSSMEMBERS - HENDRICKSON RT2, RS-520 HEAVY DUTY

2088-539-00 & 2088-547-00

1	Bowtie Crossmember RS Steel (32.75")	41421-3410	1
2	- Gusset, RH Upper	41423-3494	1
3	- Gusset, LH Upper	41423-3493	1
4	- Gusset, RH Lower	41423-3498	1
5	- Gusset, LH Lower	41423-3497	1
6	- C-Channel, Forward	41414-3435	1
7	- C-Channel, Rear	41414-3436	1
8	Spacer, Torque Rod Bracket	35803-3409	2
9	Spacer, Rear Suspension	35025-3424	4

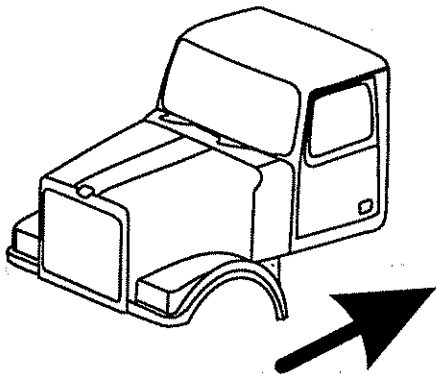
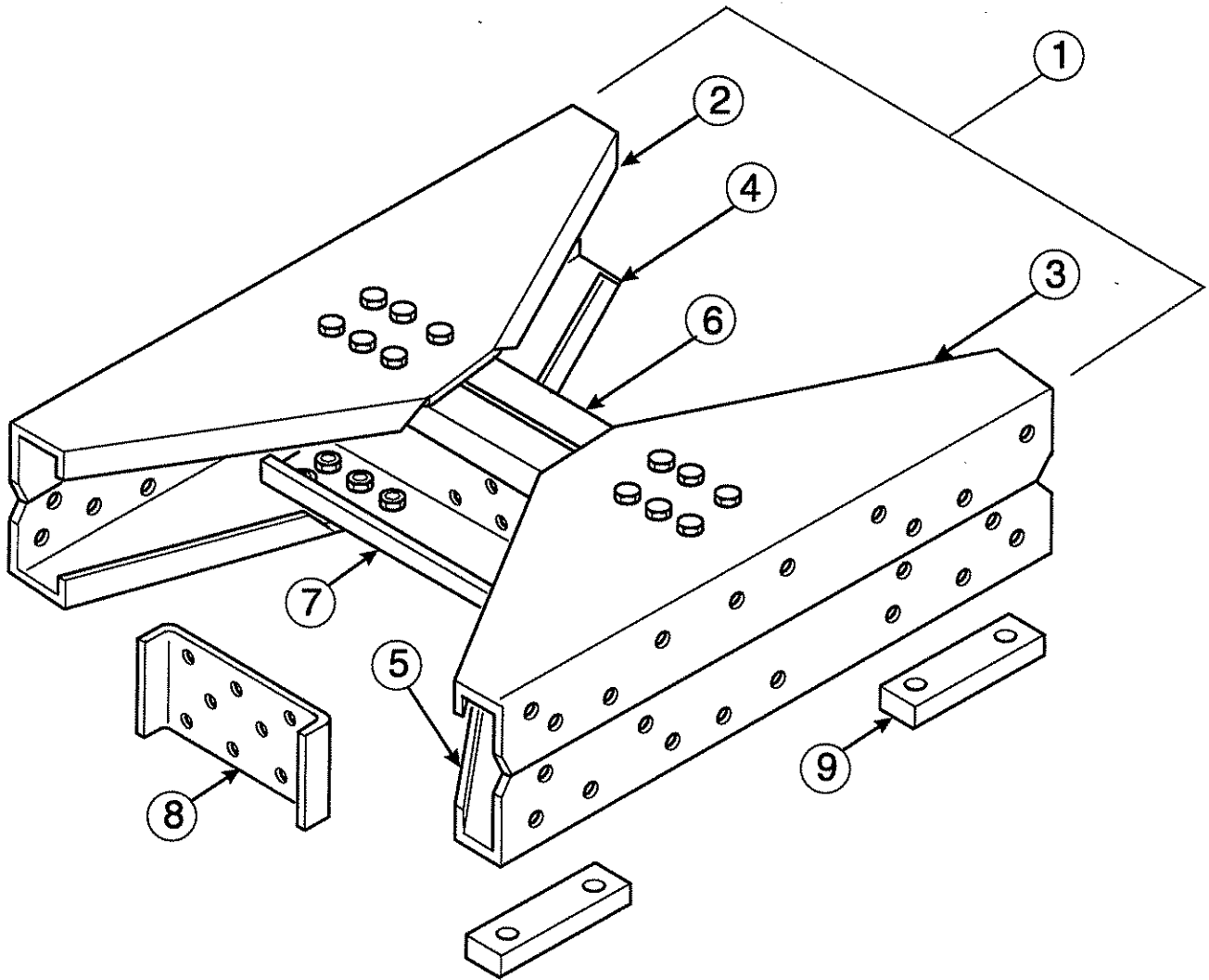
2088-539-01

1	Bowtie Crossmember RS Steel (32.50")	41421-3409	1
2	- Gusset, RH Upper	41423-3492	1
3	- Gusset, LH Upper	41423-3491	1
4	- Gusset, RH Lower	41423-3496	1
5	- Gusset, LH Lower	41423-3495	1
6	- C-Channel, Forward	41414-3435	1
7	- C-Channel, Rear	41414-3436	1
8	Spacer, Torque Rod Bracket	35803-3409	2
9	Spacer, Rear Suspension	35025-3424	4

2088-539-02

1	Bowtie Crossmember RS Steel (32.75")	41421-3408	1
2	- Gusset, RH Upper	41423-3486	1
3	- Gusset, LH Upper	41423-3485	1
4	- Gusset, RH Lower	41423-3490	1
5	- Gusset, LH Lower	41423-3489	1
6	- C-Channel, Forward	41414-3435	1
7	- C-Channel, Rear	41414-3436	1
8	Spacer, Torque Rod Bracket	35803-3409	2
9	Spacer, Rear Suspension	35025-3424	4

Specific BOMs listed: 2088-539-00/02, 2088-547-00



REAR SUSPENSION CROSSMEMBERS - HENDRICKSON

REAR SUSPENSION CROSSMEMBERS - HENDRICKSON RT2, RS-520 HEAVY DUTY

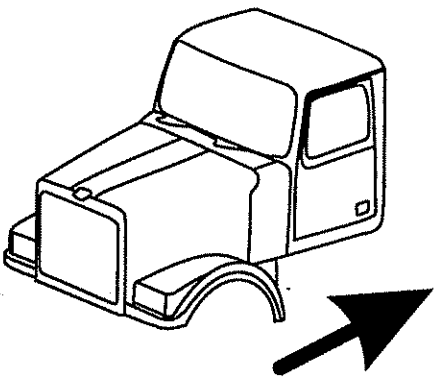
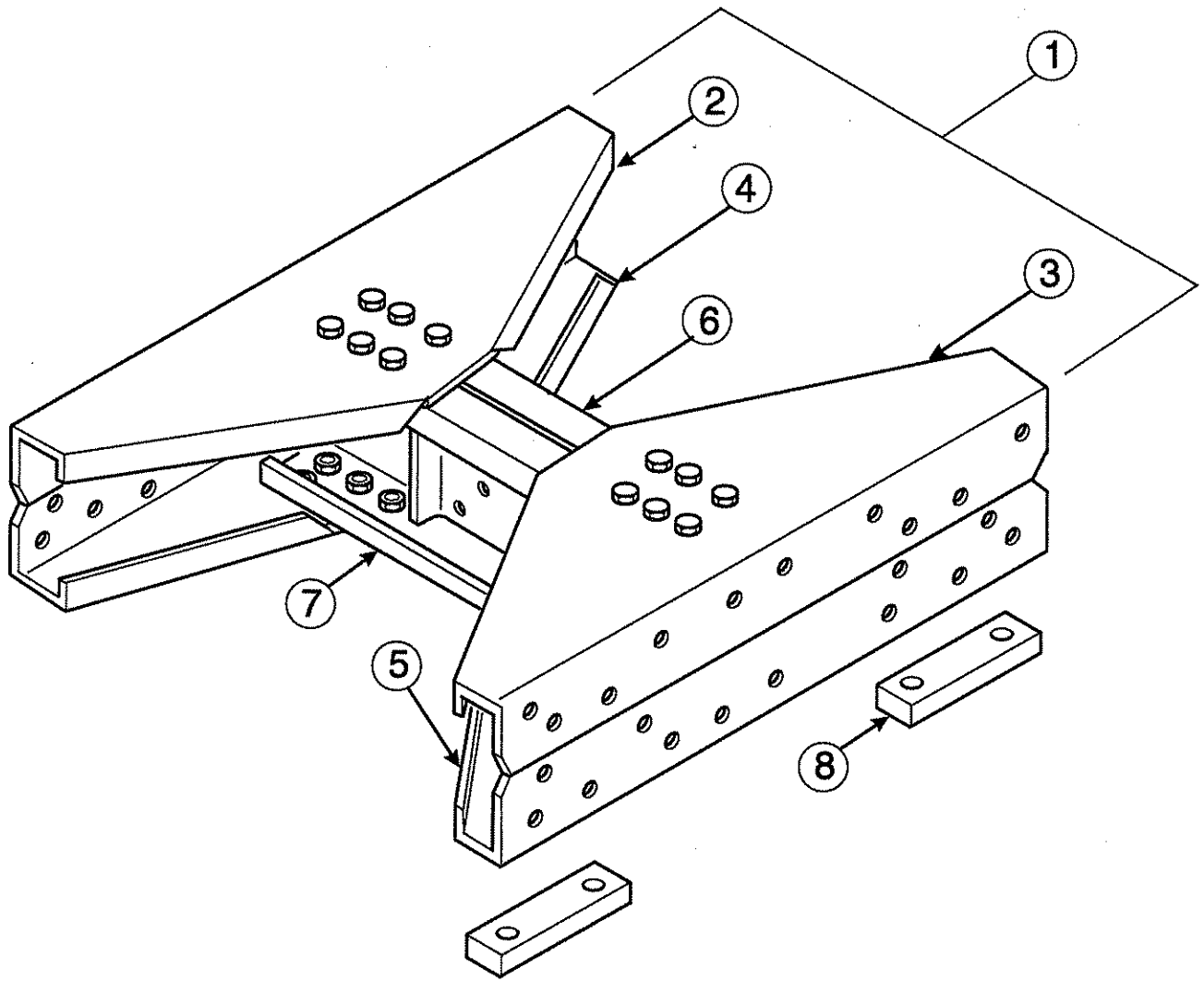
2088-539-03

1	Bowtie Crossmember RS Steel (32.50")	41421-3407	1
2	- Gusset, RH Upper	41423-3484	1
3	- Gusset, LH Upper	41423-3483	1
4	- Gusset, RH Lower	41423-3488	1
5	- Gusset, LH Lower	41423-3487	1
6	- C-Channel, Forward	41414-3435	1
7	- C-Channel, Rear	41414-3436	1
8	Spacer, Torque Rod Bracket	35803-3409	2
9	Spacer, Rear Suspension	35025-3425	4

2088-539-04

1	Bowtie Crossmember RS Steel (32.87")	41421-3433	1
2	- Gusset, RH Upper	41423-3529	1
3	- Gusset, LH Upper	41423-3528	1
4	- Gusset, RH Lower	41423-3531	1
5	- Gusset, LH Lower	41423-3530	1
6	- C-Channel, Forward	41414-3435	1
7	- C-Channel, Rear	41414-3436	1
8	Spacer, Torque Rod Bracket	35803-3409	2
9	Spacer, Rear Suspension	35025-3425	4

Specific BOMs listed: 2088-539-02/03



REAR SUSPENSION CROSSMEMBERS - HENDRICKSON

REAR SUSPENSION CROSSMEMBERS - HENDRICKSON R, RS, RT-650 HEAVY DUTY

2088-515-00

1	Bowtie Crossmember RS650	41411-3435	1
2	- Gusset, RH Upper	41413-3473	1
3	- Gusset, LH Upper	41413-3472	1
4	- Gusset, RH Lower	41413-3477	1
5	- Gusset, LH Lower	41413-3476	1
6	- C-Channel, Forward	41402-3559	1
7	- C-Channel, Rear	41402-3559	1
8	Spacer, Rear Suspension	35025-3436	4

2088-515-01

1	Bowtie Crossmember RT650	41411-3433	1
2	- Gusset, RH Upper	41413-3473	1
3	- Gusset, LH Upper	41413-3472	1
4	- Gusset, RH Lower	41413-3475	1
5	- Gusset, LH Lower	41413-3474	1
6	- C-Channel, Forward	41402-3559	1
7	- C-Channel, Rear	41402-3559	1
8	Spacer, Rear Suspension	35025-3432	4

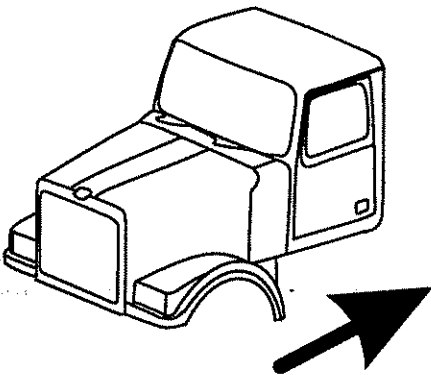
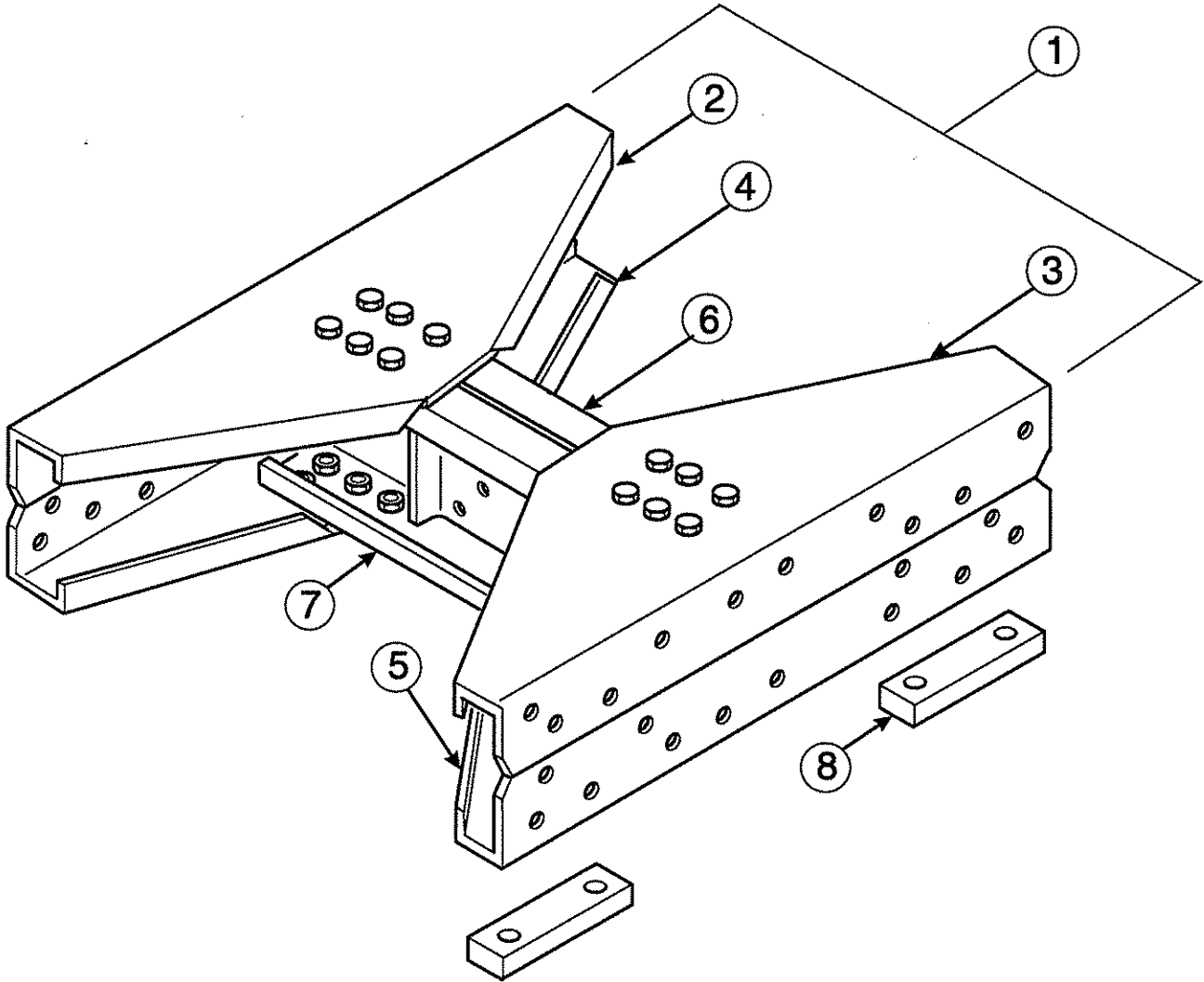
2088-515-02

1	Bowtie Crossmember RS650	41411-3434	1
2	- Gusset, RH Upper	41413-3473	1
3	- Gusset, LH Upper	41413-3472	1
4	- Gusset, RH Lower	41413-3477	1
5	- Gusset, LH Lower	41413-3476	1
6	- C-Channel, Forward	41402-3558	1
7	- C-Channel, Rear	41402-3558	1
8	Spacer, Rear Suspension	35025-3436	4

2088-515-03

1	Bowtie Crossmember RT650	41411-3432	1
2	- Gusset, RH Upper	41413-3473	1
3	- Gusset, LH Upper	41413-3472	1
4	- Gusset, RH Lower	41413-3475	1
5	- Gusset, LH Lower	41413-3474	1
6	- C-Channel, Forward	41402-3558	1
7	- C-Channel, Rear	41402-3558	1
8	Spacer, Rear Suspension	35025-3432	4

Specific BOMs listed: 2088-515-00/03



REAR SUSPENSION CROSSMEMBERS - HENDRICKSON

REAR SUSPENSION CROSSMEMBERS - HENDRICKSON R, RS, RT-650 HEAVY DUTY

2088-515-08

1	Bowtie Crossmember RS650	41411-3472	1
2	- Gusset, RH Upper	41413-3473	1
3	- Gusset, LH Upper	41413-3472	1
4	- Gusset, RH Lower	41413-3477	1
5	- Gusset, LH Lower	41413-3476	1
6	- C-Channel, Forward	41402-3585	1
7	- C-Channel, Rear	41402-3585	1
8	Spacer, Rear Suspension	35025-3437	4

2088-515-09

1	Bowtie Crossmember RT650	41411-3447	1
2	- Gusset, RH Upper	41413-3473	1
3	- Gusset, LH Upper	41413-3472	1
4	- Gusset, RH Lower	41413-3475	1
5	- Gusset, LH Lower	41413-3474	1
6	- C-Channel, Forward	41402-3575	1
7	- C-Channel, Rear	41402-3575	1
8	Spacer, Rear Suspension	35025-3431	4

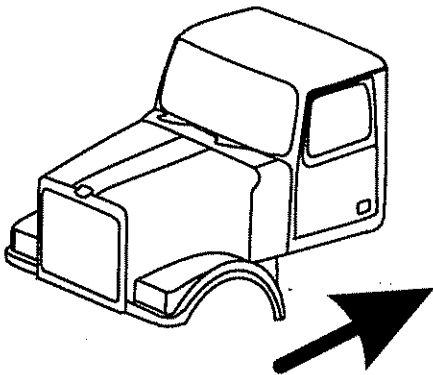
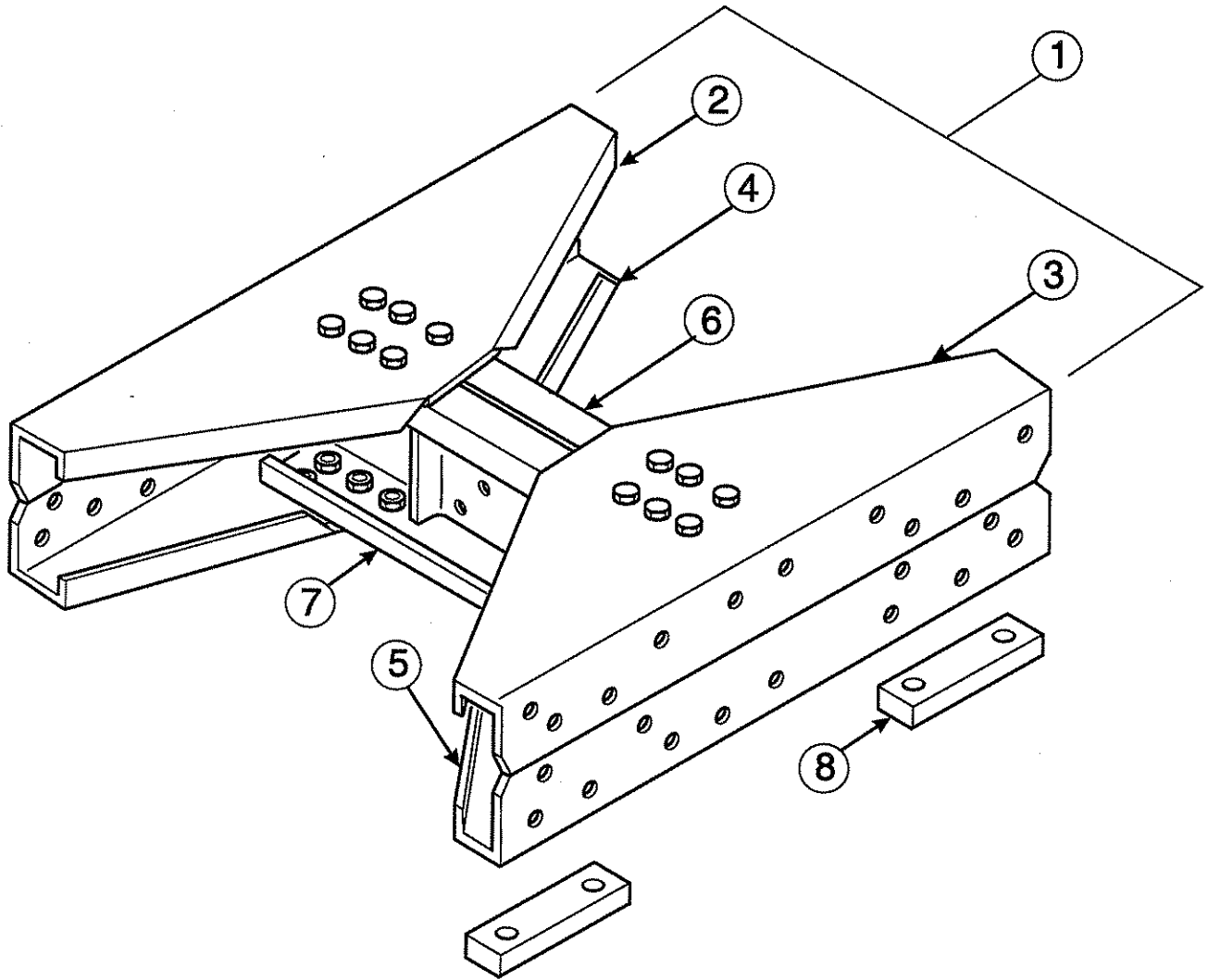
2088-515-10

1	Bowtie Crossmember RT650	41421-3426	1
2	- Gusset, RH Upper	41413-3473	1
3	- Gusset, LH Upper	41413-3472	1
4	- Gusset, RH Lower	41413-3475	1
5	- Gusset, LH Lower	41413-3474	1
6	- C-Channel, Forward	41402-3585	1
7	- C-Channel, Rear	41402-3585	1
8	Spacer, Rear Suspension	35025-3431	4

2088-515-11

1	Bowtie Crossmember RS650	41411-3448	1
2	- Gusset, RH Upper	41413-3473	1
3	- Gusset, LH Upper	41413-3472	1
4	- Gusset, RH Lower	41413-3477	1
5	- Gusset, LH Lower	41413-3476	1
6	- C-Channel, Forward	41402-3575	1
7	- C-Channel, Rear	41402-3575	1
8	Spacer, Rear Suspension	35025-3437	4

Specific BOMs listed: 2088-515-08/11



REAR SUSPENSION CROSSMEMBERS - HENDRICKSON

REAR SUSPENSION CROSSMEMBERS - HENDRICKSON R, RS, RT-650 HEAVY DUTY

2088-515-12

1	Bowtie Crossmember RS650	41411-3435	1
2	- Gusset, RH Upper	41413-3473	1
3	- Gusset, LH Upper	41413-3472	1
4	- Gusset, RH Lower	41413-3477	1
5	- Gusset, LH Lower	41413-3476	1
6	- C-Channel, Forward	41402-3559	1
7	- C-Channel, Rear	41402-3559	1
8	Spacer, Rear Suspension	35025-3436	4

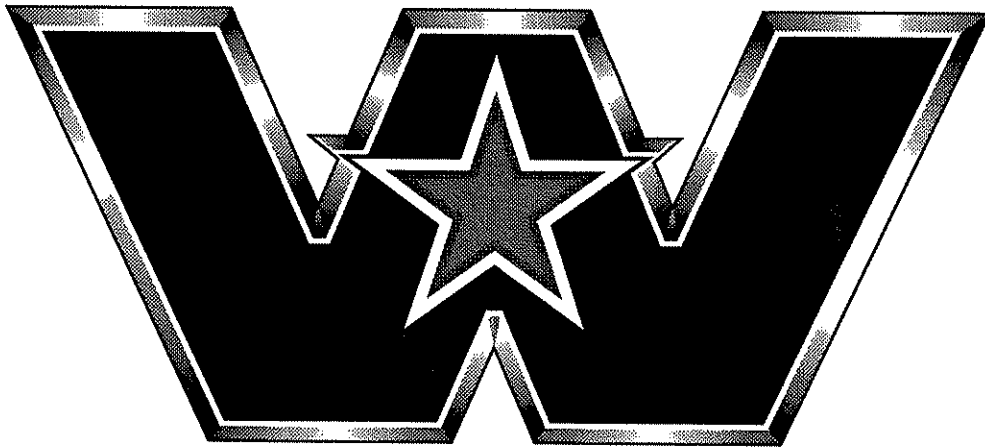
2088-515-13

1	Bowtie Crossmember RT650	41411-3433	1
2	- Gusset, RH Upper	41413-3473	1
3	- Gusset, LH Upper	41413-3472	1
4	- Gusset, RH Lower	41413-3475	1
5	- Gusset, LH Lower	41413-3474	1
6	- C-Channel, Forward	41402-3559	1
7	- C-Channel, Rear	41402-3559	1
8	Spacer, Rear Suspension	35025-3432	4

2088-515-14

1	Bowtie Crossmember RT650	41411-3434	1
2	- Gusset, RH Upper	41413-3473	1
3	- Gusset, LH Upper	41413-3472	1
4	- Gusset, RH Lower	41413-3477	1
5	- Gusset, LH Lower	41413-3476	1
6	- C-Channel, Forward	41402-3558	1
7	- C-Channel, Rear	41402-3558	1
8	Spacer, Rear Suspension	35025-3432	4

Specific BOMs listed: 2088-515-00/02

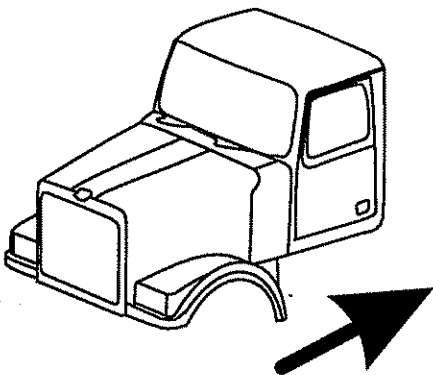
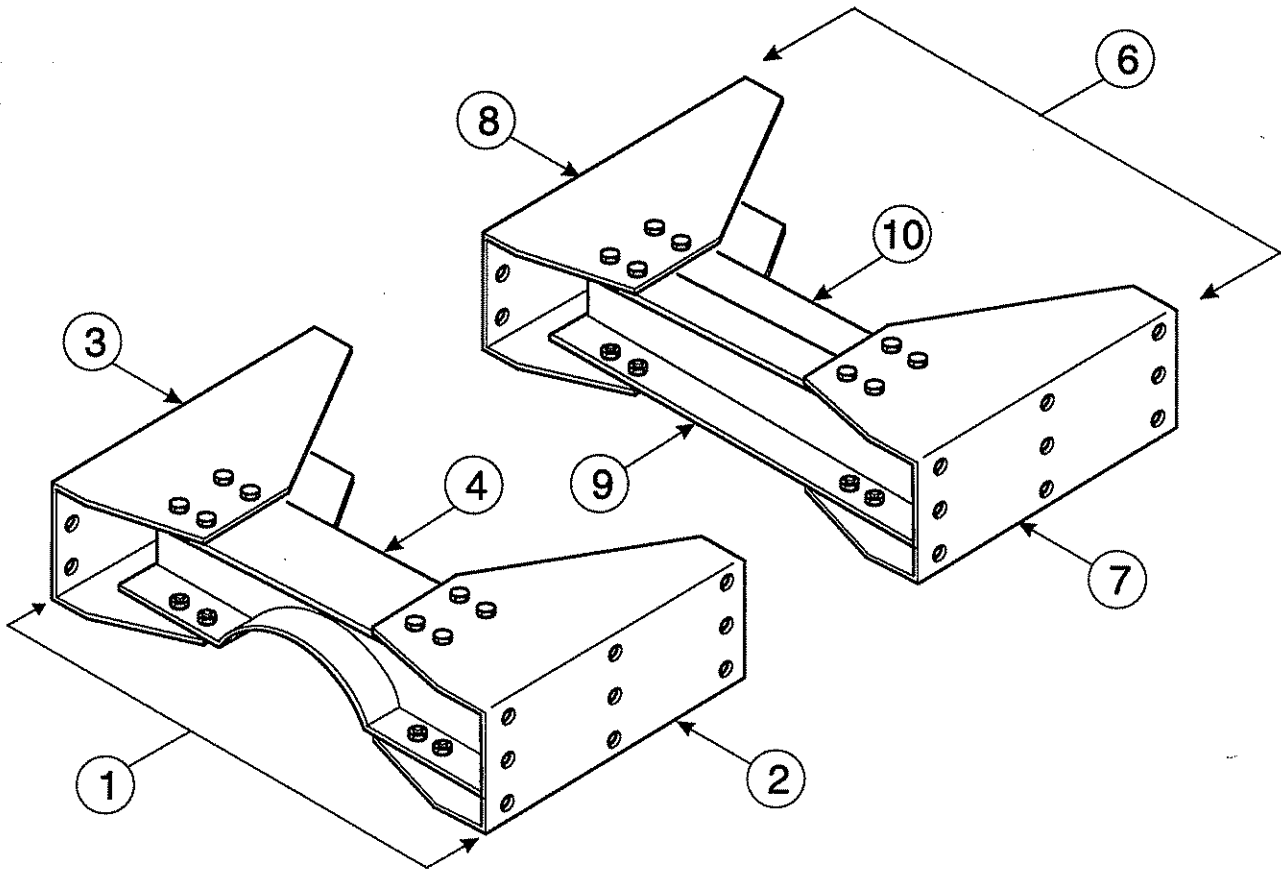


WESTERN STAR TRUCKS®
The Preferred Choice™

TABLE OF CONTENTS

	Page
Rear Suspension Crossmembers, Neway AD-246.....	2-9
Rear Suspension Crossmembers, Neway AB-240	10-13

Note: This publication is a generic parts book. Components may vary with different applications. For applications other than listed at the bottom of the page, see the appropriate Bill of Material by truck serial number, and use this publication as a guide only.



REAR SUSPENSION CROSSMEMBERS - NEWAY

REAR SUSPENSION CROSSMEMBERS - NEWAY AD-246

2088-531-00

1	Assy Forward Bowtie 33.00"	41411-3571	1
2	- Gusset, LH	41423-3413	1
3	- Gusset, RH	41423-3414	1
4	- I-Beam	41414-3430	1
6	Assy Rear Bowtie 33.00"	41421-3449	1
7	- Gusset, LH	41423-3427	1
8	- Gusset, RH	41423-3428	1
9	- C-Channel, Forward	41414-3457	1
10	- C-Channel, Rear	41414-3431	1

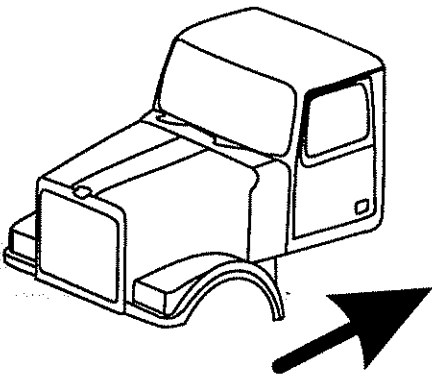
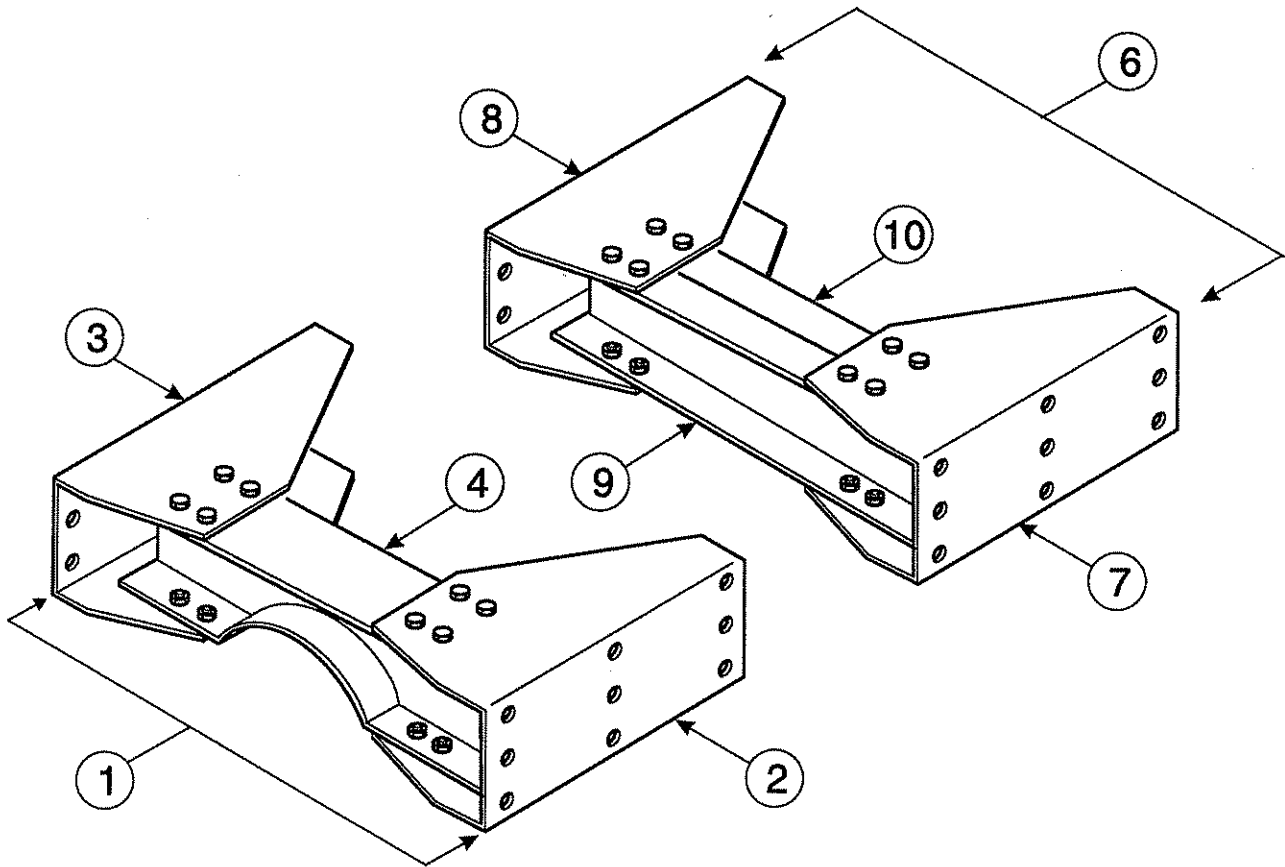
2088-531-01

1	Assy Forward Bowtie 32.88"	41411-3570	1
2	- Gusset, LH	41423-3411	1
3	- Gusset, RH	41423-3412	1
4	- I-Beam	41414-3430	1
6	Assy Rear Bowtie 32.88"	41421-3448	1
7	- Gusset, LH	41423-3425	1
8	- Gusset, RH	41423-3426	1
9	- C-Channel, Forward	41414-3457	1
10	- C-Channel, Rear	41414-3431	1

2088-531-02

1	Assy Forward Bowtie 32.75"	41411-3569	1
2	- Gusset, LH	41423-3409	1
3	- Gusset, RH	41423-3410	1
4	- I-Beam	41414-3430	1
6	Assy Rear Bowtie 32.75"	41421-3447	1
7	- Gusset, LH	41423-3423	1
8	- Gusset, RH	41423-3424	1
9	- C-Channel, Forward	41414-3457	1
10	- C-Channel, Rear	41414-3431	1

Specific BOMs listed: 2088-531-00/02



REAR SUSPENSION CROSSMEMBERS - NEWAY

REAR SUSPENSION CROSSMEMBERS - NEWAY AD-246

2088-531-03

1	Assy Forward Bowtie 32.50"	41411-3568	1
2	- Gusset, LH	41423-3407	1
3	- Gusset, RH	41423-3408	1
4	- I-Beam	41414-3430	1
6	Assy Rear Bowtie 32.50"	41421-3446	1
7	- Gusset, LH	41423-3421	1
8	- Gusset, RH	41423-3422	1
9	- C-Channel, Forward	41414-3457	1
10	- C-Channel, Rear	41414-3431	1

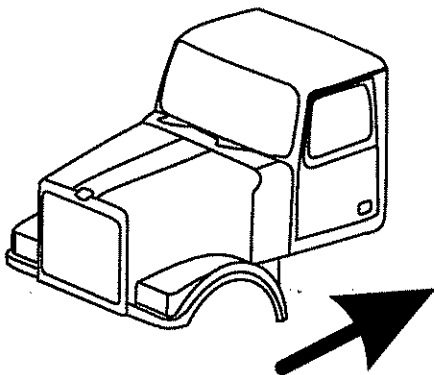
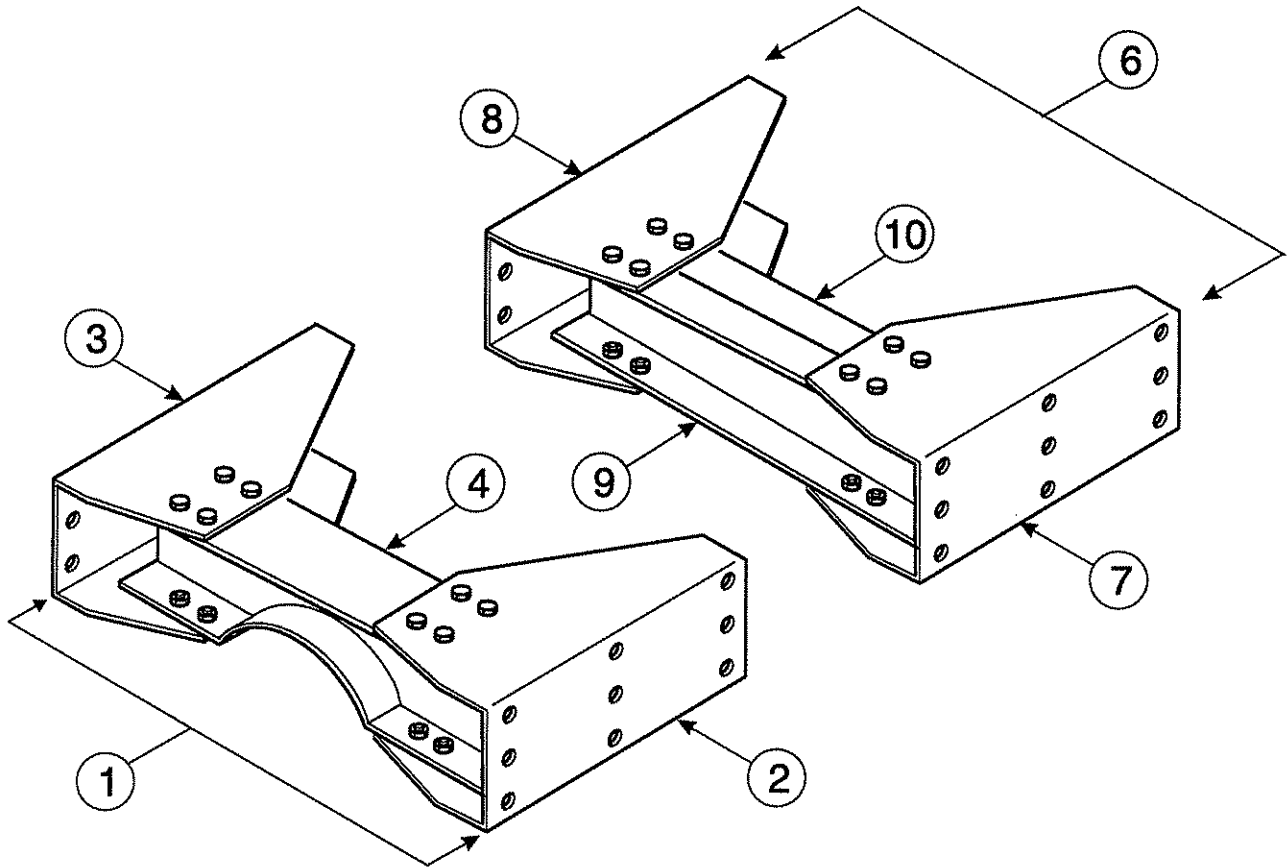
2088-531-04

1	Assy Forward Bowtie 32.75"	41421-3415	1
2	- Gusset, LH	41423-3423	1
3	- Gusset, RH	41423-3424	1
4	- I-Beam	41414-3430	1
6	Assy Rear Bowtie 32.75"	41421-3447	1
7	- Gusset, LH	41423-3423	1
8	- Gusset, RH	41423-3424	1
9	- C-Channel, Forward	41414-3457	1
10	- C-Channel, Rear	41414-3431	1

2088-531-06

1	Assy Forward Bowtie 32.25"	41421-3444	1
2	- Gusset, LH	41423-3536	1
3	- Gusset, RH	41423-3537	1
4	- I-Beam	41414-3430	1
6	Assy Rear Bowtie 32.25"	41421-3446	1
7	- Gusset, LH	41423-3421	1
8	- Gusset, RH	41423-3422	1
9	- C-Channel, Forward	41414-3457	1
10	- C-Channel, Rear	41414-3431	1

Specific BOMs listed: 2088-531-03/04, 2088-531-06



REAR SUSPENSION CROSSMEMBERS - NEWAY

REAR SUSPENSION CROSSMEMBERS - NEWAY AD-246

2088-531-07

1	Assy Forward Bowtie 32.25"	41421-3444	1
2	- Gusset, LH	41423-3536	1
3	- Gusset, RH	41423-3537	1
4	- I-Beam	41414-3430	1
6	Assy Rear Bowtie 32.75"	41421-3447	1
7	- Gusset, LH	41423-3423	1
8	- Gusset, RH	41423-3424	1
9	- C-Channel, Forward	41414-3457	1
10	- C-Channel, Rear	41414-3431	1

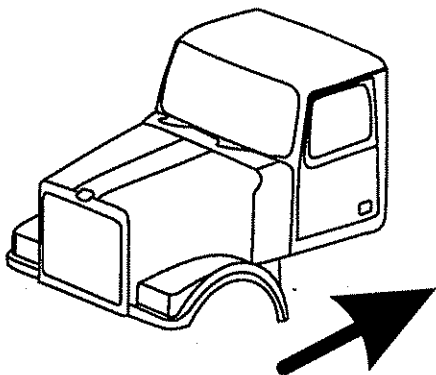
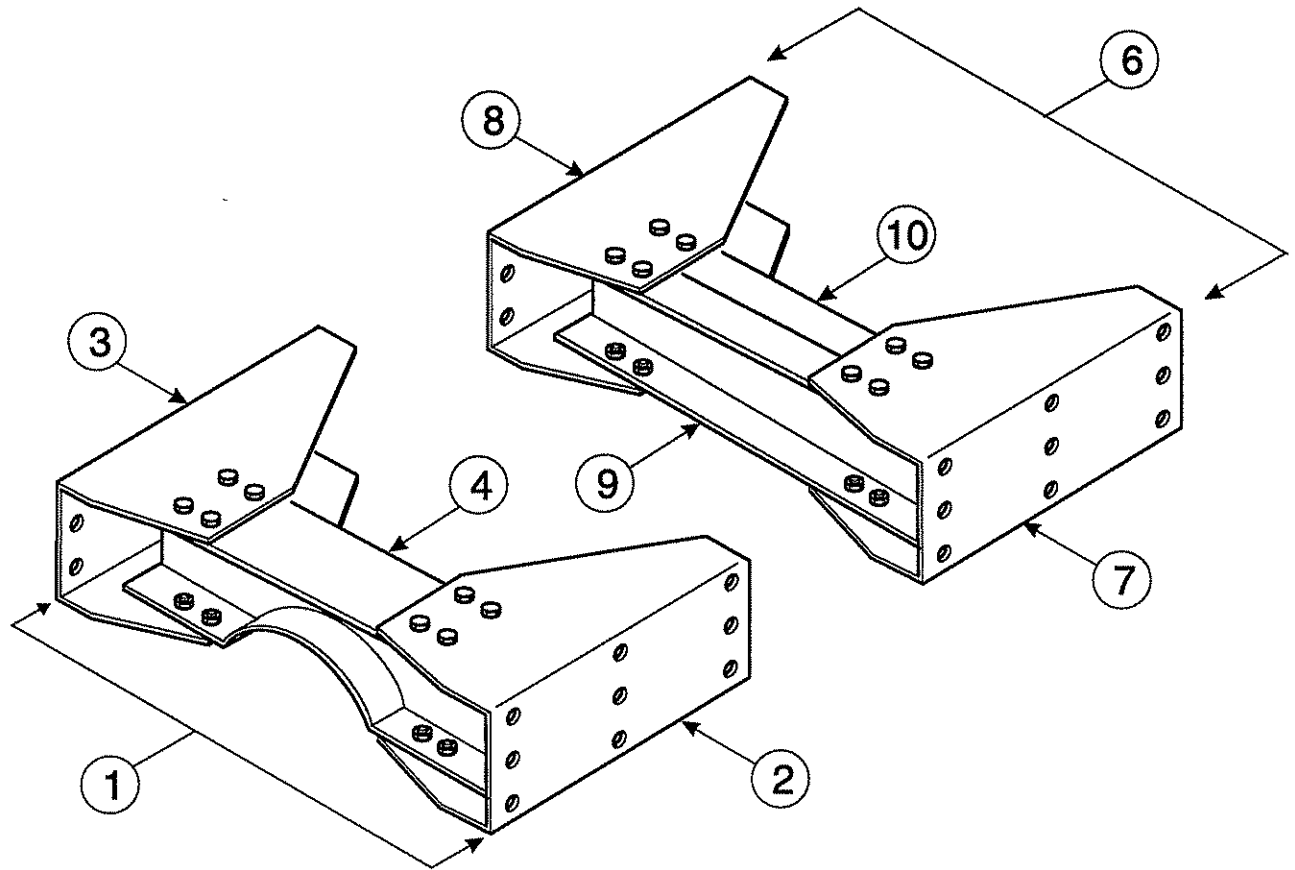
2088-531-08

1	Assy Forward Bowtie 32.75"	41421-3414	1
2	- Gusset, LH	41423-3421	1
3	- Gusset, RH	41423-3422	1
4	- I-Beam	41414-3430	1
6	Assy Rear Bowtie 32.25"	41421-3446	1
7	- Gusset, LH	41423-3421	1
8	- Gusset, RH	41423-3422	1
9	- C-Channel, Forward	41414-3457	1
10	- C-Channel, Rear	41414-3431	1

2088-532-00

1	Assy Forward Bowtie 33.50"	41411-3574	1
2	- Gusset, LH	41423-3419	1
3	- Gusset, RH	41423-3420	1
4	- I-Beam	41414-3430	1
6	Assy Rear Bowtie 33.50"	41421-3452	1
7	- Gusset, LH	41423-3433	1
8	- Gusset, RH	41423-3434	1
9	- C-Channel, Forward	41414-3457	1
10	- C-Channel, Rear	41414-3431	1

Specific BOMs listed: 2088-531-07/08, 2088-532-00



REAR SUSPENSION CROSSMEMBERS - NEWAY

REAR SUSPENSION CROSSMEMBERS - NEWAY AD-246

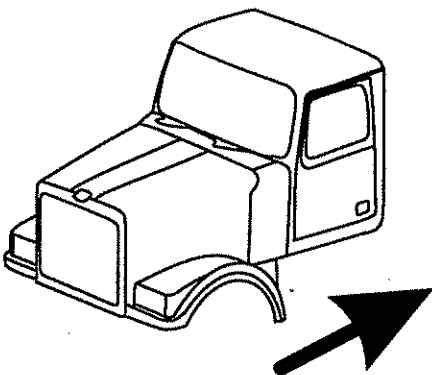
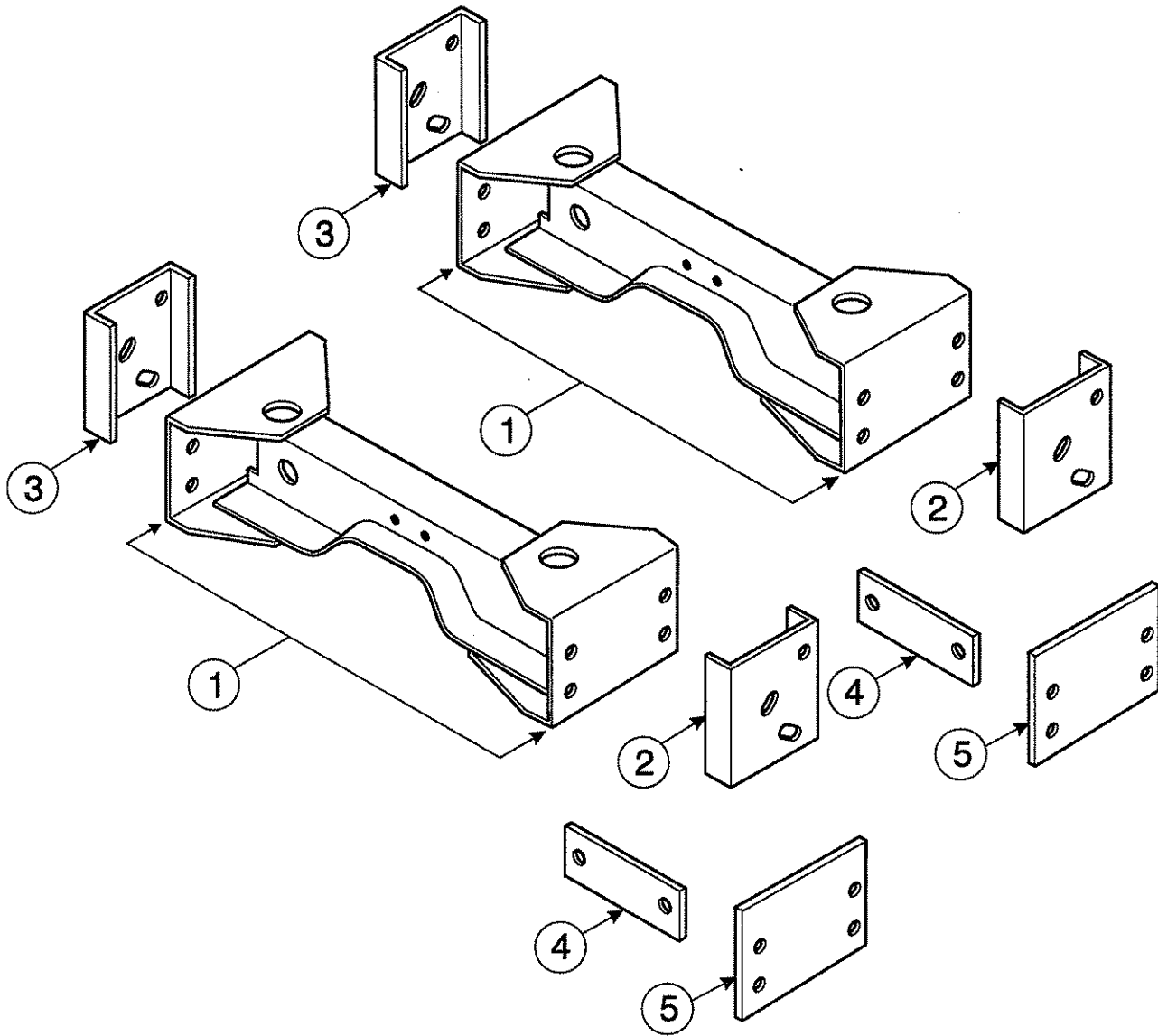
2088-532-01

1	Assy Forward Bowtie 33.50"	41411-3573	1
2	- Gusset, LH	41423-3417	1
3	- Gusset, RH	41423-3418	1
4	- I-Beam	41414-3430	1
6	Assy Rear Bowtie 33.50"	41421-3451	1
7	- Gusset, LH	41423-3431	1
8	- Gusset, RH	41423-3432	1
9	- C-Channel, Forward	41414-3457	1
10	- C-Channel, Rear	41414-3431	1

2088-532-02

1	Assy Forward Bowtie 33.50"	41411-3572	1
2	- Gusset, LH	41423-3415	1
3	- Gusset, RH	41423-3416	1
4	- I-Beam	41414-3430	1
6	Assy Rear Bowtie 33.50"	41421-3450	1
7	- Gusset, LH	41423-3429	1
8	- Gusset, RH	41423-3430	1
9	- C-Channel, Forward	41414-3457	1
10	- C-Channel, Rear	41414-3431	1

Specific BOMs listed: 2088-538-00/03



REAR SUSPENSION CROSSMEMBERS - NEWAY

REAR SUSPENSION CROSSMEMBERS - NEWAY AB-240

2088-521-20

1	Assy Neway Crossmember 33.25"	41411-3574	2
-	- I Beam	41414-3430	1
-	- Gusset, LH	41423-3419	1
-	- Gusset, RH	41423-3420	1
2	Reinforcing, Panhard Rod LH	35803-3424	1
3	Reinforcing, Panhard Rod RH	35803-3423	1
4	Spacer, 1/8" Panhard Rod	35803-3422	6
5	Spacer, .12, Crossmember	41405-3452	4

2088-521-21

1	Assy Neway Crossmember 33.25"	41411-3574	2
-	- I Beam	41414-3430	1
-	- Gusset, LH	41423-3419	1
-	- Gusset, RH	41423-3420	1
4	Spacer, 1/8" Panhard Rod	35803-3422	10
5	Spacer, .06, Crossmember	41405-3446	4

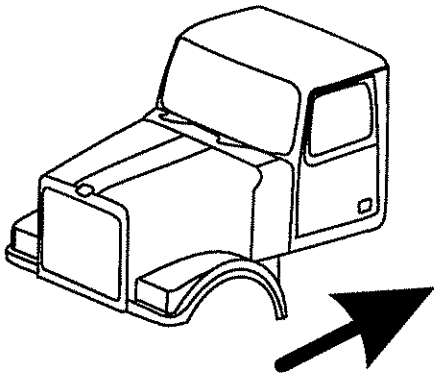
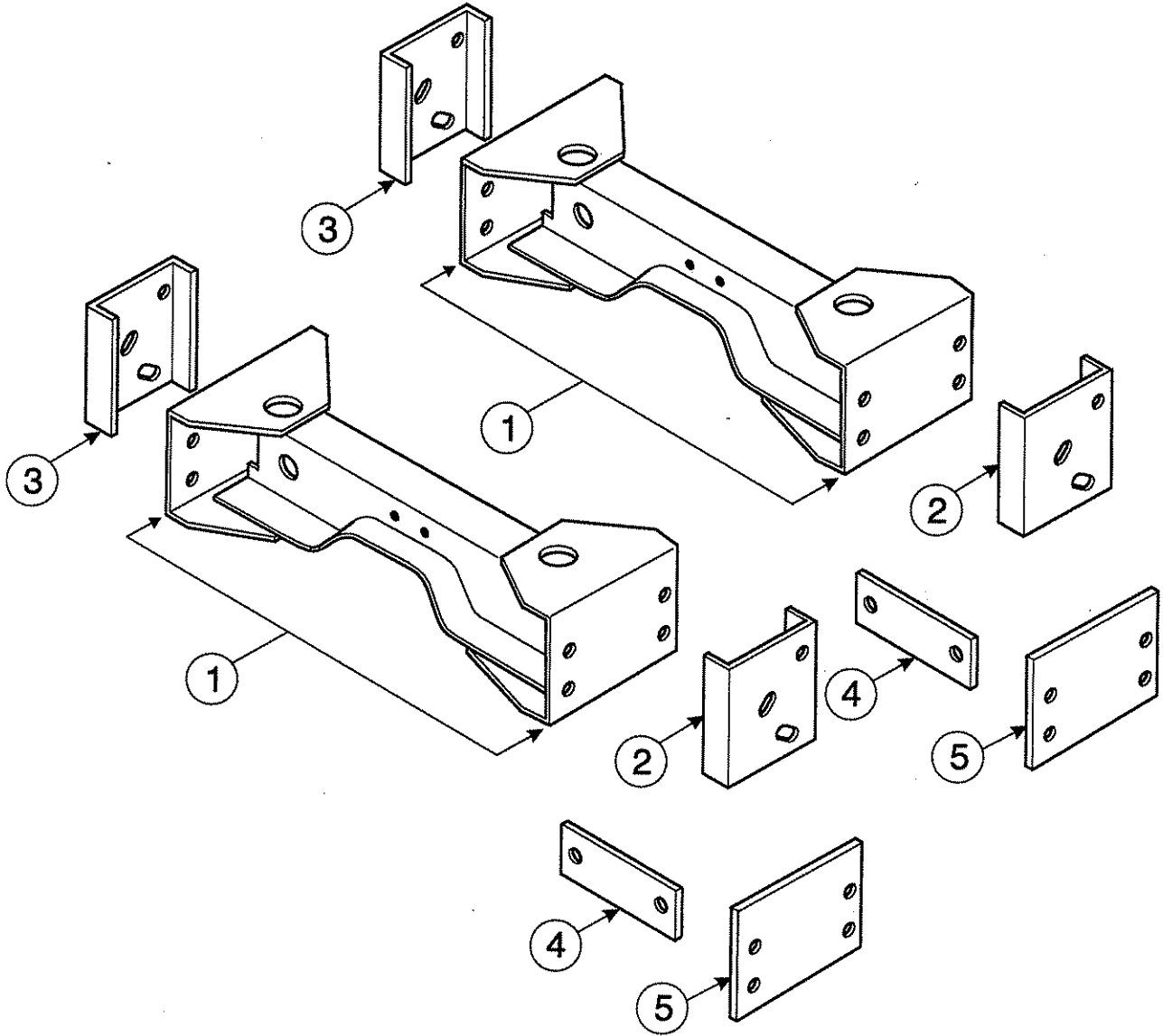
2088-521-22

1	Assy Neway Crossmember 33.25"	41411-3574	2
-	- I Beam	41414-3430	1
-	- Gusset, LH	41423-3419	1
-	- Gusset, RH	41423-3420	1
4	Spacer, 1/8" Panhard Rod	35803-3422	8

2088-521-23

1	Assy Neway Crossmember 33.25"	41411-3574	2
-	- I Beam	41414-3430	1
-	- Gusset, LH	41423-3419	1
-	- Gusset, RH	41423-3420	1
2	Reinforcing, Panhard Rod LH	35803-3424	1
3	Reinforcing, Panhard Rod RH	35803-3423	1
4	Spacer, 1/8" Panhard Rod	35803-3422	6
5	Spacer, .12, Crossmember	41405-3452	4

Specific BOMs listed: 2088-521-20/23



REAR SUSPENSION CROSSMEMBERS - NEWAY

REAR SUSPENSION CROSSMEMBERS - NEWAY AB-240

2088-521-24

1	Assy Neway Crossmember 32.75"	41411-3573	2
-	- I Beam	41414-3430	1
-	- Gusset, LH	41423-3417	1
-	- Gusset, RH	41423-3418	1
4	Spacer, 1/8" Panhard Rod	35803-3422	6
5	Spacer, .12, Crossmember	41405-3452	4

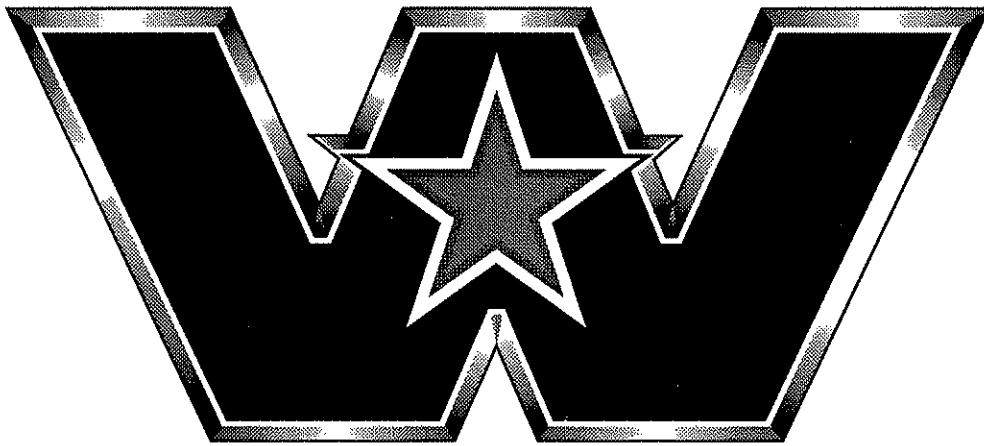
2088-521-25

1	Assy Neway Crossmember 32.75"	41411-3573	2
-	- I Beam	41414-3430	1
-	- Gusset, LH	41423-3417	1
-	- Gusset, RH	41423-3418	1
4	Spacer, 1/8" Panhard Rod	35803-3422	6
5	Spacer, .06, Crossmember	41405-3446	4

2088-521-26

1	Assy Neway Crossmember 32.75"	41411-3573	2
-	- I Beam	41414-3430	1
-	- Gusset, LH	41423-3417	1
-	- Gusset, RH	41423-3418	1
4	Spacer, 1/8" Panhard Rod	35803-3422	4

Specific BOMs listed: 2088-521-24/26



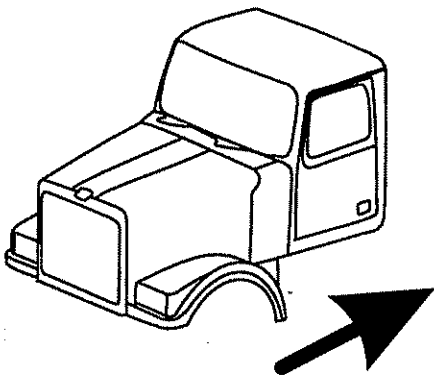
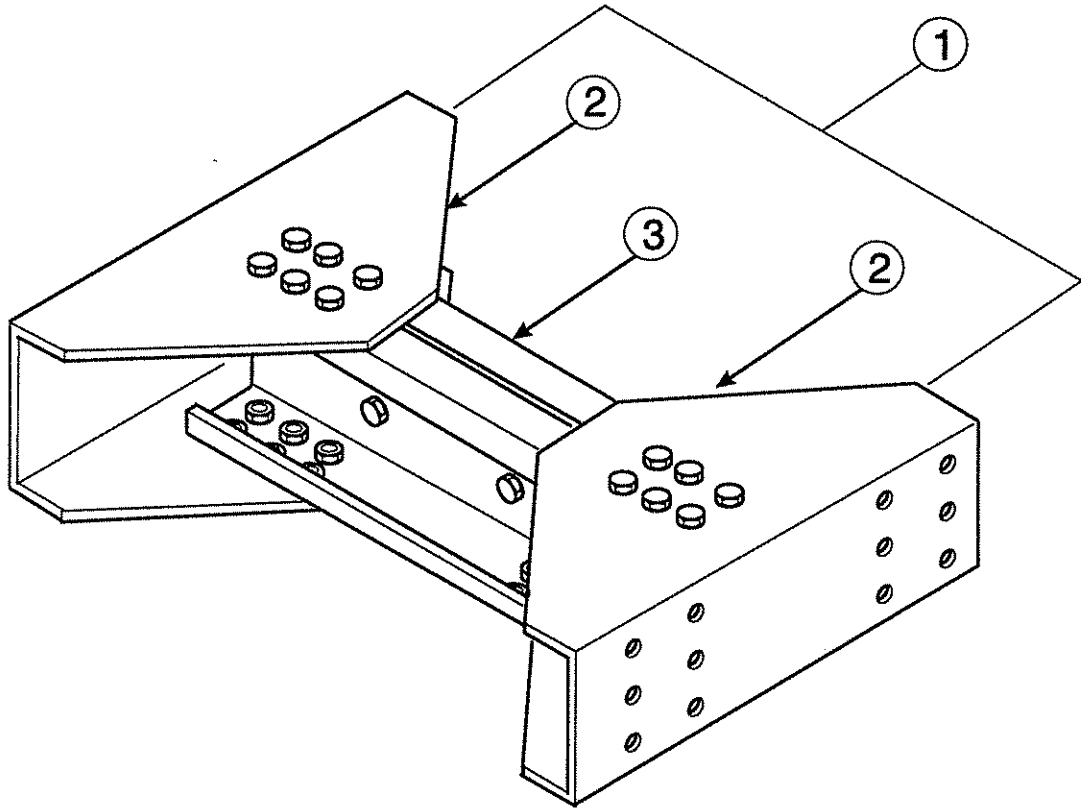
WESTERN STAR TRUCKS®
The Preferred Choice™

REAR SUSPENSION CROSSMEMBERS - CHALMERS & REYCO

TABLE OF CONTENTS

	Page
Rear Suspension Crossmembers, Chalmers	2-11
Rear Suspension Crossmembers, Reyco	10-19

Note: This publication is a generic parts book. Components may vary with different applications. For applications other than listed at the bottom of the page, see the appropriate Bill of Material by truck serial number, and use this publication as a guide only.



REAR SUSPENSION CROSSMEMBERS - CHALMERS & REYCO

REAR SUSPENSION CROSSMEMBERS - CHALMERS

2088-506-30

1	Assy Bowtie, 854-40	41421-3557	1
2	- Gusset, LH/RH	41413-3422	2
3	- C-Channel	41414-3458	2

2088-506-31

1	Assy Bowtie, 854-40	41421-3558	1
2	- Gusset, LH/RH	41413-3594	2
3	- C-Channel	41414-3458	2

2088-506-32

1	Assy Bowtie, 854-40	41421-3559	1
2	- Gusset, LH/RH	41413-3595	2
3	- C-Channel	41414-3458	2

2088-506-33

1	Assy Bowtie, 854-40	41421-3560	1
2	- Gusset, LH/RH	41423-3405	2
3	- C-Channel	41414-3458	2

2088-506-40

1	Assy Bowtie, 854-40	41421-3561	1
2	- Gusset, RH	41413-3573	1
2	- Gusset, LH	41413-3572	1
3	- C-Channel	41414-3459	2

2088-506-41

1	Assy Bowtie, 854-46	41421-3562	1
2	- Gusset, RH	41413-3575	1
2	- Gusset, LH	41413-3574	1
3	- C-Channel	41414-3459	2

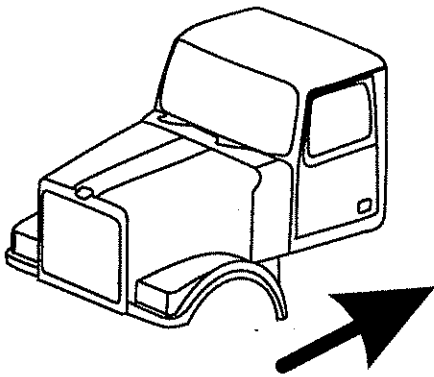
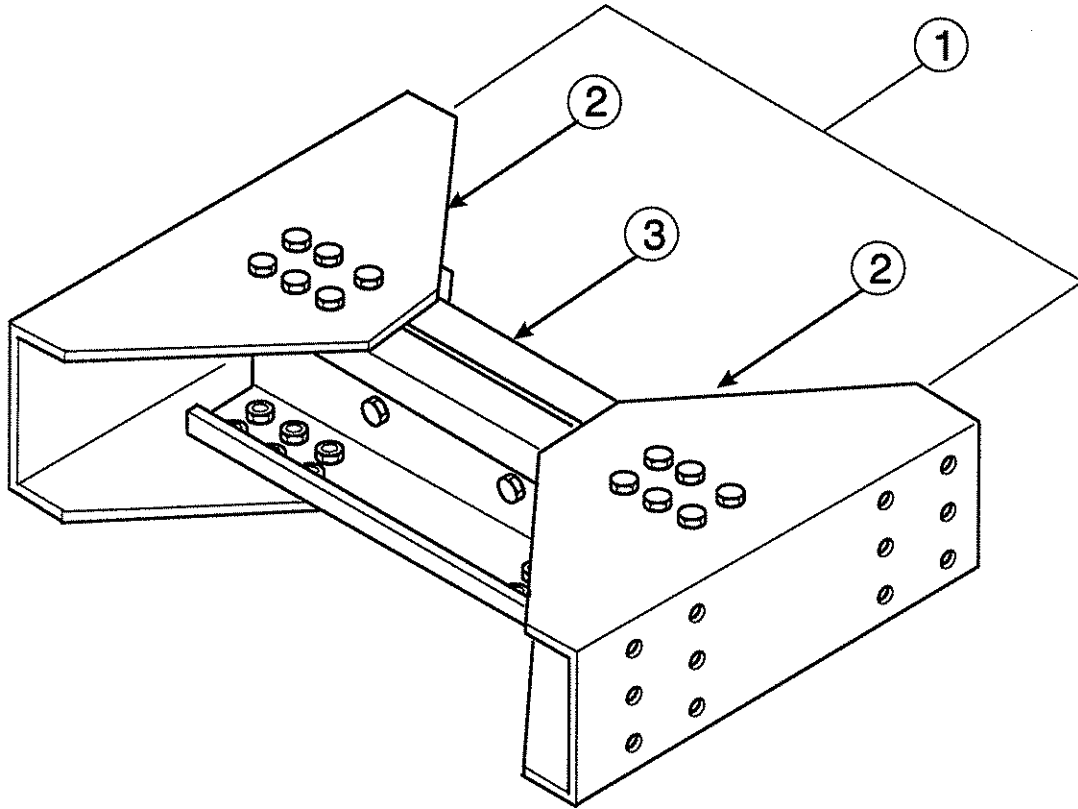
2088-506-42

1	Assy Bowtie, 854-46	41421-3563	1
2	- Gusset, RH	41413-3577	1
2	- Gusset, LH	41413-3576	1
3	- C-Channel	41414-3459	2

2088-506-43

1	Assy Bowtie, 854-46	41421-3562	1
2	- Gusset, RH	41413-3461	1
2	- Gusset, LH	41413-3460	1
3	- C-Channel	41414-3459	2

Specific BOMs listed: 2088-506-30/43



REAR SUSPENSION CROSSMEMBERS - CHALMERS & REYCO

REAR SUSPENSION CROSSMEMBERS - CHALMERS

2088-506-44

1	Assy Bowtie, 854-46	41421-3565	1
2	- Gusset, RH	41413-3563	1
2	- Gusset, LH	41413-3562	1
3	- C-Channel	41414-3459	2

2088-506-45

1	Assy Bowtie, 854-46	41421-3566	1
2	- Gusset, RH	41413-3475	1
2	- Gusset, LH	41413-3474	1
3	- C-Channel	41414-3459	2

2088-506-46

1	Assy Bowtie, 854-46	41421-3566	1
2	- Gusset, RH	41413-3465	1
2	- Gusset, LH	41413-3464	1
3	- C-Channel	41414-3459	2

2088-506-47

1	Assy Bowtie, 854-46	41421-3568	1
2	- Gusset, RH	41413-3569	1
2	- Gusset, LH	41413-3568	1
3	- C-Channel	41414-3459	2

2088-506-48

1	Assy Bowtie, 854-46	41421-3569	1
2	- Gusset, RH	41413-3571	1
2	- Gusset, LH	41413-3570	1
3	- C-Channel	41414-3459	2

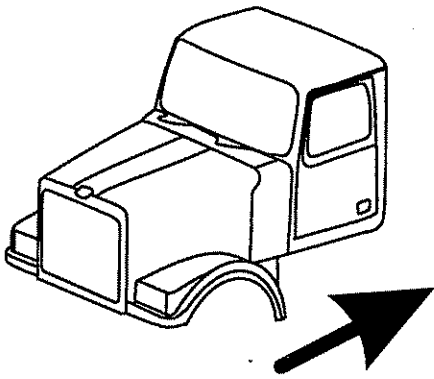
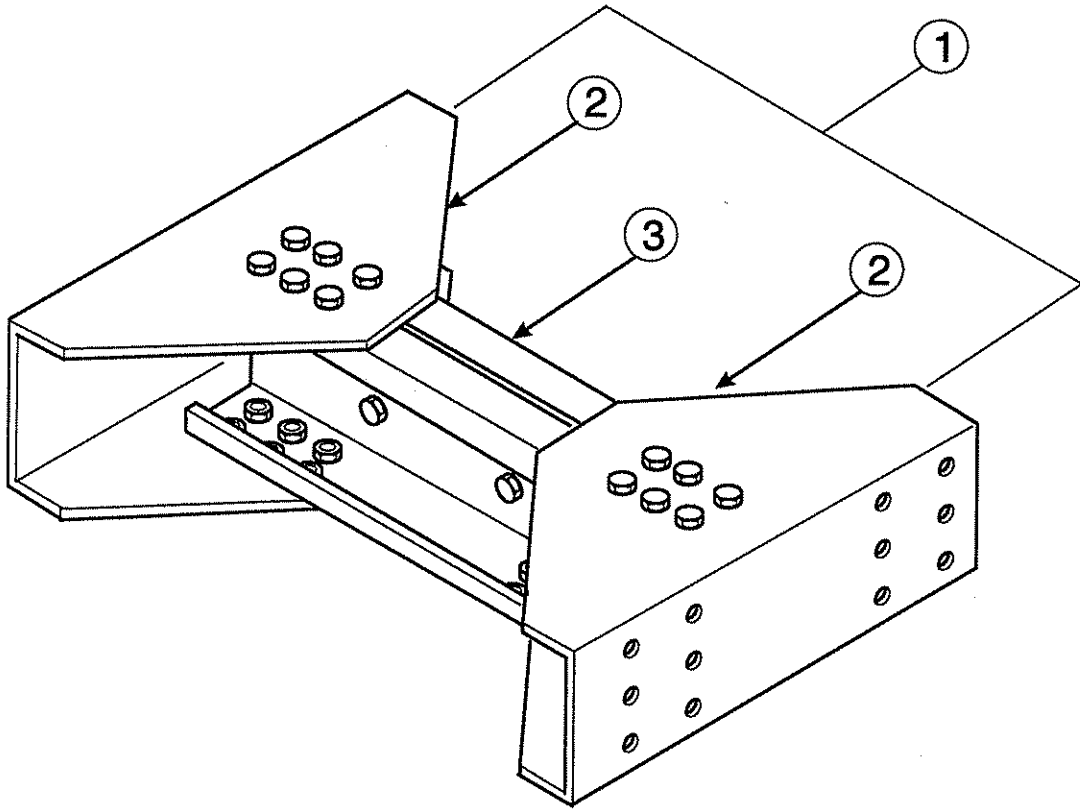
2088-506-49

1	Assy Bowtie, 854-46	41421-3570	1
2	- Gusset, RH	41423-3449	1
2	- Gusset, LH	41423-3448	1
3	- C-Channel	41414-3459	2

2088-506-50

1	Assy Bowtie, 860-46	41421-3572	1
2	- Gusset, RH	41413-3429	1
2	- Gusset, LH	41413-3428	1
3	- C-Channel	41414-3458	2

Specific BOMs listed: 2088-506-44/50



REAR SUSPENSION CROSSMEMBERS - CHALMERS & REYCO

REAR SUSPENSION CROSSMEMBERS - CHALMERS

2088-506-51

1	Assy Bowtie, 860-46	41421-3573	1
2	- Gusset, RH	41413-3579	1
2	- Gusset, LH	41413-3578	1
3	- C-Channel	41414-3458	2

2088-506-52

1	Assy Bowtie, 860-46	41421-3574	1
2	- Gusset, RH	41413-3581	1
2	- Gusset, LH	41413-3580	1
3	- C-Channel	41414-3458	2

2088-506-53

1	Assy Bowtie, 860-46	41421-3578	1
2	- Gusset, RH	41413-3589	1
2	- Gusset, LH	41413-3588	1
3	- C-Channel	41414-3458	2

2088-506-54

1	Assy Bowtie, 860-46	41421-3579	1
2	- Gusset, RH	41413-3591	1
2	- Gusset, LH	41413-3590	1
3	- C-Channel	41414-3458	2

2088-506-55

1	Assy Bowtie, 860-46	41421-3580	1
2	- Gusset, RH	41413-3593	1
2	- Gusset, LH	41413-3592	1
3	- C-Channel	41414-3458	2

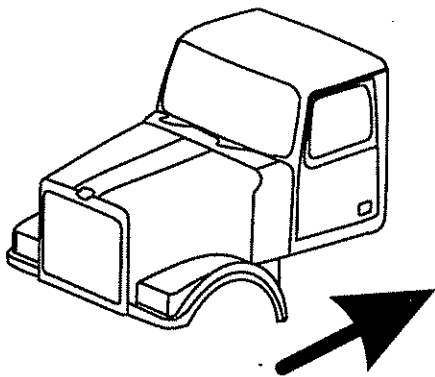
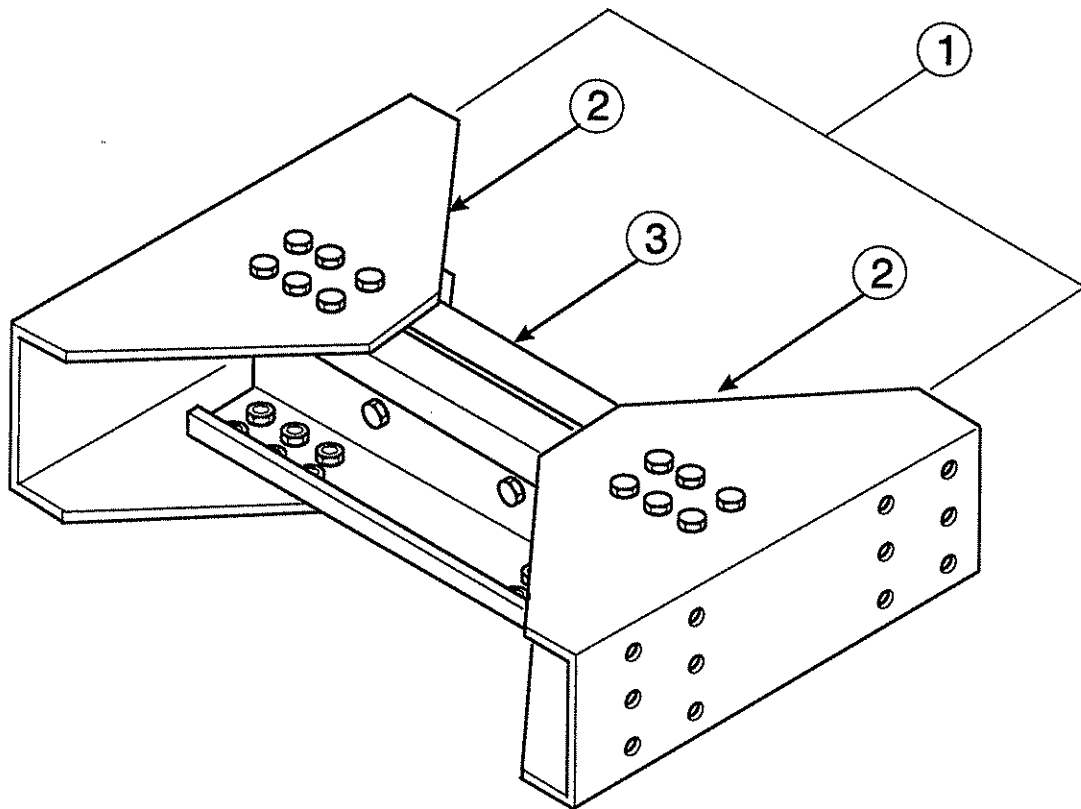
2088-506-56

1	Assy Bowtie, 860-46	41421-3575	1
2	- Gusset, RH	41413-3583	1
2	- Gusset, LH	41413-3582	1
3	- C-Channel	41414-3458	2

2088-506-58

1	Assy Bowtie, 860-46	41421-3577	1
2	- Gusset, RH	41413-3587	1
2	- Gusset, LH	41413-3586	1
3	- C-Channel	41414-3458	2

Specific BOMs listed: 2088-506-51/58



REAR SUSPENSION CROSSMEMBERS - CHALMERS & REYCO

REAR SUSPENSION CROSSMEMBERS - CHALMERS

2088-506-59

1	Assy Bowtie, 860-46	41421-3581	1
2	- Gusset, RH	41413-3438	1
2	- Gusset, LH	41413-3437	1
3	- C-Channel	41414-3458	2

2088-506-60

1	Assy Bowtie, 860-46	41421-3582	1
2	- Gusset, RH	41413-358	1
2	- Gusset, LH	41413-3582	1
3	- C-Channel	41414-3458	2

2088-506-61

1	Assy Bowtie, 872-46	41421-3584	1
2	- Gusset, RH/LH	41423-3467	2
3	- C-Channel	41414-3458	2

2088-506-62

1	Assy Bowtie, 872-46	41421-3583	1
2	- Gusset, RH/LH	41423-3466	2
3	- C-Channel	41414-3458	2

2088-506-70

1	Assy Bowtie, 854-46	41421-3571	1
2	- Gusset, RH	41423-3511	1
2	- Gusset, LH	41423-3510	1
3	- C-Channel	41414-3459	2

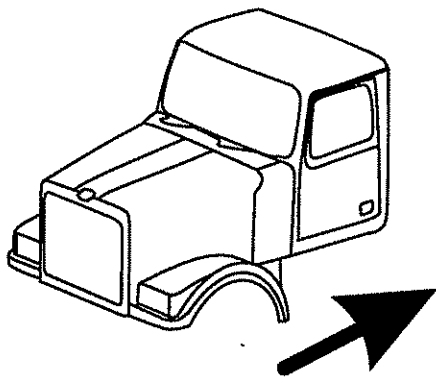
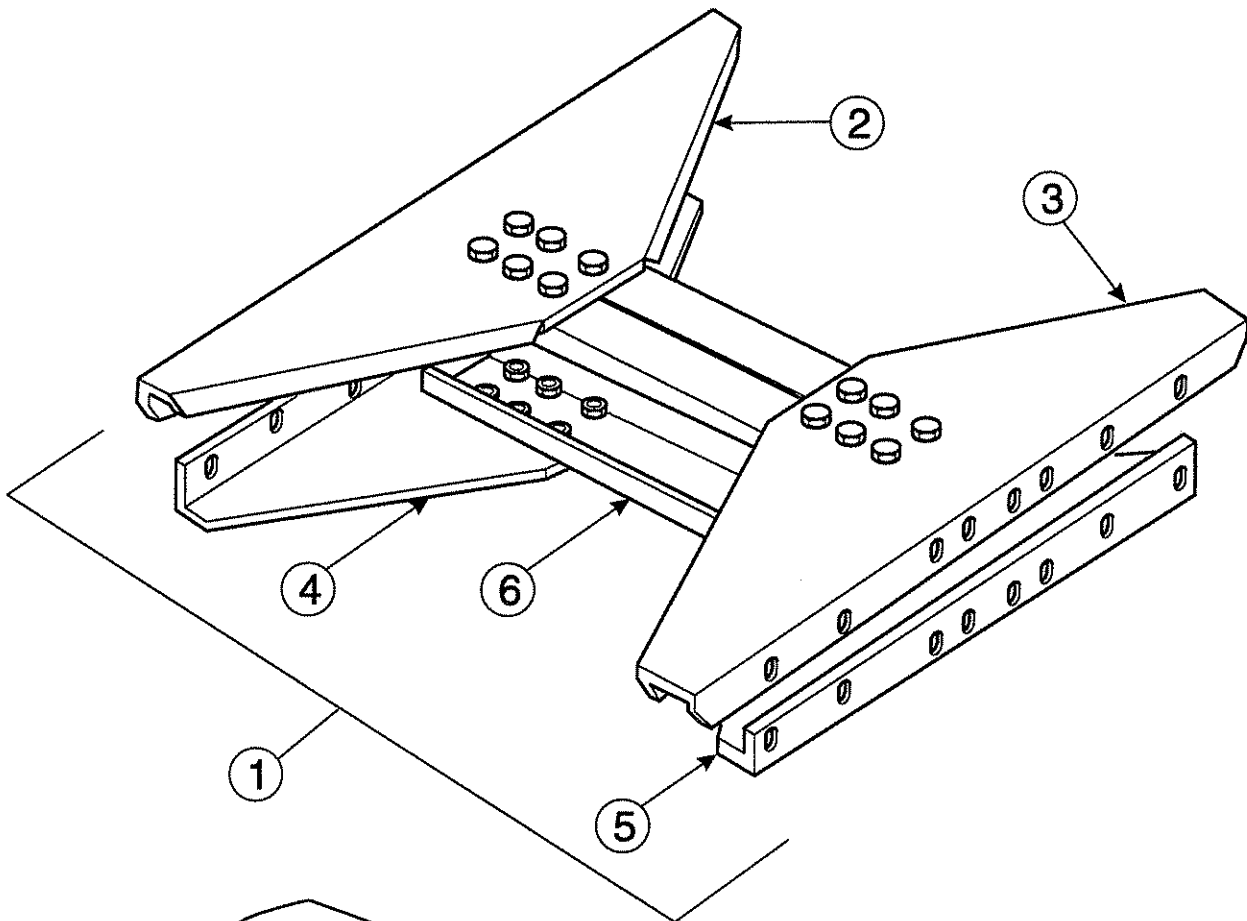
2088-506-71

1	Assy Bowtie, 850-60	41421-3431	1
2	- Gusset, RH	41423-3527	1
2	- Gusset, LH	41423-3526	1
3	- C-Channel	41402-3545	2

2088-506-72

1	Assy Bowtie, 850-60	41421-3464	1
2	- Gusset, RH	41423-3559	1
2	- Gusset, LH	41423-3558	1
3	- C-Channel	41402-3545	2

Specific BOMs listed: 2088-506-59/72



REAR SUSPENSION CROSSMEMBERS - CHALMERS & REYCO

REAR SUSPENSION CROSSMEMBERS - CHALMERS

2088-506-73

1	Assy Bowtie, 850-60	41421-3465	1
2	- Gusset, RH Upper	41423-3565	1
3	- Gusset, LH Upper	41423-3564	1
4	- Gusset, RH Lower	41423-3561	1
5	- Gusset, LH Lower	41423-3560	1
6	- C-Channel	41414-3438	2

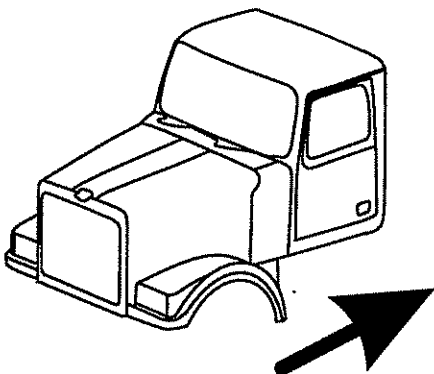
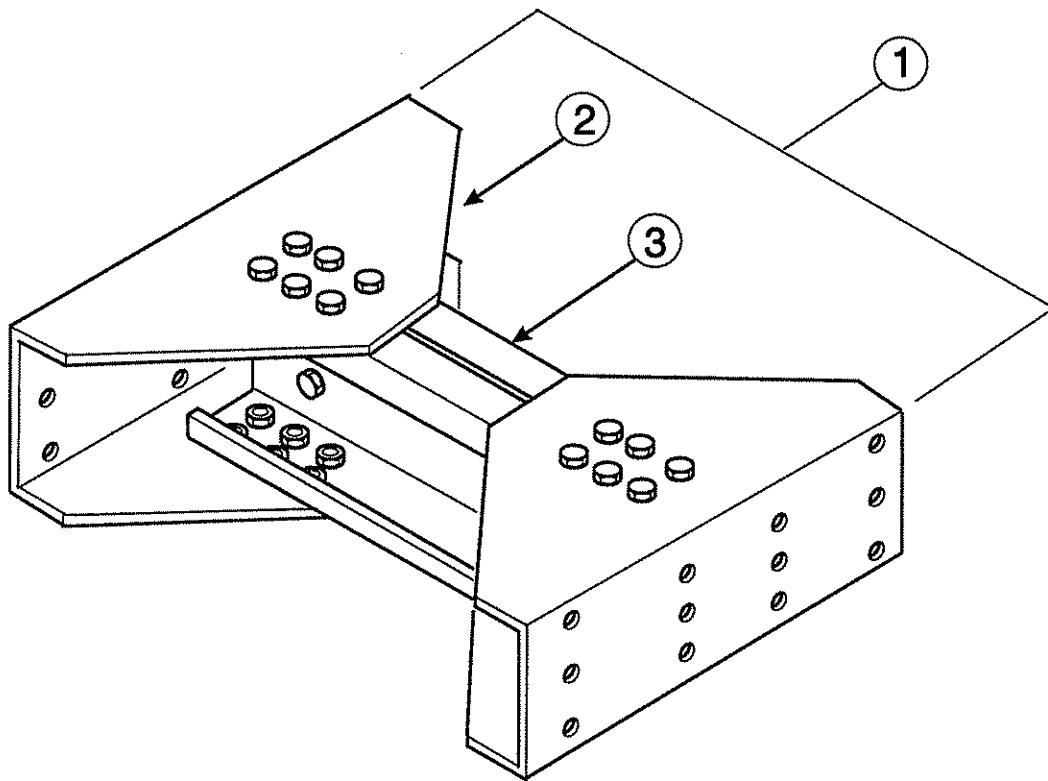
2088-506-74

1	Assy Bowtie, 850-65	41421-3466	1
2	- Gusset, RH Upper	41423-3567	1
3	- Gusset, LH Upper	41423-3566	1
4	- Gusset, RH Lower	41423-3563	1
5	- Gusset, LH Lower	41423-3562	1
6	- C-Channel	41414-3448	2

2088-506-75

1	Assy Bowtie, 850-65	41421-3472	1
2	- Gusset, RH Upper	41423-3572	1
3	- Gusset, LH Upper	41423-3571	1
4	- Gusset, RH Lower	41423-3574	1
5	- Gusset, LH Lower	41414-3473	1
6	- C-Channel	41414-3438	2

Specific BOMs listed: 2088-506-73/75



REAR SUSPENSION CROSSMEMBERS - CHALMERS & REYCO

REAR SUSPENSION CROSSMEMBERS - REYCO 102

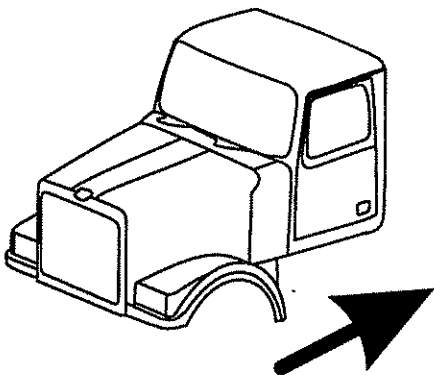
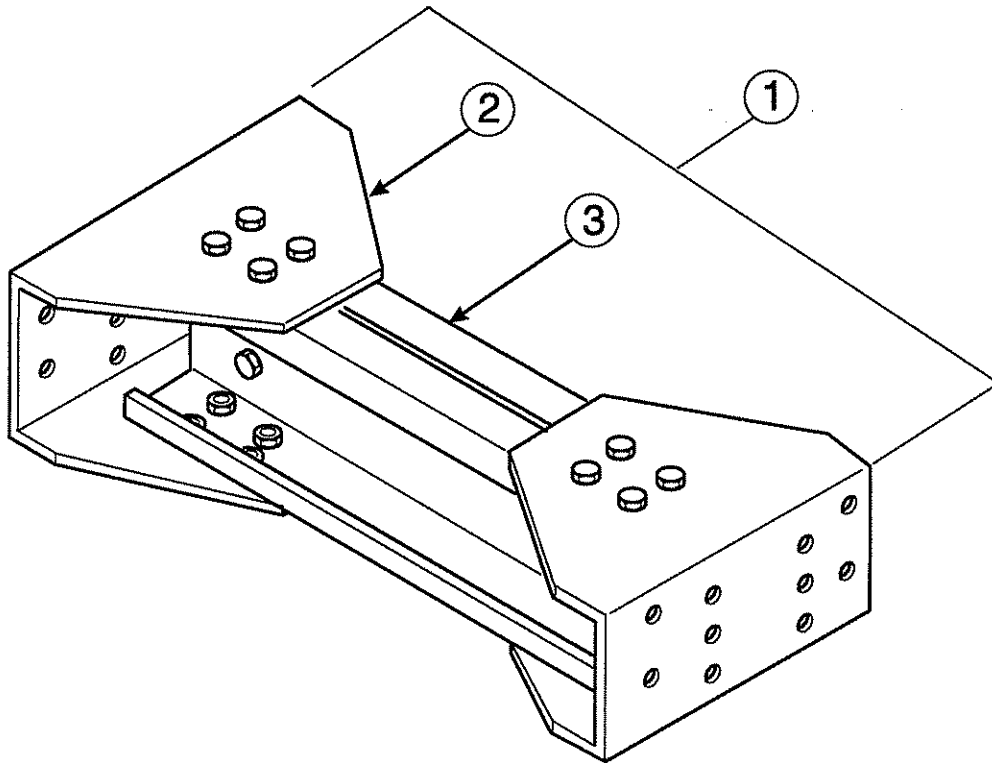
2088-508-10, 2088-508-12, 2088-509-20, 2088-509-22

1	Assy Bowtie, 33.00"	41411-3482	1
2	- Gusset	41413-3518	2
3	- C-Channel	41402-3535	2
-	Spacer, .12 Reyco	41405-3440	AR

2088-508-11, 2088-508-13

1	Assy Bowtie, 32.50"	41411-3527	1
2	- Gusset	41413-3557	2
3	- C-Channel	41402-3535	2

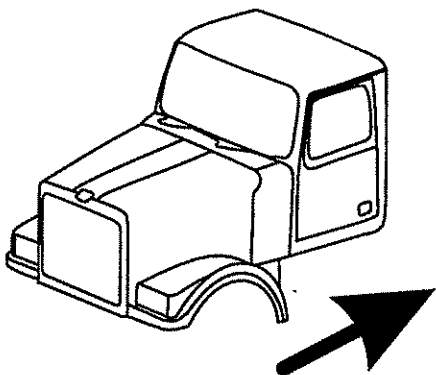
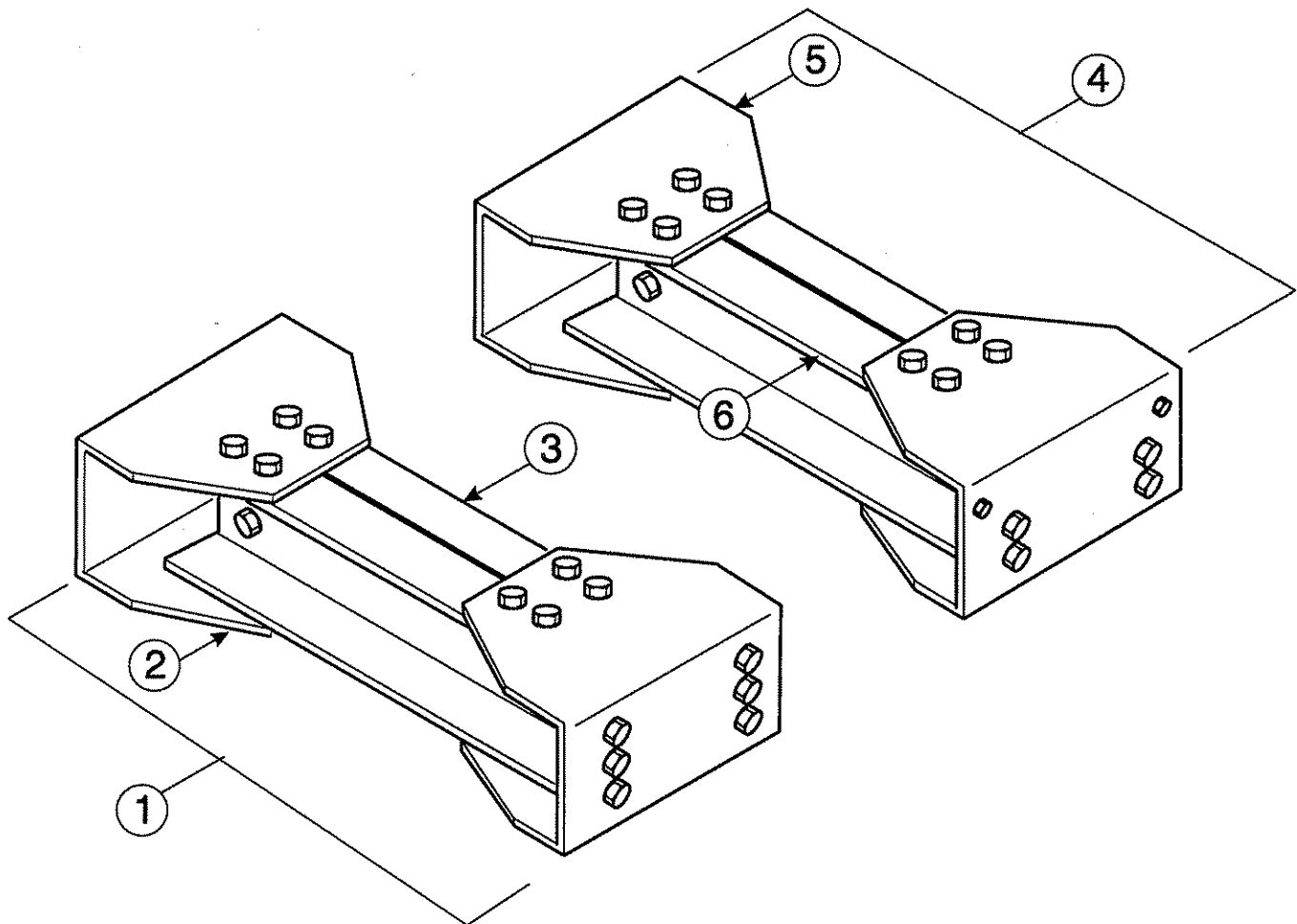
Specific BOMs listed: 2088-508-10/13, 2088-509-20, 2088-509-22



REAR SUSPENSION CROSSMEMBERS - CHALMERS & REYCO**REAR SUSPENSION CROSSMEMBERS - REYCO 102 AR****2088-508-14**

1	Assy Bowtie, Reyco 102 AR	41421-3467	1
2	- Gusset	41413-3518	2
3	- C-Channel	41402-3535	2

Specific BOMs listed: **2088-508-14**



REAR SUSPENSION CROSSMEMBERS - CHALMERS & REYCO

REAR SUSPENSION CROSSMEMBERS - REYCO 79KB

2088-508-20

1	Assy Crossmember, Forward Reyco 79KB	41411-3512	1
2	- Gusset	41413-3538	2
3	- C-Channel	41402-3591	2
4	Assy Crossmember, Rear Reyco 79KB	41411-3511	1
5	- Gusset	41413-3539	2
6	- C-Channel	41402-3591	2

2088-508-21

1	Assy Crossmember, Forward Reyco 79KB	41411-3504	1
2	- Gusset	41413-3538	2
3	- C-Channel	41402-3590	2
4	Assy Crossmember, Rear Reyco 79KB	41411-3505	1
5	- Gusset	41413-3539	2
6	- C-Channel	41402-3591	2

2088-508-22

1	Assy Crossmember, Forward Reyco 79KB	41411-3502	1
2	- Gusset	41413-3538	2
3	- C-Channel	41402-3589	2
4	Assy Crossmember, Rear Reyco 79KB	41411-3503	1
5	- Gusset	41413-3539	2
6	- C-Channel	41402-3589	2

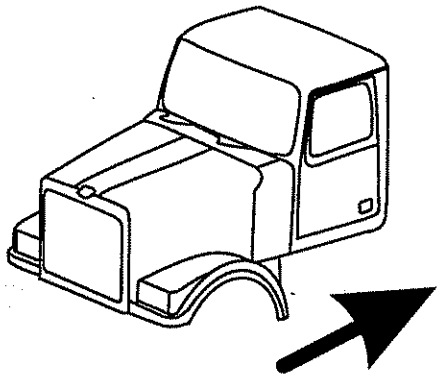
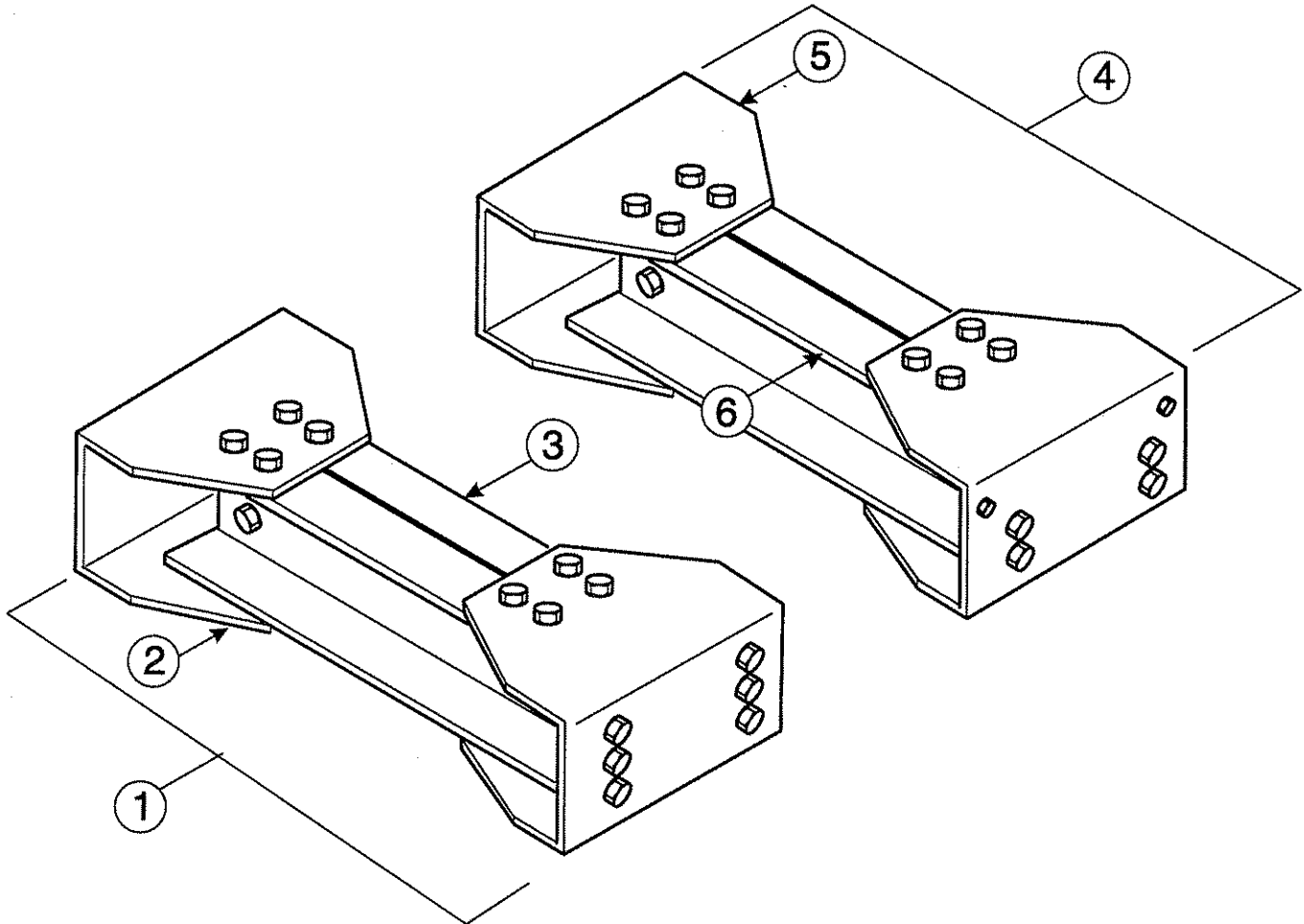
2088-508-23

1	Assy Crossmember, Forward Reyco 79KB	41421-3421	1
2	- Gusset	41413-3538	2
3	- C-Channel	41414-3417	2
4	Assy Crossmember, Rear Reyco 79KB	41421-3422	1
5	- Gusset	41413-3539	2
6	- C-Channel	41414-3417	2

2088-509-30

1	Assy Crossmember, Forward Reyco 79KB	41411-3529	1
2	- Gusset	41413-3538	2
3	- C-Channel	41402-3594	2
4	Assy Crossmember, Rear Reyco 79KB	41411-3531	1
5	- Gusset	41413-3539	2
6	- C-Channel	41402-3594	2

Specific BOMs listed: 2088-508-220/23, 2088-509-30



REAR SUSPENSION CROSSMEMBERS - CHALMERS & REYCO

REAR SUSPENSION CROSSMEMBERS - REYCO 79KB

2088-509-31

1	Assy Crossmember, Forward Reyco 79KB	41411-3528	1
2	- Gusset	41413-3538	2
3	- C-Channel	41402-3593	2
4	Assy Crossmember, Rear Reyco 79KB	41411-3530	1
5	- Gusset	41413-3539	2
6	- C-Channel	41402-3593	2

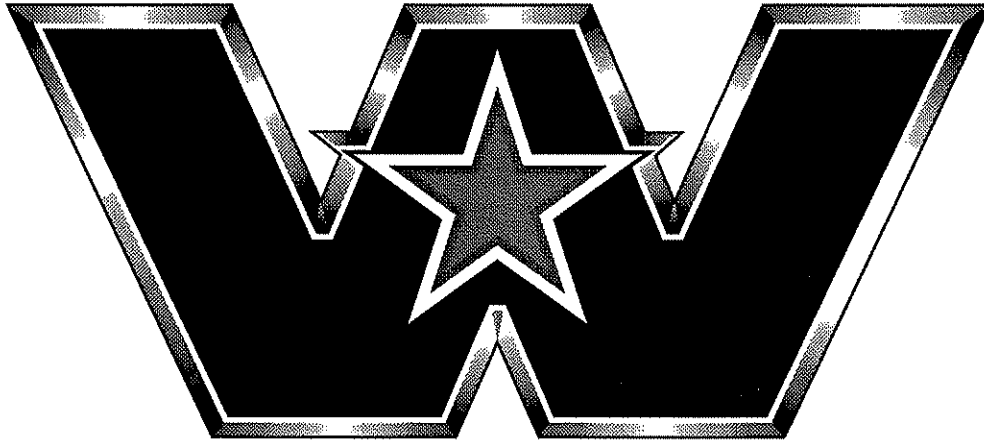
2088-509-32

1	Assy Crossmember, Forward Reyco 79KB	41411-3516	1
2	- Gusset	41413-3538	2
3	- C-Channel	41402-3592	2
4	Assy Crossmember, Rear Reyco 79KB	41411-3517	1
5	- Gusset	41413-3539	2
6	- C-Channel	41402-3592	2

2088-509-33

1	Assy Crossmember, Rear Reyco 79KB	41411-3512	1
2	- Gusset	41413-3538	2
3	- C-Channel	41402-3591	2
4	Assy Crossmember, Forward Reyco 79KB	41411-3511	1
5	- Gusset	41413-3539	2
6	- C-Channel	41402-3591	2

Specific BOMs listed: 2088-509-31/33

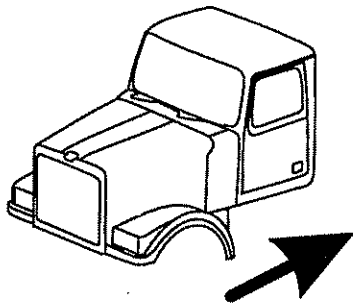
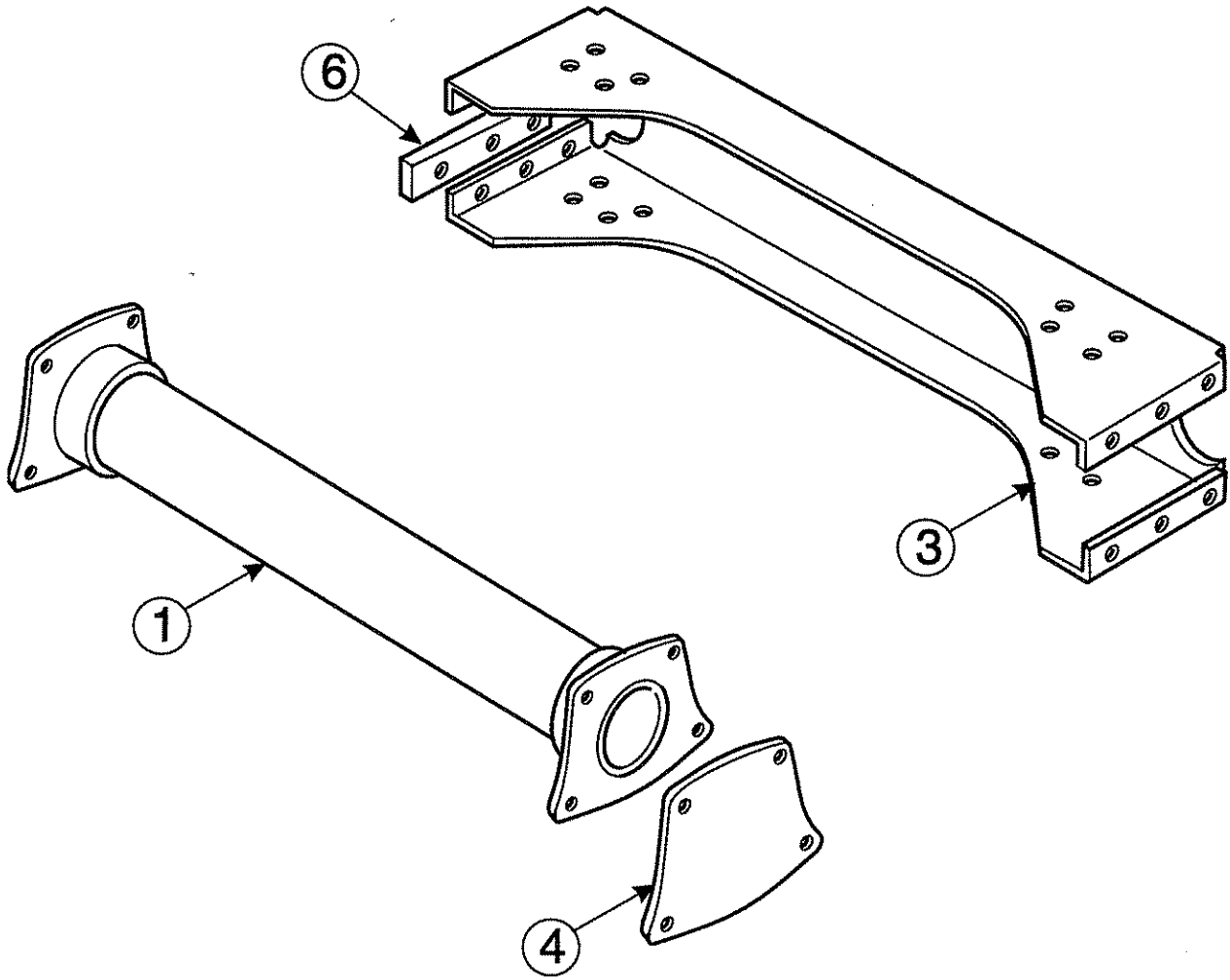


WESTERN STAR TRUCKS®
The Preferred Choice™

TABLE OF CONTENTS

	Page
EOF Channel X-Member - Straight Frame Rail	2-27
EOF Tubular X-Member	28-31
EOF Channel X-Member - Tapered Frame Rail	32-36
EOF Deep Channel X-Member - Straight Frame Rail	37-43

Note: This publication is a generic parts book. Components may vary with different applications. For applications other than listed at the bottom of the page, see the appropriate Bill of Material by truck serial number, and use this publication as a guide only.



CHANNEL CROSSMEMBER - STRAIGHT FRAME

2098-503-10

1	Tubular Crossmember, EOF	521467
3	Crossmember Channel EOF Steel	41102-3467
4	Spacer, Tubular Crossmember .12	41405-3417
6	Spacer, Crossmember 1/4"	9000182

2098-503-11

1	Tubular Crossmember, EOF	521467
3	Crossmember Channel EOF Steel	41102-3467
4	Spacer, Tubular Crossmember .06	41405-3416
4	Spacer, Tubular Crossmember .12	41405-3417
6	Spacer, Crossmember 1/16"	41405-3419
6	Spacer, Crossmember 1/8"	9013200

2098-503-12

1	Tubular Crossmember, EOF	521467
3	Crossmember Channel EOF Steel	41102-3467
4	Spacer, Tubular Crossmember .12	41405-3417
6	Spacer, Crossmember 1/8"	9013200

2098-503-13/14

1	Tubular Crossmember, EOF	521467
3	Crossmember Channel EOF Steel	41102-3467
4	Spacer, Tubular Crossmember .12	41405-3417

2098-503-15

1	Tubular Crossmember, EOF	521467
3	Crossmember Channel EOF Steel	41102-3466
4	Spacer, Tubular Crossmember .06	41405-3416
6	Spacer, Crossmember 1/8"	9013200
6	Spacer, Crossmember 1/16"	41405-3419

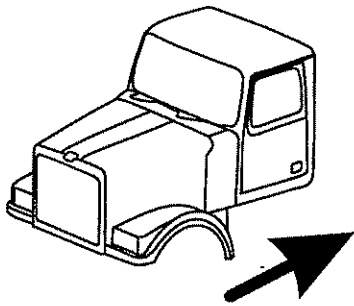
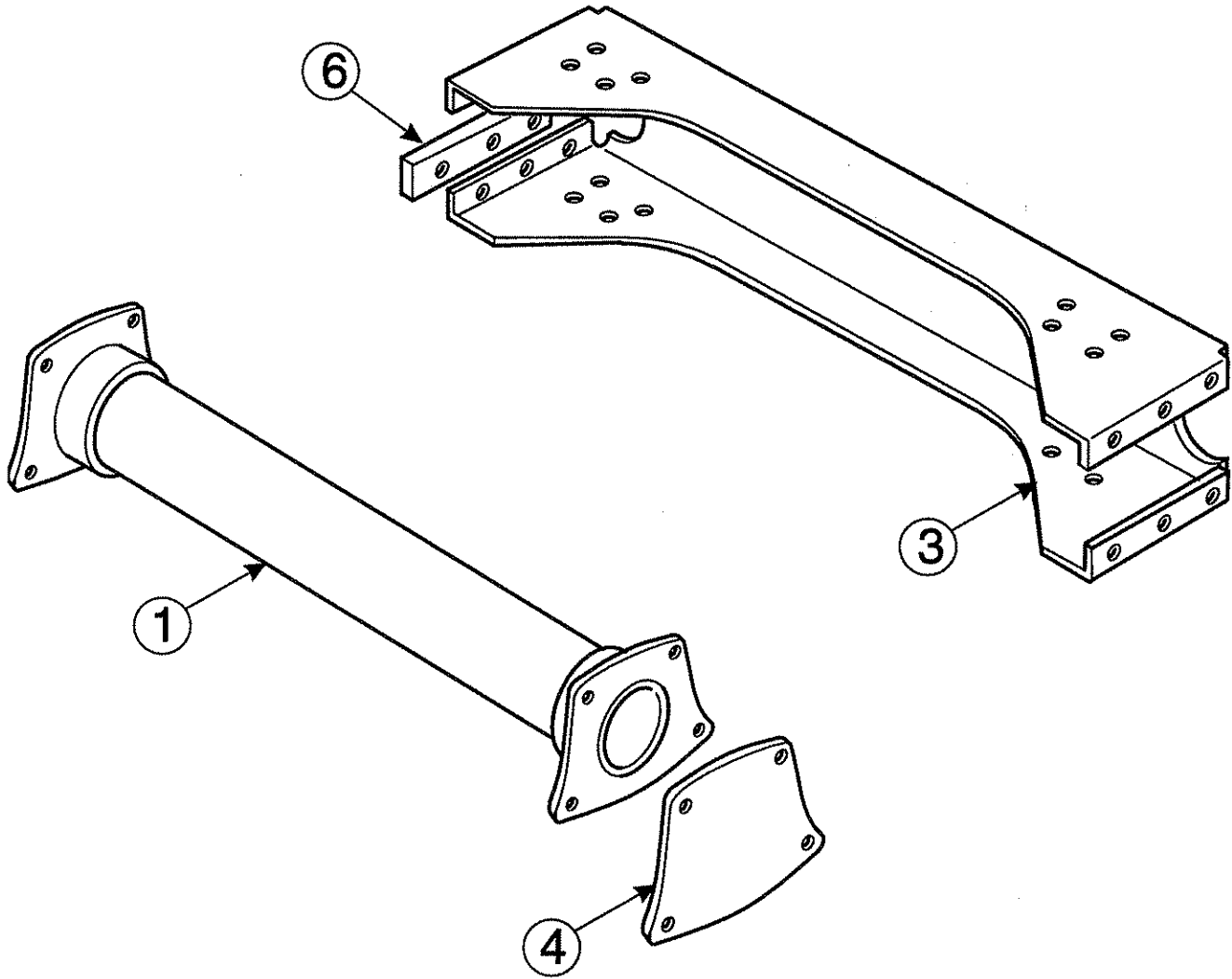
2098-503-16

1	Tubular Crossmember, EOF	521467
3	Crossmember Channel EOF Steel	41102-3466
6	Spacer, Crossmember 1/8"	9013200

2098-503-17

1	Tubular Crossmember, EOF	40901-3438
3	Crossmember Channel EOF Steel	41102-3466

Specific BOMs listed: 2098-503-10/17



CHANNEL CROSSMEMBER - STRAIGHT FRAME

2098-503-30

1	Tubular Crossmember, EOF	40901-3471
3	Crossmember Channel EOF Steel	41102-3467
4	Spacer, Tubular Crossmember .12	41405-3417
6	Spacer, Crossmember 1/4"	9000182

2098-503-31

1	Tubular Crossmember, EOF	40901-3471
3	Crossmember Channel EOF Steel	41102-3467
4	Spacer, Tubular Crossmember .06	41405-3416
4	Spacer, Tubular Crossmember .12	41405-3417
6	Spacer, Crossmember 1/16"	41405-3419
6	Spacer, Crossmember 1/8"	9013200

2098-503-32

1	Tubular Crossmember, EOF	40901-3471
3	Crossmember Channel EOF Steel	41102-3467
4	Spacer, Tubular Crossmember .12	41405-3417
6	Spacer, Crossmember 1/8"	9013200

2098-503-33/34

1	Tubular Crossmember, EOF	40901-3471
3	Crossmember Channel EOF Steel	41102-3467
4	Spacer, Tubular Crossmember .12	41405-3417

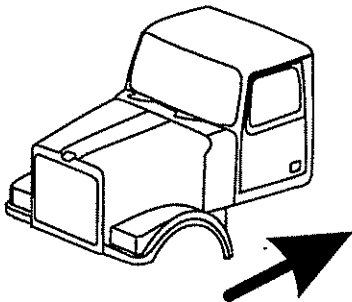
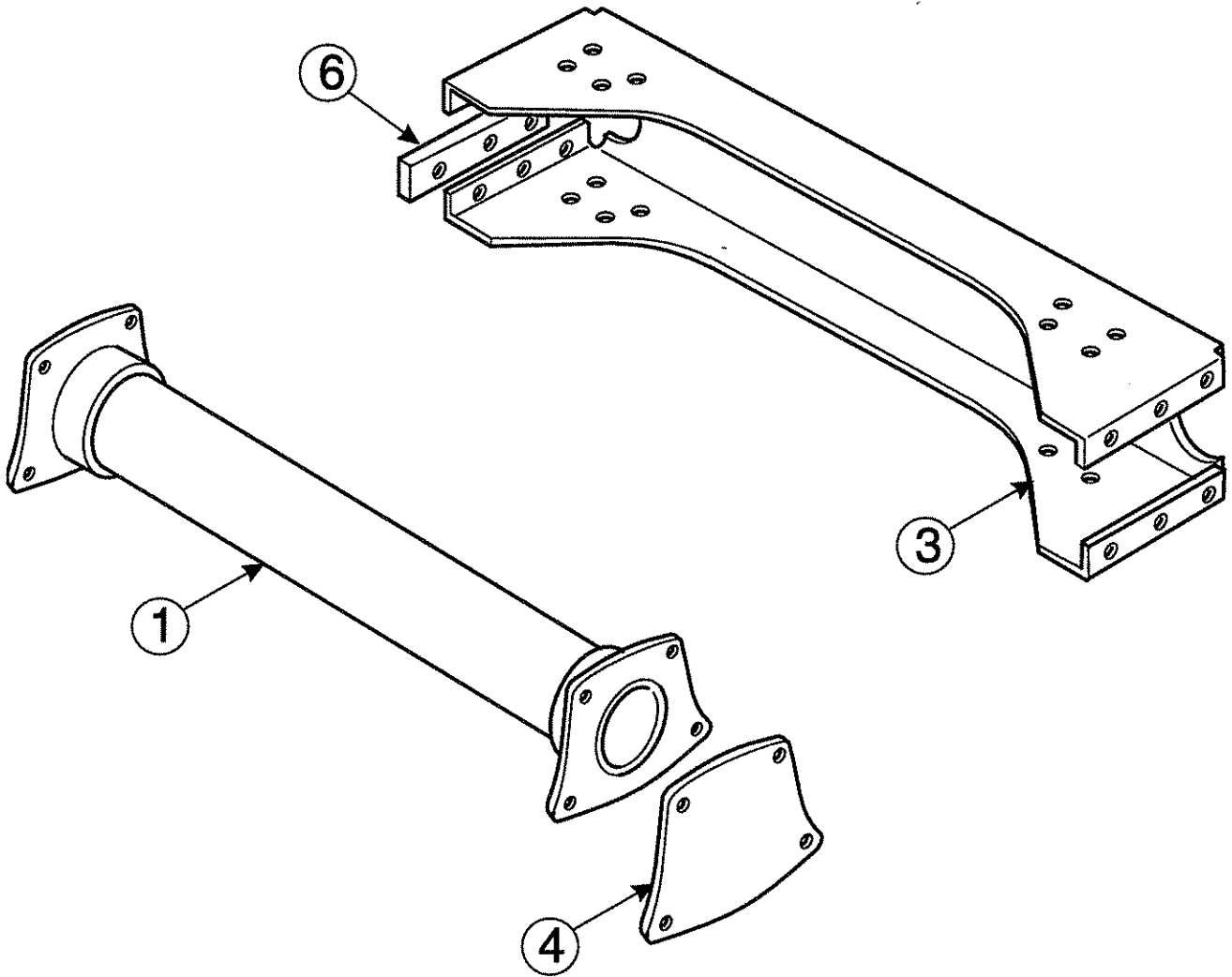
2098-503-35

1	Tubular Crossmember, EOF	40901-3471
3	Crossmember Channel EOF Steel	41102-3466
4	Spacer, Tubular Crossmember .06	41405-3416
6	Spacer, Crossmember 1/16"	41405-3419
6	Spacer, Crossmember 1/8"	9013200

2098-503-36

1	Tubular Crossmember, EOF	40901-3471
3	Crossmember Channel EOF Steel	41102-3466
6	Spacer, Crossmember 1/8"	9013200

Specific BOMs listed: 2098-503-30-36



END OF FRAME CROSSMEMBERS

CHANNEL CROSSMEMBER - STRAIGHT FRAME

2098-503-50

3	Crossmember Channel EOF Steel	41102-3467
6	Spacer, Crossmember 1/4"	9000182

2098-503-51

3	Crossmember Channel EOF Steel	41102-3467
6	Spacer, Crossmember 1/16"	41405-3419
6	Spacer, Crossmember 1/8"	9013200

2098-503-52

3	Crossmember Channel EOF Steel	41102-3467
6	Spacer, Crossmember 1/8"	9013200

2098-503-53/54

3	Crossmember Channel EOF Steel	41102-3467
---	-------------------------------	------------

2098-503-55

3	Crossmember Channel EOF Steel	41102-3466
6	Spacer, Crossmember 1/16"	41405-3419
6	Spacer, Crossmember 1/8"	9013200

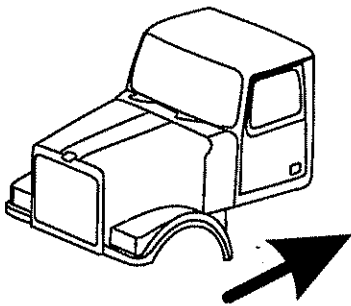
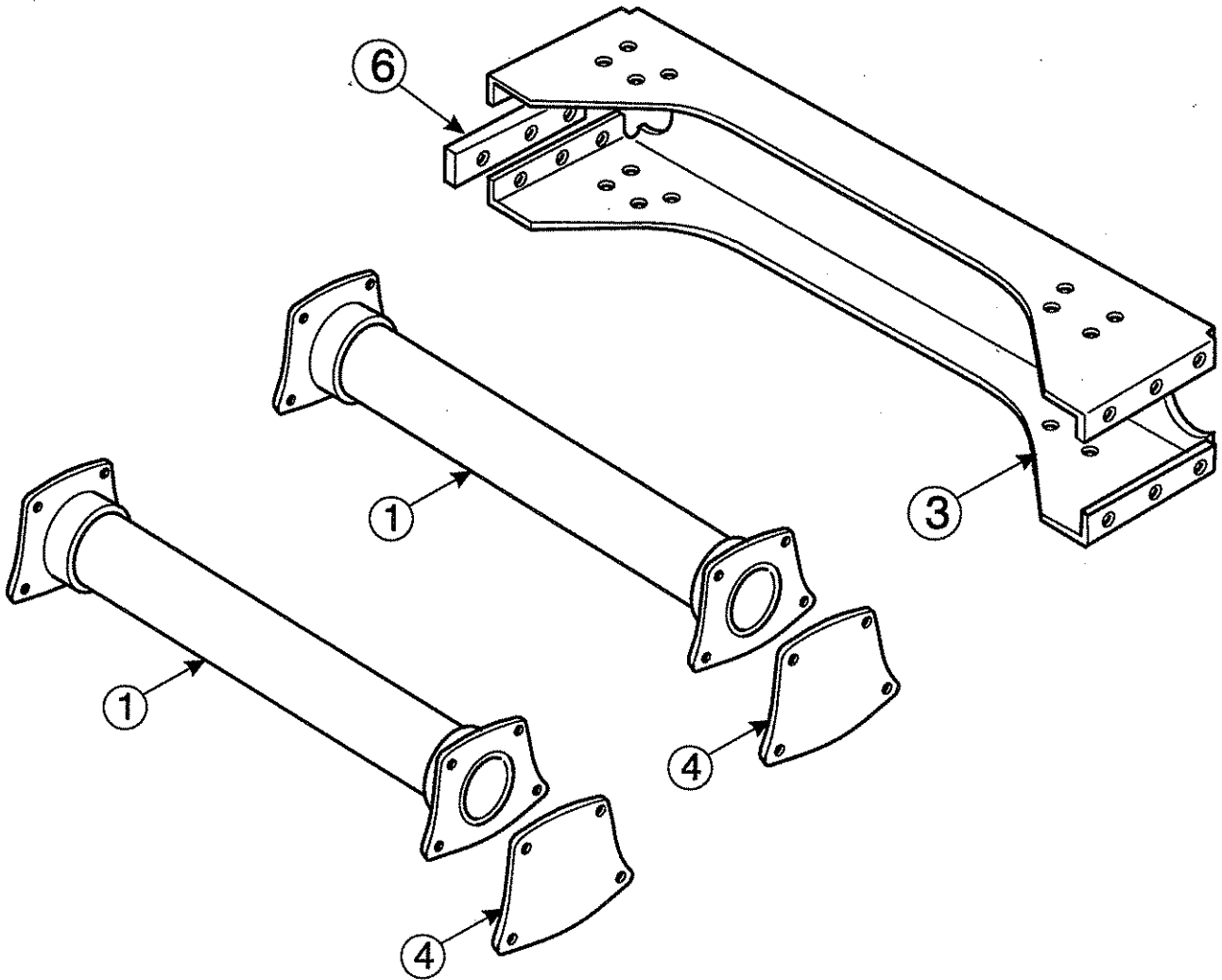
2098-503-56

3	Crossmember Channel EOF Steel	41102-3466
6	Spacer, Crossmember 1/8"	9013200

2098-503-57

3	Crossmember Channel EOF Steel	41102-3466
---	-------------------------------	------------

Specific BOMs listed: 2098-503-50/57



END OF FRAME CROSSMEMBERS

CHANNEL CROSSMEMBER - STRAIGHT FRAME

2098-503-70

1	Tubular Crossmember, EOF (Qty 2)	521467
3	Crossmember Channel EOF Steel	41102-3467
4	Spacer, Tubular Crossmember .12	41405-3417
6	Spacer, Crossmember 1/4"	9000182

2098-503-71

1	Tubular Crossmember, EOF (Qty 2)	521467
3	Crossmember Channel EOF Steel	41102-3467
4	Spacer, Tubular Crossmember .06	41405-3416
4	Spacer, Tubular Crossmember .12	41405-3417
6	Spacer, Crossmember 1/16"	41405-3419
6	Spacer, Crossmember 1/8"	9013200

2098-503-72

1	Tubular Crossmember, EOF (Qty 2)	521467
3	Crossmember Channel EOF Steel	41102-3467
4	Spacer, Tubular Crossmember .12	41405-3417
6	Spacer, Crossmember 1/8"	9013200

2098-503-73

1	Tubular Crossmember, EOF (Qty 2)	521467
3	Crossmember Channel EOF Steel	41102-3467
4	Spacer, Tubular Crossmember .12	41405-3417

2098-503-74

1	Tubular Crossmember, EOF (Qty 2)	521467
3	Crossmember Channel EOF Steel	41102-3466
4	Spacer, Tubular Crossmember .12	41405-3416
6	Spacer, Crossmember 1/16"	41405-3419
6	Spacer, Crossmember 1/8"	9013200

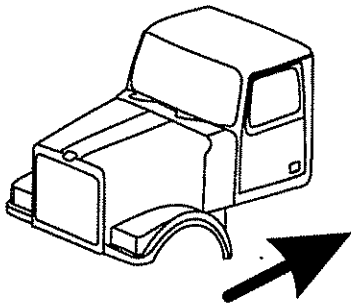
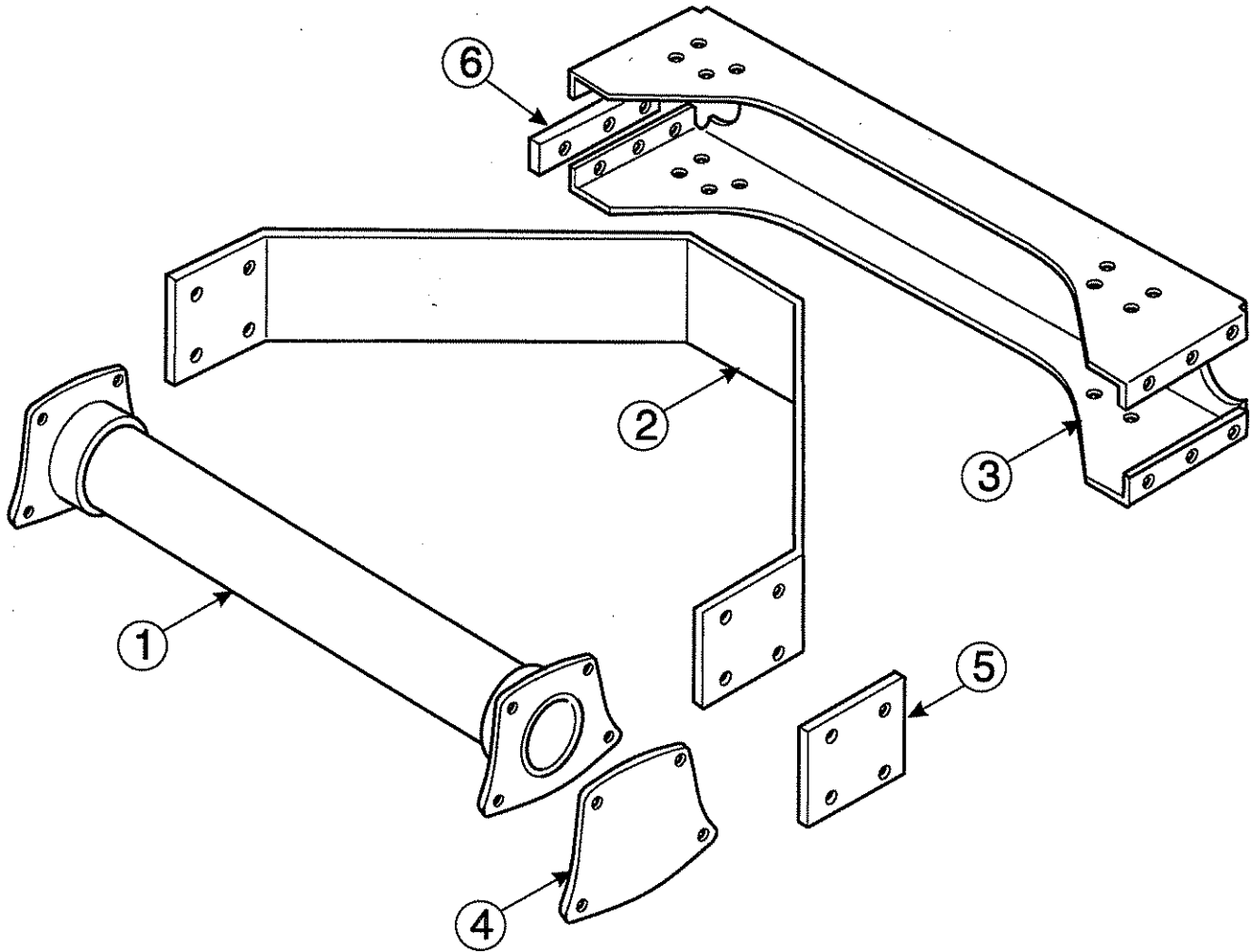
2098-503-75

1	Tubular Crossmember, EOF (Qty 2)	521467
3	Crossmember Channel EOF Steel	41102-3466
6	Spacer, Crossmember 1/8"	9013200

2098-503-76

1	Tubular Crossmember, EOF (Qty 2)	40901-3438
3	Crossmember Channel EOF Steel	41102-3466

Specific BOMs listed: 2098-503-70/76



CHANNEL CROSSMEMBER WITH V-BRACE

2098-504-10/12

1	Tubular Crossmember, EOF	521467
2	V-Brace EOF	41115-3430
3	Crossmember Channel EOF Steel	41102-3467
4	Spacer, Tubular Crossmember .12	41405-3417
4	Spacer, Tubular Crossmember .06	41405-3416
5	Spacer, V- Brace 1/8"	41105-3404
6	Spacer, Crossmember 1/4"	9000182
6	Spacer 1/16", Crossmember	41405-3419

2098-504-13

1	Tubular Crossmember, EOF	521467
2	V-Brace EOF	41115-3429
3	Crossmember Channel EOF Steel	41102-3467
4	Spacer, Tubular Crossmember .12	41405-3417
5	Spacer, V- Brace 1/8"	41105-3404
6	Spacer, Crossmember 1/8"	9013200

2098-504-14

1	Tubular Crossmember, EOF	521467
2	V-Brace EOF	41115-3429
3	Crossmember Channel EOF Steel	41102-3467
4	Spacer, Tubular Crossmember .12	41405-3417
5	Spacer, V- Brace 1/8"	41105-3404

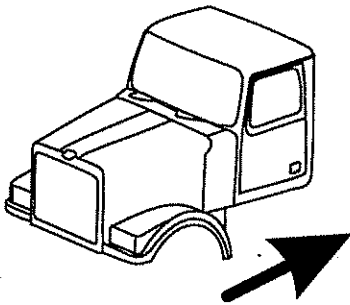
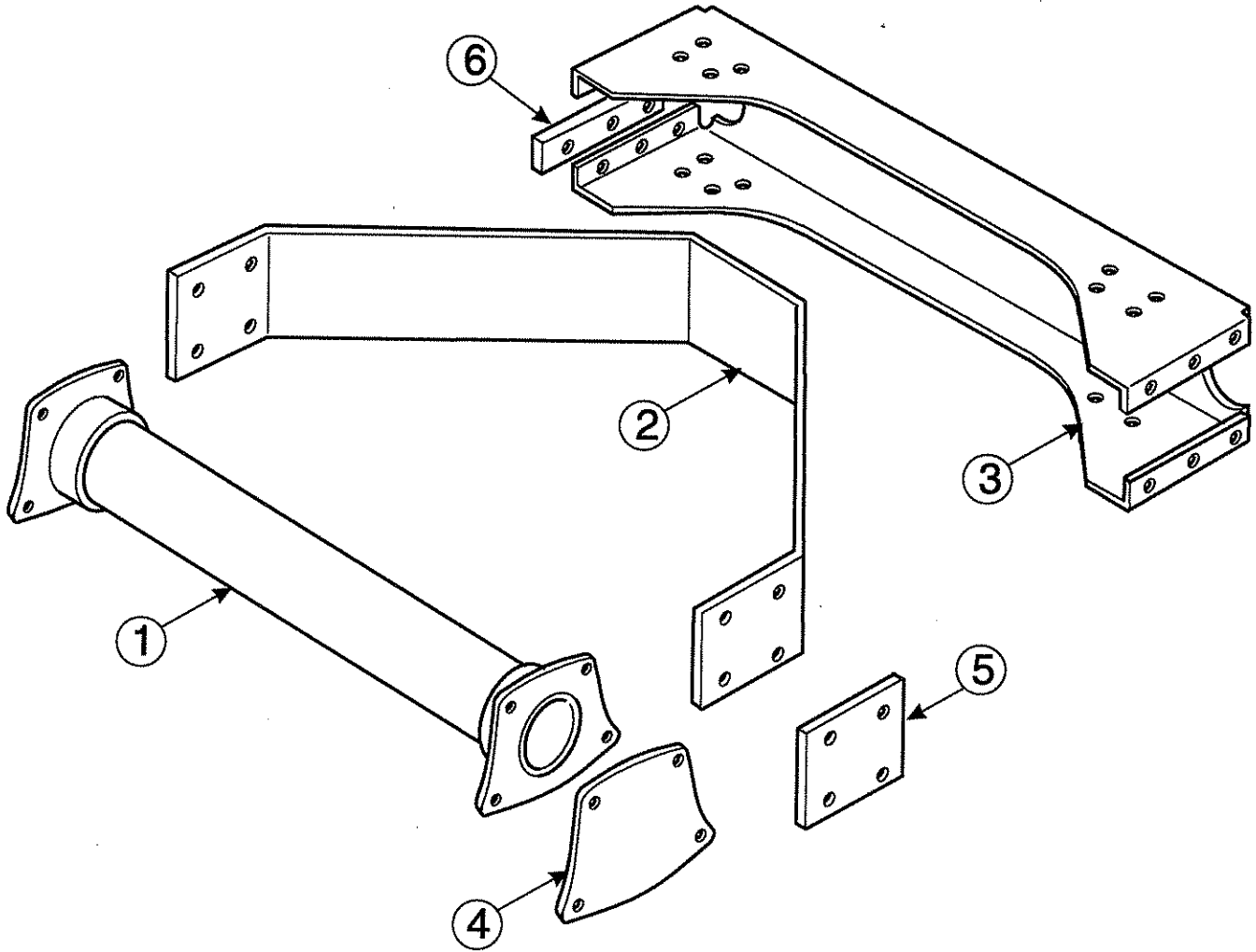
2098-504-15

1	Tubular Crossmember, EOF	521467
2	V-Brace EOF	41115-3429
3	Crossmember Channel EOF Steel	41102-3466
4	Spacer, Tubular Crossmember .06	41405-3416
5	Spacer, V- Brace 1/16"	41105-3405
6	Spacer, Crossmember 1/8"	9013200
6	Spacer 1/16", Crossmember	41405-3419

2098-504-16

1	Tubular Crossmember, EOF	40901-3438
2	V-Brace EOF	41115-3429
3	Crossmember Channel EOF Steel	41102-3466
4	Spacer, Tubular Crossmember .12	41405-3417
6	Spacer, Crossmember 1/8"	9013200

Specific BOMs listed: 2098-504-10/16



END OF FRAME CROSSMEMBERS

2098-504-17

1	Tubular Crossmember, EOF	40901-3438
2	V-Brace EOF	41115-3454
3	Crossmember Channel EOF Steel	41102-3466

2098-504-40/42 (ABS)

1	Tubular Crossmember, EOF	40901-3471
2	V-Brace EOF	41115-3430
3	Crossmember Channel EOF Steel	41102-3467
4	Spacer, Tubular Crossmember .06	41405-3416
4	Spacer, Tubular Crossmember	41405-3417
5	Spacer, V- Brace 1/16"	41105-3405
5	Spacer, V- Brace 1/8"	41105-3404
6	Spacer, Crossmember 1/16"	9000182
6	Spacer 1/16", Crossmember	41405-3419

2098-504-43/44 (ABS)

1	Tubular Crossmember, EOF	40901-3471
2	V-Brace EOF	41115-3429
3	Crossmember Channel EOF Steel	41102-3467
4	Spacer, Tubular Crossmember	41405-3417
5	Spacer, V- Brace 1/8"	41105-3404
6	Spacer, Crossmember 1/8"	9013200

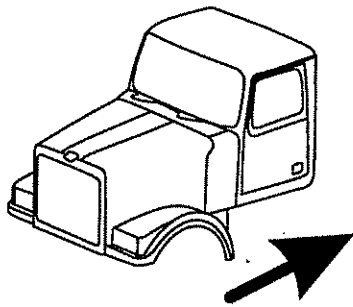
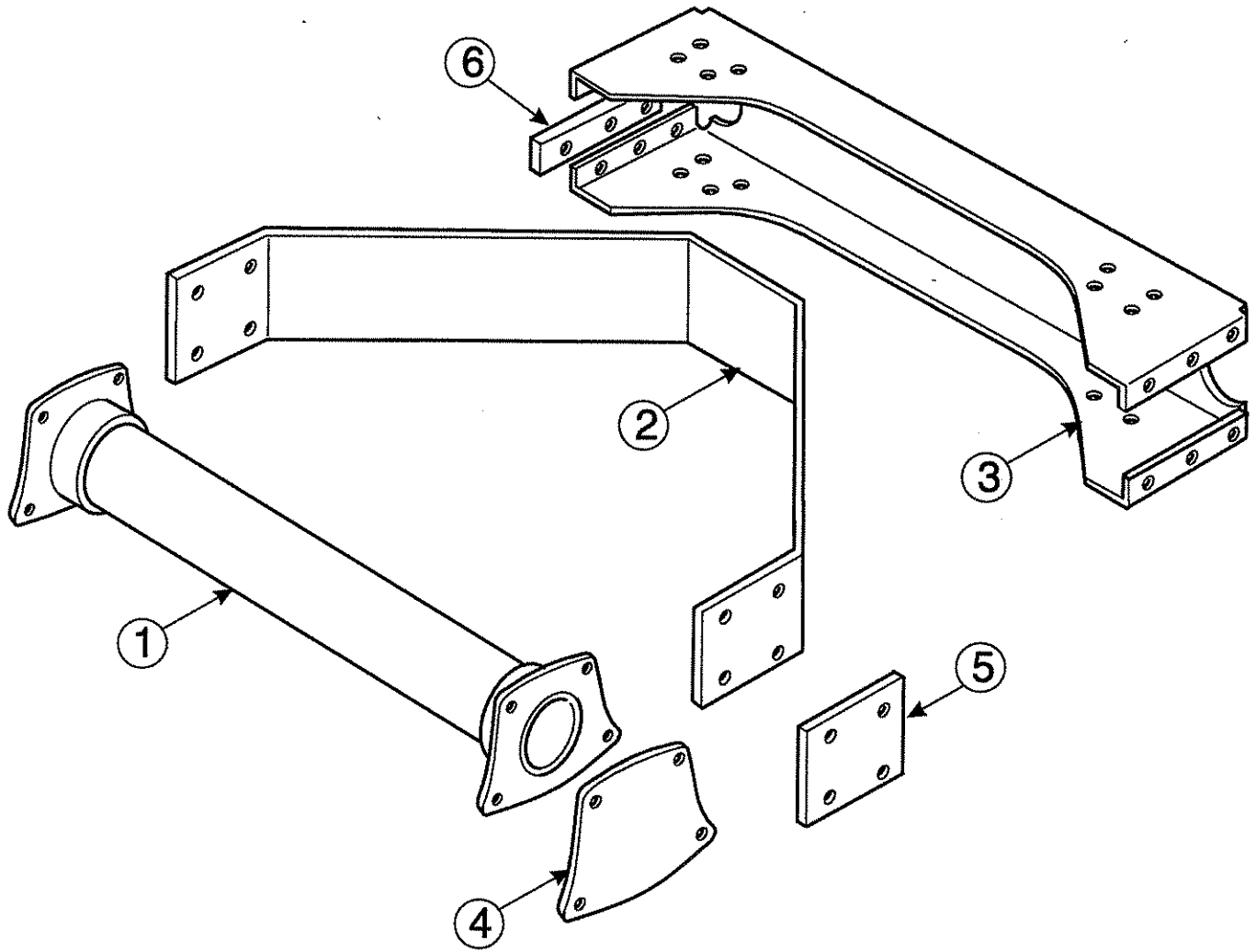
2098-504-45 (ABS)

1	Tubular Crossmember, EOF	40901-3471
2	V-Brace EOF	41115-3429
3	Crossmember Channel EOF Steel	41102-3466
4	Spacer, Tubular Crossmember .06	41405-3416
5	Spacer, V- Brace 1/16"	41105-3405
6	Spacer, Crossmember 1/8"	9013200
6	Spacer 1/16", Crossmember	41405-3419

2098-504-50/52

2	V-Brace EOF	41115-3430
3	Crossmember Channel EOF Steel	41102-3467
5	Spacer, V- Brace 1/16"	41105-3405
5	Spacer, V- Brace 1/8"	41105-3404
6	Spacer, Crossmember 1/8"	9013200
6	Spacer 1/16", Crossmember	41405-3419

Specific BOMs listed: 2098-504-17, 2098-504-40/45, 2098-504-50/52



END OF FRAME CROSSMEMBERS

2098-504-53/54

2	V-Brace EOF	41115-3429
3	Crossmember Channel EOF Steel	41102-3467
5	Spacer, V- Brace 1/8"	41105-3404

2098-504-55/56

2	V-Brace EOF	41115-3429
3	Crossmember Channel EOF Steel	41102-3466
5	Spacer, V- Brace 1/16"	41105-3405
6	Spacer, 1/8", Crossmember	9013200
6	Spacer 1/16", Crossmember	41405-3419

2098-504-60/64

1	Tubular Crossmember, EOF	521467
2	V-Brace EOF	41115-3429
3	Crossmember Channel EOF Steel	41102-3467
4	Spacer, Tubular Crossmember	41405-3417
5	Spacer, V- Brace 1/8"	41105-3404
6	Spacer, 1/4", Crossmember	9000182
6	Spacer, 1/8", Crossmember	9013200
6	Spacer 1/16", Crossmember	41405-3419

2098-504-65

1	Tubular Crossmember, EOF	521467
2	V-Brace EOF	41115-3429
3	Crossmember Channel EOF Steel	41102-3466
4	Spacer, Tubular Crossmember	41405-3416
6	Spacer, 1/8", Crossmember	9013200
6	Spacer 1/16", Crossmember	41405-3419

2098-504-66

1	Tubular Crossmember, EOF	40901-3438
2	V-Brace EOF	41115-3429
3	Crossmember Channel EOF Steel	41102-3466
4	Spacer, Tubular Crossmember .12	41405-3417
6	Spacer, 1/8", Crossmember	9013200

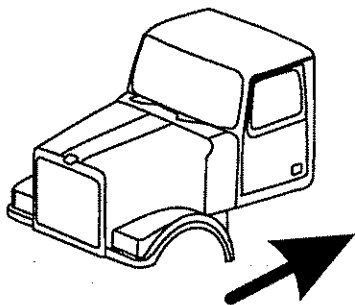
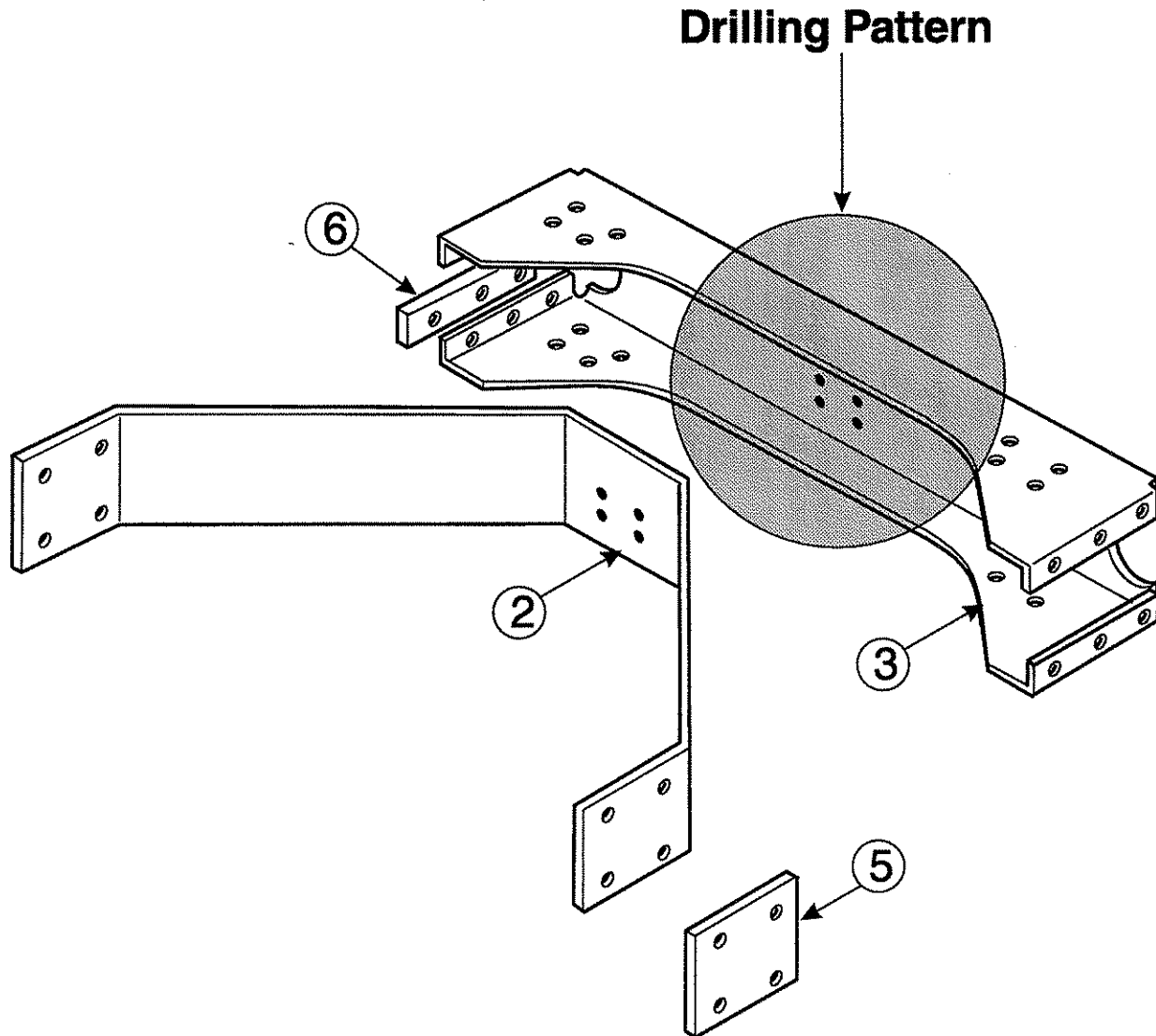
2098-504-67

1	Tubular Crossmember, EOF	40901-3438
2	V-Brace EOF	41115-3454
3	Crossmember Channel EOF Steel	41102-3466
6	Spacer, 1/4", Crossmember	9000182

2098-504-68

1	V-Brace EOF	41115-3454
2	Crossmember Channel EOF Steel	41102-3466
6	Spacer, 1/8", Crossmember	9013200

Specific BOMs listed: 2098-504-53/56, 2098-504-60/68



END OF FRAME CROSSMEMBERS

CHANNEL CROSSMEMBER WITH V-BRACE - STRAIGHT FRAME RAILS DRILLED FOR MOUNTING HOLLAND PINTLE HOOK PH-T-60-AOL-8

2098-527-00/02

2	V-Brace EOF	41115-3432
3	Crossmember Channel EOF Steel (33.0")	41102-3542
5	Spacer, V- Brace 1/16"	41105-3405
5	Spacer, V- Brace 1/8"	41105-3404
6	Spacer, Crossmember 1/4"	9000182
6	Spacer, Crossmember 1/8"	9013200
6	Spacer 1/16", Crossmember	41405-3419

2098-527-03

2	V-Brace EOF	41115-3448
3	Crossmember Channel EOF Steel (33.0")	41102-3542
5	Spacer, V- Brace 1/8"	41105-3404

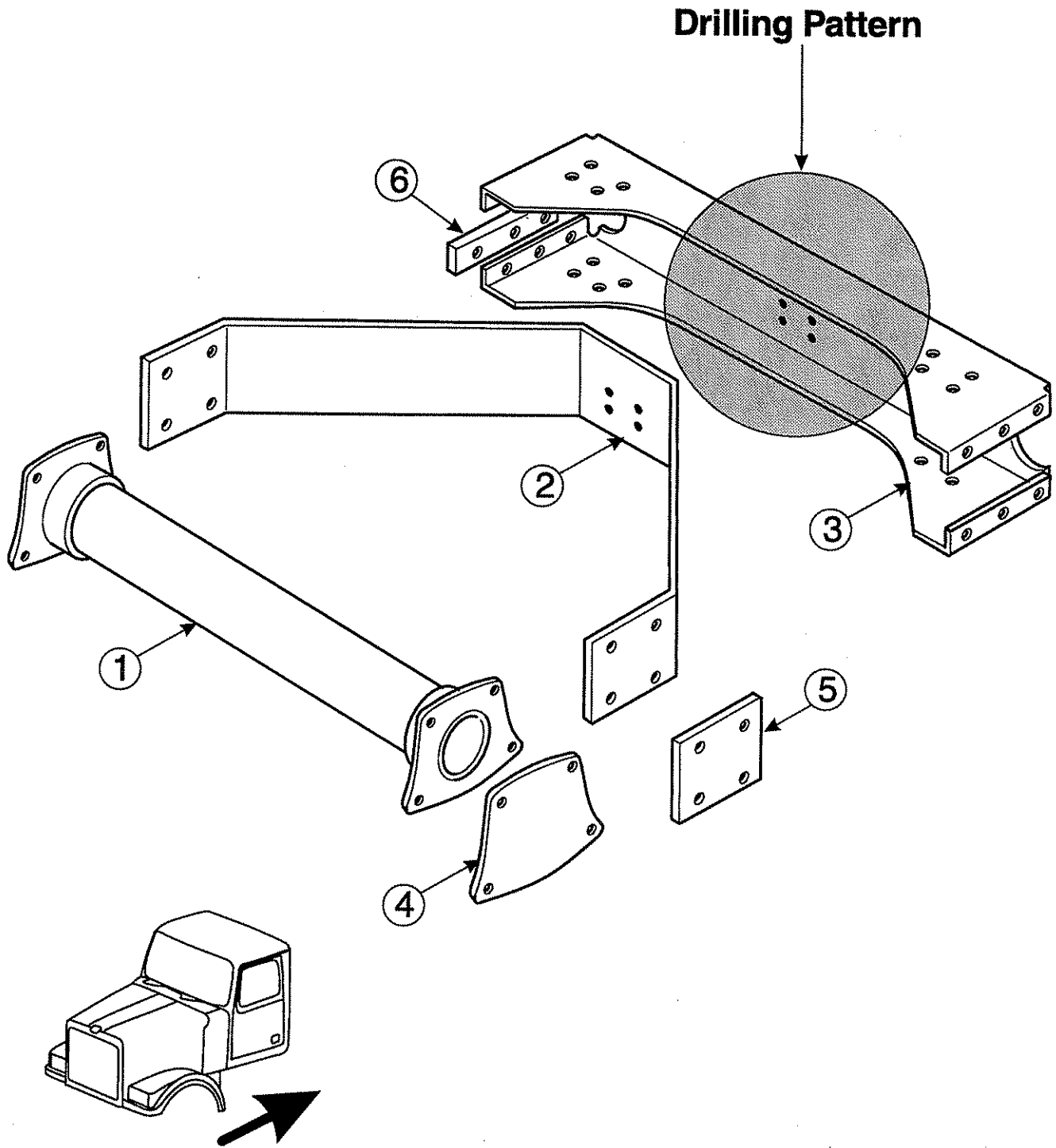
2098-527-04/05

2	V-Brace EOF	41115-3448
3	Crossmember Channel EOF Steel (32.5")	41102-3489
5	Spacer, V- Brace 1/16"	41105-3405
6	Spacer, Crossmember 1/8"	9013200
6	Spacer 1/16", Crossmember	41405-3419

2098-527-15

2	V-Brace EOF	41115-3448
3	Crossmember Channel EOF Steel (32.5")	41102-3489
6	Spacer, Crossmember 1/8"	9013200

Specific BOMs listed: 2098-527-00/05, 2098-527-15



END OF FRAME CROSSMEMBERS

CHANNEL CROSSMEMBER WITH V-BRACE - STRAIGHT FRAME RAILS DRILLED FOR MOUNTING HOLLAND PINTLE HOOK PH-T-60-AOL-8

2098-527-10/12, 2098-527-20/22

1	Tubular Crossmember, EOF	521467
2	V-Brace EOF	41115-3432
3	Crossmember Channel EOF Steel (33.0")	41102-3542
4	Spacer, Tubular Crossmember .06	41405-3416
4	Spacer, Tubular Crossmember	41405-3417
5	Spacer, V- Brace 1/16"	41105-3405
5	Spacer, V- Brace 1/8"	41105-3404
6	Spacer, Crossmember 1/8"	9013200
6	Spacer 1/16", Crossmember	41405-3419

2098-527-13, 2098-527-23

1	Tubular Crossmember, EOF	521467
2	V-Brace EOF	41115-3448
3	Crossmember Channel EOF Steel (33.0")	41102-3542
4	Spacer, Tubular Crossmember	41405-3417
5	Spacer, V- Brace 1/8"	41105-3404

2098-527-14, 2098-527-24

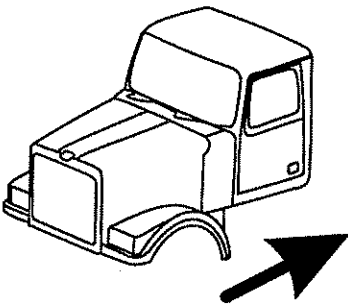
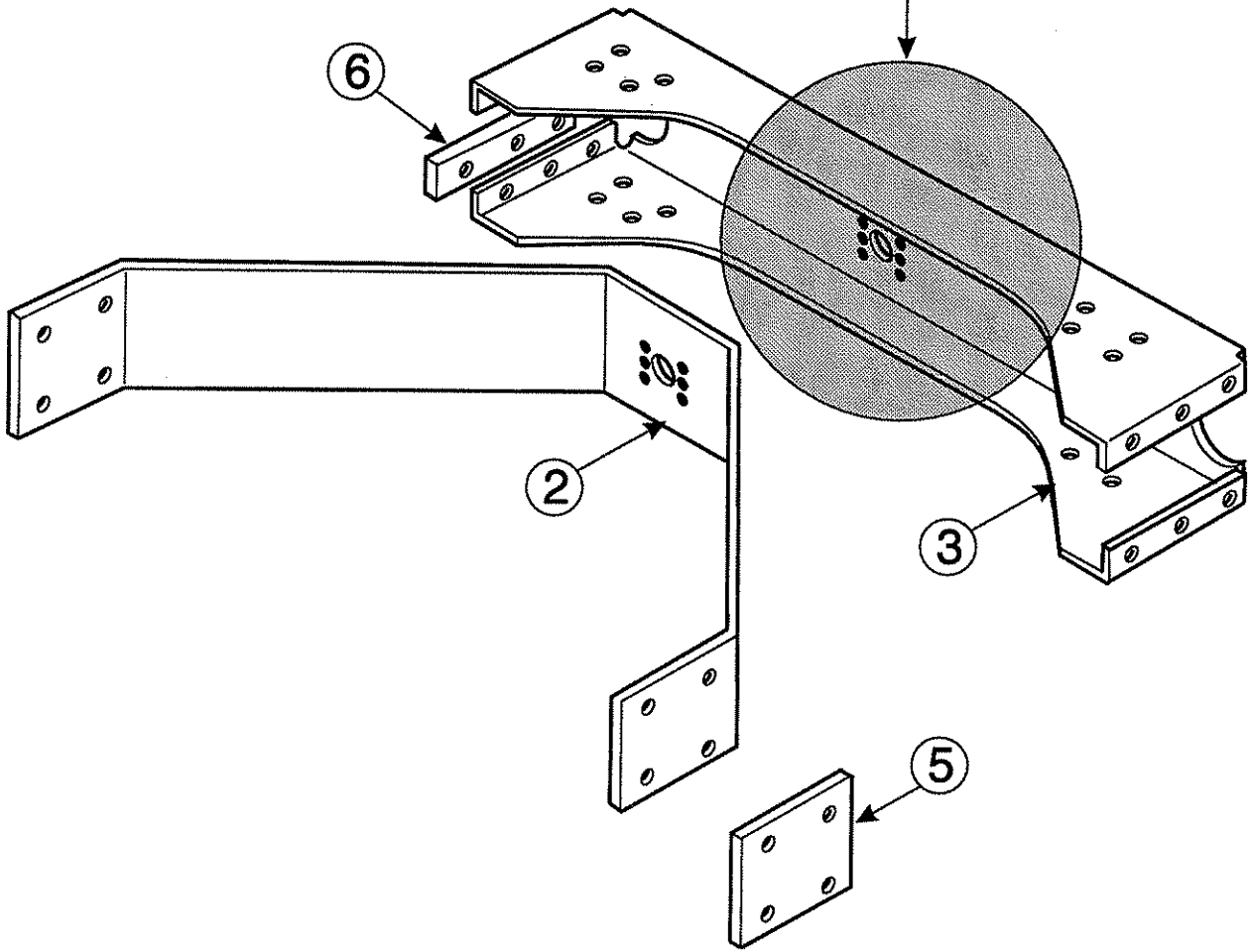
1	Tubular Crossmember, EOF	521467
2	V-Brace EOF	41115-3448
3	Crossmember Channel EOF Steel (32.5")	41102-3489
4	Spacer, Tubular Crossmember .06	41405-3416
5	Spacer, V- Brace 1/16"	41105-3405
6	Spacer, Crossmember 1/8"	9013200
6	Spacer 1/16", Crossmember	41405-3419

2098-527-25

1	Tubular Crossmember, EOF	40901-3438
2	V-Brace EOF	41115-3448
3	Crossmember Channel EOF Steel (32.5")	41102-3489
4	Spacer, Tubular Crossmember	41405-3417
6	Spacer, Crossmember 1/8"	9013200

Specific BOMs listed: 2098-527-10/14, 2098-527-20/25

Drilling Pattern



END OF FRAME CROSSMEMBERS

CHANNEL CROSSMEMBER WITH V-BRACE - STRAIGHT FRAME RAILS DRILLED FOR MOUNTING PREMIER 360/370 PINTLE HOOKS

2098-522-00/02

2	V-Brace EOF	41115-3476
3	Crossmember Channel EOF Steel (33.0")	41102-3480
5	Spacer, V- Brace 1/16"	41105-3405
5	Spacer, V- Brace 1/8"	41105-3404
6	Spacer, Crossmember 1/4"	9000182
6	Spacer, Crossmember 1/8"	9013200
6	Spacer 1/16", Crossmember	41405-3419

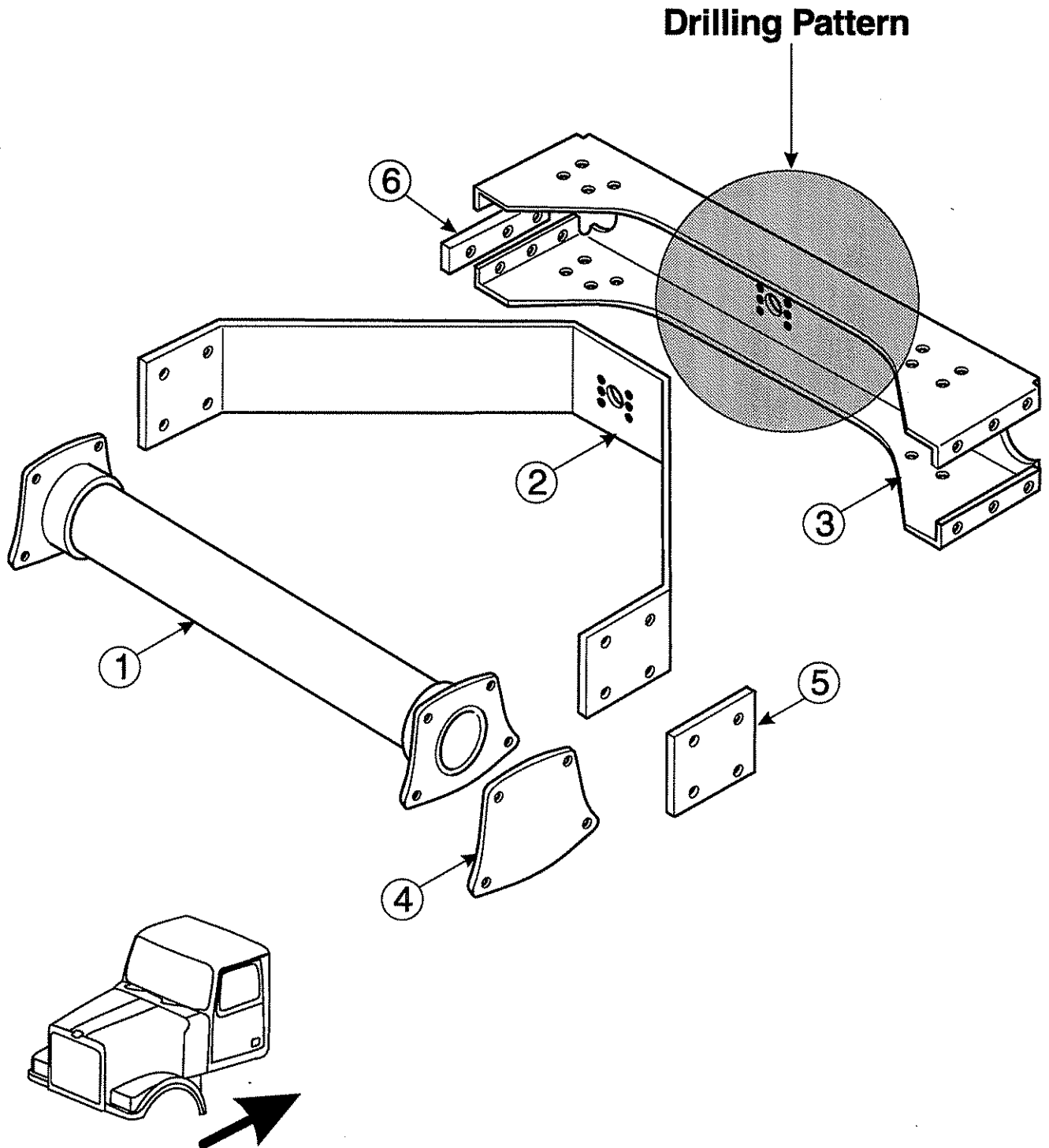
2098-522-03

2	V-Brace EOF	41115-3465
3	Crossmember Channel EOF Steel (33.0")	41102-3480
5	Spacer, V- Brace 1/8"	41105-3404

2098-522-04/05

2	V-Brace EOF	41115-3465
3	Crossmember Channel EOF Steel (32.5")	41102-3479
5	Spacer, V- Brace 1/16"	41105-3405
6	Spacer, Crossmember 1/8"	9013200
6	Spacer 1/16", Crossmember	41405-3419

Specific BOMs listed: 2098-522-00/05



END OF FRAME CROSSMEMBERS

CHANNEL CROSSMEMBER WITH V-BRACE - STRAIGHT FRAME RAILS DRILLED FOR MOUNTING PREMIER 360/370 PINTLE HOOKS

2098-522-10/12, 2098-522-20/22

1	Tubular Crossmember, EOF	521467
2	V-Brace EOF	41115-3476
3	Crossmember Channel EOF Steel (33.0")	41102-3480
4	Spacer, Tubular Crossmember .06	41405-3416
4	Spacer, Tubular Crossmember	41405-3417
5	Spacer, V- Brace 1/16"	41105-3405
5	Spacer, V- Brace 1/8"	41105-3404
6	Spacer, Crossmember 1/8"	9013200
6	Spacer 1/16", Crossmember	41405-3419

2098-522-13, 2098-522-23

1	Tubular Crossmember, EOF	521467
2	V-Brace EOF	41115-3465
3	Crossmember Channel EOF Steel (33.0")	41102-3480
4	Spacer, Tubular Crossmember	41405-3417
5	Spacer, V- Brace 1/8"	41105-3404

2098-522-14, 2098-522-24

1	Tubular Crossmember, EOF	521467
2	V-Brace EOF	41115-3465
3	Crossmember Channel EOF Steel (32.5")	41102-3479
4	Spacer, Tubular Crossmember .06	41405-3416
5	Spacer, V- Brace 1/16"	41105-3405
6	Spacer, Crossmember 1/8"	9013200
6	Spacer 1/16", Crossmember	41405-3419

2098-522-15, 2098-522-25

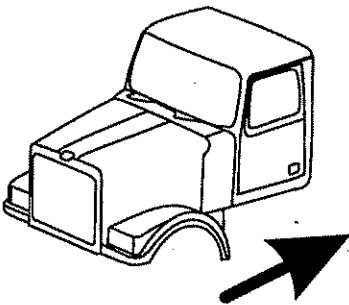
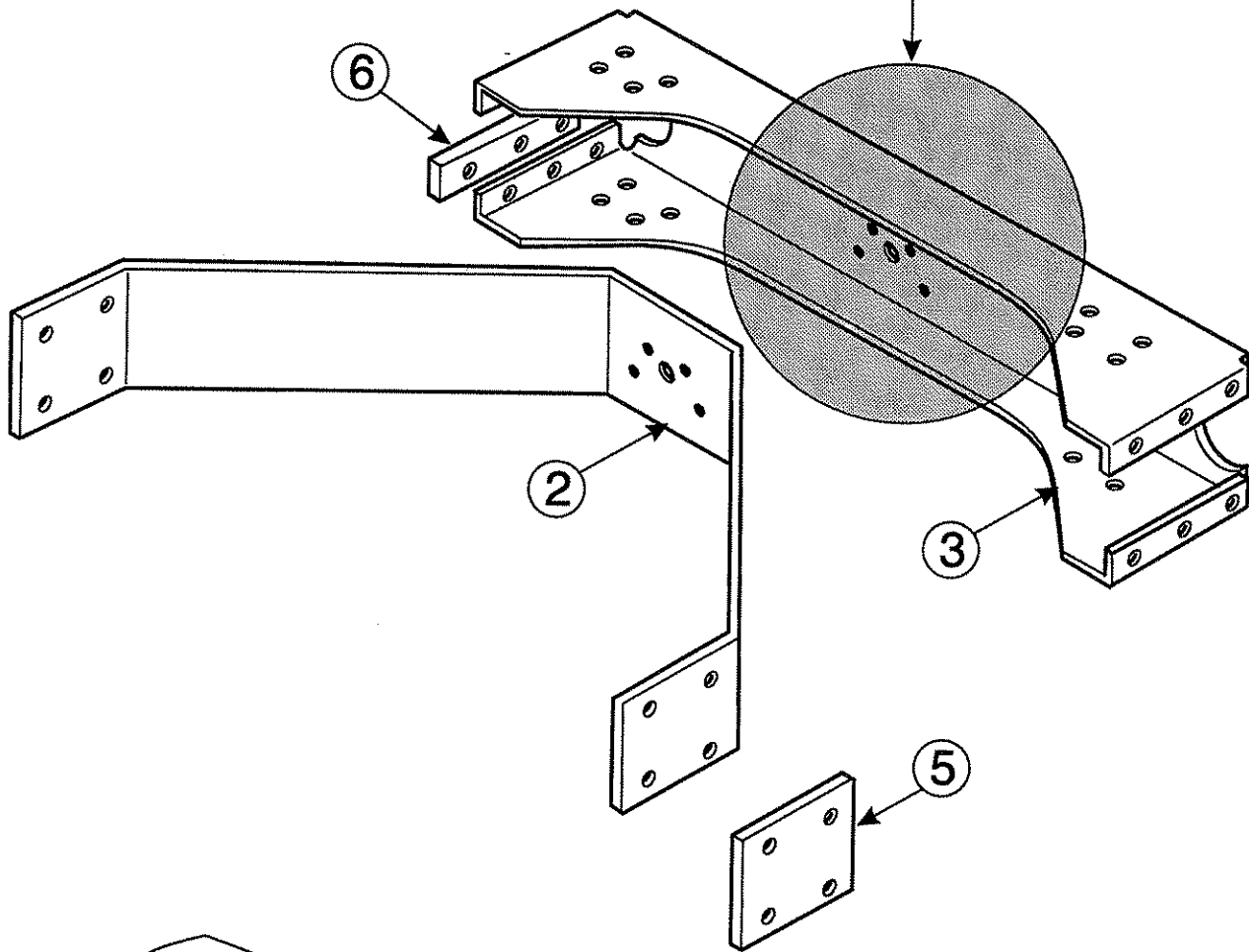
1	Tubular Crossmember, EOF	40901-3438
2	V-Brace EOF	41115-3465
3	Crossmember Channel EOF Steel (32.5")	41102-3479
4	Spacer, Tubular Crossmember	41405-3417
6	Spacer, Crossmember 1/8"	9013200

2098-522-26

1	Tubular Crossmember, EOF	40901-3438
2	V-Brace EOF	41115-3466
3	Crossmember Channel EOF Steel (32.5")	41102-3479
4	Spacer, Tubular Crossmember	41405-3417
6	Spacer, Crossmember 1/8"	9013200

Specific BOMs listed: 2098-522-10/15, 2098-522-20-26

Drilling Pattern



END OF FRAME CROSSMEMBERS**CHANNEL CROSSMEMBER WITH V-BRACE - STRAIGHT FRAME RAILS****DRILLED FOR MOUNTING PREMIER 270&2200 AIR HITCH, PREMIER 580 PINTLE HOOK****2098-522-00/02**

2	V-Brace EOF	41115-3442
3	Crossmember Channel EOF Steel (33.0")	41102-3476
5	Spacer, V- Brace 1/16"	41105-3405
5	Spacer, V- Brace 1/8"	41105-3404
6	Spacer, Crossmember 1/4"	9000182
6	Spacer, Crossmember 1/8"	9013200
6	Spacer 1/16", Crossmember	41405-3419

2098-522-03

2	V-Brace EOF	41115-3441
3	Crossmember Channel EOF Steel (33.0")	41102-3476
5	Spacer, V- Brace 1/8"	41105-3404

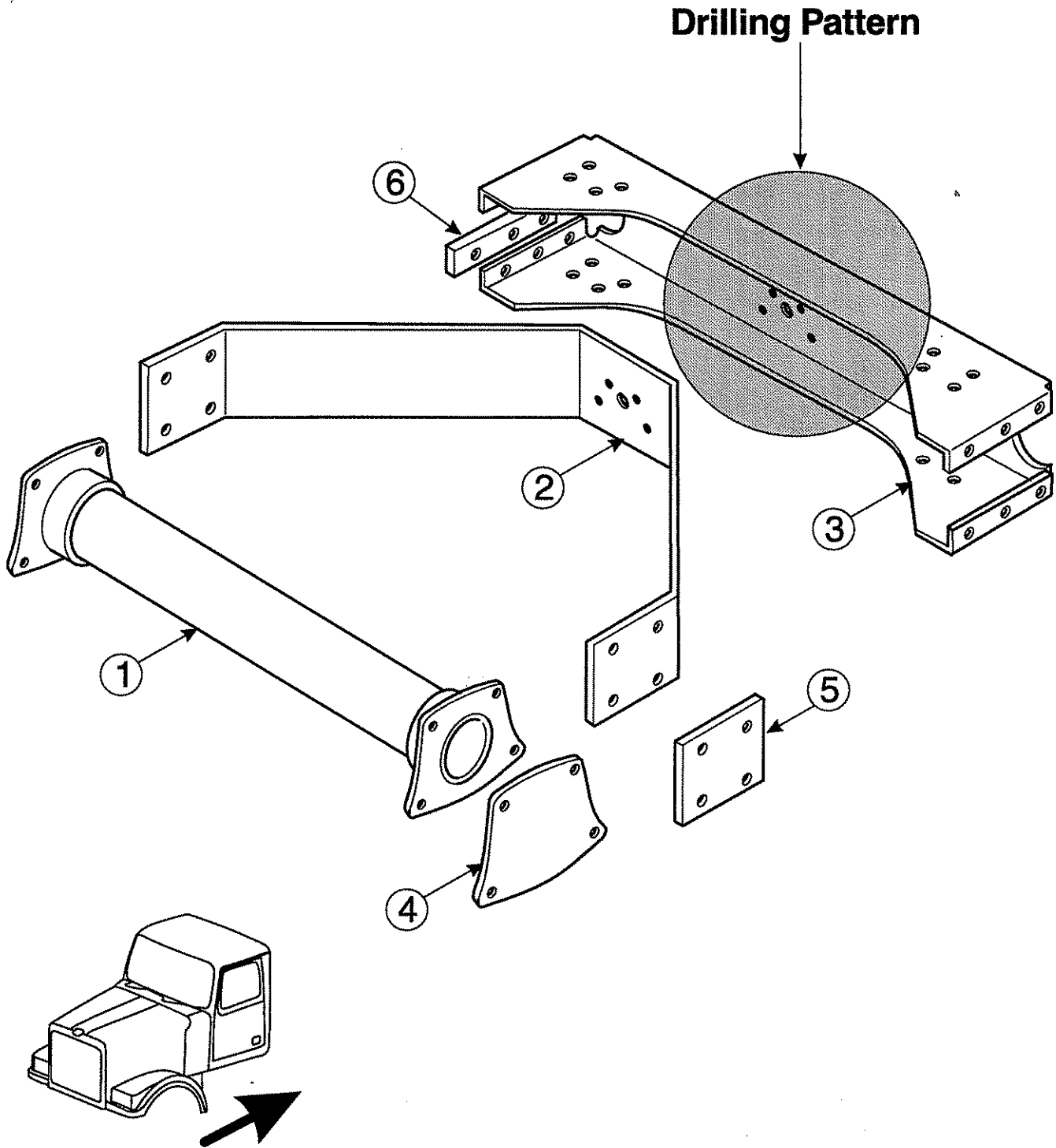
2098-522-04/05

2	V-Brace EOF	41115-3441
3	Crossmember Channel EOF Steel (32.5")	41102-3475
5	Spacer, V- Brace 1/16"	41105-3405
6	Spacer, Crossmember 1/8"	9013200
6	Spacer 1/16", Crossmember	41405-3419

2098-522-06

2	V-Brace EOF	41115-3471
3	Crossmember Channel EOF Steel (33.0")	41102-3475

Specific BOMs listed: 2098-524-00/06



END OF FRAME CROSSMEMBERS

CHANNEL CROSSMEMBER WITH V-BRACE - STRAIGHT FRAME RAILS DRILLED FOR MOUNTING PREMIER 360/370 PINTLE HOOKS

2098-524-10/12, 2098-524-20/22

1	Tubular Crossmember, EOF	521467
2	V-Brace EOF	41115-3442
3	Crossmember Channel EOF Steel (33.0")	41102-3476
4	Spacer, Tubular Crossmember .06	41405-3416
4	Spacer, Tubular Crossmember	41405-3417
5	Spacer, V- Brace 1/16"	41105-3405
5	Spacer, V- Brace 1/8"	41105-3404
6	Spacer, Crossmember 1/8"	9013200
6	Spacer 1/16", Crossmember	41405-3419

2098-524-13, 2098-523-23

1	Tubular Crossmember, EOF	521467
2	V-Brace EOF	41115-3441
3	Crossmember Channel EOF Steel (33.0")	41102-3476
4	Spacer, Tubular Crossmember	41405-3417
5	Spacer, V- Brace 1/8"	41105-3404

2098-524-14, 2098-524-24

1	Tubular Crossmember, EOF	521467
2	V-Brace EOF	41115-3441
3	Crossmember Channel EOF Steel (32.5")	41102-3475
4	Spacer, Tubular Crossmember .06	41405-3416
5	Spacer, V- Brace 1/16"	41105-3405
6	Spacer, Crossmember 1/8"	9013200
6	Spacer 1/16", Crossmember	41405-3419

2098-524-15, 2098-524-25

1	Tubular Crossmember, EOF	40901-3438
2	V-Brace EOF	41115-3441
3	Crossmember Channel EOF Steel (32.5")	41102-3475
4	Spacer, Tubular Crossmember	41405-3417
6	Spacer, Crossmember 1/8"	9013200

2098-524-16, 2098-524-26

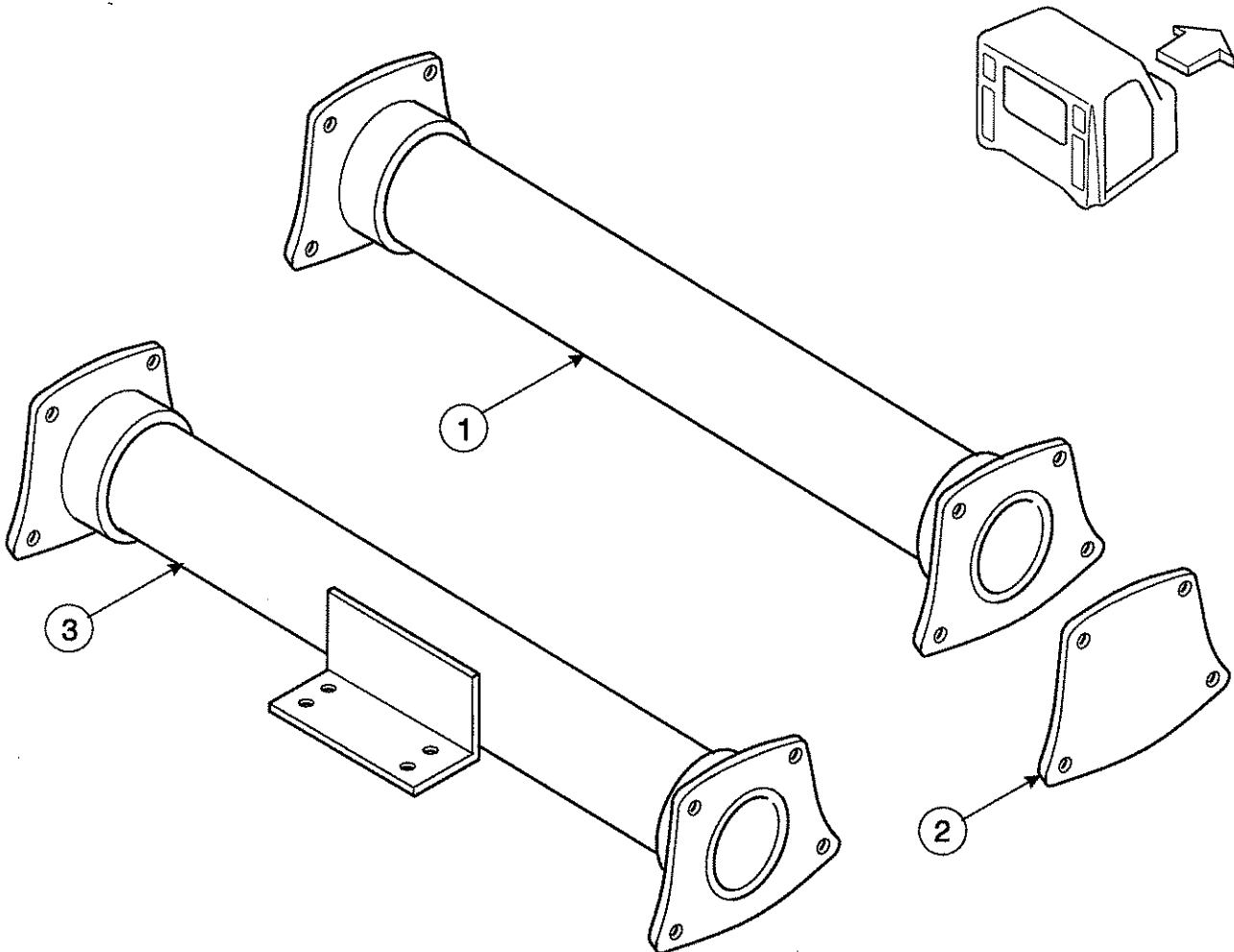
1	Tubular Crossmember, EOF	40901-3438
2	V-Brace EOF	41115-3471
3	Crossmember Channel EOF Steel (32.5")	41102-3475
4	Spacer, Tubular Crossmember	41405-3417
6	Spacer, Crossmember 1/8"	9013200

Specific BOMs listed: 2098-524-10/16, 2098-20/26

TUBULAR END OF FRAME CROSSMEMBERS

2098-505-00/09, 2098-505-60/62, 2098-70/75

1	EOF Crossmember, Tubular	41102-3426	1
2	Spacer, .06	41405-3416	AR
2	Spacer, .12	41405-3417	AR
3	EOF Crossmember, Tubular	521467	1



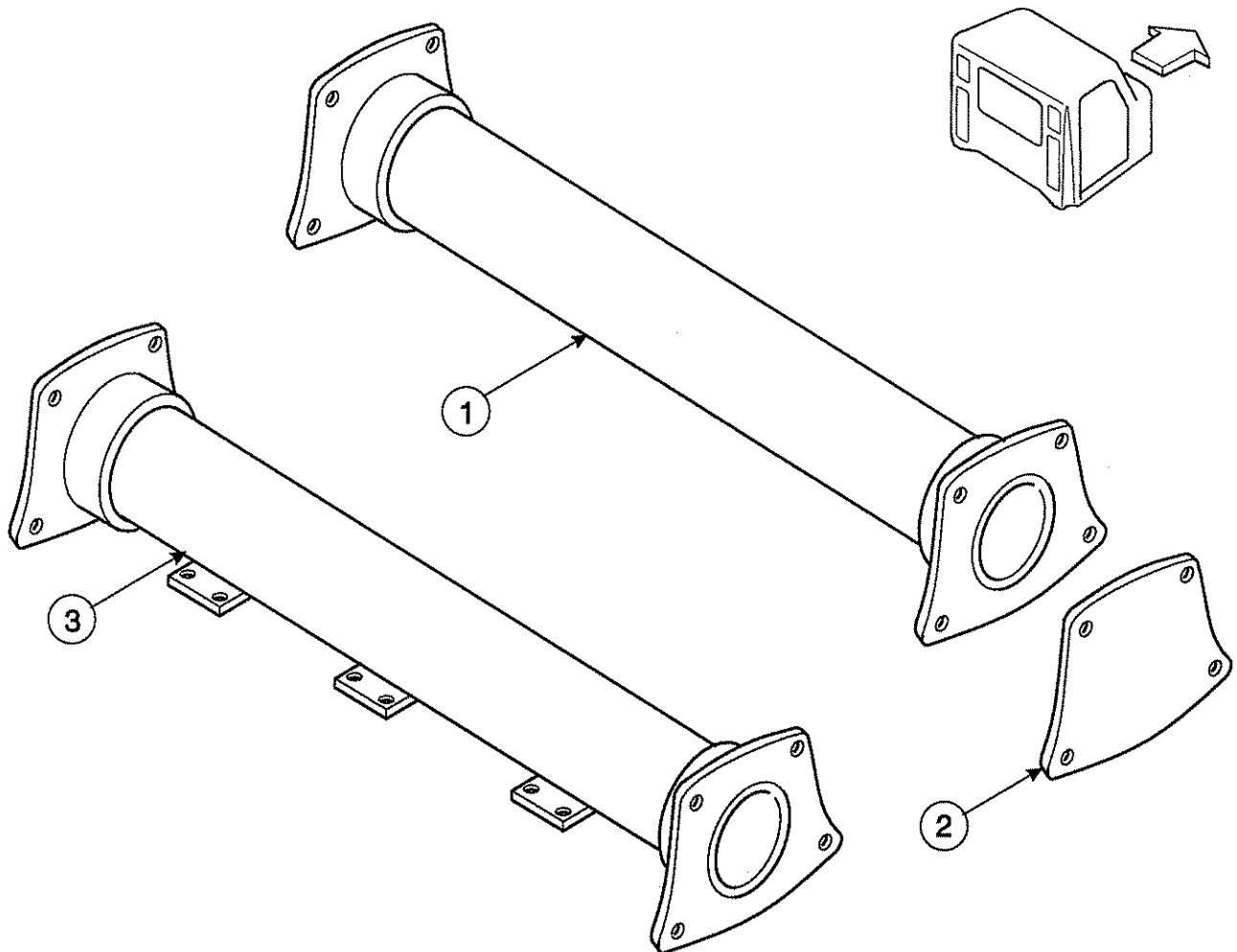
Specific BOMs listed: 2098-505-00/09, 2098-505-60/62, 2098-505-70/75

END OF FRAME CROSSMEMBERS

TUBULAR END OF FRAME CROSSMEMBERS

2098-505-30/32

1	EOF Crossmember, Tubular	41102-3438	1
2	Spacer, .06	41405-3416	AR
2	Spacer, .12	41405-3417	AR
3	EOF Crossmember, Tubular	41102-3464	1

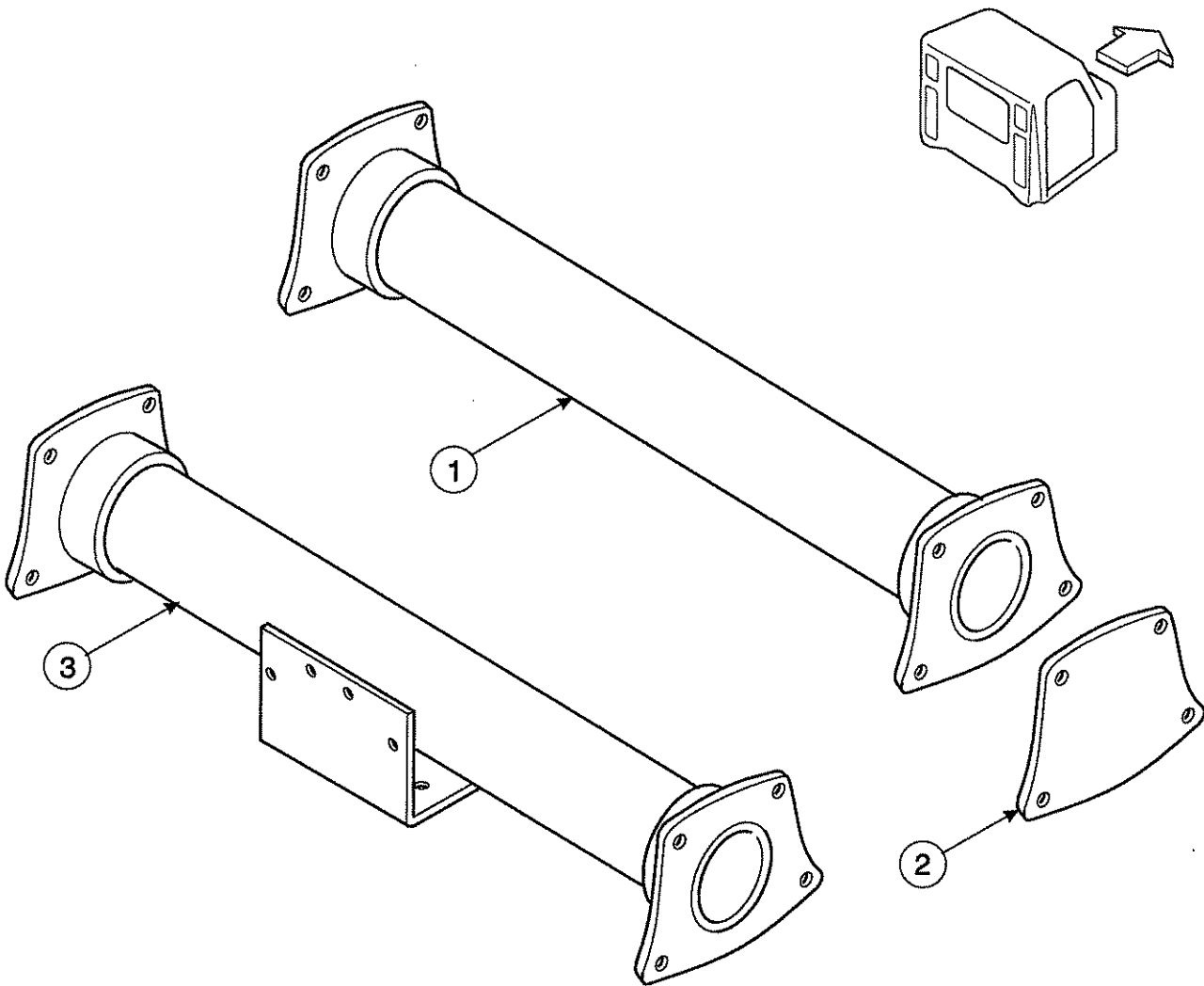


Specific BOMs listed: 2098-505-30/32

TUBULAR END OF FRAME CROSSMEMBERS

2098-505-40/46

1	EOF Crossmember, Tubular	41102-3426	1
2	Spacer, .06	41405-3416	AR
2	Spacer, .12	41405-3417	AR
3	EOF Crossmember, Tubular	40901-3471	1



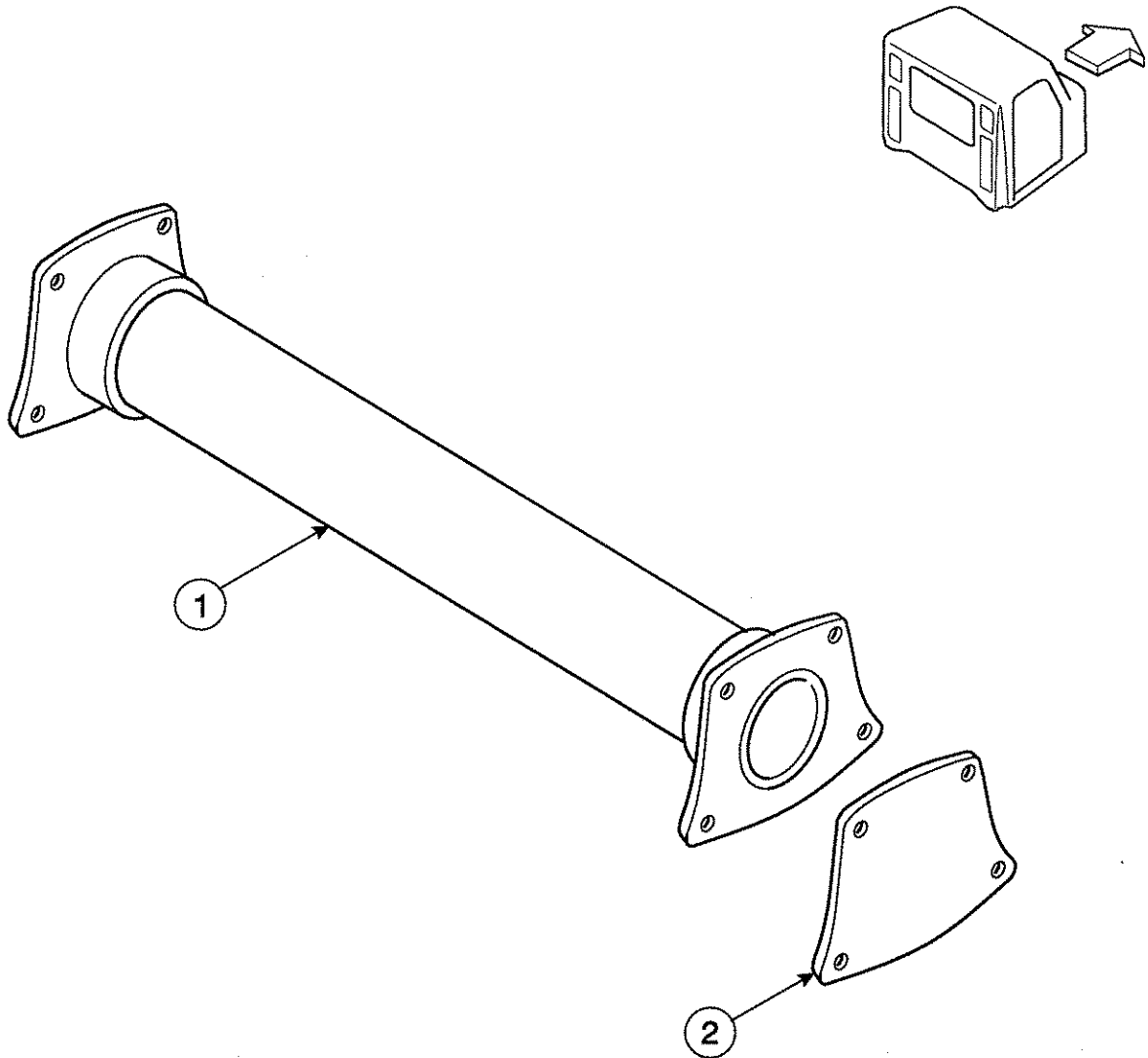
Specific BOMs listed: 2098-505-40/46

END OF FRAME CROSSMEMBERS

TUBULAR END OF FRAME CROSSMEMBERS

2098-505-54/57, 2098-505-76/78

1	EOF Crossmember, Tubular	41102-3426	1
2	Spacer, .06	41405-3416	AR
2	Spacer, .12	41405-3417	AR



Specific BOMs listed: 2098-505-54/57, 2098-505-76/78

STEEL OR ALUMINUM CHANNEL END OF FRAME CROSSMEMBERS - TAPERED RAIL

2098-516-00, 2098-516-15, 2098-516-20, 2098-516-28, 2098-516-34, 2098-516-38, 2098-516-42

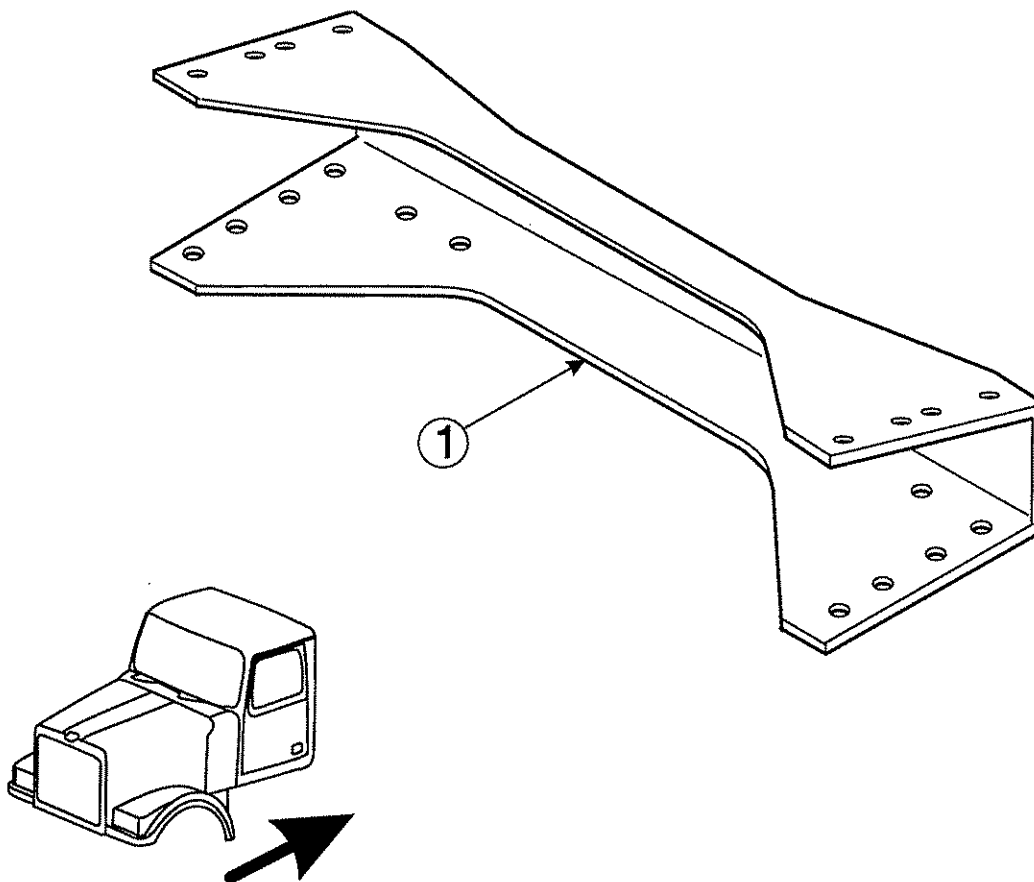
- STEEL CHANNEL CROSSMEMBER

1 EOF Crossmember, Tapered Steel 41106-3446

2098-516-10, 2098-516-30

- ALUMINUM CHANNEL CROSSMEMBER

1	EOF Crossmember, Tapered Aluminum	41106-3447	
2	Spacer, .06	41405-3416	AR
2	Spacer, .12	41405-3417	AR



Specific BOMs listed: 2098-516-00, 2098-516-10, 2098-516-15, 2098-516-20, 2098-516-28, 2098-516-30, 2098-516-38, 2098-516-42

END OF FRAME CROSSMEMBERS

STEEL OR ALUMINUM CHANNEL END OF FRAME CROSSMEMBERS - TAPERED RAIL

2098-516-01/03, 2098-516-16/18, 2098-516-21/23, 2098-516-35/37, 2098-516-39

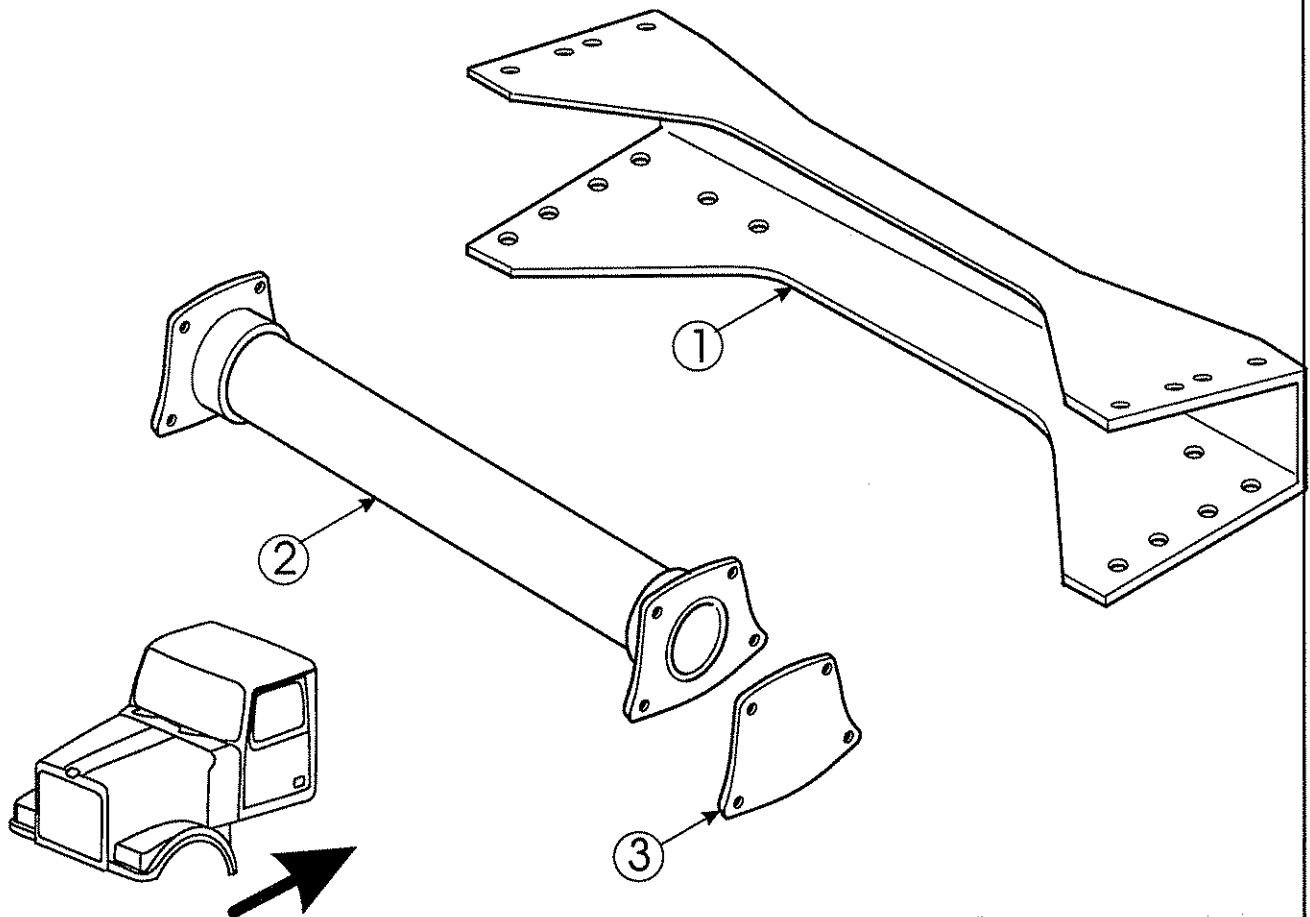
- STEEL CHANNEL CROSSMEMBER

1	EOF Crossmember, Tapered Steel	41106-3446
2	Crossmember, Tubular	521467
3	Spacer, .12 Tubular X-Member	41405-3417
3	Spacer, .06, Tubular X-Member	41405-3416

2098-516-11/13, 2098-516-31/33

- ALUMINUM CHANNEL CROSSMEMBER

1	EOF Crossmember, Tapered Aluminum	41106-3447
2	Crossmember, Tubular	521467
3	Spacer, .12 Tubular X-Member	41405-3417
3	Spacer, .06, Tubular X-Member	41405-3416



Specific BOMs listed: 2098-516-01/03, 2098-516-11/13, 2098-516-16/18, 2098-516-21/23, 2098-516-31/33, 2098-516-35/37, 2098-516-39

STEEL OR ALUMINUM CHANNEL END OF FRAME CROSSMEMBERS - TAPERED RAIL

2098-516-05, 2098-516-24

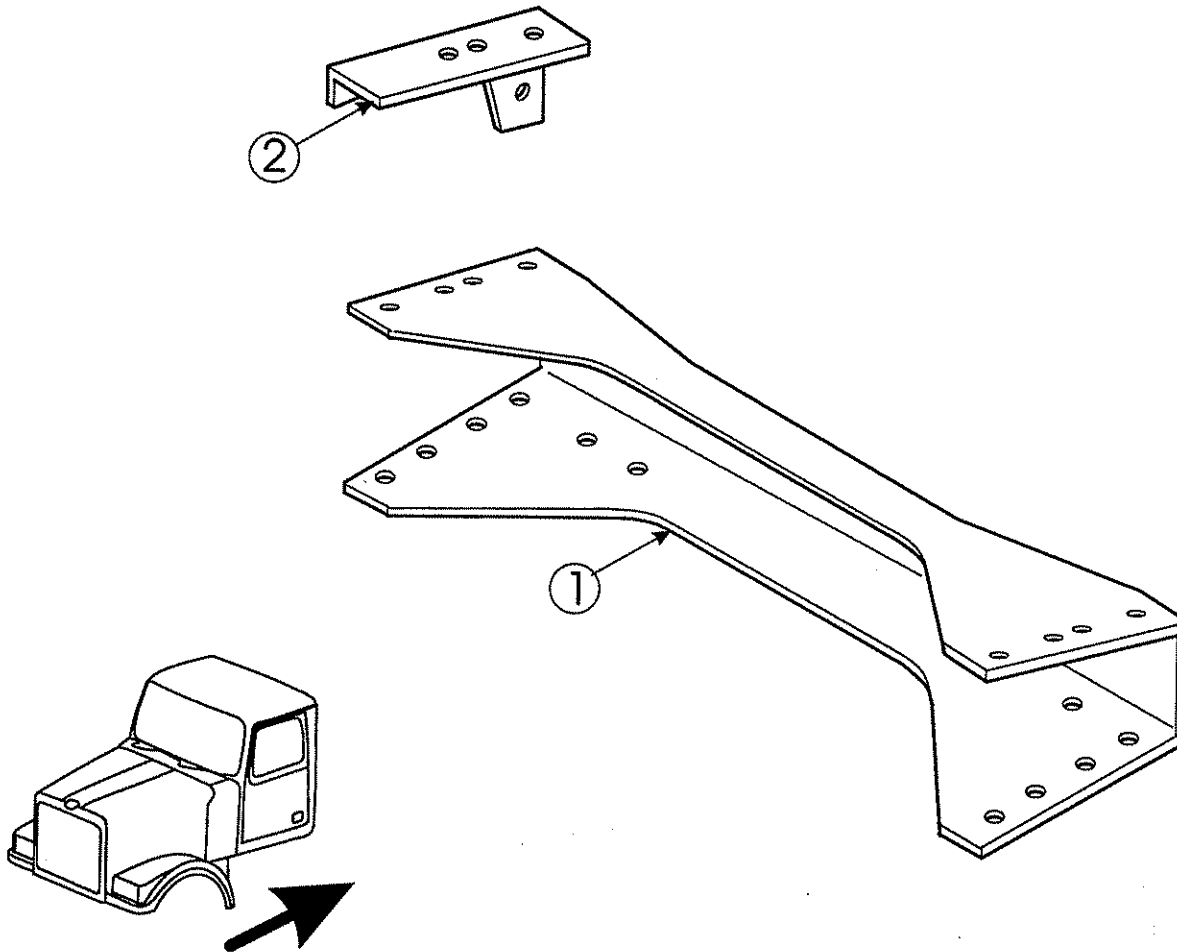
- STEEL CROSSMEMBER

- | | | |
|---|---------------------------------------|------------|
| 1 | EOF Crossmember, Tapered Steel | 41106-3446 |
| 2 | Flange Insert LH, Tapered Crossmember | 40402-3420 |
| 2 | Flange Insert RH, Tapered Crossmember | 40402-3421 |

2098-516-07, 2098-516-26

- ALUMINUM CROSSMEMBER

- | | | |
|---|---------------------------------------|------------|
| 1 | EOF Crossmember, Tapered Crossmember | 41106-3447 |
| 2 | Flange Insert LH, Tapered Crossmember | 40402-3420 |
| 2 | Flange Insert RH, Tapered Crossmember | 40402-3421 |



Specific BOMs listed: 2098-516-05, 2098-516-07, 2098-516-24, 2098-516-26

END OF FRAME CROSSMEMBERS

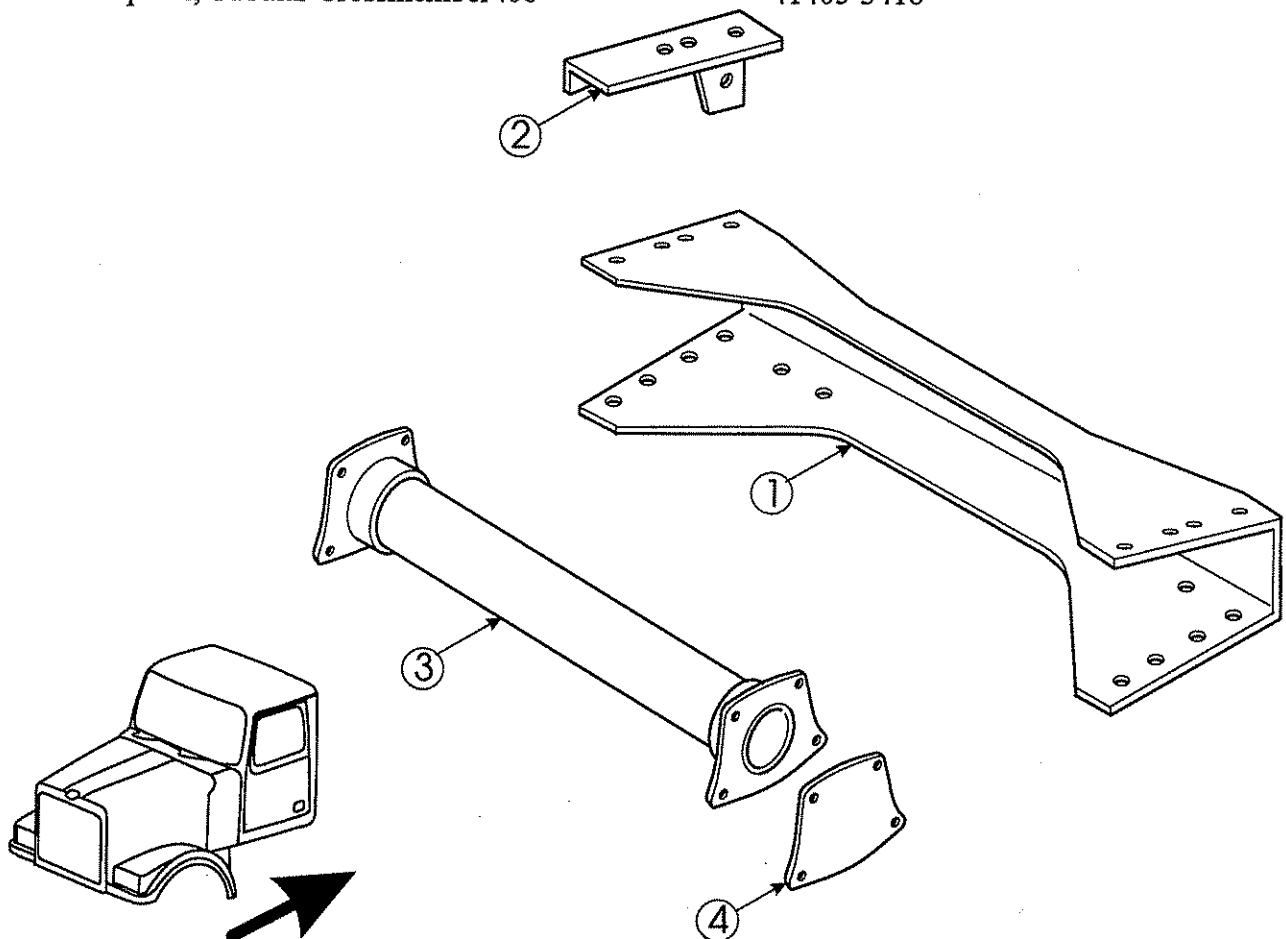
STEEL OR ALUMINUM CHANNEL END OF FRAME CROSSMEMBERS - TAPERED RAIL

2098-516-06, 2098-516-25 - STEEL CROSSMEMBER

1	EOF Crossmember, Tapered Steel	41106-3446
2	Flange Insert LH, Tapered Crossmember	40402-3420
2	Flange Insert RH, Tapered Crossmember	40402-3421
3	Crossmember, Tubular	521467
4	Spacer, Tubular Crossmember .06	41405-3416

2098-516-08, 2098-516-27 - ALUMINUM CROSSMEMBER

1	EOF Crossmember, Tapered Aluminum	41106-3447
2	Flange Insert LH, Tapered Crossmember	40402-3420
2	Flange Insert RH, Tapered Crossmember	40402-3421
3	Crossmember, Tubular	521467
4	Spacer, Tubular Crossmember .06	41405-3416

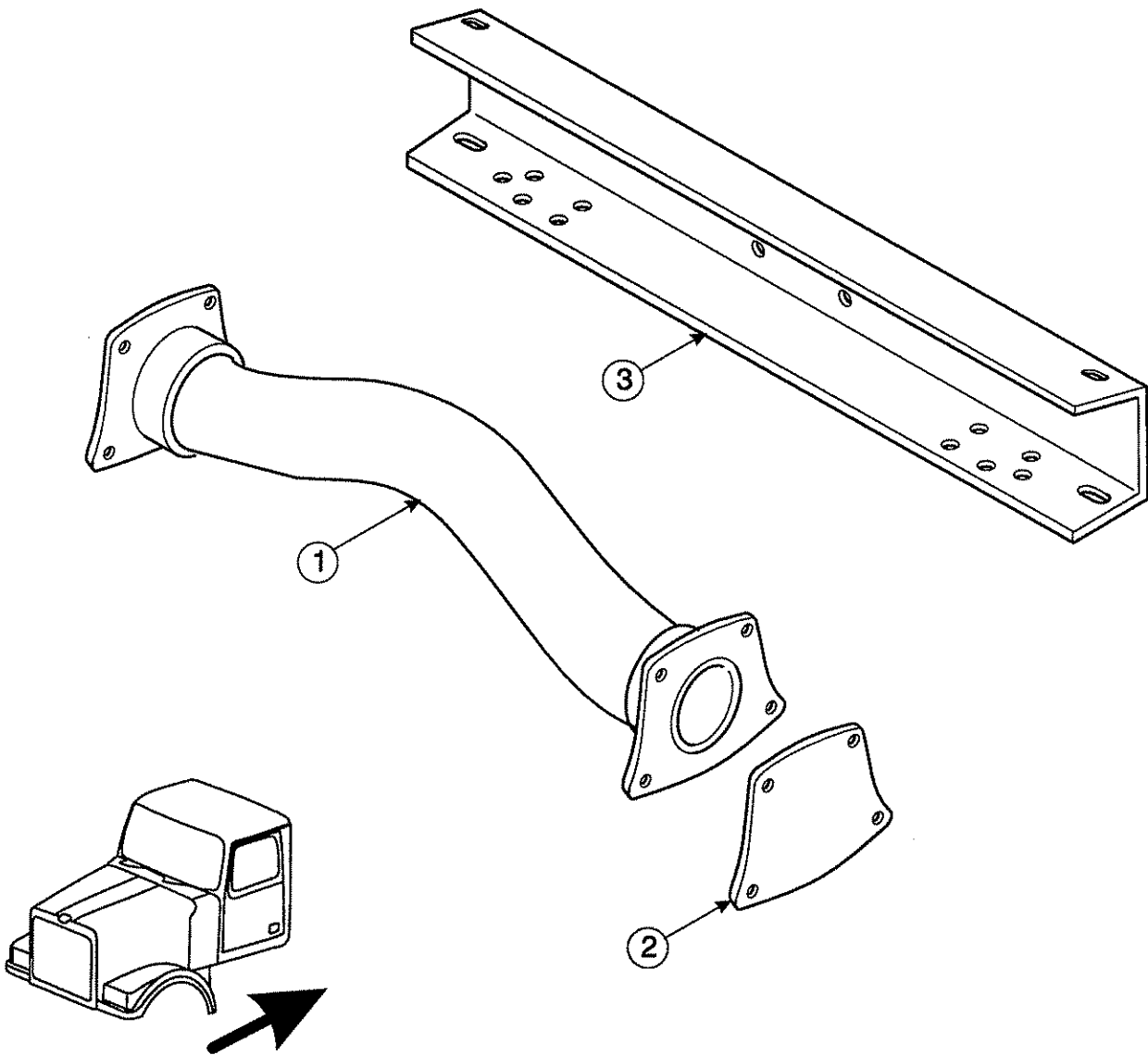


Specific BOMs listed: 2098-516-06, 2098-516-08, 2098-516-25, 2098-516-27

**STEEL CHANNEL EOF CROSSMEMBER WITH HUMPED TUBULAR CROSSMEMBER
 - TAPERED RAIL**

2098-528-00

- | | | |
|---|----------------------------------|------------|
| 1 | Humped Tubular Crossmember, EOF | 40901-3451 |
| 2 | Spacer, .06, Tubular Crossmember | 41405-3416 |
| 2 | Spacer, .12, Tubular Crossmember | 41405-3417 |
| 3 | EOF Crossmember, Tapered Steel | 41106-3438 |

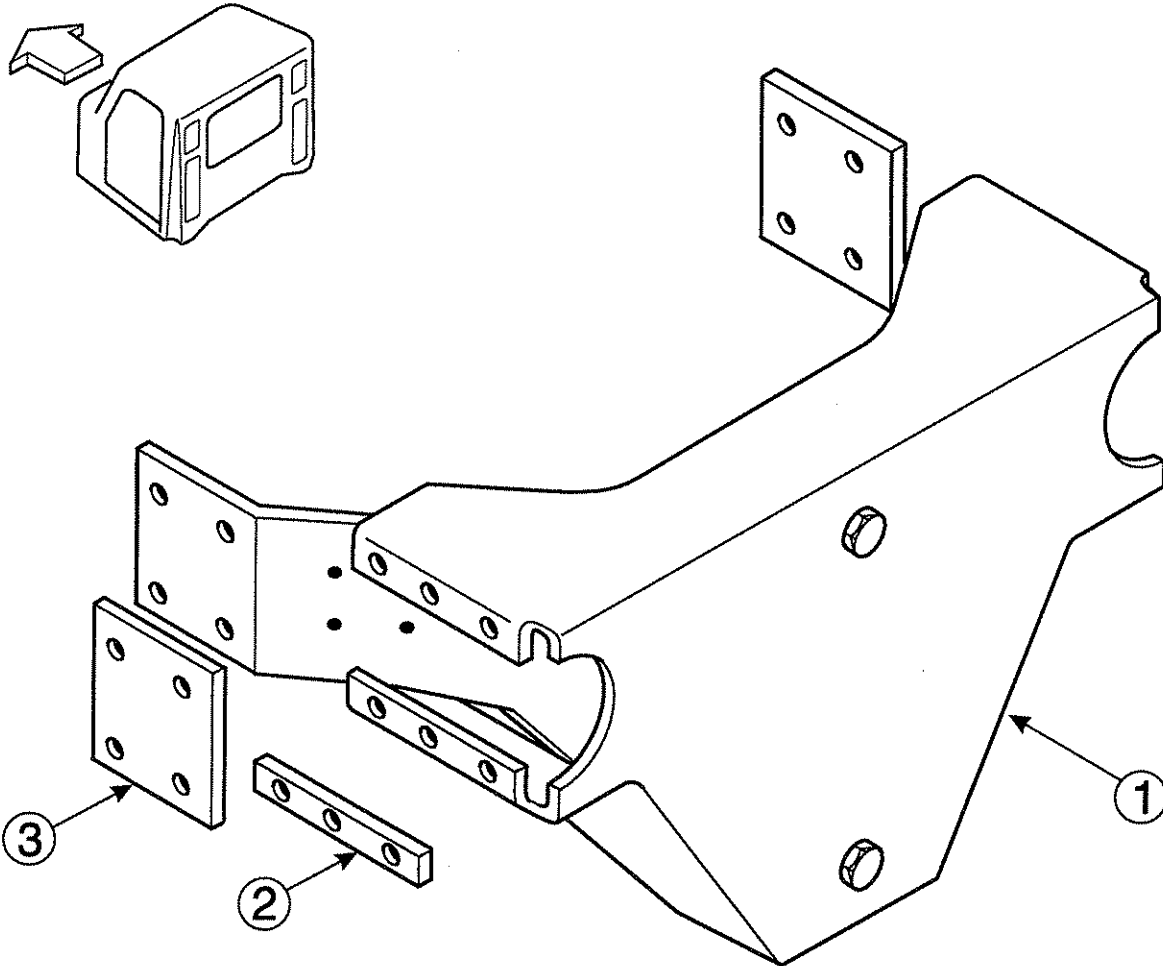


Specific BOMs listed: 2098-528-00

DEEP CHANNEL EOF CROSSMEMBER WITHOUT HITCH DRILLING - STRAIGHT RAIL

2098-526-00/03

- | | | |
|---|---|------------|
| 1 | Deep Channel EOF Crossmember Assy w/V-Brace | 41102-3438 |
| 2 | Spacer, 1/4", Crossmember | 9000182 |
| 2 | Spacer, 1/8", Crossmember | 9013200 |
| 2 | Spacer, 1/16", Crossmember | 41405-3419 |
| 3 | Spacer, 1/8" V-Brace | 41105-3406 |
| 3 | Spacer, 1/16" V-Brace | 41105-3407 |

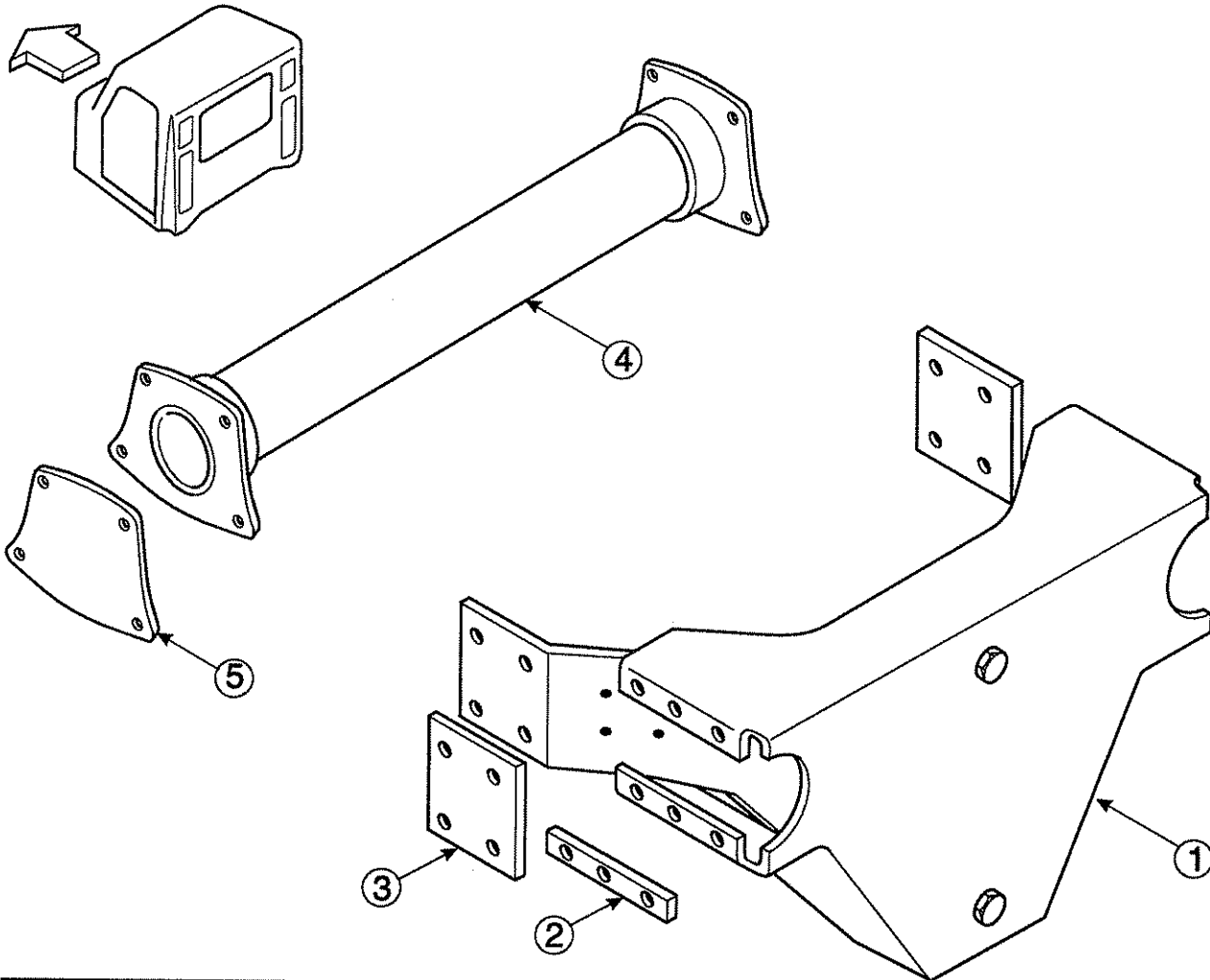


Specific BOMs listed: 2098-526-00/03

DEEP CHANNEL EOF CROSSMEMBER WITHOUT HITCH DRILLING - STRAIGHT RAIL

2098-526-04/06

- | | | |
|---|---|------------|
| 1 | Deep Channel EOF Crossmember Assy w/V-Brace | 41102-3438 |
| 2 | Spacer, 1/4", Crossmember | 9000182 |
| 2 | Spacer, 1/8", Crossmember | 9013200 |
| 2 | Spacer, 1/16", Crossmember | 41405-3419 |
| 3 | Spacer, 1/8" V-Brace | 41105-3406 |
| 3 | Spacer, 1/16" V-Brace | 41105-3407 |
| 4 | Tubular Crossmember | 521467 |
| 5 | Spacer, Tubular Crossmember 1/4" | 41405-3418 |
| 5 | Spacer, Tubular Crossmember 1/8" | 41405-3417 |
| 6 | Spacer, Tubular Crossmember 1/16" | 41405-3416 |



Specific BOMs listed: 2098-526-04/06

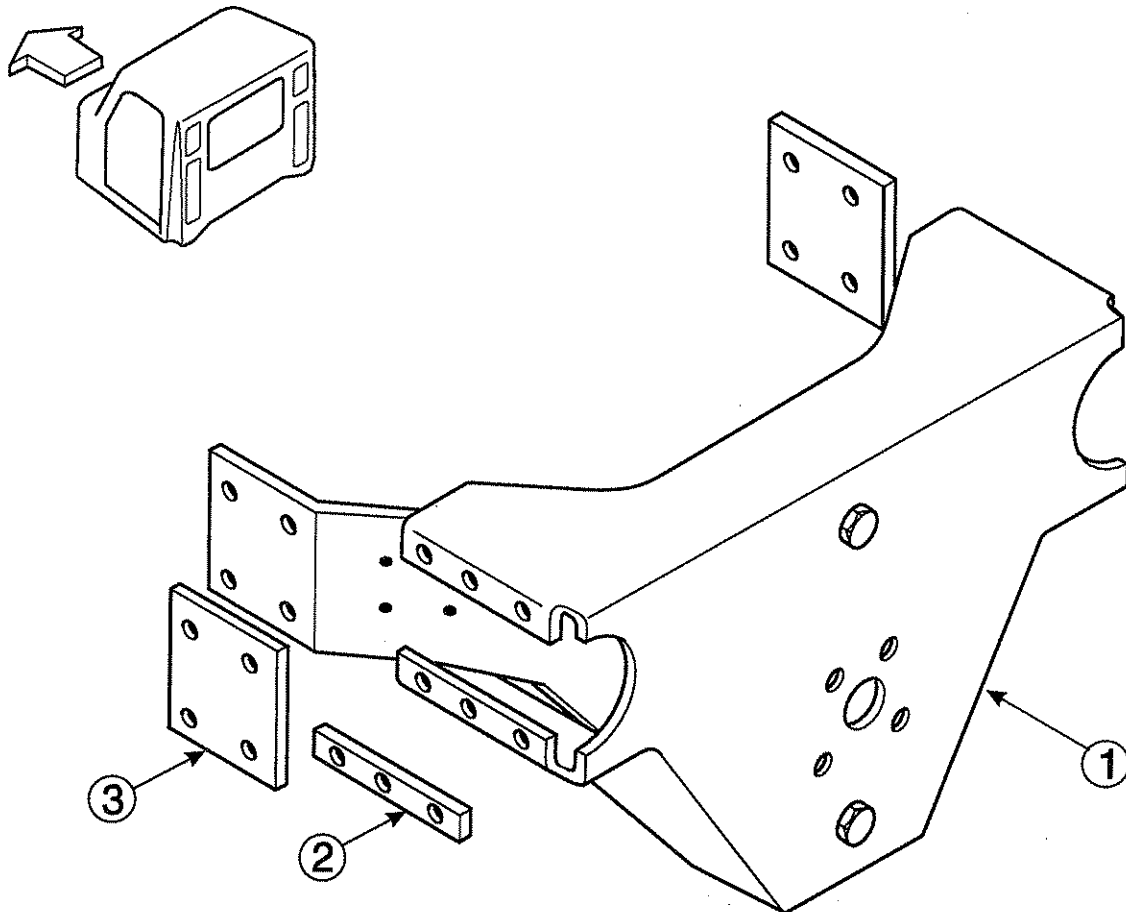
END OF FRAME CROSSMEMBERS

DEEP CHANNEL EOF CROSSMEMBER - STRAIGHT RAIL

HITCH DRILLING FOR PREMIER 270 AIR HITCH, PREMIER 220 AIR HITCH, PREMIER 580 PINTLE HOOD

2098-520-00/03, 2098-520-08

- | | | |
|---|---|------------|
| 1 | Deep Channel EOF Crossmember Assy w/V-Brace | 41102-3518 |
| 2 | Spacer, 1/4", Crossmember | 9000182 |
| 2 | Spacer, 1/8", Crossmember | 9013200 |
| 2 | Spacer, 1/16", Crossmember | 41405-3419 |
| 3 | Spacer, 1/8" V-Brace | 41105-3406 |
| 3 | Spacer, 1/16" V-Brace | 41105-3407 |



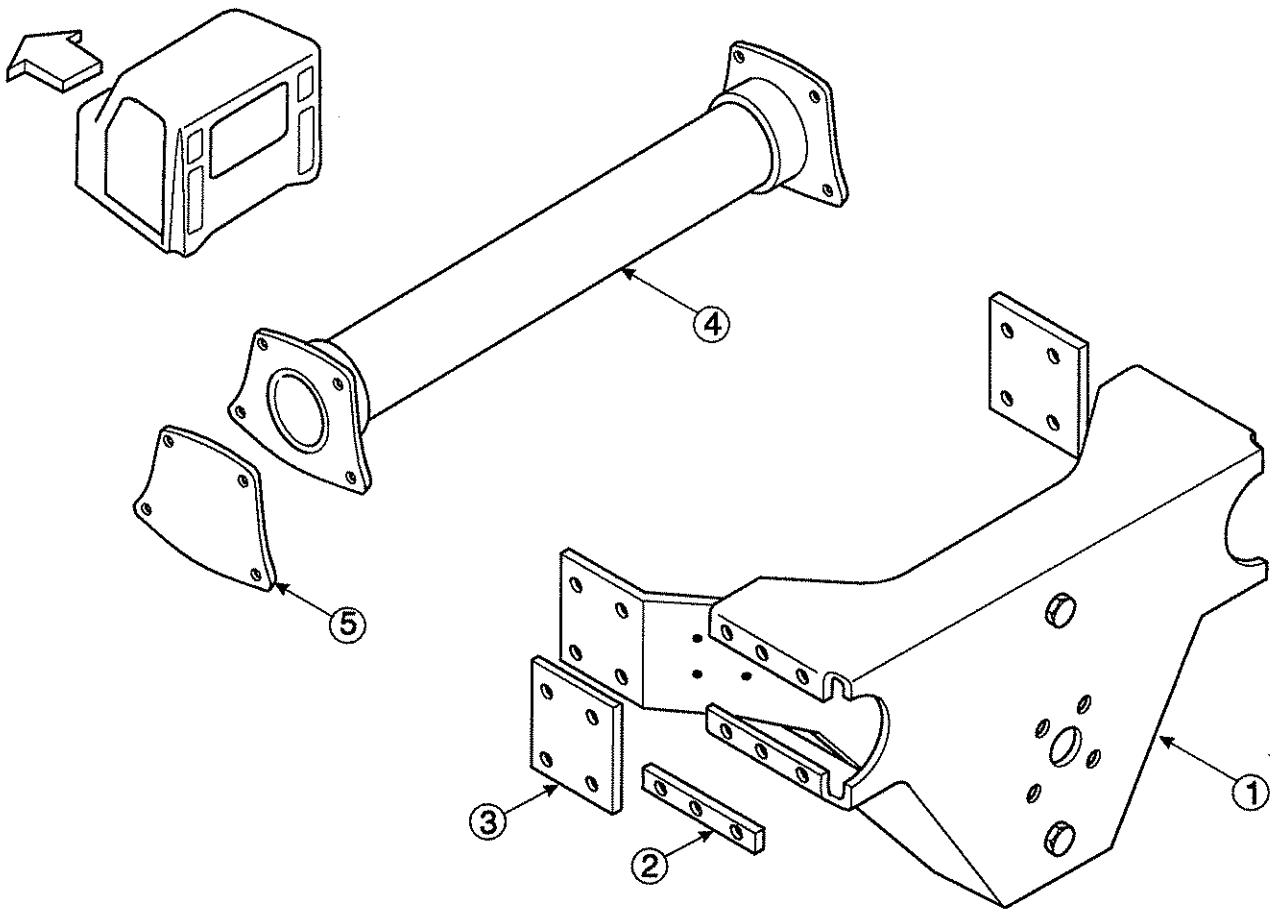
Specific BOMs listed: 2098-520-00/03, 2098-520-08

DEEP CHANNEL EOF CROSSMEMBER - STRAIGHT RAIL

HITCH DRILLING FOR PREMIER 270 AIR HITCH, PREMIER 220 AIR HITCH, PREMIER 580 PINTLE HOOD

2098-520-04/07

- | | | |
|---|---|------------|
| 1 | Deep Channel EOF Crossmember Assy w/V-Brace | 41102-3518 |
| 2 | Spacer, 1/4", Crossmember | 9000182 |
| 2 | Spacer, 1/8", Crossmember | 9013200 |
| 2 | Spacer, 1/16", Crossmember | 41405-3419 |
| 3 | Spacer, 1/8" V-Brace | 41105-3406 |
| 3 | Spacer, 1/16" V-Brace | 41105-3407 |
| 4 | Tubular Crossmember | 521467 |
| 5 | Spacer, Tubular Crossmember 1/4" | 41405-3418 |
| 5 | Spacer, Tubular Crossmember 1/8" | 41405-3417 |
| 6 | Spacer, Tubular Crossmember 1/16" | 41405-3416 |

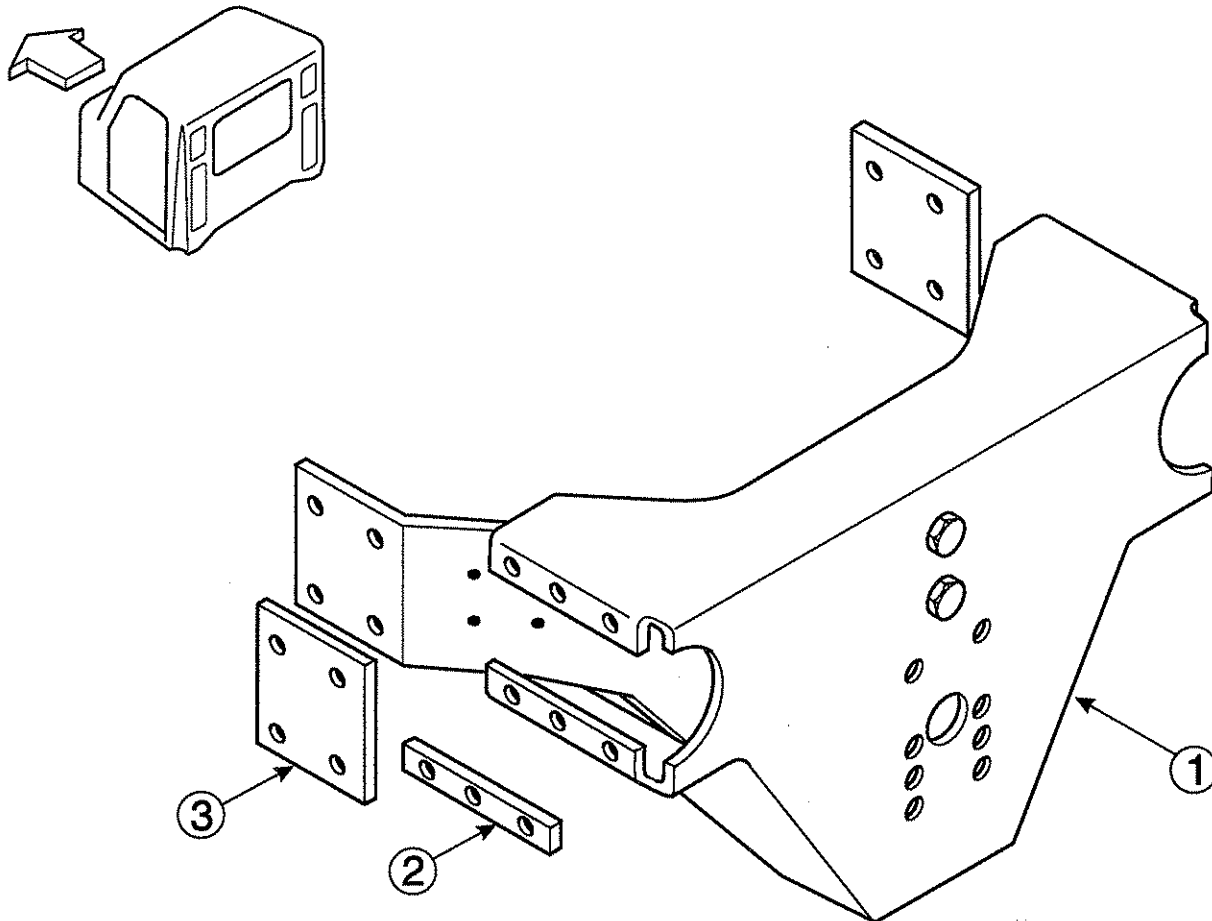


Specific BOMs listed: 2098-520-04/07

DEEP CHANNEL EOF CROSSMEMBER - STRAIGHT RAIL HITCH DRILLING FOR Holland PH400 Pintle Hook

2098-523-00/03, 2098-523-08

- | | | |
|---|---|------------|
| 1 | Deep Channel EOF Crossmember Assy w/V-Brace | 41102-3484 |
| 2 | Spacer, 1/4", Crossmember | 9000182 |
| 2 | Spacer, 1/8", Crossmember | 9013200 |
| 2 | Spacer, 1/16", Crossmember | 41405-3419 |
| 3 | Spacer, 1/8" V-Brace | 41105-3406 |
| 3 | Spacer, 1/16" V-Brace | 41105-3407 |

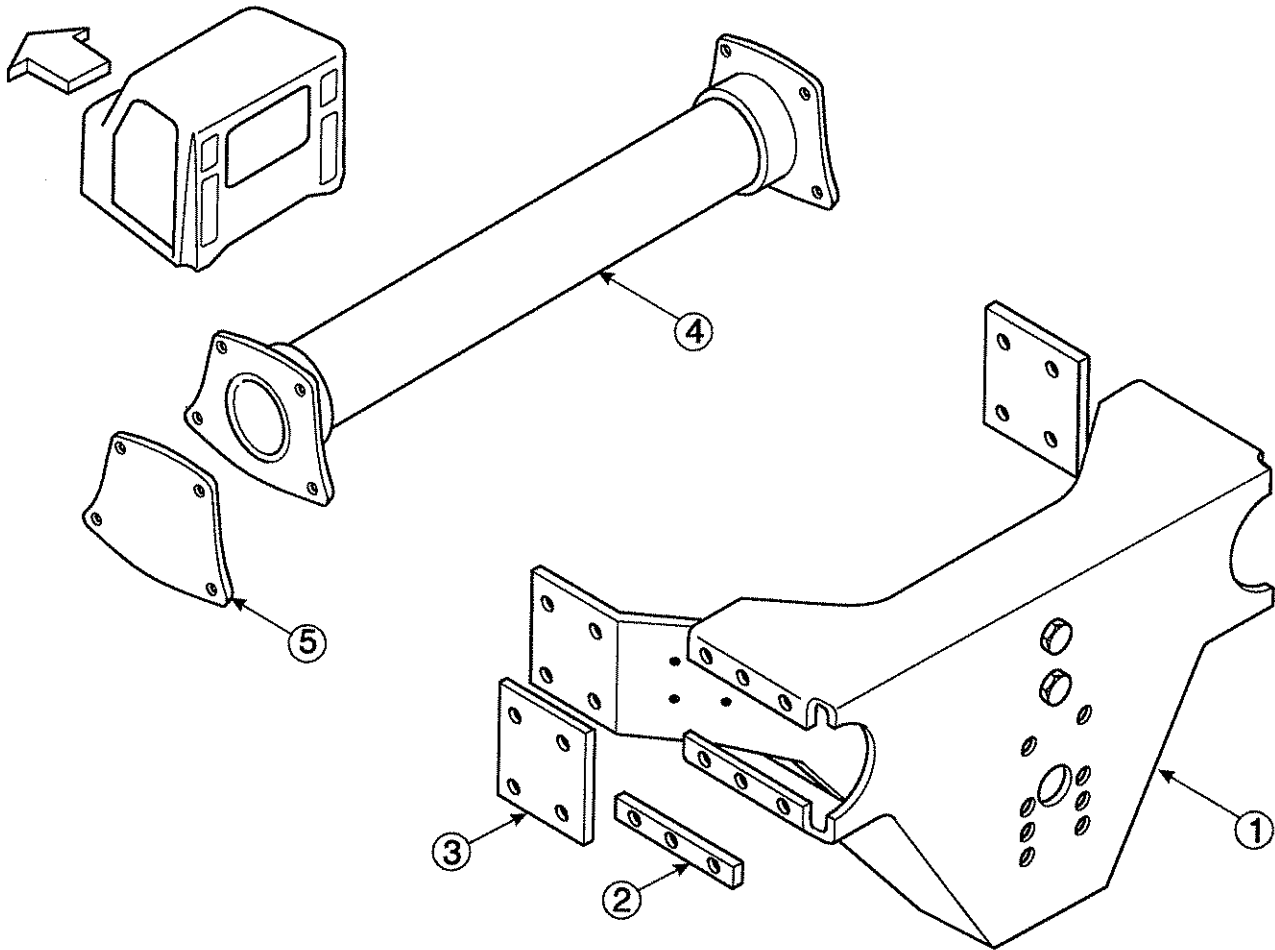


Specific BOMs listed: 2098-523-00/03, 2098-523-08

DEEP CHANNEL EOF CROSSMEMBER - STRAIGHT RAIL
HITCH DRILLING FOR

2098-523-04/07

- | | | |
|---|---|------------|
| 1 | Deep Channel EOF Crossmember Assy w/V-Brace | 41102-3484 |
| 2 | Spacer, 1/4", Crossmember | 9000182 |
| 2 | Spacer, 1/8", Crossmember | 9013200 |
| 2 | Spacer, 1/16", Crossmember | 41405-3419 |
| 3 | Spacer, 1/8" V-Brace | 41105-3406 |
| 3 | Spacer, 1/16" V-Brace | 41105-3407 |
| 4 | Tubular Crossmember | 521467 |
| 5 | Spacer, Tubular Crossmember 1/4" | 41405-3418 |
| 5 | Spacer, Tubular Crossmember 1/8" | 41405-3417 |
| 6 | Spacer, Tubular Crossmember 1/16" | 41405-3416 |



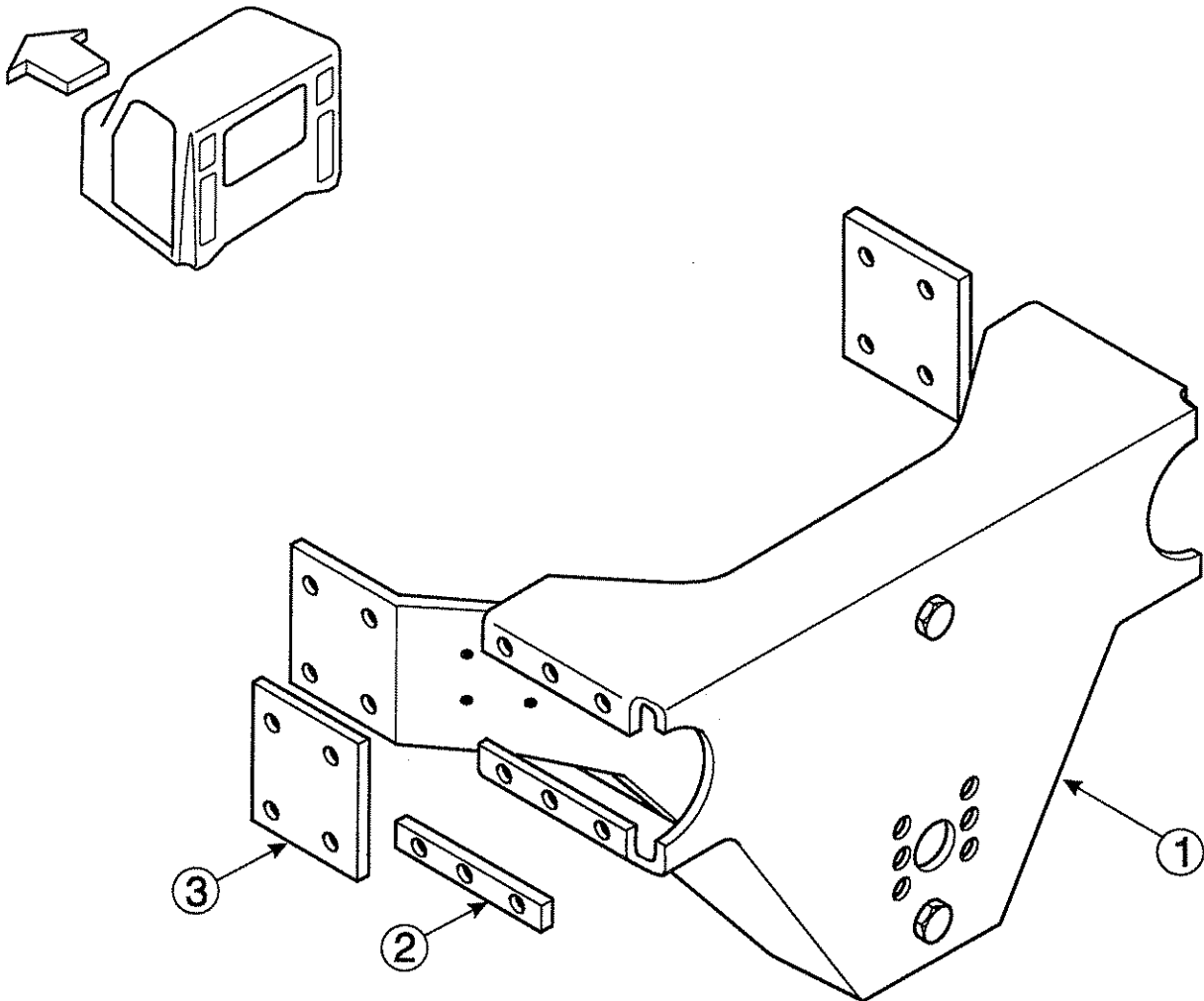
Specific BOMs listed: 2098-523-00/03, 2098-523-08

END OF FRAME CROSSMEMBERS

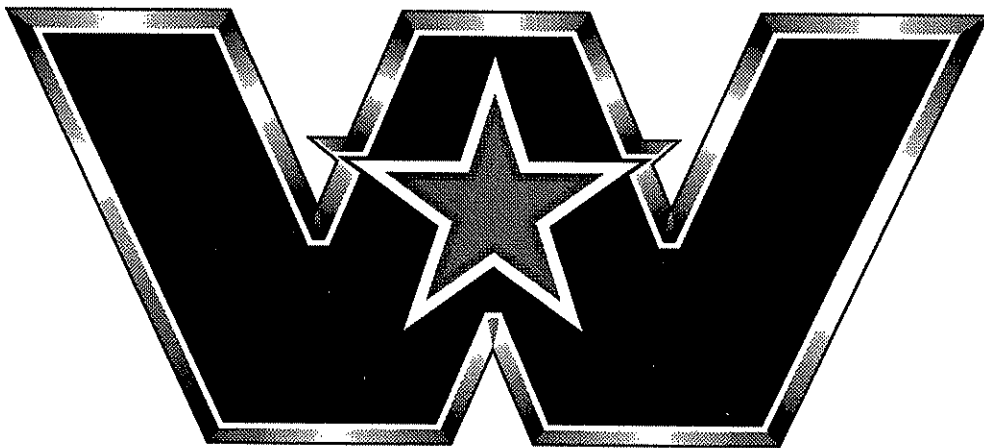
DEEP CHANNEL EOF CROSSMEMBER - STRAIGHT RAIL HITCH DRILLING FOR Premier 370 Tow Hitch

2098-529-00

- | | | |
|---|---|------------|
| 1 | Deep Channel EOF Crossmember Assy w/V-Brace | 41102-3454 |
| 2 | Spacer, 1/4", Crossmember | 9000182 |
| 2 | Spacer, 1/8", Crossmember | 9013200 |
| 2 | Spacer, 1/16", Crossmember | 41405-3419 |
| 3 | Spacer, 1/8" V-Brace | 41105-3406 |
| 3 | Spacer, 1/16" V-Brace | 41105-3407 |



Specific BOMs listed: 2098-529

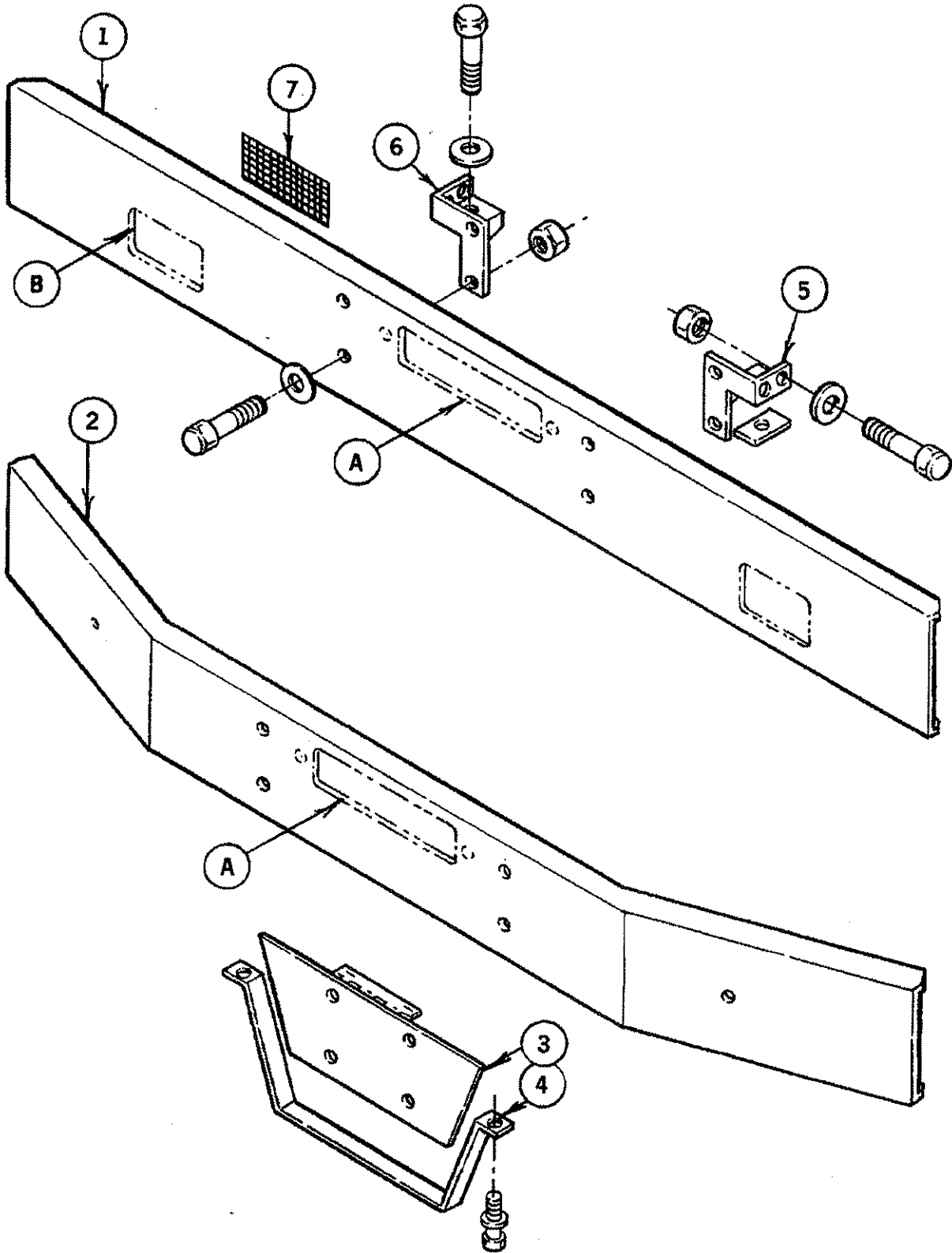


WESTERN STAR TRUCKS®
The Preferred Choice™

TABLE OF CONTENTS

	Section	Page
Extruded Aluminum Bumper	6.3.1	2-3
Aero Bumper	6.3.2	4-5
Deep Section Bumper	6.3.3	6-7
Logger Bumper	6.3.4	8-9
Logger Aero Bumper	6.3.5	10-11
Skid Pan, Grille Guard, and Front Tow ..	6.3.6	12-19

Note: *This publication is a generic parts book. Components may vary with different applications. For applications other than listed below the parts listings see the appropriate Bill of Material by truck serial number and use this publication as a guide only.*



EXTRUDED ALUMINUM BUMPER

EXTRUDED ALUMINUM BUMPERS

2048-001-01/12

Use For Set Forward Axles

Item	Description	Part Number	Qty
1	Bumper, Aluminum, Bare	46003B3463	1
1	Bumper, Aluminum, Polished	46003P3463	1
1A	Bumper, Aluminum, Tow, Bare	46003B3464	1
1A	Bumper, Aluminum, Tow, Bare	46010B3407	1
1A	Bumper, Aluminum, Tow, Polished	46003P3464	1
1A	Bumper, Aluminum, Tow, Polished	46010P3407	1
1B	Bumper, Aluminum, 2 Lights, Bare	46003B3465	1
1B	Bumper, Aluminum, 2 Lights, Polished	46003P3465	1
1AB	Bumper, Aluminum, Tow, 2 Lights, Bare	46003B3466	1
1AB	Bumper, Aluminum, Tow, 2 Lights, Bare	46010B3408	1
1AB	Bumper, Aluminum, Tow, 2 Lights, Polished	46003P3466	1
1AB	Bumper, Aluminum, Tow, 2 Lights, Polished	46010P3408	1

2048-001-12, 002-02/04

Use for Set Back Axles

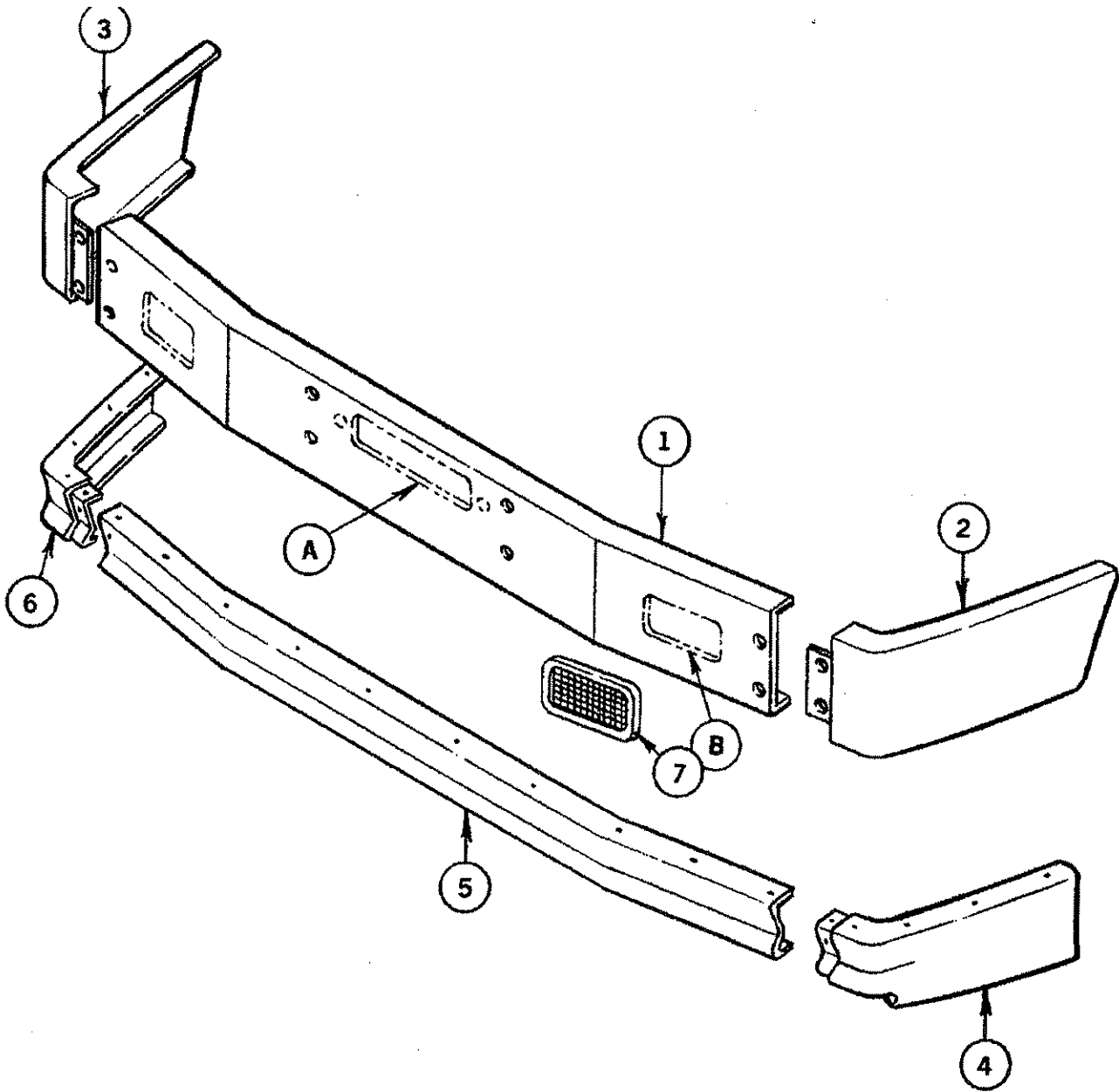
Item	Description	Part Number	Qty
2	Bumper, Aluminum, Set Back, Bare	46003B3596	1
2	Bumper, Aluminum, Set Back, Polished	46003P3596	1
2A	Bumper, Aluminum, Set Back, Tow, Bare	46003B3597	1
2A	Bumper, Aluminum, Set Back, Tow, Polished	46003P3597	1
3	Assy, Hinged License Plate	04-9040102	1
4	Stirrup, Painted	04-9040100	1
4	Stirrup, Chrome	04-9040101	1
5	Bracket, Bumper Mount LH	46002-3465	1
6	Bracket, Bumper Mount RH	46002-3466	1

3218-021-03

Fog & Driving Lamp Screens

Item	Description	Part Number	Qty
7	Screen, Driving & Fog Lamps, Plain Stainless Mesh	86214-3403	2

Specific BOMs listed: 2048-001-01/12, 2048-002-01/04, 3218-021-03



AERO BUMPER, WITH FIBERGLASS ENDCAPS**2048-003-01/16**

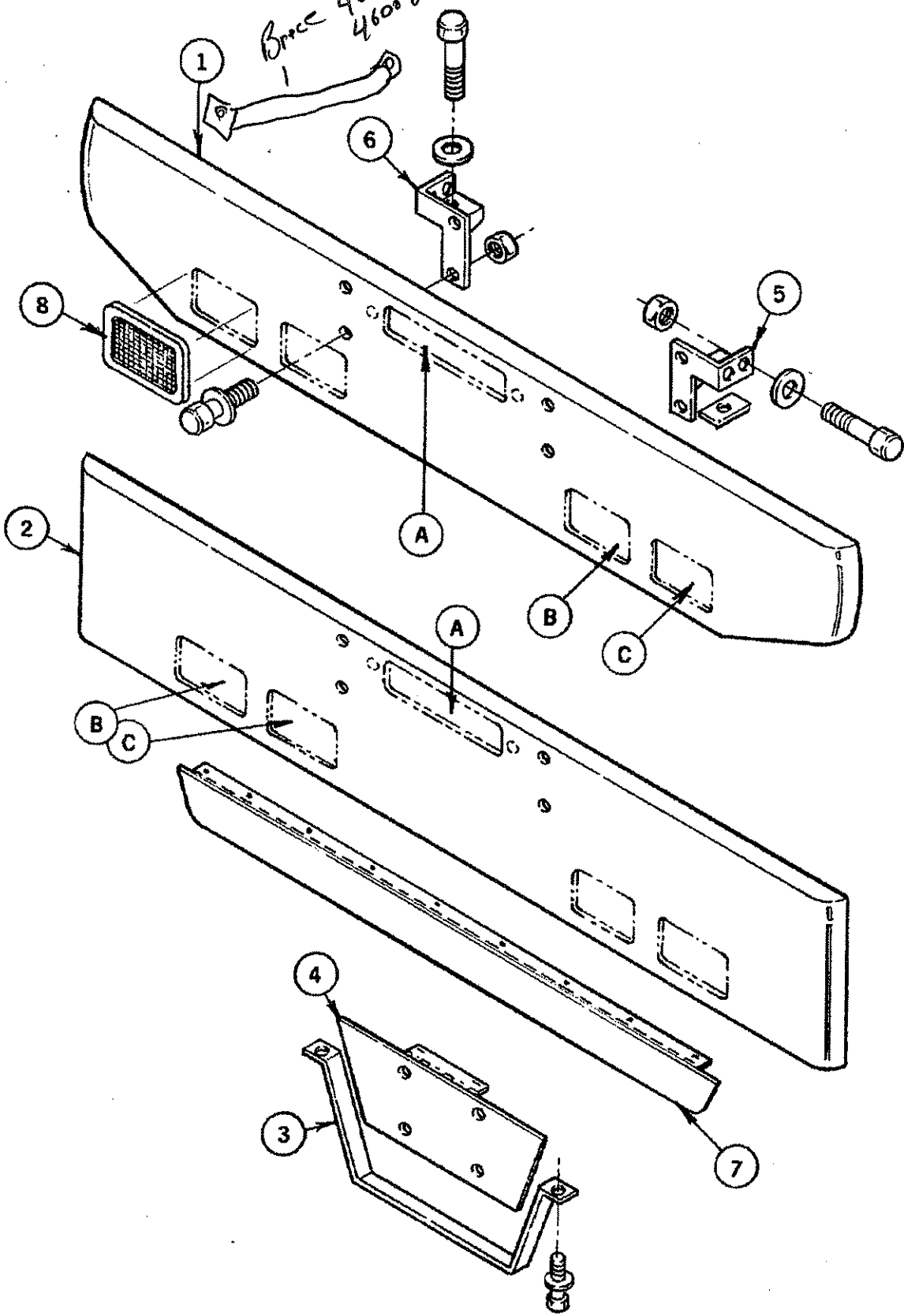
Item	Description	Part Number	Qty
1	Bumper, Painted, Aero	46003F3571	1
1	Bumper, Stainless, Aero	46003S3571	1
1A	Bumper, Painted, Aero, Tow	46003F3573	1
1A	Bumper, Stainless, Aero, Tow	46003S3573	1
1B	Bumper, Painted, Aero, with Lights	46003F3572	1
1B	Bumper, Stainless, Aero, with Lights	46003S3572	1
1AB	Bumper, Stainless, Aero, Tow, with Lights	46003S3574	1
1AB	Bumper, Painted, Aero, Tow, with Lights	46003F3574	1
2	Endcap, Aero Bumper LH	46014-3422	1
3	Endcap, Aero Bumper RH	46014-3423	1
-	Decal, Warning - NO STEP	45099-3402	2
4	Air Dam, LH	46015-3406	1
5	Air Dam, center	46015-3405	1
6	Air Dam, RH	46015-3407	1

3218-021-02**Fog & Driving Lamp Screens**

Item	Description	Part Number	Qty
7	Screen, Driving & Fog Lamps, with Rubber Gasket	86214-3410	2

Specific BOMs listed: 2048-003-01/16, 3218-021-02

*Brace 46008-3422 L.
46008-3423 R.*



DEEP SECTION BUMPER

DEEP SECTION BUMPER

2048-004-01/12

Item	Description	Part Number	Qty
1	Bumper, Deep Section, Chrome	46013C3505	1
1A	Bumper, Deep Section, Chrome, Tow	46013C3506	1
1B	Bumper, Deep Section, Chrome, 2 Lights	46013C3507	1
1BC	Bumper, Deep Section, Chrome, 4 Lights	46013C3514	1
1AB	Bumper, Deep Section, Chrome, Tow, 2 Lights	46013C3508	1
1ABC	Bumper, Deep Section, Chrome, Tow, 4 Lights	46013C3512	1
3	Stirrup, Painted	04-9040100	1
3	Stirrup, Chrome	04-9040101	1
4	Assy, Hinged License Plate	04-9040102	1
5	Bracket, Bumper Mount LH	46002-3465	1
6	Bracket, Bumper Mount RH	46002-3466	1
7	License Plate Holder	04-9051131	1

DEEP SECTION 'TEXAS STYLE' BUMPER

2048-004-13/22

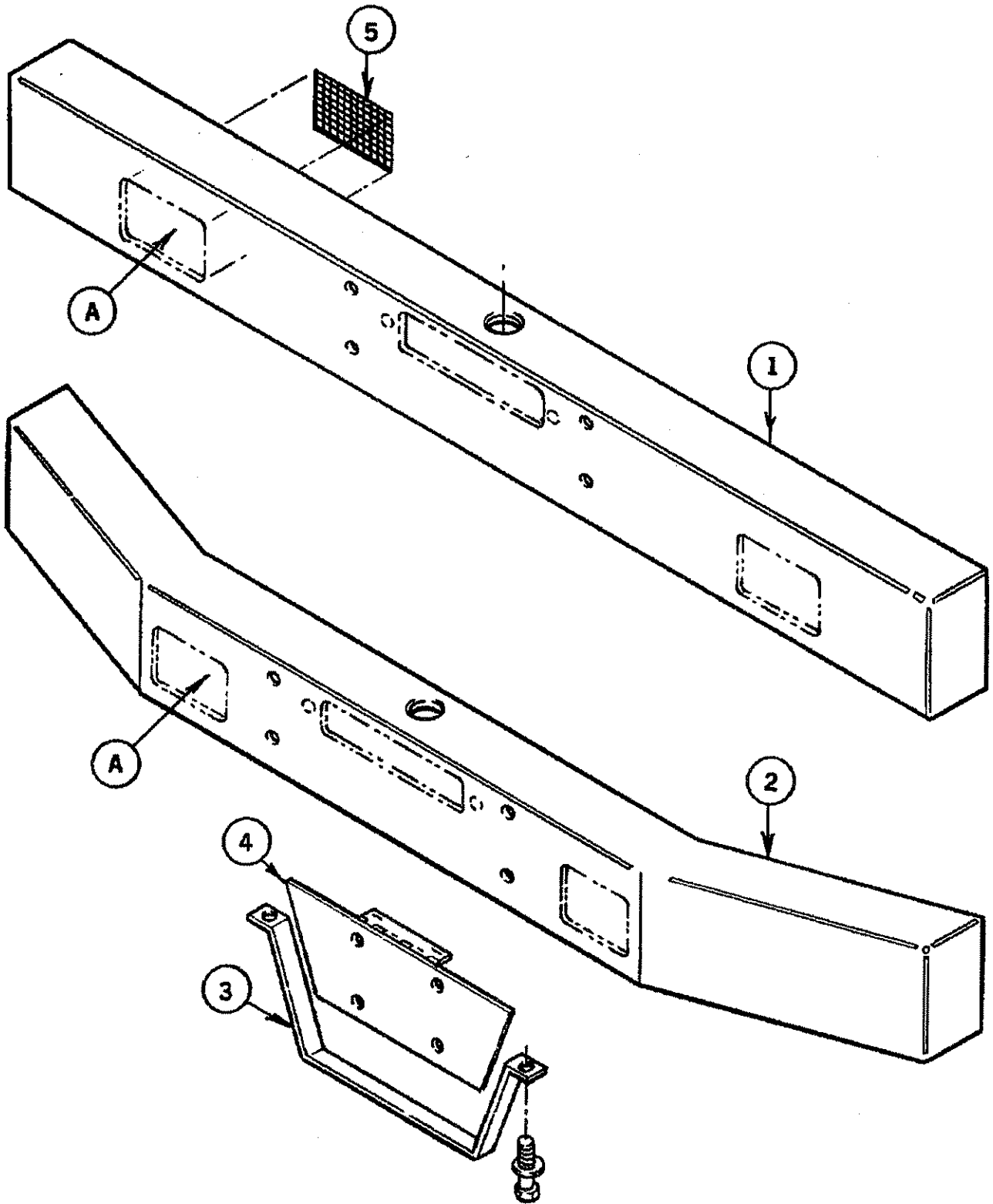
Item	Description	Part Number	Qty
2	Bumper, Texas Style, Chrome	46013C3522	1
2A	Bumper, Texas Style, Chrome, Tow	46013C3523	1
2B	Bumper, Texas Style, Chrome, 2 Lights	46013C3524	1
2BC	Bumper, Texas Style, Chrome, 4 Lights	46013C3527	1
2AB	Bumper, Texas Style, Chrome, Tow, 2 Lights	46013C3525	1
2ABC	Bumper, Texas Style, Chrome, Tow, 4 Lights	46013C3526	1
5	Bracket, Bumper Mount LH	46002-3465	1
6	Bracket, Bumper Mount RH	46002-3466	1
7	License Plate Holder	04-9051131	1

3218-021-02

Fog & Driving Lamp Screens

Item	Description	Part Number	Qty
8	Screen, Driving & Fog Lamps, with Rubber Gasket	86214-3407	2

Specific BOMs listed: 2048-004-01/22, 3218-021-02



LOGGER BUMPER

2048-005-01/12

Use for Set Forward Axles

Item	Description	Part Number	Qty
1	Bumper, Logger, Painted	46003F3478	1
1	Bumper, Logger, Chrome	46003C3478	1
1	Bumper, Logger, Painted, Grille Guard Holes	46003F3487	1
1	Bumper, Logger, Chrome, Grille Guard Holes	46003C3487	1
1A	Bumper, Logger, Painted, 2 Lights	46003F3483	1
1A	Bumper, Logger, Chrome, 2 Lights	46003C3483	1
1A	Bumper, Logger, Chrome, 2 Lights, Grille Guard Holes	46003C3485	1
1A	Bumper, Logger, Painted, 2 Lights & Screen Holes	46003F3484	1
1A	Bumper, Logger, Chrome, 2 Lights & Screen Holes	46003C3484	1
1A	Bumper, Logger, Painted, 2 Lights & Screen Holes, Grille Guard Holes	46003F3486	1
1A	Bumper, Logger, Chrome, 2 Lights & Screen Holes, Grille Guard Holes	46003C3486	1

2048-010-01/07

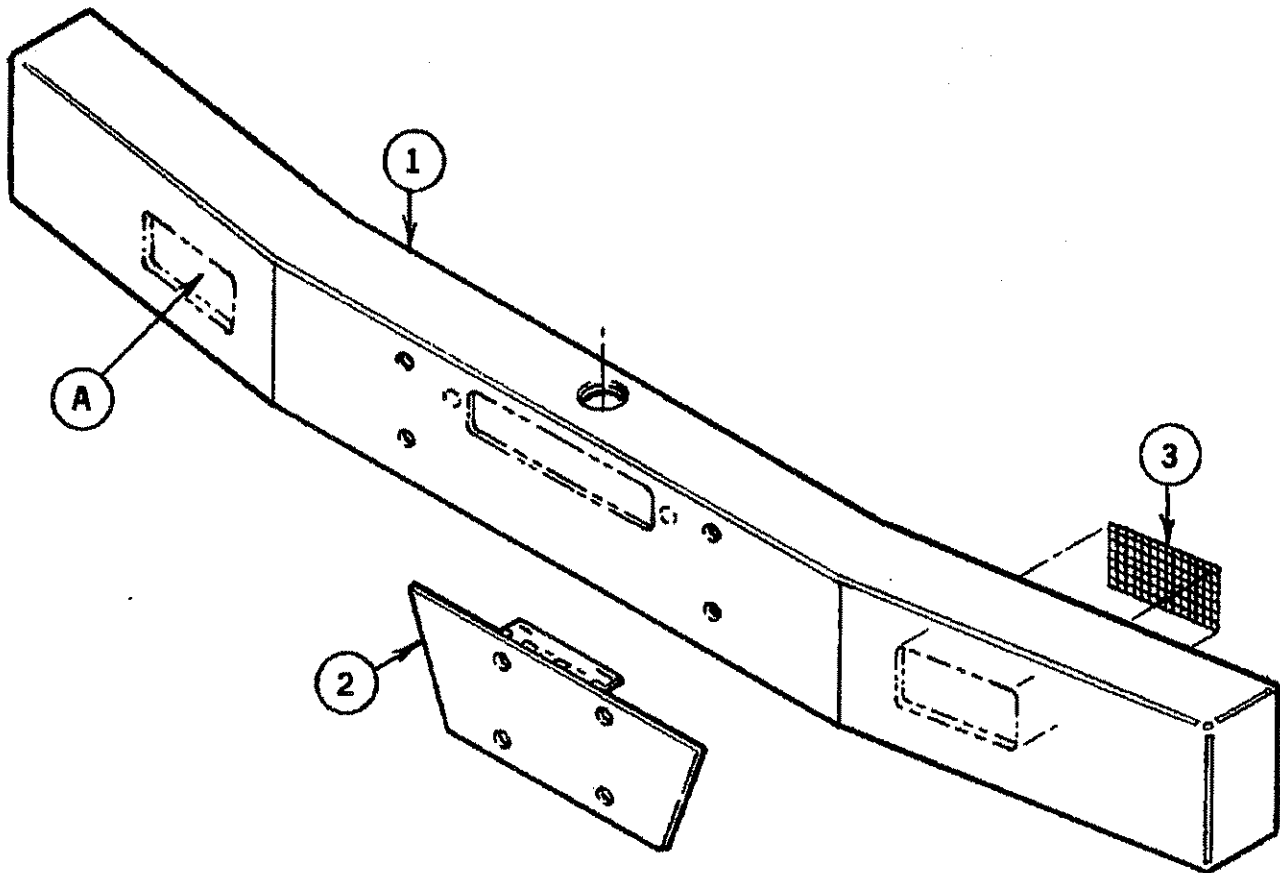
Use for Set Back Axles

Item	Description	Part Number	Qty
2	Bumper, Logger, Set Back, Painted	46003F3590	1
2	Bumper, Logger, Set Back, Chrome	46003C3590	1
2	Bumper, Logger, Set Back, Painted, gr. Guard Holes	46003F3591	1
2	Bumper, Logger, Set Back, Chrome, gr. Guard Holes	46003C3591	1
2A	Bumper, Logger, Set Back, Painted, 2 Lights	46003F3594	1
2A	Bumper, Logger, Set Back, Chrome, 2 Lights	46003C3594	1
2A	Bumper, Logger, Set Back, Painted, 2 Lights, Mud Flap Holes	46010F3401	1
3	Stirrup, Painted	04-9040100	1
3	Stirrup, Chrome	04-9040101	1
4	Assembly, Hinged License Plate	04-9040102	1

3218-021-03 Fog & Driving Lamp Screens

Item	Description	Part Number	Qty
5	Screen, Driving & Fog Lamps, Plain Stainless Mesh	86214-3403	2

Specific BOMs listed: 2048-005-01/12, 2048-010-01/07, 3218-021-03



AERO LOGGER BUMPER

2048-012-01/06

Aero 58/59 Models

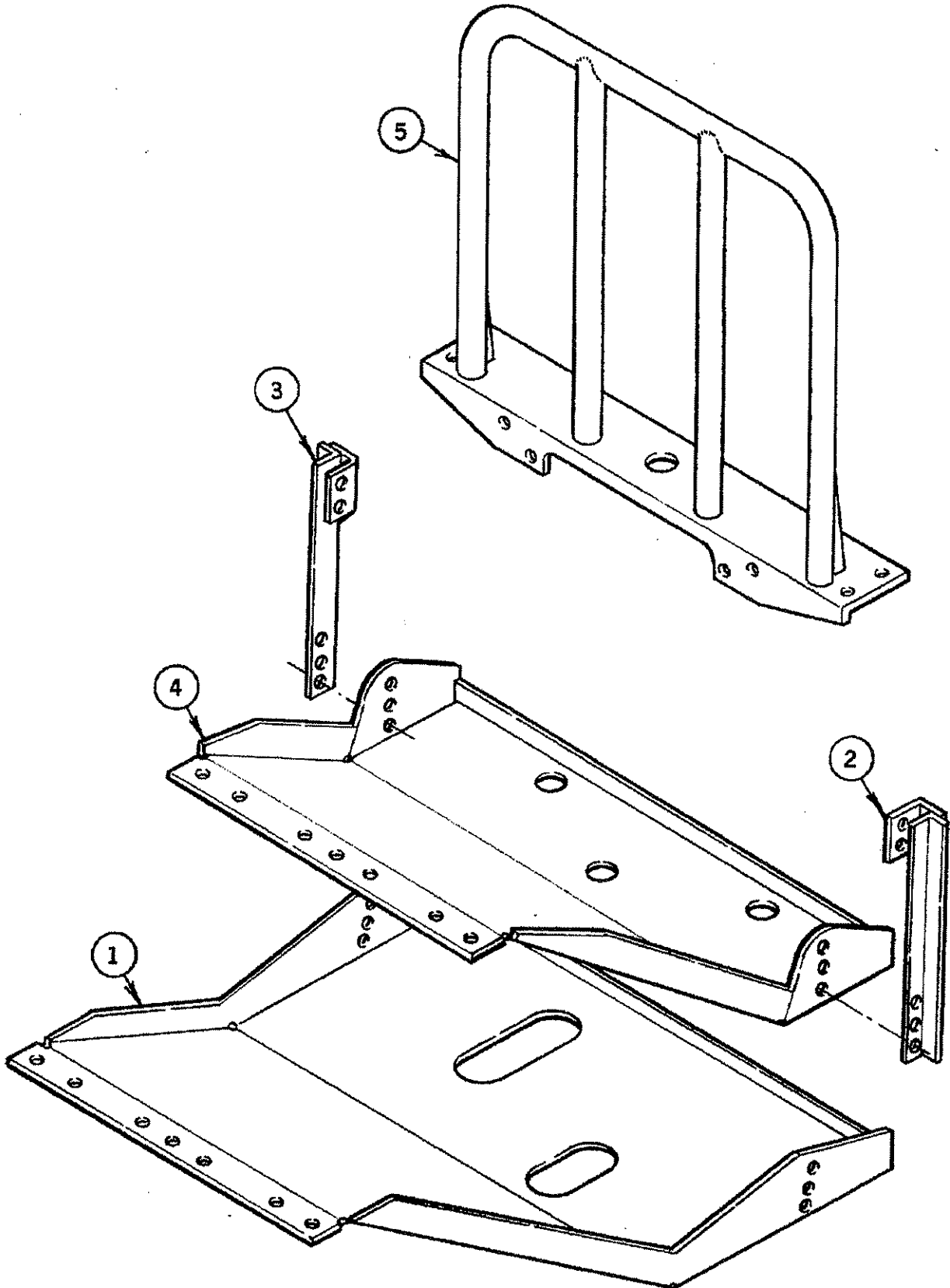
Item	Description	Part Number	Qty
1	Bumper, Logger, Aero, Painted	46003F3575	1
1	Bumper, Logger, Aero, Chrome	46003C3575	1
1A	Bumper, Logger, Aero, Painted, 2 Lights	46003F3576	1
1A	Bumper, Logger, Aero, Chrome, 2 Lights	46003C3576	1
1A	Bumper, Logger, Aero, Painted, 2 Lights, Screen Holes	46003F3577	1
1A	Bumper, Logger, Aero, Chrome, 2 Lights, Screen Holes	46003C3577	1
2	Assembly, Hinged License Plate	04-9040102	1

3218-021-03

Fog & Driving Lamp Screens

Item	Description	Part Number	Qty
3	Screen, Driving & Fog Lamps, Plain Stainless Mesh	86214-3403	2

Specific BOMs listed: 2048-012-01/06, 3218-021-03



SKID PAN, GRILLE GUARD, FRONT TOW ASSEMBLIES

SKID PAN & GRILLE GUARD - FOR LOGGER BUMPERS

2048-008-01

Skid Pan - for Set Back Axle

Item	Description	Part Number	Qty
1	Guard, Oil Pan	46806-3444	1
2	Support, Oil Pan Guard LH	46807-3467	1
3	Support, Oil Pan Guard RH	46807-3468	1

2048-008-02

Skid Pan - for Set Forward Axle

Item	Description	Part Number	Qty
4	Guard, Oil Pan	46806-3446	1
2	Support, Oil Pan Guard LH	46807-3467	1
3	Support, Oil Pan Guard RH	46807-3468	1

2048-008-03

Skid Pan - for Set Forward Axle with Load Air

Item	Description	Part Number	Qty
4	Guard, Oil Pan	46806-3442	1
2	Support, Oil Pan Guard LH	46807-3463	1
3	Support, Oil Pan Guard RH	46807-3464	1

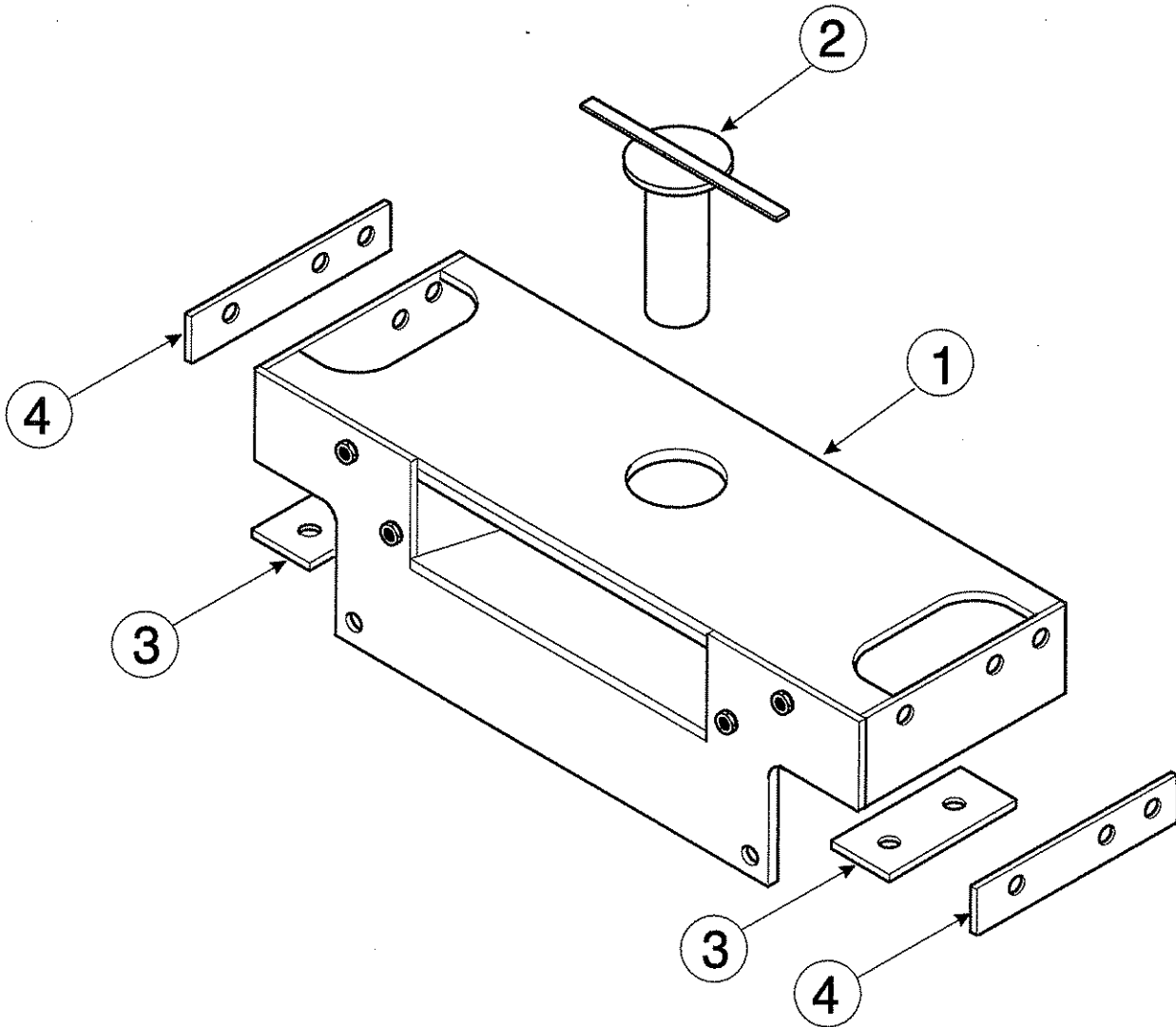
Note: difference between 46806-3442 & 3446, is hole location for attaching supports.
 46806-3442 - Holes are as shown on drawing, 46806-3446 - Holes are on a 14° angle.

2048-013-01/02

Grille Guard - all Logger Bumpers

Item	Description	Part Number	Qty
5	Grille Guard	67301-3410	1

Specific BOMs listed: 2048-008-01/03, 2048-013-01/02

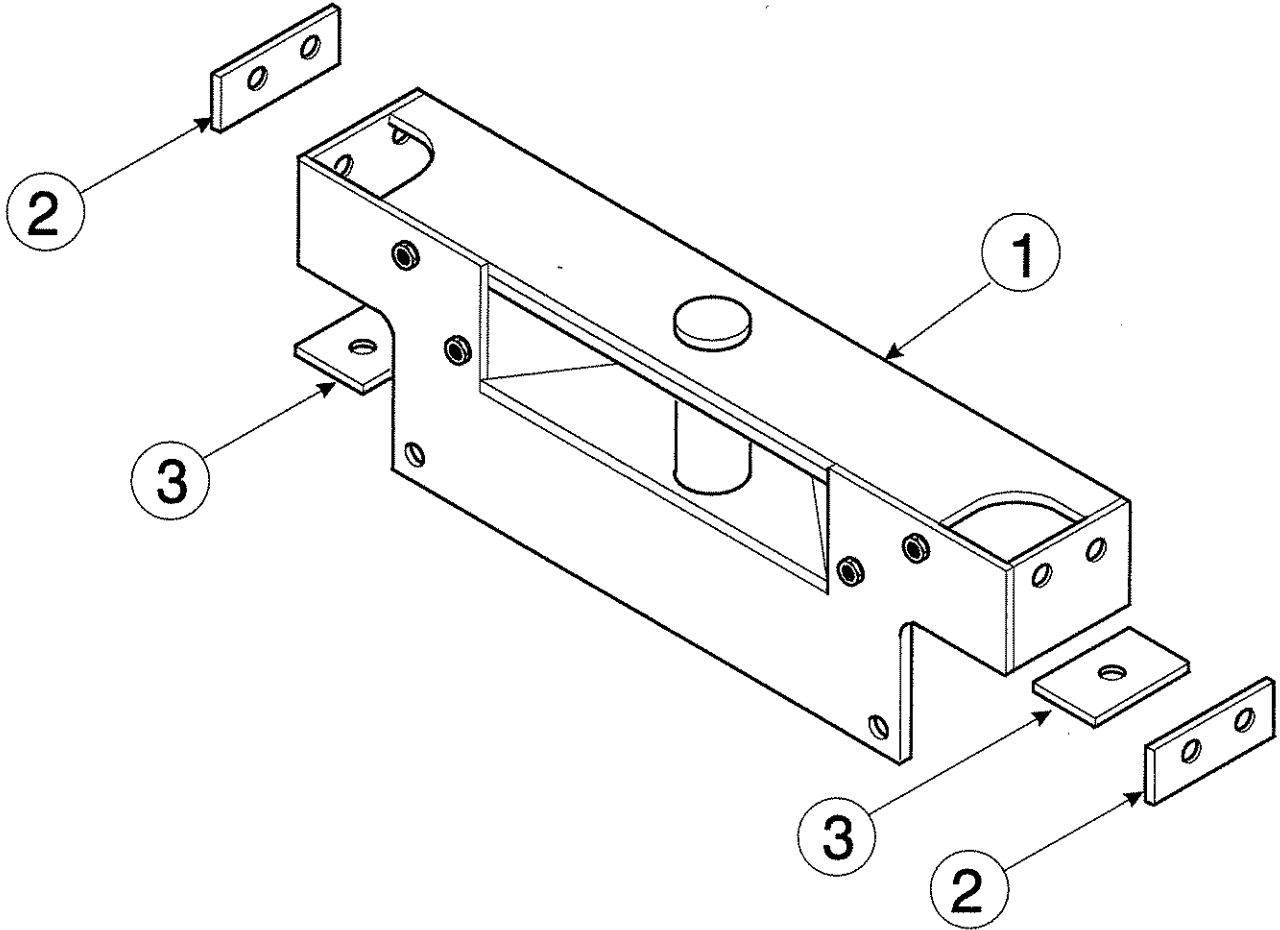


SKID PAN, GRILLE GUARD, FRONT TOW ASSEMBLIES

FRONT TOW ASSEMBLY - LOGGER BUMPERS

Item	Description	Part Number	Qty
1	Tow Assembly, Heavy Duty Logger	48003-3431	1
2	Tow Pin, Logger Bumper	48006-3409	1
3	Spacer, Bottom, 1/8"	48005-3414	AR
3	Spacer, Bottom, 1/4"	48005-3415	AR
3	Spacer, Bottom, 5/16"	48005-3416	AR
3	Spacer, Bottom, 3/8"	48005-3417	AR
4	Spacer, Side, 1/8"	48005-3413	AR
4	Spacer, Side, 1/4"	48005-3411	AR
4	Spacer, Side, 3/16"	48005-3412	AR
4	Spacer, Side, 1/16"	48005-3418	AR

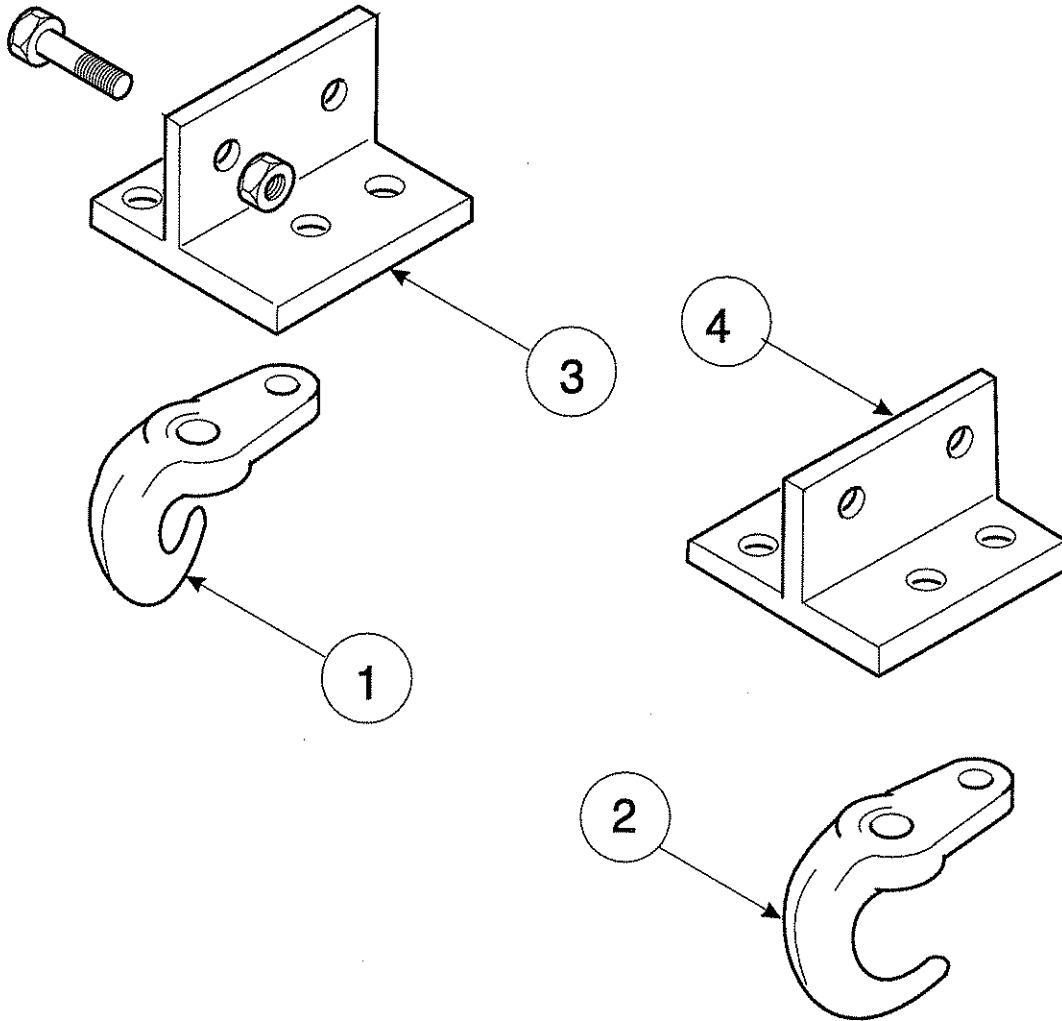
Specific BOMs listed: 2108-001-11/13, 2108-001-15, 2108-001-21/23, 2108-001-25



SKID PAN, GRILLE GUARD, FRONT TOW ASSEMBLIES**FRONT TOW ASSEMBLY - STANDARD BUMPERS**

Item	Description	Part Number	Qty
1	Tow Assembly, Flush Mount, Single Pin	48003-3430	1
2	Spacer, Side, 1/8"	20019-3409	AR
2	Spacer, Side, 1/4"	20019-3411	AR
2	Spacer, Side, 3/16"	20019-3410	AR
3	Spacer, Bottom, 1/8"	20019-3412	AR
3	Spacer, Bottom, 1/4"	20019-3413	AR
3	Spacer, Bottom, 5/16"	20019-3414	AR
3	Spacer, Bottom, 3/8"	20019-3415	AR

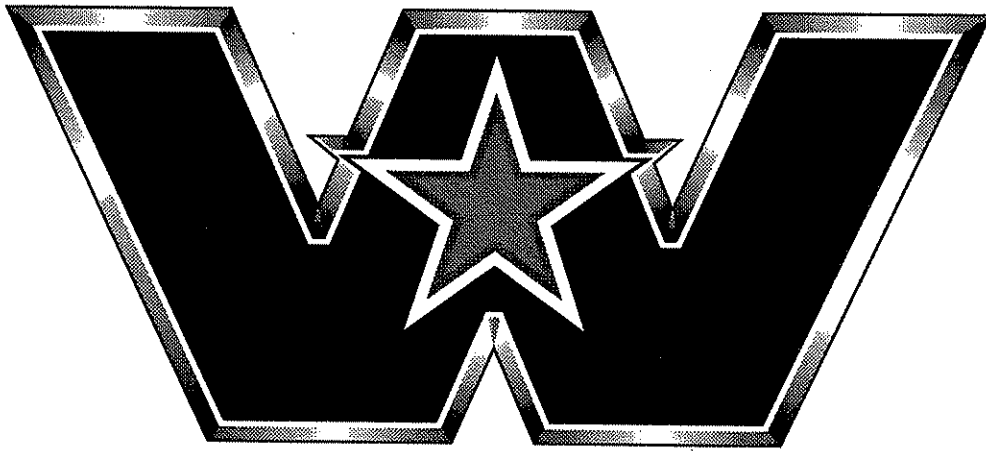
Specific BOMs listed: 2108-001-01/03, 2108-001-06/08, 2108-001-10, 2108-001-16/18
2108-001-20, 2108-001-26



SKID PAN, GRILLE GUARD, FRONT TOW ASSEMBLIES**FRONT TOW ASSEMBLY - STANDARD BUMPERS**

Item	Description	Part Number	Qty
1	Tow Hook, RH	48001-3402	1
2	Tow Hook, LH	48001-3403	1
3	Bracket, Tow Hook, RH	48003-3437	1
4	Bracket, Tow Hook, LH	48003-3436	1

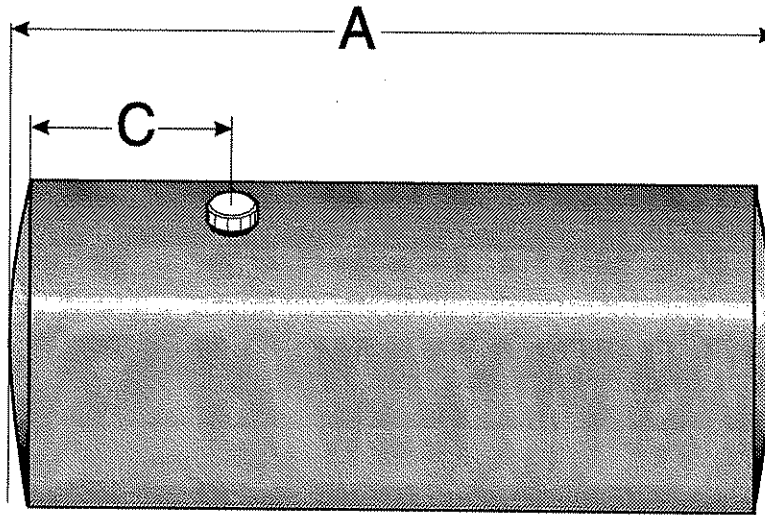
Specific BOMs listed: 2108-502-01/02, 2108-502-10



WESTERN STAR TRUCKS®
The Preferred Choice™

TABLE OF CONTENTS

	Section	Page
22" Fuel Tanks (Prior to June 9, 1997)	6.5.1	2-3
22" Fuel Tanks (June 9, 1997 and later)	6.5.1	4-5
26" Fuel Tanks (Prior to June 9, 1997)	6.5.2	6-7
26" Fuel Tanks (June 9, 1997 and later)	6.5.2	8-9
Vented Fuel Tank Cap (Tanks prior to June 9, 1997)	6.5.3	10
Non-Vented Fuel Tank Cap (Tanks June 9, 1997 or later)	6.5.3	11
Fuel Level Senders/Anti-Slip	6.5.4	12-13
22" Standard Fuel Tank Brackets and Straps	6.5.5	15-17
22" Severe Service Fuel Tank Brackets and Straps	6.5.6	18-21
26" Severe Service Fuel Tank Brackets and Straps	6.5.7	22-27
Compression Braces	6.5.8	28-29



NOTE: *Aluminium fuel tanks are available bare (B), polished (P), or painted (G).
 Replace the dash in the part number with the appropriate letter to order.*

22" FUEL TANKS

Size	Gal	Material	A=	C=	Side		HEATED	Part Number
22	40	Aluminum	26.75	12	LH	RH		43001_3552
22	50	Aluminum	32.75	15	LH	RH		43001_3553
22	50	Aluminum	64.75	10	LH		HEATED	43024_3563
22	50	Aluminum	64.75	10		RH	HEATED	43024_3564
22	60	Aluminum	39.12	10	LH			43001_3554
22	60	Aluminum	39.12	10		RH		43001_3555
22	60	Aluminum	39.12	10	LH		HEATED	43024_3510
22	60	Aluminum	39.12	10		RH	HEATED	43024_3511
22	75	Aluminum	48.75	13.62	LH			43001_3556
22	75	Aluminum	48.75	13.62		RH		43001_3557
22	75	Aluminum	48.75	10	LH			43024_3409
22	75	Aluminum	48.75	10		RH		43024_3410
22	75	Aluminum	48.75	13.62	LH		HEATED	43024_3512
22	75	Aluminum	48.75	13.62		RH	HEATED	43024_3513
22	90	Steel	58.25	13.62	LH			43001-3529
22	90	Steel	58.25	13.62		RH		43001-3530
22	90	Steel	58.25	23	LH			43024-3405
22	90	Steel	58.25	23		RH		43024-3406
22	90	Aluminum	58.25	13.62	LH			43001_3558
22	90	Aluminum	58.25	13.62		RH		43001_3559
22	90	Aluminum	58.25	23	LH			43001_3560
22	90	Aluminum	58.25	23		RH		43001_3561
22	90	Aluminum	58.25	10	LH			43024_3401

FRAME

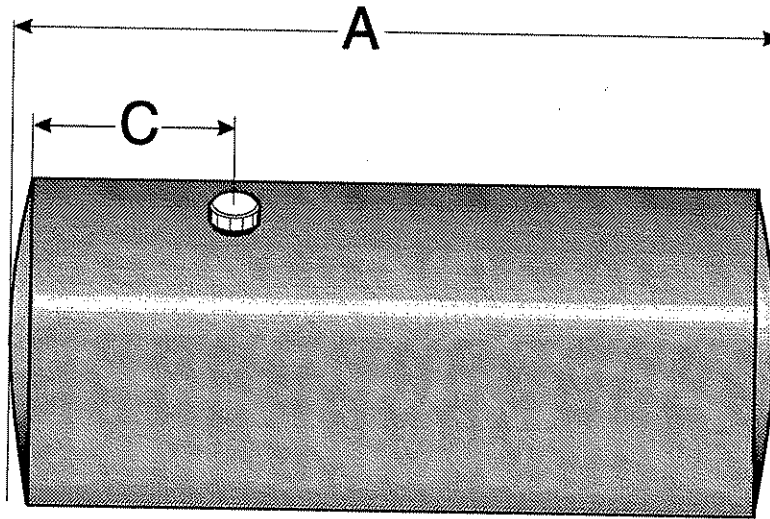
22" FUEL TANKS (PRIOR TO JUNE 9, 1997)

6.5.1

22" FUEL TANKS (Continued)							
Size	Gal	Material	A=	C=	Side	HEATED	Part Number
22	90	Aluminum	58.25	10		RH	43024_3402
22	90	Aluminum	58.25	13.62	LH	HEATED	43024_3514
22	90	Aluminum	58.25	13.62		RH	43024_3515
22	100	Aluminum	34.25	13.62	LH		43001_3562
22	100	Aluminum	64.25	13.62		RH	43001_3563
22	100	Aluminum	64.25	23	LH		43001_3564
22	100	Aluminum	64.25	23		RH	43001_3565
22	100	Aluminum	64.25	13.62	LH	HEATED	43024_3516
22	100	Aluminum	64.25	13.62		RH	43024_3517
22	100	Aluminum	64.25	23	LH	HEATED	43024_3591
22	100	Aluminum	64.25	23		RH	43024_3592
22	100	Aluminum	64.25	28	LH		43024_3599
22	100	Aluminum	64.25	28		RH	43026_3401
22	115	Aluminum	75.75	13.62	LH		43001_3566
22	115	Aluminum	75.75	13.62		RH	43001_3567
22	115	Aluminum	75.75	28	LH		43024_3413
22	115	Aluminum	75.75	28		RH	43024_3414
22	115	Aluminum	75.75	13.62	LH	HEATED	43024_3518
22	115	Aluminum	75.75	13.62		RH	43024_3519
22	115	Aluminum	75.75	28	LH	HEATED	43024_3587
22	115	Aluminum	75.75	28		RH	43024_3588
22	115	Aluminum	75.75	13.62	LH	HEATED	43024_3589
22	115	Aluminum	75.75	13.62		RH	43024_3590
22	120	Aluminum	77.50	13.62	LH		43001_3570
22	120	Aluminum	77.50	13.62		RH	43001_3571
22	120	Aluminum	77.50	23	LH		43001_3572
22	120	Aluminum	77.50	23		RH	43001_3573
22	150	Aluminum	96.75	28	LH		43024_3415
22	150	Aluminum	96.75	28		RH	43024_3416
22	150	Aluminum	96.75	13.62		RH	43024_3425
22	150	Aluminum	96.75	13.62	LH		43024_3426
22	150	Aluminum	96.75	13.62	LH	HEATED	43024_3522
22	150	Aluminum	96.75	13.62		RH	43024_3523
22	150	Aluminum	96.75	28	LH	HEATED	43024_3585
22	150	Aluminum	96.75	28		RH	43024_3586
22	150	Aluminum	96.75	13	LH	HEATED	43024_3593
22	150	Aluminum	96.75	13.62		RH	43024_3594
22	90	Steel	58.25	13.62	LH		43001-3529
22	90	Steel	58.25	23	LH		43024-3405

Specific BOMs listed: 3118-001-ALL, 3118-002-ALL, 3118-003-ALL, 3118-007-ALL, 3118-024-ALL, 3118-025-ALL, 3118-026-ALL

FRAME 6



NOTE: *Aluminium fuel tanks are available bare (B), polished (P), or painted (G).
Replace the dash in the part number with the appropriate letter to order.*

FRAME

22" FUEL TANKS (JUNE 9, 1997 OR LATER)

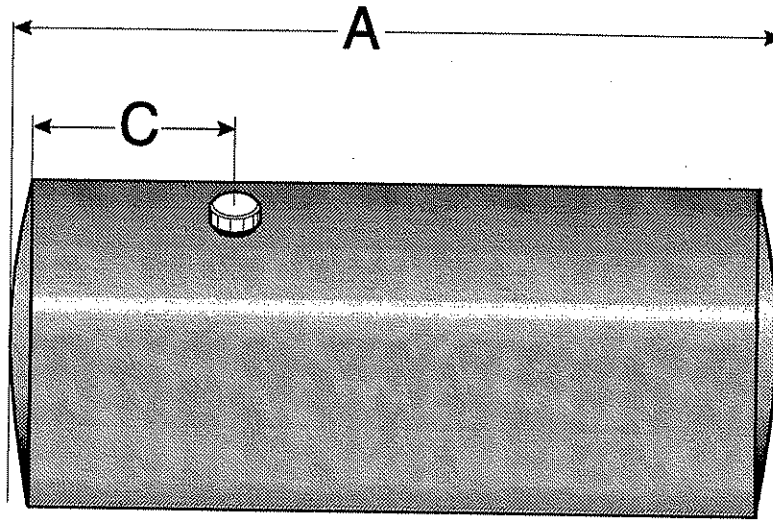
6.5.1

22" Fuel Tanks							
Size	Gal	Material	Finish	A=	C=	Heated	Part Number
22	60	Steel	Painted	39.12	10		43024-3506
22	70	Steel	Painted	45.75	13.62		43024-3417
22	60	Aluminum	(B, G, P)	37.25	13.62		43026_3409-60
22	75	Aluminum	(B, G, P)	46.25	18		43026_3407-75
22	75	Aluminum	(B, G, P)	46.25	21.75		43026_3409-75
22	90	Aluminum	(B, G, P)	55.5	18		43026_3407-90
22	90	Aluminum	(B, G, P)	55.5	21.75		43026_3409-90
22	100	Aluminum	(B, G, P)	61.5	18		43026_3407-100
22	100	Aluminum	(B, G, P)	61.5	13.62		43026_3409-100
22	100	Aluminum	(B, G, P)	61.5	18	HEATED	43026_3411-100
22	120	Aluminum	(B, G, P)	73.75	13.62		43026_3409-120
22	120	Aluminum	(B, G, P)	73.75	18	HEATED	43026_3411-120
22	120	Aluminum	(B, G, P)	73.75	18		43026_3407-120
22	150	Aluminum	(B, G, P)	92	18		43026_3407-150
22	150	Aluminum	(B, G, P)	92	13.62		43026_3409-150
22	150	Aluminum	(B, G, P)	92	18	HEATED	43026_3411-150

NOTE: *These fuel tanks are used on trucks built on or after June 9, 1997. They are slightly shorter than the older tanks, and have a slightly smaller nominal capacity. They can be recognized by the fact that they do not have any fittings on the ends.*
In addition, these tanks use a non vented cap.

Specific BOMs listed: 3118-559-ALL, 3118-560-ALL, 3118-561-ALL, 3118-566-ALL, 3118-567-ALL, 3118-568-ALL

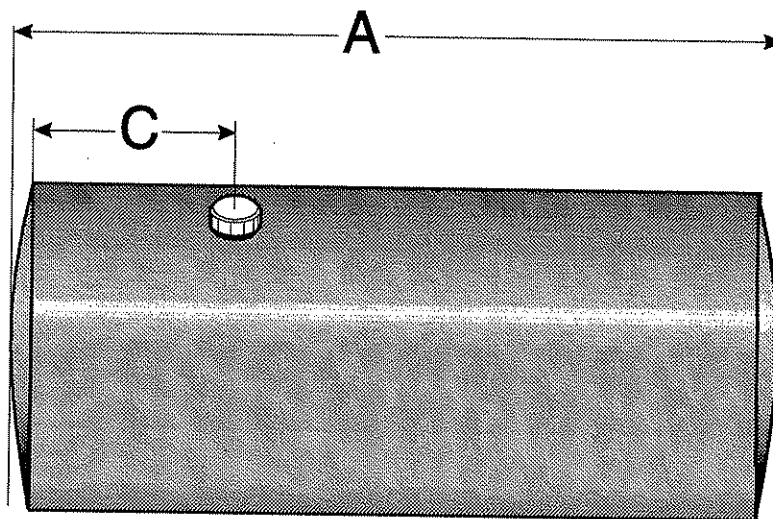
FRAME 6



NOTE: *Aluminium fuel tanks are available bare (B), polished (P), or painted (G).
Replace the dash in the part number with the appropriate letter to order.*

26" FUEL TANKS								
Size	Gal	Material	A=	C=	Side		HEATED	Part Number
26	60	Aluminum	28.25	12.5	LH	RH		43001_3531
26	80	Aluminum	37.75	17.06	LH	RH		43001_3527
26	100	Aluminum	46	14.5	LH			43001_3576
26	100	Aluminum	46	14.5		RH		43001_3577
26	100	Aluminum	46	14.5	LH		HEATED	43024_3525
26	100	Aluminum	46	14.5		RH	HEATED	43024_3526
26	100	Aluminum	46	5		RH		43024_3567
26	100	Aluminum	46	5	LH			43024_3568
26	100	Aluminum	46	22.5	LH			43024_3597
26	100	Aluminum	46	22.5		RH		43024_3598
26	125	Aluminum	58	14.5	LH			43001_3578
26	125	Aluminum	58	14.5		RH		43001_3579
26	125	Aluminum	58	22.5	LH			43001_3580
26	125	Aluminum	58	22.5		RH		43001_3581
26	125	Aluminum	58	14.5	LH		HEATED	43024_3527
26	125	Aluminum	58	14.5		RH	HEATED	43024_3528
26	125	Aluminum	58	5		RH		43024_3569
26	125	Aluminum	58	5	LH			43024_3570
26	125	Aluminum	58	5		RH	HEATED	43024_3575
26	125	Aluminum	58	5	LH		HEATED	43024_3576
26	150	Aluminum	70	14.5	LH			43001_3582
26	150	Aluminum	70	14.5		RH		43001_3583
26	150	Aluminum	70	22.5	LH			43001_3584
26	150	Aluminum	70	22.5		RH		43001_3585
26	150	Aluminum	70	14.5	LH		HEATED	43024_3529
26	150	Aluminum	70	14.5		RH	HEATED	43024_3530
26	150	Aluminum	70	5		RH		43024_3571
26	150	Aluminum	70	5	LH			43024_3572
26	150	Aluminum	70	5		RH	HEATED	43024_3577
26	150	Aluminum	70	5	LH		HEATED	43024_3578
26	150	Aluminum	70	22.5	LH		HEATED	43024_3595
26	150	Aluminum	70	22.5		RH	HEATED	43024_3596
26	150	Aluminum	70	5	LH		HEATED	43026_3420
26	150	Aluminum	70	5		RH	HEATED	43026_3421
26	188	Aluminum	84.5	14.5		RH		43024_3494
26	188	Aluminum	84.5	14.5	LH			43024_3495
26	188	Aluminum	84.5	14.5	LH			43024_3552
26	188	Aluminum	84.5	14.5		RH		43024_3553

Specific BOMs listed: 3118-004-ALL, 3118-005-ALL, 3118-006-ALL, 3118-027-ALL, 3118-028-ALL, 3118-029-ALL



NOTE: *Aluminium fuel tanks are available bare (B), polished (P), or painted (G).
Replace the dash in the part number with the appropriate letter to order.*

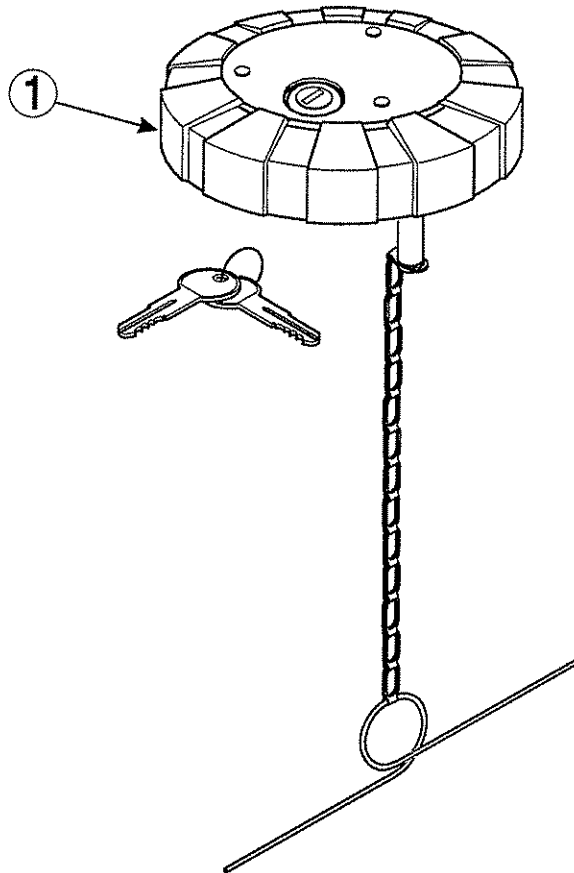
26" Fuel Tanks							
Size	Gal	Material	Finish	A=	C=	Heated	Part Number
26	100	Aluminum	(B, G, P)	44.5	18		43026_3414-100
26	100	Aluminum	(B, G, P)	44.5	14.5		43026_3416-100
26	100	Aluminum	(B, G, P)	44.5	36.5		43026_3418-100
26	100	Aluminum	(B, G, P)	44.5	18	HEATED	43026_3422-100
26	100	Aluminum	(B, G, P)	44.5	36.5	HEATED	43026_3424-100
26	125	Aluminum	(B, G, P)	55.25	18		43026_3414-125
26	125	Aluminum	(B, G, P)	55.25	14.5		43026_3416-125
26	125	Aluminum	(B, G, P)	55.25	47.25		43026_3418-125
26	125	Aluminum	(B, G, P)	55.25	18	HEATED	43026_3422-125
26	125	Aluminum	(B, G, P)	55.25	47.25	HEATED	43026_3424-125
26	150	Aluminum	(B, G, P)	66.25	18		43026_3414-150
26	150	Aluminum	(B, G, P)	66.25	14.5		43026_3416-150
26	150	Aluminum	(B, G, P)	66.25	58.25		43026_3418-150
26	150	Aluminum	(B, G, P)	66.25	18	HEATED	43026_3422-150
26	150	Aluminum	(B, G, P)	66.25	58.25	HEATED	43026_3424-150

NOTE: *These fuel tanks are used on trucks built on or after June 9, 1997. They can be recognized by the fact that they do not have any fittings on the ends. In addition these tanks use a non vented cap.*

Specific BOMs listed: 3118-562-ALL, 3118-563-ALL, 3118-564-ALL, 3118-569-ALL, 3118-570-ALL, 3118-571-ALL

VENTED FUEL TANK CAPS - (TANKS PRIOR TO JUNE 9 1997)

Item	Description	Part Number
1	Non locking, vented plain aluminium cap	43301-3401
1	Non locking, vented chrome cap	43301-3402
1	Locking, vented plain aluminium cap, with 2 keys	43301-3403
1	Locking, vented chrome cap, with 2 keys	43301-3404
1	Set of 2 locking, vented plain aluminium caps, with 2 keys	43301-3405
1	Set of 2 locking, vented chrome caps, with 2 keys	43301-3406

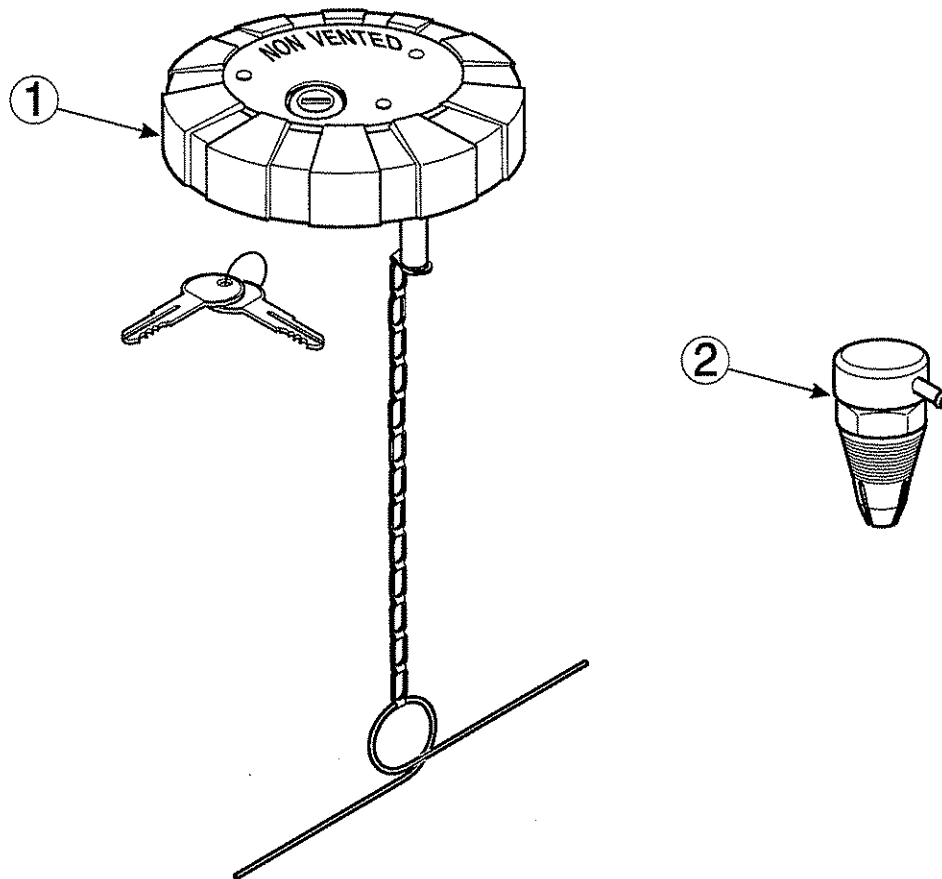


Specific BOMs listed: 3118-011-01/05

NON VENTED FUEL TANK CAPS - (TANKS AFTER JUNE 9 1997)

Item	Description	Part Number
1	KIT Non locking, non-vented plain aluminium cap	8126
1	KIT Non locking, non-vented chrome cap	8128
1	KIT Locking, non-vented plain aluminium cap, with 2 keys	8127
1	KIT Locking, non-vented chrome cap, with 2 keys	8129
1	KIT Set of 2 locking, non-vented plain aluminium caps, with 2 keys	8127-2
1	KIT Set of 2 locking, non-vented chrome caps, with 2 keys	8129-2
2	Vent	43019-3402

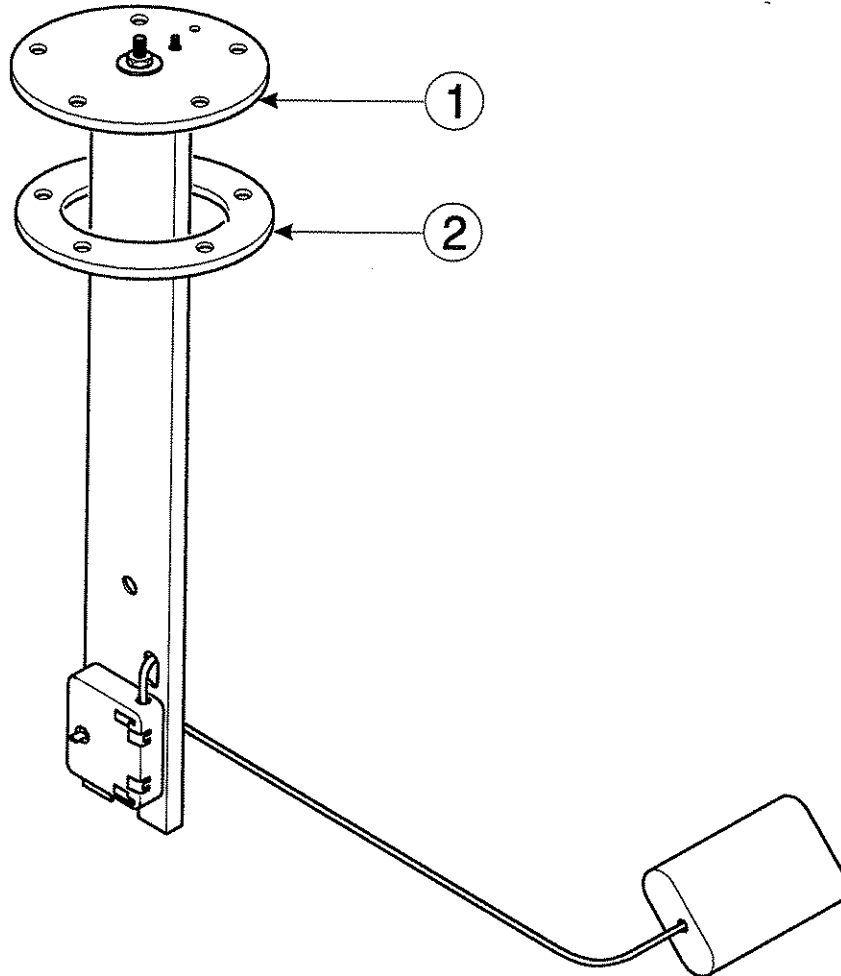
Note: Kits include caps plus vent



Specific BOMs listed: 3118-583-01/05

FUEL LEVEL SENDERS

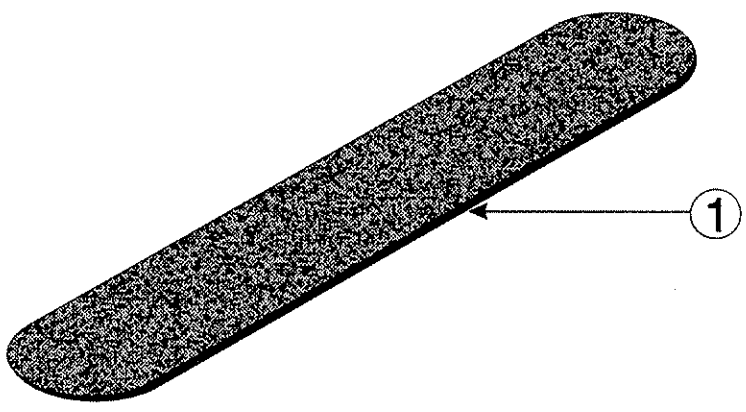
Item	Description	Part Number
1	Sender, Fuel Level, 22" Tanks	43902-3414
1	Sender, Fuel Level, 26" Tanks	43902-3415
2	Gasket, Fuel Level Sender	43014-3401



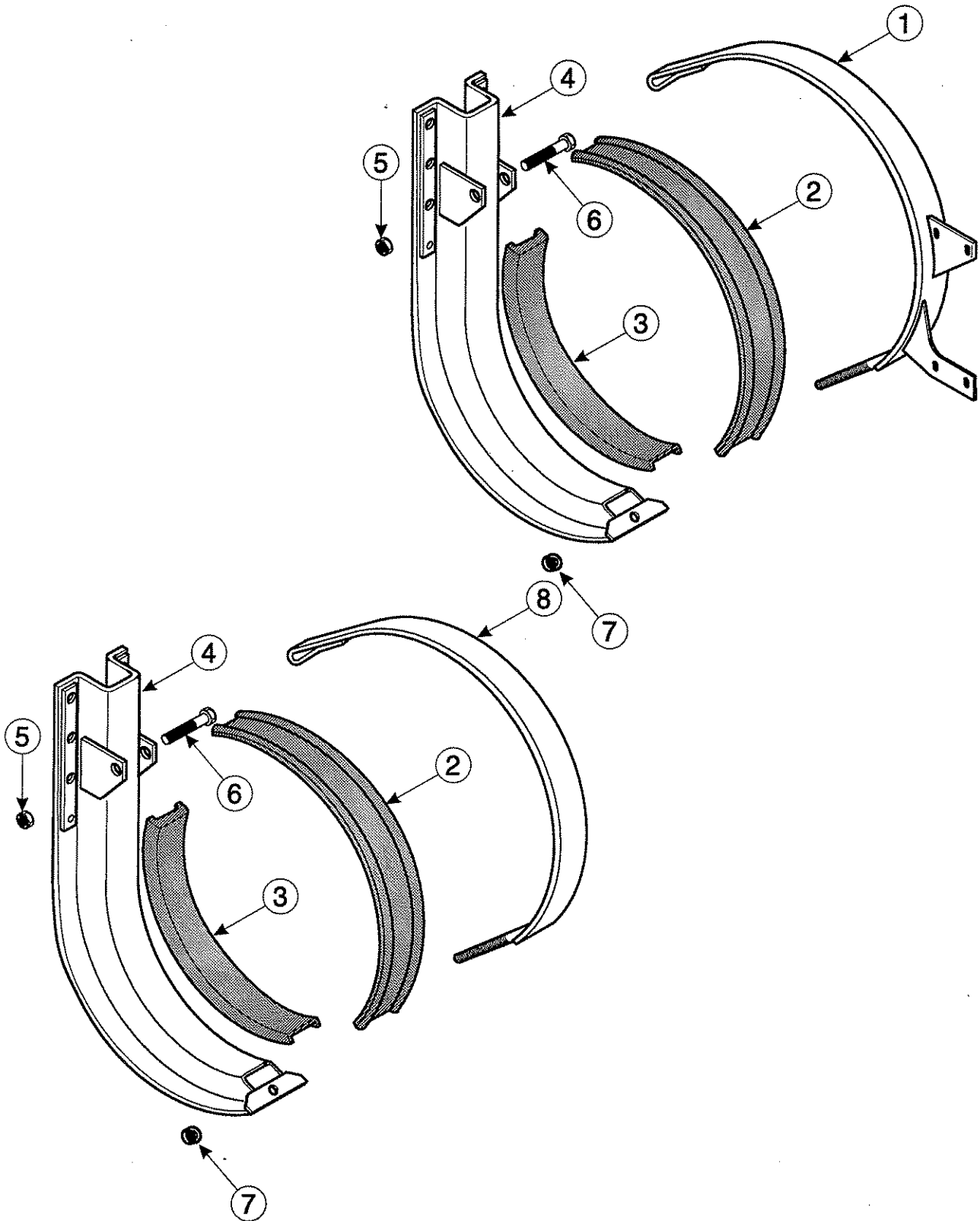
Specific BOMs listed: 4178-006-01/02

ANTI-SLIP SURFACING

Item	Description	Part Number
1	Surfacing, Anti-Slip	45001-3460



Specific BOMs listed: 3118-012-ALL



22" STANDARD FUEL TANK BRACKETS AND STRAPS

22" STANDARD FUEL TANK BRACKETS AND STRAPS, 4800/4900

Fuel Tank Straps are available with a Painted finish, or a Stainless Steel finish. To order straps replace the dash in the middle of the part number with an F for painted, or an S for stainless steel.

EG: 43207F3436

3118-008-01/02, 3118-008-09/10

Item	Description	Part Number	Qty
2	Insulator, 22" Standard, Fuel Tank Strap	43205-3414-33.0	2/3
3	Insulator, 22", J Bracket	43205-3412	2/3
4	J Bracket, 22" Standard	43206-3430	2/3
5	Nut, Elastic Stop, .50-20UN, Strap to J Bracket top	656141	2/3
6	Bolt, Hex 8ZNC .50-20 x 3.25	454465	2/3
7	Nut, .50-13-2B Nylock, Strap to J Bracket bottom	4012-3428	2/3
8	Strap, 22" Standard, without Step Brackets	43207_3436	2/3

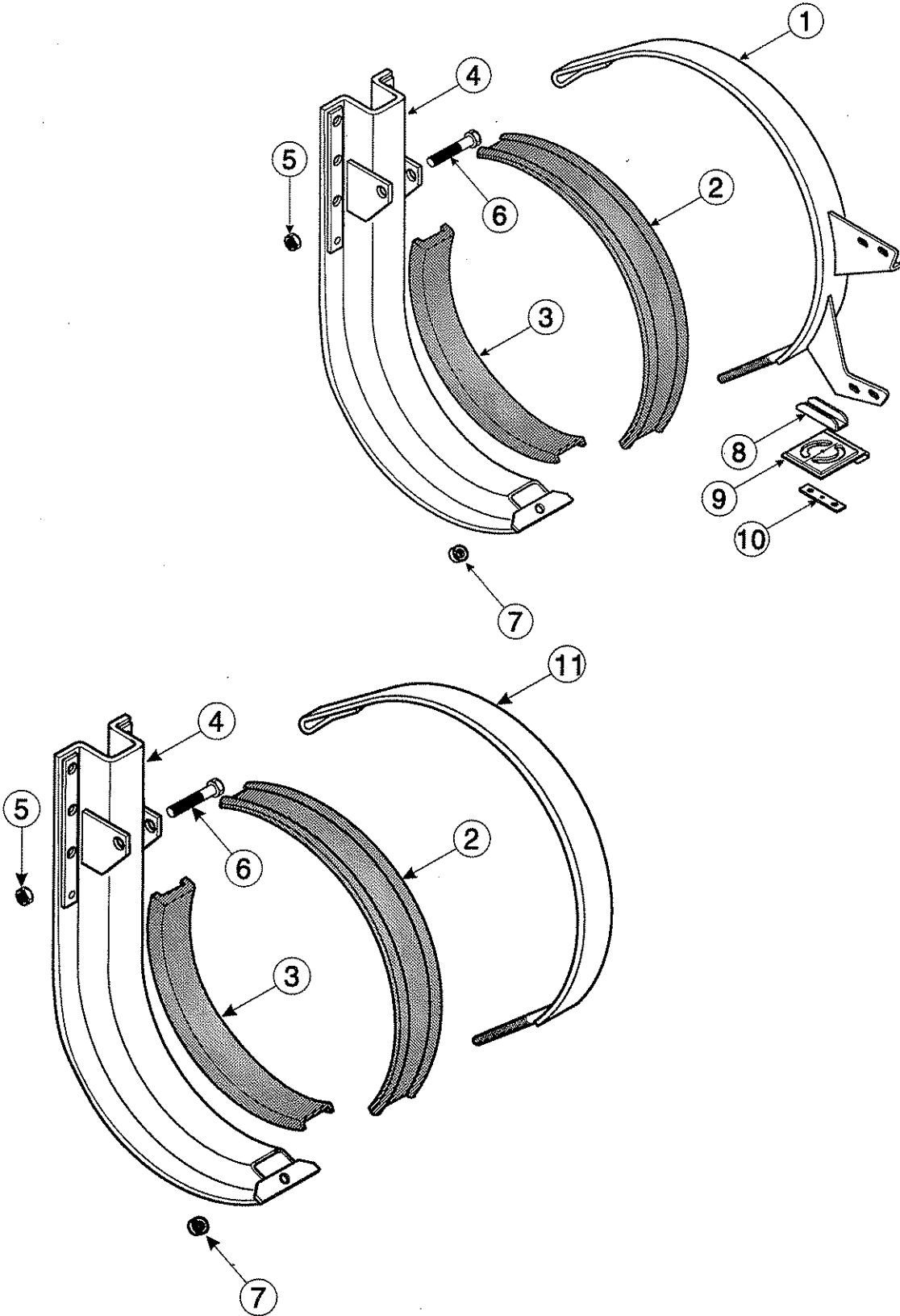
3118-008-03/04, 3118-008-13/14

Item	Description	Part Number	Qty
1	Strap, 22" Standard, with Step Brackets	43207_3458	2/3
2	Insulator, 22" Standard, Fuel Tank Strap	43205-3414-33.0	2/3
3	Insulator, 22", J Bracket	43205-3412	2/3
4	J Bracket, 22" Standard	43206-3430	2/3
5	Nut, Elastic Stop, .50-20UN, Strap to J Bracket top	656141	2/3
6	Bolt, Hex 8ZNC .50-20 x 3.25	454465	2/3
7	Nut, .50-13-2B Nylock, Strap to J Bracket bottom	4012-3428	2/3

3118-008-11/12

Item	Description	Part Number	Qty
1	Strap, 22" Standard, with Step Brackets	43207_3458	2
2	Insulator, 22" Standard, Fuel Tank Strap	43205-3414-33.0	3
3	Insulator, 22", J Bracket	43205-3412	3
4	J Bracket, 22" Standard	43206-3430	3
5	Nut, Elastic Stop, .50-20UN, Strap to J Bracket top	656141	3
6	Bolt, Hex 8ZNC .50-20 x 3.25	454465	3
7	Nut, .50-13-2B Nylock, Strap to J Bracket bottom	4012-3428	3
8	Strap, 22" Standard without Step Brackets	43207_3436	1

Specific BOMs listed: 3118-008-01/02, 3118-008-09/10, 3118-008-03/04, 3118-008-13/14, 3118-008-11/12



22" STANDARD FUEL TANK BRACKETS AND STRAPS

22" STANDARD FUEL TANK BRACKETS AND STRAPS, FOR 5900 AERO FUEL TANK SKIRTS

Fuel Tank Straps are available with a Painted finish, or a Stainless Steel finish. To order straps replace the dash in the middle of the part number with an F for painted, or an S for stainless steel.

EG: 43207F3436

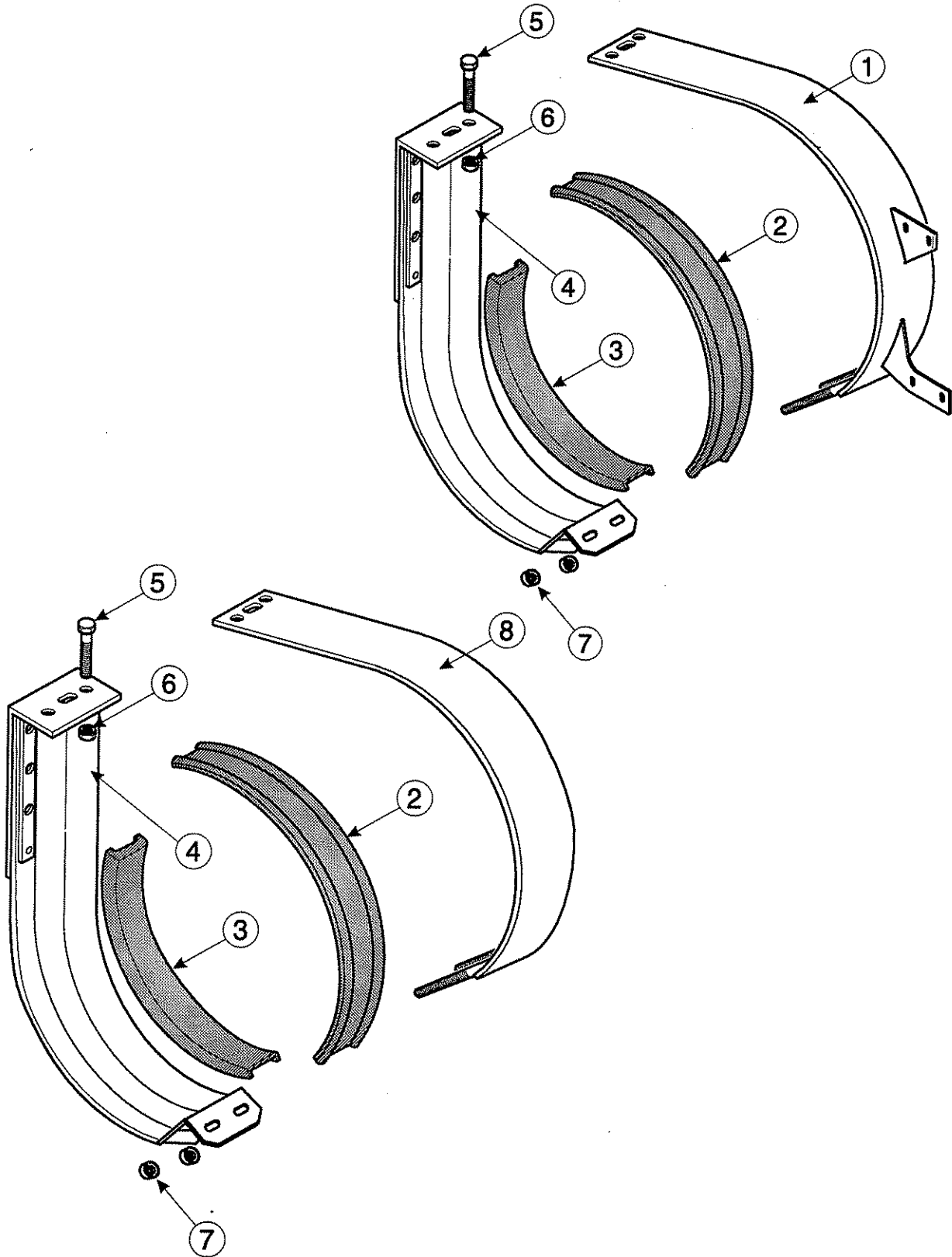
3118-030-01/02, 3118-030-06

Item	Description	Part Number	Qty
1	Strap, 22" Standard, with Step Brackets for Aero Skirts	43207_3444	4/6
2	Insulator, 22" Standard, Fuel Tank Strap	43205-3414-33.0	4/6
3	Insulator, 22", J Bracket	43205-3412	4/6
4	J Bracket, 22" Standard	43206-3430	4/6
5	Nut, Elastic Stop, .50-20UN, Strap to J Bracket top	656141	4/6
6	Bolt, Hex 8ZNC .50-20 x 3.25	454465	4/6
7	Nut, .50-13-2B Nylock, Strap to J Bracket bottom	4012-3428	4/6
8	Clamp Plate	45002-3437	8
9	Step Support	45002-3447	8
10	Nut Plate	45002-3436	8

3118-030-03/05

Item	Description	Part Number	Qty
1	Strap, 22" Standard, with Step Brackets for Aero Skirts	43207_3444	4
2	Insulator, 22" Standard, Fuel Tank Strap	43205-3414-33.0	6
3	Insulator, 22", J Bracket	43205-3412	6
4	J Bracket, 22" Standard	43206-3430	6
5	Nut, Elastic Stop, .50-20UN, Strap to J Bracket top	656141	6
6	Bolt, Hex 8ZNC .50-20 x 3.25	454465	6
7	Nut, .50-13-2B Nylock, Strap to J Bracket bottom	4012-3428	6
8	Clamp Plate	45002-3437	8
9	Step Support	45002-3447	8
10	Nut Plate	45002-3436	8
11	Strap, 22" Standard without Step Brackets	43207_3436	2

Specific BOMs listed: 3118-030-01/02, 3118-030-06, 3118-030-03/05



22" SEVERE SERVICE FUEL TANK BRACKETS AND STRAPS

22" SEVERE SERVICE FUEL TANK BRACKETS AND STRAPS, 4800/4900

Fuel Tank Straps are available with a Painted finish, or a Stainless Steel finish. To order straps replace the dash in the middle of the part number with an F for painted, or an S for stainless steel.

EG: 43207F3436

3118-009-01/02, 3118-009-05/06

Item	Description	Part Number	Qty
2	Insulator, 22" Severe Service, Fuel Tank Strap	43205-3411-28.0	2/3
3	Insulator, 22", J Bracket	43205-3412	2/3
4	J Bracket, 22" Severe Service	43206-3431	2/3
5	Bolt, Hex SS .50-13 x 1.50, Strap to J Bracket top	4001-3415	4/6
6	Nut, Hex SS .50-13	4006-3408	4/6
7	Nut, .50-13-2B Nylock, Strap to J Bracket bottom	4012-3428	4/6
8	Strap, 22" Severe Service	43207_3434	2/3

3118-009-03/04, 3118-009-09/10

Item	Description	Part Number	Qty
1	Strap, 22" Severe Service with Step Brackets	43207_3459	2/3
2	Insulator, 22" Severe Service, Fuel Tank Strap	43205-3411-28.0	2/3
3	Insulator, 22", J Bracket	43205-3412	2/3
4	J Bracket, 22" Severe Service	43206-3431	2/3
5	Bolt, Hex SS .50-13 x 1.50, Strap to J Bracket top	4001-3415	4/6
6	Nut, Hex SS .50-13	4006-3408	4/6
7	Nut, .50-13-2B Nylock, Strap to J Bracket bottom	4012-3428	4/6

3118-009-07/08

Item	Description	Part Number	Qty
1	Strap, 22" Severe Service with Step Brackets	43207_3459	2
2	Insulator, 22" Severe Service, Fuel Tank Strap	43205-3411-28.0	3
3	Insulator, 22", J Bracket	43205-3412	3
4	J Bracket, 22" Severe Service	43206-3431	3
5	Bolt, Hex SS .50-13 x 1.50, Strap to J Bracket top	4001-3415	6
6	Nut, Hex SS .50-13	4006-3408	6
7	Nut, .50-13-2B Nylock, Strap to J Bracket bottom	4012-3428	6
8	Strap, 22" Severe Service	43207_3434	1

Specific BOMs listed: 3118-009-01/10

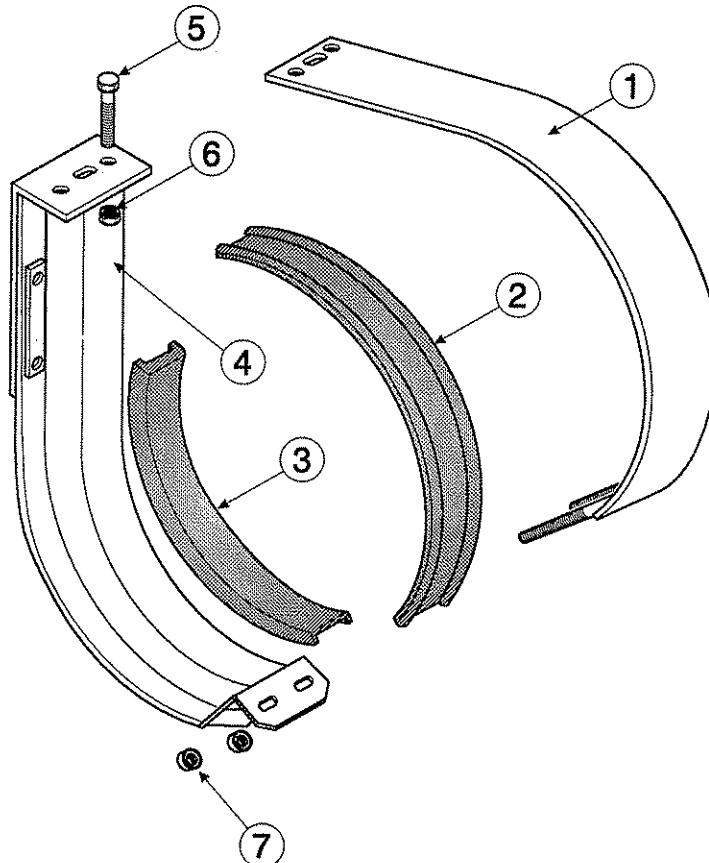
22" SEVERE SERVICE FUEL TANK BRACKETS AND STRAPS, RAISED 3.5", 4800/4900

Fuel Tank Straps are available with a Painted finish, or a Stainless Steel finish. To order straps replace the dash in the middle of the part number with an F for painted, or an S for stainless steel.

EG: 43207F3436

3118-045-00/02

Item	Description	Part Number	Qty
1	Strap, 22" Severe Service	43207_3434	2/3
2	Insulator, 22" Severe Service, Fuel Tank Strap	43205-3411-28.0	2/3
3	Insulator, 22", J Bracket	43205-3412	2/3
4	J Bracket, 22" Severe Service, Raised 3.5"	43206-3440	2/3
5	Bolt, Hex SS .50-13 x 1.50, Strap to J Bracket top	4001-3415	4/6
6	Nut, Hex SS .50-13	4006-3408	4/6
7	Nut, .50-13-2B Nylock, Strap to J Bracket bottom	4012-3428	4/6



Specific BOMs listed: 3118-045-00/02

FRAME

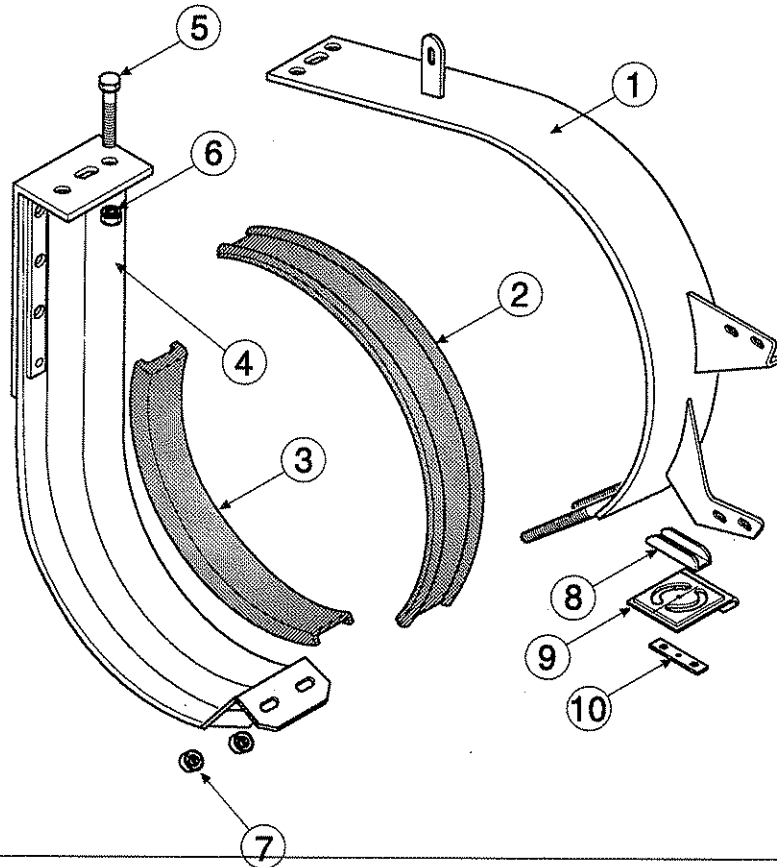
22" SEVERE SERVICE FUEL TANK BRACKETS AND STRAPS

6.5.6

22" SEVERE SERVICE FUEL TANK BRACKETS AND STRAPS, 5900

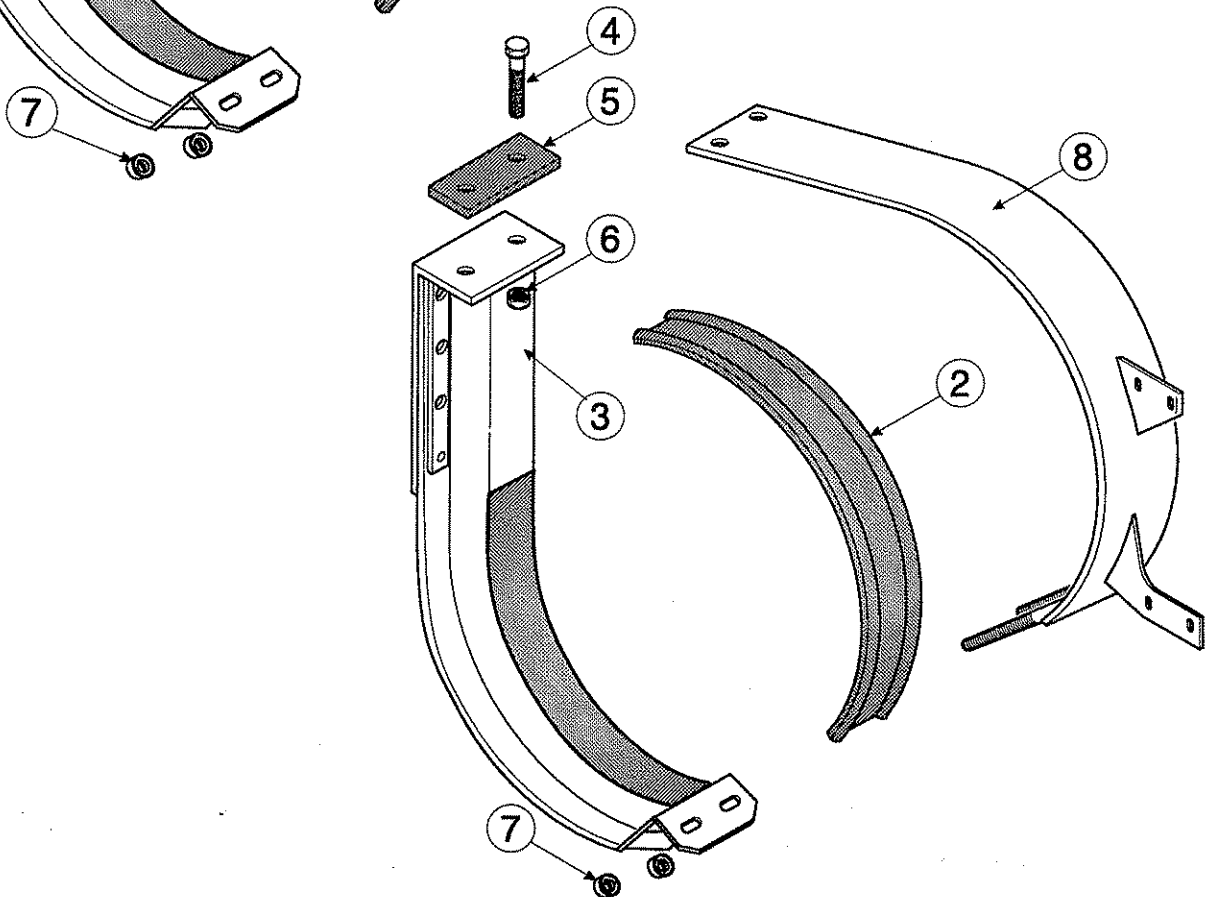
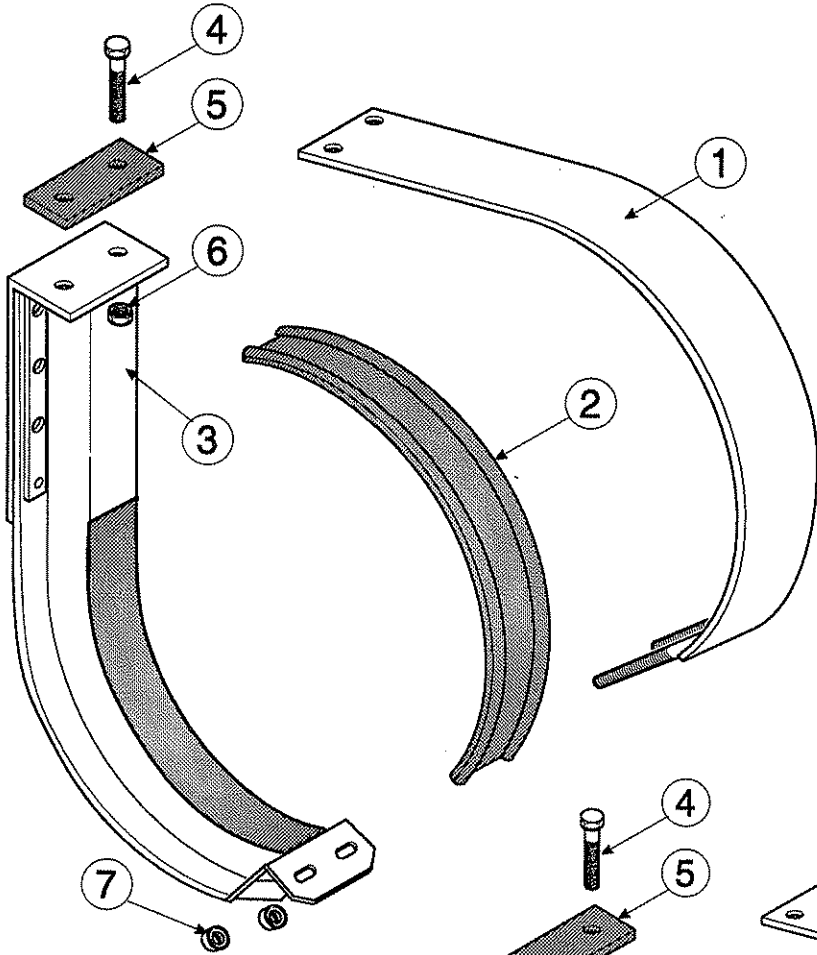
Fuel Tank Straps are available with a Painted finish, or a Stainless Steel finish. To order straps replace the dash in the middle of the part number with an F for painted, or an S for stainless steel.
 EG: 43207F3436

Item	Description	Part Number	Qty
1	Strap, 22" Severe Service	43207_3462	4/6
2	Insulator, 22" Severe Service, Fuel Tank Strap	43205-3411-28.0	4/6
3	Insulator, 22", J Bracket	43205-3412	4/6
4	J Bracket, 22" Severe Service	43206-3431	4/6
5	Bolt, Hex SS .50-13 x 1.50, Strap to J Bracket top	4001-3415	8/12
6	Nut, Hex SS .50-13	4006-3408	8/12
7	Nut, .50-13-2B Nylock, Strap to J Bracket bottom	4012-3428	8/12
8	Clamp Plate	45002-3437	8/12
9	Step Support	45002-3447	8/12
10	Nut Plate	45002-3436	8/12



Specific BOMs listed: 3118-040-01/02

FRAME 6



FRAME

26" SEVERE SERVICE FUEL TANK BRACKETS AND STRAPS

6.5.7

26" SEVERE SERVICE FUEL TANK BRACKETS AND STRAPS, 4800/4900

Fuel Tank Straps are available with a Painted finish, or a Stainless Steel finish. To order straps replace the dash in the middle of the part number with an F for painted, or an S for stainless steel.

EG: 43207F3436

3118-010-01/02, 3118-010-12/13

Item	Description	Part Number	Qty
1	Strap, 26" Severe Service	43207_3439	2/3
2	Insulator, 26" Severe Service, Fuel Tank Strap	43205-3411-33.0	2/3
3	J Bracket, 26" Severe Service	43206-3432	2/3
4	Bolt, Hex SS .50-13 x 1.75, Strap to J Bracket top	4001-3427	4/6
5	Spacer, J Bracket	43204-3412	2/3
6	Nut, Hex SS .50-13	4006-3408	4/6
7	Nut, .50-13-2B Nylock, Strap to J Bracket bottom	4012-3428	4/6

3118-010-03/04, 3118-010-10/11

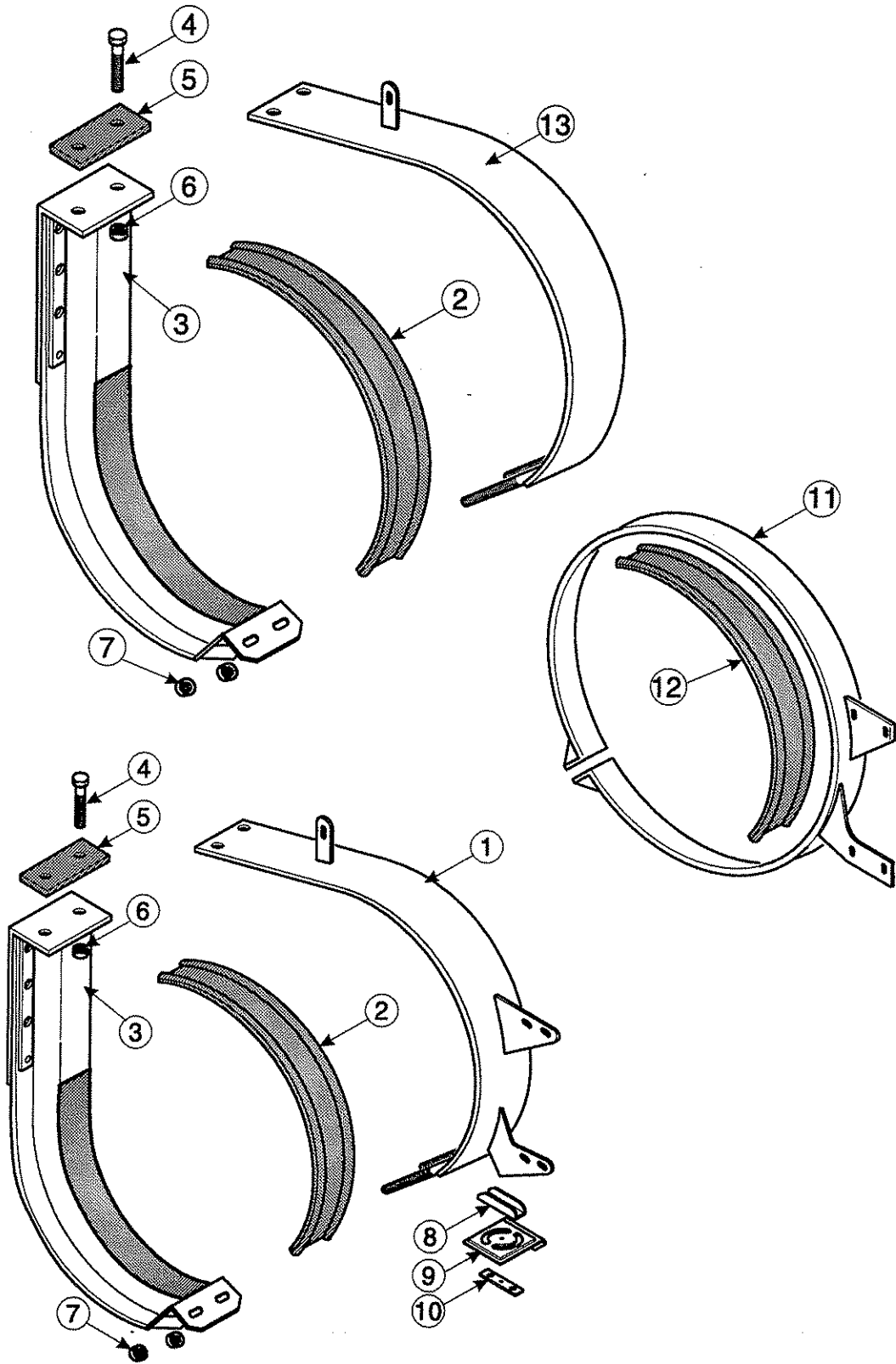
Item	Description	Part Number	Qty
2	Insulator, 26" Severe Service, Fuel Tank Strap	43205-3411-33.0	2/3
3	J Bracket, 26" Severe Service	43206-3432	2/3
4	Bolt, Hex SS .50-13 x 1.75, Strap to J Bracket top	4001-3427	4/6
5	Spacer, J Bracket	43204-3412	2/3
6	Nut, Hex SS .50-13	4006-3408	4/6
7	Nut, .50-13-2B Nylock, Strap to J Bracket bottom	4012-3428	4/6
8	Strap, 26" Severe Service, with step brackets	43207_3461	2/3

3118-010-14/15

Item	Description	Part Number	Qty
1	Strap, 26" Severe Service	43207_3439	1
2	Insulator, 26" Severe Service, Fuel Tank Strap	43205-3411-33.0	3
3	J Bracket, 26" Severe Service	43206-3432	3
4	Bolt, Hex SS .50-13 x 1.75, Strap to J Bracket top	4001-3427	6
5	Spacer, J Bracket	43204-3412	3
6	Nut, Hex SS .50-13	4006-3408	6
7	Nut, .50-13-2B Nylock, Strap to J Bracket bottom	4012-3428	6
8	Strap, 26" Severe Service, with step brackets	43207_3461	2

Specific BOMs listed: 3118-010-01/04, 3118-010-10/15

FRAME 6



26" SEVERE SERVICE FUEL TANK BRACKETS AND STRAPS

26" SEVERE SERVICE FUEL TANK BRACKETS AND STRAPS, 5900

Fuel Tank Straps are available with a Painted finish, or a Stainless Steel finish. To order straps replace the dash in the middle of the part number with an F for painted, or an S for stainless steel.

EG: 43207F3436

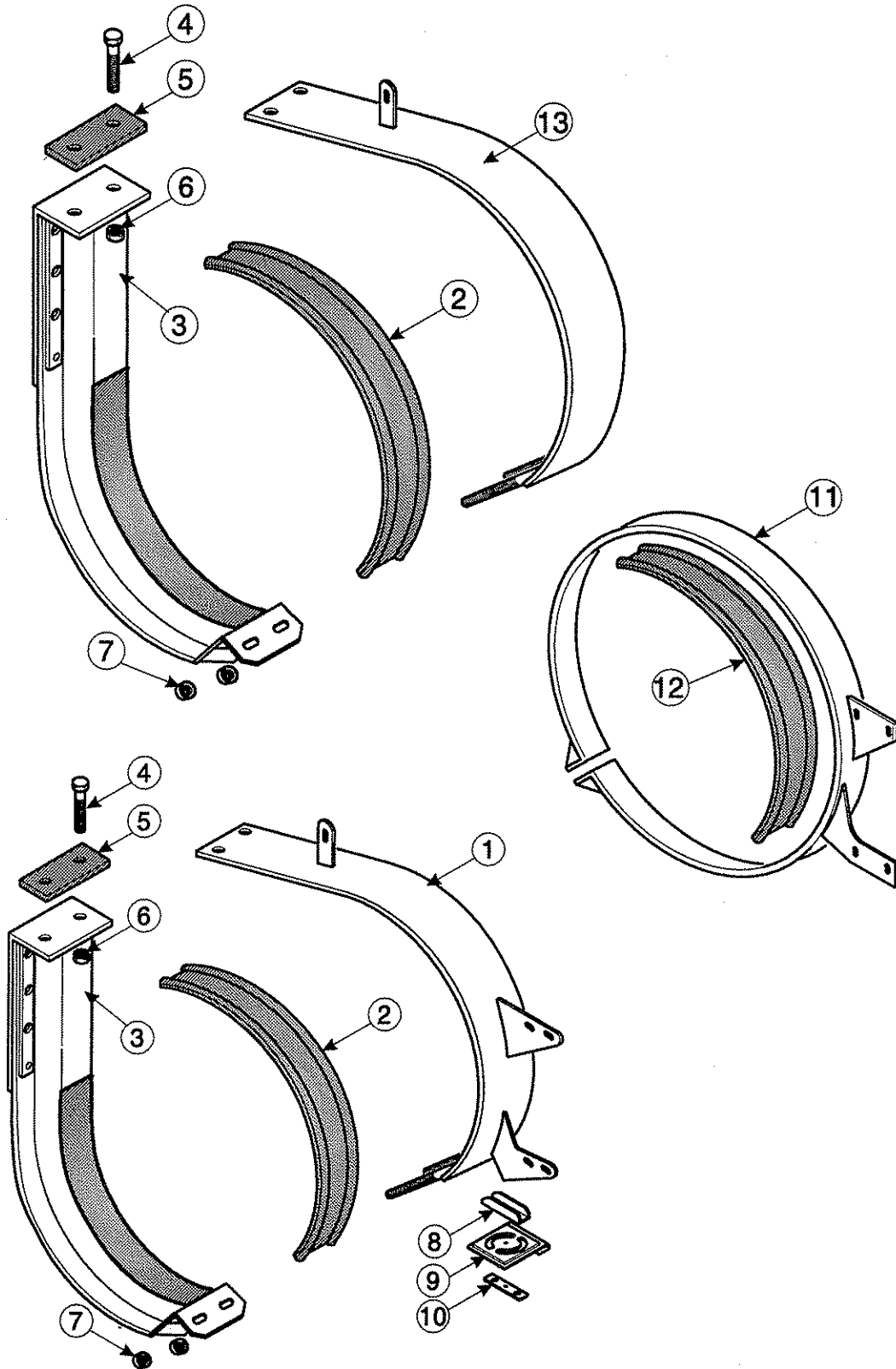
3118-031-01, 3118-031-04/05

Item	Description	Part Number	Qty
1	Strap, 26" Severe Service	43207_3445	4
2	Insulator, 26" Severe Service, Fuel Tank Strap	43205-3411-33.0	4
3	J Bracket, 26" Severe Service	43206-3432	4
4	Bolt, Hex SS .50-13 x 1.75	4001-3427	8
5	Spacer, J Bracket top	43204-3412	4
6	Nut, Hex SS .50-13	4006-3408	8
7	Nut, .50-13-2B Nylock, Strap to J Bracket bottom	4012-3428	8
8	Clamp Plate	45002-3437	8
9	Step Support	45002-3447	8
10	Nut Plate	45002-3436	8

3118-031-02/03, 3118-031-12/13

Item	Description	Part Number	Qty
1	Strap, 26" Severe Service	43207_3445	4
2	Insulator, 26" Severe Service, Fuel Tank Strap	43205-3411-33.0	4
3	J Bracket, 26" Severe Service	43206-3432	4
4	Bolt, Hex SS .50-13 x 1.75	4001-3427	8
5	Spacer, J Bracket top	43204-3412	4
6	Nut, Hex SS .50-13	4006-3408	8
7	Nut, .50-13-2B Nylock, Strap to J Bracket bottom	4012-3428	8
8	Clamp Plate	45002-3437	12
9	Step Support	45002-3447	12
10	Nut Plate	45002-3436	12
11	Cinch Strap, 26"	43207-3446	2
12	Insulator, Cinch Strap	43205-3414-82.0	2

Specific BOMs listed: 3118-031-01/05, 3118-031-12/13



FRAME 6.5.7

26" SEVERE SERVICE FUEL TANK BRACKETS AND STRAPS

26" SEVERE SERVICE FUEL TANK BRACKETS AND STRAPS, 5900 (CONTINUED)

3118-031-06/07, 3118-031-11

Item	Description	Part Number	Qty
1	Strap, 26" Severe Service	43207_3445	2
2	Insulator, 26" Severe Service, Fuel Tank Strap	43205-3411-33.0	4
3	J Bracket, 26" Severe Service	43206-3432	4
4	Bolt, Hex SS .50-13 x 1.75	4001-3427	8
5	Spacer, J Bracket top	43204-3412	4
6	Nut, Hex SS .50-13	4006-3408	8
7	Nut, .50-13-2B Nylock, Strap to J Bracket bottom	4012-3428	8
8	Clamp Plate	45002-3437	8
9	Step Support	45002-3447	8
10	Nut Plate	45002-3436	8
11	Cinch Strap, 26"	43207-3446	2
12	Insulator; Cinch Strap	43205-3414-82.0	2
13	Strap, 26" without step brackets	43207_3439	2

3118-031-08/10

Item	Description	Part Number	Qty
1	Strap, 26" Severe Service	43207_3445	2
2	Insulator, 26" Severe Service, Fuel Tank Strap	43205-3411-33.0	4
3	J Bracket, 26" Severe Service	43206-3432	4
4	Bolt, Hex SS .50-13 x 1.75	4001-3427	8
5	Spacer, J Bracket top	43204-3412	4
6	Nut, Hex SS .50-13	4006-3408	8
7	Nut, .50-13-2B Nylock, Strap to J Bracket bottom	4012-3428	8
8	Clamp Plate	45002-3437	8
9	Step Support	45002-3447	8
10	Nut Plate	45002-3436	8
11	Cinch Strap, 26"	43207-3446	2
12	Insulator; Cinch Strap	43205-3414-82.0	2
13	Strap, 26" without step brackets	43207A3445	2

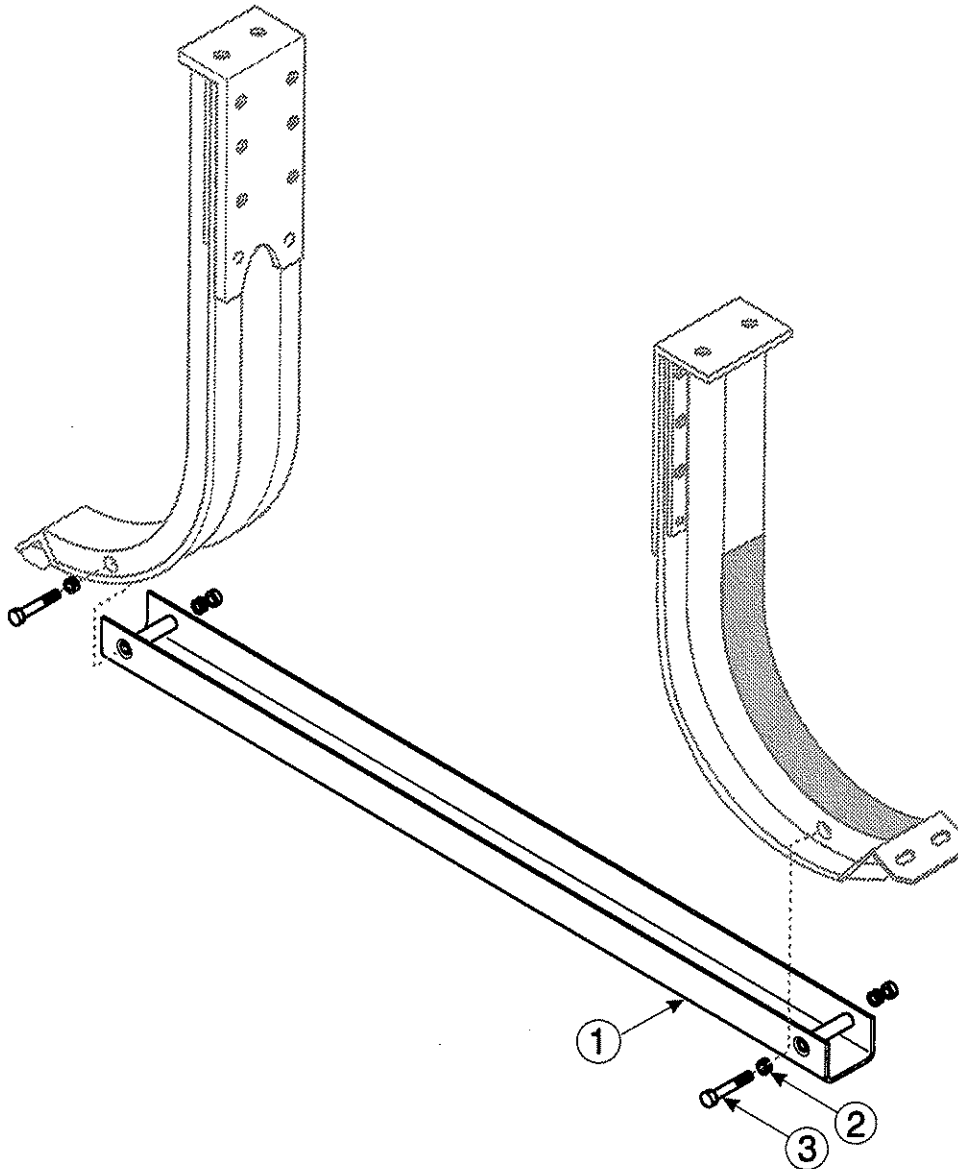
Specific BOMs listed: 3118-031-06/11

FRAME 6

COMPRESSION BRACE, 26" FUEL TANKS (VERTICAL EXHAUST)

3118-558-10/13

Item	Description	Part Number	Qty
1	Compression Brace	43702-3421	1
2	Washer, Flat Zinc 150 x 1.06	120396	2
3	Bolt, Hex Znc .50-20x 5.0	506031	2
4	Nut, Elastic Stop .50-20UN	656141	2

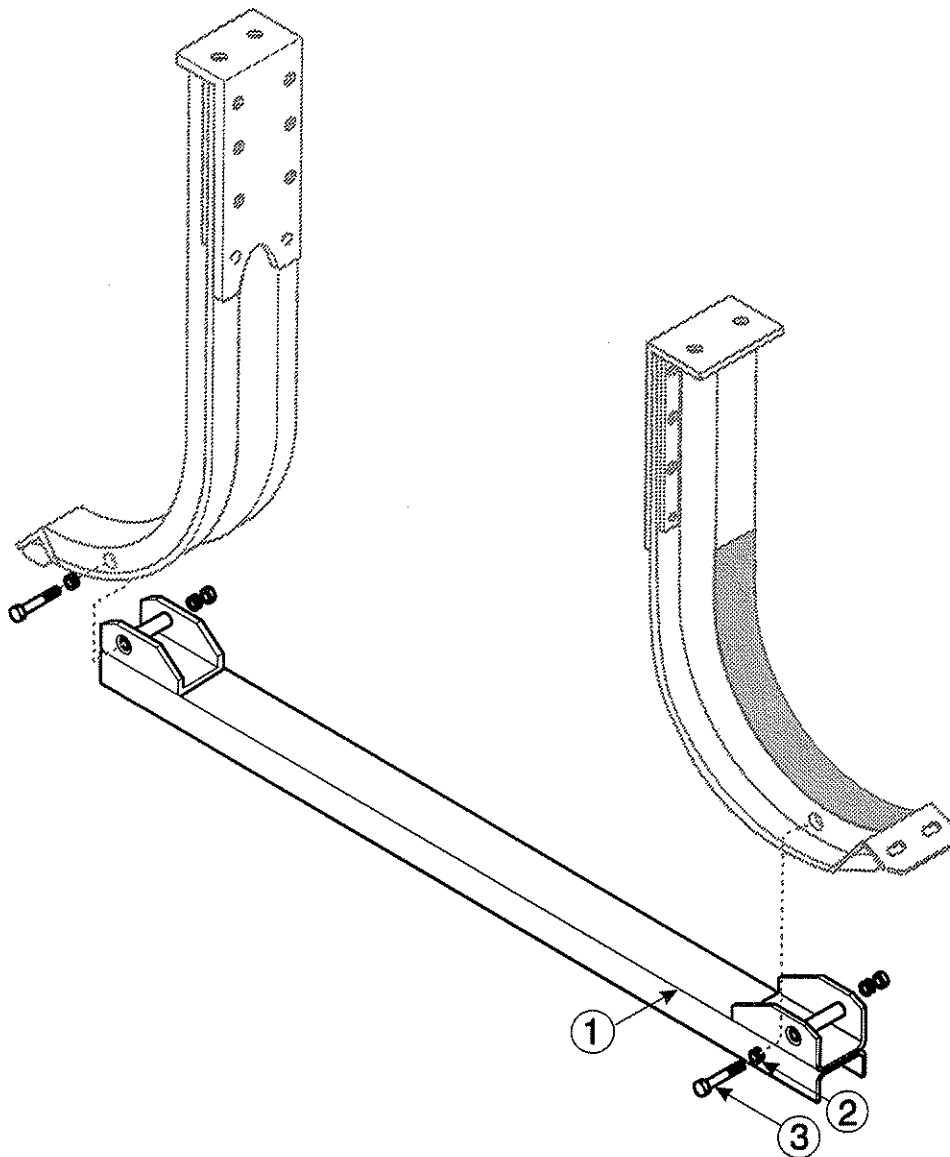


Specific BOMs listed: 3118-558-10/13

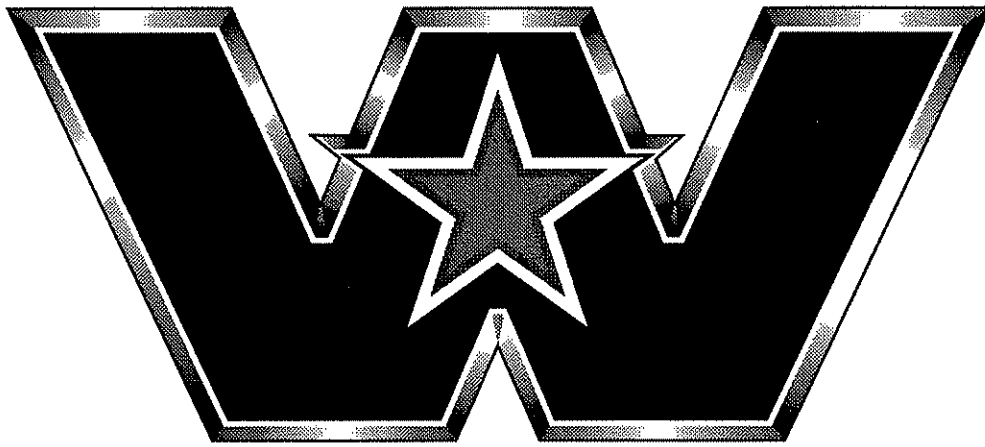
COMPRESSION BRACE, 26" FUEL TANKS (HORIZONTAL EXHAUST)

3118-558-14/17

Item	Description	Part Number	Qty
1	Compression Brace	43702-3425	1
2	Washer, Flat Zinc 150 x 1.06	120396	2
3	Bolt, Hex Znc .50-20x 5.0	506031	2
4	Nut, Elastic Stop .50-20UN	656141	2



Specific BOMs listed: 3118-558-14/17



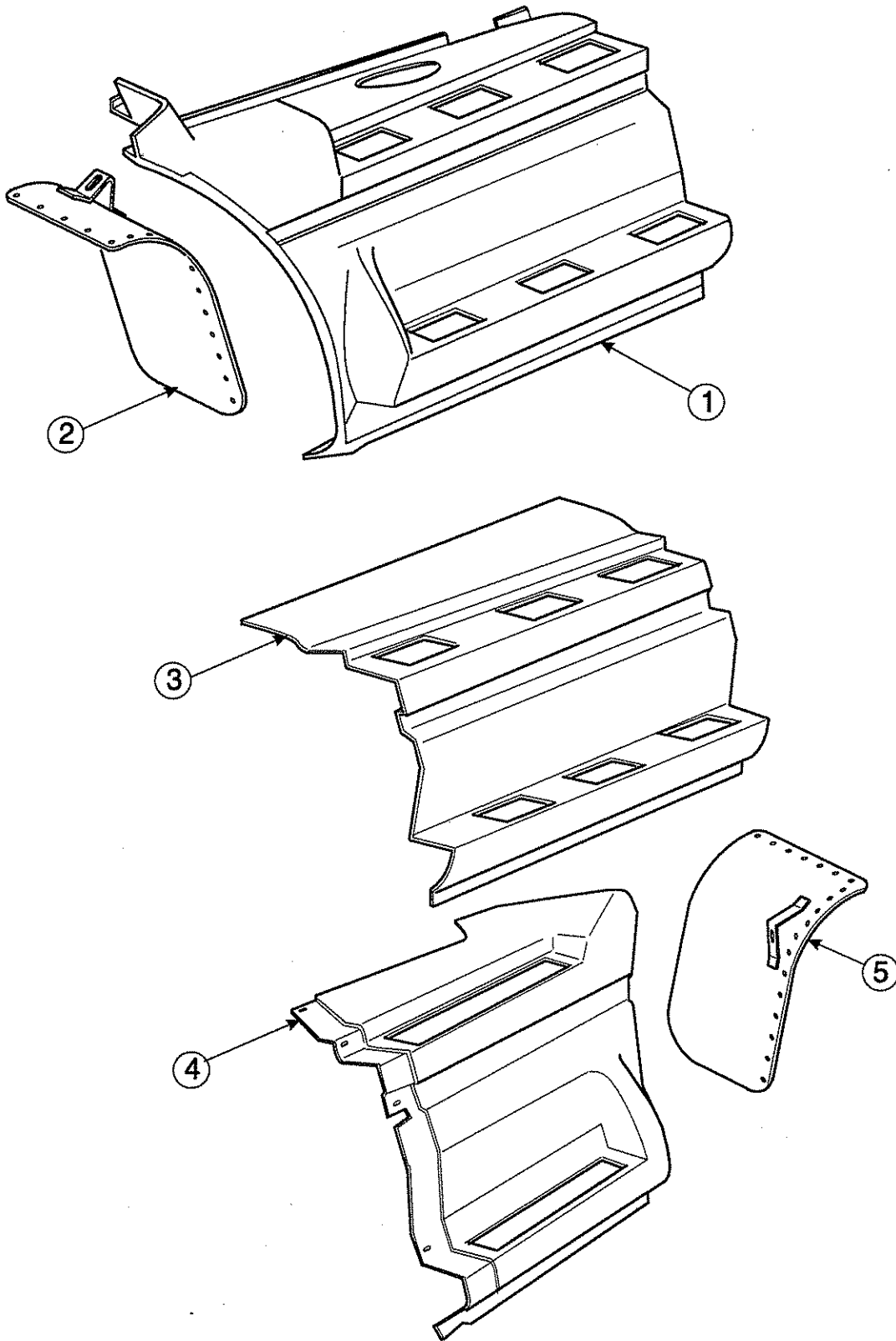
WESTERN STAR TRUCKS®
The Preferred Choice™

TABLE OF CONTENTS

	Page
Fuel Tank Fairings	2-5
Mounting Brackets	6-9
Filler Neck Cover	10-11

Note: This publication is a generic parts book. Components may vary with different applications. For applications other than listed below see the appropriate Bill of Material by truck serial number and use this publication as a guide only.

Specific BOMs listed: 4388-004-ALL, 4388-005-ALL, 4388-006-ALL, 4388-007-ALL

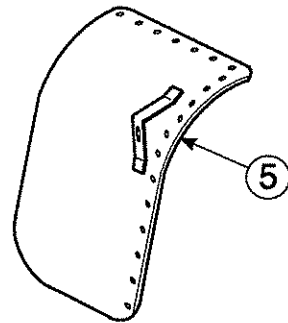
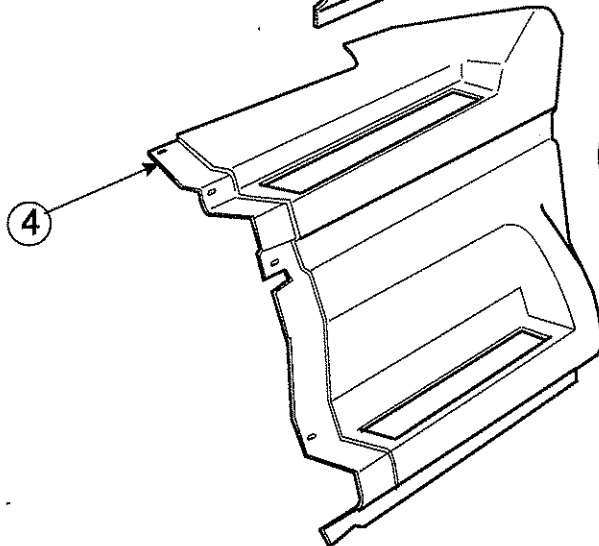
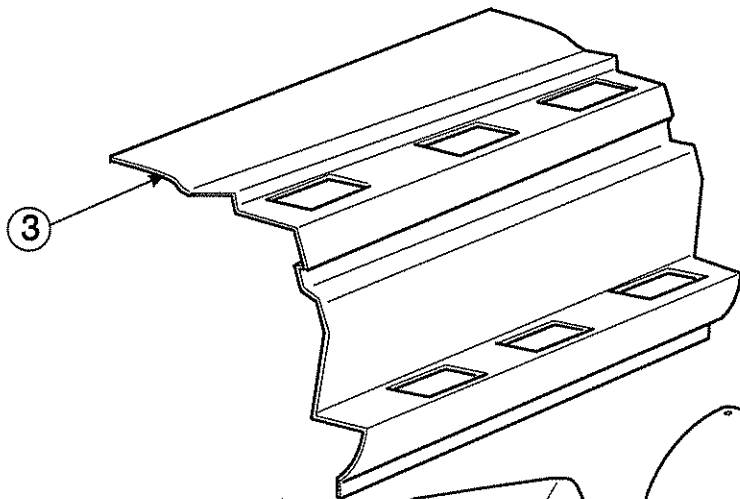
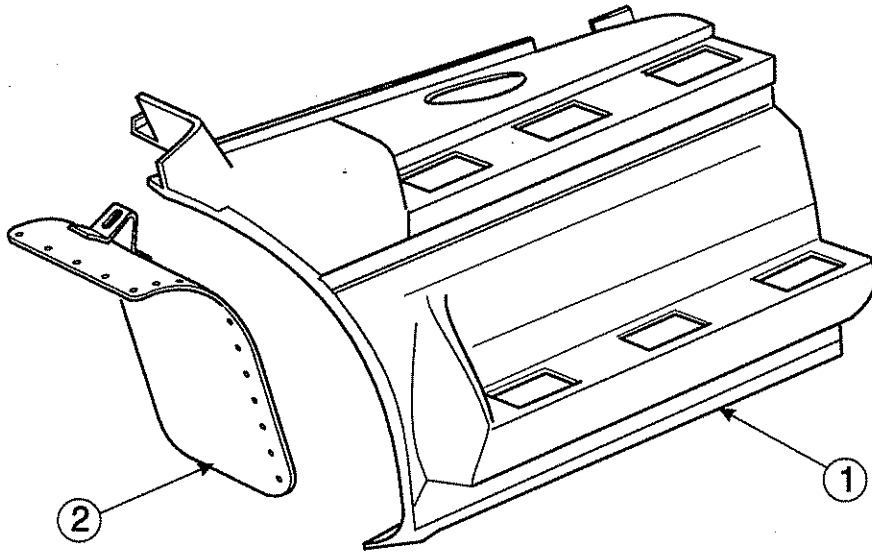


SPLASHSHIELDS

Item	Description	Part Number	Qty
-	Pop Rivet (Fasten splashshields to skirts)	4013-3403	38
2	Splashshield, LH Front	46411-3424	1
2	Splashshield, RH Front	46411-3425	1
5	Splashshield, LH Rear	46411-3426	1
5	Splashshield, RH Rear	46411-3427	1

FULL LENGTH SKIRTING:

Item	Description	Part Number	Qty
1	Front Skirt, LH, without sleeper	62101-3572	1
1	Front Skirt, RH, without sleeper	62101-3573	1
1	Front Skirt, LH, with sleeper	62101-3570	1
1	Front Skirt, RH, with sleeper	62101-3571	1
3	Center Skirt, LH (without Sleeper)	62101-3520-24	1
3	Center Skirt, RH (without Sleeper)	62101-3521-24	1
3	Center Skirt, LH (45" Sleeper)	62101-3520-37	1
3	Center Skirt, RH (45" Sleeper)	62101-3521-37	1
3	Center Skirt, LH (45" Sleeper)	62101-3520-47	1
3	Center Skirt, RH (45" Sleeper)	62101-3521-47	1
3	Center Skirt, LH (45" Sleeper)	62101-3520-51	1
3	Center Skirt, RH (45" Sleeper)	62101-3521-51	1
3	Center Skirt, LH (45" Sleeper)	62101-3520-57	1
3	Center Skirt, RH (45" Sleeper)	62101-3521-57	1
3	Center Skirt, LH (45" Sleeper)	62101-3520-66	1
3	Center Skirt, RH (45" Sleeper)	62101-3521-66	1
3	Center Skirt, LH (58" Sleeper)	62101-3520-51	1
3	Center Skirt, RH (58" Sleeper)	62101-3521-51	1
3	Center Skirt, LH (58" Sleeper)	62101-3520-61	1
3	Center Skirt, RH (58" Sleeper)	62101-3521-61	1
3	Center Skirt, LH (58" Sleeper)	62101-3520-71	1
3	Center Skirt, RH (58" Sleeper)	62101-3521-71	1
3	Center Skirt, LH (58" Sleeper)	62101-3520-81	1
3	Center Skirt, RH (58" Sleeper)	62101-3521-81	1
3	Center Skirt, LH (72" Sleeper)	62101-3520-65	1
3	Center Skirt, RH (72" Sleeper)	62101-3521-65	1

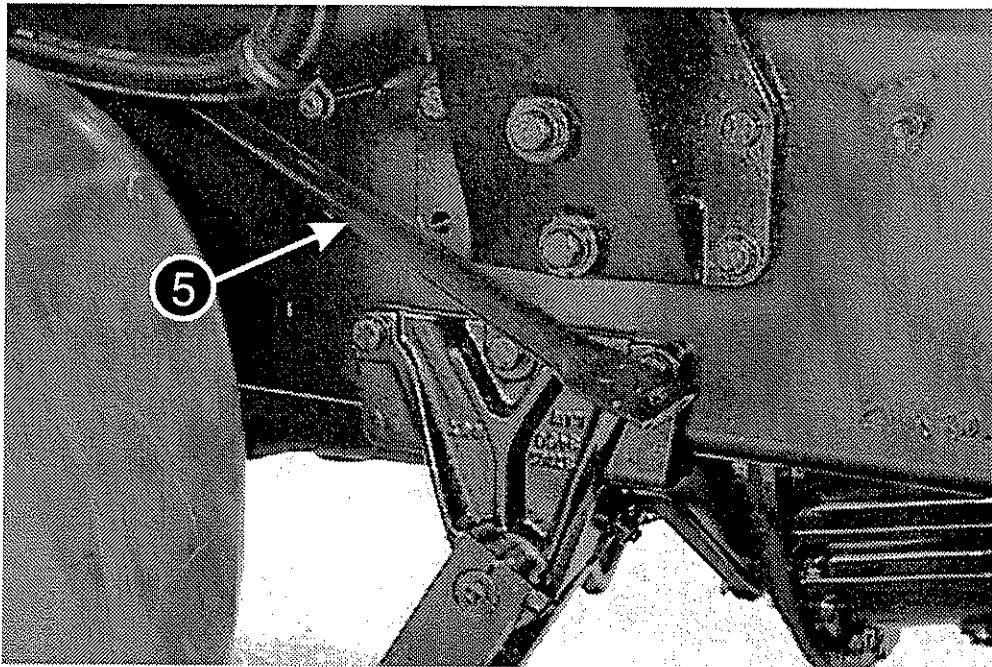
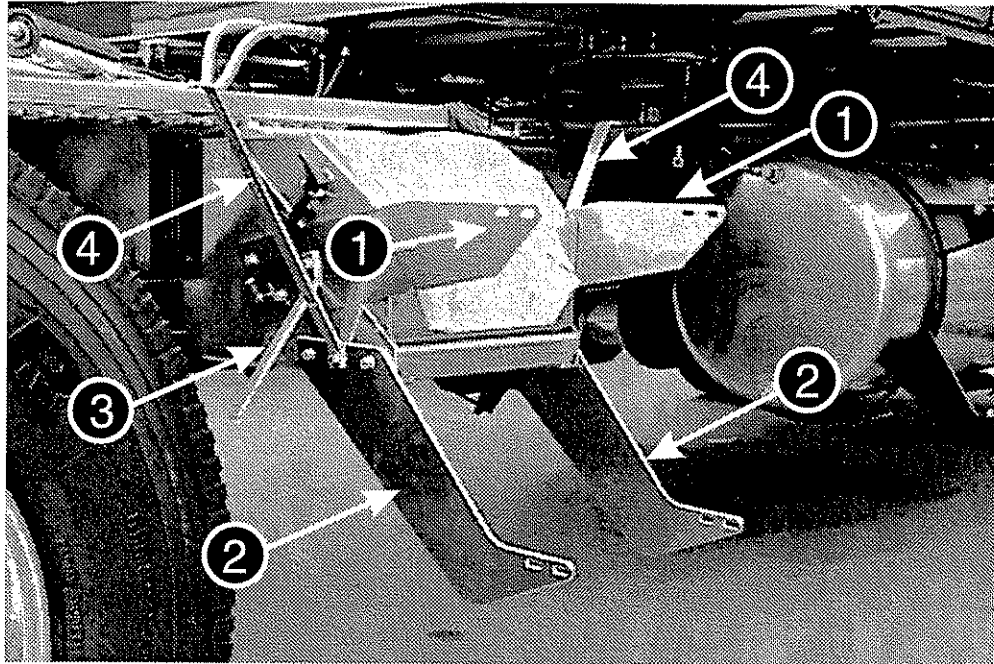


AERO FUEL TANK FAIRINGS**FULL LENGTH SKIRTING (Continued):**

Item	Description	Part Number	Qty
3	Center Skirt, LH (72" Sleeper)	62101-3520-71	1
3	Center Skirt, RH (72" Sleeper)	62101-3521-71	1
3	Center Skirt, LH (72" Sleeper)	62101-3520-81	1
3	Center Skirt, RH (72" Sleeper)	62101-3521-81	1
3	Center Skirt, LH (72" Sleeper)	62101-3520-91	1
3	Center Skirt, RH (72" Sleeper)	62101-3521-91	1
4	Rear Skirt, LH	62101-3522	1
4	Rear Skirt, RH	62101-3523	1

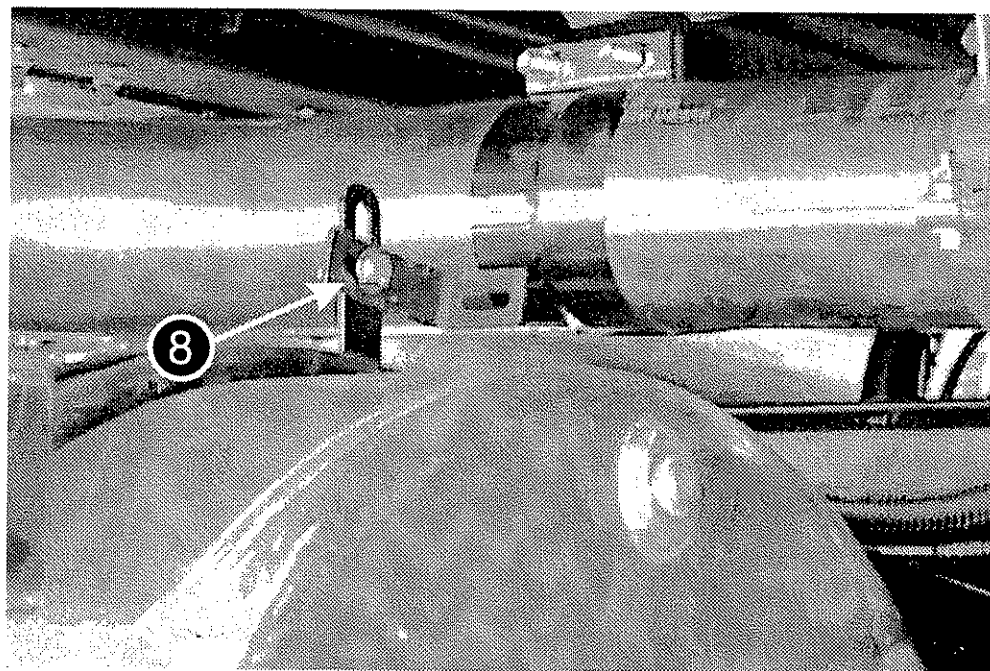
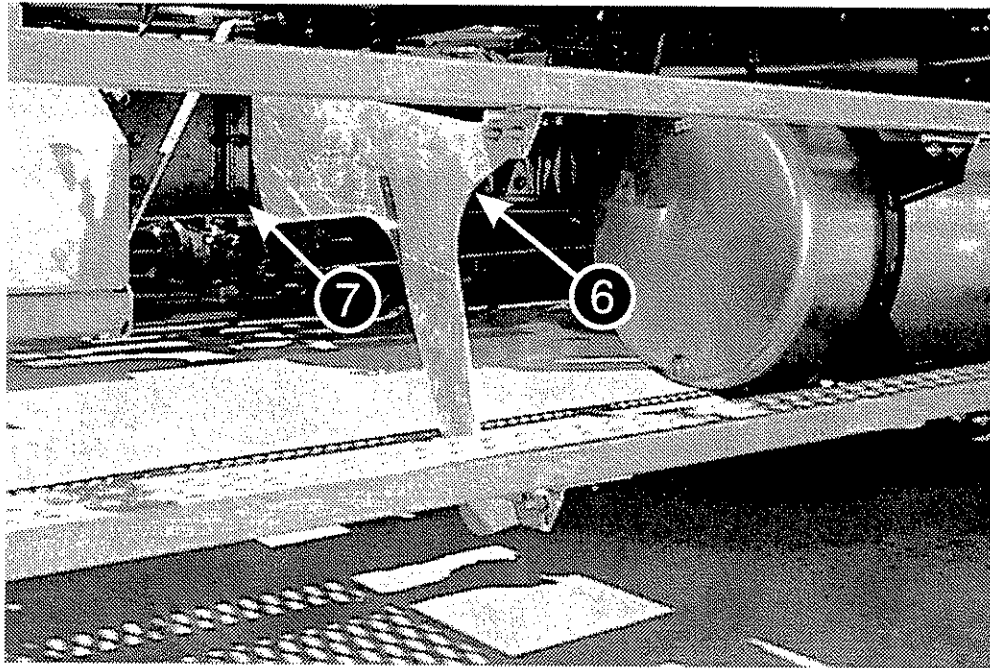
PARTIAL SKIRTING:

Item	Description	Part Number	Qty
1	Fuel Tank Skirt, Partial LH, 22" Tank	62101-3574	1
1	Fuel Tank Skirt, Partial RH, 22" Tank	62101-3575	1
1	Fuel Tank Skirt, Partial LH, 26" Tank	62101-3576	1
1	Fuel Tank Skirt, Partial RH, 26" Tank	62101-3577	1



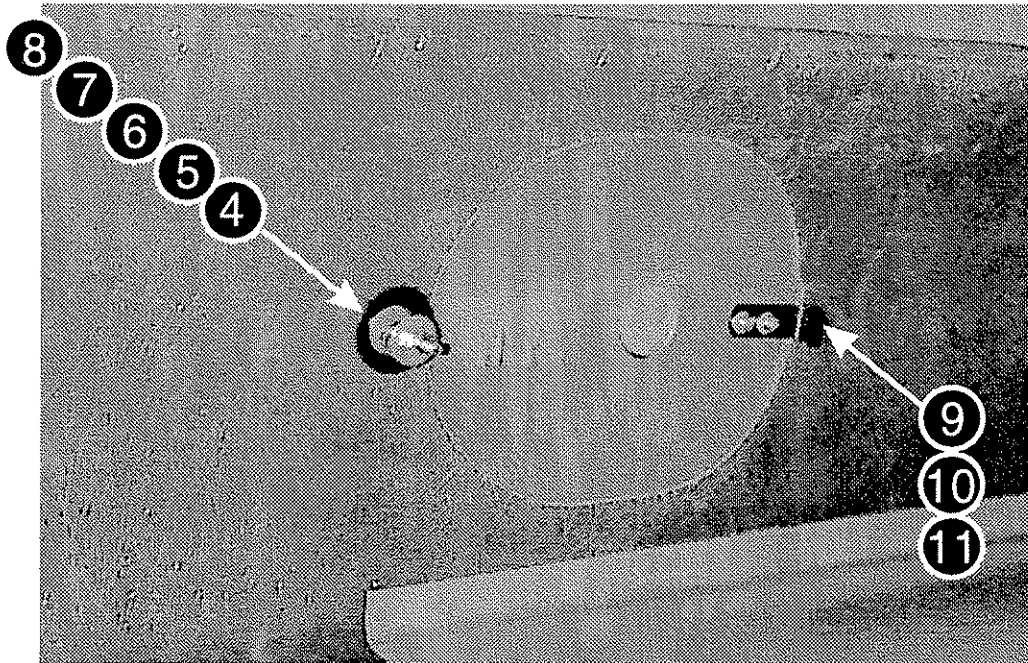
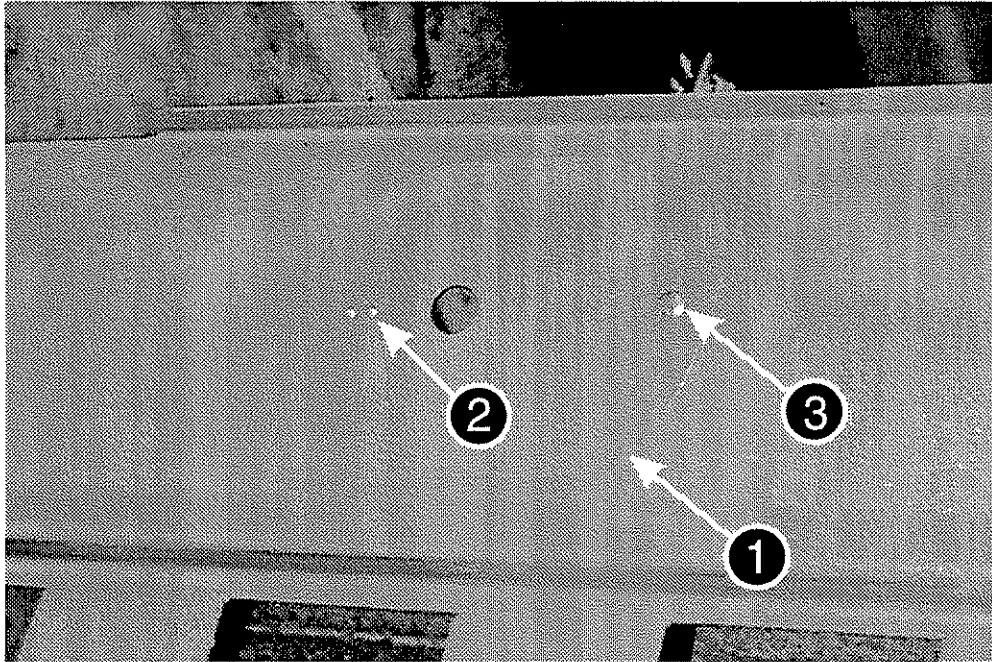
MOUNTING BRACKETS

Item	Description	Part Number	Qty
1	Support, Skirt, Upper Battery Box	62102-3538	2
2	Support, Skirt, Lower Battery Box	62102-3490	2
3	Brace, Rear Skirt	62102-3488	2
4	Brace, Upper Skirt to Battery Box	62102-3487	4
5	Brace, Front Skirt, LH	62102-3482	1
5	Brace, Front Skirt, RH	62102-3483	1



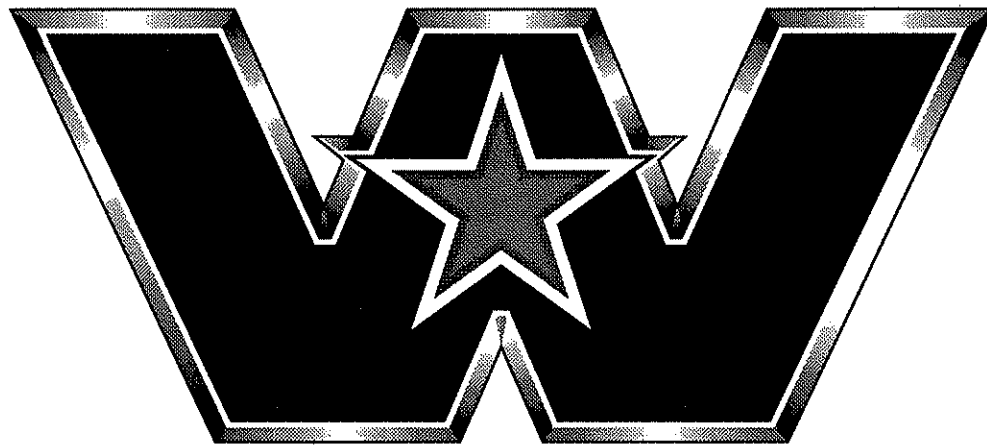
MOUNTING BRACKETS

Item	Description	Part Number	Qty
6	Skirt Support, Frame Mounted	62102-3489	2
7	Frame Bracket, Top	81204-3496	2
7	Frame Bracket, Bottom	81204-3497	2
8	Support, Upper Skirt to Strap	62102-3496	2



FILLER NECK COVER

Item	Description	Part Number	Qty
1	Cover, Filler Neck Opening	43022-3404	2
2	Truss Head Screw	4015-3416	2
3	Step Bolt	4021-3412	2
4	Wear Washer 9/32 x 1.75 x .06 UHM	4007-3426	2
5	Spring, Compression	43022-3405	2
6	Washer 9/32ID x 1.25 OD, PLT	426403	2
7	Washer, Flat Znc.25 x .62	120392	2
8	Locknut	656310	2
9	Latch, Filler Hole Cover	43022-3406	2
10	Flat Washer	120391	4
11	Locknut	454748	4



WESTERN STAR TRUCKS®
The Preferred Choice™

TABLE OF CONTENTS

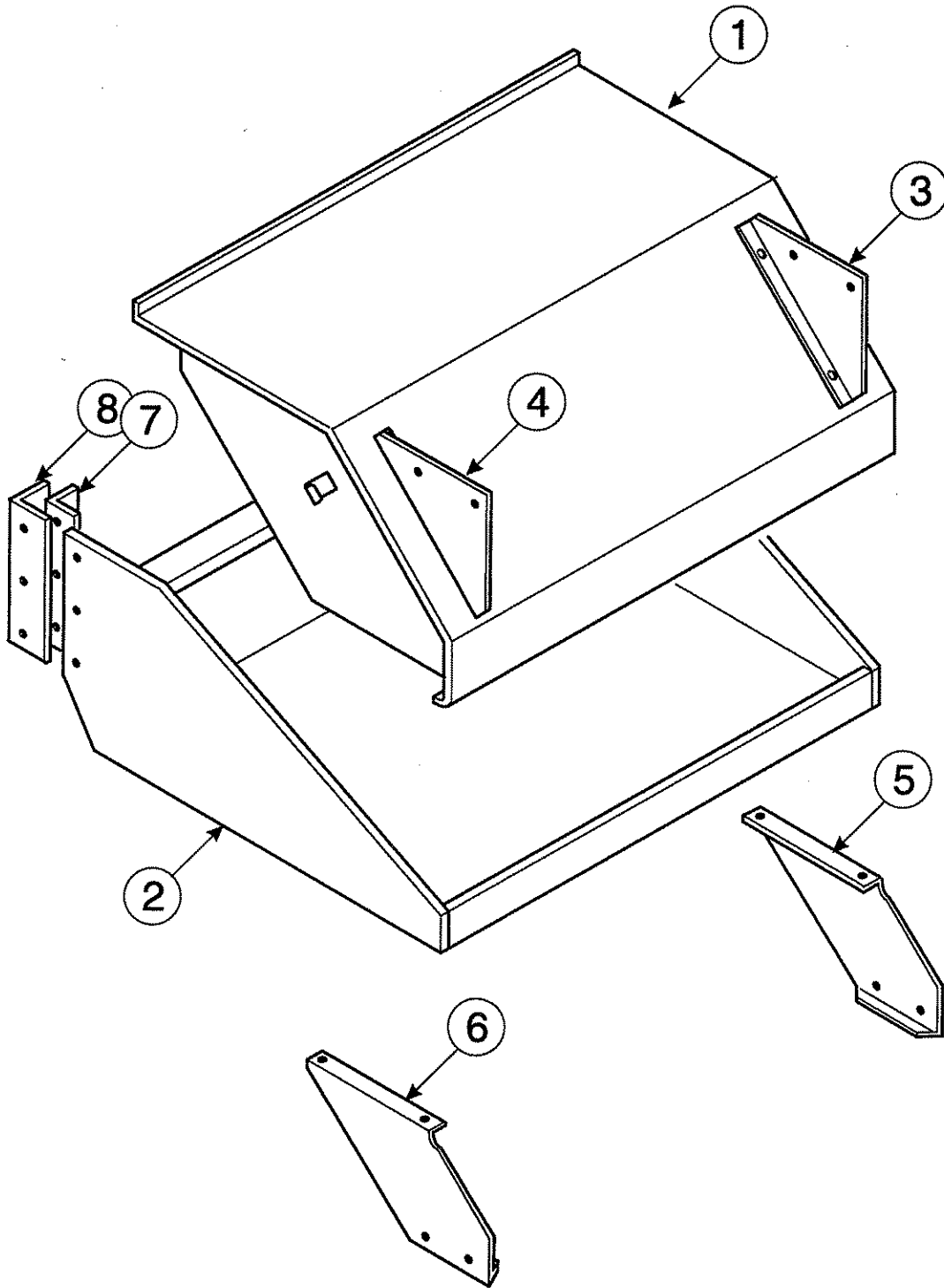
	Page
Battery and Tool Boxes	2-3

When ordering aluminum parts the finish must be specified by inserting it in place of the dash in the part number. Finish codes are as follows:

- B** Bare Finish
- G** Prime Painted
- P** Polished Aluminum

Note: This publication is a generic parts book. Components may vary with different applications. For applications other than listed below see the appropriate Bill of Material by truck serial number and use this publication as a guide only.

Specific BOMs listed: 3178-001-01/06, 3178-002-05/14, 3178-003-05/10, 3178-004-05/12, 3178-005-01/08, 3178-007-01/06, 3178-008-01/06, 3178-009-01/06, 3178-010-04, 3178-011-01/04, 3178-012-01/06, 3178-012-09/21



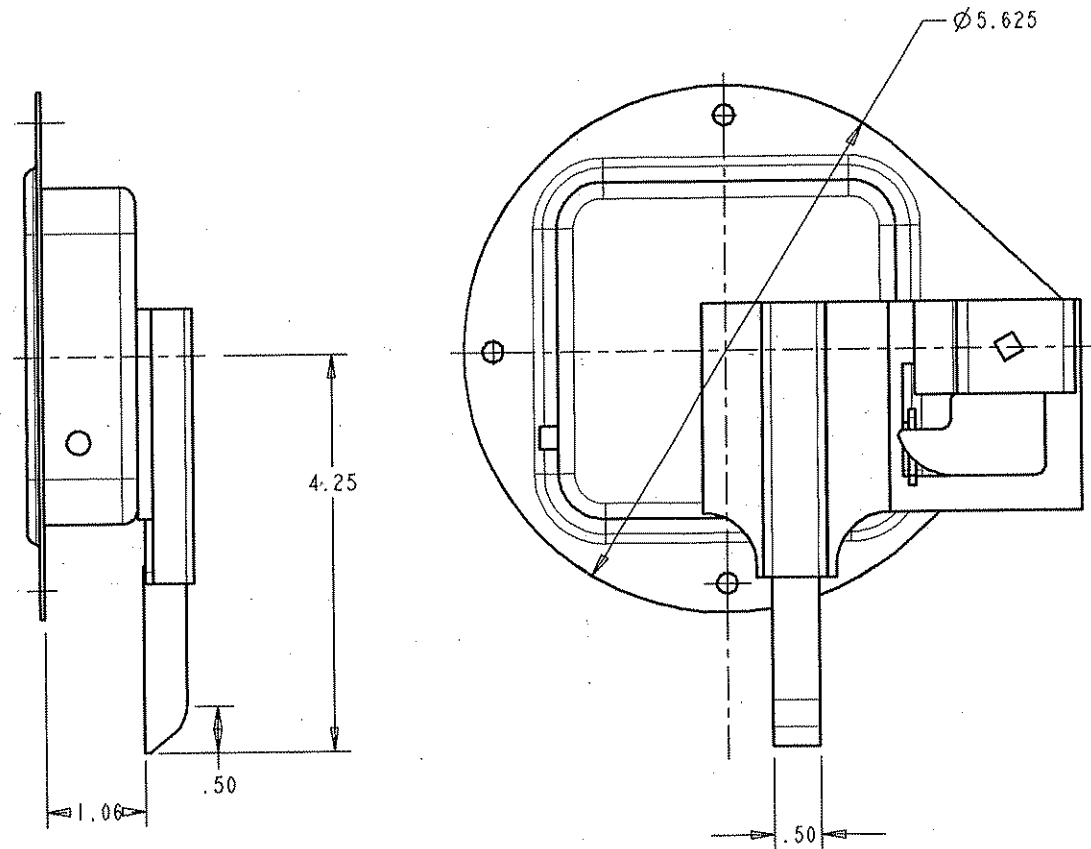
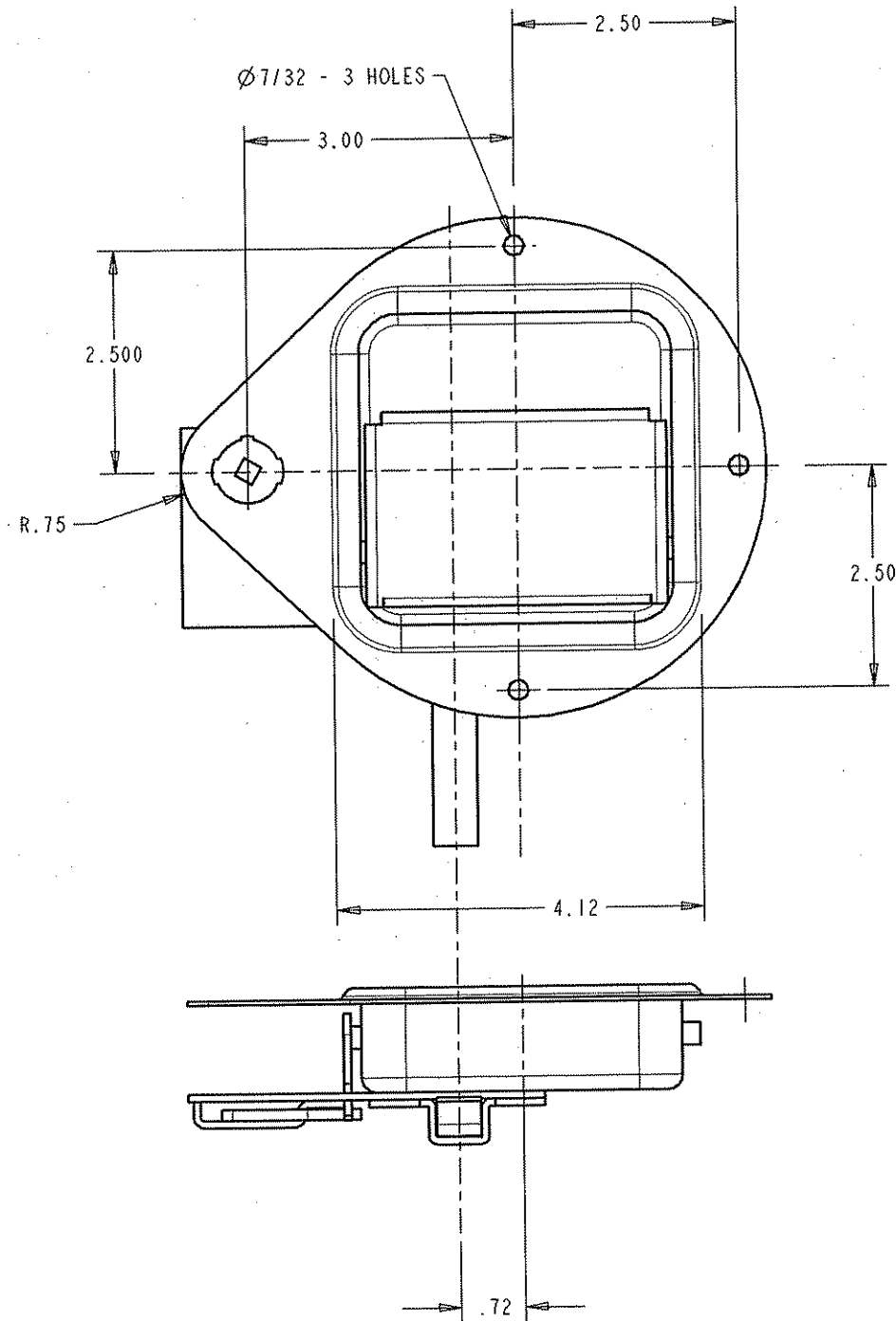
REMOVE ALL SHARP EDGES DO NOT SCALE DRAWING
IF IN DOUBT ASK

CAST, STAMP OR STENCIL PART NUMBER
& REVISION LETTER IN SUITABLE LOCATION

ORIGINAL CREATED ON WSTI
SOLID MODELING WORKSTATION

ECO CHG CHANGE

BY DATE CKD APVD



47205-3401	SHT 1
PRINT ISSUE DATE	OF 1
	CHG
	NEW

*Key + cyl 2.500
STU 706364*

NOTE:

- DRAWING IS AN APPROXIMATION OF VENDOR PART PROVIDING ENVELOPE AND INSTALLATION INFORMATION. DRAWING IS CREATED FROM WESTERN STAR DEVELOPED 3D MODEL FOR USE IN INSTALLATIONS. USE VENDOR DRAWING FOR DETAILED INFORMATION.
- VENDOR: KSR INDUSTRIAL CORPORATION

3) VENDOR CHROME SPECS AS FOLLOWS:

CASE HOUSING SPEC:
"CASE TO BE CHROME PLATE PER G.M. 4372M FOR EXTERIOR EXPOSURE. INSIDE OF CASE PAINTED BOTTOM AND SIDES TO WITHIN .25" OF FRONT FACES. USE 78611-Q106 ARGENT SILVER PAINT SILVER PAINT, LINE TO BE DEFINITE, SHARP AND PARALLEL TO LIP OF CASE. PAINT TO MEET ESB-M2J113A AND ESB-M2P69-B".

PADDLE HANDLE SPEC:
"HIGH LUSTER CHROMIUM TO MEET GM-4372-M FOR EXTERIOR EXPOSURE."

V VENDOR CERTIFICATION

THIS PART MUST BE CERTIFIED BY THE VENDOR TO COMPLY WITH WESTERN STAR TRUCKS INC'S. REQUIREMENTS FOR CONTINUING CONFORMANCE OF CRITICAL PARTS TO DIMENSIONS AND SPECIFICATIONS AS INDICATED OR REVISIONED ON THIS DRAWING. NO CHANGE IS TO BE MADE TO THIS PART WITHOUT PRIOR WRITTEN APPROVAL OF THE ENGINEERING DEPARTMENT.

V THIS PART OR ASSEMBLY REQUIRES CERTIFICATION OF CONFORMANCE TO THE EQUIPMENT REQUIREMENTS OF MOTOR VEHICLE SAFETY STANDARD NO. NONE WHEN USED ON TOOLBOX

X FINISH: SEE NOTES			
X 043524	LATCH ASSY	X	STEEL
NEW REV	COMP. NO.	DESCRIPTION	SIZE MATERIAL
WESTERN STAR TRUCKS INC. COMPUTER GRAPHICS KELOWNA, B.C.			
TOLERANCES UNLESS NOTED:		BY	DATE
MACHINING	± .02 INCH	DWN	WCS 21JUL99
HOLE CENTERS	± .02 INCH	CKD	
HOLE DIAMETERS	± .02 INCH	APVD	PJD 03AUG99
LINEAR	± .06 INCH	ECO	103570-3
ANGULAR	± 1/2 °	SCALE	NONE
THIS DOCUMENT CONTAINS PROPRIETARY INFORMATION AND IT SHALL NOT BE USED OR REPRODUCED OR ITS CONTENTS DISCLOSED IN WHOLE OR IN PART WITHOUT THE PRIOR WRITTEN CONSENT OF WESTERN STAR TRUCKS INC., KELOWNA, BC			
UTILITY LATCH/HANDLE FOR LATCH OPENING, LOCKABLE TOOL BOX		MR NO. 3178	
		47205-3401	SHT 1 OF 1

FRAME

BATTERY AND TOOL BOX

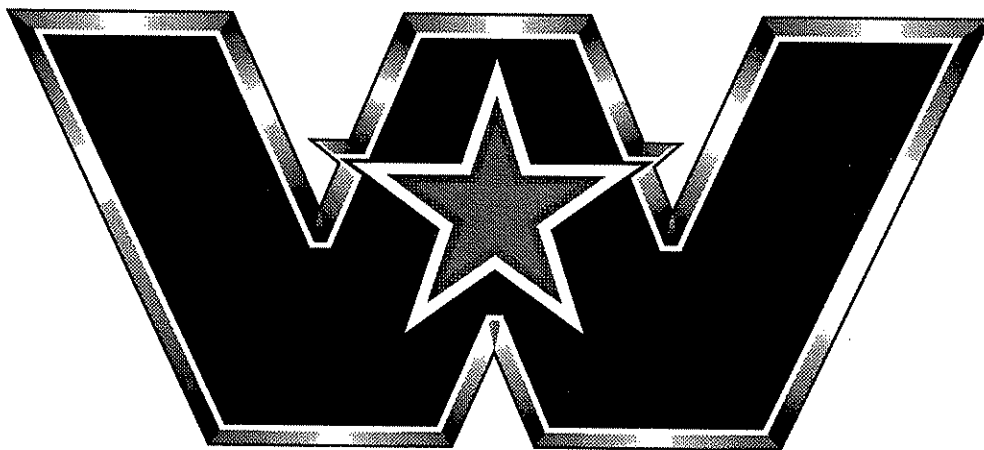
6.8.1

Item Description	Part Number
1 Aluminum Cover Assembly 1/2, Drilled for Steps	81202_3461
1 Aluminum Cover Assembly 3/4, Drilled for Steps	81202_3462
1 Aluminum Cover Assembly 4/4, Drilled for Steps	81202_3466
1 Aluminum Cover Assembly 1/2	81202_3476
1 Aluminum Cover Assembly 3/4	81202_3477
1 Aluminum Cover Assembly 4/4	81202_3478
1 Aluminum Cover Assembly, Combination	81202_3479

Note: Steps are not included as part of cover assemblies and must be ordered separately.

2 Steel Tool Box Assembly 1/2	47201-3433
2 Steel Tool Box Assembly 3/4	47201-3434
2 Steel Tool Box Assembly 4/4	47201-3435
2 Aluminum Tool Box Assembly 1/2	47201_3436
2 Aluminum Tool Box Assembly 3/4	47201_3437
2 Aluminum Tool Box Assembly 4/4	47201_3438
2 Steel Battery Box Assembly 1/2	81201-3555
2 Steel Battery Box Assembly 3/4	81201-3556
2 Steel Battery Box Assembly 4/4 (3 Batteries)	81201-3559
2 Steel Battery Box Assembly 4/4 (4 Batteries)	81201-3560
2 Aluminum Battery Box Assembly 1/2	81201_3553
2 Aluminum Battery Box Assembly 3/4	81201_3554
2 Aluminum Battery Box Assembly 4/4 (3 Batteries)	81201_3557
2 Aluminum Battery Box Assembly 4/4 (4 Batteries)	81201_3558
2 Aluminum Combination Box Assembly	
2 Steel Combination Box Assembly	
3 Upper Step Support, LH	81204_3536
4 Upper Step Support, RH	81204_3537
5 Lower Step Support, LH	81204_3534
6 Lower Step Support, RH	81204_3535
7 Mounting Bracket, Top (2 x 2 x 3/16)	81204-3467
7 Mounting Bracket, Top (2.5 x 2.5 x 3/16)	81204-3473
7 Mounting Bracket, Top (3.5 x 2.5 x 1/4)	81204-3487
8 Mounting Bracket, Bottom (2.5 x 2.5 x 3/16)	81204-3468
8 Mounting Bracket, Bottom (4 x 3 x 1/4)	81204-3486

FRAME 6



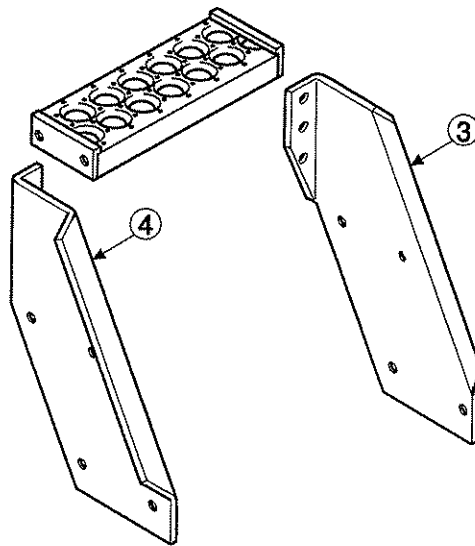
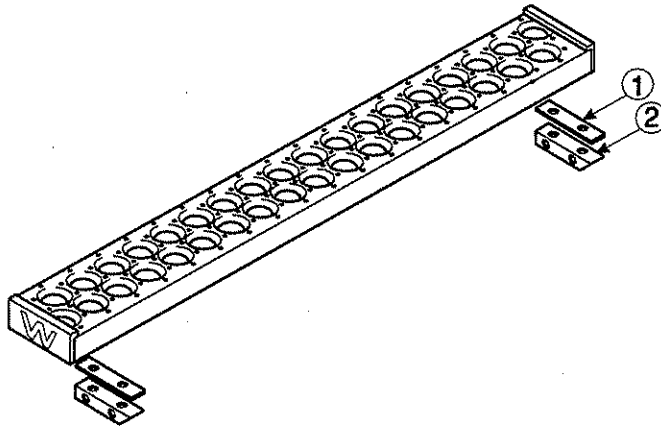
WESTERN STAR TRUCKS®
The Preferred Choice™

TABLE OF CONTENTS

	Page
Polished Aluminum Steps	2-5
Bare Aluminum Steps	6-9
Sleeper Access Step	10-11

Note: This publication is a generic parts book. Components may vary with different applications. For applications other than listed below see the appropriate Bill of Material by truck serial number and use this publication as a guide only.

Specific BOMs listed: 4138-001/021-ALL



STEP BRACKETS

Item Description

Part Number

1	Bracket Clamp	9001716
2	Support, Fuel Tank Step	45002-3405
3	Access Step Bracket, RH, Bare Aluminum	45002B3455
3	Access Step Bracket, RH, Polished Aluminum	45002P3455
4	Access Step Bracket, LH, Bare Aluminum	45002B3454
4	Access Step Bracket, LH, Polished Aluminum	45002P3454

Polished Aluminum Steps

Key:

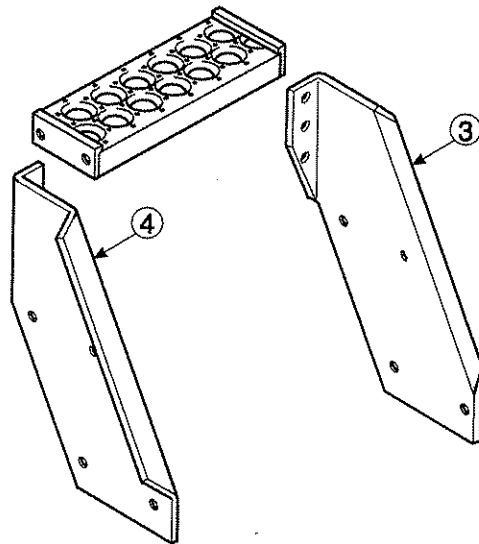
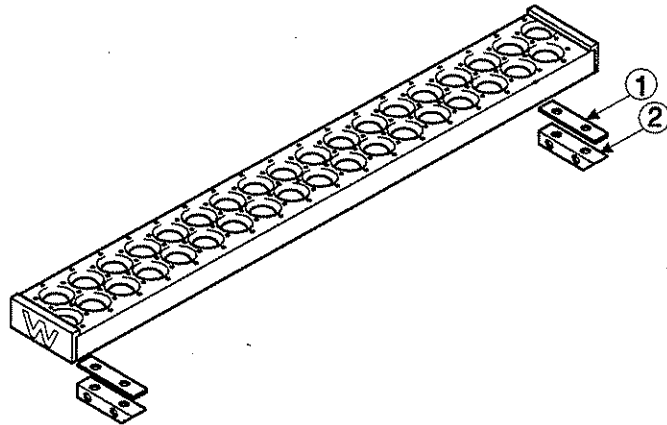
L= length

22" = If a size is noted it is the tank size that the step fits full length

26" = If a size is noted it is the tank size that the step fits full length

Other = If the step covers a combination of fuel tank and battery box, frame acces etc.

Part Number	L	Description	22"	26"	Other
45001P3433	26	Polished Aluminum Step 26"		60G	Fuel Tank
45001P3434	30	Polished Aluminum Step 30"	50G	60G	Fuel Tank
45001P3435	34	Polished Aluminum Step 34"	50G		Combination
45001P3436	36	Polished Aluminum Step 36"	50G, 60G	80G	Fuel Tank
45001P3437	44	Polished Aluminum Step 44"		100G	Fuel Tank
45001P3438	46	Polished Aluminum Step 46"	75G		Fuel Tank
45001P3439	56	Polished Aluminum Step 56"	90G	125G	Fuel Tank
45001P3440	62	Polished Aluminum Step 62"	90G, 100G	125G	Fuel Tank
45001P3441	68	Polished Aluminum Step 68"	100G	150G	Fuel Tank
45001P3442	74	Polished Aluminum Step 74"	115G	150G	Fuel Tank
45001P3443	94	Polished Aluminum Step 94"	150G		Fuel Tank
45001P3445	58	Polished Aluminum Step 58"			Combination
45001P3446	72	Polished Aluminum Step 72"		150G	Fuel Tank
45001P3461	52	Polished Aluminum Step 52"	75G		Combination
45001P3462	40	Polished Aluminum Step 60"		80G	Fuel Tank
45001P3463	48	Polished Aluminum Step 48"		100G	Fuel Tank
45001P3464	80	Polished Aluminum Step 80"	115G		Fuel Tank
45001P3466	12	Polished Aluminum Step 12"			Frame Access
45001P3468	100	Polished Aluminum Step 100"	150G		Fuel Tank
45001P3469	42	Polished Aluminum Step 42"	60G	80G	Combination
45001P3470	32	Polished Aluminum Step 32"		60G	Fuel Tank
45001P3471	50	Polished Aluminum Step 50"			Combination
45001P3473-16.4	16.4	Polished Aluminum Step 16.4"			Battery Box
45001P3473-23.2	23.2	Polished Aluminum Step 23.2"			Battery Box
45001P3473-27.5	27.5	Polished Aluminum Step 27.5"			Battery Box
45001P3473-29.0	29.0	Polished Aluminum Step 29.0"			Battery Box
45001P3473-31.0	31.0	Polished Aluminum Step 31.0"			Battery Box
45001P3473-33.0	33.0	Polished Aluminum Step 33.0"			Battery Box
45001P3473-35.0	35.0	Polished Aluminum Step 35.0"			Battery Box
45001P3473-39.0	39.0	Polished Aluminum Step 39.0"			Battery Box
45001P3473-47.7	47.7	Polished Aluminum Step 47.7"			Battery Box
45001P3473-51.7	51.7	Polished Aluminum Step 51.7"			Battery Box
45001P3473-56.0	56.0	Polished Aluminum Step 56.0"			Battery Box
45001P3481	54	Polished Aluminum Step 54"			Aero Skirt
45001P3482-44	44	Polished Aluminum Step 44"			Aero Skirt
45001P3482-58	58	Polished Aluminum Step 58"			Aero Skirt



STEP BRACKETS

Item Description

- 1 Bracket Clamp
- 2 Support, Fuel Tank Step
- 3 Access Step Bracket, RH, Bare Aluminum
- 3 Access Step Bracket, RH, Polished Aluminum
- 4 Access Step Bracket, LH, Bare Aluminum
- 4 Access Step Bracket, LH, Polished Aluminum

Part Number

- 9001716
- 45002-3405
- 45002B3455
- 45002P3455
- 45002B3454
- 45002P3454

Polished Aluminum Steps (continued)

Key:

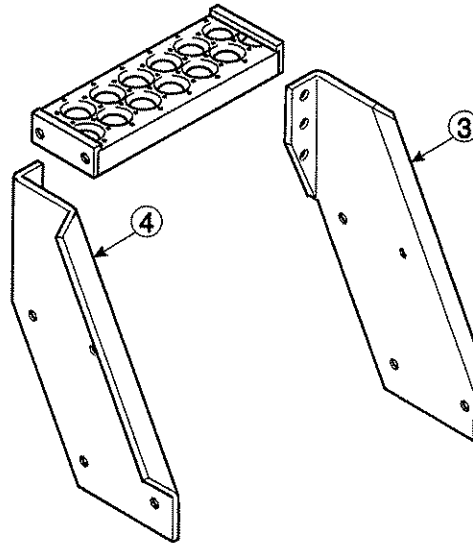
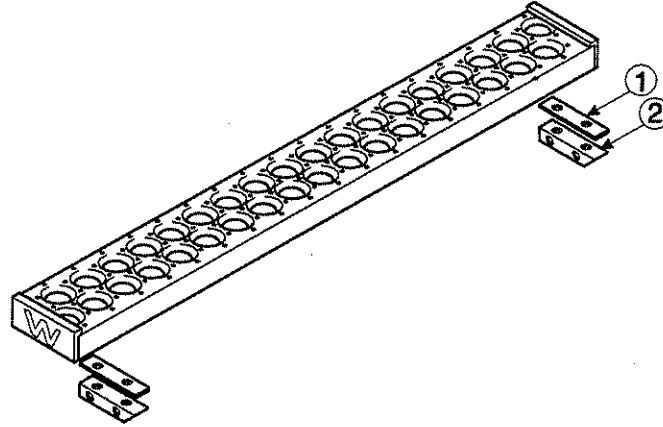
L= length

22" = If a size is noted it is the tank size that the step fits full length

26" = If a size is noted it is the tank size that the step fits full length

Other = If the step covers a combination of fuel tank and battery box, frame acces etc.

Part Number	L	Description	22"	26"	Other
45001P3483	90	Polished Aluminum Step 90"			Aero Skirt
45001P3484-10	10	Polished Aluminum Step 10"			Aero Skirt
45001P3484-13	13	Polished Aluminum Step 13"			Aero Skirt
45001P3484-20	20	Polished Aluminum Step 20"			Aero Skirt
45001P3484-23	23	Polished Aluminum Step 23"			Aero Skirt
45001P3484-27	27	Polished Aluminum Step 27"			Aero Skirt
45001P3484-30	30	Polished Aluminum Step 30"			Aero Skirt
45001P3484-33	33	Polished Aluminum Step 33"			Aero Skirt
45001P3484-34	34	Polished Aluminum Step 34"			Aero Skirt
45001P3484-37	37	Polished Aluminum Step 37"			Aero Skirt
45001P3484-38	38	Polished Aluminum Step 38"			Aero Skirt
45001P3484-39	39	Polished Aluminum Step 39"			Aero Skirt
45001P3484-40	40	Polished Aluminum Step 40"			Aero Skirt
45001P3484-41	41	Polished Aluminum Step 41"			Aero Skirt
45001P3484-42	42	Polished Aluminum Step 42"			Aero Skirt
45001P3484-44	44	Polished Aluminum Step 44"			Aero Skirt
45001P3484-47	47	Polished Aluminum Step 47"			Aero Skirt
45001P3484-54	54	Polished Aluminum Step 54"			Aero Skirt
45001P3484-57	57	Polished Aluminum Step 57"			Aero Skirt
45001P3484-64	64	Polished Aluminum Step 61"			Aero Skirt
45001P3484-67	67	Polished Aluminum Step 67"			Aero Skirt
45001P3485-87	87	Polished Aluminum Step 87"			Aero Skirt
45001P3485-90	90	Polished Aluminum Step 90"			Aero Skirt
45001P3496	82	Polished Aluminum Step 82"		188G	Fuel Tank
45001P3498	88	Polished Aluminum Step 88:		188G	Fuel Tank
45001P3508	60	Polished Aluminum Step 60"	90G	125G	Fuel Tank
45001P3509	66	Polished Aluminum Step 66"	100G		Fuel Tank
45001P3510	78	Polished Aluminum Step 78"	115G		Fuel Tank
45001P3511	86	Polished Aluminum Step 86"		188G	Fuel Tank
45001P3512	98	Polished Aluminum Step 90"	150G		Fuel Tank
45001P3519	84	Polished Aluminum Step 84"			Fuel Tank
45001P3520	92	Polished Aluminum Step 92"			Fuel Tank
45001P3521	102	Polished Aluminum Step 102"			Fuel Tank
45001P3522	104	Polished Aluminum Step 104"			Fuel Tank
45001P3523	90	Polished Aluminum Step 90"			Fuel Tank
45001P3524	64	Polished Aluminum Step 64"			Fuel Tank



STEP BRACKETS

Item	Description	Part Number
1	Bracket Clamp	9001716
2	Support, Fuel Tank Step	45002-3405
3	Access Step Bracket, RH, Bare Aluminum	45002B3455
3	Access Step Bracket, RH, Polished Aluminum	45002P3455
4	Access Step Bracket, LH, Bare Aluminum	45002B3454
4	Access Step Bracket, LH, Polished Aluminum	45002P3454

Bare Aluminum Steps

Key:

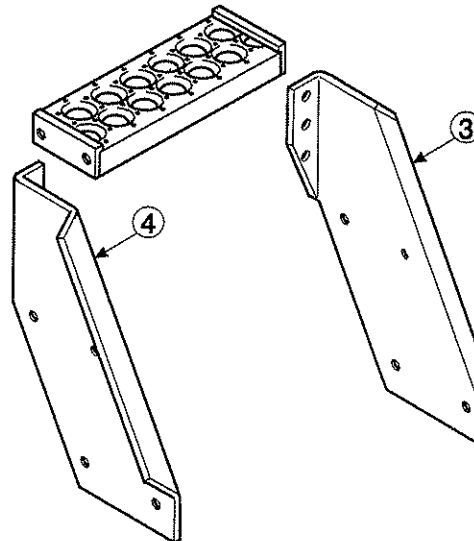
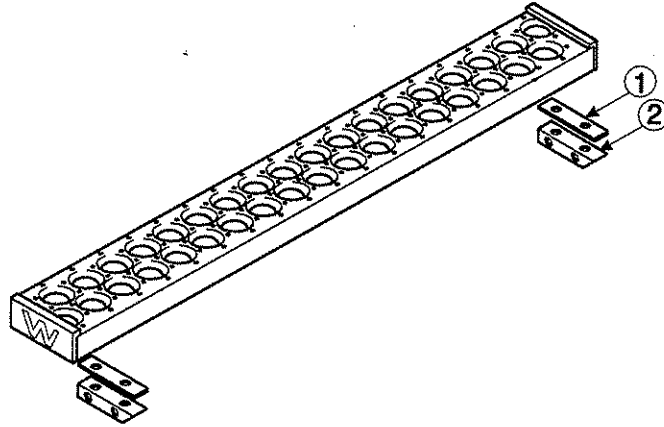
L= length

22" = If a size is noted it is the tank size that the step fits full length

26" = If a size is noted it is the tank size that the step fits full length

Other = If the step covers a combination of fuel tank and battery box, frame acces etc.

Part Number	L	Description	22"	26"	Other
45001A3433	26	Bare Aluminum Step 26"		60G	Fuel Tank
45001A3434	30	Bare Aluminum Step 30"	50G	60G	Fuel Tank
45001A3435	34	Bare Aluminum Step 34"	50G		Combination
45001A3436	36	Bare Aluminum Step 36"	50G, 60G	80G	Fuel Tank
45001A3437	44	Bare Aluminum Step 44"		100G	Fuel Tank
45001A3438	46	Bare Aluminum Step 46"	75G	125G	Fuel Tank
45001A3439	56	Bare Aluminum Step 56"	90G	125G	Fuel Tank
45001A3440	62	Bare Aluminum Step 62"	90G, 100G	125G	Fuel Tank
45001A3441	68	Bare Aluminum Step 68"	100G	150G	Fuel Tank
45001A3442	74	Bare Aluminum Step 74"	115G	150G	Fuel Tank
45001A3443	94	Bare Aluminum Step 94"	150G		Fuel Tank
45001A3445	58	Bare Aluminum Step 58"			Combination
45001A3446	72	Bare Aluminum Step 72"		150G	Fuel Tank
45001A3461	52	Bare Aluminum Step 52"	75G		Combination
45001A3462	40	Bare Aluminum Step 40"		80G	Fuel Tank
45001A3463	48	Bare Aluminum Step 48"		100G	Fuel Tank
45001A3464	80	Bare Aluminum Step 80"	115G		Fuel Tank
45001A3466	12	Bare Aluminum Step 12"			Frame Access
45001A3468	100	Bare Aluminum Step 100"	150G		Fuel Tank
45001A3469	42	Bare Aluminum Step 42"	60G	80G	Combination
45001A3470	32	Bare Aluminum Step 32"		60G	Fuel Tank
45001A3471	50	Bare Aluminum Step 50"	75G		Fuel Tank
45001A3481	54	Bare Aluminum Step 54"			Fuel Tank
45001A3482-44	44	Bare Aluminum Step 44"			Aero Skirt
45001A3482-58	58	Bare Aluminum Step 58"		125G	Aero Skirt
45001A3484-10	10	Bare Aluminum Step 10"			Aero Skirt
45001A3484-13	13	Bare Aluminum Step 13"			Aero Skirt
45001A3484-20	20	Bare Aluminum Step 20"			Aero Skirt
45001A3484-23	23	Bare Aluminum Step 23"			Aero Skirt
45001A3484-24	24	Bare Aluminum Step 24"			Aero Skirt
45001A3484-27	27	Bare Aluminum Step 27"			Aero Skirt
45001A3484-30	30	Bare Aluminum Step 30"			Aero Skirt
45001A3484-33	33	Bare Aluminum Step 33"			Aero Skirt
45001A3484-34	34	Bare Aluminum Step 34"			Aero Skirt
45001A3484-37	37	Bare Aluminum Step 37"			Aero Skirt
45001A3484-38	38	Bare Aluminum Step 38"			Aero Skirt



STEP BRACKETS

Item Description

- 1 Bracket Clamp
- 2 Support, Fuel Tank Step
- 3 Access Step Bracket, RH, Bare Aluminum
- 3 Access Step Bracket, RH, Polished Aluminum
- 4 Access Step Bracket, LH, Bare Aluminum
- 4 Access Step Bracket, LH, Polished Aluminum

Part Number

- 9001716
- 45002-3405
- 45002B3455
- 45002P3455
- 45002B3454
- 45002P3454

Bare Aluminum Steps

Key:

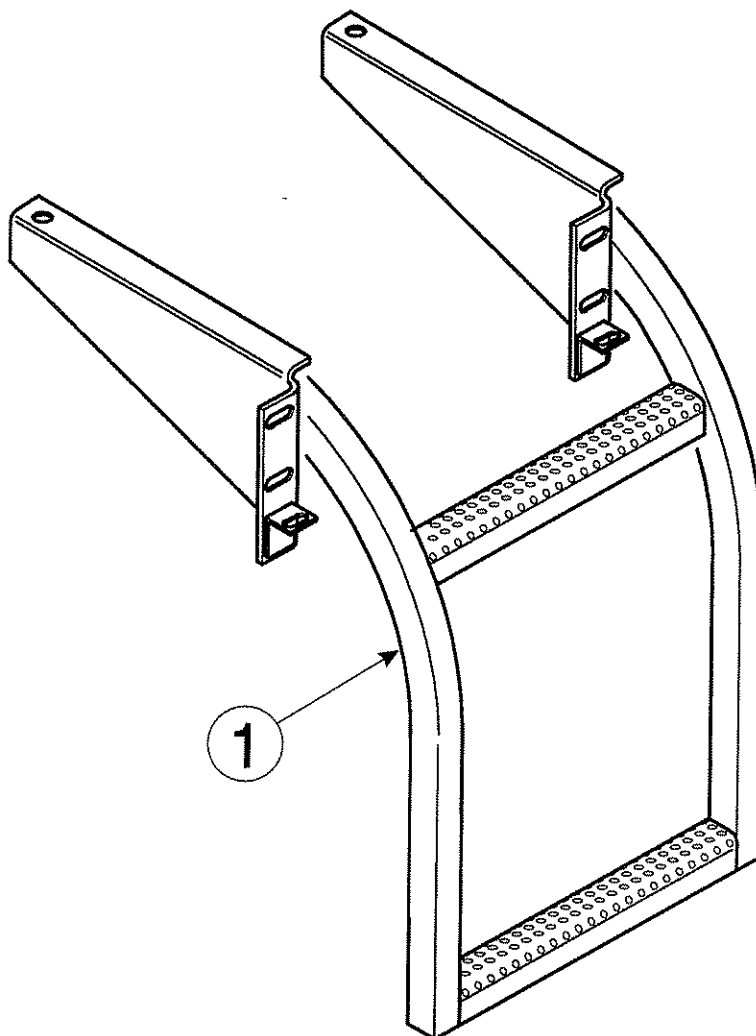
L= length

22" = If a size is noted it is the tank size that the step fits full length

26" = If a size is noted it is the tank size that the step fits full length

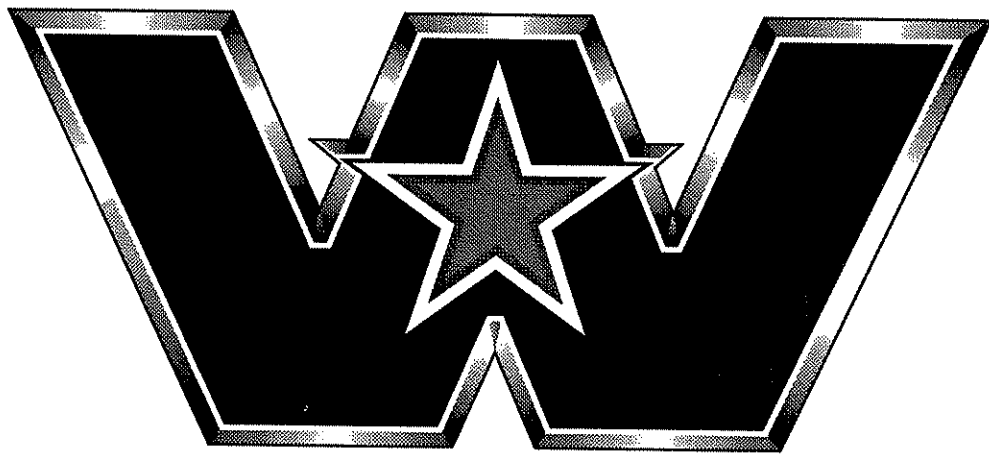
Other = If the step covers a combination of fuel tank and battery box, frame acces etc.

Part Number	L	Description	22"	26"	Other
45001A3484-39	39	Bare Aluminum Step 39"			Aero Skirt
45001A3484-41	41	Bare Aluminum Step 41"			Aero Skirt
45001A3484-42	42	Bare Aluminum Step 42"			Aero Skirt
45001A3484-44	44	Bare Aluminum Step 44"			Aero Skirt
45001A3484-47	47	Bare Aluminum Step 47"			Aero Skirt
45001A3484-54	54	Bare Aluminum Step 54"			Aero Skirt
45001A3484-57	57	Bare Aluminum Step 57"			Aero Skirt
45001A3484-64	64	Bare Aluminum Step 64"			Aero Skirt
45001A3484-67	67	Bare Aluminum Step 67"			Aero Skirt
45001A3485-87	87	Bare Aluminum Step 87"			Aero Skirt
45001A3485-90	90	Bare Aluminum Step 90"			Aero Skirt
45001A3496	82	Bare Aluminum Step 82"		188	Fuel Tank
45001A3498	88	Bare Aluminum Step 88"		188	Fuel Tank
45001A3508	60	Bare Aluminum Step 60"	90G	125G	Fuel Tank
45001A3509	66	Bare Aluminum Step 66"	100G		Fuel Tank
45001A3510	78	Bare Aluminum Step 78"	115G		Fuel Tank
45001A3511	86	Bare Aluminum Step 86"		188	Fuel Tank
45001A3512	98	Bare Aluminum Step 98"	150		Fuel Tank
45001A3519	84	Bare Aluminum Step 84"			Fuel Tank
45001A3520	92	Bare Aluminum Step 92"			Fuel Tank
45001A3521	102	Bare Aluminum Step 102"			Fuel Tank
45001A3522	104	Bare Aluminum Step 104"			Fuel Tank
45001A3523	90	Bare Aluminum Step 90"			Fuel Tank
45001A3524	64	Bare Aluminum Step 64"			
45001B3473-16.4	16.4	Bare Aluminum Step 16.4"			Battery Box
45001B3473-23.2	23.2	Bare Aluminum Step 23.2"			Battery Box
45001B3473-29.0	29.0	Bare Aluminum Step 29"			Battery Box
45001B3473-31.0	31.0	Bare Aluminum Step 31"			Battery Box
45001B3473-33.0	33.0	Bare Aluminum Step 33"			Battery Box
45001B3473-35.0	35.0	Bare Aluminum Step 35"			Battery Box
45001B3473-39.0	39.0	Bare Aluminum Step 39"			Battery Box
45001B3473-47.7	47.7	Bare Aluminum Step 47.7"			Battery Box
45001B3473-51.7	51.7	Bare Aluminum Step 51.7"			Battery Box



SLEEPER ACCESS STEP

Item	Description	Part Number
1	Sleeper Access Step Assembly, Bare	63309B3536
1	Sleeper Access Step Assembly, Polished	63309P3536

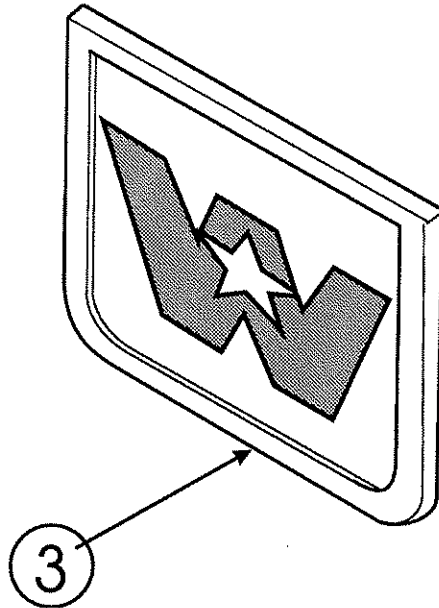
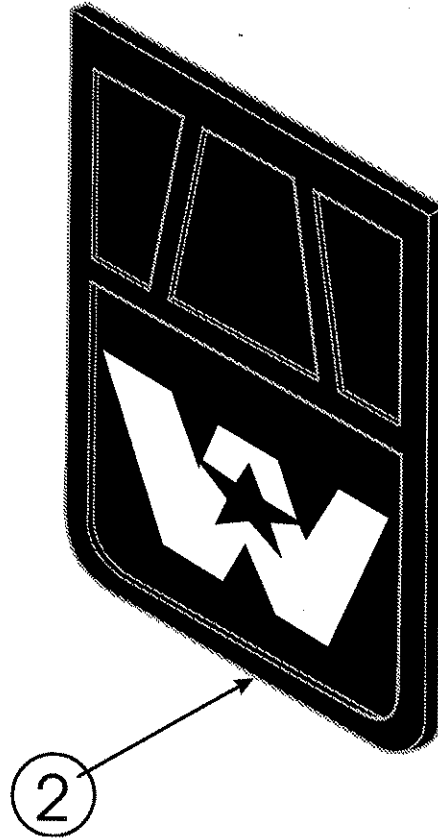
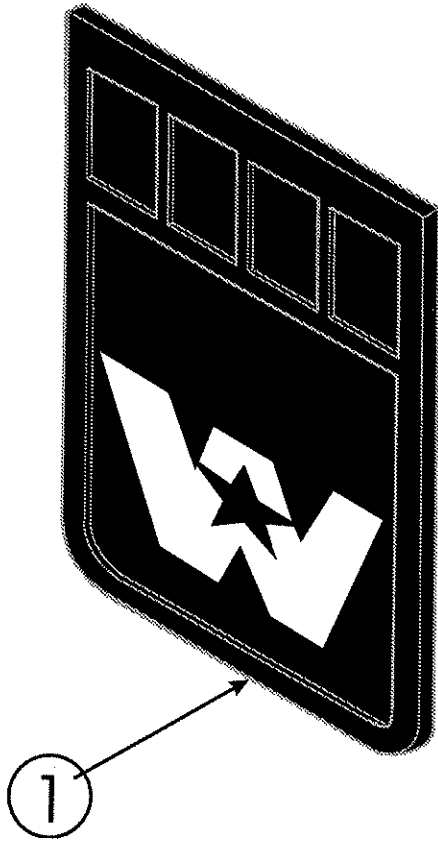


WESTERN STAR TRUCKS®
The Preferred Choice™

TABLE OF CONTENTS

	Page
Rear Mudflaps with W Logo	2-3
Rear Mudflaps, Plain	4-5

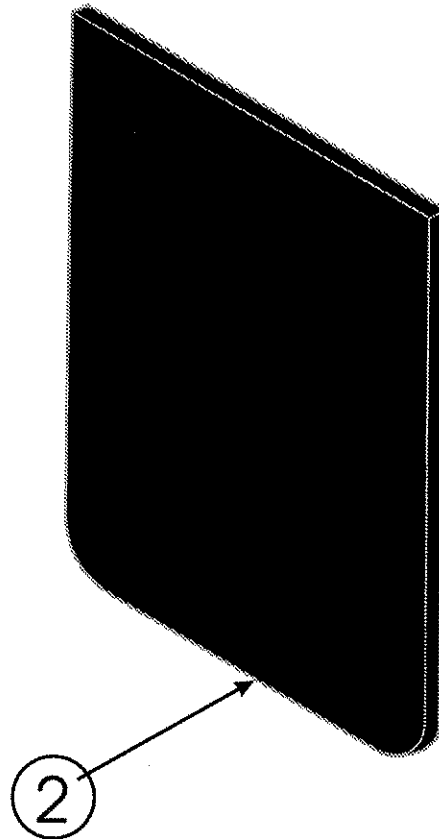
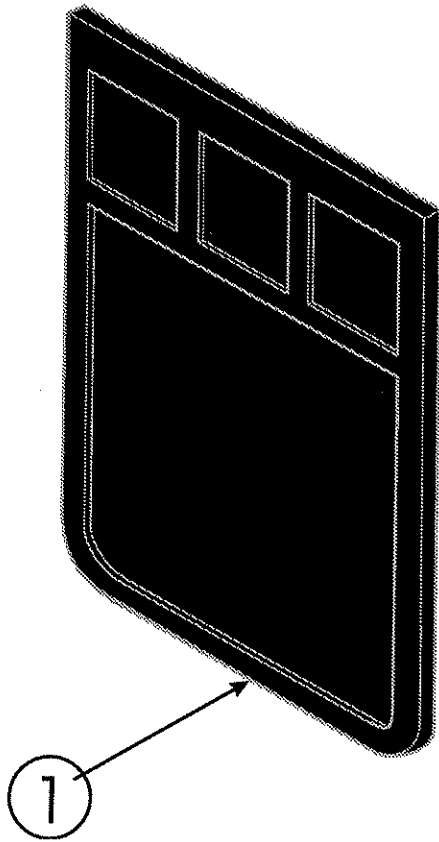
Note: This publication is a generic parts book. Components may vary with different applications. For applications other than listed below see the appropriate Bill of Material by truck serial number and use this publication as a guide only.



REAR MUDFLAPS WITH W LOGO

Item	Description	Part Number
1	Black Mudflap 24"W X 24" L - W logo	04-9044347
2	Black Mudflap 24" W X 30" L - W logo	04-9044348
3	White Mudflap 24" W X 24" L - W logo	04-9044349
3	White Mudflap 24" W X 30" L - W logo	04-9044350

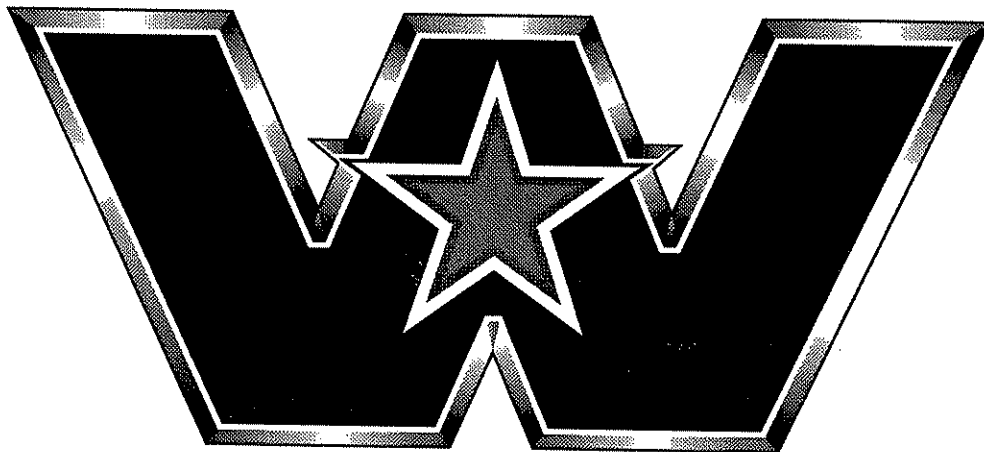
Specific BOMs listed: 4388-507-00/01, 4388-507-02/03 4388-507-08/09, 4388-507-10/11



REAR MUDFLAPS - PLAIN

Item	Description	Part Number
1	Black Mudflap 30"W X 30" L	46301-3415
2	Black Mudflap 26" W X 30" L	46301-3428

Specific BOMs listed: 4388-507-15, 4388-507-16



WESTERN STAR TRUCKS®
The Preferred Choice™