

Top of Document

SHOW HELP

CLOSE



ELECTRICAL SYSTEM CONSTELLATION

09.04.06 Stargauge

OPERATION & TROUBLESHOOTING

COMPONENTS

List of Components

The StarGauge system consists of;

The databus made up of a two wire harness (SAE J1587 / 1708 protocol) it runs from the engine ECU to the Speedometer.

RX Module (12 volt 14322-3415)(24 volt not available). This module takes the electrical signals from non-engine functions and transmits the signals in SAE J1587 / 1708 protocol code to the databus. This module is located under the driver's side toeboard below the steering column.

PX Modules 'standard' (14322-3416) & 'optional'. This module takes air pressure/vacuum signals and transmits the signals in SAE J1587 / 1708 protocol code to the databus. These modules are located in the dash on the ECC bracket mounted to the top of the steering column support.

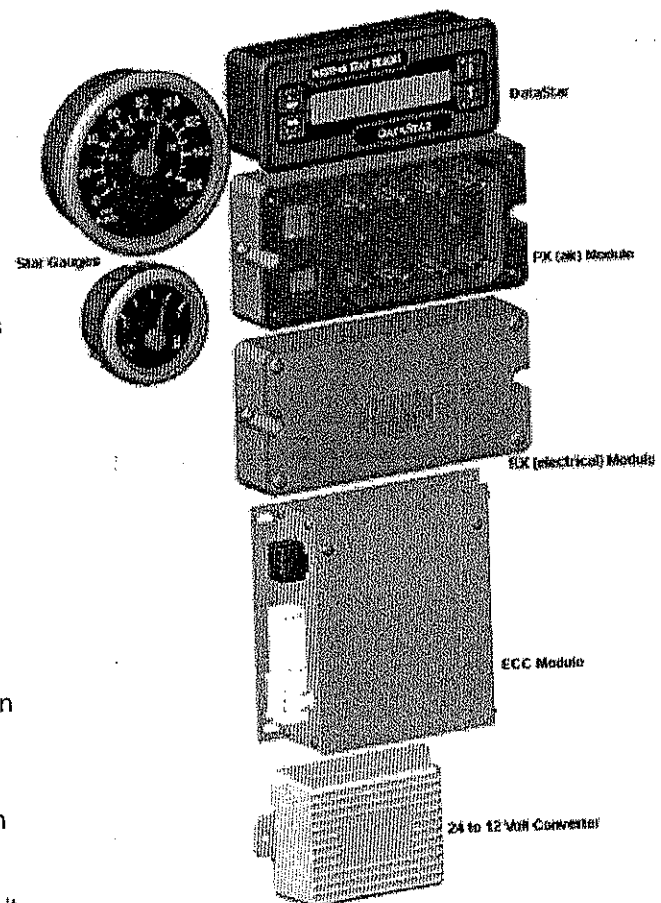
DataStar (12 volt 14404-3416)(24 volt not available) reads the signals on the databus and provides a digital readouts of all the information available. This module is mounted in the dash to the right on the main gauge panel

StarGauge Speedometer is the Master Gauge, This gauge reads the signals on the databus for its own operation and sends the signals on to all the rest of the gauges. This gauge is mounted in the centre of the main gauge panel.

StarGauges the rest of the gauges are Slave Gauges, They receive the signal addressed to them for its own operation. These gauges are mounted in the main dash panel arranged around the speedometer and tachometer.

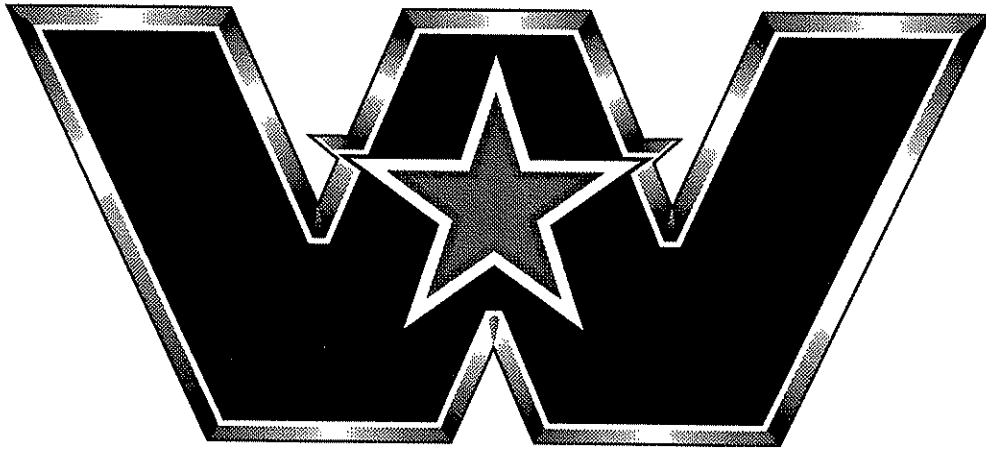
Electronic Control Centre (12 volt 14322-3414)(24 volt not available) This Module DOESN'T control the gauges. The ECC is located in the main dash mounted directly on top of the steering column.

24-to-12 Volt Converter (14322-3417) This module is used ONLY on vehicles with 24 volt systems.



INDEX

	Section	Pages
Headlamps	9.1	1-8
Turn Signal Lamps	9.2	1-6
Fog & Driving Lamps	9.3	1-8
Marker Lamps	9.4	1-8
Convenience Lamps	9.5	1-10
Tail Lamps	9.6	1-10
Emergency Lamps	9.7	1-10
Interior Lamp Replacement Bulbs	9.10	1-2

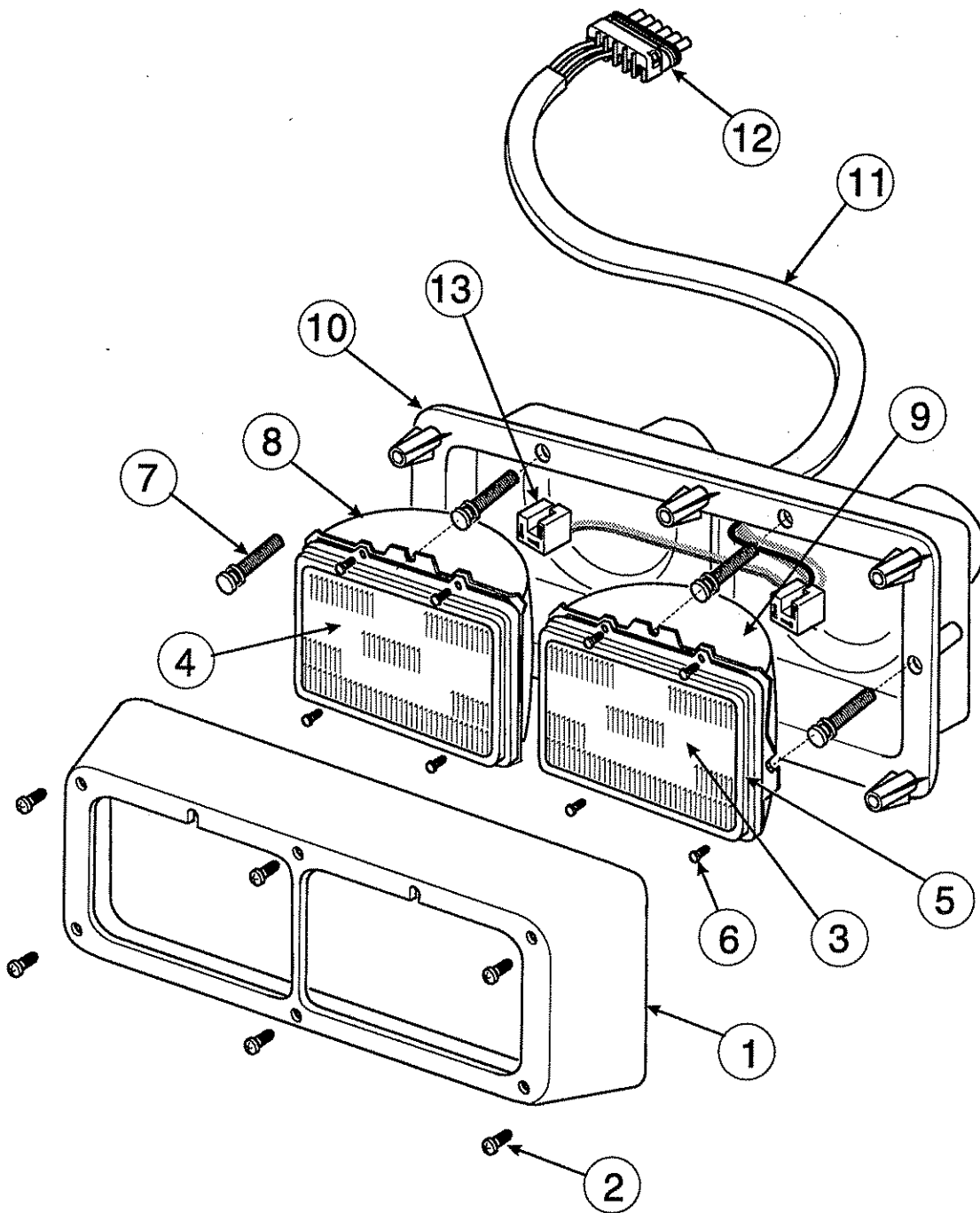


WESTERN STAR TRUCKS®
The Preferred Choice™

TABLE OF CONTENTS

	Section	Page
Headlamps, Deep Bezel	9.1.1	2-3
Headlamps, Standard Rectangular	9.1.2	4-5
Headlamps, Aero	9.1.3	6-7

Note: This publication is a generic parts book. Components may vary with different applications. For applications other than listed at the bottom of the page, see the appropriate Bill of Material by truck serial number, and use this publication as a guide



ELECTRICAL SYSTEM

RECTANGULAR HEADLAMPS - ONE PIECE HOOD

9.1.1

RECTANGULAR HEADLAMPS - DEEP BEZEL

- RH Headlamp Assembly, Sealed Beam 83601-3445
- LH Headlamp Assembly, Sealed Beam 83601-3444
- RH Headlamp Assy, Halogen Sealed Beam 83601-3447
- LH Headlamp Assy, Halogen Sealed Beam 83601-3446

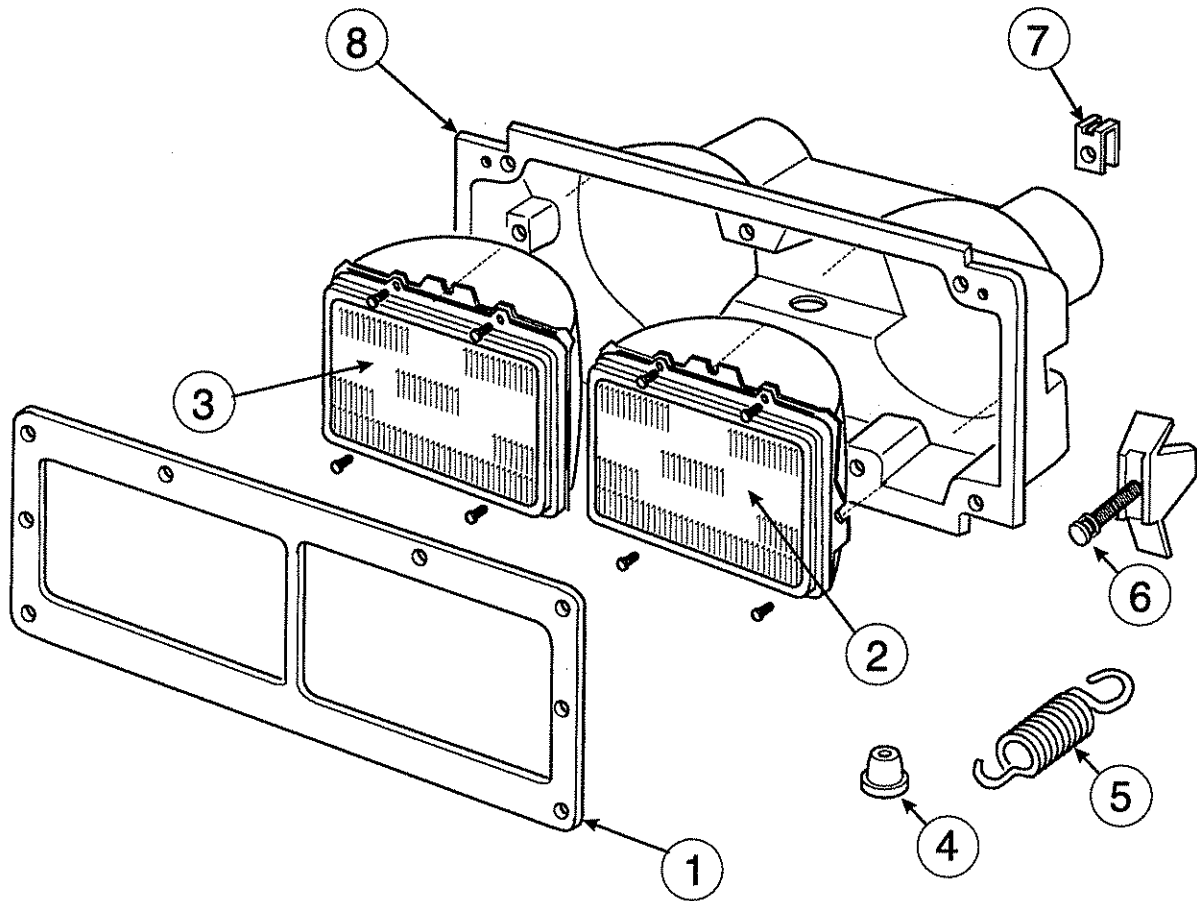
Assembly Breakdown:

Item	Description	Part Number	Qty.
1	- Bezel, Chrome	410-411204	1
2	- Bezel Screws	432-183318	4
3	- Seal Beam, Hi/Low	W4652	1
3	- Seal Beam, Hi/Low, Halogen	WH4656	1
4	- Seal Beam, Hi	W4651	1
4	- Seal Beam, Hi, Halogen	WH4651	1
5	- Retaining Ring	430-401012	1
6	- Screw, Retaining Ring	432-111111	4
7	- Adjusting Screws	432-132311	2
8	- Bucket, RH, Low Beam	427-406021	1
9	- Bucket, LH, High Beam	427-409521	1
10	- Housing Sub Assembly <i>w/SPRING</i>	444-411408	1
11	- Cable	416-411119	1
12	-- Plug, Packard Weather Pack	1201-5799	1
12	-- Seal	1201-5323	1
12	-- Terminal Socket	1201-0182	1
-	Connector (mates to #12 Plug)	7530-3427	1
13	--3 Prong Connector (order Cable Assy) -		1

* *See...*

Specific BOMs listed: 3228-001-07, 3228-001-09

ELECTRICAL SYSTEM 9



ELECTRICAL SYSTEM

RECTANGULAR HEADLAMPS - FLAT BEZEL

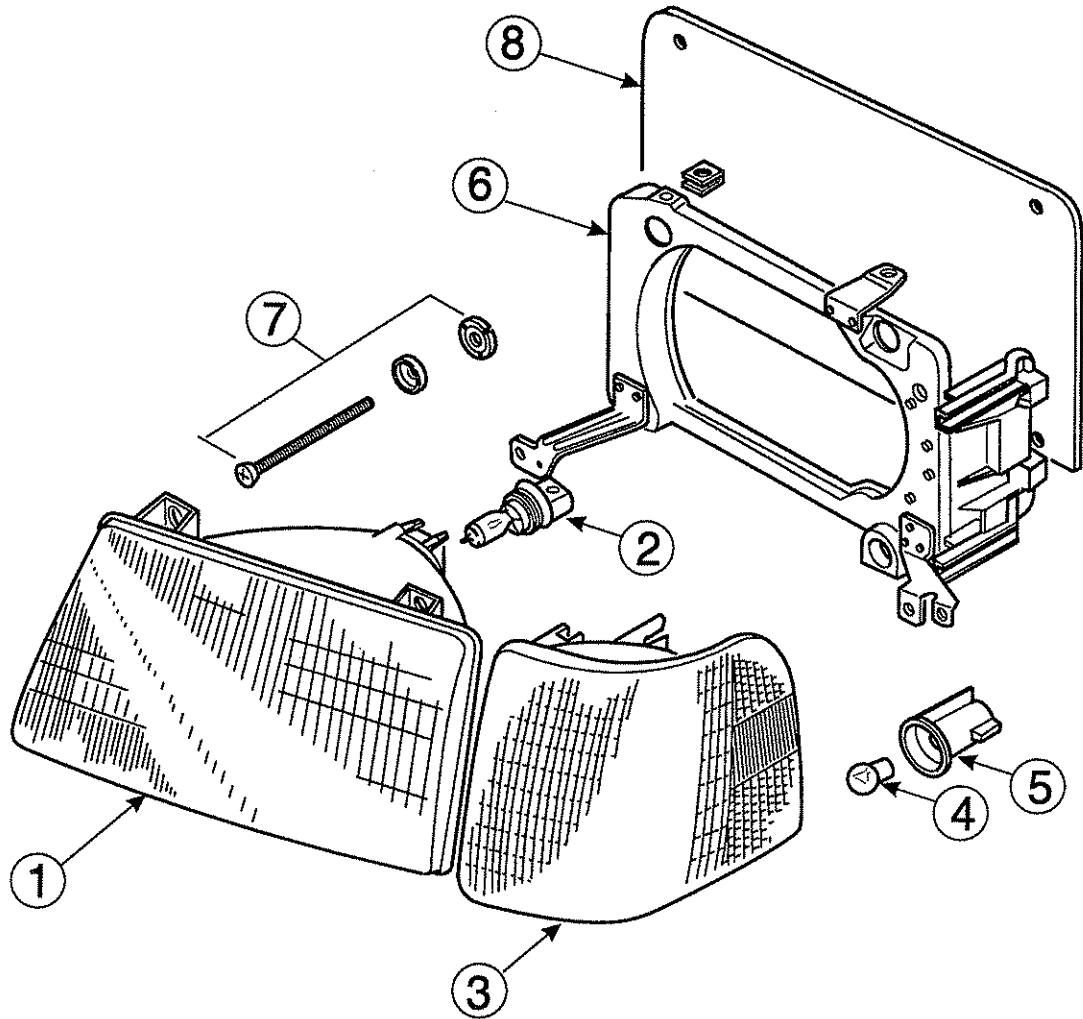
9.1.2

RECTANGULAR HEADLAMPS - FLAT BEZEL

Item	Description	Part Number	Qty.
1	Bezel, Headlamp	83610-3401	2
2	Headlamp Assembly Hi/Low RH	83601-0011	1
	- Seal Beam, Hi/Low	W4652	1
	- Retaining Ring	9052604	1
3	Headlamp Assembly Hi RH	83601-0013	1
	- Seal Beam, Hi	W4651	
	- Retaining Ring	9052604	
2	Headlamp Assembly Hi LH	83601-0014	1
	- Seal Beam, Hi	W4651	1
	- Retaining Ring	9052604	1
3	Headlamp Assembly Hi/Low LH	83601-0012	1
	- Seal Beam, Hi/Low	W4652	1
	- Retaining Ring	9052604	1
4	Grommet	623732	1
5	Spring	9048874	4
6	Headlamp Adjusting Screw	9048881	8
7	Speed Nut	9048813	8
8	Housing, Dual Rect. Std LH	83604-3413	1
8	Housing, Dual Rect. Std. RH	83604-3414	1

Specific BOMs listed: 3228-001-01/02, 3228-001-04/08, 3228-002-01, 3228-002-04

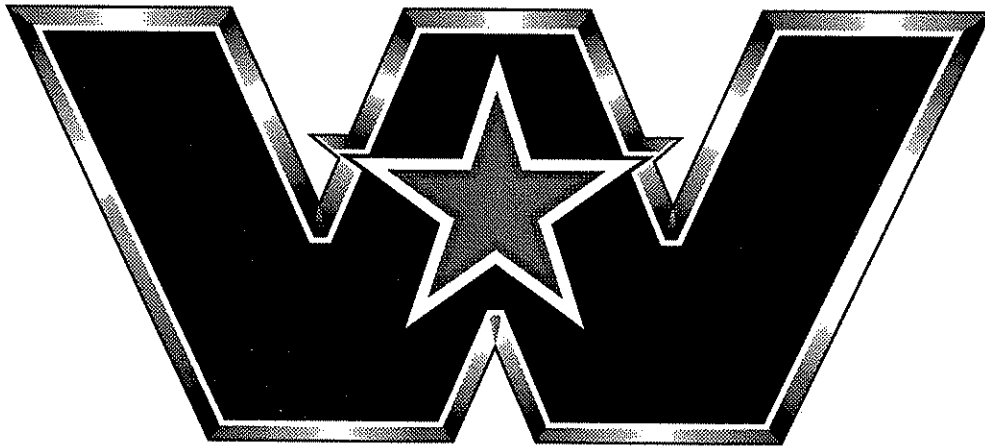
ELECTRICAL SYSTEM 9



AERO HEADLIGHTS

	Headlamp/Turn signal Light Assy LH	83601-3439	1
	Headlamp/Turn signal Light assy RH	83601-3440	1
1	-Headlight, Sealed Beam, LH	95160	1
1	-Headlight, Sealed Beam, RH	95161	1
2	--Halogen Bulb	H9004	1
3	-Turn Signal, Sealed Beam, LH	95158	1
3	-Turn signal, Sealed Beam, RH	95159	1
4	--Bulb, Turn Signal	78232	1
5	--Socket, Turn Signal	78155	1
6	- Mounting Frame, LH	67065	1
6	- Mounting Frame, RH	67066	1
7	-Adjusting Screw,Long	95913	2
7	-Adjusting Screw, Short	95914	1
8	Cover, Headlight Closer	83604-3423	1

Specific BOMs listed: 3228-003-01

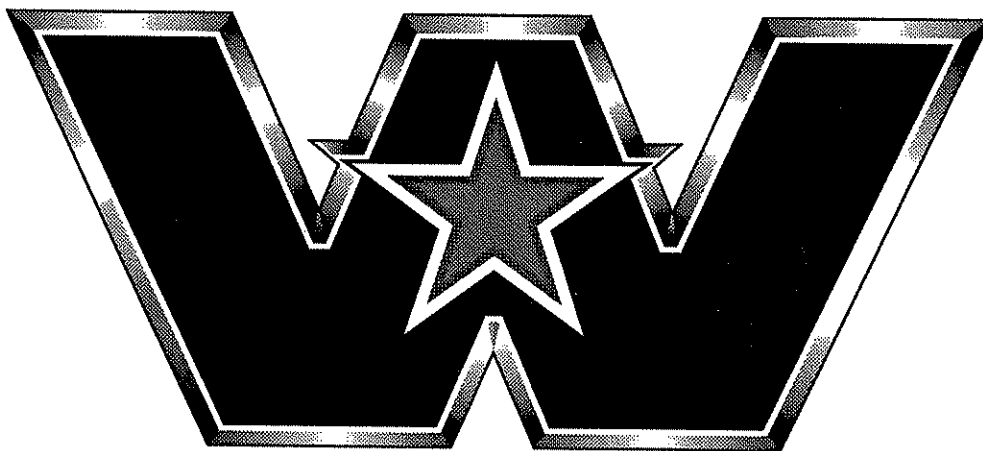


WESTERN STAR TRUCKS®
The Preferred Choice™

INTERIOR LIGHT FIXTURES - REPLACEMENT LAMPS

The following is a list of light fixture part numbers and their usage, and corresponding replacement lamp part numbers.

Fixture WST P/Number	Fixture Usage	Replacement Lamp
86401-3417	Cab Dome Light	86401-3428
86401-3418	Cab Reading Light (over doors)	86401-4406
86401-3419	Cab Reading Light, Centre (2 lamp)	86401-4406
86401-3420	Cab Under Dash Light	86401-3429
86401-3421	Cab Door Courtesy Lights	86401-3427
86401-3421	Low Roof Sleeper Standard Dome Light	86401-3427
86401-3421	45,58,72" Sleeper Floor Light	86401-3427
86401-3421	45,58,72" Sleeper Luggage Compartment Light	86401-3427
86401-3422	Sleeper Reading Light	86401-3428
86401-3422	Sleeper Desk Light	86401-3428
86401-3423	High Roof Sleeper Standard or Low Roof sleeper Premium Fluorescent Dome Light	86401-4401
54201M3425BD	Left Vanity Light	86401-4404
54201M3426BD	Right Vanity Light	86401-4404

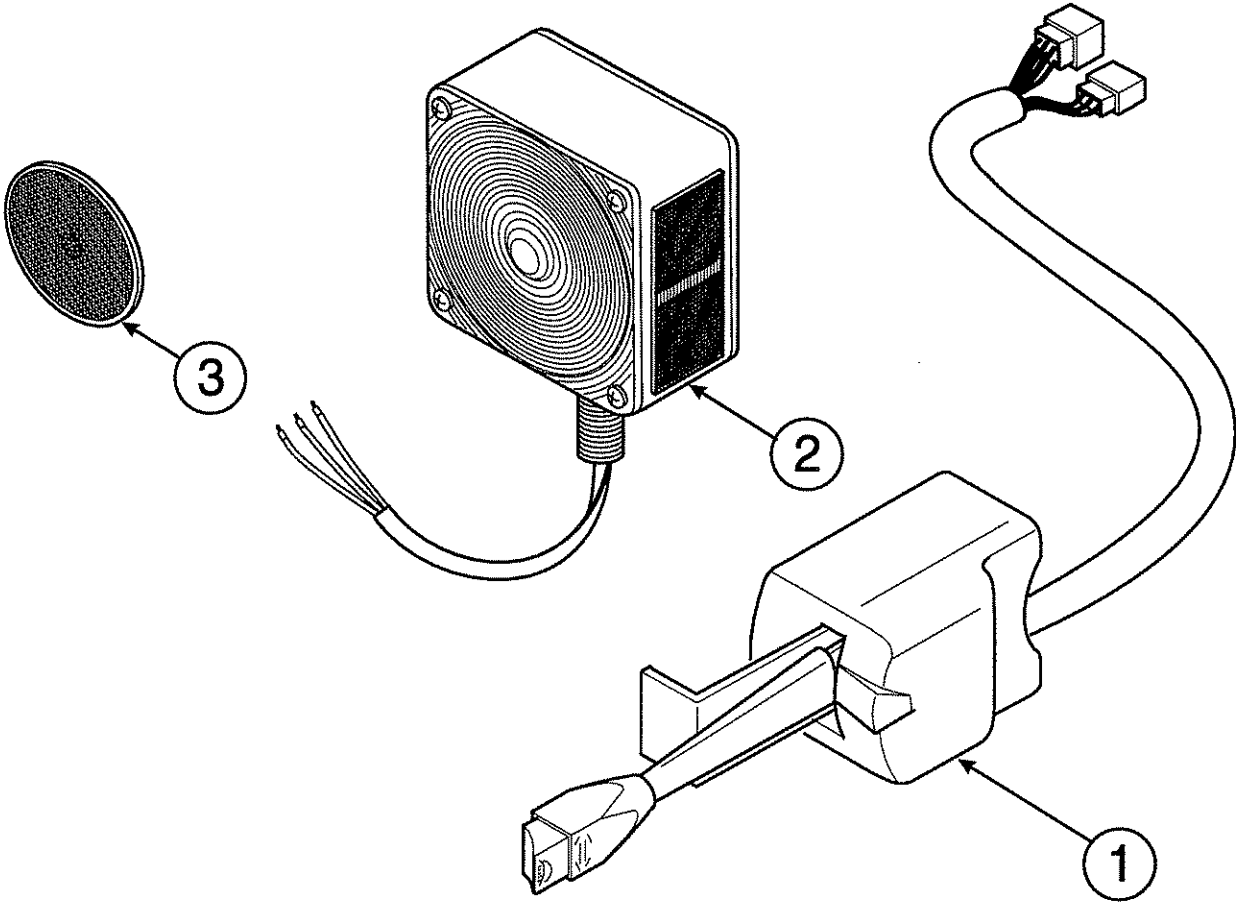


WESTERN STAR TRUCKS®
The Preferred Choice™

TABLE OF CONTENTS

	Section	Page
Turn Signal Lamps, 4800/4900	9.2.1	2-3
Turn Signal Lamps, 5800/5900	9.2.2	4-5

Note: This publication is a generic parts book. Components may vary with different applications. For applications other than listed at the bottom of the page, see the appropriate Bill of Material by truck serial number, and use this publication as a guide



ELECTRICAL SYSTEM

FRONT TURN SIGNAL LAMPS 4800/4900

9.2.1

FRONT TURN SIGNALS - 4800/4900 MODELS

TURN SIGNAL SWITCH

1	Turn signal switch	84401-3429	1
-	- Dimmer Switch and Lever	VSM9144	1

FRONT TURN SIGNAL, DOUBLE FACE

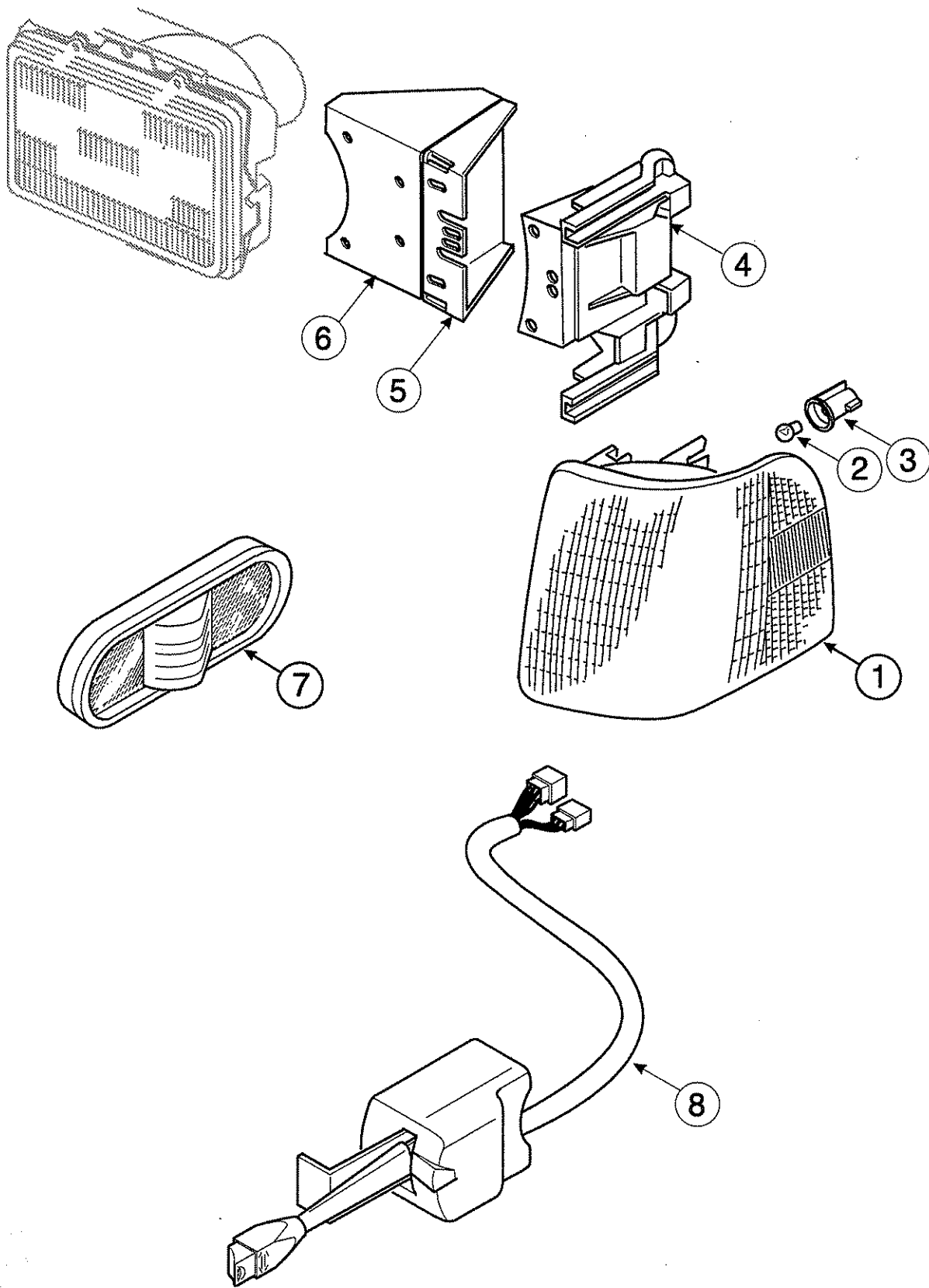
2	Turn Signal, LH, Black	84101-3471	1
2	Turn Signal, RH, Black	84101-3472	1
2	Turn Signal, LH, Chrome	84101-3473	1
2	Turn Signal, RH, Chrome	84101-3474	1

Item #2 Turn Signal Breakdown

-	- Signal Lens, Red, with gasket	9063	1
-	- Signal Lens, Amber, with gasket	9063A	1
-	- Marker Lens, Amber, with gasket	9080A	1
-	- Signal Bulb	W1156	1
-	- Marker Bulb	W1895	1
-	- Cable Seal	7630-3401	3
-	- Terminal Socket	7825-3401	3
3	Reflector	9041536	2

Specific BOMs listed: 3268-001-01, 3268-001-02, 3268-002-01

ELECTRICAL SYSTEM 9



ELECTRICAL SYSTEM

FRONT TURN SIGNAL LAMPS 5800/5900

9.2.2

AERO TURN SIGNAL - 5800/5900 MODEL

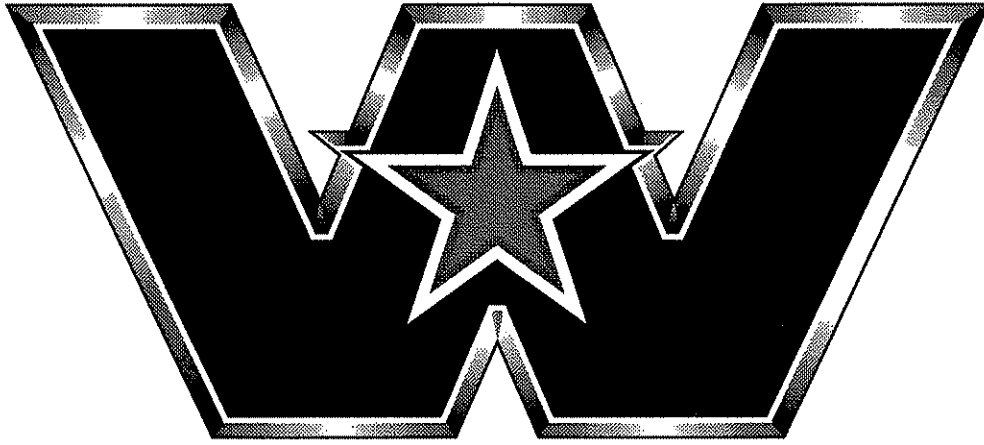
1	Aero Turn Signal, , Hella, LH	84101-3459	1
2	- Bulb, Aero Turn Signal		
3	- Socket, Aero Turn Signal		
1	Aero Turn Signal, , Hella, RH	84101-3460	1
2	- Bulb, Aero Turn Signal		
3	- Socket, Aero Turn Signal		
4	Support, Turn Signal	84108-3407	2
5	Bracket, Turn Signal Housing	84108-3408	2
6	Bracket, Lamp Housing/Turn	84108-3410	2
7	Lamp, Side Turn Market	84104-3434	2

TURN SIGNAL SWITCH

8	Turn signal switch	84401-3429	1
-	- Dimmer Switch and Lever	VSM9144	1

Specific BOMs listed: 3268-002-01/02

ELECTRICAL SYSTEM 9

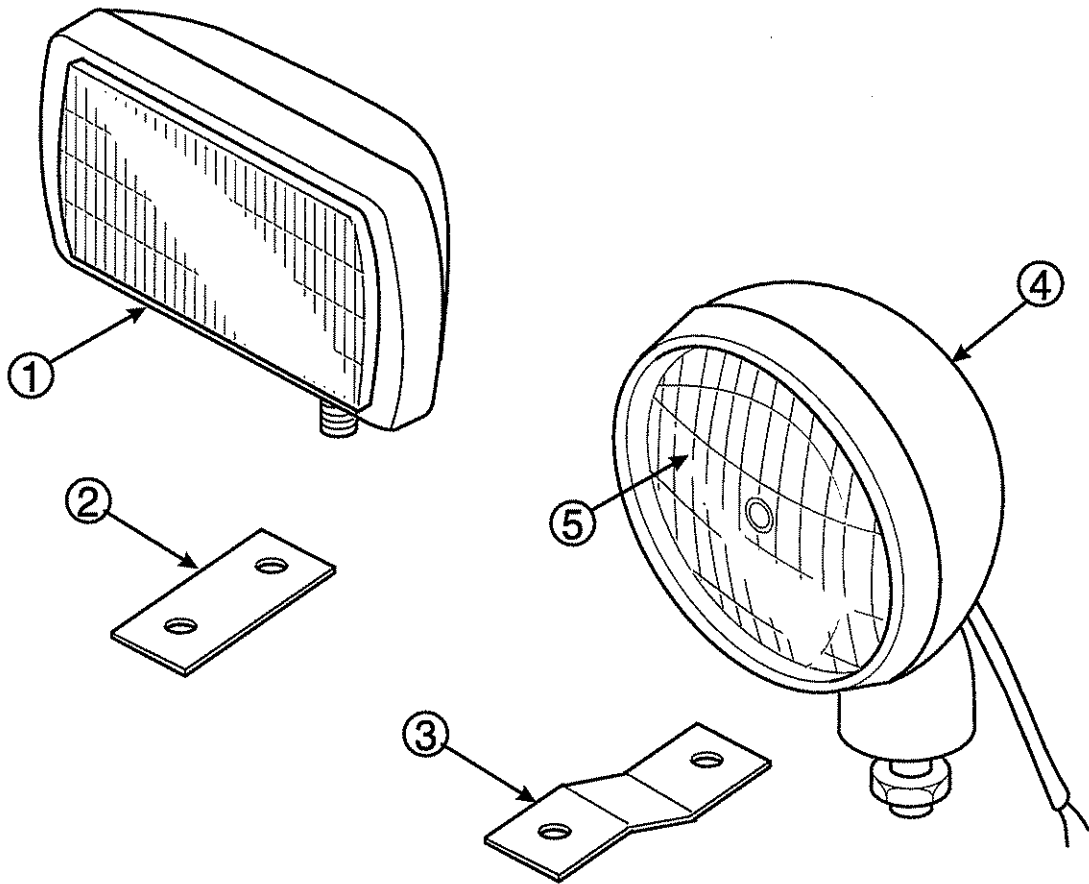


WESTERN STAR TRUCKS®
The Preferred Choice™

TABLE OF CONTENTS

	Section	Page
Fog Lamps	9.3.1	2-3
Driving Lamps	9.3.2	4-5
Screens	9.3.3	6-7

Note: This publication is a generic parts book. Components may vary with different applications. For applications other than listed at the bottom of the page, see the appropriate Bill of Material by truck serial number, and use this publication as a guide



FOG LAMPS

3218-012-01, 3218-012-11, 3218-013-01, 3218-013-11, 3218-012-03, 3218-012-13, 3218-013-03, 3218-013-13

Fog Lamps, Perlux

Item	Description	Part Number	Qty.
1	Fog Lamp, Perlux Clear	86202-3413	2
1	Fog Lamp, Perlux Amber	86202-3415	2
2	Mounting Plate, Driving Lamp	86204-3416	2
-	Harness, Driving and Fog Lamp	86208-3431	2

3218-012-02, 3218-012-12, 3218-013-02, 3218-013-12 3218-012-04, 3218-012-14, 3218-013-04, 3218-013-14

Fog Lamps, Lucas Carello

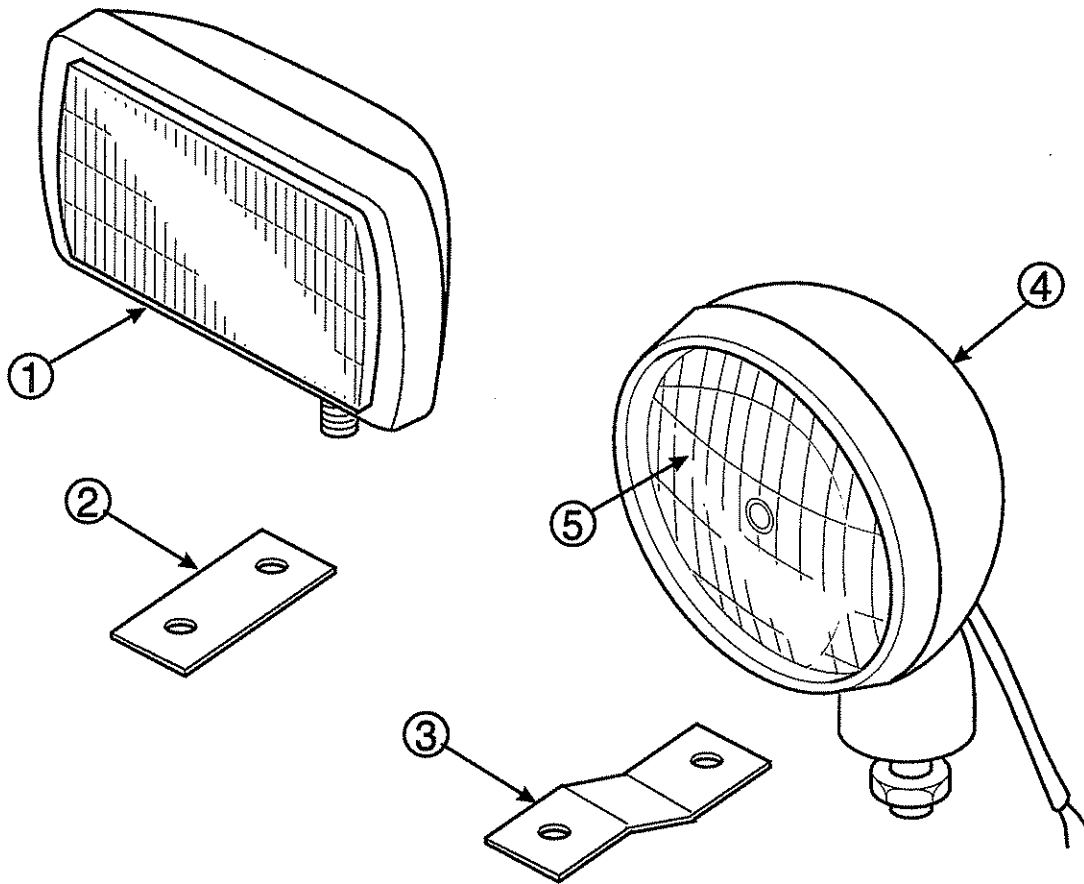
Item	Description	Part Number	Qty.
1	Fog Lamp, Lucas Clear	86202-3416	2
1	Fog Lamp, Lucas Amber	86202-3417	2
3	Mounting Plate, Driving Lamp	86204-3417	2
-	Harness, Driving and Fog Lamp	86208-3431	2

3218-012-05/06

Fog Lamps, Grote Clear, 6" Round

Item	Description	Part Number	Qty.
2	Mounting Plate, Driving Lamp	86204-3417	2
4	Fog Lamp, Grote Clear	86212-3405	2
5	Housing, Lamp	86212-3402	2
-	Harness, Driving and Fog Lamp	86208-3431	2

Specific BOMs listed: 3218-012-01/06, 3218-012-11/13, 3218-013-01/04, 3218-013-11/14



DRIVING LAMPS

3218-002-01, 3218-003-01

Driving Lamps, Perlux Clear

Item	Description	Part Number	Qty.
1	Driving Lamp, Perlux Clear	86201-3410	2
2	Mounting Plate, Driving Lamp	86204-3416	2
-	Harness, Driving and Fog Lamp	86208-3431	2

3218-002-02, 3218-003-02

Driving Lamps, Lucas Carello Clear

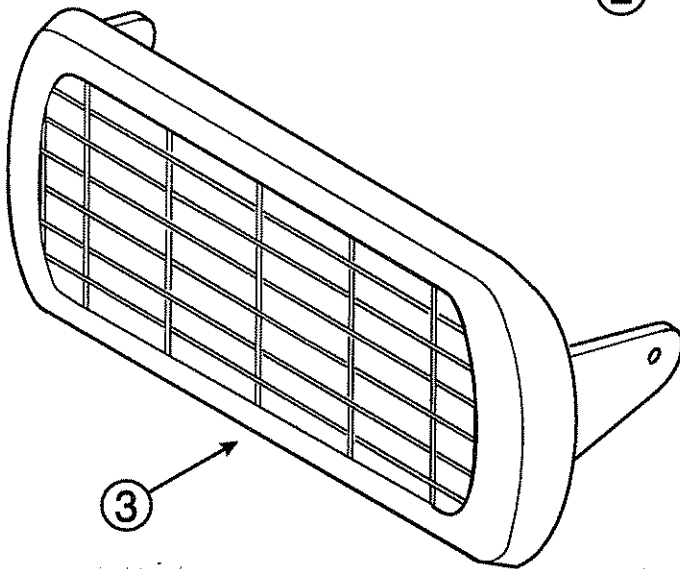
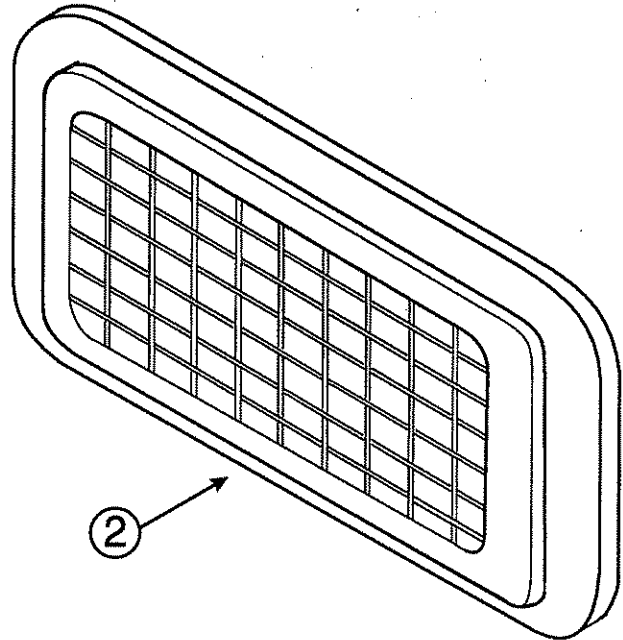
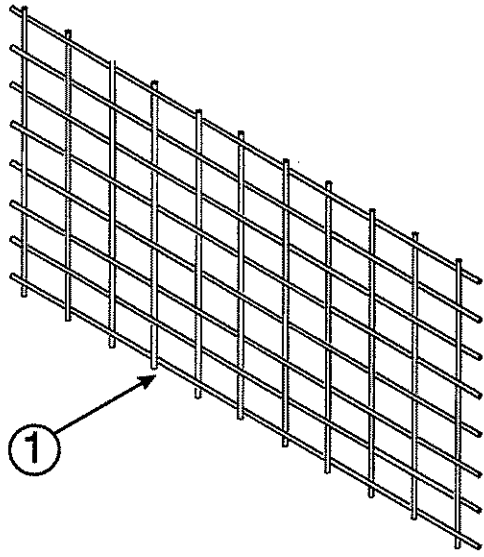
Item	Description	Part Number	Qty.
1	Driving Lamp, Lucas Clear	86201-3415	2
3	Mounting Bracket, Driving Lamp	86204-3417	2
-	Harness, Driving and Fog Lamp	86208-3431	2

3218-002-03/04, 3218-003-03/04

Driving Lamps, Grote Clear Round

Item	Description	Part Number	Qty.
4	Housing, Driving Lamp	86212-3402	2
5	Driving Lamp, Halogen Clear	86212-3403	2
-	Harness, Driving and Fog Lamp	86208-3431	2

Specific BOMs listed: 3218-002-01/04, 3218-003-01/04



DRIVING / FOG LAMP SCREENS

3218-021-03

Item	Description	Part Number	Qty.
1	Mesh, Driving/Fog, In Logger Bumper	86214-3403	2

3218-002-04, 3218-003-04

Item	Description	Part Number	Qty.
1	Screen Kit, Round, Pair 5.75 Dia.	86214-3408	1

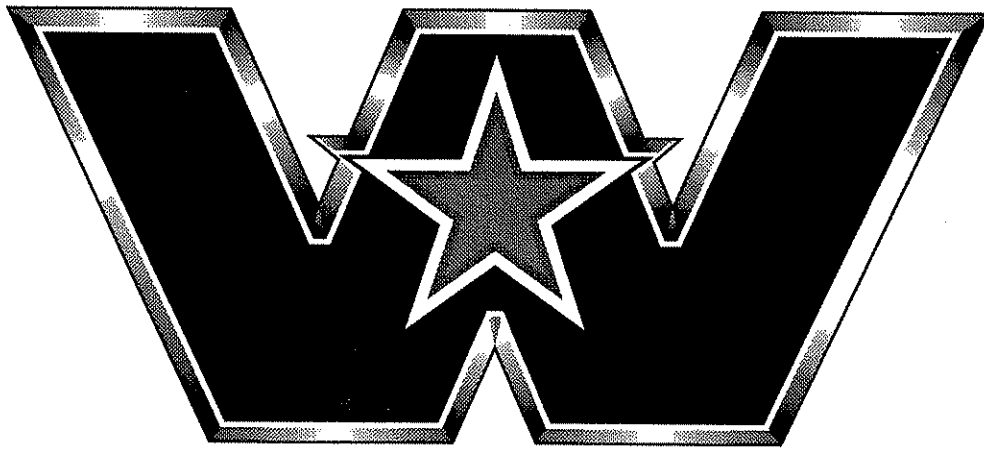
3218-021-02

Item	Description	Part Number	Qty.
2	Screen, Driving/Fog, In Bumper, Extruded, Texas, Construction, Deep Section Bumpers 7" x 9.25"	86214-3410	2

3218-022-01

Item	Description	Part Number	Qty.
3	Screen Driving/Fog, Under Bumper	86214-3412	2/4

Specific BOMs listed: 3218-002-04, 3218-003-04, 3218-021-02/03, 3218-022-01

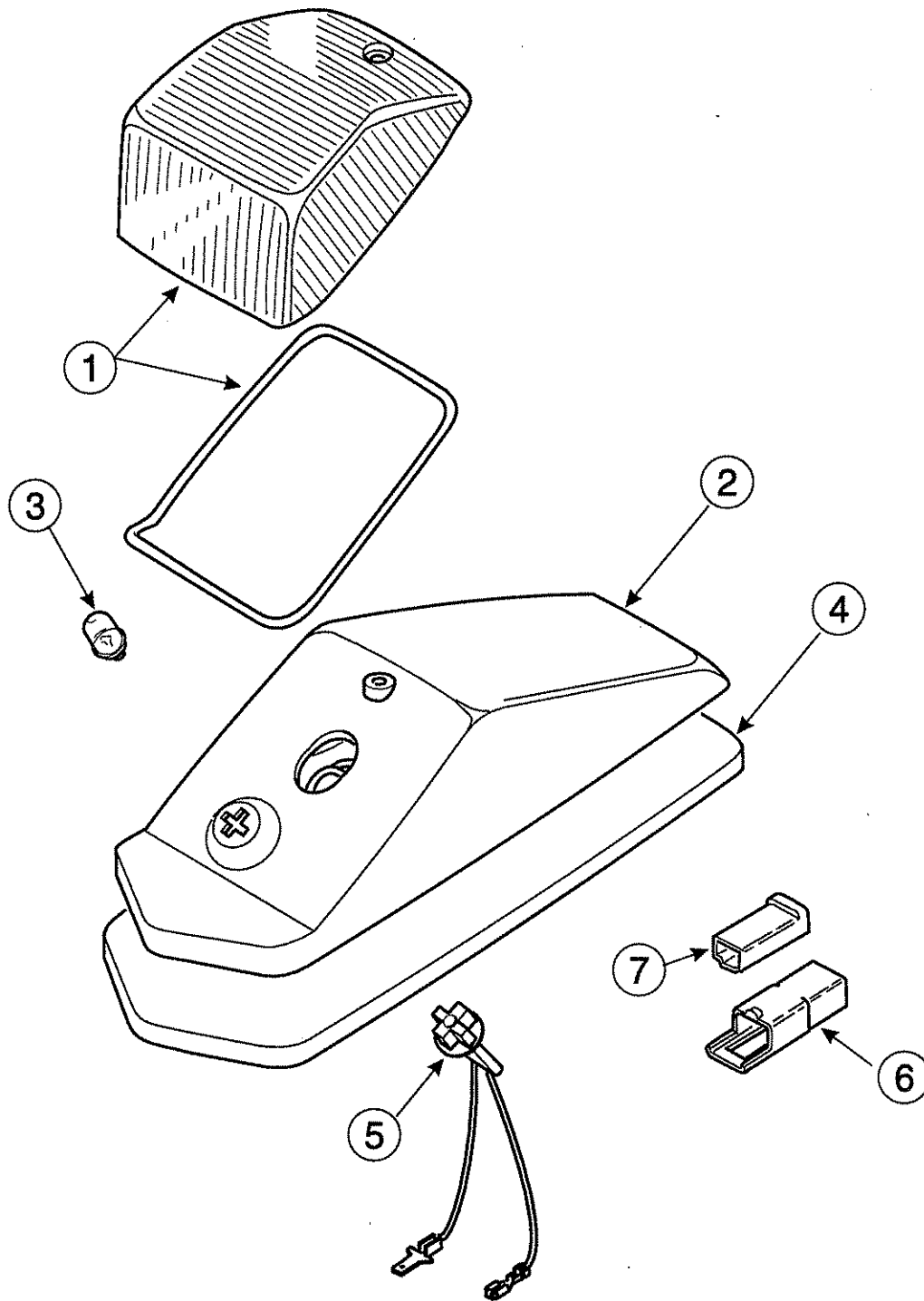


WESTERN STAR TRUCKS®
The Preferred Choice™

TABLE OF CONTENTS

	Section	Page
Marker Lamps - Rectangular	9.4.1	2-3
Marker Lamps - Bullet	9.4.2	4-5
Marker Lamps - Back of Sleeper	9.4.3	6-7

Note: This publication is a generic parts book. Components may vary with different applications. For applications other than listed at the bottom of the page, see the appropriate Bill of Material by truck serial number, and use this publication as a guide only.



ELECTRICAL SYSTEM

RECTANGULAR MARKER LAMPS

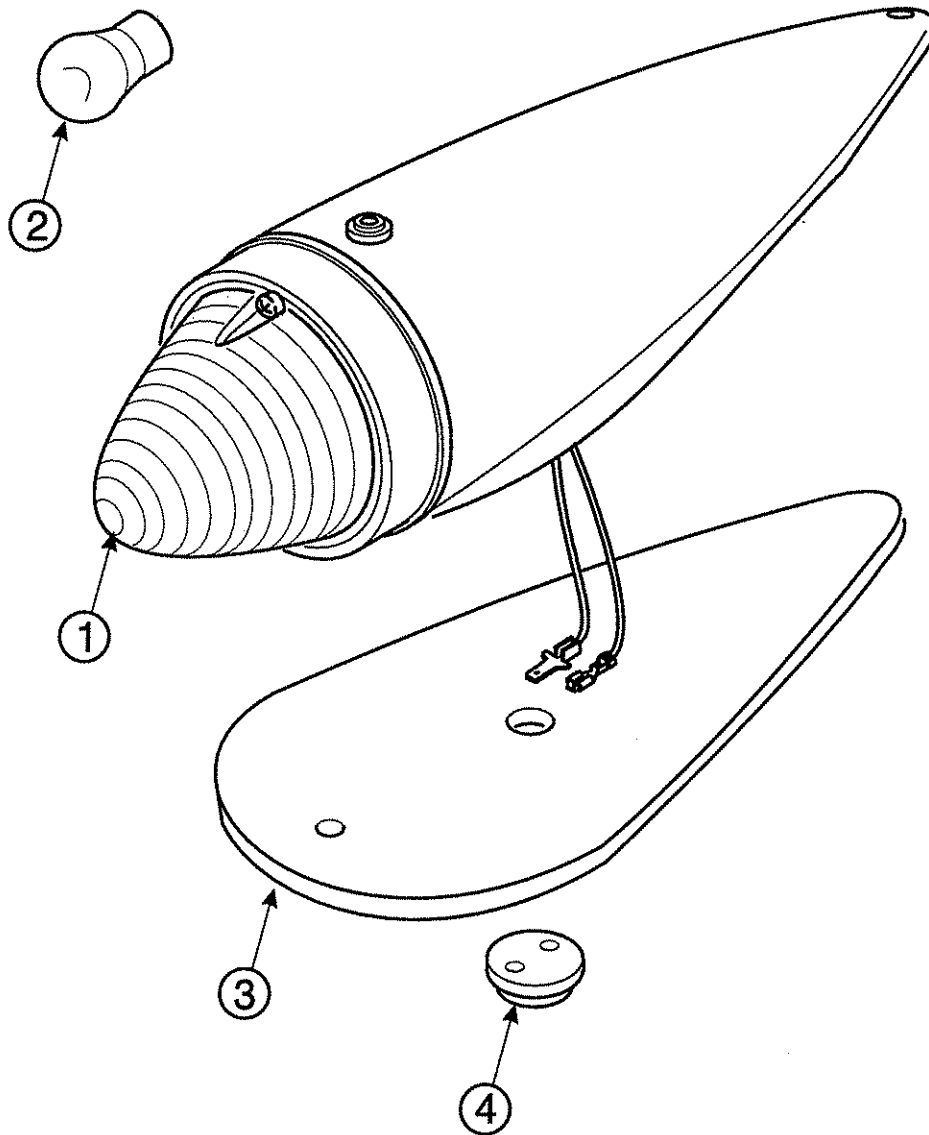
9.4.1

ROOF MARKER LAMPS, RECTANGULAR

Item	Description	Part Number	Qty.
	Rectangular Marker Lamp	85101-3448	5
1	- Gasket	5000G1	1
1	- Lens	5003L	1
2	- Base, order complete assy	-	
3	- Bulb	W904	1
4	- Mounting Gasket	5004G	1
5	- Socket Assy	5005S	1
6	Connector Housing, Female	690898	5
7	Connector Housing, Male	690897	5

Specific BOMs listed: 3208-001-01/04, 3208-001-08/09

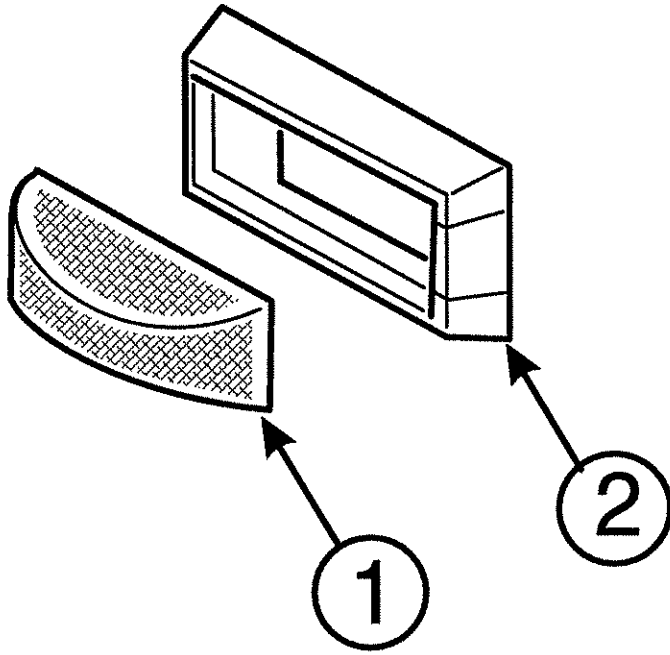
ELECTRICAL SYSTEM 9



ROOF MARKER LAMPS - BULLET

Item	Description	Part Number	Qty.
-	Bullet Marker Lamp	85101-3413	5
1	- Lens, Amber	500P1	1
2	- Bulb	904	1
3	- Mounting Pad	5004G	1
-	- Pig Tail	5005S	1
4	Grommet	468874	5

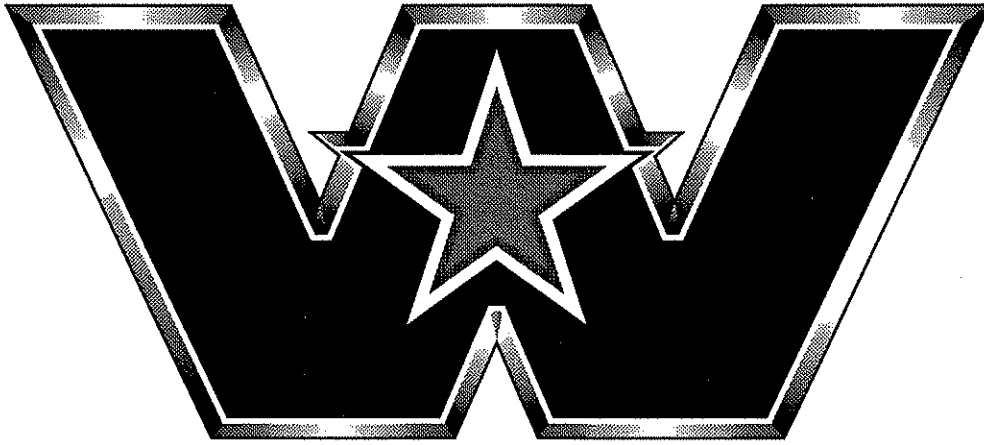
Specific BOMs listed: 3208-001-09/13



CLEARANCE LAMPS - BACK OF SLEEPER

Item	Description	Part Number	Qty.
1	Sealed Lens Unit	85101-3410	5
2	Bezel	85101-3409	5
3	Plug, Sleeper marker lamps	85101-3421	5

Specific BOMs listed: 3208-003-01/04

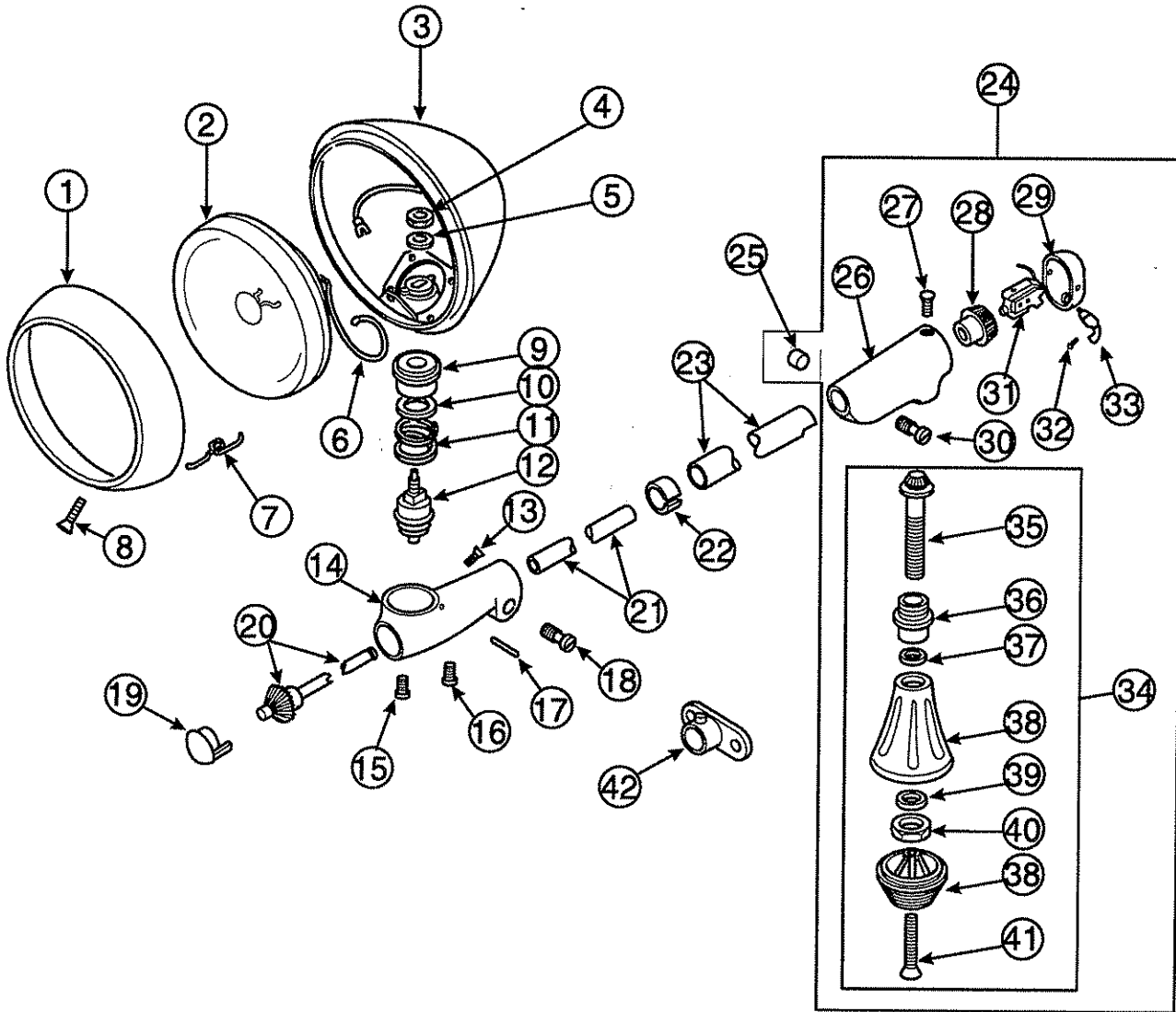


WESTERN STAR TRUCKS®
The Preferred Choice™

TABLE OF CONTENTS

	Section	Page
Spot Lamp, 'A' Pillar	9.5.1	2-5
Back Up Lamps	9.5.2	6-9

Note: This publication is a generic parts book. Components may vary with different applications. For applications other than listed at the bottom of the page, see the appropriate Bill of Material by truck serial number, and use this publication as a guide only.



ELECTRICAL SYSTEM

UNITY SPOT LAMP - 'A' PILLAR MOUNTED

9.5.1

UNITY SPOT LAMP - 'A' PILLAR MOUNTED

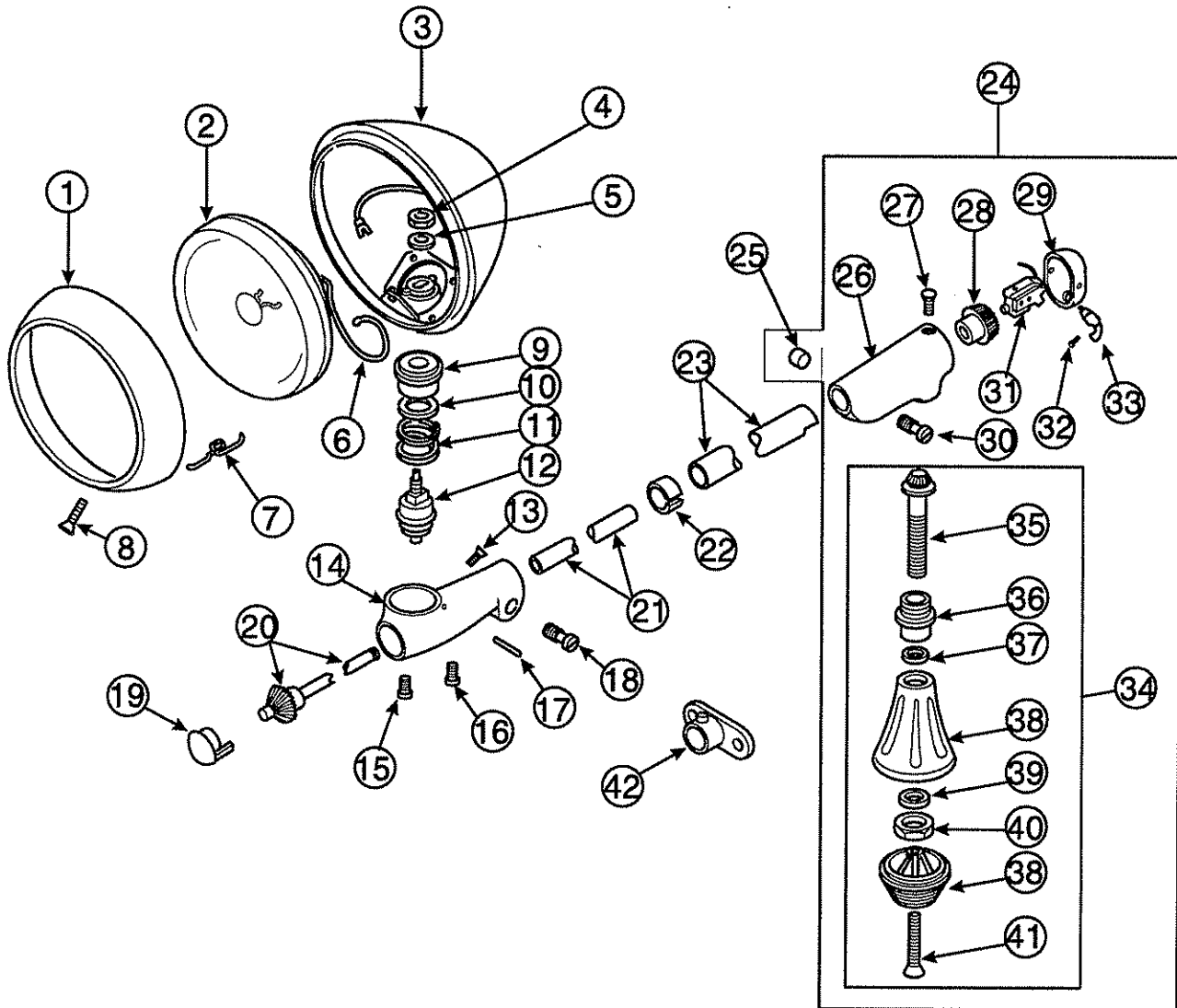
-	Unity Spot Lamp	86601-3408	1
-	Harness, Spot Lamp, Left	87304-3406	1
-	Cable, Dash	W16DC-DD035BL5C	1
-	Connector Housing, Female	690898	1

SPOTLIGHT ASSEMBLY BREAKDOWN

Item	Description	Part Number (Unity)	Qty.
1	Ring	4398	1
2	Bulb, Halogen 50 Watt	H7635	1
3	Shell Assembly	5547	1
4	Nut, 3/8"	6209	1
5	Washer	3059	1
6	Wire	2028	1
7	Clip	6598	4
8	Screw	6471	1
9	Bushing	6421	1
10	Washer	3073A	1
11	Spring	6473	1
12	Post Assy, Head	6043A	1
13	Set Screw	6141B	1
14	Housing and Tube Assembly	6710H	1
15	Screw	6441	1
16	Screw	3412	1
17	Pin	3140	1
18	Screw	6040A	1
19	Plug	6424	1
20	Rod and Gear	6427A	1
21	Tube, Middle	6427H	1
22	Bushing	3062	1
23	Tube Outer, Chrome	6428H	1
24	Handle and Housing Assembly	6701-001	1
25	Wedge	1834	1
26	Housing	6001	1
27	Screw	P313DD	1
28	Gear	6405	1
29	Cap, Switch	6002	1
30	Screw, Wedge	1836	1

Specific BOMs listed: 3248-001-02

ELECTRICAL SYSTEM 9



ELECTRICAL SYSTEM

UNITY SPOT LAMP - 'A' PILLAR MOUNTED

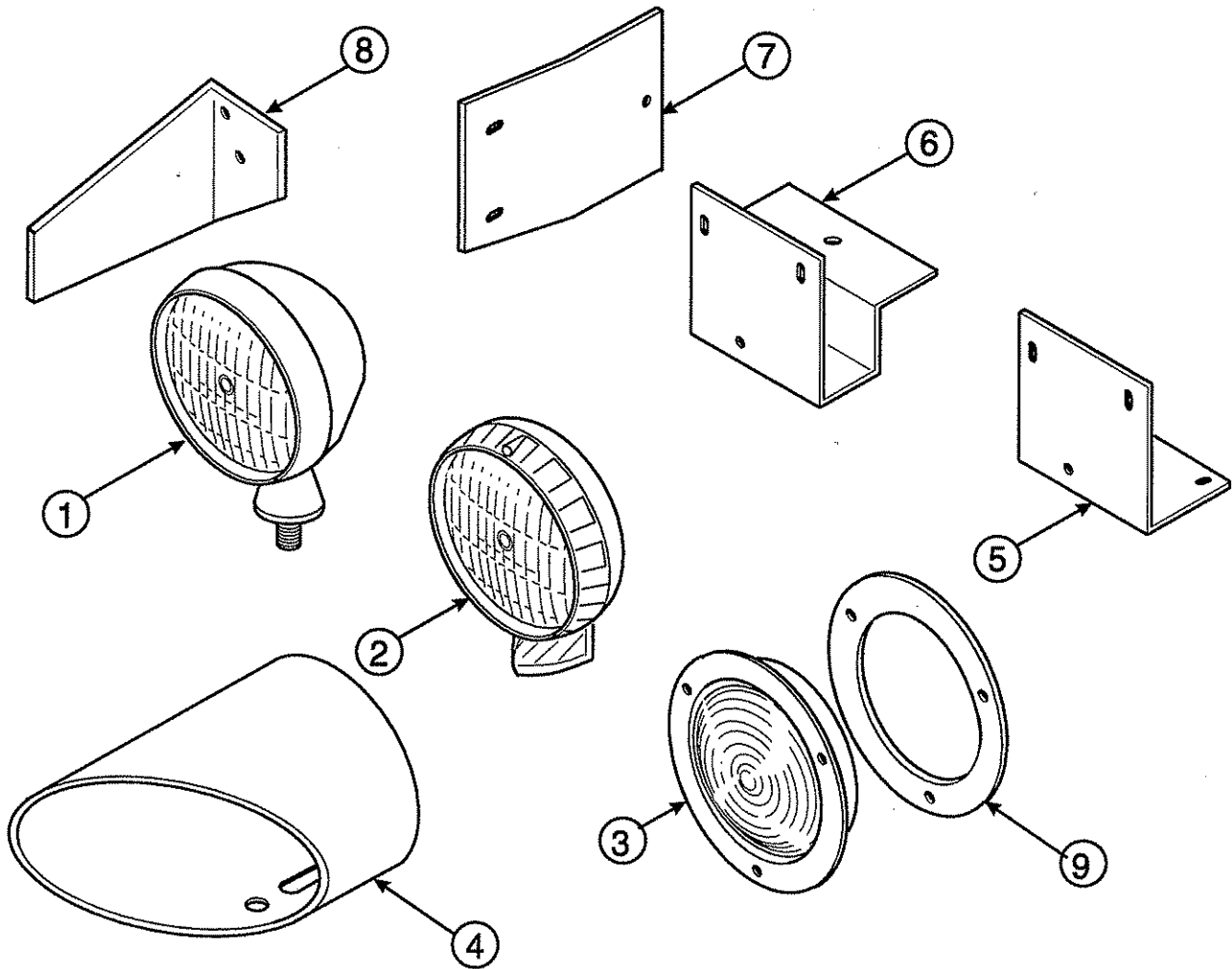
9.5.1

SPOTLIGHT ASSEMBLY BREAKDOWN (CONTINUED)

Item	Description	Part Number (Unity)	Qty.
31	Switch and Wire Assembly	6453-0001	1
32	Screw	6051A	1
33	Toggle Assembly	6151A	1
34	Handle Sub Assembly	6750FM	1
35	Pinion	6122	1
36	Bushing	6123	1
37	Washer, Felt	3089	1
38	Upper/Lower Handle	6450FM	1
39	Washer	3059	1
40	Nut, 3/8"	6209	1
41	Screw, 6-32 x 1 1/2"	6350B	1
42	Bracket	91	1

Specific BOMs listed: 3248-001-02

ELECTRICAL SYSTEM 9



ELECTRICAL SYSTEM

BACKUP LAMPS

9.5.2

B/U LAMP ASSEMBLIES

Backup Lamp, Mirror Mounted Black

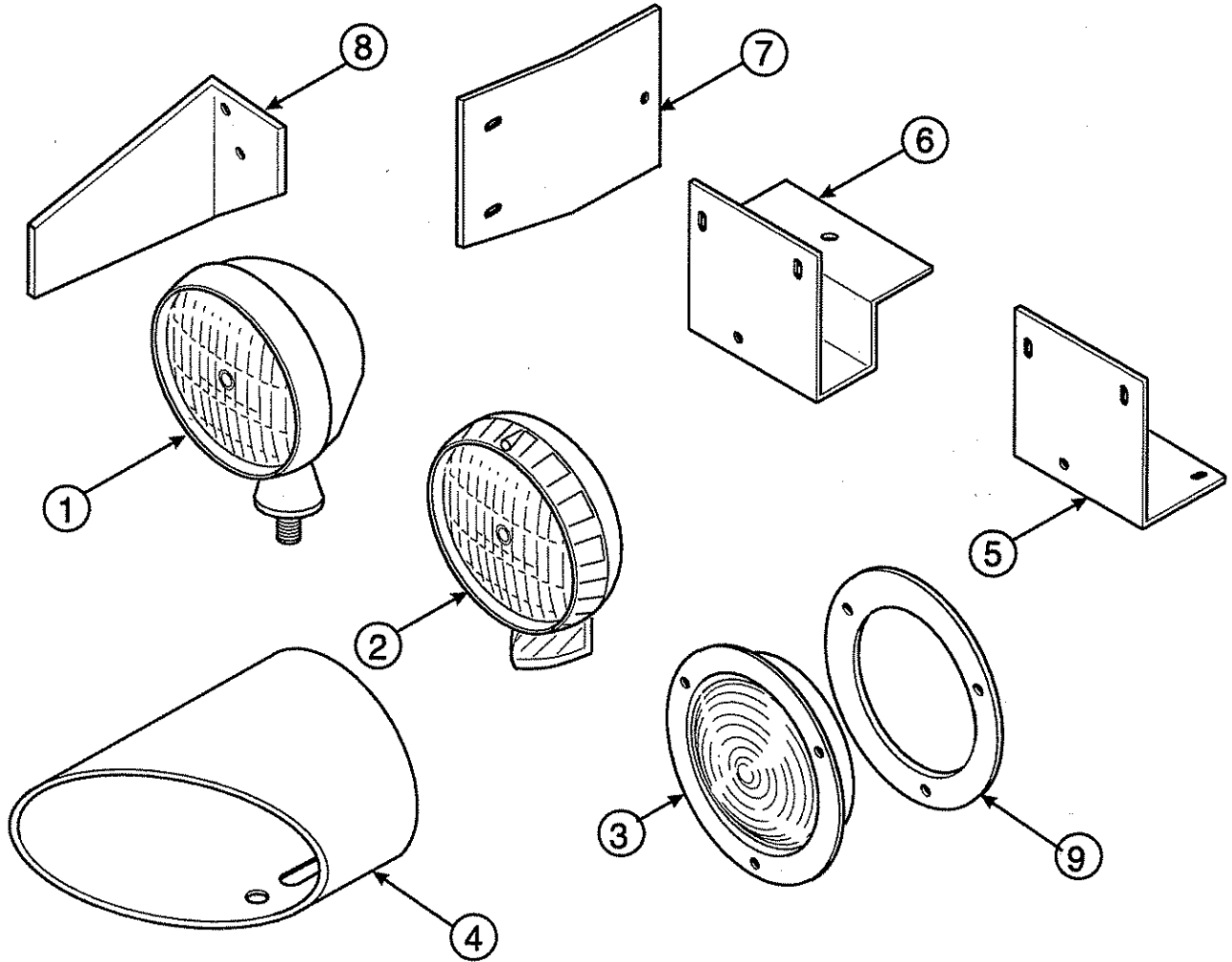
Item	Description	Part Number	Qty
-	Lamp Assy, with Harness	83801-3449	2
1	- Backup Lamp, Black	04-9036232	1
	- 14 GA 2 Cond. Wire	04-9038741	9ft.
	- Term, Ring, 14-16GA, #8 Stud	04-9051537	2
4	Anti Glare Shield, Tube SST, LH	83805-3401	1
4	Anti Glare Shield, Tube SST, RH	83805-3402	1

Backup Lamp, Sleeper Side Shield / Back of Sleeper Mounted

Item	Description	Part Number	Qty
-	Lamp Assy, with Harness	83801-3451	2
2	- Backup Lamp, Chrome, Dominion	04-9017450	1
	- Sealing Ring .5	4011-3440	1
	- Lock Nut .5"	4012-3450	1
	- Grommet	638613	1
	- Connector Housing, Male	690897	1
	- Connector Housing, Female	690898	1
	- Cable, 16/2 Type SJ	7100-3402	5ft.
	- Strain Relief, .5"	7529-3438	1
	- Term, Ring, 14-16GA, #8 Stud	04-9051537	2
	- Term, Push on Male Tab	04-9051550	1
	- Term, Push on Female w/Lock	04-9051551	1
6	Bracket, Mounting, B/U Lamp, Back of Sleeper	83802S3424	2
7	Bracket, Mounting, B/U Lamp Side Shield (Used with Constellation Sleeper)	83802S3426	2
7	Bracket, Mounting, B/U Lamp Side Shield (Used with Heritage Sleeper)	83802S3421	2

Specific BOMs listed: 3198-011-02, 3198-013-02, 3198-013-05/06, 3198-016-00, 3198-016-04,
3198-016-06, 3198-016-08

ELECTRICAL SYSTEM 9



ELECTRICAL SYSTEM

BACKUP LAMPS

9.5.2

Backup Lamp, Sleeper Side Shield Mounted

Item	Description	Part Number	Qty
-	Lamp Assy, with Harness	83801-3452	2
2	- Backup Lamp, Chrome, Dominion	04-9017450	1
	- Sealing Ring .5	4011-3440	1
	- Lock Nut .5"	4012-3450	1
	- Grommet	638613	1
	- Connector Housing, Male	690897	1
	- Connector Housing, Female	690898	1
	- Cable, 16/2 Type SJ	7100-3402	7ft.
	- Strain Relief, .5"	7529-3438	1
	- Term, Ring, 14-16GA, #8 Stud	04-9051537	2
	- Term, Push on Male Tab	04-9051550	1
	- Term, Push on Female w/Lock	04-9051551	1
7	Bracket, Mounting, B/U Lamp Side Shield	83802S3426	2

Backup Lamp, Mirror Mounted, Chrome

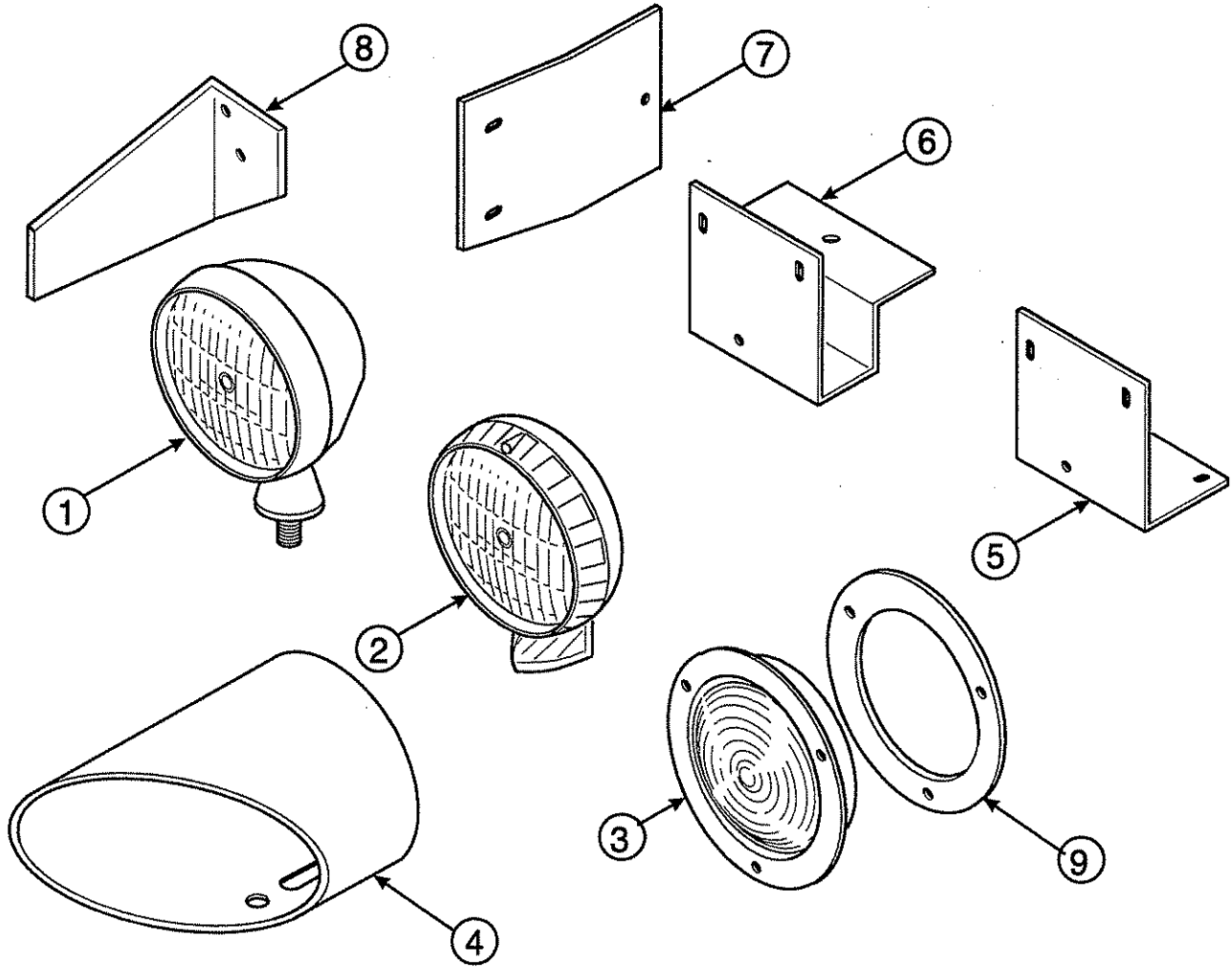
Item	Description	Part Number	Qty
-	Lamp Assy, with Harness	83801-3454	2
2	- Backup Lamp, Chrome, Dominion	04-9017450	1
	- Grommet	638613	1
	- Terminal Blade AWG #14-1	7824-3404	2
	- 14 GA 2 Cond Wire	04-9038741	9ft.
	- Term, Ring, 14-16GA, #8 Stud	04-9051537	2
8	Anti Glare Shield, SST, LH	83802-3427	1
8	Anti Glare Shield, SST, RH	83802-3428	1

Backup Lamp, Back of Sleeper Mounted

Item	Description	Part Number	Qty
-	Lamp Assy, with Harness	83801-3444	2
2	- Backup Lamp, Chrome, Dominion	04-9017450	1
	- Sealing Ring .5	4011-3440	1
	- Lock Nut .5"	4012-3450	1
	- Grommet	638613	1
	- Connector Housing, Female	690898	1
	- Cable, 14/2 Type SJ	7100-3401	1
	- Strain Relief, .5"	7529-3438	1
	- Term, Ring, 14-16GA, #8 Stud	04-9051537	2
	- Term, Push on Male Tab	04-9051550	1
	- Term, Push on Female w/Lock	04-9051551	1
5	Bracket, Mounting, B/U Lamp	83802S3419	2

Specific BOMs listed: 3198-011-01, 3198-013-04, 3198-016-01, 3198-016-03, 3198-016-07

ELECTRICAL SYSTEM 9



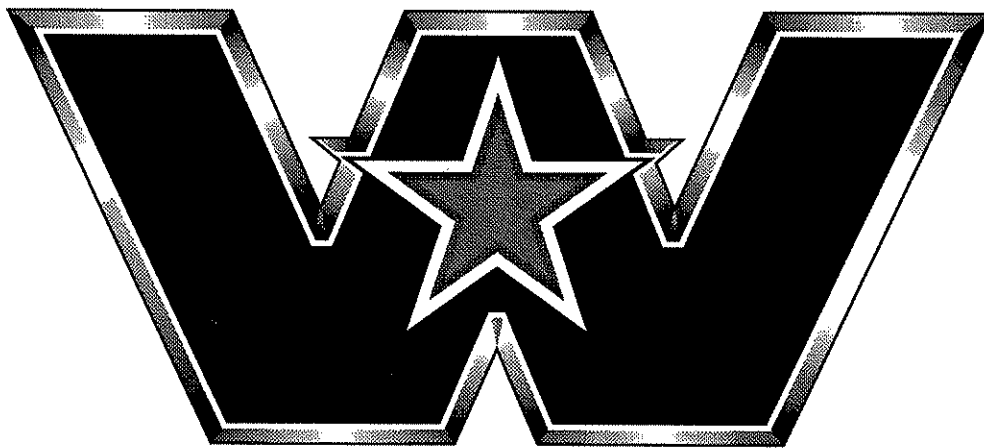
Recessed Back Up Lamp, Chrome Grakon 9500

Item	Description	Part Number	Qty
3	Recessed Backup Lamp, Chrome	83801-3453	2
9	Gasket, Recessed B/U Lamp	83803-3403	2

Recessed Back Up Lamp, Black

Item	Description	Part Number	Qty
-	Recessed B/U Lamp Assy with harness, Black	83801-3441	2
3	- Lamp	83801-3439	1
	- Connector Housing, Female	690898	1
	- Cable, AWG 16 SXL	7307W3401	8ft.
	- Term, Push on Male Tab	04-9051550	1

Specific BOMs listed: 3198-014-01, 3198-016-00/01, 3198-016-03, 3198-016-06/08

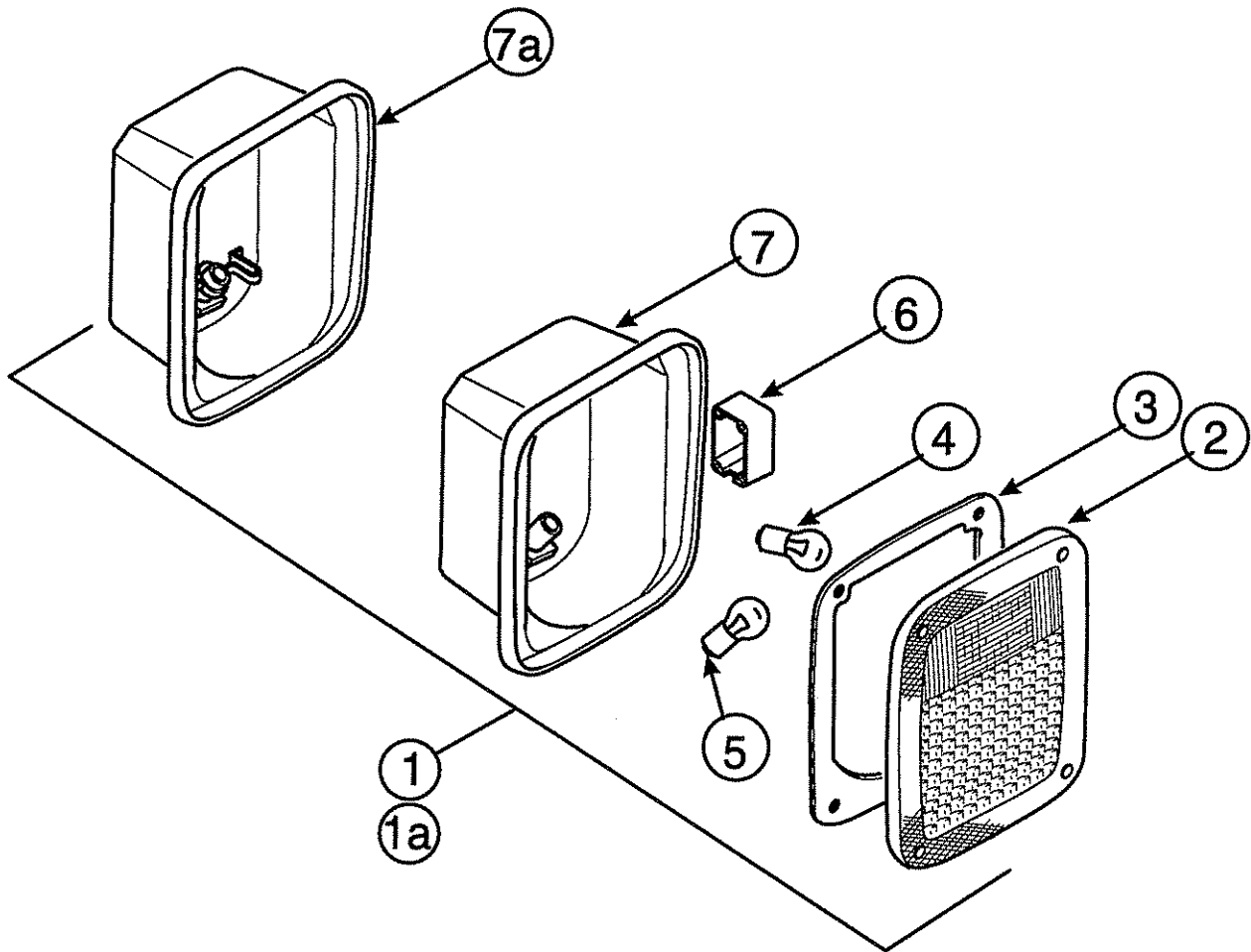


WESTERN STAR TRUCKS®
The Preferred Choice™

TABLE OF CONTENTS

	Section	Page
Grote Square Stop/Turn/Tail Lamps	9.6.1	2-3
Mounting Brackets- Square Tail Lamps	9.6.2	4-5
Sealed Stop/Turn/Tail Lamps	9.6.3	6-7
Mountng Brackets, Sealed Stop/Turn/BU Lamps	9.6.4	8-9

Note: This publication is a generic parts book. Components may vary with different applications. For applications other than listed at the bottom of the page, see the appropriate Bill of Material by truck serial number, and use this publication as a guide only.



ELECTRICAL SYSTEM

SQUARETAIL LAMPS

9.6.1

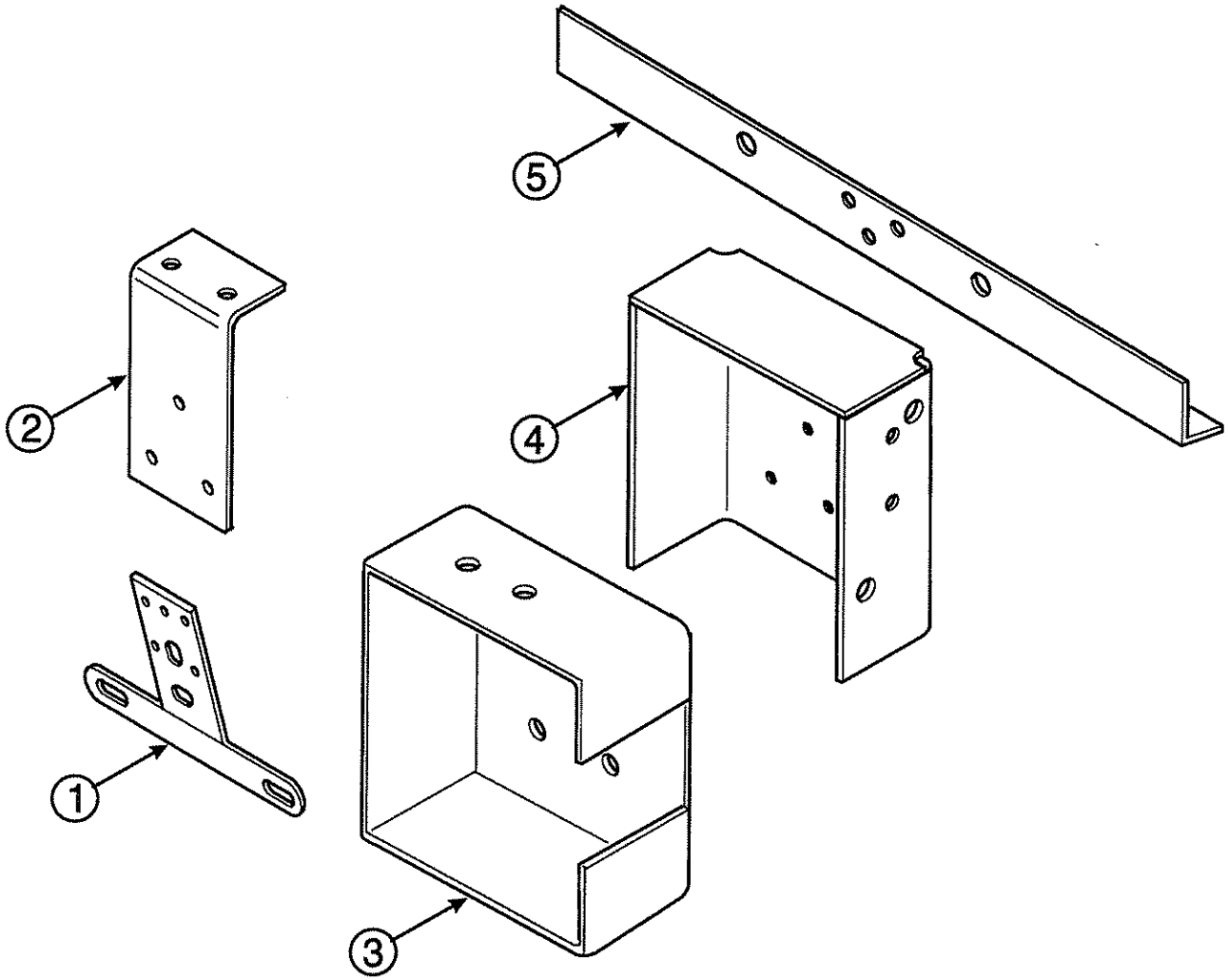
SQUARE STOP/TURN/TAIL LAMPS

ASSEMBLY BREAKDOWNS

Item	Description	Grote P/N	WST P/N	Qty
1	Tail Lamp Assembly LH	01-5094-70	83701-0002	1
1	Tail Lamp Assembly RH	01-5095-70	83702-0002	1
1a	Tortion Mount Tail Lamp Assy LH	50942	83701-3404	1
1a	Tortion Mount Tail Lamp Assy RH	50952	83702-3402	1
2	- Lens, Red	91302	-	1
3	- Gasket	61-2037-03	-	1
4	- Bulb, BU lamp	1156	-	1
5	- Bulb, Stop/Turn/Tail	1157	-	1
6	- Cover, Stud Terminal	10-7058-01	-	1
7	- Body Assy (Standard)	Not available separately		1
7a	- Body Assy (Tortion Mount)	Not available separately		1

Specific BOMs listed: 3258-001/01/10

ELECTRICAL SYSTEM 9



ELECTRICAL SYSTEM

MOUNTING BRACKETS - SQUARE TAIL LAMPS

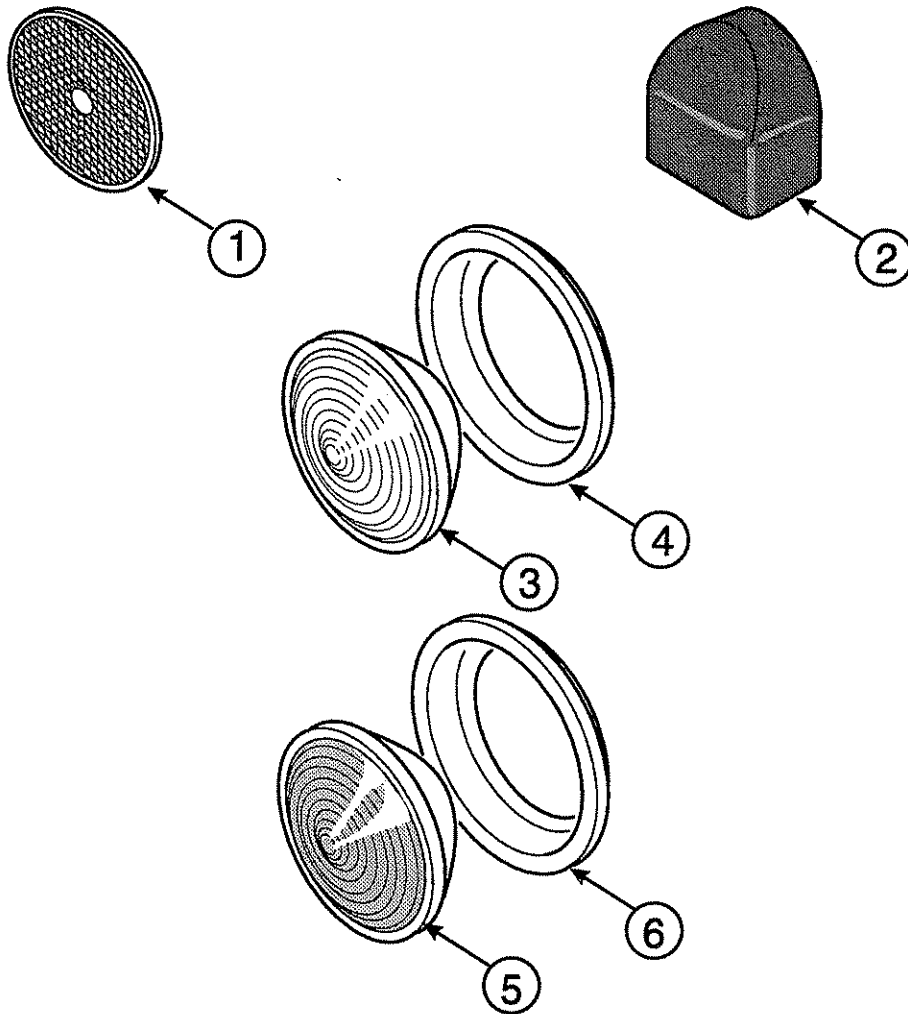
9.6.2

MOUNTING BRACKETS - SQUARE STOP/TURN/TAIL LAMPS

Item	Description	WST P/N	Qty
1	Bracket, License Plate	83704-3405	1
2	Bracket, Tail Lamp	04-9045434	2
3	Housing, Tail Lamp, Steel, LH	04-9045503	1
3	Housing, Tail Lamp, Steel, RH	04-9045505	1
3	Housing, Tail Lamp, Alum LH	04-9047112	1
3	Housing, Tail Lamp, Alum RH	04-9047113	1
4	Bracket, Tail Lamp, Outboard, LH	83703-3462	1
4	Bracket, Tail Lamp, Outboard, RH	83703-3463	1
5	Bracket, Tail Lamp Support End of Frame	83703-3419	1

Specific BOMs listed: 3258-001/01/10

ELECTRICAL SYSTEM 9



ELECTRICAL SYSTEM

SEALED ROUND STOP/TURN/BACKUP LAMPS

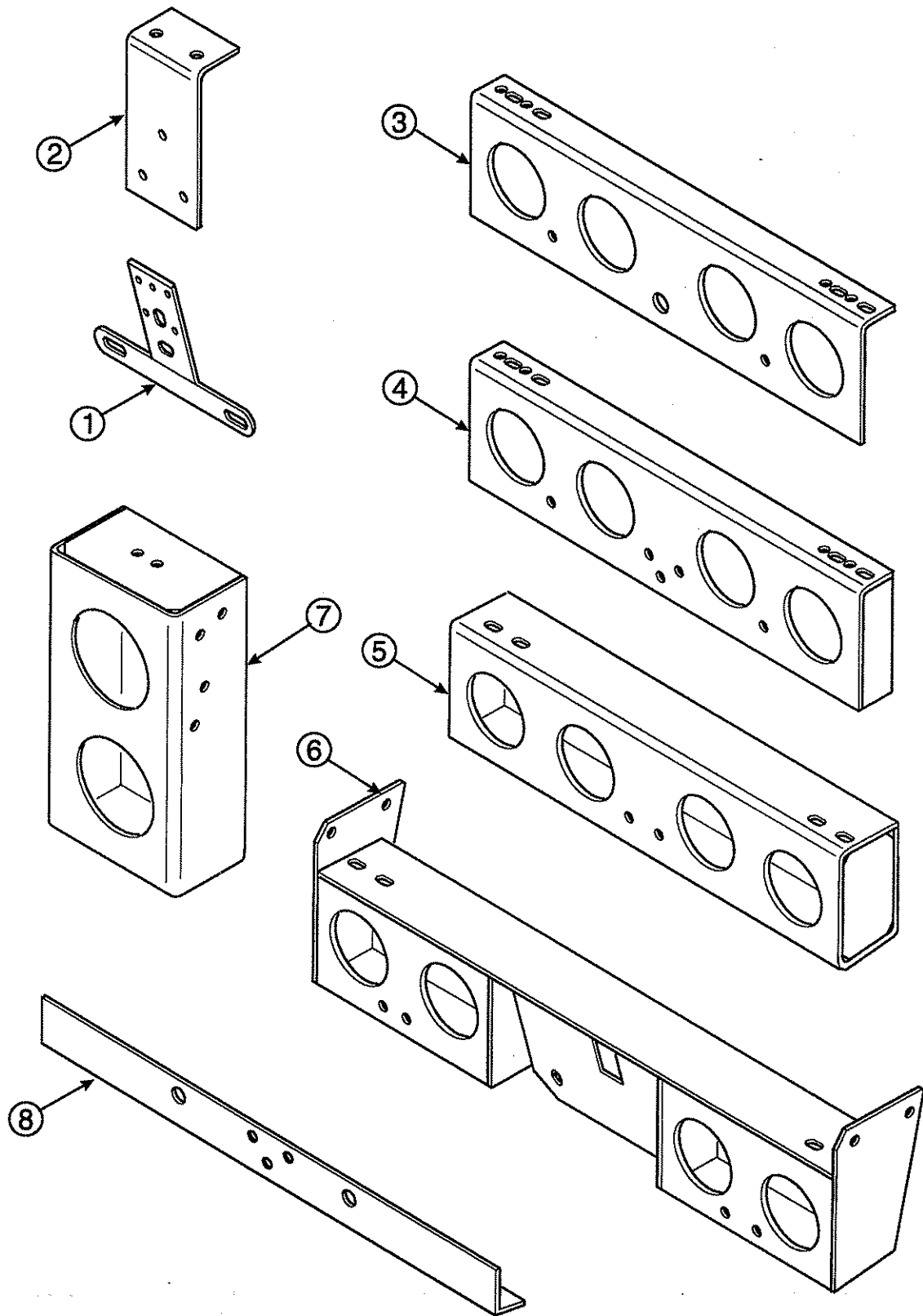
9.6.3

SEALED ROUND STOP/TURN/BACKUP LAMPS

Item	Description	P/N	Qty
1	Reflector	02-7005451	2
2	License Plate Lamp	47104-3405	1
-	- Lamp	47104-3402	1
-	- Cable, AWG 16, SXL	7307W3401	1.33 ft.
-	- Connector Pack, W/P Shroud, 2 Pin	7530-3406	1
-	- Cable Seal - MP280 & Weather Cable OD .080-.115"	7630-3401	2
-	- Loom - 1/4	7711-0000	1.17 ft
-	- Pin, Male Packard 18-20	7826-3404	2
-	- Terminal Ring, 14-16GAA, #10STU	04-9051538	1
3	Backup Lamp - Clear, Vehicle Safety Mfg.	83801-3433	2
3	Backup Lamp - Clear, Grote Tortion Mount	83801-3427	2
4	- Rubber Grommet (included with lamp)	9127	-
5	Stop/Turn Lamp, Red, Vehicle Safety Mfg.	83701-3427	2
5	Stop/Turn Lamp, Red, Grote Tortion Mount	83701-3415	2
6	- Rubber Grommet (included with lamp)	9127	-

Specific BOMs listed: 3258-002-01/12, 3258-002-23, 3258-002-31, 3258-002-41

ELECTRICAL SYSTEM 9



ELECTRICAL SYSTEM

MOUNTING BRACKETS- SEALED ROUND STOP/TURN/BACKUP LAMPS

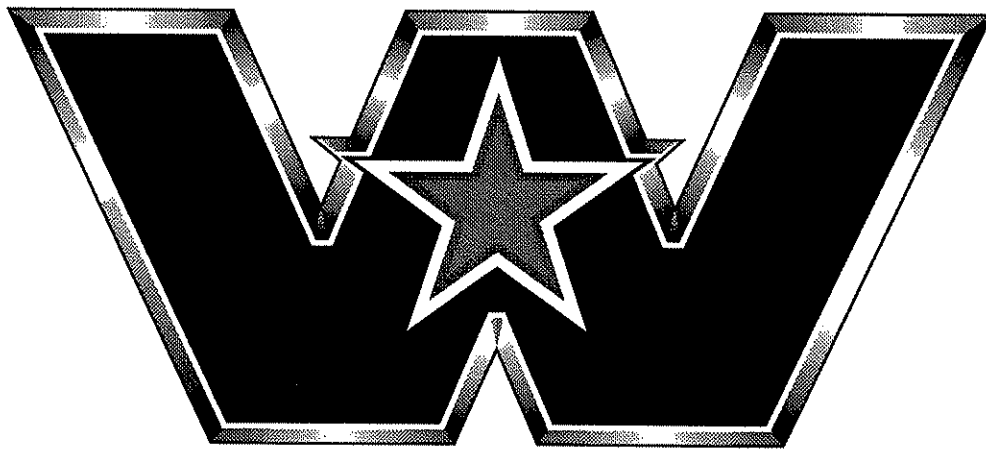
9.6.4

MOUNTING BRACKETS - SEALED ROUND STOP/TURN/BACKUP LAMPS

Item	Description	P/N	Qty
1	Bracket, License Plate	83704-3405	1
2	Bracket, Reflector	83703-3416	1
3	Bracket, Tail Lamp, End of Frame	83703-3427	1
4	Bracket, Tail Lamp, End of Frame	83703-3407	
5	Box, Tail Lamps, Under End of Frame	83710-3423	1
6	Guard, Rear Tail Lamp, PG Bar	83710-3430	1
7	Box, LH Tail Lamp Guard	83710-3401	1
7	Box, RH Tail Lamp Guard	83710-3402	1
8	Bracket, Tail Lamp Support, End of Frame	83703-3419	1

Specific BOMs listed: 3258-002-01/12, 3258-002-23, 3258-002-31, 3258-002-41

ELECTRICAL SYSTEM 9

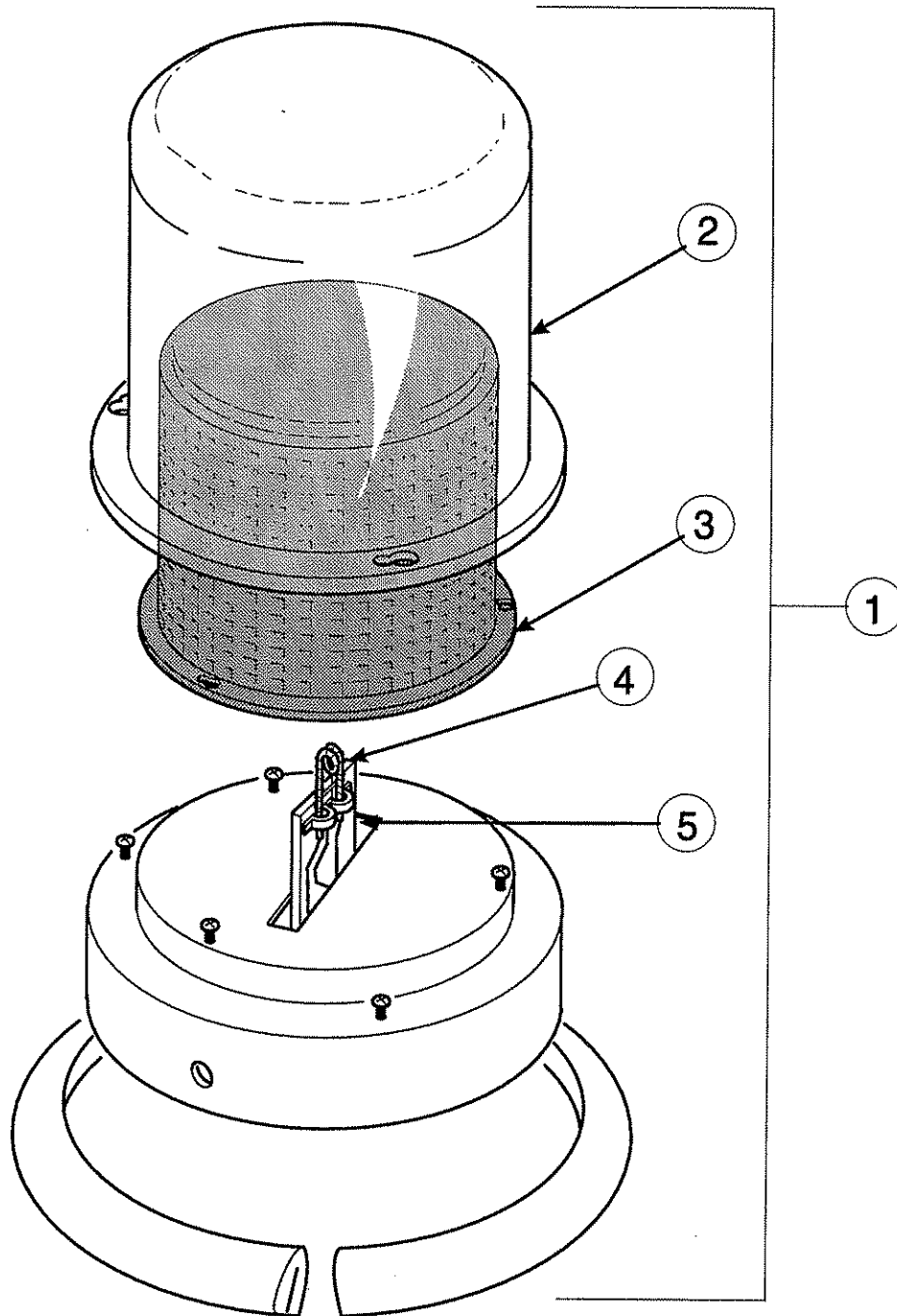


WESTERN STAR TRUCKS®
The Preferred Choice™

TABLE OF CONTENTS

	Section	Page
Dominion Strobe Lamp	9.7.1	2-3
Preco Amber Strobe Lamp	9.7.2	4-5
Grote Rotating Beacon	9.7.3	6-7
Mounting Brackets	9.7.4	8-9

Note: This publication is a generic parts book. Components may vary with different applications. For applications other than listed at the bottom of the page, see the appropriate Bill of Material by truck serial number, and use this publication as a guide only.



ELECTRICAL SYSTEM

STROBE LAMP

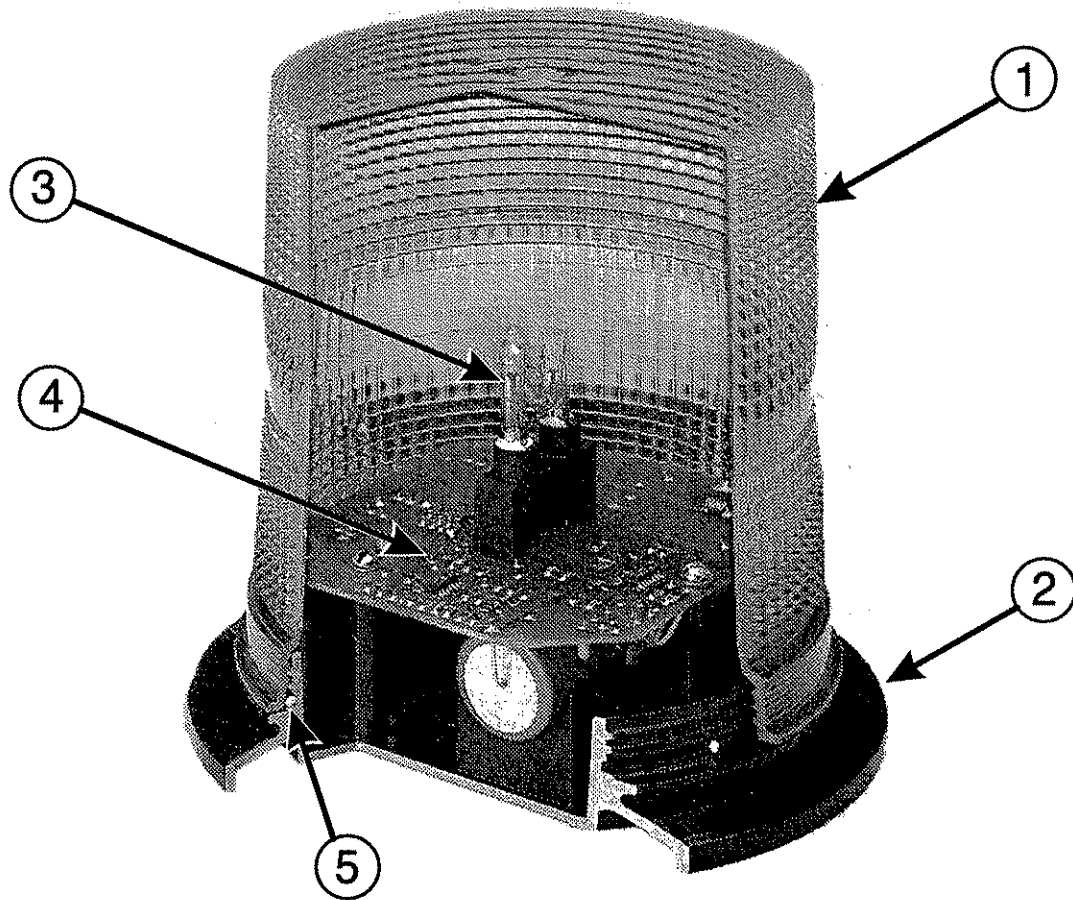
9.7.1

DOMINION STROBE LAMP

Item	Description	Part Number	Qty.
1	Strobe Lamp Assy	85101-3426	1
2	- Crystal Polycarbonate Dust Cover	732502	1
3	- Amber Polycarbonate Interior Lens	731941	1
4	- Flashtube	735167	1
5	- Power Source	735170	1

Specific BOMs listed: 4399-011-18/19, 4399-011-24

ELECTRICAL SYSTEM 9



ELECTRICAL SYSTEM

STROBE LAMP

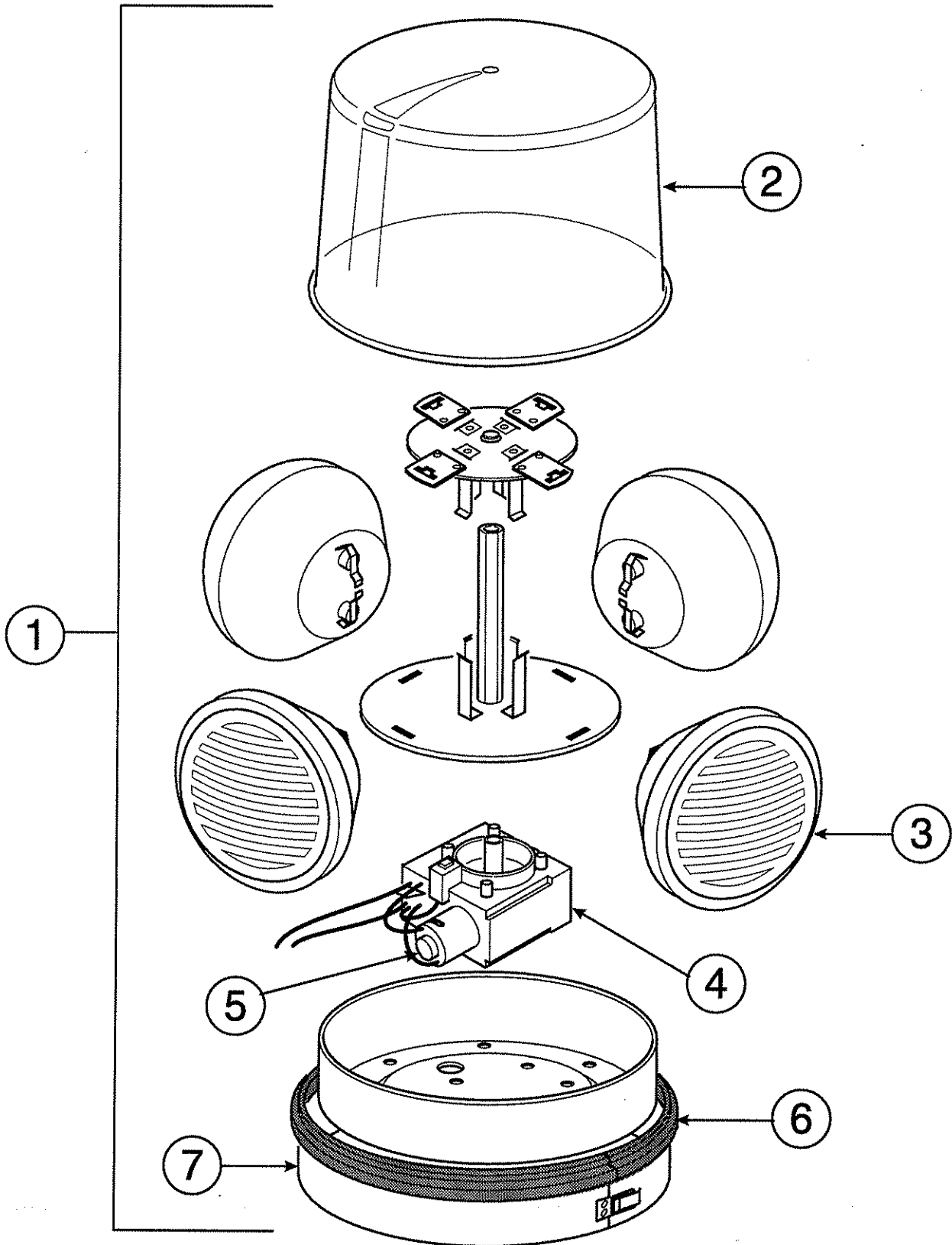
9.7.2

STROBE LAMP - PRECO AMBER

Item	Description	Part Number	Qty.
-	Preco amber Strobe Lamp	85101-3449	
1	- Lens, Amber	LA3400	1
2	- Permanent Base	BP3864	1
3	- Xenon Flash Tube	FT3864	1
4	- Power Source	PS3400	1
5	- O-Ring	OR3864	1

Specific BOMs listed: 4399-011-07, 4399-011-09/11, 4399-011-013

ELECTRICAL SYSTEM 9



ELECTRICAL SYSTEM

ROTATING BEACON

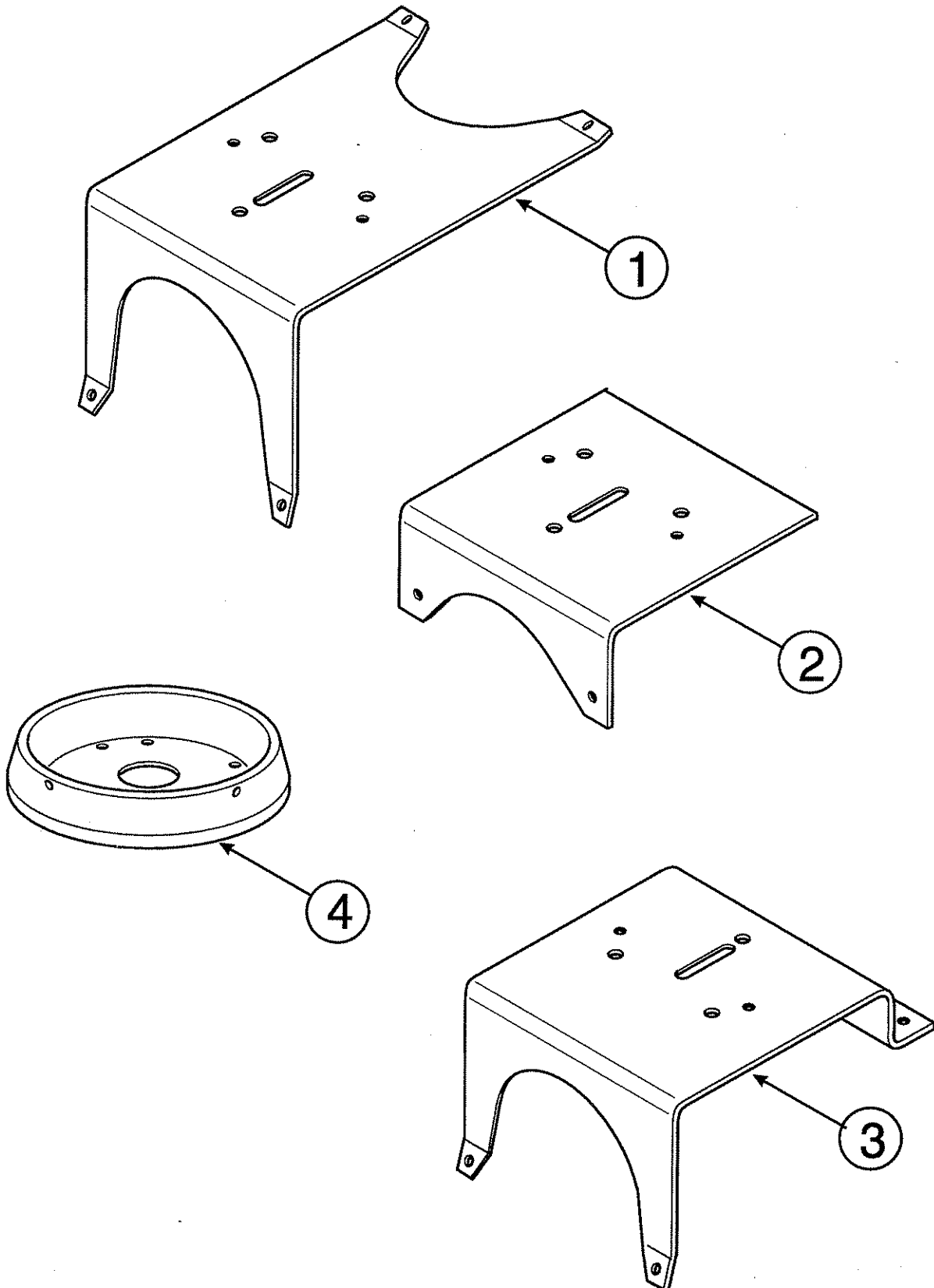
9.7.3

GROTE ROTATING BEACON

Item	Description	Part Number	Qty.
1	Rotating Beacon, Grote	85101-3427	1
2	- Cover, Amber	90373	1
3	- Seal Beam, Wagner	7400	1
4	- Motor and Drive Assembly	76010	1
5	- - Motor	76-0201-17	1
6	- Seal, Gasket	65-8002-01	1
7	- Retaining Ring	29-4205-02	1
-	- Hardware Kit (consists of 3 mounting screws, six rubber washers, one grommet)	79-9004-79	1

Specific BOMs listed: 4399-011-01, 4399-011-12, 4399-011-25

ELECTRICAL SYSTEM 9



ELECTRICAL SYSTEM

MOUNTING BRACKETS, EMERGENCY BEACONS

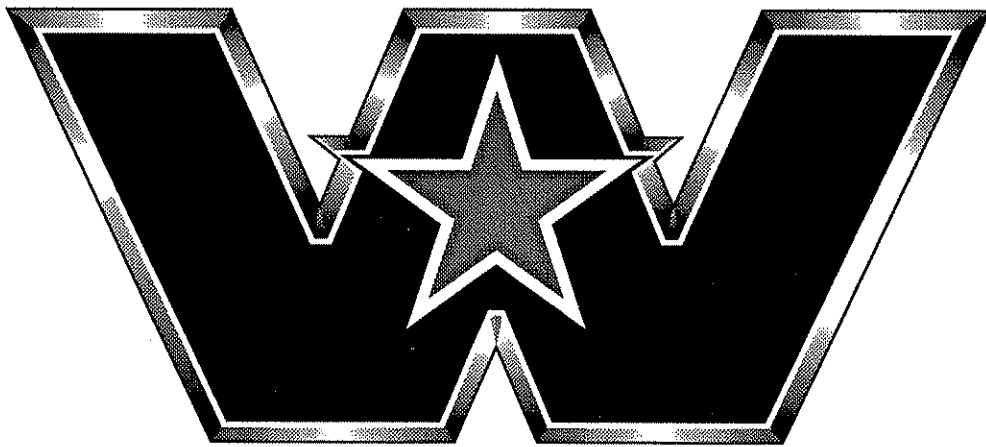
9.7.4

MOUNTING BRACKETS, EMERGENCY BEACONS

Item	Description	Part Number	Qty.
1	SST Mounting Bracket, Constellation Sleeper Roof	86708-3430	2
2	SST Mounting Bracket, Aluminum Sleeper Roof	86708-3431	2
3	SST Mounting Bracket, Cab Roof	86708-3429	2
4	Mounting Bracket, Center of Cab Roof (Dominion)	86708-3433	1

Specific BOMs listed: 4399-011-09, 4399-011-11/16, 4399-011-18, 4399-011-20/24

ELECTRICAL SYSTEM 9



WESTERN STAR TRUCKS®
The Preferred Choice™