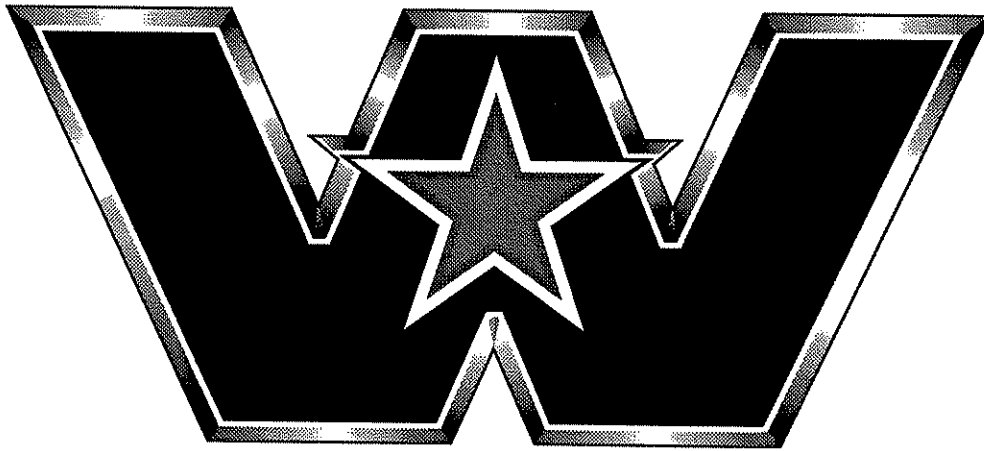


INDEX

	Section	Pages
Cab Mounting	11.0	1-15
Cab Structure	11.1	1-24
Dash	11.2	1-24
Interior Trim	11.3	1-20
Seats	11.4	1-22
Heat Cool	11.5	1-18
Mirrors & Mirror Arms	11.6.1	1-3
Grab Handles	11.6.2	4-5
Cellular Phone Antenna	11.6.3	6-8
Windshield Wiper/Washer	11.7	1-6

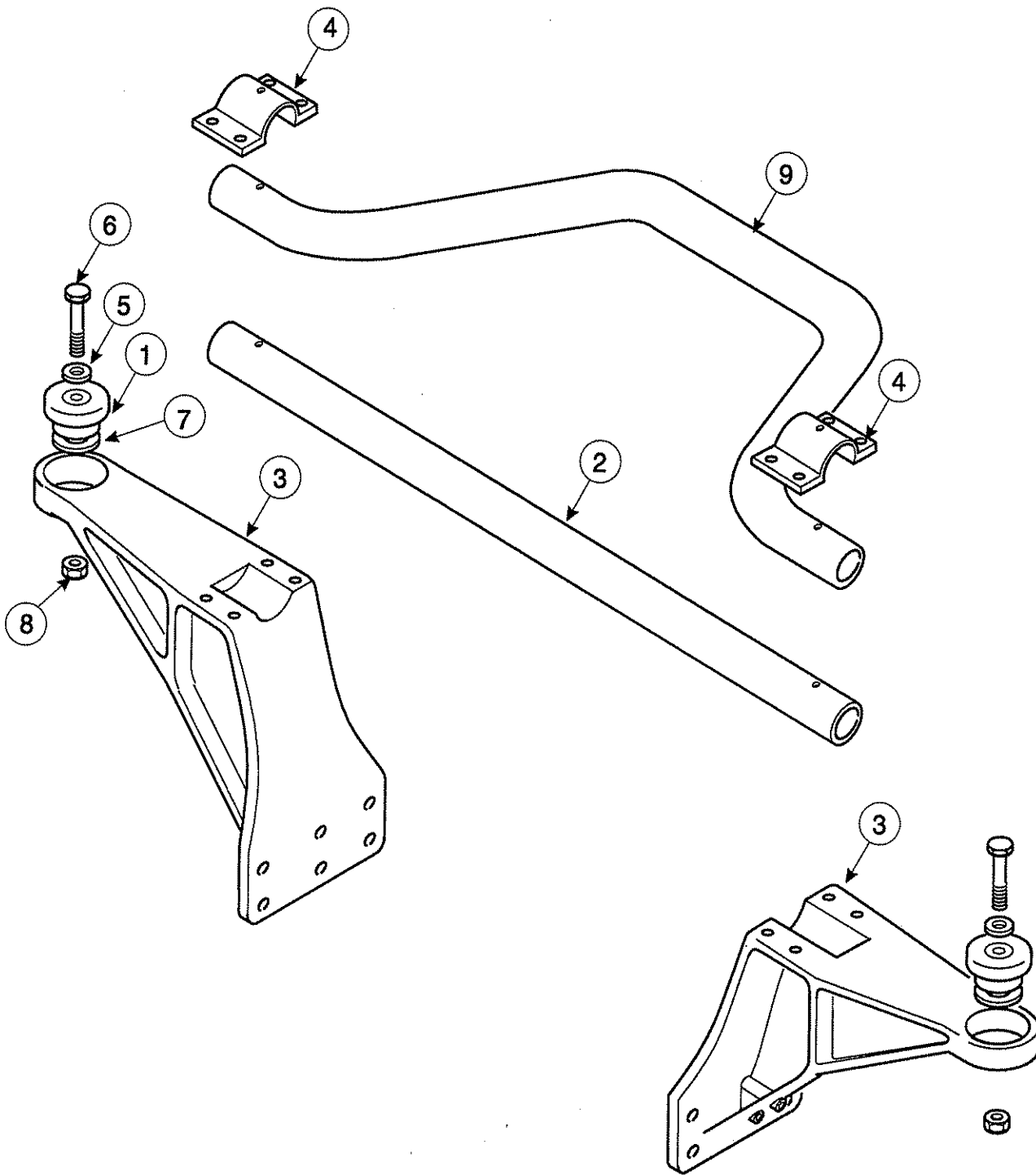


WESTERN STAR TRUCKS®
The Preferred Choice™

TABLE OF CONTENTS

Section	Page
Front Cab Support 48/58 Models	11.0.1 2-3
Front Cab Support 49/59 Models	11.0.2 4-5
 <i>First Production Model</i>	
Rear Cab Air Ride 48/58 Models	11.0.3 6-7
Rear Cab Air Ride 58/59 Models	11.0.4 8-9
 <i>Effective November 4, 1996 to July 14, 1998</i>	
Rear Cab Air Ride 48/58/49/59	11.0.5 10-11
 <i>Effective July 14, 1998</i>	
Rear Cab Air Ride Tubular 48/58/49/59	11.05 12-13
 Rear Cab Air Ride, Aluminum Channel 48/58/49/59	 11.06 14-15

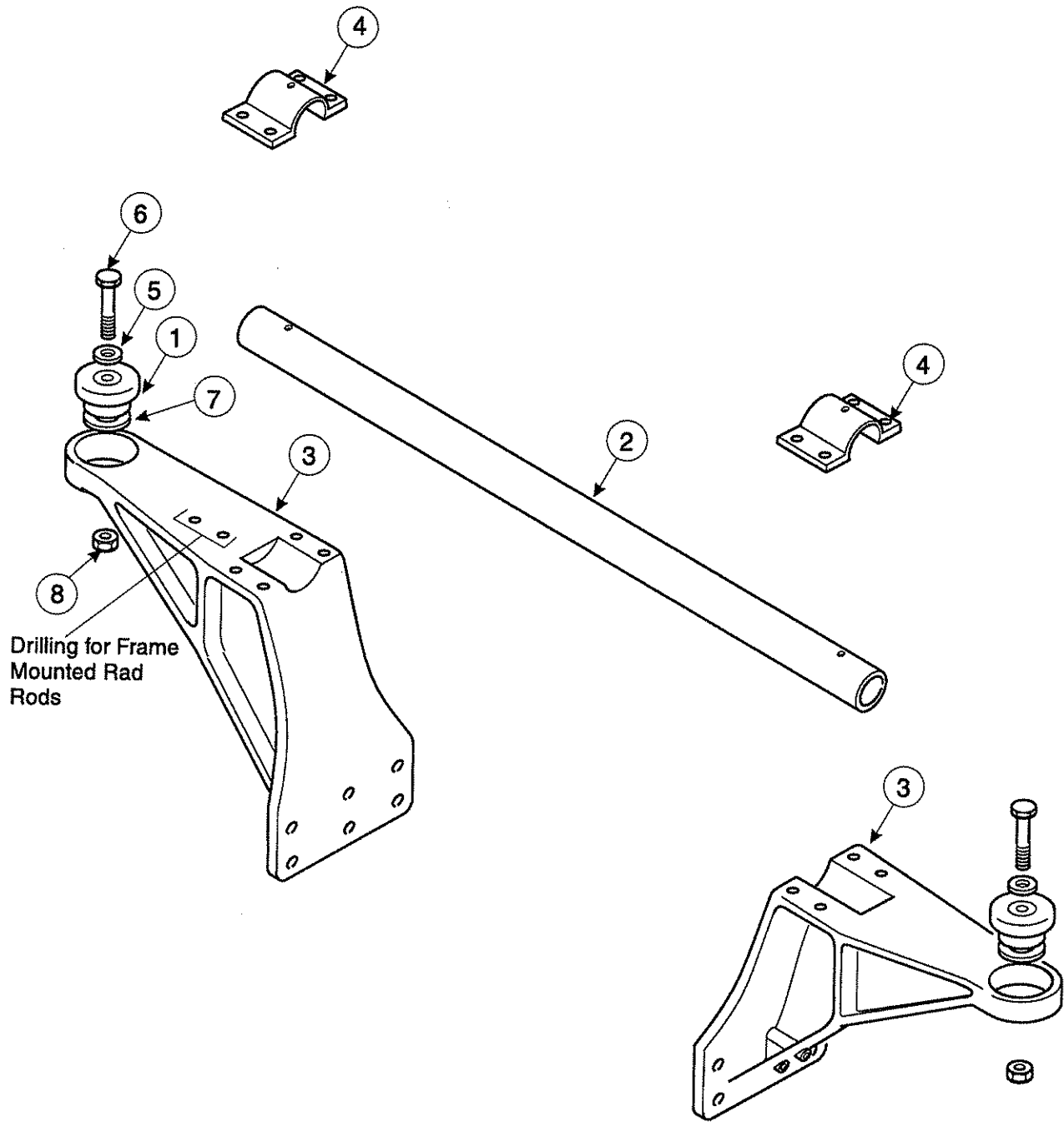
Note: This publication is a generic parts book. Components may vary with different applications. For applications other than listed below the parts listings see the appropriate Bill of Material by truck serial number and use this publication as a guide only.



CAB FRONT SUPPORTS - 48/58 MODELS

Item	Description	Part Number	Qty
1	Cab Isolator, 60 Durometer	66001-3402	2
1	Cab Isolator, 50 Durometer	66001-3404	2
1	Cab Isolator, 40 Durometer	66001-3403	2
3	Bracket, Cab Support	66004-3569	2
4	Clamp, Cab Support	66004-3570	2
5	Washer, Cab Isolator	66016-3403	2
6	Bolt, Hex 8 Phos. .62 - 18 x 5.5	4019-3410-5.50	2
7	Washer, Hard 5.8 x 1.26 x .16	4011-3415	2
8	Nut, Lock Prtrq. Cad. .62-18	4012-3421	2
9	Crossmember, Cab Front <i>Used with Big Bore Engines</i>	66002-3588	1
9	Crossmember, Cab Front <i>Used with Small Bore Engines</i>	66002-3596	1

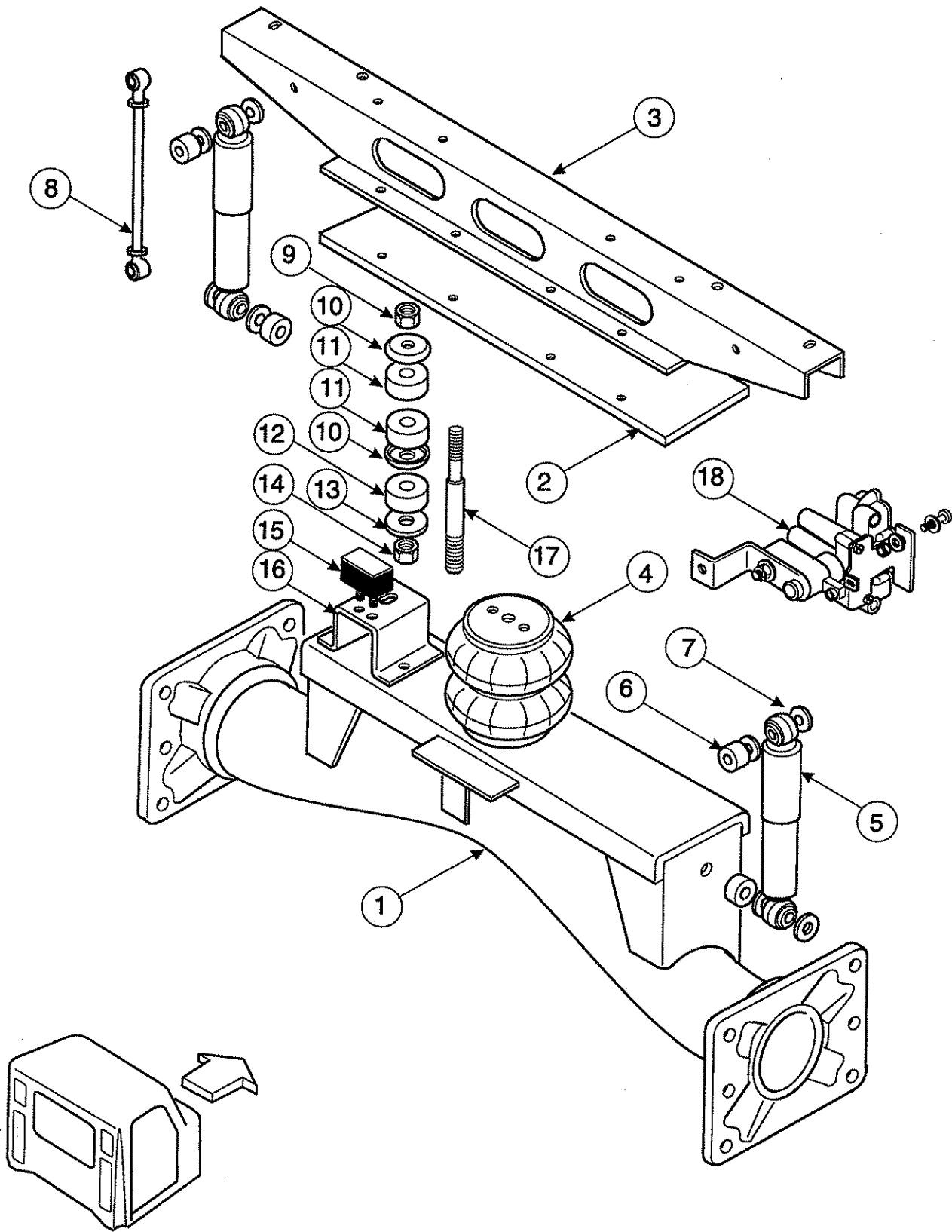
Specific BOMs listed: 2068-001-01/02, 2068-001-04/05, 2068-001-19



CAB FRONT SUPPORTS -49/59 MODELS

Item	Description	Part Number	Qty
1	Cab Isolator, 60 Durometer	66001-3402	2
1	Cab Isolator, 50 Durometer	66001-3404	2
1	Cab Isolator, 40 Durometer	66001-3403	2
2	Crossmember, Cab Front (Straight)	66002-3587	1
3	Bracket, Cab Support	66004-3569	2
3	Bracket, Cab Support LH, w/Frame Mtd Rad Rods	66004-3575	1
3	Bracket, Cab Support RH w/ Frame Mtd Rad Rods	66004-3576	1
4	Clamp, Cab Support	66004-3570	2
5	Washer, Cab Isolator	66016-3403	2
6	Bolt, Hex 8 Phos .62 - 18 x 5.5	4019-3410-5.50	2
7	Washer, Hard .62 x 1.26 x .16	4011-3415	2
8	Nut, Lock Prtrq Cad .62-18	4012-3421	2

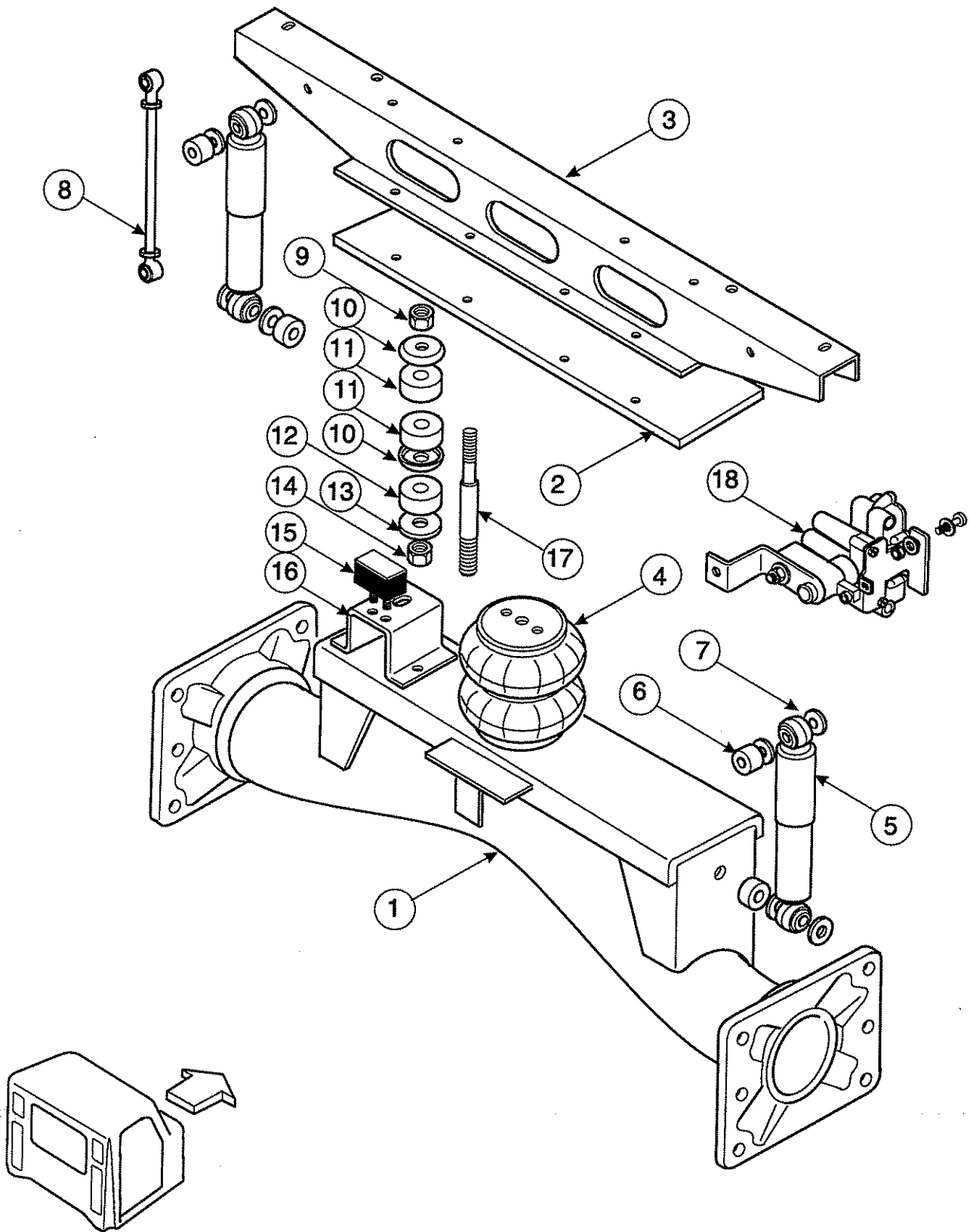
Specific BOMs listed: 2068-001-03, 2068-001-06/18



CAB REAR SUPPORT - 48/58 MODELS
(FIRST PRODUCTION MODELS)

Item	Description	Part Number	Quantity
1	Crossmember, Rear Cab Support (Standard 48/58 Small Bore)	66015-3419	1
1	Crossmember, Rear Cab Support (Standard 48/58 Big Bore)	66015-3420	1
1	Crossmember, Rear Cab Support (Heavy Duty 48/58 Small Bore)	66015-3421	1
1	Crossmember, Rear Cab Support (Heavy Duty 48/58 Big Bore)	66015-3422	1
2	Plate, Rear Support	66024-3442	1
3	Bracket, Rear Cab Support	66024-3443	1
4	Air Bag, Rear Cab Support	66003-3404	1
5	Shock Absorber, Rear Cab	66010-3404	1
6	Spacer, .53 x 1.25 OD x .69	4007-3421	4
7	Washer, Hard 5/16 x .63 x .06	4011-3410	8
8	Rod Assembly	13307-3505	1
9	Nut, Lock Prtrq Cad .50-20	4012-3419	1
10	Retainer, Isolator	02-7130093	2
11	Insulator, Rad Tie Rod	02-7006298	2
12	Rebound Washer	105-13-872	1
13	Washer, Cab Isolator	66016-3403	4
14	Nut, Hex Slotted .62-18	125267	1
15	Rebound Rubber, Cab Rear	110-13-341	1
16	Bracket, Cab Bumpstop	66006-3405	1
17	Limit Stud, Cab Restraint	66011-3406	1
18	Valve, Height Control	66007-3401	1

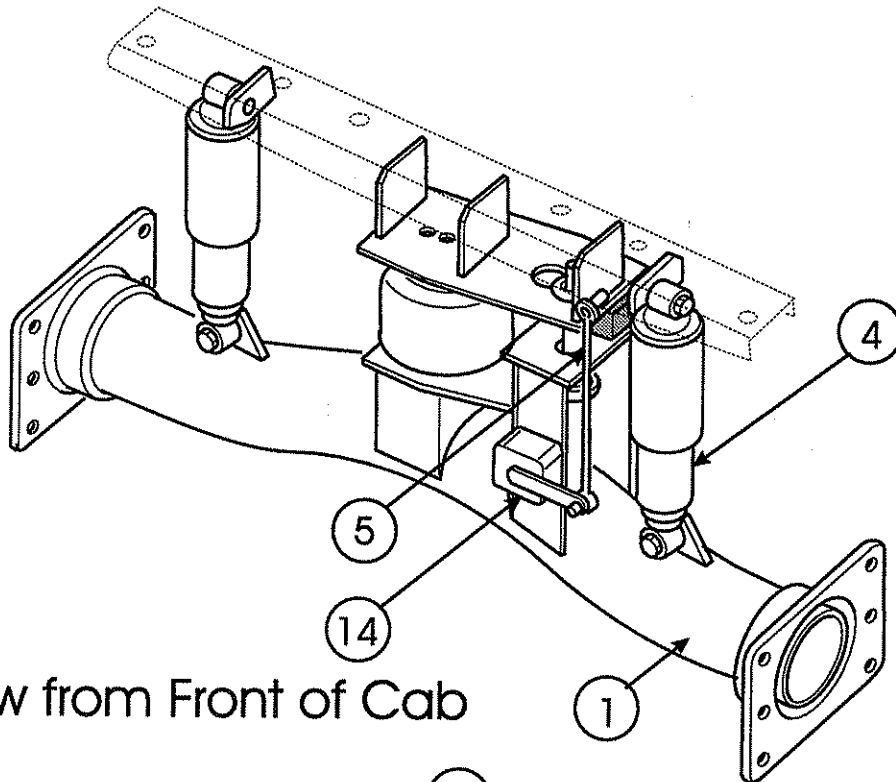
Specific BOMs listed: 2068-010-01/03, 2068-010-08



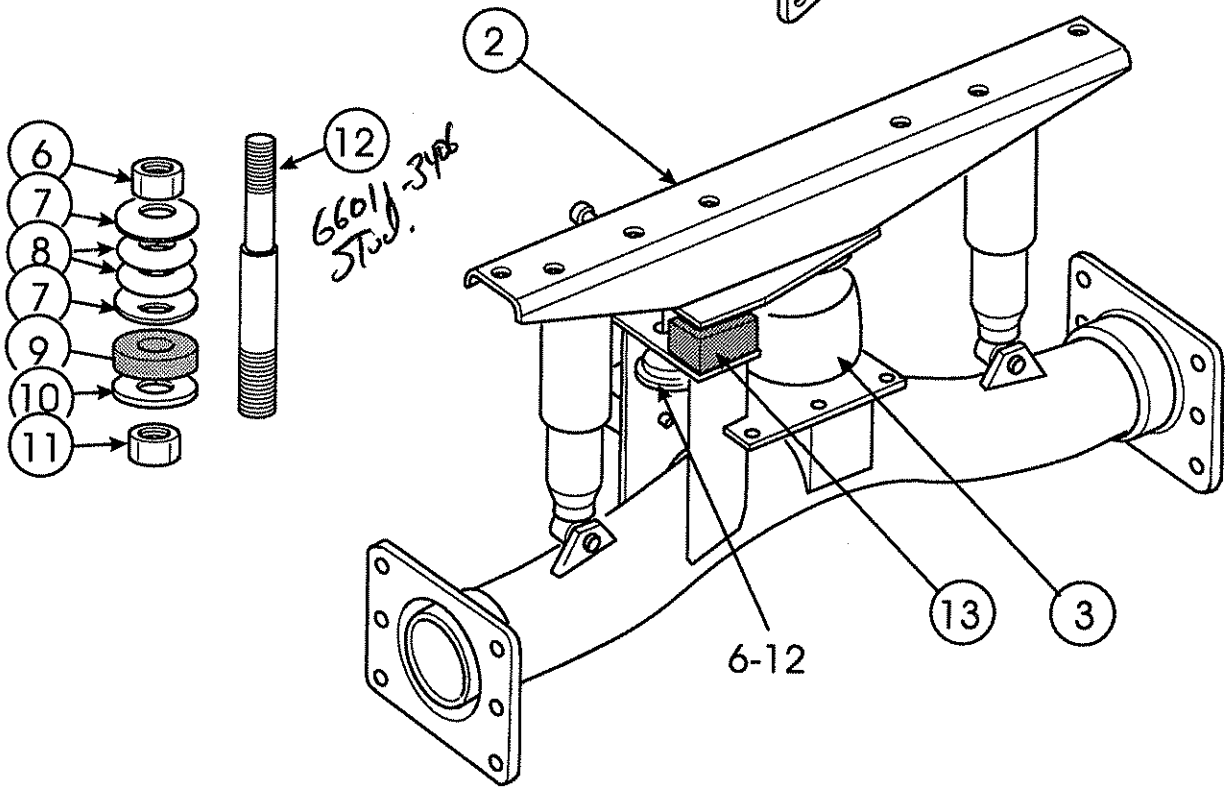
CAB REAR SUPPORT - 49/59 MODELS
(FIRST PRODUCTION MODELS)

Item	Description	Part Number	Quantity
1	Crossmember, Rear Cab Support, Standard	66015-3419	1
or			
1	Crossmember, Rear Cab Support, HD	66015-3421	1
2	Plate, Rear Support	66024-3442	1
3	Bracket, Rear Cab Support	66024-3443	1
4	Air Bag, Rear Cab Support	66003-3404	1
5	Shock Absorber, Rear Cab	66010-3404	1
6	Spacer, .53 x 1.25OD x .69	4007-3421	4
7	Washer, Hard 5/16 x .63 x .06	4011-3410	8
8	Rod Assembly	13307-3505	1
9	Nut, Lock Prtrq. Cad .50-20	4012-3419	1
10	Retainer, Isolator	02-7130093	2
11	Insulator, Rad Tie Rod	02-7006298	2
12	Rebound Washer	105-13-872	1
13	Washer, Cab Isolator	66016-3403	4
14	Nut, Hex Slotted .62-18	125267	1
15	Rebound Rubber, Cab Rear	110-13-341	1
16	Bracket, Cab Bumpstop	66006-3405	1
17	Limit Stud, Cab Restraint	66011-3406	1
18	Valve, Height Control	66007-3401	1

Specific BOMs listed: 2068-010-04/07



View from Front of Cab

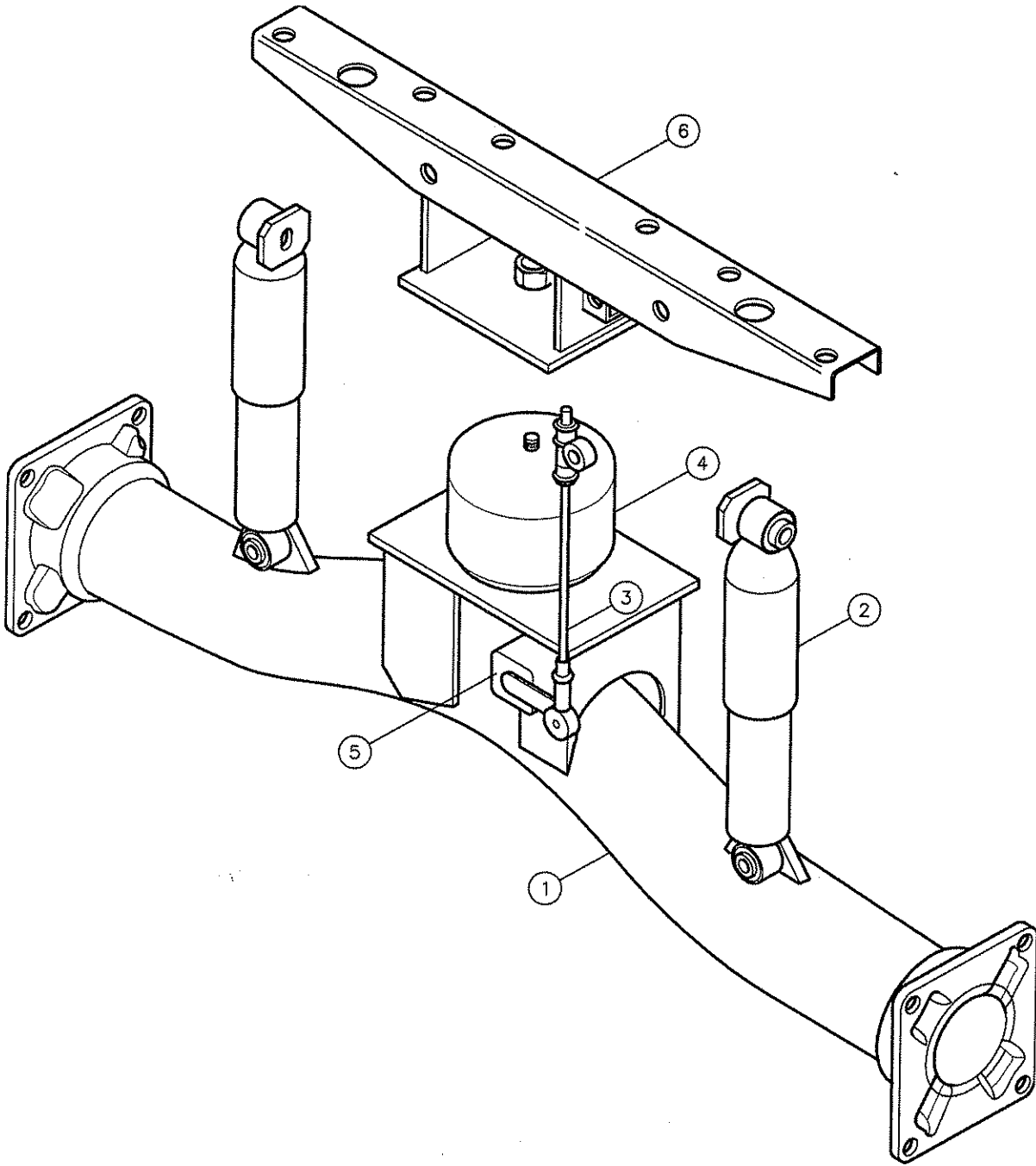


View from Rear of Cab

CAB REAR SUPPORT - 48/58 & 49/59 MODELS
(EFFECTIVE NOVEMBER 4, 1996 TO JULY 14, 1998)

Item	Description	Part Number	Quantity
1	Crossmember, Rear Cab Support 32.25"	66015-3454	1
1	Crossmember, Rear Cab Support 32.75"	66015-3453	1
1	Crossmember, Rear Cab Support 33.25"	66015-3452	1
1	Crossmember, Rear Cab Support 33.00	66015-3440	1
1	HD Crossmember, Rear Cab Support 32.00"	66015-3462	1
1	HD Crossmember, Rear Cab Support 32.25"	66015-3457	1
1	HD Crossmember, Rear Cab Support 32.75"	66015-3456	1
1	HD Crossmember, Rear Cab Support 33.25"	66015-3455	1
2	Bracket, Rear Cab Support	66024-3446	1
3	Air Sleeve	66003-3405	1
4	Shock Absorber	66010-3404	1
5	Rod Assy, Height Control	13307-3549	1
6	Nut, Lock Prtrq Cad. .31-24	4012-3419	1
7	Retainer, Isolator	02-7130093	2
8	Insulator	02-7006298	2
9	Rebound Washer	105-13-872	1
10	Washer, Cab Isolator	66016-3403	1
11	Nut, Hex, Slotted	125267	1
12	Rebound Washer <i>Steel</i>	105-13-872 <i>66011-3406</i>	1
13	Rebound Rubber	110-13-341	1
14	Height Control Valve	66007-3401	1

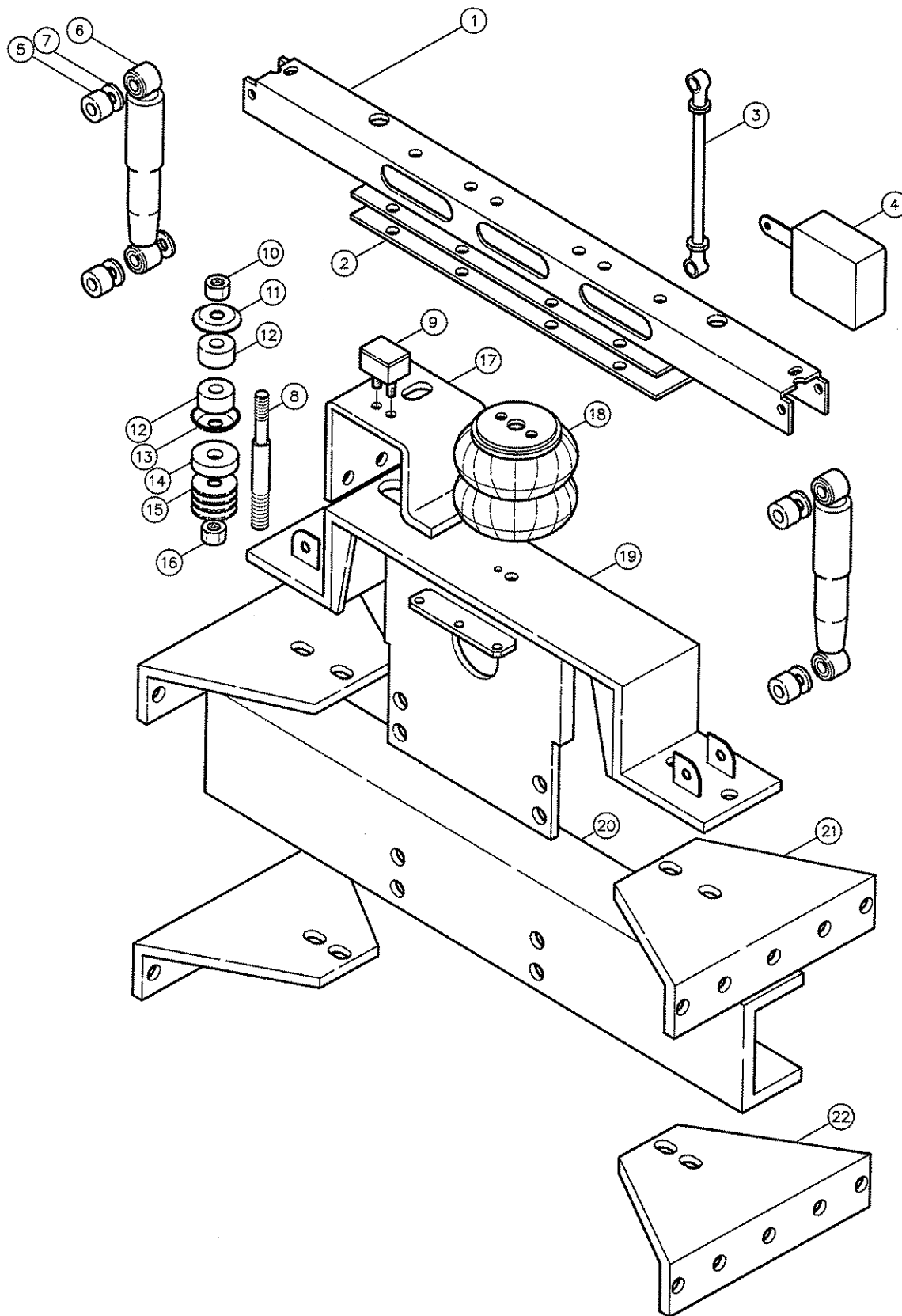
Specific BOMs listed: 2068-002-00/08, 2068-002-10/18, 2068-003-00/08, 2068-003-10/16,
2068-004-00/08, 2068-005-00/10, 2068-006-00/08



**CAB REAR SUPPORT - TUBULAR CROSSMEMBER 48/58 & 49/59 MODELS
(EFFECTIVE JULY 14, 1998)**

Item	Description	Part Number	Quantity
1	Service Crossmember, Standard, Tubular Rear Cab	66015-3467-3125	1
1	Service Crossmember, HD, Tubular Rear Cab	66015-3468-3125	1
2	Shock Absorber	66010-3405	2
3	Rod, Height Control	66026-3405	1
4	Air Spring, Reversible Sleeve, Internal Bump Stop	66003-3406	1
5	Valve, Height Control	66007-3401	1
-	Plug, 1/4" male push-in	05030-3426-04	1
-	Elbow, 1/4" Push-to-connect	05170-3406	1
-	Washer, Hard 1/4 x .50 x .06	04011-3409	2
-	Nut, Elastic Stop .25 - 20UNC	656310	2
6	Bracket, Rear Cab Support	66024-3450	1

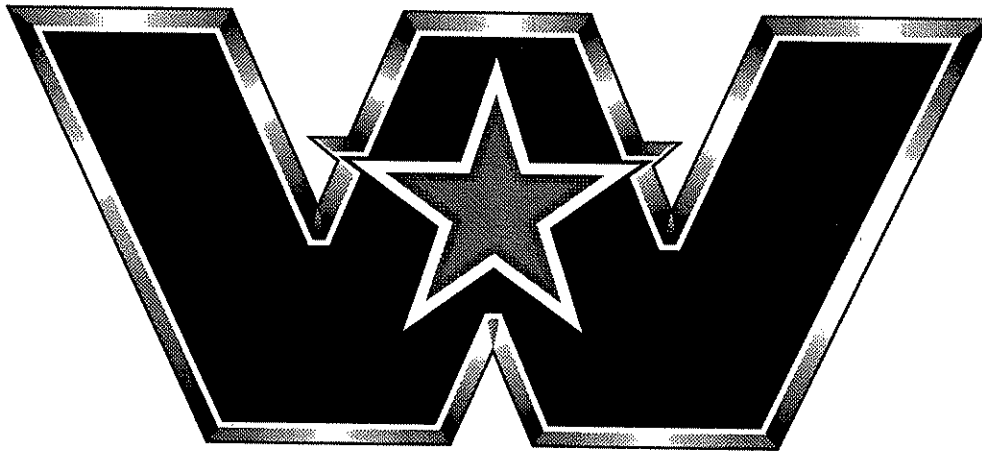
Specific BOMs listed: 2068-501-00/15, 2068-502-00/15, 2068-503-00/07, 2068-504-00/07



CAB REAR SUPPORT - 49/59 MODELS WITH ALUMINUM CHANNEL REAR CAB X-MEMBER

Item	Description	Part Number	Quantity
1	Bracket, Rear Cab Support	66024-3444	1
2	Plate, Rear Support Bracket	66024-3445	1
3	Rod Assembly, Alignable	13307-3477	1
4	Valve, Height Control	66007-3401	1
5	Spacer, .53 x 1.25 x .69	04007-3421	4
6	Shock Absorber	66010-3404	2
7	Washer, Hard .50 x 1.0 x .10	04011-3413	4
8	Limit Stud, Cab Restraint	66011-3406	1
9	Rebound Rubber	110-13-341	1
10	Nut, .50-24	4012-3419	1
11	Retainer, Isolator	02-7130093	1
12	Isolator	02-7006298	2
13	Retainer, Isolator	02-7130093	1
14	Washer, Rubber Rebound	105-13-872	1
15	Washer, Hard	66016-3403	4
16	Nut, .62-18	125267	2
17	Bracket, Cab Bump Stop	66006-3409	1
18	Air Bag	66003-3404	1
19	Plate, Rear Support	66024-3445	1
20	Crossmember, Aluminum Extrusion	66002-3518	1
21	Gusset, Top	66009-3419	2
22	Gusset, Bottom	66009-3420	2

Specific BOMs listed: 2068-027-00



WESTERN STAR TRUCKS®
The Preferred Choice™

TABLE OF CONTENTS

	Section	Page
Cab Assemblies	11.1.1	2-3
Cab Shell Breakdowns	11.1.1	4-9
Exterior Sunvisor	11.1.2	10-13
Cab Skirts	11.1.3	14-15
Cab Glass	11.1.4	16-17
Cab Door Hardware	11.1.5	18-19
Door Window Lift	11.1.6	20-21
Door Window Trim	11.1.7	22-23

Note: This publication is a generic parts book. Components may vary with different applications. For applications other than listed below the parts listings, see the appropriate Bill of Material by truck serial number, and use this publication as a guide only.

Western Star Cabs may be ordered with a variety of different options. Doors are included with the cab shell, and a visibility window may be specified. The firewall and floorboards vary with cab model, transmission type, and sleeper type. The rear wall cut out will vary by sleeper options. In addition, cabs spec'd for a Star Light Sleeper have a lightweight composite floor. The following chart outlines the options spec'd with a particular cab Part Number.

Note: Effective On-Line September 14, 1998 a design change to the firewall was implemented, changing the engineering of the firewall cutout for the clutch pedal. If ordering a replacement cab ensure that the cab ordered is for the same time period as the original truck.

49/59 Model built before September 14, 1998							
WST P/N	Cabco P/N	RH Vis. Window	Transmission Type		Sleeper Cutout		
			Manual Transmission	Automatic Transmission	Steel (Constellation)	Aluminum (Heritage)	Composite (Star Light)
50001-3526	CC-00001		✓				
50001-3532	CC-00002		✓		✓		
50001-3554	CC-00007	✓	✓				
50001-3555	CC-00008	✓	✓		✓		
50001-3560	CC-00013		✓			✓	
50001-3563	CC-00016	✓	✓			✓	
50100-3470	CC-00074		✓				✓
50100-3471	CC-00075	✓	✓				✓
50001-3569	CC-00019			✓			
50001-3570	CC-00020			✓	✓		
50001-3575	CC-00025	✓		✓			
50001-3576	CC-00026	✓		✓	✓		
50001-3581	CC-00031			✓		✓	
50001-3584	CC-00034	✓		✓		✓	

49/59 Model built September 14, 1998 or later							
WST P/N	Cabco P/N	Visibility Window	Transmission Type		Sleeper Cutout		
			Manual Transmission	Automatic Transmission	Aluminum (Heritage)	Composite (Star Light)	
50100-3495	CC-00087		✓				
50100-3496	CC-00088	✓	✓				
50100-3504	CC-00095		✓			✓	
50100-3505	CC-00096	✓	✓			✓	
50100-3499	CC-00091		✓				✓
50100-3501	CC-00092	✓	✓				✓
50100-3497	CC-00089			✓			
50100-3498	CC-00090	✓		✓			
50100-3506	CC-00097			✓		✓	
50100-3507	CC-00098	✓		✓		✓	
50100-3493	CC-00086	✓		✓			✓
50100-3491	CC-00085			✓			✓

48/58 Model with Small Block Engines built before September 14, 1998

WST P/N	Cabco P/N	Visibility Window	Transmission Type		Sleeper Cutout		
			Manual Transmission	Automatic Transmission	Steel (Constellation)	Aluminum (Heritage)	Composite (Star Light)
50001-3546	CC-00003		✓				
50001-3551	CC-00006		✓		✓		
50001-3556	CC-00009	✓	✓				
50001-3559	CC-00012	✓	✓		✓		
50001-3562	CC-00015		✓			✓	
50001-3565	CC-00018	✓	✓			✓	
50100-3481	CC-00043		✓				✓
50100-3485	CC-00049	✓	✓				✓
50001-3571	CC-00021			✓			
50001-3574	CC-00024			✓	✓		
50001-3577	CC-00027	✓		✓			
50001-3580	CC-00030	✓		✓	✓		
50001-3583	CC-00033			✓		✓	
50001-3586	CC-00036	✓		✓		✓	
50100-3483	CC-00061			✓			✓
50100-3487	CC-00067	✓		✓			✓

48/58 Model with Small Block Engines September 14, 1998 or later

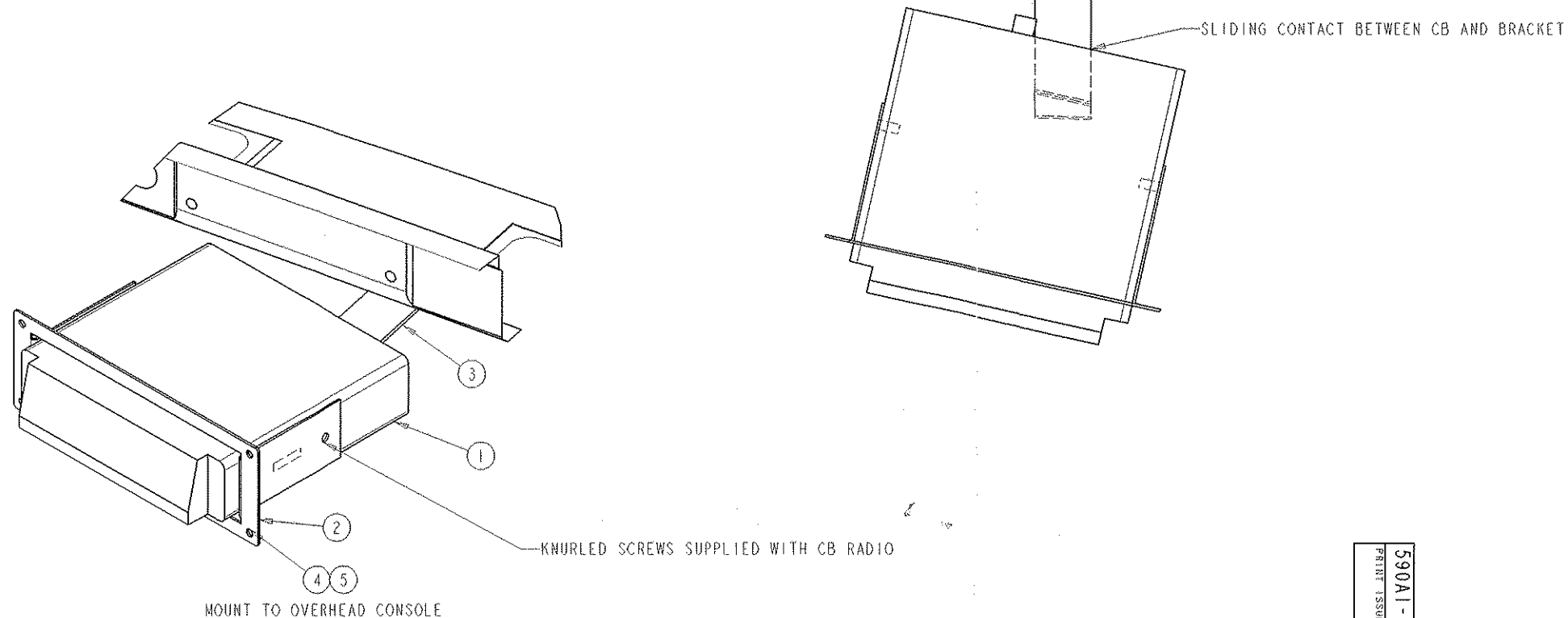
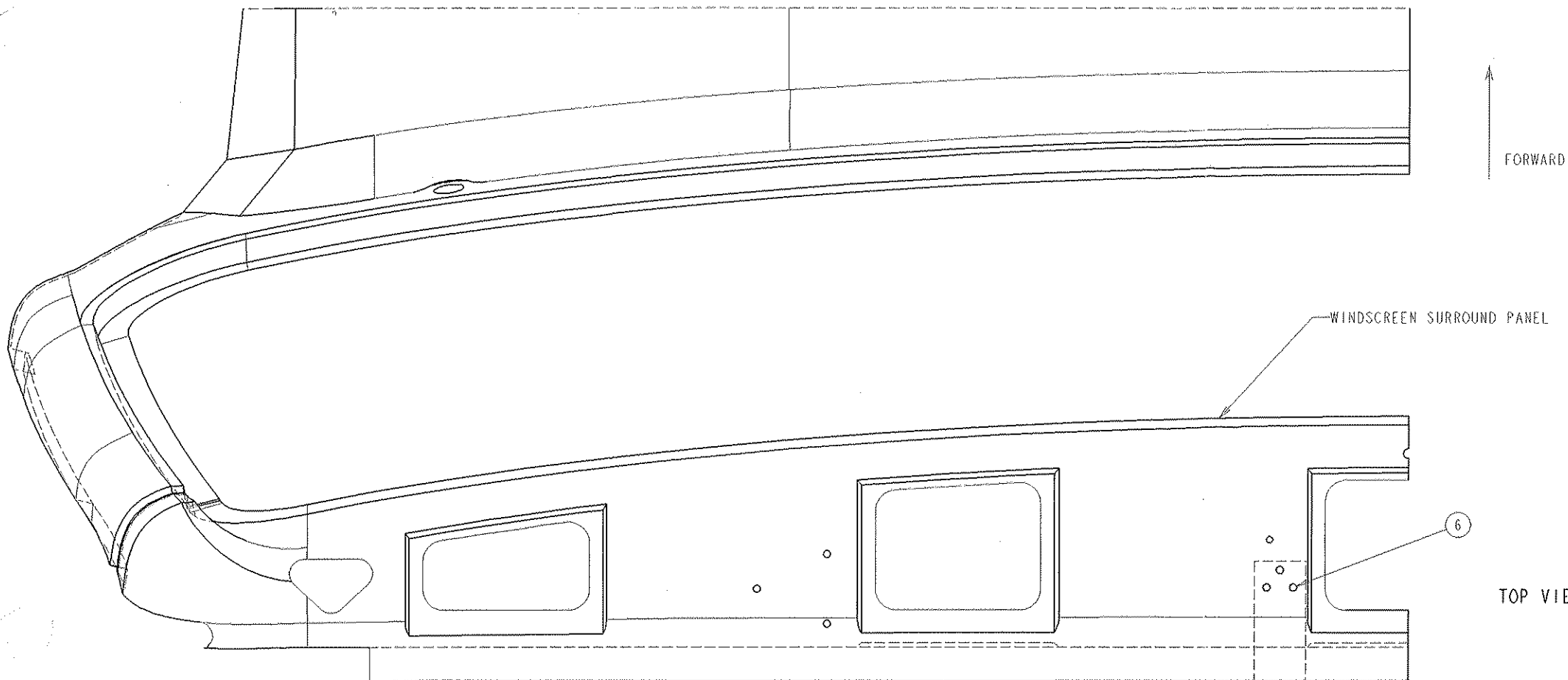
WST P/N	Cabco P/N	Visibility Window	Transmission Type		Sleeper Cutout	
			Manual Transmission	Automatic Transmission	Aluminum (Heritage)	Composite (Star Light)
50100-3401	CC-00040		✓			
50100-3404	CC-00046	✓	✓			
50100-3420	CC-00052		✓		✓	
50100-3423	CC-00055	✓	✓		✓	
50100-3481	CC-00043		✓			✓
50100-3485	CC-00049	✓	✓			✓
50100-3407	CC-00058			✓		
50100-3410	CC-00064	✓		✓		
50100-3432	CC-00070			✓	✓	
50100-3435	CC-00073	✓		✓	✓	
50100-3483	CC-00061			✓		✓
50100-3487	CC-00067	✓		✓		✓

48/58 Model with Big Block Engines built before September 14, 1998							
WST P/N	Cabco P/N	Visibility Window	Transmission Type		Sleeper Cutout		
			Man Trans Transmission	Auto Trans Transmission	Steel (Constellation)	Aluminum (Heritage)	Composite (Star Light)
50001-3547	CC-00004		✓				
50001-3548	CC-00005		✓		✓		
50001-3557	CC-00010	✓	✓				
50001-3558	CC-00011	✓	✓		✓		
50001-3561	CC-00014		✓			✓	
50001-3564	CC-00017	✓	✓			✓	
50100-3482	CC-00042		✓				✓
50100-3486	CC-00048	✓	✓				✓
50001-3572	CC-00022			✓			
50001-3573	CC-00023			✓	✓		
50001-3578	CC-00028	✓		✓			
50001-3579	CC-00029	✓		✓	✓		
50001-3582	CC-00032			✓		✓	
50001-3585	CC-00035	✓		✓		✓	
50100-3484	CC-00060			✓			✓
50100-3488	CC-00066	✓		✓			✓

48/58 Model with Big Block Engines September 14, 1998 or later							
WST P/N	Cabco P/N	Visibility Window	Transmission Type		Sleeper Cutout		
			Man Trans Transmission	Auto Trans Transmission	Aluminum (Heritage)	Composite (Star Light)	
50100-3402	CC-00041		✓				
50100-3405	CC-00047	✓	✓				
50100-3419	CC-00051		✓				
50100-3422	CC-00054	✓	✓		✓		
50100-3482	CC-00042		✓				✓
50100-3486	CC-00048	✓	✓				✓
50100-3408	CC-00059			✓			
50100-3411	CC-00065	✓		✓			
50100-3431	CC-00069			✓	✓		
50100-3434	CC-00072	✓		✓	✓		
50100-3484	CC-00060			✓			✓
50100-3488	CC-00066	✓		✓			✓

REMOVE ALL SHARP EDGES IF IN DOUBT ASK DO NOT SCALE DRAWING CAST, STAMP OR STENCIL PART NUMBER & REVISION LETTER IN SUITABLE LOCATION ORIGINAL CREATED OR NS11 SOLID MODELING WORKSTATION

ECO	CHG	CHANGE	BY	DATE	CKD	APVD
106366	A	BRKT 87321-3428 WAS 87321-3419; ADD WINDSCREEN SURROUND FOR REFERENCE	TGM	26OCT99	bgt	



REV	COMP. NO.	DESCRIPTION	SIZE	MATERIAL
3	-6	POP RIVET	3/16	9020680
4	-5	SCREW #10-16X.75		4010-3404
4	-4	CLIP		524074
1	-3	BRACKET REAR		87321-3421
1	-2	BRACKET FRONT		87321-3428
1	-1	CB RADIO		

WESTERN STAR TRUCKS INC. COMPUTER GRAPHICS KELOWNA, B.C.			
TOLERANCES UNLESS NOTED:		BY	DATE
MACHINING	± .02 INCH	DWH	RGV 26JUN95
HOLE CENTERS	± .02 INCH	CKD	
HOLE DIAMETERS	± .02 INCH	APVD	DVC 23AUG95
LINEAR	± .06 INCH	ECO	80215
ANGULAR	± 1/2 °	SCALE	0.500
THIS DOCUMENT CONTAINS PROPRIETARY INFORMATION AND IT SHALL NOT BE USED OR REPRODUCED OR ITS CONTENTS DISCLOSED IN WHOLE OR IN PART WITHOUT THE PRIOR WRITTEN CONSENT OF WESTERN STAR TRUCKS INC., KELOWNA, BC			
INSTALLATION			N/REF 4389
CB RADIO AND BRACKETS			590A1-3428

590A1-3428
PRINT ISSUE DATE
A

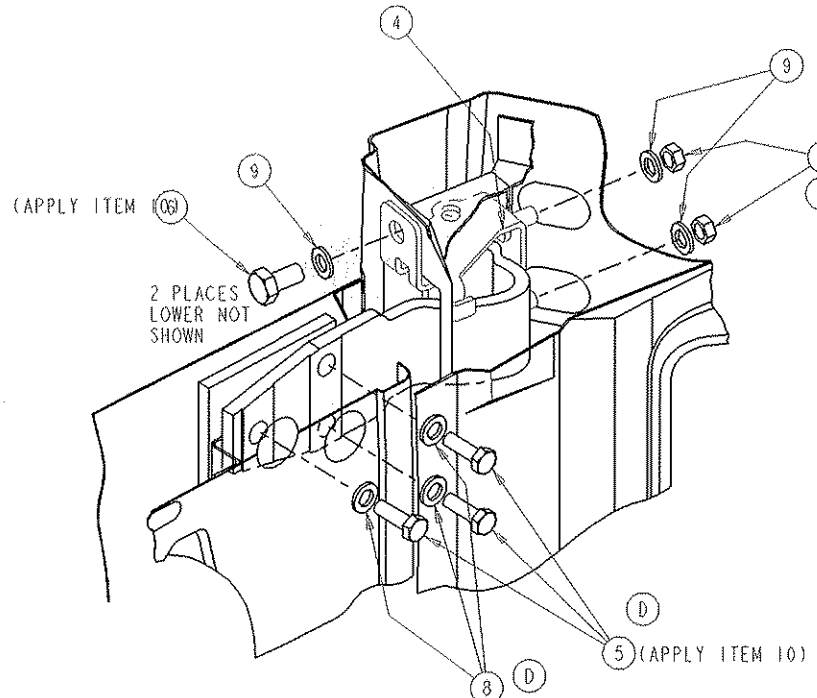
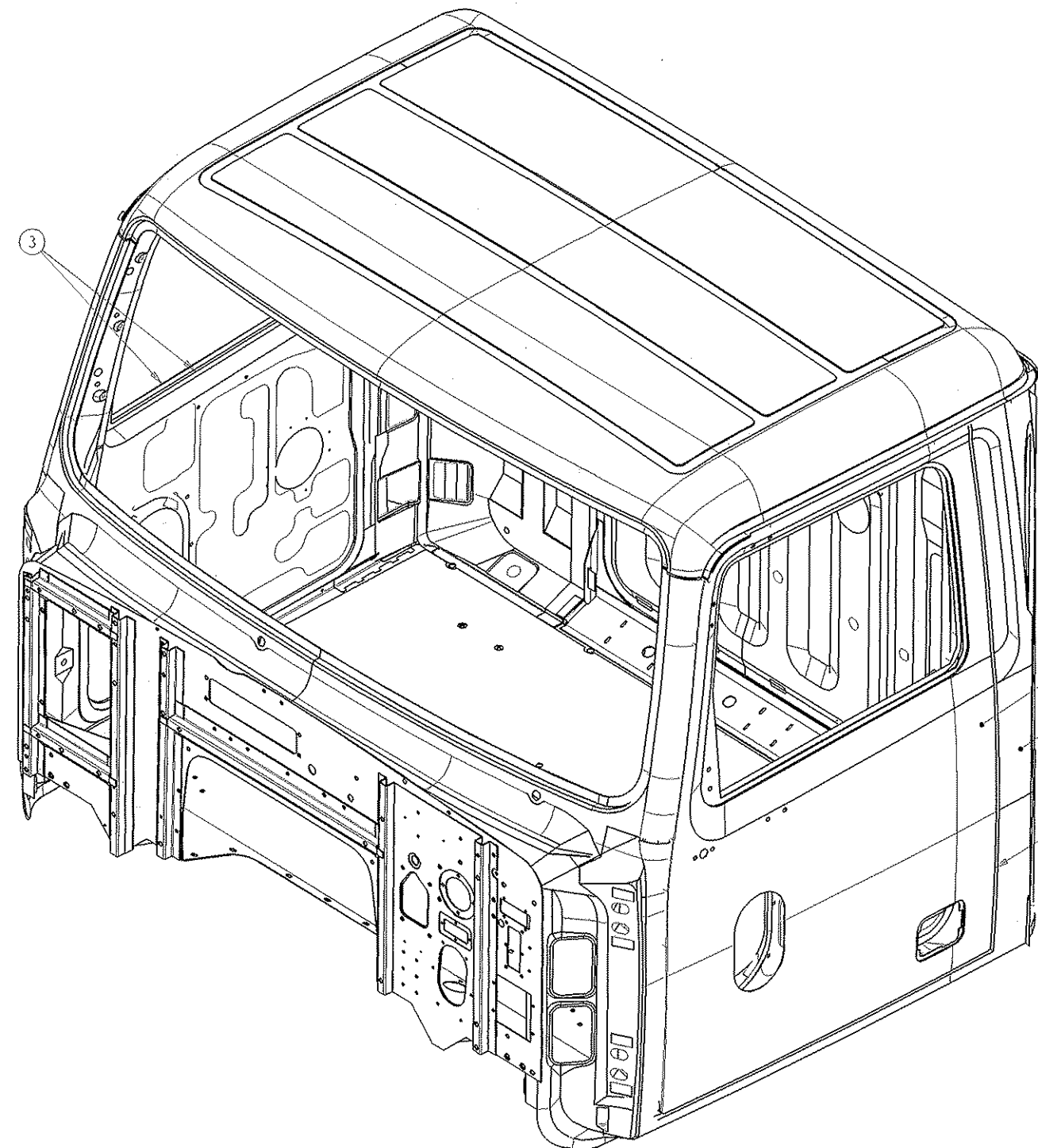
1 | FOLD

3 | FOLD

2 | FOLD

REMOVE ALL SHARP EDGES IF IN DOUBT ASK DO NOT SCALE DRAWING CAST, STAMP OR STENCIL PART NUMBER & REVISION LETTER IN SUITABLE LOCATION ORIGINAL CREATED ON NS11 SOLID MODELING WORKSTATION

ECO	CHG	CHANGE	BY	DATE	CKD	APVD
	A	DOOR TRIM CONDITION AT A-POST EDGE AND MIRROR ARM MOUNTING HOLES MODIFIED PICTORIALY "LHD" ADDED TO TITLE MGA REF PB/95/0125	RJB/HGA	07JUN95	AJH/HGA	CJS
80374	B	REDRAWN ON PRO-E. ADDED NEW FIRWALL ASSY. ADDED VENDOR, VENDOR PART NUMBER AND SHEET 2 WITH BILL OF MATERIALS. TITLE WAS CAB-LHD BIW COMPLETE	LDW	04AUG95	BGR	DVC
C00116	C	ADDITIONAL CAB MODELS ADDED ITEM 10 AND 50203-3406 ADDED ITEM 9 WAS 120394 ITEM 8 WAS 120369. DRW UPDATED TO SHOW CHANGES TO ASSY. SHEET 2 DEL.	LDW	08OCT96		BGK
C00164	D	ITEM 5 BOLT WAS 1/8"x1.25" UNF BOLT; ITEM 7 NUT WAS 3/8 UNF STD NUT; ITEM 8 WASHER WAS 4011-3411; ITEM 10 REMOVED FROM USE WITH ITEMS 7 AND 9.	TGM	6MAR97		BGK
C00254	E	ITEM #9 WASHER WAS #4011-3411	TGM	25NOV97		DVC
C00321	F	REVISED ITEM 1 TO ADD UPH BRKT	TGM	22MAY98		DVC



CUT-AWAY VIEW FROM INSIDE CAB SHOWING HINGE MTG. POSNS.

NOTES:

TOLERANCES:

- 1 NOMINAL GAP BETWEEN LINE A & LINE B IS 8.0 mm (PERMISSIBLE VARIATION ± 1.0 mm)
- 2 PERMISSIBLE VARIATION PER LINE IS 1.0mm IN 500 mm TAPER
- 3 PERMISSIBLE VARIANCE ON OUTER MISMATCH IS mm

TORQUES:

THE FOLLOWING TORQUES ARE TO BE APPLIED (WITHOUT OIL OR GREASE)
 3/8" BOLTS & NUTS 32 Nm (23 lbf ft)
 5/16" BOLTS 22 Nm (16 lbf ft)

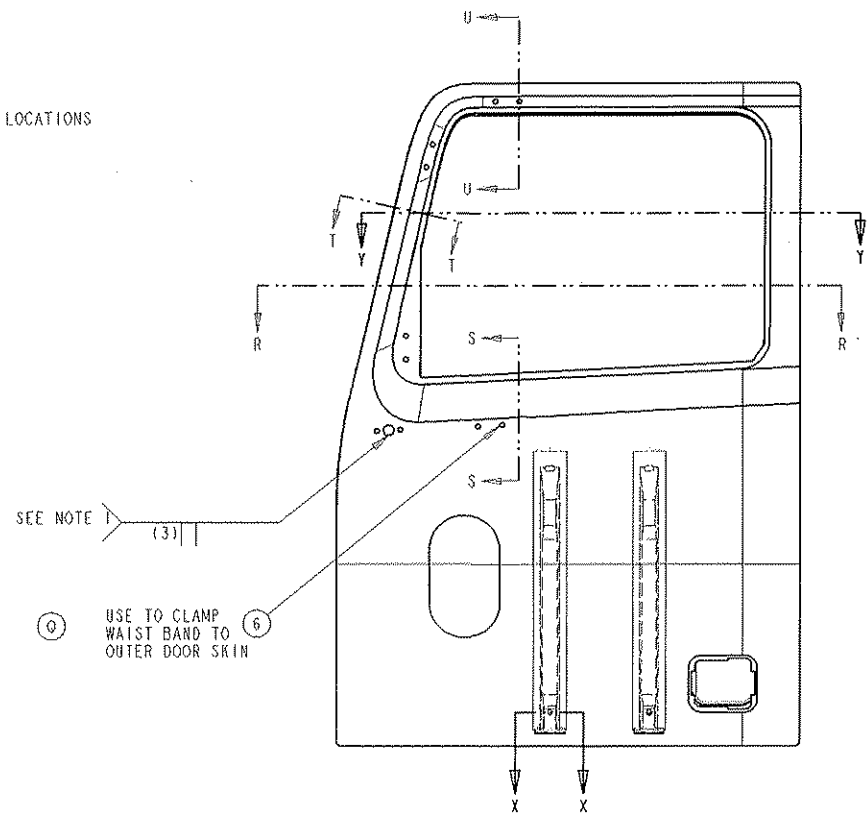
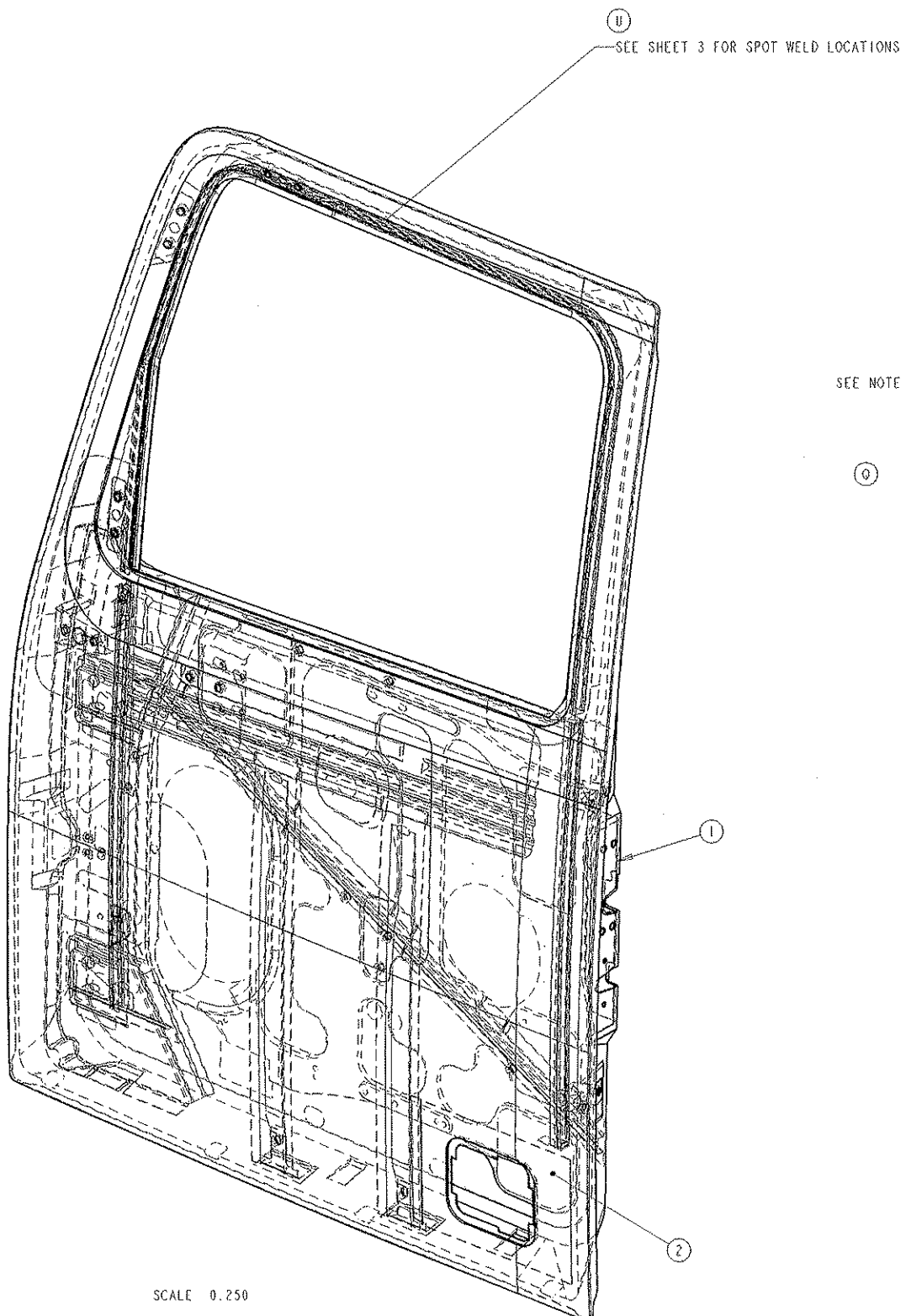
APPROVED VENDOR - CABCO

THIS PART MUST NOT BE MODIFIED WITHOUT REFERENCE TO THE MASTER CAD DATA BASE

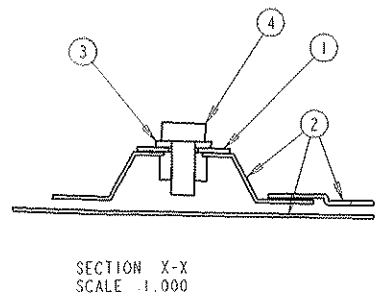
REV	COMP. NO.	DESCRIPTION	PART No.
	10	LOCTITE - 242	6479-5002
	9	3/8" HARDENED WASHER	569302
	8	5/16" HARDENED WASHER	4011-3463
	7	3/8" UNF LOCKNUT	4012-3417
	6	3/8" x 3/4" UNF BOLT	181635
	5	5/16" x 1.25" UNF BOLT	181610
	4	ASSY HINGE	50260-3403
	3	ASSY DOOR SHELL VIS WINDOW RH	50203-3406
	3	ASSY DOOR SHELL RH	50203-3405
	2	ASSY DOOR SHELL LH	50202-3405
	1	BIW COMPLETE - LHD - 48 BB AUTO	50301-3461
	1	BIW COMPLETE - LHD - 48 SB AUTO	50301-3456
	1	BIW COMPLETE - LHD - 49 AUTO	50301-3446
	1	BIW COMPLETE - LHD - 48 BB MAN	50301-3416
	1	BIW COMPLETE - LHD - 48 SB MAN	50301-3411
	1	BIW COMPLETE - LHD - 49 MAN	50301-3401

WESTERN STAR TRUCKS INC. COMPUTER GRAPHICS KELOWNA, B.C.			
TOLERANCES UNLESS NOTED:	BY	DATE	
TRIM EDGE ± 1,50 mm	DWN	AA/MGA	09NOV93
HOLE CENTERS ± 0,25 mm	CKD	AJH/HGA	08DEC93
HOLE DIAMETERS ± 0,25 mm	APVD	W/LWS	08DEC93
LINEAR/FORM ± 0,50 mm	ECO		80374
ANGULAR ± 1/2 °	SCALE		NONE
THIS DOCUMENT CONTAINS PROPRIETARY INFORMATION AND IT SHALL NOT BE USED OR REPRODUCED OR ITS CONTENTS DISCLOSED IN WHOLE OR IN PART WITHOUT THE PRIOR WRITTEN CONSENT OF WESTERN STAR TRUCKS INC., KELOWNA, BC			
CAB ASSY DAYCAB LHD BIW COMPLETE			MR NO. 4018 50001-3526 <small>SHT 1 OF 1</small>

REMOVE ALL SHARP EDGES DO NOT SCALE DRAWING CAST, STAMP OR STENCIL PART NUMBER ORIGINAL CREATED ON WST1
IF IN DOUBT ASK L REVISOR LETTER IN SUITABLE LOCATION SOLID MODELING WORKSTATION

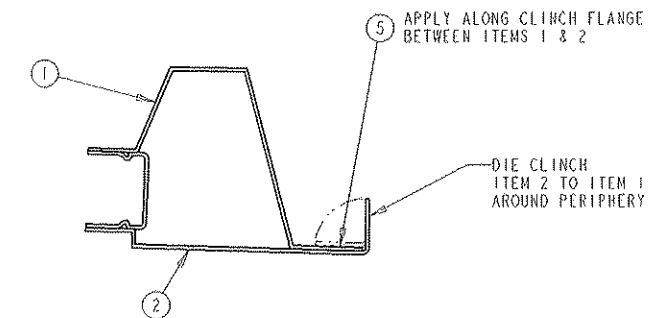


NOTES:
1) TACK WELD IF NECESSARY TO MAINTAIN HOLE ALIGNMENT BETWEEN HOLES IN INNER BRACKET AND OUTER PANEL.



SECTION X-X
SCALE 1.000

ECO	CHG	CHANGE	BY	DATE	CKD	APVD
	A	DRAWING CHANGED VISUALLY TO REFLECT CHANGES TO MTG BRKT REINF DOOR OUTER - MGA REF PB/94/0035 -	KAA MGA	31 JAN 94	AJU MGA	WTL
	B	DRAWING CHANGED TO REFLECT FULL DROP GLASS SPOTWELD COUNT 29 WAS 19 - MGA REF PB/94/0038 -	KAA MGA	18 FEB 94	AJU MGA	WTL
	C	CHEATER POSITION ALTERED CHANNELS MODIFIED TO SUIT - MGA REF PB/94/0066 - DRG CHANGED VISUALLY TO REFLECT REGULATOR ACCESS HOLE MOVE - MGA REF PB/94/0066 - DRG CHANGED VISUALLY TO REFLECT NEW MIRROR MOUNTINGS - MGA REF PB/94/0097 -	MJM MGA	13 JAN 95		
81367	D	REDRAWN ON PRO-E; DRAWING CHANGED VISUALLY TO REFLECT CHANGES TO COMPONENTS (SEE ECO 80008 & 81160); ITEM 4 WAS 181566 (1.75 LONG); 50202-3406 & 50203-3406 ADDED	DT	24 OCT 95	BGK	DVC
81952	E	ITEM 1 & SECT X-X REVISED	DT	7 DEC 95	BGK	DVC
82236	F	ITEMS 1 & 2 REVISED	DT	18 DEC 95	BGK	DVC
83380	G	ITEM 2 REVISED	DT	23 FEB 96		BGK
83337	H	ITEMS 1 & 2 REVISED; NOTE 1 ADDED SHT 2 & SECT R,S,I,U ADDED	DT	6 MAR 96		BGK
C00101	J	ITEM 5 WAS 6479-3412	LDW	16 SEPT 96		BGK
C00132	K	ITEM 1 REVISED	TGM	2 DEC 96		BGK
C00167	L	ITEMS 1 AND 2 REVISED	TGM	4 APR 97		BGK
C00182	M	ITEM 1 REVISED	TGM	6 JUNE 97		DVC
C00177	N	ITEM 1 REVISED. REDUCE NUMBER OF SPOT WELDS FOR GLASS CHANNEL FLANGES: 24 WELDS AT 70 PITCH WERE 30 AT 50 PITCH.	TGM	8 JUL 97		DVC
C00221	P	REVISE ALL -2 ITEMS	TGM	30 OCT 97		DVC
C00231	Q	REVISED ALL -2 ITEMS. ADD -6.	TGM	24 OCT 97		DVC
C00258	R	REVISED ALL -1 ITEMS	TGM	31 DEC 97		DVC
C00318	S	ADD 22.2; 22.3 DIMENSIONS (SHT 2)	DRJ	4 MAY 98		BGK
C00368	T	REVISED ALL -1 ITEMS	GEG	21 SEP 98	TGM	BGK
C00416	U	ADD REINFORCEMENTS TO 1 & 2. MOVE SPOT WELDS TO SHEET 3.	TGM	16 FEB 00		BGK
C00497	V	ADDED 2 WELD NUTS TO STRUT IN ITEM -1.	TGM	23 FEB 00		BGK
C00523	W	REVISED ITEMS 1 AND 2.	TGM	24 MAY 00	BGK	RJS
C00556	X	REVISED ITEM 1	TGM	28 JUL 00	BGK	RJS
C00558	Y	50202/3-3405 & 50202/3-3406 REVISED; ITEM 2 - 50210/1-3406 & 50210/1-3409 REVISED	DT	3 AUG 00		BGK

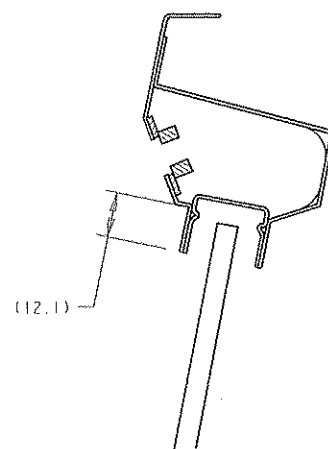


SECTION Y-Y
SCALE 1.0

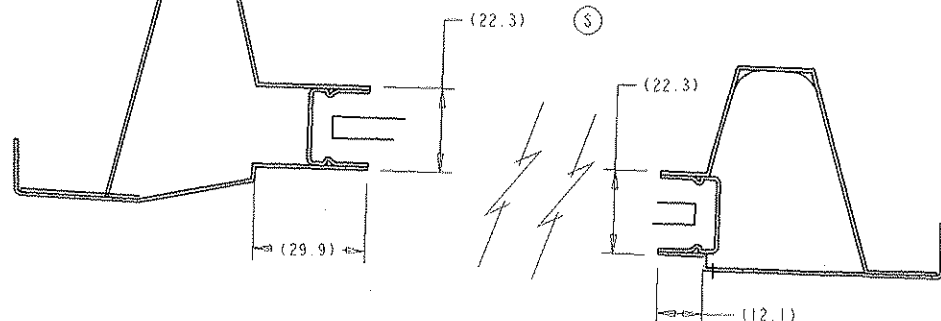
QTY	UNIT	DESCRIPTION	SIZE	PART NUMBER
-6		SCREW - FLAT HEAD	1/4-20 X 0.50	4015-3451
-5		STRUCTURAL ADHESIVE		4101-3418
-4		HEX BOLT	1/4-20 X 0.5	180016
-3		FLAT WASHER	1/4"	120392
-2		ASSY DOOR OUTER RH VIS		50211-3409
-2		ASSY DOOR OUTER LH VIS		50210-3409
-2		ASSY DOOR OUTER RH		50211-3406
-2		ASSY DOOR OUTER LH		50210-3406
-1		ASSY DOOR INNER RH		50205-3407
-1		ASSY DOOR INNER LH		50204-3407

COMP. NO.	DESCRIPTION	SIZE	PART NUMBER
U	U	Y	Y
WESTERN STAR TRUCKS INC. COMPUTER GRAPHICS KELOWNA, B.C.			
TOLERANCES UNLESS NOTED:			
TRIM EDGE	± 1.50 mm	DWN	DT 24OCT95
HOLE CENTERS	± 0.25 mm	CKD	BGK 30OCT95
HOLE DIAMETERS	± 0.25 mm	APVD	DVC 30OCT95
LINEAR/FORM	± 0.50 mm	ECO	81367
ANGULAR	± 1/2 °	SCALE	1/8
THIS DOCUMENT CONTAINS PROPRIETARY INFORMATION AND IT SHALL NOT BE USED OR REPRODUCED OR ITS CONTENTS DISCLOSED IN WHOLE OR IN PART WITHOUT THE PRIOR WRITTEN CONSENT OF WESTERN STAR TRUCKS INC., KELOWNA, BC.			
ASSY - DOOR SHELL W/MIRRORS			MR NO. 4018 50202-3405
			SHT 1 OF 3

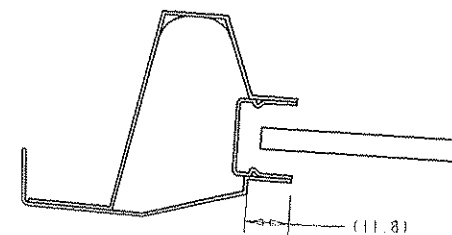
50202-3405
PRINT ISSUE DATE
Y



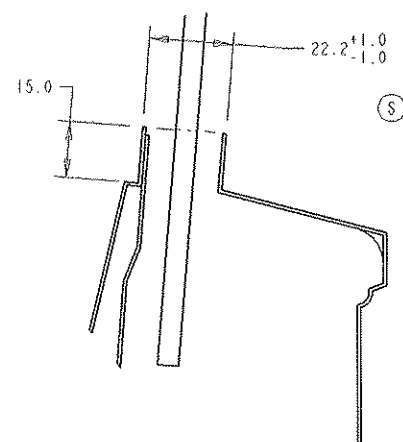
SECTION U-U
SCALE 1.0



SECTION R-R
SCALE 1.0



SECTION T-T
SCALE 1.0



SECTION S-S
SCALE 1.0

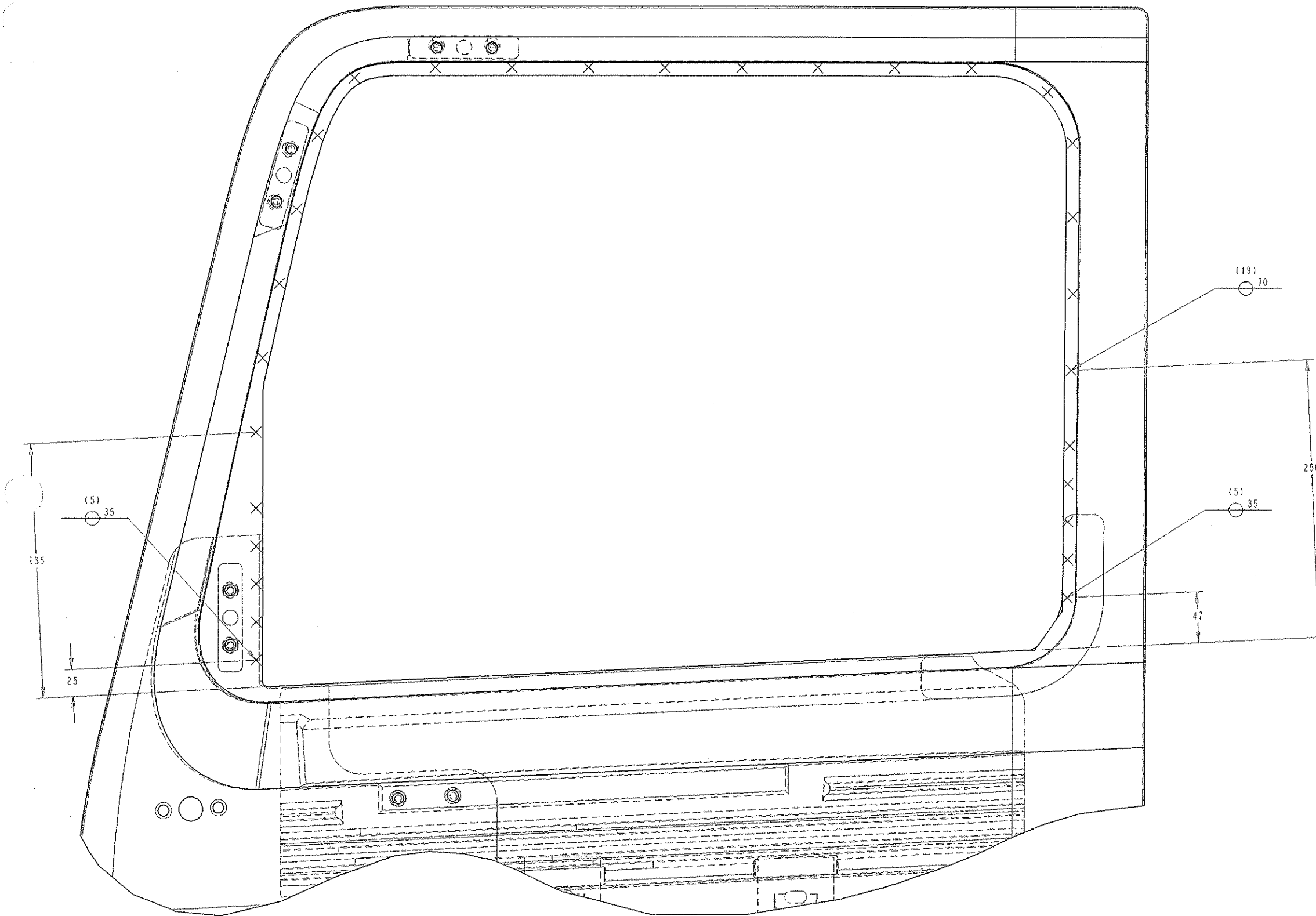
50202-3405
PRINT ISSUE DATE
CHG
SHF 2
OF 3

1 FOLD

3 FOLD

2 FOLD

REV	COMP. NO.	DESCRIPTION	SIZE	MATERIAL
		WESTERN STAR TRUCKS INC. COMPUTER GRAPHICS KELOWNA, B.C.		
	TOLERANCES UNLESS NOTED:		BY	DATE
	TRIM EDGE	± 1.50 mm	DWN TGM	22DEC99
	HOLE CENTERS	± 0.25 mm	CKD	
	HOLE DIAMETERS	± 0.25 mm	APVD	
	LINEAR/FORM	± 0.50 mm	ECO	
	ANGULAR	± 1/2 °	SCALE	FULL
APPLICATION PART NO.	ASSY - DOOR SHELL W/MIRRORS			MR NO. 50202-3405
				SHF 2 OF 3



WELD NOTES:

- 1) TOTAL NUMBER OF WELDS TO INSTALL IN THIS ASSEMBLY STAGE: 29
- 2) ALL WELDS TO BE IN ACCORDANCE WITH WSTI WELD SPECIFICATION 4101-3414
- 3) WELD PITCH IS AS STATED
- 4) GENERAL SPOTWELD POSITIONAL TOLERANCE $\pm 4\text{mm}$.
- 5) WELD LOCATIONS ARE TO SCALE

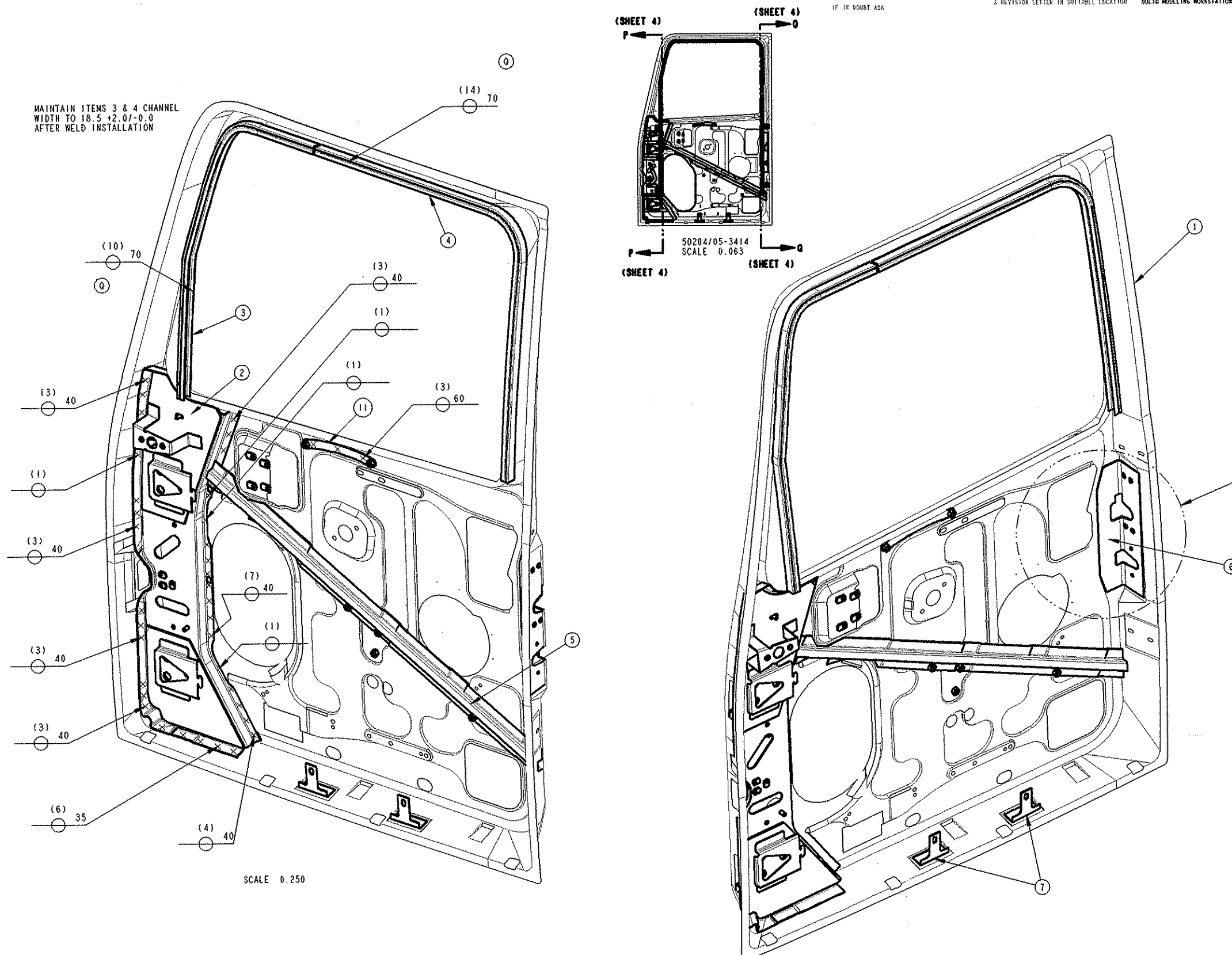
SPOTWELD CLASSIFICATION	
TO BE IN ACCORDANCE WITH WESTERN STAR SPEC 4101-3414	
X	CLASS 'C' - ORDINARY
⊗	CLASS 'A' - SAFETY CRITICAL
⊗	CLASS 'CF' - ORDINARY FACEWELD
⊗	CLASS 'AF' - SAFETY CRITICAL FACEWELD

SCALE 0.500

50202-3405
PRINT ISSUE DATE
1
3
SHT 3
OF 3

COMP. NO.	DESCRIPTION	SIZE	MATERIAL
WESTERN STAR TRUCKS INC. COMPUTER GRAPHICS KELOWNA, B.C.			
TOLERANCES UNLESS NOTED:		BY	DATE
TRIM EDGE	$\pm 1.50\text{mm}$	DWH	TGM 22DEC99
HOLE CENTERS	$\pm 0.25\text{mm}$	CKD	
HOLE DIAMETERS	$\pm 0.25\text{mm}$	APVD	
LINEAR/FORM	$\pm 0.50\text{mm}$	ECO	C00459
ANGULAR	$\pm 1/2^\circ$	SCALE	HALF
THIS DOCUMENT CONTAINS PROPRIETARY INFORMATION AND IT SHALL NOT BE USED OR REPRODUCED OR ITS CONTENTS DISCLOSED IN WHOLE OR IN PART WITHOUT THE PRIOR WRITTEN CONSENT OF WESTERN STAR TRUCKS INC., KELOWNA, BC			
ASSY - DOOR SHELL W/MIRRORS		MR NO. 4018	50202-3405
			SHT 3 OF 3

REMOVE ALL SHARP EDGES DO NOT SCALE DRAWING CAST, STAMP OR STENCIL PART NUMBER & REVISION LETTER IN SUITABLE LOCATION ORIGINAL CREATED ON WSTI SOLID MODELING WORKSTATION



MAINTAIN ITEMS 3 & 4 CHANNEL WIDTH TO 18.5 ± 0.0 AFTER WELD INSTALLATION

SCALE 0.250

- WELD NOTES:**
- (AB) 1/ TOTAL NUMBER OF SPOT WELDS 97
 - 2/ ALL WELDS TO BE IN ACCORDANCE WITH WSTI WELD SPECIFICATION 4101-3414
 - 3/ WELD PITCH IS AS NOTED INDICATED.
 - 4/ GENERAL SPOT WELD POSITIONAL TOLERANCE ± 4.00mm.

SPOTWELD CLASSIFICATION	
ACCORDANCE WITH WESTERN STAR SPEC 4101-3414	
⊗	CLASS 'C' - ORDINARY
⊗	CLASS 'A' - SAFETY CRITICAL
⊗	CLASS 'CF' - ORDINARY FACEWELD
⊗	CLASS 'AF' - SAFETY CRITICAL FACEWELD

NOTE: REFER TO CAD DATA FOR TRUE POSITIONING OF COMPONENTS

ECO	CHG	CHANGE	BY	DATE	CKD	APVD
	A	ITEM 10 MODIFIED & POS'N OF POINTS M & N ALTERED. (SEE SHT 2) DROP GLASS REGULATOR POS'N ALTERED - MGA REF PB/94/0035 -	KAA MGA	31JAN94	AJJ MGA	WTL WS
	B	ITEM 9 MODIFIED & MOVED ITEMS 11 & 12 ADDED ITEM 5 LENGTHENED ITEM 7 NOW INCLUDES LOWER BRKT STEELWORK REVISED - MGA REF PB/94/0038 -	PAD MGA	18FEB94	AJU MGA	WTL WS
	C	ITEM 11 & 12 MOVED & MODIFIED. ITEM 9 MOVED TRIM EDGE OF ITEM 1 CHANGED TO SUIT NEW CHEATER POS'N - MGA REF PB/94/0041 - DRG CHANGED VISUALLY TO REFLECT REGULATOR ACCESS HOLE MOVE - MGA REF PB/94/0066 -	MJM MGA	17JUL94		
80008	D	REDRAWN ON PRO-E HINGE REINF & GLASS RUN CHANNELS MODIFIED ITEMS 5, 10 & 11 ADDED	DT	21AUG95	BGK	DVC
80008	E	ITEM 12 ADDED PICTORIAL REVISION TO SHOW REVISED WINDOW OPENING & REVISED ITEM 2	DT	18SEP95	BGK	DVC
81160	F	ITEM 13 ADDED (SHT 3) ITEMS 2, 3 & 4 REVISED ITEM 7 WAS 50212-3409 LH & RH	DT	24OCT95	BGK	DVC
81367	G	ITEMS 1, 2 & 7 REVISED ITEMS 14 THRU 19 ADDED	DT	1NOV95	BGK	DVC
81952	H	ITEM 7 WAS 50212-3414/5 LH/RH ITEMS 1 & 2 REVISED ITEMS 20 & 21 ADDED	DT	30NOV95	BGK	DVC

- FOR FURTHER REVISIONS, SEE SHEET 2 -

SEE DETAIL 'A' SHEET 3

QTY	DESCRIPTION	PART NUMBER
2	NUT PLATE - CAB ACCESS HNDL RH	54303-3415
2	NUT PLATE - CAB ACCESS HNDL LH	54303-3413
AR	STRUCTURAL ADHESIVE	4101-3418
2	HEX CAPSCREW, 1/4-20 X .50	180016
4	SCREW, PANHD PHLPS 1/4-20 X .50	4009-3416
2	TAPPING PLATE - HINGE	50258-3407
1	ASSY GLASS CHNL RR BOLT-IN RH	50231-3401
1	ASSY GLASS CHNL RR BOLT-IN LH	50230-3401
1	ASSY GLASS CHNL FWD BOLT-IN RH	50235-3405
1	ASSY GLASS CHNL FWD BOLT-IN LH	50234-3407
4	TABWELDNUT, 1/4-20	4012-3455
3	WELDNUT, HEX 1/4-20	4012-3444
1	NUT PLATE - HANDLE, DOOR PULL	54303-3406
1	NUT PLATE - HANDLE, GRAB	54303-3404
1	BRKT HINGE LOWER RH	50037-3423
1	BRKT HINGE LOWER LH	50036-3423
1	BRKT HINGE UPPER RH	50037-3422
1	BRKT HINGE UPPER LH	50036-3422
2	BRKT MTG REINF DOOR OUTER	50212-3409
1	PANEL REINF LATCH RH	50279-3401
1	PANEL REINF LATCH LH	50278-3401
1	ASSY STRUT RH	50223-3405
1	ASSY STRUT LH	50222-3404
1	GLASS CHNL RR UPPER RH	50231-3404
1	GLASS CHNL RR UPPER LH	50230-3406
1	GLASS CHNL FRT UPPER RH	50235-3406
1	GLASS CHNL FRT UPPER LH	50234-3408
1	ASSY HINGE REINF RH	50037-3420
1	ASSY HINGE REINF LH	50036-3420
1	PANEL DOOR INNER RH	50205-3413
1	PANEL DOOR INNER LH	50204-3413
1	PANEL DOOR INNER RH	50205-3408
1	PANEL DOOR INNER LH	50204-3408

WESTERN STAR TRUCKS INC.
COMPUTER GRAPHICS KELOWNA, B.C.

TOLERANCES UNLESS NOTED:

TRIM EDGE	± 1.50mm	DWN	KAA/MGA	2NOV93
HOLE CENTERS	± 0.25mm	CKD	AJU/MGA	8DEC93
HOLE DIAMETERS	± 0.25mm	APVD	WTL/WS	8DEC93
LINEAR/FORM	± 0.50mm	ECO		80006
ANGULAR	± 1/2°	SCALE		1:4

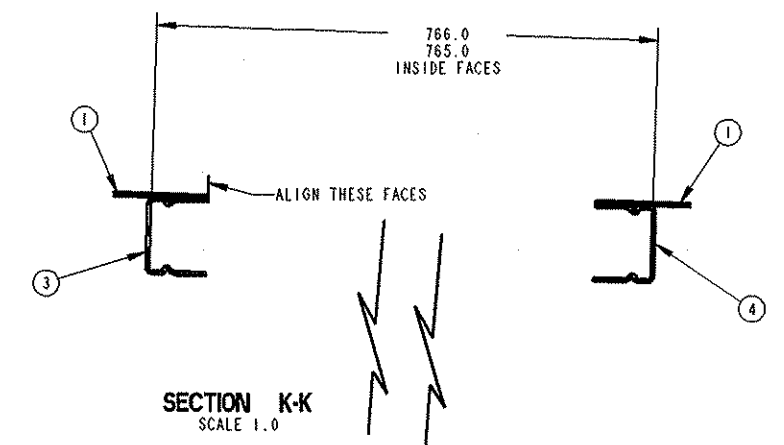
THIS DOCUMENT CONTAINS PROPRIETARY INFORMATION AND IT SHALL NOT BE USED OR REPRODUCED OR ITS CONTENTS DISCLOSED IN WHOLE OR IN PART WITHOUT THE PRIOR WRITTEN CONSENT OF WESTERN STAR TRUCKS INC., KELOWNA, BC

ASSY DOOR INNER MR NO. 4018
50204-3407 SHT 1 OF 4

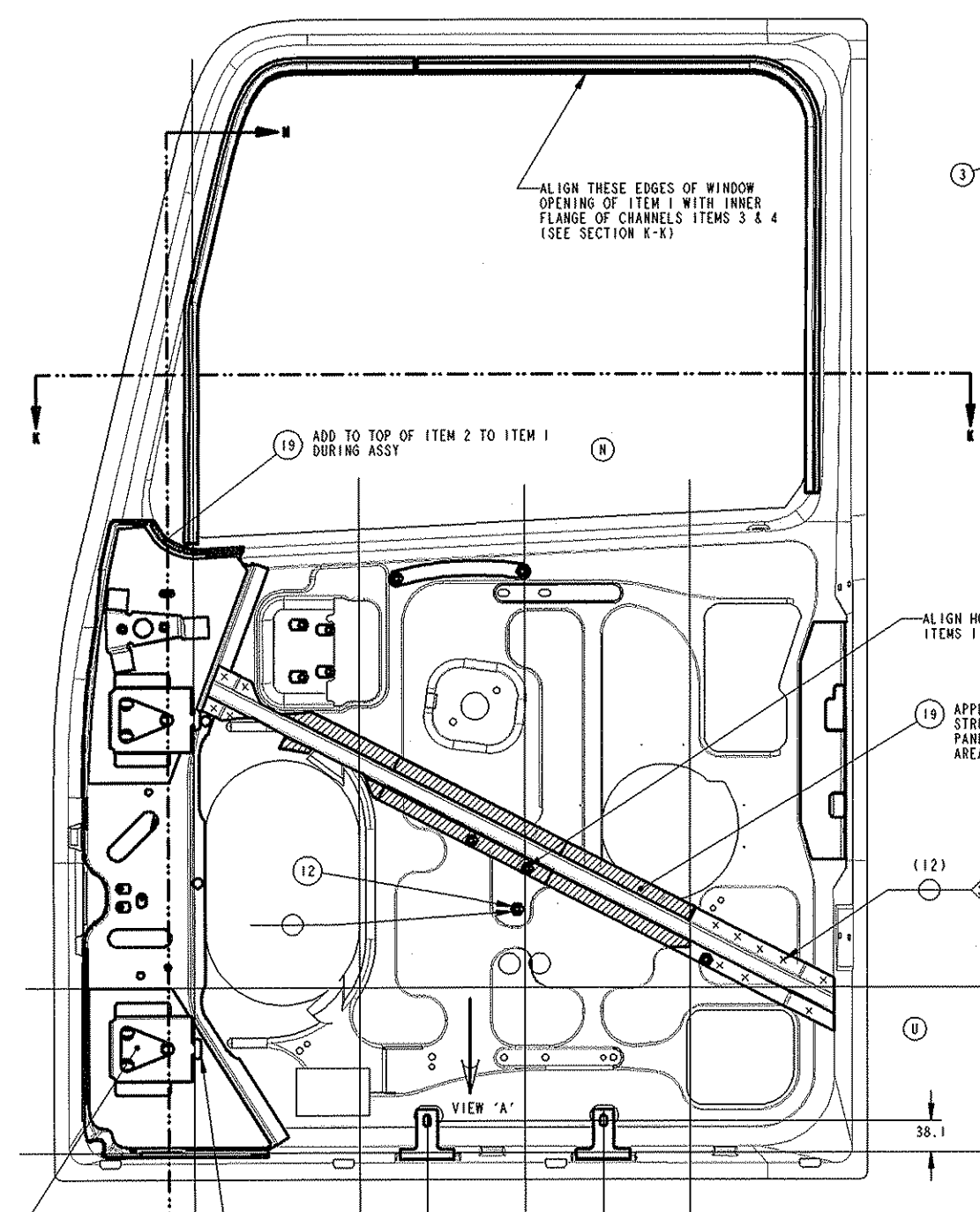
50204-3407
PRINT ISSUE DATE
CHG
AB

REMOVE ALL SHARP EDGES DO NOT SCALE DRAWING CAST, STAMP OR STENCIL PART NUMBER & REVISION LETTER IN SUITABLE LOCATION ORIGINAL CREATED ON WESTERN STAR SOLID MODELING WORKSTATION

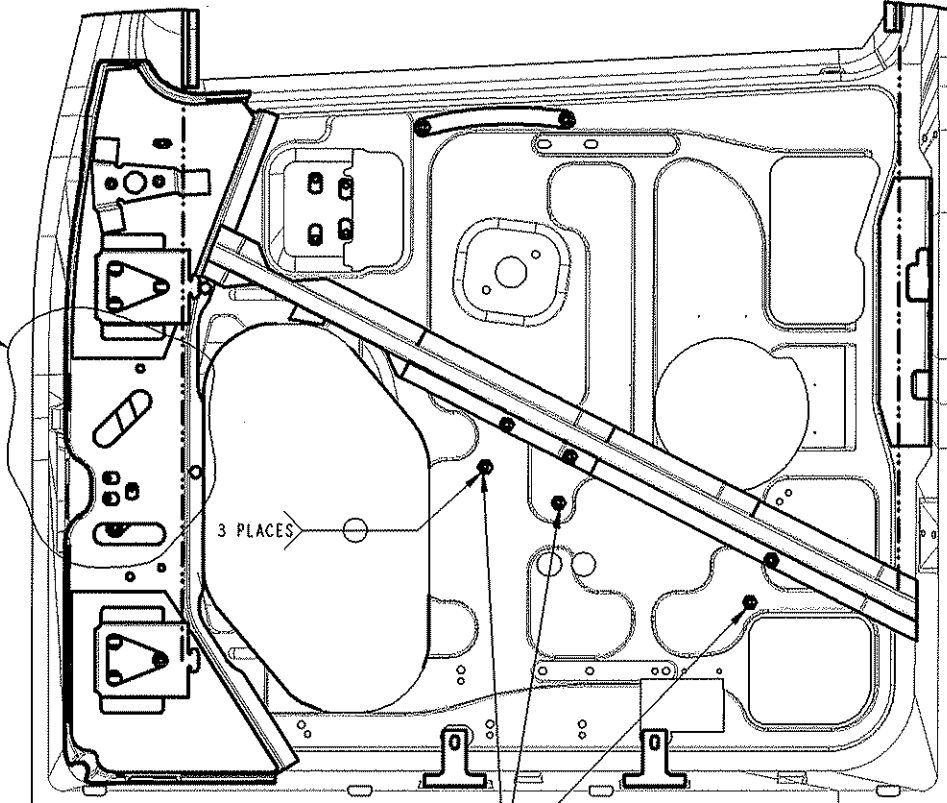
SECTION K-K
SEE FULL SCALE DETAIL



ALIGN THESE EDGES OF WINDOW OPENING OF ITEM 1 WITH INNER FLANGE OF CHANNELS ITEMS 3 & 4 (SEE SECTION K-K)



PANEL ASSEMBLIES #50204/05-3407



PANEL ASSEMBLIES #50204/05-3414
CONSTRUCTION DETAILS NOT SHOWN ARE SAME AS #50204/05-3407.

ECO	CHG	CHANGE	BY	DATE	CKD	APVD
82236	J	ITEMS 1 & 2 REVISED; ITEM 20 (50035-3478/9) (DELETED); ITEM 21 (6479-3411) DELETED	DT	18DEC95	BGK	DVC
83337	K	ITEM 1 REVISED	DT	11MAR96	BGK	
C00101	L	ITEM 19 WAS 6479-3413	LDW	16SEPT96	BGK	
C00132	M	ITEMS 1 & 2 REVISED; ADD WELD TABLE	TGM	2DEC96	BGK	
C00167	N	ITEMS 1 AND 2 REVISED. ADD ITEM 19 TO TOP OF ITEM 2 AT INSTALLATION. ADD TOLERANCE NOTE TO CHANNEL ITEMS 3 & 4 FOR ASSEMBLY.	TGM	11APR97	BGK	
C00182	P	ITEMS 8, 9, 16 REVISED	TGM	6JUNE97	DVC	
C00177	Q	ITEM 1 REVISED. DECREASE NUMBER OF SPOT WELDS FOR -3&4: 14 WELDS AT 70 PITCH WERE 18 AT 50, 10 AT 70 PITCH WERE 18 AT 40. ITEM 10 REVISED. ADD 1 SPOT WELD TO ITEMS 10, 11	TGM	8JUL97	DVC	
C00258	R	REVISED BOTH -1 ITEMS	TGM	31DEC97	DVC	
C00368	S	REVISED ALL -1, -2, -3, -4, -14, -15 ITEMS	GEG	21SEP98	TGM	BGK
C00474	T	ADDED 50204/05-3414.	GAB	01DEC99	TGM	
C00416	U	CHANGE MIRROR BRKT ON ITEM 2; ITEM 3 WAS 50234-3408 AND 50235-3406; REMOVED ITEM 14 RUN CHANNELS 50234-3407 AND 50235-3405; ADD STRUT WELD LOCH DIMN 30.6.	TGM	18FEB00	BGK	
C00497	V	REVISE -5 TO ADD 2 WELDNUTS; ADD 2 WELDNUTS -12 TO 54202/03-3414. MODIFY PWS 50204/05-3413 FOR COURTESY LT C/O, TIE-WRAP HOLES & HANDLE HOLES.	TGM	23FEB00	TGM	
C00523	W	ITEM 3 WAS 50234/5-3411; ITEM 14 ADDED; REV'D ITEM 2.	TGM	23MAY00	BGK	RJS
C00538	X	REVISED ITEM 1 TO ADD HOLES AND SLOTS	TGM	13JUN00	JB	RJS
C00556	Y	REVISED ITEM 1 FOR 50204/5-3407	TGM	28JUL00	BGK	RJS
C00581	Z	REVISED ITEM 1 FOR 50204/5-3414, FOR REV Y: 50204/5-3407 WAS 50204/5-3047.	SVHP	06OCT00	BGK	
C00623	AA	ADDED SHEET 4 TO SHOW ALIGNMENT OF RUN CHANNELS.	SVHP	16FEB01	CRG	
C00634	AB	ADDED COMP -20, ADDED DETAIL B, # OF SPOT WELDS WAS 94, 50204 / 5-3414 WAS AT REV E	DWG	28MAR01	LCG	BGK
P20853-01	AC	REMOVED ITEM -10 FROM 50204-3414 & 50205-3414 REMOVED ITEM -10 FROM PARTIAL VIEW ON SHEET 3&4	DIB	05NOV02	CHB	PWS

SECTION N-N

INSERT LOOSE IN HOUSING. ENSURE TAPPED HOLES LINE UP WITH CUTOUT 2 PLACES

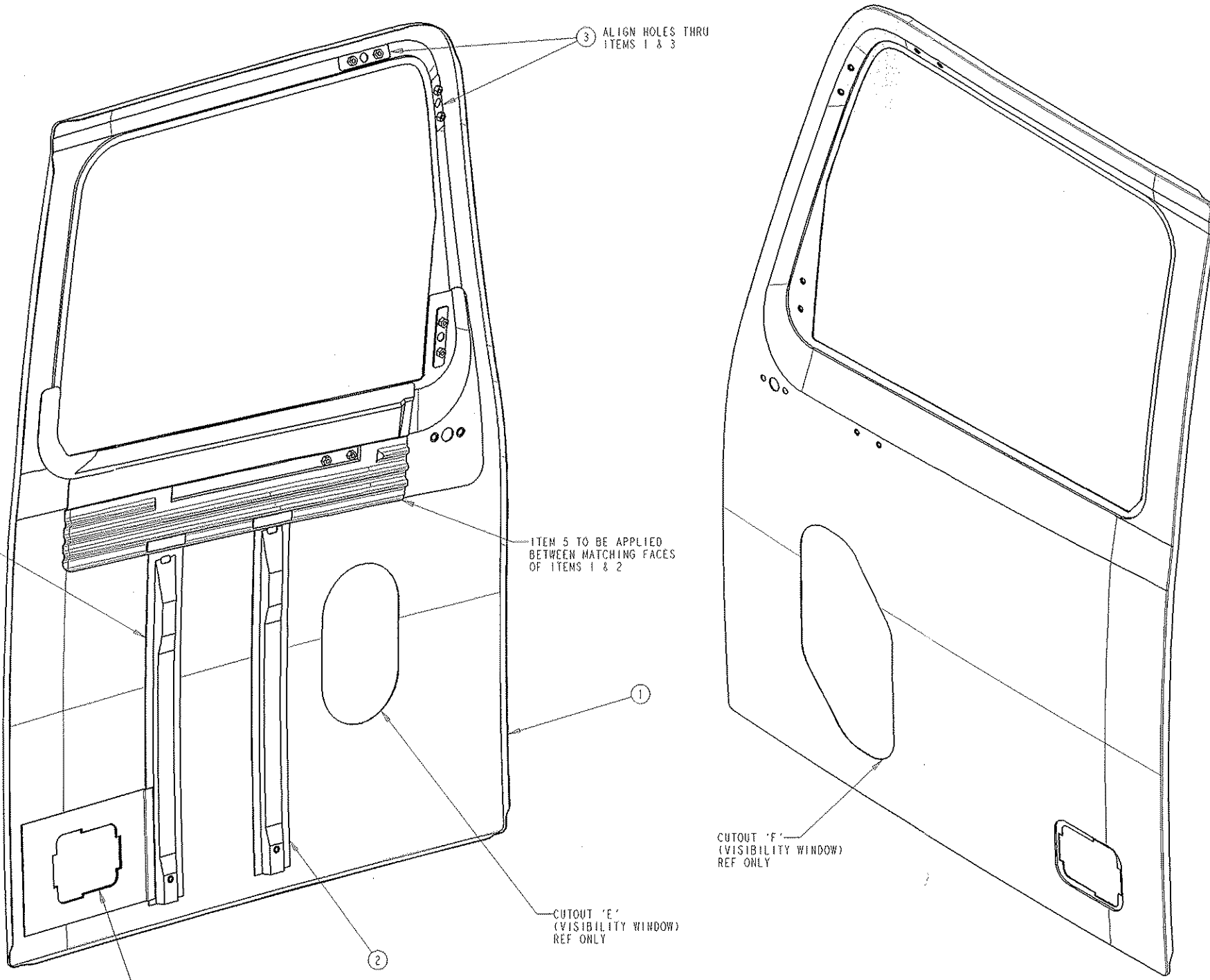
50204-3407
PART ISSUE DATE
REV 4
GAB

REV	COMP. NO.	DESCRIPTION	SIZE	MATERIAL
		WESTERN STAR TRUCKS INC. COMPUTER GRAPHICS KELOWNA, B.C.		
TOLERANCES UNLESS NOTED:				
	TRIM EDGE	± 1.50 mm	DWN	BY DATE
	HOLE CENTERS	± 0.25 mm	CKD	
	HOLE DIAMETERS	± 0.25 mm	APVD	
	LINEAR/FORM	± 0.50 mm	ECO	
	ANGULAR	± 1/2 °	SCALE	QUARTER
THIS DOCUMENT CONTAINS PROPRIETARY INFORMATION AND IT SHALL NOT BE USED OR REPRODUCED OR ITS CONTENTS DISCLOSED IN WHOLE OR IN PART WITHOUT THE PRIOR WRITTEN CONSENT OF WESTERN STAR TRUCKS INC., KELOWNA, BC				
ASSEMBLY DOOR - INNER			MR NO. 4018	50204-3407 SHT 2 OF 4

REMOVE ALL SHARP EDGES IF IN DOBBT ASK
 DO NOT SCALE DRAWING
 CAST, STAMP OR STENCIL PART NUMBER & REVISION LETTER IN SUITABLE LOCATION
 ORIGINAL CREATED OR WSTI SOLID MODELING WORKSTATION

SPOTWELD CLASSIFICATION	
TO BE IN ACCORDANCE WITH WESTERN STAR SPEC 4101-3414	
<input checked="" type="checkbox"/>	CLASS 'C' - ORDINARY
<input type="checkbox"/>	CLASS 'A' - SAFETY CRITICAL
<input type="checkbox"/>	CLASS 'CF' - ORDINARY FACEWELD
<input type="checkbox"/>	CLASS 'AF' - SAFETY CRITICAL FACEWELD

ECO	CHG	CHANGE	BY	DATE	CKD	APVD
	A	DRAWING CHANGED VISUALLY TO REFLECT CHANGES TO WAIST REINFORCEMENT AND OUTER PANEL TRIM EDGE. SPOT WELD COUNT REVISED MGA REF PB/94/0038	ISR MGA	18FEB94	AJU MGA	WTL WS
	B	DRAWING CHANGED VISUALLY TO REFLECT CHANGES TO CHEATER POSITION; MGA REF PB/94/0047	MJM MGA	18SEP94		
	C	ITEM 4 CHANGED TO ACCOMMODATE NEW MIRROR MTG MGA REF PB/94/0097	MJM MGA	13JAN95		
80008	D	REDRAWN ON PRO-E; DIMS ADDED FOR LOC'N LOWER HOLES ITEM 2 PART NUMBERS GIVEN TO ITEMS 5 & 6	DT	22AUG95	BGK	DVC
80008	E	PICTORIAL REVISION TO SHOW REVISED WINDOW OPENING; 50210-3409 & 50211-3409 ADDED	DT	8SEP95	BGK	DVC
81160	F	ITEM 1 REVISED	DT	23OCT95	BGK	DVC
81367	G	ITEM 1 REVISED	DT	1NOV95	BGK	DVC
82236	H	ITEM 1 REVISED; ITEM 7 ADDED; ITEM 4 WAS QTY 3	DT	18DEC95	BGK	DVC
82523	J	ITEM 6 (6479-3411) DELETED ITEM 5 WAS 6470-3410	DT	12JAN96	BGK	DVC
83380	K	ITEM 3 REVISED	DT	23FEB96	BGK	
83337	L	ITEMS 4 & 7 REVISED	DT	6MAR96	BGK	
84535	M	UPDATED TO SHOW CHANGES TO ITEM 2	LDW	12JUL96	DWW	
C00101	N	ITEM 5 WAS 6479-3412 ITEM 6 ADDED	LDW	16AUG96	BGK	
C00167	P	SHT 2; WELDS FOR ITEM -3 WERE QTY 8. WELDS FOR ITEM 4 & 7 WERE OUTBOARD OF THE 3 HOLES. ITEM 1 REVISED	TGM	14APR97	BGK	
C00221	Q	REVISE ITEM 2	TGM	30CT97	DVC	
C00231	R	REVISE ITEM 2. LOWER ITEM 4 WAS PART 50288-3406	TGM	22OCT97	DVC	
C00474	S	ADDED 50211-3415 AND 50210-3416 TO DWG	GAB	01DEC99	TGM	
C00416	T	REVISED ITEM 2 TO ADD REINFS; QTY 1 OF ITEM 4 MOVED TO LOW LEVEL ASSY 50204/05-3412	TGM	11FEB00	BGK	
C00497	U	DRAWING CORRECTION: REMOVE DUPLICATE PANEL 50268-3401 FROM BOM TABLE. RENAMED ITEMS 3,4,5 WERE 4,5,6.	TGM	24FEB00	BGK	
C00523	V	REVISED ITEM 2.	TGM	24MAY00	BGK	RJS
C00558	W	50210/1-3406, 50210/1-3409, 50210/1-3416 REVISED; ITEM 2 REVISED	DT	3AUG00	BGK	
P15808-08	X	ADDED 50210-3421, 3422 AND 50211-3421, 3422 ADDED A18-49771-000, 002 TO CHART (ITEM2) ADDED SHEET 3	MAN	12JUN03	CHB	

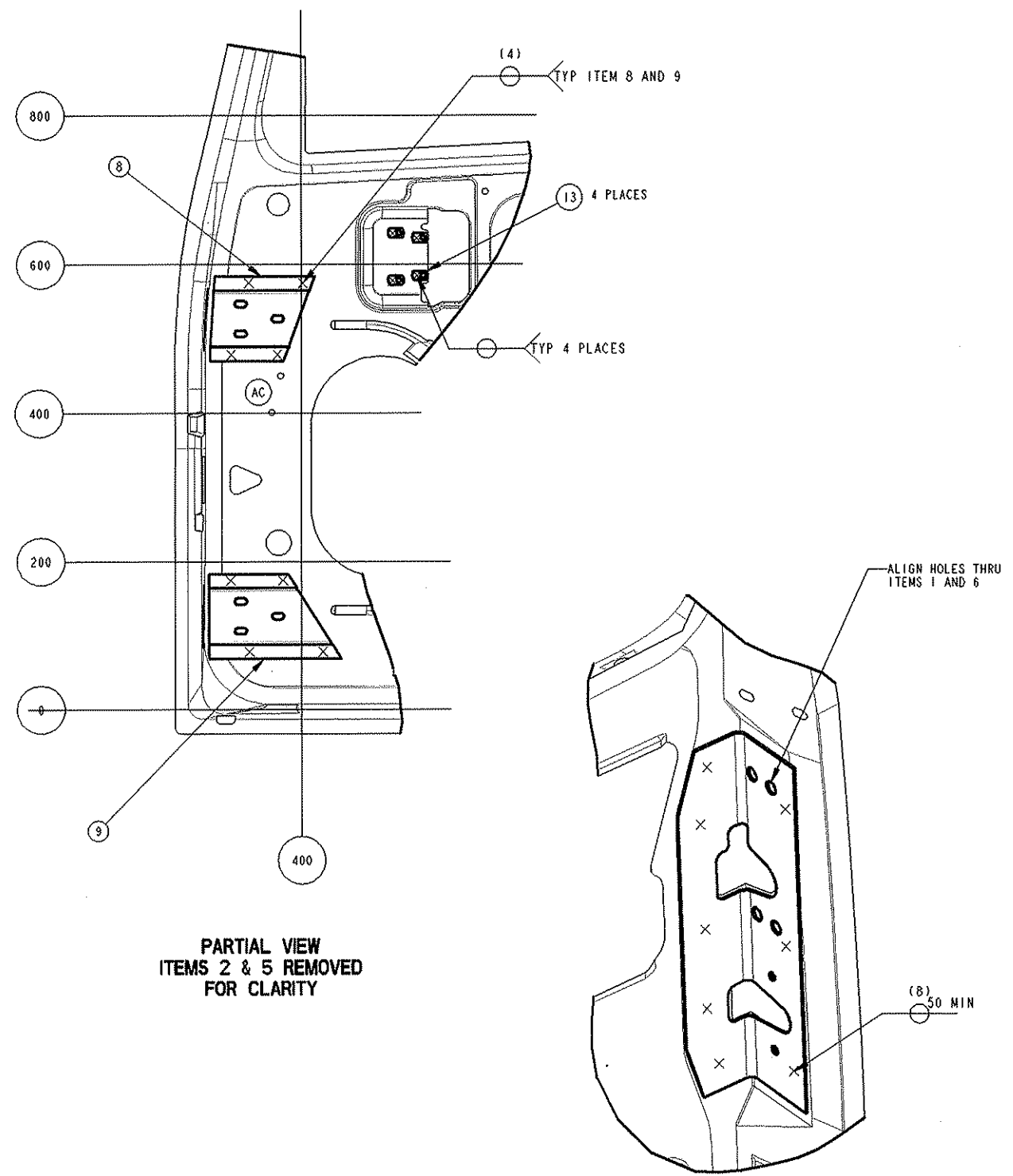


USED	OMIT	USED	OMIT	DESCRIPTION	PART NUMBER
AR	AR	AR	AR	F CUTOUT - VISIBILITY WINDOW (REF-ALREADY IN ITEM -1)	
AR	AR	AR	AR	E CUTOUT - VISIBILITY WINDOW (REF-ALREADY IN ITEM -1)	
AR	AR	AR	AR	-5 STRUCTURAL ADHESIVE	4101-3418
AR	AR	AR	AR	-4 SEALANT ANTI-FLUTTER	6479-3414
2	2	2	2	-3 ASSY REINF MIRROR ARM	50288-3404
				ASSY OUTER REINF RH	A18-49771-002
				ASSY OUTER REINF LH	A18-49771-000
				ASSY OUTER REINF RH	50210-3402
				ASSY OUTER REINF LH	50210-3403
				PANEL DOOR OUTER RH - VIS	50211-3417
				PANEL DOOR OUTER LH - VIS	50210-3413
				PANEL DOOR OUTER RH - VIS	50211-3410
				PANEL DOOR OUTER LH - VIS	50210-3410
				PANEL DOOR OUTER RH	50211-3407
				PANEL DOOR OUTER LH	50210-3407

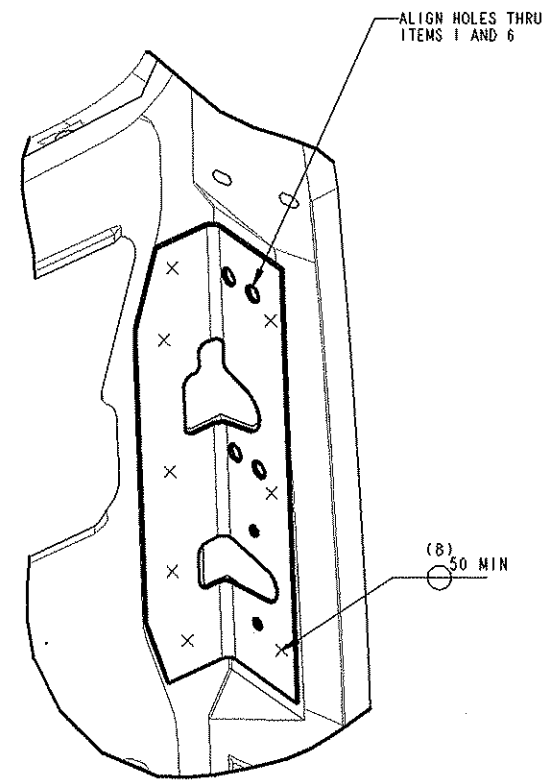
50210-3406
 PRINT ISSUE DATE
 X

WESTERN STAR TRUCKS INC. COMPUTER GRAPHICS KELOWNA, B.C.			
TOLERANCES UNLESS NOTED:	BY	DATE	
TRIM EDGE ± 1.50mm	DWN	DT	26JUN95
HOLE CENTERS ± 0.25mm	CKD	BGK	05OCT95
HOLE DIAMETERS ± 0.25mm	APVD	DVC	13OCT95
LINEAR/FORM ± 0.50mm	ECO		80008
ANGULAR ± 1/2°	SCALE	QUARTER	

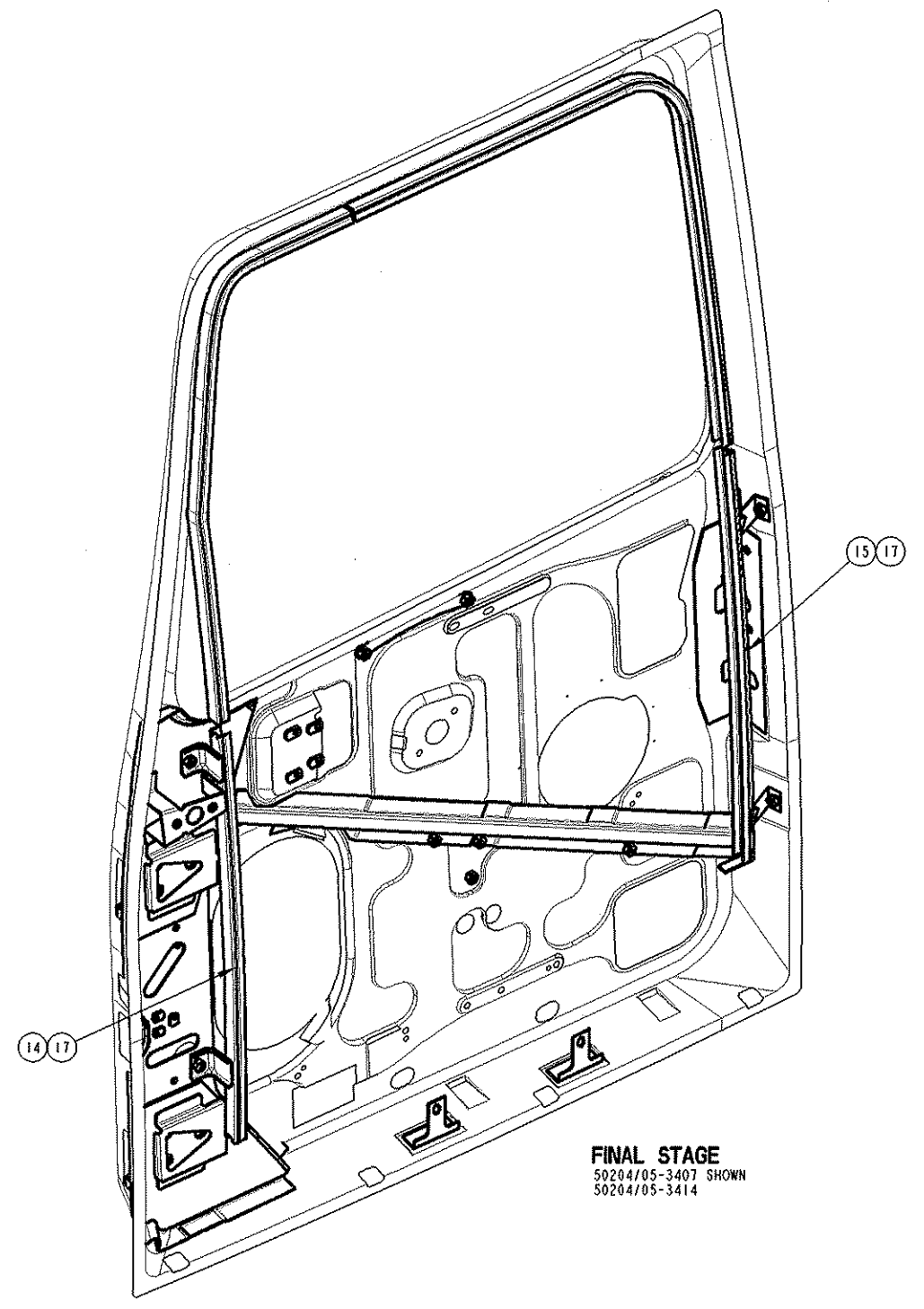
MR NO. 4018
 ASSY - PANEL DOOR OUTER W/MIRRORS
 50210-3406 SH1 OF 3



PARTIAL VIEW
ITEMS 2 & 5 REMOVED
FOR CLARITY



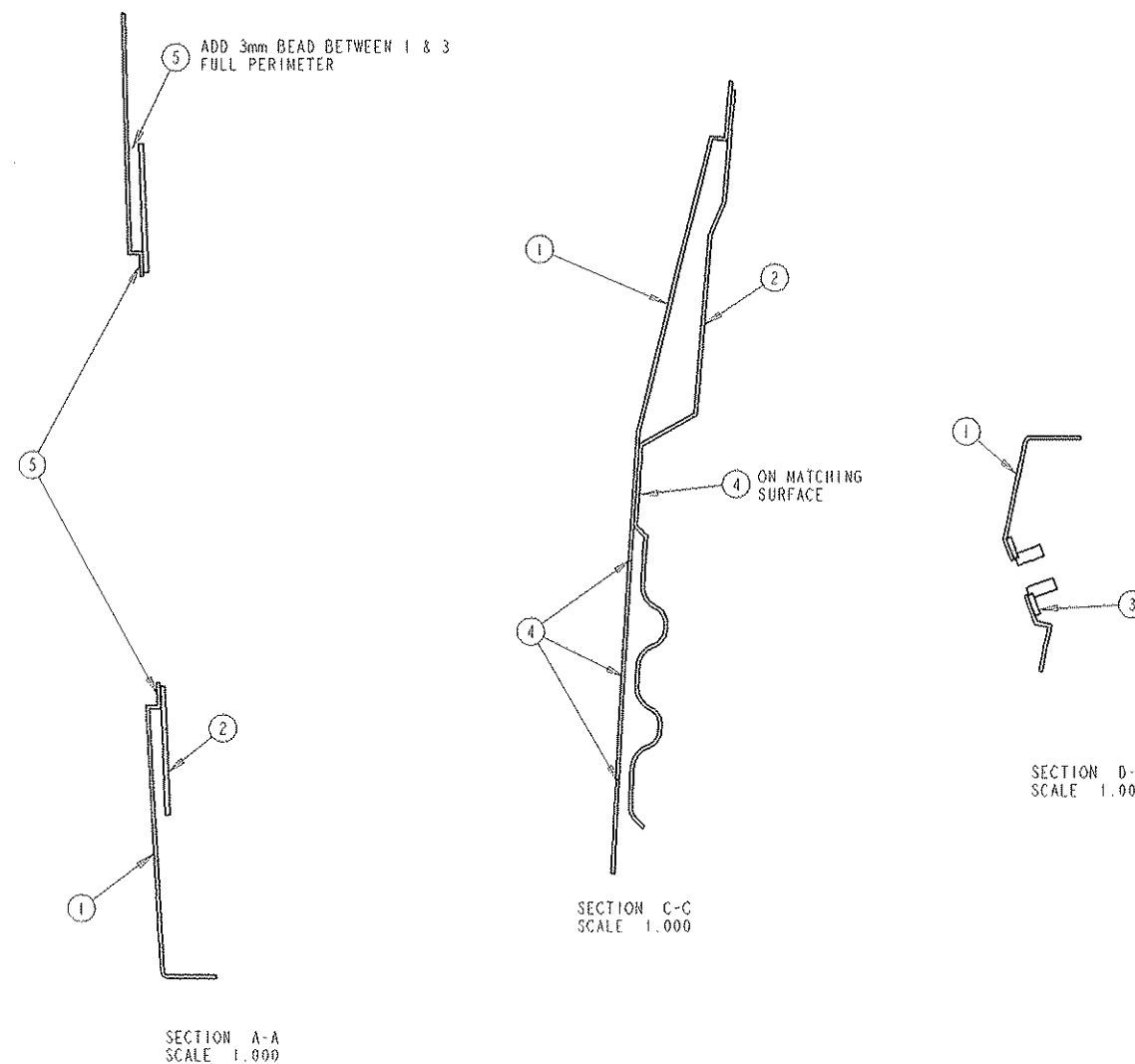
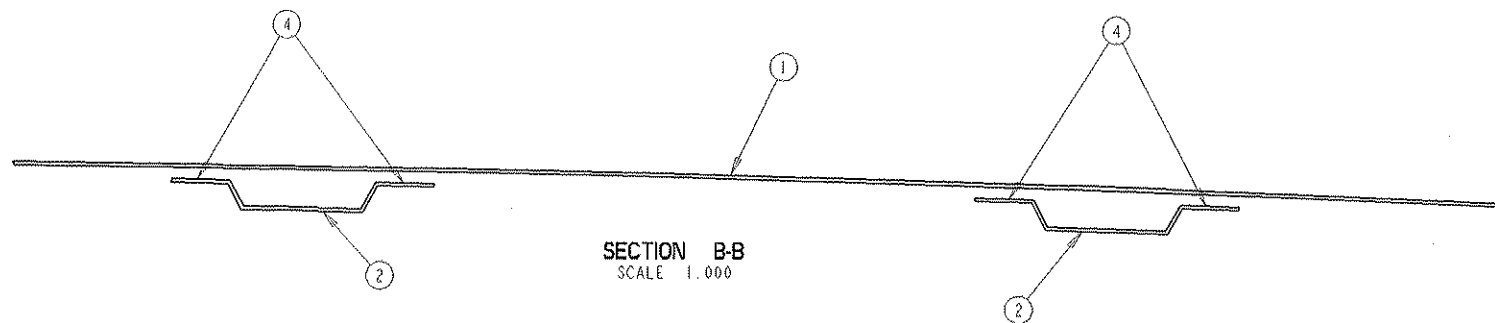
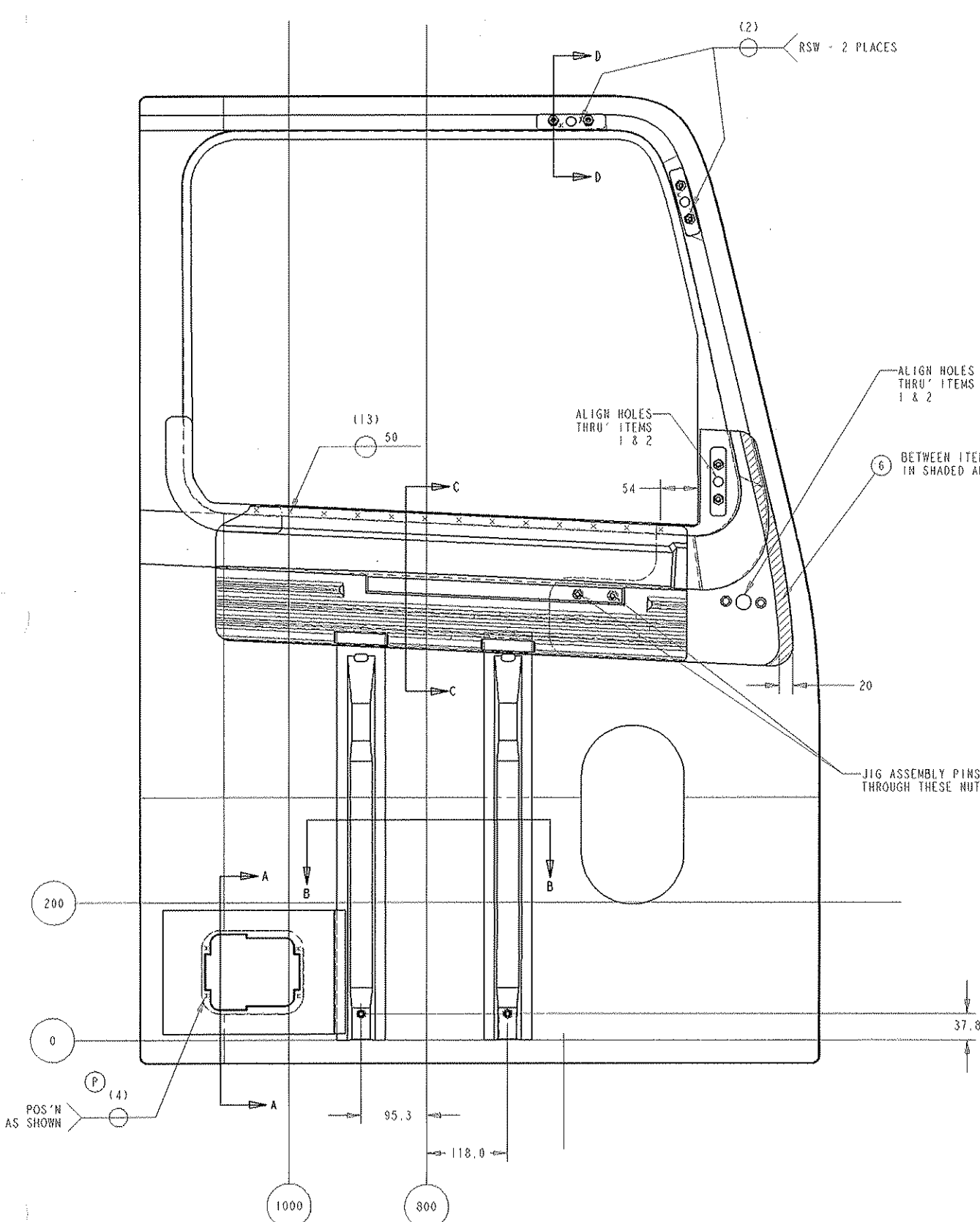
VIEW DETAIL 'A'
PER SHEET 1
SCALE 0.500



FINAL STAGE
50204/05-3407 SHOWN
50204/05-3414

50204-3407
PRINT ISSUE DATE
SHT 3
OF 4
AB

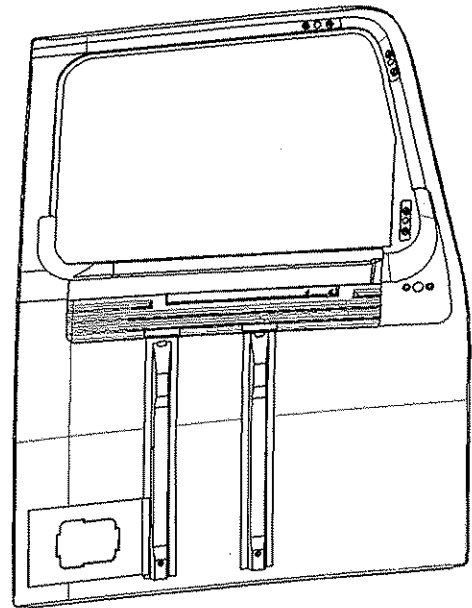
REV	COMP. NO.	DESCRIPTION	SIZE	MATERIAL
		WESTERN STAR TRUCKS INC. COMPUTER GRAPHICS KELOWNA, B.C.		
TOLERANCES UNLESS NOTED:				
	TRIM EDGE	± 1.50 mm	DWN	BY DATE
	HOLE CENTERS	± 0.25 mm	CKD	
	HOLE DIAMETERS	± 0.25 mm	APVD	
	LINEAR/FORM	± 0.50 mm	ECO	
	ANGULAR	± 1/2 °	SCALE	QUARTER
THIS DOCUMENT CONTAINS PROPRIETARY INFORMATION AND IT SHALL NOT BE USED OR REPRODUCED OR ITS CONTENTS DISCLOSED IN WHOLE OR IN PART WITHOUT THE PRIOR WRITTEN CONSENT OF WESTERN STAR TRUCKS INC., KELOWNA, BC				
APPLICATION PART NO.	ASSEMBLY DOOR INNER			MR NO. 4018 SHT 3 OF 4



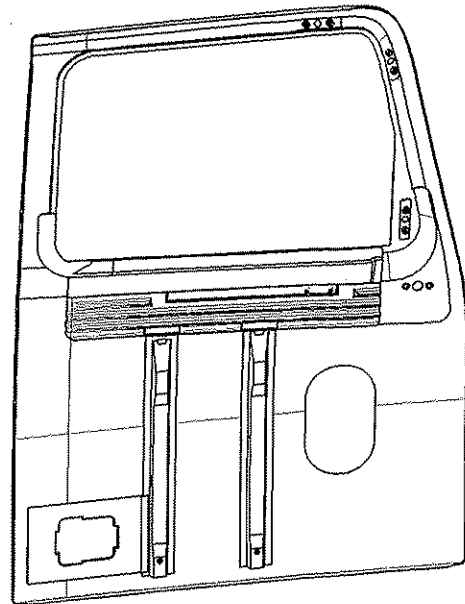
SPOTWELD CLASSIFICATION	
TO BE IN ACCORDANCE WITH WESTERN STAR SPEC 4101-3414	
✕	CLASS 'C' - ORDINARY
⊗	CLASS 'A' - SAFETY CRITICAL
⊗	CLASS 'CF' - ORDINARY FACEWELD
⊗	CLASS 'AF' - SAFETY CRITICAL FACEWELD

50210-3406
SHT 2
OF 3
PRINTED DATE: 07/13/04
CHG X

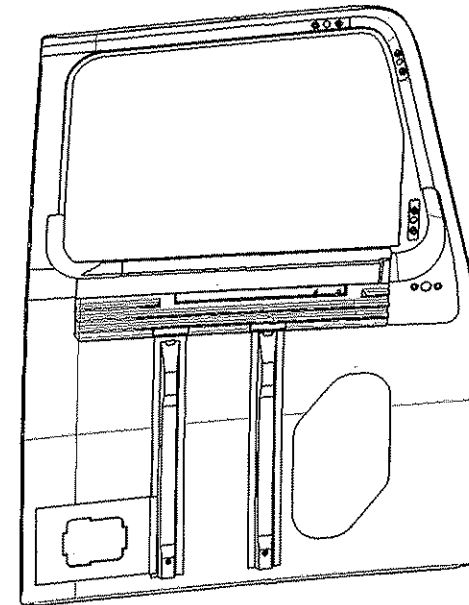
REV	COMP. NO.	DESCRIPTION	SIZE	MATERIAL
		WESTERN STAR TRUCKS INC. COMPUTER GRAPHICS KELOWNA, B.C.		
TOLERANCES UNLESS NOTED:				
		TRIM EDGE	± 1.50 mm	DWH
		HOLE CENTERS	± 0.25 mm	CKD
		HOLE DIAMETERS	± 0.25 mm	APVD
		LINEAR/FORM	± 0.50 mm	ECO
		ANGULAR	± 1/2 °	SCALE 1:4
THIS DOCUMENT CONTAINS PROPRIETARY INFORMATION AND IT SHALL NOT BE USED OR REPRODUCED OR ITS CONTENTS DISCLOSED IN WHOLE OR IN PART WITHOUT THE PRIOR WRITTEN CONSENT OF WESTERN STAR TRUCKS INC., KELOWNA, BC.				
APPLICATION PART NO.	ASSY - PANEL DOOR OUTER W/MIRRORS		MR NO. 4018	50210-3406
				SHT 2 OF 3



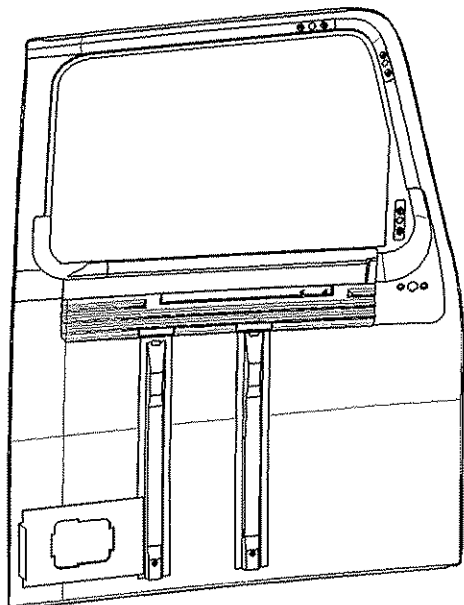
SCALE 0.125
50210-3406



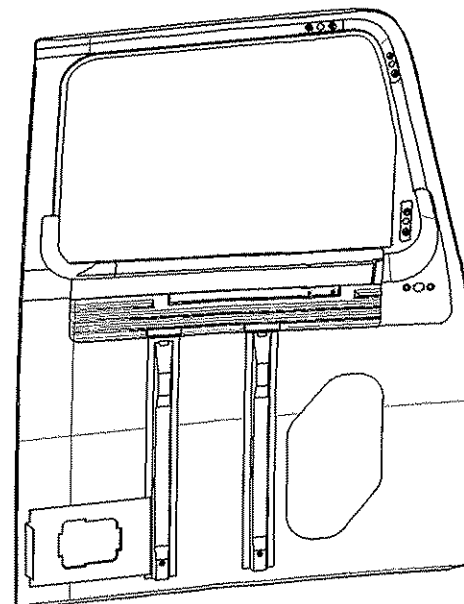
SCALE 0.125
50210-3409



SCALE 0.125
50210-3416



SCALE 0.125
50210-3421



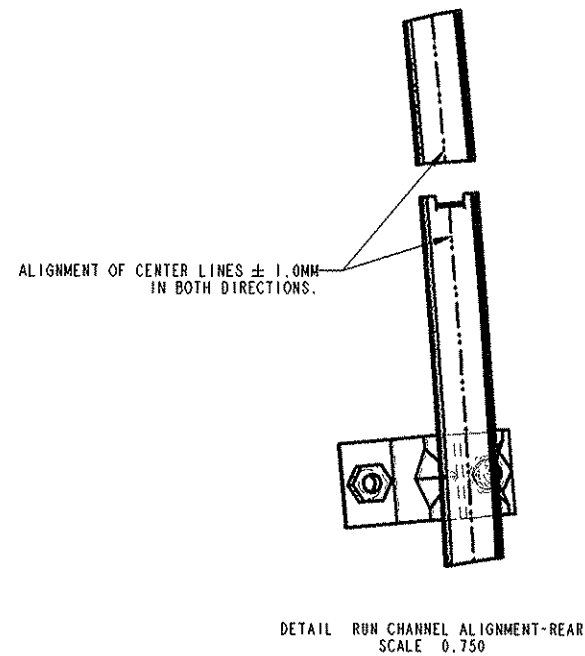
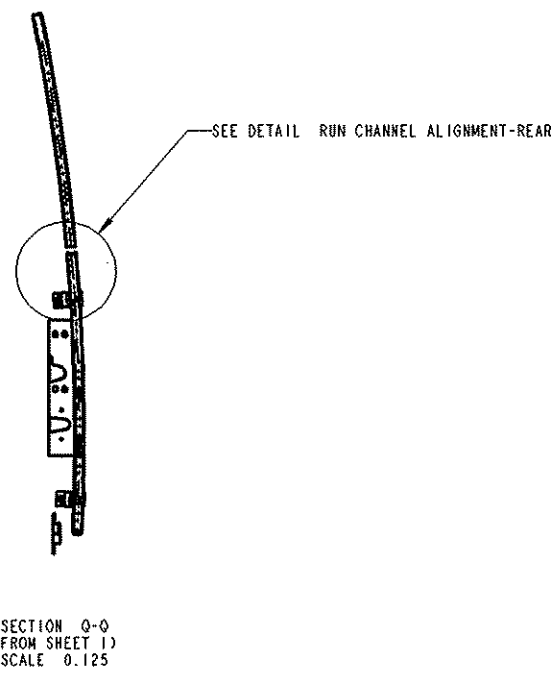
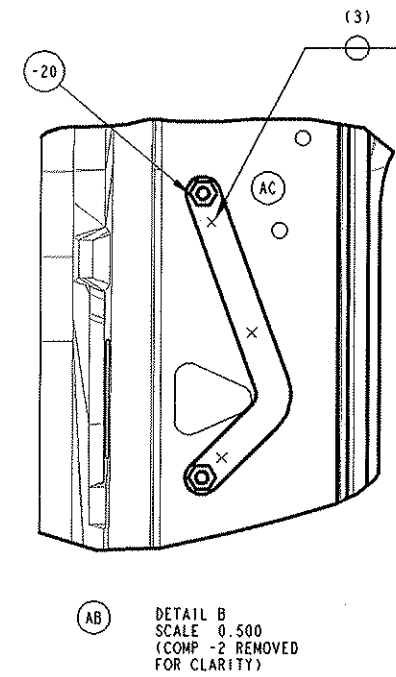
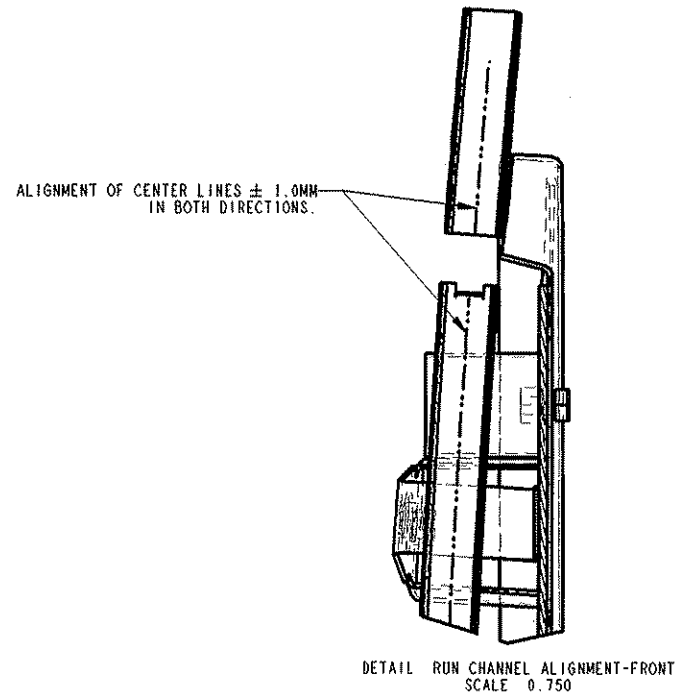
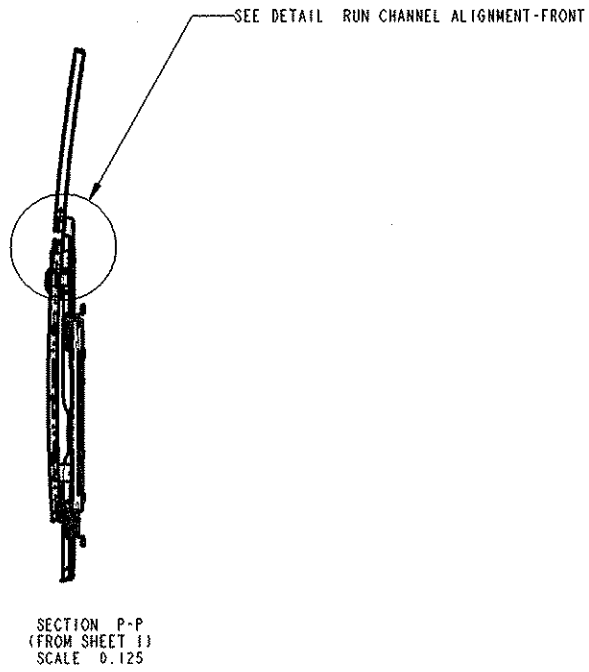
SCALE 0.125
50210-3422

2 FOLD

50210-3406
PRINT ISSUE DATE
X

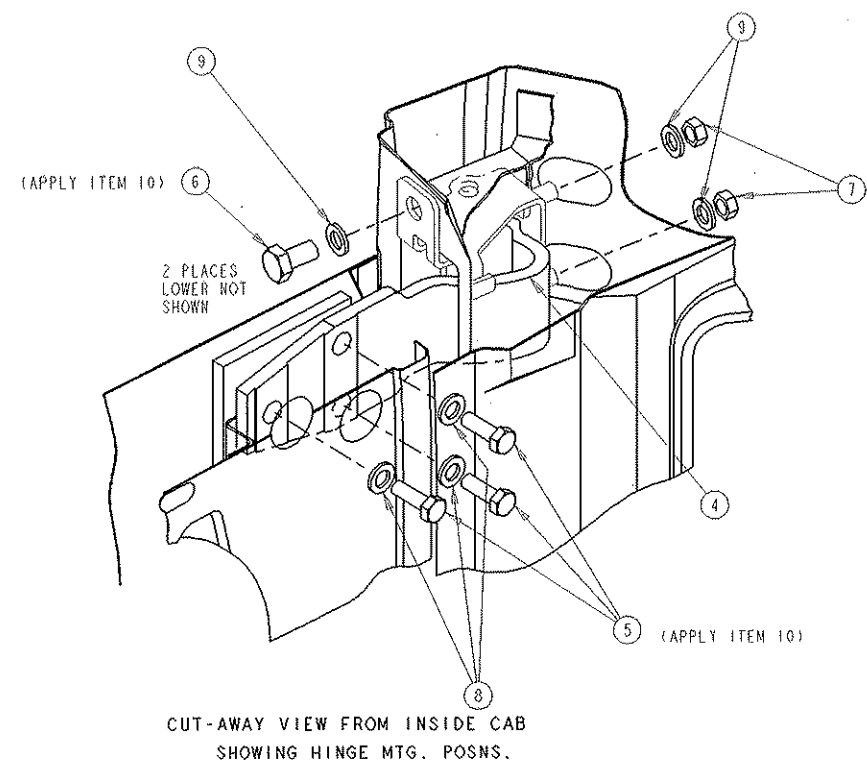
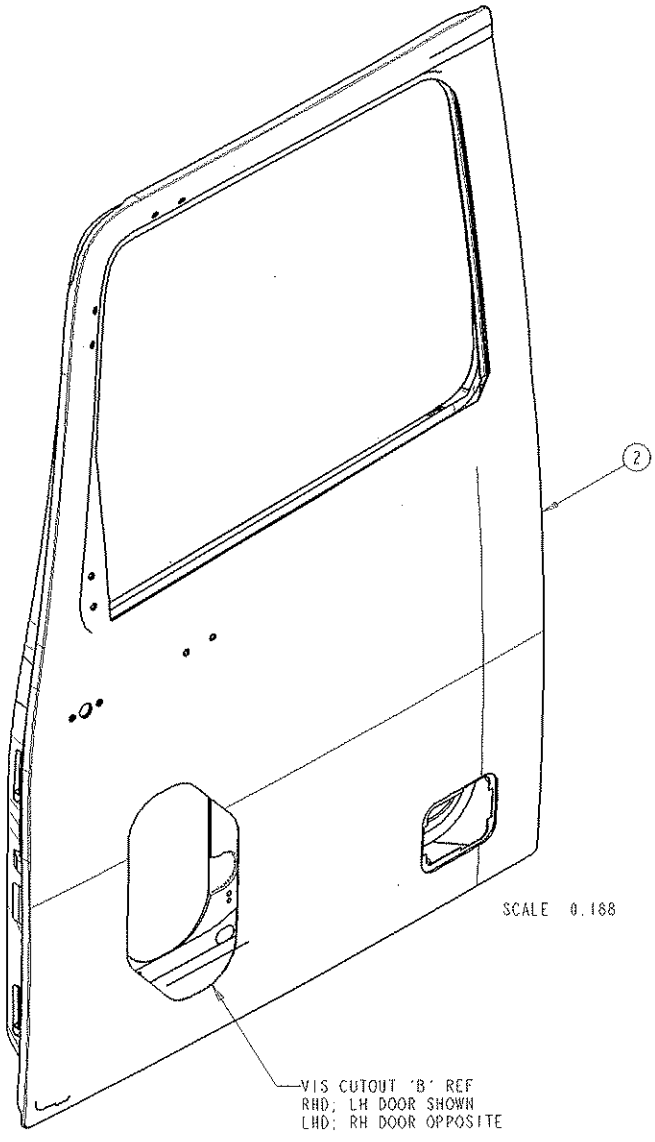
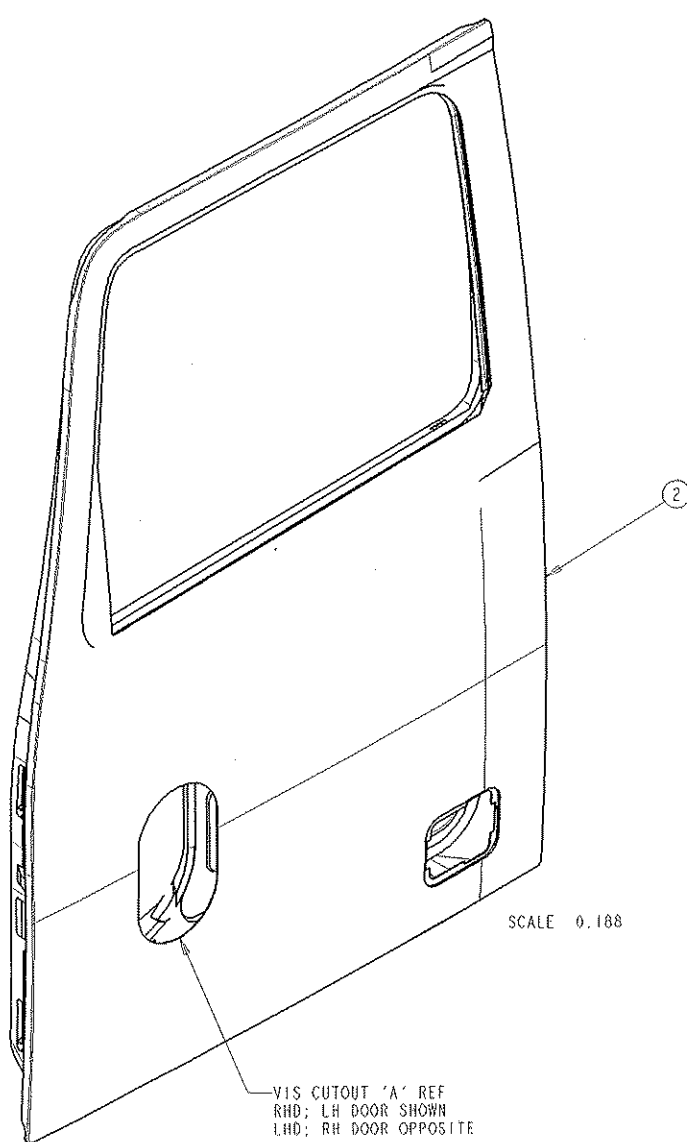
3 FOLD

WESTERN STAR TRUCKS INC. COMPUTER GRAPHICS KELOWNA, B.C.			
TOLERANCES UNLESS NOTED:		BY	DATE
TRIM EDGE ± 1.50 mm	DWN	DT	26 JUN 95
HOLE CENTERS ± 0.25 mm	CKD		
HOLE DIAMETERS ± 0.25 mm	APVD		
LINEAR/FORM ± 0.50 mm	ECO		80008
ANGULAR ± 1/2 °	SCALE		N/A
THIS DOCUMENT CONTAINS PROPRIETARY INFORMATION AND IT SHALL NOT BE USED OR REPRODUCED OR ITS CONTENTS DISCLOSED IN WHOLE OR IN PART WITHOUT THE PRIOR WRITTEN CONSENT OF WESTERN STAR TRUCKS INC., KELOWNA, BC			
ASSY. - PANEL DOOR OUTER W/MIRRORS	MR NO. 4018	50210-3406	SHT 3 OF 3



50204-3407
PRINTED DATE
AB

COMP. NO.	DESCRIPTION	SIZE	MATERIAL
WESTERN STAR TRUCKS INC. COMPUTER GRAPHICS KELOWNA, B.C.			
TOLERANCES UNLESS NOTED:			
TRIM EDGE	$\pm 1.50\text{mm}$	DWN	BY DATE
HOLE CENTERS	$\pm 0.25\text{mm}$	CKD	
HOLE DIAMETERS	$\pm 0.25\text{mm}$	APVD	
LINEAR/FORM	$\pm 0.50\text{mm}$	ECO	
ANGULAR	$\pm 1/2^\circ$	SCALE	QUARTER
THIS DOCUMENT CONTAINS PROPRIETARY INFORMATION AND IT SHALL NOT BE USED OR REPRODUCED OR ITS CONTENTS DISCLOSED IN WHOLE OR IN PART WITHOUT THE PRIOR WRITTEN CONSENT OF WESTERN STAR TRUCKS INC., KELOWNA, BC.			
ASSEMBLY DOOR INNER			MR NO. 4018
50204-3407			SHT 4 OF 4



2 FOLD

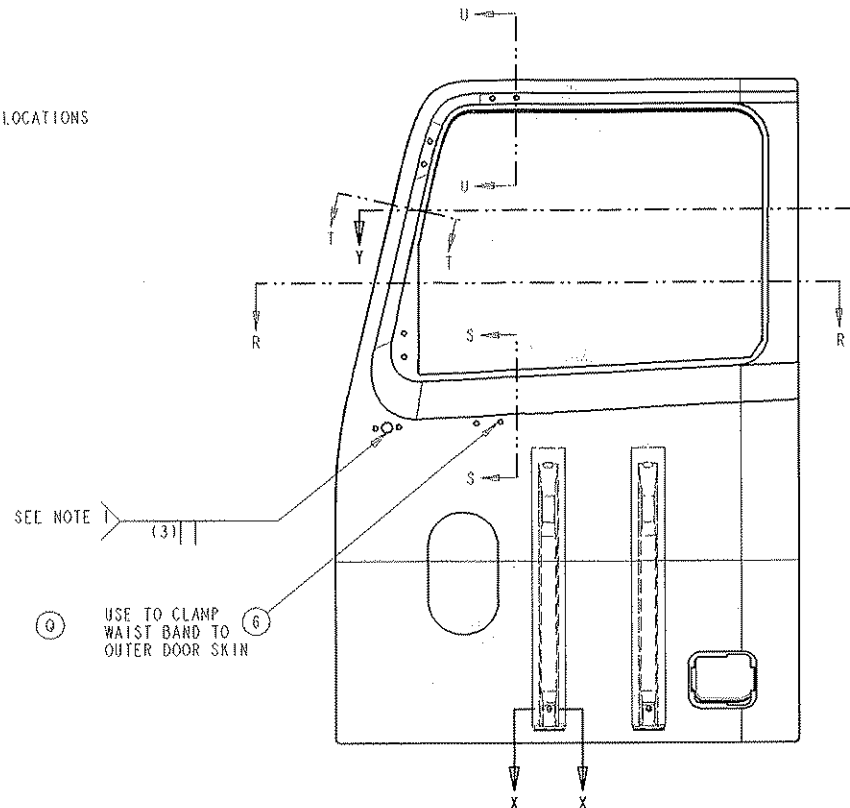
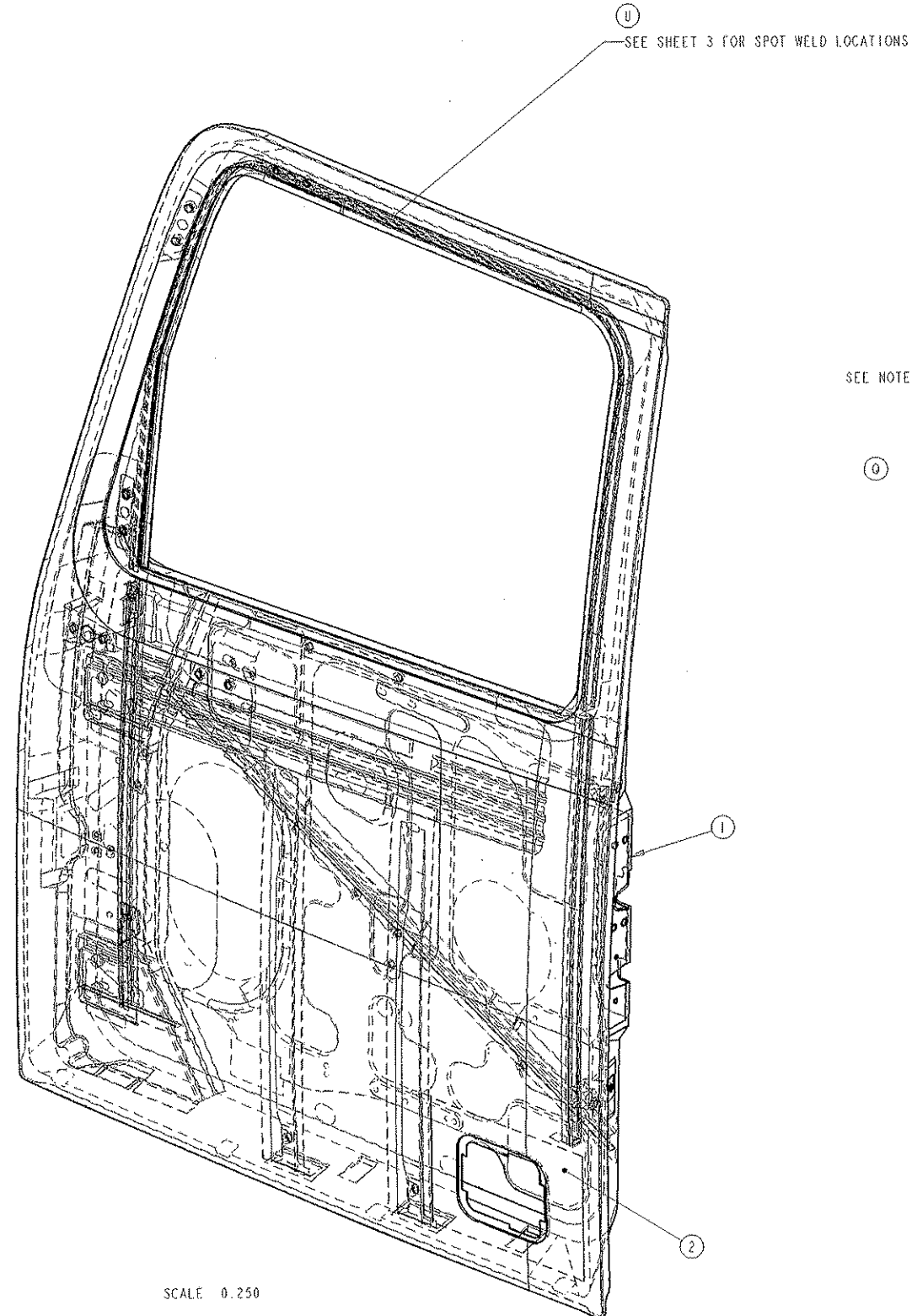
50100-3499
SHT 2
OF 2
CHG
E

1 FOLD

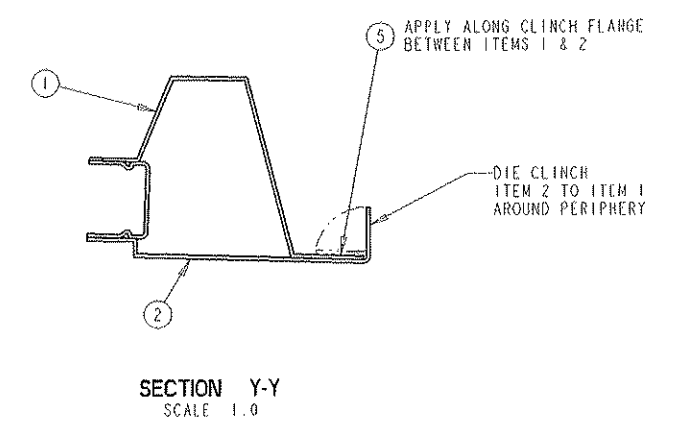
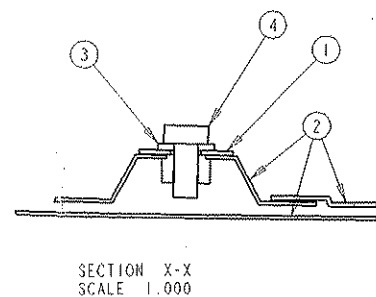
3 FOLD

REV	COMP. NO.	DESCRIPTION	SIZE	MATERIAL
		WESTERN STAR TRUCKS INC. COMPUTER GRAPHICS KELOWNA, B.C.		
	TOLERANCES UNLESS NOTED:		BY	DATE
	MACHINING	± .02 INCH	DWN LDW	29JUL98
	HOLE CENTERS	± .02 INCH	CKD	
	HOLE DIAMETERS	± .02 INCH	APVD BGR	10AUG98
	LINEAR	± .06 INCH	ECO	C00351
	ANGULAR	± 1/2 °	SCALE	EIGHTH
<small>THIS DOCUMENT CONTAINS PROPRIETARY INFORMATION AND IT SHALL NOT BE USED OR REPRODUCED OR ITS CONTENTS DISCLOSED IN WHOLE OR IN PART WITHOUT THE PRIOR WRITTEN CONSENT OF WESTERN STAR TRUCKS INC., KELOWNA, BC</small>				
APPLICATION PART NO.	ASSY-COMP FLR CAB SHELL, SLPR		MR NO. 4018	
	B.I.W. COMPLETE, LHD		50100-3499	SHT 2 OF 2

REMOVE ALL SHARP EDGES DO NOT SCALE DRAWING CAST, STAMP OR STENCIL PART NUMBER & REVISION LETTER IN SUITABLE LOCATION ORIGINAL CREATED ON USTI SOLID MODELING WORKSTATION



NOTES:
1) TACK WELD IF NECESSARY TO MAINTAIN HOLE ALIGNMENT BETWEEN HOLES IN INNER BRACKET AND OUTER PANEL.



ECO	CHG	CHANGE	BY	DATE	CKD	APVD
	A	DRAWING CHANGED VISUALLY TO REFLECT CHANGES TO MTG BRKT REINF DOOR OUTER - MGA REF PB/94/0035 -	KAA MGA	31 JAN 94	AJU MGA	WTL
	B	DRAWING CHANGED TO REFLECT FULL DROP GLASS - SPOTWELD COUNT 29 WAS 19 - MGA REF PB/94/0038 -	KAA MGA	18 FEB 94	AJU MGA	WTL
	C	CHEATER POSITION ALTERED CHANNELS MODIFIED TO SUIT - MGA REF PB/94/0066 - DRG CHANGED VISUALLY TO REFLECT REGULATOR ACCESS HOLE MOVE - MGA REF PB/94/0066 - DRG CHANGED VISUALLY TO REFLECT NEW MIRROR MOUNTINGS - MGA REF PB/94/0097 -	HJM MGA	13 JAN 95		
81367	D	REBROWN ON PRO-E; DRAWING CHANGED VISUALLY TO REFLECT CHANGES TO COMPONENTS (SEE ECO 80008 & 81160); ITEM 4 WAS 181566 (1.75 LONG); 50202-3406 & 50203-3406 ADDED	DT	24 OCT 95	BGK	DVC
81952	E	ITEM 1 & SECT X-X REVISED	DT	7 DEC 95	BGK	DVC
82236	F	ITEMS 1 & 2 REVISED	DT	18 DEC 95	BGK	DVC
83380	G	ITEM 2 REVISED	DT	23 FEB 96		BGK
83337	H	ITEMS 1 & 2 REVISED; NOTE 1 ADDED SHT 2 & SECT R,S,T,U ADDED	DT	6 MAR 96		BGK
C00101	J	ITEM 5 WAS 6479-3412	LDW	16 SEPT 96		BGK
C00132	K	ITEM 1 REVISED	TGM	2 DEC 96		BGK
C00167	L	ITEMS 1 AND 2 REVISED	TGM	4 APR 97		BGK
C00182	M	ITEM 1 REVISED	TGM	6 JUNE 97		DVC
C00177	N	ITEM 1 REVISED. REDUCE NUMBER OF SPOT WELDS FOR GLASS CHANNEL FLANGES; 24 WELDS AT 70 PITCH WERE 30 AT 50 PITCH.	TGM	8 JUL 97		DVC
C00221	P	REVISE ALL -2 ITEMS	TGM	30 OCT 97		DVC
C00231	Q	REVISED ALL -2 ITEMS. ADD -6.	TGM	24 OCT 97		DVC
C00258	R	REVISED ALL -1 ITEMS	TGM	31 DEC 97		DVC
C00318	S	ADD 22.2; 22.3 DIMENSIONS (SHT 2)	DRJ	4 MAY 98		BGK
C00368	T	REVISED ALL -1 ITEMS	GEG	21 SEP 98	TGM	BGK
C00416	U	ADD REINFORCEMENTS TO 1 & 2. MOVE SPOT WELDS TO SHEET 3.	TGM	16 FEB 00		BGK
C00497	V	ADDED 2 WELD NUTS TO STRUT IN ITEM -1.	TGM	23 FEB 00		BGK
C00523	W	REVISED ITEMS 1 AND 2.	TGM	24 MAY 00		BGK RJS
C00556	X	REVISED ITEM 1	TGM	28 JUL 00		BGK RJS
C00558	Y	50202/3-3405 & 50202/3-3406 REVISED; ITEM 2 - 50210/1-3406 & 50210/1-3409 REVISED	DT	3 AUG 00		BGK

QTY	UNIT	DESCRIPTION	SIZE	PART NUMBER
-6		SCREW - FLAT HEAD	1/4-20 X 0.50	4015-3451
-5		STRUCTURAL ADHESIVE		4101-3418
-4		HEX BOLT	1/4-20 X 0.5	180016
-3		FLAT WASHER	1/4"	120392
		ASSY DOOR OUTER RH VIS		50211-3409
		ASSY DOOR OUTER LH VIS		50210-3409
		ASSY DOOR OUTER RH		50211-3406
		ASSY DOOR OUTER LH		50210-3406
		ASSY DOOR INNER RH		50205-3407
		ASSY DOOR INNER LH		50204-3407

WESTERN STAR TRUCKS INC.
COMPUTER GRAPHICS KELOWNA, B.C.

TOLERANCES UNLESS NOTED:

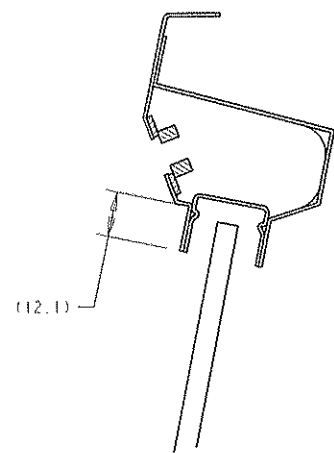
BY	DATE
DT	24 OCT 95
BGK	30 OCT 95
DVC	30 OCT 95
ECO	81367
SCALE	1/8

MR NO. 4018
ASSY - DOOR SHELL W/MIRRORS
50202-3405

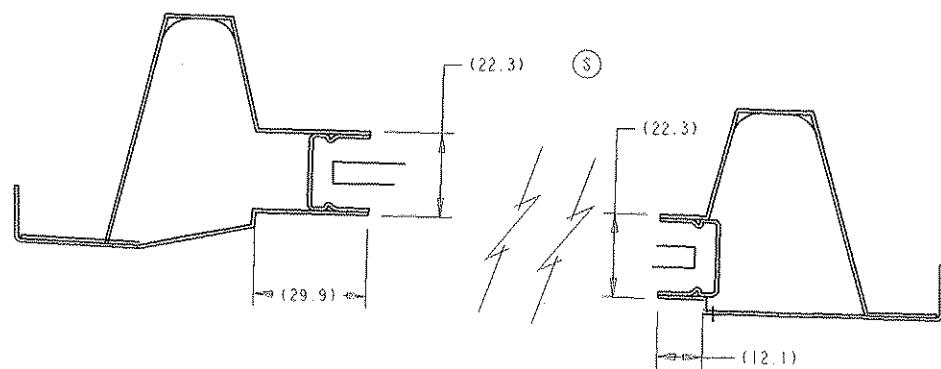
50202-3405
PRINT ISSUE DATE
CHG Y

REMOVE ALL SHARP EDGES IF IN DOUBT ASK DO NOT SCALE DRAWING CAST, STAMP OR STENCIL PART NUMBER A REVISION LETTER IN SUITABLE LOCATION ORIGINAL CREATED OR BEST SOLID MODELING REPRESENTATION

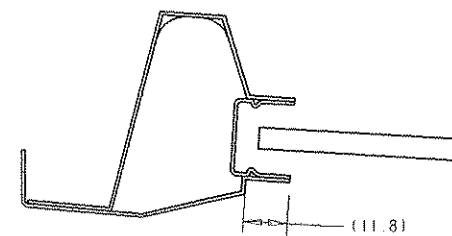
ECO	CHG	CHANGE	BY	DATE	CKD	APVD
-----	-----	--------	----	------	-----	------



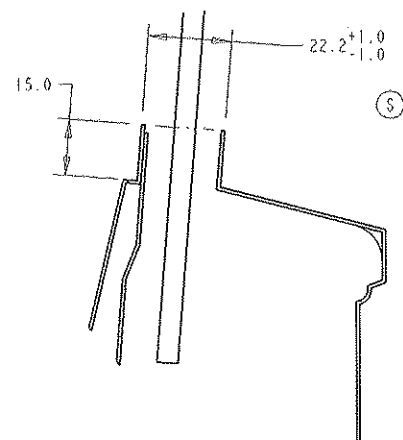
SECTION U-U
SCALE 1.0



SECTION R-R
SCALE 1.0



SECTION T-T
SCALE 1.0



SECTION S-S
SCALE 1.0

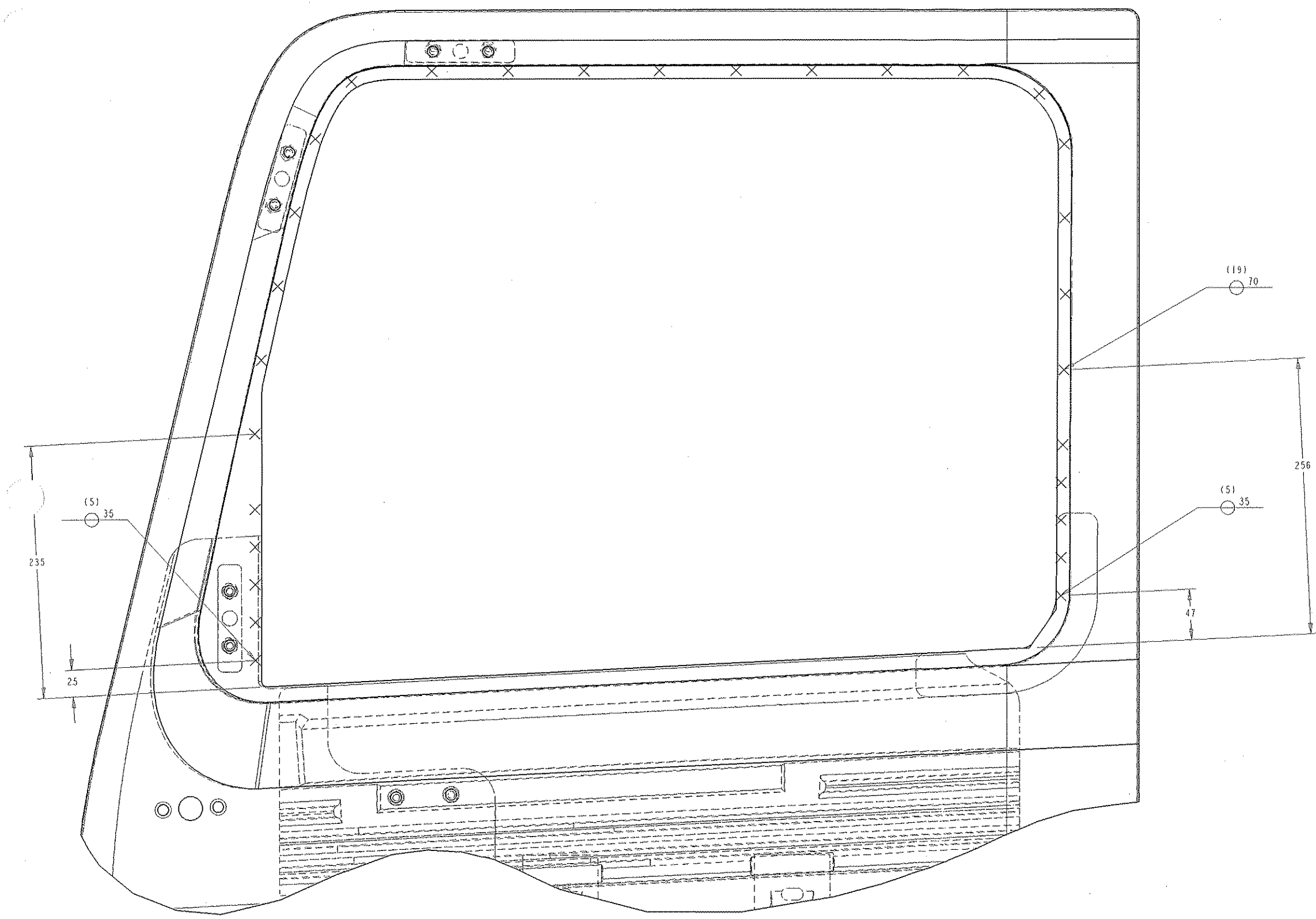
2 FOLD

50202-3405
PRINT ISSUE DATE
Y

3 FOLD

REV	COMP. NO.	DESCRIPTION	SIZE	MATERIAL
	WESTERN STAR TRUCKS INC. COMPUTER GRAPHICS KELOWNA, B.C.			
APPLICATION PART NO.	TOLERANCES UNLESS NOTED:		BY	DATE
	TRIM EDGE	± 1.50 mm	DWN	TGM 22DEC99
	HOLE CENTERS	± 0.25 mm	CKD	
	HOLE DIAMETERS	± 0.25 mm	APVD	
	LINEAR/FORM	± 0.50 mm	ECO	
	ANGULAR	± 1/2°	SCALE	FULL
THIS DOCUMENT CONTAINS PROPRIETARY INFORMATION AND IT SHALL NOT BE USED OR REPRODUCED OR ITS CONTENTS DISCLOSED IN WHOLE OR IN PART WITHOUT THE PRIOR WRITTEN CONSENT OF WESTERN STAR TRUCKS INC., KELOWNA, BC.				
ASSY - DOOR SHELL W/MIRRORS			NR NO.	50202-3405
			SHT 2	OF 3

1 FOLD



- WELD NOTES:
- 1) TOTAL NUMBER OF WELDS TO INSTALL IN THIS ASSEMBLY STAGE: 29
 - 2) ALL WELDS TO BE IN ACCORDANCE WITH WSTI WELD SPECIFICATION 4101-3414
 - 3) WELD PITCH IS AS STATED
 - 4) GENERAL SPOTWELD POSITIONAL TOLERANCE $\pm 4\text{mm}$.
 - 5) WELD LOCATIONS ARE TO SCALE

SPOTWELD CLASSIFICATION	
TO BE IN ACCORDANCE WITH WESTERN STAR SPEC 4101-3414	
X	CLASS 'C' - ORDINARY
⊗	CLASS 'A' - SAFETY CRITICAL
⊗	CLASS 'CF' - ORDINARY FACEWELD
⊗	CLASS 'AF' - SAFETY CRITICAL FACEWELD

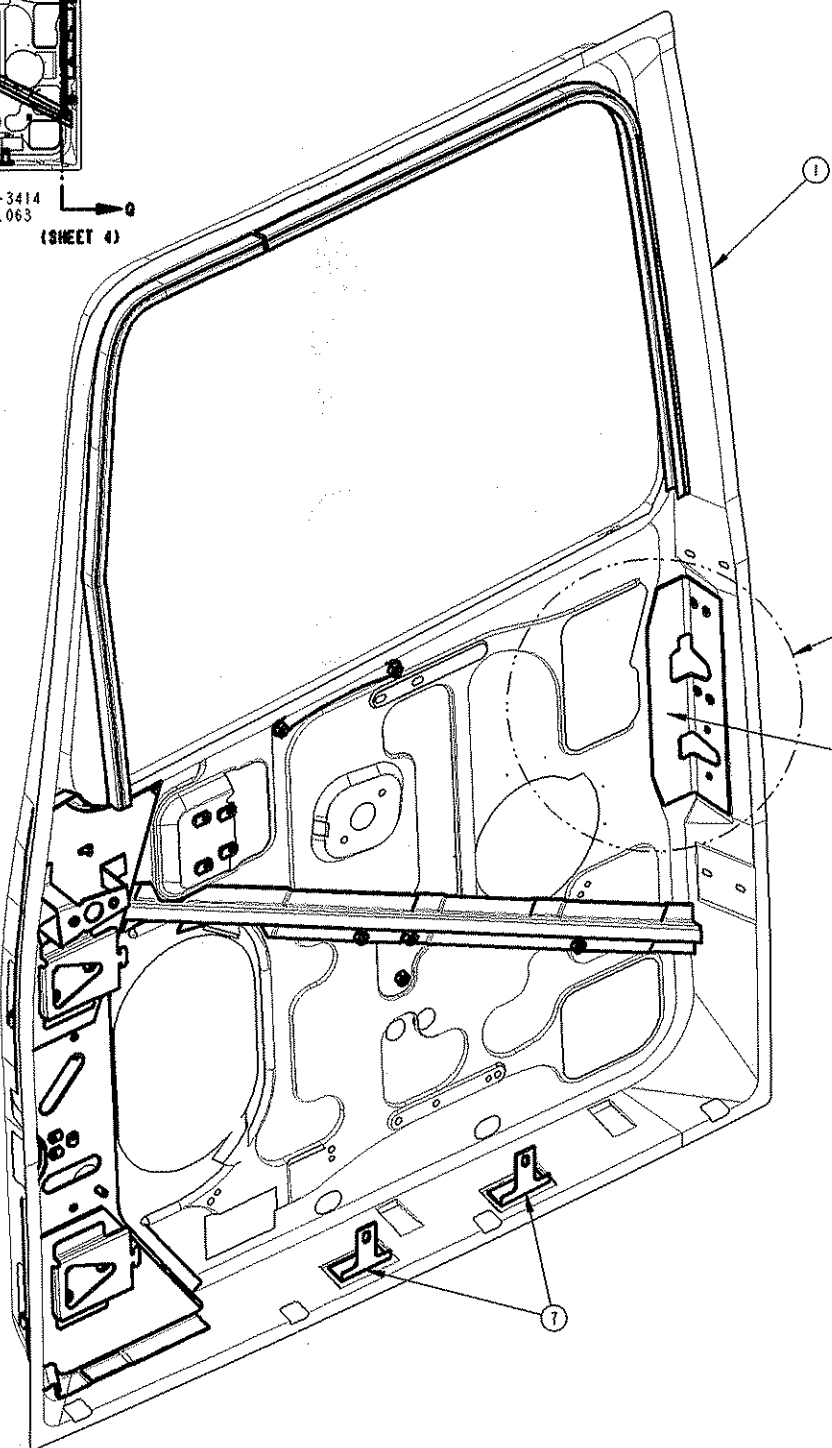
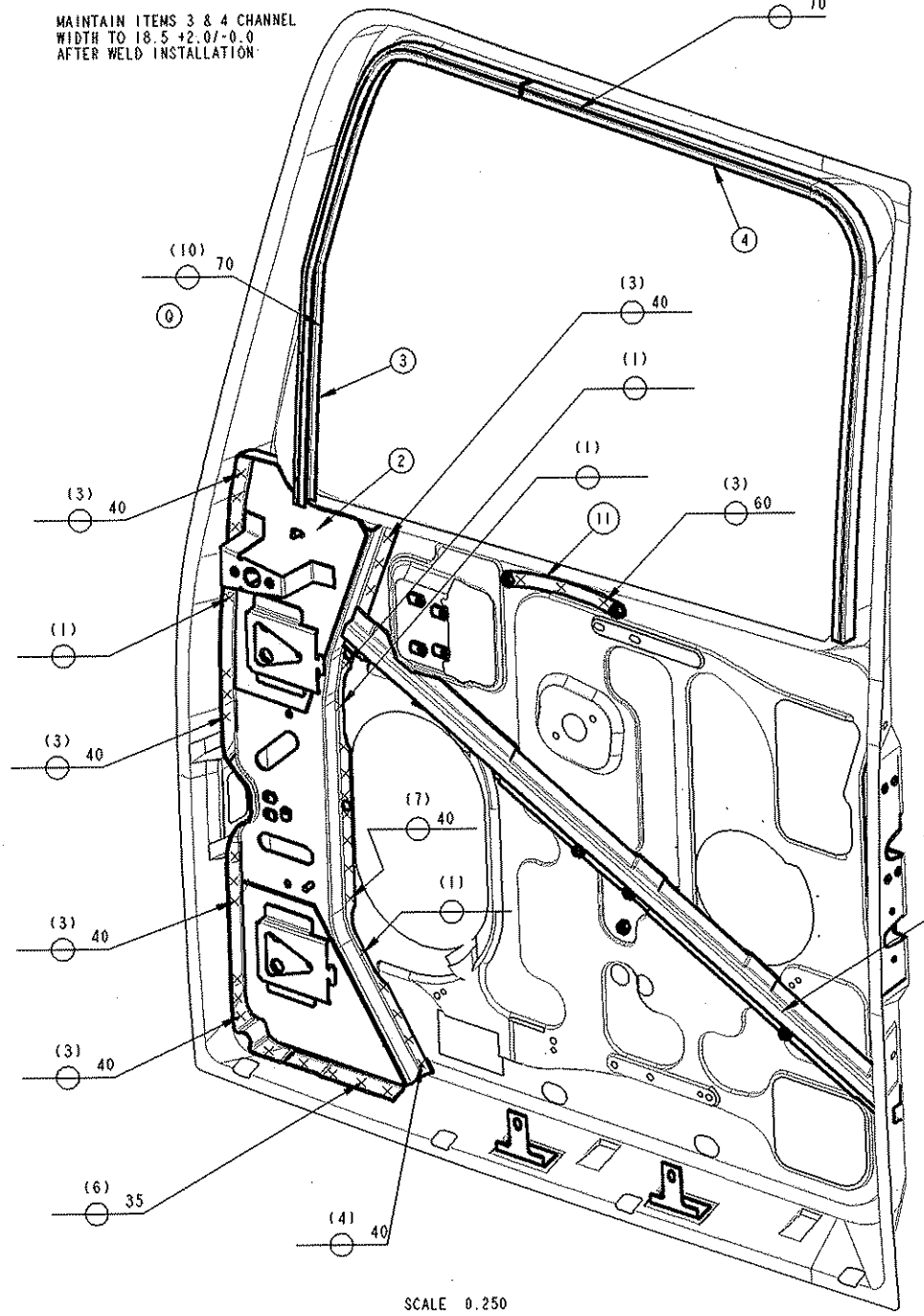
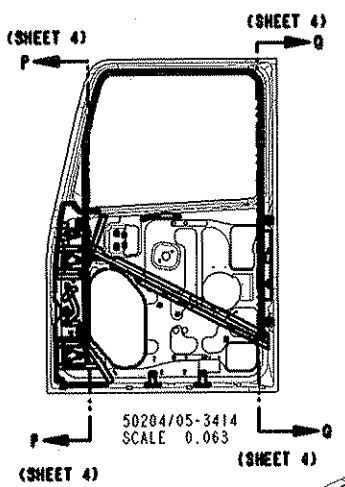
SCALE 0.500

50202-3405
PART ISSUE DATE
Y

REV	COMP. NO.	DESCRIPTION	SIZE	MATERIAL
		WESTERN STAR TRUCKS INC. COMPUTER GRAPHICS KELOWNA, B. C.		
	TOLERANCES UNLESS NOTED:		BY	DATE
	TRIM EDGE	$\pm 1.50\text{mm}$	DWN	TGM 22DEC99
	HOLE CENTERS	$\pm 0.25\text{mm}$	CKD	
	HOLE DIAMETERS	$\pm 0.25\text{mm}$	APVD	
	LINEAR/FORM	$\pm 0.50\text{mm}$	ECO	C00459
	ANGULAR	$\pm 1/2^\circ$	SCALE	HALE
THIS DOCUMENT CONTAINS PROPRIETARY INFORMATION AND IT SHALL NOT BE USED OR REPRODUCED OR ITS CONTENTS DISCLOSED IN WHOLE OR IN PART WITHOUT THE PRIOR WRITTEN CONSENT OF WESTERN STAR TRUCKS INC., KELOWNA, BC				
APPLICATION PART NO.	ASSY - DOOR SHELL W/MIRRORS		MR NO. 4018	50202-3405
				SHT 3 OF 3

REMOVE ALL SHARP EDGES IF IN DOUBT ASK DO NOT SCALE DRAWING CAST, STAMP OR STENCIL PART NUMBER & REVISOR LETTER IN SUITABLE LOCATION ORIGINAL CREATED ON WSTI SOLID MODELING WORKSTATION

MAINTAIN ITEMS 3 & 4 CHANNEL WIDTH TO 18.5 ± 2.07-0.0 AFTER WELD INSTALLATION



- WELD NOTES:**
- 1/ TOTAL NUMBER OF SPOT WELDS 97
 - 2/ ALL WELDS TO BE IN ACCORDANCE WITH WSTI WELD SPECIFICATION 4101-3414
 - 3/ WELD PITCH IS AS NOTED INDICATED.
 - 4/ GENERAL SPOT WELD POSTIONAL TOLERANCE ± 4.00mm.

SPOTWELD CLASSIFICATION	
ACCORDANCE WITH WESTERN STAR SPEC 4101-3414	
⊗	CLASS 'C' - ORDINARY
⊗	CLASS 'A' - SAFETY CRITICAL
⊗	CLASS 'CF' - ORDINARY FACEWELD
⊗	CLASS 'AF' - SAFETY CRITICAL FACEWELD

NOTE: REFER TO CAD DATA FOR TRUE POSITIONING OF COMPONENTS

ECO	CHG	CHANGE	BY	DATE	CKD	APVD
	A	ITEM 10 MODIFIED & POS'N OF POINTS M & N ALTERED. (SEE SHT 2) DROP GLASS REGULATOR POS'N ALTERED - MGA REF PB/94/0035 -	KAA MGA	31JAN94	AJJ MGA	WTL WS
	B	ITEM 9 MODIFIED & MOVED ITEMS 11 & 12 ADDED ITEM 5 LENGTHENED ITEM 7 NOW INCLUDES LOWER BRKT STEELWORK REVISED - MGA REF PB/94/0038 -	PAD MGA	18FEB94	AJU MGA	WTL WS
	C	ITEM 11 & 12 MOVED & MODIFIED. ITEM 9 MOVED TRIM EDGE OF ITEM 1 CHANGED TO SUIT NEW CHEATER POS'N - MGA REF PB/94/0041 - DRG CHANGED VISUALLY TO REFLECT REGULATOR ACCESS HOLE MOVE - MGA REF PB/94/0066 -	NJM MGA	17JUL94		
80008	D	REDRAWN ON PRO-E HINGE REINF & GLASS RUN CHANNELS MODIFIED ITEMS 5, 10 & 11 ADDED	DT	21AUG95	BGK	DVC
80008	E	ITEM 12 ADDED PICTORIAL REVISION TO SHOW REVISED WINDOW OPENING & REVISED ITEM 2	DT	18SEP95	BGK	DVC
81160	F	ITEM 13 ADDED (SHT 3) ITEMS 2, 3 & 4 REVISED ITEM 7 WAS 50212-3409 LH & RH	DT	24OCT95	BGK	DVC
81367	G	ITEMS 1, 2 & 7 REVISED ITEMS 14 THRU 19 ADDED	DT	1NOV95	BGK	DVC
81952	H	ITEM 7 WAS 50212-3414/5 LH/RH ITEMS 1 & 2 REVISED ITEMS 20 & 21 ADDED	DT	30NOV95	BGK	DVC

- FOR FURTHER REVISIONS, SEE SHEET 2 -

SEE DETAIL 'A' SHEET 3

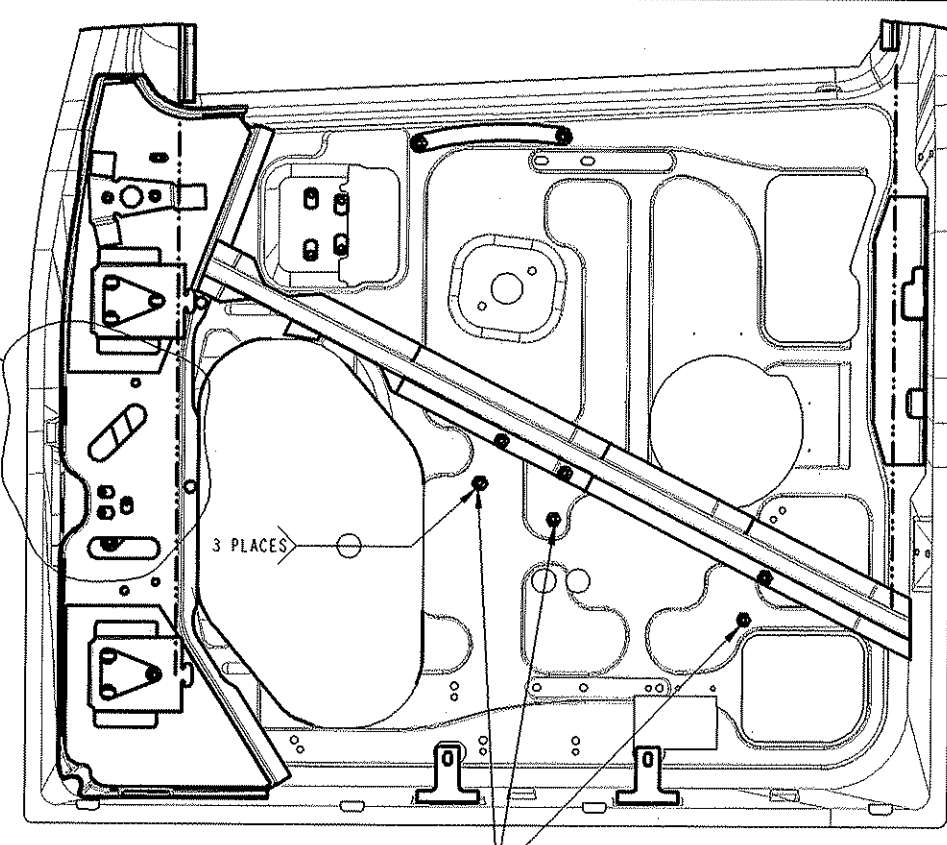
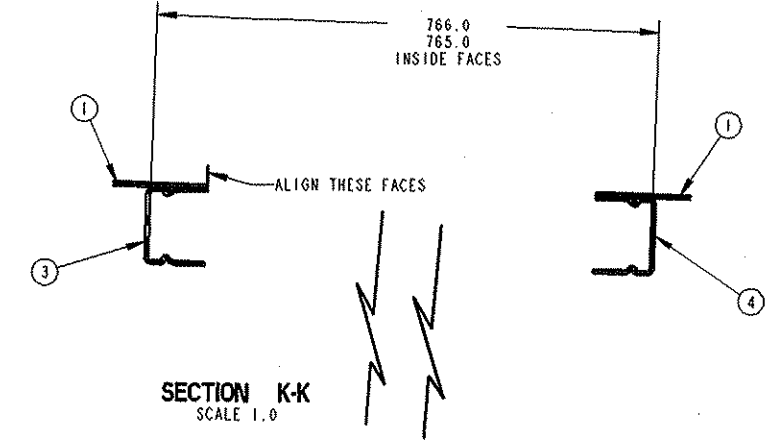
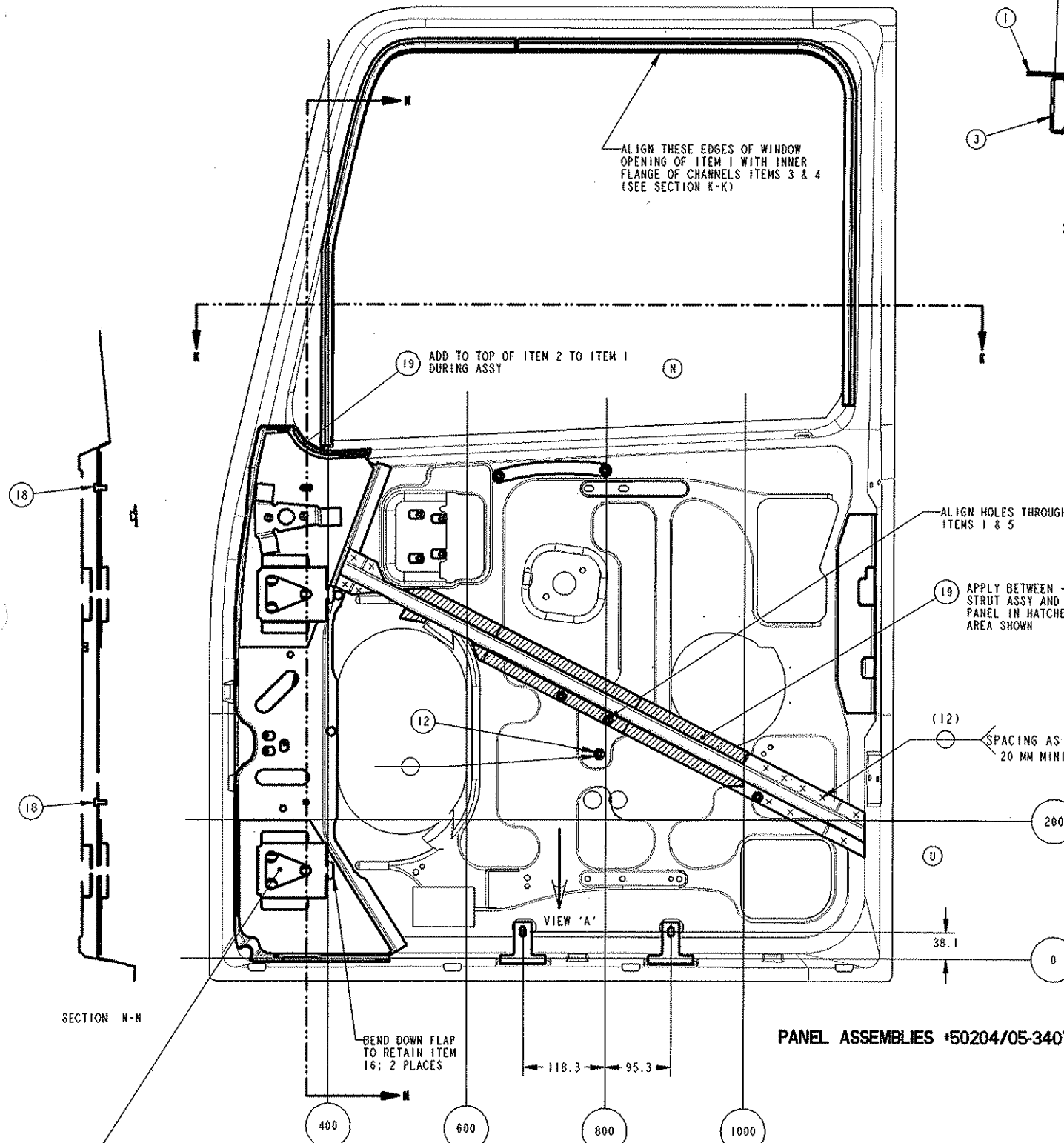
QTY	DESCRIPTION	PART NUMBER
1	NUT PLATE - CAB ACCESS HNDL RH	54303-3415
1	NUT PLATE - CAB ACCESS HNDL LH	54303-3413
AR	STRUCTURAL ADHESIVE	4101-3418
2 2 2 2	HEX CAPSCREW, 1/4-20 X .50	180016
4 4 4 4	SCREW, PANHD PHLPS 1/4-20 X .50	4009-3416
2 2 2 2	TAPPING PLATE - HINGE	50258-3407
1 1 1 1	ASSY GLASS CHNL RR BOLT-IN RH	50231-3401
1 1 1 1	ASSY GLASS CHNL RR BOLT-IN LH	50230-3401
1 1 1 1	ASSY GLASS CHNL FWD BOLT-IN RH	50235-3405
1 1 1 1	ASSY GLASS CHNL FWD BOLT-IN LH	50234-3407
4 4 4 4	TABWELDNUT, 1/4-20	4012-3455
3 3 1 1	WELDNUT, HEX 1/4-20	4012-3444
1 1 1 1	NUT PLATE - HANDLE, DOOR PULL	54303-3406
1 1 1 1	NUT PLATE - HANDLE, GRAB	54303-3404
1 1 1 1	BRKT HINGE LOWER RH	50037-3423
1 1 1 1	BRKT HINGE LOWER LH	50036-3423
1 1 1 1	BRKT HINGE UPPER RH	50037-3422
1 1 1 1	BRKT HINGE UPPER LH	50036-3422
2 2 2 2	BRKT MTG REINF DOOR OUTER	50212-3409
1 1 1 1	PANEL REINF LATCH RH	50279-3401
1 1 1 1	PANEL REINF LATCH LH	50278-3401
1 1 1 1	ASSY STRUT RH	50223-3405
1 1 1 1	ASSY STRUT LH	50222-3404
1 1 1 1	GLASS CHNL RR UPPER RH	50231-3404
1 1 1 1	GLASS CHNL RR UPPER LH	50230-3406
1 1 1 1	GLASS CHNL FRT UPPER RH	50235-3406
1 1 1 1	GLASS CHNL FRT UPPER LH	50234-3408
1 1 1 1	ASSY HINGE REINF RH	50037-3420
1 1 1 1	ASSY HINGE REINF LH	50036-3420
1 1 1 1	PANEL DOOR INNER RH	50205-3413
1 1 1 1	PANEL DOOR INNER LH	50204-3413
1 1 1 1	PANEL DOOR INNER RH	50205-3408
1 1 1 1	PANEL DOOR INNER LH	50204-3408

COMP. NO.	DESCRIPTION	PART NUMBER
WESTERN STAR TRUCKS INC. COMPUTER GRAPHICS KELOWNA, B.C.		
TOLERANCES UNLESS NOTED:		
TRIM EDGE	± 1.50mm	DWN
HOLE CENTERS	± 0.25mm	CKD
HOLE DIAMETERS	± 0.25mm	APVD
LINEAR/FORM	± 0.50mm	ECO
ANGULAR	± 1/2°	SCALE
BY		DATE
KAA/MGA		2NOV93
CKD		AJU/MGA
APVD		WTL/MS
ECO		8DEC93
SCALE		80006
SCALE		1:4
THIS DOCUMENT CONTAINS PROPRIETARY INFORMATION AND IT SHALL NOT BE USED OR REPRODUCED OR ITS CONTENTS DISCLOSED IN WHOLE OR IN PART WITHOUT THE WRITTEN CONSENT OF WESTERN STAR TRUCKS INC., KELOWNA, BC.		
ASSY		MR NO. 4018
DOOR INNER		50204-3407

50204-3407
PRINT TISSUE DATE
AB

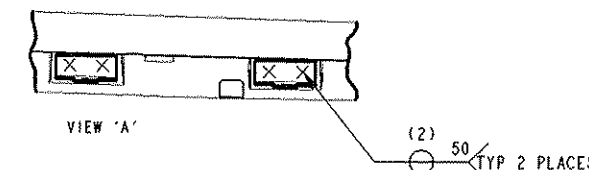
REMOVE ALL SHARP EDGES DO NOT SCALE DRAWING CAST, STAMP OR STENCIL PART NUMBER & REVISION LETTER IN SUITABLE LOCATION ORIGINAL CREATED ON WSTI SOLID MODELING WORKSTATION

SECTION K-K
SEE FULL SCALE DETAIL



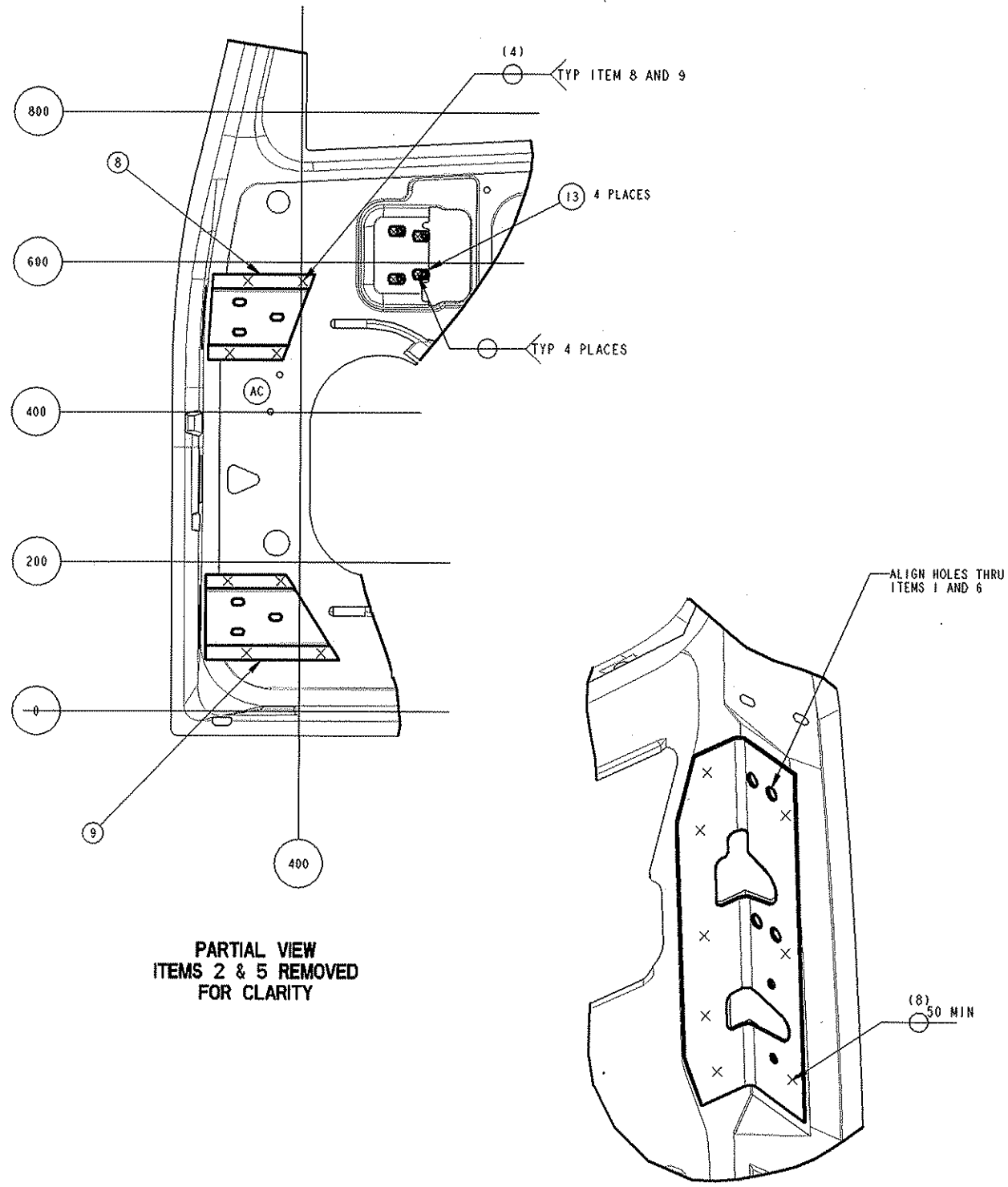
ECO	CHG	CHANGE	BY	DATE	CKD	APVD
82236	J	ITEMS 1 & 2 REVISED; ITEM 20 (50035-3478/9) (DELETED); ITEM 21 (6479-3411) DELETED	DT	18DEC95	BGK	DVC
83337	K	ITEM 1 REVISED	DT	11MAR96	BGK	
C00101	L	ITEM 19 WAS 6479-3413	LDW	16SEPT96	BGK	
C00132	M	ITEMS 1 & 2 REVISED; ADD WELD TABLE	TGM	2DEC96	BGK	
C00167	N	ITEMS 1 AND 2 REVISED. ADD ITEM 19 TO TOP OF ITEM 2 AT INSTALLATION. ADD TOLERANCE NOTE TO CHANNEL ITEMS 3 & 4 FOR ASSEMBLY.	TGM	11APR97	BGK	
C00182	P	ITEMS 8, 9, 16 REVISED	TGM	6JUNE97	DVC	
C00177	Q	ITEM 1 REVISED. DECREASE NUMBER OF SPOT WELDS FOR -38-4: 14 WELDS AT 70 PITCH WERE 18 AT 50, 10 AT 70 PITCH WERE 18 AT 40. ITEM 10 REVISED. ADD 1 SPOT WELD TO ITEMS 10, 11	TGM	8JUL97	DVC	
C00258	R	REVISED BOTH -1 ITEMS	TGM	31DEC97	DVC	
C00368	S	REVISED ALL -1, -2, -3, -4, -14, -15 ITEMS	GEG	21SEP98	TGM	BGK
C00474	T	ADDED 50204/05-3414.	GAB	01DEC99	TGM	
C00416	U	CHANGE MIRROR BRKT ON ITEM 2; ITEM 3 WAS 50234-3408 AND 50235-3406; REMOVED ITEM 14 RUN CHANNELS 50234-3407 AND 50235-3405; ADD STRUT WELD LOCN DIMN 30.6.	TGM	18FEB00	BGK	
C00497	V	REVISE -5 TO ADD 2 WELDNUTS; ADD 2 WELDNUTS -12 TO 54202/03-3414. MODIFY PNL 50204/05-3413 FOR COURTESY LT C/O, TIE-WRAP HOLES & HANDLE HOLES.	TGM	23FEB00	TGM	
C00523	W	ITEM 3 WAS 50234/5-3411; ITEM 14 ADDED; REV'D ITEM 2.	TGM	23MAY00	BGK	RJS
C00538	X	REVISED ITEM 1 TO ADD HOLES AND SLOTS	TGM	13JUN00	JB	RJS
C00556	Y	REVISED ITEM 1 FOR 50204/5-3407	TGM	28JUL00	BGK	RJS
C00581	Z	REVISED ITEM 1 FOR 50204/5-3414, FOR REV Y: 50204/5-3407 WAS 50204/5-3047.	SVHP	06OCT00	BGK	
C00623	AA	ADDED SHEET 4 TO SHOW ALIGNMENT OF RUN CHANNELS.	SVHP	16FEB01		CRG
C00634	AB	ADDED COMP -20, ADDED DETAIL B, # OF SPOT WELDS WAS 94, 50204 / 5-3414 WAS AT REV E	DWG	28MAR01	LCG	BGK
P20853-01	AC	REMOVED ITEM -10 FROM 50204-3414 & 50205-3414 REMOVED ITEM -10 FROM PARTIAL VIEW ON SHEET 3&4	DIB	05NOV02	CHB	PWS

INSERT LOOSE IN HOUSING. ENSURE TAPPED HOLES LINE UP WITH CUTOUT 2 PLACES



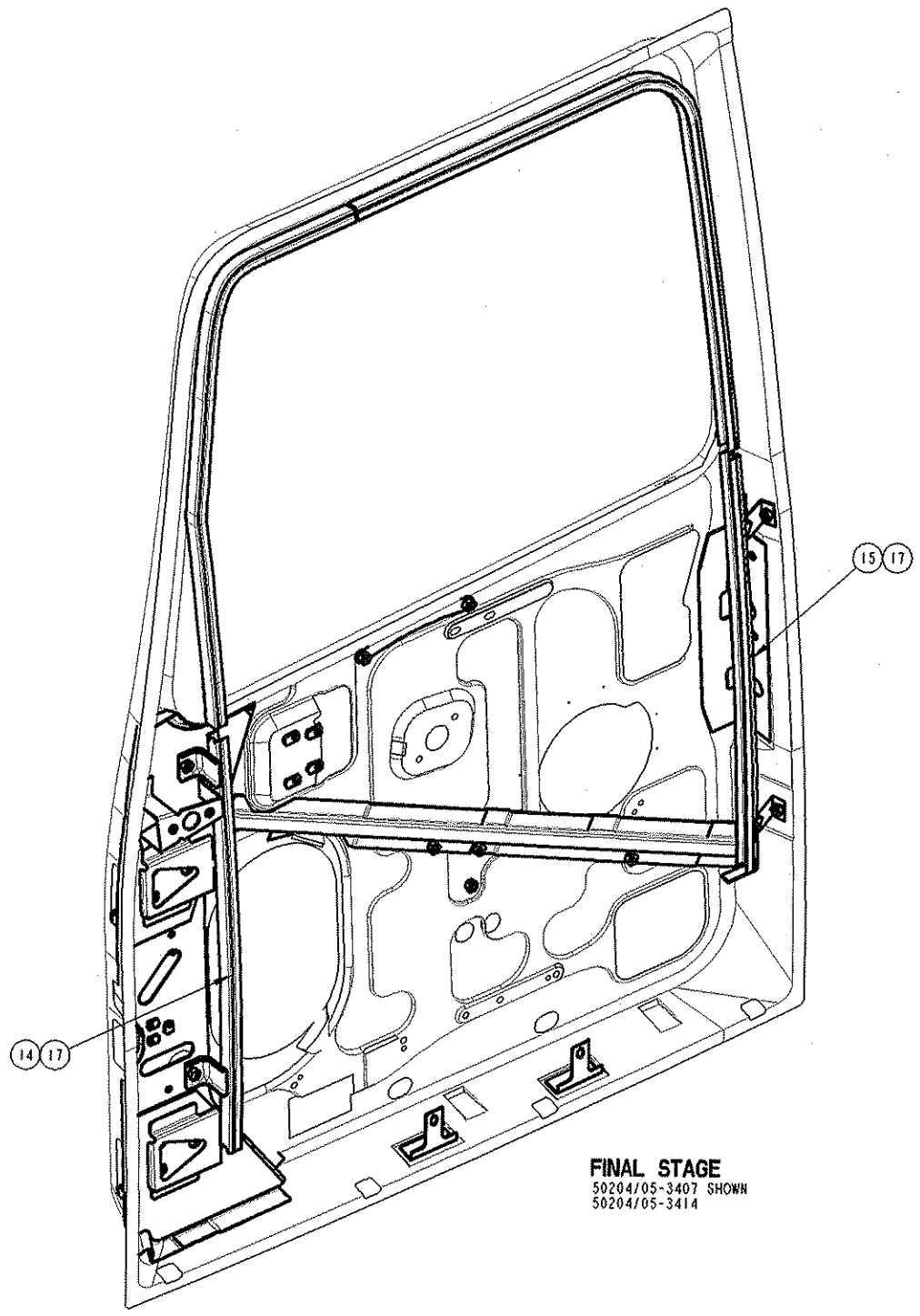
COMP. NO.	DESCRIPTION	SIZE	MATERIAL
WESTERN STAR TRUCKS INC. COMPUTER GRAPHICS KELOWNA, B.C.			
TOLERANCES UNLESS NOTED:			
TRIM EDGE	± 1.50mm	DWN	
HOLE CENTERS	± 0.25mm	CKD	
HOLE DIAMETERS	± 0.25mm	APVD	
LINEAR/FORM	± 0.50mm	ECO	
ANGULAR	± 1/2°	SCALE	QUARTER
THIS DOCUMENT CONTAINS PROPRIETARY INFORMATION AND IT SHALL NOT BE USED OR REPRODUCED OR ITS CONTENTS DISCLOSED IN WHOLE OR IN PART WITHOUT THE PRIOR WRITTEN CONSENT OF WESTERN STAR TRUCKS INC., KELOWNA, BC			
ASSEMBLY DOOR - INNER			MR NO. 4018
50204-3407			SHT 2 OF 4

50204-3407
SHT 2 OF 4
CHG AB



PARTIAL VIEW
ITEMS 2 & 5 REMOVED
FOR CLARITY

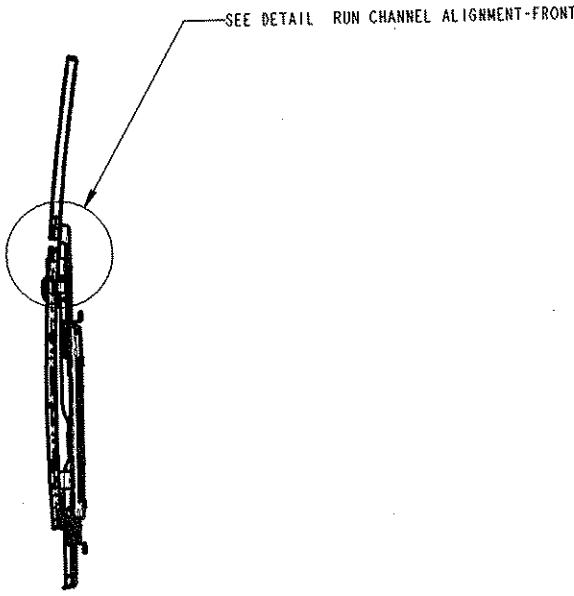
VIEW DETAIL 'A'
PER SHEET 1
SCALE 0.500



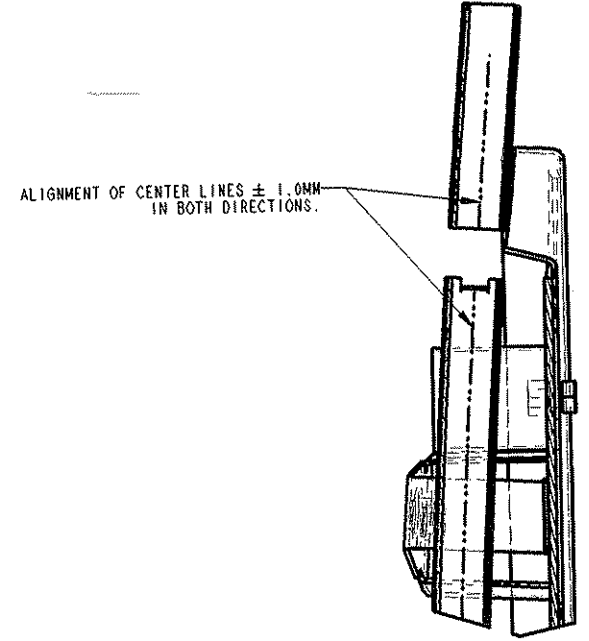
FINAL STAGE
50204/05-3407 SHOWN
50204/05-3414

50204-3407
PRINT ISSUE DATE
AB

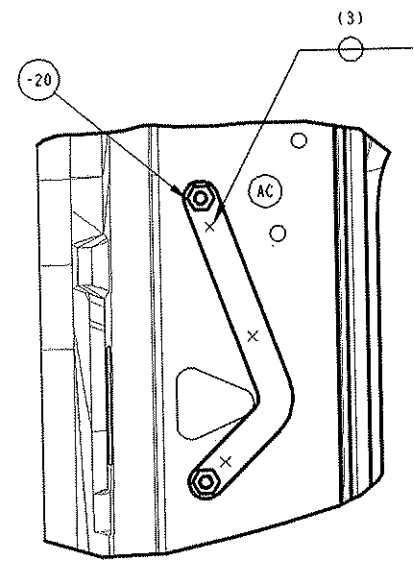
REV	COMP. NO.	DESCRIPTION	SIZE	MATERIAL
	WESTERN STAR TRUCKS INC. COMPUTER GRAPHICS KELOWNA, B.C.			
TOLERANCES UNLESS NOTED:				
	TRIM EDGE	± 1.50 mm	DWN	
	HOLE CENTERS	± 0.25 mm	CKD	
	HOLE DIAMETERS	± 0.25 mm	APVD	
	LINEAR/FORM	± 0.50 mm	ECO	
	ANGULAR	± 1/2 °	SCALE	QUARTER
THIS DOCUMENT CONTAINS PROPRIETARY INFORMATION AND IT SHALL NOT BE USED OR REPRODUCED OR ITS CONTENTS DISCLOSED IN WHOLE OR IN PART WITHOUT THE PRIOR WRITTEN CONSENT OF WESTERN STAR TRUCKS INC., KELOWNA, BC				
ASSEMBLY DOOR INNER			MR NO. 4018	SHT 3 OF 4
			50204-3407	OF 4



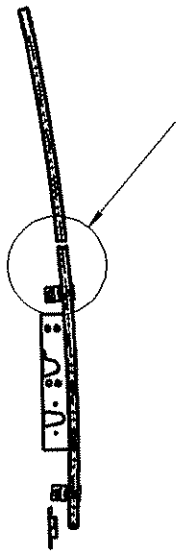
SECTION P-P
(FROM SHEET 1)
SCALE 0.125



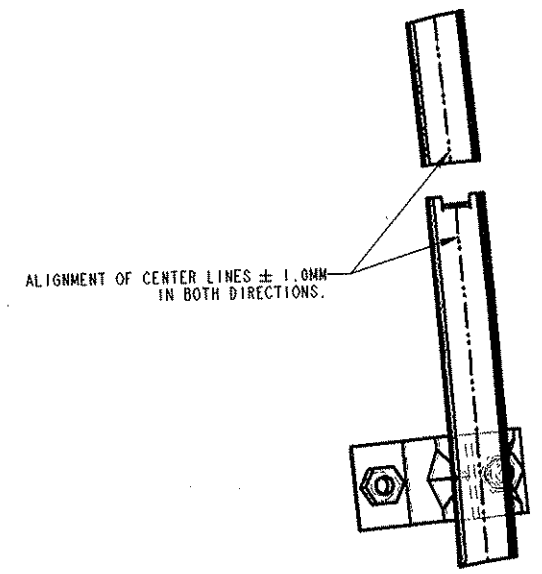
DETAIL RUN CHANNEL ALIGNMENT-FRONT
SCALE 0.750



DETAIL B
SCALE 0.500
(COMP -2 REMOVED FOR CLARITY)



SECTION Q-Q
(FROM SHEET 1)
SCALE 0.125



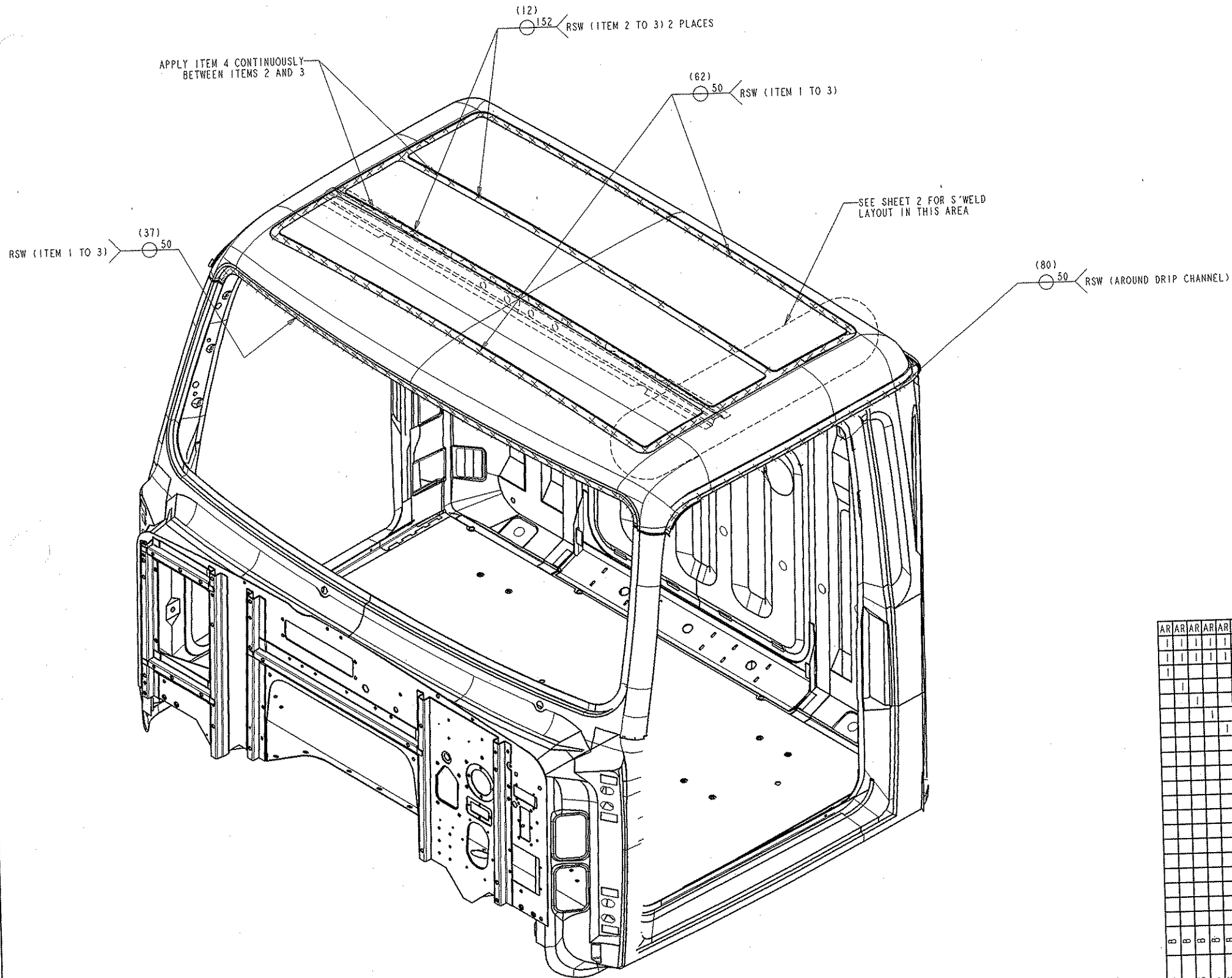
DETAIL RUN CHANNEL ALIGNMENT-REAR
SCALE 0.750

50204-3407
PRINT ISSUE DATE
SHT 1 OF 4
CKD AB

REV	COMP. NO.	DESCRIPTION	SIZE	MATERIAL
		WESTERN STAR TRUCKS INC. COMPUTER GRAPHICS KELOWNA, B.C.		
		TOLERANCES UNLESS NOTED:		BY DATE
		TRIM EDGE ± 1.50mm	DWN	
		HOLE CENTERS ± 0.25mm	CKD	
		HOLE DIAMETERS ± 0.25mm	APVD	
		LINEAR/FORM ± 0.50mm	ECO	
		ANGULAR ± 1/2°	SCALE	QUARTER
		THIS DOCUMENT CONTAINS PROPRIETARY INFORMATION AND IT SHALL NOT BE USED OR REPRODUCED OR ITS CONTENTS DISCLOSED IN WHOLE OR IN PART WITHOUT THE PRIOR WRITTEN CONSENT OF WESTERN STAR TRUCKS INC., KELOWNA, BC.		
		ASSEMBLY DOOR INNER		MR NO. 4018
		50204-3407		SHT 4 OF 4

REMOVE ALL SHARP EDGES IF IN DOUBT ASK DO NOT SCALE DRAWING CAST, STAMP OR STENCIL PART NUMBER & REVISION LETTER IN SUITABLE LOCATION ORIGINAL CREATED ON WESTI SOLID MODELING WORKSTATION

ECO	CHG	CHANGE	BY	DATE	CKD	APVD
	A	MOD. PICTORIALLY RHD WIPER SPINDLE HOLE REMOVED LHD ADDED TO TITLE. REF PB/95/0125	ISR	5JUN95	AJU	CJS
C00115	B	DRAWING UPDATED TO SHOW CHANGES TO DET'S 1, 2 & 3 DET 4 ADDED. 50 S'WELDS REMOVED FROM ROOF BOW ATTACHMENT. CHART UPDATED TO SHOW ADD'L CAB MODELS. 50301-3407 WAS ON SEPARATE DRAWING. REDRAWN ON PRO-E	LDW	02OCT96		BGK
C00320	C	UPDATE ROOF BOW CUTOUT LOCATIONS	TGM	06MAY98		DVC
C00321	D	REVISE DAYCAB'S ITEM 1 TO ADD UPHOLSTERY BRKT	TGM	22MAY98		DVC



WELD NOTES:

- 1) TOTAL NUMBER OF SPOTWELDS 203
- 2) ALL WELDS TO BE IN ACCORDANCE WITH WESTI WELD SPECIFICATION 4101-3414
- 3) WELD PITCH IS 50mm UNLESS OTHERWISE STATED
- 4) GENERAL SPOTWELD POSITIONAL TOLERANCE ± 4.0mm.

REV	DESCRIPTION	PART NO.
4	ADHESIVE - STRUCTURAL	4101-3418
3	PANEL ROOF	50002-3404
2	PANEL ROOF BOW	50094-3404
	ASSY CAB STAGE 4 48 SB AUTO AL SLPR	50301-3487
	ASSY CAB STAGE 4 48 BB AUTO AL SLPR	50301-3482
	ASSY CAB STAGE 4 49 AUTO AL SLPR	50301-3477
	ASSY CAB STAGE 4 48 SB AUTO SLPR	50301-3472
	ASSY CAB STAGE 4 48 BB AUTO SLPR	50301-3467
	ASSY CAB STAGE 4 48 BB AUTO	50301-3462
	ASSY CAB STAGE 4 48 SB AUTO	50301-3457
	ASSY CAB STAGE 4 49 AUTO SLPR	50301-3452
	ASSY CAB STAGE 4 49/59 AUTO	50301-3447
	ASSY CAB STAGE 4 48 SB AL SLPR	50301-3442
	ASSY CAB STAGE 4 48 BB AL SLPR	50301-3437
	ASSY CAB STAGE 4 49 AL SLPR	50301-3432
	ASSY CAB STAGE 4 48 SB SLPR	50301-3427
	ASSY CAB STAGE 4 48 BB SLPR	50301-3422
	ASSY CAB STAGE 4 48 BB MAN	50301-3417
	ASSY CAB STAGE 4 48 SB MAN	50301-3412
	ASSY CAB STAGE 4 49/59 SLPR	50301-3407
	ASSY CAB STAGE 4 49/59 DAYCAB	50301-3402

COMP. NO.	DESCRIPTION	PART NO.
	WESTERN STAR TRUCKS INC. COMPUTER GRAPHICS KELOWNA, B.C.	
TOLERANCES UNLESS NOTED:		
TRIM EDGE	± 1.50mm	DWN MWS 09NOV93
HOLE CENTERS	± 0.25mm	CKD AJU 08DEC93
HOLE DIAMETERS	± 0.25mm	APVD WTL 08DEC93
LINEAR/FORM	± 0.50mm	ECO C00115
ANGULAR	± 1/2°	SCALE 1 : 8

B.I.W. COMPLETE LHD - LESS DOORS		NR NO. 4018
50301-3401		SHT 1 OF 2

SPOTWELD CLASSIFICATION	
TO BE IN ACCORDANCE WITH WESTERN STAR SPEC 4101-3414	
⊗	CLASS 'C' - ORDINARY
⊗	CLASS 'A' - SAFETY CRITICAL
⊗	CLASS 'CF' - ORDINARY FACEWELD
⊗	CLASS 'AF' - SAFETY CRITICAL FACEWELD

UNCONTROLLED DOCUMENT

REMOVE ALL SHARP EDGES DO NOT SCALE DRAWING CAST, STAMP OR STENCIL PART NUMBER & REVISION LETTER IN SUITABLE LOCATION ORIGINAL CREATED ON 01/21/01 SOLID MODEL ENG WORKSTATION

ECO CHG CHANGE BY DATE CRD APVD SEE SHEET 2

SEE SHEET 2 FOR DETAILS

Large grid table with columns for part numbers, descriptions, and quantities. Includes items like 'CUTOUT B: LARGE VIS WINDOW (REF)', 'CUTOUT A: VIS WINDOW (REF)', and various hardware components like washers, bolts, and nuts.

01-3599

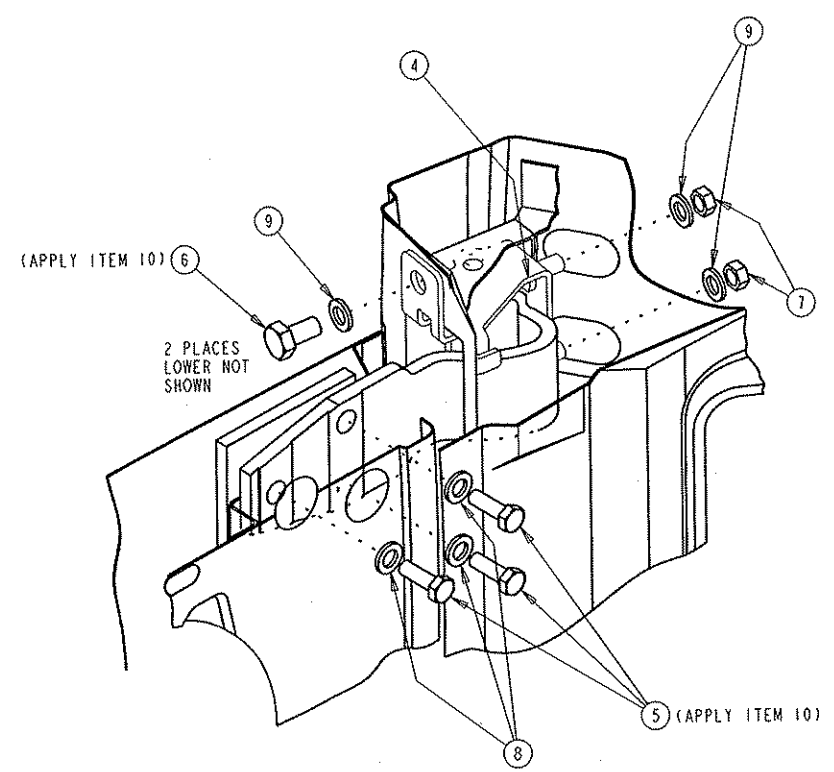
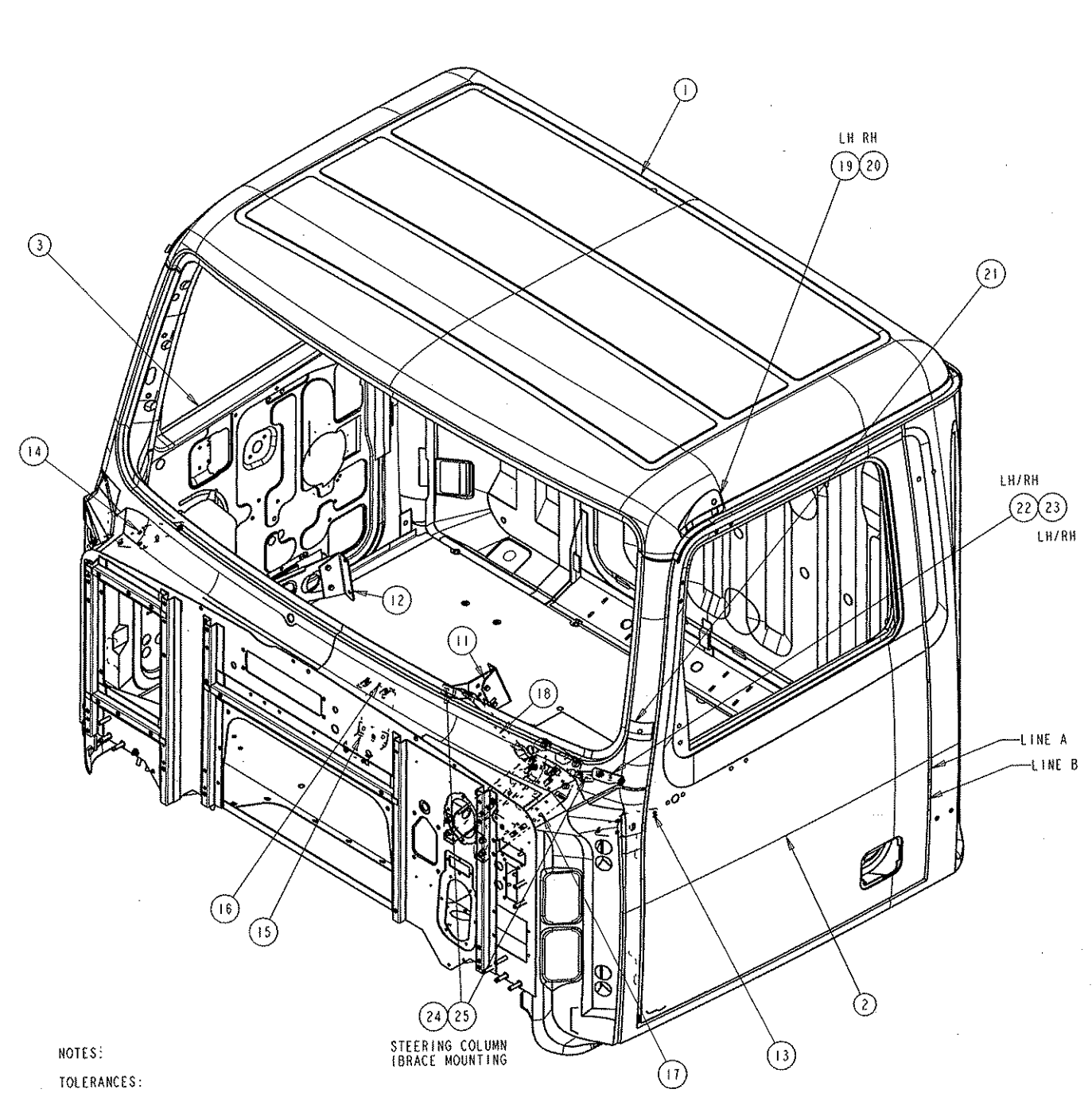
ISSUE DATE



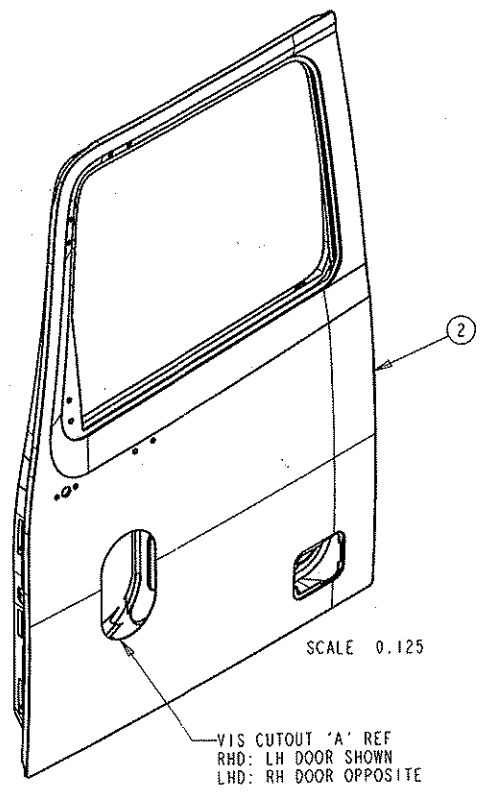
WESTERN STAR TRUCKS INC. COMPUTER GRAPHICS KELOWNA, B.C. TOLERANCES UNLESS NOTED: BY DATE TRIM EDGE ± 1.50mm DWN JRC 9 JULY 1997 HOLE CENTERS ± 0.25mm CKD HOLE DIAMETERS ± 0.25mm APVD BGR 11MAR98 LINEAR/FORM ± 0.50mm ECO 92296 ANGULAR ± 1/2° SCALE EIGHTH ASSY-CAB SHELL, DAYCAB MR NO. 4918 B.I.W. COMPLETE, LHD 50001-3599 SH 1 OF 2

REMOVE ALL SHARP EDGES DO NOT SCALE DRAWING CAST, STAMP OR STENCIL PART NUMBER & REVISION LETTER IN SUITABLE LOCATION ORIGINAL CREATED ON WESTI SOLID MODELING WORKSTATION
IF IN DOUBT ASK

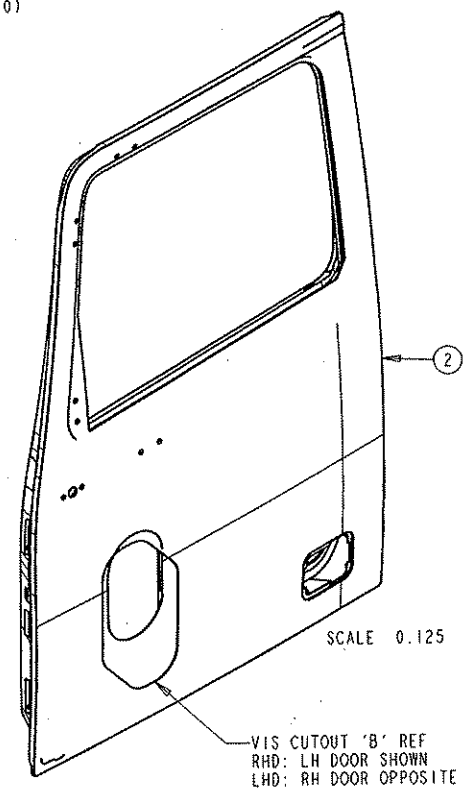
ECO	CHG	CHANGE	BY	DATE	CKD	AI
C00284	A	DRAWING UPDATED TO SHOW CHANGES TO DET. 1 DET 4 WAS 50260-3403	LDW	06MAR98		BG
C00321	B	REVISE ITEM 1 TO ADD UPH BRKT	TGM	22MAY98		DYC
C00421	C	FLOOR LADDER FRAME REVISED ON 50100-3407 AND 50100-3410; 50301-3514 WAS 50301-3506	RJS	03JUN99		BGK
C00518	D	ADDED 50100-3582, 3583, 3584, AND 3585.	SVHP	6APR00		BGK
C00525	E	CORRECTED ASSY CALLOUTS 50301-3504 WAS -3503, 50301-3505 WAS -3504, 50301-3512 WAS -3505, AND 50301-3515 WAS -3507	SVHP	17MAY00		BGK
C00504-2	F	CONSOLIDATED DWGS 50100-3530, 50100-3556, AND 50100-3495 WITH THIS DWG. DWGS 50100-3530 50100-3556, AND 50100-3495 MADE OBSOLETE.	DYN	05JUL00		BGK
C00550	G	ADDED 50100-7045, -7046, -7032, 7033, -7034, -7035, -7057, -7058, -7063, -7064, -7065, -7066 & -7067. ADDED SHT 2. REVISED DOORS FOR 50100-7002 TO -7008, -7031, -3590, -3591, -3582 TO -3585.	SVHP	08JUL00		BGK
C00554	H	ADDED 50100-7082/93	TGM	26JUL00	BGK	RJS
C00598	J	ADDED 50100-7098; ADDED ITEMS 24, 25	JS	05DEC00		RJS



CUT-AWAY VIEW FROM INSIDE CAB SHOWING HINGE MTG. POSNS.



SCALE 0.125



SCALE 0.125

NOTES:
TOLERANCES:
1 NOMINAL GAP BETWEEN LINE A & LINE B IS 8.0 mm (PERMISSIBLE VARIATION ± 1.0 mm)
2 PERMISSIBLE VARIATION PER LINE IS 1.0mm IN 500 mm TAPER
3 PERMISSIBLE VARIANCE ON OUTER MISMATCH IS + 1.0 mm - 0.0

TORQUES:
THE FOLLOWING TORQUES ARE TO BE APPLIED (WITHOUT OIL OR GREASE)
3/8" BOLTS & NUTS 32 Nm (23 lbf-ft)
5/16" BOLTS 22 Nm (16 lbf-ft)

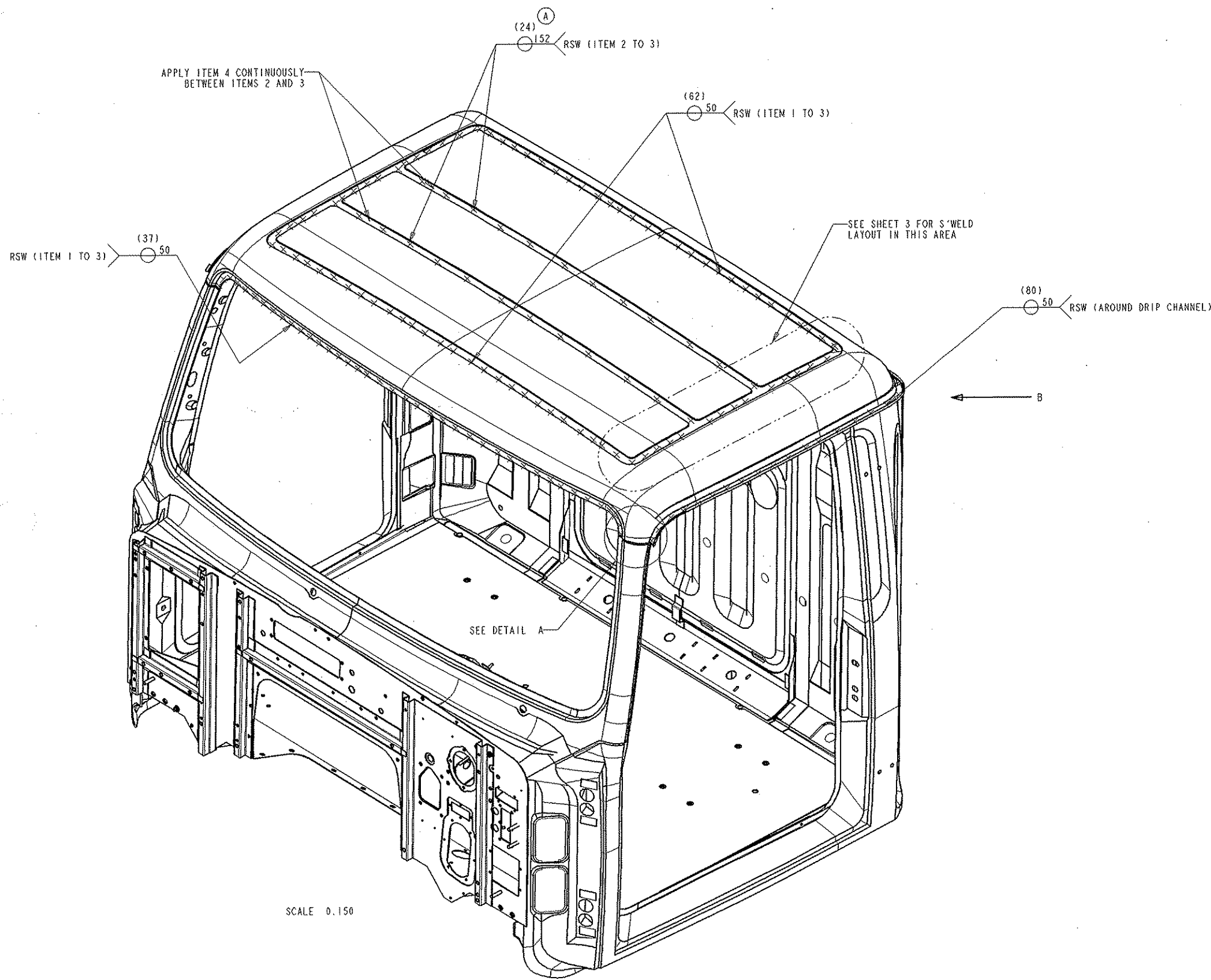
APPROVED VENDOR - CABCO
THIS PART MUST NOT BE MODIFIED WITHOUT REFERENCE TO THE MASTER CAD DATA BASE

50001-3599
PRINT ISSUE DATE
J

COMP. NO.	DESCRIPTION	SIZE	MATERIAL
WESTERN STAR TRUCKS INC. COMPUTER GRAPHICS KELOWNA, B.C.			
TOLERANCES UNLESS NOTED:		BY	DATE
TRIM EDGE	± 1.50 mm	DWN	JRC 09JUL97
HOLE CENTERS	± 0.25 mm	CKD	
HOLE DIAMETERS	± 0.25 mm	APYD	BGK 11MAR98
LINEAR/FORM	± 0.50 mm	ECO	92296
ANGULAR	± 1/2 °	SCALE	EIGHTH
<small>THIS DOCUMENT CONTAINS PROPRIETARY INFORMATION AND IT SHALL NOT BE REPRODUCED OR ITS CONTENTS DISCLOSED IN WHOLE OR IN PART WITHOUT PRIOR WRITTEN CONSENT OF WESTERN STAR TRUCKS INC., KELOWNA, BC</small>			
ASSY-CAB SHELL, DAYCAB B.I.W. COMPLETE, LHD			MR NO. 4018 50001-3599

REMOVE ALL SHARP EDGES IF IN DOUBT ASK DO NOT SCALE DRAWING CAST, STAMP OR STENCIL PART NUMBER & REVISION LETTER IN SUITABLE LOCATION ORIGINAL CREATED ON WSTI SOLID MODELING WORKSTATION

ECO	CHG	CHANGE	BY	DATE	CKD	APVD
C00426	A	ADDED DETAIL A AND VIEW ON 'B'. ROOF BOW PANEL QTY 2 WAS 1. ADDED NOTE 5. SPOTWELDS 24 CORRECTED FROM 12.	GEG	2JULY99	TGM	BGK
C00511	B	ADDED 50302-7005	TGM	22MAR00		RJS



NOTES:

- 1) TOTAL NUMBER OF SPOTWELDS 203
- 2) ALL WELDS TO BE IN ACCORDANCE WITH WSTI WELD SPECIFICATION 4101-3414
- 3) WELD PITCH IS 50mm UNLESS OTHERWISE STATED
- 4) GENERAL SPOTWELD POSITIONAL TOLERANCE ± 4.0mm.
- 5) INDICATES AREA ITEM 4 IS TO BE APPLIED.

NOTE 6/ SEVERE SERVICE CABS: FOR CABS INDICATED INCLUDE EXTRA STRUCTURAL ADHESIVE 4101-3418 PER INSTALLATION DRAWING 500A1-3453.

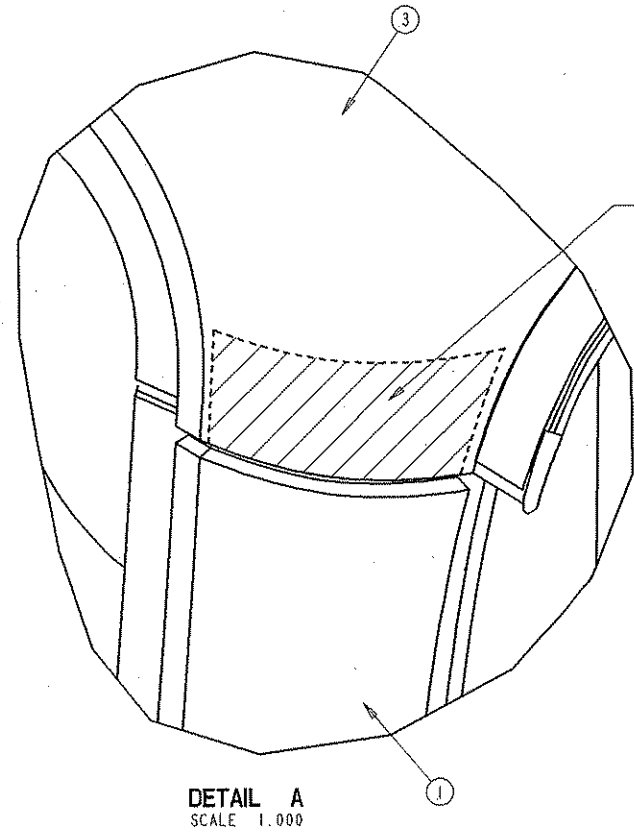
SCALE 0.150

SPOTWELD CLASSIFICATION	
TO BE IN ACCORDANCE WITH WESTERN STAR SPEC 4101-3414	
⊗	CLASS 'C' - ORDINARY
⊗	CLASS 'A' - SAFETY CRITICAL
⊗	CLASS 'CF' - ORDINARY FACEWELD
⊗	CLASS 'AF' - SAFETY CRITICAL FACEWELD

50302-3504	SHT 1
PRINT ISSUE DATE	OF 3
CHG	REV
B	1

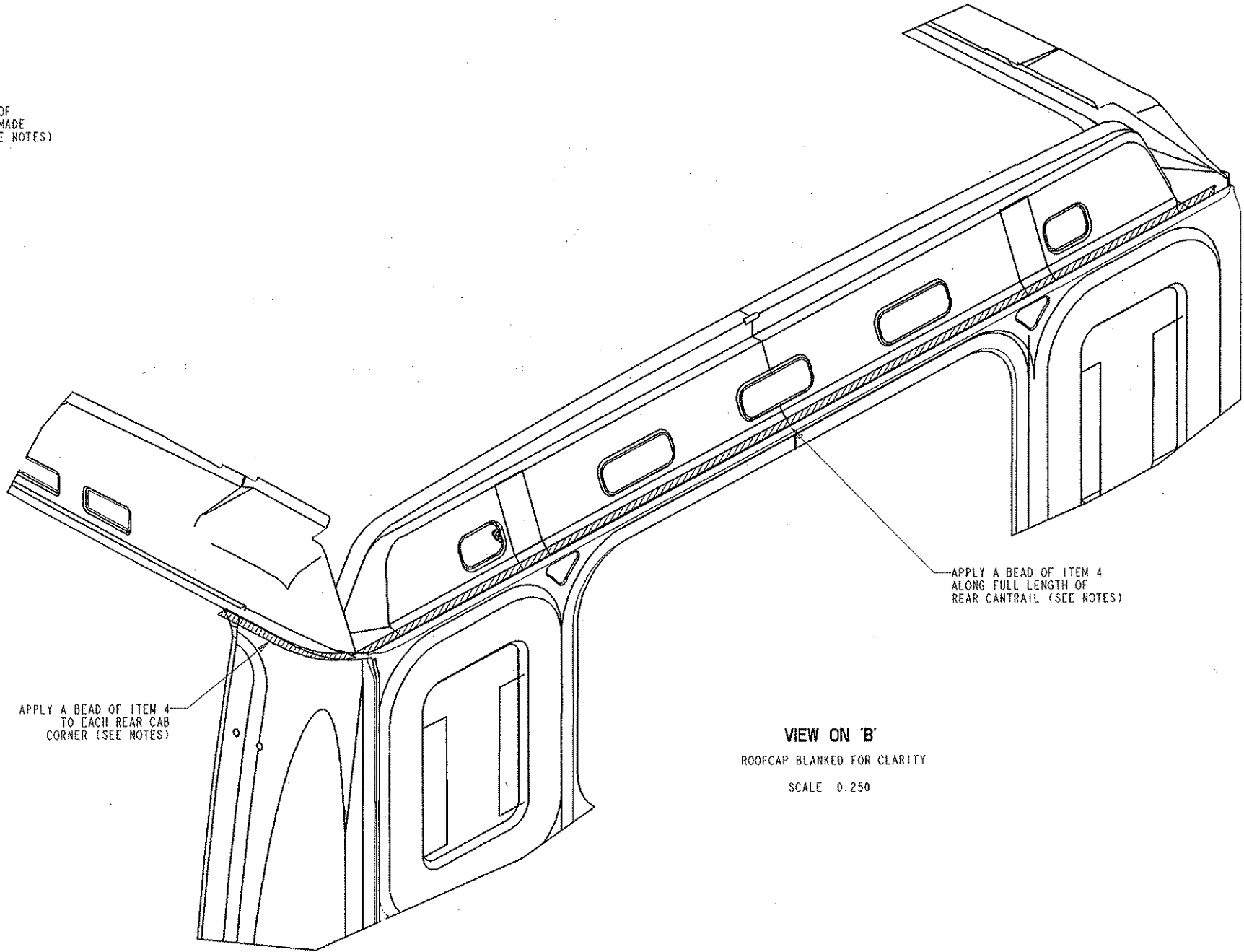
X	Y	Z	Q	R	SEE NOTE 6/ SEVERE SERVICE CABS	DESCRIPTION	PART NO.
AR	AR	AR	AR	AR	4	ADHESIVE - STRUCTURAL	4101-3418
1	1	1	1	1	3	PANEL ROOF	50002-3404
2	2	2	2	2	2	PANEL ROOF BOW	50094-3404
1					1	ASSY CAB STAGE 4 49 AL SLPR, SS	50302-7006
1					1	ASSY CAB STAGE 4 49 AUTO AL SLPR	50302-3515
					1	ASSY CAB STAGE 4 49/59 AUTO	50302-3511
					1	ASSY CAB STAGE 4 49 AL SLPR	50302-3514
					1	ASSY CAB STAGE 4 49/59 DAYCAB	50302-3510

NEW	REV	COMP. NO.	DESCRIPTION	PART NO.
			WESTERN STAR TRUCKS INC. COMPUTER GRAPHICS KELOWNA, B.C.	
TOLERANCES UNLESS NOTED:				
		BY	DATE	
		DWN	MWS	09NOV93
		CKD	AJU	08DEC93
		APVD	WTL	08DEC93
		ECO	C00115	
		SCALE	NONE	
THIS DOCUMENT CONTAINS PROPRIETARY INFORMATION AND IT SHALL NOT BE USED OR REPRODUCED OR ITS CONTENTS DISCLOSED IN WHOLE OR IN PART WITHOUT THE PRIOR WRITTEN CONSENT OF WESTERN STAR TRUCKS INC., KELOWNA, BC.				
B.I.W. COMPLETE			MR NO. 4018	
LHD - LESS DOORS			50302-3504 SHT 1 OF 3	



APPLY ITEM 4 TO SURFACE OF ITEM 3 WHERE CONTACT IS MADE WITH ITEM 1 AS SHOWN (SEE NOTES)

DETAIL A
SCALE 1.000



APPLY A BEAD OF ITEM 4 ALONG FULL LENGTH OF REAR CANTRAIL (SEE NOTES)

APPLY A BEAD OF ITEM 4 TO EACH REAR CAB CORNER (SEE NOTES)

VIEW ON 'B'
ROOFCAP BLANKED FOR CLARITY
SCALE 0.250

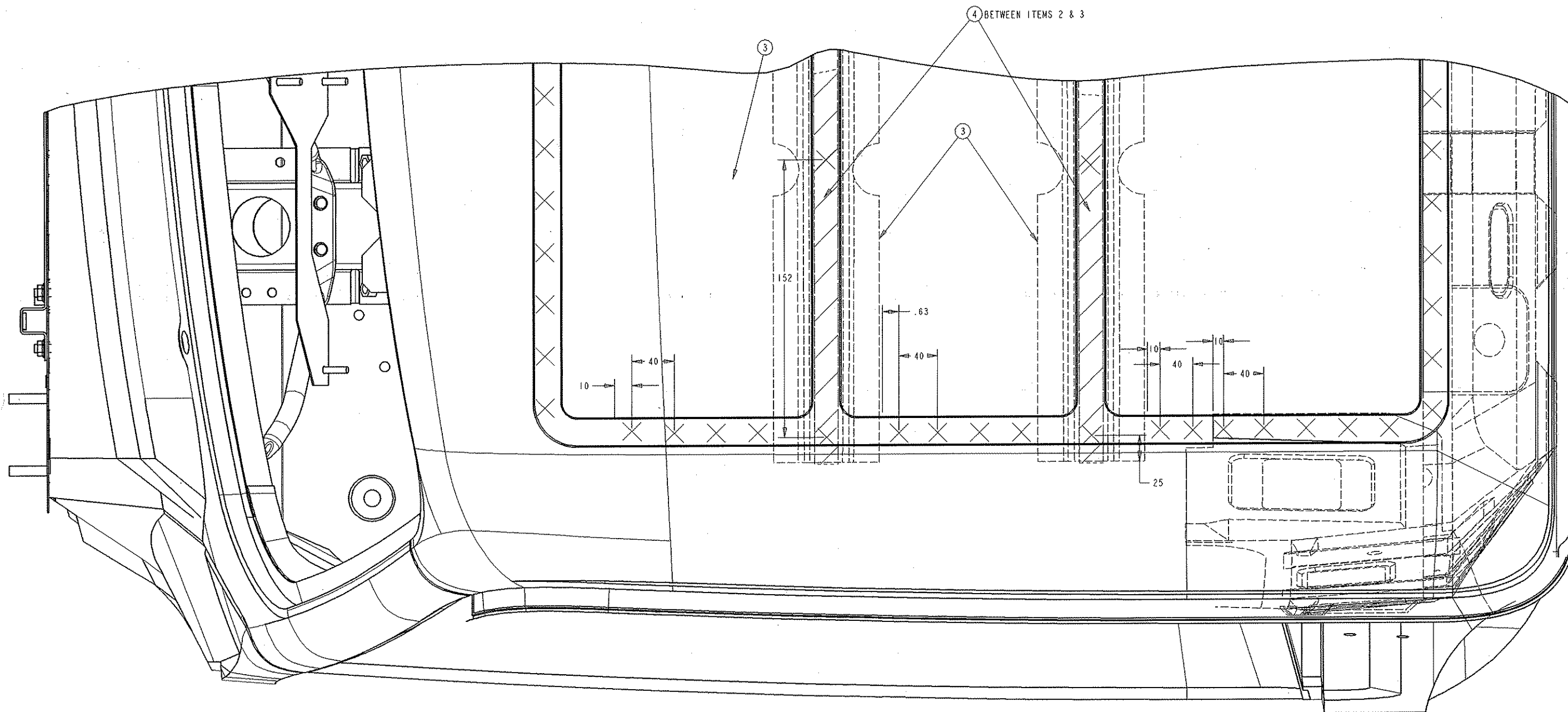
2 | FOLD

50302-3504
PRINT ISSUE DATE
0

1 | FOLD

3 | FOLD

COMP. NO.	DESCRIPTION	SIZE	MATERIAL
WESTERN STAR TRUCKS INC. COMPUTER GRAPHICS KELOWNA, B.C.			
TOLERANCES UNLESS NOTED:			BY DATE
TRIM EDGE	± 1.50 mm	DWN MWS	09HOV93
HOLE CENTERS	± 0.25 mm	CKD AJU	08DEC93
HOLE DIAMETERS	± 0.25 mm	APVD WTL	08DEC93
LINEAR/FORM	± 0.50 mm	ECO	C00115
ANGULAR	± 1/2 °	SCALE	NONE
<small>THIS DOCUMENT CONTAINS PROPRIETARY INFORMATION AND IT SHALL NOT BE USED OR REPRODUCED OR ITS CONTENTS DISCLOSED IN WHOLE OR IN PART WITHOUT THE PRIOR WRITTEN CONSENT OF WESTERN STAR TRUCKS INC., KELOWNA, BC</small>			
B.I.W. COMPLETE LHD - LESS DOORS			MR NO. 4018 50302-3504
			SHT 2 OF 3



SCALE 0.500

FOLD 2

50302-3504
PRINT ISSUE DATE
SHT 3
OF 3
CRG
B

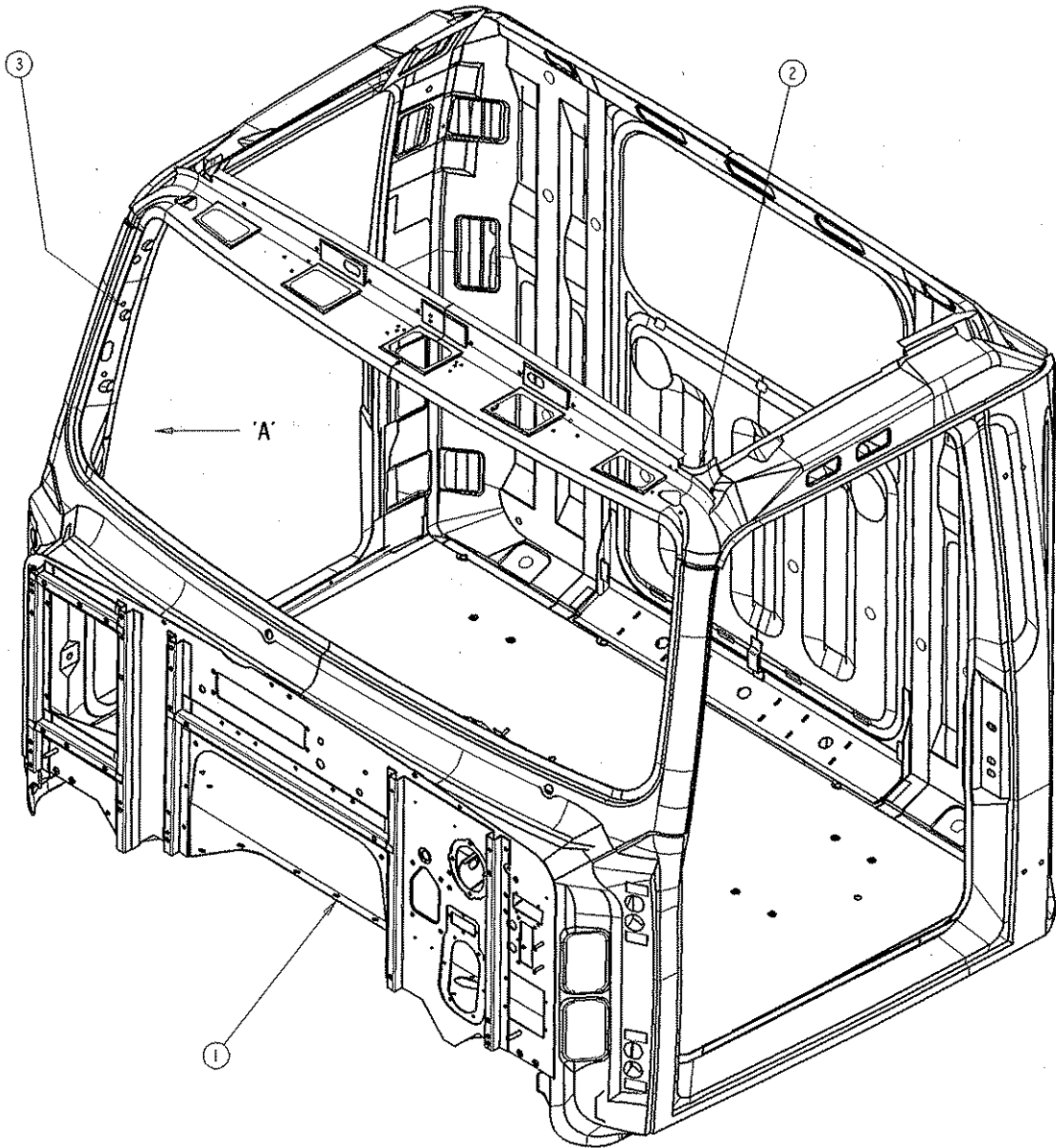
1 FOLD

3 FOLD

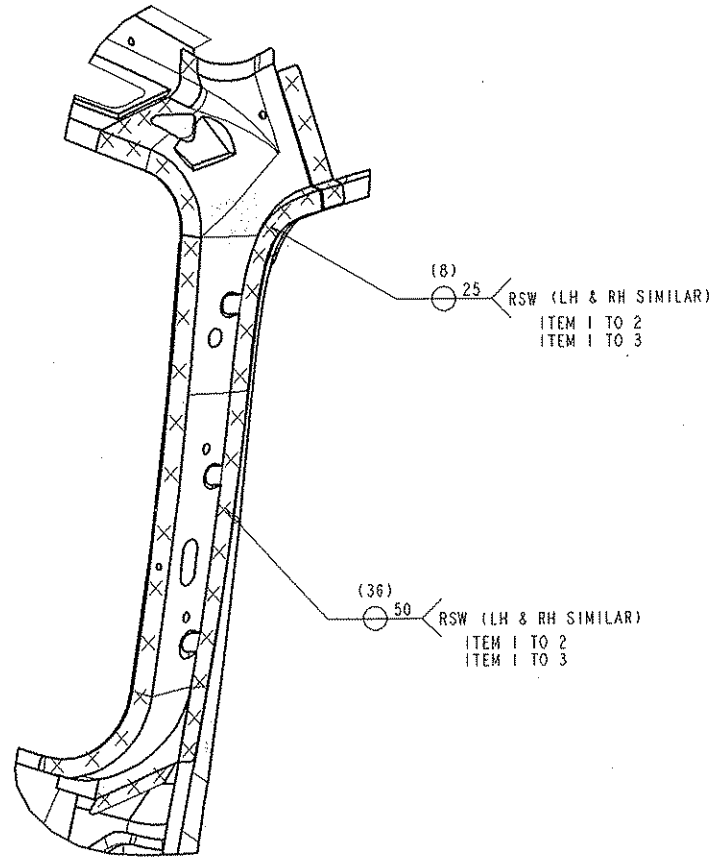
WESTERN STAR TRUCKS INC. COMPUTER GRAPHICS KELOWNA, B.C.			
TOLERANCES UNLESS NOTED:		BY	DATE
TRIM EDGE	± 1.50 mm	DWN	KAJ 09NOV93
HOLE CENTERS	± 0.25 mm	CKD	AJU 08DEC93
HOLE DIAMETERS	± 0.25 mm	APVD	WTL 08DEC93
LINEAR/FORM	± 0.50 mm	ECO	C00115
ANGULAR	± 1/2°	SCALE	NONE
THIS DOCUMENT CONTAINS PROPRIETARY INFORMATION AND IT SHALL NOT BE USED OR REPRODUCED OR ITS CONTENTS DISCLOSED IN WHOLE OR IN PART WITHOUT THE PRIOR WRITTEN CONSENT OF WESTERN STAR TRUCKS INC., KELOWNA, BC			
B.I.W. COMPLETE LHD - LESS DOORS		MR NO. 4018	SHT 3 OF 3
		50302-3504	

REMOVE ALL SHARP EDGES DO NOT SCALE DRAWING CAST, STAMP OR STENCIL PART NUMBER ORIGINAL CREATED ON WSTI SOLID MODELING WORKSTATION IF IN DOUBT ASK & REVISION LETTER IN SUITABLE LOCATION

ECO	CHG	CHANGE	BY	DATE	CKD	APVD
C00426	A	TOTAL SPOTWELDS 88 CORRECTED FROM 120	GEG	2JULY99		BGK



SCALE 0.125



VIEW ON 'A'
SCALE 0.250

WELD NOTES:

- 1) TOTAL NUMBER OF SPOTWELDS 88 ^(A)
- 2) ALL WELDS TO BE IN ACCORDANCE WITH WSTI WELD SPECIFICATION 4101-3414
- 3) WELD PITCH IS 50mm UNLESS OTHERWISE STATED
- 4) GENERAL SPOTWELD POSITIONAL TOLERANCE ± 4.0mm.

SPOTWELD CLASSIFICATION	
TO BE IN ACCORDANCE WITH WESTERN STAR SPEC 4101-3414	
✕	CLASS 'C' - ORDINARY
⊗	CLASS 'A' - SAFETY CRITICAL
⊗	CLASS 'CF' - ORDINARY FACEWELD
⊗	CLASS 'AF' - SAFETY CRITICAL FACEWELD

50302-3510
PRINT ISSUE DATE
A

COMP. NO.	DESCRIPTION	PART NO.
3	ASSY A-POST CLOSER UPPER RH	50037-3426
2	A-POST CLOSER UPPER LH	50036-3417
1	ASSY CAB STAGE 3 49 AUTO AL SLPR	50302-3521
1	ASSY CAB STAGE 3 49/59 AUTO	50302-3517
1	ASSY CAB STAGE 3 49 AL SLPR	50302-3520
1	ASSY CAB STAGE 3 49/59 DAYCAB	50302-3516

TOLERANCES UNLESS NOTED:		BY	DATE
TRIM EDGE	± 1,50 mm	DWN	LDW 06AUG98
HOLE CENTERS	± 0,25 mm	CKD	
HOLE DIAMETERS	± 0,25 mm	APVD	BGK 10AUG98
LINEAR/FORM	± 0,50 mm	ECO	C00351
ANGULAR	± 172 °	SCALE	1 : 8

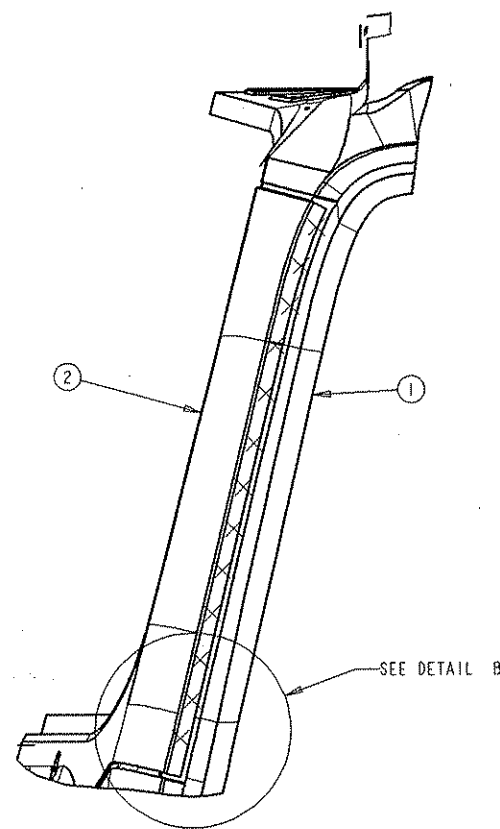
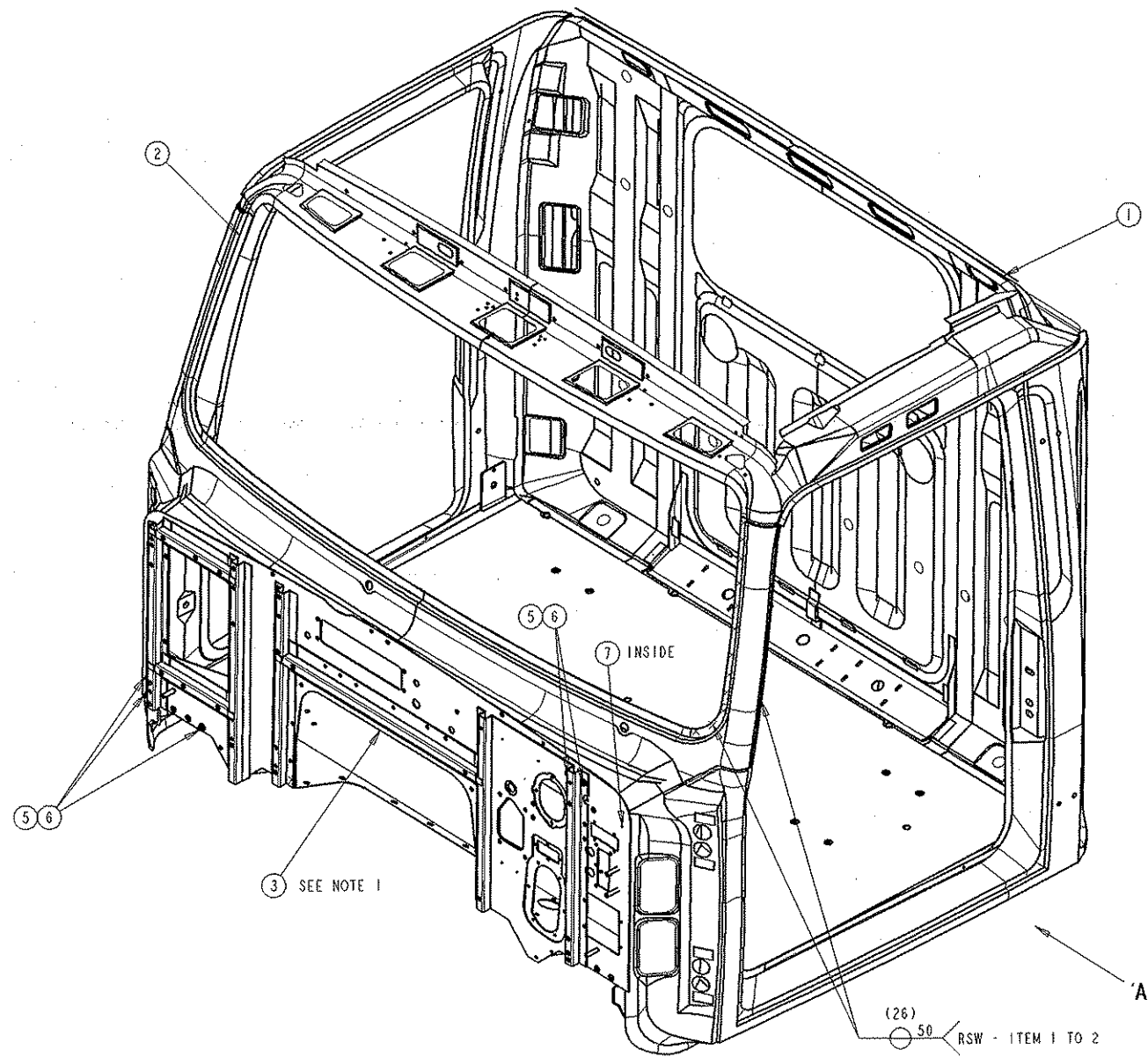
THIS DOCUMENT CONTAINS PROPRIETARY INFORMATION AND IT SHALL NOT BE USED OR REPRODUCED OR ITS CONTENTS DISCLOSED IN WHOLE OR IN PART WITHOUT THE PRIOR WRITTEN CONSENT OF WESTERN STAR TRUCKS INC., KELLOWNA, B.C.

ASSY. CAB SHELL STAGE 4 - LHD	MR NO. 4018	50302-3510	SHT 1 OF 1
----------------------------------	-------------	------------	---------------

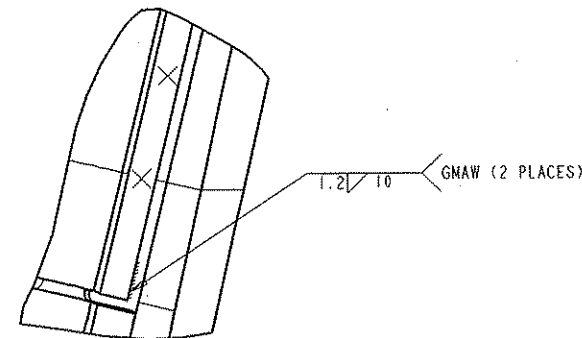
2 FOLD

REMOVE ALL SHARP EDGES - DO NOT SCALE DRAWING - CAST, STAMP OR STENCIL PART NUMBER & REVISION LETTER IN SUITABLE LOCATION ORIGINAL CREATED ON WSTI SOLID MODELING WORKSTATION

ECO	CHG	CHANGE	BY	DATE	CKD	APVD
C00457	A	MOVED WELD DETAIL FOR FIREWALL TO CAB ASSY TO DWG 500A1-3456. 52 SPOTWELDS WAS 138. ADDED NOTE 1. ADDED ITEMS 5,6,7	GEG	03NOV99	TGM	BGK
C00483	B	CONSOLIDATED THIS DWG WITH 50301-3538 AND 50302-3520.	GEG	25JAN00		BGK



VIEW ON 'A'
SCALE 0.250



DETAIL B
SCALE 0.500

OBSOLETE
SEE DWG 50301-3538 FOR DAYCAB
SEE DWG 50302-3520 FOR ALUM SLPR CAB

IMPORTANT:
NOTE 1: INSTALL FIREWALL TO CAB ASSY PER DWG 500A1-3456

WELD NOTES:

- TOTAL NUMBER OF SPOTWELDS 52 ^(A) NOT INCLUDING FIREWALL MOUNTING
- ALL WELDS TO BE IN ACCORDANCE WITH WSTI WELD SPECIFICATION 4101-3414
- WELD PITCH IS 50mm UNLESS OTHERWISE STATED
- GENERAL SPOTWELD POSITIONAL TOLERANCE ± 4.0mm.

SPOTWELD CLASSIFICATION	
TO BE IN ACCORDANCE WITH WESTERN STAR SPEC 4101-3414	
✕	CLASS 'C' - ORDINARY
⊗	CLASS 'A' - SAFETY CRITICAL
⊗	CLASS 'CF' - ORDINARY FACEWELD
⊗	CLASS 'AF' - SAFETY CRITICAL FACEWELD

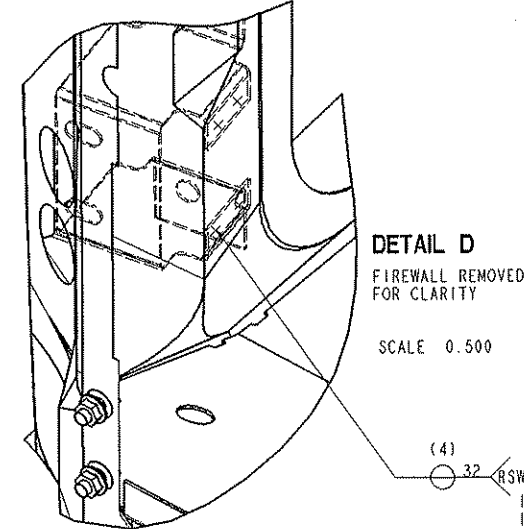
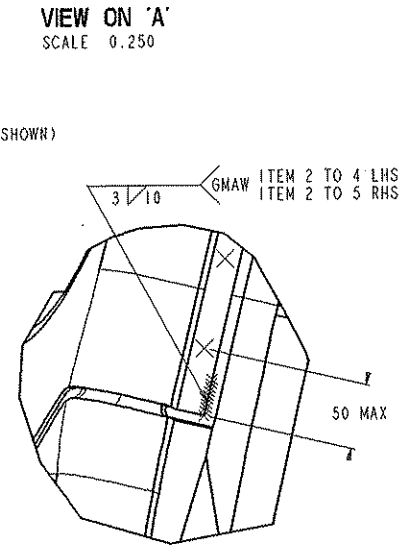
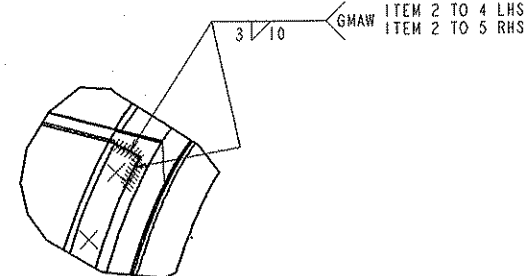
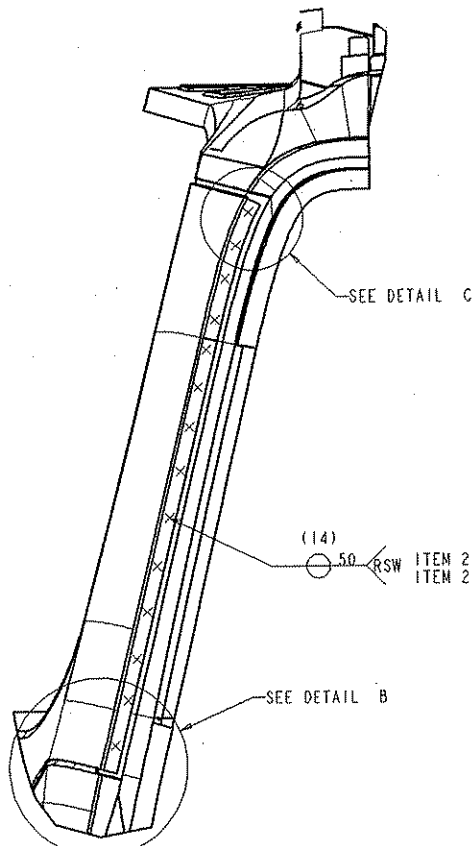
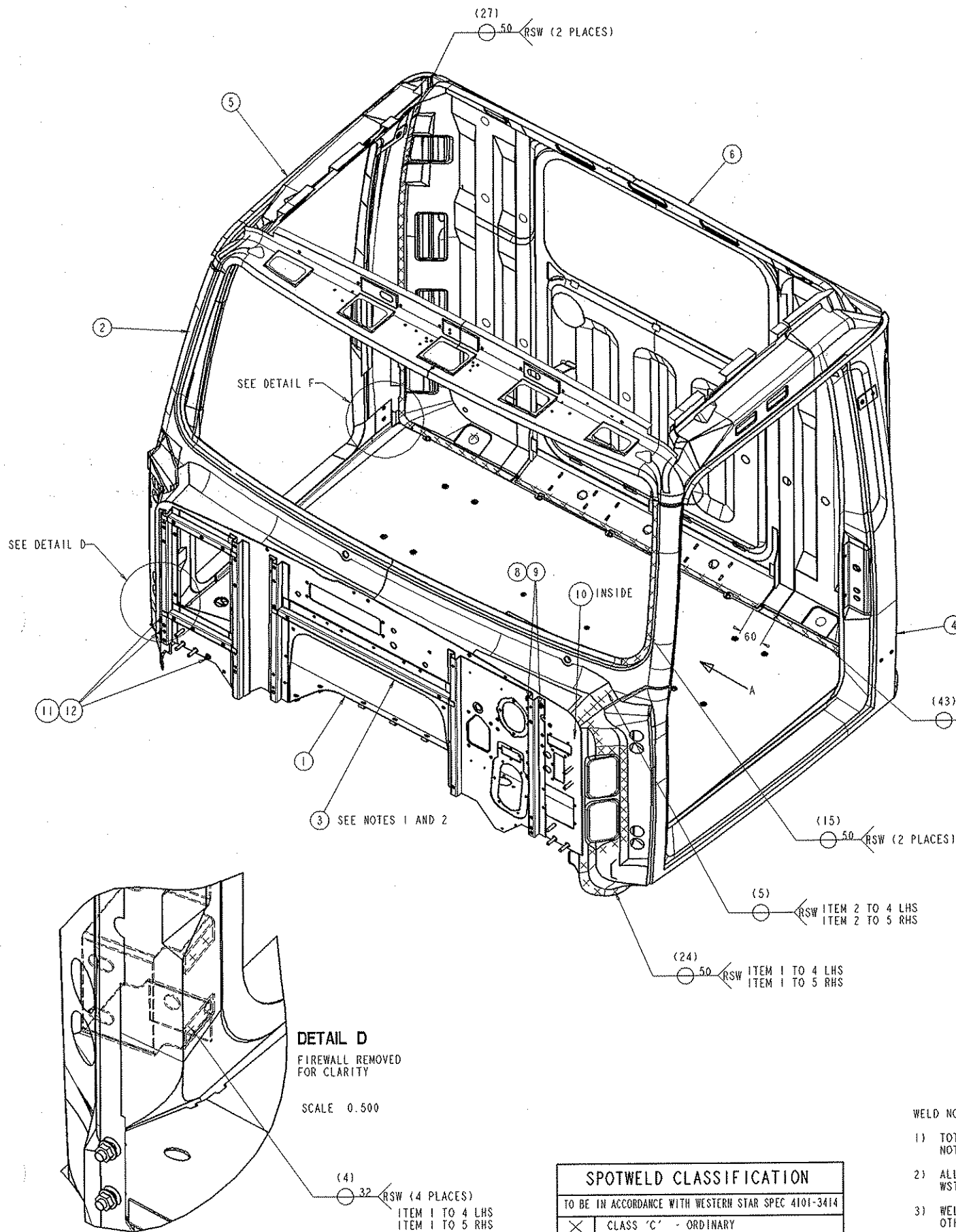
QTY	UNIT	DESCRIPTION	PART NO.
7		3/8-16 HEX NUT	102635
5		5/16"-18 FLANGE NUT	4012-3484
5		5/16"-18x0.62 FLANGE BOLT	4021-3435-0.62
4		STRUCTURAL ADHESIVE	4101-3418
3		ASSY FIREWALL - LHD	50034-3599
2		ASSY WINDSCREEN SURROUND - LHD	50003-3421
1		ASSY CAB STAGE 2 49 AUTO AL SLPR	50301-3479
1		ASSY CAB STAGE 2 49/59 AUTO	50301-3449
1		ASSY CAB STAGE 2 49 AL SLPR	50301-3434
1		ASSY CAB STAGE 2 49/59 DAYCAB	50301-3404

COMP. NO.	DESCRIPTION	PART NO.
WESTERN STAR TRUCKS INC. COMPUTER GRAPHICS KELOWNA, B.C.		
TOLERANCES UNLESS NOTED:		BY DATE
TRIM EDGE	DWN	LDW 31JUL98
HOLE CENTERS	CKD	
HOLE DIAMETERS	APVD	BGK 10AUG98
LINEAR/FORM	ECO	C00351
ANGULAR	SCALE	1/8
THIS DOCUMENT CONTAINS PROPRIETARY INFORMATION AND IT SHALL NOT BE USED OR REPRODUCED OR ITS CONTENTS DISCLOSED IN WHOLE OR IN PART WITHOUT THE PRIOR WRITTEN CONSENT OF WESTERN STAR TRUCKS INC., KELOWNA, BC		
ASSY. CAB SHELL STAGE 3 - LHD		MR NO. 4018 50302-3516 SHT 1 OF 1

50302-3516
PRINT ISSUE DATE
CHG B

REMOVE ALL SHARP EDGES DO NOT SCALE DRAWING CAST STAMP OR STENCIL PART NUMBER & REVISION LETTER IN SUITABLE LOCATION ORIGINAL CREATED ON WSTI SOLID MODELING WORKSTATION

ECO	CHG	CHANGE	BY	DATE	CKD	APVD
C00284	A	UPDATED TO SHOW CHANGES TO DETAIL 3. ALL SLEEPER MODELS REMOVED.	LDW	06MAR98	BGK	
C00295	B	ADDED 48/58 & BB ALUMINUM SLPR MODELS.	LDW	31MAR98	BGK	
C00321	C	REVISE DACAB ITEM 1 TO ADD UPHOLSTERY BRKT.	TGM	22MAY98	BGK	
C00421	D	FLOOR LADDER FRAME REVISED ON 50301-3549 AND 50301-3555.	RJS	03JUN99	BGK	
C00457	E	MOVED WELD DETAIL FOR "FIREWALL TO CAB ASSY" TO DWG 500A1-3456. 52 SPOTWELDS WAS 138. ADDED NOTE 1. ADDED ITEMS 5, 6, AND 7.	GEG	03NOV99	BGK	
C00483	F	MOVED CHARTED ASSYS 50301-3543, -3545, -3546, -3554, AND -3555 TO DWG 50301-3520. ADDED 50302-3543/3544 FROM DWG 50302-3542. ADDED 50302-3580/3583 FROM DWG 50302-3580. ITEM 1 UNDERSTRUCTURE WAS ASSY CAB STG 2 FOR 50301-3538, -3540, -3541, -3547, -3549, AND -3550. DWG 50301-3405 (STG 1) AND 50301-3404 (STG 2) COMBINED FOR LATTER ASSYS. ASSYS 50302-3516 AND -3517 ARE DUPLICATES OF 50301-3538 AND 50301-3547 AND HAVE BEEN MADE OBSOLETE. ADDED MORE WELD DETAILS TO MAIN VIEW. ADDED DETAILS C AND D ON SHT 1. ADDED SHEETS 2 AND 3. ADDED NOTE 2.	GEG	21JAN00	BGK	
C00507	G	REDUCED THE NO. OF WELDS AND INCREASED THE WELD SPACING IN THE CAB MOUNT AREA (VIEW ON 'L').	SVHP	22MAR00	BGK	
108830	H	ADDED 50302-7008	BKP	13APR00	BGK	



IMPORTANT:
NOTE 1: APPLY STRUCTURAL ADHESIVE #4101-3418 PER DWG 500A1-3453.
NOTE 2: INSTALL FIREWALL TO CAB ASSY PER DWG 500A1-3456.

QTY	DESCRIPTION	COMP. NO.
10	3/8-16 HEX NUT	102635
9	5/16"-18 FLANGE NUT	4012-3484
8	5/16"-18x0.62 FLANGE BOLT	4021-3435-0.62
7	STRUCTURAL ADHESIVE	4101-3418
6	ASSY PANEL REAR DAYCAB	50032-3421
5	RHS BODYSIDE ASSEMBLY SS LHD	50005-3424
5	RHS BODYSIDE ASSEMBLY LHD	50005-3411
4	LHS BODYSIDE ASSEMBLY SS LHD	50004-3424
4	LHS BODYSIDE ASSEMBLY LHD	50004-3411
3	ASSY FIREWALL LHD	50034-3599
2	WINDSCREEN & SURROUND LHD	50003-3421
1	UNDERSTRUCTURE-58AWD MAN SS LHD	50033-3481
1	UNDERSTRUCTURE-48 BB AUTO SS LHD	50033-3476
1	UNDERSTRUCTURE-48 SB AUTO SS LHD	50033-3475
1	UNDERSTRUCTURE-48 BB MAN SS LHD	50033-3474
1	UNDERSTRUCTURE-48 SB MAN SS LHD	50033-3473
1	UNDERSTRUCTURE-49/59 AUTO SS LHD	50033-3462
1	UNDERSTRUCTURE-49/59 MAN SS LHD	50033-3461
1	UNDERSTRUCTURE-48 BB AUTO LHD	50033-3424
1	UNDERSTRUCTURE-48 SB AUTO LHD	50033-3425
1	UNDERSTRUCTURE-48 BB MAN LHD	50033-3412
1	UNDERSTRUCTURE-48 SB MAN LHD	50033-3414
1	UNDERSTRUCTURE-49/59 AUTO LHD	50033-3426
1	UNDERSTRUCTURE-49/59 MAN LHD	50033-3416

SPOTWELD CLASSIFICATION	
TO BE IN ACCORDANCE WITH WESTERN STAR SPEC 4101-3414	
⊗	CLASS 'C' - ORDINARY
⊗	CLASS 'A' - SAFETY CRITICAL
⊗	CLASS 'CF' - ORDINARY FACEWELD
⊗	CLASS 'AF' - SAFETY CRITICAL FACEWELD

- WELD NOTES:**
- TOTAL NUMBER OF SPOTWELDS 52 NOT INCLUDING FIREWALL MOUNTING
 - ALL WELDS TO BE IN ACCORDANCE WITH WSTI WELD SPECIFICATION 4101-3414
 - WELD PITCH IS 50mm UNLESS OTHERWISE STATED
 - GENERAL SPOTWELD POSITIONAL TOLERANCE ± 4.0mm

50301-3538
PRINT ISSUE DATE
H

WESTERN STAR TRUCKS INC.
COMPUTER GRAPHICS KELOWNA, B.C.

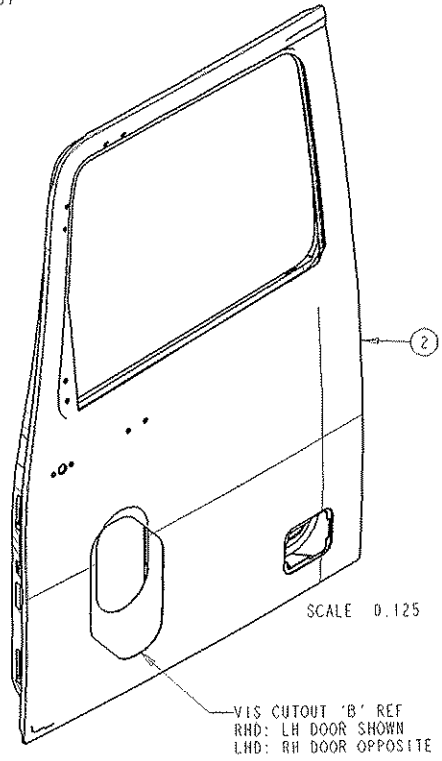
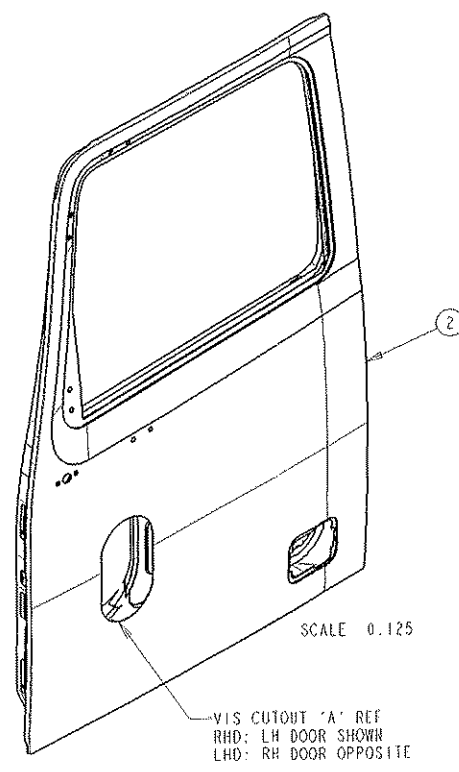
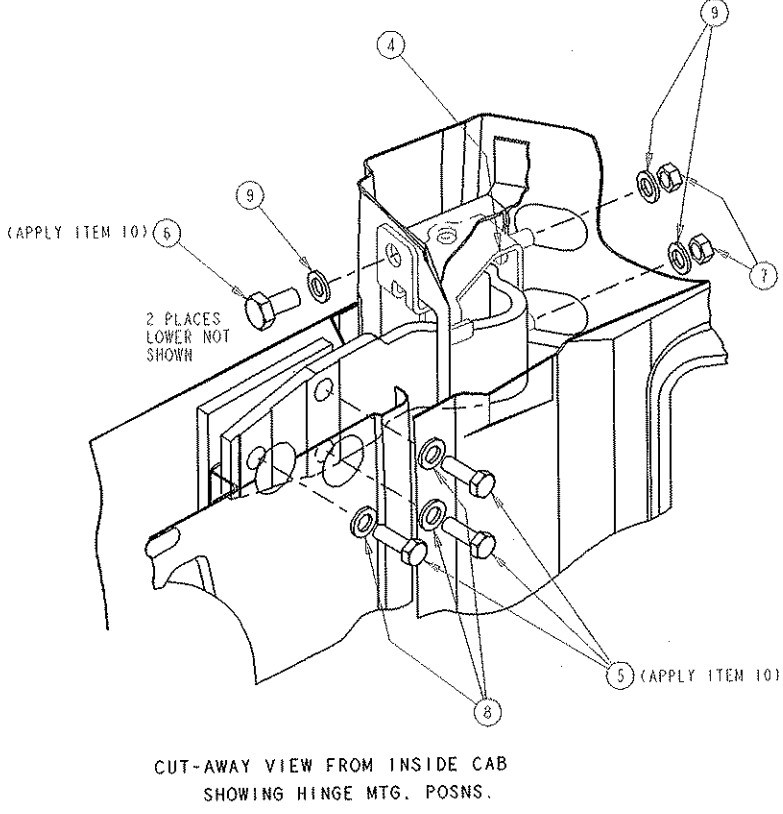
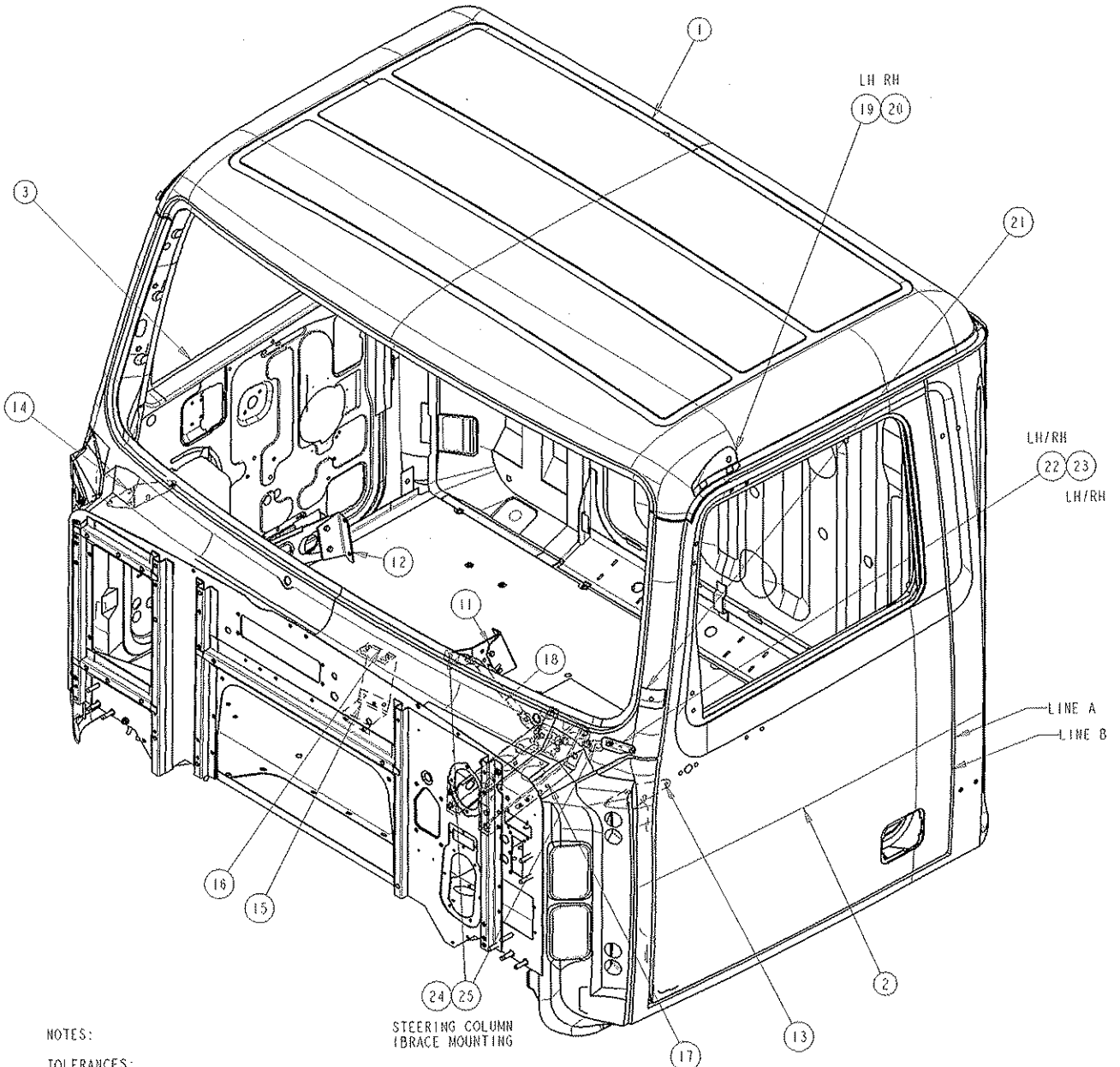
TOLERANCES UNLESS NOTED:

TRIM EDGE	± 1,50 mm	BY	JRC	DATE	09JUL97
HOLE CENTERS	± 0,25 mm	CKD			
HOLE DIAMETERS	± 0,25 mm	APVD	BGK		04APR98
LINEAR/FORM	± 0,50 mm	ECO			92296
ANGULAR	± 1/2°	SCALE			1/8

MR NO. 4018
ASSEMBLY-CAB SHELL DAY CAB -STG 3 LHD
50301-3538 SHT 1 OF 3

REMOVE ALL SHARP EDGES IF IN BOBBY ASX
DO NOT SCALE DRAWING
CAST, STAMP OR STENCIL PART NUMBER & REVISION LETTER IN SUITABLE LOCATION
ORIGINAL CREATED ON WS11 SOLID MODELING WORKSTATION

ECO	CHG	CHANGE	BY	DATE	CKD	APVD
C00284	A	DRAWING UPDATED TO SHOW CHANGES TO DET. 1 DET 4 WAS 50260-3403	LDW	06MAR98	BGK	
C00321	B	REVISE ITEM 1 TO ADD UPH BRKT	TGM	22MAY98	DVC	
C00421	C	FLOOR LADDER FRAME REVISED ON 50100-3407 AND 50100-3410; 50301-3514 WAS 50301-3506	RJS	03JUN99	BGK	
C00518	D	ADDED 50100-3582, 3583, 3584, AND 3585.	SVHP	06APR00	BGK	
C00525	E	CORRECTED ASSY CALLOUTS 50301-3504 WAS -3503, 50301-3505 WAS -3504, 50301-3512 WAS -3505, AND 50301-3515 WAS -3507	SVHP	17MAY00	BGK	
C00504-2	F	CONSOLIDATED DWGS 50100-3530, 50100-3556, AND 50100-3495 WITH THIS DWG. DWGS 50100-3530 50100-3556, AND 50100-3495 MADE OBSOLETE.	DYN	05JUL00	BGK	
C00550	G	ADDED 50100-7045, -7046, -7032, 7033, -7034, -7035, -7057, -7058, -7063, -7064, -7065, -7066 & -7067. ADDED SHT 2. REVISED DOORS FOR 50100-7002 TO -7008, -7031, -3590, -3591, -3582 TO -3585.	SVHP	08JUL00	BGK	
C00554	H	ADDED 50100-7082/93	TGM	26JUL00	BGK	RJS
C00598	J	ADDED 50100-7098; ADDED ITEMS 24, 25	JS	05DEC00		RJS



NOTES:
TOLERANCES:
1 NOMINAL GAP BETWEEN LINE A & LINE B IS 8.0 mm (PERMISSIBLE VARIATION ± 1.0 mm)
2 PERMISSIBLE VARIATION PER LINE IS 1.0mm IN 500 mm TAPER
3 PERMISSIBLE VARIANCE ON OUTER MISMATCH IS ± 1.0 mm - 0,0

TORQUES:
THE FOLLOWING TORQUES ARE TO BE APPLIED (WITHOUT OIL OR GREASE)
3/8" BOLTS & NUTS 32 Nm (23 lbf·ft)
5/16" BOLTS 22 Nm (16 lbf·ft)

APPROVED VENDOR - CABCO
THIS PART MUST NOT BE MODIFIED WITHOUT REFERENCE TO THE MASTER CAD DATA BASE

50001-3599
PRINTED DATE: 03/31/04
ENG: J

REV	COMP. NO.	DESCRIPTION	SIZE	MATERIAL
WESTERN STAR TRUCKS INC. COMPUTER GRAPHICS KELOWNA, B.C.				
TOLERANCES UNLESS NOTED:				
TRIM EDGE	± 1,50 mm	DWN	JRC	09JUL97
HOLE CENTERS	± 0,25 mm	CKD	BGK	11MAR98
HOLE DIAMETERS	± 0,25 mm	APVD	ECO	92296
LINEAR/FORM	± 0,50 mm	ECO		
ANGULAR	± 1/2 °	SCALE		EIGHTH
THIS DOCUMENT CONTAINS PROPRIETARY INFORMATION AND IT SHALL NOT BE USED OR REPRODUCED OR ITS CONTENTS DISCLOSED IN WHOLE OR IN PART WITHOUT THE PRIOR WRITTEN CONSENT OF WESTERN STAR TRUCKS INC., KELOWNA, BC				
ASSY-CAB SHELL, DAYCAB B.I.W. COMPLETE, LHD				HR NO. 4018
				50001-3599
				SHT 2 OF 2


REMOVE ALL SHARP EDGES DO NOT SCALE DRAWING CAST, STAMP OR STENCIL PART NUMBER & REVISION LETTER IN SUITABLE LOCATION ORIGINAL CREATED OR REVISIT SOLID MODELING WORKSTATION

ECO CHG CHANGE BY DATE CKD APVD SEE SHEET 2

SEE SHEET 2 FOR DETAILS

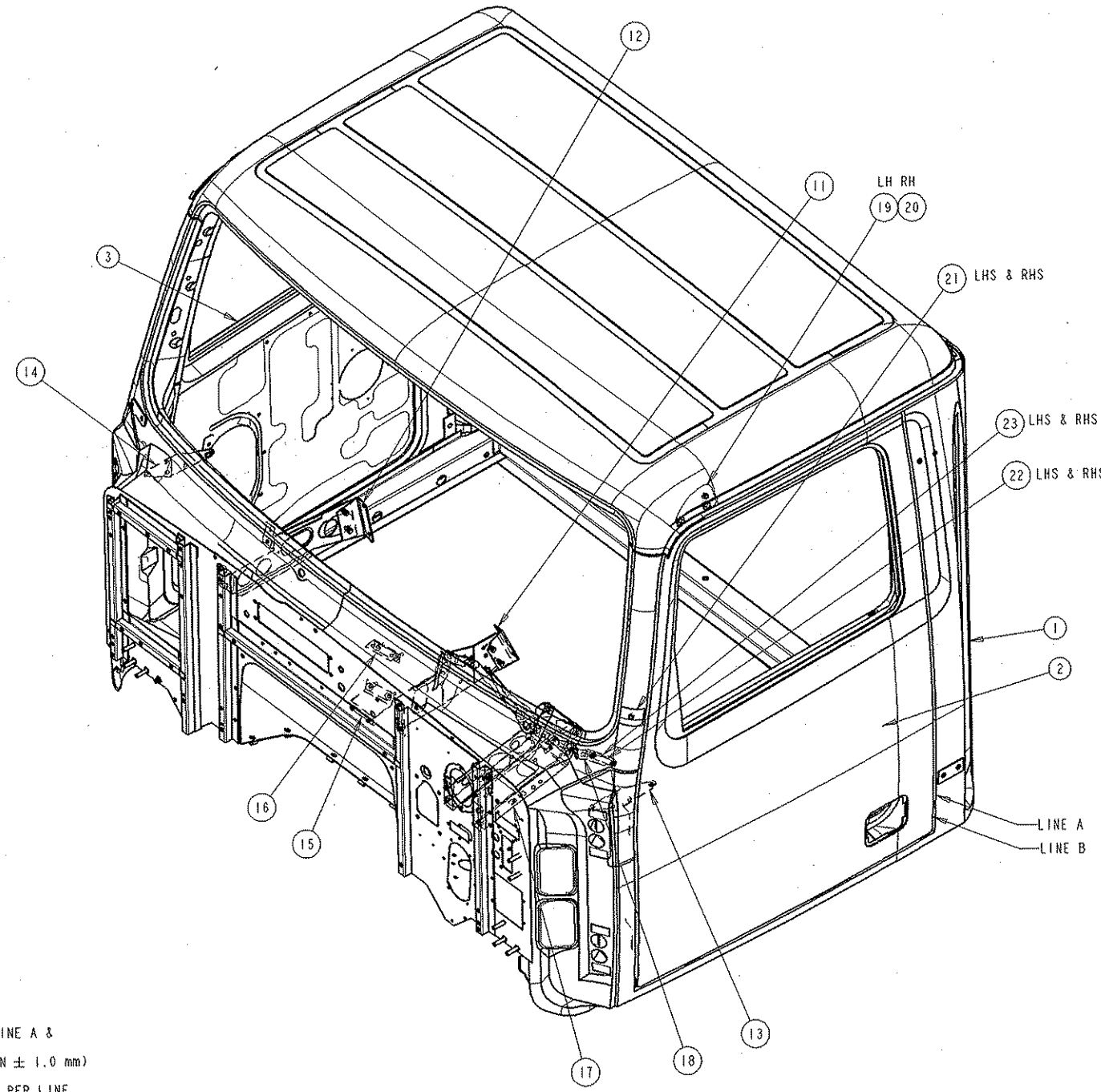
PART NO.		DESCRIPTION	REV	STATUS: NC = NON-CURRENT (SHOWN FOR REFERENCE ONLY)
		CUTOUT 'B': LARGE VIS WINDOW (REF)		
		CUTOUT 'A': VIS WINDOW (REF)		
		CAB MOUNTED MIRROR BACKING INSTLN DWG 622A1-3407 - REF		
	25	11/32x1.13x.16 HARD WASHER	4011-3474	
	24	5/16x18-1.25 FLG BOLT	4021-3435-1.25	
	23	MIRROR SPACER	62205-3417	
	22	MIRROR NUT PLATE ASSY	62205-3416	
	21	MIRROR NUT PLATE ASSY	62205-3414	
	20	MIRROR NUT PLATE ASSY RH	62205-3412	
	19	MIRROR NUT PLATE ASSY LH	62205-3411	
	18	BRACE-STEERING COLUMN	38104-3427	
	17	BRACKET-STEERING COLUMN	38104-3425	
	16	ASSY-WIPER BRKT UPPER	62804-3407	
	15	ASSY-WIPER BRKT LOWER	62804-3405	
	14	ASSY-MTG PLATE FACIA END RH	57004-3460	
	13	ASSY-MTG PLATE FACIA END LH	57004-3459	
	12	ASSY-FACIA SUPPORT RH	57004-3432	
	11	ASSY-FACIA SUPPORT LH	57004-3431	
	10	LOCTITE - 242	6479-5002	
	9	3/8" HARDENED WASHER	569302	
	8	5/16" HARDENED WASHER	4011-3463	
	7	3/8" UNF LOCKNUT	4012-3417	
	6	3/8" x 3/4" UNF BOLT	181635	
	5	5/16" x 1.25" UNF BOLT	181610	
	4	ASSY HINGE 55° MAX	50260-3440	
	4	ASSY HINGE 55° NOMINAL	50260-3438	
	3	ASSY DOOR SHELL LRG VIS WIN NO MIRR RH	50203-3411	
	3	ASSY DOOR SHELL VIS WIN NO MIRR RH	50203-3408	
	3	ASSY DOOR SHELL NO MIRROR RH	50203-3412	
	3	ASSY DOOR SHELL NO MIRROR RH	50203-3407	
	3	ASSY DOOR SHELL LRG VIS WIN RH	50203-3409	
	3	ASSY DOOR SHELL VIS WINDOW RH	50203-3406	
	3	ASSY DOOR SHELL RH	50203-3410	
	3	ASSY DOOR SHELL RH	50203-3405	
	2	ASSY DOOR SHELL NO MIRROR LH	50202-3412	
	2	ASSY DOOR SHELL NO MIRROR LH	50202-3407	
	2	ASSY DOOR SHELL LH	50202-3410	
	2	ASSY DOOR SHELL LH	50202-3405	
	1	ASSY CAB BIW L/DOORS-58 AND MAN SS LHD	50302-7010	
	1	ASSY CAB BIW L/DOORS-48 BB AUTO SS LHD	50302-3599	
	1	ASSY CAB BIW L/DOORS-48 SB AUTO SS LHD	50302-3598	
	1	ASSY CAB BIW L/DOORS-48 BB MAN SS LHD	50302-3597	
	1	ASSY CAB BIW L/DOORS-48 SB MAN SS LHD	50302-3596	
	1	ASSY CAB BIW L/DOORS-49/59 AUTO SS LHD	50302-3552	
	1	ASSY CAB BIW L/DOORS-49/59 MAN SS LHD	50302-3551	
	1	ASSY CAB BIW L/DOORS-48 BB AUTO LHD	50301-3515	
	1	ASSY CAB BIW L/DOORS-48 SB AUTO LHD	50301-3514	
	1	ASSY CAB BIW L/DOORS-48 BB MAN LHD	50301-3505	
	1	ASSY CAB BIW L/DOORS-48 SB MAN LHD	50301-3504	
	1	ASSY CAB BIW L/DOORS-49/59 AUTO LHD	50302-3505	
	1	ASSY CAB BIW L/DOORS-49/59 MAN LHD	50302-3504	
	1	ASSY CAB BIW L/DOORS-49/59 AUTO LHD	50301-3512	
	1	ASSY CAB BIW L/DOORS-49/59 MAN LHD	50301-3502	

01-3599
DATE
ISSUE

COMP. NO. 50001-3599

WESTERN STAR TRUCKS INC.
 COMPUTER GRAPHICS KELOWNA, B.C.
 TOLERANCES UNLESS NOTED:
 TRIM EDGE ± 1.50mm DWN JRC BY DATE
 HOLE CENTERS ± 0.25mm CKD
 HOLE DIAMETERS ± 0.25mm APVD B6K 11MAR98
 LINEAR/FORM ± 0.50mm ECO 92296
 ANGULAR ± 1/2° SCALE EIGHTH
 THIS DOCUMENT CONTAINS PROPRIETARY INFORMATION AND IT SHALL NOT BE USED OR REPRODUCED OR ITS CONTENTS DISCLOSED IN WHOLE OR IN PART WITHOUT THE PRIOR WRITTEN CONSENT OF WESTERN STAR TRUCKS INC., KELOWNA, BC
ASSY-CAB SHELL, DAYCAB MR NO. 4018
B.I.W. COMPLETE, LHD 50001-3599 SHT 1 OF 2

REMOVE ALL SHARP EDGES DO NOT SCALE DRAWING CAST, STAMP OR STENCIL PART NUMBER & REVISION LETTER IN SUITABLE LOCATION ORIGINAL CREATED ON WEST SOLID MODELING WORKSTATION IF IN DOUBT ASK

ECO	CHG	CHANGE	BY	DATE	CKD	APVD
C00357	A	REVISED ITEM 1 TO REMOVE REAR SUPPORT	TGM	21AUG98		BGK
C00518	B	ADDED 50100-3594	SVHP	7APR00		BGK
C00504-2	C	ADDED 50100-3511 FROM DWG 50100-3511. DWG 50100-3511 MADE OBSOLETE. ADDED 50100-3509 -3510, AND -3595 FROM DWG 50100-3509. DWG 50100-3509 MADE OBSOLETE. ADDED 50100-3470 AND -3471 FROM DWG 50100-3470. DWG 50100-3470 MADE OBSOLETE.	DYN	12JUL00		BGK
C00550	D	ADDED 50100-7050 AND -7051. REVISED DOORS ON 50100-3595 AND -3594.	SVHP	14JUL00		BGK
C00541	E	ADDED 50100-7047	SVHP	9AUG00		BGK



NOTES:

TOLERANCES:

- 1 NOMINAL GAP BETWEEN LINE A & LINE B IS 8.0 mm (PERMISSIBLE VARIATION ± 1.0 mm)
- 2 PERMISSIBLE VARIATION PER LINE IS 1.0 mm IN 500 mm TAPER
- 3 PERMISSIBLE VARIANCE ON OUTER MISMATCH IS mm +1.0 -0.0

TORQUES:

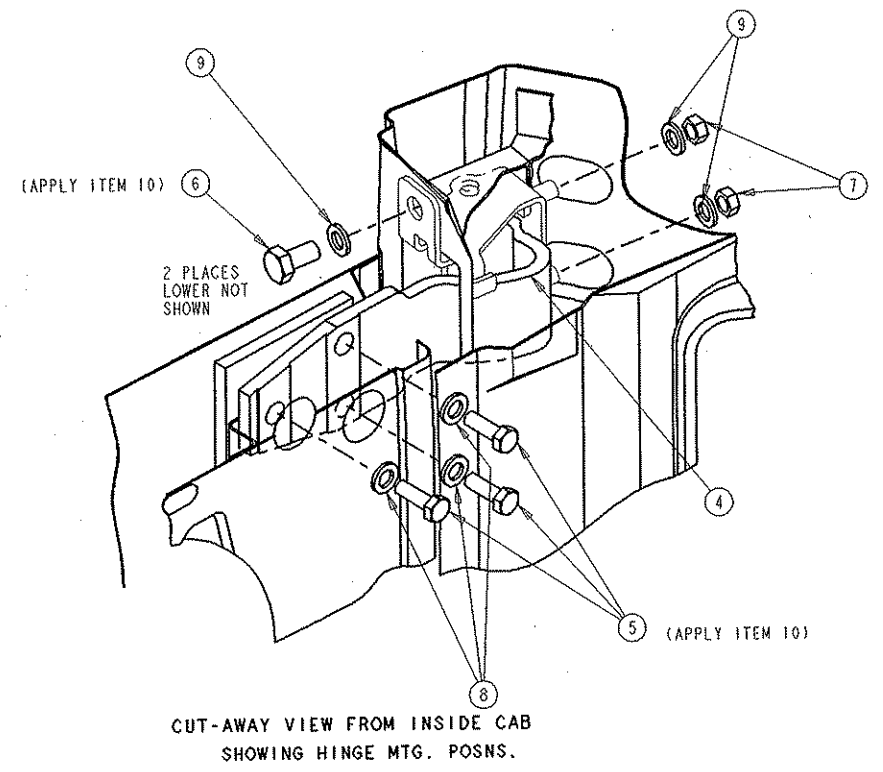
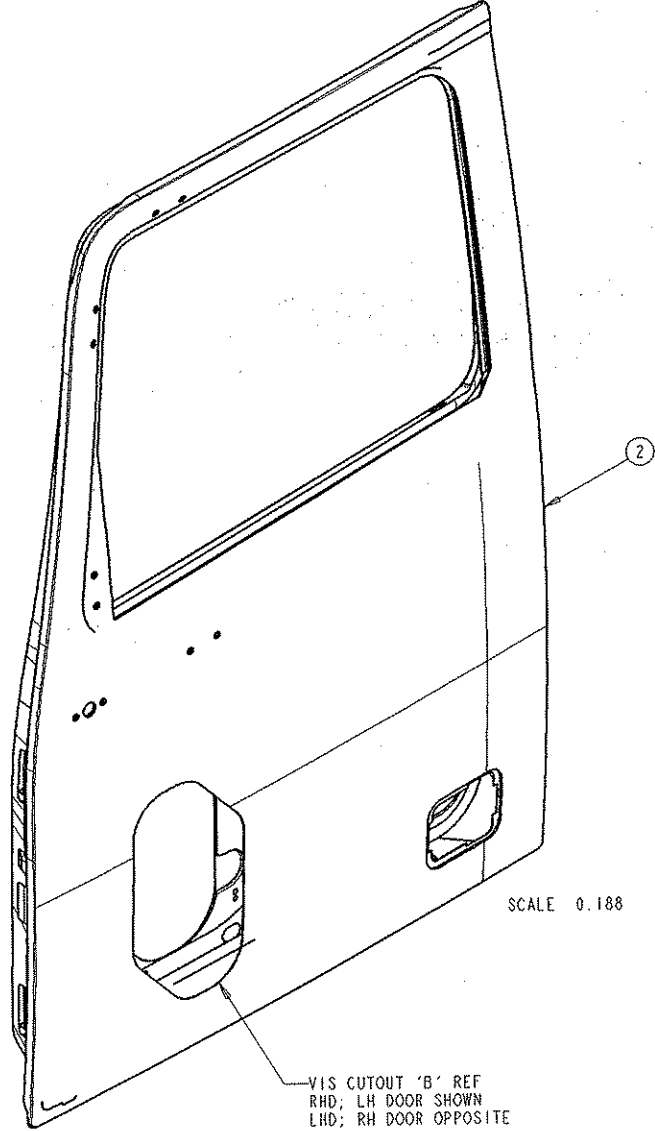
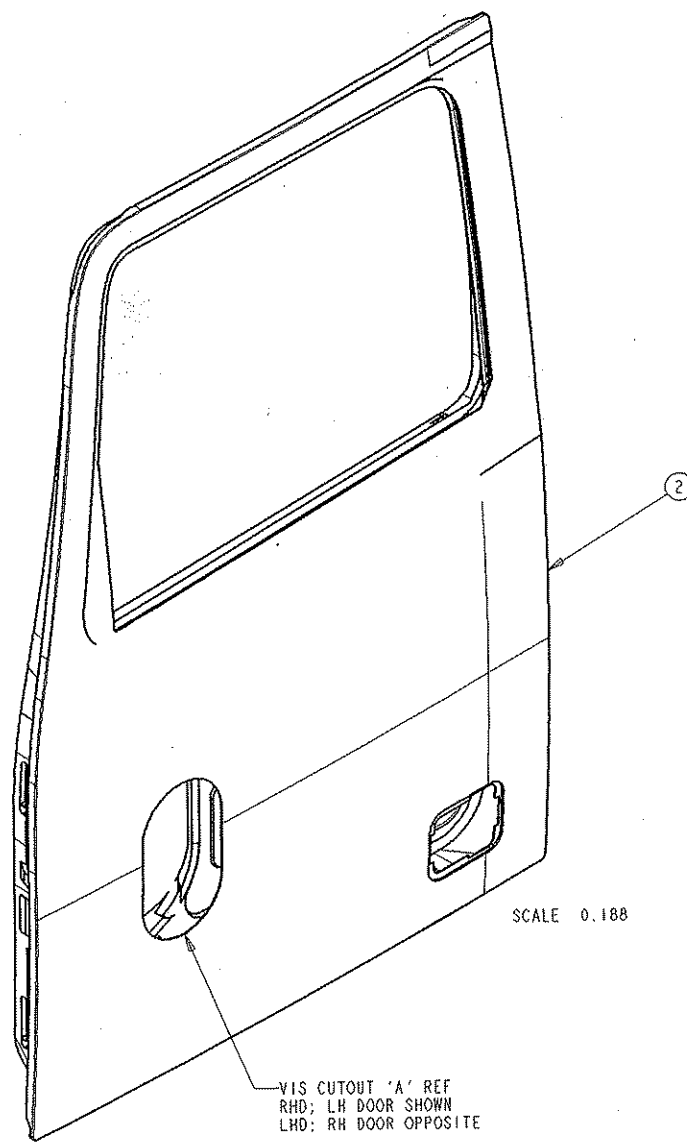
THE FOLLOWING TORQUES ARE TO BE APPLIED (WITHOUT OIL OR GREASE)
 3/8" BOLTS & NUTS 32 Nm (23 lbf-ft)
 5/16" BOLTS 22 Nm (16 lbf-ft)

APPROVED VENDOR - CABCO

THIS PART MUST NOT BE MODIFIED WITHOUT REFERENCE TO THE MASTER CAD DATA BASE

QTY	NC	NC	STATUS	DESCRIPTION	PART NO.
			NC = NON-CURRENT (SHOWN FOR REFERENCE ONLY)		
			CUTOUT 'B': LARGE VIS WINDOW (REF)		
			CUTOUT 'A': VIS WINDOW (REF)		
			23	MIRROR SPACER	62205-3417
			22	MIRROR NUT PLATE ASSY	62205-3416
			21	MIRROR NUT PLATE ASSY	62205-3414
			20	MIRROR NUT PLATE ASSY RH	62205-3412
			19	MIRROR NUT PLATE ASSY LH	62205-3411
			18	BRACE-STRG COL. BRKT	38104-3427
			17	BRKT-STRG COLUMN	38104-3425
			16	ASSY WIPER BRKT UPPER	62804-3407
			15	ASSY WIPER BRKT LOWER	62804-3405
			14	MTG PLATE FACIA END RH	57004-3460
			13	MTG PLATE FACIA END LH	57004-3459
			12	ASSY-FACIA SUPT RH	57004-3432
			11	ASSY-FACIA SUPT LH	57004-3431
			10	LOCTITE - 242	6479-5002
			9	WASHER HARD 3/8	569302
			8	WASHER HARD 5/16	4011-3463
			7	LOCKNUT 3/8 UNF	4012-3417
			6	BOLT 3/8X.75 UNF	181635
			5	BOLT 5/16X1.25 UNF	181610
			4	ASSY HINGE	50260-3440
			4	ASSY HINGE	50260-3438
			3	ASSY DOOR SHELL RH LRG VIS	50203-3411
			3	ASSY DOOR SHELL RH	50203-3410
			3	ASSY DOOR SHELL RH LRG VIS	50203-3409
			3	ASSY DOOR SHELL RH VIS	50203-3408
			3	ASSY DOOR SHELL RH VIS	50203-3406
			3	ASSY DOOR SHELL RH	50203-3412
			3	ASSY DOOR SHELL RH	50203-3407
			3	ASSY DOOR SHELL RH	50203-3405
			2	ASSY DOOR SHELL LH	50202-3412
			2	ASSY DOOR SHELL LH	50202-3407
			2	ASSY DOOR SHELL LH	50202-3410
			2	ASSY DOOR SHELL LH	50202-3405
			1	ASSY BIW L/DOORS-49/59 SLPR LHD	50302-3437
			1	ASSY BIW L/DOORS-49/59 SLPR LHD	50302-3506
				COMP. NO.	PART NO.
				DESCRIPTION	
				WESTERN STAR TRUCKS INC. COMPUTER GRAPHICS KELOWNA, B.C.	
				TOLERANCES UNLESS NOTED:	BY DATE
				MACHINING	DWH LWJ 29JUL98
				HOLE CENTERS	CKD
				HOLE DIAMETERS	APVD BGK 10AUG98
				LINEAR	ECO C00351
				ANGULAR	SCALE EIGHTH
				THIS DOCUMENT CONTAINS PROPRIETARY INFORMATION AND IT SHALL NOT BE USED OR REPRODUCED OR ITS CONTENTS DISCLOSED IN WHOLE OR IN PART WITHOUT THE PRIOR WRITTEN CONSENT OF WESTERN STAR TRUCKS INC., KELOWNA, BC	
				ASSY-COMP FLR CAB SHELL, SLPR	MR NO. 4018
				B.I.W. COMPLETE, LHD	50100-3499

50100-3499
 PART ISSUE DATE
 E

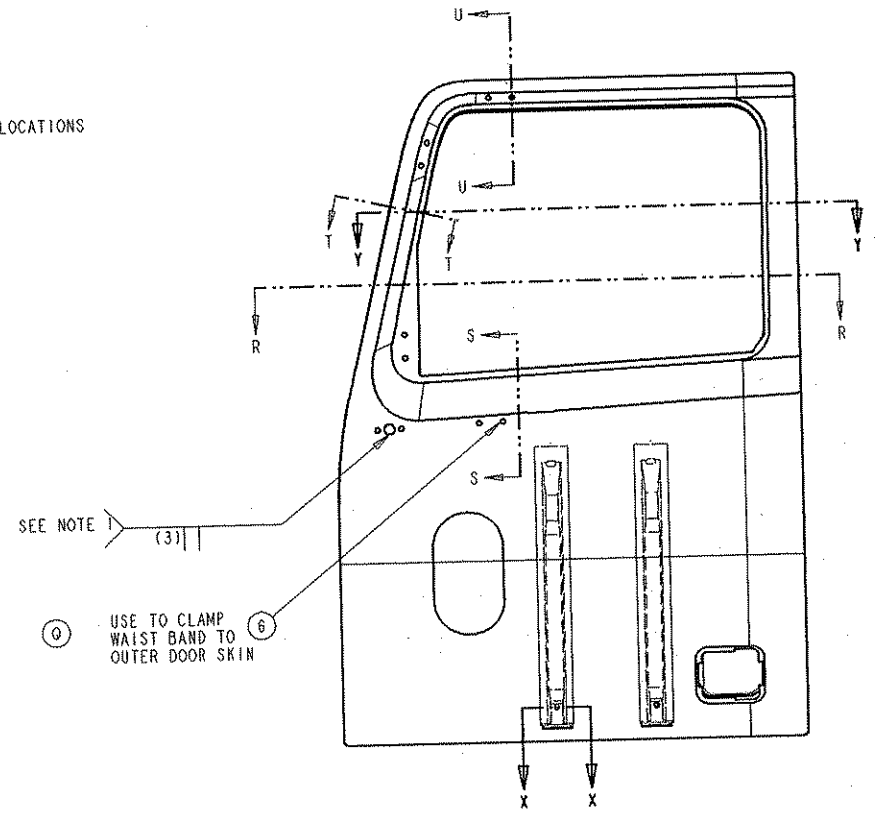
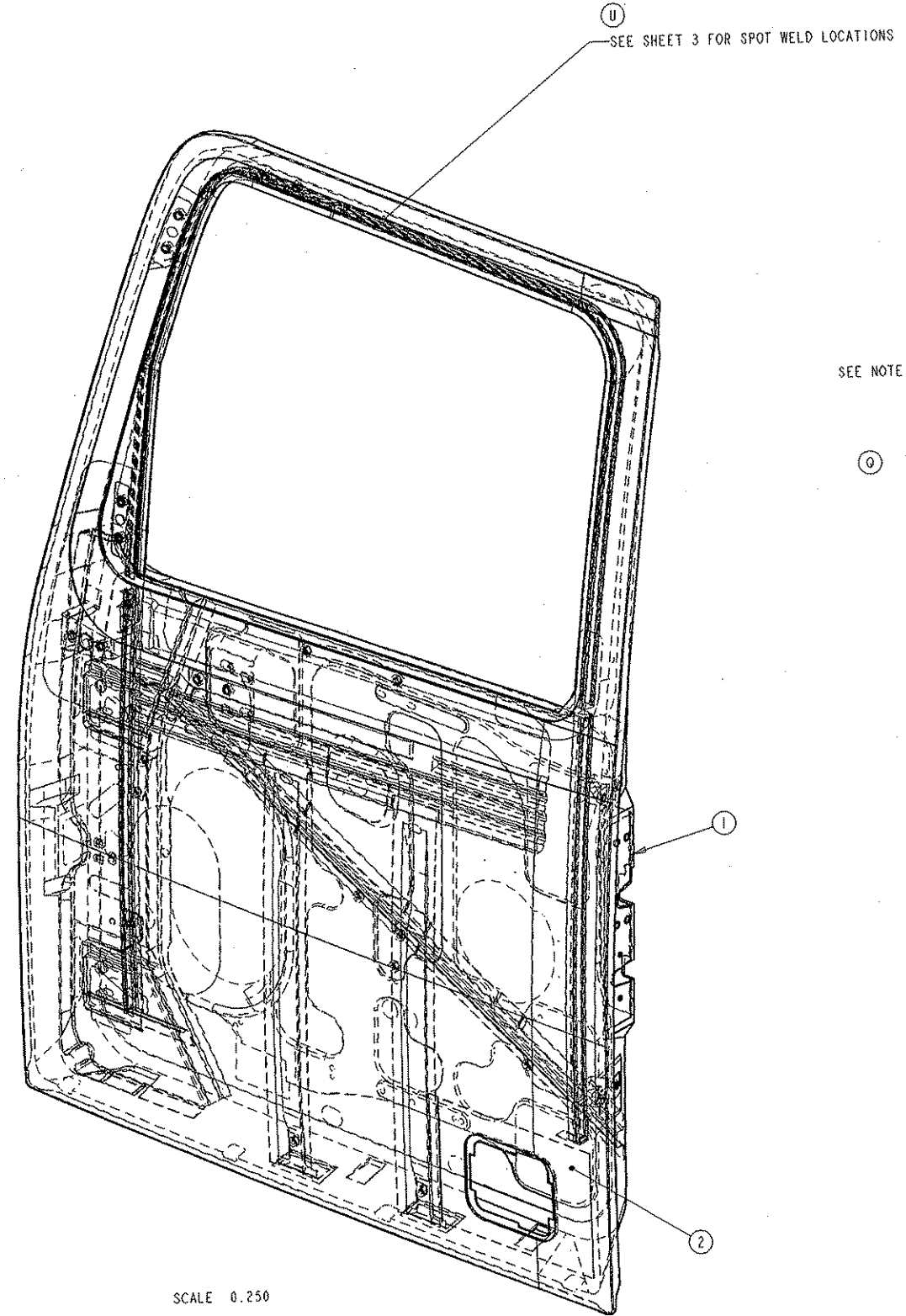


50100-3499
PRINT ISSUE DATE
E

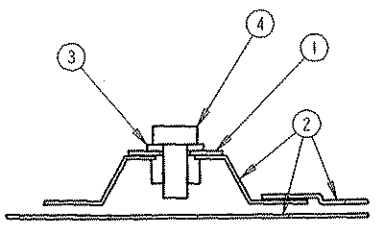
REV	COMP. NO.	DESCRIPTION	SIZE	MATERIAL
	WESTERN STAR TRUCKS INC. COMPUTER GRAPHICS KELOWNA, B.C.			
	TOLERANCES UNLESS NOTED:		BY	DATE
	MACHINING	± .02 INCH	DWN	LDW 29JUL98
	HOLE CENTERS	± .02 INCH	CKD	
	HOLE DIAMETERS	± .02 INCH	APVD	BGK 10AUG98
	LINEAR	± .06 INCH	ECO	C00351
	ANGULAR	± 1/2 °	SCALE	EIGHTH
<small>THIS DOCUMENT CONTAINS PROPRIETARY INFORMATION AND IT SHALL NOT BE USED OR REPRODUCED OR ITS CONTENTS DISCLOSED IN WHOLE OR IN PART WITHOUT THE PRIOR WRITTEN CONSENT OF WESTERN STAR TRUCKS INC., KELOWNA, BC</small>				
APPLICATION PART NO.	ASSY-COMP FLR CAB SHELL, SLPR B.I.W. COMPLETE, LHD		MR NO. 4018	50100-3499
			SHT 2 OF 2	SHT 2 OF 2

REMOVE ALL SHARP EDGES IF IN DOUBT ASK DO NOT SCALE DRAWING CAST, STAMP OR STENCIL PART NUMBER & REVISION LETTER IN SUITABLE LOCATION ORIGINAL CREATED OR WSTI SOLID MODELING WORKSTATION

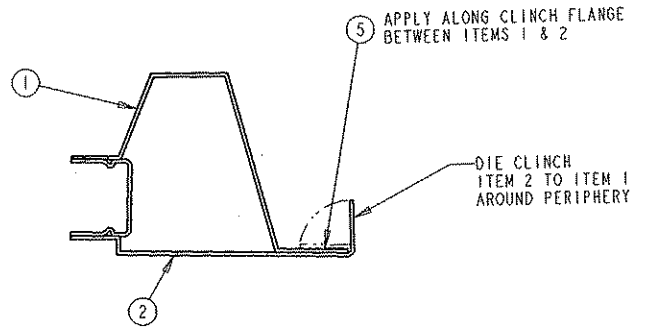
ECO	CHG	CHANGE	BY	DATE	CKD	APVD
	A	DRAWING CHANGED VISUALLY TO REFLECT CHANGES TO MTG BRKT REINF DOOR OUTER - MGA REF PB/94/0035 -	KAA MGA	31JAN94	AJU MGA	WTL
	B	DRAWING CHANGED TO REFLECT FULL DROP GLASS SPOTWELD COUNT 29 WAS 19 - MGA REF PB/94/0038 -	KAA MGA	18FEB94	AJU MGA	WTL
	C	CHEATER POSITION ALTERED CHANNELS MODIFIED TO SUIT - MGA REF PB/94/0066 - DRG CHANGED VISUALLY TO REFLECT REGULATOR ACCESS HOLE MOVE - MGA REF PB/94/0066 - DRG CHANGED VISUALLY TO REFLECT NEW MIRROR MOUNTINGS - MGA REF PB/94/0097 -	MJM MGA	13JAN95		
81367	D	REDRAWN ON PRO-E; DRAWING CHANGED VISUALLY TO REFLECT CHANGES TO COMPONENTS (SEE ECO 80008 & 81160); ITEM 4 WAS 181566 (1.75 LONG); 50202-3406 & 50203-3406 ADDED	DT	24OCT95	BGK	DVC
81952	E	ITEM 1 & SECT X-X REVISED	DT	7DEC95	BGK	DVC
82236	F	ITEMS 1 & 2 REVISED	DT	18DEC95	BGK	DVC
83380	G	ITEM 2 REVISED	DT	23FEB96		BGK
83337	H	ITEMS 1 & 2 REVISED; NOTE 1 ADDED SHT 2 & SECT R,S,T,U ADDED	DT	6MAR96		BGK
C00101	J	ITEM 5 WAS 6479-3412	LDW	16SEPT96		BGK
C00132	K	ITEM 1 REVISED	TGM	2DEC96		BGK
C00167	L	ITEMS 1 AND 2 REVISED	TGM	4 APR 97		BGK
C00182	N	ITEM 1 REVISED	TGM	6JUNE97		DVC
C00177	N	ITEM 1 REVISED. REDUCE NUMBER OF SPOT WELDS FOR GLASS CHANNEL FLANGES: 24 WELDS AT 70 PITCH WERE 30 AT 50 PITCH.	TGM	8JUL97		DVC
C00221	P	REVISE ALL -2 ITEMS	TGM	30OCT97		DVC
C00231	Q	REVISED ALL -2 ITEMS. ADD -6.	TGM	24OCT97		DVC
C00258	R	REVISED ALL -1 ITEMS	TGM	31DEC97		DVC
C00318	S	ADD 22.2; 22.3 DIMENSIONS (SHT 2)	DRJ	4MAY98		BGK
C00368	T	REVISED ALL -1 ITEMS	GEG	21SEP98	TGM	BGK
C00416	U	ADD REINFORCEMENTS TO 1 & 2. MOVE SPOT WELDS TO SHEET 3.	TGM	16FEB00		BGK
C00497	V	ADDED 2 WELD NUTS TO STRUT IN ITEM -1.	TGM	23FEB00		BGK
C00523	W	REVISED ITEMS 1 AND 2.	TGM	24MAY00	BGK	RJS
C00556	X	REVISED ITEM 1	TGM	28JUL00	BGK	RJS
C00558	Y	50202/3-3405 & 50202/3-3406 REVISED; ITEM 2 - 50210/1-3406 & 50210/1-3409 REVISED	DT	3AUG00		BGK



NOTES:
1) TACK WELD IF NECESSARY TO MAINTAIN HOLE ALIGNMENT BETWEEN HOLES IN INNER BRACKET AND OUTER PANEL.



SECTION X-X
SCALE 1.000



SECTION Y-Y
SCALE 1.0

QTY	UNIT	DESCRIPTION	SIZE	PART NUMBER
-6		SCREW - FLAT HEAD	1/4-20 X 0.50	4015-3451
-5		STRUCTURAL ADHESIVE		4101-3418
-4		HEX BOLT	1/4-20 X 0.5	180016
-3		FLAT WASHER	1/4"	120392
		ASSY DOOR OUTER RH VIS		50211-3409
		ASSY DOOR OUTER LH VIS		50210-3409
		ASSY DOOR OUTER RH		50211-3406
		ASSY DOOR OUTER LH		50210-3406
		ASSY DOOR INNER RH		50205-3407
		ASSY DOOR INNER LH		50204-3407

COMP. NO. **WESTERN STAR TRUCKS INC.**
DESCRIPTION **COMPUTER GRAPHICS** SIZE **KELOWNA, B.C.**

TOLERANCES UNLESS NOTED:

TRIM EDGE	HOLE CENTERS	HOLE DIAMETERS	LINEAR/FORM	ANGULAR
± 1.50 mm	± 0.25 mm	± 0.25 mm	± 0.50 mm	± 1/2 °

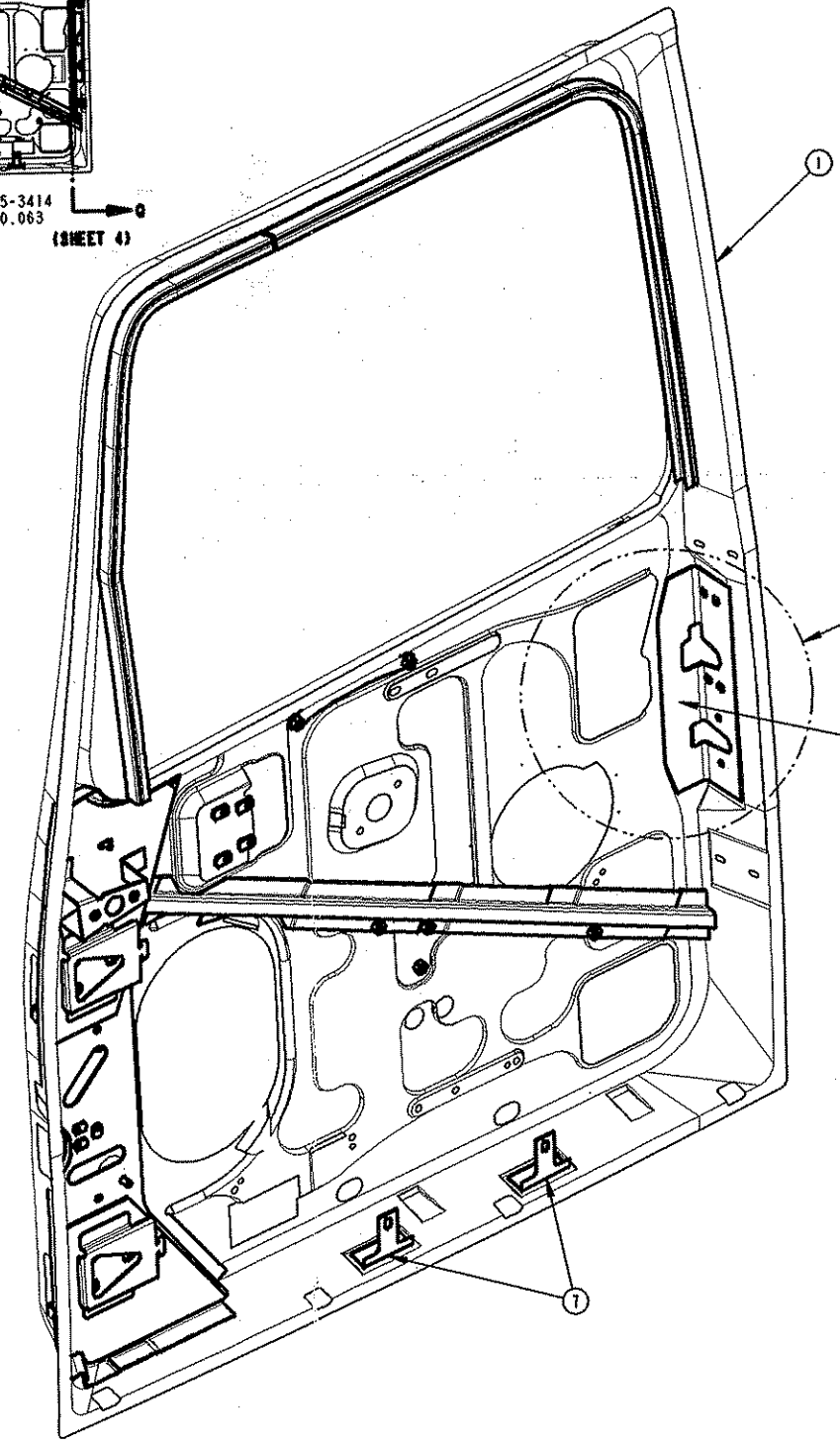
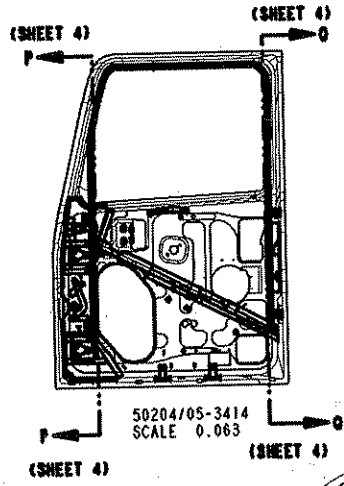
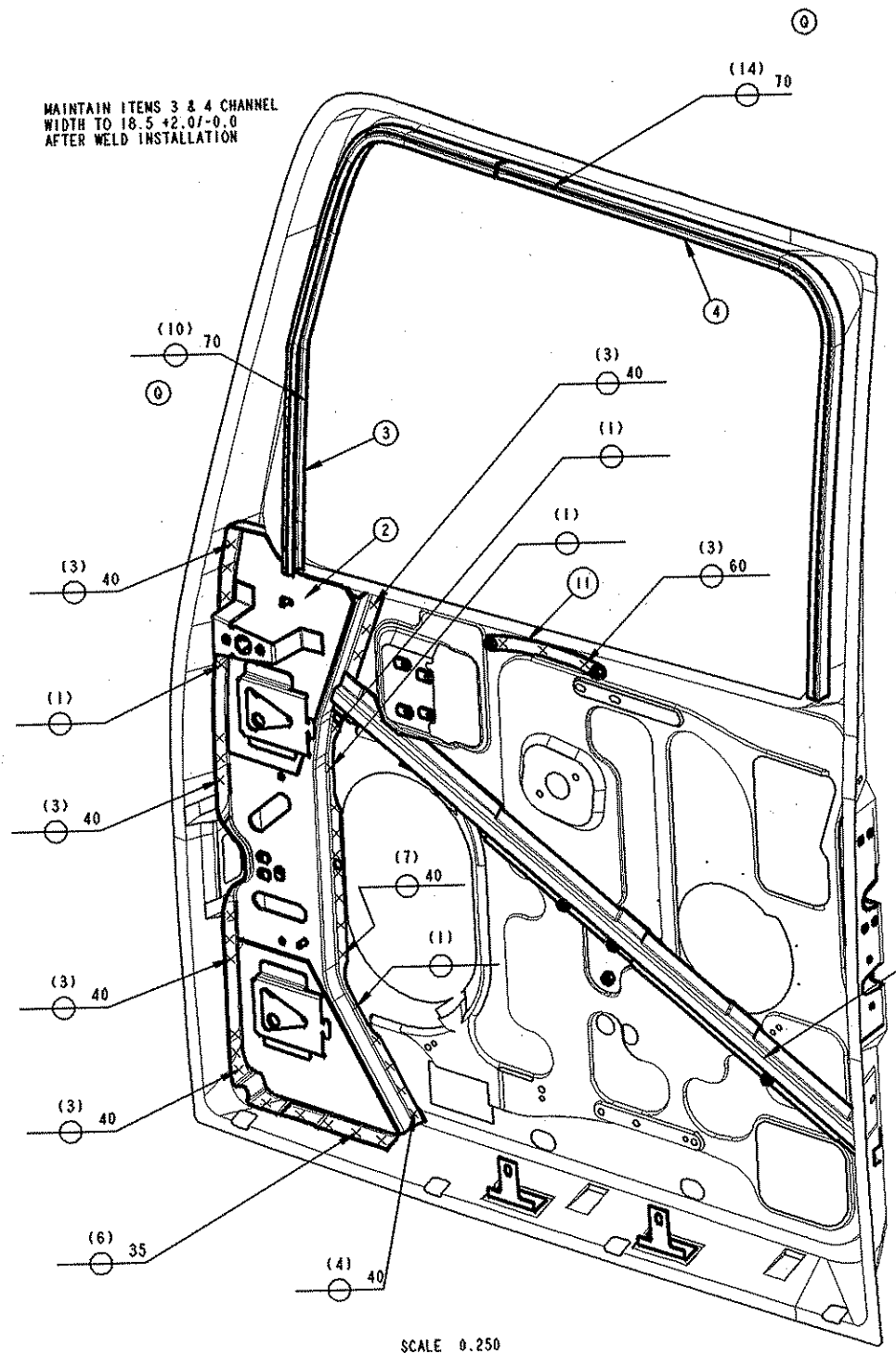
DATE: 24OCT95
BY: BGK
DATE: 30OCT95
BY: DVC
DATE: 81367
ECO: 1/8
SCALE: 1/8

THIS DOCUMENT CONTAINS PROPRIETARY INFORMATION AND IT SHALL NOT BE USED OR REPRODUCED OR IN ANY MANNER DISCLOSED IN WHOLE OR IN PART WITHOUT THE PRIOR WRITTEN CONSENT OF WESTERN STAR TRUCKS INC., KELOWNA, BC

ASSY - DOOR SHELL W/MIRRORS
MR NO. 4018
50202-3405 SHT 1 OF 3

50202-3405
PRINT ISSUE DATE
CHG

REMOVE ALL SHARP EDGES DO NOT SCALE DRAWING CAST STAMP OR STENCIL PART NUMBER & REVISION LETTER IN SUITABLE LOCATION ORIGINAL CREATED ON WSTI SOLID MODELING WORKSTATION



ECO	CHG	CHANGE	BY	DATE	CKD	APVD
	A	ITEM 10 MODIFIED & POS'N OF POINTS M & N ALTERED. (SEE SHT 2) DROP GLASS REGULATOR POS'N ALTERED - MGA REF PB/94/0035 -	KAA MGA	31JAN94	AJJ MGA	WTL WS
	B	ITEM 9 MODIFIED & MOVED ITEMS 11 & 12 ADDED ITEM 5 LENGTHENED ITEM 7 NOW INCLUDES LOWER BRKT STEELWORK REVISED - MGA REF PB/94/0038 -	PAD MGA	18FEB94	AJU MGA	WTL WS
	C	ITEM 11 & 12 MOVED & MODIFIED. ITEM 9 MOVED TRIM EDGE OF ITEM 1 CHANGED TO SUIT NEW CHEATER POS'N - MGA REF PB/94/0041 - DRG CHANGED VISUALLY TO REFLECT REGULATOR ACCESS HOLE MOVE - MGA REF PB/94/0066 -	NJM MGA	17JUL94		
80008	D	REDRAWN ON PRO-E HINGE REINF & GLASS RUN CHANNELS MODIFIED ITEMS 5, 10 & 11 ADDED	DT	21AUG95	BGK	DVC
80008	E	ITEM 12 ADDED PICTORIAL REVISION TO SHOW REVISED WINDOW OPENING & REVISED ITEM 2	DT	18SEP95	BGK	DVC
81160	F	ITEM 13 ADDED (SHT 3) ITEMS 2, 3 & 4 REVISED ITEM 7 WAS 50212-3409 LH & RH	DT	24OCT95	BGK	DVC
81367	G	ITEMS 1, 2 & 7 REVISED ITEMS 14 THRU 19 ADDED	DT	1NOV95	BGK	DVC
81952	H	ITEM 7 WAS 50212-3414/5 LH/RH ITEMS 1 & 2 REVISED ITEMS 20 & 21 ADDED	DT	30NOV95	BGK	DVC

- FOR FURTHER REVISIONS, SEE SHEET 2 -

SEE DETAIL 'A' SHEET 3

QTY	DESCRIPTION	PART NO.
1	NUT PLATE - CAB ACCESS HNDL RH	54303-3415
1	NUT PLATE - CAB ACCESS HNDL LH	54303-3413
AR	STRUCTURAL ADHESIVE	4101-3418
2 2 2 2	HEX CAPSCREW, 1/4-20 X .50	180016
4 4 4 4	SCREW, PANHD PHLPS 1/4-20 X .50	4009-3416
2 2 2 2	TAPPING PLATE - HINGE	50258-3407
1 1 1 1	ASSY GLASS CHNL RR BOLT-IN RH	50231-3401
1 1 1 1	ASSY GLASS CHNL RR BOLT-IN LH	50230-3401
1 1 1 1	ASSY GLASS CHNL FWD BOLT-IN RH	50235-3405
1 1 1 1	ASSY GLASS CHNL FWD BOLT-IN LH	50234-3407
4 4 4 4	TABWELDNUT, 1/4-20	4012-3455
3 3 1 1	WELDNUT, HEX 1/4-20	4012-3444
1 1 1 1	NUT PLATE - HANDLE, DOOR PULL	54303-3406
1 1 1 1	NUT PLATE - HANDLE, GRAB	54303-3404
1 1 1 1	BRKT HINGE LOWER RH	50037-3423
1 1 1 1	BRKT HINGE LOWER LH	50036-3423
1 1 1 1	BRKT HINGE UPPER RH	50037-3422
1 1 1 1	BRKT HINGE UPPER LH	50036-3422
2 2 2 2	BRKT NTG REINF DOOR OUTER	50212-3409
1 1 1 1	PANEL REINF LATCH RH	50279-3401
1 1 1 1	PANEL REINF LATCH LH	50278-3401
1 1 1 1	ASSY STRUT RH	50223-3405
1 1 1 1	ASSY STRUT LH	50222-3404
1 1 1 1	GLASS CHNL RR UPPER RH	50231-3404
1 1 1 1	GLASS CHNL RR UPPER LH	50230-3406
1 1 1 1	GLASS CHNL FRT UPPER RH	50235-3406
1 1 1 1	GLASS CHNL FRT UPPER LH	50234-3408
1 1 1 1	ASSY HINGE REINF RH	50037-3420
1 1 1 1	ASSY HINGE REINF LH	50036-3420
1 1 1 1	PANEL DOOR INNER RH	50205-3413
1 1 1 1	PANEL DOOR INNER LH	50204-3413
1 1 1 1	PANEL DOOR INNER RH	50205-3408
1 1 1 1	PANEL DOOR INNER LH	50204-3408

SPOTWELD CLASSIFICATION	
TO BE IN ACCORDANCE WITH WESTERN STAR SPEC 4101-3414	
⊗	CLASS 'C' - ORDINARY
⊗	CLASS 'A' - SAFETY CRITICAL
⊗	CLASS 'CF' - ORDINARY FACEWELD
⊗	CLASS 'AF' - SAFETY CRITICAL FACEWELD

- WELD NOTES:
- (AB) 1/ TOTAL NUMBER OF SPOT WELDS 97
 - 2/ ALL WELDS TO BE IN ACCORDANCE WITH WSTI WELD SPECIFICATION 4101-3414
 - 3/ WELD PITCH IS AS NOTED INDICATED.
 - 4/ GENERAL SPOT WELD POSITIONAL TOLERANCE ± 4.00mm.

NOTE: REFER TO CAD DATA FOR TRUE POSITIONING OF COMPONENTS

50204-3407
PRINT ISSUE DATE

WESTERN STAR TRUCKS INC.
COMPUTER GRAPHICS KELOWNA, B.C.

TOLERANCES UNLESS NOTED:	BY	DATE
TRIM EDGE ± 1.50mm	DWN	KAA/MGA 2NOV93
HOLE CENTERS ± 0.25mm	CKD	AJU/MGA 8DEC93
HOLE DIAMETERS ± 0.25mm	APVD	WTL/WS 8DEC93
LINEAR/FORM ± 0.50mm	ECO	80008
ANGULAR ± 1/2°	SCALE	1:4

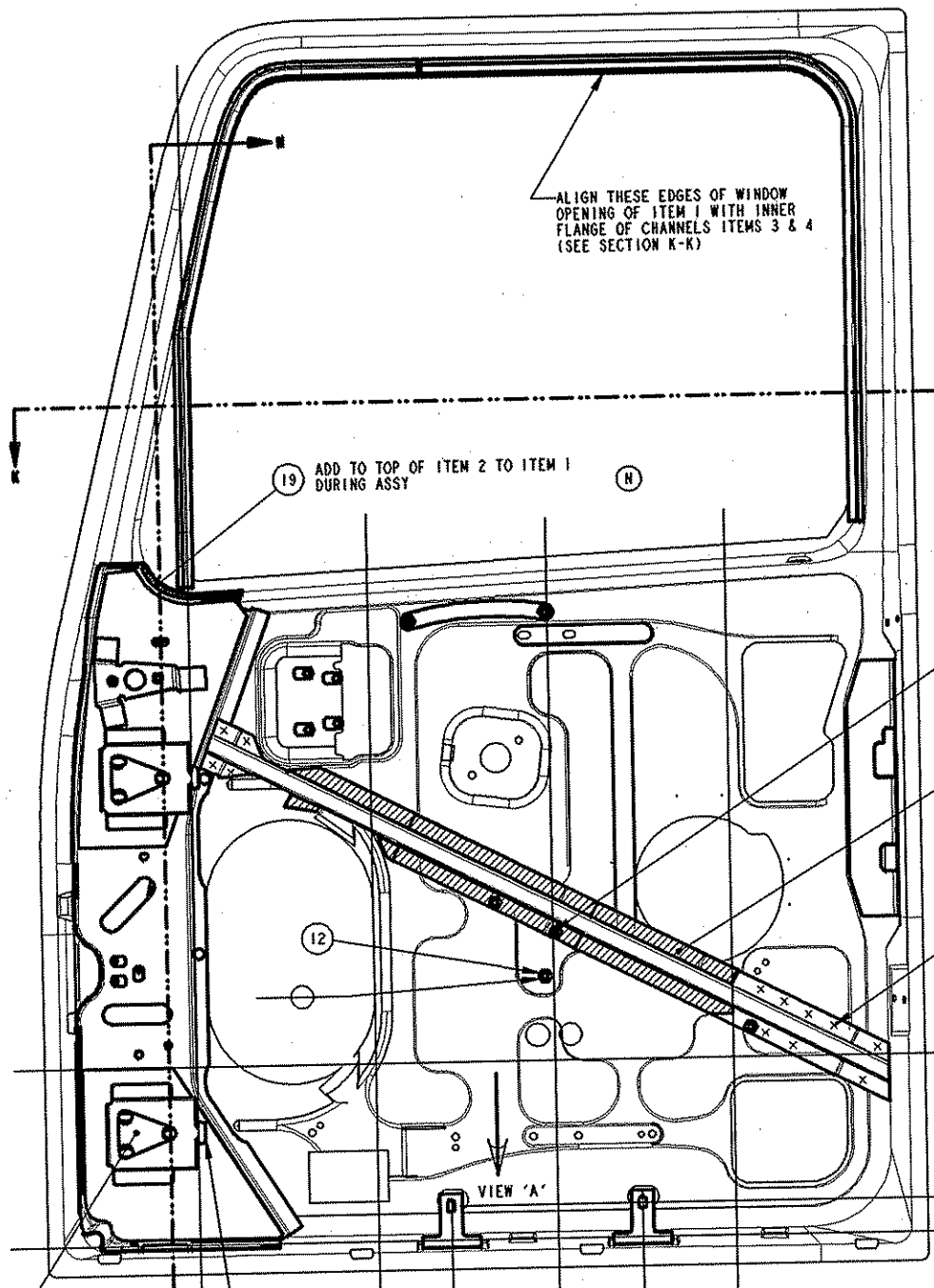
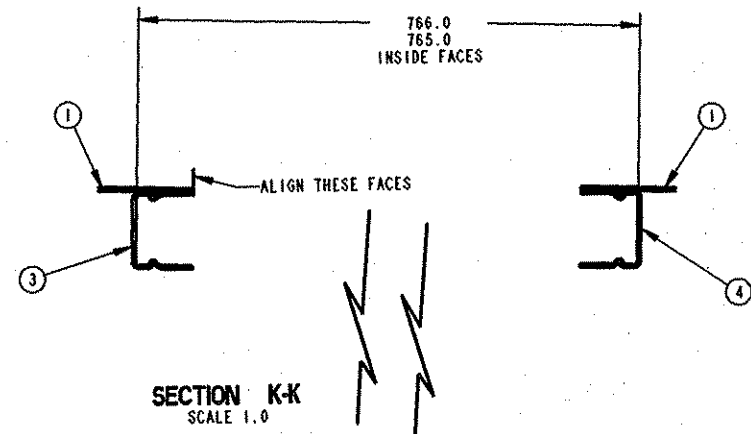
THIS DOCUMENT CONTAINS PROPRIETARY INFORMATION AND IT SHALL NOT BE USED OR REPRODUCED OR ITS CONTENTS DISCLOSED IN WHOLE OR IN PART WITHOUT THE PRIOR WRITTEN CONSENT OF WESTERN STAR TRUCKS INC., KELOWNA, BC

MR NO. 4013
ASSY DOOR INNER
50204-3407

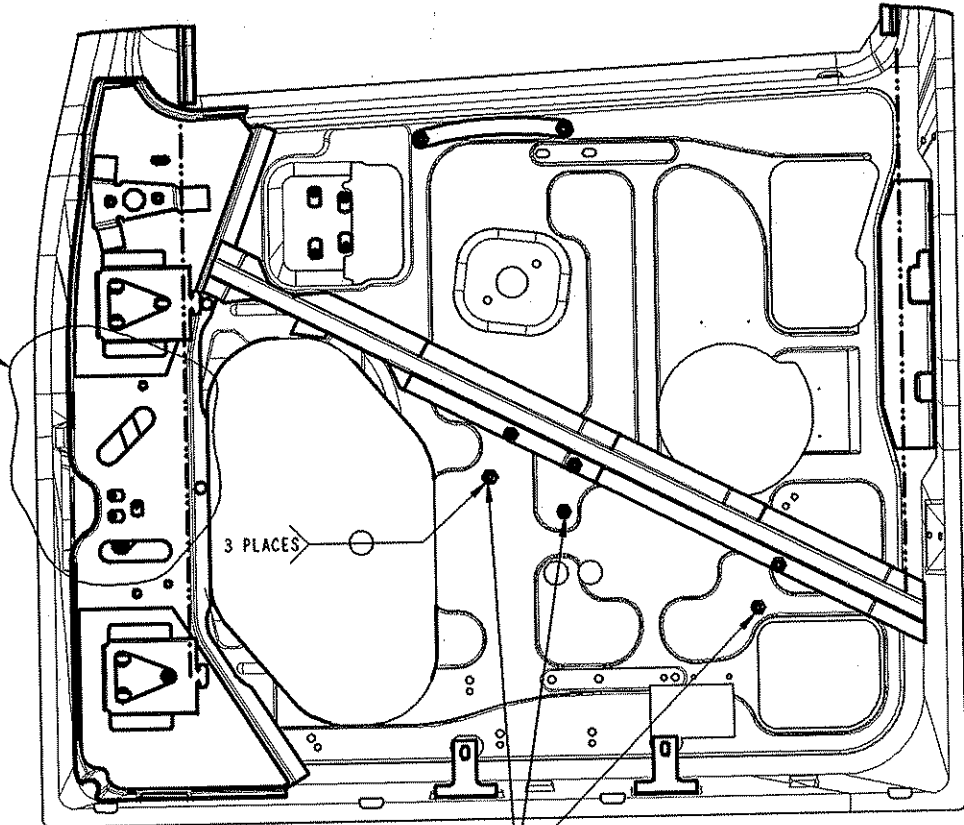
REMOVE ALL SHARP EDGES DO NOT SCALE DRAWING CAST STAMP OR STENCIL PART NUMBER & REVISION LETTER IN SUITABLE LOCATION ORIGINAL CREATED OR MODIFIED SOLID MODELING WORKSTATION

ECO	CHG	CHANGE	BY	DATE	CKD	APVD
82236	J	ITEMS 1 & 2 REVISED; ITEM 20 (50035-3478/9) (DELETED); ITEM 21 (6479-3411) DELETED	DT	18DEC95	BGK	DVC
83337	K	ITEM 1 REVISED	DT	11MAR96	BGK	
C00101	L	ITEM 19 WAS 6479-3413	LDW	16SEPT96	BGK	
C00132	N	ITEMS 1 & 2 REVISED; ADD WELD TABLE	TGM	2DEC96	BGK	
C00167	N	ITEMS 1 AND 2 REVISED. ADD ITEM 19 TO TOP OF ITEM 2 AT INSTALLATION. ADD TOLERANCE NOTE TO CHANNEL ITEMS 3 & 4 FOR ASSEMBLY.	TGM	11APR97	BGK	
C00182	P	ITEMS 8, 9, 16 REVISED	TGM	6JUNE97	DVC	
C00177	O	ITEM 1 REVISED. DECREASE NUMBER OF SPOT WELDS FOR -3&-4: 14 WELDS AT 70 PITCH WERE 18 AT 50, 10 AT 70 PITCH WERE 18 AT 40. ITEM 10 REVISED. ADD 1 SPOT WELD TO ITEMS 10, 11	TGM	8JUL97	DVC	
C00258	R	REVISED BOTH -1 ITEMS	TGM	31DEC97	DVC	
C00368	S	REVISED ALL -1, -2, -3, -4, -14, -15 ITEMS	GEG	21SEP98	TGM	BGK
C00474	T	ADDED 50204/05-3414.	GAB	01DEC99	TGM	
C00416	U	CHANGE MIRROR BRKT ON ITEM 2; ITEM 3 WAS 50234-3408 AND 50235-3406; REMOVED ITEM 14 RUN CHANNELS 50234-3407 AND 50235-3405; ADD STRUT WELD LOCN DIMN 30.6.	TGM	18FEB00	BGK	
C00497	V	REVISE -5 TO ADD 2 WELDNUTS; ADD 2 WELDNUTS -12 TO 54202/03-3414. MODIFY PNL 50204/05-3413 FOR COURTESY LT C/O. TIE-WRAP HOLES & HANDLE HOLES.	TGM	23FEB00	TGM	
C00523	W	ITEM 3 WAS 50234/5-3411; ITEM 14 ADDED; REV'D ITEM 2.	TGM	23MAY00	BGK	RJS
C00538	X	REVISED ITEM 1 TO ADD HOLES AND SLOTS	TGM	13JUN00	JB	RJS
C00556	Y	REVISED ITEM 1 FOR 50204/5-3407	TGM	28JUL00	BGK	RJS
C00581	Z	REVISED ITEM 1 FOR 50204/5-3414, FOR REV Y: 50204/5-3407 WAS 50204/5-3047.	SVHP	06OCT00	BGK	
C00623	AA	ADDED SHEET 4 TO SHOW ALIGNMENT OF RUN CHANNELS.	SVHP	16FEB01		CRG
C00634	AB	ADDED COMP -20, ADDED DETAIL B, # OF SPOT WELDS WAS 94, 50204 / 5-3414 WAS AT REV E	DWG	28MAR01	LCG	BGK
P20853-01	AC	REMOVED ITEM -10 FROM 50204-3414 & 50205-3414 REMOVED ITEM -10 FROM PARTIAL VIEW ON SHEET 3&4	DIB	05NOV02	CHB	PWS

SECTION K-K
SEE FULL SCALE DETAIL



PANEL ASSEMBLIES #50204/05-3407

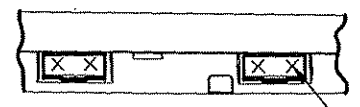


PANEL ASSEMBLIES #50204/05-3414
CONSTRUCTION DETAILS NOT SHOWN ARE SAME AS #50204/05-3407.

SECTION N-N

BEND DOWN FLAP TO RETAIN ITEM 16; 2 PLACES

16 INSERT LOOSE IN HOUSING. ENSURE TAPPED HOLES LINE UP WITH CUTOUT 2 PLACES



50204-3407
PRINT ISSUE DATE
SHT 2 OF 4
CHG AB

REV	COMP. NO.	DESCRIPTION	SIZE	MATERIAL
		WESTERN STAR TRUCKS INC. COMPUTER GRAPHICS KELOWNA, B.C.		
		TOLERANCES UNLESS NOTED:		
		TRIM EDGE	± 1.50 mm	DWN
		HOLE CENTERS	± 0.25 mm	CKD
		HOLE DIAMETERS	± 0.25 mm	APVD
		LINEAR/FORM	± 0.50 mm	ECO
		ANGULAR	± 1/2 °	SCALE QUARTER
THIS DOCUMENT CONTAINS PROPRIETARY INFORMATION AND IT SHALL NOT BE USED OR REPRODUCED OR ITS CONTENTS DISCLOSED IN WHOLE OR IN PART WITHOUT THE PRIOR WRITTEN CONSENT OF WESTERN STAR TRUCKS INC., KELOWNA, BC				
ASSEMBLY			MR NO. 4018	
DOOR - INNER			50204-3407 SHT 2 OF 4	

2

1

DO NOT SCALE DRAWING

ORIGINAL CREATED ON WST
SOLID MODELING WORKSTATION

RELEASE NUMBER	REV LTR	ZONE	REVISION DESCRIPTION	BY	DATE	PUR ME	APPD
PI5808-10	-	2D	INITIAL RELEASE	MAN	09/09/03	HW	CHB

NOTE

THESE DOOR ASSEMBLIES ARE SET UP TO BE USED BY SERVICE ONLY. THEY ARE IDENTICAL TO THE PRODUCTION DOOR ASSEMBLIES EXCEPT THEY REQUIRE SEPERATE E-COATING.

									69301-3415	PASTE, E-COAT	
									69301-3414	RESIN, E-COAT	
									A18-45896-003	DOOR SHELL,RH, NO MIRRORS, W/VIS WINDOW	
									A18-45896-002	DOOR SHELL,RH, NO MIRRORS,NO VIS	
									A18-45896-001	DOOR SHELL,RH, W/MIRRORS, W/VIS WINDOW	
									A18-45896-000	DOOR SHELL,RH, W/MIRRORS,NO VIS	
									A18-45886-003	DOOR SHELL,LH, NO MIRRORS,W/VIS WINDOW	
									A18-45886-002	DOOR SHELL,LH, NO MIRRORS,NO VIS	
									A18-45886-001	DOOR SHELL,LH, W/MIRRORS, W/VIS WINDOW	
									A18-45886-000	DOOR SHELL,LH, W/MIRRORS,NO VIS	
QUANTITY	QUANTITY	QUANTITY	QUANTITY	QUANTITY	QUANTITY	QUANTITY	QUANTITY	QUANTITY	ITEM NUMBER	DESCRIPTION	REF

DELIVERY MUST CONFORM EXACTLY WITH DRAWING SPECIFICATIONS AND, WHERE REQUIRED BY Q.A., WITH APPROVED Q.A. SAMPLES. ABSOLUTELY NO CHANGES ARE PERMITTED WITHOUT PRIOR APPROVAL BY FREIGHTLINER LLC. THIS INCLUDES CHANGES TO: SOFTWARE, MATERIALS, INTERNAL COMPONENTS, MANUFACTURING PROCESSES.



WESTERN STAR TRUCKS INC.
A SUBSIDIARY OF **FREIGHTLINER®**
LLC

THE INFORMATION CONTAINED HEREIN IS PROPRIETARY DATA, AND IS NOT FOR DISSEMINATION OR DISCLOSURE, IN WHOLE OR IN PART, FOR ANY PURPOSE OTHER THAN THAT FOR WHICH IT IS SUBMITTED, EXCEPT AS AUTHORIZED IN WRITING BY WESTERN STAR TRUCKS.

MATERIAL APPROVAL	DATE
N/A	-
DRAWN BY	DATE
NIGEL MANDAU	09/09/03
CHECKED BY	DATE
ROCKY BLAKEWOOD	09/09/03
RESPONSIBLE ENGINEER	DATE
ROCKY BLAKEWOOD	09/09/03
APPROVED BY	DATE
ROCKY BLAKEWOOD	09/09/03

UNLESS OTHERWISE NOTED, DIMENSIONS AND TOLERANCES ARE DEFINED ACCORDING TO ASME STANDARD Y14.5M-1994, WITH EXCEPTIONS PER FREIGHTLINER EOSM 09E0K17.



THIRD ANGLE PROJECTION	UNIT OF MEASURE
	-
MFG ENGR/PURCH AGENT	DATE
HOLLY WHITEHEAD	09/10/03

DESCRIPTION: **SERVICE DOOR ASSEMBLIES**
SUPPLEMENTARY DESCRIPTION: -

ITEM/DRAWING NUMBER	REVISION LETTER	SHEET NUMBER
A18-51276	-	1 OF 1

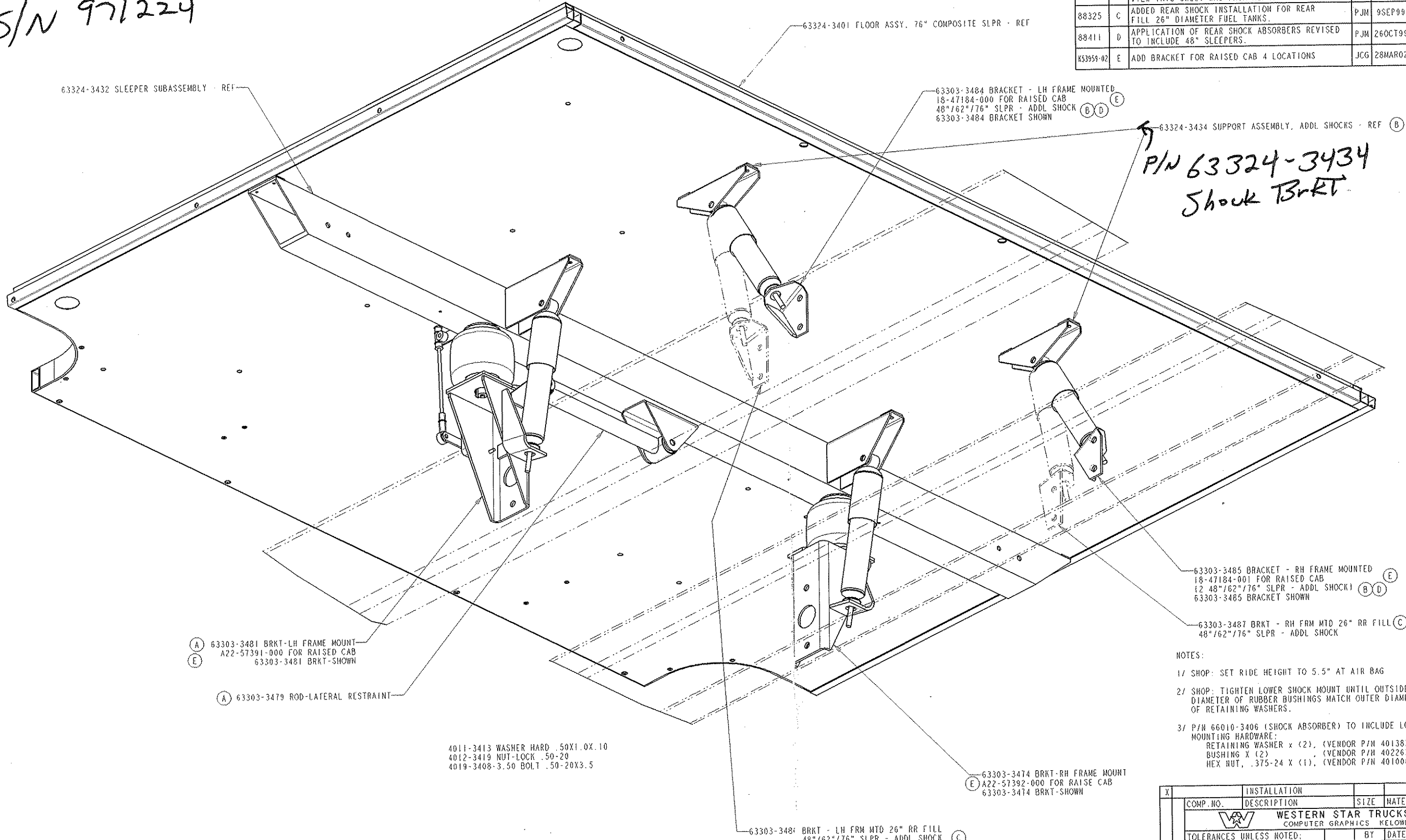
2

1

REMOVE ALL SHARP EDGES IF IN DOBBT ASK DO NOT SCALE DRAWING CAST, STAMP OR STENCIL PART NUMBER & REVISION LETTER IN SUITABLE LOCATION ORIGINAL CREATED OR WESTI SOLID MODELING WORKSTATION

ECO	CHG	CHANGE	BY	DATE	CKD	APVD
87516	A	63303-3479 WAS 63303-3478; 63303-3481 WAS 63303-3477	PJM	10MAR99		
88255	B	ADDED REAR SHOCK INSTALLATION; ADDED SHEET 2; VIEW THIS SHEET WAS FROM REAR.	PJM	7JULY99		PAF
88325	C	ADDED REAR SHOCK INSTALLATION FOR REAR FILL 26" DIAMETER FUEL TANKS.	PJM	9SEP99		PAF
88411	D	APPLICATION OF REAR SHOCK ABSORBERS REVISED TO INCLUDE 48" SLEEPERS.	PJM	26OCT99		PAF
833959-02	E	ADD BRACKET FOR RAISED CAB 4 LOCATIONS	JCG	28MAR02		RJS

S/N 971224



P/N 63324-3434
Shock Brkt

(A) 63303-3481 BRKT-LH FRAME MOUNT
A22-57391-000 FOR RAISED CAB
(E) 63303-3481 BRKT-SHOWN

(A) 63303-3479 ROD-LATERAL RESTRAINT

4011-3413 WASHER HARD .50X1.0X.10
4012-3419 NUT-LOCK .50-20
4019-3408-3.50 BOLT .50-20X3.5

(E) 63303-3474 BRKT-RH FRAME MOUNT
A22-57392-000 FOR RAISE CAB
63303-3474 BRKT-SHOWN

63303-3485 BRACKET - RH FRAME MOUNTED
18-47184-001 FOR RAISED CAB
12 48"/62"/76" SLPR - ADDL SHOCK (B)(D)(E)
63303-3485 BRACKET SHOWN

63303-3487 BRKT - RH FRM MID 26" RR FILL (C)(D)
48"/62"/76" SLPR - ADDL SHOCK

- NOTES:
- 1/ SHOP: SET RIDE HEIGHT TO 5.5" AT AIR BAG
 - 2/ SHOP: TIGHTEN LOWER SHOCK MOUNT UNTIL OUTSIDE DIAMETER OF RUBBER BUSHINGS MATCH OUTER DIAMETER OF RETAINING WASHERS.
 - 3/ P/N 66010-3406 (SHOCK ABSORBER) TO INCLUDE LOWER MOUNTING HARDWARE:
RETAINING WASHER x (2), (VENDOR P/N 401383)
BUSHING X (2), (VENDOR P/N 402263)
HEX NUT, .375-24 X (1), (VENDOR P/N 401006)

633A1-3513
PRINT ISSUE DATE
E

COMP. NO.	DESCRIPTION	SIZE	MATERIAL
WESTERN STAR TRUCKS INC. COMPUTER GRAPHICS KELOWNA, B.C.			
TOLERANCES UNLESS NOTED:			
MACHINING	± .02 INCH	DWN	TGM 17APR98
HOLE CENTERS	± .02 INCH	CKD	
HOLE DIAMETERS	± .02 INCH	APVD	DVC 27APR98
LINEAR	± .06 INCH	ECO	97568
ANGULAR	± 1/2 °	SCALE	QUARTER
<small>THIS DOCUMENT CONTAINS PROPRIETARY INFORMATION AND IT SHALL NOT BE USED OR REPRODUCED OR ITS CONTENTS DISCLOSED IN WHOLE OR IN PART WITHOUT THE PRIOR WRITTEN CONSENT OF WESTERN STAR TRUCKS INC., KELOWNA, BC</small>			
INSTALLATION - REAR MOUNT LIGHT WEIGHT SLEEPER			MR NO. 3398
633A1-3513			SHT 1 OF 2

REMOVE ALL SHARP EDGES IF IN DOUBT ASK
DO NOT SCALE DRAWING
CAST, STAMP OR STENCIL PART NUMBER & REVISION LETTER IN SUITABLE LOCATION
ORIGINAL CREATED ON WESTERN STAR SOLID MODELING WORKSTATION

ECO	CHG	CHANGE	BY	DATE	CKD	APVD
		SEE SHEET 1 FOR CHANGES				

66026-3405 ROD-AIR VALVE
4011-3410 WASHER HARD 5/16X.63X.06
4012-3416 NUT, LOCK 5/16-24

66003-3406 AIR SPRING, REVERSIBLE SLEEVE

4019-3408-2.50 BOLT .50-20X2.5
4011-3413 WASHER HARD .50X1.0X.10
4012-3419 NUT LOCK .50-20

48", 62" AND 76" SLEEPERS ONLY

66010-3406 SHOCK ABSORBER-SLPR MNT (2)

9.38

66007-3401 VALVE-HEIGHT CONTROL
5170-3409 ELBOW 1/4" PUSH TO CONNECT

656310 NUT NYLOCK .25-20

ALTERNATE SHOCK ORIENTATION FOR 62" AND 76" SLEEPERS WITH 26" DIAMETER FUEL TANKS WITH REAR LOCATED FILL NECK OR 48" SLEEPERS AS PER BILL OF MATERIAL INDEXING

4019-3408-2.50 BOLT HEX GRADE 8 1/2-20X2.50
4011-3413 WASHER, HARD 1/2X1.0X.10
4012-3419 NUT LOCK .50-20

LEFT HAND SIDE

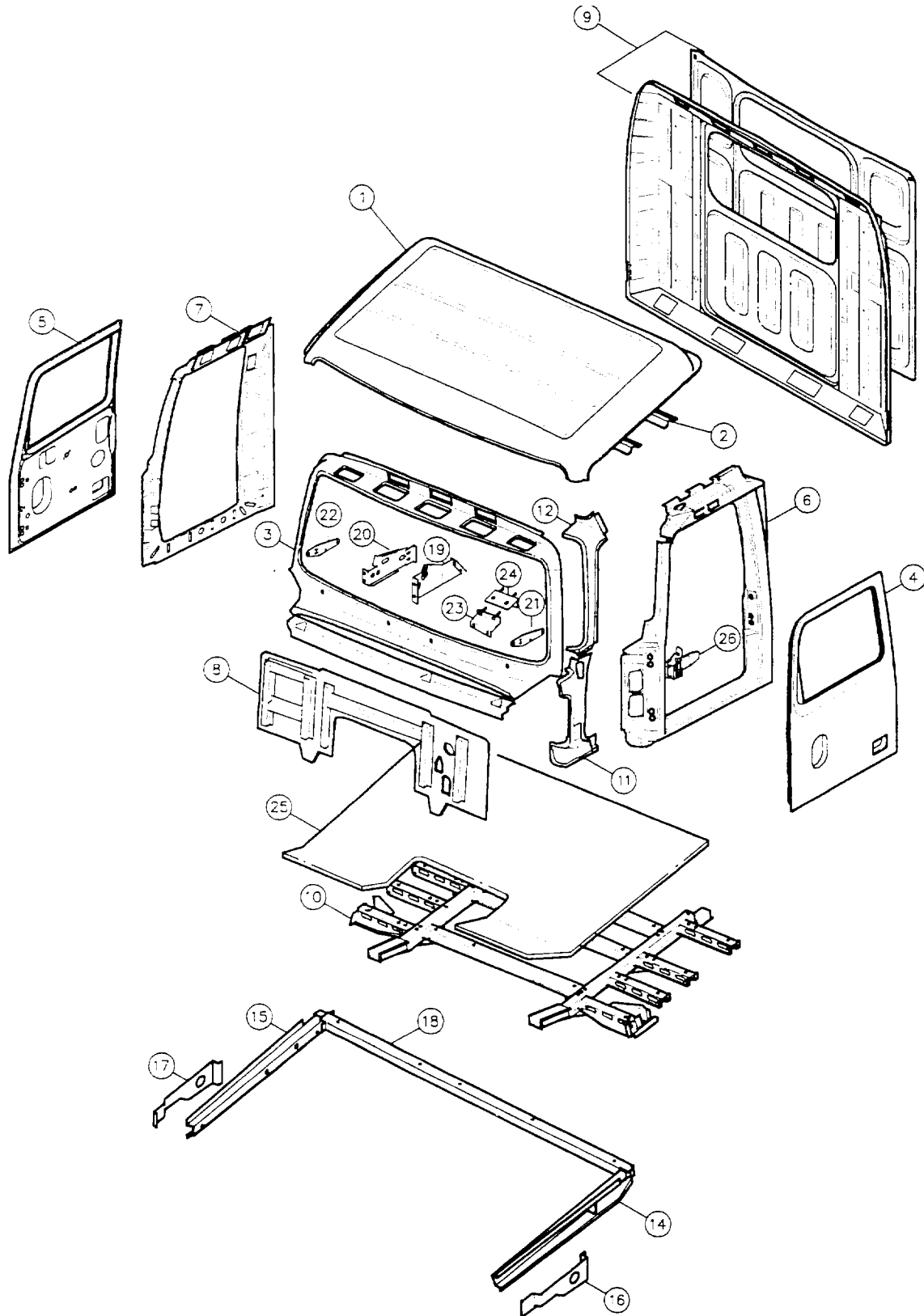
2 | FOLD

633A1-3513	SHT 2
PRINT ISSUE DATE	CHG
	E

3 | FOLD

REV	COMP. NO.	DESCRIPTION	SIZE	MATERIAL
		WESTERN STAR TRUCKS INC. COMPUTER GRAPHICS KELOWNA, B.C.		
TOLERANCES UNLESS NOTED:		BY	DATE	
MACHINING	± .02 INCH	DWN	PJM	7JULY99
HOLE CENTERS	± .02 INCH	CKD		
HOLE DIAMETERS	± .02 INCH	APVD		
LINEAR	± .06 INCH	ECO	88255	
ANGULAR	± 1/2 °	SCALE	QUARTER & AS NOTED	
<small>THIS DOCUMENT CONTAINS PROPRIETARY INFORMATION AND IT SHALL NOT BE USED OR REPRODUCED OR ITS CONTENTS DISCLOSED IN WHOLE OR IN PART WITHOUT THE PRIOR WRITTEN CONSENT OF WESTERN STAR TRUCKS, INC., KELOWNA, BC</small>				
APPLICATION PART NO.		INSTALLATION - REAR MOUNT LIGHT WEIGHT SLEEPER		MR NO. 3398
		633A1-3513		SHT 2 of 2

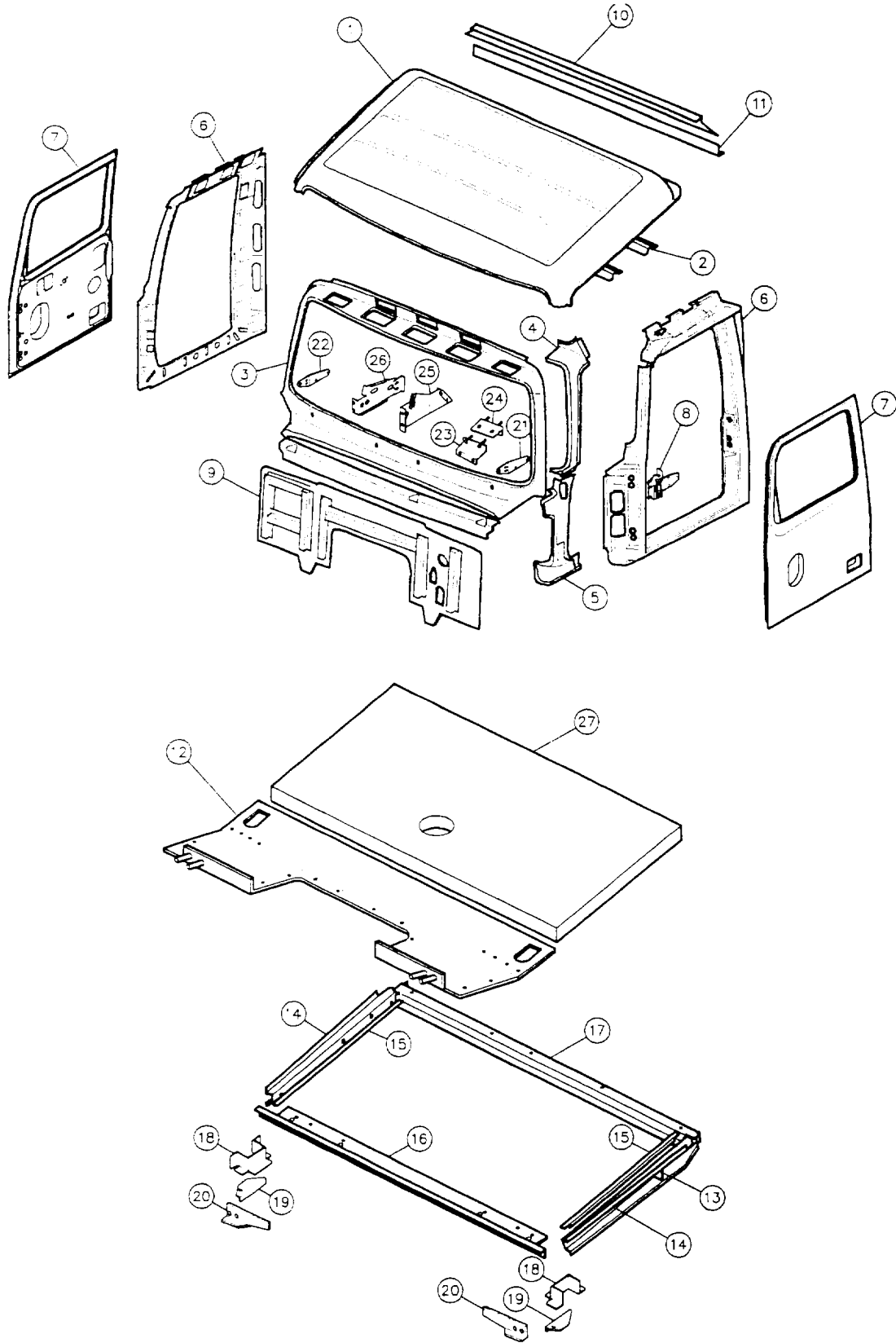
1 | FOLD



CONSTELLATION CAB BREAKDOWN

Item	Description	Part Number	Qty
1	Roof Panel	50002-3404S	1
2	Roof Bow	50094-3404S	2
3	Assy. Windshield Surround	50003-3421S	1
4	Assy. Door Shell, LH SEE 4048 to determine	50202-3405S	1
4	Assy. Door Shell, LH with Visibility Window cutout	50202-3406S	1
5	Assy. Door Shell, RH	50203-3405S	1
5	Assy. Door Shell RH with Visibility	50203-3406S	1
6	Assy. Bodyside LH	50004-3411S	1
7	Assy. Bodyside RH	50005-3411S	1
8	Assy. Firewall & Reinforcing (before Sept. 14, 1998)	50034-3579S	1
8	Assy. Firewall & Reinforcing (Sept. 14, 1998 or later)	50034-3599S	1
9	Assy. Rear Panel, Day Cab	50032-3421S	1
9	Assy. Rear Panel, Steel Sleeper (Constellation Sleeper)	50032-3422S	1
9	Assy. Rear Panel, Aluminum Sleeper (Heritage Sleeper)	50032-3423S	1
10	Assy. Ladder, Frame, 49/59 without Sleeper	50033-3417S	1
10	Assy. Ladder, Frame, 48/58 Big Block, without Sleeper	50033-3413S	1
10	Assy. Ladder, Frame, 48/58 Small Block, without Sleeper	50033-3415S	1
10	Assy. Ladder, Frame, 49/59 with Sleeper	50033-3421S	1
10	Assy. Ladder, Frame, 48/58 Big Block, with Sleeper	50033-3422S	1
10	Assy. Ladder, Frame, 48/58 Small Block, with Sleeper	50033-3423S	1
11	Assy. Closer A-Post LH	50036-3421S	1
11	Assy. Closer A-Post RH	50037-3421S	1
12	A-Post Closer, Upper LH	50036-3417S	1
12	Assy. A Pillar Upper RH	50037-3426S	1
13	Panel, Sill Inner, LH	50058-3412S	1
14	Panel, Sill Inner, RH	50059-3412S	1
15	Diaphragm, Sill	50058-3414S	2
16	Plate, Reinforcing, Front Sill LH	50058-3415S	1
17	Plate, Reinforcing, Front Sill RH	50059-3415S	1
18	Assy. Rear Crossmember	50110-3440S	1
19	Assy. Support Facia LH	57004-3431	1
20	Assy. Support Facia RH	57004-3432	1
21	Assy. Mtg. Plate Facia End LH	57004-3459	1
22	Assy. Mtg. Plate Facia End RH	57004-3460	1
23	Assy. Lower Mtg. Brkt. Wiper Motor	62804-3405	1
24	Assy. Upper Mtg. Brkt. Wiper Motor	62804-3407	1
25	Assy. Floor Pan 49/59 Series, Manual Trans	53102-3575S	1
25	Assy. Floor Pan 48/58 Series, Big Block, Manual Trans	53102-3579S	1
25	Assy. Floor Pan 48/58 Series, Small Block, Manual Trans	53102-3581S	1
26	Assy. Door Hinge, 55 Deg.	50260-3438S	2

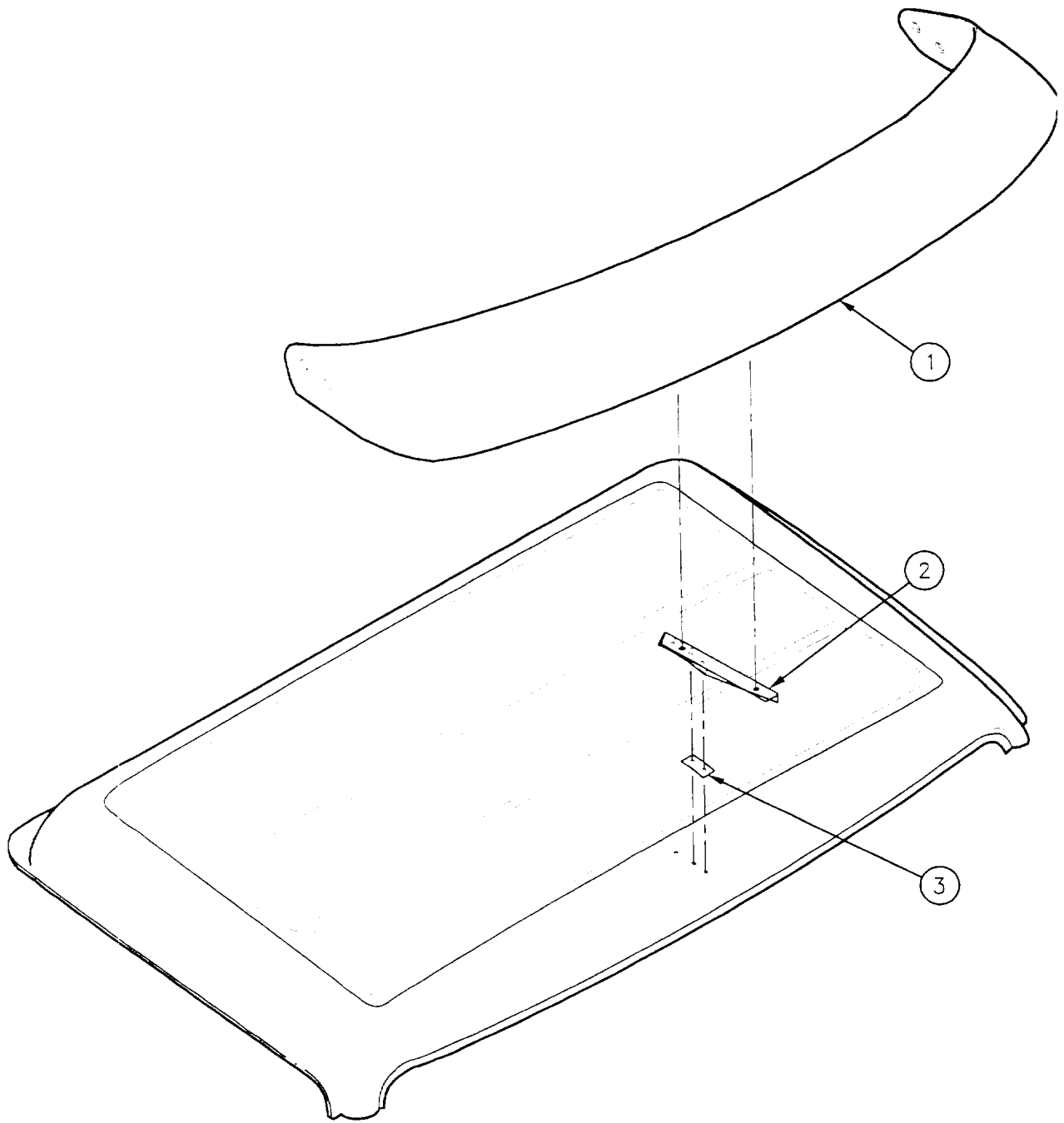
Specific BOMs listed: 4018-001-ALL, 4018-004-ALL



COMPOSITE SLEEPER-CAB BREAKDOWN

Item	Description	Part Number	Qty
1	Roof Panel	50002-3404S	1
2	Roof Bow	50094-3404S	2
3	Assy, Windshield Surround	50003-3421S	1
4	A-Post Closer, Upper LH	50036-3417S	1
5	Assy, A Pillar Upper RH	50037-3426S	1
5	Assy, Closer A-Post LH	50036-3421S	1
5	Assy, Closer A-Post RH	50037-3421S	1
6	Assy, Bodyside LH	50004-3415S	1
6	Assy, Bodyside RH	50005-3415S	1
7	Assy, Door Shell RH with Visibility Window cutout	50203-3406S	1
7	Assy, Door Shell, LH with Visibility Window cutout	50202-3406S	1
7	Assy, Door Shell, LH w/o Visibility Window cutout	50202-3405S	1
7	Assy, Door Shell, RH w/o Visibility Window cutout	50203-3405S	1
8	Assy, Door Hinge, 55 Deg.	50260-3438S	2
9	Assy, Firewall & Reinforcing (before Sept. 14, 1998)	50034-3579S	1
9	Assy, Firewall & Reinforcing (Sept. 14, 1998 or later)	50034-3599S	1
10	Panel, Rear Header	50052-3401S	1
11	Extension, Rear Header	50109-3408S	1
12	Assy, Toeboard	50102-3404S	1
13	Diaphragm, Sill	50058-3414S	2
14	Panel, Sill Inner, LH	50058-3417S	1
14	Panel, Sill Inner, RH	50059-3417S	1
15	Brkt., Sill, Floor Mount	50058-3419S	2
16	Panel, Front Crossmember	50078-3417S	1
17	Assy, Rear Crossmember	50110-3452S	1
18	Assy, Front Mount, LH	50110-3461S	1
18	Assy, Front Mount, RH	50110-3462S	1
19	Panel, Front Crossmember Reinforcement LH	50138-3445S	1
19	Panel, Front Crossmember Reinforcement RH	50138-3446S	1
20	Reinforcement Front Mount Toeboard Closer LH	50140-3438S	1
20	Reinforcement Front Mount Toeboard Closer RH	50140-3439S	1
21	Assy, Mtg. Plate Facia End LH	57004-3459	1
22	Assy, Mtg. Plate Facia End RH	57004-3460	1
23	Assy, Lower Mtg. Brkt. Wiper Motor	62804-3405	1
24	Assy, Upper Mtg. Brkt. Wiper Motor	62804-3407	1
25	Assy, Support Facia LH	57004-3431	1
26	Assy, Support Facia RH	57004-3432	1
COMPOSITE FLOOR PANELS (NOT PART OF CAB ASSEMBLY)			
27	Floor Panel Assy, 49SX, 49FX, 49EX, 59SS	50020-3401	1
27	Floor Panel Assy, 49EX, C10/12	50020-3406	1

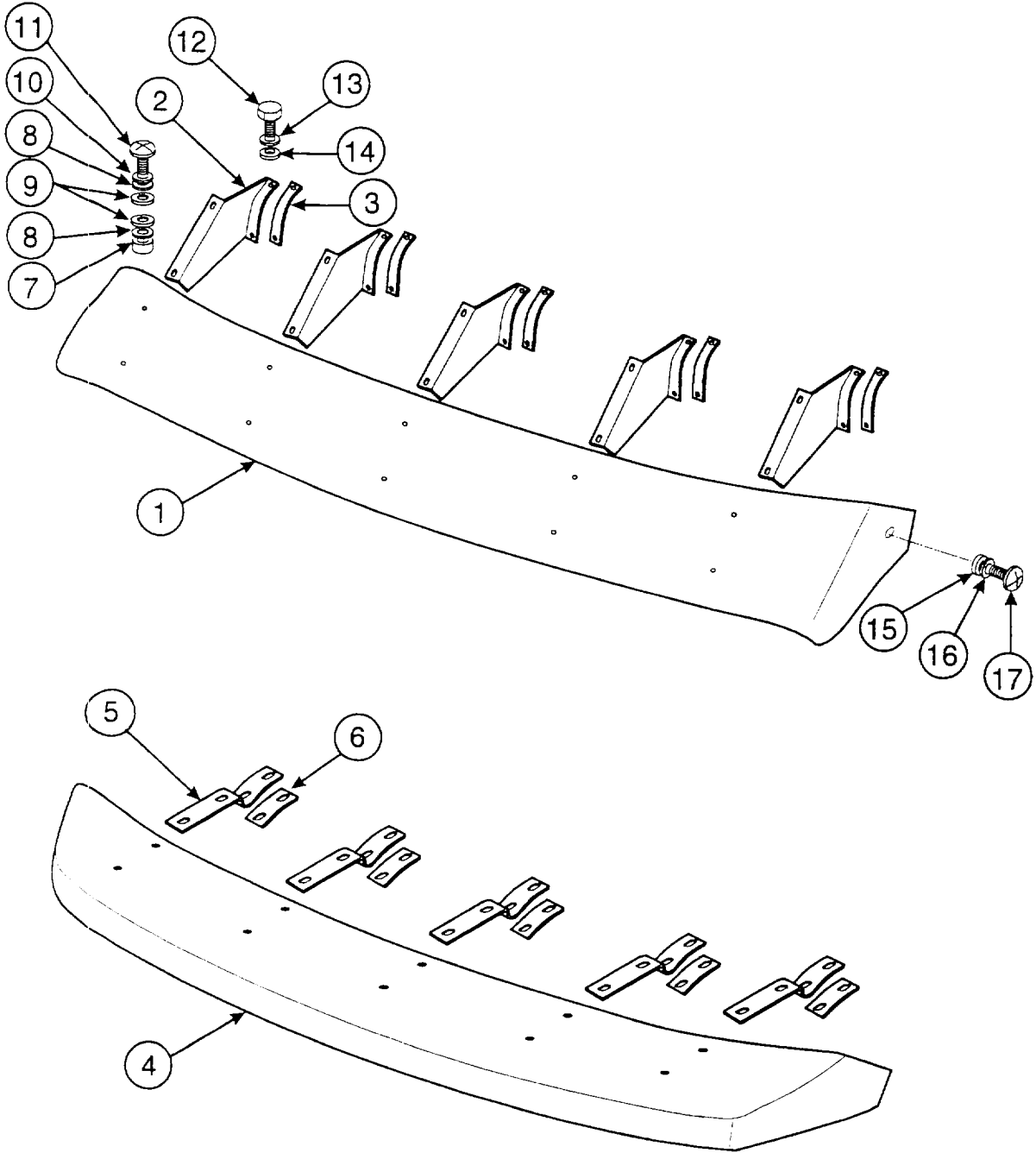
Specific BOMs listed: 4018-001-ALL, 4018-004-ALL



EXTERIOR SUNVISOR

Item	Description	Part Number	Qty
1	Sunvisor, Exterior, Stainless Steel	54201-3431	1
2	Bracket	54202-3416	5
3	Isolator	54202-3418	5

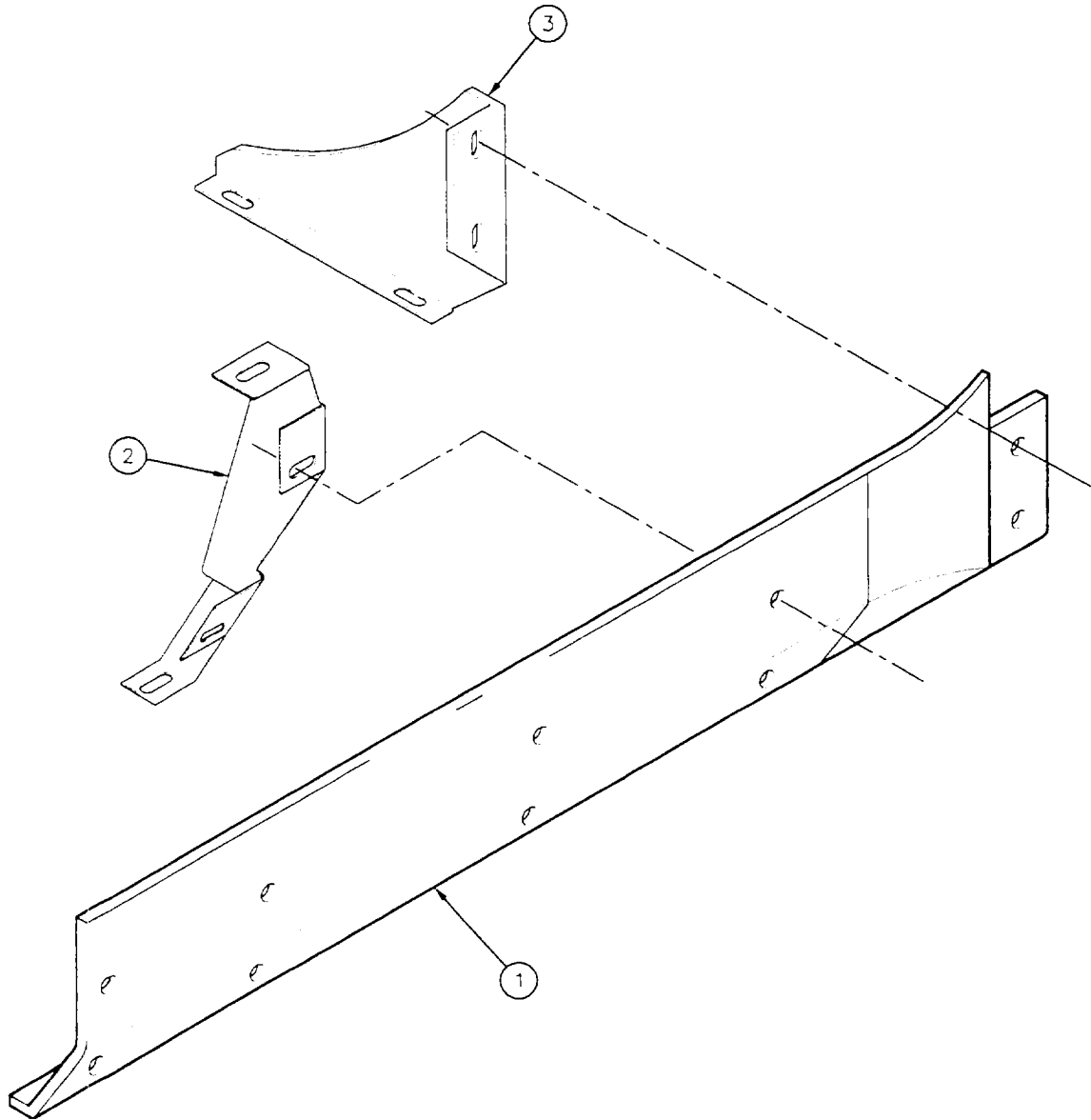
Specific BOMs listed: 4018-003-02



EXTERIOR SUNVISOR

Item	Description	Part Number	Qty
1	Sunvisor, Exterior, Stainless Steel	54201-3438	1
2	Bracket	54202-3423	5
3	Isolator	54202-3425	5
4	Sunvisor, Exterior, Fiberglass	54201-3429	1
5	Bracket	54202-3422	5
6	Isolator	54202-3419	5
7	Nut, Hex SST .25 -20 UNC	4006-3401	10
8	Flat Washer, SST .25 Std.	4002-3404	20
9	Nylon Washer, .69 x .26 x .06	4011-3433	20
10	Lock Washer, .25 SST	4004-3401	10
11	Screw, PanPhl SST .25 - 20 x 1.00	04-9028591	10
12	Bolt, Hex SST .25 - 20 x 1.00	4001-3421	10
13	Flat Washer, SST .25 SST	4002-3404	10
14	Weather Seal Washer	04-9041024	10
15	Nylon Washer, .31 ID x .690	4011-3431	4
16	Flat Washer, SST .31 STD	4002-3401	2
17	Screw, PHL .31 - 18 x 1.00 SST	4009-3402	2

Specific BOMs listed: 4018-003-03, 4018-003-05

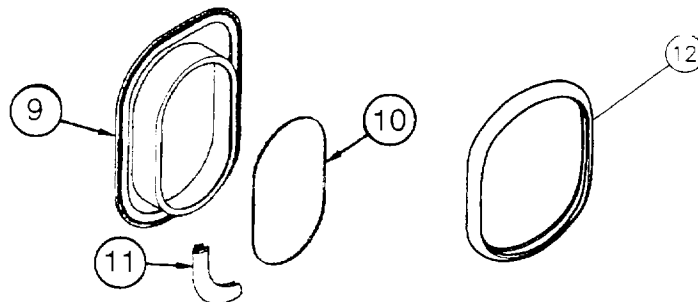
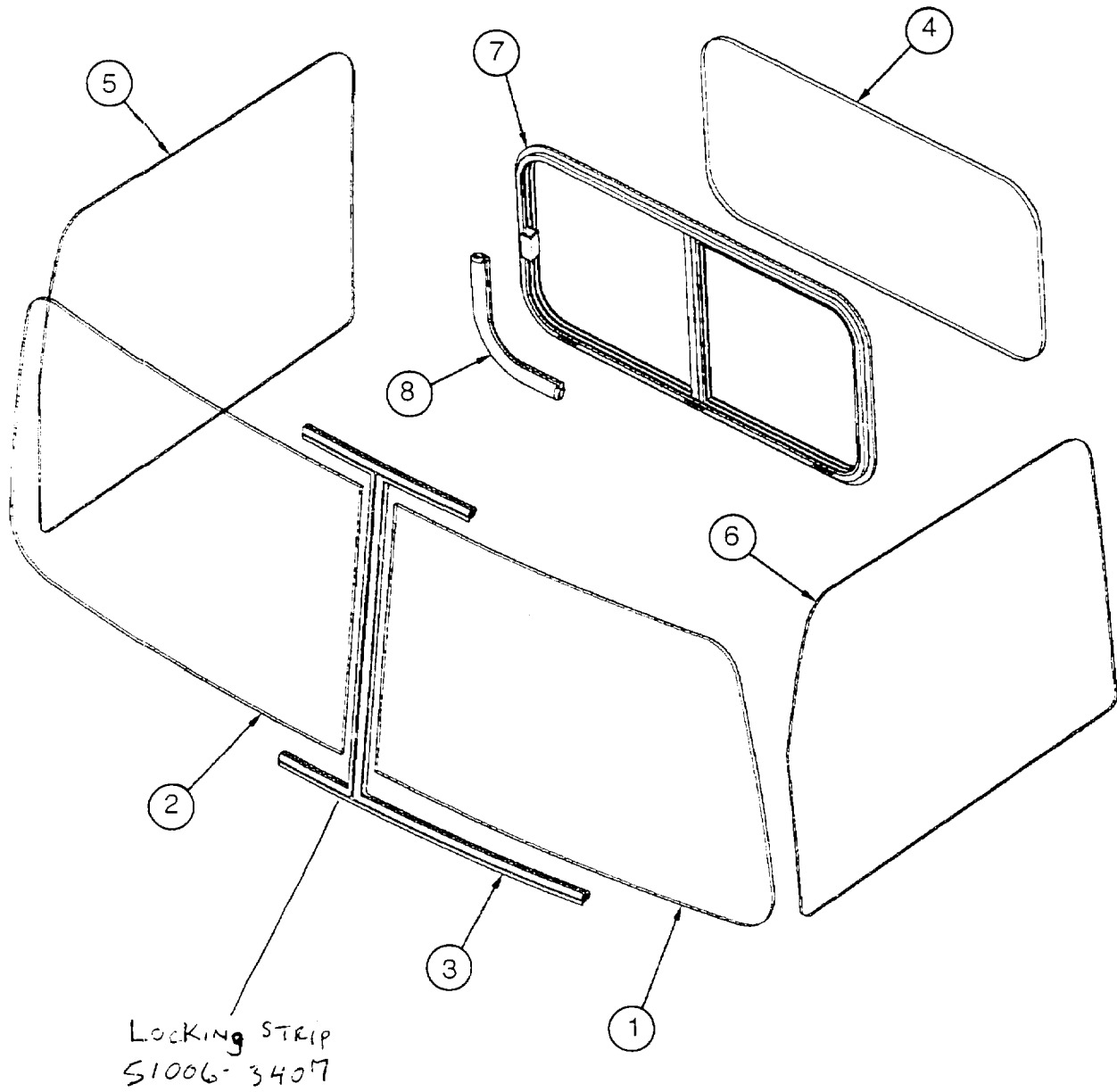


CAB SKIRTS

Item	Description	Part Number	Qty
1	Skirt, LH, 49F Series, 45.50", (B)	50423-3514F123	1
1	Skirt, RH, 49F Series, 45.50", Single Exhaust (B)	50423-3517F123	1
1	Skirt, LH, 59SS Series, 36.0", (B)	50423-3514S123	1
1	Skirt, RH, 59SS Series, 36.0", Single Exhaust	50423-3517S123	1
1	Skirt, LH, 48F Series, 41.91", (B)	50423-3514F109	1
1	Skirt, RH, 48F Series, 41.91", Single Exhaust (B)	50423-3517F109	1
1	Skirt, LH, 59SS Series, 24.41", (B)	50423-3514S109	1
1	Skirt, RH, 59SS Series, 24.41", Single Exhaust (B)	50423-3517S109	1
1	Skirt, LH, 49F Series, 45.50", Dual Exhaust (B)	50423-3516F123	1
1	Skirt, RH, 49F Series, 45.50", Dual Exhaust (B)	50423-3517F123	1
1	Skirt, LH, 59SS Series, 36.0", Dual Exhaust(B)	50423-3516S123	1
1	Skirt, RH, 59SS Series, 36.0", Dual Exhaust (B)	50423-3517S123	1
1	Skirt, LH, 48F Series, 41.91", Dual Exhaust (B)	50423-3516F109	1
1	Skirt, RH, 48F Series, 41.91", Dual Exhaust (B)	50423-3517F109	1
1	Skirt, LH, 59SS Series, 24.41", Dual Exhaust (B)	50423-3516S109	1
1	Skirt, RH, 59SS Series, 24.41", Dual Exhaust (B)	50423-3517S109	1
1	Skirt, LH, 59SS Series, 36.0", Dual (FVB)	50423-3514S123	1
1	Skirt, RH, 59SS Series, 36.0", Dual (FVB)	50423-3515S123	1
1	Skirt, LH, 59SS Series, 24.41", Dual (FVB)	50423-3514S109	1
1	Skirt, RH, 59SS Series, 24.41", Dual (FVB)	50423-3515S109	1
1	Skirt, LH, 48F Series, 41.91", Dual (FVB)	50423-3514F109	1
1	Skirt, RH, 48F Series, 41.91", Dual (FVB)	50423-3515F109	1
1	Skirt, LH, 49F Series, 45.50", Dual (FVB)	50423-3514F123	1
1	Skirt, RH, 49F Series, 45.50", Dual (FVB)	50423-3515F123	1
1	Skirt, LH, 49SX Series, 38.81", (B)	50423-3514S123N	1
1	Skirt, RH, 49SX Series, 38.81", Single Exhaust (B)	50423-3517S123N	1
1	Skirt, LH, 49SX Series, 38.81", Dual Exhaust (B)	50423-3516S123N	1
1	Skirt, RH, 49SX Series, 38.81", Dual Exhaust (B)	50423-3517S123N	1
1	Skirt, LH, 49SX Series, 38.81", Dual (FVB)	50423-3514S123N	1
1	Skirt, RH, 49SX Series, 38.81", Dual (FVB)	50423-3515S123N	1
2	Bracket, Cab Skirt Support	50413-3467	6
3	Bracket, Cab Skirt Support, without Exhaust	50413-3468	1

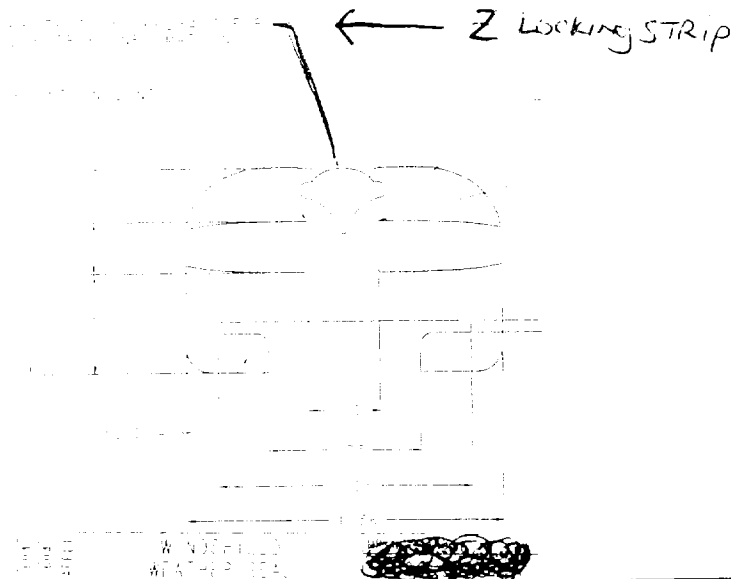
Specific BOMs listed: 4018-002-00/26

CAB 11

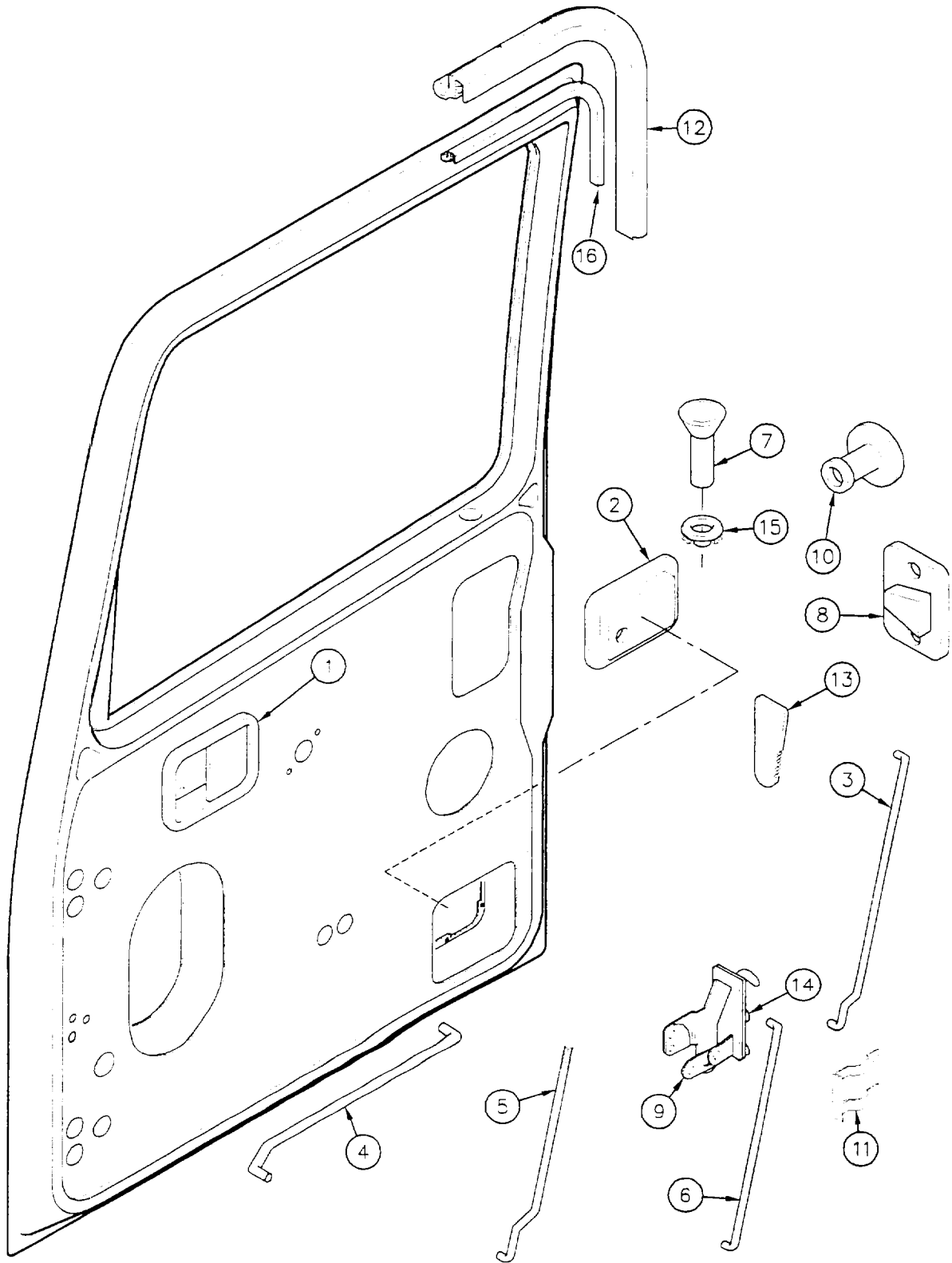


CAB GLASS

Item	Description	Part Number	Qty
1	Windshield, Tinted LH	51001-3418	1
2	Windshield, Tinted RH	51001-3419	1
3	Weatherseal, Windshield	51006-3419	1
4	Glass, Rear Window Tinted	04-9047346	1
5	Glass, Door Window, Tinted RH (6mm)	51002-3411	1
6	Glass, Door Window, Tinted LH (6mm)	51002-3410	1
	(effective on-line September 15, 1998)		
5	Glass, Door Window, Tinted RH (4mm)	51002-3412	1
6	Glass, Door Window, Tinted LH (4mm)	51002-3413	1
7	Rear Window, Sliding, Open From Driver Side	51301-3402	1
7	Rear Window, Sliding, Open From RH Side	51301-3405	1
8	Weatherstrip, Rear Window	51006-3416	1
9	Shroud, Visibility Window	51106-3411	1
10	Glass, Visibility Window	51103-3401	2
11	Weatherstrip, Visibility Window	51105-3401	1
12	Seal, Visibility Window	50246-3445	1



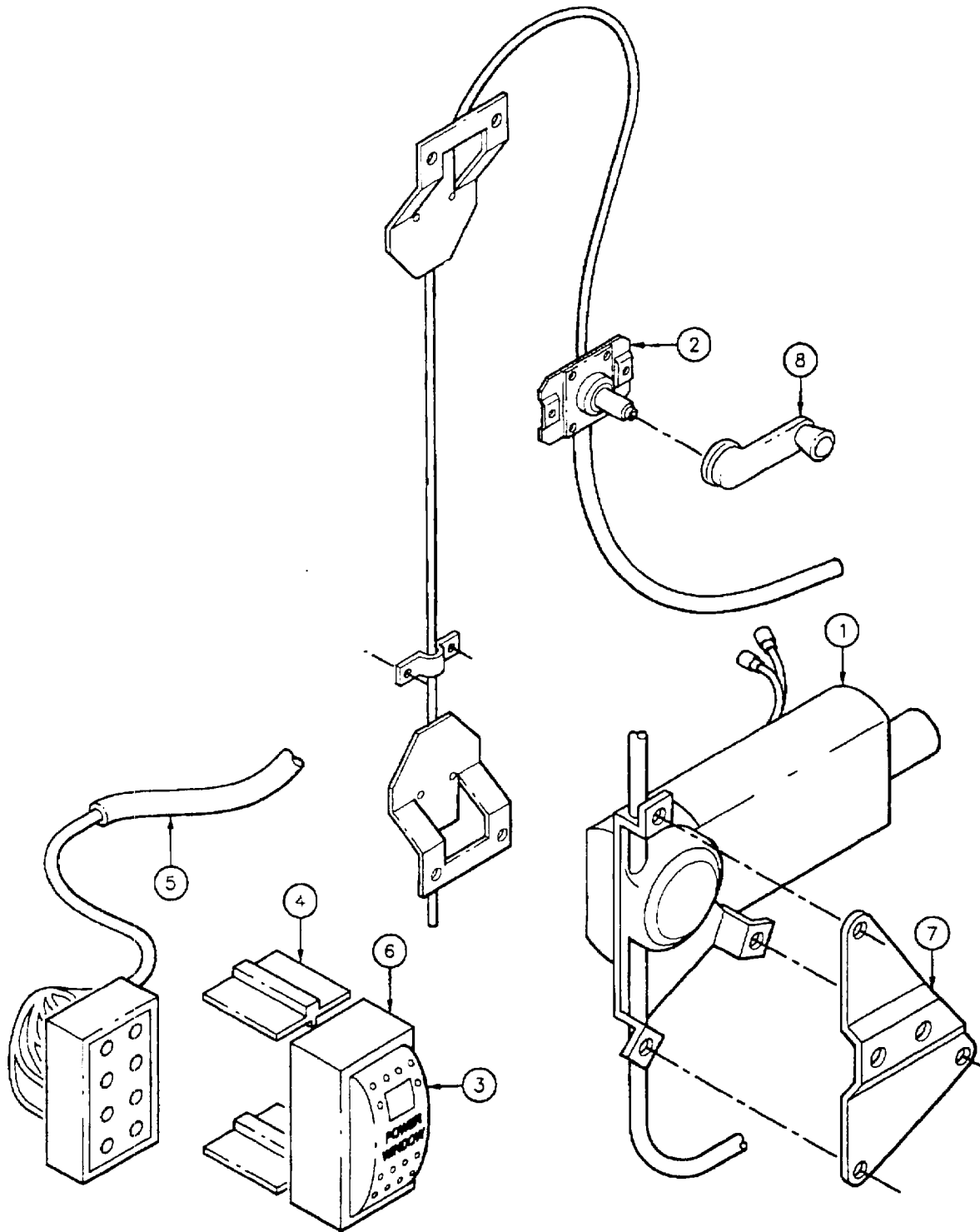
Specific BOMs listed: 4048-001-00/03, 4048-002-00/07, 4048-003-00



DOOR HARDWARE

Item	Description	Part Number	Qty
1	Door Handle, Inside LH, Black	50270-3403	1
1	Door Handle, Inside RH, Black	50271-3403	1
1	Door Handle, Inside LH, Chrome	50270-3404	1
1	Door Handle, Inside RH, Chrome	50271-3404	1
2	Door Handle, Outside LH, Black	50272-3402	1
2	Door Handle, Outside RH, Black	50273-3402	1
2	Door Handle, Outside LH, Chrome	50272-3404	1
2	Door Handle, Outside RH, Chrome	50273-3404	1
3	Rod, Outside Release, Latch to Outside Handle	50284-3402	2
4	Rod, Inside Release LH, Latch to Inside Handle	50286-3406	1
4	Rod, Inside Release RH, Latch to Inside Handle	50286-3407	1
5	Rod, Lock Button, Latch to Knob Door Lock	50287-3402	2
6	Rod, Door Latch Key Lock	50285-3402	1
7	Knob, Door Lock	50262-3403	2
8	Dovetail Wedge	50253-3403	2
9	Latch Assembly, LH	50250-3402	1
9	Latch Assembly, RH	50251-3402	1
10	Striker Pin	50107-3403	2
11	Clip, Lock Retaining	50296-0003	2
12	Seal, Door Primary, 163.0"	50246-3436	2
13	Key	50274-0001	2
14	Dovetail Assembly, Female	50296-3403	2
15	Grommet, Door Locking Knob	50262-3404	2
-	Blanking Plug	7671-3406	8
16	Secondary Door Seal	50246-3444	2

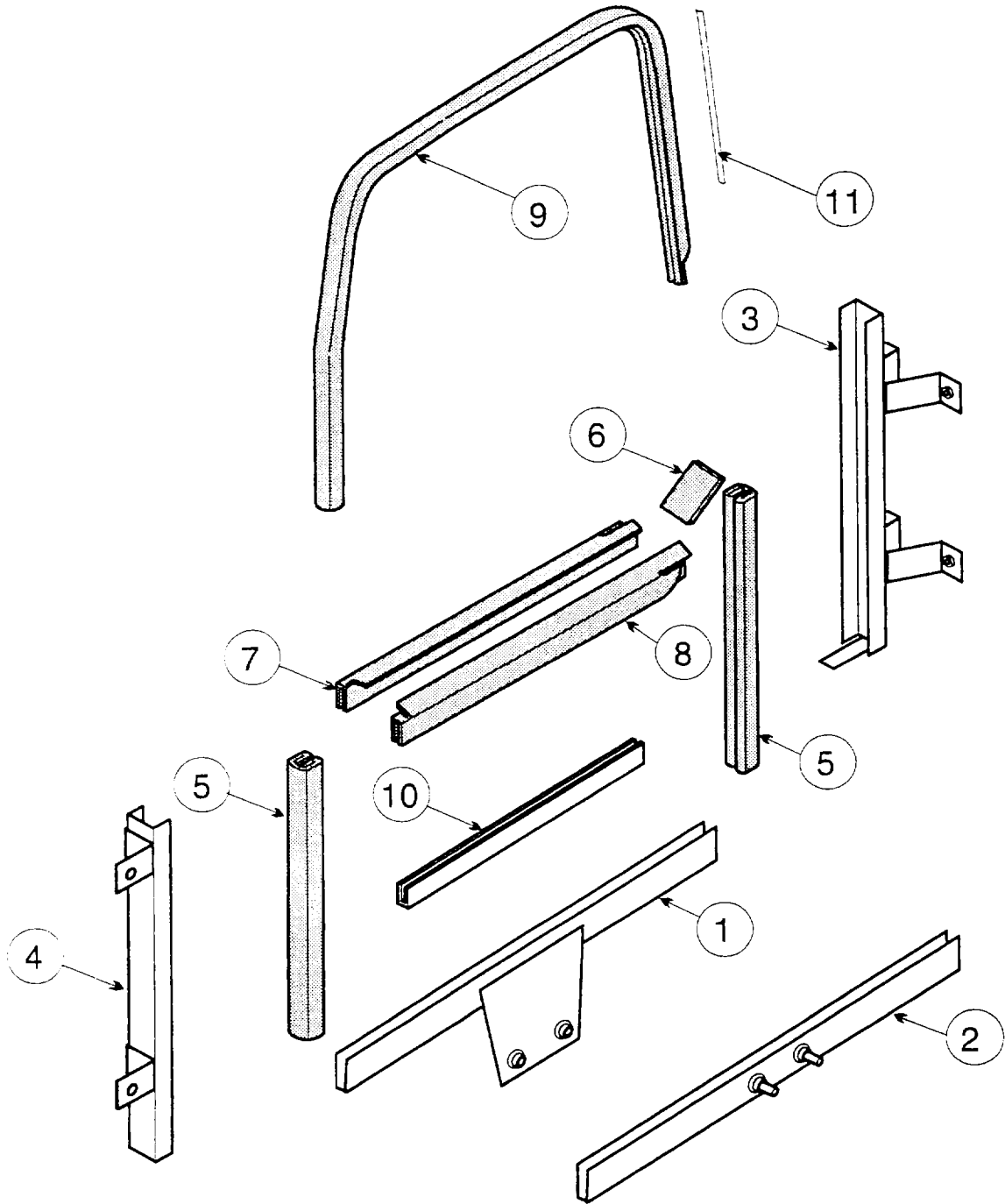
Specific BOMs listed: 4018-001-ALL, 4018-004-ALL



DOOR WINDOW LIFT

Item	Description	Part Number	Qty
1	Regulator, Door Window, Electrical, LH	50254-3402	1
1	Regulator, Door Window, Electrical, RH	50255-3402	1
2	Regulator, Door Window, Mechanical, LH	50254-3401	1
2	Regulator, Door Window, Mechanical, RH	50255-3401	1
3	Actuator, Power Window	7830-3408	2
4	Shim, Electric Window Switch	7805-3419	2
5	Harness, Electric Windows	87335-3406	2
6	Rocker Switch, Electric Window	7805-3417	2
7	Plate, Motor, Window Regulator, LH	50222-3402	1
7	Plate, Motor, Window Regulator, RH	50223-3403	1
8	Handle, Door Window Glass Lift	50290-3402	2
	↳ READ NOTES IN ITEM SCREEN		

Specific BOMs listed: 4048-001-00/03, 4048-002-00/07, 4048-003-00

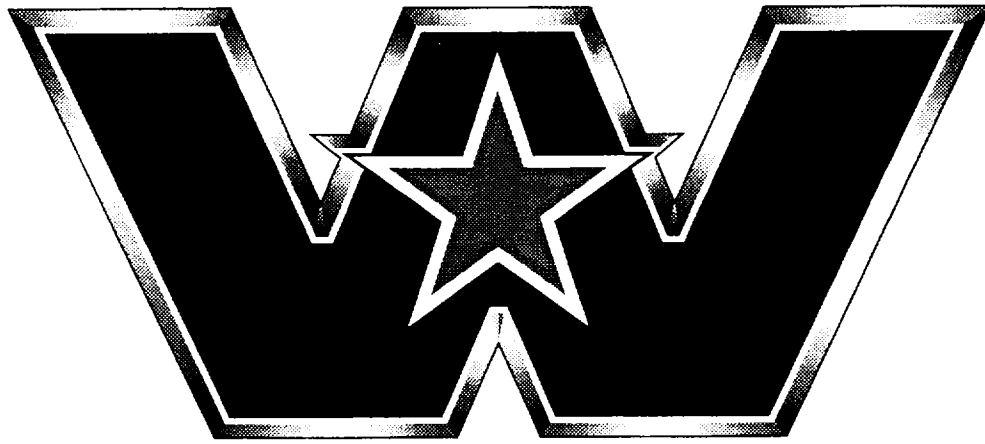


DOOR WINDOW TRIM

Item	Description	Part Number	Qty
1	Assy, Mechanical Lift Channel	50230-3403	2
2	Assy, Electric Lift Channel	50230-3407	2
3	Glass Channel Rear Lower LH	50230-3408	1
3	Glass Channel Rear Lower RH	50231-3406	1
4	Glass Channel Fwd Lower LH	50234-3410	1
4	Glass Channel Fwd Lower RH	50235-3407	1
5	Seal Run Channel Lower LH/RH	50242-3435	4
5	Felted Seal, Run Channel Lower LH/RH (on trucks built after April 1997)	50242-3436	4
6	Seal, Waist LH/RH	50242-3432	2
7	Seal, Waist, LH Inner, RH Outer	50242-3421	2
8	Seal, Waist, LH Outer, RH Inner	50242-3422	2
9	Seal, Run Channel, Service (6mm Glass)	50242-3438	2
9	Seal, Run Channel, (4mm Glass)	50242-3437	2
10	Retainer, Door Window Glass	50227-3414-14.5	2
11	Butyl Seal, Run Channel (place around window opening on cab exterior)	6479-3415	3ft

Note: Items 3-4 part of door assemblies

Specific BOMs listed: 4048-001-00/03, 4048-002-00/07, 4048-003-00

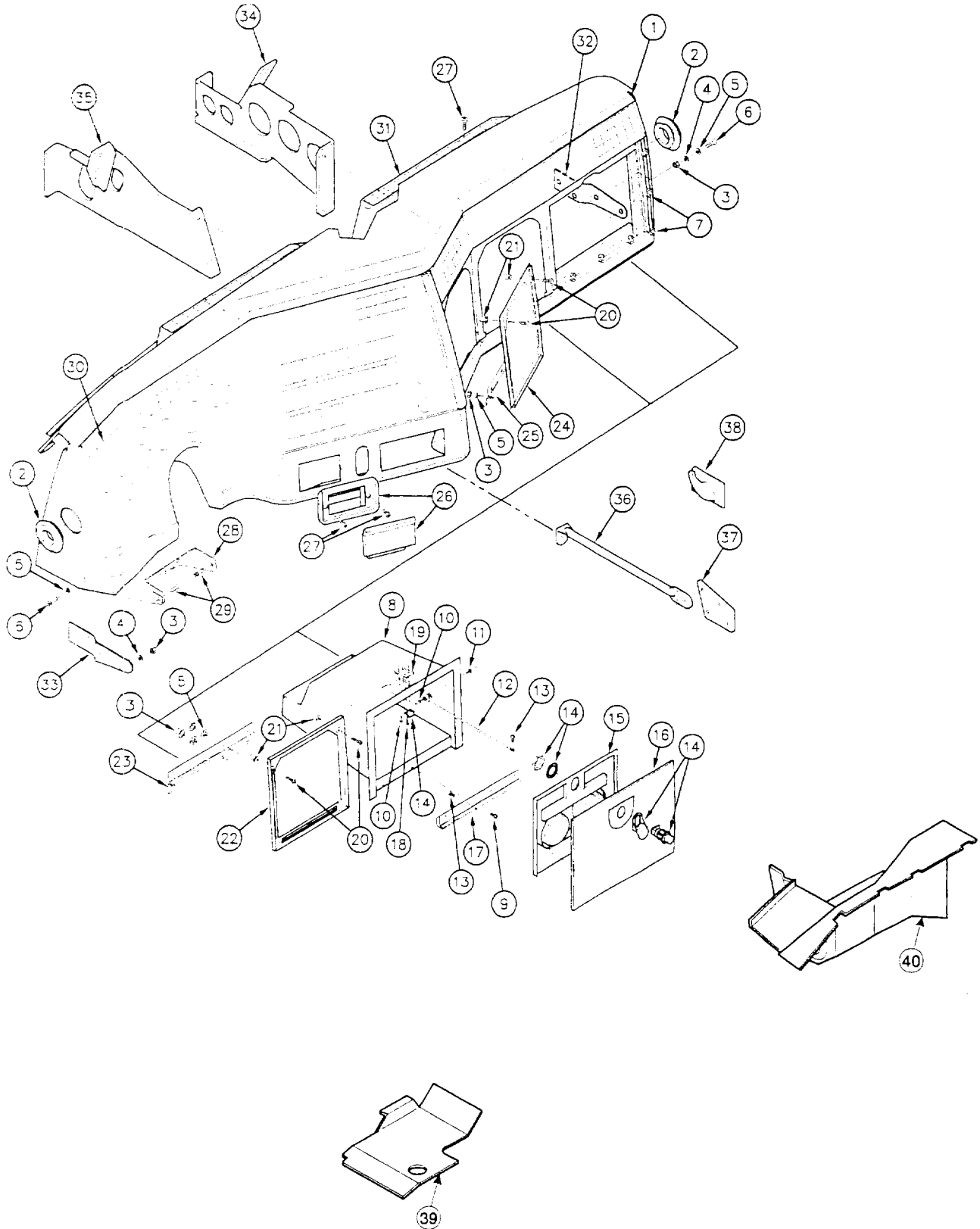


WESTERN STAR TRUCKS®
The Preferred Choice™

TABLE OF CONTENTS

	Section	Page
Dash Structure	11.2.1	2-3
Dash Components	11.2.2	4-13
Electrical		4-5
Indicator Bars, Valves, Sensors		6-7
Actuators & Switches		8-15
Gauges		16-17
Instrument Panels	11.2.3	18-27

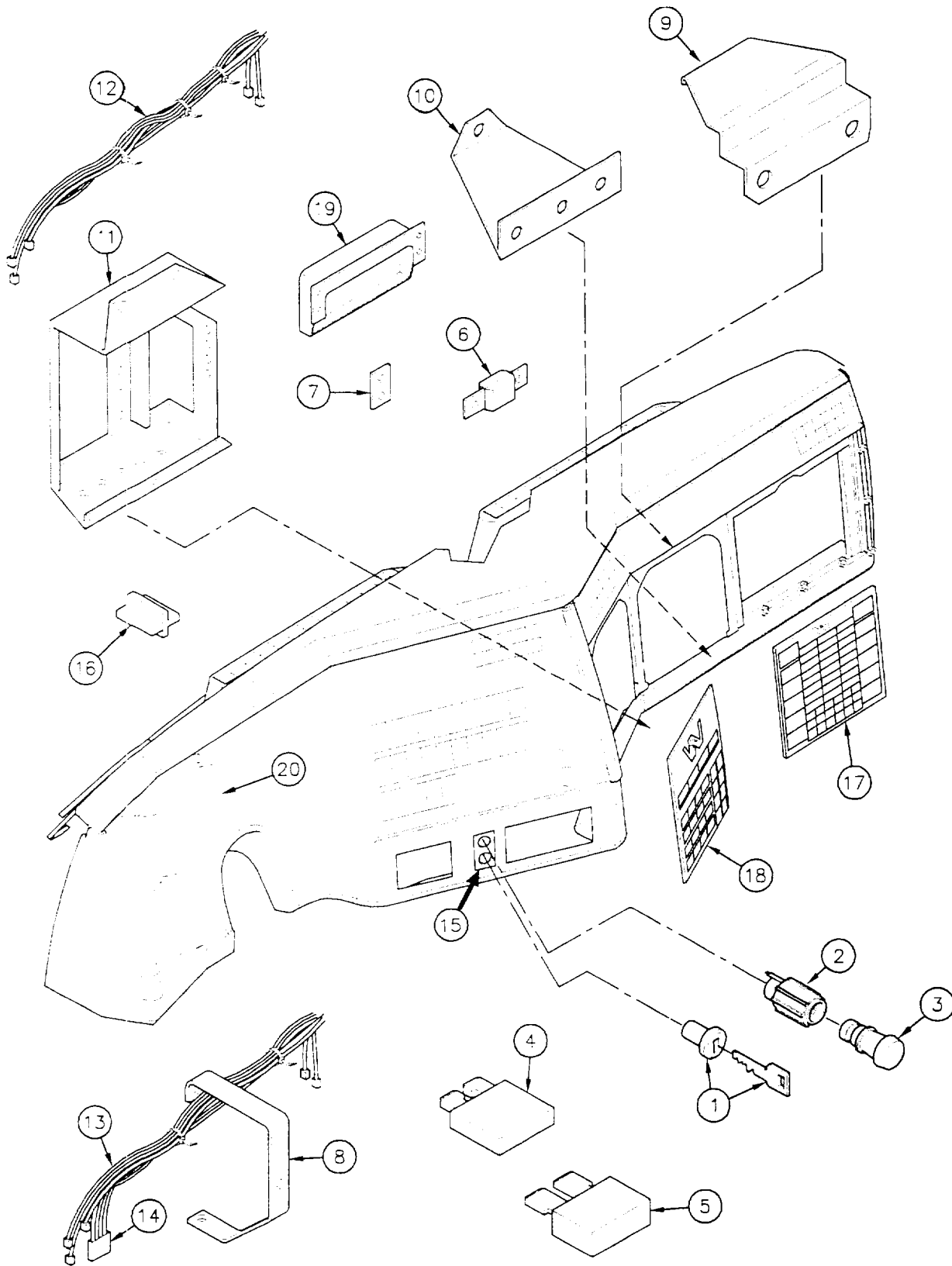
Note: This publication is a generic parts book. Components may vary with different applications. For applications other than listed below the parts listings see the appropriate Bill of Material by truck serial number and use this publication as a guide only.



DASH ASSEMBLY

Item	Description	Part Number	Qty
1	Dash Assembly, LH Drive	57012-3468	1
2	Seal, Side Defrost	50141-3414	2
3	Nut, Hex .25	134551	18
4	Washer, Lock .25	120380	6
5	Washer, Flat .25	120392	18
6	Screw, Flat, Hard .25	4015-3435	4
7	T-Nut, 4 Prong	4013-3432	11
8	Liner, Glove Box	54501-3405	1
9	Machine Screw, #10-24	4015-3431	11
10	Pop Rivet	4013-3405	4
11	Washer	652741	2
12	Cable, Glove Box	54503-3402	2
13	Machine Screw, #8-32	4015-3416	6
14	Lock, Glove Box Door	54504-3407	1
15	Cup Holder, Glove Box	54401-3408	1
16	Door, Glove Box	54508-3410	1
17	Hinge, Glove Box	54502-3422	1
18	Machine Screw, #6-32	156690	2
19	Tap Plate, Glove Box	5413-3404	1
20	Machine Screw	4015-3421	4
21	Well Nut	4012-3447	4
22	Door, Relay Box	57011-3403	1
23	Hinge, Relay Box	54502-3421	1
24	Door, Fuse Box	57011-3404	1
25	Hinge, Fuse Box	54502-3420	1
26	Ashtray Assembly	59301-3403	1
27	Screw, Upholstery	7014167	9
28	Bracket, Support Steering Column	57004-3421	1
29	Screw, Flat Head .31-18	9042101	2
30	Heat Vent Louvres	60056-3405	4
31	Defrost Outlet Louvers	60056-3406	2
32	Mounting Plate, End Cap RH	57004-3417	1
33	Mounting Plate, End Cap LH	57004-3416	1
34	Support, Facia RH	57004-3420	1
35	Support, Facia LH	57004-3412	1
36	Strut, Dash Support	57004-3422	1
38	Coat Hook	54401-3403	1
39	LH cover, Under Dash, Electronic Engines	57012-3469	1
39	LH cover, Under Dash, Mechanical Engines	57012-3471	1
40	Heater Cover, RH Under Dash	57012-3470	1
-	- S Clip	63308-3493	1

Specific BOMs listed: 4098-003-00/01, 4098-012-00

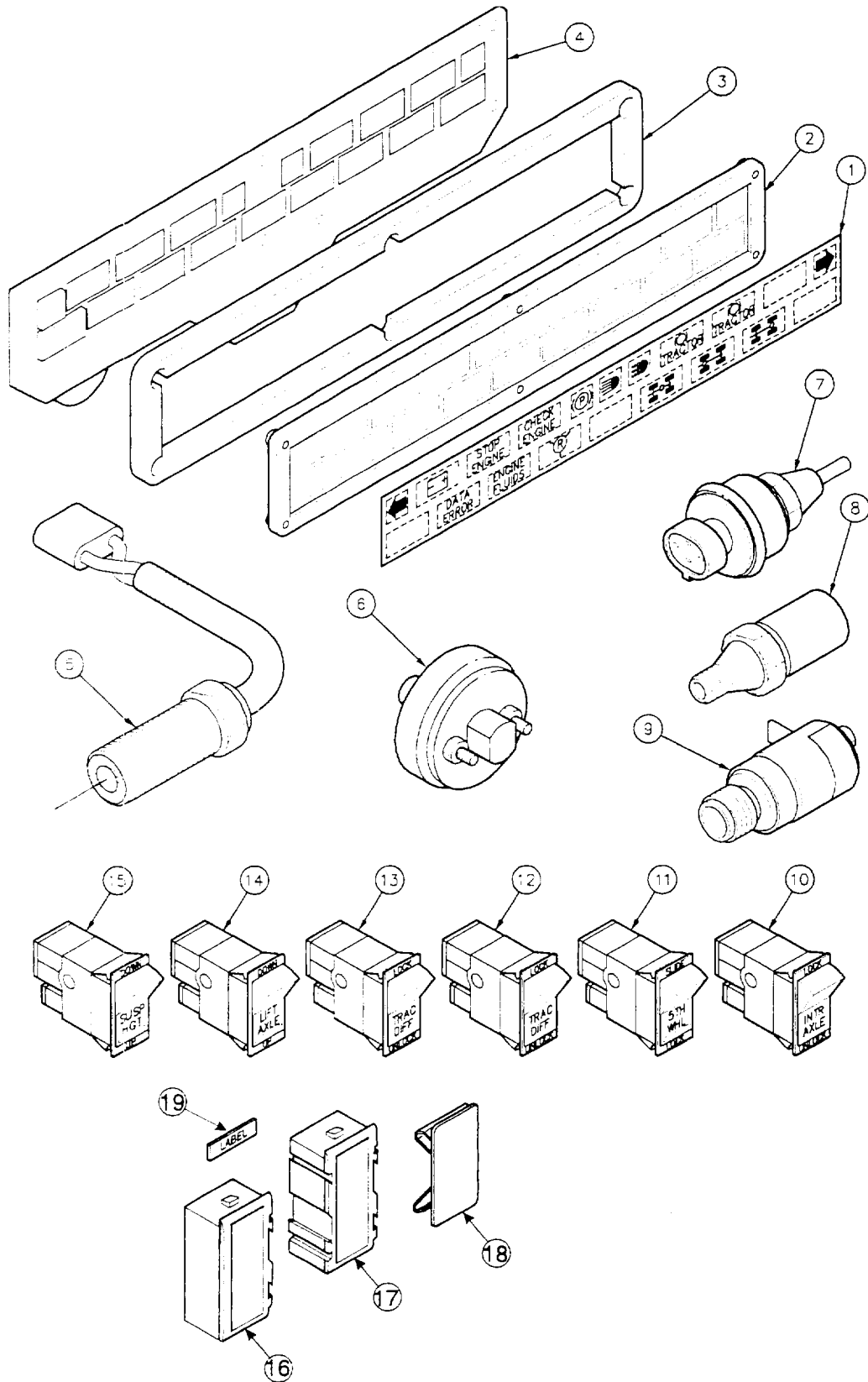


DASH ELECTRICAL

Item	Description	Part Number	Qty
1	Lockset, Cab & Ignition	50901-3414	1
1	Lockset, Cab, Ignition, Sleeper Doors	50901-3442	1
1	Lockset, Cab, Ignition, Sleeper Doors & Start	50901-3443	1
<i>Note: Locksets include key cylinders plus 2 keys</i>			
-	Switch, Key	82201-3401	1
2	Socket, Cigarette Lighter, 12V	59407-3402	1
3	Plug Assembly, Cigarette Lighter	59402-3403	1
4	Fuse, Fast Acting, 3 Amp, Little Fuse	7641-3402	AR
4	Fuse, Fast Acting, 5 Amp	7641-3403	AR
4	Fuse, Fast Acting, 7.5 Amp	7641-3404	AR
4	Fuse, Fast Acting, 10 Amp	7641-3405	AR
4	Fuse, Fast Acting, 15 Amp	7641-3406	AR
4	Fuse, Fast Acting, 20 Amp	7641-3407	AR
4	Fuse, Fast Acting, 30 Amp	7641-3408	AR
5	Breaker, 8 Amp, Fasco Controls	87001-3408	AR
5	Breaker, 10 Amp	87001-3409	AR
5	Breaker, 15 Amp	87001-3410	AR
5	Breaker, 20 Amp	87001-3411	AR
5	Breaker, 25 Amp	87001-3412	AR
5	Breaker, 30 Amp	87001-3413	AR
6	Fuse, Megafuse	7641-3410	2
7	Bus Bar	7020-3405	1
8	Bracket, Dash Cable Support	87321-3423	1
9	Bracket, Upper Fuse Block	87311-3423	1
10	Bracket, Lower Fuse Block	87311-3422	1
11	Bracket, Auxiliary Fuse Relay	87311-3426	1
12	Harness, Overhead Console	87304-3404	1
13	Harness, Main Cab C604	87328-3429	1
14	Plug, Deutsch, 12 Way, Black	7520-3465	AR
14	Plug, Deutsch, 12 Way, Green	7520-3466	AR
14	Plug, Deutsch, 12 Way, Brown	7520-3467	AR
14	Plug, Deutsch Connector	7530-3414	AR
15	Plate, Ignition Switch	57007-3471	1
16	Shim, Switch	7805-3419	AR
17	Label, Main Fuse Block	87327-3433	1
18	Label, Optional Fuse Box	87327-3434	1
19	Cover, Firewall, Stud Plate	87330-3431	1
20	Electronic Control Center, Electrical	14322-3405	1
20	Electronic Control Center, Mechanical	14322-3406	1

Sae Chart

Specific BOMs listed: 3329-001-00/09, 3329-006-01/03



ON-DEMAND PLOTTING
ITEM SELECTION

PLOTTER NO: 00050
ITEM NO: 7830-34

REV LEVEL LIMITER: A (A = ALL)
(BLANK = MFG REV LVL ONLY)

I06-WARNING: EXACT ITEM NOT FOUND

COMMENT: GREGG
SENDER'S EMAIL ID:

(REQUIRED IF FAX PLOTTER)

ITEM NUMBER	DRAWING NUMBER	ITEM DESCRIPTION	DRWG REV
7830-3401	7830-3401		H
7830-3402	7830-3401	ACT-HEADLIGHT SWITCH	H
7830-3403	7830-3401	<i>Marka Tatarov</i> ACT-CLEARANCE LIGHTS	H
7830-3404	7830-3401	ACT-TRLR CLEARANCE LIGHTS	H
7830-3405	7830-3401	ACT-DRIVING LIGHTS	H
7830-3406	7830-3401	ACT-FOG LIGHTS	H
7830-3407	7830-3401	ACT-BACKUP LIGHTS	H
7830-3408	7830-3401	ACT-DASH LIGHTS	H
7830-3409	7830-3401	ACT-POWER WINDOW	H
7830-3410	7830-3401	ACT-ENGINE FAN	H
7830-3411	7830-3401	ACT-MIRROR DEFOG	H
7830-3413	7830-3401	ACT-MIRROR ADJUST	H
7830-3414	7830-3401	ACT-HI/MED/LOW	H
7830-3415	7830-3401	ACT-HI/LOW	H
		ACT-CRUISE CONTROL ON/OFF	H

PF1=HELP PF2=SUBMIT PF3=PEG BY SCHED PF4=PLOTTER LIST PF5=PLOTTER INQUIRY
02/28/07 13:22:27 I04-PUSH PF8 FOR NEXT PAGE

ON-DEMAND PLOTTING
ITEM SELECTION

PAGE 02

PLOTTER NO: 00050
ITEM NO: 7830-34REV LEVEL LIMITER: A (A = ALL)
(BLANK = MFG REV LVL ONLY)

I06-WARNING: EXACT ITEM NOT FOUND

COMMENT: GREGG
SENDERS EMAIL ID:

(REQUIRED IF FAX PLOTTER)

ITEM NUMBER	DRAWING NUMBER	ITEM DESCRIPTION	DRWG REV
7830-3416	7830-3401	ACT-CRUISE CTRL SET/RES	H
7830-3417	7830-3401	ACT-ENGINE DIAGNOSTICS	H
7830-3418	7830-3401	ACT-LH/RH TANK	H
7830-3420	7830-3401	ACT-SLEEPER START	H
7830-3421	7830-3401	ACT-BLANK W/IND LIGHT	H
7830-3422	7830-3401	ACT-BEACON SWITCH	H
7830-3424	7830-3401	ACT-WINDSHIELD WASHER	H
7830-3425	7830-3401	ACT-SLEEPER LIGHTS	H
7830-3426	7830-3401	ACT-IDLE ADJUST	H
7830-3427	7830-3401	ACT-BLANK W/O IND LIGHT	H
7830-3429	7830-3429	ACT-ACT DEEP MUD & SNOW	E
7830-3430	7830-3430	ACT-3RD AXLE LIFT	-
7830-3431	7830-3431	ACT - SPOT LIGHT SWITCH	A
7830-3433	7830-3401	ACT-WIPER ON/ INT	H

PF1=HELP PF2=SUBMIT PF3=PEG BY SCHED PF4=PLOTTER LIST PF5=PLOTTER INQUIRY
02/28/07 13:22:41 I04-PUSH PF8 FOR NEXT PAGE

ON-DEMAND PLOTTING
ITEM SELECTION

PAGE 03

PLOTTER NO: 00050
ITEM NO: 7830-34REV LEVEL LIMITER: A (A = ALL)
(BLANK = MFG REV LVL ONLY)

I06-WARNING: EXACT ITEM NOT FOUND

COMMENT: GREGG
SENDER'S EMAIL ID:

(REQUIRED IF FAX PLOTTER)

ITEM NUMBER	DRAWING NUMBER	ITEM DESCRIPTION	DRWG REV
7830-3434	7830-3401	ACT-ENGINE BRAKE	H
		ON/OFF	
7830-3435	7830-3401	ACT-TRLR CLEARANCE LIGHTS	H
		INT	
7830-3436	7830-3436	ACT-PTO	-
7830-3437	7830-3437	ACT-TANK LTS	A
7830-3438	7830-3438	ACT-WORK LTS	B
7830-3439	7830-3439	ACT-LOAD LIGHT	A
7830-3440	7830-3440	ACT-RACK	-
7830-3441	7830-3441	ACT-LOADER	-
7830-3442	7830-3442	ACT-PIN LOCK	-
7830-3443	7830-3443	ACT-AUX	-
7830-3444	7830-3444	ACT-TRAILER GATE	-
7830-3445	7830-3445	ACT-FUEL HEATER	-
7830-3446	7830-3446	ACT-RACK LIGHTS	-
7830-3447	7830-3447	ACT-PUP PIN	-

PF1=HELP PF2=SUBMIT PF3=PEG BY SCHED PF4=PLOTTER LIST PF5=PLOTTER INQUIRY
02/28/07 13:22:47 I04-PUSH PF8 FOR NEXT PAGE

ON-DEMAND PLOTTING
ITEM SELECTION

PAGE 04

PLOTTER NO: 00050
ITEM NO: 7830-34REV LEVEL LIMITER: A (A = ALL)
(BLANK = MFG REV LVL ONLY)

I06-WARNING: EXACT ITEM NOT FOUND

COMMENT: GREGG
SENDERS EMAIL ID:

(REQUIRED IF FAX PLOTTER)

ITEM NUMBER	DRAWING NUMBER	ITEM DESCRIPTION	DRWG REV
7830-3448	7830-3448	ACT-TRAILER BACKUP	-
7830-3449	7830-3449	ACT-SPARE	-
7830-3450	7830-3450	ACT-FUEL FIRED	-
7830-3451	7830-3451	ACT-FENDER MARKER	-
7830-3452	7830-3452	ACT-ENGINE WARMUP	-
7830-3453	7830-3453	ACT-TIRE CHAINS	-
7830-3454	7830-3454	ACT-MOBILE PHONE	-
7830-3455	7830-3455	ACT-ALARM	-
7830-3456	7830-3456	ACT-O/O LIGHTS	A
7830-3457	7830-3457	ACT-TRAILER DUMP	-
7830-3458	7830-3458	ACT-TRANSMISSION RETARDER	-
7830-3459	7830-3459	ACT-IDLE SHUTDOWN OVERRIDE	-
7830-3460	7830-3460	ACT-WIDE LOAD	-
7830-3461	7830-3461	ACT-QUALCOM	-

PF1=HELP PF2=SUBMIT PF3=PEG BY SCHED PF4=PLOTTER LIST PF5=PLOTTER INQUIRY
02/28/07 13:23:18 I04-PUSH PF8 FOR NEXT PAGE

ON-DEMAND PLOTTING
ITEM SELECTION

PAGE 05

PLOTTER NO: 00050
ITEM NO: 7830-34REV LEVEL LIMITER: A (A = ALL)
(BLANK = MFG REV LVL ONLY)

I06-WARNING: EXACT ITEM NOT FOUND

COMMENT: GREGG
SENDER'S EMAIL ID:

(REQUIRED IF FAX PLOTTER)

ITEM NUMBER	DRAWING NUMBER	ITEM DESCRIPTION	DRWG REV
7830-3462	7830-3462	ACT-CRUISE FRONT/REAR	-
7830-3463	7830-3463	ACT-WEBASTO	A
7830-3464	7830-3464	ACT-AUX HEATER	-
7830-3465	7830-3465	ACT-BLOWER	-
7830-3466	7830-3466	ACT-BODY LIGHTS	-
7830-3467	7830-3467	ACT-DIVIDER BOX	-
7830-3468	7830-3468	ACT-HYD. PUMP	-
7830-3469	7830-3469	ACT-REAR FLOOD LIGHTS	-
7830-3470	7830-3470	ACT-GENERATOR	-
7830-3471	7830-3471	ACT-FRONT TARP	-
7830-3472	7830-3472	ACT-REAR TARP	-
7830-3473	7830-3473	ACT-BRAKESAVER	A
7830-3474	7830-3474	ACT-TAIL GATE	-
7830-3475	7830-3475	ACT-DUMP	-

PF1=HELP PF2=SUBMIT PF3=PEG BY SCHED PF4=PLOTTER LIST PF5=PLOTTER INQUIRY
02/28/07 13:23:29 I04-PUSH PF8 FOR NEXT PAGE

ON-DEMAND PLOTTING
ITEM SELECTION

PLOTTER NO: 00050
ITEM NO: 7830-34

REV LEVEL LIMITER: A (A = ALL)
(BLANK = MFG REV LVL ONLY)

I06-WARNING: EXACT ITEM NOT FOUND

COMMENT: GREGG
SENDER'S EMAIL ID:

(REQUIRED IF FAX PLOTTER)

ITEM NUMBER	DRAWING NUMBER	ITEM DESCRIPTION	DRWG REV
7830-3476	7830-3476		A
		ACT-BOOM LTS	-
7830-3477	7830-3477		-
		ACT-BACKUP ALARM	-
7830-3478	7830-3478		-
		ACT-FLOOD	-
7830-3479	7830-3479		-
		ACT-MARKER	-
7830-3480	7830-3480		-
		ACT-MIRROR	-
7830-3481	7830-3481		-
		ACT-4TH AXLE LIFT	-
7830-3482	7830-3481		-
		ACT-AIR AXLE	-
7830-3483	7830-3483		-
		ACT-SHUTDOWN	-
7830-3484	7830-3484		-
		ACT-TRAILER PIN	-
7830-3485	7830-3485		-
		ACT-VIBRATOR	-
7830-3486	7830-3486		-
		ACT-BELLY DUMP	-
7830-3487	7830-3487		-
		ACT-CLEARANCE	-
7830-3488	7830-3488		-
		ACT-DOME LIGHT	-
7830-3489	7830-3489		-
		ACT-CRANE	-

PF1=HELP PF2=SUBMIT PF3=PEG BY SCHED PF4=PLOTTER LIST PF5=PLOTTER INQUIRY
02/28/07 13:23:36 I04-PUSH PF8 FOR NEXT PAGE

ON-DEMAND PLOTTING
ITEM SELECTION

PLOTTER NO: 00050
ITEM NO: 7830-34

REV LEVEL LIMITER: A (A = ALL)
(BLANK = MFG REV LVL ONLY)

I06-WARNING: EXACT ITEM NOT FOUND

COMMENT: GREGG
SENDERS EMAIL ID:

(REQUIRED IF FAX PLOTTER)

ITEM NUMBER	DRAWING NUMBER	ITEM DESCRIPTION	DRWG REV
7830-3490	7830-3490		-
		ACT-TRAILER AUX	
7830-3491	7830-3491		A
		ACT-TRAC DIFF	
7830-3492	7830-3492		-
		ACT-BULL LIGHTS	
7830-3493	7830-3493		-
		ACT-CAB FRIDGE	
7830-3496	7830-3496		-
		ACT-HEADLAMP SELECTOR	
7830-3497	7830-3497		-
		ACT-FRONT WORK LAMPS	
7830-3498	7830-3498		-
		ACT-REAR WORK LAMPS	
7830-3499	7830-3499		-
		ACT-HYD COOLER	

PF1=HELP PF2=SUBMIT PF3=PEG BY SCHED PF4=PLOTTER LIST PF5=PLOTTER INQUIRY
02/28/07 13:23:43 I14-ITEM DISPLAY COMPLETE

ON-DEMAND PLOTTING
ITEM SELECTION

PLOTTER NO: 00050
ITEM NO: 7830-35

REV LEVEL LIMITER: A (A = ALL)
(BLANK = MFG REV LVL ONLY)

I06-WARNING: EXACT ITEM NOT FOUND

COMMENT: GREGG
SENDERS EMAIL ID:

(REQUIRED IF FAX PLOTTER)

ITEM NUMBER	DRAWING NUMBER	ITEM DESCRIPTION	DRWG REV
7830-3500	7830-3500		-
		ACT-REMOTE	
7830-3501	7830-3401		H
		ACT-POWER DOOR LOCKS	
7830-3502	7830-3502		-
		ACT-MASTER	
7830-3503	7830-3503		B
		ACT-HOOK UP	
7830-3504	7830-3504		-
		ACT-FLASH	
7830-3505	7830-3505		-
		ACT-SEAT CONTROL	
7830-3506	7830-3506		-
		ACT-CTI	
7830-3507	7830-3507		-
		ACT-AUX 2	
7830-3508	7830-3508		-
		ACT-DIVERTER	
7830-3509	7830-3509		-
		ACT-BEACON 2	
7830-3510	7830-3510		-
		ACT-TOOL BOX	
7830-3511	7830-3511		-
		ACT-SIDE FLOOD	
7830-3512	7830-3512		-
		ACT-FRONT FLOOD	
7830-3513	7830-3513		-
		ACT-REAR FLOOD	

PF1=HELP PF2=SUBMIT PF3=PEG BY SCHED PF4=PLOTTER LIST PF5=PLOTTER INQUIRY
02/28/07 13:23:55 I04-PUSH PF8 FOR NEXT PAGE

ON-DEMAND PLOTTING
ITEM SELECTION

PAGE 02

PLOTTER NO: 00050
ITEM NO: 7830-35REV LEVEL LIMITER: A (A = ALL)
(BLANK = MFG REV LVL ONLY)

I06-WARNING: EXACT ITEM NOT FOUND

COMMENT: GREGG
SENDER'S EMAIL ID:

(REQUIRED IF FAX PLOTTER)

ITEM NUMBER	DRAWING NUMBER	ITEM DESCRIPTION	DRWG REV
7830-3514	7830-3514	ACT-HEAD LIGHT INTERRUPT	A
7830-3515	7830-3515	ACT-REAR STROBE	-
7830-3516	7830-3516	ACT-#1	-
7830-3517	7830-3517	ACT-#2	-
7830-3518	7830-3518	ACT-FRIDGE	-
7830-3519	7830-3519	ACT-FLOOR LIGHTS	-
7830-3520	7830-3520	ACT-DOCK LIGHTS	-
7830-3521	7830-3521	ACT-SHIFTER PRIMARY/SECONDARY	-
7830-3522	7830-3522	ACT-B/U LIGHT 1	-
7830-3523	7830-3522	ACT-B/U LIGHT 2	-
7830-3524	7830-3524	ACT-LIFT AXLE	-
7830-3526	7830-3526	ACT-PICKER LIGHTS	-
7830-3527	7830-3527	ACT-EXTRA LIGHTS	-
7830-3528	7830-3528	ACT-EXT LIGHTS	-

PF1=HELP PF2=SUBMIT PF3=PEG BY SCHED PF4=PLOTTER LIST PF5=PLOTTER INQUIRY
02/28/07 13:24:02 I04-PUSH PF8 FOR NEXT PAGE

ON-DEMAND PLOTTING
ITEM SELECTION

PAGE 03

PLOTTER NO: 00050
ITEM NO: 7830-35REV LEVEL LIMITER: A (A = ALL)
(BLANK = MFG REV LVL ONLY)

I06-WARNING: EXACT ITEM NOT FOUND

COMMENT: GREGG
SENDER'S EMAIL ID:

(REQUIRED IF FAX PLOTTER)

ITEM NUMBER	DRAWING NUMBER	ITEM DESCRIPTION	DRWG REV
7830-3529	7830-3529		-
		ACT-ACC 1	-
7830-3530	7830-3530		-
		ACT-ACC 2	-
7830-3531	7830-3531		-
		ACT-CONTROL	-
7830-3532	7830-3532		-
		ACT-LEFT LIGHT	-
7830-3533	7830-3533		-
		ACT-RIGHT LIGHT	-
7830-3534	7830-3534		A
		ACT-LIFT AXLE A	A
7830-3535	7830-3535		A
		ACT-LIFT AXLE B	A
7830-3536	7830-3536		A
		ACT-TRIP #1	A
7 -3537	7830-3537		A
		ACT-TRIP #2	A
7830-3538	7830-3538		A
		ACT-MOOSE	A
7830-3539	7830-3539		A
		ACT-COURTESY	-
7830-3540	7830-3540		-
		ACT-TRAILER	-
7830-3541	7830-3541		-
		ACT-TRUCK	-
7830-3542	7830-3542		-
		ACT-OD LIGHT	-

PF1=HELP PF2=SUBMIT PF3=PEG BY SCHED PF4=PLOTTER LIST PF5=PLOTTER INQUIRY
02/28/07 13:24:07 I04-PUSH PF8 FOR NEXT PAGE

ON-DEMAND PLOTTING
ITEM SELECTION

PLOTTER NO: 00050
ITEM NO: 7830-35

REV LEVEL LIMITER: A (A = ALL)
(BLANK = MFG REV LVL ONLY)

I06-WARNING: EXACT ITEM NOT FOUND

COMMENT:

SENDERS EMAIL ID:

(REQUIRED IF FAX PLOTTER)

ITEM NUMBER	DRAWING NUMBER	ITEM DESCRIPTION	DRWG REV
7830-3543	7830-3542	ACT-DAYTIME	-
7830-3544	7830-3544	ACT-PLOW	-
7830-3545	7830-3545	ACT-WING LIGHTS	-
7830-3546	7830-3546	ACT-BUD LIGHTS	-
7830-3547	7830-3547	ACT-CHAINUP LIGHTS	-
7830-3548	7830-3548	ACT-AXLE1	-
7830-3549	7830-3549	ACT-AXLE2	-
7830-3550	7830-3550	ACT-NEON	-
7830-3551	7830-3551	ACT - FRONT BEACON	-
7830-3552	7830-3552	ACT - REAR BEACON	-
7830-3553	7830-3553	ACT - SANDER LIGHT	-
7830-3554	7830-3554	ACT - SCRAPER LIGHT	-
7830-3555	7830-3555	ACT - REAR CAM	-
7830-3556	7830-3556	ACT - WINCH LIGHTS	-

PF1=HELP PF2=SUBMIT PF3=PEG BY SCHED PF4=PLOTTER LIST PF5=PLOTTER INQUIRY
02/28/07 13:25:41 I04-PUSH PF8 FOR NEXT PAGE

ON-DEMAND PLOTTING
ITEM SELECTION

PLOTTER NO: 00050
ITEM NO: 7830-35

REV LEVEL LIMITER: A (A = ALL)
(BLANK = MFG REV LVL ONLY)

I06-WARNING: EXACT ITEM NOT FOUND

COMMENT:

SENDERS EMAIL ID:

(REQUIRED IF FAX PLOTTER)

ITEM NUMBER	DRAWING NUMBER	ITEM DESCRIPTION	DRWG REV
7830-3557	7830-3557	ACT - SENSOR	-
7830-3558	7830-3558	ACT - BLUE FLASHER	-
7830-3559	7830-3559	ACT - PLOW LIGHTS	-
7830-3560	7830-3560	ACT - SPINNER LIGHT	-
7830-3561	7830-3561	ACT - YELLOW FLASHER	-
7830-3562	7830-3562	ACT-DECK LIGHTS	-
7830-3563	7830-3563	ACT-SPARE #1	-
7830-3564	7830-3564	ACT-SPARE#2	-
7830-3565	7830-3565	ACT - TRUCK BACK-UP	-
7830-3566	7830-3566	ACT - TRUCK LOAD LIGHT	-
7830-3567	7830-3567	ACT - TRAILER LOAD LIGHT	-
7830-3568	7830-3568	ACTUATOR - CLEAR	-
7830-3569	7830-3569	ACTUATOR - BOOM	-
7830-3570	7830-3570	ACTUATOR - DOLLY	-

PF1=HELP PF2=SUBMIT PF3=PEG BY SCHED PF4=PLOTTER LIST PF5=PLOTTER INQUIRY
02/28/07 13:25:54 I04-PUSH PF8 FOR NEXT PAGE

ON-DEMAND PLOTTING
ITEM SELECTION

PAGE 06

PLOTTER NO: 00050
ITEM NO: 7830-35REV LEVEL LIMITER: A (A = ALL)
(BLANK = MFG REV LVL ONLY)

I06-WARNING: EXACT ITEM NOT FOUND

COMMENT:

SENDERS EMAIL ID:

(REQUIRED IF FAX PLOTTER)

ITEM NUMBER	DRAWING NUMBER	ITEM DESCRIPTION	DRWG REV
7830-3571	7830-3571	ACTUATOR - REAR	-
7830-3572	7830-3572	ACTUATOR - FRONT/REAR	-
7830-3573	7830-3573	ACTUATOR - ABS OFF-ROAD	-
7830-3580	7830-3580	ACTUATOR - PTO	-
7830-3581	7830-3581	ACTUATOR-REAR FLASHERS	-
7830-3582	7830-3582	ACTUATOR-WING MARKER LIGHT	-
7830-3583	7830-3583	ACTUATOR-HOPPER LIGHT	-
7830-3584	7830-3584	ACTUATOR-BACKUP LIGHTS-STEP	-
7830-3589	7830-3589	ACTUATOR - EXIT LIGHTS	-
7830-3590	7830-3590	ACTUATOR - GATE ONE	-
7830-3591	7830-3591	ACTUATOR - GATE TWO	-
7830-3592	7830-3592	ACTUATOR - SUSP DUMP	-
7830-3593	7830-3593	ACTUATOR - SPOT LIGHT	-
7830-3594	7830-3594	ACTUATOR - CARGO BOX LIGHT	-

PF1=HELP PF2=SUBMIT PF3=PEG BY SCHED PF4=PLOTTER LIST PF5=PLOTTER INQUIRY
02/28/07 13:26:05 I04-PUSH PF8 FOR NEXT PAGE

ON-DEMAND PLOTTING
ITEM SELECTION

PLOTTER NO: 00050
ITEM NO: 7830-35

REV LEVEL LIMITER: A (A = ALL)
(BLANK = MFG REV LVL ONLY)

I06-WARNING: EXACT ITEM NOT FOUND

COMMENT:

SENDERS EMAIL ID:

(REQUIRED IF FAX PLOTTER)

ITEM NUMBER	DRAWING NUMBER	ITEM DESCRIPTION	DRWG REV
7830-3595	7830-3595	ACTUATOR - ALTERN FLASHERS	-
7830-3596	7830-3596	ACTUATOR - UNDERBODY LIGHT	-
7830-3597	7830-3597	ACTUATOR - SUSPENSION DUMP	-
7830-3598	7830-3598	ACTUATOR - AUX RANGE HIGH/LOW	-
7830-3599	7830-3599	ACTUATOR - CABINET	-

PF1=HELP PF2=SUBMIT PF3=PEG BY SCHED PF4=PLOTTER LIST PF5=PLOTTER INQUIRY
02/28/07 13:26:16 I14-ITEM DISPLAY COMPLETE

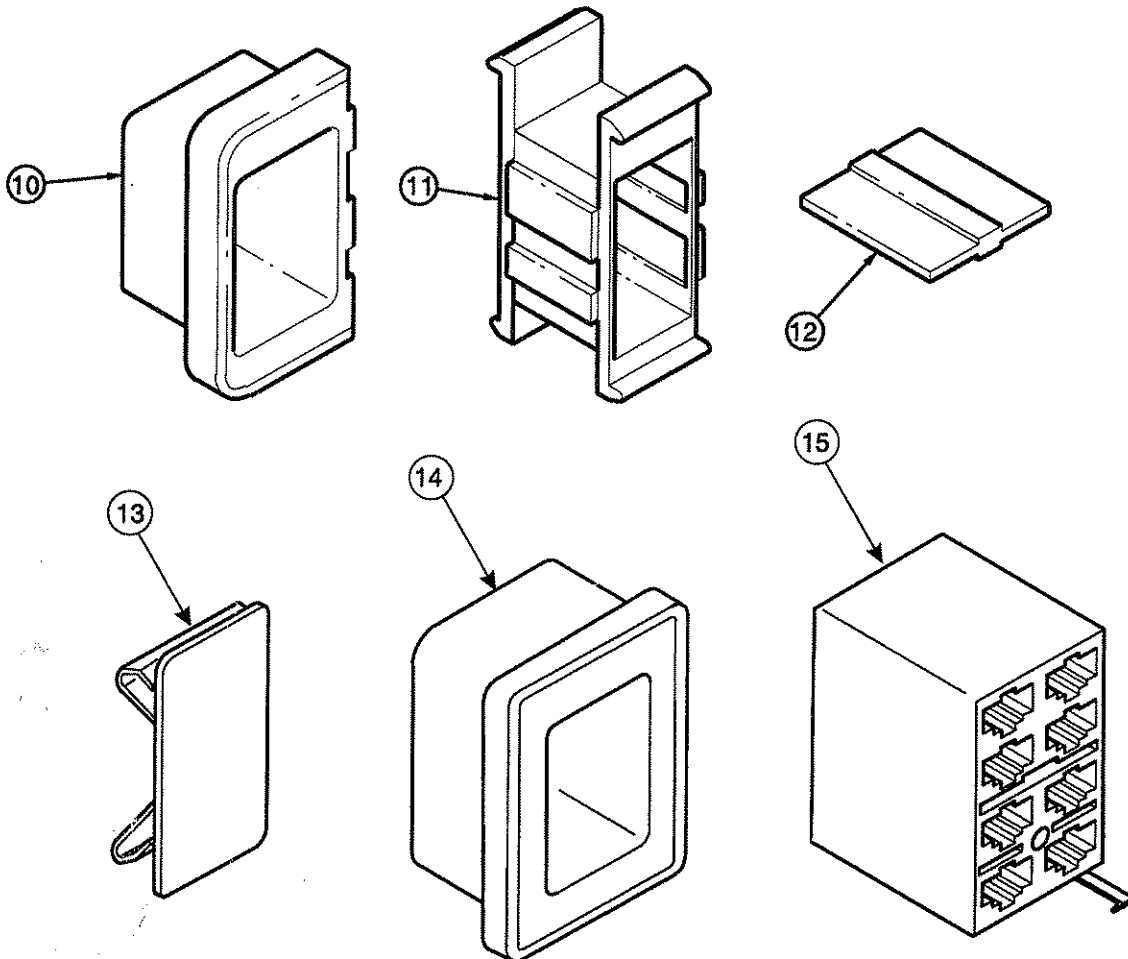
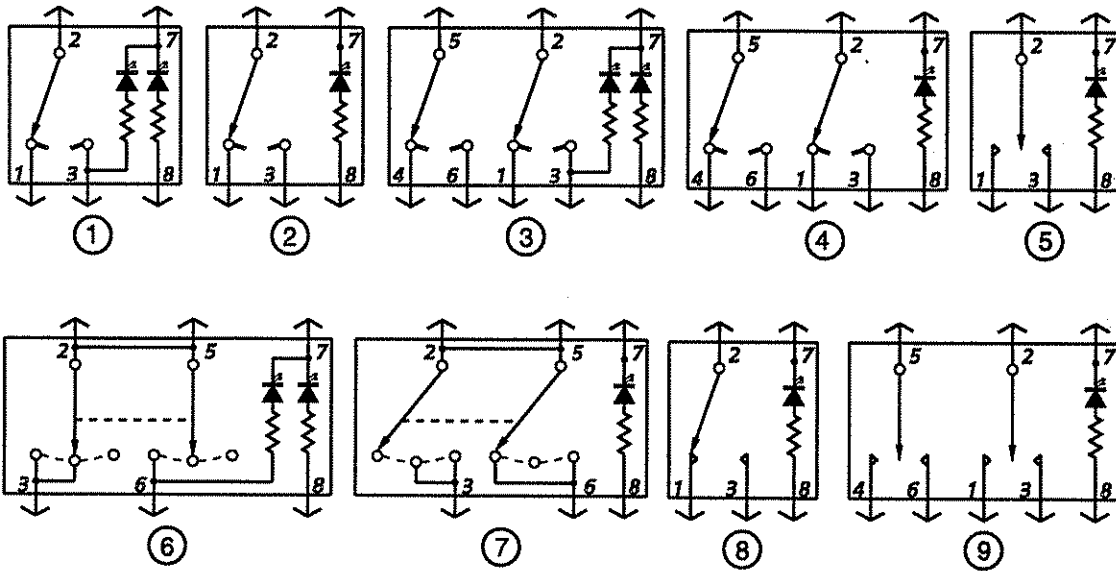
INDICATOR BARS, SENSORS & AIR VALVES

Item	Description	Part Number	Qty
1	Lens, Light Bar	7079-3421	1
2	Bezel, Light Bar	7080-3403	1
3	Gasket, Light Bar	7080-3404	1
4	Light Bar Assembly, Mechanical Engines	7061-3417	1
4	Light Bar Assembly, Electronic Engines	7061-3418	1
5	Sensor, Magnetic, Tach & Speedo	13603-3408	2
6	Switch, Foot Brake Valve	70402-0001	1
7	Switch, Coolant Level Sensor	20301-3406	1
8	Switch, Pressure, Brake Application	70402-3405	1
9	Switch, Low Pressure	70402-3402	1
10	Air Valve, Interaxle Lock	33701-3401	1
11	Air Valve, 5th Wheel Lock	49301-3401	1
12	Air Valve, Traction Diff, Air to Engage	33701-3402	1
13	Air Valve, Traction Diff, Air to Disengage	33701-3403	1
14	Air Valve, Lift Axle	35202-3402	1
15	Air Valve, Suspension Height	35704-3405	1
-	Generic Air Valve	33701-3404	AR
16	End Section Switch Bezel	7080-3406	AR
17	Center Section Switch Bezel	7080-3407	AR
18	Plug, Air Switch	7080-3408	AR
19	Label, (see chart below)		

AIR SWITCH LABELS ITEM # 19			
68101-3536	FORWARD	68101-3554	RHODA
68101-3537	REAR	68101-3555	LOADED
68101-3538	PTO	68101-3556	UNLOADED
68101-3540	PUSHER	68101-3557	LOCK
68101-3541	#1 PUSHER	68101-3561	HYD PUMP
68101-3542	#2 PUSHER	68101-3566	FWD LIFT
68101-3543	#3 PUSHER	68101-3567	REAR LIFT
68101-3544	TAG	68101-3568	F. TAIL GATE
68101-3545	LOADER LIGHT	68101-3569	R. TAIL GATE
68101-3546	AUX	68101-3573	PNEU BLOWER
68101-3547	PUP PIN	68101-3574	WET LINE
68101-3548	BACK-UP	68101-3576	PIN LOCK
68101-3549	AIR AXLE	38101-3581	ENG/ABS DIAG
68101-3550	TAILGATE	68101-3582	TRANS DIAG
68101-3551	CENTER		

Specific BOMs listed: 3209-002-00/03, 3209-003-00/01, 3209-003-30, 3209-004-60/61, 3209-005-30, 3209-006-60/62, 3209-007-30/32, 3209-008-00/04, 3209-008-60/62, 3209-, 3328-001-00, 3328-002-00/02, 3328-003-00, 3328-004-00, 4238-001-01/28

CAB 11



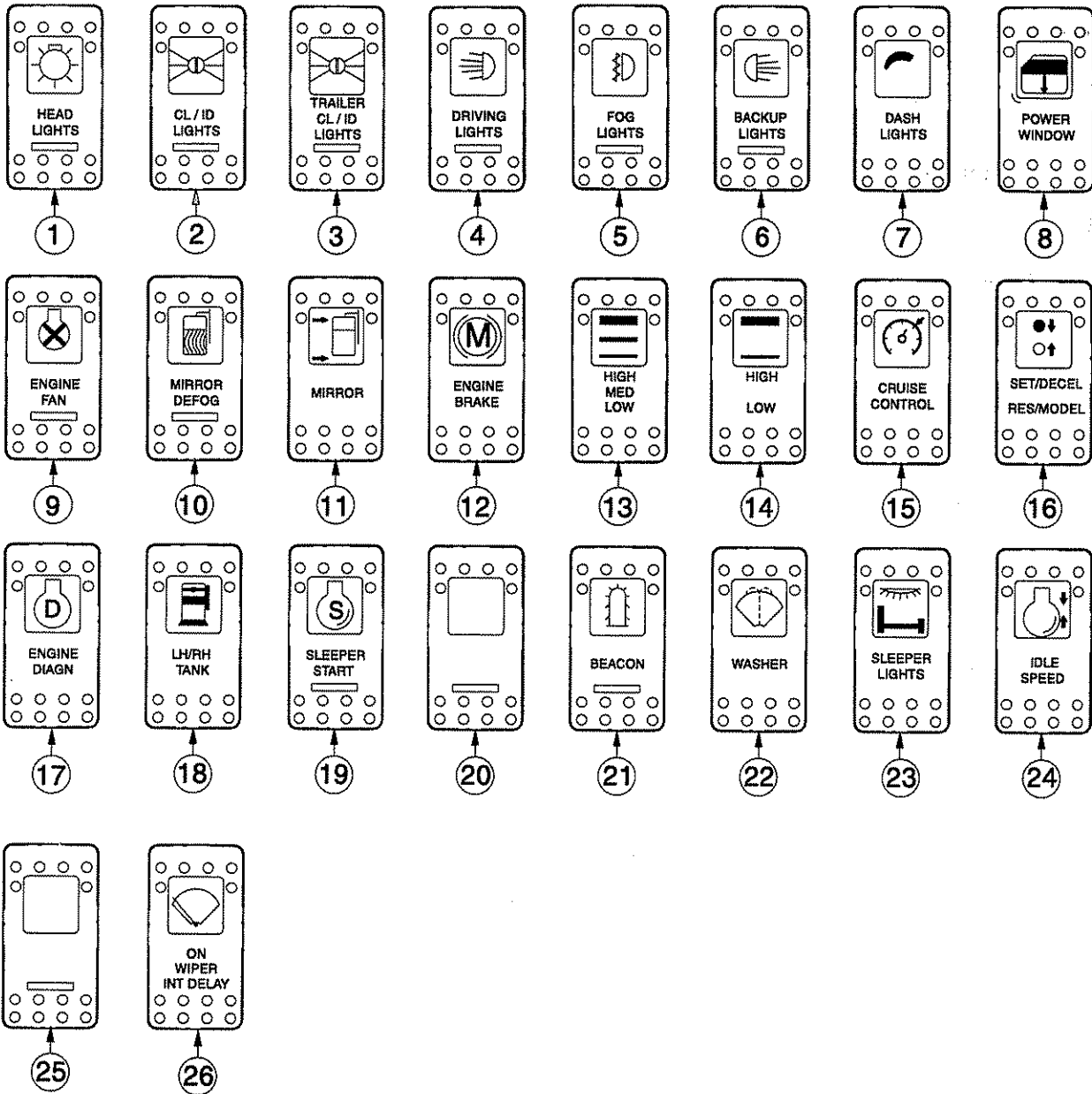
SWITCHES

Item	Description	Part Number	Qty
1	SPDT, 2 pos, on-none-on, Amber/Green (Marker Lamps, Fog/Driving Lamps, Mirror Defog, Beacon)	7805-3404	AR
1	SPDT, 2 pos, on-none-on, Amber/Red (Fan Over Ride, Fuel Heater, Backup Lamps, Fog/Driving Lamps, Sleeper Start 45,58,&72", Beacon, Spare Switch)	7805-3405	AR
2	SPDT, 2 pos, on-none-on, Amber (Webasto, Cruise Control, WS Wipers, Fuel Gauges, Sleeper)	7805-3406	AR
3	DPDT, 2 pos, on-none-on, Amber/Green (Engine Brake, Transmission Retarder)	7805-3407	AR
3	DPDT, 2 pos, on-none-on, Amber/Red (Fan Over Ride CELECT, Sleeper Start 66& 42")	7805-3408	AR
4	DPDT, 2 pos, on-none-on, Amber (Jacob's Brake)	7805-3409	AR
5	SPDT, 3 pos, on-off -on, Amber (Cruise Control, Dash Lights)	7805-3410	AR
6	DPDT, 3 pos, off-on-on, Amber/Green (Headlights)	7805-3411	AR
7	DPDT, 3 pos, off-on-on, Amber (Engine Brake)	7805-3412	AR
8	SPDT, 2 pos, on-none-on, Amber (Idle Shutdown Over Ride, ABS, Marker Lamps)	7805-3413	AR
9	DPDT, 3 pos, on-off-on, Amber (Power Windows, Mirror Steer)	7805-3417	AR
10	End Panel	7805-3414	AR
11	Centre Panel	7805-3415	AR
12	Shim, Switch	7805-3419	AR
13	Cavity Plug	7805-3416	AR
14	Single Panel	7805-3418	AR
15	Socket (Plugs in back of switches)	7530-3476	AR

PTO Switch

Specific BOMs listed: 3208-001-01/07, 3208-002-02/04, 3208-003-02, 3218-011-01/02, 3218-012-01/14, 3218-013-01/14, 3248-001-01, 3329-021-11, 4108-001-01/11, 4398-004-01/03, 3048-101-01/02, 3198-001-01/02, 3198-012-01, 3198-013-01/03, 3198-014-01, 3198-015-01, 3390-01/03, 4398-040-01/03, 1138-001-01/10, 3328-004-00/19, 3329-021-01/06, 3329-002-01/06, 3399-010-01/08, 4148-001-00/01, 4158-001-00/01, 4178-012-01/27

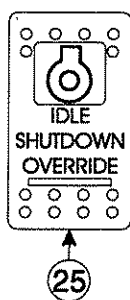
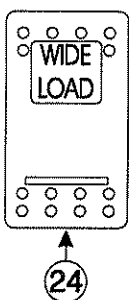
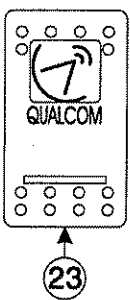
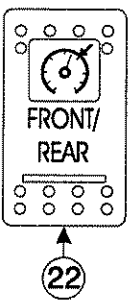
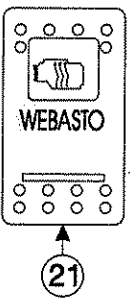
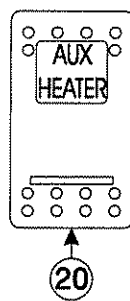
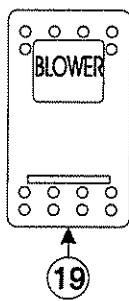
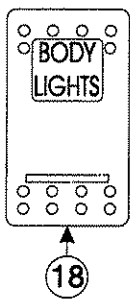
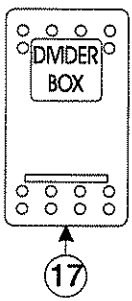
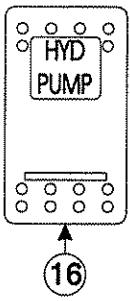
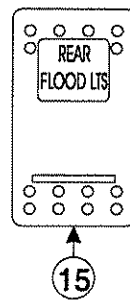
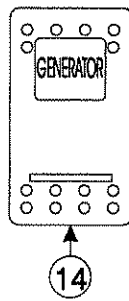
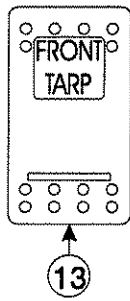
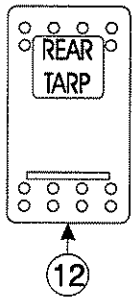
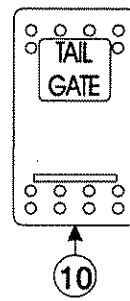
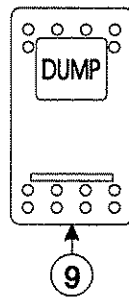
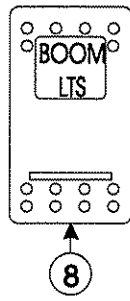
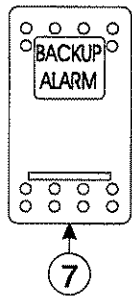
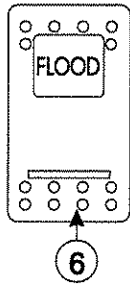
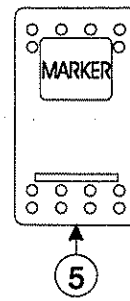
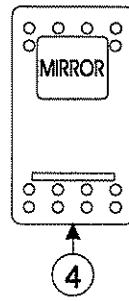
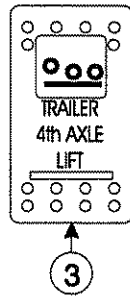
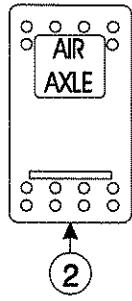
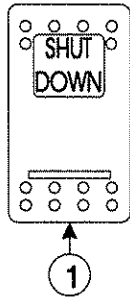
CAB 11



ACTUATORS

Removal Tool		VRT999-16702-001	
Item	Description	Part Number	Qty
1	Head Lights	7830-3401	1
2	CL / ID Lights	7830-3402	1
3	Trailer CL / ID Lights	7830-3403	1
4	Driving Lights	7830-3404	1
5	Fog Lights	7830-3405	1
6	Backup Lights	7830-3406	1
7	Dash Lights	7830-3407	1
8	Power Window	7830-3408	1
9	Engine Fan	7830-3409	1
10	Mirror Defog	7830-3410	1
11	Mirror	7830-3411	1
12	Engine Brake	7830-3434	1
13	High Med Low	7830-3413	1
14	High Low	7830-3414	1
15	Cruise Control	7830-3415	1
16	Set / Decel	7830-3416	1
17	Engine Diagnostics	7830-3417	1
18	LH/RH Fuel Tank	7830-3418	1
19	Sleeper Start	7830-3420	1
20	Spare, with indicator light	7830-3421	1
21	Beacon	7830-3422	1
22	Washer	7830-3424	1
23	Sleeper Lights	7830-3425	1
24	Idle Speed	7830-3426	1
25	Spare, without indicator light	7830-3427	1
26	On Wiper Intermittent Delay	7830-3433	1

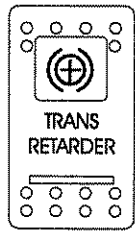
Specific BOMs listed: 1038-004-01, 1038-003-01/05, 1038-002-01/07, 1038-001-00/10, 3048-101-01/02, 3198-015-01, 3198-014-01, 3198-013-01/03, 3198-012-01, 3198-011-01/02, 3218-013-01/14, 3218-012-01/14, 3218-003-01/02, 3218-002-01/04, 3218-001-01, 3228-011-01/07, 3329-021-01/06, 3328-004-00/19, 3328-004-00/19, 3328-003-00/20, 3329-001-00/31, 3399-030-01/03, 3399-001-06, 4048-002-00/07, 4108-001-01/12, 4148-001-00/01, 4158-001-00, 4178-012-01/27, 4398-040-01/03



OPTIONAL ACTUATORS

Item	Description	Part Number
1	Actuator, Shutdown	7830-3483
2	Actuator, Air Axle	7830-3482
3	Actuator, 4th Axle Lift	7830-3481
4	Actuator, Mirror	7830-3480
5	Actuator, Marker	7830-3479
6	Actuator, Flood	7830-3478
7	Actuator, Backup Alarm	7830-3477
8	Actuator, Boom Lights	7830-3476
9	Actuator, Dump	7830-3475
10	Actuator, Tail Gate	7830-3474
11	Actuator, Brakesaver	7830-3473
12	Actuator, Rear Tarp	7830-3472
13	Actuator, Front Tarp	7830-3471
14	Actuator, Generator	7830-3470
15	Actuator, Rear Flood Lights	7830-3469
16	Actuator, Hydraulic Pump	7830-3468
17	Actuator, Divider Box	7830-3467
18	Actuator, Body Lights	7830-3466
19	Actuator, Blower	7830-3465
20	Actuator, Auxiliary Heater	7830-3464
21	Actuator, Webasto	7830-3463
22	Actuator, Cruise, Front/Rear	7830-3462
23	Actuator, Qualcom	7830-3461
24	Actuator, Wide Load	7830-3460
25	Actuator, Shutdown Override	7830-3459

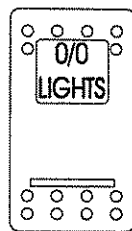
Specific BOMs listed: 1038-004-10/12, 1058-003-10, 1058-003-20, 1058-003-30, 1058-003-32, 1058-003-34, 1118-003-00/01, 3209-012-03/04, 3209-012-32/35, 3209-012-60, 3209-013-01/02, 3209-013-61, 3209-013-63, 3209-014-00, 3209-014-30, 3209-016-01/02, 3209-017-30, 3209-017-62/63, 3209-018-01, 3209-018-35, 3209-019-00, 3209-019-02, 3209-020-60



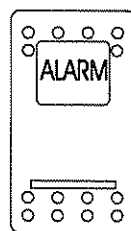
26



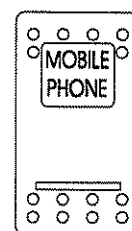
27



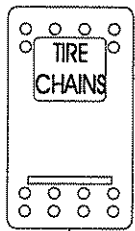
28



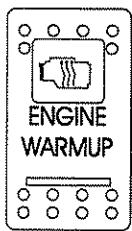
29



30



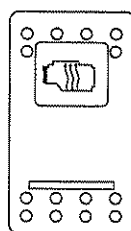
31



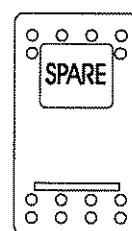
32



33



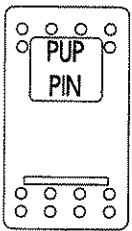
34



35



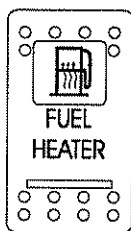
36



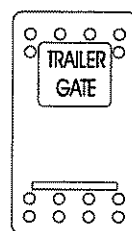
37



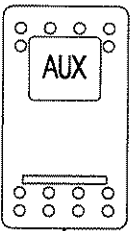
38



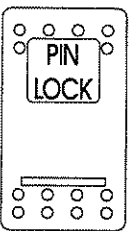
39



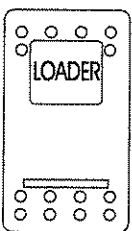
40



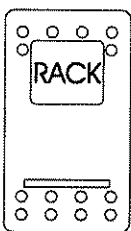
41



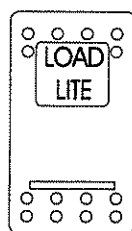
42



43



44



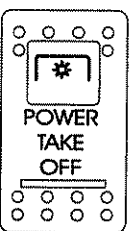
45



46



47



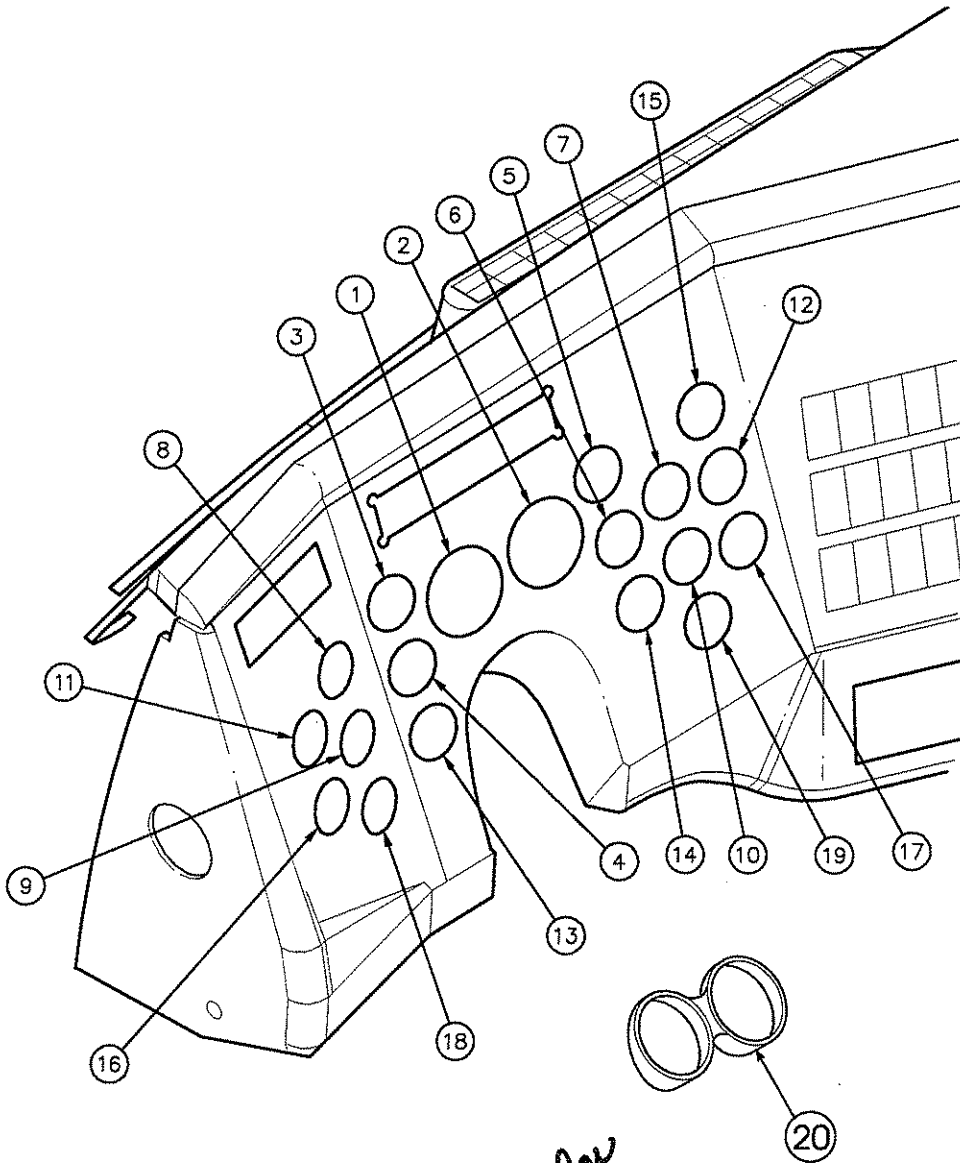
48

Fridge
 7830-3818

OPTIONAL ACTUATORS

Item	Description	Part Number
26	Actuator, Transmission Retarder	7830-3458
27	Actuator, Trailer Dump	7830-3457
28	Actuator, 0/0 Lights	7830-3456
29	Actuator, Alarm	7830-3455
30	Actuator, Mobile Phone	7830-3454
31	Actuator, Tire Chains	7830-3453
32	Actuator, Engine Warmup	7830-3452
33	Actuator, Fender Marker	7830-3451
34	Actuator, Fuel Fired	7830-3450
35	Actuator, Spare	7830-3449
36	Actuator, Trailer Backup	7830-3448
37	Actuator, Pup Pin	7830-3447
38	Actuator, Rack Lights	7830-3446
39	Actuator, Fuel Heater	7830-3445
40	Actuator, Trailer Gate	7830-3444
41	Actuator, Auxiliary	7830-3443
42	Actuator, Pin Lock	7830-3442
43	Actuator, Loader	7830-3441
44	Actuator, Rack	7830-3440
45	Actuator, Load Light	7830-3439
46	Actuator, Work Lights	7830-3438
47	Actuator, Tank Lights	7830-3437
48	Actuator, PTO	7830-3436

Specific BOMs listed: 1038-003-06, 1058-003-10, 1168-042-00, 1168-042-05/06,
1168-042-09, 3148-004-00/02, 3209-012-01/02, 3209-013-60,
3209-015-60/61, 3209-016-00, 3209-016-62, 3209-017-00/01,
3209-017-60/61, 3209-018-00, 3209-018-30/32, 3209-018-33/34,
3209-019-01, 3209-021-01



*Dash Bolt Kit
Incl Rubber Washers
TF-61523D002*

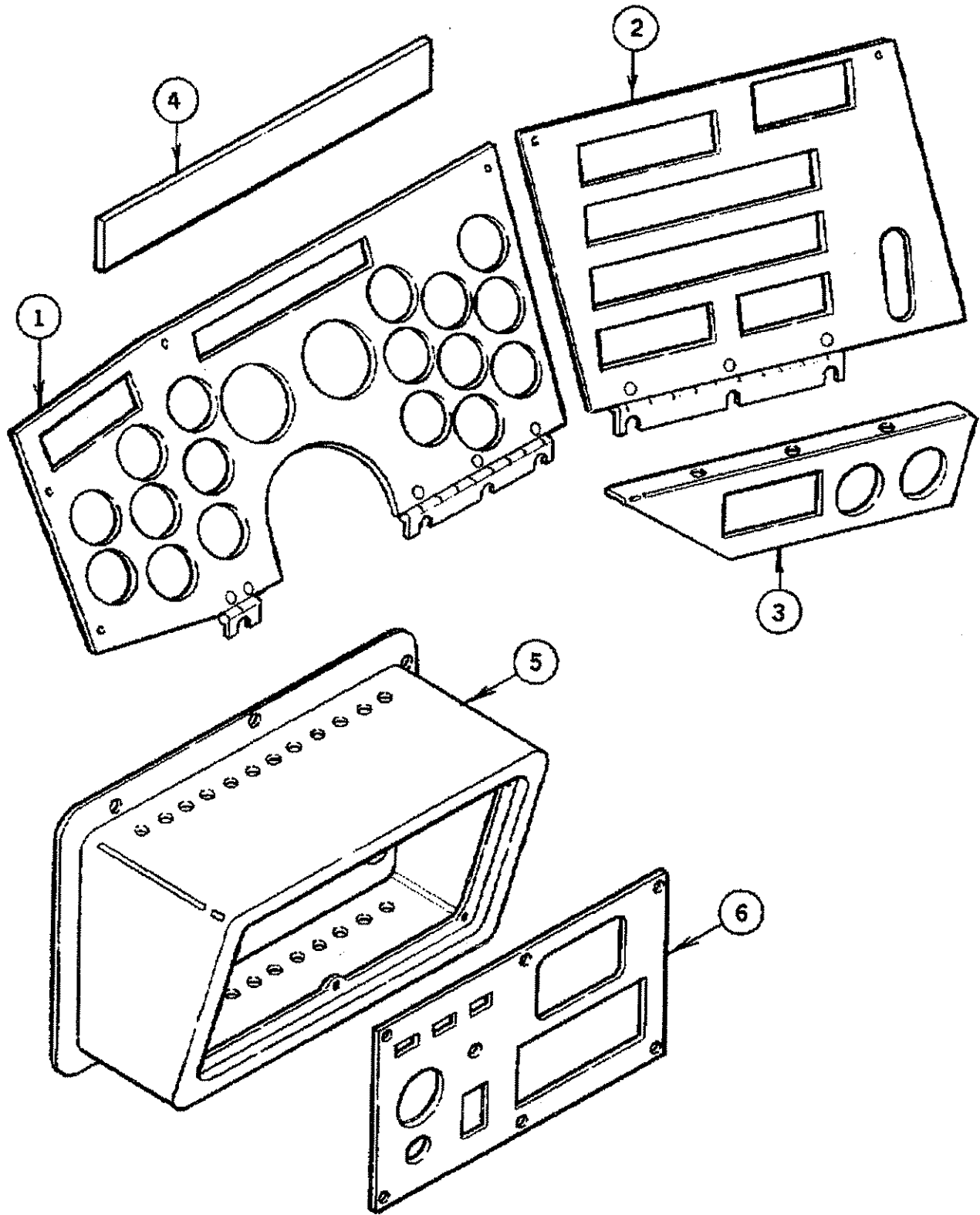
GAUGES

Note: Replace_ in part number for finish: B for black, C for chrome and G for gold.

Note: Gauge locations may vary.

Item	Description	Part Number		Qty
1	Tachometer, 0 - 3000 RPM	13601_3420	electric (m/p)	1
1	Tachometer, 0 - 3000 RPM, with Hourmeter	13601_3421	electric (m/p)	1
2	Speedo-KPH	57701_3445	electric (m/p)	1
2	Speedo-MPH	57701_3446	electric (m/p)	1
2	Speedo-KPH, w/trip	57701_3447	electric (m/p)	1
2	Speedo-MPH, w/trip	57701_3448	electric (m/p)	1
3	Pyrometer	14101_3402	electric (m/p)	1
4	Engine Coolant Temp Gauge	14001_3421	electric (m/p)	1
4	Engine Coolant Temp Gauge (144" capillary)	14001_3422	mechanical	1
5	Fuel Tank Gauge	43901_3431	electrical	1
6	Transmission Temperature Gauge	28801_3407	electrical	1
7	Voltmeter	80401_3407	electrical	1
8	Engine Oil Pressure Gauge	13801_3411	electric (m/p)	1
8	Engine Oil Pressure Gauge	13801_3412	electrical	1
9	Engine Oil Temperature Gauge	13902_3417	electric (m/p)	1
9	Engine Oil Temperature Gauge	13902_3418	electrical	1
10	Ammeter	80402_3407	electrical	1
11	Air Restriction Gauge	22503_3408	mechanical	1
12	Tractor Application Air Pressure Gauge	70301_3427	mechanical	1
13	Intake Manifold Pressure Gauge	14501_3410	electric (m/p)	1
13	Intake Manifold Pressure Gauge	14501_3411	electrical	1
14	Forward Rear Axle Temperature Gauge	33601_3403	electrical	1
15	Rear Rear Axle Temperature Gauge	33601_3404	electrical	1
16	Air Brake System Pressure Gauge	13102_3409	mechanical	1
17	Trailer Emergency Gauge	70301_3429	mechanical	1
18	Fuel Pressure Gauge	43901_3432	electrical	1
19	Suspension Pressure Gauge	70301_3430	mechanical	1
-	Brake Saver Oil Temperature Gauge	13102_3410	electrical	1
20	Bezel, Speedometer/Tach	7080-3410		1

Specific BOMs listed: 4178-001-01/03, 4178-013-00, 4218-001-01/16, 4228-001-01/13, 4208-001-01/03, 4238-001-01/28, 4238-002-01/07, 4238-003-01/06, 4238-004-01/03



INSTRUMENT PANELS - INTRODUCTION

Earlier Western Star dash panels required the panel number plus the vehicle serial number to arrive at the correct number of cut-outs for gauges and switches. The panels were punched at the factory on a custom basis - resulting in replacement panels with the correct number of holes, but in different locations than the original.

Constellation Cab dash panels have a different part numbering system. The part number of the panel has a code included that gives enough information to produce an exact replacement. When a new panel is required - just give the part number. All holes and cut-outs are in standard locations.

EXAMPLES . . .

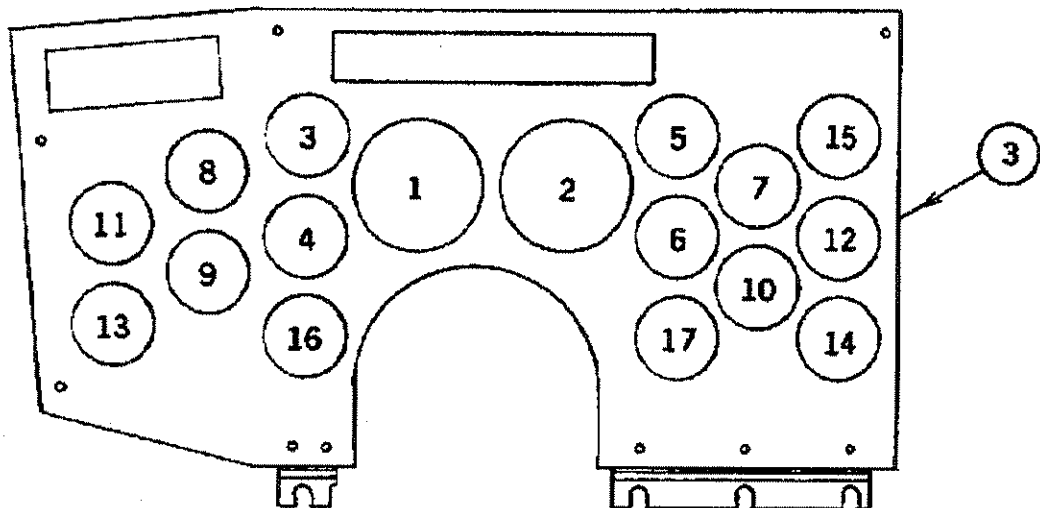
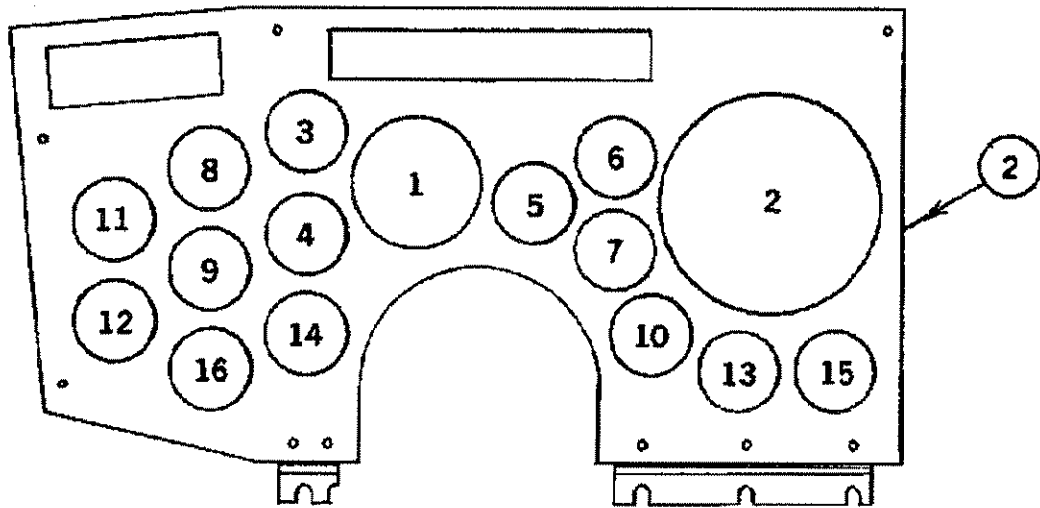
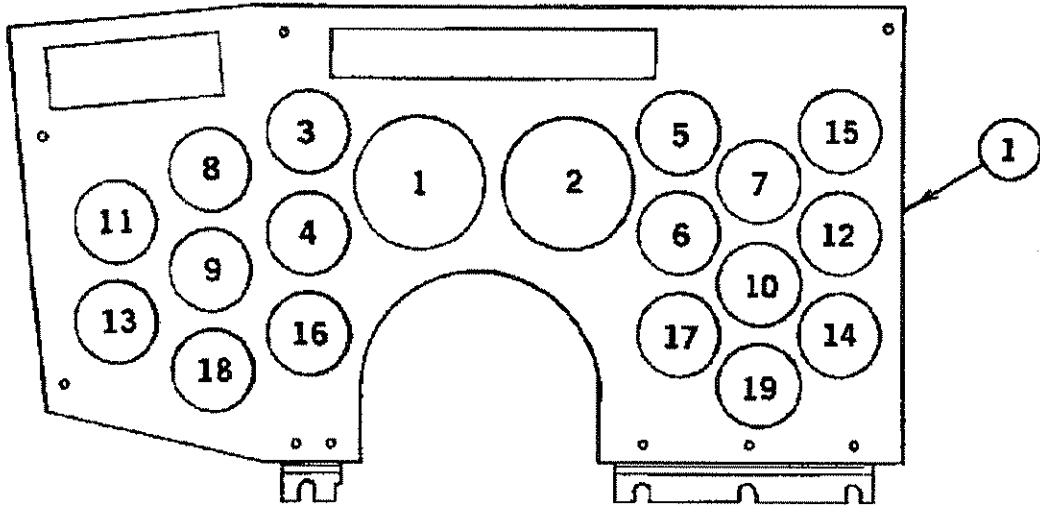
- | | | | |
|---------------------------------|---------------------------|---|-----------------------------|
| 57007 V 3445- 9 | | | |
| Gauge Panel | V = Rosewood Vinyl | 9 = 9 holes punched for gauges | |
| 57007 A 3445- 19 | | | |
| Gauge Panel | A = Black Vinyl | 19 = 19 holes punched for gauges | |
| 57007 V 3453- 1-A | | | |
| RHS Panel | V = Rosewood Vinyl | 1 = Air Switch Opening #1 | A = A panel cut-outs |
| 57007 A 3453- 1-B | | | |
| RHS Panel | A = Black Vinyl | 1 = Air Switch Opening #1 | B = B Panel Cut-outs |
| 57007 V 3453- D | | | |
| RHS Panel | V = Rosewood Vinyl | No Air Switch Opening | D = D Panel Cut-outs |

Panels made from real wood have an individual part number with no codes. **57007-3510** is a wood panel for RHS of dash with all required openings.

Item Description

- 1 Panel, Gauges
- 2 Panel, RHS Instrument
- 3 Auxiliary Panel
- 4 Trim, Dash Insert, Real Wood
- 5 Housing, Instrument, Sleeper
- 6 Panel, Sleeper Dash

Specific BOMs listed: **4168-ALL**



INSTRUMENT PANELS - MAIN GAUGE PANEL

4168 - ALL

Main Dash Panel

Item Description	Part Number	Qty
1 Panel, Gauges, Standard	57007-3445	1
2 Panel, Gauges, Argo	57007-3475	1

Add code for above panels for finish and number of gauges.

EXAMPLES . . .

57007V3445-9

Gauge Panel

V= Rosewood Vinyl

9= 9 Holes Punched for Gauges

57007A3445-19

Gauge Panel

A= Black Vinyl

19= 19 Holes Punched for Gauges

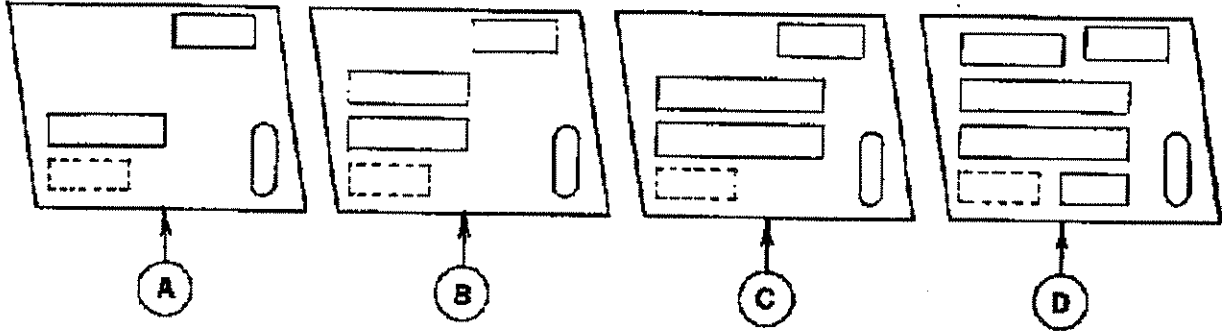
Panels made from real wood have an individual part number with no codes.

57007-3511 is a wood panel for the main gauge panel with all required openings.

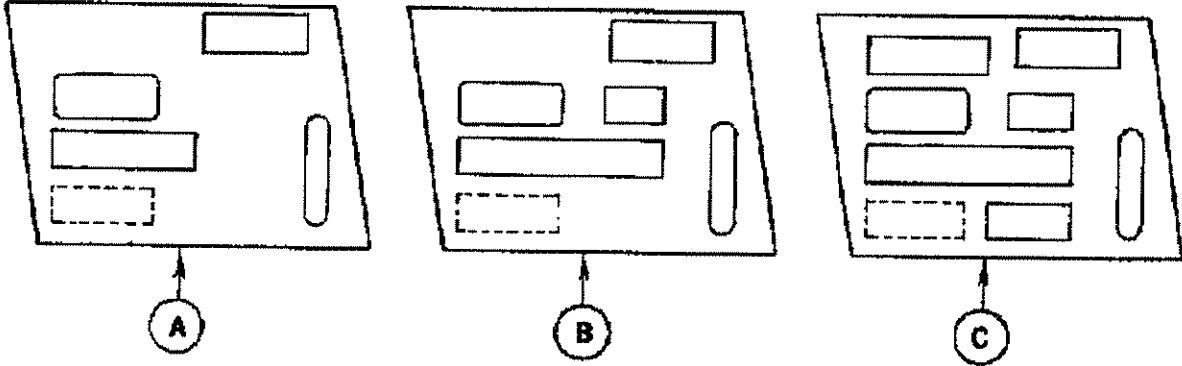
Item Description	Part Number	Qty
3 Panel, Gauges, Real Wood	57007-3511	1

Specific BOMs listed: 4168-ALL

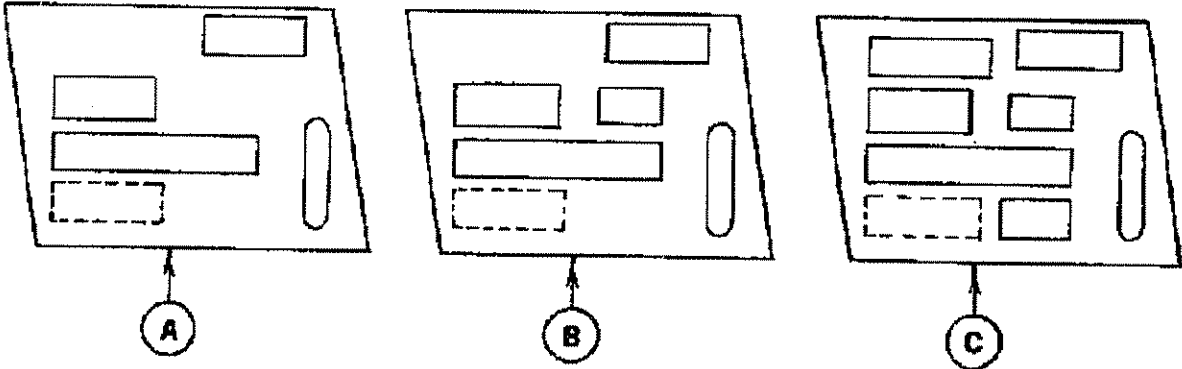
57007-3453



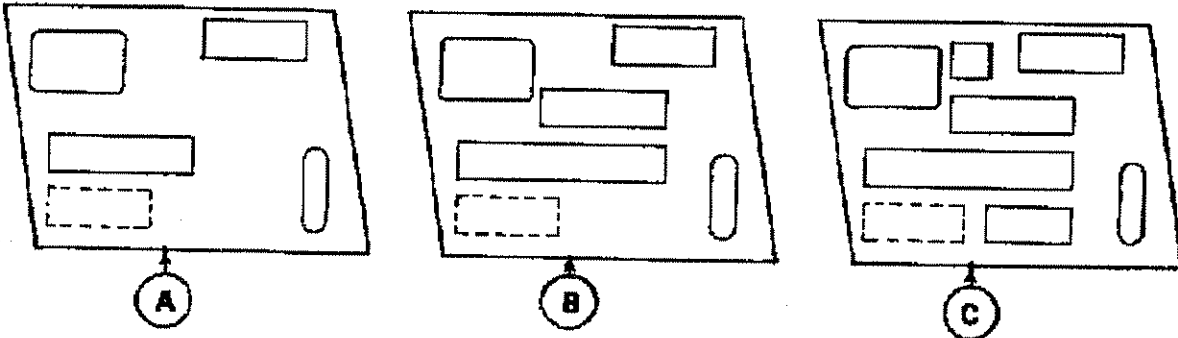
57007-3472



57007-3478



57007-3507



INSTRUMENT PANELS - RIGHT HAND SIDE PANEL

There are 6 main panels available with 3 or 4 versions of each, depending on the number of switches and auxiliary equipment used on the vehicle.

4168 - ALL

RHS Dash Panel

Item Description	Part Number	Qty
- Panel, RHS Instrument	57007-3453	1
- Panel, RHS Instrument, Brakesaver	57007-3532	1
- Panel, RHS Instrument, Road Relay	57007-3472	1
- Panel, RHS Instrument, Cat Dis	57007-3478	1
- Panel, RHS Instrument, Cat Dis & Brakesaver	57007-3531	1
- Panel, RHS Instrument, Pro-driver	57007-3507	

Add code for above panels for finish and number of openings.

EXAMPLES . . .

57007V3453-1-A

RHS Panel **V**= Rosewood Vinyl **1**= Air Switch Opening #1 **A**= A Panel Cut-outs

57007A3453-1-B

RHS Panel **A**= Black Vinyl **1**= Air Switch Opening #1 **B**= B Panel Cut-outs

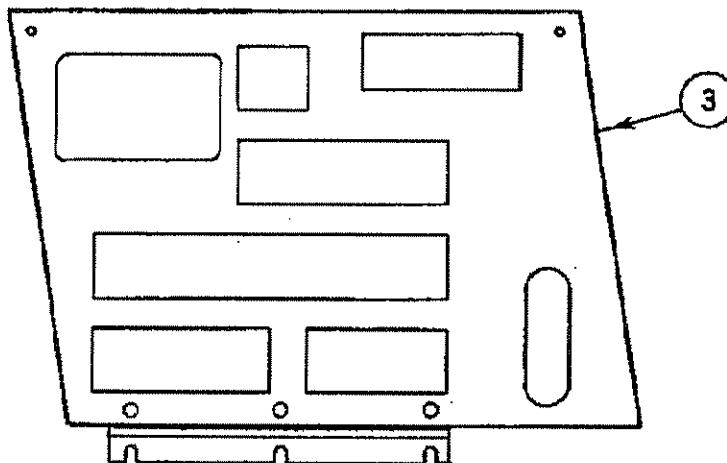
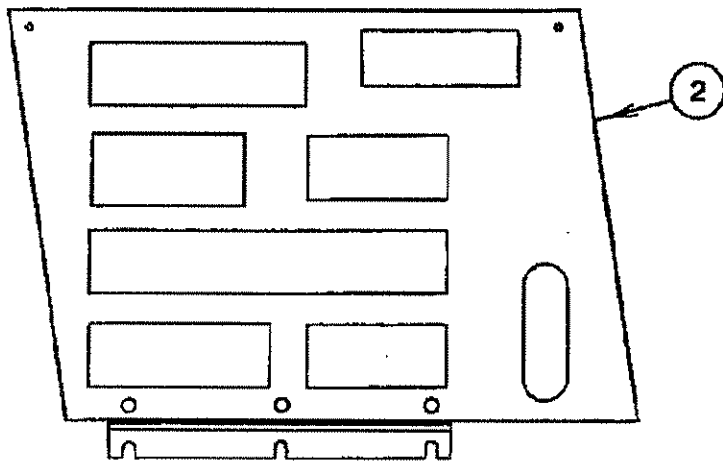
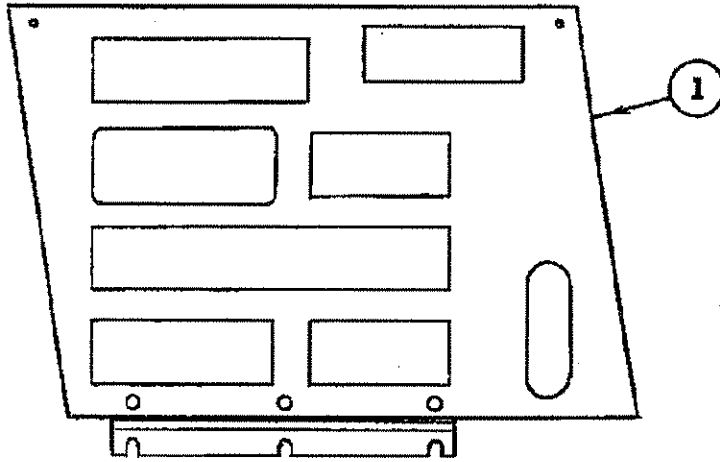
57007V3453-D

RHS Panel **V**= Rosewood Vinyl No Air Switch Opening **D**= D Panel Cut-outs

Panels made from real wood have an individual part number with no codes.
See the next page for available real wood RHS panels.

Note: in the drawing, the air switch openings are shown in dotted lines.

Specific BOMs listed: 4168-ALL



INSTRUMENT PANELS - RIGHT HAND SIDE PANEL

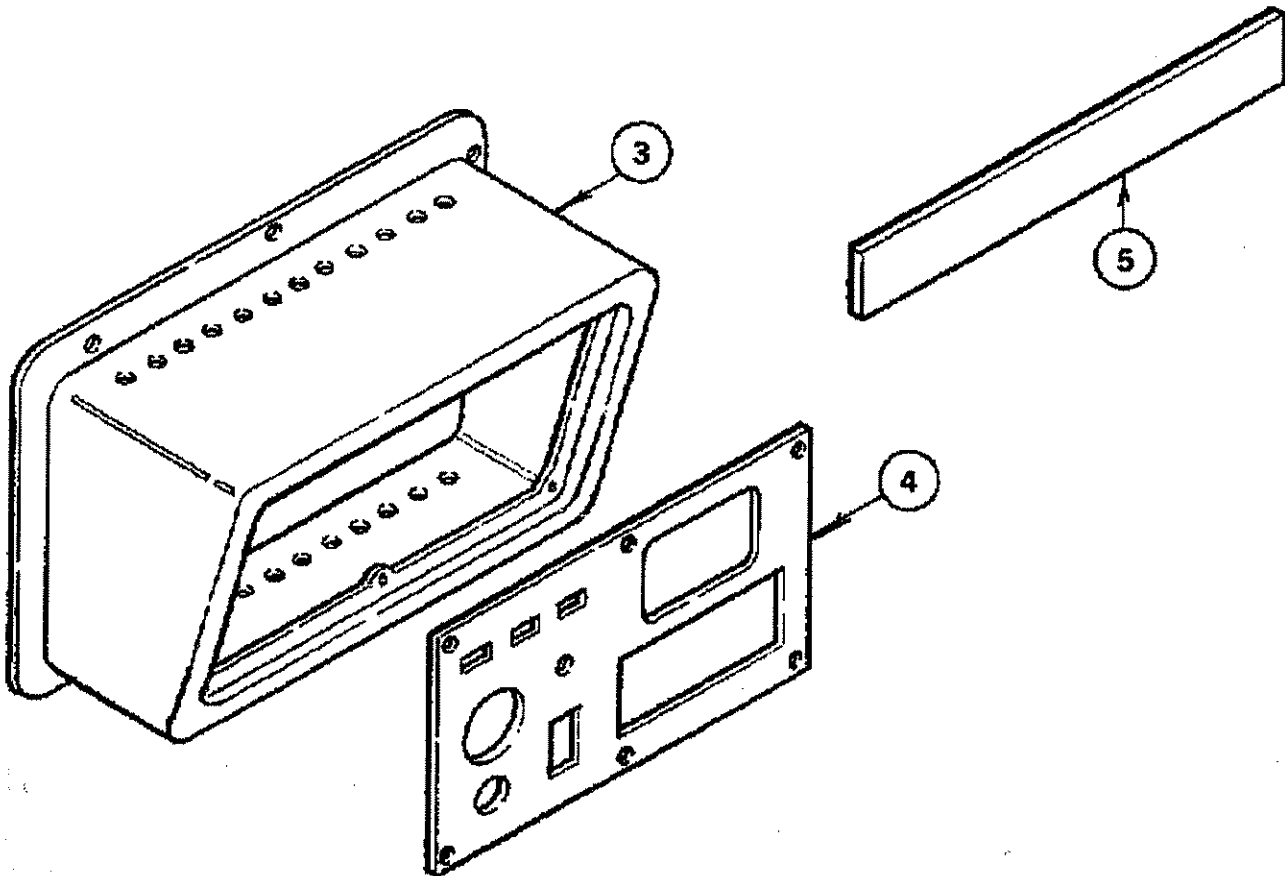
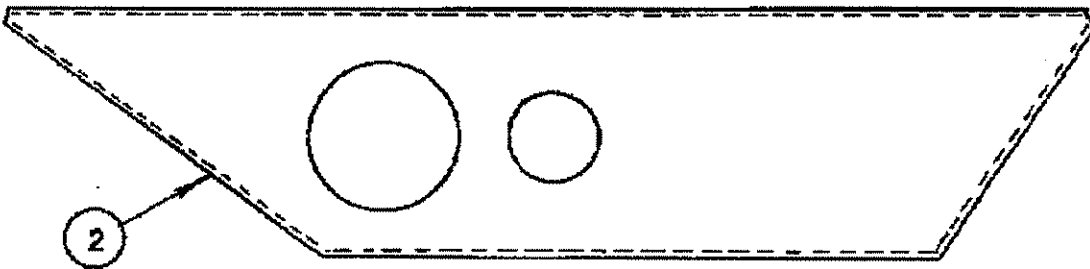
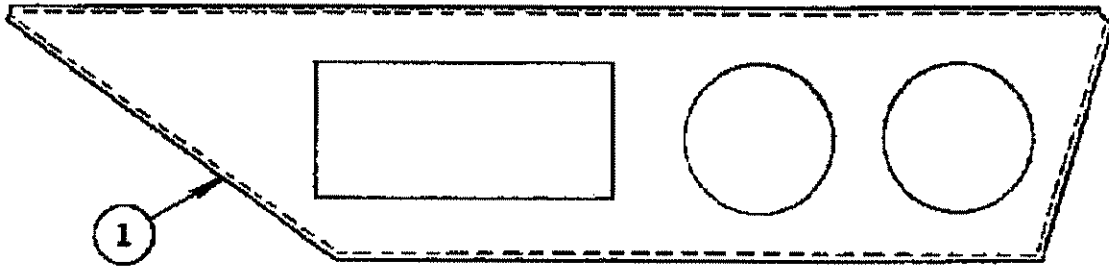
4168 - ALL

RHS Dash Panel

Item	Description	Part Number	Qty
1	Panel Assembly, Switches, Roadrelay, Real Wood	57007-3508	1
2	Panel Assembly, Switches, CAT Dis, Real Wood	57007-3509	1
3	Panel Assembly, Switches, Pro-driver, Real Wood	57007-3510	1

Panels made from real wood have all required cut-outs as shown in the drawing.

Specific BOMs listed: 4168-ALL



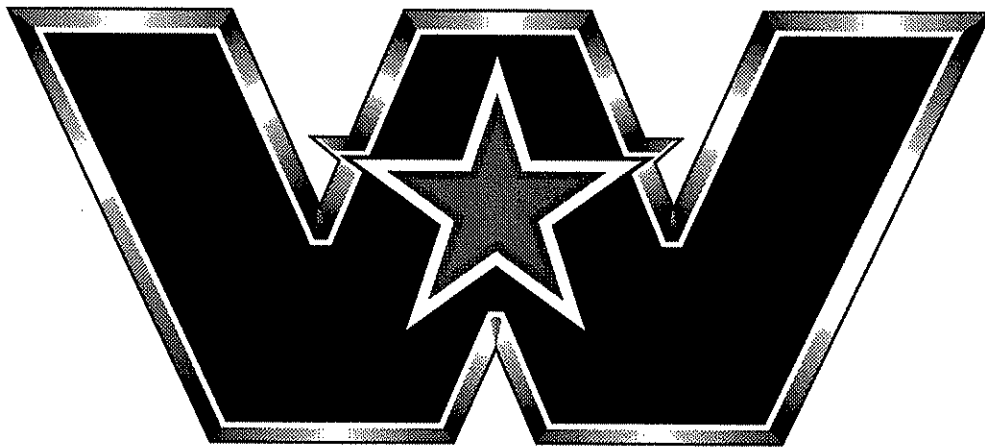
INSTRUMENT PANELS - AUXILIARY, SLEEPER & MISCELLANEOUS PANELS

4168 - ALL

Auxiliary Panel

Item	Description	Part Number	Qty
1	Auxiliary Panel, 4 Switches, 2 Gauges	57007-3526	1
2	Auxiliary Panel, Load Air Shocks	57007-3519	1
3	Housing, Instrument Sleeper	63314-3430	1
4	Panel, Sleeper Dash, Rosewood Vinyl, Basic	57007V3514	1
4	Panel, Sleeper Dash, Black Vinyl, Basic	57007A3514	1
4	Panel, Sleeper Dash, Real Wood, Basic	57007-3495	1
4	Panel, Sleeper Dash, Rosewood Vinyl, Clock Cutout	57007V3515	1
4	Panel, Sleeper Dash, Black Vinyl, Clock Cutout	57007A3515	1
4	Panel, Sleeper Dash, Rosewood Vinyl, Clock and Sleeper Start Cutouts	57007V3516	1
4	Panel, Sleeper Dash, Black Vinyl, Clock and Sleeper Start Cutouts	57007A35156	1
5	Trim, Dash Insert, Real Wood (above glove box)	57013-3412	1

Specific BOMs listed: 4168-ALL



WESTERN STAR TRUCKS®
The Preferred Choice™

TABLE OF CONTENTS

	Section	Page
Colour Codes	11.3.1	2-3
Upholstery	11.3.2	4-9
Molded Parts	11.3.3	10-13
Cab Lighting	11.3.4	14-15
Carpet and Floormats	11.3.5	16-19
Floor Covering Moldings	11.3.6	20-21

Note: This publication is a generic parts book. Components may vary with different applications. For applications other than listed below the parts listings see the appropriate Bill of Material by truck serial number and use this publication as a guide only.

CARPET COLOUR CODES

Carpets must be ordered with a corresponding colour code. On the truck microfiche it is listed in a second bill of material following the carpet pieces. When ordering replacement carpeting quote the colour code on your order in addition to the part number for the carpet. The colour codes for carpet are as follows:

Cambera Maroon, Dark Red	54030D3404AA
Shadow Blue, Blue	54030D3404AB
Dark Sable, Brown	54030D3404AC
Raven Black	54030D3404AD

Note: *The above numbers specify colour only.
Always confirm the colour code from the truck microfiche under Master Reference 4038 and quote the correct colour code along with your order.*

Specific BOMs listed: 4038-005-00/03

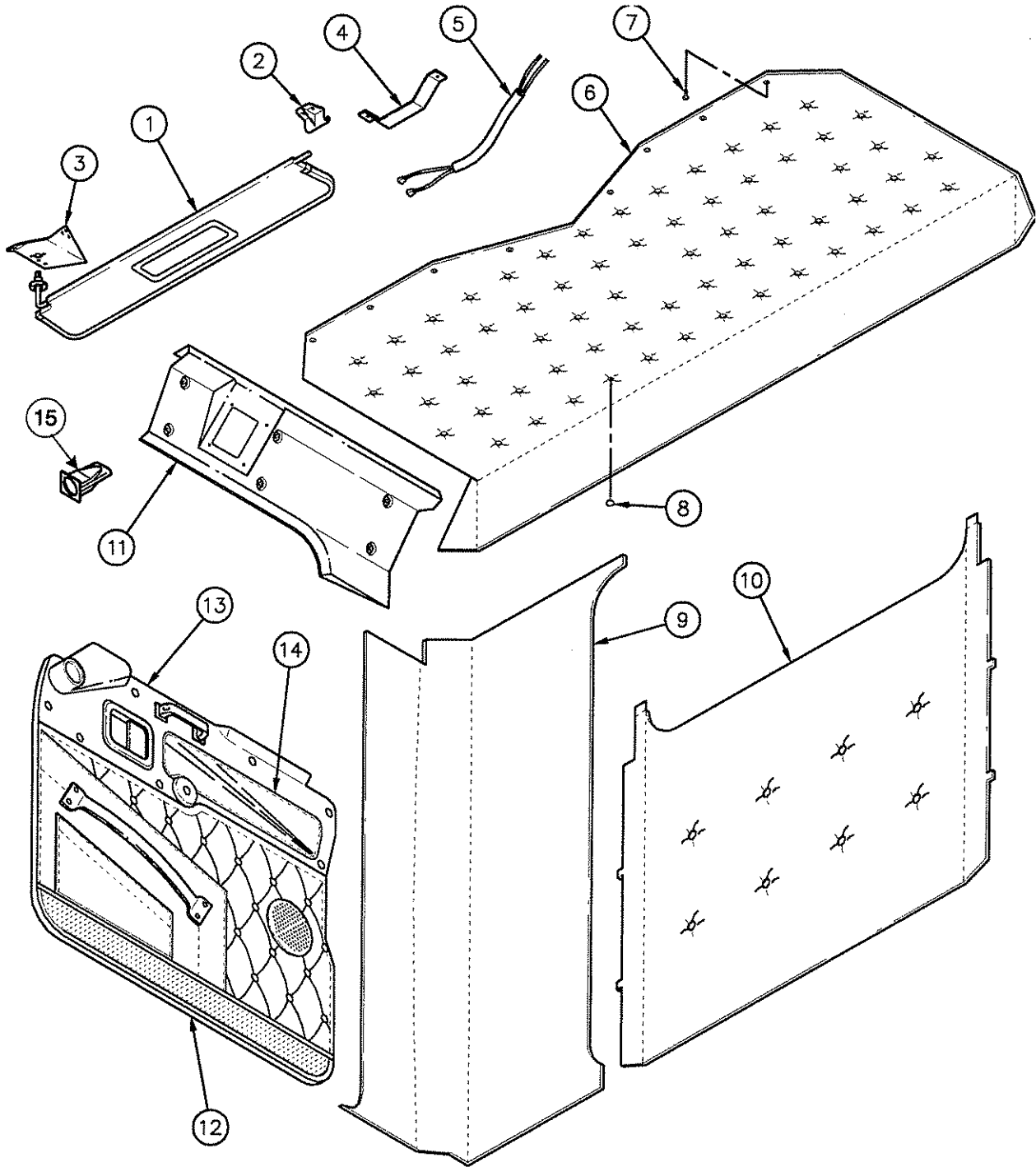
UPHOLSTERY COLOUR CODES

Upholstery must be ordered with a corresponding colour code. It is listed on the truck microfiche in a second bill of material following the upholstery pieces. When ordering replacement upholstery quote the colour code in addition to the part number for the upholstery. The colour codes for upholstery are as follows:

Dakota, Dark Red	54030M3404CA
Dakota, Blue	54030M3404CB
Dakota, Tan	54030M3404CC
Dakota, Grey	54030M3404CD
Mesa, Dark Red	54030M3404BA
Mesa, Blue	54030M3404BB
Mesa, Tan	54030M3404BC
Mesa, Grey	54030M3404BD
Phoenix, Dark Red	54030M3404AA
Phoenix, Blue	54030M3404AB
Phoenix, Tan	54030M3404AC
Phoenix, Grey	54030M3404AD

Note: *The above numbers specify colour only.
Always confirm the colour code from the truck microfiche under Master Reference 4098 and quote the correct colour code along with your order.*

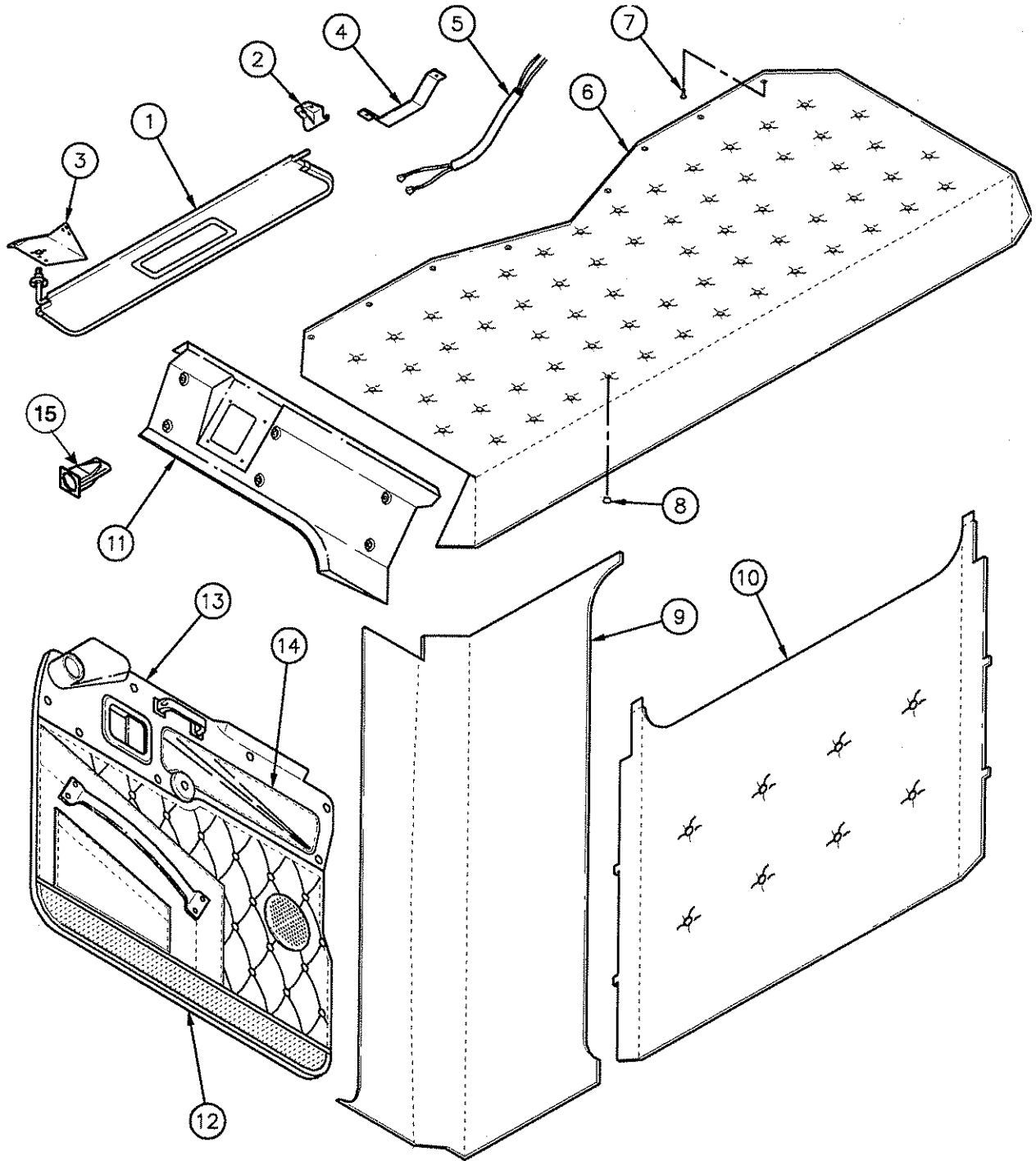
Specific BOMs listed: 4098-008-00/03, 4098-009-00/03, 4098-010-00/03



UPHOLSTERY

Item	Description	Part Number	Qty
1	Sunvisor, LH (obsolete August 1997)	54201-3423	1
1	Sunvisor, with Vanity LH (obsolete August 1997)	54201-3425	1
1	Sunvisor, with Vanity RH (obsolete August 1997)	54201-3426	1
1	Sunvisor, LH (See TSB 540 97WS001)	54201M3433BD	1
1	Sunvisor, with Vanity LH (See TSB 540 97WS001)	54201M3435BD	1
1	Sunvisor, RH (See TSB 540 97WS001)	54201M3434BD	1
1	Sunvisor, with Vanity RH (See TSB 540 97WS001)	54201M3436BD	1
2	Clip, Sunvisor Centre Support	54202-3420	1
3	Bracket, Sunvisor, RH	54202-3414	1
3	Bracket, Sunvisor, LH	54202-3413	1
4	Bracket, Sunvisor	54202-3415	1
5	Cable Assembly, Harness	W16AA-DC016LC1J	1
5	Cable Assembly, Harness	W16AA-DC016GD6P	1
5	Harness, Dual Vanity	87304-3407	1
6	Headliner, Dakota, Upholstery Panel	54001-3441	1
6	Headliner, Phoenix, Upholstery Panel	54001-3508	1
6	Headliner, Mesa, Upholstery Panel	54006-3481	1
7	Retainer, Headliner	54010-3404	AR
8	Button, Hampton Snap	54020-3419	AR
8	Button, Hampton Tack	54020-3418	AR
8	Button, Modura Snap	54020-3422	AR
8	Button, Modura Tack	54020-3421	AR
9	Rear Cab Wall, RH, Phoenix, with Sleeper	54003-3454	1
9	Rear Cab Wall, LH, Phoenix, with Sleeper	54003-3453	1
9	Rear Cab Wall, RH, Mesa, with Sleeper	54003-3438	1
9	Rear Cab Wall, LH, Mesa, with Sleeper	54003-3437	1
9	Rear Cab Wall, RH, Dakota, with Sleeper	54003-3452	1
9	Rear Cab Wall, LH, Dakota, with Sleeper	54003-3451	1
9	Rear Cab Wall, RH, Phoenix, w/o Sleeper	54003-3447	1
9	Rear Cab Wall, LH, Phoenix, w/o Sleeper	54003-3446	1
9	Rear Cab Wall, RH, Mesa, w/o Sleeper	54003-3480	1
9	Rear Cab Wall, LH, Mesa, w/o Sleeper	54003-3479	1
9	Rear Cab Wall, RH, Dakota, w/o Sleeper	54003-3440	1
9	Rear Cab Wall, LH, Dakota, w/o Sleeper	54003-3439	1
10	Rear Cab Wall, Upholstery, Dakota	54003-3441	1
10	Rear Cab Wall, Upholstery, Phoenix	54003-3445	1

*Specific BOMs listed: 4098-001-00/01, 4098-002-00/03, 4098-004-00/03, 4098-005-00/03
4098-006-00/03, 4098-007-00/03, 4098-011-00/03*



UPHOLSTERY (CONTINUED)

Item	Description	Part Number	Qty
10	Rear Cab Wall, Upholstery, Mesa	54006-3482	1
11	Cantrail Trim, LH	54012-3411	1
11	Cantrail Trim, RH	54012-3412	1
12	Door Panel, RH, Dakota	53301-3548	1
12	Door Panel, LH, Dakota	53301-3549	1
12	Door Panel, RH, Dakota with Visibility Window	53301-3565	1
12	Door Panel, LH, Phoenix	53301-3556	1
12	Door Panel, RH, Phoenix	53301-3557	1
12	Door Panel, RH, Phoenix with Visibility Window	53301-3569	1
12	Door Panel, LH, Mesa	53301-3553	1
12	Door Panel, RH, Mesa	53301-3552	1
12	Door Panel, RH, Mesa with Visibility Window	53301-3567	1
13	Door Capping Assembly, LH hard	54012-3417	1
13	Door Capping Assembly, RH hard	54012-3418	1
13	Door Capping Assembly, LH soft touch	54012-3425	1
13	Door Capping Assembly, RH soft touch	54012-3426	1
14	Insert , Door Cap, LH	53301-3562	1
14	Insert , Door Cap, RH	53301-3563	1
15	Nutsert, Panels	4025-3402	1

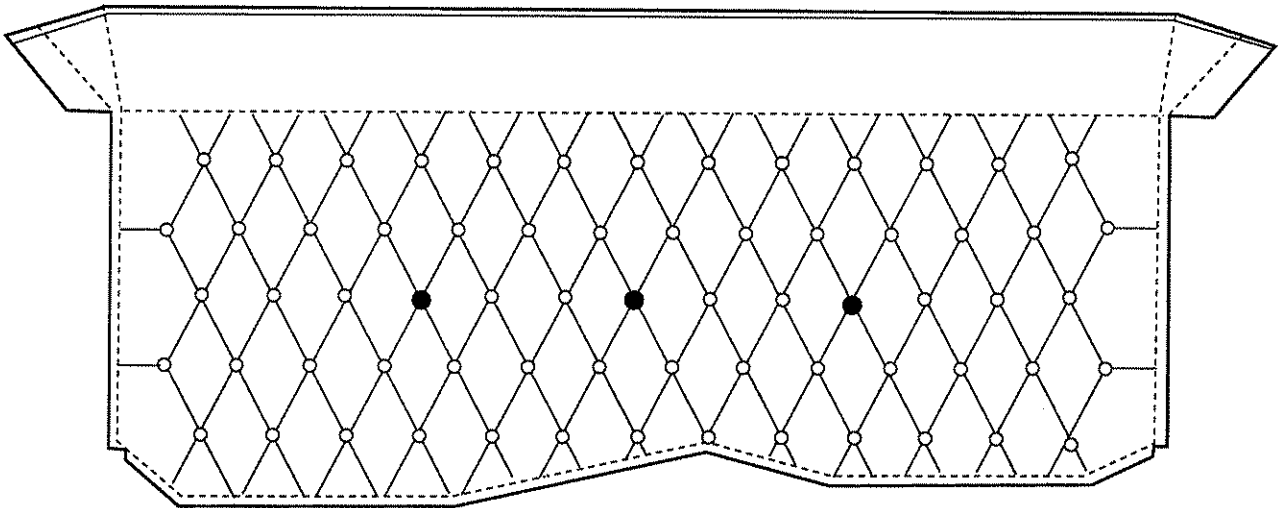
Specific BOMs listed: 4098-001-00/01, 4098-002-00/03, 4098-004-00/03, 4098-005-00/03
4098-006-00/03, 4098-007-00/03, 4098-011-00/03

UPHOLSTERY SNAP BUTTON LOCATIONS

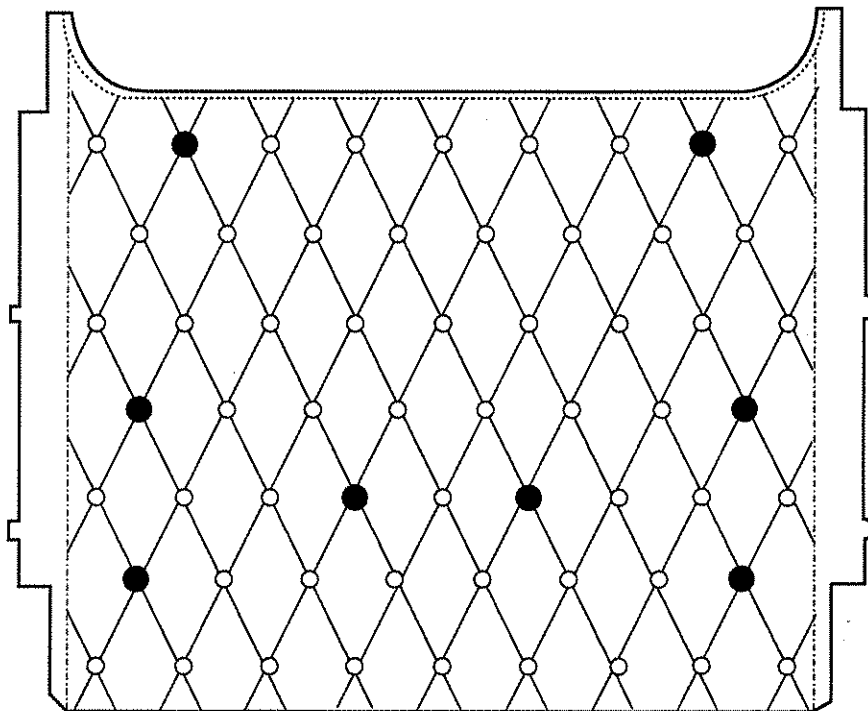
Snap buttons are used to hide the upholstery screws used to attach the upholstery panels. The following sketches show the location of the snap buttons for removal of the upholstery panels.

● = location of snap button.

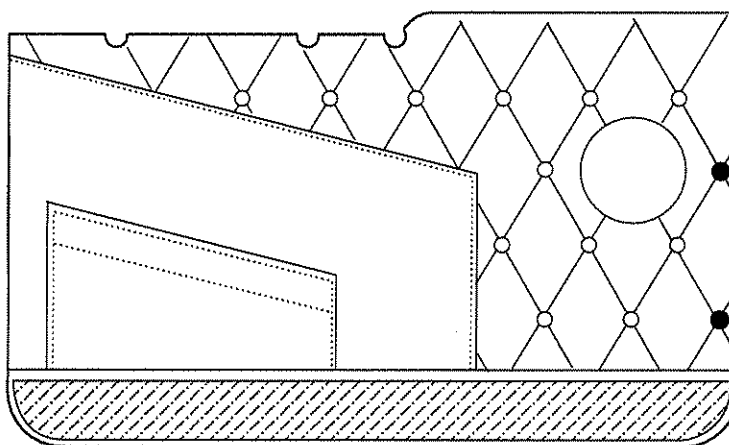
Item	Description	Part Number
-	Snap Button	54020-3419



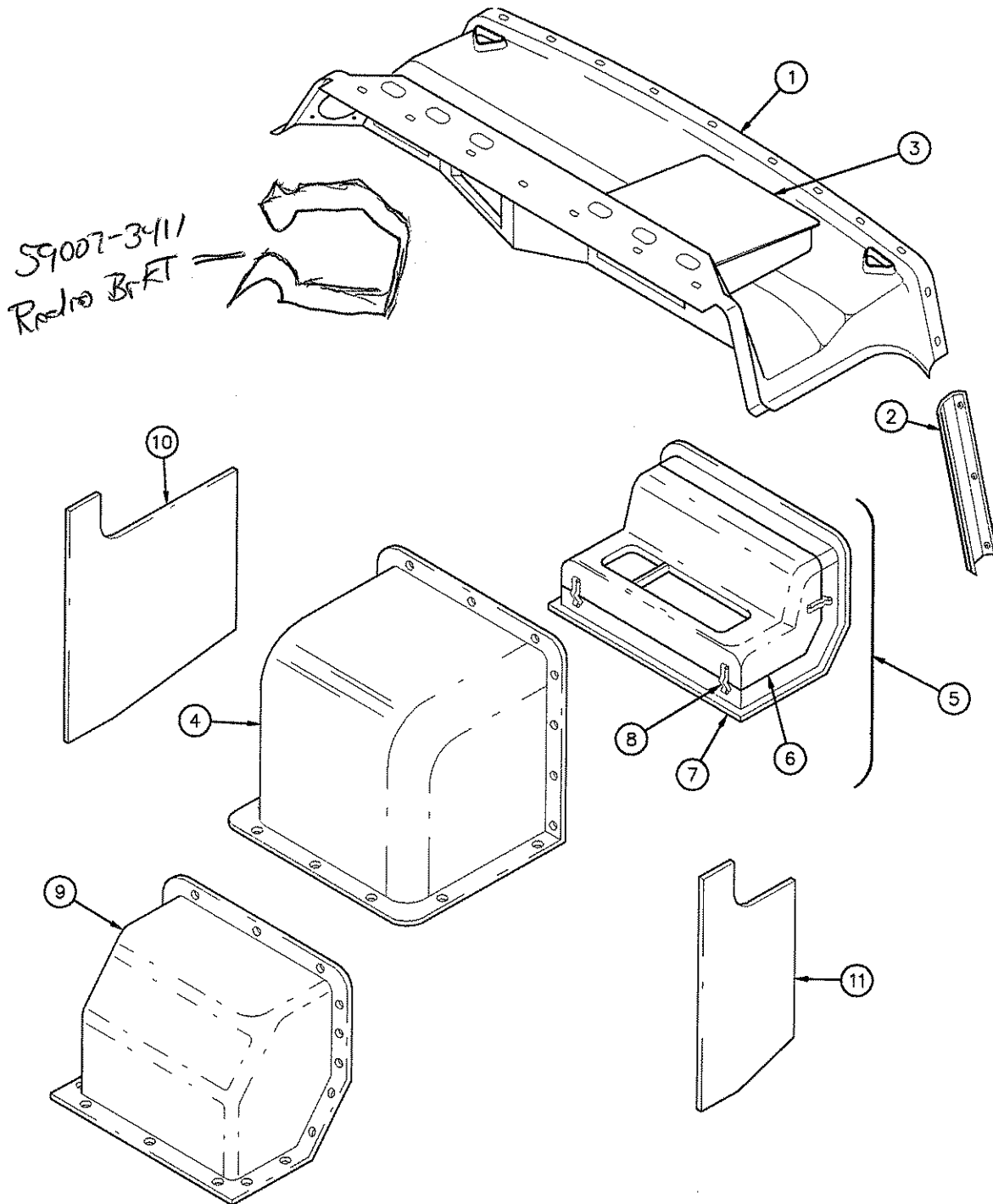
Item	Description	Part Number
8	Headliner, Mesa	54001-3513
8	Headliner, Phoenix	54001-3514



Item	Description	Part Number
10	Rear Cab Panel, Mesa	54006-3482
10	Rear Cab Panel, Phoenix	54003-3445



Item	Description	Part Number
12	RH Door Panel, Mesa	53301-3552
12	LH Door Panel, Mesa	53301-3553
12	RH Door Panel, Phoenix	53301-3556
12	LH Door Panel, Phoenix	53301-3557

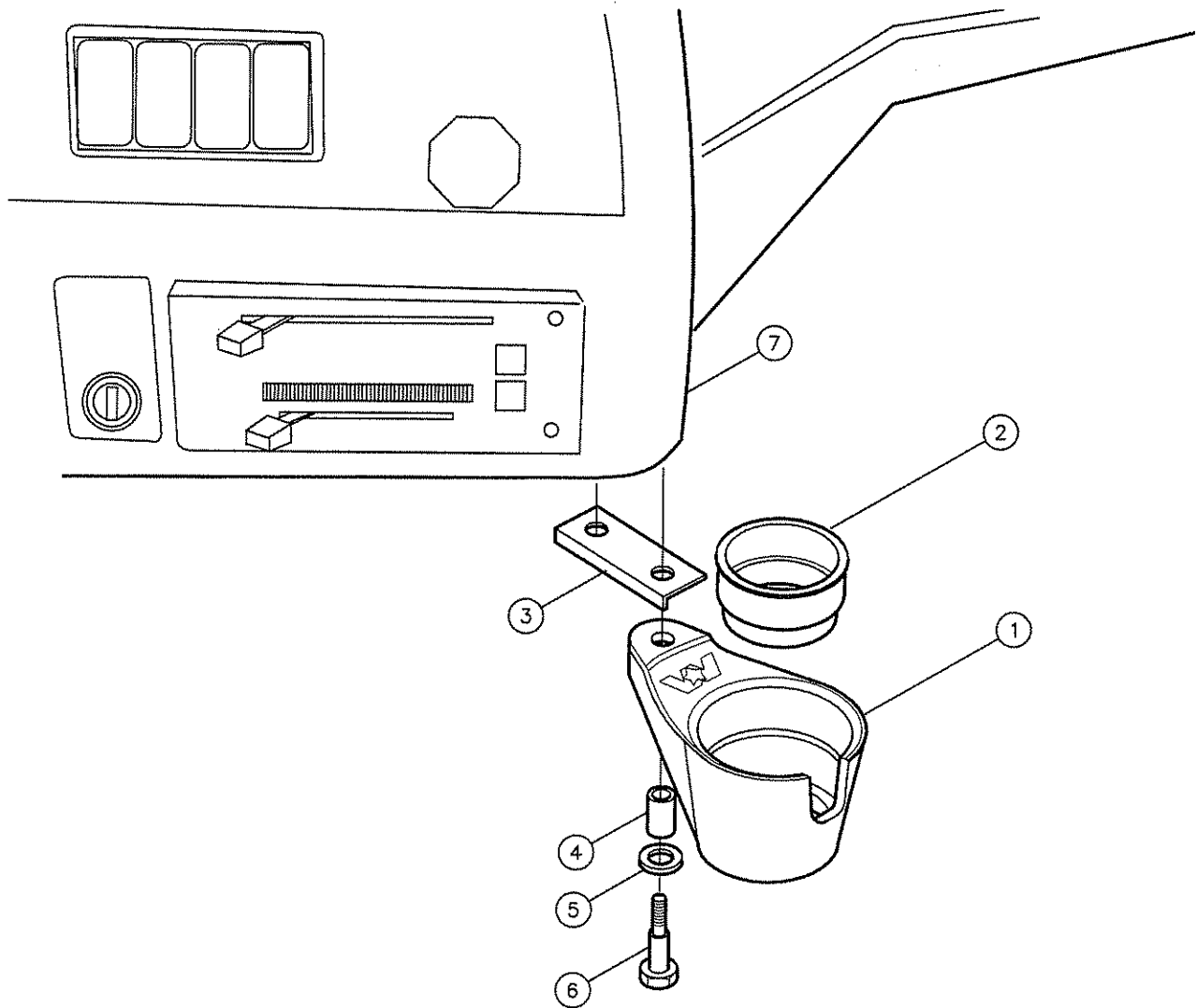


MOLDED PARTS

Item	Description	Light	Radio	Webasto	Finish	Part Number
1	Overhead Console	x	x		Hard	54012-3467
1	Overhead Console	x	x		Soft	54012-3468
1	Overhead Console		x		Hard	54012-3469
1	Overhead Console		x		Soft	54012-3470
1	Overhead Console	x			Hard	54012-3471
1	Overhead Console	x			Soft	54012-3472
1	Overhead Console				Hard	54012-3473
1	Overhead Console				Soft	54012-3474
1	Overhead Console	x	x	x	Hard	54012-3475
1	Overhead Console	x	x	x	Soft	54012-3481
1	Overhead Console		x	x	Hard	54012-3478
1	Overhead Console		x	x	Soft	54012-3482

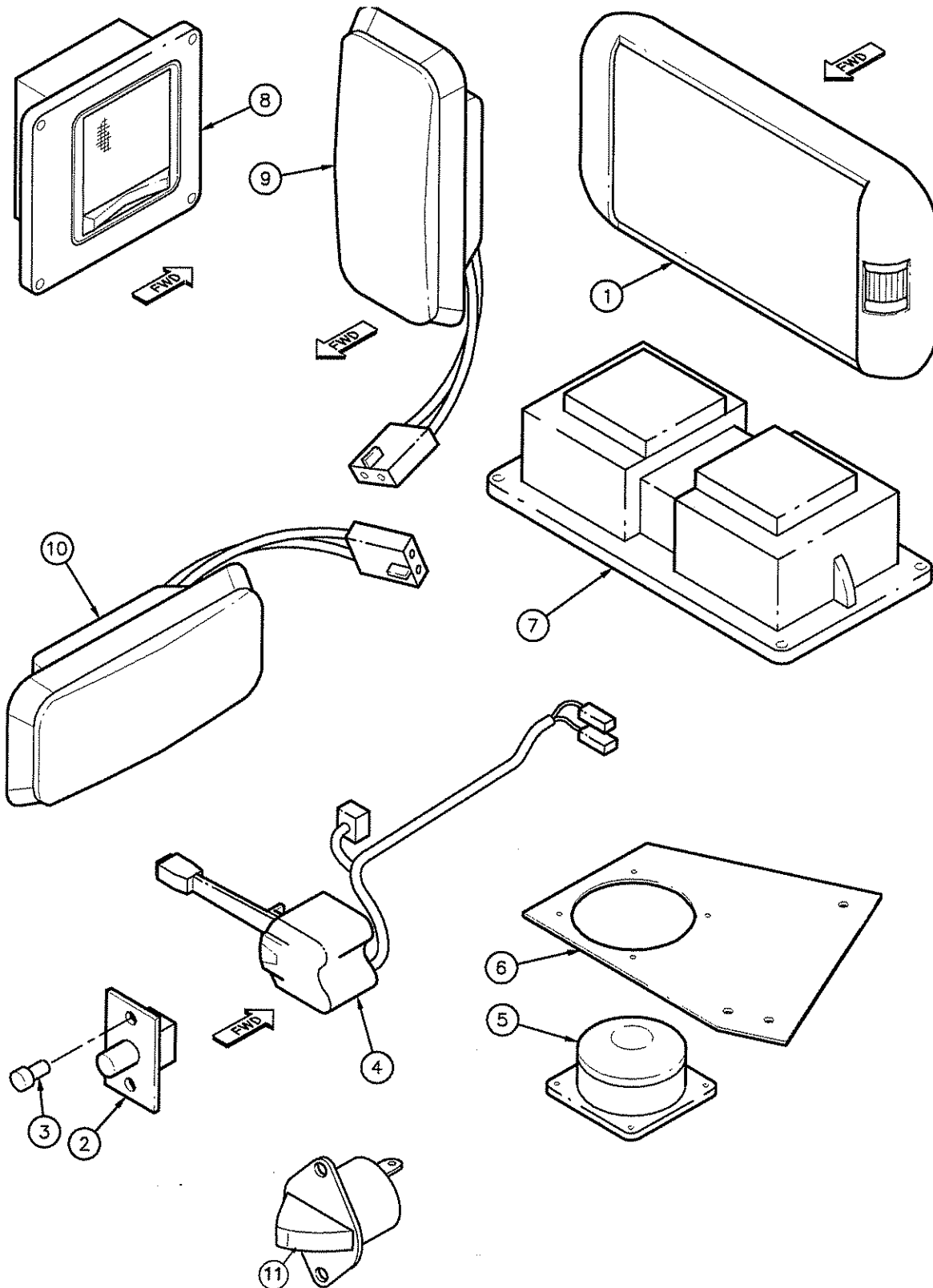
Item	Description	Part Number	Qty
2	Post Trim, LH Hard	54012-3409	1
2	Post Trim, LH Soft Touch	54012-3419	1
2	Post Trim, RH Hard	54012-3410	1
2	Post Trim, RH Soft Touch	54012-3420	1
3	Map Pocket Assembly	54012-3407	1
4	Engine Cover, 49/59 Models	53001-3440	1
-	Bracket, Engine Cover	632620	1
5	Engine Cover Assembly, 48/58 Big Block	53001-3438	1
6	Top, Engine Cover	53006-3458	1
7	Base, Engine Cover	53006-3457	1
8	Latch Assembly, Keeper	53006-3449	4
9	Engine Cover, 48/49 Small Block	53001-3437	1
10	Kick Panel, LH	54002-3414	1
11	Kick Panel, RH	54002-3415	1

Specific BOMs listed: 4019-002-00/02, 4098-001-00/01, 4098-002-00/03, 4098-003-00/11, 4098-004-00/03, 4098-005-00/03, 4098-006-00/03, 4098-007-00/03, 4098-011-00/03



MOLDED PARTS - CUPHOLDER

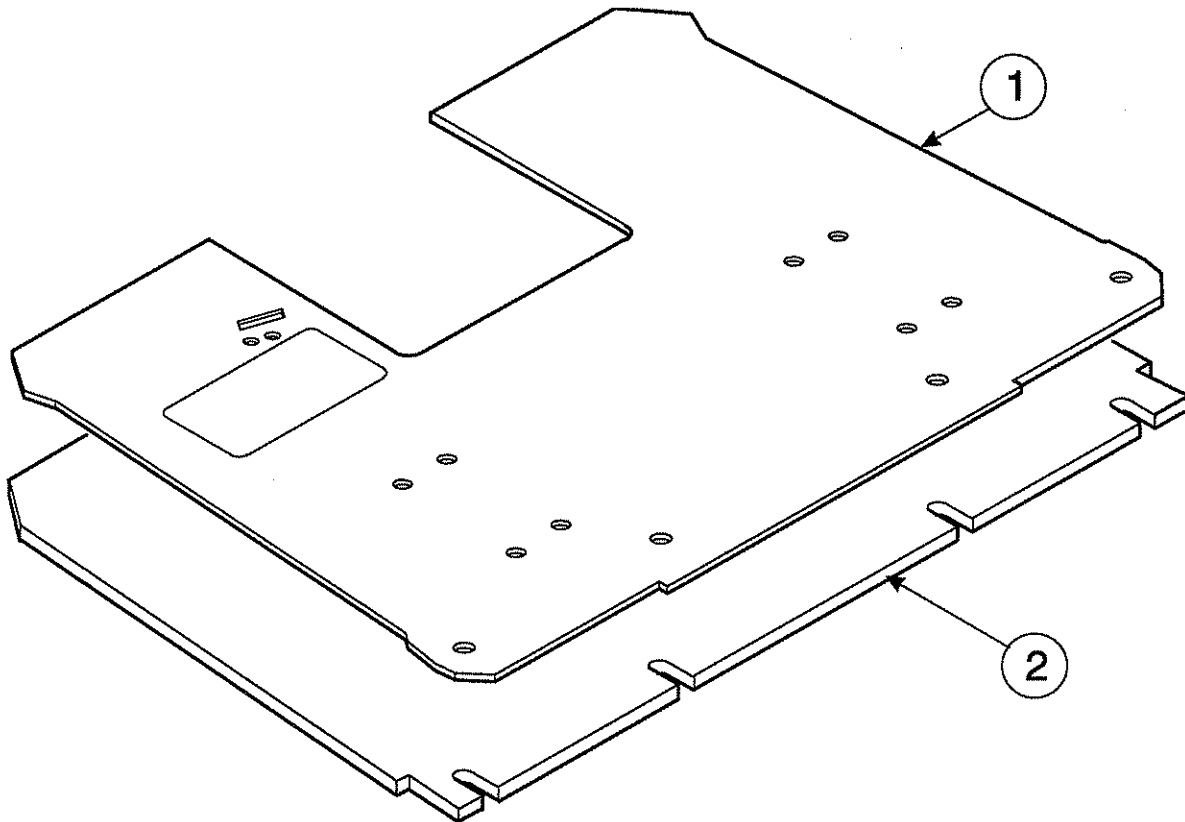
Item	Description	Part Number	Qty
1	Cup Holder	54401-3409	1
2	Insert, Cup Holder	54401-3412	1
3	Mounting Bracket, Cup Holder	54401-3413	1
4	Spacer, Nylon	4007-3464	1
5	Washer Hard 3/8 x .74x.10		
6	Bolt, Hex 5ANF .25-28x1.5		
7	Nut, El. Stop .25-20UNC 3		



CAB LIGHTING

Item	Description	Part Number	Qty
1	Dome Lamp, Interior	86401-3417	1
2	Door Switch (obsolete July 97)	86403-0002	2
2	Door Switch (see TSB 612 97WS001)	86403-3403	AR
-	Spacer, door switch (see TSB 612 97WS001)	86405-3404	AR
3	Screw, #8-18 x 1	4015-3409	4
4	Turn Signal, Switch, HD199	84401-3429	1
4	Turn Signal, Switch, Chrome	84101-3463	1
5	Floor Lamp	86401-3420	1
6	Bracket, Floor Lamp	57004-3423	1
7	Reading Lamp, Double	86401-3419	1
8	Reading Lamp, Single	86401-3418	2
9	Courtesy Lamp, Sleeper	86401-3421	2
10	Courtesy Lamp, Cab Door	86401-3421	2
11	Door Switch (after July 97)	86403-3402	2

Specific BOMs listed: 3208-002-01/03, 3268-001-01/02

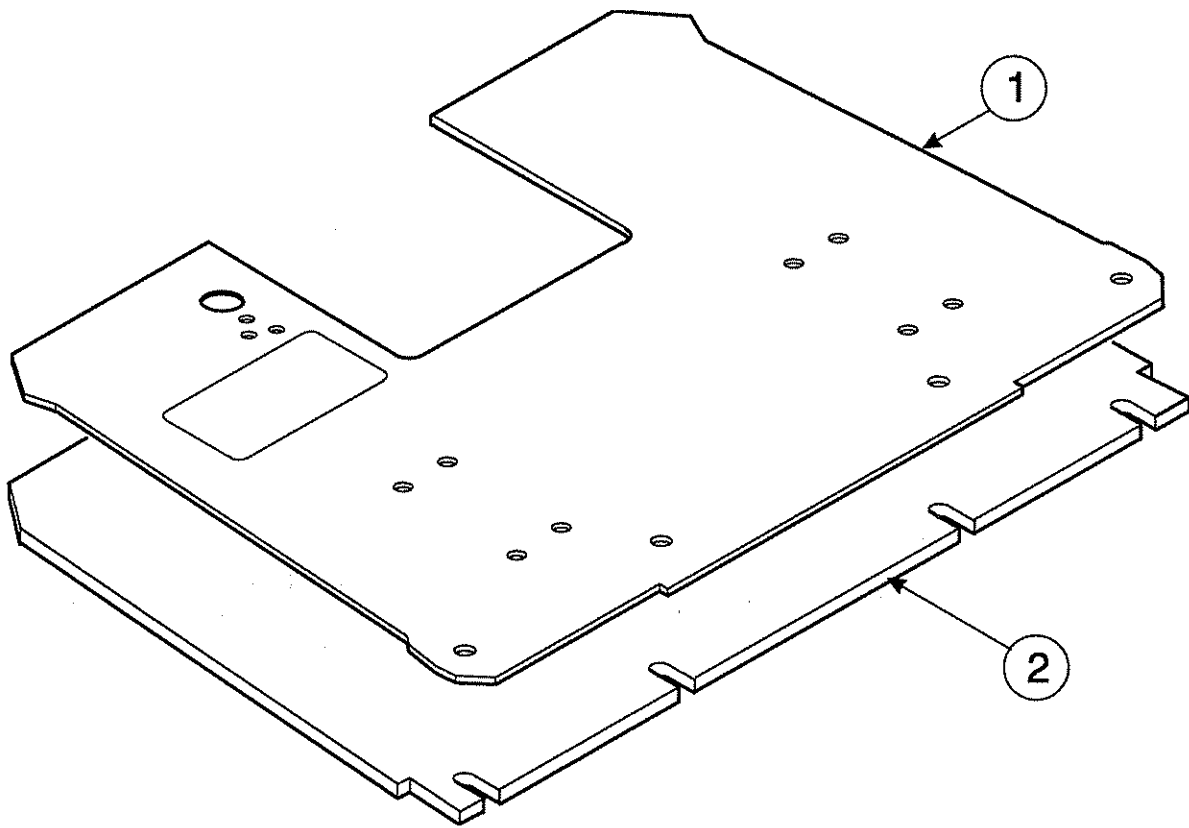


FLOOR COVERINGS WITH CUTOUTS FOR ELECTRONIC THROTTLE

Item	Description	Part Number	Qty
1	Floormat, 48/58, Big Bore Engines	53601-3442	1
1	Floormat, 48/58, Small Bore Engines	53601-3441	1
1	Floormat 49/59, all except EX	53601-3440	1
1	Floormat, 4900EX	53601-3457	1
1	Carpet, 48/58, Big Bore Engines	53603-3459	1
1	Carpet, 48/58, Small Bore Engines	53603-3457	1
1	Carpet, 49/59, all except EX	53603-3456	1
1	Carpet, 4900EX	53603-3464	1
2	Underlay, 48/58, Big Bore Engines	53605-3423	1
2	Underlay, 48/58, Small Bore Engines	53605-3422	1
2	Underlay, 49/59, all except EX	53605-3421	1
2	Underlay, 4900EX	53605-3449	1

*Floor Mat with sub to 53601-3526
Blank Floormat
Put to fit.*

Specific BOMs listed: 4038-001-00, 4038-001-02, 4038-002-00, 4038-002-02, 4038-003-00, 4038-003-02, 4038-004-00, 4038-004-02

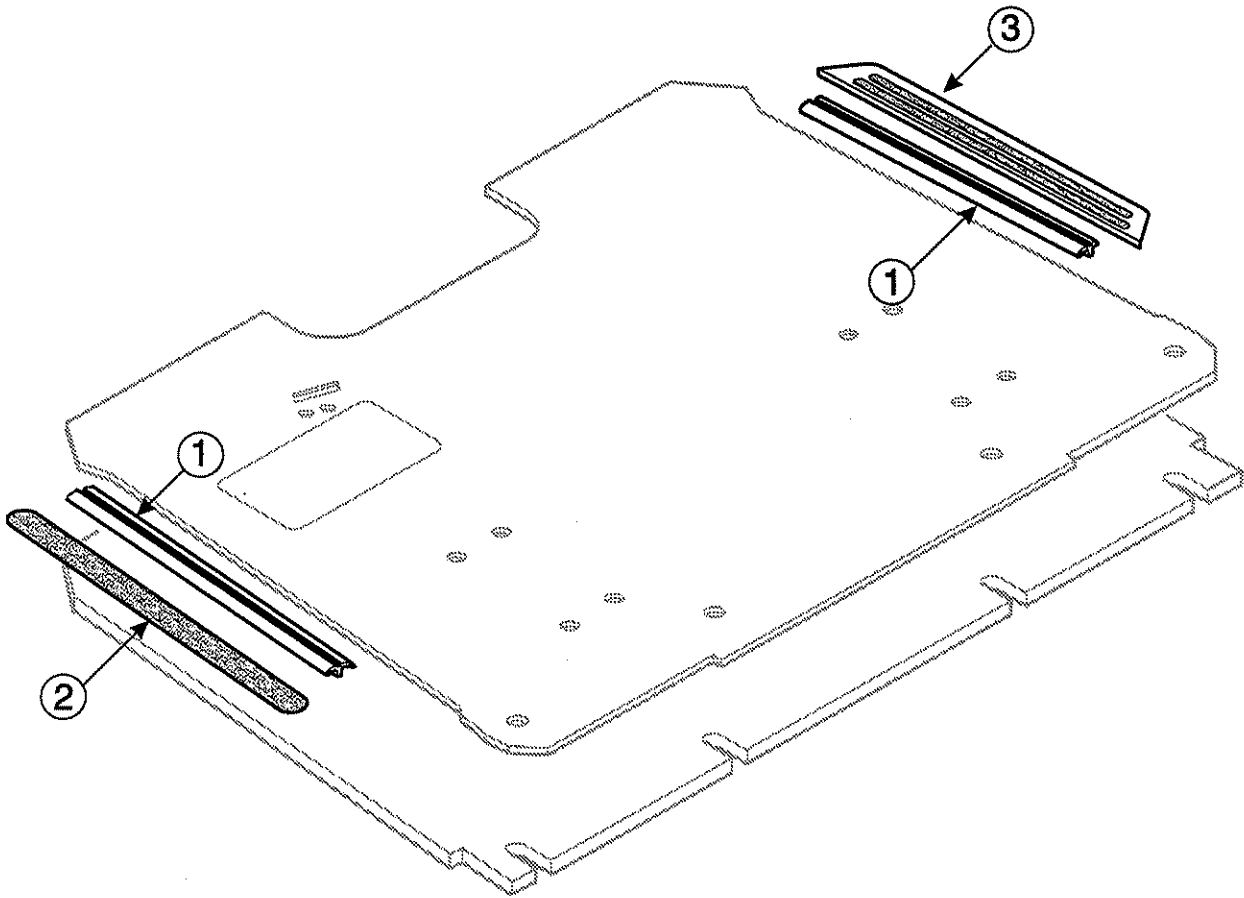


FLOOR COVERINGS WITH CUTOUTS FOR MECHANICAL THROTTLE

Item	Description	Part Number	Qty
1	Floormat, 48/58, Big Bore Engines	53601-3451	1
1	Floormat, 48/58, Small Bore Engines	53601-3450	1
1	Floormat, 49/59 except EX	53601-3449	1
1	Floormat, 49 EX	53601-3458	1
1	Carpet, 48/58, Big Bore Engines	53603-3462	1
1	Carpet, 48/58, Small Bore Engines	53603-3461	1
1	Carpet, 49/59 except EX	53603-3460	1
1	Carpet, 49 EX	53603-3465	1
2	Underlay, 48/58, Big Bore Engines	53605-3423	1
2	Underlay, 48/58, Small Bore Engines	53605-3422	1
2	Underlay, 49/59 except EX	53605-3421	1
2	Underlay, 49 EX	53605-3449	1

*Floormat will fit ALK
53601-3526
Blank Floormat
will have to cut
shorter
throttle
seats*

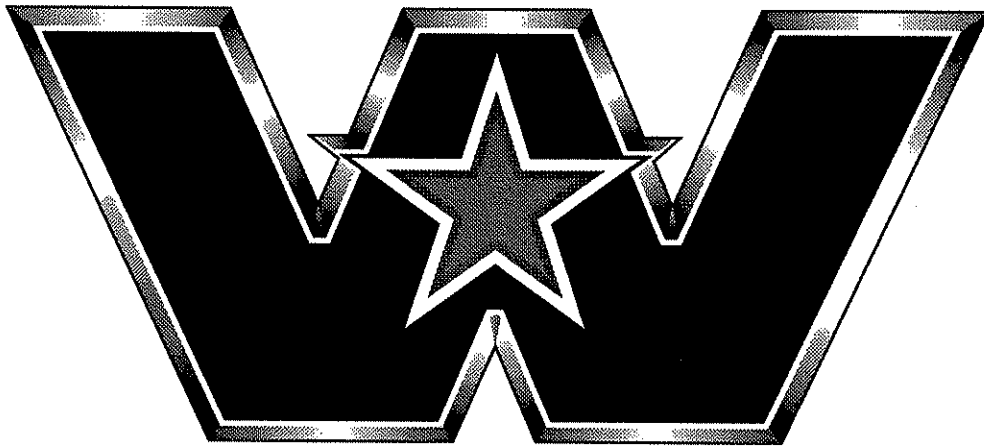
Specific BOMs listed: 4038-001-01, 4038-001-03, 4038-002-01, 4038-002-03, 4038-003-01, 4038-003-03, 4038-004-01, 4038-004-03



CAB FLOOR COVERING MOLDINGS

Item	Description	Part Number	Qty
1	Molding, Black	54015-3417	2
1	Moulding, Polished Aluminum	54015-3419	2
2	Antislip	54015-3416	2
3	Stainless Steel Scuff Plate	54015-3420	2

Specific BOMs listed: 4038-006-00/03



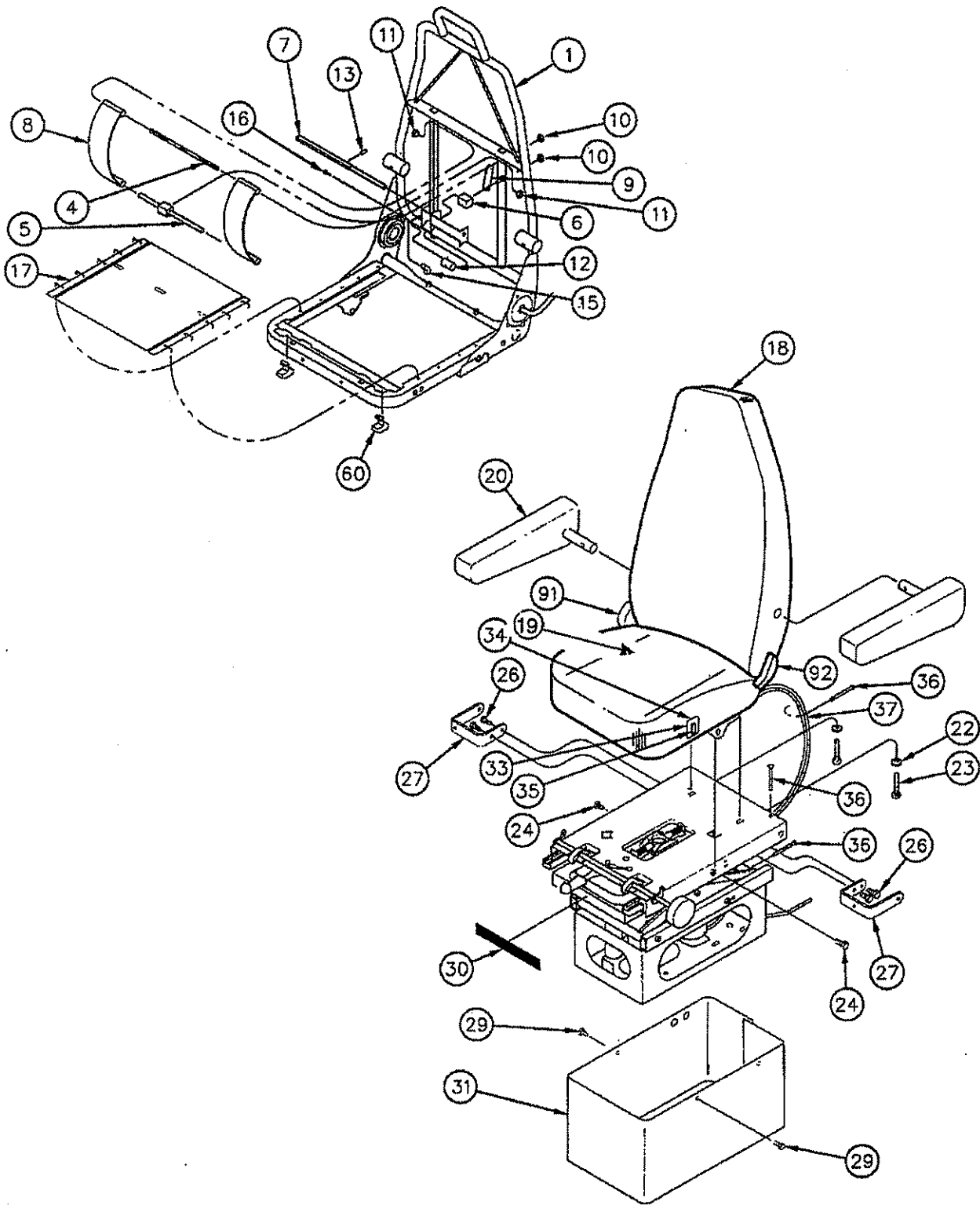
WESTERN STAR TRUCKS®
The Preferred Choice™

TABLE OF CONTENTS

	Section	Page
Bostrom Talladega 915	11.4.1	2-5
Bostrom Talladega LSO	11.4.2	6-9
National Cush-N-Aire Tubular Seats	11.4.3	10-11
National Cush-N-Aire Intermediate Back Seats	11.4.4	12-13
National Cush-N-Aire Hi Back Seats	11.4.5	14-15
National Cush-N-Aire 20" Seat Breakdown	11.4.6	16-17
National Cush-N-Aire Air Lumbar Breakdown	11.4.7	18-19
31" Box Style Seats	11.4.8	20-21

Note 1: National Cush-N-Aire tan upholstery had a color change during May of 1997. To ensure a correct color match when ordering replacement upholstery for tan seats, always quote the serial number of the seat.

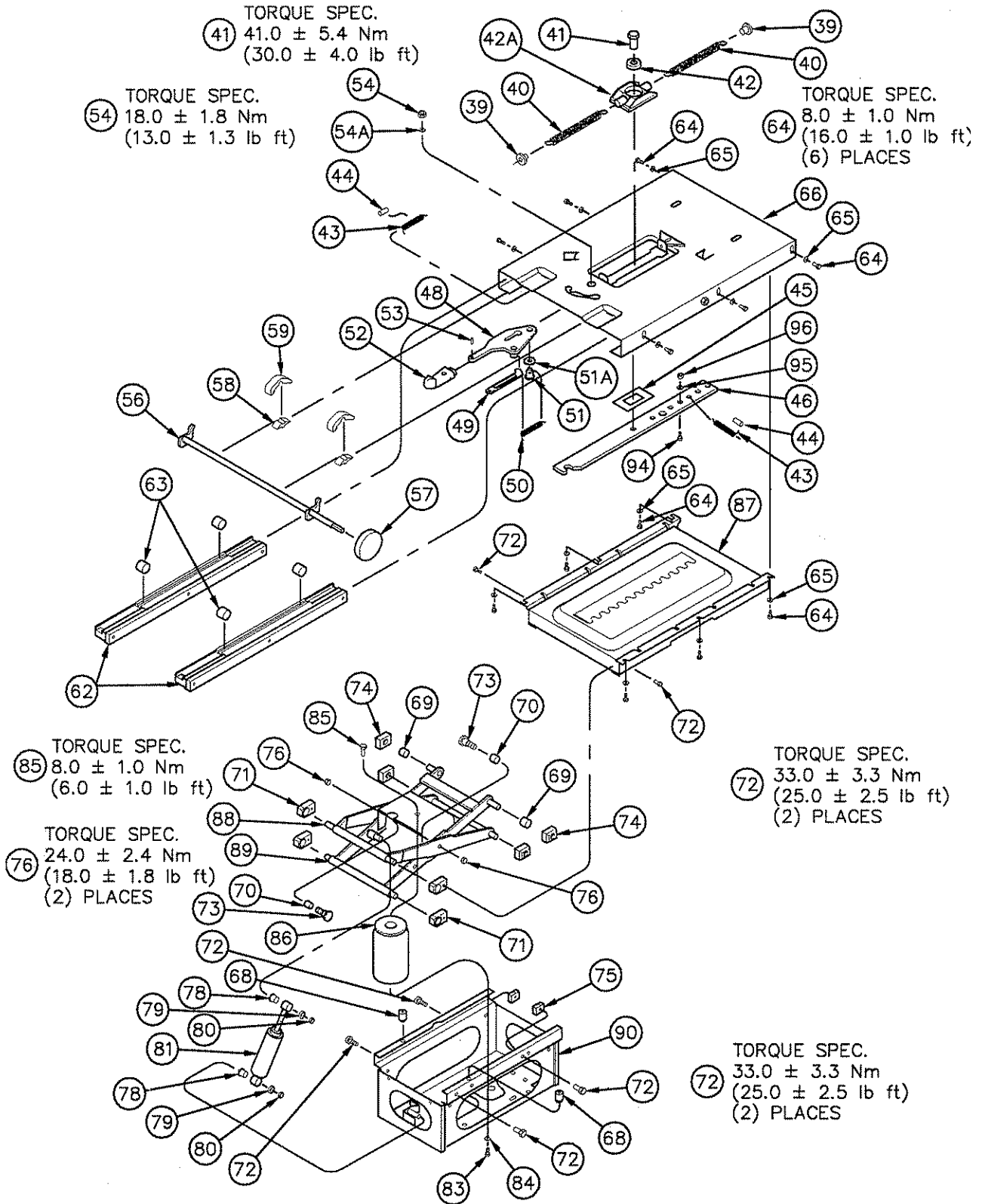
Note: This publication is a generic parts book. Components may vary with different applications. For applications other than listed below the parts listings see the appropriate Bill of Material by truck serial number and use this publication as a guide only.



BOSTROM TALLADEGA 915 SEAT BREAKDOWN

Item	Description	Bostrom P/N
18	Intermediate Back Cushion, Untrimmed	6200827-001
18	Hi-Back Cushion, Untrimmed	6200762-001
19	Seat Cushion, Untrimmed	6201089-001
	Seat, Talladega 915 High Back, Maroon	1239002-553
	Seat, Talladega 915 Intermediate Back, Maroon	1239001-553
18	Intermediate Back Cover Maroon	6235226-553
18	High Back Cover Maroon	6235225-553
19	Seat Cover Maroon (Air valve located in suspension)	6235122-553
19	Seat Cover Maroon (Air valve located in seat)	6235120-553
	Seat, Talladega 915 High Back, Blue	1239002-554
	Seat, Talladega 915 Intermediate Back, Blue	1239001-554
18	Intermediate Back Cover Blue	6235226-554
18	High Back Cover Blue	6235225-554
19	Seat Cover Blue (Air valve located in suspension)	6235122-554
19	Seat Cover Blue (Air valve located in seat)	6235120-554
	Seat, Talladega 915 High Back, Tan	1239002-776
	Seat, Talladega 915 Intermediate Back, Tan	1239001-776
18	Intermediate Back Cover Tan	6235226-776
18	High Back Cover Tan	6235225-776
19	Seat Cover Tan (Air valve located in suspension)	6235122-776
19	Seat Cover Tan (Air valve located in seat)	6235120-776
	Seat, Talladega 915 High Back, Grey	1239002-552
	Seat, Talladega 915 Intermediate Back, Grey	1239001-552
18	Intermediate Back Cover Grey	6235226-552
18	High Back Cover Grey	6235225-552
19	Seat Cover Grey (Air valve located in suspension)	6235122-552
19	Seat Cover Grey (Air valve located in seat)	6235120-552
Item	Description	Bostrom P/N
-	Retrofit Kit, to move air valve from seat to suspension	6222145-001

Specific BOMs listed: 4118-002-03/04, 4118-006-00/01, 4118-010-00/03, 4118-017-00/02, 4118-019-00/02

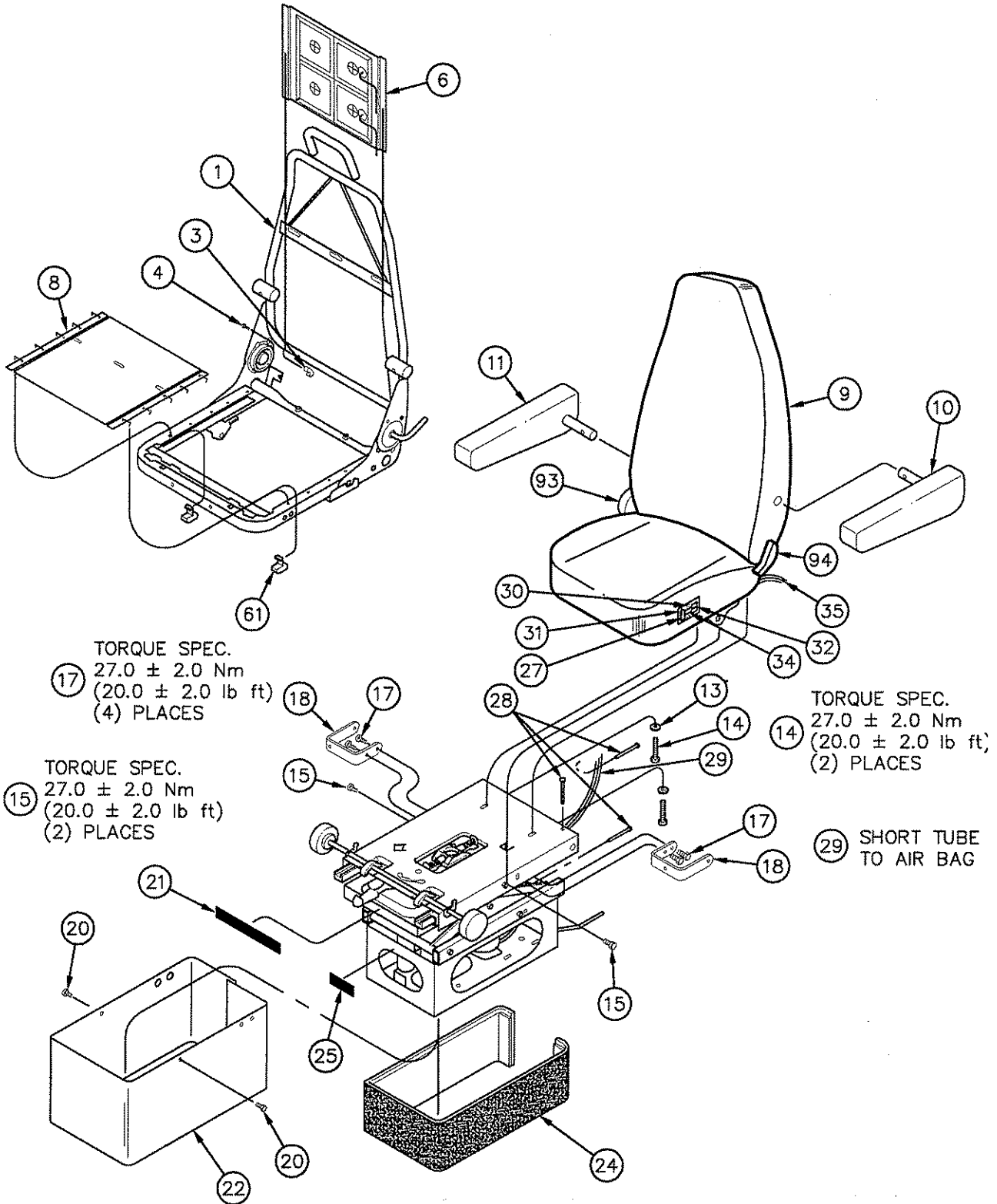


BOSTROM TALLADEGA 915 SEAT BREAKDOWN (CONTINUED)

ARMRESTS (See illustration page 2)

Item	Description	Bostrom P/N
20	Armrest, Untrimmed	1234231-001
20	Armrest, Trimmed, RH/LH, Maroon Armrest Cover, Maroon	1234231-553 6235502-553
20	Armrest, Trimmed RH/LH, Blue Armrest Cover, Blue	1234231-554 6235502-554
20	Armrest, Trimmed RH/LH, Tan Armrest Cover, Tan	1234231-776 6235502-776
20	Armrest, Trimmed RH/LH, Grey Armrest Cover, Grey	1234231-552 6235502-552

Item	Description	Bostrom P/N
1	Frame Assembly, Hi Back	6200906-001
2	Frame Assembly, Intermediate Back	6200908-001
3	Lumbar Kit, Includes 4-13	6222137-001
14	Back Restriction Kit, Includes 15-16	6107030-001
17	Seat Foam Support	6200896-001
21	Kit Fasteners Seat Mountings, Includes 22-24	6222007-001
25	ICP Bracket Kit, Includes 26-31	6222005-001 1
32	Air Valve Kit, Includes 33-37	6222136-001 1
38	Isolator Spring Kit, Includes 39-46	6222133-001 1
47	Control Handle Kit, Includes 48-54	6222134-001 1
55	Seat Tilt Kit, Includes 56-60 (see p.2 for #60)	6222135-001 1
61	Guide Assembly Kit, Includes 62-65	6222132-001 1
66	Isolator Assembly	6200641-001 1
67	Suspension Hardware Kit, Includes 68-76	6222076-001 1
77	High Profile Damper Kit	6222067-001 1
77	High Profile Heavy Duty Damper Kit, Inc. 78-82	6222144-001 1
82	Air Spring Kit, Includes 83-86	6222086-001 1
87	Upper Plate Weldment	6200640-001 1
88	Outer Lever Assembly	6065662-001 1
89	Inner Lever Assembly	6200095-001 1
90	Riser	6200061-001 1
91	Knob (see illustration page 2)	6200413-001 1
92	Recliner Handle (see illustration page 2)	6200935-001 1
93	Fore/Aft Adjust Restriction Kit, Includes 94 - 96	6222138-001 1



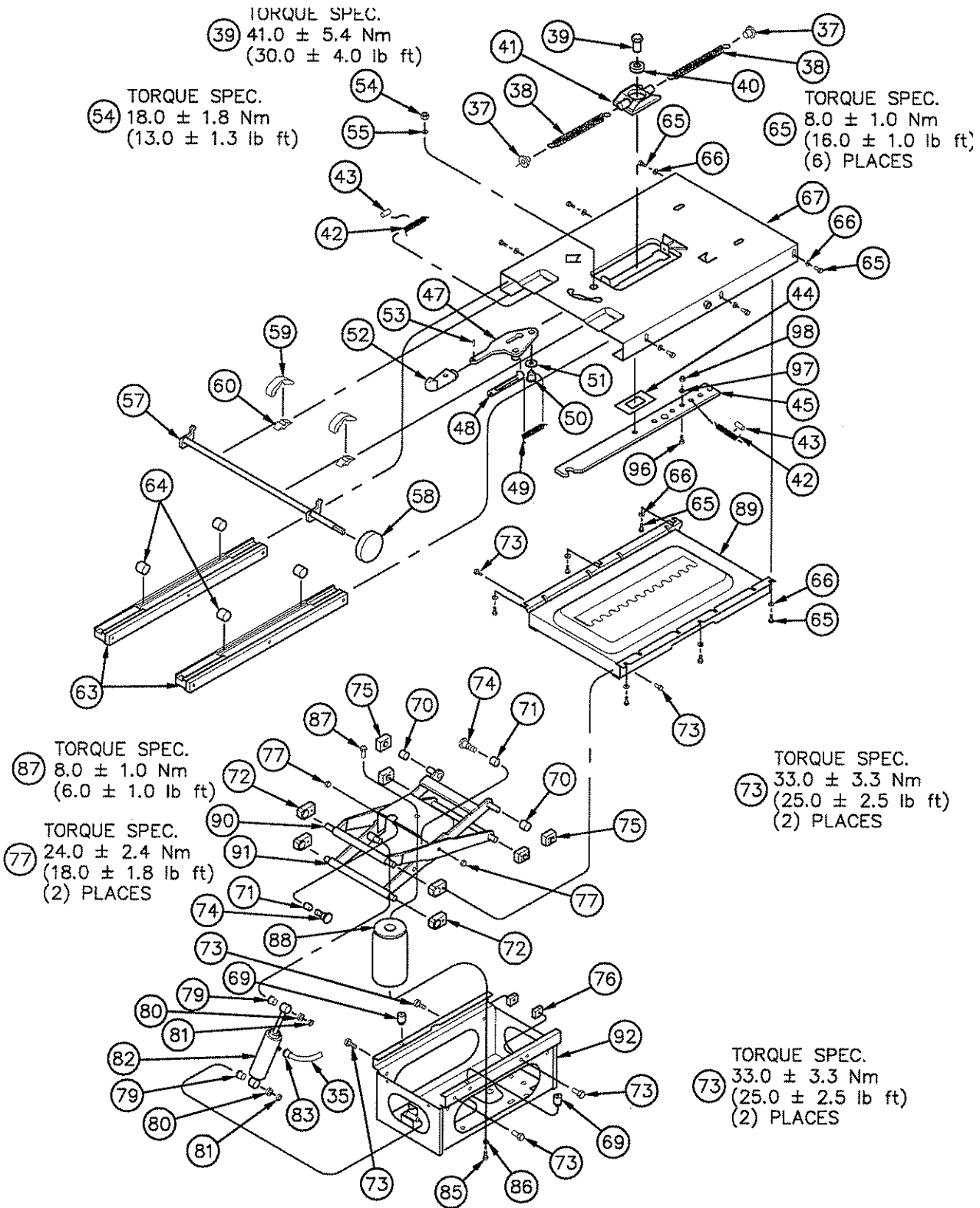
BOSTROM TALLADEGA LSO SEAT BREAKDOWN

Item	Description	Bostrom P/N
9	Hi Back Cushion, Untrimmed	6201042-001
10	Seat Cushion, Untrimmed	6201050-001
	Seat, LSO High Back, Trimmed Maroon	1239023-553
9	High Back Cover Maroon	6235227-553
10	Seat Cover Maroon	6235121-553
	Seat, LSO High Back, Trimmed Blue	1239023-554
9	High Back Cover Blue	6235227-554
10	Seat Cover Blue	6235121-554
	Seat, LSO High Back, Trimmed Tan	1239023-776
9	High Back Cover Tan	6235227-776
10	SeatCover Tan	6235121-776
	Seat, LSO High Back, Trimmed Grey	1239023-552
9	High Back Cover Grey	6235227-552
10	Seat Cover Grey	6235121-552

ARMRESTS

11	Armrest, RH/LH, Untrimmed	1234231-001
11	Armrest, RH/LH, Trimmed Maroon	1234231-553
11	Armrest Cover, Maroon	6235502-553
11	Armrest, RH/LH, Trimmed Blue	1234231-554
11	Armrest Cover, Blue	6235502-554
11	Armrest, RH/LH, Trimmed Tan	1234231-776
11	Armrest Cover, Tan	6235502-776
11	Armrest, RH/LH, Trimmed Grey	1234231-552
11	Armrest Cover, Grey	6235502-552

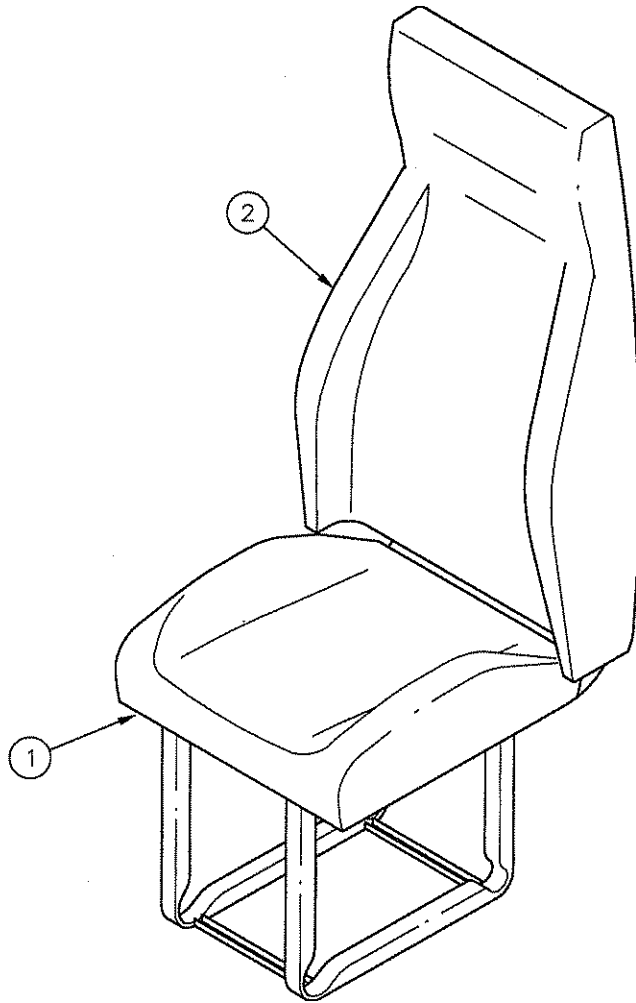
Specific BOMs listed: 4118-002-05, 4118-006-02, 4118-010-00/03, 4118-017-00/02, 4118-019-00/02



BOSTROM LSO SEAT BREAKDOWN (CONTINUED)

Item	Description	Bostrom P/N	Qty
1	Frame Assembly, Hi back	6201025-001	1
2	Back Restriction Kit, Includes 3-4	6107030-001	1
5	Air Lumbar Bladder Kit, Includes 6-7	6222141-001	1
8	Seat Foam Support	6200896-001	1
12	Kit Fasteners Seat Mountings, Includes 13-15	6222007-001	1
16	ICP Bracket Kit, Includes 17-22	6222005-001	1
22	Kit, Suspension Cover, Vinyl, Black	1224426-544	1
23	Kit Base Cover, Carpet, Black (Includes 24-25)	1224410-221	1
26	Air Valve Kit, Includes 27-31	6222136-001	1
32	Lumbar Double Air Valve	6222142-001	1
33	Adjust Damper Control Cable Kit, Inc. 34-35	6222143-001	1
36	Isolator Spring Kit, Includes 37-45	6222133-001	1
46	Control Handle Kit, Includes 47-55	6222134-001	1
56	Seat Tilt Kit, Includes 57-61 (see illustration p.7 for #61)	6222135-001	1
62	Guide Assembly Kit, Includes 62-66	6222132-001	1
67	Isolator Assembly	6200641-001	1
68	Suspension Hardware Kit, Includes 69-77	6222076-001	1
78	Adjuster Damper Kit, Includes 79-83	6222144-001	1
84	Air Spring Kit, Includes 85-88	6222086-001	1
89	Upper Plate Weldment	6200640-001	1
90	Outer Lever Assembly	6065662-001	1
91	Inner Lever Assembly	6200095-001	1
92	Riser	6200061-001	1
93	Knob (see illustration p.7)	6200413-001	1
94	Recliner Handle (see illustration p.7)	6200935-001	1
95	Fore/Aft Adjust Restriction Kit, Includes 96-98	6222138-001	1

Specific BOMs listed: 4118-002-05, 4118-006-02, 4118-010-00/03, 4118-017-00/02, 4118-019-00/02



NATIONAL CUSH-N-AIRE 20" SEATS - TUBULAR SEATS

TUBULAR SEAT ASSEMBLIES AND UPHOLSTERY BREAKDOWNS

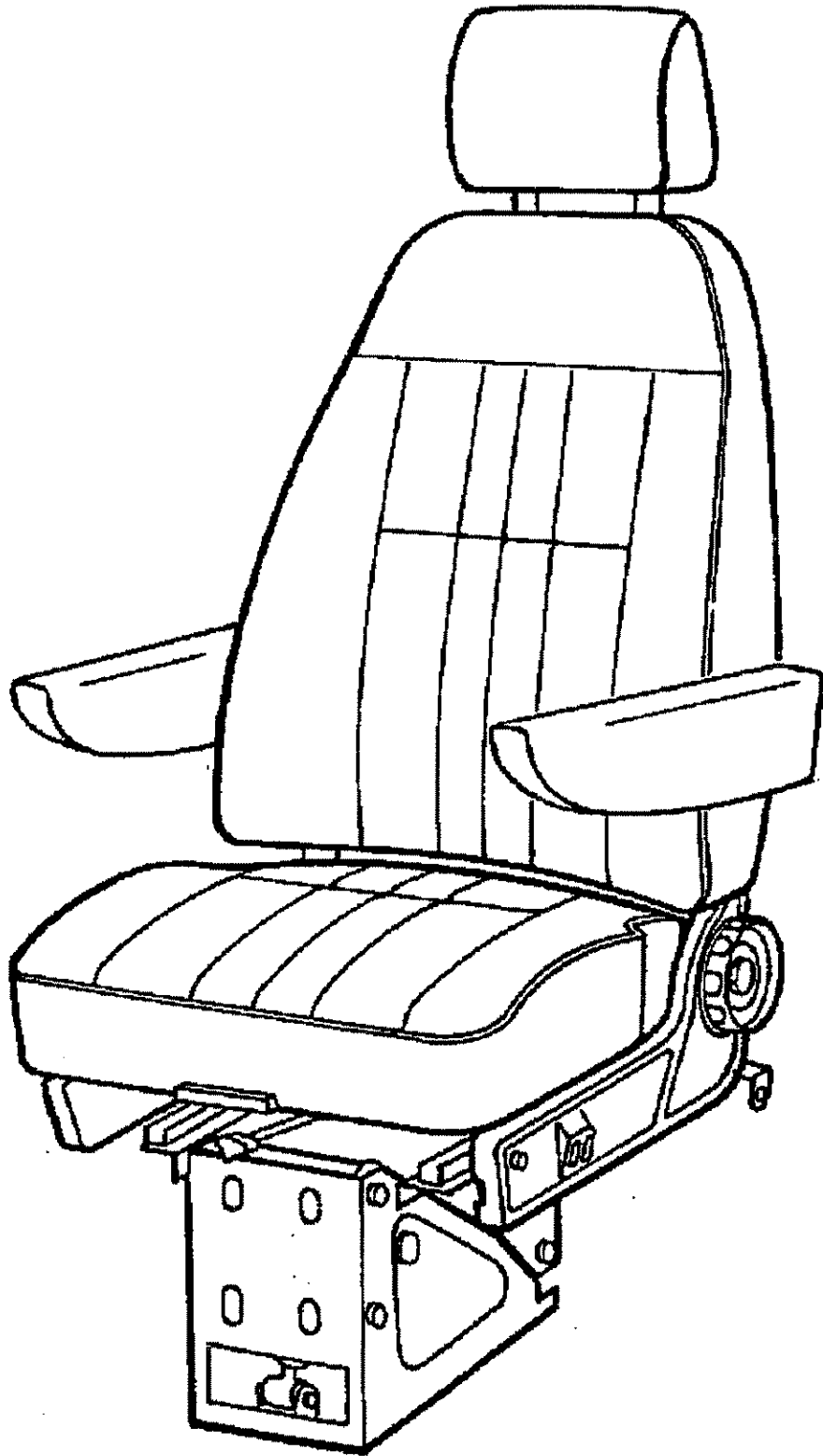
HI BACK

Description	National P/N
High Back Tubular Seat Assembly, Maroon	9078.03
1 Bottom Cover Tubular Seat, Maroon	228673.03
2 Hi Back Cover Tubular Seat, Maroon	228674.03
High Back Tubular Seat Assembly, Blue	9078.05
1 Bottom Cover Tubular Seat, Blue	228673.05
2 Hi Back Cover Tubular Seat, Blue	228674.05
High Back Tubular Seat Assembly, Grey	9078.01
1 Bottom Cover Tubular Seat, Grey	228673.01
2 Hi Back Cover Tubular Seat, Grey	228674.01
High Back Tubular Seat Assembly, Tan	9078.07
(See Note 1 Page 1)	(Prior to May 1997)
1 Bottom Cover Tubular Seat, Tan	228673.07
2 Hi Back Cover Tubular Seat, Tan	228674.07
	(After May 1997)
1 Bottom Cover Tubular Seat, Tan	228673.
2 Hi Back Cover Tubular Seat, Tan	228674.

INTERMEDIATE BACK

Description	National P/N
Intermediate Back Tubular Seat Assembly, Maroon	9085.03
1 Bottom Cover Tubular Seat, Maroon	228673.03
2 Intermediate Back Cover Tubular Seat, Maroon	228675.03
Intermediate Back Tubular Seat Assembly, Blue	9085.05
1 Bottom Cover Tubular Seat, Blue	228673.05
2 Intermediate Back Cover Tubular Seat, Blue	228675.05
Intermediate Back Tubular Seat Assembly, Grey	9085.01
1 Bottom Cover Tubular Seat, Grey	228673.01
2 Intermediate Back Cover Tubular Seat, Grey	228675.01
Intermediate Back Tubular Seat Assembly, Tan	9085.07
(See Note 1 Page 1)	(Prior to May 1997)
1 Bottom Cover Tubular Seat, Tan	228673.07
2 Intermediate Back Cover Tubular Seat, Tan	228675.07
	(After May 1997)
1 Bottom Cover Tubular Seat, Tan	228673.
2 Intermediate Back Cover Tubular Seat, Tan	228675.

Specific BOMs listed: 4118-003-00/01, 4118-010-00/03, 4118-016-00/02, 4118-018-00/02



NATIONAL CUSH-N-AIRE 20" SEATS - INTERMEDIATE BACK SEATS

CUSH-N-AIRE II INTERMEDIATE SEAT ASSEMBLIES & UPHOLSTERY BREAKDOWNS

INTERMEDIATE BACK WITHOUT HEADREST, MODEL 295

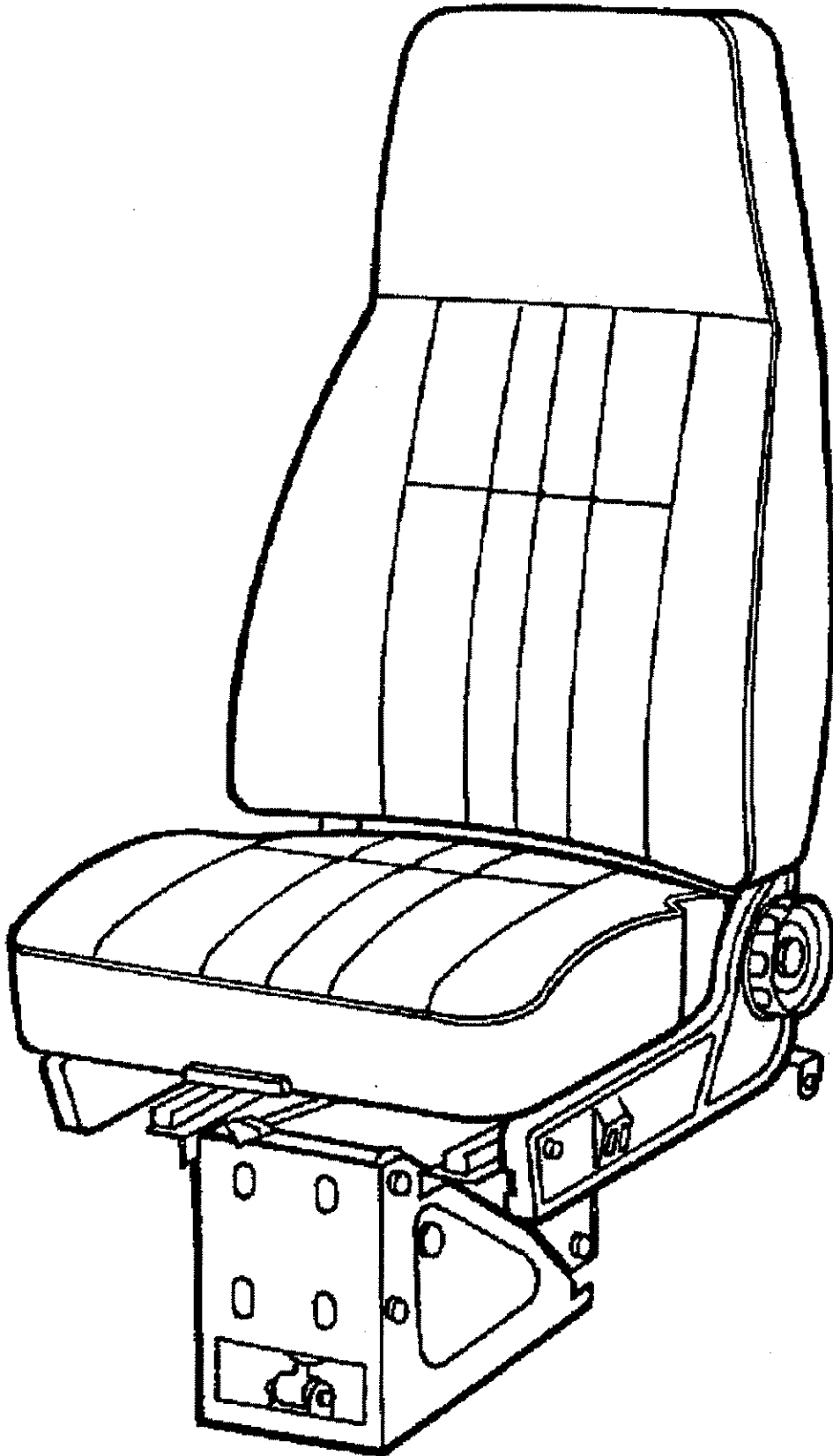
- 59026-42AB02 Complete Seat Assy, Cush-N-aire II Intermediate Back, Maroon
- 59026-42AB03 Complete Seat Assy, Cush-N-aire II Intermediate Back, Blue
- 59026-42AB06 Complete Seat Assy, Cush-N-aire II Intermediate Back, Tan
- 59026-42AB01 Complete Seat Assy, Cush-N-aire II, Intermediate Back, Grey

INTERMEDIATE BACK WITH HEADREST MODEL 295H

- 59028-44BB32 Complete Seat Assy, Intermediate W Headrest, Maroon
- 59028-44BB33 Complete Seat Assy, Intermediate W Headrest, Blue
- 59028-44BB36 Complete Seat Assy, Intermediate W Headrest, Tan
- 59028-44BB31 Complete Seat Assy, Intermediate W Headrest, Grey

Upholstery Only	Upholstered Cushions	Description
227973-65	79736500R	- Seat Bottom, Maroon
228074-61	80746100OH	- Seat Back, Intermediate Back, Maroon
228384-05	U228384-05	- Headrest, Maroon
227973-67	79736700R	- Seat Bottom, Blue
228074-63	80746300OH	- Seat Back, Intermediate Back, Blue
228384-07	U228384-07	- Headrest, Blue
227973-63	79736300R	- Seat Bottom, Grey
228074-59	80745900OH	- Seat Back, Intermediate Back, Grey
2288384-03	U228384-03	- Headrest, Grey
(See Note 1 Page 1)		(Prior to May 1997)
227973-87	79738700R	- Seat Bottom, Tan
228074-83	80748300OH	- Seat Back, Intermediate Back, Tan
228384-13	U228384-13	- Headrest, Tan
		(After May 1997)
227973-131	79731310RA	- Seat Bottom, Tan
228074-131	80741310WH	- Seat Back, Intermediate Back, Tan
228384-131	U228384-131	- Headrest, Tan

Specific BOMs listed: 4118-001-03, 4118-001-05, 4118-005-00, 4118-005-02, 4118-010-00/03
4118-016-00/02, 4118-018-00/02



NATIONAL CUSH-N-AIRE 20" SEATS - HI BACK SEATS

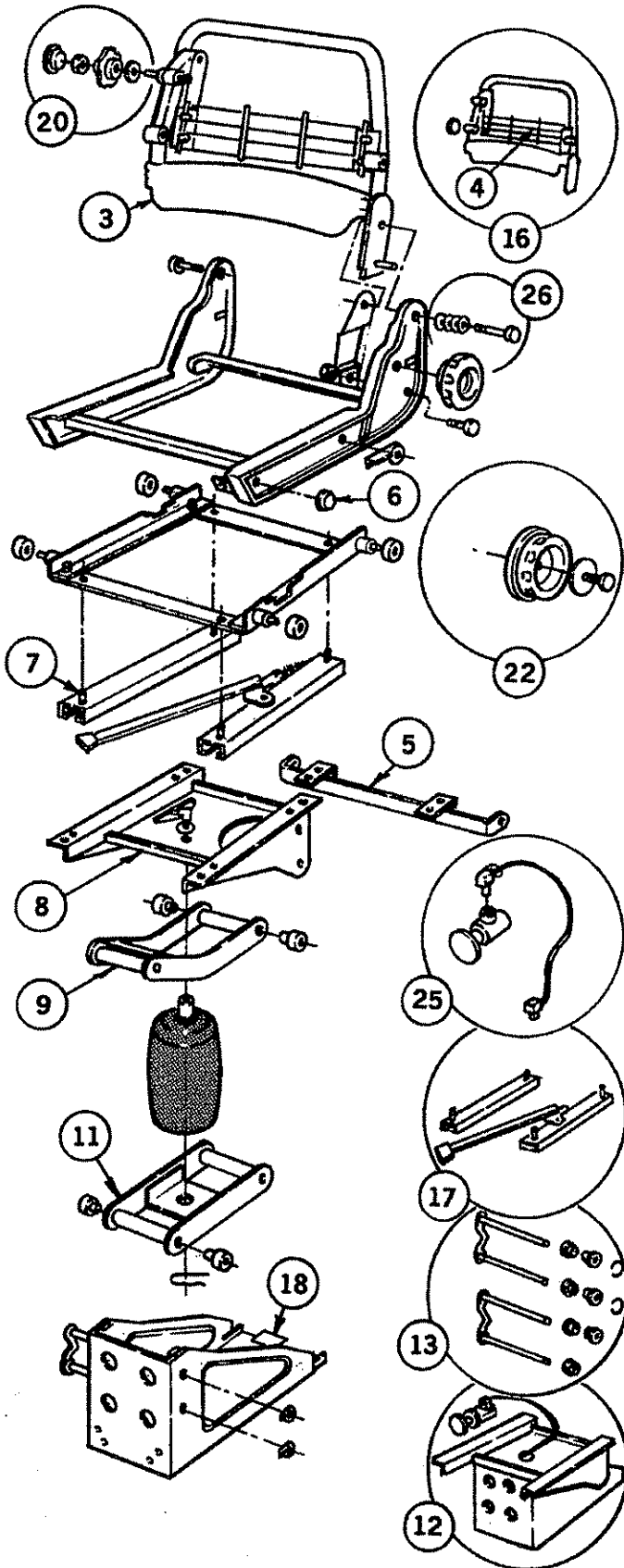
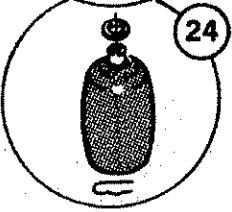
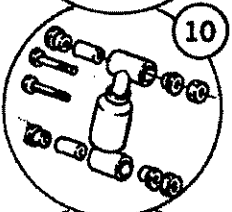
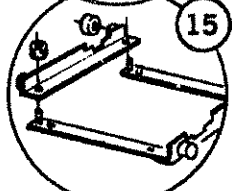
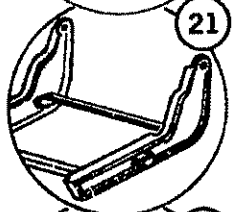
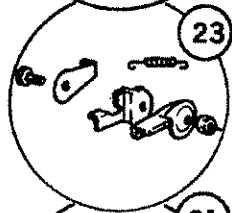
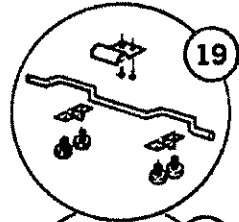
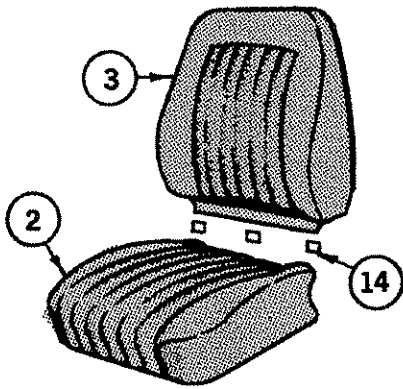
**CUSH-N-AIRE II HI BACK SEAT ASSEMBLIES AND UPHOLSTERY BREAKDOWNS
HI BACK SEAT ASSEMBLIES & UPHOLSTERY: MODEL 195**

Upholstery Only	Upholstered Cushions	Description
59027-42AB02		Complete Seat Assy, Cush-N-aire II, Hi Back, Maroon
59027-42AB03		Complete Seat Assy, Cush-N-aire II, Hi Back, Blue
59027-42AB06		Complete Seat Assy, Cush-N-aire II, Hi Back, Tan
59027-42AB01		Complete Seat Assy, Cush-N-aire II, Hi Back, Grey
227973-65	79736500R	- Seat Bottom, Cush-N-aire II, Maroon
227972-65	79726500QH	- Seat Back, Hi back, Maroon
227973-67	79736700R	- Seat Bottom, Cush-N-aire II, Blue
227972-67	79726700QH	- Seat Back, Hi back, Blue
227973-63	79736300R	- Seat Bottom, Cush-N-aire II, Grey
227972-63	79726300QH	- Seat Back, Hi back, Grey
(See Note 1 Page 1)		(Prior to May 15/1997)
227973-87	797313100R	- Seat Bottom, Cush-N-aire II, Tan
227972-81	79721310QH	- Seat Back, Hi back, Tan
		(After May 15/1997)
227973-131	797313100R	- Seat Bottom, Cush-N-aire II, Tan
227972-131	79721310QH	- Seat Back, Hi back, Tan

ARMREST ASSEMBLIES ALL MODELS

	428171-99	Untrimmed Armrest, LH
	428171-100	Untrimmed Armrest, RH
Upholstery Only	Upholstered Armrests	Description
228121-33	428171-33	LH, Maroon Cloth
228121-35	428171-35	LH, Blue Cloth
228121-31	428171-31	LH, Grey Cloth
(See Note 1 Page 1)		(Prior to May 1997)
228121-41	428171-41	LH, Tan Cloth
		(After May 15/1997)
228121-123	428171-123	LH, Tan Cloth
228121-34	428171-34	RH, Maroon Cloth
228121-36	428171-36	RH, Blue Cloth
228121-32	428171-32	RH, Grey Cloth
(See Note 1 Page 1)		(Prior to May 1997)
228121-42	428171-42	RH, Tan Cloth
		(After May 15/1997)
228121-124	428171-124	RH, Tan Cloth

Specific BOMs listed: 4118-001-04, 4118-005-01, 4118-010-00/03, 4118-016-00/02, 4118-018-00/02



NATIONAL CUSH-N-AIRE 20" SEATS - SEAT BREAKDOWN

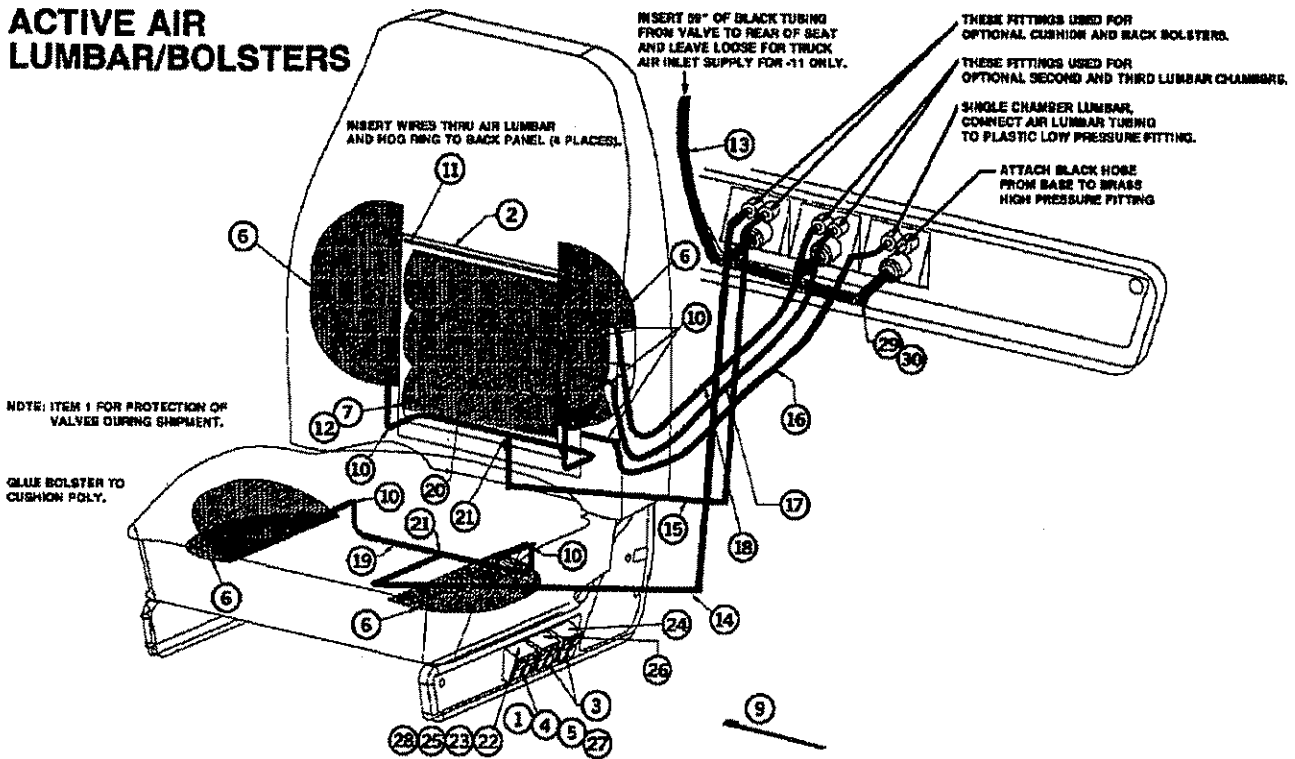
SEAT BREAKDOWN NATIONAL CUSH-N-AIRE II- ALL MODELS

Item	Qty	National P/N	Description
2	1	424392-01	- Bare Seat Cushion, 20" Seat
3	1	421236-09	- Bare Hi Back Cushion, 20" Seat
3	1	423269-07	- Bare Intermediate Back Cushion, 20" Seat
4	1	222954-01	- Flex O Lator
5	1	428752-01	- Tether Bar, seat belt mounting
6	2	177063-39	- Cap, cushion adjusting rod
7	4	177082-11	- Bolt, .31-18 x .75 for track
8	1	422415-01	- Seat Support Assembly
9	1	317112-01	- Upper Arm Assembly
10	1	SK-582-2	- Shock Kit
11	1	317107-01	- Lower Arm Assembly
12	1	422416-11	- Base Assembly
13	1	SK-735	- Shaft Kit
14	3	177063-21	- Tinnerman 'U' Clips
15	1	SK-965-05	- Chugger Kit
16	1	SK-964-07	- Back Frame Kit
17	1	P229-7	- Track Kit
18	1	224434-01	- Rubber Bumper, down stop
19	1	SK-1035	- Cushion Adjusting Rod Kit
20	1	SK-1026-1820	- Lumbar Adjusting Knob Kit
21	1	SK-1023-06	- Lower Frame Assembly
22	1	SK-1025-03	- Backrest Adjusting Knob Kit
23	1	SK-1193-06	- Chugger Lockout Kit
24	1	SK-1277	- Air Spring Kit
25	1	SK-1034	- Air Valve Kit
26	1	SK-1192	- Hardware Kit, attaching back to frame
-	1	422696-13	- Shroud & Bellows Suspension Cover

Note: Include serial number of seat assembly when ordering parts.

Specific BOMs listed: 4118-001-03/05, 4118-005-00/02, 4118-010-00/03, 4118-016-00/02, 4118-018-00/02

ACTIVE AIR LUMBAR/BOLSTERS



NOTE: ITEM 1 FOR PROTECTION OF VALVES DURING SHIPMENT.

GLUE BOLSTER TO CUSHION POLY.

NOTE: TO CHECK FOR LEAKS, PREASSEMBLE SEAT WITHOUT TRIM AND CHECK ALL FITTINGS AND CONNECTIONS.

PUSH UNTIL VALVE LOCKS IN SQUARE HOLE.
 NOTE: DEPRESSING TOP OF ROCKER VALVE WILL INFLUX AIR, DEPRESSING BOTTOM OF ROCKER WILL EXHAUST AIR.

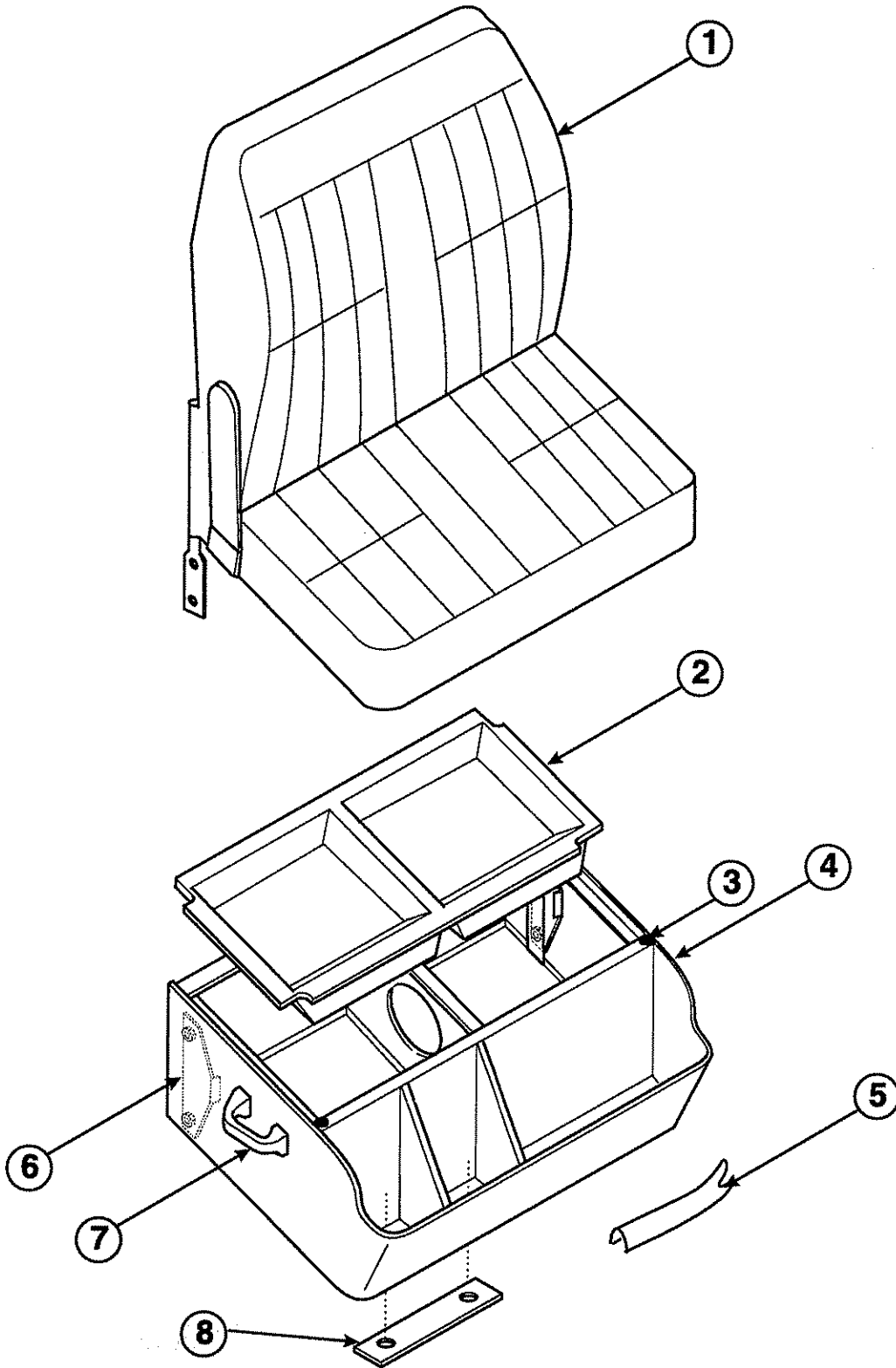
NATIONAL CUSH-N-AIRE 20" SEATS - AIR LUMBAR BREAKDOWN

ACTIVE AIR LUMBAR BREAKDOWN (AVAILABLE ON INTERMEDIATE BACK SEATS)

Item	National Part No.	Description
1	180017-331	Pad Protector Rocker Valve
2	227037-05	Seat Back Shield
3	228305-03	Valve Dual Lumbar
4	228305-05	Valve Combination - Lo & Blank
5	228305-01	Valve Combination - Air Suspension & Lumbar
6	228002-01	Air Bolsters
7	228003-03	Air Lumbar - Triple Chamber
8	180027-47	Adhesive Clip
9	180027-07	Panduit Tie Strap
10	180027-53	90° Elbow Barbed Plastic
11	220726-05	Wire for Hog Ring
12	228003-01	Air Lumbar - Single Chamber
13	180027-09	Nylon Tubing Black
14	228400-09	Polyurethane Tubing Clear 35.5 long
15	228400-11	Polyurethane Tubing Green 33.5 long
16	228400-13	Polyurethane Tubing Yellow 28.0 long
17	228400-15	Polyurethane Tubing Blue 29.5 long
18	228400-17	Polyurethane Tubing Red 31.0 long
19	228400-19	Polyurethane Tubing Clear 4.5 long
20	228400-21	Polyurethane Tubing Green 4.5 long
21	180027-49	Tee Plastic Barbed Fitting
22	228458-01	Decal for Base and Single Chamber
23	228458-03	Decal Single Chamber w/o Base
24	228458-05	Decal for Air Bolsters
25	228458-07	Decal Base and 1st Chamber of 3
26	228392-05	Decal 2nd & 3rd Chamber Lumbar
27	228305-07	Valve Combination - Hi & Blank
28	228458-09	Decal for Base Only
29	228705-03	Manifold Assembly - 3 Valves
30	228705-05	Manifold Assembly - 2 Valves

Note: include serial number of seat assembly when ordering parts

Specific BOMs listed: 4118-001-03, 4118-001-05, 4118-005-00, 4118-005-02, 4118-010-00/03
4118-016-00/02, 4118-018-00/02



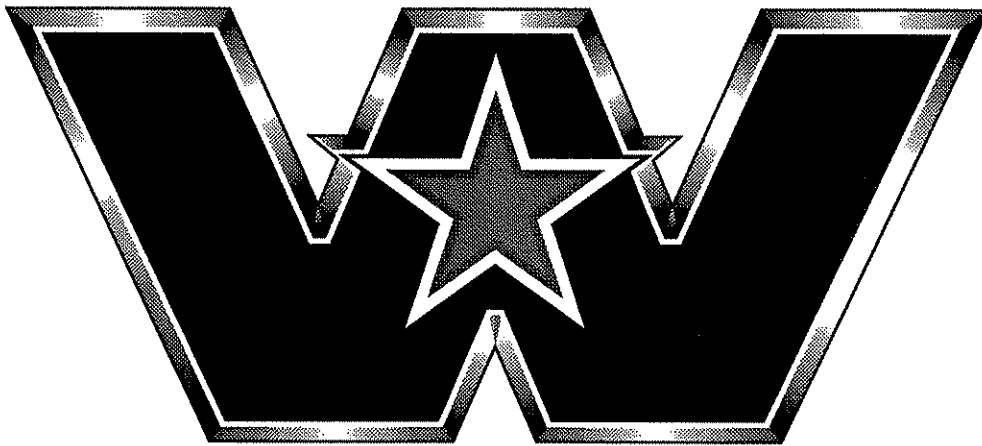
31" BOX STYLE SEATS

31" BOX STYLE SEATS

Item	Description	Part Number	Qty
1	Maroon Cushion Assembly, Back and Bottom	52040M3537AA	1
1	Blue Cushion Assembly, Back and Bottom	52040M3537AB	1
1	Tan Cushion Assembly, Back and Bottom	52040M3537AC	1
1	Grey Cushion Assembly, Back and Bottom	52040M3537AD	1
4	Base used with Automatic Transmission	52106-3475	1
4	Base used with Tire Pressure Protection	52106-3472	1
4	Base used with Battery Under Seat	52106-3452	1
4	Base used Without Batteries Under Seat	52106-3468	1
PARTS COMON TO ALL BASES:			
2	Tray	52106-3465	1
3	Bumper Button	63306-3419	2
5	Trim	97120-3413-072	1
6	Nut Plate	52106-3464	2
7	Grab Handle	54301-3407	1
8	Spacer	52046-3402	2

Note: Effective on line Dec 18, 1997 the seat bottom was redesigned to add approximately 3 in. width and .5in. more height.

Specific BOMs listed: 4118-032-00/04, 4118-033-00/04, 4118-034-00/04, 4118-035-00/05



WESTERN STAR TRUCKS®
The Preferred Choice™

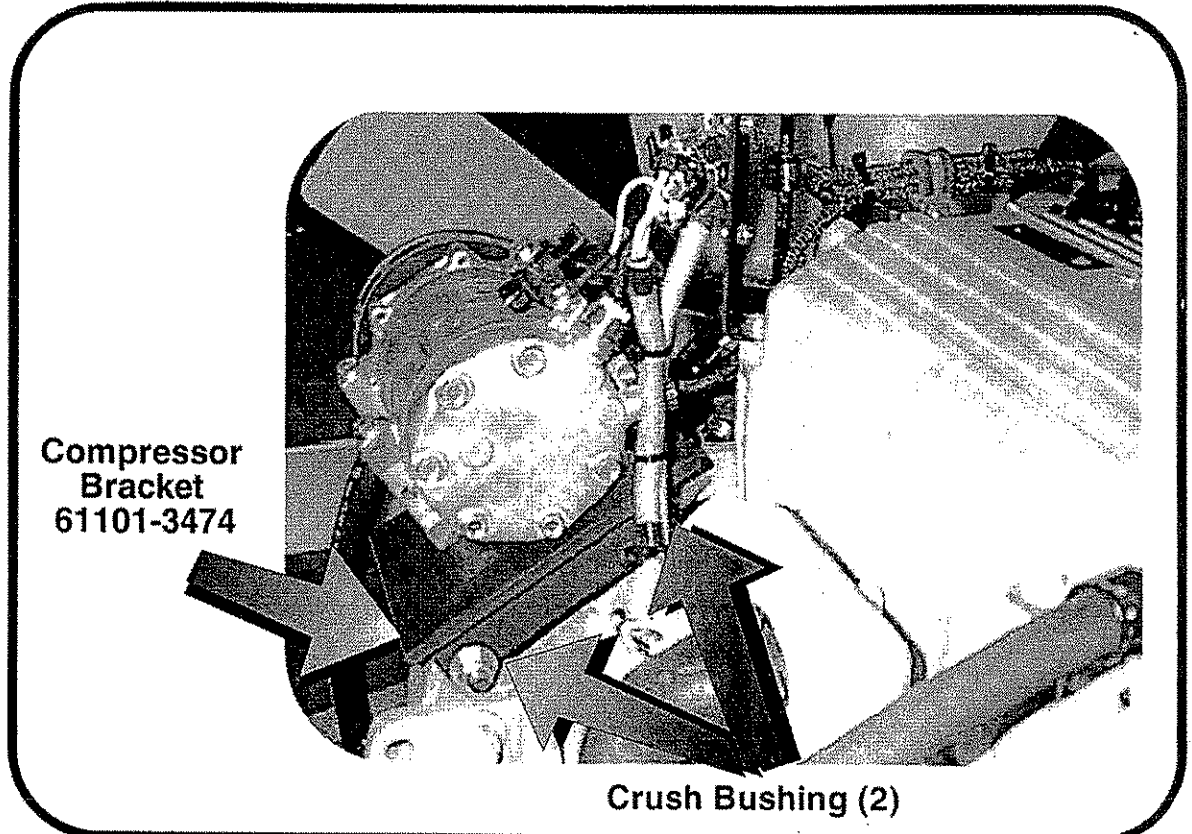
PART NUMBER
61101-3472

SUBJECT: CAT 3176, C10 & C12 COMPRESSOR BRACKETS

Western Star Engineering has redesigned the freon compressor bracket installation for the CAT 3176, C10, and C12 engines. A new flat shaped bracket replaces the previous L shaped bracket. Also required are two crush bushings for mounting the bracket to the engine.

This change is effective on-line April 7, 1997.

OLD PART NUMBER	DESCRIPTION	REPLACED BY
61101-3472	Compressor Bracket	61101-3474
	Crush Bushing	* 7E3976
*Purchase through Caterpillar Distributor		



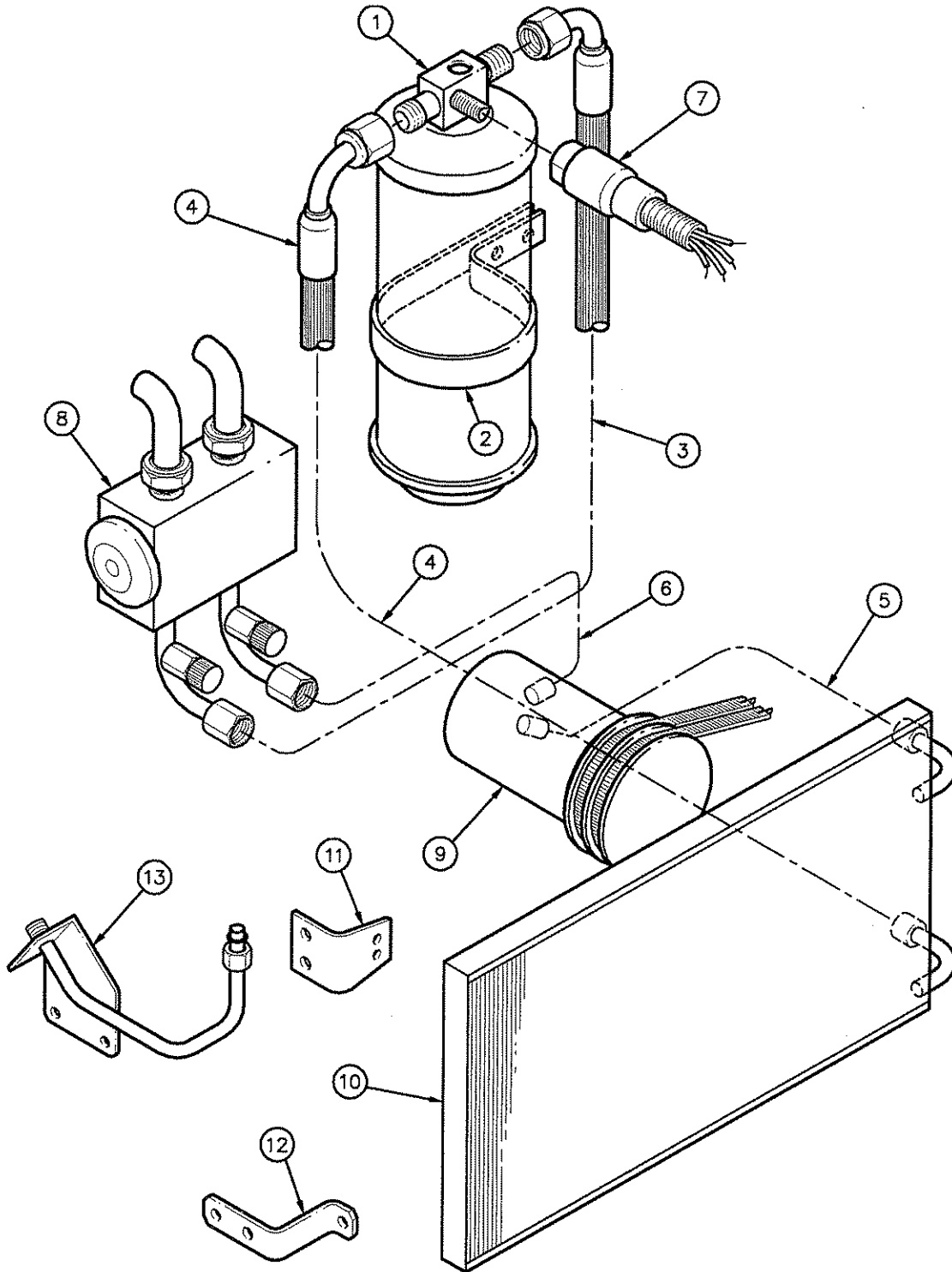
THIS BULLETIN IS FOR INFORMATION PURPOSES ONLY

Handwritten text, possibly bleed-through from the reverse side of the page. The text is extremely faint and illegible.

TABLE OF CONTENTS

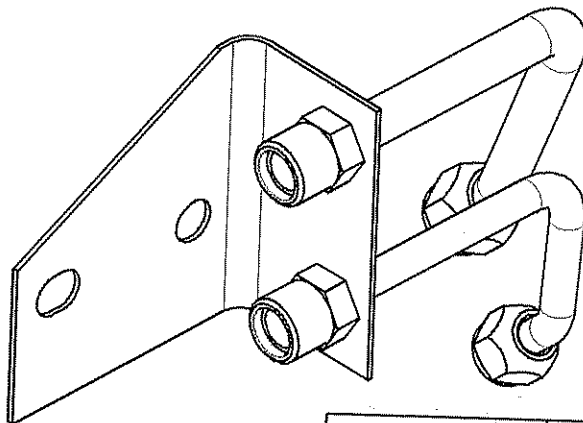
	Section	Page
Freon System, Rad Mount Condenser	11.5.1	2-3
Cab Dash Ducting	11.5.2	4-5
Cab Controls	11.5.3	6-7
Cab Heat & Cool Unit Breakdowns	11.5.4	8-9
Sleeper Heat & Cool Unit Breakdowns	11.5.5	10-13
Sleeper Controls	11.5.6	14-15
Rooftop Condenser	11.5.7	16-17
Conversion Kit - Heater only to Heat-A/C	11.5.8	18-19
Heater Gaskets	11.5.9	20-21

Note: *This publication is a generic parts book. Components may vary with different applications. For applications other than listed below the parts listings see the appropriate Bill of Material by truck serial number and use this publication as a guide only.*



CONDENSER, RAD MOUNTED

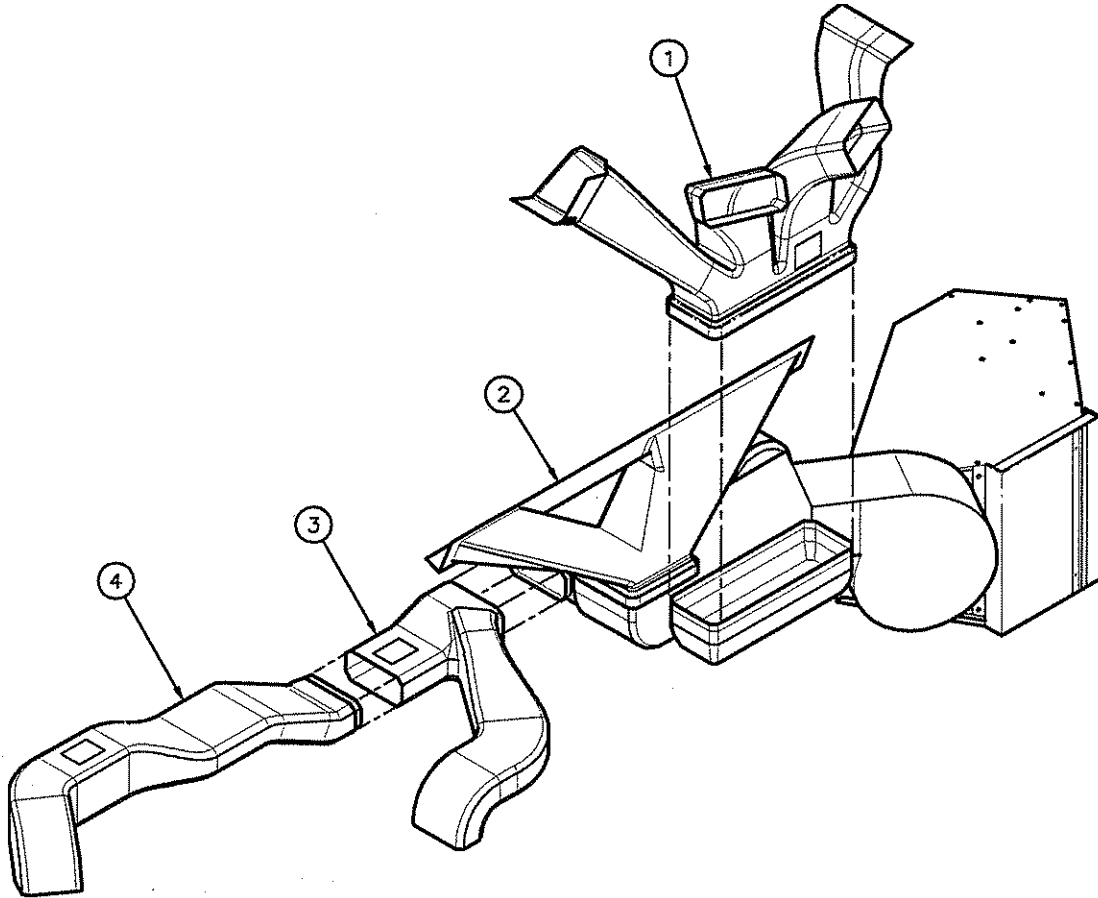
Item	Description	Part Number	Qty
1	Receiver Drier	61506-3406	1
2	Bracket, Receiver Drier	61535-3405	1
3	Hose Assembly, Receiver Drier to Evaporator	61509-3467	1
4	Hose Assembly, Condenser to Receiver Drier	61509-3484	1
5	Hose Assembly, Compressor to Condenser	61509-3485	1
6	Hose Assembly, Evaporator to Compressor	61509-3475	1
-	Tube, #8 Condenser Inlet	61509-3481	1
-	Tube #6, Condenser Outlet	61509-3482	1
-	Replacement O-Ring, #6 size	61590-3402	AR
-	Replacement O-Ring, #8 size	61590-3403	AR
-	Replacement O-Ring, #10 size	61590-3404	AR
-	Relay, 40 Amp, under dash	87324-3438	1
7	Trinary Switch, n/c Override	61522-3429	1
8	Expansion Valve	RD-5-7015-0	1
9	Freon Compressor	See Truck BOM	-
10	Condenser, Rad Mounting	61203-3418	1
12	Bracket, Mounting	61201-3447	4
13	Tube Assembly, #6 Outlet	61509-3499	1



61510-3420	SHT 1
PRINT ISSUE DATE	OF 1
	CHG
	NEW

*See
Radiation Inst.
3058-007-17
Breakdown Module -1300 CF*

Specific BOMs listed: 4068-ALL



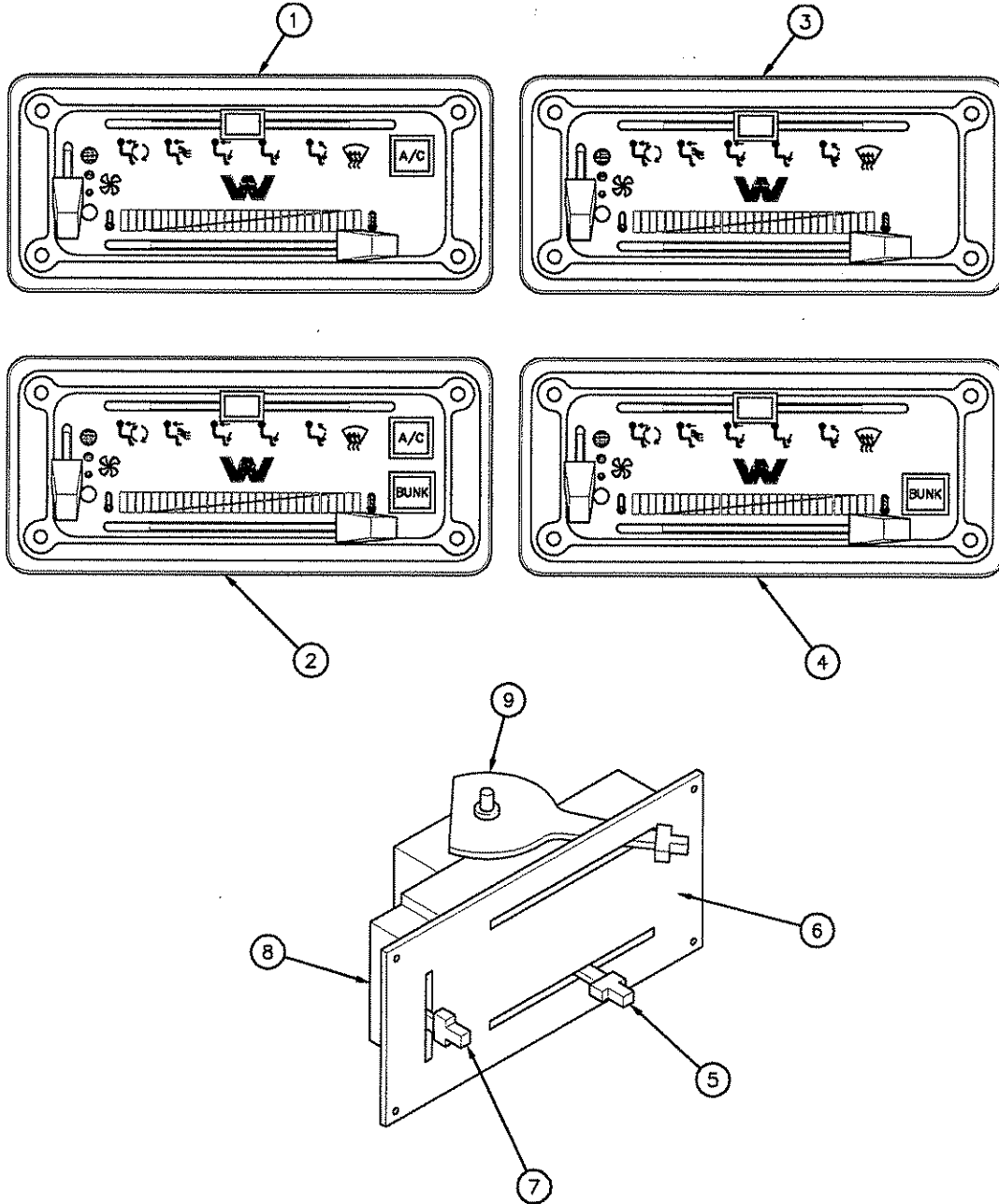
HEATER & AC, DUCTING, CAB

Item	Description	Part Number	Qty
1	W-Duct, A/C	60055-3410	1
2	Defrost Duct, Wye	60055-3409	1
3	Heater Wye Duct, Driver RH	60055-3405	1
4	Heater Duct, Driver LHG	60055-3406	1

Note: See Heater/AC breakdown for passenger side duct.

Note: See Sleeper Assembly Breakdowns for Heater Ducting under Bunk.

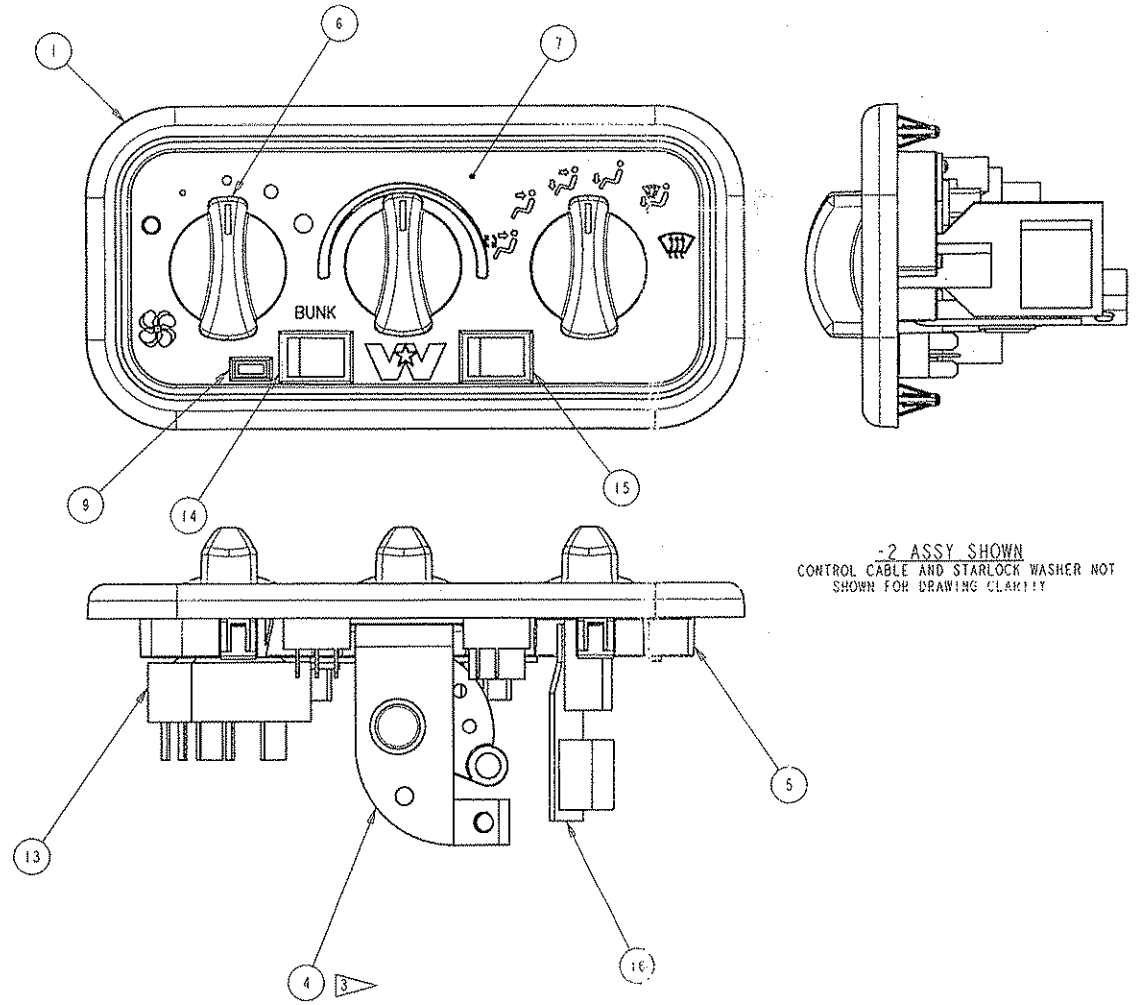
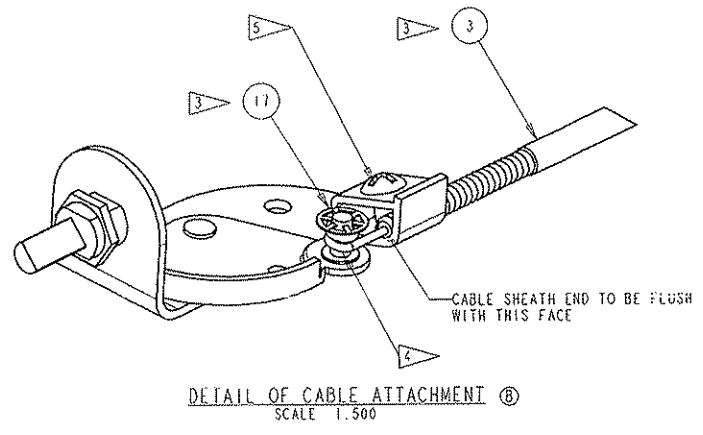
Specific BOMs listed: 4068-ALL



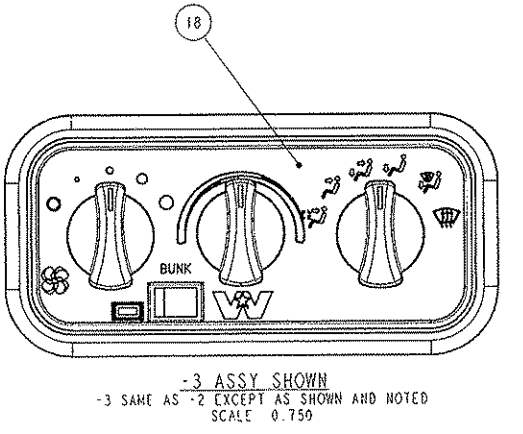
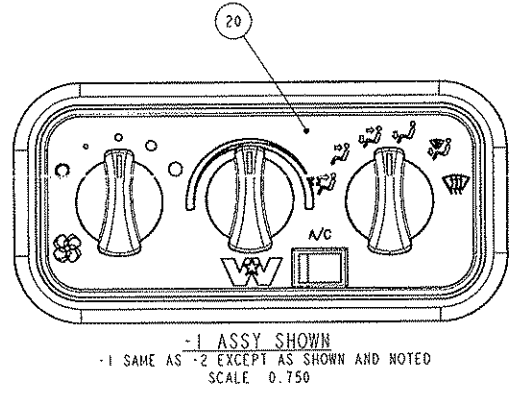
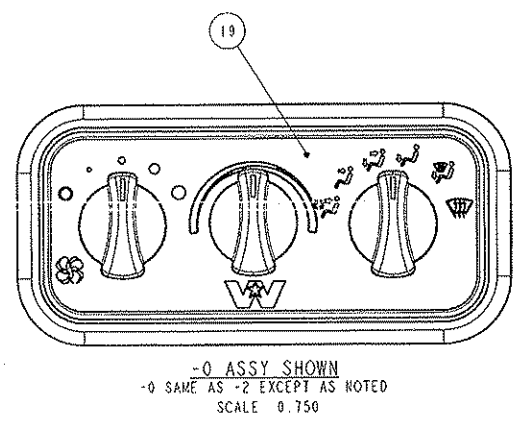
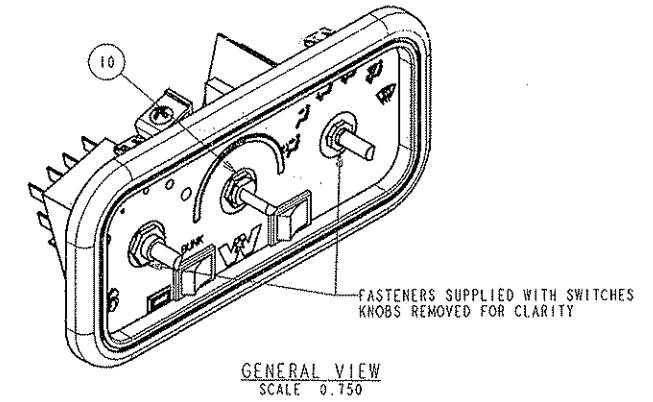
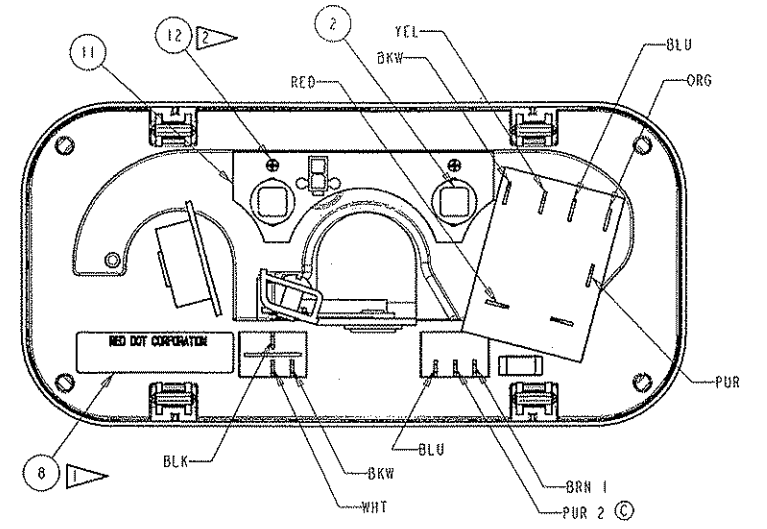
Subassembly of Part # 60303-3444

Vendor Part	WST Part
● RD-3-8692-1	1 CONTROL PANEL BEZEL
● RD-5-8844-0	2 BULB ASSY PC BOARD
● RD-5-7999-1	1 CABLE CONTROL CONVERTOR
● RD-3-8878-1	1 DISPLAY BASE ASSY
● RD-5-8812-0	3 ROTARY CONTROL KNOB
● RD-5-4133-0	1 NUT 7/16-28 (TEMP CONTROL
● RD-5-9259-0	1 LED - GREEN
● RD-5-3922-0	2 SCREW
● RD-5-8771-0	1 SWITCH, FAN SPEED
● RD-5-9262-0	1 SWITCH ROCKER BLACK 3WAY
● RD-5-9037-0	1 SWITCH, ROCKER BLUE
● RD-6-4959-0	1 SWITCH ROTARY MODE CNTROL
● RD-3-9506-0	1 WIRE HARNESS
● RD-5-6410-80	1 CABLE CONTROL

LTR	DATE	BY	CHK'D	PROV. OUT	PROD APPR	REVISION
B	12-14-99	DMG	RP	---	REO	CCC: 117 FILES FOR PREV. REV.: RD-5-9580-70 WAS RD-5-6419-80; REVISED GEN. NOTE 3) AND FLAGNOTE 3; ADDED FLAGNOTES 4 AND 5 AND DETAIL OF CABLE ATTACHMENT; (ER 15927).
C	2-2-00	LAM	DWG	REO	REO	REVISED FLAGNOTE 5; PUR 2 WAS BRN 2; (ER 15927)



-2 ASSY SHOWN
CONTROL CABLE AND STARLOCK WASHER NOT SHOWN FOR DRAWING CLARITY



- (C) (B) (5) TORQUE PER ES-366.
- (B) (4) ATTACH YELLOW END OF RD-5-9590-70 (CONTROL CABLE) TO POST OF RD-5-7999-1 (CABLE CONVERTER) WITH WIRE COILS SPIRALING UPWARD AS SHOWN.
- (B) (3) ASSEMBLE RD-5-9537-0 STARLOCK WASHER TO RD-5-7999-1 CABLE CONVERTER AFTER INSTALLING RD-5-9590-70 CONTROL CABLE END LOOP.
- (2) TORQUE REQUIREMENT FOR RD-5-3922-0 (SCREW) IS 5 IN-LBS
- (1) USE RD-5-5028-0 (LABEL) AND INCLUDE: RED DOT PART NO., WESTERN STAR PART NUMBER (60303-3446 FOR RD-3-9488-0 / 60303-3445 FOR RD-3-9488-1 / 60303-3444 FOR RD-3-9488-2 / 60303-3443 FOR RD-3-9488-3) DATE OF MANUFACTURE AND RED DOT REV. LTR.
- 5) BEND BACK LOOSE WIRES (RD-3-9488-0, -1 AND -3 ASSY'S) AND SECURE TO HARNESS USING RD-5-4020-0 (TIE WRAP)
- 4) TAPE OVER ENDS OF LOOSE WIRES (INDIVIDUALLY) USING RD-5-5665-0 (TAPE - ELECTRICAL) TO PREVENT WIRES FROM SHORT CIRCUITING.
- (B) (3) RD-3-9506-0 (WIRE HARNESS ASSY) NOT SHOWN AND RD-5-9590-70 (CONTROL CABLE) NOT SHOWN IN SOME VIEWS FOR DRAWING CLARITY
- 2) TEST PER ES-516
- 1) SEE RD-6-4982 FOR WIRING SCHEMATIC

NOTE:

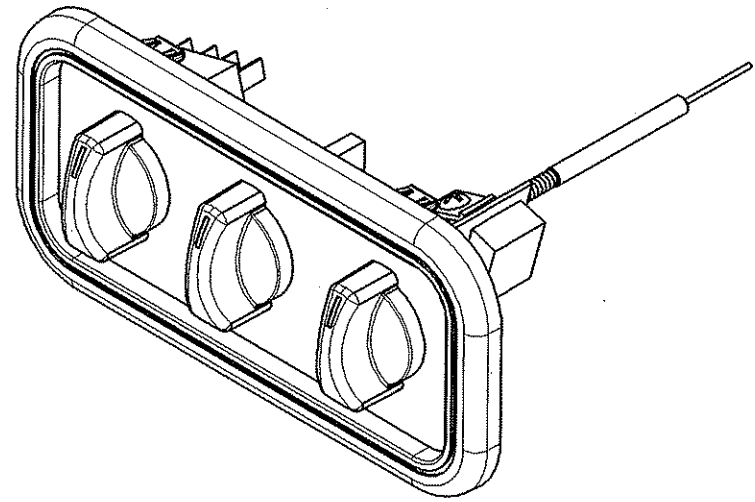
THIS DRAWING HAS BEEN CREATED BY RED DOT CORP. FOR WESTERN STAR TRUCKS INC. THIS DRAWING CONTAINS WESTERN STAR TRUCKS INC. CONTROL INFORMATION, TO BE MAINTAINED BY WESTERN STAR TRUCKS INC. THIS DRAWING ALSO CONTAINS RED DOT CORP. CONTROL INFORMATION AS WELL, TO BE MAINTAINED BY RED DOT CORP.

WESTERN STAR TRUCKS INC.
COMPUTER GRAPHICS
RENOVA, N.C.
DRAWING NO. 60303-3446

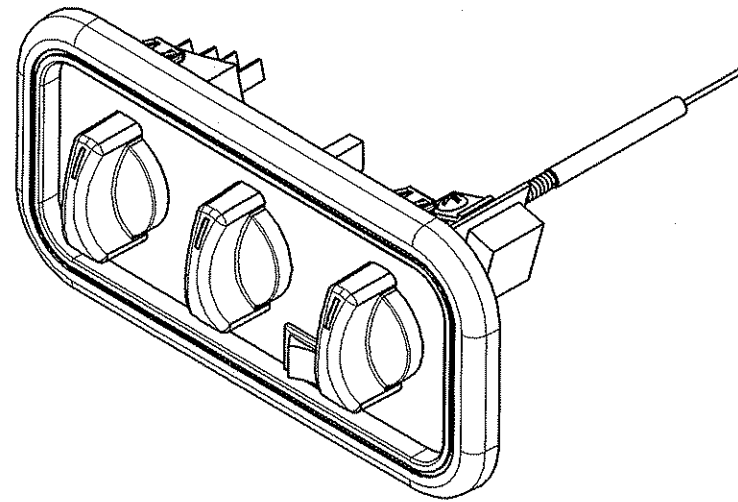
A/R	Q	A/R	A/R			
					RD-5-5665-0	TAPE - ELECTRICAL, 3/4" X 66" ROLL (7 MIL)
1	0	1	1		RD-5-4020-0	TIE WRAP - 4"
1	1	1	1		RD-3-9506-0	WIRE HARNESS ASSY - CONTROL PANEL
0	0	1	0	20	RD-5-8880-1	LABEL - CONTROL PANEL, ROTARY - HEAT - A/C
0	0	0	1	19	RD-5-8880-0	LABEL - CONTROL PANEL, ROTARY - HEAT ONLY
1	0	0	0	18	RD-5-9261-1	LABEL - CONTROL PANEL, ROTARY - HEAT ONLY - BUNK
1	1	1	1	17	RD-5-9537-0	WASHER - STARLOCK, .387 OD X 3/16 ID X .01 THK
1	1	1	1	16	RD-6-4959-0	SWITCH ASSY - ROTARY MODE CONTROL
0	1	1	0	15	RD-5-9037-0	SWITCH - ROCKER, BLUE
1	1	0	0	14	RD-5-9262-0	SWITCH - ROCKER, BLACK, 3-WAY
1	1	1	1	13	RD-5-8771-0	SWITCH - FAN SPEED, ROTARY
2	2	2	2	12	RD-5-3922-0	SCREW - 2-32 PHILLIPS PAN HEAD
1	1	1	1	11	RD-6-4868-0	P.C.B. ASSY - LIGHT
1	1	1	1	10	RD-5-4133-0	NUT - 7/16-28 UNEF-2B
1	1	0	0	9	RD-5-9259-0	LED - GREEN, INSULATED
1	1	1	1	8	RD-5-5028-0	LABEL - PART NUMBER
0	1	0	0	7	RD-5-9261-0	LABEL - CONTROL PANEL, ROTARY, HTR - A/C BUNK
3	3	3	3	6	RD-5-8812-0	KNOB - CONTROL, ROTARY
1	1	1	1	5	RD-3-8878-1	DISPLAY BASE ASSY. - CONTROL PANEL
1	1	1	1	4	RD-5-7999-1	CONVERTER - CABLE, CONTROL
1	1	1	1	3	RD-5-9590-70	CABLE - CONTROL, DOUBLE LOOP, 90 DEG OFFSET
2	2	2	2	2	RD-5-8844-0	BULB ASSY. - PC BOARD
1	1	1	1	1	RD-3-8692-1	BEZEL ASSY. - CONTROL PANEL
-3	-2	-1	-0	ITEM	PART NO.	DESCRIPTION
						MAT'L FINISH
				OWN	D. GATELY	05-10-99
				CND	C. TUCHER	05-13-99
						SCALE: 1.000 & AS NOTED
						CONTROL PANEL ASSY. - ROTARY R-5260
						THIS PRINT IS PROPRIETARY INFORMATION LOANED SUBJECT TO RETURN UPON DEMAND AND IS NOT TO BE USED DIRECTLY OR INDIRECTLY IN ANY WAY DETRIMENTAL TO RED DOT CORPORATION
						NEXT ASSY DWG. NUMBER RD-3-9488
						CUSTOMER FALSE
						SIZE 1 SHEET D 1 of 1

IF IN DOUBT ASK REMOVE ALL SHARP EDGES DO NOT SCALE DRAWING CAST, STAMP OR STENCIL PART NUMBER & REVISION LETTER IN SUITABLE LOCATION ORIGINAL CREATED ON RED DOT & WESTI SOLID MODELING WORKSTATIONS

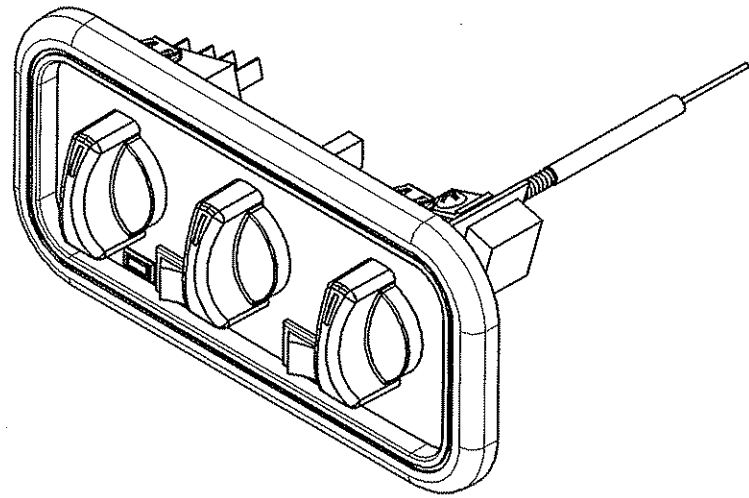
ECO	CHG	WESTERN STAR TRUCKS - CHANGE	BY	DATE	CKD	APVD
106732	A	ON ITEMS 60303-3443/6 THE CABLE WAS 80.00"	BRS	20NOV99		BRS
107841	B	DRAWING RELEASE BY RED DOT	RJS	16FEB00		RJS
109195	C	RED DOT DRAWING REVISED	RJS	05MAY00		RJS



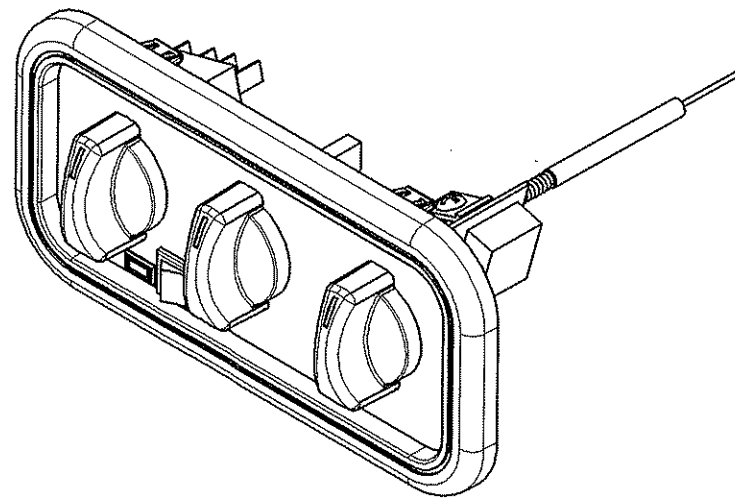
60303-3446



60303-3445



60303-3444



60303-3443

- NOTE:
1. THIS DRAWING HAS BEEN CREATED BY RED DOT CORP. FOR WESTERN STAR TRUCKS INC.
 2. THIS DRAWING CONTAINS WESTERN STAR CONTROL INFORMATION, TO BE MAINTAINED BY WESTERN STAR TRUCKS INC.
 3. THIS DRAWING ALSO CONTAINS RED DOT CONTROL INFORMATION, TO BE MAINTAINED BY RED DOT CORP.

V THIS PART MUST BE CERTIFIED BY THE VENDOR TO COMPLY WITH WESTERN STAR TRUCKS INC.'S. REQUIREMENTS FOR CONTINUING CONFORMANCE OF CRITICAL PARTS TO DIMENSIONS AND SPECIFICATIONS AS INDICATED OR REFERENCED ON THIS DRAWING. NO CHANGE IS TO BE MADE TO THIS PART WITHOUT PRIOR WRITTEN APPROVAL OF THE ENGINEERING DEPARTMENT.

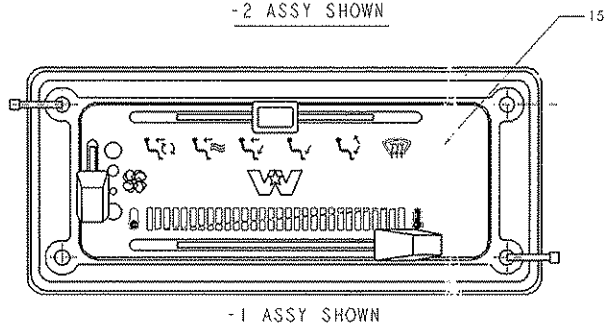
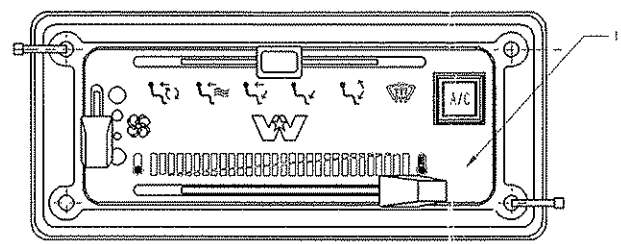
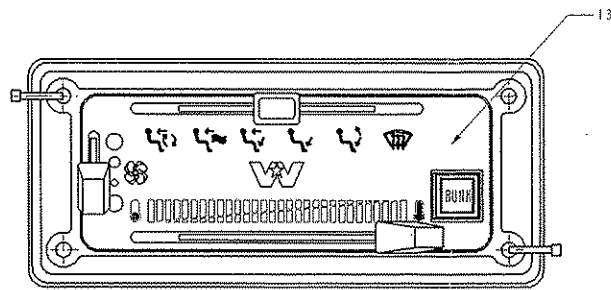
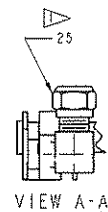
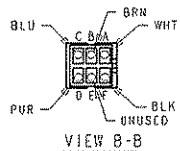
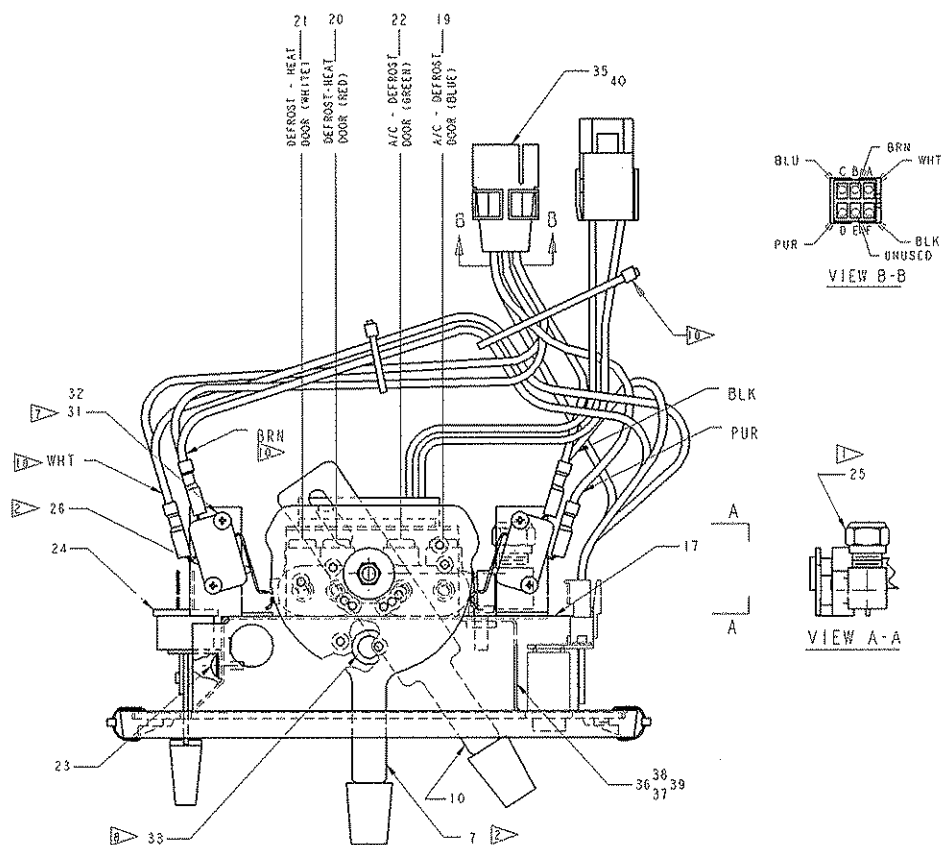
V THIS PART OR ASSEMBLY REQUIRES CERTIFICATION OF CONFORMANCE TO THE EQUIPMENT REQUIREMENTS OF MOTOR VEHICLE SAFETY STANDARD NO. 302

WESTERN STAR PART NO.
 60303-3446
 RED DOT PART NO.
 RD-3-9448-0
 PRINT ISSUE DATE
 C

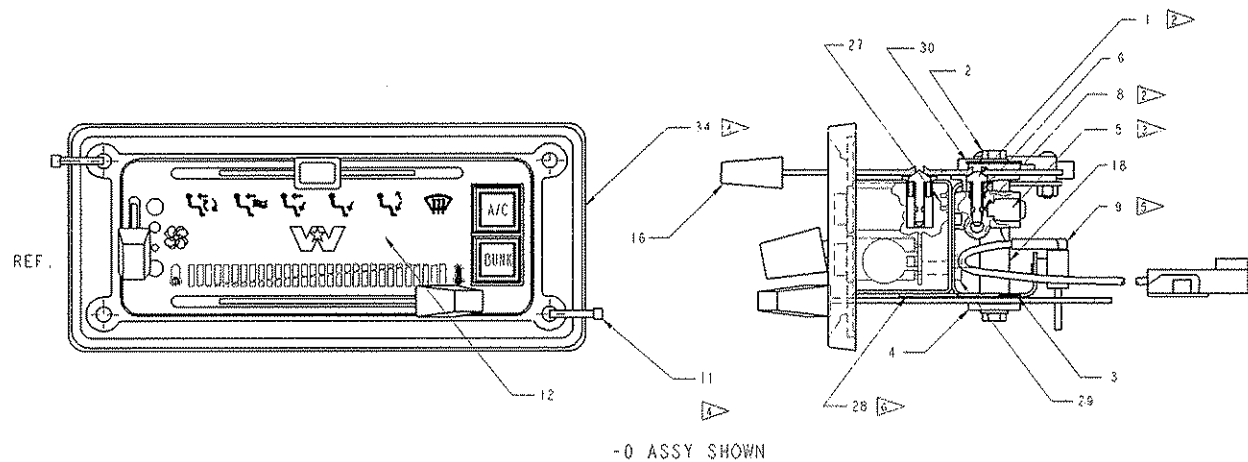
REV	RED DOT .NO.	DESCRIPTION
X	RD-3-9488-3	CNTL PNL ASSY - HTR ONLY W/BUNK
X	RD-3-9488-2	CNTL PNL ASSY - HTR -A/C W/ BUNK
X	RD-3-9488-1	CNTL PNL ASSY - ROTARY, HTR - A/C
X	RD-3-9448-0	CNTL PNL ASSY - ROTARY, HTR ONLY
C		
C		
C		
C		

WESTERN STAR TRUCKS INC.	
COMPUTER GRAPHICS KELOWNA, B.C.	
BY	DATE
DWN dmg	12-16-99
CKD	
APVD RJS	16FEB00
ECO	107841
SCALE	1.00
THIS DOCUMENT CONTAINS PROPRIETARY INFORMATION PROVIDED BY RED DOT INC. FOR WESTERN STAR TRUCKS INC. (WSTI), AND IT SHALL NOT BE USED OR REPRODUCED OR ITS CONTENTS DISCLOSED IN WHOLE OR IN PART WITHOUT THE PRIOR WRITTEN CONSENT OF WSTI, KELOWNA, BC	
ASSEMBLY-CONTROL PNL, CAB MR NO. 4068	
ROTARY CONTROL, 12V, LHD 60303-3446	
SHT 1	OF 1

REV	DATE	BY	CHK'D	PROJ. APPR.	REVISION
1		A.G.			SEE SHEET ONE



*Bulb = GE 1893 21M
Socket = PAC 1200 4264 OR GE 73*



	BLU	GRN	RED	WHT
WINDSHIELD ONLY	<input type="checkbox"/>	<input type="checkbox"/>	<input type="checkbox"/>	<input type="checkbox"/>
B1-LEVEL (WINDSHIELD/FLOOR)	<input type="checkbox"/>	<input type="checkbox"/>	<input type="checkbox"/>	<input type="checkbox"/>
FLOOR ONLY	<input type="checkbox"/>	<input type="checkbox"/>	<input type="checkbox"/>	<input type="checkbox"/>
B1-LEVEL (DASH/FLOOR)	<input type="checkbox"/>	<input type="checkbox"/>	<input type="checkbox"/>	<input type="checkbox"/>
DASH ONLY (FRESH AIR)	<input type="checkbox"/>	<input type="checkbox"/>	<input type="checkbox"/>	<input type="checkbox"/>
DASH ONLY (RECIRC AIR)	<input type="checkbox"/>	<input type="checkbox"/>	<input type="checkbox"/>	<input type="checkbox"/>

- NO AIR
 - AIR APPLIED

NOTE: A/C IS ALSO ENGAGED WHEN DEFROST MODE (WINDSHIELD ONLY) IS SELECTED
ALL MODE POSITIONS ARE SAME FOR HEAT OR A/C OPERATION

REV	DATE	BY	CHK'D	PROJ. APPR.	PART NO.	DESCRIPTION	MAT'L FINISH
-3					BPR A.C. LOGN	CONTROL PANEL ASSY	
-2					CDW D. PEVEY	R-5260	
-1							
-0							

SCALE: FULL SIZE

RED DOT CORPORATION
495 Anderson Park East
Seattle, WA 98188

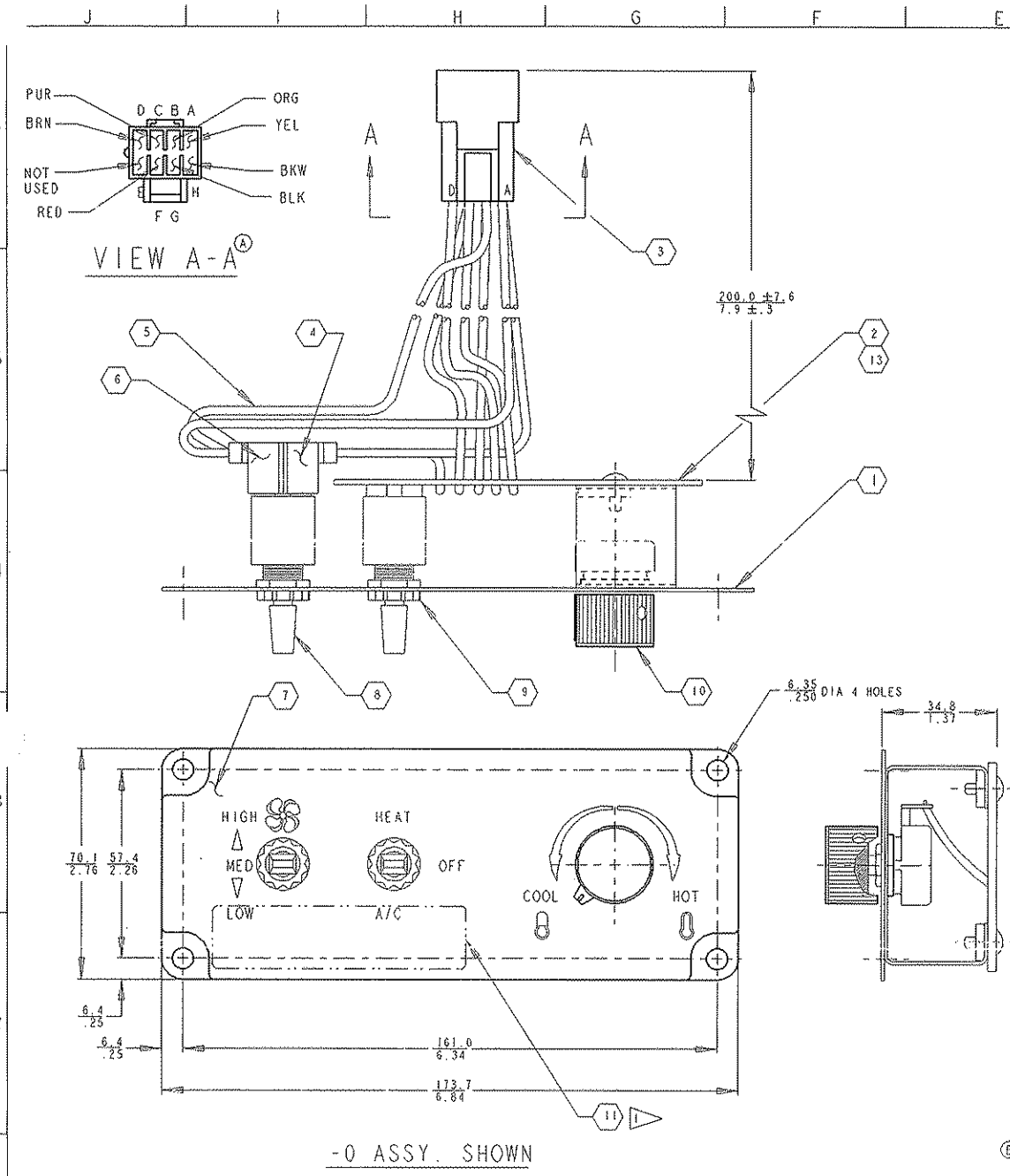
NEXT ASSY: CUSTOMER
DWG. NUMBER: RD-3-8658
SHEET: 2 OF 2

60303-3432
PRINT/ISSUE DATE
NEW

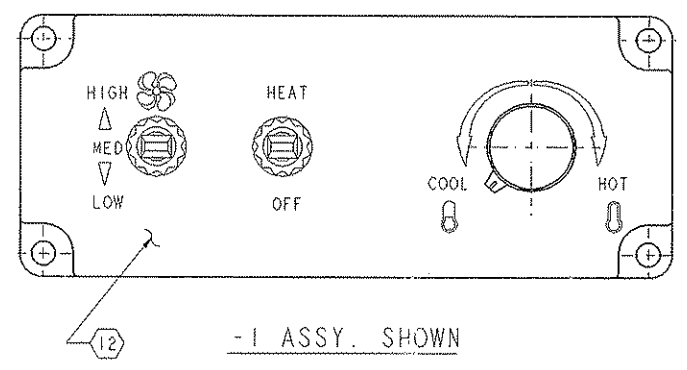
REV	COMP. NO.	DESCRIPTION	SIZE	MATERIAL
		WESTERN STAR TRUCKS INC. COMPUTER GRAPHICS KELLOWNA B.C.		
		TOLERANCES UNLESS NOTED:	BY	DATE
		MACHINING	DWN	
		HOLE CENTERS	CKD	
		HOLE DIAMETERS	APVD	
		LINEAR	ECO	
		ANGULAR	SCALE	
THIS DOCUMENT CONTAINS PROPRIETARY INFORMATION AND IT SHALL NOT BE USED OR REPRODUCED OR ITS CONTENTS DISCLOSED IN WHOLE OR IN PART WITHOUT THE PRIOR WRITTEN CONSENT OF WESTERN STAR TRUCKS INC., KELLOWNA, BC				
		ASSY, CONTROL PANEL, CAB	REV. NO.	
		R-5260, C604	60303-3432	SHE 2 OF 2

REMOVE ALL SHARP EDGES DO NOT SCALE DRAWING CAST, STAMP OR STENCIL PART NUMBER ORIGINAL CREATED ON WESTI
IF IN DOUBT ASK A REVISION LETTER IN SUITABLE LOCATION SOLID MODELING WORKSTATION

ECO	CHG	CHANGE	BY	DATE	CKD	APVD
87100	D	REDRAWN FROM 60303-3415.	JSM	96/09/09		PJD



LTR	DATE	BY	CHK'D	PRD APPR	REVISION
--	1-5-96	DCP	AGL	RLH	INITIAL RELEASE (ER 08124)
A	1-18-96	RAR	DCP	SN	RD-6-4724-1 (ITEM 2), RD-3-7787-7.1-BKW (ITEM 4), RD-3-7787-7.1-ORG (ITEM 5) & RD-3-7787-7.1-YEL (ITEM 6) WERE RD-6-4724-0, RD-3-4648-7.1-BKW, RD-3-4648-7.1-ORG & RD-3-4648-7.1-YEL; REVISED WIRE COLOR LOCATIONS IN VIEW A-A (ER 08124)
B		A.G.L.			ADDED RD-6-4724-2 (ITEM 13); QTY. OF RD-6-4724-1 (ITEM 2) ON -1 ASSY. WAS 1; MOVE TEXT "OFF" ON -1 ASSY. (ER 07045)



QTY	ITEM	PART NO.	DESCRIPTION	MAT'L FINISH
1	0	13	RD-6-4724-2	ELECT. THERMOSTAT ASSY-WEDGE
1	0	12	RD-3-6559-1	LABEL-CONTROL PANEL, HTR ONLY
1	1	11	RD-5-4545-0	LABEL - IDENTIFICATION
1	1	10	RD-5-5928-0	KNOB
2	2	9	RD-5-3764-0	NUT - SWITCH, RETAINER
1	1	8	RD-5-5400-0	SWITCH - TOGGLE
0	1	7	RD-3-6559-0	LABEL-CONTROL PANEL
1	1	6	RD-3-7787-7.1-YEL	WIRE ASSEMBLY
1	1	5	RD-3-7787-7.1-ORG	WIRE ASSEMBLY
1	1	4	RD-3-7787-7.1-BKW	WIRE ASSEMBLY
1	1	3	RD-5-7934-0	CONN 8-WAY, METRI-PACK, FEM.
0	1	2	RD-6-4724-1	ELECT. THERMOSTAT ASSY-WEDGE
1	1	1	RD-3-6558-1	PANEL ASSEMBLY - CONTROL

HEATER ONLY	HEATER-A/C	SCALE FULL SIZE	CONTROL PANEL ASSEMBLY R-4230 WESTERN STAR
DIRN	D. PEVEY	11-7-94	TOLERANCES EXCEPT AS NOTED: .01" INCH
CRD	A.G. LOGU	1-3-96	LINEAR: .001" INCH
			ANGULAR: .010 INCH
			FINISH: .010 INCH
			THIS PRINT IS PROPRIETARY INFORMATION; LOANED SUBJECT TO RETURN WITHIN 30 DAYS AND IS NOT TO BE USED DIRECTLY OR INDIRECTLY IN ANY WAY DETRIMENTAL TO RED DOT CORPORATION.
			RED DOT CORPORATION 495 Andover Park East Seattle, WA 98188
			NEXT ASSY: R-4230
			DWG. NUMBER: RD-3-7139
			SIZE: C
			SHEET: 1 OF 1

NOTE: 1) FOR WIRING SCHEMATIC SEE: RD-3-7140

USE GENERAL PURPOSE STYLE AND INCLUDE RED DOT PART NO., DATE OF MANUFACTURE & RED DOT REVISION LTR & WESTERN STAR PART NO. 60303-3419 FOR -0 OR 60303-3420 FOR -1. INSTALL APPROXIMATELY AS SHOWN ON FAR SIDE OF CONTROL PANEL ASSY.

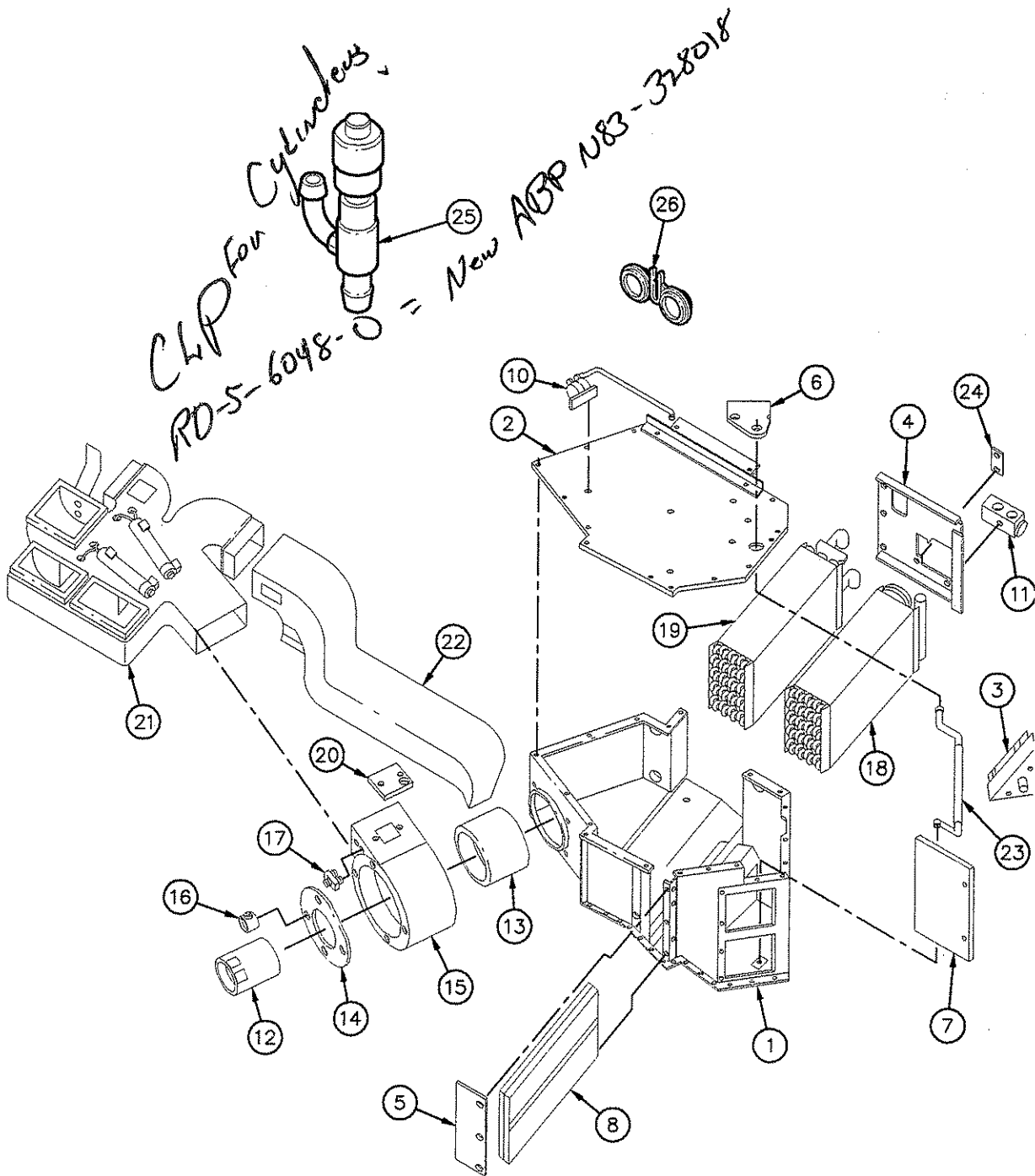
1	RD-3-7139-1P	HEAT ONLY 12V		
1	RD-3-7139-0P	HEAT-A/C 12V		
	COMP. NO.	DESCRIPTION	SIZE	MATERIAL
WESTERN STAR TRUCKS INC. COMPUTER GRAPHICS KELOWNA, B.C.				
TOLERANCES UNLESS NOTED:				
			BY	DATE
MACHINING	± .02 INCH	DWN	JSM	1996/09/09
HOLE CENTERS	± .02 INCH	CKD		
HOLE DIAMETERS	± .02 INCH	APVD	PJD	23JAN97
LINEAR	± .06 INCH	ECO		87100
ANGULAR	± 1/2 °	SCALE		NONE
THIS DOCUMENT CONTAINS PROPRIETARY INFORMATION AND IT SHALL NOT BE USED OR REPRODUCED OR ITS CONTENTS DISCLOSED IN WHOLE OR IN PART WITHOUT THE WRITTEN CONSENT OF WESTERN STAR TRUCKS INC., KELOWNA, BC				
SLEEPER CONTROL PANEL R-4230 C604			MR NO. 4068	60303-3419
			SHT 1 OF 1	

60303-3419
PRINT ISSUE DATE

HEATER CONTROL UNIT, CAB

Item	Description	Part Number	Qty
1	Heater/AC, w/o Sleeper Button, RD-3-6880-2	60303-3415	1
2	Heater/AC, with Sleeper Button, RD-3-6880-0	60303-3416	1
3	Heater only, w/o Sleeper Button, RD-3-6880-1	60303-3417	1
4	Heater only, with Sleeper Button, RD-3-6880-3	60303-3418	1
5	- Lever, Temperature Control	RD-3-2763-1	1
6	- Front Panel	RD-3-5522-0	1
7	- Knob	RD-5-4450-0	3
8	- Switch, Speed Control	RD-5-4694-0	1
9	- Service Kit, includes Variable Resistor & Lever	RD-3-5555-0	1
-	-- Microswitch - Air On/Off	RD-5-5308-0	1
-	-- Lever, Control Mode	RD-3-5524-0	1

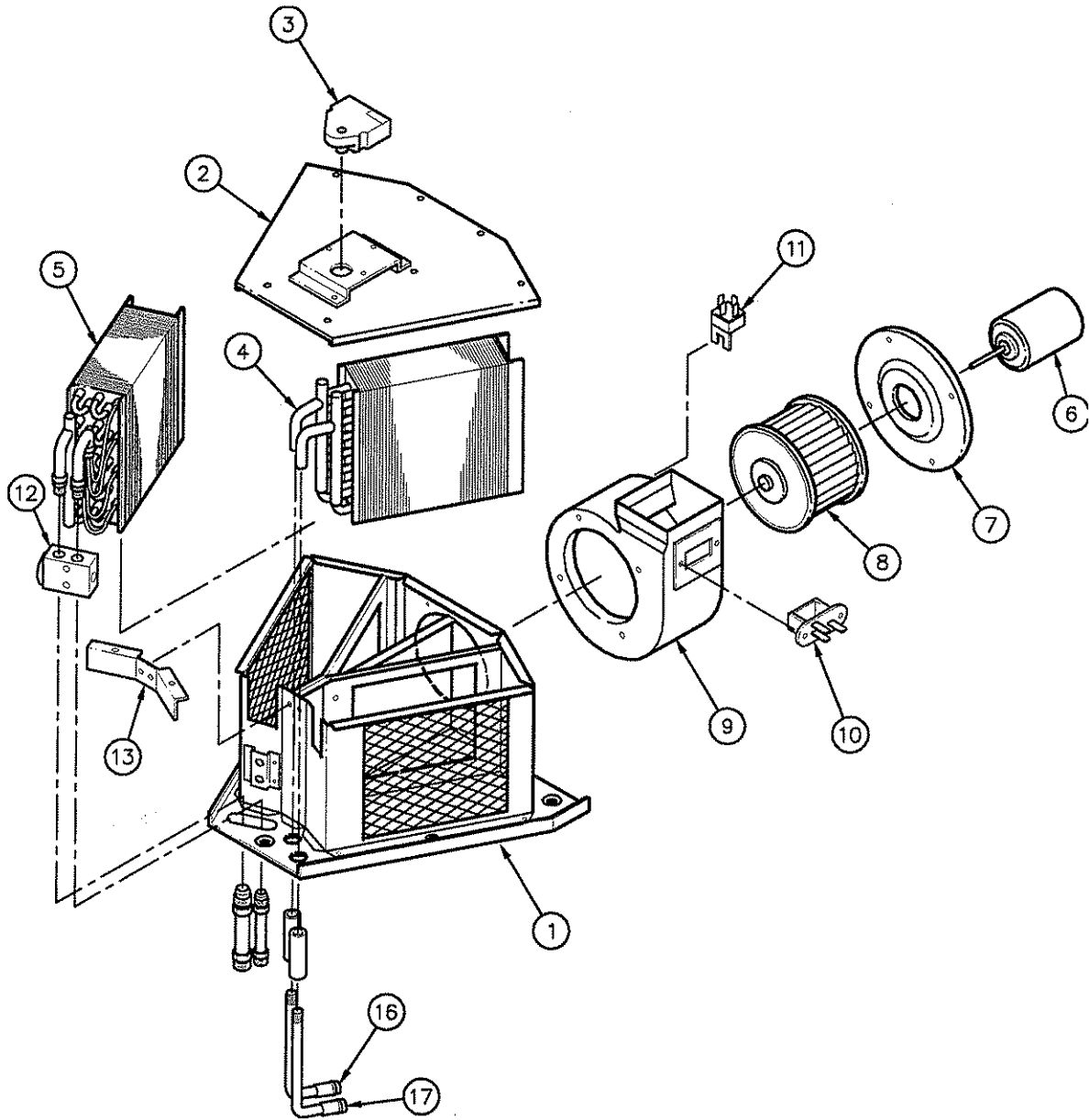
Specific BOMs listed: 4068-ALL



HEAT/AC UNIT, CAB

Item	Description	Part Number	Qty
	Heat/AC Unit, Red Dot R-5260-0M	60002-3418	1
	Heat only Unit, Red Dot R-5260-2M	60001-3412	1
1	- Housing Assembly	RD-3-6849-0	1
2	- Top Assembly, Housing	RD-3-6859-0	1
3	- Housing Pivot, Top Assembly	RD-3-6862-2	1
4	- Core Cover Assembly	RD-3-7390-0	1
5	- Door Assembly, Filter	RD-3-6984-1	1
6	- Motor, Rotary	RD-5-6320-0	1
7	- Door Assembly	RD-3-6864-0	1
8	- Kit, Foam Filters	60115-3403	1
9	- Drain Hose, 7/15" dia.	RD-5-3550-120	1
9	- Drain Hose 1/2" dia.	RD-5-6532-120	1
10	- Thermostat, AC Unit Only	RD-5-4531-24	1
11	- Expansion Valve, AC Unit Only	RD-5-7051-0	1
12	- Motor	RD-5-8663-0	1
13	- Blower Wheel	RD-5-8149-0	1
14	- Motor Mount Assembly	RD-3-3946-0	1
15	- Blower Assembly	RD-3-7625-0	1
16	- Relay, 12V	RD-5-4408-0	1
17	- Resistor, Three Speed	RD-5-3647-0	1
18	- Heater Core Assembly	RD-1-1201-0	1
19	- Evaporator Assembly, AC Unit only	RD-2-2423-0	1
20	- CTC Circuit Board	RD-6-4797-1	1
21	- Plenum Assembly	RD-5-6028-3 RD3-6873-0	1
22	- Heat Duct, Passenger Side	RD-3-6889-0	1
23	- Door Rood Assembly	RD-3-6972-1	1
24	- Air cylinder	RD-5-6028-3	2
25	Water & Solenoid Valve Assy, RD-5-6105-0	60042-3404	1
	- Solenoid Valve	RD-5-6118-0	1
	- Water Valve	RD-5-5138-0	1
26	Seal Assembly, Cab Heater	50246-3433-19.0	1
	- Cover, Heater under dash	57012-3470	1
	- Kit, Gaskets	RD-3-8383-1	1
	- Kit, Deluxe Filter, Dust & Odor, Cab Heater/AC	60015-3404	1

Specific BOMs listed: 4068-ALL

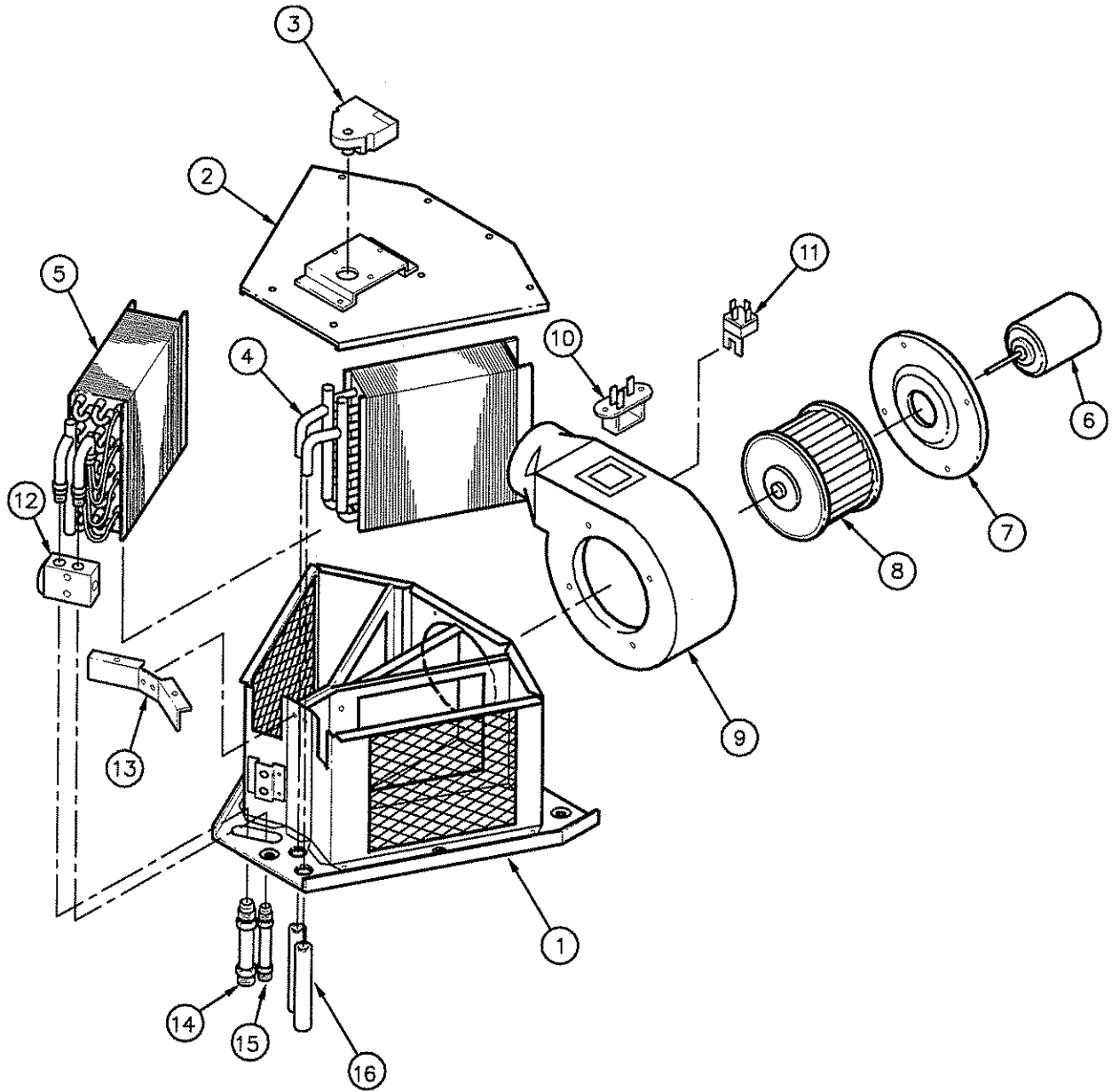


CONSTELLATION STEEL SLEEPER - HEAT/AC BREAKDOWNS

HEAT/AC UNIT, SLEEPER (CONSTELLATION STEEL SLEEPER)

Item	Description	Part Number	Qty
	Heat/AC Unit, Red Dot R-4230-6M	60101-3410	1
	Heat only Unit, Red Dot R-4230-7M	60101-3409	1
1	- Housing Assembly	RD-3-6001-0	1
2	- Cover Assembly	RD-3-6005-0	1
3	- Actuator Motor	RD-5-6320-0	1
4	- Heater Core Assembly	RD-1-0822-0	1
5	- Evaporator Assembly, AC Unit	RD-2-1898-0	1
6	- Motor	RD-5-8203-0	1
7	- Mounting Assembly, Motor	RD-3-4006-0	1
8	- Blower Wheel	RD-5-5601-0	1
9	- Blower Housing Assembly	RD-3-6522-0	1
10	- Resistor	RD-5-3647-0	1
11	- Relay, 12 Volt	RD-5-4408-0	1
12	- Expansion Valve	RD-5-7125-0	1
13	- Front Bracket Assembly	RD-3-6019-1	1
14	- Tube Assembly, Outlet #10	RD-3-5964-5	1
15	- Tube Assembly, Outlet #6	RD-3-5177-4	1
16	- Heater Core Nipple	RD-4130-3	
-	- Thermisor Assembly	RD-3-5914-0	1
-	Kit, Foam Filter, Sleeper Heat/AC	60015-3416	
-	Kit, Deluxe Filter, Sleeper Heat/AC	60015-3415	

Specific BOMs listed: 4068-062-00/03



Red D&T R4240-14

MULTI LEVEL EXPLOSION
DRAWING DETAIL

PAGE: 01

LAST MAINT: 07/25/0

ITEM NO: 60101-3426

DESC: HEAT/COOL UNIT, COMPOSITE SLPR

(ENTER LEVEL 2 ITEM ONLY)

START AT:

TYPE: P STAT: C FLOT: 871

LLOT:

INC B/M:

CUR RLSE NO: P13947-A

SELECTION: ME

DATA: D

RLSE:

LOC:

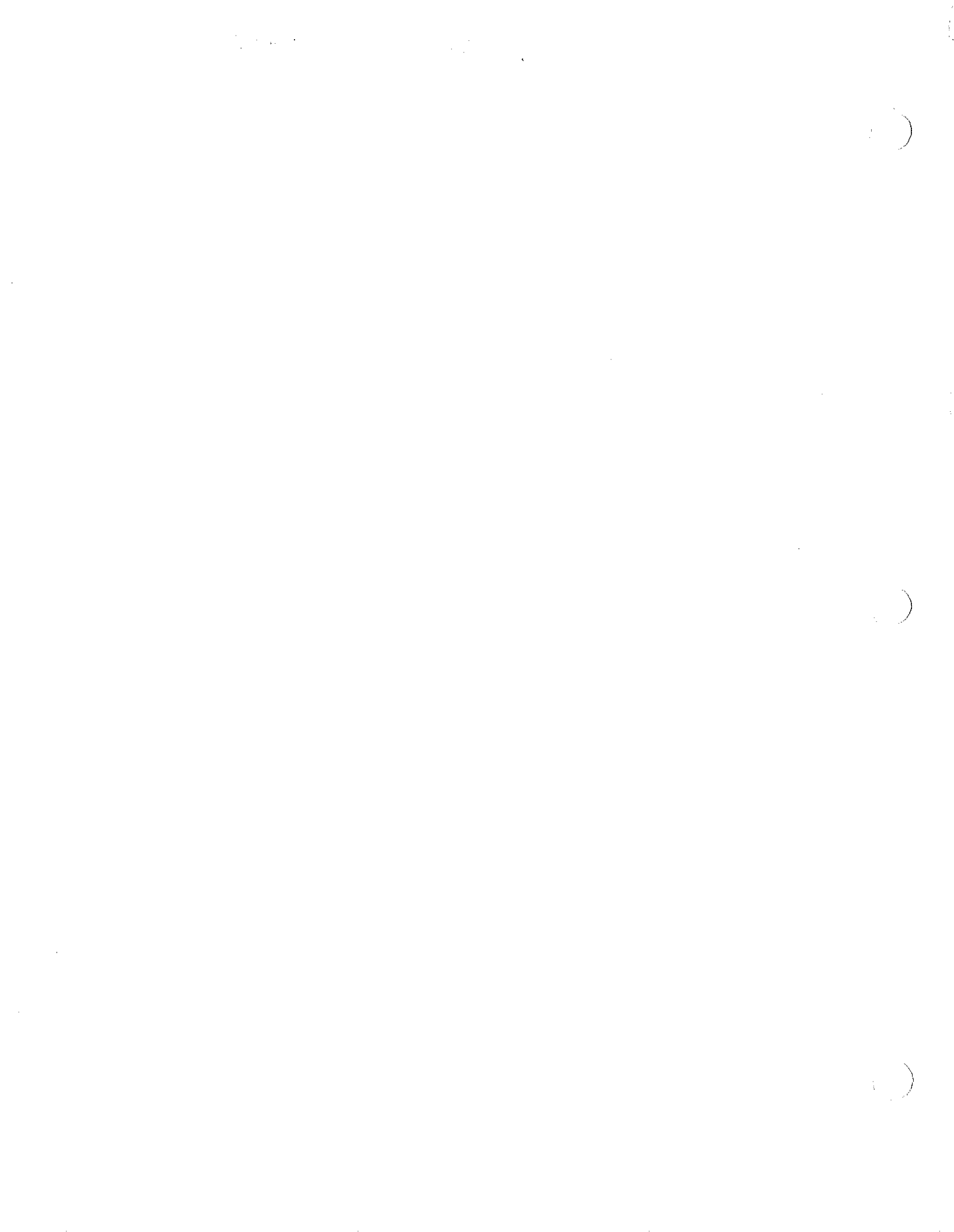
SHOW GENERIC: N

STATUS:

DEPT CNTL:

LV	DWG	COMPONENT	ITEM	ITEM DESCRIPTION	QTY	UM
-----DRAWING DATA-----						
REF	DRAWING NUMBER	REV	DATE	MET	DEPT	SIZE FILE
02	999 RDHRD1	0822	1	CORE ASSY HEATER	R	1.000 EA
				E	D	
02	999 RDHRD2	1898	1	EVAPORATOR ASSY	R	1.000 EA
				E	D	
02	999 RDHRD3	4058	0	MOTOR BLOWER ASSY	R	1.000 EA
				E	D	
02	999 RDHRD3	5177	4	INLET TUBE ASSY - #6	R	1.000 EA
				E	D	
02	999 RDHRD3	5914	0	THERMISTOR ASSY	R	1.000 EA
				E	D	
02	999 RDHRD3	5964	5	OUTLET TUBE ASSY- #10	R	1.000 EA
				E	D	
02	999 RDHRD3	7858	0	WIRE HARNESS ASSY	R	1.000 EA
				E	D	
02	999 RDHRD3	8883	0	KIT - GASKET, HTR-A/C	R	1.000 EA
				E	D	
02	999 RDHRD3	8889	1	PLATE - FLOOR	R	1.000 EA
				E	D	
02	999 RDHRD5	3647	0	RESISTOR-SPEED CONTROL	R	1.000 EA
				E	D	
02	999 RDHRD5	6320	0	MOTOR-ACTUATOR, ROTARY	R	1.000 EA
				E	D	
02	999 RDHRD5	7125	0	EXPANSION VALVE	R	1.000 EA
				E	D	
02	999 RDHRD5	8866	0	HOUSING, BASE, PLASTIC	R	1.000 EA
				E	D	
02	999 RDHRD5	8867	0	HOUSING, TOP, PLASTIC	R	1.000 EA
				E	D	
02	999 RDHRD5	8868	0	DOOR, PLASTIC	R	1.000 EA
				E	D	

10/16/02 06:39:15 I12-HIT PF1 TO CONTINUE



MULTI LEVEL EXPLOSION

PAGE: 02

DRAWING DETAIL

LAST MAINT: 07/25/0

IM NO: 60101-3426

DESC: HEAT/COOL UNIT, COMPOSITE SLPR

(ENTER LEVEL 2 ITEM ONLY)

START AT:

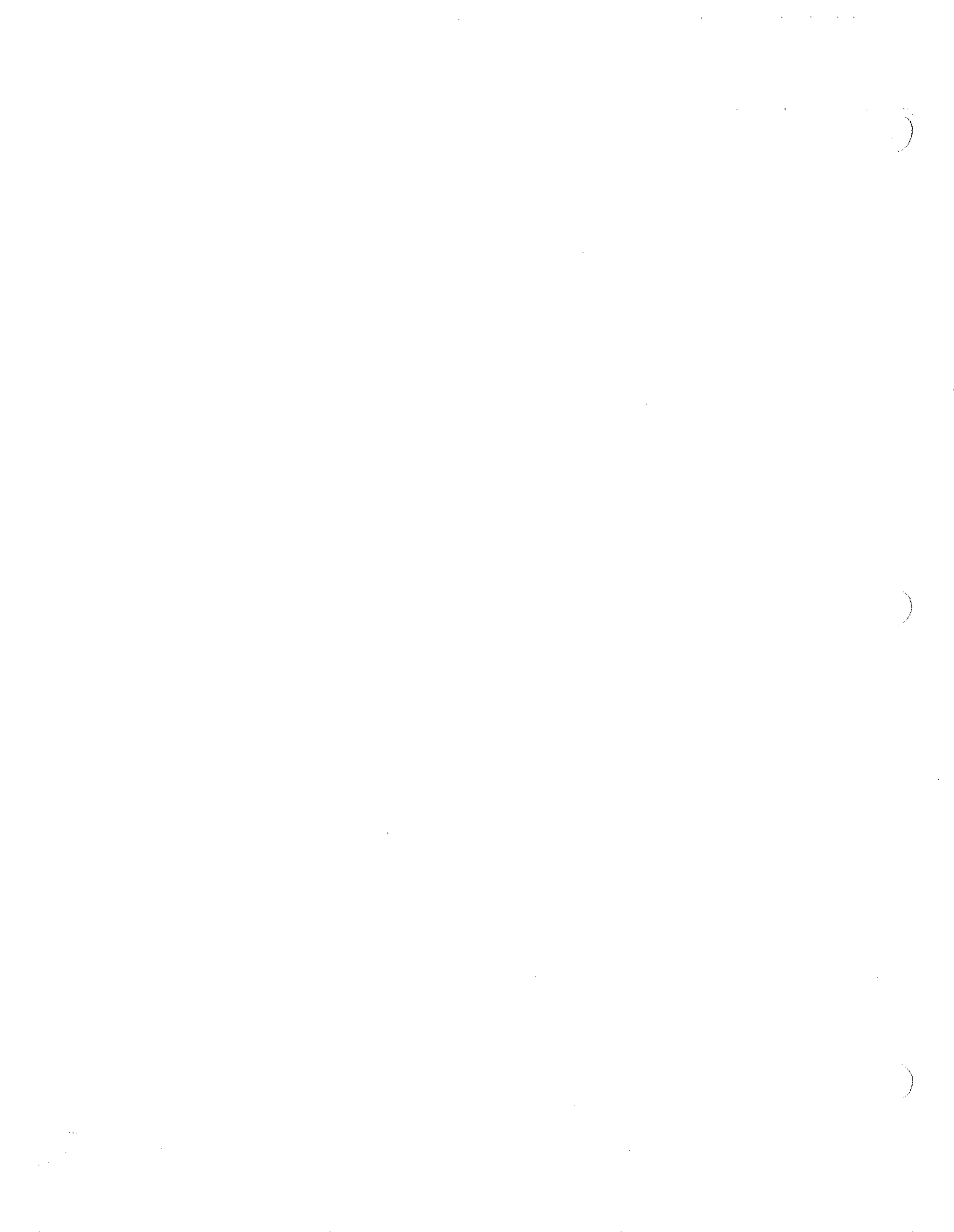
TYPE: P STAT: C FLOT: 871 LLOT: INC B/M: CUR RLSE NO: P13947-A

SELECTION: ME DATA: D RLSE: LOC: SHOW GENERIC: N

STATUS: DEPT CNTL:

LV	DWG	-----COMPONENT ITEM-----	-----ITEM DESCRIPTION-----	-----QTY-----	UM
-----DRAWING DATA-----					
REF	-----DRAWING NUMBER-----	REV	--DATE--	MET	DEPT SIZE ---FILE--
02	999 RDHRD5 8869 0				R 7.000 EA
			CLIP - RETAINER, SPRING	E D	
02	999 RDHRD5 9400 8				R 1.000 EA
			BLOWER HOUSING ASSY	E D	

10/16/02 06:39:42 I15-DISPLAY COMPLETE TOTAL: 17 COMPONENTS

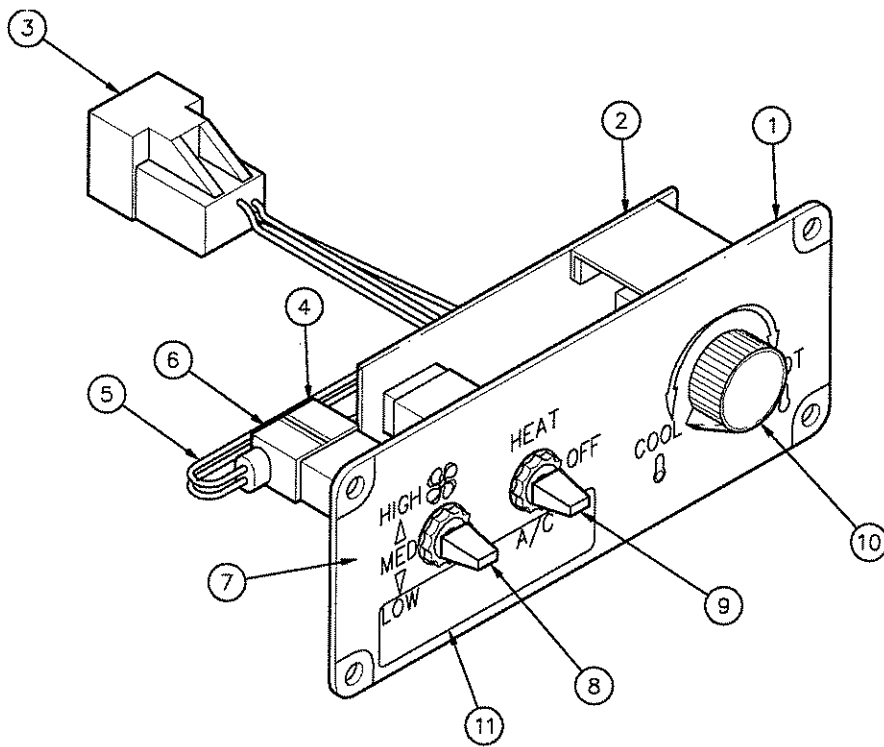


STAR LIGHT COMPOSITE SLEEPER - HEAT/AC BREAKDOWNS

HEAT/AC UNIT, SLEEPER, STAR LIGHT SLEEPER (HORIZONTAL OUTLET BLOWER)

Item	Description	Part Number	Qty
	Heat/AC Unit, Red Dot R-4230-11M	60101-3415	1
	Heat only Unit, Red Dot R-4230-10M	60101-3416	1
1	- Housing Assembly	RD-3-6001-0	1
2	- Cover Assembly	RD-3-6005-0	1
3	- Actuator Motor	RD-5-6320-0	1
4	- Heater Core Assembly	RD-1-0822-0	1
5	- Evaporator Assembly, AC Unit	RD-2-1898-0	1
6	- Motor	RD-5-8203-0	1
7	- Mounting Assembly, Motor	RD-3-4006-0	1
8	- Blower Wheel	RD-5-5601-0	1
9	- Blower Housing Assembly	RD-3-6522-2	1
10	- Resistor	RD-5-3647-0	1
11	- Relay, 12 Volt	RD-5-4408-0	1
12	- Expansion Valve	RD-5-7125-0	1
13	- Front Bracket Assembly	RD-3-6019-1	1
14	- Tube Assembly, Outlet #10	RD-3-5964-5	1
15	- Tube Assembly, Outlet #6	RD-3-5177-4	1
16	- Heater Core Nipple	RD-4130-3	
-	- Thermisor Assembly	RD-3-5914-0	1
-	Kit, Foam Filter, Sleeper Heat/AC	60015-3416	
-	Kit, Deluxe Filter, Sleeper Heat/AC	60015-3415	

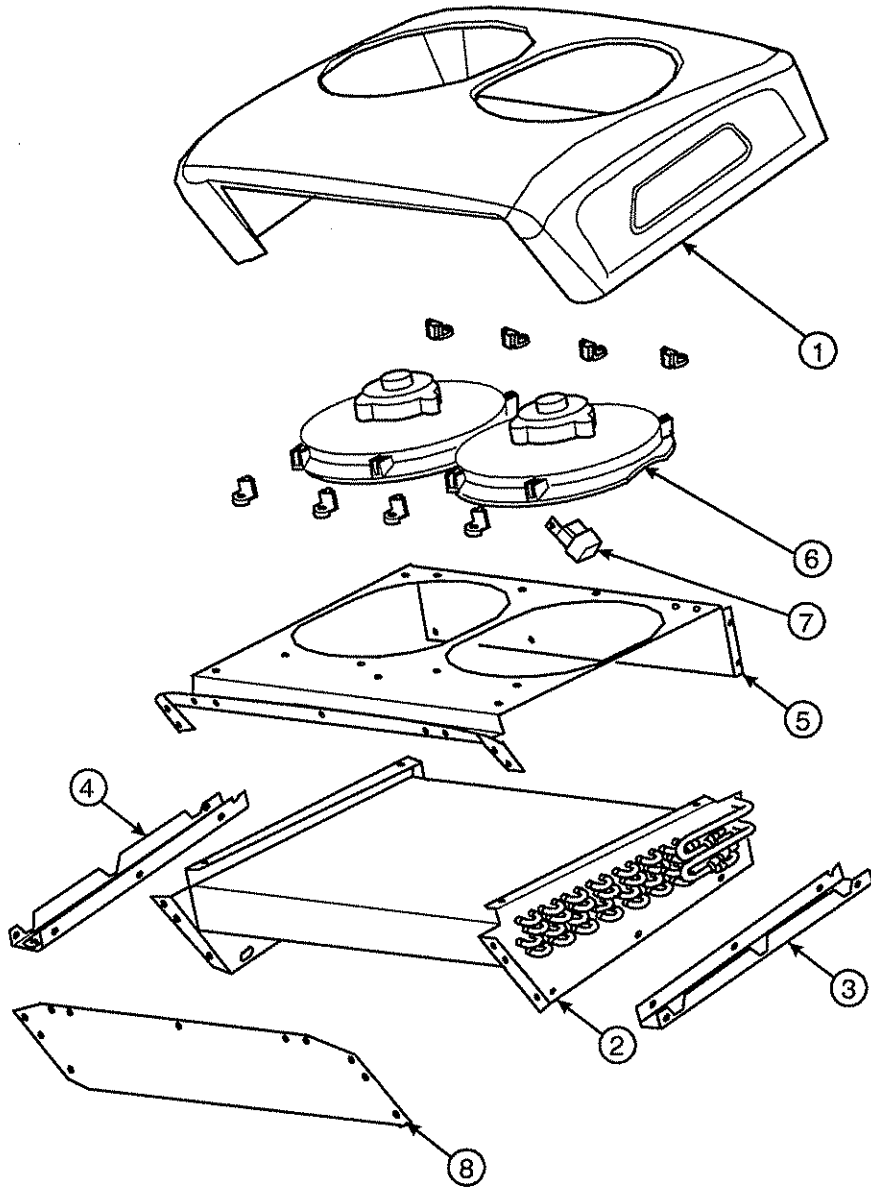
Specific BOMs listed: 4068-062-04/05



CONTROL PANEL ASSEMBLY, SLEEPER

Item	Description	Part Number	Qty
	Control Panel Assembly, Heat/AC	60303-3419	1
	Control Panel Assembly, Heat only	60303-3420	1
1	- Panel Assembly, Control	RD-3-6558-1	1
2	- Thermostat Assy, Heat/AC	RD-6-4724-1	1
2	- Thermostat Assy, Heat	RD-6-4724-2	1
3	- Connector, 8 way, Metric Pack, Female	RD-5-7934-0	1
4	- Wire Assembly	RD-3-7787-7.1-BKW	1
5	- Wire Assembly	RD-3-7787-7.1-ORG	1
6	- Wire Assembly	RD-3-7787-7.1-YEL	1
7	- Label, Control Panel, Heat/AC	RD-3-6559-0	1
7	- Label, Control Panel, Heat only	RD-3-6559-1	1
8	- Toggle Switch	RD-5-5400-0	1
9	- Nut, Switch Retainer	RD-5-3764-0	1
10	- Knob	RD-5-5928-0	1
11	- Label, Identification	RD-5-4545-0	1

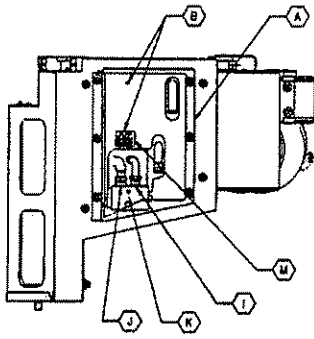
Specific BOMs listed: 4068-ALL



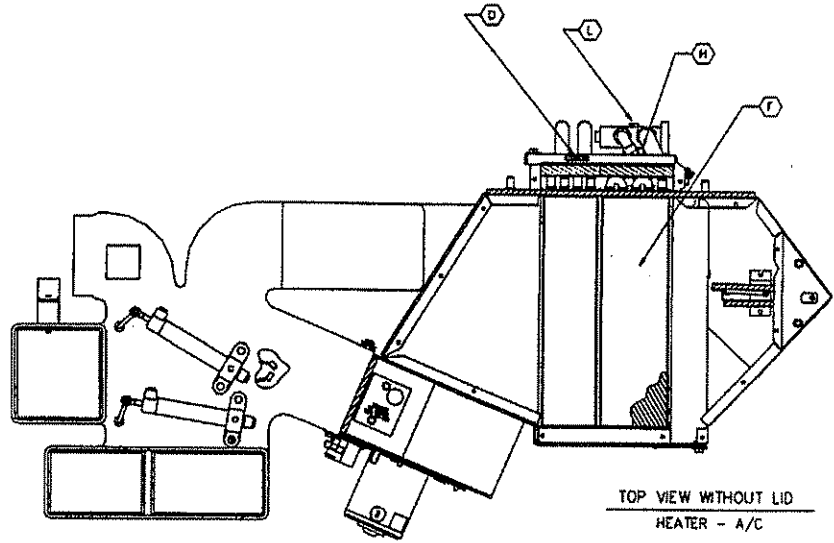
ROOFTOP CONDENSER MODEL R-6260

Item	Description	Part Number	Qty
	Assembly, Rooftop Condenser	61203-3413	1
1	- Cover	RD-4-5121-0	1
2	- Condenser	RD-4-5122-0	1
3	- Rail Assembly, LH	RD-4-5125-2	1
4	- Rail Assembly, RH	RD-4-5125-4	1
5	- Plenum Assembly	RD-4-5123-0	1
6	- Fan/Motor Assembly, 12V	RD-5-8558-0	1
7	- Relay, 12V Metri-pack with Diode	RD-5-7232-0	1
8	- Bugscreen	RD-4-5136-0	1

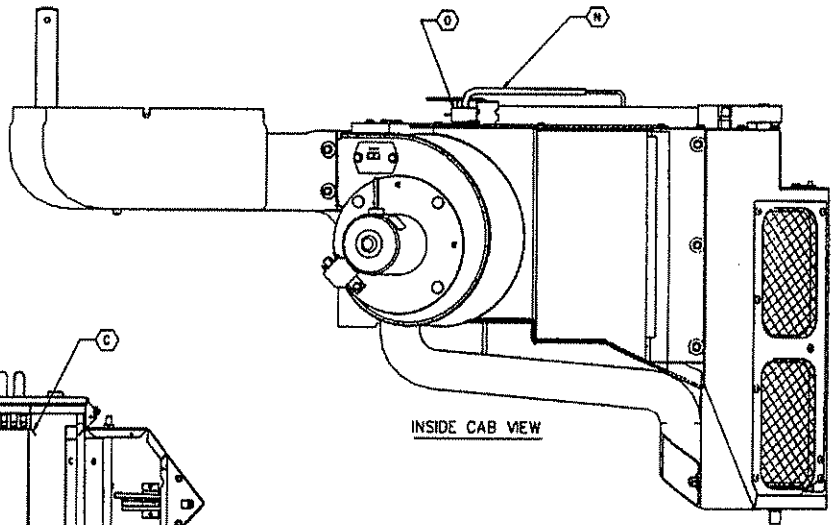
Specific BOMs listed: 4068-005-08/11, 4038-006-08/11, 4068-008-08/11,
4068-009-08/11, 4068-025-04/05, 4068-027-04/05



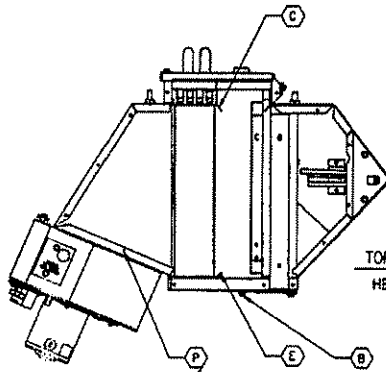
ENGINE - SIDE VIEW
 HEATER - A/C



TOP VIEW WITHOUT LID
 HEATER - A/C



INSIDE CAB VIEW

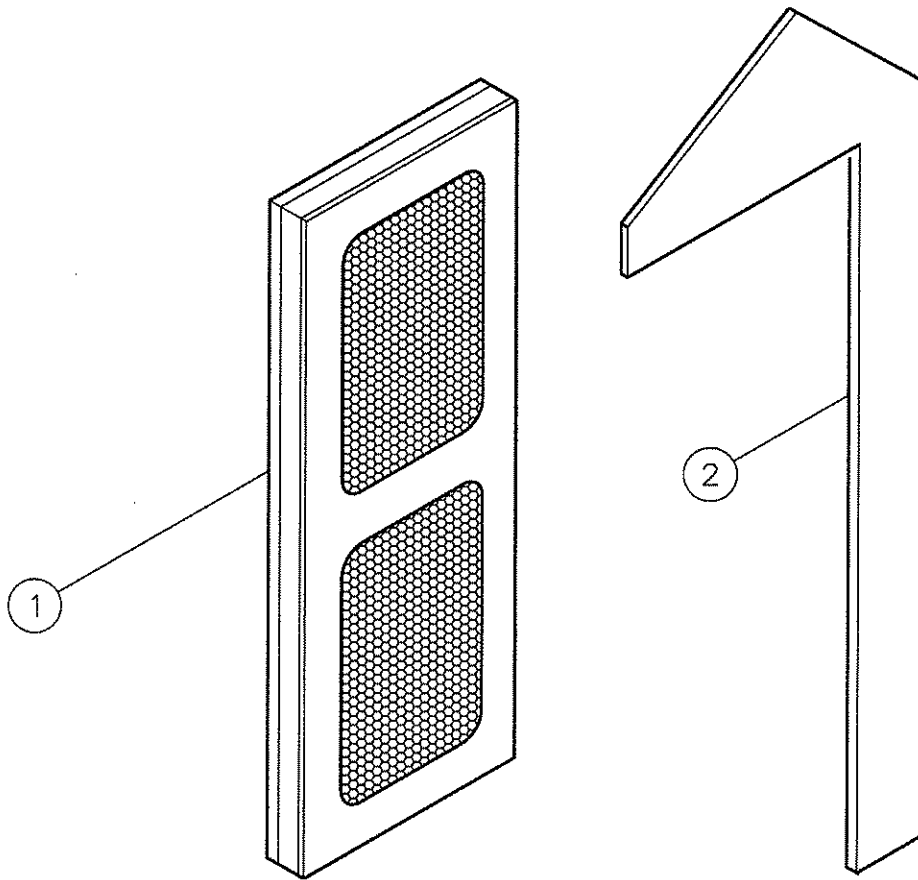


TOP VIEW WITHOUT LID
 HEATER ONLY VERSION

R-5260 CONVERSION KIT CAB - HEATER ONLY TO HEATER - A/C

Item	Description	Red Dot Part No.	WST Part No.	Qty
	Conversion Kit	RD-3-8016-0P	60002-3427	1
F	- Evaporator Assy.	RD-2-2423-0P	60004-3401	1
G	- Gasket - Evaporator Core Wrap	RD-3-7078-0	-	1
H	- Nut - 1/4-20 Spring, Floating	RD-5-4305-0	-	1
I	- O-Ring - No.8	RD-5-4017-013	-	1
J	- O-Ring - No.10	RD-5-4017-015	-	1
K	- Valve - Expansion, 2 Ton	RD-5-7015-0P	61502-3408	1
L	- Screw -1/4-20 UNC-2A Hex	RD-5-4061-0-1.375	-	1
M	- Label - R-134A Warning	RD-5-6934-0	-	1
N	- Tube-Thermostat, 5/32 I.D.	RD-5-3816-15	-	1
O	- Thermostat	RD-5-4531-24P	60054-4401	1
-	Installation Instruction Sheet	RD-3-8024-0	-	1

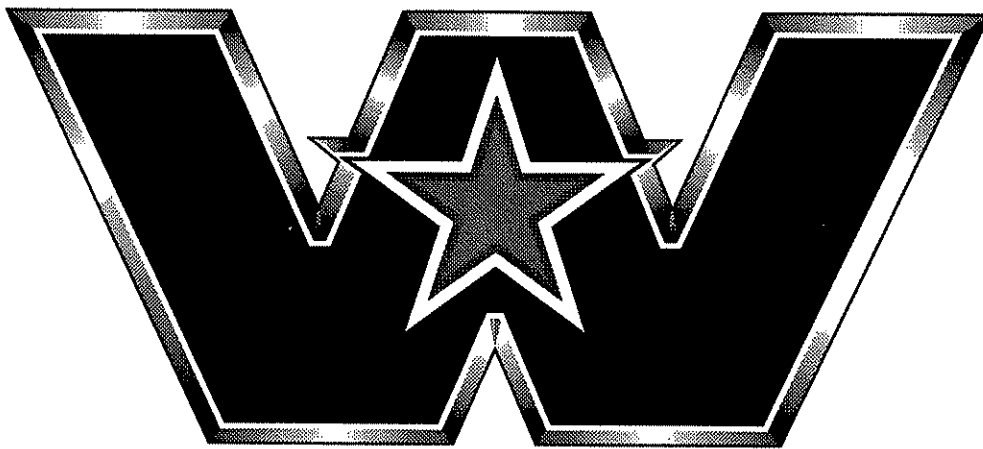
Note: The conversion kit may be installed without removing the Heater unit from the cab.



HEATER GASKETS

Item	Description	Part Number	Qty
1	Heater Intake Gasket (interior)	60052-3410	1
2	Heater Intake Gasket (exterior)	07030-3536	1

Specific BOMs listed: 4068-001-00, 4068-061-00/01



WESTERN STAR TRUCKS®
The Preferred Choice™

MULTI LEVEL EXPLOSION
DRAWING DETAIL

PAGE: 01

LAST MAINT: 07/25/02

EM NO: 60101-3426

DESC: HEAT/COOL UNIT, COMPOSITE SLPR

START AT:

RDH/R4240-14 (ENTER LEVEL 2 ITEM ONLY)

TYPE: P STAT: C FLOT: 871

LLOT:

INC B/M:

CUR RLSE NO: P13947-A

SELECTION: ME

DATA: D

RLSE:

LOC:

SHOW GENERIC: N

STATUS:

DEPT CNTL:

LV	DWG	COMPONENT	ITEM	ITEM DESCRIPTION	QTY	UM
REF	DRAWING NUMBER	REV	DATE	MET	DEPT	SIZE
02	999 RDHRD1	0822	1	CORE ASSY HEATER	R 1.000	EA
02	999 RDHRD2	1898	1	EVAPORATOR ASSY	R 1.000	EA
02	999 RDHRD3	4058	0	MOTOR BLOWER ASSY	R 1.000	EA
02	999 RDHRD3	5177	4	INLET TUBE ASSY - #6	R 1.000	EA
02	999 RDHRD3	5914	0	THERMISTOR ASSY	R 1.000	EA
02	999 RDHRD3	5964	5	OUTLET TUBE ASSY- #10	R 1.000	EA
02	999 RDHRD3	7858	0	WIRE HARNESS ASSY	R 1.000	EA
02	999 RDHRD3	8883	0	KIT - GASKET, HTR-A/C	R 1.000	EA
02	999 RDHRD3	8889	1	PLATE - FLOOR	R 1.000	EA
02	999 RDHRD5	3647	0	RESISTOR-SPEED CONTROL	R 1.000	EA
02	999 RDHRD5	6320	0	MOTOR-ACTUATOR, ROTARY	R 1.000	EA
02	999 RDHRD5	7125	0	EXPANSION VALVE	R 1.000	EA
02	999 RDHRD5	8866	0	HOUSING, BASE, PLASTIC	R 1.000	EA
02	999 RDHRD5	8867	0	HOUSING, TOP, PLASTIC	R 1.000	EA
02	999 RDHRD5	8868	0	DOOR, PLASTIC	R 1.000	EA

08/26/02 08:25:35 I12-HIT PF1 TO CONTINUE

)

)

)

MULTI LEVEL EXPLOSION

PAGE: 02

DRAWING DETAIL

LAST MAINT: 07/25/01

EM NO: 60101-3426

DESC: HEAT/COOL UNIT, COMPOSITE SLPR

START AT:

(ENTER LEVEL 2 ITEM ONLY)

TYPE: P STAT: C FLOT: 871

LLOT:

INC B/M:

CUR RLSE NO: P13947-A

SELECTION: ME

DATA: D

RLSE:

LOC:

SHOW GENERIC: N

STATUS:

DEPT CNTL:

LV	DWG	-----COMPONENT ITEM-----	-----ITEM DESCRIPTION-----	-----QTY-----	UM	
REF	-----DRAWING NUMBER-----	REV	--DATE--	MET	DEPT SIZE	---FILE---
02	999	RDHRD5 8869 0	CLIP - RETAINER, SPRING	R 7.000	EA	
				E	D	
02	999	RDHRD5 9400 8	BLOWER HOUSING ASSY	R 1.000	EA	
				E	D	

08/26/02 08:26:07 I15-DISPLAY COMPLETE

TOTAL: 17 COMPONENTS

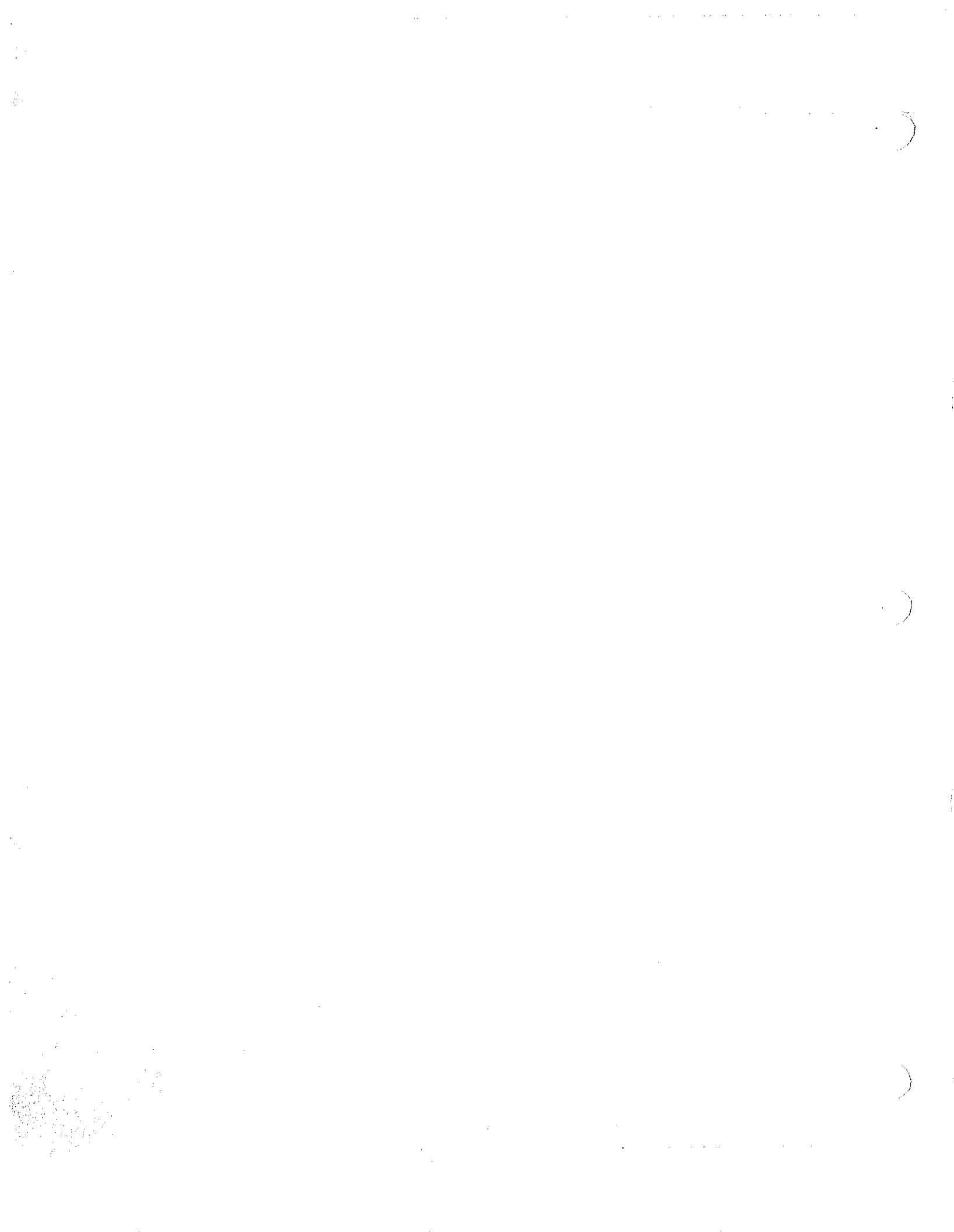
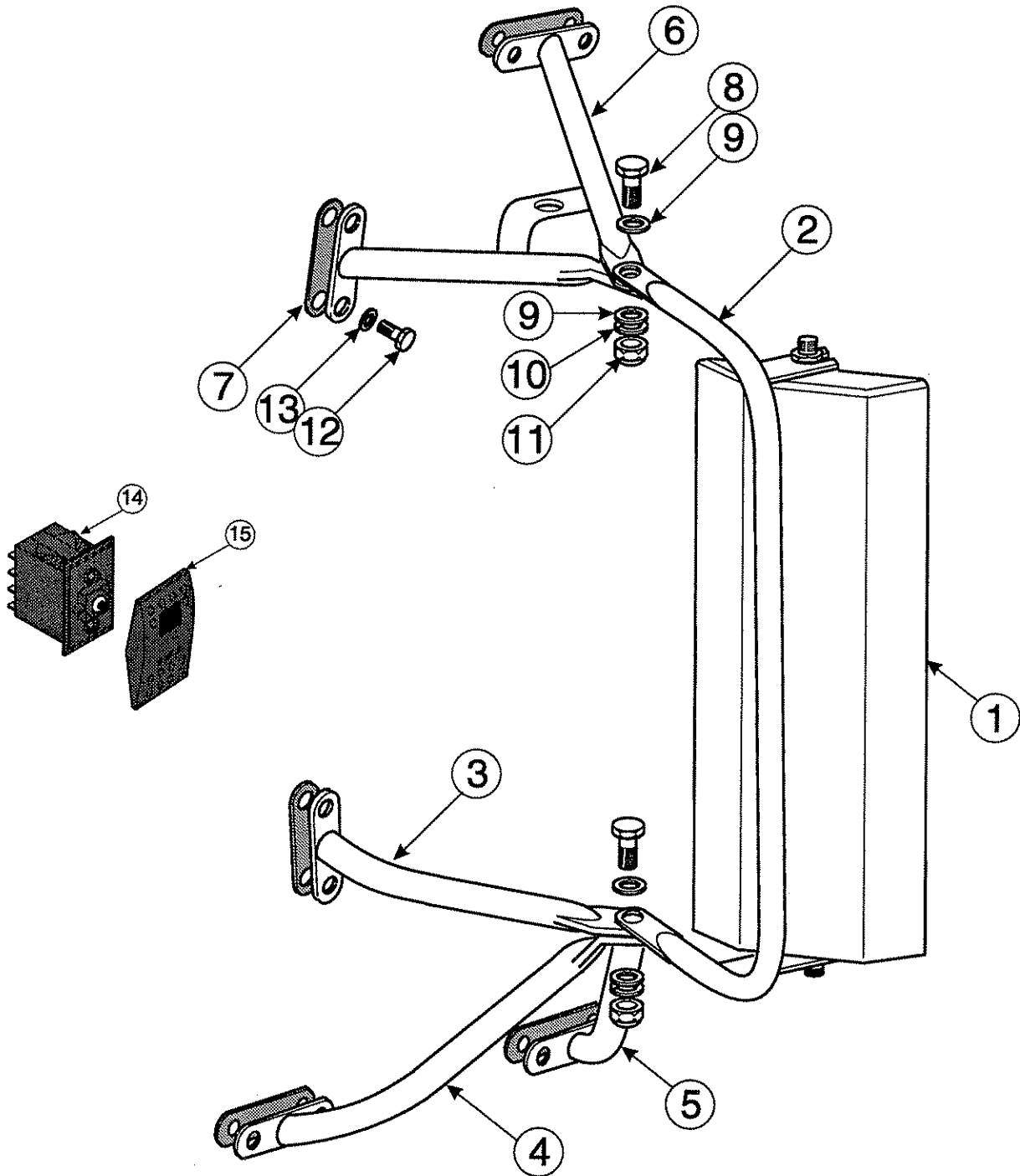


TABLE OF CONTENTS

	Section	Page
Mirrors & Arms	11.6.1	2-3
Grab Handles	11.6.2	4-5

Note: This publication is a generic parts book. Components may vary with different applications. For applications other than listed below the parts listings see the appropriate Bill of Material by truck serial number and use this publication as a guide only.



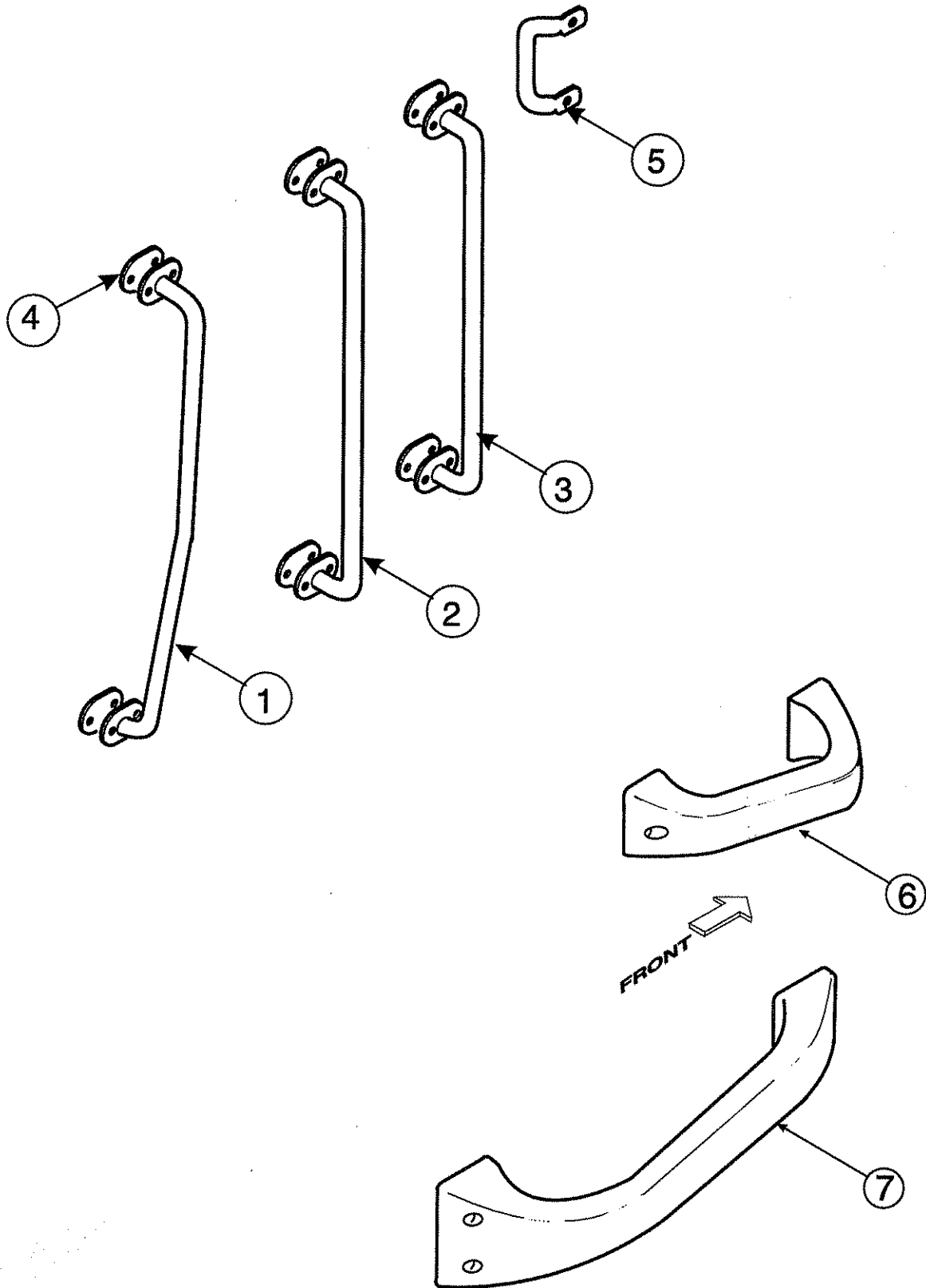
MIRROR HEADS

Item	Description	Part Number	Qty
1	Prutsmann SST Mirror Assembly	62201-0007	1
1	Prutsmann SST HEATED Mirror Assembly	62211-3402	1
1	Prutsmann SST HEATED & LIGHTED Mirror Assembly	62211-3403	1
1	Grote SST Mirror Assembly	62211-3404	1
1	Grote SST HEATED Mirror Assembly	62211-3405	1
1	Grote HEATED & LIGHTED Mirror Assembly	62211-3406	1
1	Moto Mirror, Aerodyne Steerable, Heated, Lighted, RH	62211-3407	1
1	Moto Mirror, Aerodyne Steerable, Heated, RH	62211-3408	1
1	Moto Mirror, Aerodyne Non Steerable, Heated, Lighted, LH	62211-3409	1
1	Moto Mirror, Aerodyne Non Steerable, Heated, LH	62211-3410	1

MIRROR ARMS (QUANTITIES ARE FOR ONE SIDE)

Item	Description	LHP/N	RHP/N	Qty
2	'D' Arm - 114"	62203-3515	62203-3516	1
2	'D' Arm - 102"	62203-3513	62203-3514	1
3	Lower Brace	62203-3511	62203-3512	1
4	Lower Forward Arm	62203-3509	62203-3510	1
5	Lower Rear Arm	62203-3486	62203-3487	1
6	Upper Arm Assembly	62203-3504	62203-3505	1
7	Isolator, Mirror Arms	62208-3413		5
8	Bolt, SST Hex .38 - 16 X 1.0	4001-3411		2
9	Flat Washer SST .38 Std.	4002-3402		4
10	Lock Washer SST .38	4004-3403		2
11	Nut, Acorn SST .38 - 16	04-9055186		2
12	Screw, SST .25 - 28 X .50	688752		10
13	Flat Washer SST .25 Std.	4002-3404		10
14	Switch, Mirror Heat	7805-3404		2
14	Switch, Mirror Steer	7805-3417		1
15	Rocker, Mirror Defog	7830-3410		1
15	Rocker, Mirror Steer	7830-3411		1

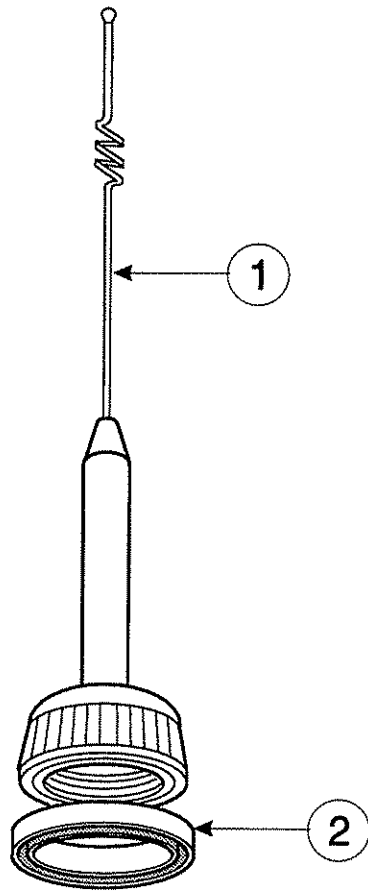
Specific BOMs listed: 4108-001-00/08, 4108-003-00/01



GRAB HANDLES

Item	Description	Part Number
1	Grab Handle, Cab Side LH	62401-3431
1	Grab Handle, Cab Side RH	62401-3432
2	Grab Handle, Back of Sleeper	62401-3438
2	Grab Handle, Sleeper Side	62401-3444
3	Grab Handle, Back of Cab	62401-3439
4	Gasket, Grab Handle	62401-3436
5	Grab Handle, RH Door Pillar	62401-3434
6	Pull Handle, RH/LH Door Interior (Small)	54301-3407
7	Pull Handle, RH/LH Door Interior (Long)	54301-3406

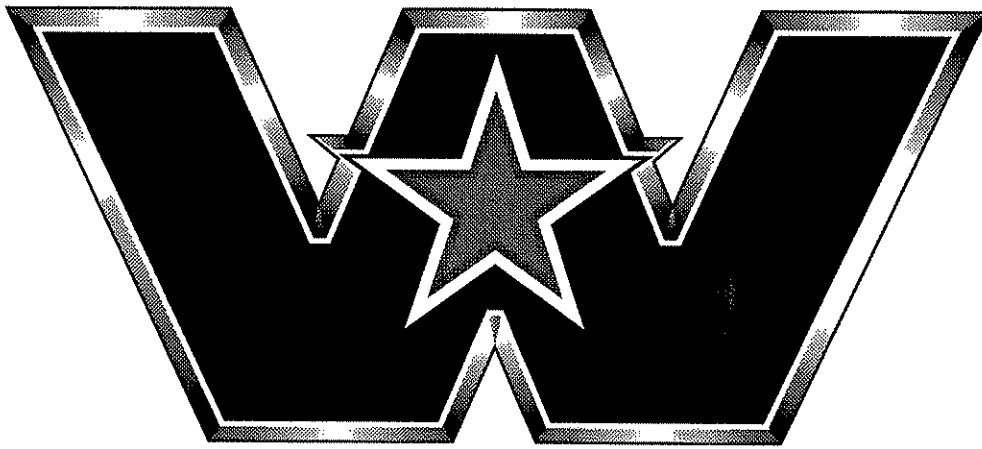
Specific BOMs listed: 4058-001-00, 4058-002-00, 4058-003-00/02, 4058-004-00/02,
4058-005-00



CELLULAR PHONE ANTENNA

Item	Description	Part Number
-	Antenna Assembly	59101-3413
1	- Antenna	WES825SNMO
2	- Seal	RGNMOANT

Specific BOMs listed: 4399-007-01/09

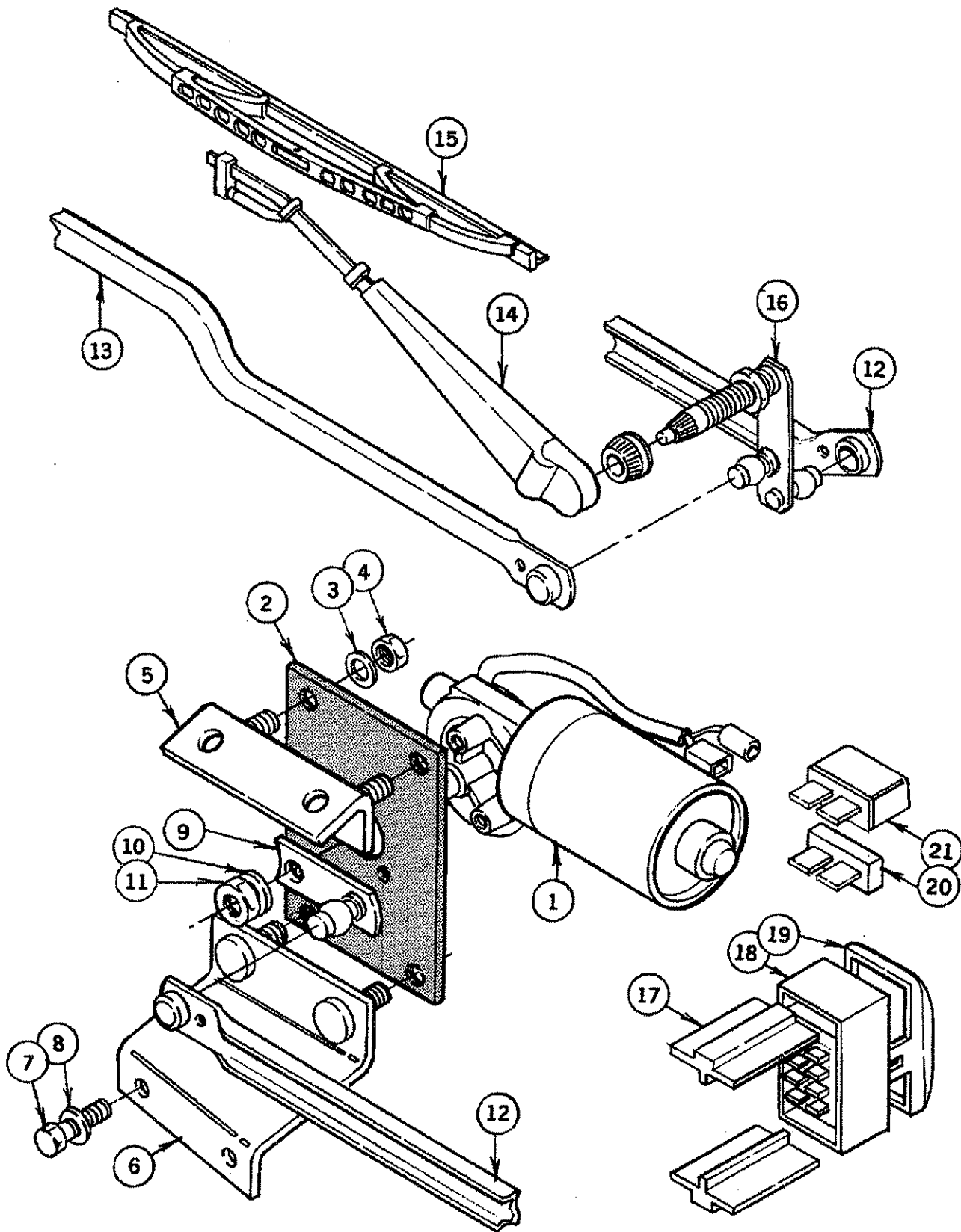


WESTERN STAR TRUCKS®
The Preferred Choice™

TABLE OF CONTENTS

	Section	Page
Windshield Wipers	11.7.1	2-3
Windshield Washer	11.7.2	4-5

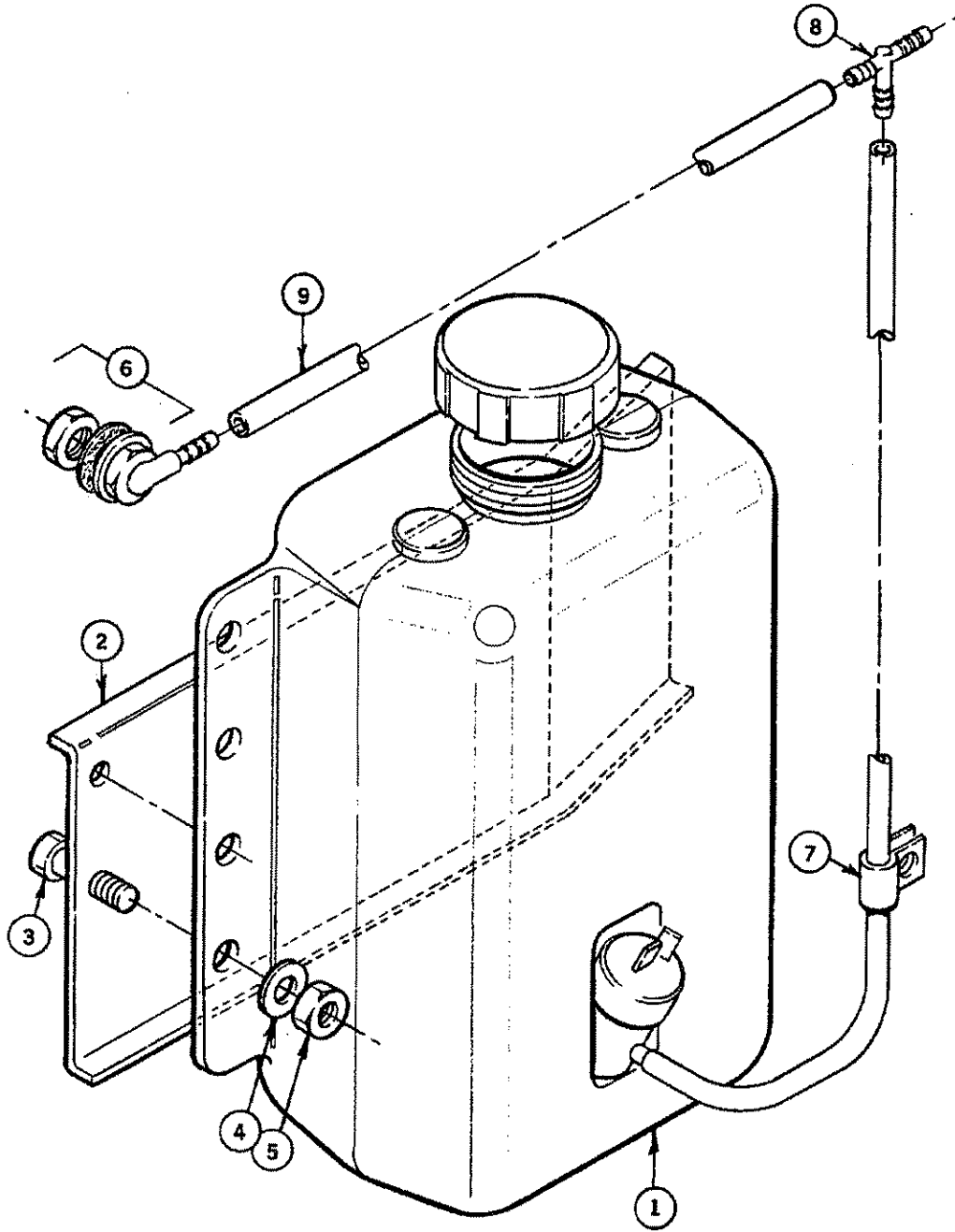
Note: *This publication is a generic parts book. Components may vary with different applications. For applications other than listed below the parts lists see the appropriate Bill of Material by truck serial number and use this publication as a guide only.*



WINDSHIELD WIPERS

Item	Description	Part Number	Qty
1	Motor	62816-3404	1
1	Screw, M6	4019-3472	3
2	Plate, Mounting, Motor	62804-3408	1
3	Washer, Lock .31	99-120214	4
4	Nut, .31-18	134556	4
5	Assembly, Bracket, Upper Mounting	62804-3407	1
6	Assembly, Lower Mounting Bracket	62804-3405	1
7	Screw, .31-18 x .62	536570	4
8	Washer, Lock .31	99-120214	4
9	Crank	62823-3402	1
10	Washer, Dished	4011-3436	1
11	Nut, M8	4012-3402	1
12	Drive Link	62832-3418	1
13	Drag Link	62832-3419	1
14	W/S Wiper Arm, LH	62805-3409	1
14	W/S Wiper Arm, RH	62805-3410	1
15	W/S Wiper Blade	62806-3411	2
16	Pivot	62809-3413	2
16	Mounting Hardware Kit	62890-3408	2
17	Shim, Switch	7805-3419	6
18	Switch, spdt 2 Position, Installed as S14	7805-3406	1
18	Switch, spdt 2 Position Mom, Installed as S58	7805-3413	1
18	Switch, spdt, Installed as S59	7805-3420	1
19	Actuator, Hi / Lo	7830-3414	1
19	Actuator, Windshield Washer	7830-3424	1
19	Actuator, Wiper On / Int	7830-3433	1
20	Fuse, Fast Acting 5 Amp, Installed as F24	7641-3403	1
21	Breaker, 25 Amp, Installed as F17	87001-3412	1

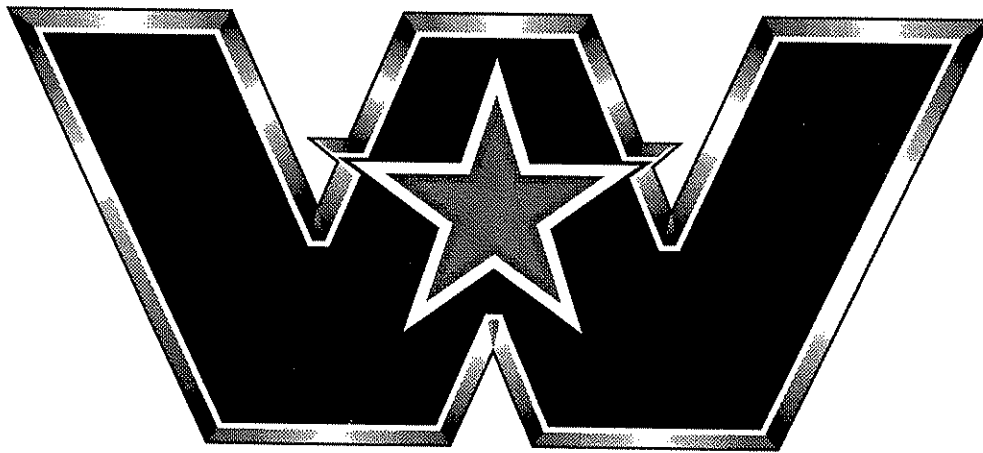
Specific BOMs listed: 4158-001-00



WINDSHIELD WASHERS

Item	Description	Part Number	Qty
1	Reservoir, Windshield Washer & Pump 12 Volt	62903-3404	1
2	Bracket, Windshield Washer Reservoir (Reservoir Vertically Mounted)	62911-3431	1
2	Bracket, Windshield Washer Reservoir (Reservoir Mounted on Angle)	62911-3432	1
3	Bolt, Hex .25-20 x .75	99-180020	4
4	Washer, Flat .25 x .62	99-120392	4
4	Washer, Flat .38 x .81 x .06	99-120394	4
5	Nut, Lock .25-20	656310	4
6	Kit, Bulkhead Elbow	62901-3404	2
	- Bulkhead Elbow Connector	-	1
	- Gasket	-	1
	- Washer	-	1
	- Nut, M8	-	1
7	Clip, Snap in, 3/8 Hose	62906-3401	3
8	Windshield Washer Tee	62908-3401	1
9	Hose, Rubber 3/16 ID	62907-3402	9 ft
-	Antifreeze, 50/50 Mixture, -40°	02-7008803	4 qt

Specific BOMs listed: 4148-001-00/01



WESTERN STAR TRUCKS®
The Preferred Choice™