

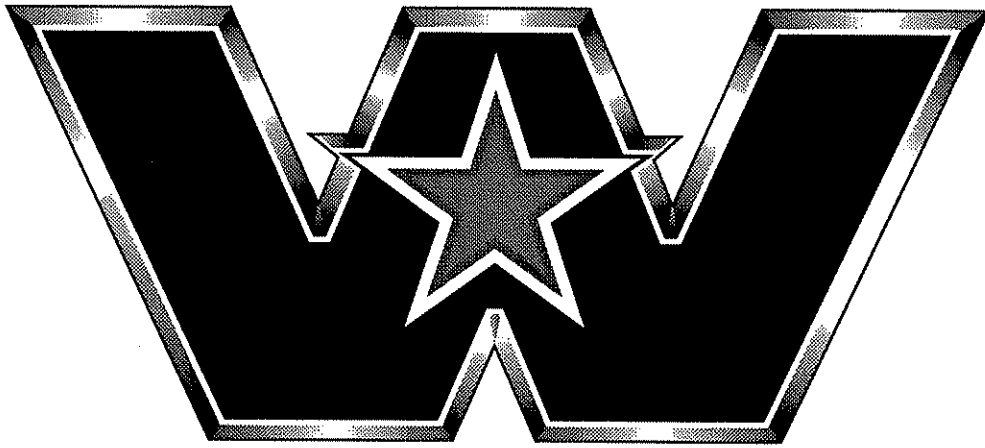
# AIR PRESSURE SYSTEM

## SECTION 10 INDEX

10.0

### INDEX

	Section	Pages
Bendix AD9 .....	10.4.3	1-6
CR Turbo 2000 .....	10.4.4	1-4
Wabco System Saver .....	10.4.5	1-6
Neway Anchorlock .....	10.4.6	1-4



**WESTERN STAR TRUCKS®**  
*The Preferred Choice™*

# AIR PRESSURE SYSTEM

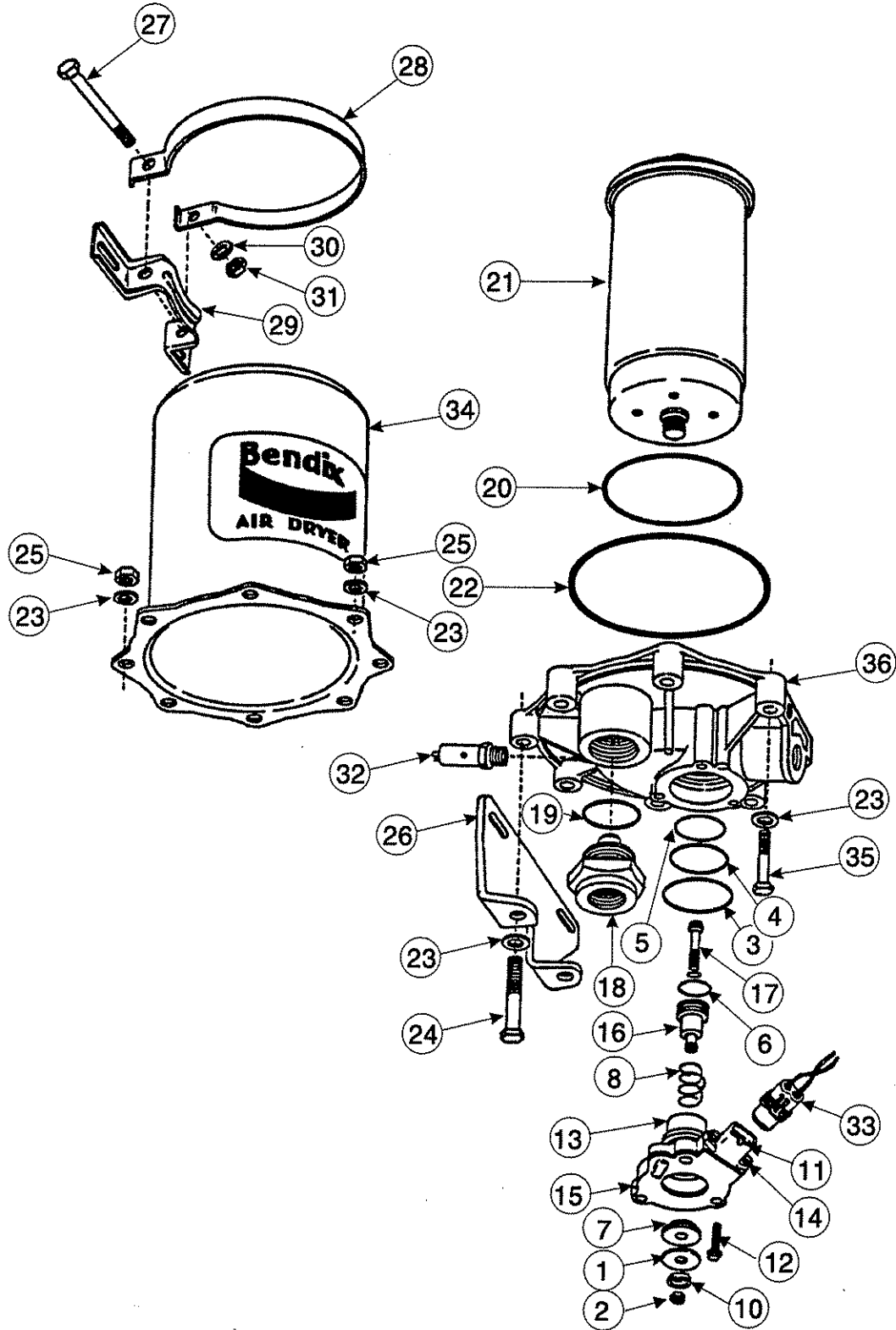
BENDIX AD-9 AIR DRYER

10.4.3

## TABLE OF CONTENTS

	Page
Bendix AD-9 Service Parts .....	2-5

***Note: This publication is a generic parts book. Components may vary with different applications. For applications other than listed below the parts listing see the appropriate Bill of Material by truck serial number and use this publication as a guide only.***



# AIR PRESSURE SYSTEM

10.4.3

## BENDIX AD-9 AIR DRYER

**AD-9 AIR DRYER**

71304-3405

**PURGE VALVE REPLACEMENT KIT**

109569

Item	Description	Qty
1	Exhaust Diaphragm	1
2	Purge Valve Lock Nut	1
3-6	O-Ring	4
7	Purge Valve	1
8	Spring	1
9	O-Ring	1
10	Exhaust Diaphragm Washer	1
12	Cap Screw and Washer	3
13	Purge Valve Housing	1
14	Self Tapping Screw	2
15	Exhaust Cover	1
16	Purge Piston	1
17	Torx Head Bolt	1

**PURGE VALVE MAINTENANCE KIT**

107798

Item	Description	Qty
1	Exhaust Diaphragm	1
2	Purge Valve Lock Nut	1
3-6	O-Ring	4
7	Purge Valve	1
8	Spring	1
9	O-Ring	1
10	Exhaust Diaphragm Washer	1

**END COVER CHECK VALVE MAINTENANCE KIT**

107800

Item	Description	Qty
18	Check Valve Assembly	1
19	Check Valve O-Ring	1

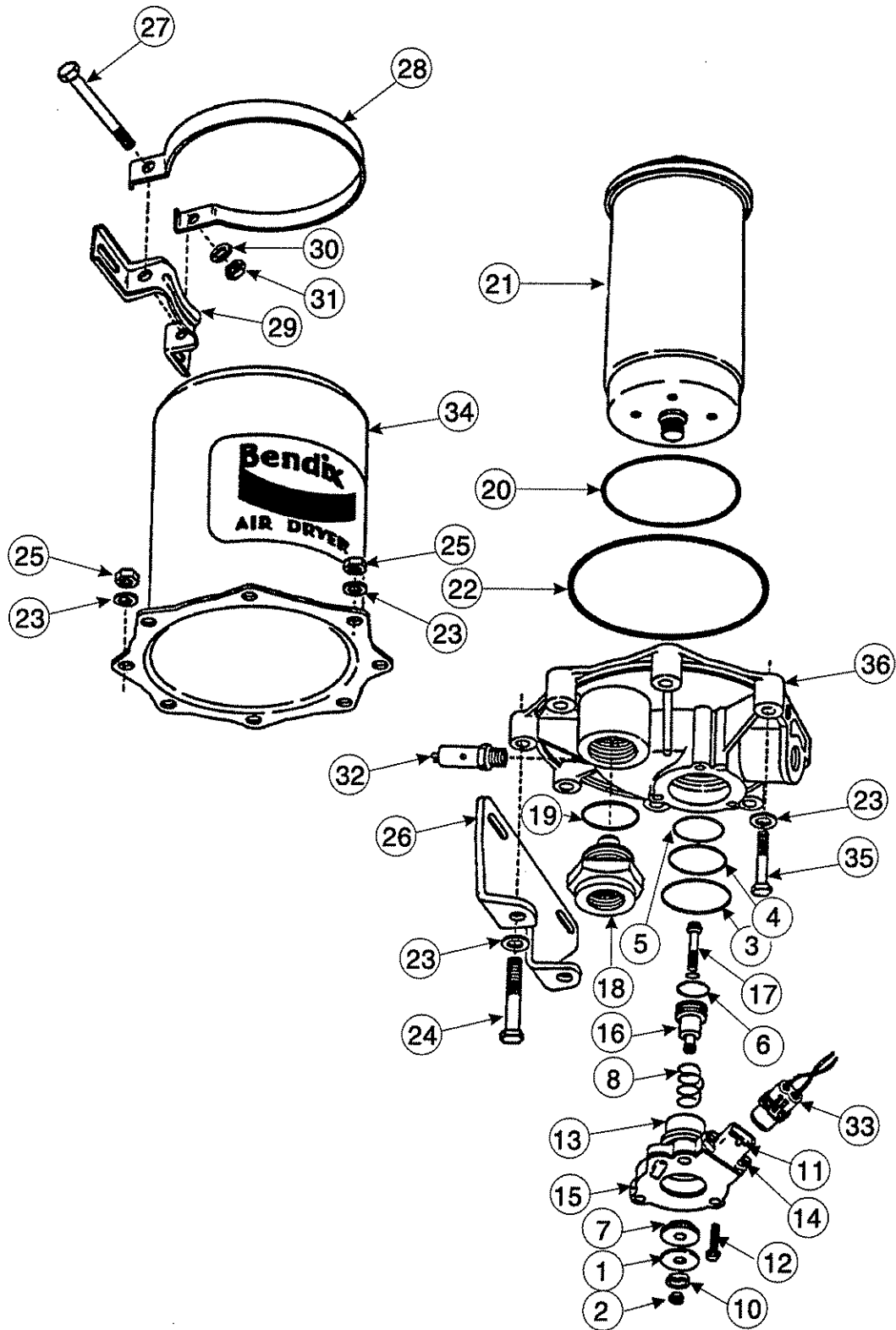
**DESICANT CARTRIDGE KIT**

107796

Item	Description	Qty
20	O-Ring	1
21	Desicant Cartridge	1
22	O-Ring	1

*Specific BOMs listed:* 2278-001-03/04, 2278-001-10/11, 2278-001-15

AIR PRESSURE SYSTEM 10



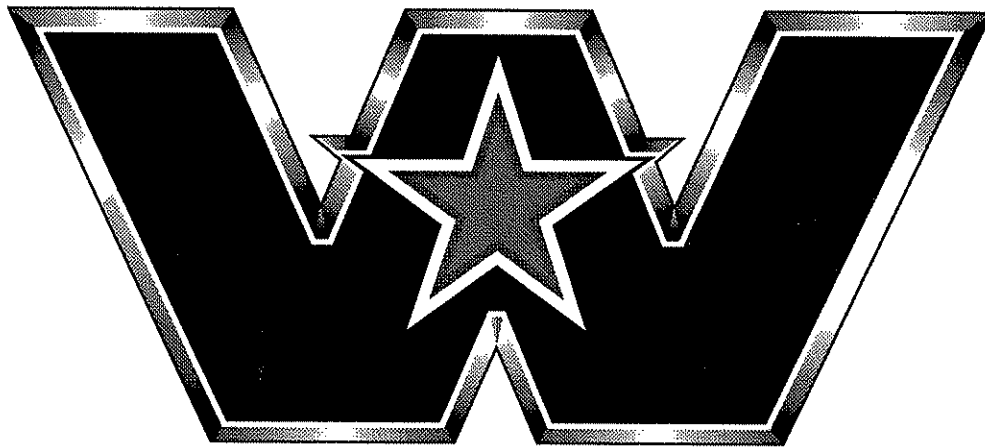
# AIR PRESSURE SYSTEM

10.43

**BENDIX AD-9 AIR DRYER**

<b>MOUNTING BRACKET KIT</b>		<b>107695</b>
Item	Description	Qty
23	3/8" Lockwasher	4
24	3/8" x 2 3/4" Capscrew	2
25	Lock Nut	2
26	Lower Mounting Bracket	1
27	3/8" x 4 1/2" Upper Bracket Cap Screw	1
28	Upper Bracket Strap	1
29	Upper Mounting Bracket	1
<b>SAFETY VALVE</b>		<b>285849</b>
<b>WIRING HARNESS AND CONNECTOR</b>		<b>109869</b>

**AIR PRESSURE SYSTEM 10**



**WESTERN STAR TRUCKS®**  
*The Preferred Choice™*

# AIR PRESSURE SYSTEM

## CR TURBO 2000 AIR DRYER

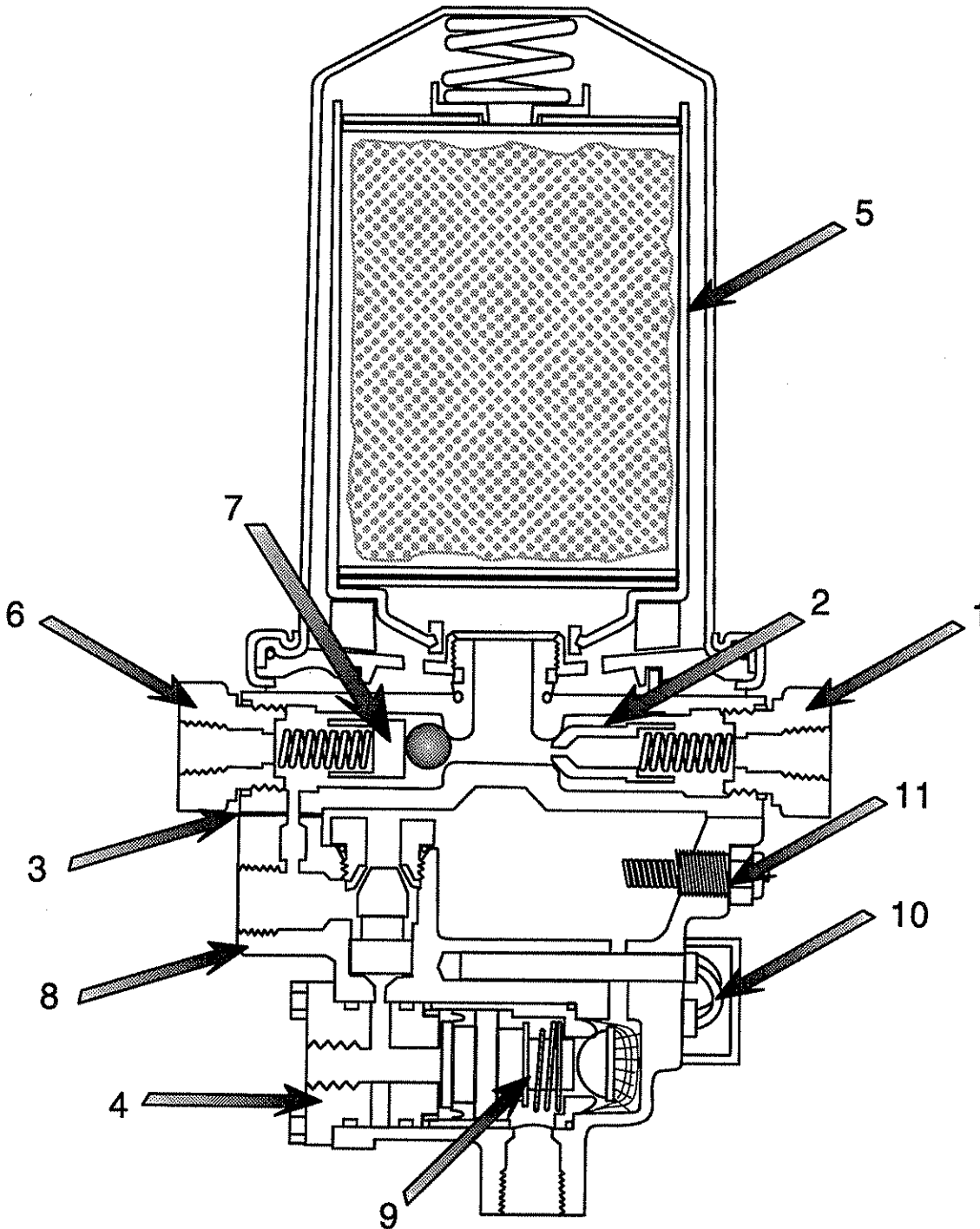
10/44

### TABLE OF CONTENTS

	Page
T-2000 Service Parts .....	2-3

*Note: This publication is a generic parts book. Components may vary with different applications. For applications other than listed below the parts listing see the appropriate Bill of Material by truck serial number and use this publication as a guide only.*

AIR PRESSURE SYSTEM 10



# AIR PRESSURE SYSTEM

## CR TURBO 2000 AIR DRYER

10.4.4

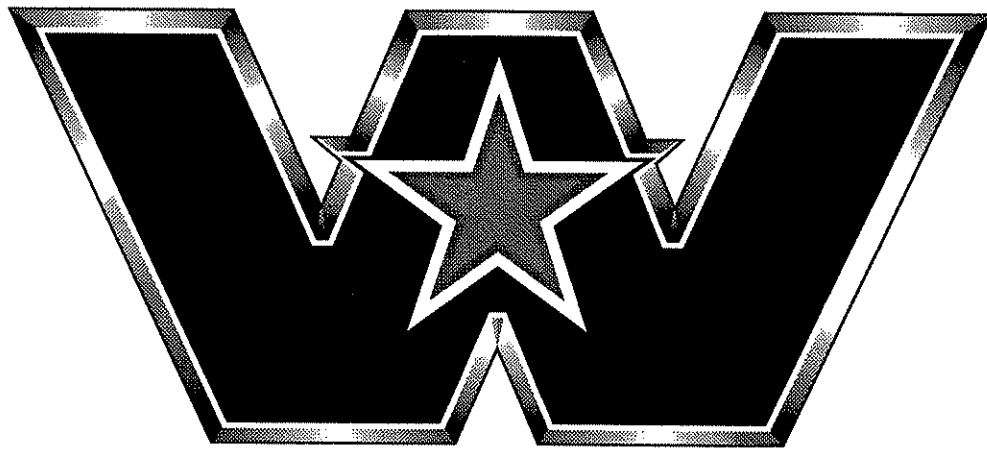
CR TURBO 2000 AIR DRYER RH  
CR TURBO 2000 AIR DRYER LH

71301-3420  
71301-3417

Item	Description	Part Number	Qty
1	Bleed Valve Nut	610237	1
2	Bleed Valve Kit	223	1
3	Body Gaskets	610077	1
4	Seal Retainer	610069	1
5	Desiccant Cartridge Kit	T224	1
6	Check Valve Nut	610236	1
7	Check Valve Kit	238	2
8	Bottom Cap Assembly	619099	4
9	Unloader Valve Kit	235	2
10	Heater, 12V 75 Watt	248	1
11	Safety Valve (150 PSI)	610024	1

*Specific BOMs listed:* 2278-001-02,, 2278-001-09

AIR PRESSURE SYSTEM 10



**WESTERN STAR TRUCKS®**  
*The Preferred Choice™*

# AIR PRESSURE SYSTEM

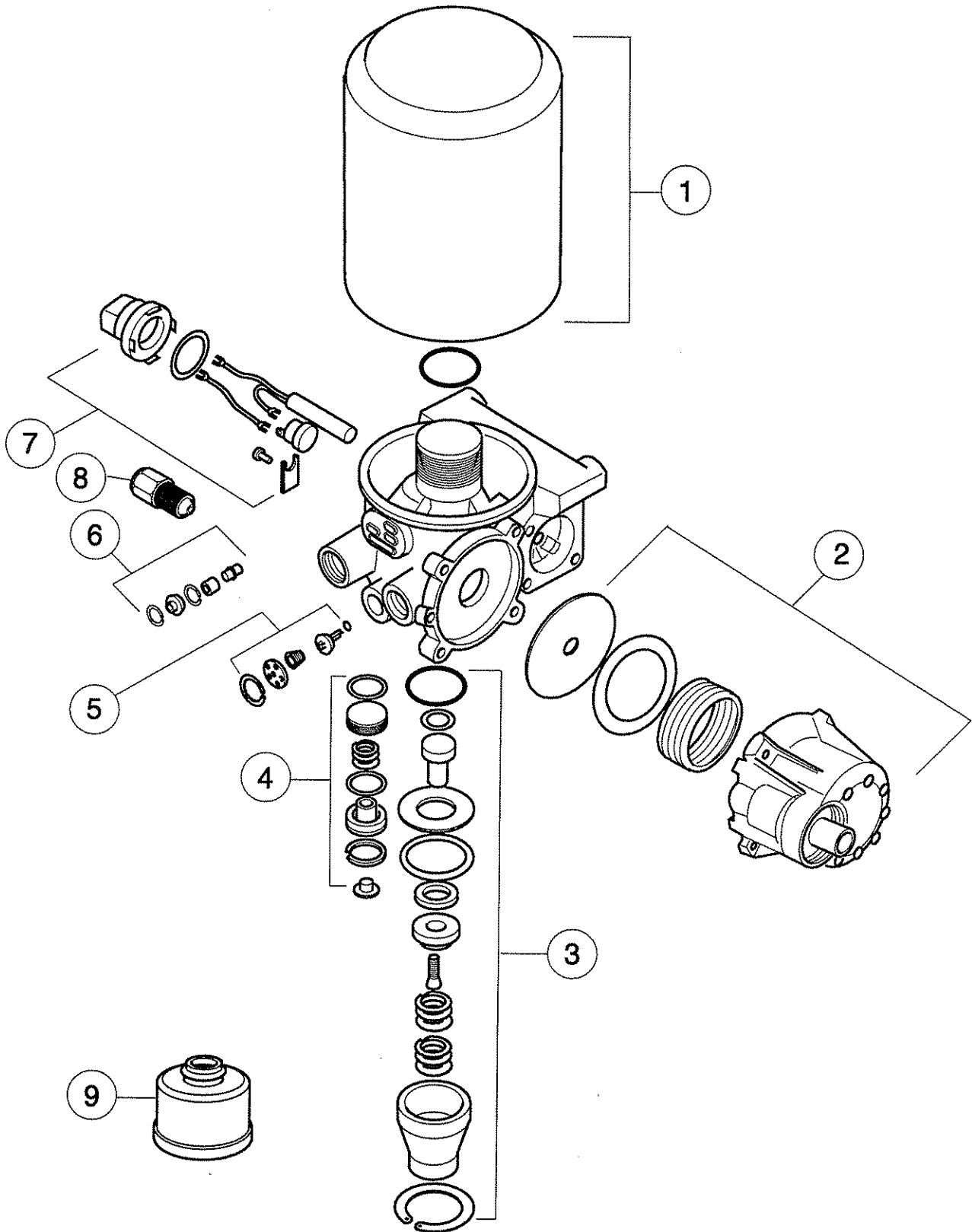
## WABCO SYSTEM SAVER AIR DRYERS

10.4.5

### TABLE OF CONTENTS

	Page
Single 1200 Air Dryer Service Parts .....	2-3
Twin Air Dryer Service Parts .....	4-5

***Note: This publication is a generic parts book. Components may vary with different applications. For applications other than listed below the parts listing see the appropriate Bill of Material by truck serial number and use this publication as a guide only.***



# AIR PRESSURE SYSTEM

## WABCO SYSTEM SAVER AIR DRYERS

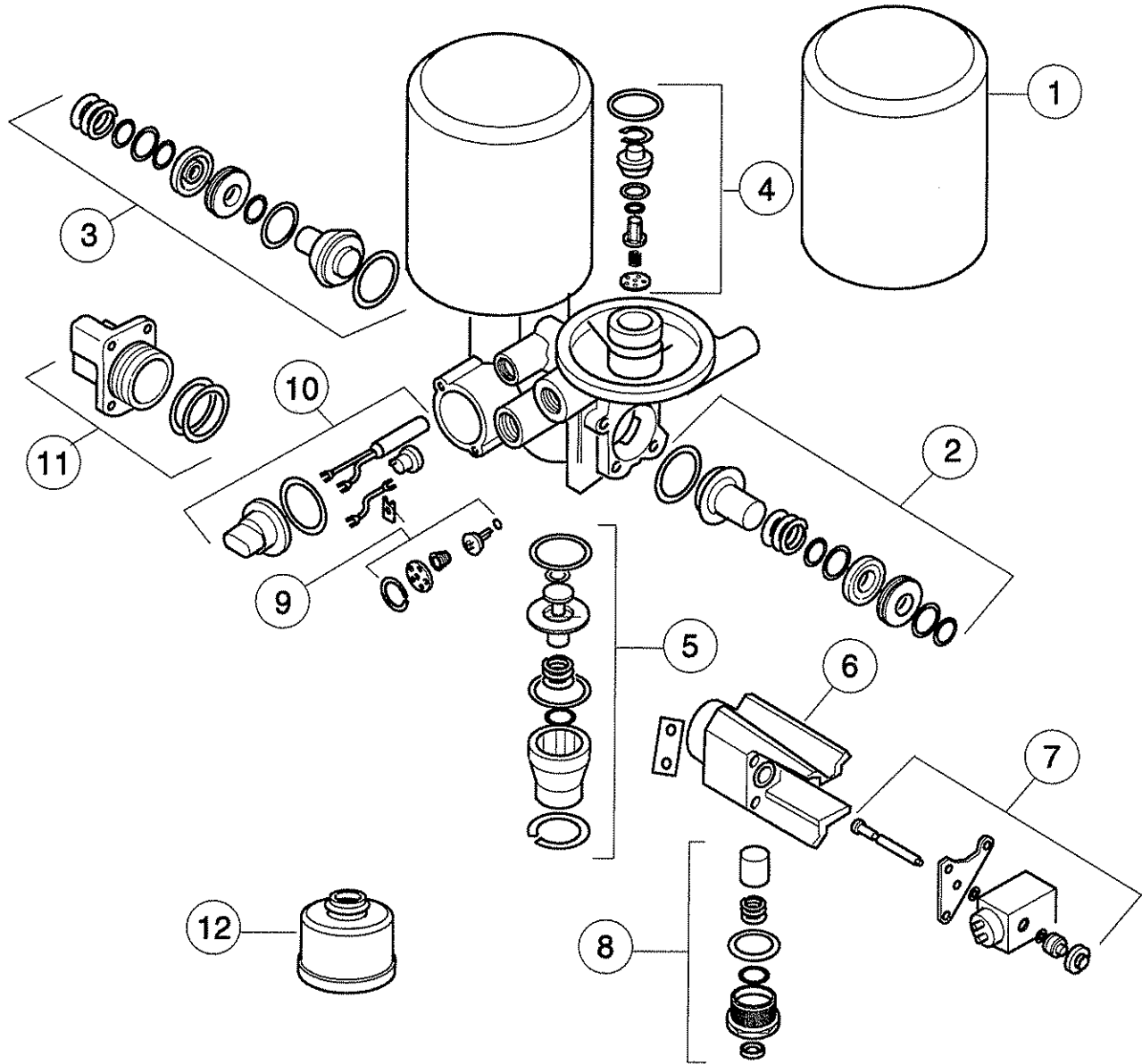
10.4.5

### ROCKWELL WABCO SYSTEM SAVER 1200 AIR DRYER 71301-3432

Item	Description	Qty
1	Desiccant Cartridge Kit	R950011
2	Regeneration Valve Kit	R950012
3	Purge Valve Kit	R950014
4	Turbo Cut-off Valve Kit	R950013
5	Outlet Check Valve Kit	R950017
6	Bypass Valve Kit	R950018
7	Heater Assembly Kit	R950015
8	Pressure Relief Valve	SRWABK085
9	Purge Valve Silencer	R950035

*Specific BOMs listed:* 2278-001-05, 2278-001-07/09, 2278-001-12

AIR PRESSURE SYSTEM 10



# AIR PRESSURE SYSTEM

## WABCO SYSTEM SAVER AIR DRYERS

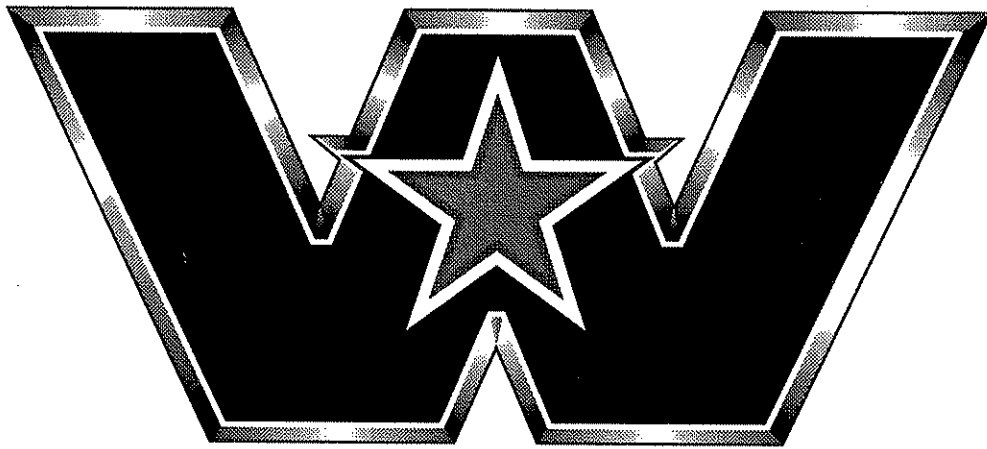
10.45

### ROCKWELL TWIN WABCO AIR DRYER 71301-3433

Item	Description	Qty
1	Desiccant Cartridge Kit	R950011
2	Right Piston Seals and Springs Parts Kit	R955043
2	Right Piston Hard Parts Kit	R955044
3	Left Piston Seals and Springs Kit	R955041
3	Left Piston Hard Parts Kit	R955042
4	Orifice Kit	R955067
5	Purge Valve Kit	R955047
6	Solenoid Cover	R950054
7	Solenoid Kit	R955058
8	Charging Valve Kit	R955053
9	Outlet Check Valve Kit	R955048
10	Heater Assembly Kit	R950015
11	Piston Cover Kit	R955051
12	Purge Valve Silencer	R950035

*Specific BOMs listed:* 2278-001-06

AIR PRESSURE SYSTEM 10



**WESTERN STAR TRUCKS®**  
*The Preferred Choice™*

# AIR PRESSURE SYSTEM

## NEWAY ANCHORLOCK AIR DRYER

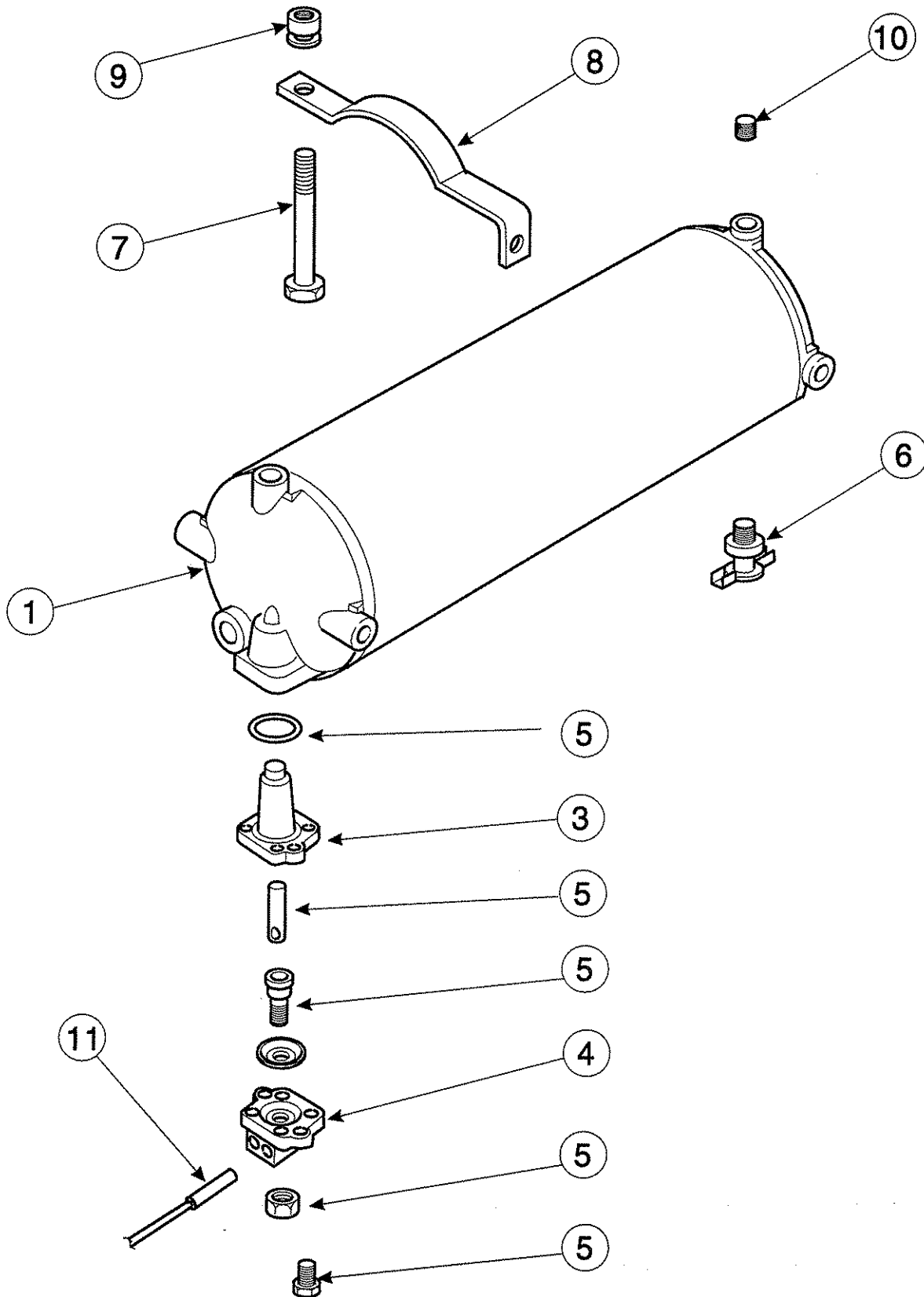
10.46

### TABLE OF CONTENTS

	Page
Neway Anchorlock Service Parts .....	2-3

***Note: This publication is a generic parts book. Components may vary with different applications. For applications other than listed below the parts listing see the appropriate Bill of Material by truck serial number and use this publication as a guide only.***

AIR PRESSURE SYSTEM 10



# AIR PRESSURE SYSTEM

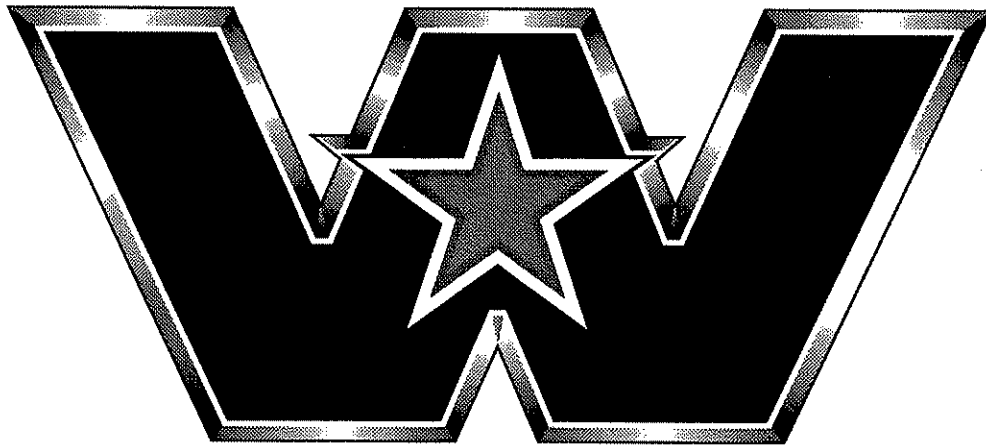
## NEWAY ANCHORLOCK AIR DRYER

10.4.6

Item	Description	Part Number	Qty
1	Tank Assembly WST P/N 04-9052769	DH85252H	1
2	Ejector Valve Assembly	DA4150H	1
3	Cartridge Assembly	DA4151	1
4	Base Assembly	DA4152H	1
5	Diaphragm, O-Ring Kit	DA4167RK	1
6	Drain Cock	DA4047	1
-	Clamp Kit	DA4005CA	1
7	- Bolt	DA4045	2
8	- Clamp	DA4005	4
9	- Nut	DA4042	2
10	Plug	DA4076	1
11	Heater Kit, 12 Volt	DA4184	1

*Specific BOMs listed:* 2278-001-01

AIR PRESSURE SYSTEM 10



**WESTERN STAR TRUCKS®**  
*The Preferred Choice™*