

AeroMax 8000

GVWR WITH STANDARD EQUIPMENT — 27,000 LBS.
 (Consult Truck Selection Section of the Data Book to Compute GVWR with Optional Equipment)
 Available for Tractor Service Only; Ratings shown for registration only.

GCWR'S — See AeroMax Series Page 1

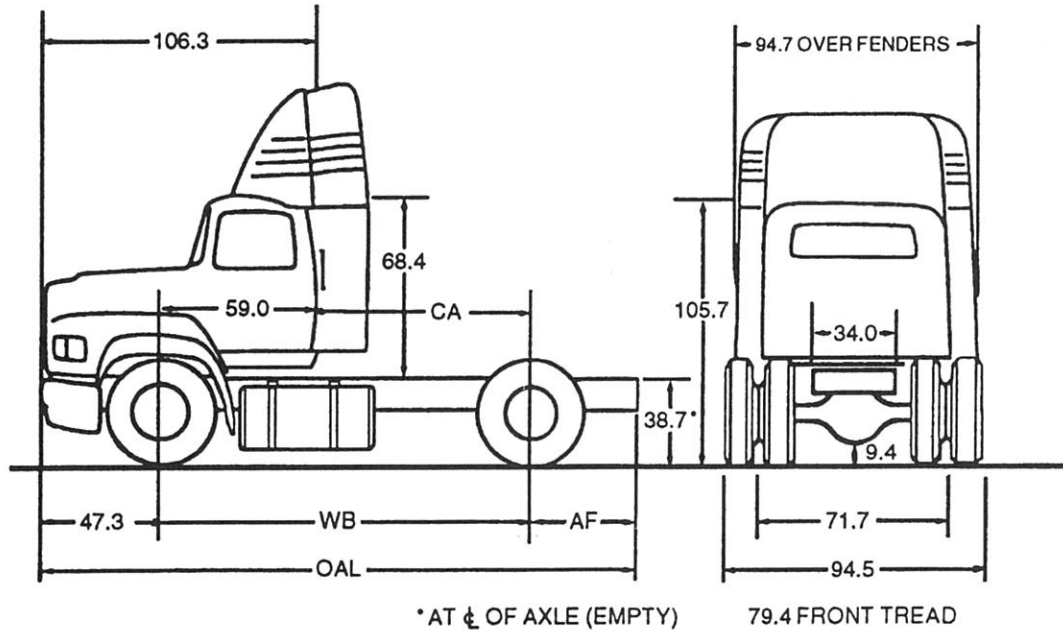
MAXIMUM GVWR (lbs.) FOR SPECIFIC WHEELBASE-FRAME COMBINATIONS AND WARRANTY			
WB.(in.)	♦Frame — Sales Code For Highway Service Only		
	40AH00 10.76 SM 110,000 PSI	40AK00(Std.) 13.3 SM 110,000 PSI	40AL00 15.9 SM 110,000 PSI
143	36,500(1)	36,500(1)	N.A.
155-239	N.A.	36,500(1)	40,500(1)

(1) DSO components required for over 35,000 GVWR.

WB	Dimensions (in.)			Base Curb Weight (lbs.)		
	CA	AF	OAL	Front	Rear	Total
143	84	43	233	6815	3262	10,077
155	96	63	265	6865	3282	10,147
167	108	63	277	6872	3290	10,162
185	126	75	307	6893	3300	10,193
203	144	75	325	7030	3367	10,397
215	156	90	352	7113	3404	10,517
227	168	102	376	7187	3439	10,626
239	180	114	400	7233	3461	10,694

Dimensions, in inches, are for base models w/standard equipment. Refer to Body Builders book for other dimensions.
 Note: Dimensions do not include cab clearance and identification lights.

Weights are approximate and include minimum required equipment, water and oil (less fuel).



SHOWN WITH OPTIONAL AERODYNAMIC PACKAGE

NOTE: Recommend adequate tires for axle loadings. See Tires/Wheels/Wheel Equip. Section.
 All capacity ratings shown represent on-highway application.

AeroMax 8000

SUGGESTED LIST PRICE LA 8000 155" WB. W/STANDARD EQUIPMENT.....\$ 52137.00

VEHICLE ORDER CODES AND ADDITIONAL CHARGES FOR VARIOUS WHEELBASES

Order Code	Wheelbase	Suggested List
W14300-AA	143"	CR 38.00
W15500-ST	155"	NC
W16700-AA	167"	NC
W18500-AA	185"	341.00
W20300-AA	203"	341.00
W21500-AA	215"	341.00
W22700-AA	227"	341.00
W23900-AA	239"	432.00

LA 8000 STANDARD EQUIPMENT

10 10AG00	AXLE, FRONT 10,000 lb., Set-Back
11	AXLE, REAR (See Available Engine, Transmission, Axle Chart, page 11 for Rear Axle Code) 21,000 lb. Single-Speed Rockwell RS-21-145
13 13AF00 13AB00 13BT00	AXLE EQUIPMENT Differential, Main — Non-Locking Drag Link and Tie Rods — Greaseable Driveline (Refer to U-Joint chart in Axle Equip. & Driveline Section) Magnetic Traps — Drain & Fill Plugs Shock Absorbers, Double-Acting Telescopic — Front (Not incl. w/optional multi-leaf front suspension) Steering — Power, Integral Ross TAS-65 Gear Wheel Seals — Front, Grease-Type — Rear, C.R. "Scotseal" unitized wet-type
16 16AW00 16A000	BRAKES, SERVICE Air Brakes — Front, Cam Type 15" x 4" w/Type 16 Chambers — Rear, Cam Type 16½"x7"
19 19JN00 19FC00 19AY00	BRAKE EQUIPMENT ABS, Full Vehicle, Antilock Brake System Compressor — 13.2 CFM, Water Cooled Bendix Tu-Flo 550 Drain Cocks — Manual Parking Brake — Maxi II Spring-Set Rear Axle Slack Adjusters, Gunitite 5.5" Automatic — Front — Rear
20 20AB00	TRACTOR EQUIPMENT Tractor Package w/10' Air & Electrical Tractor/Trailer Lines (Incl. a bobtail proportioning valve, BP-R1; N.A. w/Sleeper)
22 22AB00	CAB Conventional Cab w/Standard Charcoal Interior Trim
23 23BJ00 23AB00 23KH00 23EM00	CAB EQUIPMENT/EXTERIOR Cab Trim, Exterior — Standard Grille, Bright and Black Anodized Aluminum Hood, Forward Tilting Front End Horn, Single Electric Mirrors, Dual Delbar Western, Painted Black w/Painted Aux. Convex (96" Arms) Windshield, Tinted Laminated Glass Windshield Wipers, Two-Speed Electric w/"Wet Arm" Windshield Washers
24 24AN00	CAB EQUIPMENT/INTERIOR Heater, Fresh-Air w/All Weather Ventilation Steering Wheel, 20" Diameter
25 25BH00 25AA80 25AJ00	SEATING Driver, Individual, National Lo-Back Cush-N-Aire, Air Suspension Seat (Deletes pass. seat) HD Black Vinyl Seat Trim Seat Belts, Lap & Shoulder (3 pt. mounting)

NOTE: All capacity ratings shown represent on-highway application.

LA 8000 STANDARD EQUIPMENT (Cont'd)

26 26CE00	INSTRUMENTS/GAUGES/SWITCHES/WARNING DEVICES Air Cleaner Restriction Indicator, Motorcraft Filter Minder Gauge (<i>Air Cleaner Mounted</i>) Instrument Panel, City Delivery Gauges — Direct Reading: Air Pressure, Oil Pressure — Electric: Voltmeter, Coolant Temperature, Fuel Parking Brake Control, Dash Mounted Speedometer, Electric Tachometer, Electric Turn Signal Switch — Steering Column Mounted Signal Stat 900, Non-Cancelling Warning Light & Buzzer: Low Air Pressure
27	ELECTRICAL Canadian Daytime Running Lights (<i>N.A. in U.S.</i>) — Headlights Are Automatically Switched-On Whenever the Engine Is Running and the Transmission Is In-Gear Circuit Protectors, Fuses Flasher, Emergency Lights — Cab Marker, Trucklite (<i>5 lights</i>) — Head, Two Flush Mounted Aerodynamic Replaceable Bulb Rectangular Halogen — Tail, Two w/Integral Stop, Turn, Backup and License Plate Turn Signal & Side Marker Combination Lamps, Front — Aerodynamic, Integral w/Headlights Turn Signal Lights, Rear Facing — Flush, Quarter Fender Mounted
28 28BK00	ALTERNATOR 95 Amp., 1425 Watt — Motorcraft, Internally Regulated (IAR)
29 29HM00	BATTERIES Two, 600 CCA (<i>65 amp.-hr.</i>) — Motorcraft Maintenance Free
30 30M900	ENGINE (<i>See Safety-Noise-Emission Section for Noise Legislated Areas Equipment</i>) Ford Diesel FD-1460 — 210 HP/605 lb.-ft./2400 RPM* (ATA)
32 32A600	EXHAUST Single Horizontal Muffler and Pipe, R.H. (<i>See Exhausts/Exhaust Equip. Section for exhaust installation sketches</i>)
36 36FA00	CLUTCH Spicer 14", 1-Plate, Ceramic, (660 lb.-ft. Cap.)
37	ENGINE EQUIPMENT Air Cleaner, Single-Stage Dry-Type Donaldson Fan Clutch, Eaton 660 Filter — Coolant, Conditioner, Fleetguard Spin-On Type — Fuel/Water Separator, Fleetguard, Engine Mounted, Non-Heated — Oil, Single 2.6 Qt. Fleetguard LF-3000 Full Flow & By-Pass Combo, Spin-On Fuel Pump, Mechanical Governor, Mechanical Oil Cooler, Integral Starter, Delco 12 Volt
40 40AK00	FRAME 13.3 SM — 110,000 PSI Single Channel All-Bolted Assembly
43 43AG00	FUEL TANK "D" Type, Dual 50 Gal. Steel, Frame Mounted
46 46BD00	SUSPENSION, FRONT, PARABOLIC TAPER-LEAF 12,000 lb. Capacity (<i>For On-Highway Use Only</i>)
47 47BV00	SUSPENSION, REAR, MULTI-LEAF 21,000 lb. Capacity (<i>Incl. 4500 lb. Single Leaf Aux. for Load Stabilization; 2250 lb. ea. aux.</i>)
50 50AAAM	TIRES, FRONT Two 295/75R22.5 G Goodyear Unisteel G159A
51 51AAAM	TIRES, REAR Four 295/75R22.5 G Goodyear Unisteel G159A
52 52G000	WHEELS, FRONT Two, 22.5 x 8.25 10-Hole Steel Disc I.S.O. Hub Pilot Mount
53 53G000	WHEELS, REAR Four 22.5 x 8.25 10-Hole Steel Disc I.S.O. Hub Pilot Mount
55	WHEEL & TIRE EQUIPMENT Wheels Painted "White"***
56 56M000	TRANSMISSION 5-Speed Direct, Eaton FS-6205A
59 59AX00	CHASSIS EQUIPMENT Bumper, Front Full Width, Swept-Back — Grey Painted Steel w/Air Dam

*Engine rating is, Advertised Horsepower/Advertised Torque/Governed RPM. **Steel Disc Wheels are painted "White" (Not Pure White or Diamond White).

NOTE: All capacity ratings shown represent on-highway application.

AeroMax 8000

LA 8000 OPTIONAL EQUIPMENT

Order Code	Description	Weight (lbs.)		Suggested List
		Front	Rear	
10 10AE00-AJ	AXLE, FRONT 12,000 lb. (Incl. Type 20 chambers Front Air Brakes; For On-Highway use only).....	96	0	328.00
11 (Order Codes on Pg. 11)	AXLE, REAR (See Available Engine, Trans., Axle Chart page 11) 21,000 lb. Two-Speed (Req. ABS Delete) Rockwell RS-21-230	0	121	578.00
	23,000 lb. Single-Speed Rockwell RS-23-160	0	314	768.00
	Rockwell RS-23-180 (For Severe Duty Service).....	0	384	1407.00
	23,000 lb. Two-Speed (Req. ABS Delete) Rockwell RS-23-240	0	247	1347.00
13	AXLE EQUIPMENT/DRIVELINE Brake Drums, Centrifuse (N.A. w/cast spoke wheels)			
13AP00-AG	— Front (Avail. w/10 or 12,000 lb. front axle only; Incl. ferrous hubs)	20	0	260.00
13AR00-AH	— Rear (Incl. ferrous hubs).....	0	-50	260.00
13A300-AG	Bushings, Kingpin, Garlock Low Friction	0	0	56.00
13AW00-AH	Differential, Lockout, Full Locking, Driver Controlled (Avail. only w/single-speed rear axles; Req. ABS Delete)	0	15	238.00
13AG00-BH	Driveline, Heavy-Duty, U-Joints (See Axle Equip. & Driveline Section for size and availability).....	22	28	217.00
	Hubs, Aluminum			
13AV00-B4	— Rear — with 10-Hole I.S.O. disc wheels (Incl. full cast drums, centrifuse drums avail.)	0	-85	271.00
13AV00-AH	— Rear — with 10-Hole BSN disc wheels (Req. centrifuse drums)	0	-86	271.00
13AB00-AE	Shock Absorbers, Double-Acting Telescopic — Front (For multi-leaf front susp.)	35	0	150.00
	Wheel Seals, Wet-Type			
13AY00-A4	— Front — C.R. "Scotseal Plus", Unitized (For 10 and 12,000 lb. F.A.)	0	0	36.00
13A000-AL	— Rear, Stemco "Grit Guard", Two-Piece.....	0	0	36.00
16	BRAKES, SERVICE Brakes, Front, Air			
16A100-AG	— Cam, 16-1/2"x5" (Avail. only w/12,000 lb. F.A.; N.A. w/20" cast spoke wheels, or centrifuse brake drums).....	49	0	162.00
19	BRAKE EQUIPMENT			
19NK00-AH	ABS, Antilock Brake System — Delete.....	-19	-34	CR 2389.00
19A700-AL	Air Dryer, Heated, Bendix — AD-9	23	5	456.00
19JE00-AN	Brake Dust Shields	5	7	35.00
19AL00-AL	Moisture Ejectors, Automatic, Non-Heated, Bendix DV-2 (In lieu of drain cocks)	1	0	65.00
19A000-AL	Parking Brake, Spring-Set Rear Axle — MGM (In lieu of Maxi II)	0	0	23.00
20	TRACTOR EQUIPMENT			
	Tractor Package in Lieu of Std. 10' (See Equipment Section for details)			
20AC00-AB	— w/12' Air & Electrical Tractor/Trailer Lines (N.A. w/Sleeper).....	0	0	29.00
20AE00-AN	— w/12' Coiled Air & Electrical Tractor/Trailer Lines (N.A. w/Sleeper).....	0	0	49.00
20DB00-AB	Tractor Convenience Package (Incl. tractor package w/12' coiled lines and trailer hook-up light; N.A. w/Sleeper)	3	0	91.00

NOTE: All capacity ratings shown represent on-highway application.

LA 8000 OPTIONAL EQUIPMENT

Order Code	Description	Weight (lbs.)		Suggested List
		Front	Rear	
22	CAB			
22AF00-AB	Cab Trim, Interior (See Cab Equip. Int. Section for complete details) — Custom Interior (Incl. Chestnut Wheaton Polyknit vinyl seat trim, Code 25ABB0, headlining, door trim panels w/map pockets & cigar lighter; N.A. w/Cust. Hi-Level Int.).....	3	0	387.00
22AE00-AL	— Custom Hi-Level Interior (Incl. Sinclair Polyknit vinyl seat trim, Code 25AA90, headlining, door trim panels w/map pockets, carpeting, cigar lighter and 21" Sport Type steering wheel; Req. both individual driver and passenger seats) — Charcoal.....	6	1	665.00
22AD00-AL	— Chestnut.....	6	1	665.00
★	Multi-Tone Paint — Mariah.....	0	0	648.00
★	Special Paint — WT Monotone.....	0	0	50.00
23	CAB EQUIPMENT/EXTERIOR			
	"Airshield" Aerodynamic Equipment (Cab mounted equip. N.A. w/Sleeper) (Installation expense is not included in the Suggested List Price. Cost of installation may vary by dealer)			
23AT00-AB	— Air Shield Brackets only, Roof Mounted for "Airshield" Wind Deflector.....	42	8	239.00
23J500-AB	— Roof Fairing Package, "Airshield" White — Incl. Reinforcements, Installation Brackets and Fiberglass Roof Fairing (Brackets and fairing will be shipped to the final vehicle destination as initially indicated on the 1841 order form at the time of order submission to KTP) (N.A. w/Codes 23AT00, 23J700 or 23J800).....	78	16	744.00
23J600-AB	— Roof Fairing Package, w/Color Impregnation other than "Airshield" White, Avail. only on Orders of 25 or more Units — Indicate Color in Section F of the 1841 Order Form (Other Notes in Option 23J500 Apply).....	78	16	784.00
23J700-AB	— Aerodynamic Package, "Airshield" White — Incl. Reinforcements, Installation Brackets, Fiberglass Roof Fairing, Cab Side Extenders and Trim Tabs (Brackets, Fairing, extenders and tabs will be shipped to the final vehicle destination as initially indicated on the 1841 order form at the time of order submission to KTP; Dealer will be credited \$400.00 for installation expense) (N.A. w/Codes 23AT00, 23J500 or 23J600).....	184	39	1485.00
23J800-AB	— Aerodynamic Package, w/Color Impregnation other than "Airshield" White, Avail. only on Orders of 25 or more Units — Indicate Color in Section F of the 1841 Order Form (Other Notes in Option 23J700 Apply).....	184	39	1610.00
23E100-AB	— Aero Pkg. Reinforcements Only (Internal cab reinforcements for local inst. of roof fairing and side extenders; N.A. w/Codes 23AT00, 23J5-6-7 or 800).....	24	5	239.00
23BK00-AB	Cab Trim, Bright Exterior (See Cab Equip. Ext. Section for complete details) — Custom Exterior (Incl. bright grille surround & windshield moldings and pedestal mid. marker lights; N.A. w/Cust. Hi-Level Ext.).....	6	1	111.00
23BL00-AB	— Custom Hi-Level Exterior (Incl. bright grille surround, turn signal housing, vent window frame divider bar & windshield moldings, Dietz rectangular marker lights, stainless Delbar western mirrors, Hadley airhorns and aluminum front bumper).....	-17	-3	486.00
23BA00-AB	Grille, Surround Molding, Bright (Incl. w/Custom or Custom Hi-Level Exterior Cab Trim).....	4	0	77.00
23CV00-AL	Horns, Dual — Electric.....	1	0	19.00
23CW00-AL	— Air, Single Base (N.A. w/Cust. Hi-Level Ext. Trim; N.A. w/Hadley air horns).....	5	1	103.00
23CX00-AB	— Air, Hadley Rectangular Dual Base (Incl. w/Cust. Hi-Level Ext. Trim; N.A. w/single base air horns).....	9	1	126.00
23AK00-AL	Mirrors, Dual, Western — Delbar, Stainless w/Stainless Aux. Convex (Incl. w/Cust. Hi-Level Ext. Trim).....	0	0	39.00
23AJ00	— Delbar, Stainless, Lighted w/Stainless Aux. Convex			
-B9	— w/Standard or Custom Exterior Trim.....	1	0	77.00
-CA	— w/Custom Hi-Level Exterior Trim.....	1	0	38.00
23PF00	— Delbar, Stainless, Retractable w/Stainless Aux. Convex			
-B1	— w/Standard or Custom Exterior Trim.....	1	0	60.00
-B2	— w/Custom Hi-Level Exterior Trim.....	1	0	21.00
23AM00	— Delbar, Stainless, Lighted & Heated w/Stainless Aux. Convex (Req. Fleet Inst. Panel)			
-AC	— w/Standard or Custom Exterior Trim.....	2	0	158.00
-AD	— w/Custom Hi-Level Exterior Trim.....	2	0	119.00
23BN00-A1	Mirrors, Delete Aux. Convex — w/Standard Painted Mirrors.....	-5	0	CR 26.00
-A2	— w/Optional Stainless Mirrors.....	-5	0	CR 35.00
23BP00-A1	Mirror Arms, 102" — w/Std. Painted Mirrors.....	0	0	9.00
-A2	— w/Opt. Stainless Mirrors.....	0	0	10.00
23A300-AL	Tinted Glass All around (Incl. w/Air Cond.).....	0	0	39.00
23A700-AB	Roof Vent, Ventilation (N.A. w/Cust. Hi-Level Int. Trim).....	9	1	124.00
23AY00-AB	Windshield Wipers, Air, Variable Speed Trico PF-1501-37.....	0	0	42.00
23A900-AB	Windshield Molding, Bright (Incl. w/Cust. or Cust. Hi-Level Ext. Cab Trim).....	1	0	19.00

★See Paint Selections Section for Order Codes.

AeroMax 8000

LA 8000 OPTIONAL EQUIPMENT

Order Code	Description	Weight (lbs.)		Suggested List
		Front	Rear	
24	CAB EQUIPMENT/INTERIOR			
24AJ00-AL	Air Conditioning, Integral w/Heater (Incl. tinted glass all around)	83	17	948.00
24AL00-AL	Cigar Lighter, Dash Mounted (Incl. w/Cust. or Cust. Hi-Level Int. Trim)	1	0	16.00
24B400-AL	Export Decal (For Export only).....	0	0	NC
24A600-AL	French Labeling (Incl. decals and plates; N.A. in U.S.).....	0	0	NC
24AM00-AB	Map Pocket, LH Door (Incl. w/Cust. or Cust. Hi-Level Int. Trim)	1	0	10.00
	Radio Electronic w/Digital Clock Feature (Installed in Roof Mounted Console)			
24A500-AM	— AM, Monaural — w/Std. or Cust. Int. Trim.....	5	0	144.00
-AN	— w/Cust. Hi-Level Int. Trim.....	5	0	132.00
24AF00-AM	— AM/FM Stereo — w/Std. or Cust. Int. Trim	9	1	345.00
-AN	— w/Custom Hi-Level Int. Trim	9	1	330.00
24AG00-AM	— AM/FM Stereo w/Cass. Tape Deck — w/Std. or Cust. Int. Trim.....	10	1	464.00
-AN	— w/Custom Hi-Level Int. Trim.....	10	1	449.00
24AH00-AB	Radio Hot Post and Ground (Req. Fleet inst. panel).....	0	0	39.00
24A000-AB	Steering Column, Adjustable — Tilt and Telescope (Req. Fleet Inst. Panel).....	5	0	378.00
	Steering Wheel			
24AN00-AC	— 20" Dia. — In lieu of 21" Sport Type	-2	0	CR 72.00
24AP00-AC	— 21" Dia. Sport Type — In lieu of 20" (Incl. w/Custom Hi-Level Int. Trim).....	2	0	72.00
24AR00	— 22" Dia.			
-AC	— In lieu of 20"	1	0	32.00
-AD	— In lieu of 21" Sport Type	-1	0	CR 39.00
25	SEATING (See Component Information Data Book for Illustrations)			
	Seats, Bench, Full Width			
	— HD Black Vinyl Seat Trim, Code 25AA80			
25AM00-AL	— Use w/Standard Interior Trim, Code 22AB00	0	0	CR 136.00
25AM00-A5	— Use w/Custom Interior Trim, Code 22AF00 in lieu of 25AL00 (Rest of interior remains Chestnut).....	N/A	N/A	CR 136.00
25AL00-AB	— Wheaton Polyknit Viny Seat Trim, Code 25ABB0 (Avail. w/Custom Interior Trim only)	0	0	CR 136.00
	Seats, Two Passenger companion Low Back — Fixed (Color coordinated to driver seat) (Req. individual driver seat)			
	— For use w/Standard Interior Trim, Code 22AB00			
25CP00-AV	— With HD Black Vinyl Seat Trim, Code 25AA80.....	32	6	353.00
25CP00-A3	— With Biscay Knitted Vinyl Seat Trim, Code 25ABA0.....	N/A	N/A	376.00
258A00-AG	— For use w/Custom Int. Trim Level — Code 22AF00.....	32	6	188.00
258B00-AG	— For use w/Custom Hi-Level Int. Trim — Code 22AD00 or 22AE00.....	32	6	188.00
	Seats, Individual (Color coordinated to Cab trim level exc. w/HD Black Vinyl Seat Trim; Passenger seat matches driver seat in appearance and material; Hi-Back individual seats include inboard armrests; All individual seats include a fore-aft isolator)			
	For Use With Standard Interior Trim — Code 22AB00 (Incl. HD Black Vinyl Seat Trim, Code 25AA80)			
	National Lo-Back			
25BH00-AB	— Driver, Cush-N-Aire, Air Suspension (Incl. w/Standard Interior, Code 22AB00)....	-13	-2	NC
25BJ00-AB	— Passenger, Cush-N-Aire, Air Suspension (Avail. only w/25BH00)	62	13	484.00
25BK00-AL	— Passenger, Fixed Base, Non-Suspended (Avail. only w/25BH00).....	46	9	152.00
	National Hi-Back			
25BV00-AB	— Driver, Cush-N-Aire, Air Suspension.....	5	1	29.00
25BW00-AB	— Passenger, Cush-N-Aire, Air Suspension (Avail. only w/25BV00)	67	14	516.00
25BX00-AB	— Passenger, Fixed Base, Non-Suspended (Avail. only w/25BV00)	51	10	186.00
	Bostrom Lo-Back			
25HP00-AH	— Driver, Air-915, Air Suspension	0	0	NC
25HV00-AH	— Passenger, Air-915, Air Suspension (Avail. only w/25HP00)	74	16	484.00
25GM00-AT	— Passenger, 900R Companion, Fixed Base (Avail. only w/25HP00).....	57	12	152.00
	For Use With Custom Interior Trim — Code 22AF00			
	National Lo-Back			
25BL00-AB	— Driver, Cush-N-Aire, Air Suspension.....	-13	-2	CR 29.00
25BM00-AB	— Passenger, Cush-N-Aire, Air Suspension (Avail. only w/25BL00)	62	13	455.00
25BN00-AB	— Passenger, Fixed Base, Non-Suspended (Avail. only w/25BL00).....	46	9	124.00
	National Hi-Back			
25BY00-AB	— Driver, Cush-N-Aire, Air Suspension.....	5	1	NC
25B000-AB	— Passenger, Cush-N-Aire, Air Suspension (Avail. only w/25BY00)	67	14	488.00
25B100-AB	— Passenger, Fixed Base, Non-Suspended (Avail. only w/25BY00)	51	10	157.00
	Bostrom Lo-Back			
25HR00-AH	— Driver, Air-915, Air Suspension	0	0	CR 29.00
25HW00-AH	— Passenger, Air-915, Air Suspension (Avail. only w/25HR00).....	74	16	455.00
25G300-AI	— Passenger, 900R Companion, Fixed Base (Avail. only w/25HR00).....	57	12	124.00

*Price excludes Federal Excise Tax of \$100.00.

LA 8000 OPTIONAL EQUIPMENT

Order Code	Description	Weight (lbs.)		Suggested List
		Front	Rear	
25	SEATING (Continued) Seats, Individual (Continued) For Use With Custom Hi-Level Interior Trim — Code 22AD00 or 22AE00 National Lo-Back			
25BP00-AB	— Driver, Cush-N-Aire, Air Suspension (Req. 25BR00, 25BT00 or 258B00)	-13	-2	CR 29.00
25BR00-AB	— Passenger, Cush-N-Aire, Air Suspension (Avail. only w/25BP00)	62	13	455.00
25BT00-AL	— Passenger, Fixed Base, Non-Suspended (Avail. only w/25BP00).....	46	9	124.00
	National Hi-Back			
25B300-AB	— Driver, Cush-N-Aire, Air Suspension (Req. 25B400, 25B500 or 258B00).....	5	1	NC
25B400-AB	— Passenger, Cush-N-Aire, Air Suspension (Avail. only w/25B300).....	67	14	488.00
25B500-AB	— Passenger, Fixed Base, Non-Suspended (Avail. only w/25B300).....	51	10	157.00
	Bostrom Lo-Back			
25HT00-AH	— Driver, Air-915, Air Suspension (Req. 25HX00, 25GJ00 or 258B00).....	0	0	CR 29.00
25HX00-AH	— Passenger, Air-915, Air Suspension (Avail. only w/25HT00).....	74	16	455.00
25GJ00-AI	— Passenger, Fixed Base (Avail. only w/25HT00).....	57	12	124.00
	Bostrom Hi-Back			
25HY00-AH	— Driver, Air-915, Air Suspension (Req. 25H000, 25G900 or 258B00).....	6	1	4.00
25H000-AH	— Passenger, Air-915, Air Suspension (Avail. only w/25HY00).....	80	17	488.00
25G900-AI	— Passenger, Fixed Base (Avail. only w/25HY00).....	60	12	157.00
25	SEAT TRIM Biscay Knitted Vinyl Seat Trim (Use in lieu of Std. HD Black Vinyl) (Avail. w/Standard Interior Trim Level 22AB00 only)			
25ABA0-AG	— Use w/Individual Driver Seat only	N/A	N/A	12.00
25ABA0-BR	— Use w/Individual Driver & Passenger Seat (N.A. w/HD Black Vinyl Driver Seat)	N/A	N/A	24.00
26	INSTRUMENTS / GAUGES / SWITCHES / WARNING DEVICES			
26AM00-AB	Hour Meter, Hobbs (Oil Pressure Actuated).....	1	0	29.00
26AH00-AD	Instrument Panel, Fleet (Incl. electric coolant temp. and direct reading oil pressure gauges; Also incl. automatic reset circuit breakers).....	21	4	165.00
26AX00-AL	Speedometer, Metric (N.A. in U.S.).....	0	0	NC
26A200-A5	Warning Light and Chime (Low oil press., low coolant level and high coolant temp.) ...	0	0	34.00
27	ELECTRICAL			
	Lights, Auxiliary (Req. Fleet Inst. Panel; N.A. w/Heated Mirrors; Mount in Air Dam below Bumper)			
27G800-AB	— Driving Lights (N.A. w/Fog Lights).....	6	-1	142.00
27G700-AB	— Fog Lights (N.A. w/Driving Lights).....	6	-1	142.00
	Lights, Marker, Cab Clearance and Identification (5 lights)			
27AE00-AB	— Pedestal Mounted (Incl. w/Cust. Ext. Trim; N.A. w/Cust. Hi-Level Ext. Trim).....	2	0	30.00
27AF00	— Bright Rectangular, Dietz (Incl. w/Cust. Hi-Level Ext. Trim)			
-AC	— w/Std. Ext. Trim	8	1	99.00
-AD	— w/Cust. Ext. Trim	6	1	69.00
27A100-AL	Lights, Tail, 36" Spacing.....	0	0	12.00
27AB00-AB	Light, Trailer Hook-Up, Mounted Back-of-Cab (Req. Tractor Pkg.; Incl. in Tractor Convenience Pkg.)	3	0	42.00
27TE00-AC	Lights, Turn Signal — Mirror Arm Mounted (N.A. w/retractable or lighted only mirrors)	1	0	76.00
28	ALTERNATORS			
28B300-AN	100 amp., 1400 watt Delco 21SI, Internally Regulated	3	0	49.00
28B400-AN	115 amp., 1610 watt Delco 21SI, Internally Regulated	5	0	96.00
29	BATTERIES / BOXES / CABLES			
	Battery, Maintenance Free, Motorcraft 12 volt			
29HN00-AL	— Three, 600 CCA (65 amp.-hr.).....	21	23	116.00
29AP00-A7	— Two, 625 CCA (93 amp.-hr.).....	9	10	54.00
29AG00-BH	— Three, 625 CCA (93 amp.-hr.).....	34	38	168.00
29AJ00-A9	— Two, 625 CCA (96 amp.-hr.)†	12	13	63.00
29AK00-BH	— Three, 625 CCA (96 amp.-hr.)†	38	43	188.00
29GM00-AJ	— Two, 900 CCA (96 amp.-hr.).....	12	13	67.00

† "Cycle Power"

AeroMax 8000

LA 8000 OPTIONAL EQUIPMENT

Order Code	Description	Weight (lbs.)		Suggested List
		Front	Rear	
30	ENGINES (Engine listings show Advertised Horsepower/Advertised Torque/Governed RPM; For specific ratings and performance curves, see Engines Section; See Avail. Eng., Trans., Axle Comb. Chart, page 11; See Safety-Noise-Emission Section for Noise Legislated Area Equip.) Engines Avail. for All States Ford Diesel FD-1460			
30NA00-AG	— 225 HP/660 lb.-ft./2400 RPM (2).....	0	0	1279.00
30M800-AL	— 250 HP/660 lb.-ft./2400 RPM (2).....	0	0	1848.00
30TE00-AG	— 250E HP/800 lb.-ft./2200 RPM (1)(2)(3).....	42	0	2565.00
30TF00-AG	— 275 HP/800 lb.-ft./2200 RPM (1)(2)(3).....	42	0	3956.00
30TD00-AG	— 275E HP/860 lb.-ft./2000 RPM (1)(3)(4).....	42	0	4527.00
30MN00-AD	— 300 HP/820 lb.-ft./2400 RPM (1)(2)(3)(5).....	42	0	6247.00
32	EXHAUSTS Exhaust System (See Exhausts/Exhaust Equip. Section for installation drawings)			
32AG00-AC	— RH Vertical Muffler and Pipe — Used w/o Aero Pkg.....	0	0	266.00
-AD	— Used w/Aero Pkg.....	-14	-6	266.00
33	EXHAUST EQUIPMENT			
33BR00-A2	Rain Cap (Avail. w/vertical exhaust outlet pipe only).....	1	0	19.00
36	CLUTCHES			
36FB00-AH	Clutch, Spicer 14", 1-Plate Ceramic, Adj. Free (SOLO) 660 lb.-ft. cap. for FD-1460 210 thru 250 HP eng. only.....	0	0	58.00
36AM00-AD	14", 2-Plate Ceramic, Manual Adjust 900 lb.-ft. cap. for FD-1460 210 thru 250 HP eng. only.....	30	0	147.00
36E800-AT	14", 2-Plate Ceramic, Adj. Free (SOLO) 900 lb.-ft. cap. For FD-1460 210 thru 250 HP eng. only.....	30	0	204.00
36E800-AH	For FD-1460 250(E), 275, 275(E) or 300 HP eng. only.....	0	0	58.00
37	ENGINE EQUIPMENT			
37WH00-AJ	Air Intake Heater — Engine (Avail. w/FD-1460 210, 225, 250 HP engs.).....	12	0	527.00
37TD00-AP	Block Heater, 110 volt — Single 1000 watt Phillips.....	3	0	95.00
376H00-AM	Drain Petcock, Radiator.....	N/A	N/A	6.00
37BD00-AH	Engine Brake, Exhaust, Includes In-Cab controls (N.A. w/auto. trans.).....	15	0	511.00
37BB00-AH	Engine Shutdown System (Incl. warning lights & buzzer).....	5	0	316.00
37B300-AJ	Fan Clutch, Kysor "On-Off".....	7	0	106.00
37A900-AN	Silicone Hose Pkg. (Incl. radiator, heater and engine by-pass hoses).....	0	0	194.00
37C500-AT	Starting Aid, Cold Weather Ether Air Intake — Automatic (Does not incl. ether tank; N.A. w/air intake heater).....	6	0	232.00
37AA00-AL	Throttle, Locking T-Handle.....	1	0	29.00
40	FRAME			
40AH00-AD	Single Channel, All-Bolted Assembly 10.76 SM, 110,000 PSI — 143" wb.....	-42	-40	CR 17.00
40AL00-BV	15.9 SM, 110,000 PSI — 155" wb.....	65	73	116.00
-BW	— 167" wb.....	68	76	116.00
-BX	— 185" wb.....	73	86	116.00
-BY	— 203" wb.....	77	91	116.00
-B1	— 215" wb.....	80	102	116.00
-B2	— 227" wb.....	83	111	116.00
-B3	— 239" wb.....	87	120	116.00

- (1) Incl. 14", 2-plate ceramic, 900 lb.-ft. Cap., Code 36AM00 clutch.
 (2) N.A. w/3.42 or 3.58 axle ratio.
 (3) Incl. air intake heater.
 (4) N.A. w/MD trans., MT-654CR trans. or 5.29 thru 6.14 axle ratios.
 (5) 300 HP eng. w/auto. trans. avail. for emergency reponse vehicles only.

LA 8000 OPTIONAL EQUIPMENT

Order Code	Description	Weight (lbs.)		Suggested List
		Front	Rear	
43	FUEL TANKS (<i>In lieu of Std.; Weight Shown w/185" wb.</i>) "D" Type Tanks			
	Steel			
43AR00-AB	75 gal. — Dual	41	19	418.00
43AT00-AB	Dual Mixed Capacity — 50 gal. LH, 75 gal. RH	21	9	300.00
43AV00-AB	— 75 gal. LH, 50 gal. RH	21	9	300.00
	Aluminum			
43AM00-AB	75 gal. — Dual	-37	-17	841.00
	Cylindrical Type Tanks, Frame Mounted			
	Steel			
43FJ00-AA	95 gal. — Dual, 24" Dia.	31	14	188.00
43GW00-AA	120 gal. — Dual, 24" Dia. (<i>N.A. w/143" wb.</i>)	150	85	313.00
	Aluminum			
43AW00-AA	65 gal. — Dual, 20" Dia.	-73	-31	418.00
43AX00-AA	95 gal. — Dual, 24" Dia.	-42	-20	561.00
43A000-AA	120 gal. — Dual, 24" Dia. (<i>N.A. w/143" wb.</i>)	37	21	710.00
	Polished Aluminum			
43AY00-AA	95 gal. — Dual, 24" Dia.	-42	-20	1169.00
43CR00-AA	120 gal. — Dual, 24" Dia. (<i>N.A. w/143" wb.</i>)	37	21	1391.00
46	SUSPENSION, FRONT, MULTI-LEAF (Front shocks are not incl.; If desired, must be ordered separately)			
46AV00-AA	10,000 lb. Capacity for 10,000 lb. front axle	62	0	CR 186.00
46A900-AC	12,000 lb. Capacity for 12,000 lb. front axle	72	0	CR 186.00
46AW00-AB	13,200 lb. Capacity for 12,000 lb. front axle (<i>Severe duty service</i>)	89	0	CR 161.00
47	SUSPENSION, REAR W/4500 LB. SINGLE-LEAF AUX. FOR STABILIZATION			
47BW00-AM	23,000 lb. Capacity	0	19	34.00
47BX00-AK	23,000 lb. Capacity (<i>Low deflection rate</i>)	0	72	34.00
	SUSPENSION, REAR W/4500 LB. 4-LEAF AUX. FOR STABILIZATION			
47DJ00-AP	21,000 lb. Capacity	0	44	36.00
47DK00-AM	23,000 lb. Capacity	0	68	70.00
	SUSPENSION, REAR W/O AUXILIARY (Not recommended for use w/high center-of-gravity loads and/or off-highway operation)			
47AC00-AP	21,000 lb. Capacity (<i>Deletes std. aux. spring</i>)	0	-58	CR 77.00
47AD00-AM	23,000 lb. Capacity	0	-39	CR 43.00
47AE00-AK	23,000 lb. Capacity (<i>Low deflection rate</i>)	0	14	CR 43.00
50/51 52/53 54	TIRES-WHEELS AVAILABILITY (<i>See Tire-Wheel Prices Section for order codes, weights and prices; See Tires/Wheels/Wheel Equip. Section for restrictions</i>)			
55	WHEEL & TIRE EQUIPMENT			
55AA00-AH	Jack, Hydraulic 12-Ton (<i>Incl. lug wrench</i>)	13	2	103.00

NOTE: All capacity ratings shown represent on-highway application.

AeroMax 8000

LA 8000 OPTIONAL EQUIPMENT

Order Code	Description	Weight (lbs.)		Suggested List
		Front	Rear	
56	TRANSMISSIONS			
56M100-AL	5-Speed Direct Eaton — FS-6205B (1)	0	0	NC
56M300-AR	6-Speed Direct Eaton — FS-6306A (1)	5	0	568.00
56CB00-AG	9-Speed Direct Fuller — RT-6609A (1)	22	3	1446.00
56AW00-AG	— RT-8608L (1)(3)	241	35	3148.00
56AV00-AA	— RT-8609 (1)	56	8	2992.00
56AR00-AL	10-Speed Direct Fuller — RT-7608LL (1)(2)(4)	237	35	2938.00
56AF00-AN	4-Speed Automatic (Incl. dash mtd. shift control, trans. oil temp. warning light and external oil filter; See Trans. Section for Max. GVW/GCW) Allison — MT-643	195	28	7065.00
56AG00-AN	5-Speed Automatic (Incl. floor mtd. shift control, trans. oil temp. warning light and external oil filter; See Trans. Section for Max. GVW/GCW) Allison — MT-653 (1) (Incl. dash mtd. shift control).....	221	32	10138.00
56AH00-AA	— MT-654CR (1) (Incl. floor mtd. shift control).....	274	40	15037.00
56KJ00-AC	5-Speed Electronic (Incl. floor mtd. lever control console and "Do Not Shift" lamp; See Trans. Section for Max. GVW/GCW) (N.A. w/Bench Seat) Allison — MD3050CR-P (5)	174	24	8977.00
56KK00-AC	— MD3550WR-P (5)	174	24	11163.00
56H400-AC	6-Speed Electronic (Incl. floor mtd. lever control console and "Do Not Shift" lamp; See Trans. Section for Max. GVW/GCW) (N.A. w/Bench Seat) Allison — MD3060CR-P (5)	174	24	9845.00
56H500-AG	— MD3560WR-P (5)	174	24	11983.00
57	TRANSMISSION EQUIPMENT			
57CD00-AG	Control Console, Push Button (For Allison MD Auto. Trans. only)	-5	0	12.00
57CE00-AF	ECU, Maximum Feature in lieu of included ECU (For Allison MD Electronic Trans. only) (Suitable for fire and emergency applications only; Refer to Component Info. Data Book for complete details)	0	0	496.00
59	CHASSIS EQUIPMENT			
59AH00-AB	Bumper, Front — Aluminum, Anodized, Full Width, Swept-Back w/Air Dam (Incl. w/Cust. Hi-Level Ext. Cab Trim).....	-77	15	187.00
59AB00-AL	Tow Hooks — Front.....	22	-4	58.00
62	MISCELLANEOUS OPTIONS			
62AF00-AL	Puerto Rico Delivery (Avail. for Export only)	0	0	NC

(1) N.A. w/6.14 axle ratio.

(2) N.A. w/FD-1460 275E or 300 HP eng.

(3) N.A. in comb. w/FD-1460 250E, 275, 275E or 300 HP eng. and 21,000-lb. rear axle.

(4) N.A. in comb. w/FD-1460 250E or 275 HP eng. and 21,000-lb. rear axle.

(5) Avail. w/4.88 thru 6.14 axle ratios only.

AeroMax 8000

AVAILABLE ENGINE, TRANSMISSION, AXLE COMBINATIONS LA 8000

ENGINE HP/TORQUE/RPM* (Code)	TRANS. (Code)	REAR AXLE	AVAILABLE RATIOS	ORDER CODE	REMARKS
Ford Diesel FD-1460 210/605/2400 (30M900)	FS-6205A (56M000) FS-6306A (56M300) FS-7206A (56BR00) RT-6609A (56CB00) RT-7608LL (56AR00) MD3050CR-P (56KJ00) MD3550WR-P (56KK00) MD3060CR-P (56H400) MD3560WR-P (56H500) MT-643 (56AF00) MT-653 (56AG00)	Rockwell RS-21-145 (4)	3.42 (2)(6) 3.58 (2)(6) 3.73 (6) 3.91 (6) 4.10 (6) 4.33 (6) 4.63 (6) 4.88 5.29 (1) 5.57 (1) 5.86 (1) 6.14 (7)	113G00 - AA 11WP00 - AA 11HV00 - AE 11BK00 - AF 11BL00 - AE 119F00 - AL 119G00 - AM 11BP00 - AE 11BT00 - AE 11HX00 - AL 11BV00 - AF 112600 - AD	300 HP engine w/auto. trans. avail. for emergency response vehicles only.
Ford Diesel FD-1460 225/660/2400 (30NA00) 250/660/2400 (30M800)	FS-6205A (56M000) RT-6609A (56CB00) RT-6610 (56AX00) RT-6613 (56AY00) FS-7206A (56BR00) RT-7608LL (56AR00) MD3050CR-P (56KJ00) MD3550WR-P (56KK00) MD3060CR-P (56H400) MD3560WR-P (56H500) MT-643 (56AF00) MT-653 (56AG00)	Rockwell RS-23-160	3.42 (2)(6) 3.58 (2)(6) 3.73 (6) 3.91 (6) 4.10 (6) 4.30 (6) 4.56 (6) 4.89 5.38 (1) 5.63 (1) 6.14 (7)	11CA00 - AM 11CB00 - AA 11CC00 - AC 11CD00 - AD 11CE00 - AD 11CF00 - AD 11CG00 - AH 11CH00 - AD 11CJ00 - AD 11CK00 - AD 11CL00 - AE	
Ford Diesel FD-1460 250E/800/2200 (30TE00) 275/800/2200 (30TF00) 275E/860/2000 (30TD00) 300/820/2400 (30MN00)	RT-7608LL (8) (56AR00) T-8607B (56DW00) RT-8608L (56AW00) RT-8609 (56AV00) MD3050CR-P (1) (56KJ00) MD3550WR-P (1) (56KK00) MD3060CR-P (1) (56H400) MD3560WR-P (1) (56H500) MT-654CR (1) (56AH00)	Rockwell RS-23-180	3.42 (2)(6) 3.58 (2)(6) 3.73 (6) 3.91 (6) 4.10 (6) 4.30 (6) 4.56 (6) 4.89 5.38 (1) 5.63 (1)	11CX00 - AM 11CY00 - AA 11C000 - AA 11C100 - AA 11C200 - AA 11C300 - AA 11C400 - AA 11C500 - AA 11C600 - AA 11C700 - AA	
Ford Diesel FD-1460 210/605/2400 (30M900) 225/660/2400 (30NA00) 250/660/2400 (30M800)	FS-6205A (56M000) FS-6205B (56M100) MT-643 (56AF00) MT-653 (56AG00)	Rockwell RS-21-230 Rockwell RS-23-240	3.91/5.45 4.10/5.72 4.30/6.00 4.56/6.36 4.88/6.80 5.38/7.50 4.10/5.59 4.30/5.86 4.56/6.21 4.88/6.65 5.38/7.33 5.57/7.60	11B000 - AK 11B100 - AK 11B200 - AE 11B300 - AE 11B400 - AE 11B500 - AE 11DE00 - AG 11DF00 - AD 117L00 - AH 11DG00 - AD 11DH00 - AD 11DJ00 - AD	

*Engine listing shows Advertised Horsepower/Advertised Torque (lb.-ft.)/Governed RPM.

(1) N.A. w/FD-1460 275E HP eng. (2) Avail. only w/FD-1460 275E HP eng.

(4) N.A. w/FD-1460 250E, 275, 275E, 300 HP engs. in comb. w/RT-7608LL or RT-8608L trans.

(6) N.A. w/MD trans. (7) Avail. only w/MD trans. (8) N.A. w/FD-1460 275E, 300 HP eng.

Consult TRUCK SELECTION Section for performance formulae and charts.