

MASTER PARTS and ACCESSORIES CATALOG

FORM FPS 8473-A (Text Only)  
FORD PARTS and SERVICE DIVISION

INDEX

Abbreviations	-16,17
Attaching Parts (Nuts, Bolts, etc.)	-14
Cross Reference List between Manufacturer's and Ford Part Numbers	- 15
Diesel Engine Models	- 13
D.S.O.	-14
Exhaust Systems Certification	- 4
F.S.O.	-14
Formats	-3
General Instructions	-2
How to Order Parts	- 14
How to Use This Catalog	-2,3
Identification	-3
Liquid Measure	-14
Locator Codes	- 14
L.P.O.	-14
Metric to inches conversion chart	- 18,19
Model Codes	-13
Model Year Application	- 13
R.H. and L.H. Parts	- 3
Soft Trim	- 13
Symbols Used Regularly in Catalog	- 2
Truck Specification List (T.S.L.) 1980/81	-55 thru 68
Truck Specification List (T.S.L.) 1981/	-69,70
<b>FORD PART NUMBERING SYSTEM</b>	
Body Parts Group Numbering System	-4
Explanation of the Ford Part Numbering System	-4
Group Numbers and Related Catalog Sections	- 9 thru 12
Motorcraft Sales Part Numbers	- 3
Part Name Index	-5 thru 8
<b>HOW TO ORDER PARTS</b>	
Bendix Westinghouse Air Brake Parts	-15
Diesel Engine Parts	-15
Ford Parts	- 14
Heavy Truck Power Steering	-15
Industrial Engine and Power Unit Parts	-15
<b>CERTIFICATION LABEL</b>	
Assembly Plant Codes	-26
Auxiliary Transmission Codes	-43
Body Type Codes	-39,40
Body Type Descriptions	- 40
Body Type Illustrations	-41,42
Build Date Location	- 54
Calibration Parts List Label	- 22
Color Codes-Exterior Paint	- 27
Diagrams and Instructions	-20,21,22
District Codes	- 54
Engine Codes	- 26
Front Axle Codes	-53
Gross Vehicle Weight	- 28
GVWR Class for Trucks, Buses and Incomplete Vehicles	- 23
Main Transmission Codes	-43,44
Manufacturer Identifier	- 23
Model Codes	-28 thru 38
Numerical Sequence of Assembly by Truck Serial Number	-27
Rear Axle Ratio Codes	- 44 thru 52
Serial Number	- 27
Series Codes	-24,25
Supplemental Data Plate	- 22
Trim Codes	- 39
Vehicle Identification Number	- 20
Vehicle Model Year	-23
Wheelbase	-27

## SYMBOLS USED REGULARLY IN CATALOG

The following symbols appearing on text pages are to be interpreted as follows:

- \* Indicates Motorcraft Sales Part Number.
- # Indicates some form of identification such as part number, stamping, paint stripes and tags.
- ★ Symbol indicates part is not supplied for service for the following reasons:
  - a. Part is superseded and replaced as indicated in the description column of text.
  - b. Part can be improvised as indicated in the description column of text.
  - c. Due to its function there would be little or no demand.

NOTE: ALWAYS REFER TO THE DESCRIPTION COLUMN OF THE TEXT FOR POSSIBLE SUBSTITUTION, OR FOR MATERIAL SPECIFICATIONS AND DIMENSIONS WHICH MAY BE HELPFUL IN OBTAINING THE NON-SERVICED PART LOCALLY.

## GENERAL INSTRUCTIONS

This Ford Truck Master Parts Catalog contains replacement parts and accessories information for truck series B600/700, C-CT600/900, CL-CLT900, F600/800, FT800, L-LN-LNT-LT-LTS600/900 and LTL900 for model year 1980/ for U.S. and Canadian built vehicles. Also included are the related Diesel engine models, Series B600 thru LTS900. Unique Canadian part numbers and applications have been identified by a symbol (●) and footnoted. Unique U.S. part numbers and applications have been identified by a symbol (☆) and footnoted. Use this Text Catalog in conjunction with the Illustration Catalog, Form FPS 8473-B.

Refer to the Index on Page 1 for a listing of the items appearing in the General Information Section.

## HOW TO USE THIS CATALOG

There are three ways of finding part numbers if the group number is not known.

1. By Part Name
2. By Illustration
3. By Identification

Should an inquiry be received for an Accelerator Assy. for a 1981 CL-CLT:

### BY PART NAME -

- A. Refer to the Chassis Parts Alphabetical Index.
- B. Refer to the alphabetical nomenclature and find the part name "Accelerator Assy". The group number listed is 9725.
- C. Refer to group number 9725 and locate 1981 in the "YEAR" column. Find the series CL-CLT in the "MODEL/RESTRICTIONS" column.
- D. The part number shown is D8HZ 9725-A.

### BY ILLUSTRATION -

- A. Refer to the Illustration Catalog (Form FPS 8473-B) to the tabbed divider marked "FUEL, CARBURETOR, ACCELERATOR".
- B. Refer to the index immediately behind the divider and find the illustration titles for the 1981 CL-CLT Series.
- C. Under the heading "ACCELERATOR and TRANSMISSION" find the Accelerator Assy. illustration.
- D. Refer to the illustration designated (on page 1 of Illustration Section 97.1) and find the group number for the accelerator assy. basic 9725.
- E. Refer to group number 9725 in this Text Catalog and locate 1981 in the "YEAR" column. Find the series CL-CLT in the "MODEL/RESTRICTIONS" column.
- F. The part number shown is D8HZ 9725-A.

## HOW TO USE THIS CATALOG — Cont'd

### BY IDENTIFICATION —

Certain parts and most major assemblies are identified with a part number shown on an attached tag or plate or on the part itself. Reference to identification numbers is made throughout the catalog and cross reference charts are included in some sections to provide immediate knowledge of the service part number when the identification number is known. All identification information other than charts will be preceded by the symbol (#).

**IMPORTANT** — Identification tags and plates must be retained with the part or assembly with which they are originally supplied.

### R.H. AND L.H. PARTS

The driver's side is the left hand side of the vehicle and determines whether such parts as fenders, lamps, etc. are right or left hand.

Most Right Hand and Left Hand parts are listed in adjacent columns as shown in the following examples:

YEAR	MODEL/RESTRICTIONS	PART NUMBER		DESCRIPTION		QTY.
80	F600/800	(RH)	E0TZ 1020124-A	(LH)	E0TZ 1020125-A	1
80	CL-CLT900	(RH)	D8HZ 9020124-A	(LH)	D8HZ 9020125-A	1

### MOTORCRAFT SALES PART NUMBERS

To facilitate the stocking and handling of those service parts which are assigned both service part numbers and Motorcraft Sales Part Numbers, the Motorcraft Sales Part Numbers are preceded by an asterisk (\*) and are usually located at the beginning of the description column.

For example, refer to Section 96, group 9600. The service part number for a carburetor air cleaner element used on a 1982/C-CT600/800 -- diesel with an 8 cyl. 501N C.I.D. engine is E1HZ 9601-B and the Motorcraft Sales Part Number is FA 718. In the catalog this item will be shown as E1HZ 9601-B \*FA718.

YEAR	MODEL/RESTRICTIONS	ENGINE		PART NUMBER		DESCRIPTION
		CYL.	C.I.D. (C.C.D.)	AIR CLEANER ASSY.	ELEMENT	
82/	C-CT600/800 -- diesel	8	501N	E2HZ 9600-M	E1HZ 9601-B *FA718	Standard capacity

### FORMATS

Various formats are used throughout this catalog to coincide with the normal procedure for selecting the affected part numbers. Most areas of the catalog use a format arranged in the order shown below:

#### Column —

1. Model year
2. Type of vehicle or equipment within a specific model year
3. Complete part number
4. Description, size, etc.
5. Quantity required per vehicle

Formats peculiar to a particular area of the catalog are generally self explanatory. When necessary, instructions are shown at the beginning of the affected group. For instance, the various charts and parts list method of cataloging in the Carburetor Section are explained on Page 1 of Section 95.

## EXHAUST SYSTEMS CERTIFICATION

"For their intended application as specified in this catalog, the exhaust system parts and systems listed for sale have been certified to be in compliance with the requirements of the rules of the Florida Department of Environmental Regulation (Chapter 17-18, Part III of the Florida Administration Code)."

## EXPLANATION OF THE FORD PART NUMBERING SYSTEM

For greater convenience this catalog is divided into specific sections, such as brakes, front suspension, engine, transmission, etc. For example, FRONT SUSPENSION appears in Section 32, STEERING WHEELS in Section 36, REAR AXLE in Section 40, etc. The applicable exploded illustrations are contained in separate sections which are related to the Text Section numbers. For example, STEERING WHEEL illustrations appear in Illustration Section 36 of the Illustration Catalog, FPS 8473-B.

The part number groups, part names and the section numbers under which each is listed are shown on pages 5, 6, 7 and 8 of the General Information Section.

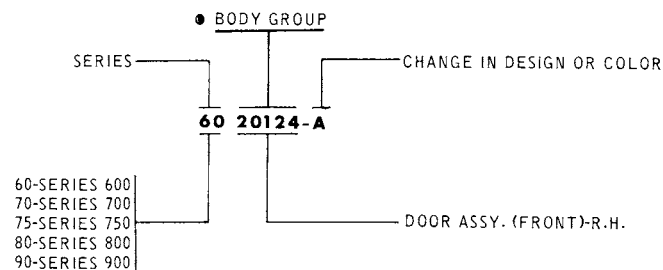
In numerical listings, expanded group numbers will be considered to follow the same sequence as the regular group numbers from which they are expanded and are arranged in Catalogs as follows:

3511  
3C511  
3518  
3C518

Illustrations contain group numbers only, therefore, it is necessary to refer to the group within this Text Catalog for complete applicable part numbers.

## BODY PARTS GROUP NUMBERING SYSTEM

FOLLOWING IS A DIAGRAM OF THE BODY PARTS GROUP NUMBERING SYSTEM



● These five digits comprise the Body Group Numbers used throughout each body parts section.

---

**PART NAME INDEX**

Below are various major groups appearing in the Chassis and Body Sections of this Catalog. An Alphabetical Index for all chassis parts follows the General Information Section. A complete index of body parts is included at the beginning of the Body Section and a complete index of soft trim parts is included at the beginning of the Soft Trim Sections.

MAJOR GROUP	● TABBED DIVIDER	SECTION
-------------	------------------	---------

**PART NAME INDEX  
CHASSIS PARTS**

● Applicable to Loose Leaf Catalogs only

Accelerator Linkage	Fuel	96
Accessories	Listed in their appropriate groups as identified in this index	
Adhesives	Wheel-Brake	Paint
Air Cleaner	Fuel	96
Air Conditioner	Speedo.-Bumper-Shocks-Air Cond.	190
Alternator	Generator-Alternator-Starter-Distributor	103
Axle (Front)	Front Axle-Steering	30
Axle (Rear)	Rear Axle	40
Battery	Generator-Alternator-Starter-Distributor	103
Battery Carriers	Generator-Alternator-Starter-Distributor	103
Belt (Drive)	Cooling-Grille	80
Brake System	Wheel-Brake	20
Bulbs	Lamps-Wiring	130
Bumpers	Speedo.-Bumper-Shocks-Air Cond.	170
Camshaft	Engine	60
Cap (Radiator)	Cooling-Grille	80
Carburetor	Fuel	95
Carrier (Wheel)	Wheel-Brake	11
Chemicals	Wheel-Brake	Paint
Clutch	Transmission-Clutch	75
Clutch Assy. (Fan)	Cooling-Grille	80
Cold Start Aid	Fuel	90
Cooling System	Cooling-Grille	80
Coupling Shaft	Driveshaft-Coupling Shaft	48.1
Crankcase Vent System	Engine	60
Cylinder Block	Engine	60
Cylinder Head and Valves	Engine	60
Distributor	Generator-Alternator-Starter-Distributor	120
Drive Belt	Cooling-Grille	86
Driveshaft	Driveshaft-Coupling Shaft	46.1
Electrical	Lamps-Wiring	130
Electrical	Generator-Alternator-Starter-Distributor	103
Emission Control (Thermactor)	Fuel	90
Engine	Engine	60
Engine Supports	Engine	60
Engine Warning System	Generator-Alternator-Starter-Distributor	103
Exhaust System	Frame-Muffler-Exhaust	52.1

1980/  
TRUCK SERIES 600/900

MAJOR GROUP	● TABBED DIVIDER	SECTION
<b>PART NAME INDEX</b> CHASSIS PARTS — Cont'd		
● Applicable to Loose Leaf Catalogs only		
Fan	Cooling-Grille	80
Fenders	Fender-Hood	160
Frame	Frame-Muffler-Exhaust	50
Front Axle	Front Axle-Steering	30
Front Springs	Springs-Rear Suspension	52
Front Suspension	Front Axle-Steering	32
Fuel Filter	Fuel	90
Fuel Pump	Fuel	93
Fuel System	Fuel	90
Fuel Tank	Fuel	90
Gearshift Lever	Transmission-Clutch	71
Governors		120
Grille	Cooling-Grille	80
Heater	Speedo.-Bumper-Shocks-Air Cond.	180
Hood	Fender-Hood	160
Horns	Lamps-Wiring	130
Hose (Radiator)	Cooling-Grille	80
Hubs	Wheel-Brake	11
Ignition Switch	Generator-Alternator-Starter-Distributor	110
Ignition System	Generator-Alternator-Starter-Distributor	110
Instrument Cluster	Generator-Alternator-Starter-Distributor	103
Jack	Speedo.-Bumper-Shocks-Air Cond.	170
Lamps	Lamps-Wiring	130
Lever (Gearshift)	Transmission-Clutch	71
Linkage (Accelerator)	Fuel	96
Linkage (Steering)	Front Axle-Steering	32
Main Wiring	Lamps-Wiring	140
Manifold	Fuel	93
Mirrors	Speedo.-Bumper-Shocks-Air Cond.	170
Mufflers	Frame-Muffler-Exhaust	52.1
Oil Pump	Engine	60
Paint	Wheel-Brake	Paint
Piston and Connecting Rod	Engine	60
Pulley (Crankshaft)	Engine	60
Pulley (Water Pump)	Cooling-Grille	83
Pump (Fuel)	Fuel	93
Pump (Oil)	Engine	60
Pump (Water)	Cooling-Grille	83

**1980/  
TRUCK SERIES 600/900**

MAJOR GROUP	● TABBED DIVIDER	SECTION
-------------	------------------	---------

**PART NAME INDEX  
CHASSIS PARTS — Cont'd**

● Applicable to Loose Leaf Catalogs only

Radiator	Cooling-Grille	80
Radio	Speedo.-Bumper-Shocks-Air Cond.	180
Rear Axle	Rear Axle	40
Rear Springs	Springs-Rear Suspension	55
Regulator (Voltage)	Generator-Alternator-Starter-Distributor	103
Shaft (Coupling)	Driveshaft-Coupling Shaft	48.1
Shock Absorber	Speedo.-Bumper-Shocks-Air Cond.	180
Shroud (Fan)	Cooling-Grille	80
Shutters	Cooling-Grille	80
Spacer (Pulley to Fan)	Cooling-Grille	80
Spare Wheel Carrier	Wheel-Brake	11
Speedometer	Speedo.-Bumper-Shocks-Air Cond.	170
Springs	Springs-Rear Suspension	55
Stabilizer	Springs-Rear Suspension	55
Starter	Generator-Alternator-Starter-Distributor	103
Steering	Front Axle-Steering	35
Steering Gear	Front Axle-Steering	35.1
Steering Linkage	Front Axle-Steering	32
Suspension (Front)	Front Axle-Steering	32
Suspension (Rear)	Springs-Rear Suspension	55
Switch (Ignition)	Generator-Alternator-Starter-Distributor	110
Switch (Turn Indicator)	Lamps-Wiring	130
Tachometer	Speedo.-Bumper-Shocks-Air Cond.	170
Tank (Fuel)	Fuel	90
Thermactor	Fuel	90
Thermostat (Water)	Cooling-Grille	83
Thermostatic Choke Control	Fuel	90
Transfer Case	Transmission-Clutch	70
Transmission (Manual)	Transmission-Clutch	70
Transmission (Transmatic)	Transmatic Transmission	T70
Valves, Push Rods and Covers	Engine	60
Voltage Regulator	Generator-Alternator-Starter-Distributor	103
Water Pump	Cooling-Grille	80
Wheels	Wheel-Brake	10
Windshield Washer	Speedo.-Bumper-Shocks-Air Cond.	170
Windshield Wiper	Speedo.-Bumper-Shocks-Air Cond.	170
Wiring (Main)	Lamps-Wiring	140





**1980/  
TRUCK SERIES 600/900**

**GROUP NUMBERS and RELATED PART NAMES and CATALOG SECTIONS**

Following is an index of the group number ranges, part names and their related catalog section numbers.

GROUP NUMBERS and RELATED PART NAMES and CATALOG SECTIONS		
GROUP NUMBER RANGE	PART NAME	CATALOG SECTION NUMBER
<b>CHASSIS PARTS</b>		
Miscellaneous	Paints and chemicals	Paint
1000-1099	Paints and chemicals	10
1100-1999	Hubs and drums	11
1102	Front hub parts lists	11.1
1109	Rear hub parts lists	11.2
2000-2199	Brakes	20
	Front brake parts lists	20.1
2200-2399	Brakes	22
	Rear brake parts lists	22.1
	Rear brake chamber parts list	22.2
2300-2599	Brakes	23
	Brake booster parts lists	23.1
2600-2999	Brakes	26
2600-2999	Parking brake parts lists	26.1
3000-3199	Front axle and suspension	30
3000-3999	Front axle parts lists	30.3,30.4,etc.
3200-3499	Front axle and suspension	32
3500-3599	Steering gear	35
3504	Steering gear parts lists	35.1
3A540	Power steering cylinder and parts lists	35.2
3600-3999	Steering wheel and column	36
3A691	Power steering pump and parts lists	36.1
4000-4305	Rear axle identification chart	40
4000-4999	Rear axle parts lists	40.1
4000-4599	Rear axle	41
4600-4799	Driveshaft	46
	Driveshaft application chart	46.2,46.3,etc.
4602-4606	Driveshaft identification chart	46.1
4800-4899	Coupling shaft	48
4810-4817	Coupling shaft cross reference guide	48.1
4816-4817	Coupling shaft identification chart	48.1
	Coupling shaft application chart	48.2,48.3,etc.
	Coupling shaft parts lists	48.1
	Driveshaft cross reference guide	48.1
5000-5006	Frame	50
5007-5199	Cross members	50
5200-5299	Muffler	52
	Exhaust system parts lists	52.1
5300-5499	Front springs and stabilizer	53
5500-5999	Rear springs and suspension	55
6000-6899	Engine identification chart	60
	Engine parts lists - 8 cyl. 370,429	60.1
	- 8 cyl. 477,534	60.2
	- 6 cyl. 855 Cummins Diesel	60.3
	- 6 cyl. 426,552 and 8 cyl. 568 and 736 Detroit Diesel	60.4
	- 8 cyl. 636 Caterpillar Diesel	60.5
	- 6 cyl. 1150 Cummins Diesel	60.6
	- 6 cyl. 893 Caterpillar Diesel	60.7
	- 8 cyl. 501 Detroit Diesel	60.8

**1980/  
TRUCK SERIES 600/900**

GROUP NUMBERS and RELATED PART NAMES and CATALOG SECTIONS		
GROUP NUMBER RANGE	PART NAME	CATALOG SECTION NUMBER
<b>CHASSIS PARTS — Cont'd</b>		
7000-7003	Manual transmission identification chart	70
7000-7999	Manual transmission parts lists - Auxiliary Spicer	70.3
	- 4 speed New Process	70.4
	- 4 speed Warner	70.4
	- 5 speed Clark	70.5
	- 5 speed Spicer	70.5
	- 5 speed Fuller	70.5
	- 5 speed New Process	70.5
	- 6 speed Fuller	70.6
	- 6 speed Spicer	70.6
	- 7 speed Spicer	70.7
	- 8 speed Fuller	70.8
	- 9 speed Fuller	70.9
	- 10 speed Fuller	70.10
	- 13 speed Fuller	70.13
	- 15 speed Fuller	70.15
	Manual transmission gasket set and repair kits	70A
7000-7199	Manual transmission linkage, etc.	71
7200-7299	Manual transmission linkage, etc.	72
7000-7999	Transmatic transmission linkage, etc.	T70
7000-7999	Manual transmission gearshift tower parts lists	72.1,72.2,etc.
7300-7499	Manual transmission gearshift mechanism	72
7500-7999	Clutch	75
8000-8499	Radiator, grille and cooling	80
8500-8599	Water pump	83
8600-8999	Fan	86
8620	Drive belt identification chart	86
	Drive belt application chart	86
9000-9299	Fuel tank and lines	90
9300-9399	Fuel pump and gauge	93
9400-9499	Manifolds	93
9510	Carburetor identification chart	95
9510	Carburetor application chart	95
9500-9999	Carburetor parts lists	95.1,95.2,etc.
9600	Air cleaner application chart	96
9600	Air cleaner identification chart	96
9600-9699	Air cleaner parts and related parts	96
9700-9999	Choke and accelerator	96
9502,9A586, 9590	Carburetor gasket sets and tune-up kits	95A
10346	Alternator application chart	103
10300-10599	Alternator, pulleys and mounting parts	103
10300	Alternator identification chart	103
10300-10599	Alternator parts lists	103.1,103.2,etc.
10600-10999	Battery and instrument cluster parts	103
11000-11999	Starter, ignition switch and headlamp switch	110
11001	Starter identification chart	110
11001-11999	Starter parts lists	110.1,110.2,etc.

1980/  
**TRUCK SERIES 600/900**

GROUP NUMBERS and RELATED PART NAMES and CATALOG SECTIONS

GROUP NUMBER RANGE	PART NAME	CATALOG SECTION NUMBER
<b>CHASSIS PARTS — Cont'd</b>		
12000-12999	Coil, distributor and spark plugs	120
12127	Distributor identification chart	120
12000-12999	Distributor parts lists	120.1,120.2,etc.
13000-13399	Headlamps, parking lamps and turn indicators	130
13400-13699	License, tail and stop lamps	130
13466	Miniature bulbs	130
13700-13999	Courtesy and instrument panel lamps, switches and horns	130
14000-14399	Wiring — main	140
14400-14499	Wiring — tail lamp and battery	144
14500-14999	Wiring, fuses and circuit breakers	144
15000-15999	Clock, cigar lighter, marker lamps and backup lamps	144
16000-16099	Front fenders and aprons	160
16100-16599	Splash shields and radiator supports	160
16600-16999	Hood, hinges and latches	160
17000-17299	Jacks, speedometer and speedometer cables	170
17285, 17294 and 17322	Speedometer gear application chart	172
17300-17399	Speedometer, tachometer and license plate frame	170
17400-17599	Windshield wipers and washers	170
17600-17999	Windshield wipers and washers, bumpers and mirrors	176
18000-18399	Shock absorbers	180
18400-18999	Heaters, radios, antennas and speakers	180
19000-19999	Air conditioner	190
19C705-9	Refrigerant lines	197



## MODEL YEAR APPLICATION

Model year application is indicated by showing the first year followed by a diagonal line to indicate continued usage in all subsequent years until the insertion of the last year of usage, which will then be inserted after the diagonal line. If no diagonal line is shown, the part is applicable only to the year indicated:

**Example:**

- 80/ Indicates part used 1980 through subsequent models.
- 80/81 Indicates part used 1980 through 1981 model years.
- 80 Indicates part used 1980 model year only.

## MODEL CODES

Truck models are listed throughout this catalog by truck series.  
 A listing of series codes shown on the Certification Label is included in this section on page 23 and 24.  
 Refer to this page to determine the series listed in the text of the catalog.  
 Model application is often consolidated as shown below:

**Example:**

- LN600/900 means LN600 thru LN900 or LN600, LN700, LN800 and LN900.
- and: L-LN-LNT-LT-LTS900 means L900, LN900, LNT900, LT900 and LTS900.

## DIESEL ENGINE MODELS

THE FOLLOWING LIST INDICATES THE MERCHANDISED SERIES, THE YEAR RANGE AND  
 THE CORRESPONDING SERIES SHOWN IN THE CATALOG.

SERIES	YEAR	◇ CATALOGED AS	SERIES	YEAR	◇ CATALOGED AS
◇ The designation "gas" or "diesel" will be shown only when necessary to clarify differences in application on similar items for which unique part numbers are required.					
For example: unique to gas-LN900 -- gas, unique to diesel-LN900 -- diesel, common to gas and diesel-LN900					
B6000	80/	B600 -- diesel	H81	87/	CF800 -- diesel
B7000	80/	B700 -- diesel	H85	88	CFT800 -- diesel
C7000	80/	C700 -- diesel	L8000	80/	L800 -- diesel
C8000	80/	C800 -- diesel	L9000	80/	L900 -- diesel
CL9000	80/	CL900 -- diesel	LN7000	80/	LN700 -- diesel
CLT9000	80/	CLT900 -- diesel	LN8000	80/	LN800 -- diesel
CT8000	80/	CT800 -- diesel	LN9000	80/	LN900 -- diesel
F6000	80/	F600 -- diesel	LNT8000	80/	LNT800 -- diesel
F7000	80/	F700 -- diesel	LNT9000	80/	LNT900 -- diesel
F8000	80/	F800 -- diesel	LT8000	80/	LT800 -- diesel
FT8000	83	FT800 -- diesel	LT9000	80/	LT900 -- diesel
H60	86/	CF600 -- diesel	LTL9000	82/	LTL900 -- diesel
H70	86/	CF700 -- diesel	LTS8000	80/	LTS800 -- diesel
			LTS9000	80/	LTS900 -- diesel

## SOFT TRIM

Soft Trim parts are arranged in a separate section by model year. For 1980/ refer to the Salesmen's Color and Trim Selections book to identify color, type and pattern of material. To determine the complete part number of a trim part, it is necessary to know the "Trim Code" which is shown on the Certification Label of the vehicle (refer to Page 38). Instructions for selecting soft trim parts are contained at the beginning of the Soft Trim Section.

## 1980/ TRUCK SERIES 600/900

### ATTACHING PARTS (NUTS, BOLTS, ETC.) and LOCATOR CODES

Standard and utility hardware, such as bolts, screws, fittings, etc. are listed below the part with which they are used. To facilitate the stocking and handling of standard and utility parts by Ford Dealers, locator codes are preassigned by Ford Parts and Service Division. The locator codes are shown in parentheses immediately following or below the standard and utility part numbers. For an example, refer to Body Section 000, group 01610. The part number for a plug-button for 3/8" hole is 379286-S and the locator code is PP-2-C. In the catalog this item will be shown as part number 379286-S with the locator code PP-2-C appearing at the beginning of the Description Column. In some charts, such as the Carburetor Parts List Charts in Section 95.1, 95.2, etc. the locator code will be shown next to or below the part number in the Part Number Column.

### LIQUID MEASURE

Most liquid measures listed in this catalog are in U.S. sizes and certain other liquid measures (unique to Canada) listed in this catalog are in Canadian sizes. The following chart provides an understanding and a translation of U.S. to Canadian and Canadian to U.S. sizes.

	1/2 Pint (CAPACITY IN OUNCES)	Pint	Quart (CAPACITY IN OUNCES)	Gallon
Canada	10	20	40	160
U.S.	8	16	32	128

Example - 5 U.S. Quarts (160 ounces) equal 4 Canadian Quarts (160 ounces) or 1 Canadian Gallon

### D.S.O., F.S.O., or L.P.O. (SPECIAL ORDERS)

The District Code Number will appear in the D.S.O. space on the Certification Label for all units including regular production. Always furnish appropriate Certification Label information and D.S.O. Number, if applicable, when ordering parts not listed in the catalog. If the unit is D.S.O., F.S.O. or L.P.O. (Special Order), the complete Order Number will appear in the D.S.O. space in addition to the District Code Number.

**IMPORTANT** - Many parts and assemblies used on these vehicles may be standard or optional on other models. When the assembly number is known, check the applicable identification and cross reference charts for possible service parts.

### ORDERS FOR DSO PARTS

Orders for DSO parts should be submitted through your Order Processing Center. The usual order information should be given when contacting the expeditor. For assistance in ordering DSO parts or with unresolved DSO parts problems, (except cabs, frames and power steering kits) dealers should contact the Domestic Special Order Section (313) 523-3333 For assistance in ordering cabs, frames and power steering kits dealers should contact Kentucky Truck Plant (502) 425-4245.

Note-The phone numbers listed above are for ordering and information on DSO and special order parts ONLY. All other calls for parts information should be directed to the Central Order Processing Section.

### HOW TO ORDER PARTS

When ordering parts, always give the complete part number.

In the event the part number is not known, the following information should be included:

- A. Complete description of part.
- B. Model, year and body type.
- C. Dimension, number of teeth, size, etc., if possible rough sketch of part.
- D. If applicable to engine, transmission, axle, steering, etc., specify type, such as 370 C.I.D., Transmission, Power Steering, etc.
- E. Advise how shipment is to be made - Freight, Express, Air, Parcel Post.

## BENDIX WESTINGHOUSE AIR BRAKE PARTS

The various Bendix Westinghouse air brake parts supplied by Ford Motor Company parts distribution centers are listed in their respective areas of the Catalog under the Ford group number and are shown in appropriate illustrations contained in the Ford Truck Illustration Catalog, Form FPS 8473-B.

Bendix Westinghouse parts which are not listed in the catalog may be obtained from your Bendix Westinghouse authorized distributor.

## CROSS REFERENCE LIST BETWEEN MANUFACTURERS' and FORD PART NUMBERS

A Cross Reference List to assist in the identification of Ford parts by means of various manufacturers' numbers which are generally known throughout the automotive industry is included in the 1980/ Ford Master Truck Catalog. Forms FPS 8473-A (loose-leaf) and FPS 8473-M (transparency). This Cross Reference List includes part numbers for 1980/ , 1973/79 as well as 1964/72 truck parts for all truck series for the following manufacturers or parts lines:

Bearing industry numbers for bearings, cups, etc	Hendrickson tandem rear suspension and related parts
Clark transmission and related parts	Miniature lamp and sealed beam bulb numbers
Dana Corporation axle and related parts	New Process transmission and related parts
Eaton axle pump and related parts	Rockwell Standard axle and related parts
Fuller transmission and related parts	Spicer axle, transmission and related parts
Funk Manufacturing Co.trans.power take-off parts	Stewart Warner speedometer gears and related parts
	Timken axle and related parts
	Warner transmission and related parts

## DIESEL ENGINE PARTS

Parts information in this catalog for the Diesel engines manufactured by Cummins Engine Company, Caterpillar Tractor Company and Detroit Diesel Engine Division is restricted to engine accessories and engine related parts furnished by Ford Motor Company. Refer to Sections 60.3, 60.4, 60.5, 60.6, 60.7 and 60.8 in this catalog. Other parts unique to these Diesel engines may be ordered from the appropriate engine manufacturer's distributor or dealer.

## HEAVY TRUCK POWER STEERING INSTALLATION PARTS

(For Current Production Models Only)

A program is available to supply dealers with all the components required to install power steering on heavy trucks built at the Kentucky Truck Plant. Orders should be placed with the Order Processing Center and must include the following information:

- Model year
- Series
- Vehicle serial number
- Front axle capacity
- Type of steering system, e.g. Steerease
- Type of brake system, e.g. Air, hydraulic
- Type of anti-skid control
- Build date

Prices and availability of components are listed in the General Information Section of the Price List.

## INDUSTRIAL ENGINE and POWER UNIT PARTS

Most of the normal replacement parts for 6 and 8 cylinder Ford industrial engines and power units are carried in Ford Car and Truck Dealers inventory and the 4 cylinder gasoline as well as the 4 and 6 cylinder Diesel parts are carried in Ford Tractor Dealers' stock. To obtain Ford industrial engines and power units as well as parts unique to these units, order direct from authorized Ford Industrial Product Dealers only.

**1980/  
TRUCK SERIES 600/900**

**ABBREVIATIONS**

A/A	all axles	ea.	each
A/C	air conditioner (ing)	E.G.R.	exhaust gas recirculation
accel.	accelerator	E/H/D	extra heavy duty
adj.	adjuster (ing)	emer.	emergency
alum.	aluminum	em/re	emission reduction
amp.	ampere	eng.	engine
approx.	approximate (ly)	equip.	equipment
AR	as required	ev/em	evaporative emission
assy.	assembly	exc.	except
ATA	air to air	exh.	exhaust
A/T	automatic transmission		
A.T.C.	automatic temperature control	F2	Ford 2 barrel
attach.	attaches (ing) (ed)	F4	Ford 4 barrel
auto.	automatic	F/4/S	Ford 4 speed transmission
aux.	auxiliary	fill.	fillister
		flex.	flexible
BBC	bumper to back of cab	F.S.O.	foreign special order
B/W	Borg-Warner		
		gal.	gallon
C1	Carter 1 barrel	g/compt.	glove compartment
C4	automatic transmission (XP type)	gen.	generator
C6	automatic transmission (XPL type)	G.V.W.	gross vehicle weight
Calif.	California		
cap.	capacity	H2	Holley 2 barrel
carb.	carburetor	H4	Holley 4 barrel
Cat.	Caterpillar	hd.	head
cc	cubic centimeter	H/D	heavy duty
c/cw	counter clockwise	hel.	helical
Chg./L	change level	hex.	hexagon (al)
C.I.D.	cubic inch displacement	H/O	High Output
cm	centimeter	HP	horse power
C/M	automatic transmission (MX type)	hsg.	housing
c/member	cross member	htr.	heater
col.	column	H/V	hydraulic vacuum
compt.	compartment	hyd.	hydraulic
conn.	connection or connector		
cont'd.	continued	I.D.	inside diameter
C.P.	candle power	ident.	identification
C/P/S	center point steering	ign.	ignition
Cum.	cummins	IMCO	improved combustion emission control system
cw	clockwise		
cyl.	cylinder	incl.	includes
		INJ.	injector
D/4/S	Dagenham 4 speed transmission	I.S.	Instruction Sheet
D.C.	double contact	I.W.W.G.	Intermittent windshield wiper governor
D/D	dual displacement		
D/D	direct drive	K.D.	shipped in disassembled form
D/E	dual exhaust	K.M.P.H.	kilometers per hour
defl.	deflector		
dia.	diameter	L	liter
diff.	differential	lb.	pound
disp.	displacement	l/compt.	luggage compartment
dist.	distributor	L/D	light duty
D/R	dual range transmission	L.H.	left hand
D.S.O.	domestic special order	lic.	license
		L/N	Leece Neville
		LPG	propane fueled
		L.P.O.	Limited Production Option



ABBREVIATIONS

M	1000 (pounds)	s/compt.	storage compartment
max.	maximum	S/E	single exhaust or special economy
M/D	medium duty	sec.	secondary
med.	medium	Ser.	serial
mldg.	moulding	s/member	side member
mm	millimeter	spec.	special
m.p.h.	miles per hour	speedo.	speedometer
		spg.	spring
M/S	manual steering		
M/T	manual transmission	sq.	square
mtd.	mounted	sq. hd.	square head
mtg.	mounting	S/R	side rail
mtr.	motor	std.	standard
		strg.	steering
Nags. No.	National Automotive Glass Society number	suppt.	support
No.	number	susp.	suspension
N.P.G.	New Process Gear	S/X/C	super extra cooling
N.P.T.F.	national pipe thread fine		
N.R.	not replaced	tach.	tachometer
N.S.	not serviced	T/C	turbocharger
		T/E	thermactor emission control system
O.D.	outside diameter	temp.	temperature
O/D	overdrive	t/gate	tailgate
O.E.	original equipment	thd.	thread
O/S	oversize	T/M	transmatic
oz.	ounce	trans.	transmission
		Trans./ign.	transistorized ignition
P/B	power brake	Trans./reg.	transistorized regulator
pcs.	pieces	T.S.L.	Truck Specification List
P.F.	premium fuel	T/T	tractor-trailer
pri.	primary		
P/S	power steering	UBS	uniform bearing stress
P.T.O.	power-take-off	u/joint	universal joint
		univ.	universal
qt.	quart	U/S	undersize
qty.	quantity		
		vac.	vacuum
rad.	radiator	w/	with
r/b	replaced by	W/4/S	Warner 4 speed transmission
R/D	regular duty	W/B	wheelbase
rd.	round	w/o	without
recirc.	recirculating	W/S	windshield
reinf.	reinforcement	w/strip	weatherstrip
Repl.	replaced	WTA	Water to air
req'd.	required	X/C	extra cooling
resvr.	reservoir		
R.F.	regular fuel	2/B	2 Barrel
R/G	ring gear	2/W/D	2 wheel drive
R.H.	right hand	3/M/T	3 speed manual transmission
R.P.M.	revolutions per minute	4/B	4 barrel
rr	rear	4/M/T	4 speed manual transmission
R/R	Road Ranger	4/W/D	4 wheel drive
r/wheels	rear wheels		
		4 x 2	2 wheel drive
S/C	standard cooling	4 x 4	4 wheel drive
S.C.	single contact		

1980/  
TRUCK SERIES 600/900

INCHES and MILLIMETERS CONVERSION CHART

MILLIMETERS TO DECIMAL (inches) EQUIVALENT

MM = DECIMAL (Inches)	MM = DECIMAL (Inches)	MM = DECIMAL (Inches)	MM = DECIMAL (Inches)	MM = DECIMAL (Inches)	MM = DECIMAL (Inches)	MM = DECIMAL (Inches)	MM = DECIMAL (Inches)	MM = DECIMAL (Inches)	MM = DECIMAL (Inches)		
1	.039	21	.827	41	1.614	61	2.402	81	3.189	125	4.921
2	.079	22	.866	42	1.654	62	2.441	82	3.228	150	5.906
3	.118	23	.906	43	1.693	63	2.480	83	3.268	175	6.890
4	.157	24	.945	44	1.732	64	2.520	84	3.307		
5	.197	25	.984	45	1.772	65	2.559	85	3.346		
6	.236	26	1.024	46	1.811	66	2.598	86	3.386	200	7.874
7	.276	27	1.063	47	1.850	67	2.638	87	3.425	225	8.858
8	.315	28	1.102	48	1.890	68	2.677	88	3.465	250	9.843
9	.354	29	1.142	49	1.929	69	2.717	89	3.504	275	10.827
10	.394	30	1.181	50	1.969	70	2.756	90	3.543		
11	.433	31	1.220	51	2.008	71	2.795	91	3.583	300	11.811
12	.472	32	1.260	52	2.047	72	2.835	92	3.622	325	12.795
13	.512	33	1.299	53	2.087	73	2.874	93	3.661	350	13.780
14	.551	34	1.339	54	2.126	74	2.913	94	3.701	375	14.764
15	.591	35	1.378	55	2.165	75	2.953	95	3.740		
16	.630	36	1.417	56	2.205	76	2.992	96	3.780	400	15.748
17	.669	37	1.457	57	2.244	77	3.031	97	3.819		
18	.709	38	1.496	58	2.283	78	3.071	98	3.858		
19	.748	39	1.535	59	2.323	79	3.110	99	3.898		
20	.787	40	1.575	60	2.362	80	3.150	100	3.937		

DECIMAL (inches) TO METRIC EQUIVALENT

DECIMAL = MM (Inches)	DECIMAL = MM (Inches)	DECIMAL = MM (Inches)	DECIMAL = MM (Inches)	DECIMAL = MM (Inches)	DECIMAL = MM (Inches)	DECIMAL = MM (Inches)	DECIMAL = MM (Inches)	DECIMAL = MM (Inches)	DECIMAL = MM (Inches)		
.001	.025	.120	3.048	.320	8.128	.520	13.208	.720	18.288	.920	23.368
.002	.051	.130	3.302	.330	8.382	.530	13.462	.730	18.542	.930	23.622
.003	.076	.140	3.556	.340	8.636	.540	13.716	.740	18.796	.940	23.876
.004	.102	.150	3.810	.350	8.890	.550	13.970	.750	19.050	.950	24.130
.005	.127	.160	4.064	.360	9.144	.560	14.224	.760	19.304	.960	24.384
.006	.152	.170	4.318	.370	9.398	.570	14.478	.770	19.558	.970	24.638
.007	.178	.180	4.572	.380	9.652	.580	14.732	.780	19.812	.980	24.892
.008	.203	.190	4.826	.390	9.906	.590	14.986	.790	20.066	.990	25.146
.009	.229	.200	5.080	.400	10.160	.600	15.240	.800	20.320		
.010	.254	.210	5.334	.410	10.414	.610	15.494	.810	20.574	1.000	25.400
.020	.508	.220	5.588	.420	10.668	.620	15.748	.820	20.828	2.000	50.800
.030	.762	.230	5.842	.430	10.922	.630	16.002	.830	21.082	3.000	76.200
.040	1.016	.240	6.096	.440	11.176	.640	16.256	.840	21.336	4.000	101.600
.050	1.270	.250	6.350	.450	11.430	.650	16.510	.850	21.590	5.000	127.000
.060	1.524	.260	6.604	.460	11.684	.660	16.764	.860	21.844	10.000	254.000
.070	1.778	.270	6.858	.470	11.938	.670	17.018	.870	22.098	15.000	381.000
.080	2.032	.280	7.112	.480	12.192	.680	17.272	.880	22.352	20.000	508.000
.090	2.286	.290	7.366	.490	12.446	.690	17.526	.890	22.606	25.000	635.000
.100	2.540	.300	7.620	.500	12.700	.700	17.780	.900	22.860	50.000	1270.000
.110	2.794	.310	7.874	.510	12.954	.710	18.034	.910	23.114	100.000	2540.000

INCHES and MILLIMETERS CONVERSION CHART – continued

FRACTIONS (inches) TO DECIMALS (inches) and METRIC EQUIVALENTS

FRACTION (Inches)	=	DECIMAL (Inches)	=	MM	FRACTION (Inches)	=	DECIMAL (Inches)	=	MM
		1/64		.016	.397	5/8		.625	15.875
		1/32		.031	.794		41/64	.641	16.272
	1/16	3/64		.047	1.191		21/32	.656	16.669
		5/64		.063	1.588		43/64	.672	17.066
		3/32		.078	1.984	11/16		.687	17.463
		7/64		.094	2.381		45/64	.703	17.859
				.109	2.778		23/32	.719	18.256
							47/64	.734	18.653
1/8				.125	3.175	3/4		.750	19.050
		9/64		.141	3.572		49/64	.766	19.447
	5/32	11/64		.156	3.969		25/32	.781	19.844
		13/64		.172	4.366	13/16		.797	20.241
	3/16	15/64		.188	4.763		51/64	.813	20.638
		7/32		.203	5.159		53/64	.828	21.034
		15/64		.219	5.556		27/32	.844	21.431
				.234	5.953		55/64	.859	21.828
1/4				.250	6.350	7/8		.875	22.225
		17/64		.266	6.747		57/64	.891	22.622
		9/32		.281	7.144		29/32	.906	23.019
		5/16		.297	7.541		59/64	.922	23.416
		11/32		.313	7.938	15/16		.938	23.813
		23/64		.328	8.334		61/64	.953	24.209
				.344	8.731		31/32	.969	24.606
				.359	9.128		63/64	.984	25.003
3/8				.375	9.525	1		1.000	25.400
		13/32		.391	9.922	2		2.000	50.800
		7/16		.406	10.319	3		3.000	76.200
		15/32		.422	10.716	4		4.000	101.600
		31/64		.438	11.113	5		5.000	127.000
				.453	11.509	10		10.000	254.000
				.469	11.906	15		15.000	381.000
				.484	12.303	20		20.000	508.000
1/2				.500	12.700	25		25.000	635.000
		33/64		.516	13.097	50		50.000	1270.000
		17/32		.531	13.494	100		100.000	2540.000
		9/16		.547	13.891				
		19/32		.563	14.288				
				.578	14.684				
				.594	15.081				
				.609	15.478				

**1980/  
TRUCK SERIES 600/900**

**CERTIFICATION LABEL – TYPICAL**

Installed in the following locations:

B600/750 ----- Engine side of fire wall  
 C-CT600/900,CL-CLT900,F-L-LN-LNT-LT-LTS600/900(81) ----- Latch face of left front door  
 HL3 Cargo ----- Front left hand cab pillar

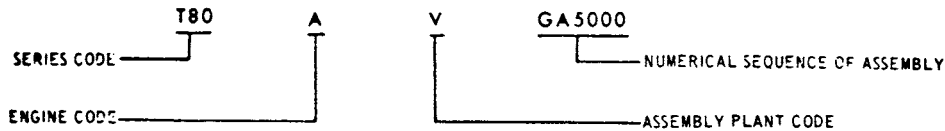
The Certification Label includes:

1. Vehicle Identification Number (first line).
  - a. 1980 number has 11 digits and identifies Series, Engine, Assembly Plant and Numerical Sequence of Assembly.
  - b. 1981/ number has 17 digits and identifies the World Manufacturer Identifier Code, Brakes/GVWR, Series, Engine, Model Year, Assembly Plant and Numerical Sequence of Assembly.
2. Miscellaneous Vehicle Data (second line) consisting of Wheelbase and Codes which identify Color of Exterior Paint, Model, Trim Body Type, Auxiliary Transmission, Main Transmission, Rear Axle Ratio and Front Axle Capacity.
3. The third line consists of a Code which identifies the District and the D.S.O. number when applicable.

The codes shown below are listed on pages 21 thru 51.

**1980**

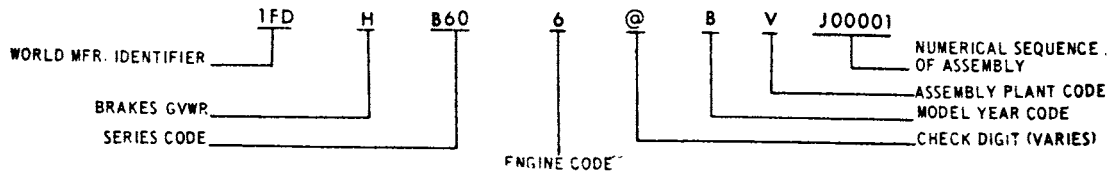
**FIRST LINE (T80AVGA5000) CERTIFICATION LABEL**



"T80" --- LT800 Series  
 "A" --- 8 Cyl. 370 2/B engine -- 6.1 Litre  
 "V" --- Assembly Plant Code  
 "GA5000" --- First Unit Built at Kentucky Truck Plant

**1981/**

**FIRST LINE (IFDHB606@BVA00001) CERTIFICATION LABEL**



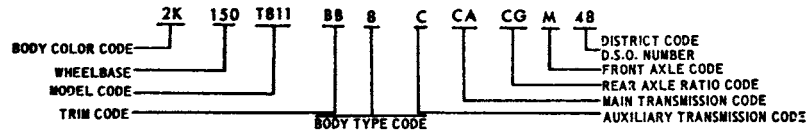
"IFD" --- Manufactured by Ford Motor Co., U.S.A., as an incomplete vehicle  
 "H" --- Hydraulic Brakes, Class G (8501-9000 pounds)  
 "B60" --- B600 Series  
 "6" --- 6 cyl. 318 (5.2 litre) D.S.O. Detroit Diesel Engine  
 "@" --- Check Digit (internal usage)  
 "B" --- Model Year 1981  
 "V" --- Assembly Plant - Kentucky Truck Plant  
 "J00001" --- First Unit Built

CERTIFICATION LABEL – TYPICAL — Cont'd

INCOMPLETE VEHICLE MANUFACTURED BY					P-16186
GVWR: VEHICLE IDENTIFICATION NUMBER T80AVGA5000 (1980) IFDHB606@BVJ00001 (1981)					
EXTERIOR PAINT COLORS 2K					DSO 48
WB 150	TYPE-GVW T811	BODY BBB	TRANS CCA	AXLE CGM	
FOA-18173-AA					

(EXCEPT BRASIL)

SECOND and THIRD LINES (2K 150 T811 BB8 CCA GCM 48) MISCELLANEOUS VEHICLE DATA



- "2K" --- Candyapple Red
- "150" --- 150" Wheelbase
- "T811" --- LT800 Unit with necessary equipment to rate the given G.V.W.  
\* Since 1986, the GVW has been expanded to a three character code.  
The code will be assigned in increments of 100-pounds.
- "BB" --- Blue H.D. vinyl bench seat – Chassis Cab Steel  
(Refer to appropriate Soft Trim Section for complete instructions and Trim Cost Listing).
- "8" --- Conventional Cab
- "C" --- 3 Speed Dana (Spicer) French Label-7231-D P.T.O.  
When applicable the Auxiliary Transmission Code will be shown to the left of the Main Transmission Code.
- "CA" --- 5 Speed Clark -- 280
- "CG" --- Rear Axle Ratio of 4.88 and a capacity of 23M (Eaton No. 23121)
- "M" --- 7M Front Axle with power steering
- "48" --- Detroit District



FORD BRASIL S.A.

AVENIDA HENRY FORD,1787-SAO PAULO-CAPITAL  
C.G.C.33.160.839/0031-61-INDÚSTRIA BRASILEIRA  
INCOMPLETE VEHICLE MANUFACTURED BY  
FORD BRASIL S.A. IN BRAZIL. DATE:

GVWR: LBS. kg  
FAWR: LBS. kg  
RAWR: LBS. kg  
VEHICLE IDENTIFICATION No.

EXTERIOR PAINT COLORS 9E					*
WB 153	TYPE-GVW H60	BODY *	TRANS *	DISTRICT *	

85HB-18173-BA

(BRASIL) ONLY

GVWR: Gross Vehicle Weight Rate 26,500 lbs-12,000 kg  
FAWR: Front Axle Weight Rate 9,000 lbs-4,082 kg  
RAWR: Rear axle weight rate 17,500 lbs-7,900 kg

- "9E" --- Diamond white
- \* --- District Code to follow in subsequent change
- WB --- 153" Wheelbase
- H60 --- CF600 Vehicle model
- \* --- Body Code to follow in subsequent change
- \* --- Trans Code to follow in subsequent change
- \* --- Axle Code to follow in subsequent change

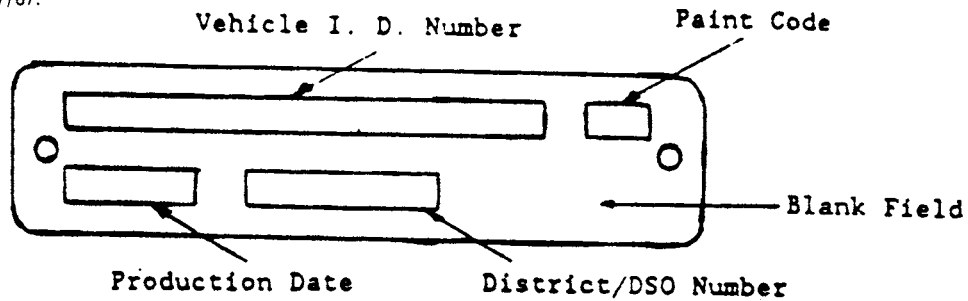
1980/  
TRUCK SERIES 600/900

### Supplemental Data Plate – F, B, C, L, CL Series

A supplemental data plate is being installed on the body B-pillar below the striker pin on F, C, L, and CL models. On F-Cowl and B models the supplemental data plate is being installed on the dash panel above the ashtray

The blank field is being provided for the dealer to stamp the in-service date or any other information desired by the dealer.

The supplemental data plate will be installed on all vehicles from K.T.P. starting on 8/27/87.



**Supplemental Data Plate Format**

### 1988/ CALIBRATION PARTS LIST LABEL

A NEW CALIBRATION LABEL HAS BEEN DESIGNED. THIS LABEL LISTS ONLY THE CALIBRATION NUMBER AND IS LOCATED ON THE DRIVERS DOOR OR DOOR POST. (LOCATION WILL VARY WITH EACH VEHICLE). SEE LABEL EXAMPLE FIGURE 1.



**1980/  
TRUCK SERIES 600/900**

1981/ VEHICLE IDENTIFICATION NUMBER 1FD HB606@BVJ00001

THE FIRST 3 DIGITS OF THE VEHICLE IDENTIFICATION  
NUMBER INDICATE THE WORLD MANUFACTURER IDENTIFIER

**FORD MOTOR COMPANY WORLD MANUFACTURER IDENTIFIER-TRUCKS**

CODE	MANUFACTURER	MAKE	TYPE
<b>CERTIFICATION LABEL - TYPICAL</b>			
1 F M	Ford Motor Company, USA	Ford	MPV
1 F T	Ford Motor Company, USA	Ford	Truck (Complete Vehicle)
1 F D	Ford Motor Company, USA	Ford	Incomplete Vehicle
1 F C	Ford Motor Company, USA	Ford	Truck Stripped Chassis
1 M H	Ford Motor Company, USA	Mercury	Incomplete Vehicle
1 F B	Ford Motor Company, USA	Ford	Bus
2 F M	Ford Motor Company of Canada, Ltd.	Ford	MPV
2 F T	Ford Motor Company of Canada, Ltd.	Ford	Truck (Complete Vehicle)
2 F D	Ford Motor Company of Canada, Ltd.	Ford	Incomplete Vehicle
2 F C	Ford Motor Company of Canada, Ltd.	Ford	Truck Stripped Chassis
2 M H	Ford Motor Company of Canada, Ltd.	Mercury	Incomplete Vehicle
2 F B	Ford Motor Company of Canada, Ltd.	Ford	Bus
J C 2	Toyo Kogyo Company, Ltd., Japan	Ford	Truck (Complete Vehicle) (Imported Courier)
J C 4	Toyo Kogyo Company, Ltd., Japan	Ford	Incomplete Vehicle (Imported Courier)
1 F F	Ford Motor Company, USA	Ford	Motor Vehicle Equipment without Engine/Powertrain (Glider)
2 F F	Ford Motor Company of Canada, Ltd.	Ford	Motor Vehicle Equipment without Engine/Powertrain (Glider)
3 F C	Ford Motor Company S.A. de C.V. (Mexico)	Ford	Truck stripped chassis
9 B F	Ford Motor Company, Brasil	Ford	Truck (incomplete vehicle) HL3 Cargo

1981/ VEHICLE IDENTIFICATION NUMBER 1FD H B606@BVJ00001

THE FOURTH DIGIT OF THE VEHICLE IDENTIFICATION  
NUMBER INDICATES BRAKE SYSTEM AND GVWR CLASS.

**GVWR CLASS FOR TRUCKS, BUSES and INCOMPLETE VEHICLES (EXCEPT BRASIL)**

Hydraulic Brake System and		Air Brake System and	
VIN CODE	GVWR CLASS	VIN CODE	GVWR CLASS
A	Class A—Not greater than 3,000 pounds	T	Class 3—10,001-14,000 pounds
B	Class B—3,001-4,000 pounds		
C	Class C—4,001-5,000 pounds	U	Class 4—14,001-16,000 pounds
D	Class D—5,001-6,000 pounds		
E	Class E—6,001-7,000 pounds	V	Class 5—16,001-19,500 pounds
F	Class F—7,001-8,000 pounds		
G	Class G—8,001-8,500 pounds	W	Class 6—19,501-26,000 pounds
H	Class G—8,501-9,000 pounds		
J	Class H—9,001-10,000 pounds	X	Class 7—26,001-33,000 pounds
K	Class 3—10,001-14,000 pounds		
L	Class 4—14,001-16,000 pounds	Y	Class 8—33,001-55,000 pounds
M	Class 5—16,001-19,500 pounds		
N	Class 6—19,501-26,000 pounds	Z	Class 8—55,001 pounds and over
P	Class 7—26,001-33,000 pounds		
R	Class 8—33,001-55,000 pounds		
S	Class 8—55,001 pounds and over		

**GVWR CLASS FOR TRUCKS and INCOMPLETE VEHICLES (BRASIL)**

Hydraulic Brake System and		Air Brake System and	
VIN CODE	GVWR CLASS	VIN CODE	GVWR CLASS
N	Type AOH 11.4-26,500 pounds	W	Type AIR 11.4-26,500 pounds
P	Type AOH 13.4-29,500 pounds	X	Type AIR 13.4-29,500 pounds

1980/  
TRUCK SERIES 600/900

1981/ VEHICLE IDENTIFICATION NUMBER 1FDHB606@BVJ00001

THE TENTH DIGIT OF THE VEHICLE IDENTIFICATION  
NUMBER INDICATES THE VEHICLE MODEL YEAR.

**VEHICLE MODEL YEAR**

VIN CODE	YEAR	VIN CODE	YEAR	VIN CODE	YEAR	VIN CODE	YEAR
A	1980	J	1988	T	1996	4	2004
B	1981	K	1989	V	1997	5	2005
C	1982	L	1990	W	1998	6	2006
D	1983	M	1991	X	1999	7	2007
E	1984	N	1992	Y	2000	8	2008
F	1985	P	1993	1	2001	9	2009
G	1986	R	1994	2	2002	A	2010
H	1987	S	1995	3	2003	B	2011
						C	2012

**CERTIFICATION LABEL**

1980

SERIES CODES

1981/

VEHICLE IDENTIFICATION NUMBER T80 AVGA5000

THE FIRST 3 DIGITS OF THE VEHICLE NUMBER  
INDICATE THE TRUCK SERIES

VEHICLE IDENTIFICATION NUMBER IFDH B60 6@BVJ00001

THE FIFTH, SIXTH AND SEVENTH DIGITS OF THE VEHICLE  
IDENTIFICATION NUMBER INDICATE THE TRUCK SERIES

THE FOLLOWING CHART LISTS THESE CODES AND THE TRUCK MODEL WHICH THEY REPRESENT.

SERIES CODE	YEAR	DESCRIPTION	G.V.W. RATING	◇ CATALOGED AS	SERIES CODE	YEAR	DESCRIPTION	G.V.W. RATING	◇ CATALOGED AS
-------------	------	-------------	---------------	----------------	-------------	------	-------------	---------------	----------------

**CERTIFICATION LABEL**

- For G.V.W. and related information check Model Code (shown on Certification Label) against Model Codes beginning on Page 27
  - ◇ The designation "gas" or "diesel" will be shown only when necessary to clarify differences in application on similar items for which unique part numbers are required. Δ Domestic Special Order - refer to page 14 for complete explanation.
- For example: unique to gas—LN900 -- gas unique to diesel—LN900 -- diesel, common to gas and diesel—LN900

A90	80		●	D.S.O. Δ	D82	81/83	Low tilt - sleeper	●	C800 -- diesel
	82/		●	LTL900 --	D84	81/	Non sleeper	●	C800 -- diesel
			●	diesel	D86	81/83	Sleeper	●	C800 -- diesel
A92	82/86	Sleeper - single	●	LTL-900 -- diesel	F53	1989	Recreation vehicle (motor home)		F53-stripped chassis
A98	82/86	Sleeper - double	●	LTL900 -- diesel	F59	1989	Commercial vehicle		F59-stripped chassis
B60	80/		●	B600 -- gas	F60	80/	2 wheel drive	●	F600 -- 2/W/D and gas
B70	80/		●	B700 -- gas					
B71	80		●	B700 -- gas	F61	80/	2 wheel drive-Cowl	●	F600 -- 2/W/D and gas
C60	80/86		●	C600 -- gas					
C61	80		●	C600 -- gas	F70	80/		●	F700 -- gas
C70	80/86		●	C700 -- gas	F71	81/		●	F700 -- gas
C72	81/83	Sleeper	●	C700 -- gas	F77	82/	w/4 x 4 option	●	F700 -- gas
C80	80/86	Low tilt	●	C800 -- gas	F79	82		●	F700 -- gas
C82	81/83	Low tilt	●	C800 -- gas	F80	80		●	L800 -- gas
C90	80/81		●	C900 -- gas		83/84		●	L800 -- gas
C91	80		●	C900 -- gas	F81	80		●	L800 -- gas
C92	81	Sleeper	●	C900 -- gas	F82	80/		●	F800 -- gas
D64	81/86		●	C600 -- diesel	F83	81/	Cowl	●	F800 -- gas
D70	80/86	Sleeper	●	C700 -- diesel	F90	80/81		●	L900 -- gas
D72	81/83	Sleeper	●	C700 -- diesel	F91	80		●	L900 -- gas
D74	81/86	Non sleeper	●	C700 -- diesel	G80	83/	Tandem	●	FT800 -- gas
D76	81/83	Sleeper	●	C700 -- diesel	H60	86/	Cargo	●	CF600-diesel
D80	80/		●	C800 -- diesel	H70	86/	Cargo	●	CF700-diesel



# 1980/ TRUCK SERIES 600/900

SERIES CODE	YEAR	DESCRIPTION	G.V.W. RATING	◇ CATALOGED AS	SERIES CODE	YEAR	DESCRIPTION	G.V.W. RATING	◇ CATALOGED AS
-------------	------	-------------	---------------	----------------	-------------	------	-------------	---------------	----------------

CERTIFICATION LABEL -- Cont'd

- For G.V.W. and related information check Model Code (shown on Certification Label) against Model Codes beginning on Page 27
- ◇ The designation "gas" or "diesel" will be shown only when necessary to clarify differences in application on similar items for which unique part numbers are required. Δ Domestic Special Order—refer to page 14 for complete explanation.

For example: unique to gas—LN900 -- gas, unique to diesel—LN900 -- diesel, common to gas and diesel—LN900

H80	81/	Non sleeper Tandem	●	CT800 -- diesel	S80	80/84		●	LNT800 -- gas
H81	87/	Cargo	●	CF800 -- diesel		87/		●	LS800 -- diesel
H82	81/83	Sleeper	●	CT800 -- diesel	S81	80		●	LNT800 -- gas
H84	81/83	Non sleeper	●	CT800 -- diesel	S82	87/		●	LS800 -- diesel
H85	88/	Cargo	●	CFT800	S90	80/81		●	LNT900 -- gas
H86	81/83	Sleeper	●	CT800 -- diesel		87/		●	LS900 -- gas
J64	81/87		●	B600 -- diesel	S91	80		●	LNT900 -- gas
J65	87/	Cowl model	●	B600 -- diesel	S95	88/	Tandem Set back (Aeromax)	●	LA900 -- diesel
J70	80/87	Cab model	●	B700 -- diesel	T64	87		●	F600
J74	81/87		●	B700 -- diesel	T65	87	Cowl model	●	F600
J75	87/	Cowl model	●	B700 -- diesel	T74	87		●	F700
K64	81/	Cab model	●	F600 -- diesel	T75	87	Cowl model	●	F700
K65	81/	Cowl model	●	F600 -- diesel	T77	87		●	F700 -- gas
K70	80/87		●	F700 -- diesel	T80	80/84		●	LT800 -- gas
K71	80/87	Cowl model	●	F700 -- diesel	T81	80		●	LT800 -- gas
K72	83/87	w/4 x 4 option	●	F700 -- diesel	T84	87		●	F800 -- gas
K74	81/	Cab model	●	F700 -- diesel	T85	87	Cowl model	●	F800
K75	81/	Cowl model	●	F700 -- diesel	T90	80/81		●	LT900 -- gas
K77	82/	w/4 x 4 option	●	F700 -- diesel	T90	87		●	FT900 -- diesel
K79	82		●	F700 -- diesel	T91	80		●	LT900 -- gas
K80	80/		●	L800 -- diesel	U80	80/	Tandem	●	LT800 -- diesel
K81	80		●	L800 -- diesel	U81	80		●	LT800 -- diesel
K82	87/		●	L800 -- diesel	U82	87/	Tandem	●	LT800 -- diesel
K84	81/	Cab model	●	F800 -- diesel	U90	80/	Tandem	●	LT900 -- diesel
K85	81/	Cowl model	●	F800 -- diesel	U91	80		●	LT900 -- diesel
K87	82/87		●	F800 -- diesel	V80	80/83		●	LTS800 -- gas
K89	82/87		●	F800 -- diesel	V81	80		●	LTS800 -- gas
K90	80/		●	L900 -- diesel	V90	80/81		●	LTS900 -- gas
L80	80		●	CT800 -- gas		87/		●	LL900 -- diesel
	83/87		●	FT800 -- diesel	V91	80		●	LTS900 -- gas
L84	83/84		●	FT800 -- diesel	V92	80		●	LTS900 -- gas
L90	80		●	CT900 -- gas	W80	80/	Tandem	●	LNT800 -- diesel
	80/	Tandem	●	FT900 -- diesel	W81	80		●	LNT800 -- diesel
L91	80		●	CT900 -- gas	W82	87/	Tandem	●	LNT800 -- diesel
M80	83		●	FT800 -- diesel	W90	80/	Tandem	●	LNT900 -- diesel
M84	83		●	FT800 -- gas	W91	80		●	LNT900 -- diesel
N60	80/85		●	LN600 -- gas	X91	80/	Sleeper	●	CLT900 -- diesel
N61	80		●	LN600 -- gas	X95	80/83	Non sleeper	●	D.S.O. Δ
N62	80		●	LN600 -- gas				●	CLT900 -- diesel
N70	80/85		●	LN700 -- gas	X96	80/	Non sleeper	●	CLT900 -- diesel
N71	80		●	LN700 -- gas	X97	80/83	Sleeper	●	CLT900 -- diesel
N80	80/84		●	LN800 -- gas	X98	80/	Sleeper	●	CLT900 -- diesel
N81	80		●	LN800 -- gas	Y80	80/	Tandem set back	●	LTS800 -- diesel
N90	80/81		●	LN900 -- gas	Y81	80		●	LTS800 -- diesel
N91	80		●	LN900 -- gas	Y82	87/	Tandem set back	●	LTS -- diesel
Q80	80		●	CT800 -- diesel	Y90	80/	Tandem set back	●	LTS900 -- diesel
R64	81/85		●	LN600 -- diesel	Y91	80		●	LTS900 -- diesel
R70	80/86		●	LN700 -- diesel	Y92	80		●	LTS900 -- diesel
R71	80		●	LN700 -- diesel	Y95	88/	Tandem Set back (Aeromax)	●	LTA900 -- diesel
R72	87/		●	LN700 -- diesel	Z91	80/	Sleeper	●	D.S.O. Δ
R74	81/86		●	LN700 -- diesel				●	CL900 -- diesel
R80	80/		●	LN800 -- diesel	Z95	80/83	Non sleeper	●	CL900 -- diesel
R81	80		●	LN800 -- diesel	Z96	80/	Non sleeper	●	CL900 -- diesel
R82	87/		●	LN800 -- diesel	Z97	80/83	Sleeper	●	CL900 -- diesel
R90	80/		●	LN900 -- diesel	Z98	80/	Sleeper	●	CL900 -- diesel

1980/  
TRUCK SERIES 600/900  
CERTIFICATION LABEL

1980

ENGINE CODES

1981/

VEHICLE IDENTIFICATION NUMBER T80AVGA5000

THE FOURTH DIGIT OF THE VEHICLE IDENTIFICATION NUMBER INDICATES BASIC ENGINE IDENTIFICATION

VEHICLE IDENTIFICATION NUMBER IFDHB606@BVJ00001

THE EIGHTH DIGIT OF THE VEHICLE IDENTIFICATION NUMBER INDICATES ENGINE IDENTIFICATION

THE FOLLOWING CHART LISTS THESE CODES AS WELL AS GAS OR DIESEL, NUMBER OF CYLINDERS, CUBIC INCH DISPLACEMENT, TYPE OF CARBURETOR AND WHERE APPLICABLE THE MANUFACTURERS NAME AND MODEL NUMBER. FOR FURTHER ENGINE IDENTIFICATION REFER TO SECTION 60 IN THIS CATALOG.

CODE	YEAR	● G or D	CYL.	C.I.D.	CARB.	TYPE	CODE	YEAR	● G or D	CYL.	C.I.D.	CARB.	TYPE
------	------	----------	------	--------	-------	------	------	------	----------	------	--------	-------	------

CERTIFICATION LABEL — Cont'd

● G-Gas or D-Diesel, Δ Domestic Special Order—refer to page 14 for complete explanation.

@ For additional information refer to the Truck Specification List (T.S.L.)

A	80	G	8	370	2/B	6.1 litre @	U	80/	D	8	636		Caterpillar 3208N or 3208T-10.4 litre @
A	87/	D	6	476		7.8 litre FTO Ford		80/83	D	8	736		Detroit 8V-92TA or 8V-92TTA-12.1 litre @
B	80	G	8	370	2/B	Low compression-export 6.1 litre @	V	84/87	D	8	736		Detroit 8V-92TA or 8V-92TTA-12.1 litre @
C	80	G	8	370	2/B	6.1 litre F600 (only)							
G	1989	G	8	460		7.5 litres-E.F.I.							
H	80/	G	8	370	2/B	6.1 litre @	W	80/	D	6	855		Cummins NTC230, NTC240, NTC250, NTC270, NTC290, NTC300-NTC444-14.0 litre @
	80/	G	8	370	4/B	6.1 litre @							
	80/	G	8	370	2/B	Low compression-6.1 litre @	X	80/	D	6	893		Caterpillar 3406-14.6 litre @
	80	G	8	370	4/B	Low compression-6.1 litre @	Y	80/83	D	6	1150		Cummins KT450, KTA525 or KTA600-18.8 litre @
	80	G	8	370	2/B	LP gas-6.1 litre-ΔD.S.O. @							
	80	G	8	370	4/B	LP gas-6.1 litre-ΔD.S.O. @							
J	80/81	D	6	426		Detroit 671N-7.0 litre @		81	D	6	1150		Cummins KT525-18.8 litre @
	81/86	D	6	426		Detroit 6-71T, 6-71TT or 6V-71N-7.0 litre @	Z	80	G or D	6 or 8	All		All special engines-D.S.O.Δ
K	80/	G	8	429	4/B	7.0 litre @		3	81/83	D	8	903	Cummins VT-903Δ D.S.O. 14.8 litre
	80	G	8	429	4/B	LP gas-7.0 litre-ΔD.S.O. @	6	81	D	6	318		Detroit diesel 6V-53-D.S.O.Δ
L	82	G	8	460		7.5 litre	7	80	G	8	351		Low compression-export-5.8 litre @
	83/	D	6	611		L-10 Cummins-10.0 litre @		81/	G	8	370	2/B	Low compression-export-6.1 litre @
M	80/81	G	8	477	4/B	7.8 litre Super Duty @		84	G	8	370	4/B	Low compression-export-6.1 litre @
M	1989	D	8	445		7.3 litres (Navistar)		85/	G	8	370		LP gas-6.1 litre
N	80/	D	8	501		Detroit DDA 990N-8.2 litre @	8	80	G				Δ D.S.O. @
	80/	D	8	501		Detroit DDA 990T-8.2 litre @		81/	G	8	429	4/B	LP gas-ΔD.S.O.-7.0 litre @
P	80/81	G	8	534	4/B	8.8 litre Super Duty @	9	80	D				DetroitΔD.S.O.
	86/91	D	6	401		6.6 litre turbo-FTO-Ford		80	D				CaterpillarΔD.S.O.
R	80/87	D	6	552		Detroit 6V-92TA or 6V92TTA-9.0 litre @		80	D				CumminsΔD.S.O.
S	81/83	D	8	555		Cummins VT-225 or VT-240-9.1 litre @		80	D				
T	80/85	D	8	568		Detroit 8V-71TA 8V71N or 8V71TTA-9.3 litre @							
	80/81	D	8	568		Detroit 8V-71N-9.3 litre @							
	88/	D	8	638		Caterpillar 3306B 10.5 litre							

1980

ASSEMBLY PLANT CODES

1981/

VEHICLE IDENTIFICATION NUMBER T80A V GA5000

THE FIFTH DIGIT OF THE VEHICLE IDENTIFICATION NUMBER INDICATES THE PLANT AT WHICH THE VEHICLE WAS ASSEMBLED

VEHICLE IDENTIFICATION NUMBER IFDBH606@B V J00001

THE ELEVENTH DIGIT OF THE VEHICLE IDENTIFICATION NUMBER INDICATES THE PLANT AT WHICH THE VEHICLE WAS ASSEMBLED

CODE-V-KENTUCKY TRUCK PLANT  
CODE-J-IMMSA-MONTERREY, MEXICO

CERTIFICATION LABEL  
1980/1981  
NUMERICAL SEQUENCE OF ASSEMBLY

VEHICLE IDENTIFICATION NUMBER T80AV GA5000

VEHICLE IDENTIFICATION NUMBER IFDHB606@BV J00001

A PRODUCTION SERIAL NUMBER SYSTEM IS USED TO IDENTIFY MODEL YEARS.  
THE FOLLOWING CHART LISTS THE SERIAL NUMBER RANGES AND THE MODEL  
YEAR REPRESENTED DEPENDENT ON THE MODELS LISTED.

FROM SERIAL	TO SERIAL		CATALOGED AS
*GA0,001	KA9,999	ALL	1980
*A00,001	C99,999	B-F600	1981
*J00,001	L99,999	ALL OTHERS	1981

\*ALSO REFER TO ASSY. PLANT CODE ABOVE

IMPORTANT

Due to varying production volumes, the exact serial number or date with which a change becomes effective cannot be determined. When selecting part numbers referenced to serial numbers or dates, the catalog specifications should be used as an aid in selecting the proper part number.

COLOR CODES – EXTERIOR PAINT

THE CODE INDICATES THE EXTERIOR PAINT COLOR OF THE VEHICLE.  
REFER TO THE PAINT SECTION FOR A LISTING OF THESE CODES AND THE  
PART NUMBER OF THE REQUIRED PAINT.

GVWR:  
VEHICLE IDENTIFICATION NUMBER T80AVGA

EXTERIOR PAINT COLORS **2K**

WB	TYPE GVW	BODY	TRANS
150	T811	BB8	CCA

CERTIFICATION LABEL SHOWN

WHEELBASE

THE ACTUAL WHEELBASE IN INCHES IS SHOWN ON  
THE CERTIFICATION LABEL.

GVWR:  
VEHICLE IDENTIFICATION NUMBER T80AVGA

EXTERIOR PAINT COLORS **2K**

WB	TYPE GVW	BODY	TRANS
150	T811	BB8	CCA

CERTIFICATION LABEL SHOWN

**1980/  
TRUCK SERIES 600/900**

**CERTIFICATION LABEL**

**MODEL CODES AND  
GROSS VEHICLE WEIGHT**

GVWR:  
VEHICLE IDENTIFICATION NUMBER T80AVGA

THE MODEL CODE INDICATES THE TRUCK SERIES AND THE CORRESPONDING G.V.W. RATING. TRUCKS BUILT IN BRASIL ONLY-USE A 3 DIGIT SERIES CODE, EXC. H60  
THE FOLLOWING CHART LISTS THESE CODES AND THE TRUCK MODEL AND G.V.W. RATING WHICH THEY REPRESENT.

EXTERIOR PAINT: COLORS 2K

WB 150	TYPE GVW T811	BODY BB8	TRANS CCA
-----------	------------------	-------------	--------------

CERTIFICATION LABEL SHOWN

SERIES CODE	YEAR	DESCRIPTION	G.V.W. RATING	◇ CATALOGED AS	SERIES CODE	YEAR	DESCRIPTION	G.V.W. RATING	◇ CATALOGED AS
-------------	------	-------------	---------------	----------------	-------------	------	-------------	---------------	----------------

CERTIFICATION LABEL — Cont'd

◇The designation "gas" or "diesel" will be shown only when necessary to clarify differences in application or similar items for which unique part numbers are required.

For example: unique to gas-LN900 -- gas, unique to diesel-LN900 -- diesel, common to gas and diesel-LN900

A900	80		44800	LT900 -- D.S.O.	B606	80/		22100	B600 -- gas
	82/		44800	LTL900 -- diesel	B607	80/81		23100	B600 -- gas
A901	80		46000	LT900 -- D.S.O.	B608	80/81		24500	B600 -- gas
	82/		46000	LTL900 -- diesel	B609	82/		22200	B600 -- gas
A902	80		48000	LT900 -- D.S.O.	B60A	82/		23000	B600 -- gas
	82/		48000	LTL900 -- diesel	B60B	82/		24100	B600 -- gas
A903	80		50000	LT900 -- D.S.O.	B60C	82/		25500	B600 -- gas
	82/		50000	LTL900 -- diesel	B700	81		23100	B700 -- gas
A904	80		50000	LT900 -- D.S.O.	B701	81		23600	B700 -- gas
	82/		50000	LTL900 -- diesel	B702	80		23160	B700 -- gas
A905	80		52000	LT900 -- D.S.O.		81		24500	B700 -- gas
	82/		52000	LTL900 -- diesel	B703	81		25000	B700 -- gas
A906	80		54000	LT900 D.S.O.	B704	81		25000	B700 -- gas
	82/		54000	LTL900 -- diesel	B705	80		25080	B700 -- gas
A907	80		58000	LT900 -- D.S.O.		81/		25100	B700 -- gas
	82/		58000	LTL900 -- diesel	B706	80		24500	B700 -- gas
A908	80		60000	LT900 -- D.S.O.		81		25200	B700 -- gas
	82/		60000	LTL900 -- diesel	B707	80		25250	B700 -- gas
A920	82/86		44800	LTL900 -- diesel		81		25500	B700 -- gas
A921	82/86		46000	LTL900 -- diesel	B708	80		27080	B700 -- gas
A922	82/86		48000	LTL900 -- diesel		81		25700	B700 -- gas
A923	82/86		50000	LTL900 -- diesel	B709	80/		26500	B700 -- gas
A924	82/86		50000	LTL900 -- diesel	B70A	81/		27000	B700 -- gas
A925	82/86		52000	LTL900 -- diesel	B70B	81/		27200	B700 -- gas
A926	82/86		54000	LTL900 -- diesel	B70C	81/		27500	B700 -- gas
A927	82/86		58000	LTL900 -- diesel	B70D	82/		24100	B700 -- gas
A928	82/86		60000	LTL900 -- diesel	B70E	82/		25500	B700 -- gas
A980	82/86		44800	LTL900 -- diesel	B70F	82/		26000	B700 -- gas
A981	82/86		46000	LTL900 -- diesel	B70G	82/		26200	B700 -- gas
A982	82/86		48000	LTL900 -- diesel	B710	80		27250	B700 -- gas
A983	82/86		50000	LTL900 -- diesel	C602	80/86		17000	C600 -- gas
A984	82/86		50000	LTL900 -- diesel	C603	81/86		21200	C600 -- gas
A985	82/86		52000	LTL900 -- diesel	C604	81/86		23000	C600 -- gas
A986	82/86		54000	LTL900 -- diesel	C605	81/86		24000	C600 -- gas
A987	82/86		58000	LTL900 -- diesel	C612	80		23000	C600 -- gas
A988	82/86		60000	LTL900 -- diesel	C613	80		24000	C600 -- gas
B600	80/		18400	B600 -- gas	C617	80		21200	C600 -- gas
B601	80/		19000	B600 -- gas	C700	80		24000	C700 -- gas
B602	80/		20200	B600 -- gas		81/86		21000	C700 -- gas
B603	80/		21000	B600 -- gas	C701	80		25000	C700 -- gas
B604	80/81		21200	B600 -- gas		81/86		23000	C700 -- gas
B605	80/81		22000	B600 -- gas	C702	80		25500	C700 -- gas
						81/86		24000	C700 -- gas

1980/  
TRUCK SERIES 600/900

SERIES CODE	YEAR	DESCRIPTION	G.V.W. RATING	◇ CATALOGED AS	SERIES CODE	YEAR	DESCRIPTION	G.V.W. RATING	◇ CATALOGED AS
CERTIFICATION LABEL — Cont'd									
◇The designation "gas" or "diesel" will be shown only when necessary to clarify differences in application on similar items for which unique part numbers are required.									
For example: unique to gas-LN900 -- gas, unique to diesel-LN900 -- diesel, common to gas and diesel-LN900									
C703	80		27000	C700 -- gas	D706	80		27000	C700 -- diesel
	81/86		25000	C700 -- gas		81/86		27500	C700 -- diesel
C704	80		27500	C700 -- gas	D708	80		23000	C700 -- diesel
	81/86		25500	C700 -- gas	D720	82/83		21000	C700 -- diesel
C705	80		21000	C700 -- gas	D721	82/83		23000	C700 -- diesel
	81/86		27000	C700 -- gas	D722	82/83		24000	C700 -- diesel
C706	81/86		27500	C700 -- gas	D723	82/83		25000	C700 -- diesel
C707	80		23000	C700 -- gas	D724	82/83		25500	C700 -- diesel
C720	82/83		21000	C700 -- diesel	D725	82/83		27000	C700 -- diesel
C721	82/83		23000	C700 -- diesel	D726	82/83		27500	C700 -- diesel
C722	82/83		24000	C700 -- diesel	D740	81/86		21000	C700 -- diesel
C723	82/83		25000	C700 -- diesel	D741	81/86		23000	C700 -- diesel
C724	82/83		25500	C700 -- diesel	D742	81/86		24000	C700 -- diesel
C725	82/83		27000	C700 -- diesel	D743	81/86		25000	C700 -- diesel
C726	82/83		27500	C700 -- diesel	D744	81/86		25500	C700 -- diesel
C802	80/86		27500	C800 -- gas	D745	81/86		27000	C700 -- diesel
C803	80/86		31000	C800 -- gas	D746	81/86		27500	C700 -- diesel
C804	80/86		34000	C800 -- gas	D760	82/83		21000	C700 -- diesel
C807	80/86		25100	C800 -- gas	D761	82/83		23000	C700 -- diesel
C822	82/83		27500	C800 -- diesel	D762	82/83		24000	C700 -- diesel
C823	82/83		31000	C800 -- diesel	D763	82/83		25000	C700 -- diesel
C824	82/83		34000	C800 -- diesel	D764	82/83		25500	C700 -- diesel
C827	82		27500	C800 -- diesel	D765	82/83		27000	C700 -- diesel
	83		25100	C800 -- diesel	D766	82/83		27500	C700 -- diesel
C900	81		25100	C900 -- gas	D800	81/		25100	C800 -- diesel
C901	81		27500	C900 -- gas	D801	81/		27500	C800 -- diesel
C902	81		31000	C900 -- gas	D802	80		27500	C800 -- diesel
C903	81		32000	C900 -- gas		81/		32000	C800 -- diesel
C904	80		27500	C900 -- gas	D803	81/		35000	C800 -- diesel
	81		34000	C900 -- gas	D804	80/		37000	C800 -- diesel
C905	81		37000	C900 -- gas	D805	80/		39000	C800 -- diesel
C906	80		31000	C900 -- gas	D806	80		25100	C800 -- diesel
	81		39000	C900 -- gas	D807	80		32000	C800 -- diesel
C907	80		32000	C900 -- gas	D808	80		35000	C800 -- diesel
C910	80		34000	C900 -- gas	D820	82/83		25100	C800 -- diesel
C912	80		37000	C900 -- gas	D821	82/83		27500	C800 -- diesel
C914	80		25100	C900 -- gas	D822	82/83		32000	C800 -- diesel
C915	80		39000	C900 -- gas	D823	82/83		35000	C800 -- diesel
D642	81/86		17000	C600 -- diesel	D824	82/83		37000	C800 -- diesel
D643	81/86		21200	C600 -- diesel	D825	82/83		39000	C800 -- diesel
D644	81/86		23000	C600 -- diesel	D842	81/		27500	C800 -- diesel
D645	81/86		24000	C600 -- diesel	D843	81/		31000	C800 -- diesel
D700	81/86		21000	C700 -- diesel	D844	81/		34000	C800 -- diesel
D701	80		21000	C700 -- diesel	D847	81/		25100	C800 -- diesel
	81/86		23000	C700 -- diesel	D862	82/83		27500	C800 -- diesel
D702	80		25500	C700 -- diesel	D863	82/83		31000	C800 -- diesel
	81/86		24000	C700 -- diesel	D864	82/83		34000	C800 -- diesel
D703	80		24000	C700 -- diesel	D867	82/83		25100	C800 -- diesel
	81/86		25000	C700 -- diesel	F600	81/		16500	F600 -- gas
D704	80		25000	C700 -- diesel	F601	80		16500	F600 -- gas
	81/86		25500	C700 -- diesel		81		17900	F600 -- gas
D705	80		27500	C700 -- diesel	F602	80		17900	F600 -- gas
	81/86		27000	C700 -- diesel		81/		18500	F600 -- gas

1980/  
TRUCK SERIES 600/900

SERIES CODE	YEAR	DESCRIPTION	G.V.W. RATING	◇ CATALOGED AS	SERIES CODE	YEAR	DESCRIPTION	G.V.W. RATING	◇ CATALOGED AS
CERTIFICATION LABEL — Cont'd									
◇The designation "gas" or "diesel" will be shown only when necessary to clarify differences in application on similar.									
Items for which unique part numbers are required.									
For example: unique to gas-LN900 -- gas, unique to diesel-LN900 -- diesel, common to gas and diesel-LN900.									
F603	80		18500	F600 -- gas	F716	82/		26500	F700 -- gas
	81/		19700	F600 -- gas	F717	82/		27000	F700 -- gas
F604	80		19700	F600 -- gas	F718	82/		27500	F700 -- gas
	81/		20400	F600 -- gas	F770	83/	4 x 4	21200	F700 -- gas
F605	80		20400	F600 -- gas	F771	83/	4 x 4	23100	F700 -- gas
	81/		20500	F600 -- gas	F800	80/84		23000	L800 -- gas
F606	80		20500	F600 -- gas	F801	80/84		25000	L800 -- gas
	81/		21200	F600 -- gas	F803	80/84		25500	L800 -- gas
F607	80/		21200	F600 -- gas	F804	80/81		27500	L800 -- gas
F608	80		21200	F600 -- gas		82/84		27000	L800 -- gas
	81/		21600	F600 -- gas	F805	80		29000	L800 -- gas
F609	80		21600	F600 -- gas		81/84		27500	L800 -- gas
	81/		22000	F600 -- gas	F806	80		31000	L800 -- gas
F60A	81/		22400	F600 -- gas		81/84		29000	L800 -- gas
F60B	81/		23100	F600 -- gas	F807	80		32000	L800 -- gas
F60C	81/		24500	F600 -- gas		81/84		31000	L800 -- gas
F610	80		22000	F600 -- gas	F808	80		34000	L800 -- gas
	82/		16500	F600 -- gas		81/84		31800	L800 -- gas
F611	80		22400	F600 -- gas	F809	80		35000	L800 -- gas
	82/		17900	F600 -- gas		81/84		32000	L800 -- gas
F612	80		23100	F600 -- gas	F80A	81/84		34000	L800 -- gas
	82/		18500	F600 -- gas	F80B	81/84		35000	L800 -- gas
F613	80		24500	F600 -- gas	F811	80		31800	L800 -- gas
	82/		19700	F600 -- gas	F812	80		27000	L800 -- gas
F614	82/		20400	F600 -- gas	F820	80		23000	F800 -- gas
F615	82/		20500	F600 -- gas		81/		23100	F800 -- gas
F616	82/		21200	F600 -- gas	F821	80/		25000	F800 -- gas
F617	82/		21200	F600 -- gas	F822	80		25500	F800 -- gas
F618	82/		21600	F600 -- gas		81/		25100	F800 -- gas
F619	82/		22000	F600 -- gas	F823	80		27000	F800 -- gas
F61A	82/		22400	F600 -- gas		81/		25500	F800 -- gas
F61B	82/		23100	F600 -- gas	F824	80		27500	F800 -- gas
F61C	82/		24500	F600 -- gas		81/82		26000	F800 -- gas
F700	81/		21200	F700 -- gas	F825	80		29000	F800 -- gas
F701	80		21000	F700 -- gas		81/		27000	F800 -- gas
	81/		23100	F700 -- gas	F826	80		31000	F800 -- gas
F702	81/		24500	F700 -- gas		81/		27500	F800 -- gas
F703	80		23000	F700 -- gas	F827	80		32000	F800 -- gas
	81/		25000	F700 -- gas		81/82		27700	F800 -- gas
F704	80		24000	F700 -- gas	F828	81/83		28000	F800 -- gas
	81/		25100	F700 -- gas	F829	81/82		28100	F800 -- gas
F705	81/		25500	F700 -- gas	F82A	81/83		29000	F800 -- gas
F706	80		25500	F700 -- gas	F82B	81/83		29700	F800 -- gas
	81/		26500	F700 -- gas	F82C	81/83		30100	F800 -- gas
F707	80		25000	F700 -- gas	F82D	81/		31000	F800 -- gas
	81/		27000	F700 -- gas	F82E	84		28200	F800 -- gas
F708	80		27000	F700 -- gas	F82F	84		28500	F800 -- gas
	81/		27500	F700 -- gas	F82G	84		29900	F800 -- gas
F709	80		27500	F700 -- gas	F82H	84		30700	F800 -- gas
F710	82/		21200	F700 -- gas	F82J	84		31500	F800 -- gas
F711	82/		23100	F700 -- gas	F82K	84		32500	F800 -- gas
F712	82/		24500	F700 -- gas	F82L	84		32800	F800 -- gas
F713	82/		25000	F700 -- gas	F82M	84		33200	F800 -- gas
F714	82/		25100	F700 -- gas	F82N	84		33800	F800 -- gas
F715	82/		25500	F700 -- gas					

1980/  
TRUCK SERIES 600/900

SERIES CODE	YEAR	DESCRIPTION	G.V.W. RATING	◇ CATALOGED AS	SERIES CODE	YEAR	DESCRIPTION	G.V.W. RATING	◇ CATALOGED AS
CERTIFICATION LABEL — Cont'd									
◇The designation "gas" or "diesel" will be shown only when necessary to clarify differences in application on similar items for which unique part numbers are required.									
For example: unique to gas-LN900 -- gas, unique to diesel-LN900 -- diesel, common to gas and diesel-LN900									
F82P	84		34000	F800 -- gas	H60	86/	Cargo	26500	CF600 -- diesel
F82Q	84		35000	F800 -- gas	H70	86/	Cargo	29500	CF700 -- diesel
F830	82/		23100	F800 -- gas	H81	87/	Cargo		CF800 -- diesel
F831	82/		25000	F800 -- gas	H85	88/	Cargo		CF800 -- diesel
F832	82/		25100	F800 -- gas	H801	81/		42860	CT800 -- diesel
F833	82/		25500	F800 -- gas	H802	81/		44000	CT800 -- diesel
F834	82		26000	F800 -- gas	H803	81/		45000	CT800 -- diesel
F835	82/		27000	F800 -- gas	H804	81/		46000	CT800 -- diesel
F836	82/		27500	F800 -- gas	H805	81/		48000	CT800 -- diesel
F837	82		27700	F800 -- gas	H806	81/		50000	CT800 -- diesel
F838	82/83		28000	F800 -- gas	H807	81/		50000	CT800 -- diesel
F839	82		28100	F800 -- gas	H808	81/		51000	CT800 -- diesel
F83A	82/83		29000	F800 -- gas	H809	81/		52000	CT800 -- diesel
F83B	82/83		29700	F800 -- gas	H80A	81/		52000	CT800 -- diesel
F83C	82/83		30100	F800 -- gas	H80B	81/		54000	CT800 -- diesel
F83D	82/		31000	F800 -- gas	H80C	81/		55000	CT800 -- diesel
F83E	84		28200	F800 -- gas	H80D	81/		56000	CT800 -- diesel
F83F	84		28500	F800 -- gas	H821	82/83		42860	CT800 -- diesel
F83G	84		29900	F800 -- gas	H822	82/83		44000	CT800 -- diesel
F83H	84		30700	F800 -- gas	H823	82/83		45000	CT800 -- diesel
F83J	84		31500	F800 -- gas	H824	82/83		46000	CT800 -- diesel
F83K	84		32500	F800 -- gas	H825	82/83		48000	CT800 -- diesel
F83L	84		32800	F800 -- gas	H826	82/83		50000	CT800 -- diesel
F83M	84		33200	F800 -- gas	H827	82/83		50000	CT800 -- diesel
F83N	84		33800	F800 -- gas	H828	82/83		51000	CT800 -- diesel
F83P	84		34000	F800 -- gas	H829	82/83		52000	CT800 -- diesel
F83Q	84		35000	F800 -- gas	H82A	82/83		52000	CT800 -- diesel
F900	80		25500	L900 -- gas	H82B	82/83		54000	CT800 -- diesel
	81		23100	L900 -- gas	H82C	82/83		55000	CT800 -- diesel
F901	81		25500	L900 -- gas	H82D	82/83		56000	CT800 -- diesel
F902	80/81		27500	L900 -- gas	H840	81/83		42860	CT800 -- diesel
F903	81		31000	L900 -- gas	H841	81/83		44000	CT800 -- diesel
F904	81		31800	L900 -- gas	H842	81/83		45000	CT800 -- diesel
F905	80		31000	L900 -- gas	H843	81/83		46000	CT800 -- diesel
	81		32000	L900 -- gas	H844	81/83		48000	CT800 -- diesel
F906	80		32000	L900 -- gas	H845	81/83		50000	CT800 -- diesel
	81		34000	L900 -- gas	H846	81		51000	CT800 -- diesel
F907	81		35000	L900 -- gas	H847	81		52000	CT800 -- diesel
F908	80		34000	L900 -- gas	H860	82/83		42860	CT800 -- diesel
F909	80		35000	L900 -- gas	H861	82/83		44000	CT800 -- diesel
F912	80		23100	L900 -- gas	H862	82/83		45000	CT800 -- diesel
F913	80		31800	L900 -- gas	H863	82/83		46000	CT800 -- diesel
G800	83		39000	FT800 -- gas	H864	82/83		48000	CT800 -- diesel
	84		41200	FT800 -- gas	H865	82/83		50000	CT800 -- diesel
G801	83		41000	FT800 -- gas	J640	81/87		18400	B600 -- diesel
	84		43500	FT800 -- gas	J641	81/87		19000	B600 -- diesel
G802	83/		44800	FT800 -- gas	J642	81/87		20200	B600 -- diesel
G803	83/		46000	FT800 -- gas	J643	81/87		21000	B600 -- diesel
G804	83/		50000	FT800 -- gas	J644	81		21200	B600 -- diesel
G840	83		39000	FT800 -- gas	J645	81		22000	B600 -- diesel
G841	83		41000	FT800 -- gas	J646	81/87		22100	B600 -- diesel
G842	83		44800	FT800 -- gas	J647	81		23100	B600 -- diesel
G843	83		46000	FT800 -- gas	J648	81		24500	B600 -- diesel
G844	83		50000	FT800 -- gas	J649	82/87		22200	B600 -- diesel

**1980/  
TRUCK SERIES 600/900**

SERIES CODE	YEAR	DESCRIPTION	G.V.W. RATING	◇ CATALOGED AS-	SERIES CODE	YEAR	DESCRIPTION	G.V.W. RATING	◇ CATALOGED AS
<b>CERTIFICATION LABEL — Cont'd</b>									
◇ The designation "gas" or "diesel" will be shown only when necessary to clarify differences in application on similar items for which unique part numbers are required.									
For example: unique to gas—LN900 -- gas, unique to diesel—LN900 -- diesel, common to gas and diesel—LN900									
J64A	82/87		23000	B600 -- diesel	K650	82/		16500	F600 -- gas
J64B	82/87		24100	B600 -- diesel	K651	82/		17900	F600 -- gas
J64C	82/87		25500	B600 -- diesel	K652	82/		18500	F600 -- gas
J700	83/87		24100	B700 -- diesel	K653	82/		19700	F600 -- gas
J701	83/87		25100	B700 -- diesel	K654	82/		20400	F600 -- gas
J702	83		26000	B700 -- diesel	K655	82/		20500	F600 -- gas
	84		25500	B700 -- diesel	K656	82/		21200	F600 -- gas
J703	83		26200	B700 -- diesel	K657	82/		21200	F600 -- gas
	84		26000	B700 -- diesel	K658	82/		21600	F600 -- gas
J704	83		26500	B700 -- diesel	K659	82/		22000	F600 -- gas
	84		26200	B700 -- diesel	K65A	82/		22400	F600 -- gas
J705	83		27000	B700 -- diesel	K65B	82/		23100	F600 -- gas
	84		26500	B700 -- diesel	K65C	82/		24500	F600 -- gas
J706	83		27200	B700 -- diesel	K700	83/87		21200	F700 -- diesel
	84		27000	B700 -- diesel	K701	83/87		23100	F700 -- diesel
J707	80		26500	B700 -- diesel	K702	83/87		24500	F700 -- diesel
	83		29700	B700 -- diesel	K703	80		23000	F700 -- diesel
	84		27200	B700 -- diesel		83/87		25000	F700 -- diesel
J708	80		27250	B700 -- diesel	K704	83/87		25100	F700 -- diesel
	83/87		27500	B700 -- diesel	K705	80		24000	F700 -- diesel
J709	80		27080	B700 -- diesel		83/87		25500	F700 -- diesel
J740	81		23100	B700 -- diesel	K706	80		25500	F700 -- diesel
J741	81		23600	B700 -- diesel		83		26500	F700 -- diesel
J742	81		24500	B700 -- diesel	K707	80		27500	F700 -- diesel
J743	81		25000	B700 -- diesel		83/87		27000	F700 -- diesel
J744	81		25000	B700 -- diesel	K708	80		25000	F700 -- diesel
J745	81/87		25100	B700 -- diesel		83		27000	F700 -- diesel
J746	81		25200	B700 -- diesel		84		27500	F700 -- diesel
J747	81		25500	B700 -- diesel	K709	80		27000	F700 -- diesel
J748	81		25700	B700 -- diesel	K710	80		21000	F700 -- diesel
J749	81/87		26500	B700 -- diesel		83/87		21200	F700 -- diesel
J74A	81/87		27000	B700 -- diesel	K711	83/87		23100	F700 -- diesel
J74B	81/87		27200	B700 -- diesel	K712	83/87		24500	F700 -- diesel
J74C	81/87		27500	B700 -- diesel	K713	83/87		25000	F700 -- diesel
J74D	82/87		24100	B700 -- diesel	K714	83/87		25100	F700 -- diesel
J74E	82/87		25500	B700 -- diesel	K715	83/87		25500	F700 -- diesel
J74F	82/87		26000	B700 -- diesel	K716	83/87		26500	F700 -- diesel
J74G	82/87		26200	B700 -- diesel	K717	83/87		27000	F700 -- diesel
K640	81/		16500	F600 -- diesel	K718	83		27000	F700 -- diesel
K641	81/		17900	F600 -- diesel		84		27500	F700 -- diesel
K642	81/		18500	F600 -- diesel	K720	83/87		21200	F700 -- diesel
K643	81/		19700	F600 -- diesel	K721	83/87	4 x 4	23100	F700 -- diesel
K644	81/		20400	F600 -- diesel	K740	81/		21200	F700 -- diesel
K645	81/		20500	F600 -- diesel	K741	81/		23100	F700 -- diesel
K646	81/		21200	F600 -- diesel	K742	81/		24500	F700 -- diesel
K647	81/		21200	F600 -- diesel	K743	81/		25000	F700 -- diesel
K648	81/		21600	F600 -- diesel	K744	81/		25100	F700 -- diesel
K649	81/		22000	F600 -- diesel	K745	81/		25500	F700 -- diesel
K64A	81/		22400	F600 -- diesel	K746	81/		26500	F700 -- diesel
K64B	81/		23100	F600 -- diesel	K747	81/		27000	F700 -- diesel
K64C	81/		24500	F600 -- diesel	K748	81/		27500	F700 -- diesel



# 1980/ TRUCK SERIES 600/900

SERIES CODE	YEAR	DESCRIPTION	G.V.W. RATING	◇ CATALOGED AS	SERIES CODE	YEAR	DESCRIPTION	G.V.W. RATING	◇ CATALOGED AS
<b>CERTIFICATION LABEL — Cont'd</b>									
◇The designation "gas" or "diesel" will be shown only when necessary to clarify differences in application on similar items for which unique part numbers are required.									
For example: unique to gas-LN900 -- gas, unique to diesel-LN900 -- diesel, common to gas and diesel-LN900									
K750	82/		21200	F700 -- diesel	K84Q	84		35000	F800 -- gas
K751	82/		23100	F700 -- diesel	K850	82/		23100	F800 -- diesel
K752	82/		24500	F700 -- diesel	K851	82/		25000	F800 -- diesel
K753	82/		25000	F700 -- diesel	K852	82/		25100	F800 -- diesel
K754	82/		25100	F700 -- diesel	K853	82/		25500	F800 -- diesel
K755	82/		25500	F700 -- diesel	K854	82		26000	F800 -- diesel
K756	82/		26500	F700 -- diesel	K855	82/		27000	F800 -- diesel
K757	82/		27000	F700 -- diesel	K856	82/		27500	F800 -- diesel
K758	82/		27500	F700 -- diesel	K857	82		27700	F800 -- diesel
K770	83/	4 x 4	21200	F700 -- gas	K858	82/		28000	F800 -- diesel
K771	83/	4 x 4	23100	F700 -- gas	K859	82		28100	F800 -- diesel
K800	81/		23100	L800 -- diesel	K85A	82/83		29000	F800 -- diesel
K801	81/		25500	L800 -- diesel	K85B	82/83		29700	F800 -- diesel
K802	80		25500	L800 -- diesel	K85C	82/83		30100	F800 -- diesel
	81/		27500	L800 -- diesel	K85D	82/		31000	F800 -- diesel
K803	80		27500	L800 -- diesel	K85E	84		28200	F800 -- gas
	81/		31000	L800 -- diesel	K85F	84		28500	F800 -- gas
K804	81/		31800	L800 -- diesel	K85G	84		29900	F800 -- gas
K805	80		31000	L800 -- diesel	K85H	84		30700	F800 -- gas
	81/		32000	L800 -- diesel	K85J	84		31500	F800 -- gas
K806	80		32000	L800 -- diesel	K85K	84		32500	F800 -- gas
	81/		34000	L800 -- diesel	K85L	84		32800	F800 -- gas
K807	80		34000	L800 -- diesel	K85M	84		33200	F800 -- gas
	81/		35000	L800 -- diesel	K85N	84		33800	F800 -- gas
K808	80		35000	L800 -- diesel	K85P	84		34000	F800 -- gas
K812	80		23100	L800 -- diesel	K85Q	84		35000	F800 -- gas
K813	80		31800	L800 -- diesel	K870	83/87		23100	F800 -- diesel
K840	81/		23100	F800 -- diesel	K871	83/87		25000	F800 -- diesel
K841	81/		25000	F800 -- diesel	K872	83/87		25100	F800 -- diesel
K842	81/		25100	F800 -- diesel	K873	83/87		25500	F800 -- diesel
K843	81/		25500	F800 -- diesel	K874	83		28000	F800 -- diesel
K844	81/83		26000	F800 -- diesel	K875	83		30100	F800 -- diesel
K845	81/		27000	F800 -- diesel		84		27000	F800 -- diesel
K846	81/		27500	F800 -- diesel	K876	83		31000	F800 -- diesel
K847	81/83		27700	F800 -- diesel		84		27500	F800 -- diesel
K848	81/83		28000	F800 -- diesel	K877	83		31800	F800 -- diesel
K849	81/83		28100	F800 -- diesel	K878	83		32000	F800 -- diesel
K84A	81/83		29000	F800 -- diesel	K879	83		34000	F800 -- diesel
K84B	81/83		29700	F800 -- diesel	K87A	83		35000	F800 -- diesel
K84C	81/83		30100	F800 -- diesel	K87B	83		-	F800 -- diesel
K84D	81/		31000	F800 -- diesel	K87C	83		-	F800 -- diesel
K84E	84		28200	F800 -- gas	K87D	83/87		31000	F800 -- diesel
K84F	84		28500	F800 -- gas	K87E	84		28200	F800 -- diesel
K84G	84		29900	F800 -- gas	K87F	84		28500	F800 -- diesel
K84H	84		30700	F800 -- gas	K87G	84		29900	F800 -- diesel
K84J	84		31500	F800 -- gas	K87H	84		30700	F800 -- diesel
K84K	84		32500	F800 -- gas	K87J	84		31500	F800 -- diesel
K84L	84		32800	F800 -- gas	K87K	84		32500	F800 -- diesel
K84M	84		33200	F800 -- gas	K87L	84		32800	F800 -- diesel
K84N	84		33800	F800 -- gas	K87M	84		33200	F800 -- diesel
K84P	84		34000	F800 -- gas	K87N	84		33800	F800 -- diesel

1980/  
TRUCK SERIES 600/900

SERIES CODE	YEAR	DESCRIPTION	G.V.W. RATING	◇ CATALOGED AS	SERIES CODE	YEAR	DESCRIPTION	G.V.W. RATING	◇ CATALOGED AS
<b>CERTIFICATION LABEL — Cont'd</b>									
◇The designation "gas" or "diesel" will be shown only when necessary to clarify differences in application on similar items for which unique part numbers are required.									
For example: unique to gas-LN900 -- gas, unique to diesel-LN900 -- diesel, common to gas and diesel-LN900									
K87P	84		34000	F800 -- diesel	L809	80		50000	CT800 -- gas
K87Q	84		35000	F800 -- diesel	L840	84		41200	FT800 -- diesel
K890	83/87		23100	F800 -- diesel	L841	84		43500	FT800 -- diesel
K891	83/87		25000	F800 -- diesel	L842	84		44800	FT800 -- diesel
K892	83/87		25100	F800 -- diesel	L843	84		46000	FT800 -- diesel
K893	83/87		25500	F800 -- diesel	L844	84		50000	FT800 -- diesel
K894	83		28000	F800 -- diesel	L901	80		42860	CT900 -- gas
K895	83		30100	F800 -- diesel	L902	80		44000	CT900 -- gas
	84		27000	F800 -- diesel	L903	80		45000	CT900 -- gas
K896	83		31000	F800 -- diesel	L904	80		51000	CT900 -- gas
	84		27500	F800 -- diesel	L905	80		52000	CT900 -- gas
K897	83		31800	F800 -- diesel	L906	80		55000	CT900 -- gas
K898	83		32000	F800 -- diesel	L907	80		56000	CT900 -- gas
K899	83		34000	F800 -- diesel	L914	80		46000	CT900 -- gas
K89A	83		35000	F800 -- diesel	L915	80		48000	CT900 -- gas
K89B	83		-	F800 -- diesel	L916	80		50000	CT900 -- gas
K89C	83		-	F800 -- diesel	L917	80		52000	CT900 -- gas
K89D	83/87		31000	F800 -- diesel	L918	80		54000	CT900 -- gas
K89E	84		28200	F800 -- diesel	L919	80		50000	CT900 -- gas
K89F	84		28500	F800 -- diesel	M800	83		31800	FT800 -- diesel
K89G	84		29900	F800 -- diesel	M801	83		39000	FT800 -- diesel
K89H	84		30700	F800 -- diesel	M802	83		41000	FT800 -- diesel
K89J	84		31500	F800 -- diesel	M803	83		46000	FT800 -- diesel
K89K	84		32500	F800 -- diesel	M804	83		48000	FT800 -- diesel
K89L	84		32800	F800 -- diesel	M805	83		50000	FT800 -- diesel
K89M	84		33200	F800 -- diesel	M806	83		-	FT800 -- diesel
K89N	84		33800	F800 -- diesel	M807	83		-	FT800 -- diesel
K89P	84		34000	F800 -- diesel	M808	83		-	FT800 -- diesel
K89Q	84		35000	F800 -- diesel	M809	83		-	FT800 -- diesel
K900	81/		28000	L900 -- diesel	M80A	83		-	FT800 -- diesel
K901	81/		31800	L900 -- diesel	M80B	83		-	FT800 -- diesel
K902	80/		32000	L900 -- diesel	N600	81/85		16500	LN600 -- gas
K903	81/		35000	L900 -- diesel	N601	81		16500	N600 -- gas
K904	80		35000	L900 -- diesel		81/85		19500	LN600 -- gas
K907	80		28000	L900 -- diesel	N602	80		19500	N600 -- gas
K908	80		31800	L900 -- diesel		81/85		20500	LN600 -- gas
L800	84		41200	FT800 -- gas	N603	80/85		21500	N600 -- gas
L801	80		42860	CT800 -- gas	N604	80		20500	N600 -- gas
	84		43500	FT800 -- gas		81/85		22000	LN600 -- gas
L802	80		51000	CT800 -- gas	N605	81/85		23000	LN600 -- gas
	84		44800	FT800 -- gas	N606	81/85		24000	LN600 -- gas
L803	80		44000	CT800 -- gas	N612	80		23000	LN600 -- gas
	84		46000	FT800 -- gas	N615	80		24000	LN600 -- gas
L804	80		52000	CT800 -- gas	N620	80		22000	LN600 -- gas
	84		50000	FT800 -- gas	N700	81/85		21000	LN700 -- gas
L805	80		45000	CT800 -- gas	N701	81/85		23000	LN700 -- gas
L807	80		46000	CT800 -- gas	N702	80		23000	LN700 -- gas
L808	80		48000	CT800 -- gas		81/85		24000	LN700 -- gas

# 1980/ TRUCK SERIES 600/900

SERIES CODE	YEAR	DESCRIPTION	G.V.W. RATING	◇ CATALOGED AS	SERIES CODE	YEAR	DESCRIPTION	G.V.W. RATING	◇ CATALOGED AS
-------------	------	-------------	---------------	----------------	-------------	------	-------------	---------------	----------------

CERTIFICATION LABEL — Cont'd

◇The designation "gas" or "diesel" will be shown only when necessary to clarify differences in application on similar items for which unique part numbers are required.

For example: unique to gas-LN900 -- gas, unique to diesel-LN900 -- diesel, common to gas and diesel-LN900

N703	81/85		25000	LN700 -- gas	R640	81/85		16500	LN600 -- diesel
N704	80/85		25500	N700 -- gas	R641	81/85		19500	LN600 -- diesel
N705	80/85		27000	N700 -- gas	R642	81/85		20500	LN600 -- diesel
N706	80/85		27500	N700 -- gas	R643	81/85		21500	LN600 -- diesel
N707	80		25000	N700 -- gas	R644	81/85		22000	LN600 -- diesel
N710	80		21000	LN700 -- gas	R645	81/85		23000	LN600 -- diesel
N712	80		24000	LN700 -- gas	R646	81/85		24000	LN600 -- diesel
N800	80/84		23000	N800 -- gas	R700	81/86		21000	LN700 -- diesel
N801	80/84		25000	N800 -- gas	R701	81/86		23000	LN700 -- diesel
N802	81/84		25500	LN800 -- gas	R702	80		23000	LN700 -- diesel
N803	80		25500	LN800 -- gas		81/86		24000	LN700 -- diesel
	81/84		27000	LN800 -- gas	R703	81/86		25000	LN700 -- diesel
N804	80/84		27500	LN800 -- gas	R704	80/86		25500	LN700 -- diesel
N805	80/84		29000	LN800 -- gas	R705	80		25000	N700 -- diesel
N806	80/84		31000	LN800 -- gas		81/86		27000	LN700 -- diesel
N807	80		27000	N800 -- gas	R706	81/86		27500	LN700 -- diesel
	81/84		31800	LN800 -- gas	R707	80		27500	LN700 -- diesel
N808	80		34000	LN800 -- gas	R708	80		27000	N700 -- diesel
	81/84		32000	LN800 -- gas	R710	80		21000	LN700 -- diesel
N809	81/84		34000	LN800 -- gas	R712	80		24000	LN700 -- diesel
N80A	81/84		35000	LN800 -- gas	R740	81/86		21000	LN700 -- diesel
N813	80		31800	LN800 -- gas	R741	81/86		23000	LN700 -- diesel
N814	80		32000	N800 -- gas	R742	81/86		24000	LN700 -- diesel
N815	80		35000	N800 -- gas	R743	81/86		25000	LN700 -- diesel
N900	80		25500	LN900 -- gas	R744	81/86		25500	LN700 -- diesel
	81		23100	LN900 -- gas	R745	81/86		27000	LN700 -- diesel
N901	81		25500	LN900 -- gas	R746	81/86		27500	LN700 -- diesel
N902	80/81		27500	LN900 -- gas	R800	81/		23100	LN800 -- diesel
N903	81		31000	LN900 -- gas	R801	81/		25500	LN800 -- diesel
N904	81		31800	LN900 -- gas	R802	80		25500	LN800 -- diesel
N905	80		31000	LN900 -- gas		81/		27500	LN800 -- diesel
	81		32000	LN900 -- gas	R803	80		27500	LN800 -- diesel
N906	80		32000	LN900 -- gas		81/		31000	LN800 -- diesel
	81		34000	LN900 -- gas	R804	81/		31800	LN800 -- diesel
N907	81		35000	LN900 -- gas	R805	80		31000	LN800 -- diesel
N908	80		34000	LN900 -- gas		81/		32000	LN800 -- diesel
N909	80		35000	LN900 -- gas	R806	80		32000	LN800 -- diesel
N911	80		23100	LN900 -- gas		81/		34000	LN800 -- diesel
N912	80		31800	LN900 -- gas	R807	80		34000	LN800 -- diesel
Q801	80		42860	CT800 -- diesel		81/		35000	LN800 -- diesel
Q802	80		51000	CT800 -- diesel	R808	80		35000	LN800 -- diesel
Q803	80		45000	CT800 -- diesel	R810	80		23100	LN800 -- diesel
Q804	80		44000	CT800 -- diesel	R811	80		31800	LN800 -- diesel
Q805	80		41000	CT800 -- diesel	R902	80/		32000	LN900 -- diesel
Q806	80		52000	CT800 -- diesel	R904	80/		35000	LN900 -- diesel
Q807	80		46000	CT800 -- diesel	R906	80/		28000	LN900 -- diesel
Q808	80		48000	CT800 -- diesel	R907	80/		31800	LN900 -- diesel
Q809	80		50000	CT800 -- diesel	S801	81/		41000	LNT800 -- gas

1980/  
TRUCK SERIES 600/900

SERIES CODE	YEAR	DESCRIPTION	G.V.W. RATING	◇ CATALOGED AS	SERIES CODE	YEAR	DESCRIPTION	G.V.W. RATING	◇ CATALOGED AS
CERTIFICATION LABEL — Cont'd									
◇The designation "gas" or "diesel" will be shown only when necessary to clarify differences in application on similar items for which unique part numbers are required.									
For example: unique to gas-LN900 -- gas, unique to diesel-LN900 -- diesel, common to gas and diesel-LN900									
S802	81/		43000	LNT800 -- gas	T914	80		44800	LT900 -- gas
S803	81/		44800	LNT800 -- gas	T915	80		48000	LT900 -- gas
S804	80		4300	LNT800 -- gas	T916	80		52000	LT900 -- gas
	81/		46000	LNT800 -- gas	T917	80		58000	LT900 -- gas
S806	80		46000	LNT800 -- gas	T90A	81		58000	LT900 -- gas
S811	80		41000	LNT800 -- gas	T90B	81		60000	LT900 -- gas
S812	80		44800	LNT800 -- gas	U800	80/		39000	LT800 -- diesel
S900	80/81		39000	LNT900 -- gas	U801	81/		41000	LT800 -- diesel
S901	81		41000	LNT900 -- gas	U802	81/		44800	LT800 -- diesel
S902	80		41000	LNT900 -- gas	U803	81/		46000	LT800 -- diesel
	81		43000	LNT900 -- gas	U804	81/		50000	LT800 -- diesel
S903	81		44800	LNT900 -- gas	U805	80		46000	LT800 -- diesel
S904	80		43000	LNT900 -- gas		81/		50000	LT800 -- diesel
	81		46000	LNT900 -- gas	U806	80		50000	LT800 -- diesel
S905	81		48000	LNT900 -- gas		81/		54000	LT800 -- diesel
S906	80		46000	LNT900 -- gas	U807	80		50000	LT800 -- diesel
	81		50000	LNT900 -- gas		81/		55000	LT800 -- diesel
S907	80		50000	LT900 -- gas	U808	80		54000	LT800 -- diesel
	81		52000	LNT900 -- gas		81/		56000	LT800 -- diesel
S908	81		54000	LNT900 -- gas	U809	80/		60000	LT800 -- diesel
S909	80		54000	LNT900 -- gas	U80A	81/		61000	LT800 -- diesel
S914	80		44800	LNT900 -- gas	U80B	81/		62000	LT800 -- diesel
S915	80		48000	LNT900 -- gas	U810	80		55000	LT800 -- diesel
S916	80		52000	LNT900 -- gas	U811	80		56000	LT800 -- diesel
T801	81/84		41000	LT800 -- gas	U812	80		62000	LT800 -- diesel
T802	81/84		43000	LT800 -- gas	U815	80		41000	LT800 -- diesel
T803	81/84		44800	LT800 -- gas	U816	80		44800	LT800 -- diesel
T804	80		43000	LT800 -- gas	U817	80		61000	LT800 -- diesel
	81/84		46000	LT800 -- gas	U900	80/		43000	LT900 -- diesel
T806	80		46000	LT800 -- gas	U901	81/		44800	LT900 -- diesel
T811	80		41000	LT800 -- gas	U902	81/		46000	LT900 -- diesel
T812	80		44800	LT800 -- gas	U903	80		46000	LT900 -- diesel
T900	80/81		39000	LT900 -- gas		81/		48000	LT900 -- diesel
T901	81		41000	LT900 -- gas	U904	80/		50000	LT900 -- diesel
T902	80		41000	LT900 -- gas	U905	80/		50000	LT900 -- diesel
	81		43000	LT900 -- gas	U906	80		54000	LT900 -- diesel
T903	81		44800	LT900 -- gas		81/		52000	LT900 -- diesel
T904	80		43000	LT900 -- gas	U907	81		59000	LT900 -- diesel
	81		46000	LT900 -- gas		82/		54000	LT900 -- diesel
T905	81		48000	LT900 -- gas	U908	80		60000	LT900 -- diesel
T906	80		46000	LT900 -- gas		81/		58000	LT900 -- diesel
	81		50000	LT900 -- gas	U909	81/		60000	LT900 -- diesel
T907	80/81		50000	LT900 -- gas	U90A	81/		61000	LT900 -- diesel
T908	80		50000	LT900 -- gas	U90B	81/		62000	LT900 -- diesel
	81		52000	LT900 -- gas	U90C	81/83		72000	LT900 -- diesel
T909	80/81		54000	LT900 -- gas	U90D	81/83		74000	LT900 -- diesel
T911	80		60000	LT900 -- gas	U90E	81/83		76000	LT900 -- diesel

# 1980/ TRUCK SERIES 600/900

SERIES CODE	YEAR	DESCRIPTION	G.V.W. RATING	◇ CATALOGED AS	SERIES CODE	YEAR	DESCRIPTION	G.V.W. RATING	◇ CATALOGED AS
-------------	------	-------------	---------------	----------------	-------------	------	-------------	---------------	----------------

CERTIFICATION LABEL — Cont'd

◇The designation "gas" or "diesel" will be shown only when necessary to clarify differences in application on similar items for which unique part numbers are required.

For example: unique to gas-LN900 -- gas, unique to diesel-LN900 -- diesel, common to gas and diesel-LN900

U911	80		52000	LT900 -- diesel	W805	80		46000	LNT800 -- diesel
U912	80		62000	LT900 -- diesel		81/		50000	NT800 -- diesel
U913	80		72000	LT900 -- diesel	W806	80		50000	LNT800 -- diesel
U914	80		44800	LT900 -- diesel		81/		54000	NT800 -- diesel
U915	80		61000	LT900 -- diesel	W807	80		50000	LNT800 -- diesel
U916	80		48000	LT900 -- diesel		81/		55000	NT800 -- diesel
U917	80		58000	LT900 -- diesel	W808	80		54000	LNT800 -- diesel
U918	80		74000	LT900 -- diesel		81/		56000	NT800 -- diesel
U919	80		76000	LT900 -- diesel	W809	81/		60000	NT800 -- diesel
V800	81/83		41000	LTS800 -- gas	W80A	81/		61000	NT800 -- diesel
V801	81/83		44000	LTS800 -- gas	W80B	81/		62000	NT800 -- diesel
V802	81/83		46000	LTS800 -- gas	W812	80		41000	LNT800 -- diesel
V804	80		46000	LTS800 -- gas	W814	80		44800	LNT800 -- diesel
V809	80		41000	LTS800 -- gas	W815	80		55000	LNT800 -- diesel
V810	80		44000	LTS800 -- gas	W816	80		60000	LNT800 -- diesel
V900	80/81		39000	LTS900 -- gas	W817	80		61000	LNT800 -- diesel
V901	81		41000	LTS900 -- gas	W900	81/		43000	NT900 -- diesel
V902	81		46000	LTS900 -- gas	W901	81/		44800	NT900 -- diesel
V903	81		48000	LTS900 -- gas	W902	81/		46000	NT900 -- diesel
V904	80		46000	LTS900 -- gas	W903	80		46000	NT900 -- diesel
	81		50000	LTS900 -- gas		81/		48000	NT900 -- diesel
V905	80/81		50000	LTS900 -- gas	W904	80/		50000	NT900 -- diesel
V906	80		50000	LTS900 -- gas	W905	81/		52000	NT900 -- diesel
	81		52000	LTS900 -- gas	W906	80/		54000	NT900 -- diesel
V907	80		52000	LTS900 -- gas	W907	80		43000	NT900 -- diesel
	81		54000	LTS900 -- gas		81/		58000	NT900 -- diesel
V908	80		54000	LTS900 -- gas	W908	81/		60000	NT900 -- diesel
	81		56000	LTS900 -- gas	W909	81/		62000	NT900 -- diesel
V909	80		56000	LTS900 -- gas	W90A	81/83		72000	NT900 -- diesel
	81		58000	LTS900 -- gas	W90B	81/83		74000	NT900 -- diesel
V90A	81		60000	LTS900 -- gas	W90C	81/83		76000	NT900 -- diesel
V90B	81		61000	LTS900 -- gas	W910	80		58000	LNT900 -- diesel
V90C	81		62000	LTS900 -- gas	W911	80		44800	LNT900 -- diesel
V90D	81		64000	LTS900 -- gas	W912	80		48000	LNT900 -- diesel
V911	80		58000	LTS900 -- gas	W913	80		52000	LNT900 -- diesel
V912	80		60000	LTS900 -- gas	W914	80		60000	LNT900 -- diesel
V913	80		62000	LTS900 -- gas	W915	80		62000	LNT900 -- diesel
V914	80		64000	LTS900 -- gas	W916	80		72000	LNT900 -- diesel
V915	80		61000	LTS900 -- gas	W917	80		74000	LNT900 -- diesel
V918	80		41000	LTS900 -- gas	W918	80		76000	LNT900 -- diesel
V920	80		48000	LTS900 -- gas	X912	80/		44860	CLT900 -- diesel
W800	80/		39000	LNT800 -- diesel	X913	80/		46000	CLT900 -- diesel
W801	81/		41000	NT800 -- diesel	X914	80/		50000	CLT900 -- diesel
W802	81/		44800	NT800 -- diesel	X915	80/		50000	CLT900 -- diesel
W803	80		56000	LNT800 -- diesel	X916	80/		51100	CLT900 -- diesel
	81/		46000	NT800 -- diesel	X917	80/		51100	CLT900 -- diesel
W804	80		62000	LNT800 -- diesel	X952	80/83		44860	CLT900 -- diesel
	81/		50000	NT800 -- diesel	X953	80/83		46000	CLT900 -- diesel

1980/  
TRUCK SERIES 600/900

SERIES CODE	YEAR	DESCRIPTION	G.V.W. RATING	◇ CATALOGED AS	SERIES CODE	YEAR	DESCRIPTION	G.V.W. RATING	◇ CATALOGED AS
CERTIFICATION LABEL — Cont'd									
◇The designation "gas" or "diesel" will be shown only when necessary to clarify differences in application on similar items for which unique part numbers are required.									
For example: unique to gas-LN900 -- gas, unique to diesel-LN900 -- diesel, common to gas and diesel-LN900									
X954	80/83		50000	CLT900 -- diesel	Y819	80		62000	LTS800 -- diesel
X955	80/83		50000	CLT900 -- diesel	Y900	80/		44800	LTS900 -- diesel
X956	80/83		51100	CLT900 -- diesel	Y901	81/		48000	LTS900 -- diesel
X957	80/83		51100	CLT900 -- diesel	Y902	81/		50000	LTS900 -- diesel
X962	80/		44860	CLT900 -- diesel	Y903	80/		50000	LTS900 -- diesel
X963	80/		46000	CLT900 -- diesel	Y904	80		50000	LTS900 -- diesel
X964	80/		50000	CLT900 -- diesel		81/		52000	LTS900 -- diesel
X965	80/		50000	CLT900 -- diesel	Y905	80		52000	LTS900 -- diesel
X966	80/		51100	CLT900 -- diesel		81/		54000	LTS900 -- diesel
X967	80/		51100	CLT900 -- diesel	Y906	80		54000	LTS900 -- diesel
X972	80/83		44860	CLT900 -- diesel		81/		56000	LTS900 -- diesel
X973	80/83		46000	CLT900 -- diesel	Y907	80		56000	LTS900 -- diesel
X974	80/83		50000	CLT900 -- diesel		81/		58000	LTS900 -- diesel
X975	80/83		50000	CLT900 -- diesel	Y908	80		61000	LTS900 -- diesel
X976	80/83		51100	CLT900 -- diesel		81/		60000	LTS900 -- diesel
X977	80/83		51100	CLT900 -- diesel	Y909	80		58000	LTS900 -- diesel
X982	80/		44860	CLT900 -- diesel		81/		61000	LTS900 -- diesel
X983	80/		46000	CLT900 -- diesel	Y90A	81/		62000	LTS900 -- diesel
X984	80/		50000	CLT900 -- diesel	Y90B	81/83		72000	LTS900 -- diesel
X985	80/		50000	CLT900 -- diesel	Y90C	81/83		74000	LTS900 -- diesel
X986	80/		51100	CLT900 -- diesel	Y90D	81/83		76000	LTS900 -- diesel
X987	80/		51100	CLT900 -- diesel	Y90E	81/83		77100	LTS900 -- diesel
Y800	80/		39000	LTS800 -- diesel	Y90F	81/83		78000	LTS900 -- diesel
Y801	81/		41000	LTS800 -- diesel	Y90G	81/83		79100	LTS900 -- diesel
Y802	81/		46000	LTS800 -- diesel	Y90H	81/83		81100	LTS900 -- diesel
Y803	81/		50000	LTS800 -- diesel	Y90J	83/		64000	LTS900 -- diesel
Y804	80		46000	LTS800 -- diesel	Y910	80		60000	LTS900 -- diesel
	81/		50000	LTS800 -- diesel	Y911	80		62000	LTS900 -- diesel
Y805	80		50000	LTS800 -- diesel	Y913	80		72000	LTS900 -- diesel
	81/		52000	LTS800 -- diesel	Y914	80		74000	LTS900 -- diesel
Y806	80		50000	LTS800 -- diesel	Y915	80		76000	LTS900 -- diesel
	81/		54000	LTS800 -- diesel	Y916	80		78000	LTS900 -- diesel
Y807	80		52000	LTS800 -- diesel	Y917	80		77100	LTS900 -- diesel
	81/		55000	LTS800 -- diesel	Y919	80		48000	LTS900 -- diesel
Y808	80		54000	LTS800 -- diesel	Y920	80		79100	LTS900 -- diesel
	81/		56000	LTS800 -- diesel	Y921	80		81100	LTS900 -- diesel
Y809	81/		60000	LTS800 -- diesel	Z910	80/		29900	CL900 -- diesel
Y80A	81/		61000	LTS800 -- diesel	Z911	80/		35000	CL900 -- diesel
Y80B	81/		62000	LTS800 -- diesel	Z950	80/83		29900	CL900 -- diesel
Y80C	81/		64000	LTS800 -- diesel	Z951	80/83		35000	CL900 -- diesel
Y812	80		60000	LTS800 -- diesel	Z960	80/		29900	CL900 -- diesel
Y814	80		64000	LTS800 -- diesel	Z961	80/		35000	CL900 -- diesel
Y815	80		55000	LTS800 -- diesel	Z970	80/83		29900	CL900 -- diesel
Y816	80		56000	LTS800 -- diesel	Z971	80/83		35000	CL900 -- diesel
Y817	80		61000	LTS800 -- diesel	Z980	80/		29900	CL900 -- diesel
Y818	80		41000	LTS800 -- diesel	Z981	80/		35000	CL900 -- diesel

## TRIM CODES

THE FIRST TWO DIGITS OF THE BODY CODE IDENTIFY THE COLOR AND TYPE OF MATERIALS USED IN THE INTERIOR UPHOLSTERY.

REFER TO THE APPROPRIATE SOFT TRIM SECTION FOR A LISTING OF THESE CODES AND THE COLOR AND TYPE OF MATERIALS USED IN THE INTERIOR UPHOLSTERY.

GVWR:  
VEHICLE IDENTIFICATION NUMBER T80AVGA

EXTENSION CODES 2K

GV	TRIM	REAR	TRANS
150	T811	BBB	CCA

CERTIFICATION LABEL SHOWN

## BODY TYPE CODES

THE LAST DIGIT OF THE BODY TYPE CODE IDENTIFIES THE TYPE OF BACK-OF-CAB EQUIPMENT

USE THE BODY TYPE CODE IN CONJUNCTION WITH MODEL CODES SHOWN TO DETERMINE THE EXACT BODY TYPE OF THE UNIT.

THESE CODES AND THE CORRESPONDING BODY TYPE INFORMATION ARE LISTED ON THE PAGES WHICH FOLLOW.

GVWR  
VEHICLE IDENTIFICATION NUMBER T80AVGA

EXTENSION CODES 2K

GV	TRIM	REAR	TRANS
150	T811	BBB	CCA

CERTIFICATION LABEL SHOWN

**1980/  
TRUCK SERIES 600/900**

**CERTIFICATION LABEL — Cont'd**

**BODY TYPE CODES — Cont'd**

THREE DIGIT CODE:

FIRST DIGIT indicates Standard or Custom Cab and color of interior trim.  
 (Refer to appropriate Soft Trim Section, Page 1 etc. for listing of Trim Codes).  
 SECOND DIGIT indicates type of seat.  
 THIRD DIGIT indicates type of cab and/or equipment.

FIRST DIGIT	SECOND DIGIT	THIRD DIGIT	DESCRIPTION	CATALOGED AS
<b>B Series</b>				
Blank	Blank	7	Cowl	Series
<b>CL-CLT Series</b>				
A thru C		A	Sleeper cab—Special Decor Group Exterior and foam mattress	Series plus 92
		B	Standard cab—w/Kysor engine shut down system	Series plus 91
	FOR	C	Sleeper cab—Special Decor Group Exterior and spring mattress	Series plus 92
		D	Sleeper cab—foam mattress and Kysor engine shut down system	Series plus 92
	FORD	E	Sleeper cab—spring mattress and Kysor engine shut down system	Series plus 92
		H	Standard cab—Special Decor Group Exterior	
	INTERNAL	K	Standard cab—w/Kysor engine shut down system and Tractor package delete	Series plus 91
		Q	Standard cab—Tractor package delete	
	CONTROL	S	Standard cab—Special Decor Group Exterior, Kysor engine shut down system and Tractor package delete	Series plus 91
ONLY		Y	Standard cab—Special Decor Group Exterior and Tractor package delete	
		1	Sleeper cab w/foam mattress	Series plus 92
		3	Sleeper cab w/spring mattress	Series plus 92
<b>C-CT Series</b>				
A thru E		8	Standard cab	Series plus 91
		9	Sleeper cab	Series plus 91
<b>F Series</b>				
<b>F700/800</b>				
A thru D		8	Standard cab	Series plus 81
<b>F600</b>				
A thru D		8	Regular cab	Series plus 81
<b>L-LN-LNT-LT-LTS Series</b>				
A thru D		8	Standard cab	Series plus 81

**BODY TYPE DESCRIPTIONS**

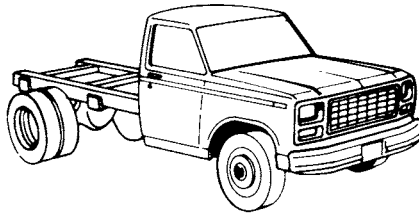
(Arranged in Alphabetical Sequence)

Most body parts and some chassis parts are listed according to Body Type such as 81, 91 etc. Body type and trim code information is shown in a 2 digit code for all Trucks except Cowl models which have a single digit code. The body type suffix such as (81)A, (81)B, etc. is not shown on the Certification Label. To determine the specific body type through certification label information refer to the codes listed above.

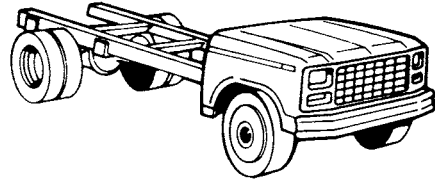
DESCRIPTION	BODY TYPE CODE SHOWN IN CATALOG
Conventional Closed Cab—Custom	81B (F-L-LN-LNT-LT-LTL-LTS600/900)
Conventional Closed Cab—Standard	81A (F-L-LN-LNT-LT-LTL-LTS600/900)
Open Drive Away — less Windshield Frame	84 (B-F600/700)
Tilt Cab—Custom	91B (C-CT600/900)
Tilt Cab—Standard	91A (C-CT600/900)
Highway Tractor Tilt Cab (includes sleeping compartment)	92 (CL-CLT900)
Highway Tractor Tilt Cab (less sleeping compartment)	91 (CL-CLT900)



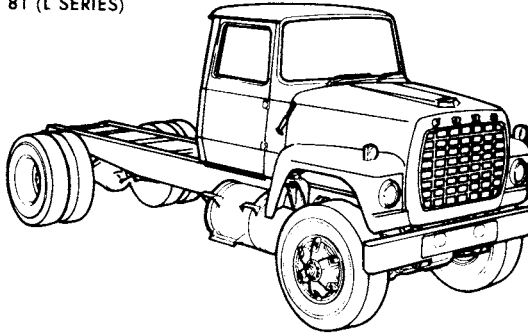
81 (F-SERIES)



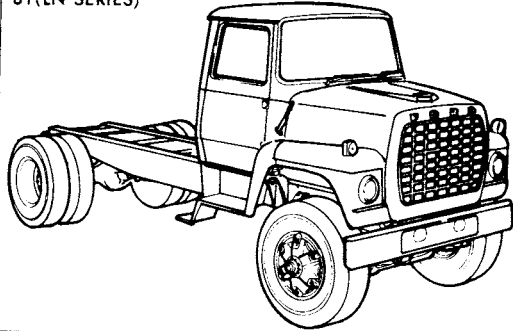
84 (B-F SERIES)



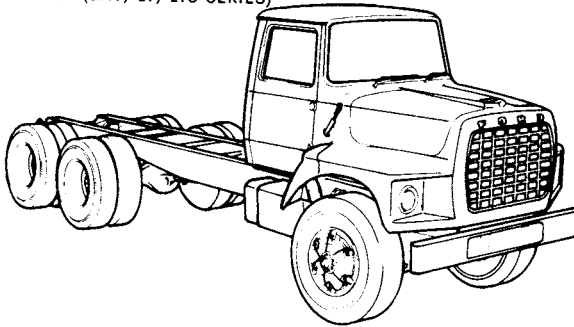
81 (L SERIES)



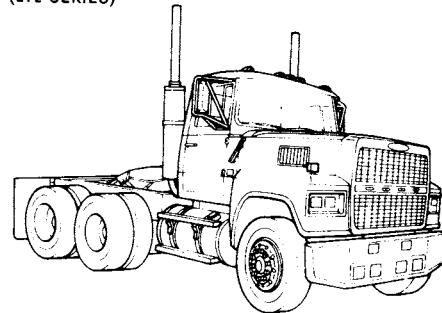
81(LN SERIES)



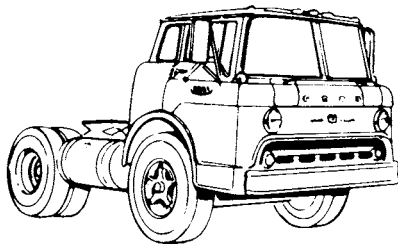
81 (LNT, LT, LTS SERIES)



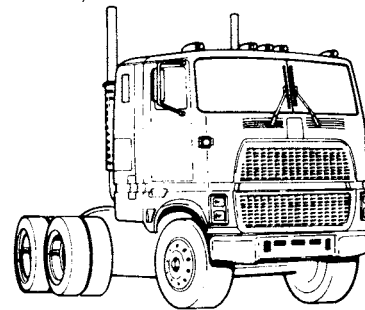
81 (LTL SERIES)



91 (C-CT SERIES)



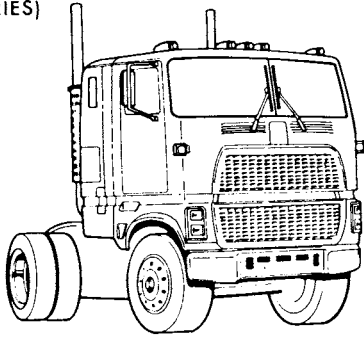
92 (CLT SERIES)



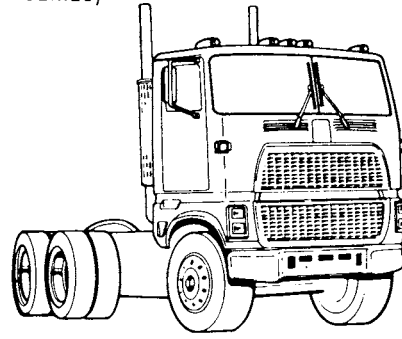
P-16114

1980/  
TRUCK SERIES 600/900

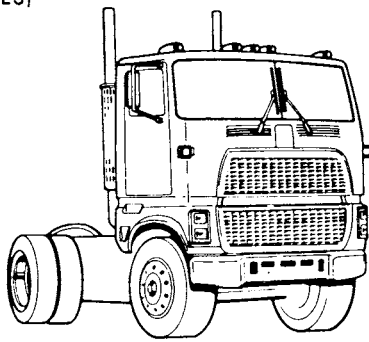
92 (CL SERIES)



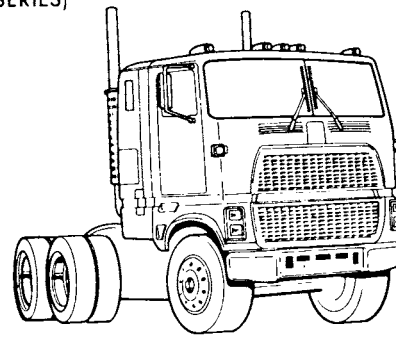
91 (CLT SERIES)



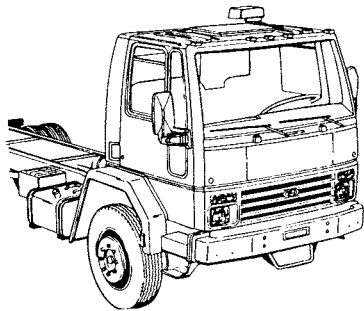
91 (CL SERIES)



92 (CLT SERIES)



CF SERIES



**CERTIFICATION LABEL— Cont'd**

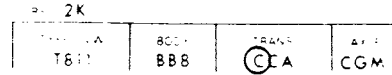
**AUXILIARY TRANSMISSION CODES**

IDENTIFICATION NUMBER

T80AVGA5000

THE FIRST DIGIT OF THE TRANSMISSION CODE IDENTIFIES THE TYPE OF AUXILIARY TRANSMISSION.

THE FOLLOWING CHART LISTS CODES, THE NUMBER OF FORWARD SPEEDS AND THE MANUFACTURERS NAME AND MODEL NUMBER.



FOR FURTHER TRANSMISSION IDENTIFICATION REFER TO SECTION 70 IN THIS CATALOG.

**CERTIFICATION LABEL SHOWN**

CODE	YEAR	SPEED	MANUFACTURER		CODE	YEAR	SPEED	MANUFACTURER	
			NAME	MODEL				NAME	MODEL
<b>CERTIFICATION LABEL — Cont'd</b>									
B	80/		(French label)	P.T.O.	0	80/	4	Dana (Spicer) Calif. emission	R-8341-L and P.T.O.
C	80	3	Dana (Spicer) (French label)	7231-D P.T.O.					
D	80	3	Dana (Spicer) (French label)	7231-D P.T.O.	P	80/	4	Dana (Spicer) Calif. emission	R-8341-L
E	80/	4	Dana (Spicer) (French label)	7041 P.T.O.	Q	80/	4	Dana (Spicer) Calif. emission	7041
F	80/	4	Dana (Spicer) (French label)	R-8341-L and P.T.O.	2	80/			P.T.O.
					3	80	3	Dana (Spicer)	7231-D P.T.O.
G	80/	4	Dana (Spicer) (French label)	R-8341-L	4	80	3	Dana (Spicer)	7231-D
H	80/	4	Dana (Spicer) (French label)	7041	5	80/	4	Dana (Spicer)	7041 P.T.O.
K	80/		Calif. emission	P.T.O.	6	80/	4	Dana (Spicer)	R-8341-L and P.T.O.
L	80	3	Dana (Spicer) Calif. emission	7231-D P.T.O.					
M	80	3	Dana (Spicer) Calif. emission	7231-D	7	80/	4	Dana (Spicer)	R-8341-L
N	80/	4	Dana (Spicer) Calif. emission	7041 P.T.O.	8	80/	4	Dana (Spicer)	7041

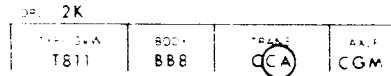
**MAIN TRANSMISSION CODES**

IDENTIFICATION NUMBER

T80AVGA5000

THE SECOND AND THIRD DIGIT OF THE TRANSMISSION CODE IDENTIFIES THE TYPE OF MAIN TRANSMISSION.

THE FOLLOWING CHART LISTS THESE CODES, THE NUMBER OF FORWARD SPEEDS AND THE MANUFACTURERS NAME AND MODEL NUMBER.



FOR FURTHER TRANSMISSION IDENTIFICATION REFER TO SECTIONS 70, A70 or T70 IN THIS CATALOG.

**CERTIFICATION LABEL SHOWN**

CODE	YEAR	SPEED	DESCRIPTION	MANUFACTURER		CODE	YEAR	SPEED	DESCRIPTION	MANUFACTURER	
				NAME	MODEL					NAME	MODEL
<b>MAIN TRANSMISSION CODES — Cont'd</b>											
<b>CERTIFICATION LABEL — Cont'd</b>											
A	80/82	4	Direct	New Process	NP-435	CD	80/88	5	Direct	Clark	285
D	80/82	5	Direct	Spicer	5052-A	CE	80/88	5	Direct	Clark	285VHD
E	80/82	5	Direct	Spicer	5252-A	CF	80/83	5	Direct	Clark	390
L	80/82	6	Transmatic	Allison	AT-540	CG	80/83	5	Direct	Clark	397
M	80/82	5	Direct	Clark	285V	CH	86/88	5		Clark	CL558
O	80/82	5	Direct	New Process	NP-542-FL	CJ	84/88	5		Clark	CL551
P	80/82	4	Synchronized	Warner	T19	CK	84/88	5		Clark	CL557
W	80/82	5		Clark	282VHD	CL	86/88	5		Clark	CL450
X	80/82	5		Clark	285VHD	CM	86/88	5		Clark	CL455
AA	80		Automatic	Allison	AT-540	CR	87/	5		Eaton/Clark	FS-6105-A
	81/		Automatic	Allison	AT-545	CS	87/	5		Eaton/Clark	FS-6105-B
AB	80/		Automatic	Allison	MT-643	CT	87/	6		Eaton/Clark	FS-5106
AC	80/		Automatic	Allison	MT-653	CU	87/	6		Eaton/Clark	FS-6106
AD	88/		Automatic	Allison	MT-654	CW	88/	5		Eaton/Clark	FS-4005-A
CA	80/82	5	Direct	Clark	280	CX	88/	5		Eaton/Clark	FS-4005-B
	87/	5	Direct	Eaton/Clark	FS 3005-A	CY	88/	5		Eaton/Clark	FS-5005-A
CB	80/	5	Direct	Clark	282	CV	88/	5		Eaton/Clark	FS-5005-B
CC	80/88	5	Direct	Clark	282VHD	EA	83/	8		Fuller	RT11608

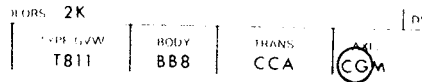
1980/  
TRUCK SERIES 600/900

CODE	YEAR	SPEED	DESCRIPTION	MANUFACTURER		CODE	YEAR	SPEED	DESCRIPTION	MANUFACTURER	
				NAME	MODEL					NAME	MODEL
MAIN TRANSMISSION CODES — Cont'd											
CERTIFICATION LABEL — Cont'd											
EB	83/	10		Fuller	RT11610	FN	80/82	13	Overdrive	Fuller	RT0-12513
EC	83/	13		Fuller	RT011613		88/	9		Fuller	RTX-11609
ED	83/88	15		Fuller	RT11615	FP	80/82	9	Synchronized	Fuller	RT-12509
EE	83/88	8		Fuller	RT14608	FP	89	10		Fuller	RT-7608LL
EF	83/88	10		Fuller	RT014608LL	FQ	80/82	9	Direct	Fuller	RT-11509
EG	83/	9		Fuller	RT14609A	FQ	89	9		Fuller	RT-8608L
EH	83/	10		Fuller	RT14610	FR	81/82	9		Fuller	RT0-9509-B
EJ	83/	13		Fuller	RT014613	FR	89	6		Fuller	FS-7206
EK	83/88	15		Fuller	RT14615	FS	81/	10		Fuller	RT-6610
EL	83/88	9		Fuller	RT014609B	FT	81/	13		Fuller	RT-6613
EM	88	15		Fuller	RT0-14615	FU	81/	5		Fuller	T-11605-A
EN	88/	10		Fuller	RT0-14708LL	FV	81/82	15		Fuller	RT0-12515
EP	88/	15		Fuller	RT-14715	FW	81/82	8		Fuller	RT-9508
ER	88/	15		Fuller	RT0-14715	FX	81/82	9		Fuller	RT0-1157DLL
ES	88/	9		Fuller	RTX-14609		82	12		Fuller	RT-1312
FA	80	10	Direct	Fuller	RT-610	FY	81/82	8		Fuller	RT0-111TDL
	82/88	10		Fuller	RT0-11608-LL	NA	80/	4	Direct	New Process	NP-435
FB	80	13	Direct	Fuller	RT-613	NB	80/	5	Direct	New Process	NP-542-FD
	82/	8		Fuller	RT0-11607-L	NC	80/	5	Direct	New Process	NP-542-FL
FC	80/81	5	Direct	Fuller	T905-A	NR	80/82		Delete Trans.	Glider	
	84/88	7		Fuller	T11607A	SA	80/	7	Direct	Spicer	SST1207-3A
FD	80	5	Direct	Fuller	T905-B	SB	80/82		Direct	Spicer	CM-5052-A
	82/88	9		Fuller	RT0-11607-LL	SC	80/82	5	Direct	Spicer	CM-5252-A
FE	80	6	Direct	Fuller	RT-906	SD	80/	5	Direct	Spicer	CM-6052-A
	82/	9		Fuller	RT-11609-A	SE	80/	5	Direct	Spicer	CM-6052-B
FF	80/83	10	Synchronized	Fuller	RT-910	SF	80/	5	Direct	Spicer	CM-6052-C
FG	80	10	Overdrive	Fuller	RT0-910	SG	80	16	Direct	Spicer	RP-85163-A
	82/88	9		Fuller	RT0-11609-B	SH	80/82	6	Synchronized	Spicer	SST-1062-C
FH	80/82	10	Direct	Fuller	RT0-958-LL	SJ	81	7		Spicer	SST1007-2A
	87/	7		Fuller	T-8607-A		82	7		Spicer	1107-2A
FI	80/82	10	Direct	Fuller	RT-1110		83/	7		Spicer	SST1372A
FJ	80/82	9	Synchronized	Fuller	RT-9509-A	SK	83/	5		Spicer	CM5552A
	87/	9		Fuller	RT-8609	SL	83/	5		Spicer	CM5852A
FK	80	13	Direct	Fuller	RT 9513	SM	83/	10		Spicer	CM5510
	88/	9		Fuller	RT0-11707LL	SN	84/	5		Spicer	CM4054A
FL	80/82	13	Overdrive	Fuller	RT-09513	SP	84/	5		Spicer	CM4054D
	88/	10		Fuller	RT0-11708LL	WA	80	4	Direct	Warner	T19
FM	80/82	10	Synchronized	Fuller	RT-12510	2	80/81	5	Direct	Clark	282V
	88/	15		Fuller	RT-11715	9	80/81	5	Direct	New Process	NP-542-FD

REAR AXLE RATIO CODES

IDENTIFICATION NUMBER T80AVGA5000

THE FIRST TWO DIGITS OF THE AXLE CODE IDENTIFY THE RATIO AND CAPACITY OF THE REAR AXLE.



CERTIFICATION LABEL SHOWN

CODE	YEAR	RATIO	CAPACITY	MANUFACTURER		DESCRIPTION
				NAME	MODEL	
REAR AXLE RATIO CODES — Cont'd						
CERTIFICATION LABEL — Cont'd						
AF	80/81	3.90	34M	Eaton	34DSC	1 Speed
AG	80/88	4.11	23M	Eaton	23121	1 Speed
AJ	80/82	4.56	38M	Eaton	38-DSC	1 Speed
AM	80/82	8.38	34M	Eaton	34-DPE	1 Speed
AP	80	4.33/5.90	23M	Eaton	23221	2 Speed
AQ	82	7.20	38M	Rockwell (Timken)	SQHD	1 Speed
AR	80/82	5.05	38M	Eaton	38-DPC	1 Speed

1980/  
TRUCK SERIES 600/900

CODE	YEAR	RATIO	CAPACITY	MANUFACTURER		DESCRIPTION
				NAME	MODEL	
REAR AXLE RATIO CODES — Cont'd						
CERTIFICATION LABEL — Cont'd						
AS	88	3.70	19M	Eaton	17101	1 Speed
AU	87	3.70/5.05	34M	Eaton	DT341	2 Speed
BA	86/	5.29	40M	Rockwell	SQ100	1 Speed-Steel
BB	86/	5.86	40M	Rockwell	SQ100	1 Speed-Steel
BC	80/82	3.70	34M	Rockwell (Timken)	SLHD	1 Speed
	86/	6.14	40M	Rockwell	SQ100	1 Speed-Steel
BD	86/	6.83	40M	Rockwell	SQ100	1 Speed-Steel
BE	86/	7.17	40M	Rockwell	SQ100	1 Speed-Steel
BF	80/82	4.33	34M	Eaton	34-DSC	1 Speed
BG	80/88	4.33	23M	Eaton	23121	1 Speed
BJ	80/82	4.88	38M	Eaton	38-DSC	1 Speed
BK	80	6.57	22M	Eaton	18121	
BS	88/	4.11	19M	Eaton	17101	1 Speed
BU	87	4.11/5.61	34M	Eaton	DT341	2 speed
B1	80/82	4.11	34M	Rockwell (Timken)	SLHD	1 Speed
B2	80/82	4.44	34M	Rockwell (Timken)	SLHD	1 Speed
	86/	3.55	40M	Rockwell	SQ100	1 Speed-Steel
B3	80/82	3.90	34M	Rockwell (Timken)	SLHD	1 Speed
	86/	3.73	40M	Rockwell	SQ100	1 Speed-Steel
B4	86/	3.90	40M	Rockwell	SQ100	1 Speed-Steel
B5	86/	4.10	40M	Rockwell	SQ100	1 Speed-Steel
B6	80/82	5.83	34M	Rockwell (Timken)	SLHD	1 Speed
	86/	4.33	40M	Rockwell	SQ100	1 Speed-Steel
B7	80/82	6.17	34M	Rockwell (Timken)	SLHD	1 Speed
B8	80/82	6.83	34M	Rockwell (Timken)	SLHD	1 Speed
	86/	4.63	40M	Rockwell	SQ100	1 Speed-Steel
B9	80/82	7.80	34M	Rockwell (Timken)	SLHD	1 Speed
	86/	4.88	40M	Rockwell	SQ100	1 Speed-Steel
CF	80/82	4.56	34M	Eaton	34-DSC	1 Speed
CG	80/86	4.88	23M	Eaton	23121	1 Speed
CH	83	4.88/6.65	18.5M	Eaton	17221	2 Speed
CJ	80/82	5.57	38M	Eaton	38-DSC	1 Speed
CK	80	6.17	22M	Eaton	18121	
CP	80/88	5.43/7.39	23M	Eaton	23221	2 Speed
CX	81	3.70/5.05	40M	Eaton	DT400P	2 Speed
C4	87/	3.42	23M	Rockwell	RS-23-180	1 Speed-alum. C,L,N,FB600/800
C5	87/	3.58	23M	Rockwell	RS-23-180	1 Speed-alum. C,L,N,FB600/800
C6	87/	3.73	23M	Rockwell	RS-23-180	1 Speed-alum. C,L,N,FB600/800
C6	81/82	3.70	38M	Rockwell (Timken)	SQHD	1 Speed Aluminum
C7	87/	3.91	23M	Rockwell	RS-23-180	1 Speed-alum. C,L,N,FB600/800
C8	87/	4.10	23M	Rockwell	RS-23-180	1 Speed-alum. C,L,N,FB600/800
DA	80/82	6.17	38M	Rockwell (Timken)	SQHD	W/Hendrickson Suspension
DB	80	5.57/7.60	22M	Eaton	18221	2 Speed
DG	80/86	5.43	23M	Eaton	23121	1 Speed
DH	83	5.29/7.21	18.5M	Eaton	17221	2 Speed
DJ	80/82	6.14	38M	Eaton	38-DSE	1 Speed
DK	80	6.50	22M	Eaton	18121	
DP	80/88	6.17/8.40	23M	Eaton	23221	2 Speed
DS	88	4.56	19M	Eaton	17101	1 Speed
DU	87	4.56/6.21	34M	Eaton	DT341	2 Speed
DX	81	4.11/5.61	40M	Eaton	DT400P	2 Speed
	83/86	4.11/5.61	40M	Eaton	DT401P	2 Speed
D1	80/82	4.11	38M	Rockwell (Timken)	SQHD	W/Hendrickson Suspension
D2	80/82	4.44	38M	Rockwell (Timken)	SQHD	W/Hendrickson Suspension
D3	80/82	4.63	38M	Rockwell (Timken)	SQHD	W/Hendrickson Suspension
	86/	3.73	40M	Rockwell	SQ100	1 Speed-Aluminum
D4	80/82	5.29	38M	Rockwell (Timken)	SQHD	W/Hendrickson Suspension
D5	80/82	5.83	38M	Rockwell (Timken)	SQHD	W/Hendrickson Suspension
	86/	4.10	40M	Rockwell	SQ100	1 Speed-Aluminum

October, 1993

COPYRIGHT © 1993 - FORD MOTOR - DEARBORN, MICHIGAN  
COMPANY

Final Issue

**1980/  
TRUCK SERIES 600/900**

CODE	YEAR	RATIO	CAPACITY	MANUFACTURER		DESCRIPTION
				NAME	MODEL	
<b>REAR AXLE RATIO CODES — Cont'd</b>						
<b>CERTIFICATION LABEL — Cont'd</b>						
D6	80/82	6.83	38M	Rockwell (Timken)	SQHD	W/Hendrickson Suspension
D7	80/82	3.90	38M	Rockwell (Timken)	SQHD	W/Hendrickson Suspension
D8	80/82	4.88	38M	Rockwell (Timken)	SQHD	W/Hendrickson Suspension
D9	80/82	3.70	38M	Rockwell (Timken)	SQHD	W/Hendrickson Suspension
EB	80	6.17/8.41	22M	Eaton	18221	2 Speed
EG	80/86	6.17	23M	Eaton	23121	1 Speed
EH	80/83	5.57/7.60	18.5M	Eaton	17221	2 Speed
	84/	5.57/7.60	19M	Eaton	17221	2 Speed
EJ	80/82	6.50	38M	Eaton	38-DSE	1 Speed
EK	80	7.17	22M	Eaton	18121	
EP	80/88	6.67/9.08	23M	Eaton	23221	2 Speed
EQ	80/83	5.57	18.5M	Eaton	17121	1 Speed
	84/88	5.57	19M	Eaton	17121	1 Speed
ES	84/88	4.88	19M	Eaton	17101	1 Speed
EU	83/88	4.88/6.65	34M	Eaton	DT341	2 Speed
EX	81	4.33/5.91	40M	Eaton	DT400P	2 Speed
	83/86	4.33/5.91	40M	Eaton	DT401P	2 Speed
E0	82/86	6.14/8.54	17.5M	Eaton	16244	2 Speed
E1	80/86	5.57/7.75	17.5M	Eaton	16244	2 Speed
E2	80/81	6.17/8.58	17.5M	Eaton	16244	2 Speed
E3	80/82	6.50/9.04	17.5M	Eaton	16244	2 Speed
E4	80/81	7.17/9.97	17.5M	Eaton	16244	2 Speed
E5	80/86	7.17/9.97	17.5M	Eaton	16244	2 Speed
E9	83/86	4.88/6.78	17.5M	Eaton	16244	2 Speed
FB	80	6.50/8.86	22M	Eaton	18221	2 Speed
FC	88/88	5.86	13M	Rockwell	RS-13-120	1 Speed
FF	80/82	5.57	34M	Eaton	34-DSC	1 Speed
FG	80/86	6.67	23M	Eaton	23121	1 Speed
FH	80/83	6.14/8.38	18.5M	Eaton	17221	2 Speed
	84/88	6.14/8.38	19M	Eaton	17221	2 Speed
FJ	80/82	4.11	38M	Eaton	38-DSC	1 Speed
FK	80/88	5.57	22M	Eaton	22121	1 Speed
FM	83/86	5.86/8.15	15M	Eaton	15201	2 Speed
FN	80/82	7.60	34M	Eaton	34-DPC	1 Speed
FP	83/86	6.29/8.74	15M	Eaton	15201	2 Speed
FQ	80/83	6.14	18.5M	Eaton	17121	1 Speed
	84/88	6.14	19M	Eaton	17121	1 Speed
FR	80/81	7.60	38M	Eaton	38-DPC	1 Speed
FS	84/88	5.29	19M	Eaton	17101	1 Speed
FU	83/88	5.29/7.21	34M	Eaton	DT 341	2 Speed
FW	80/82	6.14/8.38	34M	Eaton	34-DTE	2 Speed
FX	83/86	4.56/6.21	40M	Eaton	DT401P	2 Speed
F1	80/86	5.57/7.75	15M	Eaton	15201	2 Speed
F2	80/82	5.83/8.12	15M	Eaton	15201	2 Speed
F3	80/82	6.33/8.81	15M	Eaton	15201	2 Speed
F4	87/	4.30	13M	Rockwell	RS-13-120	1 Speed C,L,N,FB600/800
F5	87/	4.88	13M	Rockwell	RS-13-120	1 Speed C,L,N,FB600/800
F6	81/82	4.11	38M	Rockwell (Timken)	SQHD	1 Speed Aluminum
F6	87/	6.14	13M	Rockwell	RS-13-120	1 Speed C,L,N,FB600/800
F7	87/	7.17	13M	Rockwell	RS-13-120	1 Speed C,L,N,FB600/800
GB	80	7.17/9.77	22M	Eaton	18221	2 Speed
GC	88/	5.86/8.17	15M	Rockwell	RS-15-210	2 Speed
GF	80/82	6.14	34M	Eaton	34-DSE	1 Speed
GG	80/88	3.70	23M	Eaton	23121	1 Speed
GH	80/82	6.50/8.86	18.5M	Eaton	17221	2 Speed
GJ	80/82	4.33	38M	Eaton	38-DSC	1 Speed
GK	80/88	6.17	22M	Eaton	22121	1 Speed
GP	80/88	4.11/5.60	23M	Eaton	23221	2 Speed
GQ	80/82	6.50	18.5M	Eaton	17121	1 Speed
GU	83/88	5.57/7.60	34M	Eaton	DT 341	2 Speed

**1980/  
TRUCK SERIES 600/900**

CODE	YEAR	RATIO	CAPACITY	MANUFACTURER		DESCRIPTION
				NAME	MODEL	
<b>REAR AXLE RATIO CODES — Cont'd</b>						
<b>CERTIFICATION LABEL — Cont'd</b>						
GW	80/82	6.50/8.87	34M	Eaton	34-DTE	2 Speed
G4	87/	4.56/6.36	15M	Rockwell	RS-15-210	2 Speed C,L,N,FB600/800
G5	87/	4.88/6.80	15M	Rockwell	RS-15-210	2 Speed C,L,N,FB600/800
G6	87/	5.38/7.50	15M	Rockwell	RS-15-210	2 Speed C,L,N,FB600/800
G7	87/	6.14/8.57	15M	Rockwell	RS-15-210	2 Speed C,L,N,FB600/800
G9	87/	6.83/9.53	15M	Rockwell	RS-15-210	2 Speed C,L,N,FB600/800
HB	80/	5.57/7.60	22M	Eaton	22221	2 Speed
HC	83	6.14/8.38	34M	Eaton	DT341	2 Speed
HF	80/82	6.50	34M	Eaton	34-DSE	1 Speed
HG	80/86	4.56	23M	Eaton	23121	1 Speed
HH	80/82	7.17/9.77	18.5M	Eaton	17221	2 Speed
	84	7.17/9.77	19M	Eaton	17221	2 Speed
HJ	80/82	5.29	38M	Eaton	38-DSC	1 Speed
HK	80/88	6.50	22M	Eaton	22121	1 Speed
HQ	80/82	7.17	18.5M	Eaton	17121	1 Speed
	84	7.17	19M	Eaton	17121	1 Speed
HU	87	6.14/8.38	34M	Eaton	DT341	2 Speed
HW	80/82	7.17/9.77	34M	Eaton	34-DTE	2 Speed
H1	84	3.70/5.05	22M	Dana (Spicer)	M220T	2 Speed
H2	84	3.90/5.32	22M	Dana (Spicer)	M220T	2 Speed
H3	84	4.11/5.60	22M	Dana (Spicer)	M220T	2 Speed
JB	80/88	6.17/8.41	22M	Eaton	22221	2 Speed
JF	80/82	4.11	34M	Eaton	34-DSC	1 Speed
JG	80/88	3.90	23M	Eaton	23121	1 Speed
JH	83	6.57/8.94	18.5M	Eaton	17221	2 Speed
	84/88	6.57/8.94	19M	Eaton	17221	2 Speed
JJ	80/81	3.90	38M	Eaton	38DSC	1 Speed
JK	82/86	7.17	22M	Eaton	22121	1 Speed
JQ	83	6.57	18.5M	Eaton	17121	1 Speed
	84/88	6.57	19M	Eaton	17121	1 Speed
JU	83/88	6.50/8.87	34M	Eaton	DT341	2 Speed
KB	80/88	6.50/8.86	22M	Eaton	22221	2 Speed
KF	80/82	7.60	34M	Eaton	34-DSE	1 Speed
KH	83	7.14/9.71	18.5M	Eaton	17221	2 Speed
KK	83/88	5.29	22M	Eaton	22121	1 Speed
KQ	83	7.14	18.5M	Eaton	17121	1 Speed
KU	83/86	7.17/9.77	34M	Eaton	DT341	2 Speed
LB	80/86	7.17/9.77	22M	Eaton	22221	2 Speed
LF	80/82	3.70	34M	Eaton	34-DSC	1 Speed
LG	83	5.29	23M	Eaton	23121	1 Speed
LJ	80/82	3.70	38M	Eaton	38-DSC	1 Speed
LQ	83	4.88	18.5M	Eaton	17121	1 Speed
MB	83/88	4.88/6.65	22M	Eaton	22221	2 Speed
MF	80/82	7.17	34M	Eaton	34-DSE	1 Speed
MG	83	5.86	23M	Eaton	23121	1 Speed
MQ	83	5.29	18.5M	Eaton	17121	1 Speed
NB	83/88	5.29/7.21	22M	Eaton	22221	2 Speed
NC	83	5.83	34M	Eaton	DS341	1 Speed
NX	83	3.90	44M	Eaton	DS440P	1 Speed
	84	3.90	46M	Eaton	DS460P	1 Speed
N1	80/86	5.57/7.75	17.5M	Dana (Spicer)	G175T	2 Speed
N2	80/86	6.17/8.58	17.5M	Dana (Spicer)	G175T	2 Speed
N3	80/86	6.50/9.04	17.5M	Dana (Spicer)	G175T	2 Speed
N4	80/86	7.17/9.97	17.5M	Dana (Spicer)	G175T	2 Speed
N9	83/86	4.89/6.79	17.5M	Dana (Spicer)	G175T	2 Speed
OX	84	4.33	46M	Eaton	DS460P	
PB	88	3.90/5.31	22M	Eaton	22221	2 Speed

1980/  
TRUCK SERIES 600/900

CODE	YEAR	RATIO	CAPACITY	MANUFACTURER		DESCRIPTION
				NAME	MODEL	
REAR AXLE RATIO CODES — Cont'd						
CERTIFICATION LABEL — Cont'd						
PC	89	4.10	46M	Rockwell	RT-40-1608	1 Speed
PE	89	4.30	46M	Rockwell	RT-40-1608	1 Speed
PF	89	4.56	46M	Rockwell	RT-40-1608	1 Speed
PG	89	4.89	46M	Rockwell	RT-40-1608	1 Speed
PH	89	5.38	46M	Rockwell	RT-40-1608	1 Speed
PJ	89	5.63	46M	Rockwell	RT-40-1608	1 Speed
PK	88/89	4.11	22M	Eaton	22121	1 Speed
PM	89	3.42	40M	Rockwell	RT-40-145P	1 Speed
PQ	89	3.58	40M	Rockwell	RT-40-145P	1 Speed
PR	89	3.73	40M	Rockwell	RT-40-145P	1 Speed
PS	89	3.91	40M	Rockwell	RT-40-145P	1 Speed
PV	89	4.10	40M	Rockwell	RT-40-145P	1 Speed
PX	83	4.11	44M	Eaton	DS440P	1 Speed
	84	4.11	46M	Eaton	DS460P	1 Speed
P1	80/83	5.57/7.60	18.5M	Dana (Spicer)	M185T	2 Speed
	84	5.57/7.60	19M	Dana (Spicer)	M190T	2 Speed
P2	80/83	6.14/8.38	18.5M	Dana (Spicer)	M185T	2 Speed
	84	6.14/8.38	19M	Dana (Spicer)	M190T	2 Speed
P3	80/83	6.50/8.86	18.5M	Dana (Spicer)	M185T	2 Speed
	84	6.50/8.86	19M	Dana (Spicer)	M190T	2 Speed
P4	80/83	7.17/9.77	18.5M	Dana (Spicer)	M185T	2 Speed
	84	7.17/9.77	19M	Dana (Spicer)	M190T	2 Speed
P5	89	3.42	46M	Rockwell	RT-40-160P	1 Speed
P6	89	3.58	46M	Rockwell	RT-40-160P	1 Speed
P7	89	3.73	46M	Rockwell	RT-40-160P	1 Speed
P9	83	4.89/6.66	18.5M	Dana (Spicer)	M185T	2 Speed
	84	4.89/6.66	19M	Dana (Spicer)	M190T	2 Speed
	89	3.91	46M	Rockwell	RT-40-160P	1 Speed
QB	89	4.11/5.61	22M	Eaton	22221	2 Speed
QP	88/89	4.56/6.21	23M	Eaton	23221	2 Speed
QX	83	4.33	44M	Eaton	DS440P	1 Speed
	84	4.33	46M	Eaton	DS460P	1 Speed
RC	83/88	6.50	34M	Eaton	DS341	1 Speed
RD	83/86	6.57/9.13	17.5M	Eaton	16244	2 Speed
RE	89	3.91	34M	Rockwell	RT-34-145	1 Speed
RF	89	4.10	34M	Rockwell	RT-34-145	1 Speed
RG	89	4.30	34M	Rockwell	RT-34-145	1 Speed
RH	89	4.56	34M	Rockwell	RT-34-145	1 Speed
RJ	89	4.88	34M	Rockwell	RT-34-145	1 Speed
RK	88/89	4.62	22M	Eaton	22121	1 Speed
RM	89	5.29	34M	Rockwell	RT-34-145	1 Speed
RP	83/89	4.88/6.64	23M	Eaton	23221	2 Speed
RS	89	5.86	34M	Rockwell	RT-34-145	1 Speed
RV	89	6.14	34M	Rockwell	RT-34-145	1 Speed
RW	89	6.43	34M	Rockwell	RT-34-145	1 Speed
RX	83	4.62	44M	Eaton	DS440P	1 Speed
	84	4.62	46M	Eaton	DS460P	1 Speed
R3	89	3.42	34M	Rockwell	RT-34-145	1 Speed
R6	89	3.58	34M	Rockwell	RT-34-145	1 Speed
R7	89	3.73	34M	Rockwell	RT-34-145	1 Speed
RY	89	7.17	34M	Rockwell	RT-34-145	1 Speed
SA	88/	4.63	23M	Rockwell	R170	1 Speed
SB	88	4.62/6.31	22M	Eaton	22221	2 Speed
SC	83/88	7.17	34M	Eaton	DS341	1 Speed
SK	83/89	4.88	22M	Eaton	22121	1 Speed
SL	83/86	6.50	38M	Eaton	DS381	1 Speed
TA	80/83	3.70	40M	Rockwell (Timken)	SQHP	1 Speed



1980/  
TRUCK SERIES 600/900

CODE	YEAR	RATIO	CAPACITY	MANUFACTURER		DESCRIPTION
				NAME	MODEL	
REAR AXLE RATIO CODES — Cont'd						
CERTIFICATION LABEL — Cont'd						
TB	80/83	4.11	40M	Rockwell (Timken)	SQHP	1 Speed
TC	80	4.44	40M	Rockwell (Timken)	SQHP	1 Speed Steel
	87/	4.56	15M	Rockwell	RS-15-120	1 Speed-C,L,N,FB600/800
TD	80/81	4.63	40M	Rockwell (Timken)	SQHP	1 Speed
	87/	4.88	15M	Rockwell	RS-15-120	1 Speed-C,L,N,FB600/800
TE	87/	5.13	15M	Rockwell	RS-15-120	1 Speed-C,L,N,FB600/800
TF	80/81	5.29	40M	Rockwell (Timken)	SQHP	1 Speed
TF	87/	6.14	15M	Rockwell	RS-15-120	1 Speed-C,L,N,FB600/800
TG	87/	7.17	15M	Rockwell	RS-15-120	1 Speed-C,L,N,FB600/800
TJ	88/	4.30	15M	Rockwell	RS-15-120	1 Speed
TL	82/86	7.17	38M	Eaton	DS381	1 Speed
TQ	84	3.73	40M	Rockwell (Timken)	SQHP	1 Speed Steel
TR	84	4.10	40M	Rockwell (Timken)	SQHP	1 Speed Steel
TV	83/86	5.05	38M	Eaton	DP381	1 Speed
T7	88	5.86	15M	Rockwell	RS-15-120	1 Speed
UD	84	4.56	17.5M	Rockwell (Timken)	H173	1 Speed
UE	84	4.88	17.5M	Rockwell (Timken)	H173	1 Speed
UF	84	5.38	17.5M	Rockwell (Timken)	H173	1 Speed
UH	84	5.86	17.5M	Rockwell (Timken)	H173	1 Speed
UJ	84	6.14	17.5M	Rockwell (Timken)	H173	1 Speed
UL	83/86	5.83	38M	Eaton	DS381	1 Speed
UY	83	5.83	46M	Rockwell (Timken)	SSHD	
UX	83	3.70	44M	Eaton	DS440P	1 Speed
U2	83	4.62	17.5M	Rockwell (Timken)	H173	1 Speed
U3	83	5.29	17.5M	Rockwell (Timken)	H173	1 Speed
U5	83	5.83	17.5M	Rockwell (Timken)	H173	1 Speed
U6	83	6.17	17.5M	Rockwell (Timken)	H173	1 Speed
U7	83/86	6.83	17.5M	Rockwell (Timken)	H173	1 Speed
U8	83/86	7.17	17.5M	Rockwell (Timken)	H173	1 Speed
VA	83/	4.88	23M	Rockwell (Timken)	R170	1 Speed
VB	87/	5.38	23M	Rockwell	RS-23-160	1 Speed-steel C,L,N,FB600/800
VC	87/	5.63	23M	Rockwell	RS-23-160	1 Speed-steel C,L,N,FB600/800
VD	87/	6.14	23M	Rockwell	RS-23-160	1 Speed-steel C,L,N,FB600/800
VE	87/	6.83	23M	Rockwell	RS-23-160	1 Speed-steel C,L,N,FB600/800
	84	3.73	40M	Rockwell (Timken)	SQHP	1 Speed Aluminum
VF	84	4.10	40M	Rockwell (Timken)	SQHP	1 Speed Aluminum
	87/	7.17	23M	Rockwell	RS-23-160	1 Speed-steel C,L,N,FB600/800
VH	88/89	3.70/5.05	19M	Eaton	17201	2 Speed
VJ	88/89	4.11/5.61	19M	Eaton	17201	2 Speed
VL	88/89	4.56/6.21	19M	Eaton	17201	2 Speed
VM	84/89	4.88/6.65	19M	Eaton	17201	2 Speed
VN	88/89	5.29/7.21	19M	Eaton	17201	2 Speed
V1	80/83	4.11	40M	Rockwell (Timken)	SQHP	Aluminum
	87/	3.42	23M	Rockwell	RS-23-160	1 Speed-steel C,L,N,FB600/800
V2	87/	3.58	23M	Rockwell	RS-23-160	1 Speed-steel C,L,N,FB600/800
V3	80/83	3.70	40M	Rockwell (Timken)	SQHP	Aluminum
V4	87/	3.73	23M	Rockwell	RS-23-160	1 Speed-steel C,L,N,FB600/800
V5	87/	3.91	23M	Rockwell	RS-23-160	1 Speed-steel C,L,N,FB600/800
V6	87/	4.10	23M	Rockwell	RS-23-160	1 Speed-steel C,L,N,FB600/800
V7	87/	4.30	23M	Rockwell	RS-23-160	1 Speed-steel C,L,N,FB600/800
V7	80	4.44	38M	Rockwell (Timken)	SQHP	Aluminum
V8	87/	4.56	23M	Rockwell	RS-23-160	1 Speed-steel C,CF,L,N,FB600/800
V9	87/	4.89	23M	Rockwell	RS-23-160	1 Speed-steel C,CF,L,N,FB600/800
WA	83	5.83		Rockwell (Timken)	SQ100	1 Speed Steel
	87/	6.50/9.07	17.5M	Rockwell	RS-17-220	2 Speed C,L,N,FB600/800
WB	83	6.17		Rockwell (Timken)	SQ100	1 Speed Steel
	87/	6.83/9.53	17.5M	Rockwell	RS-17-220	2 Speed C,L,N,FB600/800

**1980/  
TRUCK SERIES 600/900**

CODE	YEAR	RATIO	CAPACITY	MANUFACTURER		DESCRIPTION
				NAME	MODEL	
<b>REAR AXLE RATIO CODES — Cont'd</b>						
<b>CERTIFICATION LABEL — Cont'd</b>						
WC	83	6.83	38M	Rockwell (Timken)	SQ100	1 Speed Steel
	87/	7.17/10.0	17.5M	Rockwell	RS-17-220	2 Speed C,L,N,FB600/800
WD	83	7.20		Rockwell (Timken)	SQ100	1 Speed Steel
WF	84	3.73	38M	Rockwell (Timken)	SQ100	1 Speed Steel
WG	84	4.10	38M	Rockwell (Timken)	SQ100	1 Speed Steel
WH	84	5.86	38M	Rockwell (Timken)	SQ100	1 Speed Steel
WK	83	3.70	34M	Rockwell (Timken)	SL100	1 Speed
WL	83/89	3.90	34M	Rockwell (Timken)	SL100	1 Speed
WM	83	4.11	34M	Rockwell (Timken)	SL100	1 Speed
	88/	5.86/8.17	17.5M	Rockwell	RS-17-220	2 Speed
WN	83/89	4.33	34M	Rockwell (Timken)	SL100	1 Speed
WQ	83/89	4.63	34M	Rockwell (Timken)	SL100	1 Speed
WR	83/89	4.88	34M	Rockwell (Timken)	SL100	1 Speed
WS	83/89	5.29	34M	Rockwell (Timken)	SL100	1 Speed
WT	83	5.83	34M	Rockwell (Timken)	SL100	1 Speed
WU	83	6.17	34M	Rockwell (Timken)	SL100	1 Speed
WV	83/89	6.83	34M	Rockwell (Timken)	SL100	1 Speed
WW	83	7.20	34M	Rockwell (Timken)	SL100	1 Speed
W1	88/	4.30/6.00	17.5M	Rockwell	RS-17-220	2 Speed
W2	83	3.70		Rockwell (Timken)	SQ100	1 Speed Steel
W3	83/86	3.90	38M	Rockwell (Timken)	SQ100	1 Speed Steel
	88/	6.14/8.57	17.5M	Rockwell	RS-17-220	2 Speed
W4	83	4.11		Rockwell (Timken)	SQ100	1 Speed Steel
W5	83/86	4.33	38M	Rockwell (Timken)	SQ100	1 Speed Steel
	87	3.91/5.45	17.5M	Rockwell	RS-17-220	2 Speed C,L,N,FB600/800
W6	87	4.10/5.72	17.5M	Rockwell	RS-17-220	2 Speed C,L,N,FB600/800
W7	83/86	4.63	38M	Rockwell (Timken)	SQ100	1 Speed Steel
	87/	4.56/6.36	17.5M	Rockwell	RS-17-220	2 Speed C,CF,L,N,FB600/800
W8	83/86	4.88	38M	Rockwell (Timken)	SQ100	1 Speed Steel
	87/	4.88/6.80	17.5M	Rockwell	RS-17-220	2 Speed C,L,N,FB600/800
W9	83/86	5.29	38M	Rockwell (Timken)	SQ100	1 Speed Steel
	87/	5.38/7.58	17.5M	Rockwell	RS-17-220	2 Speed C,L,N,FB600/800
XB	80	5.78	44M	Rockwell (Timken)	SRDD	Top Drive
XK	80/82	5.96	58M	Rockwell (Timken)	SUDD	Top Drive
XP	84	3.73	38M	Rockwell (Timken)	SQ100	1 Speed Aluminum
XQ	84	4.10	38M	Rockwell (Timken)	SQ100	1 Speed Aluminum
XS	80/82	5.76	65M	Rockwell (Timken)	SFDD	Top Drive
XT	80/82	8.08	65M	Rockwell (Timken)	SFDD	Top Drive
X1	83	3.70		Rockwell (Timken)	SQ100	1 Speed Aluminum
X1	87/	4.10/5.59	23M	Rockwell	RS-23-240	2 Speed C,L,N,FB600/800
X2	87/	4.30/5.86	23M	Rockwell	RS-23-240	2 Speed C,L,N,FB600/800
X3	87/	4.56/6.22	23M	Rockwell	RS-23-240	2 Speed C,CF,L,N,FB600/800
X3	83	4.11		Rockwell (Timken)	SQ100	1 Speed Aluminum
X4	87/	4.88/6.65	23M	Rockwell	RS-23-240	2 Speed C,CF,L,N,FB600/800
X5	87/	5.38/7.33	23M	Rockwell	RS-23-240	2 Speed C,L,N,FB600/800
X6	87/	5.57/7.60	23M	Rockwell	RS-23-240	2 Speed C,L,N,FB600/800
X7	87/	6.14/8.38	23M	Rockwell	RS-23-240	2 Speed C,L,N,FB600/800
X8	87/	6.50/8.86	23M	Rockwell	RS-23-240	2 Speed C,L,N,FB600/800
X9	87/	7.17/9.77	23M	Rockwell	RS-23-240	2 Speed C,L,N,FB600/800
YB	87/	6.14	40M	Rockwell	SQ100P	1 Speed-steel
YM	87/	4.63	40M	Rockwell	SQ100P	1 Speed-steel
YN	84	5.29/7.21	19M	Eaton	17201	2 Speed
	87/	5.86	40M	Rockwell	SW100P	1 Speed-steel
YQ	87/	3.73	40M	Rockwell	SQ100P	1 Speed-steel
YR	87/	3.55	40M	Rockwell	SQ100P	1 Speed-steel
YS	87/	4.33	40M	Rockwell	SQ100P	1 Speed-steel
YT	87/	4.88	40M	Rockwell	SQ100P	1 Speed-steel
YU	87/	3.90	40M	Rockwell	SQ100P	1 Speed-steel

1980/  
TRUCK SERIES 600/900

CODE	YEAR	RATIO	CAPACITY	MANUFACTURER		DESCRIPTION
				NAME	MODEL	
REAR AXLE RATIO CODES — Cont'd						
CERTIFICATION LABEL — Cont'd						
YV	87/	4.10	40M	Rockwell	SQ100P	1 Speed-steel
YW	87/	5.29	40M	Rockwell	SQ100P	1 Speed-steel
ZY	84	4.30	46M	Rockwell (Timken)	SSHD	40M
1A	80/89	4.11	23M	Rockwell (Timken)	R-170	1 Speed Steel
1C	80/	4.11	34M	Eaton	DS340,DS341	1 Speed
1G	87/	3.42	23M	Rockwell	RS-23-160	1 Speed C,L,N,FB700/800
1H	87/	3.58	23M	Rockwell	RS-23-160	1 Speed C,L,N,FB700/800
1J	87/	3.73	23M	Rockwell	RS-23-160	1 Speed C,L,N,FB700/800
1K	87/	3.91	23M	Rockwell	RS-23-160	1 Speed C,L,N,FB700/800
1L	80/86	4.11	38M	Eaton	DS380,DS381	1 Speed
1M	87/	4.10	23M	Rockwell	RS-23-160	1 Speed C,L,N,FB700/800
1M	80/81	4.11	44M	Eaton	44DS	
1T	80/88	4.11	23M	Rockwell (Timken)	R-170	Aluminum
1U	80/82	4.11	40M	Rockwell (Timken)	SQHP	
1V	83/86	5.61	38M	Eaton	DP381	1 Speed
1X	80/83	5.31	44M	Eaton	DP440P	
	84	5.31	46M	Eaton	DP460P	
1Y	80/83	4.11	44M	Rockwell (Timken)	SSHD	
2A	80/88	4.33	23M	Rockwell (Timken)	R-170	1 Speed Steel
2C	80/88	4.33	34M	Eaton	DS340,DS341	1 Speed
2E	87/	3.91	21M	Rockwell	RS-20-145	1 Speed-C,L,N,FB700/800
2F	87/	4.10	21M	Rockwell	RS-20-145	1 Speed-C,L,N,FB700/800
2G	87/	4.56	21M	Rockwell	RS-20-145	1 Speed-C,CF,L,N,FB700/800
2H	87/	4.88	21M	Rockwell	RS-20-145	1 Speed-C,CF,L,N,FB700/800
2J	87/	5.29	21M	Rockwell	RS-20-145	1 Speed-C,L,N,FB700/800
2K	87/	5.86	21M	Rockwell	RS-20-145	1 Speed-C,L,N,FB700/800
2L	80/86	4.33	38M	Eaton	DS380,DS381	1 Speed
2M	80/81	4.33	44M	Eaton	44DS	
	87/	6.43	21M	Rockwell	RS-20-145	1 Speed C,L,N,FB700/800
2N	87/	6.83	21M	Rockwell	RS-20-145	1 Speed C,L,N,FB700/800
2P	87/	7.17	21M	Rockwell	RS-20-145	1 Speed C,L,N,FB700/800
2T	80/	4.33	23M	Rockwell (Timken)	R-170	Aluminum
2X	80/83	5.90	44M	Eaton	DP440P	
	84	5.90	46M	Eaton	DP460P	
2Y	80/83	4.33	44M	Rockwell (Timken)	SSHD	
	84	4.30	46M	Rockwell (Timken)	SSHD	
3A	80/	5.29	23M	Rockwell (Timken)	R-170	1 Speed
3B	86	4.88/6.80	17.5M	Rockwell	H601	2 Speed
3C	80/88	3.70	34M	Eaton	DS340,DS341	1 Speed
3D	89	5.86/8.17	21M	Rockwell	RS-21-230	2 Speed
3L	80/86	3.70	38M	Eaton	DS380,DS381	1 Speed
3E	87/	3.91/5.45	21M	Rockwell	RS-20-230	2 Speed C,L,N,FB700/800
3F	87/	4.10/5.72	21M	Rockwell	RS-20-230	2 Speed C,L,N,FB700/800
3G	87/	4.56/6.36	21M	Rockwell	RS-20-230	2 Speed C,CF,L,N,FB700/800
3H	87/	4.88/6.80	21M	Rockwell	RS-21-230	2 Speed C,CF,L,N,FB700/800
3J	87/	5.38/7.50	21M	Rockwell	RS-20-230	2 Speed C,L,N,FB700/800
3K	87/	6.50/9.07	21M	Rockwell	RS-20-230	2 Speed C,L,N,FB700/800
3M	80/81	3.70	44M	Eaton	44DS	
	87/	6.83/9.53	21M	Rockwell	RS-20-230	2 Speed C,L,N,FB700/800
3N	87/	7.17/10.0	21M	Rockwell	RS-20-230	2 Speed C,L,N,FB700/800
3S	87/88	5.86/8.17	20M	Rockwell	RS-20-230	2 Speed CF600/800
3T	80/88	3.70	23M	Rockwell (Timken)	R-170	Aluminum
3U	80/82	3.70	40M	Rockwell (Timken)	SQHP	
3X	80/83	7.20	44M	Eaton	DP440P	
	84	7.20	46M	Eaton	DP460P	
3Y	81	3.70	44M	Rockwell (Timken)	SSHD	
4A	80/89	6.14	23M	Rockwell (Timken)	R-170	1 Speed
4C	83/88	3.90	34M	Eaton	DS341	1 Speed

**1980/  
TRUCK SERIES 600/900**

CODE	YEAR	RATIO	CAPACITY	MANUFACTURER		DESCRIPTION
				NAME	MODEL	
<b>REAR AXLE RATIO CODES — Cont'd</b>						
<b>CERTIFICATION LABEL — Cont'd</b>						
4G	86	4.88/6.80	19M	Rockwell	P601	2 Speed
4J	89	3.91	40M	Rockwell	RT-40-145	1 Speed
4K	89	4.10	40M	Rockwell	RT-40-145	1 Speed
4L	83/86	3.90	38M	Eaton	DS381	1 Speed
	89	4.30	40M	Rockwell	RT-40-145	1 Speed
4N	89	4.88	40M	Rockwell	RT-40-145	1 Speed
4Q	89	5.29	40M	Rockwell	RT-40-145	1 Speed
4V	89	5.86	40M	Rockwell	RT-40-145	1 Speed
4W	89	6.14	40M	Rockwell	RT-40-145	1 Speed
4Y	80/83	5.29	44M	Rockwell (Timken)	SSHD	
5A	80/	6.83	23M	Rockwell (Timken)	R-170	1 Speed
5C	83/88	4.56	34M	Eaton	DS341	1 Speed
5L	83/86	4.56	38M	Eaton	DS381	1 Speed
	89	6.43	40M	Rockwell	RT-40-145	1 Speed
5U	88/	4.30	17.5M	Rockwell	RS-17-140	1 Speed
5V	89	7.17	40M	Rockwell	RT-40-145	1 Speed
5Y	80/83	4.63	44M	Rockwell (Timken)	SSHD	
6A	80/86	7.40	23M	Rockwell (Timken)	R-170	1 Speed
6B	89	3.73	40M	Rockwell	RT-40-1458	1 Speed
6C	83/88	4.88	34M	Eaton	DS341	1 Speed
6D	89	3.91	40M	Rockwell	RT-40-1458	1 Speed
6E	89	4.10	40M	Rockwell	RT-40-1458	1 Speed
6H	89	4.30	40M	Rockwell	RT-40-1458	1 Speed
6J	89	4.56	40M	Rockwell	RT-40-1458	1 Speed
6K	89	4.88	40M	Rockwell	RT-40-1458	1 Speed
6L	83/86	4.88	38M	Eaton	DS381	1 Speed
	89	5.29	40M	Rockwell	RT-40-1458	1 Speed
6M	89	5.86	40M	Rockwell	RT-40-1458	1 Speed
6N	89	6.14	40M	Rockwell	RT-40-1458	1 Speed
6R	89	6.43	40M	Rockwell	RT-40-1458	1 Speed
6S	89	7.17	40M	Rockwell	RT-40-1458	1 Speed
6Y	80/83	3.90	44M	Rockwell (Timken)	SSHD	
7A	80/89	5.86	23M	Rockwell (Timken)	R-170	1 Speed
	89	4.30	46M	Rockwell	RT-46-160	1 Speed
7D	89	4.56	46M	Rockwell	RT-46-160	1 Speed
7E	89	4.89	46M	Rockwell	RT-46-160	1 Speed
7F	89	5.38	46M	Rockwell	RT-46-160	1 Speed
7H	89	5.63	46M	Rockwell	RT-46-160	1 Speed
7C	83/88	5.29	34M	Eaton	DS341	1 Speed
7J	84/89	3.91	46M	Rockwell (Timken)	SSHD	
7K	84/89	4.10	46M	Rockwell (Timken)	SSHD	
7L	83/86	5.29	38M	Eaton	DS381	1 Speed
7M	84/89	4.30	46M	Rockwell (Timken)	SSHD	
7Q	84/89	4.56	46M	Rockwell (Timken)	SSHD	
7R	89	4.89	46M	Rockwell	SSHD	
7S	84/	5.38	46M	Rockwell (Timken)	SSHD	
7U	80/82	4.44	40M	Rockwell (Timken)	SQHP	
7W	84/89	6.14	46M	Rockwell (Timken)	SSHD	
7Y	80/83	5.57	44M	Rockwell (Timken)	SSHD	
	84/89	5.57	46M	Rockwell (Timken)	SSHD	
8A	80/89	3.70	23M	Rockwell (Timken)	R-170	1 Speed Steel
8B	87	5.29	40M	Eaton	DS402	1 Speed-C,L,N,FB600/900
8C	83/88	5.57	34M	Eaton	DS341	1 Speed
8D	87	5.57	40M	Eaton	DS402	1 Speed-C,L,N,FB600/900
8E	87	5.83	40M	Eaton	DS402	1 Speed-C,L,N,FB600/900
8F	87/89	3.73	40M	Rockwell	SQ100P	1 Speed-alum. CL900
8G	87	6.14	40M	Eaton	DS402	1 Speed-C,L,N,FB600/900
8H	87	6.50	40M	Eaton	DS402	1 Speed-C,L,N,FB600/900

**1980/  
TRUCK SERIES 600/900**

CODE	YEAR	RATIO	CAPACITY	MANUFACTURER		DESCRIPTION
				NAME	MODEL	
<b>REAR AXLE RATIO CODES — Cont'd</b>						
<b>CERTIFICATION LABEL — Cont'd</b>						
8J	87/	4.10	40M	Rockwell	SW100P	1 Speed-alum. CL900
8K	87	7.17	40M	Eaton	DS402	1 Speed C,L,N,FB600/900
8L	83/88	5.57	38M	Eaton	DS381	1 Speed
8Y	80/81	4.88	44M	Rockwell (Timken)	SSHD	
9A	80/	3.90	23M	Rockwell (Timken)	R-170	1 Speed Steel
9C	83/88	6.14	34M	Eaton	DS341	1 Speed
9J	87/	3.42	23M	Rockwell	RS-23-180	1 Speed-steel C,L,N,FB600/800
9K	87/	3.58	23M	Rockwell	RS-23-180	1 Speed-steel C,L,N,FB600/800
9L	83/88	6.14	38M	Eaton	DS381	1 Speed
9M	87/	3.73	23M	Rockwell	RS-23-180	1 Speed-steel C,L,N,FB600/800
9N	87/	3.91	23M	Rockwell	RS-23-180	1 Speed-steel C,L,N,FB600/800
9P	87/	4.10	23M	Rockwell	RS-23-180	1 Speed-steel C,L,N,FB600/800
9Q	87/	4.30	23M	Rockwell	RS-23-180	1 Speed-steel C,L,N,FB600/800
9R	87/	4.56	23M	Rockwell	RS-23-180	1 Speed-steel C,L,N,FB600/800
9S	87/	4.89	23M	Rockwell	RS-23-180	1 Speed-steel C,L,N,FB600/800
9U	87/	5.38	23M	Rockwell	RS-23-180	1 Speed-steel C,L,N,FB600/800
9W	87/	5.63	23M	Rockwell	RS-23-180	1 Speed-steel C,L,N,FB600/800
9X	87/	6.14	23M	Rockwell	RS-23-180	1 Speed-steel C,L,N,FB600/800
9Y	83	6.17	46M	Rockwell (Timken)	SSHD	
29	86	4.88	19M	Rockwell	P-174	1 Speed
	88/	4.30	21M	Rockwell	RS-21-145	1 Speed
39	88/	4.30/6.00	21M	Rockwell	RS-21-230	2 Speed
41	80/86	5.83	13M	Rockwell (Timken)	D-140	
	89	3.42	40M	Rockwell	RT-40-145	1 Speed
42	80/86	6.20	13M	Rockwell (Timken)	D-140	
	89	3.58	40M	Rockwell	RT-40-145	1 Speed
43	80/86	5.29	13M	Rockwell (Timken)	D-140	
	89	3.73	40M	Rockwell	RT-40-145	1 Speed
44	80/86	6.80	13M	Rockwell (Timken)	D-140	
51	80/82	5.29	17.5M	Rockwell (Timken)	H-172	1 Speed
	87	3.91	17.5M	Rockwell	RS-17-140	1 Speed C,L,N,FB600/800
52	80/82	5.83	17.5M	Rockwell (Timken)	H-172	1 Speed
	87	4.10	17.5M	Rockwell	RS-17-140	1 Speed C,L,N,FB600/800
53	80/82	6.17	17.5M	Rockwell (Timken)	H-172	1 Speed
	87/	4.56	17.5M	Rockwell	RS-17-140	1 Speed C,CF,L,N,FB600/800
54	80/82	6.83	17.5M	Rockwell (Timken)	H-172	1 Speed
	87/	4.88	17.5M	Rockwell	RS-17-140	1 Speed C,CF,L,N,FB600/800
55	80/82	7.17	17.5M	Rockwell (Timken)	H-172	1 Speed
	87/	5.29	17.5M	Rockwell	RS-17-140	1 Speed C,L,N,FB600/800
56	87/	5.86	17.5M	Rockwell	RS-17-140	1 Speed C,L,N,FB600/800
57	87/	6.43	17.5M	Rockwell	RS-17-140	1 Speed C,L,N,FB600/800
58	87/	6.83	17.5M	Rockwell	RS-17-140	1 Speed C,L,N,FB600/800
59	87/	7.17	17.5M	Rockwell	RS-17-140	1 Speed C,L,N,FB600/800
61	80/86	6.14	15M	Rockwell (Timken)	F-106	1 Speed 700/900
	80/81	5.29	15M	Rockwell (Timken)	F-106	1 Speed F/B600
61	88/	4.56	40M	Rockwell	RT-40-145	1 Speed-CF
62	81	5.83	15M	Rockwell (Timken)	F-106	F/B600
63	80/86	6.83	15M	Rockwell (Timken)	F-106	1 Speed 700/900
	80/81	6.14	15M	Rockwell (Timken)	F-106	1 Speed F/B600
65	80/86	7.17	15M	Rockwell (Timken)	F-106	1 Speed 700/900
	80/81	6.83	15M	Rockwell (Timken)	F-106	1 Speed F/B600
66	80	7.20	15M	Rockwell (Timken)	F-106	
67	81/86	5.29	15M	Rockwell (Timken)	F-106	1 Speed 700/900
	80/82	7.17	15M	Rockwell (Timken)	F-106	1 Speed F/B600
68	81/86	5.83	15M	Rockwell (Timken)	F-106	1 Speed 700/900
	89	3.42	40M	Rockwell	RT-40-145p	1 Speed
69	89	3.58	40M	Rockwell	RT-40-145p	1 Speed
71	84	6.14	38M	Rockwell (Timken)	SQ100	1 Speed Steel

1980/  
TRUCK SERIES 600/900

CODE	YEAR	RATIO	CAPACITY	MANUFACTURER		DESCRIPTION
				NAME	MODEL	
REAR AXLE RATIO CODES — Cont'd						
CERTIFICATION LABEL — Cont'd						
72	84	7.17	38M	Rockwell (Timken)	SQ100	1 Speed Steel
	89	3.42	46M	Rockwell	RT-46-160	1 Speed
73	89	3.58	46M	Rockwell	RT-46-160	1 Speed
75	89	3.73	46M	Rockwell	RT-46-160	1 Speed
76	89	3.91	46M	Rockwell	RT-46-160	1 Speed
79	89	4.10	46M	Rockwell	RT-46-160	1 Speed
81	87	3.70	40M	Eaton	DS402	1 Speed C,L,N,FB600/900
82	87	3.90	40M	Eaton	DS402	1 Speed C,L,N,FB600/900
83	87	4.11	40M	Eaton	DS402	1 Speed C,L,N,FB600/900
86	87	4.33	40M	Eaton	DS402	1 Speed C,L,N,FB600/900
87	87	4.56	40M	Eaton	DS402	1 Speed C,L,N,FB600/900
89	87	4.88	40M	Eaton	DS402	1 Speed C,L,N,FB600/900
91	84/	3.73	34M	Rockwell	SL100	1 Speed C,L,N,FB600/800
92	84/	4.10	34M	Rockwell	SL100	1 Speed C,L,N,FB600/800
93	84/	5.86	34M	Rockwell	SL100	1 Speed C,L,N,FB600/800
94	84/	6.14	34M	Rockwell	SL100	1 Speed C,L,N,FB600/800
95	84	7.17	34M	Rockwell (Timken)	SL100	1 Speed
95	87/	7.17	34M	Rockwell	SL100	1 Speed C,L,N,FB600/800
96	87	5.05	40M	Eaton	DP402	1 Speed C,L,N,FB600/800
97	87	5.61	40M	Eaton	DP402	1 Speed C,L,N,FB600/800

CERTIFICATION LABEL — Cont'd

FRONT AXLE CODES

GVWR:  
VEHICLE IDENTIFICATION NUMBER T80AVGA

THE THIRD DIGIT OF THE AXLE CODE IDENTIFIES THE RATIO AND/OR CAPACITY OF THE FRONT AXLE.

THE FOLLOWING CHART LISTS THESE CODES AND THE CORRESPONDING RATIO AND/OR CAPACITY AS WELL AS THE MANUFACTURER NAME AND MODEL NUMBER.

EXTERIOR PAINT COLOR: 2K			
WB 150	TYPE GVWR T811	BODY BB8	TRANS C(A)

FOR FURTHER FRONT AXLE IDENTIFICATION REFER TO SECTION 30 IN THIS CATALOG.

CERTIFICATION LABEL SHOWN

CODE	YEAR	RATIO (4/W/D ONLY)	CAPACITY	MANUFACTURER		DESCRIPTION
				NAME	MODEL	
CERTIFICATION LABEL — Cont'd						
A	80			Ford		W/o power steering
C	84		12M	Ford		W/power steering-steel
D	80/81		7M	Ford		W/o power steering
	80/83		12M			Aluminum front axle w/manual steering
E	80/		12M			Aluminum front axle w/power steering
F	80/		12M			Aluminum front axle w/steer-ease
G	84		12M	Ford		W/power steering
H	82/		12M	Rockwell (Timken)		W/Steer-Ease
I	84		12M	Ford		W/power steering
J	80		5M	Ford		W/power steering
K	80/83		5.5M	Ford		W/power steering
L	81/82		7.5M	Ford		W/power steering
M	80/		7M	Ford		W/power steering
N	80/		9M	Ford		W/power steering
O	83/		9.5M	Ford		W/power steering
P	80/		12M	Rockwell (Timken)	FF-903	W/power steering
R	87/88		13M			W/power steering

# 1980/ TRUCK SERIES 600/900

CODE	YEAR	RATIO (4/W/D ONLY)	CAPACITY	MANUFACTURER		DESCRIPTION
				NAME	MODEL	
<b>CERTIFICATION LABEL — Cont'd</b>						
S	80/		16M	Rockwell (Timken)	FH-901	W/power steering
T	80/		18M	Rockwell (Timken)	FL-901	W/power steering
U	80/		20M	Rockwell (Timken)	FL-901	W/power steering
V	82/		6M			W/power steering
W	82/		8M	Ford		W/power steering
X	84		12M	Ford		W/o power steering
Z	84		12M	Ford		W/o power steering
2	80/83		5.5M	Ford		W/o power steering
3	80/83		13.1M	Ford		W/power steering
	81/82		7.5M	Ford		W/o power steering
	84		12M	Ford		W/o power steering-steel
4	80/		7M	Ford		W/o power steering
	80/83		12M	Ford		W/o power steering
5	80/		9M	Ford		W/o power steering
	80/83		12M	Ford		W/power steering
6	80		12M	Ford		W/Steer-Ease
	80		4.7M	Ford		W/o power steering
	82/83		12M			W/Steer-Ease
	83/		9.5,10M	Ford		W/o power steering
7	80/83		12M	Rockwell (Timken)		W/o center point steering
8	82/		6M	Ford		W/o power steering
9	82/		8M	Ford		W/o power steering
8B	87	4.29	40M	Eaton	DS402	1 Speed C,L,N,FB600/900

## CERTIFICATION LABEL — Cont'd

### DISTRICT CODES

THE CODE SHOWN ABOVE OR BELOW "D.S.O." IDENTIFIES THE DISTRICT WHICH ORDERED THE UNIT.

IDENTIFICATION NUMBER T80AVGA5000

THE FOLLOWING CHART LISTS THESE CODES AND THE DISTRICT WHICH THEY REPRESENT.

COLORS 2K	DSO (48)
TYPE-GVV T811	BODY BB8
TRANS CCA	AXLE CGM

CERTIFICATION LABEL SHOWN

FOR AN EXPLANATION OF THE D.S.O. PORTION OF THE NUMBER REFER TO PAGE 14.


CERTIFICATION LABEL SHOWN

CODE	DISTRICT	CODE	DISTRICT	CODE	DISTRICT
11	Boston	46	Indianapolis	85	American Red Cross
12	Buffalo	47	Cincinnati	87	Body Company
13	New York	48	Detroit	89	Transportation Service
14	Pittsburgh	52	Dallas	90/99	Export
15	Newark	53	Kansas City	FORD of CANADA	
16	Philadelphia	54	Omaha	A1	Central (Lincoln-Mercury)
17	Washington	55	St. Louis	A2	Eastern (Lincoln-Mercury)
21	Atlanta	56	Davenport	A4	Midwestern
22	Charlotte	57	Houston	A3	Atlantic (Lincoln-Mercury)
23	Memphis	58	Twin Cities		(Lincoln-Mercury)
24	Jacksonville	71	Los Angeles	A6	Western (Lincoln-Mercury)
25	Richmond	72	San Jose	A7	Pacific (Lincoln-Mercury)
26	New Orleans	73	Salt Lake City		
28	Louisville	74	Seattle		
41	Chicago	75	Phoenix		
42	Cleveland	76	Denver		
43	Milwaukee	83	Government		
45	Lansing	84	Home Office Reserve		





FORD MOTOR COMPANY TRUCK SPECIFICATION LIST  
1980/81

 Mfg. Eng. May 77 AAD7125-KTP (Printed in U.S.A.)

To Be Used With Ford Truck Parts Catalog

1 - COMPANY MASTER COPY

Series	Wheelbase	DSO Reference No	Serial No.
<b>BRAKE SYSTEM</b>		<b>ELECTRICAL</b>	
Brake Assy Front - RH (1)	DSO 1	Alternator (15)	DSO 15
Brake Assy Front - LH (2)	DSO 2	Wiring (Dash to Eng) (16)	DSO 16
Brake Assy -RR-RH-Sgl Axle or Fwd RR Tand (3)	DSO 3	Wiring (Cow) (17)	DSO 17
Brake Assy -RR-RH-RR-RR Tand Only (4)	DSO 4	<b>SUSPENSION</b>	
Brake Assy -RR-LH-Sgl Axle or Fwd RR Tand (5)	DSO 5	Front Spring (18)	DSO 18
Brake Assy -RR-LH-RR-RR Tand Only (6)	DSO 6	Rear Spring (19)	DSO 19
Brake Chamber Assy - Front (7)	DSO 7	Tandem Susp Assy - RH (20)	DSO 20
Brake Chamber Assy - Rear - Rear of Single Axle or Rear of RR-RR Tand a/ (8)	DSO 8	Tandem Susp Assy - LH (21)	DSO 21
Brake Chamber Assy - Rear - Frt of Single Axle or Frt of RR-RR Tand a/ (9)	DSO 9	<b>FRONT AXLE &amp; STEERING</b>	
Brake Chamber Assy - Rear - Rear of Fwd Rear Tandem a/ (10)	DSO 10	Front Axle Assy (22)	DSO 22
Brake Chamber Assy - Rear - Frt of Fwd Rear Tandem a/ (11)	DSO 11	Tie Rod (23)	DSO 23
Brake Booster Assy (12)	DSO 12	Steering Gear (24)	DSO 24
(13)	DSO 13	Power Steering Pump (25)	DSO 25
(14)	DSO 14	<b>SPEEDOMETER - GEARS</b>	
		Speedometer Gear - Driving (26)	DSO 26
		Speedometer Gear - Driven (27)	DSO 27
a/ If Different from Opposite Tandem Axle			
		Engine (28)	DSO 28
		Main Transmission Assy (29)	DSO 29
		Main Trans Gear Shift Tower (30)	DSO 30
		Auxiliary Transmission (31)	DSO 31
		Aux Trans Gear Shift Assy (32)	DSO 32
		4606 Shaft (Main Trans to Aux) (33)	DSO 33
		4817 Coupling Shaft (34)	DSO 34
		4810 Intermediate Shaft (35)	DSO 35
		4602 Drive Shaft (36)	DSO 36
		4964 Inter-Axle-Drive Shaft (37)	DSO 37
		Rear Axle Assy - Sgl Axle or RR-RR Tand Only (38)	DSO 38
		Rear Axle Assy - Fwd RR Tand Only (39)	DSO 39
		(40)	DSO 40

<b>WHEELS - HUBS - DRUMS</b>	
Hub or Spider & Drum Frt - RH (41)	DSO 41
Hub or Spider & Drum Frt - LH (42)	DSO 42
Spider & Drum Rear A/A or RH Disc Hub (Single Axle or RR-RR Tandem) (43)	DSO 43
Disc Hub Rear - LH Only (Single Axle or RR - RR Tandem) (44)	DSO 44
Hub or Spider & Drum Fwd Rear RH if Diff. from RR - RR Tandem (45)	DSO 45
Hub or Spider & Drum Fwd Rear LH if Diff. from RR - RR Tandem (46)	DSO 46
Wheels or Rims A/A or Frt if Mixed (47)	DSO 47
Wheels or Rims Rear Only if Mixed (48)	DSO 48
(49)	DSO 49
(50)	DSO 50

Additional Copies Available \$1.00 Each  
Ford Parts & Service Division  
Special Order Section  
P.O. Box 3020  
Livonia, Michigan 48151  
Vehicles Sold in Canada  
Ford Motor Co. of Canada Ltd  
P & A Div. Specifications Dept.  
8000 Dixie Road  
Bramalea, Ontario  
Identify the Vehicle by Serial Number Shown Above

The following information can be decoded from data contained in the General Information Section of the Truck Parts Catalog - Seek assistance from your Order Processing Distribution Center.

A	1	2	3	4	5	6	7	8	9	10	11	12	13	14	15	16	17	18	19	20	21	22	23	24	25	26	27	28	29	30	31	GW	A
B	1	2	3	4	5	6	7	8	9	10	11	12	13	14	15	16	17	18	19	20	21	22	23							B			
C	1	2	3	4	5	6	7	8	9	10	11	12	13	14	15	16	17	18	19	20	21	22	23	24	25	26	27	28	29	30	31	C	
D	1	2	3	4	5	6	7	8	9	10	11	12	13	14	15	16	17	18	19	20	21	22	23	24	25	26	27	28	29	30	31	D	
E	1	2	3	4	5	6	7	8	9	10	11	12	13	14	15	16	17	18	19	20	21	22	23	24	25	26	27	28	29	30	31	E	

Tires - Paint - DSO

**BROADCAST SHEETS**      **ADDITIONAL COPIES**

For model years 1970 through 1978, order from the "Ford Parts and Service Division, Special Order Section P.O. Box 3020 Livonia, Mich. 48151". (Cost per Broadcast Sheet \$2.00 each)

**TRUCK SPECIFICATIONS LIST**

For model years 1978/, order from the "Ford Parts and Service Division, Special Order Section P.O. Box 3020 Livonia, Mich. 48151". (Cost per T.S.L. \$3.00 each)

## 1980/ TRUCK SERIES 600/900

### MASTER CROSS REFERENCE GUIDE FOR THE TRUCK SPECIFICATION LIST (T.S.L.) SERIES 600/900

A revised T.S.L. for Louisville-built trucks was put into use on May 1, 1972 and was of the type shown on page 52. T.S.L.'s are reduced to a decal and located as follows:

B Series and F cowl models - taped in glove box, to be applied after unit is completed at body company.

C-CT Series - bottom of passenger door.

CL-CLT Series - wrap around gear shift lever with incomplete vehicle manual.

F Series (except cowl) and L-LN-LNT-LT-LTS Series - between back glass and door facing on passenger side of cab.

Use the listing below to determine service part numbers or parts lists for the numbers shown on the upper part of the T.S.L.

Use the information on page 45 to decode the information shown in the lower part of the T.S.L.

NOTE: Check the catalog even though the D.S.O. box is checked on the upper part of the T.S.L. Many parts and assemblies used on these vehicles may be standard or optional on other vehicles. If not listed in the catalog, order the part on a Special Order basis through the dealer's Order Processing Distribution Center.

#### T.S.L. UPPER SECTION

ITEM	DESCRIPTION	BASIC NUMBER	CATALOG SECTION	CATALOG PAGE	GROUP NUMBER
● If T.S.L. indicates "See Front Axle", look up the front axle assy. number in the catalog section shown.					
1	Brake assy.-front-R.H.	2010,●3004,●3005	20.1	1	
2	Brake assy.-front-L.H.	2011,●3004,●3005	20.1	1	
3	Brake assy.-RR-R.H.-single axle or forward rear tandem	2209	22.1	1	
4	Brake assy.-RR-R.H.-rear rear tandem only	2209	22.1	1	
5	Brake assy.-RR-L.H.-single axle or forward rear tandem	2210	22.1	1	
6	Brake assy.-RR-L.H.-rear rear tandem only	2210	22.1	1	
7	Brake chamber assy.-front	2025,●3004	20		2025
8	Brake chamber assy.-rear (See T.S.L. sample)	2025,2225	22		2225
9	Brake chamber assy.-rear (See T.S.L. sample)	2025,2225	22		2225
10	Brake chamber assy.-rear (See T.S.L. sample)	2025,2225	22		2225
11	Brake chamber assy.-rear (See T.S.L. sample)	2025,2225	22		2225
12	Brake booster assy.	2005	23.1	1	
15	Alternator	10346	103		10346
16	Wiring (dash to engine)	14398	140		14398
17	Wiring (cowl)	14401	144		14401
18	Front spring	5310	53		5310
19	Rear spring - single axle - tandem axle	5560 (Refer to items 20 and 21)	55		5560 5888
20	Tandem suspension assy.-R.H.	5A547,5888	55		5888
21	Tandem suspension assy.-L.H.	5A547,5890	55		5888
22	Front axle assy.	3004,3005,3010	30	1	
23	Tie rod	●3004-5,3280	32		3280
24	Steering gear	3503,3N503,3504,3E528	35.1	1	
25	Power steering pump	3K514,3606,3D639,3A674, 3A691,3A696	36.1	1	
26	Speedometer gear-driving	17285	172	1	
27	Speedometer gear-driven	17322	172	1	
28	Engine	6007	60	1	
29	Main transmission assy.	7000,7003,7004	70	5	
30	Main transmission gearshift tower	7B101,7B124,7201,7210	72.1	1	
31	Auxiliary transmission	7A218,77900,4446543	70	3	
32	Auxiliary transmission gearshift assy.	7D088	72.1	1	
33	4606 Shaft (main transmission to auxiliary transmission)	4605,4606	46.1	5	
34	4817 Coupling shaft	4817	46.1	5	
35	4810 Intermediate shaft	4810	46.1	5	
36	4602 Driveshaft	4602	46.1	5	
37	4964 Inter-axle driveshaft	4964	46.1	5	
38	Rear axle assy.-single axle or rear rear tandem only	4004,4005,4006,4A297	40	3	
39	Rear axle assy.-forward rear tandem only	4A298,4304,4305	40	3	
41	Hub or spider and drum-front-R.H.	1013 (spoke),1102-3 (disc)	11.1	1	
42	Hub or spider and drum-front-L.H.	1013 (spoke),1102-3 (disc)	11.1	1	
43	Spider and drum rear A/A (all around) or R.H. disc hub (single axle or rear rear tandem)	1113	11.2	1	
44	Disc hub rear-L.H. only (single axle or rear rear tandem)	1114	11.2	1	
45	Hub or spider and drum (See T.S.L. sample)	1113	11.2	1	
46	Hub or spider and drum (See T.S.L. sample)	1114	11.2	1	
47	Wheels or rims A/A (all around) or front if mixed	1015,1020,1030	10	3	
48	Wheels or rims rear only if mixed	1015,1020,1030	10	3	

T.S.L. LOWER SECTION

**GENERAL EXPLANATION**

a. Boxes are identified by combining the row designation (A, B, C, D, E) with the column designation (1 through 31) to form a coordinate, i.e. "A1".

b. Related parts are grouped on the form:

TYPE of PART	BOXES	TYPE of PART	BOXES
Brakes	A1 - A9	Power train	B1 - B22, C1 - C2
Electrical	A10 - A23	Speedometer and tach	C3 - C11
Exhaust and suspension	A24 - A27	Wheels, hubs and drums	C12 - C13
Steering wheel	A28	Cab detail	D1 - D18
Fan	A30	Miscellaneous	E1 - E26
GVW	A31		

c. Boxes are marked in several different ways:

1) If "\*" appears in a box, the part is a D.S.O. application and an explanation will appear in the lower portion after its coordinate (i.e. (D9HZ 90018A90 - A Graham roof vent"). Order the part number shown through the dealer's Order Processing Distribution Center.

2) If "X", a code number (1,2), or a code letter (A,B) appears in a box, refer to CODE EXPLANATION below to determine the meaning of the code.

EXAMPLE: "X" in Box A8 means the unit has a vacuum reserve tank, as noted under A8 in the listings below.

3) If "-" appears in a box, the item is not used on that unit or the item is "Standard Equipment". For instance, a "-" appearing in B13 on the T.S.L. for a truck with a manual transmission would indicate that the clutch used is the "standard" clutch for that unit.

4) In some cases, an engineering part number will appear in the box. This number may be converted into a service part number by using the Master Cross Reference List or the listing which is provided below.

d. Items which appear in the "Tires - Paint - DSO" Section without coordinates are D.S.O. items not covered in other portions of the Form.

CODE	EXPLANATION	CODE	EXPLANATION
	BRAKES A1 - A9		BRAKES A1 - A9 — Cont'd
A1	Tractor Package	A5	Moisture Ejector
1	Tractor Package Non-Unitized	A	Auto. Moisture Ejector (Non-Heated)
2	Tractor Package Non-Unitized w/coiled lines	B	Auto. Moisture Ejector (Heated)
3	Tractor Package Non-Unitized w/12 ft. Lines	H	Heated Moisture Ejector
4	Tractor Package Unitized	X	Bendix Moisture Ejector (Non-Heated)
A2	Air Brake Hand Control	A6	Bright Windshield Moulding
X	Air Brake Hand Control	X	Bright Windshield Moulding
A3	Vacuum Brakes	A7	Air Compressor
1	Vacuum Hyd. - Single System	1	7 1/4 - Compressor
4	60/40 Split Hyd. System	2	13.2 cu. ft. Midland Ross
5	50/50 Split Hyd. System	4	12 ft. Bendix
A4	Park Brake	5	13.2 ft. Cummins
1	Maxi - Tandem Tractor or CL Single Axle	A8	Reservoir Tank
2	Maxi-Single Axle or Fwd. Rear and Rear-Rear Tandem	1	Vacuum Reserve Tank
3	Anchor LOK - Tandem Tractor or CL Single Axle	2	9.5' dia. Air Tank
4	Anchor LOK Park Brake (Single Axle or Fwd. Rear and Rear-Rear Tandem)	3	11' dia. Air Tank
5	MGM - Tandem Tractor or CL Single Axle	A9	Front Wheel Limiting Valve
6	MGM (Single Axle or Fwd. Rear and Rear-Rear) Tandem	X	Front Wheel Limiting Valve
A	9 x 3	ELECTRICAL A10 - A23	
B	10 x 3	A10	Line Haul Instrument Panel
C	12 x 4	X	Line Haul Instrument Panel
		A11	Direct Reading Gauge
		X	Direct Reading Gauge
		A12	Circuit Breakers
		2	Circuit Breaker (Automatic Reset) (1980) D.S.O. Application (1981)

1980/  
TRUCK SERIES 600/900

CODE	EXPLANATION	CODE	EXPLANATION
ELECTRICAL A10 - A23 — Cont'd		EXHAUST and SUSPENSION A24 - A27 — Cont'd	
A13	Engine Warning Lights	A25	Front Shocks
K	Kysor Shutdown Syst. Includes Eng. Warn. Lights	X	Front Shocks
X	Engine Warning Lights	A26	Rear Shocks
Z	Engine Warning Lights with Buzzer	X	Rear Shocks
A14	Oil Temperature Gauge	A27	Auxiliary Rear Spring (5588)
X	Oil Temperature Gauge	Prefix and Suffix will be listed.	
A15	Coolant Recovery System	Refer to Master Cross Reference List (Form FPS 7425) to determine Service Number.	
X	Coolant Recovery System	STEERING WHEEL A28	
A16	Fender Mounted Turn Signal	A28	Steering Wheel
1	Fender Mounted Turn Signal	1	18" Black 4 - Leather Wrapped 21"
2	Signal Stat Switch	2	20" Black 8 - 20" Brown
3	Chrome Turn Signal Frames	3	22" Black 9 - 22" Brown
A	Line Only	FAN A30	
X	Both Turn Signal and Switch	A30	Fan
A17	Cab Lights—Pedestal	CODE	ENG. NUMBER SERVICE NUMBER
T	Torpedo Type Lights	A	E0HT 8600-BA E0HZ 8600-A
X	Pedestal Cab Lights	B	E0HT 8600-LA E0HZ 8600-J
A18	36" Tail Light Mounting	C	E0HT 8600-CA E0HZ 8600-B
X	36" Tail Light Mounting		ED1D7HT 8600-AHC D7HZ 8600-A
A19	Special Order Option Dress-Up (See D.S.O. Portion of T.S.L. for Information)		E0HT 8600-SA E0HZ 8600-H
A20	Muffler Guard		E1HT 8600-CA
X	Muffler Guard	D	EDE0HT 8600-DA E0HZ 8600-C
A21	Convenience Package		E0HT 8600-DB E0HZ 8600-C
X	Convenience Package (Includes R.H. Power Window, Observation Window, Stainless Mirror, Trailer Hook-Up Lamp)	E	D3HA 8600-M D3HZ 8600-E
A22	Self Adjusting Clutch		E0HT 8600-RA
S	Self Adjusting Clutch	F	E0HT 8600-SA E0HZ 8600-H
A23	Type Battery	G	E0HT 8600-MA E1HZ 8600-B
Type Battery will be listed such as: "1-12V-70" which means "Single-12 Volt-70 Amp."			E1TD 8600-CA E1HZ 8600-D
EXHAUST and SUSPENSION A24 - A27		K	D3HA 8600-MA D3HZ 8600-E
A24	Exhaust System	L	D2HA 8600-AA D2HZ 8600-A
1	Single Horizontal Muffler w/Vert. Pipe	M	D7HA 8600-ZA D8HZ 8600-J
3	Single Vertical Muffler and Pipe	N	D5HA 8600-AEA D5HZ 8600-J
4	Dual Vertical Mufflers and Pipes		E1HS 8600-EA E2HZ 8600-C
5	Dual Horizontal Mufflers and Pipes	W	D6HT 8600-HA D6HZ 8600-A
6	Dual Horizontal Mufflers and Vertical Pipes	Y	D7HA 8600-AGA D8HZ 8600-K
A	Single Plain Vertical Pipe and Horizontal Muffler Over Frame	Z	D7HT 8600-AHC D7HZ 8600-A
B	Single Bright Vertical Pipe and Horizontal Muffler Over Frame	AA	D9HT 8600-CA D9HZ 8600-A
C	Single Bright Vertical Pipe and Horizontal Muffler Under Frame	BB	D5HA 8600-TB D5HZ 8600-D
D	Single Bright Vertical Pipe and Bright Vertical Muffler Frame Mounted		E0HT 8600-JA E0HZ 8600-F
E	Dual Bright Vertical Pipe and Horizontal Muffler Over Frame	CC	D5HA 8600-AHA D5HZ 8600-G
F	Dual Bright Vertical Pipe and Bright Vertical Muffler Frame Mounted		E0HT 8600-HA E0HZ 8600-E
S	Single Horizontal Muffler and Pipe (Gas and Diesel)	DD	D7HA 8600-AAA D8HZ 8600-G
		EE	D7HA 8600-JA D8HZ 8600-A
		GG	D7HA 8600-MA D8HZ 8600-C
		HH	D7HA 8600-RA D8HZ 8600-M
		KK	D7HA 8600-TA D8HZ 8600-D
		LL	D7HT 8600-AKA D8HZ 8600-E
		MM	E0HT 8600-NA E0HZ 8600-G
		NN	E1HT 8600-AA E1HZ 8600-A
			E1HT 8600-AB

**1980/  
TRUCK SERIES 600/900**

CODE		EXPLANATION		CODE		EXPLANATION	
GVW RATE				POWER TRAIN B1 - B22, C1 - C2 — Cont'd			
A31	Gross Vehicle Weight of the unit will be listed (in pounds)			B6	Radiators — Cont'd		
POWER TRAIN B1 - B22, C1 - C2				CODE	ENG. NUMBER	SERVICE NUMBER	
B1	1 Gal. Fuel Filter			AQ	D9HT 8005-AKB	D8HZ 8005-AE	
1	1 Gal. Fuel Filter w/Delete Standard Filter			AR	D9HT 8005-ALA	D8HZ 8005-AE	
D	Delete 1 Gal. Fuel Filter				EDD9HT 8005-ALA	D8HZ 8005-AE	
X	1 Gal. Fuel Filter				D9HT 8005-ALB	D9HZ 8005-AE	
B2	Starting Aid			AS	EDD9HT 8005-AMB	D9HZ 8005-J	
X	Cold Starting Aid				E0HT 8005-BDA		
B3	Immersion Block Heater				E0HT 8005-UA		
1	600 Watts			AT	EDE0HT 8005-UA		
2	1200 Watts (1980)			AU	EDD9HT 8005-ARB	D9HZ 8005-H	
	Dual 600 Watts (1981)				D9HT 8005-AVB	D9HZ 8005-H	
3	1000 Watts				EDD9HT 8005-AVB		
B5	Wedge				E0HT 8005-BFA		
1	C8TA 4357-A	C8TZ 5A313-A		AV	E0HT 8005-YA	E1HZ 8005-K	
2	C1TT 4357-K				D9HT 8005-BD	D9HZ 8005-C	
3	C8HA 4357-A	C8HZ 4357-A			D9HT 8005-BE	D9HZ 8005-C	
4	C2TA 4357-G	C3TZ 5A313-D		AW	D9HT 8005-BLA	E0HZ 8005-G	
7	DOHZ 4357-A	DOHZ 5A313-B			D9HT 8005-BLB	E0HZ 8005-G	
B6	Radiators (Check Rad. Ident. Number)				E0HT 8005-ASA		
CODE	ENG. NUMBER	SERVICE NUMBER		AX	E1HT 8005-KA	E1HZ 8005-M	
U	E0HT 8005-BFA				D9HT 8005-BMA	E0HZ 8005-G	
Z	E0HT 8005-BEA				D9HT 8005-BMB	E0HZ 8005-G	
AA	ED3D8HT 8005-AB	D8HZ 8005-J		AY	E0HT 8005-BGA	E0HZ 8005-G	
	D9HT 8005-BYA	D8HZ 8005-AH			D9HT 8005-BSA	D8HZ 8005-C	
	E0HT 8005-BBA	D8HZ 8005-AH			ED 5D8HT 8005-BAA	D8HZ 8005-C	
	E2HT 8005-CA				ED 6D8HT 8005-BAA	D8HZ 8005-C	
AB	ED3D8HT 8005-BB	D8HZ 8005-K		AZ	E0HT 8005-AJC		
	D9HT 8005-BNA	D8HZ 8005-AH			D9HT 8005-BTA	D8HZ 8005-A	
	E0HT 8005-BCA	D8HZ 8005-AH			ED5D8HT 8005-BBA		
AC	D9HT 8005-BRA	D8HZ 8005-AH			ED6D8HT 8005-BBA		
	E0HT 8005-BAA	D8HZ 8005-AH		BA	EDE0HT 8005-AKB	D8HZ 8005-A	
AD	D8HT 8005-DB	D8HZ 8005-L			D9HT 8005-BUA	D8HZ 8005-D	
	E0HT 8005-AZA	D8HZ 8005-AG			ED6D8HT 8005-BCA	D8HZ 8005-D	
AE	D8HT 8005-EB	D8HZ			ED5D8HT 8005-BCA		
	D9HT 8005-BFA	D8HZ 8005-AG			E0HT 8005-ALC	D8HZ 8005-D	
	E0HT 8005-AYA	D8HZ 8005-AG			E1HT 8005-YA	D8HZ 8005-D	
AF	D8HT 8005-SA	D8HZ 8005-U		BB	EDE0HT 8005-ALB	D8HZ 8005-D	
	D9HT 8005-BEA	D8HZ 8005-U			D9HT 8005-BVA	D8HZ 8005-B	
	E2HT 8005-RA	E2HZ 8005-E			ED6D8HT 8005-BDA	D8HZ 8005-B	
AG	D8HT 8005-TA	D8HZ 8005-V		BC	ED5D8HT 8005-BDA		
	D9HT 8005-BDA	D8HZ 8005-V			D9HT 8005-GE	D9HZ 8005-B	
AH	D9HT 8005-AAB	D9HZ 8005-A			D9HT 8005-GF	D9HZ 8005-B	
	D9HZ 8005-AAC	E0HZ 8005-G		BD	D9HT 8005-HD	D9HZ 8005-C	
	E0HT 8005-AUA	E0HZ 8005-G			D9HT 8005-HE	D9HZ 8005-C	
AI	D9HT 8005-AB	D9HZ 8005-A		BE	D9HT 8005-LD	D9HZ 8005-K	
	D9HT 8005-AD	D9HZ 8005-A			D9HT 8005-LE	D9HZ 8005-K	
	E0HZ 8005-AVA	E0HZ 8005-G		BF	D9HT 8005-ND	D9HZ 8005-C	
AJ	D9HT 8005-ADC	D9HZ 8005-A			E0HT 8005-ARA	D9HZ 8005-C	
	E0HT 8005-ATA	E0HZ 8005-G		BG	D9HT 8005-UD	D9HZ 8005-K	
AK	D9HT 8005-AEC	D9HZ 8005-F			D9HT 8005-UE	D9HZ 8005-K	
	D9HT 8005-AED	D9HZ 8005-F		BH	D9HT 8005-VC	D9HZ 8005-F	
AL	D9HT 8005-AFA	D9HZ 8005-G			D9HT 8005-VD	D9HZ 8005-F	
	D9HT 8005-AFB	D9HZ 8005-G		BI	E0HT 8005-AAA	E0HZ 8005-B	
	E1HT 8005-UA				E0HT 8005-AAC	E0HZ 8005-B	
AM	D9HT 8005-AGA	D9HZ 8005-G		BJ	E0HT 8005-BB	E0HZ 8005-A	
	D9HT 8005-AGB	D9HZ 8005-G				(B-F Series)	
AN	D9HT 8005-AHA	D9HZ 8005-G			E0HT 8005-BC	E0HZ 8005-A	
	D9HT 8005-AHB	D9HZ 8005-G				(B-F Series)	
AP	D9HT 8005-AJA	D8HZ 8005-AE			D9HT 8005-BNA	D8HZ 8005-AH	
	D9HT 8005-AJB	D8HZ 8005-AE				(L Series)	
AQ	D9HT 8005-AKA	D8HZ 8005-AE			E0HT 8005-BD	E0HZ 8005-A	
						(B-F Series)	



# 1980/ TRUCK SERIES 600/900

CODE	EXPLANATION	CODE	EXPLANATION		
POWER TRAIN B1 - B22, C1 - C2 — Cont'd		POWER TRAIN B1 - B22, C1 - C2 — Cont'd			
B13	Clutch — Cont'd	B15	Torque Arm-Forward-Rear-cont'd.		
CODE	ENG. NUMBER	SERVICE NUMBER	CODE	ENG. NUMBER	SERVICE NUMBER
N	D4HS 7550-DA	D8HZ 7550-J (# 127817-2X)	M	D4HS 4962-FA and D7HT 4962-AKA	D8HZ 4612-D and D8HZ 4612-A
	E0HT 7550-SA	E0HZ 7550-R (# 128138-2)		D3HS 4962-UA	D8HZ 4612-G
P	E0HT 7550-NA	E0HZ 7550-L	N	D4HS 4962-FA	D8HZ 4612-D
Q	D3HS 7550-AA	D8HZ 7550-E (4 blades)	P	D7HT 4962-ABA	D7HZ 4612-J
	E0HT 7550-JA	E0HZ 7550-E (round)	Q	D7HT 4962-ANA	D7HZ 4612-K
R	E0HT 7550-TA	E0HZ 7550-T	R	D4HS 4962-FA	D8HZ 4612-D
S	E0HT 7550-HA	E0HZ 7550-C	T	D3HS 4962-VA and D4HA 4962-EA	D2HZ 4612-AB and D4HZ 4612-A
T	E0HT 7550-KA	E0HZ 7550-G 15 1/2"		E2HS 4962-AUA	
U	E0HT 7550-EA	E0HZ 7550-A	B16	Torque Arm-Rear-Rear	
	E2HT 7550-BA	E2HZ 7550-A	CODE	ENG. NUMBER	SERVICE NUMBER
	E2HT 7550-DA	E2HZ 7550-B	1	D2HS 4962-AUA and D7HT 4962-ABA	D7HZ 4612-F D7HZ 4612-J
W	E0HT 7550-RA	E0HZ 7550-N	2	D7HT 4962-ABA	D7HZ 4612-J
B14	D.S.O. Noise Shielding (See D.S.O. Portion of T.S.L. for information)		3	D3HS 4962-SA	D7HZ 4612-H
B15	Torque Arm-Forward-Rear		4	D2HS 4962-ANA	D7HZ 4612-C
CODE	ENG. NUMBER	SERVICE NUMBER	5	D3HS 4962-MA	D7HZ 4612-G
1	D2HS 4962-AUA and D7HT 4962-ABA	D7HZ 4612-F D7HZ 4612-J	6	D2HS 4962-FA D2HS 4962-ANA and D7HT 4962-ABA	D7HZ 4612-B D7HZ 4612-C D7HZ 4612-J
	D8HS 4962-BA and D7HT 4962-AKA	D8HZ 4612-F and D8HZ 4612-A	7	D2HS 4962-AUA D3HS 4962-MA and D7HT 4962-AKA	D7HZ 4612-F D7HZ 4612-G D8HZ 4612-A
2	D2HS 4962-AZA and D7HT 4962-ABA	D2HZ 4612-J D7HZ 4612-J	8	D2HS 4962-ASA D3HS 4962-VA and D4HA 4962-DA	D7HZ 4612-D D2HZ 4612-AB D2HZ 4612-K
3	D2HS 4962-ASA D3HS 4962-MA and D7HT 4962-ABA	D7HZ 4612-D D7HZ 4612-G D7HZ 4612-J	9	D2HS 4962-ATA	D7HZ 4612-E
4	D2HS 4962-AZA and D7HT 4962-ABA	D2HZ 4612-J and D7HZ 4612-J	B	D3HS 4962-UA	D8HZ 4612-G
	D3HS 4962-VA and D4HA 4962-EA	D2HZ 4612-AB D4HZ 4612-A	C	D8HT 4962-BA	D8HZ 4612-F
5	D2HS 4962-AA D4HS 4962-FA and D7HT 4962-AKA	D8HZ 4612-D D8HZ 4612-A	D	D2HS 4962-ANA D2HA 4962-SA	D7HZ 4612-C D2HZ 4612-AJ
6	D2HS 4962-FA	D7HZ 4612-B		D2HS 4962-ARA	D8HZ 4612-H
7	D2HS 4962-ATA	D7HZ 4612-E	E	D8HT 4962-CA D2HS 4962-ASA	D9HZ 4612-A D7HZ 4612-D
8	D3HS 4962-MA	D7HZ 4612-G	F	D7HT 4962-ARA	D7HZ 4612-L
9	D3HS 4962-SA	D7HZ 4612-H	G	D2HS 4962-ATA	D7HZ 4612-E
A	D3HS 4962-UA D2HS 4962-AA	D8HZ 4612-G	H	D2HS 4962-FA	D7HZ 4612-B
B	D2HS 4962-ARA	D8HZ 4612-H	J	D7HT 4962-ANA D2HS 4962-ANA and D7HT 4962-ABA	D7HZ 4612-K D7HZ 4612-C and D7HZ 4612-J
C	D2HT 4962-AA D2HS 4962-ANA	D8HZ 4612-H D7HZ 4612-C	K	D3HS 4962-AAA	D3HZ 4612-A
D	D2HA 4962-SA D2HS 4962-ARA	D2HZ 4612-AJ D8HZ 4612-H	L	D3HS 4962-MA	D7HZ 4612-G
E	D2HS 4962-AUA and D7HT 4962-ABA	D7HZ 4612-F and D7HZ 4612-J	M	D3HS 4962-SA	D7HZ 4612-H
	D2HS 4962-ASA	D7HZ 4612-D		D7HT 4962-AKA and D3HS 4962-MA	D8HZ 4612-A and D7HZ 4612-G
F	D7HT 4962-ARA D2HS 4962-ATA	D7HZ 4612-L D7HZ 4612-E	N	D3HS 4962-UA	D8HZ 4612-G
G	D3HS 4962-MA and D7HT 4962-ABA	D7HZ 4612-G D7HZ 4612-J	P	D7HT 4962-ACA D2HS 4962-AUA and D7HT 4962-ABA	D7HZ 4612-A D7HZ 4612-F and D7HZ 4612-J
	D2HS 4962-FA	D7HZ 4612-B	Q	D7HT 4962-ANA	D7HZ 4612-K
H	D7HT 4962-ANA	D7HZ 4612-K	R	D8HT 4962-CA	D9HZ 4612-A
K	D3HS 4962-AAA D3HS 4962-MA	D3HZ 4612-A D7HZ 4612-G	T	D3HS 4962-VA and D4HA 4962-DA	D2HZ 4612-K D2HZ 4612-K
L	D2HS 4962-ANA D3HS 4962-SA	D7HZ 4612-C D7HZ 4612-H	U	D2HS 4962-AUA	D7HZ 4612-F
			V	D2HS 4962-AZA D7HT 4962-ACA	D2HZ 4612-J D7HZ 4612-A

**1980/  
TRUCK SERIES 600/900**

CODE                      EXPLANATION			CODE                      EXPLANATION		
● Incl. control, ◆ Less control, ‡ Control			● Incl. control, ◆ Less control, ‡ Control		
POWER TRAIN B1 - B22, C1 - C2 — Cont'd			POWER TRAIN B1 - B22, C1 - C2 — Cont'd		
B17	Radiator Shutter		B18	Fan Shrouds	
CODE	ENG. NUMBER	SERVICE NUMBER	CODE	ENG. NUMBER	SERVICE NUMBER
A	D7HT 8475-ZA	●D8HZ 8475-C	P	D7HT 8146-GB	D8HZ 8146-B
B	E0HT 8475-AA	●D2HZ 8475-E		E0HT 8146-LB	D8HZ 8146-B
	E1HT 8475-AB	E1HZ 8475-A	Q	D7HT 8146-JB	D8HZ 8146-C
C	D7HT 8475-UA	●D7HZ 8475-A		E0HT 8146-KA	E0HZ 8146-F
	E1HT 8475-JA		R	D2HA 8147-AA	D2HZ 8147-A (R.H.)
D	D7HT 8475-AAA	●D8HZ 8475-D		E1HT 8147-CA	
G	D7HT 8475-JC	◆D8HZ 8475-A		E1HT 8148-CA	
		‡D8HZ 8A175-A		D0HA 8148-M	D0HZ 8148-C (L.H.)
	E0HT 8475-EA	E1HZ 8475-C		E2HT 8147-AA	
	E1HT 8475-BA			E2HT 8148-CA	
H	D7HT 8475-NB	◆D8HZ 8475-B		ED1E3HT 8146-BC	
		‡D8HZ 8476-A	S	D0HA 8147-R	D0HZ 8147-B (R.H.)
K	D9HT 8475-DA	D9HZ 8475-A		D0HA 8148-L	D0HZ 8148-B (L.H.)
L	D7HT 8475-ABA	●D8HZ 8475-F		E1HT 8147-BA	
M	D7HT 8475-VA	●D5HZ 8475-D		E1HT 8148-BA	
	E1HT 8475-GA			ED1E3HT 8A247-AC	
O	D7HT 8475-YA	●D5HZ 8475-C	T	D7HT 8146-EA	D7HZ 8146-A
	EDD7HT 8475-YA	D5HZ 8475-C	U	E2HT 8146-AA	
	E1HT 8475-KA	E1HZ 8475-D	B19	Fuel Tank Part No. (L.H. Side or Inside) Engineering part number will be listed. Refer to Master Cross Reference List for service number.	
	E1HT 8475-DA		B20	Fuel Tank Part No. (R.H. Side) Engineering part number will be listed. Refer to Master Cross Reference List for service number.	
	EDE1HT 8475-DA	D5HZ 8475-C	B21	Driveshaft Support Plate for 4817 Shaft—(4831) Engineering part number will be listed. Refer to Master Cross Reference List for service number.	
B18	Fan Shrouds		B22	Anti-skid Control	
CODE	ENG. NUMBER	SERVICE NUMBER	D	Delete anti-skid control	
2	D6HA 8146-GA	D6HZ 8146-C	E	Eaton skid control	
3	E1HT 8146-AB	E1HZ 8146-A	K	Kelsey skid control	
7	C8HA 8146-B	C8HZ 8146-A	C1	Intermediate Shaft Support Plate Engineering part number will be listed. Refer to Master Cross Reference List for service number.	
8	E1HT 8147-AC		C2	Driveline Size Industry Designation (example 6C, 7C) of the Driveline size will be listed. (Refer to size chart in group 4851 SPEEDOMETER and TACH C3 - C11	
	E1HT 8148-AC		C3	Tachometer	
9	E0HT 8A247-AB	E0HZ 8146-D	X	Tachometer	
	EDE1HT 8A247-AC	E1HZ 8146-N	C4	Tachograph	
	EDE0HT 8A247-AB	E0HZ 8146-D	X	Tachograph—RPM	
A	E0HT 8146-AC	E0HZ 8146-A	C5	Speedograph	
E	D6HA 8146-CA	D6HZ 8146-B	X	Speedograph—MPH	
F	D9HT 8146-FB	D9HZ 8146-B	C6	Metric Speedometer/Export Decal	
G	D9HT 8146-KD	D9HZ 8146-D	1	Metric Speedometer	
H	D9HT 8146-HA	D9HZ 8146-C	2	Export Safety Decal	
I	D9HT 8146-LA	D9HZ 8146-E	3	Both	
	E1HT 8146-HA	E1HZ 8146-K			
J	D9HT 8146-MB	D9HZ 8146-F			
	E1HT 8146-GA	E1HZ 8146-L			
K	E0HT 8146-CB	E0HZ 8146-B			
	E0HT 8146-MA	E1HZ 8146-B			
L	D4HA 8146-AB	D4HZ 8146-C			
	E1HT 8146-CA				
	E2HT 8146-BA				
M	E0HT 8146-DB	E0HZ 8146-C			
N	E0HT 8146-GA	E0HZ 8146-E			
	E0HT 8146-GB	E0HZ 8146-E			
	EDE0HT 8146-GB				
	EDE1HT 8146-DC	E1HZ 8146-M			



1980/  
TRUCK SERIES 600/900

CODE	EXPLANATION	CODE	EXPLANATION
SPEEDOMETER and TACH C3 - C11 — Cont'd		CAB DETAIL D1 - D18 — Cont'd	
C7	Speedometer Gear Adapter (17294) Engineering part number prefix and suffix will be listed. Refer to Cross Reference List in Group 17294 of catalog for service number.	D2	R.H. Cowl Vent
		X	R.H. Cowl Vent
		D3	Roof Vent
		X	Roof Vent
C8	Tachometer Cable Engineering part number will be listed. Refer to Cross Reference listing in group 17260 of catalog.	D4	Tilt Air Assist
		X	Tilt Air Assist
C9	Speedometer Cable (17260)—(Longer, if Two) An abbreviated Prefix and Suffix will be listed. If the Suffix begins with "5" the basic number is 17B351. If the Suffix begins with "6" the basic number is 17260. Refer to Cross Reference listing in group 17260 of catalog.	D5	Assist Handles
		1	L.H. Assist Handle
		2	R.H. and L.H. Assist Handles
		D6	Paint Option Special Paint Instructions will be listed in D.S.O. portion of T.S.L.
C10	Speedometer Cable (17260) - (Shorter, if Two) An abbreviated Prefix and Suffix will be listed. If the Suffix begins with "5" the basic number is 17B351. If the Suffix begins with "6" the basic number is 17260. If neither "5" or "6" are listed, the basic number is 17260. Refer to Cross Reference listing in group 17260 of catalog.	D7	R.H. Visor
		X	R.H. Visor
		D8	Tinted Glass
		1	Tinted Windshield only
		2	Tinted Glass All Around
C11	Instrumentation Package	D9	Retractable Seat Belts
X	Instrumentation Package	X	Retractable Seat Belts
WHEELS, HUBS and DRUMS C12—C13		D10	Arm Rests
C12	Front Wheel Seals	1	R.H. Arm Rest
1	Stemco Front Wheel Seals	2	L.H. Arm Rest
		3	R.H. and L.H. Arm Rests
C13	Rear Wheel Seals	D11	Matress
1	Stemco Rear Wheel Seals	1	Inner Spring
		2	Foam Rubber
CAB DETAIL D1—D18		D12	Parallel Wipers
D1	Type Cab	1	Parallel Wipers (Air)
2	Chassis Cab with Butterfly Front End	2	Parallel Wipers (Vacuum-Electric)
3	Chassis Cab w/Tilting Hood (A Line)	D13	Adjustable Steering Column
5	54" Non-Sleeper Aluminum w/Corner Windows (1980)	X	Adjustable Steering Column
6	64" Non-Sleeper Aluminum w/Corner Windows (1980)	D14	Trim Color Trim Color will be listed.
8	Steel Cab (Non-Sleeper)		
C	Cowl		
F	Fire Truck—Chassis Cab		
S	Steel Cab (Sleeper)		
U	54" Non-Sleeper Aluminum w/o Corner Windows		
W	64" Non-Sleeper Aluminum w/o Corner Windows		
X	76" Sleeper Aluminum		
Y	88" Sleeper Aluminum		
Z	110" Sleeper Aluminum		

**1980/  
TRUCK SERIES 600/900**

CODE	EXPLANATION	CODE	EXPLANATION
CAB DETAIL D1 - D18 — Cont'd		CAB DETAIL D1 - D18 — Cont'd	
D15	Seat—Driver Side or Bench	D16	B-C-F-L Series Trim and Seats — Cont'd
10	Bench Seat Standard	EZ	Tobacco Trim w/Saddle Knit and Vinyl Bucket Seat
11	Bench Seat Custom Cushion (1980)	FS	Gray Trim w/Polyknit Vinyl Bucket Seat
	Bench Seat w/Folding Back (1981)	FT	Caramel Trim w/Polyknit Vinyl Bucket Seat
12	Lear-Siegler Unison Action—Lo Back	GP	Tan-Saddle Trim w/Polyknit Vinyl Bucket Seat
13	Lear-Siegler Unison 675—Lo Back	HZ	Saddle Trim w/Knit and Vinyl Bucket Seat
14	Bostrom West Coaster—Lo Back	JZ	Saddle Trim w/Vinyl Bench Trim
15	Bostrom Level Aire—Lo Back	KP	Tan-Saddle w/Polyknit Vinyl Bench Seat
16	National Cush-N—Aire—Lo Back	LP	Tan-Saddle Trim w/HD Black Vinyl Bench Seat
17	National Fixed—Lo Back	LZ	Saddle Trim w/HD Black Vinyl Bench Seat
18	Lear-Siegler Newway Air Suspended—Lo Back	SA	Gray Trim w/Weave and Vinyl Bench Seat
19	Bostrom West Coaster II—Hi Back	SB	Gray Trim w/HD Black Vinyl Bench Seat
20	Bostrom Level Aire II—Hi Back	SC	Gray Trim w/Knit and Vinyl Bench Seat
21	National Cush-N—Aire—Hi Back	SD	Gray Trim w/Vinyl Bench Seat
22	National Fixed—Hi Back	TA	Caramel Trim w/Vinyl Bench Seat
D16	Trim and Type Seats	TB	Caramel Trim w/Knit and Vinyl Bench Seat
	B-C-F-L Series Trim and Seats	TC	Caramel Trim w/Polyknit Vinyl Bench Seat
AB	Blue Trim w/Vinyl Bench Seat	TD	Caramel Trim w/HD Black Vinyl Bench Seat
AD	Red Trim w/Vinyl Bench Seat	ZA	Tobacco Trim w/Vinyl Bench Seat
AS	Gray Trim w/Weave and Vinyl Bench Seat	ZB	Tobacco Trim w/HD Black Vinyl Bench Seat
	Black Lamar Vinyl Bench	ZC	Tobacco Trim w/Weave and Vinyl Bench Seat
AT	Nutmeg Trim w/Vinyl Bench Seat	ZD	Tobacco Trim w/Knit and Vinyl Bucket Seat
AZ	Tobacco Trim w/Vinyl Bench Seat	CL Series Trim and Seats	
	Saddle Trim w/Knit & Vinyl Bucket Seat (CL Series)	AZ	Saddle Trim w/Knit and Vinyl Bucket Seat
BA	Blue Trim w/Vinyl Bench Seat	BB	Blue Trim w/Polyknit Vinyl Bucket Seat
BB	Blue Trim w/Knit and Vinyl Bench Seat	BD	Red Trim w/Polyknit Vinyl Bucket Seat
	Blue Trim w/Poly Knit Vinyl Bucket Seat (CL Series)	BT	Caramel Trim w/Polyknit Vinyl Bucket Seat
BD	Blue Trim w/HD Black Vinyl Bench Seat	CP	Tan-Saddle Trim w/Polyknit Vinyl Bucket Seat
	Red Trim w/Knit and Vinyl Bench Seat	DB	Red Trim w/Polyknit Vinyl Bucket Seat
	Red Trim w/Polyknit Vinyl Bucket Seat (CL Series)	PC	Tan-Saddle Trim w/Polyknit Vinyl Bucket Seat
BS	Gray Trim w/HD Black Vinyl Bench Seat	TB	Caramel Trim w/Polyknit Vinyl Bucket Seat
BT	Nutmeg Trim w/Knit and Vinyl Bench Seat	ZA	Saddle Trim w/Knit and Vinyl Bucket Seat
	Caramel Trim w/Polyknit Vinyl Bucket Seat (CL Series)	Note:	HD Black Vinyl Seats are used with different Color Trim
BZ	Tobacco Trim w/HD Black Vinyl Bench Seat	D17	Type Seat—Passenger Side Only
CD	Red Trim w/Polyknit Vinyl Bench Seat	10	Lear-Siegler Unison Companion—Lo Back
CP	Tan-Saddle Trim w/Polyknit Vinyl Bucket Seat (CL Series)	11	Lear-Siegler Newway Companion—non-suspended—Lo Back
CS	Gray Trim w/Knit and Vinyl Bench Seat	12	Lear-Siegler Newway Companion—suspended—Lo Back
CT	Nutmeg Trim w/Polyknit Vinyl Bench Seat	13	Bostrom Companion—non-suspended—Lo Back
CZ	Tobacco Trim w/Weave and Vinyl Bench Seat	14	Bostrom West Coaster II—suspended—Lo Back
DA	Red Trim w/Vinyl Bench Seat	15	Bostrom Levelaire II—suspended—Lo Back
DB	Red Trim w/Knit and Vinyl Bench Seat	16	National Cush-N—Aire Companion—non-suspended—Lo Back
	Blue Trim w/HD Black Vinyl Bench Seat	17	National Cush-N—Aire—suspended—Lo Back
DC	Red Trim w/Polyknit Vinyl Bench Seat	18	Bostrom West Coaster II—non-suspended—Hi Back
DD	Red Trim w/HD Black Vinyl Bench Seat	19	Bostrom West Coaster II—suspended—Hi Back
DS	Gray Trim w/HD Black Vinyl Bucket Seats	20	Bostrom Levelaire II—suspended—Hi Back
DT	Nutmeg Trim w/HD Black Vinyl Bench Seat	21	National Cush-N—Aire Companion non-suspended—Hi Back
		22	National Cush-N—Aire—suspended—Hi Back

**1980/  
TRUCK SERIES 600/900**

CODE                      EXPLANATION			CODE                      EXPLANATION		
CAB DETAIL D1 - D-18 — Cont'd			CAB DETAIL D1 - D18— cont'd.		
D18	Battery Cable		D18	Battery Cable — cont'd	
CODE	ENG. NUMBER	SERVICE NUMBER	CODE	ENG. NUMBER	SERVICE NUMBER
AA	D7HT 14300-AB (Left) D9HT 14300-CHA (Both)	D7HZ 14300-A	BH	EDD9HT 14300-BDB (Left) D9HT 14300-BDC (Left) E2HT 14300-FA	D9HZ 14300-BB D9HZ 14300-BB
AB	D7HT 14300-DB (Both) D9HT 14300-CTA (Both)	D8HZ 14300-D D8HZ 14300-D	BI	D9HT 14300-BEA (Left) EDD9HT 14300-BEA (Left) D9HT 14300-BEB (Left)	D9HZ 14300-BC D9HZ 14300-BC D9HZ 14300-BC
AC	D7HT 14300-GB (Left) D9HT 14300-CKA (Left)	D8HZ 14300-G D8HZ 14300-D	BJ	D9HT 14300-BFA (Left) EDD9HT 14300-BFA (Left) D9HT 14300-BFB (Left)	D9HZ 14300-BC D9HZ 14300-BD D9HZ 14300-BB
AD	D7HT 14300-HB (Left) D9HT 14300-CLA (Left)	D8HZ 14300-H D8HZ 14300-H	BK	D9HT 14300-BGA (Left)	D9HZ 14300-BB D9HZ 14300-BG
AE	D7HT 14300-RB (Left) D9HT 14300-CMA (Left)	D8HZ 14300-R D8HZ 14300-R	BL	D9HT 14300-BHA (Left) D9HT 14300-BHB (Left) E2HT 14300-GA	D9HZ 14300-BB D9HZ 14300-BG D9HZ 14300-AG
AF	D7HT 14300-SB (Right) D9HT 14300-CNA (Right)	D8HZ 14300-S D8HZ 14300-S	BM	D9HT 14300-BLA	D9HZ 14300-AG D9HZ 14300-AG
AG	D7HT 14300-TA (Left) D9HT 14300-CRA (Left)	D8HZ 14300-T D8HZ 14300-T	BN	D9HT 14300-BMA	D9HZ 14300-BL D9HZ 14300-BN
AH	D7HT 14300-VA (Right) D9HT 14300-CSA (Right)	D8HZ 14300-X D8HZ 14300-X	BP	D9HT 14300-BNA	D9HZ 14300-BN
AI	D7HT 14300-ZA (Both)	D8HZ 14300-Z	BQ	D9HT 14300-BRA	D9HZ 14300-BN D9HZ 14300-J
AJ	D9HT 14300-AAA (Left) D9HT 14300-AAB (Left)	D9HZ 14300-AA D9HZ 14300-AA	BR	D9HT 14300-BVA (Right) D9HT 14300-BVB (Right)	D9HZ 14300-J D9HZ 14300-BY
AK	D9HT 14300-ABA (Right) D9HT 14300-ABB (Right)	D9HZ 14300-K D9HZ 14300-K	BS	D9HT 14300-BYA (Right) E2HT 14300-AA	D9HZ 14300-K D9HZ 14300-BY
AL	D9HT 14300-ACA (Left) E2HT 14300-GA	D9HZ 14300-AM	BT	D9HT 14300-BZA (Both) D9HT 14300-BZB (Both)	D9HZ 14300-K D9HZ 14300-CA
AM	D9HT 14300-ADA (Both) D9HT 14300-ADB (Both)	D9HZ 14300-K D9HZ 14300-K	BU	D9HT 14300-CAA (Left) D9HT 14300-CAB (Left)	D9HZ 14300-AM D9HZ 14300-CA
AN	D9HT 14300-AEA (Left)	D9HZ 14300-AE	BW	D9HT 14300-CCA (Left)	D9HZ 14300-CA D9HZ 14300-CA
AP	D9HT 14300-AFA (Left) D9HT 14300-AFB (Left) E2HT 14300-GA	D9HZ 14300-AM D9HZ 14300-AM	BX	EDD9HT 14300-CCA (Left)	D9HZ 14300-E D9HZ 14300-CC
AQ	D9HT 14300-AGA (Left) D9HT 14300-AGB (Left)	D9HZ 14300-AG D9HZ 14300-AG	BY	D9HT 14300-CDA (Left)	D9HZ 14300-CC D9HZ 14300-CA
AR	D9HT 14300-AHA (Left) EDD9HT 14300-AHA (Left)	D9HZ 14300-AT D9HZ 14300-AT	BZ	D9HT 14300-HA (Both) D9HT 14300-HB (Both)	D9HZ 14300-CA D9HZ 14300-CA
AS	D9HT 14300-AJA (Left)	D9HZ 14300-L	CA	D9HT 14300-KA (Right)	D9HZ 14300-CA D9HZ 14300-K
AT	D9HT 14300-AKA (Left)	D9HZ 14300-AE	CB	D9HT 14300-KB (Right)	D9HZ 14300-K D9HZ 14300-K
AU	D9HT 14300-ALA (Both)	D9HZ 14300-Y	CC	D9HT 14300-NB (Left)	D9HZ 14300-N D9HZ 14300-R
AV	D9HT 14300-AMA (Left) D9HT 14300-AMB (Left)	D9HZ 14300-AM D9HZ 14300-AM	CD	D9HT 14300-RB (Both)	D9HZ 14300-R D9HZ 14300-S
AW	D9HT 14300-ANA (Both) D9HT 14300-ANB (Both)	D9HZ 14300-AU D9HZ 14300-AU	CE	D9HT 14300-SA (Both) D9HT 14300-SB (Both)	D9HZ 14300-S D9HZ 14300-S
AX	D9HT 14300-ARB (Left) D9HT 14300-ARC (Left)	D9HZ 14300-AM D9HZ 14300-AM	CD	D9HT 14300-VA (Left) D9HT 14300-VB (Left)	D9HZ 14300-AZ D9HZ 14300-AZ
AY	D9HT 14300-ASA (Left) D9HT 14300-ASB (Left)	D9HZ 14300-AY	CE	D9HT 14300-YA (Both) D9HT 14300-YB (Both)	D9HZ 14300-Y D9HZ 14300-Y
AZ	D9HT 14300-ATA (Left) EDD9HT 14300-ATA (Left)	D9HZ 14300-AT D9HZ 14300-AT	CF	EDD9HT 14300-ZA (Left) D9HT 14300-ZB (Left)	D9HZ 14300-AM D9HZ 14300-AM
BA	D9HT 14300-ATB (Left) D9HT 14300-AUA (Left)	D9HZ 14300-AT D9HZ 14300-AU	CG	D9HT 14300-AB (Left) E2HT 14300-AAA (Left)	D9HZ 14300-AY D9HZ 14300-AY
BB	D9HT 14300-AUB (Left) D9HT 14300-AVA (Right)	D9HZ 14300-AU D9HZ 14300-S	CH	E0HT 14300-BA (Left) E2HT 14300-AAA (Left)	D9HZ 14300-AY D9HZ 14300-AY
BC	D9HT 14300-AVB (Right) D9HT 14300-AYA (Left)	D9HZ 14300-S D9HZ 14300-AY	CI	E0HT 14300-BA (Left) E2HT 14300-AAA (Left)	D9HZ 14300-AY D9HZ 14300-AY
BD	D9HT 14300-AYB (Left) D9HT 14300-AZB (Both)	D9HZ 14300-AY D9HZ 14300-AZ	CJ	E0HT 14300-BA (Left) E2HT 14300-AAA (Left)	D9HZ 14300-AY D9HZ 14300-AY
BE	D9HT 14300-AZC (Both)	D9HZ 14300-AZ	CK	E0HT 14300-BA (Left) E2HT 14300-AAA (Left)	D9HZ 14300-AY D9HZ 14300-AY
BF	D9HT 14300-BAA (Left) D9HT 14300-BBA (Left)	D9HZ 14300-AZ D9HZ 14300-BB	CL	E0HT 14300-BA (Left) E2HT 14300-AAA (Left)	D9HZ 14300-AY D9HZ 14300-AY
BG	EDD9HT 14300-BBA (Left) D9HT 14300-BBB (Left) EDD9HT 14300-BCA (Left)	D9HZ 14300-BB D9HZ 14300-BB D9HZ 14300-BC	CM	E0HT 14300-BA (Left) E2HT 14300-AAA (Left)	D9HZ 14300-AY D9HZ 14300-AY
	D9HT 14300-BCB (Left)	D9HZ 14300-BC	CN	D9HT 14300-JB (Left)	D9HZ 14300-AY D9HZ 14300-AY
			CP	D9HT 14300-LB (Left)	D9HZ 14300-AY D9HZ 14300-AY
				D9HT 14300-AAA (Left)	D9HZ 14300-AY D9HZ 14300-AY
				D9HT 14300-ABA (Left)	D9HZ 14300-AY D9HZ 14300-AY
				D9HT 14300-ACA (Left)	D9HZ 14300-AY D9HZ 14300-AY
				D9HT 14300-AYA (Left)	D9HZ 14300-AY D9HZ 14300-AY

**1980/  
TRUCK SERIES 600/900**

CODE		EXPLANATION		CODE	EXPLANATION
CAB DETAIL D1 - D18 — Cont'd				MISCELLANEOUS E1 - E26 — Cont'd	
D18	Battery Cable — Cont'd			E6	Fan Clutch
CODE	ENG. NUMBER	SERVICE NUMBER		1	Bendix Fan Clutch
CQ	D9HS 14300-AZA (Left)			2	Schwitzer Fan Clutch
CR	D9HS 14300-VA (Left)			3	Eaton Fan Clutch
CS	D9HS 14300-YA (Left)			4	Rockford Fan Clutch
CW	E1HT 14300-EA (Right)	E1HZ 14300-C		5	Evans Fan Clutch
CX	E1HT 14300-FA (Right)	E1HZ 14300-D		E7	California Emission System
DA	E1HT 14300-BA	D8HZ 14300-S		X	California Emission System
DC	E1HT 14300-CA (Left)	E1HZ 14300-C		E8	Automatic Slack Adjusters
	E1HT 14300-EA (Left)			X	Automatic Slack Adjusters
DD	E1HT 14300-DA (Left)	E1HZ 14300-D		E9	Digital Clock
	E1HT 14300-FA (Left)			X	Digital Clock
MISCELLANEOUS E1—E26				E10	Mirrors
E1	Air Conditioner			A	R.H. and L.H. Western Mirrors (Painted) without clearance lights
1	Manual Air Conditioner (Cab Only) (CL Only)			B	R.H. and L.H. Western Mirrors (Painted) w/Lights
2	Automatic Temp. Control Air Conditioner (Cab Only)			C	R.H. and L.H. Western Mirrors (Stainless) w/o Clearance Lights
3	Manual A/C w/Auxiliary A/C (Cab and Sleeper Only)			D	R.H. and L.H. Western Mirrors (Stainless) w/Lights
4	Automatic Temp. Control w/Auxiliary A/C (Cab and Sleeper)			E	R.H. and L.H. Western Mirrors (Stainless) Heated
X	Air Conditioner (C-F-L Series)			F	R.H. and L.H. Retractable Western Mirrors (Painted)
E2	Heater or Delete Heater			G	R.H. and L.H. Western Mirrors (Stainless)-Heated and Lighted
1	Deluxe—Fresh Air—F600-F700			9	R.H. and L.H. Western Mirrors (Painted) w/o Clearance Lights (F600 Only)
2	Fresh Air—C-CT and L Series—Gas Standard			E11	Convex (diminishing) Mirrors
3	Hi-Output—L Series—Diesel and/or A/C standard and gas option			1	Convex Mirrors Painted
4	CL-CLT Series—w/o Air Conditioning			2	Convex Mirrors Stainless Steel
5	Hi-Output Heater w/Hi Level Vent—B-F Series			E12	Air Shield Brackets
D	Delete Heater			X	Optional Air Shield Brackets
E3	Radio			E13	Oil Cooler
1	Push Button Radio—AM			X	Oil Cooler
2	Manual Radio—AM			E14	Special Options
3	Radio AM/FM Monaural			1	Silicone Heater Hoses
4	Radio AM/FM Multiplex Stereo			2	Both Heater and Radiator Hoses
5	AM/FM Multiplex Stereo w/Tape			X	Silicone Radiator Hoses (1980) Silicone Hose Package (1981)
E4	Air Horns			E15	Optional Front Bumper
2	Dual Air Horns			1	Bright Aluminum Front Bumper
G	Grover Air Horns			2	Chrome Front Bumper
E5	Electric Horns			3	Aluminum Front Bumper (Painted)
1	Single Electric Horn			4	Steel Front Bumper Cut-off (Painted)
2	Dual Electric Horns			5	Argent Decor Group Bumper
				6	Bright Aluminum Front Bumper Deep w/Lights

1980/  
TRUCK SERIES 600/900

CODE	EXPLANATION	CODE	EXPLANATION
MISCELLANEOUS E1 - E26 — Cont'd		MISCELLANEOUS E1 - E26 — Cont'd	
E16	Bright Grille and Guard	E25	Battery Cable — Cont'd
1	Bright Grille (incl. surround on L Series) @	CODE	ENG. NUMBER      SERVICE NUMBER
2	Grille Guard	FD	D7HT 14301-EC (Both)      D8HZ 14301-E
3	Bright Grille and Guard		D9HT 14301-CAA (Both)      D8HZ 14301-E
4	Argent Grille (Bus)	FE	D7HT 14301-HC (Left)      D8HZ 14301-H
D	Grille Surround Delete		D9HT 14301-CBA (Left)      D8HZ 14301-H
X	Bright Grille Surround @ Surround not included with PTO	FG	D7HT 14301-JC (Right)      D8HZ 14301-J
			D9HT 14301-CCA (Right)      D8HZ 14301-J
E17	Magnetic Trap-Drain Plug	FH	D7HT 14301-LC (Left)      D8HZ 14301-L
X	Drain Plug		D9HT 14301-CDA (Left)      D8HZ 14301-L
E18	Tow Hooks	FI	D7HT 14301-NC (Left)      D8HZ 14301-N
1	Tow Hooks-Rear		D9HT 14301-CEA (Left)      D8HZ 14301-N
2	Tow Hooks-Front and Rear	FJ	D7HT 14301-RC (Right)      D8HZ 14301-R
X	Tow Hooks-Front		D9HT 14301-CFA (Right)      D8HZ 14301-R
E19	Main Frame (B-C-CL-CLT-F Series) Prefix and Suffix of Frame (5005) appear. Refer to Master Cross Reference List Form FPS 7425 for service number or refer to group 5005 in catalog.	FK	D7HT 14301-SC (Both)      D8HZ 14301-S
			D9HT 14301-CGA (Both)      D8HZ 14301-S
		FL	D7HT 14301-UB (Both)      D8HZ 14301-U
			D9HT 14301-CHA (Both)      D8HZ 14301-U
		FM	D9HT 14301-AAA (Both)      D9HZ 14301-AH
			D9HT 14301-AAB (Both)      D9HZ 14301-AH
		FN	D9HT 14301-ABA (Left)      D9HZ 14301-AC
			D9HT 14301-ABB (Left)      D9HZ 14301-AC
		FP	D9HT 14301-ACA (Both)      D9HZ 14301-AC
			D9HT 14301-ACB (Both)      D9HZ 14301-AC
		FQ	D9HT 14301-ADA (Left)      D9HZ 14301-S
			EDD9HT 14301-ADA (Left)      D9HZ 14301-S
			D9HT 14301-ADB (Left)      D9HZ 14301-S
			E2HT 14301-FA
		FR	D9HT 14301-AEB (Left)      D9HZ 14301-AE
			D9HT 14301-AEC (Left)      D9HZ 14301-AE
			E2HT 14301-GA
		FS	D9HT 14301-AFA (Left)      D9HZ 14301-AF
			D9HT 14301-AFB (Left)
		FT	D9HT 14301-AGA (Left)      D9HZ 14301-AE
		FU	D9HT 14301-AHA (Both)      D9HZ 14301-AH
			D9HT 14301-AHB (Both)      D9HZ 14301-AH
		FV	D9HT 14301-AJA (Left)      D9HZ 14301-AJ
		FW	EDD9HT 14301-AKA (Left)      D9HZ 14301-X
			D9HT 14301-AKB (Left)      D9HZ 14301-Y
		FX	EDD9HT 14301-ALA (Left)      D9HZ 14301-AL
		FY	D9HT 14301-AMA (Left)      D9HZ 14301-Z
		FZ	D9HT 14301-ANA (Left)      D9HZ 14301-AF
			D9HT 14301-ANB (Left)      D9HZ 14301-AF
		GA	D9HT 14301-ARA      D9HZ 14301-AR
		GB	D9HT 14301-ASA (Both)      D9HZ 14301-AS
			D9HT 14301-ASB (Both)      D9HZ 14301-AS
		GC	D9HT 14301-ATA (Left)      D9HZ 14301-AF
			D9HT 14301-ATB (Left)      D9HZ 14301-AF
		GD	D9HT 14301-AUA (Both)      D9HZ 14301-AU
			D9HT 14301-AUB (Both)
		GE	D9HT 14301-AVA (Left)      D9HZ 14301-AV
			D9HT 14301-AVB (Left)      D9HZ 14301-AV
		GF	D9HT 14301-AYA (Both)      D9HZ 14301-AC
		GG	D9HT 14301-AZA (Left)      D9HZ 14301-AZ
			D9HT 14301-AZB (Left)      D9HZ 14301-AZ
		GH	D9HT 14301-BBA      D9HZ 14301-AS
			D9HT 14301-BBB (Both)      D9HZ 14301-AS
		GI	D9HT 14301-BCA (Left)      D9HZ 14301-AV
			D9HT 14301-BCB (Left)
E20	Paint Stripe		
1	Vista Orange		
2	Gold Metallic		
3	Coral (1980) Red (1981)		
4	Paint Accent Group		
5	Light Multitone Tape Stripe		
6	Dark Multitone Tape Stripe		
7	Paint Accent and Light Tape Stripe		
8	Paint Accent and Dark Tape Stripe		
X	Paint Stripe		
E21	Type - Walking Beams-Tandem		
1	Steel - 50"		
2	Aluminum - 50"		
3	Aluminum - 52"		
4	Steel - 54"		
5	Steel - 60"		
6	Steel - 56"		
7	Steel - 52"		
E22	Owner Operator "C" (Exterior)		
X	Owner Operator Option "C" (CL-CLT only) (incl. bright grille surround, spec. mirrors, bright turn signal mounting base, bright aluminum bumper, bright muffler, dual rectangular headlamps, dual Grover horns, torpedo roof marker lights, bright fuel cap).		
E25	Battery Cable		
CODE	ENG. NUMBER	SERVICE NUMBER	
FA	D7HT 14301-AC (Left)	D8HZ 14301-A	
	D9HT 14301-BVA (Left)	D8HZ 14301-A	
FB	D7HT 14301-BC (Right)	D8HZ 14301-B	
	D9HT 14301-BYA (Right)		

1980/  
TRUCK SERIES 600/900

MISCELLANEOUS E1 - E26 — Cont'd			MISCELLANEOUS E1 - E26 — Cont'd		
E25 Battery Cable — Cont'd			E25 Battery Cable — Cont'd		
CODE	ENG. NUMBER	SERVICE NUMBER	CODE	ENG. NUMBER	SERVICE NUMBER
GJ	D9HT 14301-BDA (Both)	D9HZ 14301-AZ	HK	D9HS 14301-ASA (Left)	
	D9HT 14301-BDB (Both)			E0HT 14301-CC (Left)	E0HZ 14301-C
GK	D9HT 14301-BEA (Left)	D9HZ 14301-AE	HL	D9HS 14301-TA (Left)	
	D9HT 14301-BEB (Left)	D9HZ 14301-AE	HM	D9HS 14301-VA (Left)	
GL	D9HT 14301-BFA (Left)	D9HZ 14301-S	HN	D9HT 14301-HB (Left)	
	EDD9HT 14301-BFA (Left)	D9HZ 14301-S	1A	E1HT 14301-AA (Left)	D9HZ 14301-AU
	D9HT 14301-BFB (Left)	D9HZ 14301-AF	1C	E1HT 14301-CA (Left)	E1HZ 14301-C
GM	D9HT 14301-BGA (Left)	D9HZ 14301-AL		E1HT 14301-CB (Left)	
	EDD9HT 14301-BGA (Left)	D9HZ 14301-AL	1D	E1HT 14301-DA (Left)	E1HZ 14301-D
	D9HT 14301-BGB (Left)			E1HT 14301-DB (Left)	
GN	D9HT 14301-BKA	D9HZ 14301-BL	E26 Mufflers		
GP	D9HT 14301-BLA	D9HZ 14301-BL	CODE	ENG. NUMBER	SERVICE NUMBER
GQ	D9HT 14301-BMA (Right)	D9HZ 14301-BM	AA	D5TA 5225-BDA	D5TZ 5230-AH
	D9HT 14301-BMB (Right)	D9HZ 14301-BM		E0HT 5225-MA	D5TZ 5230-AH
	E2HT 14301-AA		AB	E0HT 5225-EA	D8HZ 5230-AE
GR	D9HT 14301-BNA (Right)	D9HZ 14301-BM		E0HT 5225-EB	D8HZ 5230-AE
GS	D9HT 14301-BTA (Left)	D8HZ 14301-G		E2HT 5225-BHA	D8HZ 5225-AE
	EDD9HT 14301-BTA (Left)	D9HZ 14301-BT	AC	E0HT 5225-DA	D8HZ 5230-U
GT	D9HT 14301-BUA (Left)	D8HZ 14301-F		E0HT 5225-DB	D8HZ 5230-U
	EDD9HT 14301-BUA (Left)	D9HZ 14301-BU	AD	D7HA 5225-ANA	D8HZ 5230-AA
GU	D9HT 14301-EA (Both)	D9HZ 14301-N		E0HT 5225-GA	
	D9HT 14301-EB (Both)		AE	D7HT 5225-BEA	D8HZ 5230-AB
GV	D9HT 14301-KB (Left)	D9HZ 14301-K	AF	E0HT 5225-AA	E0HZ 5230-A
GW	D9HT 14301-LB (Both)	D9HZ 14301-L		E0HT 5225-AB	
GX	D9HT 14301-MA (Both)	D9HZ 14301-M	AG	E0HT 5225-CA	E0HZ 5230-B
GY	D9HT 14301-NA (Both)	D9HZ 14301-N	AH	E1HT 5225-DA	
	D9HT 14301-NB (Both)	D9HZ 14301-N	AI	D7HT 5225-BTA	D8HZ 5230-AC
GZ	D9HT 14301-SA (Left)	D9HZ 14301-S	AJ	D7HT 5225-CLA	D8HZ 5230-AF
	EDD9HT 14301-SA (Left)	D9HZ 14301-S		E3HT 5225-JA	E1HZ 5230-AJ
	D9HT 14301-SB (Left)	D9HZ 14301-AF	AK	E0HT 5225-FA	D8HZ 5230-T
HA	D9HT 14301-TA	D9HZ 14301-F	AL	D7HT 5225-BNA	D8HZ 5230-AD
HB	D9HT 14301-UA (Left)	D9HZ 14301-H	AM	E1HT 5225-BA	E1HZ 5230-A
HC	EDD9HT 14301-VB (Left)	D9HZ 14301-S	AN	E1HT 5225-EA	E1HZ 5230-C
	D9HT 14301-VC (Left)	D9HZ 14301-S	AP	E1HT 5225-FA	E1HZ 5230-D
HD	EDD9HT 14301-YA (Left)	D9HZ 14301-Y	AQ	E1HT 5225-JA	E1HZ 5230-AJ
	D9HT 14301-YB (Left)	D9HZ 14301-Y	BD	D8HT 5230-CA	D8HZ 5230-B
HE	D9HT 14301-ZA (Left)	D9HZ 14301-Z	BL	D8HT 5230-AA	D8HZ 5230-AV
HF	E0HT 14301-AA (Left)	E0HZ 14301-A	BM	D7HT 5230-FZA	D8HZ 5230-AW
	EDE0HT 14301-AB (Left)	E0HZ 14301-A		E0HT 5230-JA	D8HZ 5230-AW
	E0HT 14301-AC (Left)	E0HZ 14301-A	BP	D7HT 5230-FMA	D8HZ 5230-AJ
HG	E0HT 14301-BA (Both)	E0HZ 14301-B	BQ	D7HT 5230-FNA	D8HZ 5230-AK
	EDE0HT 14301-BB (Both)	E0HZ 14301-B	BS	E0HT 5230-LA	D8HZ 5230-AL
	D9HT 14301-BZA (Both)	D8HZ 14301-D	BW	D8HT 5230-BA	D8HZ 5230-AT
HH	E0HT 14301-CA	E0HZ 14301-C	BX	D7HT 5230-GEA	D8HZ 5230-AU
	EDE0HT 14301-CB	E0HZ 14301-C		E0HT 5230-KA	D8HZ 5230-AU
HI	D9HT 14301-FB (Left)	D9HZ 14301-F	CA	D9HT 5230-AFC	D9HZ 5230-A
HJ	D9HT 14301-HB (Left)	D9HZ 14301-H		E2HT 5230-ANA	D9HZ 5230-A
	D9HT 14301-FH (Left)		CB	D9HT 5230-AGB	D9HZ 5230-B
	EDE0HT 14301-BB (Left)	E0HZ 14301-B	CE	E2HT 5225-RB	
	E0HT 14301-BC (Left)		CF	E2HT 5225-SB	
			CI	ED E2HT 5230-ANA	

## TRUCK SPECIFICATION LIST (TSL) – 1981/

An improved T.S.L. for Kentucky-built trucks was put into use on March 15, 1981 for LTL9000 units and on April 1, 1981 for the balance of trucks produced at Kentucky Truck. An example of this free-flow type T.S.L. is shown in column's 41, 42 and 43.

The In-Cab T.S.L. copy is located on the left sun visor (common position for all completed trucks) enclosed in a clear plastic sleeve. The T.S.L. will be included with the boxed parts for buses and stripped chassis.

Each new T.S.L. includes general information such as:

- Dealer order number
- Series and model
- Wheelbase
- Serial Number (last eight digits of vin number)
- D.S.O. reference number

In addition, a listing appears in commodity code sequence which includes:

- Commodity Code (0405)
  - Quantity required will be 1 unless indicated otherwise
  - Engineering part number (E0HT 4602-NCA)
  - T.S.L. description (Driveshaft assy.)
  - Part description – additional descriptive and proprietary information for U.S. Units only
  - Type part includes D.S.O. Option number, if applicable
- If blank, part is standard equipment or R.P.O. on this vehicle.

Commodity codes appear in numerical sequence on each T.S.L. and have been arranged as follows:

First Two Digits of Code	Major group	First Two Digits of Code	Major Group
01	Wheels, Hubs and Drums	10	Alternator, Battery, Cluster and Starter
02	Brakes	02	Brakes
03	Front Axle and Steering	20	Cab Detail
04	Rear Axle and Driveshaft	12	Distributor and Governor
05	Frame, Suspension and Exhaust	06	Engine
06	Engine	16	Fenders, Hood and Running Boards
07	Transmission and Clutch	05	Frame, Suspension and Exhaust
08	Radiator and Grille	03	Front Axle and Steering
09	Fuel System and Manifolds	09	Fuel System and Manifolds
10	Alternator, Battery, Cluster and Starter	18	Heater, Air Conditioning, Radio and Shock Absorbers
12	Distributor and Governor	13	Lamps and wiring
13	Lamps and wiring	99	Paint
16	Fenders, Hood and Running Boards	08	Radiator and Grille
17	Speedometer, Mirrors, Bumper and Wipers	04	Rear Axle and Driveshaft
18	Heater, Air Conditioning, Radio and Shock Absorbers	17	Speedometers Mirrors, Bumper and Wipers
20	Cab Detail	07	Transmission and Clutch
99	Paint	01	Wheels, Hubs and Drums

The second two digits of each code identify specific parts within a major group.

Once the engineering number has been determined from the Commodity Code Listing, use the Master Cross Reference and/or Master Parts Catalog to select the service part number required. D.S.O. parts should be ordered through your Master Parts Distribution Center.

### ADDITIONAL COPIES T.S.L.

For model years 1978/, order from the "Ford Parts and Service Division, Special Order Section P.O. Box 3020 Livonia, Mich. 48151".  
(Cost per T.S.L. \$3.00 each)

**1980/  
TRUCK SERIES 600/900**

FORD MOTOR COMPANY

TRUCK SPECIFICATION LIST

1981/

HTMO 7125 (FORM NUMBER)

DEALER ORDER #82 Y68425

SERIES LTL9000

WHEELBASE 204

SERIAL #1FDYA92W7CV A00070

PAGE 1

DSO #A4.0620

⊕ CODE	QTY	PART NUMBER	TSL DESCRIPTION	PART DESCRIPTION	TYPE PART	DSO OPTION
⊕ Commodity Code						
WHEELS, HUBS and DRUMS						
0102	2	D7HT 1013-CA	Hub & drum (frt)	K359 Spider & drum 3445-1		
0104	4	D7HT 1113-TA	Hub & drum (rr)	D132 14171-051 Alt Sa		
0106	2	E0HT 1190-AA	Seal (frt wheel)	Ret. 2036		
0107	4	D5HA 1175-AA	Seal (rear wheel)	Retainer 2106		
0108	10	D7HT 1030-AEA	Wheels	F556 Rim 30391 22.5		
0108	12	D3TA 1042-A2A	Wheels (clamp)	K359 Clamp WP722		
BRAKES						
0202	4	D5TA 2C212-GA	Anti-skid control	671281-Disc-E255		
0203	2	D0HA 2A449-A	Anti-skid delete	C283086 Valve assy.		
0205		E0HT 2010-KA	Brake (frt) RH	BG-1540-280-R672		
0206		E0HT 2011-LA	Brake (frt) LH	BG-1540-283-R672		
0207	2	E0HT 2209-TA	Brake (fwd rr or rr)	QM-1657-434-R672		
0207	2	E0HT 2210-TA	Brake (fwd rr or rr)	QM-1657-433-R672		
0211		D5HA 2K119-BA	Brake (parking)	Valve 287179		
0211		D5TA 2K119-AA	Brake (parking)	Valve L287181		
0213	2	D7HT 2025-FA	Chamber (frt brake)	69131-Chmbr-W065		
0214	4	D4HA 2225-DA	Chamber (rr brake)	R712A Chmbr cert delt		
0217	3	D9HT 2A131-BA	Ejector (brake moist)	L283174 valve assy.		
0220		D5HS 15436-MA	Lines (air & elect)	M747 alt pt D9HT15436AA		
0220		D8HS 2A138-MA	Lines (air & elect)	Hose trailer emer	DSO	0860203 030
0220		D8HS 2A138-NA	Lines (air & elect)	Hose trailer serv	DSO	0860203 030
0223		D5HA 2B200-AB	Tractor package	Valve L288295		
0223		E0HT 2B200-CA	Tractor Package	B378 101849 Valve assy.		
0224		D3HA 2A622-AA	Valve (air control)	Valve L283040		
0226		C1TT 2A208-C	Valve (frt wheel lim)	Valve L229507		
0226		D0HA 2A208-B	Valve (frt wheel lim)	Valve 283044		
FRONT AXLE and STEERING						
0301		D7HT 3010-RA	Axle assy. (frt)	147-6382 12' beam		
0301		D0HA 3146-N	Axle assy. (frt)	370-3732-12 arm		
0302		D7HT 3B139-CC	Column (strg) adj	E173 brkt asy-stng col su		
0303		E1HT 3N503-AA	Gear assy (strg)	Gear assy HF64122		
0304		EDD9HT 3606BA	Pump (power strg)	E259 11608-4		
0305		D0HA 3280-A	Rod assy (tie)	T210 rod assy.		
0306		D7HT 3600-AB	Wheel (strg)	Whl assy stng		
REAR AXLE and DRIVE SHAFT						
0401	2	D8HS 4962-AA	Arm (fwd rr or rr)	Torq arm fwd	DSO	0871044 246
0403		D9HS 4A298-BA	Axle assy (fwd rr)	Axle fwd rear	DSO	0812016 020
0404		D9HS 4A297-BA	Axle assy (rr or rr rr)	Axle rear rear	DSO	0812016 020
0405		D7HT 4602-BMA	Dr/sht assy	Driveshaft assy		0871044 246
0406		D3HA 4964-DA	Dr/sht (inter axle)	Interaxle shaft		0871044 246
0408		D0HA 4831-BD	Plate (dr/cpl sht supt)	Plate supp first		0871044 246
0410		D7HT 4817-CRA	Shaft (cpl)	Coupling first		0871044 246
0413		C8HA 4851-AF	Yoke (rr axle)	Yoke rear input		0871044 246
0413		D2HS 4851-AA	Yoke (rr axle)	Yoke forw input		0871044 246
0413		C8HA 4858-AG	Yoke (rr axle)	Yoke forw output		0871044 246



INDEX

PART NAME	GROUP NUMBER	PART NAME	GROUP NUMBER
● This is a Body Group Number, listed numerically following group 19B969 of this catalog.			
Antenna kit (radio receiver)	18813	Lamp assy. kit (all weather sealed beam)	15200
Chassis assy. (radio receiver)	18806	License plate frame kit	17A387
Child seat kit (tot guard)	19E535	Lighter kit (cigar)	15A044
Cigar lighter kit	15A044	Mat (front floor)	● 13086
Coolant recovery kit	8522	Moulding kit (door outside rear edge)	● 20910
Door edge guard kit	● 20910	Outside rear view mirror kit	17696
Fire extinguisher kit	19B540	Radio antenna kit	18813
Frame (license plate)	17A387	Radio chassis assy.	18806
Front floor mat	● 13086	Radio receiver kit	18805
Guard kit (splash shield)	16A550	Reflector flare kit	19E500
Horn kit	13800	Splash guard kit (rear wheel)	16A550
Jack assy.	17080	Spotlight & bracket kit	15313
KIT - refer to appropriate noun name For example Guard kit (splash shield)	16A550	Vanity mirror kit	17A679

1980/  
TRUCK SERIES 600/900

INDEX

PART NAME	GROUP NUMBER	PART NAME	GROUP NUMBER
<b>Notes:     Δ Refer to page 1 of Paint Section</b>			
<b>A</b>		<b>A — Cont'd</b>	
Absorber Assy. (cab suspension shock)	18A160	Adapter assy. (speedo. corrector) refer section 172	17294
Accelerator assy.	9725	Adapter assy. (tachometer drive gear)	17375
Accumulator hose assy. (A/C refrigerant line)	19C836	Adapter kit (front mounted P.T.O drive)	7A772
Actuator (brake shoe adjusting lever)	2B344	Adapter kit (P/S reservoir to pump)	3A695
Actuator (P/S gear)	3E565	Adapter kit (tachometer drive)	17A330
Actuator assy. (brake air hydraulic power)	2B571	Adhesives	Δ
Actuator assy. (emission throttle positioner control)	9F441	Adjuster (rear axle differential bearing)	4067
Actuator assy. (front air brake)	2B002	Adjuster (speed control connector)	9C876
Actuator assy. (steering column lock)	3E723	Adjuster assy. (front air brake)	2308-9
Adaptor assy. (whl. trim retainer)	1K019	Adjuster assy. (rear air brake)	2314-5
Adapter assy. (whl./valve)	1W501-2	Adjustment (carb. secondary diaphragm assy.)	9C504
Adapter (A/C automatic temp. control sensor)	19D857	Air brake compressor assy.	2875
Adapter (A/C refrigerant line)	19D695	Air brake repair kit (front wedge activated)	2B209
Adapter (brake air chamber)	2L248	Air conditioner refrigerant	Δ
Adapter & plate assy. (eng. air cleaner)	9E622	Alternator (mounting parts)	10A313
Adapter (cab suspension control arm)	5B400	Alternator assy.	10346
Adapter (brake air compressor governor)	2A896	Alternator regulator kit (replacement)	10316
Adapter (brake air compressor mounting)	2A880	Ammeter (instrument cluster)	10850
Adapter (brake master cylinder mounting)	2B286	Amplifier assy. (exhaust gas recirculation vacuum)	9E451
Adapter (carb. air cleaner duct tube)	9B676	Amplifier assy. (ignition current)	12A027
Adapter (eng. camshaft drive gear)	6A255	Amplifier assy. (speed control)	9D843
Adapter (eng. crankshaft damper)	6A329	Anchor (clutch pedal assist spring)	7A565
Adapter (eng. flywheel to trans.)	6A369	Anchor (emergency indicator switch mounting strap)	13B322
Adapter (eng. oil filler)	6A868	Anchor (turn indicator switch mounting strap)	13B322
Adapter (exhaust temperature indicator)	10B873	Antenna assy. (radio)	18813
Adapter-fan clutch spacer	8B608	Anti-rattle (radiator grille upper panel)	8457
Adapter (front mounted P.T.O. drive)	7A772	Anti-squeak (radiator supply tank)	8-8300-1
Adapter (front turn indicator lamp)	13370	Anti-squeak (spring)	5586
Adapter (fuel injection pump)	9N383	Apron (front fender)	16054-5
Adapter (fuel vapor purge tube to air cleaner)	9D692	Arm (accelerator pedal throttle)	9798
Adapter (intake manifold)	9K426	Arm (air compressor belt adjusting)	2A942-3
Adapter (muffler inlet pipe)	5B255	Arm (cab lock)	5K358
Adapter (oil pressure tube to cylinder)	9W295	Arm (cab lock camshaft control)	5108
Adapter (P/S cyl. pressure line)	3D644	Arm (cab retaining)	5358
Adapter (P/S pump mounting)	3K505	Arm (clutch release shaft adjusting)	7B506
Adapter (power divider oil filter)	4428	Arm (eng. valve rocker)	6564
Adapter (radiator shutter)	8K025	Arm (exhaust air supply pump belt adjustment)	9B452
Adapter (rear axle shaft stud)	1142	Arm (front axle spindle)	3130-1
Adapter (rear suspension beam end bushing)	5871	Arm (front axle spindle steering)	3146
Adapter (speedo. cable drive tip)	17B322	Arm (rear axle torque)	4612, 4962
Adapter (tachometer cable drive tip)	17B322	Arm (rear view outside mirror to mirror head)	17743
Adapter (tilt cab bleeder port)	5C353	Arm (steering gear sector shaft)	3590
Adapter (trans. countershaft rear bearing)	7B222	Arm (steering idler)	3355
Adapter (trans. cross shaft housing to case)	7A197	Arm (trans. control valve pedal)	7907
Adapter (trans. gearshift lever ball)	7E366	Arm (trans. gearshift)	7243
Adapter (trans. rear shift pipe)	7K077	Arm (trans. gearshift rocker)	7410
Adapter (trans. to eng.)	7E361	Arm (trans. shift control front rod to crank)	7A370
Adapter (water temperature indicator sender)	10911	Arm (windshield wiper motor output)	17A436
Adapter (water temperature switch to intake manifold)	18271	Arm assy. (cab to frame suspension)	5402
Adapter (wiring)	14359	Arm assy. (cab to frame suspension-rear)	5C064
Adapter assy. (alternator regulator)	10N300	Arm assy. (carb. metering rod)	9D819
Adapter assy. (backup lamp switch wire)	15A546	Arm assy. (exhaust air supply pump adj.)	9F492
Adapter assy. (brake front wheel disc)	2B540-1	Arm assy. (fuel pump rocker)	9376
Adapter assy. (distributor base)	12A217	Arm assy. (rear view outside mirror)	17742
Adapter assy. (eng. crankcase vent)	6A665	Arm assy. (windshield wiper mounting)	17540
Adapter assy. (fan spacer)	8B653	Arm assy. (windshield wiper pivot)	17526-7
Adapter assy. (P/S gear control valve)	3E608		
Adapter assy. (P/S pump to reservoir)	3670		
Adapter assy. (rear support beam end bushing)	5A646		

## INDEX

PART NAME	GROUP NUMBER	PART NAME	GROUP NUMBER
<b>Notes:     Δ Refer to page 1 of Paint Section</b>			
<b>A — Cont'd</b>		<b>B — Cont'd</b>	
Arm & pivot shaft assy. (windshield wiper mounting)	17566-7	Base and connector assy. (radio ant. C/B)	18A984
Armature (starter motor)	11005	Base (roof marker) lamp	15A403
Armature (windshield wiper motor)	17A485	Base assy. (voltage regulator)	10503
Auto bleed screw kit (P/S gear)	3C655	Battery	10653-5
Auxiliary gearshift assy.	7B072	Battery (mounting parts)	10732
Auxiliary output shaft kit	7B310	Battery filler channel cover kit	10A820
Axle (front)	3010	Battery assy. (rechargeable telephone power pack)	10655
Axle (rear)	4005-6	Beam assy. (rear suspension support)	5889
Axle assy. (front driving)	3002	Beam kit (cab lift pump)	5A376
<b>B</b>		Bearing (air compressor belt idler pulley)	2873
Baffle (A/C air distribution)	18K383	Bearing (alternator front)	10A303
Baffle (A/C evaporator case)	19A999	Bearing (alternator rear)	10A304
Baffle (brake grease)	2240	Bearing (clutch pilot)	7600
Baffle (brake vacuum booster air cleaner)	2A085	Bearing (coupling & intermediate shaft support)	4840
Baffle (carb. automatic choke plate)	9A539	Bearing (eng. camshaft)	6261-3, 6267, 6270
Baffle (carb. float bowl)	9A517		
Baffle (carb. metering body vent)	9553		
Baffle (eng. push rod crankcase vent)	6A630	Bearing (eng. connecting rod)	6211
Baffle (eng. valve push rod valley)	6524	Bearing (eng. crankshaft main)	6333-7
Baffle (eng. valve spring oil)	6524	Bearing (eng. governor throttle control shaft)	18223
Baffle (fan shroud rear plate)	8B326	Bearing (front axle driving pinion pilot)	4625
Baffle (front brake oil)	2240	Bearing (front axle spindle pin)	3123
Baffle (heater air distribution)	18K383	Bearing (headlamp adjusting ring)	13B160
Baffle (parking brake oil)	2E614	Bearing (P/S gear control valve)	3B673
Baffle (rear axle pwr. div. input shaft oil)	4K470	Bearing (P/S gear worm)	3E612
Baffle (trans. countershaft front oil)	7040	Bearing (P/S pump rotor shaft)	10094
Baffle (trans. input shaft bearing oil)	7040	Bearing (P/S sector shaft)	3B614
Baffle assy. (radiator)	8067	Bearing (rear axle driving pinion pilot)	4625
Bag (clothes)	17008	Bearing (rear axle electric shift drive screw)	4094
Ball (carb. pump discharge check)	9576	Bearing (rear axle power divider)	4392
Ball (carb. secondary throttle diaphragm check)	9576	Bearing (rear axle power divider input shaft)	4423, 7025
Ball (clutch release equalizer shaft)	7543		
Ball (fuel pressure regulator valve)	9D917	Bearing (rear axle power divider output shaft)	4470, 4475
Ball (P/S gear control valve plug)	3E579		
Ball (rear axle shift fork pivot)	4570	Bearing (starter motor center)	11132
Ball (transfer case gearshift lever)	7213	Bearing (starter motor drive end housing)	11135
Ball (trans. gearshift lever)	7213	Bearing (steering gear worm thrust)	3571
Ball kit (steering gear worm)	3647	Bearing (transfer case input shaft)	7065, 7118
Ball kit (trans. shifter shafts spring ball)	7C220		
Ball repair kit (trans. retarder check valve)	7C220	Bearing (transfer case output shaft)	7025
Ball stud kit (P/S drag link)	3A533	Bearing (trans. aux. countershaft)	7065, 7118
Ball stud kit (P/S mounting end)	3A533		
Ball stud kit (P/S moving end)	3A533	Bearing (trans. aux. countershaft reduction)	7065
Ball stud kit (P/S repair)	3A533	Bearing (trans. aux. drive gear)	7065
Band (starter motor cover)	11126	Bearing (trans. aux. mainshaft)	7065, 7118
Band assy. (air cleaner mounting)	9628		
Band assy. (trans. intermediate)	7D034	Bearing (trans. aux. main drive gear pilot)	7118
Band & lining assy. (parking brake)	2648	Bearing (trans. aux. mainshaft quill)	7065
Bar (cab to frame suspension arm)	5627	Bearing (trans. aux. output shaft)	7065, 7120
Bar (front suspension)	5C098		
Bar (rear suspension support beam)	5884	Bearing (trans. aux. output shaft first speed gear)	7117
Bar (spare wheel carrier stop)	1496	Bearing (trans. aux. output shaft second and third speed gear)	7117
Bar (trans. first and reverse)	7358		
Bar (trans. shift fork)	7358	Bearing (trans. countershaft)	1201, 4630, 7025, 7118, 7127
Bar (trans. shift yoke)	7241		
Bar assy. (clutch release equalizer)	7528		
Bar (fuse box mounting)	15K047		
Base (primary fuel filter mounting)	9B065		

1980/  
TRUCK SERIES 600/900

ALPHABETICAL INDEX CHASSIS PARTS

3

INDEX

PART NAME	GROUP NUMBER	PART NAME	GROUP NUMBER
<b>Notes:     Δ Refer to page 1 of Paint Section</b>			
<b>B — Cont'd</b>		<b>B — Cont'd</b>	
Bearing (trans. countershaft front and rear unit)	7127	Bezel (radio control)	18842
Bearing (trans. countershaft gear)	7118, 7127	Blade assy. (windshield wiper)	17528
Bearing (trans. countershaft gear pilot front)	7118	Bleeder screw & seal	9N026
Bearing (trans. countershaft thrust)	7C096	Block (A/C compressor fitting)	19D695
Bearing (trans. cross over lever)	7B371	Block (air comp. adjusting arm)	10C343
Bearing (trans. input shaft)	4561, 4630, 7025, 7065, 7118, 7120, 7127	Block (alt. adjusting arm)	10C343
		Block (belt idler adjustment)	10C343
		Block (brake shoe adjusting spring anchor)	2A186
		Block (eng. drive belt idler pulley adj.)	6W311
		Block (fuel pump connection)	9A363
		Block (headlamp switch junction)	11A647-8
		Block assy. (eng. cylinder)	6010
		Block assy. (junction)	14448
Bearing (trans. input shaft pilot)	7120	Board (front running)	16450-1
Bearing (trans. low speed gear)	7A078	Body (dome lamp)	13787
Bearing (trans. output shaft)	4423, 7025, 7065, 7127	Body (interior lamp)	13788
		Body (rear axle differential lockout shift)	4749
		Body (rear axle shift cyl.)	4748
		Body (trans. governor oil collector)	7D220
Bearing (trans. output shaft pilot)	7120	Body assy. (brake booster control)	2327
Bearing (trans. output shaft rear)	7065	Body assy. (eng. air cleaner)	9609
Bearing (trans. reverse idler)	7120, 7145, 7B369	Body assy. (eng. governor)	18206, 18208
		Body assy. (rear axle power divider differential lockout shift)	4748
Bearing (universal joint)	4712	Body assy. (trans. governor)	7C063
Bearing (windshield wiper motor arm shaft)	17B440	Body assy. (warning lamp indicator)	10C876
Bearing assy. (A/C compressor)	2990	Body & plugs assy. (carb. main metering)	9A511
Bearing assy. (brake vacuum pump rotor shaft)	2B039	Body & plugs assy. (carb. main metering secondary)	9A513
Bearing assy. (brake skid control modulator)	2C069	Body & plugs assy. (fuel pump upper)	9343
Bearing assy. (clutch release)	7580	Body & socket assy. (interior lamp)	13786
Bearing assy. (eng. governor shaft thrust sleeve)	18224	Body, studs & filter assy. (shift cyl.)	4478
Bearing assy. (fan)	8626	Bolt (alternator thru)	10A936
Bearing assy. (idler pulley)	8685	Bolt (brake inlet, outlet & clutch fitting)	2077
Bearing assy. (rear axle driving pinion pilot)	4625	Bolt (brake master cylinder link rod to pedal)	2462
Bearing assy. (steering column)	3517	Bolt (cab lift cylinder lower anchor)	5A367
Bearing assy. (trans. aux. drive gear)	7065	Bolt (driveshaft attachment)	4N272
Bearing assy. (trans. aux. main shaft)	7118	Bolt (drive flange to hub)	1C107
Bearing assy. (trans. shift control rod)	7A459	Bolt (eng. air cleaner)	9K668
Bearing assy. (trans. sun gear thrust)	7D234	Bolt (eng. air cleaner center)	9A659
Bearing kit (coupling & intermediate support)	4840	Bolt (eng. air cleaner element retaining wing)	9D606
Bearing kit (eng. camshaft)	6A251	Bolt (eng. connecting rod)	6214
Bearing & gasket repair kit (trans.)	7C391	Bolt (eng. crankshaft main bearing cap)	6345
Bell (oil pump inlet pipe warning system)	6618	Bolt (eng. cylinder block oil filter opening cover)	6A660
Bellcrank (accelerator)	9724	Bolt (eng. cylinder head)	6065
Bellcrank (parking brake)	2A663	Bolt (eng. flywheel to crankshaft)	6379
Bellcrank assy. (brake master cylinder push rod)	2B327	Bolt (eng. front support insulator)	6047
Bellcrank assy. (eng. compression release)	6A587	Bolt (eng. oil filter clamp)	6A690
Bellcrank assy. (radiator shutter control)	8A178	Bolt (eng. turbo charger compressor cover)	6N864
Belt (drive)	8620	Bolt (eng. turbo charger turbine housing)	6N865
Bender (heater hose)	18573	Bolt (eng. valve rocker arm shaft support)	6A527
Bezel (A/C register)	19C872	Bolt (front axle differential case)	4216
Bezel (heater blower switch)	18598	Bolt (front axle grease cap)	4A145
Bezel (heater control)	18A668	Bolt (front axle shaft universal joint retaining)	3250
Bezel (ignition switch)	11584	Bolt (front axle spindle)	3115
Bezel (instrument cluster)	10876	Bolt (front axle spindle arm to housing)	3C140
Bezel (instrument cluster control)	10852	Bolt (front axle spindle arm turn adjustment)	3145
Bezel (instrument cluster warning lamp opening)	10B894	Bolt (front axle spindle housing lower cover & pin)	3C134
Bezel (marker lamp switch)	15469		

October, 1993

COPYRIGHT © 1993 - FORD MOTOR - DEARBORN, MICHIGAN  
COMPANY

Final Issue

## INDEX

PART NAME	GROUP NUMBER	PART NAME	GROUP NUMBER
<b>Notes:     A Refer to page 1 of Paint Section</b>			
<b>B — Cont'd</b>		<b>B — Cont'd</b>	
Bolt (front axle steering arm stop)	3C141	Bolt & nut assy. (eng. rear support)	6047
Bolt (front brake carrier plate to spindle)	2056	Bolt & nut kit (rear axle driving gear)	4982
Bolt (fuel injector to leak off connector)	9R523	Bolt & valve assy. (eng. oil filter center)	6741
Bolt (hub)	1118-9	Bolt kit (differential drive gear)	4558
Bolt (parking brake lever sector to shifter housing)	2799	Bond (radio frequency interference suppression)	19A095
Bolt (P/S ball stud lamp to clamp)	3A319	Booster control valve repair kit	2C238
Bolt (P/S gear control valve end cover)	3E585	Booster repair kit (power brake)	2309
Bolt (P/S gear housing end plate)	3E585	Booster tube repair kit	2420
Bolt (P/S gear housing mounting bracket)	3E585	Boot (accel. rod to body)	9793
Bolt (P/S gear sector shaft housing cover)	3E585	Boot (air brake actuating wedge)	2B202
Bolt (P/S pump flange mounting)	3K507	Boot (brake air chamber)	2B021
Bolt (P/S pump oil filter support or cover retaining)	3601	Boot (brake cylinder)	2206
Bolt (radiator insulator to bracket)	8A370	Boot (brake master cylinder)	2180
Bolt (radiator to side rail)	8L010	Boot (circuit breaker)	14A241
Bolt (rear axle carrier to housing)	4560	Boot (clutch master cylinder)	2180
Bolt (rear axle differential bearing adjuster lock)	4321	Boot (clutch slave cylinder)	7A716
Bolt (rear axle differential cap)	4321	Boot (courtesy lamp switch)	13A759
Bolt (rear axle differential carrier to housing)	4323	Boot (parking brake cover)	7277
Bolt (rear axle differential case)	4216-7	Boot (parking brake lever)	2A713
Bolt (rear axle differential drive gear)	4558	Boot (rear axle power divider differential lockout shift)	4460
Bolt (rear axle differential sliding clutch gear retainer)	4K034	Boot (steering column shaft coupling)	3D510
Bolt (rear axle drive gear to case)	4558	Boot (steering gear input shaft grease)	3M575
Bolt (rear axle driveshaft universal joint)	4529	Boot (steering gear sector shaft grease)	3M633
Bolt (rear axle housing cover)	4346	Boot (trailer stop lamp switch)	13481
Bolt (rear axle housing to cover)	4A196	Boot (trans. air cylinder)	7309
Bolt (rear axle pinion bearing retainer to carrier)	4560	Boot (trans. cross shaft)	7E242
Bolt (rear axle pwr. div. diff. air chamber to carrier)	4399	Boot (trans. gearshift lever)	7277
Bolt (rear axle power divider carrier cover)	4A146	Boot (trans. gearshift lever to housing)	7277
Bolt (rear axle power divider cover)	4A140	Boot (trans. rear cross shaft)	7277
Bolt (rear axle power divider input shaft bearing retainer)	4A145	Boot (turn signal switch)	13N303
Bolt (rear axle pwr. div. input shaft oil)	4560	Boot assy. (accelerator rod)	9793
Bolt (rear axle pwr. div. lube pump)	4560	Boot repair kit (wedge brake stop)	2B213
Bolt (rear axle power divider shift housing)	4399	Boat (wiring connector sleeve)	14490
Bolt (rear axle shift fork pivot)	4585	Boot & Seal kit (front disc brake)	2207
Bolt (rear axle shift housing cover)	4A198	Boss (eng. oil level indicator)	6751
Bolt (rear brake air chamber release)	2A472	Bottom assy. (A/C condenser)	19C648
Bolt (rear spring tie)	5721	Bowl (fuel pump filter)	9355
Bolt (rear suspension bar clamp)	5A611	Bowl & plugs assy. (carb. float)	9A507-8
Bolt (rear suspension support beam bar)	5A606	Box assy. (fuel)	9R270
Bolt (rear suspension support beam saddle cap)	5887	Brace (air cleaner intake tube to frame)	9A618
Bolt (rear suspension support beam to axle housing)	5882	Brace (air compressor)	2888-9
Bolt (spare wheel carrier hinge)	1471	Brace (eng. air cleaner)	9663
Bolt (spoke wheel rim clamp)	1151	Brace (eng. rear splash shield extension)	16A580
Bolt (spring clamp front & rear)	5723	Brace (front fender extension lower)	16B152-3
Bolt (spring mounting bracket)	5882	Brace (front fender to radiator support)	16A023-4
Bolt (starter motor thru)	11091	Brace (front fender to dash)	16D110-1
Bolt (steering column clamp)	3C684	Brace (front frame cross member)	5A095
Bolt (steering shaft coupling)	3N665	Brace (hood latch support)	16864
Bolt (trans. case)	7A771	Brace (hood stabilizer bracket)	16C704
Bolt (trans. countershaft rear bearing)	7C209	Brace (muffler & outlet pipe to frame)	5A204
Bolt (trans. over running clutch case)	7D167	Brace (parking brake lever support)	2A702
Bolt (trans. shift finger pilot)	7B366	Brace (radiator grille guard to frame)	8302-3
Bolt (wheel hub)	1107-8	Brace (radiator grille opening side panel)	8B332-3
Bolt (steering column shaft & joint mounting)	3C765	Brace (radiator support to dash)	16746
Bolt (steering shaft coupling)	3N665	Brace (radiator support to frame)	8A364
		Brace (front fender to dash)	16D110-1
		Brace (rear view outside mirror support)	17A734

1980/  
TRUCK SERIES 600/900

INDEX

PART NAME	GROUP NUMBER	PART NAME	GROUP NUMBER
<b>Notes:     Δ Refer to page 1 of Paint Section</b>			
<b>B — Cont'd</b>		<b>B — Cont'd</b>	
Brace (regulator frame)	10604	Bracket (brake air pressure gauge)	10K852
Brace (running board)	16544-5	Bracket (brake air pressure regulator valve mounting)	2K213
Brace (trans. shift control support)	7B206	Bracket (brake air reservoir mounting upper)	2320
Brace assy. (front fender apron to dash)	16A052-3	Bracket (brake air supply manifold)	2B407
Brace assy. (rear view outside mirror)	17A733	Bracket (brake booster control valve)	2B349
Brace assy. (running board)	16474	Bracket (brake booster tube protector)	2B405
Brace assy.-upper (stack pipe eng. aklm)	9K663	Bracket (brake hose connection mounting)	2B215
Bracket (A/C automatic temp. control sensor)	19D668	Bracket (brake line support)	2A051
Bracket (A/C evaporator core upper)	19A559	Bracket (brake master cylinder)	2280
Bracket (A/C evaporator expansion valve mounting)	19866	Bracket (brake master cylinder push rod bellcrank)	2B353
Bracket (A/C evaporator thermostat)	19C741	Bracket (brake pressure control valve)	2B260
Bracket (A/C and heater control switch mounting)	19A525	Bracket (brake reservoir mounting)	2A206
Bracket (A/C and heater plenum chamber contact cable guide)	19B934	Bracket (brake reservoir strap)	2B217
Bracket (A/C inlet manifold)	19D933	Bracket (brake skid control actuator mounting)	2B371
Bracket (accelerator cable)	9728	Bracket (brake skid control modulator mounting)	2B389
Bracket (accelerator cable abutment)	9K703	Bracket (brake skid control modulator terminal box)	2C068
Bracket (accelerator lever support)	9N735	Bracket (brake skid control warning buzzer)	2C032
Bracket (accelerator pedal)	9A842	Bracket (brake skid control warning monitor)	2C014
Bracket (accelerator pedal stop)	9C818	Bracket (brake tube clip)	2A155
Bracket (accelerator retracting spring)	9741	Bracket (brake tube support)	2A275
Bracket (accelerator return spring)	9W742	Bracket (brake vacuum pump)	2A452
Bracket (accelerator shaft)	9728	Bracket (cab forward hinge)	5A118
Bracket (accelerator shaft housing brace)	9B722	Bracket (cab lock cam striker)	5A159
Bracket (air brake pedal arm bumper)	2448	Bracket (cab lock camshaft control arm handle pivot)	5A390
Bracket (air brake quick release valve mounting tractor equipment)	2A268	Bracket (cab lock control)	5B124
Bracket (air by-pass valve)	9B290	Bracket (cab lock hook)	5A161
Bracket (air cleaner)	9B609	Bracket (cab mounting insulator)	5B353
Bracket (air cleaner air duct support)	9B625	Bracket (cab rear support)	5B362
Bracket (air cleaner intake tube upper)	9C685	Bracket (cab suspension position valve)	5C091
Bracket (air intake eng. air cleaner)	9C678	Bracket (cab suspension position valve)	5C087
Bracket (air cleaner mounting)	9626	Bracket (cab to cab lock)	5B365
Bracket (air cleaner support)	9A627	Bracket (cab to frame)	5110
Bracket (air compressor adjusting)	2883	Bracket (cab to frame suspension arm)	5411
Bracket (air compressor belt idler adjusting pulley)	2877	Bracket (cab suspension shock absorber to frame)	5B402
Bracket (air compressor to cylinder block)	2882	Bracket (carb. dashpot mounting)	9B550
Bracket (air compressor to manifold)	2886	Bracket (circuit breaker mounting)	14A066
Bracket (air filter and regulator)	7B367	Bracket (clutch pedal bumper)	7A530
Bracket (air horn valve)	13A826	Bracket (clutch release bearing hub retracting spring)	7B603
Bracket (air reservoir tank support)	2A130	Bracket (clutch release equalizer bar retracting spring)	7542
Bracket (alternator heat shield)	10B312	Bracket (clutch release equalizer lower)	7A756
Bracket (alternator mounting)	10A313	Bracket (clutch release shaft)	7B598
Bracket (alternator and compressor mounting)	10337	Bracket (clutch slave cylinder mounting)	7A544
Bracket (alternator regulator mounting)	10337	Bracket (condenser mounting)	19B594
Bracket (aux. spring)	5700	Bracket (coupling shaft support plate)	4691
Bracket (aux. trans. mounting front)	7A311	Bracket (courtesy lamp)	13763
Bracket (aux. trans. shift control lever)	7B013	Bracket (eng. air cleaner scoop)	9B924
Bracket (aux. trans. shift control mounting)	7B015	Bracket (eng. air shut-off control)	9J589
Bracket (aux. trans. support frame front & rear)	7967	Bracket (eng. governor control)	12B482
Bracket (battery cable)	10A779	Bracket (eng. cable & tube mounting)	6A662
Bracket (battery clamp bolt)	10A691	Bracket (eng. cyl. block to injection pump)	6N072
Bracket (battery cover clamp)	10708	Bracket (eng. compression release)	6A541
Bracket (battery hold down)	10718	Bracket (eng. oil cooler hose)	6A898
Bracket (battery support)	10753	Bracket (eng. oil cooler mounting)	6K743
Bracket (body lift pump)	5C362	Bracket (eng. front support)	5057-8, 6028-30, 6A057, 6A067
Bracket (battery support)	10753		
Bracket (booster mounting)	2031	Bracket (eng. oil filler support)	6786, 6A867

## INDEX

PART NAME	GROUP NUMBER	PART NAME	GROUP NUMBER
<b>Notes:     Δ Refer to page 1 of Paint Section</b>			
<b>B — Cont'd</b>		<b>B — Cont'd</b>	
Bracket (eng. oil filter by-pass mounting)	6728	Bracket (headlamp door mounting)	13A116
Bracket (eng. oil filter hose support)	6A662	Bracket (htr. & A/C mounting)	18A457
Bracket (eng. rear splash shield)	16A584	Bracket (htr. & A/C outlet)	18C423
Bracket (eng. rear support)	6096	Bracket (htr. & A/C plenum chamber def. anti fail)	18K393
Bracket (eng. rear support to frame)	6A067	Bracket (htr. & A/C cont. vacuum mtr.)	18B258
Bracket (engine stop warning lamp)	15857	Bracket (htr. & A/C plenum chamber)	18A334
Bracket (eng. timing transducer)	6N076	Bracket (htr. & A/C plenum chamber center)	18A345
Bracket (exhaust air supply pump mounting)	9B450	Bracket (C/B radio microphone retaining)	18B813
Bracket (exhaust air supply silencer)	9W428	Bracket (heater blower motor mounting)	18564, 18C615
Bracket (exhaust gas recirculation reservoir)	9F430		
Bracket (exhaust manifold heat shield)	9N456	Bracket (heater hose clamp support)	11994
Bracket (extension pipe to frame)	5A206	Bracket (heater temperature control cable)	18A677
Bracket (extension to frame)	5A246	Bracket (hood check cable storage spring)	16B928
Bracket (fan cooler mounting)	8B648	Bracket (hood hinge mounting on body)	16A614-5
Bracket (fan mounting)	8632	Bracket (hood rod support mounting)	16A932
Bracket (fan shroud rear)	8B610-3	Bracket (hood stabilizer)	16B702
Bracket fan support	8N601	Bracket (hood stabilizer mounted on body)	16C798
Bracket (fog lamp mounting)	15266	Bracket (hood stabilizer mounted on hood)	16C660
Bracket (frame to body)	5A041, 5077-8	Bracket (horn mounting)	13830
		Bracket (horn switch mounting)	13A937
Bracket (frame to spare wheel carrier)	1453	Bracket (horn warning actuator)	13A928
Bracket (front brake air chamber)	2306	Bracket (idler pulley support)	8680
Bracket (front brake hose support)	2082	Bracket (ignition cable mounting)	12112
Bracket (front bumper)	17752-3	Bracket (ignition current amplifier)	12A072
Bracket (front fender apron to radiator support)	16A121-2	Bracket (ignition module mtg.)	12K060
Bracket (front fender mounting rear)	16C078	Bracket (instrument panel)	10C935
Bracket (front fender rear filler)	16C088	Bracket (instrument panel dimmer switch)	10C969
Bracket (front fender rear splash shield)	16264-5	Bracket (instrument panel shield front)	10N862
Bracket (front fender splash shield support)	16A142-3	Bracket (instrument panel support)	10A919
Bracket (front fender support)	5B104	Bracket (instrument panel to trailer lamp wiring support)	14536
Bracket (front fender to cowl side)	16A165	Bracket (intake manifold tube support)	9B470
Bracket (front spring shackle)	5335-41	Bracket (jack hold down clamp)	17A056
Bracket (front spring wind-up bumper)	5426	Bracket (junction block)	14A298
Bracket (front wheel splash shield)	16A586	Bracket (lamp mounting front)	13N232
Bracket (fuel filter)	9180	Bracket (left grille guard brace)	8B293-4
Bracket (fuel filter drain)	9W310	Bracket mounting (accel. pedal sw stop)	9866
Bracket (fuel injector)	9N944	Bracket (muffler & outlet pipe to frame)	5260
Bracket (fuel injection pump)	9B552	Bracket (muffler inlet pipe upper)	5291
Bracket (fuel injection pump tube clamp)	9N993	Bracket (muffler outlet pipe support)	5277
Bracket (fuel line junction)	9G290	Bracket (muffler outlet pipe upper)	5A235
Bracket (fuel line support)	9D319	Bracket (muffler pipe to frame)	5A206
Bracket (fuel shut-off control mounting)	9764	Bracket (muffler support)	5277
Bracket (fuel tank guard)	9K037	Bracket (muffler to frame)	5A204, 5A246
Bracket (fuel tank insulator mounting)	9258		
Bracket (fuel tank leveling hose support)	9B013, 9B079	Bracket (oil cooler tube)	6K759
		Bracket (oil cooler tube support)	6786
Bracket (fuel tank selector valve)	9142	Bracket (outlet pipe)	5260, 5277
Bracket (fuel tank selector valve control cable)	9A045		
Bracket (fuel tank support)	9A004-5	Bracket (outlet pipe to frame)	5A206, 5271
Bracket (fuel tank support strap)	9A022		
Bracket (fuel tube clip)	9338	Bracket (parking brake air control valve)	2A730
Bracket (fuel tube support)	9B303	Bracket (parking brake cable support)	2649
Bracket (fuel vapor storage canister)	9D665	Bracket (parking brake control mounting)	2795
Bracket (fuse panel mounting)	14A254	Bracket (parking brake support)	2A696
Bracket (glow plug warning lamp)	15857	Bracket (parking brake to trans. case)	2654
Bracket (hand throttle control lever)	9824	Bracket (parking lamp mounting)	13256
Bracket (headlamp adjusting)	13121	Bracket (power brake booster mounting)	2031-2
Bracket (headlamp brace)	13A004-5	Bracket (P/S cylinder mounting)	3A652
Bracket (headlamp dimmer control mounting)	13655		

1980/  
TRUCK SERIES 600/900

**INDEX**

PART NAME	GROUP NUMBER	PART NAME	GROUP NUMBER
<b>Notes:      Δ Refer to page 1 of Paint Section</b>			
<b>B — Cont'd</b>		<b>B — Cont'd</b>	
Bracket (P/S cylinder to idler arm)	3B617	Bracket (speedo. mounting)	17A273
Bracket (P/S hose)	3C510	Bracket (starter cable support)	14A272
Bracket (P/S oil cooler)	3D744	Bracket (starter motor relay mounting)	11N002
Bracket (P/S pump adjusting)	3A732	Bracket (starter push button switch)	11A610
Bracket (P/S reservoir)	3490	Bracket (starting fluid reservoir mounting)	9A151
Bracket (P/S reservoir oil filler tube)	3F525	Bracket (steering arm stop)	3C653
Bracket (radiator grille & headlamp guard hinge support)	18417	Bracket (steering column to instrument panel)	3678
Bracket (radiator grille & headlamp guard mounting)	18413	Bracket (steering gear mounting)	3E552
Bracket (radiator grille lower)	8A123	Bracket (stop lamp switch mounting)	13A439
Bracket (radiator mounting)	5073-4	Bracket (suppt. accel. lever)	9N716
Bracket (radiator shutter control thermostat hose)	8A481	Bracket (tachometer cable)	17361
Bracket (radiator shutter control thermostat to air cylinder tube)	8A092	Bracket (tachometer mounting)	17368
Bracket (radiator supply tank tube)	8A357	Bracket (throttle control cable)	9A866
Bracket (radiator support)	8A274	Bracket (throttle module mounting)	9E730
Bracket (radiator support mounting)	5069-70	Bracket (tool support)	17W001
Bracket (radiator support to frame)	8A291	Bracket (trailer brake air hose connector mounting)	2954
Bracket (radiator supply tank upper)	8A010	Bracket (trailer brake air hose return spring)	2959
Bracket (radiator tube support)	8K157	Bracket (trailer brake air hose support)	2533
Bracket (radio receiver mounting)	18888	Bracket (trailer brake air protector valve mounting)	2527
Bracket (radio speaker mounting)	18815	Bracket (trailer brake hose mounting)	2A080
Bracket (rear air brake relay valve)	2A491	Bracket (trailer control mounting)	2C007
Bracket (rear axle air shift Solenoid mounting)	4518	Bracket (trailer lamp plug mounting)	13A496
Bracket (rear axle control switch wiring)	4091	Bracket (transfer case control lever)	7A147
Bracket (rear axle control valve mounting)	4077	Bracket (transfer case mounting)	7A444
Bracket (rear axle power divider differential lockout control)	4483	Bracket (trans. air filter)	7B333
Bracket (rear axle power divider differential lockout control valve)	4533	Bracket (trans. aux. valve air filter)	7B333
Bracket (rear axle power divider differential lockout coupling hose to cylinder hose tube)	4487	Bracket (trans. brake cable mounting)	7B116
Bracket (rear axle power divider differential lockout cylinder)	4489	Bracket (trans. control selector arm mounting)	7B017-8
Bracket (rear axle shift control valve)	4A163	Bracket (trans. control selector cable)	7E364
Bracket (rear axle torque arm)	4526	Bracket (trans. control selector shift cable)	7B019
Bracket (rear axle torque arm to frame)	5883	Bracket (trans. control selector stop)	7967
Bracket (rear brake hose support)	2073	Bracket (trans. gearshift lever housing)	7E318
Bracket (rear lamp)	13469-71	Bracket (trans. oil cooler mounting)	7B142
Bracket (rear license plate)	13406	Bracket (trans. oil cooler tube)	7B147
Bracket (rear shock absorber lower)	18132-3	Bracket (trans. oil filler tube)	7A229
Bracket (rear shock absorber to frame)	18A045	Bracket (trans. rear support frame)	7B047
Bracket (rear spring shackle)	5775	Bracket (trans. regulator valve)	7B333
Bracket (rear suspension mounting reinforcement)	5A822	Bracket (trans. retarder cable)	7A215
Bracket (rear suspension support beam)	5775	Bracket (trans. retarder cable rear)	7997
Bracket (rear view outside mirror)	17B713, 17727	Bracket (trans. retarder cable to frame)	7-7961
Bracket (rear wheel parking brake cable to instrument panel)	2A474	Bracket (trans. selector control cable)	7E381
Bracket (rear wheel splash shield)	16K572	Bracket (trans. shift control rod)	7A371, 7799
Bracket (relay mounting)	14A301	Bracket (trans. shift lever valve)	7B333
Bracket (running board brace pedal)	16575	Bracket (trans. support)	7108
Bracket (running board brace R.H. and L.H.)	16581	Bracket (trans. to front support)	7B047
Bracket (running board rear)	16486	Bracket (turn signal lamp)	13M232
Bracket (starter cable support)	14A272	Bracket (vacuum gauge mounting)	9C497
Bracket (shift control lever)	7B013	Bracket (vacuum manifold mounting)	9J457
Bracket (spare wheel carrier)	1443	Bracket (volt meter indicator mounting)	10847
Bracket (speedo. adapter)	17335	Bracket (warning indicator panel)	10C894
Bracket (speedo. cable support)	17263	Bracket (water filter mounting)	8A425
		Bracket (windshield washer reservoir mounting)	8A561
		Bracket (windshield wiper motor mounting)	17614, 17651
		Bracket (windshield wiper pivot shaft mounting)	17496-7 17479

October, 1993

COPYRIGHT © 1993 - FORD MOTOR - DEARBORN, MICHIGAN

COMPANY

Final Issue



## INDEX

PART NAME	GROUP NUMBER	PART NAME	GROUP NUMBER
Notes: <b>Δ</b> Refer to page 1 of Paint Section			
B — Cont'd		B — Cont'd	
Bracket (wiring clip)	14A284	Bracket assy. (starter relay mounting)	11W002
Bracket (wiring shield)	14A217	Bracket assy. (steering column support)	3B139
Bracket assy. (accelerator cable)	9723	Bracket assy. (throttle control relay)	9K775
Bracket assy. (accelerator to shaft housing)	9A882	Bracket assy. (tilt cab locking cable)	5332
Bracket assy. (A/C control mounting)	19A884	Bracket assy. (tow pin)	17D924
Bracket assy. (air cleaner intake silencer)	9W630	Bracket assy. (trailer lamp plug hanger)	13484
Bracket assy. (aux. trans. mounting front & rear)	7A047	Bracket assy. (trans. end shift cable)	7E381
Bracket assy. (battery cable)	10W652	Bracket assy. (trans. retarder control valve lever)	7928
Bracket assy. (brake booster lever pivot)	2B311	Bracket assy. (turn indicator mounting)	13K025
Bracket assy. (brake camshaft)	2310-1	Bracket assy. (wiring shield mounting)	14A226
Bracket assy. (brake skid control sensor)	2C084	Bracket & insulator kit (muffler outlet pipe)	5260
Bracket assy. (brake hose manifold)	2B197	Bracket & strap assy. (vapor storage canister)	9D664
Bracket assy. (cab to frame suspension arm)	5408	Bracket & switch assy. (backup lamp)	15520
Bracket assy. (cab mounting to spring)	5B404	Bracket & tee assy. (brake booster tube)	2B503
Bracket assy. (cab mounting latch)	5B399	Brake (starter motor drive)	11A018
Bracket assy. (carb. air shroud support)	9C670	Brake assy. (rear wheel)	2209-10
Bracket assy. (carb. choke control)	9595	Brake adjuster bolt repair kit (front air)	2090
Bracket assy. (carb. throttle control)	9764	Brake adjuster retaining washer kit (rear air)	2130
Bracket assy. (clutch idler bellcrank lever pivot)	7B587	Brake adjusting screw link repair kit	2042
Bracket assy. (clutch release equalizer eng.)	7A572	Brake cylinder repair kit	2128, 2221
Bracket assy. (clutch release equalizer to frame)	7507	Brake repair kit (front wedge actuated air)	2B209
Bracket assy. (eng. noise shield)	6E055	Brake repair kit (rear wedge actuated air)	2B214
Bracket assy. (exhaust)	9W430	Breaker assy. (distributor)	12151
Bracket assy. (exhaust air supply tube)	9C488	Breaker assy. (electrical circuit)	14526
Bracket assy. (exhaust gas recirculation vacuum amplifier)	9E452	Breaker assy. (electrical circuit glass tube)	14526
Bracket assy. (frame to body)	5A112-3	Breaker assy. (fusible link wire type)	14526
Bracket assy. (front bumper)	17B749-50	Breather (rear cross shaft housing)	4022
Bracket assy. (front frame position)	5C096	Brush (starter motor)	11056
Bracket assy. (front shock absorber lower)	18112-3	Brush set (starter motor)	11057
Bracket assy. (front shock absorber to frame upper)	18183-4	Brush & holder (A/C compressor)	2979
Bracket assy. (fuel filter)	9A335	Brush & spring set (alternator)	10347
Bracket assy. (fuel tank)	9045-6	Brush & terminal assy. (windshield wiper motor)	17B566
Bracket assy. (fuel tank compression member)	9B105	Brush & terminal set (alternator)	10347
Bracket assy. (fuel tank leveling hose support)	9A081	Bulb (lamp)	13465-6
Bracket assy. (fuse junction panel mounting)	14A298	Bulb assy. (headlamp sealed beam)	13007
Bracket assy. (hand throttle control)	9W764	Bulb assy. (sealed beam lamp)	15220
Bracket assy. (headlamp adjusting nut)	13021	Bulb (sealed beam)	15330
Bracket assy. (C/B radio speaker relay mounting)	18B824	Bulb & retainer (headlamp-halogen)	13N021
Bracket assy. (heater blower mounting)	18535	Bumper (clutch & brake pedal)	7583
Bracket assy. (heater control mounting)	18531	Bumper (front)	17757
Bracket assy. (heater mounting)	18A456	Bumper (front axle)	3019-20
Bracket assy. (hood assist spring retainer)	16C836-7	Bumper (front spring)	5460
Bracket assy. (hood lift)	16C838-9	Bumper (hood)	16758-63
Bracket assy. (idler pulley support)	8A653	Bumper (rear axle)	4730, 5783
Bracket assy. (indicator warning system control)	10W846	Bumper assy. (cab mounting rear)	5A160
Bracket assy. (radiator grille opening side panel mounting)	8A214	Bumper assy. (hood hinge)	16C638-9
Bracket assy. (radiator supply tank mounting)	8A082	Bus bar (fuse junction panel)	14A036
Bracket assy. (radio suppression shield)	19A154	Bus bar	14A439
Bracket assy. (rear brake shoe anchor)	2A497-8	Bus bar (relay to circuit breaker)	14A258
Bracket assy. (rear lamp to frame)	13433	Bus bar assy.	14A033
Bracket assy. (rear shock absorber upper)	18169	Bushing (accelerator pedal hinge)	9873
Bracket assy. (relay mounting)	14A323	Bushing (accelerator pedal lever pivot)	9C805
Bracket assy. (speed control servo)	9C787	Bushing (accelerator shaft)	9A763
Bracket assy. (spotlight)	15320	Bushing (alternator mounting)	10B310
Bracket assy. (stabilizer on body mounting plate)	16C850-1	Bushing (alternator shaft)	10C313
Bracket assy. (starter motor solenoid mounting)	11K505	Bushing (alternator rectifier insulator)	10A381

1980/  
TRUCK SERIES 600/900

**INDEX**

PART NAME	GROUP NUMBER	PART NAME	GROUP NUMBER
<b>Notes:    Δ Refer to page 1 of Paint Section</b>			
<b>B — Cont'd</b>		<b>B — Cont'd</b>	
Bushing (brake camshaft)	2237	Bushing (trans. adapter plate alignment)	7A702
Bushing (brake carrier plate)	2237	Bushing (trans. clutch housing pedal shaft)	7508
Bushing (brake master cylinder)	2474	Bushing (trans. clutch release cross shaft)	7A615
Bushing (brake master cylinder push rod)	2A309	Bushing (trans. control selector arm)	7343
Bushing (brake pedal)	2461	Bushing (trans. cross shaft tube)	7808
Bushing (cab forward hinge bracket)	5A371	Bushing (trans. extension housing)	7A034
Bushing (cab to frame suspension arm)	5387	Bushing (trans. front oil pump)	7B258
Bushing (carb. throttle shaft)	9B508	Bushing (trans. gearshift lever shaft)	7335
Bushing (clutch master cylinder)	2474	Bushing (trans. gearshift selector arm)	7A133
Bushing (clutch pedal)	2461	Bushing (trans. input shaft)	7120
Bushing (clutch pedal bellcrank lever)	7B586	Bushing (trans. input shaft pilot)	7120
Bushing (clutch pedal shaft)	7508	Bushing (trans. intermediate brake drum)	7D046
Bushing (clutch pedal to idler lever rod)	7526	Bushing (trans. outer shifter shaft)	7808
Bushing (clutch release cross shaft)	7A615	Bushing (trans. output shaft fourth speed gear)	7193
Bushing (clutch release equalizer shaft)	7517	Bushing (trans. output shaft second speed gear)	7193
Bushing (clutch release shaft)	7508	Bushing (trans. output shaft third speed gear)	7193
Bushing (distributor housing)	12120	Bushing (trans. retarder control valve lever bracket)	17A012
Bushing (distributor pilot bore)	12367	Bushing (trans. reverse idler gear)	7143
Bushing (eng. camshaft drive gear)	6A254	Bushing (trans. sun gear shaft)	7B261
Bushing (eng. connecting rod)	6207	Bushing assy. (rear suspension support beam insulator)	5872-3
Bushing (eng. governor shaft)	18219	Bushing assy. (support beam end)	5873
Bushing (eng. valve guide)	6510	Bushing assy. (trans. shift control rod bracket)	7A459
Bushing (front air brake camshaft)	2290	Button (brake control valve lever lock)	2B622
Bushing (front axle housing)	3C137	Button (distributor breaker plate support)	12072
Bushing (front shock absorber)	18197	Button (horn)	13A805
Bushing (front spring)	5348	Buzzer (low brake air pressure)	2573
Bushing (front wheel spindle)	3109-10	Buzzer assy. (brake skid control warning)	2C031
Bushing (fuel injector cyl. tube clip)	9N978	<b>C</b>	
Bushing (fuel injection cyl. tube plate)	9N980	Cable (fuel pump connection)	9A372
Bushing (radiator & headlamp guard latch inner)	8B490	Cable (htr. & A/C air control inner)	18K312
Bushing (rear axle differential bearing adjuster lock)	4156	Cable assy. (A/C temperature)	19988
Bushing (rear axle power divider case)	4575	Cable assy. (accelerator pedal to carb. throttle)	9A758
Bushing (rear axle power divider cluster gear)	4437-8	Cable assy. (battery to ground)	14301
Bushing (rear axle power divider output shaft)	4454	Cable assy. (battery to starter relay)	14300
Bushing (rear axle power divider pinion gear)	4422	Cable assy. (battery universal type)	14300
Bushing (rear axle shift fork)	4094	Cable assy. (cab lock)	5B372
Bushing (rear axle shift push rod)	4394	Cable assy. (dash to eng. ground)	14303
Bushing (rear axle to torque arm)	4381	Cable assy. (defroster air)	18548
Bushing (rear axle torque arm adjustment)	4A126	Cable assy. (dual battery)	14304
Bushing (rear shock absorber)	18197	Cable assy. (hand throttle control)	9W780
Bushing (rear spring)	5781	Cable assy. (throttle control)	9C799
Bushing (rear spring end)	5A598	Cable assy. (heater air)	18552
Bushing (rear spring seat)	5A557	Cable assy. (heater temperature)	18518
Bushing (rear suspension support beam)	5A593	Cable assy. (hood check)	16B898
Bushing (rear suspension support beam stud)	5854	Cable assy. (parking brake air control valve)	2A768
Bushing (speedo. drive gear)	17K253	Cable assy. (radio ant. lead-in)	18812
Bushing (speedo. driven gear)	17277, 17323	Cable assy. (relay to starter motor)	14431
		Cable assy. (speedo.)	17260
Bushing (spring)	5781	Cable assy. (tachometer)	17365
Bushing (spring shackle)	5791	Cable assy. (trans. retarder valve)	7A650
Bushing (starter motor brush end plate)	11052	Cable & conduit (parking brake front)	2853
Bushing (starter motor drive end housing)	11135	Cable & conduit assy. (trans. selector control)	7A650
Bushing (starter motor lever housing)	11142	Cable kit (battery booster)	14300
Bushing (starter motor rear end plate)	11135	Cage (steering column retaining ring)	3E728
Bushing (steering idler arm shaft)	5A370	Caliper assy. (front disc brake)	2B120
Bushing (terminal)	14603	Caliper Housing kit (front disc brake)	2K139

## INDEX

PART NAME	GROUP NUMBER	PART NAME	GROUP NUMBER
<b>Notes:    Δ Refer to page 1 of Paint Section</b>			
<b>C — Cont'd</b>		<b>C — Cont'd</b>	
Caliper Piston kit (front disc brake)	2K395	Carrier assy. (rear axle differential)	4141, 4341
Cam (carb. accelerator pump diaphragm operating)	9526	Carrier kit (rear axle differential)	4141
Cam (distributor)	12210	Case (rear axle differential gear support)	4027, 4127
Cam (parking brake band)	2632	Case assy. (front axle differential)	4204-5
Cam (turn indicator turn off)	13318	Case assy. (rear axle differential)	4204-6
Cam assy. (carb. fast idle)	9597	Case assy. (rear axle power divider differential)	4404-6
Cam pin (drive gear rear axle shift assy.)	4085	Case assy. (transfer)	7005
Camshaft (cab lock main hook)	5116	Case assy. (trans.)	7005, 7006
Camshaft (eng.)	6250	Case & coil assy. (starter motor solenoid)	11A026
Camshaft (front air brake)	2230-1	Case kit (rear axle differential carrier)	4204
Camshaft (rear air brake)	2316-7	Case kit (rear axle differential support)	4127
Camshaft & lever assy. (parking brake)	2A710	Catch assy. (A/C housing cover)	18C663
Canister assy. (fuel vapor storage)	9D653	Catch assy. (heater housing cover)	18C663
Cap (air brake actuating wedge return spring)	2B206	Catch assy. (hood latch)	16C680-1
Cap (brake master cyl. filler)	2162	Catcher (transfer case front output shaft oil)	7961
Cap (brake shoe adjusting)	2A041	Chain (eng. timing)	6268
Cap (cab hinge)	5003	Chamber assy. (front brake air)	2025
Cap (carb secondary adjustment diaphragm valve)	9507	Chamber assy. (heater air plenum)	18471
Cap (clutch master cyl. filler)	2162	Chamber assy. (rear brake air)	2225
Cap (eng. oil filler)	6766	Channel (spare wheel carrier)	1443
Cap (eng. support)	6A065	Chassis (radio receiver)	18806
Cap (exhaust air supply silencer)	9S426	Chassis & transmitter assy. C/B	188806
Cap (front axle spindle pin)	3113	Check valve repair kit (brake reservoir)	2B320
Cap (front hub grease)	1131	Choke (radio receiver suppression)	18A952
Cap (front spring seat)	5A316	Cigar lighter assy.	15A055
Cap (fuel vapor storage canister)	9E602	Cigar lighter kit	15A044
Cap (power steering pump valve)	3M627	Circuit (windshield wiper printed)	17A520
Cap (radiator)	8100	Circuit board kit (brake skid control monitor)	2C087
Cap (radiator coolant recovery reservoir)	8K103	Circuit board kit (rear axle shift electric motor)	4107
Cap (rear brake air chamber breather)	2A488	Circuit assy. (instrument cluster printed)	10K843
Cap (rear suspension support beam saddle)	5875	Clamp (A/C hoses)	19B679
Cap (steering column shaft coupling pin)	3A529	Clamp (air cleaner dirt ejection valve heat shield)	9E611
Cap (tachometer opening)	12B271	Clamp (air cleaner stack pipe)	9628
Cap (trans. aux. countershaft rear bearing)	7195	Clamp (battery hold down)	10718
Cap (trans. aux. shift cyl.)	7195	Clamp (brake air chamber)	2A470
Cap (trans. control housing)	7220	Clamp (brake tube support bracket)	2A407
Cap (trans. control selector housing)	7220	Clamp (carb.)	9792
Cap (trans. countershaft rear bearing)	7195	Clamp (distributor terminal housing hold down)	12144
Cap (trans. gearshift lever housing)	7220	Clamp (distributor to cyl. head)	12270
Cap (trans. output shaft rear bearing)	7195	Clamp (eng. oil filler pipe)	6A759
Cap (universal joint knuckle dust)	4710	Clamp (exhaust air supply tube)	9D436
Cap (vertical exhaust)	5C208	Clamp (exhaust manifold to cyl. block)	9443
Cap (water outlet)	8A500	Clamp (exhaust manifold to cyl. head)	9446
Cap (water outlet connection)	9486	Clamp (fuel tube)	9C334
Cap assy. (air intake tube)	9661	Clamp (front axle spindle connecting rod)	3287
Cap assy. (distributor)	12106	Clamp (front spring)	5330
Cap assy. (eng. oil filler & breather)	6766	Clamp (heater hose)	18572
Cap assy. (fuel tank filler)	9030	Clamp (hood check cable storage spring)	16B926
Cap assy. (P/S pump oil reservoir filler)	3A006	Clamp (hose)	8287, 9171, 19B679
Cap assortment (eng. oil filler & breather)	6766	Clamp assy. inlet tube (turbo charger)	9W622
Cap kit (steering column shaft dust)	3E554	Clamp (intake manifold to cyl. block)	9443
Cap screw (rear air brake dust shield)	2318	Clamp (intake manifold to cyl. head)	9446
Capacitor (radio)	18827		
Capacitor assy. (windshield wiper)	17K499		
Capacitor (radio voltage regulator)	18832		
Carburetor assy.	9510		
Carburetor repair kit	9590		

1980/  
TRUCK SERIES 600/900

INDEX

PART NAME	GROUP NUMBER	PART NAME	GROUP NUMBER
Notes: Δ Refer to page 1 of Paint Section			
C — Cont'd		C — Cont'd	
Clamp (muffler crossover pipe)	5A231	Clip (trans. first & reverse shift fork)	7C072
Clamp (muffler inlet pipe)	5A231	Clip (turn indicator cover)	13377
Clamp (muffler outlet pipe)	5A231	Clip (A/C tube lock coupling)	19E746
Clamp (muffler to frame)	5A215	Clip (turn indicator switch mounting)	13B321
Clamp (P/S cooling tube)	3B749	Clip (window regulator switch retainer)	14559
Clamp (P/S hose support)	3C750	Clip (windshield wiper adapter & connecting arm)	17531
Clamp (rear spring)	5724	Clip (wire retainer)	14A169
Clamp (shutter air line)	8A110	Clock assy.	15000
Clamp (spoke wheel rim)	1042-3	Cluster assy. (instrument)	9271
Clamp (steering column)	3506-7	Clutch (rear axle power divider input)	4556
Clamp (steering column shaft lower coupling)	3D699	Clutch (trans. aux. sliding)	7B338
Clamp (steering column to instrument panel)	3668	Clutch (trans. output shaft sliding)	7103
Clamp (steering column tube to instrument panel bracket inner)	3699	Clutch (trans. output shaft third and fourth speed)	7A061
		Clutch (trans. second & third speed synchronizer)	7105
Clamp (steering gear ball return guide)	3544	Clutch assy. (trans. overrunning)	7A089
Clamp (T bolt)	9K652	Clutch & bracket assy. (fan)	8A627
Clamp (trans. air filter)	8287	Clutch collar (rear axle pwr. div. main diff. lock)	4569
Clamp assy. (air cleaner)	9628	Cock assy. (intake manifold air vent)	9412
Clamp assy. (air cleaner pipe)	9N832	Coil (starter motor field)	11083-6
Clamp assy. (brake booster ring)	2350	Coil assy. (ignition less mounting strap)	12029
Clamp assy. (brake vacuum booster hose)	2344	Coil assy. (alternator rotor)	10327
Clamp assy. (fuel pump mounting)	9A406	Coil assy. (solenoid fuel shut-off valve)	9R299
Clamp assy. (power brake reservoir)	2084	Collar (brake adjusting link)	2A191
Clamp assy. (primer reservoir mounting)	9B015	Collar (distributor shaft)	12195
Clamp assy. (P/S mounting stud)	3A279	Collar (rear axle lockout shift push rod)	4569
Clamp & support assy. (brake booster vacuum reserve tank)	2084	Collar (trans. first & second speed clutch gears)	7A063
Clamp kit (rear spring)	5724	Collar (trans. first, second & third speed clutch)	7A061
Cleaner assy. (brake vacuum booster air)	2363	Collar (trans. output shaft clutch)	7A061
Cleaner assy. (carb. air)	9600	Collar kit (trans. aux. output shaft first and second speed)	7100
Cleaners	Δ	Collector (air cleaner dust)	9C673
Clear vision aids	Δ	Compensator assy. (speedometer)	17K302
Clevis (brake air chamber operating rod)	2099	Compressor assy. (A/C)	19703
Clevis (parking brake bellcrank)	2A712	Compressor assy. (vacuum air horn)	13801
Clevis (parking brake cable adjusting)	2854	Compressor fitting	19D630
Clevis (parking brake lever to cross shaft rod)	2857	Condenser assy. (A/C roof mounted)	19710
Clevis (parking brake rod)	2854	Condenser assy. (distributor)	12300
Clevis (trans. gearshift rod)	7339	Condenser assy. (radio)	18827
Clevis assy. (trans. shift rod)	7339	Conduit & cable assy. (trans. selector)	7A650
Clip (accelerator pedal retracting spring)	9750	Cone & roller (front axle differential bearing)	4221
Clip (air conditioner register shutter)	19150	Cone & roller (front axle driving pinion bearing)	4630
Clip (bowden cable retainer)	18B555	Cone & roller (front wheel bearing inner or differential bearing)	1201
Clip (brake booster vacuum hose)	2B361	Cone & roller (front wheel bearing outer)	1216
Clip (brake cable)	2814	Cone & roller (rear axle differential bearing)	4221
Clip (brake line)	2244	Cone & roller (rear axle driving pinion)	4621
Clip (brake release lever retracting spring)	2442	Cone & roller (rear axle driving pinion bearing)	4630
Clip (brake system)	2279	Cone & roller (rear axle power divider differential gear)	4561
Clip (carb. accelerator pump link rod)	9825	Cone & roller (transfer case idler shaft bearing)	4630
Clip (emergency indicator switch mounting)	13B321	Cone & roller (transfer case rear output shaft)	7065
Clip (fuel filter bracket)	9B281	Cone & roller assy. (rear wheel & differential bearing)	1244
Clip (fuel injector cyl. tube)	9N977	Cone & roller assy. (rear wheel outer bearing)	1240
Clip (fuel tank step retainer)	9B232	Cone & roller assy. (trans. countershaft)	1240
Clip (headlamp spring anchor)	13088	Connector (air cleaner duct inlet)	9E868
Clip (rear axle drive shaft universal joint bearing retainer lock)	4A310	Connector (air cleaner duct to manifold)	9E869
		Connector (air cleaner stack pipe)	9K616
Clip (rear axle shift control tube)	4A289	Connector (emission vacuum control)	9E499
Clip (regulator switch)	14570	Connection (eng. air inlet)	9C674
Clip (starter motor solenoid switch lock)	11A036	Connection (front brake cyl. inlet)	2080
Clip (steering gear shaft coupling retainer)	3B677		
Clip (trans. diaphragm retainer)	7F006		

## INDEX

PART NAME	GROUP NUMBER	PART NAME	GROUP NUMBER
<b>Notes:</b> <b>Δ Refer to page 1 of Paint Section</b>			
<b>C — Cont'd</b>		<b>C — Cont'd</b>	
Connection (water outlet)	8592	Cooler (fan clutch oil)	8B647
Connector (A/C register)	19C732	Cooler assy. (P/S oil)	3D746
Connector (brake air supply to stop light switch)	2A292	Cooler assy. (trans. oil)	7A095
Connector (brake pipe to rear axle housing)	2074	Cooling system aids	Δ
Connector (cab safety tilt valve)	5A393	Core (header assy.)	8010
Connector (electrical conduct)	14739	Core (speedo. drive)	17262
Connector (eng. oil level indicator tube)	6N766	Core assy. (A/C condenser)	19712
Connector (eng. to trans. vacuum tube front & rear)	7B087	Core assy. (A/C evaporator)	19860
Connector (fuel injection pump inlet)	9F508	Core assy. (eng. turbo charger turbine)	6N684
Connector (fuel line)	9B375	Core assy. (heater)	18476
Connector (fuel vapor tube-female)	9D685	Core (header assy.)	8010
Connector (heater hose)	18A658	Core & plate assy. (speedo. driven gear)	17324
Connector (heater inlet)	18A568	Countershaft (trans.)	7111
Connector (muffler inlet pipe)	5B286	Countershaft (trans. aux.)	7111,
Connector (P/S pump reservoir return)	3-3542		7113
Connector (starter motor switch)	11072	Countershaft (trans. low and reverse)	7111
Connector (tachometer cable)	17K267	Coupler (P/S pump drive)	3E526
Connector (trans. oil cooler)	7E319	Coupling (air brake front brake line)	18717
Connector (voltage regulator)	10A730	Coupling (compressor drive)	2A945
Connector (water inlet)	8K528	Coupling (frame fuel line)	9B321
Connector (water transfer)	8A560	Coupling (steering gear input shaft to steering column shaft)	3A525
Connector (windshield wiper vacuum pump to intake manifold tube)	17491	Coupling (trans. aux. drive gear)	7113
Connector (wire)	14488	Coupling assy. (A/C self-sealing)	19B595-6
Connector assy. (A/C register)	19C626-7	Coupling assy. (brake hose)	2A384
Connector assy. (air cleaner stack pipe)	9P965	Coupling shaft (rear axle inter trans.)	4385
Connector assy. (C/B radio ant. lead in)	18A812	Coupling shaft assy.	4816-7
Connector assy. (exhaust gas recirculating vacuum control)	9E455	Coupling shaft assy. (P.T.O.)	7A167
Connector assy. (rear axle air shift control)	4A286	Cover (A/C automatic temp. control sensor)	19C818
Connector assy. (speedometer cable)	17C263	Cover (A/C compressor suction)	19D655
Connector assy. (trans. oil tube)	7D273	Cover (A/C evaporator front)	19058
Connector assy. (wiring)	14487	Cover (A/C & heater evaporator case)	19B736
Connector & adapter assy. (compressor air intake)	2991	Cover (A/C hose)	19C791-3
Connector & sleeves (wire)	14488-9	Cover (A/C housing upper)	18K369
Contact (horn button)	3631	Cover (A/C register louver opening)	19D585
Contact (starter motor solenoid)	11A027	Cover (A/C & htr. vacuum control motor)	18A463
Contact & spring assy. (horn blowing)	13864	Cover (A/C & htr. outlet duct)	18633
Control (trans. main)	7A100	Cover (air cleaner vent)	16A668
Control assy. (cab lock)	5B410	Cover (air cleaner intake duct)	9B602
Control assy. (carb. choke)	9700	Cover (alternator brush)	10B367
Control assy. (carb. throttle)	9775	Cover (alternator brush spring)	10A340
Control assy. (eng. compression release)	6A540	Cover (alternator rectifier)	10353
Control assy. (engine governor)	12A458	Cover (alternator terminal)	10A375
Control assy. (eng. start ether injection)	9775	Cover (battery terminal insulating)	14277
Connector assy. (exhaust air supply manifold)	9G462	Cover (brake adjusting hole)	2092
Control assy. (fuel shut-off)	9700	Cover (brake booster reservoir)	2162
Control assy. (fuel tank selector valve)	9A334	Cover (brake cyl.)	2055
Control assy. (heater)	18549	Cover (brake dust shield)	2A214
Control assy. (indicator warning system)	10K910	Cover (brake rear wedge adjusting nut boot)	2B211
Control assy. (low coolant level warning)	10K895	Cover (brake skid control modulator)	2C056
Control assy. (parking brake)	2780	Cover (carb. economizer valve)	9930
Control assy. (radiator shutter)	8476	Cover (carb. governor body)	9981
Control assy. (radio speaker headphone volume)	18972	Cover (carb. governor diaphragm)	9507
Control assy. (windshield wiper)	17470	Cover (carb. secondary throttle diaphragm)	9507
Controller (brake skid control modulator)	2C065	Cover (clutch housing)	7564
Converter assy. (trans. rebuilt)	7902	Cover (clutch housing dust)	7564
Coolant recovery kit	8522	Cover (eng. crankshaft vibration damper)	6N304
Cooler assy. (eng. crankcase oil)	6A642	Cover (eng. cyl. block oil filter opening)	6A659

1980/  
TRUCK SERIES 600/900

INDEX

PART NAME	GROUP NUMBER	PART NAME	GROUP NUMBER
<b>Notes:    Δ Refer to page 1 of Paint Section</b>			
<b>C — Cont'd</b>		<b>C — Cont'd</b>	
Cover (eng. cyl. head water outlet)	6C011	Cover (trans. remote control housing)	7B332
Cover (eng. flywheel access)	6438	Cover (thermo choke heater supply)	9A705
Cover (eng. fuel pump opening)	6095	Cover (vent air filter)	9C624
Cover (eng. oil filter)	6737	Cover (voltage regulator)	10563
Cover (eng. oil level indicator opening)	6B631	Cover (warning indicator panel)	10C981
Cover (eng. valve push rod)	6519	Cover (water pump)	8508
Cover (fan clutch)	8B646	Cover (windshield washer reservoir)	17632
Cover (fog or road lamp)	15K233	Cover (windshield wiper motor access)	17B459-60
Cover (front cross shaft control housing end)	7817	Cover (windshield wiper motor gear)	17A511
Cover (fuel injector pump timing)	9G524	Cover (wiring shield)	14A390
Cover (fuel pump connection block)	9A362	Cover assy. (air cleaner)	9B646
Cover (fuel pump diaphragm pulsator)	9A359	Cover assy. (A/C & htr. control motor)	18A363
Cover (fuel tank hose)	9R281	Cover assy. (brake air chamber cyl.)	2A469
Cover (fuel tank sender)	9A314	Cover assy. (brake booster control valve)	2326
Cover (fuse junction panel)	14A076	Cover assy. (carb. accelerator pump)	9528
Cover (glove box rear)	19844	Cover assy. (distributor breaker)	12239
Cover (headlamp)	13A138	Cover assy. (eng. cyl. front)	6019
Cover (heater control switch opening)	18C635	Cover assy. (eng. noise shield)	6L080
Cover (heater housing rear)	18K358	Cover assy. (eng. valve rocker arm)	6582
Cover (heater housing upper)	18K369	Cover assy. (fuse junction panel box)	14A076
Cover (instrument cluster housing)	10A855	Cover assy. (heater housing front)	18C313
Cover (intake manifold)	9E434	Cover assy. (heater housing rear)	18B447
Cover (junction block)	14456	Cover assy. (P/S housing seal)	3E592
Cover (P/S drag link control valve dust)	3-3714	Cover assy. (P/S pump housing)	3A698
Cover (radiator grille guard brace opening)	8B323	Cover assy. (power divider relief valve pump)	4A090
Cover (rear axle differential carrier)	4052	Cover assy. (rear axle housing)	4033
Cover (rear axle electric shift drive screw bearing)	4074	Cover assy. (trans. air shift cylinder)	7306
Cover (rear axle electric shift housing)	4052	Cover assy. (windshield wiper arm)	17C513
Cover (rear axle housing)	4101	Cover assy. (windshield wiper motor)	17C541
Cover (rear axle oil filter)	4A320	Cover assy. (wire connector)	14A593
Cover (rear axle power divider)	4428	Cover & brush assy. (alternator)	10B363
Cover (rear axle power divider differential lockout)	4727	Cover kit (battery cable outlet)	10B656
Cover (rear axle power divider output shaft bearing)	4729	Cover kit (carb. accelerator pump)	9528
Cover (rear axle shift cyl.)	4727	Covering (brake tube)	2B452
Cover (rear axle shift motor housing)	4101	Crank (trans. cross shaft)	7A375
Cover (rear lamp housing access)	13N492	Crankshaft assy. (eng.)	6303
Cover (speedometer drive hole)	2092	Cross member (frame)	5025-36
Cover (starter motor plunger)	11060	Cross member (frame)	5C107-8
Cover (steering gear dust)	3332	Cross member (transfer case mounting)	7A047
Cover (steering gear sector shaft housing)	3580	Cup (booster hydraulic cyl. piston)	2408
Cover (steering gear shaft & worm)	3568,	Cup (brake booster vacuum control valve piston)	2399
	3597	Cup (brake cyl.)	2201
Cover (tachometer opening)	17187	Cup (brake master cyl. secondary)	2170
Cover (transfer case)	7222	Cup (brake shoe hold down spring)	2066
Cover (trans. aux. air shift)	7C035	Cup (brake vacuum booster hydraulic cyl. piston)	2408
Cover (trans. aux. case end)	7B332	Cup (distributor oil)	10141
Cover (trans. aux. rear bearing)	7085	Cup (front axle differential bearing)	4222
Cover (trans. aux. shift cyl.)	7C035	Cup (front axle idler shaft bearing)	4628
Cover (trans. case rear)	7B332	Cup (front wheel bearing)	1202
Cover (trans. clutch housing dust)	7564	Cup (front wheel outer bearing)	1217
Cover (trans. converter housing)	7985	Cup (rear axle differential bearing)	1202,
Cover (trans. converter housing lower)	7986		1239,
Cover (trans. countershaft brake piston)	7C035		1243,
Cover (trans. gearshift shaft lock plunger spring)	7B227		4222
Cover (trans. gearshift spring)	7B227	Cup (rear axle driving pinion bearing)	4616,
Cover (trans. intermediate band servo)	7D027		4628
Cover (trans. oil filter)	7C013	Cup (rear axle power divider differential gear bearing)	4561
Cover (trans. P.T.O.)	7165	Cup (starter motor drive)	11A007
Cover (trans. rear cross shaft housing)	7B332	Cup (starter motor drive spring retaining)	11A016

## INDEX

PART NAME	GROUP NUMBER	PART NAME	GROUP NUMBER
<b>Notes:     Δ Refer to page 1 of Paint Section</b>			
<b>C — Cont'd</b>		<b>D — Cont'd</b>	
Cup (steering gear worm bearing)	3552-3	Dehydrator & receiver tank assy. (A/C)	19959
Cup (trans. countershaft bearing)	1202, 4628, 7169	Detent (air brake shoe actuator adjusting)	2B008
		Dial (brake control valve modulating spring)	2B271
		Dial (instrument cluster warning lamp)	10960
Cup (trans. input shaft bearing)	4628	Dial (trans. control selector)	7B033
Cup (transfer case idler shaft bearing)	4628	Dial (trans. gearshift indicator)	15805
Cup (transfer case rear output shaft bearing)	1202, 7169	Diaphragm (brake air chamber)	2325
		Diaphragm (brake vacuum booster body)	2394
Cup assy. (air cleaner oil)	9658	Diaphragm (brake vacuum booster control valve)	2391
Cup assy. (windshield wiper motor)	17A534	Diaphragm (fuel injector pump damper)	9M500
Cup & bearing (front axle driving pinion)	4616-21	Diaphragm (fuel pump pulsator)	9A358
Cup & bearing (front axle spindle arm pin)	4616-21	Diaphragm (rear axle air shift)	4038
Cup & magnet assy. (windshield wiper motor)	17B584	Diaphragm assy. (carb. accelerator pump)	9B559
Cup, cone & roller (front wheel hub)	1239-43	Diaphragm assy. (carb. governor)	9503
Cushion (radiator grille opening side panel mounting)	8A320	Diaphragm assy. (distributor)	12370
Cylinder (brake air chamber)	2A463	Diaphragm assy. (fuel pump)	9398
Cylinder (brake booster control valve)	2417	Diaphragm assy. (rear axle power divider differential lockout cyl.)	4497
Cylinder (brake booster hydraulic)	2425		
Cylinder (cab lock hydraulic)	5C384	Diaphragm assy. (trans. high clutch)	7C339
Cylinder (clutch slave)	7A508	Diaphragm assy. (trans. vacuum throttle valve)	7A377
Cylinder (housing assy. cab lock)	5B384	Differential assy. (rear axle)	4200, 4300
Cylinder (rear axle power divider differential lockout)	4467		
Cylinder (slide assy. cab lock)	5D384	Differential & carrier assy.	4200
Cylinder (trans. forward clutch)	7A360	Diode (alternator negative)	10378
Cylinder assy. (brake)	2061-2, 2261-2	Diode (alternator positive)	10374
		Diode assy. (lamp failure indicator)	10C912
Cylinder assy. (brake master)	2140	Disc (clutch brake)	7A597
Cylinder assy. (clutch master)	7A543	Disc (radio receiver tone control)	18830
Cylinder assy. (eng.)	6009	Disc assy. (brake skid control rear)	2C212
Cylinder assy. (fuel shut-off)	9K767	Disc assy. (brake vacuum booster control valve)	2308
Cylinder assy. (P/S)	3A540	Disc assy. (clutch)	7550
Cylinder assy. (radiator shutter control)	8A175	Discharge line (A/C compressor to condenser)	19D590, 19862, 19972
Cylinder assy. (rear axle power divider differential lockout)	4467		
Cylinder assy. (trans. aux. air shift)	7B284	Distributor assy.	12127
Cylinder assy. (trans. aux. drive gearshift)	7B284	Distributor & governor assy. (less terminal housing & rotor)	12102
Cylinder & key assy. (ignition switch lock)	11582	Distributor repair kit	12000
Cylinder & shaft assy. (A/C compressor)	19D654	Door (A/C blender air)	19469
Cylinder kit (cab lift)	5A364	Door (A/C cover storage compt.)	18C658
Cylinder repair kit (brake)	2128, 2221-2	Door (fog lamp)	15214
		Door (headlamp)	13064
Cylinder repair kit (brake master)	2004	Door (heater blender air)	19469
Cylinder repair kit (clutch master)	7578	Door (heater cover storage compt.)	18C658
Cylinder repair kit (clutch slave)	7560	Door (heater defroster air)	18A478
		Door (rear license plate lamp)	13566
<b>D</b>		Door assy. (A/C air damper)	18A361
Damper (brake retracting spring)	2A296	Door assy. (A/C & htr. plenum & def. nozzle)	18A420
Dashpot assy. (carb.)	9B549	Door assy. (heater blower)	18B254
Dashpot and solenoid assy. (carburetor)	9S520	Door & frame assy. (A/C & htr. air inlet)	18C409
Decal (fan warning)	8653	Door & handle assy. (A/C air)	18C628
Deflector (A/C air outlet)	18B556	Door & handle assy. (heater air)	18C628
Deflector (aux. trans. yoke oil seal dust)	7961	Dowel (eng. cyl. block)	6397
Deflector (eng. heat)	6A683	Dowel (eng. cyl. head to cyl. block)	6A008
Deflector (heater air outlet)	18B556	Dowel (rear axle pwr. div. lube pump locating)	4N560
Deflector (parking brake oil)	2B614	Dowel (trans. case)	7B362
Deflector (radiator air)	8326-7	Drain (alternator regulator)	10A594
Deflector (rear axle driving pinion oil seal)	4859	Draincock (radiator or cyl. block)	8115
Deflector (top speed register)	19A771	Drain pipe (air brake reservoir)	18765
Deflector (trans. oil)	7C390		
Deflector assy. (radiator air side)	8310-1		

1980/  
TRUCK SERIES 600/900

INDEX

PART NAME	GROUP NUMBER	PART NAME	GROUP NUMBER
<b>Notes: Δ Refer to page 1 of Paint Section</b>			
<b>D — Cont'd</b>		<b>E — Cont'd</b>	
Drive assy. (starter motor)	11350	Eliminator assy. (eng. air cleaner moisture)	9E651
Drive assy. (tachometer)	17K316	Enclosure assy. (radio speaker)	18978
Drive gear kit (rear axle shift assy.)	4N094	End (front wheel spindle connecting rod)	3A130-1
Drive spring kit (rear axle electric shift)	4081	End assy. (brake skid control modulator)	2C071
Driver (windshield wiper motor arm)	17511	Engine assy.	6007
Driveshaft assy.	4602, 4A603	Engine reconditioning paint	Δ
Drive tip (speedo, cable)	17B322	Engine starting fluid	Δ
Drive tip (tachometer cable)	17B322	Equalizer (rear spring center)	5885
Drum (front brake)	1125	Escutcheon (radio receiver)	18809
Drum (parking brake)	2614	Evaporator (case assy.)	19E589
Drum (rear axle oil collector)	4028	Evaporator housing (service only kit)	19850
Drum (rear brake)	1126	Exciter (brake skid control sensor)	2C017
Drum assy. (trans. intermediate brake)	7D044	Extension (air cleaner air inner duct)	9B616
Duct (air cleaner shroud to air intake tube)	9A674	Extension (brake master cyl. link)	2146
Duct (A/C & htr. outlet front R & LH)	18C298-9	Extension (cab mounting rear frame sidemember, inner)	5A411
Duct (A/C & htr. inlet)	18457	Extension (cab to frame rear support)	5A359
Duct (defroster)	19098	Extension (clutch release bearing lube fitting)	7B577
Duct (heater inlet)	18A385, 18A621	Extension (frame side member)	5023
Duct (htr. outlet)	18B490	Extension (front fender rear lower)	16B160-1
Duct assy. (A/C air outlet)	18633	Extension (fuel injection pump throttle lever)	9J587
Duct assy. (A/C & heater outlet)	19C633	Extension (fuel pump mounting bracket)	9A408
Duct assy. (A/C evaporator to register)	19B680	Extension (hood rear quarter reinforcement)	16B950-1
Duct assy. (air cleaner air less grille)	9671	Extension (muffler outlet pipe)	5263
Duct (evap. to instr.)	19926	Extension (running board apron panel)	16562-3
Duct assy. (heater air inlet)	18B259	Extension assy. (air cleaner air inner duct)	9B629
Duct assy. (heater air outlet)	18633	Exterior lamp warning buzzer kit	14931
Duct assy. (heater outlet to floor)	18C433	Exterior paint	Δ
Duct assy. (sleeper unit)	18462	Eye assy. (P/S cyl.)	3B618
Duct & connector assy. (A/C & heater)	19C932	<b>F</b>	
Duct & valve assy. (air cleaner air)	9A626	Fan assy. (alternator)	10A310
Dust shield (rear brake carrier)	2214-5	Fan assy. (heater blower)	18504
Dusting cloth	Δ	Fan blade assy.	8600
<b>E</b>		Fender (front)	16005-6
Eccentric (camshaft fuel pump drive)	6287	Field (A/C compressor w/pilot bushing)	2987
Economizer assy. (carb.)	9A565	Filler (carb. accelerator pump cavity)	9F565
Economizer kit (carb.)	9A565	Filler (front fender rear)	16A016-7
Elbow (air brake air line)	18727	Filler (hood panel)	16C606
Elbow (eng. crankcase vent hose)	6767	Filler (hood panel rear)	16A694-5
Elbow (exhaust air supply pump outlet)	9C475	Filler panel (radiator grille opening)	8C006-7
Elbow (fuel filter to fuel pump hose)	9N332	Filler plate (brake dust shield)	2217
Elbow (fuel vapor storage canister vent connection)	9E796	Filter (A/C and heater control light)	19D556
Elbow (heater)	18K427	Filter (air chamber breather cap)	2C488
Elbow (heater hose)	18599	Filter (carb. secondary diaphragm vent)	9C791
Elbow (rear axle brake booster 45 degrees)	4087	Filter (fuel gauge tank unit)	9A011
Elbow (trans. air hose)	7B417	Filter (instrument cluster lamp)	10B870
Elbow (trans. oil temperature warning switch)	7861	Filter (trans. air)	7330
Elbow assy. (windshield wiper motor air intake)	17B497	Filter assy. (eng. crankcase vent oil separator)	6A631
Electric shift unit repair kit (rear axle)	4B062	Filter assy. (eng. oil)	6714
Electrolyte (battery)	10656	Filter assy. (fuel)	9155
Element (P/S reservoir filter)	3C602	Filter assy. (rear axle power divider oil)	4A420
Element (trans. oil filter)	7C012	Filter assy. (water)	8A424
Element assy. (carb. or eng. air cleaner)	9601	Filter and regulator (trans. air control)	7B265
Element assy. (cigar lighter)	15054	Finger (trans. gearshift lever first & reverse shift)	7813
Element assy. (eng. oil filter)	6731	Finger (trans. rear cross shaft first & reverse shift)	7813
Element assy. (fuel filter)	9365	Finger (trans. reverse shift)	7C015, 7813
Element assy. (fuel/water separator)	9N184	Finger (trans. shift first & reverse shift)	7813
Element assy. (P/S oil reservoir filter)	3C601-2	Finger (trans. shift control inner)	7B109, 7810, 7811
Element assy. (rear axle oil filter)	4A318		



## INDEX

PART NAME	GROUP NUMBER	PART NAME	GROUP NUMBER
Notes:     Δ Refer to page 1 of Paint Section			
F — Cont'd		F — Cont'd	
Fire extinguisher kit	19B540	Fork & shaft (trans. gearshift)	7230-1
Fitting (air brake frame hose to tube)	18713	Frame (license plate)	17A387
Fitting (brake manifold)	2535	Frame (radio speaker housing mounting)	19A161
Fitting (brake master cyl. outlet)	2076	Frame assy.	5005-6
Fitting (carb. fast idle adjusting screw)	9B503	Frame assy. (A/C & heater air damper door inlet)	18B625
Fitting (carb. fuel inlet)	9A520	Frame & link (windshield wiper motor)	17B597
Fitting (carb. secondary diaphragm vent filter)	9A520	Front end assy. (fiberglass)	16000
Fitting (clutch master cyl. outlet)	2076	Front pump relief valve & spring kit	7A135
Fitting (eng. oil filter hose)	6748	Fuel filter line	9156
Fitting (flare)	19D695	Fuel line	9282
Fitting (front axle spindle grease)	3C135-6	Fuse assy.	14526
Fitting (fuel pump inlet)	9241	Fuse assy. (cigar lighter)	14429
Fitting (heater hose connection)	9A455	<b>G</b>	
Fitting (oil cool hose)	6B853	Gasket (A/C compressor charging screw)	19D661
Fitting (oil pressure sender to eng. governor)	9B339	Gasket (air compressor mounting surface cover)	2946
Fitting (P/S pressure line)	3644	Gasket (air compressor to mounting adaptor)	2895, 2B885
Fitting (P/S pump valve outlet)	3D654	Gasket (A/C & heater control lens)	18C260
Fitting (water filter hose)	8A432	Gasket (air cleaner)	9673
Fitting assy. (intake manifold vacuum outlet)	9A474	Gasket (air cleaner air inlet connector)	9D634
Fitting assy. (P/S pressure base)	3D644	Gasket (air cleaner to carb.)	9654
Flange (aux. trans. input shaft)	7089	Gasket (air cleaner to eng.)	9654
Flange (aux. trans. output shaft)	7089	Gasket (alternator brush cover)	10B368
Flange (coupling shaft universal joint)	4865	Gasket (alternator frt. bearing)	10C326
Flange (front axle drive)	1245	Gasket (alternator rectifier cover)	10623
Flange (heater air inlet duct)	18A443	Gasket (booster vacuum control valve body cover)	2479
Flange (P/S pump mounting)	3K505	Gasket (brake & clutch system)	2151-4
Flange (starter motor coil retainer)	11106	Gasket (brake booster)	2437
Flange (steering column tube)	3511	Gasket (brake booster diaphragm)	2167
Flange (transfer case brake drum)	7089	Gasket (brake booster hydraulic cyl.)	2493
Flange (transfer case input shaft)	7089	Gasket (brake liner connector)	2149
Flange (transfer case output shaft)	7089	Gasket (brake master cylinder filler cap)	2167
Flange (trans. input shaft)	7089	Gasket (brake vacuum pump mounting)	2A453
Flange (trans. output shaft)	7089	Gasket (carb. booster venturi support)	9A536
Flange (universal joint spline)	7089	Gasket (carb. discharge pump nozzle)	9580
Flange (wheel rim)	1099	Gasket (carb. economizer)	9A588
Flange assy. (universal joint)	4351, 4465, 4851	Gasket (carb. economizer cover)	9563
		Gasket (carb. economizer valve)	9A588
		Gasket (carb. float bowl)	9561
Flange & retainer assy. (steering column tube)	3681	Gasket (carb. float bowl screw)	9592
Flasher assy. (turn indicator)	13350	Gasket (carb. fuel inlet fitting)	9229
Foam (A/C water impingement)	19627	Gasket (carb. fuel inlet needle seat)	9569
Float assy. (carb.)	9550	Gasket (carb. fuel level check plug)	9569
Float assy. (fuel tank sender)	9202	Gasket (carb. governor body)	9853
Flywheel ring, spring plate & hub assy. (clutch pressure plate)	7571	Gasket (carb. governor body cover)	9982
Flywheel assy. (eng.)	6375	Gasket (carb. main metering body)	9A518
Fork (rear axle power divider differential lockout shift)	4450	Gasket (carb. shaft backup plate)	9B507
Fork (transfer case gearshifter)	7289	Gasket (carb. throttle body to main body)	9516
Fork (trans. aux. shift)	7B283	Gasket (carb. throttle operating shaft)	9B510
Fork (trans. gearshifter)	7230, 7231, 7B283, 7289	Gasket (carb. to governor)	9447
		Gasket (carb. to intake manifold)	9447
		Gasket (carb. to intake manifold spacer)	9C477
		Gasket (carb. valve seat lock screw)	9A522
		Gasket (cylinder head water outlet)	8269
Fork (trans. gearshifter fourth & fifth gear)	7230	Gasket (distributor base)	12143
Fork (trans. second & third gearshifter)	7289	Gasket (dome lamp)	13A706
Fork & rod (trans. aux. shift)	7230	Gasket (eng. air compressor adapter)	6B610
Fork & roller assy. (rear axle differential shift)	4045		

1980/  
TRUCK SERIES 600/900

INDEX

PART NAME	GROUP NUMBER	PART NAME	GROUP NUMBER
Notes: A Refer to page 1 of Paint Section			
G — Cont'd		G — Cont'd	
Gasket (eng. cylinder front cover)	6020	Gasket (P/S pressure relief valve)	3B606
Gasket (eng. cylinder head)	6051	Gasket (P/S pump mounting)	3K506
Gasket (eng. governor body)	18229	Gasket (P/S pump oil reservoir cover)	3A642
Gasket (eng. hydraulic pump flange cover)	6A628	Gasket (radiator)	8A468
Gasket (eng. oil filler & breather cap)	6789	Gasket (radiator by pass water tube)	8563
Gasket (eng. oil filler pipe)	6B888	Gasket (radiator shutter control)	8B288
Gasket (eng. oil filler tube adapter)	6K899	Gasket (radiator tank lower)	8B379
Gasket (eng. oil filter adapter to cylinder block)	6A636	Gasket (radiator tank upper)	8B378
Gasket (eng. oil filter center bolt to cover)	6749	Gasket (rear axle cover to housing)	4036
Gasket (eng. oil filter cover)	6885	Gasket (rear axle differential carrier)	4035,
Gasket (eng. oil level indicator boss)	6753		4073
Gasket (eng. oil level indicator opening cover)	6A682	Gasket (rear axle differential center housing)	4885
Gasket (eng. oil pan)	6710-1	Gasket (rear axle driving pinion bearing sleeve)	4662
Gasket (eng. oil pan drain plug)	6734	Gasket (rear axle driving pinion grease retainer support)	4507
Gasket (eng. oil pump inlet tube)	6626	Gasket (rear axle electric shift drive screw bearing cover)	4092
Gasket (eng. oil pump to block)	6659	Gasket (rear axle housing plug)	4A230
Gasket (eng. turbo charger exhaust mnfld.)	6N640	Gasket (rear axle power divider cover)	4427,
Gasket (eng. turbo charger cyl. blk. oil supply plate)	6N653		4885
Gasket (eng. valve push rod cover)	6521	Gasket (rear axle power divider differential lockout bracket)	4461
Gasket (eng. valve rocker arm cover)	6584	Gasket (rear axle power divider output shaft rear bearing retainer)	4479
Gasket evaporator hsg.	19A613	Gasket (rear axle shift fork opening)	4073,
Gasket (exhaust air supply tube)	9C435		4564
Gasket (exhaust gas recirculation valve)	9D476	Gasket (rear axle shift motor)	4104
Gasket (exhaust gas recirculation valve adapter)	9E464	Gasket (rear axle wiper)	1187
Gasket (exhaust manifold)	9448	Gasket (rear lamp lens)	13461
Gasket (fog lamp housing)	15K243	Gasket (rear license plate lamp)	13568
Gasket (fog lamp lens)	15A238	Gasket (rear view outside mirror)	17724,
Gasket (front air brake slinger)	1152		17C723
Gasket (front axle differential carrier)	4035	Gasket (rear wheel bearing retainer or rear axle shaft)	1001
Gasket (front axle driving pinion grease retainer support)	4507	Gasket (remote control housing)	7207
Gasket (front axle spindle pin cap)	3114	Gasket (speedo. case)	17303
Gasket (front brake grease baffle)	1193	Gasket (starter motor cover band)	11129
Gasket (front cross shaft control housing end cover)	7806	Gasket (starter motor ground terminal)	11A056
Gasket (front turn indicator lamp lens)	13330	Gasket (starter motor lever housing)	11A052
Gasket (front wheel hub & grease cap)	1153	Gasket (starter motor plunger cover)	11065
Gasket (fuel filter bowl)	9364	Gasket (starter motor rear end housing)	11003
Gasket (fuel filter element)	9366	Gasket (starter motor solenoid terminal plate)	11A030
Gasket (fuel gauge tank unit)	9276	Gasket (starter motor terminal field)	11A047
Gasket (fuel pump connection block)	9A373	Gasket (steering gear sector shaft housing cover)	3581
Gasket (fuel pump discharge hose retainer)	9A375	Gasket (steering gear worm cover)	3593
Gasket (fuel pump mounting)	9417	Gasket (timing cover)	9F598
Gasket (fuel tank fill cap)	9035	Gasket (trans. air shift cylinder cover)	7B228
Gasket (fuel vapor valve)	9J588	Gasket (trans. aux. case)	7223,
Gasket (gear cover windshield wiper motor)	17471		7B353
Gasket (governor mounting)	12495	Gasket (trans. aux. countershaft rear bearing cover)	7181
Gasket (headlamp mounting)	13044	Gasket (trans. aux. shift cylinder)	7181,
Gasket (heater blower motor mounting)	19092		7B228
Gasket (instrument cluster anti-squeak)	10989	Gasket (trans. aux. shift cyl. cover)	7181
Gasket (intake manifold connector)	9L437	Gasket (trans. case access cover)	7223
Gasket (intake manifold cover)	9E436	Gasket (trans. case rear end cover)	7B343
Gasket (intake manifold to cylinder block)	9461	Gasket (trans. case rear plate)	7B343
Gasket (intake manifold to cylinder head)	9439-41	Gasket (trans. clutch housing to case)	7A619
Gasket (manifold)	9450		
Gasket (marker lamp body)	15451		
Gasket (marker lens)	15A402		
Gasket (parking brake oil deflector)	2C614		
Gasket (parking lamp lens)	13211		
Gasket (P/S gear control valve)	3E571		

## INDEX

PART NAME	GROUP NUMBER	PART NAME	GROUP NUMBER
<b>Notes:     A Refer to page 1 of Paint Section</b>			
<b>G — Cont'd</b>		<b>G — Cont'd</b>	
Gasket (trans. control housing end cover)	7806	Gasket (transfer case rear output shaft bearing retainer)	7181
Gasket (trans. converter impeller hub)	7916	Gasket (transfer case to trans. case)	7086
Gasket (trans. countershaft bearing cap)	7181	Gasket (transfer case top cover)	7223
Gasket (trans. countershaft front bearing retainer)	7051, 7181	Gasket (turn signal lamp mount)	13342
Gasket (trans. countershaft rear bearing adapter)	7B223	Gasket (water outlet connection assortment)	8255
Gasket (trans. extension housing)	7086	Gasket (water pump cover)	8513
Gasket (trans. extension housing to case)	7086	Gasket (water pump housing)	8507
Gasket (trans. extension housing to rear oil pump)	7086	Gasket (water thermostat)	8590
Gasket (trans. front output shaft rear bearing retainer)	7086	Gasket (wiring connector)	14A297
Gasket (trans. front to rear case)	7223	Gasket & oil seal repair kit (trans.)	7153
Gasket (trans. gearshift housing)	7223	Gasket & Spacer kit (w/wiper motor)	17K482
Gasket (trans. gearshift housing cap)	7207	Gasket kit (A/C compressor)	19B684
Gasket (trans. gearshift lever housing)	7207	Gasket kit (radiator)	8C261
Gasket (trans. gearshift lever housing to adapter)	7185	Gasket kit (rear axle)	4A109
Gasket (trans. gearshift lever housing to gearshift housing)	7185	Gasket set (carb.)	9502
Gasket (trans. gearshift spring cover)	7B228	Gasket set (eng. complete overhaul)	6008
Gasket (trans. gearshifter shaft lock plunger spring cover)	7B228	Gasket set (eng. oil pan)	6781
Gasket (trans. input shaft bearing retainer)	7051	Gasket set (eng. valve grind)	6079
Gasket (trans. intermediate band servo)	7D026	Gasket set (manifold)	9433
Gasket (trans. low clutch, planetary and adapter housing)	7086	Gasket set (radiator tank)	8B378-9
Gasket (trans. low range countershaft rear bearing retainer)	7181	Gasket set (trans.)	7153
Gasket (trans. oil filter housing)	7166	Gasket (windshield wiper motor seal)	17C430
Gasket (trans. oil filter housing to plate)	7166	Gas line anti-freeze	A
Gasket (trans. oil pan)	7A191	Gate (trans. gearshift reverse front)	7232
Gasket (trans. oil pan screen)	7E062	Gate (trans. gearshifter shaft)	7230, 7232, 7279
Gasket (trans. oil pan to case)	7A191	Gate (trans. low & reverse shifter shaft)	7411, 7232
Gasket (trans. oil pump to case)	7A136	Gate (trans. second & third gearshifter shaft)	7411
Gasket (trans. output shaft bearing retainer)	7051, 7086, 7181	Gate (trans. shift rod)	7411
Gasket (trans. output shaft rear bearing cap)	7086, 7B290	Gate (trans. shifting)	7B313
Gasket (trans. overdrive housing to case)	7086	Gauge (instrument cluster eng. oil temperature)	10C911
Gasket (trans. throttle control valve)	7B426	Gauge (instrument cluster water temperature)	10883
Gasket (trans. P.T.O. cover)	7166	Gauge (instrument cluster pyrometer temperature)	10883
Gasket (trans. P.T.O. to trans. case)	7166	Gauge (rear axle temperature)	10B864
Gasket (trans. rear bearing cover & speedo.)	7086	Gauge assy. (brake air pressure)	2557
Gasket (trans. slave valve)	7314	Gauge assy. (brake vacuum)	2A036
Gasket (trans. slave valve adapter plate)	7314	Gauge assy. (fuel instrument panel unit)	9280
Gasket (trans. splitter gearshift)	7B228	Gauge assy. (fuel tank unit)	9275
Gasket (trans. splitter gearshift cylinder cover)	7B228	Gauge assy. (oil pressure eng. unit)	9278
Gasket (trans. valve body separator plate)	7D100	Gauge assy. (oil pressure instrument panel unit)	9273
Gasket (transfer case countershaft front & rear bearing retainer)	7181	Gauge assy. (vacuum air cleaner)	9N622
Gasket (transfer case front output front & rear cap)	7181	Gear (distributor driven)	12390
Gasket (transfer case front output shaft bearing retainer)	7181	Gear (eng. camshaft)	6256
Gasket (transfer case front output shaft oil seal retainer)	7181	Gear (eng. crankshaft)	6306
Gasket (transfer case idler shaft rear cap)	7181	Gear (eng. flywheel ring)	6384
Gasket (transfer case input shaft bearing retainer)	7181	Gear (eng. governor drive)	18213
Gasket (transfer case input shaft rear bearing cover)	7181	Gear (eng. oil pump drive)	6W846
		Gear (front axle differential side)	4236
		Gear (power divider oil pump drive)	4739
		Gear (power divider oil pump driver)	4442
		Gear (rear axle differential driven)	4739
		Gear (rear axle differential planetary)	4229
		Gear (rear axle differential sliding clutch)	4055
		Gear (rear axle differential side)	4236, 4239

**1980/  
TRUCK SERIES 600/900**

**INDEX**

PART NAME	GROUP NUMBER	PART NAME	GROUP NUMBER
<b>Notes:     Δ Refer to page 1 of Paint Section</b>			
<b>G — Cont'd</b>		<b>G — Cont'd</b>	
Gear (rear axle drive pinion transfer)	4442	Gear (trans. main shaft coupling drive)	7017
Gear (rear axle power divider input shaft cluster)	4433-4	Gear (trans. main shaft sliding clutch)	7B341
Gear (rear axle power divider oil pump drive)	4580	Gear (trans. main shaft third speed)	7B340
Gear (rear axle power divider sliding clutch)	4455	Gear (trans. mainshaft intermediate drive)	7100
Gear (rear axle sliding clutch)	4055	Gear (trans. mainshaft reverse)	7142
Gear (tachometer drive)	17377	Gear (trans. mainshaft second speed)	7B340
Gear (tachometer driven)	17374	Gear (trans. output shaft constant drive)	7177
Gear (trans. aux. countershaft)	7144, 7177	Gear (trans. output shaft clutch)	7B218
Gear (trans. aux. countershaft drive)	7177	Gear (trans. output shaft constant drive)	7177
Gear (trans. aux. drive)	7A079, 7101	Gear (trans. output shaft first speed)	7A079, 7100
Gear (trans. aux. intermediate sliding clutch)	7177	Gear (trans. output shaft first & second speed)	7A078, 7100
Gear (trans. aux. output shaft)	7101, 7158	Gear (trans. output shaft fourth & fifth speed sliding clutch)	7B161
Gear (trans. aux. output shaft first and second speed clutch)	7A078	Gear (trans. output shaft fourth speed)	7158, 7B267
Gear (trans. aux. output shaft splitter)	7101	Gear (trans. output shaft overdrive)	7101
Gear (trans. aux. output shaft drive)	7101	Gear (trans. output shaft reduction)	7101
Gear (trans. aux. output shaft reduction)	7101, 7102	Gear (trans. output shaft reverse)	7142
Gear (trans. aux. output shaft second speed)	7102, 7103	Gear (trans. output shaft ring)	7A153
Gear (trans. countershaft)	7113, 7144, 7177	Gear (trans. output shaft second speed)	7102, 7103, 7158 7176
Gear (trans. countershaft cluster)	7113	Gear (trans. output shaft second speed idler)	7103
Gear (trans. countershaft constant mesh drive)	7177	Gear (trans. output shaft second and third speed)	7103
Gear (trans. countershaft drive & reduction)	7177	Gear (trans. output shaft sliding clutch)	7A060, 7103
Gear (trans. countershaft first & reverse)	7113	Gear (trans. output shaft third speed)	7101, 7144, 7196
Gear (trans. countershaft first speed)	7113, 7176	Gear (trans. output shaft third speed idler)	7196
Gear (trans. countershaft fourth & fifth sliding)	7106	Gear (trans. overdrive)	7158
Gear (trans. countershaft fourth speed)	7112, 7144, 7177	Gear (trans. P.T.O.)	7B041
Gear (trans. countershaft overdrive)	7101	Gear (trans. rear output shaft)	7024, 7B341
Gear (trans. countershaft P.T.O.)	7144	Gear (trans. reverse)	7142
Gear (trans. countershaft reverse)	7100	Gear (trans. reverse idler)	7141, 7142
Gear (trans. countershaft second speed)	7137, 7144, 7176	Gear (trans. second & third speed synchronizer clutch)	7183
Gear (trans. countershaft second speed underdrive)	7114	Gear (trans. second speed)	7102
Gear (trans. countershaft third speed)	7113, 7137, 7144	Gear (trans. sliding clutch)	7103, 7B341
Gear (trans. fifth speed)	7B161	Gear (trans. third & fourth clutch)	7183
Gear (trans. first speed)	7100	Gear (trans. third & fourth speed clutch)	7A060
Gear (trans. forward ring)	7D392	Gear (transfer case front output sliding clutch)	7103
Gear (trans. fourth and fifth sliding)	7106	Gear (transfer case idler shaft)	7142
Gear (trans. fourth & fifth speed synchronizer gear)	7183	Gear (transfer case low speed intermediate shaft)	7100
Gear (trans. input shaft drive)	7017, 7158	Gear (transfer case low speed sliding)	7100
Gear (trans. low & reverse sliding)	7100	Gear (transfer case output shaft)	7100
Gear (trans. low speed)	7102	Gear (transfer case rear output shaft)	7024
Gear (trans. main drive)	7017	Gear (windshield wiper motor output)	17A491
		Gear assy. (eng. camshaft drive)	6A253
		Gear assy. (rear axle differential idler)	4580
		Gear assy. (steering)	3504

## INDEX

PART NAME	GROUP NUMBER	PART NAME	GROUP NUMBER
<b>Notes: A Refer to page 1 of Paint Section</b>			
<b>G — Cont'd</b>		<b>H</b>	
Gear assy. (trans. sun)	7D063	Handle (cab lock hook release)	5A377
Gear assy. (windshield wiper motor)	17490	Handle (eng. compression release)	6A543
Gear & bushing (trans. output shaft first speed)	7B266	Handle (jack)	17081
Gear & bushing (trans. output shaft second speed)	7176	Handle (radiator & headlamp guard latch)	18418
Gear & bushing assy. (aux. output shaft second speed)	7176	Handle (wheel nut wrench)	17034
Gear & bushing assy. (trans. direct drive)	7024	Handle assy. (cab lock camshaft control arm)	5A378
Gear & bushing assy. (trans. reverse idler)	7141	Handle assy. (hood latch)	16700
Gear kit (trans. aux. countershaft drive)	7177	Handle assy. (radiator & headlamp guard latch)	8B488
Gear & pinion (windshield wiper motor)	17A479	Hanger (muffler)	5A290
Gear & pinion kit (rear axle differential)	4237	Harness assy. (air brake tube)	2C091,
Gear and pinion kit (rear axle drive)	4209		2C096
Gear & shaft (trans. aux. countershaft)	7113	Harness assy. (air brake treadle valve)	2C095
Gear & shaft assy. (windshield wiper motor output)	17A434	Harness assy. (A/C blower motor)	18C629
Glass (instrument cluster)	10880	Harness assy. (A/C control motor)	18C560
Glass (radiator coolant level sight)	8B404	Harness assy. (heater control motor)	18C560,
Governor assy. (air compressor)	2885		18C629
Governor assy. (eng.)	12450-1	Head (A/C compressor)	19D646-7
Governor assy. (trans.)	7C053	Harness assy. (vacuum hose)	19C827
Grille (A/C air intake)	19744	Head (A/C compressor cyl.)	2995,
Grille (radiator)	8190,		17723
	8200	Head (cab lift pump piston)	5A387
Grille (radio speaker)	18985	Head (eng. cyl.)	6049
Grille assy. (A/C & heater air inlet)	18B591	Head (rear view outside mirror)	17C702
Grille assy. (air cleaner air duct)	9672	Head (water filter mounting)	8C074
Grommet (carb. air cleaner)	9697	Headlamp assy. (less bulb & wiring)	13008
Grommet (carb. choke)	14612	Heater assy.	18478
Grommet (eng. P/S oil reservoir cover stud)	6570	Hinge (A/C housing cover)	18C662
Grommet (eng. valve push rod cover bolt or stud)	6570	Hinge (accelerator pedal)	9710
Grommet (eng. valve rocker arm cover stud)	6570	Hinge (cab lift pump)	5A385
Grommet (fuel air shut-off control)	9S504	Hinge (heater housing cover)	18C662
Grommet (fuel tank filler neck)	9080	Hinge (hood)	16796-7
Grommet (instrument control cable)	10A898	Holder (alternator brush)	10351
Grommet (radio antenna cable)	18A908	Holder (fuse)	14417
Grommet (rear axle piston to push rod)	4344	Holder (starter motor brush)	11061
Grommet (speedo. case)	17304	Holder & terminal plate assy. (starter motor brush)	11A037
Grommet (tachometer cable)	17N290	Hood	16612
Grommet (windshield wiper motor mounting)	17C431	Hood & door assy. (A/C condenser)	19C649
Grommet (wiring)	14603	Hook assy. (rear towing)	5N180
Ground (steering shaft)	3B710	Hook (aux. fuel tank bracket)	9148
Guard (fuel tank)	9099	Hook (battery box cover)	10A679
Guard (parking brake drum)	2625	Hook (cab lock aux.)	5A158
Guard (radiator grille)	8307	Hook assy. (hood auxiliary catch)	16892
Guard (radiator lower)	8A316	Hook (hood latch)	16900
Guard assy. (alternator pulley & belt)	10B381	Hook (towing front)	17A954-5
Guard assy. (radiator grille & headlamp)	18410	Horn assy.	13832-3
Guard assy. (rear wheel splash)	16A550	Horn kit (air)	13800
Guide Pin (adjustable steering column bracket)	3N927	Hose (air by pass valve inlet)	9F287
Guide (air brake shoe actuator plunger)	2B005	Hose (air by-pass inlet-lower)	9H299
Guide (brake air chamber wedge)	2F225	Hose (air cleaner inlet)	9B614
Guide (steering gear ball return)	3523	Hose (air cleaner)	9W633
Guide Assy. (speedometer & tachometer cable)	17B372	Hose (air cleaner to resonator)	9F767
Guide Pin (adjustable steering column bracket)	3N927	Hose (A/C evaporator drain)	19858
Gusset (cab mounting rear rear inner)	5382-3	Hose (air cleaner to intake manifold)	9B613
Gusset (cab mounting spring bracket)	5B406	Hose (air cleaner to intake tube upper)	9C681
Gusset (frame cross member)	5031-2	Hose (air compressor tube water)	2-2917
Gusset (frame crossmember intermediate)	5K003	Hose (brake booster reservoir tank gauge)	2A037
Gusset (frame side member to rear cross member R.H.)	5146	Hose (brake relay valve to rear wheel connector)	2A289

1980/  
TRUCK SERIES 600/900

**INDEX**

PART NAME	GROUP NUMBER	PART NAME	GROUP NUMBER
<b>Notes:     Δ Refer to page 1 of Paint Section</b>			
<b>H — Cont'd</b>		<b>H — Cont'd</b>	
Hose (brake vacuum booster)	2336	Hose (water by-pass)	8548,
Hose (bulk)	2269		8597
Hose (carb. air cleaner to compressor)	2974	Hose (water filter supply or return)	8B351-2
Hose (coolant)	8C063-9	Hose (water pump to radiator by-pass tube)	7B093
Hose (eng. air cleaner (resonator to T/C))	9W625	Hose (windshield defroster)	18556
Hose (eng. air handling line)	6B663	Hose (windshield washer)	17A605
Hose (eng. by-pass oil filter supply)	6A651-2	Hose (windshield washer reservoir to foot controls)	17A624
Hose (eng. crankcase vent)	6853	Hose (windshield wiper)-bulk	17543
Hose (eng. oil filler pipe)	6793	Hose (windshield wiper vacuum pump to brake booster check valve)	17499
Hose (eng. oil filter inlet)-bulk	6745		
Hose (eng. oil filter pipe)	6A787	Hose assy. (air brake foot control valve to front tee)	2897
Hose (eng. radiator crossover vent)	6B644	Hose assy. (air brake foot control valve to quick release valve)	2587
Hose (eng. turbo charger air tube to intake manifold)	6N650		
Hose (eng. turbo charger air tube to outlet)	6N651	Hose assy. (air cleaner inlet)	9B613
Hose (exhaust air supply bypass valve to check)	9K446	Hose assy. (air compressor governor to governor tube)	2989
Hose (exhaust air supply check valve)	9C433	Hose assy. (air compressor oil inlet)	2912
Hose (exhaust air supply check valve inlet)	9B466	Hose assy. (air compressor oil inlet & outlet)	2922
Hose (exhaust air supply pump inlet)	9B458	Hose assy. (air compressor outlet)	2A907
Hose (exhaust air supply silencer inlet)	9J435	Hose assy. (air compressor to governor)	2903
Hose (fuel pump to fuel filter)	9A289	Hose assy. (brake)	2078
Hose (fuel filter drain)	9W309	Hose assy. (brake air check valve)	2936
Hose (fuel return)	9324	Hose assy. (brake booster pressure line)	2B574
Hose (fuel tank to filler pipe)	9047	Hose assy. (brake booster return line)	2B576
Hose (fuel tank vent)	9324	Hose assy. (brake front control valve)	2899
Hose (fuel tube)	9324	Hose assy. (brake manifold to union)	2B225
Hose (fuel vapor)	9E325	Hose assy. (brake reservoir connector)	2571
Hose (fuel vapor returns)	9G297	Hose assy. (brake vacuum pump oil inlet)	2B451
Hose (heater water)	18472	Hose assy. (cab cylinder lift)	5A360
Hose (intake manifold inter cooler water)	9L443	Hose assy. (clutch master cylinder tube)	7608
Hose (intake tube-eng. air cleaner)	9C682	Hose assy. (clutch release)	7B513
Hose (manifold to brake vacuum booster check valve)	2-2352	Hose assy. (eng. air cleaner outlet)	9B640
Hose (power steering bulk)	3B719	Hose assy. (eng. by-pass oil filter)	6A251
Hose (P/S reservoir filler tube)	3F551	Hose assy. (eng. oil)	6A715,
Hose (radiator)	8260		6B833
Hose (radiator air aspirator)	8C012	Housing assy. (eng. oil cooler)	6B850-1
Hose (radiator bulk)	8333	Hose assy. (fan clutch)	8C069
Hose (radiator drain)	8081	Hose assy. (front brake)	2B230
Hose (radiator overflow)	8075,	Hose assy. (fuel filter outlet)	9J291
	8A213	Hose assy. (fuel filter inlet)	9J290
Hose (radiator shutter)	8493	Hose assy. (fuel primer pump)	9288
Hose (radiator shutter thermostat to brake booster line)	8A205	Hose assy. (fuel pump to discharge fitting)	9A376
		Hose assy. (fuel tank selector valve)	9B285
Hose (radiator supply tank overflow tube)	8B102	Hose assy. (fuel tank to fuel tubes)	9B286
Hose (radiator supply tank overflow tube connecting)	8-8059	Hose assy. (fuel return)	9C327
		Hose assy. (fuel vapor return)	9G321
Hose (radiator supply tank vent tube connector)	8A366	Hose assy. (inter. axle solenoid valve actuator)	4W061
Hose (radiator to supply tank vent)	8003,	Hose assy. (manifold to brake vacuum tube flexible)	2353
	8497	Hose assy. (parking brake air valve)	2A625
Hose (rear axle power divider differential lockout cylinder)	4881	Hose assy. (parking brake emergency air supply)	2A775
Hose (rear axle)	4090	Hose assy. (parking brake press feed)	2A777
Hose (rear brake)	2282	Hose assy. (P/S pressure line)	3A719
Hose (trans. air filter)	7B175	Hose assy. (rear air brake flexible)	2A290
Hose (trans. aux. shift air supply)	7B175	Hose assy. (rear axle air shift control)	4531
Hose (trans. oil cooler)	7B093	Hose assy. (rear axle differential lock)	4W062
Hose (trans. oil overflow)	7A080	Hose assy. (rear axle power divider differential lockout control valve)	4531
Hose (trans. shift control valve to cylinder)	7B175		
Hose (trans. slave unit to range shift cylinder)	7B175	Hose assy. (rear wheel brake)	2A442
Hose (trans. water pump to radiator by-pass tube)	7B175	Hose assy. (reservoir to air brake foot control valve)	2920

## INDEX

PART NAME	GROUP NUMBER	PART NAME	GROUP NUMBER
Notes:     Δ Refer to page 1 of Paint Section			
H — Cont'd		H — Cont'd	
Hose assy. (trailer brake air)	2A138	Housing assy. (P/S pump)	3A643
Hose assy. (trans. oil cooler)	7890	Housing assy. (rear axle)	4010-1, 4310
Hose assy. (trans. shift air supply)	7B175	Housing assy. (rear axle power divider front)	4574
Hose & fitting (oil filter by-pass)	6A651-2	Housing assy. (rear axle power divider shift fork)	4563
Hose & shield assy. (air cleaner intake manifold)	9B613	Housing assy. (steering column shaft coupling)	3A528
Hose guard kit	19B970	Housing assy. (steering gear)	3548
Hose water outlet	8A507	Housing assy. (steering gear actuator)	3E564
Housing (air brake actuator)	2B011	Housing assy. (rear lamp)	13434-5
Housing (A/C & heater blower motor)	19C926	Housing assy. (trans. control selector)	7B020
Housing (alternator front)	10333	Housing assy. (water pump)	8503
Housing (alternator rear)	10334	Housing & bearing assy. (clutch pressure plate release bearing)	7A605
Housing (carb. fast idle cam)	9981	Housing & bushing (starter motor drive end)	11130
Housing assy. (carb. throttle shaft)	9518	Housing and jewel assy. (instrument cluster)	10C896
Housing base (rear axle shift assy.)	4082	Housing & plugs assy. (carb. governor)	9B570
Housing (carb. thermostatic choke)	9848	Housing & seat assy. (carb. secondary diaphragm)	9501
Housing (clutch)	7505	Housing & shift assy. (power divider diff. lockout)	4563
Housing (distributor terminal cap)	12106	Housing & wiring assy. (radio speaker)	19A163
Housing (eng. turbo charger turbine)	6N677	Housing kit (rear axle)	4010
Housing (front axle spindle)	3B105-6	Housing kit (starter motor drive end)	11130
Housing (head lamp)	13100-1	Housing kit (trans. rear cross shaft)	7B101
Housing (heater blower motor sleeper unit)	18568	Hub (carb. fast idle cam)	9B558
Housing (rear axle)	4090	Hub (eng. oil pump idler gear)	6K705
Housing (rear axle air shift)	4082	Hub (trans.)	7931
Housing (rear axle electric shift)	4082	Hub (trans. clutch)	7B067
Housing (rear cross shaft)	7B102	Hub (trans. converter impeller)	7915
Housing (steering gear coupling shaft u/joint)	3E736	Hub (trans. output shaft)	7D164
Housing (regulator switch)	14528	Hub (trans. reverse clutch)	7B067
Housing (trans. control selector)	7A307	Hub (trans. third and fourth gear clutch)	7183
Housing (trans. countershaft brake P.T.O.)	7165	Hub (water pump pulley)	8553
Housing (trans. extension)	7A039	Hub assy. (front)	1104
Housing (trans. front shift)	7222	Hub assy. (front spoke wheel)	1014
Housing (trans. gearshift lever)	7203, 7222	Hub assy. (P/S pump drive)	3E762
Housing (trans. gearshift lower)	7A197	Hub assy. (rear)	1109
Housing (trans. intermediate & low clutch reaction)	7A446	Hub assy. (trans. forward ring gear)	7B067
Housing (trans. piston)	7B408	Hub & bearing assy. (clutch release)	7548
Housing (trans. piston valve)	7B408	Hub & drum assy. (rear wheel brake)	1113
Housing (trans. rear cross shaft)	7B102		
Housing (trans. shift bar)	7222	I	
Housing (warning indicator)	10A858, 10C876	Ignition cable (high tension radio resistance)	12A024
Housing (windshield wiper motor)	17A431, 17B508	Impeller (water pump)	8512
Housing assy. (A/C lower)	18C614	Impeller assy. (trans. converter)	7908
Housing (A/C barrier motor)	18755	Impeller repair kit (P/S pump)	3A711
Housing assy. (brake air chamber)	2A463	Indicator (eng. oil level)	6750
Housing assy. (cab lock)	5A384	Indicator (trans. control selector)	7A110
Housing assy. (cab lock lower)	5B367	Indicator (trans. oil level)	7A020
Housing assy. (carb. secondary throttle diaphragm)	9501	Indicator assy. (eng. air cleaner restriction)	9N622
Housing assy. (carb. throttle operating shaft)	9B505	Indicator assy. (eng. stop)	10D846
Housing assy. (eng. flywheel)	6392	Indicator assy. (engine use)	10A979
Housing assy. (front air brake camshaft)	2304	Indicator assy. (exhaust gas-pyrometer)	10K892
Housing assy. (front driving axle)	3010	Indicator assy. (trans. oil temperature)	10C911
Housing assy. (heater)	18A484	Injector assy. (fuel)	9E527
Housing assy. (heater defroster blower)	18B568	Insert (eng. oil filter mounting bolt)	6890
Housing assy. (heater lower)	18C614	Insert (eng. valve seat)	6057
Housing assy. (instrument panel control)	10A858	Insert (fuel tube clamp)	9E320
Housing assy. (instrument panel lamp)	10C876, 17D440	Insert (fitting)	2A269
Housing assy. (P/S drag link control valve & spool)	3C516	Insert (rear spring front hanger)	5A555
		Insert (thermostatic choke control air intake)	9A714
		Insert (trans. gear shifter fork)	7C430

1980/  
TRUCK SERIES 600/900

**INDEX**

PART NAME	GROUP NUMBER	PART NAME	GROUP NUMBER
<b>Notes:     Δ Refer to page 1 of Paint Section</b>			
<b>I — Cont'd</b>		<b>J — Cont'd</b>	
Insert (trans. intermediate & high clutch hub)	7A044	Joint assy. (trans. control rod ball)	7B081
Insert (trans. third & high synchronizer clutch hub)	7A044	Joint assy. (trans. gearshift control rod front)	7A134
Installation kit (oil filter)	4A329	Joint assy. (trans. gearshift control rod rear)	7B170
Insulation (hood air inlet sound)	16A812	Joint kit (front axle shaft universal)	3249
Insulator (air cleaner support)	9P686	Joint kit (steering column coupling shaft slip yoke)	3815
Insulator (A/C - tube)	19911	Jumper (alternator brush spring to field terminal)	10A342
Insulator (alternator diode plate)	10A383	<b>K</b>	
Insulator (alternator rectifier)	10310	Key (A/C compressor clutch hub)	19D651
Insulator (alternator stator end)	10A361	Key (door lock blank)	3685
Insulator (alternator terminal)	10329	Key (eng. timing gear)	6N250
Insulator (ammeter)	10C914	Key (eng. valve spring retainer)	6518
Insulator (aux. trans. front & rear mount)	7010,	Key (front axle spindle arm)	4243
Insulator (battery hold down)	10726	Key (front axle steering arm)	4243
Insulator (battery hold down clamp)	10774	Key (fuel injection pump fuel shut off lever)	9R533
Insulator (circuit breaker)	12289	Key (ignition lock blank)	3685
Insulator (clutch pedal assist spring)	7A630	Key (rear axle driven gear)	4243
Insulator (eng. front support)	6038,	Key (speedo. or tach. drive)	17A259
	6A061,	Key (trans. aux. counter shaft)	7B220
	6068	Key (trans. countershaft gear)	7B220
Insulator (eng. rear motor mount)	6A061,	Key (trans. main shaft gear)	7B220
	6068	Key (trans. output shaft gear)	7B220
Insulator (eng. rear support)	6A061	Key (trans. reverse idler gear)	7B220
Insulator (frame to body bracket)	5A103	Key & pins (trans. output)	7B220
Insulator (fuel tank)	9240	Key & pin assy. (trans. main shaft)	7B220
Insulator (fuel tank strap)	9067	KIT - refer to appropriate noun name	
Insulator (hood-sound)	16738	For example:	
Insulator (horn blowing contact & spring lower)	13867	Insulator kit (starter motor field terminal)	11102
Insulator (muffler heat)	5B294	Kit (A/C Comp. Thermal Protection)	19498
Insulator (muffler inlet pipe heat)	5B295	Knob (rear axle power divider lockout control)	4503
Insulator (non-metallic wiring conduit)	14A240	Knob (rear wheel parking brake air control valve)	2A736
Insulator (nylon tube)	2B478	Knob (tractor brake air protector valve)	2B495
Insulator (radiator mounting)	8124-5	Knob assy. (headlamp switch)	11666
Insulator (radiator support brace)	8A421	Knob assy. (heater)	18519
Insulator (rear spring bracket rebound pin)	5970	Knob assy. (instrument cluster lamp switch)	13K713
Insulator (starter motor field terminal)	11107	Knob assy. (radio receiver)	18817
Insulator (starter motor grounded brush plate)	11A040	Knob assy. (windshield wiper control)	17513
Insulator (starter motor grounded brush spring pin)	11A045	Knob & element (cigar lighter)	15052
Insulator (starter motor insulated brush plate)	11A041	Knob & shaft assy. (headlamp switch)	11661
Insulator (starter motor switch)	11068	Knob & wire assy. (rear axle control)	4078
Insulator (starter motor switch spring)	11181	<b>L</b>	
Insulator (trans. aux. shaft control tube)	7D260	Label (fuel)	9A095
Insulator (trans. rear mount)	7010,	Lamp assy. (cigar lighter)	15072
	7E373	Lamp assy. (fog)	15200
Insulator (voltage regulator base)	10547	Lamp assy. (front side)	15A201
Insulator (wiring)	14A199	Lamp assy. (front turn indicator outboard type)	13368
Insulator assy. (air cleaner duct)	9W680	Lamp assy. (headlamp dimmer control)	13360
Insulator assy. (front spring bracket)	5A342	Lamp assy. (interior)	13776
Insulator assy. (rear suspension load)	5899	Lamp assy. (luggage compartment)	13A756
Insulator (tank level hose support)	9B011	Lamp assy. (map)	15650
Insulator assy. (trans. gearshift lever opening cover)	7E198	Lamp assy. (marker)	15442,
Insulator kit (starter motor field terminal)	11102		15A201
Interior paint	Δ	Lamp assy. (oil pressure warning)	10A962
Interlock (aux. trans. gearshift rod)	7D161	Lamp assy. (parking)	13200
Insulator assy. (engine air cleaner bracket)	9B929	Lamp assy. (power divider differential lockout warning)	10A960
<b>J</b>		Lamp assy. (rear)	13404-5
Jack (radio power feed)	18A930	Lamp assy. (trans. control selector)	15A801
Jet (carb. governor by-pass)	9973	Lamp assy. (trans. retarder oil temperature warning)	10A961
Jet (carb. main metering)	9533	Lamp assy. (utility)	15550
Jet assy. (windshield washer)	17603	Lamp assy. (water temperature warning)	10A963
Joint (accelerator shaft to carb. rod ball)	9786		



## INDEX

PART NAME	GROUP NUMBER	PART NAME	GROUP NUMBER
Notes:     Δ Refer to page 1 of Paint Section			
L — Cont'd		L — Cont'd	
Lamp assy. (all weather sealed beam-kit)	15200	Lever (trans. control valve shaft)	7N152
Lamp & wiring (warning indicator)	10C915	Lever (trans. cross shaft shift)	7A081
Lamp & wiring assy. (brake warning)	2B318, 10A962	Lever (trans. first & reverse gearshift)	7B224
Lamp and wiring assy. (heated mirror indicator)	10C924	Lever (trans. gearshift)	7210
Lamp & wiring assy. (brake warning)	10A962	Lever (trans. gearshift selector)	7302
Lamp & wiring assy. (low vacuum warning indicator)	10C962	Lever (trans. gearshifter)	7A315
Latch (battery cover hold down)	10704	Lever (trans. intermediate band servo)	7330
Latch (cab lock hook release)	5009	Lever (trans. retarder control valve)	7-7903
Latch (hood)	16700-1	Lever (windshield wiper motor park switch)	17B549
Lead (alternator ground)	10A374	Lever arm assy. (adjustable steering column bracket)	3B765
Lead (starter motor to solenoid)	111A02-8	Lever assy. (accelerator control rod)	9B820
Leaf (aux. spring No. 1)	5589	Lever assy. (accelerator control)	9B821
Leaf (aux. spring No. 2)	5590	Lever assy. (brake air foot control)	2L270
Leaf (front spring No. 1)	5313	Lever assy. (brake booster)	2B307-8
Leaf (rear spring No. 1)	5563	Lever assy. (cab lock control)	5B113
Lens (A/C control)	19B892	Lever assy. (carb. throttle control)	9A514
Lens (A/C or heater control)	18B396	Lever assy. (carb. throttle governor)	9B575
Lens (dome lamp)	13783	Lever assy. (clutch forward relay to vertical rod)	7B564
Lens (fog lamp)	15L203	Lever assy. (clutch idler bellcrank)	7B585
Lens (front turn indicator lamp-amber)	13328	Lever assy. (clutch release)	7515
Lens (front turn indicator lamp-red)	13329	Lever assy. (clutch release shaft)	7B552
Lens (instrument cluster main)	10887	Lever assy. (fuel injection pump throttle)	9C534
Lens (instrument cluster warning lamp)	10A936	Lever assy. (governor control)	12A468
Lens (instrument panel control identification)	10A936	Lever assy. (hand throttle)	9A514
Lens (instrument panel turn indicator lamp)	13340	Lever (heater control)	18K253
Lens (interior lamp)	13734	Lever assy. (trans. downshift control outer)	7A394
Lens (parking lamp)	13208	Lever assy. (trans. downshift detent)	7D261
Lens (rear lamp)	13450-1	Lever assy. (trans. gearshift selector)	7302
Lens (rear license plate lamp)	13564	Lever assy. (trans. manual control)	7A256-7
Lens (warning indicator lamp)	10A936	Lever assy. (trans. manual valve detent)	7A115
Lens assy. (marker lamp)	15464	Lever assy. (trans. remote control selector rear)	7B171
Letter (hood)	16606	Lever assy. (turn indicator)	13305
Letter kit (hood transfer)	16606	Lever & bushing assy. (carb. choke rod)	9A514
Lever (accelerator shaft)	9A884	Lever & shaft (eng. governor throttle control)	18209
Lever (accelerator shaft inner)	9A896	Lever & shaft assy. (carb. secondary throttle plate)	9A592
Lever (brake pedal intermediate)	2466	Lever & shaft assy. (carb. throttle)	9581
Lever (brake shoe adjusting)	2A176-7	Lever & shaft assy. kit (carb. throttle)	9581
Lever (cab suspension position valve)	5C099	Lever & swivel assy. (carb. choke)	9A514
Lever (carb. accelerator pump)	9D591	Lever & swivel assy. (carb. throttle pickup)	9B509
Lever (carb. accelerator pump operating)	9A506	Lever (throttle governor control)	12A485
Lever (carb. fast idle adjusting)	9538	Lift assy. (cab to frame)	5A361
Lever (clutch forward relay to equalizer rod)	7511	Limitter (carb. idle adjusting needle)	9J500
Lever (clutch release shaft)	7511	Line assy. (fuel tank line to fuel pump flexible)	9288
Lever (fuel injection pump control)	9C534	Lining (parking brake)	2620
Lever (fuel injection pump throttle)	9M581	Lining (rear brake shoe)	2284-5
Lever (fuel injection pump stop control)	9D504	Lining kit (brake shoe)	2007
Lever (clutch vertical control)	7B570	Link (A/C air damper door shaft)	19A600
Lever and Spring Assy. (engine gov. throttle control aux.)	18214	Link (A/C & heater air outlet door)	18B278
Lever (injection pump fuel shut-off)	9N722	Link (brake adjusting screw)	2A175
Lever (parking brake camshaft control)	2816	Link (brake cyl. to shoe)	2042
Lever (P/S gear actuator)	3E566	Link (brake shoe adjusting lever)	2A178, 2179
Lever (rear axle actuating)	4081	Link (brake shoe adjustment lever)	2042
Lever (rear axle power divider diff. lockout shift)	4459	Link (carb. accelerator pump)	9529
Lever (remote control selector upper)	7A081	Link (distributor breaker plate)	12A186
Lever (remote control shift)	7A081	Link (parking brake cable connecting)	2861
Lever (starter motor drive)	11067	Link (parking brake lever to primary brake shoe)	2A642
Lever (transfer case control)	7210	Link (parking brake to trans.)	2630
		Link (radiator & headlamp guard latch handle)	18422

1980/  
TRUCK SERIES 600/900

INDEX

PART NAME	GROUP NUMBER	PART NAME	GROUP NUMBER
<b>Notes: Δ Refer to page 1 of Paint Section</b>			
<b>L — Cont'd</b>		<b>M — Cont'd</b>	
Link (radiator & headlamp guard latch rocker)	18420	Modulator assy. (trans. shift control)	7A377
Link (trans. retarder pedal retracting spring)	7904	Modulator dissipator assy. (inst. pnl. clus.)	13W752
Link assy. (steering drag)	3304-5	Module and dissipator assy. (instr. panel cluster)	10W842
Link assy. (windshield wiper motor)	17B449	Monitor assy. (brake skid control warning)	2C012
Link repair kit (brake adjusting screw)	2042	Motor assy. (A/C blower)	19805
Link repair kit (front brake adjusting screw)	2042	Motor assy. (heater blower)	18527
Linkage assist (windshield wiper motor kit)	17K491-2	Motor assy. (rear axle electric shift)	4100
Liquid line (A/C dryer to evaporator)	19862-3	Motor assy. (vac.-carb. air cleaner)	9D612
Liquid tire chain	Δ	Motor assy. (windshield wiper)	17508
Locator (eng. air cleaner element)	9649	Motor housing kit (rear axle shift assy.)	4N082
Lock (brake shoe adjustment)	2B345	Motor kit (rear axle shift electric)	4100
Lock (exhaust manifold to cyl. head bolt tab)	9A447	Motor oils	Δ
Lock (front axle differential bearing adjuster)	4143	Moulding (engine air cleaner duct)	9B685
Lock lubricant	Δ	Moulding (radiator grille opening)	8419
Lock (rear axle differential bearing adjuster)	4143	Mounting kit (compressor bracket)	2A956
Lock (rear axle drive gear adjusting screw)	4226	Muffler	5230
Lock (trans. reverse idler bearing)	7155	<b>N</b>	
Lock assy. (cab retaining arm)	5010	Neck & bracket assy. (eng. oil filler hose)	6784
Lock assy. (steering column position)	3D616	Neck Assy. (water filler)	8020
Lockplate (rear axle oil filter)	4A321	Needle assy. (carb. fuel inlet)	9564
Lockplate (universal joint)	4872	Needle (carb. idle adjusting)	9541
Louver assy. (fog lamp lens)	15A236	Nipple (brake booster hose)	2364
Lube pump replacement kit (rear axle sower divider)	4A581	Nipple (trans. air hose)	7B418
Lubricants	Δ	Nipple assy. (brake compressor air hose inlet)	2A995
Lubricator (rear axle differential)	4159	Nozzle (windshield defroster hose)	18490-1
<b>M</b>		Nozzle (windshield washer)	17A602
Magnet (power steering pump reservoir)	3F614	Nozzle assy. (carb. pump discharge)	9577
Main shaft & guill assy. (trans.)	7061	Nozzle assy. (eng. primer)	9D838
Manifold (brake air supply)	2B280	Nozzle & connector assy. (windshield defroster)	18A636
Manifold (carb. air supply)	2B380	Nut (air brake chamber lock)	2B001
Manifold (intake)	9424-5	Nut (brake adjusting screw)	2223
Manifold assy. (exhaust)	9430-1	Nut (brake air booster body piston packing retainer)	2033
Manifold assy. (exhaust air supply )	9B445-6	Nut (brake booster diaphragm)	2440
Manifold & check valve assy. (brake vacuum booster)	2B013	Nut (brake pipe)	2133
Manifold & tube assy. (air conditioner)	19D734	Nut (brake shoe adjusting screw)	2047
Mask (A/C and heater control lens)	18D262	Nut (clutch release lever adjusting)	7A525
Mask (instrument cluster)	10890-4	Nut (coupling shaft flange retaining)	4A819
Mask (instrument cluster warning light module)	10890	Nut (dual rear wheel inner)	1132-3
Mask (trans. control selector dial)	15840	Nut (dual rear disc wheel outer)	1134-5
Mast assy. (radio antenna replacement)	18A886	Nut (eng. connecting rod)	6212
Mat (front floor)	13086	Nut (eng. oil pump outlet tube)	6N857
Mat (running board)	16490-1	Nut (eng. valve rocker arm stud)	6A529
Member (cab mounting frame side)	5366-7	Nut (front axle spindle outer lock)	3276
Member (fuel tank compression)	9B086	Nut (front axle wheel bearing adjusting)	3295
Member assy. (cab mounting frame center)	5A379	Nut (front spring "U" bolt)	5456
Member assy. (cab mounting frame front)	5A380	Nut (front wheel spindle)	3104
Member assy. (cab mounting frame rear center)	5379	Nut (fuel pump manual control)	9A389
Microphone assy. (C.B. radio)	18B804	Nut (headlamp adjusting pivot)	13181
Mirror (rear view outside)	17A700	Nut (headlamp switch)	11650
Mirror assy. (rear view outside)	17682-3	Nut (instrument panel fuel tank selector switch)	11650
Mirror & guard assy. (rear view outside less arms)	17B717, 17C732	Nut (P/S pump hub retaining)	3K559
Mirror kit (rear view outside)	17696	Nut (power divider push rod stop bolt)	4A192
Mirror kit (vanity)	17A679	Nut (rear axle drive pinion)	4320
Modification kit (carburetor)	9D544	Nut (rear axle driven gear thrust block adjusting screw)	4391
Modulator assy. (brake skid control)	2B373	Nut (rear axle gear case bolt)	4322
Modulator assy. (carb. secondary throttle)	9503	Nut (rear axle housing)	4A142
Modulator assy. - ignition (breakerless)	12A199	Nut (rear axle piston to push rod stop)	4A130
		Nut (rear axle shift fork pivot bolt)	4571

October, 1993

## INDEX

PART NAME	GROUP NUMBER	PART NAME	GROUP NUMBER
Notes:     Δ Refer to page 1 of Paint Section			
N --- Cont'd		O --- Cont'd	
Nut (rear axle shift motor stud)	4571	"O" ring (steering gear valve)	3329
Nut (rear axle shift housing cover)	4A201	"O" ring (tachometer driven gear oil seal)	17383
Nut (rear axle torque arm retaining)	4611	"O" ring (trans. aux. gearshift)	7B411
Nut (rear hub bolt)	1012	"O" ring (trans. aux. shift cylinder seal)	7B411
Nut (rear spring center bolt hex.)	5722	"O" ring (trans. aux. shift piston)	7288,
Nut (rear suspension bar clamp bolt)	5A615		7B411
Nut (rear torque arm end pin)	5A601	"O" ring (trans. aux. shift plunger)	7288
Nut (rear wheel bearing)	4252,	"O" ring (trans. aux. shift yoke)	7B411
	4254-5	"O" ring (trans. countershaft front bearing shield)	7B411
Nut (spare wheel carrier bolt)	1462	"O" ring (trans. piston rod)	7B411
Nut (spare wheel carrier hinge bolt)	1476	"O" ring (trans. reverse idler retainer)	12143
Nut (starter motor terminal plate sealing)	11A053	"O" ring (trans. shift cylinder seal)	7B411
Nut (steering gear worm thrust bearing)	3707	"O" ring (trans. shift fork piston)	7B339
Nut (trans. aux. main shaft stop)	7B364	"O" ring (trans. shift fork piston rod)	7B339
Nut (trans. control valve plunger)	7C037	"O" ring (trans. splitter valve housing)	7288
Nut (trans. countershaft)	7B208	"O" ring (trans. valve)	7B411
Nut (trans. input shaft)	7045	"O" ring and gasket kit	7B411
Nut (trans. input shaft bearing retainer)	7045	"O" ring kit	19B596
Nut (trans. output shaft)	7B208	"O" ring kit (A/C compressor)	19D660
Nut (trans. output shaft bearing)	7B208	"O" ring solenoid kit (brake skid control modulator)	2C085
Nut (trans. output shaft bearing retainer)	7045	Ornament (hood front)	16637
Nut (trans. output shaft drive gear)	7198	Outlet (windshield defroster)	18A449
Nut (trans. output shaft gear bearing retainer)	7B364	Outlet & wiring assy. (trailer)	14A341
Nut (trans. rear bearing retainer)	7B364	P	
Nut (wheel)	1120-1	Packing (eng. crankshaft rear)	6701
Nut (windshield wiper control)	17512	Pad (anti-squeak radiator supply tank strap)	8B420
Nut (windshield wiper pivot shaft outer)	17117	Pad (brake pedal plate)	2457
Nut (wire conduit retainer)	14204	Pad (brake pedal rubber)	2454
Nut assy. (air cleaner wing)	9D632	Pad (clutch pedal rubber)	2454
Nut assy. (clutch retracting spring return)	7B559	Pad (front turn indicator lamp lens)	13332
Nut assy. (rear suspension support beam)	5A608	Pad (fuel tank insulator)	9075
Nut & ferrule (exhaust air supply)	9B471	Pad (hood)	16740
Nut-guide pin (adjustable steering column bracket)	3E546	Pad (hood ornament)	16675
Nut & pin (front axle wheel bearing adjusting)	3294	Pad (horn blowing ring pressure)	13A813
Nut kit (A/C compresspr shaft)	19D667	Pad (name plate)	16C802-3
Nut-lever arm (adjustable steering column bracket)	3E705	Pad (marker lamp mounting)	15A403
O		Pad (horn mounting bracket)	13932
Oiler (rear axle piston)	4550	Pad (parking lamp)	13217
Oiler (rear axle power divider lockout shift cylinder)	4550	Pad (pedal stop)	13k401
Oil plmp rotor kit (A/C compressor)	19D663	Pad (radiator grille opening side panel mounting)	8A328
Oil seal (distributor governor shaft)	12476	Pad (rear lamp mounting)	13420
Oil seal (transfer case shaft rail)	7288	Pad (RR vwo/s Mirror mounting)	17K723
Oil seal (trans. aux. rear bearing cover)	7918	Pad (trans. gearshift lever opening cover)	7E074
Oil seal (trans. front oil pump)	7A248	Pad & insert assy. (accelerator pedal)	6735
Oil seal assy. (rear axle)	1181	Pad & seal assy. (booster mounting)	2A399
Oil seal kit (inner front spindle)	1190	Paint	Δ
Oil seal kit (rear wheel inner)	1175	Pan (eng. air cleaner)	9658
Oils	Δ	Pan assy. (eng. oil)	6675
Orifice (P/S pump tube seat)	3A700	Pan assy. (trans. oil)	7A194
"O" ring (carb. float bowl tube connector seal)	9229	Panel air cleaner (hood side)	16B668
"O" ring (carb. fuel valve seat)	9609	Panel (A/C & heater control inner)	18A668
"O" ring (female)	19D695	Panel (A/C evaporator case)	19802-3
"O" ring (P/S gear control valve cover)	3754	Panel (A/C evap. case-lower)	19803
"O" ring (P/S pump oil reservoir orifice)	3-3547	Panel (blower motor support)	18565
"O" ring (P/S pump reservoir orifice reinforcement)	3-3549	Panel (circuit breaker mounting)	14A618
"O" ring (P/S valve)	3C515	Panel (fuse junction)	14A068
"O" ring (rear axle housing cover)	4104	Panel (front fender)	16015
"O" ring (rear axle piston)	4334	Panel (headlamp)-repair	16018-9
"O" ring (rear axle pwr. div. input shaft brg. ret.)	4N431	Panel (hood side)	16618-9

1980/  
TRUCK SERIES 600/900

INDEX

PART NAME	GROUP NUMBER	PART NAME	GROUP NUMBER
Notes:     Δ Refer to page 1 of Paint Section			
P — Cont'd		P — Cont'd	
Panel (instrument cluster opening)	10848	Pin (trans. case dowel)	7B362
Panel (running board apron)	16506-7	Pin (trans. gearshift interlock rod)	7235
Panel assy. (A/C & heater control)	18A651	Pin (trans. gearshift lever connecting)	7212
Panel assy. (A/C control)	19808	Pin (trans. gearshift lever to housing)	7221
Panel assy. (A/C unit top)	18C447	Pin (trans. gearshift rod interlock)	7235
Panel assy. (fuse junction)	14A067	Pin (trans. gearshifter lock plunger)	7235
Panel assy. (heater unit top)	18C447	Pin (trans. gearshifter shaft interlock)	7235
Panel assy. (warning indicator)	10B987	Pin (trans. output shaft fourth speed gear bearing race lock)	7191
Panel & housing assy. (headlamp)	13L098-99		
Parking brake kit (camshaft replacement)	2A710	Pin (trans. output shaft overdrive gear sleeve)	7A654
Pedal (clutch)	7519	Pin (trans. rocker arm pivot)	7093
Pedal assy. (accelerator)	9735	Pin (trans. shift fork lock)	7235
Pedal assy. (brake)	2455	Pin (trans. shifter interlock)	7235
Pedal assy. (trans. retarder control valve)	7C171	Pin (windshield wiper motor)	17B563
Pin assy. (front spring bracket)	5B317	Pin & bushing kit (front wheel spindle)	3111
Pin (A/C compressor head locator)	19D662	Pinion (front axle differential)	4215
Pin (bellcrank pivot)	2B663	Pinion (rear axle differential)	4215
Pin (body lift pump plug cross)	5A386	Pinion (starter motor drive)	11363
Pin (brake master cylinder secondary piston stop)	2A511	Pinion kit (rear axle)	4292
Pin (brake shoe anchor)	2027,	Pipe (brake booster)	2352
	2333	Pipe (eng. cylinder block main oil line)	6021
Pin (brake shoe hold down spring)	2069	Pipe (eng. oil filler)	6763
Pin (brake shoe to cam roller)	2045	Pipe (eng. oil filler & level indicator)	6A758
Pin (brake shoe tracting spring)	2341	Pipe (muffler crossover)	5246
Pin (brake vacuum pump body locating)	2K135	Pipe (muffler inlet)	5246
Pin (cab forward hinge)	5A372	Pipe (muffler inlet extension)	5A212
Pin (carb. fuel valve spring)	9568	Pipe (muffler outlet)	5255
Pin (carb. governor spring)	9B574	Pipe (radiator hose extension)	8290-1
Pin (clutch disc driven plate stop)	7628	Pipe assy. (check valve to brake vacuum booster lower)	2362
Pin (eng. piston)	6135	Pipe assy. (check valve to brake vacuum booster upper)	2349
Pin (front axle spindle)	3115	Pipe assy. (fuel tank filler)	9034
Pin (front axle spindle pin locking)	3122	Pipe assy. (oil filler)	6784
Pin (front spring bracket rebound)	5A341	Pipe assy. (rear axle control valve to intake manifold)	4043
Pin (fuel pump rocker arm)	9378	Pipe & cap (eng. oil filter)	6B612
Pin (gearshift lever trunnion)	7B073	Piston (body lift pump)	5A391
Pin (pivot hood hinge)	16A692	Piston (brake booster control valve)	2396
Pin (P/S pump rotor shaft)	3-3633	Piston (brake cylinder)	2196-7
Pin (radiator grille & headlamp guard hinge)	18415	Piston (brake master cylinder)	2169
Pin (radiator grille & headlamp guard latch link)	18414	Piston (clutch master cylinder)	2169
Pin (rear axle)	1A012	Piston (P/S cylinder)	3A544
Pin (rear axle clevis)	4085	Piston (rear axle power divider lockout shift)	4623
Pin (rear axle differential shift fork roller)	4053	Piston (rear axle shift cyl.)	4623
Pin (rear axle electric shift drive lever)	4085	Piston (trans. aux. shift)	7233
Pin (rear axle high speed clutch plate)	4154	Piston (trans. aux. shift fork)	7233
Pin (rear axle planetary gear)	4029	Piston (trans. clutch)	7A262
Pin (rear spring bracket rebound)	5969	Piston (trans. countershaft brake)	7233
Pin (rear spring shackle)	5780	Piston (trans. reverse clutch)	7D402
Pin (rear spring shackle pin locking)	5782	Piston assy. (brake air chamber)	2A463
Pin (rear wheel bearing lock)	4256	Piston assy. (brake booster hydraulic cylinder)	2368
Pin (speed control servo)	9D841	Piston assy. (carb. accelerator pump)	9B544
Pin-spring (accel. or pump overtravel)	9C711	Piston assy. (eng.)	6108
Pin (starter motor grounded brush spring)	11A044	Piston assy. (trans. intermediate band servo)	7D021
Pin (starter motor insulated brush spring)	11A048	Pivot (brake shoe adjusting lever)	2C176
Pin (starter motor yoke center)	11079	Pivot (trans. gearshift lever)	7K179
Pin (transfer case interlock)	7235	Pivot (trans. reverse gearshifter arm)	7236
Pin (trans. air valve actuating)	7A507	Pivot assy. (headlamp adjustment)	13K029
Pin (trans. aux. shift lever fulcrum or trunnion)	7B073	Pivot assy. (trans. first & reverse gearshift lever)	7B225

## INDEX

PART NAME	GROUP NUMBER	PART NAME	GROUP NUMBER
<b>Notes:     Δ Refer to page 1 of Paint Section</b>			
<b>P — Cont'd</b>		<b>P — Cont'd</b>	
Planet assy. (trans. forward)	7A398	Plate (hood hinge mounting)	16A734-5
Planet assy. (trans. reverse)	7D006	Plate (hood rear reinforcement)	16C778-9
Plate assy. (air cleaner stack pipe)	9P896	Plate (hood ornament mounting)	16A706
Plate (air brake valve opening cover)	2B252	Plate (hood side name)	16720-1
Plate (A/C compressor valve)	19656	Plate (hood stabilizer)	16C700
Plate (A/C evaporator trim)	19A646	Plate (hood stabilizer lower on hood mounting)	16C846-7
Plate (A/C & heater plenum chamber)	18B616	Plate (hood stabilizer lower on body mounting)	16C848-9
Plate (alternator end)	10563	Plate (horn button or ring contact)	13A808
Plate (alternator negative conductor)	10B371	Plate (horn button or ring index)	13A809
Plate (alternator positive conductor)	10B330	Plate (horn mounting)	13933
Plate (brake master cylinder piston stop)	2188	Plate (horn switch brush)	13A823
Plate (brake shoe anchor pin guide)	2028	Plate (indicator mounting instrument cluster)	10B978
Plate (brake vacuum booster diaphragm)	2394	Plate (instrument cluster back)	10848
Plate (cab mounting rear spring spacer)	5C351	Plate (instrument cluster control mounting)	10A885
Plate (C.B. radio connection)	18B616	Plate (instrument cluster opening)	10B979
Plate (cam compression spring rear axle shift assy.)	4081	Plate (instrument cluster trim)	10A980
Plate (carb. air distribution)	9F553	Plate (name)	16720
Plate (carb. backfire relief)	9543	Plate (parking brake air control valve bracket)	2A830
Plate (carb. choke)	9545	Plate (P/S cylinder end)	3797-8
Plate (carb. fuel bowl baffle)	9A517	Plate (P/S drag link hydraulic valve)	3C524
Plate (carb. throttle)	9585	Plate (P/S gear control valve end)	3E582
Plate (cover)	13C714	Plate (radiator grille side panel pad)	8B174
Plate (carb. throttle shaft housing backup)	9B506	Plate (radiator pipe to A/C compressor)	8C112
Plate (clutch master cylinder piston stop)	2188	Plate (radiator support insulator)	8126
Plate (cowl side name)	16720-1	Plate (radio escutcheon mounting)	18A955
Plate (distributor breaker)	12151	Plate (radio mounting)	10A860
Plate (eng. air cleaner retainer bracket)	9C901	Plate (rear axle bumper striker)	4K099
Plate (eng. air cleaner inlet scoop wear)	9C900	Plate (rear axle differential sliding clutch gear)	4040
Plate (eng. camshaft thrust)	6269	Plate (rear axle high speed clutch)	4040
Plate (eng. charger to cyl. blk. oil return)	6N629	Plate (rear axle strainer)	4417
Plate (eng. cyl. front cover)	6B070	Plate (rear spring seat end)	5A567
Plate (eng. flywheel to trans.)	6A366	Plate (rear spring u-bolt)	5708
Plate (eng. flywheel to trans. adaptor)	6A370	Plate (rear spring wear)	5A566
Plate (eng. turbo charger cover clamp)	6N728	Plate (rear view outside mirror arm pivot)	17B744
Plate (eng. turbo charger to cyl. block oil supply)	6N860	Plate (rear view outside mirror mounting)	17A717
Plate (eng. flywheel reinforcing)	6A366	Plate (starter motor brush holder connector)	11A039
Plate (eng. flywheel to crankshaft locking)	6431	Plate (starter motor solenoid terminal)	11A029
Plate (eng. flywheel to trans. adapter)	6A370	Plate (steering gear mounting L.H.)	3C710
Plate (eng. front insulator)	6A076	Plate (trans. aux. clutch sliding)	7B338
Plate (eng. front insulator supt. reinforcement)	6B015	Plate (trans. case)	7B332
Plate (eng. oil pan side)	6N728	Plate (trans. clutch)	7B442
Plate (eng. front support insulator spacer)	6-6056	Plate (trans. clutch pressure)	7B066
Plate (eng. oil pump body)	6616	Plate (trans. countershaft gear thrust)	7119, 7128
Plate (eng. stop-warning indicator)	10D856		
Plate (front body ornament mtg.)	16A706	Plate (trans. countershaft & reverse idler shaft)	7155
Plate (front shock absorber bracket lower)	18126-7	Plate (trans. countershaft & reverse idler shaft lock)	7155
Plate (front spring "U" bolt)	5458		
Plate (front tow hook bolt latch)	17C797	Plate (trans. gearshift lever opening trim)	7D358
Plate (fuel injector cyl. tube)	9N979	Plate (trans. intermediate clutch friction)	7B046
Plate (fuel pump valve retainer)	9361	Plate (trans. intermediate clutch reaction)	7B045
Plate (fuel tank cover)	9074	Plate (trans. main control separating)	7A008
Plate (fuel tank selector valve reinforcement)	9197	Plate (trans. oil filter retainer)	7C014
Plate (fuel tube clamp)	9C333	Plate (trans. output shaft retainer)	7155
Plate (heater cover)	18B467	Plate (trans. output shaft second speed synchronizer shifting)	7164
Plate (heater inlet duct retaining)	18A452		
Plate (heater motor mounting)	18581	Plate (trans. shift lever stop)	7B226
Plate (hood aux. catch striker)	16918	Plate (trans. slave valve adapter)	7316
Plate (hood catch)	16874	Plate (trans. splitter high range clutch reaction)	7A450

1980/  
TRUCK SERIES 600/900

INDEX

PART NAME	GROUP NUMBER	PART NAME	GROUP NUMBER
<b>Notes: A Refer to page 1 of Paint Section</b>			
<b>P --- Cont'd</b>		<b>P --- Cont'd</b>	
Plate (trans. valve body separator)	7A008	Plug (rear axle shift housing switch hole)	4A202
Plate (water pump orifice)	8K517	Plug (speedo. cable trans. opening)	7A002
Plate (windshield washer motor mounting)	17B518	Plug (starter motor lever housing)	11A050
Plate assy. (A/C compressor valve)	19D656-7	Plug (starter motor oil)	11A072
Plate assy. (A/C housing cover catch striker)	18C664	Plug (steering gear housing)	3538
Plate assy. (brake front wheel retainer)	2B552	Plug (switch hole blank)	13K732
Plate assy. (eng. rear)	7007	Plug (trans. brake lever stud hole)	7A137
Plate assy. (front brake carrier)	2012-3	Plug (trans. drain)	7A002, 7A010
Plate assy. (heater)	18C557	Plug (trans. gearshift housing interlock hole)	7C211
Plate assy. (heater housing blower & plenum)	18A485	Plug (trans. low & reverse gearshifter fork shaft)	7A107
Plate assy. (heater housing cover catch striker)	18C664	Plug (trans. reverse stop plunger spring)	7245
Plate assy. (hood front ornament medallion retainer)	16C852	Plug (warning indicator lamp opening instrument cluster)	10C979
Plate assy. (instrument cluster)	10A988, 10N905	Plug (warning indicator toggle switch opening)	10C979
Plate assy. (instrument cluster back)	10843	Plunger assy. (fuel shut-off valve solenoid)	9R297
Plate (R/R vwo/s mirror)	17B692	Plug assy. (trailer lamps)	15A408
Plate assy. (parking brake support)	2A636	Plunger (air brake shoe actuator adjusting)	2B004
Plate assy. (radiator grille opening panel reinforcement)	8C011	Plunger (air brake shoe actuator anchor)	2B004
Plate assy. (rear brake carrier)	2211-2	Plunger (carb. choke lever)	9537
Plate assy. (rear spring retainer)	5K758	Plunger (eng. oil pump relief valve)	6674
Plate assy. (running board mounting)	16B582	Plunger (starter motor solenoid)	11393
Plate assy. (trailer brake air hose adapter cover)	2A340	Plunger (trans. gearshift lever)	7247
Plate assy. (trans. clutch)	7B164	Plunger (trans. gearshift rod)	7233
Plate assy. (trans. gearshift lower opening cover)	7C309	Plunger (trans. gearshifter lock)	7233
Plate assy. (wiring shield)	14A215	Plunger (trans. low & reverse gate)	7247
Plate & anti-squeak assy. (frame to sub-frame)	5368-9	Plunger (trans. manual valve detent)	7D069
Plate & bearing assy. (carb. throttle shaft housing)	9B506	Plunger (trans. reverse gear)	7247
Plate & bushing (starter motor brush end)	11049-50	Plunger (trans. reverse shift finger)	7247
Plate & diode assy. (alternator negative)	10377	Plunger (trans. shift bracket)	7247
Plate & diode assy. (alternator positive)	10373	Plunger (trans. shifter shaft gate)	7247
Plate & drive kit (clutch pressure)	7563	Plunger (trans. shifter shaft interlock)	7247
Plate & pin assy. (trans. direct synchronizer)	7A044	Point kit (starter motor contact)	11134
Plate & pin assy. (trans. reduction synchronizer)	7A044	Point set kit (distributor)	12171
Plate & switch assy. (windshield wiper motor)	17B584	Point set (distributor arm & breaker)	12171
Plug (air brake chamber)	2B031	Pointer (eng. timing)	6023
Plug (brake booster body)	2A506	Polishes	A
Plug (carb. fuel level check)	9562	Post (brake adjusting lever)	2A184
Plug (carb. idle needle concealment)	9J500	Post (starter motor contact)	11176
Plug (eng.)	6026	Power divider differential pinion kit	4215
Plug (eng. camshaft rear bearing)	6266	Power steering installation kit	3A635
Plug (eng. oil pan drain)	6730	Power take-off kit	7275
Plug (eng. oil pump relief valve)	6666, 6A616	Printed circuit board (alternator kit)	10B301
Plug (eng. valve rocker arm shaft)	6572	Pulley (alternator)	10344
Plug (front axle spindle pin dust)	3125	Pulley (belt idler)	8679
Plug (front hub vent)	1A131	Pulley (brake air compressor)	2884
Plug (fuel pump rocker arm pin hole)	9A360	Pulley (eng. accessory drive)	6A359
Plug (fuel tank drain ball check)	9077	Pulley (fan)	8610
Plug kit (rear axle pwr. div. input shaft brg. ret.)	4K431	Pulley (P/S pump)	3A733
Plug (P/S cylinder hydraulic control valve body)	3C546	Pulley (water pump)	8509
Plug (P/S drag link hydraulic control valve body)	3C546	Pulley (water pump)	8509
Plug (P/S gear control valve)	3E578	Pulley (water pump)	8509
Plug (P/S gear housing cover)	3E613	Pulley assy. (belt idler)	8678
Plug (rear axle differential carrier cup)	4562	Pulley assy. (eng. crankshaft)	6A301, 6312, 6A359
Plug (rear axle differential carrier filler)	4046	Pulley assy. (eng. crankshaft outer)	6A312
Plug (rear axle heat indicator)	4N025	Pulley & bearing assy. (A/C compressor)	19D653
Plug (rear axle housing magnetic filler)	4N282	Pulley & bracket assy. (fan)	8625
Plug (rear axle housing magnetic drain)		Pump (windshield washer)	17664
		Pump assy. (A/C & heater vacuum)	18D322

## INDEX

PART NAME	GROUP NUMBER	PART NAME	GROUP NUMBER
Notes:     Δ Refer to page 1 of Paint Section			
P — Cont'd		R — Cont'd	
Pump assy. (brake vacuum)	2A451	Reinforcement (battery tray support)	10679
Pump assy. (cab to frame lift)	5A362	Reinforcement (brake reservoir mounting)	2B553
Pump assy. (eng. oil)	6600	Reinforcement (cab mounting frame rear center member outer)	5A381
Pump assy. (exhaust air supply)	9A486		
Pump assy. (fuel)	9350	Reinforcement (cab mounting frame rear side member)	5125
Pump assy. (fuel injection)	9A543	Reinforcement (cab mounting rear-inner)	5K388
Pump assy. (P/S)	3A674	Reinforcement (cab mounting rear-outer)	5K389
Pump assy. (rear axle pwr. div. lube)	4A581	Reinforcement (clutch release equalizer bar)	7B538
Pump assy. (trans. front oil)	7A103	Reinforcement (eng. valve rocker arm cover flange)	6A523
Pump assy. (water)	8501	Reinforcement (frame cross member)	5097-8, 5135-6
Pump kit (cab lift hard parts)	5B392		
Pump kit (P/S seals)	3D684	Reinforcement (frame cross member no. 2)	5050-1
Pump and motor assy. (brake booster)	2A016	Reinforcement (front bumper guard)	17A928
Pump repair kit (cab lift)	5A366	Reinforcement (front fender apron lower)	16060
Pump repair kit (fuel)	9349	Reinforcement (front turn indicator outboard lamp)	13A328
Push rod (rear brake air chamber)	2A478	Reinforcement (fuel tank guard)	9B208
Pyrometer (gauge)	10K892, 10883	Reinforcement (front bumper)	17A792
		Reinforcement (fuel tank strap)	9058
Pyrometer (sender)	10C871	Reinforcement (grille opening panel)	8B433-4
		Reinforcement (headlamp opening)	16364-5
		Reinforcement (hood carb. air duct)	168836
		Reinforcement (hood center)	16995
		Reinforcement (hood front)	16690-1
		Reinforcement (hood front grille opening support)	16B900-1
		Reinforcement (hood hinge)	16A681
		Reinforcement (hood rear)	16676
		Reinforcement (hood rear outer)	16670-1
		Reinforcement (hood side)	16844-5
		Reinforcement (hood side air cleaner extension)	16B910
		Reinforcement (hood side panel upper)	16B914
		Reinforcement (hood side panel upper rear)	16B958
		Reinforcement (hood support rod)	16C732
		Reinforcement (hood top front)	16A864
		Reinforcement (radiator & headlamp guard latch)	8B493
		Reinforcement (radiator grille)	8223, 8A341
	Δ		
	19D659	Reinforcement (rear axle torque arm)	4568
	Δ	Reinforcement (rear spring rear bracket)	5980
	13380,	Reinforcement (running board)	16546
	19F524	Reinforcement (running board apron panel)	16A484-5
	15A448-9	Reinforcement (running board upper)	16A502
	13437	Reinforcement (trailer brake air hose connector mounting bracket)	2940
	19E500		
	Δ	Reinforcement (trans. cross shaft support)	7E442
	19C705-8	Reinforcement (trans. front mount insulator)	7-7760
	19893	Reinforcement (trans. mount insulator front & rear)	7008
	18C306	Reinforcement (trans. rear mount)	7008
	9C968	Reinforcement assy. (air cleaner)	9K656
	18B647	Reinforcement assy. (air cleaner stack)	9P881
	18C306	Reinforcement assy. (brake air supply manifold)	2B475
	10804	Reinforcement assy. (hood latch)	16A642
	10316	Reinforcement assy. (radiator grille opening inner)	8C004
	9F490	Reinforcement assy. (turn signal lamp)	16D104
	7B274	Relay (alternator regulator field)	10A376
	7B274	Relay assy. (alternator warning lamp)	10A968
	18B436	Relay (retarder oil temperature warning)	10800
	19C861	Relay assy. (A/C & htr. temperature)	19D592
	10K676	Relay assy. (A/C motor warning lamp)	19D686

INDEX

PART NAME	GROUP NUMBER	PART NAME	GROUP NUMBER
Notes: A Refer to page 1 of Paint Section			
R — Cont'd		R — Cont'd	
Relay assy. (accessory safety)	14677	Retainer (carb. governor diaphragm link)	9S503
Relay assy. (brake anti-skid)	2C013	Retainer (carb. pump operating lever)	9568
Relay assy. (brake system warning)	2B244	Retainer (carb. pump spring lower)	9-9704
Relay assy. (C.B. radio speaker)	18B821	Retainer (clutch pedal assist spring)	7540
Relay assy. (electric fuel pump)	9345	Retainer (distributor breaker plate)	12146
Relay assy. (horn selector)	13A942	Retainer (distributor cam)	12177
Relay assy. (rear axle shift control)	4A156	Retainer (eng. crankcase vent grommet)	6A892
Relay assy. (inj. pump shut-off)	9P704	Retainer (eng. governor shaft seal)	18218
Relay assy. (stop lamp)	13482	Retainer (eng. governor throttle control shaft seal)	18228
Relay assy. (trailer lighting)	13A435	Retainer (eng. piston pin)	6140
Relay assy. (volt meter instrument cluster)	14512	Retainer (eng. valve spring)	6514
Relay assy. (windshield wiper)	17C499	Retainer (front air brake shoe roller to cam)	2046
Repair kit (trans. small parts)	7B331	Retainer (front axle spindle bushing)	3276
Reservoir (cab lift pump)	5A365	Retainer (front boot protector)	2B211
Reservoir (windshield washer)	17618	Retainer (front wheel hub grease)	1190
Reservoir assy. (brake fluid hydraulic)	2141,	Retainer (front wheel splash shield)	16A592
	2K016	Retainer (grille side panel upper)	8B175
Reservoir assy. (eng. primer)	9A123	Retainer (headlamp bulb-halogen)	13N019
Reservoir assy. (exhaust gas recirculating vacuum)	9E453	Retainer (headlamp opening molding)	
Reservoir assy. (horn-vacuum supply)	13A888	Retainer (heater core)	18B689
Reservoir assy. (P/S pump)	3A697	Retainer (hood assist spring)	16C748
Resistor (ignition coil-1.3 OHMS)	12250	Retainer (hood check cable)	16B920
Resistor assy. (A/C blower motor)	19A706	Retainer (hood insulation)	16776
Resistor assy. (access. feed from ignition switch-circuit 297A-8.5 OHMS)	10A665	Retainer (hood latch support)	16A698
		Retainer (instrument cluster opening cover)	10C984
Resistor assy. (alt. warning lamp shunt-500 OHMS)	10C346	Retainer (instrument control cable grommet)	10B841
Resistor assy. (heater switch to blower motor)	18591	Retainer (instrument panel lamp socket)	13B766
Resistor & bracket assy. (ignition ballast)	12A046	Retainer (intake manifold water thermostat)	8574
Resouator assy. (engine air intake)	9F763	Retainer (jack handle)	17A038
Restrictor (carb. jet)	9A521	Retainer kit (rear axle diff. sliding clutch gear update)	4N301
Restrictor (fuel tank)	9D279		
Retainer (A/C blower filter cover)	8N108	Retainer (lower radiator support insulator)	8B229
Retainer (accelerator shaft boot)	9D747	Retainer (marker lamp)	15A210
Retainer (air brake actuating wedge adjusting screw link)	2B212	Retainer (marker lamp lens)	15B428
Retainer (air brake actuating wedge boot)	2B203	Retainer (parking brake lever boot)	2A714
Retainer (air cleaner to hood)	9634	Retainer (P/S gear control valve "O" ring)	3E577
Retainer (air compressor mounting bolt)	2B887	Retainer (P/S gear sector shaft seal)	3C617
Retainer (alternator front bearing)	10A355	Retainer (P/S pump rotor shaft bearing)	3-3621
Retainer (battery cable)	14613	Retainer (P/S rotor shaft bearing snap ring)	33621
Retainer (battery clamp bolt)	10A708	Retainer (radiator air side seal)	8354
Retainer (brake air chamber adapter)	2B174	Retainer (radiator grille opening side panel mounting)	8A331
Retainer (brake booster push rod seal)	2381	Retainer (rear air brake shoe roller)	2356
Retainer (brake air hose)	2C074	Retainer (rear axle differential sliding clutch gear)	4N301
Retainer (brake booster vacuum control valve body cover)	2415	Retainer (rear axle drive shaft universal joint spider)	4A254
		Retainer (rear axle driving pinion oil seal)	4168
Retainer (brake master cylinder filler cap)	2B245	Retainer (rear axle power divider differential lockout shifter shaft oil seal)	4457
Retainer (brake master cylinder primary piston)	2A505	Retainer (rear axle power divider shaft bearing)	4431
Retainer (brake master cylinder push rod)	2B224	Retainer (rear axle power divider shift cylinder strainer plate)	4555
Retainer (brake vacuum booster control valve piston ring)	2423		
Retainer (cab suspension air spring)	5B413	Retainer (rear axle power divider thru shaft rear bearing)	4477
Retainer (cab tilt spring)	5472	Retainer (rear axle shift control switch)	4747
Retainer (camshaft bracket seal)	2A312	Retainer (rear axle shift wiring)	14671
Retainer (carb. accelerator pump spring)	9599	Retainer (rear axle sun gear)	4337
Retainer (carb. air cleaner to carb.)	9B672	Retainer (rear lamp wire)	13A506
Retainer (carb. choke shaft)	9B527	Retainer (rear suspension rear bracket grease)	5K670
Retainer (carb. fast idle cam rod)	9599	Retainer (rear suspension shackle bolt)	5A879
Retainer (carb. float lever shaft)	9599	Retainer (rear wheel grease)	1175

October, 1993

COPYRIGHT © 1993 - FORD MOTOR - DEARBORN, MICHIGAN  
COMPANY

Final Issue



## INDEX

PART NAME	GROUP NUMBER	PART NAME	GROUP NUMBER
<b>Notes:     Δ Refer to page 1 of Paint Section</b>			
<b>R — Cont'd</b>		<b>R — Cont'd</b>	
Retainer ring kit (A/C compressor)	19D664	Retainer (warning indicator bulb)	10918
Retainer (saddle hanger pin bushing)	5A599	Retainer (windshield washer pump)	17B609
Retainer (speedo. case grommet)	17305	Retainer (windshield wiper motor bushing)	17C436
Retainer (spotlamp control escutcheon)	15A317	Retainer (windshield wiper motor cup)	17C535
Retainer (stop light switch)	13A629	Retainer (windshield wiper motor output gear)	17C474
Retainer (starter motor drive stop ring)	11223	Retainer (wiring harness)	14A163
Retainer (starter motor solenoid plunger spring front)	11183	Retainer assy. (A/C hose cover)	19B589, 19D589
Retainer (starter motor solenoid plunger spring rear)	11A057	Retainer assy. (alternator)	10A355
Retainer (steering column opening seal)	3D638	Retainer assy. (cab tilting spring)	5A369
Retainer (steering column lower bearing seal)	3510	Retainer assy. (cowl wiring grommet thru dash)	14608
Retainer (steering column clamp)	3D672	Retainer assy. (eng. accessory driveshaft)	6A299
Retainer (steering column shaft universal joint seal)	3C672	Retainer assy. (front axle driving pinion)	4614
Retainer (steering column shaft & joint seal)	3C617	Retainer assy. (fuel pump)	9074
Retainer (steering column shaft & joint screw strap)	3E714	Retainer assy. (fuel tank sending unit)	9A307
Retainer (steering column tube)	3499	Retainer assy. (hood support rod)	16B940-1
Retainer (steering column upper yoke bearing)	3F591	Retainer assy. (rear axle drive pinion bearing)	4414
Retainer (steering gear mounting bolt)	3E714	Retainer assy. (rear axle driving pinion)	4614
Retainer (stoplamp switch)	13A629	Retainer assy. (rear axle power divider input shaft bearing)	4431
Retainer (trans. air cylinder boot)	7262	Retainer assy. (steering column lower bearing)	3D681
Retainer (trans. aux. drive gear)	7135	Retainer assy. (trans. output shaft bearing)	7085
Retainer (trans. aux. intermediate sliding clutch gear)	7E082	Retainer & bearing cup assy. (rear axle drive pinion)	4614
Retainer (trans. countershaft bearing)	7135	Retainer & seal assy. (rear axle driving pinion bearing)	4674
Retainer (trans. countershaft front bearing)	7135	Retainer kit (rear axle pinion shaft pilot bearing)	4A105
Retainer (trans. countershaft & reverse idler shaft)	7155	Retainer washer kit (rear air brake adjuster)	2130
Retainer (trans. direct drive clutch piston spring)	7A527	Retainer & wiper kit (front hub grease)	1190
Retainer (trans. front bearing)	7050, 7109	Rheostat assy. (inst. cluster illumination)	13K752
Retainer (trans. gate plunger)	7032	Ring (A/C motor mounting)	18A581
Retainer (trans. gearshift interlock support)	7B293	Ring (A/C register deflector ring)	19C989
Retainer (trans. gearshift lever to housing boot)	7262	Ring (alternator rotor slip)	10328
Retainer (trans. governor primary valve spring)	7A190	Ring (alternator sealing)	10121
Retainer (trans. governor secondary valve spring)	7D218	Ring (brake booster control valve body snap)	2415
Retainer (trans. input shaft bearing)	7050	Ring (brake booster snap)	2459
Retainer (trans. intermediate servo band lever)	7E206	Ring (eng. oil pump intermediate shaft retaining)	6629
Retainer (trans. low or overdrive & reverse gate plunger)	7032	Ring (fuel tank sender retainer locking)	9A307
Retainer (trans. mainshaft coupling)	7135	Ring (front axle shaft drive flange)	4627
Retainer (trans. mainshaft rear bearing)	7109, 7195	Ring (front axle sprindle pin plug)	3118
Retainer (trans. output shaft rear bearing)	7085, 7195	Ring (headlamp bulb retaining)	13015
Retainer (trans. reverse clutch piston ball check)	7E080	Ring (headmap pivot retainer)	13N056
Retainer (trans. reverse clutch spring)	7D406	Ring (horn blowing cam)	13A811
Retainer (trans. shift rod poppet spring screw)	7245	Ring (muffler inlet pipe flange)	5C211
Retainer (trans. reverse idler bearing)	7155	Ring (P/S gear cyl. piston)	3B541
Retainer (trans. reverse idler gear)	7155	Ring (P/S gear worm shaft retaining)	3D771
Retainer (trans. reverse plunger retaining spring)	7032	Ring (rear axle differential lock)	4588
Retainer (trans. reverse idler shaft)	7155	Ring (rear axle driving pinion pilot bearing)	4627
Retainer (trans. shift rod poppet spring screw)	7245	Ring (rear axle snap)	4567
Retainer (transfer case idler and rear output shaft)	7085	Ring (starter motor drive stop)	11222
Retainer (transfer case idler shaft bearing)	7085	Ring (steering column bearing tolerance)	3L539
Retainer (transfer case input shaft bearing)	7050	Ring (trans. aux. output shaft)	7173
Retainer (transfer case output shaft)	7085	Ring (trans. forward clutch piston spring pressure)	7D256
Retainer kit (power divider input shaft bearing)	4431	Ring (trans. governor housing seal)	7D011
		Ring (trans. mainshaft bearing centering)	7482
		Ring (trans. mainshaft rear bearing)	7A074
		Ring (trans. output shaft second speed gear split retaining)	7109
		Ring (trans. output shaft second speed gear synchronizer blocking)	7175

1980/  
TRUCK SERIES 600/900

INDEX

PART NAME	GROUP NUMBER	PART NAME	GROUP NUMBER
Notes:     Δ Refer to page 1 of Paint Section			
R — Cont'd		R — Cont'd	
Ring (trans. synchronizer blocking)	7107	Rod (trans. gearshift)	7241, 7358
Ring (trans. synchronizer stop)	7174	Rod (trans. kickdown control shaft to trans.)	7A187
Ring (wheel rim lock)	1021	Rod (trans. remote control shift)	7241
Ring assy. (cigar lighter illumination)	15K040	Rod (trans. retarder valve control pedal)	7B136
Ring assy. (headlamp adjusting)	13118-9	Rod (trans. shift)	7A066
Ring distance (speedometer)	17K255	Rod (trans. shift control rear)	7B106
Ring & pins (trans. second & third speed synchronizer)	7174	Rod (trans. throttle control valve)	7A380
Ring gear & pinion kit (front axle)	4209	Rod (trans. underdrive shift)	7240
Ring gear & pinion kit (rear axle)	4209, 4309	Rod (underdrive gearshift control slide)	7969
Ring set (eng. piston partial)	6148	Rod assy. (accelerator bellcrank to fuel pump lever)	9A805
Rivet (distributor terminal housing hold down clamp)	12145	Rod assy. (accelerator pedal lever to accelerator shaft)	9A710
Rivet (rear axle differential drive gear)	4558	Rod assy. (accelerator shaft connector)	9A844
Rod (accelerator pedal to lower shaft lever)	9A886	Rod assy. (accelerator shaft to carburetor)	9747
Rod (accelerator shaft to carb.)	9746	Rod assy. (accelerator shaft to carburetor)	9A722
Rod (accelerator shaft to trans. control shaft)	9784	Rod assy. (accelerator shaft to fuel pump)	9B885
Rod (air comp. adjusting arm)	10C344	Rod assy. (accelerator shaft upper lever to carb.)	9B709
Rod (alt. adjusting arm)	10C344	Rod assy. (accelerator to bellcrank)	9A702
Rod (aux. trans. direct & overdrive gearshift control slide)	7959	Rod assy. (bellcrank to carb.)	9772
Rod (aux. trans. gearshift control connecting)	7A313-5	Rod assy. (bellcrank to fuel pump lever)	9772
Rod (aux. trans. underdrive gearshift control slide)	7969	Rod assy. (brake air chamber piston)	2A465
Rod (belt idler adjustment)	10C344	Rod assy. (cab lift cylinder)	5A394
Rod (brake)	2462	Rod assy. (clutch vertical control)	7B560
Rod (brake cyl. to brake shoe push)	2129	Rod assy. (eng. connecting)	6200
Rod (brake master cylinder push)	2143	Rod assy. (eng. drive belt idler pulley adj)	6W310
Rod (brake pedal to bellcrank)	2A525	Rod assy. (fender sight)	16B184
Rod (cab suspension position valve)	5C070	Rod assy. (front wheel spindle connecting)	3280
Rod (carb. accelerator pump link to overtravel lever)	9B542	Rod assy. (governor to carb.)	9818
Rod (carb. choke control)	9A599	Rod assy. (hood sight)	16B184
Rod (carb. metering)	9A526	Rod assy. (parking brake control)	2824
Rod (carb. secondary throttle control)	9C504	Rod assy. (parking brake lever to rear cross shaft lever)	2853
Rod (clutch master cyl. push)	7A541	Rod assy. (rear brake air chamber piston)	2A465
Rod (clutch pedal to bellcrank)	7521	Rod assy. (rear view outside mirror pivot)	17C736
Rod (clutch pedal to equalizer)	7A580	Rod assy. (trans. control shaft to governor)	7E356
Rod (clutch pedal to idler lever)	7521	Rod assy. (trans. control shaft to trans.)	7A186
Rod (clutch release lever)	7521	Rod assy. (trans. gearshift cross)	7K046
Rod (clutch slave cyl. push)	7A507	Rod assy. (trans. shift control front)	7B140
Rod (eng. mounted accelerator shaft & bracket to trans.)	7A187	Roller (parking brake cam)	2A648
Rod (eng. valve push)	6565	Roller (rear air brake shoe anchor pin)	2359
Rod (frame No. 2 cross member tie)	5B112	Roller (rebound)	5K834
Rod (hood support)	16826	Roller (trans. converter stator clutch)	7190
Rod (ignition switch actuator)	11A599	Roller (trans. countershaft gear pilot bearing)	7193
Rod (parking brake lever to bellcrank)	2A656	Roller (trans. input shaft bearing)	7120
Rod (parking brake lever to cam universal)	2826	Roller (trans. input shaft pilot bearing)	7118
Rod (parking brake rod replacement chart)	2853	Roller (trans. output shaft bearing)	7120
Rod (pedal to accelerator)	9738	Roller (trans. reverse idler gear bearing)	7120, 7145, 7B369
Rod (P/S cyl. piston)	3B542	Roller assy. (air brake actuating wedge brake)	2B207
Rod (P/S gear control valve)	3E589	Rotor assy. (alternator)	10335
Rod (rear axle air shift push)	4A190	Rotor assy. (distributor)	12200
Rod (rear axle differential lockout shift push)	4565	Rotor & shaft assy. (eng. oil pump drive)	6608
Rod (trans. aux. shift yoke)	7241	Rubber lubricants	Δ
Rod (trans. direct and overdrive shift)	7241	Rubbing compounds	Δ
Rod (trans. gear selector)	7326	Rust penetrant and inhibitor	Δ

## INDEX

PART NAME	GROUP NUMBER	PART NAME	GROUP NUMBER
Notes: A Refer to page 1 of Paint Section			
S		S — Cont'd	
Saddle (fuel injector-cyl. tube plate)	9N981	Screw (starter motor brush holder)	11A046
Saddle (rear suspension support beam)	5874	Screw (starter motor cover band)	11A055
Safety valve (air brake reservoir)	18773	Screw (starter motor housing)	11A058
Scoop (engine air cleaner inlet)	9B926	Screw (starter motor pole piece)	11415
Scoop (rear axle power divider differential oil)	4572	Screw (starter motor solenoid terminal)	11A034
Scoop assy. (engine air cleaner)	9B933	Screw (starter motor solenoid terminal battery)	11A033
Scraper (rear cross shaft)	7052	Screw (starter motor solenoid terminal motor)	11A032
Screen (A/C compressor oil suction)	19D652	Screw (steering gear sector shaft adjusting)	3577
Screen (carb. air vent)	9G574	Screw (trans. gear shifter gate)	7245
Screen (carb. fuel filter)	9F525,	Screw (trans. low & reverse gear shifter shaft lock)	7214
	9938	Screw (trans. shift fork set)	7B360
Screen assy. (engine air cleaner)	9B683	Screw (trans. reverse band adjusting)	7A178
Screen & sealer (fuel tank cover)	9N005	Screw assy. (headlamp adjustment)	13K040
Screen & sealer (fuel tank sender)	9N005	Screw & nut assy. (rear brake air chamber breather)	2A481
Screen (engine air cleaner air intake)	9B636	Screw & sleeve assy. (brake shoe adjusting lever)	2A181-2
Screen (radio speaker)	18836	Screw-spring return (adjustable steering column bracket)	3D693
Screen (trans. main control pump inlet)	7E387	Screw & washer (carb. air horn)	9F529
Screen (voltage regulator cover)	10A600	Screw assy. (brake adjustment)	2046
Screen assy. (engine air cleaner duct)	9B636	Seal (accelerator shaft)	9E826
Screen assy. (trans. oil pan)	7A098	Seal (A/C evaporator case cover)	19B738
Screen, tube & cover assy. (eng. oil pump)	6622	Seal (A/C & heater evaporator case damper)	19C797
Screw (A/C compressor charging oil drain plug)	19D658	Seal (A/C evaporator core)	19A590
Screw (A/C blower filter cover)	8N122	Seal (A/C evaporator core to case)	19D578
Screw (brake adjusting)	2041	Seal (A/C evaporator core tube to case)	19B552
Screw (brake air chamber pressure plate)	2C475	Seal (A/C evaporator louver upper)	19686
Screw (brake anchor pin)	4399	Seal (A/C & heater blower motor cover)	19D643
Screw (brake chamber pressure plate)	2C475	Seal (A/C & htr. outlet to panel)	18K412
Screw (brake cylinder bleeder)	2208	Seal (A/C & htr. from htr. chamber to A/C chamber)	18K324
Screw (brake self-tapping)	2A133	Seal (A/C & htr. duct adapter)	18K300
Screw (carb. air cleaner retainer to carb.)	9C631	Seal (A/C & htr. air damper door)	18K576
Screw (carb. fast idle adjusting)	9B538	Seal (A/C & htr. air duct to inlet)	18662
Screw (carb. pump discharge nozzle)	9577	Seal (air brake camshaft bracket)	2330
Screw (carb. throttle body)	9F259	Seal (air cleaner to hood)	9B624
Screw (carb. throttle plate)	9586	Seal (alternator)	10B380
Screw (distributor bracket lock)	12230	Seal (alternator bearing)	10K310
Screw (front brake adjusting)	2041,	Seal (booster "O" ring)	7A294
	2046	Seal (brake air hose)	2C076
Screw (headlamp adjusting)	13032	Seal (brake air supply manifold)	2B409
Screw (P/S gear actuator adjusting)	3E591	Seal (brake booster check valve)	2B073
Screw (P/S gear control valve adapter)	3E610	Seal (brake booster push rod)	2384
Screw (P/S gear housing cover)	3E616	Seal (brake booster rod)	2373
Screw (P/S gear sector shaft seal)	3E617	Seal (brake booster valve piston)	2399
Screw (P/S gear valve housing retaining)	3E572	Seal (brake booster vacuum poppet)	2308
Screw (rear axle anchor pin)	4399	Seal (brake control valve)	2B456
Screw (rear axle differential oil trough)	4A133	Seal (camshaft bracket)	2A311,
Screw (rear axle driving gear thrust block adjusting)	4189		2330
Screw (rear axle housing tube)	4A029	Seal (carb. choke rod)	9B501
Screw (rear axle oil filter element)	4A133	Seal (carb. fast idle rod)	9B501
Screw (rear axle shift base housing to motor housing)	4N332	Seal (carb. governor body to throttle body)	9948
Screw (rear axle shift drive)	4086	Seal (carb. governor diaphragm cover wire)	9989
Screw (rear axle shift motor housing cover)	4N332	Seal (carb. idle adjusting needle)	9634
Screw (rear axle shift motor to motor housing)	4A196	Seal (engine air cleaner scoop radiator grille)	9B927
Screw (rear axle shift push rod collar)	4393	Seal (eng. crankshaft rear main bearing cap)	6336
Screw (rear axle shifter fork adjusting)	4332	Seal (eng. cylinder front cover oil)	6700
Screw (rear axle thrust adjusting)	4189	Seal (eng. flywheel housing cover plate)	6411
Screw (rear brake adjusting)	2041	Seal (eng. governor shaft)	18217
Screw (rear lamp-attaching)	13N416	Seal (eng. governor throttle control shaft)	18215
Screw (spotlamp mounting)	15A315	Seal (eng. oil filter cover)	6838

1980/  
TRUCK SERIES 600/900

INDEX

PART NAME	GROUP NUMBER	PART NAME	GROUP NUMBER
Notes: Δ Refer to page 1 of Paint Section			
S — Cont'd		S — Cont'd	
Seal (eng. valve spring)	6A536	Seal (steering gear sector shaft oil)	3738
Seal (eng. valve stem)	6571	Seal (torpedo marker lamp)	15B417
Seal (fan oil)	8K606	Seal (trans. aux. rear bearing cover oil)	7918
Seal (front axle shaft oil)	3254	Seal (trans. aux. shift piston "O" ring)	7288
Seal (front axle spindle pin)	3171	Seal (trans. clutch piston)	7C099
Seal (front axle spindle pin dust)	3125	Seal (trans. clutch piston oil)	7C099
Seal (front axle steering arm ball stud dust)	3332	Seal (trans. direct drive clutch piston)	7A548
Seal (front fender)	16308-9	Seal (trans. forward clutch)	7D019
Seal (front fender apron to dash)	16B126	Seal (trans. front and center support)	7D019
Seal (front fender to cowl)	16126	Seal (trans. forward clutch and turbine shaft)	7D019
Seal (front fender to front body pillar)	16246	Seal (trans. forward clutch cylinder)	7D019
Seal (front susp. or steering ball stud dust)	3332	Seal (trans. forward clutch piston oil)	7A548
Seal (front wheel spindle connecting rod end dust)	3332	Seal (trans. gearshift rod)	7288
Seal (fuel filter center bolt)	9150	Seal (trans. input shaft bearing retainer oil)	7052
Seal (fuel tank sender)	9E275	Seal (trans. input shaft front)	7A283
Seal (fuel tank to support)	9N059	Seal (trans. input shaft oil)	7048, 7B215
Seal (heater blower door)	18B253	Seal (trans. intermediate band servo piston)	7D024-5
Seal (heater core to A/C blower housing)	18A372	Seal (trans. main drive gear oil)	7048
Seal (heater to dash panel)	18529	Seal (trans. main shaft oil)	7052
Seal (hood stabilizer bracket)	16C702	Seal (trans. manual control lever oil)	7B498
Seal (instrument lamp body)	13A771	Seal (trans. output shaft bearing cap)	7052
Seal (intake manifold to cyl. block)	9A424-5	Seal (trans. output shaft bearing retainer oil)	4813, 7A783
Seal (P/S control valve adapter)	3E614	Seal (trans. output shaft oil)	7A011
Seal (P/S cylinder control valve)	3C515	Seal (trans. range clutch)	7C099
Seal (P/S gear housing cover)	3D774	Seal (trans. rear oil)	7A283
Seal (P/S gear housing upper cover)	3E562	Seal (trans. rear shift pipe adapter)	7B270
Seal (P/S gear worm)	3D519	Seal (trans. reverse clutch piston)	7D403-4
Seal (P/S pump rotor shaft oil)	3B592	Seal (trans. reverse gear shifter arm pivot rubber)	7288
Seal (radiator air deflector)	8348-9	Seal (trans. shift rod)	7288
Seal (radiator air side deflector inner)	8-8257	Seal (trans. shift shaft)	7288
Seal (radiator shutter)	8A089	Seal (trans. throttle control outer lever)	7-7265
Seal (rear axle drive pinion shaft oil slinger)	4A670	Seal (transfer case brake drum hub oil)	7B215
Seal (rear axle driving pinion oil)	4676	Seal (transfer case input shaft oil)	7B215
Seal (rear axle idler gear shaft oil)	4593	Seal (transfer case output shaft oil)	7B215
Seal (rear axle power divider differential lockout shifter shaft oil)	4456	Seal (universal joint grease)	4706
Seal (rear axle power divider main driveshaft front bearing)	4573	Seal (voltage regulator cover)	10A597
Seal (rear axle power divider output shaft oil)	4476	Seal (water pump)	8564
Seal (rear axle shift fork)	4072, 4344	Seal (water thermostat)	8590
Seal (rear axle shift housing cover)	4334	Seal (windshield washer nozzle)	17634
Seal (rear brake air chamber)	2B028	Seal (windshield wiper motor access cover)	17B465
Seal (rear spring seat oil)	5A558	Seal (windshield wiper motor driveshaft)	17B500
Seal (solenoid plunger fuel shut-off valve)	9R298	Seal (windshield wiper pivot shaft)	17A475
Seal (starter motor lever housing oil)	11A054	Seal (wire terminal weather)	12113
Seal (starter motor rear end housing)	11K013	Seal assy. (A/C compressor crankcase)	19655
Seal (starter motor solenoid terminal)	11A035	Seal assy. (air brake shoe actuator)	2B009
Seal (steering column shaft)	3B631	Seal assy. (brake shoe actuator boot adjusting piston)	2B009
Seal (steering column weather)	3513	Seal assy. (brake shoe actuator boot anchor piston)	2B009
Seal (steering gear sector shaft dust)	3586, 3738	Seal assy. (brake spider camshaft)	2B038
Seal (steering gear sector shaft housing)	3591	Seal assy. (brake vacuum booster control valve)	2A588
		Seal assy. (radiator air deflector upper)	8A337
		Seal assy. (radiator to splash shield)	8A310

## INDEX

PART NAME	GROUP NUMBER	PART NAME	GROUP NUMBER
Notes:     ▲ Refer to page 1 of Paint Section			
S — Cont'd		S — Cont'd	
Seal Assy. (radiator upper to support)	8A398	Shaft (headlamp switch knob)	11663
Seal Assy. (rear axle input shaft)	4676	Shaft (P/S pump rotor)	3B559
Seal Assy. (rear axle output shaft)	4676	Shaft (radiator & headlamp guard latch)	8B491
Seal Assy. (rear suspension support beam)	5878	Shaft (rear axle differential idler gear)	4581
Seal Assy. (trans. control selector cable)	7E441	Shaft (rear axle differential shift fork)	4149
Seal & gasket kit (P/S reservoir to pump)	3D684	Shaft (rear axle pinion differential)	4211
Seal kit (A/C compressor shaft)	19D665	Shaft (rear axle power divider differential pinion)	4411
Seal kit (eng. crankshaft rear main bearing)	6A321	Shaft (rear axle power divider input)	4446
Seal kit (front spindle oil)	1190	Shaft (rear axle power divider output)	4471
Seal kit (P/S gear)	3E500-2	Shaft (rear axle power divider thru shaft)	4579
Seal kit (rear axle drive pinion)	4676	Shaft (rear cross)	7B009
Seal & trunnion Assy. (steering gear sector shaft adapter)	3738	Shaft (rear suspension support beam to axle housing)	5882
Sealers	▲	Shaft (steering column upper)	3A527
Seat (air brake shoe to cam)	2023	Shaft (steering column lower)	3C663
Seat (carb. secondary adjustment control valve)	9540	Shaft (steering gear sector)	3575
Seat (eng. valve rocker arm fulcrum)	6A528	Shaft (steering idler arm pivot)	3354
Seat (front air brake shoe to cam)	2023	Shaft (trans. air valve actuating)	7B104
Seat (P/S gear piston poppet valve)	3E623	Shaft (trans. aux. drive gear)	7358
Seat (rear spring)	5793	Shaft (trans. aux. range shifter)	7358
Seat (tot guard child safety)	19E535	Shaft (trans. first and second)	7358
Seat (trans. gearshift lever spring)	7228	Shaft (trans. first & second gear shifter)	7240
Seat Assy. (brake booster outlet tube)	2B351	Shaft (trans. fourth and direct)	7358
Seat Assy. (water pump pulley)	8517	Shaft (trans. fourth & direct gear shifter)	7334
Selecto torque converter kit (rear axle)	4A393	Shaft (trans. gear shifter)	7240-2
Sender (exhaust temperature)	10C871		7334
Sender (oil temp. indicator)	10B862	Shaft (trans. gearshift cross front)	7B105
Sender (water temp. indicator eng. unit)	10884	Shaft (trans. gearshift lever)	7240
Sensor and retainer Assy. (tachometer)	17B384	Shaft (trans. input)	7015,
Sensor Assy. (brake skid control)	2B372		7017
Sensor Assy. (fuel water detector)	9J308	Shaft (trans. intermediate band actuating lever)	7D433
Sensor Assy. (low coolant level warning)	10D968	Shaft (trans. low & reverse gear shifter fork)	7358
Sensor Assy. (speed control)	9E731	Shaft (trans. outer shift front)	7358
Sensor gage block kit (brake skid control)	2C062	Shaft (trans. output)	7060-1
Sensor retainer kit (brake skid control)	2C061	Shaft (trans. rear cross)	7B009
Sensor (water in fuel)	9K274	Shaft (trans. retarder control pedal rod to valve lever)	7-7904
Separator (ignition wire)	12297	Shaft (trans. reverse gear shifter)	7242
Separator Assy. (fuel/water)	9J288	Shaft (trans. reverse idler gear)	7140,
Separator Assy. (air cleaner moisture)	9B994		7142
Separator Assy. (fuel vacuum)	9C369	Shaft (trans. second and third)	7334,
Servo Assy. (air conditioner)	19D669		7358
Servo Assy. (speed control)	9C735	Shaft (trans. slave unit actuating)	7247
Shackle (front spring)	5B311	Shaft (trans. third & high or fourth gear shifter)	7241
Shackle kit (rear spring)	5630	Shaft (windshield defroster door control)	18A292
Shackle kit (front spring)	5304	Shaft (windshield defroster door pivot)	18C278
Shaft (accelerator pedal)	9B768	Shaft (transfer case idler)	7140
Shaft (adjustable steering column bracket)	3A624	Shaft (transfer case input)	7017
Shaft (air compressor belt idler pulley)	2876	Shaft (transfer case output)	7061
Shaft (alternator rotor)	10330	Shaft Assy. (A/C & heater plenum & def. nozzle)	18C638
Shaft (brake & clutch pedal)	7506	Shield (clutch slave cylinder heat)	7B629
Shaft (carb. float lever)	9558	Shaft Assy. (A/C damper door)	19C774
Shaft (clutch forward relay lever)	7510	Shaft Assy. (accelerator to bellcrank)	9D716
Shaft (clutch release)	7510,	Shaft Assy. (coupling)	4816-7
	7590	Shaft Assy. (coupling trans. to aux. trans.)	4606
Shaft (distributor)	12175	Shaft Assy. (drive)	4602-6,
Shaft (distributor eng. governor)	12459		4A603
Shaft (eng. valve rocker arm)	6563	Shaft Assy. (eng. accessory drive)	6A283
Shaft (front axle pinion differential)	4211	Shaft Assy. (eng. governor)	18205

**1980/  
TRUCK SERIES 600/900**

**INDEX**

PART NAME	GROUP NUMBER	PART NAME	GROUP NUMBER
<b>Notes:     Δ Refer to page 1 of Paint Section</b>			
<b>S — Cont'd</b>		<b>S — Cont'd</b>	
Shaft assy. (eng. oil pump intermediate)	6A618	Shield (fuel tube)	9C291
Shaft assy. (fan clutch)	8B649	Shield (fuel vapor valve)	9B106
Shaft assy. (inter axle drive)	4964	Shield (generator heat)	10A346
Shaft assy. (rear axle)	4234, 4235	Shield (horn splash)	13A819
		Shield (ign. wire heat)	12A215
Shaft assy. (steering column)	3A526	Shield (muffler inlet pipe)	5290
Shaft assy. (trans. retarder pedal rod)	7D445	Shield (parking brake drum)	2A703-4
Shaft assy. (windshield wiper guide pivot)	17B455	Shield (P/S drag link dust)	3337
Shaft & bearing assy. (water pump)	8530	Shield (rear axle power divider oil filter)	4A421
Shaft & bracket assy. (eng. mounted accelerator)	7A185	Shield (rear wheel and cab splash)	16N348
Shaft & bracket assy. (fan clutch)	8B644	Shield (radiator splash)	8A308-9
Shaft & brkt. assy. (throttle control)	9B743	Shield (radio frequency suppression)	19A145
Shaft & bushing (rear axle power divider output)	4553	Shield (splash rear wheel mounting kit)	16C568
Shaft & control assy. (P/S gear input)	3D517	Shield (starter motor heat)	11006
Shaft & housing assy. (accelerator)	9A888	Shield (stone)	9A072
Shaft & joint assy. (axle)	3219-20	Shield (trans. oil cooler)	7C164
Shaft & lever assy. (carb. choke)	9546	Shield (universal joint dust)	4708
Shaft & worm assy. (steering gear)	3524	Shield (wiring)	14A099
Shaft kit (eng. governor)	12459	Shield assy. (battery cable)	10677
Shaft kit (power divider input)	4446	Shield assy. (clutch release lever dust)	7513
Shaft kit (power divider output)	4471	Shield assy. (eng. splash rear)	16E556
Shaft kit (rear axle shift fork)	4149	Shield assy. (front shock absorber heat)	18A131
Shaft & gear assy. (power divider idler pump)	4581	Shield assy. (front wheel splash)	16A266-7
Shaft (power divider idler pump gear)	4581	Shield assy. (front wheel splash rear)	16A324-25
Shell (trans. input)	7D064	Shield assy. (speedometer cable)	17B365
Shell (wiring connector)	14A309	Shield assy. (warning indicator lamp lighting)	13B757
Shield (A/C evaporator expansion valve)	19D595	Shield assy. (wiring)	14A177
Shield (air cleaner dirt ejection valve heat)	9E610	Shield assy. (radiator grille heat)	8C122-3
Shield (air cleaner duct)	9D619	Shift assy. (rear axle)	4062
Shield (alternator heat)	10A346	Shift assy. (rear axle air shift control)	4589
Shield (alternator splash)	10317	Shift assy. (rear axle power divider lockout)	4062
Shield (battery)	10757	Shift assy. (two-speed rear axle)	4062
Shield (brake air compressor governor heat)	2A878	Shift assy. kit (rear axle two speed electric)	4062
Shield (brake booster)	2B485	Shift fork & push rod assy. (air)	4450
Shield (brake dust)	2214	Shift fork kit (rear axle)	4045
Shield (brake tube)	2B085	Shift rail (trans. front declutch)	7240
Shield (cab lock mechanism)	5B119	Shift rail (transfer case hi-lo speed)	7240
Shield (cab suspension air spring heat)	5B414	Shift repair kit (rear axle two speed)	4A098
Shield (cab suspension tilt cylinder heat)	5B415	Shift rod (trans. remote control)	7241
Shield (clutch equalizer heat)	7B606	Shim (front axle spindle pin)	3117
Shield (dist. frequency suppressor)	12A210	Shim (front fender mounting)	16D162
Shield (eng. turbo charger valve cover heat)	6N654	Shim (front suspension)	3043
Shield (eng. primer tank)	9A163	Shim (hood hinge)	16B792
Shield (eng. primer reservoir valve)	9A163	Shim (hood stabilizer)	16583
Shield (eng. noise insulator)	6774,6775-6	Shim (radiator & headlamp guard)	8B480
Shield (eng. splash rear side)	16594	Shim (rear axle drive pinion bearing retainer)	4436, 4536
Shield (front fender apron splash)	16102-3		
Shield (exhaust manifold splash)	9A462, 9A456	Shim (rear axle driving pinion bearing sleeve)	4662
		Shim (rear axle power divider input shaft bearing retainer)	4436
Shield (front fender opening splash front)	16F570-1	Shim (rear axle gearshaft bearing cage)	4536
Shield (front fender opening splash rear)	16G554-5	Shim (trans. countershaft bearing retainer)	7944
Shield (front fender splash rear)	16B568-9	Shim (trans. countershaft rear bearing cap)	7944
Shield (front wheel splash inner)	16A590	Shim (trans. output shaft fourth speed gear)	7160
Shield (front wheel splash outer)	16A588	Shim (trans. synchronizer to output shaft & third speed idler gear)	7160
Shield (fuel tank)	9A032		
Shield (fuel tank cover plate)	9A037 9240	Shim (transfer case bearing cap)	7026
		Shim (transfer case front bearing)	7029

## INDEX

PART NAME	GROUP NUMBER	PART NAME	GROUP NUMBER
<b>Notes:     ▲ Refer to page 1 of Paint Section</b>			
<b>S — Cont'd</b>		<b>S — Cont'd</b>	
Shim (transfer case input shaft)	7029	Sleeve (trans. output shaft first speed gear)	7B342
Shim (transfer case output shaft rear bearing cap)	7029	Sleeve (trans. output shaft fourth speed gear)	7105, 7B219
Shim (transfer case rear output bearing)	7026, 7029	Sleeve (trans. output shaft second speed gear)	7A075
Shim kit (trans. countershaft rear bearing cap)	7944	Sleeve (trans. output shaft third speed gear)	7105, 7B176
Shock absorber kit (front)	18124		
Shock absorber kit (rear)	18125	Sleeve (trans. reverse idler oil)	7C232
Shoe (trans. reverse gear shifter arm)	7235	Sleeve (trans. synchronizer sliding)	7187
Shoe (trans. reverse gear shifting)	7409	Sleeve (trans. underdrive gear)	7A063
Shoe (trans. shift fork)	7B403	Sleeve (wiring connector)	14489
Shoe & lining assy. (front brake)	2018-9	Sleeve assy. (accelerator trunnion to bellcrank)	9D719
Shoe & lining assy. (rear brake)	2218-9	Sleeve assy. (speedo. gear)	17297
Shroud (carb. air cleaner air duct)	9A603	Sleeve & bushing assy. (clutch pressure plate release)	7580
Shroud (exhaust air supply pump)	9F436	Slide (spring alignment)	5892
Shroud (fan)	8146	Sliding clutch kit (rear axle)	4A195
Shroud (steering column)	3530	Slinger (brake front hub oil)	2241
Shutter assy. (A/C evaporator case)	19D582	Slinger (driveshaft stud yoke)	4791
Shutter assy. (radiator)	8475	Slinger (eng. crankshaft oil)	6310
Sidemember (frame)	5015	Slinger (rear axle drive pinion shaft oil)	4670
Signal & wire assy. (trans. retarder oil temperature warning)	7A070	Slinger (rear hub oil)	1165
Silencer (exhaust air supply reed valve)	9G427	Slinger (trans. countershaft oil)	7C016
Silencer & bracket assy. (exhaust air supply pump)	9H467	Slip yoke (rear axle universal joint)	4841
Slave shift cylinder kit	7A508	Snap ring (front axle spindle bolt plug retainer)	3118
Sleeve (accelerator pedal to lower shaft lever rod)	7353	Snap ring (power divider idler pump shaft)	4593
Sleeve (brake actuating spring anchor)	2A183	Snap ring (power steering cylinder)	3L656
Sleeve (brake adjusting lever)	2175	Snap ring (rear brake air chamber cylinder)	2A489
Sleeve (clutch adjusting)	7B590	Snap ring (rear cross shaft)	7064
Sleeve (distributor shaft plate)	12A075	Snap ring (steering gear sector shaft adjusting screw)	3549
Sleeve (eng. cyl. block)	6055	Snap ring (steering gear sector shaft bearing retainer)	3549
Sleeve (eng. governor shaft thrust)	18212	Snap ring (trans. aux. countershaft)	7064, 7178
Sleeve (eng. valve spring retainer)	6517		
Sleeve (fuel tank strap adjustable)	9B014	Snap ring (trans. aux. countershaft bearing)	7064, 7162
Sleeve (fuel vapor storage canister purge inlet)	9E629		
Sleeve (oil pump tube)	9R290	Snap ring (trans. aux. drive gear)	7064
Sleeve (fuel injection pump fitting)	9N951	Snap ring (trans. aux. first and second speed gear)	7C212
Sleeve (parking brake cable)	2A776	Snap ring (trans. aux. intermediate sliding clutch)	7162
Sleeve (P/S cyl. hydraulic control valve)	3A278	Snap ring (trans. aux. output shaft third and fourth speed gear)	7A074, 7C212
Sleeve (P/S drag link outer)	3-3311		
Sleeve (rear axle housing vent extension)	4K022	Snap ring (trans. aux. reduction gear)	7A628
Sleeve (rear axle shift control tube)	4A926	Snap ring (trans. aux. shift cylinder)	7030
Sleeve (rear suspension support beam)	5A553	Snap ring (trans. center support)	7968
Sleeve (starter motor coil retaining)	11105	Snap ring (trans. clutch)	7951
Sleeve (steering column tube bearing)	3518	Snap ring (trans. converter stator clutch retainer)	7945
Sleeve (steering column tube to bracket)	3693	Snap ring (trans. countershaft bearing)	7030, 7160
Sleeve (trans. adapter plate alignment)	7311		
Sleeve (trans. control cable end adjustment)	7353	Snap ring (trans. countershaft cluster gear & shaft rear bearing to shaft)	7178
Sleeve (trans. direct & overdrive)	7933		
Sleeve (trans. fourth & fifth speed synchronizer gear sliding)	7187	Snap ring (trans. countershaft cluster gear shaft rear bearing)	7070
Sleeve (trans. fourth gearshift shaft stop)	7A064	Snap ring (trans. countershaft constant mesh drive gear)	7064, 7162
Sleeve (trans. gearshift cable ends adjustment)	7353		
Sleeve (trans. gearshift connecting rod adjustment)	7353	Snap ring (trans. countershaft drive gear)	7162
Sleeve (trans. gearshift rod)	7A064	Snap ring (trans. countershaft fourth speed)	7162
Sleeve (trans. main oil pressure booster)	7D002	Snap ring (trans. countershaft gear and shaft retaining)	7162
Sleeve (trans. oil distributor)	7C232		
Sleeve (trans. output shaft)	7A075, 7106, 7115	Snap ring (trans. countershaft hole expansion plug retaining)	7178

1980/  
TRUCK SERIES 600/900

INDEX

PART NAME	GROUP NUMBER	PART NAME	GROUP NUMBER
<b>Notes:     Δ Refer to page 1 of Paint Section</b>			
<b>S — Cont'd</b>		<b>S — Cont'd</b>	
Snap ring (trans. countershaft reverse gear)	7162	Snap rings & bearings repair kit (trans.)	78331
Snap ring (trans. fifth speed gear retaining)	7063	Snap switch and mtg. bracket	19757
Snap ring (trans. first & second speed synchronizer hub)	7109	Socket (brake adjusting screw)	2048
Snap ring (trans. first speed gear)	7160	Socket assy. (dome lamp)	13793
Snap ring (trans. fourth & fifth speed hub sleeve)	7064, 7178	Socket assy. (instrument panel lamp)	13711
Snap ring (trans. governor)	7E253	Socket & clamp assy. (P/S ball stud)	3D717
Snap ring (trans. input shaft bearing)	7026,	Socket & retainer assy. (cigar lighter)	15055
Snap ring (trans. input shaft bearing retainer)	7030, 7070, 7162	Socket & wire (instrument panel lamp)	13621
Snap ring (trans. input shaft bearing roller retainer washer)	7117	Socket & wiring assy. (A/C & htr. control lamp)	18541
Snap ring (trans. input shaft bearing to shaft)	7064	Socket and wiring assy. (body side lamp or roof marker)	15A442
Snap ring (trans. input shaft gear)	7064	Socket & wiring assy. (body side marker lamp)	15A434
Snap ring (trans. main shaft front quill)	7064	Socket & wiring assy. (instrument panel lamp)	13A719
Snap ring (trans. main shaft gear)	7064	Socket & wire assy. (parking lamp)	13234
Snap ring (trans. main shaft key)	7064	Solenoid (brake skid control modulator)	2C064
Snap ring (trans. mainshaft intermediate drive gear)	7162	Solenoid assy. (carb. float bowl vent)	9B982
Snap ring (trans. mainshaft output shaft drive gear)	7064	Solenoid assy. (fuel shut off valve)	9D278
Snap ring (trans. mainshaft thrust washer)	7030, 7064	Solenoid assy. (starter motor)	11390
Snap ring (trans. output shaft)	7064, 7160, 7667	Spacer (air brake camshaft adjuster)	2138
Snap ring (trans. output shaft bearing)	7026, 7030, 7070	Spacer (A/C compressor clutch hub)	19D648
Snap ring (trans. output shaft bearing retainer)	7030, 7070	Spacer (air compressor adjusting arm bracket)	2A949
Snap ring (trans. output shaft bearing to shaft)	7064	Spacer (alternator fan)	10A344
Snap ring (trans. output shaft drive gear)	7064	Spacer (alternator pulley)	10A344
Snap ring (trans. output shaft fourth gear)	7064	Spacer (alternator rectifier mounting)	10A382
Snap ring (trans. output shaft fourth speed gear retaining)	7059	Spacer (aux. spring to rear spring)	5594
Snap ring (trans. output shaft gear)	7064	Spacer (battery hold down)	10747
Snap ring (trans. output shaft ring gear retainer)	7C242	Spacer (battery shield)	10A723
Snap ring (trans. output shaft 2nd speed gear)	7160, 7161	Spacer (battery support to frame)	10A652
Snap ring (trans. output shaft spacer)	7059	Spacer (brake camshaft adjuster)	2138
Snap ring (trans. output shaft second gear)	7160	Spacer (brake dust shield)	2224
Snap ring (trans. output shaft second speed idler gear retaining)	7059	Spacer (brake manifold air fitting)	2A308
Snap ring (trans. output shaft synchronizer)	7059, 7161	Spacer (brake master cyl. push rod)	2B129
Snap ring (trans. output shaft third & fourth gear clutch)	7C212	Spacer (brake vacuum booster air cleaner mtg.)	2A534
Snap ring (trans. pilot roller bearing retainer)	7059	Spacer (cab lock bolt)	5K364
Snap ring (trans. rear cross shaft)	7064	Spacer (cab mounting frame rear member to frame sidemember)	5A389
Snap ring (trans. reverse idler gear bearing roller)	7156	Spacer (cab suspension air spring retainer)	5B416
Snap ring (trans. second & third hub)	7160	Spacer (carb. secondary throttle control)	9614
Snap ring (trans. shift bracket plunger)	7030	Spacer (carb. to intake manifold)	9A589
Snap ring (trans. synchronizer hub)	7059	Spacer (clutch pedal outer)	7606
Snap ring (transfer case brake drum hub)	7064	Spacer (disc wheel hub)	1A014
Snap ring (transfer case output shaft)	7064	Spacer (distributor eng. governor housing oil seal)	12477
Snap ring (universal joint bearing)	4891	Spacer (eng. accessory drive)	6B250
		Spacer (eng. camshaft gear or sprocket)	6265
		Spacer (eng. crankshaft pulley)	6B306
		Spacer (eng. crossmember)	6A096
		Spacer (eng. flywheel reinforcing plate)	6376
		Spacer (eng. front support insulator)	6A066
		Spacer (eng. support insulator)	6A027
		Spacer (eng. valve spring)	6515
		Spacer (front axle driving pinion bearing flange)	4662
		Spacer (front axle driving pinion bearing retainer)	4537
		Spacer (front axle spindle bearing)	3299
		Spacer (front hub grease retainer)	1212
		Spacer (front spring bracket)	5B309
		Spacer (front spring bolt)	5458
		Spacer (front spring to axle)	5A313
		Spacer (front wheel inner bearing)	1213
		Spacer (fuel tank mounting)	9071



## INDEX

PART NAME	GROUP NUMBER	PART NAME	GROUP NUMBER
<b>Notes:     ▲ Refer to page 1 of Paint Section</b>			
S — Cont'd		S — Cont'd	
Spacer (fuel tank support)	9N062	Spacer (trans. countershaft gear pilot bearing)	7115, 7135
Spacer (fuse box mounting)	14N028	Spacer (trans. gearshift rod)	7E275
Spacer (hand throttle control lever)	9599	Spacer (trans. input shaft)	7A059
Spacer (headlamp switch)	11675	Spacer (trans. input shaft bearing)	7063
Spacer (heater core)	18C632	Spacer (trans. input shaft bearing to inner race)	7063
Spacer (horn mounting)	13925	Spacer (trans. mainshaft gear)	7173
Spacer (muffler)	3573	Spacer (trans. mounting)	7C286
Spacer (parking brake bellcrank to trans.)	2A750	Spacer (trans. oil filter cover)	7C021
Spacer (P/S control valve centering spring)	3C518	Spacer (trans. output shaft)	7482
Spacer (P/S cyl. mounting bracket)	3C626	Spacer (trans. output shaft bearing)	7B320
Spacer (P/S gear actuator)	3E567	Spacer (trans. output shaft gear)	7115, 7173
Spacer (P/S gear piston poppet valve)	3E625	Spacer (trans. output shaft needle bearing)	7A076, 7117
Spacer (P/S pump adjusting bracket)	3D600	Spacer (trans. output shaft rear bearing)	7072
Spacer (P/S pump mounting)	3642	Spacer (trans. output shaft reduction gear)	7B334
Spacer (pulley to fan)	8546	Spacer (trans. output shaft second speed gear bearing)	7A076
Spacer (radiator)	8A045	Spacer (trans. rear countershaft)	7072
Spacer (radiator grille opening side panel mounting)	8A326	Spacer (trans. retarder cable bracket)	7C077
Spacer (radiator guard lower to frame)	8C053-4	Spacer (trans. reverse idler gear bearing)	7482
Spacer (radiator guard to cross member)	5067	Spacer (trans. reverse idler gear shaft)	7482
Spacer (radiator splash shield to frame)	5072	Spacer (trans. shift fork stop)	7B416
Spacer (radiator support)	8A450	Spacer (trans. shift rod)	7B416
Spacer (radiator to front support)	8A360	Spacer (trans. throttle pressure valve secondary)	7D227
Spacer (rear axle differential drive gear bearing)	4578	Spacer (transfer case idler shaft gear)	7B320
Spacer (rear axle differential main drive bearing)	4577	Spacer (transfer case input shaft)	7A059
Spacer (rear axle differential idler gear bearing)	4582	Spacer (transfer case insulator)	7264
Spacer (rear axle differential idler gear bearing done)	4583	Spacer (turn indicator switch)	13A398
Spacer (rear axle driving pinion bearing)	4537, 4662	Spacer (water filter)	8B230
Spacer (rear axle housing inner bearing)	1A011	Spacer (windshield wiper)	17519
Spacer (rear axle stabilizer bar link)	4A342	Spacer (wire connector)	14A468
Spacer (rear axle torque arm bracket)	4A002	Spacer assy. (oil filter adapter)	6A713
Spacer (rear lamp lens)	13A459	Spacer assy. (rear spring)	5729
Spacer (rear shock absorber bracket to side member rear)	18199	Spacer-guide pin (adjustable steering column bracket)	3578
Spacer (rear spoke wheel rim)	1044	Spark plug assy.	12405
Spacer (rear spring clamp)	5731	Speaker assy. (radio receiver)	18808
Spacer (rear spring hanger)	5753	Speedograph	17A266
Spacer (rear spring seat)	5A565	Speedometer (drive)	17285
Spacer (rear spring seat oil seal)	5A559	Speedometer (driven)	17285
Spacer (rear suspension center bushing)	5A697	Speedometer assy.	17255
Spacer (rear wheel parking brake bellcrank to trans.)	2A750	Speedometer cable tip kit	17A254
Spacer (speedometer cable)	17A324	Spool repair kit (cab lift pump)	5B366
Spacer (speedo. drive gear)	17288	Spotlamp	15312
Spacer (starter motor)	11N004	Splicer (A/C)	19D695
Spacer (starter motor armature)	11A051	Spider assy. (brake)	2012-3
Spacer (starter motor grounded brush holder)	11A043	Spider assy. (brake carrier)	2211-2
Spacer (starter motor insulator brush holder)	11A042	Spider & drum assy.	1013
Spacer (steering gear housing)	3A572	Spindle assy. (front wheel)	3105-6
Spacer (steering gear mounting bracket)	3K592	Spool valve assy.	2L622
Spacer (steering gear to frame)	3566	Spring (accelerator bellcrank to carb. lever tension)	9736
Spacer (throttle cable bracket)	9K706	Spring (accelerator retracting)	9737
Spacer (throttle control bracket)	9B867	Spring (accelerator shaft to pedal)	9760
Spacer (trans. aux. countershaft bearing)	7125	Spring (adjustable steering column bracket)	3E696
Spacer (trans. aux. shift drive gear)	7115	Spring (air brake actuating wedge load)	2B208
Spacer (trans. control lever)	7E097	Spring (air brake actuating wedge positioning)	2B204
Spacer (trans. control selector lever mounting bracket)	7370	Spring (air brake actuating wedge return)	2B205
Spacer (trans. countershaft drive gear)	7115		

1980/  
TRUCK SERIES 600/900

INDEX

PART NAME	GROUP NUMBER	PART NAME	GROUP NUMBER
Notes: Δ Refer to page 1 of Paint Section			
S — Cont'd		S — Cont'd	
Spring (alternator brush)	10349	Spring (headlamp ball ring)	13031
Spring (belt idler pulley tension)	8K657	Spring (hood assist)	16C644
Spring (booster control valve return)	2A157	Spring (hood check cable)	16C728
Spring (booster poppet valve return)	2392	Spring (hood check cable storage)	16B930
Spring (brake adjusting lever override)	2D176	Spring (hood hinge)	16789
Spring (brake adjusting lever return)	2A180	Spring (hood support rod)	16832
Spring (brake adjusting screw)	2049	Spring (horn blowing)	13A807
Spring (brake air chamber diaphragm return)	2321	Spring (ignition switch retaining)	11581
Spring (brake automatic adjustment)	2A180	Spring (muffler to frame)	5A291
Spring (brake booster)	2361	Spring (parking brake adjusting)	2749
Spring (brake booster control valve)	2392	Spring (parking brake band support)	2640
Spring (brake booster vacuum control valve)	2438	Spring (parking brake release)	2634
Spring (brake clamp)	2A190	Spring (P/S drag link ball stud)	3327
Spring (brake cylinder piston return)	2204	Spring (P/S gear actuator)	3E568
Spring (brake pedal retracting)	2472	Spring (P/S gear control valve)	3E580
Spring (brake shoe adjusting screw)	2049	Spring (P/S gear piston poppet valve)	3E624
Spring (brake shoe hold down)	2068	Spring (P/S pump reservoir filter element retaining)	3B688
Spring (brake shoe retainer)	2125	Spring (P/S relief valve)	3B608
Spring (brake shoe retracting)	2035-6, 2296-7	Spring (radiator & headlamp guard latch)	8B492
Spring (brake shoe to shoe)	2035	Spring (radiator shutter control)	8A176
Spring (cab counterbalance)	5471	Spring (rear air brake applicator)	2A466
Spring (cab lock hook return)	5004	Spring (rear axle differential carrier oil tube contact)	4160
Spring (cab mounting compressing)	5B383	Spring (rear axle differential lockout shift push rod)	4566
Spring (carb. accelerator pump lever adjusting)	9571	Spring (rear axle power divider differential lockout shift lever return)	4458
Spring (carb. accelerator pump lever return)	9636	Spring (rear axle push rod compression)	4A191
Spring (carb. accelerator pump upper)	9D598	Spring (rear suspension beam grease retainer)	5A559
Spring (carb. choke lever)	9C513	Spring (rear view outside mirror arm pivot)	17B745
Spring (carb. choke plate)	9560	Spring (starter motor brush holder)	11059
Spring (carb. fast idle adjusting screw)	9578	Spring (starter motor drive)	11375
Spring (carb. fast idle cam plunger)	9587	Spring (starter motor plunger return)	11103
Spring (carb. float)	9A519	Spring (starter motor solenoid shaft)	11416
Spring (carb. fuel valve)	9A519	Spring (starter motor yoke return)	11A049
Spring (carb. governor diaphragm)	9C507	Spring (steering column upper bearing)	3520
Spring (carb. governor throttle lever)	9980	Spring (trailer brake air hose retaining)	2955
Spring (carb. idle adjusting needle)	9540	Spring (trans.)	7227
Spring (carb. idle adjusting screw)	9578	Spring (trans. aux. air valve actuating plunger)	7219
Spring (carb. secondary throttle diaphragm return)	9B504	Spring (trans. aux. shifter housing poppet)	7234
Spring (carb. throttle return)	9B569	Spring (trans. control selector lever)	7B071
Spring (clutch pedal lever assist)	7A600	Spring (trans. direct drive clutch piston)	7B488
Spring (clutch release retracting)	7523	Spring (trans. direct synchronizer plate)	7B294
Spring (distributor breaker plate)	12A187	Spring (trans. front clutch piston disc)	7B070
Spring (distributor eng. governor valve weight)	12464	Spring (trans. fourth and direct)	7219
Spring (eng. governor throttle control)	12A477	Spring (trans. gearshift lever)	7227
Spring (eng. governor throttle control aux. lever)	18222	Spring (trans. gearshift rod)	7234
Spring (eng. oil pump relief valve)	6670	Spring (trans. gearshift shaft lock plunger)	7234
Spring (eng. valve)	6513	Spring (trans. gear shifter shaft poppet)	7219, 7234
Spring (eng. valve rocker arm to shaft locating)	6587	Spring (trans. front clutch piston disc)	7B070
Spring (governor lever)	9P512	Spring (trans. intermediate band servo piston)	7D028
Spring (fuel shut off plunger)	9D293	Spring (trans. kickdown control lever retracting)	7B146
Spring (fuel pump cable connector)	9A368	Spring (trans. low & reverse)	7219
Spring (fuel pump rocker arm return)	9380	Spring (trans. low & reverse gate plunger)	7219
Spring (fuel pump valve)	9360	Spring (trans. manual control valve detent lever)	7A261
Spring (fuel shut off valve sol)	9R300		
Spring (fuel tank insulator)	9130		
Spring (gearshift lever)	7227		

## INDEX

PART NAME	GROUP NUMBER	PART NAME	GROUP NUMBER
<b>Notes:     Δ Refer to page 1 of Paint Section</b>			
<b>S — Cont'd</b>		<b>S — Cont'd</b>	
Spring (trans. mainshaft rear bearing centering ring)	7219	Strainer (rear axle shift cylinder)	4418
Spring (trans. poppet)	7234	Strainer kit (fuel filter bowl)	9A343
Spring (trans. range clutch return)	7B488	Strap (air cleaner)	9K606
Spring (trans. rear clutch piston)	7A480	Strap (alternator heat shield)	10B312
Spring (trans. reverse stop plunger)	7D405	Strap (bracket to muffler)	5A231
Spring (trans. reverse gate plunger)	7219	Strap (driveshaft safety)	4K610
Spring (trans. reverse gear shifter shaft gate lock ball)	7234	Strap (emergency warning indicator mounting)	13B320
Spring (trans. reverse shift finger plunger)	7219	Strap (front brake shoe anchor pin)	2028
Spring (trans. reverse shift lug)	7219	Strap (fuel pump connection block)	9A382
Spring (trans. reverse stop plunger)	7219	Strap (horn control)	13K832
Spring (trans. shift bar housing)	7219	Strap (ignition coil mounting)	12043-4
Spring (trans. shift control rod)	7B113	Strap (instrument control cable retaining)	10A938
Spring (trans. shift interlock)	7234	Strap (muffler to frame)	5A215
Spring (trans. shifter shaft)	7234	Strap (radiator supply tank)	8A083
Spring (trans. shifter shaft poppet)	7219, 7234	Strap (steering column shaft & joint guard)	3B710
Spring (trans. synchronizer blocking)	7B137	Strap (turn indicator switch mounting)	13B320
Spring (trans. synchronizer poppet)	7B294	Strap assy. (brake air reservoir)	2A271
Spring (transfer case shift lock)	7234	Strap assy. (fuel tank)	9054
Spring (windshield wiper motor brush)	17B599	Strip (running board skid)	16A482
Spring assy. (aux.)	5588	Strut (trans. intermediate band anchor)	7D430
Spring assy. (cab support to frame air-front)	5C063	Strut (trans. intermediate brake band)	7D029
Spring assy. (cab support to frame air-rear)	5C063	Stud (accel. pdl. to shaft rod ball)	9A773
Spring assy. (front)	5310	Stud (brake carrier plate to air chamber)	2043
Spring assy. (hood release assist)	16449	Stud (brake dust shield spacer)	2224
Spring assy. (rear)	5560	Stud (drive axle shaft flange)	4A155
Spring assy. (rear suspension air)	5580	Stud (drive flange rear axle shaft)	1151
Spring & extension kit (accelerator return)	9737	Stud (eng. valve rocker arm support)	6A527
Spring & retainer (brake & clutch master cylinder piston return)	2145	Stud (front axle housing spring seat)	3C142
Spring & retainer (fuel filter element)	9149	Stud (front shock absorber mounting lower)	18036
Sprocket (eng. camshaft)	6256	Stud (front spring shackle)	5465
Sprocket (eng. crankshaft)	6306	Stud (fuel injection pump fuel shut off lever)	9R534
Stabilizer assy. (hood)	16C658	Stud (P/S cylinder)	3B711
Stabilizer assy. (hood on body lower)	16C844	Stud (P/S drag link ball)	3284
Stabilizer assy. (hood on hood lower)	16C842	Stud (radiator grille & headlamp guard latch)	18416
Stanchion assy. (radio antenna)	18919	Stud (rear axle drive flange axle shaft)	1151
Starter assy.	11001-2	Stud (rear axle housing)	4323
Stator assy. (alternator)	10336	Stud (rear axle oil filter mounting)	4A322
Stator assy. (trans. converter)	7932	Stud (rear axle shift cylinder to carrier)	4336
Stator & lead assy. (alternator)	10336	Stud (rear axle shift motor)	4336
Stem (carb. backfire relief plate valve)	9593	Stud (rear axle shifter housing)	4336
Step (battery box)	10N698	Stud (rear shock absorber to frame)	18196
Step (fuel tank)	9B093, 9B141	Stud (rear shock absorber to spring seat cap)	18193
Step (front bumper)	17B973	Stud (rear suspension saddle hanger pin retainer)	5A612
Stop (accelerator pedal)	9816	Stud (spare wheel carrier)	1458
Stop (accelerator pedal switch)	9W540	Stud (trans. air cylinder)	7311
Stop (brake booster slave cylinder piston)	2A265	Stud (trans. brake support)	7B420
Stop (rear axle air shift push rod)	4A192	Stud (trans. case support)	7B420
Stop (trans. gearshift lever low & reverse)	7A112	Stud (trans. clutch housing)	7C207
Stop assy. (accelerator pedal detent)	9A858	Stud (trans. gearshift housing)	7C207
Stop assy. (windshield wiper motor)	17C479	Stud (trans. rear support adjustment)	7B050
Stop & screw assy. (eng. primer control cable stop)	9A713	Stud assy. (P/S mounting)	3B711
Strainer (eng. oil filler pipe)	6B614	Suction line (A/C evaporator to compressor)	19867, 19919
		Support (air brake compressor bracket)	2902
		Support (air brake reservoir tank front)	2A205
		Support (air cleaner)	9W620

1980/  
TRUCK SERIES 600/900

INDEX

PART NAME	GROUP NUMBER	PART NAME	GROUP NUMBER
<b>Notes:    Δ Refer to page 1 of Paint Section</b>			
<b>S — Cont'd</b>		<b>S — Cont'd</b>	
Support (air cleaner bracket & intake tube)	9A618	Support assy. (hood reinforcement rear)	16C756-7
Support (air compressor mounting bracket)	2A881	Support assy. (radiator to frame)	8A339
Support (alternator belt guard)	10B385	Support assy. (radiator grille bar to frame)	8A333-4
Support assy. (radiator)	8A297	Support assy. (rear suspension arm)	5555
Support assy. (radiator lower)	8A419	Support assy. (rear view outside mirror lower)	17059,
Support (brake booster)	2B313		17A736
Support (cab suspension position valve)	5C088	Support assy. (rear view outside mirror upper)	17016,
Support (cab to frame rear)	5A036		17A732
Support (cable to floor pan)	7E447	Support assy. (relay to starter cable)	14550
Support (eng. front insulator)	6A057	Support assy. (running board front)	16458
Support (eng. oil level indicator)	6B609	Support assy. (running board rear)	16A486
Support (eng. priming fluid reservoir bracket)	9D836	Support assy. (steering idler arm)	3436
Support (eng. rear splash shield)	16A582-3	Support assy. (throttle control lever)	9E315
Support (eng. stabilizer bumper)	6B042	Support assy. (tractor brake air hose)	2A313
Support (eng. valve rocker arm shaft)	6531	Support assy. (trans.)	7925
Support (exhaust air supply hose)	9C487	Support assy. (trans. converter stator)	7A108
Support (fuel tank)	9053	Support assy. (trans. front cross shaft)	7795
Support (fuel & vapor tube to frame)	9D816	Support & parking brake bellcrank bracket assy. (trans. rear)	7B120
Support (fuse junction panel)	14A146	Switch (brake pressure differential valve warning lamp)	2B264
Support (hood air scoop grille)	16774	Switch assy. (A/C & heater servo control)	18C495
	16112-3	Switch assy. (A/C & heater temp. regulator)	18502
Support (hood hinge mtg. bracket)	16888-9	Switch (starter motor relay solenoid)	11450
Support (hood latch)	16774,	Switch assy. (A/C & heater blower motor)	19986
	16C682-3	Switch assy. (A/C low pressure)	19D983
Support (hood side panel)	8042	Switch assy. (A/C temperature control)	19A945
Support (inlet tube/turbocharger)	9W620	Switch assy. (A/C temperature control sensing)	19A673
Support (parking brake cable)	2A664	Switch assy. (air horn blowing)	13A875
Support (parking brake lever)	2A707	Switch assy. (aux. exhaust brake)	13K724
Support (parking brake lever sector)	2797	Switch assy. (brake low air pressure)	2A574
Support (parking brake signal switch bracket)	15A857	Switch assy. (brake low pressure warning)	2B339
Support (P/S oil cooling tube)	3C750	Switch assy. (brake warning buzzer)	10B924
Support (P/S pump)	3C511	Switch assy. (brake warning indicator)	2C020
Support (P/S reservoir filler tube)	3F550	Switch assy. (A/C compr. clutch)	19D899
Support (radiator)	8A297,	Switch assy. (cab latch)	11523
	16138	Switch assy. (courtesy lamp)	13713
Support (radiator grille)	8182-3	Switch assy. (cross axle differential lockout)	4126
Support (radiator grille guard)	8B146	Switch assy. (differential lockout indicator lamp)	10B853
Support (radiator grille upper)	8407,	Switch assy. (distributor modulator valve)	12A182
	8A341	Switch assy. (dome and trailer lamp control)	13C730
Support (radiator hose)	8A483	Switch assy. (electric fuel pump oil pressure)	9344
Support (radiator lower)	8A058,	Switch assy. (emergency warning indicator)	13B302
	8A450	Switch assy. (emergency)	13A350
Support (rear wheel splash guard)	16C569	Switch assy. (engine fan control)	14806
Support (spare wheel carrier stop bar)	1497	Switch assy. (eng. speed limiter)	9E704
Support (steering column)	3B635	Switch assy. (fog lamp)	15A214
Support (trans. control cable to floor pan)	7-7076	Switch assy. (fuel pump manual control)	9A388
Support (trans. gearshift rod)	7E274	Switch assy. (fuel tank selector)	9A050
Support (trans. mounting)	7A051	Switch assy. (fuel valve warning override assy.)	9E280
Support (trans. rear)	7A033	Switch assy. (headlamp dimmer)	13A024
Support (trans. remote control mounting)	7B062	Switch assy. (headlamp on instrument panel)	11654
Support (trans. selector control cable to floor pan)	7E447	Switch assy. (heater)	18578
Support (transfer case mounting)	7A051-2	Switch assy. (ignition)	11572
Support (wiring)	14A194	Switch assy. (instrument panel lamp)	13740
Support assy. (air cleaner intake tube)	9K615	Switch assy. (inter axle differential lockout)	4126
Support assy. (carb. booster venturi)	9A523	Switch assy. (interior lamp)	13752
Support assy. (coupling shaft center hearing)	4800	Switch assy. (low vacuum warning indicator)	10A922
Support assy. (eng. air intake tube to frame)	9C692	Switch assy. (manifold pre-heating plug)	9A444
Support assy. (eng. oil filter mounting outer)	6B655-6	Switch assy. (marker lamp blinker)	15443
Support assy. (fuel tank)	9053		
Support assy. (fuel tank fuel leveling hose)	9A080		

## INDEX

PART NAME	GROUP NUMBER	PART NAME	GROUP NUMBER
<b>Notes:     Δ Refer to page 1 of Paint Section</b>			
<b>S — Cont'd</b>		<b>T — Cont'd</b>	
Switch assy. (oil temperature warning)	10B921	Terminal (wire)	14461, 14468, 14474
Switch assy. (push button starter)	11450		
Switch assy. (rear axle electric shift automatic)	4107		
Switch assy. (rear axle electric shift control)	4078	Terminal assy. (alternator)	10B373
Switch assy. (roof signal)	13K753	Terminal assy. (wiring)	14A441
Switch assy. (speed control)	9C888	Terminal insulator kit (alternator)	10A383
Switch assy. (stop light)	13480	Terminal insulator kit (battery)	10A383
Switch assy. (trans. gearshift neutral)	7A247	Terminal box kit (brake skid control modulator)	2C066
Switch assy. (turn indicator)	13B302	Terminal Kit (alternator)	10K330
Switch assy. (turn signal & windshield wiper)	13K359	Terminal kit (starter motor field)	11102
Switch assy. (water temperature indicator lamp)	10884	Terminal & plate assy. (starter motor)	11A038
Switch assy. (window actuator)	14529	Thermostat (water)	8575
Switch assy. (windshield wiper & washer)	17A553	Thermostat assy. (A/C evaporator temperature control)	19618
Switch & bracket assy. (parking brake signal)	15A851		
Switch & escutcheon assy. (spotlamp control)	15224	Thermostat assy. (carb. air cleaner air duct)	9B650
Switch & mounting plate assy. (turn indicator)	13341	Thermostat assy. (radiator shutter control)	8488
Switch & wire assy. (light)	11648	Thermostat assy. (windshield wiper motor)	17K437
Switch & wire assy. (rear axle shift control)	4126	Thinners	Δ
Switch repair kit (rear axle shift)	4107	Torque rod kit (rear axle)	4L612
Swivel (carb. choke plate adjusting)	9D563	Transmission assy.	7003
Swivel (engine throttle)	9860	Trans. shifter shaft spring ball kit	7C220
Synchronizer assy. (trans. first & second)	7124	Trans. small parts repair kit	7B331
Synchronizer assy. (trans. second & third speed)	7124	Trap (rear axle filler plug)	4A309
Synchronizer assy. (trans. third & fourth)	7124	Trough (rear axle oil pickup)	4159
<b>T</b>		Trough (trans. oil deflector)	7961
Tachograph assy.	17A266	Trunnion (aux. trans. front bearing retainer)	7B022
Tachometer	17360	Trunnion (clutch release lever)	7522
Tandem suspension assy.	5A547, 5888	Trunnion (trans. cover)	7221
		Trunnion (trans. gearshift housing)	7221
Tank (radiator left hand side)	8080	Trunnion (trans. gearshift lever)	7B125
Tank (radiator lower bolt on)	8080	Tube (carb. accelerator pump transfer)	9A501
Tank (radiator right hand side)	8061	Tube (A/C compressor oil inlet)	19D645
Tank (radiator upper bolt on)	8061	Tube (air brake foot control valve to dash tee)	2919
Tank assy. (brake air reservoir)	2063	Tube (air brake foot control valve to front tee)	2897
Tank assy. (fuel)	9002	Tube (air brake foot control valve to manifold fitting)	2A014
Tank assy. (P/S oil reservoir)	3A699		
Tank assy. (radiator supply)	8A080	Tube (air brake foot control valve to rear tee or union first section)	2916
Tank & coil assy. (P/S pump reservoir)	3A697		
Tape (electrical insulating)	Δ	Tube (air brake foot control valve to rear tee second section)	2540, 2923
Tape (masking)	Δ		
Tappet assy. (eng. valve)	6500	Tube (air brake foot control valve to trans. air tee)	2-2937
Tee (air brake line)	18757		
Tee (brake booster control)	2B350	Tube (air brake hand control valve to check valve)	2581
Tee connection (windshield wiper hose to foot control)	17615	Tube (air brake manifold to pressure gauge)	2930
Tee (eng. air inlet)	9C690	Tube (air brake quick release valve to union)	2A059
Tee (exhaust air supply hose connector)	9F471	Tube (air brake relay valve to tee)	2A027, 2-2912
Tee (fuel vapor storage cannister)	9E645		
Tee (windshield washer hose)	17A601	Tube (air brake release valve to fitting)	2050
Tee assy. (brake air compressor to reservoir)	2B433	Tube (air brake reservoir connecting)	2571, 2A135, 2918
Terminal (electric wiring solderless crimp on type)	14294		
		Tube (air brake reservoir to booster tank end)	2589
Terminal (high tension wire)	14466	Tube (air brake reservoir to relay valve)	2A026
Terminal (spark plug)	14453	Tube (air brake reservoir to tee)	2A146
Terminal (starter motor field)	11102	Tube (air brake tee to front hose connector L.H.)	2915
Terminal (starter motor solenoid coil)	11A031	Tube (air brake tee to front hose connector R.H.)	2914

**1980/  
TRUCK SERIES 600/900**

**INDEX**

PART NAME	GROUP NUMBER	PART NAME	GROUP NUMBER
<b>Notes:    Δ Refer to page 1 of Paint Section</b>			
<b>T — Cont'd</b>		<b>T — Cont'd</b>	
Tube (air brake tee to manifold fitting)	2A078	Tube (brake manifold to trailer shut-off valve)	2B228
Tube (air cleaner to intake manifold)	9B697	Tube (brake manifold to union)	2A141
Tube (air compressor to reservoir at eng.)	2917	Tube (brake pressure reactivator to trailer shut-off)	2B232
Tube (air compressor to reservoir intermediate)	2917	Tube (brake reservoir union to tee)	2A278
Tube (air compressor to union)	2917	Tube (brake shut-off to reactivator valve)	2B227
Tube (air compressor to water pump)	2894	Tube (brake vacuum straight)	2A546
Tube (air reservoir to brake booster)	2-2907	Tube (bulk)	2269
Tube (air reservoir to union)	2904	Tube (carb. air cleaner air intake)	9652, 9A675
Tube assy.-rad.	8N006	Tube (carb. balance)	9A501
Tube assy.-rad. supply intake	8K153	Tube (carb. float bowl connecting)	9534
Tube (air supply line to air starter motor pressure)	11A006	Tube (carb. to distributor extension)	18226
Tube (brake air booster to dash tee)	2570	Tube (check valve to trailer brake air protector valve)	2576
Tube (brake air chamber connecting)	2A495-6	Tube (compressor governor to brake air foot control valve)	2A287-8
Tube (brake air control valve to limit & quick release valve lower)	2A216	Tube (dash tee or foot control valve to air compressor governor)	2913
Tube (brake air control valve to limit & quick release valve upper)	2A215	Tube (eng. crankcase vent)	6758
Tube (brake air foot control valve to dash tee)	2A276	Tube (eng. oil level indicator)	6754
Tube (brake air foot control valve to manifold fitting)	2A285	Tube (eng. governor to carb.)	12B459
Tube (brake air foot control valve to two-way check valve tractor trailer equipment)	2A273	Tube (eng. to air compressor water)	2910
Tube (brake air hand control valve exhaust tractor equipment)	2-2496	Tube (eng. to trans. vacuum)	7B094-5
Tube (brake air hand control valve exhaust tractor trailer equipment)	2A121	Tube (eng. water by-pass to radiator)	8-8562
Tube (brake air hand control valve to foot control valve tractor trailer equipment)	2A307	Tube (exhaust air supply lower)	9A484
Tube (brake air hand control valve to manifold tractor equipment)	2-2499	Tube (exhaust air supply pump outlet)	9B457
Tube (brake air hand control valve to tee)	2-2542	Tube (exhaust gas recirculation valve to exhaust manifold)	9D477
Tube (brake air hand control valve to two-way check valve tractor equipment)	2-2498	Tube (flexible hose to manifold)	2-2338
Tube (brake air hand control valve to two-way check valve tractor trailer equipment)	2A148	Tube (forward rear left wheel air brake)	2-2266
Tube (brake air relay valve to forward rear axle brake tube connector)	2586	Tube (forward rear right wheel air brake)	2-2265
Tube (brake air relay valve to rear brake tube connector)	2A289	Tube (front brake air limiting control valve to foot control valve)	2A210
Tube (brake air reservoir to elbow)	2A109	Tube (fuel)	9291 9323
Tube (brake air reservoir to trailer brake air protector valve)	2592	Tube intermediate (fuel return to tank)	9D297
Tube (brake air straight)	2A540-3	Tube assy. (fuel box to fuel pump)	9R271
Tube (brake booster reservoir to booster)	2A028	Tube box (fuel pump to fuel box)	9R272
Tube (brake booster to tee)	2A140, 2585	Tube assy. (fuel pump to fuel filter)	9R273
Tube (brake check valve to trailer shut-off valve)	2B226	Tube (fuel filler vapor expansion tank to cannister)	9D673-5
Tube (brake foot control valve to tee)	2B229	Tube (fuel tank connector)	9N312
Tube (brake foot control valve to trailer brake air shut-off valve)	2A483	Tube (fuel tank to fuel filter)	9A323
Tube (brake hand control valve)	2B067	Tube (fuel tank vent)	9049
Tube (brake manifold fitting to check valve)	2B234	Tube (heater water inlet)	18698
Tube (brake manifold to air windshield wiper control)	17B448	Tube (heater water outlet)	18663
Tube (brake manifold to control valve)	2B233	Tube (intake manifold intercooler water supply)	9L444
Tube (brake manifold to front brake limiting valve)	2B235	Tube (intake manifold to brake check valve)	2569
		Tube-inlet (turbo charger)	9W619
		Tube (lubrication-fuel inj pump)	9N870
		Tube (jack handle)	17143
		Tube (manifold fitting to air brake compressor governor)	2A116, 2976
		Tube (parking brake air chamber connecting)	2A755-6
		Tube (parking brake control valve to reactivator valve)	2A810
		Tube (parking brake rear wheel L.H.)	2A729

## INDEX

PART NAME	GROUP NUMBER	PART NAME	GROUP NUMBER
<b>Notes:     Δ Refer to page 1 of Paint Section</b>			
<b>T — Cont'd</b>		<b>T — Cont'd</b>	
Tube (parking brake reservoir to relay valve)	2A817	Tube (union to trailer brake air protector valve)	2538
Tube (P/S cooling)	3B748	Tube (vacuum distributor)	12226
Tube (radiator shutter control)	8B108	Tube (water by-pass)	8548-55
Tube (radiator shutter control cylinder to thermostat outlet hose cylinder end)	8A208	Tube (water by-pass eng. to radiator)	8B023
Tube (radiator shutter control cylinder to thermostat outlet hose end)	8A209	Tube (windshield wiper motor air intake)	17B484-7
Tube (radiator shutter control thermostat to union)	8A427	Tube assy. (air brake elbow)	18722, 18733
Tube (radiator shutter thermostat to brake booster line)	8A205	Tube assy. (air cleaner intake)	9C675
Tube (radiator supply tank overflow)	8-8058	Tube assy. (air compressor oil inlet)	2908
Tube (radiator supply tank to eng.)	8002	Tube assy. (brake booster control valve)	2B147
Tube (radiator to supply tank vent)	8003	Tube assy. (brake booster control valve to tee)	2B356
Tube (rear axle differential control valve to manifold hose)	4882	Tube assy. (brake booster inlet)	2352
Tube (rear axle housing)	4012	Tube assy. (brake booster rear)	2352
Tube (rear axle lockout hose to cyl.)	4407	Tube assy. (brake clutch master cylinder to slave cylinder)	2-2443
Tube (rear axle power divider differential lockout control valve to coupling hose)	4486	Tube assy. (brake cylinder connection)	2286
Tube (rear axle power divider differential lockout control valve to divider center)	4496	Tube assy. (brake differential valve to eng.)	2B315
Tube (rear axle power divider differential lockout control valve to divider front)	4415	Tube assy. (brake hydraulic straight)	2K032
Tube (rear axle power divider differential lockout control valve to divider rear)	4416	Tube assy. (brake line)	2265
Tube (rear axle power divider lockout intermediate)	4728	Tube assy. (brake master cylinder to front brake connector)	2-2264
Tube (rear wheel parking brake control valve to foot control valve)	2A726	Tube assy. (brake master cylinder to rear brake tube connector)	2A199
Tube (rear wheel parking brake control valve to foot control valve supply)	2A725	Tube assy. (brake tee to rear axle hose)	2A284
Tube (relay valve to rear wheel brake tube connector)	2-2269	Tube assy. (brake vacuum booster control valve to center control valve)	2-2333
Tube (reservoir to relay valve)	2-2911	Tube assy. (brake vacuum booster control valve to hydraulic cylinder)	2-2337
Tube (reservoir to trailer brake air protector valve)	2-2942	Tube assy. (brake vacuum booster outlet)	2234
Tube (shutter control)	8498	Tube assy. (brake vacuum booster tee to front wheel tee)	2A143
Tube (tee to trailer brake air protector valve)	2A198, 2-2540	Tube assy. (brake vacuum gauge)	2A253
Tube (thermostatic choke control inlet)	9820	Tube assy. (brake vacuum pump to check valve)	2A486, 2A152
Tube (thermostatic choke control outlet)	9819	Tube assy. (carb. air horn to governor)	18214
Tube (trailer brake check valve to air shut-off valve)	2A480	Tube assy. (clutch master cyl. to slave cyl.)	7A512
Tube (trailer brake emergency air supply valve to manifold)	2539	Tube assy. (carb. control valve)	9A501
Tube (trailer brake emergency air supply valve to union)	2-2541	Tube assy. (eng. governor to carb.)	12B451
Tube (trailer brake emergency air supply valve to union tractor trailer)	2A147	Tube assy. (eng. oil level indicator)	6754
Tube (trailer brake emergency valve to reactivator valve)	2B236	Tube assy. (eng. oil pump outlet)	6N778
Tube (trans. aux. shift control)	7B145	Tube assy. (eng. to air compressor water eng. end)	2977
Tube (trans. oil distributor)	7D000	Tube assy. (eng. to trans. front)	7B094
Tube (trans. shift air supply)	7B291	Tube assy. (eng. turbo charger oil return)	6N626
Tube (two-way check valve to trailer brake air protector valve)	2-2538	Tube assy. (eng. turbo charger oil supply)	6N639
Tube (union to brake reservoir)	2-2202	Tube assy. (eng. turbo charger to intake mnfld.)	6N696
		Tube assy. (exhaust air supply)	9B449
		Tube assy. (forward rear right wheel brake)	2A217
		Tube assy. (front brake)	2263-4
		Tube assy. (front brake cylinder connection)	2A335
		Tube assy. (front disc brake)	2A361
		Tube assy. (front wheel spindle connecting rod)	3281
		Tube assy. (fuel)	9289
		Tube assy. (fuel injector)	9A555
		Tube assy. (fuel injector leak off)	9A564
		Tube assy. (fuel filter to fuel pump)	9C330
		Tube assy. (fuel tank level)	9K142

**1980/  
TRUCK SERIES 600/900**

**INDEX**

PART NAME	GROUP NUMBER	PART NAME	GROUP NUMBER
<b>Notes:     Δ Refer to page 1 of Paint Section</b>			
<b>T — Cont'd</b>		<b>V — Cont'd</b>	
Tube assy. (fuel injection return to fuel tank)	9D308	Valve (brake air reservoir safety)	2A550
Tube assy. (fuel line)	2265	Valve (brake pressure differential)	2B257
Tube assy. (fuel inj. ret. to tank)	9C273	Valve (brake skid control modulator)	2C063
Tube assy. (fuel pump to carb.)	9369	Valve (carb. suspension position control)	5C065
Tube assy. (fuel tank outlet)	9236-7	Valve (carb. accelerator pump discharge needle)	9A516
Tube assy. (fuel tank to pump end kit assy.)	9A323	Valve (cab suspension position control)	5C065
Tube assy. (fuel vapor chamber to canister)	9D673	Valve (eng. air cleaner dirt ejector)	9D663
Tube assy. (fuel vapor storage canister purge outlet)	9D667	Valve (eng. exhaust)	6505
Tube assy. (fuel vapor tank to canister)	9D683	Valve (eng. intake)	6507
Tube assy. (fuel injection)	9P699	Valve (eng. positive crankcase vent P.C.V.)	6A666
Tube assy. (intake manifold air vent)	9-9452-3, 9A464	Valve (front disc brake pressure control)	2B091
		Valve (fuel pump)	9358
Tube assy. (intake manifold water cooler)	9N491	Valve (power brake booster check)	2365
Tube assy. (left hand brake forward rear axle)	2A218	Valve (carb. accelerator pump check)	9576
Tube assy. (master cylinder to rear brake hose)	2A272	Valve (compressor)	19A990
Tube assy. (oil pressure indicator)	9B278	Valve (P/S flow control)	3B694
Tube assy. (outlet fuel filter)	9A274	Valve (P/S gear piston poppet)	3E622
Tube assy. (P/S pressure line to pump)	3836	Valve (P/S relief)	3A561
Tube assy. (radiator shutter)	8493	Valve (trans. control)	7C389
Tube assy. (radiator shutter control thermostat)	8A096	Valve (w/wiper motor pressure regulator)	17B468
Tube assy. (radiator shutter control to air cyl.)	8494	Valve assy. (A/C compressor high pressure)	19A990
Tube assy. (rear brake)	2267	Valve assy. (A/C compressor low pressure)	19752
Tube assy. (rear brake hose to valve)	2B255	Valve assy. (A/C evaporator expansion)	19849
Tube assy. (steering column)	3514	Valve assy. (A/C evaporator suction throttle)	19D580
Tube assy. (tee to forward rear axle brake hose)	2-2239, 2A283	Valve assy. (A/C & heater vacuum selector)	19B888
		Valve assy. (air brake quick release)	2A095, 18711
Tube assy. (tee to rear brake hose)	2-2277		
Tube assy. (trans. oil cooler inlet & outlet)	7A030-1	Valve assy. (air by-pass)	9B289
Tube assy. (trans. oil filler)	7A228	Valve assy. (anti backfire)	9B298
Tube assy. (tube connector to rear brake hose)	2265	Valve assy. (brake air foot control)	2A270
Tube assy. (turbo charge inlet)	9W623	Valve assy. (brake air hand control)	2A747
Tube & bracket assy. (heater water outlet)	18B402	Valve assy. (brake air hand control tractor equipment)	2949
Tube & clamp assy. (P/S cyl.)	3N666		
Tube & hose repair kit (compressor to eng.)	2912	Valve assy. (brake air limiting control)	2A208
Tube & indicator assy. (eng. oil level)	6B667	Valve assy. (brake air pressure actuator)	2B139
Tube & sleeve assy. (fuel vapor purge inlet)	9E630	Valve assy. (brake air pressure regulator)	2A435
Tube installation kit (oil pressure gauge)	9F280	Valve assy. (brake booster master cyl.)	2178
Tubing (air horn)	13930	Valve assy. (brake inverted relay)	2B431
Tune-up kit (carb.)	9A586	Valve assy. (brake moisture ejector)	2A131
Turbine assy. (trans. converter)	7920	Valve assy. (brake double check)	2K119
Turbocharger (eng. exhaust drive)	6K682	Valve assy. (brake skid control modulator)	2C070
Turnbuckle (trans. shift rod)	7E057, 7819	Valve assy. (brake reservoir)	2A783
		Valve assy. (brake reservoir check)	2B170
<b>U</b>		Valve assy. (brake skid control modulator valve internal)	2C105
"U" bolt (front spring)	5455	Valve assy. (brake two-way check tractor equipment)	2575
"U" bolt (P/S cyl. tube)	3E654		
"U" bolt (rear spring)	5705	Valve assy. (cab safety tilt)	5A388
Undercoating	Δ	Valve assy. (carb. float bowl vent)	9E589
Union (fuel inlet adapter)	9L583	Valve assy. (cooling control)	8C605
Union assy. (air brake tubing)	18763	Valve assy. (distributor vacuum control)	12A091
Universal joint kit (drive line)	4635	Valve assy. (distributor vacuum control check)	12A197
Upholstery color reconditioners	Δ	Valve assy. (drain cock & bleed)	8B295
Used car reconditioning materials	Δ	Valve assy. (eng. primer)	9189
<b>V</b>		Valve assy. (eng. water filter)	8A431
Valve (A/C compressor pressure relief)	19D644	Valve assy. (exhaust air recirculation solenoid vacuum)	9D474
Valve (air check)	9961		
Valve (air horn control)	13910	Valve assy. (exhaust gas recirculation vacuum load control)	9F424



## INDEX

PART NAME	GROUP NUMBER	PART NAME	GROUP NUMBER
<b>Notes:     Δ Refer to page 1 of Paint Section</b>			
<b>V — Cont'd</b>		<b>W — Cont'd</b>	
Valve assy. (exhaust air supply check)	9A487	Washer (eng. camshaft sprocket)	6278
Valve assy. (fan thermo control)	8K612	Washer (eng. crankshaft pulley retaining)	6378
Valve assy. (exhaust gas recirculation)	9D475	Washer (eng. valve rocker arm shaft spring)	6598
Valve assy. (exhaust gas recirculation vacuum control)	9D473	Washer (eng. vibration damper to crankshaft)	6378
Valve assy. (fuel sediment drain)	9J305	Washer (front air brake camshaft thrust)	2236
Valve assy. (fuel shut-off)	9189	Washer (front air brake shoe actuator lock)	2B010
Valve assy. (fuel tank vent)	9A153	Washer (front axle differential side gear thrust)	4228
Valve assy. (fuel tank selector)	9189	Washer (front brake shoe retainer pin "C")	2087
Valve assy. (fuel vapor)	9B593	Washer (front brake shoe retaining pin)	2053
Valve assy. (fuel vapor storage canister)	9B963	Washer (front hub outer bearing retainer)	1195
Valve assy. (heater water control)	18495	Washer (front shock absorber)	18A065
Valve assy. (P/S control valve return port relief)	3-3710	Washer (front spring adjustment)	5A331
Valve assy. (P/S pump)	3A561	Washer (fuel injection pump control lever)	9R532
Valve seat assy. (air horn control)	13A910	Washer (fuel injection pump leak off tube)	9N661
Thermostat (eng. air cleaner)	9B650	Washer (fuel injector sealing)	9E529
Valve assy. (exhaust control)	9A427	Washer (fuel injection pump inlet plug)	9D537
Valve assy. (rear axle power divider differential lockout control)	4484	Washer (fuel pump discharge hose retainer gasket)	9A364
Valve assy. (rear axle shift control)	4589	Washer (high speed clutch plate thrust)	4147
Valve assy. (rear suspension level)	5A712	Washer (parking brake deflector reinforcement)	2D614
Valve assy. (rear wheel parking brake air control)	2A622	Washer (parking brake pinion bearing cage)	2A614
Valve assy. (tractor brake air protector)	2951	Washer (power divider idler pump shaft)	4593
Valve assy. (trailer brake emergency air supply)	2A224	Washer (P/S cylinder control valve centering)	3C517
Valve assy. (trans. control)	7312	Washer (P/S gear actuator locking)	3E573
Valve assy. (trans. control slave)	7D292	Washer (P/S gear actuator thrust bearing)	3E575
Valve assy. (trans. front clutch piston check)	7D292	Washer (P/S gear adapter)	3C559
Valve assy. (windshield washer)	17A614	Washer (P/S gear sector cover backup seal)	3E560
Valve assy. kit (radiator pressure relief)	8B131	Washer (P/S gear shaft & control adjusting screw backup seal)	3C559
Valve kit (carb. fuel inlet)	9564	Washer (P/S gear valve assy. adjusting nut)	3321
Valve repair kit (brake booster control)	2C238	Washer (P/S gear valve assy. thrust bearing inner)	3321
Valve repair kit (P/S cyl. control)	3C656	Washer (P/S gear valve assy. thrust bearing outer)	3321
Valve repair kit (P/S drag link control)	3A650	Washer (P/S gear valve assy. thrust bearing retaining)	3321
Valve & seat assy. (carb. fuel inlet)	9564	Washer (radiator mounting bolt lock)	8C002
Vent (front axle housing)	4022	Washer (rear axle carrier to cover)	4A143
Vent (rear axle housing)	4022	Washer (rear axle carrier to housing stud)	4326
Vent (transfer case cover)	7034	Washer (rear axle differential bearing adjuster lock bolt)	4326
Vent (trans. gearshift housing)	7034	Washer (rear axle differential bearing cap bolt)	4326
Vent assy. (fuel tank)	9A082	Washer (rear axle differential case bolt)	4A147
Vent assy. (trans. case)	7034	Washer (rear axle differential pinion thrust)	4230,
Vent assy. (trans. case air valve)	7034		4637
Vent assy. (trans. rear cross shaft housing)	7034	Washer (rear axle differential planetary gear thrust)	4A007
Venturi (P/S pump)	3760		
Voltmeter assy. (instrument cluster)	10797	Washer (rear axle differential sliding clutch gear plate)	4147
<b>W</b>			
Washer (air brake adjuster retaining)	2130	Washer (rear axle differential side gear thrust)	4228
Washer (battery cover spacer)	10A821	Washer (rear axle drive pinion flange)	4329
Washer (battery terminal corrosion arrester)	10A717	Washer (rear axle drive pinion grease retainer)	4019
Washer (brake air chamber clevis)	2L280	Washer (rear axle drive pinion transfer gear)	4586-7
Washer (brake drum bolt)	1A122	Washer (rear axle driving pinion)	4637
Washer (brake shoe adjusting)	2052	Washer (rear axle input shaft nut)	4637
Washer (brake shoe anchor pin)	2029	Washer (rear axle push rod)	4345
Washer (brake shoe hold down spring)	2066	Washer (rear axle pinion thrust)	4230
Washer (brake slack adjuster inner)	2130	Washer (rear axle output shaft flange retaining)	4637
Washer (clutch brake disc)	7A599	Washer (rear axle output flange to bearing)	4319
Washer (distributor driven gear thrust)	12179	Washer (rear axle pinion bearing thrust)	4667
Washer (distributor shaft thrust upper)	12179		

1980/  
TRUCK SERIES 600/900

INDEX

PART NAME	GROUP NUMBER	PART NAME	GROUP NUMBER
<b>Notes:     Δ Refer to page 1 of Paint Section</b>			
<b>W — Cont'd</b>		<b>W — Cont'd</b>	
Washer (rear axle power divider input shaft)	4454	Washer (trans. planet carrier thrust)	7A166
Washer (rear axle power divider input shaft thrust)	4445	Washer (trans. reverse idler gear bushing thrust)	7728
Washer (rear axle ring gear to case bolts)	4326	Washer (trans. reverse idler gear thrust)	7029, 7728
Washer (rear axle shift fork push rod)	4345	Washer (trans. reverse gear)	7173
Washer (rear axle shift fork seat)	4390	Washer (trans. reverse gear thrust)	7728
Washer (rear axle shift motor stud)	4B147	Washer (trans. reverse idler)	7482
Washer (rear axle torque arm retaining)	4610	Washer (trans. reverse idler sleeve)	7067
Washer (rear shock absorber stud)	18039-40	Washer (trans. output shaft bearing)	17288
Washer (rear spring "U" bolt)	5A570	Washer (trans. tailshaft rear bearing)	17288
Washer (rear suspension hanger pin)	5880	Washer (transfer case direct drive gear)	7067
Washer (rear suspension support arm)	5A552	Washer (transfer case input shaft bearing)	7067
Washer (rear wheel bearing nut lock)	1124	Washer kit (brake air chamber)	2F488-9
Washer (starter motor armature thrust)	11036	Washer kit (trans. output shaft)	7173
Washer (starter motor field terminal)	11093	Waxes	Δ
Washer (starter motor field terminal insulating)	11094	Wear sleeve & oil seal kit (forward axle input yoke)	4A573
Washer (starter motor field terminal screw)	11095	Wear sleeve & oil seal kit (forward axle output yoke)	4A478
Washer (steering gear sector shaft)	3E560	Wear sleeve & oil seal kit (rear axle input yoke)	4A676
Washer (steering gear worm sector thrust)	3579	Weatherstrip (front fender to wheelhouse)	16277
Washer (steering shaft coupling bolt)	3C660	Weatherstrip (radiator splash rear shield)	8B004
Washer (steering shaft locator)	3E524	Weatherstrip (radiator splash rear shield side)	8B043
Washer (trans. aux. output shaft reduction gear)	7B334	Wedge (air brake actuating)	2B210
Washer (trans. aux. rear drive gear)	7B334	Wedge (brake shoe actuating)	2B201
Washer (trans. aux. reduction gear)	7117	Wedge (brake stop boot repair kit)	2B213
Washer (trans. converter reactor thrust primary)	7937	Wedge (front axle spring seat)	5A313
Washer (trans. countershaft cluster gear thrust)	7119	Wedge (rear axle spring seat)	4357, 5A313
Washer (trans. countershaft rear bearing retaining)	7B196	Wedge assy. (front air brake actuating)	2B000
Washer (trans. countershaft retainer)	7198	Wedge assy. (rear air brake actuating)	2B024
Washer (trans. countershaft thrust)	7119	Wedge actuated brake repair kit	2B214
Washer (trans. front pump support thrust)	7D014	Weight (carb. pump discharge ball)	9B511
Washer (trans. input shell thrust)	7D066	Weight (distributor eng. governor)	12498
Washer (trans. intermediate brake drum thrust)	7C096	Weight (eng. governor)	18210
Washer (trans. main shaft thrust)	7019	Weight (trans. converter cover balance)	7955
Washer (trans. mainshaft intermediate drive gear and aux. sliding clutch)	7173	Weight (wheel balance)	1040
Washer (trans. output shaft bearing)	7029	Weight assy. (distributor)	12188
Washer (trans. output shaft first speed gear thrust)	7071, 7119	Weight & bushing assy. (distributor eng. governor)	12493
Washer (trans. output shaft first, second and reverse)	7173	Wheel assy.	1007
Washer (trans. output shaft fourth speed gear thrust)	7069	Wheel assy. (A/C blower motor)	19834
Washer (trans. output shaft hub thrust)	7D422	Wheel assy. (steering)	3600
Washer (trans. output shaft nut)	7B196	Wick (distributor shaft)	12133
Washer (trans. output shaft second speed gear)	7069	Window kit (sliding back)	442B30
Washer (trans. output shaft second speed gear thrust)	7056	Windshield wiper drive link pivot kit)	17N433
Washer (trans. output shaft third speed gear thrust)	7029, 7033, 7056, 7069, 7071, 7117, 7173	Wiper assy. (rear axle shaft)	1174
Washer (trans. output shaft thrust rear)	7B368	Wire	14296
		Wire (carb. governor diaphragm cover seal)	9990
		Wire (ignition module jumper)	12A209
		Wire assy. (A/C clutch feed)	19B573
		Wire assy. (A/C jumper)	19D887
		Wire assy. (A/C & heater blower motor switch feed)	18B303
		Wire assy. (A/C thermostat to clutch)	19A885
		Wiring assy. (accessory feed from ignition switch-circuit 297A-8.5 OHMS)	10A665
		Wiring assy. (alternator rectifier)	10397
		Wire assy. (alternator regulator)	10A589

## INDEX

PART NAME	GROUP NUMBER	PART NAME	GROUP NUMBER
Notes:     Δ Refer to page 1 of Paint Section			
W -- Cont'd		W -- Cont'd	
Wire assy. (alternator regulator adapter)	10A609	Wire assy. (heater overheat switch)	18B519
Wire assy. (alternator to starter motor solenoid)	10K304	Wire assy. (heater switch to blower motor)	18A586
Wire assy. (alternator to voltage regulator)	14305	Wire assy. (heater switch to fuse panel)	14323
Wire assy. (backup lamp switch extension)	15A545	Wire assy. (horn)	13N866
Wire assy. (backup lamp switch to rear lamp feed)	15525	Wire assy. (horn jumper)	13A840
Wire assy. (body main extension)	14A333	Wire assy. (horn switch)	14308
Wire assy. (brake low air pressure switch connector)	2K146	Wire assy. (ignition coil)	14A035
Wire assy. (brake moisture ejection valve)	2B555-6	Wire assy. (ignition coil resistor)	12336
Wire assy. (brake skid control actuator)	2B516	Wire assy. (ignition coil to distributor high tension)	12298
Wire assy. (brake skid control extension)	2C011	Wire assy. (ignition current amplifier extension)	12045
Wire assy. (brake skid control modulator to sensor)	2B572	Wire assy. (ignition feed)	14313
Wire assy. (brake skid control speed sensor)	2B392	Wire assy. (ignition jumper)	12060
Wire assy. (brake warning indicator)	2N248	Wire assy. (ignition relay to starting motor relay)	14A195
Wire assy. (brake warning lamp)	10K845	Wire assy. (ignition switch to fuel pump switch)	9A342
Wire assy. (brake warning lamp exterior)	2B324	Wire assy. (indicator lamp)	13A705
Wire assy. (C.B. radio jack feed)	18A919	Wire assy. (instrument cluster)	14A104
Wire assy. (carburetor emission control solenoid)	9D857	Wire assy. (instrument cluster)	9272
Wire assy. (carb. emission control solenoid feed)	9D863	Wire assy. (instrument cluster)	10B942
Wire assy. (charge indicator)	10A665	Wire assy. (instrument cluster feed)	10817
Wire assy. (cigar lighter to fuse panel)	15A046	Wire assy. (instrument cluster voltage regulator ballast resistor)	10D877
Wire assy. (circuit breaker feed)	14A285	Wire assy. (interior lamp feed)	13A719
Wire assy. (courtesy lamp)	13B711, 13A724	Wire assy. (interior lamp feed jumper)	13A718
Wire assy. (courtesy lamp feed)	13B712	Wire assy. (instrument panel to dash panel)	14401
Wire assy. (dash panel to eng.)	14398	Wire assy. (intake manifold pre-heater plug switch)	9A451
Wire assy. (dash panel to eng. gauge feed)	14289	Wire assy. (interior lamp)	13A709
Wire assy. (dash panel to headlamp junction)	14290	Wire assy. (junction panel jumper)	14K725
Wire assy. (dash panel to headlamp junction extension)	14A408	Wire assy. (low air pressure buzzer to switch)	14346
Wire assy. (differential temp. sender)	10B858	Wire assy. (low coolant level warning)	10D969
Wire assy. (differential temp. gauge feed)	10B860	Wire assy. (low vacuum warning indicator)	10A920
Wire assy. (extension)	9F291	Wiring assy. (LP switch)	19D603
Wire assy. (distributor breaker ground)	12264	Wire assy. (main jumper)	14A411
Wire assy. (extension inst. panel lamp)	13K726	Wire assy. (marker lamp front to rear)	15A410
Wire assy. (turn signal jumper)	13A323	Wire assy. (marker lamp platform)	15A411-2
Wire assy. (distributor primary terminal)	12216	Wire assy. (marker lamp to switch)	15A404
Wire assy. (distributor to spark plug radio resistance)	12286	Wire assy. (marker lamp to switch)	15A406-7
Wire assy. (dome lamp ground)	13A743	Wire assy. (marker lamp switch jumper)	15A407
Wire assy. (eng. block heater)	6B018	Wire assy. (oil pressure & water temperature indicator sender)	10A997-8
Wire assy. (eng. gauge feed jumper)	14A219	Wire assy. (oil pressure indicator sender jumper)	9F316
Wire assy. (eng. governor select switch to solenoid)	12A494	Wire assy. (oil pressure indicator switch to relay)	9A281
Wire assy. (eng. to frame)	14324	Wire assy. (parking brake switch)	15K857
Wiring assy. (exhaust brake control)	14W408	Wire assy. (power divider differential lockout warning lamp)	10B846
Wiring assy. (exhaust brake control valve actuating)	14W407	Wire assy. (radio speaker)	19A041
Wire assy. (fan motor)	14K095	Wire assy. (rear axle shift circuit breaker to ignition)	14665
Wire assy. (fog lamp)	15A211	Wire assy. (rear axle shift control switch)	14668
Wire assy. (fuel gauge tank unit ground)	14176	Wire assy. (rear axle electric shift)	4996
Wire assy. (fuel pump)	9A350	Wire assy. (rear axle shift motor to control extension)	14674
Wire assy. (fuel shut-off solenoid feed)	9A451	Wire assy. (rear axle shift motor to control switch)	14667
Wire assy. (fuel tank selector valve to solenoid switch)	9A001	Wire assy. (rear lamp)	14405
Wire assy. (fuel tank sender)	14406	Wire assy. (rear lamp connector)	13A409
Wire assy. (fuel valve feed)	9E306	Wire assy. (rear lamp ground)	13A455
Wire assy. (headlamp)	13A006	Wire assy. (rear view outside mirror lamp feed)	17B719-20
Wire assy. (headlamp leads)	13076	Wire assy. (relay feed extension)	14A413
Wire assy. (heater coil negative)	18B520	Wire assy. (road lamp feed)	15237
		Wire assy. (road lamp lead)	15244

1980/  
TRUCK SERIES 600/900

INDEX

PART NAME	GROUP NUMBER	PART NAME	GROUP NUMBER
Notes: Δ Refer to page 1 of Paint Section			
W — Cont'd		W — Cont'd	
Wire assy. (speed control extension)	9C887	Wire assy. (water temperature indicator)	10B886
Wire assy. (spotlight switch jumper)	15689	Wire assy. (window regulator)	14630
Wire assy. (starter motor circuit jumper extension warning)	11A103	Wire assy. (windshield wiper motor)	17A490
Wire assy. (starter motor relay to starter)	11A003	Wire assy. (windshield wiper switch to motor)	17B587
Wire assy. (speed control)	9A840	Wire harness (controller & valve modulator)	2C071
Wiring assy. (rear axle control-jumper)	14A107	Wire & bracket assy. (brake skid control sensor)	2B430
Wire assy. (relay feed extension)	14A413	Wire & plug assy. (trailer lamps)	15436
Wire assy. (stop lamp switch jumper)	13A427	Wire & socket assy. (brake air pressure gauge)	14698
Wire assy. (starter circuit jumper)	12638	Wire and socket assy. (Instrument cluster control lamp)	10D839
Wire assy. (starter motor relay to circuit breaker)	14A237	Wire set (spark plug)	12259
Wire assy. (stop lamp switch)	13A411	Wire terminal kit	14294
Wire assy. (stop lamp switch relay)	13A612	Wiring assy. (low vacuum warning indicator jumper)	10B847
Wire assy. (tachometer lamp)	14064	Wiring assy. (tachometer feed)	17B280
Wire assy. (temperature sender extension)	14K073	Wiring assy. (rear axle control-jumper)	14A107
Wire assy. (throttle module control)	9E724	Y	
Wire assy. (throttle module control extension)	9B911	Yoke (cab lock main hook camshaft pivot)	5117
Wire assy. (tractor trailer lamp feed)	13A576	Yoke (coupling shaft flange)	4866
Wire assy. (trans. retarder oil temperature)	7B379	Yoke (eng. governor throttle control)	18211
Wire assy. (trans. temperature sender)	10B939	Yoke (starter motor drive)	11077
Wire assy. (turn indicator jumper)	13A329	Yoke (steering column coupling shaft slip)	3814
Wire assy. (turn signal jumper)	13A318	Yoke (steering shaft coupling and u/joint)	3K704
Wire assy. (voltage regulator extension)	10A545	Yoke (trans. input shaft)	7089
Wire assy. (warning indicator)	14A313	Yoke (trans. output shaft)	7089
Wire assy. (warning lamp to ground)	13N024		

### INDEX

Included in the Paint Section are the following:

	U.S.	Page No.	Canada
<b>Paints, Thinners, etc.,</b>			
Sealers and Undercoats	2		2
<b>Lacquers and Synthetic Enamels</b>			
Interior Paints	2 thru 4		2 thru 4
Exterior Paints			
Listed by Certification Label	5 thru 7		7 thru 10
<b>Appearance and Maintenance Materials</b>			
Paints and Refinishing Materials	11		15
Cleaners, Waxes, and Polishes	11		15
Clear Vision Aids	11		15
Cooling System Aids	11		15,16
Motor Oils and Lubricants	12,13		16,17
Sealers and Adhesives	13,14		17
Special Products	14,15		17,18
Used Truck Reconditioning Materials	18		18
Ford Specification No. to Part No.			
Cross Reference List	19 thru 21		

### LIQUID MEASURE

Most liquid measures listed in this catalog are in U.S. sizes; however, those measures which are specified for unique Canadian parts are in Imperial or Metric sizes.

The capacity in ounces and litres for both U.S. and Imperial measures are specified below:

	1/2 PT.	PINT	QUART	GALLON
Imperial	10 oz. (284.1 ml)	20 oz. (568.2 ml)	40 oz. (1.136 l)	160 oz. (4.55 l)
U.S.	8 oz. (236.6 ml)	16 oz. (473.1 ml)	32 oz. (.946 l)	128 oz. (3.78 l)

**1980/  
TRUCK SERIES 600/900**

**PAINTS, THINNERS, ETC.  
U.S. USAGE**

Note: The aerosol products listed below do not utilize a chlorofluorocarbon propellant system.

DESCRIPTION	PART NUMBER	DESCRIPTION	PART NUMBER
<b>SEALERS and UNDERCOATS</b>		<b>SEALERS and UNDERCOATS — Cont'd</b>	
Lacquer primer-surfacer -- medium gray-13 oz. spray can -r/b AL81 1000-H (11/89)	★ M6J 12-H	Interior primer - interior parts of electron cure coated ABS plastic -- 13 oz. spray can	D7AZ 19000-C
Primer/filler-exterior -- 5 oz. aerosol spray	AL81 1000-H	Plastic primer-for polypropylene interior parts- 13 oz. spray can-r/b E8AZ 19000-A (11/89)	★ D7AZ 19000-B
		Plastic Primer-for polypropylene interior parts -- 12 oz. (340g) aerosol can	E8AZ 19000-A

**PAINTS, THINNERS, ETC.  
CANADIAN USAGE**

DESCRIPTION	PART NUMBER	DESCRIPTION	PART NUMBER
<b>SEALERS and UNDERCOATS</b>		<b>SEALERS and UNDERCOATS — Cont'd</b>	
Interior primer-interior parts of electron cure coated ABS plastic-13 oz. spray can	D7AZ 19000-C	Plastic primer-for polypropylene interior parts- 13 oz. can-r/b E8AZ 19000-A (11/89)	★ D7AZ 19000-B
		Plastic Primer-for polypropylene interior parts -- 340 grams (12 oz.) aerosol can	E8AZ 19000-A

**LACQUERS AND SYNTHETIC ENAMELS  
INTERIOR PAINTS**

YEAR	INTERIOR TRIM	INTERIOR LOCATION				INTERIOR PAINT		SUFFIX	
	COLOR/CODE	-I/P=Instrument panel -U/P=Upper instrument panel -S/C=Steering column -I/C=Other interior components				COLOR	PART NUMBER		
		I/P	U/P	S/C	I/C			15 OZ.	13 OZ.

**PASSENGER AREA - LACQUER-SPRAY CAN**

U.S. and CANADIAN USAGE

- Note 1:** The interior spray paints listed below do not utilize a chlorofluorocarbon propellant system.
- Note 2:** \*Black components may be included in any trim scheme - use 2083 for black metallic, M4J 1724- H for black non-metallic and/or M4J 4149-H for charcoal black  
%Painted black or exterior body color #For exposed interior sheet metal surfaces painted exterior body color - refer to exterior paint section

**C - CT SERIES**

80/	Black, Charcoal or Gray- All Trim Codes	%	%	%	#				

**CL-CLT SERIES**

84/	Charcoal-A	*	*	*	#				
		I/P	U/P	S/C	I/C	Charcoal Black	M4J	4149	H
80/83	Blue-B	* <td>* <td>* <td>* <td></td> <td></td> <td></td> <td></td> </td></td></td>	* <td>* <td>* <td></td> <td></td> <td></td> <td></td> </td></td>	* <td>* <td></td> <td></td> <td></td> <td></td> </td>	* <td></td> <td></td> <td></td> <td></td>				
					#				
		I/P	U/P	S/C	I/C	Blue Metallic	★	4104	
					I/C	Blue (light)	★	4093	
80/83	Red-D	* <td>* <td>* <td>* <td></td> <td></td> <td></td> <td></td> </td></td></td>	* <td>* <td>* <td></td> <td></td> <td></td> <td></td> </td></td>	* <td>* <td></td> <td></td> <td></td> <td></td> </td>	* <td></td> <td></td> <td></td> <td></td>				
					#				
		I/P	U/P	S/C	I/C	Red Metallic (med.)	★	4020	
87/	Charcoal/Smoke-G	* <td>* <td>* <td>* <td></td> <td></td> <td></td> <td></td> </td></td></td>	* <td>* <td>* <td></td> <td></td> <td></td> <td></td> </td></td>	* <td>* <td></td> <td></td> <td></td> <td></td> </td>	* <td></td> <td></td> <td></td> <td></td>				
					#				
		I/P	U/P	S/C	I/C	Charcoal Black	M4J	4149	H
					I/C	Smoke	M4J	4179	H

**1980/  
TRUCK SERIES 600/900**

**LACQUERS AND SYNTHETIC ENAMELS**

**INTERIOR PAINTS**

YEAR	INTERIOR TRIM	INTERIOR LOCATION				INTERIOR PAINT			
	COLOR/CODE	-I/P=Instrument panel -U/P=Upper instrument panel -S/C=Steering column -I/C=Other interior components				COLOR	PART NUMBER		
		I/P	U/P	S/C	I/C				
									15 OZ. 13 OZ.

**PASSENGER AREA - LACQUER-SPRAY CAN -- Cont'd**

**U.S. and CANADIAN USAGE**

- Note 1:** The interior spray paints listed below do not utilize a chlorofluorocarbon propellant system.  
**Note 2:** \*Black components may be included in any trim scheme - use 2083 for black metallic, M4J 1724- H for black non-metallic and/or M4J 4149-H for charcoal black  
 %Painted black or exterior body color #For exposed interior sheet metal surfaces painted exterior body color - refer to exterior paint section

**CL-CLT SERIES**

80/86	Tan/Saddle-P,H	*	*	*	*					
					#					
		I/P	U/P	S/C	I/C	Saddle Metallic	M4J	4050		H
					I/C	Tan (light)	★	4042		
87/	Tan/Chestnut-L	*	*	*	*					
					#					
		I/P	U/P	S/C	I/C	Chestnut	M4J	4187		H
					I/C	Desert Tan (med.)	M4J	4145		H
87/	Chestnut-K	*	*	*	*					
					#					
		I/P	U/P	S/C	I/C	Chestnut	M4J	4187		H
80/86	Caramel-T	*	*	*	*					
					#					
		I/P	U/P	S/C	I/C	Caramel	★	4129		
80/83	Saddle-Z	*	*	*	*					
					#					
		I/P	U/P	S/C	I/C	Saddle Metallic	M4J	4050		H
					I/C	Tan (light)	★	4042		

**F-FT SERIES**

84/88	Charcoal-A	*	*	*	#					
		I/P	U/P	S/C	I/C	Charcoal Black	M4J	4149		H
89	Charcoal-A				#					
		I/P	U/P			Charcoal (dark)	M4J	4148-H		
				S/C		Charcoal Black	M4J	4172-H		
					I/C	Smoke	M4J	4179-H		
80/83	Blue-B			*	#					
		I/P	U/P		I/C	Wedgewood Blue	★	4117		
					I/C	White	★	1619		
80/83	Red-D			*	#					
		I/P	U/P		I/C	Red (medium)	★	4131		
					I/C	White	★	1619		
83/86	Desert Tan-H			*	#					
		I/P	U/P		I/C	Desert Tan	M4J	4145		H
87/	Chestnut-K	*	*	*	#					
		I/P	U/P	S/C	I/C	Chestnut	M4J	4187		H
80	Caramel-T			*	#					
		I/P	U/P		I/C	Caramel	★	4129		
					I/C	White	★	1619		
81/82	Nutmeg-T			*	#					
		I/P	U/P		I/C	Nutmeg	★	4133		

**1980/  
TRUCK SERIES 600/900**

**LACQUERS AND SYNTHETIC ENAMELS**

**INTERIOR PAINTS**

YEAR	INTERIOR TRIM	INTERIOR LOCATION				INTERIOR PAINT				
	COLOR/CODE	-I/P = Instrument panel -U/P = Upper instrument panel -S/C = Steering column -I/C = Other interior components				COLOR	PART NUMBER			SUFFIX
		I/P	U/P	S/C	I/C					15 OZ. 13 OZ.

**PASSENGER AREA - LACQUER-SPRAY CAN — Cont'd**

**U.S. and CANADIAN USAGE**

- Note 1:** The interior spray paints listed below do not utilize a chlorofluorocarbon propellant system.
- Note 2:** \*Black components may be included in any trim scheme - use 2083 for black metallic, M4J 1724- H for black non-metallic and/or M4J 4149-H for charcoal black
- %Painted black or exterior body color #For exposed interior sheet metal surfaces painted exterior body color - refer to exterior paint section

**L - LN - LNT - LT - LTL - LTS SERIES**

84/	Charcoal-A	*	*	*	#	Charcoal Black	M4J	4149			
		I/P	U/P	S/C	I/C						
80/83	Saddle or Tobacco-Z	*	*	*	*	Saddle (medium)	★	4015			
		I/P	U/P	S/C	I/C						
		I/P	U/P	S/C	I/C						
82/86	Caramel-T Gray-S Tan/Saddle-P,H	*	*	*	*	Saddle (medium)	★	4015			
		I/P	U/P	S/C	I/C						
		I/P	U/P	S/C	I/C						
87/	Charcoal/Smoke-G	*	*	*	#	Charcoal Black	M4J	4149			
		I/P	U/P	S/C	I/C						
		I/P	U/P	S/C	I/C						
87/	Tan/Chestnut-L	*	*	*	*	Chestnut	M4J	4187			
		I/P	U/P	S/C	I/C						
		I/P	U/P	S/C	I/C						
87/	Chestnut-K	*	*	*	*	Desert Tan (med.)	M4J	4145			
		I/P	U/P	S/C	I/C						
		I/P	U/P	S/C	I/C						



1980/  
TRUCK SERIES 600/900

**LACQUERS AND SYNTHETIC ENAMELS  
EXTERIOR PAINTS U.S. USAGE**

CODE	YEAR	NAME	ACRYLIC ENAMEL				ACRYLIC LACQUER			
			PART NUMBER				PART NUMBER			
			PREFIX	BASE	SUFFIX		PREFIX	BASE	SUFFIX	
		1/2 OZ.	QT.	5 OZ. SPRAY			1/2 OZ.	QT.	5 OZ. SPRAY	

**Note 1:** The exterior spray paints listed below do not utilize a chlorofluorocarbon propellant system.

**Note 2:** ● Certification label, φ Clear coat colors

	80/	Primer/Filler							AL81	1000	B		H
	80/	Flat Black							AL81	1724	GB		GH
	80/	Clear Gloss Lacquer							φ AL81	6000	B		H
1	80	Tri Tone (CL-CLT) Refer to codes 8B,8R,9F											
15	81/83	Silver Metallic	★		5715								
1B	84/85	Medium Charcoal Metallic							★	5874			
1C	80/	Black							AL81	1724	B		H
1D	86/	Dark Charcoal Metallic							AL81	6044	B		H
1E	87/	Light Charcoal Metallic							AL81	5967	B		H
1F	89	Dark Charcoal Metallic							φ AL81	6021	B		
1G	81/83	Silver Metallic	★		5299								
1G	86/	Light Charcoal Metallic							AL81	6214	B		H
1L	86/	Crystal							φ AL81	6069	B		H
1P	80/83	Medium Grey Metallic	★		5523								
1Q	84/86	Light Charcoal Metallic							φ AL81	5909	B		
1Q	88/	Light Charcoal Metallic							φ AL81	6041	B		
1R	84/	Black							φ AL81	1724	B		H
1S	81/83	Medium Grey Metallic	★		5537								
1S	87/	Bronze Black							φ AL81	6171	B		
1V	80	Black Metallic	★		5561								
1W	80/83	Black	★		5554								
1Y	80	Silver Metallic	★		5586								
1Y	84/85	Dark Charcoal Metallic							φ AL81	5966	B		
1Z	84/88	Medium Charcoal Metallic							★	5872			
2	80	Tri Tone (CL-CLT) Refer to codes 37,39,9F											
22	80/	Rangoon Red							AL81	5696	B		H
23	80/83	Dark Red Metallic	★		5552								
25	80/81	Bright Red	★		5555								
27	82/85	Bright Red	★		5734								
27	88	Medium Red							AL81	6153	B		H
2B	88	Medium Red							φ AL81	6158	B		
2K	80/	Candyapple Red							AL81	5681	B		H
2L	82/	Maroon							AL81	5682	B		H
2M	84/87	Medium Canyon Red							★	6003			
2N	81/83	Light Red	★		5795								
2V	85/	Light Red							φ AL81	6034	B		
3	80	Tri Tone (CL-CLT) Refer to codes 1V,25,9F											
32	82/83	Light Blue	★		5829								
34	80/82	Medium Blue	★		5041								
37	80/83	Medium Blue Metallic	★		5560								
39	80/83	Bright Dark Blue Metallic	★		5557								
3B	80/82	Midnight Blue Metallic	★		5660								
3B	84/86	Dark Colonial Blue Met.							φ AL81	6007	B		
3G	84/85	Med. Colonial Blue Met.	★		5998								
3L	82/88	Dark Blue Metallic							AL81	5616	B		
3N	85/	Dark Blue Metallic							φ AL81	6027	B		
3Q	81/83	Dark Blue Metallic	★		5588								
3S	84/87	Pastel Colonial Blue Met.							★	6004			
3T	80/	Bright Medium Blue							AL81	5004	B		H
3W	88	Light Regatta Blue Metallic							φ AL81	5987	B		

October, 1993

COPYRIGHT © 1993 - FORD MOTOR - DEARBORN, MICHIGAN

COMPANY

Final Issue

1980/  
TRUCK SERIES 600/900

**LACQUERS AND SYNTHETIC ENAMELS**  
**EXTERIOR PAINTS U.S. USAGE**

C O D E	YEAR	NAME	ACRYLIC ENAMEL			ACRYLIC LACQUER		
			PART NUMBER			PART NUMBER		
			PREFIX BASE	SUFFIX		PREFIX BASE	SUFFIX	
1/2 OZ.	QT.	5 OZ. SPRAY		1/2 OZ.	QT.		5 OZ. SPRAY	
Note 1: The exterior spray paints listed below do not utilize a chlorofluorocarbon propellant system. Note 2: ● Certification label, φ Clear coat colors								
4	80	Tri Tone (CL-CLT) Refer to codes 1V,1Y,25						
4H	81/83	Dark Spruce Metallic	★	5741				
4K	81/83	Light Pine Metallic	★	5748				
4Q	89	Wild Strawberry					φ AL81 6342	B H
4R	86	Light Green					AL81 8482	B H
4T	88/	Black					AL81 1724	B H
4V	89	Medium Currant Red					φ AL81 6381	B H
4W	89	Medium Copper Metallic					φ AL81 6012	B
4Z	89	Light Crystal Blue					φ AL81 6328	B H
5	80	Tri Tone (CL-CLT) Refer to codes 1Y,37,39						
53	84/85	Medium Desert Tan					AL81 5948	H
54	85/	Medium Caramel Metallic					φ AL81 6028	B
5B	85	Light Caramel	★	6036				
5E	81	Light Fawn	★	5721				
5F	83/	Light Orange					AL81 5466	B H
5G	81/86	Dark Caramel Metallic	★	5757				
5L	81/83	Pastel Caramel	★	5708				
5L	88	Dark Red Opal					φ AL81 6230	B
5N	87	Pastel Desert Tan Metallic					★ 6100	
5T	81/86	Bright Caramel	★	5663				
6	80	Tri Tone (CL-CLT) Refer to codes 8B,8R,8S						
67	86/	Chrome Yellow					AL81 1526	B H
6D	80	Pastel Sand	★	5620				
6E	84/	Light Wheat Metallic					φ AL81 5941	B
6J	81/83	Light Rattan Metallic	★	5691				
6J	88/	Chestnut					φ AL81 6260	B
6M	89	Bright Orange					AL81 5466	B H
6N	86/	Bright Yellow					AL81 5733	B H
6S	80/	Chrome Yellow					AL81 1526	B H
6U	82	Light Tan	★	5441				
6Y	88/	Dark Chestnut					φ AL81 6262	B H
7	80	Tri Tone (CL-CLT) Refer to codes 8B,8P,8R						
76	80	Light Medium Pine	★	5610				
7D	80/	Holly Green					AL81 1237	B H
7H	89	Bright Regatta Blue Metallic					AL81 5979	B H
7K	87	Dark Shadow Blue Metallic					φ AL81 6196	B
7M	80	Dark Pine Metallic					AL81 5612	H
7N	89	Dark Shadow Blue Metallic					AL81 6196	B H
7Q	89	Dark Shadow Blue Metallic					φ AL81 6196	B H
8	80	Tri Tone (CL-CLT) Refer to codes 8B,8P,9F						
84	85/86	Pastel Chamois					φ AL81 6035	B
87	88	Dark Taupe					φ AL81 6231	B
89	81/82	Fawn	★	5726				
8A	80/83	Dark Chamois Metallic	★	5667				
8B	80/83	Dark Chamois Metallic	★	5661				
8C	83/86	Pastel Chamois					AL81 5835	B H
8P	80/83	Brite Caramel	★	5707				

1980/  
TRUCK SERIES 600/900

**LACQUERS AND SYNTHETIC ENAMELS  
EXTERIOR PAINTS U.S. USAGE**

C O D E  ●	YEAR	NAME	ACRYLIC ENAMEL PART NUMBER				ACRYLIC LACQUER PART NUMBER				
			PREFIX BASE		SUFFIX		PREFIX BASE		SUFFIX		
					1/2 OZ.	QT.			1/2 OZ.	QT.	
					5 OZ. SPRAY					5 OZ. SPRAY	
<p><b>Note 1:</b> The exterior spray paints listed below do not utilize a chlorofluorocarbon propellant system.</p> <p><b>Note 2:</b> ● Certification label, φ Clear coat colors</p>											
8P	86	Light Desert Tan Metallic	★	5710				AL81	5934	B	H
8Q	86/	Light Desert Tan									
8R	80/83	Brite Caramel Metallic	★	5709							
8S	80/81	Pastel Chamois	★	5713							
8W	80	Chamois Metallic	★	5939							
9	80	Tri Tone (CL-CLT) Refer to codes 37,39,9F									
94	86/	Diamond White						AL81	691	B	H
95	88/	Dark Chestnut Metallic						AL81	6262	B	H
9A	80/87	White						AL81	1619	B	H
9B	82/83	Dove Gray	★	5553							
9E	80/	Special White						AL81	1525	B	H
9F	80/83	White	★	5543							
9K	85/87	White	★	6029							
9M	88	White						AL81	6210	B	H
9P	83	Medium Desert Tan	★	5853							
9Q	83	Light Desert Tan	★	5852							
9S	84/87	Dark Walnut Metallic						φ AL81	5922	B	
9T	87/	Light Chestnut						AL81	6190	B	H
9V	84/86	Light Charcoal Metallic						AL81	5865		H
9Y	83/	Dark Walnut Metallic						AL81	5858	B	H
9Z	88	Light Charcoal Metallic						φ AL81	6041	B	
10	80	Tri Tone (CL-CLT) Refer to codes 23,25,9F									
11	80	Tri Tone (CL-CLT) Refer to code 1V									
12	80	Tri Tone (CL-CLT) Refer to codes 25,39,9F									

**LACQUERS AND SYNTHETIC ENAMELS  
EXTERIOR PAINTS CANADIAN USAGE**

C O D E  ●	YEAR	NAME	ACRYLIC ENAMEL PART NUMBER				ACRYLIC LACQUER PART NUMBER				
			PREFIX BASE		SUFFIX		PREFIX BASE		SUFFIX		SPRAY BOMB 6 OZ.
					1/2 OZ.	QT.			1/2 OZ.	QT.	
<p>● Certification Label</p> <p>φ Clear coat colors</p>											
	80/	Primer/Filler						AL81	1000	B	
	80/	Clear Coat	★	50							
	80/	Clear Gloss Lacquer						φ AL81	6000	B	
	80/	Flat Black						AL81	1724	GB	
1	80	Tri Tone (CL-CLT) Refer to codes 8B,8R,9F									
15	81/83	Silver Metallic	★	5715							
1B	84/85	Medium Charcoal Metallic						★	5874		
1C	80/	Black						AL81	1724	B	
1D	86/	Dark Charcoal Metallic						AL81	6044	B	
1E	87/	Light Charcoal Metallic						AL81	5967	B	
1F	89	Dark Charcoal Metallic						φ AL81	6021	B	
1G	81/83	Silver Metallic	★	5299							

1980/  
TRUCK SERIES 600/900

**LACQUERS AND SYNTHETIC ENAMELS**  
**EXTERIOR PAINTS**                      **CANADIAN USAGE**

C O D E	YEAR	NAME	ACRYLIC ENAMEL			ACRYLIC LACQUER				
			PART NUMBER			PART NUMBER				
			PREFIX	BASE	SUFFIX	1/2 OZ.	QT.	PREFIX	BASE	SUFFIX

● Certification Label

φ Clear coat colors

1G	86/	Light Charcoal Metallic					AL81	6214	B		
1L	86/	Crystal					φ AL81	6069	B		
1P	80/83	Medium Grey Metallic	★	5523							
1Q	84/86	Light Charcoal Metallic					φ AL81	5909	B		
1Q	88/	Light Charcoal Metallic					φ AL81	6041	B		
1R	84/	Black					φ AL81	1724	B		
1S	81/83	Medium Grey Metallic	★	5537							
1S	87/	Bronze Black					φ AL81	6171	B		
1V	80	Black Metallic	★	5561							
1W	80/83	Black	★	5554							
1Y	80	Silver Metallic	★	5586							
1Y	84/85	Dark Charcoal Metallic					φ AL81	5966	B		
1Z	84/88	Medium Charcoal Metallic					★	5872			
2	80	Tri Tone (CL-CLT) Refer to codes 37,39,9F									
22	80/	Rangoon Red					AL81	5696	B		
23	80/83	Dark Red Metallic	★	5552							
25	80/81	Bright Red	★	5555							
27	82/85	Bright Red	★	5734							
27	88	Medium Red					AL81	6153	B		
2B	88	Medium Red					φ AL81	6158	B		
2K	80/	Candyapple Red					AL81	5681	B		
2L	82/	Maroon					AL81	5682	B		
2M	84/87	Medium Canyon Red					★	6003			
2N	81/83	Light Red	★	5795							
2V	85/	Light Red					φ AL81	6034	B		
3	80	Tri Tone (CL-CLT) Refer to codes 1V,25,9F									
32	82/83	Light Blue	★	5829							
34	80/82	Medium Blue	★	5041							
37	80/83	Medium Blue Metallic	★	5560							
39	80/83	Brt. Dark Blue Met.	★	5557							
3B	80/82	Midnight Blue Metallic	★	5660							
3B	84/86	Dark Colonial Blue Met.					φ AL81	6007	B		
3G	84/85	Med. Colonial Blue Met.	★	5998							
3L	82/88	Dark Blue Metallic					★	5616			
3N	85/	Dark Blue Metallic					φ AL81	6027	B		
3Q	81/83	Dark Blue Metallic	★	5588							
3S	84/87	Pastel Colonial Blue Met.					★	6004			
3T	80/	Bright Medium Blue					AL81	5004	B		
3W	88	Light Regetatta Blue Metallic					φ AL81	5987	B		
4	80	Tri Tone (CL-CLT) Refer to codes 1V,1Y,25									
4H	81/83	Dark Spruce Metallic	★	5741							
4K	81/83	Light Pine Metallic	★	5748							
4Q	89	Wild Strawberry					φ AL81	6342	B		
4R	86	Light Green					AL81	8482	B		
4T	88/	Black					AL81	1724	B		
4V	89	Medium Currant Red					φ AL81	6381	B		
4W	89	Medium Copper Metallic					φ AL81	6012	B		

1980/  
TRUCK SERIES 600/900

**LACQUERS AND SYNTHETIC ENAMELS**  
**EXTERIOR PAINTS CANADIAN USAGE**

C O D E	YEAR	NAME	ACRYLIC ENAMEL			ACRYLIC LACQUER			
			PART NUMBER			PART NUMBER			
			PREFIX	BASE	SUFFIX	PREFIX	BASE	SUFFIX	SPRAY BOMB
			1/2 OZ.	QT.		1/2 OZ.	QT.	6 OZ.	
		● Certification Label							
		φ Clear coat colors							
4Z	89	Light Crystal Blue				φ AL81	6328	B	
5	80	Tri Tone (CL-CLT) Refer to codes 1Y,37,39							
53	84/85	Medium Desert Tan	★	5948					
54	85/	Medium Caramel Met.				φ AL81	6028	B	
5B	85	Light Caramel	★	6036					
5E	81	Light Fawn	★	5721					
5F	83/	Light Orange				AL81	5466	B	
5G	81/86	Dark Caramel Metallic	★	5757					
5L	81/83	Pastel Caramel	★	5708					
5L	88	Dark Red Opal				φ AL81	6230	B	
5N	87	Pastel Desert Tan Metallic				★	6100		
5T	81/86	Bright Caramel	★	5663					
6	80	Tri Tone (CL-CLT) Refer to codes 8B,8R,8S							
67	86/	Chrome Yellow				AL81	1526	B	
6D	80	Pastel Sand	★	5620					
6E	84/	Light Wheat Metallic				φ AL81	5941	B	
6J	81/83	Light Rattan Metallic	★	5691					
6J	88/	Chestnut				φ AL81	6260	B	
6M	89	Bright Orange				AL81	5466	B	
6N	86/	Bright Yellow				AL81	5733	B	
6S	80/	Chrome Yellow				AL81	1526	B	
6U	82	Light Tan	★	5441					
6Y	88/	Dark Chestnut				φ AL81	6262	B	
7	80	Tri Tone (CL-CLT) Refer to codes 8B,8P,8R							
76	80	Light Medium Pine	★	5610					
7D	80/	Holly Green				AL81	1237	B	
7H	89	Bright Regatta Blue Met.				AL81	5979	B	
7K	87	Dk. Shadow Blue Metallic				φ AL81	6196	B	
7M	80	Dark Pine Metallic	★	5612					
7N	89	Dark Shadow Blue Metallic				AL81	6196	B	
7Q	89	Dark Shadow Blue Metallic				φ AL81	6196	B	
8	80	Tri Tone (CL-CLT) Refer to codes 8B,8P,9F							
84	85/86	Pastel Chamois				φ AL81	6035	B	
87	88	Dark Taupe				φ AL81	6231	B	
89	81/82	Fawn	★	5726					
8A	80/83	Dark Chamois Metallic	★	5667					
8B	80/83	Dark Chamois Metallic	★	5661					
8C	83/86	Pastel Chamois				AL81	5835	B	
8P	80/83	Brite Caramel	★	5707					
8P	86	Light Desert Tan Metallic	★	5710					
8Q	86/					AL81	5934	B	
8R	80/83	Brite Caramel Metallic	★	5709					
8S	80/81	Pastel Chamois	★	5713					
8W	80	Chamois Metallic	★	5739					
9	80	Tri Tone (CL-CLT) Refer to codes 37,39,9F							

1980/  
TRUCK SERIES 600/900

LACQUERS AND SYNTHETIC ENAMELS  
EXTERIOR PAINTS CANADIAN USAGE

C O D E ●	YEAR	NAME	ACRYLIC ENAMEL			ACRYLIC LACQUER			
			PART NUMBER			PART NUMBER			
			PREFIX BASE	SUFFIX		PREFIX BASE	SUFFIX		SPRAY BOMB 6 OZ.
1/2 OZ.	QT.	1/2 OZ.		QT.					

● Certification Label  
φ Clear coat colors

94	86/	Diamond White				AL81	691	B	
95	88/	Dark Chestnut Metallic				AL81	6262	B	
9A	80/87	White				AL81	1619	B	
9B	82/83	Dove Gray	★	5553					
9E	80/	Special White				AL81	1525	B	
9F	80/83	White	★	5543					
9K	85/87	White	★	6029					
9M	88	White				AL81	6210	B	
9P	83	Medium Desert Tan	★	5853					
9Q	83	Light Desert Tan	★	5852					
9S	84/87	Dark Walnut Metallic				φ AL81	5922	B	
9T	87/	Light Chestnut				AL81	6190	B	
9V	84/86	Light Charcoal Metallic				AL81	5865	B	
9Y	83/	Dark Walnut Metallic				AL81	5858	B	
9Z	88	Light Charcoal Metallic				φ AL81	6041	B	
10	80	Tri Tone (CL-CLT) Refer to codes 23,25,9F							
11	80	Tri Tone (CL-CLT) Refer to code 1V							
12	80	Tri Tone (CL-CLT) Refer to codes 25,39,9F							

APPEARANCE and MAINTENANCE MATERIALS

U.S. USAGE

PART NUMBER	DESCRIPTION	PART NUMBER	DESCRIPTION
<b>Note:</b> The aerosol products listed below do not utilize a chlorofluorocarbon propellant system.			
<b>PAINTS and REFINISHING MATERIALS</b>		<b>CLEANERS, WAXES and POLISHES — Cont'd</b>	
D7AZ 19000-A	Paint (argent lacquer) -- 13 oz spray can	E0AZ 19526-B	Cleaner white wall tire -- (12) 16 oz. plastic spray bottles
<b>CLEANERS, WAXES and POLISHES</b>		E0AZ 19526-BA	Whitewall Tire Cleaner-extra-strength -- (12) 16 fl. oz. bottles
B7A 19520-AA	Tar and road oil remover -- (12) 16 oz. cans	E0AZ 19526-C	Whitewall Tire Cleaner (4) 1 gal. jugs
B7A 19521-AA	Spot and Stain Remover (chlorothene cleaner) -- (12) 1 pt. cans	★ E2AZ 19526-A	Automotive Fabric Spot Lifter-for use on most automotive cloth fabrics and carpets -- (12) 6.5 oz. aerosol cans w/brush cap r/b E8AZ 19526-A (11/89)
E0AZ 19521-AA	Cleaner-leather and vinyl -- (12) 16 oz. plastic bottles	E8AZ 19526-A	Soil and Spot Lifter-for use on most automotive pile-type fabrics -- (12) 8 oz. plastic bottles
★ 8A 19522	Bright metal cleaner -- (12) 1 pt. cans r/b 8A 19522-A (7/89)	B7AZ 19530-AA	Custom Silicone Gloss Polish (12) 16 fl. oz. bottles
8A 19522-A	Custom Bright Metal Cleaner -- (12) 16 fl. oz. bottles	B7A 19530-B	New Car Prep -- (2) 1 gal. cans
B8A 19523-AA	Multi-Purpose Cleaner concentrate - for vinyl and leather trim -white sidewall tires -vinyl and convertible tops -automobile rugs and upholstery -automobile exteriors -- (12) 1 qt. plastic bottles	E6AZ 19530-A	Vinyl Protectant-used to enhance the beauty of interior and exterior vinyl, rubber, leather and plastic surfaces -- (12) 12 fl. oz. (0.355l) pump spray plastic bottles
B8A 19523-B	Multi-Purpose Cleaner concentrate - for vinyl and leather trim -white sidewall tires -vinyl and convertible tops -automobile rugs and upholstery -automobile exteriors -- (6) 1 gal. plastic bottles	E6AZ 19530-AA	Custom Vinyl Protectant -used to enhance the beauty of interior and exterior vinyl, rubber, leather and plastic surfaces -- (12) 12 fl. oz. bottles w/pump spray
B8A 19523-C	Multi-Purpose Cleaner concentrate - for vinyl and leather trim -white sidewall tires -vinyl and convertible tops -automobile rugs and upholstery -automobile exteriors -- 55 gal. drum	★ E6AZ 19530-B	Vinyl Protectant-used to enhance the beauty of interior and exterior vinyl, rubber, leather and plastic surfaces -- (4) 1 gal. (3.785l) plastic bottles-N/R
E8AZ 19523-AA	Upholstery Cleaner (Extra strength) -- (12) 14 oz. aerosol cans	F1AZ 19530-A	Clearcoat polish-for use on all vehicles with clearcoat paint -- (12) 16 fl. oz bottles
C9AZ 19523-A	Wash and wax concentrate -- (4) 1 gal. plastic containers	F2AZ 19530-A	Custom Vinyl Protectant used to enhance the beauty of interior and exterior vinyl, rubber, leather and plastic surfaces -- (12) 12 fl. oz. bottles w/pump spray
★ D6AZ 19523-A	Wash and wax concentrate -- (12) 16oz. plastic containers-r/b D6AZ 19523-AA (11/89)	F2AZ 19526-AA	Triple Clean for leather and vinyl trim - vinyl and convertible tops-not for use on cloth fabrics -- (1) 1 gal. "liqui-box" container
D6AZ 19523-AA	One-Step Wash and Wax concentrate -- (12) 16 fl. oz. bottles	F2LY 19530-AA	Clearcoat polish-for use on all vehicles with clearcoat paint -- (1) 5 gal. "liqui-box" container
F2AZ 19523-A	One-Step Wash and Wax concentrate -- (12) 16 fl. oz. bottles	F2SZ 19530-AA	Custom Vinyl Protectant-used to enhance the beauty of interior and exterior vinyl, rubber, leather and plastic surfaces -- (1) 5 gal. "liqui-box" container
F2AZ 19523-B	Wash and Wax concentrate -- (4) 1 gal. plastic containers	F2VY 19530-A	Super Premium Tire & Trim Dressing-used to add a brilliant, long lasting shine to tires, rubber and trim -- (12) 16 fl. oz. bottles w/sprayer
F2AZ 19523-C	Wash and wax concentrate -- (1) 5 gal. "liqui-box" container	F2VY 19530-B	Super Premium Tire & Trim Dressing-used to add a brilliant, long lasting shine to tires, rubber and trim- (4) 1 gal. bottles
F2DZ 19523-AA	Multi-Purpose Cleaner - for vinyl and leather trim, white sidewall tires, vinyl and convertible tops, automobile carpets and upholstery, automobile exteriors -- (1) 5 gal. "liqui-box" container	F2ZZ 19530-AA	Custom silicone gloss polish -- (1) 5 gal. "liqui-box" container
E0AZ 19526-AA	Triple Clean-for leather and vinyl trim -vinyl and convertible tops -not for use on cloth fabrics -- (12) 16 oz. bottles w/pump spray	B4A 19534-A	Custom Paste Wax -- (12) 8 oz. cans
		B4A 19534-AA	Custom Paste Wax -- (12) 8 oz. cans
		★ E4AZ 19534-A	Custom Cream Wax-w/applicator -- (12) 8 oz. containers r/b E4AZ 19534 AA (11/89)
		E4AZ 19534-AA	Custom Cream Wax-w/applicator -- (12) 8 oz. cans

**1980/  
TRUCK SERIES 600/900**

**APPEARANCE and MAINTENANCE MATERIALS**

U.S. USAGE

PART NUMBER	DESCRIPTION	PART NUMBER	DESCRIPTION
<b>Note:</b> The aerosol products listed below do not utilize a chlorofluorocarbon propellant system			
<b>CLEAR VISION AIDS</b>		<b>COOLING SYSTEM AIDS --- Cont'd</b>	
E4AZ 19C507-AA	Ultra-Clear Spray Glass Cleaner -- (12) 18 oz. aerosol cans	E2FZ 19549-B	Ford Cooling System Fluid (permanent anti-freeze) -- not for use with FTO diesel engines -- 55 gal. drum
C9AZ 19550-AA	Ultra Clear Windshield Washer concentrate -- (12) 16 oz. plastic bottles	E6HZ 19549-A	Cooling system fluid-used with FTO diesel engines -- 55 gal. (208 liters) drum
C9AZ 19550-BA	Ultra Clear Windshield Washer concentrate -- (12) 32 oz. plastic bottles	D9AZ 19558-A	Protector Pellets (cooling system) -- 2 pellets per card--24 cards per carton
<b>COOLING SYSTEM AIDS</b>		*RA-1	
*D6AZ 19A503-AA	Cooling System Flush (non acid) -- (12) 12 oz. cans-r/b F1AZ 19A503-A (12/91)	D9AZ 19558-PAK	Kit-Protector Pellets (cooling system) --consists of 48 pellet cards and 1 fender cover
F1AZ 19A503-A	Cooling System Flush (non acid) - (12) 11 fl. oz. cans	*RA-1000	
E2FZ 19549-AA	Ford Cooling System Fluid (permanent anti-freeze) -- not for use with FTO diesel engines -- (6) 1 gal. cans	E6AZ 19558-A	Protector Powder (cooling system) -- (20) 3/4 oz. tubular plastic containers on a display carton
		*RA-2	

**APPEARANCE and MAINTENANCE MATERIALS**

U.S. USAGE

**MOTOR OILS and LUBRICANTS**

PART NUMBER	FORD SPECIFICATION NUMBER	DESCRIPTION
<b>Note:</b> Always refer to the owners manual or Ford shop manual to verify the proper specification number before ordering.		
<b>Note:</b> The aerosol products listed below do not utilize a chlorofluorocarbon propellant system.		
C6AZ 19542-AA	ESA M6C25-A	Brake and hydraulic clutch fluid (extra heavy duty)- for vehicles w/disc or drum brakes -- (24) 16 oz. (473.12 ml.) cans
C6AZ 19542-BA	ESA M6C25-AA	Brake and hydraulic clutch fluid (extra heavy duty) - for vehicles w/disc or drum brakes -- (12) 1 qt. (0.946 litre) cans
C0AZ 19553-AA	ESR M13P4-A	Silicone lubricant (jell type) -- 8 oz. (226.80g) tube
D7AZ 19553-AA	ESR M13P4-A	Silicone lubricant -- 15 oz. (443.55 ml.) aerosol spray can
E2SZ 19553-A	ESE M2C160-A	Dry film lubricant--reduces friction resulting from metal to metal contact and helps provide corrosion resistance -- 4 oz. can
C3AZ 19578-A	ESW M1C87-A	Steering gear grease -- (4) -- 14 1/2 oz. (411.075 g.) cartridges
B7A 19579-C		Crankcase conditioner and rust inhibitor -- (12) 16 oz. (473.12 ml.) cans
*D9AZ 19579-CA	ESR M99C80-A	Oil conditioner--(gas engines) -- (12) 16 fl. oz. cans-r/b D9AZ 19579-D
D9AZ 19579-D	ESR M99C80-A	Engine assemble lubricant--(gas engines) -- (12) 16 fl. oz. cans
*XG 1-C	ESA M1C75-B	Grease--Premium Long-Life -- (40) 14 oz. (396 g.) cartridges
*XG 1-K	ESA M1C75-B	Grease--Premium Long-Life -- 120 lb. Keg
*X0 5W30-BSP	ESR M2C129-C	Motor oil (Super Premium)--5W30 -- 1 gal. (Bulk)--gas engines only
*X0 5W30-DSP	ESR M2C129-C	Motor oil (Super Premium) 5W30 55 gal. drum--gas engines only
*X0 5W30-QSP	ESR M2C129-C	Motor oil (Super Premium) 5W30 -- (12) 1 qt. (0.946 l) cans --gas engines only
*X0 10W30-BP	ESR M2C127-B	Motor oil (Premium)--10W30 -- 1 gal. (Bulk) --for all gas engines & diesel engines exc. turbo-r/b X0 10W30-BSP (2/90)
*X0 10W30-DP	ESR M2C127-B	Motor oil (Premium)--10W30 -- 55 gal. (208.2l) drum --for all gas engines & diesel engines exc. turbo-r/b X0 10W30 DSP (2/90)
*X0 10W30-QP	ESR M2C127-B	Motor oil (Premium)--10W30 -- (12) 1 qt. (0.946 l) cans --for all gas engines & diesel engines exc. turbo-r/b X0 10W30-QSP (2/90)
*X0 10W30-BSP	ESR M2C129-C	Motor oil (Super Premium)--10W30 -- 1 gal. (bulk)--gas engines only
*X0 10W30-DSP	ESR M2C129-C	Motor oil (Super Premium)--10W30-- 55 gal. drum (208.2l)--gas engines only
*X0 10W30-QSP	ESR M2C129-C	Motor oil (Super Premium)--10W30 -- (12) 1 qt. (0.946l) cans
*X0 10W40-BSP	ESR M2C129-C	Motor oil (Super Premium)--10W40 -- 1 gal. (Bulk)--gas engines only
*X0 10W40-DSP	ESR M2C129-C	Motor oil (Super Premium)--10W40 -- 55 gal. (208.2 l) drum --gas engines only
*X0 10W40-QSP	ESR M2C129-C	Motor oil (Super Premium)--10W40 -- (12) 1 qt. (0.946 l) cans --gas engines only



APPEARANCE and MAINTENANCE MATERIALS  
U.S. USAGE  
MOTOR OILS and LUBRICANTS

PART NUMBER	FORD SPECIFICATION NUMBER	DESCRIPTION
<b>Note:</b> The aerosol products listed below do not utilize a chlorofluorocarbon propellant system.		
*XO 15W40-BSD	ESR M2C171-A	Motor oil (Super Duty)-15W40 -- 1 gal. (Bulk)-for gas & diesel engines
*XO 15W40-DSD	ESR M2C171-A	Motor oil (Super Duty)-15W40 -- 55 gal. (208.2l) drum -for gas and diesel engines
*XO 15W40-QSD	ESR M2C171-A	Motor oil (Super Duty)-15W40 -- (12) 1 qt. (0.946l) cans -for gas and diesel engines
*XO 20W40-BP	ESR M2C127-B	Motor oil (Premium)-20W40 -- 1 gal. (Bulk) -for all gas engines & diesel engines exc. turbo
*XO 20W40-DP	ESR M2C127-B	Motor oil (Premium)-20W40 -- 55 gal. (208.2 l) drum -for all gas engines & diesel engines exc. turbo
*XO 20W40-QP	ESR M2C127-B	Motor oil (Premium)-20W40 -- (12) 1 qt. (0.946 l) cans -for all gas engines & diesel engines exc. turbo
*XO 30-BSD	ESR M2C171-A	Motor oil (Super Duty)-30W -- 1 gal. (Bulk)-for gas and diesel engines
*XO 30-DSD	ESR M2C171-A	Motor oil (Super Duty)-30W -- 55 gal. (208.2l) drum -for gas and diesel engines
*XO 30-QSD	ESR M2C171-A	Motor oil (Super Duty)-30W -- (12) 1 qt. (0.946l) cans -for gas and diesel engines
C2AZ 19580-F	ESW M2C28-BA	Lubricant-manual str. gear -- 120 lb. key (S.A.E. 90)
E2HZ 19580-A	ESW M2C28-BA	Lubricant-manual str. gear -- 1 gal. container
C6AZ 19580-E	ESW M2C105-A	Hypoid gear lubricant rear axle-used with conventional axles only -- 1 gal. (3.8 litres) can
D2AZ 19581-A	ESF M1C160-A	Speedometer Cable Lubricant -- 1 lb. (0.453 kg) can
★	ESP M2C138-CJ	Automatic Trans. Fluid-Type "CJ" -- use MERCON for service
*XT 2-BDX	MERCON®	Automatic Trans. Fluid-Type MERCON® for P/S pumps -- 1 gal. (Bulk)
*XT 2-DDX	MERCON®	Automatic Trans. Fluid-type MERCON® for P/S pumps -- 55 gal. (208.2 litres) drum
*XT 2-QDX	MERCON®	Automatic Trans. Fluid-type MERCON® for P/S pumps -- (12) 1 qt. (0.946 litres) cans
D9AZ 19583-A	ESR M99B135-A	Rubber lubricant triple purpose -- (4) 1 gal. (3.785 kg.) containers use to mount and demount tires, remove rubber squeaks and clean rubber parts
D0AZ 19584-AA	ESR M1C159-A	Multi-Purpose Grease -- (4) 4 oz. (113.40 g.) aluminum tubes w/plastic cut off spouts
D7AZ 19584-AA	ESR M1C159-A	Multi-Purpose Grease -- 15 oz. (445.45 ml.) spray
F2AZ 19584-A	ESB M1C158-A	Grease-Electrical -- 2 oz. (56.7g) tube
D8AZ 19587-AA	ESB M2C20-A	Lock Lubricant -- (12) 3.5 oz. aerosol cans w/snorkel
★ C1AZ 19590-BA	ESA M1C175-B	Lubricant long life -- (4) 14 1/2 oz. (411.075 g.) cartridges-NR
C1AZ 19590-C	ESA M1C175-B	Lubricant long life -- 120 lb. (54.432 kg.) keg
C1AZ 19590-D	ESA M1C175-B	Lubricant long life -- 25 lb. (11.34 kg.) pail
★ C1AZ 19590-E	ESA M1C175-B	Lubricant long life -- (4) 5 lb. (2.26 kg.) pails-NR
E6HZ 19590-A		Grease-rear axle shifter-used to repair 2-speedmotor -- 1/4 oz. tube
*XY 90-KL	ESP M2C154-A	Premium Rear Axle Lubricant-SAE 90-for Ford design rear axles only-use with friction modifier C8AZ 19B546-A in Ford Traction-Lok axles-16 gal. drum
*XY 90-QL	ESP M2C154-A	Premium Rear Axle Lubricant-SAE 90-for Ford design rear axles only-use with friction modifier C8AZ 19B546-A in Ford Traction-Lok axles-(12) 1 qt. (0.946l) bottles

1980/  
TRUCK SERIES 600/900

**APPEARANCE and MAINTENANCE MATERIALS**

U.S. USAGE

PART NUMBER	DESCRIPTION	PART NUMBER	DESCRIPTION
<b>Note:</b> The aerosol products listed below do not utilize a chlorofluorocarbon propellant system.			
<b>SEALERS and ADHESIVES</b>		<b>SEALER and ADHESIVES — Cont'd</b>	
★ D7AZ 19B508-AA	Gasket and Trim Adhesive -- 16 oz. can w/brush-r/b D7AZ 19B508-B (1/91)	E2AZ 19562-B	Gasket Maker—for use when specified in the replacement of gaskets and the sealing of flanges—not for use on oil pans, and rocker covers -- 1.7 fl. oz. (50 ml.) tube
D7AZ 19B508-B	Gasket and Trim Adhesive -- 16 fl. oz. bottle w/brush	E6AZ 19562-A	Silicone Gasket Adhesive—used to seal silicone gaskets -- 8 fl. oz. (0.236L) can with brush
★ E4AZ 19C548-A	Automatic Trans. Sealer -- (6) 11 oz. containers—N/R (9/91)	F1AZ 19562-A	Silicone gasket and sealant -- 5 oz. caulking tube
★ 8A 19552-B	Rubber cement -- (12) 5 oz. tubes (black)— r/b E8AZ 19552-A (10/89)	<b>SPECIAL PRODUCTS</b>	
★ C0AZ 19552-AA	Weatherstrip Adhesive -- (12) 5 fl. oz. tubes (light colored) —r/b E8AZ 19552-A (10/89)	★ BB 14	Battery Electrolyte -- 5 gal. container with hose—NR (2/89)
E8AZ 19552-A	Weather-strip and Rubber adhesive— Synthetic light colored -- (12) 5 fl. oz. tubes	★ BB 16	Battery Electrolyte -- 1.5 gal. container—NR (2/89)
B5A 19554-A	Perfect seal sealing compound -- carton of (12) 4 oz. cans	D7AZ 19A331-A	Silicone Dielectric Compound— for distributor rotor tip and Duraspark ignition cable -- 3 oz. tube
★ C6AZ 19554-A	Metallic plastic (to repair cyl. front cover and cyl. block intake manifold) -- (1) can—metallic resin, (1) jar—hardeningagent —NR (3/89)	*WA-10	
★ D7AZ 19554-B	Perfect seal sealing compound -- (12) 13.2 oz. aerosol can—r/b D7AZ 19554-BA(12/88)	D9TZ 19A372-A	Metal inspection kit "Spotcheck"— campaign #'s M10,M13,M334,M386 —for industrial use only
D7AZ 19554-BA	Perfect Seal Sealing Compound -- (12) 12.5 oz (354g) aerosol cans	E7AZ 19A426-A	Heat Transfer Compound—for Ford integral alternators—aims heat transfer between rectifier and alternator housing -- 5 oz. (142g) tube
C9AZ 19554-B	Sealer (liquid butyl)—black—for sealing butyl installed windshield and backlite -- 1 pt.can	★ D7AZ 19A501-A	Rust penetrant and inhibitor -- (6) 12 oz. aerosol cans—r/b D7AZ 19A501-AA (12/91)
D7AZ 19554-C	414 Adhesive kit—used for repair of loose vinyl inserts to body side mouldings— consist of (5) .33 fl. oz. bottles of 414 adhesive and (1) 4 oz. aerosol can of accelerator	D7AZ 19A501-AA	Rust Penetrant and Inhibitor —helps free parts frozen by rust and corrosion -- (6) 12 oz. aerosol cans
E8AZ 19554-A	Instant adhesive—used for repair of loose vinyl inserts to body side mouldings -- (12) .06 fl. oz. (1.77 ml) tubes	★ D8AZ 19A501-AA	Choke and Linkage Cleaner—used to clean—free auto. choke, carb. linkage and manifold heat controls -- (12) 14 oz. aerosol cans w/snorkel—r/b E8AZ 19A501-AA (11/89)
E0AZ 19554-AA	Thread lock and Sealer -- (10) .20 fl. oz. (6 ml.)	E8AZ 19A501-AA	Professional Choke and Linkage Cleaner —used to clean—free auto. choke, carb. linkage -- and manifold heat controls -- (12) 13 oz. aerosol cans w/snorkel
E0AZ 19554-BA	Stud and Bearing Mount—high strength thread locker—stops loosening and leakage -- (10) .20 fl. oz. (6 ml.) tubes	E8AZ 19A501-B	Penetrating Lubricant—cleans, lubricates, protects, displaces moisture and frees rusty parts -- (12) 9 oz. aerosol cans w/5" snorkel
D8AZ 19554-A	Sealant pipe (with teflon) -- 1.69 fl. oz. tube	F2AZ 19A501-A	Rust Penetrant and inhibitor—helps free parts frozen by rust and corrosion -- (6) 12 oz. aerosol cans
E2FZ 19554-B	Thread lock 262 -- used to prevent vibration loosening of nuts, bolts or screws -- 0.34 fl. oz. (10 ml.)	D7AZ 19515-A	Super Seal Anti-Corrosion Compound— (Sprayable) -- 16 gal.
D6AZ 19560-A	Caulking cord -- (8) 80 ft. rolls— 3/16" dia.	E4AZ 19515-A	Super Seal Anti-Corrosion Compound -- 55 gal. drum
D6AZ 19562-AA	Silicone Rubber Adhesive/Sealant—clear -- 3 fl. oz. tube	★ D8AZ 19515-B	Super Seal Anti-Corrosion Compound -- (12) 16 oz. aerosol spray cans—r/b D8AZ 19515-BA
D6AZ 19562-BA	Silicone Rubber Adhesive/Sealant—black -- 3 fl. oz. tube	D8AZ 19515-BA	Super Seal Anti-Corrosion Compound -- (12) 16 oz. aerosol spray cans
★ E3AZ 19562-A	Silicone gasket and sealant (RTV) -- 10.3 fl. oz. caulking cartridge— r/b E8AZ 19562-A (3/89)	★ E6AZ 19515-A	Super Seal Undercoating—airless spray —for Industrial use only -- 16 gal. (60.56l) drum -- NR (9/88)
E8AZ 19562-A	Silicone Gasket and Sealant (RTV) -- 5 fl. oz. (.150l) caulking cartridge		

APPEARANCE and MAINTENANCE MATERIALS

U.S. USAGE

PART NUMBER	DESCRIPTION	PART NUMBER	DESCRIPTION
<p>Note: The aerosol products listed below do not utilize a chlorofluorocarbon propellant system.</p>			
SPECIAL PRODUCTS — Cont'd		SPECIAL PRODUCTS — Cont'd	
E7AZ 19515-A	Super Seal Fabric Protector—for Dealer use only—not for retail sale—for cloth trim — (12) 16 oz. cans with screw top	D1VY 19577-B *YN-4	Refrigerant compressor oil—used w/ Frigidaire compressor — 1 qt. can
E7AZ 19515-B	Super Seal Fabric Protector—for Dealer use only—not for retail sale—for cloth trim— 5 gal. pail with pull-up spout/handle	E73Z 19577-A *YN-9	A/C compressor oil - used w/FS-6 FX-15 or Nippodenso compressor — 1 qt. can
E9AZ 19515-A	Undercoating water base airless spray—for industrial use only — 16 gal. (60.56 litres) drum	D9AZ 19579-AA	Carburetor Tune-Up Cleaner for gasoline engines only — (12) 18 oz. aerosol cans
E9AZ 19515-B	Undercoating—water base airless spray—for industrial use only — 55 U.S. gal. drum	D9AZ 19579-B	Carburetor Tune-up Cleaner for gasoline engines only — (12) 16 oz. cans
E9AZ 19515-C	Undercoating—solvent base airless spray—for industrial use only — 16 gal. (60.56l) drum	D9AZ 19579-BA	Carburetor Tune-Up Cleaner for gasoline engines only — (12) 16 fl. oz. cans
E9AZ 19515-D	Undercoating—solvent base airless spray—for industrial use only — 55 U.S. gal. drum	E6AZ 19579-BA	Cleaner—metal brake parts—for use only for off vehicle cleaning of metal brake parts. Do not use on rubber parts or brake pads or linings or painted surfaces — (12) 16 oz. (454g) aerosol can w/5" extension nozzle
B7A 19517-B	Dusting cloth (wax treated) — carton of (100)	F2AZ 19579-A	Premium Fuel Injector Cleaner—used to reduce deposit related to engine knock and cleans dirty injectors — (12) 12 oz. cans
D3AZ 19517-AA	Wax Treated Dusting Cloth — plastic bag container of 24	F2ZZ 19579-AA	Cleaner metal brake parts—for use only for off-vehicle cleaning of metal brake parts. Do not use on rubber parts or brake pads or linings or painted surfaces — (12) 19 oz. aerosol can
E0AZ 19517-B	Wax Treated Dusting Cloth—bulk roll — 15" wide x 90 ft. long	C6AZ 19627-A	Tape (vinyl foam)—1/8" x 7/8" — 50 ft. roll used to shim weatherstrip roof rails and doors
E6AZ 19517-A	Rotary Car Washing Brush kit	D4AZ 19627-A *YZ-1	Tape (A/C insulation) — 1/8" x 2" x 15ft. roll
D3AZ 19517-B	Buffing and Polishing Pad — carton of (12)	D6AZ 19627-A	Tape (pressure sensitive)—black water proof — 3" wide — 60 yd. roll
★ D4AZ 19B519-A *YN-1-A	Refrigerant "12" (air conditioner) — (12) 14 oz. cans—NR (8/89)	E4AZ 19627-A	Tape—PVC foam (low density)—used to eliminate water leaks, wind noise, squeaks and rattles — 1/8" thick x 3/4" wide x 100 ft. roll
*YN-7	Refrigerant "12" (air conditioner) — 30 lb. cylinder	E4AZ 19627-B	Tape—PVC foam (low density)—used to eliminate water leaks, wind noise, squeaks and rattles — 1/4" thick x 3/4" wide x 50 ft. roll
D2AZ 19523-A	Hand cleaner—waterless — (12) 14 oz. cans	★ C8AZ 19628-D *WA-4	Tape (elec. insulating)—black (display pkg.)—(12)—3/4" x 20 ft. rolls—NR (6/92)
D2AZ 19523-B	Hand cleaner—waterless — (2) 5 lb. cans	C8AZ 19628-F *WA-6	Tape (elec. insulating)—black (individual metal can)—(12)—3/4" x 66 ft. rolls
★ D5AZ 19523-PBK	Hand cleaner—waterless — (8) 5 lb. cans includes dispenser—NR	★ C8AZ 19628-G *WA-7	Tape (elec. insulating)—black (individual skin pkg.) (12) 3/4" x 20 ft. rolls—NR (6/92)
F1AZ 19523-A	Hand cleaner—cream — (6) 5.5 lb. cans	C8AZ 19628-H *WA-8	Tape (elec. insulating)—black (individual skin pkg.) (12) 3/4" x 66 ft. rolls
F1AZ 19523-B	Hand cleaner—lotion w/grit — (12) 7.5 oz. bottles	E0AZ 19628-A *WA-15	Tape (electrical repair)—flame retardant—automotive use only—3/4" (19.50 mm.) wide—100 ft. (30.48 meters) long — (10) roll skin pkg.
F1AZ 19523-C	Hand cleaner—lotion w/grit — (4) 1 gal. containers—includes pump		
F1AZ 19523-D	Hand cleaner—lotion (orange) — (12) 7.5 oz. bottles		
F1AZ 19523-E	Hand cleaner—lotion (orange) w/grit — (4) 1 gal. containers—includes pump		
C8AZ 19C544-B	Gas line anti-freeze — (24) 12 oz. containers		
C8AZ 19C544-BA	Gas Line Antifreeze helps prevent carb. icing and condensation from freezing in tank and gas lines — (24) 12 fl. oz. bottles		
★ C9AZ 19C544-A	Engine starting fluid — (12) 8.3 oz. aerosol can—r/b C9AZ 19C544-AA (12/88)		
★ C9AZ 19C544-AA	Engine Starting Fluid — (12) 8.3 oz. aerosol cans—NR (1/90)		
E8AZ 19C544-A	Gas Stabilizer—used for seasonally stored vehicles to prevent the necessity of draining gas tank and lines — (12) 8 fl. oz. plastic bottles		
C9AZ 19577-B *YN-2	Refrigerant compressor oil—used w/York or Tecumseh compressor — 1 qt. can		

1980/  
TRUCK SERIES 600/900

**APPEARANCE and MAINTENANCE MATERIALS**

CANADIAN USAGE

PART NUMBER	DESCRIPTION	PART NUMBER	DESCRIPTION
<b>PAINTS and REFINISHING MATERIALS</b>		<b>COOLING SYSTEM AIDS</b>	
D7AZ 19000-A	Paint (argent lacquer) -- 13oz. spray can	* CXC 8-B	Cooling System Fluid (permanent anti-freeze) -- (4) 4 litre containers
<b>CLEANERS, WAXES and POLISHES</b>		* CXC 9-B	Cooling System Fluid (permanent anti-freeze) -- (1) 205 litre container
* CXC 12	Tar and road oil remover -- (12) 500 ml. cans	* CXC 85	Cooling system cleaner and conditioner kit--consists of (1) CXC-86 Fast Flush (1) CXC-87 Rust Inhibitor (1) CXC-88 Stop Leak
* CXC 68-A	Fabric cleaner-spotless -- (4) 4 litre cans	* CXC 86	Radiator Fast Flush -- (12) 350 ml. cans
★ 8A 19522	Bright metal cleaner -- (12) 1 pt. cans -r/b 8A 19522-A (7/89)	* CXC 87	Radiator Rust Inhibitor -- (12) 350 ml. cans
8A 19522-A	Custom Bright Metal Cleaner -- (12) 16 fl. oz. bottles	* CXC 88	Radiator Stop Leak -- (12) 350 ml. cans
CC9AZ 19523-A20L	Upholstery cleaner -- 20 litre container	* CXC 43	Bar's leak -- (12) 150 g. cans
* CXC 20	Car wash -- 20 litre pail	D9AZ 19558-A	Protector Pellets (cooling system) -- 2 pellets per card--24 cards per carton
* CXC 21	Car wash -- 4 litre jug	*RA-1	
* CXC 83	Car wash -- (12) 500 ml. containers	D9AZ 19558-PAK	Kit-Protector Pellets (cooling system) --consists of 48 pellet cards and 1 fender cover
* CXC 84	Car wash -- 205 litre plastic drum	*RA-1000	
* CXC 91	Liquid car polish -- (12) 500 ml. plastic bottles	E6AZ 19558-A	Protector Powder (cooling system) -- (20) 3/4 oz. tubular plastic containers on a display carton
* CXC 92	Car polish-spray -- (12) 500 ml. plastic bottles with trigger	*RA-2	
* CXC 93	Vinyl cleaner-pump spray -- (12) 500 ml. plastic bottles	<b>MOTOR OILS and LUBRICANTS</b>	
* CXC 94	Vinyl conditioner-spray -- (12) 500 ml. plastic bottles with trigger	* CXC 31	Brake and hydraulic clutch fluid (extra heavy duty)--for vehicles w/disc or drum brakes -- (24) 500 ml. cans
* CXC 95	Car wash and wax -- (12) 500 ml. plastic bottles	* CXC 32	Brake and hydraulic clutch fluid (extra heavy duty)--for vehicles w/disc or drum brakes -- (12) 1 litre cans
E0AZ 19526-AA	Triple Clean-for leather and vinyl trim--vinyl and convertible tops --not for use on cloth fabrics -- (12) 16 oz. (473.12 ml.) bottles w/pump spray	* CXC 90	Silicone lubricant -- (12) 425 gram aerosol spray cans
E0AZ 19526-B	Whitewall Tire Cleaner -- (12) 16 oz. plastic spray bottles	E2SZ 19553-A	Dry film lubricant--reduces friction resulting from metal to metal contact and helps provide corrosion resistance -- 4 oz. can
E0AZ 19526-BA	Whitewall Tire Cleaner-extra-strength -- (12) 16 fl. oz. bottles	C3AZ 19578-A	Steering gear lubricant (lifetime) -- (4) 14 1/2 oz. cartridges
★ E2AZ 19526-A	Automotive Fabric Spot Lifter -- for use on most automotive cloth fabrics and carpets -- (12) 6.5 oz. aerosol cans w/brush cap -r/b E8AZ 19526-A (11/89)	* CXC 51-A	Penetrating fluid -- (12) 290 g. aerosol cans
E8AZ 19526-A	Soil and spot lifter--for use on most automotive pile-type fabrics -- (12) 227 gram plastic bottles	* CXC 54	Fuel system cleaner -- (12) 500 ml. cans
B7AZ 19530-AA	Custom Silicone Gloss Polish -- (12) 16 fl. oz. bottles	* CXC 55-A	Engine purge -- (12) 500 ml. cans
B7A 19530-B	New Car Prep. -- (2) 1 gal. cans (U.S.)	* CXC 56	Break-in lubricant -- (12) 500 ml. cans
CBAC 19530-AM	Body polish -- (12) 500 ml. containers	* CXO 5W30-LP	Motor oil-5W30-Premium -- (24) 1 litre cans
CC9AZ 19530-B4L	Cleaner and polish -- 4 litre container	* CXO 5W30-LSP12	Motor oil-5W30 Super Premium -- for gas engines only -- (12) 1 litre containers
F1AZ 19530-A	Clearcoat polish--for use on all vehicles with clearcoat paint -- (12) 16 fl. oz. bottles	* CXO 5W30-4LSP	Motor oil-5W30 Super Premium -- for gas engines only -- (4) 1 litre containers
★ E4AZ 19534-A	Custom Cream Wax-w/applicator -- (12) 8 oz. containers -r/b E4AZ 19534-AA (11/89)	* CXO 10W30-LP	Motor oil-10W30-Premium -- (24) 1 litre cans
E4AZ 19534-AA	Custom Cream Wax-w/applicator -- (12) 8 oz. cans	* CXO 10W30-DP	Motor oil-10W30-Premium -- 205 litre drum
<b>CLEAR VISION AIDS</b>		* CXO 10W30-DSP	Motor oil-10W30-Super Premium -- 205 litre drum
* CXC 100	Glass cleaner -- (12) 500 g. aerosol cans	* CXO 10W30-LP12	Motor oil-10W30 Premium -- for all gas engines & all diesel engines exc. turbo -- (12) 1 litre containers
* CXC 69	Windshield washer anti-freeze -- (12) 500 ml. plastic containers	* CXO 10W30-LSP12	Motor oil-10W30 Super Premium--for all gas engines -- (12) 1 litre containers
* CXC 36	Windshield washer anti-freeze -- 20 litre pail	* CXO 10W30-4LP	Motor oil-10W30 Premium -- for all gas engines & all diesel engines exc. turbo -- (4) 1 litre containers
		* CXO 10W30-4LSP	Motor oil-10W30-Super Premium -- (4) 4 litre cans

1980/  
TRUCK SERIES 600/900

**APPEARANCE and MAINTENANCE MATERIALS**

CANADIAN USAGE

PART NUMBER	DESCRIPTION	PART NUMBER	DESCRIPTION
<b>MOTOR OILS and LUBRICANTS — Cont'd</b>		<b>MOTOR OILS and LUBRICANTS — Cont'd</b>	
* CX0 10W40-LSP	Motor oil-10W40-Super premium -- (24) 1 litre cans	C1AZ 19590-BA	Lubricant long life (4) -- 14 1/2 oz. cartridges
* CX0 10W40-LSP12	Motor oil-10W40 Super premium -- for gas engines only -- (12) 1 litre containers	C1AZ 19590-C	Lubricant long life -- 120 lb. keg
* CX0 10W40-4LSP	Motor oil-10W40 Super premium -- for gas engines only -- (4) 1 litre containers	C1AZ 19590-D	Lubricant long life -- 25 lb. pail
* CX0 10W40-DSP	Motor oil-10W40-Super premium -- 205 litre drum	E6HZ 19590-A	Grease-rear axle shifter --used to repair 2-speedmotor -- 1/4 oz. tube
* CX0 15W40-LSD	Motor oil-15W40-Super Duty -- (24) 1 litre cans	* XG 1-C	Grease-Premium Long-Life -- (40) 396 grams (14 oz.) cartridges
* CX0 15W40-LSD12	Motor oil-15W40 Super Duty -- for all gas & diesel engines -- (12) 1 litre containers	* XG 1-K	Grease-Premium Long-Life -- 54.432 kg. (120 lb.) keg.
* CX0 15W40-4LSD	Motor oil-15W40 Super Duty -- for all gas & all diesel engines -- (4) 1 litre containers	<b>SEALERS and ADHESIVES</b>	
* CX0 20W40-LP	Motor oil-20W40-Premium -- (24) 1 litre cans	* D7AZ 19B508-AA	Gasket and Trim Adhesive (gasket and seal) -- 16 oz. can w/brush-- r/b D7AZ 19B508-B (1/91)
* CX0 20W50-LP	Motor oil-20W50-Premium -- (24) 1 litre cans	D7AZ 19B508-B	Gasket and Trim Adhesive -- 16 fl. oz. bottle w/brush
* CX0 20W50-LP12	Motor oil-20W50 Premium -- for all gas eng. & all diesel exc. turbo -- (12) 1 litre containers	* CXC 38	Rubber cement -- (12) 500 ml. tubes
* CX0 30-L	Motor oil-30W single grade -- (24) 1 litre cans	* CXC 39	Weatherstrip adhesive -- (12) 150 ml. tubes
* CX0 30-LSD12	Motor oil-30W Super Duty -- for all gas & all diesel engines -- (12) 1 litre containers	* CXC 49	Auto. trans. seal conditioner -- (12) 350 ml. cans
* CX0 30-D	Motor oil-30W single grade -- 205 litre drum	CC3AZ 19552-B	Windshield and backlite sealer -- 12 3/4 oz. tube
* CX0 9-L	Motor oil-10W30 Super Premium (bulk)	* CXC 81	Gasket seal-(12) 113 gram cans
* CX0 10-L	Motor oil-10W40-Super Premium -- per litre-bulk	* C6AZ 19554-A	Metallic plastic (to repair cyl. front cover and cyl. block intake manifold) -- (1) can-metallic resin, (1) jar-hardening agent-NR (3/89)
CE0AZ 19580-E	Hypoid gear lubricant (rear axle)-used w/conventional axles only -- (4) 4 litre containers	* CXC 41	Perfect seal sealing compound -- (12) 283 gram aerosol cans
CE0AZ 19580-F	Lubricant-manual str. gear --(4) 4 litre containers	C9AZ 19554-B	Sealer (liquid butyl)-black-for sealing butyl installed windshield and backlite -- 16 oz. can
D2AZ 19581-A	Speedometer Cable Lubricant -- 0.453 kg (1 lb.) can	E2FZ 19554-B	Thread Lock 262-used to prevent vibration loosening of nuts, bolts or screws -- 0.34 fl. oz. (10 ml.)
* CXT 5-LM12	Automatic Trans. Fluid-Mercon®-for P/S pumps -- (12) 1 litre containers	* CXC 74	Adhesive-SUPERBONDER (INSTANT)-used for bonding vinyl trim, w/strip rubber bumper guards -- (10) 3 ml. tubes
* CXT 2-LM12	Automatic trans. fluid-"MERCON"-for low temperature usage on all 1983 and newer vehicles-consult owners guide for proper application -- (12) 1 litre containers	* CXC 75	Adhesive (Loctite)-used to attach rear view mirror brkt. to W/S -- (10) display packages--each pkg. contains 5 ml. adhesive and 6 ml. accelerator
* CXT 5-DM	Automatic Trans. Fluid-Mercon® --for P/S pumps -- 205 litre drum	* CXC 70	Sealant-thread locker (Loctite 242)-used for alternator, starter and ring gear mounts -- (10) 6 ml. containers
* CXT 2-DM	Automatic trans. fluid-"MERCON"-for low temperature usage on all 1983 and newer vehicles-consult owners guide for proper application -- 205 litre drum	* CXC 72	Sealant-pipe w/teflon-use to secure fittings & plugs -- (10) 50 cc containers
D9AZ 19583-A	Rubber lubricant (triple purpose) -- (4) 1 gal. containers, used to mount and demount tires, remove rubber squeaks, and clean rubber parts.	* CXC 73	Sealer-thread w/teflon -- (10) 6 ml. containers
D7AZ 19584-AA	Multi-Purpose Grease -- 15 oz (425g) spray	* CXC 76	Sealant-Hi Strength adhesive--stud n'brg mount -- (10) 6 ml. tubes
D0AZ 19584-AA	Multi-Purpose Grease -- (4) 4 oz. (119g) aluminum tubes w/plastic cut-off spouts	* CXC 78	Sealant-gasket eliminator (Loctite 515) -- (10) 6 ml. tubes
F2AZ 19584-A	Grease-Electrical -- 2 oz. (56.7g) tube	* CXC 79	Sealant-gasket eliminator (Loctite 515) -- (10) 50 ml. tubes
D8AZ 19587-AA	Lock Lubricant -- (12) 3.5 oz. aerosol cans w/snorkel		

1980/  
TRUCK SERIES 600/900

**APPEARANCE and MAINTENANCE MATERIALS**

CANADIAN USAGE

PART NUMBER	DESCRIPTION	PART NUMBER	DESCRIPTION
<b>SEALERS and ADHESIVES — Cont'd</b>		<b>SPECIAL PRODUCTS — Cont'd</b>	
AB 19560-A	Caulking cord -- (6) 80 ft. rolls-3/16" dia.	★ D4AZ 19B519-A	Refrigerant "12" (air conditioner) -- (12) 14 oz. cans-NR (8/89)
* CXC 96	Silicone Rubber-clear -- 90 ml tube	* YN-1-A	
* CXC 97	Silicone Rubber-black -- 90 ml tube	* YN 7	Refrigerant "12" (air conditioner) -- 30 lb. cyl.
★ E3AZ 19562-A	Silicone gasket and sealant (RTV) -- 10.3 fl. oz caulking cartridge -r/b E8AZ 19562-A (3/89)	* CXC 16-A	Hand cleaner-waterless -- (12) 400g tins
E8AZ 19562-A	Silicone Gasket and Sealant (RTV) -- 5 fl. oz. (.150l) caulking cartridge	* CXC 17	Hand cleaner-waterless -- (6) 4 lb. cans
E2AZ 19562-B	Ford Gasket Maker-for use when specified in the replacement of gaskets and the sealing of flanges-not for use on oil pans, and rocker covers -- 1.7 fl. oz. (50 ml.) tube	* CXC 45-A	Hand cleaner lotion (with grit) -- (12) 225 ml. squeeze bottles
F1AZ 19562-A	Silicone gasket and sealant -- 5 oz. caulking tube	* CXC 46	Hand cleaner lotion (with grit) -- (4) 12.8 fl. oz. (3.78 l) bottles
<b>SPECIAL PRODUCTS</b>		* CXC 22	Engine shampoo -- 20 litre pail
* CBB 14-L	Electrolyte (acid)-battery fluid -- 20 litre container	* CXC 23	Engine shampoo -- 205 litre drum
D7AZ 19A331-A	Silicone Dielectric Compound - for distributor rotor tip and Duraspark ignition cable -- 3 oz tube	* CXC 66-A	Engine shampoo -- (12) 380 g. aerosol cans
* WA-10		* CXC 26	Concrete floor cleaner and degreaser -- 20 kg. pail
D9TZ 19A372-A	Metal inspection kit "Spotcheck"- Campaign #'s M10,M13,M334,M386 -for industrial use only	* CXC 28-A	Gas line anti-freeze -- (40) 150 ml. bottle
E7AZ 19A426-A	Heat Transfer Compound-for Ford integral alternators-aids heat transfer between rectifier and alternator housing -- 5 oz. (142g) tube	* CXC 29-A	Gas line anti-freeze -- (12) 500 ml. bottles
★ D7AZ 19A501-A	Rust penetrant and inhibitor -- (6) 12 oz. aerosol cans-r/b D7AZ 19A501-AA (12/91)	E8AZ 19C544-A	Gas Stabilizer -- used for seasonally stored vehicles to prevent the necessity of draining gas tank and lines -- (12) .236 liter plastic bottles
D7AZ 19A501-AA	Rust Penetrant and Inhibitor -helps free parts frozen by rust and corrosion -- (6) 12 oz. aerosol cans	* CXC 6-A	Parts Immersion Cleaner -- 20 litre pail-consists of a 15 litre fill in a 20 litre pail
F2AZ 19A501-A	Rust Penetrant and inhibitor-helps free parts frozen by rust and corrosion -- (6) 12 oz. aerosol cans	* CXC 77	Klean and Prime-use w/loctite gasket eliminator on aluminum parts, zinc and cadmium plated parts and non-metals -- (10) 6 oz. aerosol cans
* CXC 89-A	Brake/Choke cleaner -- (12) 425 gram aerosol cans	C9AZ 19577-B	Refrigerant compressor oil-used w/York or Tecumseh compressor -- 1 qt. can (U.S.)
CB8A 19512-A	Wash mitt	* YN-2	
* CXC 11	Starting fluid -- (12) 235 g. aerosol can	D1VY 19577-B	Refrigerant compressor oil-used w/Frigidaire compressor -- 1 qt. can (U.S.)
* CXC 11-A	Starting fluid -- (12) 210 gram aerosol cans	* YN-4	
E7AZ 19515-A	Super Seal Fabric Protector-for Dealer use only-not for retail sale-for cloth trim -- (12) 16 oz. cans with screw top	E73Z 19577-A	A/C Compressor Oil - used w/FS-6 FX-15 or Nippodenso compressor -- 1 qt. can (U.S.)
E7AZ 19515-B	Super Seal Fabric Protector-for Dealer use only-not for retail sale-for cloth trim -- 5 gal. pail with pull-up spout/handle	* YN-9	
* CXC 1-A	Super Seal Anti-Corrosion Compound -- (12) 475g aerosol cans	* CXC 53	Combustion chamber conditioner -- (12) 500 ml. cans
CC3AZ 19517-A	Chamois-super sheen-approx. -- 20" x 22"	★ C6AZ 19579-B	Carburetor and combustion chamber cleaner -- (12) 19 oz. aerosol cans-r/b CXC-52-B (2/90)
D3AZ 19517-AA	Wax Treated Dusting Cloth -- plastic bag container of 24	* CXC 52-B	Tune-up cleaner -- (12) 385 g. aerosol cans
E0AZ 19517-B	Wax Treated Dusting Cloth-bulk roll -- 15" wide x 90 ft. long	E6AZ 19579-AA	Fuel Injector Cleaner -used to reduce deposit-related to engine knock and cleans dirty injectors -- (12) 12 fl. oz. (0.35l) long neck bottles
D3AZ 19517-B	Buffing and Polishing Pad -- carton of (12)	* CXC 60	Penetrating fluid -- (4) 4 litre cans
E6AZ 19517-A	Rotary Car Washing Brush kit	CB9CZ 19586-A	Door ease-stick lubricant-shop size -- (6 to carton)
		D4AZ 19627-A	Tape (A/C insulation) -- 1/8" x 2" x 15 ft. roll
		* YZ-1	
		D6AZ 19627-A	Tape (pressure sensitive)-black waterproof -- 3" wide -- 60 yd. roll
		E4AZ 19627-A	Tape-PVC foam (low density)-used to eliminate water leaks, wind noise, squeaks and rattles -- 1/8" thick x 3/4" wide x 100 ft. roll
		E4AZ 19627-B	Tape-PVC foam (low density)-used to eliminate water leaks, wind noise, squeaks and rattles -- 1/4" thick x 3/4" wide x 50 ft. roll



1980/  
TRUCK SERIES 600/900

FORD SPECIFICATION NO. TO SERVICE PART NO.

CROSS REFERENCE LIST

SPECIFICATION NO.	PART NUMBER	SPECIFICATION NO.	PART NUMBER
Note: In Specification basic number sequence			
* Motorcraft No. ★ No Longer Serviced % Service Equivalent			
ESA M1B6-A	% D9AZ 19583-A	ESR M2C127-B	* X0 30-D-Q
ESA M1C25-A	% C1AZ 19590-B	ESW M2C128-D	D6AZ 19582-A
ESF M1C34-A	% C0AZ 19553-A	ESW M2C128-D	E4AZ 19582-A
ESB M1C35-B	C4AZ 19D530-A	ESR M2C129-A	D2AZ 19579-C
ESW M1C39-A	% C1AZ 19590-B	ESR M2C129-C	* X0 5W30-BSP-QSP-DSP
ESA M1C45-A	% D0AZ 19584-AA	ESR M2C129-C	* X0 10W30-BSP-DSP-QSP
EST M1C53-A	★ C7AZ 19590-B	ESR M2C129-C	* X0 10W40-BSP-DSP-QSP
ESF M1C66-A	% C4AZ 19590-A	ESP M2C138-CJ	% *XT 2-DDX-QDX
ES M1C75-A	D8RZ 19590-A	ESE M2C153-B	* X0 10W30-QSP
ESA M1C75-B	C1AZ 19590-BA-C-D-E	ESE M2C153-B	* X0 10W40-DSP-QSP
ESA M1C75-B	* XG 1-C-K	ESE M2C153-B	* X0 20W40-DSP-QSP
ESW M1C87-A	C3AZ 19578-A	ESE M2C153-B	* X0 30-D-Q
ESA M1C92-A	★ D4AZ 19590-A	ESE M2C153-C3	E4AZ 19579-H
ESB M1C93-A	% D0AZ 19584-A	ESP M2C154-A	E0AZ 19580-AA-B-C
ESB M1C111-A	D2AZ 19590-A	ESP M2C154-A	* XY 90-KL-QL
ESW M1C113-A	★ C6AZ 19590-B	ESP M2C158-A	E0AZ 19580-D
ESB M1C119-A	% C3AZ 19578-A	ESE M2C160-A	E2SZ 19553-A
ESA M1C155-A	% D7AZ 19590-A	ESR M2C163-A2	E6AZ 19528-B
ESR M1C159-A	D0AZ 19584-AA	ESP M2C164-A	* *XT 3-MV
ESR M1C159-A	D7AZ 19584-AA	ESP M2C164-A	E4AZ 19582-D
ESF M1C160-A	D2AZ 19581-A	ESR M2C165-A	★ E6AZ 19582-A
ESA M1C167-A	% D7AZ 19590-A	ESR M2C165-A	* XT 1-BF
ESA M1C171-A	D7AZ 19A331-A	ESR M2C165-AA	E6AZ 19582-AA
ESA M1C171-A	* WA 10	ESP M2C166-H	E4AZ 19582-E
ESA M1C172-A	D7AZ 19590-A	ESP M2C166-H	* XT 4-H
ESA M1C175-A	D8AZ 19578-A	ESR M2C171-A	* X0 15W40-BSD-DSD-QSD
ESA M1C177-A	% C1AZ 19590-B	ESR M2C171-A	* X0 30-BSD-DSD-QSD
ESB M1C185-A	% D7AZ 19590-A	ESD M2C175-A	E5RY 19C547-A
ESP M1C187-A	E2FZ 19590-A	ESR M2C179-A	* X0 20W50-GR-QR
ESP M1C187-A	E2FZ 19590-B	ESR M2C179-A	★ E4AZ 19579-G
ESA M1C189-A	★ E1AZ 19590-A	ESB M2G14-A	★ C0AZ 19552-AA
ESL M1C193-A	E1TZ 19590-A	ESB M2G17-A	★ D8AZ 19C525-A
ESA M1C194-A	% D7AZ 19590-A	ESE M2G52-A	% D7AZ 19B508-A
ESP M1C207-A	E43Z 19590-A	ESH M2G78-B	D9AZ 19554-A
ESEA M1C1014	DIRY 19590-A	ESA M2G140-A1	D7AZ 19554-C
SQ M1C9004-A	D8RZ 19590-A	ESB M2G176-A	★ D9AZ 19554-B
ESB M2C20-A	D8AZ 19587-AA	ESB M2G193-A	% D7AZ 19554-C
ESW M2C28-BA	C2AZ 19580-F	ESB M2G202-A	D9AZ 19C525-A
ESW M2C28-BA	E2HZ 19580-A	ESB M2G222-A	% E0AZ 19562-A
ESA M2C31-A	C9AZ 19577-B	ESB M2G224-A	% E0AZ 19562-A
ESA M2C31-A	* YN 2	ESB M2G234-A	% E0AZ 19562-A
ESH M2C31-A2	E73Z 19577-A	ESB M2G246-A	% E0AZ 19562-A
ESH M2C31-A2	* YN 9	ESR M2P92-A	D7AZ 19000-A
ESW M2C33-F	* XT 1-DF-QF	ESR M2P93-A	M4J Cir.No.-H
ESW M2C50-A	% C6AZ 19580-E	ESR M2P93-A	D7AZ 19000-C
ESW M2C57-A	★ C2AZ 19580-D	ESR M2P94-B	★ M6J 12-H
ESW M2C83-B	% D8DZ 19C547-A	ESR M2P100-B	AL81 Cir.No.-B-H
ESP M2C83-C	D8DZ 19C547-A	ESB M2P115-A	VC 542-A
ESW M2C105-A	C6AZ 19580-E	ESB M3G5-A	C8AZ 19628-D-F-G-H
ESW M2C105-B	% C6AZ 19580-E	ESB M3G5-A	* WA 4
EST M2C108-C	% C6AZ 19580-E	ESB M3G5-A	* WA 6
ESF M2C113-A	D3AZ 19553-A	ESB M3G5-A	* WA 7
EST M2C118-A	C8AZ 19B546-A	ESB M3G5-A	* WA 8
ESW M2C119-A	D3AZ 19580-A	ESB M3G58-A	D6AZ 19627-A
ESR M2C127-B	★ X0 10W30-BP-DP-QP	ESB M3G60-B	D9ZZ 19627-A
ESR M2C127-B	* X0 20W40-BP-DP-QP	ESB M3G71-A	E0AZ 19628-A



FORD SPECIFICATION NO. TO SERVICE PART NO.

CROSS REFERENCE LIST

SPECIFICATION NO.	PART NUMBER	SPECIFICATION NO.	PART NUMBER
Note: In Specification basic number sequence — Cont'd			
* Motorcraft No. ★ No Longer Serviced % Service Equivalent			
ESB M3G71-A	* WA 15	ESR M11B26-A	★ D8AZ 19534-A
ESB M3G77-A	C6AZ 19627-A	ESR M11B26-A	E4AZ 19534-AA
ESB M3G102-A	D2FZ 19562-A-B	ESR M11P15-A	★ C9AZ 19627-A-C
ESB M3G102-A	E4AZ 19627-A-B	ESP M11P16-A	8A 19552-B
ESB M3G137-A	E4AZ 19627-C	ESR M11P17-A	D7AZ 19B508-AA
ESB M3G143-A1	E69Z 19562-A	ESR M11P17-A	D7AZ 19B508-B
ESB M4G32-A	D6AZ 19560-A	ESE M12A5-A	E0AZ 19590-A
ESH M4G32-B	D9AZ 19560-A	ESR M13P4-A	COAZ 19553-AA
ESE M4G63-G	% E0AZ 19554-AA	ESR M13P4-A	D7AZ 19553-AA
ESB M4G92-A	D6AZ 19562-AA-BA	ESR M14P3-A	COAZ 19A536-D-F
ESE M4G1115-A	% D7AZ 19554-B	ESR M14P3-A	D8AZ 19A536-AA
ESE M4G120-A	% E0AZ 19554-AA	ESR M14P4-A	★ D4AZ 19521-B
EST M4G148-A	% C9AZ 19554-B	ESR M14P4-A	E0AZ 19521-AA
EST M4G150-A	★ C6TZ 19554-A	ESR M14P4-A	B8A 19523-AA-B-C
ESB M4G162-A	C9AZ 19554-B	ESR M14P4-A	E0AZ 19526-AA
ESE M4G167-A2	E0AZ 19554-BA	ESR M14P5-A	★ D8AZ 19C507-A
ESE M4G168-A	★ D0AZ 19554-C	ESR M14P5-A	E4AZ 19C507-AA
ESG M4G194-A	% D8AZ 19554-A	ESR M14P6-A	★ C8AZ 19F535-A-B
ESE M4G195-A	% D6AZ 19562-A	ESR M14P6-A	E3AZ 19F535-A-B
ESE M4G195-B	% E3AZ 19562-A	ESR M14P7-A	D6AZ 19A503-AA
ESE M4G195-B	E8AZ 19562-A	ESR M14P9-A	D9AZ 19579-AA-BA
ESE M4G195-C	E3AZ 19562-A	ESR M14P9-A	E6AZ 19579-C
ESE M4G203-A1	% E1LY 1A109-A	ESR M14P10-A	★ D8AZ 19A501-AA
ESE M4G204-A2	% E0AZ 19554-AA	ESR M14P10-A	E8AZ 19A501-AA-B
ESE M4G204-A3	E2FZ 19554-B	ESR M14P12-A	C9AZ 19523-A
ESP M4G214-A	% E0AZ 19554-AA	ESR M14P12-A	D6AZ 19523-AA
ESB M4G221-A	★ D9AZ 19515-A	ESR M14P13-A	E2AZ 19526-A
ESP M4G228-A	E1FZ 19562-A	ESR M14P15-A	E0AZ 19526-BA-C
ESE M4G234-A2	★ E2AZ 19562-A	ESE M14P16-A	E6AZ 19579-AA
ESE M4G234-A2	E2AZ 19562-B	ESF M16B5-A	* BB 14
ESA M4G280-A	E7AZ 19554-A	ESF M16B5-A	* BB 16
ESU M4G2501-A	E1FZ 19562-A	ESA M17B2-A	D4AZ 19B519-A
WSK M4G320-A2	F1AZ 19562-A	ESA M17B2-A	* YN 1-A
ESB M4J58-A	D8AZ 19562-AA	ESA M17B2-A	YN 7
ESR M5B106-A	B7A 19520-AA	ESR M17P1-A	★ D3AZ 19C544-B
ESR M4B194-B	★ 8A 19522-A	ESR M17P2-A	C8AZ 19C544-BA
ESR M5B196-A	★ D8AZ 19A501-B	ESR M17P3-A	C9AZ 19C544-AA
ESR M5B197-A	B7A 19521-AA	ESR M17P5-A	C9AZ 19550-AA-BA
ESR M5B202-A	★ D8AZ 19A501-B	ESR M17P6-A	★ 8A 19546-C
ESR M5B255-A	D2AZ 19523-A-B	ESR M18P1-A	★ D2AZ 19B542-A
ESR M5B255-A	D5AZ 19523-PBK	ESR M18P2-A	B5A 19554-A
ESR M5B255-A	F1AZ 19523-A-B-C-D-E	ESR M18P2-A	D7AZ 19554-BA
ESB M5B280-A	% E0AZ 19562-A	ESB M18P5-A	EPB M18P5-A
ESA M6C25-A	C6AZ 19542-AA-BA	ESB M18P5-A	EPB 1618-B
ESL M6C51-A	CE6TZ 19542-A	ESR M18P7-A	D8AZ 19554-A
ESR M6J130-A	★ D7AZ 19000-B	ESE M97B18-C	★ 8A 19549-A
ESR M6J130-A	E8AZ 19000-A	ESE M97B18-C	% E2FZ 19549-B
ESR M7C54-A	D7AZ 19515-A	ESE M97B18-C	E6HZ 19549-A
ESR M7C54-A	★ D8AZ 19515-A	ESA M97B23-B	★ D2TZ 19577-A
ESR M7C54-A	D8AZ 19515-B, BA	ESE M97B43-A	% E2FZ 19549-A
ESR M7C54-A	E4AZ 19515-A	ESE M97B44-A	E2FZ 19549-AA-B
ESR M11B23-B	B4A 19534-AA	ESE M99B37-B	D9AZ 19558-A-PAK
ESR M11B23-B	B8A 19534-A	ESE M99B170-A	E6AZ 19558-A
ESR M11B26-A	B7A 19530-A-B	ESF M99B112-A	E25Y 19553-A
ESR M11B26-A	B7AZ 19530-AA	ESR M99B135-A	D9AZ 19583-A
ESR M11B26-A	D4AZ 19530-A	ESR M99C50-B	★ C2RZ 19C548-A



**1980/  
TRUCK SERIES 600/900**

YEAR	MODEL/RESTRICTIONS	PART NUMBER	DESCRIPTION	QTY.
<b>1001 GASKET (REAR WHEEL BEARING RETAINER or REAR AXLE SHAFT)-</b> Also refer to Rear Axle Parts List Section 40, page 1				
80/83	B-C-F-LN600 -- 15M axle	B4TZ 1001-A	Rear axle shaft-4 1/2" I.D. x 5 7/8" O.D.	4
84/	B-C-F-LN600 -- 15M axle	A8TZ 1001-C	Rear axle shaft-8 hole-4 1/2" I.D. x 6 3/16" O.D.	AR
80/83	B-C-F-LN600/700 -- 17.5M axle	A8TZ 1001-C	Rear axle shaft-8 holes-4 1/2" I.D. x 6 3/16" O.D.	AR
84/	B-C-F-LN600/700 -- 17.5M axle	A8TZ 1001-D	Rear axle shaft-12 hole-4 1/2" I.D. x 6 1/8" O.D.	AR
80/	F-FT900 -- 22M axle	★ D5HZ 1001-A	r/b D8HZ 1001-A (5/93)	2
80/	B-C-CT-CLT-F-FT-L-LN-LNT-LT-LTS700/900 -- 18.5M, 34M axles	A8TZ 1001-D	Rear axle shaft-12 holes-4 1/2" I.D. x 6 1/8" O.D.	AR
80/	CL-CLT900 -- 38M axle	D8HZ 1001-A		4
80/	C-CT-L-LN-LNT-LT-LTL-LTLA-LTLS-LTS800/900 -- 22M, 23M, 38M, 44M, 58M, 65M axles	★ D5HZ 1001-A	r/b D8HZ 1001-A (5/93)	1
80/	CL-CLT900 -- 23M, 44M, 58M, 65M axles			AR
86	CF600/700	A8TZ 1001-D	Rear axle shaft-12 holes-4 1/2" I.D. x 6 1/8" O.D.	AR
85/	All -- 13M axle	A8TZ 1001-A	Rear axle shaft-8 holes-4.0" I.D. x 5 1/2" O.D.	AR
<b>1A003 SLINGER (FRONT WHEEL OIL)</b>				
80/	C-CT-LNT-LT-LTL-LTS800/900 -- 16M, 18M, 20M axles	D8HZ 1A003-A		2

**IDENTIFICATION CHART**

(Arranged according to Identification Number)

IDENTIFICATION	PART NUMBER	IDENTIFICATION	PART NUMBER
<b>1007 WHEEL ASSY.</b> (See instructions for identifying wheels, rims, etc. on page 3 of this section.)			
237-FL-1X	★ C4TZ 1020-A	RA 28532-4	FOHZ 1015-A
238-CR-1X	C4TZ 1020-B	RA 28532-9	FOHZ 1015-A
240-CR-1X	C4TZ 1020-C	30333-22.5	★ D8HZ 1020-M
262-FL-1X	C4TZ 1020-D	30391-24.5	D8HZ 1020-E
263-FL-1X	C4TZ 1020-E	30645-22.5	D8HZ 1020-C
275-5°-1X	B9T 1020-B	31656-22.5	D5HZ 1020-D
276-5°-1X	D5HZ 1020-C	31678-22.5	D5HZ 1020-A
277-5°-1X	D2HZ 1020-B	31680-22.5	D5HZ 1020-B
278-FL-1X	C4TZ 1020-B	31686-22.5	D8HZ 1020-A
312-5°-1X	D0HZ 1020-C	31871-22.5	D8HZ 1020-L
313-5°-1X	D2HZ 1020-A	75900-1	B9T 1007-A
25440	C4TZ 1007-F	80060	C4TZ 1007-G
25441-X	C4TZ 1007-F	85246-2	C4TZ 1020-B
RA 25441-9	C4TZ 1007-F	85246-5	C4TZ 1020-D
RA 25668	B9T 1007-A	85246-6	C4TZ 1020-E
25739	C4TZ 1007-E	86120	C4TZ 1007-F
25740	C4TZ 1007-F	86180	★ C4TZ 1007-L
RA 26015-4	C4TZ 1007-G	86200	C4TZ 1007-E
26027-X	C4TZ 1007-G	86220	C4TZ 1007-G
26538	C4TZ 1007-J	R 86960	★ C4TZ 1007-K
27099-X	★ D3TZ 1007-B		r/bF1HZ 1015-L
RA 27100-17	★ D5TZ 1015-C	87240	C4TZ 1007-J
27122-X	C4TZ 1007-J	89930	C4TZ 1007-G
27124-X	★ C4TZ 1007-K	89940	C4TZ 1007-F
	r/bF1HZ 1015-L	90050	★ C4TZ 1007-L
27126-X	C4TZ 1007-E	90080	C4TZ 1007-J
27403	★ D4HZ 1015-C	90160	C4TZ 1007-E
	r/bF1HZ 1015-E	90200	C4TZ 1007-F
27466-M	★ E0HZ 1015-B	90210	C4TZ 1007-F
27471-M	E0HZ 1015-A	90240	C4TZ 1007-G
27471-P	★ D8HZ 1015-H	90270	C4TZ 1007-G
	r/bF1HZ 1015-Y	98738-1	D8HZ 1020-C
27599-M	E0HZ 1015-C	98801-2	D8HZ 1020-E
49280	B9T 1007-A	372002	E0HZ 1015-E
RA 28126-3	E3HZ 1015-A		

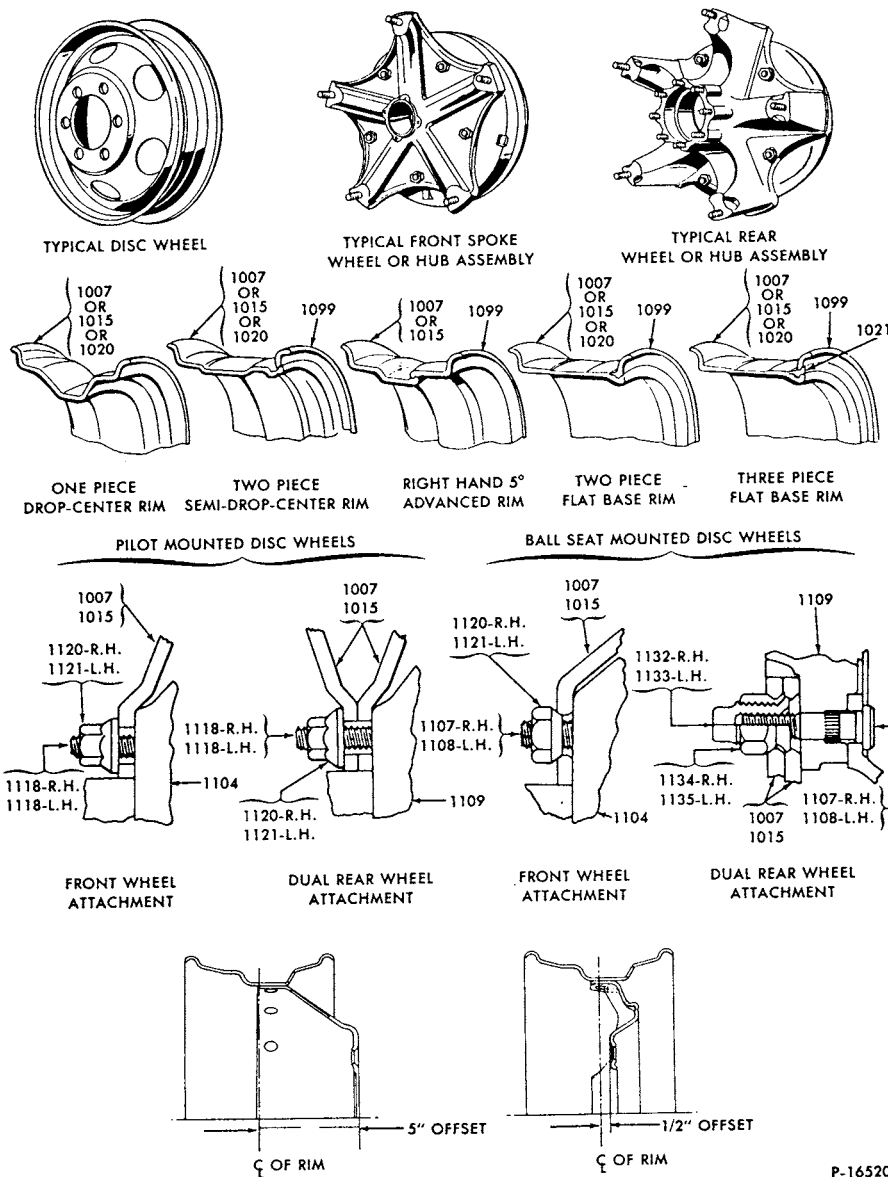


1007 WHEEL ASSY. — Cont'd

HOW to IDENTIFY WHEELS, RIMS, FLANGES and LOCK RINGS

1. Many wheels and rims may be identified by a stamping number. When the stamping number is known, refer to the Guide on Page 1 for the appropriate service part number.
2. When the stamping number is not known, wheels and rims and their related flanges and lock rings may be identified as follows
  - (a) Determine the type of wheel or rim from the illustration below.
  - (b) Determine the size of the wheel or rim. If this is not known, check the tire size and refer to the tire size to Wheel or Rim Size Chart on page 4 of this section.
  - (c) When the size of the wheel or rim is known, refer to the Wheel, Rim, Flange and Lock Ring Chart (page 4).

TYPICAL WHEELS, RIMS AND RELATED ITEMS



P-16520

1980/  
TRUCK SERIES 600/900

1007 WHEEL ASSY. — Cont'd

T.S.L.‡ CROSS - REFERENCE GUIDE

HOW TO FIND A SERVICE PART NUMBER FOR A WHEEL FROM THE T.S.L. ‡

1. Locate the wheel number shown on the Truck Specification List.
2. Using the Cross-Reference below, select the service part number which corresponds to the number found on the T.S.L.

If the T.S.L. number is not available, see Page 3.

T.S.L. NUMBER	MAKE	TYPE	WHEEL or RIM SIZE	BOLT HOLES	PART NUMBER		
					WHEEL	SIDE RING	LOCK RING
1007	WHEEL ASSY. — Cont'd						
Note:	NOTE 1 - Only two piece wheels are available for service. Flanges and lock rings must be purchased separately for both two and three piece wheels and rims.						
	● A-Alcoa B-Budd F-Firestone G-Goodyear						
	▲ is supplied in production as 2 or 3 pc. wheel ◇ Aluminum						
	‡ Truck specification list - included on Louisville-built trucks						
E5HT 1007-GA		1 PC.	22.5 X 7.5	8	E6HZ 1007-A		
E5HT 1007-FA		1 PC.	22.5 X 7.5	10	E6HZ 1007-D	E6HZ 1099-A	
87HU 1007-AA		1 PC.	22.5 X 8.25	10	E7HZ 1007-A		
89HU 1007-AA		1 PC.	22.5 X 7.5	10	E8HZ 1007-A	E6HZ 1099-A	
89HU 1007-BA		1 PC.	22.5 X 7.5	8	E8HZ 1007-B		
89HU 1007-CA		1 PC.	22.5 X 8.25	10	E8HZ 1007-C		
D7HT 1015-NA	F	2 PC.	20 x 6.0	6	★ D3TZ 1007-B /bC4TZ 1007-J	★ D5TZ 1099-A /bC6TZ 1099-A	
D7HT 1015-RA	B	2 PC.	20 x 6.0	6	C4TZ 1007-L	★ C4TZ 1099-M /b8T 1099-C and C4TZ 1021-A	
D7HT 1015-TA	F	2 PC.	20 x 6.5	6	D5TZ 1015-C	★ D5TZ 1099-A /bC6TZ 1099-A	
D7HT 1015-UA	F	2 PC.	20 x 6.5	6	C4TZ 1007-J	C6TZ 1099-A	
D7HT 1015-YA	F	2 PC.	20 x 7.0	6	★ C4TZ 1007-K /bF1HZ 1015-L	C6TZ 1099-A	
D7HT 1015-AAA	F	2 PC.	20 x 7.0	10	★ C4TZ 1007-E	C6TZ 1099-A	
D7HT 1015-ACA	F	2 PC.	20 x 7.5	10	C4TZ 1007-F	C4TZ 1099-A	
D7HT 1015-ADA	F	2 PC.	20 x 7.5	10	C4TZ 1007-F	C4TZ 1099-A	
D7HT 1015-AFA	A	3 PC.	20 x 7.5	10	◇ D5HZ 1015-A	D5HZ 1099-C	7EQH 1021-B
D7HT 1015-AGA	A	3 PC.	20 x 7.5	10	◇ D5HZ 1015-A	D5HZ 1099-C	7EQH 1021-B
D7HT 1015-AHA	F	2 PC.	22 x 7.5	10	C4TZ 1007-G	C4TZ 1099-B	
D7HT 1015-AKA	F	2 PC.	22 x 7.5	10	C4TZ 1007-G	C4TZ 1099-B	
D7HT 1015-AMA	A	3 PC.	22 x 7.5	10	◇ D5HZ 1015-D	D5TZ 1099-D	TUAA 1021-A
D7HT 1015-ANA	A	3 PC.	22 x 7.5	10	◇ D5HZ 1015-D	D5TZ 1099-D	TUAA 1021-A
D7HT 1015-ASA	F	3 PC.	20 x 8.0	10	B9T 1007-A	D5TZ 1099-C	7EQH 1021-B
D7HT 1015-ATA	A	3 PC.	20 x 8.0	10	★ D5HZ 1015-B Not replaced	D5TZ 1099-C	7EQH 1021-B
D7HT 1015-AUA	A	3 PC.	20 x 8.0	10	★ D5HZ 1015-B Not replaced	D5TZ 1099-C	7EQH 1021-B
D7HT 1015-AVA	F	3 PC.	22 x 8.0	10	D5HZ 1015-E	D5TZ 1099-D	TUAA 1021-A
D7HT 1015-AYA	A	3 PC.	22 x 8.0	10	◇ D5HZ 1015-C	D5TZ 1099-D	TUAA 1021-A
D7HT 1015-AZA	A	3 PC.	22 x 8.0	10	◇ D5HZ 1015-C	D5TZ 1099-D	TUAA 1021-A
D7HT 1015-BAA	F	1 PC.	22.5 x 7.5	10	★ D4HZ 1015-C /bF1HZ 1015-E		
D7HT 1015-BCA	G	1 PC.	22.5 x 7.5	10	D8HZ 1015-E		
D7HT 1015-BDA	F	1 PC.	22.5 x 7.5	10	◇ D8HZ 1015-G		
D7HT 1015-BFA	F	1 PC.	22.5 x 7.5	10	◇ D8HZ 1015-G		
D7HT 1015-BHA	F	1 PC.	22.5 x 8.25	10	D4HZ 1015-A		
D7HT 1015-BKA	F	1 PC.	22.5 x 8.25	10	★◇D8HZ 1015-H /bF1HZ 1015-Y		

1980/  
TRUCK SERIES 600/900

T.S.L. NUMBER	MAKE	TYPE	WHEEL or RIM SIZE	BOLT HOLES	PART NUMBER			
					WHEEL	SIDE RING	LOCK RING	
1007	WHEEL ASSY. — Cont'd							
Note:	NOTE 1 - Only two piece wheels are available for service. Flanges and lock rings must be purchased separately for both two and three piece wheels and rims.							
	● A-Alcoa B-Budd F-Firestone G-Goodyear							
	▲ is supplied in production as 2 or 3 pc. wheel ◇ Aluminum							
	‡ Truck specification list - included on Louisville-built trucks							
D7HT 1015-BMA	F	1 PC.	22.5 x 8.25	10	★◇D8HZ /bF1HZ	1015-H 1015-Y		
D7HT 1015-BNA	A	1 PC.	22.5 x 8.25	10	★◇D8HZ /bF1HZ	1015-H 1015-Y		
D7HT 1015-BRA	G	1 PC.	22.5 x 8.25	10	D8HZ /bD4HZ	1015-F 1015-A		
D7HT 1015-BSA	F	1 PC.	24.5 x 8.25	10	D4HZ	1015-B		
D7HT 1015-BUA	F	1 PC.	24.5 x 8.25	10	◇ D8HZ	1015-J		
D7HT 1015-BYA	F	1 PC.	24.5 x 8.25	10	◇ D8HZ	1015-J		
D7HT 1015-BZA	A	1 PC.	24.5 x 8.25	10	D8HZ	1015-J		
D8HT 1015-AA	F	1 PC.	22.5 x 6.0	6	★ B7T /bD8HZ	1015-B 1015-P		
						in pairs		
D8HT 1015-BA	F	1 PC.	22.5 x 6.75	6	★ D8HZ /bF1HZ	1015-P 1015-D		
D8HT 1015-CA	F	1 PC.	22.5 x 6.75	10	D8HZ	1015-R		
D7HT 1015-CBA	F	1 PC.	22.5 x 12.25	10	D3HZ	1015-A		
D7HT 1015-CCA	F	1 PC.	22.5 x 12.25	10	★ C5TZ	1015-R		
						Not replaced		
E0HT 1015-AA	A	1 PC.	22.5 x 8.25	10	◇ E0HZ	1015-A		
E0HT 1015-BA	F	1 PC.	22.5 x 7.50	10	★ E0HZ	1015-B		
E0HT 1015-CA	F	1 PC.	22.5 x 8.25	10	◇ E0HZ	1015-A		
E0HT 1015-DA	F	1 PC.	24.5 x 8.25	10	◇ E0HZ	1015-C		
E0HT 1015-EA	A	1 PC.	24.5 x 8.25	10	◇ E0HZ	1015-C		
E0HT 1015-FA	A	1 PC.	22.5 x 7.50	10	★ E0HZ	1015-B		
E0HT 1015-GA	A	3 PC.	22 x 7.50	10	◇ E0HZ	1015-D	D5TZ 1099-D	TUAA 1021-A
E0HT 1015-JA	A	3 PC.	20 x 7.50	10	◇ E0HZ	1015-E	D5TZ 1099-C	7EQH 1021-B
E2HT 1015-AA	F	1 PC.	22.5 x 6.75	10	D3HZ	1015-A		
E3HT 1015-AA	F	1 PC.	22.5 x 12.25	10	E3HZ	1015-A		
E6HT 1015-AA	F	1 PC.	22.5 x 8.25	10	★ D8HZ /bF1HZ	1015-H 1015-Y		
E6HT 1015-BA	F	1 PC.	22.5 x 8.25	10	★ D8HZ /bF1HZ	1015-H 1015-Y		
E6HT 1015-CA	A	1 PC.	22.5 x 8.25	10	E0HZ	1015-A		
E6HT 1015-DA	A	1 PC.	24.5 x 8.25	10	D8HZ	1015-J		
E6HT 1015-EA	A	1 PC.	24.5 x 8.25	10	D8HZ	1015-J		
E6HT 1015-FA	F	1 PC.	22.5 x 8.25	10	★ E0HZ	1015-B		
▲ D6TA 1030-AA	F	2 PC.	20 x 7.5		C4TZ	1020-D	C4TZ 1099-A	
D7HT 1030-DA	F	1 PC.	20.0 x 6.00		★ C4TZ	1020-A		
▲ D7HT 1030-EA	F	2 PC.	20 x 6.5		C4TZ	1020-B	C6TZ 1099-A	
▲ D7HT 1030-EA	F	3 PC.	20 x 6.5		Note 1	8Q 1099	C6TZ 1021-A	
▲ D7HT 1030-GA	F	2 PC.	20 x 7		C4TZ	1020-C	C6TZ 1099-A	
▲ D7HT 1030-GA	F	3 PC.	20 x 7		Note 1	7EQH 1099	C6TZ 1021-A	
▲ D7HT 1030-JA	F	2 PC.	20 x 7.5		C4TZ	1020-D	C4TZ 1099-A	
▲ D7HT 1030-JA	F	3 PC.	20 x 7.5		Note 1	D5TZ 1099-C	C4TZ 1021-C	
▲ D7HT 1030-LA	F	2 PC.	22 x 7.5		C4TZ	1020-E	C4TZ 1099-B	
▲ D7HT 1030-LA	F	3 PC.	22 x 7.5		Note 1	D5TZ 1099-D	C4TZ 1021-B	
D7HT 1030-NA	F	1 PC.	22.5 x 7.5		D8HZ	1020-C		
D7HT 1030-RA	B	1 PC.	22.5 x 8.25		D8HZ	1020-D		
D7HT 1030-UA	F	1 PC.	24.5 x 8.25		D8HZ	1020-E		
D7HT 1030-VA	B	1 PC.	24.5 x 8.25		D8HZ	1020-E		
D7HT 1030-YA	F	1 PC.	22.5 x 12.25		D5HZ	1020-A		
D7HT 1030-ZA	F	1 PC.	22.5 x 12.25		D5HZ	1020-B		

1980/  
TRUCK SERIES 600/900

T.S.L. NUMBER	MAKE	TYPE	WHEEL or RIM SIZE	BOLT HOLES	PART NUMBER		
					WHEEL	SIDE RING	LOCK RING
1007	WHEEL ASSY. — Cont'd						
Note:	NOTE 1 - Only two piece wheels are available for service. Flanges and lock rings must be purchased separately for both two and three piece wheels and rims.						
	● A-Alcoa B-Budd F-Firestone G-Goodyear						
	▲ is supplied in production as 2 or 3 pc. wheel ◇ Aluminum						
	‡ Truck specification list - included on Louisville-built trucks						
D7HT	1030-ABA	F	1 PC.	22.5 x 13	D5HZ	1020-D	
D7HT	1030-ADA	F	1 PC.	22.5 x 9	D8HZ	1020-A	
D7HT	1030-AEA	F	1 PC.	22.5 x 8.25	D8HZ	1020-D	
D7HT	1030-AFA	F	3 PC.	20 x 8	B9T	1020-B	D5TZ 1099-C 7EQH 1021-B
D7HT	1030-AGA	F	3 PC.	22 x 8	D5HZ	1020-C	D5TZ 1099-D TUA A 1021-A
D7HT	1030-AHA	F	3 PC.	24 x 8	D2HZ	1020-B	D2HZ 1099-B D2HZ 1021-B
D7HT	1030-AJA	F	3 PC.	24 x 8.5	D2HZ	1020-A	D2HZ 1099-A D2HZ 1021-A
D8HT	1030-AA	F	1 PC.	22.5 x 6.75	D8HZ	1020-L	

WHEEL, RIM, FLANGE, AND LOCK RING CHART  
(SEE INSTRUCTIONS FOR IDENTIFYING WHEELS, RIMS, ETC., ON PAGE 3 OF THIS SECTION.)

YEAR	WHEEL OR RIM SIZE	TYPE	HOLES	BOLT CIRCLE (INCHES)	MAKE ●	PART NUMBER		
						WHEEL OR RIM	SIDE RING OR FLANGE	LOCK RING
1007	WHEEL ASSY. — Cont'd							
Note:	§ Refer to page 3 for illustrations of wheel types, ● A - Alcoa, B - Budd, F - Firestone G-Goodyear							
	▲ Ball seat mounted, ◇ Aluminum, ■ Except drop center, ● Drop center							
	NOTE 1 - Only two piece wheels are available for service. Flanges and lock rings must be purchased separately for both two and three piece wheels and rims.							

DISC WHEELS AND RINGS FOR TUBE OR TUBELESS TYPE TIRES

80/	20 x 6	2 PC.▲	6	8.75	F	★C4TZ 1007-L r/bC4TZ 1007-J	★C4TZ 1099-M r/b8T 1099-C ★andC4TZ 1021-A	
80/	20 x 6	3 PC.	6	8.75	F	NOTE 1	★C4TZ 1099-M r/b8T 1099-C ★andC4TZ 1021-A	★C4TZ 1021-G Not replaced
80/	20 x 6	3 PC.	6	8.75	B	NOTE 1	8T 1099-C	★C4TZ 1021-A r/bMAT-84080
80/	20 x 6	2 PC.▲	6	8.75	B F	C4TZ 1007-L	★C4TZ 1099-M r/b8T 1099-C ★andC4TZ 1021-A	
80/	20 x 6	2 PC.	6	8.75	F	★D3TZ 1007-B r/bC4TZ 1007-J	★D5TZ 1099-A r/bC6TZ 1099-A	
80/	20 x 6.5	2 P.C.■	6	8.75	B-F	C4TZ 1007-J	C6TZ 1099-A	
80/	20 x 6.5	2 P.C.▲	6	8.75	F	★D5TZ 1015-C r/bC4TZ 1007-K	★D5TZ 1099-A r/bC6TZ 1099-A	
80/	20 x 7	2 PC.	6	8.75		★C4TZ 1007-K r/bF1HZ 1015-L	C6TZ 1099-A	
80/	20 x 7	3 PC.	6	8.75	F	NOTE 1	7EQH 1099	C6TZ 1021-A
80/	20 x 7	2 PC.	10	11.25	B-F	C4TZ 1007-E	C6TZ 1099-A	
80/	20 x 7	3 PC.	10	11.25	F	NOTE 1	7EQH 1099	C6TZ 1021-A
80/	20 x 7.5	2 PC.	10	11.25	B-F	C4TZ 1007-F	C4TZ 1099-A	
80/	20 x 7.5	3 PC.	10	11.25	F	NOTE 1	D5TZ 1099-C	C4TZ 1021-C
80/	20 x 7.5	3 PC.	10	11.25	A	◇D5HZ 1015-A	D5TZ 1099-C	7EQH 1021-B
80/	20 x 7.5	3 PC.	10	11.25	A	◇E0HZ 1015-E	D5TZ 1099-C	7EQH 1021-B
80/	20 x 8	3 PC.	10	11.25	B-F	B9T 1007-A	D5TZ 1099-C	7EQH 1021-B
80/	20 x 8	3 PC.	10	11.25	A	★D5HZ 1015-B	D5TZ 1099-C	7EQH 1021-B
80/	22 x 7.5	2 PC.	10	11.25	B-F	C4TZ 1007-G	C4TZ 1099-B	
80/	22 x 7.5	3 PC.	10	11.25	F	NOTE 1	D5TZ 1099-D	C4TZ 1021-B
80/	22 x 7.5	3 PC.	10	11.25	A	◇D5HZ 1015-D	D5TZ 1099-D	TUA A 1021-A
80/	22 x 7.5	3 PC.	10	11.25	A	◇E0HZ 1015-D	D5TZ 1099-D	TUA A 1021-A
80/	22 x 8	3 PC.	10	11.25	A	◇D5HZ 1015-C	D5TZ 1099-D	TUA A 1021-A



**1980/  
TRUCK SERIES 600/900**

WHEEL, RIM, FLANGE, AND LOCK RING CHART								
(SEE INSTRUCTIONS FOR IDENTIFYING WHEELS, RIMS, ETC., ON PAGE 3 OF THIS SECTION.)								
YEAR	WHEEL OR RIM SIZE	TYPE \$	HOLES	BOLT CIRCLE (INCHES)	MAKE ●	PART NUMBER		
						WHEEL OR RIM	SIDE RING OR FLANGE	LOCK RING
1007	WHEEL ASSY. — Cont'd							
Note:	\$ Refer to page 3 for illustrations of wheel types, ● A - Alcoa, B - Budd, F - Firestone G-Goodyear ▲ Ball seat mounted, ◇ Aluminum, ■ Except drop center, ● Drop center NOTE 1 - Only two piece wheels are available for service. Flanges and lock rings must be purchased separately for both two and three piece wheels and rims.							

DISC WHEELS AND RINGS FOR TUBE OR TUBELESS TYPE TIRES								
80/	22.5 x 6	1 PC.	6	8.75	F	★B7T 1015-B r/bD8HZ 1015-P		
80/	22.5 x 6.75	1 PC.	6	8.75	F	★D8HZ 1015-P r/bF1HZ 1015-D		
80/	22.5 x 6.75	1 PC.	10	11.25	F	D8HZ 1015-R		
80/	22.5 x 7.5	1 PC.	10	11.25	B-F	★D4HZ 1015-C r/bF1HZ 1015-E		
80/	22.5 x 7.5	1 PC.	10	11.25	M	D8HZ 1015-E		
80/	22.5 x 7.5	1 PC.	10	11.25	A-F	◇D8HZ 1015-G		
80/	22.5 x 7.5	1 PC.	10	11.25	F-A	★E0HZ 1015-B		
86/	22.5 x 7.5	1 PC.	8			E6HZ 1007-A		
86/	22.5 x 7.5	1 PC.	10			E6HZ 1007-D	E6HZ 1099-A	
88/	22.5 X 7.5	1 PC.	8			E8HZ 1007-B	E6HZ 1099-A	
88/	22.5 X 7.5	1 PC.	10			E8HZ 1007-A		
80/	22.5 x 8.25	1 PC.	10	11.25	F	D4HZ 1015-A		
80/	22.5 x 8.25	1 PC.	10	11.25	F-A	◇E0HZ 1015-A		
80/	22.5 x 8.5	1 PC.	10	11.25	A-F	★◇D8HZ 1015-H r/bF1HZ 1015-Y		
80/	22.5 x 12.25	1 PC.	10	11.25	F	D3HZ 1015-A		
87/	22.5 x 8.25	1 PC.	10			E7HZ 1007-A		
88/	22.5 X 8.25	1 PC.	10			E8HZ 1007-C		
80/83	22.5 x 12.25 "Before 5/1/83"	1 PC.	10	11.25	F	★C5TZ 1015-R		
83/	22.5 x 12.25 "From 5/1/83"	1 PC.	10	11.25	F	E3HZ 1015-A		
80/	24.5 x 8.25	1 PC.	10	11.25	F	D4HZ 1015-B		
80/	24.5 x 8.25	1 PC.	10	11.25	A-F	◇D8HZ 1015-J		
80/	24.5 x 8.25	1 PC.	10	11.25	F-A	◇E0HZ 1015-C		

WHEEL, RIM, FLANGE, and LOCK RING CHART								
(See instructions for identifying wheels, rims, etc., on page 3 of this section.)								
YEAR	WHEEL OR RIM SIZE (INCHES)	TYPE \$	SPACER WIDTH (INCHES)	MAKE ●	PART NUMBER			
					WHEEL OR RIM	SIDE RING OR FLANGE	LOCK RING	
1007	WHEEL ASSY. — Cont'd							
Note:	● B - Budd F - Firestone, \$ Refer to page 3 for illustrations of wheel types							

RIMS AND RINGS FOR SPOKE WHEELS or HUBS FOR TUBE TYPE TIRES								
80/	20 x 6	2 PC.	4.00			★C4TZ 1020-A	★C4TZ 1099-M	
80/	20 x 6	3 PC.	4.00			NOTE 1	8T 1099-C	★C4TZ 1021-A r/bMAT-84080
80/	20 x 6.5	2 PC.	4.00	F		C4TZ 1020-B	C6TZ 1099-A	
80/	20 x 6.5	3 PC.	4.00	F		NOTE 1	8Q 1099	C6TZ 1021-A
80/	20 x 7	2 PC.	4.00	F		C4TZ 1020-C	C6TZ 1099-A	
80/	20 x 7	3 PC.	4.00	F		NOTE 1	7EQH 1099	C6TZ 1021-A
80/	20 x 7.5	2 PC.	3.62	F		C4TZ 1020-D	C4TZ 1099-A	
80/	20 x 7.5	3 PC.	3.62	F		NOTE 1	D5TZ 1099-C	C4TZ 1021-C
80/	20 x 8	3 PC.	3.62	F		B9T 1020-B	D5TZ 1099-C	7EQH 1021-B
80/	20 x 8.5	3 PC.		F		D0HZ 1020-C	D0HZ 1099-A	D0HZ 1021-A
80/	22 x 7.5	2 PC.	3.62	F		C4TZ 1020-E	C4TZ 1099-B	
80/	22 x 7.5	3 PC.	3.62	F		NOTE 1	D5TZ 1099-D	C4TZ 1021-B

## 1980/ TRUCK SERIES 600/900

### WHEEL, RIM, FLANGE, and LOCK RING CHART

(See instructions for identifying wheels, rims, etc., on page 3 of this section.)

YEAR	WHEEL OR RIM SIZE (INCHES)	TYPE \$	SPACER WIDTH (INCHES)	MAKE •	PART NUMBER		
					WHEEL OR RIM	SIDE RING OR FLANGE	LOCK RING

1007 WHEEL ASSY. — Cont'd

Note: • B - Budd F - Firestone, \$ Refer to page 3 for illustrations of wheel types

#### RIMS AND RINGS FOR SPOKE WHEELS or HUBS FOR TUBE TYPE TIRES

80/	22 x 7.5	2 PC.	3.62	G	★C4TZ 1020-J	★C4TZ 1099-T	
80/	22 x 7.5	2 PC.	3.62	F	★C4TZ 1020-J	C4TZ 1099-B	
80/	22 x 8	3 PC.	3.62	F	D5HZ 1020-C	D5TZ 1099-C	TUAA 1021-A
80/	24 x 8	3 PC.	4.00	F	D2HZ 1020-B	D2HZ 1099-B	D2HZ 1021-B
80/	24 x 8.5	3 PC.		F	D2HZ 1020-A	D2HZ 1099-A	D2HZ 1021-A

#### RIMS AND RINGS FOR SPOKE WHEELS or HUBS FOR TUBELESS TYPE TIRES

80/	22.5 x 7.5	D.C.		B-F	D8HZ 1020-C		
80/	22.5 x 8	D.C.		B-F	D8HZ 1020-D		
80/	22.5 x 9	D.C.		F	D8HZ 1020-A		
80/	22.5 x 12.25	D.C.		F	D5HZ 1020-A	4.40 OFFSET	16.5" tires
80/	22.5 x 12.25	D.C.		F	D5HZ 1020-B	5.44 OFFSET	15" tires
80/	22.5 x 13	D.C.		F	D5HZ 1020-D		
80/	24.5 x 8.25	D.C.		B-F	D8HZ 1020-E		

YEAR	MODEL/RESTRICTIONS	PART NUMBER	DESCRIPTION	QTY.
1012 NUT (WHEEL HUB BOLT)				
86	CF600 -- 8 hole disc wheel-275mm B/C	F0HZ 1012-A	Two-piece flange metric mount	32
86/	CF-CFT700/800 -- 10 hole disc wheel-285.75mm and 335mm B/C	F1HZ 1012-A	Two-piece flange metric mount	AR

1013 Refer to Front Hub & Drum Parts List, Section 11.1

### IDENTIFICATION CHART

(Arranged according to Identification Number)

IDENTIFICATION	PART NUMBER	IDENTIFICATION	PART NUMBER
1014 HUB ASSY. (FRONT)-For model usage refer to Section 11.1			
FA-565	D0TZ 1014-B	9589	D0TZ 1014-A
FA-705	D8HZ 1014-F	9818	D5TZ 1014-B
FB-705	D8HZ 1014-G	9819	★D5TZ 1014-C
FA-744	D5HZ 1014-A	9894	D5TZ 1014-A
FB-744	D5HZ 1014-B	14107	D8HZ 1014-C
9426	C9TZ 1014-Z	14108	D8HZ 1014-D
9428	C9TZ 1014-T	0214890002	★E4HZ 1014-A
9429	C9TZ 1014-U		r/bE4HZ 1014-C
9433	C9TZ 1014-Y	0214887002	E4HZ 1014-B
9571	D0TZ 1014-C	0214890002	E4HZ 1014-C
		H346	E8HZ 1014-A

YEAR	MODEL/RESTRICTIONS	PART NUMBER	DESCRIPTION	QTY.
1015-20	Refer to Section 1007			

1980/  
TRUCK SERIES 600/900

YEAR	MODEL/RESTRICTIONS	PART NUMBER	DESCRIPTION	QTY.
<b>1K019 ADAPTER ASSY.-WHL. TRIM RETAINER</b>				
86/	CF600/700	E6HZ 1K019-A	#85HU-A	AR
86/	CF600 - - full air brake	E6HZ 1K019-B	#85HU-B	AR
86/	CF700	★ E6HZ 1K019-C	#86HU-AA	1
<b>1K020 SHIELD (REAR WHEEL BEARING)</b>				
80/	C-LNT-LT-LTL-LTS900	D7HZ 1K020-A		4
<b>1040 WEIGHT (WHEEL BALANCE)-Available through Rotunda Equipment</b>				
<b>1042-3 CLAMP (SPOKE WHEEL RIM)</b>				
80/	All - - w/Hyd. brakes except 8.5 rims	C9TZ 1042-A	Front	AR
80/	All - - w/Hyd. brakes w/8.5 rims	D0HZ 1042-B	Front	AR
80/	All - - w/Air brakes	D5TZ 1042-A	Front	AR
80/	All-w/20" & 22" wheels with 3 5/8" spacers	D8HZ 1043-A	Rear	AR
80/	All-w/20" & 22" wheels with 4" spacers	D8HZ 1043-B	Rear	AR
80/	All - - w/24 x 8 and 24 x 8.5 wheels with 4" spacers	D6HZ 1043-B	Rear	AR
<b>1044 SPACER (REAR SPOKE WHEEL RIM)</b>				
80/	All - - w/20" wheels	B7TZ 1044-C	#SB-14F-121-20" x 4"	AR
80/	All - - w/20" wheels	B7TZ 1044-A	#SB-14F-120-20" x 3 5/8"	AR
80/	All - - w/22" or 24.5" wheels	B7TZ 1044-B	#SB-50F-120-22" x 3 5/8"	AR
<b>1099 Refer to group 1007 Wheel Chart</b>				

**1980/  
TRUCK SERIES 600/900**

**IDENTIFICATION CHART**

(Arranged according to Identification Number)

IDENTIFICATION	PART NUMBER	IDENTIFICATION	PART NUMBER
<b>1102</b>	<b>HUB and ROTOR ASSY.-Refer to Section 11.1</b>		
<b>1104</b>	<b>HUB ASSY (FRONT)-For model usage refer to Section 11.1</b>		
H-299	D8HZ 1104-L	99631	★ D5TZ 1104-C
H-330	D5HZ 1104-A	103154 (R.H.)	★ D8HZ 1104-J
H-346	D8HZ 1104-E	103154 (L.H.)	★ D8HZ 1104-K
HF-479-K	E4HZ 1104-G	103163 (R.H.)	D8HZ 1104-G
85135	D0TZ 1104-B	103163 (L.H.)	D8HZ 1104-H
88057 (R.H.)	D8HZ 1104-C	103398	E0HZ 1104-A
88057 (L.H.)	D8HZ 1104-D	55-14107-002	E6HZ 1104-H
90285	C5TZ 1104-D	55-14108-002	E6HZ 1104-J
91081	D0TZ 1104-C	55-14890-001	★ E6HZ 1104-G
96631	D0TZ 1104-E		

**SIZE CHART**

SIZE	PART NUMBER	SIZE	PART NUMBER
<b>1107-19 BOLT (HUB) - For model usage refer to Section 11.1 (Front Hub) or Section 11.2 (Rear Hub)</b>			
5/8"-18 x 2 1/4"	E4HZ 1107-D	3/4-16 x 2 3/5	E4HZ 1119-A L.H.
3/4"-16 x 2 1/4"	D5HZ 1107-C	3/4-16 x 3	E4HZ 1119-B L.H.
3/4"-16 x 2 3/8"	7EQ 1118 R.H.	3/4-16 x 2 4/5	E4HZ 1119-C L.H.
	7EQ 1119 L.H.		C5TZ 1118-A R.H.
3/4"-16 x 2 9/16"	E4HZ 1107-A R.H.	3/4"-16 x 2 31/32"	C5TZ 1119-A L.H.
3/4"-16 x 2 9/16"	E4HZ 1108-A L.H.		D5HZ 1118-B R.H.
3/4"-16 x 3 1/2"	E4HZ 1107-B R.H.		D5HZ 1119-B L.H.
3/4"-16 x 3 1/2"	E4HZ 1108-B L.H.		D5HZ 1118-C R.H.
3/4"-16 x 3 1/16"	E4HZ 1107-C R.H.		D5HZ 1119-C L.H.
3/4"-16 x 3 1/16"	E4HZ 1108-C L.H.		C5TZ 1118-C R.H.
3/4"-16 x 2 39/64"	★ C8TZ 1107-A R.H.		C5TZ 1119-C L.H.
	r/bC8TZ 1107-J		D5HZ 1118-A R.H.
	★ C8TZ 1107-B L.H.		D5HZ 1119-A L.H.
3/4"-16 x 2 5/8"	r/bC8TZ 1107-H		3/4"-16 x 3 5/32"
	C4TZ 1107-E R.H.	3/4"-16 x 3 3/8"	D8HZ 1107-C R.H.
3/4"-16 x 2 23/32"	C4TZ 1107-F L.H.	1 1/8"-16 x 2 31/32"	D8HZ 1107-D L.H.
	D0TZ 1107-D R.H.	1 1/8"-16 x 3 1/2"	D5HZ 1108-B R.H.
3/4"-16 x 2 7/8"	D0TZ 1108-C L.H.	1 1/8"-16 x 3 1/2"	D5HZ 1107-B L.H.
	D8HZ 1118-A R.H.		E4HZ 1107-E R.H.
	D8HZ 1119-A L.H.		E4HZ 1108-E L.H.
	7EQH 1118 R.H.		E8HZ 1107-A R.H.
	7EQH 1119 L.H.		E8HZ 1107-B L.H.
3/4-16 x 2 3/5	E4HZ 1118-A R.H.	1 1/8"-16 x 3 9/16"	D5HZ 1107-A R.H.
3/4-16 x 3	E4HZ 1118-B R.H.		D5HZ 1108-A L.H.
3/4-16 x 2 4/5	E4HZ 1118-C R.H.		D8HZ 1107-A R.H.
			D8HZ 1107-B L.H.

**IDENTIFICATION CHART**

(Arranged according to Identification Number)

IDENTIFICATION	PART NUMBER	IDENTIFICATION	PART NUMBER
<b>1109</b>	<b>HUB ASSY. (REAR)-For model usage refer to Section 11.2</b>		
RA-364	C9TZ 1109-C	9570	D0TZ 1109-B
RA-567	D0TZ 1109-A	9962	D8HZ 1109-M
RB-707	D5HZ 1109-A	9964	D5HZ 1109-N
RA-714	D8HZ 1109-M	14171	D7HZ 1109-C
RB-714-K	E4HZ 1109-F	14172	D7HZ 1109-B
RC-736	D8HZ 1109-T	14295	D8HZ 1109-W
RA-780	D7HZ 1109-D	85111	D0TZ 1109-C
RB-780	D7HZ 1109-E	87386 (R.H.)	D8HZ 1109-C
RC-791	D8HZ 1109-S	87386 (L.H.)	D8HZ 1109-D
8778	C4TZ 1109-B	87505 (R.H.)	D8HZ 1109-A
H-9008	C5TZ 1109-T	87505 (L.H.)	D8HZ 1109-B
9148	C9TZ 1109-M	88524	E2HZ 1109-J

**1980/  
TRUCK SERIES 600/900**

**IDENTIFICATION CHART**

(Arranged according to Identification Number)

IDENTIFICATION	PART NUMBER	IDENTIFICATION	PART NUMBER
<b>1109</b>	<b>HUB ASSY. (REAR)-For model usage refer to section 11.2 -- Cont'd</b>		
88525	E2HZ 1109-K	106024	E4HZ 1109-L
99191 (R.H.)	★ D5HZ 1109-G	X-106382	E4HZ 1109-K
99191 (L.H.)	★ D5HZ 1109-H	X-106383	E4HZ 1109-L
101654	D7HZ 1109-A	X-106384	E4HZ 1109-H
102875	E4HZ 1109-J	X-106385	E4HZ 1109-J
X-105272	★ E2HZ 1109-A	X-106386	E4HZ 1109-B
X-105273	★ E2HZ 1109-B	X-106387	E4HZ 1109-C
X-105274	★ E2HZ 1109-E	221-8722(RH)	E9HZ 1109-A
X-105275	E2HZ 1109-F	221-8723(LH)	E9HZ 1109-B
X-105276	★ E2HZ 1109-G	333-A-1431	C5TZ 1109-N
X-105277	★ E2HZ 1109-H	333-E-1435	D0TZ 1109-E
X-105278	★ E2HZ 1109-C	333-J-2168	D8HZ 1109-N
X-105279	★ E2HZ 1109-D	333-K-2273	D5HZ 1109-C
X-105704	E4HZ 1109-B	333-Q-2279	D5HZ 1109-B
X-105705	E4HZ 1109-C	A-333-B-2680	★ E4HZ 1109-A
106021	E4HZ 1109-H	0114869001	E4HZ 1109-D
106022	E4HZ 1109-J	0109962001	E4HZ 1109-G
106023	E4HZ 1109-K	114951001	E3HZ 1109-B
		0414873001	E4HZ 1109-E
<b>1113-19</b>	Refer to Rear Hub Section 11.2		
<b>1120-1</b>	Refer to Front Hub Section 11.1		
<b>1A122</b>	WASHER (BRAKE DRUM BOLT) - For model usage, refer to Section 11.1 (Front Hub) or Section 11.2 (Rear Hub)		

I.D. (INCHES)	O.D. (INCHES)	THICKNESS (INCHES)	PART NUMBER	I.D. (INCHES)	O.D. (INCHES)	THICKNESS (INCHES)	PART NUMBER
<b>1124 WASHER (REAR WHEEL BEARING NUT LOCK) - For model application, refer to Section 11.2 (Rear Hub)</b>							
2 13/32	3 7/8	3/32	★ B4T 1124-A r/b B4T 1124-B	2 27/32	4 1/2	1/8	TUAA 1124-A
2 1/2	3 3/4	3/16	7EQ 1124	3 3/32	4 3/4	1/8	B8QH 1124-A
2 21/32	4	3/32	7E0H 1124-A	3 19/32	4 11/32	15/64	D5HZ 1124-A
				3 9/32	4 3/4	15/64	E7HZ 1124-A

**IDENTIFICATION CHART**

(Arranged according to Identification Number)

IDENTIFICATION	PART NUMBER	IDENTIFICATION	PART NUMBER
<b>1125</b>	<b>DRUM ASSY. (FRONT)-For model usage refer to Section 11.1</b>		
2303	B7Q 1125-A	95725	C3TZ 1125-M
2827	D0HZ 1125-F	101282	D6TZ 1125-B
3046-A	D8HZ 1125-G	103156	D8HZ 1125-F
3158	D8HZ 1125-D	120588	C3TZ 1125-M
3159	D8HZ 1125-H	120661	D0HZ 1125-C
3438	E4HZ 1125-F	120704	B7Q 1125-A
87945	D8HZ 1125-A	120705	D1TZ 1125-D
90455	C5TZ 1125-D	122045	D7HZ 1125-B
94425	C4TZ 1125-E	122104	D8HZ 1125-B
94444	C4TZ 1125-D		
<b>1126</b>	<b>DRUM ASSY. (REAR)-For model usage refer to Section 11.2</b>		
2256-C	C8TZ 1126-J	2852-EX	E4HZ 1126-K
2603	C6TZ 1126-D	2997	D5HZ 1126-A
2604	C5TZ 1126-Z	3060	D7HZ 1126-D
2607	C5TZ 1126-V	3934	E0HZ 1126-B
2718	C8TZ 1126-B	87101	D8HZ 1126-A
2747-C	D8HZ 1126-E	93649	C3TZ 1126-E
2852	C5TZ 1126-W	93678	C5TZ 1126-C

**IDENTIFICATION CHART**

(Arranged according to Identification Number)

IDENTIFICATION	PART NUMBER	IDENTIFICATION	PART NUMBER
<b>1126 DRUM ASSY. (REAR)-For model usage refer to Section 11.2 - Cont'd</b>			
99202	D5HZ 1126-F	122011	E0HZ 1126-C
99213	D5HZ 1126-E	122128	D7HZ 1126-D
101656	D7HZ 1126-B	122979	E4HZ 1126-E
101803	D7HZ 1126-C	3219-B-3902	D5HZ 1126-C
120517	C6TZ 1126-D	3219-D-2942	C5TZ 1126-AN
120553	C8TZ 1126-E	3219-H-2920	C5TZ 1126-AJ
120566	C8TZ 1126-B	3219-H-2946	C5TZ 1126-AM
122006	D5HZ 1126-J	3219-J-2584	C3TZ 1126-L
122009	D5HZ 1126-G	3219-Q-4229	D8HZ 1126-C

<b>1131 CAP (FRONT HUB GREASE)-For model usage refer to group 1131 below</b>			
C4TA 1131-A	C4TZ 1131-A	TGAA 1131-A	TGAA 1131-A
C5TA 1131-A	C5TZ 1131-A	TUAA 1131-A	TUAA 1131-A
C9HS 1131-B	D0HZ 1131-E	8EB 1131	8EB 1131
D0HA 1131-R	D0HZ 1131-K	4024	D0HZ 1131-C
D0HA 1131-S	D0HZ 1131-A	4028	D0HZ 1131-G
D0HA 1131-T	D0HZ 1131-G	4029	D0HZ 1131-B
D0HA 1131-Y	★ D0HZ 1131-M	4065	D0HZ 1131-A
D1HA 1131-EA	D0HZ 1131-C	4092	D0HZ 1131-F
D1HA 1131-FA	D0HZ 1131-B	4093	★ D0HZ 1131-D
D1HA 1131-HA	D0HZ 1131-F	4098	★ D0HZ 1131-E
D1HA 1131-KA	D0HZ 1131-D	4101	D0HZ 1131-K
D3HA 1131-AA	D5HZ 1131-A	4103	D7HZ 1131-A
D7HT 1131-BA	D8HZ 1131-A	4112	D0HZ 1131-F
E0HT 1131-AA	★ D9HZ 1131-C	4113	D0HZ 1131-D
E0HT 1131-BA	★ D9HZ 1131-B	4131	★ E0HZ 1131-A
E0HT 1131-DA	E0HZ 1131-A	4171	D9HZ 1131-B
E2HT 1131-AA	★ D9HZ 1131-C	4172	D9HZ 1131-C
E4HT 1131-AA	E4HZ 1131-A	4180	D9HZ 1131-C
E4HT 1131-BA	E4HZ 1131-B	4186	E4HZ 1131-B

YEAR	MODEL/RESTRICTIONS	PART NUMBER	DESCRIPTION	QTY.
1131	CAP (FRONT HUB GREASE)			Sketch HC-06

B SERIES				
80/	B600/700 -- 6M, 7M axles	TGAA 1131-B	4 1/4" O.D.-4 holes -- Grease	2
80/	B700 -- 7.5M axle	TUAA 1131-A	5 11/16" O.D.-4 holes -- Grease	2
		D0HZ 1131-B	#4029-5 3/4" O.D.-4 bolt holes- 5" bolt circle-Stemco (see-through) -- oil	2
		D0HZ 1131-C	#4024-5 1/4" O.D.-6 bolt holes- 4 1/2" bolt circle-Stemco (see-through) -- oil	2

CF SERIES				
86/	CF600/700	E4HZ 1131-A		
86/	CF600/700	E6HZ 1131-A		
86/	CF600/700	TGAA 1131-B		

C-CT SERIES				
80/	C-CT800/900-9M, 12M axles and disc wheels	8EB 1131	5 3/16" O.D.-6 holes -- Grease	2
80/	C600/700 -- 7M axle and spoke wheels	TGAA 1131-B	4 1/4" O.D.-4 holes -- Grease	2
80/	C-CT700/900 -- 9M, 12M axles and spoke wheels	TUAA 1131-A	5 11/16" O.D.-4 holes -- Grease	2

1980/  
TRUCK SERIES 600/900

YEAR	MODEL/RESTRICTIONS	PART NUMBER	DESCRIPTION	QTY.
1131	CAP (FRONT HUB GREASE) — Cont'd			
<b>CF SERIES</b>				
80/	C-CT800/900 center point strg.	C4TZ 1131-A	6 1/2 O.D.-6 bolt holes-5 7/8" bolt circle	2
80/	C-CT800/900 -- center point steering and spoke wheels	C9HZ 1131-A	6 3/16" O.D.-6 bolt holes- 1/2" bolt circle	2
80/83	C600/700 -- 7M axle	D0HZ 1131-A	#4065-4 1/4" O.D.-4 bolt holes-3 5/8" bolt circle-Stemco (see-through) -- Oil	2
84	C600/700-7M axle	E4HZ 1131-C	Stemco oil	2
80/	C-CT700/900-9M axle and spoke wheels	D0HZ 1131-B	#4029-5 3/4" O.D.-4 bolt holes-5" bolt circle-Stemco (see-through) -- Oil	2
80/	C-CT700/900 -- 9M, 12M (exc. center point strg.) axles and disc wheels	D0HZ 1131-C	#4024-5 1/4" O.D.-6 bolt holes-4 1/2" bolt circle-Stemco (see-through) -- Oil	2
80/	C-CT800/900-12M center point strg. axle and Dayton spoke wheels	★ D0HZ 1131-D r/bE5HZ 1131-A	#4093-6 3/16" O.D.-6 holes-5 1/2" holes-Stemco (see-through)	2
80/	C-CT800/900-12M center point strg. axle and Gunitite spoke wheels	D9HZ 1131-A r/bE5HZ 1131-B	#4098-6 3/16 O.D.-6 holes-5 1/2 bolt circle-Stemco (see-through)	2
80/	C-CT800/900 -- 12M center point strg. axle and disc wheels	D0HZ 1131-F	#4092-6 9/16" O.D.-6 holes-5 7/8" bolt circle-Stemco (see-through)	2
80/	C-CT800/900 12M (exc. center point strg.)axle and spoke wheels	D0HZ 1131-G	#4028-5 3/4 O.D.-4 holes-5" bolt circle-Stemco (see-through)	2
80/	C-CT800/900 -- 16M, 18M,20M axles and Gunitite disc wheels	D5HZ 1131-A	6 13/64" O.D.-6 bolt holes 5 1/2" bolt circle -- Grease	2
<b>CL-CLT SERIES</b>				
80/84	CL-CLT900	★ D9HZ 1131-B r/bE5HZ 1131-B	Oil-6 5/16" O.D.-6 holes- Stemco (see-through)	2
81/	CL-CLT900	E5HZ 1131-B	Oil-Stemco (see-through)	2
80/	CL-CLT900	D8HZ 1131-A	Grease-6 5/16" O.D.-6 holes -exc. Stemco see through	2
<b>F-FT SERIES</b>				
80/	F600/800-5.5M and 7M axles	TGAA 1131-B	4 1/4" O.D.-4 holes	2
80/	F-FT700/900-9M axles	TUAA 1131-A D0HZ 1131-B	5 11/16" O.D.-4 holes #4029-5 3/4" O.D.-4 holes-4 1/2" bolt circle-Stemco (see-through)	2 2
		26483-S7	(U-172)-screw (cap to hub)-1/4"-20 x 1/2"	AR
		34805-S8	(X-62)-lockwasher-1/4"	
<b>L-LN-LNT-LT-LTL-LTS SERIES</b>				
80/	L-LN600/900 -- 5.5M and 7M axles	TGAA 1131-B	4 1/4" O.D.-4 holes	2
80/	L-LN-LNT-LT-LTL-LTLA-LTLS-LTS700/900 -- 9M, 12M axles and disc wheels	8EB 1131	5 3/16" O.D.-6 holes	2
80/	L-LN-LNT-LT-LTL-LTLA-LTLS-LTS700/900 -- 9M, 12 axles and spoke wheels	TUAA 1131-A	5 11/16" O.D.-4 holes	2
80/	LNT-LT-LTL-LTLA-LTLS-LTS800/900 -- 16, 18M axles and disc wheels	C5TZ 1131-A	6 3/8" O.D.-5 9/16" bolt circle	2
80/	L-LN-LNT-LT-LTL-LTLA-LTLS-LTS800/900 -- 12M center point strg. axle and spoke wheels	C9HZ 1131-A	6 3/16" O.D.-6 bolt holes-5 1/2" bolt circle	2
80/83	L-LN600/900 -- 7M axle	D0HZ 1131-A	#4065-4 1/4" O.D.-4 bolt holes-3 5/8" bolt circle-Stemco (see-through)	2
84/	L-LN600/900-7M axle	E4HZ 1131-C	Stemco seals	2

1980/  
TRUCK SERIES 600/900

YEAR	MODEL/RESTRICTIONS	PART NUMBER	DESCRIPTION	QTY.
1131	CAP (FRONT HUB GREASE) — Cont'd			
<b>L-LN-LNT-LT-LTL-LTS SERIES</b>				
80/	L-LN-LNT-LT-LTL-LTLA-LTLS-LTS700/900 -- 9M, 12M (exc. center point strg.) axles and spoke wheels	D0HZ 1131-B	#4029-5 3/4" O.D.-4 bolt holes-5" bolt circle-Stemco (see-through)	2
80/	L-LN-LNT-LT-LTL-LTLA-LTLS-LTS700/900 -- 9M, 12M (exc. center point strg.) axles and disc wheels	D0HZ 1131-C	#4024-5 1/4" O.D.-6 bolt holes-4 1/2" bolt circle-Stemco (see-through)	2
80/	L-LNT-LT-LTL-LTLA-LTLS-LTS800/900 -- 12M center point strg. axle and Dayton spoke wheels	★ D0HZ 1131-D r/bE5HZ 1131-A	#4093-6 3/16" O.D.-6 holes-5 1/2" bolt circle-Stemco (see-through)	2
80/	L-LN-LNT-LT-LTL-LTLA-LTLS-LTS800/900 -- 12M center point strg. axle and Gunitite spoke wheels	D9HZ 1131-A r/bE5HZ 1131-A	#4098-6 3/16" O.D.-6 holes-5 1/2" bolt circle-Stemco (see-through)	2
80/	L-LN-LNT-LT-LTL-LTLA-LTLS-LTS800/900 -- 12M center point strg. axle and disc wheels	★ D0HZ 1131-F r/bE5HZ 1131-B	#4092-6 9/16" O.D.-6 holes-5 7/8" bolt circle-Stemco (see-through)	2
80/	L-LN-LNT-LT-LTL-LTLA-LTLS-LTS800/900 -- 16M, 18M, 20M axles and Dayton spoke wheels	D9HZ 1131-C	#4172-6 5/16" O.D.-6 bolt holes-5 1/2" bolt circle-Stemco (see-through)	2
80/	L-LN-LNT-LT-LTL-LTLA-LTLS-LTS800/900 -- 16M, 18M, 20M axles and disc wheels	D0HZ 1131-K	#4101-6 3/16" O.D.-3 bolt holes-5 9/16" bolt circle-Stemco (see-through)	2
80/83	L-LN-LNT-LT-LTL-LTLA-LTLS-LTS800/900 -- 16M, 18M, 20M axles and Gunitite spoke wheels	★ E0HZ 1131-A r/bE5HZ 1131-A		2
84	L-LN-LNT-LT-LTL-LTLA-LTLS-LTS800/900 -- 16M, 18M, 20M axles	★ E4HZ 1131-D r/bE5HZ 1131-A		2
80/	LNT-LT-LTL-LTLA-LTLS-LTS800/900 -- 16M, 18M, 20M axles and spoke wheels	★ D0HZ 1131-M r/bD8HZ 1131-A	6 13/64" O.D.-6 bolt holes-5 1/2" bolt circle	2
80/	LNT-LT-LTL-LTLA-LTLS-LTS800/9000 -- 16M, 18M, 20M axles and Gunitite disc brakes	D5HZ 1131-A	6 13/64" O.D.-6 bolt holes-5 1/2" bolt circle	2
<b>1A131 PLUG (FRONT HUB VENT)</b>				
80	All "Before 4/80"	D0HZ 1A131-A	With Stemco see-through seals	2
80/	All "From 4/80"	E0HZ 1A131-B	With Stemco see-through seals	2
<b>1132-3 NUT (DUAL REAR DISC WHEEL INNER)</b>				
80/	B-C-F-LN600/700	BB 1132	R.H. thread-#R-3/4"-16 and 1 1/8"-16 x 2 1/8" long	AR
80/	CL-CLT900	BB 1133	L.H. thread-#L-3/4"-16 and 1 1/8"-16 x 2 1/8" long	AR
80/	B-F-FT700/900	C1TT 1132-A	R.H. thread-#R-3/4"-16 and 1 1/8"-16 x 2 5/8" long-use w/aluminum wheels	AR
80/	CL-CLT900	C1TT 1133-A	L.H. thread-#L-3/4"-16 and 1 1/8"-16 x 2 5/8" long-use w/aluminum wheels	AR
80/	C-CT800/900 L series 800/900	D5HZ 1132-A	R.H. thread-3/4"-16 and 1 1/8"-16 x 2 15/16" long-use w/aluminum wheels	AR
80/	C-CT800/900 L series 800/900	D5HZ 1133-A	L.H. thread-3/4"-16 and 1 1/8"-16 x 2 15/16" long-use w/aluminum wheels	AR
<b>1134-5 NUT (DUAL REAR DISC WHEEL OUTER) - also refer to section 11.2</b>				
80/	B-C-F-LN600/700	BB 1134	R.H. thread-#R-1 1/8"-16	AR
80/	CL-CLT900	BB 1135	L.H. thread-#L-1 1/8"-16	AR
<b>1142 ADAPTER (REAR AXLE SHAFT STUD)</b>				
80/83	All	BB 1142-C	27/64" I.D. x 3/4" O.D.-13/16" long	AR
80/	All	7EQ 1142	1/2" I.D. x 13/16" O.D.-13/32" long	AR
80/	All	B8QH 1142-B	5/8" I.D. x 1" O.D.-9/16" long	AR



1980/  
TRUCK SERIES 600/900

YEAR	MODEL/RESTRICTIONS	PART NUMBER	DESCRIPTION	QTY.
1151	Refer to section 11.1 & 11.2			

### IDENTIFICATION CHART

(Arranged according to Identification Number)

IDENTIFICATION	PART NUMBER	IDENTIFICATION	PART NUMBER
<b>1153</b>	<b>GASKET (FRONT WHEEL HUB and GREASE CAP)</b>		
C4TA 1153-B	C4TZ 1153-B	E4HT 1153-BA	E4HZ 1153-A
C9HS 1153-B	DOHZ 1153-D	TGAA 1153-A	TGAA 1153-A
DOHA 1153-R	DOHZ 1153-C	TUAA 1153-A	TUAA 1153-A
DOHA 1153-S	DOHZ 1153-A	3009	DOHZ 1153-D
DOHA 1153-T	DOHZ 1153-B	3024	DOHZ 1153-C
D1HA 1153-BA	DOHZ 1153-C	3028	DOHZ 1153-B
E2HT 1153-AA	E2HZ 1153-A	3040	DOHZ 1153-A

YEAR	MODEL/RESTRICTIONS	PART NUMBER	DESCRIPTION	QTY.
<b>1153</b>	<b>GASKET (FRONT WHEEL HUB and GREASE CAP)</b>			Sketch HC-06
80/83	F-LN600 -- 5.5M axle	TGAA 1153-A	Grease-4 3/8" O.D.-4 bolt holes-3 5/8" BC	2
80/	B600 -- 6M axle-w/o see-through cap	TGAA 1153-A	Grease-4 3/8" O.D.-4 bolt holes-3 5/8" BC	2
	-w/see-through cap	DOHZ 1153-J	Oil-4 1/2" O.D.-4 bolt holes-3 5/8" BC	2
80/	B-C-F-L-LN600/900 -- 7M axle	TGAA 1153-A	Grease-5 5/8" O.D.-4 bolt holes-5" BC	2
	w/hydraulic brakes -w/o see-through cap			
	-w/see-through cap	DOHZ 1153-J	Oil-4 1/2" O.D.-4 bolt holes-3 5/8" BC	2
80/	B-C-F-L-LN600/900	TUAA 1153-A	Grease-5 5/8" O.D.-4 bolt holes 5" BC	2
	-- 7M & 7.5M axle			
	w/air brakes and spoke			
	wheels-w/o see-through cap			
	-w/see-through cap	DOHZ 1153-K	Oil-5 3/4" O.D.-4 bolt holes-5" BC	2
80/	B-C-F-L-LN600/900	TUAA 1153-B		2
	-- 7M & 7.5M axle			
	w/air brakes and disc			
	wheels-w/o see-through cap			
	-w/see-through cap	DOHZ 1153-C	Oil-5 1/4" O.D.-6 bolt holes-4 1/2" BC	2
80/	B-C-F-FT-L-LN-LNT-LT-LTS700/900 -- 9M axle	TUAA 1153-A	Grease-5 5/8" O.D.-4 bolt holes-5" BC	2
	w/spoke wheels -w/o see-through cap			
	-w/see-through cap	DOHZ 1153-K	Oil-5 3/4" O.D.-4 bolt holes-5" BC	2
80/	B-C-F-FT-L-LN-LNT-LT-LTS700/900 -- 9M axle	TUAA 1153-B		2
	w/disc wheels -w/o see-through cap			
	-w/see-through cap	DOHZ 1153-C	Oil-5 1/4" O.D.-6 bolt holes-4 1/2" BC	2
80/	LNT-LT-LTL-LTLA-LTLS-LTS800/900 -- 12M axle w/hydraulic brake	TUAA 1153-A	Grease-5 5/8" O.D.-4 bolt holes-5" BC	2
	-w/o see-through cap			
	-w/see-through cap	DOHZ 1153-K	Oil-5 3/4" O.D.-4 bolt holes-5" BC	2
80/82	C-CT-CL-CLT-L-LN LNT LT-LTLA-LTLS-LTS800/900 -- 12M, 16M, 18M, 20M axles w/air brakes	C4TZ 1153-B	Grease-6 1/4" O.D.-6 bolt holes-5 1/2" BC	2
	-w/o see-through cap			
	-w/see-through cap	★ DOHZ 1153-D	Oil-6 1/4" O.D.-6 bolt holes-5 1/2" BC	2
		r/bE2TZ 1153-B		
84/	B600-F-FT600/900	E4HZ 1153-A	Oil/Grease-5 3/4" O.D.-4 bolt holes-5" BC	2
	L800-LN-LNT600/900,CF600/700-C600/700			
	-w/see through cap			
82/	C-CT-CLT-L-LN-LNT-LT-	C4TZ 1153-B		2
	LTS800/900 -- 12M, 16M, 18M, 20M axle w/air brakes			
	-w/o see-through cap			
	-w/see-through cap	E2HZ 1153-B		2

1980/  
TRUCK SERIES 600/900

CROSS REFERENCE CHART

IDENTIFICATION	USE SERVICE KIT	IDENTIFICATION	USE SERVICE KIT
<b>1175 RETAINER (REAR WHEEL GREASE)-Refer to Rear Hub Model Application Chart in Section 11.2 for usage</b>			
C9HA 1175-A	C9HZ 1175-A	D3TA 1175-AA	D0TZ 1175-A
C9HA 1175-B	C9HZ 1175-A	D3TA 1175-BA	D0TZ 1175-A
C9HA 1175-C	C9HZ 1175-B	D3TA 1175-CA	D0TZ 1175-B
C9HA 1175-D	C9HZ 1175-B	D3TA 1175-FA	D0TZ 1175-E
C9TA 1175-G	D0TZ 1175-B	D3TA 1175-GA & HA	★ D0TZ 1175-D
C9TA 1175-H	D0TZ 1175-B	D3TA 1175-JA	C9TZ 1175-A
C9TA 1175-L	★ D0TZ 1175-D	D5HA 1175-AA	D7HZ 1175-D
C9TA 1175-M	★ D0TZ 1175-D	D5HA 1175-AA	D5HZ 1175-A
D0HA 1175-A	D0HZ 1175-A	D5HA 1175-BA	D5HZ 1175-A
D0HA 1175-B	D0HZ 1175-B	D5HA 1175-CA	D5HZ 1175-A
D0HA 1175-C	★ D0HZ 1175-D	D7HA 1175-AA	D7HZ 1175-A
	r/bF1HZ 1175-A	D7HT 1175-BA	D7HZ 1175-E
D0HA 1175-D	D0HZ 1175-E	E1HT 1175-AA	E1HZ 1175-A
D0HA 1175-E	★ D0HZ 1175-F	E1HT 1175-BA	★ E1HZ 1175-B
	r/bF1HZ 1175-D		r/bE4HZ 1175-B
D0HA 1175-F	D0HZ 1175-C	E4HT 1175-AA	E4HZ 1175-B
D3HA 1175-BA	C9HZ 1175-A	E5HT 1175-DA	E6HZ 1175-D
D3HA 1175-CA	C9HZ 1175-B	E5HT 1175-CA	E6HZ 1175-C
D3HS 1175-BA	★ D0HZ 1175-D	E5HT 1175-GA	E1HZ 1175-A
	r/bF1HZ 1175-A	E6HT 1175-AA	E6HZ 1175-E
D3HS 1175-CA	D0HZ 1175-E	E7HT 1175-AA	E7HZ 1175-A
D3HS 1175-DA	★ D0HZ 1175-F		
	r/bF1HZ 1175-D		

YEAR	MODEL/RESTRICTIONS	PART NUMBER	DESCRIPTION	QTY.
1175	OIL SEAL KIT (INNER REAR WHEEL) Refer to Rear Hub Model Application Chart in Section 11.2 for usage			
NOTE 1-	DOHA 1175-C (2-PC) has 5 11/16" O.D. and should be installed in the seal bore.			
	D3HS 1175-BA (1-PC) has 5 1/4" O.D. and should be installed in the cup bore.			
NOTE 2-	DOHA 1175-D (2-PC) has 6 1/4" O.D. and should be installed in the seal bore.			
	D3HS 1175-CA (1-PC) has 6" O.D. and should be installed in the cup bore.			
NOTE 3-	DOHA 1175-E (2-PC) has 6 1/4" O.D. and should be installed in the seal bore.			
	D3HS 1175-DA (1-PC) has 6" O.D. and should be installed in the cup bore.			

80/		C9HZ 1175-A		
Consists of				
CHICAGO RAWHIDE				
1-C9HA 1173-A	Sleeve	Alternate	NATIONAL SEAL	
1-C9HA 1175-A	Oil seal	With	1-C8HA 1173-B	Sleeve
1-Instruction sheet			1-C9HA 1175-B	Oil seal

80/		C9HZ 1175-B		
Consists of				
CHICAGO RAWHIDE				
1-C9HA 1173-B	Sleeve	Alternate	NATIONAL SEAL	
1-D3HA 1175-DA	Oil seal	With	1-C8HA 1173-C	Sleeve
1-Instruction sheet			1-D3HA 1175-CA	Oil seal

80/		★ D0TZ 1175-B	r/b E7HZ 1175-A	AR
Consists of				
CHICAGO RAWHIDE				
1-C9TA 1173-B	Sleeve	Alternate	NATIONAL SEAL	
1-C9TA 1175-G	Oil seal	With	1-C8TA 1173-D	Sleeve
1-D3TA 1175-CA	(Alt.) Oil seal		1-C9TA 1175-H	Oil seal
1-Instruction sheet				

**1980/  
TRUCK SERIES 600/900**

YEAR	MODEL/RESTRICTIONS	PART NUMBER	DESCRIPTION	QTY.
1175	OIL SEAL KIT (INNER REAR WHEEL) — Cont'd Refer to Rear Hub Model Application Chart in Section 11.2 for usage			
NOTE 1-	DOHA 1175-C (2-PC) has 5 11/16" O.D. and should be installed in the seal bore.			
NOTE 2-	D3HS 1175-BA (1-PC) has 5 1/4" O.D. and should be installed in the cup bore. DOHA 1175-D (2-PC) has 6 1/4" O.D. and should be installed in the seal bore.			
NOTE 3-	D3HS 1175-CA (1-PC) has 6" O.D. and should be installed in the cup bore. DOHA 1175-E (2-PC) has 6 1/4" O.D. and should be installed in the seal bore. D3HS 1175-DA (1-PC) has 6" O.D. and should be installed in the cup bore.			
80/		★ DOTZ 1175-D r/bE6HZ 1175-E		AR
	Consists of CHICAGO RAWHIDE		NATIONAL SEAL	
	1-C8TA 1173-G Sleeve	Alternate	1-C8TA 1173-H Sleeve	
	1-D3TA 1175-GA Oil seal	With	1-D3TA 1175-HA Oil seal	
	1-Instruction sheet			
80/		DOHZ 1175-A		AR
	Consists of			
	1-DOHA 1173-A #1064 wiper	1-DOHA 1175-A	#2072 retainer	1-Instruction sheet
80/		DOHZ 1175-B	Use w/Stemco wet type seals	AR
	Consists of			
	1-DOHA 1173-B #1062 wiper	1-DOHA 1175-B	#2057 retainer	1-Instruction sheet
80/		DOHZ 1175-C	Use w/Stemco wet type seals	AR
	Consists of			
	1-DOHA 1173-C #1012 wiper	1-DOHA 1175-F	#2104 retainer	1-Instruction sheet
80/	NOTE 1	★ DOHZ 1175-D	Use w/Stemco wet type seals-r/b F1HZ 1175-A	AR
	Consists of			
	1-DOHA 1173-D #1012 wiper	1-DOHA 1175-C	#2012 retainer	1-Instruction sheet
	or	or		
	1-D8HT 1173-AA #1091 wiper	1-D3HS 1175-BA	#2102 retainer	
80/	NOTE 1	F1HZ 1175-A	Use w/Stemco wet type seals	AR
	Consists of			
	1-D3HS 1173-AA #1091 wiper		1-D3HS 1175 BA	#2102 retainer
80/	NOTE 2	DOHZ 1175-E	Use w/Stemco wet type seals	AR
	Consists of			
	1-DOHA 1173-E #1026 wiper	1-DOHA 1175-D	#2025 retainer	1-Instruction sheet
		or		
		1-D3HS 1175-CA	#2114 retainer	
80/	NOTE 3	★ DOHZ 1175-F	Use w/Stemco wet type seals-r/b F1HZ 1175-D	
	Consists of			
	1-DOHA 1173-F #1002 wiper	1-DOHA 1175-E	#2005 retainer	1-Instruction sheet
		or		
		1-D3HS 1175-DA	#2113 retainer	
80/		DOTZ 1175-A		AR
	Consists of CHICAGO RAWHIDE		NATIONAL SEAL	
	1-C9TA 1173-A #078949 sleeve	Alternate	1-C8TA 1173-B #JV-1508 sleeve	
	1-D3TA 1175-AA #523699 seal	with	1-D3TA 1175-BA #9583 seal	
	1-Instruction sheet			
80/		★ D5HZ 1175-A	R/b E1HZ 1175-A	AR
	Consists of			
	1-D5HA 1173-AA #310-1094 wiper	1-D5HA 1175-AA	#320-2106 retainer	1-Instruction sheet
		or		
		1-D5HA 1175-BA	#8370038-GR retainer	
		or		
		1-D5HA 1175-CA	#47697 retainer	

1980/  
TRUCK SERIES 600/900

YEAR	MODEL/RESTRICTIONS	PART NUMBER	DESCRIPTION	QTY.
1175	OIL SEAL KIT (INNER REAR WHEEL) — Cont'd Refer to Rear Hub Model Application Chart in Section 11.2 for usage			
NOTE 1-	DOHA 1175-C (2-PC) has 5 11/16" O.D. and should be installed in the seal bore. D3HS 1175-BA (1-PC) has 5 1/4" O.D. and should be installed in the cup bore.			
NOTE 2-	DOHA 1175-D (2-PC) has 6 1/4" O.D. and should be installed in the seal bore. D3HS 1175-CA (1-PC) has 6" O.D. and should be installed in the cup bore.			
NOTE 3-	DOHA 1175-E (2-PC) has 6 1/4" O.D. and should be installed in the seal bore. D3HS 1175-DA (1-PC) has 6" O.D. and should be installed in the cup bore.			
80		★ D7HZ 1175-A	R/b E8TZ 1177-B	AR
	Consists of 1-D7HA 1173-AA #JV-1945 wiper 1-D7HA 1175-AA # E-3475-BJ retainer 1-Instruction sheet			
80/		D7HZ 1175-D		AR
	Consists of 1-D7HT 1173-BA wiper 1-D5HA 1175-AA seal 1-Instruction sheet			
80/		D7HZ 1175-E		AR
	Consists of 1-D7HT 1175-BA Seal 1-D7HT 4A423-AA wiper 1-Instruction sheet			
81/		E1HZ 1175-A		AR
	Consists of 1-E1HT 1175-AA Seal Assy. Chicago Rawhide			
81/		★ E1HZ 1175-B	r/b E4HZ 1175-B	AR
	Consists of 1-E1HT 1175-BA Seal assy. National Seal			
84		E4HZ 1175-A		2
	Consists of National Seal Stemco D3TA 1175-BA 2-DOHA 1173-A			
84/		E4HZ 1175-B		2
	Consists of 1-E4HT 1175-AA Seal assy. National Seal			
<b>1177 OIL SEAL ASSY.</b>				
80/82	LT-LTS-LTN-CLT-CL-LN9000	E2HZ 1177-A	Rear	A/R
<b>1187 GASKET (REAR AXLE WIPER)</b>				
80/	B-C-F-LN600/700	7EQ 1187	2 1/16" I.D. x 2 13/32" O.D.	2
80/	CT800			4
<b>1190 RETAINER and WIPER KIT (FRONT HUB GREASE)</b> Refer to Front Hub Model Application Chart in Section 11.1 for usage				
80/		D0HZ 1190-A	Use w/Stemco wet type seals	AR
	Consists of 1-DOHA 1190-S #2105 retainer 1-DOHA 3B304-C #1008 wiper 1-Instruction sheet			
80/		D0HZ 1190-B	Use w/Stemco wet type seals	AR
	Consists of 1-DOHA 1190-R #2036 retainer 1-DOHA 3B304-D #1036 wiper 1-Instruction sheet or 1-E0HT 1190-AA retainer 1-E0HT 3B304-AA wiper			
80/		D5HZ 1190-A	Use with Stemco wet type seals	AR
	Consists of 1-D3TA 1190-B4A #320-2133 retainer 1-DOHA 3B304-D #1008 wiper 1-Instruction sheet			
80/		D5HZ 1190-D	Use with Stemco wet type seals	AR
	Consists of 1-D3HA 1190-B2A #320-2137 retainer 1-DOHA 3B304-B #1037 wiper 1-Instruction sheet			
83/		E3HZ 1190-A	Use w/Stemco wet type seals (#2119)	AR
	Consists of 1-D1HS 1190-AA Retainer 1-Instruction sheet 1-E0HT 3B304-AA Wiper			

**1980/  
TRUCK SERIES 600/900**

YEAR	MODEL/RESTRICTIONS	PART NUMBER	DESCRIPTION	QTY.
1190	RETAINER and WIPER KIT (FRONT HUB GREASE) -- Cont'd Refer to Front Hub Model Application Chart in Section 11.1 for usage			
83/		★ E3HZ 1190-B r/bE3HZ 1190-B	Use w/Stemco wet type seals (#385-0836)	AR
Consists of 1-E2HT 1190-AA Retainer and wiper assy. 1-Instruction sheet				
83/		E3HZ 1190-C	Use w/Stemco wet type seals (#385-0864)	AR
Consists of 1-E2HT 1190-BA Retainer and wiper assy. 1-Instruction sheet				
1A190	Refer to Front Hub Model Application Chart, Sect. 11.1			
1193	GASKET (FRONT BRAKE GREASE BAFFLE)			
80/	F-LN600 -- 5.5M axle	DOTZ 1193-A		2
1195	WASHER (FRONT HUB OUTER BEARING RETAINER) -For Front Hub usage, refer to Model Application Chart in Section 11.1 -For Front Axle usage, refer to Model Application Chart in Section 30			
1201-1245	Refer to Model Application Charts Sect. 11.1, 11.2 and 30			
1234	BRACKET (SPARE WHEEL CARRIER)-Improvise			
1K353-76	SPARE WHEEL CARRIER			
86/	CF600/700	E6HZ 1K353-A	Ratchet	1
86/	CF600	E6HZ 1W357-A	Cable-sp. whl. carrier	1
86/	CF600/700	E6HZ 1A376-A	Bracket assy. sp. whl. carrier	1
1433	CARRIER ASSY. SPARE WHEEL			
86/	CF600	E6HZ 1433-A		1
86/	CF700	E6HZ 1433-B		1
1443	CHANNEL (SPARE WHEEL CARRIER)			
80/83	B-C-F-FT-L-LN600/900	B4T 1443-B	8 3/4" dia. bolt circle-use w/ 6 hole disc wheel	1
80/83	B-C-F-FT-L-LN600/900	TUAA 1443-A	48" long-use w/ 10 hole disc wheel	1
80/83	B-C-F-FT-L-LN600/900	B5Q 1443-B	44" long-use w/ 20" spoke wheel	1
80/83	C-L-LN800/900	B5QH 1443-A	48" long-use w/ 22" spoke wheel	1
86/	CF600	E6HZ 1443-A		
86/	CF700	E6HZ 1443-B		
1453	BRACKET (FRAME TO SPARE WHEEL CARRIER)			
80/83	B-C-F-FT-L-LN600/900	7EQ 1453		2
1471	BOLT (SPARE WHEEL CARRIER HINGE)			
80/83	B-C-F-FT-L-LN600/900	COTT 1471-A	5/8"-18 x 17" disc 9 x 20 tires	2
80/83	B-C-F-LN700	C5TZ 1471-B	5/8"-18-overall length 18"-4" thread-10 hole disc wheel-use COTT 1471-A for spoke wheels	2
80/83	B-F-FT600/800 -- w/frame mounted spare	E0HZ 1471-A		2
1476	NUT (SPARE WHEEL CARRIER HINGE BOLT)			
80/	B-C-F-FT-L-LN600/900	51 1476-A	5/8"-18	2
1496	BAR (SPARE WHEEL CARRIER STOP)			
80/83	C-L-LN800/900	TUAA 1496-A	Use w/ 22" wheels	2
80/83	All	C1TZ 1496-A	Use w/ 20" wheels	1or2
1497	SUPPORT (SPARE WHEEL CARRIER STOP BAR)			
80/83	B-F-FT600/900 -- w/frame mounted spare	E0HZ 1497-A		2
1W501	ADAPTER ASSY.-(WHEEL)			
86/	CF600/800	E6HZ 1W501-A	Adapter assy.	
86/	CF600/800	E6HZ 1W502-A	Support assy.	
1700	VALVE & CAP ASSY.			
86/	CF600/800	E6HZ 1700-A	Valve & cap assy.	

1980/  
TRUCK SERIES 600/900

FRONT HUB T.S.L. CROSS-REFERENCE GUIDE  
HOW TO FIND A FRONT HUB SERVICE PART NUMBER FROM THE T.S.L.:

1. Locate the front hub number shown on the Truck Specification List.
2. Using the Cross-Reference below, find the correct parts list number. (Parts lists start following application chart in this section).
3. Turn to the correct parts list number and select the front hub service part number. (The parts list can also be used to select related parts.) If truck does not have a T.S.L., refer to page 2 of this section for model application.

T.S.L. NUMBER	BRAKE SIZE (INCHES)	PARTS LIST NO.	T.S.L. NUMBER	BRAKE SIZE (INCHES)	PARTS LIST NO.
D1HA 1013-TA	15 x 3	1	E4HT 1102-HA	15 x 3 1/2	18
D1HA 1013-ZA	15 x 3	2	E5HT 1102-AA	DISC	50
D1TA 1013-EA	15 x 3	4	E5HT 1102-BA	15 x 4	51
D3HA 1013-BEA	15 x 3	9	E5HT 1102-CA	DISC	50
D3TA 1013-AGA	15 x 3	5	E5HT 1102-DA	15 x 4	47
D3TA 1013-AHA	15 x 3	30	E6HT 1102-AA	15 x 4	18
D7HT 1013-CA	15 x 4	31	E7HT 1102-AA	DISC	56
D7HT 1013-DA	15 x 4	15	E7HT 1102-BA	DISC	57
D7HT 1013-EA	15 x 4	14	E7HT 1102-CA	15 x 4	18
D7HT 1013-FA	15 x 4	15	E8HT 1102-AA	15 x 4	60
D7HT 1013-GA	15 x 3 1/2	22	E8HT 1102-BA	15 x 4	59
D7HT 1013-JA	15 x 3 1/2, 15 x 4	23	D7HT 1103-SA	15 x 4	16
D7HT 1013-LA	15 x 3 1/2	24	D7HT 1103-UA	15 x 4	13
D7HT 1013-NA	15 x 6	25	D7HT 1103-VA	15 x 6	21
D7HT 1013-RA	15 x 6	26	D8HT 1103-AA	15 x 3 1/2	17
D8HT 1013-AA	15 x 3	28	D8HT 1103-BA	15 x 3 1/2	18
D8HT 1013-BA	14 x 2 1/2	29	D8HT 1103-CA	14 x 2 1/2	8
E4HT 1013-AA	15 x 4	44	D8HT 1103-EA	15 x 3	6
E4HT 1013-BA	15 x 6	37	D8HT 1103-FA	15 x 3	7
E4HT 1013-CA	15 x 6	38	D8HT 1103-GA	15 x 3	3
E5HT 1013-AA	15 x 4	54	D8HT 1103-JA	15 x 3 1/2	19
E6HT 1013-AA	15 x 4	52	D8HT 1103-MA	15 x 3 1/2	20
E6HT 1013-BA	15 x 4	53	D8HT 1103-NA	15 x 3 1/2	18
E6HT 1013-CA	15 x 4	58	E0HT 1103-AA	DISC	10
★E6HT 1013-DA use D7HT 1013-EA	15 x 4	52	E0HT 1103-BA	15 x 3	27
★E6HT 1013-EA use D7HT 1013-FA	15 x 4	52	E2HT 1103-BA	15 x 4	32
			E2HT 1103-EA	15 x 3	33
			E3HT 1103-CA	DISC	42
D7HT 1102-SA	15 x 4	16	E4HT 1103-AC	DISC	46
D7HT 1102-UA	15 x 4	13	E4HT 1103-BD	DISC	45
D7HT 1102-VA	15 x 6	21	E4HT 1103-CB	DISC	39
D8HT 1102-AA	15 x 3 1/2	17	E4HT 1103-DB	DISC	40
D8HT 1102-BA	15 x 3 1/2	18	E4HT 1103-EB	DISC	41
D8HT 1102-CA	14 x 2 1/2	8	E4HT 1103-FA	15 x 6	48
D8HT 1102-EA	15 x 3	6	E4HT 1103-GA	15 x 4	43
D8HT 1102-FA	15 x 3	7	E4HT 1103-HA	15 x 3 1/2	18
D8HT 1102-GA	15 x 3	3	E5HT 1103-AA	DISC	50
D8HT 1102-JA	15 x 3 1/2	19	E5HT 1103-BA	15 x 4	51
D8HT 1102-MA	15 x 3 1/2	20	E5HT 1103-CA	DISC	50
D8HT 1102-NA	15 x 3 1/2	18	E5HT 1103-DA	15 x 4	47
E0HT 1102-AA	DISC	10	E6HT 1103-AA	15 x 4	18
E0HT 1102-BA	15 x 3	27	E7HT 1103-AA	DISC	56
E2HT 1102-BA	15 x 4	32	E7HT 1103-BA	DISC	57
E2HT 1102-EA	15 x 3	33	E7HT 1103-CA	15 x 4	18
E3HT 1102-CA	15 x 4	42	E8HT 1103-AA	15 x 4	60
E4HT 1102-AC	DISC	46	E8HT 1103-BA	15 x 4	59
E4HT 1102-BD	DISC	45	E0HT 2B542-AA	DISC	11
E4HT 1102-CB	DISC	39	E0HT 2B542-BA	DISC	12
E4HT 1102-DB	DISC	40	E3HT 2B542-AB	DISC	34
E4HT 1102-EB	DISC	41	E4HT 2B542-AD	DISC	36
E4HT 1102-FA	15 x 6	48	E4HT 2B542-BB	DISC	35
E4HT 1102-GA	15 x 4	43	E7HT 2B542-AB	DISC	55



**1980/  
TRUCK SERIES 600/900**

**MODEL APPLICATION CHART for FRONT HUBS, DRUMS & RELATED PARTS**

For Rear Hubs, Drums, etc., refer to Section 11.2

FRONT AXLE CAPACITY	MODEL	BRAKE SIZE (inches)	YEAR	† S P O K E	‡ D I S C	@ M A S K E	● PARTS LIST NO.	FRONT AXLE CAPACITY	MODEL	BRAKE SIZE (inches)	YEAR	† S P O K E	‡ D I S C	@ M A S K E	● PARTS LIST NO.
12000 lb.	All	15 x 3	80/83	20	D	1		12000 lb.	Cargo	DISC	86/				50
			80/83	22	D	2		13100 lb.	All	15 x 4	84/87	10	G		43
	All	15 x 4	80/	20	D	14			All		88/	10	G		59
			80/86	20	G	31					84/87	10	D		42
			87/	20	G	52					88/	10	D		60
			80/	22	D	15		16000 lb.,	All	15 x 6	80/83	20	G		25
			87/	22	G	53		18000 lb.,			80/83	22	G		26
			80/	10	M	13		20000 lb.			80/83	10	G		21
			80/83	10	G	16				15 x 6	84/	20	G		37
			82/83	10	D	32					84/	22	G		38
			84/87	10	G	43					84/	10	G		48
			88/	10	G	59			All	DISC	80/	10	G		10
			84/87	10	D	42					80/	%	G		11
			88/	10	D	60					80/	Δ	G		12
			85/	10	C	47									
	Cargo	15 x 4	86/				51								
	All	DISC	84/	20	D		34								
			84/	10	D		41								

Notes: @ B-Budd D-Dayton G-Gunite (Div. of Kelsey Hayes CO.) M-Motor Wheel C-Consolidated Metco  
 † size shown in inches ‡ Number of holes for mounting studs shown  
 ● Parts lists follow this application chart %20" or 22 1/2" Δ 22" or 24 1/2"



1980/  
TRUCK SERIES 600/900

QTY.	PART NUMBER	DESCRIPTION	QTY.	PART NUMBER	DESCRIPTION
<b>FRONT HUB and DRUM PARTS LISTS</b>					
For model application, refer to page 3 of this section					
<b>PARTS LIST NO. 1</b>			<b>PARTS LIST NO. 4</b>		
2	C9TZ 1014-Y	Hub	2	D0TZ 1014-B	Hub
10	C5TZ 1120-B	Nut (R.H. and L.H. drum) 1/2"-20	2	D1TZ 1125-D	Drum
2	D0HZ 1125-C	Drum	10	D5HZ 1151-B	Stud (rim)
10	C9TZ 1151-K	Stud (rim)	2	C9HZ 1190-A	Retainer (grease)-w/o Stemco wet type seals
10	D0HZ 1151-B	Bolt (R.H. and L.H. drum)	2	D0HZ 1190-A	Kit (gease retainer)-w/Stemco wet type seals
2	D5HZ 1190-B	Retainer (grease)-w/o Stemco wet type seals	2	C7TZ 1195-A	Washer
3	D0HZ 1190-B	Retainer (grease)-w/Stemco wet type seals	2	TGAA 1201-A	Bearing (inner)-#45284
2	8EB 1195	Washer	2	C3TZ 1202-A	Cup (outer bearing)-#25820
2	B9TT 1202-A	Cup (inner bearing)-#HM212011	2	TGAA 1202-A	Cup (inner bearing)-#45220
2	B5QH 1216-A	Bearing (outer)-#3782	2	C3TZ 1216-A	Bearing (outer)-#25880
2	C4TZ 1216-A	Bearing (inner)-#HM212047	10	33846-S8	(M-69)-nut (R.H. and L.H. drum)
2	9N 4222	Cup (outer bearing)-#3720	10	370114-S8	(BB-250)-bolt (R.H. and L.H. drum)
10	★34944-S2	Lockwasher (drum bolt)-1/2"	10	380853-S7-8	(MM-14-B)-nut (rim stud)-3/4"-10
10	380853-S7-8	(MM-14-B)-nut (rim stud)-3/4"-10	<b>PARTS LIST NO. 5</b>		
<b>PARTS LIST NO. 2</b>			2	C9TZ 1014-T	Hub
2	C9TZ 1014-Z	Hub	10	C5TZ 1120-B	Nut (R.H. and L.H. drum) 1/2"-20
2	D0HZ 1125-C	Drum	10	D3HZ 1A122-A	Washer (drum bolt)-R.H. and L.H.
10	C5TZ 1120-B	Nut (R.H. and L.H. drum) 1/2"-20	2	D0HZ 1125-C	Drum
10	C9TZ 1151-K	Stud (rim)	10	C9TZ 1151-K	Stud (rim)
10	D0HZ 1151-B	Bolt (R.H. and L.H. drum)	AR	C9TZ 1151-H	Bolt (R.H. and L.H. drum)
2	D5HZ 1190-B	Retainer	2	D0HZ 1190-B	Kit (grease retainer)-w/hyd. brakes and Stemco wet type seals
2	8EB 1195	Washer	2	D5HZ 1190-A	Kit (grease retainer)-w/air brakes and Stemco wet type seals
2	B9TT 1202-A	Cup (inner bearing)-#HM212011	2	D5HZ 1190-E	Retainer (grease)-w/o Stemco wet type seals-Before 5/1/84
2	B5QH 1216-A	Bearing (outer)-#3782	2	E5HZ 1190-A	Retainer oil-From 5/1/84
2	C4TZ 1216-A	Bearing (inner)-#HM212047	2	8EB 1195	Washer
2	9N 4222	Cup (outer bearing)-#3720	2	8Q 1201-A	Bearing (inner)-#39581
10	380853-S7-8	(MM-14-B)-nut (rim stud)-3/4"-10	2	81T 1202	Cup (outer bearing)-#3525
<b>PARTS LIST NO. 3</b>			2	8EB 1216	Bearing (outer)-#3585
2	C5TZ 1104-D	Hub	2	7EQH 1239	Cup (inner bearing)-#39520
10	C5TZ 1118-A	Bolt (R.H. drum)-1/4"-16 x 2 7/8"	10	380853-S7-8	(MM-14-B)-nut (rim stud)-3/4"-10
10	C5TZ 1119-A	Bolt (L.H. drum)-3/4"-16 x 2 7/8"	<b>PARTS LIST NO. 6</b>		
8	BB 1120-A	Nut (R.H. drum bolt)-3/4"-16	2	D0TZ 1104-B	Hub
8	BB 1121-A	Nut (L.H. drum bolt)-3/4"-16	6	C4TZ 1107-E	Bolt (R.H. drum)-3/4"-16 x 2 5/8
2	C5TZ 1125-D	Drum	6	C4TZ 1107-F	Bolt (L.H. drum)-3/4"-16 x 2 5/8"
2	C5TZ 1190-D	Retainer (grease) w/o Stemco wet type seals	6	BB 1120-A	Nut (R.H. drum bolt)-3/4"-16
2	D0HZ 1190-B	Kit (grease retainer)-w/ Stemco wet type seals	6	BB 1121-A	Nut (L.H. drum bolt)-3/4"-16
2	8EB 1195	Washer	2	C4TZ 1125-D	Drum
2	8Q 1201-A	Bearing (inner)-#39581	2	C9HZ 1190-A	Retainer (grease)-w/o Stemco wet type seals
2	81T 1202	Cup (outer bearing)-#3525	2	D0HZ 1190-A	Kit (grease retainer)-w/Stemco wet type seals
2	8EB 1216	Bearing (outer)-#3585	2	C7TZ 1195-A	Washer
2	7EQH 1239	Cup (inner bearing)-#39520	2	TGAA 1201-A	Bearing (inner)-#45284
			2	C3TZ 1202-A	Cup (outer bearing)-#25820
			2	TGAA 1202-A	Cup (inner bearing)-#45220
			2	C3TZ 1216-A	Bearing (outer)-#25880

1980/  
TRUCK SERIES 600/900

QTY.	PART NUMBER	DESCRIPTION	QTY.	PART NUMBER	DESCRIPTION
FRONT HUB and DRUM PARTS LISTS — Cont'd					
For model application, refer to page 3 of this section					
PARTS LIST NO. 7			PARTS LIST NO. 10		
2	DOTZ 1104-C	Hub	2	D5HZ 1102-A	Rotor Assy.
10	7EQ 1118	Bolt (R.H. hub)	2	D5HZ 1104-A	Hub
10	7EQ 1119	Bolt (L.H. hub)	10	D5HZ 1107-A	Bolt (R.H. hub) 1 1/8"-16 x 3 9/16"
10	BB 1120-A	Nut (R.H. hub)	10	D5HZ 1108-A	Bolt (L.H. hub) 1 1/8"-16 x 3 9/16"
10	BB 1121-A	Nut (L.H. hub)	10	BB 1134	Nut (R.H. hub bolt) 1 1/8"-16
2	C4TZ 1125-E	Drum	10	BB 1135	Nut (L.H. hub bolt) 1 1/8"-16
2	C9HZ 1190-A	Retainer (grease)-w/o Stemco	2	D5HZ 1190-C	Retainer (grease) w/o Stemco wet type seals
2	D0HZ 1190-A	Kit (grease retainer)-w/Stemco	2	D5HZ 1190-D	Kit (grease retainer) w/ Stemco wet type seals
2	C7TZ 1195-A	Washer	2	C5TZ 1195-A	Washer
2	TGAA 1201-A	Bearing (inner)-#45284	2	C5TZ 1201-A	Bearing (inner)-#6461A
2	C3TZ 1202-A	Cup (outer bearing)-#25820	2	C5TZ 1202-A	Cup (inner bearing)-#6420
2	TGAA 1202-A	Cup (inner bearing)-#45220	2	C5TZ 1216-A	Bearing (outer)-#555S
2	C3TZ 1216-A	Bearing (outer)-#25880	2	C5TZ 1217-A	Cup (outer bearing)-#552A
PARTS LIST NO. 8			PARTS LIST NO. 11		
2	DOTZ 1104-E	Hub	2	D5HZ 1014-A	Spider
6	DOTZ 1107-D	Bolt (R.H. drum)-3/4"-16 x 2 23/32"	2	D5HZ 1102-B	Rotor
6	DOTZ 1108-C	Bolt (L.H. drum)-3/4"-16 x 2 23/32"	12	D5HZ 1120-A	Nut (rotor bolt)
4	BB 1120-A	Nut (R.H. drum bolt)-3/4"-16	12	D5HZ 1123-A	Washer (rotor bolt)
4	BB 1121-A	Nut (L.H. drum bolt)-3/4"-16	12	D5HZ 1151-A	Bolt (rotor)
2	C3TZ 1125-M	Drum	12	D5HZ 1151-B	Stud (rim)
2	BB 1134	Nut (R.H. drum bolt)-#R-1 1/8"-16)	2	D5HZ 1190-C	Retainer (grease) w/o Stemco wet type seals
2	BB 1135	Nut (L.H. drum bolt)-#L-1 1/8"-16)	2	D5HZ 1190-D	Kit (grease retainer) w/ Stemco wet type seals - - "Before 11/82"
2	DOTZ 1190-A	Retainer	2	E3HZ 1190-C	Kit (oil retainer) - - "From 11/82"
2	DOTZ 1195-A	Washer	2	C5TZ 1195-A	Washer
2	7EQ 1201	Bearing (inner)-#3778	2	C5TZ 1201-A	Bearing (inner)-#6461A
2	C3TZ 1202-A	Cup (outer bearing)-#25820	2	C5TZ 1202-A	Cup (inner bearing)-#6420
2	C3TZ 1216-A	Bearing (outer)-#25880	2	C5TZ 1216-A	Bearing (outer)-#555S
2	9N 4222	Cup (inner bearing)-#3720	2	C5TZ 1217-A	Cup (outer bearing)-#552A
PARTS LIST NO. 9			2	380853-S7-8	(MM-14-B)-nut (rim stud)-3/4"-10
2	★C9TZ 1014-U	Hub	PARTS LIST NO. 12		
10	C5TZ 1120-B	Nut (drum bolt)-R.H. and L.H. 1/2"-20	2	D5HZ 1014-B	Spider
10	D3HZ 1A122-A	Washer (drum bolt)	2	D5HZ 1102-B	Rotor
2	D0HZ 1125-C	Drum	12	D5HZ 1120-A	Nut (rotor bolt)
10	C9TZ 1151-K	Stud (rim)	12	D5HZ 1123-A	Washer (rotor bolt)
10	D0HZ 1151-B	Bolt (R.H. and L.H. drum)	12	D5HZ 1151-A	Bolt (rotor)
2	D5HZ 1190-B	Retainer (grease)-w/o Stemco wet type seals	12	D5HZ 1151-B	Stud (rim)
2	D5HZ 1190-A	Kit (grease retainer)-w/Stemco wet type seals	2	D5HZ 1190-C	Retainer (grease) w/o Stemco wet type seals
2	8EB 1195	Washer	2	D5HZ 1190-D	Kit (grease retainer) w/ Stemco wet type seals - - "Before 11/82"
2	8Q 1201-A	Bearing (inner)-#39581	2	E3HZ 1190-C	Kit (oil retainer) - - "From 11/82"
2	81T 1202	Cup (outer bearing)-#3525	2	C5TZ 1195-A	Washer
2	8EB 1216	Bearing (outer)-#3585	2	C5TZ 1201-A	Bearing (inner)-#6461A
2	7EQH 1239	Cup (inner bearing)-#39520	2	C5TZ 1202-A	Cup (inner bearing)-#6420
10	380853-S7-8	(MM-14-B)-nut (rim stud)-3/4"-10	2	C5TZ 1216-A	Bearing (outer)-#555S
			2	C5TZ 1217-A	Cup (outer bearing)-#552A
			12	380853-S7.8	(MM-14-B)-nut(rim stud)-3/4"-10

1980/  
TRUCK SERIES 600/900

QTY.	PART NUMBER	DESCRIPTION	QTY.	PART NUMBER	DESCRIPTION
FRONT HUB and DRUM PARTS LISTS — Cont'd					
For model application, refer to page 3 of this section					
PARTS LIST NO. 13			PARTS LIST NO. 16		
1	D8HZ 1104-C	Hub (R.H.)	2	D8HZ 1104-E	Hub (R.H. & L.H.)—less studs
1	D8HZ 1104-D	Hub (L.H.)	10	D5HZ 1108-B	Bolt (R.H. hub)
10	D8HZ 1107-C	Bolt (R.H. hub)	10	D5HZ 1107-B	Bolt (L.H. hub)
10	D8HZ 1107-D	Bolt (L.H. hub)	2	D8HZ 1125-D	Drum
10	BB 1134	Nut (R.H. drum bolt) 1 1/8"-16	10	BB 1134	Nut (R.H. drum bolt) 1 1/8"-16
10	BB 1135	Nut (L.H. drum bolt) 1 1/8"-16	10	BB 1135	Nut (L.H. drum bolt) 1 1/8"-16
2	D8HZ 1125-A	Drum	2	D5HZ 1190-B	Retainer (grease)-w/o Stemco seals
2	D5HZ 1190-B	Retainer (grease)-w/o Stemco seals	2	D0HZ 1190-B	Retainer (grease) w/Stemco seals
2	D0HZ 1190-B	Retainer (grease)-w/Stemco seals	2	D8HZ 1A190-A	Retaining ring
2	D5HZ 1195-C	Washer	2	D5HZ 1195-C	Washer
2	B9TT 1202-A	Cup (inner bearing)-#HM212011	2	B9TT 1202-A	Cup (inner bearing)-#HM212011
2	B5QH 1216-A	Bearing (outer)-#3782	2	B5QH 1216-A	Bearing (outer)-#3782
2	C4TZ 1216-A	Bearing (inner)-#HM212047	2	C4TZ 1216-A	Bearing (inner)-#HM212047
2	9N 4222	Cup (outer bearing)-#3720	2	9N 4222	Cup (outer bearing)-#3720
PARTS LIST NO. 14			PARTS LIST NO. 17		
2	D8HZ 1014-C	Hub	1	★D8HZ 1104-J	Hub (R.H.)
12	D3TZ 1120-A	Nut (drum bolt)	1	★D8HZ 1104-K	Hub (L.H.)
12	D3HZ 1A122-B	Washer (drum bolt)	10	D8HZ 1108-A	Bolt (R.H. hub)
2	★D8HZ 1125-B	Drum-r/b E4HZ 1125-E	10	D8HZ 1108-B	Bolt (L.H. hub)
10	C9TZ 1151-K	Stud (rim)	10	BB 1120-A	Nut (R.H. hub bolt) 3/4"-16
12	D3HZ 1151-B	Stud (R.H. and L.H. drum)	10	BB 1121-A	Nut (L.H. hub bolt) 3/4"-16
2	D5HZ 1190-B	Retainer (grease)-w/o Stemco seals	2	D8HZ 1125-F	Drum
2	D0HZ 1190-B	Kit (grease retainer) w/Stemco seals	2	D5HZ 1190-B	Retainer (grease) w/o Stemco seals
2	D5HZ 1195-C	Washer	2	D0HZ 1190-B	Retainer (grease) w/Stemco seals
2	B9TT 1202-A	Cup (inner bearing)-HM212011	2	D0TZ 1195-B	Washer
2	B5QH 1216-A	Bearing (outer)-#3782	2	TGAA 1201-A	Bearing (inner)-#45284
2	C4TZ 1216-A	Bearing (inner)-#HM212047	2	TGAA 1202-A	Cup (inner)-#45220
2	9N 4222	Cup (outer bearing)-#3720	2	C3TZ 1202-A	Cup (outer)-#25820
10	380853-S7-8	(MM-14-B) Nut (rim stud)	2	C3TZ 1216-A	Bearing (outer)-#25880
PARTS LIST NO. 15			PARTS LIST NO. 18		
2	D8HZ 1014-D	Hub	1	D8HZ 1104-G	Hub (R.H.)-85/-Before 1/85
12	D3TZ 1120-A	Nut (drum bolt)	1	E4HZ 1104-H	Hub (R.H.)-85/-From 1/85
12	D3HZ 1A122-B	Washer (drum bolt)	1	D8HZ 1104-H	Hub (L.H.)-85/-Before 1/85
2	D8HZ 1125-C	Drum	1	E4HZ 1104-J	Hub (L.H.)-85/-From 1/85
10	C9TZ 1151-K	Stud (rim)	10	D8HZ 1108-A	Bolt (R.H. hub)
12	D3HZ 1151-B	Stud (R.H. and L.H. drum)	10	D8HZ 1108-B	Bolt (L.H. hub)
2	D5HZ 1190-B	Retainer (grease)-w/o Stemco seals	10	BB 1120-A	Nut (R.H. hub bolt) 3/4"-16
2	D0HZ 1190-B	Kit (grease retainer) w/Stemco seals	10	BB 1121-A	Nut (R.H. hub bolt) 3/4"-16
2	D5HZ 1195-C	Washer	2	D8HZ 1125-F	Drum
2	B9TT 1202-A	Cup (inner bearing)-#HM212011	2	D5HZ 1190-B	Retainer (grease) w/o Stemco seals-7M axle
2	B5QH 1216-A	Bearing (outer)-#3782	2	D0HZ 1190-B	Retainer (grease) w/Stemco seals-7M & 7.5M axle
2	C4TZ 1216-A	Bearing (inner)-#HM212047	2	D5HZ 1190-E	Kit (grease retainer)-w/o Stemco seals-7.5M & 9M axle-Before 5/1/84
2	9N 4222	Cup (outer bearing)-#3720	2	E5HZ 1190-A	Retainer oil-From 5/1/84
10	380853-S7-8	(MM-14-B) nut (rim stud)	2	D5HZ 1190-A	Kit (grease retainer)-w/Stemco seals-9M axle
			2	D0TZ 1195-B	Washer-7M axle
			2	8EB 1195	Washer-9M axle
			2	TGAA 1201-A	Bearing (inner)-#45284-7M axle
			2	8Q 1201-A	Bearing (inner)-#39581-7.5M & 9M axle
			2	81T 1202	Cup (outer bearing)-#3525
			2	7EQH 1239	Cup (inner bearing)-#39520
			2	C3TZ 1216-A	Bearing (outer)-#25880-7M axle
			2	8EB 1216	Bearing (outer)-#3585-7.5M & 9M axle

1980/  
TRUCK SERIES 600/900

QTY.	PART NUMBER	DESCRIPTION	QTY.	PART NUMBER	DESCRIPTION
FRONT HUB and DRUM PARTS LISTS — Cont'd					
For model application, refer to page 3 of this section					
PARTS LIST NO. 19			PARTS LIST NO. 22		
2	★D5TZ 1104-C	Hub (R.H. & L.H.)	2	D5TZ 1014-A	Hub
6	7EQH 1118	Bolt (R.H. hub) 3/4"-16 x 2 7/8"	10	D3HZ 1120-A	Nut (drum bolt)
6	7EQH 1119	Bolt (L.H. hub) 3/4"-16 x 2 7/8"	10	D3HZ 1A122-B	Washer (drum bolt)
6	BB 1120-A	Nut (R.H. hub bolt) 3/4"-16	2	D7HZ 1125-B	Drum
6	BB 1121-A	Nut (L.H. hub bolt) 3/4"-16	10	C9TZ 1151-K	Stud (rim)
2	D6TZ 1125-B	Drum	10	D3HZ 1151-B	Stud (drum)
2	D5HZ 1190-E	Retainer (grease) w/o Stemco seals- Before 5/1/84	2	D5HZ 1190-E	Kit (grease retainer) w/o Stemco seals- Before 5/1/84
2	E5HZ 1190-A	Retainer oil-From 5/1/84	2	E5HZ 1190-A	Retainer oil-From 5/1/84
2	D5HZ 1190-A	Retainer (grease)-w/Stemco seals	2	D5HZ 1190-A	Kit (grease retainer) w/Stemco seals
2	D0TZ 1195-B	Washer	2	D0TZ 1195-B	Washer
2	TGAA 1201-A	Bearing (inner)-#45284	2	TGAA 1201-A	Bearing (inner)-#45284
2	C3TZ 1202-A	Cup (outer bearing)-#25820	2	TGAA 1202-A	Cup (inner bearing)-#25820
2	TGAA 1202-A	Cup (inner bearing)-#45220	2	C3TZ 1202-A	Cup (outer bearing)-#45220
2	C3TZ 1216-A	Bearing (outer)-#25880	2	C3TZ 1216-A	Bearing (outer)-#25880
PARTS LIST NO. 20			10	380853-S7-8	(MM-14-B) nut (rim stud) 3/4"-10
2	D5TZ 1104-A	Hub (R.H. & L.H.)	PARTS LIST NO. 23		
6	7EQH 1118	Bolt (R.H. hub) 3/4"-16 x 2 7/8"	2	D5TZ 1014-B	Hub
6	7EQH 1119	Bolt (L.H. hub) 3/4"-16 x 2 7/8"	10	D3HZ 1120-A	Nut (drum bolt)
6	BB 1120-A	Nut (R.H. hub bolt) 3/4"-16	10	D3HZ 1A122-B	Washer (drum)
6	BB 1121-A	Nut (L.H. hub bolt) 3/4"-16	2	D7HZ 1125-B	Drum
2	D6TZ 1125-B	Drum	10	C9TZ 1151-K	Stud (rim)
2	D5HZ 1190-E	Retainer (grease) w/o Stemco seals- Before 5/1/84	10	D3HZ 1151-B	Stud (drum)
2	E5HZ 1190-A	Retainer oil-From 5/1/84	2	D5HZ 1190-E	Kit (grease retainer) w/o Stemco seals- Before 5/1/84
2	D0TZ 1195-B	Washer	2	E5HZ 1190-A	Retainer oil-From 5/1/84
2	TGAA 1201-A	Bearing (inner)-#45284	2	D5HZ 1190-A	Kit (grease retainer) w/Stemco seals
2	81T 1202	Cup (outer bearing)-#3525	2	8EB 1195	Washer
2	7EQH 1239	Cup (inner bearing)-#39520	2	8Q 1201-A	Bearing (inner)-#39581
2	C3TZ 1216-A	Bearing (outer)-#25880	2	81T 1202	Cup (outer bearing)-#3525
PARTS LIST NO. 21			2	8EB 1216	Bearing (outer)-#3585
2	★D8HZ 1104-L	Hub (R.H. & L.H.)-r/b E3HZ 1104-B	2	7EQH 1239	Cup (inner bearing)-#39520
10	D5HZ 1107-A	Bolt (R.H.)	10	380853-S7-8	(MM-14-B) nut (rim stud) 3/4"-10
10	D5HZ 1108-A	Bolt (L.H.)	PARTS LIST NO. 24		
2	D8HZ 1125-H	Drum	2	★D5TZ 1014-C	Hub
10	BB 1134	Nut (R.H. drum bolt)	10	D3HZ 1120-A	Nut (drum bolt)
10	BB 1135	Nut (L.H. drum bolt)	10	D3HZ 1A122-B	Washer (drum bolt)
2	D5HZ 1190-C	Retainer (grease)-w/o Stemco seals	2	D7HZ 1125-B	Drum
2	D5HZ 1190-D	Retainer (grease) w/Stemco seals	10	C9TZ 1151-K	Stud (rim)
2	D5HZ 1195-C	Washer	10	D3HZ 1151-B	Stud (drum)
2	C5TZ 1202-A	Cup (inner bearing)-#6420	2	D5HZ 1190-E	Kit (grease retainer) w/o Stemco seals- Before 5/1/84
2	C5TZ 1216-A	Bearing (outer)-#555S	2	E5HZ 1190-A	Retainer oil-From 5/1/84
2	C5TZ 1201-A	Bearing (inner)-#6461A	2	D5HZ 1190-A	Kit (grease retainer) w/Stemco seals
2	C5TZ 1217-A	Cup (outer bearing)-#552A	2	8EB 1195	Washer
			2	8Q 1201-A	Bearing (inner)-#39581
			2	81T 1202	Cup (outer bearing)-#3525
			2	8EB 1216	Bearing (outer)-#3585
			2	7EQH 1239	Cup (inner bearing)-#39520
			10	380853-S7-8	(MM-14-B) nut (rim stud) 3/4"-10

1980/  
TRUCK SERIES 600/900

QTY.	PART NUMBER	DESCRIPTION	QTY.	PART NUMBER	DESCRIPTION
<b>FRONT HUB and DRUM PARTS LISTS — Cont'd</b>					
For model application, refer to page 3 of this section					
<b>PARTS LIST NO. 25</b>			<b>PARTS LIST NO. 29</b>		
2	D8HZ 1014-F	Hub	2	D0TZ 1014-A	Hub
12	D5HZ 1107-C	Bolt (R.H. & L.H. hub)	10	★C5TZ 1120-A	Nut (R.H. & L.H. drum)- r/b D3HZ 1121-A
12	D5HZ 1123-A	Washer	10	D3HZ 1A122-A	Washer (drum bolt)
2	D8HZ 1125-G	Drum	2	B7Q 1125-A	Drum
12	D5HZ 1151-A	Bolt	10	C9TZ 1151-K	Stud (rim)
12	D5HZ 1151-B	Stud (rim)	10	C9TZ 1151-H	Bolt (R.H. & L.H. drum)
2	D5HZ 1190-C	Kit (grease retainer) w/o Stemco seals	2	D0TZ 1190-A	Retainer
2	D5HZ 1190-D	Kit (grease retainer) w/Stemco seals	2	D0TZ 1195-B	Washer
2	C5TZ 1201-A	Bearing (inner)-#6461A	2	7EQ 1201	Bearing (inner)-#3778
2	C5TZ 1202-A	Cup (inner bearing)-#6420	2	C3TZ 1202-A	Cup (outer bearing)-#25820
2	C5TZ 1216-A	Bearing (outer)-#555S	2	C3TZ 1216-A	Bearing (outer)-#25880
2	C5TZ 1217-A	Cup (outer bearing)-#552A	2	9N 4222	Cup (inner bearing)-#3720
12	380853-S7-8	(MM-14-B) nut (rim stud) 3/4"-10	10	★34944-S2	Lockwasher (drum bolt)-1/2"
<b>PARTS LIST NO. 26</b>			10	380853-S7-8	(MM-14-B) nut (rim stud) 3/4"-10
2	D8HZ 1014-G	Hub	<b>PARTS LIST NO. 30</b>		
12	D5HZ 1107-C	Bolt (R.H. & L.H. hub)	2	C9TZ 1014-C	Hub
12	D5HZ 1123-A	Washer	10	★1120	Nut (drum bolt)-use 33846-S8
2	D8HZ 1125-G	Drum	10	★1A122	Washer (drum bolt)-use 34907-S36
12	D5HZ 1151-A	Bolt	2	D0HZ 1125-F	Drum
12	D5HZ 1151-B	Stud (rim)	10	D0HZ 1151-A	Bolt (drum)-1/2"-20
2	D5HZ 1190-C	Kit (grease retainer) w/o Stemco seals	10	D5HZ 1151-B	Stud (rim)-3/4"-10
2	D5HZ 1190-D	Kit (grease retainer) w/Stemco seals	2	D0HZ 1190-B	Kit (grease retainer)-w/hyd. brakes and Stemco wet type seals
2	C5TZ 1201-A	Bearing (inner)-#6461A	2	D5HZ 1190-A	Kit (grease retainer)-w/air brakes and Stemco wet type seals
2	C5TZ 1202-A	Cup (inner bearing)-#6420	2	D5HZ 1190-E	Retainer (grease)-w/o Stemco wet type seals-Before 5/1/84
2	C5TZ 1216-A	Bearing (outer)-#555S	2	E5HZ 1190-A	Retainer oil-From 5/1/84
2	C5TZ 1217-A	Cup (outer bearing)-#552A	2	8EB 1195	Washer
12	380853-S7-8	(MM-14-B) nut (rim stud) 3/4"-10	2	8Q 1201-A	Bearing (inner)-#39581
<b>PARTS LIST NO. 27</b>			2	81T 1202	Cup (outer bearing)-#3525
2	E0HZ 1104-A	Hub	2	8EB 1216	Bearing (outer)-#3585
10	C4TZ 1107-E	Bolt (R.H. hub)	2	7EQH 1239	Cup (inner bearing)-#39520
10	C4TZ 1107-F	Bolt (L.H. hub)	10	33846-S8	(M-69) nut (drum bolt)-1/2"-20
10	BB 1120-A	Nut (R.H. hub)	10	34907-S36	(X-99) lockwasher (drum bolt)-1/2"
10	BB 1121-A	Nut (L.H. hub)	10	380853-S7-8	(MM-14-B)-nut (rim stud)-3/4"-10
2	C5TZ 1125-D	Drum	<b>PARTS LIST NO. 31</b>		
2	C9HZ 1190-A	Retainer (grease)-w/o Stemco	2	D8HZ 1014-E	Hub
2	D5HZ 1190-A	Retainer (grease)-w/Stemco	12	D5HZ 1120-A	Nut (drum bolt)
2	C7TZ 1195-A	Washer	12	D5HZ 1123-A	Washer (drum bolt)
2	TGAA 1201-A	Bearing (inner)-#45284	2	D8HZ 1125-C	Drum
2	C3TZ 1202-A	Cup (outer bearing)-#25820	12	D5HZ 1151-A	Bolt (R.H. and L.H. drum)
2	TGAA 1202-A	Cup (inner bearing)-#45220	10	D5HZ 1151-B	Stud (rim)
2	C3TZ 1216-A	Bearing (inner)-#25880	2	D5HZ 1190-B	Retainer (grease) w/o Stemco seals
<b>PARTS LIST NO. 28</b>			2	D0HZ 1190-B	Kit (grease retainer) w/Stemco seals
2	D0TZ 1014-C	Hub	2	D5HZ 1195-C	Washer
10	★C5TZ 1120-A	Nut (R.H. and L.H. drum)- r/b D3HZ 1121-A	2	B9TT 1202-A	Cup (inner bearing)-#HM212011
10	D3HZ 1A122-A	Washer (drum bolt)	2	B8QH 1216-A	Bearing (outer)-#537
2	D1TZ 1125-D	Drum	2	C4TZ 1216-A	Bearing (inner)-#HM212047
10	C9TZ 1151-K	Stud (rim)	2	9N 4222	Cup (outer bearing)-#3720
10	D0HZ 1151-B	Bolt (R.H. & L.H. drum)	10	380853-S7-8	(MM-14-B) Nut (rim stud)
2	C9HZ 1190-A	Retainer (grease) w/o Stemco seals			
2	D0HZ 1190-A	Kit (grease retainer) w/Stemco seals			
2	D0TZ 1195-B	Washer			
2	7EQ 1201	Bearing (inner)-#3778			
2	C3TZ 1202-A	Cup (outer bearing)-#25820			
2	TGAA 1202-A	Cup (inner bearing)-#45220			
2	C3TZ 1216-A	Bearing (outer)-#25880			
10	★34944-S2	Lockwasher (drum bolt)-1/2"			
10	380853-S7-8	(MM-14-B)-nut (rim)-3/4"-10			

**1980/  
TRUCK SERIES 600/900**

QTY.	PART NUMBER	DESCRIPTION	QTY.	PART NUMBER	DESCRIPTION
<b>FRONT HUB and DRUM PARTS LISTS — Cont'd</b>					
For model application, refer to page 3 of this section					
<b>PARTS LIST NO. 32</b>			<b>PARTS LIST NO. 35</b>		
2	★E2HZ 1104-A	Hub (R.H. & L.H.)-r/b E4HZ 1104-F	2	E4HZ 1014-A	Hub
10	E2HZ 1107-A	Bolt (R.H. Lub)	2	E3HZ 1102-A	Rotor
10	★E2HZ 1108-A	Bolt (L.H. Lub)-r/b E8HZ 1108-A	12	D3HZ 1120-A	Nut (rotor bolt)
10	★E2HZ 1120-A	Nut (wheel)-RH-1 1/8"-16- r/b BB 1134	12	D3HZ 1A122-B	Washer
10	★E2HZ 1121-A	Nut (wheel)-LH-1 1/8-16- r/b BB 1135	AR	E4HZ 1148-A	Balance weight
2	E2HZ 1125-A	Drum	12	D3HZ 1151-B	Bolt (rotor)
2	D5HZ 1190-B	Retainer (grease)-w/o Stemco seals	12	C9TZ 1151-K	Stud (rim)
2	DOHZ 1190-B	Retainer (grease)-w/Stemco seals	2	D5HZ 1190-A	Kit (oil retainer)
2	D8HZ 1A190-A	Retaining ring	2	D5HZ 1190-E	Retainer (grease)-Before 5/1/84
2	D5HZ 1195-C	Washer	2	E5HZ 1190-A	Retainer oil-From 5/1/84
2	B9TT 1202-A	Cup (inner bearing)-#HM212011	2	D5HZ 1195-C	Washer
2	B5QH 1216-A	Bearing (outer)-#3782	2	8Q 1201-A	Bearing (inner)-#39581
2	C4TZ 1216-A	Bearing (inner)-#HM212047	2	81T 1202	Cup (outer)-#3525
2	9N 4222	Cup(outer bearing)-#3720	2	8EB 1216	Bearing (outer)-#3585
			2	7EQH 1239	Cup (inner)-#39520
			12	380853-S7-8	(MM-14-B)-nut (rim stud)- 3/4"-10
<b>PARTS LIST NO. 33</b>			<b>PARTS LIST NO. 36</b>		
2	★E2HZ 1104-A	Hub-r/b E4HZ 1104-F	2	E4HZ 1014-B	Hub
12	C5TZ 1118-B	Bolt (R.H. & L.H.)	12	D3HZ 1120-A	Nut (rotor bolt)
6	BB 1120-A	Nut (R.H.)	12	D3HZ 1A122-B	Washer
6	BB 1121-A	Nut (L.H.)	2	E4HZ 1125-A	Rotor
2	E3HZ 1125-A	Drum	AR	E4HZ 1148-A	Balance weight
2	D5HZ 1190-A	Kit (grease retainer)-w/Stemco seals	12	D3HZ 1151-B	Bolt (rotor)
2	D5HZ 1190-E	Kit (grease retainer)-w/o Stemco seals- Before 5/1/84	12	C9TZ 1151-K	Stud (rim)
2	E5HZ 1190-A	Retainer oil-From 5/1/84	2	C9HZ 1190-A	Retainer (grease)
2	8EB 1195	Washer	2	DOHZ 1190-A	Kit (oil retainer)
2	8Q 1201-A	Bearing (inner)-#39581	2	D0TZ 1195-B	Retainer
2	81T 1202	Cup (outer bearing)-#3525	2	TGAA 1201-A	Bearing (inner)-#45284
2	8EB 1216	Bearing (outer)-#3585	2	C3TZ 1202-A	Cup (outer)-#25820
2	7EQH 1239	Cup (inner bearing)-#39520	2	TGAA 1202-A	Cup (inner)-#45220
			2	C3TZ 1216-A	Bearing (outer)-#25880
			12	380853-S7-8	(MM-14-B)-nut (rim stud)-3/4"-10
<b>PARTS LIST NO. 34</b>			<b>PARTS LIST NO. 37</b>		
2	D8HZ 1014-C	Hub	2	D8HZ 1014-F	Hub
2	E3HZ 1102-A	Rotor	12	D5HZ 1120-A	Locknut
12	D3HZ 1120-A	Nut (rotor bolt)	12	D5HZ 1123-A	Washer
12	D3HZ 1A122-B	Washer	2	E4HZ 1125-B	Drum
12	D3HZ 1151-B	Bolt (rotor)	2	D5HZ 1131-A	Cap (oil hub)
12	C9TZ 1151-K	Stud (rim)	2	DOHZ 1131-A	Cap (grease hub)
2	D5HZ 1190-B	Retainer (grease)	12	D5HZ 1151-A	Bolt
2	★E3HZ 1190-B	Retainer (oil)-r/b E7HZ 1190-A	12	D5HZ 1151-B	Stud (rim)
2	D5HZ 1195-C	Washer	2	C4TZ 1153-B	Gasket oil & grease cap
2	B9TT 1202-A	Cup (inner)-#HM212011	2	E2HZ 1153-B	Gasket oil cap
2	B5QH 1216-A	Bearing (outer)-#3782	2	D5HZ 1190-C	Retainer assy. grease
2	C4TZ 1216-A	Bearing (inner)-#HM212047	2	E3HZ 1190-C	Retainer assy. oil
2	9N 4222	Cup (outer)-#3720	2	C5TZ 1201-A	Cone & roller assy (inner)-#6461A
12	380853-S7-8	(MM-14-B)-nut (rim stud)-3/4"-10	2	C5TZ 1202-A	Bearing cup (inner)-#6420
			2	C5TZ 1216-A	Cone & roller assy. (outer)-#555S
			2	C5TZ 1217-A	Bearing cup (outer)-#552A
			12	56518-S100	Bolt 5/16-18 x .50 (grease)
			12	★56519-S2	Bolt 5/16-18 x .62 (oil)

1980/  
TRUCK SERIES 600/900

QTY.	PART NUMBER	DESCRIPTION	QTY.	PART NUMBER	DESCRIPTION
FRONT HUB and DRUM PARTS LISTS — Cont'd					
For model application, refer to page 3 of this section					
PARTS LIST NO. 38			PARTS LIST NO. 40		
2	D8HZ 1014-G	Hub	2	E4HZ 1104-E	Hub
12	D5HZ 1120-A	Locknut	6	E4HZ 1107-C	Bolt (R.H. hub)-3/4"-16 x 3 3/16"
12	D5HZ 1123-A	Washer	6	E4HZ 1108-C	Bolt (L.H. hub)-3/4"-16 x 3 3/16"
2	E4HZ 1125-B	Drum	AR	BB 1120-A	Nut (R.H. drum bolt)-3/4"-16
2	D5HZ 1131-A	Cap oil hub	AR	E4HZ 1120-A	Nut (R.H. sleeve cap)
2	D0HZ 1131-A	Cap grease hub	AR	BB 1121-A	Nut (L.H. drum bolt)-3/4"-16
12	D5HZ 1151-A	Stud	AR	E4HZ 1121-A	Nut (L.H. sleeve cap)
12	D5HZ 1151-B	Stud (rim)	2	E4HZ 1125-D	Rotor
2	C4TZ 1153-B	Gasket oil & grease cap	AR	BB 1134	Nut (R.H. drum bolt)-1 1/8"-16
2	E4HZ 1153-A	Gasket oil cap	AR	BB 1135	Nut (L.H. drum bolt)-1 1/8"-16
2	D5HZ 1190-C	Retainer assy. grease	AR	E4HZ 1148-A	Weight (balance)
2	E3HZ 1190-C	Retainer assy. oil	2	D5HZ 1190-A	Kit (oil retainer)
2	C5TZ 1195-A	Washer (16-18 K axle)	2	D5HZ 1190-E	Kit (grease retainer)-Before 5/1/84
2	385603-S2	Washer (9-13 K axle)	2	E5HZ 1190-A	Retainer oil-From 5/1/84
2	C5TZ 1201-A	Cone & roller assy. (inner)-#6461A	2	D5HZ 1195-C	Washer
2	C5TZ 1202-A	Bearing cup (inner)-#6420	2	8Q 1201-A	Bearing (inner)-#39581
2	C5TZ 1216-A	Cone & roller assy. (outer)-#555S	2	81T 1202	Cup (inner)-#3525
2	C5TZ 1217-A	Bearing cup (outer)-#552A	2	8EB 1216	Bearing (outer)-#3585
12	56518-S100	(B-319-H)-Bolt 5/16-18 x .50 (grease)	2	7EQH 1239	Cup (outer)-#39520
12	★56519-S2	(B-49-A)-Bolt 5/16-18 x .62 (oil)	AR	380853-S7-8	(MM-14-B)-nut (rim stud)-3/4"-10
PARTS LIST NO. 39			PARTS LIST NO. 41		
2	E4HZ 1104-D	Hub	2	E4HZ 1104-C	Hub
10	E4HZ 1107-B	Bolt (R.H. hub)-3/4"-16 x 3 1/2"	10	E4HZ 1107-B	Bolt (R.H. hub)-3/4"-16 x 3 1/2"
10	E4HZ 1108-B	Bolt (L.H. hub)-3/4"-16 x 3 1/2"	10	E4HZ 1108-B	Bolt (L.H. hub)-3/4"-16 x 3 1/2"
AR	BB 1120-A	Nut (R.H. drum bolt)-3/4"-16	AR	BB 1120-A	Nut (R.H. drum bolt)-3/4"-16
AR	E4HZ 1120-A	Nut (R.H. sleeve cap)	AR	E4HZ 1120-A	Nut (R.H. sleeve cap)
AR	BB 1121-A	Nut (L.H. drum bolt)-3/4"-16	AR	BB 1121-A	Nut (L.H. drum bolt)-3/4"-16
AR	E4HZ 1121-A	Nut (L.H. sleeve cap)	AR	E4HZ 1121-A	Nut (L.H. sleeve cap)
2	E4HZ 1125-C	Rotor	2	E4HZ 1125-C	Rotor
AR	BB 1134	Nut (R.H. drum bolt)-1 1/8"-16	AR	BB 1134	Nut (R.H. drum bolt)-1 1/8"-16
AR	BB 1135	Nut (L.H. drum bolt)-1 1/8"-16	AR	BB 1135	Nut (L.H. drum bolt)-1 1/8"-16
AR	E4HZ 1148-A	Weight (balance)	AR	E4HZ 1148-A	Weight (balance)
2	D5HZ 1190-A	Kit (oil retainer)	2	D5HZ 1190-B	Retainer (grease)
2	D5HZ 1190-E	Kit (grease retainer)-Before 5/1/84	2	★E3HZ 1190-B	Retainer (oil)-r/b E7HZ 1190-A
2	E5HZ 1190-A	Retainer oil-From 5/1/84	2	D5HZ 1195-C	Washer
2	D5HZ 1195-C	Washer	2	B9TT 1202-A	Cup (inner)-#HM212011
2	8Q 1201-A	Bearing (inner)-#39581	2	B5QH 1216-A	Bearing (outer)-#3782
2	81T 1202	Cup (inner)-#3525	2	C4TZ 1216-A	Bearing (inner)-#HM212047
2	8EB 1216	Bearing (outer)-#3585	2	9N 4222	Cup (outer)-#3720
2	7EQH 1239	Cup (outer)-#39520	AR	380853-S7-8	(MM-14-B)-nut (rim stud)-3/4"-10
AR	380853-S7-8	(MM-14-B)-nut (rim stud)-3/4"-10			

1980/  
TRUCK SERIES 600/900

QTY.	PART NUMBER	DESCRIPTION	QTY.	PART NUMBER	DESCRIPTION
<b>FRONT HUB and DRUM PARTS LISTS — Cont'd</b>					
For model application, refer to page 3 of this section					
<b>PARTS LIST NO. 42</b>			<b>PARTS LIST NO. 45</b>		
2	E4HZ 1104-F	Hub	2	E4HZ 1104-B	Hub
10	E2HZ 1107-A	Bolt (R.H. hub) 1 1/8-16	12	E4HZ 1107-A	Bolt (R.H.)
10	★E2HZ 1108-A	Bolt (L.H. hub) 1 1/8-16- r/b E8HZ 1108-A	12	E4HZ 1108-A	Bolt (L.H.)
A/R	★E2HZ 1120-A	Nut (R.H. drum bolt)-r/b BB 1134	12	D3HZ 1120-A	Nut (rotor bolt)
A/R	★E2HZ 1121-A	Nut (L.H. drum bolt)-r/b BB 1135	AR	E4HZ 1120-A	Nut (R.H. sleeve cap)
2	E2HZ 1125-A	Drum	AR	E4HZ 1121-A	Nut (L.H. sleeve cap)
2	D0HZ 1131-M	Cap hub grease	12	D3HZ 1A122-B	Washer
2	E5HZ 1131-B	Cap hub oil	2	E4HZ 1125-A	Rotor
2	C4TZ 1153-B	Gasket grease cap	2	TGAA 1131-B	Cap (grease)
2	D5HZ 1190-B	Kit (grease retainer)	AR	BB 1134	Nut (R.H. drum bolt) 1 1/8"-16
2	★E3HZ 1190-B	Kit (oil retainer)-r/b E7HZ 1190-A	AR	BB 1135	Nut (L.H. drum bolt) 1 1/8"-16
2	D5HZ 1195-C	Washer	12	D3HZ 1151-B	Bolt (rotor)
2	B9TT 1202-A	Cup (inner)-#HM212011	2	C9HZ 1190-A	Retainer Assy. (grease)
2	B5QH 1216-A	Bearing (outer)-#3782	2	D0HZ 1190-A	Kit
2	C4TZ 1216-A	Bearing (inner)-#HM212047	2	D0TZ 1195-B	Retainer
2	D5HZ 3104-A	Nut 1.50-18	2	TGAA 1201-A	Cone & roller assy. (inner)-#45284
2	9N 4222	Cup (outer)-#3720	2	C3TZ 1202-A	Cup (outer)-#25820
12	56518-S100	(B-319-H)-Bolt 5/16-18-.50	2	TGAA 1202-A	Cup (inner)-#45220
12	56519-S2	(MM-82-A)-Bolt 5/16-18-.62	2	C3TZ 1216-A	Cone & Roller Assy. (outer)-#25880
A/R	380853-S7-8	(MM-14-B)-Nut (rim stud)-3/4"-10	8	56519-S2	(B-49-A)-Bolt 5/16-18-.62
<b>PARTS LIST NO. 43</b>			<b>PARTS LIST NO. 46</b>		
2	D8HZ 1104-E	Hub	1	E4HZ 1104-A	Hub
10	E4HZ 1107-E	Bolt (R.H. hub)-1 1/8"-16 x 3 1/2"	10	E4HZ 1107-A	Bolt (R.H.)
10	E4HZ 1108-E	Bolt (R.H. hub)-1 1/8"-16 x 3 1/2"	10	E4HZ 1108-A	Bolt (L.H.) 3/4-16
2	★E4HZ 1120-B	Nut (R.H. disc wheel)-1 1/8"-16-	AR	D3HZ 1120-A	Nut (Rotor Bolt)
2	★E4HZ 1121-B	Nut (L.H. disc wheel)-1 1/8"-16	AR	E4HZ 1120-A	Nut (R.H. sleeve cap)
2	D8HZ 1125-D	Drum	AR	E4HZ 1121-A	Nut (L.H. sleeve cap)
AR	BB 1134	Nut (R.H. drum bolt)-1 1/8"-16	10	D3HZ 1A122-B	Washer
AR	BB 1135	Nut (L.H. drum bolt)-1 1/8"-16	2	E4HZ 1125-A	Drum
2	D5HZ 1190-B	Retainer (grease)	2	D0HZ 1131-A	Cap
2	★E3HZ 1190-B	Retainer (oil)-r/b E7HZ 1190-A	AR	BB 1134	Nut (R.H. drum bolt) 1 1/8"-16
2	D5HZ 1195-C	Washer	AR	BB 1135	Nut (L.H. drum bolt) 1 1/8"-16
2	B9TT 1202-A	Cup (inner)-#HM212011	2	TGAA 1131-B	Cap
2	B5QH 1216-A	Bearing (outer)-#3782	A/R	D3HZ 1151-B	Stud 3/4-16 x 2.0
2	C4TZ 1216-A	Bearing (inner)-#HM212047	2	D0HZ 1153-J	Gasket
2	9N 4222	Cup (outer)-#3720	2	TGAA 1153-A	Gasket
AR	380853-S7-8	(MM-14-B)-nut (rim stud)-3/4"-10	2	C9HZ 1190-A	Retainer
<b>PARTS LIST NO. 44</b>			<b>PARTS LIST NO. 47</b>		
2	E4HZ 1014-C	Hub	2	D0HZ 1190-A	Retainer
12	D3HZ 1120-A	Nut (drum bolt)	2	D0TZ 1195-B	Retainer
12	D3HZ 1A122-B	Washer (drum)	2	TGAA 1201-A	Bearing (inner)-#45284
2	E4HZ 1125-E	Drum	2	C3TZ 1202-A	Cup (outer)-#25820
12	D3HZ 1151-B	Bolt (drum)	2	TGAA 1202-A	Cup (inner)-#45220
12	C9TZ 1151-K	Stud (rim)	2	C3TZ 1216-A	Bearing (outer)-#25880
2	D5HZ 1190-A	Kit (grease retainer)-w/Stemco	8	56519-S2	Bolt 5/16-18 x .62
2	D5HZ 1190-E	Kit (grease retainer)-w/o Stemco- Before 5/1/84	2	389846-S2	Nut 1.00 x 14
2	E5HZ 1190-A	Retainer oil-From 5/1/84	<b>PARTS LIST NO. 47</b>		
2	D5HZ 1195-C	Washer	1	E5HZ 1104-A	Hub (R.H.)
2	8Q 1201-A	Bearing (inner)-#39581	1	E5HZ 1104-B	Hub (L.H.)
2	81T 1202	Cup (outer bearing)-#3525	2	D8HZ 1125-A	Drum
2	8EB 1216	Bearing (outer)-#3585	10	BB 1134	Nut (R.H. drum bolt)
2	7EQH 1239	Cup (inner bearing)-#39520	10	BB 1135	Nut (L.H. drum bolt)
AR	380853-S7-8	(MM-14-B)-nut (rim stud)-3/4"-10	10	E5HZ 1151-A	Stud (R.H.)
			10	E5HZ 1151-B	Stud (L.H.)
			2	D5HZ 1190-B	Retainer (grease)
			2	★E3HZ 1190-B	Retainer (grease)-r/b E7HZ 1190-A
			2	D5HZ 1195-C	Washer



1980/  
TRUCK SERIES 600/900

QTY.	PART NUMBER	DESCRIPTION	QTY.	PART NUMBER	DESCRIPTION
FRONT HUB and DRUM PARTS LISTS — Cont'd					
For model application, refer to page 3 of this section					
PARTS LIST NO. 47 — Cont'd			PARTS LIST NO. 52		
2	B9TT 1202-A	Cup bearing (inner)-#HM212011	2	D8HZ 1014-E	Hub (use w/ TSL E6HT 1013-AA)
2	9N 4222	Cup bearing (outer)-#3720	2	E6HZ 1104-H	Hub (used w/ TSL E6HT 1013-DA)
2	C4TZ 1216-A	Bearing (inner)-#HM212047	2	E6HZ 1104-J	Hub (used w/ TSL E6HT 1013-EA)
2	B5QH 1216-A	Bearing (outer)-#3782	12	D3HZ 1120-A	Nut (drum bolt)
PARTS LIST NO. 48			12	D3HZ 1A122-B	Washer (drum bolt)
2	E4HZ 1104-G	Hub (R.H. & L.H.)	2	E4HZ 1125-E	Drum
10	E4HZ 1107-E	Bolt (R.H.)	12	D3HZ 1151-B	Bolt (drum)
10	E4HZ 1108-E	Bolt (L.H.)	10	D5HZ 1151-B	Stud (rim)
2	E4HZ 1125-F	Drum	2	D5HZ 1190-B	Retainer
10	BB 1134	Nut (R.H. drum bolt)	2	D5HZ 1195-C	Washer
10	BB 1135	Nut (L.H. drum bolt)	2	B9TT 1202-A	Cup (inner bearing)-#HM212011
2	D5HZ 1190-C	Retainer (grease)-w/o stemco seals	2	B5QH 1216-A	Bearing (outer)-#3782
2	E3HZ 1190-C	Retainer (grease)-w/stemco seals	2	C4TZ 1216-A	Bearing (inner)-#HM212047
2	D5HZ 1195-C	Washer	2	9N 4222	Cup (outer bearing)-#3720
2	C5TZ 1201-A	Bearing (inner)-#6461A	10	380853-S7-8	(MM-14-B) Nut (rim stud)
2	C5TZ 1202-A	Cup (inner bearing)-#6420	PARTS LIST NO. 53		
2	C5TZ 1216-A	Bearing (outer)-#555S	2	D5HZ 1014-E	Hub
2	C5TZ 1217-A	Cup (outer bearing)-#552A	12	D5HZ 1120-A	Nut (drum bolt)
PARTS LIST NO. 50			12	D5HZ 1123-A	Washer (drum bolt)
2	E6HZ 1104-A	Hub (hyd.)-8 hole-CF600/700	2	E6HZ 1125-H	Drum
2	E6HZ 1104-C	Hub (air/hyd.)-10 hole-CF800	12	D5HZ 1151-A	Bolt (R.H. & L.H. drum)
8	E6HZ 1107-D	Stud (hyd.)-8 hole-CF600/700	10	D5HZ 1151-B	Stud (rim)
10	E6HZ 1107-C	Stud (air)-10 hole-CF800	2	D5HZ 1190-B	Retainer
10	E6HZ 1107-A	Stud-10 hole (air/hyd.)-CF800	2	D5HZ 1195-C	Washer
AR	E8HZ 1120-B	Nut-8 hole-CF600/700	2	B9TT 1202-A	Cup (inner bearing)-#HM212011
AR	E6HZ 1120-A	Nut-10 hole (air/hyd.)-CF800	2	B5QH 1216-A	Bearing (outer)-#3782
2	E6HZ 1125-G	Rotor-8 hole-CF600/700	2	C4TZ 1216-A	Bearing (inner)-#HM212047
2	E6HZ 1125-F	Rotor-10 hole-CF800	2	9N 4222	Cup (outer bearing)-#3720
2	E6HZ 1131-A	Cap frt. hub grease	10	380853-S7-8	(MM-14-B) nut (rim stud)
2	D5HZ 1190-E	Retainer (grease)	PARTS LIST NO. 54		
2	D5HZ 1195-C	Washer	2	E7HZ 1014-A	Hub
2	8Q 1201-A	Bearing inner-#39581	10	E7HZ 1107-A	Bolt
2	81T 1202	Cup inner bearing-#3525	10	D5HZ 1120-A	Nut
2	8EB 1216	Bearing outer-#3585	10	D5HZ 1123-A	Washer
2	7EQH 1239	Cup outer bearing-#39520	2	E6HZ 1125-H	Drum
PARTS LIST NO. 51			10	D5HZ 1151-B	Stud (rim)
2	E6HZ 1104-B	Hub (full air brake)	2	D5HZ 1190-E	Retainer
10	E6HZ 1107-A	Stud	2	D5HZ 1195-C	Washer
10	E6HZ 1120-A	Nut	2	8Q 1201-A	Cone & Roller (inner)-#39581
2	E6HZ 1125-E	Drum (full air brake)	2	81T 1202	Cup (inner)-#3525
2	E6HZ 1131-A	Cap frt. hub grease	2	8EB 1216	Bearing (outer)-#3585
2	★E6HZ 1190-D	Retainer (grease)-r/b D5HZ 1190-B	2	7EQH 1239	Cup (outer)-#39520
2	D5HZ 1195-C	Washer			
2	B9TT 1202-A	Cup inner bearing-#HM212011			
2	B5QH 1216-A	Bearing (outer)-#3782			
2	C4TZ 1216-A	Bearing inner-#HM212047			
2	9N 4222	Cup outer bearing-#3720			

1980/  
TRUCK SERIES 600/900

QTY.	PART NUMBER	DESCRIPTION	QTY.	PART NUMBER	DESCRIPTION
FRONT HUB and DRUM PARTS LISTS — Cont'd					
For model application, refer to page 3 of this section					
PARTS LIST NO. 55			PARTS LIST NO. 57		
2	E7HZ 1014-B	Hub	2	E7HZ 1104-B	Hub
6	D5HZ 1118-E	Bolt	10	E4HZ 1107-A	Bolt (R.H.)
6	D3HZ 1120-A	Nut (rotor bolt)	10	E4HZ 1108-A	Bolt (L.H.)
6	D3HZ 1A122-B	Washer	2	E4HZ 1120-A	Nut (R.H.)
2	E4HZ 1125-A	Rotor	2	E4HZ 1121-A	Nut (L.H.)
6	C9TZ 1151-K	Stud (rim)	AR	D3HZ 1120-A	Nut
2	C9HZ 1190-A	Retainer (grease)	AR	D3HZ 1A122-B	Washer
2	DOHZ 1190-A	Kit (oil retainer)	2	E4HZ 1125-A	Rotor
2	DOTZ 1195-B	Retainer	2	DOHZ 1131-A	Cap
2	TGAA 1201-A	Bearing (inner)-#45284	2	TGAA 1131-B	Cap
2	C3TZ 1202-A	Cup (outer)-#25820	AR	D3HZ 1151-B	Stud 3/4"-16 x 2.0
2	TGAA 1202-A	Cup (inner)-#45220	2	DOHZ 1153-J	Gasket
2	C3TZ 1216-A	Bearing (outer)-#25880	2	TGAA 1153-A	Gasket
12	380853-S7/8	(MM-14-B)-Nut (rim stud)-3/4"-10	2	C9HZ 1190-A	Retainer
PARTS LIST NO. 56			2	DOHZ 1190-A	Retainer
2	E7HZ 1104-A	Hub	2	DOTZ 1195-B	Retainer
10	E4HZ 1107-A	Bolt (R.H.)	2	TGAA 1201-A	Bearing (inner)-#45284
10	E4HZ 1108-A	Bolt (L.H.)	2	C3TZ 1202-A	Cup (outer)-#25820
2	E4HZ 1120-A	Nut (R.H.)	2	TGAA 1202-A	Cup (inner)-#45220
AR	D3HZ 1120-A	Nut	2	C3TZ 1216-A	Bearing (outer)-#25880
2	E4HZ 1121-A	Nut (L.H.)	AR	56519-S2	Bolt 5/16"-18 x .62
AR	D3HZ 1A122-B	Washer	AR	389846-S2	Nut 1.00 x 14
2	E4HZ 1125-A	Rotor	PARTS LIST NO. 58		
2	DOHZ 1131-A	Cap	2	★E6HZ 1104-G	Hub
2	TGAA 1131-B	Cap	12	D3HZ 1120-A	Nut (drum bolt)
AR	D3HZ 1151-B	Stud 3/4"-16 x 2.0	12	D3HZ 1A122-B	Washer (drum)
2	DOHZ 1153-J	Gasket	2	E4HZ 1125-E	Drum
2	TGAA 1153-A	Gasket	12	D3HZ 1151-B	Bolt (drum)
2	C9HZ 1190-A	Retainer	12	C9TZ 1151-K	Stud (rim)
2	DOHZ 1190-A	Retainer	2	E5HZ 1190-A	Retainer
2	DOTZ 1195-B	Retainer	2	D5HZ 1195-C	Washer
2	TGAA 1201-A	Bearing (inner)-#45284	2	8Q 1201-A	Bearing (inner)-#39581
2	C3TZ 1202-A	Cup (outer)-#25820	2	81T 1202	Cup (outer bearing)-#3525
2	TGAA 1202-A	Cup (inner)-#45220	2	8EB 1216	Bearing (outer)-#3585
2	C3TZ 1216-A	Bearing (outer)-#25880	2	7EQH 1239	Cup (inner bearing)-#39520
AR	56519-S2	Bolt 5/16"-18 x .62	AR	380853-S7-8	(MM-14-B) Nut (rim stud)-3/4"-10
2	389846-S2	Nut 1.00 x 14			

**1980/  
TRUCK SERIES 600/900**

QTY.	PART NUMBER	DESCRIPTION	QTY.	PART NUMBER	DESCRIPTION
<b>FRONT HUB and DRUM PARTS LISTS — Cont'd</b>					
For model application, refer to page 3 of this section					
<b>PARTS LIST NO. 59</b>			<b>PARTS LIST NO. 60</b>		
2	E8HZ 1014-A	Hub	2	E4HZ 1104-F	Hub
AR	E4HZ 1107-E	Bolt-R.H.	10	E8HZ 1107-C	Bolt (R.H. hub)-1 1/8-16
AR	E4HZ 1108-E	Bolt-L.H.	10	E8HZ 1108-A	Bolt (L.H. hub)-1 1/8-16
AR	E8HZ 1120-A	Nut-R.H.	AR	★E2HZ 1120-A	Nut (R.H. drum bolt)-r/b BB 1134
AR	E8HZ 1120-D	Nut-L.H.	AR	★E2HZ 1121-A	Nut (L.H. drum bolt)-r/b BB 1135
2	D8HZ 1125-D	Drum	2	E2HZ 1125-A	Drum
2	D5HZ 1190-B	Retainer (grease)	2	D8HZ 1131-A	Cap Hub Grease
2	E7HZ 1190-A	Retainer (oil)	2	E5HZ 1131-B	Cap Hub Oil
2	D5HZ 1195-C	Washer	2	C4TZ 1153-B	Gasket Grease Cap
2	B9TT 1202-A	Cup (inner)-#HM212011	2	E7HZ 1190-A	Kit (oil retainer)
2	C4TZ 1216-A	Bearing (inner)-#HM212047	2	D5HZ 1195-C	Washer
2	B5QH 1216-A	Bearing (outer)-#3782	2	B9TT 1202-A	Cup (inner)-#HM212011
2	9N 4222	Cup (outer)-#3720	2	B5QH 1216-A	Bearing (outer)-#3782
AR	380853-S7-8	(MM-14-B) Nut (rim stud)-3/4"-10	2	C4TZ 1216-A	Bearing (inner)-#HM212047
			2	D8HZ 3104-A	Nut 1.50-18
			2	9N 4222	Cup (outer) #3720
			12	56518-S100	(B-319-H) Bolt 5/16-18-50
			12	56519-S2	(MM-82-A) Bolt 5/16-18-62

# 1980/ TRUCK SERIES 600/900

## REAR HUB T.S.L. CROSS-REFERENCE GUIDE HOW TO FIND A REAR HUB SERVICE NUMBER FROM THE T.S.L.:

1. Locate the rear hub number shown on the Truck Specification List.
2. Using the Cross-Reference below, find the correct parts list number.  
(Parts lists follow the Application Chart in this section)
3. Turn to the correct parts list number and select the rear hub service part number. (The parts list can also be used to select related parts).

If truck does not have a T.S.L. refer to the Model Application Chart in this section

T.S.L. NUMBER	BRAKE SIZE (INCHES)	PARTS LIST NO.	T.S.L. NUMBER	BRAKE SIZE (INCHES)	PARTS LIST NO.
D1TA 1113-RA	15 x 5	5	E0HT 1113-EA	18 x 7	41
D1TA 1113-VA	15 x 6	1	E0HT 1113-FA	16 1/2 x 7	42
D1TA 1113-ZA	15 x 6	12	E2HT 1113-AA	16 1/2 x 7	43
D1TA 1113-ABA	15 x 7	38	E2HT 1113-BA	16 1/2 x 7	44
D1TA 1113-ARA	15 x 6	6	E2HT 1113-CA	16 1/2 x 7	45
D1TA 1113-ATA	15 x 6	2	E2HT 1113-DA	15 x 6	46
D1TA 1113-AVA	15 x 7	3	E2HT 1113-EA	15 x 7	47
D3HA 1113-CJA	15 x 7	4	E2HT 1113-FA	15 x 7	48
D3HA 1113-CKA	15 x 6	13	E2HT 1113-GA	16 1/2 x 7	20
D3TA 1113-BMA	15 x 4	31	E2HT 1113-HA	16 1/2 x 5	15
D3TA 1113-BRA	15 x 5	11	E3HT 1113-BA	15 x 6	49
D3TA 1113-BUA	15 x 6	8	E3HT 1113-DA	15 x 7	50
D3TA 1113-BVA	15 x 5	7	E3HT 1113-ARA	16 1/2 x 7	76
D3TA 1113-BZA	15 x 5	10	E4HT 1113-KA	15 x 5	58
D3TA 1113-CAA	15 x 6	9	E4HT 1113-KB	15 x 5	58
D7HA 1113-AA	16 1/2 x 7	19	E4HT 1113-LB	15 x 5	55
D7HA 1113-EA	16 x 6	21	E4HT 1113-LC	15 x 5	55
D7HA 1113-CGA	16 x 6	33	E4HT 1113-LA	15 x 6	59
D7HA 1113-CHA	16 x 6	17	E4HT 1113-RB	15 x 6	59
D7HA 1113-CJA	16 x 6	34	E4HT 1113-SA	15 x 6	60
D7HA 1113-CKA	16 x 6	16	E4HT 1113-TA	15 x 5	61
D7HT 1113-GA	16 1/2 x 7	30	E4HT 1113-YA	15 x 6, 15 x 7	74
D7HT 1113-HA	16 1/2 x 7	18	E4HT 1113-YB	15 x 6, 15 x 7	74
D7HT 1113-JA	16 1/2 x 7	27	E4HT 1113-ZA	15 x 6, 15 x 7	52
D7HT 1113-KA	16 1/2 x 7	23	E4HT 1113-ZB	15 x 6, 15 x 7	52
D7HT 1113-MA	16 1/2 x 7	24	E4HT 1113-AAA	15 x 6, 15 x 7	56
D7HT 1113-SA	16 1/2 x 7	28	E4HT 1113-AAB	15 x 6, 15 x 7	56
D7HT 1113-TA	16 1/2 x 7	25	E4HT 1113-AAC	15 x 6, 15 x 7	56
D7HT 1113-UA	16 1/2 x 7	29	E4HT 1113-ABA	15 x 7	57
D7HT 1113-VA	16 1/2 x 7	26	E4HT 1113-ABA	15 x 7	57
D7HT 1113-ACA	15 x 5	36	E4HT 1113-ACA	16 1/2 x 7	70
D7HT 1113-CLA	18 x 7	41	E4HT 1113-ACA	16 1/2 x 7	70
D7HT 1113-CNA	16 1/2 x 7	32	E4HT 1113-ACB	16 1/2 x 7	70
D7HT 1113-CRA	16 1/2 x 7	20	E4HT 1113-ADA	16 1/2 x 7	71
D7HT 1113-CTA	16 1/2 x 7	22	E4HT 1113-ADA	16 1/2 x 7	71
D8HT 1113-AA	16 1/2 x 5	35	E4HT 1113-ADB	16 1/2 x 7	71
D8HT 1113-GA	16 1/2 x 5	14	E4HT 1113-AEA	16 1/2 x 7	62
D8HT 1113-KA	16 1/2 x 5	15			
E0HT 1113-AA	15 x 7	37			
E0HT 1113-CA	15 x 7	39			
E0HT 1113-DA	15 x 7	40			

1980/  
TRUCK SERIES 600/900

T.S.L. NUMBER	BRAKE SIZE (INCHES)	PARTS LIST NO.	T.S.L. NUMBER	BRAKE SIZE (INCHES)	PARTS LIST NO.
E4HT 1113-AFA	16 1/2 x 7	63	D7HT 1114-GA	16 1/2 x 7	30
E4HT 1113-AGA	16 1/2 x 7	64	D7HT 1114-HA	16 1/2 x 7	18
E4HT 1113-AHA	16 1/2 x 7	65	D7HT 1114-CRA	16 1/2 x 7	20
E4HT 1113-AJA	16 1/2 x 7	66	D7HT 1114-CTA	16 1/2 x 7	22
E4HT 1113-AKA	16 1/2 x 7	67	D8HT 1114-GA	16 1/2 x 5	14
E4HT 1113-ALA	16 1/2 x 7	68	D8HT 1114-KA	16 1/2 x 5	15
E4HT 1113-AMA	16 1/2 x 7	69	E0HT 1114-AA	15 x 7	37
E4HT 1113-ANA	16 1/2 x 7	75	E0HT 1114-FA	16 1/2 x 7	42
E4HT 1113-ANB	16 1/2 x 7	75	E2HT 1114-AA	16 1/2 x 7	43
E4HT 1113-ARA	16 1/2 x 7	76	E2HT 1114-BA	16 1/2 x 7	44
E4HT 1113-ARB	16 1/2 x 7	76	E2HT 1114-CA	16 1/2 x 7	45
E4HT 1113-AUA	15 x 7	72	E2HT 1114-DA	15 x 6	46
EDE4HT 1113-AUA	15 x 7	72	E2HT 1114-EA	15 x 7	47
E4HT 1113-AUB	15 x 7	72	E2HT 1114-FA	15 x 7	48
E4HT 1113-AVA	15 x 7	73	E2HT 1114-GA	16 1/2 x 7	20
EDE4HT 1113-AVA	15 x 7	73	E2HT 1114-HA	16 1/2 x 5	15
E4HT 1113-AVB	15 x 7	73	E3HT 1114-BA	15 x 6	49
E4HT 1113-AYA	16 1/2 x 7	18	E3HT 1114-DA	15 x 7	50
E4HT 1113-AZA	16 1/2 x 7	19	E4HT 1114-KA	15 x 5	58
E5HT 1113-FA		77	E4HT 1114-KB	15 x 5	58
E5HT 1113-JA		77	E4HT 1114-LB	15 x 5	55
E6HT 1113-AA	15 x 7	83	EDE4HT 1114-LB	15 x 5	55
E6HT 1113-BA	16.5 x 7	67	E4HT 1114-LC	15 x 5	55
E6HT 1113-CA	15 x 7	84	E4HT 1114-RA	15 x 6	59
E6HT 1113-DA	16.5 x 7	81	E4HT 1114-RB	15 x 6	59
E6HT 1113-EA	15 x 5	61	E4HT 1114-AAA	15 x 6, 15 x 7	56
E6HT 1113-FA	15 x 6	60	E4HT 1114-AAB	15 x 6, 15 x 7	56
E6HT 1113-GA	16.5 x 7	82	E4HT 1114-AAC	15 x 6, 15 x 7	56
E6HT 1113-JA	15 x 7	73	E4HT 1114-ACA	16 1/2 x 7	70
E6HT 1113-KA	16.5 x 7	71	EDE4HT 1114-ACA	16 1/2 x 7	70
E6HT 1113-LA	15 x 7	72	E4HT 1114-ACB	16 1/2 x 7	70
E6HT 1113-MA	16.5 x 7	70	E4HT 1114-ADA	16 1/2 x 7	71
E6HT 1113-SA	15 x 6	59	EDE4HT 1114-ADA	16 1/2 x 7	71
E6HT 1113-TA	15 x 6	58	E4HT 1114-ADB	16 1/2 x 7	71
E6HT 1113-UA	15 x 6	56	E4HT 1114-ANA	16 1/2 x 7	75
E7HT 1113-AA	15 x 7	85	E4HT 1114-ANB	16 1/2 x 7	75
E8HT 1113-AA	15 x 7	83	E4HT 1114-ARA	16 1/2 x 7	76
E8HT 1113-BA	15 x 7	67	E4HT 1114-ARB	16 1/2 x 7	76
E8HT 1113-CA	15 x 5	61	E4HT 1114-AUA	15 x 7	72
E8HT 1113-DA	15 x 6	60	EDE4HT 1114-AUA	15 x 7	72
★E9HT 1113-DA	16 1/2 x 7		E4HT 1114-AUB	15 x 7	72
r/b E9HT 1113-EA			E4HT 1114-AVA	15 x 7	73
E9HT 1113-EA	16 1/2 x 7	90	EDE4HT 1114-AVA	15 x 7	73
E9HT 1113-FA		91	E4HT 1114-AVB	15 x 7	73
E9HT 1113-GC	16.5 x 7	88	E4HT 1114-AYA	16 1/2 x 7	18
E9HT 1113-HC	16.5 x 7	89	E4HT 1114-AZA	16 1/2 x 7	19
E9HT 1113-TA	16.5 x 7	86	E5HT 1114-FA		77
E9HT 1113-UA	15 x 7	87	E5HT 1114-JA		77
D1TA 1114-RA	15 x 5	5	E6HT 1114-AA	15 x 7	83
D1TA 1114-VA	15 x 6	1	E6HT 1114-BA	16.5 x 7	67
D1TA 1114-ZA	15 x 6	12	E6HT 1114-CA	15 x 7	84
D1TA 1114-ABA	15 x 7	38	E6HT 1114-DA	16.5 x 7	81
D3TA 1114-BMA	15 x 4	31	E6HT 1114-EA	15 x 5	61
D3TA 1114-BRA	15 x 5	11	E6HT 1114-FA	15 x 6	60
D3TA 1114-BZA	15 x 5	10	E6HT 1114-GA	16.5 x 7	82
D3TA 1114-CAA	15 x 6	9	E6HT 1114-JA	15 x 7	73
D7HA 1114-AA	16 1/2 x 7	19	E6HT 1114-KA	16.5 x 7	71
D7HA 1114-EA	16 x 6	21			

**1980/  
TRUCK SERIES 600/900**

T.S.L. NUMBER	BRAKE SIZE (INCHES)	PARTS LIST NO.	T.S.L. NUMBER	BRAKE SIZE (INCHES)	PARTS LIST NO.
E6HT 1114-LA	15 x 7	72	E9HT 1114-UA	15 x 7	87
E6HT 1114-MA	16.5 x 7	70	★E5HT 1126-AA refer to appl. chart for correct parts list		
E6HT 1114-SA	15 x 6	59			
E6HT 1114-TA	15 x 6	58	★E5HT 1126-BA refer to appl. chart for correct parts list		
E6HT 1114-UA	15 x 6	56			
E7HT 1114-AA	15 x 7	85	★E5HT 1126-GA refer to appl. chart for correct parts list		
★E9HT 1114-DA r/b E9HT 1114-EA	16 1/2 x 7				
E9HT 1114-EA	16 1/2 x 7	90			
E9HT 1114-TA	16.5 x 7	86			

**HOW TO UTILIZE REAR HUB and DRUM PARTS LIST**

- Determine rear axle capacity of the truck model for which the part is desired.
- Select appropriate parts list number from the Model Application Chart
- Refer to Parts List (which follow the Application Chart) for the following items:

1107-8	Bolt-hub	1175	Retainer-rear wheel grease
1109	Hub assy.-rear	1181	Oil seal assy.-rear axle
1118-9	Bolt-hub	1239	Cup-rear wheel outer bearing
1124	Washer-rear bearing nut lock	1240	Cone and roller assy.-rear wheel outer bearing
1126	Drum-rear brake	1243	Cup-rear wheel inner bearing
1174	Wiper assy.-rear axle shaft	1244	Cone and roller assy.-rear wheel inner bearing

For dimensions or identification numbers, on the above items, refer to the appropriate group.

**MODEL APPLICATION CHART for REAR HUBS, DRUMS & RELATED PARTS**

For Front Hubs, Drums, etc., refer to Section 11.1

REAR AXLE CAPACITY	MODEL	BRAKE SIZE (inches)	YEAR	†	‡	@	●	REAR AXLE CAPACITY	MODEL	BRAKE SIZE (inches)	YEAR	†	‡	@	●
				P	I	A	LIST NO.					P	I	A	LIST NO.

**Notes:** B-Budd D-Dayton G-Gunite (Div. of Kelsey Hayes Co.) R-Rockwell, M-Motor Wheel  
 † Size shown in inches ‡ Number of holes for mounting studs shown  
 ● Parts Lists follow this Application Chart

13000 lb	All	15 x 4	80/83	6	D	31	17500 lb.	All	16 1/2 x 7	82/82/83	84/84/84/84/84/84/84/84/80/83/83/	10	M	43								
	All	15 x 5	84/85	6	B	55									10	B	44					
15000 lb.	All	15 x 5	80/83	20	D	36	18500 lb.	All	15 x 6	80/83	84/84/84/84/84/84/84/84/84/80/83/83/	20	G	65								
			80/83	6	D	11									22	G	64					
			84/	6	D	58									20	D	67					
			84/	20	D	61									22	D	66					
			84/	6	D	59									10	B	71					
			84/	20	D	60										M	75					
17500 lb.	All	15 x 5	80/83	6	B	10	All -- exc. Cargo	16 1/2 x 7	84/			6	B	9								
			80/83	10	R	5									6	D	49					
			80/83	20	D	7										M	75					
	All	15 x 6	80/83	20	D	8	Cargo	16 1/2 x 7	86/						77							
			84/85	20	D	52										18500 lb.	All	15 x 6	80/83	20	G	2
			80/83	20	G	6																
	All	15 x 7	84/86	20	G	74	15 x 7	86/83	20	D	83	6	D	50								
			87/86/	20	D	80									10	R	38					
	Cargo	All	16 1/2 x 5	86/86/			77	All	16 1/2 x 5	80/83	20	D	35									
				80/83	6	B	14															
80/83				10	R	15																

# 1980/ TRUCK SERIES 600/900

**MODEL APPLICATION CHART for REAR HUBS, DRUMS & RELATED PARTS**  
For Front Hubs, Drums, etc., refer to Section 11.1

REAR AXLE CAPACITY	MODEL	BRAKE SIZE (inches)	YEAR	† S P O K E	‡ I A S K E	@ M A K E	● PARTS LIST NO.	REAR AXLE CAPACITY	MODEL	BRAKE SIZE (inches)	YEAR	† S P O K E	‡ I A S K E	@ M A K E	● PARTS LIST NO.		
<p>Notes: B-Budd D-Dayton G-Gunite (Div. of Kelsey Hayes Co.) R-Rockwell, M-Motor Wheel                      † Size shown in inches ‡ Number of holes for mounting studs shown                      ● Parts Lists follow this Application Chart</p>																	
17500	All	15 x 6	83	6	D	49		22000 lb.	All	16 1/2 x 7	80/83	10	M	42			
			84/	6	D	56								84/88	10	M	76
19000 lb.	All	15 x 6	80/83	10	R	1					89	10	M	90			
			84/	20	G	74					80/83	20	D	25			
			84/	20	D	52						84/85	20	D	68		
			80/83	22	D	13						86/88	20	D	81		
			80/83	10	R	12						89	20	D	88		
			82/83	10	B	46						80/83	20	G	28		
			84/	10	B	73						84/	20	G	63		
													84/	22	G	62	
				All	15 x 7	80/83	20	G	3		23000 lb.	All	15 x 7	89	20	D	91
						84/	20	G	74		23000 lb.	All	16 1/2 x 7	80/83	22	D	26
			80/83	22	D	4					84/85	22	D	69			
			84/	20	D	52					86/	22	D	82			
			82/83	10	B	47					80/83	22	G	29			
	All	16 1/2 x 7	80/83	20	D	23					84/	22	G	62			
			80/83	10	R	20					84/	20	G	63			
			82/	10	M	43					84/85	20	D	68			
			82/83	10	B	44					86/88	20	D	81			
			84/	20	G	65					89	20	D	88			
			84/	22	G	64					80/	10	M	19			
			84/	20	D	67					80/83	10	M	42			
			84/	22	D	66					84/	10	M	76			
20,000 lb	Cargo	15 x 7	86/87			79					80/83	10	R	30			
21,000 lb												82/83	10	B	45		
21000		16 1/2 x 7	86/			79					84/88	10	B	70			
23000											89	10	B	86			
22000 lb	All	15 x 7	80/	20	D	39		34000 lb.	All	15 x 6	80/83	10	R	12			
			84/	20	G	57						82/83	10	B	46		
			80/83	22	D	40						80/83	20	G	2		
			80/83	10	R	37						84/	20	G	74		
			82/83	10	B	48						84/	20	D	52		
			84/88	10	B	72											
			89	10	B	87						All	15 x 7	80/83	10	R	38
														82/83	10	B	47
														84/	10	B	73
														80/83	20	G	3
	All	16 x 6	80/83	20	D	17						84/86	20	G	74		
			80/83	20	G	33						87/	20	G	80		
			80/83	22	D	16						84/85	20	D	52		
			80/83	22	G	34						86/	20	D	83		
			80/83	10	B	21											
			80/83	20	D	25											
			80/83	20	G	28											
											Exc. CL-CLT9000	16 1/2 x 7	80/83	20	D	23	
All	16 1/2 x 7	80/83	22	D	26						84/	20	D	67			
		84/85	22	D	69						80/83	22	D	24			
		86/	22	D	82						84/	22	D	66			
		80/83	10	R	30						84/	20	G	65			
		80/81	10	B	22						84/	22	G	64			
		82/83	10	B	45						80/83	10	R	20			
		84/88	10	B	70						82/	10	M	43			
		89	10	B	86						82/83	10	B	44			

**1980/  
TRUCK SERIES 600/900**

**MODEL APPLICATION CHART for REAR HUBS, DRUMS & RELATED PARTS**  
For Front Hubs, Drums, etc., refer to Section 11.1

REAR AXLE CAPACITY	MODEL	BRAKE SIZE (inches)	YEAR	†	‡	•	REAR AXLE CAPACITY	MODEL	BRAKE SIZE (inches)	YEAR	†	‡	•								
				S	D	@					P	I	A	OSK	OSK	OSK	OSK	OSK	OSK	OSK	
Notes: B-Budd D-Dayton G-Gunite (Div. of Kelsey Hayes Co.) R-Rockwell, M-Motor Wheel † Size shown in inches ‡ Number of holes for mounting studs shown • Parts Lists follow this Application Chart																					
34000 lb.	CL-CLT9000	16 1/2 x 7	80/83	20	D	23	38000 lb.	All	16 1/2 x 7	84/88		10	B	70							
			80/83	20	G	27				89		10	B	86							
			80/83	22	D	24				84/88			M	76							
			80/83	10	M	18				89		10	M	90							
			80/83	10	R	20															
	All	16 1/2 x 7	84/		10	B	71	44000 lb.	Exc. CL CLT9000	16 1/2 x 7	80/83	24	G	32							
			84/		10	M	75				84/	20	G	63							
38000 lb.	Exc. CL-CLT900	16 1/2 x 7	80/83	20	D	25					84/85	20	D	68							
			86/	20	D	81					84/85	20	D	81							
			80/83	20	G	28					84/	22	G	62							
			84/	20	G	63					84/85	22	D	69							
			80/83	22	D	26					86/88	22	D	82							
			84/85	22	D	69					89	22	D	89							
			86/88	22	D	82					80/81	10	B	22							
			89	22	D	89					82/83	10	B	45							
			84/	22	G	62					80/83	10	R	30							
			80/81	10	B	22					80/83	10	R	30							
			82/83	10	B	45					80/	10	M	42							
			80/83	10	R	30															
			Alum.	80/	10	M					19										
			Steel	80/	10	M					42										
			CL-CLT9000	16 1/2 x 7	80/83	20					D	25	58000 lb., 65000 lb.		18 x 7	80/	24	G	41		
					80/83	20					G	28									
					80/83	22					D	26									
					80/83	22					G	29									
					80/83	10					B	22									
					80/	10					M	19									
80/	10	M			42																
80/83	10	R			30																



**1980/  
TRUCK SERIES 600/900**

QTY.	PART NUMBER	DESCRIPTION	QTY.	PART NUMBER	DESCRIPTION
<b>REAR HUB and DRUM PARTS LISTS</b>					
For model application, refer to the model application charts in this section					
<b>PARTS LIST NO. 1</b>			<b>PARTS LIST NO. 4</b>		
2	DOTZ 1109-E	Hub	2	C9TZ 1109-M	Hub
AR	7EQH 1118	Bolt (R.H. hub)	2	7EQH 1124-A	Washer
AR	7EQH 1119	Bolt (L.H. hub)	2	C5TZ 1126-W	Drum
2	C5TZ 1126-AM	Drum	AR	C5TZ 1151-A	Bolt (R.H. and L.H. hub)
AR	BB 1132	Nut R.H. thread 3/4"-16 x 2 1/8" Long (Inner)	2	★ DOHZ 1175-D	Kit (grease retainer)-w/Stemco wet type seals-r/b F1HZ 1175-A
AR	BB 1133	Nut L.H. thread 3/4"-16 x 2 1/2" Long (Inner)	2	★ DOTZ 1175-D	Kit (grease retainer)-w/o Stemco wet type seals-r/b E6HZ 1175-E
AR	BB 1134	Nut R.H. thread 1 1/8"-16 Hex hd (Outer)	2	7EQH 1239	Cup (outer bearing)-#39520
AR	BB 1135	Nut L.H. thread 1 1/8"-16 Hex hd (Outer)	2	7EQH 1240	Bearing (outer)-#39590
2	DOHZ 1175-C	Kit (grease retainer)-w/Stemco wet type seals	2	7EQH 1243	Cup (inner bearing)-#47620
2	DOTZ 1175-E	Kit (grease retainer)-w/o Stemco wet type seals	2	7EQH 1244	Bearing (inner)-#47686
2	B9T 1181-A	Oil seal	AR	380853-S7-8	(MM-14-B)-nut 3/4"-10 Hex hd
2	7EQH 1239	Cup (outer bearing)-#39520	<b>PARTS LIST NO. 5</b>		
2	7EQH 1240	Bearing (outer)-#39590	2	DOTZ 1109-E	Hub
2	B6Q 1243-A	Cup (inner bearing)-#493	AR	7EQH 1118	Bolt (R.H. hub)
2	7EQ 1244	Bearing (inner)-#495AX	AR	7EQH 1119	Bolt (L.H. hub)
<b>PARTS LIST NO. 2</b>			2	C5TZ 1126-AN	Drum
2	C9TZ 1109-C	Hub	AR	BB 1132	Nut R.H. thread 3/4"-16 x 2 1/8" long (Inner)
2	7EQH 1124	Washer	AR	BB 1133	Nut L.H. thread 3/4"-16 x 2 1/2" long (Inner)
2	C5TZ 1126-V	Drum	AR	BB 1134	Nut R.H. thread 1 1/8"-16 Hex hd (Outer)
AR	C5TZ 1151-A	Bolt (R.H. and L.H. hub)	AR	BB 1135	Nut L.H. thread 1 1/8"-16 Hex hd (Outer)
2	★ DOHZ 1175-D	Kit (grease retainer)-w/Stemco wet type seals-r/b F1HZ 1175-A	2	DOHZ 1175-C	Kit (grease retainer)-w/Stemco wet type seals
2	★ DOTZ 1175-D	Kit (grease retainer)-w/o Stemco wet type seals-r/b E6HZ 1175-E	2	DOTZ 1175-E	Kit (grease retainer)-w/o Stemco wet type seals
2	7EQH 1239	Cup (outer bearing)-#39520	2	B9T 1181-A	Oil seal
2	7EQH 1240	Bearing (outer)-#39590	2	7EQH 1239	Cup (outer bearing)-#39520
2	7EQH 1243	Cup (inner bearing)-#47620	2	7EQH 1240	Bearing (outer)-#39590
2	7EQH 1244	Bearing (inner)-#47686	2	B6Q 1243-A	Cup (inner bearing)-#493
AR	380853-S7-8	(MM-14-B)-nut 3/4"-10 Hex hd	2	7EQ 1244	Bearing (inner)-#495AX
<b>PARTS LIST NO. 3</b>			<b>PARTS LIST NO. 6</b>		
2	C9TZ 1109-C	Hub	2	DOTZ 1109-A	Hub
2	7EQH 1124-A	Washer	2	7EQ 1124-A	Washer
2	C5TZ 1126-W	Drum	2	C5TZ 1126-Z	Drum
AR	C5TZ 1151-A	Bolt (R.H. and L.H. hub)	AR	C5TZ 1151-A	Bolt (R.H. and L.H. hub)
2	★ DOHZ 1175-D	Kit (grease retainer)-w/Stemco wet type seals-r/b F1HZ 1175-A	2	DOHZ 1175-C	Kit (grease retainer)-w/Stemco wet type seals
2	★ DOTZ 1175-D	Kit (grease retainer)-w/o Stemco wet type seals-r/b E6HZ 1175-E	2	DOTZ 1175-E	Kit (grease retainer)-w/o Stemco wet type seals
2	7EQH 1239	Cup (outer bearing)-#39520	2	7EQH 1239	Cup (outer bearing)-#39520
2	7EQH 1240	Bearing (outer)-#39590	2	7EQH 1240	Bearing (outer)-#39590
2	7EQH 1243	Cup (inner bearing)-#47620	2	B6Q 1243-A	Cup (inner bearing)-#493
2	7EQH 1244	Bearing (inner)-#47686	2	7EQ 1244	Bearing (inner)-#495AX
AR	380853-S7-8	(MM-14-B) nut 3/4"-10 Hex hd	AR	380853-S7-8	(MM-14-B)-nut 3/4"-10 Hex hd

**1980/  
TRUCK SERIES 600/900**

QTY.	PART NUMBER	DESCRIPTION	QTY.	PART NUMBER	DESCRIPTION
<b>REAR HUB and DRUM PARTS LISTS — Cont'd</b>					
For model application, refer to the model application charts in this section					
<b>PARTS LIST NO. 7</b>			<b>PARTS LIST NO. 9 — Cont'd</b>		
2	DOTZ 1109-A	Hub	2	DOTZ 1175-E	Kit (grease retainer)-w/o Stemco wet type seals
2	7EQ 1124-A	Washer	2	7EQH 1239	Cup (outer bearing)-#39520
2	C6TZ 1126-D	Drum	2	7EQH 1240	Bearing (outer)-#39590
AR	C5TZ 1151-A	Bolt (R.H. and L.H. hub)	2	B6Q 1243-A	Cup (inner bearing)-#493
10	D5HZ 1151-B	Stud (rim)	2	7EQ 1244	Bearing (inner)-#495AX
2	DOTZ 1175-E	Kit (grease retainer)-w/o Stemco wet type seals	<b>PARTS LIST NO. 10</b>		
2	DOHZ 1175-C	Kit (grease retainer)-w/Stemco wet type seals	AR	C4TZ 1107-E	Bolt (R.H. hub)-pilot-mounted wheels
2	7EQH 1239	Cup (outer bearing)-#39520	AR	C4TZ 1107-F	Bolt (L.H. hub)-pilot-mounted wheels
2	7EQH 1240	Bearing (outer)-#39590	2	DOTZ 1109-C	Hub
2	B6Q 1243-A	Cup (inner bearing)-#493	AR	C3TZ 1118-A	Bolt (R.H. and L.H. hub)-ball seat-mounted wheels
2	7EQ 1244	Bearing (inner)-#495AX	2	7EQ 1124-A	Washer
AR	380853-S7-8	(MM-14-B)-nut 3/4"-10 Hex hd	2	C3TZ 1126-E	Drum
<b>PARTS LIST NO. 8</b>			2	7EQ 1174	Wiper
2	DOTZ 1109-A	Hub	2	DOHZ 1175-C	Kit (grease retainer)-w/Stemco wet type seals
2	7EQ 1124-A	Washer	2	DOTZ 1175-E	Kit (grease retainer)-w/o Stemco wet type seals
2	C5TZ 1126-Z	Drum	2	B9T 1181-A	Oil seal
AR	C5TZ 1151-A	Bolt (R.H. and L.H. hub)	2	7EQH 1239	Cup (outer bearing)-#39520
2	DOHZ 1175-C	Kit (grease retainer)-w/Stemco wet type seals	2	7EQH 1240	Bearing (outer)-#39590
2	DOTZ 1175-E	Kit (grease retainer)-w/o Stemco wet type seals	2	B6Q 1243-A	Cup (inner bearing)-#493
2	7EQH 1239	Cup (outer bearing)-#39520	2	7EQ 1244	Bearing (inner)-#495AX
2	7EQH 1240	Bearing (outer)-#39590	AR	380853-S7-8	(MM-14-B)-nut 3/4"-10 Hex hd
2	B6Q 1243-A	Cup (inner bearing)-#493	<b>PARTS LIST NO. 11</b>		
2	7EQ 1244	Bearing (outer)-#495AX	AR	★C8TZ 1107-A	Bolt (R.H. hub)-r/b C8TZ 1107-J
AR	380853-S7-8	(MM-14-B)-nut 3/4" 3/4"-10 Hex hd	AR	★C8TZ 1107-B	Bolt (L.H. hub)-r/b C8TZ 1107-H
<b>PARTS LIST NO. 9</b>			2	C4TZ 1109-B	Hub
AR	C4TZ 1107-E	Bolt (R.H. hub)-pilot-mounted wheels	2	B4T 1124-B	Washer
AR	C4TZ 1107-F	Bolt (L.H. hub)-pilot-mounted wheels	2	C8TZ 1126-E	Drum
2	DOTZ 1109-C	Hub	AR	BB 1132	Nut R.H. thread 3/4"-16 x 2 1/8" long (inner)
AR	C3TZ 1118-A	Bolt (R.H. and L.H. hub)-ball seat mounted wheels	AE	BB 1133	Nut L.H. thread 3/4"-16 x 2 1/2" long (inner)
2	7EQ 1124-A	Washer	AR	BB 1134	Nut R.H. thread 1 1/8"-16 Hex hd (outer)
2	C5TZ 1126-C	Drum	AR	BB 1135	Nut L.H. thread 1 1/8"-16 Hex hd (outer)
AR	BB 1132	Nut R.H. thread 3/4"-16 x 2 1/8" Long (Inner)	2	DOHZ 1175-B	Kit (grease retainer)-w/Stemco wet type seals
AR	BB 1133	Nut L.H. thread 3/4"-16 x 2 1/2" Long (Inner)	2	★DOTZ 1175-B	Kit (grease retainer)-w/o Stemco wet type seals-r/b E7HZ 1175-A
AR	BB 1134	Nut L.H. thread 1 1/8"-16 Hex hd (Outer)	2	B6T 1240-A	Bearing (outer)-#3982
AR	BB 1135	Nut L.H. thread 1 1/8"-16 Hex hd (Outer)	2	B4Q 1243-A	Cup (inner bearing)-#33462
2	7EQ 1174	Wiper	2	B6T 1243-A	Cup (outer bearing)-#3920
2	DOHZ 1175-C	Kit (grease retainer)-w/Stemco wet type seals	2	B6T 1244-C	Bearing (inner)-#33287

1980/  
TRUCK SERIES 600/900

QTY.	PART NUMBER	DESCRIPTION	QTY.	PART NUMBER	DESCRIPTION
<b>REAR HUB and DRUM PARTS LISTS — Cont'd</b>					
For model application, refer to the model application charts in this section					
<b>PARTS LIST NO. 12</b>			<b>PARTS LIST NO. 15</b>		
2	C5TZ 1109-N	Hub	2	D5HZ 1109-C	Hub
AR	★C5TZ 1118-C	Bolt (R.H. hub)	A/R	★D5HZ 1118-A	Stud (R.H. hub)
AR	C5TZ 1119-C	Bolt (L.H. hub)	A/R	D5HZ 1119-A	Stud (L.H. hub)
2	7EQH 1124-A	Washer	2	7EQ 1124-A	Washer
2	C5TZ 1126-AJ	Drum	2	E2HZ 1126-B	Drum
AR	BB 1132	Nut R.H. thread 3/4" 16 x 2 1/8" long (inner)	AR	BB 1132	Nut R.H. thread (inner)
AR	BB 1133	Nut L.H. thread 3/4"-16 x 2 1/2" long (inner)	AR	BB 1133	Nut L.H. thread (inner)
AR	BB 1134	Nut R.H. thread 1 1/8"-16 Hex hd (outer)	AR	BB 1134	Nut R.H. thread (outer)
AR	BB 1135	Nut L.H. thread 1 1/8"-16 Hex hd (outer)	AR	BB 1135	Nut L.H. thread (outer)
2	B7TZ 1174-A	Wiper	A/R	D1HZ 1151-B	Stud (drive)
2	D0HZ 1175-D	Kit (grease retainer)-w/Stemco wet type seals	2	D0HZ 1175-C	Kit (grease retainer) w/Stemco type seals
2	★D0TZ 1175-D	Kit (grease retainer)-w/o Stemco wet type seals-r/b E6HZ 1175-E	2	D0TZ 1175-E	Kit (grease retainer)-w/o Stemco type seals
2	7EQH 1239	Cup (outer bearing)-#39520	2	7EQH 1239	Cup (outer bearing)-#39520
2	7EQH 1240	Bearing (outer)-#39590	2	7EQH 1240	Bearing (outer)-#39590
2	7EQH 1243	Cup (inner bearing)-#47620	2	B6Q 1243-A	Cup (inner bearing)-#493
2	7EQH 1244	Bearing (inner)-#47686	2	7EQ 1244	Bearing (inner)-#495AX
<b>PARTS LIST NO. 13</b>			<b>PARTS LIST NO. 16</b>		
2	C9TZ 1109-M	Hub	2	D7HZ 1109-B	Hub
10	C5TZ 1120-A	Nut (R.H. and L.H. drum)-5/8" 18	10	D3HZ 1120-A	Nut (drum)
2	7EQH 1124-A	Washer	10	D3HZ 1A122-B	Washer (drum)
2	C5TZ 1126-V	Drum	2	E7HZ 1124-A	Washer
10	C5TZ 1151-A	Bolt (R.H. and L.H. drum) 5/8" 18 x 2 1/8"	2	D7HZ 1126-D	Drum
10	D5HZ 1151-B	Stud (rim)	32	B8QH 1142-B	Adapter
2	★D0TZ 1175-D	Kit (grease retainer)-w/o Stemco wet type seals-r/b E6HZ 1175-E	10	D5HZ 1151-B	Stud (rim)
2	★D0HZ 1175-D	Kit (grease retainer)-w/Stemco wet type seals r/b F1HZ 1175-A	10	D3HZ 1151-B	Bolt (drum)
2	7EQH 1239	Cup (outer bearing)-#39520	16	D5HZ 1151-F	Stud (drive)
2	7EQH 1240	Bearing (outer)-#39590	AR	★D5HZ 1175-A	Kit (grease retainer)-Stemco wet type seals r/b E1HZ 1175-A
2	7EQH 1244	Bearing (inner)-#47686	AR	E1HZ 1175-A	Seal assy. (National Seal) - Rockwell rear axles - - exc. Stemco wet type seals
10	44881-S2	(X-40-G)-washer (drum bolt)	AR	E1HZ 1175-B	Seal assy. (Chicago Rawhide) - - Eaton rear axles - - exc. Stemco wet type seals
10	380853-S7-8	(MM-14-B)-nut (rim stud)-3/4"-10	2	TUAA 1239-A	Cup (outer)-#572
<b>PARTS LIST NO. 14</b>			2	B8QH 1240-B	Bearing (outer)-#580
1	★D5HZ 1109-G	Hub (R.H.)	2	TUAA 1243-A	Cup (inner)-#592A
1	★D5HZ 1109-H	Hub (L.H.)	2	D7HZ 1244-A	Bearing (inner)-#594A
6	D5HZ 1118-C	Stud (R.H. hub)	AR	33850-S7-8	(M-72) Nut-Drive
6	D5HZ 1119-C	Stud (L.H. hub)	AR	34811-S2	(x-71) Lockwasher-drive
2	7EQ 1124-A	Washer	AR	380853-S7-8	(MM-14 B) Nut-rim
2	D5HZ 1126-F	Drum (R.H. and L.H. hub)	<b>PARTS LIST NO. 17</b>		
AR	BB 1132	Nut R.H. thread (inner)	2	D7HZ 1109-C	Hub
AR	BB 1133	Nut L.H. thread (inner)	10	D3HZ 1120-A	Nut (drum)
AR	BB 1134	Nut R.H. thread (outer)	10	D3HZ 1A122-B	Washer (drum)
AR	BB 1135	Nut L.H. thread (outer)	2	E7HZ 1124-A	Washer
16	D3TZ 1151-C	Stud (drive)	2	D7HZ 1126-D	Drum
2	D0TZ 1175-E	Kit (grease retainer)-w/o Stemco wet type seals	32	B8QH 1142-B	Adapter
2	D0HZ 1175-C	Kit (grease retainer)-w/ Stemco wet type seals	10	D5HZ 1151-B	Stud (rim)
2	7EQH 1239	Cup (outer bearing)-#39520	10	D3HZ 1151-B	Bolt (drum)
2	7EQH 1240	Bearing (outer)-#39590	16	D5HZ 1151-F	Stud (drive)
2	B6Q 1243-A	Cup (inner bearing) #493	AR	★D5HZ 1175-A	Kit (grease retainer)-Stemco wet type seals r/b E1HZ 1175-A
2	7EQ 1244	Bearing (inner)-#495AX	AR	E1HZ 1175-A	Seal assy. (National Seal) Rockwell rear axles - exc. Stemco wet type seals
2	D5TZ 2240-B	Slinger	AR	E1HZ 1175-B	Seal assy. (Chicago Rawhide) - Eaton rear axles - - exc. Stemco wet type seals Use Before 6/1/84
			AR	E4HZ 1175-B	Seal assy. (National Seal) Rockwell axles less Stemco Use From 6/1/84

**1980/  
TRUCK SERIES 600/900**

QTY.	PART NUMBER	DESCRIPTION	QTY.	PART NUMBER	DESCRIPTION
<b>REAR HUB and DRUM PARTS LISTS -- Cont'd</b>					
For model application, refer to the model application charts in this section					
<b>PARTS LIST NO. 17</b>			<b>PARTS LIST NO. 20</b>		
2	TUAA 1239-A	Cup (outer)-#572	1	D5HZ 1109-B	Hub
2	B8QH 1240-B	Bearing (outer)-#580	10	D5HZ 1118-B	Stud (drum)-R.H.
2	TUAA 1243-A	Cup (inner)-#592A	10	D5HZ 1119-B	Stud (drum)-L.H.
2	D7HZ 1244-A	Bearing (inner)-#594A	2	7EQH 1124-A	Washer
AR	33850-S7-8	(M-72) Nut-drive	2	E2HZ 1126-A	Drum
AR	34811-S2	(X-71) Lockwasher-drive	AR	BB 1132	Nut R.H. thread (inner)
AR	380853-S7-8	(MM-14-B) Nut-rim	AR	BB 1133	Nut L.H. thread (inner)
<b>PARTS LIST NO. 18</b>			AR	BB 1134	Nut R.H. thread (outer)
1	D8HZ 1109-A	Hub (R.H.)	AR	BB 1135	Nut L.H. thread (outer)
1	★D8HZ 1109-B	Hub (L.H.)	24	D1HZ 1151-B	Stud (drive)
2	7EQH 1124-A	Washer	2	★D0HZ 1175-D	Kit (grease retainer)-Stemco- r/b F1HZ 1175-A
2	D8HZ 1126-A	Drum	2	★DOTZ 1175-D	Kit (grease retainer)-exc. Stemco- r/b E6HZ 1175-E
10	BB 1132	Nut R.H. thread 3/4"-16 x 2 1/8" long (inner)	2	7EQH 1239	Cup (outer bearing)-#39520
10	BB 1133	Nut L.H. thread 3/4"-16 x 2 1/8" long (inner)	2	7EQH 1240	Bearing (outer)-#39590
10	BB 1134	Nut L.H. thread 1 1/8"-16 hex hd (outer)	2	7EQH 1243	Cup (inner bearing)-#47620
10	BB 1135	Nut R.H. thread 1 1/8"-16 hex hd (outer)	2	7EQH 1244	Bearing (inner)-#47686
24	D8HZ 1151-C	Stud (drive)	<b>PARTS LIST NO. 21</b>		
10	D8HZ 1151-A	Bolt (R.H. hub)	2	D7HZ 1109-A	Hub-less wheel studs
10	D8HZ 1151-B	Bolt (L.H. hub)	10	D7HZ 1151-B	Stud (L.H.)
2	B7TZ 1174-A	Wiper	10	D7HZ 1151-A	Stud (R.H.)
2	★D0HZ 1175-D	Kit (grease retainer)-W/Stemco wet type seals- r/b F1HZ 1175-A	2	★D5HZ 1124-A	Washer r/b E7HZ 1124-A
2	★DOTZ 1175-D	Kit (grease retainer)-W/O Stemco wet type seals- r/b E6HZ 1175-E	2	D7HZ 1126-C	Drum
2	7EQH 1239	Cup (outer bearing)-#39520	AR	BB 1132	Nut R.H. thread (inner)
2	7EQH 1240	Bearing (outer)-#39590	AR	BB 1133	Nut L.H. thread (inner)
2	7EQH 1243	Cup (inner bearing)-#47620	AR	BB 1134	Nut R.H. thread (outer)
2	7EQH 1244	Bearing (inner)-#47686	AR	BB 1135	Nut L.H. thread (outer)
<b>PARTS LIST NO. 19</b>			16	D5HZ 1151-E	Bolt (drive)
1	D8HZ 1109-C	Hub (R.H.)	2	E1HZ 1175-A	Seal assy. (National Seal) -- Eaton rear axles -- exc. Stemco
1	D8HZ 1109-D	Hub (L.H.)	2	E1HZ 1175-B	Seal assy. (Chicago Rawhide) -- Rockwell rear axles -- exc. Stemco
2	B8QH 1124-A	Washer	2	★D5HZ 1175-A	Kit (grease retainer)-Stemco- r/b E1HZ 1175-A
2	D8HZ 1126-A	Drum	2	TUAA 1239-A	Cup (outer bearing)-#572
10	BB 1132	Nut R.H. thread 3/4"-16 x 2 1/8" long (inner)	2	B8QH 1240-B	Bearing (outer)-#580
10	BB 1133	Nut L.H. thread 3/4"-16 x 2 1/8" long (inner)	2	TUAA 1243-A	Cup (inner bearing)-#592A
10	BB 1134	Nut R.H. thread 1 1/8"-16 Hex hd (outer)	2	D7HZ 1244-A	Bearing (inner)-#594A
10	BB 1135	Nut L.H. thread 1 1/8"-16 hex hd (outer)			
10	D8HZ 1151-A	Bolt (R.H. hub)			
10	D8HZ 1151-B	Bolt (L.H. hub)			
24	D8HZ 1151-D	Stud (drive)			
2	C9HZ 1175-B	Kit (grease retainer)-W/O Stemco wet type seals			
2	★D0HZ 1175-F	Kit (grease retainer)-W/Stemco wet type seals r/b F1HZ 1175-D			
2	B8QH 1181-A	Oil seals			
2	TUAA 1239-A	Cup (outer bearing)-#572			
2	B8QH 1240-A	Bearing (outer)-#749			
2	TUAA 1243-A	Cup (inner bearing)-#592A			
2	D5HZ 1244-A	Bearing (inner)-#598A			

1980/  
TRUCK SERIES 600/900

QTY.	PART NUMBER	DESCRIPTION	QTY.	PART NUMBER	DESCRIPTION
REAR HUB and DRUM PARTS LISTS — Cont'd					
For model application, refer to the model application charts in this section					
PARTS LIST NO. 22			PARTS LIST NO. 24		
1	D8HZ 1109-H	Hub (R.H.)	2	D5HZ 1109-N	Hub
1	D7HZ 1109-A	Hub (L.H.)	10	D3HZ 1120-A	Nut (drum)
2	E7HZ 1124-A	Washer	10	D3HZ 1A122-B	Washer
2	D7HZ 1126-B	Drum	2	7EQH 1124-A	Washer
AR	BB 1132	Nut R.H. thread (inner)	2	D5HZ 1126-G	Drum
AR	BB 1133	Nut L.H. thread (inner)	10	C5TZ 1151-A	Stud (rim)
AR	BB 1134	Nut R.H. thread (outer)	24	E8HZ 1151-A	Stud (drive)
AR	BB 1135	Nut L.H. thread (outer)	10	D3HZ 1151-B	Bolt (hub)
16	D5HZ 1151-E	Bolt (hub)	2	★D0HZ 1175-D	Kit (grease retainer)-w/Stemco-r/b F1HZ 1175-A
10	★D7HZ 1151-D	Stud (R.H.)-r/b E4HZ 1151-C	2	★D0TZ 1175-D	Kit (grease retainer)-w/o Stemco r/b E6HZ 1175-E
10	E4HZ 1151-D	Stud (L.H.)	2	7EQH 1239	Cup (outer bearing)-#39520
2		Kit (grease retainer)-22M, 23M, 38M axles- w/o Stemco	2	7EQH 1240	Bearing (outer)-#39590
	E1HZ 1175-A or	Eaton axle	2	7EQH 1243	Cup (inner bearing)-#47620
	E1HZ 1175-B	Rockwell axle	2	7EQH 1244	Bearing (inner)-#47686
2	C9HZ 1175-A	Kit (grease retainer)-44M axles-w/o Stemco	AR	34675-S8	(M-75) nut (drive)
2	D0HZ 1175-E	Kit (grease retainer)-44M axles-Stemco	AR	34811-S2	(X-71) Lockwasher (drive)
2	★D5HZ 1175-A	Kit (grease retainer)-22M, 23M, 38M axles-Stemco r/b E1HZ 1175-A	10	380853-S7-S	(MM-14-B) Nut (rim)
2	TUAA 1239-A	Cup (outer bearing)-#572	PARTS LIST NO. 25		
2	B8QH 1240-B	Bearing (outer)-#580	2	D7HZ 1109-C	Hub
2	D7HZ 1244-A	Bearing (inner)-#594A-22M, 23M, 38M Eaton axles	10	D3HZ 1120-A	Nut (drum)
2	TUAA 1243-A	Cup (inner bearing)-#592A	10	D3HZ 1A122-B	Washer
2	C2TZ 1244-A	Bearing (inner)-#595-44M axles	2	E7HZ 1124-A	Washer
2	D5HZ 1244-A	Bearing (inner)-#598A-23M, 38M Rockwell axles	2	7EQH 1124	Washer
PARTS LIST NO. 23			2	D5HZ 1126-G	Drum
2	D8HZ 1109-M	Hub	10	C5TZ 1151-A	Stud (rim)
10	D3HZ 1120-A	Nut (drum)	10	D3HZ 1151-B	Bolt (hub)
10	D3HZ 1A122-B	Washer	16	D5HZ 1151-F	Stud (drive)
2	7EQH 1124-A	Washer	2	D5HZ 1175-A	Kit (grease retainer)-w/Stemco
2	D5HZ 1126-G	Drum	2		Kit (grease retainer)-w/o Stemco
24	E8HZ 1151-A	Stud (drive)		E1HZ 1175-A or	Eaton axle
10	C5TZ 1151-A	Stud (rim)		E1HZ 1175-B	Rockwell axle
10	D3HZ 1151-B	Bolt (hub)	2	TUAA 1239-A	Cup (outer bearing)-#572
2	★D0HZ 1175-D	Kit (grease retainer)-w/Stemco-r/b F1HZ 1175-A	2	B8QH 1240-B	Bearing (outer)-#580
2	★D0TZ 1175-D	Kit (grease retainer)-w/o Stemco-r/b E6HZ 1175-E	2	TUAA 1243-A	Cup (inner)-#592A
2	7EQH 1239	Cup (outer bearing)-#39520	2	D5HZ 1244-A	Bearing (inner)-#598A
2	7EQH 1240	Bearing (outer)-#39590	AR	33850-S7-8	(M-72) Nut (drive)
2	7EQH 1243	Cup (inner bearing)-#47620	AR	34811-S2	(X-71) Lockwasher (drive)
2	7EQH 1244	Bearing (inner)-#47686	10	380853-S7-8	(MM-14-B) Nut (rim)
AR	34675-S8	(M-75) Nut (drive)			
AR	34811-S2	(X-71) Lockwasher (drive)			
10	380853-S7-8	(MM-14-B) Nut (rim)			

**1980/  
TRUCK SERIES 600/900**

QTY.	PART NUMBER	DESCRIPTION	QTY.	PART NUMBER	DESCRIPTION
<b>REAR HUB and DRUM PARTS LISTS — Cont'd</b>					
For model application, refer to the model application charts in this section					
<b>PARTS LIST NO. 26</b>			<b>PARTS LIST NO. 28</b>		
2	D7HZ 1109-B	Hub	10	D5HZ 1107-C	Bolt (drum)
10	D3HZ 1120-A	Nut (drum)	2	D7HZ 1109-D	Hub
10	D3HZ 1A122-B	Washer	10	D5HZ 1120-A	Nut (drum)
4	E7HZ 1124-A	Washer	10	D5HZ 1123-A	Washer (drum)
2	D5HZ 1126-G	Drum	4	E7HZ 1124-A	Washer
10	C5TZ 1151-A	Stud (rim)	2	D5HZ 1126-A	Drum
10	D5HZ 1151-B	Stud (rim)	AR	D5HZ 1151-B	Stud (rim)
10	D3HZ 1151-B	Bolt (hub)	AR	D8HZ 1151-G	Stud (drive)
16	D5HZ 1151-F	Stud (drive)	2	TUAA 1239-A	Cup (outer)-#572
2	C9HZ 1175-A	Kit (grease retainer)-44M axle-w/o Stemco	2	TUAA 1243-A	Cup (inner)-#592A
2	D7HZ 1175-D	Kit (grease retainer)-44M axle-w/Stemco	2	C9HZ 1175-A	Kit (grease retainer)-44M axle-w/o Stemco
2	★D5HZ 1175-A	Kit (grease retainer)-22M, 23M, 38M, axles-w/Stemco-r/b E1HZ 1175-A	2	D7HZ 1175-D	Kit (grease retainer)-44M axle-w/Stemco
2	E1HZ 1175-A or	Eaton axle	2	★D5HZ 1175-A	Kit (grease retainer)-22M,38M axle-w/Stemco-r/b E1HZ 1175-A
2	E1HZ 1175-B	Rockwell axle	2	E1HZ 1175-A or	Eaton axle
2	TUAA 1239-A	Cup (outer)	2	E1HZ 1175-B	Rockwell axle
2	B8QH 1240-B	Bearing (outer)-#580	2	B8QH 1240-B	Bearing (outer)-#580
2	TUAA 1243-A	Cup (inner)-#592A	2	D5HZ 1244-A	Bearing (inner)-#598A-38M, 44M Rockwell axles
2	D5HZ 1244-A	Bearing (inner)-#598A-23M, 38M, 44M Rockwell axles	2	D7HZ 1244-A	Bearing (inner)-#594A-38M, 44M Eaton axles
2	D7HZ 1244-A	Bearing (inner)-#594A-22M, 23M, 38M, 44M Eaton axles	AR	33850-S2	(M-72) Nut (drive)-38M axles
AR	33850-S2	(M-72) Nut (drive)-22M, 23M, 38M axles	AR	34675-S	(M-75) Nut (drive)-44M axles
AR	34675-S	(M-75) Nut (drive)-44M axles	AR	34811-S2	(X-71) Lockwasher (drive)-38M axles
AR	34811-S2	(X-71) Lockwasher (drive)-22M, 23M, 38M axles	AR	34813-S7-8	(X-71-A) Lockwasher (drive)-44M axles
AR	34813-S7-8	(X-71-A) Lockwasher (drive)-44M axles	AR	380853-S7-8	(MM-14-B) Nut (rim)
AR	380853-S7-8	(MM-14-B) Nut (rim)	<b>PARTS LIST NO. 29</b>		
<b>PARTS LIST NO. 27</b>			10	D5HZ 1107-C	Stud (drum)
10	D5HZ 1107-C	Bolt (drum)	2	D7HZ 1109-E	Hub
2	D8HZ 1109-M	Hub	10	D5HZ 1120-A	Nut (drum)
10	D5HZ 1120-A	Nut (drum)	10	D5HZ 1123-A	Washer (drum)
10	D5HZ 1123-A	Washer (drum)	2	D5HZ 1126-A	Drum
8	7EQH 1124-A	Washer	AR	D5HZ 1151-B	Stud (rim)
2	D5HZ 1126-A	Drum	2	★D5HZ 1175-A	Kit (grease retainer)-w/Stemco r/b E1HZ 1175-A
AR	D5HZ 1151-B	Stud (rim)	2	E1HZ 1175-A or	Eaton axle
2	★DOHZ 1175-D	Kit (grease retainer)-w/Stemco-r/b F1HZ 1175-A	2	E1HZ 1175-B	Rockwell axle
2	★DOTZ 1175-D	Kit (grease retainer)-w/o Stemco-r/b E6HZ 1175-E	2	B8QH 1243-A	Cup (outer)-#752
2	7EQH 1239	Cup (inner)-#39520	2	B8QH 1240-B	Bearing (outer)-#580
2	7EQH 1243	Cup (outer)-#47620	2	TUAA 1243-A	Cup (inner)-#592A
2	7EQH 1240	Bearing (outer)-#39590	2	D5HZ 1244-A	Bearing (inner)-#598A-Rockwell axles
2	7EQH 1244	Bearing (inner)-#47686	2	D7HZ 1244-A	Bearing (inner)-#594A-Eaton axles
24	33846-S8	(M-69) Nut (drive)	AR	33850-S2	(M-72) Nut (drive)
24	34809-S8	(X-68) Lockwasher (drive)	AR	34811-S2	(X-71) Lockwasher (drive)
AR	380853-S7-8	(MM-14-B) Nut (rim)	AR	380853-S7-8	(MM-14-B) Nut (rim)

**1980/  
TRUCK SERIES 600/900**

QTY.	PART NUMBER	DESCRIPTION	QTY.	PART NUMBER	DESCRIPTION
<b>REAR HUB and DRUM PARTS LISTS — Cont'd</b>					
For model application, refer to the model application charts in this section					
<b>PARTS LIST NO. 30</b>			<b>PARTS LIST NO. 33</b>		
2	D8HZ 1109-N	Hub	10	D5HZ 1107-C	Stud (drum)
16	D8HZ 1118-A	Stud (hub)	2	D7HZ 1109-D	Hub
16	D8HZ 1119-A	Stud (hub)	12	D5HZ 1120-A	Nut
2	E7HZ 1124-A	Washer	20	D5HZ 1123-A	Washer 23M axle
2	D8HZ 1126-C	Drum	2	TUAA 1124-A	Washer 22M axle
AR	BB 1132	Nut R.H. thread (inner)	2	D7HZ 1126-D	Drum
AR	BB 1133	Nut L.H. thread (inner)	AR	D5HZ 1151-B	Stud (rim)
AR	BB 1134	Nut R.H. thread (outer)	AR	D8HZ 1151-G	Stud (drive)
AR	BB 1135	Nut L.H. thread (outer)	2	★D5HZ 1175-A	Kit (grease retainer) r/b E1HZ 1175-A
16	D5HZ 1151-E	Bolt (drive)	2	TUAA 1239-A	Cup (outer bearing)-#572
2	C9HZ 1175-A	Kit (grease retainer)-44M axles-exc Stemco	2	TUAA 1240-A	Bearing (outer)-#575
2	D0HZ 1175-E	Kit (grease retainer)-44M axles-w/Stemco	2	TUAA 1243-A	Cup (inner bearing)-#592A
2	★D5HZ 1175-A	Kit (grease retainer)-22M, 23M, 38M axles -w/Stemco r/b E1HZ 1175-A	2	D5HZ 1244-A	Bearing (inner)-#598A
2	E1HZ 1175-A or E1HZ 1175-B	Kit (grease retainer)-22M, 23M, 38M axles -w/o Stemco Eaton axle Rockwell axle	2	D7HZ 2240-A	Slinger
2	TUAA 1239-A	Cup (outer)-#572	AR	380853-S7-8	(MM-14-B) Nut 3/4"-10 hex.
2	B8QH 1240-B	Bearing (outer)-#580	<b>PARTS LIST NO. 34</b>		
2	TUAA 1243-A	Cup (inner)-#592A	10	D5HZ 1107-C	Stud (drum)
2	C2TZ 1244-A	Bearing (inner)-#595-44M axles	2	D7HZ 1109-E	Hub
2	D5HZ 1244-A	Bearing (inner)-#598A-23M, 38M, Rockwell axles	12	D5HZ 1120-A	Nut
2	D7HZ 1244-A	Bearing (inner)-#594A-22M, 23M, 38M Eaton axles	20	D5HZ 1123-A	Washer 23M axle
<b>PARTS LIST NO. 31</b>			2	TUAA 1124-A	Washer 22M axle
6	C8TZ 1107-A	Bolt (R.H. hub)	2	D7HZ 1126-D	Drum
6	C8TZ 1107-B	Bolt (L.H. hub)	AR	D5HZ 1151-B	Stud (rim)
2	C5TZ 1109-T	Hub	AR	D8HZ 1151-G	Stud (drive)
2	O1T 1124	Washer	2	★D5HZ 1175-A	Kit (grease retainer) r/b E1HZ 1175-A
2	C8TZ 1126-B	Drum	2	TUAA 1239-A	Cup (outer bearing)-#572
6	BB 1134	Nut (R.H. hub)	2	TUAA 1240-A	Bearing (outer)-#575
6	BB 1135	Nut (L.H. hub)	2	TUAA 1243-A	Cup (inner bearing)-#592A
2	D0TZ 1175-A	Retainer (grease)-w/o Stemco -wet type seals	2	D5HZ 1244-A	Bearing (inner)-#598A
2	D0HZ 1175-A	Kit (grease retainer)-w/Stemco wet type seals	2	D7HZ 2240-A	Slinger
2	BB 1239-A	Cup (outer)-#453X	AR	380853-S7-8	(MM-14-B) Nut 3/4"-10 hex.
2	BB 1240-A	Bearing (outer)-#462	<b>PARTS LIST NO. 35</b>		
2	B6T 1243-A	Cup (inner)-#3920	2	D5HZ 1109-M	Hub
2	B6T 1244-B	Bearing (inner)-#3984	10	D3HZ 1120-A	Locknut (drum bolt) 3/8"-16
<b>PARTS LIST NO. 32</b>			10	D3HZ 1A122-B	Washer (drum bolt)
10	D5HZ 1107-C	Stud (drum)	2	7EQ 1124-A	Washer
2	D8HZ 1109-S	Hub	2	D5HZ 1126-J	Drum
10	D5HZ 1120-A	Nut (drum)	16	E8HZ 1151-A	Stud (drive)
10	D5HZ 1123-A	Washer (drum)	10	D5HZ 1151-B	Stud (rim)
2	B8QH 1124-A	Washer	AR	D3HZ 1151-B	Bolt (drum)
2	D5HZ 1126-A	Drum	2	D0HZ 1175-C	Kit (grease retainer) w/Stemco wet type seals
12	D5HZ 1151-B	Stud (rim)	2	D0TZ 1175-E	Kit (grease retainer) w/o Stemco wet type seals
16	D8HZ 1151-G	Stud (drive)	2	7EQH 1239	Cup (outer bearing)-#39520
2	C9HZ 1175-A	Kit (grease retainer)-exc. Stemco	2	7EQH 1240	Bearing (outer)-#39590
2	D7HZ 1175-D	Kit (grease retainer)-Stemco	2	B6Q 1243-A	Cup (inner bearing)-#493
2	TUAA 1239-A	Cup (outer)-#572	2	7EQ 1244	Bearing (inner)-#495AX
2	B8QH 1240-B	Bearing (outer)-#580	10	380853-S7-8	(MM-14-B) nut (rim stud)3/4"-10
2	TUAA 1243-A	Cup (inner)-#592A	<b>PARTS LIST NO. 36</b>		
2	C2TZ 1244-A	Bearing (outer)-#595	2	D8HZ 1109-W	Hub-83 & prior
AR	34675-S	(M-75) Nut (drive)	2	E3HZ 1109-B	Hub-84/
AR	34813-S7-8	(X-71-A) Lockwasher (drive)	10	C5TZ 1120-B	Nut
AR	380853-S7-8	(MM-14-B) Nut (drive)	10	D3HZ 1A122-A	Washer (drum bolt)
			2	B4T 1124-B	Washer
			2	C8TZ 1126-J	Drum
			AR	C3TZ 1151-B	Stud (drive)-83 & prior

1980/  
TRUCK SERIES 600/900

QTY.	PART NUMBER	DESCRIPTION	QTY.	PART NUMBER	DESCRIPTION
<b>REAR HUB and DRUM PARTS LISTS — Cont'd</b>					
For model application, refer to the model application charts in this section					
<b>PARTS LIST NO. 36 — Cont'd</b>			<b>PARTS LIST NO. 39 — Cont'd</b>		
AR	E8HZ 1151-A	Stud (drive)-84/	16	D5HZ 1151-F	Stud (drive flange)
10	D5HZ 1151-B	Stud (rim)	2		Kit (grease retainer)-w/o Stemco
10	C9TZ 1151-H	Bolt (R.H. & L.H. hub)		E1HZ 1175-A or	Eaton axle
2	D0HZ 1175-B	Kit (grease retainer) w/Stemco wet type seals		E1HZ 1175-B	Rockwell axle
2	★D0TZ 1175-B	Kit (grease retainer) w/o Stemco wet type seals r/b E7HZ 1175-A	2	D7HZ 1175-E	Kit (grease retainer)-w/Stemco
2	B6T 1240-A	Bearing (outer)-#3982	2	TUAA 1239-A	Cup (outer bearing)-#572
2	B4Q 1243-A	Cup (inner bearing)-#33462	2	B8QH 1240-B	Bearing (outer)-#580
2	B6T 1243-A	Cup (outer bearing)-#3920	2	TUAA 1243-A	Cup (inner bearing)-#592A
2	B6T 1244-C	Bearing (inner)-#33287	2	D7HZ 1244-A	Bearing (inner)-#594A
AR	380853-S7-8	(MM-14-B)-nut-3/4"-10 hex hd.	16	33850-S7-8	(M-72)-nut-5/8"-18
			16	34811-S2	(X-71)-washer-5/8"
<b>PARTS LIST NO. 37</b>			<b>PARTS LIST NO. 40</b>		
2	D8HZ 1109-A	Hub	2	D7HZ 1109-B	Hub
10	D8HZ 1118-A	Bolt (R.H. hub)	10	D3HZ 1120-A	Nut
10	D8HZ 1119-A	Bolt (L.H. hub)	10	D3HZ 1A122-B	Washer
2	E7HZ 1124-A	Washer	2	E7HZ 1124-A	Washer
2	E0HZ 1126-B	Drum	2	E0HZ 1126-C	Drum
10	BB 1132	Nut (R.H.)	16	B8QH 1142-B	Adapter
10	BB 1133	Nut (L.H.)	10	D5HZ 1151-B	Stud (rim)
16	B8QH 1142-B	Adapter	10	D3HZ 1151-B	Bolt
16	E0HZ 1151-A	Stud (hub)	16	D5HZ 1151-F	Stud (drive flange)
2		Kit (grease retainer)-w/o Stemco	2		Kit (grease retainer)-w/o Stemco
	E1HZ 1175-A	Eaton axle		E1HZ 1175-A or	Eaton axle
	or E1HZ 1175-B	Rockwell axle		E1HZ 1175-B	Rockwell axle
2	D7HZ 1175-E	Kit (grease retainer)-w/Stemco	2	D7HZ 1175-E	Kit (grease retainer)-w/Stemco
2	TUAA 1239-A	Cup (outer bearing)-#572	2	TUAA 1239-A	Cup (outer bearing)-#572
2	B8QH 1240-B	Bearing (outer)-#580	2	B8QH 1240-B	Bearing (outer)-#580
2	TUAA 1243-A	Cup (inner bearing)-#592A	2	TUAA 1243-A	Cup (inner bearing)-#592A
2	D7HZ 1244-A	Bearing (inner)-#594A	2	D7HZ 1244-A	Bearing (inner)-#594A
16	33850-S7-8	(M-72)-nut-5/8"-18	16	33850-S7-8	(M-72)-nut-5/8"-18
16	34811-S2	(X-71)-washer-5/8"	16	34811-S72	(X-71)-washer-5/8"
<b>PARTS LIST NO. 38</b>			<b>PARTS LIST NO. 41</b>		
2	C5TZ 1109-N	Hub	10	D5HZ 1107-C	Stud (drum)
10	C5TZ 1118-C	Bolt (R.H. hub)	2	D8HZ 1109-T	Hub
10	C5TZ 1119-C	Bolt (L.H. hub)	10	D5HZ 1120-A	Nut (drum)
2	7EQH 1124-A	Washer	10	D5HZ 1123-A	Washer (drum)
2	C3TZ 1126-L	Drum	2	D7HZ 1124-A	Washer
10	BB-1132	Nut (R.H. inner)	2	D8HZ 1126-E	Drum
10	BB-1133	Nut (L.H. inner)	12	D5HZ 1151-B	Stud (rim)
10	BB-1134	Nut (R.H. outer)	Consists of		
10	BB-1135	Nut (L.H. outer)	16	D7HZ 1151-E	Stud (drive)
2	B7TZ 1174-A	Wiper	4	D7HZ 1175-E	Kit (grease retainer)
2	★D0HZ 1175-D	Kit (grease retainer) w/Stemco-r/b F1HZ 1175-A	2	B8QH 1239-A	Cup (outer)-#742
2	★D0TZ 1175-D	Kit (grease retainer)-w/o Stemco-r/b E6HZ 1175-E	2	B8QH 1240-A	Bearing (outer)-#749
2	7EQH 1239	Cup (outer bearing)-#39520	2	B8QH 1243-A	Cup (inner)-#752
2	7EQH 1240	Bearing (outer)-#39590	2	D7HZ 1244-A	Bearing (inner)-#594A
2	7EQH 1243	Cup (inner bearing)-#47620	2	E0HZ 2240-A	Slinger (grease)
2	7EQH 1244	Bearing (inner)-#47686	16	33850-S2	(M-72) Nut (drive)
			16	34811-S2	(X-71) Lockwasher (drive)
			12	380853-S7-8	(MM-14-B) Nut (rim)
<b>PARTS LIST NO. 39</b>			<b>PARTS LIST NO. 42</b>		
2	D7HZ 1109-C	Hub	1	E0HZ 1109-A	Hub (R.H.)
10	D3HZ 1120-A	Nut	1	E0HZ 1109-B	Hub (L.H.)
10	D3HZ 1A122-B	Washer	Consists of		
2	E7HZ 1124-A	Washer	10	E7HZ 1124-A	Washer
2	E0HZ 1126-C	Drum	2	D8HZ 1126-A	Drum
16	B8QH 1142-B	Adapter	10	B8QH 1142-B	Adapter
10	D5HZ 1151-B	Stud (rim)	10	D8HZ 1151-A	Bolt (R.H. hub)
10	D3HZ 1151-B	Bolt			



1980/  
TRUCK SERIES 600/900

QTY.	PART NUMBER	DESCRIPTION	QTY.	PART NUMBER	DESCRIPTION
<b>REAR HUB and DRUM PARTS LISTS — Cont'd</b>					
For model application, refer to the model application charts in this section					
<b>PARTS LIST NO. 42 — Cont'd</b>			<b>PARTS LIST NO. 45</b>		
10	D8HZ 1151-B	Bolt (L.H. hub)	1	★E2HZ 1109-E	Hub (R.H.)-r/b E4HZ 1109-H
24	D8HZ 1151-D	Stud (drive)	1	E2HZ 1109-F	Hub (L.H.)
2	TUAA 1239-A	Cap (outer bearing)-#572	2	E2HZ 1126-C	Drum
AR	B8QH 1240-A	Bearing (outer)-#749	AR	BB-1132	Nut R.H. thread (inner)
2	TUAA 1243-A	Cap (inner bearing)-#592A	AR	BB-1133	Nut L.H. thread (inner)
AR	D5HZ 1244-A	Bearing (inner)-#598A-Rockwell axle	AR	BB-1134	Nut R.H. thread (outer)
AR	D7HZ 1244-A	Bearing (inner)-#594A-Eaton axle	AR	BB-1135	Nut L.H. thread (outer)
AR	E1HZ 1175-A	Grease retainer - - Eaton axle	16	D5HZ 1151-E	Stud (drive)
AR	E1HZ 1175-B	Grease retainer - - Rockwell axle	10	★D7HZ 1151-D	Bolt (R.H. hub)-r/b E4HZ 1151-C
AR	34811-S2	(X-71)-Washer-5/8"	10	E4HZ 1151-D	Bolt (L.H. hub)
AR	33850-S7-8	(M-72)-Nut-5/8"-18	2	E1HZ 1175-A	Grease retainer-22M,23M Eaton, 38M Eaton, 44M Eaton DP-440-P
<b>PARTS LIST NO. 43</b>			<b>PARTS LIST NO. 46</b>		
1	E2HZ 1109-J	Hub (R.H.)	2	E1HZ 1175-B	Grease retainer-23M Rockwell, 38M Rockwell, 44M exc. Eaton DP-440-P
1	E2HZ 1109-K	Hub (L.H.)	2	TUAA 1239-A	Cup (outer bearing)-#572
2	7EQ 1124-A	Washer	2	B8QH 1240-B	Bearing (outer)-#580
2	D8HZ 1126-A	Drum	2	TUAA 1243-A	Cup (inner bearing)-#592A
AR	BB-1132	Nut R.H. thread (inner)	2	D7HZ 1244-A	Bearing (inner)-#594A
AR	BB-1133	Nut L.H. thread (inner)	<b>PARTS LIST NO. 46</b>		
AR	BB-1134	Nut R.H. thread (outer)	1	★E2HZ 1109-G	Hub (R.H.)-For Anti-Lock Systems
AR	BB-1135	Nut L.H. thread (outer)	1	★E2HZ 1109-H	Hub (L.H.)-For Anti-Lock Systems
AR	7EQ 1142	Adapter	1	E4HZ 1109-K	Hub (R.H.)-For Air Brakes w/o Anti-Lock
24	D8HZ 1151-C	Stud (driver)	1	E4HZ 1109-L	Hub (L.H.)-For Air Brakes w/o Anti-Lock
10	D8HZ 1151-A	Bolt (R.H. hub)	2	7EQ 1124-A	Washer
10	D8HZ 1151-B	Bolt (L.H. hub)	2	E2HZ 1126-E	Drum
2	D0TZ 1175-E	Kit (grease retainer)-17.5M axle	AR	BB-1132	Nut R.H. thread (inner)
2	★D0TZ 1175-D	Kit (grease retainer)-18.5M, 34M axle r/b E6HZ 1175-E	AR	BB-1133	Nut L.H. thread (inner)
2	7EQH 1239	Cup (outer bearing)-#39520	AR	BB-1134	Nut R.H. thread (outer)
2	7EQH 1240	Bearing (outer)-#39590	AR	BB-1135	Nut L.H. thread (outer)
2	7EQH 1243	Cup (inner bearing)-#47620	AR	7EQ 1142	Adapter
2	7EQ 1244	Bearing (inner)-#495AX-17.5M axle	24	D3TZ 1151-C	Stud (drive)
2	7EQH 1244	Bearing (inner)-#47686-18.5M, 34M axle	10	★D7HZ 1151-D	Bolt (R.H. hub)-r/b E4HZ 1151-C
<b>PARTS LIST NO. 44</b>			10	E4HZ 1151-D	Bolt (L.H. hub)
1	★E2HZ 1109-A	Hub (R.H.)-r/b E4HZ 1109-K	2	D0TZ 1175-E	Kit (grease retainer)-17.5M axle
1	E4HZ 1109-L	Hub (L.H.)	2	★D0TZ 1175-D	Kit (grease retainer)-18.5M, 34M axle- r/b E6HZ 1175-E
2	7EQ 1124-A	Washer	2	7EQH 1239	Cup (outer bearing)-#39520
2	E2HZ 1126-C	Drum	2	7EQH 1240	Bearing (outer)-#39590
AR	BB-1132	Nut R.H. thread (inner)	2	7EQH 1243	Cup (inner bearing)-#47620
AR	BB-1133	Nut L.H. thread (inner)	2	7EQ 1244	Bearing (inner)-#495AX-17.5M axle
AR	BB-1134	Nut R.H. thread (outer)	2	7EQH 1244	Bearing (inner)-#47686-18.5M, 34M axle
AR	BB-1135	Nut L.H. thread (outer)	2	D2HZ 2240-A	Baffle
AR	7EQ 1142	Adapter	<b>PARTS LIST NO. 47</b>		
24	D3TZ 1151-C	Stud (driver)	1	★E2HZ 1109-G	Hub (R.H.)-For Anti-Lock Systems
10	★D7HZ 1151-D	Bolt (R.H. hub)-r/b E4HZ 1151-C	1	★E2HZ 1109-H	Hub (L.H.)-For Anti-Lock Systems
10	E4HZ 1151-D	Bolt (L.H. hub)	1	E4HZ 1109-K	Hub (R.H.)-For Air Brakes w/o Anti-Lock
2	D0TZ 1175-E	Kit (grease retainer)-17.5M axle	1	E4HZ 1109-L	Hub (L.H.)-For Air Brakes w/o Anti-Lock
2	★D0TZ 1175-D	Kit (grease retainer)-18.5M, 34M axle r/b E6HZ 1175-E	2	7EQ 1124-A	Washer
2	7EQH 1239	Cup (outer bearing)-#39520	2	E2HZ 1126-D	Drum
2	7EQH 1240	Bearing (outer)-#39590	AR	BB-1132	Nut R.H. thread (inner)
2	7EQH 1243	Cup (inner bearing)-#47620	AR	BB-1133	Nut L.H. thread (inner)
2	7EQ 1244	Bearing (inner)-#495AX-17.5M axle	AR	BB-1134	Nut R.H. thread (outer)
2	7EQH 1244	Bearing (inner)-#47686-18.5M, 34M axle	AR	BB-1135	Nut L.H. thread (outer)

**1980/  
TRUCK SERIES 600/900**

QTY.	PART NUMBER	DESCRIPTION	QTY.	PART NUMBER	DESCRIPTION
<b>REAR HUB and DRUM PARTS LISTS — Cont'd</b>					
For model application, refer to the model application charts in this section					
<b>PARTS LIST NO. 47 — Cont'd</b>			<b>PARTS LIST NO. 50</b>		
AR	7EQ 1142	Adapter	6	E3HZ 1107-A	Bolt (R.H. drum)
24	D3TZ 1151-C	Stud (drive)	6	E3HZ 1108-A	Bolt (L.H. drum)
10	D7HZ 1151-D	Bolt (R.H. hub)-r/b E4HZ 1151-C	2	E3HZ 1109-A	Hub
10	E4HZ 1151-D	Bolt (L.H. hub)	2	7EQ 1124-A	Washer
2	D0TZ 1175-E	Kit (grease retainer) - - 17.5M axle	2	E3HZ 1126-B	Drum
2	★D0TZ 1175-D	Kit (grease retainer) - - 18.5M, 34M axle r/b E6HZ 1175-E	AR	7EQ 1142	Adapter
2	7EQH 1239	Cup (outer bearing)-#39520	24	E8HZ 1151-A	Stud (drive)
2	7EQH 1240	Bearing (outer)-#39590	2	D0TZ 1175-E	Kit (grease retainer)-17.5M axle
2	7EQH 1243	Cup (inner bearing)-#47620	2	★D0TZ 1175-D	Kit (grease retainer)-18.5M axle r/b E6HZ 1175-E
2	7EQ 1244	Bearing (inner)-#495AX-17.5M axle	2	7EQH 1239	Cup (outer bearing)-#39520
2	7EQH 1244	Bearing (inner)-#47686-18.5M, 34M axle	2	7EQH 1240	Bearing (outer)-#39590
2	D2HZ 2240-A	Baffle	2	7EQH 1243	Cup (inner bearing)-#47620
<b>PARTS LIST NO. 48</b>			2	7EQ 1244	Bearing (inner)-#495AX-17.5M axle
1	★E2HZ 1109-C	Hub (R.H.)-E4HZ 1109-H	2	7EQH 1244	Bearing (inner)-#47686-18.5M axle
1	★E2HZ 1109-D	Hub (L.H.)-E4HZ 1109-J	2	E3HZ 2240-A	Baffle
2	E2HZ 1126-D	Drum	<b>PARTS LIST NO. 52</b>		
AR	BB-1132	Nut R.H. thread (inner)	AR	A8TZ 1001-D	Gasket
AR	BB-1133	Nut L.H. thread (inner)	AR	C9TZ 1109-C	Hub
AR	BB-1134	Nut R.H. thread (outer)	AR	C5TZ 1120-A	Nut
AR	BB-1135	Nut L.H. thread (outer)	AR	7EQ 1124-A	Washer
16	D5HZ 1151-E	Stud (drive)	AR	C5TZ 1126-W	Drum
10	★D7HZ 1151-D	Bolt (R.H. hub)-r/b E4HZ 1151-C	AR	7EQ 1142	Adapter
10	E4HZ 1151-D	Bolt (L.H. hub)	AR	C5TZ 1151-A	Bolt
2	E1HZ 1175-A	Grease retainer	24	E8HZ 1151-A	Stud (drive)
2	TUAA 1239-A	Cup (outer bearing)-#572	AR	D5HZ 1151-B	Stud (rim)
2	B8QH 1240-B	Bearing (outer)-#580	AR	D0HZ 1175-D	Kit (grease retainer)-w/Stemco
2	TUAA 1243-A	Cup (inner bearing)-#592A	AR	★D0TZ 1175-D	Kit (grease retainer)-w/o Stemco r/b E6HZ 1175-E
2	D7HZ 1244-A	Bearing (inner)-#594A	AR	7EQH 1239	Cup (outer bearing)-#39520
2	D2HZ 2240-A	Baffle	AR	7EQH 1240	Bearing (outer)-#39590
<b>PARTS LIST NO. 49</b>			AR	7EQH 1243	Cup (inner bearing)-#47620
6	E3HZ 1107-A	Bolt (R.H. drum)	AR	7EQH 1244	Bearing (inner)-#47686
6	E3HZ 1108-A	Bolt (L.H. drum)	AR	CITZ 2240-A	Baffle
2	E3HZ 1109-A	Hub	AR	44881-S2	(X-40-G) Washer-5/8"
2	7EQ 1124-A	Washer	AR	380853-S7-8	(MM-14-B) Nut (rim)
2	E3HZ 1126-A	Drum			
AR	7EQ 1142	Adapter			
24	E8HZ 1151-A	Stud (drive)			
2	D0TZ 1175-E	Kit (grease retainer)-17.5M axle			
2	★D0TZ 1175-D	Kit (grease retainer)-18.5M axle r/b E6HZ 1175-E			
2	7EQH 1239	Cup (outer bearing)-#39520			
2	7EQH 1240	Bearing (outer)-#39590			
2	7EQH 1243	Cup (inner bearing)-#47620			
2	7EQ 1244	Bearing (inner)-#495AX-17.5M axle			
2	7EQH 1244	Bearing (inner)-#47686-18.5M axle			
2	E3HZ 2240-A	Baffle			

**1980/  
TRUCK SERIES 600/900**

QTY.	PART NUMBER	DESCRIPTION	QTY.	PART NUMBER	DESCRIPTION
<b>REAR HUB and DRUM PARTS LISTS — Cont'd</b>					
For model application, refer to the model application charts in this section					
<b>PARTS LIST NO. 55</b>			<b>PARTS LIST NO. 57</b>		
2	A8TZ 1001-A	Gasket	2	D5HZ 1001-A	Gasket
1	E4HZ 1109-B	Hub (R.H.)	10	D5HZ 1107-C	Bolt
1	E4HZ 1109-C	Hub (L.H.)	2	D7HZ 1109-D	Hub
6	E4HZ 1118-A	Bolt (R.H.)	10	D5HZ 1120-A	Nut-3/4"-16
6	E4HZ 1119-A	Bolt (L.H.)	10	D5HZ 1123-A	Washer-3/4"
2	O1T 1124	Washer	2	E7HZ 1124-A	Washer
2	E4HZ 1126-A	Drum	2	E4HZ 1126-C	Drum
AR	BB 1132	Nut R.H. thread (inner)	16	B8QH 1142-B	Adapter
AR	BB 1133	Nut L.H. thread (inner)	10	D5HZ 1151-B	Stud (rim)
AR	BB 1134	Nut R.H. thread (outer)	10	D8HZ 1151-G	Stud (drive)
AR	BB 1135	Nut L.H. thread (outer)	2	D7HZ 1175-D	Kit (grease retainer)-w/Stemco
16	BB 1142-B	Adapter	2	E1HZ 1175-A	Kit (grease retainer)-w/o Stemco
16	E4HZ 1151-B	Stud (drive)	2	TUAA 1239-A	Cup (outer bearing)-#572
2	E4HZ 1175-A	Kit (grease retainer)-w/Stemco	2	B8QH 1240-A	Bearing (outer)-#749
2	D0TZ 1175-A	Kit (grease retainer)-w/o Stemco	2	TUAA 1243-A	Cup (inner bearing)-#592A
2	BB 1239-A	Cup (outer bearing)-#453X	2	D7HZ 1244-A	Bearing (inner)-#594A
2	BB 1240-A	Bearing (outer)-#462	2	E4HZ 2240-C	Slinger
2	B6T 1243-A	Cup (inner bearing)-#3920	16	33850-S7-8	(M-72)-nut-5/8"-18
2	B6T 1244-B	Bearing (inner)-#3984	16	34811-S2	(X-71)-washer-5/8"
2	C3TZ 2240-D	Slinger	AR	380853-S7-8	(MM-14-B)-nut (rim stud)-3/4"-10
16	★	34808-S	<b>PARTS LIST NO. 58</b>		
16	351025-S7	(MM-23)-nut-7/16"-20	2	A8TZ 1001-C	Gasket
AR	380853-S7-8	(MM-14-B)-nut (rim stud)-3/4"-10	2	E4HZ 1109-E	Hub
<b>PARTS LIST NO. 56</b>			6	E4HZ 1118-C	Bolt (R.H.)-w/oil slinger
2	A8TZ 1001-D	Gasket	6	E4HZ 1118-D	Bolt (R.H.)-w/o oil slinger
2	E3HZ 1109-A	Hub	6	E4HZ 1119-C	Bolt (L.H.)-w/oil slinger
6	E4HZ 1118-B	Bolt (R.H.)-w/oil slinger	6	E4HZ 1119-D	Bolt (L.H.)-w/o oil slinger
6	E4HZ 1118-E	Bolt (R.H.)-w/o oil slinger	2	B4T 1124-B	Washer
6	E4HZ 1119-B	Bolt (L.H.)-w/oil slinger	2	E4HZ 1126-F	Drum
6	E4HZ 1119-E	Bolt (L.H.)-w/o oil slinger	AR	BB 1132	Nut R.H. thread (inner)
2	7EQ 1124-A	Washer	AR	BB 1132	Nut L.H. thread (inner)
2	E4HZ 1126-B	Drum	AR	BB 1134	Nut R.H. thread (outer)
AR	BB 1132	Nut R.H. thread (inner)	AR	BB 1135	Nut L.H. thread (outer)
AR	BB 1133	Nut L.H. thread (inner)	16	7EQ 1142	Adapter
AR	BB 1134	Nut R.H. thread (outer)	16	★C6TZ 1151-B	Stud (drive)-w/oil slinger-r/b E8HZ 1151-A
AR	BB 1135	Nut L.H. thread (outer)	16	★E4HZ 1151-G	Stud (drive)-w/o oil slinger-r/b E8HZ 1151-A
16	7EQ 1142	Adapter	16	E8HZ 1151-A	Stud (drive)
24	E8HZ 1151-A	Stud (drive)	2	D0HZ 1175-B	Kit (grease retainer) w/Stemco
2	★D0HZ 1175-D	Kit (grease retainer)-w/Stemco-r/b F1HZ 1175-A	2	★D0TZ 1175-B	Kit (grease retainer) w/o Stemco-r/b E7HZ 1175-A
2	★D0TZ 1175-D	Kit (grease retainer)-w/o Stemco r/b E6HZ 1175-E	2	B6T 1240-A	Bearing (outer)-#3982
2	7EQH 1239	Cup (outer bearing)-#39520	2	B4Q 1243-A	Cup (inner bearing)-#33462
2	7EQH 1240	Bearing (outer)-#39590	2	B6T 1243-A	Cup (outer bearing)-#3920
2	7EQH 1243	Cup (inner bearing)-#47620	2	B6T 1244-C	Bearing (inner)-#33287
2	7EQH 1244	Bearing (inner)-#47686	2	E4HZ 2240-E	Slinger-oil
2	E4HZ 2240-B	Slinger	16	33846-S8	(M-69)-nut-1/2"-20
AR	33846-S8	(M-69)-nut-1/2"-20	16	34809-S8	(X-68)-washer-1/2"
AR	34809-S8	(X-68)-washer-1/2"	AR	380853-S7-8	(MM-14-B)-nut (rim stud)-3/4"-10
AR	380853-S7-8	(MM-14-B)-nut (rim stud)-3/4"-10			

**1980/  
TRUCK SERIES 600/900**

QTY.	PART NUMBER	DESCRIPTION	QTY.	PART NUMBER	DESCRIPTION
<b>REAR HUB and DRUM PARTS LISTS — Cont'd</b>					
For model application, refer to the model application charts in this section					
<b>PARTS LIST NO. 59</b>			<b>PARTS LIST NO. 61</b>		
2	A8TZ 1001-C	Gasket	2	A8TZ 1001-C	Gasket
2	E4HZ 1109-E	Hub	2	E4HZ 1109-D	Hub
6	E4HZ 1118-C	Bolt (R.H.)-w/o oil slinger	10	D3HZ 1121-A	Nut
6	E4HZ 1118-D	Bolt (R.H.)-w/o oil slinger	2	B4T 1124-B	Washer
6	E4HZ 1119-C	Bolt (L.H.)-w/o oil slinger	2	E4HZ 1126-E	Drum
6	E4HZ 1119-D	Bolt (L.H.)-w/o oil slinger	16	7EQ 1142	Adapter
2	B4T 1124-B	Washer	10	C5TZ 1151-A	Bolt-84/85
2	E4HZ 1126-G	Drum	10	D5HZ 1151-B	Stud (rim)-84/85
AR	BB 1132	Nut R.H. thread (inner)	16	C6TZ 1151-B	Stud (drive)-84/85-r/b E8HZ 1151-A
AR	BB 1133	Nut L.H. thread (inner)	10	C5TZ 1151-A	Bolt-86/
AR	BB 1134	Nut R.H. thread (outer)	10	D5HZ 1151-B	Stud (rim)-86/
AR	BB 1135	Nut L.H. thread (outer)	16	E6HZ 1151-B	Stud (drive)-86/87
16	7EQ 1142	Adapter	16	E8HZ 1151-A	Stud drive-88/
16	C6TZ 1151-B	Stud (drive)-w/oil slinger-r/b E8HZ 1151-A	2	D0HZ 1175-B	Kit (grease retainer) w/Stemco
16	E8HZ 1151-A	Stud (drive)-w/o oil slinger	2	★D0TZ 1175-B	Kit (grease retainer) w/o Stemco-r/b E7HZ 1175-A
2	★D0HZ 1175-D	Kit (grease retainer) w/Stemco-r/b F1HZ 1175-A	2	B6T 1240-A	Bearing (outer)-#3982
2	★D0TZ 1175-B	Kit (grease retainer) w/o Stemco-r/b E7HZ 1175-A	2	B4Q 1243-A	Cup (inner bearing)-#33462
2	B6T 1240-A	Bearing (outer)-#3982	2	B6T 1243-A	Cup (outer bearing)-#3920
2	B4Q 1243-A	Cup (inner bearing)-#33462	2	B6T 1244-C	Bearing (inner)-#33287
2	B6T 1243-A	Cup (outer bearing)-#3920	2	E4HZ 2240-D	Slinger-oil
2	B6T 1244-C	Bearing (inner)-#33287	16	33846-S8	(M-69)-nut-1/2"-20
2	E4HZ 2240-E	Slinger-oil	16	34809-S8	(X-68)-washer-1/2"
16	33846-S8	(M-69)-nut-1/2"-20	10	44881-S2	(X-40-G)-washer-5/8"
16	34809-S8	(X-68)-washer-1/2"	AR	380853-S7-8	(MM-14-B)-nut (rim stud)-3/4"-10
AR	380853-S7-8	(MM-14-B)-nut (rim stud)-3/4"-10	<b>PARTS LIST NO. 62</b>		
<b>PARTS LIST NO. 60</b>			AR	D5HZ 1001-A	Gasket
2	A8TZ 1001-C	Gasket	AR	D5HZ 1107-C	Bolt
2	E4HZ 1109-D	Hub	AR	D7HZ 1109-E	Hub
10	D3HZ 1121-A	Nut	AR	D5HZ 1120-A	Nut
2	B4T 1124-B	Washer	AR	D5HZ 1123-A	Washer
2	E4HZ 1126-D	Drum	AR	E7HZ 1124-A	Washer
16	7EQ 1142	Adapter	Ar	E4HZ 1126-H	Drum
10	C5TZ 1151-A	Bolt-84/85	AR	B8QH 1142-B	Adapter
10	D5HZ 1151-B	Stud (rim)-84/85	AR	D5HZ 1151-B	Stud (rim)
16	C6TZ 1151-B	Stud (drive)-84/85-r/b E8HZ 1151-A	AR	D8HZ 1151-G	Stud (drive)
10	C5TZ 1151-A	Bolt-86/	AR	D7HZ 1175-D	Kit (grease retainer)-w/Stemco
10	D5HZ 1151-B	Stud (rim)-86/	AR	E1HZ 1175-B	Kit (grease retainer)-w/o Stemco
16	E6HZ 1151-B	Stud (drive)-86/87	AR	TUAA 1239-A	Cup (outer bearing)-#572
16	E8HZ 1151-A	Stud drive-88/	AR	B8QH 1240-A	Bearing (outer)-#749
2	D0HZ 1175-B	Kit (greaser retainer) w/Stemco	AR	TUAA 1243-A	Cup (inner bearing)-#592A
2	★D0TZ 1175-B	Kit (grease retainer) w/o Stemco-r/b E7HZ 1175-A	AR	D7HZ 1244-A	Bearing (inner)-#594A
2	B6T 1240-A	Bearing (outer)-#3982	AR	D7HZ 2240-A	Slinger-grease
2	B4Q 1243-A	Cup (inner bearing)-#33462	AR	33850-S7-8	(M-72)-nut-5/8"-18
2	B6T 1243-A	Cup (outer bearing)-#3920	AR	34811-S2	(X-71)-washer-5/8"
2	B6T 1244-C	Bearing (inner)-#33287	AR	380853-S7-8	(MM-14-B)-nut (rim stud)-3/4"-10
2	E4HZ 2240-D	Slinger-oil			
16	33846-S8	(M-69)-nut-1/2"-20			
16	34809-S8	(X-68)-washer-1/2"			
10	44881-S2	(X-40-G)-washer-5/8"			
AR	38053-S7-8	(MM-14-B)-nut (rim stud)-3/4"-10			

**1980/  
TRUCK SERIES 600/900**

QTY.	PART NUMBER	DESCRIPTION	QTY.	PART NUMBER	DESCRIPTION
<b>REAR HUB and DRUM PARTS LISTS — Cont'd</b>					
For model application, refer to the model application charts in this section					
<b>PARTS LIST NO. 63</b>			<b>PARTS LIST NO. 65</b>		
AR	D5HZ 1001-A	Gasket	AR	A8TZ 1001-D	Gasket
AR	D5HZ 1107-C	Bolt	AR	D5HZ 1107-C	Bolt
AR	D7HZ 1109-D	Hub	AR	D8HZ 1109-M	Hub
AR	D5HZ 1120-A	Nut	AR	D5HZ 1120-A	Nut
AR	D5HZ 1123-A	Washer	AR	D5HZ 1123-A	Washer
AR	E7HZ 1124-A	Washer	AR	7EQ 1124-A	Washer
AR	E4HZ 1126-H	Drum	AR	E4HZ 1126-H	Drum
AR	B8QH 1142-B	Adapter	AR	7EQ 1142	Adapter
AR	D5HZ 1151-B	Stud (rim)	AR	D1HZ 1151-B	Stud (drive)
AR	D8HZ 1151-G	Stud (drive)	AR	D5HZ 1151-B	Stud (rim)
AR	D7HZ 1175-D	Kit (grease retainer)-w/Stemco	AR	★D0HZ 1175-D	Kit (grease retainer)-w/Stemco- r/b F1HZ 1175-A
AR	E1HZ 1175-B	Kit (grease retainer)-#572	AR	★D0TZ 1175-D	Kit (grease retainer)-w/o Stemco r/b E6HZ 1175-E
AR	TUAA 1239-A	Cup (outer bearing)-#572	AR	7EQH 1239	Cup (outer bearing)-#39520
AR	B8QH 1240-A	Bearing (outer)-#749	AR	7EQH 1240	Bearing (outer)-#39590
AR	TUAA 1243-A	Cup (inner bearing)-#592A	AR	7EQH 1243	Cup (inner bearing)-#47620
AR	D7HZ 1244-A	Bearing (inner)-#594A	AR	7EQH 1244	Bearing (inner)-#47686
AR	D7HZ 2240-A	Slinger-grease	AR	E4HZ 2240-C	Slinger-grease
AR	33850-S7-8	(M-72)-nut-5/8"-18	AR	33846-S8	(M-69)-nut-1/2"-20
AR	34811-S2	(X-71)-washer-5/8"	AR	34809-S8	(X-68)-washer-1/2"
AR	380853-S7-8	(MM-14-B)-nut (rim stud)-3/4"-10	AR	380853-S7-8	(MM-14-B)-nut (rim stud)-3/4"-10
<b>PARTS LIST NO. 64</b>			<b>PARTS LIST NO. 66</b>		
AR	A8TZ 1001-D	Gasket	AR	A8TZ 1001-D	Gasket
AR	D5HZ 1107-C	Bolt	AR	D5HZ 1109-N	Hub
AR	E4HZ 1109-F	Hub	AR	D5HZ 1118-E	Bolt
AR	D5HZ 1120-A	Nut	AR	D3HZ 1120-A	Nut
AR	D5HZ 1123-A	Washer	AR	D3HZ 1A122-B	Washer
AR	7EQ 1124-A	Washer	AR	7EQ 1124-A	Washer
AR	E4HZ 1126-H	Drum	AR	E4HZ 1126-J	Drum
AR	7EQ 1142	Adapter	AR	7EQ 1142	Adapter
AR	D1HZ 1151-B	Stud (drive)	AR	E8HZ 1151-A	Stud (drive)
AR	D5HZ 1151-B	Stud (rim)	AR	D5HZ 1151-B	Stud (rim)
AR	★D0HZ 1175-D	Kit (grease retainer)-w/Stemco- r/b F1HZ 1175-A	AR	★D0HZ 1175-D	Kit (grease retainer)-w/Stemco- r/b F1HZ 1175-A
AR	★D0TZ 1175-D	Kit (grease retainer)-w/o Stemco r/b E6HZ 1175-E	AR	★D0TZ 1175-D	Kit (grease retainer)-w/o Stemco r/b E6HZ 1175-E
AR	7EQH 1239	Cup (outer bearing)-#39520	AR	7EQH 1239	Cup (outer bearing)-#39520
AR	7EQH 1240	Bearing (outer)-#39590	AR	7EQH 1240	Bearing (outer)-#39590
AR	7EQH 1243	Cup (inner bearing)-#47620	AR	7EQH 1243	Cup (inner bearing)-#47620
AR	7EQH 1244	Bearing (inner)-#47686	AR	7EQH 1244	Bearing (inner)-#47686
AR	E4HZ 2240-C	Slinger-grease	AR	E4HZ 2240-F	Slinger-oil
AR	33846-S8	(M-69)-nut-1/2"-20	AR	33846-S8	(M-69)-nut-1/2"-20
AR	34809-S8	(X-68)-washer-1/2"	AR	34809-S8	(X-68)-washer-1/2"
AR	380853-S7-8	(MM-14-B)-nut (rim stud)-3/4"-10	AR	380853-S7-8	(MM-14-B)-nut (rim stud)-3/4"-10
<b>PARTS LIST NO. 67</b>			<b>PARTS LIST NO. 67</b>		
AR	A8TZ 1001-D	Gasket	AR	A8TZ 1001-D	Gasket
AR	D8HZ 1109-M	Hub	AR	D8HZ 1109-M	Hub
AR	D5HZ 1118-E	Bolt-84/85	AR	D5HZ 1118-E	Bolt-84/85
AR	D3HZ 1151-B	Bolt-86/	AR	D3HZ 1151-B	Bolt-86/
AR	D3HZ 1120-A	Nut	AR	D3HZ 1120-A	Nut
AR	D3HZ 1A122-B	Washer	AR	D3HZ 1A122-B	Washer
AR	7EQ 1124-A	Washer	AR	7EQ 1124-A	Washer
AR	E4HZ 1126-J	Drum	AR	E4HZ 1126-J	Drum

**1980/  
TRUCK SERIES 600/900**

QTY.	PART NUMBER	DESCRIPTION	QTY.	PART NUMBER	DESCRIPTION
<b>REAR HUB and DRUM PARTS LISTS — Cont'd</b>					
For model application, refer to the model application charts in this section					
<b>PARTS LIST NO. 67 — Cont'd</b>			<b>PARTS LIST NO. 69 — Cont'd</b>		
AR	7EQ 1142	Adapter	AR	34811-S2	(X-71)-washer-5/8"
AR	★C6TZ 1151-B	Stud (drive)-84/85-r/b E8HZ 1151-A	AR	380853-S7-8	(MM-14-B)-nut (rim stud)-3/4"-10
AR	D5HZ 1151-B	Stud (rim)-84/85	<b>PARTS LIST NO. 70</b>		
AR	E6HZ 1151-B	Stud (drive)-86/87	1	E4HZ 1109-H	Hub (R.H.)
AR	E8HZ 1151-A	Stud drive-88/	1	E4HZ 1109-J	Hub (L.H.)
AR	D5HZ 1151-B	Stud (rim)-86/	2	E2HZ 1126-C	Drum
AR	★D0HZ 1175-D	Kit (grease retainer)-w/Stemco-r/b F1HZ 1175-A	10	D5HZ 1151-E	Bolt Drive Flange
AR	★D0TZ 1175-D	Kit (grease retainer)-w/o Stemco-r/b E6HZ 1175-E	10	E4HZ 1151-C	Bolt WHL (R.H.)-use w/oil slinger
AR	7EQH 1239	Cup (outer bearing)-#39520	10	E4HZ 1151-D	Bolt WHL (L.H.)-use w/oil slinger
AR	7EQH 1240	Bearing (outer)-#39590	10	E4HZ 1151-E	Bolt WHL (R.H.)-use w/o oil slinger
AR	7EQH 1243	Cup (inner bearing)-#47620	10	E4HZ 1151-F	Bolt WHL (L.H.)-use w/o oil slinger
AR	7EQH 1244	Bearing (inner)-#47686	2	E1HZ 1175-B	Seal kit
AR	E4HZ 2240-F	Slinger-oil-86/87	2	TUAA 1239-A	Cup (outer brg.)-#572
AR	C8TZ 2240-A	Slinger-oil-88/	2	B8QH 1240-B	Brg. (outer)-#580
AR	33846-S8	(M-69)-nut-1/2"-20	2	TUAA 1243-A	Cup (inner)-#592A
AR	34809-S8	(X-68)-washer-1/2"	2	D7HZ 1244-A	Brg. (inner)-#594A
AR	380853-S7-8	(MM-14-B)-nut (rim stud)-3/4"-10	2	D2HZ 2240-A	Baffle
<b>PARTS LIST NO. 68</b>			<b>PARTS LIST NO. 71</b>		
AR	D5HZ 1001-A	Gasket	1	E4HZ 1109-K	Hub (R.H.)
AR	D7HZ 1109-C	Hub	1	E4HZ 1109-L	Hub (L.H.)
AR	D3HZ 1120-A	Nut	2	7EQ 1124-A	Washer
AR	D3HZ 1A122-B	Washer	2	E2HZ 1126-C	Drum
AR	E7HZ 1124-A	Washer	AR	7EQ 1142	Adapter
AR	E4HZ 1126-J	Drum	2	7EQH 1144	Gasket-r/b A8TZ 1001-D
AR	B8QH 1142-B	Adapter	12	D3TZ 1151-C	Bolt drive flg.
AR	D3HZ 1151-B	Bolt	10	E4HZ 1151-C	Bolt (R.H.)-use w/oil slinger
AR	D5HZ 1151-B	Stud (rim)	10	E4HZ 1151-D	Bolt (L.H.)-use w/oil slinger
AR	D5HZ 1151-F	Stud (drive)	10	E4HZ 1151-E	Bolt WHL (R.H.)-use w/o oil slinger
AR	D7HZ 1175-D	Kit (grease retainer)-w/Stemco	10	E4HZ 1151-F	Bolt WHL (L.H.)-use w/o oil slinger
AR	E1HZ 1175-B	Kit (grease retainer)-w/o Stemco	2	★D0TZ 1175-D	Seal kit-r/b E6HZ 1175-E
AR	TUAA 1239-A	Cup (outer bearing)-#572	2	7EQH 1239	Cup brg.-#39520
AR	B8QH 1240-B	Bearing (outer)-#580	2	7EQH 1240	Brg. (outer)-#39590
AR	TUAA 1243-A	Cup(inner bearing)-#592A	2	7EQH 1243	Cup brg. (inner)-#47620
AR	D7HZ 1244-A	Bearing (inner)-#594A	2	7EQH 1244	Brg. (inner)-#47686
AR	E4HZ 2240-F	Slinger-oil	2	D2HZ 2240-A	Baffle Budd
AR	33850-S7-8	(M-72)-nut-5/8"-18	<b>PARTS LIST NO. 72</b>		
AR	34811-S2	(X-71)-washer-5/8"	1	E4HZ 1109-H	Hub (R.H.)
AR	380853-S7-8	(MM-14-B)-nut (rim stud)-3/4"-10	1	E4HZ 1109-J	Hub (L.H.)
<b>PARTS LIST NO. 69</b>			2	E2HZ 1126-D	Drum
AR	D5HZ 1001-A	Gasket	16	D5HZ 1151-E	Bolt
AR	D7HZ 1109-E	Hub	10	E4HZ 1151-C	Bolt-use w/oil slinger
AR	D3HZ 1120-A	Nut	10	E4HZ 1151-D	Bolt-use w/oil slinger
AR	D3HZ 1A122-B	Washer	10	E4HZ 1151-E	Bolt WHL (R.H.)-use w/o oil slinger
AR	E7HZ 1124-A	Washer	10	E4HZ 1151-F	Bolt WHL (L.H.)-use w/o oil slinger
AR	E4HZ 1126-J	Drum	2	E1HZ 1175-A	Seal kit
AR	B8QH 1142-B	Adapter	2	TUAA 1239-A	Cup brg. (outer)-#572
AR	D3HZ 1151-B	Bolt	2	B8QH 1240-B	Brg. (outer)-#580
AR	D5HZ 1151-B	Stud (rim)	2	TUAA 1243-A	Cup brg. (inner)-#592A
AR	D5HZ 1151-F	Stud (drive)	2	D7HZ 1244-A	Brg. (inner)-#594A
AR	D7HZ 1175-D	Kit (grease retainer)-w/Stemco	2	D2HZ 2240-A	Slinger
AR	E1HZ 1175-B	Kit (grease retainer)-w/o Stemco	<b>PARTS LIST NO. 73</b>		
AR	TUAA 1239-A	Cup (outer bearing)-#572	1	E4HZ 1109-K	Hub (R.H.)
AR	B8QH 1240-B	Bearing (outer)-#580	1	E4HZ 1109-L	Hub (L.H.)
AR	TUAA 1243-A	Cup(inner bearing)-#592A	2	E2HZ 1126-D	Drum
AR	D7HZ 1244-A	Bearing (inner)-#594A	12	D3TZ 1151-C	Bolt drive flg.
AR	E4HZ 2240-F	Slinger-oil	10	E4HZ 1151-C	Bolt (R.H.)-use w/oil slinger
AR	33850-S7-8	(M-72)-nut-5/8"-18	10	E4HZ 1151-D	Bolt (L.H.)-use w/oil slinger
			10	E4HZ 1151-E	Bolt WHL R.H.-use w/o oil slinger
			10	E4HZ 1151-F	Bolt WHL L.H.-use w/o oil slinger

**1980/  
TRUCK SERIES 600/900**

QTY.	PART NUMBER	DESCRIPTION	QTY.	PART NUMBER	DESCRIPTION
<b>REAR HUB and DRUM PARTS LISTS — Cont'd</b>					
For model application, refer to the model application charts in this section					
<b>PARTS LIST NO. 73 — Cont'd</b>			<b>PARTS LIST NO. 77</b>		
2	★DOTZ 1175-D	Seal kit-r/b E6HZ 1175-E	2	E6HZ 1109-A	Hub asy.
2	7EQH 1239	Cup brg. (outer)-#39520	8	E6HZ 1118-C	Bolt
2	7EQH 1240	Bearing (outer)-#39590	8	E6HZ 1120-B	Nut
2	7EQH 1243	Cup brg. (inner)-#47620	AR	7EQ 1124-A	Washer
2	7EQH 1244	Bearing (inner)-#47686	2	E6HZ 1126-H	Drum-8 hole 15" x 7" hyd. brakes
2	D2HZ 2240-A	Slinger	2	E6HZ 1126-D	Drum-10 hole 15" x 7" hyd. brakes
<b>PARTS LIST NO. 74</b>			2	E7HZ 1126-A	Drum-16.5" x 7" air brake
AR	A8TZ 1001-D	Gasket	AR	B8QH 1142-B	Adaptor
AR	B6QH 1109-A	Hub	AR	E6HZ 1151-A	Stud
AR	7EQ 1124-A	Washer	AR	E6HZ 1175-E	Retainer (grease)
AR	E4HZ 1126-K	Drum	AR	E6HZ 1175-C	Retainer (grease)
AR	7EQ 1142	Adapter	2	7EQH 1239	Cup outer bearing-#39520
AR	B7TZ 1151-A	Stud (drive)	2	7EQH 1240	Bearing outer-#39590
AR	★D0HZ 1175-D	Kit (grease retainer)-w/Stemco-r/b F1HZ 1175-A	2	E6HZ 1243-A	Cup inner bearing
AR	★DOTZ 1175-D	Kit (grease retainer)-w/o Stemco-r/b E6HZ 1175-E	2	7EQH 1244	Bearing inner-#47686
AR	7EQH 1239	Cup (outer bearing)-#39520	<b>PARTS LIST NO. 79</b>		
AR	7EQH 1240	Bearing (outer)-#39590	2	E6HZ 1109-C	Hub
AR	7EQH 1243	Cup (inner bearing)-#47620	AR	E6HZ 1118-B	Bolt
AR	7EQH 1244	Bearing (inner)-#47686	AR	E6HZ 1120-A	Nut
AR	C1TZ 2240-A	Baffle	AR	E7HZ 1124-A	Washer
AR	33846-S8	Nut 1/2-20 x 3/4	2	E6HZ 1126-D	Drum (CF 700) 15" x 7" brake air/hyd. 15" I.D.
AR	33850-S7-8	Nut 5/8-18 x 15/16	2	★E6HZ 1126-G	Drum (CF 700) 16.5" x 7" brake full air 16 3/8" I.D.-r/b E7HZ 1126-A
AR	★34786-S2	Lockwasher-5/8	AR	B8QH 1142-B	Adaptor
AR	34809-S8	Washer-1/2	AR	E6HZ 1151-A	Stud
AR	380853-S7-8	(MM-14-B) nut (rim stud) 3/4"-10	AR	D5HZ 1151-E	Stud (20K-FA)
<b>PARTS LIST NO. 75</b>			2	E1HZ 1175-A	Retainer (grease)
1	E2HZ 1109-J	Hub assy. (R.H.)	2	E2HZ 1177-A	Oil seal assy.
1	E2HZ 1109-K	Hub assy. (L.H.)	2	TUAA 1239-A	Cup outer bearing-#572
2	D8HZ 1126-A	Drum	2	B8QH 1240-B	Bearing outer-#580
10	D8HZ 1151-A	Bolt wheel (R.H.)	2	E6HZ 1243-B	Cup inner bearing
10	D8HZ 1151-B	Bolt wheel (L.H.)	2	D7HZ 1244-A	Bearing inner-#594A
12	D8HZ 1151-C	Stud drive	<b>PARTS LIST NO. 80</b>		
2	7EQH 1239	Cup outer-#39520	AR	A8TZ 1001-D	Gasket
2	7EQH 1240	Cone outer-#39590	AR	D5HZ 1107-C	Bolt
2	7EQH 1243	Cup inner-#47620	AR	D8HZ 1109-M	Hub
2	7EQH 1244	Cone inner-#47686	AR	D5HZ 1120-A	Nut
2	E4HZ 2240-G	Shield oil	AR	D5HZ 1123-A	Washer
<b>PARTS LIST NO. 76</b>			AR	7EQ 1124-A	Washer
1	E0HZ 1109-A	Hub assy. (R.H.)	AR	E4HZ 1126-C	Drum
1	E0HZ 1109-B	Hub assy. (L.H.)	AR	7EQ 1142	Adapter
2	D8HZ 1126-A	Drum	AR	D1HZ 1151-B	Stud (drive)
10	D8HZ 1151-A	Bolt wheel (R.H.)	AR	D5HZ 1151-B	Stud (rim)
10	D8HZ 1151-B	Bolt wheel (L.H.)	AR	★DOTZ 1175-D	Kit (grease retainer)-r/b E6HZ 1175-E
8	D8HZ 1151-D	Stud drive	AR	7EQH 1239	Cup (outer bearing)-#39520
AR	E6HZ 1175-E	Grease retainer	AR	7EQH 1240	Bearing (outer)-#39590
2	TUAA 1239-A	Cup outer-#572	AR	7EQH 1243	Cup (inner bearing)-#47620
2	B8QH 1240-B	Cone outer-#580	AR	7EQH 1244	Bearing (inner)-#47686
2	TUAA 1243-A	Cup inner-#592A	AR	E4HZ 2240-C	Slinger grease
2	D5HZ 1244-A	Cone inner-#598A	AR	33846-S8	(M-69)-nut 1/2"-20
2	E4HZ 2240-G	Shield oil	AR	34809-S8	(X-68)-washer-1/2"
			AR	380853-S7-8	(MM-14-B)-nut (rim stud)-3/4"-10

**1980/  
TRUCK SERIES 600/900**

QTY.	PART NUMBER	DESCRIPTION	QTY.	PART NUMBER	DESCRIPTION
<b>REAR HUB and DRUM PARTS LISTS — Cont'd</b>					
For model application, refer to the model application charts in this section					
<b>PARTS LIST NO. 81</b>			<b>PARTS LIST NO. 84 — Cont'd</b>		
2	D7HZ 1109-C	Hub	2	E0HZ 1126-C	Drum
10	D3HZ 1120-A	Nut	16	B8QH 1142-B	Adapter
10	D3HZ 1A122-B	Washer	10	D5HZ 1151-B	Stud Rim
2	E7HZ 1124-A	Washer	10	D3HZ 1151-B	Bolt
2	E4HZ 1126-J	Drum	16	D5HZ 1151-F	Stud (drive)
16	B8QH 1142-B	Adapter	2	E1HZ 1175-B	Retainer (grease)
10	D5HZ 1151-B	Stud (rim)	2	TUAA 1239-A	Cup (outer bearing)-#572
10	D3HZ 1151-B	Bolt	2	B8QH 1240-B	Bearing (outer)-#580
16	D5HZ 1151-F	Stud (drive flange)	2	TUAA 1243-A	Cup (inner bearing)-#592A
2	E1HZ 1175-A	Retainer grease	2	D7HZ 1244-A	Bearing (inner)-#594A
2	TUAA 1239-A	Cup (outer bearing)-#572	16	33850-S7-8	(M-72)-Nut 5/8"-18
2	B8QH 1240-B	Bearing outer-#580	16	34811-S2	(X-71)-washer-5/8"
2	TUAA 1243-A	Cup (inner bearing)-#592A	<b>PARTS LIST NO. 85</b>		
2	D7HZ 1244-A	Bearing (inner)-#594A	AR	A8TZ 1101-D	Gasket
2	E4HZ 2240-F	Oil slinger	AR	D5HZ 1107-C	Bolt
16	33850-S7-8	(M-72)-nut-5/8"	AR	D8HZ 1109-M	Hub
16	34811-S2	(X-71)-washer-5/8"	AR	D5HZ 1120-A	Nut
<b>PARTS LIST NO. 82</b>			AR	D5HZ 1123-A	Washer
2	★D7HZ 1109-B	Hub-r/b D7HZ 1109-E	AR	7EQ 1124-A	Washer
10	D3HZ 1120-A	Nut	AR	E4HZ 1126-C	Drum
10	D3HZ 1A122-B	Washer	AR	7EQ 1142	Adapter
2	E7HZ 1124-A	Washer	AR	D5HZ 1151-B	Stud (rim)
2	E4HZ 1126-J	Drum	AR	D1HZ 1151-B	Stud (wheel)
16	D8QH 1142-A	Adapter	AR	E6HZ 1175-E	Grease retainer
10	D5HZ 1151-B	Stud (rim)	AR	7EQH 1239	Cup (outer bearing)-#39520
10	D3HZ 1151-B	Bolt	AR	7EQH 1240	Bearing (outer)-#39590
16	D5HZ 1151-F	Stud (drive flange)	AR	7EQH 1243	Cup (inner bearing)-#47620
2	E1HZ 1175-A	Retainer (grease)	AR	7EQH 1244	Bearing (inner)-#47686
2	TUAA 1239-A	Cup (outer bearing)-#572	AR	D7HZ 2240-A	Slinger-grease
2	B8QH 1240-B	Bearing (outer)-#580	AR	33846-S8	(M-69)-nut 1/2"-20
2	TUAA 1243-A	Cup (inner bearing)-#592A	AR	34809-S8	(X-68)-washer-1/2"
2	D7HZ 1244-A	Bearing (inner)-#594A	AR	380853-S7-8	(MM-14-B)-nut (rim stud)-3/4"-10
2	E4HZ 2240-F	Oil slinger	<b>PARTS LIST NO. 86</b>		
16	33850-S7-8	(M-72)-nut-5/8"	1	E9HZ 1109-A	Hub (R.H.)
16	34811-S2	(X-71)-washer-5/8"	1	E9HZ 1109-B	Hub (L.H.)
<b>PARTS LIST NO. 83</b>			2	E9HZ 1126-A	Drum
2	A8TZ 1001-D	Gasket	10	D5HZ 1151-E	Bolt Drive Flange
2	D8HZ 1109-M	Hub	10	E9HZ 1151-A	Bolt Wheel (R.H.)
10	D3HZ 1120-A	Nut	10	E9HZ 1151-B	Bolt Wheel (L.H.)
10	D3HZ 1A122-B	Washer	2	E1HZ 1175-B	Seal kit
2	E0HZ 1126-C	Drum	2	TUAA 1239-A	Cup (outer brg.)-#572
AR	7EQ 1142	Adapter	2	B8QH 1240-B	Brg. (outer)-#580
10	D5HZ 1151-B	Rim Stud	2	TUAA 1243-A	Cup (inner brg.)-#592A
10	D3HZ 1151-B	Bolt	2	D7HZ 1244-A	Brg. (inner)-#594A
24	E6HZ 1151-B	Stud (drive) -- 1986/87	2	D2HZ 2240-A	Baffle
24	E8HZ 1151-A	Stud (drive) -- 1988/	<b>PARTS LIST NO. 87</b>		
AR	★DOTZ 1175-D	Retainer (grease)-r/b E6HZ 1175-E	1	E9HZ 1109-A	Hub (R.H.)
2	7EQH 1239	Cup (outer bearing)-#39520	1	E9HZ 1109-B	Hub (L.H.)
2	7EQH 1240	Bearing (outer)-#39590	2	E9HZ 1126-B	Drum
2	7EQH 1243	Cup (inner bearing)-#47620	10	D5HZ 1151-E	Bolt drive flange
2	7EQH 1244	Bearing (inner)-#47686	10	E9HZ 1151-A	Bolt wheel (R.H.)
2	E4HZ 2240-F	Oil slinger	10	E9HZ 1151-B	Bolt wheel (L.H.)
<b>PARTS LIST NO. 84</b>			2	E1HZ 1175-A	Seal kit
2	D7HZ 1109-C	Hub	2	TUAA 1239-A	Cup (outer brg.)-#572
10	D3HZ 1120-A	Nut	2	B8QH 1240-B	Brg. (outer)-#580
10	D3HZ 1A122-B	Washer	2	TUAA 1243-A	Cup (inner)-#592A
2	E7HZ 1124-A	Washer	2	D7HZ 1244-A	Brg. (inner)-#594A
			2	D2HZ 2240-A	Baffle



1980/  
TRUCK SERIES 600/900

QTY.	PART NUMBER	DESCRIPTION	QTY.	PART NUMBER	DESCRIPTION
<b>REAR HUB and DRUM PARTS LISTS — Cont'd</b>					
For model application, refer to the model application charts in this section					
<b>PARTS LIST NO 88</b>			<b>PARTS LIST NO. 89 — Cont'd</b>		
2	E9HZ 1109-C	Hub	2	B8QH 1240-B	Bearing outer-#580
10	D3HZ 1120-A	Nut	2	TUAA 1243-A	Cup (inner bearing)-#592A
10	D3HZ 1A122-B	Washer	2	D7HZ 1244-A	Bearing (inner)-#594A
2	E7HZ 1124-A	Washer	2	E9HZ 2240-A	Oil slinger
2	E9HZ 1126-C	Drum	16	33850-S7-8	(M-72)-Nut-5/8"
16	B8QH 1142-B	Adapter	16	34811-S2	(X-71)-Washer-5/8"
10	D5HZ 1151-B	Stud (rim)	<b>PARTS LIST NO. 90</b>		
10	D3HZ 1151-B	Bolt	1	E9HZ 1109-D	Hub Assy.-R.H.
16	D5HZ 1151-F	Stud (drive flange)	1	E9HZ 1109-E	Hub Assy.-L.H.
2	E1HZ 1175-A	Retainer grease	2	D8HZ 1126-A	Drum
2	TUAA 1239-A	Cup (outer bearing)-#572	10	D8HZ 1151-A	Bolt Wheel-R.H.
2	B8QH 1240-B	Bearing outer-#580	10	D8HZ 1151-B	Bolt Wheel-L.H.
2	TUAA 1243-A	Cup (inner bearing)-#592A	2	TUAA 1239-A	Cup-outer-#572
2	D7HZ 1244-A	Bearing (inner)-#594A	2	B8QH 1240-B	Cone-outer-#580
2	E9HZ 2240-A	Oil slinger	2	TUAA 1243-A	Cup-inner-#592A
16	33850-S7-8	(M-72)-Nut-5/8"	2	D5HZ 1244-A	Cone-inner-#598A
16	34811-S2	(X-71)-Washer-5/8"	2	E4HZ 2240-G	Shield oil
<b>PARTS LIST NO 89</b>			<b>PARTS LIST NO. 91</b>		
2	E9HZ 1109-F	Hub	2	E9HZ 1109-C	Hub
10	D3HZ 1120-A	Nut	10	D3HZ 1120-A	Nut
10	D3HZ 1A122-B	Washer	10	D3HZ 1A122-B	Washer
2	E7HZ 1124-A	Washer	2	E9HZ 1126-D	Drum
2	E9HZ 1126-C	Drum	10	D5HZ 1151-B	Stud (rim)
16	B8QH 1142-B	Adapter	10	D3HZ 1151-B	Bolt
10	D5HZ 1151-B	Stud (rim)	16	D5HZ 1151-F	Stud (Drive flange)
10	D3HZ 1151-B	Bolt	2	E1HZ 1175-A	Retainer grease
16	D5HZ 1151-F	Stud (drive flange)	2	TUAA 1239-A	Cup (outer bearing)-#572
2	E1HZ 1175-A	Retainer grease	2	B8QH 1240-B	Bearing (outer)-#580
2	TUAA 1239-A	Cup (outer bearing)-#572	2	TUAA 1243-A	Cup (inner bearing)-#592A
			2	D7HZ 1244-A	Bearing (inner)-#594A
			2	E9HZ 2240-A	Oil slinger

**1980/  
TRUCK SERIES 600/900**

YEAR	MODEL/RESTRICTIONS	PART NUMBER	DESCRIPTION	QTY.
2B000	Refer to Front Brake Parts List Section 20.1			
2T000	SHIELD ASSY. (BRAKE TUBE)			
86	CF600/700	E6HZ 2T000-A		1
87/	CF600/800 -- 6.6 eng.	E7HZ 2T000-A		1
87/	CF700/800 -- 7.8 eng.	E7HZ 2T000-B		1
2B001	NUT (AIR BRAKE CHAMBER LOCK)-Also refer to Front Brake Parts Lists Section 20.1			
80/	All		Front chambers-refer to Model Application Chart in group 2025	
80/	All		Rear chambers-refer to Model Application Chart in group 2225	
84/	B-C-F-FT-L-LN-LNT-LT 600/900 -- w/hyd. vac. brks.	E4HZ 2B001-A	Front and rear	1
2B002	Refer to Front Brake Parts Lists Section 20.1			
2B003	Refer to Rear Brake Parts Lists Section 22.1			
2004	CYLINDER REPAIR KIT (BRAKE MASTER)-For model usage refer to Booster Parts List in Section 23.1			
		B7Q 2004-B		
	Consists of			
	1-B7T 2142-A	Gasket	1-7EQ 2173	Cup
	1-TQAS 2169-A	Piston	1-TQAS 2174-A	Snap ring
				1-TACAA 2180-A Boot
		B7QH 2004-B		
	Consists of			
	1-B7T 2142-A	Gasket	1-TUAA 2173-A	Cup
	1-TTAV 2169-A	Piston	1-TTAV 2174-A	Snap ring
				1-TACAA 2180-A Boot
		D2HZ 2004-A		
	Consists of			
	1-	Piston assy.	1-	Cup assy.
	1-	Cup	1-	Stop pin
				1- Retaining ring
				1- Boot
		D2HZ 2004-B		
	Consists of			
	1-	Piston assy.	1-	Cup assy.
	1-	Cup	1-	Stop pin
				1- Retaining ring
				1- Boot
		D2HZ 2004-C		
	Consists of			
	1-	Piston assy.	1-	Cup assy.
	1-	Cup	1-	Stop pin
				1- Retaining ring
				1- Boot
		D2HZ 2004-D		
	Consists of			
	1-	Piston assy.	1-	Retaining ring
				1- Boot
		D2HZ 2004-E		
	Consists of			
	1-	Piston	1-	Retaining ring
				1- Cup
2B004	Refer to Front or Rear Brake Parts Lists Sections 20.1 and 22.1			
2005	Refer to Booster Parts List in Section 23.1			
2B005	Refer to Front Brake Parts List No. 11 in Section 20.1 and Group 2025			
2F005	Refer to Booster Parts List in Section 23.1			

1980/  
TRUCK SERIES 600/900

PART NUMBER	CONSISTS OF		PART NUMBER	CONSISTS OF	
	LINING	RIVETS		LINING	RIVETS
2007	LINING KIT (BRAKE SHOE)				
For Model Application-refer to Front or Rear Brake Parts List Section 20.1 and 22.1					
C3TZ 2007-D	2-C3TZ 2021-A 2-C3TZ 2022-A	55-357082-S	C8TZ 2007-T C8TZ 2007-U	4-C8TZ 2284-N 4-C8TZ 2284-R	60 60
C8TZ 2007-M	4-C8TZ 2284-K	60-357092-S	D1TZ 2007-C	4-Linings	60
C8TZ 2007-N	4-C8TZ 2284-L	60-357092-S	D5HZ 2007-B	4-Linings	35
C8TZ 2007-S	4-C8TZ 2021-J	60			
YEAR	MODEL/RESTRICTIONS	PART NUMBER	DESCRIPTION		QTY.
2B007	Refer to Rear Brake Parts List Section 22.1				
2C007	BRACKET (TRAILER CONTROL MOUNTING)				
80/	B-F600/800 -- Non-utitized tractor pkg.	E0HZ 2C007-A	#E0HT 2C007-AA		1
2B008-9	Refer to Front or Rear Brake Parts List Section 20.1 and 22.1				
2C009	TUBE and HOSE ASSY. (BRAKE MASTER CYLINDER)				
80	B-F600/750-w/hyd. brks.	E1HZ 2C009-A	Primary		1
80	B-F600/750-w/Single Hyd. Brks.	E1HZ 2C009-C	Secondary		1
81/82	B-F600/750-w/Split Hyd. Brks.	E1HZ 2C009-A	Primary		1
80/82	B-F500/750-w/Split Hyd. Brks.	E1HZ 2C009-B	Secondary		1
83	B-F-FT600/800-w/Split Hyd. Brks. and dash mounted booster	E3HZ 2C009-B	Primary		1
83	B-F-FT600/800-w/Split Hyd. Brks. and dash mounted booster	E3HZ 2C009-A	Secondary		1
84/86	B-F-FT600/900-w/Hyd. Max. brakes	E4HZ 2C009-C	Primary		1
84/	B-F-FT600/900-w/Hyd. Max. brakes	E4HZ 2C009-D	Secondary		1
87/	B-F-FT600/800 -- w/Hyd. Max. brakes	E7HZ 2C009-A	Primary		1
81/82	F600/750-w/Single Hyd. Brks.-gas engines	E1HZ 2C009-C			1
81/82	F600/750-w/Single Hyd. Brks.-diesel engines	E1HZ 2C009-A			1
83	F-FT600/800-w/Single Hyd. Brks. and dash mounted booster	E3HZ 2C009-D			1
83	F600/800-w/Single Hyd. Brakes and Frame mounted booster	E3HZ 2C009-B			1
80/83	C600/900-w/Single Hyd. Brks.	D5HZ 2C009-A			1
80/83	C600/900-w/Split Hyd. Brks.	D5HZ 2C009-B	Primary		1
80/83	C600/900-w/Split Hyd. Brks.	D5HZ 2C009-C	Secondary		1
84/	C600/900 -- w/Hyd. Vac. brakes	E4HZ 2C009-E	Primary		1
84/	C600/900 -- w/Hyd. Vac. brakes	E4HZ 2C009-G	Secondary		1

**1980/  
TRUCK SERIES 600/900**

YEAR	MODEL/RESTRICTIONS	PART NUMBER	DESCRIPTION	QTY.
<b>2C009      TUBE and HOSE ASSY. (BRAKE MASTER CYLINDER) — Cont'd</b>				
80/83	L-LN600/900-w/Single Hyd. Brks.-Frame mounted booster	D5HZ 2C009-D		1
80/83	L-LN600/900-w/Split Hyd. Brks.-Frame mounted booster	D5HZ 2C009-E	Primary	1
80/83	L-LN600/900-w/Split Hyd. Brks.-Frame mounted booster	D5HZ 2C009-F	Secondary	1
80/83	LN600/900-w/Single Hyd. Brks.-Dash mounted booster	E1HZ 2C009-D		1
80/83	LN600/900-w/Split Hyd. Brks.-Dash mounted booster	D9HZ 2C009-A	Primary	1
80/83	LN600/900-w/Split Hyd. Brks.-Dash mounted booster	D9HZ 2C009-B	Secondary	1
84/	LN600/700 -- w/Hyd. Vac. brakes	E4HZ 2C009-A	Primary	1
84/	LN600/700 -- w/Hyd. Vac. brakes	E4HZ 2C009-B	Secondary	1
80/	LN600/900-w/Air/ Hyd.-w/Frt. disc brks.	D5HZ 2C009-L		1
80/	L800/900-w/air/ Hyd.-w/Frt. disc brks.	D5HZ 2C009-K		1
80/83	LNT-LT-LTS800/900-w/Single Hyd. Brks.	D5HZ 2C009-G		1
80/83	LNT-LT-LTS800/900-w/Split Hyd. Brks.	D5HZ 2C009-H	Primary	1
80/83	LNT-LT-LTS800/900-w/Split Hyd. Brks.	D5HZ 2C009-J	Secondary	1
84/88	L-LT800/900 -- w/Hyd. Vac. brakes      "Before 8/88"	E4HZ 2C009-H	Primary	1
88/	L-LT800/900 -- w/Hyd. vac. brakes      "From 8/88"	E8HZ 2C009-B	Primary	1
84/88	LN-LNT800/900 -- w/Hyd. Vac. brakes      "Before 8/88"	E4HZ 2C009-F	Primary	1
88/	LN-LNT800/900 -- w/Hyd. vac. brakes      "From 8/88"	E8HZ 2C009-C	Primary	1
84/88	L-LN-LNT-LT800/900 -- w/Hyd. Vac. brakes      "Before 8/88"	E4HZ 2C009-J	Secondary	1
88/	L-LN-LNT800/900 -- w/Hyd. vac. brakes      "From 8/88"	E8HZ 2C009-A	Secondary	1
80/	LNT800/900-w/Air/ Hyd.-Frt. disc brks.	D5HZ 2C009-L		1
80/	LT-LTS800/900-w/Air/ Hyd.-Frt. disc brks.	D5HZ 2C009-K		1
87/	L-LN-LNT-LT800/900 -- w/16M, 18M, 20M axles-7.8L eng.	E7HZ 2C009-C		1
87/	LS-LTS800/900 -- w/16M, 18M, 20M axles-7.8L eng.	E7HZ 2C009-B		1
82	LTL900-w/Air/ Hyd.-Frt. disc brks.	E1HZ 2C009-E		1
<b>2L009      HOSE and TUBE ATTACHING KIT (BRAKE MASTER CYLINDER)</b>				
80/	B-F600/750 -- w/hyd. brks.	E0HZ 2L009-A		1
2010-1      Refer to Front Brake T.S.L., Section 20.1 page 1				

1980/  
TRUCK SERIES 600/900

YEAR	MODEL/RESTRICTIONS	PART NUMBER	DESCRIPTION	QTY.
2B010-2013 Refer to Front Brake Parts List Section 20.1				
2C010 TUBE and HOSE ASSY. (HYDRAULIC BRAKE FLUID RESERVOIR)				
80/	C-CT600/900-w/Air/ Hyd.-Frt. disc brks.	D5HZ 2C010-A		1
2C011 WIRING ASSY(BRAKE SKID CONTROL EXTENSION)				
80/	LNT-LT-LTS 800/900	D5HZ 2C011-A	#D5HA 2C011-AA-with disc brakes	1
2C012 MONITOR ASSY. (BRAKE SKID CONTROL WARNING)				
80/83	B-C-CT-CL-CLT-LTL-F-FT-L-LN-LNT-LT-LTL-LTS 600/900 -- with Eaton systems	D7HZ 2C012-A	#D7HT 2C012-AA - w/o front axle anti-skid	1
80/83	B-C-CT-CL-CLT-LTL-F-FT-L-LN-LNT-LT-LTL-LTS 600/900 -- with Kelsey Hayes systems	D7HZ 2C012-B	#D7HT 2C012-BA - w/o front axle anti-skid	1
80/88	B-F-FT600/900 -- with Hydro-Max Hyd. brakes "Before 8/88"	E0HZ 2C012-A	#E0HT 2C012-AC,AD, E1HT 2C012-AA	1
88/	B-F-FT-L-LN600/900 -- w/Hydro-Max brakes "From 6/88"	E8HZ 2C012-A		1
2C013 RELAY ASSY. (BRAKE ANTI-SKID)-Also refer to group 14677				
80/	B-F-FT-C-CT-CL-CLT600/900	D5TZ 2C013-A	#D5TA 2C013-AA	1
80/	L-LN-LNT-LT-LTL-LTS600/900			2
2A014 TUBE (AIR BRAKE FOOT CONTROL VALVE TO MANIFOLD FITTING)-Make from bulk tubing				
2B014 Refer to Booster Parts List Section 23.1				
2C014 BRACKET (BRAKE SKID CONTROL WARNING MONITOR)				
80/	B700 -- air brakes	E0HZ 2C014-B	#E0HT 2C014-BA	1
80/	F-FT700/900 -- (81)-air brakes	E0HZ 2C014-A	#E0HT 2C014-AB	1
80/	F-FT700/900 -- (84)-air brakes	E0HZ 2C014-B	#E0HT 2C014-BA	1
80/	L-LN-LNT-LT-LTS600/900	D5HZ 2C014-A	#D5HA 2C014-BA,BB	1
2A016 PUMP and MOTOR ASSY. (BRAKE BOOSTER)				
80/83	B-F-FT600/800 -- with Hydro-Max Hyd. brakes	E0HZ 2A016-A		1
84/	Refer to Booster Parts List in Section 23.1			
2C017 EXCITER (BRAKE SKID CONTROL SENSOR)				
80/	C900,CT800/900,LNT-LT-LTL-LTS 800/900	D5HZ 2C017-A		2
2K017 BRACKET (HYDRAULIC BRAKE FLUID RESERVOIR)				
84/	All	E4HZ 2K017-A	Front	1
88/	All	E8HZ 2K017-B	Rear	1
2018-9 Refer to Front Brake Parts List Section 20.1				
2C020 SWITCH ASSY. (BRAKE WARNING INDICATOR)				
80	C-L-LN-LNT-LT-LTL-LTS800/900	D5HZ 2C020-A		1
2021-2 Serviced in 2007 kits				
2A021 Refer to Booster Parts List Section 23.1				
2B021 BOOT ASSY. (BRAKE CHAMBER)-Also Refer to Section 22.2				
80/	B-C-F-L-LN-LNT600/800	E6HZ 2B021-A		1
2023 Refer to Front Brakes Parts List Section 20.1				
2B023 Refer to Booster Parts List Section 23.1				
2B024 Refer to Front or Rear Brake Parts List Sections 20.1 and 22.1				

**1980/  
TRUCK SERIES 600/900**

2025 CHAMBER ASSY. (FRONT BRAKE AIR)

**FRONT BRAKE CHAMBER T.S.L. † CROSS-REFERENCE GUIDE**

1. Locate the front brake chamber number shown on the Truck Specification List. (When "See Frt. Axle" is shown on the T.S.L., use the front axle part number from the T.S.L. to find the correct chamber in the chart below.)
2. Use the Cross-Reference below to find the correct chamber service part number.
3. For component parts of the chamber refer to the parts list column for parts list number
4. Parts lists are in Section 22.2

YEAR	MODEL/RESTRICTIONS	PART NUMBER	DESCRIPTION	QTY.
2025	CHAMBER ASSY. (FRONT BRAKE AIR) — Cont'd			

**B SERIES**

80/88	B700 -- 7M,9M front axles Wagner	D6TZ 2025-A		2
89	B600/700 -- 7M axle w/manual slack adjusters	E9HZ 2025-A		1
89	B600/700 -- 8M,9M,10M axles w/manual slack adjusters	D6TZ 2025-A		1
89	B600/700 -- 12M axle w/manual slack adjusters	E9HZ 2025-B		1
89	B600/700 -- 7M axle w/automatic slack adjusters	E9HZ 2025-C		1
89	B600/700 -- 9M,10M axle w/automatic slack adjusters	E9HZ 2025-D		1
89	B600/700 -- 12M axle w/automatic adjuster	D8HZ 2025-A		

**C-CT SERIES**

80/	C600/900 -- 7M,9M front axles Wagner	D6TZ 2025-A		2
80/	C-CT800/900 -- 12M front axles Wagner	D6HZ 2025-A		2
80/86	C800,CT800/900 -- 16M,18M,20M front axles MGM "Before 2/86"	D9HZ 2025-A		2
86/87	C800,CT800/900 -- 16M,18M, 20M front axles-MGM -- "From 2/86"	E6HZ 2025-B		2
88/	C800,CT800/900 -- 16M, 18M,20M front axles	E8HZ 2025-A		2

**CF SERIES**

86/	CF600/700 -- air/hyd.	E6HZ 2025-A		2
86/	CF600/800 -- air	E6HZ 2025-C		2

**CL-CLT SERIES**

80/88	CL-CLT900 -- 12M front axles Wagner	D8HZ 2025-A		2
89	CL-CLT900 -- 12M axle w/manual slack adjusters	E9HZ 2025-B		1
89	CL-CLT900 -- 12M axle w/automatic slack adjusters	D6TZ 2025-A		1

**1980/  
TRUCK SERIES 600/900**

YEAR	MODEL/RESTRICTIONS	PART NUMBER	DESCRIPTION	QTY.
2025	CHAMBER ASSY. (FRONT BRAKE AIR) — Cont'd			

**F-FT SERIES**

80/88	F-FT700/900 -- 7M,9M front axles Wagner	D6TZ 2025-A		2
89	F-FT700/900 -- axle w/manual slack adjusters	E9HZ 2025-A		1
89	F-FT700/900 -- 8M,9M,10M axles w/manual slack adjusters	D6TZ 2025-A		1
89	F-FT700/900 -- 12M axle w/manual slack adjusters	E9HZ 2025-B		1
89	F-FT700/900 -- 7M axle w/automatic slack adjusters	E9HZ 2025-C		1
89	F-FT700/900 -- 9M,10M axle w/automatic slack adjusters	E9HZ 2025-D		1
89	F-FT700/900 -- 12M axle w/automatic slack adjusters	D8HZ 2025-A		1

**L-LN-LNT-LT-LTL-LTS SERIES**

80/88	L-LN-LNT-LT-LTS600/900 -- 7M,9M front axles Wagner	D6TZ 2025-A		2
80/88	L-LN-LNT-LT-LTL-LTS800/900 -- 12M front axles Wagner	D6HZ 2025-A		2
89	L-LN-LNT-LT-LTL-LTS 600/900 -- 7M axle w/manual slack adjusters	E9HZ 2025-A		1
89	L-LN-LNT-LT-LTL-LTS 600/900 -- 9M,10M axles w/manual slack adjusters	D6TZ 2025-A		1
89	L-LN-LNT-LT-LTL-LTS 600/900 -- 12M axle w/manual slack	E9HZ 2025-B		1
89	L-LN-LNT-LT-LTL-LTS 600/900 -- 7M axle w/automatic slack adjusters	E9HZ 2025-C		1
89	L-LN-LNT-LT-LTL-LTS 600/900 -- 9M,10M axles w/automatic slack adjusters	E9HZ 2025-D		1
89	L-LN-LNT-LT-LTZ-LTS 600/900 -- 12M axle w/automatic slack adjusters	D8HZ 2025-A		1
80/86	LNT-LT-LTS800/900 -- 16M,18M,20M front axles MGM "Before 2/86"	D9HZ 2025-A		2

1980/  
TRUCK SERIES 600/900

YEAR	MODEL/RESTRICTIONS	PART NUMBER	DESCRIPTION	QTY.
2025	CHAMBER ASSY. (FRONT BRAKE AIR) — Cont'd			
<b>L-LN-LNT-LT-LTL-LTS SERIES</b>				
86/87	LNT-LT-LTS800/900 -- 16M,18M,20M front axles-- MGM "From 2/86"	E6HZ 2025-B		2
88/	LNT-LT-LTS800/900 -- 16M, 18M,20M front axles	E8HZ 2025-A		2
2A026	TUBE (AIR RESERVOIR TO RELAY VALVE)-- Improvise from bulk tubing (2269) and improvise insulators from rubber hose, friction tape, etc.			
		372550-S	(II-180)-elbow assy. (tube to reservoir)-45°	1
2B026	Refer to Rear Brake Parts Lists Section 22.1			
2027	Refer to Front or Rear Brake Parts Lists Section 20.1 and 22.1			
2A027	TUBE (AIR BRAKE RELAY VALVE TO TEE)-- Improvise from bulk tubing (2269) and improvise insulators from rubber hose, friction tape, etc.			
		372550-S	(II-180)-elbow assy. (tube to brake pedal)-45°	1
2028	Refer to Front or Rear Brake Parts Lists Section 20.1 and 22.1			
2A028	TUBE (BRAKE BOOSTER RESERVOIR TO BOOSTER)-- Improvise from bulk tubing (2269) and improvise insulators from rubber hose, friction tape, etc.			
		376836-S	(II-146-G)-tee (tube to reservoir)- 1/2" x3/8" x3/8" pipe	1
		377744-S	(II-176-L)-elbow (to reservoir)-45°-Brass	1
2B028	Refer to Model Application Chart in group 2225			
2029	Refer to Front or Rear Brake Parts Lists Sections 20.1 and 22.1			
2031	BRACKET (POWER BRAKE BOOSTER MOUNTING)-- For Booster Identification and Booster Parts Lists, refer to Section 23.1			
2B031	PLUG (AIR BRAKE CHAMBER)--Also refer to 2225 group			
83/	All-with Anchorlok Chambers	E3HZ 2B031-A		AR
83/	All-with MGM Chambers	E3HZ 2B032-B		AR
2032	Refer to Booster Parts List in Section 23.1			
2B032	Refer to Rear Brake Parts List Section 22.1			
2K032	TUBE ASSY. (BRAKE HYDRAULIC STRAIGHT)-- Improvise from bulk tubing (2269) and improvise insulators from rubber hose, friction tape, etc.			
80/		87943-S32	(I-21)-fitting-1/4" tube-7/16"-24	2
80/		372130-S36	(MM-108-D)-nut-1/4" tube-1/2"-20 inverted flared tube	2
2033	NUT (BRAKE AIR BOOSTER BODY PISTON PACKING RETAINER)			
80/	B-C-F-L700/900	B3Q 2033-A	1"-14	1
2B034	Refer to Model Application Chart in group 2225			
2035-6	Refer to Front or Rear Brake Parts Lists Sections 20.1 and 22.1			
2B035	Refer to Model Application Chart in group 2225			
2A036	GAUGE ASSY. (BRAKE VACUUM)			
80/	B600/800, C600/900	D5HZ 2A036-A		1
80/	F-FT600/900 -- (81)-with single H/V brakes and frame mtd. boosters	E0HZ 2A036-A		1
80/	F-FT600/900 -- (84)-with single H/V brakes and frame mtd. boosters	D0HZ 2A036-A		1
80/	L-LN-LNT-LT-LTS600/900	D0HZ 2A036-A		1
2B036	Refer to Model Application chart in group 2225			



**1980/  
TRUCK SERIES 600/900**

YEAR	MODEL/RESTRICTIONS	PART NUMBER	DESCRIPTION	QTY.
<b>2B036 GASKET (BRAKE AIR CONTROL VALVE MOUNTING)</b>				
80/	CL-CLT900	EOHZ 2B036-A	Use w/D8HZ 2A622-B,D,E,F and EOHZ 2A622-B,C,D	1
<b>2A037 HOSE (BRAKE BOOSTER RESERVOIR TANK GAUGE)- Replacement hoses exc. as indicated by part number are to be made from DOPZ 17543-A</b>				
80/	B600/700	377760-S	(II-100-A)-tee (3 way)-1/2" x 1/2" x 1/4" hose	1
80/	B-F-FT-L-LN-LNT600/900	380064-S	(II-10-J)-elbow (to manifold fitting)-1/4"-18	1
<b>2B038 Refer to Rear Brake Parts Lists Section 22.1</b>				
<b>2B039 BEARING ASSY. (BRAKE VACUUM PUMP ROTOR SHAFT)</b>				
80/	B-C-F-LN600/700	C7TZ 2B039-A		1
<b>2K039 TUBE ASSY. (FRONT BRAKE HOSE TO CONNECTOR)</b>				
86/	CF600/700	E6HZ 2K039-A		1
<b>2K040 TUBE ASSY. (FRONT BRAKE HOSE TO CONNECTOR)</b>				
86/	CF600/700	E6HZ 2K040-A		1
<b>2041 SCREW (BRAKE ADJUSTING)-Also refer to Front or Rear Brake Parts Lists Sections 20.1 and 22.1</b>				
80/	C-L800/900	★ B7A 2041-A r/bC2AZ 2041-A	12" x 4" internal parking brake	1
<b>2A041 Refer to Front or Rear Brake Parts Lists Sections 20.1 and 22.1</b>				
<b>2042 BRAKE ADJUSTING SCREW LINK REPAIR KIT- For Model Application-refer to Front or Rear Parts Lists Sections 20.1 and 22.1</b>				
80/	15 x 3, 15 x 3 1/2 front brakes	C8TZ 2042-F	Consists of 2-C8TZ 2042-E Links 2-C8TZ 2B212-A Retainer	1 1
80/	15 x 5, 15 x 6, 15 x 7 rear brakes	C8TZ 2042-G	Consists of 1-C8TZ 2042-D Links 2-C8TZ 2B212-A Retainer	1 1
<b>2042 Refer to Front or Rear Brake Parts Lists Sections 20.1 and 22.1</b>				
<b>2043 Refer to Front or Rear Brake Parts Lists Sections 20.1 and 22.1</b>				
<b>2045 Refer to Rear Brake Parts Lists Section 22.1</b>				
<b>2046 Refer to Front Brake Parts Lists Section 20.1</b>				
<b>2047 NUT (BRAKE ADJUSTING SCREW)-Also refer to Front or Rear Brake Parts Lists Sections 20.1 and 22.1</b>				
80/	C-L800/900	B8QH 2047-A	12" x 4" internal parking brake	2
<b>2048 SOCKET (BRAKE SHOE ADJUSTING SCREW)-Also refer to Front or Rear Brake Parts Lists Sections 20.1</b>				
80/	C-L800/900	B8QH 2048-A	12" x 4" internal parking brake	2
<b>2049 Refer to Front or Rear Brake Parts Lists Sections 20.1 and 22.1</b>				
<b>2050 TUBE (AIR BRAKE RELEASE VALVE TO FITTING)- Improvise from bulk tubing (2269) and improvise insulators from rubber hose, friction tape, etc.</b>				
		358244-S	(II-183)-elbow (tube to valve)-90°	1
		357946-S8	(GG-152)-clip (tube to frame)-9/16"	2
		20387-S8	(B-157)-bolt (clip to frame)-5/16"-24x1	2
		33798-S8	(M-62)-nut-5/16"-24	2
		34806-S7	(X-64)-lockwasher-5/16"	2
<b>2051 Refer to Front Brake Parts Lists Section 20.1</b>				
<b>2A051 BRACKET (BRAKE LINE SUPPORT)</b>				
80/	CL-CLT900	C8TZ 2A051-B		AR
<b>2052 Refer to Front Brake Parts Lists Section 20.1</b>				
<b>2053 Refer to Front or Rear Brake Parts Lists Section 20.1 and 22.1</b>				
<b>2C054-5 WIRING ASSY. (BRAKE SKID CONTROL)</b>				
80/	C-CT-L-LN-LNT-LTS600/900	D5HZ 2C054-A	Front	1
80/	B-C-F-FT-L-LN600/900	D5HZ 2C055-A	Rear	1
80/	CT-LNT-LT-LTS800/900		Rear	2
80/	LNT-LT-LTS900-diesel 44M rear axle with top mtd. carrier-Forward rear axle	D8HZ 2C055-A	# D7HT 2C055-CA	1

**1980/  
TRUCK SERIES 600/900**

YEAR	MODEL/RESTRICTIONS	PART NUMBER	DESCRIPTION	QTY.
<b>2C054-5 WIRING ASSY. (BRAKE SKID CONTROL) —Cont'd</b>				
80/	LNT-LT-LTS900 -- diesel 44M rear axle with top mtd. carrier-Rear axle	D8HZ 2C055-B	#D7HT 2C055-DA	1
2055 Refer to Rear Brake Parts Lists Section 22.1				
<b>2C056 COVER (BRAKE SKID CONTROL MODULATOR)</b>				
80/	B-C-CL-CLT-CT-F-FT-L-LN-LNT-LT-LTS 600/900-Eaton system	D8HZ 2C056-A	Use with D7HT 2B373-AA,DA	1
80/	B-C-CT-CL-CLT-F-FT-L-LN-LNT-LT-LTS 600/900 -- Kelsey-Hayes system	D5TZ 2C056-B		1
<b>2A059 TUBE (AIR BRAKE QUICK RELEASE VALVE TO UNION)-</b> Improvise from bulk tube (2269) and improvise insulators from rubber hose, friction tape, etc.				
		357946-S8	(GG-152)-clip (tube to frame)-9/16"	AR
		20467-S7	(B-160)-bolt (clip to frame)-5/16"-24 x 1 1/2"	AR
		33798-S8	(M-62)-nut-5/16"-24	AR
		34806-S7	(X-64)-lockwasher-5/16"	AR
2061-2 Refer to Front or Rear Brake Parts Lists Sections 20.1 and 22.1				
<b>2C061 SENSOR RETAINER KIT (BRAKE SKID CONTROL)</b>				
80	B-C-CT-CL-CLT-F-FT-L-LN-LNT-LT-LTS 600/900 -- Eaton system	D5TZ 2C061-A		1
<b>2C062 SENSOR GAGE BLOCK KIT (BRAKE SKID CONTROL)</b>				
80	B-C-CT-CL-CLT-F-FT-L-LN-LNT-LT-LTS 600/900 -- Eaton system	D5TZ 2C062-A		1
<b>2K062 CAP (BRAKE RESERVOIR VALVE)</b>				
84/	All	E4HZ 2K062-A		1
<b>2063 TANK ASSY. (BRAKE RESERVOIR)</b>				
<b>B SERIES</b>				
80/86	B700 -- air brakes	E0HZ 2063-A	#E0HT 2063-A1C,A2C,A3C,A4C-7" dia. x 19" long	1
80/86	B700 -- air brakes	E0HZ 2063-B	#E0HT 2063-C1C,C2C,C3C,C4C-8 1/8" dia. x 20" long	2
87/	B600/750 -- air brakes	E7HZ 2063-H	#E6HT-2063-AA	1
87/	B600/750 -- air brakes-6.6L, 7.8L engs.	E7HZ 2063-B	#E7HT 2063-A1A	2
87/	B600/750 -- air brakes-6.6L, 7.8L engs.	E7HZ 2063-C	#E7HT 2063-BA	1
<b>C-CT SERIES</b>				
80/	C600/900 -- hyd. brakes With 135", 153", 175" W/B	C7TZ 2063-A	8" dia. x 22" long	1
80/	C600/900 -- 99" and 111" W/B -- w/split H/V brakes	C8HZ 2063-A	7" dia. x 15" long	2
80/	C600/900 -- air brakes	D5HZ 2063-D	#D5HA 2063-NA-11" dia. x 19" long	2
80/88	C600/900 -- air brakes	D5HZ 2063-E	#D5HA 2063-RA-7" dia. x 12" long	1
89	C800/900	E9HZ 2063-B		1
80/	C600/900 -- air brakes	D5TZ 2063-B	#D5TA 2063-DA-7" dia. x 16 1/2" long	1
80/	CT800/900 -- air brakes	D5HZ 2063-D	#D5HA 2063-NA-11" dia. x 19" long	2
80/	CT800/900 -- air brakes	D5HZ 2063-F	#D5HA 2063-SA-8" dia. x 22" long	1
80/	CT800/900 -- air brakes	D5HZ 2063-G	#D5HA 2063-TA-7" dia. x 30" long	1
<b>CF SERIES</b>				
86	CF600/700	E6HZ 2063-A	Dry	1
86	CF600/700	E6HZ 2063-B	Wet	1
87/	CF600/700 -- 6.6 eng.	E7HZ 2063-G		1
87/	CF700/800 -- 7.8 eng.	E7HZ 2063-D	Dry	1
87/	CF700/800 -- 7.8 eng.	E7HZ 2063-E	Wet-w/o auto. drain cock	1
87/	CF700/800 -- 7.8 eng.	E7HZ 2063-F	Wet-w/auto. drain cock	1
87/	CF600/800 -- fuel air brakes	E7HZ 2063-L		1
87/	CF700/800 -- air/hyd. brakes	E7HZ 2063-M		1
88/	CFT700/800	E8HZ 2063-A		1

1980/  
TRUCK SERIES 600/900

YEAR	MODEL/RESTRICTIONS	PART NUMBER	DESCRIPTION	QTY.
<b>2063 TANK ASSY. (BRAKE RESERVOIR) — Cont'd</b>				
<b>CL-CLT SERIES</b>				
80/	CL-CLT900 -- air brakes	D8HZ 2063-A	#D7HA 2063-AA-7" dia. x 41" long	2
80/	CLT900 -- air brakes	D8HZ 2063-B	#D7HA 2063-BA-7" dia. x 22" long	1
80/89	CL-CLT900 -- air brakes "Before 6/89"	D8HZ 2063-C	#D7HA 2063-DA-8" dia. x 20" long	1
89	CL-CLT900 -- air brakes "From 6/89"	E9HZ 2063-A		1
87/	CL-CLT900 -- air brakes	E7HZ 2063-J	#E6HT-2063-BA	2
80/84	CL-CLT900 -- vertical air dryer tank w/air brakes	D8HZ 2063-F	8" dia. x 20" long	1
<b>CL-CLT SERIES</b>				
85/	CL-CLT900 -- vertical air dryer tank w/air brakes	E5HZ 2063-B		1
80/84	CL-CLT900 -- horizontal air dryer tank-w/air brakes	D8HZ 2063-G	8" dia. x 20" long	1
85/	CL-CLT900 -- horizontal air dryer tank w/air brakes	E5HZ 2063-A		1
84/	CL900 -- w/Hendrickson 4 leaf susp.	E4HZ 2063-A	#E4HT 2063-AA	1
<b>F-FT SERIES</b>				
80/82	F600/800 -- air brakes	E0HZ 2063-A	#E0HT 2063-A1C,A2C,A3C,A4C-7" dia. x 19" long	1
80/82	F600/800 -- air brakes	E0HZ 2063-B	#E0HT 2063-C1C,C2C,C3C,C4C-8 1/8" dia. x 20" long	2
83/86	F600/800 -- air brakes	E3HZ 2063-D		2
80/86	F600/800 -- single H/V brakes	E0HZ 2063-C	#E0HT 2063-DA-8 1/8" dia. x 20" long	1
87/	F600/800 -- air brakes	E7HZ 2063-H	#E6HT 2063-AA	1
87/	F600/800 -- air brakes-- 6.6L, 7.8L engs.	E7HZ 2063-B	#E7HT 2063-A1A	1
87/	F600/800 -- air brakes-- 6.6L, 7.8L engs.	E7HZ 2063-C	#E7HT 2063-BA	1
87/	FT800/900 -- air brakes	E7HZ 2063-K	#E6HT 2063-CA	1
83/	FT800/900 -- air brakes exc. RT6613 trans.	E3HZ 2063-B	8" dia. x 22" long	2
83/	FT800/900 -- air brakes exc. RT6613 trans.	E3HZ 2063-C	7" dia.	1
83/	FT800/900 -- air brakes RT6613 trans.	E3HZ 2063-A		1
<b>L-LN-LNT-LT-LTL-LTS SERIES</b>				
80/81	LN600/750 -- w/single H/V brakes "Before 11/17/80"	D0HZ 2063-C	7 3/4" dia. x 23 3/4" long	1
81/83	LN600/750 -- w/single H/V brakes "From 11/17/80"	E1HZ 2063-C		1
80/83	LN600/750 -- air brakes "Before 10/82"	D5HZ 2063-A	#D5HA 2063-KA-9 1/2" dia. x 21" long	2
83/	LN600/750 -- air brakes "From 10/82"	E3HZ 2063-F	R.H.	1
		E3HZ 2063-E	L.H.	1
80/86	LN-LNT-800/900-- air brakes	D5HZ 2063-B	#D5HA 2063-LA,LB-11" dia. x 29 1/2" long	2
87/	LN-LNT800/900 -- air brakes	E7HZ 2063-N	3 1/2" x 6" long	1
80/88	LT-LTS800/900-- air brakes Exc. 44M,50M rear axles	D5HZ 2063-B	#D5HA 2063-LA,LB-11" dia. x 29 1/2" long	2
80/88	LT-LTS800/900-- air brakes with 44M,50M rear axles	★ D5HZ 2063-C	#D5HA 2063-MA-9 1/2" dia. x 18" long-- Not replaced	1
89	L-LL-LTL -- Air brakes	E9HZ 2063-B		1
82/	LTL9000	E1HZ 2063-B	R.H.	1
		E1HZ 2063-A	L.H.	1
<b>2B063 BRACKET ASSY. (BRAKE RESERVOIR MOUNTING)</b>				
86/	CF600/700 -- 6.6 eng.	E6HZ 2B063-A		1
87/	CF700/800 -- 7.8 eng.	E7HZ 2B063-A	Use w/E7HZ 2063-D	1
87/	CF700/800 -- 7.8 eng.	E7HZ 2B063-B	Use w/E7HZ 2063-E	1

1980/  
TRUCK SERIES 600/900

YEAR	MODEL/RESTRICTIONS	PART NUMBER	DESCRIPTION	QTY.
<b>2C063 VALVE (BRAKE SKID CONTROL MODULATOR)</b>				
80	B-C-CT-CL-CLT-F-FT-L-LN-LNT-LT-LTS 600/900 -- Eaton system	D5TZ 2C063-A	Use valve body assembly only when the body is damaged, otherwise order repair kit--refer to T.S.B. 191 (Sept. 5, 1979) for air brake deactivation instructions	1
80	B-C-CT-CL-CLT-F-FT-L-LN-LNT-LT-LTS 600/900, -- Eaton system	D5TZ 2C063-D	Repair kit for D5TZ 2C063-A	1
80/82	B-C-CT-F-FT-L-LN-LNT-LT-LTS 600/900	D8HZ 2C063-A		1
80/82	CL-CLT900 -- Kelsey-Hayes system			1
<b>2L063 VALVE REPAIR KIT (BRAKE RESERVOIR)</b>				
82/	LTL900	E1HZ 2L063-B	Repair kit for E1HZ 2063-B	1
<b>2C064 SOLENOID (BRAKE SKID CONTROL MODULATOR)</b>				
80/	B-C-CT-CL-CLT-F-FT-L-LN-LNT-LT-LTS 600/900 -- Eaton system	D5TZ 2C064-A		1
<b>2N064 BOOT (BRAKE ROD SEAL)</b>				
84/	L800/900	E4HZ 2N064-A		1
84/	F-FT600/80	E4HZ 2N064-B		1
84/	C600/800	E4HZ 2N064-C		1
<b>2C065 CONTROLLER (BRAKE SKID CONTROL MODULATOR)</b>				
80/82	B-C-CT-F-FT-L-LN-LNT-LT-LTS 600/900 -- Eaton system	D8HZ 2C065-B		1
80/82	CL-CLT -- Eaton system			1
<b>2066 Refer to Front or Rear Brake Parts Lists Sections 20.1 and 22.1</b>				
<b>2C066 TERMINAL BOX (BRAKE SKID CONTROL MODULATOR)</b>				
80/82	B-C-CT-CL-CLT-F-FT-L-LN-LNT-LT-LTS 600/900 -- Eaton system	D5TZ 2C066-A		1
<b>2B067 TUBE (BRAKE HAND CONTROL VALVE)- Improvise from bulk tubing (2269) and improvise insulators from rubber hose, friction tape, etc.</b>				
<b>2C067 WIRING HARNESS (BRAKE SKID CONTROL MODULATOR)</b>				
80/82	B-C-CT-CL-CLT-F-FT-L-LN-LNT-LT-LTS 600/900 -- Eaton system	D5TZ 2C067-A		1
<b>2W067 SWITCH ASSY. (EXHAUST BRAKE CONTROL)</b>				
86/	CF600/700	E6HZ 2W067-A	Hand operated	1
86/	CF600/800	E6HZ 2W067-B	Foot operated	1
<b>2068-9 Refer to Front or Rear Brake Parts Lists Section 20.1 and 22.1</b>				
<b>2C068 BRACKET (BRAKE SKID CONTROL MODULATOR TERMINAL BOX)</b>				
80	C-CT-CL-CLT-L-LNT-LT-LTS 600/900 -- Eaton system	D5HZ 2C068-A	Use with D5HZ 2B373-A	1
80	B-C-CT-CL-CLT-F-FT-L-LN-LNT-LT-LTS 600/900 -- Eaton system	D5TZ 2C068-A	Use with D5TZ 2B373-A	1
80/	B-C-CT-CL-CLT-F-FT-L-LN-LNT-LT-LTS 600/900 -- Eaton system	300888-S36	(B-47-A)-Bolt-(bracket to modulator)-1/4"-20 x 3"	1
<b>2W068 VALVE and CYLINDER ASSY. (EXHAUST BRAKE)</b>				
86/	CF600/700 -- 6.6 eng.	E6HZ 2W068-A		1
87/	CF700/800 -- 7.8 eng.	E7HZ 2W068-A		1
89	L-LL-LN-LNT-LS-LT-LTL-LTS 700/900 -- w/6.6L eng.	E9HZ 2W068-A		1
89	L-LL-LN-LNT-LS-LT-LTL-LTS 700/900 -- w/7.8L eng.	E9HZ 2W068-B		1
<b>2C069 BEARING ASSY. (BRAKE SKID CONTROL MODULATOR)</b>				
80/	B-C-CT-F-FT-L-LN-LNT-LT-LTS600/900 -- Kelsey-Hayes system	★ D5TZ 2C069-A m/wD5TZ 2C063-B	use with D5TZ 2B373-B	1
<b>2W069 INSULATOR (BRAKE DISC CALIPER)</b>				
86/	CF600/700	E6HZ 2W069-A		1

**1980/  
TRUCK SERIES 600/900**

YEAR	MODEL/RESTRICTIONS	PART NUMBER	DESCRIPTION	QTY.
<b>2W071 CYLINDER REPAIR KIT (BRAKE EXHAUST)</b>				
86/	CF600/700	E6HZ 2W071-A		1
89	L-LL-LN-LNT-LS-LT-LTL-LTS 700/900 -- w/6.6L, 7.8L engs.			1
<b>2W072 VALVE REPAIR KIT (BRAKE EXHAUST)</b>				
86/	CF600/700	E6HZ 2W072-A		1
87/	CF700/800 -- 7.8 eng.	E7HZ 2W072-A		1
89	L-LL-LN-LNT-LS-LT-LTL-LTS 700/900 -- w/6.6L, 7.8L engs.			1
<b>2073 BRACKET (REAR BRAKE HOSE SUPPORT)</b>				
<b>B SERIES</b>				
80/	B600/750 -- split H/V brakes	D2TZ 2073-A		1
<b>C-CT SERIES</b>				
80/	C600/900 -- single H/V brakes	C6TZ 2073-B		1
80/	C600/900 -- split H/V brakes	D2TZ 2073-A		1
<b>F-FT SERIES</b>				
80/	F-FT600/900 -- single and split H/V brake	D2TZ 2073-A		1
83	FT800/900 -- Tandem Hyd. rear	E3HZ 2073-A		2
84/	FT800/900 -- w/Hyd. Vac. brakes	E4HZ 2073-A		2
		20389-S8	(B-171)-bolt (bracket to side member)- L.H.-3/8"-24 x 1"	1
		34395-S8	(M-99-A)-locknut-3/8"-24	AR
<b>L-LN-LNT-LT-LTS SERIES</b>				
80/	L800/900, LN800 -- gas and split H/V brakes	D0HZ 2073-A		1
80/	LN600/750 -- w/split H/V brakes			1
80/	LNT800, LT-LTS800/900 -- split H/V brakes	D0HZ 2073-B	R.H.	1
80/	LNT800, LT-LTS800/900 -- split H/V brakes	D0HZ 2073-C	L.H.	1
83	LNT-LT-LTS800 -- Tandem Hyd. rear	E3HZ 2073-A		2
84/	LNT-LT-LTS800 -- w/Hyd. Vac. brakes	E4HZ 2073-A		2
<b>2B073 Refer to Booster Parts Lists Section 23.1</b>				
<b>2W073 CAP (BRAKE EXHAUST CYLINDER)</b>				
86/	CF600/700	E6HZ 2W073-A		1
<b>2074 CONNECTOR (BRAKE PIPE TO REAR AXLE HOUSING)-For re-usable hose fittings refer to group 2269</b>				
<b>B SERIES</b>				
80/	B700/750 -- air brakes	C7TZ 2074-B	With spring operated parking brake	1
80/	B600/750 -- split H/V brakes	C8TZ 2074-A		1
80/	B700 -- diesel	C9TZ 2074-K	Attaches 2B451 hose to engine	1
80/	B700 -- with C6 trans.	C9TZ 2074-S		1
80/	B600/750 -- with 7M front axle	C9TZ 2074-E		1
80/	B700/750- air brakes w/brake skid control	D5TZ 2074-A	#D5TA 2074-AA-rear axle mtd.	1
80/	B700/750 -- air brakes	D5HZ 2074-C		1
80/	B600/700 -- air brakes	C9TZ 2074-L		1
<b>C-CT SERIES</b>				
80/	CT800/900	★ TWAE 2074-A	Order locally from Bendix-Westinghouse No. 235526-w/o spring operated parking brake- rear rear axle	2
	Eaton system			
80/	C700/900	01T 2074-A		1
80/	CT800/900 -- air brakes	C1TT 2074-B	With spring operated parking brake-forward rear axle-for hose to rear rear axle	1

**1980/  
TRUCK SERIES 600/900**

YEAR	MODEL/RESTRICTIONS	PART NUMBER	DESCRIPTION	QTY.
<b>2074 CONNECTOR (BRAKE PIPE TO REAR AXLE HOUSING)-For re-usable hose fittings refer to group 2269 — Cont'd</b>				
<b>C-CTSERIES</b>				
80/	C-CT600/900 -- air brakes	C7TZ 2074-B	With spring operated parking brake-forward rear axle-for hose to frame air line	1
80/	F600/800 -- air brakes	C7TZ 2074-B	With spring operated parking brake	1
80/	C600/900 -- split H/V brakes	C8TZ 2074-A		1
80/	C600/900 -- single H/V brakes	C8TZ 2074-B		1
80/	C600/900 -- w/o trailer pkg	D5HZ 2074-C		1
80/	CT800/900 -- cat engine	C9TZ 2074-B		1
80/	C600/800 -- Cat. mid range	C9TZ 2074-K	Attaches 8003 hose to 8A080 tank	1
80/83	CT800/900	D5HZ 2074-B	Frame side rail mount	1
80/	CT800/900 -- with 34M,38M,44M rear axle	D5HZ 2074-C		1
80/	C-CT600/900--air brakes W/brake skid control	D5TZ 2074-A	# D5TA 2074-AA-rear axle mtd.	1
<b>CF SERIES</b>				
86/	CF600/700	E6HZ 2074-A		1
<b>CL-CLT SERIES</b>				
80/	CL-CLT900 -- air brakes w/brake skid control	D5TZ 2074-A	# D5TA 2074-AA rear axle mtd.	1or2
80/	CL-CLT900 -- with 34M,38M,44M rear axle	D5HZ 2074-C		1
80/	CL-CLT900	C9TZ 2074-F		1
80/	CL-CLT900	C9TZ 2074-AC		1
80/	CL-CLT900	C9TZ 2074-AB		1
80/	CL-CLT900 -- diesel exc. Cum. KT	D8HZ 2074-D	Used in fuel tank supply line	1
<b>F-FT SERIES</b>				
80/	F-FT600/900 -- air brakes	C7TZ 2074-B	With spring operated parking brake	1
80/	F-FT600/900 -- split H/V brakes	C8TZ 2074-A		1
80/	F-FT600/900 -- single H/V brakes	C8TZ 2074-B		1
80/	F600/700 -- with C6 trans.	C9TZ 2074-S		1
80/	F-FT600/900 -- w/air brakes and 7M,9M front axle	C9TZ 2074-E		1
80/	F-FT600/900--air brakes w/brake skid control	D5TZ 2074-A	# D5TA 2074-AA-rear axle mtd.	1
80/	F-FT600/900 -- air brakes	D5HZ 2074-C		1
80/	F-FT600/900 -- air brakes	C9TZ 2074-L		1
80/	F-FT600/900 -- with diesel and 30,50 gal. tanks	C9TZ 2074-N		1
<b>L-LN-LNT-LT-LTS SERIES</b>				
80/	LNT-LT-LTS800/900 -- H/V brakes	O1T 2074-A		2
80/	L-LN-LNT-LT-LTS600/900 -- air wedge brakes	D0HZ 2074-B		1or2
80/	L-LN-LNT-LT-LTS600/900 -- air cam brakes	D0HZ 2074-C		1or2
80/	L-LN-LNT-LTS600/900 -- w/air brakes and 7M,9M front axle	C9TZ 2074-E		1
80/	LNT-LT800/900 -- air brakes w/brake skid control	D5HZ 2074-A	# D5HA 2K572-AA-frame mtd.	1
80/	LNT-LT-LTS900 -- w/34M, 38M,44M rear axles	D5HZ 2074-C		1
80/	LTS900 -- Diesel and 50M forward rear axle	D5HZ 2074-C		1
80/	L-LN-LNT-LT-LTS600/900-- air brakes w/brake skid control	D5TZ 2074-A	# D5TA 2074-AA-rear axle mtd.	1or2
80/	LN600/800 -- single H/V brakes	C8TZ 2074-B		1
82/	LTL900	E1HZ 2074-A		1
80/	B-C-F600	20411-S7	(B-184)-bolt (connector to housing)-7/16"-20 x 1 1/8"	1
80/	B-C-F600/800	356590-S	(XX-171)-washer-flat-7/16"	AR
		34808-S8	(X-67)-lockwasher-7/16"	AR
80/	B-F700/800	20388-S8	(B80)-bolt (connector to housing)-L.H.-3/8"-16 x 1"	1
80/	B-F600/800	354955-S	(II-160)-elbow (connector to tube)-1/4" street-45°	1

1980/  
TRUCK SERIES 600/900

YEAR	MODEL/RESTRICTIONS	PART NUMBER		DESCRIPTION	QTY.	
2B074 Refer to Booster Parts Lists Section 23.1						
2C074 RETAINER (BRAKE AIR HOSE)						
80/83	C-CT600/900	D5HZ	2C074-A		1	
84/	C-CT600/900	E4HZ	2C074-A		1	
2W074 SPRING (BRAKE EXHAUST CYLINDER)						
86/	CF600/700	E6HZ	2W074-A		1	
86/	CF600/700	E6HZ	2W074-B		1	
89	L-LL-LN-LNT-LS-LT-LTL-LTS 700/900 - - w/6.6L, 7.8L engs.					
2B075 Refer to Booster Parts Lists Section 23.1						
2076 FITTING (BRAKE and CLUTCH MASTER CYLINDER OUTLET)- Also refer to Front Brake Parts Lists Section 20.1 or Booster Parts List in Section 23.1						
80/	B-F600	357645-S		(II-122)-brake-4 way tee	1	
2C076 SEAL (BRAKE AIR HOSE)						
80/	C-CT600/900	D5HZ	2C076-A		1	
2W076 PISTON (BRAKE EXHAUST CYLINDER)						
86/	CF600/700	E6HZ	2W076-A		1	
89	L-LL-LN-LNT-LS-LT-LTL-LTS 700/900 - - w/6.6L, 7.8L engs.					
2077 BOLT (BRAKE INLET, OUTLET and CLUTCH FITTING)						
80/	B-C-F600/750	7EQ	2077-A	Brake master cyl. outlet to brake booster- 1/2"-20 x 1/2"	1	
80/	B-F600/750, C600			Brake booster inlet	1	
80/	B-F600/750, C600/900			Brake booster outlet	1	
80/	C700/900 - - 99" and 111" W/B	TVAA	2077-A	Brake booster outlet fitting-1/2"-20 x 1 9/32"	1	
2W077 CUP (BRAKE EXHAUST CYLINDER SPRING)						
86/	CF600/700	E6HZ	2W077-A		1	
89	L-LL-LN-LNT-LS-LT-LTL-LTS 700/900 - - w/6.6L, 7.8L engs.					
YEAR	MODEL	B R Y O A P C. K E ▲ E ◆	L P C. ▲	DESCRIPTION	PART NUMBER	
					R.H.	L.H.
2078 HOSE ASSY. (BRAKE) ◆ A-Air, H-Hydraulic ▲ F-Front Axle, FR-Forward Rear Axle, R-Rear Axle, RR-Rear Rear Axle						
80/	B600/700	H	F	6M,7M front axle - - split single and split 9M front axle	E0HZ 2078-N E0HZ 2078-G E0HZ 2078-A E0HZ 2078-D	E0HZ 2078-M E0HZ 2078-F E0HZ 2078-B E0HZ 2078-E
80/83	B600/700	H	R	Conn. 2074 on axle to brake line front port of conn. rear port of conn.		D5TZ 2282-J D5TZ 2282-K
84/	B600/700	H	F	Disc brakes	E3HZ 2078-A	E3HZ 2078-A
84/	B600/700	H	R	8.50 frame-Parking brakes 9.50 frame-13M,15M,17.5M rear axles-Parking brake 9.50 frame-18.5M,22M rear axles-Parking brake all-Service brakes		E4HZ 2282-D E4HZ 2282-A  E4HZ 2282-D E3HZ 2282-A
80/83	B600/700	A	F	Cam brakes-to air chamber	D5HZ 2078-E	D5HZ 2078-E
84/	B600/700	A	F		E4HZ 2078-A	E4HZ 2078-A
80/	C600/900	H	F	Single & split system-14" x 2 1/2" brakes	D5TZ 2078-T	D5TZ 2078-T
		H	F	Split system-15" x 3" brakes	D5TZ 2078-T D5TZ 2078-S	D5TZ 2078-T D5TZ 2078-S

**1980/  
TRUCK SERIES 600/900**

YEAR	MODEL	B R A K E E	T R A C K	L O C A T I O N	DESCRIPTION	PART NUMBER						
						R.H.		L.H.				
2078 HOSE ASSY. (BRAKE) — Cont'd												
◆ A—Air, H—Hydraulic ▲ F—Front Axle, FR—Forward Rear Axle, R—Rear Axle, RR—Rear Rear Axle												
84/	C600/900	H	F		Disc brakes	E3HZ	2078-A	E3HZ	2078-A			
80/83	C600/900	H	R		Single system—conn. 2074 to frame brake line			D5TZ	2282-J			
		H	R		Split system—conn. 2074 to frame brake line front port of conn. rear port of conn.			D5TZ	2282-J 2282-K			
84/	C600/900	H	R		All—Parking brakes all—Service brakes			E4HZ	2282-A E3HZ 2282-A			
80/	C600/900	A	F		Cam brakes—to air chamber	D5HZ	2078-D	D5HZ	2078-D			
80/	C900	A	F		Disc brakes—15M, 16M, 18M front axles	D5HZ	2078-A	D5HZ	2078-A			
80/	C900	A	F		Wedge brakes—16M,18M front axles	D5HZ	2078-D	D5HZ	2078-D			
86	CF600/700	A	F			E6HZ	2078-A	E6HZ	2078-A			
		H	F		Disc brakes	E3HZ	2078-A	E3HZ	2078-A			
		A	R		Cam brakes	E6HZ	2282-A	E6HZ	2282-A			
		A	R		Pkg. brakes	E6HZ	2282-B	E6HZ	2282-B			
80/	CL-CLT900	H	R			E6HZ	2282-C	E6HZ	2282-C			
		A	F		Cam brakes -- Cam brakes -- w/o noise shields Cam brakes -- w/noise shields	D5HZ	2078-B 2078-D	D5HZ	2078-B 2078-D			
80/	C600/900	A	R		Cam brakes -- improvise nylon tube		2269		2269			
		H	F		Single & split system—14" x 2 1/2" brakes	D5TZ	2078-T	D5TZ	2078-T			
80/	C600/900	H	F		Split system—15" x 3" brakes	D5TZ	2078-T	D5TZ	2078-T			
		H	F			D5TZ	2078-S	D5TZ	2078-S			
84/	C600/900	H	F		Disc brakes	E3HZ	2078-A	E3HZ	2078-A			
80/83	C600/900	H	R		Single system—conn. 2074 to frame brake line			D5TZ	2282-J			
		H	R		Split system—conn. 2074 to frame brake line front port of conn. rear port of conn.			D5TZ	2282-K			
84/	C600/900	H	R		All—Parking brakes all—Service brakes			E4HZ	2282-A E3HZ 2282-A			
80/	C600/900	A	F		Cam brakes—to air chamber	D5HZ	2078-D	D5HZ	2078-D			
80/	C900	A	F		Disc brakes—15M, 16M, 18M front axles	D5HZ	2078-A	D5HZ	2078-A			
80/	C900	A	F		Wedge brakes—16M,18M front axles	D5HZ	2078-D	D5HZ	2078-D			
86	CF600/700	A	F			E6HZ	2078-A	E6HZ	2078-A			
		H	F		Disc brakes	E3HZ	2078-A	E3HZ	2078-A			
		A	R		Cam brakes	E6HZ	2282-A	E6HZ	2282-A			
		A	R		Pkg. brakes	E6HZ	2282-B	E6HZ	2282-B			
80/	CL-CLT900	H	R			E6HZ	2282-C	E6HZ	2282-C			
		A	F		Cam brakes -- Cam brakes -- w/o noise shields Cam brakes -- w/noise shields	D5HZ	2078-B 2078-D	D5HZ	2078-B 2078-D			
80/	CT800/900	A	R		Cam brakes -- improvise nylon tube		2269		2269			
		A	F		Cam brakes—to air chamber	D5HZ	2078-D	D5HZ	2078-D			
80/	CT800/900	A	F		Disc brakes—15M, 16M, 18M front axles	D5HZ	2078-A	D5HZ	2078-A			
80/	CT800/900	A	F		Wedge brakes—16M, 18M front axles	D5HZ	2078-D	D5HZ	2078-D			
80/	F-FT600/800	H	F		Single system—	5.5M front axle	E0HZ	2078-P	E0HZ	2078-P		
						6M,7M front axle	E0HZ	2078-G	E0HZ	2078-F		
						9M front axle	E0HZ	2078-A	E0HZ	2078-B		
		H	F				Split system—	5.5M front axle	E0HZ	2078-P	E0HZ	2078-P
								6M,7M front axle	E0HZ	2078-N	E0HZ	2078-M
								"Before Ser. GJ5,001"	E0HZ	2078-G	E0HZ	2078-F
								"From Ser. GJ5,001"	E0HZ	2078-N	E0HZ	2078-M
								9M front axle	E0HZ	2078-G	E0HZ	2078-F
					9M front axle	-upper	E0HZ	2078-A	E0HZ	2078-B		
						-lower	E0HZ	2078-D	E0HZ	2078-E		



**1980/  
TRUCK SERIES 600/900**

YEAR	MODEL	B R A K E	T R A K E	L P C. ▲	DESCRIPTION	PART NUMBER		
						R.H.	L.H.	
2078		HOSE ASSY. (BRAKE) — Cont'd						
		◆ A—Air, H—Hydraulic ▲ F—Front Axle, FR—Forward Rear Axle, R—Rear Axle, RR—Rear Rear Axle						
84/	F-FT600/800	H	F		Disc brakes	E3HZ 2078-A	E3HZ 2078-A	
80/83	F-FT600/800	H	R		Single system—conn. 2074 to frame brake line		D5TZ 2282-J	
					Split system—conn. 2074 to frame brake line front port of conn. rear port of conn.		D5TZ 2282-J D5TZ 2282-K	
84/	F600/800	H	R		All Mdl. 81—Parking brake		E4HZ 2282-A	
					all Mdl. 84—8.50 frame— Parking brake		E4HZ 2282-D	
					all Mdl. 84—9.50 frame— 13M,15M,17.5M rear axles—Parking brake		E4HZ 2282-A	
					all Mdl. 84—9.50 frame— 18.5,22M rear axles— Parking brake All—Service brake		E4HZ 2282-D E3HZ 2282-A	
80/83	F-FT600/800	A	F		Cam brakes—to air chamber	D5HZ 2078-E	D5HZ 2078-E	
84/	F-FT600/900	A	F			E4HZ 2078-A	E4HZ 2078-A	
83/	F-FT600/800	H	F		Disc brakes—9M,12M front axle	E3HZ 2078-A	E3HZ 2078-A	
83	FT800	H	R		Hyd. brakes	E3HZ 2282-A	E3HZ 2282-A	
84/	FT800/900	H	FR		All—Parking brake		E4HZ 2282-B	
					RR All—Parking brake		E4HZ 2282-C	
					* —FR & RR axles— Service brake— Primary—2 regd.		E3HZ 2282-A	
					FR All—Service brake— Secondary—1 regd.		E4HZ 2282-E	
80/	LN600/700	A	F		Cam brakes—to air chamber w/drop frame	D5HZ 2078-D	D5HZ 2078-D	
80/	L800/900	H	F		Single system	D5HZ 2078-G	D5HZ 2078-G	
					Split system	D5HZ 2078-G	D5HZ 2078-G	
						D5HZ 2078-F	D5HZ 2078-F	
84/	L800/900	H	F		Disc brakes	E3HZ 2078-A	E3HZ 2078-A	
80/83	L800/900	H	R		Single system—conn. 2074 to frame brake line		D5TZ 2282-J	
					Split system—conn. 2074 to frame brake line front port to conn. rear port to conn.		D5TZ 2282-J D5TZ 2282-K	
80/	L800/900	A	F		Cam brakes—to air chamber	D5HZ 2078-E	D5HZ 2078-E	
80/	LN600/700	H	F		Single system	D5TZ 2078-T	D5TZ 2078-T	
					Split system	D5TZ 2078-T	D5TZ 2078-T	
						D5TZ 2078-S	D5TZ 2078-S	
						E3HZ 2078-A	E3HZ 2078-A	
80/83	LN600/700	H	R		Single system—conn. 2074 to frame brake line		D5TZ 2282-J	
					Split system—conn. 2074 to frame brake line front port to conn. rear port to conn. w/o drop frame		D5TZ 2282-K D5HZ 2078-E	
80/	LN800/900	H	F		Single system	D5HZ 2078-G	D5HZ 2078-G	
					Split system	D5HZ 2078-G	D5HZ 2078-G	
						D5HZ 2078-F	D5HZ 2078-F	
84/	LN800/900	H	F		Disc brakes	E3HZ 2078-A	E3HZ 2078-A	
80/83	LN800/900	H	R		Single system—conn. 2074 to frame brake line		D5TZ 2282-J	
					Split system—conn. 2074 to frame brake line front port to conn. rear port to conn.		D5TZ 2282-J D5TZ 2282-K	

1980/  
TRUCK SERIES 600/900

YEAR	MODEL	B R A K E ♦	T R A C K ▲	L O C. ▲	DESCRIPTION	PART NUMBER	
						R.H.	L.H.
2078 HOSE ASSY. (BRAKE) — Cont'd ♦ A-Air, H-Hydraulic ▲ F-Front Axle, FR-Forward Rear Axle, R-Rear Axle, RR-Rear Rear Axle							
80/	LN800/900	A	F		Cam brakes-to air chamber w/drop frame w/o drop frame	D5HZ 2078-D D5HZ 2078-E	D5HZ 2078-D D5HZ 2078-E
84/	LN800/900	A	R		Power divider diff. lockout control - - Rockwell axle	E4HZ 2282-F	
84/	LN600/900	H	R		All-Parking brake All-Service brake		E4HZ 2282-A E3HZ 2282-A
80/	LNT-LT- LTS800/900	H H	F F		Single system Split system	D5HZ 2078-G D5HZ 2078-G D5HZ 2078-F	D5HZ 2078-G D5HZ 2078-G D5HZ 2078-F
84/	LNT-LT- LTS800/900	A	R		Power divider diff. lockout control - - Rockwell axle	E4HZ 2282-F	
80/83	LNT-LT- 800/900	H	FR		2074 conn. to frame bracket		D5HZ 2282-C
		H	RR		2074 conn. to clip on axle	D5HZ 2282-D	
84/	LNT-LT800	H	FR		All-Parking brake		E4HZ 2282-B
			RR		All-Parking brake		E4HZ 2282-C
			*		*_FR & RR axles- Service brake- Primary-2 regd.		E3HZ 2282-A
			FR		All-Service brake- Secondary-1 regd.		E4HZ 2282-E
80/	LNT-LT- 800/900	A	F		Cam brakes-to air chamber w/drop frame w/o drop frame	D5HZ 2078-D D5HZ 2078-E	D5HZ 2078-D D5HZ 2078-E
80/	LNT-LT-LL- LTL-LTS 800/900	A	F		Disc brakes (LTS)-16M, 18M, 20M front axles Disc brakes (LNT-LT)-16M, 18M front axles Wedge brakes-16M, 18M, 20M front axles	E0HZ 2078-K D5TZ 2078-T D5HZ 2078-E	E0HZ 2078-K D5TZ 2078-T D5HZ 2078-E
YEAR	MODEL/RESTRICTIONS	PART NUMBER		DESCRIPTION	QTY.		
80/	C-CT-L-LN800/900	376034-S		(II-176-J)-elbow (rear hose to quick release valve)-brass-90	1		
80/	C800	354955-S		(II-160)-elbow (rear hose to quick release valve)	1		
80/	C600/800			Elbow (rear hose to trailer connector)	1		
80/	B600/750 - - split H/V brakes	382367-S100		(GG-295)-clip (attach rear hose to hose)- 7/16" x 7/16" double	2		
2A078 TUBE (AIR BRAKE TEE TO MANIFOLD FITTING)- Improvise from bulk tubing (2269) and improvise insulators from rubber hose, friction tape, etc.							
80/	C900	20326-S7		(B-49)-bolt (tube to dash panel extensions)- 5/16"-18 x 5/8"	1		
80/	C600/900	357946-S8		(GG-152)-clip (tube to frame)	2		
80/	C600/900			Clip (tube to dash panel)	1		
80/	C600/900	20387-S8		(B-157)-bolt (clip to frame)-5/16"-24 x 1"	2		
80/	C600			Bolt (clip to brake line bracket)	1		
		33798-S8		(M-62)-nut-5/16"-24	AR		
		34806-S7		(X-64)-lockwasher-5/16"	AR		
80/	C600/700 - - 8cyl.	352992-S		(II-26)-connector (tube to fitting)-3/8"	1		
2W078 YOKE (BRAKE EXHAUST CYLINDER)							
86/	CF600/700	E6HZ 2W078-A			1		
89	L-LL-LNT-LS-LT-LTL-LTS 700/900 - - w/6.6L, 7.8L engs.						

1980/  
TRUCK SERIES 600/900

YEAR	MODEL/RESTRICTIONS	PART NUMBER	DESCRIPTION	QTY.
<b>2W079 PLATE (BRAKE EXHAUST VALVE)</b>				
86/	CF600/700	E6HZ 2W079-A		1
87/	CF700/800 -- 7.8 eng.	E7HZ 2W079-A		1
89	L-LL-LNT-LS-LT-LTL-LTS 700/900 -- w/6.6L, 7.8L engs.			
<b>2080/ CONNECTION (FRONT BRAKE CYLINDER INLET)</b>				
80/	B600/750, C600/900, F600/750, L800/900	7EQ 2080		2
<b>2A080/ BRACKET (TRAILER BRAKE HOSE MOUNTING)</b>				
80/	L-LN-LNT-LT-LTS600/900	D0HZ 2A080-A	Air brakes and tractor trailer equipment- #D0HA 2A080-A	1
80/	L-LN-LNT-LT-LTS 700/900	D9HZ 2A080-A	Air brakes and unitized tractor trailer option	1
<b>2W080 BODY (BRAKE EXHAUST VALVE)</b>				
86/	CF600/700	E6HZ 2W080-A		1
89	L-LL-LNT-LS-LT-LTL-LTS 700/900 -- w/6.6L, 7.8L engs.			
<b>2W081 SHAFT (BRAKE EXHAUST VALVE)</b>				
86/	CF600/700	E6HZ 2W081-A		1
89	L-LL-LNT-LS-LT-LTL-LTS 700/900 w/6.6L, 7.8L engs.			
<b>2082 BRACKET (FRONT BRAKE HOSE SUPPORT)</b>				
<b>B SERIES</b>				
80/83	B600/700 -- Hyd. brakes	E0HZ 2082-A	#E0HT 2A056-BA-on frame	2
80/	B600/700 -- 15" x 3" H/V brakes and 6M, 7M front axle	C9TZ 2082-G	R.H.-#C9TA 2082-E-at wheel	1
80/83	B600/750 -- 15" x 3" H/V brakes and 6M, 7M front axle	C9TZ 2082-H	L.H.-#C9TZ 2A056-C-at wheel	1
80/	B600/700 -- Hyd. brakes and 9M front axle	D2TZ 2082-C	R.H.-#D1TA 2082-CH-at wheel	1
80/	B600/700 -- Hyd. brakes and 9M front axle	D2TZ 2082-D	L.H.-#D1TA 2A056-CA-at wheel	1
84/	B600/700 -- w/Hyd. Vac. brakes	E4HZ 2082-B	#E4HT 2A056-BA	1
<b>C-CT SERIES</b>				
80/	C600/900 -- H/V brakes	D0TZ 2082-B	L.H. side-on frame	1
80/84	C600 -- 14" x 2 1/2" H/V brakes	D1TZ 2082-D	R.H.-#D1TA 2082-BA-at wheel	1
80/84	C600 -- 14" x 2 1/2" H/V brakes	D1TZ 2082-E	L.H.-#D1TA 2A056-AA-at wheel	1
80/	C700/900 -- 15" x 3" H/V brakes and 9M front axles	D2TZ 2082-C	R.H.-#D1TA 2082-CA-at wheel	1
80/	C700/900 -- 15" x 3" H/V brakes and 9M front axles	D2TZ 2082-D	L.H.-#D1TA 2A056-CA-at wheel	1
80/	C600/750 -- 15" x 3" H/V brakes and 6M, 7M front axles	C9TZ 2082-G	R.H.-#C9TA 2082-E-at wheel	1
80/83	C600/750 -- 15" x 3" H/V brakes and 6M, 7M front axle	C9TZ 2082-H	L.H.-#C9TA 2A056-C-at wheel	1
84/	C600/900 -- w/Hyd. Vac. brakes	E4HZ 2082-C	#E4HT 2A056-CA	1
80/	C900 -- w/disc brakes	D5HZ 2082-D	R.H.-#D5HZ 2082-FA	1
80/	C900 -- w/disc brakes	D5HZ 2082-E	L.H.#D5HA 2A056-BA	1
80/	C900,CT800/900 -- air brakes and 15M front axle	D5HZ 2082-A	#D5HA 2082-CA	2
80/	CT800/900 -- w/disc brakes	D5HZ 2082-D	R.H.-#D5HA 2082-FA	1
80/	CT800/900 -- w/disc brakes	D5HZ 2082-E	L.H.-#D5HA 2A056-BA	1
80/	C-CT800/900 -- 16M,18M front axle with 15" x 6" wedge brake	D9HZ 2082-A	#D7HT 2A056-AA	2

1980/  
TRUCK SERIES 600/900

YEAR	MODEL/RESTRICTIONS	PART NUMBER	DESCRIPTION	QTY.
<b>2082 BRACKET (FRONT BRAKE HOSE SUPPORT) — Cont'd</b>				
<b>CF SERIES</b>				
86/	CF600/700	E6HZ 2082-B		1
86/	CF600/700	E6HZ 2082-C		1
86/	CF600/700	E6HZ 2082-D		1
<b>F-FT SERIES</b>				
80/83	F-FT600/900 -- Hyd. brakes	E0HZ 2082-A	#E0HT 2A056-BA-on frame	2
80/	F-FT600/900 -- Hyd. brakes and 6M, 7M front axle	C9TZ 2082-G	R.H.-#C9TA 2082-E-at wheel	1
80/83	F-FT600/800 -- Hyd. brakes and 6M, 7M front axle	C9TZ 2082-H	L.H.-#C9TA 2A056-C-at wheel	1
80/	F-FT600/900 -- Hyd. brakes and 9M front axle	D2TZ 2082-C	R.H.-#D1TA 2082-CA-at wheel	1
80/	F-FT600/900 -- Hyd. brakes and 9M front axle	D2TZ 2082-D	L.H.-#D1TA 2A056-CA-at wheel	1
84/	F-FT600/900 -- w/Hyd. Vac. brakes	E4HZ 2082-B	#E4HT 2A056-BA	1
83/	F-FT600/900 -- disc brakes & 9M,12M axle	E3HZ 2082-A		2
<b>L-LN-LNT-LT-LTS SERIES</b>				
80/	L-LN-LNT-LT-LTS800/900 -- H/V brakes	D0TZ 2082-B	L.H. side-on frame	1
80/	L-LN-LNT-LT-LTS600/900 -- 15" x 3" H/V brakes and 6M, 7M front axles	C9TZ 2082-G	R.H.-#C9TA 2082-E-at wheel	1
80/83	L-LN-LNT-LT-LTS600/900 -- 15" x 3" H/V brakes and 6M, 7M front axles	C9TZ 2082-H	L.H.-#C9TA 2A056-C-at wheel	1
84/	L-LN600/700 -- w/Hyd. Vac. brakes	E4HZ 2082-B	#E4HT 2A056-BA	1
80/84	L800, LN600/800 -- 14" x 2 1/2" H/V brakes and 6M front axle	D1TZ 2082-D	R.H.-#D1TA 2082-BA-at wheel	1
80/84	L800, LN600/800 -- 14" x 2 1/2" H/V brakes and 6M front axle	D1TZ 2082-E	L.H.-#D1TA 2A056-AA-at wheel	1
84/	L-LN800 -- w/Hyd. Vac. brakes	E4HZ 2082-A	#E4HT 2A056-AA	1
80/	L-LN-LNT-LT-LTS700/900 -- 15" x 3" H/V brakes and 9M, 12M front axles	D2TZ 2082-C	R.H.-#D1TA 2082-CA-at wheel	1
80/	L-LN-LNT-LT-LTS700/900 -- 15" x 3" H/V brakes and 9M, 12M front axles	D2TZ 2082-C	L.H.-#D1TA 2A056-CA-at wheel	1
80/	LNT-LT-LTS800/900 -- air brakes and 16M,18M,20M front axles	D5HZ 2082-A	#D5HA 2082-CA	2
80/	LNT-LT-LTS800/900 -- w/disc brakes	D5HZ 2082-B	R.H.-#D5HA 2082-EA	1
80/	LNT-LT-LTS800/900 -- w/disc brakes	D5HZ 2082-C	L.H.-#D5HZ 2A056-AA	1
80/	LNT-LT-LTS800/900 -- 16M,18M,20M front axle with 15" x 6" wedge brake	D9HZ 2082-A	#D7HT 2A056-AA	2
80/	L-LN-LNT-LT-LTS800/900 -- w/o under hood battery	D2HZ 2082-A	R.H.-#D2HA 2A056-AA-on frame	1
<b>2C083 BRACKET ASSY. (BRAKE HOSE CONNECTOR)</b>				
83/	FT800 -- 34M rear axle	E3HZ 2C083-A		2
84/85	C-F-L-LN600/800 (CAB)	E4HZ 2C083-A		1
86	C-F-L-LN600/800 (CAB)	E5HZ 2C083-A		1
87	C-F-L-LN600/800(CAB)	E7HZ 2C083-A		1

**1980/  
TRUCK SERIES 600/900**

YEAR	MODEL/RESTRICTIONS	PART NUMBER	DESCRIPTION	QTY.
<b>2C083 BRACKET ASSY. (BRAKE HOSE CONNECTOR) -- Cont'd</b>				
84/86	B-F600/800 (COWL)	E4HZ 2C083-B		1
87/	B-F600/800(COWL)	E7HZ 2C083-B		1
84/	C-FT-LNT-LT600/900	E4HZ 2C083-C		1
<b>2W083 LEVER (BRAKE EXHAUST VALVE)</b>				
86/	CF600/700	E6HZ 2W083-A		1
89	L-LL-LN-LNT-LS-LT-LTL-LTS 700/900 -- w/6.6L, 7.8L engs.			1
<b>2084 CLAMP ASSY. (POWER BRAKE RESERVOIR)</b>				
80/	B-F-FT600/800 -- air brakes	C8HZ 2084-A		4
80/	C-CL-CLT600/900	C8HZ 2084-A		8
86/	CF600/700	E6HZ 2084-A		1
		20429-S8	(B-172)-bolt (support to frame)-3/8"-24 x 1 1/4"	4
		375860-S2	(BB-405-CE)-bolt (clamp)-7/16"-14 x 5 1/4" square head	2
		34670-S7-8	(M-54)-nut-7/16"-14	AR
<b>2C084 BRACKET ASSY. (BRAKE SKID CONTROL SENSOR)</b>				
80/82	B-C-F-FT-L-LN600/900 -- 17.5M, 18.5M rear axles w/cam brakes Eaton system	D5HZ 2C084-A	use with D5TZ 2B372-G	2
80/82	CT-LNT-LT-LTS800/900 -- 34M rear axles w/cam brakes Eaton system			4
80/82	LTS900 -- 50M rear axle w/cam brakes-Eaton system			4
80/82	CLT900 -- 34M rear axles -Eaton system		use with D8HZ 2B372-C	4
80/82	C-L-LN800/900 -- 22M, 23M rear axles w/cam brakes Eaton system	D5HZ 2C084-B	use with D5HZ 2B372-C	2
80/82	CT-LNT-LT-LTS800/900 38M,44M rear axles w/cam brakes-Eaton system			4
80/82	CL-CLT900 -- 23M,38M,44M rear axles-Eaton system		use with D8HZ 2B372-D	4
80/82	C-CT-F-FT-L-LN-LNT-LT-LTS700/900 -- 9M front axle-Eaton system	D5HZ 2C084-C	use with D5HZ 2B372-M,T	2
80/82	B-C-F-FT-L-LN-LNT-LT600/900 -- 7M front axle-Eaton system	D5HZ 2C084-D	use with D5TZ 2B372-D,L	2
80/82	C-CT-L-LN-LNT-LT-LTS800/900 -- 12M front axle with 16 1/2" x 5" cam brakes Eaton system	D5HZ 2C084-E	use with D5HZ 2B372-A,S	2
80/82	C-CT-L-LN-LNT-LT-LTS800/900 -- 12M front axle with 16 1/4" x 3 1/2" cam brakes Eaton system	D5HZ 2C084-F	use with D5HZ 2B372-B,R	2
<b>2W084 BRACKET (BRAKE EXHAUST VALVE)</b>				
86/	CF600/700	E6HZ 2W084-A		1
87/	CF700/800 -- 7.8 eng.	E7HZ 2W084-A		1
89	L-LL-LN-LNT-LS-LT-LTL-LTS 700/900 -- w/6.6L, 7.8L engs.			1
<b>2A085 BAFFLE (BRAKE VACUUM BOOSTER AIR CLEANER)</b>				
80/82	C600/900	B9TT 2A085-A		1
<b>2C085 O RING SOLENOID KIT (BRAKE SKID CONTROL MODULATOR)</b>				
80/82	B-F-FT-C-CT-CL-CLT-L-LN-LNT-LT-LTS 600/900 -- Eaton system	D5TZ 2C085-A	use with D5TZ 2B373-A,D5HZ 2B373-A	AR
<b>2C086 RESISTOR BOARD KIT (BRAKE SKID CONTROL MODULATOR)</b>				
80/	B-F-FT-C-CT-CL-CLT-L-LN-LNT-LT-LTS. -- Eaton system	D5HZ 2C086-A	Use with D5TZ 2B373-A, D6HZ 2B373-A	1
<b>2087 Refer to Front Brake Parts Lists Section 20.1</b>				

1980/  
TRUCK SERIES 600/900

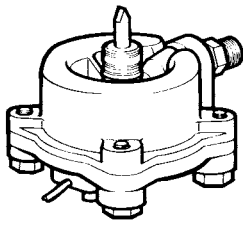
YEAR	MODEL/RESTRICTIONS	PART NUMBER	DESCRIPTION	QTY.
2B087	Refer to Rear Brake Parts Lists Section 22.1			
2C087	CIRCUIT BOARD KIT (BRAKE SKID CONTROL MONITOR)			
80/	B-C-CL-CLT-F-FT-LN600/800	D5TZ 2C087-A	Use with D5TZ 2C012-A	1
2A088	Refer to Booster Parts List Section 23.1			
2W087	CYLINDER KIT (BRAKE EXHAUST)			
86/	CF600/700	E6HZ 2W087-A		1
89	L-LL-LN-LNT-LS-LT-LTL-LTS 700/900 -- w/6.6L, 7.8L engs.			1
2W088	STRAP ASSY. (BRAKE HOSE CONNECTOR BRACKET)			
88/	CF700/800 (T/T)	E8HZ 2W088-A		1
2W089	GASKET (TRACTOR BRAKE PROTECTION)			
88/	CF700/800 (T/T)	E8HZ 2W089-A		1
2W090	BRACKET (BRAKE AIR RELAY VALVE)			
88/	CF700/800	E8HZ 2W090-A		1
2B091	VALVE (FRONT DISC BRAKE PRESSURE CONTROL)			
80/	C-CT800,900, LNT900, LT-LTS800/900	D5HZ 2B091-A	#D3HA 2B091-BA	1
80/	LNT800 -- w/disc brakes			1
2N091	ROD (BRAKE BOOSTER)			
83	B-C-F-FT600/800	E3HZ 2N091-A		1
84/	Refer to Booster Parts List in Section 23.1			
2C091	HARNES ASSY. (AIR BRAKE TUBE) Improvise from bulk tubing (2269) and appropriate fittings			
80/	CL-CLT900 -- air brakes	★ D8HZ 2C091-A	Main cab air system w/o 5th wheel slide	1
80/	CL-CLT900 -- air brakes	★ D8HZ 2C091-D	Main cab air system	1
80/	CL-CLT900 -- air brakes	★ D8HZ 2C091-D	Main cab air system-w/5th wheel slide	1
80/	CL-CLT900 -- air brakes	★ D8HZ 2C091-C	Cab to chassis	1
2092	Refer to Front or Rear Brake Parts Lists Sections 20.1 and 22.1			
2B093	Refer to Booster Parts Lists Section 23.1			

1980/  
TRUCK SERIES 600/900

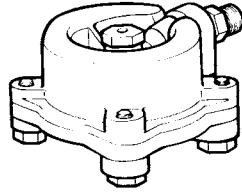
2A095

VALVE ASSY. (AIR BRAKE)

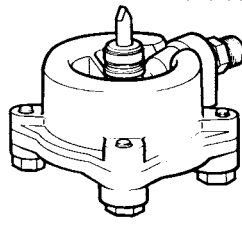
For service part number, Refer to basic group number as shown on Identification Chart below.



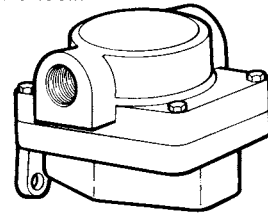
— 2A131 —  
TYPE 1



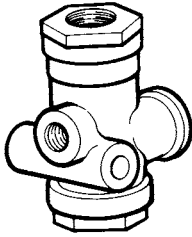
— 2A131 —  
TYPE 2



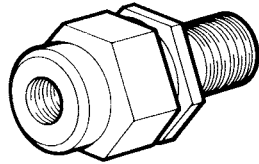
— 2A131 —  
TYPE 3



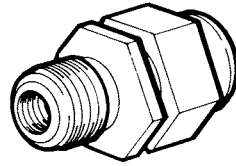
— 2A095 —  
TYPE 4



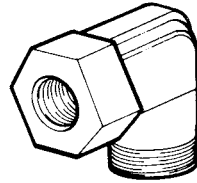
— 2B139 —  
TYPE 5



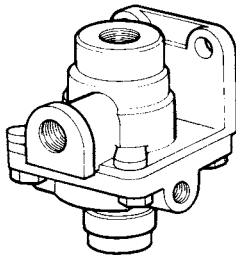
— 2B170 —  
TYPE 6



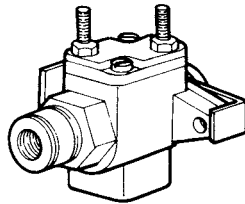
— 2B170 —  
TYPE 7



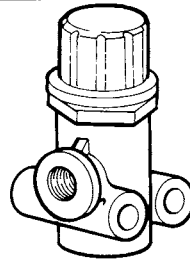
— 2B170 —  
TYPE 8



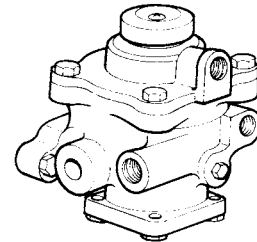
— 2A208 —  
TYPE 9



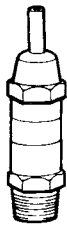
— 2575 —  
TYPE 10



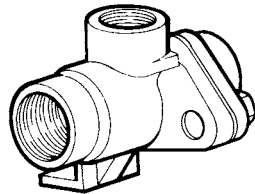
— 2A435 —  
TYPE 11



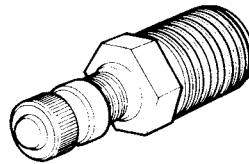
— 2B431 —  
TYPE 12



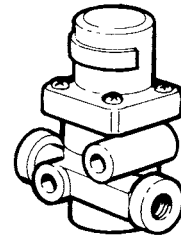
— 2A550 —  
TYPE 13



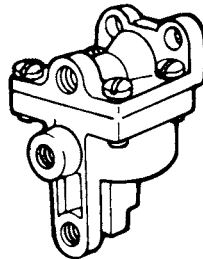
— 2575 —  
TYPE 14



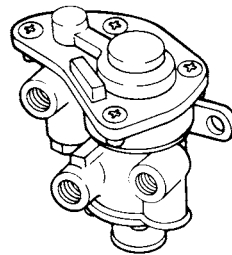
— 2A783 —  
TYPE 15



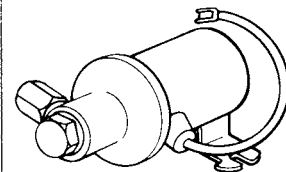
— 2A435 —  
TYPE 16



— 2A208 —  
TYPE-18



— 2B431 —  
TYPE-19



— 2A435 —  
TYPE-20

P-12583

**1980/  
TRUCK SERIES 600/900**

YEAR	MODEL/RESTRICTIONS	PART NUMBER	TYPE	DESCRIPTION	QTY.
<b>2A095 VALVE ASSY. (AIR BRAKE QUICK RELEASE)</b>					
For illustration of valves, refer to section 20 group 2A095					
80/	B-C-CL-F-FT-L-LN600/900	D0HZ 2A095-A	4		1
80/	CT-CLT-LNT-LT-LTS800/900				2
87	B-C-CL-F-FT-L-LN600/900	E7HZ 2A095-A			1
86/	CF600/700	D0HZ 2A095-A			1
80/	CT-LNT-LT-LTS800/900 -- with 2 speed axle	D0HZ 2A095-B	4		1
		20387-S8		(B-157)-bolt (valve to bracket)-5/16"-24 x1	2or4
		33798-S8		(M-62)-nut-5/16" - 24	AR
		34806-S7		(X-64)-lockwasher-5/16"	AR
YEAR	MODEL/RESTRICTIONS	PART NUMBER	TYPE	DESCRIPTION	QTY.
<b>2C096 HARNESS ASSY. (AIR BRAKE TUBE)</b>					
80/	CL-CLT900 -- air brakes-54" BBC	★ D8HZ 2C096-A			1
80/	CL-CLT900 -- air brakes-64" BBC	★ D8HZ 2C096-F			1
80/	CL-CLT900 -- air brakes-76" BBC	★ D8HZ 2C096-C			1
80/	CL-CLT900 -- air brakes-88" BBC	★ D8HZ 2C096-D			1
80/	CL-CLT900 -- air brakes-110" BBC	★ D8HZ 2C096-E			1
<b>2099 -FRONT CHAMBERS-refer to Model Application Chart in group 2025</b>					
<b>-REAR CHAMBERS-refer to Model Application Chart in group 2225</b>					
		73966-S7		(N-31-D)-clevis pin-1/2" x 1 1/2"	AR
		72035-S7-8		(N-51)-cotter pin 1/8" x 1"	AR
<b>2C105 VALVE ASSY. (BRAKE SKID CONTROL MODULATOR VALVE INTERNAL)</b>					
80/	B-F-FT-C-CL-CLT-CT-L-LN-LNT-LTS600/900 -- Kelsey-Hayes system	D5HZ 2C105-A		Use with Basic 2C063 Kelsey-Hayes system	1
<b>2106 Refer to Rear Brake Parts List Section 22.1</b>					
<b>2B106 DIAPHRAGM (BRAKE BOOSTER BODY)</b>					
80	LNT-LT-LTS800/900	E0HZ 2B106-A		Use with D7HZ 2B271-C	1
<b>2108 Refer to Front and Rear Brake Parts Lists Section 20.1 and 22.1</b>					
<b>2A108 ELBOW ASSY. (BRAKE AIR TUBE TO FRAME)</b>					
81/	L-LN-LNT-LT-LTS800/900	E1HZ 2A108-A			1
<b>2K108 CAP (BOOSTER LEVEL INDICATOR)</b>					
86/	CF600/700	E6HZ 2K108-A			1
<b>2A109 TUBE (BRAKE AIR RESERVOIR TO ELBOW)-</b>					
Improvise from bulk tubing (2269) and improvise insulators from rubber hose, friction tape, etc.					
<b>2A116 TUBE (MANIFOLD FITTING TO AIR BRAKE COMPRESSOR GOVERNOR)-</b>					
Improvise from bulk tubing (2269) and improvise insulators from rubber hose, friction tape, etc.					
<b>2K118 CHECK VALVE KIT (BRAKE BOOSTER)</b>					
86/	CF600/700	E6HZ 2K118-A			1
<b>2K119 VALVE ASSY. (BRAKE DOUBLE CHECK)</b>					
80/	B-C-CL-CT-F-FT-L-LN-LNT-LT-LTS600/900	D5TZ 2K119-A		#D5TA 2K119-AA	1or2
80/	B-F600/750 -- with 7M,9M Front axle	D5HZ 2K119-B		#D5HA 2K119-AA	1
80/	B-F-FT600/900 -- air brakes	D5HZ 2K119-C		#D5HA 2K119-BA	1
86/	CF600/700	E6HZ 2K119-A			1
80/	L-LN-LNT-LT-LTS800/900	D5HZ 2K119-C		#D5HA 2K119-BA-w/Tractor pkg.	1
80/	CL-CLT	D5HZ 2K119-A		#D4HA 2K119-AA-MTD on fire wall	1
<b>2L120 TUBE AND HOSE REPAIR KIT-DISC BRAKE</b>					
87/	All	E6HZ 2L120-A		Field fix	1
<b>2A121 TUBE (BRAKE AIR HAND CONTROL VALVE EXHAUST TRACTOR TRAILER EQUIPMENT)-</b>					
Improvise from bulk tubing (2269) and improvise insulators from rubber hose, friction tape, etc.					
80/	F700/750 -- 134", 146", 158" W/B	354002-S		(KK-7)-grommet (tube)	1
80/	CT800/900	372268-S		(II-162-E)-fitting (attach tube to valve)-elbow- 1/4"-18 x 1/4"-18	1
<b>2125 Refer to Front and Rear Brake Parts Lists Section 20.1, 22.1 and group 2296</b>					
<b>2C125 BRACKET (VACUUM PUMP MOUNTING)</b>					
83/	F-FT600/900 -- 3208 diesel engine	E3HZ 2C125-A			1



**1980/  
TRUCK SERIES 600/900**

YEAR	MODEL/RESTRICTIONS	PART NUMBER	DESCRIPTION		QTY.
2128	<b>CYLINDER REPAIR KIT (BRAKE)-</b> For Model Application refer to Front and Rear Brake Parts List Section 20.1 and 22.1				
		C5TZ 2128-B	1 7/8" diameter		
	Consists of				
	2-TUAA 2201-A	Cup	2-B6QH 2206-A	Boot	
		C8TZ 2128-A	1 1/2" diameter		
	Consists of				
	2-C8TZ 2201-A	Cup	2-C8TZ 2206-A Boot		
		C8TZ 2128-B	1 5/8" diameter		
	Consists of				
	2-C8TZ 2201-B	Cup	2-C8TZ 2206-A	Boot	
2129	Refer to Rear Brake Parts List Section 22.1				
2B129	<b>SPACER (BRAKE MASTER CYLINDER PUSH ROD)</b>				
80/	B-C-LN600/700	C5DZ 2B129-A			2
2130	Refer to Front and Rear Brake Parts Lists Section 20.1 and 22.1				
2130	<b>RETAINING WASHER KIT (REAR AIR BRAKE ADJUSTER)</b>				
80/	All	B1QH 2130-A			AR
	Consists of				
	1-8QH 2130-B	Washer	1-8QH 2130-C	Washer	1-8QH 2130-D
				Washer	
2A130	<b>BRACKET (AIR RESERVOIR TANK SUPPORT)</b>				
80/	LTS900 -- with 50M rear axle	D5HZ 2A130-B	#D5HA 2A130-AA		1
80/	LNT-LT-LTS900 -- with 58M,65M axles				1
YEAR	MODEL/RESTRICTIONS	PART NUMBER	TYPE	DESCRIPTION	QTY.
2A131	<b>VALVE ASSY. (BRAKE MOISTURE EJECTOR)</b> For illustration of valves, refer to Section 20 group 2A095				
80/	LTS900 -- 50M rear axle	C8HZ 2A131-A	3	Filter in top port-plug in side port-unheated	AR
80/	LNT-LT-LTS900 -- with 58M,65M axles			Bendix	1
80/	B-F-FT700/900	D9HZ 2A131-B	3	Unheated	1
80/	B700	E0HZ 2A131-A	1	Front tank-filter in top port-plug in side port-heated	1
80/	B700	E0HZ 2A131-B	1	Rear tanks-filter in top port-plug in side port-heated	2
80/	L-LN-LNT-LT-LTS600/900	D9HZ 2A131-A	2	Bendix	2
80/	CF600/800,CL900	D9HZ 2A131-A	2	Bendix	2
80/	CLT900				3
80/	CF600/800,CL-CLT900 -- w/o air dryer	D9HZ 2A131-B	3	Bendix	1
80/83	CL-CLT-L-LN-LNT-LT-LTL-LTS600/900	D7HZ 2A131-B		Expello	1
YEAR	MODEL/RESTRICTIONS	PART NUMBER	DESCRIPTION		QTY.
2B132	Refer to Booster Parts Lists Section 23.1				
2133	<b>NUT (BRAKE PIPE)</b>				
80/	All	91A 2133	7/16"-24-use with 91A 2269		AR
2133	Refer to Booster Parts Lists Section 23.1				
2A135	<b>TUBE (AIR BRAKE RESERVOIR CONNECTING)-</b> Improvise from bulk tubing (2269) and improvise insulators from rubber hose, friction tape, etc.				
2K135	<b>PIN (BRAKE VACUUM PUMP BODY LOCATING)</b>				
80/82	C-LN600/700 -- hydraulic brakes	C7TZ 2K135-A	3/16" O.D. x 1 1/4" long		AR
2138	Refer to Front and Rear Brake Parts Lists Sections 20.1 and 22.1				

**1980/  
TRUCK SERIES 600/900**

YEAR	MODEL/RESTRICTIONS	PART NUMBER	DESCRIPTION	QTY.	
<b>2A138 HOSE ASSY. (TRAILER BRAKE AIR)</b>					
88/	CFT800 -- w/Tractor package	E8HZ 2A138-A	Coiled-red	1	
88/	CFT800 -- w/Tractor package	E8HZ 2A138-B	Coiled-blue	1	
88/	CFT800 -- w/Tractor package	E8HZ 2A138-C	Emergency	1	
88/	CFT800 -- w/Tractor package	E8HZ 2A138-D	Service-Blue	1	
80/	F-FT-C-CT600/900,L-LN-LNT-LT-LTS700/900	D5HZ 2A138-A	Emergency-R.H. of valve assy.-120" long	1	
		D5HZ 2A138-B	Service L.H. of valve assy. - 120" long	1	
80/	F-FT-C-CT600/900,L-LN-LNT-LT-LTS700/900	D5HZ 2A138-D	Emergency-R.H. of valve assy. - 146 1/2" long	1	
		D5HZ 2A138-C	Service-L.H. of valve assy.-146 1/2" long	1	
80/	L-LN-LNT-LT-LTS700/900	D8HZ 2A138-C	# D6HS 2A138-GA-Service - R.H. of valve assy. blue coiled hose-144" extended length-w/unitized tractor package option	1	
		D8HZ 2A138-B	# D6HS 2A138-EA-Emergency-L.H. of valve assy. red coiled hose-144" extended length-w/unitized tractor package option	1	
80/	CL-CLT900	D5HZ 2A138-C	Service-R.H. of valve assy.-straight hose-146 1/2" long	1	
		D5HZ 2A138-D	Emergency-L.H. of valve assy.-straight hose-146 1/2" long	1	
		D8HZ 2A138-C	# D6HS 2A138-GA-Service-R.H. of valve assy.-blue coiled hose-144" extended length	1	
		D8HZ 2A138-B	# D6HS 2A138-EA-Emergency-L.H. of valve assy.-red coiled hose-144" extended length	1	
		D8HZ 2A138-A	W/246" W/B use this hose with (1) ea. D8HZ 2A138-B & C	2	
YEAR	MODEL/RESTRICTIONS	PART NUMBER	TYPE	DESCRIPTION	QTY.
<b>2B139 VALVE ASSY. (BRAKE AIR PRESSURE ACTUATOR)</b>					
For illustration of valves refer to Section 20 group 2A095					
80/	All -- T/T and maxi or failsafe brakes	C5TZ 2B139-A	5		1
YEAR	MODEL/RESTRICTIONS	PART NUMBER	DESCRIPTION		QTY.
<b>2K139 Refer to Front Brake Parts Lists section 20.1</b>					
<b>2140 CYLINDER ASSY. (BRAKE MASTER)-Refer to Booster Parts List Section 23.1 for model application</b>					
80/	C900,CT800/900 -- 16m frt. axle and disc brakes	D5HZ 2140-B	Use with D5HZ 2B571-A,D, D7HZ 2B571-B,D		1
80/	LNT-LT-LTS800/900-16m, 18m, 20m front axles and disc brakes	D5HZ 2140-C	use with D5HZ 2B571-B,C, D7HZ 2B571-A,C		1
80/	B-F-FT600/900	20427-S8	(B-158)-bolt (master cyl. to dash panel)-5/16"-24 x 1 1/4"		4
		★34941-S7	Lockwasher-5/16"		
80/	F-FT600/900	★304721-S8	Bolt (cyl. to dash panel)-5/16"-24 x 1 1/2"		4
80/	B600/900		Bolt (cyl. to bracket)		4
		33798-S8	(M-62)-nut-5/16"-24		AR
		34806-S7	(X-64)-lockwasher-5/16"		AR
80/	B-F-FT600/900	20427-S8	(B-158)-bolt (attach cyl. to dash panel)-hex. head-5/16"-18 x 1 1/4"		1
<b>2A140 TUBE (BRAKE BOOSTER TO TEE)-Also refer to group 2585-</b>					
Improvise from bulk tubing (2269) and improvise insulators from rubber hose, friction tape, etc.					
		357946-S8	(GG-152)-clip (tube to frame)		1to3
<b>2141 RESERVOIR ASSY. (BRAKE FLUID HYDRAULIC)</b>					
80/	C600/900 -- single H/V brakes	B7T 2141-A	Use with B7Q 2140-A, B7QH 2140-A		1
80/	C-CT800/900-15M, 16M, 18M Front axle and disc brakes	D5HZ 2141-A	# D5HA 2K016-AA		1

**1980/  
TRUCK SERIES 600/900**

YEAR	MODEL/RESTRICTIONS	PART NUMBER	DESCRIPTION	QTY.
<b>2A141 TUBE (BRAKE MANIFOLD TO UNION)-</b>				
Improvise from bulk tubing (2269) and improvise insulators from rubber hose, friction tape, etc.				
		357946-S8	(GG-152)-clip (tube)	AR
		20387-S8	(B-157)-bolt (clip to frame)-5/16"-24 x 1"	AR
		33798-S8	(M-62)-nut-5/16"-24	AR
		34806-S7	(X-64)-lockwasher-5/16"	AR
<b>2A142 Refer to Rear Brake Parts List Section 22.1</b>				
<b>2143 ROD (BRAKE MASTER CYLINDER PUSH)-Also refer to Booster Parts Lists Section 23.1</b>				
80/	C600/900 -- single hydraulic brakes	C1TT 2143-G	Center to end 6 7/16"	1
80/	C600/900 -- split H/V brakes	C8HZ 2143-C	8 3/16" long	1
86/	CF600/700	E6HZ 2143-A	Brake	1
86/	CF600/700	E6HZ 2143-B	Clutch	1
80/	F-FT600/900 -- single H/V brakes	E0HZ 2143-A	# 30967-7 25/32" long	1
80/	L800/900, LN600/900	D2HZ 2143-A	Use with D2HZ 2140-C or D	1
80/	L-LN-LT-LTS700/900	D2HZ 2143-B	Use with D2HZ 2140-E	1
<b>2A143 TUBE ASSY. (BRAKE VACUUM BOOSTER TEE To FRONT WHEEL TEE)-</b>				
Improvise from bulk tubing (2269) and improvise insulators from rubber hose, friction tape, etc.				
		359956-S	(II-138)-tee (tube)-4 way	1
		358360-S32	(GG-143)-clip (tube to frame)	1
		357784-S2	(GG-23)-clip (tube to frame)	1
		87478-S8	(I-51)-tee (tube to front brake tube)-3 way-1/4" tube	1
<b>2145 SPRING and RETAINER (BRAKE and CLUTCH MASTER CYLINDER PISTON RETURN)</b>				
80/	C600/900 -- single H/V brakes	B7Q 2145-B		1
80/	C600/900 -- split H/V brakes	C8TZ 2145-C		1
80/	F-FT600/900 -- single H/V brakes	E0HZ 2145-A		1
80/	L800, LN600/800 -- 14" x 2 1/2" split H/V brakes	C8TZ 2145-C	Use with D2HZ 2140-C	1
80/	L800/900, LN600/800 -- 15" x 3" split H/V brakes	C8TZ 2145-C	Use with D2HZ 2140-D	1
80/	L800/900, LN700/800, LNT800 -- 15" x 3" split H/V brakes	D0HZ 2145-A	Use with D2HZ 2140-E	1
80/	LNT800, LT-LTS800/900 -- single H/V brakes	D0HZ 2145-B	Use with D2HZ 2140-G	1
<b>2146 EXTENSION (BRAKE MASTER CYLINDER LINK)</b>				
80/	B-F-LN700 -- gas with 6M, 7M front axles and 15" x 3" brakes	C4TZ 2146-A	15/16" O.D. x 3/8" wide	2
80/	C700 -- gas and 7M front axle			2
80/	C600 -- 6M, 7M front axles			2
80/	C-LN800/900 -- 9M front axle			2
<b>2A146 TUBE (AIR BRAKE RESERVOIR TO TEE)-</b>				
Improvise from bulk tubing (2269) and improvise insulators from rubber hose, friction tape, etc.				
		357946-S8	(GG-152)-clip (tube to frame) Clip (tube to trailer attachment)	AR AR AR
		20387-S8	(B-157)-bolt (clip-5/16"-24 x 1"	AR
		33798-S8	(M-62)-nut-5/16"-24	AR
		34806-S7	(X-64)-lockwasher-5/16"	AR
<b>2K146 WIRING ASSY. (BRAKE LOW AIR PRESSURE SWITCH CONNECTOR)</b>				
80/	L-LN-LNT-LT-LTS800/900 -- air brakes	D0HZ 2K146-A		1
<b>2A147 TUBE (TRAILER BRAKE EMERGENCY AIR SUPPLY VALVE TO UNION TRACTOR TRAILER)-</b>				
Improvise from bulk tubing (2269) and improvise insulators from rubber hose, friction tape, etc.				
		237949-S	(GG-141)-clip (tube to brake clip bracket)	1
		357636-S	(II-177-B)-union (tube)-1/4" Union (tube to straight air tube) Union (tube to air protector valve tube)	AR AR 1

**1980/  
TRUCK SERIES 600/900**

YEAR	MODEL/RESTRICTIONS	PART NUMBER	DESCRIPTION	QTY.
<b>2A147 TUBE (TRAILER BRAKE EMERGENCY AIR SUPPLY VALVE TO UNION TRACTOR TRAILER) — Cont'd</b> Improvise from bulk tubing (2269) and improvise insulators from rubber hose, friction tape, etc.				
		358244-A	(II-183)-elbow assy. (tube to valve)-90°	1
		357635-S	(II-177)-connector (tube to two way valve tube)-1/4"	1
		20366-S8	(B-52)-bolt (clip to floor pan)-5/16"-18 x 7/8"	1
		33797-S7	(M-50)-nut-5/16"-18	
		34806-S7	(X-64)-lockwasher-5/16"	
<b>2B147 Refer to Booster Parts List Section 23.1</b>				
<b>2A148 TUBE (BRAKE AIR HAND CONTROL VALVE TO TWO WAY CHECK VALVE TRACTOR TRAILER EQUIPMENT)-Improvise from bulk tubing (2269) and improvise insulators from rubber hose, friction tape, etc.</b>				
		355428-S	(KK-9)-grommet (tube to floor pan connector)	1
		374216-S	(II-180-A)-elbow assy. (tube to two way check valve)-45°	1
<b>2N148 RESERVOIR (BRAKE AUXILIARY)</b>				
84	B-C-F-LN600/900 "Before 3/84"	E4HZ 2N148-E		1
84/88	B-C-F-LN600/900 "From 3/84 to 10/87"	E5HZ 2N148-C		1
88/	B-C-F-LN600/900 -- exc. 6.6L, 7.8L engs. "From 10/87"	E8HZ 2N148-B		1
84	FT-LT-LNT900 "Before 3/84"	E4HZ 2N148-F		1
84/	FT-LT-LNT900 -- exc. 6.6L, 7.8L engs. "From 3/84"	E5HZ 2N148-D		1
	B-C-F-FT-LN-LNT-LT600/900 -- w/6.6L, 7.8L engs	E7HZ 2N148-A		1
<b>2149 GASKET (BRAKE LINE CONNECTOR)-</b> Also refer to Front and Rear Brake Parts List Section 20.1 and 22.1				
80/	B-C-F-FT-LN600/900	8M 2149	Front brake line connection-13/32" I.D. x 5/8" O.D.	2
83/	F-FT600/900 -- 9M,12M axles & disc brakes	E3HZ 2149-A		2
86/	CF600/700			1
<b>2150 BOLT (FRONT WHEEL BRAKE TUBE CONNECTOR)</b>				
83/	F-FT600/900 -- 9M,12M axles & disc brakes	E3HZ 2150-A		2
84/	B-C-F-FT-L-LN-LNT600/900 -- /wHyd. brakes	E4HZ 2150-A		2
86/	CF600/700			2
<b>2151-4 GASKET (BRAKE and CLUTCH SYSTEMS)</b>				
80/	B-C-F-FT-LN600/900	7EQH 2152	Rear brake cyl. inlet connection-outer-35/64" I.D. x 11/16" O.D.	2
80/	C600/900 -- split H/V brakes	91A 2151	5/8" I.D. x 13/16" O.D.	2
80/	C700/900	91A 2152	Brake booster outlet-1/2" I.D. x 13/16" O.D.	1
80/	B-F-FT700/900	91T 2154-A	Front brake cyl. inlet-1/2" I.D. x 23/32" O.D.	2
80/	C700/900		Brake booster inlet fitting	1
80/	C600/900		Front brake cyl. inlet	1
<b>2A152 TUBE ASSY. (BRAKE VACUUM PUMP TO CHECK VALVE)</b>				
80/	B-F600/700 -- diesel	C7TZ 2A152-B	Approx. 48 21/32" long	1
80/	C600/700	C7TZ 2A152-A	46" long	1
		351648-S32	(GG-150)-clip (tube to engine)-1/2" cable	1
		20388-S8	(B-80)-bolt (clip to engine)-3/8"-16 x 1"	1
		34807-S8	(X-66)-lockwasher-3/8"	
<b>2B152 Refer to Booster Parts Lists Section 23.1</b>				
<b>2A155 BRACKET (BRAKE TUBE CLIP)</b>				
80/	B-F-FT600/900--air brakes	D5TZ 2A155-A	#D5TA 2A155-BA, BB	1
80/	L-LNT-LT900 -- Diesel with top mtd. 44M-58M-65M rear axles and Hendrickson susp.	D7HZ 2A155-A	#D7HT 2A155-AA	AR
88	LL-LTL800/900 -- w/Cat. 3406B eng. & A/C	E8HZ 2A155-A		1

1980/  
TRUCK SERIES 600/900

YEAR	MODEL/RESTRICTIONS	PART NUMBER	DESCRIPTION	QTY.
2A156	TUBE ASSY. (FRONT BRAKE HOSE TO TEE)- Improve from bulk tubing (2269) and improvise insulators from rubber hose, friction tape, etc.			
2B156	Refer to Booster Parts Lists Section 23.1			

2A157	Refer to Booster Parts Lists Section 23.1			
-------	---	--	--	--

2162 CAP (BRAKE and CLUTCH MASTER CYLINDER FILLER)-Also refer to Section 23.1				
YEAR	MODEL/RESTRICTIONS	PART NUMBER	DESCRIPTION	QTY.
80/	B600/700	1A 2162-A	Clutch	1
80/	B600/700 -- split-Hydro-Max Hyd. brakes	E0HZ 2162-B	Use with E0HZ 2140-B cyl.	1
80/	C600/900 -- split H/V brakes	D0TZ 2162-A	Use with D2HZ 2140-B	1
80/	F-FT600/900 -- split and single Hydro-Max hyd. brakes	E0HZ 2162-B	Use with E0HZ 2140-B cyl.	1
80/	F-FT600/900 -- single H/V brakes	E0HZ 2162-A	Use with E0HZ 2140-A cyl.	1
80/	L800/900, LN600/900,	D0TZ 2162-A	Use with D2HZ 2140-C, D or E	1
80/	LN600/700 -- single H/V brakes	D0HZ 2162-A	Use with D0HZ 2140-C cyl.	1
80/	LN600 -- split H/V brakes	C9TZ 2162-B	Use with C9TZ 2140-J cyl.	1
80/	LN-LNT800/900	1A 2162-A	Clutch	1

2167 GASKET (BRAKE MASTER CYLINDER FILLER CAP)				
YEAR	MODEL/RESTRICTIONS	PART NUMBER	DESCRIPTION	QTY.
80/	B600/700 -- split Hydro-Max hyd. brakes	E0HZ 2167-B	Use with E0HZ 2140-B, E2HZ 2140-B cyl.	1
80/	F-FT600/900 -- split and single Hydro-Max hyd. brakes	E0HZ 2167-B	Use with E0HZ 2140-B, E2HZ 2140-B cyl.	1
80/	F-FT600/900 -- single H/V brakes	E0HZ 2167-C	Use with E0HZ 2140-A cyl.	1
80/	LN600 -- split H/V brakes	C9TZ 2167-A	Use with C9TZ 2140-J cyl.	1
80/	LN600/700 -- single H/V brakes	D0HZ 2167-A	Use with D0HZ 2140-C cyl.	1
80/	CL-CLT900	D8HZ 2167-A	Clutch master cyl. D8HZ 7A753-A	1

2169 PISTON (BRAKE and CLUTCH MASTER CYLINDER)- Serviced only in kit-groups 2004 and 7578 unless listed below-also refer to Booster Parts Lists Section 23.1				
YEAR	MODEL/RESTRICTIONS	PART NUMBER	DESCRIPTION	QTY.
80/	LN600/750 -- 15" x 3" split H/V brakes	D0HZ 2169-C	Use with D2HZ 2140-E	1

2170 CUP (BRAKE MASTER CYLINDER SECONDARY)-Also refer to Booster Parts Lists Section 23.1				
YEAR	MODEL/RESTRICTIONS	PART NUMBER	DESCRIPTION	QTY.
80/	B-C-F-FT-L-LN600/900 -- split H/V brakes	C8TZ 2170-C		1

STAMPED PART NUMBER	TYPE	MANUFACTURER	MANUFACTURER PART NUMBER	STAMPED PART NUMBER	TYPE	MANUFACTURER	MANUFACTURER PART NUMBER
---------------------	------	--------------	--------------------------	---------------------	------	--------------	--------------------------

2B170	VALVE ASSY. (BRAKE RESERVOIR CHECK) For illustrations of valves, refer to Section 20 group 2A095 VALVE ASSEMBLIES MUST BE ORDERED FROM MANUFACTURER -USE MANUFACTURER PART NUMBER WHEN ORDERING.						
-------	--	--	--	--	--	--	--

C5TA	2B170-A	7	Bendix Westinghouse,	228194	D0HA	2B170-B	8	Bendix Westinghouse,	283084
C5TA	2B170-A2	7	Midland-Ross	N-13526-L	D0TA	2B170-A	7	Bendix Westinghouse,	283806
D0HA	2B170-A	8	Bendix Westinghouse,	283084	D2HA	2B170-AA	6	Bendix Westinghouse,	284976

YEAR	MODEL/RESTRICTIONS	PART NUMBER	DESCRIPTION	QTY.
2B170 VALVE ASSY. (BRAKE RESERVOIR CHECK)				
86	CF600/700	E6HZ 2B170-A		1
87/	CF600/800	E7HZ 2B170-A		1

2173-4	Serviced only in kit-groups 2004 and 7578			
--------	---	--	--	--

2B174 RETAINER (BRAKE AIR CHAMBER ADAPTER)				
YEAR	MODEL/RESTRICTIONS	PART NUMBER	DESCRIPTION	QTY.
80/	CL-CLT900 -- with auto. slack adjusters	D8HZ 2B174-A		AR

**1980/  
TRUCK SERIES 600/900**

YEAR	MODEL/RESTRICTIONS	PART NUMBER	DESCRIPTION	QTY.
2175	Refer to Front Brake Parts Lists Section 20.1			
2A176-7	Refer to Front or Rear Brake Parts Lists Section 20.1 and 22.1			
2B176	GROMMET (BRAKE BOOSTER CHECK VALVE)			
83	B-F-FT600/800	E3HZ 2B176-A		1
84/	Refer to Booster Parts List in Section 23.1			
2C176	Refer to Front Brake Parts List Section 20.1			
2D176	Refer to Front Brake Parts List Section 20.1			
2C177	BRACKET (BRAKE WARNING MONITOR MOUNTING)			
84	B-C-F600/900	E4HZ 2C177-A		1
85/	C-F600/900	E5HZ 2C177-A		1
85/	B600/700	E5HZ 2C177-B		1
2178	Refer to Booster Parts Lists Section 23.1			
2A178	Refer to Front or Rear Brake Parts Lists Sections 20.1 and 22.1			
2179	Refer to Front Brake Parts Lists Section 20.1			
2A179	Refer to Front or Rear Brake Parts Lists Sections 20.1 and 22.1			
2180	BOOT (BRAKE and CLUTCH MASTER CYLINDER)-Also refer to 2004 kits			
80/	C600/900	B7TZ 2180-A	Brake	1
80/	C600/900		Clutch	1
80/	B-F-LN600/700	C3TZ 2180-A	Brake-Midland-Ross boosters	1
2A180	Refer to Front or Rear Brake Parts Lists Sections 20.1 and 22.1			
2A181-2A185	Refer to Rear Brake Parts List Section 22.1			
2C185	FLOW SWITCH KIT (BRAKE BOOSTER REPAIR)			
82/	B-F600/800-hydro-max	E2HZ 2C185-A	Field fix	1
2A186	Refer to Rear Brake Parts List Section 22.1			
2188	PLATE (BRAKE and CLUTCH MASTER CYLINDER PISTON STOP)			
80/	B-F-FT600/800 -- split H/V brake	C8TZ 2188-A		1
80/	LN600/700, L-LN800 -- split H/V brakes	D2HZ 2188-A	Use with D2HZ 2140-C	1
80/	LN700/800, L-LT-LTS800/900 -- split H/V brakes	D2HZ 2188-B	Use with D2HZ 2140-E	1
2A190-1	Refer to Rear Brake Parts Lists Section 22.1			
2194	Refer to Front Brake Parts Lists Section 20.1			
2B195	Refer to Booster Parts List Section 23.1			
2B195	BOOSTER and MASTER CYLINDER ASSY. (BRAKE)			
84/85	C600/900 -- w/hyd. brks.	E5HZ 2B195-A	Field fix	1
2C195	WIRING ASSY. (BRAKE BOOSTER AND MASTER CYLINDER)			
84/	C600/800 -- w/Hyd. Vac. brakes	E4HZ 2C195-A		1
2L195	END CAP AND FILTER KIT (BRAKE BOOSTER)			
80/83	B-F600/800 -- w/Split Hydro max brks.	E2HZ 2L195-A	Use with E0HZ 2005-C	1
84/	Refer to Booster Parts List in Section 23.1			

1980/  
TRUCK SERIES 600/900

YEAR	MODEL/RESTRICTIONS	PART NUMBER	DESCRIPTION	QTY.
2196-7	Refer to Front or Rear Brake Parts Lists Section 20.1 and 22.1			
2B197	BRACKET ASSY. (BRAKE HOSE MANIFOLD)			
80/	B700 -- air brakes	EOHZ 2B197-B	# EOHT 2B198-BA	1
80/	F600/800 -- air brakes	EOHZ 2B197-A	# EOHT 2B198-AB	1
2A198	TUBE (TEE TO TRAILER BRAKE AIR PROTECTOR VALVE)- Improvise from bulk tubing (2269) and improvise insulators from rubber hose, friction tape, etc.			
		357946-S8	(GG-152)-clip (tube to frame)	AR
		371722-S8	(BB-207)-bolt (clip)-1/4"-28 x 3/4"	AR
		33796-S7	(M-61)-nut-1/4"-28	AR
		34805-S8	(X-62)-lockwasher-1/4"	AR
		374216-S	(II-180-A)-elbow assy. (tube to valve)-45°- 3/8" tube	1
		352992-S	(II-26)-connector (tube to tractor air protector valve)-3/8"	1
		374340-S	(II-201-P)-tee (tube to foot control valve tube)- 3/8" x 1/8" pipe	1
2A199	TUBE ASSY. (BRAKE MASTER CYLINDER TO REAR BRAKE TUBE CONNECTOR)- Improvise from bulk tubing (2269) and improvise insulators from rubber hose, friction tape, etc.			
		373996-S	(II-135-A)-tee (tube to stoplight switch and	1

# 1980/ TRUCK SERIES 600/900

## HOW TO LOCATE FRONT BRAKE PARTS

1. Use the Front Brake T.S.L. † Cross Reference Guide (below) to find the correct brake parts list.
2. Use the Front Brake Model Application Chart (which follows the T.S.L. Chart) to find the correct brake parts list when a T.S.L. number is not available.

Where the T.S.L. says See frt. axle, the front axle number shown on the T.S.L. is listed in the guide below.

† Truck Specification List-included in Louisville-built trucks

FRONT BRAKE T.S.L. CROSS-REFERENCE GUIDE										
T.S.L. NUMBER	Front Axle CAPACITY	BRAKE		PARTS LIST NO	T.S.L. NUMBER	Front Axle CAPACITY	BRAKE		PARTS LIST NO.	
		SIZE	TYPE				SIZE	TYPE		
NOTE ● R(T)-Rockwell (Timken)										
D0TA 2010-D	9M,12M	15 x 3	Wagner	2	E8HT 2010-GA	16M,18M,20M	15 x 6	Bendix	8	
D0TA 2010-E	9M,12M	15 x 3	Wagner	2	E9HT 2010-AA	10M,12M	15 x 4	R(T)	20	
D1TA 2010-JA	6M,7M	15 x 3	Wagner	2	E9HT 2010-AB	10M,12M	15 x 4	R(T)	20	
D1TA 2010-KA	6M,7M	15 x 3	Wagner	2	E9HT 2010-AC	10M,12M	15 x 4	R(T)	20	
D7HT 2010-JA	10.8M, 12M	15 x 4	Wagner	4	E9HT 2010-CA	8M,9M	15 x 4	R(T)	21	
EDD1TA 2010-JA	6M,7M	15 x 3	Wagner	2	E9HT 2010-CB	8M,9M	15 x 4	R(T)	21	
D7HT 2010-KA	7M,9M	15 x 3 1/2	Wagner	6	E9HT 2010-CC	8M,9M	15 x 4	R(T)	21	
D7HT 2010-MA	10.8M, 12M	15 x 4	R(T)	5	E9HT 2010-GA	7M,9M,12M	15 x 4	Bendix	18	
D7HT 2010-NA	10.8M, 12M	15 x 4	R(T)	5	E9HT 2010-GB	7M,9M,12M	15 x 4	Bendix	18	
EDD7HT 2010-NA	10.8M,12M	15 x 4	R(T)	5	E9HT 2010-GC	7M,9M,12M	15 x 4	Bendix	18	
D7HT 2010-UA	10.8M,12M	15 x 4	Wagner	4	E9HT 2010-JA	7M,9M,12M	15 x 4	Bendix	19	
D7HT 2010-VA	7M,9M	15 x 3 1/2	R(T)	7	E9HT 2010-JB	7M,9M,12M	15 x 4	Bendix	19	
EDD7HT 2010-VA	7M,9M	15 x 3 1/2	R(T)	7	E9HT 2010-NA	12M	15 x 4	R(T)	22	
D7TA 2010-GB	6M,7M,7.5M	15 x 3	Wagner	2	E9HT 2010-NB	12M	15 x 4	R(T)	22	
D8HT 2010-BA	7M,9M	15 x 4	R(T)	5	D0TA 2011-D	9M,12M	15 x 3	Wagner	2	
EDD8HT 2010-BA	7M,9M	15 x 4	R(T)	5	D0TA 2011-E	9M,12M	15 x 3	Wagner	2	
D8HT 2010-CA	16M,18M,20M	15 x 6	Bendix	8	D1TA 2011-JA	6M,7M	15 x 3	Wagner	2	
E0HT 2010-BA	9M	15 x 3	Wagner	9	EDD1TA 2011-JA	6M,7M	15 x 3	Wagner	2	
E0HT 2010-CA	9M	15 x 3	Wagner	9	D1TA 2011-KA	6M,7M	15 x 3	Wagner	2	
E0HT 2010-EA	7M,9M	15 x 3 1/2	R(T)	7	D7HT 2011-KA	7M,9M	15 x 3 1/2	Wagner	6	
E0HT 2011-FA	5.5M	14 x 2 1/2	Kelsey	1	D7HT 2011-MA	10.8M, 12M	15 x 4	R(T)	5	
E0HT 2010-HA	7M,9M	15 x 3 1/2	R(T)	7	D7HT 2011-NA	10.8M, 12M	15 x 4	R(T)	5	
E0HT 2010-JA	7M,9M	15 x 4	R(T)	5	EDD7HT 2011-NA	10.8M,12M	15 x 4	R(T)	5	
E0HT 2010-KA	10.8M,12M	15 x 4	R(T)	5	D7HT 2011-SA	12M	15 x 4	Wagner	4	
E3HT 2010-CA	12M	15 x 4	Eaton	12	D7HT 2011-TA	12M	15 x 4	R(T)	5	
E4HT 2010-AA	7M,9M	15 x 4	Eaton	12	EDD7HT 2011-TA	12M	15 x 4	R(T)	5	
E5HT 2010-BA	9M,12M	15 x 4	Bendix	13	D7HT 2011-UA	10.8M,12M	15 x 4	Wagner	4	
E5HT 2010-CA	12M	15 x 4	Eaton	12	D7HT 2011-VA	7M,9M	15 x 3 1/2	R(T)	7	
E5HT 2010-DA	7M,9M	15 x 4	Eaton	12	EDD7HT 2011-VA	7M,9M	15 x 3 1/2	R(T)	7	
E6HT 2010-BA	7M,9M	15 x 4	R(T)	5	D7TA 2011-GB	6M,7M,7.5M	15 x 3	Wagner	2	
E6HT 2010-DA	10.8M,12M	15 x 4	R(T)	5	D8HT 2011-BA	7M,9M	15 x 4	R(T)	5	
E6HT 2010-KA	7M,9M	15 x 3 1/2	R(T)	7	EDD8HT 2011-BA	7M,9M	15 x 4	R(T)	5	
E7HT 2010-FA	10.8M,12M	15 x 4	R(T)	5	D8HT 2011-CA	16M,18M,20M	15 x 6	Bendix	8	
E8HT 2010-AA	7M,9M	15 x 4	Bendix	15	E0HT 2011-BA	9M	15 x 3	Wagner	9	
E8HT 2010-AB	7M,9M	15 x 4	Bendix	15	E0HT 2011-CA	9M	15 x 3	Wagner	9	
E8HT 2010-AD	7M,9M	15 x 4	Bendix	15	E0HT 2011-DA	12M	15 x 4	R(T)	5	
E8HT 2010-BA	12M	15 x 4	Bendix	16	E0HT 2011-EA	7M,9M	15 x 3 1/2	R(T)	7	
E8HT 2010-BB	12M	15 x 4	Bendix	16	E0HT 2011-FA	5.5M	14 x 2 1/2	Kelsey	1	
E8HT 2010-BD	12M	15 x 4	Bendix	16	E0HT 2011-HA	7M,9M	15 x 3 1/2	R(T)	7	
E8HT 2010-CA	9M	15 x 4	R(T)	23	E0HT 2011-JA	7M,9M	15 x 4	R(T)	5	
E8HT 2010-DA	10M	15 x 4	Bendix	17	E0HT 2011-KA	10.8M,12M	15 x 4	R(T)	5	
E8HT 2010-DB	10M	15 x 4	Bendix	17	E0HT 2011-LA	10.8M,12M	15 x 4	R(T)	5	
E8HT 2010-DD	10M	15 x 4	Bendix	17	E3HT 2011-CA	12M	15 x 4	Eaton	12	
E8HT 2010-EA	11M,12M,13M	15 x 4	R(T)	24	E4HT 2011-AA	7M,9M	15 x 4	Eaton	12	
E8HT 2010-FA	10M	15 x 4	R(T)	25						



# 1980/ TRUCK SERIES 600/900

## FRONT BRAKE T.S.L. CROSS-REFERENCE GUIDE

T.S.L. NUMBER	Front Axle CAPACITY	BRAKE		PARTS LIST NO	T.S.L. NUMBER	Front Axle CAPACITY	BRAKE		PARTS LIST NO.
		SIZE	TYPE				SIZE	TYPE	
NOTE ● R(T)-Rockwell (Timken)									
E5HT 2011-BA	9M,12M	15 x 4	Bendix	13	E9HT 2011-AC	10M,12M	15 x 4	R(T)	20
E5HT 2011-CA	12M	15 x 4	Eaton	12	E9HT 2011-CA	8M,9M	15 x 4	R(T)	21
E5HT 2011-DA	7M,9M	15 x 4	Eaton	12	E9HT 2011-CB	8M,9M	15 x 4	R(T)	21
E6HT 2011-BA	7M,9M	15 x 4	R(T)	5	E9HT 2011-CC	8M,9M	15 x 4	R(T)	21
E6HT 2011-DA	10.8M,12M	15 x 4	R(T)	5	E9HT 2011-GA	7M,9M,12M	15 x 4	Bendix	18
E6HT 2011-KA	7M,9M	15 x 3 1/2	R(T)	7	E9HT 2011-GB	7M,9M,12M	15 x 4	Bendix	18
E7HT 2011-FA	10.8M,12M	15 x 4	R(T)	5	E9HT 2011-GC	7M,9M,12M	15 x 4	Bendix	18
E8HT 2011-AA	7M,9M	15 x 4	Bendix	15	E9HT 2011-JA	7M,9M,12M	15 x 4	Bendix	19
E8HT 2011-AB	7M,9M	15 x 4	Bendix	15	E9HT 2011-JB	7M,9M,12M	15 x 4	Bendix	19
E8HT 2011-AD	7M,9M	15 x 4	Bendix	15	E9HT 2011-NA	12M	15 x 4	R(T)	22
E8HT 2011-BA	12M	15 x 4	Bendix	16	E9HT 2011-NB	12M	15 x 4	R(T)	22
E8HT 2011-BB	12M	15 x 4	Bendix	16	D5HA 2019-AA	15M,16M,18M,20M	Disc	Kelsey	3
E8HT 2011-BD	12M	15 x 4	Bendix	16	D5HA 2019-AB	15M,16M,18M,20M	Disc	Kelsey	3
E8HT 2011-DA	10M	15 x 4	Bendix	17	E3HT 2B120-AC	8M,9M,9.5M,12M	Disc	Dayton-Walther	10
E8HT 2011-DB	10M	15 x 4	Bendix	17	E3HT 2B120-AD	8M,9M,9.5M,12M	Disc	Dayton-Walther	10
E8HT 2011-DD	10M	15 x 4	Bendix	17	E4HT 2B120-AC	6M,7M	DISC	Dayton-Walther	11
E8HT 2011-CA	9M	15 x 4	R(T)	23	E4HT 2B120-AD	6M,7M	Disc	Dayton-Walther	11
E8HT 2011-EA	11M,12M,13M	15 x 4	R(T)	24	E4HT 2B120-BA	8M,9M,9.5M,12M	Disc	Dayton-Walther	10
E8HT 2011-FA	10M	15 x 4	R(T)	25	E6HT 2B120-AA	6M,7M	Disc	Dayton-Walther	11
E8HT 2011-GA	16M,18M,20M	15 x 6	Bendix	8	E6HT 2B120-AB	6M,7M	Disc.	Dayton/Walther	11
E9HT 2011-AA	10M,12M	15 x 4	R(T)	20	E6HT 2B120-BA	8M,9M,9.5M,12M	Disc.	Dayton/Walther	10
E9HT 2011-AB	10M,12M	15 x 4	R(T)	20					

FRONT BRAKE MODEL APPLICATION CHART

1. Determine truck series and model year.
2. When optional brake sizes are shown, determine brake size. The brake size shown is the inside diameter of the brake drum and the width of the related brake shoe lining.
3. When different axle capacities are shown for the same brake size, determine axle capacity from truck warranty plate code.
4. Determine if the brake system is hydraulic or air type and select appropriate parts list number.
5. Refer to affected parts list. Brake component parts lists appear in numerical sequence in this section following the application chart. Brake drums are not included in the parts lists. They are listed with the appropriate hub assembly under group 1104 in Section 11.
6. Refer to the appropriate section and page of the Truck Illustration Catalog when necessary for the group numbers of the required parts. Brake components are also listed by part name with their related group number in the Index at the beginning of Section 10.

FRONT BRAKE MODEL APPLICATION CHART

TRUCK SERIES	MODEL YEAR	Front Axle CAPACITY	BRAKES		PARTS LIST NO.	ILLUS-TRATION		TRUCK SERIES	MODEL YEAR	Front Axle CAPACITY	BRAKES		PARTS LIST NO.	ILLUS-TRATION			
			SIZE	H-HYD. A-AIR		SEC	PAGE				SIZE	H-HYD. A-AIR		SEC	PAGE		
B600	80/83	6M,7M	15 x 3	H	2	21	7	CT800/900	80/	7M,9M	15 x 3 1/2	A	6	21.1	10		
	84/	6M,7M	Disc	H	11	21	8		80/83	9M	15 x 4	A	4	21.1	10		
B700	80/83	6M,7M	15 x 3	H	2	21	7	F600	80/83	12M	15 x 4	A	4	21.1	10		
	80/	8M,9M	15 x 3	H	9	21	7		84/	9M,12M	15 x 4	A	12				
	80/	7M,9M	15 x 3 1/2	A	6	21.1	10		80/	12M	15 x 4	A	5	21.1	4		
	80/83	7M,8M,9M	15 x 4	A	4	21.1	10		80/	15M,16M,18M	Disc	A	3	21	2		
	80/	7M,8M,9M	15 x 4	A	5				80/	16M,18M(C900)	15 x 6	A	8				
	84/	7M,9M,12M	15 x 4	A	12				80/83	5.5M,6M	14 x 2 1/2	H	1	21	4		
	84/	6M,7M	Disc	H	11	21	8		80/83	6M,7M,7.5M	15 x 3	H	2	21	7		
	84/	8M,9M,9.5M	Disc	H	10	21	8		84/	6M,7M	Disc	H	11	21	8		
C600	80/83	6M	14 x 2 1/2	H	1	21	4	F-FT700/900	80/83	6M,7M	15 x 3	H	2	21	7		
	80/83	6M,7M	15 x 3	H	2	21	7		80/	9M	15 x 3	H	9	21	7		
	80/	7M,9M	15 x 3 1/2	A	6	21.1	10		80/	7M,9M	15 x 3 1/2	A	6	21.1	10		
	80/83	7M	15 x 4	A	4	21.1	10		80/83	7M,9M	15 x 4	A	4	21.1	10		
	84/	6M,7M	Disc	H	11	21	8		83/	12M	15 x 4	A	4	21.1	10		
	C700	80/83	7M,9M	15 x 3	H	2	21		7	F-FT800/900	84/	7M,9M,12M	15 x 4	A	12		
		80/	7M,9M	15 x 3 1/2	A	6	21.1		10		83/	12M	15 x 4	A	5	21.1	4
		80/83	7M,9M	15 x 4	A	4	21.1		10		84/	6M,7M	Disc	H	11	21	8
84/		7M,9M,12M	15 x 4	A	12			84/	8M,9M,9.5M		Disc	H	10	21	8		
84/		6M,7M	Disc	H	11	21	8		12M								
84/		8M,9M,9.5M	Disc	H	10	21	8	L800/900	83/		8M,9M,9.5M,	Disc	H	10			
		12M									12M						
C800/900		80/83	9M	15 x 3	H	2	21		7		LN600	80/83	7M,9M	15 x 3	H	2	21
	80/	7M,9M	15 x 3 1/2	A	6	21.1	10		80/	7M,9M		15 x 3 1/2	A	6	21.1	10	
	80/	7M,9M	15 x 3 1/2	A	7				80/83	7M,9M		15 x 4	A	4	21.1	10	
	80/83	9M	15 x 4	A	4	21.1	10		80/83	12M		15 x 4	A	4	21.1	10	
	80/83	12M	15 x 4	A	4	21.1	10		84/	7M,9M,12M		15 x 4	A	12			
	84/	7M,9M,12M	15 x 4	A	12				80/	12M		15 x 4	A	5	21.1	4	
	80/	12M	15 x 4	A	5	21.1	4	84/	6M,7M	Disc		H	11	21	8		
	80/	15M(C900)	Disc	A	3	21	2	84/	8M,9M,9.5M	Disc		H	10	21	8		
	80/	16M,18M(C900)	15 x 6	A	8				12M								
	84/	6M,7M	Disc	H	11	21	8	LN600	80/83	5.5M,6M		14 x 2 1/2	H	1	21	4	
	84/	8M,9M,9.5M	Disc	H	10	21	8		80/83	6M,7M		15 x 3	H	2	21	7	
		12M							80/	7M,9M		15 x 3 1/2	A	6	21.1	10	
CF600/800	86/	9M,12M	15 x 4	A	13				80/83	7M	15 x 4	A	4	21.1	10		
	86/	9M,12M	Disc	H	14				84/	6M,7M	Disc	H	11	21	8		
CL - CLT900	80/83	10.8M, 12M	15 x 4	A	4	21.1	10		84/	6M,7M	Disc	H	11	21	8		
	80/	10.8M, 12M	15 x 4	A	5	21.1	4		84/	8M,9M,9.5M	Disc	H	10	21	8		
	84/	10.8M,12M	15 x 4	A	12					12M							

1980/  
TRUCK SERIES 600/900

**FRONT BRAKE MODEL APPLICATION CHART**

TRUCK SERIES	MODEL YEAR	Front Axle CAPACITY	BRAKES		PARTS LIST NO.	ILLUS-TRATION SEC. PAGE	TRUCK SERIES	MODEL YEAR	Front Axle CAPACITY	BRAKES		PARTS LIST NO.	ILLUS-TRATION SEC. PAGE			
			SIZE	H-HYD. A-AIR						SIZE	H-HYD. A-AIR					
LN700	80/83	5.5M	14 x 2 1/2	H	1	21	4	LNT-LT-	80/83	9M,12M	15 x 3	H	2	21	7	
	80/83	7M,9M	15 x 3	H	2	21	7	LTS800/900,	80/	9M	15 x 3 1/2	A	6	21.1	10	
	80/	7M,9M	15 x 3 1/2	A	6	21.1	10	LTL9000	80/83	9M	15 x 4	A	4	21.1	10	
	80/83	7M,9M	15 x 4	A	4	21.1	10		84/	9M,12M	15 x 4	A	12			
	84/	7M,9M	15 x 4	A	12				80/	16M	15 x 6	A	8			
	84/	6M,7M	Disc	H	11	21	8		80/	16M	Disc	A	3	21	2	
	84/	6M,7M	Disc	H	11	21	8		80/	18M(LT-LTS)	15 x 6	A	8			
	84/	8M,9M,9.5M	Disc	H	10	21	8		80/	18M(LT-LTS)	Disc	A	3	21	2	
		12M							80/	20M(LT-LTS)	15 x 6	A	8			
		12M							80/	20M(LTS)	Disc	A	3	21	2	
LN800/900	80/83	7M,9M	15 x 3	H	2	21	7		80/83	12M	15 x 4	A	4	21.1	10	
	80/	7M,9M	15 x 3 1/2	A	6	21.1	10		80/	12M	15 x 4	A	5	21.1	4	
	80/83	7M,9M	15 x 4	A	4	21.1	10		84/	6M,7M	Disc	H	11	21	8	
	80/83	12M	15 x 4	A	4	21.1	10		84/	8M,9M,9.5M	Disc	H	10	21	8	
	84/	7M,9M,12M	15 x 4	A	12					12M						
	80/	12M	15 x 4	A	5	21.1	4									
	84/	6M,7M	Disc	H	11	21	8									
	84/	8M,9M,9.5M	Disc	H	10	21	8									
		12M														
		12M														

YEAR	RESTRICTIONS	PART NUMBER	QTY.	PART NAME AND DESCRIPTION
------	--------------	-------------	------	---------------------------

**FRONT BRAKE PARTS LIST NO. 1**  
14 x 2 1/2 KELSEY HAYES BRAKE

Note: ● Refer to group number in Section 20 for kit components. ◆ Refer to group number in Section 22 for kit components.

80/83		C3TZ 2007-D	1	● LINING KIT (BRAKE SHOE)
		2012-3		PLATE ASSY. (CARRIER)
80/83	5.5M axles	C9TZ 2012-F	1	R.H.
		C9TZ 2013-F	1	L.H.
80/83	6M axle	C9TZ 2012-E	1	R.H.
		C9TZ 2013-E	1	L.H.
80/83	5.5M axles	383126-S	2	(BB-321-V)-bolt (plate to spindle)-9/16"-18 x 2"
80/83	5.5M axles	371613-S7-8	2	(XX-202)-flat washer-9/16"
80/83	5.5M axles	370117-S8	2	(MM-68)-castlenut-9/16"-18
80/83	5.5M axles	72071-S	2	(N-54)-cotter pin-1/8" x 1 1/2"
80/83	5.5M axles	383113-S	6	(BB-321-X)-bolt (plate to spindle)-9/16"-18 x 3 13/64"
80/83	6M axle	382180-S	12	(BB-390-DQ)-bolt (plate to spindle)-1/2"-13 x 1 1/2"
80/83	6M axle	55697-S8	12	(M-89-F)-nut-1/2"-13
		2018-9		SHOE and LINING ASSY. (BRAKE)
80/83		C8TZ 2018-A	2	Primary
		C8TZ 2019-A		Secondary
80/83		96H 2028	2	PLATE (BRAKE SHOE ANCHOR PIN)
		2035		SPRING (BRAKE SHOE RETRACTING)
80/83		B7Q 2035-A	2	Primary
80/83		C8TZ 2035-A	2	Secondary
		2041		SCREW (BRAKE ADJUSTING)
80/83		C8TZ 2041-A	1	R.H. - Also serviced in assy.-group 2046
		C8TZ 2041-B	1	L.H. - Also serviced in assy.-group 2046
80/83		B7T 2042-A	2	LINK (BRAKE CYLINDER TO SHOE)
		2046		SCREW ASSY. (BRAKE ADJUSTMENT)
80/83		★ C9TZ 2046-B r/bC9TZ 2046-D	1	R.H.-incl. C8TZ 2041-A and sleeve
		★ C9TZ 2046-C r/bC9TZ 2046-E	1	L.H.-incl. C8TZ 2041-B and sleeve
80/83		C9TZ 2046-D	1	R.H.-incl. C9TZ 2046-B, C8TZ 2048-A, ★2223 and C8TZ 2052-A
80/83		C9TZ 2046-E	1	L.H.-incl. C9TZ 2046-C, C8TZ 2048-A, ★2223 and C8TZ 2052-A
80/83		C8TZ 2048-A	2	SOCKET (BRAKE ADJUSTING SCREW) - Also serviced in assy.-group 2046
80/83		C8TZ 2049-A	2	SPRING (BRAKE ADJUSTING SCREW)

1980/  
TRUCK SERIES 600/900

YEAR	RESTRICTIONS	PART NUMBER	QTY.	PART NAME AND DESCRIPTION
FRONT BRAKE PARTS LIST NO. 1 — Cont'd				
14 x 2 1/2 KELSEY HAYES BRAKE				
Note: ● Refer to group number in Section 20 for kit components. ◆ Refer to group number in Section 22 for kit components.				
80/83		★ C8TZ 2052-A r/bC9TZ 2046-D or C9TZ 2046-E	2	WASHER (BRAKE SHOE ADJUSTING)—flat-17/32" I.D. x 15/16" O.D. — Also serviced in assy.-group 2046
		2061-2		CYLINDER ASSY. (BRAKE)
80/83	6M axle	C9TZ 2061-B	1	R.H.—1 3/32" dia.
		C9TZ 2062-B	1	L.H.
80/83	5.5M axle	EOHZ 2061-A	1	R.H.—1 3/32" dia.
		EOHZ 2062-A	1	L.H.
80/83		B7A 2066-A	8	CUP or WASHER (BRAKE SHOE HOLD DOWN SPRING)
80/83		C8TZ 2068-A	4	SPRING (BRAKE SHOE HOLD DOWN)—1 1/16" long
80/83		C8TZ 2069-B	4	PIN (BRAKE SHOE HOLD DOWN SPRING)
80/83		H 2092	2	COVER (BRAKE ADJUSTING HOLE)
80/83		2128		Refer to group 2221
80/83		C9TZ 2175-A	2	SLEEVE (BRAKE ADJUSTING LEVER)
		2A176-7		LEVER (BRAKE SHOE ADJUSTING)
80/83		C9TZ 2A176-C	1	R.H.
		C9TZ 2A177-A	1	L.H.
		2C176		PIVOT (BRAKE SHOE ADJUSTING LEVER)
80/83		C9TZ 2C176-A	1	R.H.
		C9TZ 2C176-B	1	L.H.
		2D176		SPRING (BRAKE ADJUSTING LEVER OVERRIDE)
80/83		C9TZ 2D176-A	1	R.H.
		C9TZ 2D176-B	1	L.H.
		2179		LINK (BRAKE SHOE ADJUSTING LEVER)
80/83		C9TZ 2179-A	1	R.H.
		C9TZ 2179-B	1	L.H.
80/83		C9TZ 2196-A	1	PISTON (BRAKE CYLINDER)
80/83		2201		Serviced only in kit-group 2221 in this parts list
80/83		2206		Serviced only in kit-group 2221 in this parts list
80/83		C0DZ 2208-A	2	SCREW (BRAKE BLEEDER)
80/83		C3AZ 2221-A	2	◆CYLINDER REPAIR KIT(BRAKE)—1 3/32" dia.
80/83		2223		Serviced only in assy.-group 2046 in this parts list
80/83		C7TZ 2240-A	2	BAFFLE(BRAKE GREASE)
FRONT BRAKE PARTS LIST NO. 2				
15 x 3 WAGNER HYDRAULIC BRAKE				
Note: ●Refer to group number in Section 20 for kit components. ◆ Refer to group number in Section 22 for kit components.				
		2007		●LINING KIT (BRAKE SHOE)
80/83	9M,12M axles	C8TZ 2007-S	1	
80/83	6M, 7M axle -- exc B600/700	D1TZ 2007-C	1	
80/83	B600/700 -- 7M axle	D7TZ 2007-A	1	
81/83	B600/700 -- 7M axle	EOHZ 2007-C	1	
		2012-3		PLATE ASSY. (CARRIER)
80/83	6M,7M axles	DOTZ 2012-A	1	R.H.—# FD-73805
		DOTZ 2013-A	1	L.H.—# FD-73804
80/83	9M,12M axles	DOTZ 2012-B	1	R.H.—# FD-73841
		DOTZ 2013-B	1	L.H.—# FD-73840
80/83		382180-S	12	(BB-390-DQ)—bolt (plate to spindle)— 1/2"— 13 x 1 1/2
80/83		34989-S2	12	(M-89-FA)—nut-1/2"—13
		2018		SHOE and LINING ASSY. (BRAKE)
80/83	6M, 7M axles -- exc B600/700	D1TZ 2018-A	4	
80/83	B600/700 -- 7M axle	D7TZ 2018-A	4	
80/83	9M,12M axles	C8TZ 2018-C	4	
80/83		C4TZ 2035-B	4	SPRING (BRAKE SHOE RETRACTING)
80/83		C8TZ 2049-B	4	SPRING (BRAKE SHOE ADJUSTING SCREW)—also serviced in kit-group 2A176

**1980/  
TRUCK SERIES 600/900**

YEAR	RESTRICTIONS	PART NUMBER	QTY.	PART NAME AND DESCRIPTION
<b>FRONT BRAKE PARTS LIST NO. 2 — Cont'd</b>				
<b>15 x 3 WAGNER HYDRAULIC BRAKE</b>				
Note: ●Refer to group number in Section 20 for kit components. ♦ Refer to group number in Section 22 for kit components.				
<b>2061-2</b>				
<b>CYLINDER ASSY. (BRAKE)</b>				
80/83	Single H/V brakes and 6M or 7M axles	DOTZ 2061-A	1	R.H.-rear-1 1/8" dia.
		DOTZ 2062-A	1	L.H.-rear
		C9TZ 2061-A	1	R.H.-front
		C9TZ 2062-A	1	L.H.-front
80/83	Split H/V brakes and 6M or 7M axles	DOTZ 2061-B	1	R.H.-rear-1 1/8 dia.
		DOTZ 2062-B	1	L.H.-rear
		C9TZ 2061-A	1	R.H.-front
		C9TZ 2062-A	1	L.H.-front
80/83	B600/700 -- split H/V brakes and 7M axle	DOTZ 2061-D	1	R.H.- rear-1 1/4" dia.
		DOTZ 2062-D	1	
		DOTZ 2061-C	1	
		DOTZ 2062-C	1	
80/83	C700/900,F700/800 single H/V brakes and 9M axle	DOTZ 2061-A	1	R.H.-rear-1 1/8 dia.
		DOTZ 2062-A	1	L.H.-rear
		C9TZ 2061-A	1	R.H.-front
		C9TZ 2062-A	1	L.H.-front
80/83	C700/900,F700/800 split H/V brakes and 9M axle	DOTZ 2062-B	1	R.H.-rear-1 1/8 dia.
		DOTZ 2061-B	1	L.H.-rear
		C9TZ 2061-A	1	R.H.-front
		C9TZ 2062-A	1	L.H.-front
80/83	L-LN-LNT-LT-LTS700/900 single H/V brakes and 9M axle	DOTZ 2061-E	1	R.H.-rear-1 1/4 dia.
		DOTZ 2062-E	1	L.H.-rear
		DOTZ 2061-C	1	R.H.-front
		DOTZ 2062-C	1	L.H.-front
80/83	L-LN-LNT-LT-LTS700/900 split H/V brakes and 9M axle	DOTZ 2061-D	1	R.H.-rear-1 1/4 dia.
		DOTZ 2062-D	1	L.H.-rear
		DOTZ 2061-C	1	R.H.-front
		DOTZ 2062-C	1	L.H.-front
80/83	Single H/V brakes and 12M axle	DOTZ 2061-E	1	R.H.-rear-1 1/4 dia.
		DOTZ 2062-E	1	L.H.-rear
		DOTZ 2061-C	1	R.H.-front
		DOTZ 2062-C	1	L.H.-front
80/83	Split H/V brakes and 12 M axle	DOTZ 2061-D	1	R.H.-rear-1 1/4 dia.
		DOTZ 2062-D	1	L.H.-rear
		DOTZ 2061-C	1	R.H.-front
		DOTZ 2062-C	1	L.H.-front
<b>2076</b>				
<b>FITTING (BRAKE CYLINDER OUTLET)</b>				
80/83	Split H/V brakes	C8TZ 2076-A	1	R.H.
		C8TZ 2076-B	1	L.H.
80/83		C8TZ 2087-A	4	WASHER (BRAKE SHOE GUIDE)-5/64" thick
80/83		C8TZ 2087-B	2	WASHER (SPRING-BRAKE SHOE GUIDE)-1/64" thick
80/83		D1TZ 2087-A	2	"C" WASHER (BRAKE SHOE GUIDE)-5/32" dia.
80/83	6M,7M axles	C4TZ 2146-A	4	EXTENSION (BRAKE CYLINDER LINK)

**1980/  
TRUCK SERIES 600/900**

YEAR	RESTRICTIONS	PART NUMBER	QTY.	PART NAME AND DESCRIPTION
<b>FRONT BRAKE PARTS LIST NO. 2 — Cont'd</b>				
<b>15 x 3 WAGNER HYDRAULIC BRAKE</b>				
<b>Note:</b> ● Refer to group number in Section 20 for kit components.   ◆ Refer to group number in Section 22 for kit components.				
<b>2A176-7</b> LEVER (BRAKE SHOE ADJUSTING)				
80/83		C8TZ 2A176-D	2	R.H.—also serviced in kit group 2A176
		C8TZ 2A177-D	2	L.H.—also serviced in kit group 2A176
<b>2A176</b> LEVER KIT (BRAKE SHOE ADJUSTING)				
80/83		C8TZ 2A176-G	1	consists of: C8TZ 2049-B, C8TZ 2A176-D, C8TZ 2A177 D, C8TZ 2A180-A C8TZ 2A180-B, C8TZ 2B201-A, C8TZ 2B201-B C8TZ 2B344-A, C8TZ 2B345-A
<b>2A180</b> SPRING (BRAKE AUTOMATIC ADJUSTMENT)				
80/83		C8TZ 2A180-B	2	R.H.—also serviced in kit group 2A176
		C8TZ 2A180-A	2	L.H.—also serviced in kit group 2A176
80/83		C4TZ 2196-B	4	PISTON (BRAKE CYLINDER) 1 1/8" dia.
80/83		★ C4TZ 2196-A	4	1 1/4" serviced only in assy. group 2061-2
<b>2B201</b> WEDGE (BRAKE SHOE ACTUATING)				
80/83		C8TZ 2B201-A	2	R.H.—also serviced in kit group 2A176
		C8TZ 2B201-B	2	L.H.—also serviced in kit group 2A176
80/83	6M,7M axles	C4TZ 2204-A	4	SPRING (BRAKE CYLINDER PISTON RETURN)
80/83		D9HZ 2208-B	4	SCREW (BRAKE BLEEDER)
<b>2221</b> ◆CYLINDER REPAIR KIT (BRAKE)				
80/83		C4TZ 2221-C	4	1 1/8" dia.
80/83		D0TZ 2221-A	4	1 1/4" dia.
<b>2240-1</b> BAFFLE (BRAKE GREASE)				
80/83	6M,7M axles	B7TZ 2240-A	2	
80/83	9M,12M axles	8EB 2241-B	2	
<b>2286</b> TUBE ASSY. (BRAKE CYLINDER CONNECTOR)				
80/83	Single H/V brakes	D1TZ 2286-D	2	
80/83		C8TZ 2B344-B	4	ACTUATOR (BRAKE SHOE ADJUSTMENT LEVER)—also serviced in kit-group 2A176
80/83		C8TZ 2B345-A	4	LOCK (BRAKE SHOE ADJUSTMENT)—also serviced in kit-group 2A176
<b>FRONT BRAKE PARTS LIST NO. 3</b>				
<b>DISC - KELSEY HAYES</b>				
80/82		D5HZ 2001-A	2	SHOE AND LINING KIT
80/82		D5HZ 2K004-A	2	SHIELD (BRAKE)
80/82		D5HZ 2B120-C	2	CALIPER ASSY. (BRAKE)
80/82		D5HZ 2K139-A	2	CALIPER HOUSING KIT
80/82		D5HZ 2207-A	2	BOOT AND SEAL KIT
80/82		B9TT 2208-A	2	SCREW (BRAKE BLEEDER)
80/82		D5HZ 2K395-A	2	CALIPER PISTON KIT
80/82		D5HZ 2B540-A	1	ADAPTOR ASSY. (BRAKE) - R.H.
		D5HZ 2B541-A	1	L.H.
80/82		D5HZ 2B552-A	4	PLATE (BRAKE) RETAINER
<b>FRONT BRAKE PARTS LIST NO. 4</b>				
<b>15 x 4 WAGNER CAM AIR BRAKE</b>				
<b>Note:</b> ● Refer to group number in Section 20 for kit components				
<b>2007</b> ● LINING KIT (BRAKE SHOE)				
80/83	7M,8M,9M axles	D6TZ 2007-D	1	
80/83	9.5M,10.8M, 12M axles	D8HZ 2007-A	1	
<b>2012-3</b> PLATE ASSY. (CARRIER)				
80/83	7M,8M,9M axles	D6TZ 2013-A	1	R.H.
		D6TZ 2012-A	1	L.H.
80/83	9.5M,10.8M, 12M axles	D8HZ 2012-A	1	R.H.
		D8HZ 2013-A	1	L.H.

**1980/  
TRUCK SERIES 600/900**

YEAR	RESTRICTIONS	PART NUMBER	QTY.	PART NAME AND DESCRIPTION
<b>FRONT BRAKE PARTS LIST NO. 4 — Cont'd</b>				
<b>15 x 4 WAGNER CAM AIR BRAKE</b>				
Note: ● Refer to group number in Section 20 for kit components				
80/83		385580-S2	16	(BB-273-C)-bolt(plate to spindle)-5/8"- 18 x 2 1/8"
80/83		55777-S8	16	(M-89-A) - nut 5/8" - 18
80/83		373781-S	32	(XX-214-A) - washer-flat 5/8"
<b>2018 SHOE and LINING ASSY. (BRAKE)</b>				
80/83	7M,8M,9M axles	D6TZ 2018-B	4	
80/83	9.5M,10.8M, 12M axles	D8HZ 2018-A	4	
<b>2023 ROLLER (BRAKE SHOE TO CAM)</b>				
80/83		D6TZ 2023-A	4	
<b>2027 PIN (BRAKE SHOE ANCHOR)</b>				
80/83		D6TZ 2027-B	4	
<b>2230-1 CAMSHAFT (AIR BRAKE)</b>				
80/83	7M, axle	D6TZ 2231-B	1	R.H.
		D6TZ 2230-B	1	L.H.
80/83	8M,9M axle	D6TZ 2231-A	1	R.H.
		D6TZ 2230-A	1	L.H.
80/83	9.5M,10.8M,12M axles-CL-CLT	D6TZ 2231-A	1	R.H.
		D6TZ 2230-A	1	L.H.
80	12M axles-exc. CL-CLT	D6TZ 2231-A	1	R.H.
	"Before Ser. GJ5,001"	D6TZ 2230-A	1	L.H.
80/83	12M axles-exc. CL-CLT	D6TZ 2231-A	1	R.H.
	"From Ser. GJ5,001"	E0HZ 2230-A	1	L.H.
<b>2290 BUSHING (BRAKE CAMSHAFT)</b>				
80/83	7M,8M,9M axles	D6TZ 2290-A	4	
80/83	10.8M,12M axles-CL-CLT	D6TZ 2290-A	4	
80	12M axles-exc. CL-CLT	D6TZ 2290-A	4	
	"Before Ser. GJ5,001"			
80/83	9.5M,12M axles-exc. CL-CLT	D6TZ 2290-A	2	R.H.
	"From Ser. GJ5,001"	E0HZ 2290-A	2	L.H.
<b>2304-5 BRACKET ASSY. (BRAKE CAMSHAFT)</b>				
80/83	7M axle	D6TZ 2305-B	1	R.H.
		D6TZ 2304-B	1	L.H.
80/83	8M,9M axle	D6TZ 2304-C	1	R.H.
		★ D6TZ 2305-C	1	L.H.
		r/bD6TZ 2305-A		
80/83	9.5M,10.8M,12M axles	D6TZ 2305-A	1	R.H.
		D6TZ 2304-A	1	L.H.
<b>2308-9 ADJUSTER ASSY. (AIR BRAKE)</b>				
80/83	7M,8M,9M axles	D6TZ 2309-A	1	R.H.-10 splines
		D6TZ 2308-A	1	L.H.-10 splines
80/83	9.5M,10.8M,12M axles w/man. adjusters	D6TZ 2309-A	1	R.H.-10 splines
		D6TZ 2308-A	1	L.H.-10 splines
80/83	9.5M,10.8M,12M axles w/auto adjusters	D8HZ 2308-A	1	R.H.-10 splines
		D8HZ 2309-A	1	L.H.-10 splines
<b>2330 SEAL (BRAKE CAMSHAFT BRACKET)</b>				
80/83		D6TZ 2330-A	4	
<b>2B513 SPRING and PARTS KIT (BRAKE REPAIR)</b>				
80/83	7M,8M,9M axles	D6TZ 2B513-A	1	
80/83	10.8M,12M axles-CL-CLT	D6TZ 2B513-A	1	
80	9.5M,12M axles-exc. CL-CLT	D6TZ 2B513-A	1	
	"Before Ser. BJ5,001"			
80/83	9.5M,12M axles-exc. CL-CLT	D6TZ 2B513-A	1	R.H.
	"From Ser. GJ5,001"	E0HZ 2B513-B	1	L.H.

1980/  
TRUCK SERIES 600/900

YEAR	RESTRICTIONS	PART NUMBER	QTY.	PART NAME AND DESCRIPTION
FRONT BRAKE PARTS LIST NO. 5 15 x 4 ROCKWELL CAM AIR BRAKE				
NOTE: Refer to group number in Section 20 for kit components				
2007				
LINING KIT (BRAKE SHOE)				
80/86	7M,8M,9M,10.8M,12M	D8HZ 2007-B	2	
87/	7M,8M,9M	E7HZ 2007-B	2	
87/	10.8M,12M	E7HZ 2007-C	2	
2012-3				
PLATE ASSY (CARRIER)				
80/	CL-CLT -- 10.8M, 12M	D8HZ 2012-B	1	R.H.
		D8HZ 2013-B	1	L.H.
80/	Exc. CL-CLT -- 12M	D8HZ 2012-B	1	R.H.
		D8HZ 2013-E	1	L.H.
80/	7M,8M,9M	D8HZ 2012-D	1	R.H.
		D8HZ 2013-F	1	L.H.
80/	7M,8M,9M,10.8M,12M	385580-S2	16	(BB-273-C)-bolt (plate to spindle)-5/8" .18 x 2 1/8"
		55777-S8	16	(M-89-A)-nut-5/8"-18
		373781-S	32	(XX-214-A)-washer-flat 5/8"
2018				
SHOE and LINING ASSY. (BRAKE)				
80/86		D8HZ 2018-B	4	
87/	7M,8M,9M	E7HZ 2018-B	4	
87/	10.8M,12M	E7HZ 2018-A	4	
2023				
ROLLER (AIR BRAKE SHOE)				
80/		D5HZ 2023-B	4	
2027				
PIN (BRAKE SHOE ANCHOR)				
80/		D8HZ 2027-A	4	
2035				
SPRING (BRAKE SHOE RETRACTING)				
80/	7M,8M,9M	D8HZ 2035-B	2	
80/	CL-CLT-10.8M,12M	D8HZ 2035-A	2	
80/	C-CT-L-LN-LNT-LT-LTS800/900 12M	D8HZ 2035-B	2	
2B038				
SEAL ASSY. (BRAKE SPIDER CAMSHAFT)				
80/		D8HZ 2B038-A	4	1 1/4" I.D. x 2 1/16" O.D. x 1/4" thick
2054				
WASHER (ADJUSTER)				
80/		D8HZ 2054-A	2	1 9/32" I.D. x 2 3/8" O.D. x 1/8" thick
		D8HZ 2054-B	2	1 9/32" I.D. x 2 7/16" O.D. x 1/32" thick
2066				
WASHER (BRAKE SHOE HOLD DOWN SPRING)				
80/		C3TZ 2066-A	8	
2068				
SPRING (BRAKE SHOE HOLD DOWN)				
80/	7M,8M,9M,10.8M,12M	C3TZ 2068-B	4	
2069				
PIN (BRAKE SHOE HOLD DOWN)				
80/		D8HZ 2069-B	4	
2138				
WASHER (AIR BRAKE CAMSHAFT ADJUSTER)				
80/81	"Before 3/15/81"	D8HZ 2138-A	6	1 5/16" I.D. x 2 1/2" O.D. x 1/16" thic
81/	"From 3/15/81"	E1HZ 2138-C	6	
87/		E7HZ 2138-A	2	
2230-1				
CAMSHAFT (AIR BRAKE)				
80/81	7M,8M,9M,10.8M,12M	D8HZ 2230-A	1	R.H.
	"Before 3/15/81"	D8HZ 2231-B	1	L.H.
81/	7M,8M,9M,10.8M,12M	E1HZ 2230-A	1	R.H.
	"From 3/15/81"	E1HZ 2231-A	1	L.H.
2237				
BUSHING (BRAKE CAMSHAFT)				
80/		D8HZ 2237-A	4	
2K285				
SLACK ADJUSTER KIT (BRAKE)				
80/		D8HZ 2K285-A	1	R.H.
		D8HZ 2K285-B	1	L.H.



**1980/  
TRUCK SERIES 600/900**

YEAR	RESTRICTIONS	PART NUMBER	QTY.	PART NAME AND DESCRIPTION
FRONT BRAKE PARTS LIST NO. 5 — Cont'd 15 x 4 ROCKWELL CAM AIR BRAKE				
NOTE: Refer to group number in Section 20 for kit components				
2304-5 BRACKET ASSY. (BRAKE CAMSHAFT)				
80/	7M,8M,9M "From 3/15/81"	E1HZ 2304-B	1	R.H.
		E1HZ 2305-B	1	L.H.
80/81	CL-CLT-10.8M,12M "Before 3/15/81"	E1HZ 2304-A	1	R.H.
		D8HZ 2305-A	1	L.H.
81/	CL-CLT-10.8M,12M "From 3/15/81"	E1HZ 2304-A	1	R.H.
		E1HZ 2305-A	1	L.H.
80	C-CT-L-LN-LNT-LT-LTS800/900 -- 12M- "Before Ser. GJ5,001"	D8HZ 2304-A	1	R.H.
		E1HZ 2305-A	1	L.H.
80/81	C-CT-L-LN-LNT-LT-LTS800/900 -- 12M- "From Ser. GJ5,001 to 3/15/81"	D8HZ 2304-A	1	R.H.
		E1HZ 2305-B	1	L.H.
81/	C-CT-L-LN-LNT-LT-LTS800/900 "From 3/15/81"	E1HZ 2304-A	1	R.H.
		E1HZ 2305-B	1	L.H.
2308-9 ADJUSTER ASSY (AIR BRAKE)				
80/86	7M,8M,9M	D8HZ 2308-D	1	R.H.—10 splines
		D8HZ 2308-B	1	L.H.—10 splines
80/86	10.8M,12M -- Manual adjusters	D8HZ 2308-D	1	R.H.—10 splines
		D8HZ 2308-B	1	L.H.—10 splines
	—Automatic adjusters	D8HZ 2308-C	1	R.H.—10 splines
		D8HZ 2309-B	1	L.H.—10 splines
87	"Before 3/87"	E7HZ 2308-B	1	R.H.
		E7HZ 2309-A	1	L.H.
87/	"From 3/87"	E7HZ 2308-C	1	R.H.
		E7HZ 2309-C	1	L.H.
2318 RING (BRAKE CAMSHAFT EXTERNAL RETAINER)				
81/		E1HZ 2318-A	2	1 5/32" I.D.—snap ring
87/		E7HZ 2318-A	2	Lock ring
4326 WASHER (AIR BRAKE)				
80/		C1TT 4326-A	4	25/32" I.D. x 1 3/8" O.D. x 1/8" thick
FRONT BRAKE PARTS LIST NO. 6 15 x 3 1/2 WAGNER CAM AIR BRAKE				
2007 LINING KIT (BRAKE SHOE)				
80/		D8HZ 2007-C	1	
2012-13 PLATE ASSY. (CARRIER)				
80/		D8HZ 2012-C	1	R.H.
		D8HZ 2013-D	1	L.H.
80/		385580-S2	16	(BB-273-C)—bolt (plate to spindle)—5/8"—18 x 2 1/8"
80/		55777-S8	16	(M-89-A)—nut—5/8"—18
80/		373781-S	32	(XX-214-A)—washer—flat 5/8"
2018 SHOE and LINING ASSY. (BRAKE)				
80/		D8HZ 2018-C	4	
2023 ROLLER (BRAKE SHOE TO CAM)				
80/		D8HZ 2023-A	4	
2027 PIN (BRAKE SHOE ANCHOR)				
80/		D8HZ 2027-B	4	
2230-31 CAMSHAFT (AIR BRAKE)				
80/		D6TZ 2231-B	1	R.H.
		D6TZ 2230-B	1	L.H.
2290 BUSHING (BRAKE CAMSHAFT)				
80/		D6TZ 2290-A	4	
2304-5 BRACKET ASSY. (BRAKE CAMSHAFT)				
80/		D8HZ 2304-B	1	R.H.
		D8HZ 2305-B	1	L.H.

1980/  
TRUCK SERIES 600/900

YEAR	RESTRICTIONS	PART NUMBER	QTY.	PART NAME AND DESCRIPTION
FRONT BRAKE PARTS LIST NO. 6 — Cont'd				
15 x 3 1/2 WAGNER CAM AIR BRAKE				
		2308-9		ADJUSTER ASSY. (AIR BRAKE)
80/		D6TZ 2309-A	1	R.H.
		D6TZ 2308-A	1	L.H.
		2330		SEAL (BRAKE CAMSHAFT BRACKET)
80/		D6TZ 2330-A	4	
		2B513		SPRING and PARTS KIT (BRAKE REPAIR)
80/		D8HZ 2B513-A	1	
80/		D8HZ 2K513-A	2	SPRING AND WASHER KIT (BRAKE)
FRONT BRAKE PARTS LIST NO. 7				
15 x 3 1/2 ROCKWELL CAM AIR BRAKE				
		2007		LINING KIT (BRAKE SHOE)
80/		D8HZ 2007-D	2	
		2012-3		PLATE ASSY. (CARRIER)
80	"Before Ser. GG5,001"	D8HZ 2012-D	1	R.H.
		D8HZ 2013-F	1	L.H.
80/	"From Ser. GG5,001"	E0HZ 2012-B	1	R.H.
		E0HZ 2013-B	1	L.H.
80/		385580-S2	16	(BB-273-C)-bolt (plate to spindle) 5/8-18 x 2 1/8"
		55777-S8	16	(M-89-A)-nut-5/8"-18
		373781-S	32	(XX-214-A)-washer flat-5/8"
		2018		SHOE AND LINING ASSY. (BRAKE)
80/		D8HZ 2018-E	4	
		2023		ROLLER (AIR BRAKE SHOE)
80/		D5HZ 2023-A	4	
		2027		PIN (BRAKE SHOE ANCHOR)
80/		D8HZ 2027-A	4	
		2035		SPRING (BRAKE SHOE RETRACTING)
80/		D8HZ 2035-B	2	
		2B038		SEAL ASSY. (BRAKE SPIDER CAMSHAFT)
80/		D8HZ 2B038-A	4	2 1/16" O.D. x 1 1/4" I.D. x 1/4" thick
		2054		WASHER (ADJUSTER)
80/		D8HZ 2054-A	2	2 3/8" O.D. x 1 9/32" I.D. x 1/8" thick
80/		D8HZ 2054-B	2	2 7/16" O.D. x 1 9/32" I.D. x 1/32" thick
		2066		WASHER (BRAKE SHOE HOLD DOWN SPRING)
80/		C3TZ 2066-A	8	
		2068		SPRING (BRAKE SHOE HOLD DOWN)
80	"Before 5/1/80"	C3TZ 2068-A	4	
80/	"From 5/1/80"	E0HZ 2068-A	4	
		2069		PIN (BRAKE SHOE HOLD DOWN)
80/		D8HZ 2069-A	4	
		2138		WASHER (AIR BRAKE CAMSHAFT ADJUSTER)
80/81	"Before 3/15/81"	D8HZ 2138-A	6	2 1/2" O.D. x 1 5/16" I.D. x 1/16" thick
81/	"From 3/15/81"	E1HZ 2138-C	6	
89		E9HZ 2138-A	2	Spacer (brake camshaft)
89		E9HZ 2138-B	2	Spacer (brake camshaft)
		2230-1		CAMSHAFT (AIR BRAKE)
80/81	"Before 3/15/81"	D8HZ 2230-A	1	R.H.
		D8HZ 2231-B	1	L.H.
81/	"From 3/15/81"	E1HZ 2230-A	1	R.H.
		E1HZ 2231-A	1	L.H.
		2237		BUSHING (BRAKE CAMSHAFT)
80/		D8HZ 2237-A	4	1 7/8" O.D. x 1 1/4" I.D. x 1 3/16" long
		2K285		SLACK ADJUSTER KIT (BRAKE)
80/		D8HZ 2K285-A	1	R.H.
		D8HZ 2K285-B	1	L.H.
		2304-5		BRACKET ASSY. (BRAKE CAMSHAFT)
80/		E1HZ 2304-B	1	R.H.
		D8HZ 2305-C	1	L.H.

**1980/  
TRUCK SERIES 600/900**

YEAR	RESTRICTIONS	PART NUMBER	QTY.	PART NAME AND DESCRIPTION
<b>FRONT BRAKE PARTS LIST NO. 7 — Cont'd</b>				
<b>15 x 3 1/2 ROCKWELL CAM AIR BRAKE</b>				
2308 ADJUSTER ASSY. (AIR BRAKE)				
80/86		D8HZ 2308-D	1	R.H.-10 splines
		D8HZ 2308-B	1	L.H.-10 splines
87/		E7HZ 2308-B	1	R.H.
		E7HZ 2309-A	1	L.H.
2318 RING (BRAKE CAMSHAFT EXTERNAL RETAINER)				
81/		E1HZ 2318-A	2	1 5/32" I.D.-snap ring
87/		E7HZ 2318-A	4	Lock ring
4326 WASHER (AIR BRAKE)				
80/		C1TT 4326-A	4	1 3/8" O.D. x 25/32" I.D. x 1/8" thick
<b>FRONT BRAKE PARTS LIST NO. 8</b>				
<b>15 x 6 BENDIX WEDGE AIR BRAKE</b>				
2B000 WEDGE ASSY. (AIR BRAKE ACTUATING)				
80/88	"Before 7/88"	D9HZ 2B000-A	2	
88/	"From 7/88"	E8HZ 2B000-A	2	
2B004 PISTON & PIN ASSY. (AIR BRAKE ACTUATOR)				
80/		DOHZ 2B004-A	4	
2007 LINING KIT (BRAKE SHOE)				
80/88	"Before 7/88"	D9HZ 2007-A	2	
88/	"From 7/88"	E8HZ 2007-A	1	
2012-13 SPIDER ASSY. (BRAKE)				
80/		D9HZ 2012-A	1	R.H.
		D9HZ 2013-A	1	L.H.
80/				Bolt (plate to spindle)-pressed in spider
80/		34992-S2	14	(M-89-HF)-nut-3/4"-10
80/		44882-S2	14	(X-34)-flatwasher-3/4"
2018 SHOE and LINING ASSY. (BRAKE)				
80/88	"Before 7/88"	D9HZ 2018-A	4	
88/	"From 7/88"	E8HZ 2018-A	4	
2035 SPRING (BRAKE SHOE TO SHOE)				
80/		DOHZ 2035-A	4	
2047 NUT (BRAKE ADJUSTING SCREW)				
80/		C5TZ 2047-A	1	
2A176 LEVER KIT (BRAKE SHOE ADJUSTING)				
80/		D9HZ 2A176-A	2	
80/		★ D9HZ 2B202-A	2	Boot (Brake actuator wedge)-r/b DOHZ 2B009-A
2B207 ROLLER ASSY. (BRAKE ACTUATING WEDGE)				
80/		D4HZ 2B207-D	2	
2214 SHIELD (BRAKE DUST)				
80/		DOHZ 2214-A	2	
2A214 COVER (BRAKE DUST SHIELD)				
80/		DOHZ 2A214-A	12	
<b>FRONT BRAKE PARTS LIST NO. 9</b>				
<b>15 x 3 WAGNER HYDRAULIC BRAKE</b>				
2007 LINING KIT (BRAKE SHOE)				
80/		D7TZ 2007-A	1	
2012-3 PLATE ASSY. (CARRIER)				
80/		E0HZ 2012-A	1	R.H.
		E0HZ 2013-A	1	L.H.
80/		385580-S2	16	(BB-273-C)-bolt (plate to spindle) 5/8"-18 x 2 1/8"
		44881-S2	16	(X-40-G)-flatwasher
		55722-S100	16	(M-89-AB)-nut-5/8"-18
2018 SHOE and LINING ASSY. (BRAKE)				
80/		D7TZ 2018-A	4	
2035 SPRING (BRAKE SHOE RETRACTING)				
80/		C4TZ 2035-B	4	Also serviced in kit-group 2B513-A
2049 SPRING (BRAKE SHOE ADJUSTING SCREW)				
80/		C8TZ 2049-B	4	Also serviced in kit-group 2A176

1980/  
TRUCK SERIES 600/900

YEAR	RESTRICTIONS	PART NUMBER	QTY.	PART NAME AND DESCRIPTION
FRONT BRAKE PARTS LIST NO. 9 --- Cont'd				
15 x 3 WAGNER HYDRAULIC BRAKE				
2061-2 CYLINDER ASSY. (BRAKE)				
80/84	Split H/V brakes	D0TZ 2061-D	1	R.H.-upper-1 1/4" dia.
		D0TZ 2062-D	1	L.H.-upper
		D0TZ 2061-C	1	R.H.-lower
		D0TZ 2062-C	1	L.H. lower
80/84	Single H/V brakes	D0TZ 2061-E	1	R.H.-upper
		D0TZ 2062-E	1	L.H.-upper
		D0TZ 2061-C	1	R.H.-lower
		D0TZ 2062-C	1	L.H.-lower
2087 WASHER (BRAKE SHOE GUIDE)				
80/84		C8TZ 2087-A	8	5/64" thick-also serviced in kit-group 2B513
80/84		C8TZ 2087-B	4	1/64" thick-also serviced in kit-group 2B513
80/84		D1TZ 2087-A	4	"C"-5/32" dia.-also serviced in kit-group 2B513
2146 EXTENSION (BRAKE CYLINDER LINK)				
80/84		C4TZ 2146-A	4	
2A176-7 LEVER (BRAKE SHOE ADJUSTING)				
80/84		C8TZ 2A176-D	2	R.H.-also serviced in kit group 2A176
		C8TZ 2A177-D	2	L.H. also serviced in kit group 2A176
2A176 LEVER KIT (BRAKE SHOE ADJUSTING)				
80/84		C8TZ 2A176-G	1	Consists of: C8TZ 2049 B, C8TZ 2A176-D, C8TZ 2A177-D, C8TZ 2A180-A, C8TZ 2A180-B, C8TZ 2B201-A, C8TZ 2B201-B, C8TZ 2B344-A, C8TZ 2B345-A
2A180 SPRING (BRAKE AUTOMATIC ADJUSTMENT)				
80/84		C8TZ 2A180-B	2	R.H. also serviced in kit group 2A176
		C8TZ 2A180-A	2	L.H.-also serviced in kit group 2A176
2B201 WEDGE (BRAKE SHOE ACTUATING)				
80/84		C8TZ 2B201-A	1	R.H.-also serviced in kit-group 2A176
		C8TZ 2B201-B	1	L.H.-also serviced in kit-group 2A176
2208 SCREW (BRAKE BLEEDER)				
80/84		D9HZ 2208-B	4	
2221 CYLINDER REPAIR KIT (BRAKE)				
80/84		D0TZ 2221-A	4	1 1/4" dia.
2B344 ACTUATOR (BRAKE SHOE ADJUSTMENT LEVER)				
80/84		C8TZ 2B344-B	4	also serviced in kit-group 2A176
2B345 LOCK (BRAKE SHOE ADJUSTMENT)				
80/84		C8TZ 2B345-A	4	also serviced in kit group 2A176
2B513 HOLD DOWN KIT (BRAKE SHOE)				
80/84		E0HZ 2B513-A	1	
FRONT BRAKE PARTS LIST NO. 10				
DISC-DAYTON WALTHER				
83/		E6HZ 2001-D	1	Shoe and lining kit
87/		E6HZ 2L001-B	2	Anti-rattle spring kit
83/		E6HZ 2K004-A	2	Shield (brake)
83/86		E3HZ 2B120-A	2	Caliper assy. (brake)
87/		E6HZ 2B120-C	2	Caliper assy. (brake)
83/86		E6HZ 2K120-A	1	Shim kit (caliper)
87/		E8HZ 2K120-B	1	Shim kit (caliper)
83/		E3HZ 2207-A	2	Boot and seal kit
83/		E4HZ 2208-A	2	Screw (brake bleeder)
83		E3HZ 2A225-A	2	Spring and retainer kit
84/86		E4HZ 2A225-B	2	Spring and retainer kit
87/		E6HZ 2A225-A	2	Spring and retainer kit
83/		E3HZ 2K395-A	2	Caliper piston kit
83/85		E4HZ 2B487-A	2	Key (caliper support)
86		E6HZ 2B487-A	2	Key (caliper support)

1980/  
TRUCK SERIES 600/900

YEAR	RESTRICTIONS	PART NUMBER	QTY.	PART NAME AND DESCRIPTION
FRONT BRAKE PARTS NO. 10 — Cont'd				
DISC-DAYTON WALTHER				
83/87		E6HZ 2B540-C	1	Adapter assy. (brake) 8M,9M axle-R.H.
		E6HZ 2B541-C	1	L.H.
88/		E8HZ 2B540-B	1	Adapter assy. (brake)-8M,9M axles-R.H.
		E8HZ 2B541-B	1	L.H.
84/86		E3HZ 2B540-A	1	R.H.-9.5M,12M axles
		E3HZ 2B541-A	1	L.H.
87		E6HZ 2B540-D	1	Adapter assy. (brake)-9.5M,12M axles-R.H.
		E6HZ 2B541-D	1	L.H.
88/		E8HZ 2B540-A	1	Adapter assy. (brake)-9.5M,12M axles-R.H.
		E8HZ 2B541-A	1	L.H.
83/84		E3HZ 2B552-A	4	Plate (brake)-retainer
85/		E5HZ 2B552-A	4	Plate (brake)-retainer
PARTS LIST NO. 11				
DISC-DAYTON-WALTHER				
84/86		E4HZ 2001-C	1	Shoe and lining kit
87/		E6HZ 2001-C	2	Shoe and lining kit
87/		E6HZ 2L001-A	2	Anti-rattle spring kit
84/85		E4HZ 2B120-A	2	Caliper assy. (brake)
86/		E6HZ 2B120-B	2	Caliper assy. (brake)
84/		E8HZ 2K120-A	1	Shim kit (caliper)
84/		E4HZ 2207-A	2	Boot and seal kit
84/		E4HZ 2208-A	2	Screw (brake bleeder)
84/		E4HZ 2A225-A	2	Spring and retainer kit
84/		E4HZ 2K395-A	2	Caliper piston kit
86/87		D7TZ 2B486-B	2	Spring-anti-rattle
88/		E8HZ 2B486-A	1	Spring-anti-rattle
84/		D7TZ 2B487-B	2	Key (caliper support)
84/		E4HZ 2B540-A	1	Adapter assy. (brake) R.H.
84/		E4HZ 2B541-A	1	L.H.
FRONT BRAKE PARTS LIST NO. 12				
15 x 4 EATON AIR BRAKES				
		2001		SHOE and LINING KIT (BRAKE)
84/	7M,8M,9M	E6HZ 2001-F	2	Non-asbestos
	9.5M,10M,12M	E6HZ 2001-E	2	Non-asbestos
		2007		LINING KIT (BRAKE SHOE)
84/		E4HZ 2007-G	1	Asbestos
84/	7M,8M,9M	E6HZ 2007-F	1	Non-asbestos
	9.5M,10M,12M	E6HZ 2007-G	1	Non-asbestos
		2012-3		SPIDER ASSY. (CARRIER)
84/	7M,9M	E4HZ 2012-B	1	R.H.
		E4HZ 2013-B	1	L.H.
84/	12M	E4HZ 2012-A	1	R.H.
		E4HZ 2013-A	1	L.H.
		2014		DUST SHIELD (BRAKE)
84/86	"Before 1/86"	E4HZ 2014-A	2	
86	"From 1/86"	E6HZ 2014-B	2	
		2018		SHOE AND LINING ASSY. (BRAKE)
84/		E4HZ 2018-A	2	
		2023		ROLLER (AIR BRAKE SHOE)
84/		E4HZ 2023-A	4	
		2035		SPRING (BRAKE SHOE RETRACTING)
84/		E4HZ 2035-A		
		2054		WASHER (ADJUSTER)
84/		E4HZ 2054-A	2	
		2068		SPRING (BRAKE SHOE HOLD DOWN)
84/		E4HZ 2068-A	2	

1980/  
TRUCK SERIES 600/900

YEAR	RESTRICTIONS	PART NUMBER	QTY.	PART NAME AND DESCRIPTION
<b>FRONT BRAKE PARTS LIST NO. 12 -- Cont'd</b>				
<b>15 x 4 EATON AIR BRAKES</b>				
		2138	WASHER (AIR BRAKE CAMSHAFT ADJUSTER)	
84/		E4HZ 2138-A	AR	Inner
		E4HZ 2138-B	AR	Outer
		2230-1	CAMSHAFT (AIR BRAKE)	
84/		E4HZ 2230-A	1	R.H.
		E4HZ 2231-A	1	L.H.
		2304-5	BRACKET ASSY. (BRAKE CAMSHAFT)	
84/	7M,9M	E4HZ 2304-B	1	R.H.
		E4HZ 2305-B	1	L.H.
84/	12M	E4HZ 2304-A	1	R.H.
		E4HZ 2305-A	1	L.H.
		2308-9	ADJUSTER ASSY. (AIR BRAKE)	
84/		E4HZ 2308-B	1	R.H.
		E4HZ 2309-B	1	L.H.
		2318	RING (BRAKE CAMSHAFT EXTERNAL RETAINER)	
84/		E2HZ 2318-A	2	
		2330	BUSHING AND SEAL KIT (CAMSHAFT BRACKET)	
84/		E4HZ 2330-A	2	
<b>FRONT BRAKE PARTS LIST NO. 13</b>				
<b>15 x 4 BENDIX AIR BRAKES</b>				
86/87	"Before 3/87"	E6HZ 2001-B	2	Shoe and lining kit
87/	"From 3/87"	E7HZ 2001-B	2	Shoe and lining kit
86/		E6HZ 2007-C	1	Lining kit
86/		E6HZ 2012-A	1	Plate assy. (carrier)-R.H.
86/		E6HZ 2013-A	1	Plate assy. (carrier)-L.H.
86/		E6HZ 2L012-A	2	Spider studs (brake)
86/		E6HZ 2014-A	1	Dust shield kit (brake)
86/		E6HZ 2023-A	1	Roller kit (air brake shoe)
86/		E6HZ 2027-A	1	Pin kit (brake shoe anchor)
86/		E6HZ 2035-A	1	Spring kit (brake shoe retracting)
86/		E6HZ 2230-A	1	Camshaft kit (air brake)-R.H.
86/		E6HZ 2231-A	1	Camshaft kit (air brake)-L.H.
86/		E6HZ 2237-A	1	Bushing kit (brake camshaft)
86/		E6HZ 2304-A	1	Bracket kit (brake camshaft)-R.H.
86/		E6HZ 2305-A	1	Bracket kit (brake camshaft)-L.H.
86/		E6HZ 2308-A	2	Adjuster assy. (air brake)
87/		E7HZ 2314-A	2	Adjuster assy. (air brake) automatic
<b>FRONT BRAKE PARTS LIST NO. 14</b>				
<b>DISC</b>				
86/		E7HZ 2001-A	1	Shoe and lining kit
86/		E6HZ 2K004-A	2	Shield (brake)
86/		E6HZ 2120-A	1	Caliper repair kit (brake)
86/		E6HZ 2B120-A	1	Caliper assy. (brake)-R.H.
86/		E6HZ 2B121-A	1	Caliper assy. (brake)-L.H.
86/		E6HZ 2C150-A	1	Sliding pin repair kit-(brake)
86/		E6HZ 2207-A	1	Boot-brake caliper
87/		E7HZ 2L296-A	1	Hold Down Spring Kit-Lining
86/	CF600	E6HZ 2B540-A	1	Adaptor assy. (brake)-R.H.
86/	CF700	E6HZ 2B540-B	1	Adaptor assy. (brake)-R.H.
86/	CF600	E6HZ 2B541-A	1	Adaptor assy. (brake)-L.H.
86/	CF700	E6HZ 2B541-B	1	Adaptor assy. (brake)-L.H.
<b>FRONT BRAKE PARTS LIST NO. 15</b>				
<b>15 x 4 BENDIX AIR BRAKES</b>				
88/		E8HZ 2001-B	2	Shoe and lining kit
88/		★ 2007	1	Serviced in 2001 kit
88/		E8HZ 2012-B	1	Plate assy. (carrier)-R.H.
88/		E8HZ 2013-B	1	Plate assy. (carrier)-L.H.
88/		E8HZ 2014-A	1	Dustshield kit (brake)

# 1980/ TRUCK SERIES 600/900

YEAR	RESTRICTIONS	PART NUMBER	QTY.	PART NAME AND DESCRIPTION
<b>FRONT BRAKE PARTS LIST NO. 15 — Cont'd</b>				
<b>15 x 4 BENDIX AIR BRAKES</b>				
88/		E8HZ 2023-B	1	Roller kit (air brake shoe)
88/		E8HZ 2027-A	1	Pin kit (brake shoe anchor)
88/		E8HZ 2035-A	1	Spring kit (brake shoe retracting)
88/		E8HZ 2230-A	1	Camshaft kit (air brake)-R.H.
88/		E8HZ 2231-A	1	Camshaft kit (air brake)-L.H.
88/		E6HZ 2237-B	1	Bushing kit (brake camshaft)
88/		E8HZ 2304-A	1	Bracket kit (brake camshaft)-L.H.
88/		E8HZ 2305-A	1	Bracket kit (brake camshaft)-R.H.
88/		E9HZ 2314-A	2	Adapter assy. (brake)

<b>FRONT BRAKE PARTS LIST NO. 16</b>				
<b>15 x 4 BENDIX AIR BRAKES</b>				
88/		E8HZ 2001-A	2	Shoe and lining kit
88/		★ 2007	1	Serviced in 2001 kit
88/		E8HZ 2012-A	1	Plate assy. (carrier)-R.H.
88/		E8HZ 2013-A	1	Plate assy. (carrier)-L.H.
88/		E8HZ 2014-A	1	Dustshield kit (brake)
88/		E8HZ 2023-B	1	Roller kit (air brake shoe)
88/		E8HZ 2027-A	1	Pin kit (brake shoe anchor)
88/		E8HZ 2035-A	1	Spring kit (brake shoe retracting)
88/		E8HZ 2230-A	1	Camshaft kit (air brake)-R.H.
88/		E8HZ 2231-A	1	Camshaft kit (air brake)-L.H.
88/		E6HZ 2237-B	1	Bushing kit (brake camshaft)
88/		E8HZ 2304-A	1	Bracket kit (brake camshaft)-L.H.
88/		E8HZ 2305-A	1	Bracket kit (brake camshaft)-R.H.
88/		E9HZ 2314-A	2	Adjuster assy. (brake)

<b>FRONT BRAKE PARTS LIST NO. 17</b>				
<b>15 x 4 BENDIX AIR BRAKES</b>				
88/		E8HZ 2001-B	2	Shoe and lining kit
88/		★ 2007	1	Serviced in 2001 kit
88/		E8HZ 2012-A	1	Plate assy. (carrier)-R.H.
88/		E8HZ 2013-A	1	Plate assy. (carrier)-L.H.
88/		E8HZ 2014-A	1	Dustshield kit (brake)
88/		E8HZ 2023-B	1	Roller kit (air brake shoe)
88/		E8HZ 2027-A	1	Pin kit (brake shoe anchor)
88/		E8HZ 2035-A	1	Spring kit (brake shoe retracting)
88/		E8HZ 2230-A	1	Camshaft kit (air brake)-R.H.
88/		E8HZ 2231-A	1	Camshaft kit (air brake)-L.H.
88/		E6HZ 2237-B	1	Bushing kit (brake camshaft)
88/		E8HZ 2304-A	1	Bracket kit (brake camshaft)-L.H.
88/		E8HZ 2305-A	1	Bracket kit (brake camshaft)-R.H.
88/		E9HZ 2314-A	2	Adjuster assy. (brake)

1980/  
TRUCK SERIES 600/900

YEAR	RESTRICTIONS	PART NUMBER	QTY.	PART NAME AND DESCRIPTION
<b>FRONT BRAKE PARTS LIST NO. 18</b>				
<b>15 x 4 BENDIX AIR BRAKES</b>				
89		E8HZ 2001-B	2	Shoe and lining kit
89		★ 2007	1	Serviced in 2001 kit
89		E8HZ 2012-B	1	Plate assy. (carrier)-R.H.
89		E8HZ 2013-B	1	Plate assy. (carrier)-L.H.
89		E8HZ 2014-A	1	Dustshield kit (brake)
89		E9HZ 2023-A	1	Roller kit (air brake shoe)
89		E9HZ 2027-A	1	Pin kit (brake shoe anchor)
89		E8HZ 2035-A	1	Spring kit (brake shoe retracting)
89		E9HZ 2230-A	1	Camshaft kit (air brake)-R.H.
89		E9HZ 2231-A	1	Camshaft kit (air brake)-L.H.
89		E8HZ 2237-A	1	Bushing kit (brake camshaft)
89		E8HZ 2304-A	1	Bracket kit (brake camshaft)-R.H.
89		E8HZ 2305-A	1	Bracket kit (brake camshaft)-L.H.
89		E9HZ 2314-A	2	Adjuster assy.-brake-manual-Bendix
89		E9HZ 2314-B	2	Adjuster assy.-brake-automatic
89		E9HZ 2314-C	2	Adjuster assy.-brake-manual-Midland
<b>FRONT BRAKE PARTS LIST NO. 19</b>				
<b>15 x 4 BENDIX AIR BRAKES</b>				
89		E8HZ 2001-B	2	Shoe and lining kit
89		★ 2007	1	Serviced in 2001 kit
89		E8HZ 2012-A	1	Plate assy. (carrier)-R.H.
89		E8HZ 2013-A	1	Plate assy. (carrier)-L.H.
89		E8HZ 2014-A	1	Dustshield kit (brake)
89		E9HZ 2023-A	1	Roller kit (air brake shoe)
89		E9HZ 2027-A	1	Pin kit (brake shoe anchor)
89		E8HZ 2035-A	1	Spring kit (brake shoe retracting)
89		E9HZ 2230-A	1	Camshaft kit (air brake)-R.H.
89		E9HZ 2231-A	1	Camshaft kit (air brake)-L.H.
89		E8HZ 2237-A	1	Bushing kit (brake camshaft)
89		E9HZ 2304-A	1	Bracket kit (brake camshaft)-R.H.
89		E9HZ 2305-A	1	Bracket kit (brake camshaft)-L.H.
89		E9HZ 2314-A	2	Adjuster assy.-brake-manual-Bendix
89		E9HZ 2314-B	2	Adjuster assy.-brake-automatic
89		E9HZ 2314-C	2	Adjuster assy.-brake-manual-Midland
<b>FRONT BRAKE PARTS LIST NO. 20</b>				
<b>15 x 4 ROCKWELL AIR BRAKES</b>				
89		E9HZ 2007-E	2	Lining kit (brake shoe)
89		E9HZ 2012-A	1	Plate assy. (carrier)-R.H.
89		E9HZ 2013-A	1	Plate assy. (carrier)-L.H.
89		E9HZ 2B026-A	4	Clip (brake shoe hold down)
89		E9HZ 2018-C	4	Shoe and lining assy. (brake)
89		D5HZ 2023-B	4	Roller (air brake shoe)
89		E9HZ 2027-B	4	Pin (brake shoe anchor)
89		E9HZ 2014-A	2	Dustshield (brake)-top
89		E9HZ 2014-B	2	Dustshield (brake)-bottom
89		E9HZ 2035-A	2	Spring (brake shoe retracting)
89		E9HZ 2B038-A	4	Seal (brake camshaft bracket)
89		D8HZ 2054-A	2	Washer (adjuster)
89		E9HZ 2054-A	4	Washer (adjuster)
89		E9HZ 2068-A	4	Spring (brake shoe Hold down)
89		D8HZ 2138-A	2	Washer (air brake camshaft adjuster)
89		E9HZ 2138-A	2	Washer (air brake camshaft adjuster)
89		E9HZ 2138-B	2	Washer (air brake camshaft adjuster)
89	E9HT 2010-AB,AC	E9HZ 2230-B	1	Camshaft (air brake)-R.H.
89	E9HT 2011-AB,AC	E9HT 2231-B	1	Camshaft (air brake)-L.H.
89	E9HT 2010-AA	E9HZ 2230-C	1	Camshaft (air brake)-R.H.
89	E9HZ 2010-AA	E9HZ 2231-C	1	Camshaft (air brake)-L.H.
89		E9HZ 2237-A	4	Bushing (brake camshaft)



**1980/  
TRUCK SERIES 600/900**

YEAR	RESTRICTIONS	PART NUMBER	QTY.	PART NAME AND DESCRIPTION
<b>FRONT BRAKE PARTS LIST NO. 20 — Cont'd</b>				
<b>15 x 4 ROCKWELL AIR BRAKES</b>				
89	E9HT 2010-AB,AC	E9HZ 2304-B	1	Bracket assy. (brake camshaft)-R.H.
89	E9HT 2011-AB,AC	E9HZ 2305-B	1	Bracket assy. (brake camshaft)-L.H.
89	E9HT 2010-AA	E9HZ 2304-C	1	Bracket assy. (brake camshaft)-R.H.
89	E9HT 2011-AA	E9HZ 2305-C	1	Bracket assy. (brake camshaft)-L.H.
89		E9HZ 2308-A	2	Adjuster assy. (brake)-manual-Bendix
89		E9HZ 2308-B	2	Adjuster assy. (brake)-auto.
89		E9HZ 2308-C	2	Adjuster assy. (brake)-manual-Midland
89		E9HZ 2318-A	2	Ring (brake)-camshaft-external-Retainer
89		C8TZ 4323-A	8	Bolt
89		D7HZ 4326-A	8	Washer (air brake)
<b>FRONT BRAKE PARTS LISTS NO. 21</b>				
<b>15 x 4 ROCKWELL AIR BRAKES</b>				
89		E9HZ 2007-E	2	Lining kit (brake shoe)
89		E9HZ 2012-B	1	Plate assy. (carrier)-R.H.
89		E9HZ 2013-B	1	Plate assy. (carrier)-L.H.
89		E9HZ 2B026-A	4	Clip (brake shoe hold down)
89		E9HZ 2018-C	4	Shoe and lining assy. (brake)
89		D5HZ 2023-B	4	Roller (air brake shoe)
89		E9HZ 2014-A	2	Dustshield (brake)-top
89		E9HZ 2014-B	2	Dustshield (brake)-bottom
89		E9HZ 2027-B	4	Pin (brake shoe anchor)
89		E9HZ 2035-A	2	Spring (brake shoe retracting)
89		E9HZ 2B038-A	4	Seal (brake camshaft bracket)
89		D8HZ 2054-A	2	Washer (adjuster)
89		E9HZ 2054-A	4	Washer (adjuster)
89		E9HZ 2068-A	4	Spring (brake shoe Hold down)
89		D8HZ 2138-A	2	Washer (air brake camshaft adjuster)
89		E9HZ 2138-A	2	Washer (air brake camshaft adjuster)
89		E9HZ 2138-B	2	Washer (air brake camshaft adjuster)
89	E9HT 2010-CB,CC	E9HZ 2230-B	1	Camshaft (air brake)-R.H.
89	E9HT 2011-CB,CC	E9HT 2231-B	1	Camshaft (air brake)-L.H.
89	E9HT 2010-CA	E9HZ 2230-C	1	Camshaft (air brake)-R.H.
89	E9HZ 2011-CA	E9HZ 2231-C	1	Camshaft (air brake)-L.H.
89		E9HZ 2237-A	4	Bushing (brake camshaft)
89	E9HT 2010-CB,CC	E9HZ 2304-B	1	Bracket assy. (brake camshaft)-R.H.
89	E9HT 2011-CB,CC	E9HZ 2305-B	1	Bracket assy. (brake camshaft)-L.H.
89	E9HT 2010-CA	E9HZ 2304-C	1	Bracket assy. (brake camshaft)-R.H.
89	E9HT 2011-CA	E9HZ 2305-C	1	Bracket assy. (brake camshaft)-L.H.
89		E9HZ 2308-A	2	Adjuster assy. (brake)-manual-Bendix
89		E9HZ 2308-B	2	Adjuster assy. (brake)-auto.
89		E9HZ 2308-C	2	Adjuster assy. (brake)-manual-Midland
89		E9HZ 2318-A	2	Ring (brake)-camshaft-external-Retained
89		C8TZ 4323-A	8	Bolt
89		D7HZ 4326-A	8	Washer (air brake)
<b>FRONT BRAKE PARTS LISTS NO. 22</b>				
<b>15 x 4 ROCKWELL AIR BRAKES</b>				
89		E9HZ 2007-D	2	Lining kit (brake shoe)
89		E9HZ 2012-A	1	Plate assy. (carrier)-R.H.
89		E9HZ 2013-A	1	Plate assy. (carrier)-L.H.
89		E9HZ 2014-A	2	Dustshield (brake) top
89		E9HZ 2014-B	2	Dustshield (brake)-bottom
89		E9HZ 2018-D	4	Shoe and lining assy. (brake)
89		D5HZ 2023-B	4	Roller (air brake shoe)
89		E9HZ 2B026-A	4	Clip (brake shoe hold down)
89		E9HZ 2027-B	4	Pin (brake shoe anchor)
89		E9HZ 2035-A	2	Spring (brake shoe retracting)
89		E9HZ 2B038-A	4	Seal (brake camshaft bracket)

1980/  
TRUCK SERIES 600/900

YEAR	RESTRICTIONS	PART NUMBER	QTY.	PART NAME AND DESCRIPTION
FRONT BRAKE PARTS LIST NO. 22 — Cont'd				
15 x 4 ROCKWELL AIR BRAKES				
89		D8HZ 2054-A	2	Washer (adjuster)
89		E9HZ 2054-A	4	Washer (adjuster)
89		E9HZ 2068-A	4	Spring (brake shoe Hold down)
89		D8HZ 2138-A	2	Washer (air brake camshaft adjusted)
89		E9HZ 2138-A	2	Washer (air brake camshaft adjuster)
89		E9HZ 2138-B	2	Washer (air brake camshaft adjuster)
89		E9HZ 2230-B	1	Camshaft (air brake)-R.H.
89		E9HZ 2231-B	1	Camshaft (air brake)-L.H.
89		E9HZ 2237-A	4	Bushing (brake camshaft)
89		E9HZ 2304-B	1	Bracket assy. (brake camshaft) R.H.
89		E9HZ 2305-B	1	Bracket assy. (brake camshaft)-L.H.
89		E9HZ 2308-A	2	Adjuster assy. (brake)-manual-Bendix
89		E9HZ 2308-B	2	Adjuster assy. (brake) auto.
89		E9HZ 2308-C	2	Adjuster assy. (brake)-manual-Midland
89		E9HZ 2318-A	2	Ring (brake)-camshaft-external-Retained
89		C8TZ 4323-A	8	Bolt
89		D7HZ 4326-A	8	Washer (air brake)
FRONT BRAKE PARTS LIST NO. 23				
15 x 4 ROCKWELL AIR BRAKES				
89		E7HZ 2007-B	2	Lining kit (brake shoe)
89		E9HZ 2012-B	1	Plate assy. (carrier)-R.H.
89		E9HZ 2013-B	1	Plate assy. (carrier)-L.H.
89		E8HZ 2014-B	2	Dustshield (brake)-top
89		E8HZ 2014-C	2	Dustshield (brake)-bottom
89		E9HZ 2018-C	4	Shoe and lining assy. (brake)
89		D5HZ 2023-B	4	Roller (air brake shoe)
89		E9HZ 2B026-B	4	Clip (brake shoe hold down)
89		E9HZ 2027-B	4	Pin (brake shoe anchor)
89		E9HZ 2035-A	2	Spring (brake shoe retracting)
89		E9HZ 2B038-A	4	Shoe (brake camshaft bracket)
89		D8HZ 2054-A	2	Washer (adjuster)
89		E9HZ 2054-A	4	Washer (adjuster)
89		E9HZ 2068-A	4	Spring (brake shoe Hold down)
89		D8HZ 2138-A	2	Washer (air brake camshaft adjusted)
89		E9HZ 2138-A	2	Washer (air brake camshaft adjuster)
89		E9HZ 2138-B	2	Washer (air brake camshaft adjuster)
89		E8HZ 2230-B	1	Camshaft (air brake)-R.H.
89		E8HZ 2231-B	1	Camshaft (air brake)-L.H.
89		E9HZ 2237-A	4	Bushing (brake camshaft)
89		E9HZ 2304-C	1	Bracket assy. (brake camshaft)-R.H.
89		E9HZ 2305-C	1	Bracket assy. (brake camshaft)-L.H.
89		E8HZ 2308-C	2	Adjuster assy. (brake)
89		E9HZ 2318-A	2	Ring (brake)-camshaft-external-Retained
89		C8TZ 4323-A	8	Bolt
89		D7HZ 4326-A	8	Washer (air brake)
FRONT BRAKE PARTS LIST NO. 24				
15 x 4 ROCKWELL AIR BRAKES				
89		E7HZ 2007-C	2	Lining kit (brake shoe)
89		E9HZ 2012-A	1	Plate assy. (carrier)-R.H.
89		E9HZ 2013-A	1	Plate assy. (carrier)-L.H.
89		E8HZ 2014-B	2	Dustshield (brake)-top
89		E8HZ 2014-C	2	Dustshield (brake)-bottom
89		E9HZ 2018-D	4	Shoe and lining assy. (brake)
89		D5HZ 2023-B	4	Roller (air brake shoe)
89		E9HZ 2B026-B	4	Clip (brake shoe hold down)
89		E9HZ 2027-B	4	Pin (brake shoe anchor)
89		E9HZ 2035-A	2	Spring (brake shoe retracting)

1980/  
TRUCK SERIES 600/900

YEAR	RESTRICTIONS	PART NUMBER	QTY.	PART NAME AND DESCRIPTION
FRONT BRAKE PARTS LIST NO. 24 -- Cont'd				
15 x 4 ROCKWELL AIR BRAKES				
89		E9HZ 2B038-A	4	Seal (brake camshaft bracket)
89		D8HZ 2054-A	2	Washer (adjuster)
89		E9HZ 2054-A	4	Washer (adjuster)
89		E9HZ 2068-A	4	Spring (brake shoe Hold down)
89		D8HZ 2138-A	2	Washer (air brake camshaft adjusted)
89		E9HZ 2138-A	2	Washer (air brake camshaft adjuster)
89		E9HZ 2138-B	2	Washer (air brake camshaft adjuster)
89		E8HZ 2230-B	1	Camshaft (air brake)-R.H.
89		E8HZ 2231-B	1	Camshaft (air brake)-L.H.
89		E9HZ 2237-A	4	Bushing (brake camshaft)
89		E9HZ 2304-C	1	Bracket assy. (brake camshaft) R.H.
89		E9HZ 2305-C	1	Bracket assy. (brake camshaft)-L.H.
89		E8HZ 2308-C	2	Adjuster assy. (brake)
89		E9HZ 2318-A	2	Ring (brake-camshaft external Retained)
89		C8TZ 4323-A	8	Bolt
89		D7HZ 4326-A	8	Washer (air brake)

FRONT BRAKE PARTS LISTS NO. 25  
15 x 4 ROCKWELL AIR BRAKES

89		E7HZ 2007-B	2	Lining kit (brake shoe)
89		E9HZ 2012-A	1	Plate assy. (carrier) R.H.
89		E9HZ 2013-A	1	Plate assy. (carrier) L.H.
89		E8HZ 2014-B	2	Dustshield (brake) top
89		E8HZ 2014-C	2	Dustshield (brake) bottom
89		E9HZ 2018-C	4	Shoe and lining assy. (brake)
89		D5HZ 2023-B	4	Roller (air brake shoe)
89		E9HZ 2B026-B	4	Clip (brake shoe hold down)
89		E9HZ 2027-B	4	Pin (brake shoe anchor)
89		E9HZ 2035-A	2	Spring (brake shoe retracting)
89		E9HZ 2B038-A	4	Seal (brake camshaft bracket)
89		D8HZ 2054-A	2	Washer (adjuster)
89		E9HZ 2054-A	4	Washer (adjuster)
89		E9HZ 2068-A	4	Spring (brake shoe Hold down)
89		D8HZ 2138-A	2	Washer (air brake camshaft adjusted)
89		E9HZ 2138-A	2	Washer (air brake camshaft adjuster)
89		E9HZ 2138-B	2	Washer (air brake camshaft adjuster)
89		E8HZ 2230-B	1	Camshaft (air brake)-R.H.
89		E8HZ 2231-B	1	Camshaft (air brake) L.H.
89		E9HZ 2237-A	4	Bushing (brake camshaft)
89		E9HZ 2304-C	1	Bracket assy. (brake camshaft)-R.H.
89		E9HZ 2305-C	1	Bracket assy. (brake camshaft)-L.H.
89		E8HZ 2308-C	2	Adjuster assy. (brake)
89		E9HZ 2318-A	2	Ring (brake camshaft external Retained)
89		C8TZ 4323-A	8	Bolt
89		D7HZ 4326-A	8	Washer (air brake)

**1980/  
TRUCK SERIES 600/900**

YEAR	MODEL/RESTRICTIONS	PART NUMBER	DESCRIPTION	QTY.
2201-3	Refer to Front or Rear Brake Parts Lists Sections 20.1 and 22.1			
<b>2A201 TUBE CONVERSION KIT (BRAKE)</b>				
85/	F600/700	E5HZ 2A201-A		1
2B201	Refer to Front Brake Parts Lists Section 20.1			
2B202	Refer to Front or Rear Brake Parts Lists Sections 20.1 and 22.1			
2B203	Refer to Front or Rear Brake Parts Lists Sections 20.1 and 22.1			
2204-5	Refer to Front or Rear Brake Parts Lists Sections 20.1 and 22.1			
2B204	Refer to Front or Rear Brake Parts Lists Sections 20.1 and 22.1			
<b>2A205 SUPPORT (AIR BRAKE RESERVOIR TANK FRONT)</b>				
80/	C600/900 -- 99", 111" W/B	C9HZ 2A205-A	Air brakes	1
		20469-S8	(B-174)-bolt (support to frame)-3/8"-24 x 1 1/2"	4
		33800-S8	(M-63)-nut-3/8"-24	AR
		34807-S8	(X-66)-lockwasher-3/8"	AR
80/	LN800/900	D5HZ 2A205-A		8
2B205	Refer to Front or Rear Brake Parts Lists Sections 20.1 and 22.1			
2206-7	Refer to Front or Rear Brake Parts Lists Sections 20.1 and 22.1			
<b>2A206 BRACKET (BRAKE RESERVOIR MOUNTING)-Also refer to group 2320 and 2A271</b>				
80/	C-CT600/900 -- with under cab reservoir	D5HZ 2A206-A	# D5HA 2B063-AA - outside	2
		D5HZ 2A206-B	# D5HA 2B063-BA - inside	2
80/	CL-CLT900 -- w/cylindrical fuel tanks	D9HZ 2A206-C	# D8HT 2B063-AA-R.H.	2
		D9HZ 2A206-D	# D8HT 2C081-BA	2
80/	CL-CLT900 -- w/rectangular 100 gal. fuel tanks	D9HZ 2A206-A	R.H.	2
		D9HZ 2A206-B	L.H.	2
80/	CL-CLT900 -- w/rectangular 125 gal. fuel tanks	D9HZ 2A206-A	Front-R.H.	1
		D9HZ 2A206-B	Front-L.H.	1
		D9HZ 2A206-C	Rear-R.H.	1
		D9HZ 2A206-D	Rear-L.H.	1
2B206	Refer to Front or Rear Brake Parts Lists Sections 20.1 and 22.1			
2B207	Refer to Front or Rear Brake Parts Lists Sections 20.1 and 22.1			
<b>2208 SCREW (BRAKE CYLINDER BLEEDER)-</b>				
Also refer to Front or Rear Brake Parts List Sections 20.1 and 22.1				
80/	B600/700 -- split Hydro-Max hyd. brakes	E0HZ 2208-A	Use with E0HZ 2140-B cyl.	1
80/	F-FT600/900 -- split and single Hydro-Max hyd. brakes	E0HZ 2208-A	Use with E0HZ 2140-B cyl.	1
84/	B-F600/700	E4HZ 2208-B	Use with hydraulic brake chamber	1
80/	All	8M 2208	Brake vacuum booster-3/8"-24 x 1 11/64" clutch cylinder	1
80/	CL-CLT900	C0DZ 2208-A		1
80/	CL-CLT900 -- w/Suspended cab	D9HZ 2208-A	Clutch slave cyl.-3/8"-24 x 1 1/2"	1

1980/  
TRUCK SERIES 600/900

YEAR	MODEL/RESTRICTIONS	PART NUMBER	TYPE	DESCRIPTION	QTY.
<b>2A208 VALVE ASSY. (BRAKE AIR LIMITING CONTROL)</b>					
For illustration of valves, refer to Section 20, group 2A095					
80/	B600/700, C600/900, CT800/900, F-FT600/800	C1TT 2A208-C	9	On frame	1
80/	C600/900, CT800/900	7312		Refer to group 7312	1
80/84	L-LN-LNT-LT-LTL-LTS600/900 "Before 2/84"	D0HZ 2A208-A		Air brake- on dash	1
84/	L-LN-LNT-LT-LTL-LTS600/900 "From 2/84"	E4HZ 2A208-A		Air brakes-on dash	1
80/	L-LN-LNT-LT-LTL-LTS600/900	D0HZ 2A208-B	9	Air brakes-on frame	1
80/	B-C-CT-F-FT-L-LN-LNT-LT-LTL-LTS600/900 -- w/brake skid control	D5TZ 2A208-A	18	Air brakes-on dash	1
80/	C600/900, CT800/900	20521-S8		(B-162)-bolt (valve to crossmember)-5/16"-24 x 2"	2
80/	B-F-FT-LN600/900	39869-S8		(U-263-D)-Screw(valve to dash)-tapping- 1/4"-28 x 3/8"	2
		33798-S8		(M-62)-nut-5/16"-24	AR
		34806-S7		(X-64)-lockwasher-5/16"	AR
YEAR	MODEL/RESTRICTIONS	PART NUMBER		DESCRIPTION	QTY.
<b>2B208 Refer to Front or Rear Brake Parts Lists Sections 20.1 and 22.1</b>					
<b>2B209 AIR BRAKE REPAIR KIT (FRONT WEDGE ACTUATED)-Refer to group 2B214</b>					
<b>2A210 TUBE (FRONT BRAKE AIR LIMITING CONTROL VALVE TO FOOT CONTROL VALVE)-</b>					
Improvise from bulk tubing (2269) and improvise insulators from rubber hose, friction tape, etc.					
80/	C600/900, CT800/900	C7TZ 2A210-A			1
80/	B-F-FT600/900	357518-S		(II-52-A)-connector (tube to manifold bracket)- 1/2" male pipe and 1/8" female pipe	1
80/	B-F-FT600/900	357949-S		(GG-141)-clip (tube to dash panel)	1
80/	C600/900, CT800/900	352973-S100		(GG-146)-clip (tube to floor pan)	1
80/	C600/700	358244-S		(II-183)-elbow (tube to air control valve)-90°	1
80/	C-CT-F-FT-LN600/900	370080-S		(II-51)-reducer (tube to valve)-1/2" to 1/4" pipe	1
<b>2B210 Refer to Front or Rear Brake Parts Lists Sections 20.1 and 22.1</b>					
<b>2L210 RESERVOIR ASSY. (BRAKE MASTER CYLINDER)</b>					
86	CF600/700	E6HZ 2L210-A			1
<b>2211-12 Refer to Rear Brake Parts Lists Section 22.1</b>					
<b>2B211 Refer to Rear Brake Parts Lists Section 22.1</b>					
<b>2C211 DISC ASSY (BRAKE SKID CONTROL FRONT)</b>					
80	B-C-CT-F-FT-L-LN-LNT-LT-LTL-LTS 600/900 -- 7M, 9M,12M Frt. axles w/ Cast wheels and air brakes - Eaton and Kelsey-Hayes systems	D5TZ 2C211-A		#671284	2
80	B-C-F-FT-LN600/900 -- 7M Frt. axle w/6 stud disc wheels and air brakes -Eaton and Kelsey-Hayes systems	D5TZ 2C211-C		#671285	2
80	B-F-FT-C-CT-L-LN-LNT-LT-LTL-LTS700/900 -- 7M,9M,12M Frt. axles w/10 stud disc wheels and air brakes - Eaton and Kelsey-Hayes systems	D5TZ 2C211-E		#671279	2
<b>2L211 DUST BOOT (BRAKE MASTER CYLINDER)</b>					
86/	CF600/700	E6HZ 2L211-A			1
<b>2N211 Refer to Power Steering Parts Lists Section 36.1</b>					

1980/  
TRUCK SERIES 600/900

YEAR	MODEL/RESTRICTIONS	PART NUMBER	DESCRIPTION	QTY.
2B212	Refer to Front or Rear Brake Parts Lists Sections 20.1 and 22.1			
<b>2C212 DISC ASSY. (BRAKE SKID CONTROL REAR)</b>				
80	B-F600/800 -- 17.5M rear axle air brakes w/6 hole disc wheels	D5TZ 2C212-C	#D5TA 2C212-CA or 671280	2
80/82	B-F600/800 -- 17.5 rear axle- air brakes w/10 hole disc wheels or cast wheels	D5TZ 2C212-A	#D5TA 2C212-AA or 671278	2
80/	B-F600/800 -- 18.5M rear axle air brakes w/10 hole disc wheels	D5TZ 2C212-E	#D5TA 2C212-EA or 671328	2
80/	B-F600/800 -- 18.5M,22M rear axle-air brakes w/cast wheels	D5TZ 2C212-G	#D5TA 2C212-GA or 671281	2
80/	B-F600/800 -- 22M rear axle air brakes w/10 hole disc wheels	D5HZ 2C212-B	#D5HA 2C212-KA or 671331	2
80	C-LN600/800 -- 17.5M rear axle -Air brakes w/6 hole disc Wheels-Eaton or Kelsey-Hayes systems	D5TZ 2C212-C	#D5TA 2C212-CA or 671280	2
80/	C-L-LN700/900 -- 18.5M rear axles -air brakes w/10 hole Disc wheels - Eaton or Kelsey-Hayes systems	D5TZ 2C212-E	#D5TA 2C212-EA OR 671328	2
80/	C-L-LN700/900 -- 18.5M rear axles -air brakes w/cast wheels - Eaton or Kelsey-Hayes systems	D5TZ 2C212-G	#D5TA 2C212-GA or 671281	2
80/83	C-CL-L-LN800/900 -- 22M, 23M rear axles - cam brakes w/ 10 hole disc wheels - Eaton or Kelsey-Hayes systems	D5HZ 2C212-B	#D5HA 2C212-KA or 671331	2
80/	C-L-LN800/900 -- 22M rear Axles - cam brakes w/cast wheels - Eaton or Kelsey-Hayes systems	D5TZ 2C212-G	#D5TA 2C212-GA or 671281	2
80	C-CL-L-LN800/900 -- 23M rear - cam brakes w/ cast wheels and Eaton rear axle - Eaton or Kelsey - Hayes system	D5TZ 2C212-G	#D5TA 2C212-GA or 671281	2
80/	C-CL-L-LN800/900 -- 23M rear - cam brakes w/ cast wheels and Rockwell rear axle - Eaton or Kelsey - Hayes system	D5HZ 2C212-C	#D5HA 2C212-LA or 671578	2
80/	CT-CLT-LNT-LT-LTS800/900 -- 34M rear axle-cam brakes w/10 hole disc wheels- Eaton or Kelsey-Hayes systems	D5TZ 2C212-E	#D5TA 2C212-EA or 671328	4
80/	CT-CLT-LTL-LNT-LT-LTL-LTS800/900 -- 34M,38M,44M rear axles -cam brakes w/cast wheels-Eaton or Kelsey-Hayes systems	D5TZ 2C212-G	#D5TA 2C212-GA or 671281	4

**1980/  
TRUCK SERIES 600/900**

YEAR	MODEL/RESTRICTIONS	PART NUMBER	DESCRIPTION	QTY.
<b>2C212 DISC ASSY. (BRAKE SKID CONTROL REAR) — Cont'd</b>				
80/	CT-CLT-LNT-LT800/900 -- 38M,44M rear axles-- cam brakes w/10 hole disc wheels - Eaton or Kelsey-Hayes systems	D5HZ 2C212-B	#D5HA 2C212-KA or 671331	4
80/	LTS900 -- 50M rear axle	D5TZ 2C212-G	#D5TA 2C212-GA or 671281-use as grease slinger	4
<b>2B213 Refer to Front or Rear Brake Parts Lists Sections 20.1 and 22.1</b>				
<b>2K213 BRACKET (BRAKE AIR PRESSURE REGULATOR VALVE MOUNTING)</b>				
80/	B-F-FT600/900 -- 7M,9M front axles	D5TZ 2K213-A	#D5TA 2K213-CA,CB	1
80/	C-CT600/900	D5HZ 2K213-A	#D5HA 2K213-AA,AB	1
80/	CL-L-LN-LNT-LT-LTS600/900	D5HZ 2K213-B	#D5HA 2K213-BABB	1
<b>2214-5 Refer to Rear Brake Parts Lists Section 22.1</b>				
<b>2A214 Refer to Rear Brake Parts Lists Section 22.1</b>				
<b>2A215 TUBE (BRAKE AIR CONTROL VALVE TO LIMIT and QUICK RELEASE VALVE UPPER)</b> Improvise from bulk tubing (2269) and improvise insulators from rubber hose, friction tape, etc.				
80/	B-F-L-LN-LNT-LT600/900	358244-S	(II-183)-elbow (tube to air control valve)-90°	1
80/	B-F-LN-LNT600/900	357636-S	(II-177-B)-union (tube to quick release valve tube)- 1/4"	1
80/	L-LT800/900	357949-S	(GG-141)-clip (tube to L.H. side member)	1
80/	LN-LNT800/900		Clip (tube to dash panel)	1
80/	LN600/700		Clip (tube to power divider bracket)	1
<b>2B215 BRACKET (BRAKE HOSE CONNECTION MOUNTING)</b>				
80/	F-FT600/900 -- w/non unitized tractor pkg.	C6TZ 2B215-A		1
80	L-LN-LT-LNT -- tractor pkg.			
80/	L-LN-LNT-LT-LTL-LTS800/900 -- w/hyd. brakes	D2HZ 2B215-A	#D2HA 2B215-AA	1
80/82	CL-CLT900	C6TZ 2B215-A	With tractor trailer	1
83/	CF600/800, CL-CLT900	E3HZ 2B215-A		1
<b>2216 Refer to Rear Brake Parts Lists Section 22.1</b>				
<b>2A216 TUBE (BRAKE AIR CONTROL VALVE TO LIMIT and QUICK RELEASE VALVE LOWER)-</b> Improvise from bulk tubing (2269) and improvise insulators from rubber hose, friction tape, etc.				
<b>2A217 TUBE ASSY. (FORWARD REAR RIGHT WHEEL BRAKE)-</b> Improvise from bulk tubing (2269) and improvise insulators from rubber hose, friction tape, etc.				
80/	CT LNT-LT800/900	377903-S100	(GG-291)-clip (attach tube to side member)	AR
<b>2B217 BRACKET (BRAKE RESERVOIR STRAP) - Also refer to group 2A271</b>				
80/	L-LN-LNT-LT-LTL-LTS600/900	D5HZ 2B217-A		2or4
<b>2A218 TUBE ASSY. (LEFT HAND BRAKE FORWARD REAR AXLE)</b>				
		357946-S8	(GG-152)-clip (tube)	1
		20328-S8	(B-76)-bolt (clip to forward rear axle)- 3/8"-16 x 5/8"	1
		33799-S7	(M-52)-nut 3/8"-16	AR
		34807-S8	(X-66)-lockwasher-3/8"	AR
<b>2218-9 Refer to Rear Brake Parts Lists Section 22.1 also serviced in 2200 kits</b>				
<b>2221-2 CYLINDER REPAIR KIT (BRAKE)-For Model Application refer to Front or Rear Brake Parts Lists Section 20.1 and 22.1</b>				
		B6Q 2221-A	1 5/8" diameter	
Consists of				
4-2Q 2201-A	Cup	4-TYBD 2206-A	Boot	
		B6QH 2221-A	1 3/4" diameter	
Consists of				
4-2QH 2201-A	Cup	4-TGBJ 2206-A	Boot	

**1980/  
TRUCK SERIES 600/900**

YEAR	MODEL/RESTRICTIONS	PART NUMBER	DESCRIPTION	QTY.
2221-2	CYLINDER REPAIR KIT (BRAKE)-For Model Application refer to Front or Rear Brake Parts Lists Section 20.1 and 22.1- Cont'd			
		C3AZ 2221-A	1 3/32" diameter	
	Consists of 2-C3AZ 2201-A	Cup	2-B8E 2207-A	Boot
		C3OZ 2221-C	1 1/16 diameter	
	Consists of 2-C3OZ 2201-D	Cup	2-B8E 2207-A	Boot
		C4TZ 2221-C	1 1/8" diameter	
	Consists of 1-C4TZ 2201-C	Cup	1-C4TZ 2206-A	Boot
2223	Refer to Front or Rear Brake Parts Lists Sections 20.1 and 22.1			
2224	Refer to Rear Brake Parts Lists Section 22.1			

**2225 CHAMBER ASSY. (REAR BRAKE AIR & HYDRAULIC)  
REAR BRAKE CHAMBER TRUCK SPECIFICATION LIST CROSS-REFERENCE GUIDE**

1. Locate the rear brake chamber number appearing on the Truck Specification List (T.S.L.).
2. Use the Cross-Reference below to determine the correct service part number needed.
3. For Component parts of the chamber refer to the parts list column for parts list number.
4. Parts lists are in Section 22.2

T.S.L. NO.	PART NO.	PARTS LIST NO.	T.S.L. NO.	PART NO.	PART LIST NO.
<b>Note \$ AIR BRAKE CHAMBER DETAILS ARE NOT SERVICED</b>					
D3TA 2225-EA	D4TZ 2225-D	3	E9HT 2225-BA	E9HZ 2225-B	\$
D4HA 2225-DA	D5HZ 2225-E	4	E9HT 2225-BB	E9HZ 2225-B	\$
D4HA 2225-EA	D5HZ 2225-F	5	E9HT 2225-CA	E9HZ 2225-C	\$
D5TA 2225-AA	D5TZ 2225-A	6	E9HT 2225-CB	E9HZ 2225-C	\$
D7HT 2225-DA	D8HZ 2225-A	7	E9HT 2225-DA	E9HZ 2225-D	\$
D7HT 2225-EA	D8HZ 2225-B	8	E9HT 2225-DB	E9HZ 2225-D	\$
D7HT 2225-FA	D8HZ 2225-C	\$	E9HT 2225-EA	E9HZ 2225-E	\$
D8HT 2225-AA	D8HZ 2225-D	9	E9HT 2225-EB	E9HZ 2225-E	\$
D8HT 2225-BA	D8HZ 2225-B	8	E9HT 2225-FA	E9HZ 2225-F	\$
E2HT 2225-BA	E2HZ 2225-A	\$	E9HT 2225-FB	E9HZ 2225-F	\$
E2HT 2225-CA	D8HZ 2225-C	\$	E9HT 2225-GA	E9HZ 2225-G	\$
E2HZ 2225-A	E2HZ 2225-A	\$	E9HT 2225-GB	E9HZ 2225-G	\$
E9HT 2225-AA	E9HZ 2225-A	\$	E9HT 2225-KA	E7HZ 2225-B	\$
E9HT 2225-AB	E9HZ 2225-A	\$			

YEAR	MODEL/RESTRICTIONS	PART NUMBER	DESCRIPTION	QTY.
2225	CHAMBER ASSY. (REAR BRAKE AIR & HYDRAULIC) — Cont'd			

**B SERIES**

80/82	B700 -- 17.5M,18.5M rear axles "Before 5/3/82"	D5HZ 2225-E	Anchorlok	2
		D4TZ 2225-D	Gustin-Bacon	2
		D5HZ 2225-F	MGM	2
82/86	B700 -- 17.5M, 18.5M Rear Axles "From 5/3/82"	D5HZ 2225-E	Anchorlok	2
		E2HZ 2225-A	Gustin-Bacon	2
		D5HZ 2225-F	MGM	2
87/	B700 -- 17.5M,18.5M rear axles	E7HZ 2225-C	MGM	1
		E7HZ 2225-D	Gustin-Bacon	1
		E7HZ 2225-E	Anchorlok	1
84/	B600/700 -- w/Hyd. Vac. brakes	E6HZ 2225-E		1



1980/  
TRUCK SERIES 600/900

YEAR	MODEL/RESTRICTIONS	PART NUMBER	DESCRIPTION	QTY.
2225	CHAMBER ASSY. (REAR BRAKE AIR) — Cont'd			
<b>C-CT SERIES</b>				
80/82	C700/900 -- 17.5M,18.5M,22M,23M rear axles "Before 5/3/82"			
		D5HZ 2225-E	Anchorlok	2
		D4TZ 2225-D	Gustin-Bacon	2
		D5HZ 2225-F	MGM	2
82/	C700/900 -- 17.5M, 18.5M, 22M,23M rear axles "From 5/3/82"	D5HZ 2225-E	Anchorlok	2
		E2HZ 2225-A	Gustin-Bacon	2
		D5HZ 2225-F	MGM	2
84/	C600/800 -- w/Hyd. Vac. brakes	E6HZ 2225-E		2
87/	C700/900 -- w/16M front axle-23M rear axle	E7HZ 2225-A	Anchorlok	2
80/82	CT800/900 -- 34M,38M,44M rear axles "Before 5/3/82"			
		D5HZ 2225-E	Anchorlok	4
		D4TZ 2225-D	Gustin-Bacon	4
		D5HZ 2225-F	MGM	4
82/86	CT800/900 -- 34M,38M, 44M rear axles "From 5/3/82"	D5HZ 2225-E	Anchorlok	2
		E2HZ 2225-A	Gustin-Bacon	2
		D5HZ 2225-F	MGM	2
87/	CT800/900 -- 34M,38M, 40M,44M,46M	E7HZ 2225-F	Midland	2
		E7HZ 2225-G	MGM	2
		E7HZ 2225-H	Anchorlok	2
		E7HZ 2225-J	Gustin-Bacon	2
80/82	CT800/900 -- Tractors Forward rear axles 34M,38M To 50,000 G.V.W. "Before 5/3/82"			
		D8HZ 2225-B	Anchorlok	2
		D4TZ 2225-D	Gustin-Bacon	2
		D5HZ 2225-F	MGM	2
	Forward rear axles-34M,38M over 50,000 GVW to 56,000 GVW "Before 5/3/82"	D8HZ 2225-A	Gustin-Bacon	2
	Forward rear axles-44M to 56,000 GVW "Before 5/3/82"	D8HZ 2225-A	Gustin-Bacon	2
	Rear rear axles 34M,38M,44M to 56,000 GVW "Before 5/3/82"	D8HZ 2225-C	Wagner	2
	Forward rear and rear rear axles 34M,38M,44M over 56,000 GVW "Before 5/3/82"	D5HZ 2225-E	Anchorlok	4
		D4TZ 2225-D	Gustin-Bacon	4
		D5HZ 2225-F	MGM	4
82/	CT800/900 -- Tractors forward rear axles 34M,38M to 50,000 GVW "From 5/3/82"	D8HZ 2225-B	Anchorlok	2
		E2HZ 2225-A	Gustin-Bacon	2
		D5HZ 2225-F	MGM	2
	Forward rear axles -- 34M, 38M over 50,000 GVW to 56,000 GVW "From 5/3/82"	D8HZ 2225-A	Gustin-Bacon	2
	Forward rear axles -- 44M to 56,000 GVW "From 5/3/82"	D8HZ 2225-A	Gustin-Bacon	2
	Rear rear axles 34M,38M,44M to 56,000 GVW	D8HZ 2225-C	Wagner	2
	Forward rear and rear rear axles 34M,38M,44M over 56,000 GVW "From 5/3/82"	D5HZ 2225-E	Anchorlok	4
		E2HZ 2225-A	Gustin-Bacon	4
		D5HZ 2225-F	MGM	4

1980/  
TRUCK SERIES 600/900

YEAR	MODEL/RESTRICTIONS	PART NUMBER	DESCRIPTION	QTY.
2225	CHAMBER ASSY. (REAR BRAKE AIR) — Cont'd			

**CF SERIES**

86/	CF600/700 -- 6.6 eng.	E7HZ 2225-B	R.H.&L.H.-air/hydraulic- must be replaced in pairs	2
87/	CF700/800 -- 7.8 eng.	E7HZ 2225-B	Air/hydraulic	2
86/87	CF600/700	E6HZ 2225-C	Air brakes	2
88/	CF600/800	E8HZ 2225-B	Air brakes	1
88/	CFT800 -- w/auto slack adjusters	E8HZ 2225-C		1

**CL-CLT SERIES**

80/82	CL-CLT900 -- 23M,34M,38M Forward rear axle "Before 5/3/82"	D8HZ 2225-B	Anchorlok	2	
		D4TZ 2225-D	Gustin-Bacon	2	
		D5HZ 2225-F	MGM	2	
		Forward rear axle-44M "Before 5/3/82"	D8HZ 2225-A	Gustin-Bacon	2
			D5TZ 2225-A	MGM	2
		Rear rear axles-34M,38M,44M "Before 5/3/82"	D8HZ 2225-C	Wagner	2
82/	CL-CLT900 -- 23M, 34M, 38M forward rear axle "From 5/3/82"	D8HZ 2225-B	Anchorlok	2	
		E2HZ 2225-A	Gustin-Bacon	2	
		D5HZ 2225-F	MGM	2	

**F-FT SERIES**

80/82	F-FT700/800 -- 17.5M,18.5M,34M rear axles "Before 5/3/82"			
		D5HZ 2225-E	Anchorlok	2
		D4TZ 2225-D	Gustin-Bacon	2
		D5HZ 2225-F	MGM	2
82/86	F-FT700/800 -- 17.5,18.5M 34M rear axles "From 5/3/82"	D5HZ 2225-E	Anchorlok	2
		E2HZ 2225-A	Gustin-Bacon	2
		D5HZ 2225-F	MGM	2
87/	F-FT700/800 -- 17.5M, 18.5M,	E7HZ 2225-C	MGM	2
		E7HZ 2225-D	Gustin-Bacon	2
		E7HZ 2225-E	Anchorlok	2
84/	F-FT600/900 -- w/Hydro Max	E6HZ 2225-E		2

**L-LN-LNT-LT-LTL-LTS SERIES**

80/82	L-LN700/900 -- 17.5M,18.5M,22M,23M rear axles "Before 5/3/82"			
		D5HZ 2225-E	Anchorlok	2
		D4TZ 2225-D	Gustin-Bacon	2
		D5HZ 2225-F	MGM	2
82/	L-LN700/900 -- 17.5M,18.5M, 22M,23M rear axle "From 5/3/82"	D5HZ 2225-E	Anchorlok	2
		E2HZ 2225-A	Gustin-Bacon	2
		D5HZ 2225-F	MGM	2
87/	L-LN600/900 -- w/16M front axle-23M rear axle	E7HZ 2225-A		2
80/82	LNT-LT-LTL-LTS800/900 -- with 34M,38M,44M rear axles "Before 5/3/82"			
		D5HZ 2225-E	Anchorlok	2
		D4TZ 2225-D	Gustin-Bacon	4
		D5HZ 2225-F	MGM	4

1980/  
TRUCK SERIES 600/900

YEAR	MODEL/RESTRICTIONS	PART NUMBER	DESCRIPTION	QTY.
2225	CHAMBER ASSY. (REAR BRAKE AIR) — Cont'd			
<b>L-LN-LNT-LT-LTL-LTS SERIES</b>				
82/86	LNT-LT-LTL-LTS800/900 -- with 34M,38M,44M rear axles "From 5/3/82"	D5HZ 2225-E	Anchorlok	2
		E2HZ 2225-A	Gustin-Bacon	2
		D5HZ 2225-F	MGM	2
87/	LNT-LT-LTL-LTS800/900 -- 34M,38M,40M,44M,46M	E7HZ 2225-F	Midland	2
		E7HZ 2225-G	MGM	2
		E7HZ 2225-H	Anchorlok	2
		E7HZ 2225-J	Gustin-Bacon	2
80/82	LNT-LT-LTL-LTS800/900 -- Tractors Forward rear axles 34M,38M To 50,000 GVW "Before 5/3/82"			
		D8HZ 2225-B	Anchorlok	2
		D4TZ 2225-D	Gustin-Bacon	2
		D5HZ 2225-F	MGM	2
	Forward rear axles-34M,38M over 50,000 GVW to 56,000 GVW "Before 5/3/82"	D8HZ 2225-A	Gustin-Bacon	2
	Forward rear axles-44M to 56,000 GVW "Before 5/3/82"	D8HZ 2225-A	Gustin-Bacon	2
80/82	LNT-LT-LTL-LTS800/900 -- tractor Rear rear axles-34M,38M,44M to 56,000 GVW "Before 5/3/82"			
		D8HZ 2225-C	Wagner	2
82/	LNT-LT-LTL-LTS800/900 -- Tractors Forward rear axles 34M, 38M to 50,000 GVW "From 5/3/82"	D8HZ 2225-B	Anchorlok	2
		E2HZ 2225-A	Gustin-Bacon	2
		D5HZ 2225-F	MGM	2
	Forward rear axles 34M,38M over 50,000 GVW to 56,000 GVW "From 5/3/82"	D8HZ 2225-A	Gustin-Bacon	2
	Forward rear axles 44M to 56,000 GVW "From 5/3/82"	D8HZ 2225-A	Gustin-Bacon	2
	Rear rear axles 34M,38M,44M to 56,000 GVW "From 5/3/82"	D8HZ 2225-C	Wagner	2
80/82	LNT-LT-LTL-LTS800/900 -- Tractors Forward rear and rear rear axles 34M,38M,44M over 56,000 GVW "Before 5/3/82"			
		D5HZ 2225-E	Anchorlok	4
		D4TZ 2225-D	Gustin-Bacon	4
		D5HZ 2225-F	MGM	4
82/	LNT-LT-LTL-LTS800/900 -- Tractors Forward rear and rear rear axles 34M, 38M,44M over 56,000 GVW "From 5/3/82"	D5HZ 2225-E	Anchorlok	4
		E2HZ 2225-A	Gustin-Bacon	4
		D5HZ 2225-F	MGM	4
80/82	LNT-LT-LTL-LTS900 -- Diesel 58M,65M rear axles "Before 5/3/82"			
		D8HZ 2225-D	Gustin-Bacon	4
84/	L-LN-LNT-LT600/800 -- w/Hyd. Vac. brakes	E6HZ 2225-E		2
2C225	Refer to Model Application Chart in group 2225			
2D225	Refer to Model Application Chart in group 2225			
2E225	Refer to Model Application Chart in group 2225			

1980/  
TRUCK SERIES 600/900

YEAR	MODEL/RESTRICTIONS	PART NUMBER	DESCRIPTION	QTY.
2F225	Refer to Model Application Chart in group 2225			
2B226	TUBE (BRAKE CHECK VALVE TO TRAILER SHUT-OFF VALVE)- Improvise from bulk tubing (2269) and improvise insulators from rubber hose, friction tape, etc.			
2227	Refer to Rear Brake Parts Lists Section 22.1			
2B227	TUBE (BRAKE SHUT-OFF TO REACTIVATOR VALVE)- Improvise from bulk tubing (2269) and improvise insulators from rubber hose, friction tape, etc.			
88/	CFT800 -- w/Tractor package	E8HZ 2B227-A		1
88/	CFT800 -- w/Tractor package	E8HZ 2B227-B		1
2B228	TUBE (BRAKE MANIFOLD TO TRAILER SHUT-OFF VALVE)- Improvise from bulk tubing (2269) and improvise insulators from rubber hose, friction tape, etc.			
2B229	TUBE (BRAKE FOOT CONTROL VALVE TO TEE)- Improvise from bulk tubing (2269) and improvise insulators from rubber hose, friction tape, etc.			
2230-1	Refer to Front and Rear Brake Parts Lists Sections 20.1 and 22.1			
2B232	TUBE (BRAKE PRESSURE REACTIVATOR TO TRAILER SHUT-OFF)- Improvise from bulk tubing (2269) and improvise insulators from rubber hose, friction tape, etc.			
2B233	TUBE (BRAKE MANIFOLD TO CONTROL VALVE)- Improvise from bulk tubing (2269) and improvise insulators from rubber hose, friction tape, etc.			
2234	TUBE ASSY. (BRAKE VACUUM BOOSTER OUTLET)- Also use B8T 2270-A hose if required-Improvise from bulk tubing (2269) and improvise insulators from rubber hose, friction tape, etc.			
80/	B-F700/800, LN600/700	372834-S	(II-146-P)-tee-5 way (tube to brake tube)	1
80/	B-C-F-L700/900	357852-S	(II-57)-fitting (tube to booster)-7/16"-24	1
80/	C700/900, L900	353867-S	(II-107)-tee (tube to booster)-1/2"-20	1
80/	C600 -- 16M rear axle, LN600/900			1
80/	C600/900	382421-S	(II-107-C)-tee (tube to frame)-3 way-1/4" tube	1
80/	C700/900 -- 99, 111" W/B	358360-S32	(GG-143)-clip (tube to frame)	1
80/	C600 -- 99", 111" W/B and 16M rear axle			1
		87943-S36	(I-21)-fitting-7/16"-24 tube	AR
		372130-S36	(MM-108-D)-fitting-1/2"-20 x 1/4" tube	AR
		87942-S8	(I-20)-fitting (tube to master cyl.)-3/16"-3/8"-24	AR
		375096-S36	(MM-105-F)-nut (tube to diff. valve)-3/16"-1/2"-20	AR
		351735-S36	(MM-105-G)-nut (tube to master cyl.)-3/8"-16	AR
		351736-S36	(MM-105-H)-nut (tube to master cyl.)-3/16"-9/16"-18	AR
		358609-S8	(MM-103)-nut (tube to diff. valve)-7/16"-24 x 7/16"-5/16"-3/16" tube	AR
2B234	TUBE (BRAKE MANIFOLD FITTING TO CHECK VALVE)- Improvise from bulk tubing (2269) and improvise insulators from rubber hose, friction tape, etc.			
2235	Refer to Rear Brake Parts Lists Section 22.1			
2B235	TUBE (BRAKE MANIFOLD TO FRONT BRAKE LIMITING VALVE)- Improvise from bulk tubing (2269) and improvise insulators from rubber hose, friction tape, etc.			
2236	Refer to Front Brake Parts Lists Section 20.1			
2B236	TUBE (TRAILER BRAKE EMERGENCY VALVE TO REACTIVATOR VALVE)- Improvise from bulk tubing (2269) and improvise insulators from rubber hose, friction tape, etc.			
2237	Refer to Rear Brake Parts Lists Section 22.1			
2N237	PLUG (TRAILER BRAKE ACTUATING VALVE HOLE)			
84	L-LN600/700 -- w/unique fleet instrument panel	E4HZ 2N237-A		1
2A238	Refer to Booster Parts Lists Section 23.1			

1980/  
TRUCK SERIES 600/900

YEAR	MODEL/RESTRICTIONS	PART NUMBER	DESCRIPTION	QTY.
2C238	<b>VALVE REPAIR KIT (BRAKE BOOSTER CONTROL)-</b> Also refer to Booster Parts List Section 23.1 for model usage			
		D3HZ 2C238-A		
	Consists of			
	1-C3TA 2B020-A	Seal	1-	Valve body and seal
	1-C3TZ 2391-A	Diaphragm	1-	Retainer
	1-C3TZ 2392-A	Spring	4-	Screw
		D3HZ 2C238-B		
	Consists of			
	1-C3TZ 2B020-B	Seal	1-	Valve body and seal
	1-C3TZ 2391-A	Diaphragm	1-	Retainer
	1-C3TZ 2392-A	Spring	4-	Screw
2240	<b>BAFFLE (BRAKE GREASE)-Also refer to Front and Rear Brake Parts Lists Sections 20.1 and 22.1</b>			
80	B600/700	B6Q 2240-A	Rear-use with 5 spoke wheel-5 bolt holes-5 5/8" I.D. x 13 1/2" O.D.	2
80/	B700	★ B6QH 2240-A	Rear-use with 5 spoke wheel-5 bolt holes-7 3/16" I.D.-13 1/2" O.D.-12 1/2" bolt circle-2" deep-repl. by C1TZ 2240-A	2
80/	B600/700 -- 6M,7M front axles w/Hyd. brakes	B7TZ 2240-A	Front-4 1/8" I.D. x 7 1/8" O.D.-5 1/4" bolt circle	2
80/83	B600/700 -- 16 1/2" x 5" cam brakes with 17.5M rear axles	D5TZ 2240-B	Rear-6 1/8" I.D. x 8 1/2" O.D.-6 holes-8 3/4" bolt circle	2
80	B600/700 -- 15" x 5", 15" x 6" or 16 1/2" x 4 1/2" brakes	★ C5TZ 2240-A m/wB6Q 2240-A	#0513207-rear-5 5/8" I.D. x 13 1/2" O.D.-5 holes-12 1/2" bolt circle	AR
80/	B600/700	C6TZ 2240-A	Rear-5 3/4" I.D. x 12 1/4" O.D.-5 holes-11" circle dia.	AR
80/	B700/700 -- 15" x 5" brakes	C8TZ 2240-D	Rear-7 1/8" I.D. x 11/14" bolt circle-10 bolt holes	AR
80/	B600/700 -- 5.5M front axle	D0TZ 2240-A	Front-#D0TA 2060-A	2
80/	B600/700	C8TZ 1165-A	Rear - 6 5/16" O.D. x 2 3/8 deep - Snap-in type	2
80/	B600/700 -- 9M front axle	D5TZ 2240-A	Front-#D5TA 2060-AB-5 1/8" I.D. x 8 7/32" O.D. 8 holes-6 7/16" bolt circle	2
88	B600/800 -- 7M,9M,10M,12M front axles	E8HZ 2240-A	Front	1
80/	C700/900	★ B6QH 2240-A	Rear-use with 5 spoke wheel-7 3/16" I.D. x 13 1/2" O.D. x 12 1/2" bolt circle-2" deep-5 holes-repl. by C1TZ 2240-A	2
80/	C700/800	B7TZ 2240-A	Front-4 1/8" I.D. x 7 1/8" O.D.-5 1/4" bolt circle	2
80/	C600 -- 16" x 2 1/2" air brakes and 7M front axle			2
80	C600/700	B6Q 2240-A	Rear-5 5/8" I.D. x 13 1/2" O.D.-use with 5 spoke wheel-5 bolt holes	2
80	CT800			4
80/	C700/800	C1TZ 2240-A	Rear-7 3/16" I.D. x 13 1/2" O.D.-5 bolt holes-12 1/2" circle dia.	2
80/	C600/700 -- 16 1/2" x 5" cam brakes with 17.5M rear axles	D5TZ 2240-B	Rear-6 1/8" I.D. x 8 1/2" O.D.-6 holes-	2
80/	C600/700, CT800	C6TZ 2240-A	Rear-5 3/4" I.D. x 12 1/4" O.D.-5 holes-11" circle dia.	AR
80/	C800/900 -- 16 x 6 hyd. brakes with 22M rear axles and 20" or 22" cast wheels	D7HZ 2240-A	Rear-#WP-182-28" O.D.-5 holes-12 3/4" B.C.	2
80/	C-CT600/800	C8TZ 1165-A	Rear-6 5/16" O.D. x 2 3/8" deep-snap type	2
80/	C-CT600/900 -- 7M,9M front axles with 15" x 3 1/2" and 15" x 5" wedge brakes	D5TZ 2240-A	Front-#D5TA 2060-AA,AB-5 1/8" I.D. x 8 7/32" O.D. 8 holes-6 7/16" bolt circle	2
80/	C-CT800/900 -- 12M front axles with 16 1/4" x 3 1/2" and 16 1/2 x 5 cam brakes	D5HZ 2240-A	Front - #D4HA 2060-AA-5 5/8" I.D. x 9" O.D. - 8 bolt holes	2
80/	C-CT800/900 -- 12M front axle w/15 x 4 cam brakes	D8HZ 2240-B	Front-#D7HT 2060-CA-5 5/8" I.D. x 9 3/16" O.D. 6 holes 21/32" dia. 1 hole 1/2" dia. 7 1/4" bolt circle	2

1980/  
TRUCK SERIES 600/900

YEAR	MODEL/RESTRICTIONS	PART NUMBER	DESCRIPTION	QTY.
<b>2240</b>				
<b>BAFFLE (BRAKE GREASE)-Also refer to Front and Rear Brake Parts Lists Sections 20.1 and 22.1 -- Cont'd</b>				
80/	CL-CLT900	D8HZ 2240-A	Front-#D7HA 2060-BA-5 5/8" I.D. x 9 3/16" O.D.- 9 bolt holes - 7 1/4" bolt circle	2
80/	F600/800 -- 6M,7M front axle w/Hyd. brakes	B7TZ 2240-A	Front-4 1/8" I.D. x 7 1/8" O.D.-5 1/4" bolt circle	2
80/	F600 -- 15" x 4" x 4 1/2" rear brakes	B6Q 2240-B	Rear-use with 5 spoke wheel-5 5/8" I.D. x 13 5/16" O.D.-5 bolt holes	2
80/85	F-FT700/900	C1TZ 2240-A	Rear-7 3/16" I.D. x 13 1/2" O.D.-5 bolt holes- 12 1/2" circle dia.	2
80/83	F-FT600/900 -- 16 1/2" x 5" cam brakes with 17.5M rear axles	D5TZ 2240-B	Rear-6 1/8" I.D. x 8 1/2" O.D.-6 holes 8 3/4" bolt circle	2
80/	F-FT600/900	C6TZ 2240-A	Rear-5 3/4" I.D. x 12 1/4" O.D.-5 bolt holes- 11" circle dia.	2or4
80/	F-FT700/900 -- 15" x 5" brakes	C8TZ 2240-D	Rear-7 1/8" I.D. x 11 1/4" bolt circle-10 bolt holes	2or4
80/	F600/800 -- 5.5M front axle	D0TZ 2240-A	Front-#DOTA 2060-A	2
80/	F-FT600/900	C8TZ 1165-A	Rear-6 5/16" O.D. x 2 3/8" deep-snap in type	2
80/	F-FT600/900 -- 9M front axle	D5TZ 2240-A	Front-#D5TA 2060-AB-5 1/8" I.D. x 8 7/32" O.D. 8 holes-6 7/16" bolt circle	2
80/	LN600/700 -- 5M and 5.5M axles	D0TZ 2240-A	#DOTA 2060-A-front	2
80/	LN600/700 -- 16 1/2" x 5" cam brakes with 17.5M rear axles	D5TZ 2240-B	Rear-6 1/8" I.D. x 8 1/2" O.D.-6 holes- 8 3/4" bolt circle	2
80/	L-LN800/900 -- 16 x 6 hyd. brakes with 22M rear axles and 20" or 22" cast wheels	D7HZ 2240-A	Rear-#WP-182-28" O.D.-5 holes-12 3/4" B.C.	2
80/	L-LN-LNT-LT-LTS600/900 -- 7M,9M front axles with 15" x 3 1/2" and 15" x 5" wedge brakes	D5TZ 2240-A	Front-#D5TA 2060-AA,AB-5 1/8" I.D. x 8 7/32" O.D. 8 holes-6 7/16" bolt circle	2
80/	LT-LTS800/900 -- 44M axle	D1HZ 2240-A	#WP285-20 x 8 wheel	4
80/	L-LN900-Rockwell (Timken) 23M rear axle	D3HZ 2240-A	Rear-7 1/8" I.D. x 12 3/4" O.D.-10 bolt holes	2
80/	LTS900 -- 6 cyl. 855, 927 cum, NH230, NH250, super 250 diesel and 50M axle	D3HZ 2240-B	Rear-8" I.D. x 14 1/8" O.D.-6 bolt holes- 12 3/4" bolt circle	4
80	L-LN-LNT-LT-LTS800/900 -- 15" x 7" wedge brakes	D3HZ 2240-C	Rear-7 3/16" I.D. x 10" O.D. x 2 11/16" thick	4
80/	L-LN-LNT-LT-LTS800/900 -- 12M front axle with 16 1/4" x 3" and 16 1/2" x 5" cam brakes	D5HZ 2240-A	Front - #D4HA 2060-AA-5 5/8" I.D. x 9" O.D.- 8 bolt holes	2
80/	LNT800	C8TZ 1165-A	Rear-6 5/16" O.D. x 2 3/8" deep-snap in type	2
80/	LNT-LT-LTS900 -- 58M,65M rear axle	E0HZ 2240-A	Rear	2
88/	F600/900 -- 7M,9M,10M, 12M front axle	E8HZ 2240-A	Front	1
88/	L-LN700/900 -- 7M,9M,10M, 12M front axles	E8HZ 2240-A	Front	1
87/89	All -- w/10M,11M,12M,13M front axles "Before 5/88"	E7HZ 2240-A	R.H.	1
		E7HZ 2240-B	L.H.	1
89	All -- w/10M, 11M, 12M, 13M frt. axles "From 5/88"	E8HZ 2240-B		2
<b>2241</b>				
<b>SLINGER (BRAKE FRONT HUB OIL)</b>				
80/	B-F-FT-LN700/800	7EQ 2241	#E-31-4 3/8" I.D.-4 holes	1
80/	C600			2
80/	F-LN600 -- 6M front axle			2
		20311-S8	(B-153)-bolt (slinger to brake carrier plate)- 5/16"-24 x 1/2"	8
		34806-S7	(X-64)-lockwasher-5/16"	
80/	C-CT-L-LN-LNT800/900	8EB 2241-B	Inner 9 holes-5 1/8" I.D. x 7 1/2" O.D. x 6" bolt circle-5/8" thick	2
80/	C750 -- 9M front axle, F700/750- 16" x 2 1/2" and 16 1/4" x 3 1/2" air brakes			2

October, 1993

COPYRIGHT © 1993 - FORD MOTOR - DEARBORN, MICHIGAN  
COMPANY

Final Issue

1980/  
TRUCK SERIES 600/900

YEAR	MODEL/RESTRICTIONS	PART NUMBER	DESCRIPTION	QTY.
<b>2241 SLINGER (BRAKE FRONT HUB OIL) — Cont'd</b>				
80	C900, CT800/900 -- 15M front axle and cam brakes	B8QH 2241-A	Upper	2
		B8QH 2241-B	Lower	2
80/	B-C-F-FT-L-LN600/900 -- wedge brakes	C6TZ 2241-A	5 1/8" I.D. x 7 1/2" O.D. x 5/8" thick-8 bolt holes	2
80/	LN-LNT900 -- wedge brakes	C8TZ 2241-A	5 3/16" I.D. x 7 1/2" O.D. x 5/16" thick- 9 bolt holes	2
		353654-S	(BB-383-A)-bolt (slinger to spindle)-serrated- 1/2"-20" x 1 7/16"	AR
		33882-S8	(M-24) - - - nut-1/2"-20	AR
		34809-S8	(X-68)-lockwasher-1/2"	AR
<b>2244 CLIP (BRAKE LINE)</b>				
80/	B-C-F-LN600/700	01T 2244-B	Right rear brake pipe to rear axle	1
80/	C-F700	01T 2244-B	Brake pipe to rear axle-use w/two speed axles	1
80/	C-L800	20312-S7	(B-75)-bolt (clip to rear axle)-3/8"-16 x 1/2"	2
		34847-S8	(X-74)-lockwasher-3/8"	
80/	B-F600	357949-S	(GG-141)-clip (left front brake pipe to side member)	1
80/	C-F-FT-L-LN600/900			1
80/	B-F600		Right rear brake pipe to rear axle	1
80/	C700 -- 135", 153", 175" W/B		Master cylinder to rear brake hose to frame	2or3
80/	C-L800		Brake pipe to rear axle	2
80/	B-F-FT-LN600/800	357784-S2	(GG-23)-clip (front brake pipes to side member)	AR
80/	B-F-FT-LN600/800		Clip (master cylinder to rear brake hose to side member)	AR
80/	C600	352204-S100	(GG-148)-clip (master cylinder to rear brake hose to shock absorber bracket)	1
<b>2B244 RELAY ASSY. (BRAKE SYSTEM WARNING)</b>				
80/	B-C-CT-F-FT-L-LN-LNT-LT-LTL-LTS600/900 -- w/brake skid control	★ D5TZ 2B244-A m/wD5TZ 10B926-A	#D5TA 2B244-AA	1
<b>2B245 RETAINER (BRAKE MASTER CYLINDER FILLER CAP)</b>				
80/	B700 -- split Hydro-Max hyd. brakes	E0HZ 2B245-B	Use with E0HZ 2140-B cyl.	2
80/	F-FT600/900 -- split and single Hydro-Max brakes	E0HZ 2B245-B	Use with E0HZ 2140-B cyl.	2
80/	F-FT600/900 -- single H/V brakes	E0HZ 2B245-A	Use with E0HZ 2140-A cyl.	1
<b>2248 Refer to Rear Brake Parts Lists Section 22.1</b>				
<b>2L248 ADAPTER (BRAKE AIR CHAMBER)</b>				
80/85	CL-CLT900 -- with automatic slack adjusters	D8HZ 2L248-B	Front	AR
80/85	CL-CLT900 -- with automatic slack adjusters	D8HZ 2L248-A	Rear	AR
86/	CL-CLT900 -- with automatic slack adjusters	E6HZ 2L248-A		2
<b>2N248 WIRING ASSY. (BRAKE WARNING INDICATOR)</b>				
80/	B-F-FT600/900 -- (84)-air brakes	D8HZ 2N248-A	#ED-D7HT 2N248-AA	1
<b>2M251 SEAL (BRAKE BOOSTER BODY TO PUMP MOTOR)</b>				
80/83	B600/700 -- split Hydro-Max. hyd. brakes	E0HZ 2M251-A		2
80/83	F-FT600/900 -- split and single Hydro-Max. hyd. brakes	E0HZ 2M251-A		2
84/	Refer to Booster Parts List in Section 23.1			
<b>2B252 PLATE (AIR BRAKE VALVE OPENING COVER)-Improvise</b>				
<b>2A253 TUBE ASSY. (BRAKE VACUUM GAUGE)- Improvise from bulk tubing (2269) and improvise insulators from rubber hose, friction tape, etc.</b>				
		87971-S	(I-12)-connector (tube to check valve)-1/4"	1
		371609-S	(KK-4)-grommet (tube to dash panel)	1

**1980/  
TRUCK SERIES 600/900**

YEAR	MODEL/RESTRICTIONS	PART NUMBER	DESCRIPTION	QTY.
<b>2B255 TUBE ASSY. (REAR BRAKE HOSE TO VALVE)-</b> Improvise from bulk tubing (2269) and improvise insulators from rubber hose, friction tape, etc.				
		87942-S36	(I-20)-fitting-3/8"-24 tube connector nut	AR
<b>2B257 VALVE (BRAKE PRESSURE DIFFERENTIAL)-Also refer to Section 23.1</b>				
80/	B600/700	D7TZ 2B257-A	#D7TA 2B257-AA, D7HT 2B257-AB With split hyd. brakes	1
80/	C600/900	E2HZ 2B257-A	With split hydraulic vacuum brakes	1
80/	F-FT600/900	D7TZ 2B257-A	#D7HT 2B257-AB w/split hyd. brakes	1
83/	F-FT900-9M,12M axles and disc brks.	E3HZ 2B257-A		1
80/84	L800/900, LN600/800, LNT800, LT-LTL-LTS800/900	E2HZ 2B257-B		1
<b>2B260 BRACKET (BRAKE PRESSURE CONTROL VALVE)</b>				
83/	B FT-FT600/900	E3HZ 2B260-A		1
80/	C-CT,800&900 15M front axle w/disc brakes	D5HZ 2B260-A	#D5HA 2K193-AA	1
80/	LNT-LT LTS800/900 - - 16M, 18M, 20M front axles w/ disc brakes	D5HZ 2B260-B	#D5HA 2K193-BA,BB	1
<b>2261-2 Refer to Front or Rear Brake Parts Lists Sections 20.1 and 22.1</b>				
<b>2B261 PISTON (BRAKE PRESSURE DIFFERENTIAL VALVE)</b>				
87	CF700/800 - 7.8 eng.	E7HZ 2B261-A		1
<b>2B262 Refer to Booster Parts List in Section 23.1</b>				
<b>2263-4 TUBE ASSY. (FRONT BRAKE)-</b> Improvise from bulk tubing (2269) and improvise insulators from rubber hose, friction tape, etc.				
80/	B-F600/750 - - 15 x 3 Split hyd. brks.	E0HZ 2264-A	Secondary-L.H.	1
80/	B-F600/750 - - 15 x 3 Split hyd. brks.	E0HZ 2264-B	Primary-L.H.	1
80/	B-F600/750 - - 14 x 2 1/2 Hyd. brks.	E0HZ 2264-B	L.H.	1
80/	B-F600/800	377696-S	(GG-213-B)-clip-(attach tube to cross member)- 1/4" tube	1
80/	B-F600/800	382242-S	(GG-308)-clip (tubes to frame cross member)- 1/4" x 1/4"	2
84/	B-F600/800	389993-S36	(II-178-A)-Elbow 1/4" inverted flare	
<b>2-2264 TUBE ASSY. (BRAKE MASTER CYLINDER TO FRONT BRAKE CONNECTOR)-</b> Improvise from bulk tubing (2269) and improvise insulators from rubber hose, friction tape, etc.				
<b>2B264 SWITCH (BRAKE PRESSURE DIFFERENTIAL VALVE WARNING LAMP)-Also refer to Section 23.1</b>				
80/83	B-C-F-FT-L-LN600/900	C9HZ 2B264-B	With split hydraulic vacuum brakes	1
86/	CF700/800	E7HZ 2B264-A		1
<b>2265 TUBE ASSY. (MASTER CYLINDER OR TUBE CONNECTOR TO REAR BRAKE HOSE)-</b> Improvise from bulk tubing (2269) and improvise insulators from rubber hose, friction tape, etc.				
80/	B-F600/800	382233-S	(GG-307)-clip (tubes to frame side member)- 1/4" x 1 1/4"	AR
		87943-S	(I-21)-fitting 7/16"-24 tube	AR
		372130-S36	(MM-108-D)-nut-1/2"-20 x 1/4" tube	AR
<b>2265 TUBE ASSY. (BRAKE and FUEL LINE STEEL)-Incl. flared ends and fittings</b>				
		D6AZ 2265-B	3/16" x 12"-steel	AR
		D6AZ 2265-C	3/16" x 20"-steel	AR
		D6AZ 2265-D	3/16" x 30"-steel	AR
		D6AZ 2265-E	3/16" x 40"-steel	AR
		D6AZ 2265-F	3/16" x 51"-steel	AR
		D6AZ 2265-G	3/16" x 60" steel	AR
		B6A 2265-BA	1/4" x 12"-steel	AR
		B6A 2265-BB	1/4" x 20"-steel	AR
		D6AZ 2265-K	1/4" x 30"-steel	AR
		D6AZ 2265-L	1/4" x 40"-steel	AR
		D6AZ 2265-M	1/4" x 51"-steel	AR
		D6AZ 2265-N	1/4" x 60" steel	AR
80/	B600/750 - 255" W.B	E0HZ 2265-A		1

October, 1993

COPYRIGHT © 1993 - FORD MOTOR - DEARBORN, MICHIGAN  
COMPANY

Final Issue



**1980/  
TRUCK SERIES 600/900**

YEAR	MODEL/RESTRICTIONS	PART NUMBER	DESCRIPTION	QTY.
<b>2A265 STOP (BRAKE BOOSTER SLAVE CYLINDER PISTON)</b>				
80/82	B-C-F-LN600	C1TT 2A265-A		1
<b>2-2266 TUBE (FORWARD REAR LEFT WHEEL AIR BRAKE)- Improvise from bulk tubing (2269) and improvise insulators from rubber hose, friction tape, etc.</b>				
		357946-S8	(GG-152)-clip (right and left tubes to forward rear axle)-9/16"	2
		20328-S8	(B-76)-bolt (clip to axle)-3/8"-16 x 5/8"	2
		34807-S8	(X-66)-lockwasher-3/8"	AR
<b>2267-8 TUBE ASSY. (RIGHT REAR BRAKE)- Improvise from bulk tubing (2269) and improvise insulators from rubber hose, friction tape, etc.</b>				
80/83	All 17.5M Eaton rear axle	EOHZ 2267-A	Upper	1
		EOHZ 2268-A	Lower	1
80/83	All 17.5M Rockwell rear axle	EOHZ 2267-B	Upper	1
		EOHZ 2268-B	Lower	1
84/86	B-C-F-L-LN600/800 -- 13M Rockwell axles	E4HZ 2268-E		1
84/86	B-C-F-L-LN600/800 -- 15M Rockwell axles	E4HZ 2268-D		1
84/86	B-C-F-L-LN600/800 -- 17.5M Rockwell axles	E4HZ 2268-B		1
84/86	B-C-F-L-LN600/800 -- 17.5M Eaton, Dana axles	E4HZ 2268-G		1
84/86	B-C-F-L-LN600/800 -- 18.5M, 22M Eaton, Dana axles	E4HZ 2268-C		1
87/	B-F600/900 -- 13M Rockwell axles, 15M Rockwell (RS-15-120)	E7HZ 2268-D		1
87/	B-F600/900 -- Rockwell axles (RS-15-210)	E7HZ 2268-E		1
87/	B-F600/900 -- All 23M axles and Rockwell (RS-20-230, RS-21-230) L-LN700/900 -- All 23M axles and Rockwell (RS-20-230, RS-21-230)	E7HZ 2268-F		1
87/	B-F-LN600/900 -- 17.5M 21M rear axles L800/900 -- 21M rear axle	E7HZ 2268-G		1
84/	CT-FT-LT-LNT-LTL-LTS 800/900 -- Rockwell Fwd. Rr. axles-Secondary	E4HZ 2268-L		1
84/	CT-FT-LT-LNT-LTL-LTS 800/900 -- Rockwell Fwd. Rr. axles-Secondary	E4HZ 2268-F		1
84/	CT-FT-LT-LNT-LTL-LTS 800/900 -- Eaton Fwd. Rr. axles-Primary 800/900 -- Eaton Fwd. Rr. axles-Secondary	E4HZ 2268-H		1
84	CT-FT-LT-LNT-LTL-LTS 800/900 -- Eaton Rear rear axles	E4HZ 2268-J		1
80/	B-C-F-LN600/800	372130-S36	(MM-108-D)-nut-inverted flared tube (attach tubes to cylinder)	1
80/	B-F600/800	381970-S7-8	(GG-272)-clip (attach tubes to rear axle)-1/4" double	1

1980/  
TRUCK SERIES 600/900

YEAR	MODEL/RESTRICTIONS	PART NUMBER	DESCRIPTION	QTY.
<b>2A268 BRACKET (AIR BRAKE QUICK RELEASE VALVE MOUNTING TRACTOR EQUIPMENT)</b>				
80/83	B600/700 -- air brakes	D5TZ 2A268-A	#D5TA 2A268-AA	1
84/86	B600/700 -- w/17.5M, 18.5M,22M,23M rear axles	E4HZ 2A268-A		1
87/	B600/700 -- w/single axle	E7HZ 2A268-A		1
80/	C900 -- 23M Rockwell (Timken) axle	C2TZ 2A268-A		1
80/	CT800 (Diesel), CT900	C2TZ 2A268-B		1
80/	CT800 -- cam brakes	C7TZ 2A268-C	30-# SHHD axle-with Hendrickson steel, rubber and ext. leaf susp. w/spring-operated parking brakes	1
80/	C900	C3TZ 2A268-B		1
80/	CT900	C3TZ 2A268-D		1
80/	C600/900	C7TZ 2A268-D	With spring operated parking brake	1
80/	C600/800 -- 99", 111" W/B	C8HZ 2A268-A	With air brakes	1
80/83	C600/900 -- 17.5M, 18.5M, 22M, 23M rear axles w/air brakes and brake skid control	D5TZ 2A268-A	#D5TA 2A268-AA	1
84/	C600/900 -- w/17.5M, 18.5M,25M,23M rear axles	E4HZ 2A268-A		1
80/	C-CT600/900 -- brake skid control	D5HZ 2A268-B	#D5HS 2A268-EA -w/o front axle anti-skid	1
86	CF600/700 -- air/hyd.	E6HZ 2A268-A		1
86/	CF600/700 -- air	E6HZ 2A268-C		1
86	CF600/700 -- air/hyd.	E6HZ 2A268-D		1
87/	CF600/800 -- air/hyd.	E7HZ 2A268-C		1
88/	CFT700/800 -- air	E8HZ 2A268-A		1
80/	CL-CLT900 -- 23M, 34M, 38M, 44M rear axle	D8HZ 2A268-B	#D7HT 2A268-FA	1
80/	CLT900 -- 34M,38M rear axle w/Neway susp. or 38M rear axle w/Hendrickson RTA-380 susp. and 60" walking beam	D8HZ 2A268-A	#D7HT 2A268-DA	1
80/	CLT900 -- 38M Rockwell rear axle and Neway susp.	D8HZ 2A268-C	#D8HT 2A268-AA	1
80/	CL900 -- 23M Eaton or Rockwell axles	D5TZ 2A268-A	#D5TA 2A268-AA	1
80	CL-CLT900 -- 23M,34M Neway susp., 34M,38M Reyco susp. or 34M,38M Hendrickson susp. with 52" walking beam	D0HZ 2A268-B	#D0HA 2A268-K	1
87/	CL900 -- all 60 inch walking beams	E7HZ 2A268-D		1
88/	CL-CLT900	E8HZ 2A268-B		1
80/83	F-FT600/800 -- air brakes	D5TZ 2A268-A	#D5TA 2A268-AA	1
84/86	F-FT600/800 -- w/17.5M 18.5M,22M,23M rear axles	E4HZ 2A268-A		1
87/	F600/800 -- w/single axle	E7HZ 2A268-A		1
80/	L-LTS800/900	C2TZ 2A268-B		1
80/	L800	C3TZ 2A268-E		1
80/	L800, LN700/800 -- gas	D0HZ 2A268-A	#D0HA 2A268-B-use w/front axles	1
80/	LNT-LT-LT-LTS800 -- 8 cyl. 361, 391			1
80/	LNT-LT-LTS800 -- 8 cyl. 361, 391			1
80	LNT-LT-LTL-LTS800/900	D0HZ 2A268-B	#D0HA 2A268-K-use w/rear axles	1
80/	L800/900, LN600/700, LNT800/900	D0HZ 2A268-C	#D0HA 2A268-L-use w/rear axles	1
80/	L800, LN600, LN800, LNT-LT- LTS800 -- exc. 8 cyl. 330, 361, 391	D0HZ 2A268-D	#D0HA 2A268-A-use w/front axles	1
80/83	L-LN600/900 -- 17.5M,18.5M, 22M,23M rear axle w/air brakes and brake skid control	D5TZ 2A268-A	#D5TA 2A268-AA	1

**1980/  
TRUCK SERIES 600/900**

YEAR	MODEL/RESTRICTIONS	PART NUMBER	DESCRIPTION	QTY.
<b>2A268 BRACKET (AIR BRAKE QUICK RELEASE VALVE MOUNTING TRACTOR EQUIPMENT) — Cont'd</b>				
84/86	L-LN600/900 -- w/17.5M, 18.5M,22M,23M rear axle	E4HZ 2A268-A		1
87/	L-LL-LN-LS -- w/single axle	E7HZ 2A268-A		1
80/	L-LN-LNT600/900 -- brake skid control	D5HZ 2A268-C	# D5HS 2A268-FA -w/o front axle anti-skid	1
80/	LT-LTL-LTS 900 -- Diesel with 44M rear axle and Hendrickson RT441 susp. or Rockwell SLDD axle	D7HZ 2A268-A	# D7HT 2A268-BA	2
80/	LNT-LT-LTL-LTS900 -- Diesel -with 58M Forward rear and rear rear axles	D7HZ 2A268-C	# D7HT 2A268-CA	1
80/	LNT-LT-LTS900 -- Diesel-with 65M Forward rear axle			1
80/	LNT-LT-LTS 900 -- Diesel with 65M rear rear axle	D7HZ 2A268-B	# D7HT 2A268-AA	1
<b>2269 HOSE OR TUBE</b>				
		8QH 2269-D	Tubing-copper-1/4" O.D.-serviced in 25 ft. rolls	AR
		8QH 2269-A	Tubing-copper-3/8" O.D.-serviced in 25 ft. rolls	AR
		8QH 2269-B	Tubing-copper-1/2" O.D.-serviced in 25 ft. rolls	AR
		8QH 2269-C	Tubing-copper-5/8" O.D.-serviced in 15 ft. rolls	AR
		8C 2269-B	Tubing-steel-3/16" O.D.-serviced in 25 ft. rolls	AR
		91A 2269	Tubing-steel-1/4" O.D.-serviced in 25 ft. rolls	AR
		8C 2269-A	Tubing-steel-5/16" O.D.-serviced in 25 ft. rolls	AR
		B7Q 2269-A	Tubing-steel-3/8" O.D.-serviced in 25 ft. rolls	AR
		D0HZ 2269-A	Tubing-nylon-1/8" O.D.-clear-50 ft. rolls	AR
		D0HZ 2269-B	Tubing-nylon-1/4" O.D.-clear-50 ft. rolls	AR
		D0HZ 2269-F	Tubing-nylon-1/4" O.D.-red-50 ft. rolls	AR
		D0HZ 2269-G	Tubing-nylon-1/4" O.D.-green-50 ft. rolls	AR
		D0HZ 2269-C	Tubing-nylon-3/8" O.D.-yellow-50 ft. rolls	AR
		D0HZ 2269-H	Tubing-nylon-3/8" O.D.-red-50 ft. rolls	AR
		D0HZ 2269-J	Tubing-nylon-3/8" O.D.-orange-50 ft. rolls	AR
		D0HZ 2269-K	Tubing-nylon-3/8" O.D.-green-50 ft. rolls	AR
		D0HZ 2269-S	Tubing-nylon-3/8" O.D.-black-50 ft. rolls	AR
		D0HZ 2269-D	Tubing-nylon-1/2" O.D.-black-50 ft. rolls	AR
		D0HZ 2269-L	Tubing-nylon-1/2" O.D.-red-50 ft. rolls	AR
		D0HZ 2269-M	Tubing-nylon-1/2" O.D.-orange-50 ft. rolls	AR
		D0HZ 2269-N	Tubing-nylon-1/2" O.D.-green-50 ft. rolls	AR
		D9HZ 2269-A	Tubing-nylon-5/8" O.D.-red-50 ft. rolls	AR
		D9HZ 2269-B	Tubing-nylon-5/8" O.D.-green-50 ft. rolls	AR
		D0HZ 2269-E	Tubing-nylon-3/4" O.D.-black-25 ft. rolls	AR
		D0HZ 2269-R	Tubing-nylon-3/4" O.D.-green-25 ft. rolls	AR
		D5TZ 2269-A	Hose-wire braid-3/16" I.D.-25 ft. rolls	AR
		D5TZ 2269-B	Hose-wire braid-5/16" I.D.-25 ft. rolls	AR
		D5TZ 2269-C	Hose-wire braid-13/32" I.D.-25 ft. rolls	AR
		D5TZ 2269-D	Hose-wire braid-1/2" I.D.-25 ft. rolls	AR
		D8HZ 2269-A	Hose-wire braid-5/8" I.D.-25 ft. rolls	AR
		D5TZ 2269-E	Hose-nylon-3/4" O.D.-red-25 ft. rolls	AR
		D6HZ 2269-A	Hose rubber-1/4" I.D.-10 ft. rolls	AR
		87942-S8	(I-20)-nut-3/8"-24-use with 8C 2269-B	AR
		87943-S8	(I-21)-nut-7/16"-24-use with 91A 2269	AR
		87944-S8	(I-22)-nut-1/2"-20-use with 8C 2269-A	AR
		87947-S36	(I-24)-nut-3/4"-18-use with 8QH 2269-B	AR
		351735-S36	(MM-105-G)-nut-3/8"-16-use with 8C 2269-B	AR
		351736-S36	(MM-105-H)-nut-9/16"-18-use with 8C 2269-B	AR
		358609-S8	(MM-103)-nut-7/16"-24-use with 8C 2269-B	AR
		372130-S36	(MM-108-D)-nut-1/2"-20-use with 91A2269	AR
		372503-S8	(MM-104)-nut-7/16"-24-use with 91A2269	AR
		375096-S36	(MM-105-F)-nut-1/2"-20-use with 8C2269-B	AR

**1980/  
TRUCK SERIES 600/900**

YEAR	MODEL/RESTRICTIONS	PART NUMBER	DESCRIPTION	QTY.
<b>2269 HOSE OR TUBE — Cont'd</b>				
<b>CONNECTOR ASSYS.</b>				
80/	All	383832-S100	(II-29-BR)-connector assy.-1"-18 male pipe x 3/4" tube x 1/2"-14 male pipe	AR
80/	All	383831-S100	(II-29-BP)-connector assy. 11/16"-20 male pipe x 1/2" tube x 1/2"-14 male pipe	AR
80/	All	383830-S100	(II-29-BN)-connector assy.-11/16"-20 male pipe x 1/2" tube x 3/8"-male pipe	AR
80/	All	383834-S100	(II-29-BM)-connector assy.-17/32"-24 male pipe x 3/8" tube x 1/4"-18 male pipe	AR
80/	All	383833-S100	(II-29-BL)-connector assy.-7/16"-24 male pipe x 1/4" tube x 1/8"-27 male pipe	AR
80/	All	383835-S	(II-26-B)-connector assy.-11/16"-20 x 1/2" tube	AR
80/	All	384201-S100	(II-29-BE)-connector assy.-17/32"-24 male pipe x 3/8" tube x 1/2"-14 male pipe	AR
80/	All	383982-S	(II-29-BH)-connector assy.-3/8" inverted flare x 3/8" O.D. tube	AR
80/	All	384088-S100	(II-29-BS)-connector-1/4" pipe x 3/8" tube	AR
80/	All	384057-S	(II-29-B)-connector assy.-1/4" tube x 1/8" female pipe	AR
80/	All	384202-S	(II-29-A)-connector assy.-inverted flare-11/16"-20 x 1/2" tube	AR
80/	All	384047-S	(II-29-AB)-connector assy.-inverted flare-1" x 18 x 3/4" tube	AR
80/	All	384046-S	(II-29-AA)-connector assy.-inverted flare-11/16"-20 x 1/2" tube	AR
80/	All	383826-S100	(II-40-H)-connector assy.-7/16"-24 male pipe x 1/4" tube x 1/4"-18 male pipe	AR
80/	All	383827-S100	(II-40-HA)-connector assy.-7/16"-24 male pipe x 1/4" tube x 3/8"-18 male pipe	AR
80/	All	383828-S100	(II-40-HB)-connector assy.-17/32"-24 male pipe x 3/8" tube x 1/8"-27 male pipe	AR
80/	All	383829-S100	(II-40-HD)-connector assy.-11/16"-20 male pipe x 1/2" tube x 1/4"-18 male pipe	AR
80/	All	383808-S100	(II-40-HC)-connector assy.-17/32"-24 male pipe x 3/8" tube x 3/8"-18 male pipe	AR
80/	All	383823-S100	(II-185-GB)-connector assy.-17/32"-24 male pipe x 3/8" tube x 3/8"-18 male pipe	AR
80/	All	387782-S100	(II-250-A)-connector assy-1/4" tube x 1/8" external pipe-push connect-1/8"-27 thread	AR
80/	All	387784-S100	(II-250-B)-connector assy.-1/4" tube x 1/4" external pipe-push connect-1/4"-18 thread	AR
80/	All	387785-S100	(II-250-C)-connector assy.-3/8" tube x 1/4" external pipe-push connect-1/4"-18 thread	AR
80/	All	387787-S100	(II-250-D)-connector assy-3/8" tube x 3/8" external pipe-push connect-3/8"-18 thread	AR
80/	All	387792-S100	(II-250-F)-connector assy.-1/2" tube x 1/4" external pipe-push connect-1/4"-18 thread	AR
80/	All	387794-S100	(II-250-E)-connector assy-1/2" tube x 1/2" external pipe-push connect-1/2"-14 thread	AR
<b>ELBOW ASSYS.</b>				
80/	All	384042-S	(II-187-BJ)-elbow assy.-90°-11/16"-20 male pipe x 1/2" tube	AR
80/	All	383809-S	(II-187-BK)-elbow assy.-90°-1"-18 male pipe x 3/4" tube	AR
80/	All	383838-S	(II-187-BF)-elbow assy.-1/4" inverted to 1/2" tube	AR
80/	All	383836-S	(II-187-BN)-elbow assy.-90°-7/16"-24 male pipe x 1/4" tube	AR

**1980/  
TRUCK SERIES 600/900**

YEAR	MODEL/RESTRICTIONS	PART NUMBER	DESCRIPTION	QTY.
2269	HOSE OR TUBE — Cont'd			
	ELBOW ASSYS.			
80/	All	383824-S100	(II-185-GC)-elbow assy.-90°-11/16"-20 male pipe x 1/2" tube x 1/4"-18 male pipe	AR
80/	All	383825-S100	(II-185-GD)-elbow assy.-90°-11/16"-20 male pipe x 1/2" tubes x 1/2"-14 male pipe	AR
80/	All	384200-S100	(II-185-A)-elbow assy.-90°-1/4" pipe x 3/4" tube	AR
80/	All	383821-S100	(II-185-G)-elbow assy.-90°-17/32"-24 male pipe x 3/8" tube x 1/8"-27 male pipe	AR
80/	All	383822-S100	(II-85-GA)-elbow assy.-90°-17/32"-24 male pipe x 3/8" tube x 1/4"-18 male pipe	AR
80/	All	384191-S100	(II-176-XL)-elbow assy.-45°-17/32"-24 male pipe x 3/8" tube x 1/8"-27 male pipe	AR
80/	All	383820-S100	(II-185-B)-elbow assy.-90°-7/16"-24 male pipe x 1/4" tube x 1/4"-18 male pipe	AR
80/	All	383819-S100	(II-185-C)-elbow assy.-90°-7/16"-24 male pipe x 1/4" tube x 1/8"-27 male pipe	AR
80/	All	383810-S100	(II-185-D)-elbow assy.-90°-7/16"-24 male pipe x 1/4" tube x 3/8"-18 male pipe	AR
80/	All	383811-S100	(II-185-E)-elbow assy.-90°-11/16"-20 male pipe x 1/2" tube x 3/8"-18 male pipe	AR
80/	All	383812-S100	(II-185-F)-elbow assy.-90°-1"-18 male pipe x 3/4" tube x 1/2"-14 male pipe	AR
80/	All	383816-S100	(II-176-XP)-elbow assy.-45°-11/16"-20 male pipe x 1/2" tube x 1/4"-18 male pipe	AR
80/	All	383817-S100	(II-176-XR)-elbow assy.-45°-11/16"-20 male pipe x 1/2" tube x 3/8"-18 male pipe	AR
80/	All	384190-S100	(II-176-XK)-elbow assy.-45°-7/16"-24 male pipe x 1/4" tube x 1/8"-27 male pipe	AR
80/	All	383815-S100	(II-176-XN)-elbow assy.-45°-17/32"-24 male pipe x 3/8" tube x 3/8"-18 male pipe	AR
80/	All	383814-S100	(II-176-XM)-elbow assy.-45°-17/32"-24 male pipe x 3/8" tube x 1/4"-18 male pipe	AR
80/	All	387783-S100	(II-252-A)-elbow assy.-1/4" tube x 1/8" external pipe-90°-push connect-1/8"-27 thread	AR
80/	All	387786-S100	(II-252-B)-elbow assy.-3/8" tube x 1/4" external pipe-90°-push connect-1/4"-18 thread	AR
80/	All	387790-S100	(II-252-D)-elbow assy.-1/2" tube x 1/2" external pipe-90°-push connect-1/2"-14 thread	AR
80/	All	387795-S100	(II-252-C)-elbow assy.-3/8" tube x 3/8" external pipe-90°-push connect-3/8"-18 thread	AR
80/	All	387796-S100	(II-251-C)-elbow assy.-1/2" tube x 1/2" external pipe-45°-push connect-1/2"-14 thread	AR
80/	All	387797-S100	(II-251-B)-elbow assy.-3/8" x 3/8" external pipe-45°-push connect-3/8"-18 thread	AR
80/	All	387798-S100	(II-251-A)-elbow-assy.3/8" tube x 1/4" external pipe-45°-push connect-1/4"-18 thread	AR
80/	All	389136-S	(II-176-A)-elbow-3/8" int. pipe x 5/8"-18 str. thread	AR
	NUTS			
80/	All	383806-S	(MM-113-DB)-nut-11/16"-20 x 1/2" tube- compression	AR
80/	All	383805-S	(MM-113-DA)-nut-17/32"-24 x 3/8" tube- compression	AR
80/	All	384180-S	(MM-130-N)-nut-7/16"-24 x 1/4" tube-compression	AR
80/	All	383804-S	(MM-113-D)-nut-7/16"-24 x 1/4" tube- compression	AR
80/	All	384181-S	(MM-130-NA)-nut-7/16"-32-3/8" tube-compression	AR
80/	All	384182-S	(MM-130-NB)-nut-11/16"-20 x 1/2" tube- compression	AR
80/	All	383807-S	(MM-113-DC)-nut-1"-18 x 3/4" tube- compression	AR
80/		388668-S2	(MM-113-CC)-nut 13/16"-18 18 x 5/8" tube compression	AR

**1980/  
TRUCK SERIES 600/900**

YEAR	MODEL/RESTRICTIONS	PART NUMBER	DESCRIPTION	QTY.
<b>2269 HOSE OR TUBE — Cont'd</b>				
<b>SLEEVES</b>				
80/	All	384954-S	(II-55-C)-sleeve-3/4" tube	AR
80/	All	383802-S	(II-56-B)-sleeve-1/2" tube	AR
80/	All	383800-S	(II-55-Y)-sleeve-1/4" tube	AR
80/	All	383801-S	(II-55-Z)-sleeve-3/8" tube	AR
80/		388667-S2	(II-58-E)-sleeve 5/8" tube	AR
<b>TEE ASSYS.</b>				
80/	All	384189-S100	(II-201-EA)-tee assy.-1/2" tube x 3/8" male pipe x 1/2" tube	AR
80/	All	384187-S100	(II-201-BZ)-tee assy.-1/4" tube x 1/8" male pipe x 1/8" female pipe	AR
80/	All	384206-S100	(II-201-BR)-tee assy.-17/32"-24 male pipe x 3/8" tube x 3/8"-18 male pipe	AR
80/	All	384014-S	(II-201-BU)-tee assy.-17/32"-24 tube x 3/8" tube x 1/4"-18 pipe	AR
80/	All	384188-S100	(II-201-BP)-tee assy.-17/32"-24 tube x 3/8" tube x 1/4"-18 male pipe	AR
80/	All	383818-S	(II-201-BL)-tee assy.-17/32"-24 tube x 3/8" tube	AR
80/	All	383863-S100	(II-201-BG)-tee assy.-17/32"-24 tube x 3/8" tube x 1/4"-18 pipe	AR
80/	All	383813-S100	(II-201-BH)-tee assy.-11/16"-20 tube x 1/2" tube x 3/8"-18 pipe	AR
80/	L-LT-LTL-LTS-LN-LNT800/900	384299-S	(II-201-CE)-tee-3 way-attach hose (2269) to hose (2078)	2
80/	All	359016-S100	(II-146-HE)-tee assy.-3/8" x 3/8" X 3/8" pipe-3/8" thread	AR
80/		387526-S100	(II-146-HF)-tee assy.-1/2" x 1/2" X 1/2" pipe-1/2"-14 thread	AR

2269 HOSE OR TUBE - Cont'd

**BULK HOSE and RE-USABLE FITTINGS CHART**

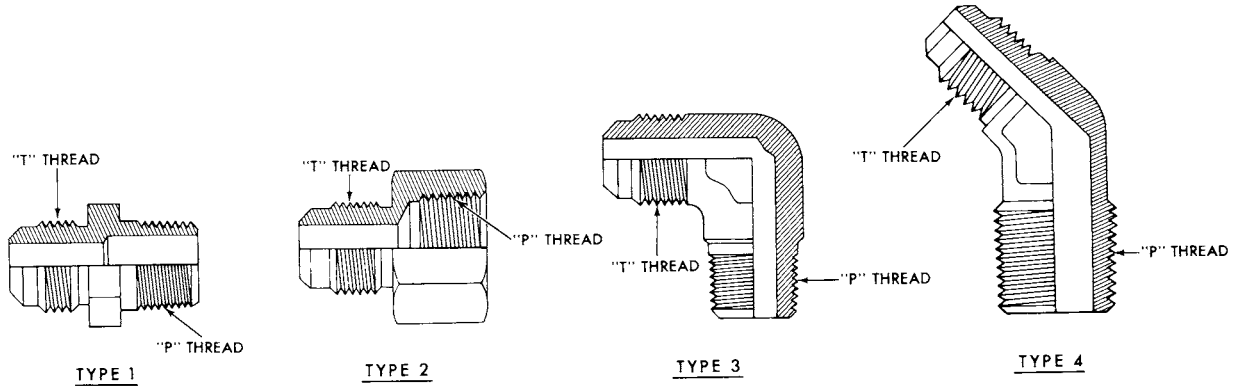
1973/Louisville-built trucks use hoses and re-usable fittings for brake lines. The Chart below may be used to make service replacements for the hoses and fittings.

1. Determine hose I.D. on truck being repaired
2. Find hose I.D. in chart below
3. Follow line containing that hose to the right to find part numbers for hose and fittings (Where more than one fitting is listed on the same line, use the hose adapter chart below to determine fitting needed.)

HOSE I.D.	HOSE O.D.	EQUIV. TUBE SIZE	BULK HOSE	SWIVEL END	ADAPTER- MALE FLARE TO MALE PIPE NOTE 1	ADAPTER- MALE FLARE TO FEMALE PIPE NOTE 1	90° ELBOW MALE FLARE TO MALE PIPE NOTE 1	45° ELBOW MALE FLARE TO MALE PIPE NOTE 1
<b>NOTE 1 - REFER TO CHARTS WHICH FOLLOW FOR DIMENSIONS ON THESE PARTS. † SERVICED IN 25 FT. ROLLS.</b>								
3/16	33/64	1/4	† C9TZ 2269-A	★ C9TZ 2B323-A †/bD5TZ 2B323-A	C9TZ 2074-D	C9TZ 2074-J	C9TZ 2074-T C9TZ 2074-K	C9TZ 2074-Z C9TZ 2074-AC
5/16	43/64	3/8	† C9TZ 2269-B	★ C9TZ 2B323-B †/bD5TZ 2B323-B	C9TZ 2074-F C9TZ 2074-E C9TZ 2074-AD		C9TZ 2074-S C9TZ 2074-N	C9TZ 2074-Y
13/32	49/64	1/2	† C9TZ 2269-C	★ C9TZ 2B323-C †/bD5TZ 2B323-C	C9TZ 2074-G C9TZ 2074-B C9TZ 2074-A		C9TZ 2074-R C9TZ 2074-M C9TZ 2074-L	C9TZ 2074-W C9TZ 2074-AA
1/2	59/64	5/8	† C9TZ 2269-D	C9TZ 2B323-D	C9TZ 2074-C			C9TZ 2074-AB
5/8	1 5/64	3/4	† C9TZ 2269-E	C9TZ 2B323-E	C9TZ 2074-H	C9TZ 2074-V C9TZ 2074-U		

**RE-USABLE HOSE ADAPTER**

1980/  
TRUCK SERIES 600/900



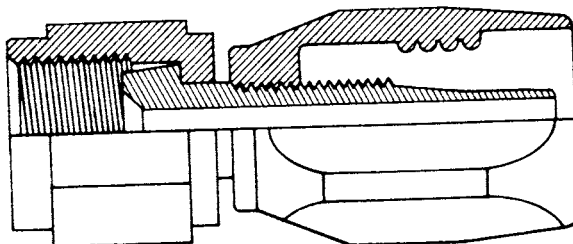
P-6770

PART NUMBER	Type	O.D. TUBE SIZE	Thread T	Thread P	PART NUMBER	Type	O.D. TUBE SIZE	Thread T	Thread P
C9TZ 2074-A	1	1/2	3/4-16	1/4-18	C9TZ 2074-R	3	1/2	3/4-16	1/2-14
C9TZ 2074-B	1	1/2	3/4-16	1/2-14	C9TZ 2074-S	3	3/8	5/8-18	3/8-18
C9TZ 2074-C	1	5/8	7/8-14	3/8-18	C9TZ 2074-T	3	1/4	7/16-20	3/8-18
C9TZ 2074-D	1	1/4	7/16-20	3/8-18	C9TZ 2074-U	3	3/4	1 1/16-14	1/2-14
C9TZ 2074-E	1	3/8	5/8-18	3/8-18	C9TZ 2074-V	3	3/4	1 1/16-14	3/4-14
C9TZ 2074-F	1	3/8	5/8-18	1/8-27	C9TZ 2074-W	4	1/2	3/4-16	3/8-18
C9TZ 2074-G	1	1/2	3/4-16	3/4-14	C9TZ 2074-Y	4	3/8	5/8-18	1/4-18
C9TZ 2074-H	1	3/4	1 1/16-14	3/4-14	C9TZ 2074-Z	4	1/4	7/16-20	1/4-18
C9TZ 2074-J	2	1/4	7/16-20	1/4-18	C9TZ 2074-AA	4	1/2	3/4-16	1/2-14
C9TZ 2074-K	3	1/4	7/16-20	1/4-18	C9TZ 2074-AB	4	5/8	7/8-14	1/2-14
C9TZ 2074-L	3	1/2	3/4-16	1/4-18	C9TZ 2074-AC	4			
C9TZ 2074-M	3	1/2	3/4-16	3/8-18	C9TZ 2074-AD	4			
C9TZ 2074-N	3	3/8	5/8-18	1/2-14					

**1980/  
TRUCK SERIES 600/900**

2269 HOSE OR TUBE - Cont'd

RE-USABLE SWIVEL FITTING



**P-6771**

PART NUMBER	I.D. HOSE SIZE	O.D. TUBE SIZE	THREAD SIZE		PART NUMBER	I.D. HOSE SIZE	O.D. TUBE SIZE	THREAD SIZE	
★ C9TZ 2B323-A		1/4	7/16-20		C9TZ 2B323-E		3/4	1 1/16-14	
r/bD5TZ 2B323-A					D5TZ 2B323-A	3/16	1/4	7/16-20	
★ C9TZ 2B323-B		3/8	5/8-18		D5TZ 2B323-B	5/16	3/8	5/8-18	
r/bD5TZ 2B323-B					D5TZ 2B323-C	13/32	1/2	3/4-16	
★ C9TZ 2B323-C		1/2	3/4-16		D5TZ 2B323-D	1/2	5/8	7/8-14	
r/bD5TZ 2B323-C					D8TZ 2B323-A	3/16		7/16-20	
C9TZ 2B323-D		5/8	7/8-14		D8HZ 2B323-A	5/8"		1 1/16"-14	
YEAR	MODEL/RESTRICTIONS			PART NUMBER	DESCRIPTION				QTY.
2-2269	TUBE (RELAY VALVE TO REAR WHEEL BRAKE TUBE CONNECTOR)- Improvise from bulk tubing (2269) and improvise insulators from rubber hose, friction tape, etc.								
2A269	INSERT (FITTING)								
80/	All			D0HZ 2A269-E	Use with 1/4" O.D. nylon tubing				AR
80/	All			D0HZ 2A269-B	Use with 3/8" O.D. nylon tubing				AR
80/	All			D0HZ 2A269-C	Use with 1/2" O.D. nylon tubing				AR
80/	All			D0HZ 2A269-D	Use with 3/4" O.D. nylon tubing				AR
2A270	VALVE ASSY. (BRAKE AIR FOOT CONTROL)-Also refer to group 2886								
80/	B700			E0HZ 2A270-B	Includes treadle				1
80/	C600/900,CT800/900			D5HZ 2A270-B	Includes treadle				1
86/	CF600/700			E6HZ 2A270-B					1
80/	CL-CLT900	"Before Ser. GG5,001"		D8HZ 2A270-A	Includes treadle				1
80/	CL-CLT900	"From Ser. GG5,001"		D9HZ 2A270-A	# D9HT 2A270-AA-Includes treadle				1
80/	F-FT700/900(81)			E0HZ 2A270-A	Includes treadle				1
80/	F-FT700/900(84)			E0HZ 2A270-B	Includes treadle				1
80/	LN600/900, L-LNT-LT-LTL-LTS800/900			D0HZ 2A270-A	Includes treadle-use D2HZ 2A270-A repair kit				1
80/	LN600/900, L-LNT-LT-LTL-LTS800/900			D2HZ 2A270-A	Repair kit for D0HZ 2A270-A-consists of 1-valve 10-Sealing rings				1
80/	C600/900, CT800/900			371267-S	(II-171-H)-elbow (valve to stop light switch)- 1/4"-45°				1
80/	B-F-FT600/900, C600/900			370080-S	(II-51)-reducer (valve to stop light switch)- 1/2" to 1/4" pipe				1
80/	C600/900, CT800/900			87653-S	(P-13)-plug (valve)-1/2"-14 pipe				1
2L270	LEVER ASSY. (BRAKE AIR FOOT CONTROL)								
80/	LN600/900,L-LNT-LT-LTS800/900,			D9HZ 2L270-A	Use with D0HZ 2A270-A				1
2A271	STRAP ASSY. (BRAKE AIR RESERVOIR) - Also refer to groups 2A206, 2B217 and 2320								
87/	B-F600/800 -- air brakes			E7HZ 2A271-A					1
80/	C600/900			D0HZ 2A271-B	# D0HA 2A271-F				2
80/	CT800/900			D0HZ 2A271-A	# D0HA 2A271-E				2
80/	C-CT600/900			D5HZ 2A271-C	# D3HA 2A271-AA				4
80/	CL-CLT900			D8HZ 2A271-A					1
80/	CL-CLT900			D9HZ 2A271-A	Frame mounted reservoir				4
80/	LNT800/900, LT-LTL-LTS800/900 -- cam brakes			D0HZ 2A271-A	38M and 44M axle-lower - use with 2B217				4



**1980/  
TRUCK SERIES 600/900**

YEAR	MODEL/RESTRICTIONS	PART NUMBER	DESCRIPTION	QTY.
<b>2A271 STRAP ASSY. (BRAKE AIR RESERVOIR) - Also refer to groups 2A206, 2B217 and 2320 - Cont'd</b>				
80/	L-LN-LNT-LT-LTL-LTS600/900 - - w/ air brakes and brake skid control	D5HZ 2A271-A	#D4HA 2A271-AA	4
<b>2A273 TUBE (BRAKE AIR FOOT CONTROL VALVE TO TWO-WAY CHECK VALVE TRACTOR TRAILER EQUIPMENT)-Improvise from bulk tubing (2269) and improvise insulators from rubber hose, friction tape, etc.</b>				
80/	C-CT600/900	355428-S	(KK-9)-elbow assy. (tube to dash panel)	1
80/	C-CT600/900	374216-S	(II-180-A)-grommet (tube to dash panel)	1
<b>2A275 BRACKET (BRAKE TUBE SUPPORT)</b>				
80/	B-F-FT600/900 - - air brakes w/brake skid control	D5TZ 2A275-A	Inner-#D5TA 2A275-AA	1
		D5TZ 2A275-B	Outer-#D5TA 2A275-EA	1
83/	B-FT-FT600/900 - Hyd. brakes	E3HZ 2A275-A		1
86/	CF600/700	E6HZ 2A275-A		1
87/	CF600/800	E7HZ 2A275-A		1
84/	L-LN800 - - w/Hyd.Vac. brakes-exc. FTO eng.	E4HZ 2A275-A		1
88/	L-LN800 - - with FTO eng. and hyd. brakes	E8HZ 2A275-A		1
<b>2A276 TUBE (BRAKE AIR FOOT CONTROL VALVE TO DASH TEE)- Improvise from bulk tubing (2269) and improvise insulators from rubber hose, friction tape, etc.</b>				
<b>2-2277 TUBE ASSY. (TEE TO REAR BRAKE HOSE)- Improvise from bulk tubing (2269) and improvise insulators from rubber hose, friction tape, etc.</b>				
80/	C600(exc. 99" W/B)	358360-S32	(GG-143)-clip (tube to frame)	1
<b>2A278 TUBE (BRAKE RESERVOIR UNION TO TEE)- Improvise from bulk tubing (2269) and improvise insulators from rubber hose, friction tape, etc.</b>				
<b>2279 CLIP (BRAKE SYSTEM)</b>				
80/	C600	91A 2279	Check valve to booster upper pipe to frame	1or2
80/	F600			2
80/	B-C-F-FT-L700/900		Intake manifold to vacuum booster check valve tube to manifold	1
80/	C700/900		Check valve to brake vacuum booster upper pipe to frame	1or2
80/	C600/800		P/S return line to radiator bracket	2
80/	C900		Power divider differential lockout control	1
80/	C600	20387-S8	(B-157)-bolt (clip to frame)-5/16"-24 x 1"	1
		33798-S8	(M-62)-nut-5/16"-24	AR
		34806-S7	(X-64)-lockwasher-5/16"	AR
80/	B-C-F600	358360-S32	(GG-143)-clip (brake pipes to frame)	AR
80/	B-F-FT700/900, C700/900, L800/900	358360-S32	(GG-143)-clip (brake pipe to frame)	AR
80/	B-F-FT700/900	357949-S	(GG-141)-clip (master cyl. to rear brake hose to side member)	1
<b>2280 BRACKET (BRAKE MASTER CYLINDER)</b>				
80/	B-F-FT600/900	C3TZ 2280-B	Vacuum and air boosters	1
<b>2B280 MANIFOLD (BRAKE AIR SUPPLY)</b>				
80/	L800/900, LN600/900, LNT- LT800/900	D0HZ 2B280-A	#D0HA 2B280-F	1
80/82	C-CT600/900 - - air brakes w/brake skid control	D5TZ 2B280-A	#D5TA 2B280-CA	1
80/	CL-CLT900	D8HZ 2B280-A	#D7HT 2B280-EA	1
		D8HZ 2B280-B	#D7HT 2B280-FA	1
		D8HZ 2B280-C	#D7HT 2B280-GA	1
<b>2L280 WASHER (BRAKE AIR CHAMBER CLEVIS)</b>				
80/	CL-CLT900 - - with automatic slack adjusters	D8HZ 2L280-A	Front	2
80/	CL-CLT900 - - with automatic slack adjusters	D8HZ 2L280-B	Rear	AR

1980/  
TRUCK SERIES 600/900

YEAR	MODEL/RESTRICTIONS	PART NUMBER	DESCRIPTION	QTY.
2282	HOSE (REAR BRAKE)-Refer to group 2078			
2A283	TUBE ASSY. (TEE TO FORWARD REAR AXLE BRAKE HOSE)- Improvise from bulk tubing (2269) and improvise insulators from rubber hose, friction tape, etc.			
80/	C-L-LN800/900	358585-S	(II-123)-tee-3 way (to brake tube)	1
		372268-S	(II-162-E)-fitting (attach tube to chamber)- 1/4"-18 x 1/4"-18 elbow	1
80/		87943-S36	(I-21)-fitting-7/16"-24 tube	AR
2284-5	LINING (REAR BRAKE SHOE)-Serviced in 2007 kits			
		357082-S	(SS-15)-rivet (lining)-3/16" x 19/64"	AR
		351980-AS	(SS-19)-rivet (lining)3/16" x 1/2"	AR
		351939-S	(SS-13)-rivet (lining)-9/64" x 1/4"	AR
		351980-AS	(SS-19)-rivet (lining)-3/16" x 1/2"	AR
		356936-S	(SS-26)-rivet (lining)-3/16" x 13/32"	AR
		357587-S	(SS-27)-rivet (air brake lining)-1/4" x 1/2"	AR
2A284	TUBE ASSY. (BRAKE TEE TO REAR REAR AXLE HOSE)-Make from 91A 2269 tubing and 2-87943-S8 nuts			
80/		87943-S36	(I-21)-fitting-7/16"-24 tube	AR
2A285	TUBE (BRAKE AIR FOOT CONTROL VALVE TO MANIFOLD FITTING)- Improvise from bulk tubing (2269) and improvise insulators from rubber hose, friction tape, etc.			
80/	C699/750 - - 99", 111" W/B. C800/900	352992-S	(II-26)-connector (tube to manifold fitting)-3/8"	1
80/	B-F-FT-L700/900	374295-S	(II-200-A)-tee assy. (tube to control valve)-1/2" pipe thread x 3/8" x 1/4" tubing	1
2286	Refer to Front and Rear Brake Parts Lists Section 20.1 and 22.1- Improvise from bulk tubing (2269) and improvise from rubber hose, friction tape, etc.			
2B286	ADAPTER (BRAKE MASTER CYLINDER MOUNTING)			
80/82	LNT800, LT-LTS800/900 - - single hyd. brake	D2HZ 2B286-A		1
2A287-8	TUBE (COMPRESSOR GOVERNOR TO BRAKE AIR FOOT CONTROL VALVE)- Improvise from bulk tubing (2269) and improvise insulators from rubber hose, friction tape, etc.			
2A289	HOSE (BRAKE RELAY VALVE TO REAR WHEEL CONNECTOR)- Improvise from bulk tubing (2269) and improvise insulators from rubber hose, friction tape, etc.			
80/	B-C-F-FT-L-LN600/900	D5HZ 2A289-A	#D5HA 2A289-AA-25" long	1
86/	CF600/700	E6HZ 2A289-A		1
80/	CT800/900 - - w/Hend susp. fwd rear axle	D5HZ 2A289-A	#D5HA 2A289-AA-25" long	1
	rear rear axle	D5TZ 2A289-B	#D5TA 2A289-BA, D7HT 2A289-AA-29 1/2" long	1
80/	CL-CLT900 - - single and tandem rear axles	D5TZ 2A289-B	#D5TA 2A289-BA, D7HT 2A289-AA-29 1/2" long	1
80/	LNT-LT-LTL-LTS 800/900 - - w/Hend. susp.-fwd rear and rear rear axles-50" walking beam	D5TZ 2A289-B	#D5TA 2A289-BA, D7HT 2A289-AA-29 1/2" long	2
80/	LNT-LT-LTL-LTS900 - - w/Hend. susp.-38M rear axle and 52" walking beam	E0HZ 2A289-A	#D8HS 2A289-AA	1
80/	LNT-LT-LTL-LTS 800/900 - - w/Hend. susp.-fwd rear and rear rear axles-54" walking beam	D5HZ 2A289-A	#D5HA 2A289-AA-25" long	2
80/	LNT-LT-LTL-LTS800/900 - - w/Hend. susp.-rear rear axle- 60" walking beam	D5TZ 2A289-B	#D5TA 2A289-BA, D7HT 2A289-AA-29 1/2" long	1
80/	LNT-LT-LTS800/900 - - w/Neway susp.-fwd rear and rear rear axles	D5HZ 2A289-A	#D5HA 2A289-AA-25" long	2
80/	LNT-LT-LTL-LTS 800/900 - - w/Reyco susp. fwd rear axle	D5TZ 2A289-A	#D5TA 2A289-AA, E2HT 2A289-AA-27 1/2" long	1
	rear rear axle	D5HZ 2A289-A	#D5HA 2A289-AA-25" long	1
80/	LNT-LT-LTL-LTS900 - - 44M, 65M rear axles	D5TZ 2A289-A	#D5TA 2A289-AA, E2HT 2A289-AA-27 1/2" long	1
80/	LNT-LT-LTS900 - - 58M rear axles	D5HZ 2A289-A	#D5HA 2A289-AA-25" long	1

October, 1993

COPYRIGHT © 1993 - FORD MOTOR - DEARBORN, MICHIGAN  
COMPANY

Final Issue

**1980/  
TRUCK SERIES 600/900**

YEAR	MODEL/RESTRICTIONS	PART NUMBER	DESCRIPTION	QTY.
2A289	TUBE (BRAKE AIR RELAY VALVE TO REAR BRAKE TUBE CONNECTOR)- Improvise from bulk tubing (2269) and improvise insulators from rubber hose, friction tape, etc.			
2290	Refer to Brake Parts Lists Sections 20.1 and 22.1			
2291	SPACER (BRAKE RESERVOIR MOUNTING BRACKET)			
80/	B-F600/800	E0HZ 2291-A	#E0HT 2291-AA	AR
2A292	CONNECTOR (BRAKE AIR SUPPLY TO STOP LIGHT SWITCH)			
80/	L800/900, LN600/900, LNT-LT-LTL-LTS800/900	DOHZ 2A292-A		3
80/	B600/700 C-LN-LNT600/900	C3TZ 2A292-A	11/32" holes-trailer brake air tube to two way air shift and power divider lockout valve tube	1
80	CLT-CT800/900 "Before Ser. HA5,001"			1
80/	CLT-CT800/900 "From Ser. HA5,001"	DOHZ 2A292-A		1
		20466-S8	(B-61)-bolt (connector to frame)-5/16"-18 x 1 1/2"	2
		33797-S7	(M-50)-nut-5/16"-18	AR
		34806-S7	(X-64)-lockwasher-5/16"	AR
		33795-S7	(M-49)-nut-1/4"-20	AR
		34805-S8	(X-62)-lockwasher-1/4"	AR
2296-7	Refer to Front or Rear Brake Parts Lists Sections 20.1, 22.1 and group 2125			
2A296	Refer to Rear Brake Parts Lists Section 22.1			
2B296	Refer to Front Brake Parts Lists Section 20.1			

# 1980/ TRUCK SERIES 600/900

## HOW TO LOCATE REAR BRAKE PARTS

1. Use the Rear Brake T.S.L. †Cross Reference Guide (below) to find the correct brake parts list.
  2. Use the Rear Brake Model Application Chart (which follows this T.S.L. Chart) to find the correct brake parts list, when a T.S.L. number is not available.
- †Truck Specification List – included in Louisville built trucks

REAR BRAKE T.S.L. † CROSS-REFERENCE GUIDE									
T.S.L. NUMBER	REAR AXLE CAPACITY	BRAKE		PARTS LIST NO	T.S.L. NUMBER	REAR AXLE CAPACITY	BRAKE		PARTS LIST NO.
		SIZE	TYPE ●				SIZE	TYPE ●	
●R(T)–ROCKWELL(TIMKEN)									
D3TA 2209-ALA	17.5M,32M	15 x 5	Kelsey	4	E0HT 2209-DA	22M	16 x 6	Wagner	3
D3TA 2209-AMA	17.5M,32M	15 x 5	Kelsey	4	E0HT 2209-EA	22M	16 x 6	Wagner	3
D3TA 2209-ANA	13M	15 x 4	Kelsey	1	E0HT 2209-FA	18.5M,22M	15 x 7	Wagner	2
D3TA 2209-ARA	13M	15 x 4	Kelsey	1	E0HT 2209-HA	13M	15 x 4	KELSEY	1
D3TA 2209-ASA	15M	15 x 5	Kelsey	4	E0HT 2209-JA	13M	15 x 4	KELSEY	1
D3TA 2209-ATA	15M	15 x 5	Kelsey	4	E0HT 2209-KA	15M	15 x 5	KELSEY	4
D5HA 2209-JA	22M,23M,38M	16 1/2 x 7	R(T)	6	E0HT 2209-LA	17.5M	15 x 5	KELSEY	4
D5HA 2209-KA	22M,23M,38M	16 1/2 x 7	Eaton	5	E0HT 2209-MA	17.5M	16 1/2 x 5	R(T)	12
D5HA 2209-NA	38M	16 1/2 x 7	R(T)	6	E0HT 2209-NA	18.5M,22M,23M,34M	16 1/2 x 7	R(T)	13
D5HA 2209-RA	38M	16 1/2 x 7	Eaton	5	E0HT 2209-RA	34M	16 1/2 x 7	R(T)	13
D5HA 2209-YA	50M	16 1/2 x 7	Eaton	5	E0HT 2209-SA	38M	16 1/2 x 7	R(T)	13
D5HA 2209-AFA	18.5M,22M,34M	16 1/2 x 7	R(T)	6	E0HT 2209-TA	38M	16 1/2 x 7	R(T)	13
ED-D5HA 2209-AFA	22M,34M	16 1/2 x 7	R(T)	6	E0HT 2209-UA	38M,44M	16 1/2 x 7	R(T)	14
ED2-D5HA 2209-AFA	18.5M,22M,34M	16 1/2 x 7	R(T)	6	E0HT 2209-VA	34M	16 1/2 x 7	R(T)	14
D5HA 2209-AFB	34M	16 1/2 x 7	R(T)	6	E0HT 2209-YA	34M	16 1/2 x 7	R(T)	14
D5HA 2209-AGA	22M,34M	16 1/2 x 7	Eaton	5	E0HT 2209-ZA	22M,23M,34M	16 1/2 x 7	R(T)	13
D5HA 2209-AHA	34M	16 1/2 x 7	Eaton	5	E0HT 2209-AAA	38M,44M	16 1/2 x 7	R(T)	13
D5HA 2209-AJA	34M	16 1/2 x 7	R(T)	6	E0HT 2209-BAA	22M,23M,38M	16 1/2 x 7	R(T)	13
D5TA 2209-HB	17.5M	16 1/2 x 5	R(T)	6	E0HT 2209-CAA	22M,23M,38M	16 1/2 x 7	R(T)	14
D6HA 2209-CA	38M	16 1/2 x 7	R(T)	6	E0HT 2209-DAA	34M	16 1/2 x 7	R(T)	13
D7HA 2209-AA	23M	16 1/2 x 7	Eaton	7	E0HT 2209-EAA	34M	16 1/2 x 7	R(T)	13
D7HA 2209-BA	34M	16 1/2 x 7	R(T)	8	E0HT 2209-FAA	22M,23M,38M	16 1/2 x 7	R(T)	14
D7HA 2209-CA	34M	16 1/2 x 7	R(T)	10	E0HT 2209-GAA	34M	16 1/2 x 7	R(T)	14
D7HA 2209-GA	23M,38M	16 1/2 x 7	R(T)	10	E2HT 2209-AA	23M,38M,40M,44M	16 1/2 x 7	Eaton	7
D7HA 2209-HA	34M	16 1/2 x 7	R(T)	10	E2HT 2209-BA	23M,38M,40M	16 1/2 x 7	Eaton	7
D7HA 2209-JA	34M	16 1/2 x 7	R(T)	10	E2HT 2209-CA	38M	16 1/2 x 7	Eaton	7
D7HA 2209-KA	38M,44M	16 1/2 x 7	R(T)	10	E2HT 2209-DA	23M,38M,40M,44M	16 1/2 x 7	Eaton	11
D7HA 2209-MA	38M,44M	16 1/2 x 7	R(T)	8	E2HT 2209-EA	38M	16 1/2 x 7	Eaton	7
D7HA 2209-BUA	23M,38M	16 1/2 x 7	R(T)	8	E2HT 2209-FA	38M,40M,44M	16 1/2 x 7	Eaton	11
D7HA 2209-BVA	23M,38M	16 1/2 x 7	R(T)	10	E2HT 2209-GA	38M,40M,44M	16 1/2 x 7	Eaton	11
D7HA 2209-BYA	34M	16 1/2 x 7	R(T)	8	E2HT 2209-HA	38M,40M	16 1/2 x 7	Eaton	7
D7HA 2209-BZA	23M	16 1/2 x 7	Eaton	7	E2HT 2209-JA	13M	15 x 4	Kelsey	1
D7HA 2209-CAA	23M	16 1/2 x 7	Eaton	11	E2HT 2209-KA	13M	15 x 4	Kelsey	1
D7HA 2209-CBA	23M,38M	16 1/2 x 7	R(T)	8	E2HT 2209-LA	15M	15 x 5	Kelsey	4
D7HA 2209-CCA	23M	16 1/2 x 7	Eaton	11	E2HT 2209-MA	15M	15 x 5	Kelsey	4
D7HT 2209-CKA	58M,65M	18 x 7	R(T)	9	E2HT 2209-NA	22M,23M,38M	16 1/2 x 7	R(T)	14
D7HT 2209-CLA	44M	16 1/2 x 7	R(T)	10	E2HT 2209-RA	22M,23M,38M	16 1/2 x 7	R(T)	13
D7HT 2209-CMA	22M,23M	16 1/2 x 7	Eaton	5	E2HT 2209-YA	18.5M,22M,34M	16 1/2 x 7	Eaton	15
D7HT 2209-CNA	34M	16 1/2 x 7	R(T)	10	E2HT 2209-ACA	34M	16 1/2 x 7	Eaton	16
D7HT 2209-CRA	23M,38M	16 1/2 x 7	R(T)	10	E2HT 2209-ADA	34M	16 1/2 x 7	Eaton	17
D7TA 2209-CFA	17.5M	15 x 5	Kelsey	4	E2HT 2209-AEA	34M	16 1/2 x 7	Eaton	18
D7TA 2209-CJA	15M	15 x 5	Kelsey	4	E3HS 2209-HA	21M,23M,38M	16 1/2 x 7	R(T)	13
D8HT 2209-AA	17.5M	15 x 6	Wagner	2	E4HT 2209-AB	15M	15 x 5	Lucas	19
D8HT 2209-BA	17.5M	15 x 6	Wagner	2	E4HT 2209-CB	17M,19M	15 x 6	Lucas	20
E0HT 2209-AA	18.5M,22M	15 x 7	Wagner	2	E4HT 2209-CC	17M,19M	15 x 6	Lucas	20
E0HT 2209-BA	17.5M	15 x 6	Wagner	2	E4HT 2209-DB	17.5M,18.5M	15 x 7	Lucas	21
E0HT 2209-CA	17.5M	15 x 6	Wagner	2	E4HT 2209-DC	17.5M,18.5M	15 x 7	Lucas	21

1980/  
TRUCK SERIES 600/900

REAR BRAKE T.S.L. † CROSS-REFERENCE GUIDE

T.S.L. NUMBER	REAR AXLE CAPACITY	BRAKE		PARTS LIST NO	T.S.L. NUMBER	REAR AXLE CAPACITY	BRAKE		PARTS LIST NO.
		SIZE	TYPE				SIZE	TYPE	
●R(T)-ROCKWELL(TIMKEN)									
E4HT 2209-GB	34M	16 1/2 x 7	Eaton	22	E8HT 2209-BA	23M	16 1/2 x 7	Bendix	53
E4HT 2209-HB	34M	16 1/2 x 7	R(T)	25	E8HT 2209-BB	23M	16 1/2 x 7	Bendix	53
E4HT 2209-JA	38M	16 1/2 x 7	Eaton	7	E8HT 2209-BC	23M	16 1/2 x 7	Bendix	53
E4HT 2209-LB	34M	16 1/2 x 7	Eaton	23	E8HT 2209-BD	23M	16 1/2 x 7	Bendix	53
E4HT 2209-MB	34M	16 1/2 x 7	R(T)	26	E8HT 2209-JA		16 1/2 x 7	R(T)	54
E4HT 2209-UA	38M	16 1/2 x 7	R(T)	13	E8HT 2209-KA	13M	15 x 5	Lucas	19
E4HT 2209-AAB	34M	15 x 7	Lucas	21	E8HT 2209-LA	34M	15 x 6	Lucas	20
E4HT 2209-AAC	34M	15 x 7	Lucas	21	E8HT 2209-MA	17M,19M	15 x 6	Lucas	20
E4HT 2209-ABB	34M	15 x 6	Lucas	20	E8HT 2209-NA	17.5M,18.5M	15 x 7	Lucas	21
E4HT 2209-ABC	34M	15 x 6	Lucas	20	E8HT 2209-RA	22M	15 x 7	Lucas	21
E4HT 2209-ACB	13M	15 x 5	Lucas	19	E9HT 2209-BA	44M	16 1/2 x 7	R(T)	59
E4HT 2209-ACC	13M	15 x 5	Lucas	19	E9HT 2209-BC	44M	16 1/2 x 7	R(T)	59
E4HT 2209-ADA	22M	16 1/2 x 7	Eaton	24	E9HT 2209-CA	38M	16 1/2 x 7	R(T)	60
E4HT 2209-AEA	22M	16 1/2 x 7	R(T)	27	E9HT 2209-CC	38M	16 1/2 x 7	R(T)	60
E4HT 2209-AFA	22M	15 x 7	Lucas	21	E9HT 2209-EA	38M	16 1/2 x 7	R(T)	61
E4HT 2209-AFB	22M	15 x 7	Lucas	21	E9HT 2209-EB	38M	16 1/2 x 7	R(T)	61
E4HT 2209-AHC	34M	15 x 7	Lucas	21	E9HT 2209-EC	38M	16 1/2 x 7	R(T)	61
E4HT 2209-AHB	34M	15 x 7	Lucas	21	E9HT 2209-FA	44M	16 1/2 x 7	R(T)	62
E5HT 2209-AAA	17.5M,20M	16 1/2 x 7	Bendix	28	E9HT 2209-FC	44M	16 1/2 x 7	R(T)	62
E5HT 2209-ABA	22M	15 x 7	Lucas	21	E9HT 2209-JA	44M	16 1/2 x 7	R(T)	69
E5HT 2209-ACA	34M	15 x 7	Lucas	21	E9HT 2209-JC	44M	16 1/2 x 7	R(T)	69
E5HT 2209-ADA	13M	15 x 5	Lucas	19	E9HT 2209-LA	38M	16 1/2 x 7	R(T)	63
E5HT 2209-AEA	34M	15 x 6	Lucas	20	E9HT 2209-LB	38M	16 1/2 x 7	R(T)	63
E5HT 2209-AHA	38M,40M	16 1/2 x 7	Eaton	29	E9HT 2209-LC	38M	16 1/2 x 7	R(T)	63
E5HT 2209-AJA	38M	16 1/2 x 7	Eaton	30	E9HT 2209-MA	46M	16 1/2 x 7	R(T)	64
E5HT 2209-AKA	34M	16 1/2 x 7	Eaton	31	E9HT 2209-MC	46M	16 1/2 x 7	R(T)	64
E5HT 2209-ALA	22M	16 1/2 x 7	Eaton	32	E9HT 2209-YA	34M,38M,40M	16 1/2 x 7	Bendix	55
E5HT 2209-AMA	34M	16 1/2 x 7	Eaton	33	E9HT 2209-YB	38M,38M,40M	16 1/2 x 7	Bendix	55
E5HT 2209-ANA	38M	16 1/2 x 7	Eaton	34	E9HT 2209-AAA	44M,46M	16 1/2 x 7	Bendix	56
E5HT 2209-ARA	23M,38M,40M,44M	16 1/2 x 7	Eaton	35	E9HT 2209-AAB	44M,46M	16 1/2 x 7	Bendix	56
E5HT 2209-ASA	38M	16 1/2 x 7	Eaton	36	E9HT 2209-ACA	21M	16 1/2 x 7	R(T)	65
E5HT 2209-ATA	38M,40M	16 1/2 x 7	Eaton	37	E9HT 2209-ACB	21M	16 1/2 x 7	R(T)	65
E5HT 2209-AUA	23M,38M,40M	16 1/2 x 7	Eaton	38	E9HT 2209-ADA	23M	16 1/2 x 7	R(T)	68
E6HT 2209-AA	22M	16 1/2 x 7	R(T)	39	E9HT 2209-ADC	23M	16 1/2 x 7	R(T)	68
E6HT 2209-CA	34M	16 1/2 x 7	R(T)	40	E9HT 2209-AEA	23M	16 1/2 x 7	Bendix	57
E6HT 2209-EA	19M	16 1/2 x 7	R(T)	41	E9HT 2209-AEB	23M	16 1/2 x 7	Bendix	57
E6HT 2209-HA	23M	16 1/2 x 7	R(T)	42	E9HT 2209-AFA	17.5M,21M	16 1/2 x 7	Bendix	58
E6HT 2209-LA	40M	16 1/2 x 7	R(T)	43	E9HT 2209-AFB	17.5M,21M	16 1/2 x 7	Bendix	58
E6HT 2209-RA	40M	16 1/2 x 7	R(T)	44	E9HT 2209-AJA	34M	16 1/2 x 7	R(T)	66
E6HT 2209-SA	46M	16 1/2 x 7	R(T)	45	E9HT 2209-AJB	34M	16 1/2 x 7	R(T)	66
E6HT 2209-UA	40M	16 1/2 x 7	R(T)	46	E9HT 2209-AKA	38M	16 1/2 x 7	R(T)	67
E6HT 2209-ZA	23M	16 1/2 x 7	R(T)	47	E9HT 2209-AKB	38M	16 1/2 x 7	R(T)	67
E6HT 2209-AAA	40M	16 1/2 x 7	R(T)	48	E9HT 2209-AMA	40M	16 1/2 x 7	R(T)	70
E6HT 2209-ABA	40M	16 1/2 x 7	R(T)	49	E9HT 2209-ANA	46M	16 1/2 x 7	R(T)	71
E6HT 2209-ADA	13M	15 x 5	Lucas	19	D3TA 2210-ALA	17.5M,32M	15 x 5	Kelsey	4
E6HT 2209-AEA	34M	15 x 6	Lucas	20	D3TA 2210-AMA	17.5M,32M	15 x 5	Kelsey	4
E6HT 2209-AFA	17M,19M	15 x 6	Lucas	20	D3TA 2210-ANA	13M	15 x 4	Kelsey	1
E6HT 2209-AGA	17.5M,18.5M	15 x 7	Lucas	21	D3TA 2210-ARA	13M	15 x 4	Kelsey	1
E6HT 2209-AHA	22M	15 x 7	Lucas	21	D3TA 2210-ASA	15M	15 x 5	Kelsey	4
E6HT 2209-AJA	22M	15 x 7	Lucas	21	D3TA 2210-ATA	15M	15 x 5	Kelsey	4
E6HT 2209-AKA	34M	15 x 7	Lucas	21	D5HA 2210-JA	22M,23M,38M	16 1/2 x 7	R(T)	6
E7HT 2209-BA	17.5M,20M	16 1/2 x 7	R(T)	50	D5HA 2210-KA	22M,23M,38M	16 1/2 x 7	Eaton	5
E7HT 2209-DA	23M	16 1/2 x 7	R(T)	51	D5HA 2210-NA	38M	16 1/2 x 7	R(T)	6
E8HT 2209-AA	21M	16 1/2 x 7	Bendix	52	D5HA 2210-RA	38M	16 1/2 x 7	Eaton	5
E8HT 2209-AB	21M	16 1/2 x 7	Bendix	52	D5HA 2210-YA	50M	16 1/2 x 7	Eaton	5
E8HT 2209-AC	21M	16 1/2 x 7	Bendix	52	D5HA 2210-AFA	18.5M,22M,34M	16 1/2 x 7	R(T)	6
E8HT 2209-AD	21M	16 1/2 x 7	Bendix	52	ED-D5HA 2210-AFA	22M,34M	16 1/2 x 7	R(T)	6

1980/  
TRUCK SERIES 600/900

REAR BRAKE T.S.L. † CROSS-REFERENCE GUIDE										
T.S.L. NUMBER	REAR AXLE CAPACITY	BRAKE		PARTS LIST NO	T.S.L. NUMBER	REAR AXLE CAPACITY	BRAKE		PARTS LIST NO.	
		SIZE	TYPE ●				SIZE	TYPE ●		
●R(T)-ROCKWELL(TIMKEN)										
ED2-D5HA	2210-AFA	18.5M,22M,34M	16 1/2 x 7	R(T)	6	E2HT 2210-AA	23M,38M,40M,44M	16 1/2 x 7	Eaton	7
D5HA	2210-AFB	34M	16 1/2 x 7	R(T)	6	E2HT 2210-BA	23M,38M,40M	16 1/2 x 7	Eaton	7
D5HA	2210-AGA	22M,34M	16 1/2 x 7	Eaton	5	E2HT 2210-CA	38M	16 1/2 x 7	Eaton	7
D5HA	2210-AHA	34M	16 1/2 x 7	Eaton	5	E2HT 2210-DA	23M,38M,40M,44M	16 1/2 x 7	Eaton	11
D5HA	2210-AJA	34M	16 1/2 x 7	R(T)	6	E2HT 2210-EA	38M	16 1/2 x 7	Eaton	7
D5TA	2210-HB	17.5M	16 1/2 x 5	R(T)	6	E2HT 2210-FA	38M,40M,44M	16 1/2 x 7	Eaton	11
D6HA	2210-CA	38M	16 1/2 x 7	R(T)	6	E2HT 2210-GA	38M,40M,44M	16 1/2 x 7	Eaton	11
D7HA	2210-AA	23M	16 1/2 x 7	Eaton	7	E2HT 2210-HA	38M,40M	16 1/2 x 7	Eaton	7
D7HA	2210-BA	34M	16 1/2 x 7	R(T)	8	E2HT 2210-JA	13M	15 x 4	Kelsey	1
D7HA	2210-CA	34M	16 1/2 x 7	R(T)	10	E2HT 2210-KA	13M	15 x 4	Kelsey	1
D7HA	2210-GA	23M,38M	16 1/2 x 7	R(T)	10	E2HT 2210-LA	15M	15 x 5	Kelsey	4
D7HA	2210-HA	34M	16 1/2 x 7	R(T)	10	E2HT 2210-MA	15M	15 x 5	Kelsey	4
D7HA	2210-JA	34M	16 1/2 x 7	R(T)	10	E2HT 2210-NA	22M,23M,38M	16 1/2 x 7	R(T)	14
D7HA	2210-KA	38M,44M	16 1/2 x 7	R(T)	10	E2HT 2210-RA	22M,23M,38M	16 1/2 x 7	R(T)	13
D7HA	2210-MA	38M,44M	16 1/2 x 7	R(T)	8	E2HT 2210-YA	18M,22M,34M	16 1/2 x 7	Eaton	15
D7HA	2210-BUA	23M,38M	16 1/2 x 7	R(T)	8	E2HT 2210-ACA	34M	16 1/2 x 7	Eaton	16
D7HA	2210-BVA	23M,38M	16 1/2 x 7	R(T)	10	E2HT 2210-ADA	34M	16 1/2 x 7	Eaton	17
D7HA	2210-BYA	34M	16 1/2 x 7	R(T)	8	E2HT 2210-AEA	34M	16 1/2 x 7	Eaton	18
D7HA	2210-BZA	23M	16 1/2 x 7	Eaton	7	E3HS 2210-HA	22M,23M,38M	16 1/2 x 7	R(T)	13
D7HA	2210-CAA	23M	16 1/2 x 7	Eaton	11	E4HT 2210-AB	15M	15 x 5	Lucas	19
D7HA	2210-CBA	23M,38M	16 1/2 x 7	R(T)	8	E4HT 2210-CB	17M,19M	15 x 6	Lucas	20
D7HA	2210-CCA	23M	16 1/2 x 7	Eaton	11	E4HT 2210-CC	17M,19M	15 x 6	Lucas	20
D7HT	2210-CKA	58M,65M	18 x 7	R(T)	9	E4HT 2210-DB	17.5M,18.5M	15 x 7	Lucas	21
D7HT	2210-CLA	44M	16 1/2 x 7	R(T)	10	E4HT 2210-DC	17.5M,18.5M	15 x 7	Lucas	21
D7HT	2210-CMA	22M,23M	16 1/2 x 7	Eaton	5	E4HT 2210-GB	34M	16 1/2 x 7	Eaton	22
D7HT	2210-CNA	34M	16 1/2 x 7	R(T)	10	E4HT 2210-HB	34M	16 1/2 x 7	R(T)	25
D7HT	2210-CRA	23M,38M	16 1/2 x 7	R(T)	10	E4HT 2210-JA	38M	16 1/2 x 7	Eaton	7
D7TA	2210-CFA	17.5M	15 x 5	Kelsey	4	E4HT 2210-LB	34M	16 1/2 x 7	Eaton	23
D7TA	2210-CJA	15M	15 x 5	Kelsey	4	E4HT 2210-MB	34M	16 1/2 x 7	R(T)	26
D8HT	2210-AA	17.5M	15 x 6	Wagner	2	E4HT 2210-UA	38M	16 1/2 x 7	R(T)	13
D8HT	2210-BA	17.5M	15 x 6	Wagner	2	E4HT 2210-AAB	34M	15 x 7	Lucas	21
E0HT	2210-AA	18.5M,22M	15 x 7	Wagner	2	E4HT 2210-AAC	34M	15 x 7	Lucas	21
E0HT	2210-BA	17.5M	15 x 6	Wagner	2	E4HT 2210-ABB	34M	15 x 6	Lucas	20
E0HT	2210-CA	17.5M	15 x 6	Wagner	2	E4HT 2210-ABC	34M	15 x 6	Lucas	20
E0HT	2210-DA	22M	16 x 6	Wagner	3	E4HT 2210-ACB	13M	15 x 5	Lucas	19
E0HT	2210-EA	22M	16 x 6	Wagner	3	E4HT 2210-ACC	13M	15 x 5	Lucas	19
E0HT	2210-FA	18.5M,22M	15 x 7	Wagner	2	E4HT 2210-ADA	22M	16 1/2 x 7	Eaton	24
E0HT	2210-HA	13M	15 x 4	KELSEY	1	E4HT 2210-AEA	22M	16 1/2 x 7	R(T)	27
E0HT	2210-JA	13M	15 x 4	KELSEY	1	E4HT 2210-AFA	22M	15 x 7	Lucas	21
E0HT	2210-KA	15M	15 x 5	KELSEY	4	E4HT 2210-AFB	22M	15 x 7	Lucas	21
E0HT	2210-LA	17.5M	15 x 5	KELSEY	4	E4HT 2210-AHB	34M	15 x 7	Lucas	21
E0HT	2210-MA	17.5M	16 1/2 x 5	R(T)	12	E4HT 2210-AHC	34M	15 x 7	Lucas	21
E0HT	2210-NA	18.5M,22M,23M,34M	16 1/2 x 7	R(T)	13	E5HT 2210-AAA	17.5M,20M	16 1/2 x 7	Bendix	28
E0HT	2210-RA	34M	16 1/2 x 7	R(T)	13	E5HT 2210-ABA	22M	15 x 7	Lucas	21
E0HT	2210-SA	38M	16 1/2 x 7	R(T)	13	E5HT 2210-ACA	34M	15 x 7	Lucas	21
E0HT	2210-TA	38M	16 1/2 x 7	R(T)	13	E5HT 2210-ADA	13M	15 x 5	Lucas	19
E0HT	2210-UA	38M,44M	16 1/2 x 7	R(T)	14	E5HT 2210-AEA	34M	15 x 6	Lucas	20
E0HT	2210-VA	34M	16 1/2 x 7	R(T)	14	E5HT 2210-AHA	38M,40M	16 1/2 x 7	Eaton	29
E0HT	2210-YA	34M	16 1/2 x 7	R(T)	14	E5HT 2210-AJA	38M	16 1/2 x 7	Eaton	30
E0HT	2210-ZA	22M,23M,34M	16 1/2 x 7	R(T)	13	E5HT 2210-AKA	34M	16 1/2 x 7	Eaton	31
E0HT	2210-AAA	38M,44M	16 1/2 x 7	R(T)	13	E5HT 2210-ALA	22M	16 1/2 x 7	Eaton	32
E0HT	2210-BAA	22M,23M,38M	16 1/2 x 7	R(T)	13	E5HT 2210-AMA	34M	16 1/2 x 7	Eaton	33
E0HT	2210-CAA	22M,23M,38M	16 1/2 x 7	R(T)	14	E5HT 2210-ANA	38M	16 1/2 x 7	Eaton	34
E0HT	2210-DAA	34M	16 1/2 x 7	R(T)	13	E5HT 2210-ARA	23M,38M,40M,44M	16 1/2 x 7	Eaton	35
E0HT	2210-EAA	34M	16 1/2 x 7	R(T)	13	E5HT 2210-ASA	38M	16 1/2 x 7	Eaton	36
E0HT	2210-FAA	22M,23M,38M	16 1/2 x 7	R(T)	14	E5HT 2210-ATA	38M,40M	16 1/2 x 7	Eaton	37
E0HT	2210-GAA	34M	16 1/2 x 7	R(T)	14	E5HT 2210-AUA	23M,38M,40M	16 1/2 x 7	Eaton	38

1980/  
TRUCK SERIES 600/900

REAR BRAKE T.S.L. † CROSS-REFERENCE GUIDE

T.S.L. NUMBER	REAR AXLE CAPACITY	BRAKE		PARTS LIST NO	T.S.L. NUMBER	REAR AXLE CAPACITY	BRAKE		PARTS LIST NO.	
		SIZE	TYPE				SIZE	TYPE		
●R(T)-ROCKWELL (TIMKEN)										
E6HT 2210-AA	22M	16 1/2 x 7	R(T)	39	E9HT 2210-BA	44M	16 1/2 x 7	R(T)	59	
E6HT 2210-CA	34M	16 1/2 x 7	R(T)	40	E9HT 2210-BC	44M	16 1/2 x 7	R(T)	59	
E6HT 2210-EA	19M	16 1/2 x 7	R(T)	41	E9HT 2210-CA	38M	16 1/2 x 7	R(T)	60	
E6HT 2210-HA	23M	16 1/2 x 7	R(T)	42	E9HT 2210-CC	38M	16 1/2 x 7	R(T)	60	
E6HT 2210-LA	40M	16 1/2 x 7	R(T)	43	E9HT 2210-EA	38M	16 1/2 x 7	R(T)	61	
E6HT 2210-RA	40M	16 1/2 x 7	R(T)	44	E9HT 2210-EB	38M	16 1/2 x 7	R(T)	61	
E6HT 2210-SA	46M	16 1/2 x 7	R(T)	45	E9HT 2210-EC	38M	16 1/2 x 7	R(T)	61	
E6HT 2210-UA	40M	16 1/2 x 7	R(T)	46	E9HT 2210-FA	44M	16 1/2 x 7	R(T)	62	
E6HT 2210-ZA	23M	16 1/2 x 7	R(T)	47	E9HT 2210-FC	44M	16 1/2 x 7	R(T)	62	
E6HT 2210-AAA	40M	16 1/2 x 7	R(T)	48	E9HT 2210-JA	44M	16 1/2 x 7	R(T)	69	
E6HT 2210-ABA	40M	16 1/2 x 7	R(T)	49	E9HT 2210-JC	44M	16 1/2 x 7	R(T)	69	
E6HT 2210-ADA	13M	15 x 5	Lucas	19	E9HT 2210-LA	38M	16 1/2 x 7	R(T)	63	
E6HT 2210-AEA	34M	15 x 6	Lucas	20	E9HT 2210-LB	38M	16 1/2 x 7	R(T)	63	
E6HT 2210-AFA	17M,19M	15 x 6	Lucas	20	E9HT 2210-LC	38M	16 1/2 x 7	R(T)	63	
E6HT 2210-AGA	17.5M,18.5M	15 x 7	Lucas	21	E9HT 2210-MA	46M	16 1/2 x 7	R(T)	64	
E6HT 2210-AHA	22M	15 x 7	Lucas	21	E9HT 2210-MC	46M	16 1/2 x 7	R(T)	64	
E6HT 2210-AJA	22M	15 x 7	Lucas	21	E9HT 2210-YA	34M,38M,40M	16 1/2 x 7	Bendix	55	
E6HT 2210-AKA	34M	15 x 7	Lucas	21	E9HT 2210-YB	34M,38M,40M	16 1/2 x 7	Bendix	55	
E7HT 2210-BA	17.5M,20M	16 1/2 x 7	R(T)	50	E9HT 2210-AAA	44M,46M	16 1/2 x 7	Bendix	56	
E7HT 2210-DA	23M	16 1/2 x 7	R(T)	51	E9HT 2210-AAB	44M,46M	16 1/2 x 7	Bendix	56	
E8HT 2210-AA	21M	16 1/2 x 7	Bendix	52	E9HT 2210-ACA	21M	16 1/2 x 7	R(T)	65	
E8HT 2210-AB	21M	16 1/2 x 7	Bendix	52	E9HT 2210-ACB	21M	16 1/2 x 7	R(T)	65	
E8HT 2210-AC	21M	16 1/2 x 7	Bendix	52	E9HT 2210-ADA	23M	16 1/2 x 7	R(T)	68	
E8HT 2210-AD	21M	16 1/2 x 7	Bendix	52	E9HT 2210-ADC	23M	16 1/2 x 7	R(T)	68	
E8HT 2210-BA	23M	16 1/2 x 7	Bendix	53	E9HT 2210-AEA	23M	16 1/2 x 7	Bendix	57	
E8HT 2210-BB	23M	16 1/2 x 7	Bendix	53	E9HT 2210-AEB	23M	16 1/2 x 7	Bendix	57	
E8HT 2210-BC	23M	16 1/2 x 7	Bendix	53	E9HT 2210-AFA	17.5M,21M	16 1/2 x 7	Bendix	58	
E8HT 2210-BD	23M	16 1/2 x 7	Bendix	53	E9HT 2210-AFB	17.5M,21M	16 1/2 x 7	Bendix	58	
E8HT 2210-JA		16 1/2 x 7	R(T)	54	E9HT 2210-AJA	34M	16 1/2 x 7	R(T)	66	
E8HT 2210-KA	13M	15 x 5	Lucas	19	E9HT 2210-AJB	34M	16 1/2 x 7	R(T)	66	
E8HT 2210-LA	34M	15 x 6	Lucas	20	E9HT 2210-AKA	38M	16 1/2 x 7	R(T)	67	
E8HT 2210-MA	17M,19M	15 x 6	Lucas	20	E9HT 2210-AKC	38M	16 1/2 x 7	R(T)	67	
E8HT 2210-NA	17.5M,18.5M	15 x 7	Lucas	21	E9HT 2210-AMA	40M	16 1/2 x 7	R(T)	70	
E8HT 2210-RA	22M	15 x 7	Lucas	21	E9HT 2210-ANA	46M	16 1/2 x 7	R(T)	71	

1980/  
TRUCK SERIES 600/900

REAR BRAKE MODEL APPLICATION CHART

1. Determine truck series and model year.
2. When optional brake sizes are shown, determine brake size. The brake size shown is the inside diameter of the brake drum and the width of the related brake shoe lining.
3. When different axle capacities are shown for the same brake size, determine axle capacity from truck warranty plate code.
4. Determine if the brake system is hydraulic or air type and select appropriate parts list number.
5. Refer to affected parts list. Brake component parts lists appear in numerical sequence in this section following the application chart. Brake drums are not included in the parts lists. They are listed with the appropriate hub assembly under Group 1109 in Section 11.2
6. Refer to the appropriate section and page of the Truck Illustration Catalog when necessary for the basic or group numbers of the required parts. Brake components are also listed by part name with their related basic or group number in the Index at the beginning of Section 10.

REAR BRAKE MODEL APPLICATION CHART

TRUCK SERIES	MODEL YEAR	REAR AXLE CAPACITY	BRAKES		PARTS LIST NO.	ILLUS-TRATION SEC. PAGE	TRUCK SERIES	MODEL YEAR	REAR AXLE CAPACITY	BRAKES		PARTS LIST NO.	ILLUS-TRATION SEC. PAGE
			SIZE	H-HYD. A AIR						SIZE	H-HYD. A AIR		
<p style="text-align: center;">Note ● See PARTS LIST NO. 5 (for Eaton Brakes), See PARTS LIST NO. 6 (for Rockwell Brakes) for 1980 See PARTS LIST NO. 12 (for 16 1/2 x 5 Rockwell Brakes) and PARTS LIST NO. 13 (for 16 1/2 x 7 Rockwell Brakes with Manual Adjusters) and PARTS LIST NO. 14 (for 16 1/2 x 7 Rockwell Brakes with Automatic Adjusters) for 1981/</p>													
B600	80/	13M	15 x 4	H	1		C800/900	80/83	18.5M	15 x 6	H	2	21 3
	80/83	15M,17.5M	15 x 5	H	4	21.1 4		84/	17M,19M,34M	15 x 6	H	20	
	84	13M,15M,	15 x 5	H	19			80/83	18.5M	15 x 7	H	2	21 3
	80/83	17.5M	15 x 6	H	2	21 3		84/	17.5M,18.5M,22M,34M	15 x 7	H	21	
	84/	17M,19M,34M	15 x 6	H	20			80/83	22M	16 x 6	H	3	21 1
B700	80/83	15M	15 x 5	H	4	21.1 4	CF600/800	80/	18.5M,22M,23M	16 1/2 x 7	A	●	21.1 1,4
	80/83	17.5M	15 x 5	H	4	21.1 4		86/	17.5M,20M	15 x 7	H	21	
	84	13M,15M,	15 x 5	H	19		86/	17.5M,20M	16 1/2 x 7	A	28		
	80/83	17.5M,18.5M	15 x 6	H	2	21 3	88/	23M	16 1/2 x 7	A	53		
	84	17M,19M,34M	15 x 6	H	20		CL900	80/	23M	16 1/2 x 7	A		21.1 1,4
	80/83	18.5M	15 x 7	H	2	21 3			Eaton	Man Adj	A	7	
	84/	17.5M,18.5M,22M,34M	15 x 7	H	21				Eaton	Auto Adj	A	11	
80/	17.5M	16 1/2 x 5	A	●	21.1 1,4	80		Rockwell	Man Adj	A	8		
80/	18.5M	16 1/2 x 7	A	●	21.1 1,4	80		Rockwell	Auto Adj	A	10		
C600	80/83	15M,17.5M	15 x 5	H	4	21.1 4	CT800	81/	Rockwell	Man Adj	A	13	
	84	13M,15M,	15 x 5	H	19			81/	Rockwell	Auto Adj	A	14	
	80/83	17.5M	15 x 6	H	2	21 3		80/	34M	16 1/2 x 7	A	●	21.1 1,4
	84/	17M,19M,34M	15 x 6	H	20			80/	34M	16 1/2 x 7	A		21.1 1,4
	80/	17.5M	16 1/2 x 5	A	●	21.1 1,4			Eaton	Man Adj	A	7	
C700	80/83	17.5M	15 x 5	H	4	21.1 4	CLT900		Eaton	Auto Adj	A	11	
	84/	13M,15M,	15 x 5	H	19			80	Rockwell	Man Adj	A	8	
	80/83	17.5M,18.5M	15 x 6	H	2	21 3		80	Rockwell	Auto Adj	A	10	
	84/	17M,19M,34M	15 x 6	H	20			81/	Rockwell	Man Adj	A	13	
	80/83	18.5M	15 x 7	H	2	21 3		81/	Rockwell	Auto Adj	A	14	
	84/	17.5M,18.5M,22M,34M	15 x 7	H	21		80/	34M,38M,44M	16 1/2 x 7	A		21.1 1,4	
	80/	17.5M	16 1/2 x 5	A	●	21.1 1,4		Eaton	Man Adj	A	7		
	80/	18.5M	16 1/2 x 7	A	●	21.1 1,4		Eaton	Auto Adj	A	11		
							80	Rockwell	Man Adj	A	8		
							80	Rockwell	Auto Adj	A	10		





1980/  
TRUCK SERIES 600/900

YEAR	RESTRICTIONS	PART NUMBER	QTY.	PART NAME AND DESCRIPTION
REAR BRAKE PARTS LIST NO. 1 15 x 4 KELSEY HAYES HYDRAULIC BRAKE				
80/83		C8TZ 2007-L	1	LINING KIT (BRAKE SHOE)
		2041		SCREW (BRAKE ADJUSTING)
80/83		C8TZ 2041-E	2	R.H.
		C8TZ 2041-F	2	L.H.
80/83		C8TZ 2042-C	8	LINK (BRAKE CYLINDER TO SHOE)
		2047		NUT (BRAKE ADJUSTING SCREW)
80/83		C8TZ 2047-A	2	R.H.-also serviced in kit-group 2A176-7
		C8TZ 2047-B	2	L.H.
80/83		C8TZ 2055-D	4	COVER (BRAKE CYLINDER)
80/83		20326-S7-8	8	(B-49)-bolt (cyl. heat shield)- 5/16"-18 x 5/8"
80/83		34956-S7-8	8	(X-82)-lockwasher-5/16"
80/83		72016-S7-8	4	(N-44)-pin (brake shoe hold down pin)- cotter
80/83		C8TZ 2066-A	4	WASHER (BRAKE SHOE HOLD DOWN SPRING)
80/83		C8TZ 2069-A	4	PIN (BRAKE SHOE HOLD DOWN SPRING)
80/83		384487-S2	4	(MM-65-E)-nut (brake shoe hold down pin)- slotted
80/83		H 2092	4	COVER (BRAKE ADJUSTING HOLE)
82/83		E2HZ 2092-A	4	COVER (BRAKE INSPECTION HOLE)
80/83		★D1TZ 2133-A	2	Nut (tube)-serviced only in assy-group 2286
80/83		D1TZ 2A133-A	2	SCREW (SELF TAPPING)-No. 10-24 x 1/2"
80/83		C8TZ 2A175-A	4	LINK (ADJUSTING LEVER)-also serviced in kit-group 2A176-7
		2A176-7		LEVER (BRAKE SHOE ADJUSTING)
80/83		D1TZ 2A176-A	2	R.H.
		D1TZ 2A177-A	2	L.H.
		2A176-7		LEVER KIT (BRAKE SHOE ADJUSTING)
80/83		D1TZ 2A176-B	1	R.H.-consists of-C8TZ 2047-A, C8TZ 2A175-A, D1TZ 2A176-A, C8TZ 2A180-C, C8TZ 2A184-A, C8TZ 2A186-A
		D1TZ 2A177-B	1	L.H.-consists of-C8TZ 2047-B, C8TZ 2A175-A, D1TZ 2A177-A, C8TZ 2A180-D, C8TZ 2A184-A, C8TZ 2A186-A
		2A180		SPRING (ADJUSTING LEVER RETURN)
80/83		C8TZ 2A180-C	2	R.H.-also serviced in kit-group 2A176-7
		C8TZ 2A180-D	2	L.H.
80/83		C8TZ 2A184-A	4	POST (BRAKE SHOE ADJUSTING LEVER)-also serviced in kit-group 2A176-7
80/83		C8TZ 2A186-A	4	BLOCK (ANCHOR BRAKE SHOE ADJUSTING SPRING)- also serviced in kit-group 2A176-7
80/83		D1TZ 2A190-A	4	SPRING (BRAKE CLAMP)
80/83		C8TZ 2A191-A	4	COLLAR (BRAKE ADJUSTING LINK)
80/83		20385-S8	4	(B-152)-bolt-1/4"-28 x 1"
80/83		34805-S8	4	(X-62)-lockwasher-1/4"
80/83		C8TZ 2196-B	4	PISTON (BRAKE CYLINDER)-1 1/2" dia.
80/83		C8TZ 2201-A	4	CUP (BRAKE CYLINDER)-1 1/2" dia.
80/83		C8TZ 2204-A	2	SPRING (BRAKE CYLINDER PISTON RETURN)
80/83		C8TZ 2206-A	8	BOOT (BRAKE CYLINDER)
80/83		B9TT 2208-A	2	SCREW (BRAKE CYLINDER BLEEDER)- Also serviced in assy-group 2261

**1980/  
TRUCK SERIES 600/900**

YEAR	RESTRICTIONS	PART NUMBER	QTY.	PART NAME AND DESCRIPTION
REAR BRAKE PARTS LIST NO. 1 — Cont'd				
15 x 4 KELSEY HAYES HYDRAULIC BRAKE				
		2211-2		PLATE ASSY. (BRAKE CARRIER)
80/83		E1HZ 2211-F	1	R.H.
		E1HZ 2212-F	1	L.H.
80/83		382229-S2	8	(BB-804-C)-bolt (plate to axle)- 1/2"-13 x 2 1/4"
80/83		382182-S	4	(BB-804-A)-bolt (plate to axle)- 1/2"-13 x 1/4"
80/83		55697-S8	12	(M-89-F)-nut-1/2"-13
80/83		C8TZ 2218-B	4	SHOE and LINING ASSY. (BRAKE)
		2261		CYLINDER ASSY. (BRAKE)
80/83	Single system	C8TZ 2261-B	1	upper-1 1/2" dia. incl. (1) B9TT-2208-A screw
		D1TZ 2261-A	1	Lower
80/83	Split system	C8TZ 2261-B	2	1 1/2 dia.
		2286		TUBE ASSY. (BRAKE CYLINDER CONNECTION)
80/83	Single system	D1TZ 2286-A	2	
		2296		SPRING (BRAKE SHOE RETRACTING)
80/83		D4TZ 2296-C	4	Trailing-11 coils
		D4TZ 2296-D	4	Leading-7 coils
80/83		C8TZ 2333-B	4	PIN (BRAKE SHOE ANCHOR)
REAR BRAKE PARTS LIST NO. 2				
15 x 6,15 x 7 WAGNER HYDRAULIC BRAKE				
Note: ●Refer to basic group for kit components				
		2007		●BRAKE SHOE LINING KIT
80/83	15 x 6 brake -- exc. B700 w/17.5M axle	C8TZ 2007-T	1	
80/83	15 x 6 brake and 18.5M or 34M axle	C8TZ 2007-T	1or2	
80/83	15 x 6 brake and 17.5M axle- B700/750	D7TZ 2007-B		
80/83	15 x 7 brake -- exc. B-F700/800	C8TZ 2007-U	1	
80/83	15 x 7 brake -- B-F700/800	E0HZ 2007-B	1	
		2041		SCREW (BRAKE ADJUSTING)
80/83		C8TZ 2041-C	2	R.H.
		C8TZ 2041-D		L.H.
		2042		LINK (BRAKE CYLINDER TO SHOE LEVER)
80/83		C8TZ 2042-A	2	R.H.-also serviced in kit-group 2A176
		C8TZ 2042-B		L.H.-also serviced in kit-group 2A177
80/83		C8TZ 2049-C	4	SPRING (BRAKE ADJUSTING SCREW)-also serviced in kit-group 2A176-7
		2055		COVER (BRAKE CYLINDER)
80/83		B6TZ 2055-A	2	R.H.
		B6TZ 2055-C		L.H.
80/83		B6Q 2092-A	4	COVER (BRAKE ADJUSTING HOLE)
80/83		B6Q 2129-A	8	ROD (BRAKE CYLINDER TO BRAKE SHOE PUSH)-also serviced in assy.-group 2261 in this Parts List
		2A176-7		LEVER (BRAKE SHOE ADJUSTING)
80/83		C8TZ 2A176-C	2	R.H.-also serviced in kit-group 2A176
		C8TZ 2A177-C		L.H.-also serviced in kit-group 2A177
		2A176-7		LEVER KIT (BRAKESHOE ADJUSTING)
80/83		C8TZ 2A176-H	1	R.H.-consists of (2) C8TZ 2042-A, (2) C8TZ 2049-C, (2) C8TZ 2A176-C, (2) C8TZ 2A178-B, (2) C8TZ 2A181-A, (2) C8TZ 2223-A
		C8TZ 2A177-F	1	L.H.-consists of (2) C8TZ 2042-B, (2) C8TZ 2049-C, (2) C8TZ 2A177-C, (2) C8TZ 2A178-B, (2) C8TZ 2A182-A, (2) C8TZ 2223-A

**1980/  
TRUCK SERIES 600/900**

YEAR	RESTRICTIONS	PART NUMBER	QTY.	PART NAME AND DESCRIPTION
REAR BRAKE PARTS LIST NO. 2 — Cont'd 15 x 6,15 x 7 WAGNER HYDRAULIC BRAKE				
Note: ●Refer to basic group for kit components				
80/83		C8TZ 2A178-B	4	LINK (BRAKE SHOE ADJUSTING LEVER)—also serviced in kit-group 2A176-7
2A181-2				
SCREW and SLEEVE ASSY. (BRAKE SHOE ADJUSTING LEVER)				
80/83		C8TZ 2A181-A	2	R.H.—also serviced in kit-group 2A176
		C8TZ 2A182-A		L.H.—also serviced in kit-group 2A177
80/83		C8TZ 2A183-A	4	SLEEVE BRAKE ACTUATING SPRING ANCHOR
★2196-7				
PISTON (BRAKE CYLINDER)—serviced only in assy.—group 2261 in this Parts List				
★2201				
CUP (BRAKE CYLINDER) — serviced only in kit-group 2221 in this Parts List				
2204				
SPRING (BRAKE CYLINDER PISTON RETURN)				
80/83	15 x 6 brake and 17.5M or 32 M axles	2Q 2204-B	2	1 5/8" dia.—also serviced in assy.—group 2261 in this Parts List
80/83	15 x 6, 15 x 7 brakes and 18.5M or 34M axle—Exc. B700	2QH 2204-B	2	1 3/4" dia.—also serviced in assy.—group 2261 in this Parts List
80/83	15 x 6 brake and 18.5M axle—B700	2Q 2204-B	2	1 5/8" dia.—also serviced in assy.—group 2261 in this Parts List
★2206				
BOOT (BRAKE CYLINDER)— serviced only in kit-group 2221 in this Parts List				
80/83		B9TT 2208-A	4	SCREW (BRAKE CYLINDER BLEEDER)
2209-10				
BRAKE ASSY.				
82	15 x 6 brake -- 17.5M axle -- B series	E0HZ 2209-A	1	R.H. -- campaign 833
		E0HZ 2210-A	1	L.H.
2211-2				
PLATE ASSY. (BRAKE CARRIER)				
80/83	15 x 6 brake	C9TZ 2211-B	1	R.H.—# FF 72301
		C9TZ 2212-B	1	L.H.—# FF 72300
80/83	15 x 7 brake	C9TZ 2211-C	1	R.H.—# FF 72313
		C9TZ 2212-C	1	L.H.—# FF 72312
80/83		385377-S2	8	(BB-262-K)—bolt (plate to axle flange) — 9/16" — 18 x 2 3/8"
80/83		385902-S2	4	(BB-264-EH)—bolt (plate to axle flange) — 9/16" — 18 x 1 7/8"
80/83		55720-S2	12	(M-88-C)—nut-9/16-18
80/83		374607-S	24	(XX-202-A)—flatwasher.1 1/32" O.D.
2218				
SHOE and LINING ASSY. (BRAKE)				
80/83	15 x 6 brake -- 17.5M axle -- B600/700	E0HZ 2218-A	2	
80/83	15 x 6 brake -- 18.5M, 34M axle	E0HZ 2218-A	2	
80/83	15 x 6 brake -- 17.5M axle exc. B600/700	C8TZ 2218-G	4	
80/83	15 x 7 brake	E0HZ 2218-B	2	
2221				
●BRAKE CYLINDER REPAIR KIT				
80/83	15 x 6 brake	B6Q 2221-A	4	1 5/8" dia.
80/83	15 x 7 brakes	E0HZ 2221-A	4	1 1/2" dia.
80/83		C8TZ 2223-A	4	NUT (BRAKE ADJUSTING BOLT)—also serviced in kit-group 2A176-7
2261				
CYLINDER ASSY. (BRAKE)				
80/83	15 x 6 brake	C5TZ 2261-B	4	1 5/8" dia.
80/83	15 x 7 brakes	E0HZ 2261-A	4	1 1/2" dia.
80/83	Single H/V brakes	D1TZ 2286-C	2	TUBE ASSY. (BRAKE CYLINDER CONNECTION)

**1980/  
TRUCK SERIES 600/900**

YEAR	RESTRICTIONS	PART NUMBER	QTY.	PART NAME AND DESCRIPTION
REAR BRAKE PARTS LIST NO. 2 — Cont'd				
15 x 6, 15 x 7 WAGNER HYDRAULIC BRAKE				
Note: ●Refer to basic group for kit components				
2296-7 SPRING (BRAKE SHOE RETRACTING)				
80/83		D4TZ 2296-A	2	R.H.—primary—also serviced in kit—group 2296
80/83		D4TZ 2296-B	2	L.H.—primary—also serviced in kit—group 2296
80/83		B6Q 2297-A	4	Secondary—also serviced in kit—group 2296
80/83		D4TZ 2296-E	2	Consists of (2) D4TZ 2296-A (2) D4TZ 2296-B (4) B6Q 2297-A
80/83		C8TZ 2333-A	4	PIN (BRAKE SHOE ANCHOR)
REAR BRAKE PARTS LIST NO. 3				
16 x 6 WAGNER HYDRAULIC BRAKES				
Note: ●Refer to basic group number for kit components				
80/83		D5HZ 2007-A	1	●BRAKE SHOE LINING KIT
2041 SCREW (BRAKE ADJUSTING)				
80/83		C8HZ 2041-B	2	R.H.
		C8HZ 2041-A		L.H.
2042 LINK (BRAKE SHOE ADJUSTMENT LEVER)				
80/83		C8TZ 2042-B	2	R.H.—also serviced in kit—C8TZ 2A177-G
		C8TZ 2042-A		L.H.—also serviced in kit—C8TZ 2A176-J
80/83		C8TZ 2049-C	4	SPRING (BRAKE ADJUSTING SCREW) also serviced in kits—C8TZ 2A176-J, C8TZ 2A177-G
2055 COVER (BRAKE CYLINDER)				
80/83		B6TZ 2055-C	2	R.H.
		B6TZ 2055-A		L.H.
80/83		B6Q 2092-A	4	COVER (BRAKE ADJUSTING HOLE)
80/83		B6QH 2221-A	4	1 3/4"
80/83		B6Q 2129-A	8	ROD (BRAKE CYLINDER TO BRAKE SHOE PUSH)
80/83		D3TZ 2A175-A	4	LINK (BRAKE ADJUSTMENT LEVER TO CRANK LEVER) also serviced in kits—C8TZ 2A176-J, C8TZ 2A177-G
2A176-7 LEVER (BRAKE SHOE ADJUSTMENT)				
80/83		C8TZ 2A177-C	2	R.H.—also serviced in kit—C8TZ 2A177-G
		C8TZ 2A176-C		L.H.—also serviced in kit—C8TZ 2A176-J
2A176-7 LEVER KIT (BRAKE SHOE ADJUSTMENT)				
80/83		C8TZ 2A177-G	1	R.H.—consists of (2) ea.—C8TZ 2042-B, C8TZ 2049-C, D3TZ 2A175-C, C8TZ 2A177-C, C8HZ 2A182-A, C8HZ 2223-A
		C8TZ 2A176-J		L.H.—consists of (2) ea. C8TZ 2042-A, C8TZ 2049-C, D3TZ 2A175-C, C8TZ 2A176-C, C8HZ 2A181-A, C8HZ 2223-A
2A181-2 SCREW and SLEEVE ASSY. (SHOE ADJUSTMENT LEVER)				
80/83		C8HZ 2A182-A	2	R.H.—also serviced in kit—C8TZ 2A177-G
		C8HZ 2A181-A		L.H.—also serviced in kit—C8TZ 2A176-J
80/83		C8TZ 2A183-A	4	SLEEVE (BRAKE ACTUATING SPRING ANCHOR)
80/83		★2196-7		PISTON (BRAKE CYLINDER)
2201 CUP (BRAKE CYLINDER)—serviced only in kit - group 2128 in this Parts List				
80/83		2QH 2204-B	4	SPRING (BRAKE CYLINDER PISTON RETURN)
2206 BOOT (BRAKE CYLINDER) - serviced only in kit—group 2128 in this Parts List				
80/83	Split H/V brakes	B9TT 2208-A	4	SCREW (BRAKE CYLINDER BLEEDER)
80/83	Single H/V brakes	B9TT 2208-A	2	
2211-2 PLATE ASSY. (BRAKE CARRIER)				
80/83		D5HZ 2212-P	1	L.H.
		D5HZ 2211-R	1	R.H.
80/83		385580-S2	16	(BB-273-C)—bolt (plate to rear axle)—5/8"—18 x 2 1/8"
80/83		55777-S8	16	(M-89-A)—nut—5/8"—18
80/83		44881-S2	32	(X-40-G)—flatwasher
80/83		D5HZ 2218-D	4	SHOE and LINING ASSY. (BRAKE)

**1980/  
TRUCK SERIES 600/900**

YEAR	RESTRICTIONS	PART NUMBER	QTY.	PART NAME AND DESCRIPTION
<b>REAR BRAKE PARTS LIST NO. 3 — Cont'd</b>				
<b>16 x 6 WAGNER HYDRAULIC BRAKES</b>				
<b>Note:</b> ● Refer to basic group number for kit components				
2221 ●BRAKE CYLINDER REPAIR KIT – serviced only in kit-group 2128 in this Parts List				
80/83		C8HZ 2223-A	4	NUT (BRAKE ADJUSTING BOLT) –also serviced in kits-C8TZ 2A176-J, C8TZ 2A177-G
2261-2 CYLINDER ASSY. (BRAKE)				
80/83	Single & split H/V brakes	C5TZ 2261-A	4	R.H. & L.H.–upper & lower–1 3/4"
80/83	Single H/V brakes	D1TZ 2286-B	2	TUBE ASSY. (BRAKE CYLINDER CONNECTION)
2296-7 SPRING (BRAKE SHOE RETRACTING)				
80/83		D4TZ 2296-A	2	R.H.–Primary
80/83		D4TZ 2296-B	2	L.H.–Primary
80/83		B6Q 2297-A	4	Secondary
80/83		C8HZ 2333-A	4	PIN (BRAKE SHOE ANCHOR)
<b>REAR BRAKE PARTS LIST NO. 4</b>				
<b>15 x 5 KELSEY HAYES HYDRAULIC BRAKE</b>				
<b>Note:</b> ● Refer to basic group number for kit components				
2007 ●LINING KIT (BRAKE SHOE)–lining also serviced in assy.–group 2218				
80/83	15M axle	C8TZ 2007-M	1	
80/83	17.5M,32M axles–Exc. B600/700	C8TZ 2007-N	1	
80/83	17.5M axle – – B600/700	D7TZ 2007-G	1	
2041 SCREW (BRAKE ADJUSTING)				
80/83		C8TZ 2041-E	4	R.H.–#R
		C8TZ 2041-F	4	L.H.–#L
80/83		C8TZ 2042-C	8	LINK (BRAKE CYLINDER TO SHOE)
2047 NUT (BRAKE ADJUSTING SCREW)				
80/83		C8TZ 2047-A	4	R.H.–also serviced in kit–group 2A176-7
		C8TZ 2047-B	4	L.H.
80/83		DOTZ 2049-A	4	SPRING (BRAKE ADJUSTING SCREW)
2055 COVER (BRAKE CYLINDER)				
80/83	15M axle – – Exc. B600/700	C8TZ 2055-D	4	
80/83	15M axle – – B600/700	C8TZ 2055-A	4	
80/83	17.5M,32M axles – – Exc. B600/700	C8TZ 2055-A	4	
80/83	17.5M axle – – B600/700	C8TZ 2055-D	4	
80/83		20326-S7-8	8	(B-49)–bolt (cyl. heat shield)–5/16"–18 x 5/8"
80/83		34956-S7-8	8	(X-82)–lockwasher–5/16"
80/83		C8TZ 2066-A	4	WASHER (BRAKE SHOE HOLD DOWN SPRING)
80/83		C8TZ 2069-A	4	PIN (BRAKE SHOE HOLD DOWN SPRING) – also serviced in assy.–group 2211-2
80/83		72016-S7-8	4	(N-44)–pin (brake shoe hold down pin)–cotter
80/83		384487-S2	4	(MM-65-E)–nut (brake shoe hold down pin)–slotted
80/83		H 2092	2	COVER (BRAKE ADJUSTING HOLE)
82/83		E2HZ 2092-A	4	COVER (BRAKE INSPECTION HOLE)
2128 ●CYLINDER REPAIR KIT (BRAKE)				
80/83	15M axle – – Exc. B600/700	C8TZ 2128-A	4	1 1/2 dia.
80/83	15M axle – – B600/700	C8TZ 2128-B	4	1 5/8" dia.
80/83	17.5M,32M axles – – Exc. B600/700	C8TZ 2128-B	4 or 8	1 5/8" dia.
80/83	17.5M axle – – B600/700	C8TZ 2128-A	4	1 1/2" dia.
80/83	Single system	★D1TZ 2133-A	2	NUT (TUBE) – serviced only in assy.–group 2286
80/83	Single system	D1TZ 2A133-A	2	SCREW (TUBE CLIP) – No. 10–24 x 1/2" hex. head
80/83		C8TZ 2A175-A	4	LINK (ADJUSTING SCREW)–also serviced in kit–group 2A176-7

**1980/  
TRUCK SERIES 600/900**

YEAR	RESTRICTIONS	PART NUMBER	QTY.	PART NAME AND DESCRIPTION
REAR BRAKE PARTS LIST NO. 4 — Cont'd 15 x 5 KELSEY HAYES HYDRAULIC BRAKE				
Note: ● Refer to basic group number for kit components				
2A176-7				
80/83		D1TZ 2A176-A	4	LEVER (BRAKE SHOE ADJUSTING) R.H.—#R—also serviced in kit—group 2A176-7
		D1TZ 2A177-A	4	L.H.—#L
2A176-7				
80/83		D1TZ 2A176-B	1	LEVER KIT (BRAKE SHOE ADJUSTING) R.H.—consists of: C8TZ 2047-A, C8TZ 2A175-A, D1TZ 2A176-A, C8TZ 2A180-C, C8TZ 2A184-A, C8TZ 2A186-A
		D1TZ 2A177-B	1	L.H.—consists of: C8TZ 2047-B, C8TZ 2A175-A, D1TZ 2A177-A, C8TZ 2A180-D, C8TZ 2A184-A, C8TZ 2A186-A
2A180				
80/83		C8TZ 2A180-C	4	SPRING (ADJUSTING LEVER RETURN) R.H.—also serviced in kit—group 2A176-7
		C8TZ 2A180-D		L.H.
80/83		C8TZ 2A184-A	4	POST (BRAKE ADJUSTING LEVER)—also serviced in kit—group 2A176-7
80/83		C8TZ 2A186-A	4	BLOCK (ANCHOR BRAKE SHOE ADJUSTING SPRING)— also serviced in kit—group 2A176-7
80/83		D1TZ 2A190-A	4	SPRING (BRAKE CLAMP)
80/83		C8TZ 2A191-A	4	COLLAR (BRAKE ADJUSTING LINK)
80/83		20385-S8	4	(B-152)—bolt—1/4"—28 x 1"
80/83		34805-S8	4	(X-62)—lockwasher—1/4"
2196				
80/83	15M axle -- Exc. B600/700	C8TZ 2196-B	8	PISTON (BRAKE CYLINDER) — also serviced in assy.— group 2261 1 1/2" dia.
80/83	15M axle -- B600/700	C8TZ 2196-C	8	1 5/8" dia.
80/83	17.5M,32M axles -- Exc. B600/700	C8TZ 2196-C	8	1 5/8" dia.
80/83	17.5M axle -- B600/700	C8TZ 2196-B	8	1 1/2" dia.
2201				
80/83	15M axle -- Exc. B600/700	C8TZ 2201-A	8	CUP (BRAKE CYLINDER) — also serviced in kit and assy.— groups 2128 and 2261 #41956—1 1/2" dia.
80/83	15M axle -- B600/700	C8TZ 2201-B	8	#50941—1 5/8" dia.
80/83	17.5M,32M axles -- Exc. B600/700	C8TZ 2201-B	8	#50941—1 5/8" dia.
80/83	17.5M axle -- B600/700	C8TZ 2201-A	8	#41956—1 1/2" dia.
80/83		C8TZ 2204-A	4	SPRING (BRAKE CYLINDER PISTON RETURN) — also serviced in assy.—group 2261
80/83		C8TZ 2206-A	4	BOOT (BRAKE CYLINDER) — also serviced in kit and assy.—groups 2128 and 2261—#80991
80/83		B9TT 2208-A	2or4	SCREW (BRAKE CYLINDER BLEEDER)—also serviced in assy.—group 2261
2211-2				
80		C8TZ 2211-M	1	PLATE ASSY. (BRAKE BACKING)—incl. (2069) R.H.
		C8TZ 2212-S	1	L.H.
81/83		E1HZ 2211-G	1	R.H.
		E1HZ 2212-G	1	L.H.
80/83		385377-S2	8	(BB-262-K)—bolt (plate to axle flange) — 9/16" — 18 x 2 3/8"
80/83		385902-S2	4	(BB-264-EH)—bolt (plate to axle flange) — 9/16" — 18 x 1 7/8"
80/83		55720-S2	12	(M-88-C)—nut—9/16"—18
80/83		374607-S	24	(XX-202-A)—flatwasher 1 1/32" O.D.
2218				
80/83	15M axle	C8TZ 2218-C	4	SHOE and LINING (BRAKE)—lining also serviced in kit— group 2007
80/83	17.5M,32M axles -- Exc. B600/700	C8TZ 2218-D	4	
80/83	17.5M axle -- B600/700	D7TZ 2218-B	4	
2221				
CYLINDER REPAIR KIT (BRAKE)—refer to group 2128 in this Parts List				
80/83	Single system	2B223	2	CLIP (TUBE)—Improvise

**1980/  
TRUCK SERIES 600/900**

YEAR	RESTRICTIONS	PART NUMBER	QTY.	PART NAME AND DESCRIPTION
<b>REAR BRAKE PARTS LIST NO. 4 — Cont'd</b>				
<b>15 x 5 KELSEY HAYES HYDRAULIC BRAKE</b>				
Note: ● Refer to basic group number for kit components				
<b>2261 CYLINDER ASSY. (BRAKE)</b>				
80/83	15M axle-split system -- Exc. B600/700	C8TZ 2261-B	4	1 1/2" dia.-incl. (2196),(2201),(2204),(2208)
	-single system	C8TZ 2261-B	2	Upper-incl. (2196),(2201),(2204)
	-single system	DITZ 2261-A	2	Lower-incl. (2196),(2201),(2204)
80/83	15M axle -- split system-B600/700	C8TZ 2261-C	4	1 5/8" dia.-incl.(2196), (2201), (2204), (2208)
80/83	17.5M,32M axles -- Exc. B600/700	C8TZ 2261-C	4or8	1 5/8" dia.-incl. (2196),(2201),(2204),(2208)
80/83	17.5M axle -- B600/700	C8TZ 2261-B	4	1 1/2" dia.-incl.(2196), (2201), (2204), (2208)
80/83	Single system	DITZ 2286-A	2	TUBE ASSY. (BRAKE CYLINDER CONNECTION)
<b>2296 SPRING (BRAKE SHOE RETRACTING)</b>				
80/83		D4TZ 2296-C	4	Trailing-11 coils
		D4TZ 2296-D	4	Leading-7 coils
80/83		C8TZ 2333-B	4	PIN (BRAKE SHOE ANCHOR)
<b>REAR BRAKE PARTS LIST NO. 5</b>				
<b>16 1/2 x 7 EATON CAM AIR BRAKE</b>				
Note: ● Refer to basic group for kit components				
<b>2007 LINING KIT (BRAKE SHOE)</b>				
<b>ALL AXLES</b>				
80/83		D5HZ 2007-D	1	
80/83		B5QH 2045-A	4	PIN (BRAKE SHOE TO CAM ROLLER)
80/83		C6TZ 2125-A	4	SPRING (BRAKE SHOE RETAINER) 4 9/16" LONG - 15 COILS
80/83		B1QH 2130-A	AR	●BRAKE ADJUSTER RETAINING WASHER KIT
80/83		C8TZ 2130-A	2	WASHER (SLACK ADJUSTER INNER)
<b>2211-12 SPIDER ASSY. (BRAKE CARRIER)</b>				
<b>18.5M AXLE</b>				
80/83		★ D5HZ 2211-K	2	R.H. and L.H.
80/83		385902-S2	7	(BB-264-EH)-bolt (plate to axle)-9/16"-18 x 1 7/8"
80/83		55720-S2	10	(M-88-C)-Nut-9/16" - 18
80/83		★ 44880-S2	17	Flatwasher
80/83		★	3	Stud-9/16"-18 (pressed in spider)
<b>22M AXLE</b>				
80/83		D5HZ 2212-J	1	R.H.
		D5HZ 2211-J	1	L.H.
80/83		385580-S2	9	(BB-273-C)-bolt (plate to axle)-5/8"-18 x 2 1/8"
80/83		55777-S8	9	(M-89-A)-nut 5/8"-18
80/83		44881-S2	18	(X-40-G)-flatwasher
<b>23M AXLE</b>				
80/83		D5HZ 2212-J	1	R.H.
		D5HZ 2211-J	1	L.H.
80/83		385580-S2	9	(BB-273-C)-bolt (plate to axle)-5/8"-18 x 2 1/8"
80/83		55777-S8	9	(M-89-A)-nut-5/8-18"
80/83		44881-S2	18	(X-40-G)-flatwasher
<b>34M AXLE</b>				
80/83	Forward rear and rear rear axles-w/Hendrickson and Reyco Susp.	★ D5HZ 2211-K	4	R.H. and L.H.
80/83		385902-S2	7	(BB-246-EH)-bolt (plate to axle)-9/16"-18 x 1 7/8"
80/83		55720-S2	10	(M-88-C)-nut-9/16"-18
80/83		★ 44880-S2	17	Flatwasher
80/83		★	3	Stud-9/16"-18 (pressed in spider)
80/83	Forward rear and rear rear axles-w/Neway Susp.	★ D5HZ 2211-K	4	R.H. and L.H.
80/83		385902-S2	7	(BB-264-EH)-bolt (plate to axle)-9/16"-18 x 1 7/8"
80/83		55720-S2	11	(M-88-C)-nut-9/16"-18
80/83		★ 44880-S2	18	Flatwasher
80/83		★	4	Stud-9/16"-18 (pressed in spider)



**1980/  
TRUCK SERIES 600/900**

YEAR	RESTRICTIONS	PART NUMBER	QTY.	PART NAME AND DESCRIPTION
REAR BRAKE PARTS LIST NO. 5 — Cont'd				
16 1/2 x 7 EATON CAM AIR BRAKE				
Note: ● Refer to basic group for kit components				
2211-12 SPIDER ASSY. (BRAKE CARRIER)				
	38M AXLE			
80/83	Forward rear and rear rear axles-w/Hendrickson and Reyco Susp.	D5HZ 2212-J	2	R.H.
		D5HZ 2211-J	2	L.H.
80/83	Forward rear and rear rear axles-w/Neway Susp.	★ D5HZ 2211-H r/bD5HZ 2211-J	4	R.H. and L.H.
80/83		385580-S2	9	(BB-273-C)-bolt (plate to axle)-5/8"-18 x 2 1/8"
80/83		55777-S2	9	(M-89-A)-nut-5/8"-18
80/83		44881-S2	18	(X-40-G)-flatwasher
	50M AXLE			
80/83	Forward rear axle	D5HZ 2212-G D5HZ 2211-G	1 1	R.H. L.H.
80/83	Rear rear axle	D5HZ 2211-G D5HZ 2212-G	1 1	R.H. L.H.
80/83		385580-S2	11	(BB-273-C)-bolt (plate to axle)-5/8"-18 x 2 1/8"
80/83		55777-S8	11	(M-89-A)-nut-5/8"-18
80/83		44881-S2	22	(X-40-G)-flatwasher
2214 DUST SHIELD (BRAKE CARRIER)				
	18.5M AXLE			
80/83		D3HZ 2214-A	2	R.H. and L.H.
	22M AXLE			
80/83		D8HZ 2214-A	2	
	23M AXLE			
80/83		D8HZ 2214-A	2	
	34M AXLE			
80/83	Hendrickson and Reyco Susp.	D3HZ 2214-A	4	R.H. and L.H.
80/83	Neway Susp	D3HZ 2214-C	4	R.H. and L.H.
	38M AXLE			
80/83		D8HZ 2214-A	4	R.H. and L.H.
	50M AXLE			
80/83		D8HZ 2214-A	4	R.H. and L.H.
	ALL AXLES			
80/83		D5HZ 2218-B	4 or 8	SHOE and LINING ASSY. (BRAKE)
80/83		C8TZ 2296-A	2 or 4	SPRING (BRAKE SHOE RETRACTING)
2310-11 BRACKET ASSY (BRAKE CAMSHAFT)				
	18.5M AXLE			
80/83		C8TZ 2311-B C8TZ 2310-B	1 1	R.H.- # 73648 L.H.- # 73647
	22M AXLE			
80/83		C8TZ 2310-B C8TZ 2311-B	1 1	R.H.- # 73647 L.H.- # 73648
	23M AXLE			
80/83		C8TZ 2310-B C8TZ 2311-B	1 1	R.H.- # 73647 L.H.- # 73648
	34M AXLE			
80/83	Hendrickson Susp. Forward rear axle rear rear axle	C8TZ 2310-B C8TZ 2311-B C8TZ 2311-B C8TZ 2310-B	1 1 1 1	R.H.- # 73647 L.H.- # 73648 R.H.- # 73648 L.H.- # 73647
80/83	Reyco Susp.-Forward rear and rear rear axles	C8TZ 2311-B	1	R.H.- # 73648
		C8TZ 2310-B	1	L.H.- # 73647
80/83	Neway Susp.-Forward rear and rear rear axles	D3HZ 2310-D D3HZ 2311-D	1 1	R.H. L.H.

**1980/  
TRUCK SERIES 600/900**

YEAR	RESTRICTIONS	PART NUMBER	QTY.	PART NAME AND DESCRIPTION
REAR BRAKE PARTS LIST NO. 5 — Cont'd				
16 1/2 x 7 EATON CAM AIR BRAKE				
Note: ● Refer to basic group for kit components				
2214 DUST SHEILD (BRAKE CARRIER)				
38M AXLE				
80/83	Hendrickson Susp. —forward rear and rear rear axles	C8TZ 2310-B	1	R.H.—#73647
		C8TZ 2311-B	1	L.H.—#73648
80/83	Reyco susp.—forward rear and rear rear axles	C8TZ 2310-B	1	R.H.—#73647
		C8TZ 2311-B	1	L.H.—#73648
80/83	Reyco susp. — — forward rear axle rear rear axle	C8TZ 2310-B	1	R.H.—#73647
		C8TZ 2311-B	1	L.H.—#73648
		D6HZ 2310-A	1	R.H.
		D6HZ 2311-A	1	L.H.
80/83	Neway Susp.—forward rear and rear rear axles	D3HZ 2311-D	1	R.H.
		D3HZ 2310-D	1	L.H.
50M AXLE				
80/83	Forward rear axles	C8TZ 2311-B	1	R.H.—#73648
		C8TZ 2310-B	1	L.H.—#73647
	Rear rear axles	C8TZ 2310-B	1	R.H.—#73647
		C8TZ 2311-B	1	L.H.—#73648
ALL AXLES				
80/83		C5TZ 2315-A	2 or 4	ADJUSTER ASSY (BRAKE)—10 splines
2316-7 CAMSHAFT (BRAKE)				
18.5M AXLE				
80/83		C8TZ 2317-B	1	R.H.—#70307—11 13/16" shaft length
		C8TZ 2316-B	1	L.H.—#70306
22M AXLE				
80/83		C8TZ 2316-B	1	R.H.—#70306—11 13/16" shaft length
		C8TZ 2317-B	1	L.H.—#70307
23M AXLE				
80/83		C8TZ 2316-B	1	R.H.—#70306—11 13/16" shaft length
		C8TZ 2317-B	1	L.H.—#70307
34M AXLE				
80/83	Hendrickson Susp.—forward rear axles	C8TZ 2316-B	1	R.H.—#70306—11 13/16" shaft length
	rear rear axles	C8TZ 2317-B	1	L.H.—#70307
		C8TZ 2317-B	1	R.H.—#70307—11 13/16" shaft length
		C8TZ 2316-B	1	L.H.—#70306
80/83	Neway and Reyco Susp. forward rear and rear rear axles	C8TZ 2317-B	1	R.H.—#70307—11 13/16" shaft length
		C8TZ 2316-B	1	L.H.—#70306
38M AXLE				
80/83	Forward rear and rear rear axles	C8TZ 2316-B	1	R.H.—#70306—11 13/16" shaft length
		C8TZ 2317-B	1	L.H.—#70307
50M AXLE				
80/83	Forward rear axles	C8TZ 2317-B	1	R.H.—#70307—11 13/16" shaft length
		C8TZ 2316-B	1	L.H.—#70306
	rear rear axles	C8TZ 2316-B	1	R.H.—#70306—11 13/16" shaft length
		C8TZ 2317-B	1	L.H.—#70307
ALL AXLES				
80/83		★ B1QH 2318-A	2	SNAP RING (CAMSHAFT)
80/83		B5QH 2359-A	4	ROLLER (BRAKE SHOE ANCHOR PIN)

**1980/  
TRUCK SERIES 600/900**

YEAR	RESTRICTIONS	PART NUMBER	QTY.	PART NAME AND DESCRIPTION
REAR BRAKE PARTS LIST NO. 6				
16 1/2 x 5, 16 1/2 x 7 ROCKWELL CAM AIR BRAKES				
ALL AXLES				
2007				
LINING KIT (BRAKE SHOE)				
80/83	16 1/2 x 5 Brake	D5TZ 2007-F	1	
80/83	16 1/2 x 7 Brake	D5HZ 2007-C	1	
80/83		★ B8QH 2036-A r/bD8HZ 2296-A	2	SPRING (BRAKE SHOE RETRACTING)
2B038				
SEAL ASSY. (BRAKE SPIDER CAMSHAFT)				
80/83		D3HZ 2B038-A	2	2 1/16" O.D. x 1 7/16" I.D. x 1/4" thick
		D5HZ 2B038-A	2	2 1/16" O.D. x 1 7/8" I.D. x 1/8" thick
80/83		B8QH 2045-A	4	Pin (brake shoe to cam roller)
2B087				
BUSHING (SHOE ANCHOR PIN)				
80		E0HZ 2B087-A	4	
80/83		D8HZ 2092-A	4	COVER (DUST)
80/83		8QH 2138-B	AR	SPACER (BRAKE CAMSHAFT ADJUSTER) 1/16" thick
2211-12				
SPIDER ASSY. (BRAKE CARRIER)				
17.5 AXLE				
80/83		★ D8HZ 2211-E r/bD5HZ 2211-D andC6TZ 2214-J	1	R.H.
		★ D8HZ 2212-E r/bD5HZ 2212-D andC6TZ 2214-J	1	L.H.
80/83		385902-S2	7	(BB-264-EH)-bolt (plate to axle)-9/16"-18 x 1 7/8"
80/83		55720-S2	10	(M-88-C)-nut-9/16"-18
80/83		★ 44880-S2	17	Flatwasher
80/83		★	3	Stud (pressed in spider)
18.5 AXLE				
80/83		★ D8HZ 2211-E r/bD5HZ 2211-D andC6TZ 2214-J	1	R.H.
		★ D8HZ 2212-E r/bD5HZ 2212-D andC6TZ 2214-J	1	L.H.
80/83		385902-S2	7	(BB-264-EH)-bolt (plate to axle)-9/16"-18 x 1 7/8"
80/83		55720-S2	10	(M-88-C)-nut-9/16"-18
80/83		★ 44880-S2	17	Flatwasher
80/83		★	3	Stud (pressed in spider)
22M AXLE				
80/83		D5HZ 2211-B	1	R.H.
		D5HZ 2212-B	1	L.H.
80/83		385580-S2	9	(BB-273-C)-bolt (plate to axle) - 5/8"-18 x 2 1/8"
80/83		55777-S8	9	(M-89-A)-nut-5/8"-18
80/83		44881-S2	18	(X-40-G)-flatwasher
23M AXLE				
80/83		D5HZ 2211-B	1	R.H.
		D5HZ 2212-B	1	L.H.
80/83		385580-S2	9	(BB-273-C)-bolt (plate to axle) - 5/8"-18 x 2 1/8"
80/83		55777-S8	9	(M-89-A)-nut-5/8"-18
80/83		44881-S2	18	(X-40-G)-flatwasher
34M AXLE				
80/83	Forward rear axle -- w/ Hendrickson susp.	★ D8HZ 2212-E r/bD5HZ 2212-D andC6TZ 2214-J	1	R.H.
		★ D8HZ 2211-E r/bD5HZ 2211-D andC6TZ 2214-J	1	L.H.

**1980/  
TRUCK SERIES 600/900**

YEAR	RESTRICTIONS	PART NUMBER	QTY.	PART NAME AND DESCRIPTION
<b>REAR BRAKE PARTS LIST NO. 6 — Cont'd</b>				
<b>16 1/2 x 5, 16 1/2 x 7 ROCKWELL CAM AIR BRAKES</b>				
			<b>2211-12</b>	<b>SPIDER ASSY. (BRAKE CARRIER)</b>
<b>34M AXLE</b>				
80/83	Rear rear axle -- w/  Hendrickson susp.	★ D8HZ 2211-E r/bD5HZ 2211-D andC6TZ 2214-J	1	R.H.
		★ D8HZ 2212-E r/bD5HZ 2212-D andC6TZ 2214-J	1	L.H.
80/83	Forward rear and rear  rear axles w/Reyco Susp.	★ D8HZ 2211-E r/bD5HZ 2211-D andC6TZ 2214-J	1	R.H.
		D8HZ 2212-E r/bD5HZ 2212-D andC6TZ 2214-J	1	L.H.
80/83		385902-S2	7	(BB-264-EH)-bolt (plate to axle)-9/16"-18 x 1 7/8"
80/83		55720-S2	10	(M-88-C)-nut-9/16"-18
80/83		★ 44880-S2	17	Flatwasher
80/83		★	3	Stud (pressed in spider)
80/83	Forward rear and rear rear axles w/Neway susp.	D8HZ 2211-G	1	R.H.
		D8HZ 2212-G	1	L.H.
80/83		385902-S2	7	(BB-264-EH)-bolt (plate to axle)-9/16"-18 x 1 7/8"
80/83		55720-S2	11	(M-88-C)-nut-9/16"-18
80/83		★ 44880-S2	18	Flatwasher
80/83		★	4	Stud (pressed in spider)
<b>38M AXLE</b>				
80	Forward rear and rear rear axles -- w/Hendrickson and Reyco Susp.  "Before 4/1/80"	D5HZ 2211-B	1	R.H.
		D5HZ 2212-B	1	L.H.
80	Forward rear & rear-rear axles -- w/Hendrickson and Reyco susp.  "From 4/1/80"	E0HZ 2211-A	1	R.H.
		E0HZ 2212-A	1	L.H.
80/83	Forward rear and rear rear axles -- w/Neway Susp.  "Before 4/1/80"	D5HZ 2212-B	1	R.H.
		D5HZ 2211-B	1	L.H.
80/83	Forward rear & rear-rear axles --w/Neway susp.  "From 4/1/80"	E0HZ 2212-A	1	R.H.
		E0HZ 2211-A	1	L.H.
80/83		385580-S2	9	(BB-273-C)-bolt (plate to axle) - 5/8"-18 x 2 1/8"
80/83		55777-S8	9	(M-89-A)-nut-5/8"-18
80/83		44881-S2	18	(X-40-G)-flatwasher
<b>44M AXLE</b>				
80	"Before 4/1/80"	D5HZ 2211-B	1	R.H.
		D5HZ 2212-B	1	L.H.
80/83	"From 4/1/80"	E0HZ 2211-A	1	R.H.
		E0HZ 2212-A	1	L.H.
80/83		385580-S2	9	(BB-273-C)-bolt (plate to axle) - 5/8"-18 x 2 1/8"
80/83		55777-S8	9	(M-89-A)-nut-5/8"-18
80/83		44881-S2	18	(X-40-G)-flatwasher

**1980/  
TRUCK SERIES 600/900**

YEAR	RESTRICTIONS	PART NUMBER	QTY.	PART NAME AND DESCRIPTION
REAR BRAKE PARTS LIST NO. 6 — Cont'd				
16 1/2 x 5, 16 1/2 x 7 ROCKWELL CAM AIR BRAKES				
2214-15			DUST SHIELD (BRAKE CARRIER)	
	17.5M AXLE			
80/83		★ D8HZ 2214-C r/bD8HZ 2214-E D8HZ 2215-B D8HZ 2214-C D8HZ 2215-B	1  1 1 1	R.H.  R.H. L.H. L.H.
80/83		D8HZ 2214-E	1	Consists of: (1) D8HZ 2214-C & (1) D8HZ 2215-B
	18.5M AXLE			
80/83		★ D8HZ 2214-D r/bD8HZ 2214-F ★ D8HZ 2215-C r/bD8HZ 2214-F ★ D8HZ 2214-D r/bD8HZ 2214-F ★ D8HZ 2215-C r/bD8HZ 2214-F	1  1  1  1	R.H.  R.H.  L.H.  L.H.
80/83		D8HZ 2214-F	2	Consists of (1) D8HZ 2214-D & (1) D8HZ 2215-C
	22M AXLE			
80/83		★ B8QH 2214-A r/bB8QH 2214-E ★ B8QH 2215-A r/bB8QH 2214-E ★ B8QH 2214-A r/bB8QH 2214-E ★ B8QH 2215-A r/bB8QH 2214-E	1  1  1  1	R.H.-# 3736-E-135  R.H.-# 3736-D-134  L.H.-# 3736-E-135  L.H.-# 3736-D-134
80/83		B8QH 2214-E	1	Consists of: (1) ea. B8QH 2214-A, B8QH 2215-A
	23M AXLE			
80/83		★ B8QH 2214-A r/bB8QH 2214-E ★ B8QH 2215-A r/bB8QH 2214-E ★ B8QH 2214-A r/bB8QH 2214-E ★ B8QH 2215-A r/bB8QH 2214-E	1  1  1  1	R.H.-# 3736-E-135  R.H.-# 3736-D-134  L.H.-# 3736-E-135  L.H.-# 3736-D-134
80/83		B8QH 2214-E	1	Consists of: (1) ea. B8QH 2214-A, B8QH 2215-A
	34M AXLE			
80/83		★ D8HZ 2214-D r/bD8HZ 2214-F ★ D8HZ 2215-C r/bD8HZ 2214-F ★ D8HZ 2214-D r/bD8HZ 2214-F ★ D8HZ 2215-C r/bD8HZ 2214-F	1  1  1  1	R.H.  R.H.  L.H.  L.H.
80/83		D8HZ 2214-F	2	Consists of (1) D8HZ 2214-D & (1) D8HZ 2215-C
	38M AXLE			
80/83		★ B8QH 2214-A r/bB8QH 2214-E ★ B8QH 2215-A r/bB8QH 2214-E ★ B8QH 2214-A r/bB8QH 2214-E ★ B8QH 2215-A r/bB8QH 2214-E	1  1  1  1	R.H.-# 3736-E-135  R.H.-# 3736-D-134  L.H.-# 3736-E-135  L.H.-# 3736-D-134
80/83		B8QH 2214-E	1	Consists of (1) ea. B8QH 2214-A, B8QH 2215-A

1980/  
TRUCK SERIES 600/900

YEAR	RESTRICTIONS	PART NUMBER	QTY.	PART NAME AND DESCRIPTION
REAR BRAKE PARTS LIST NO. 6 — Cont'd				
16 1/2 x 5, 16 1/2 x 7 ROCKWELL CAM AIR BRAKES				
2214-15 DUST SHIELD (BRAKE CARRIER)				
	44M AXLE			
80/83		★ B8QH 2214-A r/bB8QH 2214-E	1	R.H.-#3736-E-135
		★ B8QH 2215-A r/bB8QH 2214-E	1	R.H.-#3736-D 134
		★ B8QH 2214-A r/bB8QH 2214-E	1	L.H.-#3736-E-135
		★ B8QH 2215-A r/bB8QH 2214-E	1	L.H.-#3736-D-135
80/83		B8QH 2214-E	1	Consists of (1) ea. B8QH 2214-A, B8QH 2215-A
	ALL AXLES			
2218 SHOE and LINING ASSY. (BRAKE)				
80/83	16 1/2 x 5 BRAKE	D5TZ 2218-D r/bD8HZ 2218-B	4	
80/83	16 1/2 x 7 BRAKE	★ D5HZ 2218-A r/bD8HZ 2218-A	4	
80/83		B8QH 2237-B	4	BUSHING (BRAKE CAMSHAFT) 1 1/4" LONG
2248 BOLT (BRAKE CARRIER PLATE)				
80/83	17.5M, 18.5M, 34M AXLES	D3HZ 2248-B	6 or 12	9/16"-18 x 2"
80/83	22M, 23M, 38M, 44M, AXLES	★ D5HZ 2248-A r/b 385580-S2	4 or 8	5/8"-18 x 1 15/16"
2310-11 BRACKET ASSY. (BRAKE CAMSHAFT)				
	17.5M AXLE			
80/83		C3TZ 2311-D C3TZ 2310-D	1 1	R.H.-#B67-3299-T-1554 L.H.-#B67-3299-U-1555
	18.5M AXLE			
80/83		C3TZ 2311-D C3TZ 2310-D	1 1	R.H.-#B67-3299-T-1554 L.H.-#B67-3299-U-1555
	22M AXLE			
80/83		C3TZ 2311-D C3TZ 2310-D	1 1	R.H.-#B67-3299-T-1554 L.H.-#B67-3299-U-1555
	23M AXLE			
80/83		C3TZ 2311-D C3TZ 2310-D	1 1	R.H.-#B67-3299-T-1554 L.H.-#B67-3299-U-1555
	34M AXLE			
80/83	Forward rear axle-w/ Hendrickson susp.	C3TZ 2310-D	1	R.H.-#B67-3299-U-1555
		C3TZ 2311-D	1	L.H.-#B67-3299-T-1554
80/83	Rear rear axle-w/ Hendrickson susp.	C3TZ 2311-D	1	R.H.-#B67-3299-T-1554
		C3TZ 2310-D	1	L.H.-#B67-3299-U-1555
80/83	All exc. LNT-LT -- diesel w/Reyco sus.	C3TZ 2311-D	2	R.H.-#B67-3299-T-1554
		C3TZ 2310-D	2	L.H.-#B67-3299-U-1555
80/83	LNT-LT-WT900 -- diesel w/ Reyco susp.	D5HZ 2310-D	2	R.H.
		D5HZ 2311-D	2	L.H.
80/83	Forward rear and rear rear axles-w/Neway Susp.	D5HZ 2310-B	2	R.H.
		D5HZ 2311-B	2	L.H.
	38M AXLE			
80	Forward rear and rear rear axles-w/Hendrickson susp.	C3TZ 2311-D	2	R.H.-#B67-3299-T-1554
	"Before 4/1/80"	C3TZ 2310-D	2	L.H.-#B67-3299-U-1555
80	Forward rear rear rear axles -w/Hendrickson susp.	E0HZ 2310-A	2	R.H.
	"From 4/1/80"	E0HZ 2311-A	2	L.H.

**1980/  
TRUCK SERIES 600/900**

YEAR	RESTRICTIONS	PART NUMBER	QTY.	PART NAME AND DESCRIPTION
REAR BRAKE PARTS LIST NO. 6 — Cont'd				
16 1/2 x 5, 16 1/2 x 7 ROCKWELL CAM AIR BRAKES				
2310-11			BRACKET ASSY. (BRAKE CAMSHAFT)	
	38M AXLE			
80	Forward rear axle -- w/Reyco susp. "Before 4/1/80"	C3TZ 2311-D	1	R.H.-# B67-3299-T-1554
		C3TZ 2310-D	1	L.H.-# B67-3299-U-1555
80/83	Forward rear axle -- w/Reyco susp. "From 4/1/80"	E0HZ 2310-A	1	R.H.
		E0HZ 2311-A	1	L.H.
80/83	Rear rear axle -- w/Reyco susp.	D6HZ 2310-B	1	R.H.
		D6HZ 2311-B	1	L.H.
80/83	Forward rear and rear rear axles-w/Neway Susp. "Before 4/1/80"	D5HZ 2310-B	2	R.H.
		D5HZ 2311-B	2	L.H.
80/83	Forward rear & rear-rear axles -w/Neway susp. "From 4/1/80"	E0HZ 2310-B	2	R.H.
		E0HZ 2311-B	2	L.H.
	44M AXLE			
80/83	Forward rear axle	C3TZ 2311-D	1	R.H.
		C3TZ 2310-D	1	L.H.
	Rear rear axle	C3TZ 2311-D	1	R.H.
	"Before 4/1/80"	C3TZ 2310-D	1	L.H.
80/83	Forward rear & rear-rear axles "From 4/1/80"	E0HZ 2310-A	2	R.H.
		E0HZ 2311-A	2	L.H.
2A311			SEAL (BRAKE CAMSHAFT OIL)	
80/83		E0HZ 2A311-A	4	
	ALL AXLES			
80/83		D5HZ 2A312-A	2	RETAINER (CAMSHAFT BRACKET SEAL)
2315			ADJUSTER ASSY. (BRAKE)	
	17.5M AXLE			
80/83		C5TZ 2315-A	2	10 splines
	18.5M AXLE			
80/83		C5TZ 2315-A	2	10 splines
	22M AXLE			
80/83		C5TZ 2315-A	2	10 splines
	23M AXLE			
80/83		C5TZ 2315-A	2	10 splines
	34M AXLE			
80/83	All Exc. LNT-LT -- diesel with 34M rear axle w/Reyco Susp.	C5TZ 2315-A	4	10 splines
80/83	LNT-LT -- diesel with 34M rear axle w/Reyco Susp.	D5HZ 2308-B	4	10 splines
	38M AXLE			
80/83	16 1/2 x 5 Brake	C5TZ 2315-A	4	10 splines
80/83	16 1/2 x 7 Brake -- All Exc. LNT-LT900 -- diesel-w/Eaton & Rockwell axles-Hendrickson & Reyco Susp.-Forward rear & rear rear axles	C5TZ 2315-A	4	10 splines
80/83	16 1/2 x 7 Brake -- LNT-LT900 diesel-w/Eaton & Rockwell axles-Hendrickson Susp. Forward rear & rear rear axles	C5TZ 2315-A	4	10 splines

**1980/  
TRUCK SERIES 600/900**

YEAR	RESTRICTIONS	PART NUMBER	QTY.	PART NAME AND DESCRIPTION
<b>REAR BRAKE PARTS LIST NO. 6 — Cont'd</b>				
<b>16 1/2 x 5, 16 1/2 x 7 ROCKWELL CAM AIR BRAKES</b>				
<b>2315</b>			<b>ADJUSTER ASSY. (BRAKE)</b>	
	<b>38M AXLE</b>			
80/83	16 1/2 x 7 Brake -- LNT-LT900 diesel-w/Eaton axle & Reyco Susp.-Forward rear axle	C5TZ 2315-A	2	10 splines
80/83	16 1/2 x 7 Brake -- LNT-LT900 diesel-w/Eaton axle & Reyco Susp.-Rear rear axle	D5HZ 2308-B	2	10 splines
	<b>44M AXLE</b>			
80/83		C5TZ 2315-A	4	10 splines
<b>2316-7</b>			<b>CAMSHAFT (BRAKE)</b>	
	<b>17.5M AXLE</b>			
80/83		B8QH 2316-A	1	R.H.-# 2210-P-2980-11 3/4" shaft length
		B8QH 2317-C	1	L.H.-# 2210-Q-2981
	<b>18.5M AXLE</b>			
80/83		B8QH 2316-A	1	R.H.-# 2210-P-2980-11 3/4" shaft length
		B8QH 2317-C	1	L.H.-# 2210-Q-2981
	<b>22M AXLE</b>			
80/83		B8QH 2316-A	1	R.H.-# 2210-P-2980-11 3/4" shaft length
		B8QH 2317-C	1	L.H.-# 2210-Q-2981
	<b>23M AXLE</b>			
80/83		B8QH 2316-A	1	R.H.-# 2210-P-2980-11 3/4" shaft length
		B8QH 2317-C	1	L.H.-# 2210-Q-2981
	<b>34M AXLE</b>			
80/83	Forward rear axle-w/Hendrickson susps.	B8QH 2317-C	1	R.H.-# 2210-Q-2981-11 3/4" shaft length
		B8QH 2316-A	1	L.H.-# 2210-P-2980
	Rear rear axle-w/Hendrickson susp.	B8QH 2316-A	1	R.H.-# 2210-P-2980-11 3/4" shaft length
		B8QH 2317-C	1	L.H.-# 2210-Q-2981
80/83	Forward rear and rear rear axles-w/Reyco	B8QH 2316-A	1	R.H.-# 2210-P-2980-11 3/4" shaft length
		B8QH 2317-C	1	L.H.-# 2210-Q-2981
	<b>38M AXLE</b>			
80/83	Forward rear and rear rear axles-w/Hendrickson and Reyco susp.	B8QH 2316-A	1	R.H.-# 2210-P-2980-11 3/4" shaft length
		B8QH 2317-C	1	L.H.-# 2210-Q-2981
80/83	Forward rear and rear rear axles-w/Neway Susp.	B8QH 2317-C	1	R.H.-# 2210-Q-2981-11 3/4" shaft length
		B8QH 2316-A	1	L.H.-# 2210-P-2980
	<b>44M AXLE</b>			
80/83	Forward rear axle	B8QH 2317-C	1	R.H.-# 2210-Q-2981-11 3/4" shaft length
		B8QH 2316-A	1	L.H.-# 2210-P-2980
	Rear rear axle	B8QH 2316-A	1	R.H.-# 2210-P-2980-11 3/4" shaft length
		B8QH 2317-C	1	L.H.-# 2210-Q-2981
	<b>ALL AXLES</b>			
80/83		D3HZ 2318-A	2	SNAP RING (BRAKE DUST SHIELD)
80/83		D5HZ 2333-A	4	PIN (BRAKE SHOE ANCHOR)
80/83		B8QH 2341-A	4	PIN (BRAKE SHOE RETRACTING SPRING)
80/83		B8QH 2356-A	4	RETAINER (BRAKE SHOE ROLLER)
80/83		C1TZ 3277-A	4	SPRING (PIN)



**1980/  
TRUCK SERIES 600/900**

YEAR	RESTRICTIONS	PART NUMBER	QTY.	PART NAME AND DESCRIPTION
REAR BRAKE PARTS LIST NO. 7				
16 1/2 x 7 EATON CAM AIR BRAKES - MANUAL ADJUSTERS				
	ALL AXLES			
		2007		LINING KIT (BRAKE SHOE)
80/		D5HZ 2007-D	1	
		2045		PIN (BRAKE SHOE TO CAM ROLLER)
80/		B5QH 2045-A	4	
		2125		SPRING (BRAKE SHOE RETAINER)
80/		C6TZ 2125-A	4	4 9/16" Long - 15 coils
		2130		●BRAKE ADJUSTER RETAINING WASHER KIT
80/		B1QH 2130-A	AR	
		2130		WASHER (SLACK ADJUSTER INNER)
80/		C8TZ 2130-A	2	
		2N132		LOCKWASHER (BRAKE CAMSHAFT BRACKET)
82/		E2HZ 2N132-A	8	
		2211-12		SPIDER ASSY (BRAKE CARRIER)
80/81	Rockwell & Eaton axles -exc. Neway susp.	D5HZ 2212-J	1	R.H.
		D5HZ 2211-J	1	L.H.
80/81	Rockwell axle - - w/Neway susp.	D8HZ 2211-A	1	R.H.
		D8HZ 2212-A	1	L.H.
82/	Exc. CL-CLT900 w/38M,40M axles and Neway susp.	E2HZ 2211-A	2	R.H. and L.H.
82/	CL-CLT900 w/38M,40M axles and Neway susp.	E2HZ 2211-B	1	R.H.
		E2HZ 2212-A	1	L.H.
80/		385580-S2	9	(BB-273-C)-bolt (plate to axle) - 5/8"-18 x 2 1/8"
80/		55777-S8	9	(M-89-A)-nut - 5/8" - 18
80/		44881-S2	18	(X-40-G) - flat washer
		2214		DUST SHIELD (BRAKE CARRIER)
80/81		D8HZ 2214-A	2	R.H. and L.H.
82/		E2HZ 2214-A	2	R.H. & L.H.
	ALL AXLES			
		2218		SHOE AND LINING ASSY. (BRAKE)
80/		D5HZ 2218-B	4	
82/		E2HZ 2218-A	4	
		2296		SPRING (BRAKE SHOE RETRACTING)
80/		C8TZ 2296-A	2	
		2310-11		BRACKET ASSY. (BRAKE CAMSHAFT)
80/81	Rockwell & Eaton axles -exc. Neway susp.	D8HZ 2310-B	1	R.H.
		D8HZ 2311-B	1	L.H.
80/81	Rockwell axle w/Neway susp.	D8HZ 2310-A	1	R.H.
		D8HZ 2311-A	1	L.H.
82/	EXC. CL-CLT900 23M,38M,40M 44M,50M axles w/Hendrickson susp. (exc. RT-380) and Reyco susp.	E2HZ 2310-A	1	R.H.
		E2HZ 2311-A	1	L.H.
82/	38M axle w/Neway susp.	E2HZ 2310-C	1	R.H.
		E2HZ 2311-C	1	L.H.
82/	38M axle w/Hendrickson RT-380 susp.	E2HZ 2310-E	1	R.H.
		E2HZ 2311-E	1	L.H.
84/	Hendrickson 4 spring susp.	E4HZ 2310-A	1	R.H.
		E4HZ 2311-A	1	L.H.

**1980/  
TRUCK SERIES 600/900**

YEAR	RESTRICTIONS	PART NUMBER	QTY.	PART NAME AND DESCRIPTION
<b>REAR BRAKE PARTS LIST NO. 7 — Cont'd</b>				
<b>16 1/2 x 7 EATON CAM AIR BRAKES - MANUAL ADJUSTERS</b>				
	CL-CLT900			
82/	23M,38M,40M w/Reyco susp.	E2HZ 2310-B	1	R.H.
		E2HZ 2311-B	1	L.H.
82/	38M,40M axles w/Neway susp.	E2HZ 2310-F	1	R.H.
		E2HZ 2311-F	1	L.H.
84/	Hendrickson 4 spring suspension	E4HZ 2310-A	1	R.H.
		E4HZ 2311-A	1	L.H.
		2314-15		ADJUSTER ASSY (BRAKE)
80/81		C5TZ 2315-A	2	R.H. and L.H.-10 splines
82/		E2HZ 2315-A	2	R.H. and L.H.-10 splines
		2316-7		CAMSHAFT (BRAKE)
80/81	Rockwell & Eaton axles -exc Neway susp.	D8HZ 2316-A	1	R.H.
		D8HZ 2317-A	1	L.H.
80/81	Rockwell axle w/Neway susp.	C8TZ 2316-B	1	R.H.
		C8TZ 2317-B	1	L.H.
82/	Exc. CL-CLT900 w/23M,38M,40M axles and Reyco susp.	C8TZ 2316-B	1	R.H.
		C8TZ 2317-B	1	L.H.
82/	CL-CLT900 w/23M, 38M,40M axles and Reyco susp.	D8HZ 2316-A	1	R.H.
		D8HZ 2317-A	1	L.H.
84/	Hendrickson 4 spring suspension	E4HZ 2316-A	1	R.H.
		E4HZ 2317-A	1	L.H.
		2318		SNAP RING (CAMSHAFT)
80/81		★ B1QH 2318-A	2	
82/		E2HZ 2318-A	2	
		2359		ROLLER (BRAKE SHOE ANCHOR PIN)
80/		B5QH 2359-A	4	
<b>REAR BRAKE PARTS LIST NO. 8</b>				
<b>16 1/2 x 7 ROCKWELL CAM AIR BRAKES - MANUAL ADJUSTERS</b>				
	ALL AXLES			
		2007		LINING KIT (BRAKE SHOE)
80/83		D5HZ 2007-C	1	
		2036		SPRING (BRAKE SHOE RETRACTING)
80/83		★ B8QH r/bD8HZ 2036-A 2296-A	2	
		2B038		SEAL ASSY. (BRAKE SPIDER CAMSHAFT)
80/83		D5HZ 2B038-A	2	2 1/16" O.D. x 1 7/8" I.D. x 1/8" thick
		2045		PIN (BRAKE SHOE TO CAM ROLLER)
80/83		B8QH 2045-A	4	
		2B087		BUSHING (SHOE ANCHOR PIN)
80/83		E0HZ 2B087-A	4	
		2092		COVER (DUST)
80/83		D8HZ 2092-A	4	
		2138		SPACER (BRAKE CAMSHAFT ADJUSTER)
80/83		8QH 2138-B	AR	1 1/16" thick
		2211-12		SPIDER ASSY (BRAKE CARRIER)
	23M AXLE			
80	Rockwell & Eaton axles - exc. Neway susp. "Before 4/1/80"	D5HZ 2211-B	1	R.H.
		D5HZ 2212-B	1	L.H.
80/83	Rockwell & Eaton axles -- exc. Neway susp. "From 4/1/80"	E0HZ 2211-A	1	R.H.
		E0HZ 2212-A	1	L.H.

**1980/  
TRUCK SERIES 600/900**

YEAR	RESTRICTIONS	PART NUMBER	QTY.	PART NAME AND DESCRIPTION
<b>REAR BRAKE PARTS LIST NO. 8 — Cont'd</b>				
<b>16 1/2 x 7 ROCKWELL CAM AIR BRAKES - MANUAL ADJUSTERS</b>				
<b>2211-12</b>			<b>SPIDER ASSY (BRAKE CARRIER)</b>	
<b>23M AXLE</b>				
80/83	Rockwell axle -- w/Neway susp. "Before 4/1/80"	D8HZ 2211-B D8HZ 2212-B	1 1	R.H. L.H.
80/83	Rockwell axle -- w/Neway susp. "From 4/1/80"	E0HZ 2211-B E0HZ 2212-B	1 1	R.H. L.H.
80/83		385580-S2	9	(BB-273-C)-bolt(plate to axle)-5/8"-18 x 2 1/8"
80/83		55777-S8	9	(M-89-A)-nut - 5/8" - 18
80/83		44881-S2	18	(X-40-G)-flat washer
<b>34M AXLE</b>				
80/83	Forward rear and rear rear axles w/Reyco or Neway susp.	D8HZ 2211-F D8HZ 2212-F	1 1	R.H. L.H.
80/83	Forward rear axle w/ Hendrickson susp.	D5HZ 2211-D D5HZ 2212-D	1 1	R.H. L.H.
80/83	Rear rear axle -- w/ Hendrickson susp.	D5HZ 2212-D D5HZ 2211-D	1 1	R.H. L.H.
80/83		385902-S2	7	(BB-264-EH)-bolt (plate to axle) 9/16" -18 x 1 7/8"
80/83		55720-S2	10	(M-88-C)-nut 9/16" - 18
80/83		★ 44880-S2	17	Flatwasher
		★	3	Stud (pressed in spider)
<b>38M AXLE</b>				
80	Forward rear and rear rear axles -- w/Reyco susp. "Before 4/1/80"	D5HZ 2211-B D5HZ 2212-B	1 1	R.H. L.H.
80/83	Forward rear & rear-rear axles -w/Reyco susp. "From 4/1/80"	E0HZ 2211-A E0HZ 2212-A	1 1	R.H. L.H.
80	Forward rear and rear rear axles -- w/Neway susp. "Before 4/1/80"	D8HZ 2211-B D8HZ 2212-B	1 1	R.H. L.H.
80/83	Forward rear & rear-rear axles -- w/Neway susp. "From 4/1/80"	E0HZ 2211-B E0HZ 2212-B	1 1	R.H. L.H.
80/83	Forward rear axle -- w/ Hendrickson susp.	D5HZ 2212-B D5HZ 2211-B	1 1	R.H. L.H.
80/83	Rear rear axle w/ Hendrickson susp.	D5HZ 2211-B D5HZ 2212-B	1 1	R.H. L.H.
80/83		385580-S2	9	(BB-273-C)-bolt (plate to axle)5/8"- 18 x 2 1/8"
80/83		55777-S8	9	(M-89-A)-nut-5/8"-18
80/83		44881-S2	18	(X-40-G) - flatwasher
<b>44M AXLE</b>				
80/83	Forward rear axle -- w/ Hendrickson susp.	D5HZ 2212-B D5HZ 2211-B	1 1	R.H. L.H.
80/83	Rear rear axle -- w/ Hendrickson Susp.	D5HZ 2211-B D5HZ 2212-B	1 1	R.H. L.H.
80/83		385580-S2	9	(BB-273-C)-bolt (plate to axle)5/8"-18 x 2 1/8"
80/83		55777-S8	9	(M-89-A)-nut-5/8"-18
80/83		44881-S2	18	(X-40-G)-flat washer

1980/  
TRUCK SERIES 600/900

YEAR	RESTRICTIONS	PART NUMBER	QTY.	PART NAME AND DESCRIPTION
REAR BRAKE PARTS LIST NO. 8 — Cont'd				
16 1/2 x 7 ROCKWELL CAM AIR BRAKES - MANUAL ADJUSTERS				
2214-15 DUST SHIELD (BRAKE CARRIER)				
	23M AXLE			
80/83		★ B8QH 2214-A r/bB8QH 2214-E	1	R.H.-#3736-E-135
		★ B8QH 2215-A r/bB8QH 2214-E	1	R.H.-#3736-D-134
		★ B8QH 2214-A r/bB8QH 2214-E	1	L.H.-#3736-E-135
		★ B8QH 2215-A r/bB8QH 2214-E	1	L.H.-#3736-D-134
80/83		B8QH 2214-E	1	Consists of (1) ea. B8QH 2214-A, B8QH 2215-A
	34M AXLE			
80/83		★ D8HZ 2214-D r/bD8HZ 2214-F	1	R.H.
		★ D8HZ 2215-C r/bD8HZ 2214-F	1	R.H.
		★ D8HZ 2214-D r/bD8HZ 2214-F	1	L.H.
		★ D8HZ 2215-C r/bD8HZ 2214-F	1	L.H.
80/83		D8HZ 2214-F	2	Consists of (1) D8HZ 2214-D & (1) D8HZ 2215-C
	38M AXLE			
80/83		★ B8QH 2214-A r/bB8QH 2214-E	1	R.H.-# 3736-E-135
		★ B8QH 2215-A r/bB8QH 2214-E	1	R.H.-# 3736-D-134
		★ B8QH 2214-A r/bB8QH 2214-E	1	L.H.-# 3736-E-135
		★ B8QH 2215-A r/bB8QH 2214-E	1	L.H.-# 3736-D-134
80/83		B8QH 2214-E	1	Consists of (1) ea. B8QH 2214-A, B8QH 2215-A
	44M AXLE			
80/83		★ B8QH 2214-A r/bB8QH 2214-E	1	R.H.-# 3736-E-135
		★ B8QH 2215-A r/bB8QH 2214-E	1	R.H.-# 3736-D-134
		★ B8QH 2214-A r/bB8QH 2214-E	1	L.H.-# 3736-E-135
		★ B8QH 2215-A r/bB8QH 2214-E	1	L.H.-# 3736-D-134
80/83		B8QH 2214-E	1	Consists of (1) ea. B8QH 2214-A, B8QH 2215-A
	ALL AXLES			
2218 SHOE and LINING ASSY. (BRAKE)				
80/83		★ D5HZ 2218-A r/bD8HZ 2218-A	4	
2237 BUSHING (BRAKE CAMSHAFT)				
80/83		B8QH 2237-B	4	1 1/4" Long
2310-11 BRACKET ASSY. (BRAKE CAMSHAFT)				
	23M AXLE			
80/83	Rockwell & Eaton axles -exc. Neway Susp.	D8HZ 2310-E	1	R.H.
		D8HZ 2311-E	1	L.H.
80/83	Rockwell axle w/ - - w/Neway susp.	D8HZ 2311-G	1	R.H.
		D8HZ 2310-G	1	L.H.

**1980/  
TRUCK SERIES 600/900**

YEAR	RESTRICTIONS	PART NUMBER	QTY.	PART NAME AND DESCRIPTION
REAR BRAKE PARTS LIST NO. 8 — Cont'd				
16 1/2 x 7 ROCKWELL CAM AIR BRAKES — MANUAL ADJUSTERS				
2310-11			BRACKET ASSY. (BRAKE CAMSHAFT)	
<b>34M AXLE</b>				
80/83	Forward rear and rear rear axles -- w/Reyco Susp.	D8HZ 2311-D	1	R.H.
		D8HZ 2310-D	1	L.H.
80/83	Forward rear and rear rear axles -- w/Neway Susp.	D8HZ 2311-C	1	R.H.
		D8HZ 2310-C	1	L.H.
80/83	Forward rear axle -- w/ Hendrickson Susp.	C3TZ 2310-D	1	R.H.
		C3TZ 2311-D	1	L.H.
80/83	Rear rear axle -- w/ Hendrickson Susp.	C3TZ 2311-D	1	R.H.
		C3TZ 2310-D	1	L.H.
<b>38M AXLE</b>				
80/83	Forward rear and rear rear axles -- w/Reyco Susp.	D8HZ 2310-E	1	R.H.
		D8HZ 2311-E	1	L.H.
80/83	Forward rear and rear rear axles -- w/ Neway Susp.	D8HZ 2311-G	1	R.H.
		D8HZ 2310-G	1	L.H.
80/83	Forward rear axle w/ Hendrickson susp.	D8HZ 2311-F	1	R.H.
		D8HZ 2310-F	1	L.H.
80/83	Rear rear axle -- w/ Hendrickson Susp.	D8HZ 2310-F	1	R.H.
		D8HZ 2311-F	1	L.H.
<b>44M AXLE</b>				
80/83	Forward rear axle -- w/ Hendrickson Susp.	D8HZ 2311-F	1	R.H.
		D8HZ 2310-F	1	L.H.
80/83	Rear rear axle -- w/ Hendrickson Susp.	D8HZ 2310-F	1	R.H.
		D8HZ 2311-F	1	L.H.
<b>ALL AXLES</b>				
2A312			RETAINER (CAMSHAFT BRACKET SEAL)	
80/83		D5HZ 2A312-A	2	
2314-15			ADJUSTER ASSY. (BRAKE)	
<b>23M AXLE</b>				
80/83	Rockwell & Eaton axles -Exc. Neway Susp.	D5HZ 2308-B	2	R.H. and L.H.—10 splines
80/83	Rockwell axle w/ Neway Susp.	D5HZ 2308-B	2	R.H. and L.H.—10 splines
<b>34M AXLE</b>				
80/83	Forward rear and rear rear axles w/ Reyco or Neway Susp.	D5HZ 2308-B	2	R.H. and L.H.—10 splines
80/83	Forward rear and rear rear axles w/Hendrickson Susp.	C5TZ 2315-A	2	R.H. and L.H.—10 splines
<b>38M AXLE</b>				
80/83	Forward rear and rear rear axles w/Reyco or Neway Susp.	D5HZ 2308-B	2	R.H. and L.H.—10 splines
80/83	Forward rear and rear rear axles w/Hendrickson Susp.	D5HZ 2308-B	2	R.H. and L.H.—10 splines
<b>44M AXLE</b>				
80/83	Forward rear and rear rear axles w/Hendrickson Susp.	D5HZ 2308-B	2	R.H. and L.H.—10 splines
2A311			SEAL (BRAKE CAMSHAFT OIL)	
80		E0HZ 2A311-A	4	

**1980/  
TRUCK SERIES 600/900**

YEAR	RESTRICTIONS	PART NUMBER	QTY.	PART NAME AND DESCRIPTION
<b>REAR BRAKE PARTS LIST NO. 8 — Cont'd</b>				
<b>16 1/2 x 7 ROCKWELL CAM AIR BRAKES – MANUAL ADJUSTERS</b>				
		<b>2316-17</b>		<b>CAMSHAFT (BRAKE)</b>
<b>23M AXLE</b>				
80/83	Rockwell & Eaton axles Exc. Neway Susp.	D8HZ 2317-E	1	R.H.
		C1TT 2317-C	1	L.H.
80/83	Rockwell axle w/Neway Susp.	B8QH 2317-A	1	R.H.
		B8QH 2316-A	1	L.H.
<b>34M AXLE</b>				
80/83	Forward rear and rear rear axles w/Reyco Susp.	D8HZ 2316-B	1	R.H.
		D8HZ 2317-E	1	L.H.
80/83	Forward rear and rear rear axles w/Neway Susp.	B8QH 2317-C	1	R.H.
		B8QH 2316-A	1	L.H.
80/83	Forward rear axle w/Hendrickson Susp.	B8QH 2317-C	1	R.H.
		B8QH 2316-A	1	L.H.
80/83	Rear rear axle w/Hendrickson Susp.	B8QH 2316-A	1	R.H.
		B8QH 2317-C	1	L.H.
<b>38M AXLE</b>				
80/83	Forward rear and rear rear axles w/Reyco Ssup.	D8HZ 2317-E	1	R.H.
		C1TT 2317-C	1	L.H.
80/83	Forward rear and rear rear axles w/Neway Susp.	B8QH 2317-C	1	R.H.
		B8QH 2316-A	1	L.H.
80/83	Forward rear axle w/Hendrickson Susp.	B8QH 2317-C	1	R.H.
		B8QH 2316-A	1	L.H.
80/83	Rear rear axle w/Hendrickson Susp.	B8QH 2316-A	1	R.H.
		B8QH 2317-C	1	L.H.
<b>44M AXLE</b>				
80/83	Forward rear axle w/Hendrickson Susp.	B8QH 2317-C	1	R.H.
		B8QH 2316-A	1	L.H.
80/83	Rear rear axle w/Hendrickson Susp.	B8QH 2316-A	1	R.H.
		B8QH 2317-C	1	L.H.
<b>ALL AXLES</b>				
		<b>2318</b>		<b>CAP SCREW (BRAKE DUST SHIELD)</b>
80/83		D3HZ 2318-A	2	
		<b>2333</b>		<b>PIN (BRAKE SHOE ANCHOR)</b>
80/83		D5HZ 2333-A	4	
		<b>2341</b>		<b>PIN (BRAKE SHOE RETRACTING SPRING)</b>
80/83		B8QH 2341-A	4	
		<b>2356</b>		<b>RETAINER (BRAKE SHOE ROLLER)</b>
80/83		B8QH 2356-A	4	
		<b>3277</b>		<b>SPRING (PIN)</b>
80/83		C1TZ 3277-A	4	
<b>REAR BRAKE PARTS LIST NO. 9</b>				
<b>18 x 7 ROCKWELL CAM AIR BRAKES</b>				
<b>ALL AXLES</b>				
		<b>2007</b>		<b>LINING KIT (BRAKE SHOE)</b>
80/81		D7HZ 2007-A	2	
		<b>2036</b>		<b>SPRING (BRAKE SHOE RETRACTING)</b>
80/81		D7HZ 2036-A	2	

1980/  
TRUCK SERIES 600/900

YEAR	RESTRICTIONS	PART NUMBER	QTY.	PART NAME AND DESCRIPTION
REAR BRAKE PARTS LIST NO. 9 — Cont'd				
18 x 7 ROCKWELL CAM AIR BRAKES				
	ALL AXLES			
		2B038		SEAL ASSY. (BRAKE SPIDER CAMSHAFT)
80/81		D5HZ 2B038-A	2	2 1/16" O.D. x 1 7/8" I.D. x 1/8" thick
		2045		PIN (BRAKE SHOE TO CAM ROLLER)
80/81		D7HZ 2045-A	4	
		2092		COVER (DUST)
80/81		C3TZ 2092-A	4	
		2138		SPACER (BRAKE CAMSHAFT ADJUSTER)
80/81		8QH 2138-B	AR	
81		E1HZ 2138-D	AR	2 1/4" O.D.-1 1/2" I.D.
		2211-12		SPIDER ASSY. (BRAKE CARRIER)
	58M AXLE			
80/81		E1HZ 2211-H	2	R.H. & L.H.
80/81		385580-S2	16	(BB-273-C)-bolt (plate to axle)-5/8"-18 x 2 1/8"
80/81		55777-S8	16	(M-89-A)-nut-5/8"-18
80/81		44881-S2	32	(X-40-G)-flat washer
		2214-15		DUST SHIELD (BRAKE CARRIER)
	65M AXLE			
81/		E1HZ 2211-H	2	R.H. & L.H.
80/81		385580-S2	16	(BB-273-C)-bolt (plate to axle)-5/8"-18 x 2 1/8"
80/81		55777-S8	16	(M-89-A)-nut-5/8"-18
80/81		44881-S2	32	(X-40-G) flat washer
	58M AXLE			
80/81		D7HZ 2214-B	2	R.H. & L.H.
	65M AXLE			
80/81		D7HZ 2214-B	2	R.H. & L.H.
	ALL AXLES			
		2218		SHOE and LINING ASSY. (BRAKE)
80/81		D7HZ 2218-B	4	
		2237		BUSHING (BRAKE CAMSHAFT)
80/81		B8QH 2237-B	4	1 1/4" long
		2310-11		BRACKET ASSY. (BRAKE CAMSHAFT)
	58M AXLE			
80/81	Forward rear and rear rear axle	D7HZ 2310-A	1	R.H.
		D7HZ 2311-A	1	L.H.
	65M AXLE			
80/81	Forward rear and rear rear axles	D7HZ 2310-A	1	R.H.
		D7HZ 2311-A	1	L.H.
	ALL AXLES			
		2A312		RETAINER (CAMSHAFT BRACKET SEAL)
80/81		D5HZ 2A312-A	2	
		2314-15		ADJUSTER ASSY. (BRAKE)
	58M AXLE			
80/81	Forward rear and rear rear axles	D7HZ 2314-A	2	R.H. & L.H.-10 splines
	65M AXLE			
80/81	Forward rear and rear rear axles	D7HZ 2314-A	2	R.H. & L.H.-10 splines
		2316-17		CAMSHAFT (BRAKE)
	58M AXLE			
80/81	Forward rear and rear rear axles	B8QH 2317-C	1	R.H.
	"Before 3/15/81"	B8QH 2316-A	1	L.H.
81	Forward rear and rear rear axles	E1HZ 2317-D	1	R.H.
	"From 3/15/81"	E1HZ 2316-D	1	L.H.
	65M AXLE			
80/81	Forward rear and rear rear axles	B8QH 2317-C	1	R.H.
	"Before 3/15/81"	B8QH 2316-A	1	L.H.
81	Forward rear and rear rear axles	E1HZ 2317-D	1	R.H.
	"From 3/15/81"	E1HZ 2316-D	1	L.H.

**1980/  
TRUCK SERIES 600/900**

YEAR	RESTRICTIONS	PART NUMBER	QTY.	PART NAME AND DESCRIPTION
<b>REAR BRAKE PARTS LIST NO. 9 — Cont'd</b>				
<b>18 x 7 ROCKWELL CAM AIR BRAKES</b>				
	ALL AXLES			
		2318		CAP SCREW (BRAKE DUST SHIELD)
80/81	"Before 3/15/81"	D3HZ 2318-A	2	
81	"From 3/15/81"	E1HZ 2318-B	2	1 25/62" I.D.
		2333		PIN (BRAKE SHOE ANCHOR)
80/81		D7HZ 2333-A	4	
		2341		PIN (BRAKE SHOE RETRACTING SPRING)
80/81		B8QH 2341-A	4	
		2356		RETAINER (BRAKE SHOE ROLLER)
80/81		B8QH 2356-A	4	
		3277		SPRING (PIN)
80/81		CITZ 3277-A	4	
<b>REAR BRAKE PARTS LIST NO. 10</b>				
<b>16 1/2 x 7 ROCKWELL CAM AIR BRAKES - AUTOMATIC ADJUSTERS</b>				
	ALL AXLES			
		2007		LINING KIT (BRAKE SHOE)
80/83		D5HZ 2007-C	1	
		2036		SPRING (BRAKE SHOE RETRACTING)
80/83	Exc 34M axle	★ B8QH 2036-A r/bD8HZ 2296-A	2	
80/83	with 34M axle	D8HZ 2296-A	2	
80/83	LNT-LT-LTS900 -- diesel	D7HZ 2036-A	2	
		2B038		SEAL ASSY. (BRAKE SPIDER CAMSHAFT)
80/83		D5HZ 2B038-A	2	2 1/16" O.D. x 1 7/8" I.D. x 1/8" thick
		2045		PIN (BRAKE SHOE TO CAM ROLLER)
80/83		B8QH 2045-A	4	
		2B087		BUSHING (SHOE ANCHOR PIN)
80/83		E0HZ 2B087-A	4	
		2092		COVER (DUST)
80/83		D8HZ 2092-A	4	
		2138		SPACER (BRAKE CAMSHAFT ADJUSTER)
80/83		8QH 2138-A	AR	1 1/16" thick
		2211-12		SPIDER ASSY. (BRAKE CARRIER)
	23M AXLE			
80	Rockwell & Eaton axle -- exc. Newway Susp.	D5HZ 2211-B	1	R.H.
	"Before 4/1/80"	D5HZ 2212-B	1	L.H.
80/83	Rockwell & Eaton axle -- exc. Newway susp.--	E0HZ 2211-A	1	R.H.
	"From 4/1/80"	E0HZ 2212-A	1	L.H.
80	Rockwell axle -- w/Newway Susp.	D8HZ 2211-B	1	R.H.
	"Before 4/1/80"	D8HZ 2212-B	1	L.H.
80/83	Rockwell axle-- -w/Newway susp.	E0HZ 2211-B	1	R.H.
	"From 4/1/80"	E0HZ 2212-B	1	L.H.
80/83		385580-S2	9	(BB-273-C)-bolt (plate to axle) 5/8"-18 x 2 1/8"
80/83		55777-S8	9	(M-89-A)nut-5/8"-18
80/83		44881-S2	18	(X-40-G)-flatwasher
	34M AXLE			
80/83	Forward and rear and rear rear axle w/Reyco or Newway Susp.	D8HZ 2211-F	1	R.H.
		D8HZ 2212-F	1	L.H.
80/83	Forward rear axle -- w/ Hendrickson Susp.	★ D8HZ 2212-E r/bD5HZ 2212-D and C6TZ 2214-J ★ D8HZ 2211-E r/bD5HZ 2211-D and C6TZ 2214-J	1	R.H.   L.H.



**1980/  
TRUCK SERIES 600/900**

YEAR	RESTRICTIONS	PART NUMBER	QTY.	PART NAME AND DESCRIPTION
<b>REAR BRAKE PARTS LIST NO. 10 — Cont'd</b>				
<b>16 1/2 x 7 ROCKWELL CAM AIR BRAKES — AUTOMATIC ADJUSTERS</b>				
2211-12			SPIDER ASSY. (BRAKE CARRIER)	
<b>34M AXLE</b>				
80/83	Rear rear axle -- w/ Hendrickson Susp.	★ D8HZ 2211-E r/bD5HZ 2211-D andC6TZ 2214-J D8HZ 2212-E	1	R.H.
			1	L.H.
80/83		385902-S2	7	(BB-264-EH)-bolt (plate to axle)-9/16"-18 x 1 7/8"
80/83		55720-S2	10	(M-88-C)-nut-9/16"-18
80/83		★ 44880-S2	17	Flatwasher
		★	3	Stud (pressed in spider)
<b>38M AXLE</b>				
80	Forward rear and rear rear axle w/Reyco Susp. "Before 4/1/80"	D5HZ 2211-B	1	R.H.
		D5HZ 2212-B	1	L.H.
80/83	Forward rear & rear-rear axles -- w/Reyco susp.- "From 4/1/80"	E0HZ 2211-A	1	R.H.
		E0HZ 2212-A	1	L.H.
80	Forward rear and rear rear axle w/Neway Susp. "Before 4/1/80"	D8HZ 2211-B	1	R.H.
		D8HZ 2212-B	1	L.H.
80/83	Forward rear & rear-rear axles -- w/Neway susp. "From 4/1/80"	E0HZ 2211-B	1	R.H.
		E0HZ 2212-B	1	L.H.
80/83	Forward rear axle -- w/ Hendrickson Susp.	D5HZ 2212-B	1	R.H.
		D5HZ 2211-B	1	L.H.
80/83	Rear rear axle -- w/ Hendrickson Susp.	D5HZ 2211-B	1	R.H.
		D5HZ 2212-B	1	L.H.
80/83		385580-S2	9	(BB-273-C)-bolt (plate to axle)5/8"-18 x 2 1/8"
80/83		55777-S8	9	(M-89-A)-nut-5/8"-18
80/83		44881-S2	18	(X-40-G)-flatwasher
<b>44M AXLE</b>				
80/83	Forward rear axle w/ Hendrickson Susp.	D5HZ 2212-B	1	R.H.
		D5HZ 2211-B	1	L.H.
80/83	Rear rear axle w/ Hendrickson Susp.	D5HZ 2211-B	1	R.H.
		D5HZ 2212-B	1	L.H.
80/83	LNT-LT-LTS900 -- diesel- Forward rear and rear rear axle w/Hendrickson Susp.	D5HZ 2211-B	1	R.H.
		D5HZ 2212-B	1	L.H.
80/83		385580-S2	9	(BB-273-C)-bolt (plate to axle)5/8"-18 x 2 1/8"
80/83		55777-S8	9	(M-89-A)-nut-5/8"-18
80/83		44881-S2	18	(X-40-G)-Flatwasher
2214-15			DUST SHIELD (BRAKE CARRIER)	
<b>23M AXLE</b>				
80/83		★ B8QH 2214-A r/bB8QH 2214-E	1	R.H.-# 3736-E-135
		★ B8QH 2215-A r/bB8QH 2214-E	1	R.H.-# 3736-D-134
		★ B8QH 2214-A r/bB8QH 2214-E	1	L.H.-# 3736-E-135
		★ B8QH 2215-A r/bB8QH 2214-E	1	L.H.-# 3736-D-134
80/83		B8QH 2214-E	1	Consists of (1) ea. B8QH 2214-A, B8QH 2215-A

**1980/  
TRUCK SERIES 600/900**

YEAR	RESTRICTIONS	PART NUMBER	QTY.	PART NAME AND DESCRIPTION
<b>REAR BRAKE PARTS LIST NO. 10 -- Cont'd</b>				
<b>16 1/2 x 7 ROCKWELL CAM AIR BRAKES - AUTOMATIC ADJUSTERS</b>				
<b>2214-15 DUST SHIELD (BRAKE CARRIER)</b>				
	<b>34M AXLE</b>			
80/83		★ D8HZ 2214-D r/bD8HZ 2214-F	1	R.H.
		★ D8HZ 2215-C r/bD8HZ 2214-F	1	R.H.
		★ D8HZ 2214-D r/bD8HZ 2214-F	1	L.H.
		★ D8HZ 2215-C r/bD8HZ 2214-F	1	L.H.
80/83		D8HZ 2214-F	2	Consists of (1) D8HZ 2214-D & (1) D8HZ 2215-C
	<b>38M AXLE</b>			
80/83		★ B8QH 2214-A r/bB8QH 2214-E	1	R.H.-#3736-E-135
		★ B8QH 2215-A r/bB8QH 2214-E	1	R.H.-#3736-D-134
		★ B8QH 2214-A r/bB8QH 2214-E	1	L.H.-#3736-E-135
		★ B8QH 2215-A r/bB8QH 2214-E	1	L.H.-#3736-D-134
80/83		B8QH 2214-E	1	Consists of (1) ea. B8QH 2214-A, B8QH 2215-A
	<b>44M AXLE</b>			
80/83		★ B8QH 2214-A r/bB8QH 2214-E	1	R.H.-#3736-E-135
		★ B8QH 2215-A r/bB8QH 2214-E	1	R.H.-#3736-D-134
		★ B8QH 2214-A r/bB8QH 2214-E	1	L.H.-#3736-E-135
		★ B8QH 2215-A r/bB8QH 2214-E	1	L.H.-#3736-D-134
80/83		B8QH 2214-E	1	Consists of (1) ea. B8QH 2214-A, B8QH 2215-A
	<b>ALL AXLES</b>			
<b>2218 SHOE AND LINING ASSY. (BRAKE)</b>				
80/83		D8HZ 2218-A	4	
80/83	LNT-LT-LTS900 -- diesel	D7HZ 2218-A	4	
<b>2237 BUSHING (BRAKE CAMSHAFT)</b>				
80/83		B8QH 2237-B	4	1 1/4" long
<b>2310-11 BRACKET ASSY. (BRAKE CAMSHAFT)</b>				
	<b>23M AXLE</b>			
80/83	Rockwell & Eaton axles -- exc. Neway Susp.	D8HZ 2310-J	1	R.H.
		D8HZ 2311-J	1	L.H.
80/83	Rockwell axle -- w/Neway Susp.	D8HZ 2311-G	1	R.H.
		D8HZ 2310-G	1	L.H.
	<b>34M AXLE</b>			
80/83	Forward rear and rear rear axles w/Reyco Susp.	D8HZ 2310-H	1	R.H.
		D8HZ 2311-H	1	L.H.
80/83	Forward rear and rear rear axles w/Neway Susp.	D8HZ 2310-C	1	R.H.
		D8HZ 2311-C	1	L.H.
80/83	Forward rear axle -- w/ Hendrickson Susp.	C3TZ 2310-D	1	R.H.
		C3TZ 2311-D	1	L.H.
80/83	Rear rear axle -- w/ Hendrickson Susp.	C3TZ 2311-D	1	R.H.
		C3TZ 2310-D	1	L.H.

**1980/  
TRUCK SERIES 600/900**

YEAR	RESTRICTIONS	PART NUMBER	QTY.	PART NAME AND DESCRIPTION
REAR BRAKE PARTS LIST NO. 10 — Cont'd				
16 1/2 x 7 ROCKWELL CAM AIR BRAKES — AUTOMATIC ADJUSTERS				
<b>38M AXLE</b>				
80/83	Forward rear and rear rear axles w/Reyco Susp.	D8HZ 2310-J	1	R.H.
		D8HZ 2311-J	1	L.H.
80/83	Forward rear and rear rear axles w/Neway Susp.	D8HZ 2311-G	1	R.H.
		D8HZ 2310-G	1	L.H.
80/83	Forward rear axle -- w/Hendrickson Susp.	D8HZ 2311-F	1	R.H.
		D8HZ 2310-F	1	L.H.
80/83	Rear rear axle-w/Hendrickson Susp.	D8HZ 2310-F	1	R.H.
		D8HZ 2311-F	1	L.H.
<b>44M AXLE</b>				
80/83	Forward rear axle -- w/Hendrickson Susp.	D8HZ 2311-F	1	R.H.
		D8HZ 2310-F	1	L.H.
80/83	Rear rear axle -- w/Hendrickson Susp.	D8HZ 2310-F	1	R.H.
		D8HZ 2311-F	1	L.H.
80/83	LNT-LT-LTS900 -- diesel Forward rear and rear rear axles w/Hendrickson Susp.	D7HZ 2311-A	1	R.H.
		D7HZ 2310-A	1	L.H.
2A311				
80		E0HZ 2A311-A	4	SEAL (BRAKE CAMSHAFT OIL)
<b>ALL AXLES</b>				
2A312				
80/83		D5HZ 2A312-A	2	RETAINER (CAMSHAFT BRACKET SEAL)
2314-15				
<b>ADJUSTER ASSY. (BRAKE)</b>				
<b>23M AXLE</b>				
80/83	Rockwell & Eaton axles -- exc. Neway Susp.	D8HZ 2315-C	1	R.H.--10 splines
		D8HZ 2314-C	1	L.H.--10 splines
80/83	Rockwell axle-w/Neway Susp.	D8HZ 2314-B	1	R.H.--10 splines
		D8HZ 2315-B	1	L.H.--10 splines
<b>34M AXLE</b>				
80/83	Forward rear and rear rear axles w/Reyco Susp.	D8HZ 2314-C	1	R.H.--10 splines
		D8HZ 2315-C	1	L.H.--10 splines
80/83	Forward rear and rear rear axles w/Neway Susp.	D8HZ 2314-C	1	R.H.--10 splines
		D8HZ 2315-C	1	L.H.--10 splines
80/83	Forward rear axle -- w/Hendrickson Susp.	D8HZ 2314-C	1	R.H.--10 splines
		D8HZ 2315-C	1	L.H.--10 splines
80/83	Rear rear axle -- w/Hendrickson Susp.	D8HZ 2315-C	1	R.H.--10 splines
		D8HZ 2314-C	1	L.H.--10 splines
<b>38M AXLE</b>				
80/83	Forward rear and rear rear axles w/Reyco susp.	D8HZ 2315-C	1	R.H.--10 splines
		D8HZ 2314-C	1	L.H.--10 splines
80/83	Forward rear and rear rear axles w/Neway susp.	D8HZ 2314-C	1	R.H.--10 splines
		D8HZ 2315-B	1	L.H.--10 splines
80/83	Forward rear axle -- w/Hendrickson susp.	D8HZ 2314-C	1	R.H.--10 splines
		D8HZ 2315-B	1	L.H.--10 splines
80/83	Rear rear axle -- w/Hendrickson susp.	D8HZ 2315-B	1	R.H.--10 splines
		D8HZ 2314-C	1	L.H.--10 splines

1980/  
TRUCK SERIES 600/900

YEAR	RESTRICTIONS	PART NUMBER	QTY.	PART NAME AND DESCRIPTION
REAR BRAKE PARTS LIST NO. 10 — Cont'd				
16 1/2 x 7 ROCKWELL CAM AIR BRAKES - AUTOMATIC ADJUSTERS				
2314-15			ADJUSTER ASSY. (BRAKE)	
	44M AXLE			
80/83	Forward rear axle -- w/Hendrickson Susp.	D8HZ 2314-C	1	R.H.-10 splines
		D8HZ 2315-B	1	L.H.-10 splines
80/83	Rear rear axle -- w/Hendrickson Susp.	D8HZ 2315-B	1	R.H.-10 splines
		D8HZ 2314-C	1	L.H.-10 splines
80/83	LNT-LT-LTS900 -- diesel Forward rear and rear axle w/Hendrickson Susp.	D7HZ 2315-A	4	R.H. and L.H.-10 splines
2316-17			CAMSHAFT (BRAKE)	
	23M AXLE			
80/83	Rockwell & Eaton axles -- exc. Neway Susp.	D8HZ 2317-C	1	R.H.
		D8HZ 2316-C	1	L.H.
80/83	Rockwell axles-w/Neway Susp.	B8QH 2317-C	1	R.H.
		B8QH 2316-A	1	L.H.
	34M AXLE			
80/83	Forward rear and rear rear axles -- w/Reyco Susp.	D8HZ 2316-C	1	R.H.
		D8HZ 2317-C	1	L.H.
80/83	Forward rear and rear rear axles -- w/Neway Susp.	B8QH 2317-C	1	R.H.
		B8QH 2316-A	1	L.H.
80/83	Forward rear axle -- w/Hendrickson Susp.	B8QH 2317-C	1	R.H.
		B8QH 2316-A	1	L.H.
80/83	Rear rear axle -- w/Hendrickson Susp.	B8QH 2316-A	1	R.H.
		B8QH 2317-C	1	L.H.
	38M AXLE			
80/83	Forward rear and rear rear axle -- w/Reyco Susp.	D8HZ 2317-C	1	R.H.
		D8HZ 2316-C	1	L.H.
80/83	Forward rear and rear rear axle -- w/Neway Susp.	B8QH 2317-C	1	R.H.
		B8QH 2316-A	1	L.H.
80/83	Forward rear axle -- w/Hendrickson Susp.	B8QH 2317-C	1	R.H.
		B8QH 2316-A	1	L.H.
80/83	Rear rear axle -- w/Hendrickson Susp.	B8QH 2316-A	1	R.H.
		B8QH 2317-C	1	L.H.
	44M AXLE			
80/83	Forward rear axle -- w/Hendrickson Susp.	B8QH 2317-C	1	R.H.
		B8QH 2316-A	1	L.H.
80/83	Rear rear axle -- w/Hendrickson Susp.	B8QH 2316-A	1	R.H.
		B8QH 2317-C	1	L.H.
80/83	LNT-LT-LTS900 -- diesel Forward rear and rear rear axle w/Hendrickson Susp.	B8QH 2316-A	1	R.H.
		B8QH 2317-C	1	L.H.

**1980/  
TRUCK SERIES 600/900**

YEAR	RESTRICTIONS	PART NUMBER	QTY.	PART NAME AND DESCRIPTION
REAR BRAKE PARTS LIST NO. 10 — Cont'd				
16 1/2 x 7 ROCKWELL CAM AIR BRAKES - AUTOMATIC ADJUSTERS				
	ALL AXLES			
		2318		CAP SCREW (BRAKE DUST SHIELD)
80/83		D3HZ 2318-A	2	
		2333		PIN (BRAKE SHOE ANCHOR)
80/83		D5HZ 2333-A	4	
80/83	LNT-LT-LTS900 -- diesel	D7HZ 2333-A	4	
		2341		PIN (BRAKE SHOE RETRACTING PIN)
80/83		B8QH 2341-A	4	
		2356		RETAINER (BRAKE SHOE ROLLER)
80/83		B8QH 2356-A	4	
		3277		SPRING (PIN)
80/83		C1TZ 3277-A	4	
REAR BRAKE PARTS LIST NO. 11				
16 1/2 x 7 EATON CAM AIR BRAKE-AUTOMATIC ADJUSTERS				
	ALL AXLES			
		2007		LINING KIT (BRAKE SHOE)
80/83		D5HZ 2007-D	1	
		2045		PIN (BRAKE SHOE TO CAM ROLLER)
80/83		B5QH 2045-A	4	
		2125		SPRING (BRAKE SHOE RETAINER)
80/83		C6TZ 2125-A	4	4 9/16" Long-15 coils
		2130		BRAKE ADJUSTER RETAINING WASHER KIT
80/83		B1QH 2130-A	AR	
		2130		WASHER (SLACK ADJUSTER INNER)
80/83		C8TZ 2130-A	2	
		2211-12		SPIDER ASSY. (BRAKE CARRIER)
80/81	Rockwell & Eaton axles -- exc. Neway Susp.	D5HZ 2211-J	1	L.H.
		D5HZ 2212-J	1	R.H.
80/81	Rockwell axle -- w/Neway Susp.	D8HZ 2211-A	1	R.H.
		D8HZ 2212-A	1	L.H.
82/83		E2HZ 2211-A	2	R.H. and L.H.
80/83		385580-S2	9	(BB-273-C)-bolt (plate to axle)-5/8"-18 x 2 1/8"
80/83		55777-S8	9	(M-89-A)-nut-5/8"-18
80/83		44881-S2	18	(X-40-G)-flatwasher
		2214		DUST SHIELD (BRAKE CARRIER)
80/81		D8HZ 2214-A	2	R.H. & L.H.
82/83		E2HZ 2214-B	2	R.H. and L.H.
		2218		SHOE and LINING ASSY. (BRAKE)
80/81		D5HZ 2218-B	4	
82/83		E2HZ 2218-A	4	
		2296		SPRING (BRAKE SHOE RETRACTING)
80/83		C8TZ 2296-A	2	
		2310-11		BRACKET ASSY. (BRAKE CAMSHAFT)
80/81	Rockwell & Eaton axles -- exc. Neway Susp.	D8HZ 2311-B	1	R.H.
		D8HZ 2310-B	1	L.H.
80/81	Rockwell axle -- w/Neway Susp.	D8HZ 2310-A	1	R.H.
		D8HZ 2311-A	1	L.H.
82/83	All 23M axle All Reyco susp.	E2HZ 2310-D	1	R.H.
		E2HZ 2311-D	1	L.H.
82/83	Hendrickson susp.	E2HZ 2310-E	1	R.H.
		E2HZ 2311-E	1	L.H.
82/83	Neway susp.	E2HZ 2310-A	1	R.H.
		E2HZ 2311-A	1	L.H.

1980/  
TRUCK SERIES 600/900

YEAR	RESTRICTIONS	PART NUMBER	QTY.	PART NAME AND DESCRIPTION
REAR BRAKE PARTS LIST NO. 11 -- Cont'd				
16 1/2 x 7 EATON CAM AIR BRAKE-AUTOMATIC ADJUSTERS				
	ALL AXLES			
		2314-15		ADJUSTER ASSY. (BRAKE)
80/81	Rockwell & Eaton axles -- exc. Neway Susp.	D8HZ 2315-A	1	R.H.-10 splines
		D8HZ 2314-A	1	L.H.-10 splines
80/81	Rockwell axle -- w/Neway Susp.	D8HZ 2314-A	1	R.H.-10 splines
		D8HZ 2315-A	1	L.H.-10 splines
82/83		E2HZ 2314-A	1	R.H.
		E2HZ 2315-B	1	L.H.
		2316-17		CAMSHAFT (BRAKE)
80/81	Rockwell & Eaton axles --- exc. Neway Susp.	D8HZ 2317-A	1	R.H.
		D8HZ 2316-A	1	L.H.
80/81	Rockwell axle -- w/Neway susp.	C8TZ 2316-B	1	R.H.
		C8TZ 2317-B	1	L.H.
82/83	All 23M axle All Reyco susp.	E2HZ 2316-A	1	R.H.
		E2HZ 2317-A	1	L.H.
82/83	Hendrickson and Neway susps.	C8TZ 2316-B	1	R.H.
		C8TZ 2317-B	1	L.H.
		2318		SNAP RING (CAMSHAFT)
80/81		★ B1QH 2318-A	2	
82/83		E2HZ 2318-A	2	
		2359		ROLLER (BRAKE SHOE ANCHOR PIN)
80/		B5QH 2359-A	4	
REAR BRAKE PARTS LIST NO. 12				
16 1/2 x 5 ROCKWELL CAM AIR BRAKES				
	ALL AXLES			
		2007		LINING KIT (BRAKE SHOE)
81/83		E1HZ 2007-A	1	
		2B038		SEAL ASSY. (BRAKE SPIDER CAMSHAFT)
81/83		D5HZ 2B038-A	2	
		2045		PIN (BRAKE SHOE TO CAM ROLLER)
81/83		B8QH 2045-A	2	
		2B087		BUSHING (SHOE ANCHOR PIN)
81/83		C7TZ 2B087-A	4	
		2092		COVER (DUST)
81/83		D8HZ 2092-A	4	
		2125		SPRING (BRAKE SHOE RETAINER)
81/83		E1HZ 2125-A	4	
		2138		SPACER (BRAKE CAMSHAFT ADJUSTER)
81/83		E1HZ 2138-A	2	Flat-2 3/8" O.D.-1 17/32" I.D.
		E1HZ 2138-B	2	thick-5 13/16" long
		E1HZ 2138-C	2	
		2200		SHOE & LINING KIT (BRAKE)
81/83		E1HZ 2200-C	2	
		2211-12		SPIDER ASSY. (BRAKE CARRIER)
81/83		E1HZ 2211-A	1	R.H.
		E1HZ 2212-A	1	L.H.
		2214-15		DUST SHIELD (BRAKE CARRIER)
81/83		E1HZ 2214-E	4	
		385902-S2	7	Bolt 9/16-18 x 1.88
		55720-S2	10	Nut 9/16-18
		44880-S2	17	Flatwasher
		2237		BUSHING (BRAKE CAMSHAFT PLATE)
81/83		B8QH 2237-B	4	

**1980/  
TRUCK SERIES 600/900**

YEAR	RESTRICTIONS	PART NUMBER	QTY.	PART NAME AND DESCRIPTION
REAR BRAKE PARTS LIST NO. 12 16 1/2 x 5 ROCKWELL CAM AIR BRAKES				
	ALL AXLES			
		2248		BOLT (BRAKE CARRIER)
81/83		D3HZ 2248-B	6	
		2296		SPRING (BRAKE SHOE RETRACTING)
81/83		D8HZ 2296-A	2	
		2308		ADJUSTER ASSY. (BRAKE)
81/83		E1HZ 2308-A	2	28 splines
		2310-11		BRACKET ASSY. (BRAKE CAMSHAFT)
81/83		C3TZ 2311-D	1	R.H.
		C3TZ 2310-D	1	L.H.
		2A311		SEAL (BRAKE CAMSHAFT OIL)
81/83		E0HZ 2A311-A	4	
		2316-17		CAMSHAFT (BRAKE)
81	"Before 3/15/81"	E1HZ 2316-A	1	R.H.
		E1HZ 2317-E	1	L.H.
81/83	"From 3/15/81"	E1HZ 2316-E	1	R.H.
		E1HZ 2317-E	1	L.H.
		2318		RING (BRAKE CAMSHAFT RETAINER EXTERNAL)
81/83		E1HZ 2318-A	2	
		2333		PIN (BRAKE SHOE ANCHOR)
		E1HZ 2333-A	4	
		2341		PIN (BRAKE SHOE RETRACTING SPRING)
81/83		B8QH 2341-A	2	
		2356		RETAINER (BRAKE SHOE ROLLER)
81/83		E1HZ 2356-A	2	
REAR BRAKE PARTS LIST NO. 13 16 1/2 x 7 ROCKWELL CAM AIR BRAKES-MANUAL ADJUSTERS				
		2007		LINING KIT (BRAKE SHOE)
81/		E1HZ 2007-B	1	
		2B038		SEAL ASSY. (BRAKE SPIDER CAMSHAFT)
81/		D5HZ 2B038-A	2	
		2045		PIN (BRAKE SHOE TO CAM ROLLER)
81/		B8QH 2045-A	2	
		2B087		BUSHING (SHOE ANCHOR PIN)
81/		C7TZ 2B087-A	4	
		2092		COVER (DUST)
81/	Exc. Hendrickson 4 spring suspension	D8HZ 2092-A	4	
84/	Hendrickson 4 spring suspension	C3TZ 2092-A	4	
		2125		SPRING (BRAKE SHOE RETAINER)
81/		E1HZ 2125-A	4	
		2138		SPACER (BRAKE CAMSHAFT ADJUSTER)
81/		E1HZ 2138-A	2	Flat-2 3/8" O.D.-1 17/32" I.D.
		E1HZ 2138-B	2	Thick-5 13/16" long
		E1HZ 2138-C	2	
		2200		SHOE & LINING KIT (BRAKE)
81/83		E1HZ 2200-B	2	
84/		2200		Refer to 2218
		2211-12		SPIDER ASSY. (BRAKE CARRIER)
	18.5M AXLE			
81/		E1HZ 2211-A	1	R.H.
		E1HZ 2212-A	1	L.H.
	22M-23M AXLE			
81/	22M axle	E1HZ 2211-A	1	R.H.
		E1HZ 2212-A	1	L.H.
81/82	23M axle- w/Neway susp. "Before 3/82"	E1HZ 2211-E	1	R.H.
		E1HZ 2212-E	1	L.H.
82/	23M axle - w/ Neway susp. "From 3/82"	E2HZ 2211-C	1	R.H.
		E2HZ 2212-B	1	L.H.

1980/  
TRUCK SERIES 600/900

YEAR	RESTRICTIONS	PART NUMBER	QTY.	PART NAME AND DESCRIPTION
REAR BRAKE PARTS LIST NO. 13 — Cont'd				
16 1/2 x 7 ROCKWELL CAM AIR BRAKES—MANUAL ADJUSTERS				
2211-12			SPIDER ASSY. (BRAKE CARRIER)	
	22M-23M AXLE			
81/	23M axle- exc. Neway susp.	E1HZ 2211-C E1HZ 2212-C	1 1	R.H. L.H.
	34M axle			
81/	Forward rear axle w/Hendrickson susp.	E1HZ 2212-A	1	R.H.
		E1HZ 2211-A	1	L.H.
81/	Rear-rear axle w/Hendrickson susp.	E1HZ 2211-A	1	R.H.
		E1HZ 2212-A	1	L.H.
81/83	LNT-LT-LTL-LTS Series- Forward rear & rear-rear axles -- w/Reyco susp.	E1HZ 2211-A	1	R.H.
		E1HZ 2212-A	1	L.H.
81/	CLT Series- Forward rear & rear-rear axles -- w/Reyco susp. CLT Series Forward rear & rear-rear axles -- w/Neway susp.	E1HZ 2211-D	1	R.H.
		E1HZ 2212-D	1	L.H.
81/	LNT-LT-LTL-LTS Series Forward rear & rear-rear axles -- w/Neway susp.	E1HZ 2211-B	1	R.H.
		E1HZ 2212-B	1	L.H.
	38M AXLE			
81/	CLT Series -- Forward rear & rear-rear axles -- w/Neway susp.	E1HZ 2211-E	1	R.H.
		E1HZ 2212-E	1	L.H.
81/	Exc. CLT Series w/Neway susp. All w/Hendrickson Reyco & L Series w/Neway -- Forward rear & rear-rear axles	E1HZ 2211-C	1	R.H.
		E1HZ 2212-C	1	L.H.
	44M AXLE			
81/	All	E1HZ 2211-C E1HZ 2212-C	1 1	R.H. L.H.
2214-15			DUST SHIELD (BRAKE CARRIER)	
81/	All 18.5M, 34M axles All 22M axle exc. CL9000	E1HZ 2214-D	2	
81/82	All 38M, 44M axles CL9000-22M axle "Before 2/1/82"	E1HZ 2214-F E1HZ 2215-C	2 2	
82/	All 38M, 44M axles CL900-22M axle "From 2/1/82"	E1HZ 2214-F	2	R.H. & L.H.
84/	Hendrickson 4 spring suspension	E1HZ 2214-C E1HZ 2215-C	1 1	R.H. L.H.
2218			SHOE and LINING ASSY. (BRAKE)	
84/		E4HZ 2218-A	2	
2237			BUSHING (BRAKE CAMSHAFT)	
81/		B8QH 2237-B	4	
2248			BOLT (BRAKE CARRIER PLATE)	
81/		D3HZ 2248-B	6	
2296			SPRING (BRAKE SHOE RETRACTING)	
81/		D8HZ 2296-A	2	
2308			ADJUSTER ASSY. (BRAKE MANUAL)	
81/		F1HZ 2308-A	2	



**1980/  
TRUCK SERIES 600/900**

YEAR	RESTRICTIONS	PART NUMBER	QTY.	PART NAME AND DESCRIPTION
REAR BRAKE PARTS LIST NO. 13 — Cont'd				
16 1/2 x 7 ROCKWELL CAM AIR BRAKES-MANUAL ADJUSTERS				
2310-11			BRACKET ASSY. (BRAKE CAMSHAFT)	
	18.5M AXLE			
81/		C3TZ 2311-D	1	R.H.
		C3TZ 2310-D	1	L.H.
	22M AXLE			
81/		C3TZ 2311-D	1	R.H.
		C3TZ 2310-D	1	L.H.
	23M AXLE			
81/82	Neway susp. "From 3/82"	D8HZ 2310-G	1	R.H.
		D8HZ 2311-G	1	L.H.
82/	Neway susp. "From 3/82"	E2HZ 2310-G	1	R.H.
		E2HZ 2311-G	1	L.H.
81/	Exc. Neway Susp.	D8HZ 2310-E	1	R.H.
		D8HZ 2311-E	1	L.H.
	34M AXLE			
81/	Forward rear axle -- w/Hendrickson susp.	C3TZ 2310-D	1	R.H.
		C3TZ 2311-D	1	L.H.
81/	Rear rear axle-- w/Hendrickson susp.	C3TZ 2311-D	1	R.H.
		C3TZ 2310-D	1	L.H.
81/83	Forward rear & rear-rear axles -- w/Reyco susp.-LNT-LT-LTL-LTS series	C3TZ 2311-D	1	R.H.
		C3TZ 2310-D	1	L.H.
81/83	Forward rear & rear-rear axles -- w/Reyco Susp.-CLT series	D8HZ 2310-D	1	R.H.
		D8HZ 2311-D	1	L.H.
81/	Forward rear & rear-rear axles -- w/Neway susp. LNT-LT-LTL-LTS series	D5HZ 2310-B	1	R.H.
		D5HZ 2311-B	1	L.H.
81/	Forward rear & rear-rear axles -- w/Neway susp.-CLT series	D8HZ 2310-C	1	R.H.
		D8HZ 2311-C	1	L.H.
	38M AXLE			
81/	Forward rear & rear rear axle -- w/Hendrickson series. & CLT Series	D8HZ 2310-F	1	R.H.
		D8HZ 2311-F	1	L.H.
81/	Forward rear & rear rear axles -- w/Hendrickson susp. exc. 4 spring suspension LNT-LT-LTL-LTS- CT series	E0HZ 2310-A	1	R.H.
		E0HZ 2311-A	1	L.H.
84/	Hendrickson 4 spring suspension	D8HZ 2310-J	1	R.H.
		D8HZ 2311-J	1	L.H.
81/82	Forward rear & rear rear axles -- w/Neway susp.-CLT series "Before 3/82"	D8HZ 2310-G	1	R.H.
		D8HZ 2311-G	1	L.H.
82/	Forward rear & rear rear axles -- w/Neway susp. -- CLT series -- "From 3/82"	E2HZ 2310-G	1	R.H.
		E2HZ 2311-G	1	L.H.
81/	Forward rear & rear rear axles -- w/Neway susp. LNT-LT-LTL-LTS series	E0HZ 2310-B	1	R.H.
		E0HZ 2311-B	1	L.H.
81/83	Forward rear & rear rear axles -- w/Reyco susp. CLT series	D8HZ 2310-E	1	R.H.
		D8HZ 2311-E	1	L.H.
81/83	Forward rear & rear rear axles -- w/Reyco susp. LNT-LT-LTL-LTS series	E0HZ 2310-A	1	R.H.
		E0HZ 2311-A	1	L.H.

**1980/  
TRUCK SERIES 600/900**

YEAR	RESTRICTIONS	PART NUMBER	QTY.	PART NAME AND DESCRIPTION
<b>REAR BRAKE PARTS NO. 13 — Cont'd</b>				
<b>16 1/2 x 7 ROCKWELL CAM AIR BRAKES- MANUAL ADJUSTERS</b>				
	44M AXLE			
81/	Forward rear & rear-rear axles -- w/Hendrickson susp.- CLT series	D8HZ 2310-F	1	R.H.
		D8HZ 2311-F	1	L.H.
81/	Forward rear & rear-rear axles -- w/Hendrickson susp.- LNT-LT-LTL-LTS series	E0HZ 2310-A	1	R.H.
		E0HZ 2311-A	1	L.H.
		2A311		SEAL (BRAKE CAMSHAFT OIL)
81/		E0HZ 2A311-A	4	
		2316-17		CAMSHAFT (BRAKE)
81	All exc. CL series w/23M axle & steel spring susp. All exc. CLT series w/34M, 38M axle & Reyco susp. "Before 3/15/81"	E1HZ 2316-H	1	R.H.
		E1HZ 2317-E	1	L.H.
81/	All exc. CL series w/23M axle & steel spring susp. All exc. CLT series w/34M, 38M axle & Reyco susp. "From 3/15/81"	E1HZ 2316-E	1	R.H.
		E1HZ 2317-E	1	L.H.
81	all CL series w/23M axle & steel spring susp. All CLT series w/34M,38M axles Reyco susps. "Before 3/15/81"	E1HZ 2316-B	1	R.H.
		E1HZ 2317-B	1	L.H.
81/	All CL series w/23M axle & steel spring susp. All CLT series w/34M, 38M axle & Reyco susp. "From 3/15/81"	E1HZ 2316-F	1	R.H.
		E1HZ 2317-F	1	L.H.
84/	Hendrickson 4 spring suspension	E1HZ 2316-G	1	R.H.
		E1HZ 2317-G	1	L.H.
		2318		RING (BRAKE CAMSHAFT RETAINER EXTERNAL)
81/		E1HZ 2318-A	2	
		2333		PIN (BRAKE SHOE ANCHOR)
81/		E1HZ 2333-A	4	
		2341		PIN (BRAKE SHOE RETRACTING SPRING)
81/		B8QH 2341-A	2	
		2356		RETAINER (BRAKE SHOE ROLLER)
81/	Exc. Hendrickson 4 spring suspension	E1HZ 2356-A	2	
84/	Hendrickson 4 spring suspension	E2HZ 2356-A	2	

**1980/  
TRUCK SERIES 600/900**

YEAR	RESTRICTIONS	PART NUMBER	QTY.	PART NAME AND DESCRIPTION
<b>REAR BRAKE PARTS LIST NO. 14</b>				
<b>16 1/2 x 7 ROCKWELL CAM AIR BRAKES-AUTOMATIC ADJUSTERS</b>				
2007				
				LINING KIT (BRAKE SHOE)
81/83		E1HZ 2007-B	1	
2B038				
81/83		D5HZ 2B038-A	2	SEAL ASSY. (BRAKE SPIDER CAMSHAFT)
2045				
				PIN (BRAKE SHOE TO CAM ROLLER)
81/83		B8QH 2045-A	2	
2B087				
				BUSHING (SHOE ANCHOR PIN)
81/83		C7TZ 2B087-A	4	
2092				
				COVER (DUST)
81/83		D8HZ 2092-A	4	
2125				
				SPRING (BRAKE SHOE RETAINER)
81/83		E1HZ 2125-A	4	
2138				
				SPACER (BRAKE CAMSHAFT ADJUSTER)
81/83		E1HZ 2138-A	2	Flat-2 3/8" O.D.-1 17/32" I.D.
		E1HZ 2138-B	2	Thick-5 13/16" long
		E1HZ 2138-C	2	
2200				
				SHOE & LINING KIT (BRAKE)
81/83		E1HZ 2200-B	2	
2211-12				
				SPIDER ASSY. (BRAKE CARRIER)
23M AXLE				
81/82	23M axle- w/Neway susp. "Before 3/82"	E1HZ 2211-E	1	R.H.
		E1HZ 2212-E	1	L.H.
82/83	23M axle - w/Neway susp. - - "From 3/82"	E2HZ 2211-C	1	R.H.
		E2HZ 2212-B	1	L.H.
81/83	23M axle- exc. Neway susp.	E1HZ 2211-C	1	R.H.
		E1HZ 2212-C	1	L.H.
34M AXLE				
81/83	Forward rear axle w/Hendrickson susp.	E1HZ 2212-A	1	R.H.
		E1HZ 2211-A	1	L.H.
81/83	Rear rear axle- w/Hendrickson susp.	E1HZ 2211-A	1	R.H.
		E1HZ 2212-A	1	L.H.
81/83	LNT-LT-LTL-LTS Series- Forward rear & rear rear axles - - with/Reyco susp.	E1HZ 2211-A	1	R.H.
		E1HZ 2212-A	1	L.H.
81/83	CLT Series- Forward rear & rear rear axles - - w/Reyco susp. CLT Series Forward rear & rear rear axles - - w/Neway susp.	E1HZ 2211-D	1	R.H.
		E1HZ 2212-D	1	L.H.
81/83	LNT-LT-LTL-LTS Series Forward rear & rear rear axles - - w/Neway susp.	E1HZ 2211-B	1	R.H.
		E1HZ 2212-B	1	L.H.
38M AXLE				
81/82	CLT Series- - Forward rear & rear rear axles- - w/Neway susp. "Before 3/82"	E1HZ 2211-E	1	R.H.
		E1HZ 2212-E	1	L.H.
82/83	CLT Series - - forward rear rear rear axles w/Neway susp. "From 3/82"	E2HZ 2211-C	1	R.H.
		E2HZ 2212-B	1	L.H.

1980/  
TRUCK SERIES 600/900

YEAR	RESTRICTIONS	PART NUMBER	QTY.	PART NAME AND DESCRIPTION
REAR BRAKE PARTS LIST NO. 14 -- Cont'd				
16 1/2 x 7 ROCKWELL CAM AIR BRAKES-AUTOMATIC ADJUSTMENT				
	38M AXLE			
81/83	Exc. CLT Series w/Neway susp. axle w/Hendrickson, Reyco & L Series w/Neway- - Forward rear & rear rear axles	E1HZ 2211-C	1	R.H.
		E1HZ 2212-C	1	L.H.
	44M AXLE			
81/83	All	E1HZ 2211-C	1	R.H.
		E1HZ 2212-C	1	L.H.
		2214-15		DUST SHIELD (BRAKE CARRIER)
81/83	All 18.5M, 34M axles All 22M axle exc. CL 9000	E1HZ 2214-D	2	
81/83	All 38M, 44M axles CL 900-22M axle	E1HZ 2214-F	2	
		E1HZ 2215-C	2	
		2237		BUSHING (BRAKE CAMSHAFT)
81/83		B8QH 2237-B	4	
		2248		BOLT (BRAKE CARRIER PLATE)
81/83		D3HZ 2248-B	6	
		2296		SPRING (BRAKE SHOE RETRACTING)
81/83		D8HZ 2296-A	2	
		2310-11		BRACKET ASSY. (BRAKE CAMSHAFT)
	23M AXLE			
81/82	Neway susp. "Before 3/82"	D8HZ 2310-G	1	R.H.
		D8HZ 2311-G	1	L.H.
82/83	Neway susp. "From 3/82"	E2HZ 2310-G	1	R.H.
		E2HZ 2311-G	1	L.H.
81/83	Exc. Neway susp.	D8HZ 2310-J	1	R.H.
		D8HZ 2311-J	1	L.H.
	34M AXLE			
81/83	Forward rear axle - w/Hendrickson susp.	C3TZ 2310-D	1	R.H.
		C3TZ 2311-D	1	L.H.
81/83	Rear rear axle- w/Hendrickson susp.	C3TZ 2311-D	1	R.H.
		C3TE 2310-D	1	L.H.
81/83	Forward rear & rear rear axle - - w/Reyco susp. -LNT-LT-LTL-LTS series	C3TZ 2311-D	1	R.H.
		C3TZ 2310-D	1	L.H.
81/83	Forward rear & rear rear axle - - w/Reyco susp. - CLT series	D8HZ 2310-H	1	R.H.
		D8HZ 2311-H	1	L.H.
81/83	Forward rear & rear rear axle - - w/Neway susp. LNT-LT-LTL-LTS series	D5HZ 2310-B	1	R.H.
		D5HZ 2311-B	1	L.H.
81/83	Forward rear & rear rear axle - - w/Neway susp. - CLT series	D8HZ 2310-C	1	R.H.
		D8HZ 2311-C	1	L.H.

1980/  
TRUCK SERIES 600/900

YEAR	RESTRICTIONS	PART NUMBER	QTY.	PART NAME AND DESCRIPTION
REAR BRAKE PARTS LIST NO. 14 -- Cont'd				
16 1/2 x 7 ROCKWELL CAM AIR BRAKES-AUTOMATIC ADJUSTMENT				
2310-11			BRACKET ASSY. (BRAKE CAMSHAFT)	
38M AXLE				
81/83	Forward rear & rear rear axle -- w/Hendrickson susp. -CLT Series	D8HZ 2310-F	1	R.H.
		D8HZ 2311-F	1	L.H.
81/83	Forward rear & rear rear axle -- w/Hendrickson susp.- LNT-LT-LTL-LTS, CT series	E0HZ 2310-A	1	R.H.
		E0HZ 2311-A	1	L.H.
81/82	Forward rear & rear rear axle -- w/Neway susp. CLT series	D8HZ 2310-G	1	R.H.
	"Before 3/82"	D8HZ 2311-G	1	L.H.
82/83	Forward rear & rear rear axle -- w/Neway susp. CLT series	E2HZ 2310-G	1	R.H.
	"From 3/82"	E2HZ 2311-G	1	L.H.
81/83	Forward rear & rear rear axle -- w/Neway susp. LNT-LT-LTL-LTS series	E0HZ 2310-B	1	R.H.
		E0HZ 2311-B	1	L.H.
81/83	Forward rear & rear rear axle -- w/Reyco susp. CLT series	D8HZ 2310-J	1	R.H.
		D8HZ 2311-J	1	L.H.
81/83	Forward rear & rear rear axles -- w/Reyco susp. LNT-LT-LTL-LTS series	E0HZ 2310-A	1	R.H.
		E0HZ 2311-A	1	L.H.
44M AXLE				
81/83	Forward rear & rear rear axle -- w/Hendrickson susp. CLT series	D8HZ 2310-F	1	R.H.
		D8HZ 2311-F	1	L.H.
81/83	Forward rear & rear rear axles -- w/Hendrickson susp. LNT-LT-LTL-LTS series	E0HZ 2310-A	1	R.H.
		E0HZ 2311-A	1	L.H.
2A311			SEAL (BRAKE CAMSHAFT OIL)	
81/83		E0HZ 2A311-A	4	
2314-15			ADJUSTER ASSY. (BRAKE AUTOMATIC)	
81/82	"Before 3/82"	D8HZ 2314-C	1	R.H.
		D8HZ 2315-C	1	L.H.
82/83	"From 3/82"	E2HZ 2314-C	1	R.H.
		E2HZ 2315-C	1	L.H.
2316-17			CAMSHAFT (BRAKE)	
81	All exc. CL series w/23M axle & steel spring susp. all exc. CLT series w/34M, 38M axle & Reyco susp.	E1HZ 2316-A	1	R.H.
	"Before 3/15/81"	E1HZ 2317-E	1	L.H.
81/83	All exc. CL series w/23M axle & steel spring susp. All exc. CLT series w/34M, 38M axle & Reyco susp.	E1HZ 2316-E	1	R.H.
	"From 3/15/81"	E1HZ 2317-E	1	L.H.

1980/  
TRUCK SERIES 600/900

YEAR	RESTRICTIONS	PART NUMBER	QTY.	PART NAME AND DESCRIPTION
<b>REAR BRAKE PARTS LIST NO. 14 — Cont'd</b>				
<b>16 1/2 x 7 ROCKWELL CAM AIR BRAKES—AUTOMATIC ADJUSTMENT</b>				
		2316-17		CAMSHAFT (BRAKE)
81	All CL series w/23M axle & steel spring susp. all CLT series w/34M, 38M axles Reyco susp. "Before 3/15/81"	E1HZ 2316-C	1	R.H.
		E1HZ 2317-H	1	L.H.
81/83	All CL series w/23M Axle & steel spring susp. All CLT series w/34M, 38M axles & Reyco susp. "From 3/15/81"	E1HZ 2316-G	1	R.H.
		E1HZ 2317-G	1	L.H.
		2318		RING (BRAKE CAMSHAFT RETAINER EXTERNAL)
		E1HZ 2318-A	2	
		2333		PIN (BRAKE SHOE ANCHOR)
81/83		E1HZ 2333-A	4	
		2341		PIN (BRAKE SHOE RETRACTING SPRING)
81/83		B8QH 2341-A	2	
		2356		RETAINER (BRAKE SHOE ROLLER)
81/83		E1HZ 2356-A	2	
<b>REAR BRAKE PARTS LIST NO. 15</b>				
<b>16 1/2 x 7 EATON CAM AIR BRAKE - MANUAL ADJUSTERS</b>				
		2045		PIN (BRAKE SHOE TO CAM ROLLER)
83/		B5QH 2045-A	4	
		2125		SPRING (BRAKE SHOE RETAINER)
83/		C6TZ 2125-A	4	
		2130		●BRAKE ADJUSTER RETAINING WASHER KIT
83/		B1QH 2130-A	AR	
		2130		WASHER (SLACK ADJUSTER INNER)
83/		C8TZ 2130-A	2	
		2211-12		SPIDER ASSY. (BRAKE CARRIER)
83/		E3HZ 2211-A	1	R.H.
		E3HZ 2212-A	1	L.H.
		2214		DUST SHIELD (BRAKE CARRIER)
83/		D3HZ 2214-C	2	
		2218		SHOE AND LINING ASSY. (BRAKE)
83/		E3HZ 2218-A	4	
		2296		SPRING (BRAKE SHOE RETRACTING)
83/		C8TZ 2296-A	2	
		2310-11		BRACKET ASSY. (BRAKE CAMSHAFT)
83/		C8TZ 2310-B	1	R.H.
		C8TZ 2311-B	1	L.H.
		2315		ADJUSTER ASSY. (BRAKE)
83/		C5TZ 2315-A	2	
		2316-17		CAMSHAFT (BRAKE)
83/		C8TZ 2316-B	1	R.H.
		C8TZ 2317-B	1	L.H.
		2318		SNAP RING (CAMSHAFT)
83/		E2HZ 2318-A	2	
		2359		ROLLER (BRAKE SHOE ANCHOR PIN)
83/		B5QH 2359-A	4	

**1980/  
TRUCK SERIES 600/900**

YEAR	RESTRICTIONS	PART NUMBER	QTY.	PART NAME AND DESCRIPTION
REAR BRAKE PARTS LIST NO. 16				
16 1/2 x 7 EATON CAM AIR BRAKES - AUTOMATIC ADJUSTERS				
		2045		PIN (BRAKE SHOE TO CAM ROLLER)
83/		B5QH 2045-A	4	
		2125		SPRING (BRAKE SHOE RETAINER)
83/		C6TZ 2125-A	4	
		2130		●BRAKE ADJUSTER RETAINING WASHER KIT
83/		B1QH 2130-A	AR	
		2130		WASHER (SLACK ADJUSTER INNER)
83/		C8TZ 2130-A	4	
		2211-12		SPIDER ASSY. (BRAKE CARRIER)
83/		E3HZ 2211-B	1	R.H.
		E3HZ 2212-B	1	L.H.
		2214		DUST SHIELD (BRAKE CARRIER)
83/		D3HZ 2214-C	2	
		2218		SHOE AND LINING ASSY. (BRAKE)
83/		E3HZ 2218-A	4	
		2296		SPRING (BRAKE SHOE RETRACTING)
83/		C8TZ 2296-A	2	
		2310-11		BRAKE ASSY. (BRAKE CAMSHAFT)
83/		D8HZ 2310-B	1	R.H.
		D8HZ 2311-B	1	L.H.
		2314-15		ADJUSTER ASSY. (BRAKE)
83/		E2HZ 2314-A	1	R.H.
		E2HZ 2315-B	1	L.H.
		2316-17		CAMSHAFT (BRAKE)
83/		D8HZ 2316-A	1	R.H.
		D8HZ 2317-A	1	L.H.
		2318		SNAP RING (CAMSHAFT)
83/		E2HZ 2318-A	2	
		2359		ROLLER (BRAKE SHOE ANCHOR PIN)
83/		B5QH 2359-A	4	
REAR BRAKE PARTS LIST NO. 17				
16 1/2 x 7 EATON CAM AIR BRAKES - MANUAL ADJUSTERS				
		2045		PIN (BRAKE SHOE RETAINER)
83/		B5QH 2045-A	4	
		2125		SPRING (BRAKE SHOE RETAINER)
83/		C6TZ 2125-A	4	
		2130		●BRAKE ADJUSTER RETAINING WAHSER KIT
83/		B1QH 2130-A	AR	
		2130		WASHER (SLACK ADJUSTER INNER)
83/		C8TZ 2130-A	2	
		2211-12		SPIDER ASSY. (BRAKE CARRIER)
83/		E3HZ 2211-A	1	R.H.
		E3HZ 2212-A	1	L.H.
		2214		DUST SHIELD (BRAKE CARRIER)
83/		D3HZ 2214-C	2	
		2218		SHOE AND LINING ASSY. (BRAKE)
83/		E3HZ 2218-A	4	
		2296		SPRING (BRAKE SHOE RETRACTING)
83/		C8TZ 2296-A	2	
		2310-11		BRACKET ASSY. (BRAKE CAMSHAFT)
83/		E3HZ 2310-A	1	R.H.
		E3HZ 2311-A	1	L.H.
		2315		ADJUSTER ASSY. (BRAKE)
83/		C5TZ 2315-A	2	

1980/  
TRUCK SERIES 600/900

YEAR	RESTRICTIONS	PART NUMBER	QTY.	PART NAME AND DESCRIPTION
<b>REAR BRAKE PARTS LIST NO. 17 — Cont'd</b>				
<b>16 1/2 x 7 EATON CAM AIR BRAKES-MANUAL ADJUSTERS</b>				
2316-17 CAMSHAFT (BRAKE)				
83/		D8HZ 2316-A	1	R.H.
		D8HZ 2317-A	1	L.H.
2318 SNAP RING (CAMSHAFT)				
83/		E2HZ 2318-A	2	
2359 ROLLER (BRAKE SHOE ANCHOR PIN)				
83/		B5QH 2359-A	4	
<b>REAR BRAKE PARTS LIST NO. 18</b>				
<b>16 1/2 x 7 EATON CAM AIR BRAKES - AUTOMATIC ADJUSTERS</b>				
2045 PIN (BRAKE SHOE TO CAM ROLLER)				
83/		B5QH 2045-A	4	
2125 SPRING (BRAKE SHOE RETAINER)				
83/		C6TZ 2125-A	4	
2130 ●BRAKE ADUSTER RETAINING WASHER KIT				
83/		B1QH 2130-A	AR	
2130 WASHER (SLACK ADJUSTER INNER)				
83/		C8TZ 2130-A	2	
2211-12 SPIDER ASSY. (BRAKE CARRIER)				
83/		E3HZ 2211-A	1	R.H.
		E3HZ 2212-A	1	L.H.
2214 DUST SHIELD (BRAKE CARRIER)				
83/		D3HZ 2214-C	2	
2218 SHOE AND LINING ASSY. BRAKE				
83/		E3HZ 2218-A	4	
2296 SPRING (BRAKE SHOE RETRACTING)				
83/		C8TZ 2296-A	2	
2310-11 BRACKET ASSY. (BRAKE CAMSHAFT)				
83/		E3HZ 2310-A	1	R.H.
		E3HZ 2311-A	1	L.H.
2315 ADJUSTER ASSY. (BRAKE)				
83/		E2HZ 2315-B	2	
2316-17 CAMSHAFT (BRAKE)				
83/		D8HZ 2316-A	1	R.H.
		D8HZ 2317-A	1	L.H.
2318 SNAP RING (CAMSHAFT)				
83/		E2HZ 2318-A	2	
2359 ROLLER (BRAKE SHOE ANCHOR PIN)				
83/		B5QH 2359-A	4	
<b>PARTS LIST NO. 19</b>				
<b>15 x 5 LUCAS HYDRAULIC BRAKES</b>				
2007 ● LINING KIT (BRAKE SHOE)				
84/85		E4HZ 2007-H	1	
86/		E6HZ 2007-D	1	
2B024 WEDGE ASSY. (BRAKE ACTUATOR)				
84/86	"Before 11/85"	E4HZ 2B024-A	2	
86/	"From 11/85"	E6HZ 2B024-A	2	
2092 COVER (BRAKE INSPECTOR HOLE)				
84/		E4HZ 2092-A	4	
2B107 REPAIR KIT (WHEEL CYLINDER)				
84/86	"Before 11/85"	E6HZ 2B107-D	2	Expander kit
86/	"From 11/85"	E6HZ 2B107-C	2	Expander kit
84/		E4HZ 2B107-D	2	Wheel cylinder



1980/  
TRUCK SERIES 600/900

YEAR	RESTRICTIONS	PART NUMBER	QTY.	PART NAME AND DESCRIPTION
PARTS LIST NO. 19 — Cont'd				
15 x 5 LUCAS HYDRAULIC BRAKES				
		2C197	PISTON KIT (WHEEL CYLINDER)	
84/88	"Before 9/88"	E4HZ 2C197-B	1	L.H.
84/88	"Before 9/88"	E4HZ 2C197-A	1	R.H.
88/	"From 9/88"	E4HZ 2C197-F	1	L.H.
88/	"From 9/88"	E4HZ 2C197-E	1	R.H.
		2C198	EXPANDER ASSY. (BRAKE)	
84/86	"Before 11/85"	E4HZ 2C198-F	1	R.H.
84/86	"Before 11/85"	E4HZ 2C198-E	1	L.H.
86/	"From 11/85"	E6HZ 2C198-F	1	R.H.
86/	"From 11/85"	E6HZ 2C198-E	1	L.H.
		2D198	HOUSING ASSY. (EXPANDER BRAKE)	
84/		E6HZ 2D198-A	1	R.H.-1 5/8"
		E6HZ 2D198-B	1	L.H.
		E6HZ 2D198-C	1	R.H.-1 3/4"
		E6HZ 2D198-D	1	L.H.
		2L198	SEAL KIT (ADJUSTER AND EXPANDER CYLINDER)	
84/		E4HZ 2L198-A	1	
		E4HZ 2L198-B	1	
		2C199	ADJUSTING ASSY. (BRAKE)	
84/		E4HZ 2C199-A	2	
		2200	SHOE AND LINING KIT (BRAKE)	
84/	22,000 and over G.V.W.	E4HZ 2200-A	2	
86/	Under 22,000 G.V.W.	E6HZ 2200-B	2	
		2C200	ADJUSTER ASSY. (BRAKE PISTON)	
84/88	"Before 9/88"	E4HZ 2C200-A	2	
88/	"From 9/88"	E4HZ 2C200-C	2	
		2201	BOOT (BRAKE CYLINDER PISTON)	
84/88	"Before 9/88"	E4HZ 2201-A	2	Expander
88/	"From 9/88"	E4HZ 2201-C	2	Expander
84/		E4HZ 2201-B	2	Cylinder
		2C201	INSERT (BRAKE PORT)	
84/		E4HZ 2C201-A	2	
		2208	SCREW (BRAKE CYLINDER BLEEDER)	
84/		E4HZ 2208-A	2	
		2211-12	SPIDER ASSY. (BRAKE CARRIER)	
84/		E4HZ 2211-E	1	R.H.
		E4HZ 2212-E	1	L.H.
		2261-62	CYLINDER ASSY. (BRAKE)	
84/		E4HZ 2261-C	1	R.H.
84/		E4HZ 2262-C	1	L.H.
		2267-68	TUBE ASSY. (BRAKE)	
84/		E4HZ 2267-A	1	R.H.
84/		E4HZ 2268-A	1	L.H.
		2276	BOLT (CYLINDER CONNECTING)	
84/		E4HZ 2276-A	2	
		2296-97	SPRING (BRAKE SHOE RETRACTING)	
84/		E4HZ 2296-A	1	R.H.
84/		E4HZ 2297-A	1	L.H.
PARTS LIST NO. 20				
15 x 6 LUCAS HYDRAULIC BRAKES				
		2007	● LINING KIT (BRAKE SHOE)	
84/85		E4HZ 2007-J	2	
86/		E6HZ 2007-E	1	
		2B024	WEDGE ASSY. (BRAKE ACTUATOR)	
84/86	"Before 11/85"	E4HZ 2B024-A	2	
86/	"From 11/85"	E6HZ 2B024-A	2	

## 1980/ TRUCK SERIES 600/900

YEAR	RESTRICTIONS	PART NUMBER	QTY.	PART NAME AND DESCRIPTION
<b>PARTS LIST NO. 20 — Cont'd</b>				
<b>15 x 6 LUCAS HYDRAULIC BRAKES</b>				
<b>2092 COVER (BRAKE INSPECTION HOLE)</b>				
84/		E4HZ 2092-A	4	
<b>2B107 REPAIR KIT (WHEEL CYLINDER)</b>				
84/	15M -- exc. w/8M front axle	E6HZ 2B107-D	2	Expander kit
84/	15M -- exc. w/8M front axle	E4HZ 2B107-D	2	Wheel cylinder
84/	15M (w/8M front axle)	E6HZ 2B107-C	2	Expander kit
	17M,18M,19M			
84/	15M (w/8M front axle)	E4HZ 2B107-C	2	Wheel cylinder
	17M,18M,19M			
<b>2C197 PISTON KIT (WHEEL CYLINDER)</b>				
84/88	15M -- exc. w/8M front axle	E4HZ 2C197-C	1	L.H.
	"Before 9/88"			
84/88	15M -- exc. w/8M front axle	E4HZ 2C197-D	1	R.H.
	"Before 9/88"			
84/88	15M (w/8M front axle)	E4HZ 2C197-A	1	R.H.
	17M,18M,19M "Before 9/88"			
84/88	15M (w/8M front axle)	E4HZ 2C197-B	1	L.H.
	17M,18M,19M "Before 9/88"			
88/	15M -- exc. w/8M front axle	E4HZ 2C197-G	1	L.H.
	"From 9/88"			
88/	15M -- exc. w/8M front axle	E4HZ 2C197-H	1	R.H.
	"From 9/88"			
88/	15M (w/8M front axle)	E4HZ 2C197-E	1	R.H.
	17M,18M,19M "From 9/88"			
88/	15M (w/8M front axle)	E4HZ 2C197-F	1	L.H.
	17M,18M,19M "From 9/88"			
<b>2C198 EXPANDER ASSY. (BRAKE)</b>				
84/	15M -- exc. w/8M front axle	E4HZ 2C198-H	1	R.H.
	"From 9/88"			
84/	15M -- exc. w/8M front axle	E4HZ 2C198-G	1	L.H.
	"From 9/88"			
84/86	15M (w/8M front axle)	E4HZ 2C198-F	1	R.H.
	17M,18M,19M,34M "Before 11/85"			
84/86	15M (w/8M front axle)	E4HZ 2C198-E	1	L.H.
	17M,18M,19M,34M "Before 11/85"			
86/	15M (w/8M front axle)	E6HZ 2C198-F	1	R.H.
	17M,18M,19M,34M "From 11/85"			
86/	15M (w/8M front axle)	E6HZ 2C198-E	1	L.H.
	17M,18M,19M,34M "From 11/85"			
<b>2D198 HOUSING ASSY. (EXPANDER BRAKE)</b>				
84/		E6HZ 2D198-A	1	R.H.—1 5/8"
		E6HZ 2D198-B	1	L.H.
		E6HZ 2D198-C	1	R.H.—1 3/4"
		E6HZ 2D198-D	1	L.H.
<b>2L198 SEAL KIT (ADJUSTER AND EXPANDER CYLINDER)</b>				
		E4HZ 2L198-A	1	
		E4HZ 2L198-B	1	

1980/  
TRUCK SERIES 600/900

YEAR	RESTRICTIONS	PART NUMBER	QTY.	PART NAME AND DESCRIPTION
PARTS LIST NO. 20 — Cont'd				
15 x 6 LUCAS HYDRAULIC BRAKES				
		2C199	ADJUSTING ASSY (BRAKE)	
84/		E4HZ 2C199-A	2	
		2200	SHOE AND LINING (BRAKE)	
84/	22,000 and over G.V.W.	E4HZ 2200-B	1	
86/	Under 22,000 G.V.W.	E6HZ 2200-C	1	
		2C200	ADJUSTER ASSY. (BRAKE PISTON)	
84/88	15M -- exc. w/8M front axle "Before 9/88"	E4HZ 2C200-B	2	
84/88	15M (w/8M front axle) 17M,18M,19M "Before 9/88"	E4HZ 2C200-A	2	
88/	15M -- exc. w/8M front axle "From 9/88"	E4HZ 2C200-D	2	
88/	15M (w/8M front axle) 17M,18M,19M "From 9/88"	E4HZ 2C200-C	2	
		2201	BOOT (BRAKE CYLINDER PISTON)	
84/88	"Before 9/88"	E4HZ 2201-A	2	Expander
88/	"From 9/88"	E4HZ 2201-C	2	Expander
84/		E4HZ 2201-B	2	Cylinder
		2C201	INSERT (BRAKE PORT)	
84/		E4HZ 2C201-A	2	
		2208	SCREW (BRAKE CYLINDER BLEEDER)	
84/		E4HZ 2208-A	2	
		2211-12	SPIDER ASSY. (BRAKE CARRIER)	
		E4HZ 2211-F	1	R.H.
		E4HZ 2212-F	1	L.H.
		2261-62	CYLINDER ASSY. (BRAKE)	
84/88	15M -- exc. w/8M front axle "Before 9/88"	E4HZ 2261-B	1	R.H.
84/88	15M -- exc. w/8M front axle "Before 9/88"	E4HZ 2262-B	1	L.H.
84/88	15M (w/8M front axle) 17M,18M,19M "Before 9/88"	E4HZ 2261-A	1	R.H.
84/88	15M (w/8M front axle) 17M,18M,19M "Before 9/88"	E4HZ 2262-A	1	L.H.
88/	15M -- exc. w/8M front axle "From 9/88"	E4HZ 2261-D	1	R.H.
88/	15M -- exc. w/8M front axle "From 9/88"	E4HZ 2262-D	1	L.H.
88/	15M (w/8M front axle) 17M,18M,19M "From 9/88"	E4HZ 2261-C	1	R.H.
88/	15M (w/8M front axle) 17M,18M,19M "From 9/88"	E4HZ 2262-C	1	L.H.
		2267-68	TUBE ASSY. (BRAKE)	
84/		E4HZ 2267-A	1	R.H.
84/		E4HZ 2268-A	1	L.H.
		2276	BOLT (CYLINDER CONNECTING)	
84/		E4HZ 2276-A	2	
		2296-97	SPRING (BRAKE SHOE RETRACTING)	
84/		E4HZ 2296-A	1	R.H.
84/		E4HZ 2297-A	1	L.H.
PARTS LIST NO. 21				
15 x 7 LUCAS HYDRAULIC BRAKES				
		2007	● LINING KIT (BRAKE SHOE)	
84/	22M axle	E4HZ 2007-L	2	
84/	17.5M,18.5M,34M axles	E4HZ 2007-K	2	

1980/  
TRUCK SERIES 600/900

YEAR	RESTRICTIONS	PART NUMBER	QTY.	PART NAME AND DESCRIPTION
PARTS LIST NO. 21 — Cont'd				
15 x 7 LUCAS HYDRAULIC BRAKES				
2B024 WEDGE ASSY. (BRAKE ACTUATOR)				
84/86	"Before 11/85"	E4HZ 2B024-A	2	
86/	"From 11/85"	E6HZ 2B024-A	2	
2092 COVER (BRAKE INSPECTION HOLE)				
84/		E4HZ 2092-A	2	
2B107 REPAIR KIT (WHEEL CYLINDER)				
84/	17.5M,18M,22M axles	E6HZ 2B107-C	2	Expander kit
84/	34M axle "From 11/85"	E6HZ 2B107-D	2	Expander kit
84/	17.5M,18.5M,22M axles	E4HZ 2B107-C	2	Wheel cylinder
84/	34M axle	E4HZ 2B107-D	2	Wheel cylinder
2C197 PISTON KIT (WHEEL CYLINDER)				
84/88	17.5M,18.5M,22M axles "Before 9/88"	E4HZ 2C197-A	1	R.H.
84/88	17.5M,18.5M,22M axles "Before 9/88"	E4HZ 2C197-B		L.H.
84/88	34M axle "Before 9/88"	E4HZ 2C197-C	1	L.H.
84/88	34M axle "Before 9/88"	E4HZ 2C197-D	1	R.H.
88/	17.5M,18.5M,22M axles "From 9/88"	E4HZ 2C197-E	1	R.H.
88/	17.5M,18.5M,22M axles "From 9/88"	E4HZ 2C197-F	1	L.H.
88/	34M axle "From 9/88"	E4HZ 2C197-G	1	L.H.
88/	34M axle "From 9/88"	E4HZ 2C197-H	1	R.H.
2C198 EXPANDER ASSY. (BRAKE)				
84/86	17M,18.5M,22M axles "Before 11/85"	E4HZ 2C198-F	1	R.H.
84/86	17M,18.5M,22M axles "Before 11/85"	E4HZ 2C198-E	1	L.H.
84/86	34M axle "Before 11/85"	E4HZ 2C198-H	1	R.H.
84/86	34M axle "Before 11/85"	E4HZ 2C198-G	1	L.H.
86/	17M,18.5M,22M axles "From 11/85"	E6HZ 2C198-F	1	R.H.
86/	17M,18.5M,22M axles "From 11/85"	E6HZ 2C198-E	1	L.H.
86/	34M axle "From 11/85"	E6HZ 2C198-H	1	R.H.
86/	34M axle "From 11/85"	E6HZ 2C198-G	1	L.H.
2D198 HOUSING ASSY. (EXPANDER BRAKE)				
84/		E6HZ 2D198-A	1	R.H.-1 5/8"
		E6HZ 2D198-B	1	L.H.
		E6HZ 2D198-C	1	R.H.-1 3/4"
		E6HZ 2D198-D	1	L.H.
2L198 SEAL KIT (ADJUSTER AND EXPANDER CYLINDER)				
		E4HZ 2L198-A	1	
		E4HZ 2L198-B	1	
2C199 ADJUSTING ASSY. (BRAKE)				
84/		E4HZ 2C199-A	2	
2200 SHOE AND LINING (BRAKE)				
84/	17.5M,18.5M,21M,34M axles	E4HZ 2200-C	2	
84/	22M axles	E4HZ 2200-D	2	

**1980/  
TRUCK SERIES 600/900**

YEAR	RESTRICTIONS	PART NUMBER	QTY.	PART NAME AND DESCRIPTION
PARTS LIST NO. 21 — Cont'd				
15 x 7 LUCAS HYDRAULIC BRAKES				
2C200				
ADJUSTER ASSY. (BRAKE PISTON)				
84/88	17.5m,18.5m,22m axles "Before 9/88"	E4HZ 2C200-A	2	
84/88	34M axle "Before 9/88"	E4HZ 2C200-B	2	
88/	17.5M,18.5M,22M axles "From 9/88"	E4HZ 2C200-C	2	
88/	34M axle "From 9/88"	E4HZ 2C200-D	2	
2201				
BOOT (BRAKE CYLINDER PISTON)				
84/88	"Before 9/88"	E4HZ 2201-A	2	Expander
88/	"From 9/88"	E4HZ 2201-C	2	Expander
84/		E4HZ 2201-B	2	Cylinder
2C201				
INSERT (BRAKE PORT)				
84/		E4HZ 2C201-A	2	
2208				
SCREW (BRAKE CYLINDER BLEEDER)				
84/		E4HZ 2208-A	2	
2211-12				
SPIDER ASSY. (BRAKE CARRIER)				
		E4HZ 2211-F	1	R.H.
		E4HZ 2212-F	1	L.H.
2261-62				
CYLINDER ASSY. (BRAKE)				
84/88	17.5M,18.5M,22M axles "Before 9/88"	E4HZ 2261-A	1	R.H.
84/88	34M axle "Before 9/88"	E4HZ 2261-B	1	R.H.
84/88	17.5M,18.5M,22M axles "Before 9/88"	E4HZ 2262-A	1	L.H.
84/88	34M axle "Before 9/88"	E4HZ 2262-B	1	L.H.
88/	17.5M,18.5M,22M axles "From 9/88"	E4HZ 2261-C	1	R.H.
88/	17.5M,18.5M,22M axles "From 9/88"	E4HZ 2262-C	1	L.H.
88/	34M axle "From 9/88"	E4HZ 2261-D	1	R.H.
88/	34M axle "From 9/88"	E4HZ 2262-D	1	L.H.
2267-68				
TUBE ASSY. (BRAKE)				
84/		E4HZ 2267-A	1	R.H.
84/		E4HZ 2268-A	1	L.H.
2276				
BOLT (CYLINDER CONNECTING)				
84/		E4HZ 2276-A	2	
2296-97				
SPRING (BRAKE SHOE RETRACTING)				
84/		E4HZ 2296-A	1	R.H.
84/		E4HZ 2297-A	1	L.H.
PARTS LIST NO. 22				
16 1/2 x 7 EATON CAM AIR BRAKES-MANUAL ADJUSTERS				
2007				
LINING KIT (BRAKE SHOE)				
84/		E4HZ 2007-F	1	
2045				
PIN (BRAKE SHOE RETAINER)				
84/		B5QH 2045-A	4	
2125				
SPRING (BRAKE SHOE RETAINER)				
84/		C6TZ 2125-A	4	
2130				
●BRAKE ADJUSTER RETAINING WASHER KIT				
84/		B1QH 2130-A	AR	
2130				
WASHER (SLACK ADJUSTER INNER)				
84/		C8TZ 2130-A	2	
2N132				
LOCKWASHER (BRAKE CAMSHAFT BRACKET)				
84/		E2HZ 2N132-A	8	
2211-12				
SPIDER ASSY. (BRAKE CARRIER)				
84/		E4HZ 2211-A	1	R.H.
		E4HZ 2212-A	1	L.H.
2214				
DUST SHIELD (BRAKE CARRIER)				
84/		E4HZ 2214-A	2	

1980/  
TRUCK SERIES 600/900

YEAR	RESTRICTIONS	PART NUMBER	QTY.	PART NAME AND DESCRIPTION
PARTS LIST NO. 22 — Cont'd				
16 1/2 x 7 EATON CAM AIR BRAKES—MANUAL ADJUSTERS				
		2218		SHOE AND LINING ASSY. (BRAKE)
84/		E4HZ 2218-B	4	
		2296		SPRING (BRAKE SHOE RETRACTING)
84/		C8TZ 2296-A	2	
		2310-11		BRACKET ASSY (BRAKE CAMSHAFT)
84/		E4HZ 2310-B	1	R.H.
		E4HZ 2311-B	1	L.H.
		2315		ADJUSTER ASSY. (BRAKE)
84/		E4HZ 2315-A	2	
		2316-17		CAMSHAFT (BRAKE)
84/		E4HZ 2316-A	1	R.H.
		E4HZ 2317-A	1	L.H.
		2318		SNAP RING (CAMSHAFT)
84/		E2HZ 2318-A	2	
		2359		ROLLER (BRAKE SHOE ANCHOR PIN)
84/		B5QH 2359-A	4	
PARTS LIST NO. 23				
16 1/2 x 7 EATON CAM AIR BRAKES—MANUAL ADJUSTERS				
		2007		LINING KIT (BRAKE SHOE)
84/		E4HZ 2007-F	1	
		2045		PIN (BRAKE SHOE RETAINER)
84/		B5QH 2045-A	4	
		2125		SPRING (BRAKE SHOE RETAINER)
84/		C6TZ 2125-A	4	
		2130		●BRAKE ADJUSTER RETAINING WASHER KIT
84/		B1QH 2130-A	AR	
		2130		WASHER (SLACK ADJUSTER INNER)
84/		C8TZ 2130-A	2	
		2N132		LOCKWASHER (BRAKE CAMSHAFT BRACKET)
84/		E2HZ 2N132-A	8	
		2211-12		SPIDER ASSY. (BRAKE CARRIER)
84/		E4HZ 2211-B	2	R.H. & L.H.
		2214		DUST SHIELD (BRAKE CARRIER)
84/		E4HZ 2214-A	2	
		2218		SHOE AND LINING ASSY. (BRAKE)
84/		E4HZ 2218-B	4	
		2296		SPRING (BRAKE SHOE RETRACTING)
84/		C8TZ 2296-A	2	
		2310-11		BRACKET ASSY. (BRAKE CAMSHAFT)
84/		E2HZ 2310-A	1	R.H.
		E2HZ 2311-A	1	L.H.
		2315		ADJUSTER ASSY. (BRAKE)
84/		E4HZ 2315-A	2	
		2316-17		CAMSHAFT (BRAKE)
84/		C8TZ 2316-B	1	R.H.
		C8TZ 2317-B	1	L.H.
		2318		SNAP RING (CAMSHAFT)
84/		E2HZ 2318-A	2	
		2359		ROLLER (BRAKE SHOE ANCHOR PIN)
84/		B5QH 2359-A	4	
PARTS LIST NO. 24				
16 1/2 x 7 EATON CAM AIR BRAKES—MANUAL ADJUSTERS				
		2007		LINING KIT (BRAKE SHOE)
84/		E4HZ 2007-F	1	
		2045		PIN (BRAKE SHOE RETAINER)
84/		B5QH 2045-A	4	
		2125		SPRING (BRAKE SHOE RETAINER)
84/		C6TZ 2125-A	4	

**1980/  
TRUCK SERIES 600/900**

YEAR	RESTRICTIONS	PART NUMBER	QTY.	PART NAME AND DESCRIPTION
PARTS LIST NO. 24 — Cont'd				
16 1/2 x 7 EATON CAM AIR BRAKES-MANUAL ADJUSTERS				
2130 ●BRAKE ADJUSTER RETAINING WASHER KIT				
84/		B1QH 2130-A	AR	
2130 WASHER (SLACK ADJUSTER INNER)				
84/		C8TZ 2130-A	2	
2N132 LOCKWASHER (BRAKE CAMSHAFT BRACKET)				
84/		E2HZ 2N132-A	8	
2211-12 SPIDER ASSY. (BRAKE CARRIER)				
84/		E4HZ 2211-A	1	R.H.
		E4HZ 2212-A	1	L.H.
84/		E4HZ 2214-A	2	
2218 SHOE AND LINING ASSY. (BRAKE)				
84/		E2HZ 2218-A	4	
2296 SPRING (BRAKE SHOE RETRACTING)				
84/		C8TZ 2296-A	2	
2310-11 BRACKET ASSY. (BRAKE CAMSHAFT)				
84/		E4HZ 2310-B	1	R.H.
		E4HZ 2311-B	1	L.H.
2315 ADJUSTER ASSY. (BRAKE)				
84/		E4HZ 2315-A	2	
2316-17 CAMSHAFT (BRAKE)				
84/		E4HZ 2316-A	1	R.H.
		E4HZ 2317-A	1	L.H.
2318 SNAP RING (CAMSHAFT)				
84/		E2HZ 2318-A	2	
2359 ROLLER (BRAKE SHOE ANCHOR PIN)				
84/		B5QH 2359-A	4	
PARTS LIST NO. 25				
16 1/2 x 7 ROCKWELL CAM AIR BRAKES-MANUAL ADJUSTERS				
2007 LINING KIT (BRAKE SHOE)				
84/		E4HZ 2007-E	1	
2B038 SEAL ASSY. (BRAKE SPIDER CAMSHAFT)				
84/		D5HZ 2B038-A	2	
2045 PIN (BRAKE SHOE TO CAM ROLLER)				
84/		B8QH 2045-A	2	
2B087 BUSHING (SHOE ANCHOR PIN)				
84/		C7TZ 2B087-A	4	
2092 COVER (DUST)				
84/		C3TZ 2092-A	4	
2125				
84/		E1HZ 2125-A	4	
2138 SPIDER (BRAKE CAMSHAFT ADJUSTER)				
84/		E1HZ 2138-A	2	Flat-2 3/8 O.D.-1 17/32 I.D.
		E1HZ 2138-B	2	Thick-5 13/16" long
		E1HZ 2138-C	6	
2211-12 SPIDER ASSY. (BRAKE CARRIER)				
84/		E4HZ 2211-D	1	R.H.
		E4HZ 2212-C	1	L.H.
2214-15 DUST SHIELD (BRAKE CARRIER)				
84/		E1HZ 2214-C	1	R.H.
		E1HZ 2215-C	1	L.H.
2218 SHOE AND LINING ASSY. (BRAKE)				
84/		E4HZ 2218-C	4	
2237 BUSHING (BRAKE CAMSHAFT)				
84/		B8QH 2237-B	2	
2296 SPRING (BRAKE SHOE RETRACTING)				
84/		D8HZ 2296-A	2	
2308 ADJUSTER ASSY. (BRAKE MANUAL)				
84/		E4HZ 2308-A	2	

**1980/  
TRUCK SERIES 600/900**

YEAR	RESTRICTIONS	PART NUMBER	QTY.	PART NAME AND DESCRIPTION
PARTS LIST NO. 25— Cont'd				
16 1/2 x 7 ROCKWELL CAM AIR BRAKES-MANUAL ADJUSTERS				
		2310-11		BRACKET ASSY. (BRAKE CAMSHAFT)
84/		D8HZ 2310-H	1	R.H.
		D8HZ 2311-H	1	L.H.
		2A311		SEAL (BRAKE CAMSHAFT OIL)
84/		E0HZ 2A311-A	2	
		2316-17		CAMSHAFT (BRAKE)
84/		E1HZ 2316-G	1	R.H.
		E1HZ 2317-G	1	L.H.
		2318		RING (BRAKE CAMSHAFT RETAINER EXTERNAL)
84/		E1HZ 2318-A	2	
		2333		PIN (BRAKE SHOE ANCHOR)
84/		E1HZ 2333-A	4	
		2341		PIN (BRAKE SHOE RETRACTING SPRING)
84/		B8QH 2341-A	2	
		2356		RETAINER (BRAKE SHOE ROLLER)
84/		E2HZ 2356-A	2	
PARTS LIST NO. 26				
16 1/2 x 7 ROCKWELL CAM AIR BRAKES-MANUAL ADJUSTERS				
		2007		LINING KIT (BRAKE SHOE)
84/		E4HZ 2007-E	1	
		2B038		SEAL ASSY. (BRAKE SPIDER CAMSHAFT)
84/		D5HZ 2B038-A	2	
		2045		PIN (BRAKE SHOE TO CAM ROLLER)
84/		B8QH 2045-A	2	
		2B087		BUSHING (SHOE ANCHOR PIN)
84/		C7TZ 2B087-A	4	
		2092		COVER (DUST)
84/		C3TZ 2092-A	4	
		2125		SPRING (BRAKE SHOE RETAINER)
84/		E1HZ 2125-A	4	
		2138		SPACER (BRAKE CAMSHAFT ADJUSTER)
84/		E1HZ 2138-A	2	Flat-2 3/8" O.D. 1 17/32 I.D.
		E1HZ 2138-B	2	Thick-5 13/16 long
		E1HZ 2138-C	6	
		2211-12		SPIDER ASSY. (BRAKE CARRIER)
84/		E4HZ 2211-C	1	R.H.
		E4HZ 2212-B	1	L.H.
		2214-15		DUST SHIELD (BRAKE CARRIER)
84/		E1HZ 2214-C	1	R.H.
		E1HZ 2215-C	1	L.H.
		2218		SHOE AND LINING ASSY. (BRAKE)
84/		E4HZ 2218-C	4	
		2237		BUSHING (BRAKE CAMSHAFT)
84/		B8QH 2237-B	2	
		2296		SPRING (BRAKE SHOE RETRACTING)
84/		D8HZ 2296-A	2	
		2308		ADJUSTER ASSY. (BRAKE MANUAL)
84/		E4HZ 2308-A	2	
		2310-11		BRACKET ASSY. (BRAKE CAMSHAFT)
84/		C3TZ 2310-D	1	R.H.
		C3TZ 2311-D	1	L.H.
		2A311		SEAL (BRAKE CAMSHAFT OIL)
84/		E0HZ 2A311-A	2	
		2316-17		CAMSHAFT (BRAKE)
84/		E1HZ 2316-E	1	R.H.
		E1HZ 2317-E	1	L.H.
		2318		RING (BRAKE CAMSHAFT RETAINER EXTERNAL)
84/		E1HZ 2318-A	2	
		2333		PIN (BRAKE SHOE ANCHOR)
84/		E1HZ 2333-A	4	

October, 1993

COPYRIGHT © 1993 - FORD MOTOR - DEARBORN, MICHIGAN  
COMPANY

Final Issue



**1980/  
TRUCK SERIES 600/900**

YEAR	RESTRICTIONS	PART NUMBER	QTY.	PART NAME AND DESCRIPTION
PARTS LIST NO. 26 — Cont'd				
16 1/2 x 7 ROCKWELL CAM AIR BRAKES-MANUAL ADJUSTERS				
		2341		PIN (BRAKE SHOE RETRACTING SPRING)
84/		B8QH 2341-A	2	
		2356		RETAINER (BRAKE SHOE ROLLER)
84/		E2HZ 2356-A	2	
PARTS LIST NO. 27				
16 1/2 x 7 ROCKWELL CAM AIR BRAKES-MANUAL ADJUSTERS				
		2007		LINING KIT (BRAKE SHOE)
84/		E1HZ 2007-B	1	
		2B038		SEAL ASSY. (BRAKE SPIDER CAMSHAFT)
84/		D5HZ 2B038-A	2	
		2045		PIN (BRAKE SHOE TO CAM ROLLER)
84/		B8QH 2045-A	2	
		2B087		BUSHING (SHOE ANCHOR PIN)
84/		C7TZ 2B087-A	4	
		2092		COVER (DUST)
84/		C3TZ 2092-A	4	
		2125		SPRING (BRAKE SHOE RETAINER)
84/		E1HZ 2125-A	4	
		2138		SPACER (BRAKE CAMSHAFT ADJUSTER)
84/		E1HZ 2138-A	2	Flat-2 3/8" O.D.-1 17/32 I.D.
		E1HZ 2138-B	2	Thick-4 13/16" long
		E1HZ 2138-C	6	
		2211-12		SPIDER ASSY. (BRAKE CARRIER)
84/		E4HZ 2211-D	1	R.H.
		E4HZ 2212-C	1	L.H.
		2214-15		DUST SHIELD (BRAKE CARRIER)
84/		E1HZ 2214-C	1	R.H.
		E1HZ 2215-C	1	L.H.
		2218		SHOE AND LINING ASSY. (BRAKE)
84/		E4HZ 2218-A	4	
		2237		BUSHING (BRAKE CAMSHAFT)
84/		B8QH 2237-B	2	
		2296		SPRING (BRAKE SHOE RETRACTING)
84/		D8HZ 2296-A	2	
		2308		ADJUSTER ASSY. (BRAKE MANUAL)
84/		E1HZ 2308-A	2	
		2310-11		BRACKET ASSY. (BRAKE CAMSHAFT)
84/		D8HZ 2310-H	1	R.H.
		D8HZ 2311-H	1	L.H.
		2A311		SEAL (BRAKE CAMSHAFT OIL)
84/		E0HZ 2A311-A	2	
		2316-17		CAMSHAFT (BRAKE)
84/		E1HZ 2316-G	1	R.H.
		E1HZ 2317-G	1	L.H.
		2318		RING (BRAKE CAMSHAFT RETAINER EXTERNAL)
84/		E1HZ 2318-A	2	
		2333		PIN (BRAKE SHOE ANCHOR)
84/		E1HZ 2333-A	4	
		2341		PIN (BRAKE SHOE RETRACTING SPRING)
84/		B8QH 2341-A	2	
		2356		RETAINER (BRAKE SHOE ROLLER)
84/		E2HZ 2356-A	2	
PARTS LIST NO. 28				
16 1/2 x 7 BENDIX CAM AIR BRAKES				
86/		E6HZ 2007-K	1	Lining kit (brake)
86/		E6HZ 2023-B	1	Roller kit (air brake slave)
86/		E6HZ 2045-A	1	Pin kit (brake shoe to cam. roller)
86		E6HZ 2200-A	1	Shoe and lining kit (brake)
87/		E7HZ 2200-B	1	Shoe and lining set (brake)

**1980/  
TRUCK SERIES 600/900**

YEAR	RESTRICTIONS	PART NUMBER	QTY.	PART NAME AND DESCRIPTION
<b>PARTS LIST NO. 28 — Cont'd</b>				
<b>16 1/2 x 7 BENDIX CAM AIR BRAKES</b>				
86/		E6HZ 2211-A	2	Spider assy. (brake carrier)
86/		E8HZ 2214-A	1	Dust shield kit (brake)
86/		E6HZ 2237-B	1	Bushing kit (brake camshaft)
86/		E6HZ 2296-A	1	Spring kit (brake shoe retracting)
86/		E6HZ 2310-A	1	Bracket kit (brake camshaft)-R.H.
86/		E6HZ 2311-A	1	Bracket kit (brake camshaft)-L.H.
87/		E7HZ 2314-A	2	Adjuster assy. (brake)-automatic
86/		C5TZ 2315-A	2	Adjuster assy. (brake)-manual
86/		E6HZ 2316-A	1	Camshaft kit (brake)-R.H.
87/		E7HZ 2316-B	1	Camshaft kit (brake)-R.H.
86/		E6HZ 2317-A	1	Camshaft kit (brake)-L.H.
87/		E7HZ 2317-B	1	Camshaft kit (brake)-L.H.
<b>PARTS LIST NO. 29</b>				
<b>16 1/2 x 7 EATON CAM AIR BRAKES-MANUAL ADJUSTERS</b>				
				2007 Lining Kit (Brake Shoe)
86/		E4HZ 2007-F	1	
				2045 Pin (Brake Shoe Retainer)
86/		B5QH 2045-A	4	
				2125 Spring (Brake Shoe Retainer)
86/		C6TZ 2125-A	4	
				2130 Brake Adjuster Retaining Washer Kit
86/		B1QH 2130-A	AR	
				2130 Washer (Slack Adjuster Inner)
86/		C8TZ 2130-A	2	
				2N132 Lockwasher (Brake Camshaft Bracket)
86/		E2HZ 2N132-A	8	
				2211-12 Spider Assy. (Brake Carrier)
86/		E6HZ 2211-B	1	R.H.
		E6HZ 2212-A	1	L.H.
				2214 Dustshield (Brake Carrier)
86/		E6HZ 2214-B	2	
				2218 Shoe and Lining Assy. (Brake)
86/		E6HZ 2218-A	4	
				2296 Spring (Brake Shoe Retracting)
86/		E6HZ 2296-B	2	
				2310-11 Bracket Assy. (Brake Camshaft)
86/		E2HZ 2310-F	1	R.H.
		E2HZ 2311-F	1	L.H.
				2315 Adjuster Assy. (Brake)
86/		E4HZ 2315-A	2	
				2316-17 Camshaft (Brake)
86/		C8TZ 2316-B	1	R.H.
		C8TZ 2317-B	1	L.H.
				2318 Snap Ring (Camshaft)
86/		E2HZ 2318-A	2	
				2359 Roller (Brake Shoe Anchor Pin)
86/		B5QH 2359-A	4	
<b>PARTS LIST NO. 30</b>				
<b>16 1/2 x 7 EATON CAM AIR BRAKES-MANUAL ADJUSTERS</b>				
				2007 Lining Kit (Brake Shoe)
86/		E4HZ 2007-F	1	
				2045 Pin (Brake Shoe Retainer)
86/		B5QH 2045-A	4	
				2125 Spring (Brake Shoe Retainer)
86/		C6TZ 2125-A	4	
				2130 Brake Adjuster Retaining Washer Kit
86/		B1QH 2130-A	AR	
				2130 Washer (Slack Adjuster Inner)
86/		C8TZ 2130-A	2	

**1980/  
TRUCK SERIES 600/900**

YEAR	RESTRICTIONS	PART NUMBER	QTY.	PART NAME AND DESCRIPTION
PARTS LIST NO. 30 — Cont'd				
16 1/2 x 7 EATON CAM AIR BRAKES-MANUAL ADJUSTERS				
		2N132		Lockwasher (Brake Camshaft Bracket)
86/		E2HZ 2N132-A	8	
		2211-12		Spider Assy. (Brake Carrier)
86/		E2HZ 2211-A	2	R.H. & L.H.
		2214		Dustshield (Brake Carrier)
86/		E6HZ 2214-B	2	
		2218		Shoe and Lining Assy. (Brake)
86/		E6HZ 2218-A	4	
		2296		Spring (Brake Shoe Retracting)
86/		E6HZ 2296-B	2	
		2310-11		Bracket Assy. (Brake Camshaft)
86/		E2HZ 2310-C	1	R.H.
		E2HZ 2311-C	1	L.H.
		2315		Adjuster Assy. (Brake)
86/		E4HZ 2315-A	2	
		2316-17		Camshaft (Brake)
86/		C8TZ 2316-B	1	R.H.
		C8TZ 2317-B	1	L.H.
		2318		Snap Ring (Camshaft)
86/		E2HZ 2318-A	2	
		2359		Roller (Brake Shoe Anchor Pin)
86/		B5QH 2359-A	4	
PARTS LIST NO. 31				
16 1/2 x 7 EATON CAM AIR BRAKES-MANUAL ADJUSTERS				
		2007		Lining Kit (Brake Shoe)
86/		E4HZ 2007-F	1	
		2045		Pin (Brake Shoe Retainer)
86/		B5QH 2045-A	4	
		2125		Spring (Brake Shoe Retainer)
86/		C6TZ 2125-A	4	
		2130		Brake Adjuster Retaining Washer Kit
86/		B1QH 2130-A	AR	
		2130		Washer (Slack Adjuster Inner)
86/		C8TZ 2130-A	2	
		2N132		Lockwasher (Brake Camshaft Bracket)
86/		E2HZ 2N132-A	8	
		2211-12		Spider Assy. (Brake Carrier)
86/		E4HZ 2211-A	1	R.H.
		E4HZ 2212-A	1	L.H.
		2214		Dustshield (Brake Carrier)
86/		E6HZ 2214-B	2	
		2218		Shoe and Lining Assy. (Brake)
86/		E6HZ 2218-B	4	
		2296		Spring (Brake Shoe Retracting)
86/		E6HZ 2296-B	2	
		2310-11		Bracket Assy. (Brake Camshaft)
86/		E4HZ 2310-B	1	R.H.
		E4HZ 2311-B	1	L.H.
		2315		Adjuster Assy. (Brake)
86/		E4HZ 2315-A	2	
		2316-17		Camshaft (Brake)
86/		E4HZ 2316-A	1	R.H.
		E4HZ 2317-A	1	L.H.
		2318		Snap Ring (Camshaft)
86/		E2HZ 2318-A	2	
		2359		Roller (Brake Shoe Anchor Pin)
86/		B5QH 2359-A	4	

**1980/  
TRUCK SERIES 600/900**

YEAR	RESTRICTIONS	PART NUMBER	QTY.	PART NAME AND DESCRIPTION
PARTS LIST NO. 32 16 1/2 x 7 EATON CAM AIR BRAKES-MANUAL ADJUSTERS				
		2007		Lining Kit (Brake Shoe)
86/		E4HZ 2007-F	1	
		2045		Pin (Brake Shoe Retainer)
86/		B5QH 2045-A	4	
		2125		Spring (Brake Shoe Retainer)
86/		C6TZ 2125-A	4	
		2130		Brake Adjuster Retaining Washer Kit
86/		B1QH 2130-A	AR	
		2130		Washer (Slack Adjuster Inner)
86/		C8TZ 2130-A	2	
		2N132		Lockwasher (Brake Camshaft Bracket)
86/		E2HZ 2N132-A	8	
		2211-12		Spider Assy. (Brake Carrier)
86/		E4HZ 2211-A	1	R.H.
		E4HZ 2212-A	1	L.H.
		2214		Dustshield (Brake Carrier)
86/		E6HZ 2214-B	2	
		2218		Shoe and Lining Assy. (Brake)
86/		E6HZ 2218-A	4	
		2296		Spring (Brake Shoe Retracting)
86/		E6HZ 2296-B	2	
		2310-11		Bracket Assy. (Brake Camshaft)
86/		E4HZ 2310-B	1	L.H.
		E4HZ 2311-B	1	R.H.
		2315		Adjuster Assy. (Brake)
86/		E4HZ 2315-A	2	
		2316-17		Camshaft (Brake)
86/		E4HZ 2316-A	1	R.H.
		E4HZ 2317-A	1	L.H.
		2318		Snap Ring (Camshaft)
86/		E2HZ 2318-A	2	
		2359		Roller (Brake Shoe Anchor Pin)
86/		B5QH 2359-A	4	

PARTS LIST NO. 33  
16 1/2 x 7 EATON CAM AIR BRAKES-MANUAL ADJUSTERS

		2007		Lining Kit (Brake Shoe)
86/		E4HZ 2007-F	1	
		2045		Pin (Brake Shoe Retainer)
86/		B5QH 2045-A	4	
		2125		Spring (Brake Shoe Retainer)
86/		C6TZ 2125-A	4	
		2130		Brake Adjuster Retaining Washer Kit
86/		B1QH 2130-A	AR	
		2130		Washer (Slack Adjuster Inner)
86/		C8TZ 2130-A	2	
		2N132		Lockwasher (Brake Camshaft Bracket)
86/		E2HZ 2N132-A	8	
		2211-12		Spider Assy. (Brake Carrier)
86/		E4HZ 2211-B	2	R.H. & L.H.
		2214		Dustshield (Brake Carrier)
86/		E6HZ 2214-B	2	
		2218		Shoe and Lining Assy. (Brake)
86/		E6HZ 2218-B	4	
		2296		Spring (Brake Shoe Retracting)
86/		E6HZ 2296-B	2	
		2310-11		Bracket Assy. (Brake Camshaft)
86/		E2HZ 2310-A	1	R.H.
		E2HZ 2311-A	1	L.H.
		2315		Adjuster Assy. (Brake)
86/		E4HZ 2315-A	2	

**1980/  
TRUCK SERIES 600/900**

YEAR	RESTRICTIONS	PART NUMBER	QTY.	PART NAME AND DESCRIPTION
PARTS LIST NO. 33 — Cont'd				
16 1/2 x 7 EATON CAM AIR BRAKES—MANUAL ADJUSTERS				
		2316-17		Camshaft (Brake)
86/		C8TZ 2316-B	1	R.H.
		C8TZ 2317-B	1	L.H.
		2318		Snap Ring (Camshaft)
86/		E2HZ 2318-A	2	
		2359		Roller (Brake Shoe Anchor Pin)
86/		B5QH 2359-A	4	
PARTS LIST NO. 34				
16 1/2 x 7 EATON CAM AIR BRAKES—MANUAL ADJUSTERS				
		2007		Lining Kit (Brake Shoe)
86/		E4HZ 2007-F	1	
		2045		Pin (Brake Shoe Retainer)
86/		B5QH 2045-A	4	
		2125		Spring (Brake Shoe Retainer)
86/		C6TZ 2125-A	4	
		2130		Brake Adjuster Retaining Washer Kit
86/		B1QH 2130-A	AR	
		2130		Washer (Slack Adjuster Inner)
86/		C8TZ 2130-A	2	
		2N132		Lockwasher (Brake Camshaft Bracket)
86/		E2HZ 2N132-A	8	
		2211-12		Spider Assy. (Brake Carrier)
86/		E2HZ 2211-A	2	R.H. & L.H.
		2214		Dustshield (Brake Carrier)
86/		E6HZ 2214-B	2	
		2218		Shoe and Lining Assy. (Brake)
86/		E6HZ 2218-A	4	
		2296		Spring (Brake Shoe Retracting)
86/		E6HZ 2296-B	2	
		2310-11		Bracket Assy. (Brake Camshaft)
86/		E2HZ 2310-E	1	R.H.
		E2HZ 2311-E	1	L.H.
		2315		Adjuster Assy. (Brake)
86/		E4HZ 2315-A	2	
		2316-17		Camshaft (Brake)
86/		C8TZ 2316-B	1	R.H.
		C8TZ 2317-B	1	L.H.
		2318		Snap Ring (Camshaft)
86/		E2HZ 2318-A	2	
		2359		Roller (Brake Shoe Anchor Pin)
86/		B5QH 2359-A	4	
PARTS LIST NO. 35				
16 1/2 x 7 EATON CAM AIR BRAKES—MANUAL ADJUSTERS				
		2007		Lining Kit (Brake Shoe)
86/		E4HZ 2007-F	1	
		2045		Pin (Brake Shoe Retainer)
86/		B5QH 2045-A	4	
		2125		Spring (Brake Shoe Retainer)
86/		C6TZ 2125-A	4	
		2130		Brake Adjuster Retaining Washer Kit
86/		B1QH 2130-A	AR	
		2130		Washer (Slack Adjuster Inner)
86/		C8TZ 2130-A	2	
		2N132		Lockwasher (Brake Camshaft Bracket)
86/		E2HZ 2N132-A	8	
		2211-12		Spider Assy. (Brake Carrier)
86/		E2HZ 2211-A	2	R.H. & L.H.
		2214		Dustshield (Brake Carrier)
86/		E6HZ 2214-B	2	

1980/  
**TRUCK SERIES 600/900**

YEAR	RESTRICTIONS	PART NUMBER	QTY.	PART NAME AND DESCRIPTION
PARTS LIST NO. 35 --- Cont'd				
16 1/2 x 7 EATON CAM AIR BRAKES-MANUAL ADJUSTERS				
		2218		Shoe and Lining Assy. (Brake)
86/		E6HZ 2218-A	4	
		2296		Spring (Brake Shoe Retracting)
86/		E6HZ 2296-B	2	
		2310-11		Bracket Assy. (Brake Camshaft)
86/		E2HZ 2310-A	1	R.H.
		E2HZ 2311-A	1	L.H.
		2315		Adjuster Assy. (Brake)
86/		E4HZ 2315-A	2	
		2316-17		Camshaft (Brake)
86/		C8TZ 2316-B	1	R.H.
		C8TZ 2317-B	1	L.H.
		2318		Snap Ring (Camshaft)
86/		E2HZ 2318-A	2	
		2359		Roller (Brake Shoe Anchor Pin)
86/		B5QH 2359-A	4	
PARTS LIST NO. 36				
16 1/2 x 7 EATON CAM AIR BRAKES-MANUAL ADJUSTERS				
		2007		Lining Kit (Brake Shoe)
86/		E4HZ 2007-F	1	
		2045		Pin (Brake Shoe Retainer)
86/		B5QH 2045-A	4	
		2125		Spring (Brake Shoe Retainer)
86/		C6TZ 2125-A	4	
		2130		Brake Adjuster Retaining Washer Kit
86/		B1QH 2130-A	AR	
		2130		Washer (Slack Adjuster Inner)
86/		C8TZ 2130-A	2	
		2N132		Lockwasher (Brake Camshaft Bracket)
86/		E2HZ 2N132-A	8	
		2211-12		Spider Assy. (Brake Carrier)
86/		E2HZ 2211-A	2	R.H. & L.H.
		2214		Dustshield (Brake Carrier)
86/		E6HZ 2214-B	2	
		2218		Shoe and Lining Assy. (Brake)
86/		E6HZ 2218-A	4	
		2296		Spring (Brake Shoe Retracting)
86/		E6HZ 2296-B	2	
		2310-11		Bracket Assy. (Brake Camshaft)
86/		E6HZ 2310-B	1	R.H.
		E6HZ 2311-B	1	L.H.
		2315		Adjuster Assy. (Brake)
86/		E4HZ 2315-A	2	
		2316-17		Camshaft (Brake)
86/		E4HZ 2316-A	1	R.H.
		E4HZ 2317-A	1	L.H.
		2318		Snap Ring (Camshaft)
86/		E2HZ 2318-A	2	
		2359		Roller (Brake Shoe Anchor Pin)
86/		B5QH 2359-A	4	
PARTS LIST NO. 37				
16 1/2 x 7 EATON CAM AIR BRAKES-MANUAL ADJUSTERS				
		2007		Lining Kit (Brake Shoe)
86/		E4HZ 2007-F	1	
		2045		Pin (Brake Shoe Retainer)
86/		B5QH 2045-A	4	
		2125		Spring (Brake Shoe Retainer)
86/		C6TZ 2125-A	4	
		2130		Brake Adjuster Retaining Washer Kit
86/		B1QH 2130-A	AR	

**1980/  
TRUCK SERIES 600/900**

YEAR	RESTRICTIONS	PART NUMBER	QTY.	PART NAME AND DESCRIPTION
PARTS LIST NO. 37 — Cont'd				
16 1/2 x 7 EATON CAM AIR BRAKES—MANUAL ADJUSTERS				
		2130		Washer (Slack Adjuster Inner)
86/		C8TZ 2130-A	2	
		2N132		Lockwasher (Brake Camshaft Bracket)
86/		E2HZ 2N132-A	8	
		2211-12		Spider Assy. (Brake Carrier)
86/		E2HZ 2211-B	1	R.H.
		E2HZ 2212-A	1	L.H.
		2214		Dustshield (Brake Carrier)
86/		E6HZ 2214-B	2	
		2218		Shoe and Lining Assy. (Brake)
86/		E6HZ 2218-A	4	
		2296		Spring (Brake Shoe Retracting)
86/		E6HZ 2296-B	2	
		2310-11		Bracket Assy. (Brake Camshaft)
86/		E2HZ 2310-F	1	R.H.
		E2HZ 2311-F	1	L.H.
		2315		Adjuster Assy. (Brake)
86/		E4HZ 2315-A	2	
		2316-17		Camshaft (Brake)
86/		C8TZ 2316-B	1	R.H.
		C8TZ 2317-B	1	L.H.
		2318		Snap Ring (Camshaft)
86/		E2HZ 2318-A	2	
		2359		Roller (Brake Shoe Anchor Pin)
86/		B5QH 2359-A	4	
PARTS LIST NO. 38				
16 1/2 x 7 EATON CAM AIR BRAKES—MANUAL ADJUSTERS				
		2007		Lining Kit (Brake Shoe)
86/		E4HZ 2007-F	1	
		2045		Pin (Brake Shoe Retainer)
86/		B5QH 2045-A	4	
		2125		Spring (Brake Shoe Retainer)
86/		C6TZ 2125-A	4	
		2130		Brake Adjuster Retaining Washer Kit
86/		B1QH 2130-A	AR	
		2130		Washer (Slack Adjuster Inner)
86/		C8TZ 2130-A	2	
		2N132		Lockwasher (Brake Camshaft Bracket)
86/		E2HZ 2N132-A	8	
		2211-12		Spider Assy. (Brake Carrier)
86/		E2HZ 2211-A	2	R.H. & L.H.
		2214		Dustshield (Brake Carrier)
86/		E6HZ 2214-B	2	
		2218		Shoe and Lining Assy. (Brake)
86/		E6HZ 2218-A	4	
		2296		Spring (Brake Shoe Retracting)
86/		E6HZ 2296-B	2	
		2310-11		Bracket Assy. (Brake Camshaft)
86/		E2HZ 2310-B	1	R.H.
		E2HZ 2311-B	1	L.H.
		2315		Adjuster Assy. (Brake)
86/		E4HZ 2315-A	2	
		2316-17		Camshaft (Brake)
86/		D8HZ 2316-A	1	R.H.
		D8HZ 2317-A	1	L.H.
		2318		Snap Ring (Camshaft)
86/		E2HZ 2318-A	2	
		2359		Roller (Brake Shoe Anchor Pin)
86/		B5QH 2359-A	4	

1980/  
TRUCK SERIES 600/900

YEAR	RESTRICTIONS	PART NUMBER	QTY.	PART NAME AND DESCRIPTION
PARTS LIST NO. 39				
16 1/2 x 7 ROCKWELL CAM AIR BRAKES				
		2007		Lining Kit (Brake Shoe)
87/		E4HZ 2007-E	1	
		2B038		Seal Assy. (Brake Spidel Camshaft)
87/		D5HZ 2B038-A	2	
		2045		Pin (Brake Shoe to Cam Roller)
87/		B8QH 2045-A	2	
		2B087		Bushing (Shoe Anchor Pin)
87/		C7TZ 2B087-A	4	
		2092		Cover (Dust)
87/		C3TZ 2092-A	4	
		2125		Spring (Brake Shoe Retainer)
87/		E1HZ 2125-A	4	
		2138		Spacer (Brake Camshaft Adjuster)
87/		E1HZ 2138-A	2	Flat-2 3/8" O.D.-1 17/32" I.D.
		E1HZ 2138-B	2	Thick-4 13/16" long
		E1HZ 2138-C	4	
		E7HZ 2138-A	2	
		2211-12		Spider Assy. (Brake Carrier)
87/		E4HZ 2212-C	1	R.H.
		E4HZ 2211-D	1	L.H.
		2214-15		Dust Shield (Brake Carrier)
87/		E1HZ 2214-C	1	R.H.
		E1HZ 2215-C	1	L.H. 4066
		2218		Shoe and Lening Assy. (Brake)
87/		E4HZ 2218-C	4	
		2237		Bushing (Brake Camshaft)
87/		B8QH 2237-B	2	
		2296		Spring (Brake Shoe Retracting)
87/		D8HZ 2296-A	2	
		2308		Adjuster Assy. (Brake Manual)
87/		E4HZ 2308-A	2	
		2310-11		Bracket assy. (Brake Camshaft)
87/		E7HZ 2310-B	1	R.H.
		E7HZ 2311-B	1	L.H.
		2A311		Seal (Brake Camshaft Oil)
87/		E0HZ 2A311-A	2	
		2316-17		Camshaft (Brake)
87/		E1HZ 2317-G	1	R.H.
		E1HZ 2316-G	1	L.H.
		2318		Ring (Brake Camshaft Retainer External)
87/		E1HZ 2318-A	2	
		2333		Pen (Brake Shoe Anchor)
87/		E1HZ 2333-A	4	
		2341		Pin (Brake Shoe Retracting Spring)
87/		B8QH 2341-A	2	
		2356		Retainer (Brake Shoe Roller)
87/		E2HZ 2356-A	2	
PARTS LIST NO. 40				
16 1/2 x 7 ROCKWELL CAM AIR BRAKES				
		2007		Lining Kit (Brake Shoe)
87/		E7HZ 2007-A	1	
		2B038		Seal Assy. (Brake Spider Camshaft)
87/		D5HZ 2B038-A	2	
		2045		Pen (Brake Shoe to Cam Roller)
87/		B8QH 2045-A	2	
		2B087		Bushing (Shoe Anchor Pin)
87/		C7TZ 2B087-A	4	
		2092		Cover (Dust)
87/		C3TZ 2092-A	4	
		2125		Spring (Brake Shoe Retainer)
87/		E1HZ 2125-A	4	



1980/  
TRUCK SERIES 600/900

YEAR	RESTRICTIONS	PART NUMBER	QTY.	PART NAME AND DESCRIPTION
PARTS LIST NO. 40 — Cont'd				
16 1/2 x 7 ROCKWELL CAM AIR BRAKES				
		2138		Spacer (Brake Camshaft Adjuster)
87/		E1HZ 2138-A	2	Flat-2 3/8" O.D.-1 17/32" I.D.
		E1HZ 2138-B	2	Thick-4 13/16" long
		E1HZ 2138-C	4	
		E7HZ 2138-A	2	
		2211-12		Spider Assy. (Brake Carrier)
87/		E4HZ 2211-C	2	R.H. & L.H.
		2214-15		Dust Shield (Brake Carrier)
87/		E1HZ 2214-C	1	R.H.
		E1HZ 2215-C	1	L.H.
		2218		Shoe and Lining Assy. (Brake)
87/		E7HZ 2200-A	1	Kit
		2237		Bushing (Brake Camshaft)
87/		B8QH 2237-B	2	
		2296		Spring (Brake Shoe Retracting)
87/		D8HZ 2296-A	2	
		2308		Adjuster Assy. (Brake Manual)
87/		E4HZ 2308-A	2	
		2310-11		Bracket Assy. (Brake Camshaft)
87/		E7HZ 2310-F	1	R.H.
		E7HZ 2311-F	1	L.H.
		2A311		Seal (Brake Camshaft Oil)
87/		E0HZ 2A311-A	2	
		2316-17		Camshaft (Brake)
87/		E1HZ 2316-E	1	R.H.
		E1HZ 2317-E	1	L.H.
		2318		Ring (Brake Camshaft Retainer External)
87/		E1HZ 2318-A	2	
		2333		Pin (Brake Shoe Anchor)
87/		E1HZ 2333-A	4	
		2341		Pin (Brake Shoe Retracting Spring)
87/		B8QH 2341-A	2	
		2356		Retainer (Brake Shoe Roller)
87/		E2HZ 2356-A	2	
PARTS LIST NO. 41				
16 1/2 x 7 ROCKWELL CAM AIR BRAKES				
		2007		Lining Kit (Brake Shoe)
87/		E7HZ 2007-A	1	
		2B038		Seal Assy. (Brake Spider Camshaft)
87/		D5HZ 2B038-A	2	
		2045		Pin (Brake Shoe to Cam Roller)
87/		B8QH 2045-A	2	
		2B087		Bushing (Shoe Anchor Pin)
87/		C7TZ 2B087-A	4	
		2092		Cover (Dust)
87/		C3TZ 2092-A	4	
		2125		Spring (Brake Shoe Retainer)
87/		E1HZ 2125-A	4	
		2138		Spacer (Brake Camshaft Adjuster)
87/		E1HZ 2138-A	2	Flat-2 3/8" O.D.-1 17/32" I.D.
		E1HZ 2138-B	2	Thick-4 13/16" long
		E1HZ 2138-C	4	
		E7HZ 2138-A	2	
		2211-12		Spider Assy. (Brake Carrier)
87/		E4HZ 2212-C	1	R.H.
		E4HZ 2211-D	1	L.H.
		2214-15		Dust Shield (Brake Carrier)
87/		E1HZ 2214-C	1	R.H.
		E1HZ 2215-C	1	L.H.
		2218		Shoe and Lining Assy. (Brake)
87/		E7HZ 2200-A	1	Kit.

1980/  
TRUCK SERIES 600/900

YEAR	RESTRICTIONS	PART NUMBER	QTY.	PART NAME AND DESCRIPTION
PARTS LIST NO. 41 -- Cont'd				
16 1/2 x 7 ROCKWELL CAM AIR BRAKES				
		2237		Bushing (Brake Camshaft)
87/		B8QH 2237-B	2	
		2296		Spring (Brake Shoe Retracting)
87/		D8HZ 2296-A	2	
		2308		Adjuster Assy. (Brake Manual)
87/		E4HZ 2308-A	2	
		2310-11		Bracket Assy. (Brake Camshaft)
87/		E7HZ 2310-B	1	R.H.
		E7HZ 2311-B	1	L.H.
		2A311		Seal (Brake Camshaft Oil)
87/		E0HZ 2A311-A	2	
		2316-17		Camshaft (Brake)
87/		E1HZ 2317-G	1	R.H.
		E1HZ 2316-G	1	L.H.
		2318		Ring (Brake Camshaft Retainer External)
87/		E1HZ 2318-A	2	
		2333		Pin (Brake Shoe Anchor)
87/		E1HZ 2333-A	4	
		2341		Pin (Brake Shoe Retracting Spring)
87/		B8QH 2341-A	2	
		2356		Retainer (Brake Shoe Roller)
87/		E2HZ 2356-A	2	
PARTS LIST NO. 42				
16 1/2 x 7 ROCKWELL CAM AIR BRAKES				
		2007		Lining Kit (Brake Shoe)
87/		E4HZ 2007-E	1	
		2B038		Seal Assy(Brake Spider Camshaft)
87/		D5HZ 2B038-A	2	
		2045		Pin (Brake Shoe to Cam Roller)
87/		B8QH 2045-A	2	
		2B087		Bushing (Shoe Anchor Pin)
87/		C7TZ 2B087-A	4	
		2092		Cover (Dust)
87/		C3TZ 2092-A	4	
		2125		Spring (Brake Shoe Retainer)
87/		E1HZ 2125-A	4	
		2138		Spacer (Brake Camshaft Adjuster)
87/		E1HZ 2138-A	2	Flat-2 3/8" O.D. .1 17/32" I.D.
		E1HZ 2138-B	2	Thick-4 10/16" long
		E1HZ 2138-C	4	
		E7HZ 2138-A	2	
		2211-12		Spider Assy. (Brake Carrier)
87/		E1HZ 2211-C	2	R.H. & L.H.
		2214-15		Dust Shield (Brake Carrier)
87/		E1HZ 2214-C	1	R.H.
		E1HZ 2215-C	1	L.H.
		2218		Shoe and Lining Assy (Brake)
87/		E4HZ 2218-C	4	
		2237		Bushing (Brake Camshaft)
87/		B8QH 2237-B	2	
		2296		Spring (Brake Shoe Retracting)
87/		D8HZ 2296-A	2	
		2308		Adjuster Assy (Brake Manual)
87/		E4HZ 2308-A	2	
		2310-11		Bracket Assy. (Brake Camshaft)
87/		E7HZ 2310-F	1	R.H.
		E7HZ 2311-F	1	L.H.

**1980/  
TRUCK SERIES 600/900**

YEAR	RESTRICTIONS	PART NUMBER	QTY.	PART NAME AND DESCRIPTION
PARTS LIST NO. 42 — Cont'd				
16 1/2 x 7 ROCKWELL CAM AIR BRAKES				
		2A311		Seal (Brake Camshaft Oil)
87/		E0HZ 2A311-A	2	
		2316-17		Camshaft (Brake)
87/		E1HZ 2316-E	1	R.H.
		E1HZ 2317-E	1	L.H.
87/		E1HZ 2318-A	2	
		2333		Pin (Brake Shoe Anchor)
87/		E1HZ 2333-A	4	
		2341		Pin (Brake Shoe Retracting Spring)
87/		B8QH 2341-A	2	
		2356		Retainer (Brake Shoe Roller)
87/		E2HZ 2356-A	2	
PARTS LIST NO. 43				
16 1/2 x 7 ROCKWELL CAM AIR BRAKES				
		2007		Lining Kit (Brake Shoe)
87/		E7HZ 2007-A	1	
		2B038		Seal Assy. (Brake Spider Camshaft)
87/		D5HZ 2B038-A	2	
		2045		Pin (Brake Shoe to Cam Roller)
87/		B8QH 2045-A	2	
		2B087		Bushing (Shoe Anchor Pin)
87/		C7TZ 2B087-A	4	
		2092		Cover (Dust)
87/		C3TZ 2092-A	4	
		2125		Spring (Brake Shoe Retainer)
87/		E1HZ 2125-A	4	
		2138		Spacer (Brake Camshaft Adjuster)
87/		E1HZ 2138-A	2	Flat-2 3/8" O.D.-1 17/32" I.D.
		E1HZ 2138-B	2	Thick-4 13/16" long
		E1HZ 2138-C	4	
		E7HZ 2138-A	2	
		2211-12		Spider Assy. (Brake Carrier)
87/		E1HZ 2211-C	2	R.H. & L.H.
		2214-15		Dust Shield (Brake Carrier)
87/		E1HZ 2214-C	1	R.H.
		E1HZ 2215-C	1	L.H.
		2218		Shoe and Lining Assy. (Brake)
87/		E7HZ 2200-A	1	Kit
		2237		Bushing (Brake Camshaft)
87/		B8QH 2237-B	2	
		2296		Spring (Brake Shoe Retracting)
87/		D8HZ 2296-A	2	
		2308		Adjuster Assy. (Brake Manual)
87/		E4HZ 2308-A	2	
		2310-11		Bracket Assy. (Brake Camshaft)
87/		E7HZ 2310-E	1	R.H.
		E7HZ 2311-E	1	L.H.
		2A311		Seal (Brake Camshaft Oil)
87/		E0HZ 2A311-A	2	
		2316-17		Camshaft (Brake)
87/		E1HZ 2317-E	1	R.H.
		E1HZ 2316-E	1	L.H.
		2318		Ring (Brake Camshaft Retainer External)
87/		E1HZ 2318-A	2	
		2333		Pin (Brake Shoe Anchor)
87/		E1HZ 2333-A	4	
		2341		Pin (Brake Shoe Retracting Spring)
87/		B8QH 2341-A	2	

1980/  
TRUCK SERIES 600/900

YEAR	RESTRICTIONS	PART NUMBER	QTY.	PART NAME AND DESCRIPTION
PARTS LIST NO. 43 — Cont'd				
16 1/2 x 7 ROCKWELL CAM AIR BRAKES				
		2356		Retainer (Brake Shoe Roller)
87/		E2HZ 2356-A	2	
PARTS LIST NO. 44				
16 1/2 x 7 ROCKWELL CAM AIR BRAKES				
		2007		Lining Kit (Brake Shoe)
87/		E7HZ 2007-A	1	
		2B038		Seal Assy. (Brake Spider Camshaft)
87/		D5HZ 2B038-A	2	
		2045		Pen (Brake Shoe to Cam Roller)
87/		B8QH 2045-A	2	
		2B087		Bushing (Shoe Anchor Pin)
87/		C7TZ 2B087-A	4	
		2092		Cover (Dust)
87/		C3TZ 2092-A	4	
		2125		Spring (Brake Shoe Retainer)
87/		E1HZ 2125-A	4	
		2138		Spacer (Brake Camshaft Adjuster)
87/		E1HZ 2138-A	2	Flat - 2 3/8" O.D. x 17/32" I.D.
		E1HZ 2138-B	2	Thick 4 13/16" long
		E1HZ 2138-C	4	
		E7HZ 2138-A	2	
		2211-12		Spider Assy. (Brake Carrier)
87/		E1HZ 2211-C	2	R.H. & L.H.
		2214-15		Dust Shield (Brake Carrier)
87/		E1HZ 2214-C	1	R.H.
87		E1HZ 2215-C	1	L.H.
		2218		Shoe and Lining Assy. (Brake)
87/		E7HZ 2200-A	1	Kit.
		2237		Bushing (Brake Camshaft)
87/		B8QH 2237-B	2	
		2296		Spring (Brake Shoe Retracting)
87/		D8HZ 2296-A	2	
		2308		Adjuster Assy. (Brake Manual)
87/		E4HZ 2308-A	2	
		2310-11		Bracket Assy (Brab Camshaft)
87/		E7HZ 2310-G	1	R.H.
		E7HZ 2311-G	1	L.H.
		2A311		Seal (Brake Camshaft Oil)
87/		E0HZ 2A311-A	2	
		2316-17		Camshaft (Brake)
87/		E1HZ 2317-G	1	RH
		E1HZ 2316-G	1	LH
		2318		Ring (Brake Camshaft Retainer External)
87/		E1HZ 2318-A	2	
		2333		Pin (Brake Shoe Anchor)
87/		E1HZ 2333-A	4	
		2341		Pin (Brake Shoe Retracting Spring)
87/		B8QH 2341-A	2	
		2356		Retainer (Brake Shoe Roller)
87/		E2HZ 2356-A	2	

1980/  
TRUCK SERIES 600/900

YEAR	RESTRICTIONS	PART NUMBER	QTY.	PART NAME AND DESCRIPTION
PARTS LIST NO. 45				
16 1/2 x 7 Rockwell CAM AIR BRAKES				
		2007		Lining kit (Brake Shoe)
87/		E4HZ 2007-E	1	
		2B038		Seal Assy (Brake Spider Camshaft)
87/		D5HZ 2B038-A	2	
		2045		Pin (Brake Shoe to Cam Roller)
87/		B8QH 2045-A	2	
		2B087		Bushing (Shoe Anchor Pin)
87/		C7TZ 2B087-A	4	
		2092		Cover (Dust)
87/		C3TZ 2092-A	4	
		2125		Spring (Brake Shoe Retainer)
87/		E1HZ 2125-A	4	
		2138		Spacer (Brake Camshaft Adjuster)
87/		E1HZ 2138-A	2	Flat-2 3/8" O.D.-1 17/31" I.D.
		E1HZ 2138.B	2	Thick-4 13/16" long
		E1HZ 2138.C	4	
		E7HZ 2138.A	2	
		2211-12		Spider assy. (Brake Carrier)
87/		E1HZ 2211-C	2	R.H. & L.H.
		2214-15		Dust Shield (Brake Carrier)
87/		E1HZ 2214-C	1	R.H.
		E1HZ 2215.C	1	L.H.
		2218		Shoe and Lining Assy. (Brake)
87/		E4HZ 2218-C	4	
		2237		Bushing (Brake Camshaft)
87/		B8QH 2237-B	2	
		2296		Spring (Brake Shoe Retracting)
87/		D8HZ 2296-A	2	
		2308		Adjuster Assy. (Brake Manual)
87/		E4HZ 2308.A	2	
		2310-11		Bracket Assy. (Brake Camshaft)
87/		E7HZ 2310-H	1	R.H.
		E7HZ 2311-H	1	L.H.
		2A311		Seal (Brake Camshaft Oil)
87/		E0HZ 2A311-A	2	
		2316-17		Camshaft (Brake)
87/		E1HZ 2316-E	1	R.H.
		E1HZ 2317-E	1	L.H.
		2318		Ring (Brake Camshaft Retainer External)
87/		E1HZ 2318-A	2	
		2333		Pin (Brake Shoe Anchor)
87/		E1HZ 2333-A	4	
		2341		Pin (Brake Shoe Retracting Spring)
87/		B8QH 2341-A	2	
		2356		Retainer (Brake Shoe Roller)
87/		E2HZ 2356-A	2	
PARTS LIST NO. 46				
16 1/2 x 7 ROCKWELL CAM AIR BRAKES				
		2007		Lining Kit (Brake Shoe)
87/		E7HZ 2007-A	1	
		2B038		Seal Assy. (Brake Spider Camshaft)
87/		D5HZ 2B038-A	2	
		2045		Pin (Brake Shoe to Cam Roller)
87/		B8QH 2045-A	2	
		2B087		Bushing (Shoe Anchor Pin)
87/		C7TZ 2B087-A	4	
		2092		Cover (Dust)
87/		C3TZ 2092-A	4	

1980/  
TRUCK SERIES 600/900

YEAR	RESTRICTIONS	PART NUMBER	QTY.	PART NAME AND DESCRIPTION
PARTS LIST NO. 46				
16 1/2 x 7 ROCKWELL CAM AIR BRAKES				
2125				
87/		E1HZ 2125-A	4	
2138				
87/		E1HZ 2138-A	2	Spacer (Brake Camshaft Adjuster)
		E1HZ 2138-B	2	Flat-2 3/8" O.D. 1 17/32" I.D.
		E1HZ 2138-C	4	Thick-4 13/16" long
		E7HZ 2138-A	2	
2211-12				
87/		E1HZ 2211-C	2	Spider Assy. (Brake Carrier)
				R.H. & L.H.
2214-15				
87/		E1HZ 2214-C	1	Dust Shield (Brake Carrier)
		E1HZ 2215-C	1	R.H.
				L.H.
2218				
87/		E7HZ 2200-A	1	Shoe and Lining Assy. (Brake)
				Kit
2237				
87/		B8QH 2237-B	2	Bushing (Brake Camshaft)
2296				
87/		D8HZ 2296-A	2	Spring (Brake Shoe Retracting)
2308				
87/		E4HZ 2308-A	2	Adjuster Assy. (Brake Manual)
2310-11				
87/		E7HZ 2310-H	1	Bracket Assy. (Brake Camshaft)
		E7HZ 2311-H	1	R.H.
				L.H.
2A311				
87/		E0HZ 2A311-A	2	Seal (Brake Camshaft Oil)
2316-19				
87/		E1HZ 2316-E	1	Camshaft (Brake)
		E1HZ 2317-E	1	R.H.
				L.H.
2318				
87/		E1HZ 2318-A	2	Ring (Brake Camshaft Retainer External)
2333				
87/		E1HZ 2333-A	4	Pin (Brake Shoe Anchor)
2341				
87/		B8QH 2341-A	2	Pin (Brake Shoe Retracting Spring)
2356				
87/		E2HZ 2356-A	2	Retainer (Brake Shoe Roller)
PARTS LIST NO. 47				
16 1/2 x 7 ROCKWELL CAM AIR BRAKES				
2007				
87/		E4HZ 2007-E	1	Lining Kit (Brake Shoe)
2B038				
87/		D5HZ 2B038-A	2	Seal Assy. (Brake Spider Camshaft)
2045				
87/		B8QH 2045-A	2	Pin (Brake Shoe to Cam Roller)
2B087				
87/		C7TZ 2B087-A	4	Bushing (Shoe Anchor Pin)
20925				
87/		C3TZ 2092-A	4	Cover (Dust)
2125				
87/		E1HZ 2125-A	4	Spring (Brake Shoe Retainer)
2138				
87/		E1HZ 2138-A	2	Spacer (Brake Camshaft Adjuster)
		E1HZ 2138-B	2	Flat-2 3/8" O.D. 1 17/32" I.D.
		E1HZ 2138-C	4	Thick-4 13/16" long
		E7HZ 2138-A	2	
2211-12				
87/		E1HZ 2211-C	2	Spider Assy. (Brake Carrier)
				R.H. & L.H.

1980/  
TRUCK SERIES 600/900

YEAR	RESTRICTIONS	PART NUMBER	QTY.	PART NAME AND DESCRIPTION
PARTS LIST NO. 47 --- Cont'd				
16 1/2 x 7 ROCKWELL CAM AIR BRAKES				
		2214-15		Dust Shield (Brake Carrier)
87/		E1HZ 2214-C	1	R.H.
		E1HZ 2215-C	1	L.H.
		2218		Shoe and Lining Assy. (Brake)
87/		E4HZ 2218-C	4	
		2237		Bushing (Brake Camshaft)
87/		B8QH 2237-B	2	
		2296		Spring (Brake Shoe Retracting)
87/		D8HZ 2296-A	2	
		2308		Adjuster Assy. (Brake Manual)
87/		E4HZ 2308-A	2	
		2310-11		Bracket Assy. (Brake Camshaft)
87/		E7HZ 2310-J	1	R.H.
		E7HZ 2311-J	1	L.H.
		2A311		Seal (Brake Camshaft Oil)
87/		E0HZ 2A311-A	2	
		2316-17		Camshaft (Brake)
87/		E1HZ 2317-F	1	R.H.
		E1HZ 2316-F	1	L.H.
		2318		Ring (Brake Camshaft Retainer External)
87/		E1HZ 2318-A	2	
		2333		Pin (Brake Shoe Anchor)
87/		E1HZ 2333-A	4	
		2341		Pin (Brake Shoe Retracting Spring)
87/		B8QH 2341-A	2	
		2356		Retainer (Brake Shoe Roller)
87/		E2HZ 2356-A	2	
PARTS LIST NO. 48				
16 1/2 x 7 ROCKWELL CAM AIR BRAKES				
		2007		Lining Kit (Brake Shoe)
87/		E7HZ 2007-A	1	
		2B038		Seal Assy. (Brake Spider Camshaft)
87/		D5HZ 2B038-A	2	
		2045		Pin (Brake Shoe to Cam Roller)
87/		B8QH 2045-A	2	
		2B087		Bushing (Shoe Anchor Pin)
87/		C7TZ 2B087-A	4	
		2092		Cover (Dust)
87/		C3TZ 2092-A	4	
		2125		Spring (Brake Shoe Retainer)
87/		E1HZ 2125-A	4	
		2138		Spacer (Brake Camshaft Adjuster)
87/		E1HZ 2138-A	2	Flat-2 3/8" O.D.-1 17/32" I.D.
		E1HZ 2138-B	2	Thick-4 13/16" long
		E1HZ 2138-C	4	
		E7HZ 2138-A	2	
		2211-12		Spider Assy. (Brake Carrier)
87/		E2HZ 2211-C	1	R.H.
		E2HZ 2212-B	1	L.H.
		2214-15		Dust Shield (Brake Carrier)
87/		E1HZ 2214-C	1	R.H.
		E1HZ 2215-C	1	L.H.
		2218		Shoe and Lining Assy. (Brake)
87/		E7HZ 2200-A	1	Kit
		2237		Bushing (Brake Camshaft)
87/		B8QH 2237-B	2	

1980/  
TRUCK SERIES 600/900

YEAR	RESTRICTIONS	PART NUMBER	QTY.	PART NAME AND DESCRIPTION
PARTS LIST NO. 48 — Cont'd				
16 1/2 x 7 ROCKWELL CAM AIR BRAKES				
		2296		Spring (Brake Shoe Retracting)
87/		D8HZ 2296-A	2	
		2308		Adjuster Assy. (Brake Manual)
87/		E4HZ 2308-A	2	
		2310-11		Bracket Assy. (Brake Camshaft)
87/		E7HZ 2310-C	R.H.	
		E7HZ 2311-C	L.H.	
		2A311		Seal (Brake Camshaft Oil)
87/		E0HZ 2A311-A	2	
		2316-17		
87/		E1HZ 2317-E	1	R.H.
		E1HZ 2316-E	1	L.H.
		2318		Reng (Brake Camshaft Retainer External)
87/		E1HZ 2318-A	2	
		2333		Pin (Brake Shoe Anchor)
87/		E1HZ 2333-A	4	
		2341		Pin (Brake Shoe Retracting Spring)
87/		B8QH 2341-A	2	
		2356		Retainer (Brake Shoe Roller)
87/		E2HZ 2356-A	2	
PARTS LIST NO. 49				
16 1/2 x 7 ROCKWELL CAM AIR BRAKES				
		2007		Lining Kit (Brake Shoe)
87/		E7HZ 2007A	1	
		2B038		Seal Assay (Brake Spider Camshaft)
87/		D5HZ 2B038-A	2	
		2045		Pin (Brake Shoe to Cam Roller)
87/		B8QH 2045-A	2	
		2B087		Bushing (Shoe Anchor Pin)
87/		C7TZ 2B087-A	4	
		2092		Cover (Dust)
87/		C3TZ 2092-A	4	
		2125		Spring (Brake Shoe Retainer)
87/		E1HZ 2125-A	4	
		2138		Spacer (Brake Camshaft Adjuster)
87/		E1HZ 2138-A	2	Flat 2 3/8" O.D. 1 17/32" I.D.
		E1HZ 2138-B	2	Thick 4 13/16" long
		E1HZ 2138-C	4	
		E7HZ 2138-A	2	
		2211-12		
87/		E1HZ 2211-E	1	R.H.
		E1HZ 2212-E	1	L.H.
		2214-15		Dust Shield (Brake Carrier)
		E1HZ 2214-C	1	R.H.
		E1HZ 2215-C	1	L.H.
		2218		Shoe and Lining Assay (Brake)
87/		E7HZ 2200-A	1	Kit
		2237		Bushing (Brake Camshaft)
87/		B8QH 2237-B	2	
		2296		Spring (Brake Shoe Retracting)
87/		D8HZ 2296-A	2	
		2308		Adjuster Assay. (Brake Manual)
87/		E4HZ 2308-A	2	



1980/  
TRUCK SERIES 600/900

YEAR	RESTRICTIONS	PART NUMBER	QTY.	PART NAME AND DESCRIPTION
PARTS LIST NO. 49 — Cont'd				
16 1/2 x 7 ROCKWELL CAM AIR BRAKES				
		2310-11		Bracket Assy (Brake Camshaft)
87/		E7HZ 2310-D	1	R.H.
		E7HZ 2311-D	1	L.H.
		2A311		Seal (Brake Camshaft Oil)
87/		E0HZ 2A311A	2	
		2316-17		Camshaft (Brake)
87/		E1HZ 2317-E	1	R.H.
		E1HZ 2316-H	1	L.H.
		2318		Ring (Brake Camshaft Retainer External)
87/		E1HZ 2318-A	2	
		2333		Pin (Brake Shoe Anchor)
87/		E1HZ 2333-A	4	
		2341		Pin (Brake Shoe Retracting Spring)
87/		B8QH 2341-A	2	
		2356		Retainer (Brake Shoe Roller)
87/		E2HZ 2356-A	2	
PARTS LIST NO. 50				
16 1/2 x 7 ROCKWELL CAM AIR BRAKES				
		2007		Lining Kit (Brake Shoe)
87/		E7HZ 2007-A	1	
		2B038		Seal Assy. (Brake Spider Camshaft)
87/		D5HZ 2B038A	2	
		2045		Pen (Brake Shoe to Cam Roller)
87/		B8QH 2045-A	2	
		2B087		Bushing (Shoe Anchor Pin)
87/		C7TZ 2B087-A	4	
		2092		Cover (Dust)
87/		C3TZ 2092-A	4	
		2125		Spring (Brake Shoe Retainer)
87/		E1HZ 2125-A	4	
		2138		Spacer (Brake Camshaft Adjuster)
87/		E1HZ 2138-A	2	Flat-2 3/8" O.D.-1 17/32" I.D.
		E1HZ 2138-B	2	Thick-4 13/16" long
		E1HZ 2138-C	4	
		E7HZ 2138-A	2	
		2211-12		Spider Assy. (Brake Carrier)
87/		E7HZ 2211-A	2	R.H. & L.H.
		2214-15		Dust Shield (Brake Carrier)
87/		E1HZ 2214-C	1	R.H.
		E1HZ 2215-C	1	L.H.
		2218		Shoe and Lining Assy. (Brake)
87/		E7HZ 2200-A	1	Kit
		2237		Bushing (Brake Camshaft)
87/		B8QH 2237-B	2	
		2296		Spring (Brake Shoe Retracting)
87/		D8HZ 2296-A	2	
		2308		Adjuster Assy. (Brake Manual)
87/		E7HZ 2308-A	2	
		2310-11		Bracket Assy. (Brake Camshaft)
87/		E7HZ 2310-A	1	R.H.
		E7HZ 2311-A	1	L.H.
		2A311		Seal (Brake Camshaft Oil)
87/		E0HZ 2A311-A	2	
		2316-17		Camshaft (Brake)
87/		E7HZ 2316-A	1	R.H.
		E7HZ 2317-A	1	L.H.

1980/  
TRUCK SERIES 600/900

YEAR	RESTRICTIONS	PART NUMBER	QTY.	PART NAME AND DESCRIPTION
PARTS LIST NO. 50 — Cont'd				
16 1/2 x 7 ROCKWELL CAM AIR BRAKES				
		2318		Ring (Brake Camshaft Retainer External)
87/		E1HZ 2318-A	2	
		2333		Pin (Brake Shoe Anchor)
87/		E1HZ 2333-A	4	
		2341		Pin (Brake Shoe Retracting Spring)
87/		B8QH 2341-A	2	
		2356		Retainer (Brake Shoe Roller)
87/		E2HZ 2356-A	2	
PARTS LIST NO. 51				
16 1/2 x 7 ROCKWELL CAM AIR BRAKES				
		2007		Lining Kit (Brake Shoe)
87/		E4HZ 2007-E	1	
		2B038		Seal Assy. (Brake Spider Camshaft)
87/		D5HZ 2B038-A	2	
		2045		Pin (Brake Shoe to Cam Roller)
87/		B8QH 2045-A	2	
		2B087		Bushing (Shoe Anchor Pin)
87/		C7TZ 2B087-A	4	
		2092		Cover (Dust)
87/		C3TZ 2092-A	4	
		2125		Spring (Brake Shoe Retainer)
87/		E1HZ 2125-A	4	
		2138		Spacer (Brake Camshaft Adjuster)
87/		E1HZ 2138-A	2	Flat-2 3/8" O.D.-1 17/32" I.D.
		E1HZ 2138-B	2	Thick-4 13/16" long
		E1HZ 2138-C	4	
		E7HZ 2138-A	2	
		2211-12		Spider Assy. (Brake Carrier)
87/		E7HZ 2211-A	2	R.H. & L.H.
		2214-15		Dust Shield (Brake Carrier)
87/		E1HZ 2214-C	1	R.H.
		E1HZ 2215-C	1	L.H.
		2218		Shoe and Lining Assy. (Brake)
87/		E4HZ 2218-C	4	
		2237		Bushing (Brake Camshaft)
87/		B8QH 2237-B	2	
		2296		Spring (Brake Shoe Retracting)
87/		D8HZ 2296-A	2	
		2308		Adjuster Assy. (Brake Manual)
87/		E4HZ 2308-A	2	
		2310-11		Bracket Assy. (Brake Camshaft)
87/		E7HZ 2310-A	1	R.H.
		E7HZ 2311-A	1	L.H.
		2A311		Seal (Brake Camshaft Oil)
87/		E0HZ 2A311-A	2	
		2316-17		Camshaft (Brake)
87/		E7HZ 2316-A	1	R.H.
		E7HZ 2317-A	1	L.H.
		2318		Ring (Brake Camshaft Retainer External)
87/		E1HZ 2318-A	2	
		2333		Pin (Brake Shoe Anchor)
87/		E1HZ 2333-A	4	
		2341		Pin (Brake Shoe Retracting Spring)
87/		B8QH 2341-A	2	
		2356		Retainer (Brake Shoe Roller)
87/		E2HZ 2356-A	2	

**1980/  
TRUCK SERIES 600/900**

YEAR	RESTRICTIONS	PART NUMBER	QTY.	PART NAME AND DESCRIPTION
<b>PARTS LIST NO. 52</b>				
<b>16 1/2 x 7 BENDIX AIR BRAKES</b>				
88/		★ 2007	1	Serviced in 2200 kit
88/		E8HZ 2023-A	1	Roller kit (air brake shoe)
88/		E8HZ 2045-A	1	Pin kit (brake shoe to cam roller)
88/		E8HZ 2200-A	1	Shoe and lining kit
88/		E8HZ 2211-B	2	Spider assy. (brake carrier)
88/		E8HZ 2214-A	1	Dustshield kit (brake)
88/		E8HZ 2237-A	1	Bushing kit (brake camshaft)
88/		E8HZ 2296-A	1	Spring kit (brake shoe retracting)
88/		E8HZ 2308-B	2	Adjuster assy. (brake)
88/		E8HZ 2310-A	1	Bracket kit (brake camshaft)-R.H.
88/		E8HZ 2311-A	1	Bracket kit (brake camshaft)-L.H.
88/		E8HZ 2316-A	1	Camshaft kit (brake)-R.H.
88/		E8HZ 2317-A	1	Camshaft kit (brake)-L.H.
<b>PARTS LIST NO. 53</b>				
<b>16 1/2 x 7 BENDIX AIR BRAKES</b>				
88/		★ 2007	1	Serviced in 2200 kit
88/		E8HZ 2023-A	1	Roller kit (air brake shoe)
88/		E8HZ 2045-A	1	Pin kit (brake shoe to cam. roller)
88/		E8HZ 2200-B	1	Shoe and lining kit
88/		E8HZ 2211-B	2	Spider assy. (brake carrier)
88/		E8HZ 2214-A	1	Dustshield kit (brake)
88/		E8HZ 2237-A	1	Bushing kit (brake camshaft)
88/		E8HZ 2296-A	1	Spring kit (brake shoe retracting)
88/		E8HZ 2308-B	2	Adjuster assy. (brake)
88/		E8HZ 2310-A	1	Bracket kit (brake camshaft)-R.H.
88/		E8HZ 2311-A	1	Bracket kit (brake camshaft)-L.H.
88/		E8HZ 2316-A	1	Camshaft kit (brake)-R.H.
88/		E8HZ 2317-A	1	Camshaft kit (brake)-L.H.
<b>PARTS LIST NO. 54</b>				
<b>16 1/2 x 7 ROCKWELL CAM AIR BRAKES-MANUAL ADJUSTERS</b>				
88/		E7HZ 2007-A	1	Lining kit (brake shoe)
88/		D5HZ 2B038-A	2	Seal assy. (brake spider camshaft)
88/		B8QH 2045-A	2	Pin (brake shoe to cam roller)
88/		C7TZ 2B087-A	4	Bushing (shoe anchor pin)
88/		C3TZ 2092-A	4	Cover (dust)
88/		E1HZ 2125-A	4	Spring (brake shoe retainer)
88/		E1HZ 2138-A	2	Flat 2 3/8" O.D.-1 17/32"-I.D.
88/		E1HZ 2138-B	2	Thick-4 13/16" long
88/		E1HZ 2138-C	4	
88/		E7HZ 2138-A	2	
88/		E7HZ 2200-A	1	Shoe and lining kit (brake)
88/		E8HZ 2211-A	1	Spider assy. (brake carrier)-R.H.
88/		E8HZ 2212-A	1	Spider assy. (brake carrier)-L.H.
88/		E1HZ 2214-C	1	Dustshield (brake carrier)-R.H.
88/		E1HZ 2215-C	1	Dustshield (brake carrier)-L.H.
88/		B8QH 2237-B	2	Bushing (brake camshaft)
88/		D8HZ 2296-A	2	Spring (brake shoe retracting)
88/		E7HZ 2308-A	2	Adjuster assy. (brake manual)
88/		E7HZ 2310-C	1	Bracket assy. (brake camshaft) R.H.
88/		E7HZ 2311-C	1	Bracket assy. (brake camshaft) L.H.
88/		E0HZ 2A311-A	2	Seal (brake camshaft oil)
88/		E1HZ 2316-E	1	Camshaft (brake)-L.H.
88/		E1HZ 2317-E	1	Camshaft (brake)-R.H.
88/		E1HZ 2318-A	2	Ring (brake camshaft retainer external)
88/		E1HZ 2333-A	4	Pin (brake shoe anchor)
88/		B8QH 2341-A	2	Pin (brake shoe retracting spring)
88/		E2HZ 2356-A	2	Retainer (brake shoe roller)

1980/  
TRUCK SERIES 600/900

YEAR	RESTRICTIONS	PART NUMBER	QTY.	PART NAME AND DESCRIPTION
PARTS LIST NO. 55				
16 1/2 x 7 BENDIX AIR BRAKES				
89		★ 2007	1	Serviced in 2200 kit
89		E8HZ 2023-A	1	Roller kit (air brake shoe)
89		E8HZ 2045-A	1	Pin kit (brake shoe to cam. roller)
89		E8HZ 2200-A	2	Shoe and lining kit
89		E6HZ 2211-A	2	Spider assy. (brake carrier)
89		E8HZ 2214-A	1	Dustshield kit (brake)
89		E8HZ 2237-A	1	Bushing kit (brake camshaft)
89		E8HZ 2296-A	1	Spring kit (brake shoe retracting)
89		E9HZ 2310-A	1	Bracket kit (brake camshaft)-R.H.
89		E9HZ 2311-A	1	Bracket kit (brake camshaft)-L.H.
89		E9HZ 2314-A	1	Adjuster assy. (brake) manual-Bendix
89		E9HZ 2314-B	1	Adjuster assy. (brake) automatic
89		E9HZ 2314-C	1	Adjuster assy. (brake) manual-Midland
89		E9HZ 2316-A	1	Camshaft kit (brake) R.H.
89		E9HZ 2317-A	1	Camshaft kit (brake)-L.H.
PARTS LIST NO. 56				
16 1/2 x 7 BENDIX AIR BRAKES				
89		★ 2007	1	Serviced in 2200 kit
89		E8HZ 2023-A	1	Roller kit (air brake shoe)
89		E8HZ 2045-A	1	Pin kit (brake shoe to cam. roller)
89		E9HZ 2200-A	2	Shoe and lining kit
89		E6HZ 2211-A	2	Spider assy. (brake carrier)
89		E8HZ 2214-A	1	Dustshield kit (brake)
89		E8HZ 2237-A	1	Bushing kit (brake camshaft)
89		E8HZ 2296-A	1	Spring kit (brake shoe retracting)
89		E9HZ 2310-A	1	Bracket kit (brake camshaft)-R.H.
89		E9HZ 2311-A	1	Bracket kit (brake camshaft)-L.H.
89		E9HZ 2314-A	1	Adjuster assy. (brake) manual-Bendix
89		E9HZ 2314-B	1	Adjuster assy. (brake) automatic
89		E9HZ 2314-C	1	Adjuster assy. (brake) manual-Midland
89		E9HZ 2316-A	1	Camshaft kit (brake)-R.H.
89		E9HZ 2317-A	1	Camshaft kit (brake)-L.H.
PARTS LIST NO. 57				
16 1/2 x 7 BENDIX AIR BRAKES				
89		★ 2007	1	Serviced in 2200 kit
89		E8HZ 2023-A	1	Roller kit (air brake shoe)
89		E8HZ 2045-A	1	Pin kit (brake shoe to cam. roller)
89		E9HZ 2200-A	2	Shoe and lining kit
89		E8HZ 2211-B	2	Spider assy. (brake carrier)
89		E8HZ 2214-A	1	Dustshield kit (brake)
89		E8HZ 2237-A	1	Bushing kit (brake camshaft)
89		E8HZ 2296-A	1	Spring kit (brake shoe retracting)
89		E8HZ 2310-A	1	Bracket kit (brake camshaft)-R.H.
89		E8HZ 2311-A	1	Bracket kit (brake camshaft)-L.H.
89		E9HZ 2314-A	1	Adjuster assy. (brake) manual-Bendix
89		E9HZ 2314-B	1	Adjuster assy. (brake) automatic
89		E9HZ 2314-C	1	Adjuster assy. (brake) manual-Midland
89		E8HZ 2316-A	1	Camshaft kit (brake)-R.H.
89		E8HZ 2317-A	1	Camshaft kit (brake)-L.H.

**1980/  
TRUCK SERIES 600/900**

YEAR	RESTRICTIONS	PART NUMBER	QTY.	PART NAME AND DESCRIPTION
<b>PARTS LIST NO. 58</b>				
<b>16 1/2 x 7 BENDIX AIR BRAKES</b>				
89		★ 2007	1	Serviced in 2200 kit
89		E8HZ 2023-A	1	Roller kit (air brake shoe)
89		E8HZ 2045-A	1	Pin kit (brake shoe to cam. roller)
89		E8HZ 2200-A	2	Shoe and lining kit
89		E8HZ 2211-B	2	Spider assy. (brake carrier)
89		E8HZ 2214-A	1	Dustshield kit (brake)
89		E8HZ 2237-A	1	Bushing kit (brake camshaft)
89		E8HZ 2296-A	1	Spring kit (brake shoe retracting)
89		E8HZ 2310-A	1	Bracket kit (brake camshaft)-R.H.
89		E8HZ 2311-A	1	Bracket kit (brake camshaft)-L.H.
89		E9HZ 2314-A	1	Adjuster assy. (brake)-manual-Bendix
89		E9HZ 2314-B	1	Adjuster assy. (brake)-automatic
89		E9HZ 2314-C	1	Adjuster assy. (brake)-manual-Midland
89		E8HZ 2316-A	1	Camshaft kit (brake)-R.H.
89		E8HZ 2317-A	1	Camshaft kit (brake)-L.H.
<b>PARTS LIST NO. 59</b>				
<b>16 1/2 x 7 ROCKWELL AIR BRAKES</b>				
89		E9HZ 2007-C	1	Lining kit (brake shoes)
89		D5HZ 2B038-A	2	Seat assy. (brake spider camshaft)
89		B8QH 2045-A	2	Pin (brake shoe to cam roller)
89		C7TZ 2B087-A	4	Bushing (shoe anchor pin)
89		C3TZ 2092-A	4	Cover (dust)
89		E1HZ 2125-A	4	Spring (brake shoe retainer)
89		E1HZ 2138-A	2	Washer-flat-2 3/8" O.D.-1 17/32"-I.D.
89		E1HZ 2138-B	2	Washer-thick-4 13/16"-long
89		E1HZ 2138-C	4	Washer
89		E7HZ 2138-A	2	Washer
89		E9HZ 2211-D	2	Spider assy. (brake carrier)
89		E1HZ 2214-F	2	Dustshield (brake carrier)
89		E9HZ 2218-C	4	Shoe and lining assy. (brake)
89		B89H 2237-B	2	Bushing (brake camshaft)
89		D8HZ 2296-A	2	Spring (brake shoe retracting)
89		E9HZ 2310-M	1	Bracket assy. (brake camshaft)-R.H.
89		E9HZ 2311-M	1	Bracket assy. (brake camshaft)-R.H.
89		E0HZ 2A311-A	2	Seal (brake camshaft oil)
89		E9HZ 2314-A	2	Adjuster assy. (brake)-manual-Bendix
89		E9HZ 2314-B	2	Adjuster assy. (brake)-automatic
89		E9HZ 2314-C	2	Adjuster assy. (brake)-manual-Midland
89		E1HZ 2316-E	1	Camshaft (brake)-L.H.
89		E1HZ 2317-E	1	Camshaft (brake)-R.H.
89		E1HZ 2318-A	2	Ring (brake camshaft retainer external)
89		E1HZ 2333-A	4	Pin (brake shoe anchor)
89		B8QH 2341-A	2	Pin (brake shoe retracting spring)
89		E2HZ 2356-A	2	Retainer (brake shoe roller)
<b>PARTS LIST NO. 60</b>				
<b>16 1/2 x 7 ROCKWELL AIR BRAKES</b>				
89		E7HZ 2007-A	1	Lining kit (brake shoe)
89		D5HZ 2B038-A	2	Seal assy. (brake spider camshaft)
89		B8QH 2045-A	2	Pin (brake shoe to cam roller)
89		C7TZ 2B087-A	4	Bushing (shoe anchor pin)
89		C3TZ 2092-A	4	Cover (dust)
89		E1HZ 2125-A	4	Spring (brake shoe retainer)
89		E1HZ 2138-A	2	Washer-flat-2 3/8" O.D.-1 17/32" I.D.
89		E1HZ 2138-B	2	Washer-thick-4 13/16" long
89		E1HZ 2138-C	4	Washer

1980/  
TRUCK SERIES 600/900

YEAR	RESTRICTIONS	PART NUMBER	QTY.	PART NAME AND DESCRIPTION
PARTS LIST NO. 60 -- Cont'd				
16 1/2 x 7 ROCKWELL AIR BRAKES				
89		E7HZ 2138-A	2	Washer
89		E9HZ 2211-D	2	Spider assy. (brake carrier)
89		E1HZ 2214-F	2	Dustshield (brake carrier)
89		E9HZ 2218-B	4	Shoe and lining assy. (brake)
89		B8QH 2237-B	2	Bushing (brake camshaft)
89		D8HZ 2296-A	2	Spring (brake shoe retracting)
89		E9HZ 2310-M	1	Bracket assy. (brake camshaft)-R.H.
89		E9HZ 2311-M	1	Bracket assy. (brake camshaft) L.H.
89		E0HZ 2A311-A	2	Seal (brake camshaft oil)
89		E9HZ 2314-A	2	Adjuster assy. (brake)-manual-Bendix
89		E9HZ 2314-B	2	Adjuster assy. (brake)-automatic
89		E9HZ 2314-C	2	Adjuster assy. (brake) manual-Midland
89		E1HZ 2316-E	1	Camshaft (brake)-L.H.
89		E1HZ 2317-E	1	Camshaft (brake)-R.H.
89		E1HZ 2318-A	2	Ring (brake camshaft retainer external)
89		E1HZ 2333-A	4	Pin (brake shoe anchor)
89		B8QH 2341-A	2	Pin (brake shoe retracting spring)
89		E2HZ 2356-A	2	Retainer (brake shoe roller)
PARTS LIST NO. 61				
16 1/2 x 7 ROCKWELL AIR BRAKES				
89		E7HZ 2007-A	1	Lining kit (brake shoe)
89		D5HZ 2B038-A	2	Seal assy. (brake spider camshaft)
89		B8QH 2045-A	2	Pin (brake shoe to cam roller)
89		C7TZ 2B087-A	4	Bushing (shoe anchor pin)
89		C3TZ 2092-A	4	Cover (dust)
89		E1HZ 2125-A	4	Spring (brake shoe retainer)
89		E1HZ 2138-A	2	Washer -flat-2 3/8" O.D. 1 17/32" I.D.
89		E1HZ 2138-B	2	Washer-thick 4 13/16" long
89		E1HZ 2138-C	4	Washer
89		E7HZ 2138-A	2	Washer
89		E7HZ 2211-A	2	Spider assy. (brake carrier)
89		E1HZ 2214-F	1	Dustshield (brake carrier)
89		E9HZ 2218-B	4	Shoe and lining assy. (brake)
89		B8QH 2237-B	2	Bushing (brake camshaft)
89		D8HZ 2296-A	2	Spring (brake shoe retracting)
89		E9HZ 2310-B	1	Bracket assy. (brake camshaft)-R.H.
89		E9HZ 2311-B	1	Bracket assy. (brake camshaft)-L.H.
89		E0HZ 2A311-A	2	Seal (brake camshaft oil)
89		E9HZ 2314-A	2	Adjuster assy. (brake)-manual-Bendix
89		E9HZ 2314-B	2	Adjuster assy. (brake)-automatic
89		E9HZ 2314-C	2	Adjuster assy. (brake)-manual-Midland
89		E7HZ 2316-A	1	Camshaft (brake) R.H.
89		E7HZ 2317-A	1	Camshaft (brake) L.H.
89		E1HZ 2318-A	2	Ring (brake camshaft retainer external)
89		E1HZ 2333-A	4	Pin (brake shoe anchor)
89		B8QH 2341-A	2	Pin (brake shoe retracting spring)
89		E2HZ 2356-A	2	Retainer (brake shoe roller)

1980/  
TRUCK SERIES 600/900

YEAR	RESTRICTIONS	PART NUMBER	QTY.	PART NAME AND DESCRIPTION
PARTS LIST NO. 62				
16 1/2 x 7 ROCKWELL AIR BRAKES				
89		E7HZ 2007-A	1	Lining kit (brake shoe)
89		E9HZ 2B026-A	4	Clip (brake shoe hold down)
89		D5HZ 2B038-A	2	Seal assy. (brake spider camshaft)
89		B8QH 2045-A	2	Pin (brake shoe to cam roller)
89		C7TZ 2B087-A	4	Bushing (shoe anchor pin)
89		C3TZ 2092-A	4	Cover (dust)
89		E1HZ 2125-A	4	Spring (brake shoe retainer)
89		E1HZ 2138-A	2	Washer-flat-2 3/8" O.D.-1 17/32" I.D.
89		E1HZ 2138-B	2	Washer-thick 4 13/16" long
89		E1HZ 2138-C	4	Washer
89		E7HZ 2138-A	2	Washer
89		E7HZ 2211-A	2	Spider assy. (brake carrier)
89		E1HZ 2214-F	2	Dustshield (brake carrier)
89		E9HZ 2218-B	4	Shoe and lining assy. (brake)
89		B8QH 2237-B	2	Bushing (brake camshaft)
89		D8HZ 2296-A	2	Spring (brake shoe retracting)
89		E9HZ 2310-G	1	Bracket assy. (brake camshaft) R.H.
89		E9HZ 2311-G	1	Bracket assy. (brake camshaft) L.H.
89		E0HZ 2A311-A	2	Seal (brake camshaft oil)
89		E9HZ 2314-A	2	Adjuster assy. (brake)-manual-Bendix
89		E9HZ 2314-B	2	Adjuster assy. (brake)-automatic
89		E9HZ 2314-C	2	Adjuster assy. (brake)-manual Midland
89		E1HZ 2316-E	1	Camshaft (brake) L.H.
89		E1HZ 2317-E	1	Camshaft (brake) R.H.
89		E1HZ 2318-A	2	Ring (brake camshaft retainer external)
89		E1HZ 2333-A	4	Pin (brake shoe anchor)
89		B8QH 2341-A	2	Pin (brake shoe retracting spring)
89		E2HZ 2356-A	2	Retainer (brake shoe roller)
89		E7HZ 4P123-A	4	Cap (screw)
PARTS LIST NO. 63				
16 1/2 x 7 ROCKWELL AIR BRAKES				
89		E7HZ 2007-A	1	Lining kit (brake shoe)
89		D5HZ 2B038-A	2	Seal assy. (brake spider camshaft)
89		B8QH 2045-A	2	Pin (brake shoe to cam roller)
89		C7TZ 2B087-A	4	Bushing (shoe anchor pin)
89		C3TZ 2092-A	4	Cover (dust)
89		E1HZ 2125-A	4	Spring (brake shoe retainer)
89		E1HZ 2138-A	2	Washer-flat-2 3/8" O.D. 1 17/32" I.D.
89		E1HZ 2138-B	2	Washer thick 4 13/16" long
89		E1HZ 2148-C	4	Washer
89		E7HZ 2138-A	2	Washer
89		E7HZ 2211-A	2	Spider assy. (brake carrier)
89		E1HZ 2214-F	2	Dustshield (brake carrier)
89		E9HZ 2218-B	4	Shoe and lining assy. (brake)
89		B8QH 2237-B	2	Bushing (brake camshaft)
89		D8HZ 2296-A	2	Spring (brake shoe retracting)
89		E9HZ 2310-C	1	Bracket assy. (brake camshaft) R.H.
89		E9HZ 2311-C	1	Bracket assy. (brake camshaft) L.H.
89		E0HZ 2A311-A	2	Seal (brake camshaft oil)
89		E9HZ 2314-A	2	Adjuster assy. (brake) manual Bendix
89		E9HZ 2314-B	2	Adjuster assy. (brake)-automatic
89		E9HZ 2314-C	2	Adjuster assy. (brake) manual Midland
89		E7HZ 2316-A	1	Camshaft (brake)-R.H.
89		E7HZ 2317-A	1	Camshaft (brake) L.H.
89		E1HZ 2318-A	2	Ring (brake camshaft retainer external)
89		E1HZ 2333-A	4	Pin (brake shoe anchor)
89		B8QH 2341-A	2	Pin (brake shoe retracting spring)
89		E2HZ 2356-A	2	Retainer (brake shoe roller)

1980/  
TRUCK SERIES 600/900

YEAR	RESTRICTIONS	PART NUMBER	QTY.	PART NAME AND DESCRIPTION
<b>PARTS LIST NO. 64</b>				
<b>ROCKWELL AIR BRAKES</b>				
89		E9HZ 2007-C	1	Lining kit (brake shoe)
89		D5HZ 2B038-A	2	Seal assy. (brake spider camshaft)
89		B8QH 2045-A	2	Pin (brake shoe to cam roller)
89		C7TZ 2B087-A	4	Bushing (shoe anchor pin)
89		C3TZ 2092-A	4	Cover (dust)
89		E1HZ 2125-A	4	Spring (brake shoe retainer)
89		E1HZ 2138-A	2	Washer-flat-2 3/8" O.D.-1 17/32" I.D.
89		E1HZ 2138-B	2	Washer-thick-4 13/16" long
89		E1HZ 2138-C	4	Washer
89		E7HZ 2138-A	2	Washer
89		E7HZ 2211-A	2	Spider assy. (brake carrier)
89		E1HZ 2214-F	2	Dustshield (brake carrier)
89		E9HZ 2218-C	4	Shoe and lining assy. (brake)
89		B8QH 2237-B	2	Bushing (brake camshaft)
89		D8HZ 2296-A	2	Spring (brake shoe retracting)
89		E9HZ 2310-G	1	Bracket assy. (brake camshaft)-R.H.
89		E9HZ 2311-G	1	Bracket assy.(brake camshaft) L.H.
89		E0HZ 2A311-A	2	Seal (brake camshaft oil)
89		E9HZ 2314-A	2	Adjuster assy. (brake) manual-Bendix
89		E9HZ 2314-B	2	Adjuster assy. (brake)-automatic
89		E9HZ 2314-C	2	Adjuster assy. (brake)-manual-Midland
89		E1HZ 2316-E	1	Camshaft (brake)-L.H.
89		E1HZ 2317-E	1	Camshaft (brake) R.H.
89		E1HZ 2318-A	2	Ring (brake camshaft retainer external)
89		E1HZ 2333-A	4	Pin (brake shoe anchor)
89		B8QH 2341-A	2	Pin (brake shoe retracting spring)
89		E2HZ 2356-A	2	Retainer (brake shoe roller)
<b>PARTS LIST NO. 65</b>				
<b>16 1/2 x 7 ROCKWELL AIR BRAKES</b>				
89		E7HZ 2007-A	1	Lining kit (brake shoe)
89		D5HZ 2B038-A	2	Seal assy. (brake spider camshaft)
89		B8QH 2045-A	2	Pin(brake shoe to cam roller)
89		C7TZ 2B087-A	4	Bushing (shoe anchor pin)
89		C3TZ 2092-A	4	Cover (dust)
89		E1HZ 2125-A	4	Spring (brake shoe retainer)
89		E1HZ 2148-A	2	Washer-flat-2 3/8" O.D.-1 17/32" I.D.
89		E1HZ 2138-B	2	Washer-thick-4 13/16" long
89		E1HZ 2138-C	4	Washer
89		E7HZ 2138-A	2	Washer
89		E7HZ 2211-A	2	Spider assy. (brake carrier)
89		E1HZ 2214-F	2	Dustshield (brake carrier)
89		E9HZ 2218-B	4	Shoe and lining assy. (brakes)
89		B8QH 2237-B	2	Bushing (brake camshaft)
89		D8HZ 2296-A	2	Spring (brake shoe retracting)
89		E9HZ 2310-E	1	Bracket assy. (brake camshaft)-R.H.
89		E9HZ 2311-E	1	Bracket assy. (brake camshaft)-L.H.
89		E0HZ 2A311-A	2	Seal (brake camshaft oil)
89		E9HZ 2314-A	2	Adjuster assy. (brake)-manual-Bendix
89		E9HZ 2314-B	2	Adjuster assy. (brake)-automatic
89		E9HZ 2314-C	2	Adjuster assy. (brake)-manual-Midland
89		E7HZ 2316-A	1	Camshaft (brake)-R.H.
89		E7HZ 2317-A	1	Camshaft (brake)-L.H.
89		E1HZ 2318-A	2	Ring (brake camshaft retainer external)
89		E1HZ 2333-A	4	Pin (brake shoe anchor)
89		B8QH 2341-A	2	Pin (brake shoe retracting spring)
89		E2HZ 2356-A	2	Retainer (brake shoe roller)



**1980/  
TRUCK SERIES 600/900**

YEAR	RESTRICTIONS	PART NUMBER	QTY.	PART NAME AND DESCRIPTION
PARTS LIST NO. 66				
16 1/2 x 7 ROCKWELL AIR BRAKES				
89		E7HZ 2007-A	1	Lining kit (brake shoe)
89		D5HZ 2B038-A	2	Seal assy. (brake spider camshaft)
89		B8QH 2045-A	2	Pin (brake shoe to cam roller)
89		C7TZ 2B087-A	4	Bushing (shoe anchor pin)
89		C3TZ 2092-A	4	Cover (dust)
89		E1HZ 2125-A	4	Spring (brake shoe retainer)
89		E1HZ 2138-A	2	Washer-flat-2 3/8" O.D.-1 17/32" I.D.
89		E1HZ 2138-B	2	Washer-thick-4 13/16" long
89		E1HZ 2138-C	4	Washer
89		E7HZ 2138-A	2	Washer
89		E7HZ 2200-A	1	Shoe and lining kit (brake)
89		E4HZ 2211-C	2	Spider assy. (brake carrier)
89		E1HZ 2214-F	2	Dustshield (brake carrier)
89		B8QH 2237-B	2	Bushing (brake camshaft)
89		D8HZ 2296-A	2	Spring (brake shoe retracting)
89		E9HZ 2310-D	1	Bracket assy. (brake camshaft)-R.H.
89		E9HZ 2311-D	1	Bracket assy. (brake camshaft)-L.H.
89		E0HZ 2A311-A	2	Seal (brake camshaft oil)
89		E9HZ 2314-A	2	Adjuster assy. (brake)-manual-Bendix
89		E9HZ 2314-B	2	Adjuster assy. (brake)-automatic
89		E9HZ 2314-C	2	Adjuster assy. (brake)-manual-Midland
89		E1HZ 2316-E	1	Camshaft (brake)-R.H.
89		E1HZ 2317-E	1	Camshaft (brake)-L.H.
89		E1HZ 2318-A	2	Ring (brake camshaft retainer external)
89		E1HZ 2333-A	4	Pin (brake shoe anchor)
89		B8QH 2341-A	2	Pin (brake shoe retracting spring)
89		E2HZ 2356-A	2	Retainer (brake shoe roller)
PARTS LIST NO. 67				
16 1/2 x 7 ROCKWELL AIR BRAKES				
89		E7HZ 2007-A	1	Lining kit (brake shoe)
89		D5HZ 2B038-A	2	Seal assy. (brake spider camshaft)
89		B8QH 2045-A	2	Pin (brake shoe to cam roller)
89		C7TZ 2B087-A	4	Bushing (shoe anchor pin)
89		C3TZ 2092-A	4	Cover (dust)
89		E1HZ 2125-A	4	Spring (brake shoe retainer)
89		E1HZ 2138-A	2	Washer-flat-2 3/8" O.D. 1 17/32" I.D.
89		E1HZ 2138-B	2	Washer-thick-4 13/16" long
89		E1HZ 2138-C	4	Washer
89		E7HZ 2138-A	2	Washer
89		E1HZ 2211-C	2	Spider assy. (brake carrier)
89		E1HZ 2214-F	2	Dustshield (brake carrier)
89		E9HZ 2218-C	4	Shoe and lining assy. (brake)
89		B8QH 2237-B	2	Bushing (brake camshaft)
89		D8HZ 2296-A	2	Spring (brake shoe retracting)
89		E9HZ 2310-F	1	Bracket assy. (brake camshaft)-R.H.
89		E9HZ 2311-F	1	Bracket assy. (brake camshaft)-L.H.
89		E0HZ 2A311-A	2	Seal (brake camshaft oil)
89		E9HZ 2314-A	2	Adjuster assy. (brake)-manual-Bendix
89		E9HZ 2314-B	2	Adjuster assy. (brake)-automatic
89		E9HZ 2314-C	2	Adjuster assy. (brake)-manual-Midland
89		E1HZ 2316-E	1	Camshaft (brake)-L.H.
89		E1HZ 2317-E	1	Camshaft (brake)-R.H.
89		E1HZ 2318-A	2	Ring (brake camshaft retainer external)
89		E1HZ 2333-A	4	Pin (brake shoe anchor)
89		B8QH 2341-A	2	Pin (brake shoe retracting spring)
89		E2HZ 2356-A	2	Retainer (brake shoe roller)

1980/  
TRUCK SERIES 600/900

YEAR	RESTRICTIONS	PART NUMBER	QTY.	PART NAME AND DESCRIPTION
PARTS LIST NO. 68				
16 1/2 x 7 ROCKWELL AIR BRAKES				
89		E9HZ 2007-C	1	Lining kit (brake shoe)
89		D5HZ 2B038-A	2	Seal assy. (brake spider camshaft)
89		B8QH 2045-A	2	Pin (brake shoe to cam roller)
89		C7TZ 2B087-A	4	Bushing (shoe anchor pin)
89		C3TZ 2092-A	4	Cover (dust)
89		E1HZ 2125-A	4	Spring (brake shoe retainer)
89		E1HZ 2138-A	2	Washer-flat-2 3/8" O.D.-1 17/32" I.D.
89		E1HZ 2138-B	2	Washer-thick-4 13/16" long
89		E1HZ 2138-C	4	Washer
89		E7HZ 2138-A	2	Washer
89		E7HZ 2211-A	2	Spider assy. (brake carrier)
89		E1HZ 2214-F	2	Dustshield (brake carrier)
89		E9HZ 2218-C	4	Shoe and lining assy. (brake)
89		B8QH 2237-B	2	Bushing (brake camshaft)
89		D8HZ 2296-A	2	Spring (brake shoe retracting)
89		E9HZ 2310-E	1	Bracket assy. (brake camshaft)-R.H.
89		E9HZ 2311-E	1	Bracket assy. (brake camshaft)-L.H.
89		E0HZ 2A311-A	2	Seal (brake camshaft oil)
89		E9HZ 2314-A	2	Adjuster assy. (brake)-manual-Bendix
89		E9HZ 2314-B	2	Adjuster assy. (brake)-automatic
89		E9HZ 2314-C	2	Adjuster assy. (brake)-manual-Midland
89		E7HZ 2316-A	1	Camshaft (brake)-R.H.
89		E7HZ 2317-A	1	Camshaft (brake)-L.H.
89		E1HZ 2318-A	2	Ring (brake camshaft retainer external)
89		E1HZ 2333-A	4	Pin (brake shoe anchor)
89		B8QH 2341-A	2	Pin (brake shoe retracting spring)
89		E2HZ 2356-A	2	Retainer (brake shoe roller)
PARTS LIST NO. 69				
16 1/2 x 7 ROCKWELL AIR BRAKES				
89		E7HZ 2007-A	1	Lining kit (brake shoe)
89		D5HZ 2B038-A	2	Seal assy. (brake spider camshaft)
89		B8QH 2045-A	2	Pin (brake shoe to cam roller)
89		C7TZ 2B087-A	4	Bushing (shoe anchor pin)
89		C3TZ 2092-A	4	Cover (dust)
89		E1HZ 2125-A	4	Spring (brake shoe retainer)
89		E1HZ 2138-A	2	Washer-flat-2 3/8" O.D.-1 17/32" I.D.
89		E1HZ 2138-B	2	Washer-thick-4 13/16" long
89		E1HZ 2138-C	4	Washer
89		E7HZ 2138-A	2	Washer
89		E7HZ 2200-A	1	Shoe and lining kit (brake)
89		E9HZ 2211-D	2	Spider assy. (brake carrier)
89		E1HZ 2214-F	2	Dustshield (brake carrier)
89		B8QH 2237-A	2	Bushing (brake camshaft)
89		D8HZ 2296-A	2	Spring (brake shoe retracting)
89		E9HZ 2310-L	1	Bracket assy. (brake camshaft)-R.H.
89		E9HZ 2311-L	1	Bracket assy. (brake camshaft)-L.H.
89		E0HZ 2A311-A	2	Seal (brake camshaft oil)
89		E9HZ 2314-A	2	Adjuster assy. (brake)-manual-Bendix
89		E9HZ 2314-B	2	Adjuster assy. (brake)-automatic
89		E9HZ 2314-C	2	Adjuster assy. (brake)-manual-Midland
89		E9HZ 2316-B	1	Camshaft (brake)-L.H.
89		E9HZ 2317-B	1	Camshaft (brake)-R.H.
89		E1HZ 2318-A	2	Ring (brake camshaft retainer external)
89		E1HZ 2333-A	4	Pin (brake shoe anchor)
89		B8QH 2341-A	2	Pin (brake shoe retracting spring)
89		E2HZ 2356-A	2	Retainer (brake shoe roller)

1980/  
TRUCK SERIES 600/900

YEAR	RESTRICTIONS	PART NUMBER	QTY.	PART NAME AND DESCRIPTION
PARTS LIST NO. 70				
16 1/2 x 7 ROCKWELL AIR BRAKES				
89		E7HZ 2007-A	1	Lining kit (brake shoe)
89		D5HZ 2B038-A	2	Seal assy. (brake spider camshaft)
89		B8QH 2045-A	2	Pin (brake shoe to cam roller)
89		C7TZ 2B087-A	4	Bushing (shoe anchor pin)
89		C3TZ 2092-A	4	Cover (dust)
89		E1HZ 2125-A	4	Spring (brake shoe retainer)
89		E1HZ 2138-A	2	Washer flat-2 3/8" O.D.-1 17/32" I.D.
89		E1HZ 2138-B	2	Washer-thick-4 13/16" long
89		E1HZ 2138-C	4	Washer
89		E7HZ 2138-A	2	Washer
89		E9HZ 2211-D	2	Spider assy. (brake carrier)
89		E1HZ 2214-C	1	Dustshield (brake carrier)-R.H.
89		E1HZ 2215-C	1	Dustshield (brake carrier)-L.H.
89		E9HZ 2218-B	4	Shoe and lining assy. (brake)
89		B8QH 2237-A	2	Bushing (brake camshaft)
89		D8HZ 2286-A	2	Spring (brake shoe retracting)
89		E9HZ 2310-N	1	Bracket assy. (brake camshaft)-R.H.
89		E9HZ 2311-N	1	Bracket assy. (brake camshaft)-L.H.
89		E0HZ 2A311-A	2	Seal (brake camshaft oil)
89		E9HZ 2314-A	2	Adjuster assy. (brake)-manual-Bendix
89		E9HZ 2314-B	2	Adjuster assy. (brake)-automatic
89		E9HZ 2314-C	2	Adjuster assy. (brake)-manual-Midland
89		E1HZ 2316-H	1	Camshaft (brake)-L.H.
89		E1HZ 2317-E	1	Camshaft (brake)-R.H.
89		E1HZ 2318-A	2	Ring (brake camshaft retainer external)
89		E1HZ 2333-A	4	Pin (brake shoe anchor)
89		B8QH 2341-A	2	Pin (brake shoe retracting spring)
89		E2HZ 2356-A	2	Retainer (brake shoe roller)
PARTS LIST NO. 71				
16 1/2 x 7 ROCKWELL AIR BRAKES				
89		E9HZ 2007-C	1	Lining kit (brake shoe)
89		D5HZ 2B038-A	2	Seal assy. (brake spider camshaft)
89		B8QH 2045-A	2	Pin (brake shoe to cam roller)
89		C7TZ 2B087-A	4	Bushing (shoe anchor pin)
89		C3TZ 2092-A	4	Cover (dust)
89		E1HZ 2125-A	4	Spring (brake shoe retainer)
89		E1HZ 2138-A	2	Washer-flat-2 3/8" O.D.-1 17/32" I.D.
89		E1HZ 2138-B	2	Washer-thick-4 13/16" long
89		E1HZ 2138-C	4	Washer
89		E7HZ 2138-A	2	Washer
89		E9HZ 2211-D	2	Spider assy. (brake carrier)
89		E1HZ 2214-C	1	Dustshield (brake carrier)-R.H.
89		E1HZ 2215-C	1	Dustshield (brake carrier)-L.H.
89		E9HZ 2218-C	4	Shoe and lining assy. (brake)
89		B8QH 2237-A	2	Bushing (brake camshaft)
89		D8HZ 2286-A	2	Spring (brake shoe retracting)
89		E9HZ 2310-N	1	Bracket assy. (brake camshaft)-R.H.
89		E9HZ 2311-N	1	Bracket assy. (brake camshaft)-L.H.
89		E0HZ 2A311-A	2	Seal (brake camshaft oil)
89		E9HZ 2314-A	2	Adjuster assy. (brake)-manual-Bendix
89		E9HZ 2314-B	2	Adjuster assy. (brake)-automatic
89		E9HZ 2314-C	2	Adjuster assy. (brake)-manual-Midland
89		E1HZ 2316-H	1	Camshaft (brake)-L.H.
89		E1HZ 2317-E	1	Camshaft (brake)-R.H.
89		E1HZ 2318-A	2	Ring (brake camshaft retainer external)
89		E1HZ 2333-A	4	Pin (brake shoe anchor)
89		B8QH 2341-A	2	Pin (brake shoe retracting spring)
89		E2HZ 2356-A	2	Retainer (brake shoe roller)

1980/  
TRUCK SERIES 600/900

QTY.	PART NUMBER	DESCRIPTION	QTY.	PART NUMBER	DESCRIPTION
PARTS LIST NO. 1-D5HZ 2025-D (D5HS 2025-CA BENDIX-WESTINGHOUSE)			PARTS LIST NO.5-D5HZ 2225-F (D4HA 2225-EA MGM BRAKES)		
1	D5HZ 2099-C	Clevis	1	C5TZ 2B028-B	Seal-pushrod
1	B6QH 2321-A	Spring-diaphragm return	2	D5TZ 2321-A	Spring-push rod and diaphragm return
1	B6QH 2325-A	Diaphragm	1	C8TZ 2325-A	Diaphragm-spring side
1	D0TZ 2A463-B	Housing	1	D0HZ 2325-F	Diaphragm
1	D5HZ 2A465-D	Rod assy-Push	1	D5HZ 2A464-A	Piston
1	D5HZ 2A469-E	Cover	1	D0HZ 2C464-A	Plate-release bolt cover
1	C6TZ 2A470-B	Clamp	1	D5TZ 2A465-A	Rod assy-piston
1	87710-S(P-16)	Pipe plug-3/8-18 x 15/32"	1	D0HZ 2A466-C	Spring-cover
PARTS LIST NO. 2-D9HZ 2025-A (D7HT 2025-EA-MGM BRAKES)			1	D3HZ 2A468-A	Shield-diaphragm
1	D2TZ 2B001-A	Nut-lock-1 3/4"-12	1	D5HZ 2A469-C	Cover
1	C5TZ 2B021-B	Boot	1	D3HZ 2A470-A	Clamp-spring side
1	D5TZ 2325-A	Diaphragm	1	D3HZ 2A470-B	Clamp
1	D9HZ 2A463-A	Housing	1	D5HZ 2A472-A	Bolt-release
1	D9HZ 2A465-A	Rod assy.-piston	1	D5HZ 2C472-A	Pin-release bolt lock
1	C5TZ 2A470-B	Clamp	1	D5HZ 2F472-A	Nut-release bolt
1	D5TZ 2A475-B	Plate-pressure	1	C8TZ 2A475-A	Plate-pressure (spring side)
1	20521-S8(B-162)	Bolt-clamp ring-5/16"-24 x 2"	1	C8TZ 2A475-B	Plate-pressure (service side)
1	34443-S7-8(M-79)	Nut-clamp ring-5/16"-24	2	C5TZ 2C475-A	Screw-pressure plate retaining
PARTS LIST NO. 3-D4TZ 2225-D (D3TA 2225-EA GUSTIN-BACON)			1	D5HZ 2A478-A	Rod-push
1	D0TZ 2B001-B	Nut-lock	1	C8TZ 2A484-A	Washer-thrust
1	D5TZ 2099-A	Clevis	1	D0HZ 2A488-C	Cap-breather
1	★D1HZ 2321-A	Spring-diaphragm return	1	D0HZ 2A753-A	Kit-seal repair
1	D1HZ 2325-B	Diaphragm	1	33947-S7-8(M-73)	Nut-yoke retaining-5/8"-18
1	D5TZ 2A463-A	Housing	PARTS LIST NO. 6-D5TZ 2225-A (D5TA 2225-AA-MGM BRAKES)		
1	D1HZ 2A464-A	Piston assy	1	D5TZ 2321-A	Spring-push rod and diaphragm return
1	D5TZ 2A465-B	Rod-push	1	D0HZ 2325-F	Diaphragm
1	D1HZ 2A466-A	Spring	1	D5TZ 2A465-A	Rod assy-push
1	C2TZ 2A467-A	Support-spring	1	D3HZ 2A470-B	Clamp
1	C2TZ 2A468-A	Retainer-spring	1	D5TZ 2A475-A	Plate-pressure
1	D5TZ 2A469-A	Cover	1	33947-S7-8(M-73)	Nut-yoke retaining 5/8"-18
1	D1HZ 2A470-A	Clamp	PARTS LIST NO. 7 D8HZ 2225-A (D7HT 2225-DA GUSTIN-BACON)		
1	D1HZ 2A753-A	Kit-repair-incl. (4) "O" rings (4) bushings, (2) back-up rings, (2) felt-wiper rings & (1) lubricant	1	D0TZ 2B001-B	Nut-lock
8	359605-S8(BB-590)	Cap screw-washer hd.- 5/16" - 24 - x 5/8"	1	D8HZ 2099-A	Clevis
PARTS LIST NO.4-D5HZ 2225-E (D4HA 2225-DA ANCHORLOK)			1	★D1HZ 2321-A	Spring-push rod return
1	D0HZ 2B031-C	Plug	1	D1HZ 2325-B	Diaphragm
1	D0HZ 2B034-B	Housing	1	D5TZ 2A463-A	Housing
1	D5HZ 2099-A	Clevis	1	D1HZ 2A464-A	Piston assy.
1	D2TZ 2C225-A	Adapter	1	D8HZ 2A465-A	Rod-push
4	D0HZ 2D225-A	Bolt-carriage-3/8"-16 x 2"	1	D1HZ 2A466-B	Spring
2	D0HZ 2E225-A	Screw-nylock-1/4"-28	1	C2TZ 2A467-A	Support-spring
1	D0HZ 2321-C	Spring-upper return	1	C2TZ 2A468-A	Retainer-spring
1	D0HZ 2321-D	Spring-lower return	1	D8HZ 2A469-A	Cover
2	D0HZ 2325-D	Diaphragm	1	D1HZ 2A470-A	Clamp
1	D2TZ 2A463-A	Housing	1	D1HZ 2A753-A	Kit-repair-incl. (4) "O" rings, (4) bushings, (2) back-up rings, (2) felt-wiper rings & (1) lubricant
1	D4HZ 2A466-A	Spring-compression	8	359605-S8 (BB-590)	Cap screw-washer hd.-5/16"-24 x 5/8"
2	D0HZ 2A470-D	Clamp			
2	D0HZ 2A471-A	Washer			
1	D0HZ 2A472-A	Bolt-release			
1	D4HZ 2A475-A	Plate pressure			
1	D0HZ 2A478-A	Push rod			
1	D4HZ 2C478-A	Adapter-push rod			
1	33947-S7-8(M-73)	Nut-5/8"-18 jam			
1	87035-S94(T-1-F)	"O" ring-5/8" I.D.			
4	★383745-S2	Nut-3/8"-16			



**1980/  
TRUCK SERIES 600/900**

YEAR	MODEL/RESTRICTIONS	PART NUMBER	DESCRIPTION	QTY.
2B301	Refer to Front Brake Parts Lists Section 20.1			
2304	Refer to Front Brake Parts Lists Section 20.1			
2305	Refer to Front Brake Parts Lists Section 20.1			
2306	<b>BRACKET (FRONT BRAKE AIR CHAMBER)</b>			
80/	C-CT600/900	B6QH 2306-A		2
80/	LN-LNT600/900, L-LT-LTL-LTS800/900			2
80/	C-CT800/900 -- 15M axle	B8QH 2306-C		2
2A307	TUBE (BRAKE AIR HAND CONTROL VALVE TO FOOT CONTROL VALVE TRACTOR TRAILER EQUIPMENT) Improvise from bulk tubing (2269) and improvise insulators from rubber hose, friction tape, etc.			
2308	Refer to Booster Parts Lists Section 23.1			
2308-9	Refer to Front Brake Parts Lists Section 20.1			
2A308	<b>SPACER (BRAKE MANIFOLD AIR FITTING)</b>			
80/	C600/900	C1TT 2A308-A		1
2309	BOOSTER REPAIR KIT (POWER BRAKE)-Refer to Booster Parts Lists Section 23.1 for Model Usage			
2A309	<b>BUSHING (BRAKE MASTER CYLINDER PUSH ROD)-Also refer to group 2474</b>			
80/	B-F-FT600/900	C1TT 2A309-A	Brake-9/16" I.D.x5/8" O.D.x5/16" long-Nylon	2
80/	C600/900, CT800/900, L800/900, LN600/900, LNT-LT-LTS800/900			1
80/	CL-CLT900		Clutch master cylinder	1
80/84	C600/900 -- split H/V brakes	C8HZ 2A309-A		1
2310-1	Refer to Rear Brake Parts Lists Section 22.1			
2A311	Refer to Rear Brake Parts Lists Section 22.1			
2B311	<b>BRACKET ASSY. (BRAKE BOOSTER LEVER PIVOT)</b>			
80/	B600/700, F600/700 -- H/V brakes and dash mounted booster	C8TZ 2B311-A		1
2312	Refer to Booster Parts Lists Section 23.1			
2A312	Refer to Rear Brake Parts Lists Section 22.1			
2A313	<b>SUPPORT ASSY. (TRACTOR BRAKE AIR HOSE)</b>			
80/	CLT900 -- 246" W/B	D8HZ 2A313-A		1
2314-5	Refer to Rear Brake Parts Lists Section 22.1			
2B315	<b>TUBE ASSY. (BRAKE DIFFERENTIAL VALVE TO ENGINE)</b> Improvise from bulk tubing (2269) and improvise insulators from rubber hose, friction tape, etc.			
80/		372130-S36	(MM-108-D)-nut-1/2"-20x1/4" tube	AR
80/		87943-S36	(I-21)-fitting 7/16"-24 tube	AR

**1980/  
TRUCK SERIES 600/900**

YEAR	MODEL/RESTRICTIONS	PART NUMBER	DESCRIPTION	QTY.
2316-7	Refer to Rear Brake Parts Lists Section 22.1			
2318	Refer to Rear Brake Parts Lists Section 22.1			
2B318	Refer to Group 10A962			
2320	BRACKET (BRAKE AIR RESERVOIR MOUNTING UPPER)-Also refer to groups 2A206 and 2A271			
<b>B SERIES</b>				
80/	B600/700 -- w/air brakes	D2HZ 2320-A	# D2HA 2B063-AA	8
87/	B600/700	E7HZ 2320-A	# E6HT 2C081-AA	1
<b>C-CT SERIES</b>				
80/	C600/900 -- w/hyd brakes	D8HZ 2320-B		4
80/	C-CT600/900 -- air brakes w/brake skid control	D5HZ 2320-A	# D5HA 2320-AA	
80/	C700/900 -- 99", 111" W/B-with tractor equip. and w/o spring operated parking brakes	B9Q 2320-A	14" long	1
80/	C600/800 -- 99", 111" W/B and air brakes	C8HZ 2320-B		2
80/	C800 -- Cum. diesel and 99", 111" W/B	C9HZ 2320-A	Upper	2
80/	C900 -- 99", 111" W/B		9 3/4" siderail-upper	2
80/	C800 -- gas or Cat. diesel and 99", 111" W/B brakes		22M & 23M axles-upper	2
80/	C900 -- 99", 111" W/B and air brakes	C9HZ 2320-B	9 3/4" siderail-upper	2
<b>CF SERIES</b>				
86/	CF600/700	D2HZ 2320-A		8
88	CFT700/800	E8HZ 2320-A		1
<b>CL-CLT SERIES</b>				
80/	CL-CLT900 -- mtg. clamp for std. vert. & horiz. tank	D2HZ 2320-A	# D2HA 2B063-AA	4
80/	CL-CLT900 -- mtg clamp for air dryer tank	D8HZ 2320-A	# D7HT 2B063-CA	2
<b>F-FT SERIES</b>				
80/	F600/800 -- w/hyd. brakes	D2HZ 2320-A	# D2HA 2B063-AA	4
80/	F600/800 -- w/air brakes	D2HZ 2320-A	# D2HA 2B063-AA	8
87/	F600/900	E7HZ 2320-A	# E6HT 2C081-AA	1
83/	FT800/900	E3HZ 2320-A		1
<b>L-LN-LNT-LT-LTL-LTS SERIES</b>				
80/	LN600	C7TZ 2320-B	18 11/32" long x2" wide x 1" high	2
80/	LNT-LT900 -- 6 cyl. 855 Cum. NT, NTC diesel and Fuller RT-906 trans.	C2TZ 2320-A	10 3/16" long	2
80/	LTS900 -- 50M rear axle	D5HZ 2320-D D5HZ 2320-E	# D5HA 2B216-BA-strap (air reservoir) # D5HA 2B216-AA-strap (air reservoir)	2 2
80/	LNT-LT-LTS900 -- 58M,65M rear axles			2 2
80/	LTL9000	D8HZ 2320-A		4
2B320	RESERVOIR ATTACHING KIT (BRAKE)			
86/	CF600/700	E6HZ 2B320-A		1
2321	-FRONT CHAMBERS-Refer to Model Application Chart in group 2025 -REAR CHAMBERS-Refer to Model Application Chart in group 2225			
2323	Refer to Booster Parts Lists Section 23.1			
2B323	Refer to group 2269			
2324	Refer to Booster Parts Lists Section 23.1			

**1980/  
TRUCK SERIES 600/900**

YEAR	MODEL/RESTRICTIONS	PART NUMBER	DESCRIPTION	QTY.
<b>2B324 WIRE ASSY. (BRAKE WARNING LAMP EXTENSION)</b>				
80/	C600/900, LN600/700 -- dual H/V brakes	C9HZ 2B324-B		1
80/	C600/900	D5HZ 2B324-A	#D5HB 2B324-AA	1
2325 -FRONT CHAMBERS-Refer to Model Application Chart in group 2025 -REAR CHAMBERS-Refer to Model Application Chart in group 2225				
<b>2B325 WIRING ASSY. (BRAKE WARNING SWITCH)</b>				
84/	All	E3HZ 2B325-A	Use as repair part for damaged connector in 14290 wiring	1
2326 Refer to Booster Parts Lists Section 23.1				
2A326 Refer to Booster Parts Lists Section 23.1				
2327 Refer to Booster Parts Lists Section 23.1				
<b>2B327 BELLCRANK ASSY. (BRAKE MASTER CYLINDER PUSH ROD)</b>				
80/83	C600/900 -- split H/V brakes	C8HZ 2B327-B		1
84/	C600/900 -- w/Hyd. Vac. brakes	E4HZ 2B327-B		1
80/	C600/900	★382395-S	Bolt (bellcrank to body)-3/8"-16 x 1 1/2" hex. head shoulder	1
80/	C600/900	382396-S	(BB-838-C)-bolt (bellcrank to rod)-3/8"-16 x 1 3/16" hex. head shoulder	1
2329 Refer to Booster Parts Lists Section 23.1				
2330 Refer to Front and Rear Brake Parts Lists Sections 20.1 and 22.1				
2332 Refer to Booster Parts Lists Section 23.1				
2333 Refer to Rear Brake Parts Lists Section 22.1				
2B333 Refer to Front Brake Parts Lists Section 20.1				
2-2333 TUBE ASSY. (BRAKE VACUUM BOOSTER CONTROL VALVE TO CENTER CONTROL VALVE) Improvise from bulk tubing (2269) and improvise insulators from rubber hose, friction tape, etc.				
2A335 TUBE ASSY. (FRONT BRAKE CYLINDER CONNECTION) Improvise from bulk tubing (2269) and improvise insulators from rubber hose, friction tape, etc.				
2336 HOSE (BRAKE VACUUM BOOSTER) Notes: NOTE 1-Make from C9PZ 4090-F hose.-NOTE 2-Make from C9PZ 4090-C hose.				
<b>C SERIES</b>				
80/	C600-w/o 111" W/B	★TEAA 2336-A	To air cleaner-1/2" x 50" NOTE 1	1
80/	C600/900 -- 99", 111" W/B	★TVAT 2336-A	To air cleaner-33 1/2" long NOTE 2	1
80/	C600/800 -- 99" W/B	C4TZ 2336-A	To air cleaner-3/4" O.D. x 89" developed length	1
80/	C600/800 -- 135", 153", 175" W/B	C4TZ 2336-B	To air cleaner-3/4" O.D. x 47 1/2" length	1
<b>L-LN-LNT-LT-LTS SERIES</b>				
80/	LN600/700	★CITT 2336-F	To air cleaner-72 5/8" long NOTE 2	1
80/	LN700/900	★TVAT 2336-A	To air cleaner-33 1/2" long NOTE 2	1
80/	LNT-LT-LTS800/900	D3HZ 2336-B	To booster rear 5/8" I.D.-15/16" O.D. x 6 1/4" long	1
80/	B700/750, C700/900, F-FT600/800, L800/900, LN600/700	353815-S	(KK-24)-grommet (hose to floor pan)	1
80/	L-LN-LNT-LT-LTS800/900	384076-S	(II-106-VG)-tee (hose to booster)-3/4" x3/4" x 1" long	1
80/	L-LN-LNT-LT-LTS700/900	384077-S	(KK-91)-grommet (hose to frame)	1



1980/  
TRUCK SERIES 600/900

YEAR	MODEL/RESTRICTIONS	PART NUMBER	DESCRIPTION	QTY.
2337	Refer to Booster Parts Lists Section 23.1			
2-2337	TUBE ASSY. (BRAKE VACUUM BOOSTER CONTROL VALVE TO HYDRAULIC CYLINDER) Improvise from bulk tubing (2269) and improvise insulators from rubber hose, friction tape, etc.			
2-2338	TUBE (FLEXIBLE HOSE TO MANIFOLD) Improvise from bulk tubing (2269) and improvise insulators from rubber hose, friction tape, etc.			
2B338	Refer to Front Brake Parts Lists Section 20.1			
2B339	SWITCH ASSY. (BRAKE LOW PRESSURE WARNING)			
80/	B-F-FT600/900, C-CT600/900, LN600/700, L-LT-LTL-LTS800/900 -- with spring-set parking brake	D0HZ 2B339-A		1
80/	C900,CT-LNT-LT-LTS 800/900 -- 16M,18M,-20M front axles w/disc brakes	D5HZ 2B339-A	Use with D5HZ 2B571-A,B,C,D, D7HZ 2B571-A,B,C,D	1
2B340	Refer to Front Brake Parts Lists Section 20.1			
2341	Refer to Rear Brake Parts Lists Section 22.1			
2342	CLAMP ASSY. (POWER BRAKE BOOSTER HOSE)			
80/	C600	59T 2342-A	3/4" I.D.	2
2K343	PLATE ASSY. (BRACKET)			
86/	CF600/700	E6HZ 2K343-A		1
2B344	Refer to Front Brake Parts Lists Section 20.1			
2B345	Refer to Front Brake Parts Lists Section 20.1			
2A346	Refer to Booster Parts Lists Section 23.1			
2B348	"O" RING (BRAKE PRESSURE DIFFERENTIAL VALVE)			
87/	CF700/800 -- 7.8 eng.	E7HZ 2B348-A		1
2349	PIPE ASSY. (CHECK VALVE TO BRAKE VACUUM BOOSTER UPPER) Improvise from bulk tubing (2269) and improvise insulators from rubber hose, friction tape, etc.			
80/	B-F-FT600/900 -- with vac. reserve tank	D3TZ 2349-A		1
80/	C800/900 -- 135", 153", 175" W/B	C3TZ 2349-E	16" developed length	1
80/	C600/700 -- 99" W/B			1
80/	C600/800 -- 135", 153", 175" W/B	C3TZ 2349-F	20 5/32" developed length	1
80/	C600/900 -- 99" W/B	C3TZ 2349-L	30 19/32" long	1
80/	C700/900		(II-146)-tee-3 way (pipe to check valve)	1
80/	C600/900		(I-31-B)-elbow (pipe to check valve)-45°-1/2" tube	1
			(B-157)-bolt (clip to side member)-5/16"-24 x 1"	AR
			Bolt (clip to frame)	AR

**1980/  
TRUCK SERIES 600/900**

YEAR	MODEL/RESTRICTIONS	PART NUMBER	DESCRIPTION	QTY.
2B349	Refer to Booster Parts Lists Section 23.1			
2350	Refer to Booster Parts Lists Section 23.1			
2B350	Refer to Booster Parts Lists Section 23.1			
2351	Refer to Booster Parts Lists Section 23.1			
2B351	Refer to Booster Parts Lists Section 23.1			
2352	Refer to Booster Parts Lists Section 23.1			
2352	<b>PIPE (BRAKE BOOSTER)</b>			
	Improvise from bulk tubing (2269) and improvise insulators from rubber hose, friction tape, etc.			
80/	B-C-F600	358360-S32	(GG-143)-clip (inlet tube to frame)	AR
80/	C700/900, LN600/900		Clip (pipe to frame)	AR
80/	C600/900		Clip (pipe to radiator support)	1
80/	B-F-LN600/800	372873-S	(II-171)-elbow (vacuum inlet tube to 2nd section)	1
2352	<b>TUBE ASSY. (BRAKE BOOSTER INLET)-Used for service fabrication of lengthy tube and hose assemblies</b>			
80/	All	D3HZ 2352-A	7/16"-24 x 20 3/4" long x 7/16" O.D. x 1/8" I.D.	AR
80/	All	D3HZ 2352-B	7/16"-24 x 14 1/2" long x 7/16" O.D. x 1/8" I.D.	AR
80/	All	D3TZ 2352-A	7/16"-24 x 5" long x 7/16" O.D. x 1/8" I.D.	AR
80/	All	D5HZ 2352-A	1/2"-20 x 10 5/8" long x 9/16" O.D. x 1/4" I.D.	AR
80/	All	D5HZ 2352-B	7/16"-24 x 16 1/2" long x 1/2" O.D. x 3/16" I.D.	AR
80/	All	D5HZ 2352-C	7/16"-24 x 21 1/2" long x 1/2" O.D. x 3/16" I.D.	AR
80/	Vac. brakes			
80/	All	D5TZ 2352-A	7/16"-24 x 10 5/8" long x 1/2" O.D. x 3/16" I.D.	AR
2-2352	<b>HOSE (MANIFOLD TO BRAKE VACUUM BOOSTER CHECK VALVE)</b>			
80/	B-F750, C700/800, L800/900	★ B9TT 22352-A	7 5/8" long-cut from B3T 4090-A hose	1
80/	B-F-LN600	373003-S	(II-17)-elbow (hose to manifold)-1/4"-18 x 1/2" hose-brass	1
80/	B-F600 -- 6 cyl., B700	372941-S	(II-201)-tee (hose to booster check valve)	1
80/	C-L700/800	371323-S	(II-21)-elbow (hose to booster)-3/8"-18	1
80/	C700/800, L800 -- 8 cyl. 361, 390			1
2353	<b>HOSE ASSY. (MANIFOLD TO VACUUM TUBE FLEXIBLE)</b>			
80/	C600/900 -- w/air booster	B7Q 2353-A	17" long	1
		370033-S	(II-27)-connector (hose to tube)-1/4" pipe x 3/8" tube	1
2B353	<b>BRACKET (BRAKE MASTER CYLINDER PUSH ROD ROD BELLCRANK)</b>			
80/83	C600/900 -- split H/V brakes	C9HZ 2B353-A		1
84/	C600/900 -- w/H/V brakes	E4HZ 2B353-A		1
2356	Refer to Rear Brake Parts Lists Section 22.1			
2B356	Refer to Booster Parts Lists Section 23.1			
2B357	<b>SUPPORT (BRAKE TUBE BRACKET)</b>			
80/83	F600/800 -- w/singe hyd. brakes	E0HZ 2B357-A		1
2359	Refer to Rear Brake Parts Lists Section 22.1			
2361	Refer to Booster Parts Lists Section 23.1			
2A361	<b>TUBE ASSY. (FRONT DISC BRAKE)</b>			
80/	C-CT800/900, LNT-LT-LTS800/900 -- 16M, 18M, 20M front axles	D5HZ 2A361-A	# D5HA 2A361-AA-15 3/4" long	2
2B361	<b>CLIP (BRAKE BOOSTER VACUUM HOSE)</b>			
80/	B-F-FT600/900	D1TZ 2B361-A	# D1TA 2B361-AA	1
80/	B-F-FT600/900	D1TZ 2B361-B	# D1TA 2B361-BA	1

**1980/  
TRUCK SERIES 600/900**

YEAR	MODEL/RESTRICTIONS	PART NUMBER	DESCRIPTION	QTY.
<b>2B361 CLIP (BRAKE BOOSTER VACUUM HOSE) — Cont'd</b>				
80/	L-LN-LNT-LT-LTS800/900 -- H/V brakes	D1HZ 2B361-A		1
<b>2362 PIPE ASSY. (CHECK VALVE TO BRAKE VACUUM BOOSTER LOWER)</b> Improvise from bulk tubing (2269) and improvise insulators from rubber hose, friction tape, etc.				
<b>2363 CLEANER ASSY. (BRAKE VACUUM BOOSTER AIR)—Also refer to Booster Parts List Section 23.1</b>				
<b>C SERIES</b>				
80/	C600/900 -- Single & split H/V brakes	D5HZ 2363-A		1
<b>F-FT SERIES</b>				
80/	F-FT600/900 -- Single H/V brakes	D4TZ 2363-A		1
<b>L-LN-LNT-LT-LTS SERIES</b>				
80/	L800/900, LN700/800, LNT800, LT-LTS800/900 -- hyd. brakes	D0HZ 2363-A	9 1/2" piston booster—frame mounted	1
<b>2365 VALVE ASSY. (POWER BRAKE BOOSTER VACUUM CHECK)—Also refer to Booster Parts List Section 23.1</b>				
<b>B SERIES</b>				
80/	B600/700 -- w/o reservoir tank	C3TZ 2365-A	Two 1/2" outlets	1
80/	B600/700 -- w/reservoir tank	D0HZ 2365-A	One 1/4" and two 1/2" outlets	1
80/	B700 -- Diesel w/frame mounted booster	★ B9TT 2365-A r/bD5TZ 2365-A	In top of 2A451 vacuum pump	1
<b>C-CT SERIES</b>				
80/	C600/900, CT800/900 -- w/o reservoir tank	C3TZ 2365-A	Two 1/2" outlets	1
80/	C600/900, CT800/900 -- w/reservoir tank	D0HZ 2365-A		1
<b>F-FT SERIES</b>				
80/	F-FT600/900 -- Detroit 501,8.2L diesel w/hyd. brks, A/C or heater	D5TZ 2365-A		1
80/	F-FT-F-FTT600/900 -- w/o reservoir tank	C3TZ 2365-A	Two 1/2" outlets	1
80/	F-FT600/900 -- w/reservoir tank	D0HZ 2365-A	One 1/4" and two 1/2" outlets	1
<b>L-LN-LNT-LT-LTS SERIES</b>				
80/	L900/900, LN700/800, LNT800, LT-LTS800/900 -- w/reservoir tank	D0HZ 2365-A	One 1/4" and two 1/2" outlets	1
80/	L800/900, LN800 -- w/o reservoir tank	C3TZ 2365-A	Two 1/2" outlets	1
80/	LN600/700 -- Cat. diesel and hyd. vac. brakes	★ B9TT 2365-A r/bD5TZ 2365-A	In top of 2A451 vacuum pump	
<b>2A365-2371 Refer to Booster Parts Lists Section 23.1</b>				
<b>2B371 BRACKET (BRAKE SKID CONTROL ACTUATOR MOUNTING)</b>				
80/	C-CT800/900 -- 15M, 16M, 18M Front axle w/ disc brakes and brake skid control	D5HZ 2B371-B	#D5HA 2B371-AA	1
84/	C600/900 -- w/Hyd./vac. brakes	E4HZ 2B371-A		1
80/	LT-LTS800/900 -- 16M,18M,20M front axles w/disc brakes and brake skid control	D5HZ 2B371-A	#D5HA 2K113-AA,AB	1

1980/  
TRUCK SERIES 600/900

YEAR	MODEL/RESTRICTIONS	PART NUMBER	DESCRIPTION	QTY.
<b>2B372 SENSOR ASSY. (BRAKE SKID CONTROL) - Includes mounting bracket</b>				
80/	B-F600/800 -- 17.5M,18.5M rear axles w/air brakes	D8HZ 2B372-A	#D7HT 2B372-AA	2
80/	B-F600/800 -- 22M rear axles w/air brakes	D8HZ 2B372-B	#D7HT 2B372-BA	2
80	B-C-F-L-LN600/900 -- 17.5M, 18.5M rear axles w/cam brakes-Eaton system	D5TZ 2B372-G	Rear-#682101	2
80	B-C-F-L-LN600/900 -- 17.5M, 18.5M rear axles w/cam brakes-Kelsey-Hayes system	D5TZ 2B372-J	Rear-#09531801	2
80	C-L-LN800/900 -- 22M,23M rear axles w/ cam brakes-Eaton system	D5HZ 2B372-C	Rear-#682102	2
80	CT-LNT-LT-LTL-LTS800/900 -- 34M, rear axles w/cam brakes-Eaton system	D5TZ 2B372-G	Rear-#682101	4
80	CT-LNT-LT-LTL-LTS800/900 -- 34M rear axles w/cam brakes-Kelsey-Hayes system	D5TZ 2B372-J	Rear-#09531801	4
80	CT-LNT-LT-LTL-LTS800/900 -- 38M,44M rear axles w/cam brakes-Eaton system	D5HZ 2B372-C	Rear-#682102	4
80	CT-LNT-LT-LTL-LTS800/900 -- 38M,44M rear axles w/cam brakes-Kelsey-Hayes system	D5HZ 2B372-D	Rear-#09531901	4
80/	CLT900 -- 34M rear axle-Kelsey-Hayes system	D8HZ 2B372-A	#D7HT 2B372-AA	4
80/	CL-CLT900 -- 23M,38M,44M rear axles-Kelsey-Hayes system	D8HZ 2B372-B	#D7HT 2B372-BA	4
80	LTS900 -- 50M rear axle w/cam brakes - Eaton system	D5TZ 2B372-G	Rear-#682101	4
<b>2B372 SENSOR (BRAKE SKID CONTROL)-Less mounting bracket - Use with 2C084 bracket</b>				
80/	C-L-LN800/900 -- 22M,23M rear axles w/cam brakes - Eaton system	D5HZ 2B372-AA	Part of D5HZ 2B372-C	2
80/	CT-LNT-LT-LTL-LTS800/900 -- 34M rear axle w/cam brakes - Eaton system	D5HZ 2B372-V	Part of D5TZ 2B372-G	4
80/	CT-LNT-LT-LTL-LTS800/900 -- 38M,44M rear axles w/cam brakes-Eaton system	D5HZ 2B372-AA	Part of D5HZ 2B372-C	4

**1980/  
TRUCK SERIES 600/900**

YEAR	MODEL/RESTRICTIONS	PART NUMBER	DESCRIPTION	QTY.
<b>2B372 SENSOR (BRAKE SKID CONTROL)-Less mounting bracket - Use with 2C084 bracket -- Cont'd</b>				
80/	CLT900 -- 34M rear axles- Eaton system	D8HZ 2B372-C		4
80/	CL-CLT900 -- 23M,38M,44M rear axles-Eaton system	D8HZ 2B372-D		4
80/	LTS900 -- 50M rear axle w/cam brakes-Eaton system	D5HZ 2B372-V	Part of D5TZ 2B372-G	4
<b>2B373 MODULATOR ASSY. (BRAKE SKID CONTROL)</b>				
80/82	B-C-F-FT-L-LN600/900 -- Eaton system	★ D7HT 2B373-DA	Rear - use details: (1) each D8HZ 2C056-A (cover), D5TZ 2C063-A (Valve), D5TZ 2C064-A (Solenoid), D8HZ 2C065-B (controller)	1
80/82	CT-LNT-LT-LTS800/900 -- Eaton system			
80/82	B-C-F-FT-L-LN600/900 -- Kelsey-Hayes system	★ D7HT 2B373-CA	Rear-use details: (1) each D5TZ 2C056-B (cover), D8HZ 2C063-A (Valve), D8HZ 2C065-A (Controller)	1
80/82	CT-LNT-LT-LTS800/900 -- Kelsey-Hayes system			
80/82	B-F-FT600/900 -- air brakes w/anti-lock	★ D8HT 2B373-DA	Rear-use details (1) each D5TZ 2C056-B (cover), D8HZ 2C063-A (valve), D8HZ 2C065-A (controller), D9HZ 2B516-D (wiring-modulator to chassis), D9HZ 2B572-E (Wiring-modulator to sensor)	1
80/82	CL900 -- Eaton system Single rear axle	★ D8HT 2B373-CA	Rear-use details: (1) each D8HZ 2C056-A (cover), D5TZ 2C063-A (valve), D5TZ 2C064-A (solenoid), D8HZ 2C065-B (controller), D9HZ 2B516-C (wiring- modulator to chassis), D9HZ 2B572-B (wiring- modulator to sensor)	
80/82	CLT900 -- Eaton system Rear rear axle-Reyco susp. Rear rear axle-Hendrickson susp. with 52" walking beam-exc. 44D axle	★ D8HT 2B373-AA	Rear-use details: (1) each D8HZ 2C056-A (cover) D5TZ 2C063-A (valve), D5TZ 2C064-A (solenoid), D8HZ 2C065-B (controller), D9HZ 2B516-C (wiring- modulator to chassis), D9HZ 2B572-B (wiring- modulator to sensor)	1
80/82	CLT900 -- Eaton system Fwd rear axle-Reyco susp. Fwd rear and rear rear axle- Hendrickson susp.-60" walking beam Fwd rear axle-Neway susp. Fwd rear and rear rear axle- 44D axle Fwd rear axle-Hendrickson susp. with 52" walking beam- Exc. 44D axle	★ D8HT 2B373-CA	Rear-use details: (1) each D8HZ 2C056-A (cover), D5TZ 2C063-A (valve), D5TZ 2C064-A (solenoid), D8HZ 2C065-B (controller), D9HZ 2B516-C (wiring- modulator to chasis), D9HZ 2B572-B (wiring- modulator to sensor)	1
80/82	CLT900 -- Eaton system Rear rear axle-Neway susp.	★ D8HT 2B373-EA	Rear-use details: (1) each D8HZ 2C056-A (cover), D5TZ 2C063-A (valve), D5TZ 2C064-A (solenoid), D8HZ 2C065-B (controller), D9HZ 2B516-C (wiring- modulator to chasis), D9HZ 2B572-C (wiring- modulator to sensor)	1
80/82	CL900 -- Kelsey-Hayes system Single rear axle	★ D8HT 2B373-DA	Rear-use details: (1) each D5TZ 2C056-B (cover), D8HZ 2C063-A (valve), D8HZ 2C065-A (controller), D9HZ 2B516-D (wiring-modulator to chassis), D9HZ 2B572-E (wiring-modulator to sensor)	1
80/82	CLT900 -- Kelsey-Hayes system Rear rear axle-Reyco susp. Rear rear axle-Hendrickson susp. with 52" walking beam- exc. 44D axle	★ D8HT 2B373-BA	Rear-use details: (1) each D5TZ 2C056-B (cover), D8HZ 2C063-A (valve), D8HZ 2C065-A (controller), D9HZ 2B516-D (wiring-modulator to chassis), D9HZ 2B572-D (wiring-modulator to sensor)	1

**1980/  
TRUCK SERIES 600/900**

YEAR	MODEL/RESTRICTIONS	PART NUMBER	DESCRIPTION	QTY.
<b>2B373 MODULATOR ASSY. (BRAKE SKID CONTROL) — Cont'd</b>				
80/82	CLT900 -- Kelsey-Hayes system Fwd rear axle-Reyco susp. Fwd rear and rear rear axle Hendrickson susp. 60" walking beam Fwd rear axle-Neway susp. Fwd rear and rear rear axle-44D axle Fwd rear axle-Hendrickson susp. with 52" walking beam- exc. 44D axle	★ D8HT 2B373-DA	Rear-use details: (1) each D5TZ 2C056-B (cover), D8HZ 2C063-A (valve), D8HZ 2C065-A (controller), D9HZ 2B516-D (wiring-modulator to chassis), D9HZ 2B572-E (wiring-modulator to sensor)	1
80/82	CLT900 -- Kelsey-Hayes system Rear rear axle-Neway susp.	★ D8HT 2B373-FA	Rear-use details: (1) each D5TZ 2C056-B (cover), D8HZ 2C063-A (valve), D8HZ 2C065-A (controller), D9HZ 2B516-D (wiring-modulator to chassis), D9HZ 2B572-F (wiring-modulator to sensor)	1

2374-2384 Refer to Booster Parts Lists Section 23.1

<b>2N375 SUPPORT (BRAKE OPERATING LEVER)</b>				
84/	C600/900 -- w/Hyd. Vac. brakes	E4HZ 2N375-A		1

<b>2B380 MANIFOLD (CAB AIR SUPPLY)</b>				
80/	CL-CLT900 -- w/Cab susp.	D9HZ 2B380-A	# D8HT 2B380-AA	1
80/	CL-CLT900 -- W/Cab susp.	D9HZ 2B380-B	# D8HT 2B380-BA	1

<b>2A384 COUPLING ASSY. (BRAKE HOSE)</b>				
87/	B-F600/900	C3TZ 2A384-A	3/4" dia.-15/16" long	2
80/	CL-CLT900			2
80/	LN600/700			2
80/	L-LN600/900	C6TZ 2A384-B	5/8" dia.-1 1/2" long	1
80/	L-LN-LNT-LT-LTL-LTS700/900	C6TZ 2A384-A	1 1/4" dia.-1 5/16" long	1
82/	C-L-LN600/800 -- w/o electric fuel pump "From 4/19/82"	E2HZ 2A384-A	5/8" dia.-1 25/32" long	1
80/	L-LN-LNT-LT-LTL-LTS700/900 -- with unitized tractor pkg.	D9HZ 2A384-A	9/16" dia.-1 15/16" long	1

2385-2388 Refer to Booster Parts Lists Section 23.1

<b>2B389 BRACKET (BRAKE SKID CONTROL MODULATOR MOUNTING)</b>				
80/	B-F 600/800 -- w/Eaton or Kelsey-Hayes systems	D5TZ 2B389-A	Front-# D5TA 2B374-BA	1
83/	FT800/900	E3HZ 2B389-A	# E3HT 2B374-AA	1
80/	C-CT600/900 -- w/Eaton or Kelsey-Hayes systems	D5HZ 2B389-C	Front-# D5HA 2B374-CA	1
80/	L-LN-LNT-LT-LTL-LTS800/900 -- 7M,9M,12M front axles - Eaton or Kelsey-Hayes systems	D5HZ 2B389-B	Front-# D5HA 2B374-BA	1
80/	L-LN-LNT-LT-LTL-LTS600/900 -- front disc brakes - Eaton or Kelsey-Hayes systems	D5HZ 2B389-A	Front-# D5HA 2B374-AA,AB,AC	1
80/	B-F-LN-600/800,C600/900 -- w/Eaton or Kelsey-Hayes systems	D5TZ 2B389-B	Rear-# D5TA 2B374-CA,CB	1
80/	L-LN800/900 -- w/Eaton or Kelsey-Hayes systems	D5HZ 2B389-E	Rear-# D5HA 2B374-EA	1
80/	CT-CL-LT-LNT-LTL-LTS-WT800/900 -- without 60" walking beam- Eaton or Kelsey-Hayes systems	D5HZ 2B389-F	Rear-# D5HA 2B374-FA	2
80/	CLT900 -- w/Eaton 44D rear axle and 52" walking beam Eaton or Kelsey-Hayes systems	D8HZ 2B389-A	# ED D5HA 2B374-EA	1
80/	CLT900 -- Forward rear axle- 52" walking beam-Eaton or Kelsey-Hayes systems	D8HZ 2B389-B	# D7HT 2B374-DA	1
80/	LT-LNT800 -- with 60" walking beam - Eaton or Kelsey-Hayes systems	D5HZ 2B389-G	Rear-# D5HA 2B374-GA or GB	1

2390-2399 Refer to Parts Lists Section 23.1

1980/  
TRUCK SERIES 600/900

2B392 WIRING ASSY. (BRAKE SKID CONTROL SPEED SENSOR)

**IDENTIFICATION CHART**

IDENTIFICATION	PART NUMBER	IDENTIFICATION	PART NUMBER
D7HT 2B392-AA	D7HZ 2B392-A	D8HT 2B392-DA	E1HZ 2B392-F
D7HT 2B392-AB	D7HZ 2B392-A	D8HT 2B392-EA	E1HZ 2B392-G
D7HT 2B392-BA	D7HZ 2B392-B	D8HT 2B392-FA	E1HZ 2B392-H
D7HT 2B392-BB	D7HZ 2B392-B	D8HT 2B392-HA	E1HZ 2B392-J
D7HT 2B392-DA	D7HZ 2B392-C	D8HT 2B392-JA	E1HZ 2B392-K
D7HT 2B392-EA	D7HZ 2B392-D	D8HT 2B392-AYA	E1HZ 2B392-L
D7HT 2B392-FA	D7HZ 2B392-E	D8HT 2B392-AZA	E1HZ 2B392-M
D7HT 2B392-GA	D7HZ 2B392-F	D8HT 2B392-BAA	E1HZ 2B392-N
D7HT 2B392-HA	D7HZ 2B392-G	D8HT 2B392-BBA	E1HZ 2B392-P
D7HT 2B392-JA	D7HZ 2B392-H	D8HT 2B392-BCA	E1HZ 2B392-R
D7HT 2B392-KA	D7HZ 2B392-J	D8HT 2B392-BDA	E1HZ 2B392-S
D7HT 2B392-LA	D7HZ 2B392-K	D8HT 2B392-BEA	E1HZ 2B392-T
D7HT 2B392-MA	D7HZ 2B392-L	D8HT 2B392-BFA	E1HZ 2B392-U
D7HT 2B392-NA	D7HZ 2B392-P	EOHT 2B392-RA	E1HZ 2B392-AN
D7HT 2B392-RA	D7HZ 2B392-R	EOHT 2B392-SA	E1HZ 2B392-AR
D7HT 2B392-RB	D7HZ 2B392-R	EOHT 2B392-TA	E1HZ 2B392-AS
D7HT 2B392-SA	D7HZ 2B392-S	EOHT 2B392-UA	E1HZ 2B392-AT
D7HT 2B392-SB	D7HZ 2B392-S	EOHT 2B392-VA	E1HZ 2B392-AU
D7HT 2B392-TA	D7HZ 2B392-T	EOHT 2B392-YA	E1HZ 2B392-AW
D7HT 2B392-TB	D7HZ 2B392-T	EOHT 2B392-ZA	E1HZ 2B392-AV
D7HT 2B392-UA	D7HZ 2B392-U	EOHT 2B392-AAA	E1HZ 2B392-V
D7HT 2B392-UB	D7HZ 2B392-U	EOHT 2B392-ADA	E1HZ 2B392-W
D7HT 2B392-VA	D7HZ 2B392-V	EOHT 2B392-AEA	E1HZ 2B392-Y
D7HT 2B392-YA	D7HZ 2B392-W	EOHT 2B392-AFA	E1HZ 2B392-Z
D7HT 2B392-ZA	D7HZ 2B392-X	EOHT 2B392-AGA	E1HZ 2B392-AA
D7HT 2B392-AAA	D7HZ 2B392-Y	EOHT 2B392-AHA	E1HZ 2B392-AB
D7HT 2B392-ABA	D7HZ 2B392-Z	EOHT 2B392-AJA	E1HZ 2B392-AC
D7HT 2B392-ACA	D7HZ 2B392-AA	EOHT 2B392-AKA	E1HZ 2B392-AD
D7HT 2B392-ADA	D7HZ 2B392-AB	EOHT 2B392-ALA	E1HZ 2B392-AE
D7HT 2B392-AEA	D7HZ 2B392-AC	EOHT 2B392-AMA	E1HZ 2B392-AF
D7HT 2B392-AFA	D7HZ 2B392-AD	EOHT 2B392-ANA	E1HZ 2B392-AG
D7HT 2B392-AGA	D7HZ 2B392-AE	EOHT 2B392-ARA	E1HZ 2B392-AH
D7HT 2B392-AHA	D7HZ 2B392-AF	EOHT 2B392-ASA	E1HZ 2B392-AJ
D7HT 2B392-AJA	D7HZ 2B392-AG	EOHT 2B392-ATA	E1HZ 2B392-AK
D7HT 2B392-AKA	D7HZ 2B392-AH	EOHT 2B392-AUA	E1HZ 2B392-AL
D7HT 2B392-ALA	D7HZ 2B392-AJ	EOHT 2B392-AVA	E1HZ 2B392-AM
D7HT 2B392-AMA	D7HZ 2B392-AK	E1HT 2B392-AA	E1HZ 2B392-A
D7HT 2B392-ANA	D7HZ 2B392-AL	E1HT 2B392-AB	E1HZ 2B392-A
D7HT 2B392-ARA	D7HZ 2B392-AM	E1HT 2B392-BA	E1HZ 2B392-B
D7HT 2B392-ASA	D7HZ 2B392-AN	E1HT 2B392-BB	E1HZ 2B392-B
D7HT 2B392-ATA	D7HZ 2B392-AP	E1HT 2B392-CA	E1HZ 2B392-AY
D7HT 2B392-AUA	D7HZ 2B392-AR	E1HT 2B392-DA	E1HZ 2B392-AZ
D7HT 2B392-AUB	D7HZ 2B392-AR	E1HT 2B392-EA	E1HZ 2B392-BA
D7HT 2B392-AVA	D7HZ 2B392-AS	E1HT 2B392-FA	E2HZ 2B392-A
D7HT 2B392-AVB	D7HZ 2B392-AS	E1HT 2B392-GA	E2HZ 2B392-B
D7HT 2B392-AYA	D7HZ 2B392-AT	E1HT 2B392-HA	E2HZ 2B392-C
D7HT 2B392-AZA	D7HZ 2B392-AU	E1HT 2B392-JA	E2HZ 2B392-D
D7HT 2B392-AZB	D7HZ 2B392-AU	E1HT 2B392-KA	E2HZ 2B392-E
D7HT 2B392-BAA	D7HZ 2B392-AV	E1HT 2B392-LA	E2HZ 2B392-F
D7HT 2B392-BAB	D7HZ 2B392-AV	E2HT 2B392-AA	E2HZ 2B392-A
D7HT 2B392-BBA	D7HZ 2B392-AW	E2HT 2B392-BA	E2HZ 2B392-B
D7HT 2B392-BBB	D7HZ 2B392-AW	E2HT 2B392-CA	E2HZ 2B392-C
D7HT 2B392-BCA	D7HZ 2B392-AX	E2HT 2B392-DA	E2HZ 2B392-D
D7HT 2B392-BCB	D7HZ 2B392-AX	E2HT 2B392-EA	E2HZ 2B392-E
D7HT 2B392-BFA	D8HZ 2B392-C	E2HT 2B392-FA	E2HZ 2B392-F
D8HT 2B392-AA	E1HZ 2B392-C	E3HT 2B392-AA	E3HZ 2B392-E
D8HT 2B392-BA	E1HZ 2B392-D	E3HT 2B392-BA	E3HZ 2B392-F
D8HT 2B392-CA	E1HZ 2B392-E	E3HT 2B392-CA	E3HZ 2B392-G

1980/  
TRUCK SERIES 600/900

2B392	WIRING ASSY. (BRAKE SKID CONTROL SPEED SENSOR)
-------	--

**IDENTIFICATION CHART**

IDENTIFICATION	PART NUMBER	IDENTIFICATION	PART NUMBER
E3HT 2B392-DA	E3HZ 2B392-H	E3HT 2B392-JB	E3HZ 2B392-A
E3HT 2B392-EA	E3HZ 2B392-J	E3HT 2B392-KB	E3HZ 2B392-B
E3HT 2B392-FA	E3HZ 2B392-K	E3HT 2B392-MA	E3HZ 2B392-C
E3HT 2B392-GA	E3HZ 2B392-D		

YEAR	MODEL/RESTRICTIONS	PART NUMBER	DESCRIPTION	QTY.
<b>2B392 WIRING ASSY. (BRAKE SKID CONTROL SPEED SENSOR)</b>				
82	B600/750 -- with 255", 275" W/B	E2HZ 2B392-F		1
83	B600/750 -- with 255", 275" W/B	E3HZ 2B392-K		1
83	B600/750 -- with 237", 238" W/B	E3HZ 2B392-J		1
80	C600/900 -- with 99" W/B	D7HZ 2B392-R		1
81/83	C600/900 -- with 99" W/B	E1HZ 2B392-L		1
80	C600/900 -- with 111" W/B	D7HZ 2B392-S		1
81/83	C600/900 -- with 111" W/B	E1HZ 2B392-M		1
80	C600/900 -- with 135" W/B	D7HZ 2B392-T		1
81/83	C600/900 -- with 135" W/B	E1HZ 2B392-N		1
80	C600/900 -- with 153" W/B	D7HZ 2B392-U		1
81/83	C600/900 -- with 153" W/B	E1HZ 2B392-P		1
80	C700/900 -- with 175" W/B	D7HZ 2B392-AU		1
81/83	C600/900 -- with 175" W/B	E1HZ 2B392-U		1
80	C700/750 -- with 206" W/B	D7HZ 2B392-AV		1
81/83	C700/750 -- with 206" W/B	E1HZ 2B392-R		1
80	CT800/900 -- with 135" W/B	D7HZ 2B392-AR		1
81/83	CT800/900 -- with 135" W/B	E1HZ 2B392-S		1
80	CT800/900 -- with 153" & 161" W/B	D7HZ 2B392-AS		1
81/83	CT800/900 -- with 153" & 161" W/B	E1HZ 2B392-T		1
82	F600/800 (Mdl. 81)- with 129", 140" W/B	E2HZ 2B392-A		1
82	F600/800 (Mdl. 81)- with 153", 170" W/B	E2HZ 2B392-B		1
82	F600/800 (Mdl. 81)- with 177", 189" W/B	E2HZ 2B392-C		1
82	F600/800 (Mdl. 81)- with 207", 225" W/B	E2HZ 2B392-D		1
82	F600/800 (Mdl. 81)- with 237" W/B	E2HZ 2B392-E		1
83	F600/800 -- with 129", 140" W/B	E3HZ 2B392-E		1
83	F600/800 -- with 153", 170" W/B	E3HZ 2B392-F		1
83	F-FT600/800 -- with 177" W/B	E3HZ 2B392-A		1
83	F600/800 -- with 188" W/B	E3HZ 2B392-G		1
83	F600/800 -- with 195", 213" W/B	E3HZ 2B392-D		1
83	FT800/900 -- with 195", 213" W/B	E3HZ 2B392-B		1

October, 1993

COPYRIGHT © 1993 - FORD MOTOR - DEARBORN, MICHIGAN  
COMPANY

Final Issue



**1980/  
TRUCK SERIES 600/900**

YEAR	MODEL/RESTRICTIONS	PART NUMBER	DESCRIPTION	QTY.
<b>2B392 WIRING ASSY. (BRAKE SKID CONTROL SPEED SENSOR) — Cont'd</b>				
83	F600/800 -- with 207", 225" W/B	E3HZ 2B392-H		1
83	F600/800 -- with 237", 238" W/B	E3HZ 2B392-J		1
83	FT800/900 -- with 238" W/B	E3HZ 2B392-C		1
80	LN600/700 -- with 124" W/B	D7HZ 2B392-AG		1
81/83	LN600/700 -- with 124" W/B	E1HZ 2B392-D		1
80	LN600/700 -- with 136" W/B	D7HZ 2B392-AF		1
81/83	LN600/700 -- with 136" W/B	E1HZ 2B392-C		1
80	LN600/700 -- with 148" W/B	D7HZ 2B392-AP		1
81/83	LN600/700 -- with 148" W/B	E1HZ 2B392-K		1
80	LN600/700 -- with 166" W/B	D7HZ 2B392-AN		1
81/83	LN600/700 -- with 166" W/B	E1HZ 2B392-J		1
80	LN600/700 -- with 184" W/B	D7HZ 2B392-AL		1
81/83	LN600/700 -- with 184" W/B	E1HZ 2B392-H		1
80	LN600/700 -- with 202" W/B	D7HZ 2B392-AK		1
81/83	LN600/700 -- with 202" W/B	E1HZ 2B392-G		1
80	LN700/700 -- with 220" W/B	D7HZ 2B392-AJ		1
81/83	LN600/700 -- with 220" W/B	E1HZ 2B392-F		1
80	LN600/700 -- with 250" W/B	D7HZ 2B392-AH		1
81/83	LN600/700 -- with 250" W/B	E1HZ 2B392-E		1
81/83	L800/900 -- with 138" W/B	E1HZ 2B392-AN		1
80	LN800/900 -- with 138" W/B	D7HZ 2B392-AF		1
81/83	LN800/900 -- with 138" W/B	E1HZ 2B392-AR		1
80	L800/900 -- with 150" W/B	D7HZ 2B392-AF		1
81/83	L800/900 -- with 150" W/B	E1HZ 2B392-AR		1
80	LN800/900 -- with 150" W/B	D7HZ 2B392-AP		1
81/83	LN800/900 -- with 150" W/B	E1HZ 2B392-AS		1
80	L800/900 -- with 162" W/B	D7HZ 2B392-AP		1
81/83	L800/900 -- with 162" W/B	E1HZ 2B392-AS		1
80	LN800/900 -- with 162" W/B	D7HZ 2B392-AN		1
81/83	LN800/900 -- with 162" W/B	E1HZ 2B392-AT		1

1980/  
TRUCK SERIES 600/900

YEAR	MODEL/RESTRICTIONS	PART NUMBER	DESCRIPTION	QTY.
2B392 WIRING ASSY. (BRAKE SKID CONTROL SPEED SENSOPR) — Cont'd				
80	L800/900 -- with 174" W/B	D7HZ 2B392-AN		1
81/83	L800/900 -- with 174" W/B	E1HZ 2B392-AT		1
80	LN800/900 -- with 174" W/B	D7HZ 2B392-AM		1
81/83	LN800/900 -- with 174" W/B	E1HZ 2B392-AU		1
80	L800/900 -- with 186" W/B	D7HZ 2B392-AM		1
81/83	L800/900 -- with 186" W/B	E1HZ 2B392-AU		1
80	LN800/900 -- with 186" W/B	D7HZ 2B392-AL		1
81/83	LN800/900 -- with 186" W/B	E1HZ 2B392-AW		1
80	L-LN800/900 -- with 204" W/B	D7HZ 2B392-AK		1
81/83	L-LN800/900 -- with 204" W/B	E1HZ 2B392-AV		1
80	L-LN800/900 -- with 222" W/B	D7HZ 2B392-AJ		1
81/83	L-LN800/900 -- with 222" W/B	E1HZ 2B392-V		1
80	LNT800/900 -- with 144",150" W/B and Neway susp	D7HZ 2B392-AE		1
81/83	LNT800/900 -- with 144", 150" W/B and Neway susp.	E1HZ 2B392-AH		1
80	LNT900 -- with 138,"144" W/B and Hendrickson susp.	D7HZ 2B392-P		1
81/83	LNT800/900 -- with 138", 144" W/B and Hendrickson susp.	E1HZ 2B392-W		1
80	LNT900 -- with 144,"150" W/B and Reyco susp.	D7HZ 2B392-W		1
81/83	LNT800/900 -- with 144", 150" W/B and Reyco susp.	E1HZ 2B392-Z		1
80	LNT800/900 -- with 150" W/B and Hendrickson susp.	D7HZ 2B392-AC		1
81/83	LNT800/900 -- with 144", 150" W/B and Hendrickson susp.	E1HZ 2B392-AH		1
80	LNT900 -- with 162" W/B and Reyco susp.	D7HZ 2B392-V		1
81/83	LNT800/900 -- with 162" W/B and Reyco susp.	E1HZ 2B392-Y		1
80	LNT900 -- with 162" W/B and Neway susp.	D7HZ 2B392-AD		1
81/83	LNT800/900 -- with 162" W/B and Neway susp.	E1HZ 2B392-AG		1
80	LNT900 -- with 162" W/B and Hendrickson susp.	D7HZ 2B392-AB		1

1980/  
TRUCK SERIES 600/900

YEAR	MODEL/RESTRICTIONS	PART NUMBER	DESCRIPTION	QTY.
2B392 WIRING ASSY. (BRAKE SKID CONTROL SPEED SENSOR) — Cont'd				
81/83	LNT800/900 -- with 162" W/B and Hendrickson susp.	E1HZ 2B392-AE		1
80	LNT800 -- with 174" W/B and Hendrickson susp.	D7HZ 2B392-AA		1
81/83	LNT800/900 -- with 174" W/B and 60" walking beam	E1HZ 2B392-AB		1
81/83	LNT800/900 -- with 174" W/B w/o 60" walking beam	E1HZ 2B392-AD		1
80	LNT800 -- with 186", 204" W/B and 60" walking beam	D7HZ 2B392-Z		1
81/83	LNT800/900 -- with 186", 204" W/B and 60" walking beam	E1HZ 2B392-AC		1
80	LNT800 -- with 186" W/B and Hendrickson susp.	D7HZ 2B392-AT		1
81/83	LNT800/900 -- with 186", 204" W/B w/o 60" walking beam	E1HZ 2B392-AJ		1
80	LNT800 -- with 222" W/B and 60" walking beam	D7HZ 2B392-X		1
81/83	LNT800/900 -- with 222" W/B and 60" walking beam	E1HZ 2B392-AA		1
80	LNT800/900 -- with 222" W/B and Hendrickson susp.	D7HZ 2B392-A		1
81/83	LNT800/900 -- with 222" W/B w/o 60" walking beam	E1HZ 2B392-AL		1
80	LTS800/900 -- with 143" W/B and Hendrickson susp.	D7HZ 2B392-AC		1
80	LT800/900 -- with 162" W/B--and Hendrickson susp.			1
81/83	LTS800/900 -- with 143" W/B	E1HZ 2B392-AF		1
81/83	LT800/900 -- with 162" W/B with Hendrickson susp.			1
80	LT800/900 -- with 150" W/B and Hendrickson susp.	D7HZ 2B392-P		1
81/83	LT800/900 -- with 150" W/B and Hendrickson susp.	E1HZ 2B392-W		1
81/83	LT800/900 -- with 150" W/B and Neway susp.	E1HZ 2B392-AH		1
80	LTS800/900 -- with 155" W/B and Hendrickson susp.	D7HZ 2B392-AB		1
80	LT800/880 -- with 174" W/B and Hendrickson susp.			1

1980/  
TRUCK SERIES 600/900

YEAR	MODEL/RESTRICTIONS	PART NUMBER	DESCRIPTION	QTY.
2B392 WIRING ASSY. (BRAKE SKID CONTROL SPEED SENSOR) -- Cont'd				
81/83	LTS800/900 -- with 155" W/B	E1HZ 2B392-AE		1
81/83	LT800/900 -- with 174" W/B			1
80	LT800 -- with 162" W/B and Neway susp.	D7HZ 2B392-AE		1
81/83	LT800/900 -- with 162" W/B and Neway susp.	E1HZ 2B392-AH		1
80	LT900 -- with 162" W/B and Reyco susp.	D7HZ 2B392-W		1
81/83	LT800/900 -- with 162" W/B and Reyco susp.	E1HZ 2B392-Z		1
80	LT800/900 -- with 174" W/B and 60" walking beam	D7HZ 2B392-Y		1
81/83	LT800/900 -- with 174" W/B	E1HZ 2B392-AE		1
80	LTS800/900 -- air brakes with 167" W/B and Hendrickson susp.	D7HZ 2B392-AA		1
80	LT800/900 -- air brakes with 186" W/B and Hendrickson susp.			1
81/83	LTS800/900 -- with 167" W/B	E1HZ 2B392-AD		1
81/83	LT800/900 -- with 186" W/B			1
80	LTS800/900 -- with 185" W/B and Hendrickson susp.	D7HZ 2B392-AT		1
80	LT800/900 -- with 204" W/B and Hendrickson susp.			1
81/83	LTS800/900 -- with 185" W/B	E1HZ 2B392-AM		1
81/83	LT800/900 -- with 204" W/B			1
80	LTS800/900 -- with 203" W/B and Hendrickson susp.	D7HZ 2B392-B		1
80	LT800/900 -- with 222" W/B-Hendrickson susp.			1
81/83	LTS800/900 -- with 203" W/B	E1HZ 2B392-AK		1
81/83	LT800/900 -- with 222" W/B			1
80	LT800 -- with 236" W/B-Hendrickson susp.	D7HZ 2B392-A		1
81/83	LT800/900 -- with 236" W/B	E1HZ 2B392-AL		1
80	LNT900 -- diesel with 204" W/B-w/o top drive	D7HZ 2B392-AW		1
80	LT900-diesel with 222" W/B-w/o top drive			1
80	LTS900 -- diesel with 203" W/B-w/o top drive			1
81/83	LNT800/900 -- with 204" W/B and 60" walking beam	E1HZ 2B392-AC		1

1980/  
TRUCK SERIES 600/900

YEAR	MODEL/RESTRICTIONS	PART NUMBER	DESCRIPTION	QTY.
<b>2B392 WIRING ASSY. (BRAKE SKID CONTROL SPEED SENSOR) — Cont'd</b>				
81/83	LNT800/900 -- with 204" W/B w/o 60" walking beam	E1HZ 2B392-AK		1
81/83	LT800/900 -- with 222" W/B			1
81/83	LTS800/900 -- with 203" W/B			1
80	LNT900 -- diesel with 222" W/B-w/o top drive	D7HZ 2B392-AX		1
80	LT900-diesel with 236" W/B-w/o top drive			1
80	LT800/900 -- 204" W/B LTS800/900 -- 185" W/B	D8HZ 2B392-C		1
81/83	LNT800/900 -- with 222" W/B and 60" walking beam	E1HZ 2B392-AA		1
81/83	LNT800/900 -- with 222" W/B w/o 60" walking beam	E1HZ 2B392-AL		1
82/83	LTL9000 -- with 174" W/B	E1HZ 2B392-BA		1
82/83	LTL9000 -- with 186" W/B	E1HZ 2B392-AZ		1
82/83	LTL9000 -- with 204" W/B	E1HZ 2B392-AY		1
82/83	LTL9000 -- with 222" W/B	E1HZ 2B392-A		1
82/83	LTL9000 -- with 246" W/B	E1HZ 2B392-B		1
<b>2A394 BRACKET (BRAKE AIR LIMIT CONTROL VALVE)</b>				
80/	B-F-FT600/800 (84) -- brake skid control	D5HZ 2A394-A	# D5HS 2A394-AA-w/frt whl limiting valve	1
<b>2B394 WIRING ASSY. (BRAKE SKID CONTROL SPEED SENSOR EXTENSION)</b>				
82/83	LTL9000 -- w/Hendrickson susp.	E1HZ 2B394-A		1
82/83	LTL9000 -- w/Reyco susp.	E1HZ 2B394-B		1
82/83	LTL9000 -- w/Neway susp.	E1HZ 2B394-C		1
<b>2K395 Refer to Front Brake Parts Lists Section 20.1</b>				
<b>2B396 Refer to Group 10K845</b>				
<b>2A399 PAD and SEAL ASSY. (BOOSTER MOUNTING)—Also refer to Booster Parts Lists Section 23.1</b>				
80/	B-F-FT-LN600/900 -- with Dash mounted booster	C8TZ 2A399-B		1
<b>2405 Refer to group 2A714</b>				
<b>2B405 BRACKET (BRAKE BOOSTER TUBE PROTECTOR)</b>				
80/	LT-LTS800/900 -- split hyd. vac. brakes	D0HZ 2B405-A		1
<b>2A407 CLAMP (BRAKE TUBE SUPPORT BRACKET)</b>				
80/	CL-CLT900	D9HZ 2A407-A		1
<b>2B407 BRACKET (BRAKE AIR SUPPLY MANIFOLD)</b>				
86/	CF600/700	E6HZ 2B407-A		1
80/	CL-CLT900 -- w/air brakes	D8HZ 2B407-A	# D7HT 2B407-DA	1
80/	L800/900, LN600/900, LNT-LT-LTL- LTS800/900	D0HZ 2B407-A		1
80/	L-LNT-LT900 -- Diesel with 44M top Mounted rear axle and Hendrickson susp.	D7HZ 2B407-A	# D7HT 2B407-BA	1
<b>2408 Refer to Booster Parts Lists Section 23.1</b>				

**1980/  
TRUCK SERIES 600/900**

YEAR	MODEL/RESTRICTIONS	PART NUMBER	DESCRIPTION	QTY.	
2409	Serviced only in kit-group 2309				
<b>2B409 SEAL (BRAKE AIR SUPPLY MANIFOLD)</b>					
80/	LN600/700, L-LN-LNT-LT-LTS 800/900 -- w/air brakes	D2HZ 2B409-A		1	
80/	CL900 -- w/air brakes	D8HZ 2B409-A		1	
<b>2K409 GROMMET (BRAKE TUBE)</b>					
84/	C600/800	E4HZ 2K409-A		1	
86/	CF600/700	E6HZ 2K409-B		1	
2415	Refer to Booster Parts Lists Section 23.1				
2417-2420	Refer to Booster Parts Lists Section 23.1				
2423-2431	Refer to Booster Parts Lists Section 23.1				
<b>2K423 BRACKET (BRAKE AIR VALVE RELAY)</b>					
● Canada only					
80/	CT,800/900	D5TZ 2K423-A	# D5TA 2K423-BA	1	
80/	B-CF-F-FT700/900	E0HZ 2K423-A	# E0HT 2K423-AB	1	
80/	B-F-FT600/900, C600/900, LN600/700 -- Single rear axle w/brake skid control	★D5HZ 2K423-D	# D5HS 2K423-BA	1	
87/	B-F600/900 -- w/air brakes and 8 1/2" frame	E7HZ 2K423-A		1	
89	C800 -- w/air brakes	E9HZ 2K423-A		1	
89	C800 -- w/air brakes	E9HZ 2K423-B		1	
88	CFT700/800	E8HZ 2K423-A		1	
80/	CT-LNT-LT-LTL-LTS-WT800/900 -- brake skid control	★D5HZ 2K423-B	# D5HS 2K423-AA	2	
80/	L-LN-W800/900 -- single rear axle w/brake skid control			1	
80/	LNT-LT-800 -- diesel w/ brake skid control and Hend susp w/60" beam	★D5HZ 2K423-C	# D5HS 2K423-CA	2	
80/	LNT-LT900 -- diesel with Neway susp.	D5HZ 2K423-A	# D5HA 2K423-AA	1	
88/	LNT-LT-LTL900 -- w/Hendrickson E4-340 and E4-380 suspension	E8HZ 2K423-B		1	
<b>2429 BOOT (HYDRAULIC BRAKE BOOSTER RETAINER)</b>					
84/	C600/900 -- w/Hyd. Vac. brakes	E4HZ 2429-A		1	
<b>2B430 WIRING and BRACKET ASSY. (BRAKE SKID CONTROL SENSOR)</b>					
80/	B-C-CT-L-LN-LNT-LT-LTL- LTS600/900	D5HZ 2B430-A D5HZ 2B430-B	# D5HB 14A614-AA-female # D5HB 14A614-BA-male	AR AR	
YEAR	MODEL/RESTRICTIONS	PART NUMBER	TYPE	DESCRIPTION	QTY.
<b>2B431 VALVE ASSY. (BRAKE INVERTED RELAY)</b>					
For illustration of valves, refer to Section 20, group 2A095					
80/	CT800/900	D5HZ 2B431-A	19		1
80	L-LN-LNT-LT-LTL-LTS600/900 -- air brakes	★D0HZ 2B431-A	12	R/b E0HZ 2B431-A (1/82)	
80	B-F600/800 "Before Ser. GG5,001"				1
80/	B-F-FT600/800 -- air brakes	E0HZ 2B431-A	12	# D8HS 2B431-AA	1
80/82	L-LN-LNT-LT-LTL-LTS600/900 "From Ser. GG5,001"				
83/	L-LN-LNT-LT-LTL- LTS600/900	E3HZ 2B431-A	12	# E2HT 2B431-AA	1
86/	CF600/700				1
83/	L-LN-LNT-LT-LTL- LTS600/900	E3HZ 2B431-B		Kit-use to repair E3HZ 2B431-A	1

**1980/  
TRUCK SERIES 600/900**

YEAR	MODEL/RESTRICTIONS	PART NUMBER	DESCRIPTION		QTY.
<b>2B433 TEE ASSY. (BRAKE AIR COMPRESSOR TO RESERVOIR)</b>					
80/	LN600/700 -- diesel	D0HZ 2B433-A	Air brakes		1
80/	L-LT-LTL-LTS800/900 -- Cat. or Cum. diesel	D0HZ 2B433-B			1
80/	LN600 -- 6 cyl. gas				1
80/	LN-LNT800/900 -- Cat. or Detroit diesel				1
YEAR	MODEL/RESTRICTIONS	PART NUMBER	TYPE	DESCRIPTION	QTY.
<b>2A435 VALVE ASSY. (BRAKE AIR PRESSURE REGULATOR)</b>					
For illustration of valves, refer to Section 20, group 2A095					
80	L-LN-LNT-LT-LTL-LTS600/900 -- "Before Ser. GG5,001"	D5HZ 2A435-A	16		1
80/	L-LN-LNT-LT-LTL-LTS600/900 -- "From Ser. GG5,001"	E0HZ 2A435-A	16	# D9HS 2A435-AA	1
80/	C-CT-LNT800/900 -- 8 cyl. 475, 477, 534	C6TZ 2A435-A	11		1
80/	CT 800/900			Air-shift-rear axle	1
YEAR	MODEL/RESTRICTIONS	PART NUMBER	DESCRIPTION		QTY.
<b>2437 Refer to Booster Parts Lists Section 23.1</b>					
<b>2438 Refer to Booster Parts Lists Section 23.1</b>					
<b>2440 Refer to Booster Parts Lists Section 23.1</b>					
<b>2A442 HOSE ASSY. (REAR WHEEL BRAKE)</b>					
80/	B-C-CL-F-FT-L-LN900	D5TZ 2A442-A	# D5TA 2A442-AA, D6TA 2A442-AA 24" long		1
86/	CF600/700	E6HZ 2A442-A			1
80/	CT800/900 -- w/Hend. susp.- fwd rear and rear rear axles	D5TZ 2A442-D	# D5TA 2A442-DA, D6TA 2A442-DA-22 1/2" long		2
80/	CL-CLT900	D5TZ 2A442-B	# D5TA 2A442-BA, D6TA 2A442-BA, D7HT 2A442-CA-27 1/2" long		1
80/	LNT-LT-LTL-LTS800/900 -- w/Hend. susp.-50" walking beam				
	fwd rear axle	D5TZ 2A442-B	# D5TA 2A442-BA, D6TA 2A442-BA-27 1/2" long		
	rear rear axle	D5TZ 2A442-A	# D5TA 2A442-AA, D6TA 2A442-AA-24" long		
80/	LNT-LT-LTL-LTS900 -- 38M rear axle-Hend. susp. 52" walking beam	E0HZ 2A442-A	# D8HS 2A442-CA		1
80/	LNT-LT-LTL-LTS800/900 -- w/Hend. susp.-54" walking beam				
	fwd rear axle	D5TZ 2A442-A	# D5TA 2A442-AA, D6TA 2A442-AA-24" long		1
	rear rear axle	D5TZ 2A442-D	# D5TA 2A442-DA, D6TA 2A442-AA-22 1/2" long		1
80/	LNT-LT-LTL-LTS800/900-w/Hend. susp.-60" walking beam- fwd rear and rear rear axles	D5TZ 2A442-A	# D5TA 2A442-AA, D6TA 2A442-AA-24" long		2
80/	LNT-LT-LTL-LTS800/900-W/Reyco and Neway susp.-fwd rear and rear axles	D5TZ 2A442-A	# D5TA 2A442-AA, D6TA 2A442-AA-24" long		2
80/	CLT900 -- W/Hend susp.- fwd rear and rear rear axles	D5TZ 2A442-D	# D5TA 2A442-DA, D6TA 2A442-DA-22 1/2" long		2
80/	CLT900 -- W/Reyco and Neway susp.-fwd rear and rear rear axles	D5TZ 2A442-A	# D5TA 2A442-AA, D6TA 2A442-AA-24" long		2
89	FT-CLT-LNT-LT800/900	E9HZ 2A442-A			2
<b>2-2443 TUBE ASSY. (BRAKE CLUTCH MASTER CYLINDER TO SLAVE CYLINDER)</b>					
Improvise from bulk tubing (2269) and improvise insulators from rubber hose, friction tape, etc.					
		357949-S	(GG-141)-clip (tube to dash panel)		
		31478-S7	(U-350)-screw (clip to dash panel)-No. 14 x 5/8"		
<b>2446 Refer to Booster Parts Lists Section 23.1</b>					
<b>2448 BRACKET (AIR BRAKE PEDAL ARM BUMPER)-Improvise</b>					

**1980/  
TRUCK SERIES 600/900**

YEAR	MODEL/RESTRICTIONS	PART NUMBER	DESCRIPTION	QTY.
<b>2A449 VALVE ASSY. (REAR WHEEL BRAKE RELAY)</b>				
80/	B-F600/800 -- air brakes	D0HZ 2A449-A		1
84	B-C-F600/900 -- w/Hyd. Vac. brakes "Before 7/84"	E8HZ 2A449-A		1
88/	B-C-F600/900 -- w/air brakes	E6HZ 2A449-A		1
84/	B-C-F600/900 -- w/hyd. vac. brakes "From 7/84"	E8HZ 2A449-A		1
83/	FT800/900 -- air brakes	E6HZ 2A449-B		1
86/	CF600/700			1
80/	B-F-FT700/900, CT800/900 -- w/brake skid control	D5HZ 2A449-A		1
80/	CL-CLT900	D0HZ 2A449-A		1
80/	LN-LNT-LT-LTL-LTS800/900 -- air brakes	D0HZ 2A449-A		1
88/	L-LN600/900 -- w/air brakes	E6HZ 2A449-A		1
84/	L-LN600/900 -- w/hyd. boost brakes	E8HZ 2A449-A		1
<b>2B449 SLEEVE (BRAKE PRESSURE DIFFERENTIAL VALVE)</b>				
87/	CF700/800 -- 7.8 eng.	E7HZ 2B449-A		1
<b>2A451 PUMP ASSY. (BRAKE VACUUM)</b>				
80/	L-LN700/800 -- diesel and H/V brakes	D7HZ 2A451-A	(Details NS)-#4G on base	1
80/	F-FT-L-LN600/900 -- 8.2L Det. diesel with A/C and hyd. brakes	C8HZ 2A451-A	(Details NS)- #3AK on base	1
83/	F-FT600/900 -- 6.6L,7.8L 3208 engines	E3HZ 2A451-A	Use for deluxe heater or A/C	1
80/	C600/700 -- diesel	C8HZ 2A451-A	(Details NS)-#3AK on base	1
<b>2B451 HOSE ASSY. (BRAKE VACUUM PUMP OIL INLET)</b>				
80/	B-F600/700 -- diesel	C9TZ 2B451-A	25" long	1
80/	L-LN700/800 -- diesel-split H/V brakes-7M,9M front axles and 18.5M,22M rear axles			1
80/	C600/700 -- Cat. diesel	C9HZ 2B451-A	32" long	1
<b>2A452 BRACKET (BRAKE VACUUM PUMP)</b>				
80/	C600/800 -- Cat. and split hydraulic brakes	C8HZ 2A452-A		1
80/	F600/700 -- 8.2L Det. diesel with A/C and hyd. brakes	E0HZ 2A452-A	#E0HT 19K556-AB	1
<b>2B452 COVERING (BRAKE TUBE)</b>				
80/82	B-F700/800	D0HZ 2B452-B	1" I.D. x 1 5/32" O.D. x 9 5/8" long	1
83/	B-CF600/800,F-FT600/900	E3HZ 2B452-A		1
80/	C-CT600/900 -- air brakes or spring set air parking brakes	D0HZ 2B452-D	1" I.D x1 5/32" O.D. x31 1/2" long	1
80/	CL-CLT900,LN600/700	D8HZ 2B452-A	5/8" I.D. x 23/32" O.D. x 20" long	1
80/	CL-CLT-LTL-LNT-LT-LTL-LTS800/900	D0HZ 2B452-A	3/4" I.D. x 27/32" O.D x 46" long	1
80/	CL-CLT-LTL-L-LN-LNT-LT-LTL-LTS600/900	D0HZ 2B452-B	1" I.D x 1 5/32" O.D x 9 5/8" long	1
80/	L-LN-LNT-LT-LTL-LTS800/900	D0HZ 2B452-C	41/64" I.D x 23/32" O.D x 14 1/2" long	1
80/	CL-CLT900	D0HZ 2B452-D	1" I.D x 1 5/32" O.D x 31 1/2" long	1
<b>2A453 GASKET (BRAKE VACUUM PUMP MOUNTING)</b>				
80/	B-F-FT-L-LN-LNT-LT-LTL-LTS 700/900 -- Cat. diesel	D7HZ 2A453-A	#D6HT 2B885-AA-7 1/4,-12 cu. ft. compressor and vac. pump-used between compressor adapter plate and compressor mounting bracket	1
80/	B-FL-FT-LN-LNT-LT-LTL-LTS 700/900 -- Cat. diesel	D7HZ 2A453-B	12 cu. ft. compressor-used between compressor and compressor adapter plate	1



1980/  
TRUCK SERIES 600/900

YEAR	MODEL/RESTRICTIONS	PART NUMBER	DESCRIPTION	QTY.
<b>2A453 GASKET (BRAKE VACUUM PUMP MOUNTING) — Cont'd</b>				
80/	B-F-FT-L-LN-LNT-LT-LTL-LTS 700/900	D7HZ 2A453-C	7 1/4 cu. ft. compressor and vac. pump— used between compressor and compressor adapter plate	1
<b>2455 PEDAL ASSY. (BRAKE)</b>				
<b>B SERIES</b>				
80/87	B600/700 -- split Hydro-Max hyd. brakes	E0HZ 2455-B		1
88/	B600/700 -- split hydro-max hyd. brakes	E8HZ 2455-A		1
<b>C-CT SERIES</b>				
80/83	C600/900 -- single H/V brakes	D3HZ 2455-A		1
80/	CT800/900	★ C8HZ 2455-F r/bD3HZ 2455-A		1
80/83	C600/900 -- split H/V brakes	C9HZ 2455-A		1
84/85	C600/900 -- w/Hyd. Vac. brakes "Before 6/85"	E4HZ 2455-B		1
85/	C600/900 -- w/Hyd. Vac. brakes "From 6/85"	E5HZ 2455-A		1
<b>CF-SERIES</b>				
86/	CF600/700	E6HZ 2455-A		1
<b>F-FT SERIES</b>				
80/87	F-FT600/800(81) -- gas eng. single H/V brakes	E0HZ 2455-A		1
80/87	F-FT600/800(81) -- split and single Hydro-Max hyd. brakes	E0HZ 2455-C		1
80/87	F-FT600/800(84) -- gas eng. single H/V brakes	E0HZ 2455-D		1
80/87	F-FT600/800(84) -- split and single Hydro-Max hyd. brakes	E0HZ 2455-B		1
88/	F-FT600/800(84) -- split hyd. vac brakes	E8HZ 2455-A		1
88/	F-FT600/800(81) -- single and split hyd. vac. brakes	E8HZ 2455-B		1
<b>L-LN-LNT-LT-LTS SERIES</b>				
80/83	LN600/800 -- gas or diesel	D0HZ 2455-C	With H/V brakes--# D0HA 2455-K	1
80/83	LN750/900, LNT900 -- gas			
80/83	L-LT-LTS800/900 -- gas "Before Ser. GG5,001"			
80/83	L-LN600/900 "From Ser. GG5,001"	E0HZ 2455-E		1
80/83	LNT-LT-LTS800/900 -- "From Ser. GG5,001"	E0HZ 2455-F		1
84/	L-LN-LNT-LT600/900 -- w/Hyd. Vac. brakes-exc. turbo diesel	E4HZ 2455-A		1
84/	L-LN-LNT-LT-LTL600/900 -- w/Hyd. vac. brks. and turbo diesel	E4HZ 2455-C		1
<b>2B456 SEAL (BRAKE CONTROL VALVE)</b>				
80/	C600/900, LT-LTL-LTS800/900	D0KZ 2B456-A		1
<b>2457 PAD (PEDAL PLATE)</b>				
80/	C-LN600/700, L-LN- LNT-LT-LTS800/900	C7TZ 2457-A	Clutch and brake	1
80/	B-F-FT600/800		Clutch	1
80/	B-F-FT600/800	E0HZ 2457-B	Brake	1
80/	B-F-FT-L-LN-LNT-LT-LTL-LTS 800/900 air brakes	DOTZ 2457-A	# AIR BRAKE-3 x 3 13/16"	1
80/	C800/900	B7C 2457-A	Clutch-3 53/64" long	1
86/	CF600/700	E6HZ 2457-A	Brake and clutch	2

**1980/  
TRUCK SERIES 600/900**

YEAR	MODEL/RESTRICTIONS	PART NUMBER	DESCRIPTION	QTY.
2459	Refer to Booster Parts Lists Section 23.1			
2461	BUSHING (BRAKE and CLUTCH PEDAL)-Also refer to group 2471			
80/	B-C-F-LN600/750	C5TZ 2461-A	Brake-5/8" I.D. x 15/16" O.D. x 7/8" long	2
80/	B-F600/750		Clutch	2
86/	CF600/700	E6HZ 2461-A	Brake	1
86/	CF600/700	E6HZ 2461-B	Clutch	1
2462	ROD (BRAKE)			
		34690-S8	(M-34)-nut-7/16"-20	1
2462	BOLT (BRAKE MASTER CYLINDER LINK ROD TO PEDAL)			
80/	C600/900, CT-L-LN-LNT-LT-LTS800/900	COTT 2462-A	3/8"-24 x 1 11/32"	1
2A463	-FRONT CHAMBERS-Refer to Model Application Chart in group 2025 -REAR CHAMBERS-Refer to Model Application Chart in group 2225			
2B463	Refer to Model Application Chart in group 2225			
2A464	PISTON ASSY. (BRAKE AIR CHAMBER)-For rear chambers refer to Model Application Chart in group 2225			
2A465	-FRONT CHAMBERS-Refer to Model Application Chart in group 2025 -REAR CHAMBERS-Refer to Model Application Chart in group 2225			
2A465	PUSH ROD AND DIAPHRAGM ASSY. (BRAKE CHAMBER)			
86/	CF600/700	E6HZ 2A465-A		1
2A466	Refer to Model Application Chart in group 2225			
2A467	Refer to Model Application Chart in group 2225			
2468	BRACKET (BRAKE PEDAL)			
88	LTL9000 -- w/444 eng. with "C" type brake	E8HZ 2468-A		1
2A468	Refer to Model Application Chart in group 2225			
2A469	-FRONT CHAMBERS-Refer to Model Application Chart in group 2025 -REAR CHAMBERS-Refer to Model Application Chart in group 2225			
2A470	-FRONT CHAMBERS-Refer to Model Application Chart in group 2025 -REAR CHAMBERS-Refer to Model Application Chart in group 2225			
2A471	Refer to Model Application Chart in group 2225			
2L471	SLEEVE (BRAKE DISC and CALIPER RUST)			
86/	CF600/700	E6HZ 2L471-A		1
2472	SPRING (BRAKE PEDAL RETRACTING)			
80/	C600/900 -- H/V brakes exc. Cat. diesel	C8TZ 2472-A		1
80/	C800/900, L-LN-LT-LTS800	TAAA 2472-A		1
86/	CF600/700	E6HZ 2472-A		1
2A472	Refer to Model Application Chart in group 2225			
2L472	COVER (BRAKE DISC RUST INHIBITOR)			
86	CF600/700	E6HZ 2L472-A		1
2474	BUSHING (BRAKE and CLUTCH MASTER CYLINDER)-Also refer to group 2A309			
80/	B-C-F-FT-L-LN600/900	C5DZ 2474-A	Brake master cyl. push rod	1
2A474	BRACKET (REAR WHEEL PARKING BRAKE CABLE TO INSTRUMENT PANEL)			
80/	C-CT600/900 -- w/maxi brake	C3TZ 2A474-A		1
2A475	-FRONT CHAMBERS-Refer to Model Application Chart in group 2025 -REAR CHAMBERS-Refer to Model Application Chart in group 2225			
2B475	REINFORCEMENT ASSY. (BRAKE AIR SUPPLY MANIFOLD)			
80/	L-LN-LNT-LT-LTS600/900	D0HZ 2B475-A		1
2C475	Refer to Model Application Chart in group 2225			
2A476	Refer to Booster Parts Lists Section 23.1			

**1980/  
TRUCK SERIES 600/900**

YEAR	MODEL/RESTRICTIONS	PART NUMBER	DESCRIPTION	QTY.
	<b>2A477</b>	<b>BOOT (BRAKE BOOSTER PUSH ROD)</b>		
83 84/	B-F-FT800 Refer to Booster Parts List in Section 23.1	E3HZ 2A477-A		1
	<b>2A478</b>	Refer to Model Application Chart in group 2225		
	<b>2B478</b>	<b>INSULATOR (NYLON TUBE)</b>		
80/	All -- air brakes and nylon tubing	DOHZ 2B478-A	3/8" O.D.-group 2269-25ft. roll	AR
	<b>2C478</b>	Refer to Model Application Chart in group 2225		
	<b>2479</b>	Refer to Booster Parts Lists Section 23.1		
	<b>2A479</b>	Refer to Model Application Chart in group 2225		
	<b>2A480</b>	<b>TUBE (TRAILER BRAKE CHECK VALVE TO AIR SHUT-OFF VALVE)</b> Improvise from bulk tubing (2269) and improvise insulators from rubber hose, friction tape, etc.		
	<b>2L480</b>	<b>C-CLAMP REPAIR KIT (BRAKE ACTUATOR)</b>		
86/	CF600/700	E6HZ 2L480-A		1
	<b>2L480</b>	<b>HARDWARE RETAINER KIT (BRAKE ACTUATOR)</b>		
86/	CF600/700	E6HZ 2L480-B		1
	<b>2A481</b>	Refer to Model Application Chart in group 2225		
	<b>2A483</b>	<b>TUBE (BRAKE FOOT CONTROL VALVE TO TRAILER BRAKE AIR SHUT-OFF VALVE)</b> Improvise from bulk tubing (2269) and improvise insulators from rubber hose, friction tape, etc.		
	<b>2A486</b>	<b>TUBE ASSY. (BRAKE VACUUM PUMP TO CHECK VALVE)</b>		
	<b>2A488-2F488</b>	Refer to Model Application Chart in group 2225		
	<b>2A489</b>	Refer to Model Application Chart in group 2225		
	<b>2A491</b>	<b>BRACKET (REAR AIR BRAKE RELAY VALVE)</b>		
80/82	CT800/900	C3TZ 2A491-A	Hendrickson suspension	1
	<b>2493</b>	Refer to Booster Parts Lists Section 23.1		
	<b>2K493</b>	<b>VALVE and SWITCH ASSY. (BRAKE)</b>		
86/	CF600/700 -- 6.6 eng.	E6HZ 2K493-A		1
	<b>2A495-6</b>	<b>TUBE (BRAKE AIR CHAMBER CONNECTING)</b> Improvise from bulk tubing (2269) and improvise insulators from rubber hose, friction tape, etc.		
	<b>2B495</b>	<b>KNOB (TRACTOR BRAKE AIR PROTECTOR VALVE)</b>		
80/	F-FT700/900, C600/900, CT800/900, L-LN-LNT-LT-LTS800/900 -- w/tractor trailer equip.	DOHZ 2B495-A	Use with DOHZ 2951-B valve	1
	<b>2-2496</b>	<b>TUBE (BRAKE AIR HAND CONTROL VALVE EXHAUST TRACTOR EQUIPMENT)</b> Improvise from bulk tubing (2269) and improvise insulators from rubber hose, friction tape, etc.		
	<b>2A497-8</b>	<b>BRACKET ASSY. (REAR BRAKE SHOE ANCHOR)</b>		
80/82	B-C700 -- 18.5M rear axle	C2TZ 2A497-B	R.H.-16"x6" brakes	2
		C2TZ 2A498-B	L.H.	2
		376798-S7-8	(BB-196-K)-screw (bracket to carrier plate)- 1/2"-20 x 1 1/2"-flat head	4
	<b>2-2498</b>	<b>TUBE (BRAKE AIR HAND CONTROL VALVE TO TWO WAY CHECK VALVE TRACTOR EQUIPMENT)</b> Improvise from bulk tubing (2269) and improvise insulators from rubber hose, friction tape, etc.		
	<b>2-2499</b>	<b>TUBE (BRAKE AIR HAND CONTROL VALVE TO MANIFOLD TRACTOR EQUIPMENT)</b> Improvise from bulk tubing (2269) and improvise insulators from rubber hose, friction tape, etc.		
	<b>2B503</b>	<b>BRACKET and TEE ASSY. (BRAKE BOOSTER TUBE)</b>		
80/	F-FT600/800	D3TZ 2B503-A	# D3TA 2B503-AB	1
	<b>2A505</b>	<b>RETAINER (BRAKE MASTER CYLINDER PRIMARY PISTON)</b>		
80/	B-F-FT600/800, C600/900 -- split H/V brakes	C8TZ 2A505-A		1
80/	L-LN-LNT-LT-LTS600/900 -- split H/V brakes			1

1980/  
TRUCK SERIES 600/900

YEAR	MODEL/RESTRICTIONS	PART NUMBER	DESCRIPTION	QTY.
<b>2A506 Refer to Booster Parts Lists Section 23.1</b>				
<b>2A511 PIN (BRAKE MASTER CYLINDER SECONDARY PISTON STOP)</b>				
80/82	B-F-FT-LN600/800, C600/900, L800/900 -- split H/V brakes	C8TZ 2A511-A		1
<b>2B514 NOISE DAMPENING KIT (REAR BRAKE)</b>				
84/	All -- w/Eaton air brakes	E4HZ 2B514-A		1
<b>2B516 WIRING ASSY. (BRAKE SKID CONTROL ACTUATOR)</b>				
80/82	B-F600/800 (84) -- air brakes	D9HZ 2B516-A	#D9HT 2B516-BB	1
83	B-F-FT600/900 (84) -- air brakes	E2HZ 2B516-B		1
80/82	F600/800 (81) -- air brakes	D9HZ 2B516-B	#D9HT 2B516-AA	1
83/	F-FT600/900 (81) -- air brakes	E2HZ 2B516-A		1
80/	C600/900 -- air brakes	D5HZ 2B516-A	#D5HB 2B516-CA,CB,CC,CD w/front axle anti-skid	1
80/	C600/900 -- air brakes	D7HZ 2B516-C	#D7HT 2B516-GA-w/o front axle anti-skid	1
80/	CL-CLT900 -- Eaton system- wiring harness-modulator to chassis harness	D9HZ 2B516-C	Use with D8HT 2B373-AA,CA,EA	1
80/	CL-CLT900 -- Kelsey-Hayes system- wiring harness-modulator to chassis harness	D9HZ 2B516-D	Use with D8HT 2B373-BA,DA,FA	1
80/	L-LN600/800 -- air brakes	D5HZ 2B516-B	#D5HB 2B516 BA,BB,BC --w/front axle anti-skid	1
80/	L-LN900 -- 8 cyl. gas w/air brakes			1
80/	L-LN600/900 -- air brakes- City delivery	D7HZ 2B516-B	#D7HT 2B516 FA-w/o front axle anti-skid	1
80/	L-LN900 -- diesel w/air brakes	D5HZ 2B516-C	#D5HB 2B516 AA,AB,AC --w/front axle anti-skid	1
80/	L-LN900 -- Diesel w/air brakes- Line haul	D7HZ 2B516-A	#D7HT 2B516-EA-w/o front axle anti-skid	1
<b>2A525 ROD (BRAKE PEDAL TO BELLCRANK)</b>				
80/83	C600/900 -- H/V brakes	C8HZ 2A525-A		1
84/	C600/900	E4HZ 2A525-A	Lower	1
		E4HZ 2A525-B	Upper	1
<b>2527 BRACKET (TRAILER BRAKE AIR PROTECTOR VALVE MOUNTING)</b>				
80/	C-CT600/900 -- w/tractor trailer equip.	D3TZ 2527-A	#D3TA 2527-AA	1
80/	F-FT600/900 -- w/tractor pkg.	E0HZ 2527-A	#E0HT 2527-AA	1
<b>2A531 Refer to Front Brake Parts Lists Section 20.1</b>				
<b>2533 BRACKET (TRAILER BRAKE AIR HOSE SUPPORT)-Also refer to group 2953</b>				
80/	F-FT600/900 (81)	C7TZ 2533-A		1
<b>2A534 SPACER (BRAKE VACUUM BOOSTER AIR CLEANER MOUNTING)</b>				
80/82	L800/900, LN-LNT800, LT-LTS 800/900 -- gas and H/V brakes	D0HZ 2A534-A		1
<b>2535 FITTING (BRAKE MANIFOLD)</b>				
80/	C-CT600/900	* C1TT 2535-A	3 3/4" long-order from Bendix Westinghouse number 240459	1
80/	C-CT600/900 -- w/vac. reserve	C5TZ 2535-A	2 1/8" long	1
80/	C-CT600/900 -- brake skid control	D5HZ 2535-A	#D5HA 2535 BA- 3 1/2" long	1
80/	C600/900 -- brake skid control	D5HZ 2535-B	#D5HA 2535-CA	1
80/	CL900	E0HZ 2535-A	#E0HT 2535-AA	1
80/	L800/900, LN600/900, LNT-LT- LTS800/900	D0HZ 2535-A		1
<b>2B535 BRACKET (BRAKE BOOSTER SHIELD)</b>				
84/	C600/900	E4HZ 2B535-A		1
<b>2538 TUBE (UNION TO TRAILER BRAKE AIR PROTECTOR VALVE)</b>				
Improvise from bulk tubing (2269) and improvise insulators from rubber hose, friction tape, etc.				
80/	C800 -- 99", 111" W/B	357955-S	(GG-166)-clip (tube to frame)	1
80/	C800 -- 99", 111" W/B	357946-S8	(GG-152)-clip (tube to frame)	1
80/	C-F700/1100, C700/900, F700/750	357635-S	(II-177)-connector assy. (tube to valve)-1/4" pipe thread 1/4" tube	1

**1980/  
TRUCK SERIES 600/900**

YEAR	MODEL/RESTRICTIONS	PART NUMBER	DESCRIPTION	QTY.	
2538	TUBE (UNION TO TRAILER BRAKE AIR PROTECTOR VALVE) — Cont'd Improvise from bulk tubing (2269) and improvise insulators 2				
80/	F700/750		bracket Clip (tube to frame)	1	
2-2538	TUBE (TWO-WAY CHECK VALVE TO TRAILER BRAKE AIR PROTECTOR VALVE) Improvise from bulk tubing (2269) and improvise insulators from rubber hose, friction tape, etc.				
2539	TUBE (TRAILER BRAKE EMERGENCY AIR SUPPLY VALVE TO MANIFOLD) Improvise from bulk tubing (2269) and improvise insulators from rubber hose, friction tape, etc.				
80/	C700/900	357635-S	(II-177)—connector (tube to manifold fitting)— 1/4" pipe thread—1/4" tube	1	
2540	TUBE (AIR BRAKE FOOT CONTROL VALVE TO REAR TEE 2ND SECTION) Improvise from bulk tubing (2269) and improvise insulators from rubber hose, friction tape, etc.				
		357946-S8	(GG-152)—clip (tube to frame)—9/16"	2	
2A540-3	TUBE (BRAKE AIR STRAIGHT) Improvise from bulk tubing (2269) and improvise insulators from rubber hose, friction tape, etc.				
80/	C600/800 — — 99", 111" W/B	374429-S	(II-187-J)—elbow (tube)—90°	AR	
80/	C600/900, CT800/900	377696-S	(GG-213-B)—clip (attach tube to side member)— 1/4" tube	1	
80/	C600/900, F600/750, LN600/900	357636-S	(II-177-B)—union (tube)	AR	
2B540-1	Refer to Front Brake Parts Lists Section 20.1				
2-2540	TUBE (TEE TO TRAILER BRAKE AIR PROTECTOR VALVE) Improvise from bulk tubing (2269) and improvise insulators from rubber hose, friction tape, etc.				
2-2541	TUBE (TRAILER BRAKE EMERGENCY AIR SUPPLY VALVE TO UNION) Improvise from bulk tubing (2269) and improvise insulators from rubber hose, friction tape, etc.				
2-2542	TUBE ASSY. (BRAKE AIR HAND CONTROL VALVE TO TEE) Improvise from bulk tubing (2269) and improvise insulators from rubber hose, friction tape, etc.				
2B542	For T.S.L. information and Model Application, refer to Front Hub Section 11.1				
2A546	TUBE (BRAKE VACUUM STRAIGHT) Improvise from bulk tubing (2269) and improvise insulators from rubber hose, friction tape, etc.				
80/	L-LN-LNT-LT-LTL-LTS800/900	383544-S	(GG-163-YU)—clip (tube to sidemember)	AR	
2A547	Refer to Rear Brake Parts Lists Section 22.1				
YEAR	MODEL/RESTRICTIONS	PART NUMBER	TYPE	DESCRIPTION	QTY.
2A550	VALVE (BRAKE AIR RESERVOIR SAFETY) For illustration of valves, refer to Section 20, group 2A095				
80/	C600/800, CL-CLT900,L-LT-LTL-LTS800/900	C3TZ 2A550-A	13		1
80/	B-F-FT600/900				1
86/	CF600/700	E6HZ 2A550-A			1
80/	LT-LTL-LTS800/900	370080-S		(II-51)—reducer (valve to reservoir)—1/2" to 1/4"	1
80/	LN600/900	370817-S		(II-52)—reducer (valve to reservoir)—3/8" to 1/4"	1
80/	LNT900				1
YEAR	MODEL/RESTRICTIONS	PART NUMBER	DESCRIPTION	QTY.	
2B552	Refer to Front Brake Parts Lists Section 20.1				
2B553	REINFORCEMENT (BRAKE RESERVOIR MOUNTING)				
80/	C-CT600/900	D5HZ 2B553-A	# D3HA 2B553-AA	4	
2B555-6	WIRE ASSY. (BRAKE MOISTURE EJECTION VALVE)				
80/86	B700	E0HZ 2B555-A	# E0HT 2B555-CB	1	
87/	B-F600/800	E7HZ 2B555-A		1	
87/	B-F600/800	E7HZ 2B555-B		1	
87/	B-F600/800	E7HZ 2B555-C		1	
2557	GAUGE ASSY. (BRAKE AIR PRESSURE)				
80/81	B700	D5HZ 2557-A	# D5HF 2557-AA	1	
82/86	B600/750	E2HZ 2557-B	# E2HT 2557-AA	1	
87/	B600/750	E7HZ 2557-A		1	
82/86	C600/900	E2HZ 2557-A	# E1HT 2557-AB	1	
87/	C-CT600/900	E7HZ 2557-B		1	

**1980/  
TRUCK SERIES 600/900**

YEAR	MODEL/RESTRICTIONS	PART NUMBER	DESCRIPTION	QTY.
<b>2577 GAUGE ASSY. (BRAKE AIR PRESSURE) — Cont'd</b>				
86/	CF600/800	E6HZ 2557-D		1
80/86	F-FT600/800 (81)	E2HZ 2557-C	# E2HT 2557-BA	1
87/	F-FT600/800	E7HZ 2557-A		1
80/	F-FT600/800 (84)	E2HZ 2557-B	# E2HT 2557-AA	1
80/	CL-CLT900	D8HZ 2557-A	# D7HT 2557-AB "DUAL AIR"	1
80/	CL-CLT900	D8HZ 2557-B	# D7HT 2557-BB "APPL. AIR"	1
80/86	LN600/900,L-LNT-LT-LTS800/900	D5HZ 2557-A	# D5HF 2557-AA	1
87/	LN600/900,L-LNT-LTS800/900	E7HZ 2557-A		1
<b>2559 TUBE (BRAKE RESERVOIR TANK and BRAKE CHECK VALVE)</b>				
86/	CF600/700	E6HZ 2559-A		1
86/	CF600/700	E6HZ 2559-B		1
86/	CF600/700	E6HZ 2559-C		1
86/	CF600/700	E6HZ 2559-D		1
<b>2A567 COCK ASSY. (BRAKE RESERVOIR DRAIN)</b>				
86/	CF600/700	E6HZ 2A567-A	For L.H.reservoir	1
86	CF600/700	E6HZ 2A567-B	For rear R.H. reservoir	1
87/	CF600/700	E7HZ 2A567-C	For rear R.H. reservoir	1
86	CF600/700	E6HZ 2A567-C	For front reservoir	1
87/	CF600/700	E7HZ 2A567-A	For front reservoir	1
<b>2569 TUBE (INTAKE MANIFOLD TO BRAKE CHECK VALVE)</b>				
Improvise from bulk tubing (2269) and improvise insulators from rubber hose, friction tape, etc.				
80/	B-C-F-FT-LN700/900	C4TZ 2569-C	10" developed length	1
80/	B-C-F-LN600/700 -- 8 cyl. 330-H/D			1
80/	B-C-F-LN600	C5TZ 2569-A	29" developed length	1
80/	CT800/900	C6TZ 2569-A	47 1/2" long	1
80/	C800/900	27113-S7-8	(U-176)-screw (tube to eng. bracket)-No. 10-32 x 3/4"	1
		34903-S8	(X-96)-lockwasher-No. 10	AR
		34079-S7	(M-163)-nut-No. 10-32	AR
		34803-S7	(X-60)-lockwasher-No. 10	AR
		373150-S2	(GG-190)-clip (tube to fuel line bracket)	1
80/	C700/800	358341-S2	(GG-46)-clip (tube to brake tube bracket)	1
80/	C700/900, LN700	358243-S	(II-48)-reducer (tube to intake manifold)-1/2" to 3/8" pipe	1
80/	B-C-F-FT600/800	359944-S	(II-165)-elbow (tube to manifold)-90°	1
80/	B-F600	372941-S	(II-201)-tee (tube to check valve)	1
80/	B-F600/700	87500-S	(I-31-B)-elbow (tube to manifold)-45°-1/2" tube	1
<b>2570 TUBE (BRAKE AIR BOOSTER TO DASH TEE)</b>				
Improvise from bulk tubing (2269) and improvise insulators from rubber hose, friction tape, etc.				
80/	F750	374429-S	(II-187-J)-elbow assy. (tube)-90°	1
<b>2571 TUBE (AIR BRAKE RESERVOIR CONNECTING)</b>				
Improvise from bulk tubing (2269) and improvise insulators from rubber hose, friction tape, etc.				
<b>2B571 ACTUATOR ASSY. (BRAKE AIR HYDRAULIC POWER)</b>				
80/	C900,CT800/900 -- 15M,16M frt. axle w/disc brakes	D7HZ 2B571-B	# D6HT 2B571-BA-w/front axle anti-skid	1
80/	C900,CT800/900 -- 16m, 18m frt. axle w/disc brakes	D7HZ 2B571-D	# D6HT 2B571-DA-w/o front axle anti-skid	1
86	CF600/700	E6HZ 2B571-A	L.H.	1
86	CF600/700	E6HZ 2B571-B	R.H.	1
87/	CF600/800	E7HZ 2B571-A	R.H.	1
		E7HZ 2B571-B	L.H.	1
80/	LNT-LT-LTS800/900 -- 16m 18M,20M frt. axles w/disc brakes	D7HZ 2B571-A	# D6HT 2B571-AA-w/front axle anti-skid	1
80/	LNT-LT-LTS 800/900 -- 16m, 18M,20M frt. axles w/disc brakes	D7HZ 2B571-C	# D6HT 2B571-CA-w/o front axle anti-skid	1
<b>2B572 WIRING ASSY. (BRAKE SKID CONTROL MODULATOR TO SENSOR)</b>				
80	CLT900 -- Eaton system	D9HZ 2B572-A	Use with D8HT 2B373-AA	1
80	CL-CLT900 -- Eaton system	D9HZ 2B572-B	Use with D8HT 2B373-CA	1
80	CLT900 -- Eaton system	D9HZ 2B572-C	Use with D8HT 2B373-EA	1

**1980/  
TRUCK SERIES 600/900**

YEAR	MODEL/RESTRICTIONS	PART NUMBER	DESCRIPTION	QTY.
<b>2B572 WIRING ASSY. (BRAKE SKID CONTROL MODULATOR TO SENSOR) — Cont'd</b>				
80/81	CLT900 -- Kelsey-Hayes system	D9HZ 2B572-D	Use with D8HT 2B373-BA	1
80/81	CL-CLT900 -- Kelsey-Hayes system	D9HZ 2B572-E	Use with D8HT 2B373-DA	1
80/81	CLT900 -- Kelsey-Hayes system	D9HZ 2B572-F	Use with D8HT 2B373-FA	1
<b>2K572 CONNECTOR (BRAKE TUBE)</b>				
84/	F-FT800/900	E4HZ 2K572-A		1
84/	B-C-L-LN-LNT-LT -- w/ Hyd. Vac. brakes-mdl. 81	E4HZ 2K572-B		1
84/	B-C-L-LN-LNT -- w/ Hyd. Vac. brakes-mdl. 84	E4HZ 2K572-C		1
<b>2573 BUZZER ASSY. (LOW BRAKE AIR PRESSURE)</b>				
80/	B-F-FT600/900, L-LN-LNT-LT-LTL 800/900	D0HZ 2573-A		1
80/	C-CT600/900,CL-CLT900			1
87/	B-F-L-LN600/900 -- w/6.6L, 7.0L engs.	E7HZ 2573-A		1
86/	CF600/700	E6HZ 2573-A		1
80/	CL-CLT900	D8HZ 2573-A		1
<b>2A574 SWITCH ASSY. (BRAKE LOW AIR PRESSURE)</b>				
80/	B-F-FT600/900, C-CT600/900, L-LN-LNT-LT-LTL-LTS 600/900	D5TZ 2A574-A	# D5TA 18737-AA	2
80/	B-F-FT600/900 -- w/o tractor pkg	D5TZ 2A574-B	# D5TA 18737-CA	2
86/	CF600/700	E6HZ 2A574-A	Foot control valve (2A270)	1
86	CF600/700	E6HZ 2A574-C	Pkg. brake control (2A622)	1
87/	CF600/800	E7HZ 2A574-A	Pkg. brake control (2A622)	1
80/	CL-CLT900	D8HZ 2A574-A		2
<b>2B574 HOSE ASSY. (BRAKE BOOSTER PRESSURE LINE)</b>				
80/83	B-F-FT600/800 -- 6M,7M,9M frt. axle w/pwr. strg.	E0HZ 2B574-A	# E0HT 2B574-AB	1
80/83	B-F-FT600/800 -- 5.5M,6M,7M,9M frt. axle w/man. strg.			1
80/83	B-F-FT600/800 -- 5.5M frt. axle w/pwr. strg.	E0HZ 2B574-B	# E0HT 2B574-DB	1
80/83	B-F-FT600/800 -- 8.2L Det. diesel with 6M,7M,9M frt. axle and man. or pwr. strg.	E0HZ 2B574-C	# E0HT 2B574-BA	1
80/83	B-F600/700 -- 8.2L Det. diesel with 5.5M frt. axle	E0HZ 2B574-D	# E0HT 2B574-EA	1
83/	B-F-FT600/800 -- 3208 engines	E3HZ 2B574-A		1
84/	B-F-FT 600/900 -- w/Hyd. vac. brakes and 6.1L,7.0L,8.2 engines	E4HZ 2B574-H		1
85	B-F-FT600/900 -- w/Hyd. vac. brks. and 6.1L, 7.0L, 8.2 engine	E5HZ 2B574-A		1
84/	B-F-FT600/900 -- w/Hyd. vac. brakes and 3208 engines	E4HZ 2B574-G		1
87/	LN600/900 -- w/6.6L, 7.8L engs.	E7HZ 2B574-C		1
84/	C600/900 -- w/Hyd. vac. brakes	E4HZ 2B574-A		1
87/	B-F-FT600/900 -- w/6.6L, 7.8L engs.	E7HZ 2B574-B		1
84/	LN600/700 -- w/Hyd. vac. brakes and 6.1L, 7.0L,8.2 engines	E4HZ 2B574-C		1
84/	LN600/700 -- w/Hyd. vac. brakes and 3208 engines	E4HZ 2B574-F		1
84/	L-LT800/900 -- w/Hyd. vac. brakes and 6.1L,7.0L engines	E4HZ 2B574-B		1

**1980/  
TRUCK SERIES 600/900**

YEAR	MODEL/RESTRICTIONS	PART NUMBER	DESCRIPTION	QTY.	
<b>2B574 HOSE ASSY. (BRAKE BOOSTER PRESSURE LINE) — Cont'd</b>					
84/	L-LT800/900 -- w/Hyd. vac. brakes and 3208 engines	E4HZ 2B574-E		1	
84/	LN-LNT800/900 -- w/Hyd. vac. brakes and 6.1L, 7.0L engines	E4HZ 2B574-C		1	
87/	L-LT-LNT-LTS800/900 -- w/6.6L, 7.8L engs.	E7HZ 2B574-A		1	
YEAR	MODEL/RESTRICTIONS	PART NUMBER	TYPE	DESCRIPTION	QTY.
<b>2575 VALVE ASSY. (BRAKE TWO-WAY CHECK TRACTOR EQUIPMENT)</b>					
For illustration of valves, refer to Section 20, group 2A095					
80/	C600, CT800/900	C1TT 2575-A	14		1
80/	CL-CLT900	E0HZ 2575-A	21		1
80/	F600/750 (81) -- w/tractor trailer equip. and hand control valve	C7TZ 2575-A	10	Stop lamp switch	1
80/	CT800 -- Cat. diesel				1
80/	LNT-LT-LTL-LTS800/900 -- air brakes	D0HZ 2575-A	10		1
YEAR	MODEL/RESTRICTIONS	PART NUMBER	DESCRIPTION	QTY.	
<b>2576 TUBE (CHECK VALVE TO TRAILER BRAKE AIR PROTECTOR VALVE)</b>					
Improvise from bulk tubing (2269) and improvise insulators from rubber hose, friction tape, etc.					
		374393-S	(II-195-A)-tee assy. (tube to valve)-3/8" tube	1	
80/	C600/900, LN600/750	352992-S	(II-26)-connector (tube to valve)	1	
80/	C600/900, LN600/750	355428-S	(KK-9)-grommet (tube to dash)	1	
80/	F600/750	374216-S	(II-180-A)-elbow (tube to air protector valve)-45°	1	
<b>2B576 HOSE ASSY. (BRAKE BOOSTER RETURN LINE)</b>					
80/83	B-F-FT600/800 -- 6M,7M,9M frt. axle w/pwr. strg.	E0HZ 2B576-A	#E0HT 2B576-DA	1	
80/83	B-F-FT600/800 -- 5.5M,6M,7M,9M frt. axle w/man. strg.			1	
80/83	B-F-FT600/800 -- 8.2L Det. diesel w/pwr. or man. strg.	E0HZ 2B576-B	#E0HT 2B576-BA	1	
83/	B-F-FT600/900 -- with 3208 engines	E3HZ 2B576-A		1	
84/	B-F-FT-L-LN-LT-LTL- LTS600/900 -- w/Hyd. vacuum brakes	E4HZ 2B576-A		1	
84/	C600/900 -- w/Hyd. vac. brakes	E4HZ 2B576-B		1	
<b>2581 TUBE (AIR BRAKE HAND CONTROL VALVE TO CHECK VALVE)</b>					
Improvise from bulk tubing (2269) and improvise insulators from rubber hose, friction tape, etc.					
<b>2585 TUBE (BRAKE BOOSTER TO TEE)</b>					
Improvise from bulk tubing (2269) and improvise insulators from rubber hose, friction tape, etc.					
<b>2586 TUBE (BRAKE AIR RELAY VALVE TO FORWARD REAR AXLE BRAKE TUBE CONNECTION)</b>					
Improvise from bulk tubing (2269) and improvise insulators from rubber hose, friction tape, etc.					
<b>2587 HOSE ASSY. (AIR BRAKE FOOT CONTROL VALVE TO QUICK RELEASE VALVE)</b>					
80/	B-F-LN600/750, C-CT600/900	C7TZ 2587-B	20 1/8" long-with reusable fittings	1	
80/	C600/900, LN800/900	★ B9T 2587-A r/bC7TZ 2587-A	7/8"-14 and 1/2" pipe thread-15 5/8" long	1	
80	C-CT600/900	C7TZ 2587-A	15 5/8" long	1	
80/	B-C-F-FT-LN600/800	87305-S	(I-40)-elbow (hose to valve)-90°	1	
80/	B-C-F-FT-LN600/800	370320-S	(II-172)-elbow (hose to manifold fitting)	1	
80/	C600, CT800/900	370081-S	(II-110)-tee-3 way (hose)	1	
<b>2A587 Refer to Booster Parts Lists Section 23.1</b>					
<b>2A588 Refer to Booster Parts Lists Section 23.1</b>					
<b>2589 TUBE (AIR BRAKE RESERVOIR TO BOOSTER TANK END)</b>					
Improvise from bulk tubing (2269) and improvise insulators from rubber hose, friction tape, etc.					
<b>2A589 NUT (BRAKE BOOSTER CONTROL TUBE)</b>					
82/83	B-F-FT600/800	E2HZ 2A589-A		4	
84/	Refer to Booster Parts List in Section 23.1				





**BRAKE BOOSTER and RELATED PARTS**

	Page		Page
This section incl. the following—			
A. Brake Booster T.S.L. and Identification Cross-Reference Chart	2	C. Bendix brake vacuum booster identification tag	1
B. Illustration to identify booster types	1	D. Model Application Chart	2
		E. Brake Booster Components Parts Lists	6

**HOW TO LOCATE BRAKE BOOSTERS and THEIR COMPONENTS**

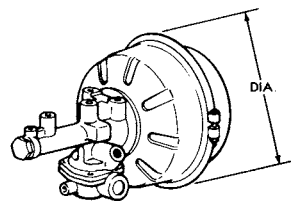
1. Use the identification tags
  - a. Ford trucks use Bendix or Midland-Ross boosters, and both types have an identification tag carrying the Ford production number and the manufacturer number. The illustration below shows how booster diameter is measured and shows the location of the identification tag on a Bendix booster.
  - b. Locate the tag on the booster and find the Ford number and manufacturer number.
  - c. Use the T.S.L. and Identification Cross-Reference Chart on page 2 to translate the Ford number or the manufacturer number into a service part number for the booster or the booster repair kit.
  - d. For component parts other than the booster (2005) or major repair kit (2309), refer to the Parts List column on page 2. These parts lists start on page 6.
2. Use the Truck Specification List (T.S.L.)
  - a. Locate the Ford production number shown on the T.S.L. in the box marked "Brake Booster Assy."
  - b. Use the T.S.L. and Identification Cross-Reference Chart on page 2 to translate the Ford production number into a service part number for the booster or the booster repair kit.
  - c. For component parts other than the booster (2005) or major repair kit (2309), refer to the parts list column on page 2. These parts lists start on page 6.
3. Use the Model Application
  - a. Determine the year and model of the truck by de-coding the truck warranty plate from the General Information Section of this Catalog.
  - b. Determine whether the unit has a single brake system (single fluid reservoir in brake master cylinder) or split brake system (two fluid reservoirs in brake master cylinder).
  - c. Use the Model Application Chart, starting on page 2 to determine the service part number of the booster needed.
  - d. For the repair kit (2309) and other component parts, it is necessary to know the Ford production number or the manufacturer number from the tag on the booster.
  - e. For the major repair kit (2309), obtain the Ford production number or manufacturer number from the booster tag, and then determine the service part number of the (2309) kit in the T.S.L. and Identification Cross-Reference Chart on page 2.
  - f. For booster components other than the repair kit (2309), obtain the Ford production number or manufacturer number from the booster tag, and then determine the parts list for these parts from the T.S.L. Identification Cross-Reference Chart on page 2. Turn to the Parts Lists, starting on page 6, and select the part needed.

**HOW TO LOCATE BRAKE MASTER CYLINDER and REPAIR KIT**

1. Use the Model Application
  - a. Determine the year and model of the truck by de-coding the Truck Warranty Plate from the General Information Section of this Catalog.
  - b. Determine whether the unit has a single brake system (single fluid reservoir in brake master cylinder) or split brake system (two fluid reservoirs in brake master cylinder).
  - c. Use the Model Application Chart, starting on page 2 to determine the service part number of the brake master cylinder needed.
  - d. The repair kit (2004) is listed in the Model Application Chart directly below the service master cylinder.
  - e. Component parts of the brake master cylinder such as cover (2162), gasket (2167), etc. will be found under their respective groups in this Catalog.

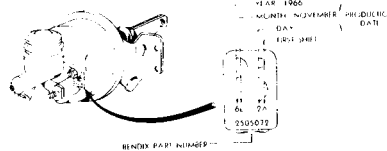
Bendix Booster Identification

Bendix Brake Vacuum Booster Identification Tags



DIAPHRAGM-TYPE VACUUM BOOSTER

P-5492



DIAPHRAGM-TYPE VACUUM BOOSTER

P 16526

1980/  
TRUCK SERIES 600/900

**BRAKE BOOSTER T.S.L. and IDENTIFICATION CROSS-REFERENCE CHART**

IDENTIFICATION NUMBER	SIZE (INCHES)	BRAKE SYSTEM	MFR.	SERVICE PART NUMBER		PARTS LIST NO. ♦
				BOOSTER	REPAIR KIT	
Notes: ♦ Booster parts lists follow Application Chart, \$ Booster details not serviced. Manufacturer—B—Bendix, M—Midland—Ross						
D5HA 2005-AA	12.75	Split	B	D5HZ 2005-A	D5HZ 2309-B	23
D5HA 2005-BA	12.75	Single	B	★ D5HZ 2005-B	D5HZ 2309-C	24
D5HA 2005-CA	12.75	Single	B	D5HZ 2005-C	D5HZ 2309-D	25
D5HA 2005-DA	12.75	Split	B	D5HZ 2005-D	D5HZ 2309-B	23
D5HA 2005-EA	12.75	Split	B	D5HZ 2005-E	D5HZ 2309-E	26
D8HT 2005-AA	12.75	Split	B	D8HZ 2005-A	D5HZ 2309-E	26
E0HT 2005-AA	12.75	Single	B	E0HZ 2005-B	E0HZ 2309-A	
E2HT 2005-AA	12.75	Single	B	E2HZ 2005-B	E0HZ 2309-A	
E2HT 2005-BA	12.75	Single	B	E2HZ 2005-C	D5HZ 2309-C	24
E2HT 2005-CA	12.75	Split	B	E2HZ 2005-A	D5HZ 2309-E	26
E2HT 2005-DA	12.75	Split	B	E2HZ 2005-D	D5HZ 2309-E	26
D2HA 2B195-AA	13	Single	M	D0HZ 2005-A & D0HZ 2140-C	Not available	\$
D2HA 2B195-BA	13	Split	M	D0HZ 2005-A & C9TZ 2140-J	Not available	\$
E0HT 2B195-AB		Split	B	E0HZ 2005-A & E0HZ 2140-B	Not available	\$
E0HT 2B195-AC		Split	B	E0HZ 2005-A & E0HZ 2140-B	Not available	\$
E0HT 2B195-CB		Split	B	E0HZ 2005-A & E0HZ 2140-B	Not available	\$
E0HT 2B195-CC		Split	B	E0HZ 2005-A & E0HZ 2140-B	Not available	\$
E1HT 2B195-BD	13	Split	M	D0HZ 2005-A & E1HZ 2140-A	Not available	\$
E2HT 2B195-AA		Split	B	E0HZ 2005-C & E0HZ 2140-B	Not available	\$
E2HT 2B195-CA		Split	B	E0HZ 2005-C & E2HZ 2140-B	Not available	\$
E3HT 2B195-AA		Split	B	E0HZ 2005-C & E3HZ 2140-A	Not available	\$
E3HT 2B195-BA		Split	B	E0HZ 2005-C & E3HZ 2140-B	Not available	\$
E3HT 2B195-DA		Split	B	E0HZ 2005-C & E3HZ 2140-B	Not available	\$
E3HT 2B195-EA		Split	B	E0HZ 2005-C & E3HZ 2140-A	Not available	\$
E4HT 2B195-LC		Split	B	E4HZ 2005-B & E4HZ 2140-B	E4HZ 2309-A	27
E4HT 2B195-LD		Split	B	E4HZ 2005-B & E4HZ 2140-B	E4HZ 2309-A	27
E4HT 2B195-LE		Split	B	E4HZ 2005-B & E4HZ 2140-B	E4HZ 2309-A	27
E4HT 2B195-MC		Split	B	E4HZ 2005-B & E4HZ 2140-B	E4HZ 2309-A	27
E4HT 2B195-MD		Split	B	E4HZ 2005-B & E4HZ 2140-B	E4HZ 2309-A	27
E4HT 2B195-ME		Split	B	E4HZ 2005-B & E4HZ 2140-B	E4HZ 2309-A	27
E4HT 2B195-NB		Split	B	E4HZ 2005-A & E4HZ 2140-A	E4HZ 2309-A	27
E4HT 2B195-NC		Split	B	E4HZ 2005-A & E4HZ 2140-A	E4HZ 2309-A	27

1980/  
TRUCK SERIES 600/900

**BRAKE BOOSTER T.S.L. and IDENTIFICATION CROSS-REFERENCE CHART**

IDENTIFICATION NUMBER	SIZE (INCHES)	BRAKE SYSTEM	MFR.	SERVICE PART NUMBER		PARTS LIST NO. ♦
				BOOSTER	REPAIR KIT	
Notes: ♦ Booster parts lists follow Application Chart, \$ Booster details not serviced Manufacture-B-Bendix, M-Midland-Ross						
E4HT 2B195-ND		Split	B	E4HZ 2005-A & E4HZ 2140-A	E4HZ 2309-A	27
E4HT 2B195-RB		Split	B	E4HZ 2005-A & E4HZ 2140-A	E4HZ 2309-A	27
E4HT 2B195-RC		Split	B	E4HZ 2005-A & E4HZ 2140-A	E4HZ 2309-A	27
E4HT 2B195-RD		Split	B	E4HZ 2005-A & E4HZ 2140-A	E4HZ 2309-A	27
E4HT 2B195-SC		Split	B	E4HZ 2005-A & E4HZ 2140-A	E4HZ 2309-A	27
E4HT 2B195-SD		Split	B	E4HZ 2005-A & E4HZ 2140-A	E4HZ 2309-A	27
E4HT 2B195-SE		Split	B	E4HZ 2005-A & E4HZ 2140-A	E4HZ 2309-A	27
E5HT 2B195-CA		Split	B	E6HZ 2005-H & E4HZ 2140-A	E4HZ 2309-A	27
E6HT 2B195-CA		Split	B	E6HZ 2005-H & E4HZ 2140-A	E4HZ 2309-A	27
C-4085-M	13	Split	M	D0HZ 2005-A & C9TZ 2140-J	Not available	\$
C-4085-P	13	Single	M	D0HZ 2005-A & D0HZ 2140-C	Not available	\$
12138	12.75	Single	B	D5HZ 2005-C	D5HZ 2309-D	25
12139	12.75	Split	B	D5HZ 2005-A	D5HZ 2309-B	23
12140	12.75	Split	B	D5HZ 2005-D	D5HZ 2309-B	23
12141	12.75	Split	B	D5HZ 2005-E	D5HZ 2309-E	26
12142	12.75	Single	B	D5HZ 2005-B	D5HZ 2309-C	24
12554	12.75	Split	B	D8HZ 2005-A	D5HZ 2309-E	26
13026	12.75	Split	B	E0HZ 2005-B	E0HZ 2309-A	

**MODEL APPLICATION CHART**

YEAR	MODEL/RESTRICTIONS	DIA. (INCHES)	L O C.	M F R.	BOOSTER		PARTS LIST NO.	MASTER CYL.		
					PART NUMBER	BOOSTER (2005)		PART NUMBER	MASTER CYL. (2140) REPAIR KIT (2004)	
Notes: ▲ Uses 2 boosters, ● Location-D-dash, F-frame, \$ Booster details not serviced. Manufacturer-B-Bendix, M-Midland Ross.										
<b>B SERIES</b>										
80/82	B600/700 - - split hydro-max hyd. brakes			D	B	E0HZ 2005-C	\$	1 3/4	E2HZ 2140-B E0HZ 2004-B	
83	B600/700 - split hydro-max hyd. brakes			D	B	E0HZ 2005-C	\$	1 3/4	E3HZ 2140-B E0HZ 2004-B	
84/	B600/700 - - split hydro-max hyd. brakes			D	B	E6HZ 2005-H	27	1 3/4	E4HZ 2140-A E4HZ 2004-A	
<b>C SERIES</b>										
80/83	C600/900 - single H/V brakes-exc. 18.5M, 22M rear axles	12.75		F	B	E6HZ 2005-A	25	1 1/2	B7Q 2140-A B7Q 2004-B	
80	C600/900 - single H/V brakes and 18.5M, 22M rear axles "Before Ser. GG5,001"	12.75		F	B	E6HZ 2005-A	25	1 3/4	B7QH 2140-A B7QH 2004-B	
80/83	C600/900 - single H/V brakes and 18.5M,22M rear axles "From Ser. GG5,001"	12.75		F	B	E6HZ 2005-D	\$	1 3/4	B7QH 2140-A B7QH 2004-B	

**1980/  
TRUCK SERIES 600/900**

**MODEL APPLICATION CHART**

YEAR	MODEL/RESTRICTIONS	DIA. (INCHES)	BOOSTER				PARTS LIST NO.	DIA. (INCHES)	MASTER CYL.	
			L	M	PART NUMBER				PART NUMBER	
			O	F	BOOSTER (2005)				MASTER CYL. (2140)	
			C.	R.				REPAIR KIT (2004)		
Notes: ▲ Uses 2 boosters, ● Location-D-dash, F-frame, \$ Booster details not serviced. Manufacturer-B-Bendix, M-Midland Ross.										
<b>C SERIES</b>										
80	C600/900 -- split H/V brakes exc. 22M rear axle "Before Ser. GG5,001"	12.75	F	B	▲E6HZ	2005-C	23	1 3/4	D2HZ 2140-B D0HZ 2004-B	
80/83	C600/900 -- split H/V brakes exc. 22M rear axle "From Ser. GG5,001"	12.75	F	B	▲D5HZ	2005-E	26	1 3/4	D2HZ 2140-B D0HZ 2004-B	
80/83	C800/900 -- split H/V brakes and 22M rear axle	12.75	F	B	▲E6HZ	2005-C	26	1 3/4	D2HZ 2140-B D0HZ 2004-B	
80/	C900,CT800/900 -- air over hydraulic brakes				Refer Grp. 2B571				Refer Grp. 2140	
84/	C600/800 -- split hydro-max hyd. brakes -- 6M,7M axles		F	B	E6HZ	2005-H	27	1 3/4	E4HZ 2140-A E4HZ 2004-A	
84/	C600/800 -- split hydro-max hyd. brakes -- 8M axle and above		F	B	E6HZ	2005-K	27	2	E4HZ 2140-B E4HZ 2004-B	
<b>CF SERIES</b>										
86/	CF600/700								E6HZ 2140-A Cyl. & reservoir as E6HZ 2140-B Cylinder only E6HZ 2004-A	
<b>F-FT SERIES</b>										
80/82	F600/800 -- split hydro-max hyd. brakes		D	B	E0HZ	2005-C	\$	1 3/4	E2HZ 2140-B E0HZ 2004-B	
83	F600/800 -- split Hydro-max hyd. brakes		D	B	E0HZ	2005-C	\$	1 3/4	E3HZ 2140-B E0HZ 2004-B	
82/83	F-FT800 -- split Hydro max hyd. brakes		D	B	E0HZ	2005-C	\$	2	E3HZ 2140-A 2004- Not available	
80/83	F600/800 -- gas eng. w/single H/V brakes	12.75	F	B	E6HZ	2005-D	\$	1 1/2	E2HZ 2140-C E0HZ 2004-A	
80/83	F600/800 -- diesel eng. w/single Hydro-max hyd. brakes		D	B	E0HZ	2005-C	\$	1 3/4	E2HZ 2140-B E0HZ 2004-B	
84/	F600/800 -- split hydro-max hyd. brakes		D	B	E6HZ	2005-H	27	1 3/4	E4HZ 2140-A E4HZ 2004-A	
84/	FT800/900 -- split hydro-max hyd. brakes		D	B	E6HZ	2005-K	27	2	E4HZ 2140-B E4HZ 2004-B	
<b>L SERIES</b>										
80	L800/900 -- single 15" x 3" H/V brakes "Before Ser. GG5,001"	12.75	F	B	E6HZ	2005-A	25	1 3/4	D2HZ 2140-F D2HZ 2004-D	
80/83	L800 -- single 15" x 3" H/V brakes "From Ser. GG5,001"	12.75	F	B	E6HZ	2005-D	\$	1 3/4	D2HZ 2140-F D2HZ 2004-D	
80/83	L800 -- split 14" x 2 1/2" H/V brakes	12.75	F	B	E6HZ	2005-E-frt. E6HZ 2005-C-rr.	26	1 3/4	D2HZ 2140-C D2HZ 2004-A	

1980/  
TRUCK SERIES 600/900

**MODEL APPLICATION CHART**

YEAR	MODEL/RESTRICTIONS	BOOSTER					MASTER CYL.			
		DIA. (INCHES)	L O C.	M F R.	PART NUMBER		PARTS LIST NO.	DIA. (INCHES)	PART NUMBER	
					BOOSTER (2005)				MASTER CYL. (2140) REPAIR KIT (2004)	
Notes:   ▲ Uses 2 boosters, ● Location-D-dash, F-frame, \$ Booster details not serviced. Manufacturer-B-Bendix, M-Midland Ross.										
<b>L SERIES</b>										
80/83	L800/900 -- split 15" x 3" H/V brakes with 6M,7M,9M front axle and 17.5M rear axle or 6M,7M front axle and 18.5M rear axle	12.75	F	B	E6HZ 2005-E-frt. E6HZ 2005-C-rr.	26	1 3/4	D2HZ 2140-D D2HZ 2004-B		
80/83	L800/900 -- split 15" x 3" H/V brakes with 9M front axle and 18.5M rear axle or 7M,9M front axle and 22M rear axle	12.75	F	B	E6HZ 2005-E-frt. E6HZ 2005-C-rr.	26	1 3/4	D2HZ 2140-E D2HZ 2004-C		
84/	L800/900 -- split hydro-max hyd. brakes			D	E6HZ 2005-J	27	1 3/4	E4HZ 2140-A E4HZ 2004-A		
<b>LN-LNT-LT-LTS SERIES</b>										
80/83	LN600/750 -- single H/V brakes	13.00	D	M	D0HZ 2005-A	\$	1	D0HZ 2140-C Not available		
80	LN600 -- split H/V brakes	13.00	D	M	D0HZ 2005-A	\$	1	C9TZ 2140-J Not available		
81/83	LN600-split H/V brakes	13.00	D	M	D0HZ 2005-A	\$	1	E1HZ 2140-A E1HZ 2004-A		
80/83	LN600/700 -- split 14" x 2 1/2" H/V brakes	12.75	F	B	E6HZ 2005-E-frt. E6HZ 2005-C-rr.	26	1 3/4	D2HZ 2140-C D2HZ 2004-A		
80/83	LN600/700 -- split 15" x 3" H/V brakes	12.75	F	B	E6HZ 2005-E-frt. E6HZ 2005-C-rr.	26	1 3/4	D2HZ 2140-E D2HZ 2004-C		
80/83	LN600/700 -- split 15" x 3" H/V brakes 9M front axle and 18.5M rear axle	12.75	F	B	E6HZ 2005-E-frt. E6HZ 2005-C-rr.	26	1 3/4	D2HZ 2140-D D2HZ 2004-B		
80	LN800 -- single 15" x 3" H/V brakes "Before Ser. GG5,001"	12.75	F	B	E6HZ 2005-A	25	1 3/4	D2HZ 2140-F D2HZ 2004-D		
80/83	LN800 -- single 15" x 3" H/V brakes "From Ser. GG5,001"	12.75	F	B	E6HZ 2005-D	\$	1 3/4	D2HZ 2140-F D2HZ 2004-D		
80/83	LN800 -- split 14" x 2 1/2" H/V brakes	12.75	F	B	E6HZ 2005-E-frt. E6HZ 2005-C-rr.	26	1 3/4	D2HZ 2140-C D2HZ 2004-A		
80/83	LN800 -- split 15" x 3" H/V brakes with 6M,7M,9M front axle and 17.5M rear axle or 6M,7M front axle and 18.5M rear axle	12.75	F	B	E6HZ 2005-E-frt. E6HZ 2005-C-rr.	26	1 3/4	D2HZ 2140-D D2HZ 2004-B		
80/83	LN800 -- split 15" x 3" H/V brakes with 9M front axle and 18.5M rear axle or 7M,9M front axle and 22M rear axle	12.75	F	B	E6HZ 2005-E-frt. E6HZ 2005-C-rr.	26	1 3/4	D2HZ 2140-E D2HZ 2004-C		
80/83	LNT800,LT-LTS 800/900 -- single 15" x 3" H/V brakes	12.75	F	B	E6HZ 2005-B	24	1 3/4	D2HZ 2140-G D2HZ 2004-E		
80/83	LNT800,LT-LTS800/900 -- split 15" x 3" H/V brakes	12.75	F	B	E6HZ 2005-E-frt. E6HZ 2005-C-rr.	26	1 3/4	D2HZ 2140-E D2HZ 2004-C		
80/	LNT-LT-LTS 800/900 -- air over hydraulic brakes				Refer Grp. 2B571			Refer Grp. 2140		
84/	LN600/800 -- split hydro-max hyd. brakes			D	E6HZ 2005-J	27	1 3/4	E4HZ 2140-A E4HZ 2004-A		
84/	LNT-LT800/900 -- split hydro-max hyd. brakes			D	E6HZ 2005-L	27	2	E4HZ 2140-B E4HZ 2004-B		

1980/  
TRUCK SERIES 600/900

QTY.	PART NUMBER	DESCRIPTION	QTY.	PART NUMBER	DESCRIPTION
<b>BRAKE BOOSTER D5HZ 2005-A,D-PARTS LIST NO. 23</b>			<b>BRAKE BOOSTER D5HZ 2005-C-PARTS LIST NO. 25-- Cont'd</b>		
1	D3HZ 2C238-A	Booster control valve repair kit - Use w/booster ident. D5HA 2005-AA,DA	1	C3TZ 2392-A	Spring-poppet valve return
1	C3TZ 2308-A	Seal-vacuum poppet	2	C3TZ 2399-A	Cup-control valve piston
1	D5HZ 2309-B	Booster repair kit use w/boosters Ident. D5HA 2005-AA,DA	1	C3TZ 2418-A	Spring-booster check valve
1	C3TZ 2327-A	Stem-valve	1	C3TZ 2423-A	Retainer-booster control valve ring
1	C3TZ 2361-A	Spring booster	1	C3TZ 2438-A	Spring - booster control valve
1	D5TZ 2365-A	Valve assy. check	1	C3TZ 2459-A	Ring-snap
1	C8TZ 2368-A	Piston assy. - booster hyd. cyl.	1	C3TZ 2493-A	Seal - booster hydraulic cylinder
1	C3TZ 2381-B	Retainer - booster push rod seal	<b>BRAKE BOOSTER D5HZ 2005-E, D8HZ 2005-A-E2HZ 2005-A,D PARTS LIST NO. 26</b>		
1	C3TZ 2384-B	Cup - push rod seal	1	E4HZ 2C238-A	Booster control valve repair kit- use w/booster ident. D5HA 2005-EA
1	C3TZ 2385-B	Bearing - push rod	1	C3TZ 2308-A	Seal-vacuum poppet
1	C3TZ 2391-A	Diaphragm booster control valve	1	D5HZ 2309-E	Booster repair kit- use w/booster ident. D5HA 2005 EA
1	C3TZ 2392-A	Spring - poppet valve return	1	C3TZ 2327-A	Stem-valve
2	C3TZ 2399-A	Cup - control valve piston	1	C3TZ 2361-A	Spring-booster
1	7EQ 2408	Cup - hydraulic piston cylinder	1	D5TZ 2365-A	Valve assy. - check
1	C3TZ 2418-A	Spring booster check valve	1	C8TZ 2368-A	Piston assy. - booster hyd. cyl.
1	C3TZ 2423-A	Retainer booster control valve ring	1	★C8TZ 2381-A	Retainer-seal
1	C3TZ 2431-A	Retainer - booster piston return spring	1	★C8TZ 2384-B	Cup - push rod seal
1	C3TZ 2438-A	Spring booster control valve	1	★C8TZ 2385-B	Bearing-push rod
1	C3TZ 2459-A	Ring - snap	1	C3TZ 2391-A	Diaphragm-booster control valve
1	C3TZ 2493-A	Seal - booster hyd. cyl.	1	C3TZ 2392-A	Spring-poppet valve return
<b>BRAKE BOOSTER D5HZ 2005-B-E2HZ 2005-C-PART LIST NO. 24</b>			1	C3TZ 2399-A	Cup -control valve piston
1	D3HZ 2C238-B	Booster control valve repair kit - use w/booster ident. D5HA 2005-BA	1	7EQ 2408	Cup-hydraulic piston cylinder
1	D5HZ 2309-C	Booster repair kit - use w/booster Ident. D5HA 2005-BA	1	C3TZ 2418-A	Spring booster check valve
1	C3TZ 2327-A	Stem-valve	1	C3TZ 2423-A	Retainer-booster control valve ring
1	C8HZ 2B350-A	Tee-booster control	1	C3TZ 2431-A	Retainer-booster piston return spring
1	★C8HZ 2B351-A	Seat tube	1	C3TZ 2438-A	Spring-booster control valve
1	★C8HZ 2368-A	Piston assy. - booster hyd. cyl.	1	C3TZ 2459-A	Ring-snap
1	C8TZ 2384-A	Cup. push rod seal	1	C3TZ 2493-A	Seal-booster hyd. cyl.
1	C3TZ 2385-A	Bearing - push rod	<b>BRAKE BOOSTER E4HZ 2005-A,B-PARTS LIST NO. 27</b>		
1	C3TZ 2391-A	Diaphragm - booster control valve	1	E4HZ 2F005-A	Relay assy.-accessory safety booster
1	C3TZ 2392-A	Spring-poppet valve return	1	E4HZ 2A016-A	Pump and motor assy.-brk. booster -automatic trans.
1	C3TZ 2408-B	Cup-hydraulic piston cylinder	1	E7HZ 2A016-A	Pump and motor assy. brk. booster -manual trans.
1	C3TZ 2418-A	Spring-booster check valve	1	E4HZ 2032-A	Bracket-booster mounting- use with C600/900 trucks
1	C3TZ 2423-A	Retainer-booster control valve ring	1	E4HZ 2032-C	Bracket-booster mounting Use with L-LN LNT-LT600/900 trucks
1	C3TZ 2431-A	Retainer booster piston return spring	1	E4HZ 2L032-A	Housing assy.-brake booster front
1	D3HZ 2437-A	Seal ring	1	E4HZ 2076-A	Fitting-brake master cylinder outlet-9/16" 18
1	C3TZ 2438-A	Spring-booster control valve	1	E4HZ 2076-B	Fitting-brake master cylinder outlet-1/2" 20
1	C3TZ 2459-A	Ring-snap	2	E4HZ 2L076-A	Seat-tube
<b>BRAKE BOOSTER D5HZ 2005-C-PARTS LIST NO. 25</b>			1	E4HZ 2N091-A	Rod-Brake booster-use with L-LN LNT-LT600/900 trucks
1	E4HZ 2C238-A	Booster control valve repair kit use w/booster ident. D5HA 2005-CA	1	E3HZ 2N091-A	Rod Brake booster-use with B-C-F-FT600/900 trucks
1	C3TZ 2308-A	Seal-vacuum poppet	2	E4HZ 2162-A	Cap assy. brake master cylinder fill
1	D5HZ 2309-D	Booster repair kit use w/booster ident. D5HA 2005-CA	1	E3HZ 2B176-A	Grommet brake booster
1	C3TZ 2327-A	Stem valve	1	E4HZ 2L195-A	End cap and filter kit-brake booster
1	C3TZ 2361-A	Spring-booster			
1	C3TZ 2368-A	Piston assy. - booster hyd. cyl.			
1	C3TZ 2381-B	Retainer booster push rod seal			
1	C3TZ 2384-B	Cup-push rod seal			
1	C3TZ 2385-B	Bearing - push rod			
1	C3TZ 2391-A	Diaphragm-booster control valve			

1980/  
TRUCK SERIES 600/900

QTY.	PART NUMBER	DESCRIPTION	QTY.	PART NUMBER	DESCRIPTION
BRAKE BOOSTER E4HZ 2005-A,B-PARTS LIST NO. 27 — Cont'd			BRAKE BOOSTER E4HZ 2005-A,B-PARTS LIST NO. 27 — Cont'd		
1	E4HZ 2C225-A	Harness assy.-brake booster	1	D0AZ 2B264-A	Switch assy.-brake pressure differential valve warning lamp-1984
1	E4HZ 2C226-A	Plug and seal assy.-brake booster	1	E2FZ 2B264-B	Switch assy.-brake pressure differential valve warning lamp-1985/
2	E0HZ 2M251-A	Seal-brake booster body to pump motor	2	E4HZ 2W424-A	Diaphragm-brake master cylinder reservoir
1	E4HZ 2B257-A	Valve assy.-brake pressure differential-1984	1	E3HZ 2A477-A	Boot-brake booster push rod
1	E5HZ 2B257-A	Valve assy.-brake pressure differential valve piston-1985/	1	E4HZ 2K478-A	Reservoir assy.-brake master cyl.
2	E4HZ 2B262-A	Seal brake pressure differential valve piston	1	E4HZ 2L478-A	Seal kit-reservoir
			4	E2HZ 2A589-A	Nut-self-locking-brake booster



1980/  
TRUCK SERIES 600/900

YEAR	MODEL/RESTRICTIONS	PART NUMBER	DESCRIPTION	QTY.
<b>2A601</b> Refer to Rear Brake Parts Lists Section 22.1				
<b>2L604</b> COVER (PARKING BRAKE VALVE)				
85/	B-C-F-L-LN600/900	E5HZ 2L604-A		1
85/	CF-LNT-LT-LTS600/900	E5HZ 2L604-B		1
<b>2L609</b> RIVET (PARKING BRAKE LEVER PAWL SPRING STOP)				
80/	B-F-FT600/800	D5HZ 2L609-A		1
80/	C600/900			1
80/	LN600/750			1
<b>2614</b> Refer to Parking Brake Section 26.1				
<b>2A614</b> WASHER (PARKING BRAKE PINION BEARING CAGE) Also refer to Parking Brake Section 26.1 and Rear Axle Section 40.1				
80/	C-CT-L-LN-LNT-LT-LTS800/900	★ D1TZ 2A614-A	13/32" I.D. x 3/4" O.D. x 3/32" thick-r/b D1HZ 4A147-A	AR
<b>2B614-20</b> Refer to Parking Brake Section 26.1				
<b>2A622</b> VALVE ASSY. (REAR WHEEL PARKING BRAKE AIR CONTROL)				
80/	C-CT600/900	C7TZ 2A622-A	With spring operated parking brake	1
80/	B-CF-F-FT600/900	E0HZ 2A622-E	Use with E0HZ 2L781-A knob kit	1
80/	B-F-FT600/900	E0HZ 2A622-F	Kit Use to repair E0HZ 2A622-E	1
80/	CL900 - - w/o trailer charge	E0HZ 2A622-C		1
80/	CL900 - - w/trailer charge	E0HZ 2A622-B		1
80/	CL900 - - with 5th wheel air assist and trailer charge	D8HZ 2A622-D		1
80/	CL900 - - with limiting valve and trailer charge	D8HZ 2A622-E		1
80/	CLT900 - - w/o trailer charge	E0HZ 2A622-D		1
80/	CLT900 - - w/trailer charge	D8HZ 2A622-A		1
80/	CLT900 - with 5th wheel air assist and trailer charge	D8HZ 2A622-B		1
80/	CLT900 - - with limiting valve and trailer charge	D8HZ 2A622-F		1
80/87	L-LN-LNT-LT-LTS600/900	D3HZ 2A622-A	Air brakes	1
88/	L-LN-LNT-LT-LTS600/900	E0HZ 2A622-E		1
<b>2B622</b> BUTTON (BRAKE CONTROL VALVE LEVER LOCK)				
80/	B-C-CT-F-FT-L-LN-LNT-LT- LTS600/900	D0TZ 2B622-A		1
<b>2L622</b> SPOOL VALVE ASSY.				
80/	CL-CLT900	D8HZ 2L622-A	Includes red knob-(Trailer Air Supply)- use with D8HZ 2A622-A,B,C,D,E,F	1
80/	CL-CLT900	D8HZ 2L622-B	Includes yellow knob-(Park)- use with D8HZ 2A622-A,B,C,D,E,F	1
80/	CL-CLT900	D8HZ 2L622-C	Includes blue knob-(Charge Trailer)- use with D8HZ 2A622-A,B,C,D,E,F	1
80/	CL-CLT900	D8HZ 2L622-D	Includes toggle lever-use with D8HZ 2A622-A,B,C,D,E,F	1
<b>2630-2A636</b> Refer to Parking Brake Section 26.1				
<b>2A637-8</b> Refer to Rear Brake Parts List Section 22.1				
<b>2640-2644</b> Refer to Parking Brake List Section 26.1				
<b>2B643</b> TUBE ASSY. (PARKING BRAKE RELAY VALVE TO BOOSTER RESERVOIR)				
84/	B-F600/800 - - w/gas & 8.2L dsl. engine	E4HZ 2B643-A	HRI valve to pump	1
84/	B-F600/800 - - w/gas & 8.2L dsl. engine	E4HZ 2B643-K	HRI valve exhaust to pump	1
84/	B-F600/800 - - w/3208 dsl. engine	E4HZ 2B643-B	HRI valve to pump	1
84/	B-F600/800 - - w/3208 dsl. engine	E4HZ 2B643-L	HRI exhaust to pump	1

1980/  
TRUCK SERIES 600/900

YEAR	MODEL/RESTRICTIONS	PART NUMBER	DESCRIPTION	QTY.
<b>2B643 TUBE ASSY. (PARKING BRAKE RELAY VALVE TO BOOSTER RESERVOIR) — Cont'd</b>				
87/	B-F-FT600/800 -- w/6.6L, 7.8L engs.	E7HZ 2B643-B	Right side of valve	1
87/	B-F-FT600/800 -- w/6.6L, 7.8L engs.	E7HZ 2B643-C	Left side of valve	1
84/	C600/900	E4HZ 2B643-J	HRI valve to pump	1
84/	C600/900	E4HZ 2B643-T	HRI valve exhaust to pump	1
84/	L-LT-LTL-LTS800/900 -- w/gas & 8.2L dsl. engine	E4HZ 2B643-E	HRI valve to pump	1
84/	L-LT-LTL-LTS800/900 -- w/gas & 8.2L dsl. engine	E4HZ 2B643-P	HRI valve exhaust to pump	1
84/	L-LT-LTL-LTS800/900 -- w/3208 dsl engine	E4HZ 2B643-G	HRI valve to pump	1
84/	L-LT-LTL-LTS800/900 -- w/3208 dsl. engine	E4HZ 2B643-S	HRI valve exhaust to pump	1
84/	LN-LNT600/900 -- w/gas & 8.2 dsl. engine	E4HZ 2B643-F	HRI valve to pump	1
84/	LN-LNT600/900 -- w/gas & 8.2 dsl. engine	E4HZ 2B643-R	HRI valve exhaust to pump	1
84/	LN LNT600/900 -- w/3208 dsl. engine	E4HZ 2B643-H	HRI valve to pump	1
84/	LN-LNT600/900 -- w/3208 dsl. engine	E4HZ 2B643-N	HRI valve exhaust to pump	1
87/	L800/900 -- 6.6L, 7.8L engs.	E7HZ 2B643-D		1
87/	LN700/900 -- 6.6L, 7.8L engs.	E7HZ 2B643-F		1
<b>2B644 TUBE ASSY. (PARKING BRAKE CONTROL VALVE TO RESERVOIR)</b>				
84/85	B-F600/800 (model 81) "Before 6/85"	★ E4HZ 2B644-B	R/b Mat 86033	1
85/86	B-F-FT600/800 (model 81) "From 6/85"	E5HZ 2B644-E		1
84	B-F600/800 (model 84)	E4HZ 2B644-A		1
87/	B-F-FT600/800 (model 81)	E7HZ 2B644-A		1
84/85	B-F600/800 (model 84) "Before 6/85"	E4HZ 2B644-C		1
85/	B F600/800 (model 84) "From 6/85"	E5HZ 2B644-B		1
84/85	C600/900 "Before 6/85"	★ E4HZ 2B644-E	R/b Mat 86034	1
85/	C600/900 "From 6/85"	E5HZ 2B644-A		1
84/85	L-LN-LT-LTL-LTS800/900 "Before 6/85"	★ E4HZ 2B644-D	R/b Mat 86035	1
85/	L-LN-LT-LTL-LTS800/900 "From 6/85"	E5HZ 2B644-C		1
84/	LN600/700	★ E4HZ 2B644-B	R/b Mat 86033	1
<b>2B645 TUBE ASSY. (PARKING BRAKE CONTROL TO RELAY VALVE)—If not listed below improvised from bulk tubing (2269) and improvised from rubber hose, friction tape, etc.</b>				
85/	C600/800	E5HZ 2B645-C		1
85/	F-FT600/800	E5HZ 2B645-A		1
85/	L-LN-LNT-LT600/800	E5HZ 2B645-B		1
<b>2B646 TUBE ASSY. (PARKING BRAKE RELAY VALVE)</b>				
84	B-C-F600/800	★ E4HZ 2B646-B	R/b Mat 86036	1
84/85	B-F600/800	E4HZ 2B646-A		1
85/	C600/800	E5HZ 2B646-C		1
85/	F-FT600/800	E5HZ 2B646-A		1
85/	L-LN-LNT-LT600/800	E5HZ 2B646-B		1
<b>2647-2B663 Refer to Parking Brake List Section 26.1</b>				

1980/  
TRUCK SERIES 600/900

YEAR	MODEL/RESTRICTIONS	PART NUMBER	DESCRIPTION	QTY.
<b>2B647 TUBE ASSY. (PARKING BRAKE RELAY VALVE HOSE BRACKET)</b>				
84/	B-F-FT600/800	E4HZ 2B647-D	Rear-rear	1
84/	B-F-FT600/800	E4HZ 2B647-E	Rear-front	1
84/	B-F-FT600/800	E4HZ 2B647-F	Middle-front	1
84/85	B-F600/800 "Before 6/85"	E4HZ 2B647-A	Front-front	1
85/86	B-F600/800 "From 6/85"	E5HZ 2B647-A	Front-front	1
87/	B-F600/800	E7HZ 2B647-A	Front-front	1
89	F600/800 - - w/Hyd. brks.	E9HZ 2B647-A		1
84/	C600/900	E4HZ 2B647-B		1
84/	L-LN-LT-LTL-LTS600/900	E4HZ 2B647-C		1
89	L-LN800 - - with 234" W.B. and Hyd. brakes	E9HZ 2B647-B		1
89	L-LN800 - - with 246" W.B. and Hyd. brakes	E9HZ 2B647-C		1
89	L-LN800 - - with 258" W.B. and Hyd. brakes	E9HZ 2B647-D		1
<b>2L647 HEAT SHIELD (PARKING BRAKE TUBES)</b>				
85/	B-F600/800	E5HZ 2L647-A		1
<b>2B648-9 TUBE ASSY. (PARKING BRAKE)</b>				
84/86	B-F-FT600/800	E4HZ 2B648-A	R.H.	1
		E4HZ 2B649-A	L.H.	1
84/86	B-F600/900 - - with 13M,15M and Rockwell RS-15-120 rear axles	E4HZ 2B648-C	R.H.	1
		E4HZ 2B649-C	L.H.	1
87/	B-F600/900 - - with Rockwell RS-15-210 rear axle	E7HZ 2B648-D	R.H.	1
		E7HZ 2B649-D	L.H.	1
87/	B-F600/900 - - with 13M,15M and Rockwell RS-15-120 rear axles	E7HZ 2B648-A	R.H.	1
		E7HZ 2B649-A	L.H.	1
87/	B-F-L-LN600/900 - - with 17.5M,21M rear axles	E7HZ 2B648-B	R.H.	1
		E7HZ 2B649-B	L.H.	1
87/	B-F-L-LN600/900 - - with 23M and Rockwell RS-20-230, RS-21-230 rear axles	E7HZ 2B648-C	R.H.	1
		E7HZ 2B649-C	L.H.	1
84/	B-C-F-LN600/900 w/18.5, 22M Eaton & Dana rear axles	E4HZ 2B648-B	R.H.	1
		E4HZ 2B649-B	L.H.	1
<b>2K648 SLEEVE (PARKING BRAKE ROD ADJUSTMENT)</b>				
84/	F-FT-L-LN-LNT-LT 600/900 - - w/Hyd. vac. brakes	★ E4HZ 2K648-A	R/b Mat 86032	1
<b>2L649 PISTON BEARING REPAIR KIT (PARKING BRAKE CHAMBER)</b>				
84/	B-C-F-FT-L-LN-LNT-LT 600/900 - - w/Hyd. vac. brks.	E4HZ 2L649-A	Use to repair E4HZ 2225-A for piston bearing repair	1
84/	B-C-F-FT-L-LN-LNT-LT 600/900 - - w/Hyd. vac. brks.	E4HZ 2L649-B	Use to repair E4HZ 2225-A for bolt, nut, pin and filter replacement	1
<b>2B650 ROD (PARKING BRAKE CONTROL VALVE ACTUATOR)</b>				
84/85	F-FT600/900 w/Hyd vac. brakes "Before 6/85"	★ E4HZ 2B650-A	R/b Mat 86030	1
85/	F-FT600/900 - - w/Hyd. vac. brks. "From 6/85"	E5HZ 2B650-A		1
84/	L-LN-LNT-LT600/800 - - w/Hyd. vac. brakes "Before 6/85"	★ E4HZ 2B650-B	R/b Mat 86031	1
85/	L-LN-LNT-LT600/800 - - w/Hyd. vac. brakes "From 6/85"	E5HZ 2B650-B		1

**1980/  
TRUCK SERIES 600/900**

YEAR	MODEL/RESTRICTIONS	PART NUMBER	DESCRIPTION	QTY.
<b>2B659 FILTER (PARKING BRAKE CHAMBER)</b>				
84/	B-C-F-FT-L-LN-LT600/900 -- w/Hyd. vac. brks.	E4HZ 2B659-A		1
<b>2A692 SPACER (PARKING BRAKE CABLE)-Improvise-Also refer to Parking Brake Section 26.1</b>				
<b>2L697 Refer to Power Steering Parts Lists Section 36.1</b>				
<b>2A701 PIPE (PARKING BRAKE DRAIN)-Improvise-Also refer to Parking Brake Section 26.1</b>				
<b>2A702-10 Refer to Parking Brake Section 26.1</b>				
<b>2A711 Refer to group 2780</b>				
<b>2A712 Refer to Parking Brake Section 26.1</b>				
<b>2A713 BOOT (PARKING BRAKE LEVER)</b>				
80/	B-F-FT600/900	E0TZ 2A713-A	7 7/8" x 3 3/4"	1
<b>2A714 RETAINER (PARKING BRAKE LEVER BOOT)</b>				
80/	B-F-FT600/900	C7TZ 2A714-D	7 11/16" x 3 11/32"	1
80/	C600/900, CT800/900	C9HZ 2A714-A	Seal-4 holes	1
80/	C600/900, CT800/900	C9HZ 2A714-B	Seal-6 holes	1
<b>2A725 TUBE (REAR WHEEL PARKING BRAKE CONTROL VALVE TO FOOT CONTROL VALVE SUPPLY) Improvise from bulk tubing (2269) and improvise insulators from rubber hose, friction tape, etc.</b>				
<b>2A726 TUBE (REAR WHEEL PARKING BRAKE CONTROL VALVE TO FOOT CONTROL VALVE) Improvise from bulk tubing (2269) and improvise insulators from rubber hose, friction tape, etc.</b>				
80/	B600/750	351428-S7	(XX-166)-washer (tube to bracket)-flat-7/16"	1
80/	B-F600/750	381764-S	(II-201-AK)-tee assy. (to reservoir to valve)- 1/4" x 1/2" pipe x 1/2" tube	1
80/	B700/750	374429-S	(II-187-J)-elbow (tube)-90°	1
80/	C600/800		Elbow (tube to air straight tube)	2
<b>2A728 Refer to group 2078</b>				
<b>2A729 TUBE (PARKING BRAKE REAR WHEEL L.H.) Improvise from bulk tubing (2269) and improvise insulators from rubber hose, friction tape, etc.</b>				
<b>2A730 BRACKET (PARKING BRAKE AIR CONTROL VALVE)</b>				
80/	C-CT600/900	C8TZ 2A730-A	With spring operated parking brake, tractor trailer equipment and limiting valve	1
80/	F600/880 (81), C-CT600/900 brake skid control	D5HZ 2A730-B	#D4HS 2A730-AA-w/frt whl limiting valve	1
80	B-F700/800	E0HZ 2A730-B	#E0HT 2A730-BA	1
81/83	B-F-FT700/800	E1HZ 2A730-A		1
84/85	B-F700/800 -- w/Hyd. vac. brakes "Before 6/85"	★ E4HZ 2A730-A	R/b Mat 86038	1
85/	B-F700/800 -- w/Hyd. vac. brks.-model 81 "From 6/85"	E5HZ 2A730-A		1
85/	B-F700/800 -- w/Hyd. vac. brks.-model 84 "From 6/85"	E5HZ 2A730-B		1
86/87	CF600/700	E6HZ 2A730-A		1
88	CF600/800	E8HZ 2A730-A		1
84/85	L-LN600/800 -- w/Hyd. vac. brakes "Before 6/85"	★ E4HZ 2A730-B	R/b Mat 86029	1
85/	L-LN600/800 -- w/Hyd. vac. brks. "From 6/85"	E5HZ 2A730-C		1
<b>2A736 KNOB (REAR WHEEL PARKING BRAKE AIR CONTROL VALVE)</b>				
80/	LN600/700, L-LN-LNT-LT-LTS800/900	D0HZ 2A736-A	Air brakes	1
		370121-S7	(NN-107)-pin (knob to valve)-spring-5/32" x 1"	1

**1980/  
TRUCK SERIES 600/900**

YEAR	MODEL/RESTRICTIONS	PART NUMBER	DESCRIPTION	QTY.	
<b>2A745 BRACKET (PARKING BRAKE RELAY VALVE)</b>					
84/	B-F-FT600/900 -- exc. 6.6L, 7.8L engs.	E4HZ 2A745-A		1	
84/	L-LN-LNT-LT700/800			1	
87	B-F600/800 -- w/Hyd. brks. and 6.6L, 7.8L engs.	E7HZ 2A745-A		1	
84/	C600/800	E4HZ 2A745-B		1	
<b>2A747 VALVE ASSY. (BRAKE AIR HAND CONTROL)-Also refer to group 2949</b>					
80/	F-FT700/900 -- Non-unitized tractor pkg.	E0HZ 2A747-A		1	
88	CF700/800	E8HZ 2A747-A	Tractor Trailer	1	
80/	CL-CLT900	D8HZ 2A747-A	# D7HT 2A747-AB, D9HT 2A747-AA	1	
80/	L800/900, LN600/900, LNT-LT-LTS800/900	D0HZ 2A747-A	Air brakes and tractor trailer equipment	1	
<b>2749 Refer to Parking Brake Section 26.1</b>					
<b>2A753 REAR WHEEL PARKING BRAKE REPAIR KIT</b>					
80/	All w/Maxibrake	D1HZ 2A753-A		AR	
<b>2A755-6 TUBE (PARKING BRAKE AIR CHAMBER CONNECTING)</b> Improvise from bulk tubing (2269) and improvise insulators from rubber hose, friction tape, etc.					
<b>2A761 SEAL (PARKING BRAKE CONTROL MOUNTING)</b>					
84/	B-C-F-L-LN600/800 -- w/Hyd. brks.	E4HZ 2A761-A		1	
<b>2A768 CABLE ASSY. (PARKING BRAKE AIR CONTROL VALVE)</b>					
80/	C700/900 -- 175" W/B-Maxi parking brake	C3TZ 2A768-AA	260 1/2" long	1	
<b>2A775 HOSE ASSY. (PARKING BRAKE EMERGENCY AIR SUPPLY)</b>					
80/	B-F-FT600/900	C7TZ 2A775-A	9 3/4" long-reusable hose		
80/	B-F-FT600/900, LN600/900	C4TZ 2A775-A	9 3/4" long	1	
80/	C800	C3TZ 2A775-B	11" long-radiator shutter thermostat to air cylinder tube	1	
<b>2A776 SLEEVE (PARKING BRAKE CABLE)-Refer to group 17543</b>					
<b>2780 Refer to Parking Brake Section 26.1</b>					
<b>2L781 LEVER ASSY. KIT (PARKING BRAKE)</b>					
80/	B-F-FT600/900	E0HZ 2L781-A	Use with E0HZ 2A622-E-Air brakes	1	
80/	C-CT-LN600/900	E0HZ 2L781-B	Use with E0HZ 2951-C-Air brakes	1	
80/	F-FT700/800			1	
80/	L-LN-LNT-LT-LTS800/900			1	
<b>2L781 KNOB ASSY. (PARKING BRAKE RELEASE)</b>					
84/	B-C-F-L-LN600/800 -- w/Hyd. vac. brakes	E4HZ 2L781-A		1	
86/87	CF700	E6HZ 2L781-B		1	
88/	CF600/800	E8HZ 2L781-A		1	
YEAR	MODEL/RESTRICTIONS	PART NUMBER	TYPE	DESCRIPTION	QTY.
<b>2A783 VALVE ASSY. (BRAKE RESERVOIR)</b> For illustration of valves refer to Section 20, group 2A095					
80/	B-F-FT700/900, F-FT600 -- diesel	D2TZ 2A783-A	15		1
80/	C-CT-L-LN-LNT-LTS 600/900, CL-CLT900				
86/	CF600/700	E6HZ 2A783-A			1
82/	LTL9000	E1HZ 2A783-A	15		1
YEAR	MODEL/RESTRICTIONS	PART NUMBER	DESCRIPTION	QTY.	
<b>2795-97 Refer to Parking Brake Section 26.1</b>					
<b>2K806 VALVE ASSY. (PARKING BRAKE CONTROL)</b>					
84/85	B-C-F-L-LN600/800 -- w/Hyd. vac. brakes "Before 6/85"	★ E5HZ 2K806-B	R/b Mat 86027	1	

**1980/  
TRUCK SERIES 600/900**

YEAR	MODEL/RESTRICTIONS	PART NUMBER	DESCRIPTION	QTY.
<b>2K806 VALVE ASSY. (PARKING BRAKE CONTROL) — Cont'd</b>				
85/	B-F600/800 (model 81)- C-L-LN600/800 -- w/ Hyd. vac. brks. "From 6/85"	E5HZ 2K806-C		1
85/	B-F600/800 (model 84)- C-L-LN600/800 -- w/ Hyd. vac. brks. "From 6/85"	E5HZ 2K806-D		1
<b>2L806 CONTROL VALVE KIT (PARKING BRAKE)</b>				
84/	B-F600/800(84)	E5HZ 2L806-A		1
84/	B600/800(DSO)	E5HZ 2L806-E		1
84/	C600/800	E5HZ 2L806-B		1
84/	F600/800(81)	E5HZ 2L806-C		1
84/	L-LN600/800	E5HZ 2L806-D		1
<b>2A810 TUBE (PARKING BRAKE CONTROL VALVE TO REACTIVATOR VALVE)</b> Improvise from bulk tubing (2269) and improvise insulators from rubber hose, friction tape, etc.				
2814-16 Refer to Parking Brake Section 26.1				
<b>2A817 TUBE (PARKING BRAKE RESERVOIR TO RELAY VALVE)</b> Improvise from bulk tubing (2269) and improvise insulators from rubber hose, friction tape, etc.				
<b>2A830 PLATE (PARKING BRAKE AIR CONTROL VALVE BRACKET)</b>				
80/	C-CT800/900	D5HZ 2A830-A	6 3/4" long x 3/4" wide	1
<b>2A832 BEZEL (PARKING BRAKE RELEASE)</b>				
84/85	B-C-F-FT-L-LN-LNT-LT 600/900 -- w/Hyd. vac. brake "Before 6/85"	★ E4HZ 2A832-A	R/b Mat 86037	1
85/	B-C-F-FT-L-LN-LNT-LT 600/900 -- w/Hyd. vac. brks. "From 6/85"	E5HZ 2A832-A		1
<b>2849 SPACER (PARKING BRAKE CONTROL MOUNTING)—Also refer to Section 26.1</b>				
86/	CF600/700	E6HZ 2849-A		1
2853-57 Refer to Parking Brake Section 26.1				
<b>2A853 SEAL (PARKING BRAKE CABLE)</b>				
81/	B-F600/750,L-LN-LNT- LT-LTS800/900	E1HZ 2A853-A		1
<b>2A864 NUT (PARKING BRAKE LEVER)</b>				
80/	B-F-FT600/900	E0HZ 2A864-A	Use with E0HZ 2A622-E and E0HZ 2951-C	1
80/	L-LN-LNT-LT-LTS800/900			
82	LTL9000			
86/	CF600/800	E6HZ 2A864-A		1
<b>2873 BEARING ASSY. (AIR COMPRESSOR BELT IDLER PULLEY)</b>				
80/	C-L-LN-LNT900	C3OZ 2873-A	15/32" I.D. x 1 1/4" O.D. x 5/8" thick	1

1980/  
TRUCK SERIES 600/900

**2875 AIR BRAKE COMPRESSOR ASSY.**

Air Brake Compressor Assemblies produced by Bendix-Westinghouse must be ordered from Bendix-Westinghouse.

Air Brake Compressor Assemblies for units with Detroit Diesel 6-71 engines must be ordered from Detroit Diesel

**IDENTIFICATION CHART**

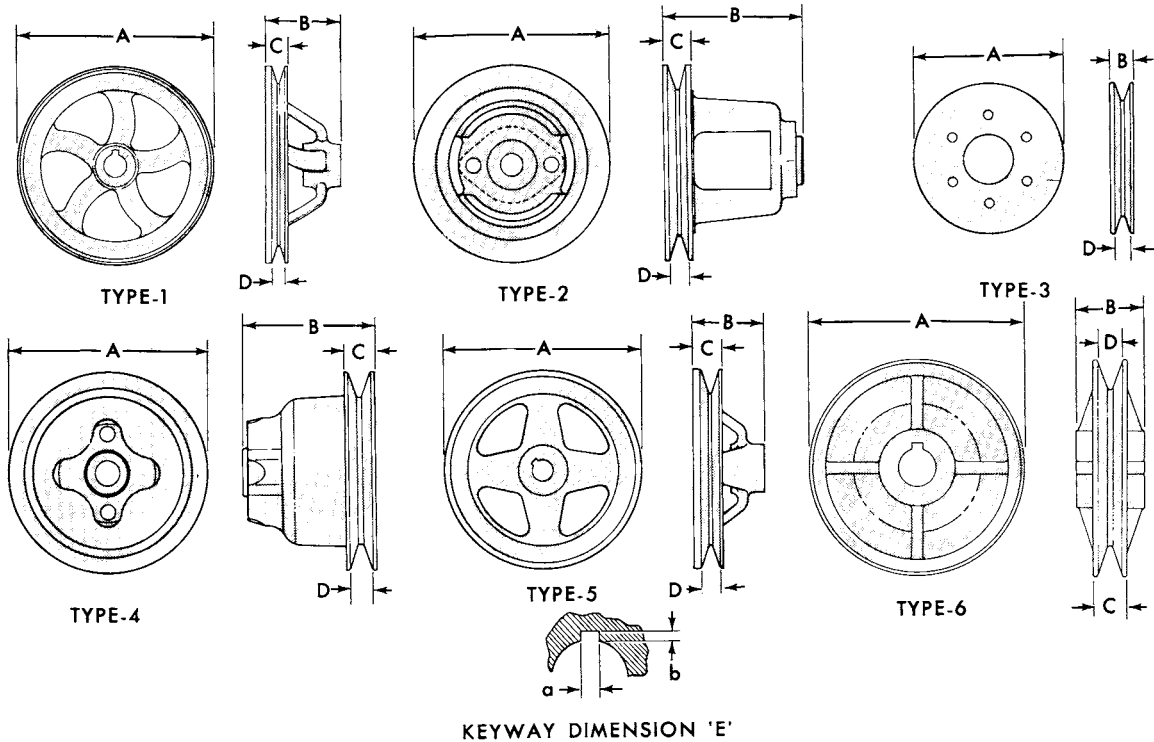
STAMPED PART NUMBER	B-W PART NUMBER	STAMPED PART NUMBER	B-W PART NUMBER
D5HA 2875-YA	286006	E3HT 2875 DA	289015
D5HA 2875-ZA	285876	E3HT 2875 EA	102179
D5HA 2875-AAA	285984	E4HT 2875 AA	102980
D5HA 2875-ADA	286200	E4HT 2875 BA	102987
D5HA 2875-AFA	275803	E4HT 2875-CA	103073
D5HA 2875-AHA	282596	E4HT 2875 DA	103071
D6HA 2875-BA	288087	E4HT 2875 EA	103072
D6HT 2875-EA	289121	E4HT 2875 FA	102092
D6HT 2875-FA	289158	E4HT 2875-GA	102091
D7HT 2875-BA	288674	E4HT 2875-HA	102002
D9HT 2875-AD	289015	E4HT 2875-JA	102180
D9HT 2875-BA	289687	E4HT 2875-KA	102181
E0HT 2875-AA	101633	E4HT 2875-LA	102175
E0HT 2875 BA	101652	E4HT 2875-MA	102179
E0HT 2875-CA	101641	E4HT 2875-NA	102000
E0HT 2875-EA	101904	E4HT 2875-RA	104032
E0HT 2875-FA	101873	E4HT 2875 SA	104031
E0HT 2875 GA	292353	E5HT 2875 EA	104236
E0HT 2875 HA	249750	E6HT 2875-AA	103116-29611
E0HT 2875-JA	290698	E6HT 2875 AB	103116
E0HT 2875 KA	288087	E6HT 2875 BA	104490
E0HT 2875-LA	292578	E6HT 2875 DA	103117
E0HT 2875-NA	293908	E6HT 2875-DB	103117
E1HT 2875-DA	102180	E6HT 2875 FA	104744
E1HT 2875-EA	102179	E7HT 2875-AA	104436
E1HT 2875 FA	102181	E7HT 2875 BA	104430
E1HT 2875-GA	102175	E7HT 2875-BB	104430
E2HT 2875-GA	102180	E8HT 2875-AA	106276
E2HT 2875 KA	102179	E8HT 2875 BA	104841
E3HT 2875-AA	102980	E8HT 2875-CA	289015
E3HT 2875-BA	102987	E8HT 2875 DA	104720
E3HT 2875-CA	102179	E8HT 2875-EA	104436
		E8HT 2875-FA	107198

YEAR	MODEL/RESTRICTIONS	PART NUMBER	DESCRIPTION	QTY.
<b>2W875 ELEMENT (AIR COMPRESSOR FILTER)</b>				
84/	All - - w/air brakes	E4HZ 2W875-A		1
<b>2876 SHAFT (AIR COMPRESSOR BELT IDLER PULLEY)</b>				
80/	C-F-FT-L-LN600/900	B8QH 2876-A	*YS-24-1 1/16" long	1
<b>2877 BRACKET ASSY. (AIR COMPRESSOR BELT IDLER ADJUSTING PULLEY)</b>				
80/	C-L900	B8QH 2877-B		1
<b>2877 AIR BRAKE COMPRESSOR REPAIR KIT (INLET ADAPTER)</b>				
86/	CF600/700	E6HZ 2877-A	For unsold units	1
86/	CF600/700	E6HZ 2877-B	For units in service	1
<b>2A878 SHIELD (BRAKE AIR COMPRESSOR GOVERNOR HEAT)</b>				
80/	C-CT900	D4TZ 2A878-B	#D4TA 2A878-BA-12 cu. ft. compressor	1
80/	L900	C2TZ 2A878-A		1
82/	LTL900	E2HZ 2A878-A		1
<b>2A880 ADAPTER (AIR COMPRESSOR MOUNTING)</b>				
80	C-CT900, L-LN-LNT-LT-LTS900 - - gas	D4TZ 2A880-A	#D4TA 2A880 AA-12 cu. ft. compressor	1
80/	C-CT900	C1TE 2A880-A		1
80/82	L-LN-LNT-LT-LTS 800/900 - - 8 cyl. 401, 477, 584 gas	D0TZ 2A880-A	7 1/4 & 12 cu. ft. compressor	1
80/	L-LN-LNT-LT900 - - 8 cyl. 568 Detroit 8V-71 diesel	★	Order 5143537 from Detroit Diesel	1

1980/  
TRUCK SERIES 600/900

YEAR	MODEL/RESTRICTIONS	PART NUMBER	DESCRIPTION	QTY.
<b>2A880 ADAPTER (AIR COMPRESSOR MOUNTING) — Cont'd</b>				
80/	B-F-FT-L-LN-LNT-LT-LTS 700/900 -- Cat. diesel	D7HZ 2A880-A	#D7HT 2A880-BA-12 cu. ft. compressor	1
80/	B-F-FT-L-LN-LNT-LT-LTS 700/900 -- Cat. diesel	D7HZ 2A880-B	#D7HT 2A885-AA-7 1/4 cu. ft. compressor and vacuum pump	1
<b>2A881 SUPPORT (AIR COMPRESSOR MOUNTING BRACKET)</b>				
80/	B-F-FT-L-LN-LNT-LT-LTS700/900 -- Cat. diesel	D7HZ 2A881-A	#D7HT 2A962-AA	1
80/	C600/700 -- Cat. diesel with H/V brakes	DOHZ 2A881-A		1
<b>2882 BRACKET (AIR COMPRESSOR TO CYLINDER BLOCK)—Also refer to groups 10337, 3A732 and 2A452—refer to Section 190</b>				
<b>2883 BRACKET (AIR COMPRESSOR ADJUSTING)—Refer to Section 190</b>				
<b>2884 PULLEY (AIR COMPRESSOR)—Also refer to groups 8509 and 8678</b>				

AIR BRAKE PULLEY SIZE CHART



For A/C Clutches see next page

Model Application Type Chart follows A/C Clutches

TYPE	A	B	C	D	E		NO. SHEAVES	STAMPED NO.	PART NUMBER
					a	b			
1	7 1/4"	2 7/8"	7/8"	1/2"	1/4"	1/8"	1	C8HA 2884-E	C8HZ 2884-B
3	5 1/8"	1 1/16"	1 1/16"	1/2"			1		B7TZ 2884-A
5	5 13/16"	2"	1/2"	1/2"	3/16"	1/8"	1	C8TA 2884-B	C8TZ 2884-A
5	7 1/8"	2 3/4"	3/4"	1/2"	1/4"	1/8"	1	C5TA 2884-A	C5TZ 2884-A
5	7 5/8"	1 7/8"	3/4"	1/2"	1/4"	1/8"			C4TZ 2884-A



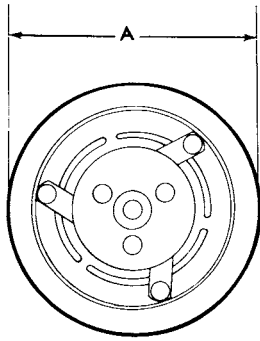
1980/  
TRUCK SERIES 600/900

TYPE	A	B	C	D	E		NO. SHEAVES	STAMPED NO.	PART NUMBER
					a	b			
5	7 5/8"	2 1/8"	7/8"	1/2"	1/4"	1/8"	1	C8TA 2884-C	C8TZ 2884-B
5	8 3/8"	1 5/8"	3/4"	1/2"	1/4"	1/8"	1	TUCM 2884-A	B8QH 2884-A
5	8 51/64"	1 55/64"	3/4"	1/2"	1/4"	1/8"	1	D0HA 2884-J	D0HZ 2884-E
5	6 7/64"	1 31/64"	1 1/8"	1/2"	3/16"	1/8"	1	D0HA 2884-K	D0HZ 2884-F
5	7 3/16"	1 1/2"	3/4"	5/16"	1/4"	9/64"	1	D4TA 2884-AB	D4TZ 2884-A
5	7 5/8"	2 7/8"	7/8"	7/16"	1/4"	9/64"	1	D5HA 2884-DA	D5HZ 2884-A
5	9 1/8"	1 57/64"	3/4"	7/16"	1/4"	9/64"	1	D9HT 2884-AA	D9HZ 2884-A

1980/  
TRUCK SERIES 600/900

2884 PULLEY (AIR COMPRESSOR) - Also refer to groups 8509, 8678.

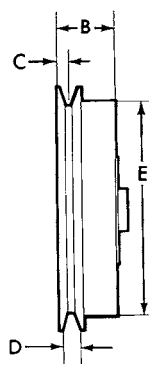
A/C CLUTCH SIZE CHART



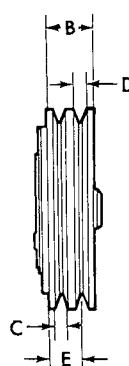
TYPES 2A, 2B, 2C AND 2D



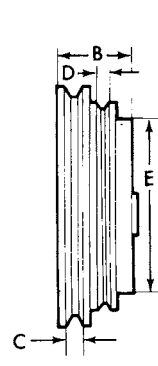
2A



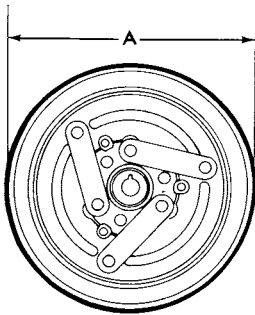
2B



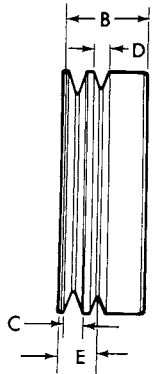
2C



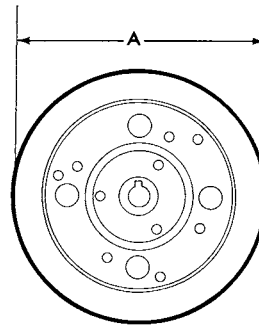
2D



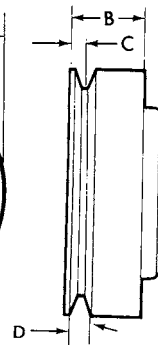
TYPE 3A



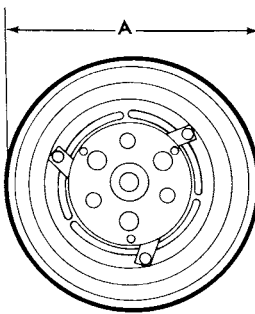
3A



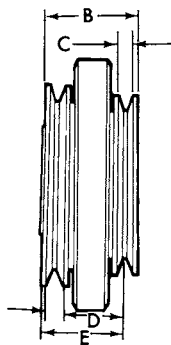
TYPE 4A



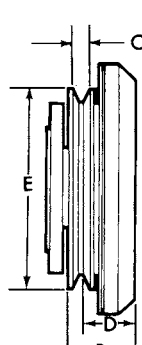
4A



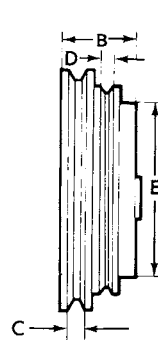
TYPE 5A



5A



5B



5C

# 1980/ TRUCK SERIES 600/900

For Air Brake Pulleys see page 6  
For Model Application see page 8

## SIZE CHART

Model Application Chart follows this listing.

TYPE	DIMENSION (INCHES)						S	V	IDENTIFICATION	REMARKS	PART NUMBER
	A	B	C	D	E	☆					
Notes: P-Pitts, W-Warner, ☆ S-No. of Sheaves, V-Vendor											
4A	6 3/4	7/8	11/16	5/8			1	W		Has wire and field assy.	C4TZ 2884-B
4A	6 3/4	7/8	11/16	5/8			1	W		Has wire and field assy.	C4TZ 2884-C
2A	6 11/16	1 1/2	3/8	5/8			1	P		Less field-use with C4AZ 2987-A	C5TZ 2884-C
2A	6	1 3/8	3/8	1/2			1	P	D1HA 2981-AA	Less field-use with D1HZ 2987-A	D1HZ 2884-A
2A	6 1/16	1 3/8	5/8	1/2			1	P	D1HA 2981-BA	Less field-use with D1HZ 2987-A	D1HZ 2884-B
2A	6 1/16	1 3/8	5/8	19/32			1	P	D1HA 2981-CA	Less field-use with D1HZ 2987-A	D1HZ 2884-C
2A	6 1/16	1 3/8	25/32	1/2			1	P	D1HA 2981-DA	Less field-use with D1HZ 2987-A	D1HZ 2884-D

## APPLICATION CHART

YEAR	MODEL/RESTRICTIONS	PART NUMBER	DESCRIPTION	QTY.
2884	PULLEY (AIR COMPRESSOR) - Also refer to groups 8509, 8678-Refer to Section 190			
Notes:	◆ For illustrations see page 6, † For illustration see page 7			

### MODEL APPLICATION

B SERIES				
80/	B600/700 -- gas engines	◆ D9HZ 2884-A	#D9HT 2884-AA-Air brake pulley	1
80/	B600/700 -- Detroit 501,8.2L diesel with air brakes engines	C4TZ 2884-A		1
C-CT SERIES				
80/	C800, C-CT900	◆ B8QH 2884-A	Air brake pulley	1
80/	C-CT600/800 -- 8 cyl. gas 370 & 429	◆ D9HZ 2884-A	#D9HT 2884-AA-Air brake pulley	1
80/	C,CT800 -- Cat. diesel w/air brakes	◆ D0HZ 2884-E	#D0HA 2884-J	1
80/	C600/800 -- Cat. diesel	◆ D0HZ 2884-F	#D0HA 2884-K-Use with vacuum pump	1
80/	C-CT600/800 -- 8.2L dsl. with vacuum pump	E0HZ 2884-A		1
CF SERIES				
86/	CF600/700	C4TZ 2884-A		1
F-FT SERIES				
80/	F-FT600/900 -- 8 cyl. gas 370 & 429	◆ D9HZ 2884-A	#D9HT 2884-AA-Air brake pulley	1
80/	F-FT600/900 -- 7.8,8.2L diesel	C4TZ 2884-A		1
80/	F-FT600/900 -- 8.2L diesel w/hyd. brakes, A/C or heater and vacuum pump	E0HZ 2884-A	#E0HT 2884-AA	1
L-LN-LNT-LT-LTS SERIES				
80/	L-LN-LNT600/800 -- 8 cyl. gas 370 & 429	◆ D9HZ 2884-A	#D9HT 2884-AA-Air brake pulley	1
80/83	L-LN-LNT-LT-LTS800 -- cat. diesel	◆ D5HZ 2884-A	#D5HA 2884-DA	1
80/	L-LN800 -- Cat. diesel with H/V brakes and vacuum pump	◆ C8TZ 2884-A	#C8TA 2884-B	1
80/	L-LN800 -- diesel w/split H/V brakes and vacuum pump			1
80/84	L-LN800 -- diesel w/single H/V brakes and vacuum pump	D8HZ 2884-A	#D6HS 2884-BA	1
80/84	LN900 -- w/single H/V brakes and vacuum pump			1
80/	L-LN-LNT-LT900 -- 6 cyl. 426 Detroit 6-71 diesel	★	Air brake pulley--order from Detroit Diesel 5144554	1
80/	L-LNT-LT-LTS800 -- 8 cyl. gas 330,361,391, 7.8 dsl.	◆ C4TZ 2884-A	Air brake pulley	1

1980/  
TRUCK SERIES 600/900

YEAR	MODEL/RESTRICTIONS	PART NUMBER	DESCRIPTION	QTY.
2884	PULLEY (AIR COMPRESSOR) - Also refer to groups 8509, 8678 - Cont'd			
Notes:	♦ For illustrations see page 6, † For illustration see page 7			
MODEL APPLICATION				
L-LN-LNT-LT-LTS SERIES				
80/	L-LN-LNT-LT-LTS900 - - 8 cyl. gas	† D0HZ 2884-D	*YB-85-air brake compressor	1
80/	LN600/800 - - 8.2L dsl. with vacuum pump	E0HZ 2884-A		1
80/	C-CT-L-LN-LNT800/900	353650-S100	(QQ-11)-snap ring (pulley to shaft)	2
80/	B-F600	20428-S8	(B-82)-bolt (pulley to damper)-3/8"-16 x 1 1/4"	2
		34807-S8	(X-66)-lockwasher-3/8"	
80/		374411-S8	(BB-435-C)-bolt (pulley to compressor)-hex. hd. lock-5/16"-24 x 1 1/2"	1
2B884 BRACKET and BUSHING ASSY. (AIR COMPRESSOR MOUNTING)				
80/	B-F-FT-L-LN-LNT-LT-LTS 700/800 - - Cat. diesel	E0HZ 2B884-A		1
2D884 SHIM KIT (AIR CONDITIONER COMPRESSOR CLUTCH)-Refer to Section 190				
2E884 PULLEY ASSY. AIR CONDITIONER CLUTCH-Refer to Section 190				
2885 GOVERNOR ASSY. (AIR COMPRESSOR)				
86/	CF600/700	E4HZ 2885-A		1
80/83	L-LN-LNT-LT-LTS 900	D7HZ 2885-A		1
84/	L-LN-LNT-LT-LTS900	E4HZ 2885-A		1
2B885 Refer to group 2895				
2886 BRACKET (AIR COMPRESSOR TO MANIFOLD)				
80/81	F880	D4TZ 2886-A		1
2B887 RETAINER (AIR COMPRESSOR MOUNTING BOLT)				
80/	B-F-FT-L-LN-LNT-LT-LTS 700/800 - - Cat. diesel	D7HZ 2B887-A		1
2888 BRACE (AIR COMPRESSOR)-Refer to Section 190				
2889 BRACE (AIR COMPRESSOR REAR)-Refer to Section 190				
2894 CAP (AIR COMPRESSOR PULLEY)				
80/	C-CT600/800 - - Cat. diesel	B8QH 2894-A	*YS-26	1
2894 TUBE (AIR COMPRESSOR TO WATER PUMP)				
Improve from bulk tubing (2269) and improvise insulators from rubber hose, friction tape, etc.				
80/	B-F-FT600/900 - - Detroit 501,8.2L diesel with 12 cu. ft. comp.	E0HZ 2894-A	#EOHT 2894-AA	1
80/	B-F-FT600/900 - - Detroit 501,8.2L diesel with 7 1/4 cu. ft. comp.	★ E0HZ 2894-B r/bE0HZ 2910-A	#EOHT 2894-BA	1
87/	B-F600/900 with 6.6L, 7.8L eng. and air brakes	E7HZ 2894-D		1
87/	L-LN600/800 - - w/6.6L, 7.8L engs.	E7HZ 2894-A		1
87/	L-LN700/900 with 6.6L, 7.8L engs. and air brakes	E7HZ 2894-C		1
2895 GASKET (AIR COMPRESSOR TO MOUNTING ADAPTOR)				
80	All - - 8 cyl. gas with 7 1/4 cu. ft. compressor	B8QH 2895-A		1
80/	All - - 8 cyl. gas with 12 cu. ft. compressor	D4TZ 2B885-B		1
87/	B-F-FT-L-LN-LNT600/900 - - w/6.6L, 7.8L dsl. engs.	E7HZ 2B885-A		1
88/	B-F-L600/900 - - w/cat. 3208 and air brks.	E8HZ 2B885-A		1

**1980/  
TRUCK SERIES 600/900**

YEAR	MODEL/RESTRICTIONS	PART NUMBER	DESCRIPTION	QTY.
<b>2A896 ADAPTER (AIR COMPRESSOR GOVERNOR)</b>				
80/	L-LN-LNT-LT-LTS900 -- Cum. diesel exch NTC335,V-903	D5HZ 2A896-A		1
80/	L-LN-LNT-LT-LTS900 -- 6 cyl. 426 Detroit 6-71 diesel	C8TZ 2A896-A		1
84	LNT900 -- L10 Cum. dsl.	E4HZ 2A896-A		1
88	LN900 with Cat. 3306 diesel	E8HZ 2A896-A		1
<b>2W896 BRACKET (AIR BRAKE COMPRESSOR MOUNTING)</b>				
86/	B-CF-F-L600/800	E6HZ 2W896-A		1
<b>2897 HOSE ASSY. (AIR BRAKE FOOT CONTROL VALVE TO FRONT TEE)</b>				
80/	B-F600/700 -- exc. Cat. diesel	C9TZ 2897-B	29 3/4" long	1
<b>2897 TUBE (AIR BRAKE FOOT CONTROL VALVE TO FRONT TEE)</b> Improvise from bulk tubing (2269) and improvise insulators from rubber hose, friction tape, etc.				
<b>2902 SUPPORT (COMPRESSOR BRACKET)</b>				
80/	C700 -- cat diesel-7 1/4 cu.ft compressor	D6TZ 2902-B	#D6TA 2902-BA	1
80/	C700/800,CT800 -- cat.diesel-12 cu.ft.compressor	D6TZ 2902-A	#D6TA 2902-AA	1
80/87	B-C-CT-F-FT-L-LN-LNT-LT-LTS600/900 -- 370 & 429 engines	D9HZ 2902-A	#D9HT 2902-BA, CA,CB,CC	1
88/	B-F600/900 -- gas eng.	D9HZ 2902-A		1
83/	B-C-F-LN600/800 -- 8.2 Detroit dsl. -- air brakes	E3HZ 2902-A		1
83/	B-C-F-LN600/800 -- 8.2 Detroit dsl. -- 12 cu. ft. compr.	E3HZ 2902-B		1
83/	B-C-F-LN600/800 -- 8.2 Detroit dsl. -- 7 1/4 cu. ft. compr.	E3HZ 2902-C		1
86/	CF600/700	E6HZ 2902-A		1
<b>2K902 COMPRESSOR SUPPORT BRACKET KIT</b>				
83/	B-C-F-LN600/800 -- 8.2L dsl. eng. -- 12 ft. compr.	E3HZ 2K902-A	#1347-HT field fix	1
83/	B-C-F-LN600/800 -- 8.2L dsl. eng. -- 7 ft. compr.	E3HZ 2K902-B	#1347-HT field fix	1
<b>2903 HOSE ASSY. (AIR COMPRESSOR TO GOVERNOR)</b> Improvise from bulk tubing (2269) and improvise insulators from rubber hose, friction tape, etc.				
80/	B-F-FT600/800 (84)	B7Q 2903-A	15" long	1
<b>2904 TUBE (AIR RESERVOIR TO UNION)</b> Improvise from bulk tubing (2269) and improvise insulators from rubber hose, friction tape, etc.				
80/	B-C-F-FT600/900	357946-S8	(GG-152)-clip (tube to frame)-9/16"	AR
80/	B-F700, C700/900	352605-S8	(GG-149)-clip (tube to frame)	AR
80/	B-F700, C700/900	20387-S8	(B-157)-bolt (clip to frame)-5/16"-24 x 1"	AR
		33798-S8	(M-62)-nut-5/16"-24	AR
		34806-S7	(X-64)-lockwasher-5/16"	AR
80/	B-F700	374185-S	(II-195-C)-tee assy. (tube to tank)-1/2" tube	1
80/	CT800/900	372550-S	(II-180)-elbow (tube to tank)-45°	1
<b>2A907 HOSE ASSY. (AIR COMPRESSOR OUTLET)</b>				
80/	B-F700 -- 12 cu. ft. compressor	C4TZ 2A907-A	11 1/2" long	1
<b>2908 TUBE ASSY. (AIR COMPRESSOR OIL INLET)</b> Improvise from bulk tubing (2269) and improvise insulators from rubber hose, friction tape, etc.				
80/	B-C-F-LN600/700	358238-S	(II-68)-connector (tube to engine)-1/4"	1or2
80/	C-LN600/700	87381-S	(I-35)-elbow (tube to compressor)-90°	1
80/	C700/900 -- w/air brakes	357949-S	(GG-141)-clip (tube to engine)	1
80/	B-C-F-LN600/700			1
80/	F600 -- 8 cyl. gas	357763-S	(II-161)-elbow (tube to engine)-90°	1
80/	LN700	357466-S	(II-153)-elbow (tube to compressor)-1/8"-90°	1

**1980/  
TRUCK SERIES 600/900**

YEAR	MODEL/RESTRICTIONS	PART NUMBER	DESCRIPTION	QTY.
<b>2910 TUBE (ENGINE TO AIR COMPRESSOR WATER)</b>				
Improvise from bulk tubing (2269) and improvise insulators from rubber hose, friction tape, etc.				
80/83	B-F-FT600/800 -- 8.2L diesel with 12 cu. ft. comp. "Before 7/83"	E0HZ 2910-A	#E0HT 2910-BA	1
83/	B-F-FT600/900 -- 8.2L diesel with 12 cu. ft. comp. "From 7/83"	E3HZ 2910-A		1
80/	B-F-FT600/800 -- 8.2L diesel with 7 1/4 cu. ft. comp.	★ E0HZ 2910-B r/bE0HZ 2922-B	#E0HT 2910-CA	1
87/	B-F-LN600/750 -- w/6.6L, 7.8L engs.	E7HZ 2910-B		1
86/	CF600/700	E6HZ 2910-A		1
86/	CF600/700	E6HZ 2910-B		1
87/	L-LNT-LTS600/800 -- w/6.6L, 7.8L engs.	E7HZ 2910-A		1
80/	C700/800	353652-S	(II-4)-nipple (tube to compressor)	1
		33798-S8	(M-62)-nut-5/16"-24	AR
		34806-S7	(X-64)-lockwasher-5/16"	AR
<b>2K910 FILTER ASSY. (AIR COMPRESSOR)</b>				
84/	All -- w/air brakes	E4HZ 2K910-A		1
<b>2912 REPAIR TUBE and HOSE KIT (COMPRESSOR TO ENGINE)</b>				
80/	B-C-F-FT-LN600/900, CT800	C4TZ 2912-B		1
Consists of				
	1-C7TA 2912-G Tube	2-B7A 8287-A	Clamps	1-382191-S Elbow
	1-C7TA 2912-H Hose	1-87976-S		
<b>2912 HOSE ASSY. (AIR COMPRESSOR OIL OUTLET)</b>				
Improvise from bulk tubing (2269) and improvise insulators from rubber hose, friction tape, etc.				
80/	B-F-FT600/900 -- Detroit 501,8.2L diesel	E0HZ 2912-A	#E0HT 2912-AB	1
86/87	CF600/700 "Before 3/87"	E6HZ 2912-A		1
87	CF600/800 "From 3/87"	E7HZ 2912-B		1
88	CF600/800	E8HZ 2912-A		1
80/	C700/800	359884-S	(II-188)-nipple (hose to cylinder block)-1/2" hose	1
80/	B-C-F-FT-LN600/900 -- 8 cyl. gas			1
80/	C600/700	371323-S	(II-21)-elbow (oil return hose to engine)-brass-3/8"-18	1
80/	B-F-FT-LN600/900, C600/900		Elbow (hose to compressor)	1
80/	C600/800 -- Cat. diesel	382464-S	(II-190-C)-nipple (hose to engine)-3/8"-18 x 1 15/16"	1
80/	C600/800 -- Cat. diesel		Nipple (hose to compressor)	1
		357946-S8	(GG-152)-clip (tube to frame)-9/16"	2or3
		20427-S8	(B-158)-bolt (clip to frame)-5/16"-24 x 1 1/4"	2or3
		33798-S8	(M-62)-nut 5/16"-24	AR
		34806-S7	(X-64)-lockwasher-5/16"	AR
80/	B-F-FT-LN600/900, C600/800	382191-S	(II-23-S)-elbow (hose to compartment)-3/8" pipe-1/2" hose	1
87	B-F-L600/800 -- 6.6, 7.8 eng.	E7HZ 2912-A		1
<b>2913 TUBE (DASH TEE OR FOOT CONTROL VALVE TO AIR COMPRESSOR GOVERNOR)</b>				
Improvise from bulk tubing (2269) and improvise insulators from rubber hose, friction tape, etc.				
80/	B-F600 -- 8 cyl. gas, B-F700/750	357949-S	(GG-141)-clip (tube)	AR
<b>2914 TUBE (AIR BRAKE TEE TO FRONT HOSE CONNECTOR R. H.)</b>				
Improvise from bulk tubing (2269) and improvise insulators from rubber hose, friction tape, etc.				
		357946-S8	(GG-152)-clip (tube to frame)-9/16"	AR
		20387-S8	(B-157)-bolt (clip to frame)-5/16"-24 x 1"	AR
		33798-S8	(M-62)-nut-5/16"-24	
		34806-S7	(X-64)-lockwasher-5/16"	
<b>2915 TUBE (AIR BRAKE TEE TO FRONT HOSE CONNECTOR L. H.)</b>				
Improvise from bulk tubing (2269) and improvise insulators from rubber hose, friction tape, etc.				
80/	C600/900	374183-A	(II-108-A)-tee (tube to connector)-3 way	1
		357946-S8	(GG-152)-clip (tube to frame)	1
		20387-S8	(B-157)-bolt (clip to frame)-5/16"-24 x 1"	1

1980/  
TRUCK SERIES 600/900

YEAR	MODEL/RESTRICTIONS	PART NUMBER	DESCRIPTION	QTY.
<b>2915 TUBE (AIR BRAKE TEE TO FRONT HOSE CONNECTOR L.H.) — Cont'd</b>				
Improvise from bulk tubing (2269) and improvise insulators from rubber hose, friction tape, etc.				
		33798-S8	(M-62)-nut-5/16"-24	AR
		34806-S7	(X-64)-lockwasher-5/16"	AR
80/	C600/900, CT800/900, F-FT700/800	374186-S	(II-28)-connector assy. (tube to front brake hose)- 3/8" tube	1 or 2
<b>2916 TUBE (AIR BRAKE FOOT CONTROL VALVE TO REAR TEE OR UNION 1ST SECTION)</b>				
Improvise from bulk tubing (2269) and improvise insulators from rubber hose, friction tape, etc.				
80/	B-F600/700 (84)	381588-S	(II-192-A)-tee assy. (tube to hose)-3/8" x 5/8" tube x 1/2" pipe	1
80/	C600/900, CT800/900	376738-S	(II-146-AC)-tee-4 way pipe (tube to stop light switch)	1
		357946-S8	(GG-152)-clip (tube)-9/16"	AR
		20387-S8	(B-157)-bolt (clip to frame)-5/16"-24 x 1"	AR
80/	C700/900	20347-S8	(B-156)-bolt (clip to brake line bracket)- 5/16"-24 x 3/4"	1
		33798-S8	(M-62)-nut-5/16"-24	AR
		34806-S7	(X-64)-lockwasher-5/16"	AR
80/	F700/800	374183-S	(II-108-A)-tee-3 way (tube to valve)	1
<b>2917 TUBE (AIR COMPRESSOR TO RESERVOIR AT ENGINE)</b>				
Improvise from bulk tubing (2269) and improvise insulators from rubber hose, friction tape, etc.				
80/	C-LN600/700	380939-S	(II-201-AF)-tee (tube to 2A904)-1/2" pipe x 1/8" pipe x 1/2" tube	1
80/	C-LN600/700	380672-S	(II-187-PC)-elbow (tube to 2A904)-1/2" x 1/2" tubing	1
<b>2917 TUBE (AIR COMPRESSOR TO RESERVOIR INTERMEDIATE)-If not listed below</b>				
Improvise from bulk tubing (2269) and improvise insulators from rubber hose, friction tape, etc.				
80/	B700 -- gas eng.-compressor to reservoir	E0HZ 2917-A	10 1/4" long	1
80/	B700 -- diesel eng.-compressor to reservoir	E0HZ 2917-B	20 1/4" long	1
80/	C600/800 -- Gas - 7 1/4 cu. ft. compressor	C7TZ 2917-D	18 1/4" long	1
80/	C600/800 -- 12 cu. ft. compressor	D5TZ 2917-A	12" long	1
80/	C700/800 -- Gas - 12 cu. ft. compressor	C7TZ 2917-C	18 1/2" long	1
80/	C900 -- 7 1/4" cu. ft. compressor	C7TZ 2917-D	18 1/4" long	1
80/	CT800, C900 -- 12 cu. ft. compressor	C7TZ 2917-C	18 1/2" long	1
80/	C800 -- diesel-12 cu. ft. compressor	C8TZ 2917-C	20" long	1
80/	C600/700, CT800 -- diesel	C8TZ 2917-A	Air brakes-11 1/2" long	1
80/	C800 -- Cum. diesel-111" W/B	C8HZ 2917-A	23" long	1
80/	C700/800, CT800 -- diesel - 12 cu. ft. compressor	D5HZ 2917-A	25" long	1
80/	CT900 -- Gas - 12 cu. ft. - 12 cu. ft. compressor			
80/	C700/800, CT800 -- 12 cu. ft. compressor	D5TZ 2917-B	13" long	1
86/	CF600/700 -- 6.6 eng.	E6HZ 2917-A		1
86/	CF600/700 -- 6.6 eng.	E6HZ 2917-B		1
87/	CF700/800 -- 7.8 eng. "Before 3/87"	E7HZ 2917-A		1
87/	CF700/800 -- 7.8 eng. "From 3/87"	E7HZ 2917-B		1
88/	CFT700/800	E8HZ 2917-D		1
88/	CF700/800 -- T/T	E8HZ 2917-E		1
80/	CL-CLT900 -- w/air dryer	E1HZ 2917-A	Field fix-41" long	1
80/	CL-CLT900 -- w/air dryer	E1HZ 2917-B	Field fix-26" long	1
80/	CL-CLT900 -- w/air dryer	E1HZ 2917-C	Field fix-45" long	1
80/	CL-CLT900 -- Det. diesel	D5TZ 2917-B		1
88/	CL900 -- w/Cummins L-10 eng. and 13.2 cubic foot compr.	E8HZ 2917-A		1
88/	CL900 -- w/Cummins L-10 eng. and 11.75 cubic foot compr.	E8HZ 2917-B		1
88/	CL900 -- w/Cat. 3406 eng.	E8HZ 2917-C		1
80/	F-FT700/900 -- gas eng.-compressor to reservoir	E0HZ 2917-A	10 1/4" long	1

1980/  
TRUCK SERIES 600/900

YEAR	MODEL/RESTRICTIONS	PART NUMBER	DESCRIPTION	QTY.
<b>2917 TUBE (AIR COMPRESSOR TO RESERVOIR INTERMEDIATE)-If not listed below</b>				
Improvise from bulk tubing (2269) and improvise insulators from rubber hose, friction tape, etc.				
80/	F-FT700/900 -- diesel eng.-compressor to reservoir	E0HZ 2917-B	20 1/4" long	1
80/	LN-LNT800 -- Cat. diesel	C7TZ 2917-B	25" long	1
80/	L-LT-LTS800 -- 8 cyl. gas, Cat. diesel and 6 cyl. 426 Detroit 6-71 diesel			1
80/	L-LNT800/900, LT-LTS900	C6TZ 2917-A	12" long	1
80/	L-LN-LNT-LT-LTS800 -- 12 cu. ft. compressor	C7TZ 2917-C	18 1/2" long	1
80/	L900, LN600/750, LT-LTS880/900 -- 7 1/4" cu. ft.	C7TZ 2917-D	18 1/4" long	1
80/	L-LT-LTS900 -- Detroit 8V-71 diesel	C6TZ 2917-B	22 1/2" long	1
80/	LN-LNT900 -- 8 cyl. gas	D0HZ 2917-B	22 1/2" long	1
80/	L-LN-LNT-LT900 -- 8 cyl. 568 Detroit 8V-71 diesel	D6HZ 2917-A	18 1/2" long	1
80/	L-LN-LNT-LT-LTS800 -- wedge brakes	D0HZ 2917-C	22 13/64" long	1
80/	L-LN-LNT-LT-LTS900 -- Cum. NTC-250,290 diesel	C6TZ 2917-A	12" long	1
82/	LTL9000 -- 8 cyl. 8V-92 engine	E1HZ 2917-D	50 1/4" long	1
82/	LTL9000 -- 8 cyl. 8V-92 engine	E1HZ 2917-E	22 1/4" long	1
80/	L-LN-LT-LTS800/900	384335-S	(MM-315)-nut (tube to body)-5/16"	AR
<b>2917 TUBE (AIR COMPRESSOR TO UNION)</b>				
Improvise from bulk tubing (2269) and improvise insulators from rubber hose, friction tape, etc.				
80/	C700/900	352605-S8	(GG-149)-clip (tube to frame)	1
80/	F-FT700/800		Clip (tube to No. 1 cross member)	1
80/	C600/900	357946-S8	(GG-152)-clip (tube to frame)	1
80/	C600/700 -- diesel		Clip (tube to engine support)	1
80/	F-FT700/800	★32916-S8	Screw (tube to clip)-No. 8 x 3/8" self-tapping	1
		20326-S7	(B-49)-bolt (clip to cylinder block)-5/16"-18 x 5/8"	1
		33798-S8	(M-62)-nut-5/16"-24	AR
		34806-S7	(X-64)-lockwasher-5/16"	AR
★2-2917 HOSE (AIR COMPRESSOR TUBE WATER)-Improvise from bulk hose (4090)				
<b>2918 TUBE (AIR BRAKE RESERVOIR CONNECTING)</b>				
Improvise from bulk tubing (2269) and improvise insulators from rubber hose, friction tape, etc.				
80/	C700/900	371128-S	(II-184)-elbow assy. (tube to check valve)-5/8" tube-use with 12 cu. ft. compressor	1
80/	CT800/900	372550-S	(II-180)-elbow (tube to reservoir)-45°	1
80/	CT800/900	376927-S	(II-191-M)-nipple (to reservoir)-1/2"-14 brass	1
<b>2919 TUBE (AIR BRAKE FOOT CONTROL VALVE TO DASH TEE)</b>				
Improvise from bulk tubing (2269) and improvise insulators from rubber hose, friction tape, etc.				
<b>2920 HOSE ASSY. (RESERVOIR TO AIR BRAKE FOOT CONTROL VALVE)</b>				
80/	B-F-FT600/700 (84)	C7TZ 2920-B	37" long	1
80/	F600 (81 and 84), F-FT700/800 (81)	C8TZ 2920-A	Air brakes-12" long	1
80/	B-F-FT700/800	357946-S8	(GG-152)-clip (tube to frame)-9/16"	1or2
80/	B-F600		Clip (to L. H. rear body bracket)	AR
		20387-S8	(B-157)-bolt (clip to frame)-5/16"-24 x 1"	1
		33798-S8	(M-62)-nut-5/16"-24	AR
		34806-S7	(X-64)-lockwasher-5/16"	AR
<b>2922 HOSE ASSY. (COMPRESSOR OIL INLET and OUTLET)</b>				
80/	F-FT600/800(81)	C7TZ 2922-A	12 1/2" long	1
80/	B-F-FT600/800 -- 7M,9M frt. axle with A/C or Heater	E0HZ 2922-A	#E0HT 2922-FA	1
80/83	B-F-FT600/800 -- 8.2L diesel "Before 7/83"	E0HZ 2922-B	#E0HT 2922-DB	1



**1980/  
TRUCK SERIES 600/900**

YEAR	MODEL/RESTRICTIONS	PART NUMBER	DESCRIPTION	QTY.
<b>2922 HOSE ASSY. (COMPRESSOR OIL INLET and OUTLET) — Cont'd</b>				
83/	B-F-FT600/900 -- 8.2L diesel "From 7/83"	E3HZ 2922-A		1
87/	B-F-L-LN-LNT-LTS600/800 -- w/6.6L, 7.8L engs.	E7HZ 2922-A		1
80/	L-LN-LNT-LT-LTS700/900 -- Cat. 3208 diesel air brakes	D8HZ 2922-D	10 1/2" long	1
80/	L-LN-LNT-LT-LTS700/900 -- Cat. 3208 diesel w/hyd. brakes	D8HZ 2922-F	12 1/4" long	1
80/	C-CT700/800 -- Cat. 3208 diesel	D8HZ 2922-E	Inlet	1
86	CF600/700	E6HZ 2922-A		1
87/	CF600/700 -- 6.6 eng	E7HZ 2922-B		1
88	CF700/800 -- T/T	E8HZ 2922-B		1
88	CF700/800	E8HZ 2922-C		1
80/	B-C-F-FT600/900, LN600	357466-S	(II-153)-elbow (inlet hose to compressor)-90°	1
80/	B-C-F600/700 -- Cat. diesel	382388-S	(II-28-KA)-connector assy. (tube to vacuum pump)- 1/4" tube x 1/4" pipe	1
80/	C600/800 -- Cat. diesel	382253-S	(II-187-AB)-elbow assy. (hose to compressor)	1
<b>2923 TUBE (AIR BRAKE FOOT CONTROL VALVE TO REAR TEE 2ND SECTION)</b>				
Improvise from bulk tubing (2269) and improvise insulators from rubber hose, friction tape, etc.				
		357946-S8	(GG-152)-clip (tube to frame)-9/16"	AR
		20387-S8	(B-157)-bolt (tube to frame)-5/16"-24 x 1"	AR
		33798-S8	(M-62)-nut-5/16"-24	AR
		34806-S7	(X-64)-lockwasher-5/16"	AR
<b>2930 TUBE (AIR BRAKE MANIFOLD TO PRESSURE GAUGE)</b>				
Improvise from bulk tubing (2269) and improvise insulators from rubber hose, friction tape, etc.				
80/	B700, F-FT600/900 (84) -- Air brakes	C4TZ 2930-C	22" long	1
80/	F-FT600/800 (81) -- Air brakes	C4TZ 2930-B	18 3/4" long	1
80/	B-F-FT700/900	353928-S2	(MM-201)-nut and retainer (tube to gauge)-3/8"-24	1
80/	B-C-F-FT-LN600/800, CT800/900	357763-S	(II-161)-elbow (tube to manifold fitting)-90°	1
80/	C700/900	357635-S	(II-177)-connection (tube to manifold fitting)- 1/4" pipe thread	1
80/	LN600/900	357634-S	(II-194)-tee (tube to manifold fitting)-1/4"	1
<b>2936 HOSE ASSY. (BRAKE AIR CHECK VALVE)</b>				
80/	CT800/900	C7TZ 2936-A	14 1/2" long	1
<b>2-2937 TUBE (AIR BRAKE FOOT CONTROL VALVE TO TRANSMISSION AIR TEE)</b>				
Improvise from bulk tubing (2269) and improvise insulators from rubber hose, friction tape, etc.				
<b>2940 REINFORCEMENT (TRAILER BRAKE AIR HOSE CONNECTOR MOUNTING BRACKET)</b>				
80/	F-FT600/900	C7TZ 2940-A	With tractor trailer equipment	2
80/	L800/900, LN600/900, LNT-LT- LTS800/900	D0HZ 2940-A	#D0HA 2940-A-tractor trailer equipment	1
80/	L800/900, LN600/900, LNT-LT- LTS800/900	D0HZ 2940-B	#D0HA 2940-C-tractor trailer equipment	1
80/	L-LN-LNT-LT-LTS700/900	D9HZ 2940-A	#D7HS 2940-BA-with unitized tractor pkg.	1
<b>2A941 SPACER (COMPRESSOR BRACE)</b>				
80/83	B-CT-F-LN600/800 -- 8.2L dsl. eng.	E0TZ 2A941-A	Air brakes	1
<b>2A942-3 ARM (AIR COMPRESSOR BELT ADJUSTING)</b>				
80/	L-LN-LNT-LT-LTS900 -- Cum. diesel	C8HZ 2A942-A	Front-with A/C	1
		C8HZ 2A942-B	Rear-with A/C	1
<b>2-2942 TUBE (RESERVOIR TO TRAILER BRAKE AIR PROTECTOR VALVE)</b>				
Improvise from bulk tubing (2269) and improvise insulators from rubber hose, friction tape, etc.				
<b>2A945 COUPLING (COMPRESSOR DRIVE)</b>				
80/	L-LN-LT-LTS800/900 -- 6V-53,8V-71 Detroit diesel	★ D0HA 2A945-C	Order from Detroit Diesel #5141773-ND	1
80/	CL-CLT900 -- 8V-71TA, 8V-92TA-Detroit diesel	★ D7HA 2A945-AA	Order from Detroit Diesel #5140982-ND	1
<b>2946 GASKET (AIR COMPRESSOR MOUNTING SURFACE COVER)</b>				
80/	C-CT900 -- 8 cyl. gas	D4TZ 2946-A		1
80/	L-LN-LNT-LT-LTS900 -- 8 cyl. gas			1
86/	CF600/700	E6HZ 2946-A		1

**1980/  
TRUCK SERIES 600/900**

YEAR	MODEL/RESTRICTIONS	PART NUMBER	DESCRIPTION	QTY.
<b>2949 VALVE ASSY. (BRAKE AIR HAND CONTROL TRACTOR EQUIPMENT)-Also refer to group 2A747</b>				
80/	F600,C600/900, CT800/900	C2TZ 2949-A		1
80/	F-FT700/800 (81)			1
<b>2951 VALVE ASSY. (TRACTOR BRAKE AIR PROTECTOR)-Also refer to group 2A224</b>				
80/	C-CT700/900, F-FT700/800	B9Q 2951-A		1
80/	C-CT700/900	★ C8TZ 2951-A	Air brakes w/tractor trailer equipment- use as push-pull control valve - repl. by D0HZ 2951-B	1
80/	C-CT700/900	C8TZ 2951-B	Air brakes w/tractor trailer equipment- use as protection valve	1
80/	CL-CLT900	D8HZ 2951-A	#D7HA 2B200-AA	1
80/	CF-F-FT700/800 -- air brakes	E0HZ 2951-C	w/tractor trailer pkg.-use as push-pull control valve	1
80/	CF-F-FT600/800 -- air brakes	E0HZ 2951-B	W/tractor trailer pkg.-use as protection valve	1
80/	LN600/900,L800/900,LNT-LT LTS800/900	D5HZ 2951-A	#D5HA 2B200-AA,AB- with T/T equip.	1
80	C-CT600/900,LN600/900 L-LN-LNT-LT-LTS800/900 "Before 4/7/80"	D5TZ 2951-A	#D5TA 2B200-AA - Push-pull control valve	1
80	C-CT600/900, LN600/900 L-LN-LNT-LT-LTL-LTS800/900 "From 4/7/80"	E0HZ 2951-C	Push-pull control valve	1
		371969-S	(II-140)-tee (valve to hose support bracket)	1
		33797-S7	(M-50)-nut-5/16"-18	AR
		34806-S7	(X-64)-lockwasher-5/16"	AR
80/	C-CT600/900, F-FT700/800	45555-S7-8	(B-166-B)-bolt (valve to panel)-5/16"-24 x 3 3/4"	2
		33798-S8	(M-62)-nut-5/16"-24	AR
<b>2954 BRACKET (TRAILER BRAKE AIR HOSE CONNECTOR MOUNTING)</b>				
80/	C-F-FT-L-LN600/900, CT-LNT-LT- LTS800/900	C3TZ 2954-A		2
<b>2955 SPRING (TRAILER BRAKE AIR HOSE RETAINING)</b>				
80/	CL-CLT900	D8HZ 2955-A		2
80/	F600/750(81)	B9Q 2955-A		2
80/	C-CT600/900			2
80/	L-LN-LNT-LT-LTS600/900			2
<b>2A956 COMPRESSOR BRACKET MOUNTING KIT</b>				
80/	B-C-F-FT-LN600/900, CT800	C7TZ 2A956-A	Use with 7 1/4" cu. ft. compressor w/o radiator shutters and w/air cooled compressor	1
80/	C-CT-L700/800	C7TZ 2A956-C	Use with 12 cu. ft. compressor	1
80/82	C-CT-L700/800	C7TZ 2A956-B	Use with 7 1/4 cu. ft. compressor w/radiator shutters and water cooled compressor	1
<b>2959 BRACKET (TRAILER BRAKE AIR HOSE RETAINING SPRING)</b>				
80/	F-FT600/900	D1HZ 2959-A	#D1HA 2A831-AA	1
80/	C-CT-F-L700/900	B9QH 2959-A		1or2
80/	CL-CLT900	D8HZ 2959-A		1
80/	L-LN-LNT-LT-LTS600/900	D0HZ 2959-A		1
84/85	LN-LNT900 -- w/Cummins L-10 eng.	E5HZ 2959-A	Field fix	1
<b>2974 HOSE (CARBURETOR AIR CLEANER TO COMPRESSOR)-Improvise from bulk hose (4090)</b>				
<b>2976 TUBE (MANIFOLD FITTING TO AIR BRAKE COMPRESSOR GOVERNOR)</b> Improvise from bulk tubing (2269) and improvise insulators from rubber hose, friction tape, etc.				
80/	C600/800	357635-S	(II-177)-connection assy. (manifold fitting to air compressor governor hose)-1/4" pipe thread	1
<b>2977 TUBE ASSY. (ENGINE TO COMPRESSOR WATER ENGINE END)</b> Improvise from bulk tubing (2269) and improvise insulators from rubber hose, friction tape, etc.				
80/	B-F750, C800/900	353652-S	(II-4)-nipple (tube to compressor)	1
80/	B-C-F-LN600	371176-S	(II-146-T)-tee (tube to engine)-1/4" pipe	1

1980/  
TRUCK SERIES 600/900

YEAR	MODEL/RESTRICTIONS	PART NUMBER	DESCRIPTION	QTY.
<b>2977 TUBE ASSY. (ENGINE TO COMPRESSOR WATER ENGINE END) — Cont'd</b> Improvise from bulk tubing (2269) and improvise insulators from rubber hose, friction tape, etc.				
80/	C700/800	354584-S	(II-162)-elbow (tube to manifold)-3/8" tube	1
80/	B-F700, B750, C-F-LN600 -- 8 cyl. gas			1
80/	C-F700/750, C800		Elbow (tube to compressor)	1
80/	C600, L800, LN700/800 -- 8 cyl. gas			1
<b>2979 BRUSH and HOLDER ASSY. (AIR CONDITIONING COMPRESSOR)</b>				
80/	C-CT800	C8SZ 2979-A	#C3SA 2979-A, C7AA 2979-A, C7ZA 2987-A	1
<b>2987 FIELD ASSY.(AIR CONDITIONER COMPRESSOR WITH PILOT BUSHING)-Refer to Section 190</b>				
<b>2A987 COIL KIT (AIR CONDITIONER COMPRESSOR CLUTCH)-Refer to Section 190</b>				
<b>2989 HOSE ASSY (AIR COMPRESSOR GOVERNOR TO GOVERNOR TUBE)-Also refer to group 2913</b>				
80/	C600/700 -- diesel	C8TZ 2989-C	Approx. 24" long-w/air brake reusable hoses	1
		371176-S	(II-146-T)-tee (to valve)-1/4" pipe	1
<b>2990 BEARING ASSY. (AIR CONDITIONING COMPRESSOR)-Refer to Section 190</b>				
<b>2991 CONNECTOR and ADAPTER ASSY. (COMPRESSOR AIR INTAKE)</b>				
80/	C800/900, CT900	C1TT 2991-A		1
80/	L-LN-LNT-LT-LTS800/900 -- 8 cyl. gas	DOHZ 2991-A	#DOHA 2991-A	1
80/	LN600/700 -- Cat. diesel			1
<b>2995 HEAD (AIR CONDITIONER COMPRESSOR CYLINDER)</b>				
80/	All	DOAZ 2995-A	Use w/Tecumseh compressor and integral A/C	1
80/	All	DOAZ 2995-B	Use w/York compressor and integral A/C	1
<b>2A995 NIPPLE ASSY. (COMPRESSOR AIR HOSE INLET)</b>				
80/	L-LN-LNT-LT-LTS800 -- Cat. diesel	DOHZ 2A995-A	#DOHA 2A995-A -- air brakes	1
80/	L-LT-LTS900 -- Detroit diesel			1

# 1980/ TRUCK SERIES 600/900

This section includes replacement parts for transmission-mounted parking brakes and transfer case-mounted brakes. Spring-operated air parking brakes are not included in this section. For these parking brakes, refer to headings "Brake Systems" and "Brake Air Chamber" in the Illustration index for Illustration Section 10 to obtain group numbers.

### HOW TO USE PARKING BRAKE PARTS LISTS

1. Find the truck model in the model application chart below. (Example: B600)
2. Locate (in the chart below) the transmission used on the unit being repaired. (Example: 5 speed Clark 282V-  
shown in chart as "5 C 280 series")
3. Determine the size parking brake used on the truck (where necessary) (Example: 10" x 3")
4. Determine the year (and/or serial number) of the truck.
5. Read across to find the Parts List number in which the brake parts are listed. (Example: 9A)
6. Turn to the Parts List and select the part needed. (Parts Lists follow the Application Chart)

### PARKING BRAKE APPLICATION CHART

SPD.	TRANSMISSION		T Y P E ◆	L O C \$	SIZE (INCHES)	REMARKS	YEAR	PARTS LIST
	MFR.	MODEL						
▲								

**Notes:**  
 ▲ A-Allison, C-Clark, NP-New process, S-Spicer (Dana), W-Warner,  
 ◆ I-Internal shoe,  
 \$ A-Rear of aux. transmission, R-Rear of main transmission,  
 T-Rear of transfer case

#### B600/700

4	A	AT-540	I	R	10 x 3		80/83	21D
4	NP	435	I	R	10 x 3	Trans. mounted	80/83	29A
					10 x 3	Dash mounted	80/83	8A
4	W	T19	I	R	10 x 3	Trans. mounted	80/83	29A
					10 x 3	Dash mounted	80/83	8C
5	C	280 Series	I	R	10 x 3	Trans. mounted	80/83	29B
					10 x 3	Dash mounted	80/83	9A
5	C	390 Series	I	R	10 x 3	Trans. mounted	80/83	29C
					10 x 3	Dash mounted	80/83	9A
5	NP	542	I	R	10 x 3	Trans. mounted	80/83	29D
					10 x 3	Dash mounted	80/83	8B
5	S	5000 Series	I	R	10 x 3	Trans. mounted	80/83	29B
					10 x 3	Dash mounted	80/83	9A

#### C600/900

4	A	AT-540	I	R	9 x 3		80/83	7A
					10 x 3		80/83	7B
4	A	MT-643	I	R	12 x 4		80/83	30B
4	A	MT-650	I	R	12 x 4		80/83	5A
					9 x 3		80/83	11A
4	NP	435	I	R	10 x 3		80/83	11B
					10 x 3		80/83	10A
5	C	280 Series	I	R	9 x 3		80/83	10B
					10 x 3		80/83	28A
5	C	390	I	R	9 x 3		80/83	28B
					10 x 3		80/83	11C
5	S	5000 Series	I	R	9 x 3		80/83	11D
					12 x 4		80/83	6C
5	S	6000 Series	I	R	12 x 4		80/83	6C

**1980/  
TRUCK SERIES 600/900**

**PARKING BRAKE APPLICATION CHART**

SPD.	TRANSMISSION		T Y P E ◆	L O C \$	SIZE (INCHES)	REMARKS	YEAR	PARTS LIST
	MFR. ▲	MODEL						

**Notes:** ▲ A-Allison, C-Clark, NP-New process, S-Spicer (Dana), W-Warner,  
 ◆ I-Internal shoe,  
 \$ A-Rear of aux. transmission, R-Rear of main transmission,  
 T-Rear of transfer case

**F-FT600/900**

4	A	AT-540	I	R	9 x 3	Body type 81-2/W/D	80/83	21A
					9 x 3	Body type 84-2/W/D	80/83	21C
					10 x 3	Body type 81-2/W/D	80/83	21B
					10 x 3	Body type 84-2/W/D	80/83	21D
4	A	MT-643			12 x 4		80/83	18D
4	NP	435	I	R	9 x 3	Body type 81-2/W/D	80/83	22B
					10 x 3	Body type 81-2/W/D	80/83	22B
					9 x 3	Body type 84-2/W/D	80/83	8A
					10 x 3	Body type 84-2/W/D	80/83	8A
4	W	T19	I	R	9 x 3	Body type 81-2/W/D	80/83	22D
					10 x 3	Body type 81-2/W/D	80/83	22D
					9 x 3	Body type 84-2/W/D	80/83	8C
					10 x 3	Body type 84-2/W/D	80/83	8C
5	C	280 Series	I	R	9 x 3	Body type 81-2/W/D	80/83	22A
					9 x 3	Body type 84-2/W/D	80/83	9A
					10 x 3	Body type 81-2/W/D	80/83	22A
					10 x 3	Body type 84-2/W/D	80/83	9A
5	C	390	I	R	9 x 3	Body type 81-2/W/D	80/83	22A
					10 x 3	Body type 81-2/W/D	80/83	22A
					9 x 3	Body type 84-2/W/D	80/83	9A
					10 x 3	Body type 84-2/W/D	80/83	9A
5	NP	542	I	R	9 x 3	Body type 81-2/W/D	80/83	22C
					10 x 3	Body type 81-2/W/D	80/83	22C
					9 x 3	Body type 84-2/W/D	80/83	8B
					10 x 3	Body type 84-2/W/D	80/83	8B
5	S	5000 Series	I	R	9 x 3	Body type 81-2/W/D	80/83	22A
					10 x 3	Body type 81-2/W/D	80/83	22A
					9 x 3	Body type 84-2/W/D	80/83	9A
					10 x 3	Body type 84-2/W/D	80/83	9A
					12 x 4		83	31A

**L800**

4	A	AT-540	I	R	9 x 3		80/83	20C
5	A	MT-650	I	R	12 x 4		80/83	18A
5	C	280 Series	I	R	9 x 3		80/83	16A
5	C	390 Series	I	R	9 x 3		80/83	16A
5	S	5000 Series	I	R	9 x 3		80/83	17A
5	S	6000 Series	I	R	12 x 4		80/83	17D

**L900**

5	C	390 Series w/o aux. trans.	I	R	12 x 4		80/83	18C
5	C	390 Series w/7041 aux. trans.	I	A	12 x 4		80/83	23B

1980/  
TRUCK SERIES 600/900

**PARKING BRAKE APPLICATION CHART**

SPD.	TRANSMISSION		T Y P E ◆	L O C \$	SIZE (INCHES)	REMARKS	YEAR	PARTS LIST
	MFR. ▲	MODEL						

Notes:     ▲ A-Allison, C-Clark, NP-New process, S-Spicer (Dana), W-Warner,  
               ◆ I-Internal shoe,  
               \$ A-Rear of aux. transmission, R-Rear of main transmission,  
               T-Rear of transfer case

**L900**

5	S	5000 Series w/o aux. trans.	I	R	12 x 4		80/83	17C
5	S	5000 Series w/7041 aux. trans.	I	A	12 x 4		80/83	1B
5	S	6000 Series w/o aux. trans.	I	R	12 x 4		80/83	17D
5	S	6000 Series w/7041 aux. trans.	I	A	12 x 4		80/83	1B

**LN600**

4	A	AT-540	I	R	9 x 3		80/83	20A
					10 x 3		80/83	20A
4	NP	435	I	R	9 x 3		80/83	20B
					10 x 3		80/83	20B
5	C	280 Series	I	R	9 x 3		80/83	16B
					10 x 3		80/83	16B

**LN700**

4	A	AT-540	I	R	9 x 3		80/83	20A
					10 x 3		80/83	20A
4	A	MT-643	I	R	12 x 4		80/83	30A
4	NP	435	I	R	9 x 3		80/83	20B
					10 x 3		80/83	20B
5	C	280 Series	I	R	9 x 3		80/83	16B
					10 x 3		80/83	16B
					10 x 3		80/83	16B
5	C	390	I	R	9 x 3		80/83	27C
					10 x 3		80/83	27D
5	S	5000 Series	I	R	9 x 3		80/83	16B
					10 x 3		80/83	16B
5	S	6000 Series	I	R	12 x 4		80/83	17B

**LN800**

4	A	AT-540	I	R	9 x 3		80/83	20C
5	A	MT-650	I	R	12 x 4		80/83	18A
5	C	280 Series	I	R	9 x 3		80/83	16A
5	C	390 Series	I	R	9 x 3		80/83	16A
5	S	5000 Series	I	R	9 x 3		80/83	17A
5	S	6000 Series	I	R	12 x 4		80/83	17D

**LN900**

5	C	390 Series	I	R	12 x 4		80/83	18C
5	S	5000 Series	I	R	12 x 4		80/83	17C
5	S	6000 Series	I	R	12 x 4		80/83	17D

**1980/  
TRUCK SERIES 600/900**

**PARKING BRAKE APPLICATION CHART**

SPD.	TRANSMISSION		T Y P E ◆	L O C \$	SIZE (INCHES)	REMARKS	YEAR	PARTS LIST
	MFR.	MODEL						

Notes: ▲ A-Allison, C-Clark, NP-New process, S-Spicer (Dana), W-Warner,  
◆ I-Internal shoe,  
\$ A-Rear of aux. transmission, R-Rear of main transmission,  
T-Rear of transfer case

**LNT800**

5	A	MT-650	I	R	12 x 4		80/83	18A
5	C	280 Series	I	R	12 x 4		80/83	18B
5	C	390 Series	I	R	12 x 4		80/83	18C
5	S	5000 Series	I	R	12 x 4		80/83	17C
5	S	6000 Series	I	R	12 x 4		80/83	17D

**LNT900**

						Gas, Diesel-Spring-set (air) parking brakes are standard equipment. Refer to model index in Illustration Section 10.		
--	--	--	--	--	--	---	--	--

**LT800**

5	A	MT-650	I	R	12 x 4		80/83	18A
5	C	280 Series w/o aux. trans.	I	R	12 x 4		80/83	18B
5	C	280 Series w/7041 aux. trans.	I	A	12 x 4		80/83	23B
5	C	280 Series w/7231 aux. trans.	I	A	12 x 4		80/83	23C
5	C	390 Series w/o aux. trans.	I	R	12 x 4		80/83	18C
5	C	390 Series w/7041 aux. trans.	I	R	12 x 4		80/83	23B
5	C	390 Series w/7231 aux. trans.	I	R	12 x 4		80/83	2A
5	S	5000 Series w/o aux. trans.	I	R	12 x 4		80/83	17C
5	S	5000 Series w/7041 aux. trans.	I	A	12 x 4		80/83	1B
5	S	5000 Series w/7231 aux. trans.	I	A	12 x 4		80/83	1C
5	S	6000 Series w/o aux. trans.	I	R	12 x 4		80/83	17D
5	S	6000 Series w/7041 aux. trans.	I	R	12 x 4		80/83	1B
5	S	6000 Series w/7231 aux. trans.	I	R	12 x 4		80/83	2B

**LT900**

5	A	MT-650	I	R	12 x 4		80/83	18A
5	C	390 Series w/o aux. trans.	I	R	12 x 4		80/83	18C
5	C	390 Series w/7041 aux. trans.	I	A	12 x 4		80/83	23B
5	C	390 Series w/8341 aux. trans.	I	A	12 x 4		80/83	2A
5	S	5000 Series w/o aux. trans.	I	R	12 x 4		80/83	17C

**1980/  
TRUCK SERIES 600/900**

**PARKING BRAKE APPLICATION CHART**

SPD.	TRANSMISSION		T Y P E ◆	L O C \$	SIZE (INCHES)	REMARKS	YEAR	PARTS LIST
	MFR.	MODEL						

**Notes:**     ▲ A-Allison, C-Clark, NP-New process, S-Spicer (Dana), W-Warner,  
                  ◆ I-Internal shoe,  
                  \$ A-Rear of aux. transmission, R-Rear of main transmission,  
                  T-Rear of transfer case

**LT900**

5	S	5000 Series w/7041 aux. trans.	I	A	12 x 4		80/83	1B
5	S	5000 Series w/8341 aux. trans.	I	A	12 x 4		80/83	2B
5	S	6000 Series w/o aux. trans.	I	R	12 x 4		80/83	17D
5	S	6000 Series w/7041 aux. trans.	I	A	12 x 4		80/83	1B
5	S	6000 Series w/8341 aux. trans.	I	A	12 x 4		80/83	2B

**LTS800**

5	A	MT-650	I	R	12 x 4		80/83	18A
5	C	390 Series w/o aux. trans.	I	R	12 x 4		80/83	18C
5	C	390 Series w/7041 aux. trans.	I	R	12 x 4		80/83	23B
5	C	390 Series w/7231 aux. trans.	I	R	12 x 4		80/83	23C
5	S	5000 Series w/o aux. trans.	I	R	12 x 4		80/83	17C
5	S	5000 Series w/7041 aux. trans.	I	A	12 x 4		80/83	1B
5	S	5000 Series w/7231 aux. trans.	I	A	12 x 4		80/83	1C
5	S	6000 Series w/o aux. trans.	I	R	12 x 4		80/83	17D
5	S	6000 Series w/7041 aux. trans.	I	R	12 x 4		80/83	1B
5	S	6000 Series w/7231 aux. trans.	I	R	12 x 4		80/83	1C

**LTS900**

5	A	MT-650	I	R	12 x 4	Gas	80/83	18A
5	C	390 Series w/o aux. trans.	I	R	12 x 4	Gas	80/83	18C
5	C	390 Series W/7041 aux. trans.	I	A	12 x 4	Gas	80/83	23B
5	C	390 Series w/7231 aux. trans.	I	A	12 x 4	Gas	80/83	23C
5	C	390 Series w/8031 aux. trans.	I	A	12 x 4	Gas	80/83	2A
5	C	380 Series w/8341 aux. trans.	I	A	12 x 4	Gas	80/83	2A
5	S	5000 Series w/o aux. trans.	I	R	12 x 4	Gas	80/83	17C





1980/  
TRUCK SERIES 600/900

PARTS LIST NO. 1			
1B	1C	PART NUMBER	DESCRIPTION
1	1	★ C4TA 2596-A	Clamp (control sides)
1	1	COTZ 2614-A	Drum (brake)-with 7C universal joint-7 1/4" bolt circle
1	1	COTZ 2614-B	Drum (brake)-with 8C universal joint-9 1/4" bolt circle
8	8	★ 383699-S2	Bolt (brake drum to trans. flange)3/8"-16 x 1 1/8"
8	8	351385-S7	(XX-158)-flatwasher (brake drum to trans. flange)
8	8	34987-S4	(M-89-CF)-locknut (brake drum to trans. flange)-3/8"-16
2	2	C1TZ 2620-A	Lining (brake)-12" x 4"
2	2	C1TT 2634-A	Spring (brake release)-2 3/4" free length
1	1	C1TT 2A636-A	Plate (brake support)
1	1	C1TT 2A642-A	Strut
2	2	C1TZ 2648-A	Band & lining assy. (brake)-12" x 4"
1	1	C3TZ 2649-L	Bracket (cable support)
1	1	C3TZ 2649-H	Bracket (cable support)
1	1	★ 58656-S2	Bolt (cable support bracket to aux. trans.)-7/16"-14 x 1 3/4"
1	2	★ 58676-S2	Bolt (cable support bracket to aux. trans.)-1/2"-13 x 1 3/4"
1	1	380079-S2	(XX-173-C)-flatwasher (cable support bracket to aux. trans.)
1	4	44735-S8	(X-32)-flatwasher (cable support bracket to aux. trans.)-1/2"
1	1	C1TT 2A663-F	Bellcrank-2 11/16" hole centers
1	1	B8TZ 2A663-B	Bellcrank-2 11/16" hole centers
1	1	★ 373780-S2	Flatwasher (bellcrank to stud)
1	1	383053-S2	Flatwasher (bellcrank to stud)
1	1	34990-S4	(M-89-G)-nut (bellcrank to stud)-9/16"-12
1	1	371518-S	(MM-180)-nut (bellcrank to stud)-3/4"-20
2	2	72035-S7-8	(N-51)-Pin (bellcrank to clevis and brake arm to clevis)-cotter
1	1	72035-S7-8	(N-51)-pin (bellcrank to clevis)-cotter
1	1	72071-S	(N-54)-pin (bellcrank to stud)-cotter
2	2	73951-S7	(N-31)-pin (bellcrank to clevis)-clevis
1	1	★ 383973-S2	Stud (bellcrank to aux. trans.)
1	1	★ 383700-S2	Stud (bellcrank to aux. trans.)
1	1	★ D0HA 2A692-A	Spacer (control sides)
1	1	★ 56325-S2	Bolt (spacer and clamp to control sides)-5/16"-18 x 3/4"
1	1	33770-S4	(M-89-K)-nut (spacer and clamp to control sides)-lock-5/16"-18

CONTINUED ON NEXT PAGE

**1980/  
TRUCK SERIES 600/900**

**PARTS LIST NO. 1 cont'd.**

1B	1C		PART NUMBER	DESCRIPTION
1	1		C1TT 2A703-F	Shield (drum)
4	4		383698-S	(BB-201-AA)-bolt (shield and brake to trans. retainer)-5/8"-11 x 1 7/8"
4	4		★ 34991-S2	nut (shield and brake to trans. retainer)-lock-5/8"-1 1
1	1		C1TZ 2A710-C	Camshaft kit-consists of (1) C1TZ 2A710-A camshaft, (1) C3TZ 2816-A lever and (1) 375206-S8 nut
1	1		44739-S8	(X-39)-flatwasher (camshaft)-9/16"
1	1		375206-S8	(MM-173-E)-locknut (camshaft)-9/16"-12
1	1		D0HZ 2780-A	Control
4	4		56320-S4	(B-318-GD)-bolt (control to floor pan)-5/16"-18 x 3/4"
1	1		A7AZ 2814-A	Clip (cable to cable support bracket)
1	1		C3TZ 2816-A	# F 214-lever (brake)-also serviced in kit-Group 2A710
1			D0HZ 2853-W	Cable (brake)-LT-LTS800- # D0HA 2853-Y-106 1/2" long
1			D0HZ 2853-Y	Cable (brake)-L900, LT880/900, LTS900- # D0HA 2853-Z-98 1/4" long
	1		D0HZ 2853-U	Cable (brake)-LT880/900, LTS900- # D0HA 2853-U-103" long
	1		D0HZ 2853-V	Cable (brake)-LT-LTS800- # D0HA 2853-V-111" long
	1		★ 378869-S8	Clip (cable to trans.)
1			★ 377670-S8	Clip (cable to trans.)-L900 with 5000, 6000 and 7041
1	1		33925-S2	(M-33)-nut (cable to clevis)-hex. jam-3/8"-24
1	1		★ 34110-S2	Nut (cable to clevis)-square-3/8"-24-use 33925-S7(M-33)
1	1		B8TZ 2854-B	Clevis (cable)
1			C1TT 2857-B	Clevis (bellcrank to brake arm)-external thread-use w/97015-S
1	1		97015-S	(F-4)-clevis (bellcrank to brake arm)-internal thread-use w/C1TT 2857-B
1	1		73951-S7	(N-31)-pin (clevis to brake lever arm)-clevis

**1980/  
TRUCK SERIES 600/900**

				PARTS LIST NO. 2	
2A	2B			PART NUMBER	DESCRIPTION
1	1			★ C4TA 2596-A	Clamp (control sides)
1	1			COTZ 2614-A	Drum (brake)-with 7C universal joint-7 1/4" bolt circle
1	1			COTZ 2614-B	Drum (brake)-with 8C universal joint-9 1/4" bolt circle
8	8			★ 383699-S2	Bolt (brake drum to trans. flange)-3/8"-16 x 1 1/8"
8	8			351385-S7	(KK-158)-flatwasher (brake drum to trans. flange)
8	8			34987-S4	(M-89-CF)-locknut (brake drum to trans. flange)-3/8"-16
2	2			C1TZ 2620-A	Lining (brake)-12" x 4"
2	2			C1TT 2634-A	Spring (brake release)-2 3/4" free length
1	1			C1TT 2A636-A	Plate (brake support)
1	1			C1TT 2A642-A	Strut
2	2			C1TZ 2648-A	Band & lining assy. (brake)-12" x 4"
1	1			C3TZ 2649-J	Bracket (cable support)
1	1			58638-S	(B-89-A)-bolt (cable support bracket to aux. trans.)-3/8"-16 x 2"
1	1			58678-S2	(B-125-A)-bolt (cable support bracket to aux. trans.)-1/2"-13 x 2 1/4"
1	1			351385-S7	(XX-158)-flatwasher (cable support bracket to aux. trans.)
1	1			44735-S8	(X-32)-flatwasher (cable support bracket to aux. trans.)-1/2"
1	1			C1TT 2A663-F	Bellcrank-2 11/16" hole centers
1	1			★ 58695-S2	Bolt (bellcrank to aux. trans.)-9/16"-12 x 1"-use w/spring operated parking brake
1	1			★ 373780-S2	Flatwasher (bellcrank to stud)
1	1			34990-S4	(M-89-G)-nut (bellcrank to stud)-9/16"-12
1	1			★ 383973-S2	Stud (bellcrank to aux. trans.)-9/16"-not used w/spring-operated parking brake
1	1			★ D0HA 2A692-A	Spacer (control sides)
1	1			★ 56325-S2	Bolt (spacer and clamp to control sides)-5/16"-18 x 1 3/4"
1	1			33770-S4	(M-89-K)-locknut (spacer and clamp to control sides)-5/16"-18
1	1			C1TT 2A703-F	Shield (drum)-14 27/64" O.D.
4	4			383698-S	(BB-201-AA)-bolt (shield and brake to trans. retainer)-5/8"-11 x 1 7/8"
4	4			★ 34991-S2	Locknut (shield and brake to trans. retainer)-5/8"-11
1	1			C1TZ 2A710-C	Camshaft kit-consists of (1) C1TZ 2A710-A camshaft, (1) C3TZ 2816-A lever and (1) 375206-S8 nut
1	1			44739-S8	(X-39)-flatwasher (camshaft)-9/16"
1	1			375206-S7-8	(MM-173-E)-locknut (camshaft)-9/16"-12
1	1			EOHZ 2780-D	Control (brake)
4	4			56320-S4	(B-318-GD)-bolt (control to floor pan)-5/16"-18 x 3/4"
1	1			A7AZ 2814-A	Clip (cable to cable support bracket)
1	1			★ 378869-S	Clip (cable to trans.)
1	1			C3TZ 2816-A	# F 214-lever (brake)-also serviced in kit-group 2A710
1	1			DOHZ 2853-Z	Cable (brake)-# D0HA 2853-AB
1	1			33925-S7	(M-33)-nut (cable to clevis)-hex. jam-3/8"-24
1	1			★ 34110-S2	Nut (cable to clevis)-square-3/8"-24-use 33925-S7(M-33)
1	1			B8TZ 2854-B	Clevis (cable to bellcrank)
1	1			73951-S7	(N-31)-pin (clevis to bellcrank)-clevis
1	1			72035-S7-8	(N-51)-pin (clevis to bellcrank)-cotter
1	1			C1TT 2857-B	Clevis (bellcrank to brake arm)-external thread-use with 97015-S
1	1			97015-S	(F-4)-clevis (bellcrank to brake arm)-internal thread-use w/C1TT 2857-B
1	1			73951-S7	(N-31)-pin (clevis to brake lever)-clevis
1	1			72035-S7-8	(N-51)-pin (clevis to brake lever)-cotter
1	1			73951-S7	(N-31)-pin (clevis to bellcrank)-clevis
1	1			72035-S7-8	(N-51)-pin (clevis to bellcrank)-cotter

**1980/  
TRUCK SERIES 600/900**

**PARTS LIST NO. 5**

5A	PART NUMBER	DESCRIPTION
1	★ C3TA 2A155-D	Bracket (brake cable clip to trans.)—"L" shaped
1	★ C4TA 2596-A	Clip (brake cable to control sides)
1	C0TZ 2614-B	Drum (brake)-12" x 4"-7 1/4" bolt circle
1	D5HZ 2N608-B	Rod (brake release)
1	D5HZ 2L609-A	Rivet (brake lever panel spring stop)
4	384240-S	(BB-539-E)-bolt (brake assy. to trans. retainer)-5/8"-11 x 1 3/8"
4	373781-S	(XX-214-A)-flatwasher (brake assy. to trans. retainer)
2	C1TZ 2620-A	Lining (brake)-12" x 4"
2	C1TT 2634-A	Spring (brake release)-2 3/4" free length
1	C1TT 2A636-A	Plate assy. (brake support)
1	C1TT 2A642-A	Strut (brake)
2	C1TZ 2648-A	Band & lining assy. (brake)-12" x 4"
1	★ D3HA 2649-AA	Bracket (brake cable to trans.)-"V" shaped
2	★ 58653-S2	Bolt (brake cable bracket to trans.)-7/16"-14 x 1"
2	380079-S2	(XX-173-C)-flatwasher (brake cable bracket to trans.)
1	D3HZ 2654-A	Bracket (bellcrank to trans.)-# D3HA 2A667-A
2	383896-S2	(BB-195-E)-bolt (brake cable bracket to trans.-at bellcrank)-1/2"-13 x 2"
1	B8TZ 2A663-B	Bellcrank-2 11/16" hole centers
1	★ 373780-S2	Flatwasher (bellcrank to stud)
1	34990-S4	(M-89-G)-nut (bellcrank to stud)-lock-9/16"-12
1	★ 383700-S2	Stud (bellcrank to trans. bracket)
1	★ C4TA 2A692-A	Spacer (for control sides-at instrument panel)
1	D3HZ 2A702-A	Brace (control support)
1	56324-S	(B-318-GH)-bolt (control brace to instrument panel)-5/16"-18 x 1 1/2"
1	33770-S4	(M-89-K)-nut (control brace to instrument panel)-lock-5/16" -18
1	C1TT 2A703-F	Shield (brake drum)
1	C1TZ 2A710-A	Camshaft (brake)

CONTINUED ON NEXT PAGE

**1980/  
TRUCK SERIES 600/900**

**PARTS LIST NO. 5 cont'd.**

5A	PART NUMBER	DESCRIPTION
1	2A712	Clevis (brake cable)-refer to 2857
1	D5HZ 2780-A	Control (brake)
1	★ 56326-S2	Bolt (control to support brace)-5/16"-18 x 2"
1	33770-S4	(M-89-K)-nut (control to support brace)-5/16"-18
1	359613-S2	(MM-205)-retainer (control to dash panel)-nut
1	★ 55615	Screw (control to dash panel)
1	D5TZ 2793-A	Spring (brake handle button return)
1	D5TZ 2794-A	Button (brake handle)
1	A7AZ 2814-A	Clip (brake cable to bracket-on trans.)
1	D0HZ 2816-A	Lever (brake camshaft control)
1	C5TZ 2853-H	Cable (brake)
1	56320-S4	(B-318-GD)-bolt (brake cable clip to frame bracket-at radiator)- 5/16"-18 x 3/4"
1	56320-S4	(B-318-GD)-bolt (brake cable clip to bracket-on trans.)-5/16"-18 x 3/4"
1	56320-S4	(B-318-GD)-bolt (brake cable clip to frame bracket-at trans.)- 5/16"-18 x 3/4"
1	★ 354892-S100	Clip (brake cable to frame bracket-at radiator)
1	★ 377670-S8	Clip (brake cable to frame bracket-at trans.)
1	★ 378869-S8	Clip (brake cable to bracket-on trans.)
1	33770-S4	(M-89-K)-nut (brake cable clip to bracket-on trans.)-5/16"-18
1	33770-S4	(M-89-K)-nut (brake cable clip to frame bracket-at rad.)-5/16"-18
1	★ 34145-S2	Nut (brake cable end at clevis)-square-3/8"-24
1	33925-S7	(M-33)-nut (brake cable to clevis)-jam-3/8"-24
1	C1TT 2857-B	Clevis (bellcrank to camshaft)-external thread-use with 97015-S
1	C1TT 2857-G	Clevis (brake cable to bellcrank)
1	97015-S	(F-4)-clevis (bellcrank to camshaft)-internal thread-use w/C1TT 2857-B
2	72035-S7-8	(N-51)-Pin (bellcrank to camshaft)-cotter
2	73951-S7	(N-31)-pin (bellcrank to camshaft)-clevis
1	★ 73936-S8	Pin (brake cable clevis to bellcrank)-clevis
1	72035-S7-8	(N-51)-pin (brake cable clevis pin to bellcrank)-cotter
1	★ C7TA 5A235-F	Bracket (brake cable clip to frame)-"L" shaped-near front of trans.
1	★ 56323-S2	Bolt (brake cable bracket to frame-at trans.)-5/16"-18 x 1 1/4"- units w/air brakes or single hyd. brakes
1	33770-S4	(M-89-K)-nut (brake cable bracket to frame-at trans.)-5/16"-18- units w/air brakes or single hyd. brakes
1	33770-S4	(M-89-K)-nut (brake cable clip to frame bracket-at trans.)-5/16"-18
1	★ D0HA 6B609-E	Bracket (brake cable clip to frame)-"L" shaped-near radiator
1	★ 58636-S2	Bolt (brake cable bracket to frame-at rad.)-3/8"-16 x 1 1/2"
1	★ 44877-S2	Flatwasher (brake cable bracket to frame-at radiator)
1	34987-S4	(M-89-CF)-nut (brake cable bracket to frame-at radiator)-3/8"-16

1980/  
TRUCK SERIES 600/900

				PARTS LIST NO. 6	
6C				PART NUMBER	DESCRIPTION
1				★ C4TA 2596-A	Clip (brake cable to control sides)
1				C0TZ 2614-A	Drum (brake)-12" x 4"-7 1/4" bolt circle
4				★ 383699-S2	Bolt (brake drum to trans. flange)-3/8"-16 x 1 1/8"
4				351385-S7	(XX-158)-flatwasher (brake drum to trans. flange)
4				34987-S4	(M-89-CF)-nut (brake drum to trans. flange)-lock-3/8"-16
2				C1TZ 2620-A	Lining (brake)-12" x 4"
2				C1TT 2634-A	Spring (brake release)-2 3/4" free length
1				C1TT 2A636-A	Plate assy. (brake support)
4				383698-S	(BB-201-AA)-bolt (brake assy. to trans. retainer)-5/8"-11 x 1 7/8"
4				★ 34991-S2	Nut (brake assy. to trans. retainer)-5/8"-11
1				C1TT 2A642-A	Strut (brake drum)
2				C1TZ 2648-A	Band & lining assy.-12" x 4"
1				C1TT 2649-E	Bracket (brake cable support)-on trans.
2				★ 58633-S2	Bolt (cable support bracket to trans.)-3/8"-16 x 3/4"
2				351385-S7	(XX-158)-flatwasher (cable support bracket to trans.)
1				88TZ 2A663-B	Bellcrank-2 11/16" hole centers
1				34990-S4	(M-89-G)-nut (bellcrank stud)-lock-9/16"-12
2				73951-S7	(N-31)-pin (bellcrank to camshaft)-clevis
2				72035-S7-8	(N-51)-pin (bellcrank to camshaft)-cotter
1				384041-S2	(WW-107-A)-stud (bellcrank to trans.)-5000 trans.
1				★ 383700-S2	Stud (bellcrank to trans.)-6000 trans.
1				★ C4TA 2A692-A	Spacer (for control sides-at instrument panel)
1				C5TZ 2A702-A	Brace (control support)
1				56324-S	(B-318-6H)-bolt (control brace to instrument panel)-5/16"-18 x 1 1/2"
1				33770-S2	(M-89-K)-nut (control brace to instrument panel)-lock-5/16"-18
1				C1TT 2A703-F	Shield (brake drum)-13 27/64" O.D.
1				C1TZ 2A710-A	Camshaft (brake)
1				D9HZ 2A712-A	Clevis
1				C5TZ 2780-B	Control (brake)
1				★ 56326-S2	Bolt (control to support brace)-5/16"-18 x 2"
1				33770-S2	(M-89-K)-nut (control to support brace)-5/16"-18
1				359613-S2	(MM-205)-retainer (control to dash panel)-nut
1				★ 55615-S	Screw (control to dash panel)
1				A7AZ 2814-A	Clip (brake cable to support bracket)-on trans.
1				C1TT 2816-D	Lever (camshaft control)-# x 180"-7 1/4" hole centers
1				C5TZ 2853-L	Cable (brake)-134 3/4" long
2				★ 377670-S8	Clip (brake cable to frame at radiator and cab support)
1				33925-S7	(M-33)-nut (brake cable to clevis-at end)-hex. jam-3/8"-24
1				★ 34145-S2	Nut (brake cable to bellcrank)-square-3/8"-24
1				B8TZ 2854-B	Clevis (brake cable to bellcrank)-5000 trans.
1				C1TT 2857-B	Clevis (brake cable to bellcrank)-6000 trans.
1				C1TT 2857-H	Clevis (bellcrank to camshaft)-external thread-use with 97015-S
1				97015-S	(F-4)-clevis (bellcrank to camshaft)-internal thread-use w/C1TT 2857-H
1				★ 73936-S8	Pin (cable clevis to bellcrank)-clevis
1				72035-S7-8	(N-51)-pin (cable clevis pin to bellcrank)-cotter
1				★ 4446514	Spacer (bellcrank to trans.)-5000 trans.

1980/  
TRUCK SERIES 600/900

PARTS LIST NO. 7			
7A	7B	PART NUMBER	DESCRIPTION
1	1	★ C4TA 2596-A	Clip (brake cable to control)
1	1	D5HZ 2N608-B	Rod (brake release)
1	1	D5HZ 2L609-A	Rivet (brake liner panel spring stop)
1		D3TZ 2614-A	Drum (brake)-9" x 3"
	1	D3TZ 2614-B	Drum (brake)-10" x 3"
1		D3TZ 2620-A	Lining (brake)-9" x 3"
	1	D3TZ 2620-B	Lining (brake)-10" x 3"
2		B9T 2634-A	Spring (brake release)-3 1/4" free length
	2	C1TT 2634-A	Spring (brake release)-2 3/4" free length
1		B9TZ 2A636-A	Plate (brake support)-# 308674-9" x 3"
	1	D3TZ 2A636-A	Plate (brake support)-10" x 3"
	1	D3TZ 2A642-A	Strut (brake) - 10" x 3"
1		D3HZ 2648-B	Band & lining assy. (brake)-9" x 3"
	2	D3HZ 2648-A	Band & lining assy. (brake)-10" x 3"
1	1	★ D3TA 2649-BA	Bracket (cable support)-# D3TA 2649-BA
2	2	★ 58654-S2	Bolt (cable support bracket to trans.)-7/16"-14 x 1 1/4"
2	2	58635-S2	(B-82-A)-bolt (cable support bracket and spacer to trans.)-3/8 -16 x 1 1/4
2	2	★ 44878-S2	Flatwasher (cable support bracket to trans.)
4	4	★ 44877-S2	Flatwasher (cable support bracket to trans.)-at bolt head
2	2	34987-S4	(M-89-CF)-nut (cable support bracket to trans.)-lock-3/8"-16
1	1	D2TZ 2654-A	Bracket (bellcrank mounting)-# D2TA 2A667-A
2	2	380899-S2	(BB-176-B)-bolt (bellcrank mounting bracket to trans.)-7/16"-14 x 1 1/2"
2	2	★ 44878-S2	Flatwasher (bellcrank mounting bracket to trans.)
1		D3TZ 2A663-D	Bellcrank-# D3TA 2A663-DA-3 27/32" and 4" hole centers-gas engines
	1	D3TZ 2A663-B	Bellcrank-# D3TA 2A663-BA-3 27/32" and 4" hole centers-gas engines
1		E0HZ 2A663-C	Bellcrank-Diesel engines
	1	E0HZ 2A663-D	Bellcrank-Diesel engines
1	1	★ 44880-S2	Flatwasher (bellcrank to mounting bracket)
1	1	34033-S18	(M-11)-nut (bellcrank to mounting bracket)-slotted-9/16"
1	1	72035-S7-8	(N-51)-pin (bellcrank to mounting bracket)-cotter
1	1	372066-S	(WW-73)-stud (bellcrank to mounting bracket)
1	1	★ D3HA 2A686-AA	Bracket (control)-at dash panel-# D3HA 2A686-AA
2	2	359840-S8	(XX-107)-flatwasher (control bracket to dash panel)
2	2	359613-S2	(MM-205)-nut (control bracket to dash panel)-retainer
2	2	57041-S2	(B-310-D)-screw (control bracket to dash panel)
1	1	★ C4TA 2A692-A	Spacer (brake cable clip to control)-1/2" long
1	1	★ D3HA 2A692-AA	Spacer (brake cable clip to control)-13/16" long
1	1	★ D3TA 2A692-AA	Spacer (cable support bracket)-# D3TA 2A692-AA
1	1	D3HZ 2A702-A	Brace (control)-# D3HA 2A702-AA
1	1	56324-S	(B-318-GH)-bolt (control brace to instrument panel)-5/16"-18 x 1 1/2"
1	1	359840-S8	(XX-107)-flatwasher (control brace to instrument panel)
1	1	33770-S4	(M-89-K)-nut (control brace to instrument panel)-lock-5/16"-18
1		D6TZ 2A703-A	Shield (brake drum)
	1	D6TZ 2A703-B	Shield (brake drum)
4	4	58678-S2	(B-125-A)-bolt (shield and brake to trans.)-1/2"-13 x 2 1/4"
4	4	55697-S8	(M-89-F)-Nut (shield and brake to trans.)-lock-1/2"-13
1		B9TZ 2A710-D	Camshaft & lever assy. (brake)
	1	C1TZ 2A710-A	Camshaft (brake)
	1	375206-S7-8	(MM-173-E)-lock nut (camshaft)-9/16"-12

CONTINUED ON NEXT PAGE



**1980/  
TRUCK SERIES 600/900**

PARTS LIST NO. 7 cont'd.

7A	7B	PART NUMBER	DESCRIPTION
	1	44739-S8	(X-39)-flat washer (camshaft)-9/16"
1	1	D3TZ 2A712-A	Clevis (cable)
2	2	33925-S7	(M-33)-nut (cable to clevis)-hex. jam-3/8"-24
1	1	★ 76025-S8	Pin (cable to clevis)-clevis
1	1	72016-S7-8	(N-44)-pin (cable clevis)-cotter
1		B9T 2749-A	Spring (brake adjusting)
1	1	★ D3HZ 2780-A	Control (brake)-# D3HA 2780-AA - r/b D5HZ 2780-A
1	1	56320-S4	(B-318-GD)-bolt (control to bracket)-5/16"-18 x 3/4"
2	2	★ 56326-S2	Bolt (control to brace)-5/16"-18 x 2"
2	2	33770-S2-S4	(M-89-K)-nut (control to brake)-lock-5/16"-18
1	1	D5TZ 2793-A	Spring (brake handle button return)
1	1	D5TZ 2794-A	Button (brake handle)
	1	D3HZ 2816-A	Lever (brake camshaft)
1	1	D3HZ 2853-H	Cable (brake)-# D3HA 2853-K1A, K2A-132 7/8" long-gas engines "Before 3/16/81"
1	1	E1HZ 2853-D	Cable (brake)-Diesel engines "Before 3/16/81"
1	1	D3HZ 2853-H	Cable (brake)-all engines "From 3/16/81"
1	1	385633-S	(GG-388)-clamp (cable to support bracket on trans.)
1		D3TZ 2857-A	Clevis (bellcrank to camshaft)-external thread-use w/C1TT 2857-L
1		C1TT 2857-L	Clevis (bellcrank to camshaft)-internal thread-use w/D3TZ 2857-A
	1	385634-S8	(FF-4)-clevis (bellcrank to camshaft)-external thread-use with 97013-S8
	1	97013-S8	(F-3)-clevis (bellcrank to camshaft)-internal thread-use with 385634-S8
2		★ 76009-S8	Pin (bellcrank to camshaft)-clevis
	2	354419-S100	(NN-7-F)-pin (bellcrank to camshaft)-clevis
2	2	72016-S7-8	(N-44)-pin (bellcrank to camshaft)-cotter
1	1	★ D3HA 3C510-EA	Bracket (brake line mounting)-on frame-used to hold cable support bracket
2	2	★ 58675-S2	Bolt (brake line mounting bracket to frame)-manual strg.-1/2 -13 x 1 1/2
4	4	★ 44879-S2	Flatwasher (brake line mounting bracket to frame)-manual strg.
2	2	★ 34989-S2	Nut (brake line mounting bracket to frame)-manual strg.-lock-1/2 -13
1	1	★ TVBV 4487-A	Bracket (cable support)-attaches to (3C510) bracket on frame
1	1	★ 56322-S	Bolt (cable suppt. bracket to brake line mounting bracket)-5/16 -18 x 1 1/8
1	1	★ 56303-S2	Bolt (cable clip to support bracket)-1/4"-20" x 3/4"
1	1	★ 377672-S8	Clip (cable)-on cable support bracket on frame
1	1	33770-S4	(M-89-K)-nut (cable suppt. bracket to brake line mounting bracket)-lock-5/16"-18
1	1	33769-S	(M-89-J)-nut (cable clip to support bracket)-1/4"-20
1	1	★ C3TA 9338-F	Bracket (cable clip)-on accelerator retaining spring bracket
1	1	★ 56120	bolt (cable clip bracket to accel. spring bracket)-5/16 -18 x 3/4 -1973
1	1	35735-S	(BB-136)-bolt (cable clip bracket to accel. spg. bracket)-5/16 -18 x 7/8 -1974
1	1	★ 56303-S2	Bolt (cable clip to bracket)-on engine-1/4"-20 x 3/4"
1	1	★ 377672-S2	Clip (cable)-on cable clip bracket on engine
1	1	33769-S2	(M-89-J)-nut (cable clip to bracket)-on engine-lock-1/4"-20

**1980/  
TRUCK SERIES 600/900**

				PARTS LIST NO. 8	
8A	8B	8C		PART NUMBER	DESCRIPTION
1	1	1		D5HZ 2N608-B	Rod (brake release)
1	1	1		D5HZ 2L609-A	Rivet (brake lever panel spring stop)
1	1	1		D3TZ 2614-A	Drum (brake)-9" x 3"
1	1	1		D3TZ 2614-B	Drum (brake)-10" x 3"
4	4	1		385524-S2	(BB-390-KG)-Bolt (brake drum to trans. flange)-1/2"-13 x 1 7/16"
4	4	1		44879-S2	(X-31-G)-Flatwasher (brake drum to trans. flange)
4	4	1		55697-S8	(M-89-F)-Nut (brake drum to trans. flange)-1/2"-13
1	1	1		D3TZ 2620-A	Lining (brake)-9" x 3"
1	1	1		D3TZ 2620-B	Lining (brake)-10" x 3"
2	2	1		B9T 2634-A	Spring (brake release)-3 1/4" free length-9" x 3"
2	1	1		C1TT 2634-A	Spring (brake release)-10" x 3"
1	1	1		B9TZ 2A636-A	Plate (brake support)-#308674-9" x 3"
1	1	1		D3TZ 2A636-A	Plate (brake support)-10" x 3"
1	1	1		D3TZ 2A642-A	Strut (brake)-10" x 3"
1	1	1		D3HZ 2648-B	Band & lining assy. (brake)-9" x 3"
1	1	1		D3HZ 2648-A	Band & lining assy. (brake) 10" x 3"
	1			E0HZ 2A663-A	Bellcrank-9" x 3"
1				D3TZ 2A663-C	Bellcrank-9" x 3"
1	1			D3TZ 2A663-A	Bellcrank-10" x 3"
		1		E1HZ 2A663-A	Bellcrank-9" x 3"
		1		E0HZ 2A663-E	Bellcrank-10" x 3"
	1			B9TZ 2A663-A	Bellcrank-3 7/32" and 3 29/32" hole centers
1	1	1		★ 44880-S2	Flatwasher (bellcrank to trans.)
1	1	1		34033-S18	(M-11)-nut (bellcrank stud to trans.)-slotted-9/16"-18
1	1	1		72035-S7-8	(N-51)-pin (bellcrank stud nut to trans.)-cotter
1	1	1		372066-S	(WW-73)-stud (bellcrank to trans.)
1	1	1		D5HZ 2A687-A	Bracket (lever)
1	1	1		D6TZ 2A703-A	Shield (brake drum)-9" x 3"
1	1	1		D3TZ 2A703-B	Shield (brake drum)-10" x 3"
4	4	1		★ 58675-S2	Bolt (brake assy. and shield to trans. retainer)-1/2"-13 x 1 1/2"
4	4	1		34809-S8	(X-68)-lockwasher (brake assy. and shield to trans. retainer)-1/2"
4	4	1		380952-S2	(MM-11-B)-nut (brake assy. and shield to trans. retainer)-1/2"-13
2	2	1		★ 58634-S2	Bolt (control support to trans.)-3/8"-16 x 1"
2	2	1		★ 44877-S2	Flatwasher (control support to trans.)
1	1	1		B9TZ 2A710-D	Camshaft & lever assy. (brake)-9" x 3"
1	1	1		C1TZ 2A710-A	Camshaft & lever assy. (brake)-10" x 3"
1		1		D3TZ 2A712-A	Clevis (cable to bellcrank)
	1			C3TZ 2A712-A	Clevis (cable to bellcrank)
1	1	1		B9T 2749-A	Spring (brake adjusting)
1	1			★ D3TZ 2780-B	Control (brake)-r/b D5TZ 2780-A(6/77)
1	1	1		E0HZ 2780-C	Control (brake)
2	2	1		58637-S2	(B-86-A)-bolt (control to support)-3/8"-16 x 1 3/4"
4	4	1		★ 44877-S2	Flatwasher (control to support)
2	2	1		★ 44877-S2	Flatwasher (control and bellcrank to rod)
2	2	1		370770-S	(XX-140-X)-flatwasher (control sides)
2	2	1		34987-S4	(M-89-CF)-nut (control to support)-3/8"-16
2	2	1		72035-S7-8	(N-51)-pin (control and bellcrank to rod)-cotter
1	1	1		D5TZ 2793-A	Spring (brake handle button return)
1	1	1		D5TZ 2794-A	Button (brake handle)
1	1	1		D3HZ 2816-A	Lever (brake camshaft) 10" x 3"
1				E0HZ 2853-A	Cable (brake)-35 3/8" long
		1		E0HZ 2853-C	Cable (brake)-43 3/8" long-gas engines
		1		E0HZ 2853-N	Cable (brake)-66" long-Diesel engines
	1			E0HZ 2853-E	Cable (brake)-42 7/8" long
1	1	1		D3TZ 2857-A	Clevis (bellcrank to camshaft)-external thread-9" x 3"
1	1	1		C1TT 2857-L	Clevis (bellcrank to camshaft)-internal thread-9" x 3"
1	1	1		97013-S8	(F-3)-clevis (bellcrank to camshaft)-internal thread-use w/C1TT 2857-M
2	2	1		73896-S7-8	(N-6-A)-pin (bellcrank to camshaft)-clevis
2	2	1		72035-S7-8	(N-51)-pin (bellcrank to camshaft)-cotter

**1980/  
TRUCK SERIES 600/900**

**PARTS LIST NO. 9**

9A	PART NUMBER	DESCRIPTION
1	D5HZ 2N608-B	Rod (brake release)
1	D5HZ 2L609-A	Rivet (brake lever panel spring stop)
1	D3TZ 2614-A	Drum (brake)-9" x 3"
1	D3TZ 2614-B	Drum (brake)-10" x 3"
4	385524-S2	(BB-390-KG)-Bolt (brake drum to trans. flange)-1/2"-13 x 1 7/16"
4	44879-S2	(X-31-G)-Flatwasher (brake drum to trans. flange)
4	55697-S8	(M-89-F)-Nut (brake drum to trans. flange)-lock-1/2"-13
1	D3TZ 2620-A	Lining (brake)-9" x 3"
1	D3TZ 2620-B	Lining (brake)-10" x 3"
2	B9T 2634-A	Spring (brake release)-3 1/4" free length-9" x 3"
1	C1TT 2634-A	Spring (brake release)-10" x 3"
1	B9TZ 2A636-A	Plate (brake support)-#308674-9" x 3"
1	D3TZ 2A636-A	Plate (brake support)-10" x 3"
1	D3TZ 2A642-A	Strut (brake)-10" x 3"
1	D3HZ 2648-B	Band & lining assy.-9" x 3"
1	D3HZ 2648-A	Band & lining assy.-10" x 3"
1	D3TZ 2A663-C	Bellcrank-9" x 3"
1	D3TZ 2A663-A	Bellcrank-10" x 3"
1	C3TZ 2A712-A	Clevis (cable to bellcrank) 5000 Series trans.
2	★ 378056-S2	Flatwasher (bellcrank stud to trans.)
1	34033-S18	(M-11)-nut (bellcrank stud to trans.)-slotted-9/16"-18
2	73896-S7-8	(N-6-A)-pin (bellcrank to camshaft)-clevis
1	72035-S7-8	(N-51)-pin (bellcrank nut to trans.)-cotter
2	72035-S7-8	(N-51)-pin (bellcrank to camshaft)-cotter
1	372066-S	(WW-73)-stud (bellcrank to trans.)
1	D5HZ 2A687-A	Bracket (lever)
1	D6TZ 2A703-A	Shield (brake drum)-9" x 3"
1	D3TZ 2A703-B	Shield (brake drum)-10" x 3"
4	379027-S2	(BB-194-M)-Bolt (shield and brake to trans. retainer)-1/2"-13 x 1 9/16"
4	34809-S8	(X-68)-lockwasher (shield and brake to trans. retainer)-1/2"
4	380952-S2	(MM-11-B)-nut (shield and brake to trans. retainer)-1/2"-13
1	C1TZ 2A710-A	Camshaft & lever assy. (brake)-10" x 3"
1	B9TZ 2A710-D	Camshaft & lever assy. (brake)
1	D3TZ 2A712-A	Clevis (cable to bellcrank)-exc. 5000 Series
1	B9T 2749-A	Spring (brake adjusting)
1	E0HZ 2780-C	Control (brake)
2	58637-S2	(B-86-A)-bolt (control to support)-3/8"-16 x 1 3/4"
2	★ 44877-S2	Flatwasher (control and bellcrank to rod)
4	★ 44877-S2	Flatwasher (control to support)
2	370770-S	(XX-140-X)-flatwasher (control sides)
2	34987-S4	(M-89-CF)-nut (control to support)-3/8"-16
2	72035-S7-8	(N-51)-pin (control and bellcrank to rod)-cotter
1	D5TZ 2793-A	Spring (brake handle button return)
1	D5TZ 2794-A	Button (brake handle)
1	D3HZ 2816-A	Lever (brake camshaft)-10" x 3"
1	E0HZ 2853-D	Cable-43 7/8" long-Gas engines
1	E0HZ 2853-M	Cable-66" long-Diesel engines
1	D3TZ 2857-A	Clevis (bellcrank to camshaft)-external thread-9" x 3"
1	C1TT 2857-L	Clevis (bellcrank to camshaft)-internal thread-9" x 3"

**1980/  
TRUCK SERIES 600/900**

				PARTS LIST NO. 10	
10A	10B			PART NUMBER	DESCRIPTION
1	1			★ C4TA 2596-A	Clip (brake cable to control)
1	1			D5HZ 2N608-B	Rod (brake release)
1	1			D5HZ 2L609-A	Rivet (brake lever panel spring stop)
1				D3TZ 2614-A	Drum (brake)-9" x 3"
	1			D3TZ 2614-B	Drum (brake)-10" x 3"
4	4			385524-S2	(BB-390-KG)-Bolt (brake drum to trans. flange)-1/2"-13 x 1 1/2"
4	4			44879-S2	(X-31-G)-Flatwasher (brake drum to trans. flange)
4	4			55697-S8	(M-89-F)-Nut (brake drum to trans. flange)-lock-1/2"-13
1				D3TZ 2620-A	Lining (brake)-9" x 3"
	1			D3TZ 2620-B	Lining (brake)-10" x 3"
2				B9T 2634-A	Spring (brake release)-3 1/4" free length
	2			C1TT 2634-A	Spring (brake release)-2 3/4" free length
1				B9TZ 2A636-A	Plate (brake support)-# 308674-9" x 3"
	1			D3TZ 2A636-A	Plate (brake support)-10" x 3"
	1			D3TZ 2A642-A	Strut (brake) - 10" x 3"
1				D3HZ 2648-B	Band & lining assy. (brake)-9" x 3"
	2			D3HZ 2648-A	Band & lining assy. (brake)-10" x 3"
1	1			★ D3HA 2649-JA	Bracket (cable support)-# D3HA 2649-JA
2	2			★ 44877-S2	Flatwasher (cable support bracket to trans.)
2	2			★ 58634-S2	Bolt (cable support bracket to trans.)-3/8"-16 x 1"
1				D3TZ 2A663-C	Bellcrank-# D3TA 2A663-CA-3 27/32" and 4" hole centers
	1			D3TZ 2A663-A	Bellcrank-# D3TA 2A663-AA-3 27/32" and 4" hole centers
1	1			★ 44880-S2	Flatwasher (bellcrank to trans.)
1	1			34033-S18	(M-11)-nut (bellcrank to trans.)-slotted-9/16"-18
2				★ 76009-S8	Pin (bellcrank to camshaft)-clevis
	2			354419-S100	(NN-7-F)-pin (bellcrank to camshaft)-clevis
2	2			72016-S7-8	(N-44)-pin (bellcrank to camshaft)-cotter
1	1			72035-S7-8	(N-51)-pin (bellcrank to trans.)-cotter
1	1			372066-S	(WW-73)-stud (bellcrank to trans.)
1	1			★ D3HA 2A686-AA	Bracket (control)-at dash panel-# D3HA 2A686-AA
1	1			★ C4TA 2A692-A	Spacer (brake cable clip to control)-round-1/2" long
1	1			★ D3HA 2A692-AA	Spacer (brake cable clip to control)-round-13/16" long
1	1			★ D3TA 2A692-AA	Spacer (cable support bracket)-flat-# D3TA 2A692-AA
1	1			★ D3TA 2A701-AA	Pipe (brake drain)-1/8" pipe x 2 3/4" long with 1/8"-27 pipe thread-in (7049) retainer
1	1			D3HZ 2A702-A	Brace (control)-# D3HA 2A702-AA
2	2			★ 56326-S2	Bolt (control to brace)-5/16"-18 x 2"
2	2			33770-S4	(M-89-K)-nut (control to brace)-lock-5/16"-18
1				D6TZ 2A703-A	Shield (brake drum)
	1			D6TZ 2A703-B	Shield (brake drum)
4	4			379027-S2	(BB-194-M)-Bolt (shield and brake to trans. retainer)-1/2"-13 x 1 9/16"
4	4			34809-S8	(X-68)-lockwasher (shield and brake to trans. retainer)
4	4			380952-S2	(MM-11-B)-nut (shield and brake to trans. retainer)-1/2"-13
1				B9TZ 2A710-D	Camshaft & lever assy. (brake)
	1			C1TZ 2A710-A	Camshaft (brake)
	1			375206-S7-8	(MM-173-E)-locknut (camshaft)-9/16"-12
1	1			D3TZ 2A712-A	Clevis (cable to bellcrank)
2	2			33925-S7	(M-33)-nut (cable clevis)-hex. jam-3/8"-24

CONTINUED ON NEXT PAGE

**1980/  
TRUCK SERIES 600/900**

**PARTS LIST NO. 10 cont'd.**

10A	10B	PART NUMBER	DESCRIPTION
1	1	★ 76025-S8	Pin (cable clevis)-clevis
1	1	72016-S7	(N-57)-pin (cable clevis pin)-cotter
1		B9T 2749-A	Spring (brake adjusting)
1	1	D5HZ 2780-A	Control (brake)
1	1	56320-S4	(B-318-GD)-bolt (control to bracket)-5/16"-18 x 3/4"
1	1	D5TZ 2793-A	Spring (brake handle button return)
1	1	D5TZ 2794-A	Button (brake handle)
	1	D3HZ 2816-A	Lever (brake camshaft)
1	1	D3HZ 2853-C	Cable (brake)-gas engines-# D3HA 2853-E1A, E2A-129 5/8" long
1	1	D7HZ 2853-A	Cable (brake)-Diesel engines
2	2	58635-S2	(B-82-A)-bolt (cable clamp to cable support bracket)-3/8"-16 x 1 1/4"
1	1	385633-S	(GG-388)-clamp (cable to support bracket on trans.)
4	4	★ 44877-S2	Flatwasher (cable clamp to cable support bracket)
2	2	34987-S4	(M-89-CF)-nut (cable clamp to cable support bracket)-lock-3/8"-16
1		D3TZ 2857-A	Clevis (bellcrank to camshaft)-external thread-use w/C1TT 2857-L
1		C1TT 2857-L	Clevis (bellcrank to camshaft)-internal thread-use w/D3TZ 2857-A
	1	385634-S	(FF-4)-clevis (bellcrank to camshaft)-external thread-use with 97013-S8
	1	97013-S8	(F-3)-clevis (bellcrank to camshaft)-internal thread-use with 385634-S
1	1	★ D3HA 3C510-EA	Bracket (brake line mounting)-on frame-8 cyl.-used to hold cable support bracket
2	2	379027-S2	(BB-194-M)-Bolt (brake line mounting bracket to frame)-manual steering-8 cyl. gas 1/2"-13 x 1 9/16"
4	4	★ 44879-S2	Flatwasher (brake line mounting bracket to frame)-manual strg.-8 cyl. gas
2	2	★ 34989-S2	Nut (brake line mounting bracket to frame)-lock-manual strg.-8 cyl. gas-1/2"-13
1	1	★ TVBV 4487-A	Bracket (cable support)-8 cyl. gas-attaches to (3C510) bracket on frame
1	1	★ 56322-S	Bolt (cable support bracket to brake line mounting bracket)-8 cyl. gas-5/16"-18 x 1"
1	1	★ 56303-S2	Bolt (cable clip to support bracket)-on frame-8 cyl. gas-1/4 -20 x 3/4
1	1	★ 377672-S2	Clip (cable)-on cable support bracket on frame-8 cyl. gas
1	1	33769-S2	(M-89-J)-nut (cable clip to support bracket)-lock-on frame-8 cyl. gas-1/4"-20
1	1	33770-S4	(M-89-K)-nut (cable support bracket to brake line mounting bracket)-lock-8 cyl. gas-5/16"-18
1	1	★ C3TA 9338-F	Bracket (cable clip)-on accelerator retaining spring bracket-8 cyl. gas
1	1	★ 56120-S	Bolt (cable clip bracket to accelerator spring bracket)-1973-8 cyl. gas-5/16"-18 x 3/4"
1	1	357235-S	(BB-136)-bolt (cable clip bracket to accelerator spring bracket)-1974-8 cyl. gas-5/16"-18 x 7/8"
1	1	★ 56303-S2	Bolt (cable clip to bracket)-on engine-8 cyl. gas-1/4 -20 x 3/4
1	1	★ 377672-S2	Clip (cable)-on cable clip bracket on engine
1	1	33769-S2	(M-89-J)-nut (cable clip to bracket)-lock-on engine-8 cyl. gas-1/4 -20
1	1	★ 56322-S2	Bolt (cable clip to rad. support bracket)-on frame-6 cyl. gas and 8 cyl. diesel-5/16"-18 x 1"
1	1	★ 377670-S8	Clip (cable)-at rad. support bracket on frame-6 cyl. gas and 8 cyl. diesel
1	1	33770-S4	(M-89-K)-nut (cable clip to rad. support bracket)-lock-on frame-6 cyl. gas and 8 cyl. diesel-5/16"-18
1	1	★ 56322-S2	Bolt (cable clip to cab support)-6 cyl. gas and 8 cyl. diesel-5/16 -18 x 1
1	1	★ 377670-S8	Clip (cable)-at cab support-6 cyl. gas and 8 cyl. diesel
1	1	33770-S4	(M-89-K)-nut (cable clip to cab support)-lock-6 cyl. gas and 8 cyl. diesel-5/16"-18

1980/  
TRUCK SERIES 600/900

PARTS LIST NO. 11					
11A	11B	11C	11D	PART NUMBER	DESCRIPTION
1	1	1	1	★ C4TA 2596-A	Clip (brake cable to control)
1	1	1	1	D5HZ 2N608-B	Rod (brake release)
1	1	1	1	D5HZ 2L609-A	Rivet (brake lever panel spring stop)
1		1		D3TZ 2614-A	Drum (brake)-9" x 3"
	1		1	D3TZ 2614-B	Drum (brake)-10" x 3"
4	4	4	4	385524-S2	(BB-390-KG)-Bolt (brake drum to trans. flange)-1/2"-13 x 1 1/2"
4	4	4	4	44879-S2	(X-31-G)-Flatwasher (brake drum to trans. flange)
4	4	4	4	55697-S8	(M-89-F)-Nut (brake drum to trans. flange)-lock-1/2"-13
1		1		D3TZ 2620-A	Lining (brake)-9" x 3"
	1		1	D3TZ 2620-B	Lining (brake)-10" x 3"
2		2		B9T 2634-A	Spring (brake release)-3 1/4" free length
	2		2	C1TT 2634-A	Spring (brake release)-2 3/4" free length
1		1		B9TZ 2A636-A	Plate (brake support)-# 308674-9" x 3"
	1		1	D3TZ 2A636-A	Plate (brake support)-10" x 3"
	1		1	D3TZ 2A642-A	Strut (brake) - 10" x 3"
1		1		D3HZ 2648-B	Band & lining assy. (brake)-9" x 3"
	2		2	D3HZ 2648-A	Band & lining assy. (brake)-10" x 3"
1	1			★ D3HA 2649-KA	Bracket (cable support)-# D3HA 2649-KA
		1	1	C1TT 2649-E	Bracket (cable support)
2	2			★ 58634-S2	Bolt (cable support bracket to trans.)-3/8"-16 x 1"
		2	2	58635-S2	(B-82-A)-bolt (cable support bracket to trans.)-3/8"-24 x 1 1/4"
2	2	2	2	★ 44877-S2	Flatwasher (cable support bracket to trans.)
1				D3TZ 2A663-D	Bellcrank-# D3TA 2A663-DA-3 27/32" and 4" hole centers
	1			D3TZ 2A663-B	Bellcrank-# D3TA 2A663-BA-3 27/32" and 4" hole centers
		1		D3TZ 2A663-C	Bellcrank-# D3TA 2A663-CA-3 27/32" and 4" hole centers
			1	D3TZ 2A663-A	Bellcrank-# D3TA 2A663-AA-3 27/32" and 4" hole centers
1	1	1	1	★ 44880-S2	Flatwasher (bellcrank to trans.)
1	1	1	1	34033-S18	(M-11)-nut (bellcrank to trans.)-slotted-9/16"-18
2		2		★ 76009-S8	Pin (bellcrank to camshaft)-clevis
	2		2	354419-S100	(NN-7-F)-pin (bellcrank to camshaft)-clevis
2	2	2	2	72016-S7-8	(N-44)-pin (bellcrank to camshaft)-cotter
1	1	1	1	72035-S7-8	(N-51)-pin (bellcrank to trans.)-cotter
1	1			385555-S2	(XX-193-C)-spacer (bellcrank stud to trans.)
1	1			★ 385554-S2	Stud (bellcrank to trans.)
		1	1	372066-S2	(WW-73)-stud (bellcrank to trans.)
1	1	1	1	★ D3HA 2A686-AA	Bracket (control)-at dash panel-# D3HA 2A686-AA
1	1	1	1	★ C4TA 2A692-A	Spacer (brake cable clip to control)-round-1/2" long
1	1	1	1	★ D3HA 2A692-AA	Spacer (brake cable clip to control)-round-13/16" long
1	1			★ D3TA 2A692-AA	Spacer (cable support bracket)-flat-# D3TA 2A692-AA
		1	1	★ D3TA 2A701-AA	Pipe (brake drain)-1/8" pipe x 2 3/4" long with 1/8"-27 pipe thread-in (7049) retainer
1	1	1	1	D3HZ 2A702-A	Brace (control)-# D3HA 2A702-AA
2	2	2	2	33770-S4	(M-89-K)-nut (control to brace)-lock-5/16"-18
1				D6TZ 2A703-A	Shield (brake drum)
	1			D6TZ 2A703-B	Shield (brake drum)
		1		C1TT 2A703-D	Shield (brake drum)-R.H.-10" O.D.
		1		C1TT 2A704-D	Shield (brake drum)-L.H.-10" O.D.
			1	D3TZ 2A703-A	Shield (brake drum)-R.H.-# D3TA 2A703-AA
			1	D3TZ 2A704-A	Shield (brake drum)-L.H.-# D3TA 2A704-AA
4	4	4	4	379027-S2	(BB-194-M)-Bolt (shield and brake to trans. retainer)-1/2"-13 x 1 9/16"
4	4	4	4	34809-S8	(X-68)-lockwasher (shield and brake to trans. retainer)
4	4	4	4	380952-S2	Nut (shield and brake to trans. retainer)-1/2"-13
1		1		B9TZ 2A710-D	Camshaft & lever assy. (brake)
	1		1	C1TZ 2A710-A	Camshaft (brake)
	1		1	375206-S7-8	(MM-173-E)-locknut (camshaft)-9/16-12
1	1			D3TZ 2A712-A	Clevis (cable to bellcrank)
		1	1	C3TZ 2A712-B	Clevis (cable to bellcrank)
2	2	1	1	33925-S7	(M-33)-nut (cable clevis)-hex. jam-3/8"-24
		1	1	★ 34110-S2	Nut (cable clevis-square-3/8"-24-use 33925-S7 (M-33))

CONTINUED ON NEXT PAGE

**1980/  
TRUCK SERIES 600/900**

PARTS LIST NO. 11 cont'd.

11A	11B	11C	11D	PART NUMBER	DESCRIPTION
1	1			★ 76025-S8	Pin (cable clevis)-clevis
1	1			72016-S7	(N-57)-pin (cable clevis pin)-cotter
		1	1	359236-S13	(NN-12)-pin (cable clevis)-clevis
		1	1	72035-S7-8	(N-51)-pin (cable clevis pin)-cotter
1		1		B9T 2749-A	Spring (brake adjusting)
1	1	1	1	★ D3HZ 2780-A	Control (brake)-# D3HA 2780-AA - r/b D5HZ 2780-A
1	1	1	1	56320-S4	(B-318-GD)-bolt (control to bracket)-5/16"-18 x 3/4"
2	2	2	2	★ 56326-S2	Bolt (control to brace)-5/16"-18 x 2"
1	1	1	1	D5TZ 2793-A	Spring (brake handle button return)
1	1	1	1	D5TZ 2794-A	Button (brake handle)
		1	1	A7AZ 2814-A	Clip (cable to cable support bracket)
	1		1	D3HZ 2816-A	Lever (brake camshaft)
1	1			D3HZ 2853-G	Cable (brake)-# D3HA 2853-J1A,J2A-125 1/2" long
		1	1	D3HZ 2853-N	Cable (brake)
2	2			58635-S2	(B-82-A)-bolt (cable clamp to cable support bracket)-3/8"-16 x 1 1/4"
1	1			385633-S	(GG-388)-clamp (cable to support bracket on trans.)
4	4			★ 44877-S2	Flatwasher (cable clamp to cable support bracket)
2	2			34987-S4	(M-89-CF)-nut (cable clamp to cable support bracket)-lock-3/8"-16
1		1		D3TZ 2857-A	Clevis (bellcrank to camshaft)-external thread-use w/C1TT 2857-L
1		1		C1TT 2857-L	Clevis (bellcrank to camshaft)-internal thread-use w/D3TZ 2857-A
	1		1	385634-S	(FF-4)-clevis (bellcrank to camshaft)-external thread-use with 97013-S8
	1		1	97013-S8	(F-3)-clevis (bellcrank to camshaft)-internal thread-use with 385634-S
1	1	1	1	★ D3HA 3C510-EA	Bracket (brake line mounting)-on frame-8 cyl.-used to hold cable support bracket
2	2	2	2	379027-S2	(BB-194-M)-Bolt (brake line mounting bracket to frame)-manual steering-8 cyl. gas-1/2"-13 x 1 9/16"
4	4	4	4	★ 44879-S2	Flatwasher (brake line mounting bracket to frame)-manual strg.-8 cyl. gas
2	2	2	2	55697-S8	(M-89-F)-Nut (brake line mounting bracket to frame)-lock-manual strg.-8 cyl. gas-1/2" - 13
1	1	1	1	★ TVBV 4487-A	Bracket (cable support)-8 cyl. gas-attaches to (3C510) bracket on frame
1	1	1	1	★ 56322-S	Bolt (cable support bracket to brake line mounting bracket)-8 cyl. gas-5/16" - 18 x 1"
1	1	1	1	★ 56303-S2	Bolt (cable clip to support bracket)-on frame-8 cyl. gas-1/4" -20 x 3/4
1	1	1	1	★ 377672-S2	Clip (cable)-on cable support bracket on frame-8 cyl. gas
1	1	1	1	33769-S2	(M-89-J)-nut (cable clip to support bracket)-lock-on frame-8 cyl. gas-1/4" - 20
1	1	1	1	33770-S4	(M-89-K)-nut (cable support bracket to brake line mounting bracket)-lock-8 cyl. gas-5/16" - 18
1	1	1	1	★ C3TA 9338-F	Bracket (cable clip)-on accelerator retaining spring bracket-8 cyl. gas
1	1	1	1	★ 56120-S	Bolt (cable clip bracket to accelerator spring bracket)-1973-8 cyl. gas-5/16" - 18 x 3/4"
1	1	1	1	357235-S	(BB-136)-bolt (cable clip bracket to accelerator spring bracket)-1974-8 cyl. gas-5/16" x 7/8"
1	1	1	1	★ 56303-S2	Bolt (cable clip to bracket)-on engine-8 cyl. gas-1/4"-20 x 3/4"
1	1	1	1	★ 377672-S2	Clip (cable)-on cable clip bracket on engine
1	1	1	1	33769-S2	(M-89-J)-nut (cable clip to bracket)-lock-on engine-8 cyl. gas-1/4"-20
1	1			★ 56322-S2	(Bolt (cable clip to rad. support bracket)-on frame-6 cyl. gas and 8 cyl. diesel-5/16" - 18 x 1"
1	1			★ 377670-S8	Clip (cable)-at rad. support bracket on frame-6 cyl. gas and 8 cyl. diesel
1	1			33770-S4	(M-89-K)-nut (cable clip to rad. support bracket)-lock-on frame-6 cyl. gas and 8 cyl. diesel-5/16" - 18
1	1			★ 56322-S2	Bolt (cable clip to cab support)-6 cyl. gas and 8 cyl. diesel-5/16" - 18 x 1
1	1			★ 377670-S8	Clip (cable)-at cab support-6 cyl. gas and 8 cyl. diesel
1	1			33770-S4	(M-89-K)-nut (cable clip to cab support)-lock-6 cyl. gas and 8 cyl. diesel 5/16" - 18

1980/  
TRUCK SERIES 600/900

PARTS LIST NO. 16			
16A	16B	PART NUMBER	DESCRIPTION
1	1	★ C4TA 2596-A	Clamp (control sides)
	1	E0HZ 2N608-A	Rod (brake release)
	1	D5HZ 2L609-A	Rivet (brake lever panel spring stop)
1	1	D3TZ 2614-A	Drum (brake)-9" x 3" models
	1	D3TZ 2614-B	Drum (brake)-10" x 3" models
4		43089-S7-8	(B-228-H)-bolt (drum to trans. flange)-1/2"-13 x 1"-for units with 055, 1410 or 1480 universal joint
4		★ 384026-S2	Bolt (drum to trans. flange)-square head-1/2"-13 x 1 3/16"-for 9" x 3" brake and 6C universal joint
	4	385524-S2	(BB-390-KG)-Bolt (brake drum to trans. flange)-1/2"-13 x 1 1/2"
	4	44879-S2	(X-31-G)-Flatwasher (brake drum to trans. flange)
4		55697-S8	(M-89-F)-Nut (drum to trans. flange)-lock-1/2"-13-for 9" x 3" brake and 6C universal joint
	4	★ 34989-S2	Nut (brake drum to trans. flange)-lock-1/2"-13
1	1	D3TZ 2620-A	Lining (brake)-9" x 3"
	1	D3TZ 2620-B	Lining (brake)-10" x 3"
2	2	B9T 2634-A	Spring (brake release)-3 1/4" free length
	2	C1TT 2634-A	Spring (brake release)-2 3/4" free length-10" x 3" models
1	1	B9TZ 2A636-A	Plate (brake support)-# 308674
	2	D3TZ 2A636-A	Plate (brake support)-10" x 3" models
	1	D3TZ 2A642-A	Strut (brake) - 10" x 3"
1	1	D3HZ 2648-B	Band & lining assy. (brake)-9" x 3" models
	2	D3HZ 2648-A	Band & lining assy. (brake)-10" x 3" models
1	1	★ D3HA 2649-JA	Bracket (cable support)-# D3HA 2649-JA
2		★ 58633-S2	Bolt (cable support bracket to trans.)-3/8"-16 x 3/4"
	2	★ 58634-S2	Bolt (cable support bracket to trans.)-3/8"-16 x 1"
	2	★ 44877-S2	Flatwasher (cable support bracket to trans.)
2		351385-S7	(XX-158)-flatwasher (cable support bracket to trans.)
1	1	D3TZ 2A663-C	Bellcrank-9" x 3" models-# D3TA 2A663-CA -3 27/32" and 4" hole centers
	1	D3TZ 2A663-A	Bellcrank-10" x 3" models-# D3TA 2A663-AA -3 27/32" and 4" hole centers
2		★ 378056-S2	Flatwasher (bellcrank stud to bellcrank)
	1	★ 44880-S2	Flatwasher (bellcrank to trans.)
1	1	34033-S18	(M-11)-nut (bellcrank stud to bellcrank)-slotted-9/16"- 18
1	1	72035-S7-8	(N-51)-pin (bellcrank stud to bellcrank)-cotter
2		72035-S7-8	(N-51)-pin (bellcrank to camshaft)-cotter
2		73896-S7-8	(N-6-A)-pin (bellcrank to camshaft)-clevis
	2	★ 76009-S8	Pin (bellcrank to camshaft)-clevis-9" x 3" models
	2	354419-S100	(NN-7-F)-pin (bellcrank to camshaft)-clevis-10" x 3" models
	2	72016-S7-8	(N-44)-pin (bellcrank to camshaft)-cotter
1	1	372066-S	(WW-73)-stud (bellcrank to trans.)
1	1	★ D3TA 2A692-AA	Spacer (cable support bracket)-flat-# D3TA 2A692-AA
	1	★ D3HA 2A692-AA	Spacer (control sides)-round
1		★ 56325-S2	Bolt (spacer and clamp to control sides)-5/16"-18 x 1 3/4"

CONTINUED ON NEXT PAGE



**1980/  
TRUCK SERIES 600/900**

PARTS LIST NO. 16 cont'd.

16A	16B	PART NUMBER	DESCRIPTION
	1	★ 56326-S2	Bolt (spacer and clamp to control side)-5/16" -18 x 2"
1	1	33770-S4	(M-89-K)-nut (spacer and clamp to control sides)-lock-5/16"-18
1		★ C1TT 2A701-A	Pipe (brake drain)-1/8" pipe 3 1/8" long with 1/8"-27 pipe thread-in (7049) retainer
	1	★ D3TA 2A701-AA	Pipe (brake drain)-1/8" pipe x 2 3/4" long with 1/8"-27 pipe thread-in (7049) retainer
1	1	D6TZ 2A703-A	Shield (drum)-9" x 3"
	1	D6TZ 2A703-B	Shield (drum)-10" x 3"
		C9TZ 2A703-A	Shield (drum)-9" x 3" models
		D3TZ 2A703-A	Shield (drum)-10" x 3" models
4	4	379027-S2	(BB-194-M)-Bolt (shields to brake assy.)-1/2"-13 x 1 9/16"
4	4	34809-S8	(X-68)-lockwasher (shields to brake assy.)
4	4	380952-S2	(MM-11-B)-nut (shields to brake assy.)-1/2"-13
1	1	B9TZ 2A710-D	Camshaft & lever assy.-9" x 2" and 9" x 3" models
	1	C1TZ 2A710-A	Camshaft (brake)-10" x 3" models
	1	375206-S7-8	(MM-173-E)-locknut (camshaft)-9/16"-12-10" x 3" models
	1	44739-S8	(X-39)-flatwasher (camshaft)-9/16"
1	11	D3TZ 2A712-A	Clevis (cable to bellcrank)
1		351428-S7	(XX-166)-flatwasher (cable clevis to bellcrank)
1	2	33925-S7	(M-33)-nut (cable clevis)-hex. jam-3/8"-24
1		★ 34110-S2	Nut (cable clevis)-square-3/8"-24-use 33925-S7(M-33)
1		359236-S8	(NN-12)-pin (cable clevis to bellcrank)-clevis
1		72035-S7-8	(N-51)-pin (cable clevis to bellcrank)-cotter
	1	★ 76025-S8	Pin (cable clevis)-clevis
	1	72016-S7-8	(N-44)-pin (cable clevis)-cotter
1	1	B9T 2749-A	Spring (brake adjusting)
1		D0HZ 2780-A	Control (brake)
	1	E0HZ 2780-D	Control (brake)
		★ D3HZ 2780-B	Control (brake)-# EDD3HA-2780-BA-r/b D5HZ 2780-B
4	4	56320-S4	(B-318-GD)-bolt (control to floor pan)-5/16"-18 x 3/4"
	1	D5TZ 2793-A	Spring (brake handle button return)
	1	D5TZ 2794-A	Button (brake handle)
	1	D3HZ 2795-A	Bracket (control mounting)-# D3HA 2795-AA
1		A7AZ 2814-A	Clip (cable to cable support bracket)
	1	D3HZ 2816-A	Lever (brake camshaft)-10" x 3" models
1		E0HZ 2853-R	Cable (brake)-L-LT-LTS Models
1	1	D3HZ 2853-M	Cable (brake)-LN600/800 (280 Series)
1		D3HZ 2853-B	Cable (brake)-LN800 (390 Series)
	2	58635-S	(B-82-A)-bolt (cable clamp to cable support bracket)
	1	385633-S	(GG-388)-clamp (cable to support bracket on trans.)
1		★ 378869-S8	Clip (cable to trans.)
	4	★ 44877-S2	Flatwasher (cable clamp to cable support bracket)
	2	34987-S4	(M-89-CF)-nut (cable clamp to cable support bracket)-lock-3/8"-16
1	1	C1TT 2857-L	Clevis (bellcrank to camshaft)-internal thread-use w/D3TZ 2857-A-9" x 3" models
1	1	D3TZ 2857-A	Clevis (bellcrank to camshaft)-external thread-use w/C1TT 2857-L-9" x 3" models
	1	97013-S8	(F-3)-clevis (bellcrank to camshaft)-internal thread-use with 385634-S8-10" x 3" models
	1	385634-S8	(FF-4)-clevis (bellcrank to camshaft)-external thread-use with 97013-S8-10" x 3" models

1980/  
TRUCK SERIES 600/900

PARTS LIST NO. 17					
17A	17B	17C	17D	PART NUMBER	DESCRIPTION
1	1	1	1	★ C4TA 2596-A	Clamp (control sides)
		AR	AR	44739-S8	(X-39)-flatwasher (brake assy.)-9/16"
		AR	AR	375206-S7-8	(MM-173-E)-nut (brake assy.)-9/16"-12
	1			E0HZ 2N608-A	Rod (brake release)
	1			D5HZ 2L609-A	Rivet (brake lever panel spring stop)
1				D3TZ 2614-A	Drum (brake)-9" x 3"
	1	1	1	C0TZ 2614-A	Drum (brake)-12" x 4"
4				43089-S7-8	(B-228-H)-bolt (drum to trans. flange)-1/2"-13 x 1"-for units with 1480 universal joint
4				★ 384026-S2	Bolt (drum to trans. flange)-square head-1/2"-13 x 1 3/16"-for units with 6C universal joint
	4			385524-S2	(BB-390-KG)-Bolt (brake drum to trans. flange)-1/2"-13 x 1 1/2"
		8	8	★ 383699-S2	Bolt (brake drum to trans. flange)-square head-3/8"-16 x 1 1/8"
	4			44879-S2	(X-31-G)-Flatwasher (brake drum to trans. flange)
		8	8	351385-S7	(XX-158)-flatwasher (brake drum to trans. flange)
4				55697-S8	(M-89-F)-Nut (drum to trans. flange)-lock-1/2"-13-for units with 6C universal joint
	4			55697-S8	(M-89-F)-Nut (brake drum to trans. flange)-lock-1/2"-13
		8	8	34987-S4	(M-89-CF)-nut (brake drum to trans. flange)-lock-3/8"-16
	2	2	2	C1TZ 2620-A	Lining (brake)-12" x 4"
1				D3TZ 2620-A	Lining (brake)-9" x 3"
2				B9T 2634-A	Spring (brake release)-3 1/4" free length
	2	2	2	C1TT 2634-A	Spring (brake release)-2 3/4" free length
1				B9TZ 2A636-A	Plate (brake support)-# 308674-9" x 3"
	1	1	1	C1TT 2A636-A	Plate (brake support)-12" x 4"
	1	1	1	C1TT 2A642-A	Strut (brake) - 12" x 4"
1				D3HZ 2648-B	Band & lining assy. (brake)-9" x 3"
	2	2	2	C1TZ 2648-A	Band & lining assy. (brake)-12" x 4"
1	1	1	1	C1TT 2649-E	Bracket (cable support)
2		2	2	★ 58634-S2	Bolt (cable support bracket to trans.)-3/8"-16 x 1"
	2			58635-S2	(B-82-A)-bolt (cable support bracket to trans.)-3/8"-24 x 1 1/4"
2		2	2	351385-S7	(XX-158)-flatwasher (cable support bracket to trans.)
	2			★ 44877-S2	Flatwasher (cable support bracket to trans.)
1				D3TZ 2A663-C	Bellcrank-9" x 3" models-# D3TA 2A663-CA-3 27/32" and 4" hole centers
	1	1	1	B8TZ 2A663-B	Bellcrank-2 11/16" hole centers
2				★ 378056-S2	Flatwasher (bellcrank stud to bellcrank)
	1			★ 44880-S2	Flatwasher (bellcrank stud to bellcrank)
		2		★ 373780-S2	Flatwasher (bellcrank stud)
1	1			34033-S18	(M-11)-nut (bellcrank stud to bellcrank)-slotted-9/16"-18 9
1	1			72035-S7-8	(N-51)-pin (bellcrank stud to bellcrank)-cotter
2				73896-S7-8	(N-6-A)-pin (bellcrank to camshaft)-clevis
2				72035-S7-8	(N-51)-pin (bellcrank to camshaft)-cotter
	2			★ 76009-S8	Pin (bellcrank to camshaft)-clevis-9" x 3" models
	2			354419-S100	(NN-7-F)-pin (bellcrank to camshaft)-clevis-10" x 3" models
	2			72016-S7-8	(N-44)-pin (bellcrank to camshaft)-cotter-
		2	2	73951-S7	(N-31)-pin (bellcrank to camshaft)-clevis
		2	2	72035-S7-8	(N-51)-pin (bellcrank to camshaft)-cotter
1	1			372066-S	(WW-73)-stud (bellcrank to trans.)
		1		384041-S2	(WW-107-A)-stud (bellcrank to trans.)-9/16"
			1	★ 383700-S2	Stud (bellcrank to trans.)-9/16"
1		1	1	★ DOHA 2A692-A	Spacer (control sides)
	1			★ D3HA 2A692-AA	Spacer (control sides)
1		1	1	★ 56325-S2	Bolt (spacer and clamp to control sides)-5/16"-18 x 1 3/4"
	1			★ 56326-S2	Bolt (spacer and clamp to control sides)-5/16"-18 x 2"
1	1	1	1	33770-S4	(M-89-K)-nut (spacer and clamp to control sides)-lock-5/16"-18

CONTINUED ON NEXT PAGE

**1980/  
TRUCK SERIES 600/900**

**PARTS LIST NO. 17 cont'd.**

17A	17B	17C	17D	PART NUMBER	DESCRIPTION
1	1			★ D3TA 2A701-AA	Pipe (brake drain)-1/8" pipe x 2 3/4" long with 1/8"-27 pipe thread-in (7049) retainer
1				D6TZ 2A703-A	Shield (drum)-9" x 3"
	1	1	1	C1TT 2A703-F	Shield (drum)
4				379027-S2	(BB-194-M)-Bolt (shields to brake assy.)-1/2"-13 x 1 9/16"
	4			379027-S2	(BB-194-M)-Bolt (shields to brake to trans. retainer)-1/2"-13 x 1 9/16"
		4	4	383698-S	(BB-201-AA)-bolt (shield and brake to trans. retainer)-5/8"-11 x 1 7/8"
4				34809-S8	(X-68)-lockwasher (shields to brake assy.)
	4			34809-S8	(X-68)-lockwasher (shields and brake to trans. retainer)
		4	4	★ 34991-S2	Nut (shield and brake to trans. retainer)-lock-5/8"-11 9
	4			380952-S2	(MM-11-B)-nut (shields and brake to trans. retainer)-1/2"-13
1				B9TZ 2A710-D	Camshaft and lever assy. (brake)
	1	1	1	C1TZ 2A710-A	Camshaft (brake)-10" x 3" & 12" x 4"
				375206-S7-8	(MM-173-E)-Locknut (camshaft)-10" x 3"
1				C3TZ 2A712-A	Clevis (cable to bellcrank)
	1			D9HZ 2A712-A	Clevis (cable to bellcrank)
1				351428-S7	(XX-166)-flatwasher (cable clevis to bellcrank)
1	1	1	1	33925-S7	(M-33)-nut (cable clevis)-hex. jam-3/8"-24
1	1			★ 34110-S2	Nut (cable clevis)-square-3/8"-24-use 33925-S7(M-33)
		1	1	★ 34145-S2	Nut (cable clevis)-square-3/8"-24
1	1			359236-S13	(NN-12)-pin (cable clevis to bellcrank)-clevis
1	1			72035-S7-8	(N-51)-pin (cable clevis to bellcrank)-cotter
		1	1	★ 73936-S8	Pin (cable clevis to bellcrank)-clevis
		1	1	72035-S7-8	(N-51)-pin (cable clevis to bellcrank)-cotter
1				B9T 2749-A	Spring (brake adjusting)
1		1	1	D0HZ 2780-A	Control (brake)
	1			E0HZ 2780-D	Control (brake)
4	4	4	4	56320-S4	(B-318-GD)-bolt (control to floor pan)-5/16"-18 x 3/4"
	1			D5TZ 2793-A	Spring (brake handle button return)
	1			D5TZ 2794-A	Button (brake handle)
	1			D3HZ 2795-A	Bracket (control mounting)
1	1	1	1	A7AZ 2814-A	Clip (cable to cable support bracket)
	1	1	1	D0HZ 2816-A	Lever (brake) 12" x 4"
1				D0HZ 2853-A	Cable (brake)-LN750/800, LNT800-80" long
1		1		D7HZ 2853-B	Cable (brake)-98 1/4" long-L-LT-LTS models
1		1		D3HZ 2853-M	Cable (brake)-LN800, LNT800, LN900
	1			D3HZ 2853-J	Cable (brake)
			1	D0HZ 2853-H	Cable (brake)-L-LT-LTS models
			1	D3HZ 2853-A	Cable (brake)-LN-LNT models
1		1	1	★ 378869-S8	Clip (cable to trans.)
		1	1	B8TZ 2854-B	Clevis (cable to bellcrank)
1				C1TT 2857-L	Clevis (bellcrank to camshaft)-internal thread-use w/D3TZ 2857-A-9" x 3" models
1				D3TZ 2857-A	Clevis (bellcrank to camshaft)-external thread-use w/C1TT 2857-L-9" x 3" models
	1	1	1	C1TT 2857-B	Clevis (bellcrank to brake assy.)-external thread-use with 97015-S
		1	1	97015-S	(F-4)-clevis (bellcrank to brake assy.)-internal thread-use with C1TT 2857-B
	1			385634-S8	(FF-4)-clevis (bellcrank to camshaft)-external thread-use with 97013-S8-10" x 3" models
	1			97013-S8	(F-3)-clevis (bellcrank to camshaft)-internal thread-use with 385634-S8-10" x 3" models

1980/  
TRUCK SERIES 600/900

PARTS LIST NO. 18					
18A	18B	18C	18D	PART NUMBER	DESCRIPTION
1	1	1	1	★ C4TA 2596-A	Clamp (control sides)
			1	D5HZ 2N608-A	Rod (brake release)-use w/EOHZ 2780-B
			1	D5HZ 2N608-B	Rod (brake release)-use w/EOHZ 2780-C
			1	D5HZ 2L609-A	Rivet (brake lever panel spring stop)
1			1	C0TZ 2614-A	Drum (brake)-7 1/4"bolt circle-use with 7C universal joint
1			1	C0TZ 2614-B	Drum (brake)-9 1/4"bolt circle-use with 8C universal joint
	1	1		C0TZ 2614-A	Drum (brake)-7 1/4"bolt circle
8	8	8	8	★ 383699-S2	Bolt (brake drum to trans. flange)-square head-3/8"-16 x 1 1/8"
8	8	8	8	351385-S7	(XX-158)-flatwasher (brake drum to trans. flange)
8	8	8	8	34987-S4	(M-89-CF)-nut (brake drum to trans. flange)-lock-3/8"-16 2
2	2	2	1	C1TT 2634-A	Spring (brake release)-2 3/4" free length
1	1	1	1	C1TT 2A636-A	Plate (brake support)
1	1	1	1	C1TT 2A642-A	Link (brake)
2	2	2	2	C1TZ 2648-A	Band & lining assy. (brake)-12" x 4"
				C3TZ 2649-H	Bracket (cable support)
1			1	★ D3HA 2649-AA	Bracket (cable support)
	1			D0HZ 2649-A	Bracket (cable support)-# D0HA 2649-A
		1		C1TT 2649-E	Bracket (cable support)
2			2	★ 58653-S2	Bolt (cable support bracket to trans.)-7/16"-14 x 1"
	2			★ 58633-S2	Bolt (cable support bracket to trans.)-3/8"-16 x 3/4"
		2		★ 58634-S2	Bolt (cable support bracket to trans.)-3/8"-16 x 1"
2				380079-S2	(XX-173-C)-flatwasher (cable support bracket to trans.)
	2	2	2	351385-S7	(XX-158)-flatwasher (cable support bracket to trans.)
1			1	D3HZ 2654-A	Bracket (bellcrank support)-# D3HA 2A667-A
2				58679-S2	(B-126-B)-bolt (bellcrank support bracket to trans.)-1/2"-13 x 2 1/2"
1			1	B8TZ 2A663-B	Bellcrank (brake)-2 11/16" hole centers
		1		D6HZ 2A663-A	Bellcrank (brake)
	1			D0HZ 2A663-A	Bellcrank (brake)-# D0HA 2A663-A-3 1/8" hole centers
1	2	2	1	★ 373780-S2	Flatwasher (bellcrank stud)
1	1	1	1	34990-S4	(M-89-G)-nut (bellcrank to stud)-9/16"-12
2	2	2	2	73951-S7	(N-31)-pin (bellcrank to camshaft)-clevis
2	2	2	2	72035-S7-8	(N-51)-pin (bellcrank to camshaft)-cotter
1			1	★ 391888-S2	Stud (bellcrank to support bracket)-9/16"
	1			★ 383700-S2	Stud (bellcrank to trans.)-9/16"
		1		384041-S2	(WW-107-A)-stud (bellcrank to trans.)-9/16"
			1	D5HZ 2A687-A	Bracket (lever)
1	1	1	1	★ D0HA 2A692-A	Spacer (control sides)
1	1	1	1	★ 56235-S2	Bolt (spacer and clamp to control sides)-5/16"-18 x 1 3/4"
1	1	1	1	33770-S	(M-89-K)-nut (spacer and clamp to control sides)-lock-5/16"-18
1	1	1	1	C1TT 2A703-F	Shield (drum)-14 27/64" O.D.
	4	4		383698-S	(BB-201-A)-bolt (shield and brake to trans. retainer)-5/8"-11 x 7/8"
4			4	384240-S	(BB-539-E)-bolt (shield and brake to trans. retainer)-5/8"-11 x 1 3/8"
4			4	373781-S	(XX-214-A)-flatwasher (shield and brake to trans. retainer)
	4	4		★ 34991-S2	Nut (shield and brake to trans. retainer)-lock-5/8"-1 1
1	1	1	1	44739-S8	(X-39)-flatwasher (brake assy.)
1	1	1	1	375206-S7-8	(MM-173-A)-nut (brake assy.)-also serviced in kit-group 2A710
			1	C1TZ 2A710-A	Camshaft (brake)
1	1			2A712	Clevis (cable to bellcrank)-refer to groups 2854 and 2857 in this parts list
		1		D3TZ 2A712-A	Clevis
1	1	1		D0HZ 2780-A	Control (brake)
			1	EOHZ 2780-A	Control (brake)-Model 81-Foot operated
			1	EOHZ 2780-B	Control (brake)-Model 81-Hand operated
			1	EOHZ 2780-C	Control (brake)-Model 84
4	4	4	4	56320-S4	(B-318-GD)-bolt (control to floor pan)-5/16"-18 x 3/4"
			1	D5TZ 2793-A	Spring (brake handle button return)
			1	D5TZ 2794-A	Button (brake handle)

CONTINUED ON NEXT PAGE

**1980/  
TRUCK SERIES 600/900**

**PARTS LIST NO. 18 cont'd.**

18A	18B	18C	18D	PART NUMBER	DESCRIPTION
1	1	1		A7AZ 2814-A	Clip (cable to cable support bracket)
1	1	1	1	D0HZ 2816-A	Lever (brake)
1				D3HZ 2853-A	Cable (brake)-80 1/2" long
	1			D0HZ 2853-H	L-LT-LTS Models
	1			D0HZ 2853-K	Cable (brake)-LNT800-71 1/4" long
		1		E0HZ 2853-R	Cable (brake)-L-LT-LTS model
		1		D3HZ 2853-B	Cable-LN800/900, LNT800
			1	E0HZ 2853-H	Cable-86 3/4" long-Gas Engines-Model 81
			1	E0HZ 2853-C	Cable-43 3/8" long-Gas Engines-Model 84
			1	E0HZ 2853-K	Cable-114" long-Diesel Engines-Model 81
			1	E0HZ 2853-N	Cable-66" long-Diesel Engines-Model 84
1	1	1		★ 378869-S8	Clip (cable to trans.)
	1	1		B8TZ 2854-B	Clevis (cable to bellcrank)
1	1	1	1	33925-S7	(M-33)-nut (cable clevis)-hex. jam-3/8"-24
1	1	1	1	★ 34145-S2	Nut (cable clevis)-square-3/8"-24
1	1	1	1	★ 73936-S8	Pin (cable clevis to bellcrank)-clevis
1	1	1	1	72035-S7-8	(N-51)-pin (cable clevis to bellcrank)-cotter
1			1	C1TT 2857-G	Clevis (cable to bellcrank)
	1			C1TT 2857-J	Clevis (bellcrank to brake assy.)-external thread-use with 97015-S
1			1	C1TT 2857-B	Clevis (bellcrank to camshaft)-external thread-use with 97015-S
1		1	1	97015-S	(F-4)-clevis (bellcrank to camshaft)-internal thread-use w/C1TT 2857-B
	1			97015-S	(F-4)-clevis (bellcrank to brake assy.)-internal thread-use w/C1TT 2857-J

**1980/  
TRUCK SERIES 600/900**

				PARTS LIST NO. 20	
20A	20B	20C		PART NUMBER	DESCRIPTION
1	1			★ C4TA 2596-A	Clamp (control sides)
	1			D5HZ 2N608-A	Rod (brake release)
1				E0HZ 2N608-A	Rod (brake release)
1	1			D5HZ 2L609-A	Rivet (brake lever panel spring stop)
1	1	1		D3TZ 2614-A	Drum (brake)-9" x 3"
1	1			D3TZ 2614-B	Drum (brake)-10" x 3"
4	4	4		385524-S2	(BB-390-KG)-Bolt (brake drum to trans. flange)-1/2"-13 x 1 1/2"
				43089-S7-8	(B-228-H)-bolt (drum to trans. flange)-1/2"-13 x 1"-for units with 055 or 1410 universal joint
4	4	4		44879-S2	(X-31-G)-Flatwasher (brake drum to trans. flange)
4	4	4		55697-S8	(M-89-F)-Nut (brake drum to trans. flange)-1/2"-13
1	1	1		D3TZ 2620-A	Lining (brake)-9" x 3"
1	1			D3TZ 2620-B	Lining (brake)-10" x 3"
2	2	2		B9T 2634-A	Spring (brake release)-3 1/4" free length-9" x 2" and 9" x 3"
2	2			C1TT 2634-A	Spring (brake release)-2 3/4" free length-10" x 3"
1	1	1		B9TZ 2A636-A	Plate (brake support)-# 308674-9" x 2" and 9" x 3"
1	1			D3TZ 2A636-A	Plate (brake support)-10" x 3"
1	1			D3TZ 2A642-A	Strut (brake) - 10" x 3"
1	1	1		D3HZ 2648-B	Band & lining assy. (brake)-9" x 3"
2	2			D3HZ 2648-A	Band & lining assy. (brake)-10" x 3"
1		1		★ D3TA 2649-BA	Bracket (cable support)-gas engines
	1			★ D3HA 2649-KA	Bracket (cable support)
1		1		E0HZ 2649-A	Bracket (cable support)-Diesel engines
2		2		★ 58654-S2	Bolt (cable support bracket to trans.)-7/16"-14 x 1 1/4"
	2	2		★ 58634-S2	Bolt (cable support bracket to trans.)-3/8"-16 x 1"
2	2	2	2	58635-S2	(B-82-A)-bolt (cable support bracket and spacer to trans.)-3/8 -16 x 1 1/4
2		2		★ 44878-S2	Flatwasher (cable support bracket to trans.)
4	6	4		★ 44877-S2	Flatwasher (cable support bracket to trans.)
2	2	2		34987-S4	(M-89-CF)-nut (cable support bracket to trans.)-lock-3/8"- 16
1		1		D2TZ 2654-A	Bracket (bellcrank to trans.)-# D2TA 2A667-A
2		2		380899-S2	(BB-176-B)-bolt (bellcrank bracket to trans.)-7/16"-14 x 1 1/2"
2		2		★ 44878-S2	Flatwasher (bellcrank mounting bracket to trans.)
1	1	1		D3TZ 2A663-D	Bellcrank-9" x 3" models-# D3TA 2A663-DA-3 27/32" and 4" hole centers-gas eng.
1	1			D3TZ 2A663-B	Bellcrank-10" x 3" models-# D3TA 2A663-BA-3 27/32" and 4" hole centers-gas eng.
1		1		E0HZ 2A663-C	Bellcrank-Diesel engines-9" x 3"
1		1		E0HZ 2A663-D	Bellcrank-10" x 3"-Diesel Engines
1	1	1		★ 44880-S2	Flatwasher (bellcrank to mounting bracket)-at nut
				★ 373780-S2	Flatwasher (bellcrank to trans.)
1	1	1		34033-S18	(M-11)-nut (bellcrank stud to bellcrank)-slotted-9/16"- 18
2	2	2		72016-S7-8	(N-44)-pin (bellcrank to camshaft)-cotter
2	2	2		★ 76009-S8	Pin (bellcrank to camshaft)-clevis-9" x 3" models
2	2	2		354419-S100	(NN-7-F)-pin (bellcrank to camshaft)-clevis-10" x 3" models
1	1	1		72035-S7-8	(N-51)-pin (bellcrank stud to bellcrank)-cotter
	1	1		38555-S2	(XX-193-C)-spacer (bellcrank stud)-at trans.
	1	1		385554-S2	(WW-73-AH)-Stud (bellcrank to mounting bracket)-9/16"-12-1 8 x 2 9/32"
1	1	1		★ D3HA 2A692-AA	Spacer (control sides)
1	1	1		★ D3TA 2A692-AA	Spacer (cable support bracket)-# D3TA 2A692-AA
1	1			★ 56326-S2	Bolt (spacer and clamp to control sides)-5/16"-18 x 2"
1	1	1		33770-S4	(M-89-K)-nut (spacer and clamp to control sides)-lock-5/16"-18
1		1		D6TZ 2A703-A	Shield (drum)-9" x 3"
1		1		D6TZ 2A703-B	Shield (drum)-10" x 3"

CONTINUED ON NEXT PAGE

**1980/  
TRUCK SERIES 600/900**

**PARTS LIST NO. 20 cont'd.**

20A	20B	20C	PART NUMBER	DESCRIPTION
	1		C1TT 2A703-D	Shield (drum)-R.H.-9" x 2" and 9" x 3" models-10" O.D.
	1		C1TT 2A704-D	Shield (drum)-L.H.-9" x 2" and 9" x 3" models-10" O.D.
	1		D3TZ 2A703-A	Shield (drum)-R.H.-10" x 3" models-# D3TA 2A703-AA
	1		D3TZ 2A704-A	Shield (drum)-L.H.-10" x 3" models-# D3TA 2A704-AA
4	4		58678-S2	(B-125-A)-bolt (shields and brake to trans.)-1/2"-13 x 2 1/4"
	4	4	379027-S2	(BB-194-M)-Bolt (shields to brake assy.)-1/2"-13 x 1 9/16"
	4	4	34809-S8	(X-68)-lockwasher (shields to brake assy.)
4	4		55697-S8	(M-89-F)-Nut (shields and brake to trans.)-1/2"-13
	4	4	380952-S2	(MM-11-B)-nut (shields to brake assy.)-1/2"-13
1	1	1	B9TZ 2A710-D	Camshaft & lever assy.-9" x 2" and 9" x 3" models
1	1		C1TZ 2A710-A	Camshaft (brake)-10" x 3"
1	1	1	375206-S7-8	(MM-173-E)-locknut (camshaft)-9/16" x 12-10" x 3"
1	1	1	44739-S8	(XX-39)-flatwasher (camshaft)-9/16"-10" x 3"
1	1	1	D3TZ 2A712-A	Clevis (cable)
2	2	2	33925-S7	(M-33)-nut (cable clevis)-hex. jam-3/8"-24
1	1	1	★76025-S	Pin (cable clevis)-clevis
1	1	1	72016-S7-8	(N-44)-pin (cable clevis)-cotter
1	1	1	B9T 2749-A	Spring (brake adjusting)-9" x 2" and 9" x 3"
			D0HZ 2780-A	Control (brake)
	1		★D3HZ 2780-B	Control (brake)-# D3HA 2780-BA-r/b D5HZ 2780-B
1			E0HZ 2780-D	Control (brake)
4	4	4	56320-S4	(B-318-GD)-bolt (control to floor pan)-5/16"-18 x 3/4"
			384335-S	(MM-315)-nut (control to floor pan)-5/16"-18
1	1		D5TZ 2793-A	Spring (brake handle button return)
1	1		D5TZ 2794-A	Button (brake handle)
1	1	1	D3HZ 2795-A	Bracket (control mounting)-# D3HA 2795-AA
1	1	1	A7AZ 2814-A	Clip (cable to cable support bracket)
1	1		D3HZ 2816-A	Lever (brake camshaft)
			D0HZ 2853-D	Cable (brake)-80 1/2" long
1			D3HZ 2853-D	Cable (brake)-76 5/8" long-gas engines
1			E1HZ 2853-C	Cable (brake)-Diesel engines
			D0HZ 2853-J	Cable (brake)
	1		D3HZ 2853-L	Cable (brake)-# D3HA 2853-N1A,N2A-69" long
		1	D6HZ 2853-B	Cable (brake)-L800
		1	D3HZ 2853-L	Cable (brake)-LN800
1	1	1	385633-S	(GG-388)-clamp (cable to support bracket)
			★377671-S8	Clip (cable to rans.)
			★378869-S8	Clip (cable to trans.)
1	1	1	D3TZ 2857-A	Clevis (bellcrank to camshaft)-external thread-use w/C1TT 2857-L-9" x 3" models
1	1	1	C1TT 2857-L	Clevis (bellcrank to camshaft)-internal thread-use w/D3TZ 2857-A-9" x 3" models
1	1	1	385634-S8	(FF-4)-clevis (bellcrank to camshaft)-external thread-use with 97013-S8-10" x 3" models
1	1	1	97013-S8	(F-3)-clevis (bellcrank to camshaft)-internal thread-use with 385634-S8-10" x 3" models

**1980/  
TRUCK SERIES 600/900**

PARTS LIST NO. 21					
21A	21B	21C	21D	PART NUMBER	DESCRIPTION
		1	1	★ C4TA 2596-A	Clamp (brake cable to control)
1	1			D5HZ 2N608-A	Rod (brake release)
		1	1	D5HZ 2N608-B	Rod (brake release)
1	1	1	1	D5HZ 2L609-A	Rivet (brake level panel spring stop)
1		1		D3TZ 2614-A	Drum (brake)-9" x 3"
	1		1	D3TZ 2614-B	Drum (brake)-10" x 3"
1		1		D3TZ 2620-A	Lining (brake)-9" x 3"
	1		1	D3TZ 2620-B	Lining (brake)-10" x 3"
2		2		B9T 2634-A	Spring (brake release)-3 1/4" free length
	2		2	C1TT 2634-A	Spring (brake release)-2 3/4" free length
1		1		B9TZ 2A636-A	Plate (brake support)-# 308674-9" x 3"
	1		1	D3TZ 2A636-A	Plate (brake support)-10" x 3"
	1		1	D3TZ 2A642-A	Strut (brake) - 10" x 3"
1		1		D3HZ 2648-B	Band & lining assy. (brake)-9" x 3"
	2		2	D3HZ 2648-A	Band & lining assy. (brake)-10" x 3"
1	1	1	1	★ D3TA 2649-BA	Bracket (cable support)-# D3TA 2649-BA-gas engines
1	1	1	1	E0HZ 2649-A	Bracket (cable support)-Diesel engines-1980
1	1	1	1	E1HZ 2649-A	Bracket (cable support)-Diesel engines-1981
2	2	2	2	★ 58654-S2	Bolt (cable support bracket to trans.)-7/16"-14 x 1 1/4"
2	2	2	2	58635-S2	(B-82)-bolt (cable support bracket and spacer to trans.)-3/8 -16 x 1 1/4
4	4	4	4	★ 44877-S2	Flatwasher (cable support bracket to trans.)
2	2	2	2	★ 44878-S2	Flatwasher (cable support bracket to trans.)
2	2	2	2	34987-S4	(M-89-CF)-nut (cable support bracket to trans.)-lock-3/8"-16
1	1	1	1	D2TZ 2654-A	Bracket (bellcrank to trans.)-# D2TA 2A667-A
2	2	2	2	380899-S2	(BB-176-B)-bolt (bellcrank mounting bracket to trans.)-7/16 -14 x 1 1/2
2	2	2	2	★ 44878-S2	Flatwasher (bellcrank mounting bracket to trans.)
1		1		E0HZ 2A663-C	Bellcrank-Diesel engines
1		1		D3TZ 2A663-D	Bellcrank-Gas engines
	1		1	E0HZ 2A663-D	Bellcrank-Diesel engines
	1		1	D3TZ 2A663-B	Bellcrank-Gas engines
1	1	1	1	★ 44880-S2	Flatwasher (bellcrank to mounting bracket)
1	1	1	1	34033-S18	(M-11)-nut (bellcrank to mounting bracket)-slotted-9/16"
1	1	1	1	72035-S7-8	(N-51)-pin (bellcrank to mounting bracket)-cotter
2		2		★ 76009-S8	Pin (bellcrank to camshaft)-clevis
	2		2	354419-S100	(NN-7-F)-pin (bellcrank to camshaft)-clevis
2	2	2	2	72016-S7-8	(N-44)-pin (bellcrank to camshaft)-cotter
1	1	1	1	372066-S	(WW-73)-stud (bellcrank to mounting bracket)
		1	1	D5HZ 2A687-A	Bracket (lever)
1	1	1	1	★ D3TA 2A692-AA	Spacer (cable support bracket)-# D3TA 2A692-AA
		2	2	★ C4TA 2A692-A	Spacer (control side-to-side)
		1	1	★ 56326-S2	Bolt (control spacer to sides)-5/16"-18 x 2"
1		1		D6TZ 2A703-A	Shield (brake drum)
	1		1	D3TZ 2A703-B	Shield (brake drum)-R.H.-# D3TA 2A703-BA
4	4	4	4	58678-S2	(B-125-A)-bolt (shield and brake to trans.)-1/2"-13 x 2 1/4"
4	4	4	4	55697-S8	(M-89-F)-Nut (shield and brake to trans.)-lock-1/2"-13
1		1		B9TZ 2A710-D	Camshaft & lever assy. (brake)
	1		1	C1TZ 2A710-A	Camshaft (brake)-10" x 3"
	1		1	375206-S7-8	(MM-173-E)-locknut (camshaft)-9/16"-12-10" x 3"
	1		1	44739-S8	(X-39)-flatwasher (camshaft)-9/16"-10" x 3"

CONTINUED ON NEXT PAGE



1980/  
TRUCK SERIES 600/900

PARTS LIST NO. 21 cont'd.

21A	21B	21C	21D	PART NUMBER	DESCRIPTION
1	1	1	1	D3TZ 2A712-A	Clevis (cable to bellcrank)
2	2	2	2	33925-S7	(M-33)-nut (cable clevis)-hex. jam-3/8"-24
1	1	1	1	★ 76025-S8	Pin (cable clevis)-clevis
1	1	1	1	72016-S7-8	(N-44)-pin (cable clevis)-cotter
1		1		B9T 2749-A	Spring (brake adjusting)
1	1			E0HZ 2780-A	Control (brake)-Foot operated
1	1			E0HZ 2780-B	Control (brake)-Hand operated
		1	1	E0HZ 2780-C	Control (brake)-Hand operated
2	2			56320-S4	(B-318-GD)-bolt (control to instrument panel)-5/16"-18 x 3/4"
		1	1	★ 56321-S2	Bolt (control to dash panel)-5/16"-18 x 7/8"
4	4			33770-S4	(M-89-K)-nut (control to instrument panel and dash panel)-5/16"-18
		2	2	33770-S4	(M-89-K)-nut (control to dash panel and lever sides)-5/16"-18
1	1	1	1	D5TZ 2793-A	Spring (brake handle button return)
1	1	1	1	D5TZ 2794-A	Button (brake handle)
	1		1	D3HZ 2816-A	Lever (brake camshaft)
1	1			E0HZ 2853-G	Cable (brake)-Gas engines-86 1/4" long
1	1			E0HZ 2853-K	Cable (brake)-Diesel engines-114" long
		1	1	E0HZ 2853-E	Cable (brake)-Gas engines 42 7/8" long
		1	1	E0HZ 2853-P	Cable (brake)-Diesel engines-66" long
		1	1	56324-S	(B-318-GD)-bolt (brake cable to control)-5/16"-18 x 1 1/2"
		1	1	★ 56317-S	Bolt (cable clip to dash panel)
1	1	1	1	385633-S	(GG-388)-clamp (cable to support bracket)
		1	1	★ 377670-S8	Clip (cable to dash panel)
		1	1	33770-S4	(M-89-K)-nut (brake cable to dash panel)-5/16"-18
1		1		D3TZ 2857-A	Clevis (bellcrank to camshaft)-external thread-use w/C1TT 2857-L
1		1		C1TT 2857-L	Clevis (bellcrank to camshaft)-internal thread-use w/D3TZ 2857-A
	1		1	385634-S8	(FF-4)-clevis (bellcrank to camshaft)-external thread-use with 97013-S8
	1		1	97013-S8	(F-3)-clevis (bellcrank to camshaft)-internal thread-use with 385634-S8

**1980/  
TRUCK SERIES 600/900**

PARTS LIST NO. 22					
22A	22B	22C	22D	PART NUMBER	DESCRIPTION
1	1	1	1	D5HZ 2N608-A	Rod (brake release)
1	1	1	1	D5HZ 2L609-A	Rivet (brake lever panel spring stop)
1	1	1	1	D3TZ 2614-A	Drum (brake)-9" x 3"
1	1	1	1	D3TZ 2614-B	Drum (brake)-10" x 3"
4	4	4	4	385524-S2	(BB-390-KG)-Bolt (brake drum to trans. flange)-1/2"-13 x 1 7/16"
4	4	4	4	44879-S2	(X-31-G)-Flatwasher (brake drum to trans. flange)
4	4	4	4	55697-S8	(M-89-F)-Nut (brake drum to trans. flange)-lock-1/2"-13
1	1	1	1	D3TZ 2620-A	Lining (brake)-9" x 3"
1	1	1	1	D3TZ 2620-B	Lining (brake)-10" x 3"
2	2			2630	Link (control to bellcrank)-refer to group 2A666 in this parts list
		2		★ D3TZ 2630-A	Link (control to bellcrank)-3 13/16" hole centers
			2	★ D3TZ 2630-B	Link (control to bellcrank)-4 3/4" hole centers
1	1	1	1	★ 76221-S2	Pin (links to control)-clevis
1	1	1	1	72016-S7-8	(N-44)-pin (links to control)-cotter
1	1	1	1	★ 76026-S8	Pin (links to bellcrank)-clevis
1	1	1	1	72016-S7-8	(N-44)-pin (links to bellcrank)-cotter
2	2	2	2	B9T 2634-A	Spring (brake release)-3 1/4" free length-9" x 3" models
2	2	2	1	C1TT 2634-A	Spring (brake release)-2 3/4" free length-10" x 3" models
1	1	1	1	B9TZ 2A636-A	Plate (brake support)-#308674-9" x 3" models
1	1	1	1	D3TZ 2A636-A	Plate (brake support)-10" x 3" models
1	1	1	1	D3TZ 2A642-A	Strut (brake) - 10" x 3"
1	1	1	1	D3HZ 2648-B	Band & lining assy. (brake)-9" x 3" models
2	2	2	1	D3HZ 2648-A	Band & lining assy. (brake)-10" x 3" models
	1	1		D3TZ 2A663-D	Bellcrank-9" x 3"
1				D3TZ 2A663-C	Bellcrank-9" x 3" models-#D3TA 2A663-CA-3 27/32" and 4" hole centers
1	1	1		D3TZ 2A663-A	Bellcrank-10" x 3" models-#D3TA 2A663-AA-3 27/32" and 4" hole centers
			1	E1HZ 2A663-A	Bellcrank-9" x 3"
			1	E0HZ 2A663-E	Bellcrank-10" x 3"
1	1	1	1	★ 44880-S2	Flatwasher (bellcrank stud to trans.)
1	1	1	1	34033-S18	(M-11)-nut (bellcrank stud to trans.)-slotted-9/16"-18
2	2	2	2	★ 76009-S8	Pin (bellcrank to camshaft)-clevis-9" x 3" models
2	2	2		354419-S100	(NN-7-F)-pin (bellcrank to camshaft)-clevis-10" x 3" models
2	2	2	2	72016-S7-8	(N-44)-pin (bellcrank to camshaft)-cotter-9" x 3" models
2	2	2		72016-S7-8	(N-44)-pin (bellcrank to camshaft)-cotter-10" x 3" models
1	1	1	1	72035-S7-8	(N-51)-pin (bellcrank stud to trans.)-cotter
	1	1	1	385555-S2	(XX-193-C)-spacer (bellcrank stud to trans.)-9" x 3"
1				372066-S	(WW-73)-stud (bellcrank to trans.)
	1	1	1	385554-S2	(WW-73-AH)-Stud (bellcrank to trans.)-9/16"-12-18 x 2 9/32"
1	1	1	1	D6TZ 2A703-A	Shield (brake drum)-9" x 3"
1	1	1	1	D6TZ 2A703-B	Shield (brake drum)-10" x 3"
4	4	4	4	379027-S2	(BB-194-M)-Bolt (shield and brake to trans. retainer)-1/2"-13 x 1 9/16"
4	4	4	4	34809-S8	(X-68)-lockwasher (shield and brake to trans. retainer)-1/2"
4	4	4	4	380952-S2	(MM-11-B)-nut (shield and brake to trans. retainer)-1/2"-13

CONTINUED ON NEXT PAGE

1980/  
TRUCK SERIES 600/900

PARTS LIST NO. 22 cont'd.

22A	22B	22C	22D	PART NUMBER	DESCRIPTION
1	1	1	1	B9TZ 2A710-D	Camshaft & lever assy. (brake)-9" x 3" models
1	1	1	1	C1TZ 2A710-A	Camshaft (brake)-10" x 3" models
1	1	1		375206-S7-8	(MM-173-E)-locknut (camshaft)-9/16"-12-10" x 3" models
1	1	1		44739-S8	(X-39)-flatwasher (camshaft)-9/16"-10" x 3" models
1		1		C3TZ 2A712-A	Clevis (cable to bellcrank)
	1		1	D3TZ 2A712-A	Clevis (cable to bellcrank)
1	1	1	1	B9T 2749-A	Spring (brake adjusting)
1	1	1	1	E0HZ 2780-A	Control (brake)-Foot operated
1	1	1	1	E0HZ 2780-B	Control (brake)-Hand operated
1	1	1	1	D5TZ 2793-A	Spring (brake handle button return)
1	1	1	1	D5TZ 2794-A	Button (brake handle)
1	1	1		D3HZ 2816-A	Lever (brake camshaft)-10" x 3" models
2	2	2	2	58637-S2	(B-86-A)-bolt (control to control support)-3/8"-16 x 1 3/4"
2	2	2	2	370770-S	(XX-140-X)-flatwasher (between control sides)
4	4	4	4	★ 44877-S2	Flatwasher (control to control support)
2	2	2	2	34987-S4	(M-89-CF)-nut (control to control support)-lock-3/8"-16
1	1	1	1	D3HZ 2816-A	Lever (brake camshaft)-10" x 3" models
		1		E0HZ 2853-G	Cable-86 1/4" long
			1	E0HZ 2853-H	Cable-86 3/4" long-Gas engines
			1	E0HZ 2853-L	Cable-114" long-Diesel engines
	1			E0HZ 2853-B	Cable-78 15/16" long
1				E0HZ 2853-F	Cable-87 1/4" long-Gas engines
1				E0HZ 2853-J	Cable-114" long-Diesel engines
		1		E0HZ 2853-G	Cable-86 1/4" long
1	1	1	1	D3TZ 2857-A	Clevis (bellcrank to camshaft)-external thread-use w/C1TT 2857-L-9" x 3" models
1	1	1	1	C1TT 2857-L	Clevis (bellcrank to camshaft)-internal thread-use w/D3TZ 2857-A-9" x 3" models
1	1	1		385634-S8	(FF-4)-clevis (bellcrank to camshaft)-external thread-use with 98013-S8-10" x 3" models
1	1	1		97013-S8	(F-3)-clevis (bellcrank to camshaft)-internal thread-use with 385634-S8-10" x 3" models

**1980/  
TRUCK SERIES 600/900**

PARTS LIST NO. 23			
23B	23C		DESCRIPTION
1	1	★ C4TA 2596-A	Clamp (control sides)
1	1	C0TZ 2614-A	Drum (brake)-with 7C universal joint-7 1/4" bolt circle
1	1	C0TZ 2614-B	Drum (brake)-with 8C universal joint-9 1/4" bolt circle
8	8	★ 383699-S2	Bolt (brake drum to trans. flange)-3/8"-16 x 1 1/8"
8	8	351385-S7	(XX-158)-flatwasher (brake drum to trans. flange)
8	8	34987-S4	(M-89-CF)-nut (brake drum to trans. flange)-lock-3/8"-16
2	2	C1TZ 2620-A	Lining (brake)-12" x 4"
2	2	C1TT 2634-A	Spring (brake release)-2 3/4" free length
1	1	C1TT 2A636-A	Plate (brake support)
1	1	C1TT 2A642-A	Link
2	2	C1TZ 2648-A	Band and lining assy. (brake)-12" x 4"
1		C3TZ 2649-L	Bracket (cable support)
	1	C3TZ 2649-H	Bracket (cable support)
1		58656-S2	Bolt (cable support bracket to aux. trans.)-7/16"-14 x 1 3/4"
1	2	★ 58676-S2	Bolt (cable support bracket to aux. trans.)-1/2"-13 x 1 3/4"
1		380079-S2	(XX-173-C)-flatwasher (cable support bracket to aux. trans.)
1	4	44735-S8	(X-32)-flatwasher (cable support bracket to aux. trans.)-1/2"
1		C1TT 2A663-F	Bellcrank-2 11/16" hole centers-both legs offset
	1	B8TZ 2A663-B	Bellcrank-2 11/16" hole centers-straight
1		★ 373780-S2	Flatwasher (bellcrank to stud)
	1	383053-S2	Flatwasher (bellcrank to stud)
1		34990-S4	(M-89-G)-nut (bellcrank to stud)-9/16"-18
	1	371518-S	(MM-180)-nut (bellcrank to stud)-3/4"-20
2	2	73951-S7	(N-31)-pin (bellcrank to clevis)-clevis
2	2	72035-S7-8	Pin (bellcrank to clevis)-cotter
	1	72071-S	(N-54)-pin (bellcrank to stud)-cotter
1		★ 383973-S2	Stud (bellcrank to aux. trans.)
	1	★ 383700-S2	Stud (bellcrank to aux. trans.)

CONTINUED ON NEXT PAGE

**1980/  
TRUCK SERIES 600/900**

**PARTS LIST NO. 23 cont'd.**

23B	23C		PART NUMBER	DESCRIPTION
1	1		★ DOHA 2A692-A	Spacer (control sides)
1	1		★ 56325-S2	Bolt (spacer and clamp to control sides)-5/16"-18 x 1 3/4"
1	1		33770-S4	(M-89-K)-nut (spacer and clamp to control sides)-lock-5/16"-18
1	1		C1TT 2A703-F	Shield (drum)
4	4		383698-S	(BB-201-AA)-bolt (shield and brake to trans. retainer)-5/8 -11 x 1 7/8
4	4		★ 34991-S2	Nut (shield and brake to trans. retainer)-lock-5/8"-1 1
1	1		C1TZ 2A710-C	Camshaft kit-consists of (1) C1TZ 2A710-A camshaft, (1) C3TZ 2816-A lever and (1) 375206-S8 nut
1	1		44739-S8	(X-39)-washer (camshaft)-9/16"
1	1		375206-S7-8	(MM-173-E)-nut (camshaft)-lock-9/16"-12-also serviced in kit-group 2A710
1	1		DOHZ 2780-A	Control (brake)
4	4		56320-S4	(B-318-GD)-bolt (control to floor pan)-5/16"-18 x 3/4"
1	1		A7AZ 2814-A	Clip (cable to cable support bracket)
1	1		C3TZ 2816-A	Lever (brake)-also serviced in kit-group 2A710
1			DOHZ 2853-W	Cable-280 trans.- # DOHA 2853-Y-106 1/2" long
1			DOHZ 2853-Y	Cable-380 trans.- # DOHA 2853-Z-99 1/2" long
	1		DOHZ 2853-V	Cable-280 trans.- # DOHA 2853-V-111" long
	1		DOHZ 2853-U	Cable-380 trans.- # DOHA 2853-U-103" long
1			★ 377670-S8	Clip (cable to trans.)
	1		★ 378869-S8	Clip (cable to trans.)
1	1		B8TZ 2854-B	Clevis (cable)
1	1		33925-S7	(M-33)-nut (cable to clevis)-hex. jam-3/8"-24
1	1		★ 34110-S2	Nut (cable to clevis)-square-3/8"-24
1	1		C1TT 2857-B	Clevis (bellcrank to brake arm)-external thread-use with 97015-S
1	1		97015-S	(F-4)-clevis (bellcrank to brake arm)-internal thread-use w/C1TT 2857-B
1	1		72035-S7-8	(N-51)-pin (brake arm to clevis)-cotter
1	1		73951-S7	(N-31)-pin (clevis to brake lever arm)-clevis

**1980/  
TRUCK SERIES 600/900**

		PARTS LIST NO. 27	
27C	27D	PART NUMBER	DESCRIPTION
1	1	★ C4TA 2596-A	Clamp (control sides)
1	1	E0HZ 2N608-A	Rod (brake release)
1	1	D5HZ 2L609-A	Rivet (brake lever panel spring stop)
1		D3TZ 2614-A	Drum (brake)-9" x 3"
	1	D3TZ 2614-B	Drum (brake)-10" x 3"
4	4	385524-S2	(BB-390-KG)-Bolt (brake drum to trans flange)-1/2"-13 x 1 1/2"
4	4	44879-S2	(X-31-G)-Flatwasher (brake drum to trans flange)
4	4	34989-S2	(M-89-FA)-Locknut (brakedrum to trans flange)-1/2"-13
1		D3TZ 2620-A	Lining (brake)-9" x 3"
	2	D3TZ 2620-B	Lining (brake)-10" x 3"
2		B9T 2634-A	Spring (brake release)-3 1/4" free length-9" x 3"
	2	C1TT 2634-A	Spring (brake release)-2 3/4" free length- 10" x 3"
1		B9TZ 2A636-A	Plate (brake support)-9" x 3"
	1	D3TZ 2A636-A	Plate (brake support)-10" x 3"
	1	D3TZ 2A642-A	Strut (brake)-10" x 3"
1		D3HZ 2648-B	Shoe & lining assy (brake)-9" x 3"
	2	D3HZ 2648-A	Shoe & lining assy (brake)-10" x 3"
1	1	★ D3HA 2649-JA	Bracket (cable support)- # D3HA 2649-JA
2	2	42998-S8	(B-252-A)-Bolt (cable support bracket to trans) -3/8"-16 x 1"
1		D3TZ 2A663-C	Bellcrank-9" x 3"
	1	D3TZ 2A663-A	Bellcrank-10" x 3"
1	1	372066-S	(WW-73)-Stud (bellcrank to trans.)- 9/16"-12-18 x 1 13/16"
1	1	★ 44880-S2	Flatwasher (bellcrank stud to trans.)
1	1	★ 386034-S100	Nut (bellcrank stud to trans.) -9/16"-18
1	1	72035-S7-8	(N-51)-Pin (bellcrank stud to trans.) -cotter
1	1	★ D0HA 2A692-A	Spacer (cable to control)
1	1	★ D3TA 2A692-AA	Spacer (cable to support)
1		D6TZ 2A703-A	Shield (drum)-9" x 3"
	1	D6TZ 2A703-B	Shield (drum)-10" x 3"
4	4	43089-S7-8	(B-228-H)-Bolt (shield to trans.)- 1/2"-13 x 1"
1		B9TZ 2A710-D	Camshaft & lever assy. (brake)-9" x 3"
	1	C1TZ 2A710-A	Camshaft (brake)-10" x 3"
1	1	D3TZ 2A712-A	Clevis (cable to bellcrank)
2	2	33925-S7	(M-33)-Nut (cable to clevis)-3/8-24
1	1	★ 76025-S8	Clevis pin (clevis to bellcrank)
1	1	72034-S	(N-45)-Pin (clevis pin to clevis)-cotter
1		B9T 2749-A	Spring (brake adjusting)
1	1	E0HZ 2780-D	Control (brake)
4	4	56720-S2	(B-318-GD)-Bolt (control to floor pian) 5/16"-18 x 3/4"
1	1	D5TZ 2793-A	Spring (brake handle button return)
1	1	D5TZ 2794-A	Button (brake handle)
1	1	★ D6HA 2795-AA	Bracket (brake control handle)
	1	D3HZ 2816-A	Lever (brake camshaft)
1	1	D3HZ 2853-B	Cable (brake)
1	1	★ 56726-S2	Bolt (cable to control)-5/16"-18 x 2"
1	1	33770-S4	(M-89-K)-Nut (cable to control)-5/16"-18
1		D3TZ 2857-A	Clevis (bellcrank to camshaft)- External thread-use w/C1TT 2857-L
1		C1TT 2857-L	Clevis (bellcrank to camshaft)-internal thread-use with D3TZ 2857-A
	1	385634-S8	(FF-4)-Clevis (bellcrank to camshaft) - External thread-use w/97013-S8
	1	97013-S8	(F-3)-Clevis (bellcrank to camshaft)- internal thread-use w/385634-S8
1		76007-S8	(N-6)-Pin (clevis to camshaft)-clevis
1		76007-S8	(N-6)-Pin (clevis to bellcrank)-clevis
	1	354419-S100	(NN-7-F)-Pin (clevis to camshaft)-clevis
	1	354419-S100	(NN-7-F)-Pin (clevis to bellcrank)-clevis
1	1	72034-S	(N-45)-Pin (clevis to camshaft)-cotter
1	1	72034-S	(N-45)-Pin (clevis to bellcrank)-cotter

**1980/  
TRUCK SERIES 600/900**

				PARTS LIST NO. 28	
28A	28B			PART NUMBER	DESCRIPTION
1	1			★ C4TA 2596-A	Clamp (control sides)
1	1			D5HZ 2N608-B	Rod (brake release)
1	1			D5HZ 2L609-A	Rivet (brake lever panel spring stop)
1				D3TZ 2614-A	Drum (brake)-9" x 3"
	1			D3TZ 2614-B	Drum (brake)-10" x 3"
4	4			385524-S2	(BB-390-KG)-Bolt (brake drum to trans flange)-1/2"-13 x 1 1/2"
4	4			44879-S2	(X-31-G)-Flatwasher (brake drum to trans flange)
4	4			34989-S2	(M-89-FA)-Locknut (brake drum to trans flange)-1/2"-13
2				D3TZ 2620-A	Lining (brake)-9" x 3"
	2			D3TZ 2620-B	Lining (brake)-10" x 3"
2				B9T 2634-A	Spring (brake release)-3 1/4" free length -9" x 3"
	2			C1TT 2634-A	Spring (brake release)-2 3/4" free length-10" x 3"
1				B9TZ 2A636-A	Plate (brake support)-9" x 3"
	1			D3TZ 2A636-A	Plate (brake support)-10" x 3"
	1			D3TZ 2A642-A	Strut (brake)-10" x 3"
1				D3HZ 2648-B	Shoe & lining assy. (brake)-9" x 3"
	2			D3HZ 2648-A	Shoe & lining assy. (brake)-10" x 3"
1	1			★ D3HA 2649-JA	Bracket (cable support)-# D3HA 2649-JA
2	2			★ 44877-S2	Flatwasher (cable support bracket to trans)
2	2			42998-S8	(B-252-A)-Bolt (cable support bracket to trans)-3/8"-16 x 1"
1				D3TZ 2A663-C	Bellcrank-9" x 3"
	1			D3TZ 2A663-A	Bellcrank-10" x 3"
1	1			372066-S	(WW-73)-Stud (bellcrank to trans)-9/16" -12-18 x 1 13/16"
1	1			★ 44880-S2	Flatwasher (bellcrank stud to trans)
1	1			★ 386034-S100	Nut (bellcrank stud to trans)- 9/16"-18
1	1			72035-S7-8	(N-51)-pin (bellcrank stud to trans)-cotter
1	1			★ D3HA 2A686-BA	Bracket assy.
2	2			57041-S2	(B-340-D)-Screw & washer (bracket to dash panel)
2	2			359613-S2	(MM-205)-Nut & retainer (bracket to dash panel)
1	1			★ D3TA 2A692-AA	Spacer (cable to support)
1	1			D3HZ 2A702-A	Bracket (control to instrument panel)
1	1			D7HZ 2A702-A	Brace (control to instrument panel)
1	1			★ 57042-S	Screw & washer (bracket to instrument panel)
1	1			33770-S4	(M-89-K)-Locknut (bracket to instrument panel)
1				D6TZ 2A703-A	Shield (drum)-9" x 3"
	1			D6TZ 2A703-B	Shield (drum)-10" x 3"
4	4			43089-S7-8	(B-228-H)-Bolt (shield to 7049 retainer) -1/2"-13 x 1"
1				B9TZ 2A710-D	Camshaft & lever assy. (brake)-9" x 3"
	1			C1TZ 2A710-A	Camshaft (brake)-10" x 3"
1	1			D3TZ 2A712-A	Clevis (cable to bellcrank)
2	2			33925-S7	(M-33)-Nut (cable to clevis)-3/8"-24
1	1			★ 76025-S8	Clevis pin (clevis to bellcrank)
1	1			72034-S	(N-45)-Pin (clevis pin to clevis)-cotter
1				B9T 2749-A	Spring (brake adjusting)
1	1			D5HZ 2780-A	Control (brake)
2	2			★ 56726-S2	Bolt (control to bracket)
2	2			33770-S4	(N-89-K)-Locknut (control to bracket)-5/16"-18
1	1			56720-S2	(M-88-C)-Bolt (control to lower bracket)- 5/16"-18 x 3/4"
1	1			D5TZ 2793-A	Spring (brake handle button return)
1	1			D5TZ 2794-A	Button (brake handle)
	1			D3HZ 2816-A	Lever (camshaft)
	1			44739-S8	(X-39)-Flatwasher (lever to camshaft)
	1			375206-S7-8	(MM-173-E)-Locknut (lever to camshaft)- 9/16"-12

CONTINUED ON NEXT PAGE

1980/  
TRUCK SERIES 600/900

PARTS LIST NO. 28 cont'd

28A	28B		PART NUMBER	DESCRIPTION
1	1		D7HZ 2853-A	Cable (brake)- # D6HA 2853-YA-134"long-Diesel engines
1	1		D3HZ 2853-H	Cable (brake)-gas engines
1	1		56722-S2	(B-318-GF)-Bolt (cable to cab support)- 5/16"-18 x 1"
1	1		385633-S	(GG-388)-Clamp (cable to cable support bracket)
2	2		58635-S2	(B-82-A)-Bolt (cable clamp to cable support bracket)-3/8"-16 x 1 1/4"
4	4		★ 44877-S2	Flatwasher (cable bolt to cable support bracket)
4	4		34987-S4	(M-89CFf)-Locknut (cable bolt to cable support bracket)-3/8"-16
1			D3TZ 2857-A	Clevis (bellcrank to camshaft)-external thread-use w/C1TT 2857-L
1			76007-S8	(N-6)-Clevis pin (clevis to camshaft)
1			72034-S	(N-45)-Pin (clevis to camshaft)-cotter
1			C1TT 2857-L	Clevis (bellcrank to camshaft)-internal thread-use w/D3TZ 2857-A
1			76007-S8	(N-6)-Clevis pin (clevis to camshaft)
1			72034-S	(N-45)-Pin (clevis to camshaft)-cotter
	1		385634-S8	(FF-4)-Clevis (bellcrank to camshaft)- external thread-use w/97013-S8
	1		354419-S100	(NN-7-F)-Clevis pin (clevis to camshaft)
	1		72034-S	(N-45)-Pin (clevis to camshaft)
	1		97013-S8	(F-3)-Clevis (bellcrank to camshaft)- internal thread-use w/385634-S8
	1		354419-S100	(NN-7-F)-Clevis pin (clevis to camshaft)
	1		72034-S	(N-45)-Pin (clevis to camshaft)-cotter



**1980/  
TRUCK SERIES 600/900**

**PARTS LIST NO. 29**

29A	29B	29C	29D	PART NUMBER	DESCRIPTION
1	1	1	1	D5TZ 2N608-A	Rod (brake release)
1	1	1	1	D5TZ 2L609-A	Rivet (brake lever panel spring stop)
1	1	1	1	D3TZ 2614-B	Drum (brake)
2	2	2	2	D3TZ 2620-B	Lining
2	2	2	2	C1TT 2634-A	Spring (brake release)
1	1	1	1	D3TZ 2A636-A	Plate (brake support)
1	1	1	1	D3TZ 2A642-A	Strut (brake)
2	2	2	2	D3HZ 2648-A	Band & Lining Assy. (brake)
1	1	1	1	D3TZ 2A663-A	Bellcrank
				★ 2A666	Link (control to bellcrank)-improvise
1	1	1	1	D3TZ 2A703-B	Shield (brake drum)
1				D3TZ 2A707-A	Support (control)
	1			D7HZ 2A707-A	Support (control)
		1		D9HZ 2A707-A	Support (control)
			1	D3TZ 2A707-B	Support (control)
1	1	1	1	C1TZ 2A710-A	Camshaft (brake)
1	1	1	1	E0HZ 2780-E	Control (brake)
1	1	1	1	D5TZ 2793-A	Spring (brake handle button return)
1	1	1	1	D5TZ 2794-A	Button (brake handle)
1	1	1	1	D3HZ 2816-A	Lever (brake camshaft)
1	1	1	1	385634-S8	(FF-4) clevis (bellcrank to camshaft)-external thread-use with 97013-S8
1	1	1	1	97013-S8	(F-3)-clevis (bellcrank to camshaft)-internal thread-use with 385634-S8

**1980/  
TRUCK SERIES 600/900**

PARTS LIST NO. 30			
30A	30B	PART NUMBER	DESCRIPTION
1	1	★ C4TZ 2596-A	Clamp (control sides)
	1	D5HZ 2N608-A	Rod (brake release)
	1	D5HZ 2L609-A	Rivet (brake lever panel spring stop)
1	1	C0TZ 2614-A	Drum (brake)
2	2	C1TZ 2620-A	Lining
2	2	C1TT 2634-A	Spring (brake release)
1	1	C1TT 2A636-A	Plate (brake support)
1	1	C1TT 2A642-A	Link (brake)
2	2	C1TZ 2648-A	Band and Lining assy. (brake)
1	1	D3HZ 2654-A	Bracket (bellcrank support)
1	1	B8TZ 2A663-B	Bellcrank (brake)
1		★ DOHA 2A692-A	Spacer (control sides)
	1	D3HZ 2A702-A	Bracket (Lever)
		C1TT 2A703-F	Shield (drum)
1	1	D3HZ 2795-A	Bracket (control lever)
	1	D7HZ 2A702-A	Brace (lever)
1		E0HZ 2780-D	Control (brake)
	1	D5HZ 2780-A	Control (brake)
	1	D5TZ 2793-A	Spring (brake handle button return)
	1	D5TZ 2794-A	Button (brake handle)
1		D0HZ 2816-A	Lever (brake)
1		E1HZ 2853-B	Cable (brake)
	1	C5TZ 2853-H	Cable (brake)
1	1	C1TT 2857-G	Clevis
1	1	97015-S	(F-4) clevis (bellcrank to brake assy.)-internal thread-use with C1TT 2857-G

**1980/  
TRUCK SERIES 600/900**

**PARTS LIST NO. 31**

31A			PART NUMBER	DESCRIPTION
1			C0TZ 2614-A	Drum (brake)- with 7C universal joints
1			C0TZ 2614-B	Drum (brake)-with 8C universal joints
2			C1TZ 2620-A	Lining (brake)
2			C1TT 2634-A	Spring (brake release)
1			C1TT 2A636-A	Plate (brake support)
1			C1TT 2A642-A	Strut
2			C1TZ 2648-A	Band & lining assy. (brake)
1			B8TZ 2A663-B	Bellcrank
1			C1TT 2A703-F	Shield (drum)
1			C1TZ 2A710-C	Camshaft kit
1			E0HZ 2780-A	Control (foot)
1			E0HZ 2780-B	Control (hand)
1			D0HZ 2816-A	Lever (brake)
1			★ D3TA 2A692-AA	Spacer
1			E3HZ 2853-A	Cable (brake)-diesel
1			E3HZ 2853-B	Cable (brake)-gas
1			B8TZ 2854-B	Clevis
1			C1TT 2857-B	Clevis
1			97015-S	(F-4)-clevis-(use with C1TT 2857-B)

1980/  
TRUCK SERIES 600/900

3002-3B198 LISTED in SECTION 32

FRONT AXLE T.S.L. † CROSS REFERENCE GUIDE

1. Locate Front Axle part number shown on Truck Specification List.
2. Use the cross reference below to find the Front Axle parts list which contains service parts for that axle.
3. When a Truck Specification List is not available, refer to Section 30, page 2 for model Application Chart.

† Truck Specification List

FRONT AXLE ASSY. T.S.L. OR IDENTIFICATION NUMBER	MANUFACTURER INFORMATION	AXLE CAPACITY	FRONT AXLE SECTION & PARTS LIST NO.	ILLUSTRATION	
				SECTION	PAGE
<b>Notes:</b>					
● Same axle used for different axle capacities - check patent plate axle code to establish axle capacity and use parts list accordingly.					
# With 15,15R,16.5,18.5 x 22.5 tires-% Exc. 15,15R,16.5,18.5 x 22.5 tires					
C7TA 3010-J	Ford 6000	6M	30.2B	30	3
C7TA 3010-Y	Ford 9000	9M	30.3A	30	4
C7TA 3010-Z	Ford 9000	9M	30.3B	30	4
D0HA 3010-B	Ford 7000	7M	30.2C	30	3
D0HA 3010-E		7M	30.2A	30	3
D0HA 3010-G	Ford 9000	9M	30.3C	30	4
D0HA 3010-H	Rock,FF-903-12000	12M	30.4A	30	4
D3HA 3010-KA	FORD	16M,18M,20M	30.5A	30	6
D5HA 3010-AA	FORD	16M, 18M	30.5B	30	6
D7HT 3010-FA	FORD	9M	30.3E	30	4
D7HT 3010-GA	FORD	7M	30.2D	30	3
D7HT 3010-KA	FORD	7M	30.2F	30	3
D7HT 3010-LA	FORD	7M	30.2E	30	3
D7HT 3010-MA(exc. CF)	FORD	9M	30.3F	30	4
D7HT 3010-MA(CF)	FORD	9M	30.3J		
★D7HT 3010-NA	FORD	9M	30.3D	30	4
r/bE7HT 3010-BA(6/87)					
D7HT 3010-RA	FORD	12M	30.4D	30	5
★D7HT 3010-SA	FORD	12M	30.4C	30	4
r/bE2HT 3010-CA					
D7HT 3010-TA	FORD	12M	30.4B	30	5
D7HT 3010-UA	FORD	5.5M	30.1B	30	2
E0HT 3010-AC	FORD	5.5M	30.1A	30	2
E0HT 3010-BA	FORD	6M,7M	30.2H	30	3
E0HT 3010-BB	FORD	6M,7M	30.2H	30	3
●E0HT 3010-CA	FORD	7M, 7.5M,8M	30.2G	30	3
●E0HT 3010-CA	FORD	9M	30.3G	30	4
E2HT 3010-AA	FORD	12M	30.4E	30	4
E2HT 3010-BA(exc. CF)	FORD	12M	30.4F	30	5
E2HT 3010-BA(CF)	FORD	12M	30.4J		
E2HT 3010-CA	FORD	12M	30.4G	30	4
E2HT 3010-DA	FORD	12M	30.4H	30	5
E4HT 3010-AA	FORD	6M,7M	30.2L		
E4HT 3010-AB	FORD	6M,7M	30.2L		
E4HT 3010-BA	FORD	9M	30.3H		
E4HT 3010-BB	FORD	9M	30.3H		
E4HT 3010-CA	FORD	7M,8M,9M	30.2K		
E4HT 3010-CB	FORD	7M,8M,9M	30.2K		
E4HT 3010-DA	FORD	6M,7M	30.2J		
E4HT 3010-DB	FORD	6M,7M	30.2J		
E7HT 3010-AA	FORD	9M	30.3K	30	4
E7HT 3010-BA	FORD	9M	30.3L	30	4
E7HT 3010-CA	FORD	7M	30.2M	30	3
E7HT 3010-EA	FORD	12M	30.4K	30	3,4,8

## 1980/ TRUCK SERIES 600/900

FRONT AXLE ASSY. T.S.L. OR IDENTIFICATION NUMBER	MANUFACTURER INFORMATION	AXLE CAPACITY	FRONT AXLE SECTION & PARTS LIST NO.	ILLUSTRATION	
				SECTION	PAGE
<b>Notes:</b> <ul style="list-style-type: none"> <li>• Same axle used for different axle capacities -check patent plate axle code to establish axle capacity and use parts list accordingly</li> <li># With 15,15R,16.5,18.5 x 22.5 tires-% Exc. 15,15R,16.5 18.5 x 22.5 tires</li> </ul>					
E7HT 3010-FA	FORD	12M	30.4L	30	4
E7HT 3010-HA	FORD	6M,7M	30.2N	30	3
E7HT 3010-KA	FORD	7M,8M,9M	30.2P	30	3,4
E7HT 3010-LA	FORD	7M	30.2Q	30	3
#E7HT 3010-SA	FORD	16M,18M,20M	30.5C	30	6
%E7HT 3010-SA	FORD	16M,18M,20M	30.5D	30	6
E7HT 3010-TA	FORD	10M	30.4M	30	3,4
E9HT 3010-AA	FORD	12M	30.4N	30	4,5
E9HT 3010-BA	FORD	9M	30.3M,N	30	4
E9HT 3010-DA	FORD	7M	30.2S	30	3
E9HT 3010-EA	FORD	6M,7M	30.2R	30	3

1980/  
TRUCK SERIES 600/900

FRONT AXLE MODEL APPLICATION CHART

How to locate front axle parts using this chart:

1. Find truck series in first column (Truck series)
2. Find year of truck in second column (Year)
3. Find front axle capacity in fourth column (Front axle capacity-lbs.)  
When front axle capacity is not known, use one of the following methods to determine it:
  - a. Refer to the Truck Specification List (see previous page), if available.
  - b. Refer to the Truck Warranty Plate for the front axle code (See Front Axle Codes in the General Information Section).
4. Note proper front axle parts list in fifth column (Front axle parts list)  
EXAMPLE: 30.3A means Section 30.3 column A
5. Turn to front axle parts list shown in fifth column to locate part needed.  
Parts are listed in numerical order. If the basic number is not known, refer to the appropriate illustration, or to the alphabetical index.

FRONT AXLE MODEL APPLICATION CHART

SERIES	MODEL YEAR	CAPACITY (LBS.)	FRONT AXLE		ILLUS. SECTION 30, PAGE NO.
			RESTRICTIONS	PARTS LIST SECTION AND NO.	
B600/700	80/83	6M			30.2H 3
	84/86	6M			30.2J
	87/88	6M	With hydraulic brakes		30.2N
	80/83	7M	With hydraulic brakes		30.2H 3
	80/83	7M,7.5M	With air brakes		30.2G 3
	84/86	7M	With air brakes		30.2K
	87/88	7M	With air brakes		30.2P
	84/86	8M			30.2K
	87	8M	With air brakes		30.2P
	80/83	9M			30.3G 4
	84/86	9M			30.2K
	87/	9M	With air brakes		30.2P
	89	6M,7M			30.2R
C-CT600/900	80/86	7M	With hydraulic brakes		30.2A 3
	80/	7M	With air brakes		30.2E 3
	80/83	9M	With hydraulic brakes		30.3A 4
	80/86	9M	With air brakes		30.3D 4
	87/	9M	With air brakes		30.3L 4
	80/82	12M		"Before 3/82"	30.4C 4
	82/86	12M		"From 3/82"	30.4G 4
	87/	12M	With air brakes		30.4L
	80/86	16M			30.5B 6
	80/86	18M			30.5B 6
CF600/700/800	87/	16M			30.5C
	87/	18M			30.5C
	86/89	9M		"Before 9/88"	30.3J
	89/	9M		"From 9/88"	30.3N
	86	12M			30.4J
	87/88	12M,13M			30.4K 5,8
CL-CLT900	89/	11M,13M			30.4K
	89/	12M	With steel axle		30.4N
	80/82	12M	With steel axle	"Before 3/82"	30.4D 5
	82/86	12M	With steel axle	"From 3/82"	30.4F 5
	80/82	12M	With aluminum axle	"Before 3/82"	30.4B 5
	82/86	12M	With aluminum axle	"From 3/82"	30.4H 5
	87/	11M,12M	With aluminum axle		30.4K 5
	87/	11M,12M	With steel axle		30.4K 5
89	12M	With steel axle		30.4N 5	

**1980/  
TRUCK SERIES 600/900**

**FRONT AXLE MODEL APPLICATION CHART**

SERIES	MODEL YEAR	CAPACITY (LBS.)	FRONT AXLE		ILLUS. SECTION 30, PAGE NO.	
			RESTRICTIONS	PARTS LIST SECTION AND NO.		
F-FT600/900	80/83	5.5M			30.1A	2
	84/86	6M			30.2J	
	87/88	6M	With hydraulic brakes		30.2N	
	80/83	7M	With hydraulic brakes		30.2H	3
	80/83	7M	With air brakes		30.2G	3
	84/86	7M	With air brakes		30.2K	
	84/86	7M	With hydraulic brakes		30.2J	
	87/88	7M	With hydraulic brakes		30.2N	
	87/88	7M	With air brakes		30.2P	
	87/	8M	With air brakes		30.2P	
	80/83	9M			30.3G	4
	83	9M	Heavy duty with air brakes		30.3F	4
	84/86	9M			30.2K	
	87/	9M			30.2P	
	83/86	12M			30.4F	4
	87/	10M			30.4M	3,4
	87/88	12M			30.4K	
	89	6M,7M			30.2R	
		89	12M	With steel axle		30.4N
LN600	80/83	5.5M			30.1B	2
LN600/700	80/83	7M	With hydraulic brakes		30.2B	3
	80/83	7M	With air brakes		30.2D	3
L-LN800/900	80/86	7M	With hydraulic brakes		30.2C	3
	87/88	7M	With hydraulic brakes		30.2Q	3
	80/86	7M	With air brakes		30.2F	3
	87/88	7M	With air brakes		30.2M	3
	89	7M			30.2S	
LN700	80/83	9M	With hydraulic brakes		30.3B	4
	80/83	9M	With air brakes		30.3E	4
	84/	9M			30.3H	
L-LN-LNT-LS-LT-LTL-LTS800/900	80/83	9M	With air brakes		30.3F	4
	80/83	9M	With hydraulic brakes		30.3C	4
	87/88	9M			30.3K	4
	89	9M			30.3M	4
	80/82	12M	With hydraulic brakes	"Before 3/82"	30.4A	4
	82/83	12M	With hydraulic brakes	"From 3/82"	30.4E	4
	80/82	12M	With air brakes	"Before 3/82"	30.4D	4
	82/86	12M	With air brakes	"From 3/82"	30.4F	4
	87/	11M,12M	With air brakes		30.4K	
	89	12M	With steel axle		30.4N	4
	80/86	16M			30.5A	6
	80/86	18M			30.5A	6
	80/86	20M			30.5A	6
	87/	10M			30.4M	3,4
	87/	16M	with 15,15R,16.5,18.5 x 22.5 tires		30.5C	
	87/	16M	exc. 15,15R,16.5,18.5 x 22.5 tires		30.5D	
	87/	18M			30.5C	
	87/	20M			30.5C	

DESCRIPTION/RESTRICTIONS	PART NUMBER	FRONT AXLE PARTS LIST 1A THRU 1M												
		A	B	C	D	E	F	G	H	J	K	L	M	
<b>Note:</b> Refer to SECTION 30, Page 1 for PARTS LIST INSTRUCTIONS														
AXLE (FRONT)	3010													
	E0HZ 3010-A	A												
	C9TZ 3010-B		B											
SPINDLE ASSY. For dimensions, refer to group in Section 32	D0TZ 3105-A	2	2											
Nut (spindle)-castle-1" 14	351163-S(MM-82)	2	2											
Fitting-1/4" 28	87922-S8(1-7)	4	4											
Cotter pin-1/8" x 1 1/4"	72053-S(N-52)	2	2											
BUSHING (SPINDLE) 3 39/64" long	C3TZ 3110-A	4	4											
PIN and BUSHING KIT (SPINDLE)-For components, refer to group in Section 32	C3TZ 3111-A	A	B											
PIN (SPINDLE)-serviced in 3111 kit	3115	2	2											
SHIM (SPINDLE PIN)-Also serviced in kit-group 3111	3117													
.016" thick	19B 3117	AR	AR											
.005" thick-serviced only in kit-group 3111	★3117	AR	AR											
PIN (SPINDLE PIN LOCKING)	C3TZ 3122-A	2	2											
Nut (pin)-7/16"-20	34671-S8(M-67)	2	2											
Lockwasher-7/16"	34808-S8(X-67)	2	2											
BEARING (SPINDLE PIN)- Also serviced in kit-group 3111	A8TZ 3123-A	2	2											
SEAL (SPINDLE PIN DUST) also serviced in kit 3111	C3TZ 3125-A	2	2											
ARM (SPINDLE)	3130-1													
R.H.	D8HZ 3130-C	A	B											
L.H.	D8HZ 3131-C	A	B											
Bolt (arm to spindle)-9/16"-18 x 3 13/64"	383113-S2(BB-321-X)	4	4											
Bolt (R.H. arm to spindle) 9/16"-18 x 2"	383126-S(BB-321-V)	2	2											
Nut-9/16"-18	370117-S(MM-68)	6	6											
Cotter pin-1/8" x 1 1/2"	72071-S(N-54)	4	4											
Washer-9/16"	371613-S(XX-202)	4	4											
END ASSY. (SPINDLE CONNECTING ROD)	3A130-1													
Use with 3280 -- C9TA A,E0HA-AB	C7TZ 3A130-D	A	B											
Use with E2HT 3280-JA	C7TZ 3A130-D	A												
Use with E2HT 3280-EA	C7TZ 3A130-D		B											
Use with 3280 -- C9TA-A,E0HA AB	C7TZ 3A131-D	A	B											
Use with E2HT 3280 JA	C7TZ 3A131-D	A												
Use with E2HT 3280 EA	C7TZ 3A131-D		B											
Nut (end to spindle arm) 3/4" .16	383042-S(MM-76-B)	2	2											
Cotter pin-1/8" x 1 1/2"	72071-S(N-54)	2	2											
Fitting (lubricator)-1/4" .28	87901-S(I-1)	2	2											
ARM (STEERING)	3146													
	C9TZ 3146-A	A	B											
Bolt (arm to spindle)-9/16" 18 x 3 13/64"	383113-S2(BB-321-X)	2	2											
Nut 9/16" 18	370117-S(MM-68)	2	2											
Cotter pin-1/8" 1 1/2"	72071-S(N-54)	2	2											
ROD ASSY. (SPINDLE CONNECTING)	3280													
#E0HA 3280-AB "Before 9/82"	E0HZ 3280-A	A												
#E2HT 3280-JA "From 9/82"	E3HZ 3280-J	A												
#C9TA 3280-A "Before 9/82"	C9TZ 3280-A		B											
#E2HT 3280-EA "From 9/82"	E3HZ 3280-E		B											
TUBE ASSY. (SPINDLE CONNECTING)	3281													
Serviced only in 3280 assy.	★3281	A	B											
Bolt (clamp to end assy.)-3/8"-16 x 2"	20522-S(B-89)	2	2											
Nut-lock-3/8" 16	383406-S(MM-173-MY)	2	2											
CLAMP (SPINDLE CONNECTING ROD) serviced in assy. group 3280	3287													
SEAL (SPINDLE CONNECTING ROD DUST)	C7TZ 3332-G	2	2											



1980/  
TRUCK SERIES 600/900

DESCRIPTION/RESTRICTIONS	PART NUMBER	FRONT AXLE PARTS LIST 2A THRU 2M												
		A	B	C	D	E	F	G	H	J	K	L	M	
<b>Note:</b> Refer to SECTION 30, Page 1 for PARTS LIST INSTRUCTIONS														
<b>AXLE (FRONT)</b> 3010														
	D0HZ 3010-E	A												
	C7TZ 3010-A		B											
1980/86	★ E0HZ 3010-B									H				
	r/b E7HZ 3010-G(12/88)													
1987/	E7HZ 3010G									H				
	E0HZ 3010-C										G			
	D0HZ 3010-A				C									
	★ D6TZ 3010-G				D									
	r/b D5HZ 3010-J													
	D6HZ 3010-M						E							
	D6HZ 3010-L							F						
	E4HZ 3010-C												K	
	E4HZ 3010-D										J			
	E4HZ 3010-B													L
	E7HZ 3010-C													M
<b>NUT (SPINDLE)</b> 3104														
1 1/2"-18	D5HZ 3104-A					2	2	2					2	2
1 1/4"-18	D5TZ 3104-A				2									
1"-14	351163-S(MM-82)	2	2	2						2				
1"-14	389846-S2(MM-82-A)										2			
<b>SPINDLE ASSY.</b> 3105-6														
R.H.	C7TZ 3105-F	A	B	C						H	J		L	
L.H.	C7TZ 3106-E	A	B	C						H	J		L	
R.H.-#D4TA 3105-FA	D5TZ 3105-G				D									
L.H.-#D4TA 3106-FA	D5TZ 3106-G				D									
R.H.-#D4TA 3105-GA, E1HT 3105-CA	D5TZ 3105-D					E	F	G					K	
L.H.-#D4TA 3106-GA, E1HT 3105-CA	D5TZ 3106-D					E	F	G					K	
R.H.-#E7HT 3105-BA	E7HZ 3105-A													M
L.H.-#E7HT 3106-BA	E7HZ 3106-A													M
Nut (spindle)-castle-1"-14	351163-S(MM-82)	2	2	2						2				
Nut (spindle)-castle	389846-S2(MM-82-A)										2			
Cotter pin-1/8" x 1 3/4"	72089-S(N-55)	2	2	2						2				
Cotter pin-5/32" x 2 1/2"	★ 72144-S				2									
Cotter pin-3/16" x 3"	★ 72169-S36					2	2	2						
Cotter pin-1/8" x 2"	72107-S(MM-82-A)										2			
Cotter pin-3/16" x 2 1/2"	72145-S36( )											2	2	
Fitting (lubricator)-upper and lower	87913-S8(I-6)	2	2	2	2	2	2	2	2	2	2	2	2	2
<b>BUSHING (SPINDLE)-</b> 3110														
Also serviced in kit-group 3111														
1 15/16" long-bronze	C7TZ 3110-D	4	4	4						4	4		4	
	D5TZ 3110-A				D	E	F	G				4		4
<b>PIN and BUSHING KIT (SPINDLE)</b> 3111														
Std.-size pin	C7TZ 3111-A	A	B	C						H	J		L	
.010" O/S pin	D3TZ 3111-A	A	B	C						H				
	D6TZ 3111-A				D	E	F	G					K	M
<b>CAP (SPINDLE)</b> 3113-B														
	D5HZ 3113-B				2	2	2	2					2	2
<b>GASKET (SPINDLE PIN CAP) Also serviced in kit - group 3111</b>														
	D2TZ 3114-A				2	2	2	2					2	
	E6HZ 3114-A				2	2	2	2					2	2
<b>PIN (SPINDLE)-serviced only in kit-group 3111</b> ★3115														
<b>SHIM (SPINDLE PIN)-Also serviced in kit-group 3111</b> 3117														
.016" thick	19B 3117	AR	AR	AR						AR	AR		AR	
.015" thick	B7QH 3117-A				AR	AR	AR	AR					AR	AR
.005" thick	C8TZ 3117-C	AR	AR	AR	AR	AR	AR	AR	AR					AR
.125" thick	★ D8HZ 3117-A		AR		AR									
	r/b D5HZ 3K011-B Kit													

1980/  
TRUCK SERIES 600/900

(6M, 7M, 7.5M, 8M FRONT AXLE)

DESCRIPTION/RESTRICTIONS	PART NUMBER	FRONT AXLE PARTS LIST 2A THRU 2M												
		A	B	C	D	E	F	G	H	J	K	L	M	
<b>Note:</b> Refer to SECTION 30, Page 1 for PARTS LIST INSTRUCTIONS														
PIN (SPINDLE PIN LOCKING)-Also serviced in kit-group 3111 3122														
Upper	C3TZ 3122-A	2	2	2					2	2		2		
Lower	D5TZ 3122-D				2	2	2	2				2		2
Nut (pin)-7/16"-20	D6TZ 3122-A				2	2	2	2				2		2
Nut-7/16"-20	34671-S8(M-67)	2	2	2					2					
Lockwasher-7/16"	★ 34447-S2(M-83)									2			2	
	34808-S8(X-67)	2	2	2						2				
BEARING (SPINDLE PIN) 3123														
Also serviced in kit-group 3111														
1 1/4" I.D. x 2 3/16" O.D.	A8TZ 3123-A	2	2	2					2	2		2		
	D2TZ 3123-A				2	2	2	2				2		2
SEAL (SPINDLE PIN DUST)-Also serviced in kit group 3111 3125														
	C3TZ 3125-A	4	4	4					4	4		4		
	D5TZ 3125-A				4	4	4	4				4		4
ARM (SPINDLE) 3130-1														
R.H.	D0HZ 3130-B	A		C										
L.H.	D0HZ 3131-B	A		C										
R.H.	"Before 10/81" ★ C7TZ 3130-E		B							H				
	r/b E1HZ 3130-A													
L.H.	"Before 10/81" ★ C7TZ 3131-E		B							H				
	r/b E1HZ 3131-A													
R.H.	"From 10/81" ★ E1HZ 3130-A		B							H				
	r/b E4HZ 3130-A,													
	E4HZ 3131-A,													
	E4HZ 3280-A,													
	LN series													
	E3HZ 3280-G,													
	F/B series (10/86)													
L.H.	"From 10/81" ★ E1HZ 3131-A		B							H				
	r/b E4HZ 3131-A,													
	E4HZ 3130-A,													
	E4HZ 3280-A,													
	LN series													
	E3HZ 3280-G,													
	F/B series (10/86)													
R.H.	D5TZ 3130-A				D	E	F	G				K		
L.H.	D5TZ 3131-A				D	E	F	G				K		
R.H.	E4HZ 3130-A		B							H	J		L	
L.H.	E4HZ 3131-A		B							H	J		L	
R.H.	E7HZ 3130-A													M
L.H.	E7HZ 3131-A													M
Screw (turn adjustment)-1/2"-13 x 2"	383896-S2(BB-195-E)	2	2	2						2				
Bolt-1/2"-13	385123-S2(BB-196-D)										2	2	2	2
Nut (turn adjustment screw)-1/2"-13	33845-S8(M-57)	2	2	2						2	2			
Nut (arm to spindle)-1"-14	383219-S(MM-83-A)	2	2	2						2	2	2	2	2
Cotter pin (arm to spindle)-3/16" x 2"	72109-S(N-70-A)	2	2	2						2	2	2	2	2
END ASSY. (SPINDLE CONNECTING ROD) 3A130-1														
R.H.-R.H. tube thread	C7TZ 3A130-D	A	B	C						H	J			
L.H.-L.H. tube thread	C7TZ 3A131-D	A	B	C						H	J			
R.H.-L.H. tube thread	D5TZ 3A130-A				D	E	F	G				K	L	M

NOTICE: When the parts list suffix is shown in the quantity required column, the quantity is one (1).

1980/  
TRUCK SERIES 600/900

DESCRIPTION/RESTRICTIONS	PART NUMBER	FRONT AXLE PARTS LIST 2A THRU 2M												
		A	B	C	D	E	F	G	H	J	K	L	M	
<b>Note: Refer to SECTION 30, Page 1 for PARTS LIST INSTRUCTIONS</b>														
END ASSY. (SPINDLE CONNECTING ROD)	3A130-1 — Cont'd													
L.H.-R.H. tube thread	D5TZ 3A131-A				D	E	F	G				K	L	M
R.H. - - greaseable-1984/88	FOHZ 3A130-C									J				
L.H. - - greaseable-1984/88	FOHZ 3A131-C									J				
R.H. - - greaseable-1980/88	FOHZ 3A130-B		B	C	D		F					K		M
L.H. - - greaseable-1980/88	FOHZ 3A131-B		B	C	D		F	G				K		M
Nut (ends to spindle arm)-3/4"-16	386750-S2(MM-76-C)	2	2	2						2	2			
Nut (ends to spindle arm) 3/4"-16	383248-S100(MM-76-AB)											2	2	
Cotter pin (end nut)-1/2" x 1 1/2"	72071-S(N-54)	2	2	2						2	2	2	2	2
Refer to group 4243 in this section.	3138													
ARM (STEERING)	3146													
	★ DOHZ 3146-L	A												L
	r/b E6HZ 3146-D(10/90)													
	FOHZ 3146-C		B							H	J			
	DOHZ 3146-C			C			F							
	D5TZ 3146-A				D									
	DOHZ 3146-E					E								
	EOHZ 3146-A							G						
	EOHZ 3146-B							G				K		
	E7HZ 3146-D													M
Cotter pin (spindle nut)-1/8" x 2"	72109-S(N-68-G)	AR	AR	AR						AR	3	3	3	3
Nut (arm to spindle)-castle-1"-14	383219-S(MM-83-A)	2	2	2						2	3	3	3	3
ROD ASSY. (SPINDLE CONNECTING)	3280													
Serviced by details-refer to group 3A130-1 & 3281 in this Section.	★ DOHA 3280-B	A		C						H				
"Before 9/82"														
Serviced by details	★ D4TA 3280-DA				D	E	F	G						
"Before 9/82"														
#E2HT 3280-FA	E3HZ 3280-F	A		C						H				
"From 9/82"														
#E2HT 3280-GA,E5HT 3280-DA	E3HZ 3280-G				D	E	F	G				K	L	M
"From 9/82"														
#E5HT 3280-JA	E6HZ 3280-C		B											
"From 11/85"														
#E2HT 3280-KA	E3HZ 3280-K		B											
#E4HT 3280-BA, E5HT 3280-FA	E4HZ 3280-A	A		C						H	J			
Greaseable - - 1984/88	E4HZ 3280-C									J				
Greaseable - - 1980/88	FOHZ 3280-C		B	C	D		F	G				K		M
TUBE ASSY. (SPINDLE CONNECTING ROD)	3281													
	DOHZ 3281-B	A		C						H				
	C7TZ 3281-D		B											
	D5TZ 3281-A				D	E	F	G				K	L	M
	E4HZ 3281-A									J				
Bolt (clamp)-1/2"-10 x 2 1/4"	20539-S8(B-204)	2	2	2						2	2	2	2	
Nut-1/2"-20	33846-S8(M-69)	2	2	2						2	2	2	2	
Lockwasher-1/2"	34809-S8(X-68)	2	2	2						2	2	2	2	
SEAL (SPINDLE CONNECTING ROD END)	C7TZ 3332-G	2	2	2						2	2	2	2	2
KEY (STEERING SPINDLE ARM)	01T 4243	3	3	3						3	3	3	3	3

1980/  
TRUCK SERIES 600/900

DESCRIPTION/RESTRICTIONS	PART NUMBER	FRONT AXLE PARTS LIST 2N THRU 2Z												
		N	P	Q	R	S	T	U	V	W	X	Y	Z	
<b>Note:</b> Refer to SECTION 30, Page 1 for PARTS LIST INSTRUCTIONS														
AXLE (FRONT)	E7HZ 3010-G	N												
	E7HZ 3010-J		P											
	E7HZ 3010-K			Q										
Double drop	E9HZ 3010-D				R									
Single drop	E9HZ 3010-E					S								
NUT (SPINDLE)	3104													
1 1/2"-18	D5HZ 3104-A		2											
1"-14	351163-S(MM-82)			2										
1"-14	383219-S2(MM-83-A)		3		3	3								
1"-14	389846-S2(MM-82-A)	2												
SPINDLE ASSY.	3105-6													
R.H.-#E7HT 3105-AA, E8HT 3105-AA	E7HZ 3105-E	N		Q										
L.H.-#E7HT 3106-AA, E8HT 3106-AA	E7HZ 3106-E	N		Q										
R.H.-#E7HT 3105-BA-1987/88	E7HZ 3105-A		P											
L.H.-#E7HT 3106-BA-1987/88	E7HZ 3106-A		P											
R.H.-#E8HT 3105-BB, E9HT 3105-EA, w/air brakes	E8HZ 3105-A				R	S								
L.H.-#F2HT-DA w/air brakes	F2HZ 3106-C				R	S								
R.H.-#E9HT 3105-CA-1989/	E9HZ 3105-C		P											
L.H.-#E9HT 3106-CA-1989/	F2HZ 3106-A		P											
R.H.-#E9HT 3105-DA, w/hydraulic brakes	E9HZ 3105-D				R	S								
L.H.-#E9HT 3106-DA, w/hydraulic brakes	E9HZ 3106-D				R	S								
Nut (spindle)-castle-1"-14	351163-S(MM-82)			2										
Nut (spindle)-castle	389846-S2(MM-82-A)	2												
Cotter pin-1/8" x 1 3/4"	72089-S(N-55)			2										
Cotter pin-1/8" x 2"	72107-S(MM-82-A)	2												
Cotter pin-3/16" x 2 1/2"	72145-S36( )		2											
Fitting (lubricator)-upper and lower	87913-S8(I-6)	2	2	2										
BUSHING (FRONT WHEEL SPINDLE)	3L105													
	E9HZ 3L105-B				2	2								
BUSHING (SPINDLE)	3110													
Also serviced in kit-group 3111	C7TZ 3110-D													
1987/88	D5TZ 3110-A		4											
1989/	E9HZ 3110-B		4											
Refer to basic 3L105	★3110				R	S								
PIN and BUSHING KIT (SPINDLE)	3111													
	C7TZ 3111-A	N		Q										
1987/88	D6TZ 3111-A		P											
1989/	E9HZ 3111-C		P											
	E8HZ 3111-A				R	S								
CAP (SPINDLE)	3113													
Also serviced in kit-group 3111	D5HZ 3113-B		2											
1989/	E9HZ 3113-B		4											
Refer to basic 3B167	★3113				R	S								
GASKET (SPINDLE PIN CAP)	3114													
Also serviced in kit-group 3111	E6HZ 3114-A		2											
Not required	★3114				R	S								
PIN (SPINDLE)-serviced only in kit-group 3111	★3115													
SHIM (SPINDLE PIN)-Also serviced in kit-group 3111	3117													
.015" thick	B7QH 3117-A		AR											
.005" thick	C8TZ 3117-C		AR											
.016" thick	19B 3117	AR		AR										
.008 thick	E8HZ 3117-A				AR	AR								

**NOTICE:** When the parts list suffix is shown in the quantity required column, the quantity is one (1).

1980/  
TRUCK SERIES 600/900

DESCRIPTION/RESTRICTIONS	PART NUMBER	FRONT AXLE PARTS LIST 2N THRU 2Z												
		N	P	Q	R	S	T	U	V	W	X	Y	Z	
<b>Note:</b> Refer to SECTION 30, Page 1 for PARTS LIST INSTRUCTIONS														
PIN (SPINDLE PIN LOCKING) 3122														
Also serviced in kit-group 3111														
Upper	D5TZ 3122-D	2	2	2										
Lower	D6TZ 3122-A	2	2	2										
Upper	E8HZ 3122-A				2	2								
Lower	E8HZ 3122-B				2	2								
Locknut 7/16-20 (grade 8)	★55771-S2				4	4								
BEARING (SPINDLE PIN) 3123														
Also serviced in kit-group 3111														
1 1/4" I.D. x 2 3/16" O.D.	A8TZ 3123-A													
	D2TZ 3123-A	2	2	2										
	E8HZ 3123-A				2	2								
SEAL (SPINDLE PIN DUST) 3125														
Also serviced in kit-group 3111														
	D5TZ 3125-A	4	4	4										
	E8HZ 3125-A				4	4								
ARM (SPINDLE) 3130-1														
R.H.	E7HZ 3130-A		P											
L.H.	E7HZ 3131-A		P											
R.H.	E7HZ 3130-B	N		Q										
L.H.	E7HZ 3131-B	N		Q										
R.H.	E8HZ 3130-A				R									
L.H.	E8HZ 3131-A				R									
R.H.	E9HZ 3130-A					S								
L.H.	E9HZ 3131-A					S								
Jam nut 1/2" 13	33942-S2(M-28-A)				2	2								
Screw (turn adjustment)-1/2"-13 x 2"	383896-S2(BB-195-E)			2										
Bolt 1/2"-13	385123-S2(BB-196-D)	2	2		2	2								
Nut (turn adjustment screw) 1/2"-13	33845-S8(M-57)			2	2	2								
Nut (arm to spindle) 1" 14	383219-S(MM-83-A)	2	2	2	2	2								
Cotter pin (arm to spindle)-3/16" x 2"	72109-S(N-70-A)	2	2	2										
END ASSY. (SPINDLE CONNECTING ROD) 3A130-1														
R.H. L.H. tube thread	D5TZ 3A130-A		P	Q										
L.H. R.H. tube thread	D5TZ 3A131-A		P	Q										
R.H.-R.H. tube thread	C7TZ 3A130-D	N												
L.H.-L.H. tube thread	C7TZ 3A131-D	N												
R.H.-L.H. tube thread	E8HZ 3A130-A				R	S								
L.H. R.H. tube thread	E8HZ 3A131-A				R	S								
R.H. - - greaseable 1984/88	F0HZ 3A130-C	N			R									
L.H. - - greaseable 1984/88	F0HZ 3A131-C	N			R									
R.H. - - greaseable 1980/88	F0HZ 3A130-B		P	Q		S								
L.H. greaseable 1980/88	F0HZ 3A131-B		P	Q		S								
Nut 3/4-16 (grade 5)	383218-S100(MM-76-AB)				2	2								
Nut (ends to spindle arm)-3/4"-16	386750-S2(MM-76-C)	2		2										
Nut (ends to spindle arm)-3/4"-16	383248-S100(MM-76-AB)		2											
Cotter pin (end nut)-1/2" x 1 1/2"	72071-S(N-54)	2	2	2	2	2								
Refer to group 4243 in this section 3138														
ARM (STEERING) 3146														
B-F - - 7M front axle with air brakes-1987	E7HZ 3146-F		P											
B F 7M front axle with air brakes-1988 "Before 12/87"	E8HZ 3146-A		P											
B F 7M front axle with air brakes-1988 "From 12/87"	E8HZ 3146-J		P											
B F 8M,9M front axle-1987	E7HZ 3146-G		P											
B F 8M,9M front axle-1988/	E8HZ 3146-C		P											
B-F - - 6M,7M front axle with hydraulic brakes-1987/88 "Before 12/87"	E7HZ 3146-C	N												

1980/  
TRUCK SERIES 600/900

DESCRIPTION/RESTRICTIONS	PART NUMBER	FRONT AXLE PARTS LIST 2N THRU 2Z												
		N	P	Q	R	S	T	U	V	W	X	Y	Z	
<b>Note:</b> Refer to SECTION 30, Page 1 for PARTS LIST INSTRUCTIONS														
ARM (STEERING)	3146 — Cont'd													
B-F -- 6M,7M front axles with hydraulic brakes-1988 "From 12/87"	E8HZ 3146-H	N												
C -- 6M,7M front axle with hydraulic brakes	★ D0HZ 3146-L r/b E6HZ 3146-D(10/90)			Q										
L-LN -- 6M,7M front axle with hydraulic brakes	E7HZ 3146-P			Q										
B-F -- 6M,7M front axle-1989/	E8HZ 3146-B				R									
L-LN -- 6M,7M front axle-1989/	E8HZ 3146-E					S								
Cotter pin (spindle nut)-1/8" x 2"	72109-S(N-68-G)	AR	AR	AR	AR	AR								
Nut (arm to spindle)-castle-1" x 14	383219-S(MM-83-A)	3	3	2	3	3								
CAP (SPINDLE PIN)-Also serviced in 3111 kit ◇ Not required	3B167													
	E8TZ 3B167-A	◇	◇	◇	4	4								
ROD ASSY. (SPINDLE CONNECTING)	3280													
#E5HT 3280-DA	E3HZ 3280-G		P	Q										
#E5HT 3280-FA	E4HZ 3280-A	N												
#E8HT 3280-AB	E8HZ 3280-A				R	S								
Greaseable -- 1984/88	E4HZ 3280-C	N												
Greaseable -- 1989	FOHZ 3280-D				R									
Greaseable -- 1980/88	FOHZ 3280-C		P	Q		S								
TUBE ASSY. (SPINDLE CONNECTING ROD)	3281													
	D5TZ 3281-A		P	Q										
	E4HZ 3281-A	N												
	E8HZ 3281-A				R	S								
Bolt (clamp)-1/2"-10 x 2 1/4"	20539-S8(B-204)	2	2	2	2	2								
Nut-1/2"-20	33846-S8(M-69)	2	2	2	2	2								
Lockwasher-1/2"	34809-S8(X-68)	2	2	2	2	2								
SEAL (SPINDLE CONNECTING ROD END)	C7TZ 3332-G	2	2	2	2	2								
KEY (STEERING SPINDLE ARM)	01T 4243	3	3	3	3	3								

NOTICE: When the parts list suffix is shown in the quantity required column, the quantity is one (1).

DESCRIPTION/RESTRICTIONS	PART NUMBER	FRONT AXLE PARTS LIST 3A THRU 3M												
		A	B	C	D	E	F	G	H	J	K	L	M	
<b>Note:</b> Refer to SECTION 30, Page 1 for PARTS LIST INSTRUCTIONS														
AXLE (FRONT)	3010													
	B7QH 3010-E	A												
	C5TZ 3010-A		B											
	D0HZ 3010-B			C										
	★ D6HZ 3010-R				D									
	r/b E7HZ 3010-B(6/87)													
	★ D6TZ 3010-H					E								
	r/b E4HZ 3010-A(2/85)													
	D6HZ 3010-N						F							
	E0HZ 3010-C							G						
	E4HZ 3010-A								H					
	E7HZ 3010-A									J	K			
	E7HZ 3010-B											L		
	E9HZ 3010-B													M
NUT (SPINDLE)-1 1/2" x 18	D5HZ 3104-A				2	2	2	2		2	2			
◇Not required	★ 3104													◇
SPINDLE ASSY. (FRONT WHEEL)	3105-6													
	C7TZ 3105-D	A	B	C										
	C7TZ 3106-D	A	B	C										
R.H.-#D4HA 3105-BA, E1HT 3105-DA	D5HZ 3105-B				D		F				J			
L.H.-#E5HT 3106-CA	E6HZ 3106-B										J			
L.H.-#D4HA 3105-BA, E1HT 3105-DA	D5HZ 3106-B				D		F							
R.H.-#D4HA 3105-CA	D5HZ 3105-C							E						
R.H.-#D4TA 3105-GA, E1HT 3105-CA	D5TZ 3105-D							E						
R.H.-#D4TA 3105-GA, E1HT 3105-CA	D5TZ 3105-D								G					
L.H.-#D4TA 3106-GA, E1HT 3106-CA	D5TZ 3106-D							E	G					
R.H.-#E1HT 3105-CA	D5TZ 3105-D									H				
L.H.-#E1HT 3106-CA	D5TZ 3106-D									H				
R.H.-#E7HT 3105-DA	E7HZ 3105-B											K	L	
L.H.-#E7HT 3106-DA	E7HZ 3106-B											K	L	
R.H.-#E9HT 3105-BA	E9HZ 3105-B													M
L.H.-#E9HT 3106-BA	E9HZ 3106-B													M
Fitting-1/8"-27	87913-S8(I-6)	4	4	4	4	4	4	4	4	4	4	4	4	
BUSHING (SPINDLE)-Also serviced in 3111 kit	3110													
	D5TZ 3110-A	4	4	4		4		4	4					
	D5HZ 3110-B				D		F				J			
	D5TZ 3110-A											2	2	
	E9HZ 3110-A													4
BUSHING and PIN KIT (SPINDLE)	3111													
	D1HZ 3111-A	A	B	C										
	D6HZ 3111-B				D		F				J	K		
For field fix	D6HZ 3111-C				D		F				J			
	D6TZ 3111-A							E	G	H			L	
	E9HZ 3111-B													M
CAP (SPINDLE PIN)-also refer to group 2082	3113													
	D5HZ 3113-B					2		2	2	2	2	2	2	
	E9HZ 3113-B													4
Screw and lockwasher (cap to spindle)-hex. hd. - 5/10"-18 x 1/2"	42718-S7(U-9)	6	6	6										
GASKET (SPINDLE PIN CAP) Also serviced in kit-group 3111	D2TZ 3114-A	2	2	2	2	2	2	2	2	2	2	2	2	
	E6HZ 3114-A	2	2	2	2	2	2	2	2	2	2	2	2	
◇Not required	★3114													M
PIN (SPINDLE KING)-Serviced in 3111 kit	★3115													

1980/  
TRUCK SERIES 600/900

(9M FRONT AXLE)

DESCRIPTION/RESTRICTIONS	PART NUMBER	FRONT AXLE PARTS LIST 3A THRU 3M												
		A	B	C	D	E	F	G	H	J	K	L	M	
<b>Note:</b> Refer to SECTION 30, Page 1 for PARTS LIST INSTRUCTIONS														
SHIM (SPINDLE PIN)-Also serviced in kit group 3111	3117													
.005" thick-serviced only in kit group 3111	★													
.015" thick	B7QH 3117-A	AR	AR	AR	AR	AR	AR	AR	AR	AR	AR	AR	AR	AR
.005" thick	C4TZ 3117-A				AR		AR				AR	AR	AR	AR
.005" thick	C8TZ 3117-C									AR				
.015" thick	C4TZ 3117-B				AR		AR				AR	AR	AR	AR
.005" thick	D0HZ 3117-A		AR											
SNAP RING (SPINDLE PIN PLUG RETAINER) Serviced only in kit-group 3111	★3118													
PIN (SPINDLE PIN LOCKING) Serviced also in kit-group 3111	3122													
Serviced only in kit-group 3111	★3122	A	B	C										
Upper	D5TZ 3122-D				2	2	2	2	2	2	2	2	2	2
Lower	D6TZ 3122-A				2	2	2	2	2	2	2	2	2	2
BEARING (SPINDLE PIN)- Also serviced in kit-group 3111	3123													
1 1/2" I.D. x 2 5/8" O.D. x 3/4" thick-#T149	D2TZ 3123-A	2	2	2		2		2	2					
#T163	D2HZ 3123-B				2		2				2	2	2	2
PLUG (SPINDLE PIN DUST) Also serviced in kit group 3111	3125													
Plug-1 9/16" dia.	357948-S(PP-88)	2	2	2						2				
	D5HZ 3125-B				4		4					4	4	2
	D5TZ 3125-A						4		4	4				
#E5HT 3125-AA	E6HZ 3125-B											4		
CF600 - - 153", 171", 189" W.B.														
R.H.-#E5HT 3130-AA	E6HZ 3130-B											J		
L.H.-#E5HT 3131 AA	E6HZ 3131-B											J		
CF600 - - 207", 225" W.B.														
R.H.-#87HU3130-AA	E7HZ 3130-H											J		
L.H.-#87HU3131-AA	E7HZ 3131-H											J		
ARM (SPINDLE)	3130-1													
R.H.	B7QH 3130-C	A												
L.H.	B7QH 3131-C	A												
R.H.	B7QH 3130-B		B											
L.H.	B7QH 3131-B		B											
R.H.	D0HZ 3130-D			C										
L.H.	★ D0HZ 3131-D			C										
R.H.	D5TZ 3130-A				D	E	F	G	H	J				
L.H.	D5TZ 3131-A				D	E	F	G	H	J				
F-FT														
R.H.	E7HZ 3130-C						F							
L.H.	E7HZ 3131-C						F							
F-FT (1983)														
R.H. #D4HA 3130-BA	★ D5HZ 3130-A r/b E7HZ 3130-F(4/89)							G						
L.H. #D4HA 3131 BA	D5HZ 3131-A							G						
R.H. #E7HT 3130-AA	E7HZ 3130-A											K	L	M
L.H. #E7HT 3130-AA	E7HZ 3131-A											K	L	M
Nut (spindle arm)-1"-14	383219-S2(MM-83-A)	2	2	2						3	3	3	3	2
Nut-3/4-16 (grade 5)	383218-S100(MM-76-AB)													2
Cotter pin (end nut)-1/2" x 1 1/2"	72071-S(N-54)													2
Cotter pin-3/16" x 2"	72109-S7-8(N-70-A)	2	2	2						3	3	3	3	3

**NOTICE:** When the parts list suffix is shown in the quantity required column the quantity is one (1).



DESCRIPTION/RESTRICTIONS	PART NUMBER	FRONT AXLE PARTS LIST 3A THRU 3M												
		A	B	C	D	E	F	G	H	J	K	L	M	
<b>Note: Refer to SECTION 30, Page 1 for PARTS LIST INSTRUCTIONS</b>														
END ASSY. (SPINDLE CONNECTING ROD)	3A130-1													
R.H.	C8TZ 3A130-A	A												
L.H.	C1TZ 3A131-C	A												
R.H.	C8TZ 3A130-A		B											
L.H. serviced only in assy. group 3280	★		B											
1980/82 R.H. non greaseable	★ D0HZ 3A130-A r/b E3HZ 3A130-A			C										
1980/82 L.H. non greaseable	★ D0HZ 3A131-A r/b E3HZ 3A131-A			C										
1983 -- R.H. -- non greaseable	E3HZ 3A130-A			C										
1983 -- L.H. -- non-greaseable	E3HZ 3A131-A			C										
R.H. greaseable	★ D0HZ 3A130-D r/b E4HZ 3A130-A			C										
L.H. -- greaseable	★ D0HZ 3A131-D r/b E4HZ 3A131-A			C										
R.H.	D5TZ 3A130-A				D	E	F	G	H			K	L	
L.H.	D5TZ 3A131-A				D	E	F	G	H			K	L	
Nut (end to spindle) 7/8"-14	351152-S(MM-98)	2	2	2										
Cotter pin 1/8" x 1 3/4"	72089-S(N-55)	2	2	2										
R.H. -- non-greaseable	E6HZ 3A130-A											J		
L.H. -- non-greaseable	E6HZ 3A131-A											J		
R.H. -- greaseable 1983/86	E3HZ 3A130-B					E			H					
L.H. -- greaseable 1983/86	E3HZ 3A131-B					E			H					
R.H. -- greaseable-1980/88	F0HZ 3A130-B	A		C	D		F	G				K	L	M
L.H. -- greaseable 1980/88	F0HZ 3A131-B	A		C	D		F	G				K	L	M
Nut (end to spindle) 5/8"-11 x 9/16"	34991-S2											2		
Bolt 5/8"-11 x 2.75" hex head	58724-S2											2		
Pin (end nut)-cotter 5/32" x 1 1/2"	72072-S(N-62)											2		
Nut (end to spindle)	383251-S2(MM-77-A)											2		
Nut (spindle arm to spindle)-1 1/8"-12	383252-S2(MM-89-E)													1
Refer to group 4243 in this Section	3138													
BOLT (SPINDLE ARM TURN ADJUSTMENT) 9/16"-18 x 1 1/2" square hd.	8Q 3145-A	2	2	2	2									
Bolt (arm adjusting) 1/2"-13 x 2 3/4"	385123-S2(BB-196-D)						2	2	2	2	2	2	2	2
Nut (bolt retaining) 9/16"-18	33848-S7(M-70)	2	2	2	2		2	2						
Nut -- 1/2" - 13	★ 33942-S						2	2	2	2	2	2	2	2
ARM (STEERING)	3146													
C700,C800/900 (with 9 1/2" frame) -- M/S-#TANAA 3146 D -- P/S-#TLBC 3146-A	★ B9QH 3146-A B7QH 3146-A	A												
C800/900 (with 9 3/4" frame) -- M/S-#TLBC 3146 A -- P/S-#TANAA 3146 D	B7QH 3146-A ★ B9QH 3146-A	A												
CF	C5TZ 3146-A		B											
P/S #E5HT 3146-EA	★ D0HZ 3146-E r/b E6HZ 3146-G			C	D		F							
F-FT	E6HZ 3146-A											J		
R.H. -- P/S	D0HZ 3146-F						F							
L.H.-P/S and M/S	★ D5HZ 3146-A					E								
All LLN w/single rear axle & 9M front axle except w/Cat 3406 engine	D5TZ 3146-A					E			H					
All LS w/single rear axle & 9M front axle except w/7.8L F.T.O. or Cat 3406 engine	E0HZ 3146-B							G						
All C-CT w/9M front axle	E7HZ 3146-D												K	
	E7HZ 3146-D													K
	E7HZ 3146-D													L

1980/  
TRUCK SERIES 600/900

(9M FRONT AXLE)

DESCRIPTION/RESTRICTIONS	PART NUMBER	FRONT AXLE PARTS LIST 3A THRU 3M												
		A	B	C	D	E	F	G	H	J	K	L	M	
<b>Note:</b> Refer to SECTION 30, Page 1 for PARTS LIST INSTRUCTIONS														
ARM (STEERING) 3146 — Cont'd														
All L,LN w/single rear axle & 9M front axle w/Cat 3406 engine	E7HZ 3146-H												K	
All LT,LNT,LTS w/Tandem rear axle	E7HZ 3146-H												K	
All LS w/single rear axle & 9M front axle w/7.8L F.T.O. or Cat 3406 engine	E7HZ 3146-H												K	
All L-LS w/NTC, L-10, 3208, 3406, 6.6L, 7.8L engine and 9M frt. axle	E8HZ 3146-D													M
All L-LS w/single rear axle & 9M front axle w/NTC, L-10, 3208, 6.6L, 7.8L engine	E8HZ 3146-F													M
Nut (spindle arm to spindle)-1 1/2"-12	U350281-S2(MM-101-A)											2		
Nut - castle-1"-14	383219-S2(MM-83-A)	A	B	C	D	E	F			3	J	3		2
Cotter pin-3/16" x 2"	72109-S36(N-68-G)	A	B	C	D	E	F			3	J	3		3
NUT (SPINDLE OUTER LOCK)	8EB 3276	2	2	2	2	2	2				2			
ROD ASSY. (SPINDLE CONNECTING) 3280														
"Before 9/82"	★ C2TZ 3280-H r/b E3HZ 3280-B	A												
#E2HT 3280-BA	"From 9/82" E3HZ 3280-B	A												
P/S	"Before 9/82" ★ C8TZ 3280-A r/b E3HZ 3280-C		B											
P/S - - #E2HT 3280-CA	"From 9/82" E3HZ 3280-C		B											
M/S	"Before 9/82" ★ C5TZ 3280-B r/b E3HZ 3280-A		B											
M/S - - #E2HT 3280-AA	"From 9/82" E3HZ 3280-A		B											
Serviced by details-refer groups 3A130-1 and 3281 in this section	"Before 9/82" ★ 3280			C										
#E2HT 3280-HA, E5HT 3280-GB	"From 9/82" E3HZ 3280-H			C										
Serviced by details-refer to groups 3A130-1 and 3281 in this section	"Before 9/82" ★ D4TA 3280-DA				D		F	G						
#E2HT 3280-GA	"From 9/82" E3HZ 3280-G				D		F	G			K	L		
M/S	"Before 9/82" ★ D4TA 3280-DA					E								
#E2HT 3280-GA, E5HT 3280-DA	"From 9/82" E3HZ 3280-G					E								M
M/S	"Before 9/82" ★ D4TA 3280-DA					E								
M/S - - #E2HT 3280-GA,E5HT 3280-DA	"Before 11/85" E3HZ 3280-G									H				
M/S - - #E5HT 3280-JA	"From 11/85" E6HZ 3280-C									H				
P/S - - #E5HT 3280-AA	E6HZ 3280-A										J			
P/S - - #E5HT 3280-EA-1983/86	★ E3HZ 3280-L r/b E6HZ 3280-D(3/89)					E				H				
P/S - - #E6HT 3280-AA-1986/ Details not serviced separately	E6HZ 3280-D					E				H				
P/S - - 1983/86-greaseable	E3HZ 3280-M					E				H				
Greaseable - 1980/88	F0HZ 3280-C	A		C	D		F	G			K	L	M	
Nut (rod to spindle arm)-7/8"-14	351152-S(MM-98)	2	2	2										
Cotter pin-1/8"-14	72089-S(N-55)	2	2	2										
TUBE ASSY. (SPINDLE CONNECTING ROD)- incl. clamp and attaching parts 3281														
	B7QH 3281-B	A												
	B4TZ 3281-B		B											
	D0HZ 3281-A			C										
	D5TZ 3281-A				D	E	F	G	H		K	L	M	
	E6HZ 3281-A									J				
CLAMP (SPINDLE CONNECTING ROD)														
	B0Q 3287-A	2	AR											
	E6HZ 3287-A									J				
Bolt-5/8"-18 x 2 13/16:	353395-S8(BB-276)	2	2	2										
Nut-5/8"-18	33850-S8(M-72)	2	2	2										
Lockwasher-5/8"	34811-S2(X-71)	2	2	2										

**NOTICE:** When the parts list suffix is shown in the quantity required column, the quantity is one (1).

DESCRIPTION/RESTRICTIONS	PART NUMBER	FRONT AXLE PARTS LIST 3A THRU 3M												
		N	P	Q	R	S	T	U	V	W	X	Y	Z	
<b>Note: Refer to SECTION 30, Page 1 for PARTS LIST INSTRUCTIONS</b>														
WASHER (WHEEL BEARING LOCK)	8EB 3293	2	2	2	2									
NUT (WHEEL BEARING ADJUSTING)- 1 1/2" x 12	C9HZ 3295-A	2	2	2	2									
SEAL (SPINDLE CONNECTING ROD END BALL STUD DUST)	3332													
	8Q 3332-A	2	2		2									
	D0HZ 3332-B			2										
KEY (SPINDLE ARM) AXLE (FRONT)	01T 4243	2	2	2				2			2	2	2	
	3010													
	E9HZ 3010-B	N												
NUT (SPINDLE) 1 1/2" x 18	3014													
◊Not required	D5HZ 3104-A	2												
	★3104													
SPINDLE ASSY. (FRONT WHEEL)	3105-6													
R.H. #D4HA 3105-BA,E1HT 3105-DA "Before 1/89"	D5HZ 3105-B	N												
R.H. #89HU 3105-AA "From 1/89"	E9HZ 3105-E	N												
L.H. #E5HT 3106-CA "Before 1/89"	★ E6HZ 3106-B	N												
	r/b E9HZ 3106-E, E9HZ 3113-A(4/91)													
L.H. #89HU 3106-AA "From 1/89"	E9HZ 3106-E	N												
BUSHING (SPINDLE) Also serviced in 3111 kit	3110													
	D5HZ 3110-B	N												
BUSHING and PIN KIT (SPINDLE)	3111													
"Before 1/89"	D6HZ 3111-B	N												
"From 1/89"	E9HZ 3111-B	N												
CAP (SPINDLE PIN) also refer to group 2082	3113													
"Before 1/89"	D5HZ 3113-B	2												
"From 1/89"	E9HZ 3113-B	4												
GASKET (SPINDLE PIN CAP) Also serviced in kit group 3111	3114													
	E6HZ 3114-A	2												
◊Not required	★3114													
PIN (SPINDLE KING)-Serviced in 3111 kit	★3115	N												
SHIM (SPINDLE PIN)-Also serviced in kit- group 3111	3117													
.005" thick	C4TZ 3117-A	AR												
.015" thick	C4TZ 3117-B	AR												
SNAP RING (SPINDLE PIN PLUG RETAINER) serviced only in kit-group 3111	★3118	N												
PIN (SPINDLE PIN LOCKING) serviced also in kit-group 3111	3122													
Serviced only in kit-group 3111	★3122													
Upper	D5TZ 3122-D	2												
Lower	D6TZ 3122-A	2												
	386180-S2(MM-169-B)	4												
BEARING (SPINDLE PIN) Also serviced in kit-group 3111	3123													
#T163	D2HZ 3123-B	2												
PLUG (SPINDLE PIN DUST)-Also serviced in kit-group 3111	3125													
#E5HT 3125-AA	E6HZ 3125-B	4												
ARM (SPINDLE)	3130-1													
R.H. - - 153",171",189" W.B.	E9HZ 3130-B	N												
L.H. - - 153",171",189" W.B.	E9HZ 3131-B	N												
R.H. - - 207",225" W.B.	E9HZ 3130-C	N												
L.H. - - 207",225" W.B.	E9HZ 3131-C	N												
Nut (spindle arm)-1"-14	383219-S2(MM-83-A)	3												
Cotter pin-3/16" x 2	72109-S7-8(N-70-A)	3												

1980/  
TRUCK SERIES 600/900

(9M FRONT AXLE)

DESCRIPTION/RESTRICTIONS	PART NUMBER	FRONT AXLE PARTS LIST 3A THRU 3M												
		N	P	Q	R	S	T	U	V	W	X	Y	Z	
<b>Note: Refer to SECTION 30, Page 1 for PARTS LIST INSTRUCTIONS</b>														
END ASSY. (SPINDLE CONNECTING ROD)	3A130-1													
R.H. -- non-greaseable	E6HZ 3A130-A	N												
L.H. -- non-greaseable	E6HZ 3A131-A	N												
Nut (end to spindle) 5/8"-11 x 9/16"	34991-S2(M-89-GH)	2												
Bolt-5/8"-11 x 2.75" hex head	58724-S2(B-139-A)	2												
Pin (end nut)-cotter-5/32" x 1 1/2"	72072-S(N-62)	2												
Nut (end to spindle)	383251-S2(MM-77-A)	2												
Refer to group 4243 in this section	3138													
Bolt (spindle arm turn adjustment)- 1/2"-13 x 2 3/4"	385123-S2(BB-196-D)	2												
Nut -- 1/2"-13	★33942-S	2												
ARM (STEERING)	3146													
#E5HT 3146-EA	E6HZ 3146-A	N												
Nut (spindle arm to spindle)-1 1/2"-12	U350281-S2(MM-101-A)	2												
Nut-castle-1"-14	383219-S2(MM-83-A)	3												
Cotter pin-3/16" x 2"	72109-S7-8(N-70-A)	3												
NUT (SPINDLE OUTER LOCK)	3276													
◊Not required	★3276	◊												
ROD ASSY. (SPINDLE CONNECTING)	3280													
#E5HT 3280-KA	E6HZ 3280-A	N												
TUBE ASSY. (SPINDLE CONNECTING ROD) incl. clamp and attaching parts	3281													
	E6HZ 3281-A	N												
CLAMP (SPINDLE CONNECTING ROD)	3287													
	E6HZ 3287-A	2												
WASHER (WHEEL BEARING LOCK)	3293													
◊Not required	★3293	◊												
NUT (WHEEL BEARING ADJUSTING)	3295													
◊Not required	★3295	◊												
SEAL (SPINDLE CONNECTING ROD END BALL STUD DUST)	3332													
◊Not required	★3332	◊												
KEY (SPINDLE ARM)	4243													
	01T 4243	3												

**NOTICE:** When the parts list suffix is shown in the quantity required column, the quantity is one (1).

DESCRIPTION/RESTRICTIONS	PART NUMBER	FRONT AXLE PARTS LIST 4A THRU 4M												
		A	B	C	D	E	F	G	H	J	K	L	M	
<b>Note: Refer to SECTION 30, Page 1 for PARTS LIST INSTRUCTIONS</b>														
RETAINER (BEARING)	1195													
	8EB 1195	2				2								
	D5HZ 1195-A		2	2	2		2	2	2	2				
AXLE (FRONT)	3010													
	D0HZ 3010-C	A												
	D7HZ 3010-A			C										
R/b E2HZ 3010-D	★ D8HZ 3010-A		B											
R/b E2HZ 3010 B	★ D8HZ 3010-B				D									
	E2HZ 3010-A					E								
	E2HZ 3010-B						F			J				
	E2HZ 3010-C							G						
	E2HZ 3010-D									H				
	E7HZ 3010-E											K		
	E7HZ 3010-F												L	
	E7HZ 3010-S													M
NUT (SPINDLE)	3104													
Refer to group 3276		A				A								
1 1/2" x 18	D5HZ 3104-A		2	2	2		2	2	2	2	2			
1 1/4"-12	E8HZ 3104-A												2	
SPINDLE ASSY. (FRONT WHEEL) - incl. 3110 bushings	3105-6													
R.H.	C7TZ 3105-H	A				E								
L.H.	C7TZ 3106-G	A				E								
R.H. - - #D5HA 3105-BA, E1HT 3105-EA	D5HZ 3105-A		B	C	D		F	G	H					
L.H.-#E5HT 3106-DA	★ E6HZ 3106-A r/b E9HZ 3106-F(11/89)									J				
L.H. - - #D5HA 3106-BA, E1HT 3106-EA	D5HZ 3106-A			C	D			G						
L.H.-#D7HA 3106-DA, E1HT 3106-BA 30.4F for CL-CLT,L-LN-LNT-LT-LTL-LTS-F-FT	D8HZ 3106-A		B		D		F		H					
R.H.-#E7HT 3105-CA L-CL series for 30.4K	E7HZ 3105-D											K	L	M
R.H.-#D9HD 3105-AA, 87HU 3105-AA For CF600/700/800- for 30.4K	E7HZ 3105-F									J		K		
L.H.-#E7HT 3106-CA-L-CL series for 30.4K	E7HZ 3106-D											K	L	M
L.H.-#87HU 3106-AA for 87 CF600/700/800	E7HZ 3106-F											K		
Fitting (grease)-1/8"-27	87913-S(I-6)	2	4	4	4	2	4	4	4			4	4	4
BUSHING (SPINDLE)-Also serviced in kit-group 3111	3110													
	C9TZ 3110-B	4				4								
	D5HZ 3110-A		4	4	4		4	4	4	4	4	4	4	4
	D5HZ 3110-B											4	4	4
PIN and BUSHING KIT (SPINDLE)-For components, refer to group in Section 32	3111													
	D1HZ 3111-B	A				E								
	D8HZ 3111-A		B							H				
For field fix	D8HZ 3111-C		B							H				
	D6HZ 3111-A			C	D		F	G		J	K	L	M	
CAP (SPINDLE PIN)	3113													
	D5HZ 3113-B		2	2	2		2	2	2	2		2	M	
	E9HZ 3113-A											4		
With hydraulic brakes refer to group 2082	★	A				E								
Bolt (cap to spindle)-5/16"-18 x 5/8"	20326-S7-8(B-49)	4				4								
Lockwasher-5/16"	34806-S7(X-64)	4				4								
Bolt (cap to spindle) - 5/16" - 18 x 3/4"	56520-S2 (B-319-J)		12	12	12		12	12	12	12	12	12	12	12
GASKET (SPINDLE PIN CAP)	D2TZ 3114-A	2	2	2	2	2	2	2	2	2	2	2	2	2
	E6HZ 3114-A	2	2	2	2	2	2	2	2	2	2	2	2	2
PIN (SPINDLE)-serviced only in kit group 3111	★3115													
SHIM (SPINDLE PIN)-Also serviced in kit-group 3111	3117													
1 13/16" I.D. x 2 1/2" O.D. x .005" thick	D0HZ 3117-A	AR	AR	AR	AR	AR	AR	AR	AR	AR	AR	AR	AR	AR
1 13/16" I.D. x 2 1/2" O.D. x .015" thick	C3TZ 3117-A	AR	AR	AR	AR	AR	AR	AR	AR	AR	AR	AR	AR	AR

1980/  
TRUCK SERIES 600/900

(12M FRONT AXLE)

DESCRIPTION/RESTRICTIONS	PART NUMBER	FRONT AXLE PARTS LIST 4A THRU 4M												
		A	B	C	D	E	F	G	H	J	K	L	M	
<b>Note:</b> Refer to SECTION 30, Page 1 for PARTS LIST INSTRUCTIONS														
SNAP RING (SPINDLE PIN PLUG)	3118													
Ring (used as spindle pin plug retainer)	★ 97630-S	A				E								
Serviced only in kit group 3111														
PIN (SPINDLE PIN LOCKING)-Also serviced in kit-group 3111	3122													
Serviced only in kit group 3111														
Upper	D5TZ 3122-D		2	2	2		2	2	2	2	2	2	2	2
Lower	D5HZ 3122-B		2						2					
Lower	D6TZ 3122-A			2	2		2	2		2	2	2	2	2
Locknut-7/16" 20	386180-S2 (MM-169-LB)		4	4	4		4	4	4	4	4	4	4	4
BEARING (SPINDLE PIN)-Also serviced in kit group 3111														
3 1/4" O.D. x 1 13/16" I.D. x 27/32" thick	D2HZ 3123-A	2		2	2	2	2	2		2	2	2	2	2
3 3/8" O.D. x 1 13/16" I.D. x 5/8" thick	D8HZ 3123-A		2						2					
SEAL (SPINDLE PIN DUST PLUG)-Also serviced in kit-group 3111														
	★ C4TZ 3125-A	2				2								
	D5HZ 3125-A		2	2	2		2	2	2			2	2	2
#E5HT 3125-BA	E6HZ 3125-A											J		
ARM (SPINDLE)														
3130-1														
R.H. w/o steer ease	D0HZ 3130-C	A				E								
L.H.	D0HZ 3131-C	A				E								
R.H. - w/steer-ease	★ D0HZ 3130-E	A				E								
L.H.	D0HZ 3131-E	A				E								
C-CT-L-LT LTL-LTS LN-LNT														
R.H. - w/o steer-ease #D4HA 3130-AA	D5HZ 3130-A			C	D									
L.H. "Before 1/82" #D4HA 3131-AA	D5HZ 3131-A			C	D									
R.H. - w/steer-ease #D4HA 3130-BA	D5HZ 3130-B			C	D									
L.H. "Before 1/82" #D4HA 3131-BA	D5HZ 3131-B			C	D									
R.H. - w/o steer-ease #D4HA 3130-AA	D5HZ 3130-A			C	D		F	G						
L.H. "From 1/82" #D4HA 3131-AA	D5HZ 3131-A			C	D		F	G						
R.H. - w/steer-ease	E7HZ 3130-C			C	D		F	G						
L.H.	E7HZ 3131-C			C	D		F	G						
CF														
R.H. - w/153", 171", 189" W.B. #E5HT 3130 CA	E6HZ 3130-A											J		
L.H. - w/153", 171", 189" W.B. #E5HT 3131 CA	E6HZ 3131-A											J		
R.H. - 197", 207", 215", 225" W.B. #E5HT 3130-BA	E6HZ 3130-C											J		
L.H. 197", 207", 215", 225" W.B. #E5HT 3131-BA	E6HZ 3131-C											J		
CL-CLT														
R.H. - w/o steer ease #D7HT 3130 JA	D8HZ 3130-A		B		D									
L.H. "Before 1/82" #D7HT 3131 JA	D8HZ 3131-A		B		D									
R.H. - w/steer-ease	E7HZ 3130-C		B		D									
L.H.	E7HZ 3131-C		B		D									
R.H. - w/o steer-ease #D7HT 3130 JA	D8HZ 3130-A		B						H					
L.H. "From 1/82" #D7HT 3131-JA	D8HZ 3131-A		B						H					
R.H. - w/o steer ease #D4HA 3130 AA	D5HZ 3130-A				D		F						L	
L.H. "From 1/82" #D4HA 3131-AA	D5HZ 3131-A				D		F						L	
R.H. - w/steer ease	E7HZ 3130-C		B		D		F		H					
L.H.	E7HZ 3131-C		B		D		F		H					
F-FT														
R.H.	E7HZ 3130-C						F							
L.H.	E7HZ 3131-C						F							

NOTICE: When the parts list suffix is shown in the quantity required column, the quantity is one (1).

DESCRIPTION/RESTRICTIONS	PART NUMBER	FRONT AXLE PARTS LIST 4A THRU 4M												
		A	B	C	D	E	F	G	H	J	K	L	M	
<b>Note: Refer to SECTION 30, Page 1 for PARTS LIST INSTRUCTIONS</b>														
<b>ARM (SPINDLE) 3130-1 — Cont'd</b>														
R.H. -- w/o steer ease-CL-CLT900,LTL900,L-LN-LNT	E7HZ 3130-C								H		K			M
L.H.-CL-CLT900,LTL900,L-LN-LNT	E7HZ 3131-C								H		K			M
R.H. -- w/steer ease-CL-CLT900	E7HZ 3130-F								H		K			
L.H.-CL-CLT900	E7HZ 3131-F								H		K			
R.H.-CF600/700/800 -- 153", 171", 189" W.B.	E7HZ 3130-J										K			
L.H.-CF600/700/800 -- 153", 171", 189" W.B.	E7HZ 3131-J										K			
R.H. -- CF600/700/800 -- 197", 207", 215", 225" W.B.	E6HZ 3130-C										K			
L.H. -- CF600/700/800 -- 197", 207", 215", 225" W.B.	E6HZ 3131-C										K			
Pin (arm)-cotter-3/16" x 2"	72109-S7-B(N-70-A)	2	2	2	2	2	2	2	2	2		2	2	
Pin (arm)-cotter-1/4" x 2 3/4"	72161-S36(N-62-A)										2			
Nut (spindle arm to spindle)-1 1/8"-12	383252-S2(MM-89-E)	2	2	2	2	2	2	2	2	2	2	2	2	2
Nut (spindle arm to spindle) - 7/8" - 14	383251-S(MM-77-E)	2	2	2	2	2	2	2	2	2	2	2	2	2
Nut (spindle arm to spindle)-1 1/2"-12	U350281-S2											2		
<b>END ASSY. (SPINDLE CONNECTING ROD) 3A130-1</b>														
1980/82 -- R.H. -- non-greaseable	★ D0HZ 3A130-A r/b E3HZ 3A130-A	A	B	C	D	E	F	G	H					
1980/82 -- L.H. -- non-greaseable	★ D0HZ 3A131-A r/b E3HZ 3A131-A	A	B	C	D	E	F	G	H					
1983 -- R.H. -- non-greaseable	E3HZ 3A130-A	A	B	C	D	E	F	G	H		K	L	M	
1983 -- L.H. -- non-greaseable	E3HZ 3A131-A	A	B	C	D	E	F	G	H		K	L	M	
R.H. -- greaseable	★ D0HZ 3A130-D r/b E4HZ 3A130-A	A	B	C	D	E	F	G	H					
L.H. -- greaseable	★ D0HZ 3A131-D r/b E4HZ 3A131-A	A	B	C	D	E	F	G	H					
R.H. -- non greaseable	E6HZ 3A130-A									J	K			
L.H. -- non greaseable	E6HZ 3A131-A									J	K			
R.H. -- greaseable-1980/89	E4HZ 3A130-A					E	F	G	H		K	L	M	
L.H. -- greaseable-1980/89	E4HZ 3A131-A					E	F	G	H		K	L	M	
Nut (end to spindle) 5/8"-11 x 9/16"	34991-S2										2			
Bolt-5/8"-11 x 2.75" hex head	58724-S2										2			
Pin (end nut)-cotter-1/8" x 1 1/2"	72071-S(N-54)	2				2						2	2	
Pin (end nut)-cotter-1/8" x 2"	72107-S(N-56)										2			2
Nut (end to spindle)-7/8"-14 x 1 1/4"	351152-S(MM-98)	2				2								
Nut (end to spindle) 7/8" - 14 x 13/16"	383251-S (MM-77-E)		2	2	2		2	2	2	2	2	2	2	2
<b>BOLT (SPINDLE ARM TURN ADJUSTMENT) 3145</b>														
Screw-set-5/8"-18 x 1 11/16"	★ 355052-S2	2				2								
Bolt -- 1/2" - 13 x 2 3/4"	385123-S(BB-196-D)		2		2		2		2	2	2			2
Nut (set screw)-hex.-5/8"-18	33850-S7-8(M-72)	2				2								
Nut -- 1/2" - 13	★ 33942-S		2		2		2		2	2	2	2		2
<b>ARM (STEERING) 3146</b>														
W/steer-ease	E6HZ 3146-R	A				E								
W/o steer-ease	D0HZ 3146-B	A				E								
C-CT														
w/steer-ease	★ D0HZ 3146-J r/b E6HZ 3146-S(5/90)			C				G						
w/o steer-ease	D0HZ 3146-A			C				G						
CF														
P/S -- #E5HT 3146-AA	E6HZ 3146-B									J				
L-LN-LT														
w/steer-ease	★ D0HZ 3146-J r/b E6HZ 3146-S(5/90)				D		F							
w/o steer-ease	D0HZ 3146-A				D		F							
w/o steer-ease-w/drop frame (LNT900)	D0HZ 3146-A				D		F							
LT-LNT														
w/steer-ease	E6HZ 3146-R				D		F							
w/o steer-ease	D0HZ 3146-B				D		F							

1980/  
TRUCK SERIES 600/900

(12M FRONT AXLE)

DESCRIPTION/RESTRICTIONS	PART NUMBER	FRONT AXLE PARTS LIST 4A THRU 4M												
		A	B	C	D	E	F	G	H	J	K	L	M	
<b>Note:</b> Refer to SECTION 30, Page 1 for PARTS LIST INSTRUCTIONS														
ARM (STEERING) 3146 — Cont'd														
CL-CLT -- w/12M steel axle														
w/steer-ease	D8HZ 3146-A		B		D		F		H					
w/o steer-ease	D8HZ 3146-B		B		D		F		H					
CL-CLT -- w/12M aluminum axle														
"Before 8/81"														
w/steer-ease	D8HZ 3146-A		B											
w/o steer-ease	D8HZ 3146-B		B											
CL-CLT,F-FT -- w/12M aluminum axle														
"From 8/81"														
w/steer-ease	E2HZ 3146-B		B				F		H					
w/o steer-ease	E2HZ 3146-A		B				F		H					
L -- w/o steer ease	E7HZ 3146-J											K		M
L -- w/steer ease	E7HZ 3146-K											K	L	M
L -- w/11M,12M aluminum axle	E7HZ 3146-L											K		M
w/steer ease-"Before 11/87" For parts list K														
L -- w/11M,12M aluminum axle	E7HZ 3146-M											K		M
w/o steer ease-"Before 11/87" for parts list K														
"From 11/87"	E8HZ 3146-K											K		
Pin (arm)-cotter-3/16" x 2"	72109-S7(N-70-A)		3	3	3		3	3	3	3	3	3	3	3
Nut (arm to spindle)-1 1/8"-12	383252-S2(MM-89-E)	A	B		D	E	F		H	J	K	L	M	
NUT (SPINDLE)	3276													
Outer-1 1/2"-12 lock	8EB 3276					2								
Nut (inner-wheel bearing adjusting)-1 1/2"-12	C9HZ 3295-A					2								
1 1/2" x 18	D5HZ 3104-A		2	2	2		2	2	2	2	2	2	2	2
ROD ASSY. (SPINDLE CONNECTING)	3280													
Serviced by details-refer to groups 3A130-1 and 3281	★	A	B	C	D									
Serviced by details-refer to groups 3A130-1 and 3281	★					E	F	G	H					
"Before 9/82"														
"From 9/82"														
#E2HT 3280-HA	E3HZ 3280-H					E	F	G	H			K	L	M
P/S -- #E5HT 3280-BA,LA-except 117" W.B.	E6HZ 3280-B										J	K		
P/S -- #87HU 3280-AA, 117" W.B., 12M	E7HZ 3280-C											K		
P/S -- #87HU 3280-BA, 13M frt. axle-non-greaseable	E7HZ 3280-D											K		
RPO -- #E5HT 3280-HA-greaseable 1980/89	E4HZ 3280-B					E	F	G	H			K	L	M
Greaseable	E7HZ 3280-E											K		
TUBE ASSY. (SPINDLE CONNECTING ROD) incl. clamp and attaching parts	3281													
		A	B	C	D	E	F	G	H			L	M	
Except 117" W.B.	E6HZ 3281-B										J	K		
All -- w/117" W.B., 12M frt. axle	E7HZ 3281-B											K		
All -- w/13M frt. axle-non-greaseable	E7HZ 3281-C											K		
Greaseable -- see 3280	★3281											K		
CLAMP (SPINDLE CONNECTING ROD)	3287										J			
	E6HZ 3287-A													
Serviced only in assy.-group 3281	★ 3287	A	B	C	D	E	F	G	H			K	L	M
WASHER (WHEEL BEARING LOCK) 3" O.D.	8EB 3293	2				2								
◆ Not required -- use basic 1195	★ 3293		◆	◆	◆		◆	◆	◆	◆	◆	◆	◆	◆
NUT (SPINDLE)	3295													
Refer to group 3276		A	B	C	D	E	F	G	H	J	K	L	M	
SPACER (SPINDLE BOLT BUSHING) 3/16" thick nylon	★ C3TZ 3299-A	2				2								
◆ Not required	★ 3299		◆	◆	◆		◆	◆	◆	◆	◆	◆	◆	◆
KEY (SPINDLE ARM)	4243													
	01T 4243	3	3	3	3	3	3	3	3	3	3	3	3	3

**NOTICE:** When the parts list suffix is shown in the quantity required column, the quantity is one (1).



DESCRIPTION/RESTRICTIONS	PART NUMBER													
		N	P	Q	R	S	T	U	V	W	X	Y	Z	
<b>Note:</b> Refer to SECTION 30, Page 1 for PARTS LIST INSTRUCTIONS														
AXLE (FRONT)	3010													
	E9HZ 3010-A	N												
NUT (SPINDLE)-Refer to group 3276	3104													
1 1/4"-12	E8HZ 3104-A	2												
SPINDLE ASSY. (FRONT WHEEL)-incl. 3110 bushings	3105-6													
R.H. "From 1/89"	E9HZ 3105-A	N												
R.H. "Before 1/89"	E9HZ 3105-F	N												
L.H. "From 1/89"	E9HZ 3106-A	N												
L.H. "Before 1/89"	E9HZ 3106-F	N												
BUSHING (SPINDLE)-Also serviced in kit-group 3111	3110													
	D5HZ 3110-A	4												
PIN and BUSHING KIT (SPINDLE)-For components, refer to group in section 32	3111													
	E9HZ 3111-A	N												
CAP (SPINDLE PIN)	3113													
With hydraulic brakes refer to group 2082	★													
	E9HZ 3113-A	4												
GASKET (SPINDLE PIN CAP)	3114													
∅ Not required	★3114	∅												
PIN (SPINDLE)-serviced only in kit group 3111	★3115													
SHIM (SPINDLE PIN)-Also serviced in kit-group 3111	3117													
1 13/16" I.D. x 2 1/2" O.D. x .005" thick	D0HZ 3117-A	AR												
1 13/16" I.D. x 2 1/2" O.D. x .015" thick	C3TZ 3117-A	AR												
SNAP RING (SPINDLE PIN PLUG)	3118													
PIN (SPINDLE PIN LOCKING)-Also serviced in kit-group 3111	3122													
Serviced only in kit-group 3111	★													
Upper	D5TZ 3122-D	2												
Lower	D6TZ 3122-A	2												
Locknut-7/16"-20	386180-S2 (MM-169-LB)													
BEARING (SPINDLE PIN)-Also serviced in kit-group 3111	3123													
3 1/4" O.D. x 1 13/16" I.D. x 27/32" thick	D2HZ 3123-A													
SEAL (SPINDLE PIN DUST PLUG)-Also serviced in kit-group 3111	3125													
	E6HZ 3125-A	4												
ARM (SPINDLE)	3130-1													
R.H.	E7HZ 3130-C	N												
L.H.	E7HZ 3131-C	N												
Pin (arm)-cotter-3/16" x 2"	72109-S7-8(N-70-A)	2												
Nut (spindle arm to spindle)-1 1/8"-12	383252-S2(MM-89-E)	2												
Nut (spindle arm to spindle) 7/8"-14	383251-S2(MM-77-E)	2												
END ASSY. (SPINDLE CONNECTING ROD)	3A130-1													
R.H.-non-greaseable-CL-CLT-L-LN series	E3HZ 3A130-A	N												
L.H.-non-greaseable-CL-CLT-L-LN series	E3HZ 3A131-A	N												
R.H. greaseable-CL-CLT-L-LN series	E4HZ 3A130-A	N												
L.H.-greaseable-CL-CLT-L-LN series	E4HZ 3A131-A	N												
R.H. - - non-greaseable, CF series	E6HZ 3A130-A	N												
L.H. - - non-greaseable, CF series	E6HZ 3A131-A	N												
Pin (end nut)-cotter 1/8" x 2"	72107-S(N-56)	2												
Nut (end to spindle) 7/8"-14 x 13/16"	383251-S(MM-77-E)	2												
BOLT (SPINDLE ARM TURN ADJUSTMENT)	3145													
Bolt-1/2"-13 x 2 3/4"	385123-S(BB-196-D)	2												
Nut-1/2"-13	★33942-S													

1980/  
TRUCK SERIES 600/900

(12M FRONT AXLE)

DESCRIPTION/RESTRICTIONS	PART NUMBER														
			N	P	Q	R	S	T	U	V	W	X	Y	Z	
<b>Note: Refer to SECTION 30, Page 1 for PARTS LIST INSTRUCTIONS</b>															
<b>ARM (STEERING) 3146</b>															
L except LS & LTS-w/o steer ease	E7HZ	3146-J	N												
L-CL-w/steer ease	E7HZ	3146-K	N												
F-CL-L-except LS & LTS-w/steer ease	E7HZ	3146-L	N												
CL-L except LS & LTS-w/o steer ease	E7HZ	3146-M	N												
LS-LTS-w/o steer ease	E8HZ	3146-K	N												
Pin (arm)-cotter-3/16" x 2"		72109-S7(N-70-A)	3												
Nut (arm to spindle)-1 1/8"-12		383252-S2(MM-89-E)	N												
<b>NUT (SPINDLE) 3276</b>															
	E8HZ	3104-A	2												
<b>ROD ASSY. (SPINDLE CONNECTING) 3280</b>															
Non-greaseable-CL-CLT-L-LN series	E3HZ	3280-H	N												
Greaseable-CL CLT-L-LN series	E4HZ	3280-B	N												
P/S - - #E5HT 3280-LA, CF series-12M except 117" W.B.	E6HZ	3280-B	N												
P/S - - #87HU 3280-AA, CF series-12M w/117" W.B.	E7HZ	3280-C	N												
P/S - - #87HU 3280-BA, CF series-13M	E7HZ	3280-D	N												
<b>TUBE ASSY. (SPINDLE CONNECTING ROD)- 3281</b>															
incl. clamp and attaching parts															
CL-CLT-L-LN series	DOHZ	3281-A	N												
CF series-12M except 117" W.B.	E6HZ	3281-B	N												
CF series-12M w/117" W.B.	E7HZ	3281-B	N												
CF series-13M	E7HZ	3281-C	N												
<b>CLAMP (SPINDLE CONNECTING ROD) 3287</b>															
Serviced only in assy.-group 3281	★	3287	N												
<b>WASHER (WHEEL BEARING LOCK) 3293</b>															
◇ Not required	★	3293	N												
<b>SPACER (SPINDLE BOLT BUSHING) 3299</b>															
◇ Not required	★	3299	N												
<b>KEY (SPINDLE ARM) 4243</b>															
	01T	4243	3												

NOTICE: When the parts list suffix is shown in the quantity required column, the quantity is one (1).

DESCRIPTION/RESTRICTIONS	PART NUMBER	FRONT AXLE PARTS LIST 5A THRU 5M												
		A	B	C	D	E	F	G	H	J	K	L	M	
<b>Note: Refer to SECTION 30, Page 1 for PARTS LIST INSTRUCTIONS</b>														
AXLE (FRONT)	3010													
	D5HZ 3010-H	A												
	D5HZ 3010-A		B											
	E7HZ 3010-P			C	D									
NUT (SPINDLE)	3104													
Spindle nut-1 3/4"-12	C5TZ 3104-A	2	2	2	2									
Spindle arm and steering arm- 1 1/4"-12	C5TZ 3104-B	4	4	4	4									
	r/b E8HZ 3104-A(9/88)													
Spindle arm and steering arm-1 1/4"-12	E8HZ 3104-A	4	4	4	4									
SPINDLE ASSY. (FRONT WHEEL)-incl. 3110 bushing	3105-6													
R.H.	D5HZ 3105-D	A	B											
L.H.	D5HZ 3106-D	A	B											
R.H.	E7HZ 3105-C			C	D									
L.H.	E7HZ 3106-C			C	D									
Fitting (grease)-1/8"-27	87913-S8(I-6)	4	4	4	4									
BUSHING (SPINDLE)-Also serviced in kit-group 3111	D5HZ 3110-C	4	4	4	4									
	E7HZ 3110-C			4	4									
PIN and BUSHING KIT (SPINDLE)-For components, refer to group in Section 32	3111													
	D5HZ 3111-C	A	B	C	D									
CAP (SPINDLE PIN)	D5HZ 3113-A	2	2	2	2									
Bolt (cover to spindle)-5/16"-18 x 3/4"	56520-S2(B-319-J)	12	12	12	14									
GASKET (SPINDLE PIN CAP)-Also serviced in kit- group 3111	C5TZ 3114-A	4	4	4	4									
PIN (SPINDLE)-serviced only in kit-group 3111	★3115	A	B	C	C									
SHIM (SPINDLE PIN)	3117													
Also serv. in 3111 kit .015 thick	C5TZ 3117-A	AR	AR	AR	AR									
Also serv. in 3111 kit .030 thick	C5TZ 3117-B	AR	AR	AR	AR									
Also serv. in 3111 kit .005 thick	C5TZ 3117-C	AR	AR	AR	AR									
PIN (SPINDLE PIN LOCKING)	3122													
Upper	D5HZ 3122-A	2	2	2	2									
Lower	D5HZ 3122-B	2	2	2	2									
Locknut-7/16"-20	386180-S2(MM-169-LB)	4	4	4	4									
BEARING (SPINDLE PIN)	D2HZ 3123-C	2	2	2	2									
Also serviced in kit-group 3111														
SEAL (SPINDLE PIN DUST PLUG)	3125													
	D5HZ 3125-C	4	4	4	4									
ARM (SPINDLE)	3130-1													
R.H.	D5HZ 3130-C	A												
L.H.	D5HZ 3131-C	A												
R.H.-C-CT with 16M,18M with air brakes	D5HZ 3130-D		B											
L.H.-C-CT with 16M,18M with air brakes	D5HZ 3131-D		B											
R.H.-16M,18M,20M	E7HZ 3130-E			C										
L.H.-16M,18M,20M	E7HZ 3131-E			C										
R.H.	E7HZ 3130-K				D									
L.H.	E7HZ 3131-K				D									
END ASSY. (SPINDLE CONNECTING ROD)	3A130													
1980/82 -- R.H. -- non-greaseable	★ D0HZ 3A130-A	A	B											
	r/b E3HZ 3A130-A													
1980/82 -- L.H. -- non-greaseable	★ D0HZ 3A131-A	A	B											
	r/b E3HZ 3A131-A													
1983 -- R.H. -- non-greaseable	E3HZ 3A130-A	A	B	C	D									
1983 -- L.H. -- non-greaseable	E3HZ 3A131-A	A	B	C	D									
R.H. -- greaseable	E4HZ 3A130-A	A	B	C	D									
L.H. -- greaseable	E4HZ 3A131-A	A	B	C	D									

1980/  
TRUCK SERIES 600/900

(16M, 18M AND 20M  
FRONT AXLES)

DESCRIPTION/RESTRICTIONS	PART NUMBER	FRONT AXLE PARTS LIST 5A THRU 5M												
		A	B	C	D	E	F	G	H	J	K	L	M	
<b>Note: Refer to SECTION 30, Page 1 for PARTS LIST INSTRUCTIONS</b>														
<b>BOLT &amp; NUT ASSY. (TURN STOP)</b>		<b>3145</b>												
Red -- 1.94" of adhesive, for C800 w/16M front axle w/o floatation tires (front)	E9HZ 3145-A			2										
Yellow -- 2.25" of adhesive, for C800 w/16M front axle w/floatation tires (front)	E9HZ 3145-C			2										
Blue -- 2.38" of adhesive, for C800 w/18M front axle w/floatation tires (front)	E9HZ 3145-D			2										
Blue -- 2.38" of adhesive, for "L" series 800/900 w/16,18,20M front axle w/floatation tires (front)	E9HZ 3145-D			2										
Blue -- 2.38" of adhesive, for "LN" series 700/900 w/16,18M front axle w/floatation tires (front)	E9HZ 3145-D			2										
Green -- 2.08" of adhesive, for "L" & "LN" series 700/900 w/16M front axle w/o floatation tires (front)	E9HZ 3145-B			2										
<b>ARM (STEERING)</b>		<b>3146</b>												
R.H.-LNT-LT800/900 -- #D5HA-3N132-AA	D5HZ 3146-D	A												
R.H.-LTS800/900 -- #D5HA-3N132-BA	D5HZ 3146-E	A												
L.H. -- #D5HA-BA	D5HZ 3146-C	A												
#D5HA-AA,AB-11 x 22 Frt. tire	D5HZ 3146-B		B	C										
#D6HA-AA-15 x 22 or 15R x 22.5 J tire	D6HZ 3146-A		B	C										
R.H.-LNT-LT800/900 -- #E7HT 3N132-AA	E7HZ 3146-A			C										
R.H.-LTS800/900 -- #E7HT 3N132-BA	E7HZ 3146-B			C										
L.H. -- #E7HT-SA	E7HZ 3146-N			C	D									
Cotter pin (arm to spindle)	★ 72109-S		3											
<b>ROD ASSY. (SPINDLE CONNECTING)-serviced by details-refer to group 3A130-1 and 3281 "Before 9/82"</b>		<b>★3280</b>												
#E2HT 3280-DA,E5HT 3280-CA "From 9/82"	E3HZ 3280-D	A	B											
#E7HT 3280-AB	E7HZ 3280-B			C	D									
Greaseable -- 1980/	FOHZ 3280-B	A	B	C	D									
<b>TUBE (SPINDLE CONNECTING ROD)-incl. clamp and attaching parts</b>		<b>3281</b>												
	D4HZ 3281-A	A	B	C	D									
<b>SEAL (SPINDLE CONNECTING END BALL STUD)</b>		<b>3332</b>												
	DOHZ 3332-B	A	B											
<b>KEY (SPINDLE ARM)</b>		<b>4243</b>												
	O1T 4243	4	2	4	4									

**NOTICE:** When the parts list suffix is shown in the quantity required column, the quantity is one (1).

1980/  
TRUCK SERIES 600/900

YEAR	MODEL/RESTRICTIONS	PART NUMBER	DESCRIPTION	QTY.
3A005	Refer to group 3A719			
3A006	Refer to P/S Pump Parts Lists Section 36.1			
<b>3019-20 BUMPER (AXLE)</b>				
80/	L LN-LNT LT LTL-LTS 800/900	D5HZ 3020-A	Front axle	2
80/	CL-CLT900			2
80/	B-F LN600/900 w/hydraulic brakes	C7TZ 3020-A		2
80/	C-CT600/900			2
80/	B-F-LN600/900 - - with air brakes	D5TZ 3020-A		2
80/	C900,CT800/900 w/18M frt. axle			2
86/	CF600/700	E6HZ 3020-A		1
<b>3043 SHIM (FRONT SUSPENSION)</b>				
80/	B-F600/900	C5ZZ 3043-B	1 1/16" x 1 1/2" x 1/32" with slot-front bumper mounting-also used with grille guard	AR
80/	B-F600/900	C5ZZ 3043-A	1 1/16" x 1 1/2" x 1/8"-with slot-front bumper mounting-Also used with grille guard	AR
<b>3104-10 Refer to Front Axle Parts Lists Section 30</b>				

QTY.	PART NUMBER	DESCRIPTION	QTY.	PART NUMBER	DESCRIPTION
3111	<b>PIN and BUSHING KIT (FRONT WHEEL SPINDLE) -</b> For Model Application refer to Front Axle Parts Lists Section 30 ⊕ Refer to group 3115 for pin dimensions				
<b>C3TZ 3111-A 5.5M front axle</b> Consists of 4-C3TZ 3110-A Bushing 2-C3TZ 3122-A Pin ⊕ 2-C3TA 3115-A Bolt 2-A8TZ 3123-A Bearing 2-C8TA 3117-A Shim 4-C3TZ 3125-A Seal 2-19B 3117 Shim 2-55751-S2 Locknut			<b>D3TZ 3111-A 6M,7M front axles</b> Consists of 4-C7TZ 3110-A Bushing 2-C3TZ 3123-A Bearing 1-D3TA 3115-BA Pin 4 C3TZ 3125-A Seal 2-19B 3117 Shim 2-55771-S2 Nut 2-C1TT 3117-B Shim 1- Instr. 2-C3TZ 3122-A Pin sheet		
<b>C7TZ 3111-A 6M,7M front axles</b> Consists of 4-C7TZ 3110 A Bushing 2 C3TZ 3122 A Pin ⊕ 2 C7TA 3115 B Pin 2-A8TZ 3123 A Bearing 2-19B 3117 Shim 4-C3TZ 3125-A Seal 2-C8TA 3117-A Shim 2-55751-S7 Locknut			<b>D5HZ 3111-C 16M,18M,20M front axles</b> Consists of 4-D5HZ 3110-C Busing 2-D5HZ 3113-A Cap 4-C5TZ 3114-A Gasket 2-D5HA 3115-AA Pin 2-C5TZ 3117-C Shim 2-C5TZ 3117-A Shim 2-C5TZ 3117-B Shim 2-D5HZ 3122-A Pin 2-D5HZ 3122-B Pin 2-D2HZ 3123-C Bearing 4-D5HZ 3125-C Seal 2-56120-S2 Bolt 4-87913-S8 Fitting		
<b>D1HZ 3111-A 9M front axle-less (3113) cap</b> 4-D5TZ 3110-A Bushing 2-D2TZ 3123-A Bearing 2-D2TZ 3114-A Gasket 6-56118-S4 Bolt 2-TUBV 3115-A Pin 2-87913-S8 Fitting 2-B7QH 3117-A Shim (.015) 2-357948-S Plug 2-C8TA 3117-B Shim(.005)					
<b>D1HZ 3111-B 12M conv. front axle</b> Consists of 4-C9TZ 3110-B Bushing 2-D2HZ 3123-A Bearing 2-D2TZ 3114-A Gasket ★2-C4TZ 3125-A Plug ⊕ 2-C3TA 3115-B Pin 2-97630-S Snap Ring 2-C3TZ 3117-A Shim(.015) 6-56119-S2 Bolt 2-D0HZ 3117-A Shim(.005) 2-87913-S8 Fitting 2-C4TZ 3122-A Pin (lower)					

1980/  
TRUCK SERIES 600/900

QTY.	PART NUMBER	DESCRIPTION	QTY.	PART NUMBER	DESCRIPTION
3111	PIN and BUSHING KIT (FRONT WHEEL SPINDLE) - - - Cont'd				
	For Model Application refer to Front Axle Parts Lists Section 30				
	⊕ Refer to group 3115 for pin dimensions				
D6HZ	3111-A	11M,12M,13M conv. front axle	D6TZ	3111-A	7M All, 8M,9M Medium front axles
Consists of			Consists of		
4-D5HZ	3110-A	Bushing	4-D5TZ	3110-A	Bushing
4-D5HZ	3113-B	Cap	2-D5HZ	3113-B	Cap
4-D2TZ	3114-A	Gasket	2-D2TZ	3114-A	Gasket
2-D5HA	3115-BA	Pin	2-D5TA	3115-FA	Pin
2-C3TZ	3117-A	Shim	2-B7QH	3117-A	Shim
2-D0HZ	3117-A	Shim	2-C8TA	3117-B	Shim
2-D5TZ	3122-D	1k. Pin (upper)	2-D5TZ	3122-D	1k. Pin (upper)
2-D6TZ	3122-A	1k Pin (lower)	2-D6TZ	3122-A	1k. Pin (lower)
2-D2HZ	3123-A	Bearing	2-D2TZ	3123-A	Bearing
4-D5HZ	3125-A	Seal	4-D5TZ	3125-A	Seal
12-56520-S2		Bolt	6-56520-S2		Bolt
4-87913-S8		Fitting	2-87913-S8		Fitting
4-386180-S2		1k. Nut	2-357948-S		Plug
D6HZ	3111-B	9M Heavy front axle	4-386180-S2		1k. Nut
Consists of			D8HZ	3111-A	12M Aluminum front axle
4-D5HZ	3110-B	Bushing	Consists of		
2-D2TZ	3114-A	Gasket	4-D5HZ	3110-A	Bushing
2-D5HA	3115-CA	Pin	4-D5HZ	3113-A	Cap
2-C4TZ	3117-A	Shim	4-D2TZ	3114-A	Gasket
2-C4TZ	3117-B	Shim	2-D5HA	3115-BA	Pin
2-D5TZ	3122-D	1k. Pin (upper)	2-C3TZ	3117-A	Shim (.015)
2-D6TZ	3122-A	1k. Pin (lower)	2-D0HZ	3117-A	Shim (.005)
2-D2HZ	3123-B	Bearing	2-D5HZ	3122-B	LK. Pin
4-D5HZ	3125-B	Seal	2-D5TZ	3122-D	LK. Pin
6-56520-S2		Bolt	2-D8HZ	3123-A	Bearing
2-87913-S8		Fitting	4-D5HZ	3125-A	Seal
2-97627-S2		Snap ring	12-56520-S2		Bolt
2-354279-S		Plug	4-87913-S8		Fitting
4-386180-S2		1k. Nut	4-386180-S2		Nut
D6HZ	3111-C	12M steel front axle-for field fix	D8HZ	3111-C	12M aluminum front axle for field fix
Consists of			Consists of		
4-SX	2144029	Car lock bearing	4-SX	2144029	Garlock bearing #-Bushing
		#-Bushing	4-D5HZ	3113-A	Cap
4-D5HZ	3113-B	Cap	4-E6HZ	3114-A	Gasket
4-E6HZ	3114-A	Gasket	2-D5HA	3115-BA	Pin
2-D5HA	3115-BA	Pin	2-C3TZ	3117-A	Shim (.015)
2-C3TZ	3117-A	Shim (.015)	2-D0HZ	3117-A	Shim (.005)
2-D0HZ	3117-A	Shim (.005)	2-D5HZ	3122-B	Lock pin
2-D5TZ	3122-D	Lock pin	2-D5TZ	3122-D	Lock pin
2-D6TZ	3122-A	Lock pin	2-D8HZ	3123-A	Bearing
2-D2HZ	3123-A	Bearing	4-D5HZ	3125-A	Seal
4-D5HZ	3125-A	Seal	12-56520-S2		Bolt
12-56520-S2		Bolt	4-87913-S8		Fitting
4-87913-S8		Fitting	4-386180-S2		Lock nut
4-386180-S2		Lock nut	E8HZ	3111-A	6M,7M front axle
			Consists of		
			4-E9HZ	3L105-B	Bushing
			1-E8HT	3115-AA	Pin
			2-E8HZ	3117-A	Shim
			2-E8HZ	3122-A	Pin-upper
			2-E8HZ	3122-B	Pin-lower
			2-E8HZ	3123-A	Bearing
			4-E8HZ	3125-A	Seal
			4-★55771-S2		Locknut

**1980/  
TRUCK SERIES 600/900**

QTY.	PART NUMBER	DESCRIPTION	QTY.	PART NUMBER	DESCRIPTION		
3111	PIN and BUSHING KIT (FRONT WHEEL SPINDLE) - - Cont'd For Model Application refer to Front Axle Parts Lists Section 30 ⊕ Refer to group 3115 for pin dimensions						
<b>E9HZ 3111-A</b> 12M steel front axle Consists of 4-D5HZ 3110-A Bushing 4-E9HZ 3113-A Cap 2-D5HA 3115-BA Pin 2-D0HZ 3117-A Shim (.005) 2-C3TZ 3117-A Shim (.015) 2-D6TZ 3122-A Lock pin 2-D2HZ 3123-A Bearing 4-D5HZ 3125-A Seal 4-386180-S2 Lock nut			<b>E9HZ 3111-C</b> 8M,9M front axle Consists of 4-E9HZ 3110-B Bushing 4-E9HZ 3113-B Cap 2-D5TA 3115-FA Pin 2-B7QH 3117-A Shim (.015) 2-C8TZ 3117-C Shim (.005) 2-D5TZ 3122-D Lk. pin-lwr. 2-D6TZ 3122-A Lk. pin-upr. 2-D2TZ 3123-A Bearing 4-D5TZ 3125-A Seal 4-386180-S2 Lk. nut				
<b>E9HZ 3111-B</b> 8M,9M front axle Consists of 4-E9HZ 3110-A Bushing 4-E9HZ 3113-B Cap 2-D5HA 3115-CA Pin 2-C4TZ 3117-A Shim (.005) 2-C4TZ 3117-B Shim (.015) 2-D5TZ 3122-D Pin-upper 2-D6TZ 3122-A Pin-lower 2-D2HZ 3123-B Bearing 4-D5HZ 3125-B Seal 4-386180-S2 Lock nut							
<b>3113-4</b> Refer to Front Axle Parts Lists Section 30							
LENGTH (INCHES)	O.D. (INCHES)	PART NUMBER	SUPPLIED IN KIT	LENGTH (INCHES)	O.D. (INCHES)	PART NUMBER	SUPPLIED IN KIT
<b>3115</b> PIN (FRONT WHEEL SPINDLE)-For Model Application refer to Front Axle Parts Lists Section 30							
7.80	1.23	★ C3TA 3115-A	C3TZ 3111-A			★ D5HA 3115-BA	D8HZ 3111-A
8.50	1.43	★ TUBV 3115-A	D1HZ 3111-A	9.08	1.60	★ D5HA 3115-CA	D5HZ 3111-B
8.91	1.23	★ C7TA 3115-B	C7TZ 3111-A	8.25	1.43	★ D5TA 3115-FA	D5TZ 3111-B
9.12	1.79	★ C3TA 3115-B	D1HZ 3111-B	11.21	1.99	★ D5HA 3115-AA	D5HZ 3111-C
8.91	1.24	★ D3TA 3115-BA	D3TZ 3111-A	8.91	1.18	★ E5HT 3115-AA	C7TZ 3111-A
10.07	1.79	★ D5HA 3115-BA	D6HZ 3111-A	7.75	1.30	E8HT 3115-AA	E8HZ 3111-A
YEAR	MODEL/RESTRICTIONS	PART NUMBER	DESCRIPTION	QTY.			
<b>3117-39</b> Refer to Front Axle Parts Lists Section 30							
<b>3B139</b> BRACKET ASSY. (STEERING COLUMN SUPPORT)							
82/84	L-LN-LNT-LT-LTL-LTS800/900 - - adjustable column "From 1/82 to 2/84"	E2HZ 3B139-A	Incl. D1HZ 3D616-A lock assy.	1			
80/88	L-LN-LNT-LT-LTL-LTS800/900 - - adjustable column (fleet) "Before 3/88"	E5HZ 3B139-D		1			
88/89	L-LN-LNT-LT-LTL-LTS800/900 - - adjustable column "From 3/88" "Before 10/88"	★ E5HZ 3B139-E	R/b E9HZ 3B139-A (6/89)	1			
89/	L-LN-LNT-LT-LTL-LTS800/900 - - adjustable column "From 10/88"	E9HZ 3B139-A		1			
<b>3145</b> BOLT (FRONT AXLE SPINDLE ARM TURN ADJUSTMENT)-Also refer to Front Axle Parts Lists Section 30							
80/85	LT-LTS-LNT-LTL-CLT800/900 16M-18M-20M frt. axle	E0HZ 3145-A		2			
<b>3146-3196</b> Refer to Front Axle Parts Lists Section 30							
<b>3K160</b> FOOT (STABILIZER BAR ATTACHING)							
86	CF600/700 R.H. "Before 6/86" L.H.	E6HZ 3K160-A	#E5HT 3K160-AA	1			
		E6HZ 3K160-B	#E5HT 3K160-BA	1			
86/	CF600/700 R.H. "From 6/86" L.H.	E6HZ 3K160-C	#E5HT 3K160-AB	1			
		E6HZ 3K160-D	#E5HT 3W161-AA	1			

1980/  
TRUCK SERIES 600/900

YEAR	MODEL/RESTRICTIONS	PART NUMBER	DESCRIPTION	QTY.
3197	Refer to group 3B618			
3198-3277	Refer to Front Axle Parts Lists Section 30			
<b>3B203 INSULATOR (STEERING)</b>				
80/	B700 -- 7M axle -- w/p/s, w/air brks.	D8HZ 3B203-A		4

**IDENTIFICATION CHART**

IDENTIFICATION	PART NUMBER	IDENTIFICATION	PART NUMBER
E2HT 3280-AA	E3HZ 3280-A	E4HT 3280-BA	E4HZ 3280-A
E2HT 3280-BA	E3HZ 3280-B	E5HT 3280-AA	E6HZ 3280-A
E2HT 3280-CA	E3HZ 3280-C	E5HT 3280-BA	E6HZ 3280-B
E2HT 3280-DA	E3HZ 3280-D	E5HT 3280-CA	E3HZ 3280-D
E2HT 3280-EA	E3HZ 3280-E	E5HT 3280-DA	E3HZ 3280-G
E2HT 3280-FA	E3HZ 3280-F	E5HT 3280-EA	★ E3HZ 3280-L
E2HT 3280-GA	E3HZ 3280-G		r/bE6HZ 3280-D(3/89)
E2HT 3280-HA	E3HZ 3280-H	E5HT 3280-FA	E4HZ 3280-A
E2HT 3280-JA	E3HZ 3280-J	E5HT 3280-GB	E3HZ 3280-H
E2HT 3280-KA	E3HZ 3280-K	E5HT 3280-HA	E4HZ 3280-B
E2HT 3280-LA	E3HZ 3280-L	E5HT 3280-JA	E6HZ 3280-C
E4HT 3280-AA	E4HZ 3280-B	E6HZ 3280-D	E6HZ 3280-D
		E8HT 3280-AB	E8HZ 3280-A

YEAR	MODEL/RESTRICTIONS	PART NUMBER	DESCRIPTION	QTY.
3280-1	Refer to Front Axle Parts List Section 30			
3287-95	Refer to Front Axle Parts List Section 30			

**IDENTIFICATION CHART**

IDENTIFICATION	PART NUMBER	IDENTIFICATION	PART NUMBER
<b>3304 LINK ASSY. (STEERING DRAG)</b>			
C1TT 3304-AL	C2TZ 3304-A	E2HT 3304-BA	E3HZ 3304-C
C1TT 3304-AK	C2TZ 3304-B	E2HT 3304-CA	E3HZ 3304-D
C5TA 3304-C	C5TZ 3304-D	E2HT 3304-DA	E3HZ 3304-E
C6TA 3304-A	C6TZ 3304-H	E2HT 3304-EA	E3HZ 3304-F
D0HA 3304-E	D0HZ 3304-A	E2HT 3304-FA	E3HZ 3304-G
D3HA 3304-AB	D5HZ 3304-C	E2HT 3304-GA	E3HZ 3304-H
D6HA 3304-AA	D6HZ 3304-E	E2HT 3304-HA	E3HZ 3304-J
E0HT 3304-BA	E0HZ 3304-A	E2HT 3304-JA	E3HZ 3304-K
E0HT 3304-BB	E0HZ 3304-A	E2HT 3304-KA	E3HZ 3304-L
E0HT 3304-DA	★ E0HZ 3304-B	E2HZ 3304-A	E2HZ 3304-A
	r/bE3HZ 3304-B	E3HS 3304-CA	D5HZ 3304-K
E0HT 3304-DB	★ E0HZ 3304-B	E3HT 3304-AA	E3HZ 3304-A
	r/bE3HZ 3304-B	E3HT 3304-AB	E3HZ 3304-A
E0HT 3304-EA	D8HZ 3304-A	E4HS 3304-AA	F0HZ 3304-A
E0HT 3304-FA	★ D6HZ 3304-F	E4HS 3304-BA	E7HZ 3304-A
	r/bE3HZ 3304-D		r/bE8HZ 3304-F(9/88)
E0HT 3304-GA	★ D6HZ 3304-B	E4HT 3304-AA	E4HZ 3304-A
	r/bE3HZ 3304-E	E4HT 3304-BA	E4HZ 3304-B
E0HT 3304-HA	★ D6HZ 3304-A	E5HT 3304-BA	C6TZ 3304-H
	r/bE3HZ 3304-F	E5HT 3304-CA	D0HZ 3304-A
E0HT 3304-JA	★ D6HZ 3304-C	E5HT 3304-DA	D5HZ 3304-C
	r/bE3HZ 3304-G	E5HT 3304-EA	D6HZ 3304-E
E0HT 3304-LA	★ D5HZ 3304-D	E5HT 3304-FA	E0HZ 3304-A
	r/bE3HZ 3304-H	E5HT 3304-GA	E3HZ 3304-B
E0HT 3304-MA	★ D0HZ 3304-B	E5HT 3304-HA	E3HZ 3304-C
	r/bE3HZ 3304-J	E5HT 3304-JA	E3HZ 3304-E
E0HT 3304-NA	★ D5HZ 3304-F	E5HT 3304-KA	E3HZ 3304-F
	r/bE3HZ 3304-K	E5HT 3304-LA	E3HZ 3304-G
E0HT 3304-RA	D5HZ 3304-B	E5HT 3304-MA	E3HZ 3304-H
E2HT 3304-AA	E3HZ 3304-B	E5HT 3304-NA	E3HZ 3304-J



1980/  
TRUCK SERIES 600/900

**IDENTIFICATION CHART**

IDENTIFICATION	PART NUMBER	IDENTIFICATION	PART NUMBER
<b>3304 LINK ASSY. (STEERING DRAG) — Cont'd</b>			
E5HT 3304-RA	E3HZ 3304-K	E8HT 3304-AA	E8HZ 3304-A
E5HT 3304-SA	E3HZ 3304-L	E8HT 3304-BB	E8HZ 3304-B
E5HT 3304-TA	E3HZ 3304-A	E8HT 3304-DA	E8HZ 3304-E
E5HT 3304-UA	E4HZ 3304-A	E9HS 3304-AA	F0HZ 3304-G
E5HT 3304-VA	E4HZ 3304-B	E9HT 3304-EA	D5HZ 3304-L
E5HT 3304-YA	E6HZ 3304-B	E9HT 3304-KA	D6HZ 3304-H
E7HS 3304-AA	E8HZ 3304-F	E9HT 3304-NA	D5HZ 3304-J
E7HS 3304-BA	E0HZ 3304-D	E9HT 3304-RA	DOHZ 3304-D
E8HS 3304-BA	E0HZ 3304-C	E9HT 3304-SA	D6HZ 3304-G
E8HS 3304-CA	E8HZ 3304-H	88HU 3304-AA	E8HZ 3304-C
E8HS 3304-DA	E7HZ 3304-B		

**MODEL APPLICATION**

YEAR	MODEL RESTRICTIONS	AXLE CAPACITY	PART NUMBER	ΔLENGTH (INCHES)	DESCRIPTION	QTY.
<b>3304 LINK ASSY. (STEERING DRAG)</b>						
<b>Notes: Δ Use center of stud ends to determine length.</b>						
80/82	B600/700 -- w/o grease fitting	6M,7M,7.5M	E0HZ 3304-A	19 1/4	#E0HT 3304 BA,BB, E5HT 3304-FA	1
		8M, 9M	★ E0HZ 3304-B	19 1/4	#E0HT 3304-DA,DB-r/b E3HZ 3304-B	1
83/87	B600/700 -- w/o grease fitting	6M,7M,7.5M	E0HZ 3304-A	19 1/4	#E0HT 3304-BB, E5HT 3304-FA	1
		8M,9M	E3HZ 3304-B	19 1/4	#E2HT 3304-AA, E5HT 3304-GA	1
88	B600/800 -- w/o grease fitting "Before 12/87"	6M,7M,7.5M	E0HZ 3304-A	19 1/4	#E0HT 3304-BB, E5HT 3304-FA	1
88	B600/800 -- w/o grease fitting "From 12/87"	6M,7M,7.5M	E8HZ 3304-D	19 1/4	#E8HT 3304-CA	
88	B600/800 -- w/o grease fitting	8M,9M	E8HZ 3304-A	20 19/64	#E8HT 3304-AA	1
89	B600/800 -- w/o grease fitting	6M,7M	E8HZ 3304-B	20 23/32	#E8HT 3304-BB	1
80/88	B600/800 -- w/grease fittings "Before 12/87"	6M,7M	E0HZ 3304-C	19 1/4	#E8HS 3304-BA	1
88	B600/800 -- w/grease fittings "From 12/87"	6M,7M	E8HZ 3304-H	19 1/4	#E8HS 3304-CA	1
89/	B600/800 -- w/grease fittings	6M,7M	F0HZ 3304-G	20 21/32	#E9HS 3304-AA	1
80/87	B600/800 -- w/grease fittings	8M,9M	E0HZ 3304-D	19 1/4	#E7HS 3304-BA	1
88/	B600/800 -- w/grease fittings	8M,9M	F0HZ 3304-D	20 19/64	#F0HT 3304-EA	1
80/82	C-CT600/900 -- M/S					
	w/air brakes	7M,9M	D5HZ 3304-F	37	#E0HT 3304-NA-r/b E3HZ 3304-K(10/84)	1
	w/hydraulic brakes	7M	C6TZ 3304-H	35 7/16	#C6TA 3304 A, E5HT 3304-BA	1
	w/hyd. brks.-w/14.93 section modulus	9M	C2TZ 3304-A	37	#C1TT 3304-AL	1
	w/hyd. brks-w/o 14.93 section modulus	9M	C2TZ 3304-B	39 1/16	#C1TT 3304-AK	1
83/	C-CT600/900 -- M/S					
	w/air brakes	7M,9M	E3HZ 3304-K	37	#E2HT 3304-JA, E5HT 3304-RA	1
	w/hydraulic brakes	7M	C6TZ 3304-H	35 7/16	#C6TA 3304-A, E5HT 3304-BA	1
	w/hyd. brks-w/14.93 section modules	9M	C2TZ 3304-A	37	#C1TT 3304 AL	1
	w/hyr. brks-w/o 14.93 section modulus	9M	C2TZ 3304-A	39 1/16	#C1TT 3304-AK	1
	All w/o grease fittings					
80/86	C-CT600/900 -- M/S	7M,9M	D5HZ 3304-K	37	#E3HS 3304-CA	1
	w/air brakes					
	-- w/grease fittings					
80/82	C-CT600/900 -- P/S					
	w/air brakes	7M	★ D6HZ 3304-B	35 3/8	#E0HT 3304-GA-r/b E3HZ 3304-E	1
	-- w/o grease fittings	9M	★ D6HZ 3304-A	36 5/16	#E0HT 3304 HA r/b E3HZ 3304-F	1
		12M,16M,18M	★ D6HZ 3304-C	35	#E0HT 3304 JA-r/b E3HZ 3304-G	1
	w/hydraulic brakes	7M	D6HZ 3304-E	35 7/16	#D6HA 3304-AA, E5HT 3304-EA	1
	-- w/o grease fittings	9M	★ D6HZ 3304-F	35 5/8	#E0HT 3304 FA r/b E3HZ 3304-D	1
		12M,16M,18M			Not available	

October, 1993

COPYRIGHT © 1993 - FORD MOTOR - DEARBORN, MICHIGAN  
COMPANY

Final Issue

1980/  
TRUCK SERIES 600/900

MODEL APPLICATION						
YEAR	MODEL RESTRICTIONS	AXLE CAPACITY	PART NUMBER	ΔLENGTH (INCHES)	DESCRIPTION	QTY.
<b>3304 LINK ASSY. (STEERING DRAG) — Cont'd</b>						
Notes: Δ Use center of stud to determine length.						
83/	C-CT600/900 -- P/S w/air brakes -- w/o grease fittings	7M 9M 12M,16M,18M	E3HZ 3304-E E3HZ 3304-F E3HZ 3304-G	35 3/8 36 5/16 35	#E2HT 3304-DA, E5HT 3304-JA #E2HT 3304-EA, E5HT 3304-KA #E2HT 3304-FA, E5HT 3304-LA	1 1 1
	w/hydraulic brakes -- w/o grease fittings	7M 9M 12M 16M,18M	D6HZ 3304-E E3HZ 3304-D E3HZ 3304-G	35 7/16 35 5/8 35	#D6HA 3304-AA, E5HT 3304-EA #E2HT 3304-CA #E2HT 3304-FA, E5HT 3304-LA	1 1 1 1
					Not available	1
80/86	C-CT600/900 -- P/S, greaseable w/air brakes w/hydraulic brakes	7M 7M	D6HZ 3304-H D6HZ 3304-G	35 3/8 35 7/16	#E9HT 3304-KA #E9HT 3304-SA	1 1
80/	C-CT600/900 -- P/S  w/air brakes w/hydraulic brakes w/hydraulic brakes	9M 12M,16M,18M 12M 16M,18M	F0HZ 3304-C F0HZ 3304-B F0HZ 3304-B	36 5/16 35 35	#E8HS 3304-FA #E5HS 3304-BA #E5HS 3304-BA	1 1 1 1
86/	CF600/700/800 -- (4X2)	9M,12M	E6HZ 3304-B	37 13/64	#E5HT 3304-YA	1
88/	CFT8000 -- (4X4) (6X4)	All	E8HZ 3304-C		#88HU 3304-AA	1
80/82	CL-CLT900 -- w/o grease fitting	All	D8HZ 3304-A	19 7/8	#E0HT 3304-EA	1
83/	CL-CLT900 -- w/o grease fitting	All	E3HZ 3304-C	19 7/8	#E2HT 3304-BA, E5HT 3304-HA	1
80/	CL-CLT900 -- w/grease fitting	All	E4HZ 3304-A	19 7/8	#E4HT 3304-AA, E5HT 3304-UA	1
80/82	F600/800 -- w/o grease fitting	5.5M,7M 9M	E0HZ 3304-A ★ E0HZ 3304-B	19 1/4 19 1/4	#E0HT 3304-BA,BB, E5HT 3304-FA #E0HT 3304-DA,DB-r/b E3HZ 3304-B	1 1
80/87	F-FT600/900 -- w/o grease fitting	9M	E3HZ 3304-B	19 1/4	#E2HT 3304-AA, E5HT 3304-GA	1
88/	F-FT600/900 -- w/o grease fitting	9M	E8HZ 3304-A	20 19/64	#E8HT 3304-AA	1
83/	F-FT600/900 -- w/o grease fitting	5.5M,7M 10M,12M	E0HZ 3304-A E3HZ 3304-A	19 1/4 19 1/4	#E0HT 3304-BA,BB, E5HT 3304-FA #E3HT 3304-AA,AB, E5HT 3304-TA	1 1
89	F-FT600/900 -- w/o grease fitting	6M,7M	E8HZ 3304-B	20 23/32	#E8HT 3304-BB	1
80/88	F-FT600/900 -- w/grease fittings "Before 12/87"	6M,7M	E0HZ 3304-C	19 1/4	#E8HS 3304-BA	1
88	F-FT600/900 -- w/grease fittings "From 12/87"	6M,7M	E8HZ 3304-H	19 1/4	#E8HS 3304-CA	1
89/	F-FT600/900 -- w/grease fittings	6M,7M	F0HZ 3304-G	20 21/32	#E9HS 3304-AA	1
80/87	F-FT600/900 -- w/grease fittings	8M,9M	E0HZ 3304-D	19 1/4	#E7HS 3304-BA	1
88/	F-FT600/900 -- w/grease fittings	8M,9M	F0HZ 3304-D	20 19/64	#F0HT 3304-EA	1
83/	F-FT600/900 -- w/grease fittings	10M,12M	F0HZ 3304-A	19 1/4	#E4HS 3304-AA	1
80/82	LN600/700 -- w/air brakes w/air brakes w/hydraulic brakes w/hydraulic brakes All w/o grease fittings	7M 9M 5.5M,7M 9M	D5HZ 3304-C ★ D5HZ 3304-B D0HZ 3304-A C5TZ 3304-D	18 7/8 18 3/4 19 3/8 18 5/8	#D3HA 3304-AB, E5HT 3304-DA #E0HT 3304-RA-r/b E3HZ 3304-L #D0HA 3304-E, E5HT 3304-CA #C5TA 3304-C	1 1 1 1
83/	LN600/700 -- w/air brakes  w/hydraulic brakes All w/o grease fittings	7M 9M 5.5M,6M,7M	D5HZ 3304-C E3HZ 3304-L D0HZ 3304-A	18 7/8 18 3/4 19 3/8	#D3HA 3304-AB, E5HT 3304-DA #E2HT 3304-KA, E5HT 3304-SA #D0HA 3304-E, E5HT 3304-CA	1 1 1
80/86	LN600/700 -- w/hyd. brakes	6M,7M	D0HZ 3304-D	19 3/8	#E9HT 3304-RA	1
80/86	LN600/700 -- w/air brakes	7M	D5HZ 3304-J	18 7/8	#E9HT 3304-NA	1
80/86	LN600/700	All	D5HZ 3304-L	18 3/4	#E9HT 3304-EA	1
80/82	L-LN-LNT-LT800/900	All	★ D5HZ 3304-D	18	#E0HT 3304-LA-r/b E3HZ 3304-H	1
80/	L-LN-LNT-LT800/900 -- w/o grease fittings	All	E3HZ 3304-H	18	#E2HT 3304-GA, E5HT 3304-MA	1
80/	L-LN-LNT-LT800/900 -- w/grease fitting	All	E4HZ 3304-B	18	#E4HT 3304-BA, E5HT 3304-VA	1

1980/  
TRUCK SERIES 600/900

MODEL APPLICATION						
YEAR	MODEL RESTRICTIONS	AXLE CAPACITY	PART NUMBER	ΔLENGTH (INCHES)	DESCRIPTION	QTY.
<b>3304 LINK ASSY. (STEERING DRAG) — Cont'd</b>						
Notes: Δ Use center of stud to determine length.						
80/82	LTS800/900	All	★ D0HZ 3304-B	36 5/8	#E0HT 3304 MA-r/b E3HZ 3304-J	1
83/88	LTS800/900 -- w/o grease fittings "Before 9/87"	All	E3HZ 3304-J	36 5/8	#E2HT 3304 HA, E5HT 3304-NA	1
87	LS800/900 -- M/S	12M	E7HZ 3304-B	32 3/4	#E8HS 3304-DA Field fix	1
88/	LS-LTS800/900 -- w/o grease fittings "From 9/87"	All	E8HZ 3304-E	36 5/32	#E8HT 3304-DA	1
87/88	LS-LTS800/900 -- w/grease fittings "Before 12/87"	All	E7HZ 3304-A	36 5/8	#E4HS 3304 BA	1
88/89	LA-LTA-LS-LTS800/900 -- w/ grease fittings "From 12/87"	All	E8HZ 3304-F	36 5/32		1
82	LTL900	All	★ D5HZ 3304-D	18	#E0HT 3304-LA-r/b E3HZ 3304-H	1
83/	LTL900 -- w/o grease fittings	All	E3HZ 3304-H	18	#E2HT 3304 GA, E5HT 3304-MA	1
84/87	LTL900 -- w/grease fittings	12M	E4HZ 3304-B	18	#E4HT 3304-BA, E5HT 3304-VA	1
88/	LTL900 -- w/grease fittings and M/S	12M	E4HZ 3304-B	18	#E4HT 3304 BA, E5HT 3304-VA	1
<b>3321 Refer to Steering Gear Section 35.1</b>						
<b>3A322 JOINT ASSY. (STEERING SHAFT UNIVERSAL)</b>						
86/	CF600/700 w/locks	9M,12M	E6HZ 3A322-A			1
YEAR	MODEL/RESTRICTIONS	FRONT AXLE CAPACITY	PART NUMBER		DESCRIPTION	QTY.
<b>3329 Refer to Steering Gear Section 35.1</b>						
<b>3332 SEAL (FRONT SUSPENSION OR STEERING BALL STUD DUST) — Also refer to P/S Cylinder Parts Lists Section 35.2</b>						
80/	B-F600/900	All	C7TZ 3332-G		#20-921 -- Spindle connecting rod & drag link	AR
80/	L-LN-LNT-LT800/900	7M			Spindle connecting rod	AR
80/	LN600/700	7M	D5HZ 3332-C		#20-98	AR
80/	C600/900 -- w/Integral P/S	7M,9M,12M	D5HZ 3332-B		#24-116 w/air brakes	AR
80/	C600/700 w/Integral P/S	7M	C7TZ 3332-G		#20-921	AR
80/	C800/900(9 1/2" frame) -- M/S	All	D2HZ 3332-A			AR
80/	C-CT800/900 -- w/Integral P/S	12M,16M	D5HZ 3332-B		#24-116	AR
80/	CL-CLT900	All	D0HZ 3332-B		#24-111-drag link (Pitman arm end)	AR
			D5HZ 3332-B		#24-116 drag link (steering arm end)	AR
80/83	L-LN-LNT-LT-LTL800/900	All	D0HZ 3332-B		#24-111-drag link & pitman arm end	1
		All	D0HZ 3332-C		#24-112-drag link (axle end)	1
84/	L-LN-LNT-LT-LTL800/900	All	E4HZ 3332-A		#24-109-drag link & pitman arm end	1
			E4HZ 3332-B		#24-123-drag link (axle end)	1
80/	LTS800	All	D0HZ 3332-A		Drag link	2
YEAR	MODEL/RESTRICTIONS		PART NUMBER		DESCRIPTION	QTY.
<b>3337 SHIELD (POWER STEERING DRAG LINK DUST)</b>						
80/	C-CT600/900		B4Q 3337-A			AR
			27081-S8		(U-175)-bolt (shield to cylinder)-No. 10-32 x 1/2"	1
			34079-S7		(M-163)-nut-No. 10-32	1
80/	LNT-LT-LTL-LTS800/900		D0HZ 3337-A			AR
<b>3454 Refer to Steering Gear Section 35.1</b>						

1980/  
TRUCK SERIES 600/900

YEAR	MODEL/RESTRICTIONS	PART NUMBER	DESCRIPTION	QTY.
<b>3490 BRACKET (POWER STEERING RESERVOIR)</b>				
80/81	B-F600/800 -- 8.2 Liter Detroit Diesel "Before 9/80"	★ E0HZ 3490-A	#E0HT 3490-BA	1
81/87	B-F600/900 -- 8.2 Liter Detroit Diesel "From 9/80"	E1HZ 3490-A	#E1HT 3490-BC	1
87/	B-F600/800 -- F.T.O. engine	E7HZ 3490-B	#E7HT 3490-AC	1
88	B600/800 -- 7.0L gas engine "Before 6/88"	★ E8HZ 3490-C r/bE8HZ 3490-E(11/89)	#E8HT 3490-EA	1
88/	B600/800 -- 7.0L gas engine "From 6/88"	E8HZ 3490-E	#E8HT 3490-FA	1
84/87	CL-CLT9000 -- 6 cyl. 855 Cums. NTC "Before 6/87"	★ E4HZ 3490-A		1
87/	CL-CLT 9000--6 cyl. 855 Cums. NTC. "From 6/87"	E7HZ 3490-E	#E8HT 3490-AA	1
81/87	LN700 -- 8.2 Liter Detroit Diesel	E1HZ 3490-A	#E1HT 3490-BC	1
80/83	L-LN-LNT-LT-LTL-LTS900 -- Detroit Diesel 6-71 "Before 5/83"	★ D5HZ 3490-A	For remote mounted reservoir	1
83/86	L-LN-LNT-LT-LTL-LTS900 -- Detroit Diesel 6-71 "From 5/83"	E3HZ 3490-A	#E3HT 3A530-AA-For remote mounted reservoir	1
87/89	L-LN-LNT-LT-LTL-LTS900 -- Cums. L-10 diesel	E7HZ 3490-A	#E7HT 3490-EB	1
87	L-LT-LTS-LN-LNT800 -- 7.8L F.T.O. engine	E7HZ 3490-C E7HZ 3490-D	#E7HT 3490-BC #E7HT 3490-FA	1 1
88/	L-LN800/900 -- F.T.O. engine	E8HZ 3490-B	#E8HT 3490-CA	1
88/	L-LN-LNT-LT-LTL-LTS900 -- NTC 444 diesel	E8HZ 3490-A	#E8HT 3490-BB	1
88/	LN700/900 -- w/Cat. 3306 diesel engine	F0HZ 3490-G	#E8HT 3490-DA	1
81/87	C-CT700/900 -- 8.2 Liter Detroit Diesel	E1HZ 3490-B	#E1HT 3490-AA	1
80/	C-CT700/900 -- Cat. diesel	D7HZ 3490-A	For remote mounted reservoir	1
		★58639-S2	Bolt (bracket to engine)-3/8"-16 x 2 1/4"	2
		351385-S	(XX-158)-washer-flat-3/8"	4
		34987-S4	(M-89-CF)-locknut-3/8"-16	2
80/	B-C-F-LN600 -- 6 cyl.	★58653-S2	Bolt (bracket to frame)-7/16"-14 x 1"	2
		380079-S2	(XX-172-C)-washer-flat-7/16"	2
86/	CF600/700	E6HZ 3490-A	#E5HT 3490-CA	1
<b>3492 BRACKET (POWER STEERING RESERVOIR SUPPORT)</b>				
88/	L-LN-LNT-LT-LTS800/900 -- 7.8L F.T.O. diesel engine	E8HZ 3492-A	#E8HT 3492-AA	1
<b>3499 RETAINER (STEERING COLUMN TUBE)</b>				
80/	B-F600/900 -- w/M/T	D1FZ 3499-A		3

**1980/  
TRUCK SERIES 600/900**

YEAR	MODEL/RESTRICTIONS	PART NUMBER	DESCRIPTION	QTY.
80/	3E501 SEAL KIT (POWER STEERING GEAR SECTOR SHAFT) For model application refer to Steering Gear Section 35.1	C7TZ 3E501-A	Use w/Ross HF-54 gear	1
	Consists of			
	1-C7TZ 3549-A	Snap ring (bearing)	2-D8HZ 3E560-D	Washer (leather)
	1-C7TZ 3549-B	Snap ring (bearing)	1-C7TZ 3586-A	Seal (sector dust)
	1-C7TZ 3E560-A	Washer(steel)	1-C7TZ 3D774-A	Seal(cover)
	2-C7TZ 3738-A	Seal Assy. (sector)		
80/		D0HZ 3E501-A	Use w/Ross HF-64 gear	1
	Consists of			
	1-D0HZ 3E560-A	Washer (cover)	1-D0HZ 3E614-A	Seal (sector shaft cover)
	2-D8HZ 3E560-B	Washer (sector shaft)	1-★D0HZ 3C617-A	Retainer (sector seal)-r/b E1HZ 3C617-A
	1-D0HZ 3586-A	Seal (cover)	2-D0HZ 3738-C	Seal (sector shaft oil)
80/		D7HZ 3E501-A	Use w/Ross HFB-52 gear	1
	Consists of			
	1-D6HZ-3549-A	Snap ring	1-D6HZ-3E560-D	Washer
	2-D6HZ-3549-B	Snap ring	1-D6HZ-3738-A	Seal
	1-D6HZ-3E560-A	Washer	1-E3HZ-3738-A	Seal
	1-D6HZ-3E560-B	Washer	1-D7HZ-3738-B	Seal
	1-D6HZ-3E560-C	Washer		
80/		D8HZ 3E501-A	Use w/Ross HFB-64 gear	1
	Consists of			
	1-D0HZ 3549-A	Snap ring-bearing	1-D8HZ 3738-B	Seal assy.
	1-D8HZ 3E560-A	Washer	1-D8HZ 3738-C	Seal assy.
	1-D8HZ 3E560-B	Washer	1-D8HZ 3738-D	Seal assy.
	1-D8HZ 3E560-C	Washer	1-D8HZ 3754-A	"O" ring
	1-D8HZ 3581-A	Gasket		
89		E9HZ 3E501-B		1
	Consists of			
	1-E9HZ 3329-A	"O" ring	1-E3HZ 3E613-B	Plug
	1-E9HZ 3D519-B	Seal-worm gear	1-E9HZ 3D631-B	Seal-input shaft
	1-D8HZ 3B541-A	"O" ring-rack assy.	1-E9HZ 3K665-A	Seal-pinion dust
	1-E2HZ 3B541-A	Snap ring-piston	1-E9HZ 3738-A	Seal assy.-sector shaft oil
	1-D8HZ 3581-A	Gasket	2-E9HZ 3754-A	Seal-sector shaft oil
80/	3E502 SEAL KIT (POWER STEERING GEAR INPUT SHAFT) For model application refer to Steering Gear Section 35.1	C7TZ 3E502-A	Use w/Ross HF-54 gear	1
	Consists of			
	1-C7TZ 3C515-A	Seal-adapter	1-C7TZ 3E611-A	Washer-worm gear seal
	1-C7TZ 3C515-B	Seal-valve cover	1-C7TZ 3E614-A	Seal-valve adapter
	3-C7TZ 3C515-C	Seal-valve	1-C7TZ 3754-A	"O" ring-valve cover
	1-C7TZ 3D519-A	Seal-valve cover	1-C7TZ 3D771-A	Ring-worm gear
	1-C7TZ 3D519-B	Seal-worm gear	1-★358778-S2	Ring
	1-C7TZ 3C559-A	Washer-adapter	1-★358780-S	Washer
	1-C7TZ 3C559-B	Washer-valve cover	1-★358789-S2	Washer
80/		★D0HZ 3E502-B	Use w/Ross HF-64 gear-r/b D0HZ 3E502-C	1
	Consists of			
	1-C7TZ 3321-B	Washer - valve assy.	1-D0HZ 3E560-B	Washer - worm gear
	1-C7TZ 3321-C	Washer - valve assy.	1-D0HZ 3E560-D	Washer - worm gear screw
	1-C7TZ 3C515-B	Seal - valve cover	1-D0HZ 3E623-A	Ring - worm adapter
	5-C7TZ 3C515-C	Seal - "O" ring	1-C7TZ 3707-A	Nut - control gear
	1-D0HZ 3C515-A	Seal - adapter	1-C7TZ 3754-A	"O"ring - valve valve
	1-C7TZ 3D519-A	Seal-cover	2-C7TZ 3754-A	"O" ring - valve cover
	1-D0HZ 3D519-A	Seal assy. - worm	1-D0HZ 3D770-A	Screw - piston locking
	1-C7TZ 3C559-B	Washer - valve cover	1-D0HZ 3D771-A	Ring - adapter seal
	1-D0HZ 3C559-A	Washer - adapter seal	1-D0HZ 3D771-B	Ring worm gear
	1-D0HZ 3C559-B	Washer - worm gear		

**1980/  
TRUCK SERIES 600/900**

YEAR	MODEL/RESTRICTIONS	PART NUMBER	DESCRIPTION	QTY.
3E502	SEAL KIT (POWER STEERING GEAR INPUT SHAFT) — Cont'd For model application refer to Steering Gear Section 35.1			
80/		D0HZ 3E502-C	Use w/Ross HF-64 gear	1
	Consists of			
	1-C7TZ 3321-B	Washer—valve assy.	1-★D0HZ 3E560-D	Washer - worm gear screw
	1-C7TZ 3C515-B	Seal - valve cover	2-D8HZ 3E560-B	Washer - sector cover backup seal
	2-C7TZ 3C515-C	Seal - "O" ring	1-D0HZ 3586-A	Seal - sector shaft dust
	1-D0HZ 3C515-A	Seal - adapter	1-C7TZ 3E613-A	Plug - sector cover
	1-D1HZ 3C515-A	Seal - adapter port	2-D0HZ 3E614-A	Seal - valve adapter
	1-C7TZ 3D519-A	Seal - valve cover	2-D8HZ 3728-C	Seal - sector shaft oil
	1-D0HZ 3D519-A	Seal assy. - worm	2-C7TZ 3754-A	"O" ring - valve cover
	1-D0HZ 3C559-A	Washer - adapter seal	2-87002-594	T-1-AC "O" ring
	2-★D0HZ 3C559-C	Washer - backup seal		
80/		★D6HZ 3E502-A	Use w/ROSS HFB-52 gear-r/b E4HZ 3E502-A & D6HZ 3321-A	1
	Consists of			
	2-D6HZ-3321-A	Thrust washer	2-D6HZ-3C559-B	"O" ring
	1-D6HZ-3D519-A	Seal	1-E2HZ-3C559-A	Washer
	2-D6HZ-3D519-B	"O" ring	2-D6HZ-3E611-A	Ring
	1-D6HZ-3D526-A	Seal	1-D6HZ-3E612-A	Roller
	1-D6HZ-3B541-A	Ring	1-D6HZ-3754-A	Ring
	1-D6HZ-3B541-B	"O" ring	1-97426-S	Snap ring
	2-D6HZ-3C559-A	Ring		
80/		D8HZ 3E502-A	Use w/Ross HFB-64 gear	1
	Consists of			
	2-D6HZ 3321-A	Thrust washer	2-D6HZ 3C559-B	"O" ring
	3-D6HZ 3D519-A	Seal	1-E2HZ 3C559-A	Washer
	1-D6HZ 3D519-B	"O" ring	2-D6HZ 3E611-A	Ring
	1-D6HZ 3D526-A	Seal	2-D8HZ 3E614-A	"O" ring
	1-D8HZ 3B541-A	Ring	1-D8HZ 3D623-A	Nut
	1-D6HZ 3B541-D	"O" ring	1-D0HZ 3B673-A	Bearing
	2-D6HZ 3C559-A	"O" ring	1-97426-S	Snap ring
80/		E0HZ 3E502-A	Use w/Ross HFB-52 gear	1
	Consists of			
	1-D6HZ 3D519-A	Seal	1-E0HZ 3C559-A	Washer
	2-D6HZ 3321-A	Thrust washer	1-E2HZ 3C559-A	Washer
	1-D6HZ 3D526-A	Seal	2-D6HZ 3E611-A	Ring
	1-E0HZ 3B541-A	Ring	1-D6HZ 3E612-A	Bearing
	2-D6HZ 3C559-A	Ring	1-D6HZ 3754-A	"O" ring
	2-D6HZ 3C559-B	"O" ring	1-97426-S	Snap ring
80/		E4HZ 3E502-A	Use w/Ross HFB-52 gear	1
	Consists of			
	1-D6HZ 3329-A	"O" ring	1-E0HZ 3E614-A	"O" ring
	1-D6HZ 3D519-A	Seal	1-D6HZ 3D623-A	Nut
	2-D6HZ 3D519-B	"O" ring	1-D6HZ 3D623-B	Nut
	1-D6HZ 3B541-A	Ring	1-D6HZ 3738-A	Seal
	1-D6HZ 3B541-B	"O" ring	1-D6HZ 3754-A	"O" ring
	1-E0HZ 3B541-A	Ring	2-D6HZ 3C559-A	Ring
	2-D6HZ 3C559-B	"O" ring	1-E0HZ 3C559-A	"O" ring
	1-D6HZ 3581-A	Gasket	1-E3HZ 3E613-A	Plug
3F500-3		Refer to group 3A719		
3N503-4		Refer to Steering Gear Parts Lists, Section 35.1		
3K505		ADAPTER (POWER STEERING PUMP MOUNTING)—Also refer to P/S Pump Parts Lists Section 36.1		
87/	B-F600/800 -- 6 cyl. F.T.O. diesel	E7HZ 3K505-A		1
80/	CL-CLT900 -- 8 cyl. Cat. diesel	D8HZ 3K505-A		1
80/	CL-CLT900 -- 6 cyl. Cum. 855	D8HZ 3K505-B		1
80/	CL-CLT900 -- 6 cyl. Cum. 1150	D8HZ 3K505-C		1
88	CL-CLT900 -- NTC 444 engine	E8HZ 3K505-A		1
80/86	L-LT-LTL900 -- 8 cyl. Detroit diesel	D0HZ 3K505-D		1
80/	L-LN-LNT900 -- 8 cyl. Cum. diesel	D2HZ 3K505-A		1

1980/  
TRUCK SERIES 600/900

YEAR	MODEL/RESTRICTIONS	PART NUMBER	DESCRIPTION	QTY.
<b>3K505 ADAPTER (POWER STEERING PUMP MOUNTING)-Also refer to P/S Pump Parts Lists Section 36.1</b>				
87/	L-LT-LN-LNT800 -- 6 cyl. F.T.O. diesel	E7HZ 3K505-A		1
88	L-LT-LTL-LTS-LN-LNT900 -- NTC 444 engine	E8HZ 3K505-A		1
<b>3506-7 CLAMP (STEERING COLUMN)</b>				
80/	B-F600/900	C3TZ 3507-B		1
80/	C-CT600/900	B7T 3507-A	1 59/64" I.D. x 1 1/8" wide	1
		20521-S8	(B-162)-bolt (clamp)-5/16"-24 x 2"	1
		33798-S8	(M-62)-nut-5/16"-24	1
		34806-S7	(X-64)-lockwasher-5/16"	1
<b>3K506 GASKET (POWER STEERING PUMP MOUNTING)-Also refer to P/S Pump Parts Lists Section 36.1</b>				
80/	CL-CLT900	C9HZ 3K506-A		1
80/	L-LN-LNT-LT-LTL-LTS800/900 -- 8 cyl. Cum diesel			1
80/	L-LN-LNT-LT-LTL-LTS800/900 -- 6 cyl. Cat. diesel			1
80/	CL-CLT900	★ C6TA 3K506-B	Use between oil filler pipe and engine- secure from Detroit Diesel-part number 5122227	1
80/	L, LN, LNT, LT, LTS800/900 W-WT900 -- 6 cyl. Cum. diesel	★ D2HZ 3K506-A	R/b D8HZ 3D684-B (6/89)	1
<b>3507 CLAMP (STEERING COLUMN)</b>				
80/	B-F600/900	C3TZ 3507-B		1
82/88	L-LT-LTL-LTS-LN-LNT800/900	E2HZ 3507-A		1
86/	CF600/700	★ E6HZ 3507-B	R/b E6HZ 3605-B (3/87)	1
<b>3K507 Refer to P/S Pump Parts Lists Section 36.1</b>				
<b>3509 TUBE ASSY. (STEERING COLUMN)</b>				
80/87	B600/700 -- A/T	E0HZ 3514-B		1
	B600/700 -- M/T	E0HZ 3514-D		1
88/89	B600/800 -- A/T	E8HZ 3514-B		1
	B600/800 -- M/T	E8HZ 3514-C		1
80/	C600/700	C7TZ 3509-J		1
80/	C800/900(9 1/2" frame) -- 9M,12M C/P/S front axle			1
80/	C800/900(9 1/2" frame) -- 12M conv. front axle	C7TZ 3509-K		1
80/	C800/900(9 3/4" frame),CT800/900			1
80/	CL-CLT900	D8HZ 3509-A	27 7/8" long	1
80/87	F600/900 -- A/T	E0HZ 3514-A		1
	F600/900 -- M/T	E0HZ 3514-C		1
88/89	F-FT600/900 -- A/T	E8HZ 3514-A		1
	F-FT600/900 -- M/T	E8HZ 3514-D		1
80/84	L-LN-LNT-LT-LTS600/900 "Before 2/84"	D0HZ 3514-B	#DOHA 3C529-B	1
84/89	L-LN-LNT-LT-LTS600/900 "From 2/84" "Before 12/88"	E4HZ 3514-A		1
89/	L-LN-LNT-LS-LT-LTS700/900 "From 12/88"	E9HZ 3514-A		1
83/	B-F 600/900 "From 10/82"	E3HZ 3513-A		AR
		383337-S	(MM-90-C) Nut-Hex slotted-1 1/8"-18 (3514 to 3B676)	1
81/	LTL900	D0HZ 3514-B		1
<b>3510 RETAINER (STEERING COLUMN LOWER BEARING SEAL)</b>				
80/	B-F600/900	DOTZ 3510-A		1
86/	CF600/700	★ E6HZ 3510-B	R/b E6HZ 3605-B (3/87)	1
<b>3A510 BEARING ASSY. (STEERING COLUMN)</b>				
81/	LTL900,LL900	E1HZ 3A510-A		1

1980/  
TRUCK SERIES 600/900

YEAR	MODEL/RESTRICTIONS	PART NUMBER	DESCRIPTION	QTY.
<b>3C510 BRACKET (POWER STEERING HOSE)</b>				
80/82	B-F600/900 - - w/split hydraulic brakes	C6TZ 3C510-B		1
80/	L-LN-LNT-LT-LTL-LTS700/900		Used for hydraulic brake line mounting to frame	AR
<b>3D510 BOOT (STEERING COLUMN SHAFT COUPLING)</b>				
80/	B-F600/900	E4HZ 3D510-A		1
80/89	L-LN-LNT-LT-LTL-LTS600/900 - - exc. LT-LNT800	★ D0HZ 3D510-A	Upper-r/b D0HZ 3D510-C (1/90)	1
		D0HZ 3D510-B	Lower-kit-consists of wedge, boot and insert	1
80/89	L-LA-LN-LNT-LT-LTA-LTL-LTS600/900	D0HZ 3D510-C	Upper	1
		D0HZ 3D510-B	Lower-kit-consists of wedge, boot and insert	1
<b>3511 FLANGE (STEERING COLUMN TUBE)</b>				
80	B-F600/800 - - w/M/T "Before 11/79"	D60Z 3511-B		1
80/	B-F600/900 - - w/M/T "From 11/79"	E4TZ 3511-B		1
80/	B-F600/900 - - w/A/T	E4UZ 3511-A	#E4UA 3511-CWA	
<b>3C511 SUPPORT (POWER STEERING PUMP)</b>				
80/	B-F600/800 - - 370,429 gas eng.	E0HZ 3C511-A	#E0HT 3C511-AB	1
86/	B-F600/800 - - 8 cyl. Cat. diesel	E6HZ 3C511-A	#E6HT 3C631-AA	1
88	B-F600/900 - - gas eng. "Before 6/88"	★ E8HZ 3C511-B r/bE8HZ 3511-C(11/89)	#E8HT 3C631-BA	1
88/	B-F600/900 - - gas eng. "From 6/88"	E8HZ 3C511-C	#E8HT 3C631-CA	1
88/	B-F600/800 - - 7.8L F.T.O. eng.	E8HZ 3C511-A	#E8HT 3C631-AA	1
80/	C-CT - - 8 cyl. gas	E0HZ 3C511-A	#E8HT 3C511-AB	1
80/	L-LN-LNT-LT-LTS800 - - 8 cyl. Cat. diesel "From 4/86"	E6HZ 3C511-A	#E6HT 3C631-AA	1
80/	-8 cyl. gas	D5HZ 3C511-A	#D5HA 3C511-AA	1
80/	L-LN-LNT-LT-LTS900 - - 8 cyl. gas	D0TZ 3C511-B	#D0TE 3C631-A-used as pump support, mounted to engine	1
		3C511	Slotted bracket attached to rear of pump-refer to P/S pump section 36.1 list 59	1
	- - Cum. diesel	D0HZ 3C511-C	#D0HA 3C631-F	1
	- - 6 cyl. Detroit diesel	D0HZ 3C511-B	#D0HA 3C631-H	1
80/	B-C-CT-F-L-LN-LNT-LT-LTS 600/800 - - 8 cyl. gas	384054-S2	(BB-171-E)-bolt (support bracket to water pump)-3/8"-16 x 6 1/8"	1
		58638-S2	(B-89-A)-bolt (support to engine)-3/8"-16 x 2"	1
		★58636-S	Bolt-3/8"-16 x 1 1/2"	1
		58637-S	(B-86-A)-bolt (suppt. to eng.)-3/8"-16 x 1 3/4"	1
		351385-S7	(XX-158)-washer-flat-3/8"	3
		34807-S	(X-66)-lockwasher-3/8"	2
80/	C600/700	300946-S8	(B-73)-bolt (support to cyl. block)-5/16"-18 x 4 3/4"	1
80/	L-LN-LNT-LT-LTS800 - - Cat. diesel	380899-S2	(BB-176-B)-bolt (support to engine)-7/16"-14 x 1 1/2"	3
80/	L-LN-LNT-LT-LTS800 - - Cat. diesel	380079-S	(XX-173-C)-flat washer-7/16"	6
		★58636-S2	Bolt (support to pump bracket 3A732)	3
		★382118-S2	Flat washer-3/8"	3
		★91321-S2	Bolt (support to engine)-1/2"-13 x 3"	3
		33845-S	(M-57)-nut-1/2"-13	3
		34988-S4	(M-89-D)-nut-7/10"-14	3
80/	L-LN-LNT-LT-LTS880/900 - - 8 cyl. gas	384010-S	(BB-425-H)-bolt (pump suppt. and spacer to eng.)-1/2"-13 x 3 9/16"	1
		44735-S	(X-32)-flat washer-1/2"	1
		46069-S7-8	(B-263-E)-bolt (pump support lower end to eng.)-7/16"-14 x 3 3/4"	1
		382580-S	(XX-173-B)-flat washer-7/16"	1
		371459-S	(BB-425)-bolt (pump support to engine)-3/8"-16 x 4 3/8"	1
		373603-S	(XX-140-M)-lockwasher-3/8"	1



1980/  
TRUCK SERIES 600/900

YEAR	MODEL/RESTRICTIONS	PART NUMBER	DESCRIPTION	QTY.
<b>3C511 SUPPORT (POWER STEERING PUMP) -- Cont'd</b>				
80/87	L-LN-LNT-LT-LTL-LTS900 -- 6 cyl. Detroit diesel	42998-S	(B-252-A)-bolt (support to engine R.H. side)- 3/8"-16 x 1"	2
		377505-S	(BB-226-D)-bolt (suppt. to engine L.H. side)- 3/8"-24 x 4 1/2"	1
		★58649-S2	Bolt (suppt. to eng.-lower side)-3/8"-16 x 5"	1
		★34987-S2	Nut-3/8"-16	3
		351385-S	(XX-158)-flat washer-3/8"	AR
		★58637-S	Bolt (adjustment slot to pump)-3/8"-16 x 1 3/4"	2
80/	L-LN-LNT-LT-LTL-LTS900 -- Cum. diesel	★58656-S2	Bolt (support to pump)-7/16"-14 x 1 3/4"	3
		★58657-S2	Bolt (support to engine)-front-7/16"-14 x 2"	1
		380079-S	(XX-173-C)-flat washer-7 16"	1
		★58724-S	Bolt (support to engine-top)-5/8"-11 x 2 3/4"	1
		373781-S	(XX-214-A)-flat washer-5/8"	1
<b>3513 SEAL (STEERING COLUMN WEATHER)</b>				
83/	B-F600/900 "From 10/82"	E3HZ 3513-A		AR
80/89	L-LN-LNT-LT-LTL-LTS600/900 -- M/T	D3HZ 3513-A		1
80/89	L-LT-LTL-LTS 900 -- M/T			1
80/89	LN-LNT 900 -- 8 cyl. gas, 6 cyl., Cum. diesel, 6 cyl. Detroit diesel and M/T			1
80/89	L-LN-LNT-LT-LTL-LTS600/900 -- T/M	D3HZ 3513-B		1
80/89	LN-LNT900 -- 8 cyl. Cum. and Detroit diesel and M/T	D3HZ 3513-A		1
<b>3514 Refer to group 3509</b>				
<b>3C514 Refer to P/S Cylinder Parts Lists Section 35.2</b>				
<b>3K514 Refer to P/S pump Parts Lists, section 36.1</b>				
<b>3C515 Refer to Steering Gear Section 35.1</b>				
<b>3516 RACE (STEERING COLUMN BEARING OUTER)</b>				
84	L-LT-LTL-LTS-LN-LNT800/900 "Before 2/84"	None req'd		
84/	L-LT-LTL-LTS-LN-LNT800/900- non-fleet "From 2/84"	E5HZ 3516-A		1
84/89	L-LT-LTL-LTS-LN-LNT800/900- fleet "From 2/84" "Before 10/88"	E5HZ 3516-B		1
89/	L-LT-LTL-LTS-LN-LNT800/900 "From 10/88"	E9HZ 3516-A		1
<b>3517 BEARING ASSY. (STEERING COLUMN)</b>				
80/	B-F600/900	E1FZ 3517-B	Upper	1
		C3DZ 3517-A	Lower	1
80/	C-CT600/900	C3DZ 3517-A	Upper bearing	1
		C3TZ 3517-B	Lower bearing	1
86/	CF600/700/800	E6HZ 3517-A	Upper	2
80/	CL-CLT900	C3DZ 3517-A	Upper	1
		C8HZ 3517-A	Lower	1
80/	L-LN-LNT-LT-LTS600/900	D0HZ 3517-A	Upper-7/8" I.D. x 1 21/32" O.D. x 7/16" thick- #LL 52549 & #LL 52510	1
		D0HZ 3517-B	Lower-1" I.D. x 2" O.D. x 9/16" thick- #LL 44643 & #LL 44610	1
82/	LTL900	E1HZ 3A510-A		1
<b>3K517 BRACKET (STEERING COLUMN SHROUD)</b>				
86	CF600/700	E6HZ 3K517-A	#81DB 3K517-AA	1

1980/  
TRUCK SERIES 600/900

YEAR	MODEL/RESTRICTIONS	PART NUMBER	DESCRIPTION	QTY.
<b>3518 SLEEVE (STEERING COLUMN TUBE BEARING)</b>				
80/	B-F600/900	E2AZ 3518-C	Upper	1
		B1AZ 3518-A	Lower	1
80/	C-CT600/900	C4TZ 3518-B	7/8" I.D. x 1 1/8" O.D.	1
80/	CL-CLT900	C4TZ 3518-B	Upper	1
		C8HZ 3518-A	Lower	1
		371916-S	(XX-242-G)-Flat washer(3518 to 3520)-7/8" I.D. x 1 1/4" O.D. x 1/16" thick	1
<b>3519 RACE (STEERING COLUMN BEARING INNER)</b>				
84	L-LT-LTL-LTS-LN-LNT800/900 "Before 2/84"	None req'd		
84	L-LT-LTL-LTS-LN-LNT800/900- non-fleet "From 2/84"	E4HZ 3519-A		1
84/	L-LT-LTL-LTS-LN-LNT800/900- fleet "From 2/84"	E4HZ 3519-B		1
85/	L-LT-LTL-LTS-LN-LNT800/900- non-fleet	E5HZ 3519-A		1
85/89	L-LT-LTL-LTS-LN-LNT800/900- non-fleet "Before 10/88"	E5HZ 3519-B		1
89/	L-LT-LTL-LTS-LN-LNT800/900 "From 10/88"	E9HZ 3519-A		1
<b>3520 SPRING (STEERING COLUMN UPPER BEARING)</b>				
89/	B-F-FT600/900	E9HZ 3520-A		1
80/	C600/750 -- M/S	C7TZ 3520-A		1
80/	C800/900(9 1/2" frame) -- M/S			1
80/	C800/900(9 3/4" frame)			1
80/	CL-CLT900			1
80/	CT800/900			1
		371681-S8	(XX-252)-washer (spring retaining)-7/8" dia.	1
86/	CF600/700/800	E6HZ 3520-A		1
<b>3C520 Refer to group 3A719</b>				
<b>3524 Refer to Steering Gear Parts Lists Section 35.1 or basic 3A526</b>				
<b>3E524 WASHER (STEERING SHAFT LOCATOR)</b>				
84/	B-F600/900	E4HZ 3E524-A	Detail of #E4HT 3E751-AA,BA,CA	
<b>3F525 BRACKET (POWER STEERING RESERVOIR OIL FILLER TUBE)</b>				
80/	L-LN-LNT-LT-LTS 6 cyl. Detroit diesel	★	Pump reservoir filler tube bracket-improvise	1
		★58634-S	Bolt (bracket to engine)-3/8"-16 x 1"	2
		351385-S	(XX-158)-washer-3/8"-flat	4
		★34987-S	Nut-3/8"-16	2
<b>3A526 SHAFT ASSY. (STEERING COLUMN)</b>				
80/89	B600/700 "Before 12/88"	★ EOHZ 3524-B	Upper-r/b E9HZ 3524-A (12/90)	1
89/	B600/800 -- cowl "From 12/88"	E9HZ 3524-A	Upper	1
80/81	B600/700 -- M/S "Before 10/80"	★ EOHZ 3B676-A	#E0HT 3E751-AB-lower	1
		r/bE1HZ 3B676-G		
	"From 10/80"	E4HZ 3B676-B	#E0HT 3E751-AC, #E4HT 3E751-AA-lower -- For details refer to basic 3E524, 3A526,3C660,3N665,3B677,3K704,3E736,3B15	1
		E4HZ 3A526-A	Shaft assy. -- detail of E4HZ 3B676-B	
	-- P/S w/10.80" Frame section modulus "Before 10/80"	★ EOHZ 3B676-B r/bE1HZ 3B676-H	#E0HT 3E751-BA/BB- lower-13 3/4" from center of joint to end of shaft	1
	w/o 10.80" Frame section modulus "Before 10/80"	★ EOHZ 3B676-C r/bE1HZ 3B676-H	#E0HT 3E751-CA/CB -lower-13 3/4" from center of joint to end of shaft	1
	-- P/S "From 10/80"	E1HZ 3B676-H	#E0HT 3E751-BC-lower	1

1980/  
TRUCK SERIES 600/900

YEAR	MODEL/RESTRICTIONS	PART NUMBER	DESCRIPTION	QTY.
<b>3A526 SHAFT ASSY. (STEERING COLUMN) — Cont'd</b>				
82/87	B600/700 -- M/S	E4HZ 3B676-B	E0HT 3E751-AC, E4HT 3E751-AA lower -- For details refer to basic 3E524, 3A526, 3C660,3N665,3B677,3K704,3E736,3815	1
		E4HZ 3A526-A	Shaft assy. -- detail of E4HZ 3B676-B	
88	B600/800 -- M/S 6M,7M front axle "Before 5/88"	E8HZ 3B676-A	#E8HT 3E751-AA-lower	1
88/	B600/800 -- M/S 6M,7M front axle "From 5/88"	E8HZ 3B676-C	E8HT 3E751-CA-lower	1
88/	B600/800 -- M/S 6M,7M front axle	E8HZ 3A526-A	Shaft assy. -- detail of E8HZ 3B676-A,B- (slip yoke end)	1
88/	B600/800 -- M/S 6M,7M front axle	E8HZ 3A526-B	Shaft assy. -- detail of E8HZ 3B676-A,B- (splined shaft end)	1
82	B600/700 -- P/S "Before 11/81"	E1HZ 3B676-H	#E0HT 3E751-BC-lower	1
82/84	B600/700 -- P/S "From 11/81 to 4/84" w/10.80" Frame section modulus	E4HZ 3B676-A	#E2HT 3E751-AA, #E4HT 3E751-CA-lower -- For details refer to basic 3E524, 3A526,3C660,3N665,3B677,3K704,3E736,3815	1
		★ E4HZ 3A526-B r/bE4HZ 3B676-A(11/89)	Shaft assy. -- details of E4HZ 3B676-A	1
	w/o 10.80" Frame section modulus	E1HZ 3B676-H	#E0HT 3E751-BC-lower	1
84/87	B600/700 -- P/S "From 4/84" w/10.80" Frame section modulus	E4HZ 3B676-A	#E4HT 3E751-CA-lower-for details refer to basic 3E524,3A526,3C660,3N665,3B677, 3K704,3E736,3815	1
		★ E4HZ 3A526-B r/bE4HZ 3B676-A(11/89)	Shaft assy. -- details of E4HZ 3B676-A	1
	w/o 10.80" Frame section modulus	E4HZ 3B676-C	#E4HT 3E751-BA-lower-for details refer to basic 3E524,3A526,3N665,3B677, 3K704,3E736,3815	1
		E4HZ 3A526-C	Shaft assy. -- detail of E4HZ 3B676-C	1
88	B600/800 -- P/S 10M,12M front axle "Before 5/88"	E8HZ 3B676-A	#E8HT 3E751-AB-lower	1
88	B600/800 -- P/S 6M,7M, 8M,9M front axle "Before 5/88"	E8HZ 3B676-B	#E8HT 3E751-BB-lower	1
88/	B600/800 -- P/S "From 5/88"	E8HZ 3B676-C	E8HT 3E751-CA-lower	1
88/	B600/800 -- P/S 6M,7M, 8M,9M,10M,12M front axle	E8HZ 3A526-A	Shaft assy.-detail of E8HZ 3B676-A,B- (slip yoke end)	1
88/	B600/800 -- P/S 6M,7M, 8M,9M,10M,12M front axle	E8HZ 3A526-B	Shaft assy.-detail of E8HZ 3B676-A,B- (splined shaft end)	1
80/	C600/700	C6TZ 3A526-H	Shaft & yoke assy.-32 5/8" long-use w/double joint yoke	1
80/	C800/900 (9 1/2" frame) -- M/S and 9M, 12M C/P/S front axles			1
80/	C800/900 (9 1/2" frame) -- P/S			1
80/	C800/900 (9 1/2" frame) -- M/S and 12M conv. front axle	C3TZ 3A526-D	Shaft & yoke assy.-33 11/16" long-use w/single joint yoke	1
80/	C800/900 (9 3/4" frame), CT800/900			1
86/	CF600/700	E6HZ 3A526-A	#E5HT 3A526-CA-upper	1
80/	CL-CLT900	★ D8HZ 3A526-A r/bMat #9078	Shaft and coupling assy.	1
80/87	CL-CLT900	D8HZ 3A526-B	Upper - 33 5/32" long	1
80/	CL-CLT900	D8HZ 3A526-C	Center - slip yoke-11 3/4" long-W/32 internal splines	1
80/	CL-CLT900	D8HZ 3A526-D	Lower - 17 5/8" long-w/32 outer splines	1
80/	F-FT600/900	★ E0HZ 3524-B	Upper-40 19/32" long-r/b E9HZ 3524-A (12/90)	1
80/89	F-FT600/900 "Before 12/88"	E0HZ 3524-C	Upper-37 3/64" long	1
89/	F-FT600/900 -- cowl "From 12/88"	E9HZ 3524-A	Upper	1
	F-FT600/900 -- reg. cab "From 12/88"	E9HZ 3524-B	Upper	1

1980/  
TRUCK SERIES 600/900

YEAR	MODEL/RESTRICTIONS	PART NUMBER	DESCRIPTION	QTY.
<b>3A526 SHAFT ASSY. (STEERING COLUMN) — Cont'd</b>				
80/81	F600/900 -- M/S "Before 10/80"	★ E0HZ 3B676-A r/bE1HZ 3B676-G	#E0HT 3E751-AB-lower	1
	"From 10/80"	E4HZ 3B676-B	#E0HT 3E751-AC, E4HT 3E751 AA-lower - For details refer to basic 3E524, 3A526,3C660,3N665,3B677,3K704,3E736,3815	1
		E4HZ 3A526-A	Shaft assy. -- detail of E4HZ 3B676-B	
	-- P/S w/10.80" Frame section modulus	★ E0HZ 3B676-B r/bE1HZ 3B676-H	#E0HT 3E751 BA/BB- lower-13 3/4" from center of joint to end of shaft	1
	"Before 10/80"	★ E0HZ 3B676-C r/bE1HZ 3B676-H	#E0HT 3E751-CA/CB -lower-13 3/4" from center of joint to end of shaft	1
	w/o 10.80" Frame section modulus	"Before 10/80"		
	-- P/S "From 10/80"	E1HZ 3B676-H	#E0HT 3E751-BC-lower	1
82/87	F-FT600/900 -- M/S	E4HZ 3B676-B	#E0HT 3E751-AA, #E4HT 3E751-AA-lower - - For details refer to basic 3E524, 3A526,3C660,3N665,3B677,3K704,3E736,3815	1
88	F-FT600/900 -- M/S 6M,7M Front axle "Before 5/88"	E8HZ 3B676-A	#E8HT 3E751-AB-lower	1
88/	F-FT600/900 -- M/S 6M,7M front axle "From 5/88"	E8HZ 3B676-C	E8HT 3E751-CA-lower	1
88/	F-FT600/900 -- M/S 6M,7M, front axle	E8HZ 3A526-A	Shaft assy. detail of E8HZ 3B676-A,B- (slip yoke end)	1
88/	F-FT600/900 -- P/S 6M,7M, 8M,9M,10M,12M front axle	E8HZ 3A526-B	Shaft assy.-detail of E8HZ 3B676-A,B- (splined shaft end)	1
88/	F-FT600/900 -- M/S 6M,7M, front axle	E8HZ 3A526-B	Shaft assy.-detail of E8HZ 3B676-A,B- (splined shaft end)	1
82	F-FT600/800 -- P/S "Before 11/81"	E1HZ 3B676-H	#E0HT 3E751-BC-lower	1
82/84	F-FT600/800 -- P/S "From 11/81 to 4/84"			
	w/10.80" Frame section modulus	E4HZ 3B676-A	#E2HT 3E751-AA-lower-for details refer to basic 3E524,3A526,3C660,3N665,3B677, 3K704,3E736,3815	1
		★ E4HZ 3A526-B r/bE4HZ 3B676-A(11/89)	Shaft assy. -- detail of E4HZ 3B676-A	1
	w/o 10.80" Frame section modulus	E1HZ 3B676-H	#E0HT 3E751-BC-lower	1
84/87	F-FT600/900 -- P/S "From 4/84"			
	w/10.80" Frame section modulus	E4HZ 3B676-A	#E4HT 3E751-CA-lower-for details refer to basic 3E524,3A526,3C660,3N665,3B677, 3K704,3E736,3815	1
		★ E4HZ 3A526-B r/bE4HZ 3B676-A(11/89)	Shaft assy. -- detail of E4HZ 3B676-A	1
	w/o 10.80" Frame section modulus	E4HZ 3B676-C	#E4HT 3E751-BA-lower-for details refer to basic 3E524,3A526,3C660,3N665,3B677, 3K704,3E736,3815	1
		E4HZ 3A526-C	Shaft assy. -- details of E4HZ 3B676-C	1
88/	F-FT600/900 -- P/S 10M,12M Front axle	E8HZ 3B676-A	#E8HT 3E751-AA-lower	1
88/	F-FT600/900 -- P/S 6M,7M,8M,9M Front axle	E8HZ 3B676-B	#E8HT 3E751-BA-lower	1
88/	F-FT600/900 -- P/S 6M,7M, 8M,9M,10M,12M front axle	E8HZ 3A526-A	Shaft assy.-detail of E8HZ 3B676-A,B- (slip yoke end)	1
80	L-LN-LNT-LT-LTS600/900	D0HZ 3B676-A	#D0HA 3C552-D Upper, incl. joint, boot, & retainer	1
81/82	L-LN-LNT-LT-LTS600/900 "Before 12/81"	E1HZ 3B676-A	#E1HT 3C552-AA Upper, incl. joint, boot, & retainer - For details refer to basic 3A526,3C617,3B710,3E714, & 3C765	1
		★ E1HZ 3A526-B r/bE2HZ 3B676-F(4/88)	Shaft assy.-steering column shaft & joint-stub - - Detail of E1HZ 3B676-A	1
		★ E1HZ 3A526-C r/b★E1HZ 3A527-A	Shaft-steering column upper - - Detail of E1HZ 3B676-A	1
		★ E1HZ 3C663-A r/bMat 92033	Shaft-steering column lower - - Detail of E1HZ 3A526-B	1

1980/  
TRUCK SERIES 600/900

YEAR	MODEL/RESTRICTIONS	PART NUMBER	DESCRIPTION	QTY.
<b>3A526 SHAFT ASSY. (STEERING COLUMN) — Cont'd</b>				
82/89	L-LA-LN-LNT-LT-LTA-LTS600/900 "From 12/81" "Before 12/88"	E2HZ 3B676-F ★ E1HZ 3A526-B r/bE2HZ 3B676-F(4/88) ★ E2HZ 3A526-D r/bE2HZ 3A527-A ★ E1HZ 3C663-A r/bMat 92033	#E2HT 3C552-AA, E3HT 3C552-AA upper, incl. joint, boot, & retainer - For details refer to basic 3D638, 3B710, 3D672, 3C684 Shaft assy-steering column shaft & joint-stub - - Detail of E2HZ 3B676-F Shaft-steering column upper - - Detail of E2HZ 3B676-F Shaft-steering column lower - - Detail of E1HZ 3A526-B	1 1 1 1
89/	L-LA-LN-LNT-LS-LT-LTA-LTS700/900 "From 12/88"	E9HZ 3B676-B ★ E1HZ 3C663-A r/bMat 92033	#E9HT 3C552-AC upper, incl. joint, boot & retainer - - For details refer to basic 3D638, 3B710, 3D672, 3C684 Shaft-steering column lower	1 1
80	LN-LNT-600/900 - - w/6 cyl. 552 Detroit 6V-92 diesel -w/o 6 cyl. 552 Detroit 6V-92 diesel	E0HZ 3B676-D D2HZ 3B676-B	#D6HS 3B676-AA-coupling assy. -steering shaft lower - - 37 3/8" long #D7HT 3B676-BA-coupling assy.	1 1
81	LN-LNT600/900	E1HZ 3B676-E	#E1HT 3B676-CA-coupling assy. -steering shaft lower	1
81/	LN900 - - 6 cyl. Detroit diesel	E1HZ 3B676-F	#E1HT 3B676-DA, E5HT 3B676-BA	1
82/	LN-LNT600/900	E2HZ 3B676-D	#E2HT 3B676-CA, E5HT 3B676-DA-coupling assy.-steering shaft lower	1
80	L-LT-LTS800/900	D2HZ 3B676-A	#D7HT 3B676-AA-coupling assy.-steering shaft lower	1
81	L-LT-LTS800/900	E1HZ 3B676-D	#E1HT 3B676-BA-coupling assy.-steering shaft lower	1
82/	L-LT-LTS800/900	E2HZ 3B676-C	#E2HT 3B676-BA, E5HT 3B676-CA-coupling assy.-steering shaft lower	1
80/	L-LN-LNT-LT-LTS600/900	D0HZ 3A526-E	Shaft kit-coupling assy.-upper	1
Consists of				
1-Clamp/washer		1-Torque nut	1-Bolt	
81/84	LTL900	E1HZ 3B676-J	Coupling kit-steering shaft upper campaign #495	1
81/	LTL900	E5HZ 3B676-B	Coupling assy. - steering shaft upper	1
81/	LTL900 - - M/S	E5HZ 3B676-A	Coupling assy.-steering shaft lower	1
81/82	LTL900 - - P/S "Before 2/82"	E1HZ 3B676-K	Coupling assy.-steering shaft lower	1
82/	LL-LTL900 - - P/S "From 2/82"	E5HZ 3B676-A	Coupling assy.-steering shaft lower	1
81/82	LTL900 "Before 2/82"	E1HZ 3A526-D	Shaft assy. - steering coupling - - Detail of E1HZ 3B676 C	1
82/	LTL900 "From 2/82"	E2HZ 3A526-E	Shaft assy. - steering coupling - - Detail of E2HZ 3B676-A, E9HZ 3B676-A	1
82	LTL900	★ E1HZ 3A526-E	Slip yoke - - Detail of E1HZ 3B676-K & E5HZ 3B676-A	1
82	LTL900 "Before 2/82"	E1HZ 3B676-A	Shaft & joint assy.-steering column	1
82/	LTL900 "From 2/82"	E2HZ 3B676-F	Shaft & joint assy.-steering column	1
<b>3D526 Refer to Steering Gear Parts Lists, Section 35.1</b>				
<b>3E526 COUPLER (POWER STEERING PUMP DRIVE)</b>				
87/	B-F600/800 - - 6 cyl. F.T.O. diesel	E7HZ 3E526-A	Gear for E7HT 3A674 BB P/S pump assy.	1
80/	LN-LNT900 - - 6 cyl. 552 Detroit 6V-92 diesel	C9HZ 3E526-A		1
80/	L-LN-LNT-LT-LTS900 - - 8 cyl. Detroit diesel	C9HZ 3E526-A		1
80/	L-LN-LNT-LT-LTS800/900 - - 8 cyl. Cum. diesel	D2HZ 3E526-A	1 1/2" hex. head. 1 1/4" 12 thread, 11 internal teeth, 15/16" long	1

1980/  
TRUCK SERIES 600/900

YEAR	MODEL/RESTRICTIONS	PART NUMBER	DESCRIPTION	QTY.
<b>3E526 COUPLER (POWER STEERING PUMP DRIVE) — Cont'd</b>				
86/	CF600/700 -- 6.6L diesel	★ E6HZ 3E526-A	#E5HT 3E526-AA-r/b E8HZ 3A641-A (11/89)	1
80/87	CL-CLT900 -- Cum. diesel	D8HZ 3E526-A	#199589	1
		97609-S2	Retaining ring - 11/16" O.D. x 1/32" thick NTC Eng. series - reqd. to properly position 3E526 coupler.	1
88	CL-CLT900 -- Cum. diesel L-LT-LTL-LS-LTS-LN-LNT800/900 -- Cum. diesel	E8HZ 3E526-A	#E8HT 3K688-AA	1
82/	LTL900 -- 6&8 cyl. Detroit diesel	C9HZ 3E526-A		1
84/	L-LT-LTL-LTS -- 3406 Cat. CL-CLT -- 3406 Cat.	E4HZ 3E526-A		1
<b>3A527 SHAFT (STEERING COLUMN UPPER) Refer to basic 3A526 Shaft assy. (steering column)</b>				
<b>3E528-29 Refer to Steering Gear Parts Lists, Section 35.1</b>				
80/	B-F600/900	C6TZ 3A529-B		1
<b>3530 SHROUD (STEERING COLUMN)</b>				
80/	B600/700 -- manual trans. "Before 10/80"	E0HZ 3530-C		1
80/	B600/700 -- manual trans. "From 10/80"	E1HZ 3530-A	#E0HT 3530-EA	1
80/	B600/700 -- auto trans.	E0HZ 3530-C		1
86/	CF600/700	E6HZ 3530-A	#E5HT 3K512-AA-lower	1
		E6HZ 3530-B	#E5HT 3530-CA-upper L.H.	1
		E6HZ 3530-C	#E5HT 3530-BA-upper R.H.	1
80/	F600/900 -- w/o outside mounted turn signals	E0HZ 3530-A		1
80/	F600/900 -- w/outside mounted turn signals	E0HZ 3530-B		1
80/82	L-LN-LNT-LT-LTL-LTS 600/900 "Before 1/82"	D0HZ 3530-A	#D3HA 3530-AA	1
82/84	L-LN-LNT-LT-LTL-LTS 600/900 "From 5/83"	E3HZ 3530-A	#E3HT 3530-AA	1
85/	L-LN-LNT-LT-LTL-LTS 600/900	E5HZ 3530-A	#E5HT 3530-AA	1
<b>3A533 BALL STUD KIT (POWER STEERING)-For Model Application refer to Section 35.2</b>				
80/		C8TZ 3A533-A		1
	Consists of 2-C8TZ 3320-A Seat 1-D3TZ 3327-A Spring	1-C8TZ 3328-A	Plug	1-C8TZ 3B711-B Stud (1")
80/		C8TZ 3A533-B		1
	Consists of 2-C8TZ 3320-B Seat 1-D3TZ 3326-B Seat	1-D3TZ 3327-A 1-C8TZ 3328-B	Spring Plug	1-C8TZ 3B711-A Stud (1 1/4")
80/		D0HZ 3A533-A		1
	Consists of 2- Seat 1- Spring	1- Plug	1- Spring	
<b>3538 Refer to Steering Gear Parts Lists, Section 35.1</b>				
<b>3-3538 Refer to P/S Pump Parts Lists Section 36.1</b>				
<b>3A538 ADAPTER KIT (POWER STEERING CYLINDER TUBE)</b>				
84/	LT-LNT-LL-LTL800/900 -- w/16M, 18M, 20M front axle "From 7/84"	E4HZ 3A538-A		1
	"Before 7/84"	E4HZ 3A538-B		1
<b>3539 Refer to Steering Gear Parts Lists, Section 35.1</b>				

1980/  
TRUCK SERIES 600/900

YEAR	MODEL/RESTRICTIONS	PART NUMBER	DESCRIPTION	QTY.
<b>3L539 RING (STEERING COLUMN BEARING TOLERANCE)</b>				
86/	CF600/700/800	E6HZ 3L539-A		2
3A540 Refer to P/S Cylinder Parts Lists Section 35.2				
<b>3F540 SHIELD (STEERING SHAFT)</b>				
80/	LN-LNT900 -- 6 cyl. 552 Detroit 6V-92 diesel	E0HZ 3F540-A		1
3B541 Refer to Steering Gear Parts Lists, Section 35.1				
3B542 Refer to P/S Cylinder Parts Lists Section 36.1				
3-3542 Refer to P/S Pump Parts Lists Section 36.1				
3A544 Refer to P/S Cylinder Parts Lists Section 35.2				
<b>3E546 NUT-GUIDE PIN (ADJUSTABLE STEERING COLUMN BRACKET)</b>				
84	L-LT-LTL-LTS-LN-LNT800/900 "Before 2/84"	None req'd		
84/	L-LT-LTL-LTS-LN-LNT800/900 "From 2/84"	E4HZ 3E546-A		1
3-3547 Refer to P/S Pump Lists Section 36.1				
3L548 Refer to Steering Gear Parts Lists, Section 35.1				
3549 Refer to Steering Gear Parts Lists, Section 35.1				
3-3549 Refer to P/S Pump Parts List Section 36.1				
<b>3F550 SUPPORT (POWER STEERING RESERVOIR FILLER TUBE)</b>				
80/	L-LT900 -- 8 cyl. Cum. diesel	★	Improvise	
<b>3F551 HOSE (POWER STEERING RESERVOIR FILLER TUBE)</b>				
80/	L-LT900 -- 8 cyl. Cum. diesel	★	improvise from bulk hose (8333)	
3552-3 Refer to Steering Gear Parts Lists, Section 35.1				
<b>3E552 BRACKET (STEERING GEAR MOUNTING)</b>				
80/85	LN600/750 -- M/S "Before 2/85"	DOHZ 3E552-B		1
		383221-S2	(BB-317-A)-bolt (bracket to frame)-1/2"-20 x 1 3/4"	3
		44735-S	(X-32)-flat washer-1/2"-1 1/4" x 7/64"	3
		383039-S	(MM-66-B)-nut-1/2"-20	3
		72035-S	(N-51)-cotter pin-1/8"-1"	3
85/	LN600/750 -- M/S "From 2/85"	E5HZ 3E552-A		
		383221-S2	(BB-317-A)-bolt (bracket frame)-1/2"-20 x 1 3/4"	3
		44879-S2	(X-31-G)-flat washer-1/2"-1 1/16" x 3/32"	6
		389594-S2	( )-slotted nut-1/2"-20	3
		72071-S	(N-62)-cotter pin-1/8"-1 1/2"	3
80/86	LN600/750 -- P/S w 8 cyl. 370,429 gas and Detroit diesel	D7HZ 3E552-A		1
80/86	LN700 -- P/S w/Cat. diesel	D7HZ 3E552-A		1
		383732-S	(BB-325)-bolt (bracket to frame) 5/8"-18 x 2"	3
		373781-S2	(XX-214-A)-flat washer-5/8"	6
		381612-S	(MM-61-A)-nut-5/8"-18	3
		72071-S	(N-54)-cotter pin-1/8"-1 1/2"	3
3R553 Refer to group 3A719				
<b>3E554 CAP KIT (STEERING COLUMN SHAFT DUST)</b>				
80/	CL-CLT900	C6TZ 3E554-A	Incl. (1) steel cap, (1) felt washer and (1) nylon washer	1

1980/  
TRUCK SERIES 600/900

YEAR	MODEL/RESTRICTIONS	PART NUMBER	DESCRIPTION	QTY.
<b>3R555-6 TUBE ASSY. (P/S TURN ASSIST)</b>				
84/89	L-LT-LNT-LTL 16M, 18M, 20M front axle except F.T.O. "Before 9/88"	E9HZ 3R555-C	Right turn	1
89	LT LNT-LTL 16M, 18M, 20M front axle except F.T.O. "From 9/88"	F0HZ 3R555-F	Right turn	1
84/89	L LT-LNT-LTL 16M, 18M, 20M front axle except F.T.O.	E3HZ 3R556-A	Left turn	1
84/89	LS-LTS 16M, 18M, 20M front axle except F.T.O. "From 9/88"	F1HZ 3R555-D	Right turn	1
84/89	LTS 16M, 18M, 20M front axle except F.T.O.	F1HZ 3R556-D	Left turn	1
87/88	LT LNT 16M, 18M, 20M front axle F.T.O. diesel	F0HZ 3R555-C	Right turn	1
87/89	LT-LNT 16M, 18M, 20M front axle F.T.O. diesel	E7HZ 3R556-C	Left turn	1
87/88	LTS 16M, 18M, 20M front axle-F.T.O. diesel	E7HZ 3R555-B	Right turn	1
87/89	LS-LTS 16M, 18M, 20M front axle F.T.O. diesel, Cat. 3306	F1HZ 3R556-B	Left turn	1
3B559	Refer to P/S Pump Parts Lists Section 36.1 and Section 36 basic 3A674 P/S Pump Assy.			
3C559	Refer to Steering Gear Parts Lists, Section 35.1			
3K559	Refer to P/S Pump Parts Lists Section 36.1			
3E560	Refer to Steering Gear Parts Lists, Section 35.1			
3A561	Refer to P/S Pump Parts List Section 36.1 and Section 36 basic 3A674 P/S Pump Assy.			
3B561	Refer to P/S Pump Parts Lists Section 36.1			
3E561-5	Refer to Steering Gear Parts Lists, Section 35.1			
<b>3566 SPACER (STEERING GEAR TO FRAME)</b>				
80/	L-LT900 8 cyl. Cum. diesel	★	#D2HA 3566 AA Improve	1
3E566-8	Refer to Steering Gear Parts Lists, Section 35.1			
3A570	Refer to P/S Pump Parts Lists Section 36.1 and Section 36 basic 3A674 P/S Pump Assy.			
3571-76	Refer to Steering Gear Parts Lists, Section 35.1			
3E576	Refer to group 3A719			
3577	Refer to Steering Gear Parts Lists, Section 35.1			
<b>3578 SPACER-GUIDE PIN (ADJUSTABLE STEERING COLUMN BRACKET)</b>				
84	L LT LTL LTS LN LNT800/900 "Before 2/84"	None req'd		
84/	L-LT LTL LTS LN-LNT800/900 "From 2/84"	E4HZ 3578-A		1
3579	Refer to Steering Gear Parts Lists, Section 35.1			



1980/  
TRUCK SERIES 600/900

YEAR	MODEL/RESTRICTIONS	PART NUMBER	DESCRIPTION	QTY.
3A579	Refer to group 3A719			
3E579-80	Refer to Steering Gear Parts Lists, Section 35.1			
3B580	Refer to group 3681			
3E580-1	Refer to Steering Gear Parts Lists, Section 35.1			
3L581	Refer to P/S Pump Parts Lists Section 36.1			
3A582	Refer to P/S Pump Parts Lists Section 36.1			
3E582-9	Refer to Steering Gear Parts Lists, Section 35.1			
3583	Refer to Steering Gear Parts Lists, Section 35.1			
3B584	SEAL and GASKET KIT-POWER STEERING PUMP-For Application Refer To Power Steering Pump Parts Lists Section 36.1			
80/	All	B8TZ 3B584-C		1
Consists of				
2	B5A 33547-A	"0" ring	1-CITT 3A642-A	Gasket
2	B6QW 33549-A	"0" ring	1-C2TZ 3A642-A	Gasket
1	C2SZ 3B592-A	Seal	1-B9A 6570-A	Seal
1	LA 33618-A	"0" ring	1-87014-S91	"0" ring
1	COAA 3A642-B	Gasket	1-87147-S91	"0" ring

**IDENTIFICATION CHART**

IDENTIFICATION	PART NUMBER	IDENTIFICATION	PART NUMBER
<b>3590 ARM (STEERING GEAR SECTOR SHAFT)</b>			
C6TA 3590-F	C6TZ 3590-D	E0HT 3590-FB	E0HZ 3590-A
C6TA 3590-K	C6TZ 3590-A	E0HT 3590-GA	E0HZ 3590-C
D0HA 3590-E	D0HZ 3590-D	E1HT 3590-AA	E1HZ 3590-A
D0HA 3590-H	D0HZ 3590-E	E2HT 3590-AA	E2HZ 3590-A
D0HA 3590-J	D0HZ 3590-F	E3HT 3590-AA	E9HZ 3590-B
D0HA 3590-L	D0HZ 3590-H	E3HT 3590-AB	E9HZ 3590-B
D0HA 3590-M	D0HZ 3590-C	E3HT 3590-BA	E3HZ 3590-B
D0HA 3590-N	D0HZ 3590-A	E4HT 3590-AA	D6HZ 3590-B
D0HA 3590-R	D0HZ 3590-B	E4HT 3590-BA	D6HZ 3590-A
D0HA 3590-S	D0HZ 3590-G	E4HT 3590-CA	D6HZ 3590-C
D3HA 3590-CA	D5HZ 3590-C	E4HT 3590-DA	D8HZ 3590-B
D3HA 3590-DA	D5HZ 3590-D	E4HT 3590-EA	D8HZ 3590-A
D3HA 3590-LA	D5HZ 3590-E	E4HT 3590-FA	D0HZ 3590-B
D3HA 3590-MA	D5HZ 3590-F	E4HT 3590-GA	E2HZ 3590-A
D3HA 3590-NA	D5HZ 3590-H	E4HT 3590-HA	E3HZ 3590-A
D3HA 3590-RA	D5HZ 3590-G	E4HT 3590-JA	E1HZ 3590-A
D5HA 3590-CA	D6HZ 3590-C	E4HT 3590-KA	E0HZ 3590-C
D5HA 3590-DA	D6HZ 3590-B	E4HT 3590-LA	D6HZ 3590-D
D5HA 3590-EA	D6HZ 3590-A	E5HT 3590-AA	E6HZ 3590-A
D5HA 3590-FA	D6HZ 3590-D	E8HT 3590-AA	E8HZ 3590-E
D7HT 3590-CB	D8HZ 3590-A	E8HT 3590-BB	E8HZ 3590-B
D7HT 3590-DB	D8HZ 3590-B	E8HT 3590-DA	E9HZ 3590-A
E0HT 3590-CA	E0HZ 3590-B	E8HT 3590-EB	E8HZ 3590-D
E0HT 3590-CB	E0HZ 3590-B	E8HT 3590-FA	E8HZ 3590-A
E0HT 3590-FA	E0HZ 3590-A	E9HT 3590-AA	E9HZ 3590-B

YEAR	MODEL/RESTRICTIONS	Front Axle Capacity	PART NUMBER	DESCRIPTION	QTY.
<b>3590 ARM (STEERING GEAR SECTOR SHAFT)</b>					
80/87	B600/700 M/S	6M.7M	E0HZ 3590-A	#E0HT 3590-FA,FB, E8HT 3590-AA,DA	1
80/81	B600/700 -- P/S	6M.7M,	E0HZ 3590-B	#E0HT 3590-CA,CB	1
	"Before 11/80"	7.5M			

1980/  
TRUCK SERIES 600/900

YEAR	MODEL/RESTRICTIONS	Front Axle Capacity	PART NUMBER	DESCRIPTION	QTY.
3590 ARM (STEERING GEAR SECTOR SHAFT) — Cont'd					
81/87	B600/700 P/S "From 11/80"	6M,7M, 7.5M	E1HZ 3590-A	#E1HT 3590-AA, E4HT 3590 JA	1
88/	B600/700 P/S	6M,7M	E8HZ 3590-D	#E8HT 3590-EB	1
80/87	B600/700 - P/S	8M,9M	E0HZ 3590-C	#E0HT 3590 GA, E4HT 3590-KA	1
88/	B600/800 P/S	8M,9M	E8HZ 3590-A	#E8HT 3590-FA	1
88	B600/800 - M/S	6M,7M	E8HZ 3590-E	#E8HT 3590-AA	1
89	B600/800 - M/S	6M,7M	E9HZ 3590-A	#E8HT 3590-DA	1
80/	C600/700 - P/S with air brakes with hyd. brakes	6M,7M,	D6HZ 3590-A	#D5HA 3590-EA, E4HT 3590 BA	1
80	C-CT600/900 - M/S "Before Ser. JD5,001"	All	D5HZ 3590-D	#D3HA 3590-DA	1
80/	C-CT600/900 - M/S (504 gear) with air brakes - - 9.76 frame "From Ser. JD5,001"	7M,9M	D5HZ 3590-D	#D3HA 3590-DA	1
80/	C-CT600/900 - M/S (504 gear) w/hyd. brakes - - 9.76 frame "From Ser. JD5,001"	7M	C6TZ 3590-A	#C6TA 3590-K	1
80/	C-CT600/900 - M/S (408 gear) with air & hyd. brakes - - 9.50 frame "From Ser. JD5,001"	9M	C6TZ 3590-D	#C6TA 3590-F	1
80/	C-CT600/900 - M/S (408 gear) with air & hyd. brakes - - 9.50 frame "From Ser. JD5,001"	7M,9M	D5HZ 3590-C	#D3HA 3590-CA	1
80/	C700/900 - P/S CT800/900	9M	D6HZ 3590-B	#D5HA 3590-DA, E4HT 3590-AA	1
80/	C-CT800/900	12M,15M,18M	D6HZ 3590-C	#D5HA-3590-CA, E4HT 3590-CA	1
86/	CF600/800 - P/S	9M,12M	E6HZ 3590-A	#E5HT 3590-AA	1
80/	CL-CLT900 - P/S	All	D8HZ 3590-A	#D7HT 3590-CB, E4HT 3590-EA	1
80/87	F600/900 - M/S	All	D8HZ 3590-B	#D7HT 3590-DB, E4HT 3590-DA	1
88	F-FT600/900 - M/S	5.5M,7M	E0HZ 3590-A	#E0HT 3590-FA,FB	1
80/83	F600/900 - P/S	6M,7M	E8HZ 3590-E	#E8HT 3590-AA	1
84/87	F600/900	5.5M,7M	E0HZ 3590-B	#E0HT 3590-CA,CB	1
88/	F-FT600/900 - P/S	6M,7M	E1HZ 3590-A	#E4HT 3590-JA	1
88/	F-FT600/900 - P/S	6M,7M	E8HZ 3590-D	#E8HT 3590-EB	1
89	F-FT600/900 - M/S	6M,7M	E9HZ 3590-A	#E8HT 3590-DA	1
80/87	F700/900 - P/S	9M	E0HZ 3590-C	#E0HT 3590-GA, E4HT 3590 KA	1
88	B-F600/900 - P/S "Before 11/87"	8M,9M	E8HZ 3590-A	#E8HT 3590-FA	1
88/	B-F600/900 - P/S "From 11/87"	8M,9M	E8HZ 3590-B	#E8HT 3590-BA,BB	1
83/89	F-FT600/900 "Before 12/88"	10M,12M	E3HZ 3590-A	#E4HT 3590-HA	1
89	F-FT600/900 "From 12/88"	9M,10M,12M	E9HZ 3590-B	#E9HT 3590-AA	1
80/83	LN600/750 - M/S w/air brakes "Before 11/82"	6M,7M	D5HZ 3590-E	#D3HA 3590-LA	1
83/	LN600/750 - M/S- w/air brakes "From 11/82"	6M,7M	E3HZ 3590-B	#E3HT 3590-BA	1
80/	LN600/750 - M/S w/Hyd. brakes	9M	D0HZ 3590-G	#D0HA 3590-S	1
	Air brakes	9M	D5HZ 3590-H	#D3HA 3590-NA	1
	- - P/S	6M,7M	D5HZ 3590-F	#D3HA 3590-MA	1
	w/air brakes	9M	D5HZ 3590-G	#D3HA 3590-RA	1
80/	LN600/750 - P/S w/Hyd. brakes	9M	D0HZ 3590-E	#D0HA 3590-H	1
		7M	D0HZ 3590-F	#D0HA 3590-J	1
80	L-LN800/900 - M/S	7M	D0HZ 3590-H	#D0HA 3590-L	1
81/82	L-LN800/900 - M/S	7M	D0HZ 3590-D	#D0HA 3590-E	1
80/	L-LN800/900 - M/S	9M	D0HZ 3590-A	#D0HA 3590-N	1
80/87	L-LN800/900 - M/S	12M	D0HZ 3590-B	#D0HA 3590-R, E4HT 3590-FA	1

**1980/  
TRUCK SERIES 600/900**

YEAR	MODEL/RESTRICTIONS	Front Axle Capacity	PART NUMBER	DESCRIPTION	QTY.
<b>3590 ARM (STEERING GEAR SECTOR SHAFT) — Cont'd</b>					
88/	L-LN800/900 -- M/S	7M,12M	D0HZ 3590-B	#DOHA 3590-R, E4HT 3590-FA	1
80/82	L-LN800/900 -- P/S "Before 2/82"	All	D0HZ 3590-C	#DOHA 3590-M	1
82/	L-LN800/900 -- P/S "From 2/82"	All	E2HZ 3590-A	#E2HT 3590-AA, E4HT 3590-GA	1
80/	LNT-LT-LTL-LTS800/900 -- M/S	7M	D0HZ 3590-A	#DOHA 3590-N	1
80/87	LNT-LT-LTL-LTS800/900 -- M/S	All exc. 7M	D0HZ 3590-B	#DOHA 3590-R, E4HT 3590-FA	1
88/	LNT-LT-LTL-LTS800/900 -- M/S	7M,12M	D0HZ 3590-B	#DOHA 3590-R, E4HT 3590-FA	1
80/82	LNT-LT-LTL-LTS800/900 -- P/S "Before 2/82"	All	D0HZ 3590-C	#DOHA 3590-M	1
82/	LNT-LT-LTL-LTS800/900 -- P/S "From 2/82"	All	E2HZ 3590-A	#E2HT 3590-AA, E4HT 3590-GA	1
<b>3591-7 Refer to Steering Gear Parts Lists, Section 35.1 or Section 36 basic 3A674 P/S Pump Assy.</b>					
<b>3F591 RETAINER (STEERING COLUMN UPPER YOKE BEARING)</b>					
86/87	CF600/700		★ E6HZ 3F591-B	R/b E6HZ 3605-B (6/87)	1
<b>3E599 ELBOW ASSY. (POWER STEERING PUMP INLET)</b>					
88/	B600/800 -- with FTO diesel engine-45 degree		E8HZ 3E599-A	#E8HT 3E599-A1A	1
88	CL-CLT900 -- with Cumm. L10 or NTC engines-90 degree		E8HZ 3E599-B	#E8HT 3E599-B4A	1
88/	F-FT600/900 -- with FTO diesel engine-45 degree		E8HZ 3E599-A	#E8HT 3E599-A1A	1
88	L-LT-LTS-LTL-LN-LNT900 -- with Cumm. L-10 diesel, or NTC engine-45 degree	9M,10M,12M	E8HZ 3E599-A	#E8HT 3E599-A1A	1
88	L-LT-LTS-LN-LNT800 -- with FTO diesel engine-45 degree	7M,9M,10M, 12M	E8HZ 3E599-A	#E8HT 3E599-A1A	1
89	L-LT-LTS-LN-LNT900 -- with NTC engine-45 degree	12M	E8HZ 3E599-B	#E8HT 3E599-B4A	1
89	L-LT-LTS-LN-LNT900 -- with Cumm. L-10 diesel or NTC engine-45 degree	9M,10M	E8HZ 3E599-A	#E8HT 3E599-A1A	1

## 3504 GEAR ASSY. (STEERING)

## A. HOW TO FIND COMPLETE STEERING GEAR ASSEMBLY PART NUMBER

1. Using the Truck Specification List (T.S.L.)—  
Determine the steering gear assembly part number from the T.S.L. and refer to the T.S.L. Cross Reference Guide (page 2) to find the correct service part number.
2. Using Truck Series year and front axle capacity—  
Refer to model application chart (page 2) to find the correct steering gear.
3. Using the Identification Tag—  
Refer to the "Identification Tag" column in the model application chart (page 2) to find the correct service part number.

## B. HOW TO FIND THE PART NUMBER FOR A COMPONENT PART OF A STEERING GEAR

1. Use one of the methods explained above to determine the steering gear parts list number.
2. Find the parts list number for that steering gear in the T.S.L. Cross-Reference Guide or the Model Application Chart.
3. Turn to the Parts List (starting on page 3) and find the component needed.
4. If the basic number is not known, refer to the illustration reference given or the Alphabetical Index.

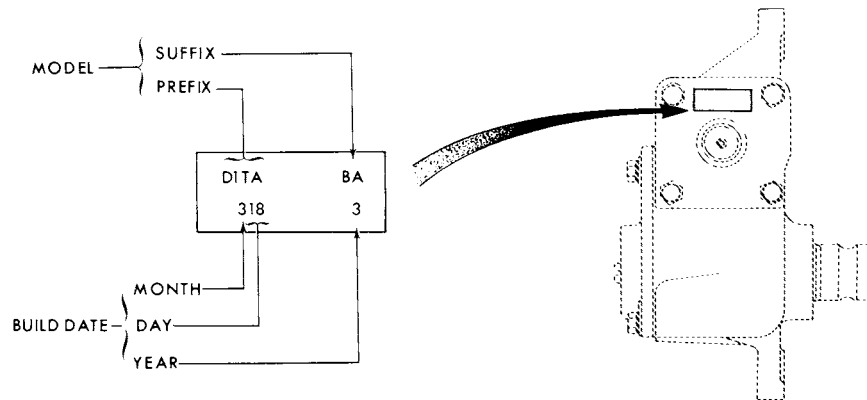
## STEERING GEAR IDENTIFICATION TAG

The illustration below shows the general location of the gear identification tag, which gives the gear assembly number, prefix and suffix.

Basic gear assembly numbers are usually the following—

3N503 Integral type power steering gear. (example—Ross HF-54 and HFB-64 gears)

3504 Manual or Power assist gear. (example—Ross 375, 408 and 504 gears)



P-10225

1980/  
TRUCK SERIES 600/900

## STEERING GEAR T.S.L. CROSS REFERENCE GUIDE

STEERING GEAR T.S.L. OR IDENTIFICATION NUMBER	SERVICE PART NUMBER	MAKE AND MODEL	TYPE	△ PARTS LIST NUMBER	ILLUSTRATION	
					SECTION	PAGE
3504 GEAR ASSY. (STEERING)						
Notes: △ Parts lists follow application chart.						
D7HT 3N503-AB	D8HZ 3504-B	Ross-HFB-64	P/S	11	35.1	2
D7HT 3N503-FA	D6HZ 3504-C	Ross HFB-52	P/S	10	35.1	1
D7HT 3N503-GA	D6HZ 3504-A	Ross HFB-52	P/S	10	35.1	1
E0HT 3N503-FB	★EOHZ 3504-A r/bE1HZ 3504-M	Ross-HFB-52	P/S	13	35.1	1
E0HT 3N503-JA	D0HZ 3504-J	Ross-HF-54	P/S	1	35.1	6
E0HT 3N503-KA	D0HZ 3504-K	Ross-HF-54	P/S	1	35.1	6
E0HT 3N503-LA	D1HZ 3504-F	Ross-HF-64	P/S	8	35.1	5
E0HT 3N503-LB	D1HZ 3504-F	Ross-HF-64	P/S	8	35.1	5
E0HT 3N503-MA	D1HZ 3504-E	Ross-HF-64	P/S	8	35.1	5
E0HT 3N503-MB	D1HZ 3504-E	Ross-HF-64	P/S	8	35.1	5
E1HT 3N503-AA	E1HZ 3504-A	Ross-HF-64	P/S	15	35.1	5
E1HT 3N503-BA	E1HZ 3504-B	Ross-HF-64	P/S	15	35.1	5
E1HT 3N503-CA	E1HZ 3504-H r/bE7HZ 3504-D(8/88)	Ross-HFB-52	P/S	21	35.1	1
E1HT 3N503-CB	★E1HZ 3504-H r/bE7HZ 3504-D(8/88)	Ross-HFB-52	P/S	21	35.1	1
E1HT 3N503-DA	E1HZ 3504-J	Ross-HFB-52	P/S	22	35.1	1
E1HT 3N503-DB	★E1HZ 3504-J r/bE4HZ 3504-A(2/86)	Ross-HFB-52	P/S	22	35.1	1
E1HT 3N503-EA	E1HZ 3504-K	Ross-HF-54	P/S	23	35.1	6
E1HT 3N503-FA	★E1HZ 3504-L r/bE4HZ 3504-C	Ross-HF-54	P/S	24	35.1	6
E1HT 3N503-GA	D8HZ 3504-B	Ross-HFB-64	P/S	11	35.1	2
E1HT 3N503-HA	★EOHZ 3504-A r/bE1HZ 3504-M	Ross-HFB-52	P/S	13	35.1	1
E1TD 3N503-BA	★E1HZ 3504-M r/bE7HZ 3504-A(7/89)	Ross-HFB-52	P/S	25	35.1	1
E2HT 3N503-AB	E2HZ 3504-A	Ross-HFB-64	P/S	26	35.1	2
E2HT 3N503-BB	E2HZ 3504-B	Ross-HFB-64	P/S	27	35.1	2
E3HT 3N503-AA	E3HZ 3504-A r/bE7HZ 3504-B(8/88)	Ross-HFB-64	P/S	28	35.1	2
E3HT 3N503-AB	★E3HZ 3504-A r/bE7HZ 3504-B(8/88)	Ross-HFB-64	P/S	28	35.1	2
E3HT 3N503-BA	E2HZ 3504-A	Ross-HFB-64	P/S	26	35.1	2
E3HT 3N503-CA	E2HZ 3504-B	Ross HFB-64	P/S	27	35.1	2
E4HT 3N503-AA	E4HZ 3504-A r/bE7HZ 3504-C(9/88)	Ross-HFB-52	P/S	29	35.1	1
E4HT 3N503-BA	★E4HZ 3504-B r/bE1HZ 3504-K	Ross-HFB-54	P/S	30	35.1	6
E4HT 3N503-CA	E4HZ 3504-C	Ross-HF-54	P/S	31	35.1	6
E5HT 3N503-AA	E6HZ 3504-B r/bE6HZ 3504-C(2/89)	Bendix	P/S	32		
E7HT 3N503-AA	E7HZ 3504-A	Ross-HFB-52	P/S	36	35.1	1
E7HT 3N503-BA	E7HZ 3504-B	Ross-HFB-64	P/S	37	35.1	2
E7HT 3N503-CA	E7HZ 3504-C	Ross-HFB-52	P/S	41	35.1	1
E7HT 3N503-DA	E7HZ 3504-D	Ross HFB-52	P/S	42	35.1	1
E7HT 3N503-EA	E7HZ 3504-E	Ross-HFB-64	P/S	40	35.1	2
E7HT 3N503-FA	★E7HZ 3504-F r/bFOHZ 3504-C(8/90)	Ross-HFB-64	P/S	43	35.1	2
E7HT 3N503-GA	E7HZ 3504-G	Ross-HFB-64	P/S	45	35.1	2
E8HT 3N503-AD	★E8HZ 3504-C r/bF2HZ-A (2/92)	Bendix-C300 N	P/S	33		
E9HT 3N503-DC	E9HZ 3504-C	Ross-TAS-65	P/S	44	35.1	
E9HT 3N503-DD	E9HZ 3504-C	Ross-TAS-65	P/S	44	35.1	
E9HT 3N503-EB	★E9HZ 3504-D r/bFOHZ 3504-D(5/90)	Bendix C500-N	P/S	46	35.1	

STEERING GEAR T.S.L. CROSS REFERENCE GUIDE

STEERING GEAR T.S.L. OR IDENTIFICATION NUMBER	SERVICE PART NUMBER	MAKE AND MODEL	TYPE	Δ PARTS LIST NUMBER	ILLUSTRATION		
					SECTION	PAGE	
3504 GEAR ASSY. (STEERING) — Cont'd							
Notes: Δ Parts lists follow application chart.							
87HU 3N503-CA	E8HZ 3504-F	Bendix-C500	P/S	32	35.1		
D0HA 3504-G	D0HZ 3504-D	Ross-408	M/S	6	35.1	4	
D0HA 3504-N	D0HZ 3504-B	Ross-408	M/S	4	35.1	4	
D0HA 3504-R	D0HZ 3504-A	Ross-378	M/S	3	35.1	3	
D2HA 3504-BA	C8HZ 3504-B	Ross-408	M/S	2	35.1	4	
D2HA 3504-EA	D1HZ 3504-A	Ross-504	M/S	9	35.1	3	
D3HA 3504-BA	D0HZ 3504-C	Ross-504	M/S	5	35.1	3	
D5HA 3504-EA	D5HZ 3504-A	Ross-378	M/S	7	35.1	3	
D7HT 3504-AD	D8HZ 3504-A	Ross-504	M/S	12	35.1	3	
E0HT 3504-CC	E0HZ 3504-B	Ross-378	M/S	14	35.1	3	
E1HT 3504-AA	★E1HZ 3504-C r/b E8HZ 3504-D(9/89)	Ross-504	M/S	16	35.1	4	
E1HT 3504-BA	E1HZ 3504-D	Ross-408	M/S	17	35.1	4	
E1HT 3504-DA	E1HZ 3504-E	Ross-378	M/S	18	35.1	3	
E1HT 3504-EA	E1HZ 3504-F	Ross-408	M/S	19	35.1	4	
E1HT 3504-GA	E1HZ 3504-G	Ross-408	M/S	20	35.1	4	
E7HS 3504-AA	E3HZ 3R504-A		M/S	35	35.1	7	
E7HT 3504-BA	E8HZ 3504-E	Ross-504	M/S	38	35.1	3	
E7HT 3504-CA	E8HZ 3504-D	Ross-504	M/S	39	35.1	4	
E8HT 3504-AA	E8HZ 3504-B	Ross-504	M/S	34	35.1	3	
E8HT 3504-AB	E8HZ 3504-B	Ross-504	M/S	34	35.1	3	

STEERING GEAR MODEL APPLICATION CHART

YEAR	MODEL	FRONT AXLE CAPACITY	IDENTIFICATION	Δ PARTS LIST NO.	ILL. SEC. Front PAGE	PART NUMBER	QTY.
3504 GEAR ASSY. (STEERING)							
Notes: ●3N503, ■3504, ΔParts lists follow this chart.							
80/87	B600/700	-- M/S All	■ E0HT-CC	14	3	E0HZ 3504-B	1
88	B600/800	-- M/S 6M,7M	■ E8HT-AA	34	3	E8HZ 3504-B	1
88/	B600/800	-- M/S 6M,7M	■ E8HT-AB	34	3	E8HZ 3504-B	1
80/81	B600/700	"Before 1/81" -- P/S All	● E0HT-FB	13	1	★ E0HZ 3504-A r/b E1HZ 3504-M	1
81	B600/700	"From 1/81" to 6/81" -- P/S All	● E1HT-HA	13	1	★ E0HZ 3504-A r/b E1HZ 3504-M	1
81/87	B600/700	"From 6/81" -- P/S All -- exc. 9.5M,12M	● E1TD-BA	25	1	★ E1HZ 3504-M r/b E7HZ 3504-A(7/89)	1
87	B600/700	"From 5/87" -- P/S All -- exc. 9.5M,12M	● E7HT-AA	36	1	E7HZ 3504-A	1
83/87	B600/800	"Before 5/87" -- P/S 9.5M,12M	● E3HT-AA,AB	28	2	E3HZ 3504-A r/b E7HZ 3504-B(8/88)	1
87	B600/800	"From 5/87" -- P/S 9.5M,12M	● E7HT-BA	37	2	E7HZ 3504-B	1
88	B600/800	-- P/S 6M,7M,8M,9M	● E8HT-AD	33		★ E8HZ 3504-C r/b F2HZ-A (2/92)	1
80/82	C-CT600/900	-- M/S 7M	■ D2HA-BA	2	4	C8HZ 3504-B	1
	w/21.65 section mod	9M					
	"Before ser. JD5,001"		■ D2HA-BA	2	4	C8HZ 3504-B	1
	"From Ser. JD5,001"		■ D2HA-EA	9	4	D1HZ 3504-A	1
	w/o 21.75 section mod		■ D2HA-BA	2	4	C8HZ 3504-B	1
		12M,16M,18M	■ D2HA-EA	9	4	D1HZ 3504-A	1
		-- P/S 7M,9M	● D7HT-FA	10	1	D6HZ 3504-C	1
		12M,16M,18M	● D7HT-GA	10	1	D6HZ 3504-A	1
81/86	C-CT600/900	-- M/S 7M,9M	■ E1HT-BA	17	4	E1HZ 3504-D	1
		12M,16M,18M				Not available	
81/87	C-CT600/900	"Before 5/87" -- P/S 7M,9M	● E4HT-AA	29	1	E4HZ 3504-A r/b E7HZ 3504-C(9/88)	1

1980/  
TRUCK SERIES 600/900

STEERING GEAR MODEL APPLICATION CHART

YEAR	MODEL	FRONT AXLE CAPACITY	IDENTIFICATION	△ PARTS LIST NO.	ILL. SEC. Front PAGE	PART NUMBER	QTY.	
3504 GEAR ASSY. (STEERING) — Cont'd								
Notes: ●3N503, ■3504, △ Parts lists follow application chart.								
83/86	C800 w/ diesel engine. for Roadway retrofit	M/S	■ E7HS-AA	35	7	E3HZ 3R504-A	1	
87/	C-CT600/900 "From 5/87"	- P/S 7M,9M	● E7HT-CA	41	1	E7HZ 3504-C	1	
81/87	C CT600/900 "Before 5/87"	- P/S 12M,16M,18M	● E1HT-CA,CB	21	1	E1HZ 3504-H r/b E7HZ 3504-D(8/88)	1	
87/	C-CT600/900 "From 5/87"	- P/S 12M,16M,18M	● E7HT-DA	42	1	E7HZ 3504-D	1	
86/88	CF600/700/800 "Before 11/87"	- P/S 9M,12M	● E5HT-AA	32	1	★ E6HZ 3504-B r/b E6HZ 3504-C(2/89)	1	
88	CF600/700/800 "From 11/87"	- P/S 9M,12M	● 87HU-CA	32		E8HZ 3504-F	1	
86/	CF600/700/800 - - P/S	9M,12M		32	1	E6HZ 3504-C	1	
80/87	CL CLT900 "Before 5/87"	- M/S All	■ D7HT-AD	12	3	D8HZ 3504-A	1	
		- P/S All	● D7HT-AB	11	2	D8HZ 3504-B	1	
		- P/S All	● E1HT-GA	11	2	D8HZ 3504-B	1	
87/88	CL-CLT900 "From 5/87"	- P/S All	● E7HT-GA	45	2	E7HZ 3504-G	1	
88	CL CLT900 "Before 2/89"	- M/S All	■ E8HT-BA	38	3	E8HZ 3504-E	1	
89	CL CLT "From 2/89"	- P/S All	● E9HT-DC,DD	44		E9HZ 3540-C	1	
80/87	F-FT600/900 - - M/S	All	■ E0HT-CC	14	3	E0HZ 3504-B	1	
80/81	F600/800 "Before 1/81"	- P/S All	● E0HT-FB	13	1	★ E0HZ 3504-A r/b E1HZ 3504-M	1	
81	F600/800 "From 1/81 to 6/81"	- P/S All	● E1HT-HA	13	1	★ E0HZ 3504-A r/b E1HZ 3504-M	1	
81/87	F600/800 "From 6/81"	- P/S All exc. 9.5M,12M	● E1TD-BA	25	1	★ E1HZ 3504-M r/b E7HZ 3504-A(7/89)	1	
87	F600/800 "From 5/87"	- P/S All exc. 9.5M,12M	● E7HT-AA	36	1	E7HZ 3504-A	1	
83/87	F-FT600/900 "Before 5/87"	- P/S 9.5M,12M	● E3HT-AA,AB	28	2	E3HZ 3540-A r/b E7HZ 3504-B(8/88)	1	
87	F-FT600/900 "From 5/87"	- P/S 9.5M,12M	● E7HT-BA	37	2	E7HZ 3504-B	1	
88	F-FT600/900	M/S 6M,7M	■ E8HT-AA	34	3	E8HZ 3504-B	1	
88/	F-FT600/900	M/S 6M,7M	■ E8HT-AB	34	3	E8HZ 3504-B	1	
88	F-FT600/900	P/S 6M,7M,9M	● E8HT-AD	33		★ E8HZ 3504-C r/b F2HZ-A (2/92)	1	
89	F-FT600/900 - - P/S	10M,12M	● E9HT-EB	46		★ E9HZ 3504-D r/b F0HZ 3504-D(5/90)	1	
80	L-LT-LTS800/900	- M/S 7M	■ D0HA-R	3	3	D0HZ 3504-A	1	
		9M	■ D0HA-N	4	4	D0HA 3504-B	1	
		12M	■ D3HA-BA	5	4	D3HA 3504-C	1	
		16M,18M,20M				Not available		
		- P/S 7M,9M,12M						
		"Before Ser. JJ5-001"		● E0HT-LA	8	5	D1HZ 3504-F	1
		"From Ser. JJ5-001"		● E0HT-LB	8	5	D1HZ 3504-F	1
		16M,18M,20M						
"Before Ser. JJ5-001"		● E0HT-MA	8	5	D1HZ 3504-E	1		
"From Ser. JJ5-001"		● E0HT-MB	8	5	D1HZ 3504-E	1		
81/87	L-LT-LTS800/900	- M/S 7M				Not available		
		9M-single rear axle	■ E1HT-GA	20	4	E1HZ 3504-G	1	
		9M-tandem rear axle	■ E1HT-AA	16	4	★ E1HZ 3504-C r/b E8HZ 3504-D(9/89)	1	
		12M	■ E1HT-AA	16	4	E1HZ 3504-C r/b E8HZ 3504-D(9/89)	1	
		16M,18M,20M				Not available		
81	L-LT-LTS800/900	- P/S 7M,9M,12M	● E1HT-AA	15	5	E1HZ 3504-A	1	
		16M,18M,20M	● E1HT-BA	15	5	E1HZ 3504-B	1	
82/87	L-LT-LTS800/900 "Before 5/87"	- P/S 7M,9M,12M	● E2HT-AA,AB ● E3HT-BA	26	5	E2HZ 3504-A	1	

STEERING GEAR MODEL APPLICATION CHART

YEAR	MODEL	FRONT AXLE CAPACITY	IDENTIFICATION	Δ PARTS LIST NO.	ILL. SEC. PAGE	PART NUMBER	QTY.	
3504 GEAR ASSY. (STEERING) — Cont'd								
Notes: ●3N503, ■3504, Δ Parts lists follow application chart.								
87	L-LT-LTS800/900 "From 5/87" -- P/S	7M,9M,12M	● E7HT-EA	40	5	E7HZ 3504-E	1	
82/87	L-LT-LTS800/900 "Before 5/87" -- P/S	16M,18M,20M	● E2HT-BA,BB ● E3HT-CA	27	5	E2HZ 3504-B	1	
87	L-LT-LTS800/900 "From 5/87" -- P/S	16M,18M,20M	● E7HT-FA	43	5	★ E7HZ 3504-F r/b F0HZ 3504-C(8/90)	1	
80	LN600/700 -- M/S	5.5M,7M	■ D5HA-EA	7	3	D5HZ 3504-A	1	
		9M	■ D0HA-G	6	4	D0HZ 3504-D	1	
		-- P/S 5M,7M	● E0HA-JA	1	6	D0HZ 3504-J	1	
		9M	● E0HA-KA	1	6	D0HZ 3504-K	1	
81/	LN600/700 -- M/S	5.5M,7M	● E1HT-DA	18	3	E1HZ 3504-E	1	
81/86	LN600/700 -- M/S	9M	■ E1HT-EA	19	4	E1HZ 3504-F	1	
81/83	LN600/700 -- P/S	5.5M,7M	● E1HT-EA	23	6	E1HZ 3504-K	1	
84/86	LN600/800 -- P/S	6M,7M	● E4HT-BA	30	6	★ E4HZ 3504-B	1	
						r/b E1HZ 3504-K		
81/83	LN600/700	9M	● E1HT-FA	24	6	★ E1HZ 3504-L	1	
						r/b E4HZ 3504-C		
84/86	LN600/800 -- P/S	9M	● E4HT-CA	31	6	E4HZ 3504-C	1	
80	LN-LNT800/900 -- M/S	7M	■ D0HA-R	3	3	D0HZ 3504-A	1	
		9M	■ D0HA-N	4	4	D0HZ 3504-B	1	
		12M	■ D3HA-BA	5	4	D0HZ 3504-C	1	
		16M,18M,20M				Not available		
		-- P/S 7M,9M,12M						
		"Before Ser. JJ5,001"		● E0HT-LA	8	5	D1HZ 3504-F	1
		"From Ser. JJ5,001"		● E0HT-LB	8	5	D1HZ 3504-F	1
81/87	LN-LNT800/900 -- M/S	7M				Not available		
		9M-single rear axle	■ E1HT-GA	20	4	E1HZ 3504-G	1	
		9M-tandem rear axle	■ E1HT-AA	16	4	E1HZ 3504-C r/b E8HZ 3504-D(9/89)	1	
		12M	■ E1HT-AA	16	4	E1HZ 3504-C r/b E8HZ 3504-D(9/89)	1	
		16M,18M,20M				Not available		
81	LN-LNT800/900 -- P/S	7M,9M,12M	● E1HT-AA	15	5	E1HZ 3504-A	1	
		16M,18M,20M	● E1HT-BA	15	5	E1HZ 3504-B	1	
82/87	LN-LNT800/900 "Before 5/87" -- P/S	7M,9M,12M	● E2HT-AA ● E3HT-BA	26	5	E2HZ 3504-A	1	
87	LN-LNT800/900 "From 5/87" -- P/S	7M,9M,12M	● E7HT-EA	40	5	E7HZ 3504-E	1	
82/	LN-LNT800/900	16M,18M,20M	● E2HT-BA	27	5	E2HZ 3504-B	1	
82/87	LTL900 -- M/S		■ E1HT-AA	16	4	E1HZ 3504-C	1	
						r/b E8HZ 3504-D(9/89)		
82	LTL900 "Before 8/81" -- P/S	12M	● E1HT-AA	15	5	E1HZ 3504-A	1	
		16M	● E1HT-BA	15	5	E1HZ 3504-B	1	
82/87	LTL900 "From 8/81" -- P/S	12M	● E2HT-AA ● E3HT-BA	26	5	E2HZ 3504-A	1	
87	LTL900 "From 5/87" -- P/S	12M	● E7HT-EA	40	5	E7HZ 3504-E	1	
82/87	LTL900 "From 8/81" -- P/S	16M	● E2HT-BA	27	5	E2HZ 3504-B	1	
			● E3HT-CA					
87	LTL900 "From 5/87" -- P/S	16M	● E7HT-FA	43	5	★ E7HZ 3504-F r/b F0HZ 3504-C(8/90)	1	



1980/  
TRUCK SERIES 600/900

QTY.	PART NUMBER	DESCRIPTION	QTY.	PART NUMBER	DESCRIPTION
<b>PARTS LIST NO. 1 - DOHZ 3504-J,K</b> ■ Also serviced in kit-group 3E501 ● Also serviced in kit-group 3E502 ▲ For components, refer to group in Section 35			<b>PARTS LIST NO. 1 - DOHZ 3504-J,K - Cont'd</b> ■ Also serviced in kit-group 3E501 ● Also serviced in kit-group 3E502 ▲ For components, refer to group in Section 35		
1	C7TZ 3321-A	Washer (valve assy. thrust bearing outer)-1" I.D. x 1 9/16" O.D. x 1/8" thick	1	C7TZ 3610-A	Retainer (adjusting screw)-13/16" threads
2	C7TZ 3321-F	Washer (valve assy. thrust bearing inner)-1" I.D. x 15/16" O.D. x 1/8" thick	4	C7TZ 3E610-A	Screw (control valve adapter)-7/16" -14 x 1 1/4"
1	C7TZ 3321-E	Washer (valve assy. adjusting nut)-1" I.D. x 1 29/32" O.D. x 1/16" thick	1	●C7TZ 3E611-A	Washer (worm gear seal retainer)-21/32" I.D. x 3/32" O.D. x3/32"
1	C7TZ 3321-C	Washer (valve assy. thrust bearing retaining)-1" I.D. x 1 3/8" O.D. x 1/16" thick	1	C7TZ 3E612-A	Bearing (worm gear)-needle
1	▲C7TZ 3E501-A	Seal kit (sector shaft)	1	★C7TZ 3E613-A	Plug (housing cover)-rubber
1	▲C7TZ 3E502-A	Seal kit (input shaft)	r/b E3HZ 3E613-A(10/84)		
1	●C7TZ 3C515-A	Seal (adapter)-7/8" I.D. x 1 1/8" O.D. x 1/8" thick	1	C7TZ 3B614-A	Bearing (sector shaft)-at cover
1	●C7TZ 3C515-B	Seal (valve cover)-27/32" lip I.D. x 1 1/8" O.D. x 1/4" thick	1	C7TZ 3B614-B	Bearing (sector shaft)-at dust seal
3	●C7TZ 3C515-C	"O" ring (valve)-3/8" I.D. x 1/2" O.D. x 1/16" thick	1	●C7TZ 3E614-A	Seal (control valve adapter)
1	●C7TZ 3D519-C	Seal (valve cover)-cup shaped-3/4" hole	2	C7TZ 3E615-A	Washer (ball return guide clip)
1	●C7TZ 3D519-B	Seal (worm gear)-5/8" I.D. x 7/8" O.D. x 3/16" thick	2	C7TZ 3E616-A	Screw (housing cover)-7/16"-14 x 1" socket head
1	D9HZ 3D517-B	Shaft and control assy. (input)-use w/#EOHT 3N503-JA gear assy.	4	C7TZ 3E617-A	Screw (sector shaft seal)-5/16" -18 x 3/4"
1	★D9HZ 3D517-C	Shaft and control assy. (input)-use Use 3524 & 3K748 w/#EOHT 3N503-JA gear assy.	2	D7HZ 3E617-A	Screw (sector shaft seal)
2	C7TZ 3523-A	Guide (gear ball return)	2	C7TZ 3E622-A	Valve (piston poppet)
1	D7HZ 3524-A	Shaft and worm assy. (steering gear)	1	D0HZ 3E623-A	Seat (piston poppet valve)-3/8" thick x 7/16"-20
1	C7TZ 3B541-A	Ring (cyl. piston)-3 3/8" O.D. x 1/8" thick	1	C7TZ 3E624-A	Spring (poppet valve)
1	C7TZ 3544-A	Clamp (gear ball return guide)-1 15/16"-2 holes	1	C7TZ 3E625-A	Spacer (poppet valve)-3/16" diameter x 4 7/32" long-nylon
1	D0HZ 3548-F	Housing assy. (gear)	3	C7TZ 3E626-A	Washer (housing side cover)
1	■C7TZ 3549-A	Snap ring (sector shaft bearing)-at cover	1	C7TZ 3647-A	Ball (worm gear)-light
1	■C7TZ 3549-B	Snap ring (sector shaft bearing)-at oil seal	1	C7TZ 3647-B	Ball (worm gear)-dark
1	D5TZ 3549-A	Snap ring (sector shaft oil seal)	1	E1HZ 3647-A	Ball service assy. (worm gear)
1	D7HZ 3549-A	Snap ring (Strg. gear housing brg. retainer)-Use w/gear ident. EOHT 3N503-KA	2	C7TZ 3B673-B	Bearing (control valve needle)
1	●C7TZ 3C559-A	Washer (adapter)-7/8" I.D. x 1 1/8" O.D. x 1/16" thick-teflon	1	C7TZ 3707-A	Nut (thrust bearing)
1	★●C7TZ 3C559-B	Washer (valve cover backup seal)-r/b E2HZ 3C559-A 7/8" I.D. x 1 1/8" O.D. x 1/8" thick	1	C7TZ 3A729-A	Cover (control valve)
1	■C7TZ 3E560-A	Washer (sector cover backup seal)-steel	1	D0HZ 3A730-C	Valve assy. (control)-#007 w/D0HZ 3504-J
2	D8HZ 3E560-D	Washer (Sector gear) (1 5/8" I.D. x 2" O.D. x 1/16" thk.)	1	D0HZ 3A730-D	Valve assy. (control)-#008 use w/D0HZ 3504-K
1	D8HZ 3E561-A	Nut (sector shaft)-1/2"-20	2	■C7TZ 3738-A	Seal (sector shaft oil)
1	C7TZ 3575-B	Shaft (sector)	1	C7TZ 3738-B	Seal and trunnion assy. (sector shaft)-3 5/8" O.D. - -with (4) 1/2" counter bored holes
1	C7TZ 3577-A	Screw (sector shaft adjusting)-1/2" -20 x 1 13/16"	1	C7TZ 3738-C	Seal (sector shaft dust)-1 1/2" I.D.-center hole
1	C8TZ 3577-A	Screw (shaft and control assy. adjusting)	1	E3HZ 3K748-B	Rack assy.
1	D5TZ 3583-A	Cover (sector shaft)	2	●C7TZ 3754-B	"O" ring (valve cover)
1	■C7TZ 3586-A	Seal (sector shaft dust)	1	●C7TZ 3D771-A	Ring (worm gear)
1	★C7TZ 3E608-B	Adapter assy. (control valve)-use w/D0HZ 3504-J	1	■C7TZ 3D774-A	Seal (housing cover)
1	★C8TZ 3E608-A	Adapter assy. (control valve)-use w/D0HZ 3504-K	1	34690-S8(M-34)	Nut (steel)-hex.-7/15"-20
			1	★87002-S	"O" ring seal (housing)-1 7/8" I.D.
			1	★97426-S	Ring (retainer)-1 3/16"-1 5/16" O.D.
			2	★304686-S	Screw (cover)-hex.-7/16"-14 x 1 1/8"
			4	354580-S(BB-167)	Screw (valve cover)-hex. head-3/8"-16 x 3 1/4"
			1	●★358778-S2	Ring-retaining
			1	●★358780-S	Washer
			1	●★358789-S	Washer
			4	370444-S(XX-135)	Washer (valve cover)-flat-3/8"
			2	377819-S8	Screw-clamp-1/4"-20 x 5/16"

1980/  
TRUCK SERIES 600/900

STEERING GEAR

QTY.	PART NUMBER	DESCRIPTION	QTY.	PART NUMBER	DESCRIPTION
<b>PARTS LIST NO. 2 - C8HZ 3504-B</b>			<b>PARTS LIST NO. 3 - D0HZ 3504-A — Cont'd</b>		
1	C6TZ 3524-E	Shaft and worm assy. (gear)	4	★350999-S	Bolt (worm cover)-hex. head- 5/16"-18 x 3/4"
1	C6TZ 3538-A	Plug (housing filler)			
1	D2HZ 3548-F	Housing assy. (gear)	4	★357357-S	Bolt (sector cover)-hex. head- 3/8"-16 x 13/16"
1	B3W 3549-A	Snap ring (sector shaft)	<b>PARTS LIST NO. 4 - D0HZ 3504-B</b>		
1	70 3552	Cup (upper bearing)-2 9/16" O.D.- #36X	1	D0HZ 3524-E	Shaft and worm assy. (gear)- 7 13/16" long
1	7EQ 3553	Cup (lower bearing)-2 3/4" O.D.- #38A	1	★D0HZ 3K537-A	Reducer (housing oil filter plug)- also incl. w/3548
2	70 3571	Bearing (worm gear)-#35BC	1	D2HZ 3548-A	Housing assy.-#408CC014
1	C8HZ 3575-B	Shaft (sector)-#003-6 1/8" long	1	B3W 3549-A	Snap ring (sector)
1	B7J 3577-B	Screw (sector shaft)-1/2"-20 x 1 17/64"	1	70 3552	Cup (upper bearing)-2 9/16" O.D.- also in 3548 housing-#36X
1	C7TZ 3579-A	Washer (sector shaft thrust)-9/16" I.D. x 7/64" thick	1	7EQ 3553	Cup (lower bearing)-2 3/4" O.D.- #38A
1	C6TZ 3581-B	Gasket (sector shaft cover)	2	70 3571	Bearing (worm)-ball type-#35BC
1	C6TZ 3583-A	Cover (sector shaft)	1	D0HZ 3575-E	Shaft (sector)
1	D2HZ 3591-B	Seal (shaft and worm oil)-15/16" I.D. x 1 1/2" O.D. x 1/2" thick	1	B7J 3577-B	Screw (sector shaft)-1/2"-20 x 1 17/64"
1	D2HZ 3591-C	Seal (sector shaft oil)-1 1/2" I.D. x 2" O.D. x 3/8" thick	1	C7TZ 3579-A	Washer (sector shaft thrust)-9/16" I.D. x 7/64" thick
AR	A7TZ 3593-A	Gasket (worm cover)-.002" thick	1	D0HZ 3581-A	Gasket (sector shaft cover)
AR	A7TZ 3593-B	Gasket (worm cover)-.005" thick	1	C6TZ 3583-A	Cover (sector shaft)-incl. C6TZ 3B614-A
1	D2HZ 3593-A	Gasket (worm cover)-.003" thick	1	D2HZ 3591-C	Seal (sector shaft oil)-1 1/2" I.D. x 2" O.D. x 3/8" thick
1	B7T 3597-A	Cover (shaft and worm)	1	D2HZ 3591-B	Seal (shaft and worm oil)-15/16" I.D. x 1 1/2" O.D. x 17/32" thick
1	C1TT 3B614-C	Bearing (housing)-1 1/2" I.D. x 1 1/4" thick	1	D2HZ 3591-B	Seal (shaft and worm oil)-15/16" I.D. x 1 1/2" O.D. x 17/32" thick
1	C6TZ 3B614-A	Bearing (sector cover)	AR	A7TZ 3593-A	Gasket (worm cover)-.002" thick
6	★20350-S	Bolt (sector cover)-hex. head-7/16" - 14 x 3/4"	AR	A7TZ 3593-B	Gasket (worm cover)-.005" thick
1	33943-S8(M-36)	Nut (for 3577)-hex.-1/2"-20	1	B7T 3597-A	Cover (shaft and worm)
4	★357357-S	Bolt (worm cover)-hex.-3/8"-16 x 13/16"	1	C1TT 3B614-D	Bearing (housing)-1 1/2" I.D. x 7/8" thick-also incl. w/3548
<b>PARTS LIST NO. 3 - D0HZ 3504-A</b>			1	C6TZ 3B614-A	Bearing (sector cover)-also incl. w/C3TZ 3583-A
1	D0HZ 3524-D	Shaft and worm assy. (gear)-7/8" O.D. x 11 7/8" long	1	D0HZ 3738-E	Seal (shaft and worm)-#red plastic- 1" I.D. x 2 3/8" O.D. x 9/16" thick
1	★D0HZ 3K537-A	Reducer (housing oil filler plug)	1	D1TZ 7034-A	Vent Assy. (Housing)
1	D2HZ 3548-B	Housing assy.-#378CC004	6	★20350-S	Bolt (sector cover)-hex. head- 7/16"-14 x 3/4"
1	C6TZ 3549-A	Snap ring (sector)	1	33943-S(M-36)	Nut (for 3577)-hex.-1/2"-20
1	C4TZ 3552-A	Cup (upper bearing)-2 1/8" O.D.	1	★357357-S	Bolt (worm cover)-hex. head- 3/8"-16 x 13/16"
1	C4TZ 3553-A	Cup (lower bearing)-2 5/16" O.D.	<b>PARTS LIST NO. 5 - D0HZ 3504-C</b>		
1	C1TT 3568-B	Cover (shaft and worm)-2" hole centers	▲ Incl. (3577) screw, (3579) washer and (3610) retainer		
2	C4TZ 3571-A	Bearing (worm)-ball type	1	★D0HZ 3C515-B	"O" ring (worm cover)-also part of D0HZ 3568-A-r/b D0HZ 3C515-E( )
1	D0HZ 3575-D	Shaft (sector)-#F0-6 13/16" long	1	D0HZ 3524-F	Shaft and worm assy.-#G006- 12 1/2" long
1	B7J 3577-B	Screw (sector shaft)-1/2"-20 x 1 17/64"	1	★D0HZ 3K537-A	Reducer (housing oil filler plug)
1	C7TZ 3579-A	Washer (sector shaft thrust)-9/16" I.D. x 7/64" thick	1	C6TZ 3538-B	Plug (housing)-expansion-1 5/8" dia.
1	D0HZ 3581-B	Gasket (sector shaft cover)	1	D3HZ 3538-A	Plug (housing filler)-3/8" sq. head
1	D0HZ 3583-B	Cover (sector shaft)	1	C4TZ 3539-A	Nut (sector shaft adjusting)-5/8"-18
1	D2HZ 3591-D	Oil seal (sector shaft)-1 3/8" I.D.	1	D3HZ 3548-A	Housing assy. (gear)-#504CC001
1	C7TZ 3591-A	Oil seal (shaft and worm)	2	C1TT 3552-B	Cup (bearing)-3 1/8" O.D. x 1/2" thick -#46
AR	C5TZ 3593-E	Gasket (worm cover)-.002" thick	1	D0HZ 3568-A	Cover (shaft and worm)-incl. D0HZ 3C515-B,C1TT 3552-B and D2HZ 3591-B
AR	C5TZ 3593-B	Gasket (worm cover)-.005" thick			
AR	C5TZ 3593-C	Gasket (worm cover)-.010" thick	2	C1TT 3571-A	Bearing (worm)-roller type-#45BC
2	D0HZ 3593-A	Gasket (worm cover)			
1	D0HZ 3738-D	Seal (shaft and worm) 7/8" I.D. x 2" O.D. x 5/8" thick			
	D1TZ 7034-A	Plug (housing)			
1	33943-S(M-36)	Nut (for 3577)-hex.-1/2"-20			

1980/  
TRUCK SERIES 600/900

QTY.	PART NUMBER	DESCRIPTION	QTY.	PART NUMBER	DESCRIPTION
<b>PARTS LIST NO. 5 - DOHZ 3504-C — Cont'd</b>			<b>PARTS LIST NO. 7 D5HZ 3504-A — Cont'd</b>		
	▲ Incl. (3577) screw, (3579) washer and (3610) retainer		1	D5TZ 3548-A	Housing assy. (gear)
1	DOHZ 3575-F	Shaft (sector)-#D-1	1	B3W 3549-A	Snap ring (sector)
1	C7TZ 3581-A	Gasket (sector shaft cover)	1	C4TZ 3552-A	Cup (upper bearing)-2 1/8" O.D.
1	DOHZ 3583-C	Cover (sector shaft)-incl. C1TT 3B614-A	1	C4TZ 3553-A	Cup (lower bearing)-2 5/16" O.D.
1	C1TT 3591-C	Seal (sector shaft)-1 3/4" I.D. x 2 1/2" O.D. x 3/16" thick	1	C1TT 3568-B	Cover (shaft and worm)
1	D2HZ 3591-B	Seal (shaft and worm oil)- 15/16" I.D. x 1 1/2" O.D. x 17/32" thick	2	C4TZ 3571-A	Bearing (worm gear)
AR	C7TZ 3593-A	Gasket (worm cover)-.002" thick	1	D5TZ 3575-A	Shaft (sector)
AR	C7TZ 3593-B	Gasket (worm cover)-.005" thick	1	D2TZ 3576-A	Bushing (sector shaft housing)
2	D3HZ 3B614-A	Bearing (sector shaft)-1 3/4" I.D. x 3/4" thick	1	B7J 3577-B	Screw (sector shaft)-1/2"-20 x 17/64"
1	DOHZ 3738-A	Seal (shaft and worm)-black plastic 1" I.D. x 27/16" O.D. x 5/8" thick	1	C7TZ 3579-A	Washer (sector shaft thrust)-9/16" I.D. x 7/64" thick
1	D1TZ 7034-A	Vent assy. (housing)	1	C1TT 3580-A	Cover (sector shaft)
1	▲C3TZ 3C764-A	Screw kit (sector shaft)	1	C1TT 3581-B	Gasket (sector shaft cover)
10	★374431-S8	Bolt (worm and sector cover)- 7/16"-14 x 1"	1	D2HZ 3591-D	Seal (sector shaft oil)-1 3/8" I.D.
2	★374432-S7-8(NN-60-C)	Dowel (housing)-5/8"-1 1/8"	1	D2HZ 3591-A	Seal (shaft and worm oil)-13/16" I.D. x 1 5/16" O.D. x 3/16" thick
<b>PARTS LIST NO. 6 - DOHZ 3504-D</b>			AR	C5TZ 3593-E	Gasket (worm cover)-.002" thick
1	DOHZ 3524-B	Shaft and worm assy. (gear)- 10 1/16" long	AR	C5TZ 3593-B	Gasket (worm cover) .005" thick
1	C6TZ 3538-A	Plug (housing vent)	AR	C5TZ 3593-C	Gasket (worm cover).010" thick
1	C8TZ 3548-A	Housing assy. (gear)	AR	D2TZ 3593-B	Shim (worm cover).003" thick
1	B3W 3549-A	Snap ring (sector)	1	33943-S(M-36)	Nut (for 3577)-hex.-1/2"-20
1	70 3552	Cup (upper bearing)-2 9/16" O.D. - #36X	4	★350999-S	Bolt (worm cover)-hex. head-5/16" - 18 x 3/4"
1	7EQ 3553	Cup (lower bearing)-2 3/4" O.D. - #38A	4	★357357-S	Bolt (sector cover)-hex. head-3/8"- 16 x 13/16"
2	70 3571	Bearing (worm)-ball type-#35BC	<b>PARTS LIST NO. 8 - D1HZ 3504-E and F</b>		
1	DOHZ 3575-A	Shaft (sector)-#009	● Also serviced in kit-group 3E501. @ Serviced only in kit-group 3E502 % Serviced only in kit group 3E501, ■ Also serviced in kit group 3E502 ▲ For components, refer to group in Section 35 † Also serviced in assy.-group 3D517		
1	B7J 3577-B	Screw (sector shaft)-1/2"-20 x 1 17/64"	1	★C7TZ 3321-B	Washer (valve assy. adjusting nut)- 1" I.D. x 1 29/32" O.D. x 1/16" thick
1	C7TZ 3579-A	Washer (sector shaft thrust)-9/16" I.D. x 7/64" thick	1	■C7TZ 3321-E	Washer (valve assy. thrust bearing retaining)-1" I.D. x 1 3/8" O.D. x 1/16" thick
1	C6TZ 3581-B	Gasket (sector shaft cover)	2	†C7TZ 3321-F	Washer (valve assy. thrust bearing inner)- 1" I.D. x 1 15/16" O.D. x 1/8" thick
1	C6TZ 3583-A	Cover (sector shaft)-incl. C6TZ 3B614-A	2	DOHZ 3321-A	Washer (valve assy. thrust bearing outer)- 1 1/32" I.D. x 1 31/32" O.D. x 3/16" thick
1	D2HZ 3591-C	Seal (sector shaft oil)-1 1/2" I.D. x 2" O.D. x 3/8" thick	1	▲DOHZ 3E501-A	Seal kit (sector shaft)
1	D2HZ 3591-B	Seal (shaft and worm oil)-15/16" I.D. x 1 1/2" O.D. x 17/32" thick	1	▲★DOHZ 3E502-B	Seal Kit (input shaft) - use w/ #EOHT 3N503-LA & MA gear assy. -r/b ▲ DOHZ 3E502-C
AR	A7TZ 3593-A	Gasket (worm cover)-.002" thick	1	▲DOHZ 3E502-C	Seal Kit (input shaft) - use w/ #EOHT 3N503-LB & MB gear assy.
AR	A7TZ 3593-B	Gasket (worm cover)-.005" thick	1	D6HZ 3524-A	Shaft assy.
1	B7T 3597-A	Cover (shaft and worm)	1	■C7TZ 3C515-B	Seal (input shaft valve cover)-27/32" lip I.D. x 1 1/8" O.D. x 1/4" thick
1	C1TT 3B614-C	Bearing (sector shaft)-1 1/2" I.D.- 1 1/4" thick	3	■C7TZ 3C515-C	"O" ring (control valve)-3/8" I.D.x 1/2" O.D. x 1/16" thick
1	C6TZ 3B614-A	Bearing (sector cover)-also part of C6TZ 3583-A	1	■DOHZ 3C515-A	Seal (adapter)-1 1/16" I.D. x 1 7/16" O.D. x 3/16" thick-use (3E608)
1	C8TZ 3C765-A	Stud (gear mounting)-2" long-1/2"- 13 threads	1	D1HZ 3C515-A	Seal (adapter port)-1/2" I.D. x 9/16" O.D. x 1/8" thick
6	★20350-S	Bolt (sector cover)-7/16"-14 x 3/4"	1	★D1HZ 3D517-A	Shaft and control assy. (input)-use Not replaced w/#EOHT 3N504-MA & MB gear assy.
1	33943-S8(M-36)	Nut (for 3577)-hex.-1/2"-20	1	★D1HZ 3D517-B	Shaft and control assy. (input)-use Not replaced w/#EOHT 3N503-LA & LB gear assy.
4	★357357-S	Bolt (worm cover)-hex. head-3/8"- 16 x 13/16"	<b>PARTS LIST NO. 7 D5HZ 3504-A</b>		
1	D5TZ 3524-B	Shaft and worm assy. (gear)	1	D5TZ 3524-B	Shaft and worm assy. (gear)
1	C6TZ 3538-A	Plug (housing filler)	1	C6TZ 3538-A	Plug (housing filler)

1980/  
TRUCK SERIES 600/900

STEERING GEAR

QTY.	PART NUMBER	DESCRIPTION	QTY.	PART NUMBER	DESCRIPTION
<b>PARTS LIST NO. 8 - DIHZ 3504-E and F -- Cont'd</b> ● Also serviced in kit-group 3E501. @ Serviced only in kit-group 3E502 % Serviced only in kit-group 3E501, ■ Also serviced in kit-group 3E502 ▲ For components, refer to group in Section 35 † Also serviced in assy.-group 3D517			<b>PARTS LIST NO. 8 - DIHZ 3504-E and F -- Cont'd</b> ● Also serviced in kit-group 3E501. @ Serviced only in kit-group 3E502 % Serviced only in kit-group 3E501, ■ Also serviced in kit-group 3E502 ▲ For components, refer to group in Section 35 † Also serviced in assy.-group 3D517		
1	■C7TZ 3D519-C	Seal (valve cover)-cup shaped	1	%DOHZ 3C617-A	Retainer (sector shaft seal)
1	■DOHZ 3D519-A	Seal (worm gear)-7/8" I.D. x 1 1/16" O.D. x 3/16" thick	6	DOHZ 3E617-A	Bolt (sector shaft cover)-9/16" - 18 x 1" hex. head
2	†DOHZ 3523-A	Guide (ball return)	1	†DOHZ 3E622-B	Valve (poppet)
1	★DOHZ 3B541-A	Ring (cylinder piston)-4" O.D.-r/b E2HZ 3B541-A	1	DOHZ 3E623-A	Seat (poppet)-3/8" thick x 7/16"-20
1	★D6HZ 3B541-D	Ring (piston) teflon-4" O.D.	1	■DOHZ 3E632-A	Ring (worm gear retaining)-3/4" free I.D. - 1/16" square
1	r/bE2HZ 3B541-D		2	DOHZ 3B673-A	Bearing (control valve needle)- 1 1/4" I.D. x 1 15/16" O.D. x 5/64" thick
1	D1HZ 3548-B	Housing assy.-incl. (3549),(3B614), 34690-S and 87002-S91	1	E3HZ 3F697-A	Piston assy.
1	DOHZ 3549-A	Snap ring (sector shaft bearing)-	1	C7TZ 3707-A	Nut (control valve bearing adjustment)
1	★■C7TZ 3C559-B	Washer (valve cover backup seal) - 7/8" I.D. x 1 1/8" O.D. x 1/8" thick -use w/#EOHT 3N503-LA & MA gear assy.	1	†DOHZ 3A729-B	Cover assy. (control valve)
1	r/bE2HZ 3C559-A		1	DOHZ 3A730-A	Valve assy. (control)-#009-use w/#EOHT 3N503-LA & LB gear assy.
1	■DOHZ 3C559-A	Washer (valve cover)-1 11/16" I.D. x 1 7/16" O.D. x 1/16" thick	1	DOHZ 3A730-B	Valve assy. (control)-#011-use w/#EOHT 3N503-MA & MB gear assy.
1	■DOHZ 3C559-B	Washer (worm gear)-7/8" I.D. x 1/16" thick	1	★DOHZ 3738-B	Seal and trunnion assy. (sector shaft)
AR	★DOHZ 3C559-C	Washer (adjusting screw backup seal)- serviced in 3A729 cover or 3548 housing assy.	1	r/bEOHZ 3738-A	incl. trunnion, 3738 and 3E560-use w/#EOHT 3N503-LA & MA gear assy.
1	E2HZ 3C559-A	Washer (valve cover backup seal) -use w/#EOHT 3N503-LB & MB	2	E3HZ 3738-C	Seal (sector shaft oil)-(1) req'd. for sector shaft cover 3583 and (1) req'd. for trunnion seal assy. 3738-use w/#EOHT 3N503-LB & MB gear assy.
1	●DOHZ 3E560-A	Washer (sector cover backup seal)-steel-steel-2" I.D. x 2 9/16" O.D. x 18" thick	1	EOHZ 3738-A	Seal and trunnion assy. (sector shaft) incl. trunnion 3738 and 3E560 -use w/#EOHT 3N503-LB & MB gear assy.
2	●D8HZ 3E560-B	Washer (sector cover backup seal)-leather-2" I.D. x 2 17/32" O.D. x 1/16" thick-	2	†C7TZ 3754-B	"O" ring (valve cover)
1	■DOHZ 3E560-B	Washer (worm gear seal backup)- 13/16" O.D. x 1 1/32" I.D. x 1/16" thick bronze	1	■DOHZ 3D770-A	Screw (piston rack locking)-5/8" - 18 x 15/16" hex. socket head
1	@★DOHZ 3E560-D	Washer (worm gear locking screw)	1	DOHZ 3D770-B	Lockwasher (poppet valve seat)
1	D8HZ 3E561-A	Nut (sector shaft)	1	DOHZ 3D771-A	Ring (adapter seal retaining)- 25/32" and 7/8" I.D. x 1" O.D. x 3/32" thick
1	D1HZ 3575-B	Shaft (sector)-incl. C6TZ 3577-A and C7TZ 3610-A	1	DOHZ 3D771-B	Ring (worm shaft retaining)
1	C6TZ 3577-A	Screw (sector shaft adjusting)-1/2"-20 x 2"	1	33923-S7(M-32)	Nut 5/16-24
1	DOHZ 3577-C	Screw (valve control adjusting)- 4 3/16" long	1	34690-S8(M-34)	Nut (for 3577)-7/16"-20 hex. jam
1	D1HZ 3577-A	Screw (shaft and control assy. travel adjusting)-2 13/16" long	4	58675-S100(B-122-BB)	Bolt-1/2"-13 x 1 1/2" hex. head
1	D6HZ 3583-B	Cover assy. (sector shaft)-use w/#EOHT 3N503-LA & MA gear assy.	2	87002-S94(T-1-AC)	"O" ring-in 3548 and 3D517
1	EOHZ 3583-A	Cover assy. (sector shaft)-use w/#EOHT 3N503-LB & MB gear assy.	1	@★97426-S	Ring (retainer)1 3/16"
1	●DOHZ 3586-A	Seal (sector shaft dust)-2 11/16" thick	4	351453-S8(XX-186)	Washer-flat-1/2"
1	D1HZ 3E608-A	Adapter assy. (valve)	4	†354580-S(BB-167)	Boit-3/8"-16 x 3 1/4" hex. head
1	C7TZ 3610-A	Retainer (adjusting screw)-13/16" external threads	4	†370444-S7(XX-135)	Washer-flat-3/8"
2	DOHZ 3E611-A	Spacer (control valve thrust bearing washer)- 1" I.D. x 1 1/4" O.D. x 1/16" thick	<b>PARTS LIST NO. 9 - DIHZ 3504-A</b>		
1	C7TZ 3E612-A	Bearing (valve cover)	1	C4TZ 3524-H	Shaft and worm assy. (gear)
1	E3HZ 3E613-A	Plug (sector cover)	1	C6TZ 3538-C	Plug (housing filler)
1	DOHZ 3B614-A	Bearing (housing)	1	C6TZ 3538-B	Plug (expansion)-1 5/8" diameter
AR	●DOHZ 3E614-A	Seal-4 1/4" I.D.-(1) required for sector shaft cover (3583) and (1) required for valve adapter (3E608)	1	C4TZ 3539-A	Nut (sector shaft adjusting)-5/8"-18
			1	★D2HZ 3548-D	Housing assy. (gear)
			1	C1TT 3552-B	Cup (upper bearing)-3 1/8" O.D. x 1/2" thick
			1	C1TT 3552-C	Cup (lower bearing)-3 7/16" O.D. x 1" thick
			1	C4TZ 3568-A	Cover (shaft and worm)-3" hole centers
			2	C1TT 3571-A	Bearing (worm gear)

1980/  
TRUCK SERIES 600/900

QTY.	PART NUMBER	DESCRIPTION	QTY.	PART NUMBER	DESCRIPTION
PARTS LIST NO. 9 - D1HZ 3504-A - Cont'd			PARTS LIST NO. 10 - D6HZ-3504-A,C - Cont'd		
1	D1HZ 3575-A	Shaft (sector)-#003			<ul style="list-style-type: none"> <li>■ Also serviced in kit - group 3E501</li> <li>● Also serviced in kit - group 3E502</li> <li>▲ For Components, refer to group in Section 35</li> </ul>
1	C7TZ 3581-A	Gasket (sector shaft cover)-6 holes	1	D6HZ 3575-A	Shaft (sector)
1	C4TZ 3583-A	Cover (sector shaft)-incl. (1) C1TT 3B614-B and (2) 374432-S7-8	1	C6TZ 3577-A	Screw (sector shaft adjusting) 1/2"-20 x 2"
1	D2HZ 3591-E	Seal (sector shaft)-1 3/4" I.D. x 2 1/4" O.D. x 7/16" thick	1	D6HZ 3577-A	Screw (bleeder) 10-24 x 1/2"
1	D2HZ 3591-B	Oil seal (shaft and worm)-15/16" I.D. x 1 1/2" O.D. x 1/2" thick	1	D6HZ 3577-B	Screw (adjusting) 3/8"-24 x 1 1/4"
2	C7TZ 3593-A	Gasket (worm cover)-.002" thick	1	E3HZ 3577-A	Screw (worm gear adjusting) Exc. with 1/2"-20 x 1 1/2" gear D7HT-FA,GA
AR	C7TZ 3593-B	Gasket (worm cover)-.005" thick	1	★D7HZ 3577-A	Screw (adjusting) 1/2"-20 x 1 1/2"-r/b E3HZ 3577-A
2	D1HZ 3593-A	Gasket (housing end cover)-.003" thick	1	D6HZ 3581-A	Gasket-(sector shaft cover)
1	D1HZ 3593-B	Gasket (housing end cover)-.007" thick	1	E1HZ 3583-A	Cover (sector shaft)
1	D3HZ 3B614-A	Bearing (sector shaft)-1 3/4" I.D. x 3/4" thick	1	C7TZ 3610-A	Retainer (adjusting screw) 13/16" threads
1	C1TT 3B614-E	Bearing (housing)-1 3/4" I.D. x 1 1/2" thick	1	★C7TZ 3E613-A	Plug (housing cover)
1	C7TZ 3E675-A	Seal (adjusting screw)-5/8" I.D. x 1 1/16" O.D.	r/b	E3HZ 3E613-A	
1	C3TZ 3C764-A	Screw kit-sector shaft	1	D6HZ 3B614-A	Bearing (housing roller) 1 3/4" I.D.x 2 5/16" O.D. x 3/4" thick
10	★374431-S	Bolt (worm and sector cover)- 7/16"-14 x 1"	6	D0HZ 3E617-A	Bolt (sector shaft cover) 9/16"-18 x 1" hex. head
2	★374432-S7-8 (NN-60-C)	Dowel-housing-5/8" x 1 1/8"	1	D6HZ 3E622-A	Kit (poppet valve repair) Contains: 2-D6HZ-3E622-B Poppet 2-D6HZ-3E623-A Seat 1-D6HZ-3E624-A Spring 2-D6HZ-3R664-A Snap ring
PARTS LIST NO. 10 - D6HZ-3504-A,C			PARTS LIST NO. 11 - D8HZ 3504-B		
<ul style="list-style-type: none"> <li>■ Also serviced in kit - group 3E501</li> <li>● Also serviced in kit - group 3E502</li> <li>▲ For Components, refer to group in Section 35</li> </ul>			<ul style="list-style-type: none"> <li>□ Also serviced in kit - group 3E501</li> <li>● Also serviced in kit - group 3E502</li> <li>▲ For components, refer to group in Section 35</li> </ul>		
1	D6HZ 3329-A	"0" ring (breather plug) 3/4" I.D. 3/32" thick	1	D6HZ 3D623-A	Nut (worm adjusting screw) 1/2"-20 x 7/16" hex sealing
1	▲D7HZ 3E501-A	Seal kit (sector shaft)	1	D6HZ 3D623-B	Nut (housing adjusting screw) 3/8"-24 x 5/16" hex sealing
1	★▲D6HZ 3E502-A	Seal kit (input shaft)-r/b E4HZ 3E502-A and D6HZ 3321-A	1	D6HZ 3647-A	Kit ball (worm gear) contains 24 balls
1	D7HZ 3D517-A	Shaft and control assy. (input)	1	D0HZ 3B673-A	Bearing (control valve needle) 1 1/4" I.D. 1 5/16" O.D. x 5/64" thick
1	●D6HZ 3D519-A	Seal (worm gear)	1	D6HZ 3C694-A	Bracket #402904 - (gear to frame mounting)
1	D7HZ 3523-B	Kit (ball return guide) Contains: 2-D7HZ-3523-A Guide 1-D8HZ-3544-A Clip 2-D6HZ-3E615-A LK Wshr 2-G-179810 Bolt	1	D6HZ 3C721-A	Washer (mounting bolt)
1	●D6HZ 3D526-A	Seal (worm gear) 1 5/32" O.D. x 3/16" thick	2	★ 3E714	(Retainer-steering gear mounting bolt)
1	E7HZ 3K527 C	Plug (breather) Use w/gear ident D5HA-DA	1	D6HZ 3A730-A	Valve assy (control)
1	●D6HZ 3B541-A	Ring (piston) 3 1/4" O.D. x 1/16" thick	1	■D6HZ 3738-A	Seal (sector shaft oil)
1	●D6HZ 3B541-B	"0" ring (piston)	1	D7HZ 3738-B	Seal (sector shaft oil)
1	D6HZ 3548-A	Housing assy. (gear) use w/gear Ident. D7HT-FA	1	E3HZ 3738-A	Seal (sector shaft oil)
1	D6HZ 3548 B	Housing assy (gear) use w/gear Ident D7HT-GA Incl: 1-D6HZ 3B614-A Bearing 1-D6HZ 3549-B Snap ring 1-D6HZ 3577-A Screw 2-Ports for hoses to cylinder	1	●D6HZ 3754-A	"0" ring (valve cover)
1	■D6HZ 3549-A	Snap ring (sector shaft) 2 7/32" O.D.	1	★97426-S	Ring (retainer) 3/16"
2	■D6HZ 3549-B	Snap ring (sector shaft and housing bearing) 2 3/8" O.D.	PARTS LIST NO. 11 - D8HZ 3504-B		
2	●D6HZ 3C559-A	Washer (worm gear seal) 2" O.D. 7/16" thick	1	D6HZ 3329-A	"0" ring (breather plug) 3/4" I.D - 3/32" thick
2	●D6HZ 3C559-B	"0" ring (worm gear)	1	▲D8HZ 3E501-A	Seal kit (sector shaft)
1	D8HZ 3E561-A	Nut (sector shaft)-1/2"-20	1	▲D8HZ 3E502-A	Seal kit (input shaft)
			1	★D8HZ 3D517-A	Shaft and control assy. (input)- use E3HZ 3F633-C & E3HZ 3K748-E
			1	●D6HZ 3D519-A	Seal (worm gear)
			1	†D8HZ 3523-A	Guide (ball return)
			1	D6HZ 3D526-A	Seal (worm gear) 1 5/32" O.D. x 3/16" thick
			1	★D8HZ 3K527-A	plug (breather)-r/b E7HZ 3K527-B(8/89)
			1	★●D6HZ 3B541-D	Ring (piston) teflon - 4" O.D.
			r/b	E2HZ 3B541-A	Incl. "0" ring

## STEERING GEAR

## TRUCK SERIES 600/900

QTY.	PART NUMBER	DESCRIPTION	QTY.	PART NUMBER	DESCRIPTION
PARTS LIST NO. 11 - D8HZ 3504-B - Cont'd			PARTS LIST NO. 12 D8HZ 3504-A		
<ul style="list-style-type: none"> <li>! Also serviced in kit - group 3E501</li> <li>● Also serviced in kit - group 3E502</li> <li>▲ For components, refer to group in Section 35</li> </ul>			<ul style="list-style-type: none"> <li>▲ incl. (3577) screw, (3579) washer and (3610) retainer</li> </ul>		
1	D8HZ 3B541-A	Ring (piston) 3 47/64" I.D. x 5/64" thick	1	D8HZ 3524-B	Shaft and worm assy. (gear)
1	D8HZ 3544-A	Clamp (gear ball return guide) 2" - 2 holes	1	C6TZ 3538-C	Plug (housing vent) 3/8"-18
1	D8HZ 3548-A	Housing assy. - (gear) - - #HF 642994	1	D3HZ 3538-A	Plug (housing filler) 3/8"-18
1	D0HZ 3549-A	Snap ring (sector shaft bearing)	1	C4TZ 3539-A	Nut (sector shaft adjusting)-5/8"-18
2	●D6HZ 3C559-A	Washer (worm gear seal) 2" O.D. - 7/16" thick	1	D8HZ 3548-B	Housing assy. (gear) #504CC006
2	D6HZ 3C559-B	"0" ring (worm gear)	1	C1TT 3552-B	Cup (upper bearing) - 3 1/8" O.D. x 1/2" thick - #46
1	D8HZ 3E560-A	Washer (sector cover backup seal) 2" I.D. x 2 13/32" O.D. x 1/16" thick - leather	1	C1TT 3552-C	Cup (lower bearing) - #47
1	D8HZ 3E560-B	Washer (sector cover backup seal) 2" I.D. x 2 17/32" O.D. x 1/16" thick - leather	1	C1TT 3568-C	Cover (shaft & worm)
1	D8HZ 3E560-C	Washer (sector cover backup seal) 2" I.D. x 2 35/64" O.D. x 1/16" thick	2	C1TT 3571-A	Bearing (worm gear) - #45BC
1	D8HZ 3E561-A	Nut (sector shaft)-1/2"-20	1	D0HZ 3575-F	Shaft (sector)
1	D8HZ 3575-B	Shaft (sector)-incl. C6TZ 3577-A and C7TZ 3610-A	1	C7TZ 3581-A	Gasket (sector shaft cover)
1	C6TZ 3577-A	Screw (sector shaft adjusting) -1/2" - 20 x 2" long	1	C4TZ 3583-A	Cover (sector shaft) - incl. (1) C1TT 3B614-B and (2) 374432-S8
1	★D8HZ 3577-A	Screw (sector shaft adjusting) -5/8" - 18 x 1 13/16" long - - r/b E3HZ 3577-B	1	C1TT 3591-J	Seal (sector shaft) 1 3/4" I.D. x 2 1/2" O.D. x 3/16" thick
1	D8HZ 3581-A	Gasket (sector shaft cover)	1	D2HZ 3591-B	Seal (shaft and worm oil) - 15/16" I.D. x 1 1/2" O.D. x 1/2" thick
1	★D8HZ 3583-B	Cover (sector shaft)-r/b E2HZ 3583-A(11/89)	2	C7TZ 3593-A	Gasket (worm cover)-.002" thick
1	D8HZ 3597-A	Cover (shaft and worm)	1	D1HZ 3593-B	Gasket (worm cover)-.003 thick
1	C7TZ 3610-A	Retainer (adjusting screw) - 13/16" threads	1	C7TZ 3593-B	Gasket (worm cover)-.005" thick
1	E3HZ 3E613-A	Plug (housing cover)-rubber	2	D1HZ 3593-A	Gasket (worm cover)-.0075" thick
2	E3HZ 3B614-A	Bearing (sector shaft) -#BR-866-1 - - 2 9/16" O.D. x 2" I.D. x 7/8"	1	★C1TT 3B614-B	Bearing (sector shaft cover)- serviced only in 3583 cover assy.
1	●D8HZ 3E614-A	Seal (control valve adapter) 4 3/16" I.D.	1	D3HZ 3B614-A	Bearing (sector shaft)-1 3/4" I.D. x 3/4" thick
1	D0HZ 3C617-A	Retainer (sector shaft seal)-use w/ #D7HT 3N503-AB gear assy.	1	C7TZ 3E675-A	Seal (adjusting screw)
1	E1HZ 3C617-A	Retainer (sector shaft seal)-use w/ #E1HT 3N503-GA	1	D0HZ 3738-A	Seal (shaft and worm)
6	D8HZ 3E617-A	Bolt (sector shaft cover) 5/8" - 18 x 1 1/16" long	1	▲C3TZ 3C764-A	Screw kit (sector shaft)
1	D8HZ 3D623-A	Nut (sector adjusting screw) 5/8"-18 x 1 5/16" hex sealing	10	★374431-S	Bolt (worm and sector cover) 7/16"-14 x 1"
1	E3HZ 3F633-E	Shaft & valve assy. (input)	4	★374432-S8(NN-60-C)	Dowel (housing) - 5/8" x 1/8"
1	D6HZ 3647-A	Kit ball (worm gear) contains 24 balls	PARTS LIST NO. 13-E0HZ 3504-A		
1	D0HZ 3B673-A	Bearing (control valve needle) 1 1/4" I.D. 1 5/16" O.D. x 5/64" thick	<ul style="list-style-type: none"> <li>■ Also serviced in kit-group 3E501</li> <li>● Also serviced in kit-group 3E502</li> <li>▲ For Components refer to group in Section 35</li> </ul>		
1	D8HZ 3A730-A	Valve assy. (control)	2	★●D6HZ 3321-A	Thrust washer
1	D8HZ 3738-A	Seal (sector shaft oil)	1	D6HZ 3329-A	"0" ring (breather plug)
1	D8HZ 3738-B	Seal (sector shaft oil) 2 1/4" O.D. 2" I.D.	1	▲D7HZ 3E501-A	Seal kit (sector shaft)
1	E3HZ 3738-C	Seal (sector shaft oil) 2 9/16" O.D. 2" I.D.	1	▲E0HZ 3E502-A	Seal kit (input shaft)
1	D8HZ 3738-D	Seal (sector shaft oil) 2 17/32" O.D. 1 31/32" x 3/16" thick	1	E0HZ 3D517-A	Shaft & control assy. (input)
1	E3HZ 3K748-E	Rack assy.	1	●D6HZ 3D519-A	Seal (worm gear)
1	D8HZ 3754-A	"0" - ring (valve cover)	1	●D6HZ 3D526-A	Seal (worm gear)
1	★97426-S	Ring (retainer) 3/16"	1	★D6HZ 3K527-A	Plug (breather)-r/b E7HZ 3K527-A(11/88)
4	351453-S8	Washer - 1/2" I.D.	1	●E0HZ 3B541-A	Snap ring (piston)-3 25/64" O.D.
			1	★E0HZ 3548-B	Housing assy.-r/b E1HZ 3548-B(11/89)
			1	■D6HZ 3549-A	Snap ring (sector shaft)-2 7/32" I.D.
			2	■D6HZ 3549-B	Snap ring-2 3/8" O.D.
			2	●D6HZ 3C559-A	Washer (worm gear seal)
			2	●D6HZ 3C559-B	"0" ring (worm gear)
			1	●E0HZ 3C559-A	"0" ring (piston)-3 7/64" I.D.
			1	●E2HZ 3C559-A	Washer (back-up)
			1	★■D6HZ 3E560-A	Washer (back-up)
			1	★■D6HZ 3E560-B	Washer (back-up)
			1	★■D6HZ 3E560-C	Washer (back-up)
			1	★■D6HZ 3E560-D	Washer (back-up)
			1	D8HZ 3E561-A	Nut (sector shaft) 1/2"-20
			1	E0HZ 3575-B	Sector shaft
			1	C6TZ 3577-A	Screw (sector shaft adjusting)-1/2"-20 x 2"
			1	★D7HZ 3577-A	Screw (adjusting)-r/b E3HZ 3577-A
			1	E0HZ 3N577-A	Screw (bleeder)
			1	D6HZ 3581-A	Gasket (sector shaft cover)

October, 1993

COPYRIGHT © 1993 - FORD MOTOR - DEARBORN, MICHIGAN  
COMPANY

Final Issue

1980/  
TRUCK SERIES 600/900

QTY.	PART NUMBER	DESCRIPTION	QTY.	PART NUMBER	DESCRIPTION
<b>PARTS LIST NO. 13-E0HZ 3504-A — Cont'd</b> ■ Also serviced in kit-group 3E501 ● Also serviced in kit-group 3E502 ▲ For Components refer to group in Section 35			<b>PARTS LIST NO. 15 - E1HZ 3504-A and B — Cont'd</b> ● Also serviced in kit-group 3E501. @ Serviced only in kit-group 3E502 % Serviced only in kit-group 3E501. ■ Also serviced in kit-group 3E502 ▲ For components, refer to group in Section 35 † Also serviced in assy.-group 3D517		
1	E1HZ 3583-A	Cover assy. (sector shaft)	2	†C7TZ 3321-F	Washer (valve assy. thrust bearing inner)-1" I.D. x 1 15/16" O.D. x 1/8" thick
1	C7TZ 3610-A	Retainer (adjusting screw)	2	D0HZ 3321-A	Washer (valve assy. thrust bearing outer)-1 1/32" I.D. x 1 31/32" O.D. x 3/16" thick
2	★D6HZ 3E611-A	Washer (worm gear seal retainer)	1	▲D0HZ 3E501-A	Seal kit (sector shaft)
1	★D6HZ 3E612-A	Bearing (worm gear)	1	▲★D0HZ 3E502-B	Seal kit (input shaft)-r/b ▲ D0HZ 3E502-C
1	E3HZ 3E613-A	Plug (housing cover vent)	1	■C7TZ 3C515-B	Seal (input shaft valve cover)-27/32" lip I.D. x 1 1/8" O.D. x 1/4" thick
1	D6HZ 3B614-A	Bearing (sector shaft)	3	■C7TZ 3C515-C	"0" ring (control valve) 3/8" I.D. x 1/2" O.D. x 1/16" thick
1	E0HZ 3E614-A	Seal ring (control valve)	1	■D0HZ 3C515-A	Seal (adapter)-1 1/16" I.D. x 1 7/16" O.D. x 3/16" thick-use (3E608)
1	E0HZ 3F614-A	Roller (bleeder screw)	1	D1HZ 3C515-A	Seal (adapter port)-1/2" I.D. x 9/16" O.D. x 1/8" thick
6	D0HZ 3E617-A	Bolt (sector shaft cover)	1	E1HZ 3D517-A	Shaft and control assy. (input)-use w/#E1HT 3N503-AA gear assy.
1	D6HZ 3D623-A	Nut (worm adjusting)-1/2"-20	1	★E1HZ 3D517-B	Shaft and control assy. (input)-use w/#E1HT 3N503-BA gear assy. use E1HZ 3524-G & E3HZ 3F697-A
1	D6HZ 3647-A	Kit (worm gear ball)	1	■C7TZ 3D519-A	Seal (valve cover)-cup shaped
1	E1HZ 3C655-A	Auto bleed screw kit	1	■D0HZ 3D519-A	Seal (worm gear)-7/8" I.D. x 1 1/16" O.D. x 3/16" thick
1	D0HZ 3B673-A	Bearing (control valve needle)	2	†D0HZ 3523-A	Guide (ball return)
1	E0HZ 3F719-A	Spring (bleeder screw)	1	E1HZ 3524-G	Shaft and worm assy.
1	E1HZ 3D726-A	Kit (ball return guide, cap and strap)	1	★D0HZ 3B541-A	Ring (cylinder piston)-4" O.D.-r/b E2HZ 3B541-A
1	E0HZ 3A730-A	Valve assy. (control)	1	★D6HZ 3B541-D	Ring (piston) teflon-4" O.D.
1	■D6HZ 3738-A	Seal (sector shaft)-output end	r/b E2HZ 3B541-A	D1HZ 3548-B	Housing assy.-incl. (3549),(3B614), 34690-S and 87002-S91
1	E3HZ 3738-A	Seal (sector shaft)-adjuster end	1	D0HZ 3549-A	Snap ring (sector shaft bearing)
1	■E3HZ 3738-B	Seal (sector shaft)-intermediate	1	■D0HZ 3C559-A	Washer (valve cover)-1 11/16" I.D. x 1 7/16" O.D. x 1/16" thick
1	E3HZ 3K748-C	Rack assy.	1	@ D0HZ 3C559-B	Washer (worm gear)-7/8" I.D. x 1/16" thick
1	●D6HZ 3754-A	"0" ring (valve cover)	AR	★D0HZ 3C559-C	Washer (adjusting screw backup seal)-serviced in 3A729 cover or 3548 housing assy.
1	★97426-S	Retaining ring	1	E2HZ 3C559-A	Washer (valve cover backup seal)
4	★G179866	Bolt (valve to housing)-7/16"-14 x 2"	1	●D0HZ 3E560-A	Washer (sector cover backup seal)-steel-steel-2" I.D. x 2 9/16" O.D. x 18" thick
<b>PARTS LIST NO. 14-E0HZ 3504-B</b>			1	■D0HZ 3E560-B	Washer (worm gear seal backup)-13/16" O.D. x 1 1/32" I.D. x 1/16" thick bronze
1	E0HZ 3524-A	Shaft & worm assy.	2	●D0HZ 3E560-C	Washer (sector cover backup seal)-leather 2" I.D. x 2 9/16" O.D. x 1/16" thick "Before Ser. FA5,001"
1	C6TZ 3538-C	Plug (housing filler)	1	@★D0HZ 3E560-D	Washer (worm gear locking screw)
1	D3HZ 3538-A	Plug (pipe thread)-3/8"-18	2	●D8HZ 3E560-B	Washer (sector cover backup seal)-leather 2" I.D. x 2 17/32" O.D. x 1/16" thick -"From Ser. FA5,001"
1	E0HZ 3548-A	Housing assy.	1	D8HZ 3E561-A	Nut (sector shaft)
1	B3W 3549-A	Snap ring (sector)	1	D1HZ 3575-B	Shaft (sector)-incl. C6TZ 3577-A and C7TZ 3610-A
1	C4TZ 3552-A	Cup (upper bearing)			
1	C4TZ 3553-A	Cup (lower bearing)			
1	C1TT 3568-B	Cover (shaft & worm)			
2	C4TZ 3571-A	Bearing (worm gear)			
1	D0HZ 3575-D	Shaft (sector)			
1	D2TZ 3576-A	Bushing (sector shaft housing)			
1	B7J 3577-A	Screw (sector shaft adjusting)			
1	C7TZ 3579-A	Washer (thrust)			
1	D0HZ 3581-B	Gasket (sector shaft cover)			
1	D0HZ 3583-B	Cover (sector shaft)			
1	D2HZ 3591-A	Seal (shaft & worm oil)			
1	D2HZ 3591-D	Seal (sector shaft oil)			
AR	C5TZ 3593-E	Gasket (worm cover)-.002" thick			
AR	C5TZ 3593-B	Gasket (worm cover)-.005" thick			
AR	C5TZ 3593-C	Gasket (worm cover)-.010" thick			
AR	D2TZ 3593-B	Shim (worm cover)-.003" thick			
1	33943-S	(M-36)-Nut (for 3577). 1/2"-20			
<b>PARTS LIST NO. 15 - E1HZ 3504-A and B</b> ● Also serviced in kit-group 3E501. @ Serviced only in kit group 3E502 % Serviced only in kit-group 3E501. ■ Also serviced in kit-group 3E502 ▲ For components, refer to group in Section 35 † Also serviced in assy.-group 3D517					
1	■C7TZ 3321-E	Washer (valve assy. adjusting nut)-1" I.D. x 1 29/32" O.D. x 1/16" thick			
1	■C7TZ 3321-C	Washer (valve assy. thrust bearing retaining) 1" I.D. x 1 3/8" O.D. x 1/16" thick			

## STEERING GEAR

## TRUCK SERIES 600/900

QTY.	PART NUMBER	DESCRIPTION	QTY.	PART NUMBER	DESCRIPTION
PARTS LIST NO. 15 - E1HZ 3504-A and B - Cont'd			PARTS LIST NO. 15 - E1HZ 3504-A and B - Cont'd		
● Also serviced in kit-group 3E501. @ Serviced only in kit-group 3E502 % Serviced only in kit-group 3E501. ■ Also serviced in kit-group 3E502 ▲ For components, refer to group in Section 35 † Also serviced in assy.-group 3D517			● Also serviced in kit-group 3E501. @ Serviced only in kit-group 3E502 % Serviced only in kit-group 3E501. ■ Also serviced in kit-group 3E502 ▲ For components, refer to group in Section 35 † Also serviced in assy.-group 3D517		
1	C6TZ 3577-A	Screw (sector shaft adjusting)-1/2"-20 x 2"	4	58675-S100(B-122-BB)	Bolt-1/2"-13 x 1 1/2" hex. head
1	D0HZ 3577-C	Screw (valve control adjusting)- 4 3/16" long	2	87002-S94(T-1-AC)	"O" ring-in 3548 and 3D517
1	D1HZ 3577-A	Screw (shaft and control assy. travel adjusting)-2 13/16" long	1	@★97426-S	Ring (retainer)1 3/16"
1	E0HZ 3583-A	Cover assy. (sector shaft)-use w/ #E1HT 3N503-AA & BA gear assy.	4	351453-S8(XX-186)	Washer-flat-1/2"
1	●D0HZ 3586-A	Seal (sector shaft dust)- 2 11/16" thick	4	†354580-S(BB-167)	Bolt-3/8"-16 x 3 1/4" hex. head
1	D1HZ 3E608-A	Adapter assy. (valve)	4	†370444-S7(XX-135)	Washer flat-3/8"
1	C7TZ 3610-A	Retainer (adjusting screw)-13/16" external threads	PARTS LIST NO. 16 - E1HZ 3504-C		
2	D0HZ 3E611-A	Spacer (control valve thrust bearing washer)- 1" I.D. x 1 1/4" O.D. x 1/16" thick	▲ Incl. (3577) screw, (3579) washer and (3610) retainer		
1	C7TZ 3E612-A	Bearing (valve cover)	1	★D0HZ 3C515-B	"O" ring (worm cover)-also part of D0HZ 3568-A-r/b D0HZ 3C515-E (7/85)
1	★C7TZ 3E613-A	Plug (sector cover)	1	★E1HZ 3524-A	Shaft and worm assy. (gear)
1	r/bE3HZ 3E613-A		1	r/bE8HZ 3524-C(11/90)	
1	D0HZ 3B614-A	Bearing (housing)	1	★D0HZ 3K537-A	Reducer (housing oil filler plug)
AR	●D0HZ 3E614-A	Seal-4 1/4" I.D.-(1) required for sector shaft cover (3583) and (1) required for valve adapter (3E608)	1	C6TZ 3538-B	Plug (housing)-expansion-1 5/8" dia.
1	%D0HZ 3C617-A	Retainer (sector shaft seal)	1	D3HZ 3538-A	Plug (housing filler)-3/8" sq. head
6	D0HZ 3E617-A	Bolt (sector shaft cover)-9/16" - 18 x 1" hex. head	1	C4TZ 3539-A	Nut (sector shaft adjusting)-5/8"-18
1	†D0HZ 3E622-B	Valve (poppet)	1	D3HZ 3548-A	Housing assy. (gear)-#504CC001
1	D0HZ 3E623-A	Seat (poppet)-3/8" thick x 7/16"-20	2	C1TT 3552-B	Cup (bearing)-3 1/8" O.D. x 1/2" thick -#46
1	■D0HZ 3E632-A	Ring (worm gear retaining)-3/4" free I.D.- 1/16" square	1	D0HZ 3568-A	Cover (shaft and worm)-incl. D0HZ 3C515-B, C1TT 3552-B and D2HZ 3591-B
2	D0HZ 3B673-A	Bearing (control valve needle)- 1 1/4" I.D. x 1 15/16" O.D. x 5/64" thick	2	C1TT 3571-A	Bearing (worm)-roller type-#45BC
1	E3HZ 3F697-A	Piston assy.	1	D0HZ 3575-F	Shaft (sector)-#D-1
1	C7TZ 3707-A	Nut (control valve bearing adjustment)	1	C7TZ 3581-A	Gasket (sector shaft cover)
1	†D0HZ 3A729-B	Cover assy. (control valve)	1	D0HZ 3583-C	Cover (sector shaft)-incl. C1TT 3B614-A
1	D0HZ 3A730-A	Valve assy. (control)-#009-use w/ #E1HT 3N503-AA gear assy.	1	C1TT 3591-J	Seal (sector shaft)-1 3/4" I.D. x 2 1/2" O.D. x 3/16" thick
1	D0HZ 3A730-B	Valve assy. (control)-#011-use w/ #E1HT 3N503-BA gear assy.	1	D2HZ 3591-B	Seal (shaft and worm oil)- 15/16" I.D. x 1 1/2" O.D. X 17/32" thick
1	★D0HZ 3738-B	Seal and trunnion assy. (sector shaft)	AR	C7TZ 3593-A	Gasket (worm cover)-.002" thick
1	r/bE0HZ 3738-A	incl. trunnion, 3738 and 3E560-use w/ #E1HT 3N503-AA & BA gear assy.	AR	C7TZ 3593-B	Gasket (worm cover)-.005" thick
2	E3HZ 3738-C	Seal (sector shaft oil)-(1) req'd. for sector shaft cover 3583 and (1) req'd. for trunnion seal assy. 3738	2	D3HZ 3B614-A	Bearing (sector shaft)-1 3/4" I.D. x 3/4" thick
2	■†C7TZ 3754-B	"O" ring (valve cover)	1	C7TZ 3E675-A	Seal (adjusting screw)- 5/8" I.D. x 11/16 O.D.
1	■D0HZ 3D770-A	Screw (piston rack locking)-5/8" - 18 x 15/16" hex. socket head	1	D0HZ 3738-A	Seal (shaft and worm)-black plastic 1" I.D. x 27/16" O.D. x 5/8" thick
1	D0HZ 3D770-B	Lockwasher (poppet valve seat)	1	D1TZ 7034-A	Vent assy. (housing)
1	D0HZ 3D771-A	Ring (adapter seal retaining)- 25/32" and 7/8" I.D. x 1" O.D. x 3/32" thick	1	▲C3TZ 3C764-A	Screw kit (sector shaft)
1	D0HZ 3D771-B	Ring (worm shaft retaining)	10	★374431-S8	Bolt (worm and sector cover)- 7/16"-14 x 1"
1	33923-S7(M-32)	Nut 5/16-24	2	374432-S7-8(NN-60-C)	Dowel (housing)-5/8"- 1 1/8"
1	34690-S8(M-34)	Nut (for 3577)-7/16"-20 hex. jam	PARTS LIST NO. 17 - E1HZ 3504-D		
			1	E1HZ 3524-D	Shaft and worm assy. (gear)
			1	C6TZ 3538-A	Plug (housing filler)
			1	D2HZ 3548-F	Housing assy. (gear)
			1	B3W 3549-A	Snap ring (sector shaft)
			1	70 3552	Cup (upper bearing)-2 9/16" O.D.- #36X
			1	7EQ 3553	Cup (lower bearing)-2 3/4" O.D.- #38A



1980/  
TRUCK SERIES 600/900

QTY.	PART NUMBER	DESCRIPTION	QTY.	PART NUMBER	DESCRIPTION
PARTS LIST NO. 17 - E1HZ 3504-D - Cont'd			PARTS LIST NO. 19-E1HZ 3504-F - Cont'd		
2	70 3571	Bearing (worm gear)-#35BC	1	7EQ 3553	Cup (lower bearing)-2 3/4" O.D.- #38A
1	C8HZ 3575-B	Shaft (sector)-#003 6 1/8" long	2	70 3571	Bearing (worm)-ball type-#35BC
1	B7J 3577-B	Screw (sector shaft)-1/2"-20 x 1 17/64"	1	D0HZ 3575-A	Shaft (sector)-#009
1	C7TZ 3579-A	Washer (sector shaft thrust)-9/16" I.D. x 7/64" thick	1	B7J 3577-B	Screw (sector shaft)-1/2"-20 x 1 17/64"
1	C6TZ 3581-B	Gasket (sector shaft cover)	1	C7TZ 3579-A	Washer (sector shaft thrust)-9/16" I.D. x 7/64" thick
1	C6TZ 3583-A	Cover (sector shaft)	1	C6TZ 3581-B	Gasket (sector shaft cover)
1	D2HZ 3591-B	Seal (shaft and worm oil)-15/16" I.D. x 1 1/2" O.D. x 1/2" thick	1	C6TZ 3583-A	Cover (sector shaft)-incl. C6TZ 3B614-A
1	D2HZ 3591-C	Seal (sector shaft oil)-1 1/2" I.D. x 2" O.D. x 3/8" thick	1	D2HZ 3591-C	Seal (sector shaft oil)-1 1/2" I.D. x 2" O.D. x 3/8" thick
AR	A7TZ 3593-A	Gasket (worm cover)-.002" thick	1	D2HZ 3591-B	Seal (shaft and worm oil)-15/16" I.D. x 1 1/2" O.D. x 17/32" thick
AR	A7TZ 3593-B	Gasket (worm cover)-.005" thick	AR	A7TZ 3593-A	Gasket (worm cover)-.002" thick
1	D2HZ 3593-A	Gasket (worm cover)-.003" thick	AR	A7TZ 3593-B	Gasket (worm cover)-.005" thick
1	B7T 3597-A	Cover (shaft and worm)	AR	D2HZ 3593-A	Gasket (worm cover)-.003" thick
1	C1TT 3B614-C	Bearing (housing)-1 1/2" I.D. x 1 1/4" thick	1	B7T 3597-A	Cover (shaft and worm)
1	C6TZ 3B614-A	Bearing (sector cover)	1	C1TT 3B614-C	Bearing (sector shaft)-1 1/2" I.D.- 1 1/4" thick
6	★20350-S	Bolt (sector cover)-hex. head-7/16" 14 x 3/4"	1	C6TZ 3B614-A	Bearing (sector cover) also part of C6TZ 3583-A
1	33943-S8(M-36)	Nut (for 3577)-hex.-1/2"-20	1	C8TZ 3C765-A	Stud (gear mounting)-2" long-1/2"- 13 threads
4	★357357-S	Bolt (worm cover)-hex. 3/8"-16 x 13/16"	6	★20350-S	Bolt (sector cover)-7/16"-14 x 3/4"
PARTS LIST NO. 18 - E1HZ 3504-E			1	33943-S8(M-36)	Nut (for 3577)-hex.-1/2"-20
1	E1HZ 3524-E	Shaft and worm assy. (gear)	4	★357357-S	Bolt (worm cover)-hex. head-3/8"- 16 x 13/16"
1	C6TZ 3538-C	Plug (housing filler)	PARTS LIST NO. 20 - E1HZ 3504-G		
1	D5TZ 3548-A	Housing assy. (gear)	1	E1HZ 3524-C	Shaft and worm assy. (gear)
12	B3W 3549-A	Snap ring (sector)	1	★D0HZ 3K537-A	Reducer (housing oil filter plug)- also incl. w/3548
1	C4TZ 3552-A	Cup (upper bearing)-2 1/8" O.D.	1	D2HZ 3548-A	Housing assy.-#408CC014
1	C4TZ 3553-A	Cup (lower bearing)-2 5/16" O.D.	1	B3W 3549-A	Snap ring (sector)
1	C1TT 3568-B	Cover (shaft and worm)	1	70 3552	Cup (upper bearing)-2 9/16" O.D.- also in 3548 housing #36X
2	C4TZ 3571-A	Bearing (worm gear)	1	7EQ 3553	Cup (lower bearing)-2 3/4" O.D.- #38A
1	D5TZ 3575-A	Shaft (sector)	2	70 3571	Bearing (worm)-ball type-#35BC
1	D2TZ 3576-A	Bushing (sector shaft housing)	1	D0HZ 3575-E	Shaft (sector)
1	B7J 3577-B	Screw (sector shaft)-1/2"-20 x 17/64"	1	B7J 3577-B	Screw (sector shaft)-1/2"-20 x 1 17/64"
1	C7TZ 3579-A	Washer (sector shaft thrust) 9/16" I.D. x 7/64" thick	1	C7TZ 3579-A	Washer (sector shaft thrust) 9/16" I.D. x 7/64" thick
1	D0HZ 3581-B	Gasket (sector shaft cover)	1	D0HZ 3581-A	Gasket (sector shaft cover)
1	D0HZ 3583-B	Cover (sector shaft)	1	C6TZ 3583-A	Cover (sector shaft)-incl. C6TZ 3B614-A
1	D2HZ 3591-D	Seal (sector shaft oil) 1 3/8" I.D.	1	D2HZ 3591-C	Seal (sector shaft oil)-1 1/2" I.D. x 2" O.D. x 3/8" thick
1	D2HZ 3591-A	Seal (shaft and worm oil)-13/16" I.D. x 1 5/16" O.D. x 3/16" thick	1	D2HZ 3591-B	Seal (shaft and worm oil) 15/16" I.D. x 1 1/2" O.D. x 17/32" thick
AR	C5TZ 3593-E	Gasket (worm cover)-.002" thick	AR	A7TZ 3593-A	Gasket (worm cover)-.002" thick
AR	C5TZ 3593-B	Gasket (worm cover)-.005" thick	AR	A7TZ 3593-B	Gasket (worm cover)-.005" thick
AR	C5TZ 3593-C	Gasket (worm cover).010" thick	AR	D2HZ 3593-A	Gasket (worm cover)-.003" thick
AR	D0HZ 3593-A	Gasket (worm cover) .0075" thick	1	B7T 3597-A	Cover (shaft and worm)
AR	D2TZ 3593-A	Shim (worm cover).003" thick	1	C1TT 3B614-D	Bearing (housing)-1 1/2" I.D. x 7/8" thick-also incl. w/3548
1	33943-S(M-36)	Nut (for 3577)-hex.-1/2"-20	1	C6TZ 3B614-A	Bearing (sector cover)-also incl. w/C3TZ 3583-A
4	★350999-S	Bolt (worm cover)-hex. head-5/16"- 18 x 3/4"	1	D0HZ 3738-E	Seal (shaft and worm)-#red plastic- 1" I.D. x 2 3/8" O.D. x 9/16" thick
4	★357357-S	Bolt (sector cover)-hex. head-3/8"- 16 x 13/16"	1	D1TZ 7034-A	Vent Assy. (Housing)
PARTS LIST NO. 19 - E1HZ 3504-F					
1	E1HZ 3524-B	Shaft and worm assy. (gear)			
1	C6TZ 3538-A	Plug (housing vent)			
1	C8TZ 3548-A	Housing assy. (gear)			
1	B3W 3549-A	Snap ring (sector)			
1	70 3552	Cup (upper bearing)-2 9/16" O.D.- #36X			

1980/  
TRUCK SERIES 600/900

STEERING GEAR

QTY.	PART NUMBER	DESCRIPTION	QTY.	PART NUMBER	DESCRIPTION
PARTS LIST NO. 20 - E1HZ 3504-G - Cont'd			PARTS LIST NO. 21 - E1HZ 3504-H - Cont'd		
6	★20350-S	Bolt (sector cover)-hex. head- 7/16" 14 x 3/4"			<ul style="list-style-type: none"> <li>■ Also serviced in kit-group 3E501</li> <li>● Also serviced in kit-group 3E502</li> <li>▲ For components, refer to group in Section 35</li> </ul>
1	33943-S(M-36)	Nut (for 3577)-hex. 1/2"-20	2	D6HZ 3B614-A	Bearing (housing roller) 1 3/4" I.D. x 2 5/16" O.D. x 3/4" thick
1	★357357-S	Bolt (worm cover)-hex. head- 3/8" 16 x 13/16"	1	E1HZ 3C617-B	Retaining ring
PARTS LIST NO. 21 - E1HZ 3504-H			6	D0HZ 3E617-A	Bolt (sector shaft cover) 9/16"-18 x 1" hex. head
<ul style="list-style-type: none"> <li>■ Also serviced in kit-group 3E501</li> <li>● Also serviced in kit-group 3E502</li> <li>▲ For components, refer to group in Section 35</li> </ul>			1	D6HZ 3E622-A	Kit (poppet valve repair) Contains: 2-D6HZ-3E622-B Poppet 2 D6HZ-3E623-A Seat 1 D6HZ-3E624-A Spring 1 D6HZ-3E625-A Spacer 2-D6HZ-3R664-A Snap ring
1	D6HZ 3329-A	"0" ring (breather plug) 3/4" I.D. 3/32" thick	1	D6HZ 3D623-A	Nut (worm adjusting screw) 1/2" 20 x 7/16" hex. sealing
1	▲D7HZ 3E501-A	Seal kit (sector shaft)	1	D6HZ 3D623-B	Nut (housing adjusting screw) 3/8"-24 x 5/16" hex. sealing
1	★▲D6HZ 3E502-A	Seal kit (input shaft)-r/b E4HZ 3E502-A and D6HZ 3321-A	1	D6HZ 3647-A	Kit ball (worm gear) contains 24 balls
1	★E1HZ 3D517-C	Shaft and control assy. (input) use E1HZ 3524-H & E3HZ 3K748-D	1	D0HZ 3B673-A	Bearing (control valve needle) 1 1/4" I.D. 1 5/16" O.D. x 5/64" thick
1	●D6HZ 3D519-A	Seal (worm gear)	1	D6HZ 3C694-A	Bracket #402904 - (gear to frame mounting)
1	D7HZ 3523-B	Kit (ball return guide) Contains: 2-D7HZ-3523-A Guide 1-D8HZ-3544-A Clip 2-D6HZ-3E615-A LK Wshr 2-G-179810 Bolt	1	D6HZ 3C721-A	Washer (mounting bolt)
1	★E3HZ 3524-A	Shaft and worm assy. (steering gear)	1	D6HZ 3A730-A	Valve assy. (control)
r/b E7HZ 3524-A (11/89)			1	■D6HZ 3738-A	Seal (sector shaft oil)-output end
1	●D6HZ 3D526-A	Seal (worm gear) 1 5/32" O.D. x 3/16" thick	1	E3HZ 3738-A	Seal (sector shaft oil)-adjuster end
1	E3HZ 3524-A	Shaft and worm assy. (steering gear)	1	■E3HZ 3738-B	Seal (sector shaft oil)-intermediate
1	●D6HZ 3D526-A	Seal (worm gear) 1 5/32" O.D. x 3/16" thick	1	E3HZ 3K748-D	Rack assy.
1	E7HZ 3K527-C	Plug (breather)	1	●D6HZ 3754-A	"0" ring (valve cover)
1	●D6HZ 3B541-A	Ring (piston) 3 1/4" O.D. x 1/16" thick	1	●★97426-S	Ring (retainer) 3/16"
1	●D6HZ 3B541-B	"0" ring (piston)	PARTS LIST NO. 22 - E1HZ 3504-J		
1	D6HZ 3548-B	Housing assy. (gear) Incl: 1-D6HZ 3B614-A Bearing 1-D6HZ 3549-B Snap ring 1-D6HZ 3577-A Screw 2-Ports for hoses to cylinder	<ul style="list-style-type: none"> <li>■ Also serviced in kit-group 3E501</li> <li>● Also serviced in kit-group 3E502</li> <li>▲ For components, refer to group in Section 35</li> </ul>		
2	D5TZ 3549-A	Snap ring (sector shaft oil seal)	1	D6HZ 3329-A	"0" ring (breather plug) 3/4" I.D. 3/32" thick
1	■D6HZ 3549-A	Snap ring (sector shaft) 2 7/32" O.D.	1	▲D7HZ 3E501-A	Seal kit (sector shaft)
2	■D6HZ 3549-B	Snap ring (sector shaft and housing bearing) 2 3/8" O.D.	1	★▲D6HZ 3E502-A	Seal kit (input shaft)-r/b E4HZ 3E502-A and D6HZ 3321-A
2	●D6HZ 3C559-A	Washer (worm gear seal) 2" O.D. 7/16" thick	1	★E1HZ 3D517-C	Shaft and control assy. (input) use E1HZ 3524-H & E3HZ 3K748-D
2	●D6HZ 3C559-B	"0" ring (worm gear)	1	●D6HZ 3D519-A	Seal (worm gear)
1	D8HZ 3E561-A	Nut (sector shaft)-1/2"-20	1	D7HZ 3523-B	Kit (ball return guide) Contains: 2-D7HZ-3523-A Guide 1-D8HZ-3544-A Clip 2-D6HZ-3E615-A LK Wshr 2-G-179810 Bolt
1	D6HZ 3575-A	Shaft (sector)	1	★E3HZ 3524-A	Shaft and worm assy. (steering gear)
1	C6TZ 3577-A	Screw (sector shaft adjusting) 1/2"-20 x 2"	r/b E7HZ 3524-A (11/89)		
1	D6HZ 3577-A	Screw (bleeder) 10-24 x 1/2"	1	●D6HZ 3D526-A	Seal (worm gear) 1 5/32" O.D. x 3/16" thick
1	D6HZ 3577-B	Screw (adjusting) 3/8"-24 x 1 1/4"	1	E7HZ 3K527-C	Plug (breather)
1	★D7HZ 3577-A	Screw (adjusting) 1/2"-20 x 1 1/2"-r/b E3HZ 3577-A	1	●D6HZ 3B541-A	Ring (piston) 3 1/4" O.D. x 1/16" thick
1	D6HZ 3581-A	Gasket (sector shaft cover)	1	●D6HZ 3B541-B	"0" ring (piston)
1	E1HZ 3583-A	Cover (sector shaft)	1	D6HZ 3548-A	Housing assy. (gear)
1	C7TZ 3610-A	Retainer (adjusting screw) 13/16" threads	2	D5TZ 3549-A	Snap ring (sector shaft oil seal)
1	★C7TZ 3E613-A	Plug (housing cover)	1	■D6HZ 3549-A	Snap ring (sector shaft) 2 7/32" O.D.
r/b E3HZ 3E613-A			2	■D6HZ 3549-B	Snap ring (sector shaft and housing bearing) 2 3/8" O.D.

1980/  
TRUCK SERIES 600/900

QTY.	PART NUMBER	DESCRIPTION	QTY.	PART NUMBER	DESCRIPTION
<b>PARTS LIST NO. 22 - E1HZ 3504-J -- Cont'd</b> ■ Also serviced in kit-group 3E501 ● Also serviced in kit-group 3E502 ▲ For components, refer to group in Section 35			<b>PARTS LIST NO. 23 - E1HZ 3504-K -- Cont'd</b> ■ Also serviced in kit-group 3E501 ● Also serviced in kit-group 3E502 ▲ For components, refer to group in Section 35		
2	●D6HZ 3C559-A	Washer (worm gear seal) 2" O.D. 7/16" thick	1	▲C7TZ 3E501-A	Seal kit (sector shaft)
2	●D6HZ 3C559-B	"0" ring (worm gear)	1	▲C7TZ 3E502-A	Seal kit (input shaft)
1	D8HZ 3E561-A	Nut (sector shaft)-1/2"-20	1	●C7TZ 3C515-A	Seal (adapter)-7/8" I.D. x 1 1/8" O.D. x 1/8" thick
1	D6HZ 3575-A	Shaft (sector)	1	●C7TZ 3C515-B	Seal (valve cover)-27/32" lip I.D. x 1 1/8" O.D. x 1/4" thick
1	C6TZ 3577-A	Screw (sector shaft adjusting) 1/2"-20 x 2"	3	●C7TZ 3C515-C	"0" ring (valve)-3/8" I.D. x 1/2" O.D. x 1/16" thick
1	D6HZ 3577-A	Screw (bleeder) 10-24 x 1/2"	1	★E1HZ 3D517-D	Shaft and control assy. (input) use E1HZ 3524-F & E3HZ 3K748-B
1	D6HZ 3577-B	Screw (adjusting) 3/8"-24 x 1 1/4"	1	●C7TZ 3D519-C	Seal (valve cover)-cup shaped-3/4" hole
1	E3HZ 3577-A	Screw (adjusting) 1/2"-20 x 1 1/2"	1	●C7TZ 3D519-B	Seal (worm gear)-5/8" I.D. x 7/8" O.D. x 3/16" thick
1	D6HZ 3581-A	Gasket-(sector shaft cover)	2	C7TZ 3523-A	Guide (gear ball return)
1	E1HZ 3583-A	Cover (sector shaft)	1	E1HZ 3524-F	Shaft and worm assy. (steering gear)
1	C7TZ 3610-A	Retainer (adjusting screw) 13/16" threads	1	C7TZ 3B541-A	Ring (cyl. piston)-3 3/8" O.D. x 1/8" thick
1	E3HZ 3E613-A	Plug (housing cover)	1	C7TZ 3544-A	Clamp (gear ball return guide)- 1 15/16"-2 holes
2	D6HZ 3B614-A	Bearing (housing roller) 1 3/4" I.D. x 2 5/16" O.D. x 3/4" thick	1	D0HZ 3548-F	Housing assy. (gear)
1	E1HZ 3C617-B	Retaining ring	1	■C7TZ 3549-A	Snap ring (sector shaft bearing)-at cover
6	D0HZ 3E617-A	Bolt (sector shaft cover) 9/16"-18 x 1" hex. head	1	■C7TZ 3549-B	Snap ring (sector shaft bearing)- at oil seal
1	D6HZ 3E622-A	Kit (poppet valve repair) Contains: 2-D6HZ-3E622-B Poppet 2-D6HZ-3E623-A Seat 1-D6HZ-3E624-A Spring 1-D6HZ-3E625-A Spacer 2-D6HZ-3R664-A Snap ring	1	D5TZ 3549-A	Snap ring (sector shaft oil seal)
1	D6HZ 3D623-A	Nut (worm adjusting screw) 1/2"-20 x 7/16" hex. sealing	1	●C7TZ 3C559-A	Washer (adapter)-7/8" I.D. x 1 1/8" O.D. x 1/16" thick-teslon
1	D6HZ 3D623-B	Nut (housing adjusting screw) 3/8"-24 x 5/16" hex. sealing	1	★●C7TZ 3C559-B	Washer (valve cover backup seal)- r/b E2HZ 3C559-A 7/8" I.D. x 1 1/8" O.D. x 1/8" thick
1	D6HZ 3647-A	Kit ball (worm gear) contains 24 balls	1	■C7TZ 3E560-A	Washer (sector cover backup seal)-steel
1	D0HZ 3B673-A	Bearing (control valve needle) 1 1/4" I.D. 1 5/16" O.D. x 5/64" thick	2	D8HZ 3E560-D	Washer (sector gear) (1 5/8" I.D. x 2" O.D. x 1/16" thk.)
1	D6HZ 3C694-A	Bracket #402904 - (gear to frame mounting)	1	D8HZ 3E561-A	Nut (sector shaft)-1/2"-20
1	D6HZ 3C721-A	Washer (mounting bolt)	1	C7TZ 3575-B	Shaft (sector)
1	D6HZ 3A730-A	Valve assy. (control)	1	C7TZ 3577-A	Screw (sector shaft adjusting)-1/2" - 20 x 1 13/16"
1	■D6HZ 3738-A	Seal (sector shaft oil)	1	★E1HZ 3577-A	Screw (shaft and control assy. adjusting)
1	E3HZ 3738-B	Seal (sector shaft oil)	1	D5TZ 3583-A	Cover (sector shaft)
1	E3HZ 3738-A	Seal (sector shaft oil)	1	■C7TZ 3586-A	Seal (sector shaft dust)
1	E3HZ 3K748-D	Rack assy.	1	★C7TZ 3E608-B	Adapter assy. (control valve)-
1	●D6HZ 3754-A	"0" ring (valve cover)	1	C7TZ 3610-A	Retainer (adjusting screw)-13/16" threads
1	●★97426-S	Ring (retainer) 3/16"	4	C7TZ 3E610-A	Screw (control valve adapter)-7/16" -14 x 1/14"
<b>PARTS LIST NO. 23 - E1HZ 3504-K</b> ■ Also serviced in kit-group 3E501 ● Also serviced in kit-group 3E502 ▲ For components, refer to group in Section 35			1 ●C7TZ 3E611-A Washer (worm gear seal retainer)- 21/32" I.D. x 27/32" O.D. x 3/32" thick		
1	C7TZ 3321-A	Washer (valve assy. thrust bearing outer)- 1" I.D. x 9/16" O.D. x 1/8" thick	1	C7TZ 3E612-A	Bearing (worm gear)-needle
2	C7TZ 3321-F	Washer (valve assy. thrust bearing inner)- 1" I.D. x 1 15/16" O.D. x 1/8" thick	1	★C7TZ 3E613-A	Plug (housing cover)-rubber r/b E3HZ 3E613-A
1	C7TZ 3321-E	Washer (valve assy. adjusting nut)- 1" I.D. x 1 29/32" O.D. x 1/16" thick	1	C7TZ 3B614-A	Bearing (sector shaft)-at cover
1	C7TZ 3321-C	Washer (valve assy. thrust bearing retaining)-1" I.D. x 1 3/8" O.D. x 1/16" thick	1	C7TZ 3B614-B	Bearing (sector shaft)-at dust seal
			1	●C7TZ 3E614-A	Seal (control valve adapter)
			2	C7TZ 3E615-A	Washer (ball return guide clip)
			4	C7TZ 3E617-A	Screw (sector shaft seal)-5/16" 18 x 3/4"

QTY.	PART NUMBER	DESCRIPTION	QTY.	PART NUMBER	DESCRIPTION
<b>PARTS LIST NO. 23 - E1HZ 3504-K - Cont'd</b> ■ Also serviced in kit-group 3E501 ● Also serviced in kit-group 3E502 ▲ For components, refer to group in Section 35			<b>PARTS LIST NO. 24 - E1HZ 3504-L - Cont'd</b> ■ Also serviced in kit-group 3E501 ● Also serviced in kit-group 3E502 ▲ For components, refer to group in Section 35		
2	D7HZ 3E617-A	Screw (sector shaft seal)	3	●C7TZ 3C515-C	"O" ring (valve)-3/8" I.D. x 1/2" O.D. x 1/16" thick
2	C7TZ 3E622-A	Valve (piston poppet)	1	★E1HZ 3D517-E	Shaft and control assy. (input)-use E1HZ 3524-F and E3HZ 3K748-D
1	DOHZ 3E623-A	Seat (piston poppet valve)-3/8" thick x 7/16"-20	1	●C7TZ 3D519-C	Seal (valve cover)-cup shaped-3/4" hole
1	C7TZ 3E624-A	Spring (poppet valve)	1	●C7TZ 3D519-B	Seal (worm gear)-5/8" I.D. x 7/8" O.D. x 3/16" thick
1	C7TZ 3E625-A	Spacer (poppet valve)-3/16" diameter x 4 7/32" long-nylon	2	C7TZ 3523-A	Guide (gear ball return)
2	C7TZ 3E626-A	Washer (housing side cover)	1	E1HZ 3524-F	Shaft and worm assy. (steering gear)
1	C7TZ 3647-B	Ball (worm gear)	1	C7TZ 3B541-A	Ring (cyl. piston)-3 3/8" O.D. x 1/8" thick
1	E1HZ 3647-A	Ball service assy. (worm gear)	1	C7TZ 3544-A	Clamp (gear ball return guide)-1 15/16"-2 holes
2	C7TZ 3B673-B	Bearing (control valve needle)	1	DOHZ 3548-F	Housing assy. (gear)
1	C7TZ 3707-A	Nut (thrust bearing)	1	■C7TZ 3549-A	Snap ring (sector shaft bearing)-at cover
1	C7TZ 3A729-A	Cover (control valve)	1	■C7TZ 3549-B	Snap ring (sector shaft bearing)-at oil seal
1	DOHZ 3A730-C	Valve assy. (control)-#007	1	D5TZ 3549-A	Snap ring (sector shaft oil seal)
2	■C7TZ 3738-A	Seal (sector shaft oil)	1	D7HZ 3549-A	Snap ring (Strg. gear housing brg. retainer)
1	C7TZ 3738-B	Seal and trunnion assy. (sector shaft)-3 5/8" O.D. - - with (4) 1/2" counter bored holes	1	●C7TZ 3C559-A	Washer (adapter)-7/8" I.D. x 1/18" O.D. x 1/16" thick-nylon
1	C7TZ 3738-C	Seal (sector shaft dust)-1 1/2" I.D.-center hole	1	★●C7TZ 3C559-B	Washer (valve cover backup seal)-7/8" I.D. x 1 1/8" O.D. x 1/8" thick
1	E3HZ 3K748-B	Rack assy.	1	■C7TZ 3E560-A	Washer (sector cover backup seal)-steel
2	●C7TZ 3754-B	"O" ring (valve cover)	2	D8HZ 3E560-D	Washer (sector gear) (1 5/8" I.D. x 2" O.D. x 1/16" thk.)
1	●C7TZ 3D771-A	Ring (worm gear)	1	D8HZ 3E561-A	Nut (sector shaft)-1/2"-20
1	■C7TZ 3D774-A	Seal (housing cover)	1	C7TZ 3575-B	Shaft (sector)
1	34690-S8(M-34)	Nut (steel)-hex.-7/15"-20	1	C7TZ 3577-A	Screw (sector shaft adjusting)-1/2"-20 x 1 13/16"
1	★87002-S	"O" ring seal (housing)-1 7/8" I.D.	1	C8TZ 3577-A	Screw (shaft and control assy. adjusting)
1	★97426-S	Ring (retainer)-1 3/16"-1 5/16" O.D.	1	D5TZ 3583-A	Cover (sector shaft)
2	★304686-S	Screw (cover)-hex.-7/16"-14 x 1 1/8"	1	■C7TZ 3586-A	Seal (sector shaft dust)
4	354580-S(BB-167)	Screw (valve cover)-hex. head-3/8"-16 x 3 1/4"	1	★C8TZ 3E608-A	Adapter assy. (control valve)
1	★358778-S2	Ring-retaining	1	C7TZ 3610-A	Retainer (adjusting screw)-13/16" threads
1	★358780-S	Washer	4	C7TZ 3E610-A	Screw (control valve adapter)-7/16"-14 x 1 1/4"
1	★358789-S	Washer	1	●C7TZ 3E611-A	Washer (worm gear seal retainer)-21/32" I.D. x 27/32" O.D. x 3/32" thick
4	370444-S(XX-135)	Washer (valve cover)-flat-3/8"	1	C7TZ 3E612-A	Bearing (worm gear)-needle
2	377819-S8	Screw-clamp-1/4"-20 x 5/16"	1	★C7TZ 3E613-A	Plug (housing cover)-rubber
<b>PARTS LIST NO. 24 - E1HZ 3504-L</b> ■ Also serviced in kit-group 3E501 ● Also serviced in kit-group 3E502 ▲ For components, refer to group in Section 35			1	r/bE3HZ 3E316-A	Bearing (sector shaft)-at cover
1	C7TZ 3321-A	Washer (valve assy. thrust bearing outer)-1" I.D. x 1 9/16" O.D. x 1/8" thick	1	C7TZ 3B614-A	Bearing (sector shaft)-at dust seal
2	C7TZ 3321-F	Washer (valve assy. thrust bearing inner)-1" I.D. x 1 15/16" O.D. x 1/8" thick	1	●C7TZ 3E614-A	Seal (control valve adapter)
1	C7TZ 3321-E	Washer (valve assy. adjusting nut)-r/bC7TZ 3321-E(2/85)	2	C7TZ 3E615-A	Washer (ball return guide clip)
1	C7TZ 3321-C	Washer (valve assy. thrust bearing retaining)-1" I.D. x 1 3/8" O.D. x 1/16" thick	4	C7TZ 3E617-A	Screw (sector shaft seal)-5/16" - 18 x 3/4"
1	▲C7TZ 3E501-A	Seal kit (sector shaft)	2	D7HZ 3E617-A	Screw (sector shaft seal)
1	▲C7TZ 3E502-A	Seal kit (input shaft)	2	C7TZ 3E622-A	Valve (piston poppet)
1	●C7TZ 3C515-A	Seal (adapter)-7/8" I.D. x 1 1/8" O.D. x 1/8" thick	1	DOHZ 3E623-A	Seat (piston poppet valve)-3/8" thick x 7/16"-20
1	●C7TZ 3C515-B	Seal (valve cover)-27/32" lip I.D. x 1 1/8" O.D. x 1/4" thick			

1980/  
TRUCK SERIES 600/900

QTY.	PART NUMBER	DESCRIPTION	QTY.	PART NUMBER	DESCRIPTION
PARTS LIST NO. 24 - E1HZ 3504-L — Cont'd			PARTS LIST NO. 25 E1HZ 3504-M — Cont'd		
<ul style="list-style-type: none"> <li>■ Also serviced in kit-group 3E501</li> <li>● Also serviced in kit-group 3E502</li> </ul>			<ul style="list-style-type: none"> <li>■ Also serviced in kit-group 3E501</li> <li>● Also serviced in kit-group 3E502</li> </ul>		
▲ For components, refer to group in Section 35			▲ For Components refer to group in Section 35		
1	C7TZ 3E624-A	Spring (poppet valve)	1	D8HZ 3E561-A	Nut (sector shaft)-1/2"-20
1	C7TZ 3E625-A	Spacer (poppet valve)-3/16" diameter x 4 7/32" long-nylon	1	E0HZ 3575-B	Sector shaft
3	C7TZ 3E626-A	Washer (housing side cover)	1	C6TZ 3577-A	Screw (sector shaft adjustment)-1/2"-20 x 2"
1	C7TZ 3647-B	Ball (worm gear)	1	★D7HZ 3577-A	Screw (adjusting)-r/b E3HZ 3577-A
1	E1HZ 3647-A	Ball service assy. (worm gear)	1	E0HZ 3N577-A	Screw (bleeder)
2	C7TZ 3B673-B	Bearing (control valve needle)	1	D6HZ 3581-A	Gasket (sector shaft cover)
1	C7TZ 3707-A	Nut (thrust bearing)	1	E1HZ 3583-A	Cover assy. (sector shaft)
1	C7TZ 3A729-A	Cover (control valve)	1	C7TZ 3610-A	Retainer (adjusting screw)
1	DOHZ 3A730-D	Valve assy. (control)-#008	2	★D6HZ 3E611-A	Washer (worm gear seal retainer)
2	■C7TZ 3738-A	Seal (sector shaft oil)	1	★D6HZ 3E612-A	Bearing (worm gear)
1	C7TZ 3738-B	Seal and trunnion assy. (sector shaft)-3 5/8" O.D. - - with (4) 1/2" counter bored holes	1	★C7TZ 3E613-A	Plug (housing cover vent)
1	C7TZ 3738-C	Seal (sector shaft dust)- 1 1/2" I.D.-center hole	1	r/b E3HZ 3E613-A	
1	E3HZ 3K748-B	Rack assy.	1	D6HZ 3B614-A	Bearing (sector shaft)
2	●C7TZ 3754-B	"O" ring (valve cover)	1	E0HZ 3E614-A	Seal ring (control valve)
1	●C7TZ 3D771-A	Ring (worm gear)	1	E0HZ 3F614-A	Roller (bleeder screw)
1	■C7TZ 3D774-A	Seal (housing cover)	1	E1HZ 3C617-B	Retaining ring
1	★87002-S	"O" ring seal (housing) 1 7/8" I.D.	6	DOHZ 3E617-A	Bolt (sector shaft cover)
1	★97426-S	Ring (retainer)-1 3/16" x 1 5/16" O.D.	1	D6HZ 3D623-A	Nut (worm adjusting)-1/2"-20
2	★304686-S	Screw (cover)-hex.-7/16"-14 x 1 1/8"	1	D6HZ 3647-A	Kit (worm gear bail)
4	354580-S(BB-167)	Screw (valve cover)-hex. head-3/8"-16 x 3 1/4"	1	E1HZ 3C655-A	Auto bleed screw kit
1	★358778-S2	Ring-retaining	1	DOHZ 3B673-A	Bearing (control valve needle)
1	★358780-S	Washer	1	E0HZ 3F719-A	Spring (bleeder screw)
1	★358789-S	Washer	1	E1HZ 3D726-A	Kit (ball return guide, cap and strap)
4	370444-S(XX-135)	Washer (valve cover)-flat-3/8"	1	E0HZ 3A730-A	Valve assy. (control)
2	377819-S8	Screw-clamp-1/4" 20 x 5/16"	1	■D6HZ 3738-A	Seal (sector shaft)-output end
PARTS LIST NO. 25 E1HZ 3504-M			PARTS LIST NO. 26 E2HZ 3504-A		
<ul style="list-style-type: none"> <li>■ Also serviced in kit-group 3E501</li> <li>● Also serviced in kit-group 3E502</li> </ul>			<ul style="list-style-type: none"> <li>■ Also serviced in kit-group 3E501</li> <li>● Also serviced in kit-group 3E502</li> </ul>		
▲ For Components refer to group in Section 35			▲ For components refer to group in section 35		
2	●D6HZ 3321-A	Thrust washer	2	●D6HZ 3321-A	Thrust washer
1	D6HZ 3329-A	"O" ring (breather plug)	1	D6HZ 3329-A	"O" ring (breather plug)
1	▲D7HZ 3E501-A	Seal kit (sector shaft)	1	▲D8HZ 3E501-A	Seal kit (sector shaft)
1	▲E0HZ 3E502-A	Seal kit (input shaft)	1	▲D8HZ 3E502-A	Seal kit (input shaft)
1	★E0HZ 3D517-A	Shaft & control assy. (input)	1	★E2HZ 3D517-A	Shaft & control assy. (input)
	r/b E3HZ 3F633-D,			r/b E3HZ 3F633-F and E3HZ 3K748 A	
	E3HZ 3K748-C				
1	★D6HZ 3D519-A	Seal (worm gear)	1	●D6HZ 3D519-A	Seal (worm gear)
1	●D6HZ 3D526-A	Seal (worm gear)	1	●★D6HZ 3D519-B	"O" ring
1	★D6HZ 3K527-A	Plug (breather)-r/b E7HZ 3K527-A(11/88)	1	●D6HZ 3D526-A	Seal (worm gear)
1	●E0HZ 3B541-A	Snap ring (piston) 3 25/64" O.D.	1	★D8HZ 3K527-A	Plug (breather)-r/b E7HZ 3K527-B(8/89)
1	E1HZ 3548-B	Housing assy.	1	★D6HZ 3B541-D	Snap ring (piston)-r/b E2HZ 3B541-A
1	■D6HZ 3549-A	Snap ring (sector shaft)-2 7/32" I.D.	1	E2HZ 3548-A	Housing assy.
2	■D6HZ 3549-B	Snap ring-2 3/8" O.D.	1	■DOHZ 3549-A	Snap ring (bearing)
2	●D6HZ 3C559-A	Washer (worm gear seal)	2	●D6HZ 3C559-A	Washer (worm gear seal)
2	●D6HZ 3C559-B	"O" ring (worm gear)	2	●D6HZ 3C559-B	"O" ring (worm gear)
1	●E0HZ 3C559-A	"O" ring (piston)-3 7/64" I.D.	1	●E2HZ 3C559-A	Washer (back-up)
1	●E2HZ 3C559-A	Washer (back-up)	1	■D8HZ 3E560-A	Washer (back-up)
1	★D6HZ 3E560-A	Washer (back-up)	1	■D8HZ 3E560-B	Washer (back-up)
1	★D6HZ 3E560-B	Washer (back-up)	1	■D8HZ 3E560-C	Washer (back-up)
1	★D6HZ 3E560-C	Washer (back-up)	1	D8HZ 3E561-A	Nut (sector shaft)-1/2"-20
1	★D6HZ 3E560-D	Washer (back-up)			

1980/  
TRUCK SERIES 600/900

QTY.	PART NUMBER	DESCRIPTION	QTY.	PART NUMBER	DESCRIPTION
<b>PARTS LIST NO. 26 E2HZ 3504-A — Cont'd</b> ■ Also serviced in kit-group 3E501 ● Also serviced in kit-group 3E502 ▲ For components refer to group in section 35			<b>PARTS LIST NO. 27 E2HZ 3504-B — Cont'd</b> ■ Also serviced in kit-group 3E501 ● Also serviced in kit-group 3E502 ▲ For components refer to group in section 35		
1	E9HZ 3575-A	Shaft (sector)	1	D8HZ 3E561-A	Nut (sector shaft)-1/2"-20
1	C6TZ 3577-A	Screw (sector shaft adjusting)-1/2"-20 x 2"	1	E9HZ 3575-A	Shaft (sector)
1	★D8HZ 3577-A	Screw (sector shaft adjusting)-x 1 13/16" long-r/b E3HZ 3577-A	1	C6TZ 3577-A	Screw (sector shaft adjusting)-1/2"-20 x 2"
1	E0HZ 3N577-A	Screw (bleeder)	1	★D8HZ 3577-A	Screw (sector shaft adjusting)-5/8"-18 x 1 13/16" long-r/b E3HZ 3577-B
1	■D8HZ 3581-A	Gasket (sector shaft cover)	1	E0HZ 3N577-A	Screw (bleeder)
1	E2HZ 3583-A	Cover (sector shaft)	1	■D8HZ 3581-A	Gasket (sector shaft cover)
1	C7TZ 3610-A	Retainer (adjusting screw)-13/16" threads	1	E2HZ 3583-A	Cover (sector shaft)
2	●★D6HZ 3E611-A	Washer (worm gear seal retainer)	1	C7TZ 3610-A	Retainer (adjusting screw)-13/16" threads
2	★D6HZ 3E612-A	Bearing (worm gear)	2	●★D6HZ 3E611-A	Washer (worm gear seal retainer)
1	★C7TZ 3E613-A	Plug (housing cover vent)	2	★D6HZ 3E612-A	Bearing (worm gear)
r/b E3HZ 3E613-A			1	★C7TZ 3E613-A	Plug (housing cover vent)
2	E3HZ 3B614-A	Bearing (sector shaft)	r/b E3HZ 3E613-A		
1	D8HZ 3E614-A	"O" ring	2	E3HZ 3B614-A	Bearing (sector shaft)
1	E0HZ 3E614-A	Seal ring (control valve)	1	D8HZ 3E614-A	"O" ring
1	E0HZ 3F614-A	Roller (bleeder screw)	1	E0HZ 3E614-A	Seal ring (control valve)
1	E1HZ 3C617-A	Retainer ring	1	E0HZ 3F614-A	Roller (bleeder screw)
6	D8HZ 3E617-A	Bolt (sector shaft cover)	1	E1HZ 3C617-A	Retaining ring
1	D8HZ 3D623-A	Nut (sector adjusting screw)-5/8"-18 x 1 5/16" hex sealing	6	D8HZ 3E617-A	Bolt (sector shaft cover)
1	E3HZ 3F633-F	Shaft & valve assy. (input)	1	D8HZ 3D623-A	Nut (sector adjusting screw)-5/8"-18 x 1 5/16"-hex sealing
1	D6HZ 3647-A	Kit ball (worm gear) contains 24 balls	1	E3HZ 3F633-F	Shaft & valve assy. (input)
1	E1HZ 3C655-A	Auto bleed screw kit	1	D6HZ 3647-A	Kit ball (worm gear) contains 24 balls
1	D0HZ 3B673-A	Bearing (control valve needle)	1	E1HZ 3C655-A	Auto bleed screw kit
1	E0HZ 3F719-A	Spring (bleeder screw)	1	D0HZ 3B673-A	Bearing (control valve needle)
1	E2HZ 3A730-A	Valve assy. (control)	1	E0HZ 3F719-A	Spring (bleeder screw)
1	D8HZ 3738-A	Trunnion cover assy.	1	E2HZ 3A730-A	Valve assy. (control)
1	■D8HZ 3738-B	Seal ring assy.	1	D8HZ 3738-A	Trunnion cover assy.
1	■E3HZ 3738-C	Seal ring assy.	1	■D8HZ 3738-B	Seal ring assy.
1	■D8HZ 3738-D	Seal	1	■E3HZ 3738-C	Seal ring assy.
1	■D8HZ 3754-A	Seal (sector shaft oil)	1	■D8HZ 3738-D	Seal
1	●★97426-S	Ring (retainer)-1 3/16"-1 5/16" O.D.	1	■D8HZ 3754-A	Seal (sector shaft oil)
<b>PARTS LIST NO. 27 E2HZ 3504-B</b> ■ Also serviced in kit-group 3E501 ● Also serviced in kit-group 3E502 ▲ For components refer to group in section 35			<b>PARTS LIST NO. 28 E3HZ 3504-A</b> ■ Also serviced in kit-group 3E501 ● Also serviced in kit-group 3E502 ▲ For components refer to group in section 35		
2	D6HZ 3321-A	Thrust washer	1	●★97426-S	Ring (retainer)-1 3/16"-1 5/16" O.D.
1	D6HZ 3329-A	"O" ring (breather plug)	2	★D6HZ 3321-A	Thrust washer
1	▲D8HZ 3E501-A	Seal kit (sector shaft)	<b>PARTS LIST NO. 28 E3HZ 3504-A</b> ■ Also serviced in kit-group 3E501 ● Also serviced in kit-group 3E502 ▲ For components refer to group in section 35		
1	▲D8HZ 3E502-A	Seal kit (input shaft)	1	D6HZ 3329-A	"O" ring (breather plug)
1	★E2HZ 3D517-A	Shaft & control assy. (input) r/b E3HZ 3F633-F and E3HZ 3K748-A	1	▲D8HZ 3E501-A	Seal kit (sector shaft)
1	●D6HZ 3D519-A	Seal (worm gear)	1	▲D8HZ 3E502-A	Seal kit (input shaft)
1	●★D6HZ 3D519-B	"O" ring	1	★E3HZ 3D517-A	Shaft & control assy. (input) r/b E3HZ 3F633-A and E3HZ 3K748-A
1	●D6HZ 3D526-A	Seal (worm gear)	1	●D6HZ 3D519-A	Seal (worm gear)
1	★E2HZ 3K527-A	Plug (breather)-r/b E7HZ 3K527-D(11/89)	1	●★D6HZ 3D519-B	"O" ring
1	●D6HZ 3B541-D	Snap ring (piston)	1	D8HZ 3523-A	Guide (ball return) -- detail of E3HZ 3D517-A
1	E2HZ 3548-B	Housing assy.	1	●D6HZ 3D526-A	Seal (worm gear)
1	■D0HZ 3549-A	Snap ring (bearing)	1	★D8HZ 3K527-A	Plug (breather)-r/b E7HZ 3K527-B(8/89)
2	●D6HZ 3C559-A	Washer (worm gear seal)	1	●★D6HZ 3B541-D	Snap ring (piston) -- detail of E3HZ 3K748-A
2	●D6HZ 3C559-B	"O" ring (worm gear)	r/b E2HZ 3B541-A		
1	●E2HZ 3C559-A	Washer (back-up)	1	D8HZ 3B541-A	"O" ring (rack assy.) -- detail of E3HZ 3K748-A
1	■D8HZ 3E560-A	Washer (back-up)	1	D8HZ 3544-A	Clip (ball return guide)
1	■D8HZ 3E560-B	Washer (back-up)	1	E3HZ 3548-B	Housing assy.
1	■D8HZ 3E560-C	Washer (back-up)	1	■D0HZ 3549-A	Snap ring (bearing)

1980/  
TRUCK SERIES 600/900

QTY.	PART NUMBER	DESCRIPTION	QTY.	PART NUMBER	DESCRIPTION
PARTS LIST NO. 28 E3HZ 3504-A — Cont'd			PARTS LIST NO. 29 E4HZ 3504-A — Cont'd		
<ul style="list-style-type: none"> <li>■ Also serviced in kit-group 3E501</li> <li>● Also serviced in kit-group 3E502</li> </ul>			<ul style="list-style-type: none"> <li>■ Also serviced in kit-group 3E501</li> <li>● Also serviced in kit-group 3E502</li> </ul>		
▲ For components refer to group in section 35			▲ For components, refer to group in Section 35		
2	●D6HZ 3C559-A	Washer (worm gear seal)	1	●D6HZ 3D519-A	Seal (worm gear)
2	●D6HZ 3C559-B	"O" ring (worm gear)	1	D7HZ 3523-B	Kit (ball return guide)
1	●E2HZ 3C559-A	Washer (back-up)	Contains: 2-★ D6HZ-3523-B Guide		
1	■D8HZ 3E560-A	Washer (back-up)	1-D8HZ-3544-A Clip		
1	■D8HZ 3E560-B	Washer (back-up)	2-★ D6HZ-3E615-A Lk. Washer		
1	■D8HZ 3E560-C	Washer (back-up)	2-★ G-179810 Bolt		
1	D8HZ 3E561-A	Nut (sector shaft)-1/2"-20	1	★E3HZ 3524-A	Worm and valve assy. input-detail
1	D8HZ 3575-B	Shaft assy. (sector)	r/bE7HZ 3524-A	3524-A	of 3D517
1	E2HZ 3575-A	Shaft (sector) - detail of D8HZ 3575-B	(11/89)		
1	C6TZ 3577-A	Screw (sector shaft adjusting)-1/2"-20 x 2"	1	D6HZ 3D526-A	Seal (worm gear)
1	★D8HZ 3577-A	Screw (sector shaft adjusting)-5/8" 18 x 1 13/16" long-r/b E3HZ 3577-B	1	★D6HZ 3K527-A	Plug (breather)-r/b E7HZ 3K527-A(11/88)
1	E0HZ 3N577-A	Screw (bleeder)	1	●D6HZ 3B541-A	Ring (piston) 3 1/4" O.D. x 1/16" thick
1	■D8HZ 3581-A	Gasket (sector shaft cover)	1	●D6HZ 3B541-B	"O" ring (piston)
1	E2HZ 3583-A	Cover (sector shaft)	1	D6HZ 3548-A	Housing assy. (gear)
1	C7TZ 3610-A	Retainer (adjusting screw)-13/16" threads	1	■D6HZ 3549-A	Snap-ring (sector shaft) 2 7/32" O.D.
2	●★D6HZ 3E611-A	Washer (worm gear seal retainer)	1	■D6HZ 3549-B	Snap ring (sector shaft and housing bearing) 2 3/8" O.D.
2	★D6HZ 3E612-A	Bearing (worm gear)	2	●D6HZ 3C559-A	Washer (worm gear seal)
1	★C7TZ 3E613-A	Plug (housing cover vent)	2	●D6HZ 3C559-B	"O" ring (worm gear)
r/bE3HZ 3E613-B			1	●E2HZ 3C559-A	Washer (valve cover backup seal)-7/8" I.D. x 1 1/8" O.D. x 1/8" thick
2	E3HZ 3B614-A	Bearing (sector shaft)	1	D8HZ 3E561-A	Nut (sector shaft)-1/2"-20
1	D8HZ 3E614-A	"O" ring	1	D6HZ 3575-A	Shaft (sector)
1	E0HZ 3E614-A	Seal ring (control valve)	1	C6TZ 3577-A	Screw (sector shaft adjusting)
1	E0HZ 3F614-A	Roller (bleeder screw)	1/2" 20 x 2"		
1	E1HZ 3C617-A	Retaining ring	1	D6HZ 3577-A	Screw (bleeder) 10-24 x 1/2"
6	E3HZ 3E617-A	Bolt (sector shaft cover)	1	D6HZ 3577-B	Screw (adjusting) 3/8"-24 x 1 1/4"
1	D8HZ 3D623-A	Nut (sector adjusting screw) -5/8" 18 x 1 5/16"-hex sealing	1	E3HZ 3577-A	Screw (adjusting) 1/2"-20 x 1 1/2"
1	E3HZ 3F633-D	Shaft & valve assy. (input) - detail of E3HZ 3D517-A	1	D6HZ 3581-A	Gasket (sector shaft cover)
1	C7TZ 3647-A	Ball (worm gear) contains 14 balls - detail of E3HZ 3D517-A	1	E1HZ 3583-A	Cover (sector shaft)
1	D6HZ 3647-A	Kit ball (worm gear) contains 24 balls	1	C7TZ 3610-A	Retainer (adjusting screw)
1	E1HZ 3C655-A	Auto bleed screw kit	1	E3HZ 3E613-B	Plug (housing cover)-
1	D0HZ 3B673-A	Bearing (control valve needle)	2	D6HZ 3B614-A	Bearing (housing roller)
1	E0HZ 3F719-A	Spring (bleeder screw)	1 3/4" I.D. x 2 5/16" O.D. x 3/4" thick		
1	E2HZ 3A730-A	Valve assy. (control)	1	E1HZ 3C617-B	Retainer ring
1	D8HZ 3738-A	Trunnion cover assy.	6	D0HZ 3E617-A	Bolt (sector shaft cover)
1	■D8HZ 3738-B	Seal ring assy.	9/16"-18 x 1" hex. head		
1	■E3HZ 3738-C	Seal ring assy.	1	D6HZ 3E622-A	Kit (poppet valve repair)
1	■D8HZ 3738-D	Seal	Contains: 2-D6HZ-3E622-B Poppet		
1	E3HZ 3K748-A	Rack assy. (input) - detail of E3HZ 3D517-A	2-D6HZ-3E623-A Seat		
1	■D8HZ 3754-A	Seal (sector shaft oil)	1-D6HZ-3E624-A Spring		
1	●★97426-S	Ring (retainer)-1 3/16"-1 5/16" O.D.	1-D6HZ-3E625-A Spacer		
PART LIST NO. 29 E4HZ 3504-A			1	D6HZ 3D623-A	Nut (worm adjusting screw)
<ul style="list-style-type: none"> <li>■ Also serviced in kit-group 3E501</li> <li>● Also serviced in kit-group 3E502</li> </ul>			1	D6HZ 3D623-B	Nut (housing adjusting screw)
▲ For components, refer to group in Section 35			3/8"-24 x 5/16" hex. sealing		
1	D6HZ 3329-A	"O" ring (breather plug) 3/4" I.D. 3/32" thick	1	D6HZ 3647-A	Kit ball (worm gear) contains 24 balls
1	▲D7HZ 3E501-A	Seal kit (sector shaft)	1	D0HZ 3B673-A	Bearing (control valve needle)
1	★▲D6HZ 3E502-A	Seal kit (input shaft)-r/b E4HZ 3E502-A and D6HZ 3321-A	1 1/4" I.D. 1 5/16" O.D. x 5/64" thick		
1	★ 3D517	Shaft & control assy. (input) use E3HZ 3K748-D and E3HZ 3F633-D	1	D6HZ 3C694-A	Bracket (gear to frame mounting)
			1	D6HZ 3C721-A	Washer (mounting bolt)
			1	E4HZ 3A730-A	Valve assy. (control)
			1	■D6HZ 3738-A	Seal (sector shaft oil)

**1980/  
TRUCK SERIES 600/900**

QTY.	PART NUMBER	DESCRIPTION	QTY.	PART NUMBER	DESCRIPTION
<b>PARTS LIST NO. 29 E4HZ 3504-A — Cont'd</b> ■ Also serviced in kit-group 3E501 ● Also serviced in kit-group 3E502 ▲ For components, refer to group in Section 35			<b>PARTS LIST NO. 30 E4HZ 3504-B — Cont'd</b> ■ Also serviced in kit-group 3E501 ● Also serviced in kit-group 3E502 ▲ For components, refer to group in Section 35		
1	E3HZ 3738-A	Seal (sector shaft oil)	1	●C7TZ 3E611-A	Washer (worm gear seal retainer)- 21/32" I.D. x 27/32" O.D. x 3/32" thick
1	E3HZ 3738-B	Seal (sector shaft oil)	1	C7TZ 3E612-A	Bearing (worm gear)-needle
1	E3HZ 3K748-D	Rack assy.	1	E3HZ 3E613-B	Plug (housing cover)-rubber
1	●D6HZ 3754-A	"O" ring (valve cover)	1	C7TZ 3B614-A	Bearing (sector shaft)-at cover
1	●★97426-S	Ring (retainer) 3/16"	1	C7TZ 3B614-B	Bearing (sector shaft)-at dust seal
<b>PARTS LIST NO. 30 E4HZ 3504-B</b> ■ Also serviced in kit-group 3E501 ● Also serviced in kit-group 3E502 ▲ For components, refer to group in Section 35			1	●C7TZ 3E614-A	Seal (control valve adapter)
1	C7TZ 3321-A	Washer (valve assy. thrust bearing outer)- 1" I.D. x 9/16" O.D. x 1/8" thick	2	C7TZ 3E615-A	Washer (ball return guide clip)
2	C7TZ 3321-D	Washer (valve assy. thrust bearing inner)- 1" I.D. x 1 15/16" O.D. x 1/8" thick	4	C7TZ 3E617-A	Screw (sector shaft seal)-5/16" 18 x 3/4"
1	C7TZ 3321-E	Washer (valve assy. adjusting nut)- 1" I.D. x 1 29/32" O.D. x 1/16" thick	2	D7HZ 3E617-A	Screw (sector shaft seal)
1	C7TZ 3321-C	Washer (valve assy. thrust bearing retaining)-1" I.D. x 1 3/8" O.D. x 1/16" thick	2	C7TZ 3E622-A	Valve (piston poppet)
1	▲C7TZ 3E501-A	Seal kit (sector shaft)	1	D0HZ 3E623-A	Seat (piston poppet valve)- 3/8" thick x 7/16"-20
1	▲C7TZ 3E502-A	Seal kit (input shaft)	1	C7TZ 3E624-A	Spring (poppet valve)
1	●C7TZ 3C515-A	Seal (adapter)-7/8" I.D. x 1 1/8" O.D. x 1/8" thick	1	C7TZ 3E625-A	Spacer (poppet valve)-3/16" diameter x 4 7/32" long-nylon
1	●C7TZ 3C515-B	Seal (valve cover) 27/32" lip I.D. x 1 1/8" O.D. x thick	2	C7TZ 3E626-A	Washer (housing side cover)
3	●C7TZ 3C515-C	"O" ring (valve)-3/8" I.D. x 1/2" O.D. x 1/16" thick	1	C7TZ 3647-B	Ball (worm gear)
1	★ 3D517	Shaft and control assy. (input)- use E1HZ 3524-F & E3HZ 3K748-B	1	E1HZ 3647-A	Ball service assy. (worm gear)
1	●C7TZ 3D519-C	Seal (valve cover)-cup shaped-3/4" hole	2	C7TZ 3B673-B	Bearing (control valve needle)
1	●C7TZ 3D519-B	Seal (worm gear)-5/8" I.D. x 7/8" O.D. x 3/16" thick	1	C7TZ 3707-A	Nut (thrust bearing)
2	C7TZ 3523-A	guide (gear ball return)	1	C7TZ 3A729-A	Cover (control valve)
1	E1HZ 3524-F	Shaft and worm assy. (steering gear)	1	D0HZ 3A730-C	Valve assy. (control)-#007
1	C7TZ 3B541-A	Ring (cyl. piston)-3 3/8" O.D. x 1/8" thick	2	■C7TZ 3738-A	Seal (sector shaft oil)
1	C7TZ 3544-A	Clamp (gear ball return guide)-1 15/16"-2 holes	1	C7TZ 3738-B	Seal and trunnion assy. (sector shaft)- 3 5/8" O.D.-with (4) 1/2" counter bored holes
1	D0HZ 3548-F	Housing assy. (gear)	1	C7TZ 3738-C	Seal (sector shaft dust)-1 1/2" I.D.- center hole
1	■C7TZ 3549-A	Snap ring (sector shaft bearing)-at cover	1	E3HZ 3K748-B	Rack assy.
1	■C7TZ 3549-B	Snap ring (sector shaft bearing)-at oil seal	2	●C7TZ 3754-B	"O" ring (valve cover)
1	D5TZ 3549-A	Snap ring (sector shaft oil seal)	1	●C7TZ 3D771-A	Ring (worm gear)
1	●C7TZ 3C559-A	Washer (adapter)-7/8" I.D. x 1 1/8" O.D. x 1/16" thick-teflon	1	■C7TZ 3D774-A	Seal (housing cover)
1	●E2HZ 36559-A	Washer (valve cover backup seal)- 7/8" I.D. x 1 1/8" O.D. x 1/8" thick	1	★97426-S	Ring (retainer)-1 3/16"-1 5/16" O.D.
1	■C7TZ 3E560-A	Washer (sector cover backup seal)-steel	2	★304686-S	Screw (cover)-hex. 7/16"-14 x 1 1/8"
2	D8HZ 3E560-D	Washer (sector gear)-1 5/8" I.D. x 2" O.D. x 1/16" thick	4	354580-S(BB-167)	Screw (valve cover)-hex. head- 3/8"-16 x 3/14"
1	D8HZ 3E561-A	Nut (sector shaft) 1/2"-20	1	★358778-S2	Ring-retaining
1	C7TZ 3575-B	Shaft (sector)	1	★358780-S	Washer
1	C7TZ 3577-A	Screw (sector shaft adjusting)-1/2"- 20 x 1 13/16"	1	★358789-S	Washer
1	E4HZ 3577-A	Stop screw (housing)	2	377819-S8	Screw-clamp-1/4"-20 x 5/16"
1	D5TZ 3583-A	Cover (sector shaft)	<b>PARTS LIST NO. 31 E4HZ 3504-C</b> ■ Also serviced in kit-group 3E501 ● Also serviced in kit group 3E502 ▲ For components, refer to group in Section 35		
1	■C7TZ 3586-A	Seal (sector shaft dust)	1	C7TZ 3321-A	Washer (valve assy. thrust bearing outer)- 1" I.D. x 1 9/16" O.D. x 1/8" thick
1	E4HZ 3E608-A	Adapter assy. (control valve)	2	C7TZ 3321-F	Washer (valve assy. thrust bearing inner)- 1" I.D. x 1 15/16" O.D. x 1/8" thick
1	C7TZ 3610-A	Retainer (adjusting screw)-13/16" threads	1	C7TZ 3321-E	Washer (valve assy. adjusting nut)- 1" I.D. x 1 29/32" O.D. x 1/16" thick
4	C7TZ 3E610-A	Screw (control valve adapter)-7/16"- 14 x 1/14"	1	C7TZ 3321-C	Washer (valve assy. thrust bearing retaining)-1" I.D. x 1 3/8" O.D. x 1/16" thick



1980/  
TRUCK SERIES 600/900

QTY.	PART NUMBER	DESCRIPTION	QTY.	PART NUMBER	DESCRIPTION
PARTS LIST NO. 31 E4HZ 3504-C — Cont'd			PARTS LIST NO. 31 E4HZ 3504-C — Cont'd		
<ul style="list-style-type: none"> <li>■ Also serviced in kit-group 3E501</li> <li>● Also serviced in kit-group 3E502</li> </ul>			<ul style="list-style-type: none"> <li>■ Also serviced in kit-group 3E501</li> <li>● Also serviced in kit-group 3E502</li> </ul>		
▲ For components, refer to group in Section 35			▲ For components, refer to group in Section 35		
1	▲C7TZ 3E501-A	Seal kit (sector shaft)	2	C7TZ 3E622-A	Valve (piston poppet)
1	▲C7TZ 3E502-A	Seal kit (input shaft)	1	D0HZ 3E623-A	Seat (piston poppet valve)-3/8" thick x 7/16"-20
1	●C7TZ 3C515-A	Seal (adapter)-7/8" I.D. x 1 1/8" O.D. x 1/8" thick	1	C7TZ 3E624-A	Spring (poppet valve)
1	●C7TZ 3C515-B	Seal (valve cover)-27/32" lip I.D. x 1 1/8" O.D. x 1/4" thick	1	C7TZ 3E625-A	Spacer (poppet valve)-3/16" diameter x 4 7/32" long-nylon
3	●C7TZ 3C515-C	"O" ring (valve)-3/8" I.D. x 1/2" O.D. x 1/16" thick	2	C7TZ 3E626-A	Washer (housing side cover)
1	★ 3D517	Shaft and control assy. (input)-use E1HZ 3524-F and E3HZ 3K748-B	1	C7TZ 3647-B	Ball (worm gear)
1	●C7TZ 3D519-C	Seal (valve cover)-cup shaped-3/4" hole	1	E1HZ 3647-A	Ball service assy. (worm gear)
1	●C7TZ 3D519-B	Seal (worm gear)-5/8" I.D. x 7/8" O.D. x 3/16" thick	2	★C7TZ 3B673-A	Bearing (control valve needle)
2	C7TZ 3523-A	Guide (gear ball return)	r/bC7TZ 3B673-B(12/86)		
1	E1HZ 3524-F	Shaft and worm assy. (steering gear)	1	C7TZ 3707-A	Nut (thrust bearing)
1	C7TZ 3B541-A	Ring (cyl. piston)-3 3/8" O.D. x 1/8" thick	1	C7TZ 3A729-A	Cover (control valve)
1	C7TZ 3544-A	Clamp (gear ball return guide)-1 15/16"-2 holes	1	D0HZ 3A730-D	Valve assy. (control)-#008
1	D0HZ 3548-F	Housing assy. (gear)	2	■C7TZ 3738-A	Seal (sector shaft oil)
1	■C7TZ 3549-A	Snap ring (sector shaft bearing)-at cover	1	C7TZ 3738-B	Seal and trunnion assy. (sector shaft)-3 5/8" O.D.-with (4) 1/2" counter bored holes
1	■C7TZ 3549-B	Snap ring (sector shaft bearing)-at oil seal	1	C7TZ 3738-C	Seal (sector shaft dust)-1 1/2" I.D. center hole
1	D5TZ 3549-A	Snap ring (sector shaft oil seal)	1	E3HZ 3K748-B	Rack assy.
1	D7HZ 3549-A	Snap ring (strg. gear housing brg. retainer)	2	●C7TZ 3754-B	"O" ring (valve cover)
1	●C7TZ 3C559-A	Washer (adapter)-7/8" I.D. x 1 1/8" O.D. x 1/16" thick-teflon	1	●C7TZ 3D771-A	Ring (worm gear)
1	●E2HZ 3C559-A	Washer (valve cover backup seal)-7/8" I.D. x 1 1/8" O.D. x 1/8" thick	1	■C7TZ 3D774-A	Seal (housing cover)
1	■C7TZ 3E560-A	Washer (sector cover backup seal)-steel	1	★97426-S	Ring (retainer)-1 3/16"-1 5/16" O.D.
2	D8HZ 3E560-D	Washer (sector gear) (1 5/8" I.D. x 2" O.D. x 1/16" thick)	2	★304686-S	Screw (cover)-hex.-7/16"-14 x 1 1/8"
1	D8HZ 3E561-A	Nut (sector shaft)-1/2"-20	4	354580-S (BB-167)	Screw (valve cover)-hex. head-3/8"-16 x 3 1/4"
1	C7TZ 3575-B	Shaft (sector)	1	★358778-S2	Ring-retaining
1	C7TZ 3577-A	Screw (sector shaft adjusting)-1/2"-20 x 1 13/16"	1	★358780-S	Washer
1	C8TZ 3577-A	Screw (shaft and control assy. adjusting)	1	★358789-S	Washer
1	D5TZ 3583-A	Cover (sector shaft)	2	377819-S8	Screw-clamp-1/4"-20 x 5/16"
1	■C7TZ 3586-A	Seal (sector shaft dust)	PARTS LIST NO. 32-E6HZ 3504-B, E6HZ 3504-C, E8HZ 3504-F		
1	E4HZ 3E608-A	Adapter assy. (control valve)	1	E6HZ 3N069-A	Nut (steering gear arm retainer)
1	C7TZ 3610-A	Retainer (adjusting screw)-13/16" threads	1	★ 3524	Shaft (steering gear)-see basic 3A526
4	C7TZ 3E610-A	Screw (control valve adapter)-1/16"-14 x 1 1/4	1	E6HZ 3L548-A	Kit (power steering gear seal-major)
1	C7TZ 3E611-A	Washer (worm gear seal retainer)-21/32" I.D. x 27/32" O.D. x 3/32" thick	1	E6HZ 3L548-B	Kit (power steering gear seal-minor)
1	C7TZ 3E612-A	Bearing (worm gear)-needle	1	E6HZ 3L564-B	Kit (power steering gear control valve)
1	★E3HZ 3E613-A	Plug (housing cover)-rubber-r/b E3HZ 3E613-B(10/85)	1	E6HZ 3575-A	Kit (shaft-sector)
1	C7TZ 3B614-A	Bearing (sector shaft)-at cover	1	E6HZ 3579-A	Washer (sector shaft thrust)
1	C7TZ 3B614-B	Bearing (sector shaft)-at dust seal	1	E6HZ 3590-A	Pitman arm (steering gear)
1	C7TZ 3E614-A	Seal (control valve adapter)	1	E6HZ 3D728-A	Kit (power steering gear valve)
1	C7TZ 3E615-A	Washer (ball return guide clip)	PARTS LIST NO. 33-E8HZ 3504-C		
4	C7TZ 3E617-A	Screw (sector shaft seal)-5/16"-18 x 3/4"	1	E9TZ 3L504-A	Major Rebuild Kit
2	D7HZ 3E617-A	Screw (sector shaft seal)	1	E8HZ 3L548-A	Kit (power steering gear seal-minor)
			1	E8HZ 3L548-B	Kit (power steering gear seal-major)
			1	E8HZ 3L548-C	Kit (power steering gear seal-minor) for field fix-for leaking valve nut
			1	E8HZ 3575-A	Kit (shaft-sector)
			1	E8HZ 3F697-A	Kit (power steering gear piston assy.)
			PARTS LIST NO. 34-E8HZ 3504-B		
			1	E8HZ 3524-A	Shaft & worm assy.
			1	C6TZ 3538-B	Plug (housing)-expansion-1 5/8" dia.
			1	C6TZ 3538-C	Plug (housing filler)
			1	D3HZ 3538-A	Plug (pipe thread)-3/8"-18
			1	C4TZ 3539-A	Nut (sector shaft adjusting)-5/8"-18

1980/  
TRUCK SERIES 600/900

QTY.	PART NUMBER	DESCRIPTION	QTY.	PART NUMBER	DESCRIPTION
PARTS LIST NO. 34-E8HZ 3504-B — Cont'd			PARTS LIST NO. 36-E7HZ 3504-A — Cont'd		
1	E8HZ 3548-A	Housing assy.	■ Also serviced in kit-group 3E501		
2	C1TT 3552-B	Cup (bearing)-3 1/8" O.D. x 1/2" thick-#46 (upper)	● Also serviced in kit-group 3E502		
1	E8HZ 3553-A	Cup (lower bearing)	2	★D6HZ 3E611-A	Washer (worm gear seal retainer)
1	E8HZ 3568-A	Cover (shaft & worm)	1	★D6HZ 3E612-A	Bearing (worm gear)
2	E8HZ 3571-A	Bearing (worm gear)	1	E3HZ 3E613-A	Plug (housing cover vent)
1	DOHZ 3575-F	Shaft (sector)	1	E7HZ 3E613-A	Plug (housing cover vent)
1	E8HZ 3581-A	Gasket (sector shaft cover)	1	D6HZ 3B614-A	Bearing (sector shaft)
1	E8HZ 3583-A	Cover (sector shaft)	1	E0HZ 3E614-A	Seal ring (control valve)
1	D2HZ 3591-A	Seal (shaft & worm oil)	1	E0HZ 3F614-A	Roller (bleeder screw)
1	C1TT 3591-J	Seal (sector shaft oil)	1	E1HZ 3C617-B	Retainer ring
AR	C7TZ 3593-A	Gasket (worm cover)-.002" thick	6	DOHZ 3E617-A	Bolt (sector shaft cover)
AR	C7TZ 3593-B	Gasket (worm cover)-.005" thick	1	D6HZ 3D623-A	Nut (worm adjusting)-1/2"-20
AR	D1HZ 3593-A	Gasket (worm cover)-.003" thick	1	E3HZ 3F633-D	Shaft & valve assy. (input)
2	D7HZ 3E617-A	Bolt (sector shaft cover)-7/16"-14 x 1"	1	C7TZ 3647-A	Ball (worm gear) contains 14 balls
1	C7TZ 3E675-A	Seal (adjusting screw)	1	D6HZ 3647-A	Kit (worm gear ball)
1	DOHZ 3738-A	Seal (shaft & worm)	1	E1HZ 3C655-A	Auto bleed screw kit
1	▲C3TZ 3C764-A	Screw kit (sector shaft)	1	DOHZ 3B673-A	Bearing (control valve needle)
10	★374431-S	Bolt (worm and sector cover)-7/16"-14 x 1"	1	E0HZ 3F719-A	Spring (bleeder screw)
PARTS LIST NO. 35-E3HZ 3R504-A			1	E1HZ 3D726-A	Kit (ball return guide cap and strap)
1	★MSE7HS1326-AC	Template-serviced only in 3R504 assy.	1	E0HZ 3A730-A	Valve assy. (control)
1	★E3HS 3304-CA	Drag link-serviced only in 3R504 assy.	1	■D6HZ 3738-A	Seal (sector shaft)-output end
1	D5HZ 3590-D	Pitman arm	1	■E3HZ 3738-A	Seal (sector shaft)-adjuster end
1	★E7HS 5B130-AA	Frame reinforcement-serviced only in 3R504 assy.	1	■E3HZ 3738-B	Seal (sector shaft)-intermediate
8	34989-S2	(M-89-FA) nut	1	E3HZ 3K748-C	Rack assy.
12	44879-S2	(X-31-G) flat washer	1	●D6HZ 3754-A	"O" Ring (valve cover)
2	5867-S2	( ) bolt	1	★97246-S	Retainer ring
PARTS LIST NO. 36-E7HZ 3504-A			4	★G179866	Bolt (valve to housing)-7/16"-14 x 2"
■ Also serviced in kit-group 3E501			PARTS LIST NO. 37-E7HZ 3504-B		
● Also serviced in kit-group 3E502			■ Also serviced in kit-group 3E501		
2	●D6HZ 3321-A	Thrust washer	● Also serviced in kit-group 3E502		
1	▲D7HZ 3E501-A	Seal kit (sector shaft)	2	D6HZ 3321-A	Thrust washer
1	▲E0HZ 3E502-A	Seal kit (input shaft)	1	▲D8HZ 3E501-A	Seal kit (sector shaft)
1	★3D517	Refer to 3F633 and 3K748	1	▲D8HZ 3E502-A	Seal kit (input shaft)
1	▲D6HZ 3D519-A	Seal (worm gear)	1	★3D517	Refer to 3F633 and 3K748
1	●D6HZ 3D526-A	Seal (worm gear)	1	●D6HZ 3D519-A	Seal (worm gear)
1	E7HZ 3K527-A	Plug (breather)	1	●★D6HZ 3D519-B	"O" Ring
1	●E0HZ 3B541-A	Snap ring (piston)-3 25/64" O.D.	1	D8HZ 3523-A	Guide (ball return)
1	E1HZ 3548-B	Housing assy.	1	●D6HZ 3D526-A	Seal (worm gear)
1	■D6HZ 3549-A	Snap ring (sector shaft)-2 7/32" I.D.	1	E7HZ 3K527-B	Plug (breather)
2	■D6HZ 3549-B	Snap ring-2 3/8" O.D.	1	●E2HZ 3B541-A	Snap ring (piston)
2	●D6HZ 3C559-A	Washer (worm gear seal)	1	D8HZ 3B541-A	"O" Ring (rack assy.) detail of E3HZ 3K748-A
2	●D6HZ 3C559-B	"O" ring (worm gear)	1	E3HZ 3548-B	Housing assy.
1	●E0HZ 3C559-A	"O" ring (piston)-3 7/64" I.D.	1	■D0HZ 3549-A	Snap ring (bearing)
1	●E2HZ 3C559-A	Washer (back-up)	2	●D6HZ 3C559-A	Washer (worm gear seal)
1	★■D6HZ 3E560-A	Washer (back-up)	2	●D6HZ 3C559-B	"O" ring (worm gear)
1	★■D6HZ 3E560-B	Washer (back-up)	1	●E2HZ 3C559-B	Washer (back-up)
1	★■D6HZ 3E560-C	Washer (back-up)	1	■D8HZ 3E560-A	Washer (back-up)
1	★■D6HZ 3E560-D	Washer (back-up)	1	■D8HZ 3E560-B	Washer (back-up)
1	D8HZ 3E561-A	Nut (sector shaft)-1/2"-20	1	■D8HZ 3E560-C	Washer (back-up)
1	E0HZ 3575-B	Sector shaft	1	D8HZ 3E561-A	Nut (sector shaft)-1/2"-20
1	C6TZ 3577-A	Screw (sector shaft adjustment)-1/2"-20 x 2"	1	D8HZ 3575-B	Shaft assy. (sector)
1	E3HZ 3577-A	Screw (adjusting)	1	E9HZ 3575-A	Shaft (sector)-detail of D8HZ 3575-B
1	E0HZ 3N577-A	Screw (blender)	1	C6TZ 3577-A	Screw (sector shaft adjusting)-1/2"-20 x 2"
1	D6HZ 3581-A	Gasket (sector shaft cover)	1	★E3HZ 3577-B	Screw (sector shaft adjusting)-5/8"-18 x 1 13/16" long
1	E1HZ 3583-A	Cover assy. (sector shaft)	1	E0HZ 3N577-A	Screw (bleeder)
1	C7TZ 3610-A	Retainer (adjusting screw)	1	■D8HZ 3581-A	Gasket (sector shaft cover)
			1	E2HZ 3583-A	Cover (sector shaft)
			1	C7TZ 3610-A	Retainer (adjusting screw)-13/16" threads

1980/  
TRUCK SERIES 600/900

QTY.	PART NUMBER	DESCRIPTION	QTY.	PART NUMBER	DESCRIPTION
PARTS LIST NO. 37-E7HZ 3504-B — Cont'd			PARTS LIST NO. 39-E8HZ 3504-D — Cont'd		
■ Also serviced in kit-group 3E501			■ Also serviced in kit-group 3E501		
● Also serviced in kit-group 3E502			● Also serviced in kit-group 3E502		
2	●★D6HZ 3E611-A	Washer (worm gear seal retainer)	1	E8HZ 3548-C	Housing assy. (gear)
2	●★D6HZ 3E612-A	Bearing (worm gear)	2	C1TT 3552-B	Cup (bearing)-3 1/8" O.D. x 1/2" thick-#46
1	E3HZ 3E613-B	Plug (housing cover vent)	1	E8HZ 3553-A	Cup (worm adjuster)
1	E7HZ 3E613-A	Plug (housing cover vent)	1	E8HZ 3568-A	Cover (shaft and worm)
2	E3HZ 3B614-A	Bearing (sector shaft)	2	E8HZ 3571-A	Bearing (worm)-roller type
1	D8HZ 3E614-A	"O" ring	1	DOHZ 3575-F	Shaft (sector)-#D-1
1	EOHZ 3E614-A	Seal ring (control valve)	1	E8HZ 3581-A	Gasket (sector shape cover)
1	EOHZ 3F614-A	Roller (bleeder screw)	1	E8HZ 3583-C	Cover (sector shaft)
1	E1HZ 3C617-A	Retaining ring	1	C1TT 3591-J	Seal (sector shaft)-1 3/4" I.D. x 2 1/2" O.D. x 3/16" thick
6	E3HZ 3E617-A	Bolt (sector shaft cover)	1	D2HZ 3591-B	Seal (shaft and worm oil)-15/16" I.D. x 1 1/2" O.D. x 17/32" thick
1	D8HZ 3D623-A	Nut (sector adjusting screw)-5/8"-18 x 1 5/16"-hex sealing	AR	C7TZ 3593-A	Gasket (worm cover)-.002" thick
1	E3HZ 3F633-D	Shaft & valve assy. (input)	AR	C7TZ 3593-B	Gasket (worm cover)-.005" thick
1	C7TZ 3647-A	Ball (worm gear) contains 14 balls	2	D1HZ 3593-A	Gasket (worm cover)-.0075" thick
1	D6HZ 3647-A	Kit (ball worm gear) contains 24 balls	1	D1HZ 3593-B	Gasket (worm cover)-.003" thick
1	E1HZ 3C655-A	Auto bleed screw kit	1	C7TZ 3E675-A	Seal (adjusting screw)-5/8" I.D. x 11/16" O.D.
1	DOHZ 3B673-A	Bearing (control valve needle)	1	C3TZ 3C764-A	Screw kit (sector shaft)
1	EOHZ 3F719-A	Spring (bleeder screw)	10	★374431-S8	Bolt (worm and sector cover)-7/16"-14 x 1"
1	E2HZ 3A730-A	Valve assy. (control)	2	★374432-S7-8(NN-60-C)	Dowel (housing)-5/8"-1 1/8"
1	D8HZ 3738-A	Trunnion cover assy.	PARTS LIST NO. 40-E7HZ 3504-E		
1	■D8HZ 3738-B	Seal ring assy.	■ Also serviced in kit-group 3E501		
1	■E3HZ 3738-C	Seal ring assy.	● Also serviced in kit-group 3E502		
1	■D8HZ 3738-D	Seal	▲ For components refer to group in Section 35		
1	E7HZ 3738-A	Seal ring assy. (gear worm)	2	●D6HZ 3321-A	Thrust washer
1	E3HZ 3K748-A	Rack assy. (input)	1	▲D8HZ 3E501-A	Seal kit (sector shaft)
1	■D8HZ 3754-A	Seal (sector shaft oil)	1	▲D8HZ 3E502-A	Seal kit (input shaft)
PARTS LIST NO. 38-E8HZ 3504-E			1	★ 3D517	Refer to 3F633 and 3K748
1	E8HZ 3524-B	Shaft and worm assy. (gear)	1	●D6HZ 3D519-A	Seal (worm gear)
1	C6TZ 3538-C	Plug (housing vent)-3/8"-18	2	D8HZ 3523-A	Guide (ball return)
1	D3HZ 3538-A	Plug (housing filler)-3/8"-18	1	●D6HZ 3D526-A	Seal (worm gear)
1	C4TZ 3539-A	Nut (sector shaft adjusting)-5/8"-18	1	E7HZ 3K527-B	Plug (breather)
1	E8HZ 3548-B	Housing assy. (gear)	1	D8HZ 3B541-A	"O" ring (rack assy.)-detail of E3HZ 3K748-A
1	C1TT 3552-B	Cup (upper bearing)-3 1/8" O.D. x 1/2" thick-#46	1	●E2HZ 3B541-A	Snap ring (piston)
1	C1TT 3568-C	Cover (shaft & worm)	1	E2HZ 3548-A	Housing assy.
2	E8HZ 3571-A	Bearing (worm gear)	1	DOHZ 3549-A	Snap ring (bearing)
1	DOHZ 3575-F	Shaft (sector)	2	●D6HZ 3C559-A	Washer (worm gear seal)
1	E8HZ 3581-A	Gasket (sector shaft cover)	2	●D6HZ 3C559-B	"O" ring (worm gear)
1	E8HZ 3583-B	Cover (sector shaft)	1	●E2HZ 3C559-A	Washer (back-up)
1	D2HZ 3591-B	Seal (shaft and worm oil)-15/16" I.D. x 1 1/2" O.D. x 1/2" thick	1	■D8HZ 3E560-A	Washer (back-up)
1	C1TT 3591-J	Seal (sector shaft)-1 3/4" I.D. x 2 1/2" O.D. x 3/16" thick	1	■D8HZ 3E560-B	Washer (back-up)
2	C7TZ 3593-A	Gasket (worm cover)-.002" thick	1	■D8HZ 3E560-C	Washer (back-up)
1	C7TZ 3593-B	Gasket (worm cover)-.005" thick	1	D8HZ 3E561-A	Nut (sector shaft)-1/2"-20
2	D1HZ 3593-A	Gasket (worm cover)-.0075" thick	1	D8HZ 3575-B	Shaft assy. (sector)
1	D1HZ 3593-B	Gasket (worm cover)-.003" thick	1	E9HZ 3575-A	Shaft (sector)-detail of D8HZ 3575-B
1	E8HZ 3E612-A	Bearing (worm gear)	1	E7HZ 3M575-A	Boot (sector shaft grease)
1	C7TZ 3E675-A	Seal (adjusting screw)	1	C6TZ 3577-A	Screw (sector shaft adjusting)-1/2"-20 x 2"
1	DOHZ 3738-A	Seal (shaft and worm)	1	★E3HZ 3577-B	Screw (sector shaft adjusting)-5/8"-18 x 1 13/16" long
1	C3TZ 3C764-A	Screw kit (sector shaft)	1	■D8HZ 3581-A	Gasket (sector shaft cover)
10	★374431-S	Bolt (worm and sector cover)-7/16"-14 x 1"	1	E2HZ 3583-A	Cover (sector shaft)
4	★374432-S8(NN-60-C)	Dowel (housing)-5/8" x 1/8"	1	C7TZ 3610-A	Retainer (adjusting screw)-13/16" threads
PARTS LIST NO. 39-E8HZ 3504-D			1	★3E611	Serviced only in 3E502 kit
1	E8HZ 3524-C	Shaft and worm assy. (gear)	1	★3E612	Serviced only in 3E502 kit
1	C6TZ 3538-C	Plug (housing)-expansion	1	E3HZ 3E613-B	Plug (housing cover vent)
1	D3HZ 3538-A	Plug (housing filler)-3/8" sq. head	2	E3HZ 3B614-A	Bearing (sector shaft)
1	C6TZ 3538-B	Plug (housing)-expansion-1 5/8" dia.	1	D8HZ 3E614-A	"O" ring
1	C4TZ 3539-A	Nut (sector shaft adjusting)-5/8"-18	1	EOHZ 3E614-A	Seal ring (control valve)

1980/  
TRUCK SERIES 600/900

QTY.	PART NUMBER	DESCRIPTION	QTY.	PART NUMBER	DESCRIPTION
<b>PARTS LIST NO. 40-E7HZ 3504-E --- Cont'd</b> ■ Also serviced in kit-group 3E501 ● Also serviced in kit-group 3E502 ▲ For components refer to group in Section 35			<b>PARTS LIST NO. 41-E7HZ 3504-C --- Cont'd</b> ■ Also serviced in kit-group 3E501 ● Also serviced in kit-group 3E502 ▲ For components refer to group in Section 35		
1	E0HZ 3F614-A	Roller (bleeder screw)	1	C6TZ 3577-A	Screw (sector shaft adjusting) 1/2"-20 x 2"
1	E1HZ 3C617-A	Retainer ring	1	D6HZ 3577-A	Screw (bleeder) 10 24 x 1/2"
6	E3HZ 3E617-A	Bolt (sector shaft cover)	1	D6HZ 3577-B	Screw (adjusting) 3/8"-24 x 1 1/4"
1	D8HZ 3D623-A	Nut (sector adjusting screw)- 5/8" .18 x 1 5/16"-hex sealing	1	E3HZ 3577-A	Screw (adjusting) 1/2"-20 x 1 1/2"
1	E3HZ 3F633-D	Shaft & valve assy. (input)- detail of E3HZ 3D517-A	1	D6HZ 3581-A	Gasket (sector shaft cover)
1	C7TZ 3647-A	Ball (worm gear) contains 14 balls- detail of E3HZ 3D517-D	1	E1HZ 3583-A	Cover (sector shaft)
1	D6HZ 3647-A	Kit ball (worm gear) contains 24 balls	1	C7TZ 3610-A	Retainer (adjusting screw) 13/16" threads
1	E1HZ 3C655-A	Auto bleed screw kit	1	E3HZ 3E613-B	Plug (housing cover)
1	D0HZ 3B673-A	Bearing (control valve needle)	2	D6HZ 3B614-A	Bearing (housing roller) 1 3/4" I.D. x 2 5/16" O.D. x 3/4" thick
1	E0HZ 3F719-A	Spring (bleeder screw)	1	E1HZ 3C617-B	Retainer ring
1	E2HZ 3A730-A	Valve assy. (control)	6	D0HZ 3E617-A	Bolt (sector shaft cover) 9/16"-18 x 1" hex head
1	D8HZ 3738-A	Trunnion cover assy.	1	D6HZ 3E622-A	Kit (poppet valve repair) Contains: 2-★D6HZ 3E622-B Poppet 2 ★D6HZ 3E623-A Seat 1-★D6HZ 3E624-A Spring 1-★D6HZ 3E625-A Spacer 2-★D6HZ 3R664-A Snap ring
1	■D8HZ 3738-B	Seal ring assy.	1	D6HZ 3D623-A	Nut (worm adjusting screw) 1/2" x 20 x 7/16" hex sealing
1	■D8HZ 3738-D	Seal	1	D6HZ 3D623-B	Nut (housing adjusting screw) 3/8"-24 x 5/16" hex sealing
1	■E3HZ 3738-C	Seal ring assy.	1	E7HZ 3F633-A	Shaft & valve assy. (input)
1	E3HZ 3K748-A	Rack assy. (input)-detail of E3HZ 3D517-A	1	E7HZ 3M633-A	Boot (input shaft grease)
1	■D8HZ 3754-A	Seal (sector shaft oil)	1	D6HZ 3647-A	Kit ball (worm gear) contains 24 balls
1	★97426-S	Ring (retainer)-1 3/16"-1 5/16" O.D.	1	D0HZ 3B673-A	Bearing (control valve needle) 1 1/4" I.D. 1 5/16" O.D. x 5/64" thick
<b>PARTS LIST NO. 41-E7HZ 3504-C</b> ■ Also serviced in kit-group 3E501 ● Also serviced in kit-group 3E502 ▲ For components refer to group in Section 35			<b>PARTS LIST NO. 42-E7HZ 3504-D</b> ■ Also serviced in kit group 3E501 ● Also serviced in kit group 3E502 ▲ For components refer to group in Section 35		
2	D6HZ 3321-A	Thrust washer	2	D6HZ 3321-A	Thrust washer
1	D6HZ 3329-A	"O" ring (breather plug) 3/4" I.D. 3/32" thick	1	D6HZ 3329-A	"O" ring (breather plug) 3/4" I.D. 3/32" thick
1	▲D7HZ 3E501-A	Seal kit (sector shaft)	1	▲D7HZ 3E501-A	Seal kit (sector shaft)
1	▲E4HZ 3E502-A	Seal kit (input shaft)	1	▲E4HZ 3E502-A	Seal kit (input shaft)
1	★ 3D517	Shaft & control assy. (input) use E7HZ 3F633-A and E3HZ 3K748-D	1	★ 3D517	Shaft control assy. (input) Refer to 3524 and 3K748
1	●D6HZ 3D519-A	Seal (worm gear)	1	●D6HZ 3D519-A	Seal (worm gear)
1	D7HZ 3523-B	Kit (ball return guide) Contains: 2-D6HZ 3523-B Guide 1-D8HZ 3544-A Clip 2-★D6HZ 3E615-A Lk. washer 2-★G-179810 Bolt	1	D7HZ 3523-B	Kit (ball return guide) Contains: 2 ★D7HZ 3523 A Guide 1-D8HZ 3544-A Clip 2 ★D6HZ 3E615 A Lk wshr. 2-★G-179810 Bolt
1	E7HZ 3524-A	Worm and valve assy. input	1	●D6HZ 3C559-A	Washer (worm gear seal) 2" O.D. x 7/16" thick
1	D6HZ 3D526-A	Seal (worm gear)-1 5/32" O.D. x 3/16" thick	2	●D6HZ 3C559-B	"O" ring (worm gear)
1	E7HZ 3K527-A	Plug (breather)	1	●E2HZ 3C559-A	Washer (valve cover backup seal)- 7/8" I.D. x 1 1/8" O.D. x 1/8" thick
1	●D6HZ 3B541-A	Ring (piston) 3 1/4" O.D. x 1/16" thick	1	D8HZ 3E561-A	Nut (sector shaft)-1/2"-20
1	●D6HZ 3B541-B	"O" ring (piston)	1	D6HZ 3575-A	Shaft (sector)
1	D6HZ 3548-A	Housing assy. (gear)			
1	■D6HZ 3549-A	Snap ring (sector shaft) 2 7/32" O.D.			
1	■D6HZ 3549-B	Snap ring (sector shaft and housing bearing) 2 3/8" O.D.			

1980/  
TRUCK SERIES 600/900

QTY.	PART NUMBER	DESCRIPTION	QTY.	PART NUMBER	DESCRIPTION
PARTS LIST NO. 42-E7HZ 3504-D — Cont'd			PARTS LIST NO. 42-E7HZ 3504-D — Cont'd		
<ul style="list-style-type: none"> <li>■ Also serviced in kit-group 3E501</li> <li>● Also serviced in kit-group 3E502</li> </ul>			<ul style="list-style-type: none"> <li>■ Also serviced in kit-group 3E501</li> <li>● Also serviced in kit-group 3E502</li> </ul>		
▲ For components refer to group in Section 35			▲ For components refer to group in Section 35		
1	E7HZ 3524-A	Shaft and worm assy. (steering gear)	1	■E3HZ 3738-A	Seal (sector shaft oil)-adjuster end
1	●D6HZ 3D526-A	Seal (worm gear) 1 5/32" O.D. x 3/16" thick	1	■E3HZ 3738-B	Seal (sector shaft oil)-intermediate
1	E7HZ 3K527-C	Plug (breather)	1	E3HZ 3K748-D	Rack assy.
1	●D6HZ 3B541-A	Ring (piston) 3 1/4" O.D. x 1/16" thick	1	●D6HZ 3754-A	"O" ring (valve cover)
1	●D6HZ 3B541-B	"O" ring (piston)	1	●★97426-S	Ring (retainer) 3/16"
1	D6HZ 3548-B	Housing assy. (gear) Incl. 1-D6HZ 3B614-A Bearing 1-D6HZ 3549-B Snap ring 1-D6HZ 3577-A Screw 2-Ports for hoses to cylinder	PARTS LIST NO. 43-E7HZ 3504-F		
			<ul style="list-style-type: none"> <li>■ Also serviced in kit-group 3E501</li> <li>● Also serviced in kit-group 3E502</li> </ul>		
			▲ For components refer to group in Section 35		
1	■D6HZ 3549-A	Snap ring (sector shaft)-2 7/32" O.D.	2	D6HZ 3321-A	Thrust washer
2	■D6HZ 3549-B	Snap ring (sector shaft and housing bearing) 2 3/8" O.D.	1	D6HZ 3329-A	"O" ring (breather plug)
2	●D6HZ 3C559-A	Washer (worm gear seal) 2" O.D. 7/16" thick	1	▲D8HZ 3E501-A	Seal kit (sector shaft)
2	●D6HZ 3C559-B	"O" ring (worm gear)	1	▲D8HZ 3E502-A	Seal kit (input shaft)
1	D8HZ 3E561-A	Nut (sector shaft)-1/2"-20	1	★ 3D517	Shaft & control assy. (input) Refer to 3F633 & 3K748
1	D6HZ 3575-A	Shaft (sector)	1	D6HZ 3D519-A	Seal (worm gear)
1	C6TZ 3577-A	Screw (sector shaft adjusting) 1/2"-20 x 2"	1	●D6HZ 3D526-A	Seal (worm gear)
1	D6HZ 3577-A	Screw (bleeder) 10-24 x 1/2"	1	E7HZ 3K527-D	Plug (breather)
1	D6HZ 3577-B	Screw (adjusting) 3/8"-24 x 1 1/4"	1	●D6HZ 3B541-D	Snap ring (piston)
1	E3HZ 3577-A	Screw (adjusting) 1/2"-20 x 1 1/2"	1	E2HZ 3548-B	Housing assy.
1	D6HZ 3581-A	Gasket (sector shaft cover)	1	■D0HZ 3549-A	Snap ring (bearing)
1	E1HZ 3583-A	Cover (sector shaft)	2	●D6HZ 3C559-A	Washer (worm gear seal)
1	C7TZ 3610-A	Retainer (adjusting screw) 13/16" threads	2	●D6HZ 3C559-B	"O" ring (worm gear)
1	E3HZ 3E613-A	Plug (housing cover)	1	●E2HZ 3C559-A	Washer (back-up)
2	D6HZ 3B614-A	Bearing (housing roller) 1 3/4" I.D. x 2 5/16" O.D. x 3/4" thick	1	■D8HZ 3E560-A	Washer (back-up)
1	E1HZ 3C617-B	Retaining ring	1	■D8HZ 3E560-B	Washer (back-up)
6	D0HZ 3E617-A	Bolt (sector shaft cover) 9/16"-18 x 1" hex. head	1	■D8HZ 3E560-C	Washer (back-up)
1	D6HZ 3E622-A	Kit (poppet valve repair) Contains: 2-★D6HZ 3E622-B Poppet 2-★D6HZ 3E623-A Seat 1-★D6HZ 3E624-A Spring 1-★D6HZ 3E625-A Spacer 2-★D6HZ 3R664-A Snap ring	1	D8HZ 3E561-A	Nut (sector shaft)-1/2"-20
1	D6HZ 3D623-A	Nut (worm adjusting screw) 1/2"-20 x 7/16" hex. sealing	1	E9HZ 3575-A	Shaft (sector)
1	D6HZ 3D623-B	Nut (housing adjusting screw) 3/8"-24 x 5/16" hex. sealing	1	E7HZ 3M575-A	Boot (sector shaft grease)
1	E7HZ 3F633-A	Shaft & valve assy. (input)	1	C6TZ 3577-A	Screw (sector shaft adjusting)- 1/2"-20 x 2"
1	E7HZ 3M633-A	Boot (input shaft grease)	1	★E3HZ 3577-B	Screw (sector shaft adjusting)- 5/8"-18 x 1 13/16" long
1	D6HZ 3647-A	Kit ball (worm gear) contains 24 balls	1	E0HZ 3N577-A	Scw (bleeder)
1	D0HZ 3B673-A	Bearing (control valve needle) 1 1/4" I.D. 1 5/16" O.D. x 5/64" thick	1	■D8HZ 3581-A	Gasket (sector shaft cover)
1	D6HZ 3C694-A	Bracket #402904 (gear to frame mounting)	1	E2HZ 3583-A	Cover (sector shaft)
1	D6HZ 3C721-A	Washer (mounting bolt)	1	C7TZ 3610-A	Retainer (adjusting screw)-13/16" threads
1	D6HZ 3A730-A	Valve assy. (control)	2	★ 3E611	Washer (worm gear seal retainer)- serviced only in 3E502 kit
1	■D6HZ 3738-A	Seal (sector shaft oil)-output end	2	★ 3E612	Bearing (worm gear)- serviced only in 3E502 kit
1	E3HZ 3738-A	Seal (sector shaft oil)-adjuster end	1	E3HZ 3E613-A	Plug (housing cover vent)
1	E3HZ 3738-B	Seal (sector shaft oil)-intermediate	2	E3HZ 3B614-A	Bearing (sector shaft)
1	E3HZ 3K748-D	Rack assy.	1	D8HZ 3E614-A	"O" ring
1	●D6HZ 3754-A	"O" ring (valve cover)	1	E0HZ 3E614-A	Seal ring (control valve)
1	●★97426-S	Ring (retainer) 3/16"	1	E0HZ 3F614-A	Roller (bleeder screw)
PARTS LIST NO. 43-E7HZ 3504-F			1	E1HZ 3C617-A	Retaining ring
<ul style="list-style-type: none"> <li>■ Also serviced in kit-group 3E501</li> <li>● Also serviced in kit-group 3E502</li> </ul>			6	D8HZ 3E617-A	Bolt (sector shaft cover)
▲ For components refer to group in Section 35			1	D8HZ 3D623-A	Nut (sector adjusting screw)- 5/8"-18 x 1 5/16"-hex. sealing
2	D6HZ 3321-A	Thrust washer	1	E3HZ 3F633-D	Shaft & valve assy. (input)
1	D6HZ 3329-A	"O" ring (breather plug)	1	E7HZ 3M633-A	Boot (input shaft grease)
1	▲D8HZ 3E501-A	Seal kit (sector shaft)	1	D6HZ 3647-A	Kit ball (worm gear) contains 24 balls
1	▲D8HZ 3E502-A	Seal kit (input shaft)	1	E1HZ 3C655-A	Auto bleed screw kit
1	★ 3D517	Shaft & control assy. (input) Refer to 3F633 & 3K748			
1	D6HZ 3D519-A	Seal (worm gear)			
1	●D6HZ 3D526-A	Seal (worm gear)			
1	E7HZ 3K527-D	Plug (breather)			
1	●D6HZ 3B541-D	Snap ring (piston)			
1	E2HZ 3548-B	Housing assy.			
1	■D0HZ 3549-A	Snap ring (bearing)			
2	●D6HZ 3C559-A	Washer (worm gear seal)			
2	●D6HZ 3C559-B	"O" ring (worm gear)			
1	●E2HZ 3C559-A	Washer (back-up)			
1	■D8HZ 3E560-A	Washer (back-up)			
1	■D8HZ 3E560-B	Washer (back-up)			
1	■D8HZ 3E560-C	Washer (back-up)			
1	D8HZ 3E561-A	Nut (sector shaft)-1/2"-20			
1	E9HZ 3575-A	Shaft (sector)			
1	E7HZ 3M575-A	Boot (sector shaft grease)			
1	C6TZ 3577-A	Screw (sector shaft adjusting)- 1/2"-20 x 2"			
1	★E3HZ 3577-B	Screw (sector shaft adjusting)- 5/8"-18 x 1 13/16" long			
1	E0HZ 3N577-A	Scw (bleeder)			
1	■D8HZ 3581-A	Gasket (sector shaft cover)			
1	E2HZ 3583-A	Cover (sector shaft)			
1	C7TZ 3610-A	Retainer (adjusting screw)-13/16" threads			
2	★ 3E611	Washer (worm gear seal retainer)- serviced only in 3E502 kit			
2	★ 3E612	Bearing (worm gear)- serviced only in 3E502 kit			
1	E3HZ 3E613-A	Plug (housing cover vent)			
2	E3HZ 3B614-A	Bearing (sector shaft)			
1	D8HZ 3E614-A	"O" ring			
1	E0HZ 3E614-A	Seal ring (control valve)			
1	E0HZ 3F614-A	Roller (bleeder screw)			
1	E1HZ 3C617-A	Retaining ring			
6	D8HZ 3E617-A	Bolt (sector shaft cover)			
1	D8HZ 3D623-A	Nut (sector adjusting screw)- 5/8"-18 x 1 5/16"-hex. sealing			
1	E3HZ 3F633-D	Shaft & valve assy. (input)			
1	E7HZ 3M633-A	Boot (input shaft grease)			
1	D6HZ 3647-A	Kit ball (worm gear) contains 24 balls			
1	E1HZ 3C655-A	Auto bleed screw kit			

1980/  
TRUCK SERIES 600/900

QTY.	PART NUMBER	DESCRIPTION	QTY.	PART NUMBER	DESCRIPTION
PARTS LIST NO. 43-E7HZ 3504-F — Cont'd			PARTS LIST NO. 44-E9HZ 3504-C — Cont'd		
<ul style="list-style-type: none"> <li>■ Also serviced in kit-group 3E501</li> <li>● Also serviced in kit-group 3E502</li> </ul>			<ul style="list-style-type: none"> <li>■ Also serviced in kit-group 3E501</li> <li>● Also serviced in kit-group 3E502</li> </ul>		
▲ For components refer to group in Section 35			▲ For components refer to group in Section 35		
1	D0HZ	3B673-A Bearing (control valve needle)	1	E9HZ	3K665-A Seal (pinion dust)
1	E0HZ	3F719-A Spring (bleeder screw)	1	E9HZ	3B673-A Bearing assy. (control valve needle)
1	E2HZ	3A730-B Valve assy. (control)	1	E9HZ	3738-A Seal (sector shaft)
1	D8HZ	3738-A Trunnion cover assy.	1	E9HZ	3754-B "O" ring (valve cover)
1	■D8HZ	3738-B Seal ring assy.	PARTS LIST NO. 45-E7HZ 3504-G		
1	■E3HZ	3738-C Seal ring assy.	<ul style="list-style-type: none"> <li>■ Also serviced in kit-group 3E501</li> <li>● Also serviced in kit-group 3E502</li> </ul>		
1	■D8HZ	3738-D Seal	▲ For components refer to group in Section 35		
1	E3HZ	3K748-A Rack assy.	2	D6HZ	3321-A Thrust washer
1	■D8HZ	3754-A Seal (sector shaft oil)	1	D6HZ	3329-A "O" ring (breather plug)
1	●★97426-S	Ring (retainer)-1 3/16"-1 5/16" O.D.	3/4" I.D.-3/32" thick		
PARTS LIST NO. 44-E9HZ 3504-C			1	▲D8HZ	3E501-A Seal kit (sector shaft)
<ul style="list-style-type: none"> <li>■ Also serviced in kit-group 3E501</li> <li>● Also serviced in kit-group 3E502</li> </ul>			1	▲D8HZ	3E502-A Seal kit (input shaft)
▲ For components refer to group in Section 35			1	★	3D517 Shaft & control assy. (input)
1	E9HZ	3321-A Thrust washer	Refer to 3F633 & 3K748		
1	E9HZ	3329-A "O" ring (breather plug)	1	●D6HZ	3D519-A Seal (worm gear)
1	▲E9HZ	3E501-B Seal kit	1	D8HZ	3523-A Guide (ball return)
1	★	3E502 Seal kit (input shaft)-not required	1	D6HZ	3D526-A Seal (worm gear)
1	E9HZ	3D517-B Shaft and control assy. (input)	1 5/32" O.D. x 3/16" thick		
1	■E9HZ	3D519-A Seal (worm gear)	1	E7HZ	3K527-B Plug (breather)
2	E9HZ	3523-B Guide (steering gear ball return)	1	E2HZ	3B541-A Ring (piston) teflon-4" O.D.
1	E9HZ	3K527-A Plug (breather)	incl. "O" ring		
1	D8HZ	3B541-A Ring (piston)	1	D8HZ	3B541-A Ring (piston) 3 47/64" I.D. x
1	■E2HZ	3B541-A Snap ring (piston)	5/64" thick		
1	E9HZ	3548-A Housing assy. (gear)-	1	D8HZ	3544-A Clamp (gear ball return guide)
#TAS 65002			2"-2 holes		
1	E9HZ	3E560-A Washer (sector cover backup seal)	1	D8HZ	3548-A Housing assy. (gear)
1	D8HZ	3E561-A Nut (sector shaft)-1/2"-20	-- #HF 642994		
1	E9HZ	3575-A Shaft (sector)-incl.	1	D0HZ	3549-A Snap ring (sector shaft bearing)
C6TZ 3577-A and C7TZ 3610-A			2	●D6HZ	3C559-A Washer (worm gear seal)
1	C6TZ	3577-A Screw (sector shaft adjusting)-	2" O.D.-7/16" thick		
1/2"-20 x 2" long			2	D6HZ	3C559-B "O" ring (worm gear)
1	■D8HZ	3581-A Gasket (sector shaft cover)	1	■D8HZ	3E560-A Washer (sector cover backup seal)
1	E9HZ	3583-A Cover (sector shaft)	2" I.D. x 2 13/32" O.D. x 1/16" thick		
1	E9HZ	3589-A Cap (housing)-upper	-- leather		
1	C7TZ	3610-A Retainer (adjusting screw)-	1	■D8HZ	3E560-B Washer (sector cover backup seal)
13/16" threads			2" I.D. x 2 17/32" O.D. x 1/16" thick		
1	■E3HZ	3E613-B Plug (housing cover vent)	-- leather		
1	E7HZ	3E613-A Plug (housing cover vent)	1	■D8HZ	3E560-C Washer (sector cover backup seal)
1	E9HZ	3B614-A Bearing (sector shaft)	2" I.D. x 2 35/64" O.D. x 1/16" thick		
1	D8HZ	3E614-A Seal (control valve adapter)-4 3/16" I.D.	1	D8HZ	3E561-A Nut (sector shaft)-1/2"-20
1	E9HZ	3C617-A Retainer (sector shaft seal)	1	D8HZ	3575-B Shaft (sector)-incl.
6	E3HZ	3E617-A Bolt (sector shaft cover)	C6TZ 3577-A and C7TZ 3610-A		
4	E9HZ	3E617-A Bolt (sector shaft cover)	1	E7HZ	3M575-A Boot (sector shaft grease)
2	E9HZ	3E622-A Valve (piston poppet)	1	C6TZ	3577-A Screw (sector shaft adjusting)-
2	E9HZ	3E623-B Seat (piston poppet valve)	1/2"-20 x 2" long		
1	E9HZ	3E624-A Spring (poppet valve)	1	★E3HZ	3577-B Screw (sector shaft adjusting)-
1	E9HZ	3E625-A Spacer (poppet valve)	5/8"-18 x 1 13/16" long		
1	■E9HZ	3D631-B Seal (input shaft)	1	■D8HZ	3581-A Gasket (sector shaft cover)
1	C7TZ	3647-A Ball (worm gear) contains 14 balls	1	★D8HZ	3583-B Cover (sector shaft)-r/b E2HZ 3583-A(11/89)
1	D6HZ	3647-A Kit (ball worm gear) contains 24 balls	1	D8HZ	3597-A Cover (shaft and worm)
1	E9HZ	3K651-A Rod (tie)	1	C7TZ	3610-A Retainer (adjusting screw)-
1	E9HZ	3K653-A Bearing (rack adjusting)	13/16" threads		
			1	E3HZ	3E613-A Plug (housing cover)-rubber

1980/  
TRUCK SERIES 600/900

QTY.	PART NUMBER	DESCRIPTION	QTY.	PART NUMBER	DESCRIPTION
<b>PARTS LIST NO. 45-E7HZ 3504-G — Cont'd</b> ■ Also serviced in kit-group 3E501 ● Also serviced in kit-group 3E502 ▲ For components refer to group in Section 35			<b>PARTS LIST NO. 45-E7HZ 3504-G — Cont'd</b> ■ Also serviced in kit-group 3E501 ● Also serviced in kit-group 3E502 ▲ For components refer to group in Section 35		
2	E3HZ 3B614-A	Bearing (sector shaft)-#BR-866-1- 2 9/16" O.D. x 2" I.D. x 7/8"	1	■D8HZ 3738-B	Seal (sector shaft oil) 2 1/4" O.D. 2" I.D.
1	●D8HZ 3E614-A	Seal (control valve adapter) 4 3/16" I.D.	1	■E3HZ 3738-C	Seal (sector shaft oil) 2 9/16" O.D. 2" I.D.
1	E1HZ 3C617-A	Retainer (sector shaft seal)	1	■D8HZ 3738-D	Seal (sector shaft oil) 2 17/32" O.D. 1 31/32" I.D. x 3/16" thick
6	D8HZ 3E617-A	Bolt (sector shaft cover) 5/8"-18 x 1 1/16" long	1	E3HZ 3K748-E	Rack assy.
1	D8HZ 3D623-A	Nut (sector adjusting screw) 5/8"-18 x 1 5/16" hex. sealing	1	D8HZ 3754-A	"O" ring (valve cover)
1	E3HZ 3F633-E	Shaft & valve assy. (input)	1	★97426-S	Ring (retainer) 3/16"
1	E7HZ 3M633-A	Boot (input shaft grease)	4	★351453-S8	Washer-1/2" I.D.
1	D6HZ 3647-A	Kit ball (worm gear) contains 24 balls	<b>PARTS LIST NO. 46-E9HZ 3504-D</b>		
1	DOHZ 3B673-A	Bearing (control valve needle) 1 1/4" I.D. 1 5/16" O.D. x 5/64" thick	1	E9HZ 3L504-A	Major rebuild kit
1	D8HZ 3A730-A	Valve assy. (control)	1	E9HZ 3L548-A	Kit (power steering gear seal-major)
1	■D8HZ 3738-A	Seal (sector shaft oil)	1	E9HZ 3L548-B	Kit (power steering gear seal-minor)
			1	E6HZ 3L564-B	Kit (P/S gear control valve)
			1	E9HZ 3575-B	Kit (shaft-sector)
			1	E9HZ 3F697-A	Kit (power steering gear piston assy.)

**3A540 CYLINDER ASSY. (POWER STEERING DRAG LINK)**  
**HOW TO FIND POWER STEERING CYLINDER ASSEMBLIES AND COMPONENTS**

A - BY IDENTIFICATION CHART (see below)

1. Identifications are listed in numerical and alphabetical sequence.
2. Use the identification number to find a service part number for a cylinder assy. or to find a parts list number for the components of the cylinder.
3. As an additional aid, the page number of the cylinder illustration is given.

B - BY APPLICATION CHART (see below)

1. Find the required truck model, year and front axle capacity in the application chart.
2. To replace a cylinder assy., order the number shown in the PART NUMBER column. To repair a cylinder assembly, refer to the Parts List for component parts.
3. As an additional aid, the page numbers of the cylinder illustration and the power steering system illustrations are given.

POWER STEERING CYLINDER IDENTIFICATION CHART											
IDENTIFICATION		PART NUMBER		PARTS LIST NO. ▲	ILLUS. SEC. 37 PAGE	IDENTIFICATION		PART NUMBER		PARTS LIST NO. ▲	ILLUS. SEC. 37 PAGE
▲ Parts Lists start on page 2				▲ Parts Lists start on page 2 — Cont'd							
D0HA	3A540-A	D0HZ	3A540-B	2	2	D6TA	3A540-AA	D6TZ	3A540-A	4	
D0HA	3A540-E	D0HZ	3A540-C	3	2	E3HT	3A540-AA	E3HZ	3A540-A	7	
D3TA	3A540-CA	D0TZ	3A540-A	1	1	E4HS	3A540-AA	E4HZ	3A540-A	8	
D5HA	3A540-BA	D6HZ	3A540-B	6		E4HZ	3A540-B	E4HZ	3A540-B	8	
D5HA	3A540-CA	D6HZ	3A540-A	5		E6HT	3A540-AA	E6HZ	3A540-A	9	

POWER STEERING CYLINDER APPLICATION CHART										
YEAR	MODEL	FRONT AXLE CAPACITY	CYLINDER ASSEMBLY				PART NUMBER	P/L NO. ▲	ILLUSTRATION	
			DIA. (INCHES)	RETRACTED LENGTH (INCHES)	SYSTEM SEC. 37 PAGE	DETAIL SEC. 37 PAGE				
3A540 CYLINDER ASSY. (POWER STEERING DRAG LINK) ▲ Parts Lists start on page 2										
C-CT SERIES										
80/83	C-CT800/900	"Before 3/83"	12M		17 1/2	D6HZ	3A540-A	5		
83/	C CT800/900		12M			E3HZ	3A540-A	7		
80/86	C CT800/900	"Before 7/86"	16M,18M		24 1/2	D6HZ	3A540-B	6		
86/	C-CT800/900	"From 7/86"	16M,18M		24 1/2	E6HZ	3A540-A	9		
L-LN-LNT-LT-LTL-LTS SERIES										
80/82	LN700	- w/air brakes	9M		25 1/2	D6TZ	3A540-A	4		
80/82	LN700	w/Hyd. brakes	9M		23 9/16	D0TZ	3A540-A	1		1
83/	LN700	- All	9M		25 1/2	D6TZ	3A540-A	4		
80/81	LNT-LT-LTL800/900		16M,18M	3 3/8	20 3/4, 3 1/8" cylinder O.D.	D0HZ	3A540-B	2	6	2
82/	LNT-LT-LTL800/900		16M,18M			E4HZ	3A540-A	8		
82/	LNT-LT-LTL800/900		16M,18M		2 7/8" cylinder O.D. improved harsh environment	E4HZ	3A540-B	8	6	2
80/	LTS800/900		16M,18M 20M	2 13/16	20 3/8	D0HZ	3A540-C	3	6	2



SECTION 35.2 POWER STEERING CYLINDER 1980/  
TRUCK SERIES 600/900

QTY.	PART NUMBER	DESCRIPTION	QTY.	PART NUMBER	DESCRIPTION
♦ For components, refer to group in Section 35					
PARTS LIST NO. 1 - DOTZ 3A540-A			PARTS LIST NO. 2 - DOHZ 3A540-B -- Cont'd		
1	C8HZ 3332-A	Cover (mounting end stud)-dust	1	34405-S(M-106-A)	Nut-3/4"-16
1	C8HZ 3332-B	Cover (moving end stud)-dust	4	43263-S(U-3)	Screw-1/4"-20 x 5/8"
1	♦C8TZ 3A533-A	Ball stud kit (mounting end)	1	72071-S(N-54)	Pin (cotter)-1/8" x 1 1/2"
1	♦C8TZ 3A533-B	Ball stud kit (moving end)	PARTS LIST NO. 3 - DOHZ 3A540-C		
1	C8TZ 3B542-A	Rod (cyl. piston)	1	♦DOHZ 3A533-A	Ball stud kit (repair)
1	C8TZ 3A544-A	Piston (cyl.)	1	DOHZ 3B542-C	Rod (piston)
2	D1TZ 3D644-B	Fitting (pressure line)-adapter	1	DOHZ 3A544-B	Piston (cyl.)
1	C8TZ 3C656-A	Kit (Valve Repair)-incl (4) "O" Rings, (1) Seal, (4) Washers	1	DOHZ 3C656-C	Valve repair kit (cyl.)
1	D3TZ 3D717-A	Socket and clamp assy. (ball stud)- 5 3/16" long Includes - 2-C8TZ 3320-B Seat (ball) 1-C8TZ 3326-A Seat (spring) 1-D3TZ 3327-A Spring 1-C8TZ 3328-B Plug 1-Socket 1-Clamp	1	DOHZ 3L656-B	Snap ring-serviced also in DOHZ 3C656-C cylinder valve repair kit
1	C8TZ 3797-A	Plate (cover)-11/16" I.D., 2 1/4" O.D., 1/8" thick	1	DOHZ 3B711-A	Stud (cyl. actuating)-part of cyl. assy.
1	33987-S(M-17)	Nut (moving stud)-5/8"-18	1	DOHZ 3B711-B	Stud (cyl. mounting)-not part of cyl. assy.
1	34033-S(M-11)	Nut (mounting end stud)-9/16" -18	1	DOHZ 3797-C	Plate (cover)-1 5/16" I.D. x 3 1/8" O.D. x 1/8" thick
1	34370-S(M-99)	Nut-3/8" -24	1	37735-S7(MM-167-JH)	Nut-1/2"-20
2	72089-S(N-55)	Pin (ball stud nut)-cotter-1/8" x 1 3/4"	3	43263-S(U-3)	Screw-1/4"-20 x 5/8"
2	72107-S(N-56)	Pin (plug retaining)-cotter-1/8" x 2"	1	72071-S(N-54)	Pin (cotter)-1/8" x 1 1/2"
3	374067-S100(BB-637-D)	Screw-No. 10-24 x 1/2"	PARTS LIST NO. 4 - ★ D6TZ 3A540-A		
PARTS LIST NO. 2 - DOHZ 3A540-B			1	C8HZ 3332-A	Cover (mounting end stud)-dust
1	★ 3332	Cover (mounting end stud)-dust- not required	1	C8HZ 3332-B	Cover (moving end stud)-dust
1	D2HZ 3332-A	Cover (moving end stud)-dust	1	♦C8TZ 3A533-A	Ball stud kit (mounting end)
1	♦DOHZ 3A533-A	Ball stud kit (repair)	1	♦C8TZ 3A533-B	Ball stud kit (moving end)
1	DOHZ 3B542-A	Rod (cyl. piston)-16 1/16" long	1	C8TZ 3C656-A	Kit (valve repair)-incl. (4) "O" rings, (1) seal, (4) washers
1	DOHZ 3B542-D	Rod (cyl. piston)-15 9/16" long	1	D0TZ 3A540-A	Cylinder assy.-less tubes and clamp for D3TA 3A540-BB only
1	DOHZ 3A544-A	Piston (cyl.)	1	D6HZ 3B542-B	Rod (cyl. piston)
1	DOHZ 3C656-D	Kit (valve & piston repair) - incl (2) rings (2) washers, (2) seals & (2) "O" rings	1	C8TZ 3A544-A	Piston (cyl.)
1	DOHZ 3L656-A	Snap ring-serviced also in DOHZ 3C656-D cylinder valve repair kit	2	D1TZ 3D644-B	Fitting (pressure line)-adapter
1	DOHZ 3B711-A	Stud (cyl. actuating)-part of cyl.	1	D3TZ 3E654-A	U-bolt (tube and clamp assy.)
1	DOHZ 3B711-B	Stud (cyl. mounting)-not part of cyl.	1	D3TZ 3N666-A	Tube and clamp assy.-(pressure and return hose)
1	DOHZ 3797-A	Plate (cover)-11/32" I.D. x 3 1/8" O.D. x 1/8" thick	1	D3TZ 3D717-A	Socket and clamp assy. (ball stud)- 5 3/16" long Includes- 2-C8TZ 3320-B Seat (ball) 1-C8TZ 3326-A Seat (spring) 1-C8TZ 3327-A Spring 1-C8TZ 3328-B Plug 1-Socket 1-Clamp

1980/ SECTION 35.2 POWER STEERING CYLINDER 3  
**TRUCK SERIES 600/900**

QTY.	PART NUMBER	DESCRIPTION	QTY.	PART NUMBER	DESCRIPTION
♦ For components, refer to group in Section 35					
PARTS LIST NO. 4 - D6TZ 3A540-A - Cont'd			PARTS LIST NO. 7 - E3HZ 3A540-A		
1	C8TZ 3797-A	Plate (cover)-11/16" I.D., 2 1/4" O.D., 1/8" thick	2	C7TZ 3332-G	Cover (ball stud dust)
1	33848-S2(M-70)	Nut (mounting end stud)-9/16"-18	1	D5HZ 3A544-A	Piston assy. (cyl.)
1	34370-S(M-99)	Nut-3/8"-24 (piston to rod)	1	D5HZ 3A544-B	Kit-(piston repair) Includes 1-Ring (piston) 1-O-Ring 2-Retaining Ring
2	34802-S2(X-59)	Lockwasher #8 (clamp U-bolt)	1	D5HZ 3C656-A	Kit (valve repair) Includes 1-Washer 1-Seal (1" O.D.) 1-Seal (1 3/4" O.D.) 1-O-Ring
2	72089-S(N-55)	Pin (ball stud nut)-cotter-1/8" x 1 3/4"	1	D6HZ 3B711-A	Ball stud & rod assy. (cyl.)
2	72107-S(N-56)	Pin (plug retaining)-cotter-1/8" x 2"	1	380514 S7-8(11-187-B)	Fitting-elbow (hose to cyl.) 3/4"-16 threads at ends
3	374067-S100(BB-637-D)	Screw-No. 10-24 x 1/2"	PARTS LIST NO. 8 - E4HZ 3A540-A		
2	380514-S(II-187-B)	Fitting-elbow (hose to cylinder)- 3/4"-16 threads at ends	1	♦D0HZ 3A533-A	Ball stud kit (repair)
1	★304797-S2	Screw (clamp retaining)- 3/8"-24 x 1 3/4"	1	E4HZ 3B542-A	Rod (piston)-15 13/32" long
1	34807-S2(X-66)	Lockwasher (clamp screw)	1	D0HZ 3A544-B	Piston (cyl.)
1	33800-S2(M-63)	Nut (clamp screw)-3/8"-24	1	D0HZ 3C656-C	Valve repair kit (cyl.)
1	381612-S36(MM-61-A)	Nut (moving stud)-5/8"-18 castle	1	D0HZ 3L656-B	Snap ring-serviced also in D0HZ 3C656-C cylinder valve repair kit
PARTS LIST NO. 5 - D6HZ 3A540-A			1	D0HZ 3B711-A	Stud (cyl. actuating)-part of cyl. assy.
2	C7TZ 3332-A	Cover (ball stud dust)	1	D0HZ 3B711-B	Stud (cyl. mounting)-not part of cyl. assy.
1	D5HZ 3A544-A	Piston assy (cyl.)	1	D0HZ 3797-C	Plate (cover)-1 5/16" I.D. x 3 1/8" O.D. x 1/8" thick
1	D5HZ 3A544-B	Kit-(piston repair) Includes- 1-Ring (piston) 1-O-Ring 2-Retaining Ring	1	377735-S7	(MM-167-JH)-Nut-1/2"-20
1	D1TZ 3D644-B	Fitting assy. Pressure base	3	43263-S	(U-3)-Screw-1/4"-20 x 5/8"
1	D5HZ 3C656-A	Kit (valve repair) Includes- 1-Washer 1-Seal (1" O.D.) 1-Seal (1 3/4" O.D.) 1-O-Ring	1	72071-S	Pin (cotter)-1/8" x 1 1/2"
2	D6HZ 3B711-A	Ball stud & rod assy. (cyl.)	PARTS LIST NO. 9-E6HZ 3A540-A		
1	380514 S7-8(11-187-B)	Fitting-elbow (hose to cyl.) 3/4"-16 threads at ends	1	D6HZ 3B542-A	Rod (piston)-15 5/16" long, 7/8" O.D. 1/2"-20 and 7/8"-18 threads
PARTS LIST NO. 6 - D6HZ 3A540-B			1	D0HZ 3A544-B	Piston assy. (cyl.)
1	D6HZ 3B542-A	Rod (piston)-15 5/16" long, 7/8" O.D., 1/2"-20 and 7/8"-18 threads	1	D6HZ 3C656-A	Valve repair kit (cyl.)
1	D0HZ 3A544-B	Piston Assy. (cyl.)	1	D6HZ 3B711-B	Stud assy. (cyl. rod end)
1	D6HZ 3C656-A	Valve repair kit (cyl.)	1	E6HZ 3B711-A	Stud assy. (cyl. end)
2	D6HZ 3B711-B	Stud assy (cyl)	1	D6HZ 3797-A	Plate (cover)-29/32" I.D. x 2 23/32" O.D. x 3/32" thick
1	D6HZ 3797-A	Plate (cover)-29/32" I.D. x 2 23/32" O.D. x 3/32" thick	3	43263-S8(U-3)	Screw-1/4"-20 x 5/8"
1	55718-S2(M-187)	Nut (lock) 1/2"-20			
3	43263-S(U-3)	Screw-1/4"-20 x 5/8"			

1980/  
TRUCK SERIES 600/900

YEAR	MODEL / RESTRICTIONS	O.D. (Inches)	Color	PART NUMBER		DESCRIPTION	QTY.
<b>3600 WHEEL ASSY. (STEERING)</b> <b>NOTE 1-</b> Includes 13318, 13A823, 13864 and 13867, ● Leather wrapped wheel <b>NOTE 2-</b> Refer to Technical Service Bulletin No. 82-19 Article No. 82-19-20 dated September 24, 1982							
80	B600/700 -- M/S	20	Black	E0HZ	3600-C	3 spokes	1
80/	B600/700 "Before 6/82" -- M/S	20	Black	E2HZ	3600-B	4 spokes	1
	"From 6/82" -- M/S	20	Black	E2HZ	3600-B	4 spokes	1
	-- P/S	18	Black	★ E0HZ /bMAT	3600-A 82096	4 spokes	1
80/86	B600/700 "Before 8/86" -- P/S	18	Black	★ E2HZ /bE6HZ E6HZ	3600-A 3600-B, 13A805-A(5/87)	2 spokes-NOTE 2	1
86/	B600/700 "From 8/86" -- P/S	18	Black	E6HZ	3600-B	2 spokes	1
80/86	C-CL-CTL600/900	20	Black	★ D2HZ /bE6HZ E6HZ	3600-B 3600-C, 13A805-A(4/87)	3 spokes-NOTE 1-"Before 8/86"	1
		20	White	D2HZ	3600-C	3 spokes-NOTE 1	1
		21	●	★ D8HZ /bE7HZ E6HZ	3600-A 3600-A 13A805-A(12/88)	NOTE 1	1
		22	Black	D2HZ /bE6HZ E6HZ	3600-A 3600-D, 13805-A(9/87)	3 spokes-NOTE 1-"Before 8/86"	1
87/89	C-CL-CLT600/900	20	Black	E6HZ	3600-C	3 spokes-NOTE 1	1
	"Before 5/89"	20	White	D2HZ	3600-C	3 spokes-NOTE 1	1
		21	●	★ E7HZ	3600-A	NOTE 1-r/b F0HZ 3600-A(3/90)	1
		22	Black	D2HZ	3600-A	3 spokes-NOTE 1	1
89/	C-CL-CLT600/900	21	●	F0HZ	3600-A	3 spokes-NOTE 1-Sport wheel	1
	"From 5/89"						
86/	C-CL-CLT600/900 "From 8/86"	22	Black	E6HZ	3600-D	3 spokes	1
86/	C-CL-CLT600/900 "From 8/86"	20	Black	E6HZ	3600-C	3 spokes	1
86/	CF600/700 -- P/S	20	Black	E6HZ	3600-A	2 spokes-soft feel	1
80	F600/800 -- M/S	20	Black	E0HZ	3600-C	3 spokes	1
80/	F600/900 "Before 6/82" -- M/S	20	Black	E2HZ	3600-B	4 spokes	1
	"From 6/82" -- M/S	20	Black	E2HZ	3600-B	4 spokes	1
	-- P/S	18	Black	★ E0HZ /bMAT	3600-A 82096	4 spokes	1
80/86	F600/800-"Before 8/86" -- P/S	18	Black	★ E2HZ /bE6HZ E6HZ	3600-A 3600-B, 13A805-A(5/87)	2 spokes-NOTE 2	1
86/	F600/800-"From 8/86" -- P/S	18	Black	E6HZ	3600-B	2 spokes	1
80/86	L-LN-LNT-LT-LTL-LTS	20	Black	★ D2HZ /bE6HZ E6HZ	3600-B 3600-C, 13A805-A(4/87)	3 spokes-NOTE 1-"Before 8/86"	1
	600/900	20	Ginger	★ D7HZ	3600-B	3 spokes-NOTE 1-r/b D2HZ 3600-B	1
		21	●	D8HZ	3600-A	NOTE 1	1
		22	Black	D2HZ /bE6HZ E6HZ	3600-A 3600-D, 13805-A(9/87)	3 spokes-NOTE 1-"Before 8/86"	1
		22	Ginger	★ D7HZ	3600-A	3 spokes-NOTE 1-r/b D2HZ 3600-A	1
87/89	L-LN-LNT-LT-LTL-LTS-	20	Black	E6HZ	3600-C	3 spokes-NOTE 1	1
	600/900 "Before 5/89"	20	Ginger	D2HZ	3600-B	3 spokes-NOTE 1	1
		21	●	★ E7HZ	3600-A	NOTE 1-r/b F0HZ 3600-A(3/90)	1
		22	Black	D2HZ	3600-A	3 spokes-NOTE 1	1
89/	L-LN-LNT-LT-LL-LTL-LTS-	21	●	F0HZ	3600-A	3 spokes-NOTE 1-Sport wheel	1
	LTS600/900 "From 5/89"						
86/	L-LN-LNT-LT-LTL-LTS	20	Black	E6HZ	3600-C	3 spokes	1
	600/900 "From 8/86"						
86/	L-LN-LNT-LT-LTL-	22	Black	E6HZ	3600-D	3 spokes	1
	LTS600/900 "From 8/86"						

**1980/  
TRUCK SERIES 600/900**

YEAR	MODEL/RESTRICTIONS	PART NUMBER	DESCRIPTION	QTY.
80/	All	382892-S	(MM-54-BA)-nut (wheel to shaft)-3/4"-20 x 1 1/8"	1
80/	C-CT-L-LN-LNT-LT-LTL-LTS-600/900	384529-S100	(UU-37-E)-screw (strg.wheel to shaft)-set hd.-5/16"-24 x 5/8"	1
<b>3601-4</b> Refer to P/S Pump Parts Lists Section 36.1 and Section 36 basic 3A697				
<b>3K604</b> ADJUSTMENT KIT (P/S GEAR PRESSURE)				
88/	B-F600/900 -- 6M,7M, 8M,9M front axle	E8HZ 3K604-A		1
89/	B-F600/900 -- 10M,12M front axle			
<b>3605</b> RACE AND BEARING GROUP (ADJUSTABLE STEERING COLUMN BRACKET)				
84	L-LT-LTL-LTS-LN-LNT800/900 "Before 2/84"	None req'd		
84/	L-LT-LTL-LTS-LN-LNT800/900 "From 2/84"	E4HZ 3605-A		1
86/	CF600/700/800	E6HZ 3605-B	Kit	1
Consists of				
	1-E6HZ 3507-B	Clamp	2-E6HZ 3L539-A	Ring
	1-E6HZ 3510-B	Retainer	★1-E6HZ 3F591-B	Retainer-r/b E6HZ 3605-B(6/87)
	2-E6HZ 3517-A	Bearing assy.	2-E661125-S	Clip
	1-E6HZ 3520-A	Spring	2-E830842-S71	Flat washer
<b>3606</b> Refer to P/S Pump Parts Lists, Section 36.1 and Section 36 basic 3A697				
<b>3E608-14</b> Refer to Steering Gear Parts Lists Section 35.1				
<b>3C610</b> RETAINER - STEERING COLUMN UPPER BEARING				
80/	B-F600/900	D0AZ 3C610-A	Key lock (11582) retainer	1
		D0AZ 3C610-B	Upper bearing (3517) retainer	1
84/89	L-LN-LNT-LT-LTS600/900 "Before 12/88"	C6HZ 3C610-A	Snap ring	1
89/	L-LN-LNT-LS-LT-LTS700/900 "From 12/88"	E9HZ 3C610-A	Snap ring	1
<b>3D616</b> LOCK ASSY. (STEERING COLUMN POSITION)				
80/82	L-LN-LNT-LT-LTL-LTS800/900 -- adjustable column "Before 1/82"	★ D1HZ 3D616-A		1
82/	L-LN-LNT-LT-LTL-LTS800/900 -- adjustable column "From 1/82"	★ E1HZ 3D616-A		1
<b>3E615-6</b> Refer to Steering Gear Parts Lists Section 35.1				
<b>3B617</b> BRACKET (POWER STEERING CYLINDER TO IDLER ARM)				
80/	C800/900(9 3/4" frame),CT800/900	C6TZ 3B617-C		2
		380908-S	(BB-817-BB)-bolt (bracket to idler arm)-3/4"-16 x 2 3/16"	2
		383896-S	(BB-195-E)-bolt (bracket to idler arm)-1/2"-13 x 2"	3
		55697-S8	(M-89-F)-nut-1/2"-13	3
		★44897-S2	Washer-flat-1/2"	6
		373626-S2	(MM-154)-nut-3/4"-16	1
<b>3C617</b> RETAINER (STEERING COLUMN SHAFT & JOINT SEAL) -- Also refer to Steering Gear Parts Lists Section 35.1				
81/	L-LN-LNT-LT-LTL-LTS600/900	★ E1HZ 3C617-C r/bE1HZ 3D638-A	Detail of 3B676 (E1HZ-A & E2HZ-F)	1
<b>3E617</b> Refer to Steering Gear Parts Lists Section 35.1				
<b>3-3618</b> Refer to P/S Pump Parts Lists Section 36.1				
<b>3E621</b> Refer to Steering Gear Parts Lists Section 35.1				
<b>3F621</b> Refer to P/S Pump Parts List Section 36.1 and Section 36 basic 3A674 P/S Pump Assy.				
<b>3-3621</b> Refer to P/S Pump Parts Lists Section 36.1				

1980/  
TRUCK SERIES 600/900

YEAR	MODEL/RESTRICTIONS	PART NUMBER	DESCRIPTION	QTY.
3E622-6	Refer to Steering Gear Parts Lists Section 35.1			
<b>3A624 SHAFT (ADJUSTABLE STEERING COLUMN BRACKET)</b>				
84	L-LT-LTL-LTS-LN-LNT800/900 "Before 2/84"	None req'd		
84/	L-LT-LTL-LTS-LN-LNT800/900 "From 2/84"	E4HZ 3A624-A		1
<b>3C626 SPACER (POWER STEERING CYLINDER MOUNTING BRACKET)</b>				
80/	LN700 -- 9M front axle	C8HZ 3C626-A	#C8HA 3C626-A-1" x 1 1/2" x 4 3/8"	1
3-3627 Refer to P/S Pump Parts Lists Section 36.1				
3M627 Refer to basic 3A674 P/S Pump Assy.				
<b>3A635 POWER STEERING INSTALLATION KIT</b>				

**HEAVY TRUCK POWER STEERING INSTALLATION PARTS**

A program is available to supply dealers with all the components required to install power steering on heavy trucks built at the Kentucky Truck Plant. Orders should be placed with the dealer's facing distribution center and must include the year, model and serial number of the vehicle. THIS PROCEDURE IS ONLY APPLICABLE TO CURRENT PRODUCTION MODELS.

YEAR	MODEL/RESTRICTIONS	PART NUMBER	DESCRIPTION	QTY.
<b>3B635 SUPPORT (STEERING COLUMN)</b>				
82/88	LL-LTL9000	E1HZ 3B635-A		1
89	LL-LTL900	E9HZ 3B635-A		1
<b>3D638 RETAINER (STEERING COLUMN OPENING SEAL)</b>				
81/	L-LN-LNT-LT-LTL-LTS600/900	★ E1HZ 3D638-A r/bD0HZ 3D510-C(9/91)	Detail of 3B676 (E1HZ-A & E2HZ-F)	1
3D639 Refer to P/S Pump Parts Lists Section 36.1				
<b>3641 BOLT (STEERING COLUMN TUBE FLANGE)</b>				
80/	B-F600/900	D0AZ 3641-A		2
<b>3642 SPACER (POWER STEERING PUMP MOUNTING)-Improvise, except as shown below</b>				
80/	L-LN-LNT-LT-LTS900 -- 8 cyl. gas	D0TZ 3642-A		1
80/	LNT-LT800 -- 8 cyl. gas	★43050-S	Bolt -hex.head-self locking-7/16"-14 x 2 1/4"	1
3A642-3 Refer to P/S Pump Parts Lists Section 36.1 and Section 36 basic 3A674 P/S Pump Assy.				
3647 Refer to Steering Gear Parts Lists Section 35.1				
<b>3F648 U-BOLT (STEERING SHOCK ABSORBER BRACKET)</b>				
80/	B700 -- 7M axle -- w/p/s, w/air brks.	★ D8HZ 3F648-A	#22005-r/b D5HZ 3K011-B Kit (steering damper shock bracket adapter)	3
<b>3649 EMBLEM ASSY. (STEERING WHEEL)</b>				
86/	CF600/700	E6HZ 3649-A	#E5HT 3A515-AA	1
<b>3F649 BOLT ASSY. (STEERING SHOCK ABSORBER)</b>				
80/	B700 -- 7M axle -- w/p/s, w/air brks.	★ D8HZ 3F649-A	#23769-r/b D5HZ 3K011-B Kit (steering damper shock bracket adapter)	2
<b>3A650 REPAIR KIT (POWER STEERING DRAG LINK CONTROL VALVE)</b>				
80/	C-CT600/900	C4TZ 3A650-B	Incl. 2-C5TZ 3C513-A seal and 1-87031-S91 seal	1
<b>3E651 SHOCK ABSORBER ASSY. (STEERING)</b>				
80/81	B700 -- 7M axle -- w/P/S, w/air brks.	★ D8HZ 3E651-A r/bD5HZ 3E651-A	#23833	1
<b>3A652 BRACKET (POWER STEERING CYLINDER MOUNTING)</b>				
80/	B700 -- 7M axle -- w/p/s, w/air brks.	★ D8HZ 3A652-A	#23762-use for steering shock absorber-r/b D5HZ 3K011-B Kit (steering damper shock bracket adapter)	1
80/	C600/700,C800/900(9 1/2" frame)	C5TZ 3A652-B	Thickness at boss 3/4"	1
80/	C-CT800/900	D6HZ 3A652-A		1
80/	LN700 -- 9M front axle and hyd. brakes	C8HZ 3A652-A		1

1980/  
TRUCK SERIES 600/900

YEAR	MODEL/RESTRICTIONS	PART NUMBER	DESCRIPTION	QTY.
<b>3A652 BRACKET (POWER STEERING CYLINDER MOUNTING) — Cont'd</b>				
80/	LN700 -- 9M front axle and air brakes	D6TZ 3A652-A	#D6TA 3A652-AA	1
80/	LTS800/900 -- 16M,18M,20M front axles	DOHZ 3A652-A	#DOHA 3A652-E	1
80/	C-CT600/900	383896-S2	(BB-195-E)-bolt (bracket to frame)-1/2"-13 x 2"	3
		55697-S8	(M-89-F)-nut-1/2"-13	3
80/	LTS800/900 -- 16M,18M,20M front axles	383717-S	(BB-301-BD)-bolt (bracket to frame)-3/4"-16 x 2 3/4"	2
		384146-S2	(BB-301-BF)-bolt (bracket to frame)-3/4"-16 x 3 1/4"	2
		★383055-S2	Washer-flat-3/4"	2
		383489-S2	(MM-76-A)-nut-3/4"-16	
		★72071-S	(N-54)-pin-cotter	
<b>3E652 BRACKET (STEERING SHOCK ABSORBER)</b>				
80/	B700 -- 7M axle w/p/s, w/air brks.	★ D8HZ 3E652-A	#23705 -- r/b D5HZ 3K011-B Kit (steering damper shock bracket adapter)	1
<b>3C653 BRACKET (STEERING ARM STOP)</b>				
80/	C600/700,C800/900(9 1/2" frame)	C6TZ 3C653-A		2
80/	C800/900(9 3/4" frame), CT800/900	C1TT 3C653-B		2
80/	C600/700,C800/900(9 1/2" frame)	383896-S2	(BB-195-E)-bolt (bracket to frame)-1/2"-13 x 2"	AR
		357451-S	(BB-195)-bolt (bracket to frame)-1/2"-13 x 1 3/4"	AR
		55697-S8	(M-89-F)-nut-1/2"-13	AR
80/	C800/900(9 3/4" frame), CT800/900	58637-S2	(BB-86-A)-bolt (bracket to frame)-3/8"-16 x 1 3/4"	4
				4
		34987-S4	(M-89-CF)-nut-3/8"-16	4
80/	C-CT600/900	350616-S	(BB-236)-bolt (arm stop)-7/16"-20 x 1 3/4"	1
		34671-S	(M-67)-nut-7/16"-20	1
<b>3D654 Refer to P/S Pump Parts Lists Section 36.1</b>				
<b>3E654-3N666 Refer to P/S Cylinder Parts Lists Section 35.2</b>				
<b>3C660 WASHER (STEERING SHAFT COUPLING BOLT)</b>				
84/	B-F600/900	E4HZ 3C660-A	Detail of E4HT 3E751-AA,BA,CA	2
<b>3N665 BOLT (STEERING SHAFT COUPLING)</b>				
84/	B-F600/900	E4HZ 3N665-A	Detail of E4HT 3E751-AA,BA,CA	2
<b>3C663 SHAFT (STEERING COLUMN LOWER) Refer to basic 3A526 Shaft assy. (steering column)</b>				
<b>3668 CLAMP (STEERING COLUMN TO INSTRUMENT PANEL)</b>				
80/	C-CT600/900	TFAA 3668-A		1
80/	CL-CLT900	D9HZ 3668-A		1
80/	B-C-F600/900,CT800/900	20467-S7	(B-160)-bolt (bracket to instrument panel)-5/16"-24 x 1 1/2"	2
<b>3F668 TUBE &amp; BRAKE ASSY. (STEERING COLUMN)</b>				
86/	CF600/700 -- with lock	E6HZ 3F668-A	#E5HT 3F668-AA	1
<b>3670 Refer to P/S Pump Parts Lists Section 36.1</b>				
<b>3C672 RETAINER (STEERING COLUMN U/JOINT SEAL)</b>				
80/	L-LN-LNT-LT-LTS600/900	DOHZ 3C672-B	3/16"wide x 15" long	1
<b>3D672 RETAINER (STEERING COLUMN CLAMP)</b>				
81/	L-LN-LNT-LT-LTL-LTS600/900	E1HZ 3D672-A	Detail of 3B676 (E1HZ-A & E2HZ-F)	1
<b>3B673 Refer to Steering Gear Parts Lists Section 35.1</b>				

**1980/  
TRUCK SERIES 600/900**

YEAR	MODEL/RESTRICTIONS	PART NUMBER	DESCRIPTION	QTY.
<b>3A674 PUMP ASSY. (POWER STEERING)</b>				
For model application refer to Power Steering Pump Section 36.1				
80/		<b>D0HZ 3A674-A</b>		1
Consists of				
	1-★D8HZ 3C536-A	Drive pin	1-E1HZ 3M627-A	Valve cap
	1-E0HZ 3B559-A	Shaft	1-E1HZ 3A643-A	Body assy.
	1-E1HZ 3A561-A	Valve assy.	1-D8HZ 3R682-C	Pin (cam locating)
	1-E1HZ 3A570-A	Spring-flow control	1-E0HZ 3D684-A	Gasket kit
	1-★D8HZ 3D597-A	Retainer ring	1-D8HZ 3A711-B	Impeller repair kit
			2-★359290-S	Snap ring
80/		<b>D0HZ 3A674-B</b>		1
Consists of				
	1-★D8HZ 3C536-A	Drive pin	1-E1HZ 3M627-A	Valve cap
	1-E0HZ 3B559-A	Shaft	1-E1HZ 3A643-B	Body assy.
	1-E1HZ 3A561-A	Valve assy.	1-D8HZ 3R682-A	Pin (cam locating)
	1-E1HZ 3A570-A	Spring-flow control	1-E0HZ 3D684-A	Gasket kit
	1-★D8HZ 3D597-A	Retainer ring	1-D0HZ 3A711-A	Impeller repair kit
			2-★359290-S	Snap ring
80/		<b>D0HZ 3A674-D</b>		1
Consists of				
	1-★D8HZ 3C536-A	Drive pin	1-E1HZ 3M627-A	Valve cap (relief valve)
	1-D8HZ 3B559-C	Shaft	1-E2HZ 3A643-A	Body assy.
	1-E1HZ 3A561-A	Valve assy.	1-D8HZ 3R682-C	Pin
	1-E1HZ 3A570-A	Spring	1-E0HZ 3D684-A	Gasket service kit
	1-★D8HZ 3D597-A	Retainer ring	1-D8HZ 3A711-B	Impeller repair kit
			2-★359290-S	(QQ-49)-Snap ring (shaft)
80/		<b>D0HZ 3A674-F</b>		1
Consists of				
	1-★D8HZ 3C536 A	Drive pin	1-E1HZ 3M627-A	Valve cap (relief valve)
	1-D8HZ 3B559 C	Shaft	1-E2HZ 3A643-B	Body assy.
	1-E1HZ 3A561-A	Valve assy.	1-D8HZ 3R682-A	Pin
	1-E1HZ 3A570 A	Spring	1-E0HZ 3D684-A	Gasket service kit
	1-★D8HZ 3D597-A	Retainer ring	1-D0HZ 3A711-A	Impeller repair kit
			2-★359290-S	(QQ-49)-Snap ring (shaft)
80/		<b>D4TZ 3A674-A</b>		1
Consists of				
	1-★C0NN 3C536-A	Drive pin	1-C9ZZ 10094-A	Bearing (rotor shaft)-#GE-21
	1-D4TZ 3B559-A	Shaft	1-LA 33618-A	"O" ring-valve cover
	1-C7TZ 3A561-A	Valve assy.	1-E2HZ 3F621-A	Snap ring
	1-B8AZ 3A570-A	Spring-flow control	2-B8E 33627-A	Valve cap
	1-C2SZ 3B592-A	Seal-shaft	2-87147-S91	(T-38)-"O" ring
	1-★C7TZ 3A643-A	Body assy. (includes 3760 Venturi)	2-357648-S8	(body to cover) & (by pass)
	1-C7TZ 3A698-B	Cover assy.	1-★370903-S	(MM-55)-Dowel pin
	1-C1SS 3A700-A	Orifice-tube seat	2-370967-S	(NN-53)-Dowel pin-not replaced
	1-B9MY 3A711-A	Impeller repair kit		(BB-158)-Bolt (hex head)
	1-★AF 3760-A	Venturi-flow director- serviced in 3A643 body assy.		
80/		<b>D4TZ 3A674-B</b>		1
Consists of				
	1-★C0NN 3C536-A	Drive pin	1-C9ZZ 10094-A	Bearing (rotor shaft)-#GE-21
	2-D4TZ 3B559-A	Shaft	1-LA 33618-A	"O" ring-valve cap
	3-C5TZ 3A561-A	Valve assy.	1-E2HZ 3F621-A	Snap ring
	1-B8AZ 3A570-A	Spring-flow control	1-B8E 33627-A	Valve cap
	1-C2SZ 3B592-A	Seal-shaft	2-87147-S91	(T-38)-"O" ring
	1-★C7TZ 3A643-A	Body assy. (includes 3760 Venturi)	2-357648-S8	(body to cover) & (by pass)
	1-C0TZ 3A698-B	Cover assy.	1-★370903-S	(NN-55)-Dowel pin
	1-C4TZ 3A700-A	Orifice-tube seat	2-370967-S	(NN-53)-Dowel pin-not replaced
	1-B9MY 3A711-A	Impeller repair kit		(BB-158)-Bolt (hex head)
	1-★AF 3760-A	Venturi-flow director- serviced in 3A643 body assy.		

1980/  
TRUCK SERIES 600/900

YEAR	MODEL/RESTRICTIONS	PART NUMBER	DESCRIPTION	QTY.
3A674	PUMP ASSY. (POWER STEERING) -- Cont'd For model application refer to Power Steering Pump Section 36.1			
80/		D6HZ 3A674-C		1
	Consists of			
	1-★3C536	Drive pin	1-C9ZZ 10094-A	Bearing (rotor shaft)-#GE-21
	1-D6HZ 3B559-B	Shaft	1-LA 33618-A	"0" ring-valve cap
	1-D6HZ 3A561-A	Valve assy.	1-E2HZ 3F621-A	Snap ring
	1-B8AZ 3A570-A	Spring-flow control	1-B8E 33627-A	Valve cap
	1-C2SZ 3B592-A	Seal-shaft	2-87014-S91	(T-1-AA)-"0" ring-by pass
	1-D6HZ 3A643-B	Body assy. (includes 3760 Venturi)		9/16" I.D. x 11/16" O.D.
	1-C7TZ 3A698-B	Cover assy. (includes (1) 3A700 tube seat (2) 357648-S8 dowel pin)	1-87147-S91	(T-38 - "0" ring-body to cover 2 5/8" I.D. x 53/64" O.D.
	1-C1SS 3A700-A	Orifice (pressure tube seat)	2-35764-8-S8	(NN-55)-Dowel pin-5/16" dia. x 3/4" long
	1-D6HZ 3A711-B	Impeller repair kit	1-★370903-S	Dowel pin-cam
	1-★AF 3760-A	Venturi-flow director- serviced in 3A643 body assy.	1-370967-S	(BB-158)-Bolt (hex. head)
80/		★ D8HZ 3A674-B	R/b E2HZ 3A674-B	1
	Consists of			
	1-★D8HZ 3C536-A	Drive pin	1-D8HZ 3D684-A	Gasket service kit
	1-D8HZ 3B559-A	Shaft	1-★D8HZ 3A698-A	Cover assy.
	1-D8HZ 3A561-A	Valve assy.	1-D8HZ 3A711-A	Impeller repair kit
	1-D8HZ 3A570-A	Spring	1-★D8HZ 33627-A	Valve cap
	1-★D8HZ 3D597-A	Retainer ring	2-★359290-S	(QQ-49)-Snap ring (shaft)
	2-D8HZ 3R682-B	Pin (cam locating)		
80/		★ D8HZ 3A674-C	R/b E2HZ 3A674-J	1
	Consists of			
	1-★3C536	Drive pin	2-D8HZ 3R682-B	Dowel pin
	1-D8HZ 3B559-B	Shaft	1-E0HZ 3D684-A	Gasket service kit
	1-D8HZ 3A561-A	Valve assy.	1-D8HZ 3A711-A	Impeller repair kit
	1-D8HZ 3A570-A	Spring-flow control	1-★33627	Cap
	1-★3D597	Retainer ring	2-★359240-S	Snap ring (shaft)
	1-★D9HZ 3A643-A	Body assy.		
80/		D8HZ 3A674-D		1
	Consists of			
	1-★D8HZ 3C536-A	Drive pin	2-D8HZ 3R682-B	Pin (cam locating)
	1-D8HZ 3B559-C	Shaft	1-E0HZ 3D684-A	Gasket service kit
	1-E0HZ 3A561-A	Valve assy.	1-D8HZ 3A711-A	Impeller repair kit
	1-D8HZ 3A570-A	Spring	1-★D8HZ 33627-A	Valve cap
	1-★D8HZ 3D597-A	Retainer ring	2-★359290-S	(QQ-49)-Snap ring (shaft)
	1-★D9HZ 3A643-A	Body assy.		
80/		D8HZ 3A674-E		1
	Consists of			
	1-★D8HZ 3C536-A	Drive pin	1-D8HZ 3R682-A	Pin
	1-D8HZ 3B559-A	Shaft	1-E0HZ 3D684-A	Gasket service kit
	1-D8HZ 3A561-B	Valve assy.	1-D0HZ 3A711-A	Impeller repair kit
	1-D8HZ 3A570-A	Spring-(flow control)	1-★D8HZ 33627-A	Valve cap
	1-★D8HZ 3D597-A	Retainer ring	2-★359290-S	(QQ-49)-Snap ring (shaft)
	1-★D9HZ 3A643-A	Body assy.		
80/		D8HZ 3A674-F		
	Consists of			
	1-★3C536	Drive pin	1-D8HZ 3R682-C	Dowel pin
	1-D8HZ 3B559-A	Shaft	1-D8HZ 3A711-B	Impeller repair kit
	1-D8HZ 3A561-B	Valve assy.	1-★33627	Cap
	1-D8HZ 3A570-A	Spring-flow control	2-★359240-S	Snap ring (shaft)
	1-★3D597	Retainer ring		
	1-D7HZ 3A643-A	Body assy.		



1980/  
TRUCK SERIES 600/900

YEAR	MODEL/RESTRICTIONS	PART NUMBER	DESCRIPTION	QTY.
<b>3A674 PUMP ASSY. (POWER STEERING) — Cont'd</b>				
For model application refer to Power Steering Pump Section 36.1				
80/		<b>D9HZ 3A674-A</b>		1
Consists of				
	1-★3C536	Drive pin	1-C9ZZ 10094-A	Bearing (rotor shaft)-#GE-21
	1-D6HZ 3B559-B	Shaft	1-LA 33618-A	"0" ring-valve cap
	1-C7TZ 3A561-A	Valve assy.	1-E2HZ 3F621-A	Snap ring
	1-B8AZ 3A570-A	Spring-flow control	1-B8E 33627-A	Valve cap
	1-C2SZ 3B592-A	Seal-shaft	2-87014-S91	(T-1-AA)-"0" ring-by pass
	1-★C7TZ 3A643-A	Body assy.	1-87147-S91	(T-38)-"0" ring-body to cover
	1-C7TZ 3A698-B	Cover assy.	2-357648-S8	(NN-55)-Dowel pin
	1-C1SS 3A700-A	Orifice (pressure tube seat)	2-370967-S	(BB-158)-Bolt (hex head)
	1-B9MY 3A711-A	Impeller repair kit		
80/		<b>D9HZ 3A674-B</b>		1
Consists of				
	1-★3C536	Drive pin	1-C9ZZ 10094-A	Bearing (rotor shaft)-#GE-21
	1-D6HZ 3B559-B	Shaft	1-LA 33618-A	"0" ring-valve cap
	1-D9HZ 3A561-B	Valve assy.	1-E2HZ 3F621-A	Snap ring
	1-B8AZ 3A570-A	Spring-flow control	1-B8E 33627-A	Valve cap
	1-C2SZ 3B592-A	Seal-shaft	2-87014-S91	(T-1-AA)-"0" ring-by pass
	1-★C7TZ 3A643-A	Body assy.	1-87147-S91	(T-38)-"0" ring-body to cover
	1-C0TZ 3A698-A	Cover assy.	2-357648-S8	(NN-55)-Dowel pin
	1-C4TZ 3A700-A	Orifice (pressure tube seat)	2-370967-S	(BB-158)-Bolt (hex head)
	1-B9MY 3A711-A	Impeller repair kit		
80/		<b>D9HZ 3A674-C</b>		1
Consists of				
	1-★3C536	Drive pin	1-C9ZZ 10094-A	Bearing (rotor shaft)-#GE-21
	1-D6HZ 3B559-B	Shaft	1-LA 33618-A	"0" ring-valve cap
	1-D6HZ 3A561-A	Valve assy.	1-E2HZ 3F621-A	Snap ring
	1-B8AZ 3A570-A	Spring-flow control	1-B8E 33627-A	Valve cap
	1-C2SZ 3B592-A	Seal-shaft	2-87014-S91	(T-1-AA)-"0" ring-by pass
	1-★C7TZ 3A643-A	Body assy.	1-87147-S91	(T-38)-"0" ring-body to cover
	1-C7TZ 3A698-B	Cover assy.	2-357648-S8	(NN-55)-Dowel pin
	1-C1SS 3A700-A	Orifice (pressure tube seat)	2-370967-S	(BB-158)-Bolt (hex head)
	1-D9HZ 3A711-B	Impeller repair kit		
80/		<b>★ D9HZ 3A674-D</b>	r/b E1HZ 3A674-A	1
Consists of				
	1-★3C536	Drive pin	1-C9ZZ 10094-A	Bearing (rotor shaft)-#GE-21
	1-D6HZ 3B559-A	Shaft	1-LA 33618-A	"0" ring-valve cap
	1-D9HZ 3A561-C	Valve assy.	1-E2HZ 3F621-A	Snap ring
	1-B8AZ 3A570-A	Spring-flow control	1-B8E 33627-A	Valve cap
	1-C2SZ 3B592-A	Seal-shaft	2-87014-S91	(T-1-AA)-"0" ring-by pass
	1-D9HZ 3A643-B	Body assy.	1-87147-S91	(T-38)-"0" ring-body to cover
	1-C0TZ 3A698-A	Cover assy.	2-357648-S8	(NN-55)-Dowel pin
	★1-C1TT 3A700-A	Orifice (pressure tube seat)	2-383625-S	(BB-158-A)-Bolt (hex head)
	1-D9HZ 3A711-C	Impeller repair kit		
80/		<b>D9HZ 3A674-F</b>		1
Consists of				
	1-★D8HZ 3C536-A	Drive pin	1-D8HZ 3A698-A	Cover assy.
	1-D8HZ 3A561-A	Valve assy.	1-★D8HZ 33627-A	Valve cap
	1-D8HZ 3A570-A	Spring	2-359290-S	(QQ-49)-Snap ring (shaft)
	1-D8HZ 3D597-A	Retainer ring		
	1-D8HZ 3A643-A	Body assy.		
	★1-D8HZ 3R682-A	Pin (cam locating)		
	★1-D8HZ 3D684-A	Seal kit		

1980/  
TRUCK SERIES 600/900

YEAR	MODEL/RESTRICTIONS	PART NUMBER	DESCRIPTION	QTY.
3A674	PUMP ASSY. (POWER STEERING) — Cont'd For model application refer to Power Steering Pump Section 36.1			
80/		★ EOHZ 3A674-B	r/b EOHZ 3A674-D	1
	Consists of			
	1-★D8HZ 3C536-A	Drive pin-carrier	1-LA 33618-A	''0'' ring-valve cap
	1-D6HZ 3B559-B	Shaft	1-E2HZ 3F621-A	Snap ring
	1-D6HZ 3A561-A	Valve assy.	1-B8E 33627-A	Valve cap
	1-E0HZ 3A570-A	Spring-flow control	2-87014-S91	(T-1-AA)-''0'' ring-by pass
	1-C2SZ 3B592-A	Seal-shaft	1-87147-S91	(T-38)-''0'' ring (body to cover)
	1-B8TZ 3A643-B	Body assy.	2-357648-S8	(NN-55)-Dowel pin
	1-D6HZ 3A698-A	Cover assy.	2-370967-S	(BB-158)-Bolt (hex head)
	★1-C1TT 3A700-A	Orifice-tube seat		
	1-D9HZ 3A711-B	Impeller repair kit		
	1-C9ZZ 10094-A	Bearing (rotor shaft)-#GE-21		
80/		EOHZ 3A674-C	Use with EOHZ 3D684-A gasket service kit	1
	Consists of			
	1-★D8HZ 3C536-A	Drive pin	★1-D8HZ 3R682-A	Pin (cam locating)
	1-E0HZ 3B559-A	Shaft		
	1-E0HZ 3A561-A	Valve assy.	1-D0HZ 3A711-A	Impeller repair kit
	1-★D8HZ 3A570-A	Spring	1-★D8HZ 33627-A	Cap
	1-★D8HZ 3D597-A	Retainer ring	2-★359290-S	Snap ring (shaft)
	1-★D9HZ 3A643-A	Body assy.		
80/		EOHZ 3A674-D		1
	Consists of			
	1-★D8HZ 3C536-A	Drive pin-carrier	1-LA 33618-A	''0'' ring-valve cap
	1-D6HZ 3B559-B	Shaft	1-E2HZ 3F621-A	Snap ring
	1-D6HZ 3A561-A	Valve assy.	1-B8E 33627-A	Valve cap
	★1-E0HZ 3A570-A	Spring-flow control	2-87014-S91	(T-1-AA)-''0'' ring-by pass
	1-C2SZ 3B592-A	Seal-shaft	1-87147-S91	(T-38)-''0'' ring (body to cover)
	1-B8TZ 3A643-B	Body assy.	2-357648-S8	(NN-55)-Dowel pin
	★1-E0HZ 3A698-A	Cover assy.	2-370967-S	(BB-158)-Bolt (hex head)
	1-D9HZ 3A711-B	Impeller repair kit		
	1-C9ZZ 10094-A	Bearing (rotor shaft)-#GE-21		
80/		E1HZ 3A674-A		1
	Consists of			
	1-★D8HZ 3C536-A	Drive pin	1-C9ZZ 10094-A	Bearing (rotor shaft)-#GE-21
	1-D6HZ 3B559-A	Shaft	1-LA 33619-A	''0'' ring-valve cap
	1-D9HZ 3A561-C	Valve assy.	1-E2HZ 3F621-A	Snap ring
	1-D8HZ 3A570-A	Spring flow control	1-B8E 33627-A	Valve cap
	1-C2SZ 3B592-A	Seal-shaft	2-87147-S91	(T-38)-''0'' ring
	1-★D9HZ 3A643-A	Body assy.		(body to cover) & ( by pass)
	1-C0TZ 3A698-A	Cover assy.	2-357648-S8	(NN-55)-Dowel pin
	1-C4TZ 3A700-A	Orifice-tube seal	2-370967-s	(BB-158)-Bolt (hex head)
	1-D9HZ 3A711-C	Impeller repair kit		
80/		E1HZ 3A674-B		1
	Consists of			
	1-★D8HZ 3C536-A	Drive pin	1-C9ZZ 10094-A	Bearing (rotor shaft)-#GE-21
	1-D6HZ 3B559-A	Shaft	1-LA 33618-A	''0'' ring-valve cap
	1-D9HZ 3A561-C	Valve assy.	1-E2HZ 3F621-A	Snap ring
	1-B8AZ 3A670-A	Spring-flow control	1-B8E 33627-A	Valve cap
	1-C2SZ 3B592-A	Seal-shaft	2-87147-S91	(T-38)-''0'' ring
	1-D6HZ 3A643-A	Body assy.		(body to cover) & (by pass)
	1-C0TZ 3A698-A	Cover assy.	2-357648-S8	(NN-55)-Dowel pin
	1-C4TZ 3A700-A	Orifice-tube seat	2-370967-S	(BB-158)-Bolt (hex head)
	1-D9HZ 3A711-C	Impeller repair kit		
80/		E1HZ 3A674-D	#E1HT 2N211-AA-Refer to Section 36.1 Parts List No. 62 for details	1

1980/  
TRUCK SERIES 600/900

YEAR	MODEL/RESTRICTIONS	PART NUMBER	DESCRIPTION	QTY.
<b>3A674 PUMP ASSY. (POWER STEERING) — Cont'd</b>				
For model application refer to Power Steering Pump Section 36.1				
80/		<b>E2HZ 3A674-A</b>	#E2HT 2N211-AA-Refer to Section 36.1 Parts List No. 61 for details	1
80/		<b>E2HZ 3A674-B</b>		1
Consists of				
	1-★D8HZ 3C536-A	Drive pin	★1-D8HZ 3R682-A	Pin (cam locating)
	1-D8HZ 3B559-C	Shaft	1-E0HZ 3D684-A	Gasket service kit
	1-E0HZ 3A561-A	Valve assy.	1-D0HZ 3A711-A	Impeller repair kit
	1-D8HZ 3A570-A	Spring	1-★D8HZ 33627-A	Valve cap
	1-★D8HZ 3D597-A	Retainer ring	2-★359290-S	(QQ-49)-Snap ring (shaft)
	1-D8HZ 3A643-A	Body assy.		
80/		<b>E2HZ 3A674-C</b>		1
Consists of				
	1-★D8HZ 3C536-A	Drive pin	1-D8HZ 3R682-C	Pin (cam locating)
	1-D8HZ 3B559-C	Shaft	1-E0HZ 3D684-A	Gasket service kit
	1-E2HZ 3A561-A	Valve assy.	1-D8HZ 3A711-B	Impeller repair kit
	1-D8HZ 3A570-A	Spring	1-★D8HZ 33627-A	Valve cap
	1-★D8HZ 3D597-A	Retainer ring	2-★359290-S	(QQ-49)-Snap ring (shaft)
	1-E2HZ 3A643-C	Body assy.		
80/		<b>E2HZ 3A674-D</b>	Use with E0HZ 3D684-A gasket service kit	1
Consists of				
	1-★D8HZ 3C536-A	Drive pin	1-D8HZ 3R682-C	Pin (cam locating)
	1-E0HZ 3B559-A	Shaft	1-D8HZ 3A711-B	Impeller repair kit
	1-E2HZ 3A561-A	Valve assy.	1-★D8HZ 33627-A	Valve cap
	1-D8HZ 3A570-A	Spring	2-★35920-S	(QQ-49)-Snap ring (shaft)
	1-★D8HZ 3D597-A	Retainer ring		
	1-D7HZ 3A643-A	Body assy.		
80/		<b>E2HZ 3A674-E</b>		1
Consists of				
	1-★D8HZ 3C536-A	Drive pin	1-D8HZ 3R682-C	Pin (cam locating)
	1-D8HZ 3B559-A	Shaft	1-E0HZ 3D684-A	Gasket service kit
	1-E2HZ 3A561-A	Valve assy.	1-D8HZ 3A711-B	Impeller repair kit
	1-D8HZ 3A570-A	Spring	1-★D8HZ 33627-A	Valve cap
	1-★D8HZ 3D597-A	Retainer ring	2-★359290-S	(QQ-49)-Snap ring (shaft)
	1-D7HZ 3A643-A	Body assy.		
80/		<b>E2HZ 3A674-F</b>		1
Consists of				
	1-★D8HZ 3C536-A	Drive pin	1-D8HZ 3R682-C	Pin (cam locating)
	1-E2HZ 3B559-A	Shaft	1-E0HZ 3D684-A	Gasket service kit
	1-E2HZ 3A561-A	Valve assy.	1-D8HZ 3A711-B	Impeller repair kit
	1-D8HZ 3A570-A	Spring	1-★D8HZ 33627-A	Valve cap
	1-★D8HZ 3D597-A	Retainer ring	2-★359290-S	(QQ-49)-Snap ring (shaft)
	1-D7HZ 3A643-A	Body assy.		
80/		<b>E2HZ 3A674-G</b>		1
Consists of				
	1-★D8HZ 3C536-A	Drive Pin	★1-D8HZ 3R682-A	Pin (cam locating)
	1-E2HZ 3B559-A	Shaft	1-E0HZ 3D684-A	Gasket service kit
	1-E0HZ 3A561-A	Valve assy.	1-D0HZ 3A711-A	Impeller repair kit
	1-D8HZ 3A570-A	Spring	1-★D8HZ 33627-A	Valve cap
	1-★D8HZ 3D597-A	Retainer ring	2-★359290-S	(QQ-49)-Snap ring (shaft)
	1-★D9HZ 3A643-A	Body assy.		
80/		<b>E2HZ 3A674-H</b>		1
Consists of				
	1-★D8HZ 3C536-A	Drive pin	★1-D8HZ 3R682-A	Pin (cam locating)
	1-D8HZ 3B559-A	Shaft	1-E0HZ 3D684-A	Gasket service kit
	1-E0HZ 3A561-A	Valve assy.	1-D0HZ 3A711-A	Impeller repair kit
	1-D8HZ 3A570-A	Spring	1-★D8HZ 33627-A	Valve cap
	1-★D8HZ 3D597-A	Retainer ring	2-★359290-S	(QQ-49)-Snap ring (shaft)
	1-★D9HZ 3A643-A	Body assy.		

1980/  
TRUCK SERIES 600/900

YEAR	MODEL/RESTRICTIONS	PART NUMBER	DESCRIPTION	QTY.
3A674	PUMP ASSY. (POWER STEERING) — Cont'd For model application refer to Power Steering Pump Section 36.1			
80/		E2HZ 3A674-J		1
	Consists of			
	1-★D8HZ 3C536-A	Drive Pin	★1-D8HZ 3R682-A	Pin (cam locating)
	1-D8HZ 3B559-B	Shaft	1-E0HZ 3D684-A	Gasket service kit
	1-E0HZ 3A561-A	Valve assy.	1-D0HZ 3A711-A	Impeller repair kit
	1-D8HZ 3A570-A	Spring	1-★D8HZ 33627-A	Valve cap
	1-★D8HZ 3D597-A	Retainer ring	2-★359290-S	(QQ-49)-Snap ring (shaft)
	1-★D9HZ 3A643-A	Body assy.		
80/		E2HZ 3A674-K		1
	Consists of			
	1-★D8HZ 3C536-A	Drive pin	★1-D8HZ 3R682-A	Pin (cam locating)
	1-D8HZ 3B559-B	Shaft	1-E0HZ 3D684-A	Gasket service kit
	1-E0HZ 3A561-A	Valve assy.	1-D0HZ 3A711-A	Impeller repair kit
	1-D8HZ 3A570-A	Spring	1-★D8HZ 33627-A	Valve cap
	1-★D8HZ 3D597-A	Retainer ring	2-★359290-S	(QQ-49)-Snap ring (shaft)
	1-D8HZ 3A643-A	Body assy.		
83/86		★ E3HZ 3A674-A	R/b E5HZ 3A674-E (9/86)	1
	Consists of			
	★5-E3HZ 3N533-A	Bolt hex. head-3/8"-16 x 2 1/2"	★1-E2HZ 3M627-A	Valve cap
	1-E3HZ 3B559-A	Shaft	1-E3HZ 3A643-A	Body assy.
	1-E3HZ 3A561-A	Valve assy.	1-E3HZ 3D684-A	Gasket service kit
	★1-E3HZ 3B563-A	Reinforcement plate	★1-E3HZ 3A698-A	Cover assy.-r/b E5HZ 3A674-A(1/86)
	1-E2HZ 3A570-A	Spring-flow control	★1-E3HZ 3A711-A	Impeller repair kit-r/b E5HZ 3A674-E(12/89)
	1-E2HZ 3F621-A	Snap ring	1-C9ZZ 10094-A	Bearing (rotor shaft)-#GE-21
83/		E3HZ 3A674-B		1
	Consists of			
	★5-E3HZ 3N533-A	Bolt hex. head-3/8"-16 x 2 1/2"	★1-E2HZ 3M627-A	Valve cap
	1-E3HZ 3B559-A	Shaft	1-E3HZ 3A643-A	Body assy.
	1-E3HZ 3A561-B	Valve assy.	1-E3HZ 3D684-A	Gasket service kit
	★1-E3HZ 3B563-A	Reinforcement plate	★1-E3HZ 3A698-B	Cover assy.-r/b E5HZ 3A674-C(1/86)
	1-E2HZ 3A570-A	Spring-flow control	1-E5HZ 3A711-A	Impeller repair kit
	1-E2HZ 3F621-A	Snap ring	1-C9ZZ 10094-A	Bearing (rotor shaft)-#GE-21
83/		E3HZ 3A674-C		1
	Consists of			
	★5-E3HZ 3N533-A	Bolt hex. head-3/8"-16 x 2 1/2"	★1-E2HZ 3M627-A	Valve cap
	1-E3HZ 3B559-A	Shaft	1-E3HZ 3A643-A	Body assy.
	1-E3HZ 3A561-C	Valve assy.	1-E3HZ 3D684-A	Gasket service kit
	★1-E3HZ 3B563-A	Reinforcement plate	★1-E3HZ 3A698-C	Cover assy.-r/b E5HZ 3A674-B(1/86)
	1-E2HZ 3A570-A	Spring-flow control	1-E5HZ 3A711-A	Impeller repair kit
	1-E2HZ 3F621-A	Snap ring	1-C9ZZ 10094-A	Bearing (rotor shaft)-#GE-21
83/		E3HZ 3A674-D		1
	Consists of			
	★5-E3HZ 3N533-A	Bolt hex. head-3/8"-16 x 2 1/2"	★1-E2HZ 3M627-A	Valve cap
	1-E3HZ 3B559-B	Shaft	1-E3HZ 3A643-A	Body assy.
	1-E3HZ 3A561-B	Valve assy.	1-E3HZ 3D684-A	Gasket service kit
	★1-E3HZ 3B563-A	Reinforcement plate	★1-E3HZ 3A698-B	Cover assy.-r/b E5HZ 3A674-C(1/86)
	1-E2HZ 3A570-A	Spring-flow control	★1-E3HZ 3A711-A	Impeller repair kit-r/b E5HZ 3A674-B(12/89)
	1-E2HZ 3F621-A	Snap ring	1-C9ZZ 10094-A	Bearing (rotor shaft)-#GE-21

1980/  
TRUCK SERIES 600/900

YEAR	MODEL/RESTRICTIONS	PART NUMBER	DESCRIPTION	QTY.
3A674	<b>PUMP ASSY. (POWER STEERING) — Cont'd</b>			
	For model application refer to Power Steering Pump Section 36.1			
83/		<b>E3HZ 3A674-E</b>		1
	Consists of			
	★5-E3HZ 3N533-A	Bolt hex. head-3/8"-16 x 2 1/2"	★1-E2HZ 3M627-A	Valve cap
	1-E3HZ 3B559-B	Shaft	1-E3HZ 3A643-A	Body assy.
	1-E3HZ 3A561-C	Valve assy.	1-E3HZ 3D684-A	Gasket service kit
	★1-E3HZ 3B563-A	Reinforcement plate	★1-E3HZ 3A698-C	Cover assy.-r/b E5HZ 3A674-B(1/86)
	1-E2HZ 3A570-A	Spring-flow control	★1-E3HZ 3A711-A	Impeller repair kit-r/b E5HZ 3A674-B(12/89)
	1-E2HZ 3F621-A	Snap ring	1-C9ZZ 10094-A	Bearing (rotor shaft)-#GE-21
83/		<b>★ E3HZ 3A674-F</b>	R/b E5HZ 3A674-A(11/89)	1
	Consists of			
	★5-E3HZ 3N533-A	Bolt hex. head-3/8"-16 x 2 1/2"	★1-E2HZ 3M627-A	Valve cap
	1-E3HZ 3B559-A	Shaft	1-E3HZ 3A643-B	Body assy.
	1-E3HZ 3A561-A	Valve assy.	1-E3HZ 3D684-A	Gasket service kit
	★1-E3HZ 3B563-A	Reinforcement plate	★1-E3HZ 3A698-A	Cover assy.-r/b E5HZ 3A674-A(1/86)
	1-E2HZ 3A570-A	Spring-flow control	★1-E3HZ 3A711-A	Impeller repair kit-r/b E5HZ 3A674-A(12/89)
	1-E2HZ 3F621-A	Snap ring	1-C9ZZ 10094-A	Bearing (rotor shaft)-#GE-21
83/		<b>E3HZ 3A674-G</b>		1
	Consists of			
	★5-E3HZ 3N533-A	Bolt hex. head-3/8"-16 x 2 1/2"	★1-E2HZ 3M627-A	Valve cap
	1-E3HZ 3B559-A	Shaft	1-E3HZ 3A643-B	Body assy.
	1-E3HZ 3A561-B	Valve assy.	1-E3HZ 3D684-A	Gasket service kit
	★1-E3HZ 3B563-A	Reinforcement plate	★1-E3HZ 3A698-B	Cover assy.-r/b E5HZ 3A674-C(1/86)
	1-E2HZ 3A570-A	Spring-flow control	★1-E3HZ 3A711-A	Impeller repair kit-r/b E5HZ 3A674-C(12/89)
	1-E2HZ 3F621-A	Snap ring	1-C9ZZ 10094-A	Bearing (rotor shaft)-#GE-21
83/		<b>E3HZ 3A674-H</b>		1
	Consists of			
	★5-E3HZ 3N533-A	Bolt hex. head-3/8"-16 x 2 1/2"	★1-E2HZ 3M627-A	Valve cap
	1-E3HZ 3B559-A	Shaft	1-E3HZ 3A643-B	Body assy.
	1-E3HZ 3A561-C	Valve assy.	1-E3HZ 3D684-A	Gasket service kit
	★1-E3HZ 3B563-A	Reinforcement plate	★1-E3HZ 3A698-C	Cover assy.-r/b E5HZ 3A674-B(1/86)
	1-E2HZ 3A570-A	Spring-flow control	★1-E3HZ 3A711-A	Impeller repair kit-r/b E5HZ 3A674-B(12/89)
	1-E2HZ 3F621-A	Snap ring	1-C9ZZ 10094-A	Bearing (rotor shaft)-#GE-21
84/87		<b>★ E4HZ 3A674-A</b>	#E4HT 2N211-A-Refer to section 36.1 36.1 Parts List No. 84 for details	
84/		<b>E4HZ 3A674-B</b>	Use with E0HZ 3D684-A gasket service kit	1
	Consists of			
	1-★D8HZ 3C536-A	Drive pin	1-D8HZ 3R682-A	Pin (cam locating)
	1-D8HZ 3B559-A	Shaft	1-D0HZ 3A711-B	Impeller repair kit
	1-E2HZ 3A561-A	Valve assy.	1-★D8HZ 33627-A	Valve cap
	1-D8HZ 3A570-A	Spring	2-★339290-S	(QQ-49)-Snap ring (shaft)
	1-★D8HZ 3D597-A	Retainer ring		
	1-D7HZ 3A643-A	Body assy.		
84/		<b>E4HZ 3A674-C</b>	Use with E0HZ 3D684-A gasket service kit	1
	Consists of			
	1-★D8HZ 3C536-A	Drive pin	1-D8HZ 3R682-A	Pin (cam bearing)
	1-D8HZ 3A559-A	Shaft	1-D0HZ 3A711-A	Impeller repair kit
	1-E0HZ 3A561-A	Valve assy.	1-★D8HZ 33627-A	Valve cap
	1-D8HZ 3A570-A	Spring	2-★339290-S	(QQ-49)-Snap ring (shaft)
	1-★D8HZ 3D597-A	Retainer ring		

1980/  
TRUCK SERIES 600/900

YEAR	MODEL/RESTRICTIONS	PART NUMBER	DESCRIPTION	QTY.
3A674	PUMP ASSY. (POWER STEERING) — Cont'd For model application refer to Power Steering Pump Section 36.1			
84/		E4HZ 3A674-D	Use with E3HZ 3D684-A gasket service kit	1
	Consists of			
	★5-E3HZ 3N533-A	Bolt hex. head-3/8"-16 x 2 1/2"	1-★E4HZ 3A698-A	Cover assy.-r/b E5HZ 3A674-D(12/86)
	1-E4HZ 3B559-A	Shaft	★1-E3HZ 3A711-A	Impeller repair kit-r/b E5HZ 3A674-D (12/89)
	1-E3HZ 3A561-A	Valve assy.		(QQ-49)-Snap ring (shaft)
	★1-E3HZ 3B563-A	Reinforcement plate	2-★359290-S	
	1-E2HZ 3A570-A	Spring-flow control		
	★1-E2HZ 3M627-A	Valve cap		
	1-E4HZ 3A643-A	Body assy.		
85/		E5HZ 3A674-A		1
	Consists of			
	★5-E3HZ 3N533-A	Bolt hex. head-3/8"-16 x 2 1/2"	★1-E2HZ 3M627-A	Valve cap
	1-E3HZ 3B559-A	Shaft	1-E3HZ 3A643-B	Body assy.
	1-E3HZ 3A561-A	Valve assy.	1-E3HZ 3D684-A	Gasket service kit
	★1-E3HZ 3B563-A	Reinforcement plate	1-E5HZ 3A698-A	Cover assy.
	1-E2HZ 3A570-A	Spring-flow control	1-E5HZ 3A711-A	Impeller repair kit
	1-E2HZ 3F621-A	Snap ring	1-C9ZZ 10094-A	Bearing (rotor shaft)-#GE-21
85/		E5HZ 3A674-B		1
	Consists of			
	★5-E3HZ 3N533-A	Bolt hex. head-3/8"-16 x 2 1/2"	★1-E2HZ 3M627-A	Valve cap
	1-E3HZ 3B559-A	Shaft	1-E3HZ 3A643-B	Body assy.
	1-E3HZ 3A561-C	Valve assy.	1-E3HZ 3D684-A	Gasket service kit
	★1-E3HZ 3B563-A	Reinforcement plate	1-E5HZ 3A698-B	Cover assy.
	1-E2HZ 3A570-A	Spring flow control	1-E5HZ 3A711-A	Impeller repair kit
	1-E2HZ 3F621-A	Snap ring	1-C9ZZ 10094-A	Bearing (rotor shaft)-#GE-21
85/		E5HZ 3A674-C		1
	Consists of			
	★5-E3HZ 3N533-A	Bolt hex. head-3/8"-16 x 2 1/2"	★1-E2HZ 3M627-A	Valve cap
	1-E3HZ 3B559-A	Shaft	1-E3HZ 3A643-B	Body assy.
	1-E3HZ 3A561-B	Valve assy.	1-E3HZ 3D684-A	Gasket service kit
	★1-E3HZ 3B563-A	Reinforcement plate	1-E5HZ 3A698-C	Cover assy.
	1-E2HZ 3A570-A	Spring-flow control	1-E5HZ 3A711-A	Impeller repair kit
	1-E2HZ 3F621-A	Snap ring	1-C9ZZ 10094-A	Bearing (rotor shaft)-#GE-21
85/		E5HZ 3A674-D		1
	Consists of			
	★5-E3HZ 3N533-A	Bolt hex. head-3/8"-16 x 2 1/2"	★1-E2HZ 3M627-A	Valve cap
	1-E4HZ 3B559-A	Shaft	1-E4HZ 3A643-A	Body assy.
	1-E3HZ 3A561-A	Valve assy.	1-E3HZ 3D684-A	Gasket service kit
	★1-E3HZ 3B563-A	Reinforcement plate	1-E5HZ 3A698-D	Cover assy.
	1-E2HZ 3A570-A	Spring flow control	1-E5HZ 3A711-A	Impeller repair kit
			2-★359290-S	(QQ-49) Snap ring-shaft
85/		E5HZ 3A674-E		1
	Consists of			
	★5-E3HZ 3N533-A	Bolt hex. head-3/8"-16 x 2 1/2"	★1-E2HZ 3M627-A	Valve cap
	1-E3HZ 3B559-A	Shaft	1-E3HZ 3A643-A	Body assy.
	1-E3HZ 3A561-A	Valve assy.	1-E3HZ 3D684-A	Gasket service kit
	★1-E3HZ 3B563-A	Reinforcement plate	1-E5HZ 3A698-A	Cover assy.
	1-E2HZ 3A570-A	Spring flow control	1-E5HZ 3A711-A	Impeller repair kit
			1-C9ZZ 10094-A	Bearing (rotor shaft)
			1-B5A 33621-A	Snap ring
86/		★ E6HZ 3A674-A	R/b E8HZ 3A674-A (1/88)	1
	Consists of			
	1-E6HZ 3B559-A	Shaft assy. kit	1-E6HZ 3A643-A	Body assy. kit
	1-E7HZ 3E599-A	Elbow kit	1-E6HZ 3A711-A	Impeller repair kit
	1-E6HZ 3A561-A	Valve assy. kit	1-86485-S95	(H-606) Snap ring
	1-E6HZ 3B592-A	Seal kit		

**1980/  
TRUCK SERIES 600/900**

YEAR	MODEL/RESTRICTIONS	PART NUMBER	DESCRIPTION	QTY.
3A674	<b>PUMP ASSY. (POWER STEERING) — Cont'd</b>			
For model application refer to Power Steering Pump Section 36.1				
87/		<b>E7HZ 3A674-A</b>		1
Consists of				
★5-E3HZ 3N533-A	Bolt hex. head-3/8"-16 x 2 1/2"	★1-E2HZ 3M627-A	Valve cap	
1-E7HZ 3B559-A	Shaft	1-E7HZ 3A643-B	Body assy.	
1-E3HZ 3A561-A	Valve assy.	1-E3HZ 3D684-A	Gasket service kit	
★1-E3HZ 3B563-A	Reinforcement plate	1-E7HZ 3A698-A	Cover assy.	
1-E2HZ 3A570-A	Spring flow control	1-E5HZ 3A711-A	Impeller repair kit	
87/		<b>E7HZ 3A674-B</b>		1
Consists of				
5-E7HZ 3N533-A	Bolt hex. head-3/8"-16 x 2 3/4"	1-E7HZ 3A643-A	Body assy.	
1-E7HZ 3B559-B	Shaft	1-E7HZ 3D684-A	Gasket service kit	
1-E3HZ 3A561-A	Valve assy.	1-E7HZ 3A698-B	Cover assy.	
★1-E3HZ 3B563-A	Reinforcement plate	1-E7HZ 3A698-D	Kit-cover assy.-for EDE7HT 3A674-CC pump assy.	
1-E2HZ 3A570-A	Spring flow control	1-E7HZ 3A711-A	Impeller repair kit-r/b E7HZ 3A711-B(7/87)	
★1-E2HZ 3M627-A	Valve cap	1-E7HZ 3A711-B	Impeller repair kit-for EDE7HT 3A674-CC pump assy.	
87/		<b>E7HZ 3A674-C</b>		1
Consists of				
5-E7HZ 3N533-A	Bolt hex. head-3/8"-16 x 2 3/4"	1-E7HZ 3A643-C	Body assy.	
1-E7HZ 3B559-C	Shaft	1-E7HZ 3D684-A	Gasket service kit	
1-E3HZ 3A561-A	Valve assy.	1-E7HZ 3A698-C	Cover assy.	
★1-E3HZ 3B563-A	Reinforcement plate	1-E7HZ 3A698-E	Kit-cover assy.-for EDE7HT 3A674-GA pump assy.	
1-E2HZ 3A570-A	Spring flow control	1-E7HZ 3A711-A	Impeller repair kit-r/b E7HZ 3A711-B(7/87)	
★1-E2HZ 3M627-A	Valve cap	1-E7HZ 3A711-B	Impeller repair kit-for EDE7HT 3A674-GA pump assy. 2-★359290-S (QQ-49)	
88/		<b>E8HZ 3A674-C</b>		1
Consists of				
★5-E3HZ 3N533-A	Bolt hex. head-3/8"-16 x 2 1/2"	★1-E2HZ 3M627-A	Valve cap	
1-E4HZ 3B559-A	Shaft	1-E7HZ 3A643-B	Body assy.	
1-E8HZ 3A561-A	Valve assy.	1-E3HZ 3D684-A	Gasket service kit	
★1-E3HZ 3B563-A	Reinforcement plate	1-E8HZ 3A698-A	Cover assy.	
1-E2HZ 3A570-A	Spring flow control	1-E8HZ 3A711-A	Impeller repair kit	
		2-★359290-S	Snap ring-shaft	
88/		<b>E8HZ 3A674-D</b>		1
Consists of				
★5-E3HZ 3N533-A	Bolt hex. head-3/8"-16 x 2 1/2"	★1-E2HZ 3M627-A	Valve cap	
1-E4HZ 3B559-A	Shaft	1-E7HZ 3A643-B	Body assy.	
1-E8HZ 3A561-A	Valve assy.	1-E3HZ 3D684-A	Gasket service kit	
★1-E3HZ 3B563-A	Reinforcement plate	1-E8HZ 3A698-B	Cover assy.	
1-E2HZ 3A570-A	Spring flow control	1-E5HZ 3A711-A	Impeller repair kit	
		2-★359290-S	Snap ring-shaft	
88/		<b>E8HZ 3A674-J</b>		1
Consists of				
5-E7HZ 3N533-A	Bolt hex. head-3/8"-16 x 2 3/4"	1-E7HZ 3A643-A	Body assy.	
1-E7HZ 3B559-B	Shaft	1-E7HZ 3D684-A	Gasket service kit	
1-E8HZ 3A561-A	Valve assy.	1-E8HZ 3A698-B	Cover assy.	
★1-E3HZ 3B563-A	Reinforcement plate	1-E7HZ 3A711-A	Impeller repair kit	
1-E2HZ 3A570-A	Spring flow control	1-74172-S	(L-3) Woodruff key	
★1-E2HZ 3M627-A	Valve cap	2-★359290-S	Snap ring-shaft	
3675	<b>HOUSING ASSY. (STEERING and IGNITION)</b>			
86/	CF600/700	<b>E6HZ 3675-A</b>	#85HB 3675-AA	1
3E675	Refer to Steering Gear Parts Lists Section 35.1			
3B676	Refer to group 3A526			

1980/  
TRUCK SERIES 600/900

YEAR	MODEL/RESTRICTIONS	PART NUMBER	DESCRIPTION	QTY.
<b>3B677 CLIP (STEERING GEAR SHAFT COUPLING RETAINER)</b>				
84/	B-F600/900	E4HZ 3B677-A	Detail of E4HT 3E751-AA,BA,CA	2
<b>3678 BRACKET (STEERING COLUMN TO INSTRUMENT PANEL)</b>				
80/	B600/700	E0HZ 3678-A	#E0HT 3678-EA,EB,EC,ED, E1HT 3678-AA (above steering column)	1
82/	B600/700	E2HZ 3678-A	Upper -- #E1HT 3678-BA (under steering column)	1
		E2HZ 3678-B	Lower -- #E1HT 3678-CA (under steering column)	1
80/	C-CT600/900	E4HZ 3678-A		1
86/	CF600/700	E6HZ 3678-A	#81DB 3678-AE, E5HT 3678-AA	1
80/	CL-CLT900	D8HZ 3678-A	#D7HT 3678-AB,AC	1
80/88	F600/900 "Before 11/87"	E0HZ 3678-B	#E0HT 3678-DE, #E2HT 3678-BA	1
88	F600/900 "From 11/87"	E8HZ 3678-A	#E8HT 3678-BB	1
80/82	L-LN-LNT-LT-LTL-LTS 600/900 "Before 1/82"	D0HZ 3678-A		1
82/84	L-LN-LNT-LT-LTL-LTS 600/900 "From 1/82 to 9/83"	★ E2HZ 3678-C	#E2HT 3678-AA	1
84/	L-LN-LNT-LT-LTL-LTS 600/900 "From 9/83"	E4HZ 3678-B	#E3HT 3678-BA	1
80/	B600/700	N605905-S2	(AB-118-D)-Bolt (bracket to column)-M8 x 20	3
80/	F600/900			2
80/	L-LN-LNT-LT-LTS600/900	383747-S	(BB-302-A)-bolt (bracket to clutch support)- 3/8"-24 x 1"	4
		384487-S2	Nut-3/8"-24	4
		383748-S2	(BB-311-H)-bolt-7/16"-20 x 3 3/4"	1
		★383453-S	Nut-7/16"-20	1
<b>3681 FLANGE and RETAINER ASSY. (STEERING COLUMN TUBE)</b>				
80/	C800/900(9 1/2" frame) -- 12M conv. front axle	B7T 3681-A		1
80/	C800/900(9 3/4" frame), CT800/900			1
80/	C600/700	C6TZ 3B580-A		1
80/	C800/900(9 1/2" frame) -- 9M,12M C/P/S front axles			1
80/	CL-CLT900	D8HZ 3B580-A		1
80/	C-CT600/900	20346-S8	(B-50)-bolt (flange to floor pan)-5/16"-18 x 3/4"	2
		20426-S8	(B-55)-bolt (flange to floor pan)-5/16"-18 x 1 1/4"	2
		34130-S8	(M-149)-nut-square-5/16"-18	
		34806-S7	(X-64)-lockwasher-5/16"	
		44722-S8	(X-19)-washer-flat-5/16"	
<b>3B681 COVER (POWER STEERING PUMP)</b>				
86/	CF600/700	E6HZ 3B681-A	#C5NE 3B681-A, P1A-eng.	1
<b>3D681 RETAINER ASSY. (STEERING COLUMN LOWER BEARING)</b>				
80/	L-LN-LNT-LT-LTS600/900	D0HZ 3D681-A		1
80/89	B-F600/800 "Before 12/88"	C5TZ 3D681-B	Upper	1
		E0TZ 3D681-C	Lower	1
89/	B-F-FT600/900 "From 12/88"	★ Not required	Upper	1
		E0TZ 3D681-C	Lower	1
82/	LTL900	D0HZ 3D681-A		1
<b>3C684 BOLT (STEERING COLUMN CLAMP)</b>				
81/	L-LN-LNT-LT-LTL-LTS600/900	E1HZ 3C684-A	Detail of 3B676 (E1HZ-A & E2HZ-F)	6
<b>3D684 Refer to group 3A674</b>				
<b>3685 KEY (DOOR and IGNITION LOCK BLANK)</b>				
80/	C-CT600/900	B9A 3685-A		2
86/	CF600/700	E6HZ 3685-A	#85HB 11603-AA-Ignition only	1
<b>3C685 BEARING ASSY. (STEERING IDLER ARM PIVOT)</b>				
80/	C-CT600/900	C8HZ 3C685-A	#48548-L-bearing-outer end	1
		C3SZ 1216-A	#M12649-bearing-inner end	1
		C2AZ 1195-A	Washer-bearing retainer	1
		LF 1131-A	Cap-bearing grease	1



1980/  
TRUCK SERIES 600/900

YEAR	MODEL/RESTRICTIONS	PART NUMBER	DESCRIPTION	QTY.
3691	Refer to group 3A719			
3A691	Refer to P/S Pump Parts Lists Section 36.1			
3693	SLEEVE (STEERING COLUMN TUBE TO BRACKET)			
80/	C-CT600/900	B7T 3693-A		1
80/	CL-CLT900			1
3693	GAITER (STEERING COLUMN)			
87/	CF600/800	E7HZ 3693-A	#81DB 3693-AB	
3D693	SCREW-SPRING RETURN (ADJUSTABLE STEERING COLUMN BRACKET)			
84	L-LT-LTL-LTS-LN-LNT800/900 "Before 2/84"	None req'd		
84/89	L-LT-LTL-LTS-LN-LNT800/900 "From 2/84" "Before 10/88"	E4HZ 3D693-A		2
89/	L-LT-LTL-LTS-LN-LNT800/900 "From 10/88"	E9HZ 3D693-A		1
3C694	Refer to Steering Gear Parts Lists Section 35.1			
3A696	Refer to P/S Pump Parts Lists Section 36.1			
3E696	SPRING (ADJUSTABLE STEERING COLUMN BRACKET)			
84	L-LT-LTL-LTS-LN-LNT800/900 "Before 2/84"	None req'd		
84/	L-LT-LTL-LTS-LN-LNT800/900 - - non-fleet "From 2/84"	E4HZ 3E696-A		1
84/	L-LT-LTL-LTS-LN-LNT800/900 - - fleet	E4HZ 3E696-B		1
3A697	RESERVOIR ASSY. (POWER STEERING PUMP) For model application refer to Power Steering Pump Section 36.1			
80/		D4HZ 3A697-E		1
Consists of				
	1-E1HZ 3A006-A	Filler cap	1-C1TT 3A582-A	Cover assy.
	1-D9HZ 3601-A	Stud-reservoir cover	1-C5TZ 3C602-A	Filter element
	1-C2TZ 3A642-A	Gasket-reservoir to cover	1-E1HZ 3C677-A	Filter support
	1-C2SZ 3B688-A	Spring	1-B4AZ 3B754-A	Filter-cap
	1-B9A 6570-A	Gasket-cover screw	1-33896-S8	(M-182)-Wing nut
	1-44722-S8	(X-19)-Washer		
80/		D5HZ 3A697-A		1
Consists of				
	1-★D0HZ 3C602-B	Filter kit-r/b D9HZ 3C602-A		
80/		D5HZ 3A697-B		1
Consists of				
	1-★D0HZ 3C602-B	Filter kit-r/b D9HZ 3C602-A		
80/		D6HZ 3A697-E	Can only	
Consists of				
	1-E1HZ 3A006-A	Filler cap	1-C5TZ 3C602-A	Filter element
	1-B9TZ 3B563-A	Reinforcement-plate	1-B4AZ 3B754-A	Cap-filter
	1-C1TT 3A582-A	Cover assy.	1-B9A 6570-A	Gasket-cover screw
	1-B4A 3601-A	Stud (reservoir to pump)	1-33896-S8	(M-182)-wing nut
	1-D9HZ 3601-A	Stud-reservoir cover	1-44722-S8	(X-19)-flat washer-
	1-C2TZ 3A642-A	Gasket-reservoir to cover		cover
	1-C2SZ 3B688-A	Spring		
80/		★ D9HZ 3A697-A r/bD9HZ 3A697-D		1

1980/  
TRUCK SERIES 600/900

YEAR	MODEL/RESTRICTIONS	PART NUMBER	DESCRIPTION	QTY.
3A697	RESERVOIR ASSY. (POWER STEERING PUMP) — Cont'd For model application refer to Power Steering Pump Section 36.1			
80/		D9HZ 3A697-D		1
	Consists of			
	1-E1HZ 3A006-A	Filler cap	1-C5TZ 3C602-A	Filter element
	★1-D9HZ 3B563-A	Reinforcement-plate	★1-D9HZ 3C677-A	Support-filter
	1-C1TT 3A582-A	Cover assy.	1-B4AZ 3B754-A	Cap-filter
	1-B4A 3601-A	Stud (reservoir to pump)	1-B9A 6570-A	Gasket-cover screw
	1-D9HZ 3601-A	Stud-reservoir cover	1-33896-S8	(M-182)-Wing nut
	1-C2TZ 3A642-A	Gasket-reservoir to cover	1-44722-S8	(X-19)-Flat washer-cover
	1-C2SZ 3B688-A	Spring		
80/		E0HZ 3A697-B		1
	Consists of			
	1-E1HZ 3A006-A	Cap assy. (reservoir)	1-C2SZ 3B688-A	Spring-pump filter
	1-C1TT 3A582-A	Cover assy. (reservoir)	1-B4AZ 3B754-A	Seat-reservoir filter element
	1-C5TZ 3C602-A	Element (reservoir oil)		retaining spring
	1-C2TZ 3A642-A	Gasket-reservoir cover	1-B9A 6570-A	Grommet-reservoir cover
	1-E1HZ 3C677-A	Support-filter		bolt
			1-33896-S8	(M-182)-Wing nut
			1-44722-S8	(X-19)-Flat washer (cover)
80/		E0HZ 3A697-C	Details not serviced	1
80/		E0HZ 3A697-D		1
	Consists of			
	1-E1HZ 3A006-A	Filler cap	1-B4AZ 3B754-A	Cap-filter
	★1-B9TZ 3B563-A	Reinforcement-plate	1-AE 33542-A	Stud-return
	1-C1TT 3A582-A	Cover assy.	1-B9A 6570-A	Gasket-cover screw
	1-D9HZ 3601-A	Stud-reservoir cover	1-33896-S8	(M-182)-Wing nut
	1-C5TZ 3C602-A	Filter element	1-44722-S8	(X-19)-Flat washer (cover)
	1-C2TZ 3A642-A	Gasket-reservoir to cover		
	1-C2SZ 3B688-A	Spring		
	1-C7TZ 3A699-A	Reservoir body		
81/		E1HZ 3A697-B		1
	Consists of			
	1-E1HZ 3A006-A	Filler cap	1-C2SZ 3B688-A	Spring
	1-C1TT 3A582-A	Cover assy.	1-B4AZ 3B754-A	Cap-filter
	1-D9HZ 3601-A	Stud-reservoir cover	1-B9A 6570-A	Gasket-cover screw
	1-C5TZ 3C602-A	Filter element	1-33896-S8	(M-182)-Wing nut
	1-C2TZ 3A642-A	Gasket-reservoir to cover	1-44722-S8	(X-19)-washer
	1-E1HZ 3C677-A	Support-filter		
81/		E1HZ 3A697-C		1
	Consists of			
	2-D8HZ 3L517-A	Washers	2-E0HZ 3E630-A	Nut
	1-★D0HZ 3C602-A	Filter-r/b D0HZ 3C602-D		
81/		E1HZ 3A697-D		1
	Consists of			
	1-E1HZ 3A006-A	Filler cap	1-C2SZ 3B688-A	Spring
	1-D9HZ 3B563-A	Reinforcement-plate	1-B4AZ 3B754-A	Cap-filter
	1-C1TT 3A582-A	Cover assy.	1-B9A 6570-A	Gasket-cover screw
	1-B4A 3601-A	Stud-reservoir to pump	1-33896-S8	(M-182)-Wing nut
	1-D9HZ 3601-A	Stud-reservoir cover	1-44722-S8	(X-19)-Washer
	1-C5TZ 3C602-A	Filter element		
	1-C2TZ 3A642-A	Gasket-reservoir to cover		
	1-D9AZ 3C677-A	Support-filter		
81/		E1HZ 3A697-E	Details not serviced	1
81/		E1HZ 3A697-F	Details not serviced	1
81/		E1HZ 3A697-G	Details not serviced	1
81/		E1HZ 3A697-H	Details not serviced	1
81/		E1HZ 3A697-J	Details not serviced	1
81/		E1HZ 3A697-K	Details not serviced	1
81/		E1HZ 3A697-L	Details not serviced	1

1980/  
TRUCK SERIES 600/900

YEAR	MODEL/RESTRICTIONS	PART NUMBER	DESCRIPTION	QTY.
3A697	RESERVOIR ASSY. (POWER STEERING PUMP) — Cont'd For model application refer to Power Steering Pump Section 36.1			
83/		E3HZ 3A697-A		1
	Consists of			
	1-E1HZ 3A006-A	Filler cap	1-E3HZ 3C602-A	Filter element
	1-E3HZ 3A582-A	Cover assy.		
84/		E4HZ 3A697-B	Details not serviced	1
84/		E4HZ 3A697-C		1
	Consists of			
	1-E1HZ 3A006-A	Cap assy. (reservoir)	1 C2SZ 3B688-A	Spring (pump filter)
	1 C1TT 3A582-A	Cover assy. (reservoir)	1-B4AZ 3B754-A	Cap (filter)
	1-D9HZ 3601-A	Stud (reservoir cover)	1-B9A 6570-A	Gasket (cover screw)
	1-C5TZ 3C602-A	Element (reservoir oil)	1-33896-S8	Wing nut (M-182)
	1-C2TZ 3A642-A	Gasket (reservoir cover)	1-44722-S8	Flat washer (cover)-(X-19)
	1-E1HZ 3C677-A	Support (filter)		
84/		E4HZ 3A697-D		1
	Consists of			
	1 E1HZ 3A006-A	Filler cap	1-C2SZ 3B688-A	Spring
	1 C1TT 3A582-A	Cover assy.	1-B4AZ 3B754-A	Cap-filter
	1-D9HZ 3601-A	Stud reservoir cover	1-B9A 6570-A	Grommet-reservoir cover
	1-C5TZ 3C602-A	Filter element	1-33896-S8	(M-182)-Wing nut
	1-C2TZ 3A642-A	Gasket-reservoir to cover	1-44722-S8	(X-19)-Flat washer (cover)
	★1 E4HZ 3C677-A	Support-filter		
85/		E5HZ 3A697-A		1
	Consists of			
	1-E1HZ 3A006-A	Filler cap		
	1-E3HZ 3A582-A	Cover assy.		
	1-E3HZ 3C602-A	Filter kit		
85/88		E5HZ 3A697-C		1
	Consists of			
	1-E1HZ 3A006-A	Filler cap	1-C2SZ 3B688-A	Spring
	1-C5TZ 3C602-A	Filter element	1-B4AZ 3B754-A	Cap-filter
	★1 E5HZ 3E632-A	Snap ring	1-33896-S8	(M-182)-Wing nut
	r/b C2TZ 3A642-A (2/86)		1-44724-S8	(X-19A) Flat washer (cover)
	1-C2TZ 3A642-A	Gasket-reservoir to cover	1-E1HZ 3C677-A	
86/		E6HZ 3A697-A		1
	Consists of			
	1-E6HZ 3A006-A	Filler cap	1-E6HZ 3C602-A	Filter element
	1 E6HZ 3A582 B	Cover assy.	★1 E6HZ 3A642-B	Gasket-reservoir to cover
86		E6HZ 3A697-B		1
	Consists of			
	1-E1HZ 3A006 A	Filler cap	1-C2SZ 3B688 A	Spring (pump filter)
	1-C1TT 3A582-A	Cover assy. (reservoir)	1-B4AZ 3B754-A	Cap (filter)
	1-D9HZ 3601 A	Stud (reservoir cover)	1-B9A 6570-A	Gasket (cover screw)
	1 C5TZ 3C602-A	Element (reservoir oil)	1-33896-S8	Wing nut (M-182)
	1 C2TZ 3A642 A	Gasket (reservoir cover)	1-44722-S8	Flat washer (cover)-(X-19)
	1-E1HZ 3C677-A	Support (filter)		
87/		E7HZ 3A697-A		1
	Consists of			
	1 E7HZ 3A006-A	Filler cap	1-33896-S8	(M-182)-Wing nut
	★1-E7HZ 3C602-A	Filter element	1-44722-S8	(X-19)-Flat washer (cover)
	r/b E8HZ 3C602 B(12/87)			
	1 E7HZ 3A642-A	Gasket-reservoir to cover		
87/		E7HZ 3A697-B		1
	Consists of			
	1 E7HZ 3A006 A	Filler cap	1-33896-S8	(M-182)-Wing nut
	★1-E7HZ 3C602-A	Filter element	1-44722-S8	(X-19)-Flat washer (cover)
	r/b E8HZ 3C602 B(12/87)			
	1-E7HZ 3A642 A	Gasket-reservoir to cover		

1980/  
TRUCK SERIES 600/900

YEAR	MODEL/RESTRICTIONS	PART NUMBER	DESCRIPTION	QTY.
<b>3A697 RESERVOIR ASSY. (POWER STEERING PUMP) — Cont'd</b>				
For model application refer to Power Steering Pump Section 36.1				
87/		E7HZ 3A697-C		1
Consists of				
	1-E7HZ 3A006-A	Filler cap	1-33896-S8	(M-182)-Wing nut
	★1-E7HZ 3C602-A	Filter element	1-44722-S8	(X-19)-Flat washer (cover)
	r/b E8HZ 3C602-B(12/87)			
	1-E7HZ 3A642-A	Gasket-reservoir to cover		
87/		★ E7HZ 3A697-D	R/b E8HZ 3A697-C (7/89)	1
Consists of				
	1-E7HZ 3A006-A	Filler cap	1-33896-S8	(M-182)-Wing nut
	★1-E7HZ 3C602-A	Filter element	1-44722-S8	(X-19)-Flat washer (cover)
	r/b E8HZ 3C602-B(12/87)			
	1-E7HZ 3A642-A	Gasket-reservoir to cover		
88		E8HZ 3A697-A		1
Consists of				
	1-E7HZ 3A006-A	Filler cap	1-33896-S8	(M-182)-wing nut
	★1-E7HZ 3C602-A	Filter element	1-44722-S8	(X-19)-flat washer (cover)
	r/b E8HZ 3C602-B(12/87)			
	1-E7HZ 3A642-A	Gasket-reservoir to cover		
88		E8HZ 3A697-C		1
Consists of				
	1-E7HZ 3A006-A	Filler cap	1-379930-S7	(MM-173-JF)-Lock nut
	1-E8HZ 3C602-B	Filter element	1-44722-S8	(X-19)-flat washer (cover)
	1-E7HZ 3A642-A	Gasket-reservoir to cover		
88		E8HZ 3A697-D		
Consists of				
	1-E7HZ 3A006-A	Filler cap	1-379930-S7	(MM-173-JF)-Lock nut
	1-E8HZ 3C602-B	Filter element	1-44722-S8	(X-19)-flat washer (cover)
	1-E7HZ 3A642-A	Gasket-reservoir to cover		
88		E8HZ 3A697-E		
Consists of				
	1-E7HZ 3A006-A	Filler cap	1-379930-S7	(MM-173-JF)-Lock nut
	1-E8HZ 3C602-B	Filter element	1-44722-S8	(X-19)-flat washer (cover)
	1-E7HZ 3A642-A	Gasket-reservoir to cover		
88		E8HZ 3A697-F		
Consists of				
	1-E7HZ 3A006-A	Filler cap	1-379930-S7	(MM-173-JF)-lock nut
	1-E8HZ 3C602-B	Filter element	1-44722-S8	(X-19)-flat washer (cover)
	1-E7HZ 3A642-A	Gasket-reservoir to cover		
88		E8HZ 3A697-F		
Consists of				
	1-E7HZ 3A006-A	Filler cap	1-379930-S7	(MM-173-JF)-lock nut
	1-E8HZ 3C602-B	Filter element	1-44722-S8	(X-19)-flat washer (cover)
	1-E7HZ 3A642-A	Gasket-reservoir to cover		
88		E8HZ 3A697-F		
<b>3F697 Refer to Steering Gear Parts Lists Section 35.1</b>				
<b>3L697 THRUST WASHER (POWER STEERING RESERVOIR MOUNTING)</b>				
87/	CF600/700	E7HZ 3L697-A	#6078574	4
<b>3A698 Refer to P/S Pump Parts Lists Section 36.1</b>				
<b>3699 CLAMP (STEERING COLUMN TUBE TO INSTRUMENT PANEL BRACKET)</b>				
80/	C-CT600/900	C7TZ 3699-A		1
<b>3A699 Refer to P/S Pump Parts Lists Section 36.1 and Section 36 basic 3A697</b>				
<b>3D699 CLAMP (STEERING SHAFT LOWER COUPLING)</b>				
80/	L-LN-LNT-LT-LTL-LTS600/900	D0HZ 3D699-A	Incl. clamp, bolt, nut and lockwasher	1
84/	B-F600/800	E5HZ 3D699-A	Incl. clamp, bolt and nut	1
<b>3A700 Refer to P/S Pump Parts Lists Section 36.1 and Section 36 basic 3A674</b>				
<b>3E700 BEARING (STEERING COLUMN LOCK HOUSING)</b>				
80/	B-F600/800	D6AZ 3E700-A		1
<b>3K704 YOKE (STEERING SHAFT COUPLING AND U/JOINT)</b>				
84/	B-F600/900	E4HZ 3K704-A	Detail of E4HT 3E751-AA,BA,CA	1
<b>3E705 NUT-LEVER ARM (ADJUSTABLE STEERING COLUMN BRACKET)</b>				
84	L-LT-LTL-LTS-LN-LNT800/900	None req'd		
	"Before 2/84"			
84	L-LT-LTL-LTS-LN-LNT800/900	E4HZ 3E705-A		1
	"From 2/84"			
85/	L-LT-LTL-LTS-LN-LNT800/900	E5HZ 3E705-A		1

1980/  
TRUCK SERIES 600/900

YEAR	MODEL/RESTRICTIONS	PART NUMBER	DESCRIPTION	QTY.
3707	Refer to Steering Gear Parts List Section 35.1			
<b>3B710 STRAP (STEERING COLUMN SHAFT &amp; JOINT GUARD)</b>				
81/	L-LN-LNT-LT-LTL-LTS600/900	E1HZ 3B710-A	Detail of 3B676 (E1HZ-A & E2HZ-F)	1
<b>3C710 PLATE (STEERING GEAR MOUNTING L.H.)</b>				
87	LS800/900 -- M/S and 12M front axle	E7HZ 3C710-A	Per driver complaints	1
3A711	Refer to P/S Pump Parts Lists Section 36.1 and Section 36 basic 3A674			
3B711	Refer to P/S Cylinder Parts Lists Section 35.2			
3A713-4	Refer to group 3A719			
<b>3E714 RETAINER (STEERING GEAR MOUNTING BOLT)</b>				
80/	LN600/700 -- 5.5M,7M front axles and M/S	C7TZ 3E714-E	#C8TA 3E714-E-steering gear mounting bracket	1
80/	LN700 -- 9M front axle and M/S	C7TZ 3E714-F	#C8TA 3E714-F-steering gear mounting bracket	1
80/	LN600/700 -- P/S	*	#C9HA 3E714-A-steering gear mounting bracket- improvise	2
80/	L-LN-LNT-LT-LTL-LTS600/900	D0HZ 3E714-A	Steering column bracket 3E552 bolt retainer	1
		*44878-S2	Washer-flat 7/16" (hardened)	2
		*58653-S	Bolt-hex.head (retainer to 3678 bracket)-7/16"- 14 x 1"	2
<b>3E714 RETAINER (STEERING COLUMN SHAFT &amp; JOINT SCREW STRAP)</b>				
81/	L-LN-LNT-LT-LTL-LTS600/900	* E1HZ 3E714-A r/bE1HZ 3D672-A	Detail of 3B676 (E1HZ-A & E2HZ-F)	1
<b>3E715 ACTUATOR (STEERING COLUMN LOCK)</b>				
80/	B-F600/900	* E0HZ 3E715-A	R/b D4AZ 3E723-A	1
<b>3E716 INSERT (STEERING COLUMN LOCK)</b>				
80/	B-F600/900	D0AZ 3E716-A		1
<b>3E717 GEAR (STEERING COLUMN LOCK)</b>				
80/	B-F600/900	D4AZ 3E717-A		1
3A717	Refer to group 3A719			
3D717	Refer to P/S Cylinder Parts Lists Section 35.2			

**IDENTIFICATION CHART**

(Arranged according to Identification Number)

IDENTIFICATION	PART NUMBER	IDENTIFICATION	PART NUMBER
<b>3A719 HOSE ASSY. (POWER STEERING PRESSURE)</b>			
381172	E0HZ 3A713-D	D8HT 3C633-AA	* D8HZ 3A713-C
E5HT 3A005-EA	* E6HZ 3A713-A r/bE7HZ 3A713-A(11/89)	D8HT 3C633-BA	r/bE0HZ 3A713-E * D8HZ 3A713-D r/bE0HZ 3A713-F
87HU 3A005-AA	E7HZ 3A713-A	E0HT 3C633-AA	E0HZ 3A713-E
87HU 3A005-BA	E8HZ 3A713-D	ED E0HT 3C633-AB	E0HZ 3A713-E
D6HA 3F523-AA	D6HZ 3A717-C	E0HT 3C633-AB	E0HZ 3A713-E
D9HT 3F523-CA	D9HZ 3A719-C	E0HT 3C633-BA	E0HZ 3A713-F
E4HT 3F523-AA	E6HZ 3A717-A	ED E0HT 3C633-BB	E0HZ 3A713-F
D6HA 3F524-AA	D6HZ 3A714-C	E0HT 3C633-BB	E0HZ 3A713-F
ED D6HA 3F524-AA	D6HZ 3A714-C	E5HT 3691-CA	E6HZ 3691-A
D9HT 3F524-CB	D9HZ 3A719-D	E5HT 3691-EA	* E6HZ 3691-B r/bE6HZ 3691-A
ED D9HT 3F524-CB	D9HZ 3A719-D	D5HA 3A713-LB	D6HZ 3A713-C
E1HT 3F524-AA	E1HZ 3A719-B	D5HA 3A713-MA	D6HZ 3A713-E
E4HT 3F524-AA	E6HZ 3A719-B	D5HA 3A713-RA	D5HZ 3A713-A
D5HA 3E576-BB	D6HZ 3A719-D	D5HA 3A713-YB	D6HZ 3A713-F
D8HT 3E576-AA	* D8HZ 3A719-C r/bE0HZ 3A719-E	D5HA 3A713-ZB	* D6HZ 3A713-G
D8HT 3E576-BA	* D8HZ 3A719-D r/bE0HZ 3A719-F	D6HA 3A713-CA	D6HZ 3A713-A
E0HT 3E576-BA	E0HZ 3A719-F	D7HT 3A713-AFA	D7HZ 3A713-B
E3HT 3E576-AA	E3HZ 3A719-K	D6HT 3A713-FA	D6HZ 3A713-J
E3HT 3E576-AB	E3HZ 3A719-K	D7HT 3A713-ADA	* D6HZ 3A713-K r/bD6HZ 3A713-L

1980/  
TRUCK SERIES 600/900

### IDENTIFICATION CHART

(Arranged according to Identification Number)

IDENTIFICATION		PART NUMBER		IDENTIFICATION		PART NUMBER	
3A719 HOSE ASSY. (POWER STEERING PRESSURE) — Cont'd							
D7HT	3A713-AGA	★ D7HZ	3A713-C	D3HA	3A719-CA	D3HZ	3A719-A
		r/bD7HZ	3A713-D	D3HA	3A719-DA	D3HZ	3A719-B
D9HT	3A713-FB	D9HZ	3A713-C	D5HA	3A719-LA	D6HZ	3A719-B
D9HT	3A713-RA	D9HZ	3A713-A	D5HA	3A719-UA	D6HZ	3A719-C
E0HT	3A713-MA	E1HZ	3A713-F	D7HT	3A719-ABA	D7HZ	3A719-B
E0HT	3A713-NA	★ E1HZ	3A713-G	D7HT	3A719-ACA	D7HZ	3A719-C
		r/bE5HZ	3A713-B	D9HT	3A719-EA	D9HZ	3A719-F
E0HT	3A713-SA	E1HZ	3A713-E	ED D9HT	3A719-EA	E1HZ	3A719-E
E1HT	3A713-AA	E1HZ	3A713-A	E0HT	3A719-BA	E0HZ	3A719-A
ED E1HT	3A713-AA	E1HZ	3A713-A	E0HT	3A719-BB	E0HZ	3A719-G
E1HT	3A713-AB	★ E1HZ	3A713-A	E0HT	3A719-BC	E0HZ	3A719-G
		r/bE5HZ	3A713-D	E0HT	3A719-CA	E0HZ	3A719-B
E0HT	3A713-JA	E0HZ	3A713-B	E0HT	3A719-HA	E0HZ	3A719-C
E0HT	3A713-JB	E0HZ	3A713-B	E0HT	3A719-HB	★ E0HZ	3A719-C
E0HT	3A713-LA	★ E0HZ	3A713-C			r/bE3HZ	3A719-M
		r/bE1HZ	3A713-D	E0HT	3A719-HC	★ E0HZ	3A719-C
ED E0HT	3A713-LA	★ E0HZ	3A713-C			r/bE3HZ	3A719-M
		r/bE1HZ	3A713-D	E0HT	3A719-KA	★ E0HZ	3A719-D
E0HT	3A713-LB	★ E1HZ	3A713-D			r/bE3HZ	3A719-P
		r/bE5HZ	3A713-E	E0HT	3A719-KB	E3HZ	3A719-P
E1HT	3A713-CA	E1HZ	3A713-B	E1HT	3A719-AA	E1HZ	3A719-A
E1HT	3A713-CB	E1HZ	3A713-B	E1HT	3A719-AB	E1HZ	3A719-A
E1HT	3A713-EA	D6HZ	3A713-J	E1HT	3A719-CA	E1HZ	3A719-C
E1HT	3A713-HA	★ D6HZ	3A713-K	E1HT	3A719-CB	E1HZ	3A719-C
		r/bD6HZ	3A713-L	E1HT	3A719-DA	E1HZ	3A719-D
E1HT	3A713-JA	E0HZ	3A713-B	E1HT	3A719-EA	★ E1HZ	3A719-G
E1HT	3A713-KA	E0HZ	3A713-G			r/bE3HZ	3A719-M
E1HT	3A713-NA	D6HZ	3A713-E	E2HT	3A719-AA	E2HZ	3A719-A
E1HT	3A713-RA	D9HZ	3A713-A	E3HT	3A719-AA	★ E3HZ	3A719-A
E1HT	3A713-RB	D9HZ	3A713-A	E3HT	3A719-FA	★ E3HZ	3A719-B
E1HT	3A713-SA	D9HZ	3A713-C	E3HT	3A719-HA	★ E3HZ	3A719-D
E1HT	3A713-TA	D7HZ	3A713-D	E3HT	3A719-JA	★ E3HZ	3A719-E
E1HT	3A713-UA	D7HZ	3A713-B	E3HT	3A719-NA	★ E3HZ	3A719-H
E1HT	3A713-VA	E1HZ	3A713-C	E3HT	3A719-NB	★ E3HZ	3A719-N
E1HT	3A713-ACA	★ E1HZ	3A713-J			r/bE3HZ	3A719-R
		r/bE4HZ	3A713-A	ED E3HT	3A719-NB	★ E3HZ	3A719-R
E1HT	3A713-ADA	E1HZ	3A713-H			r/bE6HZ	3A719-C
E3HT	3A713-AA	★ E3HZ	3A713-A	E3HT	3A719-RA	★ E3HZ	3A719-J
E3HT	3A713-AB	★ E3HZ	3A713-A			r/bE3HZ	3A719-S
E3HT	3A713-FA	★ E3HZ	3A713-C	E3HT	3A719-SA	E3HZ	3A719-L
E3HT	3A713-GA	E3HZ	3A713-D	E3HT	3A719-TA	E3HZ	3A719-M
E3HT	3A713-HA	★ E3HZ	3A713-E	E3HT	3A719-YA	E3HZ	3A719-P
E3HT	3A713-MA	E3HZ	3A713-J	E4HT	3A719-JA	★ E4HZ	3A719-A
E3HT	3A713-SA	E3HZ	3A713-M			r/bE4HZ	3A719-B
E3HT	3A713-SB	D6HZ	3A713-C	E4HT	3A719-JB	★ E4HZ	3A719-B
E3HT	3A713-UA	E3HZ	3A713-P			r/bE6HZ	3A719-D
E3HT	3A713-VB	E3HZ	3A713-R	E4HT	3A719-KA	E6HZ	3A719-C
E4HT	3A713-GA	E4HZ	3A713-A	E5HT	3A719-BB	★ E5HZ	3A719-A
E5HT	3A713-AB	E5HZ	3A713-B			r/bE5HZ	3A719-B
E5HT	3A713-BA	E5HZ	3A713-D	E5HT	3A719-DB	E5HZ	3A719-B
E5HT	3A713-CA	E5HZ	3A713-E	E5HT	3A719-EA	E6HZ	3A719-A
E5HT	3A713-EB	E5HZ	3A713-C	E6HT	3A719-EA	E6HZ	3A719-D
E8HT	3A713-BA	E8HZ	3A713-A	E7HT	3A719-AA	E7HZ	3A719-A
E8HT	3A713-CA	E8HZ	3A713-B	E8HT	3A719-JA	E8HZ	3A719-A
E8HT	3A713-DA	E8HZ	3A713-C	E8HT	3A719-KA	E8HZ	3A719-B
E8HT	3A713-FA	E9HZ	3A713-A	E8HT	3A719-NA	E9HZ	3A719-E
E8HT	3A713-GA	E9HZ	3A713-B	87HU	3A719-AA	E7HZ	3A719-B
DOHA	3A719-Z	★ D0HZ	3A719-D	87HU	3A719-BA	E8HZ	3A719-C
		r/bE1HZ	3A719-D				

1980/  
TRUCK SERIES 600/900

YEAR	MODEL/RESTRICTIONS	PART NUMBER	DESCRIPTION	QTY.
3A719	HOSE ASSY. (POWER STEERING PRESSURE)			

**B SERIES**

● Not available for service-to improvise refer to P/S Hose Replacement Chart following this Application Chart or appropriate bulk hose (3B719) and fitting (3C520)

80/	B600/700 -- 8 cyl. 370,429 gas with engine mounted oil cooler -- w/air -- w/o air -- all	E0HZ 3A713-B	Gear to cooler (return)	1	
		E0HZ 3A713-G	Gear to cooler (return)	1	
		C9TZ 3B719-A	Cooler to pump (return)-cut to fit	AR	
		E1HZ 3A713-F	Gear to cooler (return)	1	
80/85	B600/700 -- 8 cyl. 370,429 gas with crossmember mounted oil cooler "Before 12/84"	E0HZ 3A713-G	Pump to cooler (return)	1	
85/87	B600/700 -- 8 cyl. 370,429 gas with cross member mounted oil cooler "From 12/84"	E5HZ 3A713-C	Gear to cooler (return)	1	
		E5HZ 3A713-B	Pump to cooler (return)	1	
88/89	B600/700 -- Gas engine 6M,7M,8M,9M front axle "Before 12/88"	E8HZ 3A713-A	Pump to cooler (return)	1	
		E8HZ 3A719-A	Pump to gear (pressure)	1	
89/	B600/700 -- Gas engine 6M,7M,8M,9M front axle "From 12/88"	E9HZ 3A713-A	Gear to cooler (return)	1	
		E9HZ 3A713-B	Pump to cooler (return)	1	
		E9HZ 3A719-E	Pump to gear (pressure)	1	
80/85	B600/700 -- 8 cyl. 370,429 gas -- 6M,7M axle "Before 4/81" "From 4/81 to 2/83" "From 2/83 to 2/85" -- 9M "Before 4/81" "From 4/81 to 2/83" "From 2/83 to 2/85"	★ E0HZ 3A719-C r/bE3HZ 3A719-M	Pump to gear (pressure)	1	
		★ E1HZ 3A719-G r/bE3HZ 3A719-M	Pump to gear (pressure)	1	
		E3HZ 3A719-M	Pump to gear (pressure)	1	
		★ E0HZ 3A719-C r/bE3HZ 3A719-M	Pump to gear (pressure)	1	
		★ E1HZ 3A719-G r/bE3HZ 3A719-M	Pump to gear (pressure)	1	
		E3HZ 3A719-M	Pump to gear (pressure)	1	
85/87	B600/700 -- 6M,7M,9M axle "From 2/85"	E5HZ 3A719-B	Pump to gear (pressure)	1	
88	B600/700 -- gas engine 10M,12M front axle	E8HZ 3A719-B	Pump to gear (pressure)	1	
80/	B600/700 -- 8 cyl. 370, 429 gas -- 5.5M "Before Ser. HG5,001" "From Ser.HG5,001"	E0HZ 3A719-A	Pump to gear (pressure)	1	
		E0HZ 3A719-G	Pump to gear (pressure)	1	
83/85	B600/700 -- 8 cyl. -- Cat. diesel -- w/power steering oil cooler	E3HZ 3A713-R	Cooler to pump (return)	1	
		E3HZ 3A713-P	Gear to cooler (return)	1	
		E3HZ 3A719-L	Pump to gear (pressure)	1	
	w/o power steering oil cooler	E5HZ 3A713-E	Gear to reservoir (return)	1	
		E3HZ 3A719-L	Pump to gear (pressure)	1	
85/88	B600/700 -- 8 cyl.-Cat. diesel -- w/o power steering oil cooler	E5HZ 3A713-E	Gear to reservoir (return)	1	
		E3HZ 3A719-L	Pump to gear (pressure)	1	
80/81	B600/700 -- Detroit diesel "Before 9/80"	E5HZ 3A713-E	Gear to reservoir (return)	1	
		E2HZ 3B719-D	Reservoir to pump (return)	1	
		E3HZ 3A719-P	Pump to gear (pressure)	1	
81/84	B600/700 -- Detroit diesel "From 9/80" -- 5.5M front axle -- w/air -- w/o air -- all	●	Reservoir to hydraulic booster	1	
		●	Reservoir to hydraulic booster	1	
		E0HZ 3A719-B	Pump to gear (pressure)	1	

1980/  
TRUCK SERIES 600/900

YEAR	MODEL/RESTRICTIONS	PART NUMBER	DESCRIPTION	QTY.
3A719	HOSE ASSY. (POWER STEERING PRESSURE) — Cont'd			

**B SERIES**

81/85	B600/700 -- exc. 5.5M front axle	E5HZ 3A713-E	Gear to reservoir return	1
	-- w/air	E1HZ 3A713-E	Reservoir to gear (return)	1
	-- w/o air	E3HZ 3A719-P	Pump to gear (pressure)	1
	-- all "Before 12/83"	E3HZ 3A719-P	Pump to gear (pressure)	1
	-- all "From 12/83 to 2/84"	E6HZ 3A719-D	Pump to gear (pressure)	1
	-- all "From 2/84 to 2/85"	E6HZ 3A719-D	Pump to gear (pressure)	1
	-- all "From 2/85"	E6HZ 3A719-D	Pump to gear (pressure)	1
85	-- all front axles	•	Pump to reservoir	1
	-- w/air	•	Pump to reservoir	1
85	B600/700 -- Detroit diesel			
	-- exc. 5.5M front axle	E5HZ 3A713-E	Reservoir to hydraulic booster (return)	1
	-- w/air	E5HZ 3A713-F	Reservoir to gear (return)	1
	-- w/o air	E3HZ 3A719-P	Pump to gear (pressure)	1
	-- all "Before 12/83"	E3HZ 3A719-P	Pump to gear (pressure)	1
	-- all "From 12/83 to 2/84"	E6HZ 3A719-D	Pump to gear (pressure)	1
	-- all "From 2/84 to 2/85"	E6HZ 3A719-D	Pump to gear (pressure)	1
86	-- all "From 2/85"	E6HZ 3A719-D	Pump to gear (pressure)	1
	-- all front axles	•	Pump to reservoir	1
86	-- w/air	•	Pump to reservoir	1
	-- w/o air			
86	B600/700 -- Detroit diesel			
	-- exc. 5.5M front axle	E5HZ 3A713-E	Reservoir to hydraulic booster (return)	1
	-- w/air	E5HZ 3A713-F	Reservoir to gear (return)	1
87	-- w/o air	E6HZ 3A719-D	Pump to gear (pressure)	1
	-- all			
87	-- all front axles	•	Pump to reservoir	1
	-- w/air	•	Pump to reservoir	1
87	B600/700 -- 8.2L Detroit diesel	E7HZ 3A719-A	Pump to steering gear (pressure)	1
87	B600/700 -- F.T.O. diesel	E7HZ 3A719-A	Pump to steering gear (pressure)	1
88	B600/700 -- F.T.O. diesel	• E8HT 3A719-CA	Pump to steering gear (pressure)	1
	"Before 3/88"			
88	B600/700 -- F.T.O. diesel	• E8HT 3A719-DA	Pump to steering gear (pressure)	1
	"From 3/88"			
89/	B600/700 -- F.N.H. engine 6M, 7M, 9M front axle	• E8HT 3A719-CA	Pump to steering gear (pressure)	1
89/	B600/700 -- FNH engine 10M, 12M front axle	• E8HT 3A719-DA	Pump to steering gear (pressure)	1

**C-CT SERIES**

80/	C-CT600/900 -- all	D6HZ 3A713-C	Reservoir to steering gear return line	1
		D6HZ 3A719-D	Pump to steering gear pressure line	1
80/81	C-CT600/900 6M,7M,9M front axle w/370, 429 gas "Before 3/81"	D9HZ 3A713-C	Steering gear to cooling tube (return)	1
		D9HZ 3A719-F	Pump to steering gear (pressure)	1
81/82	C-CT600/900 6M,7M,9M front axle w/370,429 gas "From 3/81 to 10/81"	D9HZ 3A713-C	Steering gear to cooling tube (return)	1
		E1HZ 3A719-E	Pump to steering gear (pressure)	1
82	C-CT600/900 6M,7M,9M front axle w/370,429 gas "From 10/81"	D9HZ 3A713-C	Steering gear to cooling tube (return)	1
		E2HZ 3A719-A	Pump to steering gear (pressure)	1
83	C-CT600/900 7M,9M front axle w/370,429 gas	D9HZ 3A713-C	Steering gear to cooling tube (return)	1
		★ E3HZ 3A719-E	Pump to gear (pressure)	1



1980/  
TRUCK SERIES 600/900

YEAR	MODEL/RESTRICTIONS	PART NUMBER	DESCRIPTION	QTY.
3A719	HOSE ASSY. (POWER STEERING PRESSURE) -- Cont'd			
<b>C-CT SERIES</b>				
80/	C-CT600/900 12M,16M,18M front axle w/370,429 gas	C9TZ 3B719-A	Cooler to pump (return)-cut to fit	AR
		D9HZ 3A719-F	Pump to steering gear (pressure)	1
80/81	C-CT600/900 6M,7M,9M front axle w/401,477,534 engines	D6HZ 3A713-J	Reservoir to steering gear return line	1
		D6HZ 3A719-C	Pump to steering gear pressure line	1
80	C-CT600/900 12M,16M,18M front axle w/401,477,534	D6HZ 3A713-F	Steering gear return line to cooling tube	1
		★ D6HZ 3A713-G	Cooling tube to reservoir	1
		D6HZ 3A719-C	Pump to steering gear pressure line	1
81	C-CT600/900 12M,16M,18M front axle w/401,477,534 "Before 6/81"	E1HZ 3A713-C	Steering gear return to cooling tube	1
		★ D6HZ 3A713-G	Cooling tube to reservoir	1
		D6HZ 3A719-C	Pump to steering gear pressure line	1
81	C-CT600/900 12M,16M,18M front axle w/401,477,534 "From 6/81"	E1HZ 3A713-H	Steering gear return line to cooling tube	1
		★ D6HZ 3A713-G	Cooling tube to reservoir	1
		D6HZ 3A719-C	Pump to steering gear pressure line	1
83/	C-CT600/900 with gas engine	D6HZ 3A713-C	Reservoir to steering gear return line	1
		E3HZ 3A719-K	Pump to steering gear pressure line	1
80/	C-CT600/900 6M,7M,9M front axle w/8 cyl. Cat. diesel	D6HZ 3A713-E	Reservoir to steering gear	1
		D6HZ 3A719-B	Pump to steering gear pressure line	1
80/81	C-CT600/900 12M,16M,18M front axle w/8 cyl. Cat. diesel "Before 6/81"	D6HZ 3A713-L	Cooling tube to reservoir	
		D6HZ 3A719-B	Pump to steering gear pressure line	1
81/	C-CT600/900 12M,16M,18M front axle w/8 cyl. Cat. diesel	E4HZ 3A713-A	Cooling tube to reservoir	1
		D6HZ 3A719-B	Pump to steering gear pressure line	1
80/83	C-CT600/900 w/12M front axle "Before 3/83"	D6HZ 3A714-B	Left turn line-steering gear to cylinder assy	1
		D6HZ 3A717-B	Right turn line-steering gear to cylinder assy	1
		E3HZ 3A719-K	Pump to steering gear pressure line	1
83/	C-CT600/900 w/12M front axle "From 3/83"	E3HZ 3A714-A	L.H.-steering gear to cylinder assy	1
		E3HZ 3A717-A	R.H.-steering gear to cylinder assy	1
80/	C-CT600/900 w/16M,18M front axle	D6HZ 3A714-A	Left turn line-steering gear to cylinder assy.	1
		D6HZ 3A717-A	Right turn line	1
81/	C-CT600/900 6M,7M,9M front axle w/8 cyl. Detroit diesel	E1HZ 3A713-B	Reservoir to steering gear return line	1
		E1HZ 3A719-C	Pump to steering gear pressure line	1
81	C-CT600/900 12M,16M,18M front axle w/8 cyl. Detroit diesel "Before 6/1/81"	E1HZ 3A713-C	Steering gear return line to cooling tube	1
		E1HZ 3A719-C	Pump to steering gear pressure line	1

1980/  
TRUCK SERIES 600/900

YEAR	MODEL/RESTRICTIONS	PART NUMBER	DESCRIPTION	QTY.
3A719	HOSE ASSY. (POWER STEERING PRESSURE) — Cont'd			

**C-CT SERIES**

81/	C-CT600/900 12M,16M,18M front axle w/8 cyl. Detroit diesel "From 6/1/81"	E1HZ 3A713-H	Steering gear return line to cooling tube	1
		E1HZ 3A719-C	Pump to steering gear pressure line	1

**CF SERIES**

86	CF600/700 -- all	E6HZ 3691-A	Reservoir to pump	2
		★ E6HZ 3A713-A r/bE7HZ 3A713-A(11/89)	Steering gear to cooling tube (return)	1
		E6HZ 3A719-A	Pump to steering gear (pressure)	1
87/88	CF600/700/800 "Before 11/87"	E6HZ 3691-A	Reservoir to pump	2
		E7HZ 3A713-A	Steering gear to cooling tube (return)	1
		E7HZ 3A719-B	Pump to steering gear (pressure)	1
88/	CF600/700/800 "From 11/87"	E6HZ 3691-A	Reservoir to pump	2
		E8HZ 3A713-D	Steering gear to cooling tube (return)	1
		E8HZ 3A719-C	Pump to steering gear (pressure)	1

**CL-CLT SERIES**

●Not available for service-to improvise refer to P/S Hose Replacement Chart following this Application chart

80/	CL-CLT900 -- Detroit diesel  6 cyl.  8 cyl.	● D7HT 3A719-AJA	Pump to pressure line (pressure)	1
		● D7HA 3A713-FA	Return line to pump (return)	1
		● E1HT 3A713-ASA	Return line to pump (return)	1
		E0HZ 3A719-E	Pressure hose to gear (pressure)	1
		E0HZ 3A713-E	Gear to return line (return)	1
		E0HZ 3A719-F	Pressure hose to gear (pressure)	1
		E0HZ 3A713-F	Gear to return line (return)	1
80/88	CL-CLT900 -- Cummins 6 cyl. 855 NTC Series	● D7HT 3A719-AGA	Pump to gear (pressure)	1
		● D9HT 3A713-SA	Gear to pump (return)	1
		● E1HT 3A713-ATA	Gear to pump (return)	1
		● E3HT 3A713-AAA	Gear to pump (return)	1
80/	CL-CLT900 -- Cummins 6 cyl. 1150 KT Series	● D7HT 3A719-AFA	Pump to gear (pressure)	1
		● D7HT 3A713-AKB	Gear to pump (return)	1
80/84	CL-CLT900 -- Caterpillar diesel "Before 12/83"	● D7HT 3A719-AHB	Pump to gear (pressure)	1
		● D7HT 3A713-AMB	Gear to pump (return)	1
		● E3HT 3A713-ABA	Gear to pump (return)	1
84/88	CL-CLT900 -- Caterpillar diesel "From 12/83"	● E4HT 3A719-EA	Pump to gear (pressure)	1
		● E4HT 3A713-FA	Gear to pump (return)	1
88	CL-CLT900 -- L10	● E8HT 3A713-AA	Gear to pump (return)	1
		● E8HT 3A719-AA	Pump to gear (pressure)	1
89	CL-CLT900 -- Cummins 6 cyl. 855 NTC series	● E9HT 3A713-DA	Gear to pump (return)	1
89	CL-CLT900 -- Caterpillar diesel	● E9HT 3A719-VA	Pump to gear (pressure)	1
		● E9HT 3A713-CA	Gear to pump (return)	1
89	CL-CLT900 -- L10	● E4HT 3A719-EA	Pump to gear (pressure)	1
		● E9HT 3A713-DA	Gear to pump (return)	1
		● E8HT 3A719-AA	Pump to gear (pressure)	1

**F-FT SERIES**

80/	F600/800 -- 8 cyl. 370,429 gas with engine mounted oil cooler -- w/air -- w/o air -- all	E0HZ 3A713-B	Gear to cooler (return)	1
		E0HZ 3A713-G	Gear to cooler (return)	1
		C9TZ 3B719-A	Cooler to pump (return)-cut to fit	AR
		E1HZ 3A713-F	Gear to cooler (return)	1
80/85	F600/800 -- 8 cyl. 370,429 gas with crossmember mounted oil cooler "Before 12/84"	E5HZ 3A713-B	Pump to cooler (return)	1
		E5HZ 3A719-B	Pump to gear (pressure)	1

1980/  
TRUCK SERIES 600/900

YEAR	MODEL/RESTRICTIONS	PART NUMBER	DESCRIPTION	QTY.
3A719	HOSE ASSY. (POWER STEERING PRESSURE) — Cont'd			

**F-FT SERIES**

85/87	F600/800 -- 8 cyl. 370,429 gas with crossmember mounted oil cooler "From 12/84"	E5HZ 3A713-C	Gear to cooler (return)	1
		E5HZ 3A713-B	Pump to cooler (return)	1
		E5HZ 3A719-B	Pump to gear (pressure)	1
88/89	F600/800 -- gas engine 6M,7M,8M,9M front axle "Before 12/88"	E8HZ 3A713-A	Pump to cooler (return)	1
		E8HZ 3A719-A	Pump to gear (pressure)	1
89/	F-FT600/900 -- gas engine 6M,7M,8M,9M front axle "From 12/88"	E9HZ 3A713-A	Gear to cooler (return)	1
		E9HZ 3A713-B	Pump to cooler (return)	1
		E9HZ 3A719-E	Pump to gear (pressure)	1
80/81	F600/800 -- 8 cyl. 370,429 gas "Before Ser. HG5,001" -- 5.5M axle -- 7M axle w/air or single hydraulic brakes -- 7M,9M axle w/split hydraulic brakes			1
		E0HZ 3A719-A	Pump to gear (pressure)	1
		E0HZ 3A719-A	Pump to gear (pressure)	1
		★ E0HZ 3A719-C r/bE3HZ 3A719-M	Pump to gear (pressure)	1
		★ E1HZ 3A719-G r/bE3HZ 3A719-M	Pump to gear (pressure)	1
81/87	F600/800 -- 8 cyl. 370,429 gas "From Ser. HG5,001" -- 5.5M axle -- 7M axle w/air or single hydraulic brakes -- 7M,9M axle w/split hydraulic brakes "Before 4/6/81" "From 4/6/81 to 2/1/83" "From 2/1/83 to 12/84" "From 12/84"			1
		E0HZ 3A719-G	Pump to gear (pressure)	1
		E0HZ 3A719-G	Pump to gear (pressure)	1
		★ E0HZ 3A719-C r/bE3HZ 3A719-M	Pump to gear (pressure)	1
		★ E1HZ 3A719-G r/bE3HZ 3A719-M	Pump to gear (pressure)	1
		E3HZ 3A719-M	Pump to gear (pressure)	1
		E5HZ 3A719-B	Pump to gear (pressure)	1
88/	F600/800 - gas engine 10M,12M front axle	E8HZ 3A719-A	Pump to gear (pressure)	1
88	F-FT600/900 -- gas engine 10M,12M frt axle w/crossmember mounted oil cooler	E8HZ 3A713-B	Pump to cooler (return)	1
		E8HZ 3A713-C	Gear to cooler (return)	1
89	F-FT600/900 -- gas engine 10M, 12M front axle w/crossmember mounted oil cooler	E8HZ 3A713-B	Pump to cooler (return)	1
83/85	F-FT600/800 -- 8 cyl. Cat. diesel -- w/power steering oil cooler	E3HZ 3A713-R	Cooler to pump (return)	1
		E3HZ 3A713-P	Gear to cooler (return)	1
		E3HZ 3A719-L	Pump to gear (pressure)	1
	w/o power steering oil cooler	E5HZ 3A713-E	Gear to reservoir (return)	1
		E3HZ 3A719-L	Pump to gear (pressure)	1
85/88	F-FT600/800 -- 8 cyl. Cat. diesel - w/power steering oil cooler	E3HZ 3A713-R	Cooler to pump (return)	1
		E3HZ 3A713-P	Gear to cooler (return)	1
		E3HZ 3A719-L	Pump to gear (pressure)	1
	w/o power steering oil cooler	E5HZ 3A713-E	Gear to reservoir (return)	1
		E3HZ 3A719-L	Pump to gear (pressure)	1
80/81	F600/800 -- Detroit diesel "Before 9/80"	E5HZ 3A713-E	Gear to reservoir (return)	1
		E2HZ 3B719-D	Reservoir to pump (return)	1
		★ E0HZ 3A719-D	Pump to gear (pressure) r/b E1HZ 3A719-F	1

1980/  
TRUCK SERIES 600/900

YEAR	MODEL/RESTRICTIONS	PART NUMBER	DESCRIPTION	QTY.
3A719	HOSE ASSY. (POWER STEERING PRESSURE) — Cont'd			

**F-FT SERIES**

81/84	F-FT600/800 -- Detroit diesel "From 9/80" -- 5.5M front axle -- w/air -- w/o air -- all	● ● E0HZ 3A719-B	Reservoir to hydraulic booster	1
			Reservoir to hydraulic booster	1
			Pump to gear (pressure)	1
	-- exc. 5.5M front axle -- w/air -- w/o air -- all "Before 12/83" -- all "From 12/83 to 2/84" -- all "From 2/84 to 2/85" -- all "From 2/85"	E5HZ 3A713-E E1HZ 3A713-E E3HZ 3A719-P E3HZ 3A719-P E6HZ 3A719-D E6HZ 3A719-D	Reservoir to hydraulic booster (return)	1
			Reservoir to gear (return)	1
			Pump to gear (pressure)	1
			Pump to gear (pressure)	1
			Pump to gear (pressure)	1
			Pump to gear (pressure)	1
	-- all front axles -- w/air -- w/o air	● ●	Pump to reservoir	1
Pump to reservoir			1	
85/	F-FT600/800 -- 5.5M front axle -- w/air -- w/o air -- all	● ● E0HZ 3A719-B	Reservoir to hydraulic booster	1
			Reservoir to hydraulic booster	1
			Pump to gear (pressure)	1
	-- exc. 5.5M front axle -- w/air -- w/o air -- all "Before 12/83" -- all "From 12/83 to 2/84" -- all "From 2/84 to 2/85" -- all "From 2/85"	E5HZ 3A713-E E5HZ 3A713-F E3HZ 3A719-P E3HZ 3A719-P E6HZ 3A719-D E6HZ 3A719-D	Reservoir to hydraulic booster (return)	1
			Reservoir to gear (return)	1
			Pump to gear (pressure)	1
			Pump to gear (pressure)	1
			Pump to gear (pressure)	1
			Pump to gear (pressure)	1
	-- all front axles -- w/air -- w/o air	● ●	Pump to reservoir	1
Pump to reservoir			1	
86	F-FT600/800 -- Detroit diesel -- exc. 5.5M front axle -- w/air -- w/o air -- all	E5HZ 3A713-E E5HZ 3A713-F E6HZ 3A719-D	Reservoir to hydraulic booster (return)	1
			Reservoir to gear (return)	1
			Pump to gear (pressure)	1
-- all front axles -- w/air -- w/o air	● ●	Pump to reservoir	1	
		Pump to reservoir	1	
87	F-FT600/900 -- 8.2L Detroit diesel	E7HZ 3A719-A	Pump to steering gear (pressure)	1
87	F-FT600/900 -- 7.8L F.T.O. diesel	E7HZ 3A719-A	Pump to steering gear (pressure)	1
88	F-FT600/900 -- F.T.O. diesel "Before 3/88"	● E8HT 3A719-CA	Pump to steering gear (pressure)	1
88	F-FT600/900 -- F.T.O. diesel "From 3/88"	● E8HT 3A719-DA	Pump to steering gear (pressure)	1
89/	F-FT600/900 -- gas engine -- 6M, 7M, 9M front axle	● E8HT 3A719-CA	Pump to steering gear (pressure)	1
89/	F-FT600/900 -- FNH engine -- 10M, 12M front axle	● E8HT 3A719-DA	Pump to steering gear (pressure)	1

**L-LN-LNT-LT-LTL-LTS SERIES**

● Not available for service - to improvise refer to P/S Hose Replacement Chart following this Application Chart or appropriate bulk hose (3B719) and fitting (3C520) (Sketch HC-11.03)

80/82	LN600/700 -- 8 cyl. gas  "Before 5/81" "From 5/81"	D5HZ 3A713-A	Steering gear to reservoir (return)	1
		D9HZ 3A713-A	Gear to cooler (return)	1
		D0HZ 3A719-D	Pump to gear (pressure)	1
		E1HZ 3A719-D	Pump to gear (pressure)	1

1980/  
TRUCK SERIES 600/900

YEAR	MODEL/RESTRICTIONS	PART NUMBER	DESCRIPTION	QTY.
3A719	HOSE ASSY. (POWER STEERING PRESSURE) — Cont'd			

**L-LN-LNT-LT-LTL-LTS SERIES**

● Not available for service — to improvise refer to P/S Hose Replacement Chart following this Application Chart or appropriate bulk hose (3B719) and fitting (3C520) (Sketch HC-11.03)

83/	LN600/700 -- 8 cyl. gas	D5HZ 3A713-A	Steering gear to reservoir (return)	1
		D9HZ 3A713-A	Gear to cooler (return)	1
		★ E3HZ 3A719-J	Pump to gear (pressure)-r/b E3HZ 3A719-S	1
81/82	LN600/700 -- 8 cyl. 8.2L Detroit diesel	★ E1HZ 3A713-A	Steering gear to reservoir (return)	1
		r/bE5HZ 3A713-D E1HZ 3A719-A	Pump to steering gear (pressure)	1
83/85	LN600/700 -- 8 cyl. 8.2L Detroit diesel -- 5.5M,7M,9M-front axle	★ E1HZ 3A713-A	Steering gear to reservoir (return)	1
		r/bE5HZ 3A713-D		1
		E6HZ 3A719-C	Pump to steering gear (pressure)	1
85	LN600/700 -- 8 cyl. 8.2L Detroit diesel -- 5.5M,7M,9M-front axle	E5HZ 3A713-D	Steering gear to reservoir (return)	1
		E3HZ 3A719-N	Pump to steering gear (pressure)	1
80/85	LN700 -- 8 cyl. Cat. diesel	D7HZ 3A719-B	Pump to steering gear (pressure)	1
		D7HZ 3A713-B	Steering gear to reservoir (return)	1
		D3HZ 3A719-A	Steering gear to cyl. (R.H. turn)	1
		D3HZ 3A719-B	Steering gear to cyl. (L.H. turn)	1
80/85	LN600/700 -- 9M front axle			
	-- 8 cyl. gas	D9HZ 3A719-C	Right turn line (gear to cylinder)	1
		D9HZ 3A719-D	Left turn line (gear to cylinder)	1
	-- 8 cyl. Cat. diesel	D6HZ 3A717-C	Right turn line (gear to cylinder)	1
		D6HZ 3A714-C	Left turn line (gear to cylinder)	1
	8 cyl. 8.2L Detroit diesel	D6HZ 3A717-C	Right turn line (gear to cylinder)	1
	E1HZ 3A719-B	Left turn line (gear to cylinder)	1	
86	LN700 -- 9M front axle			
	-- 8 cyl. Cat. diesel	E6HZ 3A717-A	Right turn line (gear to cylinder)	1
	"Before 12/85"	D6HZ 3A714-C	Left turn line (gear to cylinder)	1
	-- 8 cyl. 8.2L Detroit Diesel	E6HZ 3A717-A	Right turn line (gear to cylinder)	1
"Before 12/85"	E6HZ 3A719-B	Left turn line (gear to cylinder)	1	
		E6HZ 3A719-C	Pump to steering gear (pressure)	1
86/	LN700 -- 9M front axle			
	-- 8 cyl. Cat. diesel	E6HZ 3A717-A	Right turn line (gear to cylinder)	1
	"From 12/85"	E6HZ 3A719-B	Left turn line (gear to cylinder)	1
	-- 8 cyl. 8.2L Detroit Diesel	D6HZ 3A717-C	Right turn line (gear to cylinder)	1
	"From 12/85"	E1HZ 3A719-B	Left turn line (gear to cylinder)	1
87	L-LN-LT-LNT800/900 -- FTO 7.8L Diesel "Before 4/87"	● E4HT 3A719-FB	Pump to gear (pressure)	1
		● E7HT 3A719-BB	Pump to gear (pressure)	1
87	L-LN-LT-LNT800/900 -- FTO 7.8L diesel "From 4/87"			
88	L-LT-LTS LN-LNT800/900 -- FTO 7.8L diesel	● E8HT 3A719-DA	Pump to gear (pressure)	1
88/	LN-LNT900 -- Cat. 3306 diesel	● E8HT 3A719-LA	Pump to gear pressure	1
89	L-LN-LNT-LS-LT-LTL-LTS800/900 -- FNH engine -- 7M, 9M, 12M front axle	● E8HT 3A719-DA	Pump to steering gear (pressure)	1
80/	L-LN-LNT-LT-LTS800 -- 8 cyl. Cat. diesel	●		
80/	L-LN-LNT-LT-LTS800/900 -- 8 cyl. gas	●		
80/	L-LN-LNT-LT-LTL-LTS900 6 cyl. Cat. diesel	● E4HT 3A719-FB	Pump to steering gear (pressure)	1
80/	L-LN-LNT-LT-LT-LTS900 6 cyl. Cum. diesel	●		

1980/  
TRUCK SERIES 600/900

YEAR	MODEL/RESTRICTIONS	PART NUMBER	DESCRIPTION	QTY.
3A719	HOSE ASSY. (POWER STEERING PRESSURE) — Cont'd			

**L-LN-LNT-LT-LTL-LTS SERIES**

● Not available for service-to improvise refer to P/S Hose Replacement Chart following this Application Chart or appropriate bulk hose (3B719) and fitting (3C520) (Sketch HC-11.03)

80/	L-LN-LNT-LT-LTL-LTS900 -- 6 cyl. Det. diesel	●		
80/	LN-LNT900 -- 6 cyl. 552 Detroit 6V-92 diesel	D3HZ 3691-A	Pump filler tube (incl. dipstick 3A006)	1
80/	L-LN-LNT-LT-LTL900 -- 8 cyl. Det. diesel	●		
80/	LN-LNT900 -- 8 cyl. Detroit diesel	●		
		D3HZ 3691-A	Pump filler tube (incl. dipstick 3A006)	1
87/	LN-LNT900 -- Cum. L-10 diesel	● E7HT 3A719-G1A		
89/	L-LL-LN-LNT-LT-LTL-LS-LTS700/900 -- Cum. NTC/Form diesel	● E9HT 3A719-SA	Pump to gear (pressure)	1
80/	LN600/700	380967-S36	(II-37-A)-adapter (hose to steering gear)-9/16"-18	AR
		380968-S36	(II-37-B)-adapter (hose to steering gear)- 3/4"-16 and 9/16"-18	1
		★374538-S	"0" ring (adapter to gear)-15/32" x 5/64" wide synthetic rubber	AR
		★374539-S	"0" ring (pressure hose adapter to steering gear) -1 21/32" I.D. x 3/32" wide synthetic rubber	AR
		353663-S	Clip (hoses to frame bracket)-with 7/8" eye	2
80/	C600/800,C900(9 1/2" frame)	380967-S	(II-37-A)-adapter (cyl. hose to cyl.)- 9/16"-18 x 9/16"-18	1
80/	C600/700,C800/900(9 1/2" frame)	377048-S	(II-35-E)-adapter (for hose fitting)-9/16"-18 and 3/4"-16 thread 1 15/16" long	AR
		374538-S	"0" ring-15/32" dia.-1/16" thick (cyl. hose to cyl.)	1
80/	CL-CLT900	380514-S7-8	(II-187-B) elbow (pressure hose) 3/4"-16 x 1 3/4" x 1 15/16"	1
		384074-S7-8	(II-35-B)-adapter assy. (return hose). 3/4" - 16 x 3/4"-16-7/8" nut 1 1/2" long	1
		384075-S7-8	(II-35-BA)-adapter assy. (pressure hose)- 3/4"-16 x 7/8"-14, 15/16" nut-1/2" long	1
80/	LN700/750 -- 9M front axle	384224-S	(II-29-CJ)-connector (R.H. turn pressure hose to gear assy.)-7/8" nut-3/4"-16 male and 5/8"-18 female thread x 1 1/8" long	1
		383922-S	(II-187-AZ)-connector (L.H. turn 3A719 hose to 3A540 valve)-90° elbow-9/16" 18 threads, 9/16" 18 nut 1" x 1 1/4"	1
		★377668-S	Clip (tubes to frame)-5/8" wide with 3/8" eye	2
80/	CL-CLT900 -- Cummins diesel	95856-S32	(G-10-F)-clip (hose to frame)-3/4" I.D.	1
		374944-S100	(GG-213-GA)-clip (hose to frame)-7/8" I.D.	1
		56538-S2	(B-319-VA)-bolt (hose clip to frame)-3/8"-16 x 3/4" hex. self-locking	2
		33771-S2	(M-89-LB) Nut (3A713 to A/C line)-3/8"-16	2
80/	LN600/700 -- Gas	384252-S	(II-187-C)-elbow (pressure hose to gear assy.)- 90°-3/4" nut, 3/4"-16 male and 9/16" - 18 female thread, 1 3/16" x 1 1/2"	1
80/	L-LN-LNT-LT-LTL-LTS800/900	384075-S	(II-35-BA)-adapter assy. (pressure hose)- 3/4"-16 x 7/8"-14, 15/16" nut-1 1/2" long	1
		384074-S7-8	(II-35-B)-adapter assy. (return hose)- 3/4"-16 x 3/4"-16-7/8" nut-1 1/2" long	1
80/	LNT-LT-LTL-LTS800/900 -- 16M,18M,20M front axles	384285-S7	(II-31-C)-fitting (L.H. turn port of gear assy.)- 45 1-3/4"-16 x 3/4"-16-both ends	1
		384286-S7	(II-31-CA)-fitting (R.H. turn port of gear assy.)- 45 1-9/16"-18 x 9/16"-18-both ends	1

1980/  
TRUCK SERIES 600/900

YEAR	MODEL/RESTRICTIONS	PART NUMBER	DESCRIPTION	QTY.
3A719	HOSE ASSY. (POWER STEERING PRESSURE) — Cont'd			

**L-LN-LNT-LT-LTL-LTS SERIES**

● Not available for service to improvise refer to P/S Hose Replacement Chart following this Application Chart or appropriate bulk hose (3B719) and fitting (3C520) (Sketch HC-11.03)

80/	LNT-LT-LTL800/900 - - 16M, 18M front axles	380514-S7-8	(II-37-A)-fitting (L.H. turn cyl. hose to cyl.)-90 1-3/4"-16 x 3/4"-16 thread, 1 3/4" x 1 15/16" long	1
		380967-S36	(II-37-A)-fitting (R.H. turn cyl. hose to cyl.)-straight-9/16"-18 thread-1 3/16" long	1
80/	LTS800/900 - - 16M,18M,20M front axles	383922-S	(II-187-AZ)-fitting (R.H. turn cyl. hose to cyl.)-90 1° 9/16"-18 x 9/16"-18 thread-1" x 1 1/4" long	1
		384074-S7-8	(II-35-B)-fitting (L.H. turn cyl. hose to cyl.)-straight-3/4"-16 thread-1 1/2" long-3/4"-16 nut	1
80/	All	358350-S	(GG-172)-clip (hose to support)	4
84/	All - - Gas - - 7M,9M, 12M front axles	38448-S	(GG-434)-clip (hose to P/S cooler)	1

**POWER STEERING HOSE REPLACEMENT CHART**

1. Hose assembly part numbers are listed in part number sequence.
2. Keep old hose as a guide for length and shape.
3. Use details shown to assembly new hose assembly.
4. Fittings used for the replacement hoses are the reusable type.
5. Refer to Power Steering Hose Replacement Details Chart on page 13 of this section. for description of the replacing parts.

HOSE ASSEMBLY	REPLACED BY		
	BULK HOSE OR TUBING- LENGTH IN INCHES	FITTINGS,ETC.(USE QUANTITY SHOWN) ▲ Secure locally	
<b>3A719</b>	<b>HOSE ASSY. (POWER STEERING PRESSURE)-Cont'd</b>		
C9TA 3A005-A	C7AZ 3A005-A (12 1/2)		
D0HA 3A005-A	E2HZ 3B719-C (35)		
D0HA 3A005-B	E2HZ 3B719-C (27 1/2)		
D0HA 3A005-C	E2HZ 3B719-C (24 1/2)		
D0TA 3A005-A	C7AZ 3A005-A (14)		
D3HA 3F522-A	B7Q 2269-A (AR)	▲87413-S8(2)	
D4TA 3F523-AA	D0HZ 3B719-A (61 1/4)	D0HZ 3C520-B (1), D5HZ 3C520-A (1)	
D4TA 3F524-AA	D0HZ 3B719-A (68 3/4)	D5HZ 3C520-B (1), D5HZ 3C520-C (1)	
D0HA 3R553-A	D0HZ 3B719-A (70 1/2)	D0HZ 3C520-B (2)	
D0HA 3R553-B	C6TZ 3B719-B (71 1/2)	C6TZ 3C520-F (2)	
D0HA 3R553-E	C6TZ 3B719-B (60 1/4)	C6TZ 3C520-F (2)	
D0HA 3R553-F	D0HZ 3B719-A (65 1/4)	D0HZ 3C520-B (2)	
D5HA 3R553-AA	D0HZ 3B719-A (77 3/4")	D0HZ 3C520-B (2)	
D5HA 3R553-BA	C6TZ 3B719-B (77 1/4")	C6TZ 3C520-F (2)	
D5HA 3R553-CA	C6TZ 3B719-B (67 1/4")	C6TZ 3C520-F (2)	
D5HA 3R553-DA	D0HZ 3B719-A (67 3/4")	D0HZ 3C520-B (2)	
E2HT 3R553-AA	E2HZ 3B719-A (70)	C6TZ 3C520-F (2)	
E2HT 3R553-BA	D0HZ 3B719-A (78 1/4)	D0HZ 3C520-B (2)	
E2HT 3R553-CA	E2HZ 3B719-A (67 1/2)	C6TZ 3C520-F (2)	
E3HT 3R553-AA	D0HZ 3B719-A (18 1/8)	E4HZ 3C520-A (1), E4HZ 3C520-C (1)	
E3HT 3R553-BA	E2HZ 3B719-A (20)	E4HZ 3C520-B (1), E4HZ 3C520-D (1)	
E3HT 3R553-CA	E2HZ 3B719-A (21 1/4)	E4HZ 3C520-B (1), E4HZ 3C520-D (1)	
E3HT 3R553-DA	E2HZ 3B719-A (23)	E4HZ 3C520-B (1), E4HZ 3C520-D (1)	
E3HT 3R553-EA	D0HZ 3B719-A (24)	E4HZ 3C520-A (1), E4HZ 3C520-C (1)	
E6HT 3R553-AA	E2HZ 3B719-A (18 3/4)	E4HZ 3C520-B (1), E4HZ 3C520-D (1)	
E8HT 3R553-AA	D0HZ 3B719-A (16 5/32)	E8HZ 3C520-B (1), E8HZ 3C520-C (1)	
D3TA 3R555-A	B7Q 2269-A (A/R)	▲86417-S (1), ▲86404-S (1), 87945-S (1)	
D4TA 3R555-A	B7Q 2269-A (AR)	▲86417-5 (1), ▲86404-S (1), 87945-S8 (1)	
D9HT 3R555-AC	B7Q 2269-A (A/R)	▲86404-S (1), 87945-S (1)	

**1980/  
TRUCK SERIES 600/900**

HOSE ASSEMBLY		REPLACED BY			
		BULK HOSE OR TUBING- LENGTH IN INCHES		FITTINGS, ETC. (USE QUANTITY SHOWN) ▲ Secure locally	
<b>3A719</b>		<b>HOSE ASSY. (POWER STEERING PRESSURE) — Cont'd</b>			
D9HT	3R555-BB	B7Q	2269-A	(A/R)	▲86404-S (1), 87945-S (1)
D3TA	3R556-A	D9HZ	3A714-A		Bend to fit or cut and reflare swivel fittings
D0HA	3A579-A	C9TZ	3B719-B	(27)	
D0HA	3A713-A	E2HZ	3B719-C	(50 3/8)	★ D0HZ 3C520-A (1)-not replaced
D0HA	3A713-B	E2HZ	3B719-C	(24)	C9HZ 3C520-A (1)
D0HA	3A713-C	E2HZ	3B719-C	(66 1/8)	★ D0HZ 3C520-A (1)-not replaced
D0HA	3A713-M	E2HZ	3B719-C	(20)	C9HZ 3C520-A (1)
D0HA	3A713-R	E2HZ	3B719-C	(21)	D0HZ 3C520-C (1)
D0HA	3A713-AC	E2HZ	3B719-C	(46 1/4)	C9HZ 3C520-A (2)
D0HA	3A713-AD	E2HZ	3B719-C	(74 1/2)	C9HZ 3C520-A (1)
D0HA	3A713-AE	E2HZ	3B719-C	(29 1/4)	D0HZ 3C520-C (1)
D0HA	3A713-AG	E2HZ	3B719-C	(85 1/2)	C9HZ 3C520-A (1)
D0HA	3A713-AH	E2HZ	3B719-C	(33)	C9HZ 3C520-A (1)
D0HA	3A713-AJ	E2HZ	3B719-C	(35 1/2)	C9HZ 3C520-A (1)
D0HA	3A713-AK	E2HZ	3B719-C	(28 3/4)	C9HZ 3C520-A (1)
D0HA	3A713-BA	E2HZ	3B719-C	(25 1/2)	C9HZ 3C520-A (1)
D1HA	3A713-BA	E2HZ	3B719-C	(28")	C9HZ 3C520-A (1)
D2HA	3A713-GA	E2HZ	3B719-C	(89)	C9HZ 3C520-A (1)
D2HA	3A713-HA	E2HZ	3B719-C	(85 1/2)	C9HZ 3C520-A (1)
D3HA	3A713-BA	E2HZ	3B719-C	(43)	★ D0HZ 3C520-A (1)-not replaced
D3HA	3A713-CA	E2HZ	3B719-C	(79 1/2)	C9HZ 3C520-A (1)
D4HA	3A713-EA	E2HZ	3B719-C	(15 1/2)	D0HZ 3C520-C (1)
D5HA	3A713-SA	E2HZ	3B719-C	(15 1/8)	D0HZ 3C520-C (1)
D7HA	3A713-FA	E2HZ	3B719-C	(26 1/2)	C9HZ 3C520-A (1)
D7HA	3A713-HA	E2HZ	3B719-C	(16 1/2)	C9HZ 3C520-A (1)
D7HT	3A713-AHA	E2HZ	3B719-C	(29 1/2)	D0HZ 3C520-C (1)
D7HT	3A713-AJA	E2HZ	3B719-C	(33 1/2)	D0HZ 3C520-C (1)
D7HT	3A713-AKB	E2HZ	3B719-C	(22 1/8)	D0HZ 3C520-C (1)
D7HT	3A713-ALA	E2HZ	3B719-C	(27 3/4)	D0HZ 3C520-C (1)
D7HT	3A713-AMA	E2HZ	3B719-C	(20 1/4)	D0HZ 3C520-C (1)
D7HT	3A713-AKB	E2HZ	3B719-C	(22 1/8)	D8HZ 3C520-C (1)
D7HT	3A713-ALB	E2HZ	3B719-C	(27 3/4)	D8HZ 3C520-C (1)
D7HT	3A713-AMB	E2HZ	3B719-C	(20 1/4)	D8HZ 3C520-C (1)
D9HT	3A713-HA	E2HZ	3B719-C	(38 1/2)	
D9HT	3A713-LA	E2HZ	3B719-C	(38 9/16)	D0HZ 3C520-C (1)
D9HT	3A713-LB	E2HZ	3B719-C	(29 1/2)	D0HZ 3C520-C (1)
D9HT	3A713-MA	E2HZ	3B719-C	(41 9/16)	D0HZ 3C520-C (1)
D9HT	3A713-MB	E2HZ	3B719-C	(39 1/2)	D0HZ 3C520-C (1)
D9HT	3A713-SA	E2HZ	3B719-C	(49)	D8HZ 3C520-C (1)
E0HT	3A713-RA	E2HZ	3B719-C	(54)	D0HZ 3C520-C (1)
E1HT	3A713-AEA	E2HZ	3B719-C	(21 1/2)	C9HZ 3C520-A (2)
E1HT	3A713-AFA	E2HZ	3B719-C	(43 1/2)	D0HZ 3C520-C (1)
E1HT	3A713-AGA	E2HZ	3B719-C	(54)	D0HZ 3C520-C (1)
E1HT	3A713-AHA	E2HZ	3B719-C	(25 1/2)	C9HZ 3C520-A (1)
E1HT	3A713-AJA	E2HZ	3B719-C	(29 1/2)	C9HZ 3C520-A (1)
E1HT	3A713-ALA	E2HZ	3B719-C	(85 1/2)	C9HZ 3C520-A (1)
E1HT	3A713-AMA	E2HZ	3B719-C	(18 1/2)	D0HZ 3C520-C (1)
E1HT	3A713-ASA	E2HZ	3B719-C	(28)	C9HZ 3C520-A (1)
E1HT	3A713-ATA	E2HZ	3B719-C	(49)	D8HZ 3C520-C (1)
E1HT	3A713-AVA	E2HZ	3B719-C	(20 1/2)	D8HZ 3C520-C (1)
E2HT	3A713-AA	E2HZ	3B719-C	(46)	D8HZ 3C520-C (1)
E2HT	3A713-BA	E2HZ	3B719-C	(90)	C9HZ 3C520-A (2)
E2HT	3A713-CA	E2HZ	3B719-C	(49)	C9HZ 3C520-A (2)
E2HT	3A713-DA	E2HZ	3B719-C	(33)	C9HZ 3C520-A (2)
E2HT	3A713-EA	E2HZ	3B719-C	(44)	C9HZ 3C520-A (2)
E3HT	3A713-YA	E2HZ	3B719-C	(36)	C9HZ 3C520-A (2)



1980/  
TRUCK SERIES 600/900

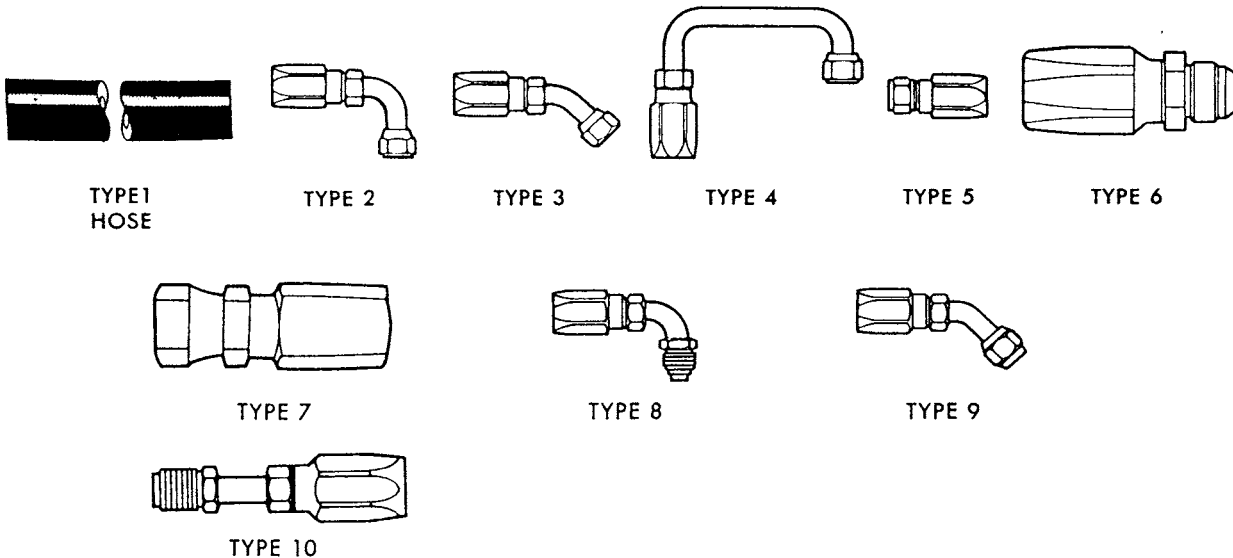
HOSE ASSEMBLY		REPLACED BY			
		BULK HOSE OR TUBING- LENGTH IN INCHES		FITTINGS, ETC. (USE QUANTITY SHOWN) ▲ Secure locally	
3A719		HOSE ASSY. (POWER STEERING PRESSURE)— Cont'd			
E3HT	3A713-ZA	E2HZ	3B719-C	(17 1/2)	C6TZ 3C520-H (1)
E3HT	3A713-AAA	E2HZ	3B719-C	(46)	D8HZ 3C520-C (1)
E3HT	3A713-ABA	E2HZ	3B719-C	(20 1/2)	D8HZ 3C520-C (1)
E4HT	3A713-BB	E2HZ	3B719-C	(13)	D0HZ 3C520-A (1)
E4HT	3A713-BC	E2HZ	3B719-C	(14)	D0HZ 3C520-A (1)
E4HT	3A713-EA	E2HZ	3B719-C	(24 3/4)	D8HZ 3C520-C (1)
E4HT	3A713-EB	E2HZ	3B719-C	(26 3/4)	D8HZ 3C520-C (1)
E4HT	3A713-FB	E2HZ	3B719-A	(32 9/32)	C6TZ 3C520-F (1), C6TZ 3C520-L (1)
E4HT	3A713-LA	E2HZ	3B719-C	(42)	C9HZ 3C520-A (2)
E4HT	3A713-HA	See E1HT 3A713-ALA			
E8HT	3A713-AA	E2HZ	3B719-C	(18 5/8)	D8HZ 3C520-C (1)
E9HT	3A713-DA	E2HZ	3B719-C	(38)	E9HZ 3C520-A (1)
E9HT	3A713-CA	E2HZ	3B719-C	(32)	E9HZ 3C520-A (1)
D0HA	3A714-A	C6TZ	3B719-B	(55)	C6TZ 3C520-F (1), C6TZ 3C520-H (1)
D0HA	3A714-C	C6TZ	3B719-B	(23 1/2)	C6TZ 3C520-H (1), D1HZ 3C520-C (1)
D0HA	3A714-D	D0HZ	3B719-A	(22 1/2)	D1HZ 3C520-A (1), D1HZ 3C520-B (1)
D0HA	3A719-C	C6TZ	3B719-B	(62)	C6TZ 3C520-F (1), C6TZ 3C520-L (1)
D0HA	3A719-F	C6TZ	3B719-B	(90 1/8)	C6TZ 3C520-F (1), C6TZ 3C520-L (1)
D0HA	3A719-M	C6TZ	3B719-B	(22 1/8)	C6TZ 3C520-F (1), C6TZ 3C520-L (1)
D0HA	3A719-R	C6TZ	3B719-B	(17 7/8)	C6TZ 3C520-F (1), C6TZ 3C520-L (1)
D0HA	3A719-AC	C6TZ	3B719-B	(68)	C6TZ 3C520-F (2)
D0HA	3A719-AD	C6TZ	3B719-B	(24)	C6TZ 3C520-F (2)
D0HA	3A719-AE	C6TZ	3B719-B	(61 1/4)	C6TZ 3C520-F (2)
D0HA	3A719-AJ	C6TZ	3B719-B	(80)	C6TZ 3C520-F (2)
D0HA	3A719-AH	C6TZ	3B719-B	(31)	C6TZ 3C520-G (1), C6TZ 3C520-N (1)
D1HA	3A719-AA	C6TZ	3B719-B	(25 1/2)	C6TZ 3C520-G (1), C6TZ 3C520-H (1)
D2HA	3A719-FB	C6TZ	3B719-B	(84 1/4)	C6TZ 3C520-F (1), C6TZ 3C520-L (1)
D2HA	3A719-GA	C6TZ	3B719-B	(81)	C6TZ 3C520-F (2)
D3HA	3A719-AA	C6TZ	3B719-B	(88 1/2)	C6TZ 3C520-H (1), C6TZ 3C520-L (1)
D3HA	3A719-AB	C6TZ	3B719-B	(84 1/2)	C6TZ 3C520-H (1), C6TZ 3C520-L (1)
D3HA	3A719-BA	C6TZ	3B719-B	(55)	C6TZ 3C520-F (1), C6TZ 3C520-L (1)
D5HA	3A719-MA	C6TZ	3B719-B	(18)	C6TZ 3C520-F (1), C6TZ 3C520-L (1)
D5HA	3A719-NA	C6TZ	3B719-B	(13 1/8)	C6TZ 3C520-G (1), C6TZ 3C520-H (1)
D7HA	3A719-FA	C6TZ	3B719-B	(26 1/2)	C6TZ 3C520-F (2)
D7HA	3A719-GA	C6TZ	3B719-B	(19 3/4)	C6TZ 3C520-F (2)
D7HA	3A719-HA	C6TZ	3B719-B	(10 3/4)	C6TZ 3C520-F (2)
D7HA	3A719-JA	C6TZ	3B719-B	(41 1/4)	C6TZ 3C520-F (2)
D7HT	3A719-ADA	E2HZ	3B719-C	(27)	D8HZ 3C520-A (1), D8HZ 3C520-B (1)
D7HT	3A719-AEA	E2HZ	3B719-C	(31)	C6TZ 3C520-F (1), D8HZ 3C520-B (1)
D7HT	3A719-AFA	E2HZ	3B719-C	(20 7/8)	C6TZ 3C520-F (1), D8HZ 3C520-A (1)
D7HT	3A719-AGA	E2HZ	3B719-C	(22 3/8)	C6TZ 3C520-F (1), D8HZ 3C520-A (1)
D7HT	3A719-AHA	E2HZ	3B719-C	(21 7/8)	C6TZ 3C520-F (1), D8HZ 3C520-A (1)
D7HT	3A719-AHB	E2HZ	3B719-C	(21 7/8)	C6TZ 3C520-F (1), D8HZ 3C520-A (1)
D7HT	3A719-AJA	E2HZ	3B719-C	(30)	D8HZ 3C520-A (1), D8HZ 3C520-B (1)
D9HT	3A719-FA	C6TZ	3B719-B	(22 1/8)	C6TZ 3C520-C (1), D8HZ 3C520-A (1)
D9HT	3A719-GA	C6TZ	3B719-B	(17 7/8)	C6TZ 3C520-F (1), C6TZ 3C520-L (1)
E0HT	3A719-JA	C6TZ	3B719-B	(18 1/2)	C6TZ 3C520-F (1), C6TZ 3C520-L
E2HT	3A719-BA	E2HZ	3B719-A	(24 1/2)	C6TZ 3C520-F (2)
E4HT	3A719-BB	E2HZ	3B719-A	(41)	C6TZ 3C520-H (1), E4HZ 3C520-F (1)
E4HT	3A719-BC	E2HZ	3B719-A	(35)	C6TZ 3C520-L (1) E4HZ 3C520-F
E4HT	3A719-EA	E2HZ	3B719-A	(25)	C6TZ 3C520-F (1), D8HZ 3C520-A (1)
E4HT	3A719-FA	E2HZ	3B719-A	(33 25/32)	C6TZ 3C520-F (1), C6TZ 3C520-L (1)
E4HT	3A719-FB	E2HZ	3B719-A	(32 9/32)	C6TZ 3C520-F (1), C6TZ 3C520-L (1)
E4HT	3A719-GA	See E4HT 3A719-GB			
E4HT	3A719-GB	C6TZ	3B719-B	(76 1/2)	C6TZ 3C520-H (1) C6TZ 3C520-L (2)
E7HT	3A719-A2B	E2HZ	3B719-A	(20)	C6TZ 3C520-F (2)
E7HT	3A719-A2C	E2HZ	3B719-A	(20)	C6TZ 3C520-F (1), C6TZ 3C520-G (1)
E7HT	3A719-B2A	E2HZ	3B719-A	(18 5/8)	C6TZ 3C520-G (1) C6TZ 3C520-L (1)

1980/  
TRUCK SERIES 600/900

HOSE ASSEMBLY	REPLACED BY			
	BULK HOSE OR TUBING LENGTH IN INCHES		FITTINGS, ETC. (USE QUANTITY SHOWN)	
3A719	HOSE ASSY. (POWER STEERING PRESSURE)— Cont'd			
E7HT 3A719-GA	E2HZ 3B719-A	(41)	C6TZ 3C520-L(1), E7HZ 3C520-A(1)	
E8HT 3A719-AA	E2HZ 3B719-A	(18 5/8)	C6TZ 3C520-G (1), D8HZ 3C520-A (1)	
E8HT 3A719-CA	E2HZ 3B719-A	(20)	C6TZ 3C520-F (1), E8HZ 3C520-A (1)	
E8HT 3A719-DA	E2HZ 3B719 A	(30)	C6TZ 3C520-L (1), E8HZ 3C520-A (1)	
E8HT 3A719-LA	E2HZ 3B719-A	(34)	C6TZ 3C520-H (1), C6TZ 3C520-L (2)	
E9HT 3A719-SA	E2HZ 3B719-A	(32)	C6TZ 3C520-H (1), C6TZ 3C520-L (1)	
E9HT 3A719-VA	C6TZ 3B719-B	(25)	C6TZ 3C520-H (1), D8HZ 3C520-A (1)	

3A719 HOSE ASSY. (POWER STEERING PRESSURE) — Cont'd

POWER STEERING HOSE REPLACEMENT DETAILS



P-16201

DESCRIPTIONS OF REPLACING PARTS FOR P/S HOSE ASSEMBLIES LISTED IN PART NUMBER SEQUENCE					
TYPE	PART NUMBER	DESCRIPTION	TYPE	PART NUMBER	DESCRIPTION
1	C6TZ 3B719-B	Hose-13/32" I.D. x 3/4" O.D. x 25 ft.	1	E2HZ 3B719-D	Hose-3/4" I.D. x 1 1/4" O.D. x 25 ft.
1	C9TZ 3B719-A	Hose-1/2" I.D. x 15/16" O.D. x 25 ft.	5	C9HZ 3C520-A	Fitting-straight hose-1/2" tube
1	C9TZ 3B719-B	Hose-7/8" I.D. x 1 3/16" O.D. x 12 ft.	5	C6TZ 3C520-F	Fitting-straight hose-1/2" tube
1	D0HZ 3B719-A	Hose-5/16" I.D. x 3/4" O.D. x 25 ft.	2	C6TZ 3C520-H	Fitting-90° hose-1/2" tube
1	E2HZ 3B719-A	Hose-13/32" I.D. x 25/32" O.D. x 25 ft.	4	C6TZ 3C520-L	Fitting-180° hose-1/2" tube
1	E2HZ 3B719-C	Hose-1/2" I.D. x 15/16" O.D. x 25 ft.	2	D0HZ 3C520-A	Fitting-90° hose-5/8" dia.-7/8"-14 thd.

**1980/  
TRUCK SERIES 600/900**

TYPE	PART NUMBER	DESCRIPTION	TYPE	PART NUMBER	DESCRIPTION
<b>3A719 HOSE ASSY. (POWER STEERING PRESSURE) — Cont'd</b>					
5	D0HZ 3C520-B	Fitting straight-3/8" dia.-9/16"-18 thd.	7	E4HZ 3C520-D	Fitting-straight-1/2" dia.-3/4"-16 thd.
3	D0HZ 3C520-C	Fitting-45°-1/2" dia.-7/8"-14 thread	8	E4HZ 3C520-F	Fitting-90°-3/4" tube
2	D8HZ 3C520-A	Fitting-90°-hose 13/32" dia.-3/4"-16 thd.	10	E6HZ 3C520-A	3/4" tube
6	D8HZ 3C520-B	Fitting-straight-13/32" dia.-3/4"-16 thd.	4	E7HZ 3C520-A	Fitting
9	D8HZ 3C520-C	Fitting-45° hose-1/2" dia.-7/8"-14 thd.	9	E8HZ 3C520-A	Fitting 60° hose-3/4" tube
6	E4HZ 3C520-A	Fitting-straight-3/8" dia.-9/16"-18 thd.	10	E8HZ 3C520-B	Fitting straight hose-3/4" tube
6	E4HZ 3C520-B	Fitting-straight-1/2" dia.-3/4"-16 thd.	11	E8HZ 3C520-C	Fitting-45° hose-3/4" tube
7	E4HZ 3C520-C	Fitting-straight-3/8" dia.-9/16"-18 thd.	2	E9HZ 3C520-A	Fitting-90° hose-1/2" dia.-7/8"-14 thd.
YEAR	MODEL/RESTRICTIONS	PART NUMBER	DESCRIPTION		QTY.
3B719	Refer to group 3A719				
<b>3E723 ACTUATOR ASSY. (STEERING COLUMN LOCK)</b>					
80/	B F600/900	D4AZ 3E723-A			1
3D728 Refer to Steering Gear Parts Lists, Section 35.1					
<b>3E728 CAGE (STEERING COLUMN RETAINING RING)</b>					
80/	L LN LNT LT LTS600/900,	D1HZ 3E728-A			1
80/	CL-CLT900				1
81/	LTL900				1
3A729-30 Refer to Steering Gear Parts Lists Section 35.1					
<b>3A732 BRACKET (POWER STEERING PUMP MOUNTING)-Also refer to P/S Pump Parts Lists Section 36.1</b>					
80/89	B-F600/800 - 8 cyl. 370,429 M/S	E0HZ 3A732-A	Use to mount hydraulic brake booster pump		1
80/	B F600/900 - Detroit diesel-M/S	E0HZ 3A732-B	Use to mount hydraulic brake booster pump		1
84/	B-C-F-LN Series Detroit diesel	E4HZ 3A732-B			1
83/	B-F-FT600/800 - 8 cyl. Cat. diesel	E4HZ 3A732-C	Use to mount hydraulic brake booster pump		1
84/	C CT700/800 - 8 cyl. Cat. diesel	E4HZ 3A732-A			1
81/	L LT-LTS LTL LN LNT900 - Cummins I 6 P/S	E1HZ 3A732-C	Used to mount P/S pump, pulley, & bracket assy.		1
87/	B-F-LN - F.T.O. diesel	E7HZ 3A732-A	#E7HT 3C631-AA		1
<b>3A733 PULLEY (POWER STEERING PUMP)</b>					
88/	B-F600/900 gas engine	E8HZ 3A733-A	#E8HT 3D673-BA		1
<b>3E736 HOUSING (STEERING GEAR COUPLING SHAFT U/JOINT)</b>					
84/	B F600/900	E4HZ 3E736-A	Detail of E4HT 3E751-AA,BA,CA		1
3738 Refer to Steering Gear Parts Lists Section 35.1					
<b>3D744 BRACKET (POWER STEERING OIL COOLER)</b>					
80/81	B F600/800 - 8 cyl. 370, 429 gas "Before 1/81" - w/air	E1HZ 3D744-A	Upper-#E0HT 3D744-AA		1
	- w/o air	★ E0HZ 3D744-B	Lower-#E0HT 3D744-BA r/b E1HZ 3D744-B		1
	- 8 cyl. 370 gas - w/air	D9HZ 3D744-C	Upper-#D9HT 3D744-CA		1
	- w/o air	D9HZ 3D744-B	Lower-#D9HT 3D744-BA		1
	"From 1/81 to 5/81" - 8 cyl. 370 gas - w/air	E1HZ 3D744-A	Upper-#E0HT 3D744-AA		1
	- w/o air	★ E0HZ 3D744-B	Lower-#E0HT 3D744-BA r/b E1HZ 3D744-B		1
	- 8 cyl. 429 gas	D9HZ 3D744-C	Upper-#D9HT 3D744-CA		1
	- w/air	D9HZ 3D744-B	Lower-#D9HT 3D744-BA		1
	- w/o air	E1HZ 3D744-C	#E0HT 3D744-DA		2
81/	B F600/800 - 8 cyl. 370,429 gas "From 5/81" - 5.5M front axle w/air	E1HZ 3D744-A	Upper-#E0HT 3D744-EA		1
	- w/o air	E1HZ 3D744-B	Lower-#E0HT 3D744-FA		1
	- 6M,7M,8M,9M front axle	D9HZ 3D744-C	Upper-#D9HT 3D744-CA		1
		D9HZ 3D744-B	Lower-#D9HT 3D744-BA		1
		E1HZ 3D744-C	#E0HT 3D744-DA		2

1980/  
TRUCK SERIES 600/900

YEAR	MODEL/RESTRICTIONS	PART NUMBER	DESCRIPTION	QTY.
<b>3D744 BRACKET (POWER STEERING OIL COOLER) — Cont'd</b>				
83/	B-F-FT700/800 -- 8 cyl. Cat. diesel	E1HZ 3D744-C	#E0HT 3D744-DA	2
80/	LN600/700 -- 8 cyl. 370,429 gas	D9HZ 3D744-B	Lower-#D9HT 3D744-BA	1
		D9HZ 3D744-C	Upper-#D9HT 3D744-CA	1
80	L-LN-LNT-LT-LTS800 -- 8 cyl. 370,429 gas	★ D9HZ 3D744-A	#D9HT 3D744-AA	1
81/	w/o A/C	D9HZ 3D744-B	Lower-#D9HT 3D744-BA	1
		D9HZ 3D744-C	Upper-#D9HT 3D744-CA	1
	w/A/C	E1HZ 3D744-B	Lower-#E0HT 3D744-FA	1
		E1HZ 3D744-A	Upper-#E0HT 3D744-EA	1
87/88	L-LT-LTS-LN-LNT800 -- 7.8L F.T.O. diesel "Before 8/88"	★ E7HZ 3D744-A	Lower-#E7HT 3D744-AA-r/b E8HZ 3D744-A(11/89)	1
		★ E7HZ 3D744-A	Upper-#E7HT 3D744-AA-r/b E8HZ 3D744-A(11/89)	1
88/	L-LT-LTS-LN-LNT800 -- 7.8L F.T.O. diesel "From 8/88"	E8HZ 3D744-A	Located inboard to centerline of vehicle	1
		E8HZ 3D744-B	Located outboard to frame side rail	1
80/82	CL-CLT900 -- Cummins Diesel "Before 11/81"	E0HZ 3D744-C	#E0HT-3D744-CA	2
82/	CL-CLT900 -- Cummins Diesel- exc. "LTA" "From 11/81"	E2HZ 3D744-A	Right hand -- #E2HT 3D744-AB	1
		E2HZ 3D744-B	Left hand -- #E2HT 3D744-BB	1
85/	CL-CLT900 -- Cummins Diesel- "LTA" "From 3/85"	E5HZ 3D744-A	#E5HT 3D744-AB	1
<b>3D746 COOLER ASSY. (POWER STEERING OIL)</b>				
80/81	B-F600/800 -- 8 cyl. 370,429 gas "Before 1/81"			
	-- w/air	D9HZ 3D746-B		1
	-- w/o air	D9HZ 3D746-A		1
	"From 1/81 to 5/81"			
	-- 8 cyl. 370 gas			
	-- w/air	D9HZ 3D746-B		1
	-- w/o air	D9HZ 3D746-A		1
	-- 8 cyl. 429 gas	E1HZ 3D746-A		1
81/	B-F600/800 -- 8 cyl. 370,429 gas "From 5/4/81"			
	-- 5.5M front axle			
	-- w/air	D9HZ 3D746-B		1
	-- w/o air	D9HZ 3D746-A		1
	-- 6M,7M,8M,9M front axle	E1HZ 3D746-A		1
83/	B-F-FT700/800 -- 8 cyl. Cat. diesel	E1HZ 3D746-B		1
80/81	C-CT600/900 -- 12M,16M,18M front axle "Before 6/81"	C0TT 3B748-A		1
81/	C-CT600/900 -- 12M,16M,18M front axle "From 6/81"	E1HZ 3D746-B		1
80/81	LT-LTS-LNT800 -- 8 cyl. Cat. diesel, 16M,18M,20M front axle "Before 6/81"	C0TT 3B748-A		1
81/89	LT-LS-LTS-LNT800 -- 8 cyl. Cat. diesel, 7.8L F.T.O., 16M,18M,20M front axle "From 6/81"	E1HZ 3D746-B		1
80/81	LN600/700 -- 8 cyl. 370,429 gas "Before 11/80"	D9HZ 3D746-A		1
81/	LN600/700 -- 8 cyl. 370,429 gas "From 11/80"	D9HZ 3D746-B		1
80	L-LN-LNT-LT-LTS800 -- 8 cyl. 370,429 gas	D9HZ 3D746-A		1
81/	L-LN-LNT-LT-LTS800 -- 8 cyl. 370,429 gas	D9HZ 3D746-B		1
80/82	CL-CLT900 -- Cummins Diesel "Before 11/81"	D9HZ 3D746-B		1
82/	CL-CLT900 -- Cummins Diesel "From 11/81"	E1HZ 3D746-B		1

1980/  
TRUCK SERIES 600/900

YEAR	MODEL/RESTRICTIONS	PART NUMBER	DESCRIPTION	QTY.
<b>3B748 TUBE (POWER STEERING COOLING)</b>				
80/81	C-CT600/900 -- 12M,16M,18M front axle "Before 6/81"	COTT 3B748-A		1
81/	C-CT600/900 -- 12M,16M,18M front axle "From 6/81"	E1HZ 3D746-B		1
80/81	LT-LTS-LNT800 -- 8 cyl. Cat. diesel, 16M,18M,20M front axle "Before 6/81"	COTT 3B748-A		1
81/89	LT-LTS-LNT800 -- 8 cyl. Cat. diesel, 16M,18M,20M front axle "From 6/81"	E1HZ 3D746-B		1
80/	CT800/900	B7A 8287-A	Clamp (hoses to oil cooler tube)	2
<b>3B749 CLAMP (POWER STEERING COOLING TUBE)</b>				
81/	B-F600/800 -- 8 cyl. 370,429 gas -- 6M,7M,8M,9M front axle	E1HZ 3B749-A	#E0HT 3B749-AA	2
83/	B-F-FT700/800 -- 8 cyl. Cat. diesel	E1HZ 3B749-A	#E0HT 3B749-AA	2
80/81	C-CT600/900 -- 12M,16M,18M front axle "Before 6/81"	★ DOHZ 3B749-A		2
81/	C-CT600/900 -- 12M,16M,18M front axle "From 6/81"	E1HZ 3B749-A	#E0HT 3B749-AA	2
82/	CL-CLT900 -- Cummins Diesel	E1HZ 3B749-A	#E0HT 3B749-AA	2
80/81	LT-LTS-LNT800 -- 8 cyl. Cat. diesel, 16M,18M,20M front axle "Before 6/81"	★ DOHZ 3B749-A		2
81/	LT-LTS-LNT800 -- 8 cyl. Cat. diesel, 16M,18M,20M front axle "From 6/81"	E1HZ 3B749-A	#E0HT 3B749-AA	2
<b>3B750 SUPPORT (POWER STEERING OIL COOLING TUBE)</b>				
80/	B-F600/800 -- 8 cyl. 370, 429 gas -- w/A/C -- w/5.5M front axle	E0HZ 3B750-B	#E0HT 3B750-BA	1
80/81	C-CT600/900 -- 12M,16M,18M front axle "Before 6/81"	★3B750	#D5HA 3B750-JA (Improvise)	1
81/	C-CT600/900 -- 12M,16M,18M front axle "From 6/81"	E1HZ 3B750-A	#E1HT 3B750-AA	1
81/	L-LN-LNT-LT-LTS800 -- 8 cyl. 370,429 gas w/A/C	E0HZ 3B750-B	#E0HT 3B750-BA	1
80/81	LT-LTS-LNT800 -- 8 cyl. Cat. diesel, 16M,18M,20M front axle "Before 6/81"	D5HZ 3B750-B		1
81/	LT-LTS-LNT800 -- 8 cyl. Cat. diesel, 16M,18M,20M front axle "From 6/81"	E1HZ 3B750-B	#E1HT 3B750-B	1
<b>3C750 CLAMP (POWER STEERING HOSE SUPPORT)</b>				
80/	LN600/700	C6TZ 3C750-A		AR
80/	L-LN-LNT-LT-LTS900 -- 6 cyl. Detroit diesel			AR
80/81	L-LN-LNT-LT-LTL LTS -- Cummins Diesel	C6TZ 3C750-A		AR
87/	L-LN-LNT-LT-LTL-LTS L10	C6TZ 3C750-A		AR
82/	L-LN-LNT-LT-LTL-LTS -- Cummins Diesel	376906-S100	(GG-231) Clip	AR
		20386-S8	(B-53)-Bolt (clamp to bracket)-5/16"-18 x 1"	AR
		33770-S	(M-89-K)-nut-5/16"	AR
		★ 58635-S	Bolt (clamps to 3C510 bracket)-3/8"-16 x 1 1/4"	1
		351385-S	(XX-158)-washer-3/8"	2
★	34987-S	Nut-3/8"-16		1
3754	Refer to Steering Gear Parts Lists Section 35.1			

1980/  
TRUCK SERIES 600/900

YEAR	MODEL/RESTRICTIONS	PART NUMBER	DESCRIPTION	QTY.
3B754-60 Refer to P/S Pump Parts Lists Section 36.1				
3E762 HUB ASSY. (POWER STEERING PUMP DRIVE)				
80/	L-LN-LNT800/900 - - 8 cyl. Detroit diesel	D0HZ 3E762-B		1
3A764 Refer to P/S Cylinder Parts Lists Section 35.2				
3C764-3D776 Refer to Steering Gear Section 35.1				
3B765 LEVER ARM ASSY. (ADJUSTABLE STEERING COLUMN BRACKET)				
84	L-LT-LTL-LTS-LN-LNT800/900 "Before 2/84"	None req'd		1
84/	L-LT-LTL-LTS-LN-LNT800/900 - - non-fleet "From 2/84"	E4HZ 3B765-A		1
84/	L-LT-LTL-LTS LN-LNT800/900 - - fleet "From 2/84"	E4HZ 3B765-B		1
3C765 BOLT (STEERING COLUMN SHAFT & JOINT MOUNTING)				
81/	L-LN-LNT-LT-LTL-LTS600/900	★ E1HZ 3C765-A r/bE1HZ 3C684-A	Detail of 3B676 (E1HZ-A & E2HZ-F)	6
3W765 KNOB (STEERING COLUMN SUPPORT ARM)				
84/	L-LT-LTL-LTS-LN-LNT800/900	E4HZ 3W765-A		1
3790 EXTENSION (STEERING COLUMN TUBE FLANGE)				
80/	B-F600/800 - - w/floor shift	E0TZ 3790-B		1
3814 YOKE (STEERING COLUMN COUPLING SHAFT SLIP)				
88/	B-F600/900 - - 6M,7M, 8M,9M,10M,12M front axle	E0HZ 3814-A	Slip yoke end	1
		E8HZ 3814-A	Splined shaft end	1
80	C600/700	C5TZ 3814-B	Double center yoke	1
80	C800/900(9 1/2" frame) - - 9M, 12M- C/P/S front axle and M/S			1
80	C800/900(9 1/2" frame) - - P/S			1
80	C800/900(9 1/2" frame) - - 12M conv. front axle and M/S	D2HZ 3814-A	Clamp yoke	1
80	C800/900(9 3/4" frame), CT800/900	D2HZ 3814-A	Clamp yoke	1
81/	C600/700	C5TZ 3814-B	Double center yoke	1
81/	C800/900(9 1/2" frame) - - 9M,12M C/P/S front axle and M/S			1
81/	C800/900(9 1/2" frame) - - P/S			1
81/	C800/900(9 1/2" frame) - - 12M conv. front axle and M/S	E0HZ 3814-A	Clamp yoke	1
81/	C800/900(9 3/4" frame) CT800/900	E0HZ 3814-A	Clamp yoke	1
80/	CL-CLT900 "Before Ser. JD5,001" "From Ser. JD5,001"	D8HZ 3814-A	Clamp yoke	1
		E0HZ 3814-A	Clamp yoke	1
80	L-LN-LNT-LT-LTS-800/900	D2HZ 3814-A	Upper & lower	2
80/	LN600/700 M/S	D2HZ 3814-A	7/8" Shaft dia. upper & lower	2
	P/S	D2HZ 3814-A	7/8" Shaft dia. - upper	1
	P/S	D5HZ 3814-A	3/4" Shaft dia. - lower	1
81/	L-LN-LNT-LT-LTS-LTL800/900	E1HZ 3814-A	Joint assy	1
		E1HZ 3814-B	Upper detail of E1HZ 3814-A - - 20 serrations - - clamp yoke	1
		E0HZ 3814-A	Lower detail of E1HZ 3814-A - - 18 serrations - - clamp yoke	1

1980/  
TRUCK SERIES 600/900

YEAR	MODEL/RESTRICTIONS	PART NUMBER	DESCRIPTION	QTY.
<b>3814</b> YOKE (STEERING COLUMN COUPLING SHAFT SLIP) — Cont'd				
80/	L-LN-LNT-LT-LTS-600/900	383720-S2	(BB-302-C)-bolt-3/8" - 24 x 1 3/4"(yoke to shaft)	2
		384487-S2	(MM-65-E)-nut-3/8" - 24	2
<b>3815</b> JOINT KIT (STEERING COLUMN COUPLING SHAFT SLIP YOKE)				
80/	C-CL-CLT-CT-L-LN- LNT-LT-LTL-LTS600/900	E2HZ 3815-A		AR
84/	B-F600/900	E4HZ 3815-A	Detail of E4HT 3E751-AA,BA,CA	1
<b>3836</b> Refer to group 3A719				
<b>3N927</b> GUIDE PIN (ADJUSTABLE STEERING COLUMN BRACKET)				
84	L-LT-LTL-LTS-LN-LNT800/900 "Before 2/84"	None req'd		
84/89	L-LT-LTL-LTS-LN-LNT800/900 "Before 10/88"	E4HZ 3N927-B		1
89/	L-LT-LTL-LTS-LN-LNT800/900 "From 10/88"	E9HZ 3N927-A		1

HOW TO FIND POWER STEERING PUMP and COMPONENTS

- A. Using the Truck Specification List (T.S.L.) or Identification Number
1. Locate the power steering pump number shown on the T.S.L.
  2. Find the power steering pump number located on the assembly.  
Example: All Eaton pumps have the assembly number stamped on the relief valve cap.
  3. Use the Cross Reference below to find the parts list which contains service parts for that pump.
  4. When T.S.L. or Identification Number is not available, refer to the Model Application Chart following the Cross Reference Guide.
- B. Using the Model Application Chart
1. Refer to the Application Chart by establishing vehicle year, model, engine and front axle capacity.
  2. Refer to that parts list which is shown for the required application.
  3. When basic number is not known, refer to the Illustration references shown on the chart or to the Alphabetical Index.

P/S PUMP T.S.L. † CROSS REFERENCE GUIDE

PUMP T.S.L. OR IDENTIFICATION NO.	VENDOR TYPE CODE	PUMP PARTS LIST	PUMP T.S.L. OR IDENTIFICATION NO.	VENDOR TYPE CODE	PUMP PARTS LIST
Notes: E - Eaton S - Saginaw † Truck Specification List					
E0HT 2N211-AA	S	29	E2HT 3606 CA	E	68
E1HT 2N211-AA	S	62	E2HT 3606-DA	E	69
E2HT 2N211-AA	S	61	E3HT 3606 AA	E	72
E4HT 2N211-BA	S	84	E3HT 3606-AB	E	72
ED D9HT 3K514-AA	E	1	E3HT 3606-BA	E	73
ED D9HT 3K514-BA	E	12	E3HT 3606-CA	E	74
ED D9HT 3K514-CB	E	11	E3HT 3606-DA	E	75
ED1 D9HT 3K514-CB	E	11	E3HT 3606 EA	E	76
ED D9HT 3K514-DB	E	10	E3HT 3606-FA	E	77
ED1 D9HT 3K514-DB	E	10	E3HT 3606 GA	E	78
D9HT 3K514-LA	E	19	D0HA 3D639-C	E	3
D9HT 3K514-MA	E	20	D0HA 3D639-D	E	14
D9HT 3K514-NA	E	21	E2HT 3D639-AA	E	70
D9HT 3K514-RA	E	22	E2HT 3D639 BA	E	71
ED1 D9HT 3K514-RA	E	22	E3HT 3D639-AA	E	79
E1HT 3K514-BA	E	50	E3HT 3D639-BA	E	80
E1HT 3K514-CA	E	51	E3HT 3D639-CA	E	81
E1HT 3K514-DA	E	52	E4HT 3D639-AA	E	85
E1HT 3K514-EA	E	53	E4HT 3D639-BA	E	102
E1HT 3K514-FA	E	54	E4HT 3D639 CA	E	103
E1HT 3K514-GA	E	55	E5HS 3A674-AA	E	106
E2HT 3K514-AA	E	63	E5HT 3D639 BA	E	95
E2HT 3K514-BA	E	64	E5HT 3D639 CA	E	96
E2HT 3K514-CA	E	65	E5HT 3D639 DA	E	97
E4HT 3K514-CA	E	87	E0HT 3A674 AA	S	29
E4HT 3K514-DA	E	88	E4HT 3A674-AB	E	86
E4HT 3K514-DB	E	91	E4HT 3A674-BB	E	90
E4HT 3K514-EA	E	89	E5HT 3A674-EA	ZF	100
E4HT 3K514-EB	E	92	E5HT 3A674-DA	E	98
E5HT 3K514-AA	E	93	E7HT 3A674-BB	E	101
E5HT 3K514-BA	E	94	E7HT 3A674-BC	E	101
E5HT 3K514-CA	E	99	E7HT 3A674-CB	E	107
E8HT 3K514-AA	ZF	114	E7HT 3A674-CC	E	107
E8HT 3K514-BA	ZF	115	ED E7HT 3A674-CC	E	108
E9HT 3K514-AA	E	121	E7HT 3A674 FA	E	104
ED D9HT 3606-AA	E	2	E7HT 3A674-GA	E	105
ED D9HT 3606-BA	E	13	ED E7HT 3A674-GA	E	109
E0HT 3606-AA	E	40	E8HT 3A674-AA	ZF	112
E0HT 3606-BA	E	41	E8HT 3A674 BA	ZF	113
E1HT 3606-AA	E	56	E8HT 3A674-CA	E	108
E1HT 3606-BA	E	57	E8HT 3A674-DA	E	109
E2HT 3606-AA	E	66	E8HT 3A674-EA	E	110
E2HT 3606-BA	E	67			



1980/  
TRUCK SERIES 600/900

PUMP T.S.L. OR IDENTIFICATION NO.		VENDOR TYPE CODE	PUMP PARTS LIST	PUMP T.S.L. OR IDENTIFICATION NO.		VENDOR TYPE CODE	PUMP PARTS LIST		
Notes: E-Eaton S-Saginaw † Truck Specification List				E1HT	3A691-JA	E	39		
E8HT	3A674-FA	E	111	E1HT	3A691-KA	E	44		
E8HT	3A674-GA	ZF	116	E1HT	3A691-MA	E	45		
E8HT	3A674-HA	ZF	117	E1HT	3A691-NA	E	46		
E8HT	3A674-JA	E	118	E1HT	3A691-RA	E	47		
E9HT	3A674-AA	ZF	119	E1HT	3A691-SA	E	48		
E9HT	3A674-BA	ZF	120	E1HT	3A691-TA	E	49		
87HU	3A674-BA	ZF	112	E1TD	3A691-AD	E	82		
87HU	3A674-DA	ZF	122	E3HT	3A691-BA	E	83		
D5HA	3A691-NA	E	7	E6HT	3A691-AA	E	82		
D5HA	3A691-SA	E	18	E6HT	3A691-BA	E	83		
D5HA	3A691-VA	E	6	E0HT	3A696-AA	E	32		
D5HA	3A691-YA	E	17	E0HT	3A696-AB	E	32		
D7HT	3A691-AA	E	8	ED	E0HT	3A696-AB	E	32	
D7HT	3A691-BA	E	9	ED1	E0HT	3A696-AB	E	32	
D9HT	3A691-AB	E	23	ED2	E0HT	3A696-AB	E	32	
D9HT	3A691-BB	E	24	E0HT	3A696-AC	E	32		
D9HT	3A691-CB	E	25	ED	E0HT	3A696-AC	E	32	
D9HT	3A691-DB	E	26	E0HT	3A696-BA	E	33		
D9HT	3A691-GB	E	27	E0HT	3A696-BB	E	33		
ED	D9HT	3A691-HA	E	5	ED	E0HT	3A696-BB	E	33
ED	D9HT	3A691-JA	E	16	ED1	E0HT	3A696-BB	E	33
D9HT	3A691-KB	E	28	ED2	E0HT	3A696-BB	E	33	
ED	D9HT	3A691-KB	E	28	ED3	E0HT	3A696-BB	E	33
ED	D9HT	3A691-LA	E	4	ED4	E0HT	3A696-BB	E	33
ED	D9HT	3A691-MA	E	15	E0HT	3A696-BC	E	33	
E0HT	3A691-JA	E	30	E1HT	3A696-AA	E	34		
E0HT	3A691-JB	E	30	E1HT	3A696-AB	E	34		
E0HT	3A691-KA	E	31	E1HT	3A696-BA	E	35		
E0HT	3A691-KB	E	31	E1HT	3A696-BB	E	35		
ED	E0HT	3A691-KB	E	60	E1HT	3A696-DA	E	36	
E1HT	3A691-DA	E	58	E1HT	3A696-DB	E	36		
E1HT	3A691-EA	E	59	ED	E1HT	3A696-DB	E	36	
E1HT	3A691-FA	E	42	E1HT	3A696-DC	E	36		
E1HT	3A691-GA	E	43	E1HT	3A696-EA	E	37		
E1HT	3A691-HA	E	38						

1980/  
TRUCK SERIES 600/900

POWER STEERING PUMP MODEL APPLICATION CHART

YEAR	MODEL	ENGINE	FRONT AXLE CAPACITY	PART NUMBER	SEC.36.1 PARTS LIST NO.	ILLUSTRATION	
						SYSTEM SECTION 36 PAGE-	COMPONENTS SECTION 37 PAGE-

● Details not serviced

**B SERIES**

80	B600/700 - w/hydraulic brakes "Before Ser. HG5,001"	8 cyl. 370,429	5.5M	★ E0HT 3A691-JA	30	12	
80/81	B600/700 - w/hydraulic brakes "From Ser. HG5,001"	8 cyl. 370,429	5.5M	★ E0HT 3A691-JB	30	12	
81	All "Before 7/81"	8 cyl. 370,429	5.5M	★ E0HT 3A691-JB	30	12	
81/	All - "From 7/81"	8 cyl. 370,429	5.5M	★ E1HT 3A691-MA	45	12	
80/81	B600/700 - w/air or hydraulic brakes B700 "Before Ser. HD0,001"	8 cyl. 370,429 8 cyl. 370,429	6M, 7M,7.5M 9M	★ E0HT 3A691-KA	31	13 or 14	
	B600/700 - w/air or hydraulic brakes B700 "From Ser. HD0,001"	8 cyl. 370,429 8 cyl. 370,429	6M, 7M,7.5M 9M	★ E0HT 3A691-KB	31	13 or 14	
81	All - "Before 6/81"	8 cyl. 370,429	6M,7M 7.5M, 9M	★ E0HT 3A691-KB	31	13 or 14	
	"From 6/1/81 to 7/81"			★ EDE0HT 3A691-KB	60	13 or 14	
81/84	All - "From 7/81"	8 cyl. 370,429	6M,7M, 7.5M,8M, 9M	★ E1HT 3A691-GA	43	13 or 14	
85	All	8 cyl. 370,429	All	★ E5HT 3K514-BA	94	13 or 14	
80/83	B600/700 - use for hydraulic brake booster "Before 4/81" "From 4/81 to 11/81" "From 11/81"		All	★ E0HT 3A674-AA or ★ E0HT 2N211-AA ★ E1HT 2N211-AA ★ E2HT 2N211-AA	29 62 61	Sec. 28.2 page 1 Sec. 28.2 page 1 Sec. 28.2 page 1	
84/	B600/700 use for hydraulic brake booster		All	★ E4HT 2N211-BA	84	Sec. 28.2 page 1	
80/85	B600	Detroit diesel	5.5M	★ E0HT 3A696-AA ★ E0HT 3A696-AB ★ EDE0HT 3A696-AB ★ ED1E0HT 3A696-AB ★ ED2E0HT 3A696-AB ★ E0HT 3A696-AC ★ EDE0HT 3A696-AC ★ E1HT 3A696-EA	32 32 32 32 32 32 32 37	15 15 15 15 15 15 15	

## POWER STEERING PUMP MODEL APPLICATION CHART

YEAR	MODEL	ENGINE	FRONT AXLE CAPACITY	PART NUMBER	SEC. 36.1 PARTS LIST NO.	ILLUSTRATION		
						SYSTEM SECTION 36 PAGE-	COMPONENTS SECTION 37 PAGE-	
<b>B SERIES</b>								
80/84	B600/700	"Before 2/84"	Detroit diesel	6M,7M, 7.5M,8M, 9M	★ E0HT 3A696-BA	33	15	
					★ E0HT 3A696-BB	33	15	
					★ EDE0HT 3A696-BB	33	15	
					★ ED1E0HT 3A696-BB	33	15	
					★ ED2E0HT 3A696-BB	33	15	
					★ ED3E0HT 3A696-BB	33	15	
					★ ED4 E0HT 3A696-BB	33	15	
					★ E0HT 3A696-BC	33	15	
84/85	B600/700	"From 2/84 to 1/85"	Detroit diesel	6M,7M, 7.5M,8M, 9M,12M	★ E4HT 3D639-AA	85	15	
85/	B600/700	"From 1/85"	Detroit diesel	6M,7M, 7.5M,8M, 9M,12M	★ E5HT 3D639-BA	95	15	
83/86	All	"Before 4/86"	8 cyl. Cat. diesel	All	★ E1TD 3A691-AD	82		
86/	All	"From 4/86"	8 cyl. Cat. diesel	All	★ E6HT 3A691-AA	82		
87	B600/700	"Before 4/87"	F.T.O. diesel	All	★ E7HT 3A674-BB	101		
87	B600/700	"From 4/87"	F.T.O. diesel	All	★ E7HT 3A674-BC	101		
88	B600/800	"Before 11/87"	7.0L gas engine	6M,7M, 8M,9M	★ E8HT 3K514-AA	114		
88	B600/800	"From 11/87"	7.0L gas engine		E8HZ 3A674-G	116		
88	B600/800		7.0L gas engine	10M,11M, 12M	★ E8HT 3K514-BA	115		
88	B600/800		F.T.O. diesel	6M,7M,8M, 9M,10M,12M	E8HZ 3A674-A	112		
<b>C-CT SERIES</b>								
80/81	All - -	"Before 7/81"	8 cyl. 370,429	6M,7M, 9M	★ D9HT 3A691-CB	25	9	
81/	All - - exc. Calif.	"From 7/81"	8 cyl. 370,429	6M,7M, 9M	★ E1HT 3A691-MA	45	9	
80/81	All - -	"Before 7/81"	8 cyl. 370,429	12M,16M, 18M	★ D9HT 3A691-DB	26	9	
81/	All - - exc. Calif.	"From 7/81"	8 cyl. 370,429	12M,16M, 18M	★ E1HT 3A691-KA	44	9	
80/81	All - -		8 cyl. 477,534	9M	★ D5HA 3A691-SA	18	9	
80/81	All - -		8 cyl. 477,534	12M,16M, 18M	★ D5HA 3A691-VA	6	9	
85/	All - - w/Calif.		8 cyl. 370,429	7M, 9M,12M	★ E5HT 3K514-CA	99	9	
80/81	All - -	"Before 4/81"	8 cyl. Cat. diesel	6M,7M, 9M	★ D5HA 3A691-NA	7	9	
81/	All - -	"From 4/81"	8 cyl. Cat. diesel	6M,7M, 9M	★ E1HT 3A691-NA	46	9	
80/81	All - -	"Before 4/81"	8 cyl. Cat. diesel	12M,16M, 18M	★ D5HA 3A691-YA	17	9	
81/	All - -	"From 4/81"	8 cyl. Cat. diesel	12M,16M, 18M	★ E1HT 3A691-RA	47	9	

**1980/  
TRUCK SERIES 600/900**

**POWER STEERING PUMP MODEL APPLICATION CHART**

YEAR	MODEL	ENGINE	FRONT AXLE CAPACITY	PART NUMBER	SEC. 36.1 PARTS LIST NO.	ILLUSTRATION	
						SYSTEM SECTION 36 PAGE-	COMPONENTS SECTION 37 PAGE-

**C-CT SERIES**

80/81	All -- "Before 11/80"	Detroit diesel	6M,7M,9M	★ E0HT 3A696-AA	32	15	
				★ E0HT 3A696-AB	32	15	
				★ EDE0HT 3A696-AB	32	15	
				★ ED1E0HT 3A696-AB	32	15	
				★ ED2E0HT 3A696-AB	32	15	
				★ E0HT 3A696-AC	32	15	
				★ ED E0HT 3A696-AC	32	15	
81/	All -- "From 11/80"	Detroit diesel	6M,7M,9M	★ E1HT 3A696-EA	37	15	
80/81	All -- "Before 11/80"	Detroit diesel	12M,16M,18M	★ E1HT 3A696-DA	36	15	
				★ E1HT 3A696-DB	36	15	
81/	All -- "From 11/80"	Detroit diesel	12M,16M,18M	★ E1HT 3A696-DC	36	15	
84/	All -- use for hydraulic brake booster		All	★ E4HT 2N211-BA		Sec. 28.2 page 1	

**CF SERIES**

86/	CF600/700/800	6.6L diesel	9M,12M	E6HZ 3A674-A	100		
87/88	CF600/700/800 "Before 11/87"	7.8L	All	E8HZ 3A674-A	112		
88/	CF600/700/800 "From 11/87"	All	All	E8HZ 3A674-K	122	24	

**CL-CLT SERIES**

80/81	All -- "Before 7/81"	Cat. diesel	All	★ D9HZ 3K514-RA	22	10	
81/82	All -- "From 7/81 to 9/81"	Cat. diesel	All	★ ED1D9HT 3K514-RA	22	10	
				★ E1HT 3K514-EA	53	10	
82/84	All -- "From 9/81 to 12/83"	Cat. diesel	All	★ E1HT 3K514-EA	53	10	
84/89	All -- "From 12/83" "Before 2/89"	Cat. diesel	All	★ E4HT 3K514-CA	87		
				★ E9HT 3K514-AA	121		4
89/	All -- "From 2/89"	Cat. diesel	All --	★ E9HT 3K514-AA	121		4
80/82	All -- "Before 9/81"	Detroit diesel	All	★ D9HT 3K514-LA	19	8	
82/	All -- "From 9/81"	Detroit diesel	All	★ E1HT 3K514-DA	52	8	
80/	All	Cummins Formula	All	★ D9HT 3K514-MA	20	8	
		Cummins KT Series	All	★ D9HT 3K514-NA	21	8	
80/83	All	Cummins NTC	All	★ D9HT 3K514-MA	20	8	
84/87	All	Cummins NTC	All	★ E4HT 3A674-AB	86	8	
88/	All	Cummins NTC	All	E8HZ 3A674-C	110		
88	All	L-10	All	E8HZ 3A674-B	113		

**F-FT SERIES**

80	F600/800 -- w/hydraulic brakes "Before Ser. HG5,001"	8 cyl. 370,429	5.5M	★ E0HT 3A691-JA	30	12	
80/81	F600/800 -- w/hydraulic brakes "From Ser. HG5,001"	8 cyl. 370,429	5.5M	★ E0HT 3A691-JB	30	12	
81	All -- "Before 7/81"	8 cyl. 370,429	5.5M	★ E0HT 3A691-JB	30	12	
81/83	All -- "From 7/81"	8 cyl. 370,429	5.5M	★ E1HT 3A691-MA	45	12	
80/81	F600/800 -- w/air or hydraulic brakes F700/800 "Before Ser. HD0,001"	8 cyl. 370,429	6M 7M,7.5M 9M	★ E0HT 3A691-KA	31	13 or 14	
		8 cyl. 370,429	6M 7M,7.5M 9M	★ E0HT 3A691-KB	31	13 or 14	
	F600/800 -- w/air or hydraulic brakes F700/800 "From Ser. HD0,001"	8 cyl. 370,429	6M 7M,7.5M 9M				

## POWER STEERING PUMP MODEL APPLICATION CHART

YEAR	MODEL	ENGINE	FRONT AXLE CAPACITY	PART NUMBER	SEC. 36.1 PARTS LIST NO.	ILLUSTRATION	
						SYSTEM SECTION 36 PAGE-	COMPONENTS SECTION 37 PAGE-
<b>F-FT SERIES</b>							
81	All -- "Before 6/81" "From 6/81 to 7/81"	8 cyl. 370,429	6M,7M 7.5M,9M	★ E0HT 3A691-KB ★ EDE0HT 3A691-KB	31 60	13 or 14 13 or 14	
81/84	All -- "From 7/81"	8 cyl. 370,429	6M,7M, 7.5M,8M, 9M	★ E1HT 3A691-GA	43	13 or 14	
85/	All	8 cyl. 370, 429	All	★ E5HT 3K514-BA	94	13 or 14	
80/83	F600/800 -- use for hydraulic brake booster "Before 4/81" "From 4/81 to 11/81" "From 11/81"		All	★ E0HT 3A674-AA or ★ E0HT 2N211-AA ★ E1HT 2N211-AA ★ E2HT 2N211-AA	29 62 61	Sec. 28.2 page 1 Sec. 28.2 page 1 Sec. 28.2 page 1	
84/	F600/900 -- use for hydraulic brake booster		All	★ E4HT 2N211-BA	84	Sec. 28.2 page 1	
80/85	F600	Detroit diesel	5.5M	★ E0HT 3A696-AA ★ E0HT 3A696-AB ★ EDE0HT 3A696-AB ★ ED1E0HT 3A696-AB ★ ED2E0HT 3A696-AB ★ E0HT 3A696-AC ★ EDE0HT 3A696-AC ★ E1HT 3A696-EA	32 32 32 32 32 32 32 37	15 15 15 15 15 15 6 6	
80/84	F600/900 "Before 2/84"	Detroit diesel	6M,7M, 7.5M,8M, 9M,12M	★ E0HT 3A696-BA ★ E0HT 3A696-BB ★ EDE0HT 3A696-BB ★ ED1E0HT 3A696-BB ★ ED2E0HT 3A696-BB ★ ED3E0HT 3A696-BB ★ ED4E0HT 3A696-BB ★ E0HT 3A696-BC	33 33 33 33 33 33 33 33	15 15 15 15 15 15 15	
84/85	F600/700 "From 2/84 to 1/85"	Detroit diesel	6M,7M,7.5M, 8M,9M,12M	★ E4HT 3D639-AA	85	15	
85/	F600/700 "From 1/85"	Detroit diesel	6M,7M,7.5M, 8M,9M,12M	★ E5HT 3D639-BA	95	15	
83/86	All "Before 4/86"	8 cyl. Cat. diesel	All	★ E1TD 3A691-AD	82		
86/	All "From 4/86"	8 cyl. Cat. diesel	All	★ E6HT 3A691-AA	82		
87	F600/900 "Before 4/87"	F.T.O. diesel	All	★ E7HT 3A674-BB	101		

**1980/  
TRUCK SERIES 600/900**

**POWER STEERING PUMP MODEL APPLICATION CHART**

YEAR	MODEL	ENGINE	FRONT AXLE CAPACITY	PART NUMBER	SEC. 36.1 PARTS LIST NO.	ILLUSTRATION	
						SYSTEM SECTION 36 PAGE-	COMPONENTS SECTION 37 PAGE-

**F-FT SERIES**

87	F600/900	"From 4/87"	F.T.O. diesel	All	★ E7HT 3A674-BC	101		
88/	F600/800		7.0L gas engine	6M,7M,9M	★ E8HT 3K514-AA	114		
88/	F-FT600/900		7.0L gas engine	10M,11M,12M	★ E8HT 3K514-BA	115		
88/	F-FT600/900		F.T.O. diesel	6M,7M,9M,10M,12M	E8HZ 3A674-A	112		

**L-LN-LNT-LT-LTS SERIES**

80/81	LN700	"Before 4/81"	8 cyl. Cat. diesel	7M	★ D7HT 3A691-BA	9	6	
81/86	LN700	"From 4/81"	8 cyl. Cat. diesel	7M	★ E1HT 3A691-TA	49	6	
		"Before 11/85"						
86	LN700	"From 11/85"	8 cyl. Cat diesel	7M	★ E4HT 3D639-BA	102	6	
80/81	LN700	"Before 4/81"	8 cyl. Cat. diesel	9M	★ D7HT 3A691-AA	8	6	
81/86	LN700	"From 4/81"	8 cyl. Cat. diesel	9M	★ E1HT 3A691-SA	48	6	
		"Before 11/85"						
86	LN700	"From 11/85"	8 cyl. Cat diesel	9M	★ E4HT 3D639-CA	103	6	
80/	LN600/700	"Before 5/81"	8 cyl. 370,429	5.5M,7M	★ D9HT 3A691-AB	23	6	
81/82	LN600/700	"From 5/81"	8 cyl. 370,429	5.5M,7M	★ E1HT 3A691-HA	38	6	
83/	LN600/700		Gas	5.5M,7M	★ E3HT 3606-DA	75		
80	LN700	"Before 5/81"	8 cyl. 370,429	9M	★ D9HT 3A691-BB	24	6	
81/82	LN700	"From 5/81"	8 cyl. 370,429	9M	★ E1HT 3A691-JA	39	6	
83/	LN700		Gas	9M	★ E3HT 3606-EA	76		
81/82	LN700		Detroit diesel	5.5M,7M	★ E1HT 3A696-BA	35	15	
				9M	★ E1HT 3A696-BB	35	15	
					★ E1HT 3A696-AA	34	15	
					★ E1HT 3A696-AB	34	15	
83/85	LN700	"Before 1/85"	Detroit diesel	5.5M,7M	★ E3HT 3D639-BA	80		
85/	LN700	"From 1/85"	Detroit diesel	7M	★ E5HT 3D639-DA	97	15	
83/85	LN700	"Before 1/85"	Detroit diesel	9M	★ E3HT 3D639-CA	81		
85/	LN700	"From 1/85"	Detroit diesel	9M	★ E5HT 3D639-CA	96	15	
80	All		8 cyl. 370,429 w/A/C	7M,9M,12M	★ D9HT 3A691-GB	27	10	
			8 cyl. 370,429 w/o A/C	7M,9M,12M	★ D9HT 3A691-KB	28	10	
81	All --	"Before 6/81"	8 cyl. 370,429	7M,9M,12M	★ D9HT 3A691-KB	28	10	
81	All --	"From 6/81 to 7/81"	8 cyl. 370,429	7M,9M,12M	★ EDD9HT 3A691-KB	28	10	
81/82	All --	"From 7/81 to 2/82"	8 cyl. 370,429	7M,9M,12M	★ E1HT 3A691-FA	42	10	
82/	All --	"From 2/82"	8 cyl. 370,429	7M,9M,12M	★ E1HT 3A691-GA	43	10	
80/82	All --	"Before 9/81"	8 cyl. Cat. diesel	7M,9M,12M	★ EDD9HT 3A691-MA	15	4	1
82	All --	"From 9/81 to 2/82"	8 cyl. Cat. diesel	7M,9M,12M	★ E1HT 3A691-EA	59	4	1
82	All --	"From 2/82"	8 cyl. Cat. diesel	7M,9M,12M	★ E2HT 3606-AA	66	4	1
83/	All --		8 cyl. Cat. diesel	7M,9M,12M	★ E1TD 3A691-AD	82	4	1
80/82	All --	"Before 9/81"	8 cyl. Cat. diesel	16M,18M,20M	★ EDD9HT 3A691-LA	4	4	1,2,6
82	All --	"From 9/81 to 2/82"	8 cyl. Cat. diesel	16M,18M,20M	★ E1HT 3A691-DA	58	4	1,2,6

## POWER STEERING PUMP MODEL APPLICATION CHART

YEAR	MODEL	ENGINE	FRONT AXLE CAPACITY	PART NUMBER	SEC.36.1 PARTS LIST NO.	ILLUSTRATION	
						SYSTEM SECTION 36 PAGE-	COMPONENTS SECTION 37 PAGE-
<b>L-LN-LNT-LT-LTS SERIES</b>							
82/83	All - - "From 2/82 to 11/82"	8 cyl. Cat. diesel	16M,18M,20M	★ E2HT 3606-BA	67	4	1,2,6
83/86	All - - "From 11/82" "Before 4/86"	8 cyl. Cat. diesel	16M,18M,20M	★ E3HT 3A691-BA	83	4	1,2,6
86/	All "From 4/86"	8 cyl. Cat. diesel	16M,18M,20M	★ E6HT 3A691-BA	83		
80/81	All	8 cyl. 477,534	7M,9M,12M	★ EDD9HT 3A691-JA	16	11	1,2,6
80/81	All	8 cyl. 477,534	16M,18M,20M	★ EDD9HT 3A691-HA	5	11	1,2,6
80/82	All - - "Before 2/82"	6 cyl. Detroit diesel	9M,12M	★ D0HA 3D639-D	14	3	1
82/	All - - "From 2/82"	6 cyl. Detroit diesel	9M,12M	★ E2HT 3D639-BA	71	3	1
80/82	All - - "Before 2/82"	6 cyl. Detroit diesel	16M,18M,20M	★ D0HA 3D639-C	3	3	1,2,6
82/	All - - "From 2/82"	6 cyl. Detroit diesel	16M,18M,20M	★ E2HT 3D639-AA	70	3	1,2,6
80/82	All - - "Before 9/81"	8 cyl. Detroit diesel	9M,12M	★ EDD9HT 3K514-BA	12	2	1,2
82	All - - "From 9/81 to 2/82"	8 cyl. Detroit diesel	9M,12M	★ E1HT 3K514-CA	51	2	1,2
82/	All - - "From 2/82"	8 cyl. Detroit diesel	9M,12M	★ E2HT 3K514-AA	63	2	1,2
80/82	All - - "Before 9/81"	8 cyl. Detroit diesel	16M,18M	★ EDD9HT 3K514-AA	1	2	1,2,6
82	All - - "From 9/81 to 2/82"	8 cyl. Detroit diesel	16M,18M	★ E1HT 3K514-BA	50	2	1,2,6
82/	All - - "From 2/82"	8 cyl. Detroit diesel	16M,18M	★ E2HT 3K514-BA	64	2	1,2,6
80/81	All - - "Before 7/81"	6 cyl. Cat. 3406 diesel	9M,12M	★ EDD9HT 3K514-DB	10	5	
81/82	All - - "From 7/81 to 9/81"	6 cyl. Cat. 3406 diesel	9M,12M	★ ED1D9HT 3K514-DB	10	5	
82	All - - "From 9/81 to 2/82"	6 cyl. Cat. 3406 diesel	9M,12M	★ E1HT 3K514-GA	55	5	
82/84	All - - "From 2/82 to 12/83"	6 cyl. Cat. 3406 diesel	9M,12M	★ E1HT 3K514-EA	53	5	
84	All - - "From 12/83 to 5/84"	6 cyl. Cat. 3406 diesel	9M,12M	★ E4HT 3K514-EA	89	5	
84/	All - - "From 5/84"	6 cyl. Cat. 3406 diesel	9M,12M	★ E4HT 3K514-EB	92	5	
80/81	All - - "Before 7/81"	6 cyl. Cat. 3406 diesel	16M,18M,20M	★ EDD9HT 3K514-CB	11	5	
81/82	All - - "From 7/81 to 9/81"	6 cyl. Cat. 3406 diesel	16M,18M,20M	★ ED1D9HT 3K514-CB	11	5	
82	All - - "From 9/81 to 2/82"	6 cyl. Cat. 3406 diesel	16M,18M,20M	★ E1HT 3K514-FA	54	5	
84/	All - - use for hydraulic brake booster		All	★ E4HT 2N211-BA	84	Sec. 28.2 page 1	
82/	All - - "From 2/82 to 12/83"	6 cyl. Cat. 3406 diesel	16M,18M,20M	★ E2HT 3K514-CA	65	5	
84	All - - "From 12/83 to 5/84"	6 cyl. Cat. 3406 diesel	16M,18M,20M	★ E4HT 3K514-DA	88	5	
84/	All - - "From 5/84"	6 cyl. Cat. 3406 diesel	16M,18M,20M	★ E4HT 3K514-DB	91	5	
80/81	All - - "Before 2/81"	6 cyl. Cum. NTC & Formula	9M,12M	★ EDD9HT 3606-BA	13	2	1
81/82	All - - "From 2/81 to 9/81"	6 cyl. Cum. NTC & Formula	9M,12M	★ E0HT 3606-BA	41	2	1
82	All - - "From 9/81 to 2/82"	6 cyl. Cum. NTC & Formula	9M,12M	★ E1HT 3606-BA	57	2	1
82/87	All - - "From 2/82"	6 cyl. Cum. NTC & Formula	9M,12M	★ E2HT 3606-CA	68	2	1

**1980/  
TRUCK SERIES 600/900**

**POWER STEERING PUMP MODEL APPLICATION CHART**

YEAR	MODEL	ENGINE	FRONT AXLE CAPACITY	PART NUMBER	SEC.36.1 PARTS LIST NO.	ILLUSTRATION	
						SYSTEM SECTION 36 PAGE-	COMPONENTS SECTION 37 PAGE-

**L-LN-LNT-LT-LTS SERIES**

80/81	All - - "Before 2/81"	6 cyl. Cum. NTC & Formula	16M,18M, 20M	★ EDD9HT 3606-AA	2	2	1
81/82	All - - "From 2/81 to 9/81"	6 cyl. Cum. NTC & Formula	16M,18M, 20M	★ E0HT 3606-AA	40	2	1
82	All - - "From 9/81 to 2/82"	6 cyl. Cum. NTC & Formula	16M,18M, 20M	★ E1HT 3606-AA	56	2	1
82/87	All - - "From 2/82"	6 cyl. Cum. NTC & Formula	16M,18M, 20M	★ E2HT 3606-DA	69	2	1
84/85	All "Before 1/85"	L10	All	★ E4HT 3A674-BB	90	5	
85/86	All "From 1/85"	L10	All	★ E5HT 3A674-DA	98	5	
86	All	L10	16M,18M, 20M	★ E5HS 3A674-AA	106	5	
87	All	L10	9M,12M	★ E7HT 3A674-FA	104	5	
87	All "Before 5/87"	L10	16M,18M, 20M	★ E7HT 3A674-GA	105	5	
87	All "From 5/87"	L10	16M,18M, 20M	★ EDE7HT3A674-GA	109		
88	All	L10	16M,18M, 20M	★ E8HT 3A674-DA	109		
88/	All	6 cyl. Cum. NTC & formula	9M,12M	E8HZ 3A674-C	110		
88/	All	6 cyl. Cum. NTC & formula	16M,18M, 20M	E8HZ 3A674-D	111		
87	L-LT-LN-LNT800 "Before 4/87"	F.T.O. diesel 7.8L	All	★ E7HT 3A674-BB	101		
87/	L-LT-LN-LNT800 "From 4/87"	F.T.O. diesel 7.8L	All	★ E7HT 3A674-BC	101		
87	L-LT-LTS-LN-LNT800 "Before 4/87"	F.T.O. diesel	16M,18M, 20M	★ E7HT 3A674-CB	107		
87	L-LT-LTS-LN-LNT800 "Before 5/87"	F.T.O. diesel	16M,18M, 20M	★ E7HT 3A674-CC	107		
87	L-LT-LTS-LN-LNT800 "From 5/87"	F.T.O. diesel	16M,18M, 20M	★ EDE7HT3A674-CC	108		
88	L-LT-LTS-LN-LNT800	F.T.O. diesel	16M,18M, 20M	★ E8HT 3A674-CA	108		
88	L-LT-LTS-LN-LNT800	F.T.O. diesel	7M,9M, 10M,12M	E8HZ 3A674-A	112		
88	All	L10	9M,12M	E8HZ 3A674-B	113		
88	LN-LNT9000	6 cyl. Cat. 3306 diesel	9M,12M	E8HZ 3A674-H	117		
88/	LN-LNT9000	6 cyl. Cat. 3306 diesel	16M	★ E8HT 3A674-JA	118		
89	All	6 cyl. Cum. NTC & formula	9M,12M	E9HZ 3A674-A	119	37	7
89	All	6 cyl. Cum. NTC & formula	16M,18M, 20M	E9HZ 3A674-B	120	37	7

QTY.	PART NUMBER	DESCRIPTION	QTY.	PART NUMBER	DESCRIPTION
------	-------------	-------------	------	-------------	-------------

▲ For components refer to Group in Section 36

● Details not serviced

§ For components refer to group in Section 35

PARTS LIST NO. 1 -★EDD9HT 3K514-AA (EATON)			PARTS LIST NO. 1-★EDD9HT 3K514-AA (EATON) — Cont'd		
1	D5HZ 3A006-A	Cap assy. 4" long	1	DOHZ 3K559-A	Nut (hub retaining)-hex head-1/2"-13
1	D2HZ 3A006-A	Cap & dipstick-36" long	1	C2SZ 3B592-A	Seal (rotor shaft oil)
1	DOHZ 3K505-D	Flange (pump mounting)	1	DOHZ 3E599-A	Fitting (outlet)-incl. "O" ring
2	DOHZ 3K507-B	Bolt (pump flange)-3/8"-16 x 2 1/2"	1	★▲DOHZ 3C602-B	Filter kit (reservoir)-r/b D9HZ 3C602-A

October, 1993

COPYRIGHT © 1993 - FORD MOTOR - DEARBORN, MICHIGAN

COMPANY

Final Issue



**1980/  
TRUCK SERIES 600/900**

QTY.	PART NUMBER	DESCRIPTION	QTY.	PART NUMBER	DESCRIPTION
▲ For components refer to Group in Section 36 ■ Also supplied in 3B584 kit					
● Details not serviced					
\$For components refer to group in Section 35					
PARTS LIST NO. 1-★ EDD9HT 3K514-AA (EATON) — Cont'd			PARTS LIST NO. 3 -★ DOHA 3D639-C (EATON) — Cont'd		
1	▲ D0HZ 3A674-D	Pump assy.	1	C1TT 3A582-A	Cover assy. (reservoir)
1	D8HZ 3D684-A	Seal Kit (pump)	1	C5TZ 3C602-A	Element (reservoir oil)
1	D9HZ 3D684-A	Kit (Gasket replacement)—consists of (1) gasket, (4) sealing washers	1	B4AZ 3B754-A	Filter cap (reservoir)
1	▲ D6HZ 3A697-A	Reservoir kit	3	20388-S8(B-80)	Bolt (reservoir tank to 3490 bracket) 3/8"-16 x 1"
1	D0HZ 3A711-A	Kit (impeller-repair)	6	351385-S(XX-158)	Washer-flat-3/8"
1	D0HZ 3E762-B	Hub (pump drive)	3	★ 34987-S	Nut-3/8"-16
1	74175-S(L-7)	Woodruff key No. 6 (hub drive)	PARTS LIST NO. 4 -★ EDD9HT 3A691-LA (EATON)		
2	33799-S7(M-52)	Nut (pump to reservoir)-3/8"-16	1	D5HZ 3A006-A	Cap. assy. (reservoir w/o sight glass)
2	34807-S8(X-66)	Lockwasher	1	D8HZ 3D684-A	Kit (seal & gasket)
2	377278-S7(WW-6-E)	Stud-3/8"-16 x 2"	1	C2SZ 3B592-A	Seal (rotor shaft oil)
PARTS LIST NO. 2 -★ EDD9HT 3606-AA (EATON)			1	★▲ D0HZ 3C602-C	Filter kit (reservoir)-r/b D9HZ 3C602-B
1	D5HZ 3A006-A	Cap. assy. 4" long	1	D0HZ 3D654-A	Fitting (outlet)-incl. "O" ring
1	D2HZ 3A006-A	Cap & dipstick-36" long	1	● D0HZ 3A674-A	Pump assy.
1	D0HZ 3E599-B	Fitting (outlet)-incl. "O" ring	1	D9HZ 3D684-A	Seal kit-reservoir or pump replacement
1	C2SZ 3B592-A	Seal (rotor shaft oil)	1	D8HZ 3D684-A	Seal kit-pump overhaul
1	★▲ D0HZ 3C602-B	Filter kit (reservoir)-r/b D9HZ 3C602-A	1	D9HZ 3D684-A	Kit (Gasket replacement)-consists of (1) gasket, (4) sealing washers.
1	● D0HZ 3A674-A	Pump assy.	1	▲ D5HZ 3A697-A	Reservoir kit
1	D9HZ 3D684-A	Kit (Gasket replacement)-consists of (1) gasket, (4) sealing washers.	1	D8HZ 3A711-B	Kit (impeller-repair)
1	D8HZ 3D684-A	Kit (seal & gasket)-pump overhaul	1	D0HZ 3A732-B	Bracket (pump adjusting)
1	D6HZ 3A697-C	Reservoir kit	1	D0HZ 3A733-A	Pulley (pump)
1	D8HZ 3A711-B	Kit (impeller-repair)	2	377278-S7(WW-6-E)	Stud (reservoir to pump)-3/8"-16 x 2"
1	D0HZ 3A732-E	Bracket (pump mounting)	2	33799-S7(M-52)	Nut-3/8"-16
1	D0HZ 3A733-A	Pulley (pump)	1	20366-S(B-52)	Bolt (pulley to pump)-5/16"-18 x 7/8"
1	33799-S7(M-52)	Nut (reservoir to pump)-3/8"-16	1	34806-S7(X-64)	Lockwasher-5/16"
2	377278-S7(WW-6-E)	Stud-3/8"-16 x 2"	1	353846-S8(XX-120)	Washer-flat-5/16"
1	20366-S(B-52)	Bolt (pulley to pump)-5/16"-18 x 7/8"	3	359088-S100(BB-416-C)	Bolt (adjusting bracket to pump)-3/8"-16 x 1 1/4"
1	33771-S4(M-89-L)	Nut-3/8"-16	PARTS LIST NO. 5 -★ EDD9HT 3A691-HA (EATON)		
1	34806-S(X-64)	Lockwasher-5/16"	1	D5HZ 3A006-A	Cap. assy. (reservoir w/o sight glass)
2	42998-S8(B-252-A)	Bolt (bracket mounting)-3/8"-16 x 1"	1	D0HZ 3C511-E	Bracket (pump adjusting rear)
1	353846-S(XX-120)	Washer-flat-5/16"	1	C2SZ 3B592-A	Seal (rotor shaft oil)
PARTS LIST NO. 3 -★ DOHA 3D639-C (EATON)			1	★▲ D0HZ 3C602-B	Filter kit (reservoir)-r/b D9HZ 3C602-A
1	D0HZ 3E599-B	Fitting (outlet)-incl. "O" ring	1	D0HZ 3D654-A	Fitting (outlet)-incl. "O" ring
1	C2SZ 3B592-A	Seal (rotor shaft oil)	1	● D0HZ 3A674-A	Pump assy.
1	● D0HZ 3A674-A	Pump assy.	1	D8HZ 3D684-A	Seal kit-pump overhaul
1	D9HZ 3D684-A	Kit (Gasket replacement)-consists of (1) gasket, (4) sealing washers.	1	D9HZ 3D684-A	Kit (Gasket replacement)-consists of (1) gasket, (4) sealing washers.
1	D4HZ 3A697-E	Reservoir assy. (oil) - remote mounted complete - also refer to service details which follow	1	▲ D5HZ 3A697-A	Reservoir kit assy.
1	D0HZ 3A699-B	Tank (pump reservoir oil)	1	D8HZ 3A711-B	Kit (impeller-repair)
1	D0HZ 3A711-B	Kit (impeller-repair)	1	D2HZ 3A732-A	Bracket (pump adjusting front)
1	D0HZ 3A732-D	Bracket (pump adjusting)	1	D0HZ 3A733-A	Pulley (pump)
1	D0HZ 3A733-A	Pulley (pump)	2	377278-S7-8(WW-6-E)	Stud (reservoir to pump)-3/8"-16 x 2"
2	377278-S7-8(WW-6-E)	Stud (reservoir to pump)-3/8" - 16 x 2"	2	33799-S7(M-52)	Nut-3/8"-16
2	33799-S7(M-52)	Nut-3/8"-16	1	20366-S8(B-52)	Bolt (pulley to pump)-5/16"-18 x 7/8"
1	20366-S(B-52)	Bolt (pulley to pump)-5/16"-18 x 7/8"	1	353846-S8(XX-120)	Washer-flat-5/16"
1	34806-S7(X-64)	Lockwasher	3	42998-S9(B-252-A)	Bolt (adjusting bracket to pump)-3/8"-16 x 1"
3	359088-S100(BB-416-C)	Bolt (pump adjusting bracket to pump) 3/8"-16 x 1 1/4"	2	43043-S2(B-263-C)	Bolt (front adjusting bracket to 3C511 support)-7/16"-14 x 1 3/8"
DETAILS OF 3A697 assy. - Parts List No. 3			1	375527-S2(BB-429-E)	Bolt (rear mounting bracket to 3C511 support)-7/16"-14 x 1"
1	★ C1TT 3A006-A	Cap. assy. (reservoir)-r/b E1HZ 3A006-A			

1980/  
TRUCK SERIES 600/900

QTY.	PART NUMBER	DESCRIPTION	QTY.	PART NUMBER	DESCRIPTION
▲ For components refer to Group in Section 36 ■ Also supplied in 3B584 kit					
● Details not serviced					
§ For components refer to group in Section 35					
PARTS LIST NO. 6 -★D5HA 3A691-VA (EATON)			PARTS LIST NO. 7 -★D5HA 3A691-NA (EATON)		
2	B5A 33547-A	"0"-ring (reservoir orifice)-53/64" I.D. x 15/16" O.D. x 7/64" thick	2	B5A 33547-A	"0" ring (reservoir orifice)-53/64" I.D. x 15/16" O.D. x 7/64" thick
2	B6QW 33549-A	"0"-ring (reservoir orifice)-11/32" I.D. x 7/16" O.D. x 1/16" thick	2	B6QW 33549-A	"0" ring (reservoir orifice)-11/32" I.D. x 7/16" O.D. x 1/16" thick
1	D0HZ 3D654-A	Fitting (outlet) Includes "0" ring	1	§B8TZ 3B584-C	Seal & gasket kit - pump repair
1	D6HZ 3A674-B	Pump Assy	1	D0HZ 3D654-A	Fitting (outlet)-Includes "0" ring
1	E0HZ 3A697-D	Reservoir Assy - See Service details	1	▲D6HZ 3A674-C	Pump Assy-See details below
1	★B8TZ 3A732-C	Bracket-adjusting	1	▲E0HZ 3A697-D	Reservoir Assy
1	D6HZ 3A733-B	Pulley	1	D6HZ 3A732-A	Bracket-adjusting
1	■87014-S91(T1AA)	"0"-ring-by pass - - 9/16" I.D. x 11/16" O.D.	1	D6HZ 3A733-B	Pulley
1	■87147-S91(T38)	"0"-ring-hsg to cover - 2 5/8" I.D. x 2 53/64" O.D.	1	20366-S8(B52)	Bolt-5/16"-18 x 7/8"
2	357648-S(NN55)	Pin-dowel - - 5/16" dia. x 3/4" long	1	34806-S(X64)	Lockwasher-5/16"
1	370903-S(NN53)	Pin - cam dowel - - 1/8" dia x 1/4" long	2	42789-S8(U10)	Screw & Lockwasher-hex head-5/16"-18 x 3/4"
DETAILS of 3A697 Assy.			1	74172-S(L3)	Key-pulley drive-1/2" dia. x 1/8" thick
1	★C1TT 3A006-A	Cap Assy - reservoir cover (round head-w/dip stick)-r/b E1HZ 3A006-A	1	353846-S8(XX120)	Washer-flat-pulley to pump 5/16"
1	AE 33542-A	connector-reservoir return	1	370967-S(BB-158)	Bolt-hex head-3/8"16 x 2 1/8"
1	C1TT 3A582-A	Cover - reservoir - (Includes 3A642 gasket)	3	43011-S(B-263)	Bolt-hex head Self Locking (attach pump)
1	C5TZ 3C602-A	Element - reservoir filter	PARTS LIST NO. 8		
1	■C2TZ 3A642-A	Gasket-reservoir cover-4 3/4" I.D. x 5 7/16" O.D.	★D7HT 3A691-AA (EATON)		
1	C7TZ 3A699-A	Reservoir - oil	1	★C1TT 3A006-A	Cap Assy-reservoir-r/b E1HZ 3A006-A
1	B4AZ 3B754-A	Seat-reservoir filter element retaining spring	2	B5A 33547-A	"0" ring (reservoir orifice)-53/64" I.D.
1	■B9A 6570-A	Grommet-reservoir cover bolt-5/16" I.D. x 1" O.D. x 1/2" thick	2	B6QW 33549-A	"0" ring (reservoir orifice)-11/32" I.D.
1	33896-S8(M182)	Nut-wing-reservoir cover-5/16"-18	1	B4A 3601-A	Bolt-oil filter element support
1	44725-S8(X22)	Washer-reservoir cover bolt-5/16" I.D. x 1 1/8" O.D.	1	C5TZ 3C602-A	Filter
1	359841-S8(WW22)	Stud-reservoir cover-5/16"-18 x 4 5/8"	1	D4TZ 3A674-B	Pump Assy-also refer to service details which follow
1	20366-S8(B52)	Bolt-5/16"-18 x 7/8"	1	D9HZ 3D684-A	Kit (Gasket replacement)-consists of (1) gasket, (4) sealing washers.
1	34806-S(X64)	Lockwasher-5/16"	1	D6HZ 3A697-E	Reservoir Assy-can only
2	42789-S8(U10)	Screw & lockwasher-hex head-5/16"-18 x 3/4"	1	D7HZ 3A732-A	Bracket (mounting)
3	58642-S(B-94-Z)	Bolt - - (attach 3A732 brkt. to 3A674 pump) 3/8"-16 x 3"	1	C7TZ 3A733-D	Pulley 4 11/16" O.D. x 1 7/32" thick-single sheave
1	74172-S(L3)	Key-pulley drive - 1/2" dia. x 1/8" thick	3	33770-S2	Nut
1	353846-S8(XX120)	Washer-flat-pulley to pump 5/16"	2	56722-S2 (B-318-GF)	Bolt - - 5/16"-18 x 1 1/8"
DETAILS of 3A674 Assy.			3	372182-S100 (GG-213-E)	Clip - - 1/2"
1	D6HZ 3B559-A	Shaft-rotor-4 3/4" long	3	380899-S2(BB-176-B)	Bolt - - 7/16"-14 x 1 1/8"
1	D6HZ 3A561-A	Valve-flow control	DETAILS of 3A674 Assy.		
1	B8AZ 3A570-A	Spring-valve	1	354218-S8(II-33-A)	Adapter - - reservoir-5/8"-18 x 3/4"-16
1	§B8TZ 3B584-C	Seal & gasket Kit-pump repair	1	D4TZ 3B559-A	Shaft (rotor)-4 3/16" long
1	■C2SZ 3B592-A	Seal-rotor shaft oil	1	C5TZ 3A561-A	Valve Assy-flow control
1	■LA 33618-A	"0" ring-valve cap-51/64" I.D. x 15/16" O.D.	1	B8AZ 3A570-A	Spring (valve)
1	B5A 33621-A	Retainer-rotor shaft bearing snap ring	1	§B8TZ 3B584-C	Seal & gasket kit-pump repair
1	B8E 33627-A	retainer-valve	1	C2SZ 3B592-A	Seal (rotor shaft oil)
1	D6HZ 3A643-A	Housing-(Includes 3760 Venturi)	1	AE 33542-A	Connector-reservoir return
1	D6HZ 3A698-B	Cover Assy (housing)	1	LA 33618-A	"0" ring (valve cap)-51/64" I.D. x 15/16" O.D.
1	D6HZ 3A711-A	Impeller repair kit	1	E2HZ 3F621-A	Retainer (rotor shaft bearing snap ring)
1	C9ZZ 10094-A	Bearing (rotor shaft)-#GE-21	1	B8E 33627-A	Retainer (valve)
			1	LA 33633-A	Pin (rotor shaft)-3/16" dia.
			1	★C7TZ 3A643-A	Housing (incl. 3760 venturi)
			1	C0TZ 3A698-A	Cover Assy. (housing) incl. (1) 3A700 tube seat and (1) 357648-S dowel pin
			1	C4TZ 3A700-A	Orifice-tube seat (to pressure line hose)

QTY.	PART NUMBER	DESCRIPTION	QTY.	PART NUMBER	DESCRIPTION
▲ For components refer to Group in Section 36 ■ Also supplied in 3B584 kit					
● Details not serviced					
\$For components refer to group in Section 35					
PARTS LIST NO. 8 — Cont'd			PARTS LIST NO. 9 — Cont'd		
★D7HT 3A691-AA (EATON)			★D7HT 3A691-BA (EATON)		
1	C7TZ 3A711-B	Impeller repair kit-consists of: (1) insert/ (6) rollers/ (1) carrier	1	C9ZZ 10094-A	Bearing (rotor shaft)-#GE-21
1	C9ZZ 10094-A	Bearing (rotor shaft)-#GE-21	1	87014-S91 (T-1-AA)	"O" ring (by pass)- 9/16" I.D. x 11/16" O.D.
1	87014-S91 (T-1-AA)	"O" ring (by pass)- 9/16" I.D. x 11/16" O.D.	1	87147-S91 (T-38)	"O" ring (housing to cover)- 2 5/8" I.D. x 2 53/64" O.D.
1	87147-S91 (T-38)	"O" ring (housing to cover)- 2 5/8" I.D. x 2 53/64" O.D.	2	357648-S (NN-55)	Pin dowel 5/16" dia. x 3/4" long
2	357648-S (NN-55)	Pin dowel 5/16" dia. x 3/4" long	1	370903-S (NN-53)	Pin-cam. dowel-1/8" dia. x 1/4" long
1	370903-S (NN-53)	Pin-cam. dowel-1/8" dia. x 1/4" long	2	370967-S (BB-158)	Bolt-hex. head-3/8"-16 x 2 1/8"
2	370967-S (BB-158)	Bolt-hex. head-3/8"-16 x 2 1/8"	PARTS LIST NO. 10 —★ EDD9HT 3K514-DB (EATON)		
PARTS LIST NO. 9			★ED1 D9HT 3K514-DB (EATON)		
★D7HT 3A691-BA (EATON)			1	D5HZ 3A006-A	Cap assy. (reservoir)
1	★C1TT 3A006-A	Cap assy. (filler)-r/b E1HZ 3A006-A	1	D8HZ 3K505-A	Flange
1	B4A 3601-A	Bolt-oil filter element support	2	D4HZ 3K507-A	Bolt (cap) 3/8"-16
1	C5TZ 3C602-A	Filter	4	D8HZ 3L517-A	Washer (oil res. bolt cover seal)
1	D4TZ 3A674-A	Pump assy.-also refer to service details which follow	1	D0HZ 3E599-B	Fitting (outlet)
1	D9HZ 3D684-A	Kit (Gasket replacement)-consists of (1) gasket, (4) sealing washers.	1	D8HZ 3N599-A	Elbow assy. (pump outlet)
1	D6HZ 3A697-E	Reservoir assy.-can only	1	D8HZ 3A674-E	Pump assy.
1	D7HZ 3A732-A	Bracket (mounting)	1	D8HZ 3D684-A	Seal kit (pump)
1	C7TZ 3A733-D	Pulley 4 11/16" O.D. x 1 7/32" thick-single sheave	1	▲D5HZ 3A697-A	Reservoir assy.
1	C9AZ 8287-A	Clamp	2	33799-S7 (M-52)	Nut-hex-3/8"-16
1	C9PZ 8620-BJ	Belt	2	34807-S8 (X-66)	Washer (lock)
2	33770-S4 (M-89-K)	Nut 5/16"-18	2	377278-S7 (WW-6-E)	Stud (res. to pump) 3/8"-16 x 1"
1	★56721-S2	Bolt - 5/16"-18 x 7/8"	Details of 3A674 assy.		
DETAILS of 3A674 assy.			1	D8HZ 3C558-A	Orifice
2	58653-S2(B-82-A)	Boit - 3/8"-16 x 1 1/4"	1	D8HZ 3A561-B	Valve assy.
3	★58655-S2	Bolt	1	C2SZ 3B592-A	Seal (shaft)
3	372182-S100 (GG-213-E)	Clip - 1/2"	1	D8HZ 3A561-B	Spring (relief valve)
1	D4TZ 3B559-A	Shaft (rotor)-4 3/16" long	1	★D8HZ 3B682-A	Bushing
1	C7TZ 3A561-A	Valve assy. flow control	1	★D8HZ 3R682-A	Pin (cam locating-pump)
1	B8AZ 3A570-A	Spring (valve)	1	D8HZ 3A698-C	Cover assy.
1	§B8TZ 3B584-C	Seal & gasket kit-pump repair	2	359290-S (QQ-49)	Snap ring
1	C2SZ 3B592-A	Seal (rotor shaft oil)	PARTS LIST NO. 11		
1	AE 33542-A	Connector-reservoir return	★EDD9HT 3K514-CB (EATON)		
1	LA 33618-A	"O" ring (valve cap)- 51/64" I.D. x 15/16" O.D.	★ED1 D9HT 3K514-CB (EATON)		
1	E2HZ 3F621-A	Retainer (rotor shaft bearing snap ring)	1	D5HZ 3A006-A	Cap assy.
1	B8E 33627-A	Retainer (valve)	1	D8HZ 3K505-A	Flange
1	LA 33633-A	Pin (rotor shaft)-3/16" dia.	2	D4HZ 3K507-A	Bolt (cap) 3/8"-16
1	★C7TZ 3A643-A	Housing (incl. 3760 venturi)	1	D0HZ 3E599-B	Fitting (outlet)
1	C7TZ 3A698-B	Cover assy. (housing) incl. (1) 3A700 tube seat and (2) 357648-S dowel pin	1	▲D8HZ 3A674-F	Pump assy.
1	C1SS 3A700-A	Orifice-tube seat (to pressure line hose)	1	D8HZ 3D684-A	Seal kit (pump)
1	C7TZ 3A711-B	Impeller repair kit-consists of: (1) insert/ (6) rollers/ (1) carrier	1	D9HZ 3D684-A	Reservoir gasket kit
			1	▲D5HZ 3A697-B	Reservoir assy.
			2	33799-S2	(M-52) Nut-hex.-3/8"-16
			2	34807-S8	(X-66) Washer (lock)
			2	377278-S7-8	(WW-6-E) Stud (res. to pump) 3/8"-16 x 1"
			PARTS LIST NO. 12		
			★EDD9HT 3K514-BA (EATON)		
			1	D5HZ 3A006-A	Cap assy.-4" long
			1	D2HZ 3A006-A	Cap assy.-36" long
			1	D0HZ 3K505-D	Flange (pump mounting)
			2	D0HZ 3K507-B	Bolt (pump flange)-3/8"-16 x 2 1/2"
			1	★D0HZ 3K559-A	Nut (hub retaining)-hex.-1/2"-13- r/b D9HZ 3K559-A
			1	C2SZ 3B592-A	Seal (rotor shaft oil)

**1980/  
TRUCK SERIES 600/900**

QTY.	PART NUMBER	DESCRIPTION	QTY.	PART NUMBER	DESCRIPTION
<p align="center">▲ For components refer to Group in Section 36 ■ Also supplied in 3B584 kit ● Details not serviced \$For components refer to group in Section 35</p>					
<p align="center"><b>PARTS LIST NO. 12 — Cont'd</b></p> <p align="center">★ EDD9HT 3K514-BA (EATON)</p>			<p align="center"><b>PARTS LIST NO. 15</b></p> <p align="center">★ EDD9HT 3A691-MA (EATON)</p>		
1	D0HZ 3E599-A	Fitting (outlet)-incl. "0" ring	1	D5HZ 3A006-A	Cap Assy.
1	★ D0HZ 3C602-B	Filter kit-r/b D9HZ 3C602-A	1	C2SZ 3B592-A	Seal (rotor shaft)
1	● D0HZ 3A674-F	Pump Assy.	1	★ D0HZ 3C602-C	Filter kit-r/b D9HZ 3C602-B
1	D8HZ 3D684-A	Kit (seal)-pump overhaul	1	D0HZ 3D654-A	Fitting (outlet)-incl. "0" ring
1	D9HZ 3D684-A	Kit (gasket replacement)-consists of (1) gasket & (4) sealing washers	1	D0HZ 3A674-B	Pump Assy.
1	D6HZ 3A697-A	Reservoir kit	1	D8HZ 3D684-A	Seal kit-pump overhaul
1	D0HZ 3A711-A	Kit (impeller repair)	1	D9HZ 3D684-A	Kit (gasket replacement)-consists of (1) gasket & (4) sealing washers
1	D0HZ 3E762-B	Hub (pump drive)	1	D5HZ 3A697-A	Reservoir kit
1	74175-S(L-7)	Woodruff key (hub drive)-No. 6	1	D0HZ 3A711-A	Kit (impeller repair)
2	33799-S7(M-52)	Nut (pump to reservoir)-3/8"-16	1	D0HZ 3A732-B	Bracket (pump adjusting)
2	34807-S8(X-66)	Lockwasher	1	D0HZ 3A733-A	Pulley (pump)
2	377278-S7(WW-6-E)	Stud-3/8"-16 x 2"	2	377278-S7(WW-6-E)	Stud (reservoir to pump)-3/8"-16 x 2"
<p align="center"><b>PARTS LIST NO. 13</b></p> <p align="center">★ EDD9HT 3606-BA (EATON)</p>			<p align="center"><b>PARTS LIST NO. 16</b></p> <p align="center">★ EDD9HT 3A691-JA (EATON)</p>		
1	D5HZ 3A006-A	Cap Assy.-4" long	1	D5HZ 3A006-A	Cap Assy.
1	D2HZ 3A006-A	Cap Assy.-36" long	1	D0HZ 3C511-E	Bracket (pump adjusting-rear)
1	C2SZ 3B592-A	Seal (rotor shaft oil)	1	C2SZ 3B592-A	Seal (rotor shaft oil)
1	D0HZ 3E599-B	Fitting (outlet)-incl. "0" ring	1	★ D0HZ 3C602-B	Filter kit-r/b D9HZ 3C602-A
1	★ D0HZ 3C602-B	Filter kit (reservoir)-r/b D9HZ 3C602-A	1	D0HZ 3D654-A	Fitting (outlet)-incl. "0" ring
1	D0HZ 3A674-B	Pump Assy.	1	D0HZ 3A674-B	Pump Assy.
1	D8HZ 3D684-A	Kit (seal)-pump overhaul	1	D8HZ 3D684-A	Seal kit-pump overhaul
1	D9HZ 3D684-A	Kit (gasket replacement)-consists of (1) gasket & (4) sealing washers	1	D9HZ 3D684-A	Kit (gasket replacement)-consists of (1) gasket & (4) sealing washers
1	D6HZ 3A697-C	Reservoir kit	1	D5HZ 3A697-A	Reservoir kit
1	D0HZ 3A711-B	Kit (impeller repair)	1	D0HZ 3A711-A	Kit (impeller repair)
1	D0HZ 3A732-E	Bracket (pump mounting)	1	D2HZ 3A732-A	Bracket (pump adjusting front)
1	D0HZ 3A733-A	Pulley (pump)	1	D0HZ 3A733-A	Pulley (pump)
1	33799-S7(M-52)	Nut (reservoir to pump)-3/8"-16	1	D9HZ 3D684-A	Kit (gasket replacement)-consists of (1) gasket & (4) sealing washers
2	377278-S7(WW-6-E)	Stud-3/8"-16 x 2"	1	D5HZ 3A697-A	Reservoir kit
1	304648-S(BB-136-F)	Bolt (pulley to pump)-5/16"-18 x 7/8"	1	D0HZ 3A711-A	Kit (impeller repair)
1	33771-S4(M-89-L)	Nut-3/8"-16	1	D2HZ 3A732-A	Bracket (pump adjusting front)
1	34806-S(X-64)	Lockwasher-5/16"	1	D0HZ 3A733-A	Pulley (pump)
2	42998-S8(B-252-A)	Bolt (bracket mounting)-3/8"-16 x 1"	2	377278-S7-8(WW-6-E)	Stud (reservoir to pump)-3/8"-16 x 2"
1	353846-S(XX-120)	Washer-(flat)-5/16"	2	33799-S7(M-52)	Nut-3/8"16
<p align="center"><b>PARTS LIST NO. 14-★ D0HA 3D639-D (EATON)</b></p>			<p align="center"><b>PARTS LIST NO. 17-★ D5HA 3A691-YA (EATON)</b></p>		
1	★ C1TT 3A006-A	Cap Assy. (reservoir)-r/b E1HZ 3A006-A	1	304648-S(BB-136-F)	Bolt (pulley to pump)-5/16"-18 x 7/8"
1	C1TT 3A582-A	Cover Assy. (reservoir)	1	353846-S8(XX-120)	Washer (flat)-5/16"
1	C2SZ 3B592-A	Seal (rotor shaft)	3	42998-S9(B-252-A)	Bolt (3A732 to pump)-3/8"-16 x 1"
1	D0HZ 3E599-B	Fitting (outlet)-incl. "0" ring	2	43043-S2(B-263-C)	Bolt (3A732 to 3C511)-7/16"-14 x 1 3/8"
1	C5TZ 3C602-A	Element (filter)	1	375527-S2(BB-429-E)	Bolt (3A732 to 3C511)-7/16"-14 x 1"
1	D0HZ 3A674-H	Pump Assy.	<p align="center"><b>PARTS LIST NO. 17-★ D5HA 3A691-YA (EATON)</b></p>		
1	D9HZ 3D684-A	Kit (gasket replacement)-consists of (1) gasket & (4) sealing washers	1	★ C1TT 3A006-A	Cap (filler)-r/b E1HZ 3A006-A
1	D4HZ 3A697-E	Reservoir Assy.-remote mounted	1	AE 33542-A	Connector (reservoir return line)
1	D0HZ 3A699-B	Tank (reservoir oil)	2	B5A 33547-A	"0" ring (orifice)-53/64" I.D. x 15/16" O.D.
1	D0HZ 3A711-A	Kit (impeller repair)	2	B6QW 33549-A	"0" ring (orifice)-11/32" I.D. x 7/16" O.D.
1	D0HZ 3A732-D	Bracket (pump)	1	D6HZ 3B559-A	Shaft (rotor)
1	D0HZ 3A733-A	Pulley (pump)	1	D6HZ 3A561-A	Valve (flow control)
1	B4AZ 3B754-A	Filter cap	1	B8AZ 3A570-A	Spring (valve)
2	377278-S7-8(WW-6-E)	Stud (reservoir to pump)-3/8"-16 x 2"	1	C1TT 3A582-A	Cover (reservoir)-incl. 3A642 gasket
2	33799-S7(M-52)	Nut-3/8"-16	1	\$B8TZ 3B584-C	Seal & gasket kit
1	304648-S(BB-136-F)	Bolt (pulley to pump)-5/16"-18 x 7/8"	1	■ C2SZ 3B592-A	Seal (rotor shaft oil)
1	34806-S7(X-64)	Lockwasher	1	C5TZ 3C602-A	Filter element
6	351385-S(XX-158)	Washer-flat-3/8"	1	■ LA 33618-A	"0" ring (valve cap)
3	359088-S100(BB-416-C)	Bolt (3A732 to pump)-3/8"-16 x 1 1/4"	1	E2HZ 3F621-A	Retainer (rotor shaft bearing)
3	20388-S8(B-80)	Bolt (tank to bracket)-3/8"-16 x 1"	1	B8E 33627-A	Retainer (valve)

October, 1993

COPYRIGHT © 1993 - FORD MOTOR - DEARBORN, MICHIGAN  
COMPANY

Final Issue

QTY.	PART NUMBER	DESCRIPTION	QTY.	PART NUMBER	DESCRIPTION
▲ For components refer to Group in Section 36 ■ Also supplied in 3B584 kit ● Details not serviced \$For components refer to group in Section 35					
PARTS LIST NO. 17-★D5HA 3A691-YA (EATON) — Cont'd			PARTS LIST NO. 18-★D5HA 3A691-SA (EATON) — Cont'd		
1	■C2TZ 3A642-A	Gasket (reservoir cover)	1	■B9A 6570-A	Grommet (cover bolt)
1	D6HZ 3A643-A	Housing (incl. 3760 venturi)	1	C9ZZ 10094-A	Bearing (rotor shaft)-#GE-21
1	DOHZ 3D654-A	Fitting (outlet)-incl. "0" ring	1	304648-S(BB-136-F)	Bolt-5/16"-18 x 7/8"
1	D6HZ 3A674-A	Pump assy.	1	33896-S8(M-182)	Wing nut (reservoir cover)-5/16"-18
1	E0HZ 3A697-D	Reservoir assy.	1	34806-S(X-64)	Lockwasher-5/16"
1	C0TZ 3A698-A	Cover-assy. (housing)	1	42789-S8(U-10)	Bolt (hex head)-5/16"-18 x 3/4"
1	C7TZ 3A699-A	Reservoir	3	43011-S(B-263)	Bolt (pump to engine)
1	★D6HZ 3A711-A	Impeller repair kit-r/b D9HZ 3A711-C	1	44725-S8(X-22)	Washer (cover bolt)-5/16"
1	D6HZ 3A732-A	Bracket (adjusting)	1	74172-S(L-3)	Key (pulley drive)
1	D6HZ 3A733-B	Pulley	1	■87014-S9(T-1-AA)	"0" ring (bypass)-9/16" I.D.
1	B4AZ 3B754-A	Seat (filter retaining spring)	1	■87147-S91(T-38)	"0" ring (housing to cover)-2 5/8" I.D.
1	■B9A 6570-A	Grommet (cover bolt)	1	353846-S8(XX-120)	Washer (pulley to pump)-5/16"
1	C9ZZ 10094-A	Bearing (rotor shaft)-#GE-21	2	357648-S(NN-55)	Pin (dowel)-5/16" dia. x 3/4" long
1	304648-S(BB-136-F)	Bolt-5/16"-18 x 7/8"	1	359841-S8(WW-22)	Stud (reservoir cover)-5/16"-18 x 4 5/8"
1	33896-S8(M-182)	Wing nut (reservoir cover)-5/16"-18	1	370903-S(NN-53)	Pin (dowel)-1/8" dia. x 1/4" long
1	34806-S(X-64)	Lockwasher-5/16"	1	370967-S(BB-158)	Bolt-3/8"-16 x 2 1/8"
1	42789-S8(U-10)	Bolt (hex head)-5/16"-18 x 3/4"	PARTS LIST NO. 19-★D9HT 3K514-LA (EATON)		
1	44725-S8(X-22)	Washer (cover bolt)-5/16"	1	D8HZ 3A006-A	Cap assy. (reservoir)
3	58642-S(B-94-Z)	Bolt (3A732 to pump)-3/8"-16 x 3"	1	D9HZ 3K505-A	Flange (pump mounting)
1	74172-S(L-3)	Key (pulley drive)	1	DOHZ 3K507-A	Bolt (pump flange)-3/8"-16 x 3 3/8"
1	■87014-S91(T-1-AA)	"0" ring (bypass)-9/16" I.D.	1	D9HZ 3K559-A	Nut (flange)
1	■87147-S91(T-38)	"0" ring (housing to cover)-2 5/8" I.D.	1	D8HZ 3A561-A	Valve assy. (pump relief)
1	353846-S8(XX-120)	Washer (pulley to pump)-5/16"	1	DOHZ 3E599-A	Fitting (outlet)-incl. "0" ring
2	357648-S(NN-55)	Pin (dowel)-5/16" dia. x 3/4" long	1	D9HZ 3C602-A	Filter kit
1	359841-S8(WW-22)	Stud (reservoir cover)-5/16"-18 x 4 5/8"	1	DOHZ 3C602-D	Filter
1	370903-S(NN-53)	Pin (dowel)-1/8" dia. x 1/4" long	1	▲D8HZ 3A674-D	Pump assy.
PARTS LIST NO. 18-★D5HA 3A691-SA (EATON)			1	D8HZ 3D684-A	Seal kit (pump)
1	★C1TT 3A006-A	Cap (filler)-r/b E1HZ 3A006-A	1	D9HZ 3D684-A	Kit (gasket replacement)-consists of (1) gasket & (4) sealing washers
1	AE 33542-A	Connector (reservoir return line)	1	D9HZ 3A697-B	Reservoir assy.
2	B5A 33547-A	"0" ring (orifice)-53/64" I.D. x 15/16" O.D.	1	D8HZ 3A711-A	Kit (impeller repair)
2	B6QW 33549-A	"0" ring (orifice)-11/32" I.D. x 7/16" O.D.	1	DOHZ 3E762-B	Hub (pump drive)
1	D6HZ 3B559-B	Shaft (rotor)	1	DOHZ 33771-S4(M-89-L)	Nut (lock)-3/8"-16
1	D6HZ 3A561-A	Valve (flow control)	2	34807-S8(X-66)	Lockwasher-3/8"
1	B8AZ 3A570-A	Spring (valve)	1	74175-S(L-7)	Woodruff key (hub drive)-No. 6
1	C1TT 3A582-A	Cover (reservoir)-incl. 3A642 gasket	2	359290-S(QQ-49)	Snap ring-43/64" I.D.-49/64" O.D.
1	§B8TZ 3B584-C	Seal & gasket kit	2	377278-S7(WW-6-E)	Stud (reservoir to pump)-3/8"-16 x 2"
1	■C2SZ 3B592-A	Seal (rotor shaft oil)	PARTS LIST NO. 20-★D9HT 3K514-MA (EATON)		
1	C5TZ 3C602-A	Filter element	1	D8HZ 3A006-B	Cap assy. (reservoir)
1	■LA 33618-A	"0" ring (valve cap)	1	D8HZ 3K505-B	Flange (pump mounting)
1	E2HZ 3F621-A	Retainer (rotor shaft bearing)	1	DOHZ 3E599-A	Fitting (outlet)-incl. "0" ring
1	B8E 33627-A	Retainer (valve)	1	D9HZ 3C602-B	Filter kit (reservoir)
1	■C2TZ 3A642-A	Gasket (reservoir cover)	1	DOHZ 3C602-D	Filter
1	D6HZ 3A643-B	Housing (incl. 3760 venturi)	1	▲E2HZ 3A674-J	Pump assy.
1	DOHZ 3D654-A	Fitting (outlet)-incl. "0" ring	1	D8HZ 3D684-B	Gasket kit (contains one "0" ring)
1	D6HZ 3A674-C	Pump assy.	1	D9HZ 3D684-A	Kit (gasket replacement)-consists of (1) gasket & (4) sealing washers
1	E0HZ 3A697-D	Reservoir assy.	1	D8HZ 3A697-D	Reservoir assy.
1	C7TZ 3A698-B	Cover assy. (housing)	2	33771-S4(M-89-L)	Nut (lock)-3/8"-16
1	C7TZ 3A699-A	Reservoir	2	33799-S2(M-52)	Nut (reservoir to pump)-3/8"-16
1	C1SS 3A700-A	Orifice (tube seat)	1	97609-S2	Retaining ring
1	D6HZ 3A711-B	Impeller repair kit	2	359290-S(QQ-49)	Snap ring-43/64" I.D.-49/64" O.D.
1	★B8TZ 3A732-C	Bracket (adjusting)	2	377278-S7(WW-6-E)	Stud (reservoir to pump)-3/8"-16 x 2"
1	D6HZ 3A733-B	Pulley			
1	B4AZ 3B754-A	Seat (filter retaining spring)			
1	★AF 3760-A	Venturi (flow control)-Not replaced -- see basic 3A643 housing			

**1980/  
TRUCK SERIES 600/900**

QTY.	PART NUMBER	DESCRIPTION	QTY.	PART NUMBER	DESCRIPTION
▲ For components refer to Group in Section 36 ■ Also supplied in 3B584 kit ● Details not serviced \$For components refer to group in Section 35					
<b>PARTS LIST NO. 21-★D9HT 3K514-NA (EATON)</b>			<b>PARTS LIST NO. 24-★D9HT 3A691-BB(EATON)</b>		
1	D8HZ 3A006-B	Cap assy. (reservoir)	3	D9HZ 3K507-A	Bolt
1	D8HZ 3K505-C	Flange (pump mounting)	1	\$B8TZ 3B584-C	Kit (gasket & seal)
1	D6HZ 3A561-A	Valve assy. (pump relief)	2	B5A 33547-A	Gasket (intake)
1	▲D9HZ 3C602-B	Filter kit	2	B6QW 33549-A	Gasket (mounting screw)
1	D0HZ 3C602-D	Filter	1	▲D9HZ 3A674-B	Pump assy.
1	D0HZ 3D654-A	Fitting (outlet)-incl. "O" ring	1	★ 3D684	Seal kit-not required with this assy.
1	E2HZ 3A674-K	Pump assy.	1	▲D9HZ 3A697-D	Reservoir assy.
1	D8HZ 3D684-A	Seal kit (pump)	1	D9HZ 3A732-B	Bracket assy.
1	D9HZ 3D684-A	Kit (gasket replacement)-consists of (1) gasket & (4) sealing washers	1	D9HZ 3A733-A	Pulley assy.
1	D8HZ 3A697-C	Reservoir assy.	2	42789-S(U-10)	Bolt (hex)
1	D8HZ 3A711-A	Kit (impeller repair)	1	74172-S(L-3)	Drive key (pulley)
2	33771-S4(M-89-L)	Nut (lock)-3/8"-16	1	353846-S8(XX-120)	Flat washer-pulley
2	33799-S2(M-52)	Nut (reservoir to pump)-3/8"-16	1	353864-S7(BB-863G)	Bolt (hex)
1	97609-S2	Retaining ring-11/16" O.D. x 1/32" thick	<b>PARTS LIST NO. 25-★D9HT 3A691-CB (EATON)</b>		
2	359290-S(QQ-49)	Snap ring-45/64" I.D.-49/64" O.D.	3	D9HZ 3K507-A	Bolt (pump to bracket)
2	377278-S7(WW-6-E)	Stud (reservoir to pump)-3/8"-16 x 2"	1	\$B8TZ 3B584-C	Kit (gasket & seal)
<b>PARTS LIST NO. 22-★D9HT 3K514-RA (EATON)</b>			2	B5A 33547-A	Gasket (intake)
★ED1 D9HT 3K514-RA (EATON)			2	B6QW 33549-A	Gasket (mounting screw)
1	D8HZ 3A006-A	Cap assy. (reservoir)	1	▲D9HZ 3A674-C	Pump assy.
1	D8HZ 3K505-A	Flange (pump mounting)	1	D8HZ 3D684-A	Seal kit
2	D4HZ 3K507-A	Bolt (pump flange)-3/8"-16 x 1"	1	D9HZ 3D684-A	Kit (gasket replacement)-consists of (1) gasket & (4) sealing washers
1	D8HZ 3A561-A	Valve assy. (pump relief)	1	▲D9HZ 3A697-D	Reservoir assy.
1	D0HZ 3E599-B	Fitting (outlet)-incl. "O" ring	1	D9HZ 3A732-B	Bracket assy.
1	D9HZ 3C602-A	Filter kit	1	D9HZ 3A733-A	Pulley
1	D0HZ 3C602-D	Filter	2	42789-S(U-10)	Bolt (hex head)
1	★▲D8HZ 3A674-B	Pump assy.-r/b E2HZ 3A674-H	1	74172-S(L-3)	Drive key (pulley)
1	D8HZ 3D684-A	Seal kit (pump)	1	353846-S8(XX-120)	Flat washer-pulley
1	D9HZ 3D684-A	Kit (gasket replacement)-consists of (1) gasket & (4) sealing washers	1	353864-S7(BB-863G)	Bolt (hex)
1	D8HZ 3A697-A	Reservoir assy.	<b>PARTS LIST NO. 26-★D9HT 3A691-★DB (EATON)</b>		
1	D8HZ 3A711-A	Kit (impeller repair)	3	D9HZ 3K507-B	Bolt (pump to bracket)
2	33799-S2(M-52)	Nut (reservoir to pump)-3/8"-16	1	\$B8TZ 3B584-C	Kit (gasket & seal)
2	34807-S7(X-66)	Lockwashers-3/8"	2	B5A 33547-A	Gasket (intake)
2	359290-S(QQ-49)	Snap ring-43/64" I.D.-49/64" O.D.	2	B6QW 33549-A	Gasket (mounting screw)
2	377278-S7(WW-6-E)	Stud (reservoir to pump)-3/8"-16 x 2"	1	★▲D9HZ 3A674-D	Pump assy. - r/b E1HZ 3A674-A
<b>PARTS LIST NO. 23-★D9HT 3A691-AB (EATON)</b>			1	D8HZ 3D684-A	Seal kit
3	D9HZ 3K507-A	Bolt (pump to bracket)	1	D9HZ 3D684-A	Kit (gasket replacement)-consists of (1) gasket & (4) sealing washers
1	\$B8TZ 3B584-C	Kit (gasket & seal)	1	▲D9HZ 3A697-D	Reservoir assy.
2	B5A 33547-A	Gasket (intake)	1	D9HZ 3A732-B	Bracket assy.
2	B6QW 33549-A	Gasket (mounting screw)	1	D9HZ 3A733-A	Pulley
1	▲D9HZ 3A674-A	Pump assy.	2	42789-S(U-10)	Bolt (hex head)
1	▲D9HZ 3A697-D	Reservoir	1	74172-S(L-3)	Drive key (pulley)
1	D9HZ 3A732-B	Bracket assy.	1	353846-S8(XX-120)	Flat washer-pulley
1	D9HZ 3A733-A	Pulley assy.	1	353864-S7(BB-863G)	Bolt (hex)
2	42789-S8(U-10)	Bolt (hex)			
1	74172-S(L-3)	Drive key (pulley)			
1	353846-S8(XX-120)	Flat washer-pulley			
1	353864-S7(BB-863G)	Bolt (hex)			

QTY.	PART NUMBER	DESCRIPTION	QTY.	PART NUMBER	DESCRIPTION
▲ For components refer to Group in Section 36 ■ Also supplied in 3B584 kit					
● Details not serviced					
\$For components refer to group in Section 35					
PARTS LIST NO. 27-★D9HT 3A691-GB (EATON)			PARTS LIST NO. 29-EOHT 2N211-AA, EOHT 3A674-AA (SAGINAW)		
3	D9HZ	3K507-B Bolt (pump to bracket)	1	D8AZ	3A006-B Cap assy. (reservoir)
2	B5A	33547-A Gasket (intake)	1	D6AZ	3B559-A Shaft (rotor)
2	B6QW	33549-A Gasket (mounting screw)	1	E0HZ	3A561-B Valve assy. (flow control)
1	D6HZ	3B559-B Shaft	1	D2VY	3B584-A Seal & gasket kit
1	D6HZ	3A561-A Valve assy.	1	D2VY	3D586-A Spring (flow control valve)
1	B8AZ	3A570-A Spring (flow control)	1	D6AZ	3D589-A Plate (end)
1	C2SZ	3B592-A Oil seal	1	D2VY	3D590-A Plate (pressure-front)
1	LA	33618-A "O" ring (valve cap)	1	D6AZ	3D590-A Plate (pressure-rear)
1	E2HZ	3F621-A Snap ring	1	■D2VY	3B592-A Seal (rotor shaft oil)
1	B8E	33627-A Valve cap	1	D6AZ	3D596-A Spring (pressure plate)
1	★C7TZ	3A643-A Body assy.	1	D6AZ	3D607-A Rotor assy.
1	D9HZ	3A674-E Pump assy.	1	E2TZ	3F614-A Magnet (reservoir)
1	D8HZ	3D684-A Seal kit	1	E0HZ	3A643-B Housing assy.
1	D9HZ	3D684-A Kit (gasket replacement)-consists of (1) gasket & (4) sealing washers	1	E0HZ	3D654-A Fitting (valve outlet)
1	▲D9HZ	3A697-D Reservoir assy.	1	★E2HZ	3A674-A Pump & reservoir assy.-r/b E2HZ 2N211-A
1	C7TZ	3A698-B Cover assy.	1	E0HZ	3D683-A Stud (pump mounting)
1	C1SS	3A700-A Orifice (tube seat)	1	E0HZ	3A697-A Reservoir assy.
1	D9HZ	3A711-B Impeller repair kit	1	D5AZ	3A733-A Pulley
1	D9HZ	3A732-B Bracket assy.	1	384978-S(QQ-45)	Ring (rotor to shaft)
1	D9HZ	3A733-A Pulley	1	384979-S(QQ-61-M)	Ring (retainer plate)
1	C9ZZ	10094-B Bearing	2	■385643-S94(KK-52-CD)	"O" ring (housing)
2	42789-S(U-10)	Bolt (hex head)	2	387297-S(NN-143-F)	Pin (pump ring dowel)
1	74172-S(L-3)	Drive key (pulley)	PARTS LIST NO. 30-★EOHT 3A691-JA & JB (EATON)		
2	87014-S91(T-1-AA)	"O" ring (bypass)	3	D9HZ	3K507-A Bolt-pump to bracket
1	87147-S91(T-38)	"O" ring (body to cover)	1	E0HZ	3D654-B Fitting (valve to outlet)-use w/ #EOHT 3A691-JB p/s pump & reservoir assy.
2	357648-S8(NN-55)	Dowel pin	1	▲E0HZ	3A674-B Pump assy.-use w/#EOHT 3A691-JA p/s pump & reservoir assy.
2	370967-S(BB-158)	Bolt (hex head)	1	▲E0HZ	3A674-D Pump assy.-use w/#EOHT 3A691-JB p/s pump & reservoir assy.
PARTS LIST NO. 28-★D9HT 3A691-KB,★EDD9HT 3A691-KB (EATON)			1	▲D9HZ	3A697-A Reservoir assy.
1	D8HZ	3A006-A Filler cap	1	D9HZ	3A732-B Bracket assy.
1	D8HZ	3A561-B Valve assy.	1	D9HZ	3A733-A Pulley
1	D0HZ	3E599-A Fitting assy.	2	B5A	33547-A Gasket
1	D0HZ	3C602-D Filter	2	B6QW	33549-A Gasket-mounting screw
1	★D9HZ	3A643-A Body assy.	2	42789-S8	(U-10)-Bolt (hex head)
1	D9HZ	3A674-F Pump assy.	1	74172-S	(L-3)-Drive key (pulley)
1	★D8HZ	3R682-A Pin (cam locating)	1	353846-S8	(XX-120)-Washer
1	D8HZ	3D684-A Seal kit	1	353864-S7	(BB-863-G)-Bolt (hex. head & lockwasher)
1	D9HZ	3D684-A Kit (gasket replacement)-consists of (1) gasket & (4) sealing washers	PARTS LIST NO. 31-★EOHT 3A691-KA & KB (EATON)		
1	▲D9HZ	3A697-C Reservoir assy.	1	D8HZ	3A006-A Filler cap
1	D0HZ	3A711-A Impeller repair kit	1	C2SZ	3B592-A Oil seal
1	★D9HZ	3A732-C Bracket assy.-#D9HT 3A691-KB- r/b mat 82102 1-E1HZ 3A697-E 1-E1HZ 3A732-E 1-E1HZ 3A719-G	1	D0HZ	3E599-A Fitting-outlet
1	E1HZ	3A732-E Bracket assy. -- ED-D9HT 3A691-KB	1	D0HZ	3C602-D Filter element
1	D0HZ	3A733-A Pulley	1	D9HZ	3C602-A Filter kit
2	33799-S2(M-52)	Nut (reservoir)-3/8"-16	1	D9HZ	3C602-B Filter kit
1	74172-S(L-3)	Woodruff key	2	E0HZ	3E630-A Nut-reservoir lock
3	359088-S100(BB-416-C)	Bolt (hex)	1	▲E0HZ	3A674-C Pump assy.
2	359290-S(QQ-49)	Snap ring (shaft)	1	E0HZ	3D684-A Gasket kit
2	377278-S78(WW-6-E)	Stud (reservoir)	1	D9HZ	3D684-A Kit (gasket replacement)-consists of (1) gasket & (4) sealing washers
			1	▲D9HZ	3A697-C Reservoir assy.

**1980/  
TRUCK SERIES 600/900**

QTY.	PART NUMBER	DESCRIPTION	QTY.	PART NUMBER	DESCRIPTION
▲ For components refer to Group in Section 36 ■ Also supplied in 3B584 kit					
● Details not serviced					
\$For components refer to group in Section 35					
<b>PARTS LIST NO. 31 -★ EOHT 3A691-KA &amp; KB (EATON) — Cont'd</b>			<b>PARTS LIST NO. 33 -★ EOHT 3A696-BA, BB &amp; BC (EATON) — Cont'd</b>		
1	★ D9HZ 3A732-C	Bracket assy.-r/b mat 82102 1-E1HZ 3A697-E 1-E1HZ 3A732-E 1-E1HZ 3A719-G	1	★ EOHZ 3A732-E	Bracket-use w/ #ED4-EOHT 3A696-BB-r/b E1HZ 3A732-F
1	D0HZ 3A733-A	Pulley	1	E1HZ 3A732-F	Bracket-use w/ #EOHT 3A696-BC
1	74172-S	(L-3)-Drive key-pulley	1	D0HZ 3A733-A	Pulley
3	359088-S100	(BB-416-C)-Bolt-pump to bracket	3	43000-S2	(B-254)-Bolt (bracket)
<b>PARTS LIST NO. 32 -★ EOHT 3A696-AA, AB, &amp; AC</b>			1	74172-S	(L-3)-Drive key (pulley)
1	E1HZ 3670-A	Adapter-pump to reservoir - use w/ #ED-EOHT 3A696-AC	1	353846-S8	(XX-120)-Washer
1	★ E1HZ 3670-B	Adapter-pump to reservoir - use w/ r/b E1HZ 3670-A	1	353864-S7	(BB-863-G)-Bolt hex head & lockwasher
1	▲ EOHZ 3A674-B	Pump assy.	2	377278-S7-8	(WW-6-E)-Stud
1	★ 3A697	Reservoir assy. (lower) - not required with this assy.	<b>PARTS LIST NO. 34 -★ E1HT 3A696-AA &amp; AB</b>		
1	▲ EOHZ 3A697-B	Reservoir assy. (upper) - - (B-F series)	1	E1HZ 3670-A	Adapter-pump to reservoir
1	▲ E1HZ 3A697-B	Reservoir assy. (upper) - - (C-CT series)	1	▲ D9HZ 3A674-B	Pump assy.
1	EOHZ 3A732-D	Bracket assy. - use w/ #EOHT 3A696-AA & AB and #ED-EOHT 3A696-AC	1	★ 3A697	Reservoir assy. (lower)-not required with this assy.
1	E1HZ 3A732-B	Bracket assy. - use w/ #EOHT 3A696-AC	1	▲ EOHZ 3A697-B	Reservoir assy. (upper)
1	E1HZ 3A733-A	Pulley	1	EOHZ 3A732-D	Bracket assy.-use w/ #E1HT 3A696-AA
1	B5A 33547-A	Gasket	1	E1HZ 3A732-B	Bracket assy.-use w/ #E1HT 3A696-AB
1	45757-S	(B-220-J)-Bolt hex. head	1	E1HZ 3A733-A	Pulley
3	58641-S2	(B-93-B)-Bolt hex. head (self-locking)	1	B5A 33547-A	Gasket
1	74172-S	(L-3)-Drive key (pulley)	1	45757-S	(B-220-J)-Bolt hex. head
1	353846-S8	(XX-120)-Washer	3	58641-S2	(B-93-B)-Bolt hex. head (self-locking)
1	353864-S7	(BB-863-G)-Bolt hex. head & lockwasher	1	74172-S	(L-3)-Drive key (pulley)
<b>PARTS LIST NO. 33 -★ EOHT 3A696-BA, BB &amp; BC (EATON)</b>			1	353846-S8	(XX-120)-Washer
1	D8HZ 3L517-A	Washer (oil res. bolt cover seal)-use w/ #ED4-EOHT 3A696-BB	1	353864-S7	(BB-863-G)-Bolt hex. head & lockwasher
1	D0HZ 3E599-A	Fitting-outlet	<b>PARTS LIST NO. 35 -★ E1HT 3A696-BA &amp; BB</b>		
1	EOHZ 3E630-A	Nut-reservoir lock	1	E1HZ 3670-A	Adapter-pump to reservoir
1	▲ EOHZ 3A674-C	Pump assy.	1	▲ D9HZ 3A674-A	Pump assy.
1	D9HZ 3D684-A	Seal kit	1	★ 3A697	Reservoir assy. (lower)-not required with this assy.
1	▲ EOHZ 3A697-B	Reservoir assy.-upper	1	▲ EOHZ 3A697-B	Reservoir assy. (upper)
1	● EOHZ 3A697-C	Reservoir assy.-lower-details not serviced	1	EOHZ 3A732-D	Bracket assy.-use w/ #E1HT 3A696-BA
1	★ EOHZ 3A732-C	Bracket-use w/all except #ED4-EOHT 3A696-BB & EOHT 3A696-BC-r/b E1HZ 3A732-F	1	E1HZ 3A732-B	Bracket assy.-use w/ #E1HT 3A696-BB
			1	E1HZ 3A733-A	Pulley
			1	B5A 33547-A	Gasket
			1	45757-S	(B-220-J)-Bolt hex. head
			3	58641-S2	(B-93-B)-Bolt hex. head (self-locking)
			1	74172-S	(L-3)-Drive key (pulley)
			1	353846-S8	(XX-120)-Washer
			1	353864-S7	(BB-863-G)-Bolt hex. head & lockwasher



1980/  
TRUCK SERIES 600/900

QTY.	PART NUMBER	DESCRIPTION	QTY.	PART NUMBER	DESCRIPTION
▲For components refer to Group in Section 36 ■Also supplied in 3B584 kit					
●Details not serviced					
\$For components refer to group in Section 35					
PARTS LIST NO. 36 -★ E1HT 3A696-DA,DB, & DC			PARTS LIST NO. 39 -★ E1HT 3A691-JA		
3	E1HZ 3K507-A	Bolt-3/8"-16 x 2 3/4"	3	D9HZ 3K507-A	Bolt (pump to bracket)
1	E1HZ 3670-A	Adapter-pump to reservoir	1	▲D9HZ 3A674-B	Pump Assy.
1	★▲D9HZ 3A674-D	Pump Assy.-use w/≠E1HT 3A696-DA & DC r/b E1HZ 3A674-A	1	▲E1HZ 3A697-D	Reservoir Assy.
1	▲E1HZ 3A674-A	Pump Assy.-use w/≠E1HT 3A696-DB	1	E1HZ 3A732-D	Bracket Assy.
	★ 3A697	Reservoir Assy. (lower)-not required with Assy.	1	D9HZ 3A733-A	Pulley
1	E1HZ 3A697-B	Reservoir Assy. (upper)	2	B5A 33547-A	"O" ring (reservoir orifice)-53/64" I.D. x 15/16" O.D. x 7/64" thick
1	★E1HZ 3A732-A	Bracket Assy.-use w/≠E1HT 3A696-DA r/b E0HZ 3A732-D	2	B6QW 33549-A	"O" ring (reservoir orifice)-11/32" I.D. x 7/16" O.D. x 1/16" thick
1	E1HZ 3A732-B	Bracket Assy.-use w/≠E1HT 3A696-DB & DC	2	57633-S2	(U-10-A)-screw & lockwasher-hex. head-5/16"-18 x 3/4"
1	E1HZ 3A733-A	Pulley	1	74172-S	(L-3)-Key-pulley drive-1/2" dia. x 1/8" thick
1	B5A 33547-A	"O" ring (reservoir orifice)-53/64" I.D. x 15/16" O.D. x 7/64" thick	1	353846-S8	(XX-120)-Washer-flat-pulley to pump-5/16"
1	45757-S	(B-220-J)-Bolt hex. head	1	353864-S7	(BB-863-G)-Bolt & lockwasher-hex. head-5/16"-18 x 7/8"
1	74172-S	(L-3)-Drive key (pulley)	PARTS LIST NO. 40 -★ E0HT 3606-AA (EATON)		
1	353846-S8	(XX-120)-Washer	1	D5HZ 3A006-A	Cap Assy.
1	353864-S7	(BB-863-G)-Bolt hex. head & lockwasher	1	D0HZ 3E599-B	Fitting(outlet)-incl. "O" ring
PARTS LIST NO. 37 -★ E1HT 3A696-EA			1	D9HZ 3C602-A	Filter kit
1	E1HZ 3670-A	Adapter-pump to reservoir	2	E0HZ 3E630-A	Nut-bracket & reservoir
1	▲E0HZ 3A674-B	Pump Assy.	1	▲D0HZ 3A674-B	Pump Assy.
	★ 3A697	Reservoir Assy. (lower)-not required with this Assy.	1	D9HZ 3D684-A	Reservoir gasket kit-consists of (1) gasket (4) sealing washers
1	▲E0HZ 3A697-B	Reservoir Assy. (upper)-(B-F series)	1	▲E1HZ 3A697-C	Reservoir kit
1	▲E1HZ 3A697-B	Reservoir Assy. (upper)-(C-CT series)	1	D0HZ 3A732-E	Bracket
1	E0HZ 3A732-D	Bracket Assy.	1	D0HZ 3A733-A	Pulley
1	E1HZ 3A733-A	Pulley	1	D0HZ 3A733-A	Pulley
1	B5A 33547-A	Gasket	2	43011-S	(B-263)-Bolt-bracket-3/8"-16 x 2 5/8"
1	45757-S	(B-220-J)-Bolt hex. head	1	74172-S	(L-3) Woodruff key-1/8" x 1/2"
3	58641-S2	(B-93-B)-Bolt hex. head (self-locking)	1	353846-S8	(XX-120) Washer-flat-5/16"
1	74172-S	(L-3)-Drive key (pulley)	1	353864-S7	(BB-863-G) Bolt-pulley
1	353846-S8	(XX-120)-Washer	2	377278-S7-8	(WW-6-E) Stud-reservoir-3/8"-16 x 2"
1	353864-S7	(BB-863-G)-Bolt hex. head & lockwasher	PARTS LIST NO. 41-★E0HT 3606-BA (EATON)		
PARTS LIST NO. 38 -★ E1HT 3A691-HA (EATON)			1	D5HZ 3A006-A	Cap Assy.
3	D9HZ 3K507-B	Bolt (pump to bracket)	1	D0HZ 3E599-B	Fitting(outlet)-incl. "O" ring
1	▲D9HZ 3A674-A	Pump Assy.	1	D9HZ 3C602-A	Filter kit
1	▲E1HZ 3A697-D	Reservoir Assy.	2	E0HZ 3E630-A	Nut-bracket & reservoir
1	E1HZ 3A732-D	Bracket Assy.	1	▲D0HZ 3A674-A	Pump Assy.
1	D9HZ 3A733-A	Pulley	1	D9HZ 3D684-A	Reservoir gasket kit-consists of (1) gasket (4) sealing washers
2	B5A 33547-A	"O" ring (reservoir orifice)-53/64" I.D. x 15/16" O.D. x 7/64" thick	1	▲E1HZ 3A697-C	Reservoir kit
2	B6QW 33549-A	"O" ring (reservoir orifice)-11/32" I.D. x 7/16" O.D. x 1/16" thick	1	D0HZ 3A732-E	Bracket
2	57633-S2	(U-10-A)-Screw & lockwasher-hex. head-5/16" - 18 x 3/4"	1	D0HZ 3A733-A	Pulley
1	74172-S	(L-3)-Key-pulley drive-1/2" dia. x 1/8" thick	2	43011-S	(B-263)-Bolt-bracket-3/8"-16 x 2 5/8"
1	353846-S8	(XX-120)-Washer-flat-pulley to pump-5/16"	1	74172-S	(L-3)-Woodruff key-1/8" x 1/2"
1	353864-S7	(BB-863-G)-Bolt & lockwasher-hex. head-5/16"-18 x 7/8"	1	353846-S8	(XX-120) Washer-flat-5/16"
			1	353864-S7	(BB-863-G)-Bolt-pulley
			2	377278-S7-8	(WW-6-E)-Stud-reservoir-3/8"-16 x 2"

1980/  
TRUCK SERIES 600/900

QTY.	PART NUMBER	DESCRIPTION	QTY.	PART NUMBER	DESCRIPTION
▲For components refer to Group in Section 36 ■Also supplied in 3B584 kit					
●Details not serviced					
§For components refer to group in Section 35					
PARTS LIST NO. 42-★E1HT 3A691-FA (EATON)			PARTS LIST NO. 45-★E1HT 3A691-MA (EATON)		
1	E1HZ 3A006-B	Filler cap	3	D9HZ 3K507-B	Bolt (pump to bracket)
1	D0HZ 3E599-A	Fitting-outlet	1	E0HZ 3D654-B	(Fitting (outlet)-includes "O" ring
1	E1HZ 3C602-A	Filter kit	1	▲E0HZ 3A674-D	Pump assy.
2	E0HZ 3E630-A	Nut-reservoir lock	1	▲D9HZ 3A697-D	Reservoir assy.
1	▲D9HZ 3A674-F	Pump assy.	1	E1HZ 3A732-D	Bracket assy.
1	●E1HZ 3A697-E	Reservoir assy. - - details not serviced	1	D9HZ 3A733-A	Pulley
1	E1HZ 3A732-E	Bracket assy.	2	B5A 33547-A	"O" ring (reservoir orifice) 53/64" I.D. x 15/16" O.D. x 7/64" thick
1	D0HZ 3A733-A	Pulley	2	B6QW 33549-A	"O" ring (reservoir orifice)-11/32" I.D. x 7/16" O.D. x 1/16" thick
3	43011-S	(B-263)-Bolt-bracket	2	57633-S2	(U-10-A) Screw & lockwasher-hex. head 5/16"-18 x 3/4"
1	74172-S	(L-3) Key-pulley drive-1/2" dia.-x 1/8" thick	1	74172-S	(L-3) Key pulley drive-1/2" dia. x 1/8" thick
1	353846-S8	(XX-120)-Washer-flat-pulley to pump-5/16"	1	353846-S8	(XX-120)-Washer flat-pulley to pump-5/16"
1	353864-S7	(BB-863-G)-Bolt & lockwasher- hex. head-5/16"-18 x 7/8"	1	353864-S7	(BB-863-G)-Bolt & lockwasher- hex. head-5/16"-18 x 7/8"
2	377278-S7-8	(WW-6-E)-Stud-reservoir-3/8"-16 x 2"	PARTS LIST NO. 46-★E1HT 3A691-NA (EATON)		
PARTS LIST NO. 43-★E1HT 3A691-GA (EATON)			3	E1HZ 3K507-A	Bolt 3/8" 16 x 2 3/4"
1	E1HZ 3A006-B	Filler cap	1	D0HZ 3D654-A	Fitting (outlet)-includes "O" ring
1	★E1HZ 3B592-A	Seal (rotor shaft oil)-r/b E0HZ 3D684-A (6/89)	1	▲D6HZ 3A674-C	Pump assy.
1	D0HZ 3E599-A	Fitting-outlet	1	▲E0HZ 3A697-D	Reservoir assy.
1	E1HZ 3C602-A	Filter kit	1	D6HZ 3A732-A	Bracket
2	E0HZ 3E630-A	Nut-reservoir lock	1	D6HZ 3A733-B	Pulley
1	▲E0HZ 3A674-C	Pump assy.	2	B5A 33547-A	"O" ring (reservoir orifice)-53/64" I.D. x 15/16" O.D. x 7/64" thick
1	D9HZ 3D684-A	Kit (gasket replacement)-consists of (1) gasket & (2) sealing washers	1	★D6HZ 33547-A	"O" ring (fitting)-serviced in D0HZ 3D654-A
1	E0HZ 3D684-A	Gasket kit	2	B6QW 33549-A	"O" ring (reservoir orifice)-11/32" I.D. x 7/16" O.D. x 1/16" thick
1	●E1HZ 3A697-E	Reservoir assy. - - details not serviced	2	57633-S2	(U 10 A)-Screw & lockwasher-hex. head -5/16"-18 x 3/4"
1	E1HZ 3A732-E	Bracket assy.	1	74172-S	(L 3) Key pulley drive-1/2" dia. x 1/8" thick
1	D0HZ 3A733-A	Pulley	1	353846-S8	(XX-120) Washer flat-pulley to pump 5/16"
3	43011-S	(B-263)-Bolt-bracket	1	353864-S7	(BB-863-G)-Bolt & lockwasher- hex. head-5/16"-18 x 7/8"
1	74172-S	(L-3)-Key-pulley drive-1/2" dia. x 1/8" thick	PARTS LIST NO. 44-★E1HT 3A691-KA (EATON)		
1	353846-S8	(XX-120)-Washer-flat-pulley to pump-5/16"	3	E1HZ 3K507-A	Bolt-3/8"-16 x 2 3/4"
1	353864-S7	(BB-863-G)-Bolt & lockwasher- hex. head-5/16"-18 x 7/8"	1	▲E1HZ 3A674-A	Pump assy.
2	377278-S7-8	(WW-6-E)-Stud-reservoir-3/8"-16 x 2"	1	▲D9HZ 3A697-A	Reservoir assy.
PARTS LIST NO. 47-★E1HT 3A691-RA (EATON)			1	E1HZ 3A732-D	Bracket assy.
1	E1HZ 3A006-B	Filler cap	1	D9HZ 3A733-A	Pulley
1	★E1HZ 3B592-A	Seal (rotor shaft oil)-r/b E0HZ 3D684-A (6/89)	2	B5A 33547-A	"O" ring (reservoir orifice) 53/64" I.D. x 15/16" O.D. x 7/64" thick
1	D0HZ 3E599-A	Fitting-outlet	1	▲E0HZ 3A697-D	Reservoir assy.
1	E1HZ 3C602-A	Filter kit	1	D6HZ 3A732-A	Bracket
2	E0HZ 3E630-A	Nut-reservoir lock	1	D6HZ 3A733-B	Pulley
1	▲E0HZ 3A674-C	Pump assy.	2	B5A 33547-A	"O" ring (reservoir orifice) 53/64" I.D. x 15/16" O.D. x 7/64" thick
1	D9HZ 3D684-A	Kit (gasket replacement)-consists of (1) gasket & (2) sealing washers	1	★D6HZ 33547-A	"O" ring (fitting)-serviced in D0HZ 3D654-A
1	E0HZ 3D684-A	Gasket kit	2	B6QW 33549-A	"O" ring (reservoir orifice)-11/32" I.D. x 7/16" O.D. x 1/16" thick
1	●E1HZ 3A697-E	Reservoir assy. - - details not serviced	2	57633-S2	(U 10 A) Screw & lockwasher-hex. head 5/16" 18 x 3/4"
1	E1HZ 3A732-E	Bracket assy.	1	74172-S	(L-3)-Key pulley drive-1/2" dia. x 1/8" thick
1	D0HZ 3A733-A	Pulley	1	353846-S8	(XX-120) Washer flat-pulley to pump 5/16"
3	43011-S	(B-263)-Bolt-bracket	1	353864-S7	(BB-863 G) Bolt & lockwasher- hex. head-5/16" 18 x 7/8"
1	74172-S	(L-3)-Key-pulley drive-1/2" dia. x 1/8" thick	PARTS LIST NO. 47-★E1HT 3A691-RA (EATON)		
1	353846-S8	(XX-120)-Washer-flat-pulley to pump-5/16"	1	E1HZ 3K507-B	Bolt 3/8" 16 x 3"
1	353864-S7	(BB-863-G)-Bolt & lockwasher- hex. head-5/16"-18 x 7/8"	2	D0HZ 3D654-A	Fitting (outlet) includes "O" ring
PARTS LIST NO. 44-★E1HT 3A691-KA (EATON)			1	▲E1HZ 3A674-B	Pump assy.
3	E1HZ 3K507-A	Bolt-3/8"-16 x 2 3/4"	1	▲E0HZ 3A697-D	Reservoir assy.
1	▲E1HZ 3A674-A	Pump assy.	1	D6HZ 3A732-A	Bracket
1	▲D9HZ 3A697-A	Reservoir assy.	1	D6HZ 3A733-B	Pulley
1	E1HZ 3A732-D	Bracket assy.	2	B5A 33547-A	"O" ring (reservoir orifice) 53/64" I.D. x 15/16" O.D. x 7/64" thick
1	D9HZ 3A733-A	Pulley	1	★D6HZ 33547-A	"O" ring (fitting)-serviced in D0HZ 3D654-A
2	B5A 33547-A	"O" ring (reservoir orifice)-53/64" I.D. x 15/16" O.D. x 7/64" thick	2	B6QW 33549-A	"O" ring (reservoir orifice)-11/32" I.D. x 7/16" O.D. x 1/16" thick
2	B6QW 33549-A	"O" ring (reservoir orifice)-11/32" I.D. x 7/16" O.D. x 1/16" thick	2	57633-S2	(U 10 A) Screw & lockwasher-hex. head 5/16" 18 x 3/4"
2	57633-S2	(U-10-A)-Screw & lockwasher-hex. head-5/16"-18 x 3/4"	1	74172-S	(L-3)-Key pulley drive-1/2" dia. x 1/8" thick
1	74172-S	(L-3)-Key-pulley drive-1/2" dia. x 1/8" thick	1	353846-S8	(XX-120) Washer flat-pulley to pump 5/16"
1	353846-S8	(XX-120)-Washer-flat-pulley to pump-5/16"	1	353864-S7	(BB-863 G) Bolt & lockwasher- hex. head-5/16" 18 x 7/8"
1	353864-S7	(BB-863-G)-Bolt & lockwasher- hex. head-5/16"-18 x 7/8"			

1980/  
TRUCK SERIES 600/900

QTY.	PART NUMBER	DESCRIPTION	QTY.	PART NUMBER	DESCRIPTION
▲For components refer to Group in Section 36 ■Also supplied in 3B584 kit					
●Details not serviced					
\$For components refer to group in Section 35					
PARTS LIST NO. 48-★E1HT 3A691-SA (EATON)			PARTS LIST NO. 51-★E1HT 3K514-CA (EATON) — Cont'd		
3	E1HZ 3K507-A	(Bolt-3/8"-16 x 2 3/4"	1	D0HZ 3E762-B	Hub (pump drive)
1	▲D4TZ 3A674-B	Pump assy.	2	34807-S8	(X-66)-Lockwasher
1	▲D6HZ 3A697-E	Reservoir assy.	1	74175-S	(L-7)-Woodruff key No. 6 (hub drive)
1	D7HZ 3A732-A	Bracket	2	377278-S7-8	(WW-6-E)-Stud reservoir-3/8"-16 x 2"
1	C7TZ 3A733-D	Pulley	PARTS LIST NO. 52-★E1HT 3K514-DA (EATON)		
2	B5A 33547-A	"O" ring (reservoir orifice)-53/64" I.D. x 15/16" O.D. x 7/64" thick	1	E1HZ 3A006-B	Cap assy. (reservoir)
2	B6QW 33549-A	"O" ring (reservoir orifice)-11/32" I.D. x 7/16" O.D. x 1/16" thick	1	D9HZ 3K505-A	Flange (pump mounting)
2	57633-S2	(U-10-A)-Screw & lockwasher-hex. head -5/16"-18 x 3/4"	2	D0HZ 3K507-B	Bolt (pump flange)-3/8"-16 x 2 1/2"
1	74172-S	(L-3) Key-pulley drive-1/2" dia. x 1/8" thick	1	D9HZ 3K559-A	Nut (flange)
1	353846-S8	(XX-120)-Washer-flat-pulley to pump-5/16"	1	D0HZ 3E599-B	Fitting (outlet)-incl. "O" ring
1	353864-S7	(BB-863-G)-Bolt & lockwasher-hex. head -5/16"-18 x 7/8"	1	E1HZ 3C602-A	Filter kit (reservoir)
PARTS LIST NO. 49-★E1HT 3A691-TA (EATON)			2	E0HZ 3E630-A	Nut (reservoir)
3	E1HZ 3K507-A	Bolt-3/8"-16 x 2 3/4"	1	▲E2HZ 3A674-B	Pump assy.
1	▲D4TZ 3A674-A	Pump assy.	1	●E1HZ 3A697-H	Reservoir assy.-no details to service
1	●D6HZ 3A697-E	Reservoir assy.	1	D0HZ 3E762-B	Hub (pump drive)
1	D7HZ 3A732-A	Bracket	2	34807-S8	(X-66)-Lockwasher
1	C7TZ 3A733-D	Pulley	1	74175-S	(L-7)-Woodruff key No. 6 (hub drive)
2	B5A 33547-A	"O" ring (reservoir orifice)-53/64" I.D. x 15/16" O.D. x 7/64" thick	2	377278-S7-8	(WW-6-E)-Stud (reservoir)-3/8"-16 x 2"
2	B6QW 33549-A	"O" ring (reservoir orifice)-11/32" I.D. x 7/16" O.D. x 1/16" thick	PARTS LIST NO. 53-★E1HT 3K514-EA (EATON)		
2	57633-S2	(U-10-A)-Screw & lockwasher-hex. head-5/16"-18 x 3/4"	1	E1HZ 3A006-B	Cap assy. (reservoir)
1	74172-S	(L-3)-Key-pulley drive-1/2" dia. x 1/8" thick	1	D8HZ 3K505-A	Flange (pump mounting)
1	353846-S8	(XX-120)-Washer-flat-pulley to pump-5/16"	2	D4HZ 3K507-A	Bolt (pump flange)-3/8"-16 x 1"
1	353864-S7	(BB-863-G)-Bolt & lockwasher- hex. head-5/16"-18 x 7/8"	1	D0HZ 3E599-B	Fitting (outlet)-incl. "O" ring
PARTS LIST NO. 50-★E1HT 3K514-BA (EATON)			1	E1HZ 3C602-A	Filter kit (reservoir)
1	E1HZ 3A006-B	Cap assy. (reservoir)	2	E0HZ 3E630-A	Nut (reservoir)
1	D0HZ 3K505-D	Flange (pump mounting)	1	▲E2HZ 3A674-H	Pump assy.
2	D0HZ 3K507-B	Bolt (pump flange)-3/8"-16 x 2 1/2"	1	D8HZ 3D684-B	Seal kit (pump)
1	D9HZ 3K559-A	Nut (flange)	1	●E1HZ 3A697-J	Reservoir assy.-no details to service
1	D0HZ 3E599-A	Fitting (outlet)-incl. "O" ring	2	34807-S8	(X-66)-Lockwasher
1	E1HZ 3C602-A	Filter kit (reservoir)	2	377278-S7-8	(WW-6-E)-Stud (reservoir)-3/8"-16 x 2"
2	E0HZ 3E630-A	Nut (reservoir)	PARTS LIST NO. 54-★E1HT 3K514-FA (EATON)		
1	▲D0HZ 3A674-D	Pump assy.	1	E1HZ 3A006-B	Cap assy. (reservoir)
1	●E1HZ 3A697-L	Reservoir assy.-no details to service	1	D8HZ 3K505-A	Flange (pump mounting)
1	D0HZ 3E762-B	Hub (pump drive)	2	D4HZ 3K507-A	Bolt (pump flange)-3/8"-16 x 1"
2	34807-S8	(L-66)-Lockwasher	1	D0HZ 3E599-B	Fitting (outlet)-incl. "O" ring
1	74175-S	(L-7)-Woodruff key No. 6 (hub drive)	1	E1HZ 3C602-A	Filter kit (reservoir)
2	377278-S7-8	(WW-6-E)-Stud (reservoir)-3/8"- 16 x 2"	2	E0HZ 3E630-A	Nut (reservoir)
PARTS LIST NO. 51-★E1HT 3K514-CA (EATON)			1	▲D8HZ 3A674-F	Pump assy.
1	E1HZ 3A006-B	Cap assy. (reservoir)	1	D8HZ 3D684-B	Seal kit (pump)
1	D0HZ 3K505-D	Flange (pump mounting)	1	●E1HZ 3A697-K	Reservoir assy.-no details to service
2	D0HZ 3K507-B	Bolt (pump flange)-3/8"-16 x 2 1/2"	2	34807-S8	(X-66)-Lockwasher
1	D9HZ 3K559-A	Nut (flange)	2	377278-S7-8	(WW-6-E)-Stud (reservoir)-3/8"-16 x 2"
1	D0HZ 3E599-A	Fitting (outlet)-incl. "O" ring	PARTS LIST NO. 55-★E1HT 3K514-GA (EATON)		
1	E1HZ 3C602-A	Filter kit (reservoir)	1	E1HZ 3A006-B	Cap assy. (reservoir)
2	E0HZ 3E630-A	Nut (reservoir)	1	D9HZ 3K505-A	Flange (pump mounting)
1	▲D0HZ 3A674-F	Pump assy.	2	D4HZ 3K507-A	Bolt (pump flange)-3/8"-16 x 1"
1	●E1HZ 3A697-L	Reservoir assy.-no details to service	1	D0HZ 3E599-B	Fitting (outlet)-inc. "O" ring
PARTS LIST NO. 56-★E1HT 3606-AA (EATON)					
1	E1HZ 3A006-B	Cap assy.			

**1980/  
TRUCK SERIES 600/900**

QTY.	PART NUMBER	DESCRIPTION	QTY.	PART NUMBER	DESCRIPTION
▲For components refer to Group in Section 36 ■Also supplied in 3B584 kit					
●Details not serviced					
\$For components refer to group in Section 35					
PARTS LIST NO. 56-★E1HT 3606-AA (EATON) — Cont'd			PARTS LIST NO. 60-★ED EOHT 3A691-KB		
1	DOHZ 3E599-B	Fitting (outlet)-incl. "O" ring	1	E1HZ 3A006-B	Filler cap
1	E1HZ 3C602-A	Filter kit	1	DOHZ 3E599-A	Fitting-outlet
2	EOHZ 3E630-A	Nut (reservoir)	1	E1HZ 3C602-A	Filter kit
1	▲DOHZ 3A674-A	Pump assy.	2	EOHZ 3E630-A	Nut-reservoir lock
1	●E1HZ 3A697-G	Reservoir assy.-no details to service	1	▲D9HZ 3A674-F	Pump assy.
1	DOHZ 3A732-E	Bracket	1	●E1HZ 3A697-E	Reservoir assy. -- details not serviced
1	DOHZ 3A733-A	Pulley	1	E1HZ 3A732-E	Bracket assy.
2	43011-S	(B-263)-Bolt (bracket)-3/8"-16 x 2 5/8"	1	DOHZ 3A733-A	Pulley
1	74172-S	(L-3)-Woodruff key-1/8" x 1/2"	3	43011-S	(B-263)-Bolt-bracket
1	353846-S8	(XX-120)-Washer-flat-5/16"	1	74172-S	(L-3) Key-pulley drive-1/2" dia.-x 1/8" thick
1	353864-S7	(BB-863-G)-Bolt (pulley)	1	353846-S8	(XX-120)-Washer-flat-pulley to pump-5/16"
2	377278-S7-8	(WW-6-E)-Stud (reservoir)-3/8"-16 x 2"	1	353864-S7	(BB-863-G)-Bolt & lockwasher-hex. head-5/16"-18 x 7/8"
PARTS LIST NO. 57-★E1HT 3606-BA (EATON)			PARTS LIST NO. 61-★E2HT 2N211-AA (SAGINAW)		
1	E1HZ 3A006-B	Cap assy.	2	377278-S7-8	(WW-6-E)-Stud-reservoir-3/8"-16 x 2"
1	DOHZ 3E599-B	Fitting (outlet)-incl. "O" ring	PARTS LIST NO. 61-★E2HT 2N211-AA (SAGINAW)		
1	E1HZ 3C602-A	Filter kit	1	D8AZ 3A006-B	Cap. assy. (reservoir)
2	EOHZ 3E630-A	Nut (reservoir)	1	E1UZ 3E554-A	Shaft repair kit (retainer rings)
1	▲DOHZ 3A674-B	Pump assy.	1	E1UZ 3B559-A	Shaft (rotor)
1	●E1HZ 3A697-G	Reservoir assy.—no details to service	1	E0HZ 3A561-B	Valve assy. (flow control)
1	DOHZ 3A732-E	Bracket	1	D2VY 3B584-A	Seal & gasket kit
1	DOHZ 3A733-A	Pulley	1	D2VY 3D586-A	Spring (flow control valve)
2	43011-S	(B-263)-Bolt (bracket)-3/8"-16 x 2 5/8"	1	D6AZ 3D589-A	Plate (end)
1	74172-S	(L-3)-Woodruff key - 1/8" x 1/2"	1	E2UZ 3D590-A	Plate (pressure-front)
1	353846-S8	(XX-120)-Washer-flat-5/16"	1	E2UZ 3D590-B	Plate (pressure-rear)
1	353864-S7	(BB-863-G)-Bolt (pulley)	1	■D2VY 3B592-A	Seal (rotor shaft oil)
2	377278-S7	(WW-6-E)-Stud (reservoir)-3/8"-16 x 2"	1	E2UZ 3D596-A	Spring (pressure plate)
PARTS LIST NO. 58-★E1HT 3A691-DA (EATON)			1	E1UZ 3D607-A	Rotor assy.
1	E1HZ 3A006-B	Cap assy.	1	E2TZ 3F614-A	Magnet (reservoir)
1	E1HZ 3C602-A	Filter kit	1	E0HZ 3A643-B	Housing assy.
2	EOHZ 3E630-A	Nut (reservoir)	1	E0HZ 3D654-A	Fitting (valve outlet)
1	DOHZ 3D654-A	Fitting (outlet)-incl. "O" ring	1	E2HZ 2N211-A	Pump & reservoir assy.
1	▲DOHZ 3A674-A	Pump assy.	1	E0HZ 3D683-A	Stud (pump mounting)
1	●E1HZ 3A697-F	Reservoir assy. -- no details to service	1	E0HZ 3A697-A	Reservoir assy.
1	DOHZ 3A732-B	Bracket	1	D5AZ 3A733-A	Pulley
1	DOHZ 3A733-A	Pulley	1	384979-S(QQ-61-M)	Ring (retainer plate)
3	43011-S	(B-263)-Bolt (bracket)-3/8"-16 x 2 5/8"	2	■385643-S94(KK-52-CD)	"O" ring (housing)
1	74172-S	(L-3) Woodruff key - 1/8" x 1/2"	2	387297-S(NN-143-F)	Pin (pump ring dowel)
1	353846-S8	(XX-120)-Washer-flat-5/16"	PARTS LIST NO. 62-★E1HT 2N211-AA (SAGINAW)		
1	353864-S7	(BB-863-G)-Bolt (pulley)	1	D8AZ 3A006-B	Cap. assy. (reservoir)
2	377278-S7-8	(WW-6-E)-Stud (reservoir)-3/8" - 16 x 2"	1	E1UZ 3E554-A	Shaft repair kit (retainer rings)
PARTS LIST NO. 59-★E1HT 3A691-EA (EATON)			1	E1UZ 3B559-A	Shaft (rotor)
1	E1HZ 3A006-B	Cap assy.	1	E0HZ 3A561-B	Valve assy. (flow control)
1	E1HZ 3C602-A	Filter kit	1	D2VY 3B584-A	Seal & gasket kit
2	EOHZ 3E630-A	Nut (reservoir)	1	D2VY 3D586-A	Spring (flow control valve)
1	DOHZ 3D654-A	Fitting (outlet)-incl. "O" ring	1	D6AZ 3D589-A	Plate (end)
1	▲DOHZ 3A674-B	Pump assy.	1	E2UZ 3D590-A	Plate (pressure-front)
1	●E1HZ 3A697-F	Reservoir assy.—no details to service	1	D6AZ 3D590-A	Plate (pressure-rear)
1	DOHZ 3A732-B	Bracket	1	■D2VY 3B592-A	Seal (rotor shaft oil)
1	DOHZ 3A733-A	Pulley	1	D6AZ 3D596-A	Spring (pressure plate)
3	43011-S	(B-263)-Bolt (bracket)-3/8"-16 x 2 5/8"	1	E1UZ 3D607-A	Rotor assy.
1	74172-S	(L-3)-Woodruff key - 1/8" x 1/2"	1	E2TZ 3F614-A	Magnet (reservoir)
1	353846-S8	(XX-120)-Washer-flat-5/16"	1	E0HZ 3A643-B	Housing assy.
1	353864-S7	(BB-863-G)-Bolt (pulley)	1	E0HZ 3D654-A	Fitting (valve outlet)
2	377278-S7-8	(WW-6-E)-Stud (reservoir)-3/8"-16 x 2"	1	E1HZ 3A674-D	Pump & reservoir assy.

QTY.	PART NUMBER	DESCRIPTION	QTY.	PART NUMBER	DESCRIPTION
▲For components refer to Group in Section 36 ■Also supplied in 3B584 kit					
●Details not serviced					
§For components refer to group in Section 35					
PARTS LIST NO. 62-★E1HT 2N211-AA (SAGINAW) — Cont'd			PARTS LIST NO. 66-★E2HT 3606-AA (EATON) — Cont'd		
1	E0HZ 3D683-A	Stud (pump mounting)	1	D0HZ 3A733-A	Pulley
1	E0HZ 3A697-A	Reservoir assy.	3	43011-S	(B-263)-Bolt (bracket)-3/8"-16 x 2 5/8"
1	D5AZ 3A733-A	Pulley	1	74172-S	(L-3)-Woodruff key-1/8" x 1/2"
1	384979-S(QQ-61-M)	Ring (retainer plate)	1	353846-S8	(XX-120)-Washer-flat-5/16"
2	■385643-S94(KK-52-CD)	"O" ring (housing)	1	353864-S7	(BB-863-G)-Bolt (pulley)
2	387297-S(NN-143-F)	Pin (pump ring dowel)	2	377278-S7-8	(WW-6-E)-Stud (reservoir)-3/8"-16 x 2"
PARTS LIST NO. 63-★E2HT 3K514-AA (EATON)			PARTS LIST NO. 67-★E2HT 3606-BA (EATON)		
1	E1HZ 3A006-B	Cap assy. (reservoir)	1	E1HZ 3A006-B	Cap assy.
1	D0HZ 3K505-D	Flange (pump mounting)	1	E1HZ 3C602-A	Filter kit
2	D0HZ 3K507-B	Bolt (pump flange)-3/8"-16 x 2 1/2"	2	E0HZ 3E630-A	Nut (reservoir)
1	D9HZ 3K559-A	Nut (flange)	1	D0HZ 3D654-A	Fitting (outlet)-incl. "O" ring
1	D0HZ 3E599-A	Fitting (outlet)-incl. "O" ring	1	▲E2HZ 3A674-D	Pump assy.
1	E1HZ 3C602-A	Filter kit (reservoir)	1	●E1HZ 3A697-F	Reservoir assy. - - no details to service
2	E0HZ 3E630-A	Nut (reservoir)	1	D0HZ 3A732-B	Bracket
1	▲E2HZ 3A674-B	Pump assy.	1	D0HZ 3A733-A	Pulley
1	●E1HZ 3A697-L	Reservoir assy. - - no details to service	3	43011-S	(B-263)-Bolt (bracket)-3/8"-16 x 2 5/8"
1	D0HZ 3E762-B	Hub (pump drive)	1	74172-S	(L-3) Woodruff key-1/8" x 1/2"
2	34807-S8	(X-66)-Lockwasher	1	353846-S8	(XX-120)-Washer-flat-5/16"
1	74175-S	(L-7)-Woodruff key No. 6 (hub drive)	1	353864-S7	(BB-863-G)-Bolt (pulley)
2	377278-S7-8	(WW-6-E)-Stud (reservoir)-3/8"-16 x 2"	2	377278-S7-8	(WW-6-E)-Stud (reservoir)-3/8"-16 x 2"
PARTS LIST NO. 64-★E2HT 3K514-BA (EATON)			PARTS LIST NO. 68-★E2HT 3606-CA (EATON)		
1	E1HZ 3A006-B	Cap assy. (reservoir)	1	E1HZ 3A006-B	Cap assy.
1	D0HZ 3K505-D	Flange (pump mounting)	1	D0HZ 3E599-B	Fitting (outlet)-incl. "O" ring
2	D0HZ 3K507-B	Bolt (pump flange)-3/8"-16 x 2 1/2"	1	E1HZ 3C602-A	Filter kit
1	D9HZ 3K559-A	Nut (flange)	2	E0HZ 3E630-A	Nut (reservoir)
1	D0HZ 3E599-A	Fitting (outlet)-incl. "O" ring	1	▲E0HZ 3A674-C	Pump assy.
1	E1HZ 3C602-A	Filter kit (reservoir)	1	●E1HZ 3A697-G	Reservoir assy. - - no details to service
2	E0HZ 3E630-A	Nut (reservoir)	1	D0HZ 3A732-E	Bracket
1	▲E2HZ 3A674-C	Pump assy.	1	D0HZ 3A733-A	Pulley
1	●E1HZ 3A697-L	Reservoir assy.-no details to service	2	43011-S	(B-263)-Bolt (bracket)-3/8"-16 x 2 5/8"
1	D0HZ 3E762-B	Hub (pump drive)	1	74172-S	(L-3)-Woodruff key-1/8" x 1/2"
2	34807-S8	(L-66)-Lockwasher	1	353846-S8	(XX-120)-Washer-flat-5/16"
1	74175-S	(L-7)-Woodruff key No. 6 (hub drive)	1	353864-S7	(BB-863-G)-Bolt (pulley)
2	377278-S7-8	(WW-6-E)-Stud (reservoir)-3/8"-16 x 2"	2	377278-S7	(WW-6-E)-Stud (reservoir)-3/8"-16 x 2"
PARTS LIST NO. 65-★E2HT 3K514-CA (EATON)			PARTS LIST NO. 69-★E2HT 3606-DA (EATON)		
1	E1HZ 3A006-B	Cap assy. (reservoir)	1	E1HZ 3A006-B	Cap assy.
1	D8HZ 3K505-A	Flange (pump mounting)	1	D0HZ 3E599-B	Fitting (outlet)-incl. "O" ring
2	D4HZ 3K507-A	Bolt (pump flange)-3/8"-16 x 1"	1	E1HZ 3C602-A	Filter kit
1	D0HZ 3E599-B	Fitting (outlet)-incl. "O" ring	2	E0HZ 3E630-A	Nut (reservoir)
1	E1HZ 3C602-A	Filter kit (reservoir)	1	▲E2HZ 3A674-D	Pump assy.
2	E0HZ 3E630-A	Nut (reservoir)	1	●E1HZ 3A697-G	Reservoir assy.-no details to service
1	▲E2HZ 3A674-E	Pump assy.	1	D0HZ 3A732-E	Bracket
1	D8HZ 3D684-B	Seal kit (pump)	1	D0HZ 3A733-A	Pulley
1	●E1HZ 3A697-K	Reservoir assy. - - no details to service	2	43011-S	(B-263)-Bolt (bracket)-3/8"-16 x 2 5/8"
2	34807-S8	(X-66)-Lockwasher	1	74172-S	(L-3)-Woodruff key-1/8" x 1/2"
2	377278-S7-8	(WW-6-E)-Stud (reservoir)-3/8"-6 x 2"	1	353846-S8	(XX-120)-Washer-flat-5/16"
PARTS LIST NO. 66-★E2HT 3606-AA (EATON)			PARTS LIST NO. 70-★E2HT 3D639-AA (EATON)		
1	E1HZ 3A006-B	Cap assy.	1	D0HZ 3E599-B	Fitting (outlet)-incl. "O" ring
1	E1HZ 3C602-A	Filter kit	2	E0HZ 3E630-A	Nut (pump reservoir lock)
2	E0HZ 3E630-A	Nut (reservoir)	1	▲E2HZ 3A674-F	Pump assy.
1	D0HZ 3D654-A	Fitting (outlet)-incl. "O" ring	1	D9HZ 3D684-A	Kit (gasket replacement)-consists of (1) gasket (4) sealing washers
1	▲E0HZ 3A674-C	Pump assy.	1	D4HZ 3A697-E	Reservoir assy.-remote mounted
1	●E1HZ 3A697-F	Reservoir assy. - - no details to service			
1	D0HZ 3A732-B	Bracket			

1980/  
TRUCK SERIES 600/900

QTY.	PART NUMBER	DESCRIPTION	QTY.	PART NUMBER	DESCRIPTION
<p>▲For components refer to Group in Section 36 ■Also supplied in 3B584 kit ●Details not serviced \$For components refer to group in Section 35</p>					
PARTS LIST NO. 70-★E2HT 3D639-AA (EATON)			PARTS LIST NO. 75-★E3HT 3606-DA --- Cont'd		
1	D0HZ 3A699-B	Tank (pump reservoir oil)	1	E3HZ 3C602-A	Filter Assy.
1	D0HZ 3A732-D	Bracket (pump adjusting)	1	E3HZ 3D654-A	Fitting (valve outlet)
1	D0HZ 3A733-A	Pulley (pump)	1	▲E3HZ 3A674-B	Pump Assy.
3	43011-S	(B-263)-Bolt-bracket-3/8"-16 x 2 5/8	1	E3HZ 3D684-A	Gasket service kit
1	74172-S	(L-3)-Woodruff key-1/8" x 1/2"	1	▲E3HZ 3A697-A	Reservoir Assy.
1	353846-S	(XX-120)-Washer-flat-5/16"	1	E3HZ 3A732-B	Bracket
1	353864-S7	(BB-863-G)-Bolt & lockwasher-hex. head-5/16"-18 x 7/8"	1	E3HZ 3A733-A	Pulley Assy.
2	377278-S7-8	(WW-6-E)-Stud-reservoir-3/8"-16 x 2"	PARTS LIST NO. 76-★E3HT 3606-EA		
PARTS LIST NO. 71-★E2HT 3D639-BA			1	E1HZ 3A006-A	Cap Assy.
1	D0HZ 3E599-B	Fitting (outlet)-incl. "O" ring	3	E3HZ 3K507-A	Bolt (bracket)-3/8"-16 x 3 1/2"
2	E0HZ 3E630-A	Nut (pump reservoir lock)	1	E3HZ 3C602-A	Filter Assy.
1	▲E2HZ 3A674-G	Pump Assy.	1	E3HZ 3D654-A	Fitting (valve outlet)
1	D9HZ 3D684-A	Kit (Gasket replacement)-consists of (1) gasket (4) sealing washers	1	▲E3HZ 3A674-C	Pump Assy.
1	D4HZ 3A697-E	Reservoir Assy.-remote mounted	1	E3HZ 3D684-A	Gasket service kit
1	D0HZ 3A699-B	Tank (pump reservoir oil)	1	▲E3HZ 3A697-A	Reservoir Assy.
1	D0HZ 3A732-D	Bracket (pump adjusting)	1	E3HZ 3A732-B	Bracket
1	D0HZ 3A733-A	Pulley (pump)	1	E3HZ 3A733-A	Pulley Assy.
3	43011-S	(B-263)-Bolt-bracket-3/8"-16 x 2 5/8"	PARTS LIST NO. 77-★E3HT 3606-FA		
1	74172-S	(L-3)-Woodruff key-1/8" x 1/2"	1	E1HZ 3A006-A	Cap Assy.
1	353846-S	(XX-20)-Washer-flat-5/16"	3	E3HZ 3K507-B	Bolt (bracket)-3/8"-16 x 3 1/4"
1	353864-S7	(BB-863-G)-Bolt & lockwasher-hex. head-5/16"-18 x 7/8"	1	E3HZ 3C602-A	Filter Assy.
2	377278-S7-8	(WW-6-E)-Stud-reservoir-3/8"-16 x 2"	1	▲E3HZ 3A674-D	Pump Assy.
PARTS LIST NO. 72-★E3HT 3606-AA & AB			1	E3HZ 3D684-A	Gasket service kit
1	E1HZ 3A006-A	Cap Assy.	1	▲E3HZ 3A697-A	Reservoir Assy.
3	E3HZ 3K507-B	Bolt (bracket)-3/8"-16 x 3 1/4"	1	★E3HZ 3A732-D	Bracket
1	E3HZ 3C602-A	Filter Assy.	1	★E3HZ 3A733-B	Pulley Assy.
1	▲E5HZ 3A674-E	Pump Assy.	PARTS LIST NO. 78-★E3HT 3606-GA		
1	E3HZ 3D684-A	Gasket service kit	1	E1HZ 3A006-A	Cap Assy.
1	▲E3HZ 3A697-A	Reservoir Assy.	3	E1HZ 3K507-B	Bolt (bracket)-3/8"-16 x 3"
1	★E3HZ 3A732-A	Bracket	1	E3HZ 3C602-A	Filter Assy.
1	E3HZ 3A733-A	Pulley Assy.	1	E3HZ 3D654-A	Fitting (valve outlet)
PARTS LIST NO. 73-★E3HT 3606-BA			1	▲E3HZ 3A674-E	Pump Assy.
1	E1HZ 3A006-A	Cap Assy.	1	E3HZ 3D684-A	Gasket service kit
3	E3HZ 3K507-A	Bolt (bracket)-3/8"-16 x 3 1/2"	1	▲E3HZ 3A697-A	Reservoir Assy.
1	E3HZ 3C602-A	Filter Assy.	1	★E3HZ 3A732-D	Bracket
1	E3HZ 3D654-A	Fitting (valve outlet)	1	★E3HZ 3A733-B	Pulley Assy.
1	▲E5HZ 3A674-E	Pump Assy.	PARTS LIST NO. 79-★E3HT 3D639-AA		
1	E3HZ 3D684-A	Gasket service kit	3	E3HZ 3K507-B	Bolt (bracket)-3/8"-16 x 3 1/4"
1	▲E3HZ 3A697-A	Reservoir Assy.	1	E1HZ 3670-A	Adapter-pump to reservoir
1	E3HZ 3A732-B	Bracket	1	★▲E3HZ 3A674-F	Pump Assy.-r/b E5HZ 3A674-A(11/89)
1	E3HZ 3A733-A	Pulley Assy.	1	E3HZ 3D684-A	Gasket service kit
PARTS LIST NO. 74-★E3HT 3606-CA			1	★ 3A697	Reservoir Assy. (lower)-not required with this Assy.
1	E1HZ 3A006-A	Cap Assy.	1	▲E0HZ 3A697-B	Reservoir Assy. (upper)
3	E1HZ 3K507-B	Bolt (bracket)-3/8"-16 x 3"	1	E3HZ 3A732-E	Bracket
1	E3HZ 3C602-A	Filter Assy.	1	E3HZ 3A733-A	Pulley Assy.
1	▲E5HZ 3A674-E	Pump Assy.	1	45757-S	(B-220-J)-Bolt hex. head
1	E3HZ 3D684-A	Gasket service kit	PARTS LIST NO. 80-★E3HT 3D639-BA		
1	▲E3HZ 3A697-A	Reservoir Assy.	3	E3HZ 3K507-B	Bolt (bracket)-3/8"-16 x 3 1/4"
1	★E3HZ 3A732-C	Bracket	1	E1HZ 3670-A	Adapter-pump to reservoir
1	E3HZ 3A733-A	Pulley Assy.	1	▲E3HZ 3A674-G	Pump Assy.
PARTS LIST NO. 75-★E3HT 3606-DA			1	E3HZ 3D684-A	Gasket service kit
1	E1HZ 3A006-A	Cap Assy.	1	★ 3A697	Reservoir Assy. (lower)-not required with this Assy.
3	E3HZ 3K507-A	Bolt (bracket)-3/8"-16 x 3 1/2"	1	▲E0HZ 3A697-B	Reservoir Assy. (upper)
			1	E3HZ 3A732-E	Bracket
			1	E3HZ 3A733-A	Pulley Assy.
			1	45757-S	(B-220-J)-Bolt hex. head

QTY.	PART NUMBER	DESCRIPTION	QTY.	PART NUMBER	DESCRIPTION
▲For components refer to Group in Section 36 ■Also supplied in 3B584 kit					
●Details not serviced					
\$For components refer to group in Section 35					
PARTS LIST NO. 81-★E3HT 3D639-CA			PARTS LIST NO. 84-★E4HT 2N211-BA (Saginaw) — Cont'd		
3	E3HZ	3K507-B Bolt (bracket)-3/8"-16 x 3 1/4"	1	D6AZ	3D589-A Plate (end)
1	E1HZ	3670-A Adapter-pump to reservoir	1	E2UZ	3D590-A Plate (pressure-front)
1	E3HZ	3A674-H Pump assy.	1	E2UZ	3D590-B Plate (pressure-rear)
1	E3HZ	3D684-A Gasket service kit	1	■D2VY	3B592-A Seal (rotor shaft oil)
1	★	3A697 Reservoir assy. (lower)-not required with this assy.	1	E2UZ	3D596-A Spring (Pressure plate)
1	▲E0HZ	3A697-B Reservoir assy. (upper)	1	E1UZ	3D607-A Rotor assy.
1	E3HZ	3A732-E Bracket	1	E2TZ	3F614-A Magnet (reservoir)
1	E3HZ	3A733-A Pulley assy.	1	E0HZ	3A643-B Housing assy.
1	45757-S	(B-220-J)-Bolt hex. head	1	E0HZ	3D654-A Fitting (valve outlet)
PARTS LIST NO. 82-★E1TD 3A691-AD, ★E6HT 3A691-AA			1	E4HZ	2N211-A Pump & reservoir assy.
1	E1HZ	3A006-B Cap assy. (reservoir)	1	E0HZ	3D683-A Stud (pump mounting)
1	★E1HZ	3B592-A Seal (rotor shaft oil)-r/b E0HZ 3D684-A (6/89)	1	D5AZ	3A733-A Pulley
1	E1HZ	3C602-A Filter kit (reservoir)	1	384979-S(QQ-61-M)	Ring (retainer plate)
2	E0HZ	3E630-A Nut (reservoir)	2	■385643-S94(KK-S2-6D)	"O" ring (housing)
1	D0HZ	3D654-A Fitting (outlet)-incl. "O" ring	2	387297-S(INN-143-F)	Pin (pump ring dowell)
1	▲E0HZ	3A674-C Pump assy.	PARTS LIST NO. 85-★E4HT 3D639-AA		
1	●E3HZ	3A697-B Reservoir assy. -- no details to service	1	E3HZ	3K507-B Bolt (bracket)-3/8"-16 x 3 1/4"
1	E3HZ	3A732-G Bracket	1	E4HZ	3670-A Adapter-pump to reservoir
1	D0HZ	3A733-A Pulley	1	★▲E3HZ	3A674-F Pump assy.-r/b E5HZ 3A674-A(11/89)
3	43011-S	(B-263)-Bolt (bracket)-3/8"-16 x 2 5/8"	1	E3HZ	3D684-A Gasket service kit
1	74172-S	(L-3)-Woodruff key-1/8" x 1/2"	1	★3A697	Reservoir assy. (lower)-not required with this assy.
1	353846-S8	(XX-120)-Washer-flat-5/16"	1	▲E0HZ	3A697-B Reservoir assy. (upper)
1	353864-S7	(BB-863-G)-Bolt (pulley)	1	E3HZ	3A732-E Bracket
2	377278-S7-8	(WW-6-E)-Stud (reservoir)-3/8"-16 x 2"	1	E3HZ	3A733-A Pulley assy.
PARTS LIST NO. 83-★E3HT 3A691-BA, ★E6HT 3A691-BA			1	45757-S	(B-220-J)-Bolt hex head
1	E1HZ	3A006-B Cap assy. (reservoir)	PARTS LIST NO. 86-★E4HT 3A674-AB		
1	★E1HZ	3B592-A Seal (rotor shaft oil)-r/b E0HZ 3D684-A (6/89)	1	D8HZ	3K505-B Flange (pump mounting)
1	E1HZ	3C602-A Filter kit (reservoir)	1	D0HZ	3E599-A Fitting (outlet)-incl. "O" ring
2	E0HZ	3E630-A Nut (reservoir)	4	E0HZ	3E630-A Nut-(reservoir and flange)
1	D0HZ	3D654-A Fitting (outlet)-incl. "O" ring	1	▲E2HZ	3A674-J Pump assy.
1	▲E2HZ	3A674-D Pump assy.	1	D8HZ	3D684-B "O" ring kit (body to flange)
1	●E3HZ	3A697-B Reservoir assy. -- no details to service	1	D9HZ	3D684-A Gasket (kit (reservoir)
1	E3HZ	3A732-G Bracket	1	●E4HZ	3A697-B Reservoir assy.-(lower)-details not serviced
1	D0HZ	3A733-A Pulley	1	▲E4HZ	3A697-C Reservoir assy.-(upper)-(CL-9000-Cummins 855 only)
3	43011-S	(B-263)-Bolt (bracket) - 3/8" - 16 x 2 5/8"	4	377278-S7-8	(WW-6-E)-Stud (reservoir)-3/8"-16 x 2"
1	74172-S	(L-3)-Woodruff key- 1/8" x 1/2"	PARTS LIST NO. 87-★E4HT 3K514-CA		
1	353846-S8	(XX-120)-Washer-flat - 5/16"	1	E1HZ	3A006-B Cap assy. (reservoir)
1	353864-S7	(BB-863-G)-Bolt (pulley)	1	D8HZ	3K505-A Flange (pump mounting)
2	377278-S7-8	(WW-6-E)-Stud (reservoir)-3/8" - 16 x 2"	2	D4HZ	3K507-A Bolt (pump flange)-3/8"-1.6 x 1"
PARTS LIST NO. 84-★E4HT 2N211-BA (Saginaw)			1	E1HZ	3C602-A Filter kit (reservoir)
1	E4HZ	2L697-A Reservoir & outlet tube assy. kit hydraulic pump	2	E0HZ	3E630-A Nut (reservoir)
1	E1UZ	3E554-A Shaft repair kit (retainer rings)	1	D0HZ	3D654-A Fitting (outlet)-incl. "O" ring
1	E1UZ	3B559-A Shaft (rotor)	1	▲E4HZ	3A674-C Pump assy.
1	E0HZ	3A561-B Valve assy. (flow control)	1	D8HZ	3D684-B Seal kit (pump)
1	D2VY	3B584-A Seal & gasket kit	1	●E1HZ	3A697-H Reservoir assy.
1	D2VY	3D586-A Spring (flow control valve)	2	34807-S8	(X-66)-Lockwasher
			2	377278-S7-8	(WW-6-E)-Stud-(reservoir)-3/8"-16 x 2"

1980/  
TRUCK SERIES 600/900

QTY.	PART NUMBER	DESCRIPTION	QTY.	PART NUMBER	DESCRIPTION
▲For components refer to Group in Section 36 ■Also supplied in 3B584 kit					
●Details not serviced					
\$For components refer to group in Section 35					
PARTS LIST NO. 88-★E4HT 3K514-DA			PARTS LIST NO. 92-★E4HT 3K514-EB		
1	E1HZ 3A006-B	Cap assy. (reservoir)	1	E1HZ 3A006-B	Cap. assy. (reservoir)
1	D8HZ 3K505-A	Flange (pump mounting)	1	★E1HZ 3B592-A	Seal (rotor shaft oil)-r/b E0HZ 3D684-A (6/89)
2	D4HZ 3K507-A	Bolt (pump flange)-3/8"-16 x 1"	1	D8HZ 3K505-A	Flange (pump mounting)
1	D0HZ 3E599-B	Fitting (outlet)-incl. "O" ring	2	D4HZ 3K507-A	Bolt (pump flange)-3/8"-16 x 1"
1	E1HZ 3C602-A	Filter kit	1	D0HZ 3E599-B	Fitting (outlet)-incl. "O" ring
2	E0HZ 3E630-A	Nut (reservoir)	1	E1HZ 3C602-A	Filter kit
1	▲E4HZ 3A674-B	Pump assy.	2	E0HZ 3E630-A	Nut (reservoir)
1	D8HZ 3D684-B	Seal kit (pump)	1	▲E4HZ 3A674-C	Pump assy.
1	●E1HZ 3A697-K	Reservoir assy.	1	D8HZ 3D684-B	Seal kit (pump)
2	34807-S8	(XX-66)-Lockwasher	1	●E4HZ 3A697-E	Reservoir assy.
2	377278-S7-8	(WW-6-E)-stud (reservoir)-3/8"-16 x 2"	2	34807-S8	(X-66)-Lockwasher
PARTS LIST NO. 89-★E4HT 3K514-EA			PARTS LIST NO. 93-★E5HT 3K514-AA		
1	E1HZ 3A006-B	Cap assy. (reservoir)	1	E1HZ 3A006-A	Cap assy. (reservoir-incl. in 3A397 kit)
1	D8HZ 3K505-A	Flange (pump mounting)	3	E3HZ 3K507-A	Bolt (bracket)-3/8"-16 x 3 1/2"
2	Dr4HZ 3K507-A	Bolt (pump flange)-3/8"-16 x 1"	1	E3HZ 3A582-A	Cover assy. (reservoir)
1	D0HZ 3E599-B	Fitting (outlet)-incl. "O" ring	1	E3HZ 3C602-A	Filter assy. (reservoir)
1	E1HZ 3C602-A	Filter kit	1	E3HZ 3D654-A	Fitting (valve outlet)
2	E0HZ 3E630-A	Nut (reservoir)	1	▲E3HZ 3A674-A	Pump assy.
1	▲E4HZ 3A674-C	Pump assy.	1	E3HZ 3D684-A	Gasket service kit
1	D8HZ 3D684-B	Seal kit (pump)	1	E5HZ 3A697-A	Reservoir assy.-kit
1	●E1HZ 3A697-K	Reservoir assy.	1	E3HZ 3A733-A	Pulley (pump)
2	34807-S8	(XX-66)-Lockwasher	PARTS LIST NO. 94-★E5HT 3K514-BA		
2	377278-S7-8	(WW-6-E)-Stud (reservoir)-3/8"-16 x 2"	1	E1HZ 3A006-B	Cap assy. (reservoir)
PARTS LIST NO. 90-★E4HT 3A674-BB			1	★E1HZ 3B592-A	Seal (rotor shaft oil)-r/b E0HZ 3D684-A (6/89)
1	E4HZ 3K505-A	Flange (pump mounting)	1	D0HZ 3E599-A	Fitting (outlet)-incl. "O" ring
3	D4HZ 3K507-A	Bolt (pump flange)-3/8"-16 x 1"	1	E1HZ 3C602-A	Filter kit (reservoir)
1	E4HZ 3670-B	Adapter-pump to reservoir	2	E0HZ 3E630-A	Nut (reservoir)
1	▲E4HZ 3A674-D	Pump assy.	1	▲E0HZ 3A674-C	Pump assy.
1	E3HZ 3D684-A	Gasket kit	1	D9HZ 3D684-A	Gasket kit-includes large "O" ring to secure cannister to pump
1	▲E4HZ 3A697-D	Reservoir assy.	1	●E5HZ 3A697-B	Reservoir assy.-no details to service
3	34807-S8	(X-66) Washer (lock)	1	E5HZ 3A733-A	Pulley assy.
1	45757-S	(B-220-J) Bolt hex. head	2	377278-S7-8	(WW-6-E)-stud (reservoir)-3/8"-16 x 2"
PARTS LIST NO. 91-★E4HT 3K514-DB			PARTS LIST NO. 95-★E5HT 3D639-BA		
1	E1HZ 3A006-B	Cap assy. (reservoir)	1	E3HZ 3K507-B	Bolt (bracket)-3/8"-16 x 3 1/4"
1	★E1HZ 3B592-A	Seal (rotor shaft oil)-r/b E0HZ 3D684-A (6/89)	1	E4HZ 3670-A	Adapter-pump to reservoir
1	D8HZ 3K505-A	Flange (pump mounting)	1	▲E5HZ 3A674-A	Pump assy.
2	D4HZ 3K507-A	Bolt (pump flange)-3/8"-16 x 1"	1	E3HZ 3D684-A	Gasket service kit
1	D0HZ 3E599-B	Fitting (outlet)-incl. "O" ring	1	★3A697	Reservoir assy. (lower)-not required with this assy.
1	E1HZ 3C602-A	Filter kit	1	▲E5HZ 3A697-C	Reservoir assy.-upper
2	E0HZ 3E630-A	Nut (reservoir)	1	E3HZ 3A732-E	Bracket
1	▲E4HZ 3A674-B	Pump assy.	1	E3HZ 3A733-A	Pulley assy.
1	D8HZ 3D684-B	Seal kit (pump)	1	45757-S	(B-220-J)-Bolt hex head
1	●E4HZ 3A697-E	Reservoir assy.			
2	34807-S8	(X-66)-Lockwasher			
2	377278-S7-8	(WW-6-E)-Stud-(reservoir)-3/8"-16 x 2"			



QTY.	PART NUMBER	DESCRIPTION	QTY.	PART NUMBER	DESCRIPTION
▲For components refer to Group in Section 36 ■Also supplied in 3B584 kit					
●Details not serviced					
§For components refer to group in Section 35					
PARTS LIST NO. 96-★E5HT 3D639-CA			PARTS LIST NO. 101-E7HT 3A674-BB,BC — Cont'd		
1	E3HZ	3K507-B Bolt (bracket)-3/8"-16 x 3 1/4"	1	E7HZ	3670-A Adapter-pump to reservoir
1	E1HZ	3670-A Adapter-pump to reservoir	1	▲E7HZ	3A697-B Reservoir assy.
1	▲E5HZ	3A674-B Pump assy.	3	34807-S8	(X-66) washer (lock)
1	E3HZ	3D684-A Gasket service kit	1	45757-S	(B-220-J) Bolt hex head
1	★3A697	Reservoir assy. (lower)-not required with this assy.	PARTS LIST NO. 102-★E4HT 3D639-BA		
1	▲E5HZ	3A697-C Reservoir assy. upper	3	E1HZ	3K507-B Bolt (bracket)-3/8"-16 x 3"
1	E3HZ	3A732-E Bracket	1	E6HZ	3670-A Adapter-pump to reservoir
1	E3HZ	3A733-A Pulley assy.	1	▲E5HZ	3A674-C Pump assy.
1	45757-S	(B-220-J)-Bolt hex. head	1	E3HZ	3D684-A Gasket service kit
PARTS LIST NO. 97-★E5HT 3D639-DA			1	★3A697	Reservoir assy. (lower) not required with this assy.
1	E3HZ	3K507-B Bolt (bracket)-3/8" 16 x 3 1/4"	1	▲E6HZ	3A697-B Reservoir assy.-upper
1	E1HZ	3670-A Adapter pump to reservoir	1	E6HZ	3A732-A Bracket
1	▲E5HZ	3A674-C Pump assy.	1	E6HZ	3A733-B Pulley assy.
1	E3HZ	3D684-A Gasket service kit	1	45757-S	(B-220-J)-Bolt hex. head
1	★3A697	Reservoir assy. (lower)-not required with this assy.	1	353846-S8	(XX-120)-Washer-flat-5/16"
1	▲E5HZ	3A697-C Reservoir assy. upper	1	353864-S7	(BB-863-G)-Bolt (pulley)
1	E3HZ	3A732-E Bracket	PARTS LIST NO. 103-★E4HT 3D639-CA		
1	E3HZ	3A733-A Pulley assy.	3	E1HZ	3K507-B Bolt (bracket)-3/8"-16 x 3"
1	45757-S	(B-220 J)-Bolt hex. head	1	E6HZ	3670-A Adapter-pump to reservoir
PARTS LIST NO. 98-★E5HT 3A674-DA			1	▲E5HZ	3A674-B Pump assy.
1	E4HZ	3K505-A Flange (pump mounting)	1	E3HZ	3D674-A Gasket service kit
1	E8HZ	3K506-A Gasket (flange)	1	★3A697	Reservoir assy. (lower) not required with this assy.
3	D4HZ	3K507-A Bolt (pump flange)-3/8" 16 x 1"	1	▲E6HZ	3A697-B Reservoir assy.-upper
1	E4HZ	3670-B Adapter-pump to reservoir	1	E6HZ	3A732-A Bracket
1	▲E5HZ	3A674-D Pump assy.	1	E6HZ	3A733-B Pulley assy.
1	E3HZ	3D684-A Gasket kit	1	45757-S	(B-220-J)-Bolt hex. head
1	▲E4HZ	3A697-D Reservoir assy.	1	353846-S8	(XX-120)-Washer-flat 5/16"
3	34807-S8	(X-66) Washer (lock)	1	353864-S7	(BB-863-G)-Bolt (pulley)
1	45757-S	(B-220 J) Bolt hex. head	PARTS LIST NO. 104-★E7HT 3A674-FA		
PARTS LIST NO. 99-★E5HT 3K514-CA			1	E4HZ	3K505-A Flange (pump mounting)
1	E1HZ	3A006-A Cap assy. (reservoir)	3	D4HZ	3K507-A Bolt (pump flange)-3/8" 16 x 1"
3	E3HZ	3K507-A Bolt (bracket) 3/8"-16 x 3 1/2"	1	E7HZ	3670-B Adapter-pump to reservoir
1	E3HZ	3C602-A Filter assy. (reservoir)	1	▲E5HZ	3A674-D Pump assy.
1	E3HZ	3D654-A Fitting (valve outlet)	1	E7HZ	3A697-A Reservoir assy.
1	▲E5HZ	3A674-E Pump assy.	1	E3HZ	3D684-A Gasket kit
1	E3HZ	3D684-A Gasket service kit	3	34807-S8	(X-66) washer (lock)
1	E3HZ	3A697-A Reservoir assy. no details to service	PARTS LIST NO. 105-★E7HT 3A674-GA		
1	E3HZ	3A732-B Bracket	1	E4HZ	3K505-A Flange (pump mounting)
1	E3HZ	3A733-A Pulley assy.	3	D4HZ	3K507-A Bolt (pump flange)-3/8"-16 x 1"
PARTS LIST NO. 100-E5HT 3A674-EA			1	E7HZ	3670-B Adapter-pump to reservoir
1	E6HZ	3A006-A Filler cap	1	▲E7HZ	3A674-C Pump assy.
1	E8HZ	3B559-D Shaft assy. kit	1	E3HZ	3D684-A Gasket kit
1	E6HZ	3C602-A Filter assy.	1	●E7HZ	3A697-A Reservoir assy.
1	★▲E6HZ	3A674-A Pump assy.-r/b E8HZ 3A674-A(1/88)	3	34807-S8	(X-66) washer (lock)
1	E6HZ	3A697-A Reservoir assy.	PARTS LIST NO. 106-★E5HS 3A674-AA		
PARTS LIST NO. 101-E7HT 3A674-BB,BC			1	E4HZ	3K505-A Flange (pump mounting)
1	E7HZ	3K505-A Flange (pump mounting)	3	D4HZ	3K507-A Bolt (pump flange)-3/8"-16 x 1"
3	E7HZ	3K507-A Bolt (pump flange)-3/8" 16 x 1 1/4"	1	E4HZ	3670-B Adapter-pump to reservoir
1	E7HZ	3E526-A Gear service kit	1	▲E7HZ	3A674-C Pump assy.
1	D0HZ	3E599-A Fitting (outlet)-incl. "O" ring-for E7HT 3A674 BB	1	E7HZ	3D684-A Gasket kit
1	384074-S7-8	(Ii-35-B) Adapter assy. for E7HT 3A674-BC	1	▲E4HZ	34697-D Reservoir assy.
1	▲E7HZ	3A674-A Pump assy.	3	34807-S8	(X-66) washer (lock)
1	E3HZ	3D684-A Gasket service kit	1	45757-S	(B-220-U) Bolt hex. head

1980/  
TRUCK SERIES 600/900

QTY.	PART NUMBER	DESCRIPTION	QTY.	PART NUMBER	DESCRIPTION
<p>▲For components refer to Group in Section 36 ■Also supplied in 3B584 kit ●Details not serviced \$For components refer to group in Section 35</p>					
PARTS LIST NO. 107-E7HT 3A674-CB,CC			PARTS LIST NO. 112-E8HZ 3A674-A (E8HT 3A674-AA) (87HU 3A674-BA)		
1	E7HZ 3K505-A	Flange (pump mounting)	1	E8HZ 3B592-A	Seal service kit-for E8HT 3A674-AA
3	E7HZ 3K507-A	Bolt (pump flange)-3/8"-16 x 1 1/4"	1	E7HZ 3B592-A	Seal service kit-for 87HU 3A674-BA
1	E7HZ 3E526-A	Gear service kit	1	E7HZ 3E599-B	Elbow assy.-pump outlet- for 87HU 3A674-BA
1	D0HZ 3E599-A	Fitting (outlet)-incl. "O" ring-for E7HT 3A674-CB	1	★3E599	Elbow assy.-pump outlet-incl. "O" ring- not required for E8HT 3A674-AA
1	384074-S7-8	(II-35-B) Adapter assy.-for E7HT 3A674-CC	1	E8HZ 3A641-A	Drive gear-for E8HT 3A674-AA
1	E7HZ 3670-A	Adapter-pump to reservoir	1	★3A641	Drive gear-not required for 87HU 3A674-BA
1	▲E7HZ 3A674-B	Pump assy.	1	E8HZ 3A643-A	Housing service kit-for E8HT 3A674-AA
1	E3HZ 3D684-A	Gasket service kit	1	E7HZ 3A643-D	Housing service kit-for 87HU 3A674-BA
1	●E7HZ 3A697-C	Reservoir assy.	1	E8HZ 3A674-A	Pump assy.-complete-for all
3	34807-S8	(X-66) washer (lock)	1	▲E8HZ 3A697-A	Reservoir assy.-for all
1	45757-S	(B-220-J) Bolt hex. head	1	E8HZ 3A711-B	Pump element kit-for E8HT 3A674-AA
PARTS LIST NO. 108-★E7HT 3A674-CC, E8HT 3A674-CA			1	E7HZ 3A711-C	Pump element kit-for 87HU 3A674-BA
1	E7HZ 3K505-A	Flange (pump mounting)	PARTS LIST NO. 113-E8HZ 3A674-B (E8HT 3A674-BA)		
3	E7HZ 3K507-A	Bolt (pump flange)-3/8"-16 x 1 1/4"	1	E8HZ 3B559-B	Shaft assy. kit
1	E7HZ 3E526-A	Gear service kit	1	E8HZ 3A561-B	Valve kit
1	D0HZ 3D654-A	Fitting (valve outlet)	1	E8HZ 3B592-A	Seal service kit
1	E7HZ 3670-A	Adapter-pump to reservoir	1	E8HZ 3A643-A	Housing service kit
1	▲E7HZ 3A674-B	Pump assy.	1	E8HZ 3A674-B	Pump assy.-complete
1	E3HZ 3D684-A	Gasket service kit	1	▲E8HZ 3A697-C	Reservoir assy.-CL-CLT w/NTC or L-10 eng.
1	●E7HZ 3A697-C	Reservoir assy.	1	▲E8HZ 3A697-E	Reservoir assy.-L-LT-LTS-LN-LNT-LTL w/L-10 eng.
3	34807-S8	(X-66) Washer (lock)	1	E8HZ 3A711-B	Pump element kit
1	45757-S	(B-220-J) Bolt hex. head	PARTS LIST NO. 114-E8HT 3K514-AA		
PARTS LIST NO. 109-★E7HT 3A674-GA, E8HT 3A674-DA			1	E8HZ 3A006-A	Cap assy.
1	E4HZ 3K505-A	Flange (pump mounting)	1	E8HZ 3B559-C	Shaft kit
3	D4HZ 3K507-A	Bolt (pump flange)-3/8"-16 x 1"	1	E8HZ 3A561-B	Valve kit
1	E7HZ 3670-B	Adapter-pump to reservoir	1	E8HZ 3B592-B	Seal service kit
1	▲E7HZ 3A674-C	Pump assy.	1	E8HZ 3C602-A	Filter
1	E3HZ 3D684-A	Gasket service kit	1	E8HZ 3A642-A	Gasket-reservoir cover
1	●E7HZ 3A697-A	Reservoir assy.	1	E8HZ 3A643-B	Body assy. kit
3	34807-S8	(X-66) washer (lock)	1	●E8HZ 3A674-E	Base pump kit
PARTS LIST NO. 110-E8HZ 3A674-C (E8HT 3A674-EA)			1	●E8HZ 3A697-B	Reservoir kit
1	E8HZ 3K505-A	Flange (pump mounting)	1	E8HZ 3A711-C	Pump element kit
1	E8HZ 3K506-A	Gasket (flange)	PARTS LIST NO. 115-E8HT 3K514-BA		
3	D4HZ 3K507-A	Bolt (pump flange)-3/8"-16 x 1"	1	E8HZ 3A006-A	Cap assy.
1	E8HZ 3E599-C	Fitting (outlet)-incl. "O" ring	1	E8HZ 3B559-C	Shaft kit
1	E7HZ 3670-B	Adapter-pump to reservoir	1	E8HZ 3A561-B	Valve kit
1	▲E8HZ 3A674-C	Pump assy.	1	E8HZ 3B592-B	Seal service kit
1	E3HZ 3D684-A	Gasket service kit	1	E8HZ 3C602-A	Filter
1	▲E8HZ 3A697-C	Reservoir assy.	1	E8HZ 3A642-A	Gasket-reservoir cover
3	34807-S8	(X-66) washer (lock)	1	E8HZ 3A643-C	Body assy. kit
PARTS LIST NO. 111-E8HZ 3A674-D (E8HT 3A674-FA)			1	●E8HZ 3A674-F	Base pump kit
1	E8HZ 3K505-A	Flange (pump mounting)	1	●E8HZ 3A697-B	Reservoir kit
3	D4HZ 3K507-A	Bolt (pump flange)-3/8"-16 x 1"	1	E8HZ 3A711-D	Pump element kit
1	E8HZ 3E599-C	Fitting (outlet)-incl. "O" ring	PARTS LIST NO. 116-E8HZ 3A674-G (E8HT 3A674-GA)		
1	E7HZ 3670-B	Adapter-pump to reservoir	1	E8HZ 3B559-C	Shaft assy. kit
1	E3HZ 3D684-A	Gasket service kit	1	E8HZ 3A561-B	Valve kit
1	▲E8HZ 3A697-C	Reservoir assy.	1	E8HZ 3B592-A	Seal service kit
3	34807-S8	(X-66) Washer (lock)	1	E8HZ 3A643-D	Housing service kit
PARTS LIST NO. 112-E8HZ 3A674-A (E8HT 3A674-AA) (87HU 3A674-BA)			1	E8HZ 3A674-G	Pump assy.-complete
1	E8HZ 3B559-A	Shaft assy. kit-for E8HT 3A674-AA	1	▲E8HZ 3A697-B	Reservoir assy.
1	E7HZ 3B559-D	Shaft assy. kit-for 87HU 3A674-BA	1	E8HZ 3A711-C	Pump element kit
1	E8HZ 3A561-B	Valve kit-for E8HT 3A674-AA			
1	E7HZ 3A561-B	Valve kit-for 87HU 3A674-BA			

QTY.	PART NUMBER	DESCRIPTION	QTY.	PART NUMBER	DESCRIPTION
▲For components refer to Group in Section 36 ■Also supplied in 3B584 kit ●Details not serviced §For components refer to group in Section 35					
PARTS LIST NO. 117-E8HZ 3A674-H (E8HT 3A674-HA)			PARTS LIST NO. 120-E9HZ 3A674-B (E9HT 3A674-BA)		
1	E8HZ 3B559-D	Shaft assy. kit	1	E8HZ 3B559-B	Shaft assy. kit
1	E8HZ 3A561-B	Valve kit	1	E8HZ 3A561-B	Valve kit
1	E8HZ 3B592-A	Seal service kit	1	E8HZ 3B592-A	Seal service kit
1	F1HZ 3A641-B	Gear-power strg. pump drive	1	E9HZ 3A643-B	Housing service kit
1	E8HZ 3A643-A	Housing service kit	1	E9HZ 3A674-B	Pump assy.-complete
1	E8HZ 3A674-H	Pump assy.-complete	1	▲E8HZ 3A697-E	Reservoir assy.
1	●E8HZ 3A697-F	● Reservoir assy.-power strg. pump	1	E8HZ 3A711-D	Pump element kit
1	E8HZ 3A711-D	Pump element kit	PARTS LIST NO. 121-★E9HT 3K514-AA		
1	E8HZ 3B728-A	Adapter kit	1	E1HZ 3A006-B	Cap assy. (reservoir)
PARTS LIST NO. 118-E8HT 3A674-JA			1	D8HZ 3K505-A	Flange (pump mounting)
1	E8HZ 3K505-B	Flange (pump mounting)	2	D4HZ 3K507-A	Bolt (pump flange)-3/8"-1.6 x 1"
3	D4HZ 3K507-A	Bolt (pump flange)-3/8"-1.6 x 1"	1	D0HZ 3E599-B	Fitting (outlet)-incl. "O" ring
1	E8HZ 3E526-B	Gear service kit	1	E1HZ 3C602-A	Filter kit (reservoir)
1	E7HZ 3670-B	Adapter-pump to reservoir	2	E0HZ 3E630-A	Nut (reservoir)
1	▲E8HZ 3A674-J	Pump assy.	1	▲E4HZ 3A674-C	Pump assy.
1	E7HZ 3D684-A	Gasket service kit	1	D8HZ 3D684-B	Seal kit (pump)
1	●E8HZ 3A697-F	Reservoir assy.	1	●E1HZ 3A697-L	Reservoir assy.
3	34807-S8	(X-66) Washer (lock)	2	34807-S8	(X-66)-Lockwasher
PARTS LIST NO. 119-E9HZ 3A674-A (E9HT 3A674-AA)			2	37278-S7-8	(WW-6-E)-Stud (reservoir)-3/8"-1.6 x 2"
1	E8HZ 3B559-B	Shaft assy. kit	PARTS LIST NO. 122-E8HZ 3A674-K (87HU 3A674-DA)		
1	E8HZ 3A561-B	Valve kit	1	E7HZ 3B559-D	Shaft assy. kit
1	E8HZ 3B592-A	Seal service kit	1	E7HZ 3A561-B	Valve kit
1	E9HZ 3A643-A	Housing service kit	1	E7HZ 3B592-A	Seal service kit
1	E9HZ 3A674-A	Pump assy.-complete	1	E8HZ 3E599-D	Fitting (outlet)-incl. "O" ring
1	▲E8HZ 3A697-E	Reservoir assy.	1	E7HZ 3A643-D	Housing service kit
1	E8HZ 3A711-C	Pump element kit	1	E8HZ 3A674-K	Pump assy.-complete
			1	▲E8HZ 3A697-D	Reservoir assy.
			1	E7HZ 3A711-C	Pump element kit

4A002-4598 Refer to Section 41

### REAR AXLES and RELATED PARTS

#### HOW TO IDENTIFY REAR AXLE PARTS.

**1. BY USING THE WARRANTY PLATE CODE.**

Refer to page 109 of this section. Codes are arranged in alphabetical and numerical sequence.

**2. BY USING THE APPLICATION CHART.**

Refer to page 116 of this section.

**3. BY USING THE AXLE TAG or DIFFERENTIAL CARRIER IDENTIFICATION NUMBER.**

Refer to page 119 of this section. Illustrations showing the location of identification numbers (stampings and tags) appear on page 2 of this section.

**4. BY USING THE TRUCK SPECIFICATION LIST (T.S.L.).**

Refer to page 3 of this section.

**5. BY USING REAR AXLE ILLUSTRATIONS.**

a. Parts illustrations for rear axle components are published in Illustration Section 40 of the Truck Illustrations Catalog. Form FP 8473-B. For appropriate page number, see the Index at the beginning of Illustration Section 40, or refer to Truck Rear Axle Application Chart on page 116 of this section.

b. Find the basic group number from the illustration.

c. Use one of the methods above to determine the rear axle parts list number in Section 40.1.

d. Refer to the group in the catalog. Determine the part number needed from that group or follow cross-references to other groups to determine the number needed.

**6. BY USING THE ALPHABETICAL INDEX.**

a. An index listed alphabetically by part name showing the related basic or group number for rear axle parts is located at the beginning of this catalog.

b. Use the index to find the group number of the part.

c. Use one of the methods above to determine the rear axle parts list number in Section 40.1.

d. Turn to the proper parts list and select the part in the group desired.

**7. BY USING CHARTS SHOWING DIMENSIONS or MARKINGS.**

Refer to basic groups 4209, 4234, 4851 and 4859 in Sections 41 and 48 to identify these parts.

#### 4 WHEEL DRIVE FRONT AXLES

Parts lists and appropriate information for identifying the parts lists for 4 Wheel Drive Front Axles are included in Section 30, page 1.

#### REAR AXLE SECTION ARRANGEMENT

The sections in the rear axle area are arranged in the following order. 40, 40.1 and 41.

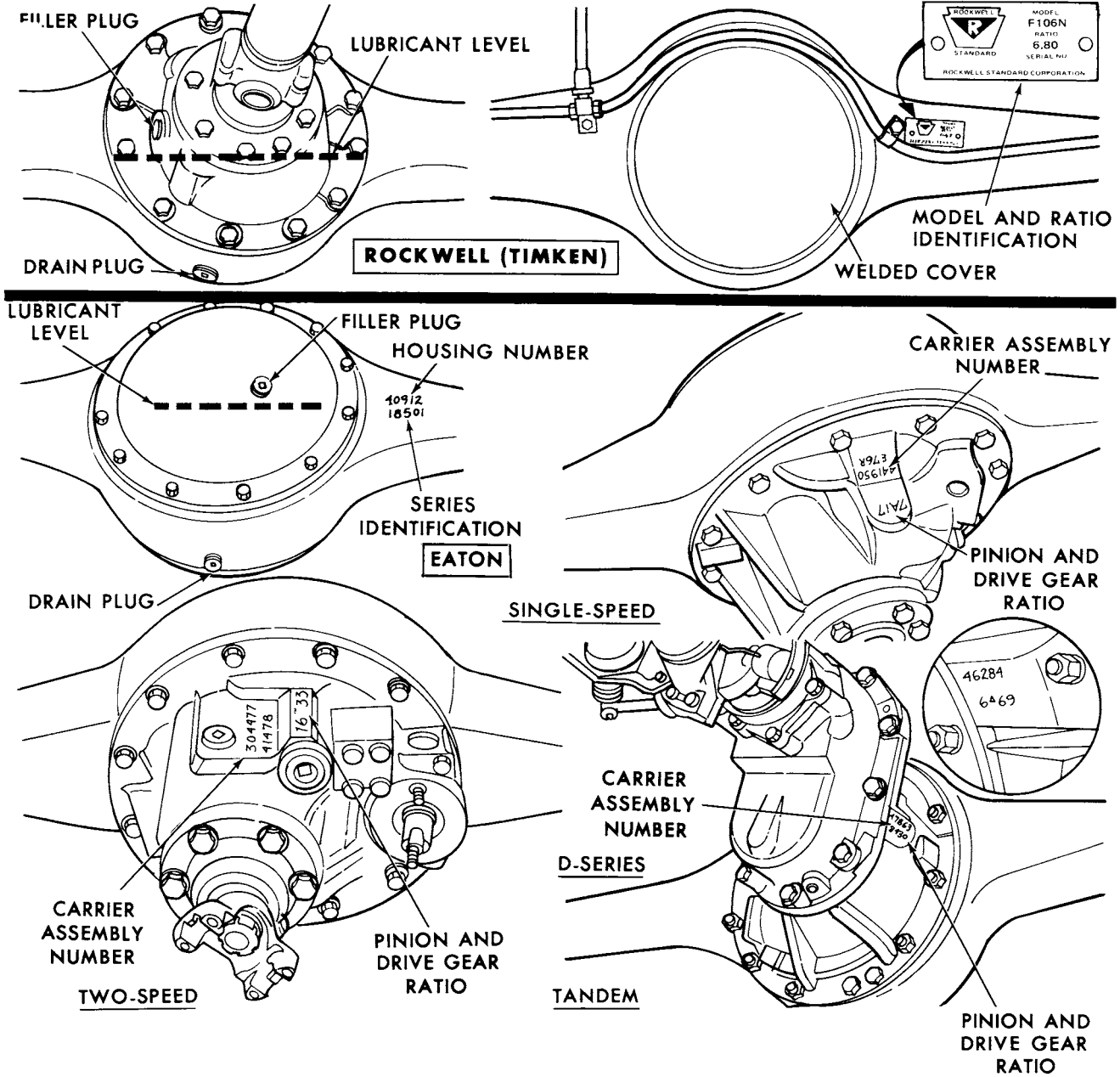
Select the appropriate parts list number by using one of the above methods. Refer to the affected parts list in Section 40.1 and determine part number of required parts. When available, complete Rear Axle Assemblies and Differential Carrier Assemblies are listed on page 138 thru 247 of this section.

# 1980/ TRUCK SERIES 600/900

## REAR AXLE IDENTIFICATION NUMBERS

Eaton and Rockwell (Timken) axles use identification numbers on the carrier or housing to help locate parts. Refer to page 119 of this section for a cross-reference from identification numbers to axle parts lists.

### REAR AXLE IDENTIFICATION CHART



WHEN USING THE REAR AXLE IDENTIFICATION CHART, THE TRUCK MODEL AND YEAR SHOULD BE VERIFIED FIRST, AS THE MANUFACTURER'S AXLE MODEL AND CARRIER IDENTIFICATION NUMBERS MAY BE THE SAME FOR TWO OR MORE AXLES.

1980/  
TRUCK SERIES 600/900

REAR AXLE T.S.L. † CROSS-REFERENCE GUIDE

1. Find the rear axle assembly number shown on the Truck Specification List (T.S.L.).
  2. Use the Cross-Reference below to find the proper rear axle parts list number.
  3. Turn to the rear axle parts list (in Section 40.1) and select the component part needed.
- Note. Complete axle assemblies and differential carrier assemblies which are available for service are listed by parts list number on page 138 of this section.

REAR AXLE T.S.L. † CROSS-REFERENCE GUIDE

IDENTIFICATION AND/OR T.S.L. NUMBER	MANUFACTURER	MANUFACTURER MODEL	RATIO	CAPACITY	DRIVESHAFT SIZE	SEC.40.1 PARTS LIST NO.
<b>Notes:</b> Δ Driveshaft flange not included on assy. † Truck Specification List-included in Kentucky-built trucks.						
★D5TA 4005-REB	Rockwell (Timken)	D140	5.83	13M	1410	191
★D5TA 4005-RGB	Rockwell (Timken)	D140	6.20	13M	1410	191
★D5TA 4005-RJB	Rockwell (Timken)	D140	6.80	13M	1410	191
★D7HT 4005-AA	Rockwell (Timken)	SFDD-4640	5.76	65M	1710	214
★D7HT 4005-DA	Rockwell (Timken)	SUDR	5.96	58M	1710	212
★D7HT 4005-GA	Rockwell (Timken)	SRDR	5.78	44M	1710	210
★D8HT 4005-AA	Rockwell (Timken)	H172	5.83	17.5M	1410	202
★D8HT 4005-BA	Rockwell (Timken)	H172	5.83	17.5M	1480	202
★D8HT 4005-CA	Rockwell (Timken)	H172	5.83	17.5M	6C	202
★D8HT 4005-DA	Rockwell (Timken)	H172	5.83	17.5M	7C	202
★D8HT 4005-EA	Rockwell (Timken)	H172	6.17	17.5M	1410	202
★D8HT 4005-FA	Rockwell (Timken)	H172	6.17	17.5M	1480	202
★D8HT 4005-GA	Rockwell (Timken)	H172	6.17	17.5M	6C	202
★D8HT 4005-HA	Rockwell (Timken)	H172	6.17	17.5M	7C	202
★D8HT 4005-JA	Rockwell (Timken)	H172	6.83	17.5M	1410	202
★D8HT 4005-KA	Rockwell (Timken)	H172	6.83	17.5M	1480	202
★D8HT 4005-LA	Rockwell (Timken)	H172	6.83	17.5M	6C	202
★D8HT 4005-MA	Rockwell (Timken)	H172	6.83	17.5M	7C	202
★D8HT 4005-NA	Rockwell (Timken)	H172	7.17	17.5M	1410	202
★D8HT 4005-RA	Rockwell (Timken)	H172	7.17	17.5M	1480	202
★D8HT 4005-SA	Rockwell (Timken)	H172	7.17	17.5M	6C	202
★D8HT 4005-TA	Rockwell (Timken)	H172	7.17	17.5M	7C	202
★D8HT 4005-UA	Eaton	16244	5.57/7.75	17.5M	1410	101
★D8HT 4005-VA	Eaton	16244	5.57/7.75	17.5M	1480	101
★D8HT 4005-YA	Eaton	16244	5.57/7.75	17.5M	6C	101
★D8HT 4005-ZA	Eaton	16244	6.17/8.58	17.5M	1410	101
★D8HT 4005-AAA	Eaton	16244	6.17/8.58	17.5M	1480	101
★D8HT 4005-ABA	Eaton	16244	6.17/8.58	17.5M	6C	101
★D8HT 4005-ACA	Eaton	16244	6.50/9.04	17.5M	1410	101
★D8HT 4005-ADA	Eaton	16244	6.50/9.04	17.5M	1480	101
★D8HT 4005-AEA	Eaton	16244	6.50/9.04	17.5M	6C	101
★D9HT 4005-CA	Rockwell (Timken)	F106	6.14	15M	1410	95
★D9HT 4005-DA	Rockwell (Timken)	F106	6.83	15M	1410	95
★D9HT 4005-EA	Rockwell (Timken)	F106	7.17	15M	1410	95
★D9HT 4005-FA	Rockwell (Timken)	F106	6.14	15M	1480	95
★D9HT 4005-GA	Rockwell (Timken)	F106	6.83	15M	1480	95
★D9HT 4005-HA	Rockwell (Timken)	F106	7.17	15M	1480	95
★D9HT 4005-MA	Eaton	16244	7.17/9.97	17.5M	1410	101
★D9HT 4005-NA	Eaton	16244	7.17/9.97	17.5M	1480	101
★E0HT 4005-AA	Rockwell (Timken)	F106	5.29	15M	1480	95
★E0HT 4005-CA	Dana (Spicer)	G175-T	5.57/7.75	17.5M	1410	219
★E0HT 4005-DA	Dana (Spicer)	G175-T	5.57/7.75	17.5M	1480	219
★E0HT 4005-EA	Dana (Spicer)	G175-T	5.57/7.75	17.5M	1550	219
★E0HT 4005-FA	Dana (Spicer)	G175-T	5.57/7.75	17.5M	1610	219

## 1980/ TRUCK SERIES 600/900

### REAR AXLE T.S.L. † CROSS-REFERENCE GUIDE

IDENTIFICATION AND/OR T.S.L. NUMBER	MANUFACTURER	MANUFACTURER MODEL	RATIO	CAPACITY	DRIVESHAFT SIZE	SEC.40.1 PARTS LIST NO.
Notes:     Δ Driveshaft flange not included on assy. † Truck Specification List-included in Kentucky-built trucks. — Cont'd						
★EOHT 4005-GA	Dana (Spicer)	G175-T	6.17/8.58	17.5M	1410	219
★EOHT 4005-HA	Dana (Spicer)	G175-T	6.17/8.58	17.5M	1480	219
★EOHT 4005-JA	Dana (Spicer)	G175-T	6.17/8.58	17.5M	1550	219
★EOHT 4005-KA	Dana (Spicer)	G175-T	6.17/8.58	17.5M	1610	219
★EOHT 4005-LA	Dana (Spicer)	G175-T	6.50/9.04	17.5M	1410	219
★EOHT 4005-MA	Dana (Spicer)	G175-T	6.50/9.04	17.5M	1480	219
★EOHT 4005-NA	Dana (Spicer)	G175-T	6.50/9.04	17.5M	1550	219
★EOHT 4005-RA	Dana (Spicer)	G175-T	6.50/9.04	17.5M	1610	219
★EOHT 4005-SA	Dana (Spicer)	G175-T	7.17/9.97	17.5M	1410	219
★EOHT 4005-TA	Dana (Spicer)	G175-T	7.17/9.97	17.5M	1480	219
★EOHT 4005-UA	Dana (Spicer)	G175-T	7.17/9.97	17.5M	1550	219
★EOHT 4005-VA	Dana (Spicer)	G175-T	7.17/9.97	17.5M	1610	219
★EOHT 4005-ZA	Eaton	16244	5.57/7.75	17.5M	1550	101
★EOHT 4005-AAA	Eaton	16644	6.17/8.58	17.5M	1550	101
★EOHT 4005-ABA	Eaton	16244	6.50/9.04	17.5M	1550	101
★EOHT 4005-ACA	Rockwell (Timken)	H172	5.83	17.5M	1550	202
★EOHT 4005-ADA	Rockwell (Timken)	H172	6.17	17.5M	1550	202
★EOHT 4005-AEA	Rockwell (Timken)	H172	6.83	17.5M	1550	202
★EOHT 4005-AFA	Rockwell (Timken)	H172	7.17	17.5M	1550	202
★EOHT 4005-AJA	Rockwell (Timken)	D140	5.83	13M	1410	191
★EOHT 4005-AKA	Rockwell (Timken)	D140	6.20	13M	1410	191
★EOHT 4005-ALA	Rockwell (Timken)	D140	6.80	13M	1410	191
★EOHT 4005-AMA	Rockwell (Timken)	F106	6.14	15M	1410	95
★EOHT 4005-ANA	Rockwell (Timken)	F106	6.83	15M	1410	95
★EOHT 4005-ARA	Rockwell (Timken)	F106	7.17	15M	1410	95
★EOHT 4005-ASA	Rockwell (Timken)	F106	6.14	15M	1480	95
★EOHT 4005-ATA	Rockwell (Timken)	F106	6.83	15M	1480	95
★EOHT 4005-AUA	Rockwell (Timken)	F106	7.17	15M	1480	95
★EOHT 4005-AVA	Rockwell (Timken)	F106	5.29	15M	1480	95
★EOHT 4005-AYA	Eaton	15201	5.83/8.12	15M	1410	164
★EOHT 4005-AZA	Eaton	15201	6.33/8.81	15M	1410	164
★EOHT 4005-BAA	Eaton	15201	5.83/8.12	15M	1480	164
★EOHT 4005-BBA	Eaton	15201	6.33/8.81	15M	1480	164
★EOHT 4005-BDA	Rockwell (Timken)	F106	5.29	15M	1410	95
★EOHT 4005-BEA	Eaton	15201	5.57/7.75	15M	1410	164
★EOHT 4005-BFA	Eaton	15201	5.57/7.75	15M	1480	164
★EOHT 4005-BGA	Eaton	16244	7.17/9.97	17.5M	1550	101
★E1HS 4005-RABA	Rockwell (Timken)	H173	5.29	17.5M	1480	248
★E1HS 4005-RACA	Rockwell (Timken)	H173	5.83	17.5M	1480	248
★E1HS 4005-RADA	Rockwell (Timken)	H173	6.17	17.5M	1480	248
★E1HS 4005-RAEA	Rockwell (Timken)	H173	6.83	17.5M	1480	248
★E1HS 4005-RAFA	Rockwell (Timken)	H173	7.17	17.5M	1480	248
★E1HS 4005-RAGA	Rockwell (Timken)	H173	5.29	17.5M	1550	248
★E1HS 4005-RAHA	Rockwell (Timken)	H173	5.83	17.5M	1550	248
★E1HS 4005-RAJA	Rockwell (Timken)	H173	6.17	17.5M	1550	248
★E1HS 4005-RAKA	Rockwell (Timken)	H173	6.83	17.5M	1550	248
★E1HS 4005-RALA	Rockwell (Timken)	H173	7.17	17.5M	1550	248
★E1HT 4005-AA	Rockwell (Timken)	H172	5.29	17.5M	1480	202
★E1HT 4005-BA	Rockwell (Timken)	H172	5.29	17.5M	1550	202
★E1HT 4005-CA	Rockwell (Timken)	H172	5.29	17.5M	1610	202
★E1HT 4005-DA	Rockwell (Timken)	H172	5.83	17.5M	1610	202
★E1HT 4005-EA	Rockwell (Timken)	H172	6.17	17.5M	1610	202
★E1HT 4005-FA	Rockwell (Timken)	H172	6.83	17.5M	1610	202

1980/  
TRUCK SERIES 600/900

REAR AXLE T.S.L. † CROSS-REFERENCE GUIDE

IDENTIFICATION AND/OR T.S.L. NUMBER	MANUFACTURER	MANUFACTURER MODEL	RATIO	CAPACITY	DRIVESHAFT SIZE	SEC.40.1 PARTS LIST NO.
Notes: Δ Driveshaft flange not included on assy. † Truck Specification List-included in Kentucky-built trucks. — Cont'd						
★ E1HT 4005-GA	Rockwell (Timken)	F106	5.83	15M	1410	95
★ E1HT 4005-HA	Rockwell (Timken)	F106	5.83	15M	1480	95
★ E1HT 4005-JA	Rockwell (Timken)	SQHP	3.70	40M	1610	204
★ E1HT 4005-KA	Rockwell (Timken)	SQHP	3.70	40M	1710	204
★ E1HT 4005-LA	Rockwell (Timken)	SQHP	4.11	40M	1710	204
★ E1HT 4005-MA	Rockwell (Timken)	SQHP	4.11	40M	1710	204
★ E1HT 4005-NA	Rockwell (Timken)	SQHP	4.44	40M	1610	204
★ E1HT 4005-RA	Rockwell (Timken)	SQHP	4.44	40M	1710	204
★ E1HT 4005-SA	Rockwell (Timken)	SQHP	3.70	40M	1610	204
★ E1HT 4005-TA	Rockwell (Timken)	SQHP	3.70	40M	1710	204
★ E1HT 4005-UA	Rockwell (Timben)	SQHP	4.11	40M	1610	204
★ E1HT 4005-VA	Rockwell (Timken)	SQHP	4.11	40M	1710	204
★ E1HT 4005-YA	Rockwell (Timken)	SQHP	3.70	40M	1610	204
★ E1HT 4005-ZA	Rockwell (Timken)	SQHP	3.70	40M	1710	204
★ E1HT 4005-AAA	Rockwell (Timken)	SQHP	4.11	40M	1610	204
★ E1HT 4005-ABA	Rockwell (Timken)	SQHP	4.11	40M	1710	204
★ E1HT 4005-ACA	Rockwell (Timken)	SQHP	4.44	40M	1610	204
★ E1HT 4005-ADA	Rockwell (Timken)	SQHP	4.44	40M	1710	204
★ E1HT 4005-AGA	Rockwell (Timken)	SSHD	3.90	46M	1610	206
★ E1HT 4005-AHA	Rockwell (Timken)	SSHD	3.90	46M	1710	206
★ E1HT 4005-AJA	Rockwell (Timken)	SSHD	4.11	46M	1610	206
★ E1HT 4005-AKA	Rockwell (Timken)	SSHD	4.11	46M	1710	206
★ E1HT 4005-ALA	Rockwell (Timken)	SSHD	4.63	46M	1610	206
★ E1HT 4005-AMA	Rockwell (Timken)	SSHD	4.63	46M	1710	206
★ E1HT 4005-ANA	Rockwell (Timken)	SSHD	4.11	46M	1610	206
★ E1HT 4005-ARA	Rockwell (Timken)	SSHD	4.11	46M	1710	206
★ E1HT 4005-ASA	Rockwell (Timken)	SSHD	4.33	46M	1610	206
★ E1HT 4005-ATA	Rockwell (Timken)	SSHD	4.33	46M	1710	206
★ E1HT 4005-AUA	Rockwell (Timken)	SSHD	4.63	46M	1610	206
★ E1HT 4005-AVA	Rockwell (Timken)	SSHD	4.63	46M	1710	206
★ E1HT 4005-AYA	Rockwell (Timken)	SSHD	5.29	46M	1610	206
★ E1HT 4005-AZA	Rockwell (Timken)	SSHD	5.29	46M	1710	206
★ E1HT 4005-BAA	Rockwell (Timken)	SSHD	5.57	46M	1610	206
★ E1HT 4005-BBA	Rockwell (Timken)	SSHD	5.57	46M	1710	206
★ E1HT 4005-BCA	Dana (Spicer)	M185-T	5.57/7.60	18.5/19M	1480	220
★ E1HT 4005-BDA	Dana (Spicer)	M185-T	5.57/7.60	18.5/19M	1550	220
★ E1HT 4005-BEA	Dana (Spicer)	M185-T	5.57/7.60	18.5/19M	1610	220
★ E1HT 4005-BFA	Dana (Spicer)	M185-T	6.14/8.38	18.5/19M	1480	220
★ E1HT 4005-BGA	Dana (Spicer)	M185-T	6.14/8.38	18.5/19M	1550	220
★ E1HT 4005-BHA	Dana (Spicer)	M185-T	6.14/8.38	18.5/19M	1610	220
★ E1HT 4005-BJA	Dana (Spicer)	M185-T	6.50/8.86	18.5/19M	1480	220
★ E1HT 4005-BKA	Dana (Spicer)	M185-T	6.50/8.86	18.5/19M	1550	220
★ E1HT 4005-BLA	Dana (Spicer)	M185-T	6.50/8.86	18.5/19M	1610	220
★ E1HT 4005-BMA	Dana (Spicer)	M185-T	7.17/9.77	18.5/19M	1480	220
★ E1HT 4005-BNA	Dana (Spicer)	M185-T	7.17/9.77	18.5/19M	1550	220
★ E1HT 4005-BRA	Dana (Spicer)	M185-T	7.17/9.77	18.5/19M	1610	220
★ E1HT 4005-BUA	Eaton	16244	6.14/8.54	17.5M	1550	101
★ E1HT 4005-BVA	Eaton	16244	5.57/7.75	17.5M	1410	101
★ E1HT 4005-BYA	Eaton	16244	6.14/8.54	17.5M	1410	101
★ E1HT 4005-BZA	Eaton	16244	6.50/9.04	17.5M	1410	101
★ E1HT 4005-CAA	Eaton	16244	7.17/9.97	17.5M	1410	101
★ E1HT 4005-CBA	Eaton	16244	5.57/7.75	17.5M	1480	101
★ E1HT 4005-CCA	Eaton	16244	6.14/8.54	17.5M	1480	101



**1980/  
TRUCK SERIES 600/900**

**REAR AXLE T.S.L. † CROSS-REFERENCE GUIDE**

IDENTIFICATION AND/OR T.S.L. NUMBER	MANUFACTURER	MANUFACTURER MODEL	RATIO	CAPACITY	DRIVESHAFT SIZE	SEC.40.1 PARTS LIST NO.
Notes: Δ Driveshaft flange not included on assy. † Truck Specification List-included in Kentucky-built trucks. — Cont'd						
★ E1HT 4005-CDA	Eaton	16244	6.50/9.04	17.5M	1480	101
★ E1HT 4005-CEA	Eaton	16244	7.17/9.97	17.5M	1480	101
★ E1HT 4005-CFA	Eaton	16244	5.57/7.75	17.5M	1550	101
★ E1HT 4005-CGA	Eaton	16244	6.14/8.54	17.5M	1550	101
★ E1HT 4005-CHA	Eaton	16244	6.50/9.04	17.5M	1550	101
★ E1HT 4005-CJA	Eaton	16244	7.17/9.97	17.5M	1550	101
★ E1HT 4005-CKA	Eaton	15201	5.57/7.75	15M	1480	164
★ E1HT 4005-CLA	Eaton	15201	5.57/7.75	15M	1410	164
★ E1HT 4005-CMA	Eaton	15201	6.33/8.81	15M	1480	164
★ E1HT 4005-CNA	Eaton	15201	5.83/8.12	15M	1480	164
★ E1HT 4005-CRA	Eaton	15201	6.33/8.81	15M	1410	164
★ E1HT 4005-CSA	Eaton	15201	5.83/8.12	15M	1410	164
★ E2HT 4005-AA	Rockwell (Timken)	SQHP	3.70	40M	1610	204
★ E2HT 4005-BA	Rockwell (Timken)	SQHP	3.70	40M	1710	204
★ E2HT 4005-CA	Rockwell (Timken)	SQHP	4.11	40M	1610	204
★ E2HT 4005-DA	Rockwell (Timken)	SQHP	4.11	40M	1710	204
★ E2HT 4005-EA	Rockwell (Timken)	SQHP	3.70	40M	1610	204
★ E2HT 4005-FA	Rockwell (Timken)	SQHP	3.70	40M	1710	204
★ E2HT 4005-GA	Rockwell (Timken)	SQHP	4.11	40M	1610	204
★ E2HT 4005-HA	Rockwell (Timken)	SQHP	4.11	40M	1710	204
★ E2HT 4005-JA	Rockwell (Timken)	SQHP	3.70	40M	1610	204
★ E2HT 4005-KA	Rockwell (Timken)	SQHP	3.70	40M	1710	204
★ E2HT 4005-LA	Rockwell (Timken)	SQHP	4.11	40M	1610	204
★ E2HT 4005-MA	Rockwell (Timken)	SQHP	4.11	40M	1710	204
★ E2HT 4005-NA	Rockwell (Timken)	SQHP	4.44	40M	1610	204
★ E2HT 4005-RA	Rockwell (Timken)	SQHP	4.44	40M	1710	204
★ E2HT 4005-SA	Rockwell (Timken)	SQHP	3.70	40M	1610	204
★ E2HT 4005-TA	Rockwell (Timken)	SQHP	3.70	40M	1710	204
★ E2HT 4005-UA	Rockwell (Timken)	SQHP	4.11	40M	1610	204
★ E2HT 4005-VA	Rockwell (Timken)	SQHP	4.11	40M	1710	204
★ E2HT 4005-YA	Rockwell (Timken)	SQHP	3.70	40M	1610	204
★ E2HT 4005-ZA	Rockwell (Timken)	SQHP	3.70	40M	1710	204
★ E2HT 4005-AAA	Rockwell (Timken)	SQHP	4.11	40M	1610	204
★ E2HT 4005-ABA	Rockwell (Timken)	SQHP	4.11	40M	1710	204
★ E2HT 4005-ACA	Rockwell (Timken)	SQHP	4.44	40M	1610	204
★ E2HT 4005-ADA	Rockwell (Timken)	SQHP	4.44	40M	1710	204
★ E2HT 4005-AEA	Rockwell (Timken)	SQHP	3.70	40M	1610	204
★ E2HT 4005-AFA	Rockwell (Timken)	SQHP	3.70	40M	1710	204
★ E2HT 4005-AGA	Rockwell (Timken)	SQHP	4.11	40M	1610	204
★ E2HT 4005-AHA	Rockwell (Timken)	SQHP	4.11	40M	1710	204
★ E2HT 4005-AJA	Rockwell (Timken)	SQHP	3.70	40M	1610	204
★ E2HT 4005-AKA	Rockwell (Timken)	SQHP	3.70	40M	1710	204
★ E2HT 4005-ALA	Rockwell (Timken)	SQHP	4.11	40M	1610	204
★ E2HT 4005-AMA	Rockwell (Timken)	SQHP	4.11	40M	1710	204
★ E2HT 4005-ANA	Rockwell (Timken)	SSHD	3.90	46M	1610	206
★ E2HT 4005-ARA	Rockwell (Timken)	SSHD	3.90	46M	1710	206
★ E2HT 4005-ASA	Rockwell (Timken)	SSHD	4.11	46M	1610	206
★ E2HT 4005-ATA	Rockwell (Timken)	SSHD	4.11	46M	1710	206
★ E2HT 4005-AUA	Rockwell (Timken)	SSHD	4.63	46M	1610	206
★ E2HT 4005-AVA	Rockwell (Timken)	SSHD	4.63	46M	1710	206
★ E2HT 4005-AYA	Rockwell (Timken)	SSHD	4.11	46M	1610	206
★ E2HT 4005-AZA	Rockwell (Timken)	SSHD	4.11	46M	1710	206
★ E2HT 4005-BAA	Rockwell (Timken)	SSHD	4.33	46M	1610	206

1980/  
TRUCK SERIES 600/900

REAR AXLE T.S.L. † CROSS-REFERENCE GUIDE

IDENTIFICATION AND/OR T.S.L. NUMBER	MANUFACTURER	MANUFACTURER MODEL	RATIO	CAPACITY	DRIVESHAFT SIZE	SEC.40.1 PARTS LIST NO.
Notes: Δ Driveshaft flange not included on assy. † Truck Specification List-included in Kentucky-built trucks. — Cont'd						
★ E2HT 4005-BBA	Rockwell (Timken)	SSHD	4.33	46M	1710	206
★ E2HT 4005-BCA	Rockwell (Timken)	SSHD	4.63	46M	1610	206
★ E2HT 4005-BDA	Rockwell (Timken)	SSHD	4.63	46M	1710	206
★ E2HT 4005-BEA	Rockwell (Timken)	SSHD	5.29	46M	1610	206
★ E2HT 4005-BFA	Rockwell (Timken)	SSHD	5.29	46M	1710	206
★ E2HT 4005-BGA	Rockwell (Timken)	SSHD	5.57	46M	1610	206
★ E2HT 4005-BHA	Rockwell (Timken)	SSHD	5.57	46M	1710	206
★ E2HT 4005-CJA	Eaton	15201	5.86/8.15	15M	1410	164
★ E2HT 4005-CKA	Eaton	15201	6.29/8.74	15M	1410	164
★ E2HT 4005-CLA	Eaton	15201	5.86/8.15	15M	1480	164
★ E2HT 4005-CMA	Eaton	15201	6.29/8.74	15M	1480	164
★ E2HT 4005-CNA	Eaton	16244	6.57/9.13	17.5M	1410	101
★ E2HT 4005-CRA	Eaton	16244	6.57/9.13	17.5M	1480	101
★ E2HT 4005-CSA	Eaton	16244	6.57/9.13	17.5M	1550	101
★ E2HT 4005-CTA	Rockwell (Timken)	SSHD	6.17	46M	1610	206
★ E3HT 4005-GA	Rockwell (Timken)	H173	5.83	17.5M	1410	248
★ E3HT 4005-HA	Rockwell (Timken)	H173	6.17	17.5M	1410	248
★ E3HT 4005-JA	Rockwell (Timken)	H173	6.83	17.5M	1410	248
★ E3HT 4005-KA	Rockwell (Timken)	H173	7.17	17.5M	1410	248
★ E3HT 4005-AAA	Dana (Spicer)	G175-T	5.57/7.75	17.5M	1410	219
★ E3HT 4005-ABA	Dana (Spicer)	G175-T	6.17/8.58	17.5M	1410	219
★ E3HT 4005-ACA	Dana (Spicer)	G175-T	6.50/9.04	17.5M	1410	219
★ E3HT 4005-ADA	Dana (Spicer)	G175-T	7.17/9.97	17.5M	1410	219
★ E3HT 4005-AEA	Dana (Spicer)	G175-T	5.57/7.75	17.5M	1480	219
★ E3HT 4005-AFA	Dana (Spicer)	G175-T	6.17/8.58	17.5M	1480	219
★ E3HT 4005-AGA	Dana (Spicer)	G175-T	6.50/9.04	17.5M	1480	219
★ E3HT 4005-AHA	Dana (Spicer)	G175-T	7.17/9.97	17.5M	1480	219
★ E3HT 4005-AJA	Dana (Spicer)	G175-T	5.57/7.75	17.5M	1550	219
★ E3HT 4005-AKA	Dana (Spicer)	G175-T	6.17/8.58	17.5M	1550	219
★ E3HT 4005-ALA	Dana (Spicer)	G175-T	6.50/9.04	17.5M	1550	219
★ E3HT 4005-AMA	Dana (Spicer)	G175-T	7.17/9.97	17.5M	1550	219
★ E3HT 4005-ANA	Dana (Spicer)	G175-T	5.57/7.75	17.5M	1610	219
★ E3HT 4005-ARA	Dana (Spicer)	G175-T	6.17/8.58	17.5M	1610	219
★ E3HT 4005-ASA	Dana (Spicer)	G175-T	6.50/9.04	17.5M	1610	219
★ E3HT 4005-ATA	Dana (Spicer)	G175-T	7.17/9.97	17.5M	1610	219
★ E3HT 4005-AUA	Rockwell (Timken)	H173	4.63	17.5M	1550	248
★ E3HT 4005-AVA	Rockwell (Timken)	H173	4.63	17.5M	1610	248
★ E3HT 4005-AYA	Rockwell (Timken)	H173	5.29	17.5M	1610	248
★ E3HT 4005-AZA	Rockwell (Timken)	H173	5.83	17.5M	1610	248
★ E3HT 4005-BAA	Rockwell (Timken)	H173	6.17	17.5M	1610	248
★ E3HT 4005-BBA	Dana (Spicer)	G175-T	4.89/6.79	17.5M	1550	219
★ E3HT 4005-BCA	Dana (Spicer)	G175-T	4.89/6.79	17.5M	1610	219
★ E3HT 4005-BDA	Dana (Spicer)	M185-T	4.89/6.66	18.5/19M	1550	220
★ E3HT 4005-BEA	Dana (Spicer)	M185-T	4.89/6.66	18.5/19M	1610	220
★ E3HZ 4005-BLA	Eaton	16244	4.88/6.78	17.5M	1550	101
★ E3HT 4005-BMA	Eaton	16244	5.57/7.75	17.5M	1410	101
★ E3HT 4005-BNA	Eaton	16244	6.14/8.54	17.5M	1410	101
★ E3HT 4005-BRA	Eaton	16244	6.57/9.13	17.5M	1410	101
★ E3HT 4005-BSA	Eaton	16244	7.17/9.97	17.5M	1410	101
★ E3HT 4005-BTA	Eaton	16244	5.57/7.75	17.5M	1480	101
★ E3HT 4005-BUA	Eaton	16244	6.14/8.54	17.5M	1480	101
★ E3HT 4005-BVA	Eaton	16244	6.57/9.13	17.5M	1480	101
★ E3HT 4005-BYA	Eaton	16244	7.17/9.97	17.5M	1480	101

**1980/  
TRUCK SERIES 600/900**

REAR AXLE T.S.L. † CROSS-REFERENCE GUIDE

IDENTIFICATION AND/OR T.S.L. NUMBER	MANUFACTURER	MANUFACTURER MODEL	RATIO	CAPACITY	DRIVESHAFT SIZE	SEC.40.1 PARTS LIST NO.
Notes:      Δ Driveshaft flange not included on assy. † Truck Specification List—included in Kentucky-built trucks. — Cont'd						
★ E3HT 4005-BZA	Eaton	16244	5.57/7.75	17.5M	1550	101
★ E3HT 4005-CAA	Eaton	16244	6.14/8.54	17.5M	1550	101
★ E3HT 4005-CBA	Eaton	16244	6.57/9.13	17.5M	1550	101
★ E3HT 4005-CCA	Eaton	16244	7.17/9.97	17.5M	1550	101
★ E3HT 4005-CDA	Eaton	16244	4.88/6.78	17.5M	1610	101
★ E3HT 4005-CEA	Eaton	16244	5.57/7.75	17.5M	1610	101
★ E3HT 4005-CFA	Eaton	16244	6.14/8.54	17.5M	1610	101
★ E3HT 4005-CGA	Rockwell (Timken)	F106	5.29	15M	1550	95
★ E3HT 4005-CJA	Rockwell (Timken)	F106	6.14	15M	1550	95
★ E3HT 4005-CKA	Eaton	15201	5.57/7.75	15M	1550	164
★ E3HT 4005-CLA	Eaton	15201	5.86/8.15	15M	1550	164
★ E4HS 4005-DDAA	Dana (Spicer)	M220-T	4.89/6.66	22M	1610	255
★ E4HS 4005-DBA	Dana (Spicer)	M220-T	5.57/7.60	22M	1610	255
★ E4HS 4005-DDCA	Dana (Spicer)	M220-T	6.14/8.38	22M	1610	255
★ E4HS 4005-DEAA	Dana (Spicer)	M220-S	4.11	22M	1610	266
★ E4HS 4005-DERA	Dana (Spicer)	M220-T	5.29/7.21	22M	1610	255
★ E4HS 4005-DESA	Dana (Spicer)	M220-S	3.70	22M	1610	266
★ E4HT 4005-AAA	Rockwell (Timken)	D140	5.83	13M	1410	191
★ E4HT 4005-ABA	Rockwell (Timken)	D140	6.20	13M	1410	191
★ E4HT 4005-ACA	Rockwell (Timken)	D140	6.80	13M	1410	191
★ E4HT 4005-ADA	Rockwell (Timken)	F106	5.29	15M	1410	95
★ E4HT 4005-AEA	Rockwell (Timken)	F106	5.83	15M	1410	95
★ E4HT 4005-AFA	Rockwell (Timken)	F106	6.14	15M	1410	95
★ E4HT 4005-AGA	Rockwell (Timken)	F106	6.83	15M	1410	95
★ E4HT 4005-AHA	Rockwell (Timken)	F106	7.17	15M	1410	95
★ E4HT 4005-AJA	Rockwell (Timken)	F106	5.29	15M	1480	95
★ E4HT 4005-AKA	Rockwell (Timken)	F106	5.83	15M	1480	95
★ E4HT 4005-ALA	Rockwell (Timken)	F106	6.14	15M	1480	95
★ E4HT 4005-AMA	Rockwell (Timken)	F106	6.83	15M	1480	95
★ E4HT 4005-ANA	Rockwell (Timken)	F106	7.17	15M	1480	95
★ E4HT 4005-ARA	Rockwell (Timken)	F106	5.29	15M	1550	95
★ E4HT 4005-ASA	Rockwell (Timken)	F106	5.83	15M	1550	95
★ E4HT 4005-ATA	Rockwell (Timken)	F106	6.14	15M	1550	95
★ E4HT 4005-AUA	Rockwell (Timken)	F106	6.83	15M	1550	95
★ E4HT 4005-AVA	Rockwell (Timken)	F106	7.17	15M	1550	95
★ E4HT 4005-AYA	Rockwell (Timken)	H173	5.86	7.5M	1410	248
★ E4HT 4005-AZA	Rockwell (Timken)	H173	6.14	7.5M	1410	248
★ E4HT 4005-BAA	Rockwell (Timken)	H173	6.83	17.5M	1410	248
★ E4HT 4005-BBA	Rockwell (Timken)	H173	7.17	17.5M	1410	248
★ E4HT 4005-BCA	Rockwell (Timken)	H173	5.38	17.5M	1480	248
★ E4HT 4005-BDA	Rockwell (Timken)	H173	5.86	17.5M	1480	248
★ E4HT 4005-BEA	Rockwell (Timken)	H173	6.14	17.5M	1480	248
★ E4HT 4005-BFA	Rockwell (Timken)	H173	6.83	17.5M	1480	248
★ E4HT 4005-BGA	Rockwell (Timken)	H173	7.17	17.5M	1480	248
★ E4HT 4005-BHA	Rockwell (Timken)	H173	4.56	17.5M	1550	248
★ E4HT 4005-BJA	Rockwell (Timken)	H713	4.88	17.5M	1550	248
★ E4HT 4005-BKA	Rockwell (Timken)	H173	5.38	17.5M	1550	248
★ E4HT 4005-BLA	Rockwell (Timken)	H173	5.86	17.5M	1550	248
★ E4HT 4005-BMA	Rockwell (Timken)	H173	6.14	17.5M	1550	248
★ E4HT 4005-BNA	Rockwell (Timken)	H173	6.83	17.5M	1550	248
★ E4HT 4005-BRA	Rockwell (Timken)	H173	7.17	17.5M	1550	248
★ E4HT 4005-BSA	Rockwell (Timken)	H173	4.56	17.5M	1610	248
★ E4HT 4005-BTA	Rockwell (Timken)	H173	4.88	17.5M	1610	248

**1980/  
TRUCK SERIES 600/900**

REAR AXLE T.S.L. † CROSS-REFERENCE GUIDE

IDENTIFICATION AND/OR T.S.L. NUMBER	MANUFACTURER	MANUFACTURER MODEL	RATIO	CAPACITY	DRIVESHAFT SIZE	SEC.40.1 PARTS LIST NO.
Notes: Δ Driveshaft flange not included on assy. † Truck Specification List-included in Kentucky-built trucks. — Cont'd						
★ E4HT 4005-BUA	Rockwell (Timken)	H173	5.38	17.5M	1610	248
★ E4HT 4005-BVA	Rockwell (Timken)	H173	5.86	17.5M	1610	248
★ E4HT 4005-BYA	Rockwell (Timken)	H173	6.14	17.5M	1610	248
★ E4HT 4005-BZA	Rockwell (Timken)	H173	4.88	17.5M	1480	248
★ E4HT 4005-CAA	Eaton	15201	5.57/7.75	15M	1410	164
★ E4HT 4005-CAB	Eaton	15201	5.57/7.75	15M	1410	164
★ E4HT 4005-CBA	Eaton	15201	5.86/8.15	15M	1410	164
★ E4HT 4005-CBB	Eaton	15201	5.86/8.15	15M	1410	164
★ E4HT 4005-CCA	Eaton	15201	6.29/8.74	15M	1410	164
★ E4HT 4005-CCB	Eaton	15201	6.29/8.74	15M	1410	164
★ E4HT 4005-CDA	Eaton	15201	5.57/7.75	15M	1480	164
★ E4HT 4005-CDB	Eaton	15201	5.57/7.75	15M	1480	164
★ E4HT 4005-CEA	Eaton	15201	5.86/8.15	15M	1480	164
★ E4HT 4005-CEB	Eaton	15201	5.86/8.15	15M	1480	164
★ E4HT 4005-CFA	Eaton	15201	6.29/8.74	15M	1480	164
★ E4HT 4005-CFB	Eaton	15201	6.29/8.74	15M	1480	164
★ E4HT 4005-CGA	Eaton	15201	5.57/7.75	15M	1550	164
★ E4HT 4005-CGB	Eaton	15201	5.57/7.75	15M	1550	164
★ E4HT 4005-CHA	Eaton	15201	5.86/8.15	15M	1550	164
★ E4HT 4005-CHB	Eaton	15201	5.86/8.15	15M	1550	164
★ E4HT 4005-CJA	Eaton	16244	5.57/7.75	17.5M	1410	101
★ E4HT 4005-CJB	Eaton	16244	5.57/7.75	17.5M	1410	101
★ E4HT 4005-CKA	Eaton	16244	6.14/8.54	17.5M	1410	101
★ E4HT 4005-CKB	Eaton	16244	6.14/8.54	17.5M	1410	101
★ E4HT 4005-CLA	Eaton	16244	6.57/9.13	17.5M	1410	101
★ E4HT 4005-CLB	Eaton	16244	6.57/9.13	17.5M	1410	101
★ E4HT 4005-CMA	Eaton	16244	7.17/9.97	17.5M	1410	101
★ E4HT 4005-CMB	Eaton	16244	7.17/9.97	17.5M	1410	101
★ E4HT 4005-CNA	Eaton	16244	5.57/7.75	17.5M	1480	101
★ E4HT 4005-CNB	Eaton	16244	5.57/7.75	17.5M	1480	101
★ E4HT 4005-CRA	Eaton	16244	6.14/8.54	17.5M	1480	101
★ E4HT 4005-CRB	Eaton	16244	6.14/8.54	17.5M	1480	101
★ E4HT 4005-CSA	Eaton	16244	6.57/9.13	17.5M	1480	101
★ E4HT 4005-CSB	Eaton	16244	6.57/9.13	17.5M	1480	101
★ E4HT 4005-CTA	Eaton	16244	7.17/9.97	17.5M	1480	101
★ E4HT 4005-CTB	Eaton	16244	7.17/9.97	17.5M	1480	101
★ E4HT 4005-CUA	Eaton	16244	4.88/6.78	17.5M	1550	101
★ E4HT 4005-CUB	Eaton	16244	4.88/6.78	17.5M	1550	101
★ E4HT 4005-CVA	Eaton	16244	5.57/7.75	17.5M	1550	101
★ E4HT 4005-CVB	Eaton	16244	5.57/7.75	17.5M	1550	101
★ E4HT 4005-CYA	Eaton	16244	6.14/8.54	17.5M	1550	101
★ E4HT 4005-CYB	Eaton	16244	6.14/8.54	17.5M	1550	101
★ E4HT 4005-CZA	Eaton	16244	6.57/9.13	17.5M	1550	101
★ E4HT 4005-CZB	Eaton	16244	6.57/9.13	17.5M	1550	101
★ E4HT 4005-DAA	Eaton	16244	7.17/9.97	17.5M	1550	101
★ E4HT 4005-DAB	Eaton	16244	7.17/9.97	17.5M	1550	101
★ E4HT 4005-DBA	Eaton	16244	4.88/6.78	17.5M	1610	101
★ E4HT 4005-DBB	Eaton	16244	4.88/6.78	17.5M	1610	101
★ E4HT 4005-DCA	Eaton	16244	5.57/7.75	17.5M	1610	101
★ E4HT 4005-DCB	Eaton	16244	5.57/7.75	17.5M	1610	101
★ E4HT 4005-DDA	Eaton	16244	6.14/8.54	17.5M	1610	101
★ E4HT 4005-DCB	Eaton	16244	6.14/8.54	17.5M	1610	101
★ E4HT 4005-DEA	Dana (Spicer)	G175-T	5.57/7.75	17.5M	1410	219

**1980/  
TRUCK SERIES 600/900**

REAR AXLE T.S.L. † CROSS-REFERENCE GUIDE

IDENTIFICATION AND/OR T.S.L. NUMBER		MANUFACTURER	MANUFACTURER MODEL	RATIO	CAPACITY	DRIVESHAFT SIZE	SEC.40.1 PARTS LIST NO.
Notes:      Δ Driveshaft flange not included on assy. † Truck Specification List-included in Kentucky-built trucks. — Cont'd							
★ E4HT	4005-DFA	Dana (Spicer)	G175-T	6.17/8.58	17.5M	1410	219
★ E4HT	4005-DGA	Dana (Spicer)	G175-T	6.50/9.04	17.5M	1410	219
★ E4HT	4005-DHA	Dana (Spicer)	G175-T	7.17/9.97	17.5M	1410	219
★ E4HT	4005-DJA	Dana (Spicer)	G175-T	5.57/7.75	17.5M	1480	219
★ E4HT	4005-DKA	Dana (Spicer)	G175-T	6.17/8.58	17.5M	1480	219
★ E4HT	4005-DLA	Dana (Spicer)	G175-T	6.50/9.04	17.5M	1480	219
★ E4HT	4005-DMA	Dana (Spicer)	G175-T	7.17/9.97	17.5M	1480	219
★ E4HT	4005-DNA	Dana (Spicer)	G175-T	4.89/6.79	17.5M	1550	219
★ E4HT	4005-DRA	Dana (Spicer)	G175-T	5.57/7.75	17.5M	1550	219
★ E4HT	4005-DSA	Dana (Spicer)	G175-T	6.17/8.58	17.5M	1550	219
★ E4HT	4005-DTA	Dana (Spicer)	G175-T	6.50/9.04	17.5M	1550	219
★ E4HT	4005-DUA	Dana (Spicer)	G175-T	7.17/9.97	17.5M	1550	219
★ E4HT	4005-DVA	Dana (Spicer)	G175-T	4.89/6.79	17.5M	1610	219
★ E4HT	4005-DYA	Dana (Spicer)	G175-T	5.57/7.75	17.5M	1610	219
★ E4HT	4005-DZA	Dana (Spicer)	G175-T	6.17/8.58	17.5M	1610	219
★ E4HT	4005-EAA	Dana (Spicer)	M185-T/190-T	5.57/7.60	19M	1480	220
★ E4HT	4005-EBA	Dana (Spicer)	M185-T/190-T	6.14/8.38	19M	1480	220
★ E4HT	4005-ECA	Dana (Spicer)	M185-T/190-T	6.50/8.86	19M	1480	220
★ E4HT	4005-EDA	Dana (Spicer)	M185-T/190-T	7.17/9.77	19M	1480	220
★ E4HT	4005-EEA	Dana (Spicer)	M185-T/190-T	4.89/6.66	19M	1550	220
★ E4HT	4005-EFA	Dana (Spicer)	M185-T/190-T	5.57/7.60	19M	1550	220
★ E4HT	4005-EGA	Dana (Spicer)	M185-T/190-T	6.14/8.38	19M	1550	220
★ E4HT	4005-EHA	Dana (Spicer)	M185-T/190-T	6.50/8.86	19M	1550	220
★ E4HT	4005-EJA	Dana (Spicer)	M185-T/190-T	7.17/9.77	19M	1550	220
★ E4HT	4005-EKA	Dana (Spicer)	M185-T/190-T	4.89/6.66	19M	1610	220
★ E4HT	4005-ELA	Dana (Spicer)	M185-T/190-T	5.57/7.60	19M	1610	220
★ E4HT	4005-EMA	Dana (Spicer)	M185-T/190-T	6.14/8.38	19M	1610	220
★ E4HT	4005-ENA	Dana (Spicer)	M185-T/190-T	6.50/8.86	19M	1610	220
★ E4HT	4005-ERA	Dana (Spicer)	M185-T/190-T	7.17/9.77	19M	1610	220
★ E4HT	4005-ESA	Dana (Spicer)	M220-T	3.70/5.05	22M	1610	255
★ E4HT	4005-ETA	Dana (Spicer)	M220-T	3.90/5.32	22M	1610	255
★ E4HT	4005-EUA	Dana (Spicer)	M220-T	4.11/5.60	22M	1610	255
★ E5HS	4005-DAYA	Dana (Spicer)	M185-T	5.29/7.21	18.5M	1610	220
★ E5HT	4005-RBSA	Rockwell (Timken)	H173	4.10	17.5M	1610	248
★ E5HT	4005-TA	Rockwell (Timken)	H173	5.86	17.5M	1410	248
★ E5HT	4005-UA	Rockwell (Timken)	H173	6.14	17.5M	1410	248
★ E5HT	4005-VA	Rockwell (Timken)	H173	6.83	17.5M	1410	248
★ E5HT	4005-YA	Rockwell (Timken)	H173	7.17	17.5M	1410	248
★ E5HT	4005-ZA	Rockwell (Timken)	H173	4.88	17.5M	1480	248
★ E5HT	4005-AAA	Rockwell (Timken)	H173	5.38	17.5M	1480	248
★ E5HT	4005-ABA	Rockwell (Timken)	H173	5.86	17.5M	1480	248
★ E5HT	4005-ACA	Rockwell (Timken)	H173	6.14	17.5M	1480	248
★ E5HT	4005-ADA	Rockwell (Timken)	H173	6.83	17.5M	1480	248
★ E5HT	4005-AEA	Rockwell (Timken)	H173	7.17	17.5M	1480	248
★ E5HT	4005-AFA	Rockwell (Timken)	H173	4.56	17.5M	1550	248
★ E5HT	4005-AGA	Rockwell (Timken)	H173	4.88	17.5M	1550	248
★ E5HT	4005-AHA	Rockwell (Timken)	H173	5.38	17.5M	1550	248
★ E5HT	4005-AJA	Rockwell (Timken)	H173	5.86	17.5M	1550	248
★ E5HT	4005-AKA	Rockwell (Timken)	H173	6.14	17.5M	1550	248
★ E5HT	4005-ALA	Rockwell (Timken)	H173	6.83	17.5M	1550	248
★ E5HT	4005-AMA	Rockwell (Timken)	H173	7.17	17.5M	1550	248
★ E5HT	4005-ANA	Rockwell (Timken)	H173	4.56	17.5M	1610	248
★ E5HT	4005-ARA	Rockwell (Timken)	H173	4.88	17.5M	1610	248

1980/  
TRUCK SERIES 600/900

REAR AXLE T.S.L. † CROSS-REFERENCE GUIDE

IDENTIFICATION AND/OR T.S.L. NUMBER	MANUFACTURER	MANUFACTURER MODEL	RATIO	CAPACITY	DRIVESHAFT SIZE	SEC.40.1 PARTS LIST NO.
Notes: Δ Driveshaft flange not included on assy. † Truck Specification List-included in Kentucky-built trucks. — Cont'd						
★E5HT 4005-ASA	Rockwell (Timken)	H173	5.38	17.5M	1610	248
★E5HT 4005-ATA	Rockwell (Timken)	H173	5.86	17.5M	1610	248
★E5HT 4005-AUA	Rockwell (Timken)	H173	6.14	17.5M	1610	248
★E5HT 4005-CCA	Dana (Spicer)	M185-T	3.70/5.05	18.5M	1610	220
★E5HT 4005-CEA	Dana (Spicer)	M185-T	4.11/5.60	18.5M	1610	220
★E5HT 4005-CFA	Dana (Spicer)	M185-T	3.70/5.05	18.5M	1710	220
★E5HT 4005-CHA	Dana (Spicer)	M185-T	4.11/5.60	18.5M	1710	220
★E5HT 4005-CJA	Dana (Spicer)	M220-T	3.70/5.05	22M	1710	255
★E5HT 4005-CKA	Dana (Spicer)	M220-T	3.90/5.32	22M	1710	255
★E5HT 4005-CLA	Dana (Spicer)	M220-T	4.11/5.60	22M	1710	255
★E5HT 4005-CMA	Dana (Spicer)	M220-S	3.90	22M	1610	266
★E5HT 4005-CNA	Dana (Spicer)	M220-S	3.70	22M	1710	266
★E5HT 4005-CRA	Dana (Spicer)	M220-S	3.90	22M	1710	266
★E5HT 4005-CSA	Dana (Spicer)	M220-S	4.11	22M	1710	266
★E5HT 4005-CVA	Rockwell (Timken)	P174	4.88	20M	1550	264
★E5HT 4005-HAA	Rockwell (Timken)	H601	4.88/6.80	17.5M	1550	262
★E5HT 4005-HBA	Rockwell (Timken)	P601	4.88/6.80	20M	1550	263
★E6HT 4005-AA	Rockwell (Timken)	H173	3.73	17.5M	1610	248
★E6HT 4005-BA	Rockwell (Timken)	H173	3.73	17.5M	1710	248
★E6HT 4005-CA	Rockwell (Timken)	H173	4.10	17.5M	1710	248
★E6HT 4005-DA	Rockwell (Timken)	H173	4.56	17.5M	1710	248
★E6HT 4005-EA	Rockwell (Timken)	H173	4.88	17.5M	1710	248
★E6HT 4005-FA	Dana (Spicer)	M185-T	4.56/6.22	18.5M	1610	220
★E6HT 4005-GA	Dana (Spicer)	M185-T	4.56/6.22	18.5M	1710	220
★E6HT 4005-HA	Dana (Spicer)	M185-T	4.89/6.66	18.5M	1710	220
★E6HT 4005-JA	Dana (Spicer)	M185-T	5.29/7.21	18.5M	1710	220
★E6HT 4005-KA	Dana (Spicer)	M185-T	5.57/7.60	18.5M	1710	220
★E6HT 4005-LA	Dana (Spicer)	M185-T	6.14/8.38	18.5M	1710	220
★E6HT 4005-MA	Dana (Spicer)	M185-T	6.50/8.86	18.5M	1710	220
★E6HT 4005-NA	Dana (Spicer)	M220-T	4.56/6.22	22M	1610	255
★E6HT 4005-RA	Dana (Spicer)	M220-T	4.56/6.22	22M	1710	255
★E6HT 4005-SA	Dana (Spicer)	M220-T	4.89/6.66	22M	1710	255
★E6HT 4005-TA	Dana (Spicer)	M220-T	5.29/7.21	22M	1710	255
★E6HT 4005-UA	Dana (Spicer)	M220-T	5.57/7.60	22M	1710	255
★E6HT 4005-VA	Dana (Spicer)	M220-T	6.14/8.38	22M	1710	255
★E7HT 4005-D010A	Rockwell (Timken)	RS13120	5.86	13M	1480	267
★E7HT 4005-D011A	Rockwell (Timken)	RS13120	6.14	13M	1480	267
★E7HT 4005-D014A	Rockwell (Timken)	RS13120	7.17	13M	1480	267
★E7HT 4005-D024A	Rockwell (Timken)	RS13120	4.30	13M	1550	267
★E7HT 4005-D026A	Rockwell (Timken)	RS13120	4.88	13M	1550	267
★E7HT 4005-D030A	Rockwell (Timken)	RS13120	5.86	13M	1550	267
★E7HT 4005-D031A	Rockwell (Timken)	RS13120	6.14	13M	1550	267
★E7HT 4005-D034A	Rockwell (Timken)	RS13120	7.17	13M	1550	267
★E7HT 4005-F506A	Rockwell (Timken)	RS15120	4.88	15M	1480	268
★E7HT 4005-F507A	Rockwell (Timken)	RS15120	5.13	15M	1480	268
★E7HT 4005-F510A	Rockwell (Timken)	RS15120	5.86	15M	1480	268
★E7HT 4005-F511A	Rockwell (Timken)	RS15120	6.14	15M	1480	268
★E7HT 4005-F514A	Rockwell (Timken)	RS15120	7.17	15M	1480	268
★E7HT 4005-F525A	Rockwell (Timken)	RS15120	4.56	15M	1550	268
★E7HT 4005-F526A	Rockwell (Timken)	RS15120	4.88	15M	1550	268
★E7HT 4005-F527A	Rockwell (Timken)	RS15120	5.13	15M	1550	268
★E7HT 4005-F530A	Rockwell (Timken)	RS15120	5.86	15M	1550	268
★E7HT 4005-F531A	Rockwell (Timken)	RS15120	6.14	15M	1550	268
★E7HT 4005-F534A	Rockwell (Timken)	RS15120	7.17	15M	1550	268
★E7HT 4005-F566A	Rockwell (Timken)	RS15210	4.88/6.80	15M	1480	269
★E7HT 4005-F568A	Rockwell (Timken)	RS15210	5.38/7.50	15M	1480	269
★E7HT 4005-F570A	Rockwell (Timken)	RS15210	5.86/8.17	15M	1480	269
★E7HT 4005-F571A	Rockwell (Timken)	RS15210	6.14/8.57	15M	1480	269

1980/  
TRUCK SERIES 600/900

REAR AXLE T.S.L. † CROSS-REFERENCE GUIDE

IDENTIFICATION AND/OR T.S.L. NUMBER		MANUFACTURER	MANUFACTURER MODEL	RATIO	CAPACITY	DRIVESHAFT SIZE	SEC.40.1 PARTS LIST NO.
Notes: Δ Driveshaft flange not included on assy. † Truck Specification List-included in Kentucky-built trucks. — Cont'd							
★E7HT	4005-F573A	Rockwell (Timken)	RS15210	6.83/9.53	15M	1480	269
★E7HT	4005-F585A	Rockwell (Timken)	RS15210	4.56/6.36	15M	1550	269
★E7HT	4005-F586A	Rockwell (Timken)	RS15210	4.88/6.80	15M	1550	269
★E7HT	4005-F588A	Rockwell (Timken)	RS15210	5.38/7.50	15M	1550	269
★E7HT	4005-F590A	Rockwell (Timken)	RS15210	5.86/8.17	15M	1550	269
★E7HT	4005-F591A	Rockwell (Timken)	RS15210	6.14/8.57	15M	1550	269
★E7HT	4005-F593A	Rockwell (Timken)	RS15210	6.83/9.53	15M	1550	269
★E7HT	4005-H010A	Rockwell (Timken)	RS17140	4.88	17.5M	1480	270
★E7HT	4005-H012A	Rockwell (Timken)	RS17140	5.29	17.5M	1480	270
★E7HT	4005-H014A	Rockwell (Timken)	RS17140	5.86	17.5M	1480	270
★E7HT	4005-H016A	Rockwell (Timken)	RS17140	6.43	17.5M	1480	270
★E7HT	4005-H017A	Rockwell (Timken)	RS17140	6.83	17.5M	1480	270
★E7HT	4005-H018A	Rockwell (Timken)	RS17140	7.17	17.5M	1480	270
★E7HT	4005-H033A	Rockwell (Timken)	RS17140	4.30	17.5M	1550	270
★E7HT	4005-H034A	Rockwell (Timken)	RS17140	4.56	17.5M	1550	270
★E7HT	4005-H035A	Rockwell (Timken)	RS17140	4.88	17.5M	1550	270
★E7HT	4005-H037A	Rockwell (Timken)	RS17140	5.29	17.5M	1550	270
★E7HT	4005-H039A	Rockwell (Timken)	RS17140	5.86	17.5M	1550	270
★E7HT	4005-H041A	Rockwell (Timken)	RS17140	6.43	17.5M	1550	270
★E7HT	4005-H042A	Rockwell (Timken)	RS17140	6.83	17.5M	1550	270
★E7HT	4005-H043A	Rockwell (Timken)	RS17140	7.17	17.5M	1550	270
★E7HT	4005-H056A	Rockwell (Timken)	RS17140	3.91	17.5M	1610	270
★E7HT	4005-H057A	Rockwell (Timken)	RS17140	4.10	17.5M	1610	270
★E7HT	4005-H058A	Rockwell (Timken)	RS17140	4.30	17.5M	1610	270
★E7HT	4005-H059A	Rockwell (Timken)	RS17140	4.56	17.5M	1610	270
★E7HT	4005-H060A	Rockwell (Timken)	RS17140	4.88	17.5M	1610	270
★E7HT	4005-H062A	Rockwell (Timken)	RS17140	5.29	17.5M	1610	270
★E7HT	4005-H064A	Rockwell (Timken)	RS17140	5.86	17.5M	1610	270
★E7HT	4005-H066A	Rockwell (Timken)	RS17140	6.43	17.5M	1610	270
★E7HT	4005-H067A	Rockwell (Timken)	RS17140	6.83	17.5M	1610	270
★E7HT	4005-H068A	Rockwell (Timken)	RS17140	7.17	17.5M	1610	270
★E7HT	4005-H081A	Rockwell (Timken)	RS17140	3.91	17.5M	1710	270
★E7HT	4005-H082A	Rockwell (Timken)	RS17140	4.10	17.5M	1710	270
★E7HT	4005-H083A	Rockwell (Timken)	RS17140	4.30	17.5M	1710	270
★E7HT	4005-H084A	Rockwell (Timken)	RS17140	4.56	17.5M	1710	270
★E7HT	4005-H085A	Rockwell (Timken)	RS17140	4.88	17.5M	1710	270
★E7HT	4005-H087A	Rockwell (Timken)	RS17140	5.29	17.5M	1710	270
★E7HT	4005-H089A	Rockwell (Timken)	RS17140	5.86	17.5M	1710	270
★E7HT	4005-H091A	Rockwell (Timken)	RS17140	6.43	17.5M	1710	270
★E7HT	4005-H092A	Rockwell (Timken)	RS17140	6.83	17.5M	1710	270
★E7HT	4005-H093A	Rockwell (Timken)	RS17140	7.17	17.5M	1710	270
★E7HT	4005-H210A	Rockwell (Timken)	RS17220	4.88/6.80	17.5M	1480	271
★E7HT	4005-H212A	Rockwell (Timken)	RS17220	5.38/7.50	17.5M	1480	271
★E7HT	4005-H214A	Rockwell (Timken)	RS17220	5.86/8.17	17.5M	1480	271
★E7HT	4005-H216A	Rockwell (Timken)	RS17220	6.50/9.07	17.5M	1480	271
★E7HT	4005-H217A	Rockwell (Timken)	RS17220	6.83/9.53	17.5M	1480	271
★E7HT	4005-H218A	Rockwell (Timken)	RS17220	7.17/10.0	17.5M	1480	271
★E7HT	4005-H233A	Rockwell (Timken)	RS17220	4.30/6.00	17.5M	1550	271
★E7HT	4005-H234A	Rockwell (Timken)	RS17220	4.56/6.36	17.5M	1550	271
★E7HT	4005-H235A	Rockwell (Timken)	RS17220	4.88/6.80	17.5M	1550	271
★E7HT	4005-H237A	Rockwell (Timken)	RS17220	5.38/7.50	17.5M	1550	271
★E7HT	4005-H239A	Rockwell (Timken)	RS17220	5.86/8.17	17.5M	1550	271
★E7HT	4005-H240A	Rockwell (Timken)	RS17220	6.14/8.57	17.5M	1550	271
★E7HT	4005-H241A	Rockwell (Timken)	RS17220	6.50/9.07	17.5M	1550	271
★E7HT	4005-H242A	Rockwell (Timken)	RS17220	6.83/9.53	17.5M	1550	271
★E7HT	4005-H243A	Rockwell (Timken)	RS17220	7.17/10.0	17.5M	1550	271
★E7HT	4005-H256A	Rockwell (Timken)	RS17220	3.91/5.45	17.5M	1610	271
★E7HT	4005-H257A	Rockwell (Timken)	RS17220	4.10/5.72	17.5M	1610	271

1980/  
TRUCK SERIES 600/900

REAR AXLE T.S.L. † CROSS-REFERENCE GUIDE

IDENTIFICATION AND/OR T.S.L. NUMBER	MANUFACTURER	MANUFACTURER MODEL	RATIO	CAPACITY	DRIVESHAFT SIZE	SEC.40.1 PARTS LIST NO.
Notes: Δ Driveshaft flange not included on assy. † Truck Specification List-included in Kentucky-built trucks. — Cont'd						
★E7HT 4005-H258A	Rockwell (Timken)	RS17220	4.30/6.00	17.5M	1610	271
★E7HT 4005-H259A	Rockwell (Timken)	RS17220	4.56/6.36	17.5M	1610	271
★E7HT 4005-H260A	Rockwell (Timken)	RS17220	4.88/6.80	17.5M	1610	271
★E7HT 4005-H262A	Rockwell (Timken)	RS17220	5.38/7.50	17.5M	1610	271
★E7HT 4005-H264A	Rockwell (Timken)	RS17220	5.86/8.17	17.5M	1610	271
★E7HT 4005-H265A	Rockwell (Timken)	RS17220	6.14/8.57	17.5M	1610	271
★E7HT 4005-H266A	Rockwell (Timken)	RS17220	6.50/9.07	17.5M	1610	271
★E7HT 4005-H267A	Rockwell (Timken)	RS17220	6.83/9.53	17.5M	1610	271
★E7HT 4005-H268A	Rockwell (Timken)	RS17220	7.17/10.0	17.5M	1610	271
★E7HT 4005-H281A	Rockwell (Timken)	RS17220	3.91/5.45	17.5M	1710	271
★E7HT 4005-H282A	Rockwell (Timken)	RS17220	4.10/5.72	17.5M	1710	271
★E7HT 4005-H284A	Rockwell (Timken)	RS17220	4.56/6.36	17.5M	1710	271
★E7HT 4005-H285A	Rockwell (Timken)	RS17220	4.88/6.80	17.5M	1710	271
★E7HT 4005-H289A	Rockwell (Timken)	RS17220	5.86/8.17	17.5M	1710	271
★E7HT 4005-H290A	Rockwell (Timken)	RS17220	6.14/8.57	17.5M	1710	271
★E7HT 4005-M559A	Rockwell (Timken)	RS21145	4.56	21M	1550	272
★E7HT 4005-M560A	Rockwell (Timken)	RS21145	4.88	21M	1550	272
★E7HT 4005-M562A	Rockwell (Timken)	RS21145	5.29	21M	1550	272
★E7HT 4005-M564A	Rockwell (Timken)	RS21145	5.86	21M	1550	272
★E7HT 4005-M566A	Rockwell (Timken)	RS21145	6.43	21M	1550	272
★E7HT 4005-M567A	Rockwell (Timken)	RS21145	6.83	21M	1550	272
★E7HT 4005-M568A	Rockwell (Timken)	RS21145	7.17	21M	1550	272
★E7HT 4005-M606A	Rockwell (Timken)	RS21145	3.91	21M	1610	272
★E7HT 4005-M607A	Rockwell (Timken)	RS21145	4.10	21M	1610	272
★E7HT 4005-M609A	Rockwell (Timken)	RS21145	4.56	21M	1610	272
★E7HT 4005-M610A	Rockwell (Timken)	RS21145	4.88	21M	1610	272
★E7HT 4005-M612A	Rockwell (Timken)	RS21145	5.29	21M	1610	272
★E7HT 4005-M614A	Rockwell (Timken)	RS21145	5.86	21M	1610	272
★E7HT 4005-M616A	Rockwell (Timken)	RS21145	6.43	21M	1610	272
★E7HT 4005-M617A	Rockwell (Timken)	RS21145	6.83	21M	1610	272
★E7HT 4005-M618A	Rockwell (Timken)	RS21145	7.17	21M	1610	272
★E7HT 4005-M656A	Rockwell (Timken)	RS21145	3.91	21M	1710	272
★E7HT 4005-M657A	Rockwell (Timken)	RS21145	4.10	21M	1710	272
★E7HT 4005-M659A	Rockwell (Timken)	RS21145	4.56	21M	1710	272
★E7HT 4005-M660A	Rockwell (Timken)	RS21145	4.88	21M	1710	272
★E7HT 4005-M662A	Rockwell (Timken)	RS21145	5.29	21M	1710	272
★E7HT 4005-M664A	Rockwell (Timken)	RS21145	5.86	21M	1710	272
★E7HT 4005-M666A	Rockwell (Timken)	RS21145	6.43	21M	1710	272
★E7HT 4005-M667A	Rockwell (Timken)	RS21145	6.83	21M	1710	272
★E7HT 4005-M668A	Rockwell (Timken)	RS21145	7.17	21M	1710	272
★E7HT 4005-M933A	Rockwell (Timken)	RS21230	4.30/6.00	21M	1550	273
★E7HT 4005-M934A	Rockwell (Timken)	RS21230	4.56/6.36	21M	1550	273
★E7HT 4005-M935A	Rockwell (Timken)	RS21230	4.88/6.80	21M	1550	273
★E7HT 4005-M937A	Rockwell (Timken)	RS21230	5.38/7.50	21M	1550	273
★E7HT 4005-M939A	Rockwell (Timken)	RS21230	5.86/8.17	21M	1550	273
★E7HT 4005-M941A	Rockwell (Timken)	RS21230	6.50/9.07	21M	1550	273
★E7HT 4005-M942A	Rockwell (Timken)	RS21230	6.83/9.53	21M	1550	273
★E7HT 4005-M943A	Rockwell (Timken)	RS21230	7.17/10.0	21M	1550	273
★E7HT 4005-M956A	Rockwell (Timken)	RS21230	3.91/5.45	21M	1610	273
★E7HT 4005-M957A	Rockwell (Timken)	RS21230	4.10/5.72	21M	1610	273
★E7HT 4005-M958A	Rockwell (Timken)	RS21230	4.30/6.00	21M	1610	273
★E7HT 4005-M959A	Rockwell (Timken)	RS21230	4.56/6.36	21M	1610	273
★E7HT 4005-M960A	Rockwell (Timken)	RS21230	4.88/6.80	21M	1610	273
★E7HT 4005-M962A	Rockwell (Timken)	RS21230	5.38/7.50	21M	1610	273
★E7HT 4005-M964A	Rockwell (Timken)	RS21230	5.86/8.17	21M	1610	273
★E7HT 4005-M966A	Rockwell (Timken)	RS21230	6.50/9.07	21M	1610	273
★E7HT 4005-M967A	Rockwell (Timken)	RS21230	6.83/9.53	21M	1610	273



1980/  
TRUCK SERIES 600/900

REAR AXLE T.S.L. † CROSS-REFERENCE GUIDE

IDENTIFICATION AND/OR T.S.L. NUMBER		MANUFACTURER	MANUFACTURER MODEL	RATIO	CAPACITY	DRIVESHAFT SIZE	SEC. 40.1 PARTS LIST NO.
Notes: Δ Driveshaft flange not included on assy. † Truck Specification List-included in Kentucky-built trucks. — Cont'd							
★E7HT	4005-M968A	Rockwell (Timken)	RS21230	7.17/10.0	21M	1610	273
★E7HT	4005-M981A	Rockwell (Timken)	RS21230	3.91/5.45	21M	1710	273
★E7HT	4005-M982A	Rockwell (Timken)	RS21230	4.10/5.72	21M	1710	273
★E7HT	4005-M983A	Rockwell (Timken)	RS21230	4.30/6.00	21M	1710	273
★E7HT	4005-M984A	Rockwell (Timken)	RS21230	4.56/6.36	21M	1710	273
★E7HT	4005-M985A	Rockwell (Timken)	RS21230	4.88/6.80	21M	1710	273
★E7HT	4005-M987A	Rockwell (Timken)	RS21230	5.38/7.50	21M	1710	273
★E7HT	4005-M989A	Rockwell (Timken)	RS21230	5.86/8.17	21M	1710	273
★E7HT	4005-M991A	Rockwell (Timken)	RS21230	6.50/9.07	21M	1710	273
★E7HT	4005-M992A	Rockwell (Timken)	RS21230	6.83/9.53	21M	1710	273
★E7HT	4005-M993A	Rockwell (Timken)	RS21230	7.17/10.00	21M	1710	273
★E7HT	4005-R007A	Rockwell (Timken)	RS23160	4.10	23M	1610	274
★E7HT	4005-R008A	Rockwell (Timken)	RS23160	4.30	23M	1610	274
★E7HT	4005-R009A	Rockwell (Timken)	RS23160	4.56	23M	1610	274
★E7HT	4005-R010A	Rockwell (Timken)	RS23160	4.89	23M	1610	274
★E7HT	4005-R012A	Rockwell (Timken)	RS23160	5.38	23M	1610	274
★E7HT	4005-R013A	Rockwell (Timken)	RS23160	5.63	23M	1610	274
★E7HT	4005-R015A	Rockwell (Timken)	RS23160	6.14	23M	1610	274
★E7HT	4005-R017A	Rockwell (Timken)	RS23160	6.83	23M	1610	274
★E7HT	4005-R018A	Rockwell (Timken)	RS23160	7.17	23M	1610	274
★E7HT	4005-R053A	Rockwell (Timken)	RS23160	3.42	23M	1710	274
★E7HT	4005-R054A	Rockwell (Timken)	RS23160	3.58	23M	1710	274
★E7HT	4005-R055A	Rockwell (Timken)	RS23160	3.73	23M	1710	274
★E7HT	4005-R056A	Rockwell (Timken)	RS23160	3.91	23M	1710	274
★E7HT	4005-R057A	Rockwell (Timken)	RS23160	4.10	23M	1710	274
★E7HT	4005-R058A	Rockwell (Timken)	RS23160	4.30	23M	1710	274
★E7HT	4005-R059A	Rockwell (Timken)	RS23160	4.56	23M	1710	274
★E7HT	4005-R060A	Rockwell (Timken)	RS23160	4.89	23M	1710	274
★E7HT	4005-R062A	Rockwell (Timken)	RS23160	5.38	23M	1710	274
★E7HT	4005-R063A	Rockwell (Timken)	RS23160	5.63	23M	1710	274
★E7HT	4005-R065A	Rockwell (Timken)	RS23160	6.14	23M	1710	274
★E7HT	4005-R067A	Rockwell (Timken)	RS23160	6.83	23M	1710	274
★E7HT	4005-R068A	Rockwell (Timken)	RS23160	7.17	23M	1710	274
★E7HT	4005-R103A	Rockwell (Timken)	RS23160	3.42	23M	1760	274
★E7HT	4005-R104A	Rockwell (Timken)	RS23160	3.58	23M	1760	274
★E7HT	4005-R105A	Rockwell (Timken)	RS23160	3.73	23M	1760	274
★E7HT	4005-R106A	Rockwell (Timken)	RS23160	3.91	23M	1760	274
★E7HT	4005-R107A	Rockwell (Timken)	RS23160	4.10	23M	1760	274
★E7HT	4005-R108A	Rockwell (Timken)	RS23160	4.30	23M	1760	274
★E7HT	4005-R109A	Rockwell (Timken)	RS23160	4.56	23M	1760	274
★E7HT	4005-R110A	Rockwell (Timken)	RS23160	4.89	23M	1760	274
★E7HT	4005-R203A	Rockwell (Timken)	RS23160	3.42	23M	1810	274
★E7HT	4005-R204A	Rockwell (Timken)	RS23160	3.58	23M	1810	274
★E7HT	4005-R205A	Rockwell (Timken)	RS23160	3.73	23M	1810	274
★E7HT	4005-R206A	Rockwell (Timken)	RS23160	3.91	23M	1810	274
★E7HT	4005-R207A	Rockwell (Timken)	RS23160	4.10	23M	1810	274
★E7HT	4005-R208A	Rockwell (Timken)	RS23160	4.30	23M	1810	274
★E7HT	4005-R209A	Rockwell (Timken)	RS23160	4.56	23M	1810	274
★E7HT	4005-R210A	Rockwell (Timken)	RS23160	4.89	23M	1810	274
★E7HT	4005-R507A	Rockwell (Timken)	RS23180	4.10	23M	1610	275
★E7HT	4005-R508A	Rockwell (Timken)	RS23180	4.30	23M	1610	275
★E7HT	4005-R509A	Rockwell (Timken)	RS23180	4.56	23M	1610	275
★E7HT	4005-R510A	Rockwell (Timken)	RS23180	4.89	23M	1610	275
★E7HT	4005-R512A	Rockwell (Timken)	RS23180	5.38	23M	1610	275
★E7HT	4005-R513A	Rockwell (Timken)	RS23180	5.63	23M	1610	275
★E7HT	4005-R515A	Rockwell (Timken)	RS23180	6.14	23M	1610	275
★E7HT	4005-R553A	Rockwell (Timken)	RS23180	3.42	23M	1710	275

1980/  
TRUCK SERIES 600/900

REAR AXLE T.S.L. † CROSS-REFERENCE GUIDE

IDENTIFICATION AND/OR T.S.L. NUMBER	MANUFACTURER	MANUFACTURER MODEL	RATIO	CAPACITY	DRIVESHAFT SIZE	SEC.40.1 PARTS LIST NO.
Notes: Δ Driveshaft flange not included on assy. † Truck Specification List-included in Kentucky-built trucks. — Cont'd						
★E7HT 4005-R554A	Rockwell (Timken)	RS23180	3.58	23M	1710	275
★E7HT 4005-R555A	Rockwell (Timken)	RS23180	3.73	23M	1710	275
★E7HT 4005-R556A	Rockwell (Timken)	RS23180	3.91	23M	1710	275
★E7HT 4005-R557A	Rockwell (Timken)	RS23180	4.10	23M	1710	275
★E7HT 4005-R558A	Rockwell (Timken)	RS23180	4.30	23M	1710	275
★E7HT 4005-R559A	Rockwell (Timken)	RS23180	4.56	23M	1710	275
★E7HT 4005-R560A	Rockwell (Timken)	RS23180	4.89	23M	1710	275
★E7HT 4005-R562A	Rockwell (Timken)	RS23180	5.38	23M	1710	275
★E7HT 4005-R563A	Rockwell (Timken)	RS23180	5.63	23M	1710	275
★E7HT 4005-R565A	Rockwell (Timken)	RS23180	6.14	23M	1710	275
★E7HT 4005-R603A	Rockwell (Timken)	RS23180	3.42	23M	1760	275
★E7HT 4005-R604A	Rockwell (Timken)	RS23180	3.58	23M	1760	275
★E7HT 4005-R605A	Rockwell (Timken)	RS23180	3.73	23M	1760	275
★E7HT 4005-R606A	Rockwell (Timken)	RS23180	3.91	23M	1760	275
★E7HT 4005-R607A	Rockwell (Timken)	RS23180	4.10	23M	1760	275
★E7HT 4005-R608A	Rockwell (Timken)	RS23180	4.30	23M	1760	275
★E7HT 4005-R609A	Rockwell (Timken)	RS23180	4.56	23M	1760	275
★E7HT 4005-R610A	Rockwell (Timken)	RS23180	4.89	23M	1760	275
★E7HT 4005-R703A	Rockwell (Timken)	RS23180	3.42	23M	1810	275
★E7HT 4005-R704A	Rockwell (Timken)	RS23180	3.58	23M	1810	275
★E7HT 4005-R705A	Rockwell (Timken)	RS23180	3.73	23M	1810	275
★E7HT 4005-R706A	Rockwell (Timken)	RS23180	3.91	23M	1810	275
★E7HT 4005-R707A	Rockwell (Timken)	RS23180	4.10	23M	1810	275
★E7HT 4005-R708A	Rockwell (Timken)	RS23180	4.30	23M	1810	275
★E7HT 4005-R709A	Rockwell (Timken)	RS23180	4.56	23M	1810	275
★E7HT 4005-R710A	Rockwell (Timken)	RS23180	4.89	23M	1810	275
★E7HT 4005-R907A	Rockwell (Timken)	RS23240	4.10/5.59	23M	1610	276
★E7HT 4005-R908A	Rockwell (Timken)	RS23240	4.30/5.86	23M	1610	276
★E7HT 4005-R909A	Rockwell (Timken)	RS23240	4.56/6.22	23M	1610	276
★E7HT 4005-R910A	Rockwell (Timken)	RS23240	4.88/6.65	23M	1610	276
★E7HT 4005-R912A	Rockwell (Timken)	RS23240	5.38/7.33	23M	1610	276
★E7HT 4005-R913A	Rockwell (Timken)	RS23240	5.57/7.60	23M	1610	276
★E7HT 4005-R915A	Rockwell (Timken)	RS23240	6.14/8.38	23M	1610	276
★E7HT 4005-R916A	Rockwell (Timken)	RS23240	6.50/8.86	23M	1610	276
★E7HT 4005-R918A	Rockwell (Timken)	RS23240	7.17/9.77	23M	1610	276
★E7HT 4005-R932A	Rockwell (Timken)	RS23240	4.10/5.59	23M	1710	276
★E7HT 4005-R933A	Rockwell (Timken)	RS23240	4.30/5.86	23M	1710	276
★E7HT 4005-R934A	Rockwell (Timken)	RS23240	4.56/6.22	23M	1710	276
★E7HT 4005-R935A	Rockwell (Timken)	RS23240	4.88/6.65	23M	1710	276
★E7HT 4005-R937A	Rockwell (Timken)	RS23240	5.38/7.33	23M	1710	276
★E7HT 4005-R938A	Rockwell (Timken)	RS23240	5.57/7.60	23M	1710	276
★E7HT 4005-R940A	Rockwell (Timken)	RS23240	6.14/8.38	23M	1710	276
★E7HT 4005-R941A	Rockwell (Timken)	RS23240	6.50/8.86	23M	1710	276
★E7HT 4005-R943A	Rockwell (Timken)	RS23240	7.17/9.77	23M	1710	276
★E8HT 4005-G034A	Rockwell (Timken)	RR20145	4.56	40M	1610	284
★E8HT 4005-G434A	Rockwell (Timken)	RR20145	4.56	40M	1610	284
★E8HT 4005-M558A	Rockwell (Timken)	RS21145	4.30	21M	1550	272
★E8HT 4005-M562A	Rockwell (Timken)	RS21145	5.29	21M	1550	272
★E8HT 4005-M566A	Rockwell (Timken)	RS21145	6.43	21M	1550	272
★E8HT 4005-M567A	Rockwell (Timken)	RS21145	6.83	21M	1550	272
★E8HT 4005-M568A	Rockwell (Timken)	RS21145	7.17	21M	1550	272
★E8HT 4005-M583A	Rockwell (Timken)	RS21145	4.30	21M	1550	279
★E8HT 4005-M584A	Rockwell (Timken)	RS21145	4.56	21M	1550	279
★E8HT 4005-M585A	Rockwell (Timken)	RS21145	4.88	21M	1550	279
★E8HT 4005-M587A	Rockwell (Timken)	RS21145	5.29	21M	1550	279
★E8HT 4005-M589A	Rockwell (Timken)	RS21145	5.86	21M	1550	279
★E8HT 4005-M591A	Rockwell (Timken)	RS21145	6.43	21M	1550	279

1980/  
TRUCK SERIES 600/900

REAR AXLE T.S.L. † CROSS-REFERENCE GUIDE

IDENTIFICATION AND/OR T.S.L. NUMBER		MANUFACTURER	MANUFACTURER MODEL	RATIO	CAPACITY	DRIVESHAFT SIZE	SEC.40.1 PARTS LIST NO.
Notes: Δ Driveshaft flange not included on assy. † Truck Specification List-included in Kentucky-built trucks. --- Cont'd							
★E8HT	4005-M592A	Rockwell (Timken)	RS21145	6.83	21M	1550	279
★E8HT	4005-M593A	Rockwell (Timken)	RS21145	7.17	21M	1550	279
★E8HT	4005-M606A	Rockwell (Timken)	RS21145	3.91	21M	1610	272
★E8HT	4005-M607A	Rockwell (Timken)	RS21145	4.10	21M	1610	272
★E8HT	4005-M608A	Rockwell (Timken)	RS21145	4.30	21M	1610	272
★E8HT	4005-M612A	Rockwell (Timken)	RS21145	5.29	21M	1610	272
★E8HT	4005-M614A	Rockwell (Timken)	RS21145	5.86	21M	1610	272
★E8HT	4005-M616A	Rockwell (Timken)	RS21145	6.43	21M	1610	272
★E8HT	4005-M617A	Rockwell (Timken)	RS21145	6.83	21M	1610	272
★E8HT	4005-M618A	Rockwell (Timken)	RS21145	7.17	21M	1610	272
★E8HT	4005-M631A	Rockwell (Timken)	RS21145	3.91	21M	1610	279
★E8HT	4005-M632A	Rockwell (Timken)	RS21145	4.10	21M	1610	279
★E8HT	4005-M633A	Rockwell (Timken)	RS21145	4.30	21M	1610	279
★E8HT	4005-M634A	Rockwell (Timken)	RS21145	4.56	21M	1610	279
★E8HT	4005-M635A	Rockwell (Timken)	RS21145	4.88	21M	1610	279
★E8HT	4005-M637A	Rockwell (Timken)	RS21145	5.29	21M	1610	279
★E8HT	4005-M639A	Rockwell (Timken)	RS21145	5.86	21M	1610	279
★E8HT	4005-M641A	Rockwell (Timken)	RS21145	6.43	21M	1610	279
★E8HT	4005-M642A	Rockwell (Timken)	RS21145	6.83	21M	1610	279
★E8HT	4005-M643A	Rockwell (Timken)	RS21145	7.17	21M	1610	279
★E8HT	4005-M656A	Rockwell (Timken)	RS21145	3.91	21M	1710	272
★E8HT	4005-M657A	Rockwell (Timken)	RS21145	4.10	21M	1710	272
★E8HT	4005-M658A	Rockwell (Timken)	RS21145	4.30	21M	1710	272
★E8HT	4005-M662A	Rockwell (Timken)	RS21145	5.29	21M	1710	272
★E8HT	4005-M664A	Rockwell (Timken)	RS21145	5.86	21M	1710	272
★E8HT	4005-M666A	Rockwell (Timken)	RS21145	6.43	21M	1710	272
★E8HT	4005-M667A	Rockwell (Timken)	RS21145	6.83	21M	1710	272
★E8HT	4005-M668A	Rockwell (Timken)	RS21145	7.17	21M	1710	272
★E8HT	4005-M681A	Rockwell (Timken)	RS21145	3.91	21M	1710	279
★E8HT	4005-M682A	Rockwell (Timken)	RS21145	4.10	21M	1710	279
★E8HT	4005-M683A	Rockwell (Timken)	RS21145	4.30	21M	1710	279
★E8HT	4005-M684A	Rockwell (Timken)	RS21145	4.56	21M	1710	279
★E8HT	4005-M685A	Rockwell (Timken)	RS21145	4.88	21M	1710	279
★E8HT	4005-M687A	Rockwell (Timken)	RS21145	5.29	21M	1710	279
★E8HT	4005-M689A	Rockwell (Timken)	RS21145	5.86	21M	1710	279
★E8HT	4005-M691A	Rockwell (Timken)	RS21145	6.43	21M	1710	279
★E8HT	4005-R032A	Rockwell (Timken)	RS23160	4.10	23M	1610	280
★E8HT	4005-R033A	Rockwell (Timken)	RS23160	4.30	23M	1610	280
★E8HT	4005-R034A	Rockwell (Timken)	RS23160	4.56	23M	1610	280
★E8HT	4005-R035A	Rockwell (Timken)	RS23160	4.89	23M	1610	280
★E8HT	4005-R037A	Rockwell (Timken)	RS23160	5.38	23M	1610	280
★E8HT	4005-R038A	Rockwell (Timken)	RS23160	5.63	23M	1610	280
★E8HT	4005-R040A	Rockwell (Timken)	RS23160	6.14	23M	1610	280
★E8HT	4005-R042A	Rockwell (Timken)	RS23160	6.83	23M	1610	280
★E8HT	4005-R043A	Rockwell (Timken)	RS23160	7.17	23M	1610	280
★E8HT	4005-R082A	Rockwell (Timken)	RS23160	4.10	23M	1710	280
★E8HT	4005-R083A	Rockwell (Timken)	RS23160	4.30	23M	1710	280
★E8HT	4005-R084A	Rockwell (Timken)	RS23160	4.56	23M	1710	280
★E8HT	4005-R085A	Rockwell (Timken)	RS23160	4.89	23M	1710	280
★E8HT	4005-R087A	Rockwell (Timken)	RS23160	5.38	23M	1710	280
★E8HT	4005-R088A	Rockwell (Timken)	RS23160	5.63	23M	1710	280
★E8HT	4005-R090A	Rockwell (Timken)	RS23160	6.14	23M	1710	280
★E8HT	4005-R103A	Rockwell (Timken)	RS23160	3.42	23M	1760	274
★E8HT	4005-R104A	Rockwell (Timken)	RS23160	3.58	23M	1760	274
★E8HT	4005-R105A	Rockwell (Timken)	RS23160	3.73	23M	1760	274

1980/  
TRUCK SERIES 600/900

REAR AXLE T.S.L. † CROSS-REFERENCE GUIDE

IDENTIFICATION AND/OR T.S.L. NUMBER	MANUFACTURER	MANUFACTURER MODEL	RATIO	CAPACITY	DRIVESHAFT SIZE	SEC.40.1 PARTS LIST NO.
Notes: Δ Driveshaft flange not included on assy. † Truck Specification List-included in Kentucky-built trucks. — Cont'd						
★E8HT 4005-R106A	Rockwell (Timken)	RS23160	3.91	23M	1760	274
★E8HT 4005-R107A	Rockwell (Timken)	RS23160	4.10	23M	1760	274
★E8HT 4005-R108A	Rockwell (Timken)	RS23160	4.30	23M	1760	274
★E8HT 4005-R109A	Rockwell (Timken)	RS23160	4.56	23M	1760	274
★E8HT 4005-R110A	Rockwell (Timken)	RS23160	4.89	23M	1760	274
★E8HT 4005-R128A	Rockwell (Timken)	RS23160	3.42	23M	1760	280
★E8HT 4005-R129A	Rockwell (Timken)	RS23160	3.58	23M	1760	280
★E8HT 4005-R130A	Rockwell (Timken)	RS23160	3.73	23M	1760	280
★E8HT 4005-R131A	Rockwell (Timken)	RS23160	3.91	23M	1760	280
★E8HT 4005-R132A	Rockwell (Timken)	RS23160	4.10	23M	1760	280
★E8HT 4005-R133A	Rockwell (Timken)	RS23160	4.30	23M	1760	280
★E8HT 4005-R134A	Rockwell (Timken)	RS23160	4.56	23M	1760	280
★E8HT 4005-R135A	Rockwell (Timken)	RS23160	4.89	23M	1760	280
★E8HT 4005-R153A	Rockwell (Timken)	RS23160	3.42	23M	1760	274
★E8HT 4005-R154A	Rockwell (Timken)	RS23160	3.58	23M	1760	274
★E8HT 4005-R155A	Rockwell (Timken)	RS23160	3.73	23M	1760	274
★E8HT 4005-R156A	Rockwell (Timken)	RS23160	3.91	23M	1760	274
★E8HT 4005-R157A	Rockwell (Timken)	RS23160	4.10	23M	1760	274
★E8HT 4005-R178A	Rockwell (Timken)	RS23160	3.42	23M	1760	280
★E8HT 4005-R179A	Rockwell (Timken)	RS23160	3.58	23M	1760	280
★E8HT 4005-R180A	Rockwell (Timken)	RS23160	3.73	23M	1760	280
★E8HT 4005-R181A	Rockwell (Timken)	RS23160	3.91	23M	1760	280
★E8HT 4005-R203A	Rockwell (Timken)	RS23160	3.42	23M	1810	274
★E8HT 4005-R204A	Rockwell (Timken)	RS23160	3.58	23M	1810	274
★E8HT 4005-R205A	Rockwell (Timken)	RS23160	3.73	23M	1810	274
★E8HT 4005-R206A	Rockwell (Timken)	RS23160	3.91	23M	1810	274
★E8HT 4005-R207A	Rockwell (Timken)	RS23160	4.10	23M	1810	274
★E8HT 4005-R208A	Rockwell (Timken)	RS23160	4.30	23M	1810	274
★E8HT 4005-R209A	Rockwell (Timken)	RS23160	4.56	23M	1810	274
★E8HT 4005-R210A	Rockwell (Timken)	RS23160	4.89	23M	1810	274
★E8HT 4005-R228A	Rockwell (Timken)	RS23160	3.42	23M	1810	280
★E8HT 4005-R229A	Rockwell (Timken)	RS23160	3.58	23M	1810	280
★E8HT 4005-R230A	Rockwell (Timken)	RS23160	3.73	23M	1810	280
★E8HT 4005-R231A	Rockwell (Timken)	RS23160	3.91	23M	1810	280
★E8HT 4005-R232A	Rockwell (Timken)	RS23160	4.10	23M	1810	280
★E8HT 4005-R233A	Rockwell (Timken)	RS23160	4.30	23M	1810	280
★E8HT 4005-R234A	Rockwell (Timken)	RS23160	4.56	23M	1810	280
★E8HT 4005-R235A	Rockwell (Timken)	RS23160	4.89	23M	1810	280
★E8HT 4005-R253A	Rockwell (Timken)	RS23160	3.42	23M	1810	274
★E8HT 4005-R254A	Rockwell (Timken)	RS23160	3.58	23M	1810	274
★E8HT 4005-R255A	Rockwell (Timken)	RS23160	3.73	23M	1810	274
★E8HT 4005-R256A	Rockwell (Timken)	RS23160	3.91	23M	1810	274
★E8HT 4005-R257A	Rockwell (Timken)	RS23160	4.10	23M	1810	274
★E8HT 4005-R278A	Rockwell (Timken)	RS23160	3.42	23M	1810	280
★E8HT 4005-R279A	Rockwell (Timken)	RS23160	3.58	23M	1810	280
★E8HT 4005-R280A	Rockwell (Timken)	RS23160	3.73	23M	1810	280
★E8HT 4005-R281A	Rockwell (Timken)	RS23160	3.91	23M	1810	280
★E8HT 4005-R282A	Rockwell (Timken)	RS23160	4.10	23M	1810	280
★E8HT 4005-R532A	Rockwell (Timken)	RS23180	4.10	23M	1610	281
★E8HT 4005-R533A	Rockwell (Timken)	RS23180	4.30	23M	1610	281
★E8HT 4005-R534A	Rockwell (Timken)	RS23180	4.56	23M	1610	281
★E8HT 4005-R535A	Rockwell (Timken)	RS23180	4.89	23M	1610	281
★E8HT 4005-R537A	Rockwell (Timken)	RS23180	5.38	23M	1610	281
★E8HT 4005-R538A	Rockwell (Timken)	RS23180	5.63	23M	1610	281
★E8HT 4005-R540A	Rockwell (Timken)	RS23180	6.14	23M	1610	281
★E8HT 4005-R578A	Rockwell (Timken)	RS23180	3.42	23M	1710	281

1980/  
TRUCK SERIES 600/900

REAR AXLE T.S.L. † CROSS-REFERENCE GUIDE

IDENTIFICATION AND/OR T.S.L. NUMBER		MANUFACTURER	MANUFACTURER MODEL	RATIO	CAPACITY	DRIVESHAFT SIZE	SEC.40.1 PARTS LIST NO.
Notes: Δ Driveshaft flange not included on assy. † Truck Specification List-included in Kentucky-built trucks. — Cont'd							
★E8HT	4005-R579A	Rockwell (Timken)	RS23180	3.58	23M	1710	281
★E8HT	4005-R580A	Rockwell (Timken)	RS23180	3.73	23M	1710	281
★E8HT	4005-R581A	Rockwell (Timken)	RS23180	3.91	23M	1710	281
★E8HT	4005-R582A	Rockwell (Timken)	RS23180	4.10	23M	1710	281
★E8HT	4005-R583A	Rockwell (Timken)	RS23180	4.30	23M	1710	281
★E8HT	4005-R584A	Rockwell (Timken)	RS23180	4.56	23M	1710	281
★E8HT	4005-R585A	Rockwell (Timken)	RS23180	4.89	23M	1710	281
★E8HT	4005-R587A	Rockwell (Timken)	RS23180	5.38	23M	1710	281
★E8HT	4005-R588A	Rockwell (Timken)	RS23180	5.63	23M	1710	281
★E8HT	4005-R590A	Rockwell (Timken)	RS23180	6.14	23M	1710	281
★E8HT	4005-R603A	Rockwell (Timken)	RS23180	3.42	23M	1760	275
★E8HT	4005-R604A	Rockwell (Timken)	RS23180	3.58	23M	1760	275
★E8HT	4005-R605A	Rockwell (Timken)	RS23180	3.73	23M	1760	275
★E8HT	4005-R606A	Rockwell (Timken)	RS23180	3.91	23M	1760	275
★E8HT	4005-R607A	Rockwell (Timken)	RS23180	4.10	23M	1760	275
★E8HT	4005-R608A	Rockwell (Timken)	RS23180	4.30	23M	1760	275
★E8HT	4005-R609A	Rockwell (Timken)	RS23180	4.56	23M	1760	275
★E8HT	4005-R610A	Rockwell (Timken)	RS23180	4.89	23M	1760	275
★E8HT	4005-R628A	Rockwell (Timken)	RS23180	3.42	23M	1760	281
★E8HT	4005-R629A	Rockwell (Timken)	RS23180	3.58	23M	1760	281
★E8HT	4005-R630A	Rockwell (Timken)	RS23180	3.73	23M	1760	281
★E8HT	4005-R631A	Rockwell (Timken)	RS23180	3.91	23M	1760	281
★E8HT	4005-R632A	Rockwell (Timken)	RS23180	4.10	23M	1760	281
★E8HT	4005-R633A	Rockwell (Timken)	RS23180	4.30	23M	1760	281
★E8HT	4005-R634A	Rockwell (Timken)	RS23180	4.56	23M	1760	281
★E8HT	4005-R635A	Rockwell (Timken)	RS23180	4.89	23M	1760	281
★E8HT	4005-R653A	Rockwell (Timken)	RS23180	3.42	23M	1760	275
★E8HT	4005-R654A	Rockwell (Timken)	RS23180	3.58	23M	1760	275
★E8HT	4005-R655A	Rockwell (Timken)	RS23180	3.73	23M	1760	275
★E8HT	4005-R656A	Rockwell (Timken)	RS23180	3.91	23M	1760	275
★E8HT	4005-R657A	Rockwell (Timken)	RS23180	4.10	23M	1760	275
★E8HT	4005-R678A	Rockwell (Timken)	RS23180	3.42	23M	1760	281
★E8HT	4005-R679A	Rockwell (Timken)	RS23180	3.58	23M	1760	281
★E8HT	4005-R680A	Rockwell (Timken)	RS23180	3.73	23M	1760	281
★E8HT	4005-R681A	Rockwell (Timken)	RS23180	3.91	23M	1760	281
★E8HT	4005-R682A	Rockwell (Timken)	RS23180	4.10	23M	1760	281
★E8HT	4005-R703A	Rockwell (Timken)	RS23180	3.42	23M	1810	275
★E8HT	4005-R704A	Rockwell (Timken)	RS23180	3.58	23M	1810	275
★E8HT	4005-R705A	Rockwell (Timken)	RS23180	3.73	23M	1810	275
★E8HT	4005-R706A	Rockwell (Timken)	RS23180	3.91	23M	1810	275
★E8HT	4005-R707A	Rockwell (Timken)	RS23180	4.10	23M	1810	275
★E8HT	4005-R708A	Rockwell (Timken)	RS23180	4.30	23M	1810	275
★E8HT	4005-R709A	Rockwell (Timken)	RS23180	4.56	23M	1810	275
★E8HT	4005-R710A	Rockwell (Timken)	RS23180	4.89	23M	1810	275
★E8HT	4005-R728A	Rockwell (Timken)	RS23180	3.42	23M	1810	281
★E8HT	4005-R729A	Rockwell (Timken)	RS23180	3.58	23M	1810	281
★E8HT	4005-R730A	Rockwell (Timken)	RS23180	3.73	23M	1810	281
★E8HT	4005-R731A	Rockwell (Timken)	RS23180	3.91	23M	1810	281
★E8HT	4005-R732A	Rockwell (Timken)	RS23180	4.10	23M	1810	281
★E8HT	4005-R733A	Rockwell (Timken)	RS23180	4.30	23M	1810	281
★E8HT	4005-R734A	Rockwell (Timken)	RS23180	4.56	23M	1810	281
★E8HT	4005-R735A	Rockwell (Timken)	RS23180	4.89	23M	1810	281
★E8HT	4005-R753A	Rockwell (Timken)	RS23180	3.42	23M	1810	275
★E8HT	4005-R754A	Rockwell (Timken)	RS23180	3.58	23M	1810	275
★E8HT	4005-R755A	Rockwell (Timken)	RS23180	3.73	23M	1810	275
★E8HT	4005-R756A	Rockwell (Timken)	RS23180	3.91	23M	1810	275
★E8HT	4005-R757A	Rockwell (Timken)	RS23180	4.10	23M	1810	275

1980/  
TRUCK SERIES 600/900

REAR AXLE T.S.L. † CROSS-REFERENCE GUIDE							
IDENTIFICATION AND/OR T.S.L. NUMBER	MANUFACTURER	MANUFACTURER MODEL	RATIO	CAPACITY	DRIVESHAFT SIZE	SEC.40.1 PARTS LIST NO.	
Notes: Δ Driveshaft flange not included on assy. † Truck Specification List-included in Kentucky-built trucks. — Cont'd							
★E8HT 4005-R778A	Rockwell (Timken)	RS23180	3.42	23M	1810	281	
★E8HT 4005-R779A	Rockwell (Timken)	RS23180	3.58	23M	1810	281	
★E8HT 4005-R780A	Rockwell (Timken)	RS23180	3.73	23M	1810	281	
★E8HT 4005-R781A	Rockwell (Timken)	RS23180	3.91	23M	1810	281	
★E8HT 4005-R782A	Rockwell (Timken)	RS23180	4.10	23M	1810	281	
★87HU 4005-M559A	Rockwell (Timken)	RS21145	4.56	21M	1550	272	
★87HU 4005-M560A	Rockwell (Timken)	RS21145	4.88	21M	1550	272	
★87HU 4005-M564A	Rockwell (Timken)	RS21145	5.86	21M	1550	272	
★87HU 4005-M609A	Rockwell (Timken)	RS21145	4.56	21M	1610	272	
★87HU 4005-M610A	Rockwell (Timken)	RS21145	4.88	21M	1610	272	
★87HU 4005-M659A	Rockwell (Timken)	RS21145	4.56	21M	1710	272	
★87HU 4005-M660A	Rockwell (Timken)	RS21145	4.88	21M	1710	272	
★89HU 4005-G034A	Rockwell (Timken)	RR20145	4.56	40M	1610	284	
★89HU 4005-G434A	Rockwell (Timken)	RR20145	4.56	40M	1610	284	
★89HU 4005-H035A	Rockwell (Timken)	RS17140	4.88	17.5M	1550	270	
★89HU 4005-M560A	Rockwell (Timken)	RS21145	4.88	21M	1550	272	
★89HU 4005-M609A	Rockwell (Timken)	RS21145	4.56	21M	1610	272	
★89HU 4005-M659A	Rockwell (Timken)	RS21145	4.56	21M	1710	272	
★89HU 4005-R009A	Rockwell (Timken)	RS23160	4.56	23M	1610	274	
★89HU 4005-R034A	Rockwell (Timken)	RS23160	4.56	23M	1610	280	
★89HU 4005-R059A	Rockwell (Timken)	RS23160	4.56	23M	1710	274	
★89HU 4005-R084A	Rockwell (Timken)	RS23160	4.56	23M	1710	280	
★D8HT 4006-AA	Eaton	15201	5.83/8.12	15M	1410	164	
★D8HT 4006-BA	Eaton	15201	5.83/8.12	15M	1480	164	
★D8HT 4006-CA	Eaton	15201	6.33/8.81	15M	1410	164	
★D8HT 4006-DA	Eaton	15201	6.33/8.81	15M	1480	164	
★D3HA 4A297-BMA	Rockwell (Timken)	SLHD	4.11	34M	Δ	126	
★D3HA 4A297-BNA	Rockwell (Timken)	SLHD	4.44	34M	Δ	126	
★D5HA 4A297-CBA	Rockwell (Timken)	R170	4.11	23M	Δ	189	
★D5HA 4A297-CCA	Rockwell (Timken)	R170	4.33	23M	Δ	189	
★D5HA 4A297-CDA	Rockwell (Timken)	R170	5.29	23M	Δ	189	
★D5HA 4A297-CEA	Rockwell (Timken)	R170	5.86	23M	Δ	189	
★D5HA 4A297-CFA	Rockwell (Timken)	R170	6.14	23M	Δ	189	
★D5HA 4A297-DNA	Rockwell (Timken)	SLHD	4.11	34M	Δ	126	
★D6HA 4A297-FA	Rockwell (Timken)	R170	3.70	23M	Δ	189	
★D7HA 4A297-AJA	Eaton	18121	6.50	22M	Δ	167	
★D7HA 4A297-AKA	Eaton	18121	7.17	22M	Δ	167	
★D7HA 4A297-ALA	Eaton	18221	5.57/7.60	22M	Δ	25	
★D7HA 4A297-AMA	Eaton	18221	6.14/8.38	22M	Δ	25	
★D7HA 4A297-ANA	Eaton	18221	6.50/8.87	22M	Δ	25	
★D7HA 4A297-ARA	Eaton	18221	7.17/9.77	22M	Δ	25	
★D7HA 4A297-ASA	Eaton	23121	4.11	23M	Δ	194	
★D7HA 4A297-ATA	Eaton	23121	4.33	23M	Δ	194	
★D7HA 4A297-AUA	Eaton	23121	4.56	23M	Δ	194	
★D7HA 4A297-AVA	Eaton	23121	4.88	23M	Δ	194	
★D7HA 4A297-AYA	Eaton	23121	5.43	23M	Δ	194	
★D7HA 4A297-AZA	Eaton	23121	6.17	23M	Δ	194	
★D7HA 4A297-BAA	Eaton	23121	6.67	23M	Δ	194	
★D7HA 4A297-BBA	Eaton	23221	4.11/5.60	23M	Δ	195	
★D7HA 4A297-BCA	Eaton	23221	4.33/5.90	23M	Δ	195	
★D7HA 4A297-BDA	Eaton	23221	5.43/7.39	23M	Δ	195	
★D7HA 4A297-BEA	Eaton	23221	6.17/8.40	23M	Δ	195	
★D7HA 4A297-BFA	Eaton	23221	6.67/9.08	23M	Δ	195	
★D7HA 4A297-BGA	Eaton	23121	3.70	23M	Δ	194	
★D7HA 4A297-BNA	Rockwell (Timken)	R170	3.70	23M	Δ	189	

1980/  
TRUCK SERIES 600/900

REAR AXLE T.S.L. † CROSS-REFERENCE GUIDE

IDENTIFICATION AND/OR T.S.L. NUMBER		MANUFACTURER	MANUFACTURER MODEL	RATIO	CAPACITY	DRIVESHAFT SIZE	SEC.40.1 PARTS LIST NO.
Notes: Δ Driveshaft flange not included on assy. † Truck Specification List—included in Kentucky-built trucks. — Cont'd							
★D7HA	4A297-BRA	Rockwell (Timken)	R170	4.11	23M	Δ	189
★D7HA	4A297-BSA	Rockwell (Timken)	R170	4.33	23M	Δ	189
★D7HA	4A297-DAA	Eaton	34RSC	4.11	34M	Δ	134
★D7HA	4A297-DBA	Eaton	34RSC	4.33	34M	Δ	134
★D7HA	4A297-DCA	Eaton	34RSC	4.56	34M	Δ	134
★D7HA	4A297-DEA	Eaton	34RSC	5.57	34M	Δ	134
★D7HA	4A297-DFA	Eaton	34RSE	6.14	34M	Δ	134
★D7HA	4A297-DGA	Eaton	34RSE	6.50	34M	Δ	134
★D7HA	4A297-DHA	Eaton	34RSE	7.17	34M	Δ	134
★D7HA	4A297-DJA	Eaton	34RSE	7.60	34M	Δ	134
★D7HA	4A297-DKA	Eaton	34RSC	3.70	34M	Δ	134
★D7HA	4A297-DMA	Eaton	34RPC	7.60	34M	Δ	131
★D7HA	4A297-DNA	Eaton	34RTE	6.14/8.38	34M	Δ	148
★D7HA	4A297-DRA	Eaton	34RTE	6.50/8.87	34M	Δ	148
★D7HA	4A297-DSA	Eaton	34RTE	7.17/9.77	34M	Δ	148
★D7HA	4A297-DTA	Eaton	34RSC	4.11	34M	Δ	134
★D7HA	4A297-DUA	Eaton	34RSC	3.70	34M	Δ	134
★D7HA	4A297-DVA	Eaton	34RSC	4.11	34M	Δ	134
★D7HA	4A297-DYA	Eaton	34RSC	4.33	34M	Δ	134
★D7HA	4A297-DZA	Eaton	34RSC	4.56	34M	Δ	134
★D7HA	4A297-EBA	Eaton	38RSC	3.70	38M	Δ	58
★D7HA	4A297-ECA	Eaton	38RSC	4.11	38M	Δ	58
★D7HA	4A297-EDA	Eaton	38RSC	4.33	38M	Δ	58
★D7HA	4A297-EEA	Eaton	38RSC	4.56	38M	Δ	58
★D7HA	4A297-EFA	Eaton	38RSC	4.88	38M	Δ	58
★D7HA	4A297-EGA	Eaton	38RSC	5.29	38M	Δ	58
★D7HA	4A297-EHA	Eaton	38RSC	5.57	38M	Δ	58
★D7HA	4A297-EJA	Eaton	38RSE	6.14	38M	Δ	58
★D7HA	4A297-EKA	Eaton	38RSE	6.50	38M	Δ	58
★D7HA	4A297-ENA	Eaton	38RPC	5.05	38M	Δ	54
★D7HA	4A297-EUA	Eaton	38RPC	7.60	38M	Δ	54
★D7HA	4A297-EVA	Eaton	38RSC	3.70	38M	Δ	58
★D7HA	4A297-EYA	Eaton	38RSC	4.11	38M	Δ	58
★D7HA	4A297-EZA	Eaton	38RSC	4.11	38M	Δ	58
★D7HA	4A297-FAA	Eaton	38RSC	4.33	38M	Δ	58
★D7HA	4A297-FBA	Eaton	38RSC	4.56	38M	Δ	58
★D7HA	4A297-FCA	Rockwell (Timken)	SLHD	3.70	34M	Δ	126
★D7HA	4A297-FDA	Rockwell (Timken)	SLHD	4.11	34M	Δ	126
★D7HA	4A297-FEA	Rockwell (Timken)	SLHD	4.44	34M	Δ	126
★D7HA	4A297-FHA	Rockwell (Timken)	SLHD	5.83	34M	Δ	126
★D7HA	4A297-FJA	Rockwell (Timken)	SLHD	6.17	34M	Δ	126
★D7HA	4A297-FKA	Rockwell (Timken)	SLHD	6.83	34M	Δ	126
★D7HA	4A297-FLA	Rockwell (Timken)	SLHD	7.80	34M	Δ	126
★D7HA	4A297-GGA	Rockwell (Timken)	SLHD	3.70	34M	Δ	126
★D7HA	4A297-HAA	Eaton	RS340	4.11	34M	Δ	199
★D7HA	4A297-HBA	Eaton	RS340	4.33	34M	Δ	199
★D7HA	4A297-HCA	Eaton	RS340	4.11	34M	Δ	199
★D7HA	4A297-HDA	Eaton	RS340	4.33	34M	Δ	199
★D7HA	4A297-HEA	Eaton	RS340	3.70	34M	Δ	199
★D7HA	4A297-HFA	Eaton	RS340	4.11	34M	Δ	199
★D7HA	4A297-HGA	Eaton	RS340	4.33	34M	Δ	199
★D7HA	4A297-HHA	Eaton	RS380	4.11	38M	Δ	201
★D7HA	4A297-HJA	Eaton	RS380	4.33	38M	Δ	201
★D7HA	4A297-HKA	Eaton	RS380	3.70	38M	Δ	201
★D7HA	4A297-HLA	Eaton	RS380	4.11	38M	Δ	201

1980/  
TRUCK SERIES 600/900

REAR AXLE T.S.L. † CROSS-REFERENCE GUIDE							
IDENTIFICATION AND/OR T.S.L. NUMBER	MANUFACTURER	MANUFACTURER MODEL	RATIO	CAPACITY	DRIVESHAFT SIZE	SEC. 40.1 PARTS LIST NO.	
Notes: Δ Driveshaft flange not included on assy. † Truck Specification List-included in Kentucky-built trucks. — Cont'd							
★ D7HA 4A297-HMA	Eaton	RS380	4.33	38M	Δ	201	
★ D7HA 4A297-HNA	Eaton	RS380	3.70	38M	Δ	201	
★ D7HA 4A297-HRA	Eaton	RS380	4.11	38M	Δ	201	
★ D7HA 4A297-HSA	Eaton	RS380	4.33	38M	Δ	201	
★ D7HA 4A297-HTA	Eaton	44RSC	4.11	44M	Δ	197	
★ D7HA 4A297-HUA	Eaton	44RSC	4.33	44M	Δ	197	
★ D7HA 4A297-JAA	Rockwell (Timken)	SLHD	4.44	34M	Δ	126	
★ D7HA 4A297-JKA	Rockwell (Timken)	SQHP	4.11	40M	Δ	204	
★ D7HA 4A297-JLA	Rockwell (Timken)	SQHP	4.44	40M	Δ	204	
★ D7HA 4A297-JMA	Rockwell (Timken)	SQHP	3.70	40M	Δ	204	
★ D7HA 4A297-JNA	Rockwell (Timken)	SQHP	4.11	40M	Δ	204	
★ D7HA 4A297-JRA	Rockwell (Timken)	SQHP	4.44	40M	Δ	204	
★ D7HA 4A297-JVA	Rockwell (Timken)	SQHP	3.70	40M	Δ	204	
★ D7HA 4A297-JYA	Rockwell (Timken)	SQHP	4.11	40M	Δ	204	
★ D7HA 4A297-JZA	Rockwell (Timken)	SQHP	4.44	40M	Δ	204	
★ D7HA 4A297-KDA	Rockwell (Timken)	SSHD	3.90	46M	Δ	206	
★ D7HA 4A297-KEA	Rockwell (Timken)	SSHD	4.11	46M	Δ	206	
★ D7HA 4A297-KFA	Rockwell (Timken)	SSHD	4.63	46M	Δ	206	
★ D7HA 4A297-KGA	Eaton	44RSC	3.70	44M	Δ	197	
★ D7HA 4A297-KHA	Eaton	44RSC	4.11	44M	Δ	197	
★ D7HA 4A297-KJA	Eaton	44RSC	4.33	44M	Δ	197	
★ D7HS 4A297-BSA	Eaton	23121	3.90	23M	Δ	194	
★ D7HS 4A297-ETA	Rockwell (Timken)	SQHD	3.70	38M	Δ	128	
★ D7HS 4A297-EZA	Rockwell (Timken)	SQHD	4.44	38M	Δ	128	
★ D7HS 4A297-RNA	Rockwell (Timken)	SQHD	3.90	38M	Δ	128	
★ D7HT 4A297-BZA	Rockwell (Timken)	R170	3.70	23M	Δ	189	
★ D7HT 4A297-CAA	Rockwell (Timken)	R170	4.11	23M	Δ	189	
★ D7HT 4A297-CBA	Rockwell (Timken)	R170	4.33	23M	Δ	189	
★ D7HT 4A297-FNB	Rockwell (Timken)	SQHD	4.11	38M	Δ	128	
★ D7HT 4A297-FRB	Rockwell (Timken)	SQHD	4.44	38M	Δ	128	
★ D7HT 4A297-FSB	Rockwell (Timken)	SQHD	4.63	38M	Δ	128	
★ D7HT 4A297-FTB	Rockwell (Timken)	SQHD	4.88	38M	Δ	128	
★ D7HT 4A297-FUB	Rockwell (Timken)	SQHD	5.29	38M	Δ	128	
★ D7HT 4A297-FVB	Rockwell (Timken)	SQHD	5.83	38M	Δ	128	
★ D7HT 4A297-FYB	Rockwell (Timken)	SQHD	6.17	38M	Δ	128	
★ D7HT 4A297-FZB	Rockwell (Timken)	SQHD	6.83	38M	Δ	128	
★ D7HT 4A297-GBB	Rockwell (Timken)	SQHD	4.11	38M	Δ	128	
★ D7HT 4A297-GCB	Rockwell (Timken)	SQHD	4.44	38M	Δ	128	
★ D7HT 4A297-GDB	Rockwell (Timken)	SQHD	4.63	38M	Δ	128	
★ D7HT 4A297-GEB	Rockwell (Timken)	SQHD	4.11	38M	Δ	128	
★ D7HT 4A297-GFB	Rockwell (Timken)	SQHD	3.70	38M	Δ	128	
★ D7HT 4A297-GHB	Rockwell (Timken)	SQHD	3.70	38M	Δ	128	
★ D7TA 4A297-AAA	Eaton	17121	6.14	18.5M	Δ	97	
★ D7TA 4A297-ABA	Eaton	17121	6.50	18.5M	Δ	97	
★ D7TA 4A297-ACA	Eaton	17121	7.17	18.5M	Δ	97	
★ D7TA 4A297-AEA	Eaton	17221	5.57/7.60	18.5M	Δ	102	
★ D7TA 4A297-AFA	Eaton	17221	6.14/8.38	18.5M	Δ	102	
★ D7TA 4A297-AGA	Eaton	17221	6.50/8.87	18.5M	Δ	102	
★ D7TA 4A297-AHA	Eaton	17221	7.17/9.77	18.5M	Δ	102	
★ D8HS 4A297-AA	Rockwell (Timken)	SQHP	3.70	38M	Δ	204	
★ D8HS 4A297-GA	Rockwell (Timken)	SSHD	3.90	46M	Δ	206	
★ D8HS 4A297-HA	Rockwell (Timken)	SSHD	4.11	46M	Δ	206	
★ D8HS 4A297-JA	Rockwell (Timken)	SSHD	4.33	46M	Δ	206	
★ D8HS 4A297-KA	Rockwell (Timken)	SSHD	4.63	46M	Δ	206	
★ D8HS 4A297-LA	Rockwell (Timken)	SSHD	5.29	46M	Δ	206	



1980/  
TRUCK SERIES 600/900

REAR AXLE T.S.L. † CROSS-REFERENCE GUIDE

IDENTIFICATION AND/OR T.S.L. NUMBER		MANUFACTURER	MANUFACTURER MODEL	RATIO	CAPACITY	DRIVESHAFT SIZE	SEC. 40.1 PARTS LIST NO.
Notes: Δ Driveshaft flange not included on assy. † Truck Specification List-included in Kentucky-built trucks. — Cont'd							
★D8HS	4A297- AKA	Rockwell (Timken)	SQHP	4.63	40M	Δ	204
★D8HS	4A297- ALA	Rockwell (Timken)	SQHP	5.29	40M	Δ	204
★D8HS	4A297- AZA	Rockwell (Timken)	R170	3.90	23M	Δ	189
★D8HS	4A297- FTA	Rockwell (Timken)	SSHD	5.57	46M	Δ	206
★D8HS	4A297- HDA	Rockwell (Timken)	SLHD	3.90	34M	Δ	126
★D8HS	4A297- HFA	Rockwell (Timken)	SSHD	4.89	46M	Δ	206
★D9HT	4A297- AA	Rockwell (Timken)	R170	6.83	23M	Δ	189
★D9HT	4A297- BA	Eaton	18121	6.14	22M	Δ	167
★D9HT	4A297- CA	Eaton	34RPE	8.38	34M	Δ	131
★D9HT	4A297- DA	Rockwell (Timken)	R170	7.40	23M	Δ	189
★D9HT	4A297- EA	Eaton	RP440	5.31	44M	Δ	224
★D9HT	4A297- FA	Eaton	RP440	5.90	44M	Δ	224
★D9HT	4A297- GA	Eaton	RP440	7.20	44M	Δ	224
★E0HT	4A297- AA	Dana (Spicer)	M185-T	5.57/7.60	18.5M	Δ	220
★E0HT	4A297- BA	Dana (Spicer)	M185-T	6.14/8.38	18.5M	Δ	220
★E0HT	4A297- CA	Dana (Spicer)	M185-T	6.50/8.86	18.5M	Δ	220
★E0HT	4A297- DA	Dana (Spicer)	M185-T	7.17/9.77	18.5M	Δ	220
★E0HT	4A297- EA	Eaton	17121	5.57	18.5M	Δ	97
★E0HT	4A297- GA	Eaton	22121	5.57	22M	Δ	221
★E0HT	4A297- HA	Eaton	22121	6.17	22M	Δ	221
★E0HT	4A297- JA	Eaton	22121	6.50	22M	Δ	221
★E0HT	4A297- KA	Eaton	22121	7.17	22M	Δ	221
★E0HT	4A297- LA	Eaton	22221	5.57/7.60	22M	Δ	222
★E0HT	4A297- MA	Eaton	22221	6.17/8.41	22M	Δ	222
★E0HT	4A297- NA	Eaton	22221	6.50/8.86	22M	Δ	222
★E0HT	4A297- RA	Eaton	22221	7.17/9.77	22M	Δ	222
★E1HT	4A297- KA	Eaton	17121	6.14	18.5/19M	Δ	97
★E1HT	4A297- LA	Eaton	17121	6.50	18.5/19M	Δ	97
★E1HT	4A297- MA	Eaton	17121	7.17	18.5/19M	Δ	97
★E1HT	4A297- NA	Eaton	17121	5.57	18.5/19M	Δ	97
★E1HT	4A297- RA	Eaton	17221	5.57/7.60	18.5/19M	Δ	102
★E1HT	4A297- SA	Eaton	17221	6.14/8.38	18.5/19M	Δ	102
★E1HT	4A297- TA	Eaton	17221	6.50/8.86	18.5/19M	Δ	102
★E1HT	4A297- UA	Eaton	17221	7.17/9.77	18.5/19M	Δ	102
★E1HT	4A297- VA	Eaton	22121	5.57	22M	Δ	221
★E1HT	4A297- YA	Eaton	22121	6.17	22M	Δ	221
★E1HT	4A297- ZA	Eaton	22121	6.50	22M	Δ	221
★E1HT	4A297- AAA	Eaton	22121	7.17	22M	Δ	221
★E1HT	4A297- ABA	Eaton	22221	5.57/7.60	22M	Δ	222
★E1HT	4A297- ACA	Eaton	22221	6.17/8.41	22M	Δ	222
★E1HT	4A297- ADA	Eaton	22221	6.50/8.86	22M	Δ	222
★E1HT	4A297- AEA	Eaton	22221	7.17/9.77	22M	Δ	222
★E1HT	4A297- AFA	Eaton	23121	3.70	23M	Δ	194
★E1HT	4A297- AGA	Eaton	23121	4.11	23M	Δ	194
★E1HT	4A297- AHA	Eaton	23121	4.33	23M	Δ	194
★E1HT	4A297- AJA	Eaton	23121	4.56	23M	Δ	194
★E1HT	4A297- AKA	Eaton	23121	4.88	23M	Δ	194
★E1HT	4A297- ALA	Eaton	23121	5.43	23M	Δ	194
★E1HT	4A297- AMA	Eaton	23121	6.17	23M	Δ	194
★E1HT	4A297- ANA	Eaton	23121	6.67	23M	Δ	194
★E1HT	4A297- ARA	Eaton	23121	3.90	23M	Δ	194
★E1HT	4A297- ATA	Eaton	23221	5.43/7.39	23M	Δ	195
★E1HT	4A297- AUA	Eaton	23221	6.17/8.40	23M	Δ	195
★E1HT	4A297- AVA	Eaton	23221	6.67/9.08	23M	Δ	195
★E2HT	4A297- AA	Rockwell (Timken)	SQHD	3.70	38M	Δ	128
★E2HT	4A297- BA	Rockwell (Timken)	SQHD	4.11	38M	Δ	128
★E2HT	4A297- CA	Rockwell (Timken)	SQHD	3.70	38M	Δ	128

# 1980/ TRUCK SERIES 600/900

## REAR AXLE T.S.L. † CROSS-REFERENCE GUIDE

IDENTIFICATION AND/OR T.S.L. NUMBER	MANUFACTURER	MANUFACTURER MODEL	RATIO	CAPACITY	DRIVESHAFT SIZE	SEC.40.1 PARTS LIST NO.
<b>Notes:</b> Δ Driveshaft flange not included on assy. † Truck Specification List-included in Kentucky-built trucks. — Cont'd						
★ E2HT 4A297-DA	Rockwell (Timken)	SQHD	4.11	38M	Δ	128
★ E2HT 4A297-AAA	Rockwell (Timken)	SQHD	3.70	38M	Δ	128
★ E2HT 4A297-ABA	Rockwell (Timken)	SQHD	4.11	38M	Δ	128
★ E2HT 4A297-ACA	Rockwell (Timken)	SQHD	4.63	38M	Δ	128
★ E2HT 4A297-ADA	Rockwell (Timken)	SQHD	4.88	38M	Δ	128
★ E2HT 4A297-AEA	Rockwell (Timken)	SQHD	5.29	38M	Δ	128
★ E2HT 4A297-AFA	Rockwell (Timken)	SQHD	5.83	38M	Δ	128
★ E2HT 4A297-AGA	Rockwell (Timken)	SQHD	6.17	38M	Δ	128
★ E2HT 4A297-AHA	Rockwell (Timken)	SQHD	6.83	38M	Δ	128
★ E2HT 4A297-AJA	Rockwell (Timken)	SQHD	3.70	38M	Δ	128
★ E2HT 4A297-AKA	Rockwell (Timken)	SQHD	4.11	38M	Δ	128
★ E2HT 4A297-ALA	Rockwell (Timken)	SQHD	3.70	38M	Δ	128
★ E2HT 4A297-AMA	Rockwell (Timken)	SQHD	4.11	38M	Δ	128
★ E2HT 4A297-ANA	Rockwell (Timken)	SQHD	4.44	38M	Δ	128
★ E2HT 4A297-ARA	Rockwell (Timken)	SQHD	4.63	38M	Δ	128
★ E2HT 4A297-ASA	Rockwell (Timken)	SQHD	3.70	38M	Δ	128
★ E2HT 4A297-ATA	Rockwell (Timken)	SQHD	4.11	38M	Δ	128
★ E2HT 4A297-AUA	Rockwell (Timken)	SQHD	3.70	38M	Δ	128
★ E2HT 4A297-AVA	Rockwell (Timken)	SQHD	4.11	38M	Δ	128
★ E2HT 4A297-AYA	Rockwell (Timken)	SQHD	4.44	38M	Δ	128
★ E2HT 4A297-BAA	Eaton	RS341	4.11	34M	Δ	230
★ E2HT 4A297-BBA	Eaton	RS341	4.33	34M	Δ	230
★ E2HT 4A297-BCA	Eaton	RS341	3.70	34M	Δ	230
★ E2HT 4A297-BDA	Eaton	RS341	4.11	34M	Δ	230
★ E2HT 4A297-BEA	Eaton	RS341	4.33	34M	Δ	230
★ E2HT 4A297-BFA	Eaton	RS341	4.11	34M	Δ	230
★ E2HT 4A297-BGA	Eaton	RS341	4.33	34M	Δ	230
★ E2HT 4A297-BHA	Eaton	RS381	4.11	38M	Δ	232
★ E2HT 4A297-BJA	Eaton	RS381	4.33	38M	Δ	232
★ E2HT 4A297-BKA	Eaton	RS381	4.11	38M	Δ	232
★ E2HT 4A297-BLA	Eaton	RS381	4.33	38M	Δ	232
★ E2HT 4A297-BMA	Eaton	RS381	3.70	38M	Δ	232
★ E2HT 4A297-BNA	Eaton	RS381	4.11	38M	Δ	232
★ E2HT 4A297-BRA	Eaton	RS381	4.33	38M	Δ	232
★ E2HT 4A297-BSA	Eaton	RS381/RS402	3.70	38M/40M	Δ	232
★ E2HT 4A297-BVA	Rockwell (Timken)	SQHD	3.90	38M	Δ	128
★ E2HT 4A297-BYA	Rockwell (Timken)	SQHD	4.44	38M	Δ	128
★ E2HT 4A297-CBA	Eaton	RP440	5.31	44M	Δ	224
★ E2HT 4A297-CCA	Eaton	RP440	5.90	44M	Δ	224
★ E2HT 4A297-CDA	Eaton	RP440	7.20	44M	Δ	224
★ E2HT 4A297-CEA	Eaton	17121	6.57	18.5/19M	Δ	97
★ E2HT 4A297-CGA	Eaton	17221	6.57/8.94	18.5/19M	Δ	102
★ E2HT 4A297-CJA	Rockwell (Timken)	R170	3.70	23M	Δ	189
★ E2HT 4A297-CKA	Rockwell (Timken)	R170	3.90	23M	Δ	189
★ E2HT 4A297-CLA	Rockwell (Timken)	R170	4.11	23M	Δ	189
★ E2HT 4A297-CMA	Rockwell (Timken)	R170	4.33	23M	Δ	189
★ E2HT 4A297-CNA	Rockwell (Timken)	R170	5.29	23M	Δ	189
★ E2HT 4A297-CRA	Rockwell (Timken)	R170	5.86	23M	Δ	189
★ E2HT 4A297-CSA	Rockwell (Timken)	R170	6.14	23M	Δ	189
★ E2HT 4A297-CTA	Rockwell (Timken)	R170	6.83	23M	Δ	189
★ E2HT 4A297-CUA	Rockwell (Timken)	R170	7.40	23M	Δ	189
★ E2HT 4A297-CVA	Rockwell (Timken)	R170	3.70	23M	Δ	189
★ E2HT 4A297-CYA	Rockwell (Timken)	R170	4.11	23M	Δ	189

## 1980/ TRUCK SERIES 600/900

### REAR AXLE T.S.L. † CROSS-REFERENCE GUIDE

IDENTIFICATION AND/OR T.S.L. NUMBER		MANUFACTURER	MANUFACTURER MODEL	RATIO	CAPACITY	DRIVESHAFT SIZE	SEC.40.1 PARTS LIST NO.
Notes: Δ Driveshaft flange not included on assy. † Truck Specification List-included in Kentucky-built trucks. — Cont'd							
★ E2HT	4A297-CZA	Rockwell (Timken)	R170	4.33	23M	Δ	189
★ E2HT	4A297-DAA	Rockwell (Timken)	R170	4.88	23M	Δ	189
★ E2HT	4A297-DBA	Rockwell (Timken)	SLHD	4.88	34M	Δ	126
★ E2HT	4A297-DCA	Rockwell (Timken)	SLHD	5.29	34M	Δ	126
★ E2HT	4A297-DDA	Eaton	22121	5.29	22M	Δ	221
★ E2HT	4A297-DEA	Eaton	22121	4.88	22M	Δ	221
★ E2HT	4A297-DFA	Eaton	22221	5.29/7.21	22M	Δ	222
★ E2HT	4A297-DGA	Eaton	22221	4.88/6.65	22M	Δ	222
★ E2HT	4A297-DHA	Eaton	23221	4.88/6.64	23M	Δ	195
★ E2HT	4A297-DJA	Eaton	34RSC	5.29	34M	Δ	134
★ E2HT	4A297-DKA	Eaton	34RTC	5.29/7.21	34M	Δ	148
★ E2HT	4A297-DLA	Eaton	34RPC	7.21	34M	Δ	131
★ E3HT	4A297-BA	Eaton	17101	4.88	18.5/19M	Δ	97
★ E3HT	4A297-CA	Eaton	17101	5.29	18.5/19M	Δ	97
★ E3HT	4A297-DA	Eaton	17201	4.88/6.65	18.5/19M	Δ	102
★ E3HT	4A297-EA	Eaton	17201	5.29/7.21	18.5/19M	Δ	102
★ E3HT	4A297-SA	Eaton	RS341	4.88	34M	Δ	230
★ E3HT	4A297-UA	Eaton	RS341	5.29	34M	Δ	230
★ E3HT	4A297-YA	Eaton	RS341	5.57	34M	Δ	230
★ E3HT	4A297-AA	Eaton	RS341	6.14	34M	Δ	230
★ E3HT	4A297-ACA	Eaton	RT341	4.88/6.65	34M	Δ	241
★ E3HT	4A297-AEA	Eaton	RT341	5.29/7.21	34M	Δ	241
★ E3HT	4A297-AGA	Eaton	RT341	5.57/7.60	34M	Δ	241
★ E3HT	4A297-AJA	Eaton	RT341	6.14/8.38	34M	Δ	241
★ E3HT	4A297-ALA	Eaton	RS381	4.88	38M	Δ	232
★ E3HT	4A297-AMA	Eaton	RS381	5.29	38M	Δ	232
★ E3HT	4A297-ANA	Eaton	RS381	5.57	38M	Δ	232
★ E3HT	4A297-ARA	Eaton	RS381	6.14	38M	Δ	232
★ E3HT	4A297-BAA	Rockwell (Timken)	SL100	5.29	34M	Δ	250
★ E3HT	4A297-BBA	Rockwell (Timken)	SL100	5.83	34M	Δ	250
★ E3HT	4A297-BCA	Rockwell (Timken)	SL100	6.17	34M	Δ	250
★ E3HT	4A297-BDA	Rockwell (Timken)	SL100	6.83	34M	Δ	250
★ E3HT	4A297-BFA	Rockwell (Timken)	SQ100	5.29	38M	Δ	252
★ E3HT	4A297-BGA	Rockwell (Timken)	SQ100	5.83	38M	Δ	252
★ E3HT	4A297-BHA	Rockwell (Timken)	SQ100	6.17	38M	Δ	252
★ E3HT	4A297-BJA	Rockwell (Timken)	SQ100	6.83	38M	Δ	252
★ E3HT	4A297-BLA	Rockwell (Timken)	SL100	3.70	34M	Δ	250
★ E3HT	4A297-BMA	Rockwell (Timken)	SL100	3.90	34M	Δ	250
★ E3HT	4A297-BNA	Rockwell (Timken)	SL100	4.11	34M	Δ	250
★ E3HT	4A297-BRA	Rockwell (Timken)	SL100	4.33	34M	Δ	250
★ E3HT	4A297-BSA	Rockwell (Timken)	SL100	4.63	34M	Δ	250
★ E3HT	4A297-BTA	Rockwell (Timken)	SL100	4.88	34M	Δ	250
★ E3HT	4A297-BUA	Rockwell (Timken)	SL100	7.20	34M	Δ	250
★ E3HT	4A297-BVA	Rockwell (Timken)	SL100	3.70	34M	Δ	250
★ E3HT	4A297-BYA	Rockwell (Timken)	SL100	3.90	34M	Δ	250
★ E3HT	4A297-BZA	Rockwell (Timken)	SL100	4.11	34M	Δ	250
★ E3HT	4A297-CAA	Rockwell (Timken)	SL100	4.33	34M	Δ	250
★ E3HT	4A297-CBA	Rockwell (Timken)	SL100	4.63	34M	Δ	250
★ E3HT	4A297-CDA	Rockwell (Timken)	SQ100	3.70	38M	Δ	252
★ E3HT	4A297-CEA	Rockwell (Timken)	SQ100	3.90	38M	Δ	252
★ E3HT	4A297-CFA	Rockwell (Timken)	SQ100	4.11	38M	Δ	252
★ E3HT	4A297-CGA	Rockwell (Timken)	SQ100	4.33	38M	Δ	252
★ E3HT	4A297-CHA	Rockwell (Timken)	SQ100	4.63	38M	Δ	252

# 1980/ TRUCK SERIES 600/900

## REAR AXLE T.S.L. † CROSS-REFERENCE GUIDE

IDENTIFICATION AND/OR T.S.L. NUMBER	MANUFACTURER	MANUFACTURER MODEL	RATIO	CAPACITY	DRIVESHAFT SIZE	SEC.40.1 PARTS LIST NO.
<b>Notes:</b> Δ Driveshaft flange not included on assy. † Truck Specification List-included in Kentucky-built trucks. — Cont'd						
★ E3HT 4A297-CJA	Rockwell (Timken)	SQ100	4.88	38M	Δ	252
★ E3HT 4A297-CKA	Rockwell (Timken)	SQ100	7.20	38M	Δ	252
★ E3HT 4A297-CLA	Rockwell (Timken)	SQ100	3.70	38M	Δ	252
★ E3HT 4A297-CMA	Rockwell (Timken)	SQ100	4.11	38M	Δ	252
★ E3HT 4A297-CNA	Rockwell (Timken)	SQ100	3.70	38M	Δ	252
★ E3HT 4A297-CRA	Rockwell (Timken)	SQ100	3.90	38M	Δ	252
★ E3HT 4A297-CSA	Rockwell (Timken)	SQ100	4.11	38M	Δ	252
★ E3HT 4A297-CTA	Rockwell (Timken)	SQ100	4.33	38M	Δ	252
★ E3HT 4A297-CUA	Rockwell (Timken)	SQ100	4.63	38M	Δ	252
★ E3HT 4A297-DAA	Rockwell (Timken)	SQ100	3.70	38M	Δ	252
★ E3HT 4A297-DBA	Rockwell (Timken)	SQ100	4.11	38M	Δ	252
★ E3HT 4A297-DCA	Rockwell (Timken)	SQ100	3.70	38M	Δ	252
★ E3HT 4A297-DDA	Rockwell (Timken)	SQ100	3.90	38M	Δ	252
★ E3HT 4A297-DEA	Rockwell (Timken)	SQ100	4.11	38M	Δ	252
★ E3HT 4A297-DLA	Eaton	RS341	6.50	34M	Δ	230
★ E3HT 4A297-DNA	Eaton	RS341	7.17	34M	Δ	230
★ E3HT 4A297-DSA	Eaton	RT341	6.50/8.86	34M	Δ	241
★ E3HT 4A297-DUA	Eaton	RT341	7.17/9.77	34M	Δ	241
★ E3HT 4A297-DYA	Eaton	RS381	6.50	38M	Δ	232
★ E3HT 4A297-DZA	Eaton	RS381	7.17	38M	Δ	232
★ E3HT 4A297-EAA	Eaton	RS341	3.70	34M	Δ	230
★ E3HT 4A297-EBA	Eaton	RS341	3.90	34M	Δ	230
★ E3HT 4A297-ECA	Eaton	RS341	3.90	34M	Δ	230
★ E3HT 4A297-EDA	Eaton	RS341	4.56	34M	Δ	230
★ E3HT 4A297-EEA	Eaton	RS341	4.56	34M	Δ	230
★ E3HT 4A297-ELA	Eaton	RS381	3.70	38M	Δ	232
★ E3HT 4A297-EMA	Eaton	RS381	3.90	38M	Δ	232
★ E3HT 4A297-ENA	Eaton	RS381	3.90	38M	Δ	232
★ E3HT 4A297-ESA	Eaton	RS381	4.56	38M	Δ	232
★ E3HT 4A297-ETA	Eaton	RS381	4.56	38M	Δ	232
★ E3HT 4A297-FGA	Eaton	RP381	5.05	38M	Δ	243
★ E3HT 4A297-FHA	Eaton	RP381	5.61	38M	Δ	243
★ E3HT 4A297-FJA	Eaton	RT401	4.11/5.61	40M	Δ	245
★ E3HT 4A297-FKA	Eaton	RT401	4.11/5.61	40M	Δ	245
★ E3HT 4A297-FLA	Eaton	RT401	4.33/5.91	40M	Δ	245
★ E3HT 4A297-FMA	Eaton	RT401	4.33/5.91	40M	Δ	245
★ E3HT 4A297-FNA	Eaton	RT401	4.56/6.21	40M	Δ	245
★ E3HT 4A297-FRA	Eaton	RT401	4.56/6.21	40M	Δ	245
★ E3HT 4A297-FTA	Eaton	RS440/460	3.90	46M	Δ	247
★ E3HT 4A297-FUA	Eaton	RS440/460	4.11	46M	Δ	247
★ E3HT 4A297-FVA	Eaton	RS440/460	4.33	46M	Δ	247
★ E3HT 4A297-FYA	Eaton	RS440/460	4.62	46M	Δ	247
★ E3HT 4A297-FZA	Eaton	RP440/460	5.31	46M	Δ	224
★ E3HT 4A297-GAA	Eaton	RP440/460	5.90	46M	Δ	224
★ E3HT 4A297-GBA	Eaton	RP440/460	7.20	46M	Δ	224
★ E3HT 4A297-GHA	Rockwell (Timken)	SQHP	3.70	40M	Δ	204
★ E3HT 4A297-GJA	Rockwell (Timken)	SQHP	4.11	40M	Δ	204
★ E3HT 4A297-GKA	Rockwell (Timken)	SQHP	4.44	40M	Δ	204
★ E3HT 4A297-GLA	Rockwell (Timken)	SQHP	3.70	40M	Δ	204
★ E3HT 4A297-GMA	Rockwell (Timken)	SQHP	4.11	40M	Δ	204
★ E3HT 4A297-GNA	Rockwell (Timken)	SQHP	3.70	40M	Δ	204
★ E3HT 4A297-GRA	Rockwell (Timken)	SQHP	4.11	40M	Δ	204
★ E3HT 4A297-GSA	Rockwell (Timken)	SQHP	4.44	40M	Δ	204

1980/  
TRUCK SERIES 600/900

REAR AXLE T.S.L. † CROSS-REFERENCE GUIDE

IDENTIFICATION AND/OR T.S.L. NUMBER		MANUFACTURER	MANUFACTURER MODEL	RATIO	CAPACITY	DRIVESHAFT SIZE	SEC.40.1 PARTS LIST NO.
Notes: Δ Driveshaft flange not included on assy. † Truck Specification List—included in Kentucky-built trucks. — Cont'd							
★ E3HT	4A297-GTA	Rockwell (Timken)	SQHP	3.70	40M	Δ	204
★ E3HT	4A297-GUA	Rockwell (Timken)	SQHP	4.11	40M	Δ	204
★ E3HT	4A297-GVA	Rockwell (Timken)	SQHP	3.70	40M	Δ	204
★ E3HT	4A297-GYA	Rockwell (Timken)	SQHP	4.11	40M	Δ	204
★ E3HT	4A297-GZA	Rockwell (Timken)	SSH D	3.90	46M	Δ	206
★ E3HT	4A297-HAA	Rockwell (Timken)	SSH D	4.11	46M	Δ	206
★ E3HT	4A297-HBA	Rockwell (Timken)	SSH D	4.33	46M	Δ	206
★ E3HT	4A297-HCA	Rockwell (Timken)	SSH D	4.63	46M	Δ	206
★ E3HT	4A297-HDA	Rockwell (Timken)	SSH D	5.29	46M	Δ	206
★ E3HT	4A297-HEA	Rockwell (Timken)	SSH D	5.57	46M	Δ	206
★ E3HT	4A297-HFA	Rockwell (Timken)	SSH D	6.17	46M	Δ	206
★ E3HT	4A297-HVA	Eaton	RS341	4.11	34M	Δ	230
★ E3HT	4A297-HYA	Eaton	RS341	4.33	34M	Δ	230
★ E3HT	4A297-HZA	Eaton	RS381	4.11	38M	Δ	232
★ E3HT	4A297-JAA	Eaton	RS381	4.33	38M	Δ	232
★ E3HT	4A297-JBA	Eaton	RS381	3.70	38M	Δ	232
★ E3HT	4A297-JCA	Eaton	RS381	3.90	38M	Δ	232
★ E3HT	4A297-JDA	Eaton	RS381	4.11	38M	Δ	232
★ E3HT	4A297-JEA	Eaton	RS381	4.33	38M	Δ	232
★ E3HT	4A297-JFA	Eaton	RS381	4.11	38M	Δ	232
★ E3HT	4A297-JGA	Eaton	RS381	4.33	38M	Δ	232
★ E4HS	4A297-ASEA	Eaton	RS402	3.70	40M	Δ	232
★ E4HS	4A297-ASFA	Eaton	RS402	3.90	40M	Δ	232
★ E4HS	4A297-BHUA	Rockwell (Timken)	SQ100	3.55	40M	Δ	252
★ E4HS	4A297-BJDA	Rockwell (Timken)	SQ100	3.55	40M	Δ	252
★ E4HS	4A297-BJFA	Rockwell (Timken)	SQ100	3.55	40M	Δ	252
★ E4HS	4A297-EBAB	Eaton	17101	3.70	19M	Δ	97
★ E4HS	4A297-EBBB	Eaton	17101	4.11	19M	Δ	97
★ E4HS	4A297-EBDB	Eaton	17101	4.56	19M	Δ	97
★ E4HS	4A297-EBKB	Eaton	17201	4.11/5.61	19M	Δ	102
★ E4HS	4A297-EBMB	Eaton	17201	4.56/6.21	19M	Δ	102
★ E4HS	4A297-ECMB	Eaton	22121	3.90	22M	Δ	221
★ E4HS	4A297-ECNB	Eaton	22121	4.11	22M	Δ	221
★ E4HS	4A297-ECSB	Eaton	22121	4.62	22M	Δ	221
★ E4HS	4A297-EDFB	Eaton	22221	3.90/5.31	22M	Δ	222
★ E4HS	4A297-EDGB	Eaton	22221	4.11/5.61	22M	Δ	222
★ E4HS	4A297-EDJB	Eaton	22221	4.62/6.31	22M	Δ	222
★ E4HS	4A297-EFBB	Eaton	17201	3.70/5.05	19M	Δ	102
★ E4HS	4A297-EFNB	Eaton	23221	3.70/5.04	23M	Δ	195
★ E4HS	4A297-EFRB	Eaton	23221	4.56/6.21	23M	Δ	195
★ E4HS	4A297-EFSB	Eaton	23221	4.11/5.60	23M	Δ	195
★ E4HS	4A297-RBAA	Rockwell (Timken)	R170	4.63	23M	Δ	189
★ E4HT	4A297-AA	Rockwell (Timken)	SL100	3.73	34M	Δ	250
★ E4HT	4A297-BA	Rockwell (Timken)	SL100	3.90	34M	Δ	250
★ E4HT	4A297-CA	Rockwell (Timken)	SL100	4.10	34M	Δ	250
★ E4HT	4A297-DA	Rockwell (Timken)	SL100	4.33	34M	Δ	250
★ E4HT	4A297-EA	Rockwell (Timken)	SL100	4.63	34M	Δ	250
★ E4HT	4A297-FA	Rockwell (Timken)	SL100	4.88	34M	Δ	250
★ E4HT	4A297-GA	Rockwell (Timken)	SL100	5.29	34M	Δ	250
★ E4HT	4A297-HA	Rockwell (Timken)	SL100	5.86	34M	Δ	250
★ E4HT	4A297-JA	Rockwell (Timken)	SL100	6.14	34M	Δ	250
★ E4HT	4A297-KA	Rockwell (Timken)	SL100	6.83	34M	Δ	250
★ E4HT	4A297-LA	Rockwell (Timken)	SL100	7.17	34M	Δ	250
★ E4HT	4A297-MA	Rockwell (Timken)	SL100	3.73	34M	Δ	250

# 1980/ TRUCK SERIES 600/900

## REAR AXLE T.S.L. † CROSS-REFERENCE GUIDE

IDENTIFICATION AND/OR T.S.L. NUMBER	MANUFACTURER	MANUFACTURER MODEL	RATIO	CAPACITY	DRIVESHAFT SIZE	SEC.40.1 PARTS LIST NO.
Notes: Δ Driveshaft flange not included on assy. † Truck Specification List-included in Kentucky-built trucks. — Cont'd						
★ E4HT 4A297-NA	Rockwell (Timken)	SL100	3.90	34M	Δ	250
★ E4HT 4A297-RA	Rockwell (Timken)	SL100	4.10	34M	Δ	250
★ E4HT 4A297-SA	Rockwell (Timken)	SL100	4.33	34M	Δ	250
★ E4HT 4A297-TA	Rockwell (Timken)	SL100	4.63	34M	Δ	250
★ E4HT 4A297-ACA	Eaton	17101	4.88	19M	Δ	97
★ E4HT 4A297-ACB	Eaton	17101	4.88	19M	Δ	97
★ E4HT 4A297-ADA	Eaton	17101	5.29	19M	Δ	97
★ E4HT 4A297-ADB	Eaton	17101	5.29	19M	Δ	97
★ E4HT 4A297-AEA	Eaton	17121	5.57	19M	Δ	97
★ E4HT 4A297-AEB	Eaton	17121	5.57	19M	Δ	97
★ E4HT 4A297-AFA	Eaton	17121	6.14	19M	Δ	97
★ E4HT 4A297-AFB	Eaton	17121	6.14	19M	Δ	97
★ E4HT 4A297-AGA	Eaton	17121	6.57	19M	Δ	97
★ E4HT 4A297-AGB	Eaton	17121	6.57	19M	Δ	97
★ E4HT 4A297-AHA	Eaton	17121	7.17	19M	Δ	97
★ E4HT 4A297-AHB	Eaton	17121	7.17	19M	Δ	97
★ E4HT 4A297-AJA	Eaton	17201	4.88/6.65	19M	Δ	102
★ E4HT 4A297-AJB	Eaton	17201	4.88/6.65	19M	Δ	102
★ E4HT 4A297-AKA	Eaton	17201	5.29/7.21	19M	Δ	102
★ E4HT 4A297-AKB	Eaton	17201	5.29/7.21	19M	Δ	102
★ E4HT 4A297-ALA	Eaton	17221	5.57/7.60	19M	Δ	102
★ E4HT 4A297-ALB	Eaton	17221	5.57/7.60	19M	Δ	102
★ E4HT 4A297-AMA	Eaton	17221	6.14/8.38	19M	Δ	102
★ E4HT 4A297-AMB	Eaton	17221	6.14/8.38	19M	Δ	102
★ E4HT 4A297-ANA	Eaton	17221	6.57/8.94	19M	Δ	102
★ E4HT 4A297-ANB	Eaton	17221	6.57/8.94	19M	Δ	102
★ E4HT 4A297-ARA	Eaton	17221	7.17/9.77	19M	Δ	102
★ E4HT 4A297-ARB	Eaton	17221	7.17/9.77	19M	Δ	102
★ E4HT 4A297-ASA	Eaton	22121	4.88	22M	Δ	221
★ E4HT 4A297-ASB	Eaton	22121	4.88	22M	Δ	221
★ E4HT 4A297-ATA	Eaton	22121	5.29	22M	Δ	221
★ E4HT 4A297-ATB	Eaton	22121	5.29	22M	Δ	221
★ E4HT 4A297-AUA	Eaton	22121	5.57	22M	Δ	221
★ E4HT 4A297-AUB	Eaton	22121	5.57	22M	Δ	221
★ E4HT 4A297-AVA	Eaton	22121	6.17	22M	Δ	221
★ E4HT 4A297-AVB	Eaton	22121	6.17	22M	Δ	221
★ E4HT 4A297-AYA	Eaton	22121	6.50	22M	Δ	221
★ E4HT 4A297-AYB	Eaton	22121	6.50	22M	Δ	221
★ E4HT 4A297-AZA	Eaton	22121	7.17	22M	Δ	221
★ E4HT 4A297-AZB	Eaton	22121	7.17	22M	Δ	221
★ E4HT 4A297-BAA	Eaton	22221	4.88/6.65	22M	Δ	222
★ E4HT 4A297-BAB	Eaton	22221	4.88/6.65	22M	Δ	222
★ E4HT 4A297-BBA	Eaton	22221	5.29/7.21	22M	Δ	222
★ E4HT 4A297-BBB	Eaton	22221	5.29/7.21	22M	Δ	222
★ E4HT 4A297-BCA	Eaton	22221	5.57/7.60	22M	Δ	222
★ E4HT 4A297-BCB	Eaton	22221	5.57/7.60	22M	Δ	222
★ E4HT 4A297-BDA	Eaton	22221	6.17/8.41	22M	Δ	222
★ E4HT 4A297-BDB	Eaton	22221	6.17/8.41	22M	Δ	222
★ E4HT 4A297-BEA	Eaton	22221	6.50/8.86	22M	Δ	222
★ E4HT 4A297-BEB	Eaton	22221	6.50/8.86	22M	Δ	222
★ E4HT 4A297-BFA	Eaton	22221	7.17/9.77	22M	Δ	222
★ E4HT 4A297-BFB	Eaton	22221	7.17/9.77	22M	Δ	222
★ E4HT 4A297-BGA	Eaton	RS341	3.70	34M	Δ	230

1980/  
TRUCK SERIES 600/900

REAR AXLE T.S.L. † CROSS-REFERENCE GUIDE

IDENTIFICATION AND/OR T.S.L. NUMBER	MANUFACTURER	MANUFACTURER MODEL	RATIO	CAPACITY	DRIVESHAFT SIZE	SEC.40.1 PARTS LIST NO.
Notes: Δ Driveshaft flange not included on assy. † Truck Specification List—included in Kentucky-built trucks. — Cont'd						
★ E4HT 4A297-BGB	Eaton	RS341	3.70	34M	Δ	230
★ E4HT 4A297-BHA	Eaton	RS341	3.90	34M	Δ	230
★ E4HT 4A297-BHB	Eaton	RS341	3.90	34M	Δ	230
★ E4HT 4A297-BJA	Eaton	RS341	4.11	34M	Δ	230
★ E4HT 4A297-BJB	Eaton	RS341	4.11	34M	Δ	230
★ E4HT 4A297-BKA	Eaton	RS341	4.33	34M	Δ	230
★ E4HT 4A297-BKB	Eaton	RS341	4.33	34M	Δ	230
★ E4HT 4A297-BLA	Eaton	RS341	4.56	34M	Δ	230
★ E4HT 4A297-BLB	Eaton	RS341	4.56	34M	Δ	230
★ E4HT 4A297-BMA	Eaton	RS341	4.88	34M	Δ	230
★ E4HT 4A297-BMB	Eaton	RS341	4.88	34M	Δ	230
★ E4HT 4A297-BNA	Eaton	RS341	5.29	34M	Δ	230
★ E4HT 4A297-BNB	Eaton	RS341	5.29	34M	Δ	230
★ E4HT 4A297-BRA	Eaton	RS341	5.57	34M	Δ	230
★ E4HT 4A297-BRB	Eaton	RS341	5.57	34M	Δ	230
★ E4HT 4A297-BSA	Eaton	RS341	6.14	34M	Δ	230
★ E4HT 4A297-BSB	Eaton	RS341	6.14	34M	Δ	230
★ E4HT 4A297-BTA	Eaton	RS341	6.50	34M	Δ	230
★ E4HT 4A297-BTB	Eaton	RS341	6.50	34M	Δ	230
★ E4HT 4A297-BUA	Eaton	RS341	7.17	34M	Δ	230
★ E4HT 4A297-BUB	Eaton	RS341	7.17	34M	Δ	230
★ E4HT 4A297-BVA	Eaton	RS341	3.70	34M	Δ	230
★ E4HT 4A297-BVB	Eaton	RS341	3.70	34M	Δ	230
★ E4HT 4A297-BYA	Eaton	RS341	3.90	34M	Δ	230
★ E4HT 4A297-BYB	Eaton	RS341	3.90	34M	Δ	230
★ E4HT 4A297-BZA	Eaton	RS341	4.11	34M	Δ	230
★ E4HT 4A297-BZB	Eaton	RS341	4.11	34M	Δ	230
★ E4HT 4A297-CAA	Eaton	RS341	4.33	34M	Δ	230
★ E4HT 4A297-CAB	Eaton	RS341	4.33	34M	Δ	230
★ E4HT 4A297-CBA	Eaton	RS341	4.56	34M	Δ	230
★ E4HT 4A297-CBB	Eaton	RS341	4.56	34M	Δ	230
★ E4HT 4A297-CCA	Eaton	RT341	4.88/6.65	34M	Δ	241
★ E4HT 4A297-CCB	Eaton	RT341	4.88/6.65	34M	Δ	241
★ E4HT 4A297-CDA	Eaton	RT341	5.29/7.21	34M	Δ	241
★ E4HT 4A297-CDB	Eaton	RT341	5.29/7.21	34M	Δ	241
★ E4HT 4A297-CEA	Eaton	RT341	5.57/7.60	34M	Δ	241
★ E4HT 4A297-CEB	Eaton	RT341	5.57/7.60	34M	Δ	241
★ E4HT 4A297-CFA	Eaton	RT341	6.14/8.38	34M	Δ	241
★ E4HT 4A297-CFB	Eaton	RT341	6.14/8.38	34M	Δ	241
★ E4HT 4A297-CGA	Eaton	RT341	6.50/8.86	34M	Δ	241
★ E4HT 4A297-CGB	Eaton	RT341	6.50/8.86	34M	Δ	241
★ E4HT 4A297-CHA	Eaton	RT341	7.17/9.77	34M	Δ	241
★ E4HT 4A297-CHB	Eaton	RT341	7.17/9.77	34M	Δ	241
★ E4HT 4A297-CVA	Eaton	RS381	3.70	38M	Δ	232
★ E4HT 4A297-CVB	Eaton	RS381/RS402	3.70	38M/40M	Δ	232
★ E4HT 4A297-CYA	Eaton	RS381	3.90	38M	Δ	232
★ E4HT 4A297-CYB	Eaton	RS381/RS402	3.90	38M/40M	Δ	232
★ E4HT 4A297-CZA	Eaton	RS381	4.11	38M	Δ	232
★ E4HT 4A297-CZB	Eaton	RS381/RS402	4.11	38M/40M	Δ	232
★ E4HT 4A297-DAA	Eaton	RS381	4.33	38M	Δ	232
★ E4HT 4A297-DAB	Eaton	RS381/RS402	4.33	38M/40M	Δ	232
★ E4HT 4A297-DBA	Eaton	RS381	4.56	38M	Δ	232
★ E4HT 4A297-DBB	Eaton	RS381/RS402	4.56	38M/40M	Δ	232

# 1980/ TRUCK SERIES 600/900

## REAR AXLE T.S.L. † CROSS-REFERENCE GUIDE

IDENTIFICATION AND/OR T.S.L. NUMBER	MANUFACTURER	MANUFACTURER MODEL	RATIO	CAPACITY	DRIVESHAFT SIZE	SEC.40.1 PARTS LIST NO.
Notes:    Δ Driveshaft flange not included on assy. † Truck Specification List-included in Kentucky-built trucks. — Cont'd						
★ E4HT 4A297-DCA	Rockwell (Timken)	SQ100	3.73	38M	Δ	252
★ E4HT 4A297-DDA	Rockwell (Timken)	SQ100	3.90	38M	Δ	252
★ E4HT 4A297-DEA	Rockwell (Timken)	SQ100	4.10	38M	Δ	252
★ E4HT 4A297-DFA	Rockwell (Timken)	SQ100	4.33	38M	Δ	252
★ E4HT 4A297-DGA	Rockwell (Timken)	SQ100	4.63	38M	Δ	252
★ E4HT 4A297-DHA	Rockwell (Timken)	SQ100	3.73	38M	Δ	252
★ E4HT 4A297-DJA	Rockwell (Timken)	SQ100	4.10	38M	Δ	252
★ E4HT 4A297-DKA	Rockwell (Timken)	SQHP	3.73	40M	Δ	204
★ E4HT 4A297-DMA	Rockwell (Timken)	SQHP	4.10	40M	Δ	204
★ E4HT 4A297-DNA	Rockwell (Timken)	SQHP	4.44	40M	Δ	204
★ E4HT 4A297-DSA	Rockwell (Timken)	SQHP	3.73	40M	Δ	204
★ E4HT 4A297-DTA	Rockwell (Timken)	SQHP	4.10	40M	Δ	204
★ E4HT 4A297-EAA	Rockwell (Timken)	SQ100	3.73	38M	Δ	252
★ E4HT 4A297-EBA	Rockwell (Timken)	SQ100	3.90	38M	Δ	252
★ E4HT 4A297-ECA	Rockwell (Timken)	SQ100	4.10	38M	Δ	252
★ E4HT 4A297-EDA	Rockwell (Timken)	SQ100	4.33	38M	Δ	252
★ E4HT 4A297-EEA	Rockwell (Timken)	SQ100	4.63	38M	Δ	252
★ E4HT 4A297-EFA	Rockwell (Timken)	SQ100	4.88	38M	Δ	252
★ E4HT 4A297-EGA	Rockwell (Timken)	SQ100	5.29	38M	Δ	252
★ E4HT 4A297-EHA	Rockwell (Timken)	SQ100	5.86	38M	Δ	252
★ E4HT 4A297-EJA	Rockwell (Timken)	SQ100	6.14	38M	Δ	252
★ E4HT 4A297-EKA	Rockwell (Timken)	SQ100	6.83	38M	Δ	252
★ E4HT 4A297-ELA	Rockwell (Timken)	SQ100	7.17	38M	Δ	252
★ E4HT 4A297-EMA	Rockwell (Timken)	SQ100	3.73	38M	Δ	252
★ E4HT 4A297-ENA	Rockwell (Timken)	SQ100	4.10	38M	Δ	252
★ E4HT 4A297-ERA	Rockwell (Timken)	SQ100	3.73	38M	Δ	252
★ E4HT 4A297-ESA	Rockwell (Timken)	SQ100	3.90	38M	Δ	252
★ E4HT 4A297-ETA	Rockwell (Timken)	SQ100	4.10	38M	Δ	252
★ E4HT 4A297-EUA	Rockwell (Timken)	SQHP	3.73	40M	Δ	204
★ E4HT 4A297-EVA	Rockwell (Timken)	SQHP	4.10	40M	Δ	204
★ E4HT 4A297-EYA	Rockwell (Timken)	SQHP	4.44	40M	Δ	204
★ E4HT 4A297-EZA	Rockwell (Timken)	SQHP	3.73	40M	Δ	204
★ E4HT 4A297-FAA	Rockwell (Timken)	SQHP	4.10	40M	Δ	204
★ E4HT 4A297-FBA	Rockwell (Timken)	SQHP	3.73	40M	Δ	204
★ E4HT 4A297-FCA	Rockwell (Timken)	SQHP	4.10	40M	Δ	204
★ E4HT 4A297-FDA	Rockwell (Timken)	SSH D	3.91	46M	Δ	206
★ E4HT 4A297-FEA	Rockwell (Timken)	SSH D	4.10	46M	Δ	206
★ E4HT 4A297-FFA	Rockwell (Timken)	SSH D	4.30	46M	Δ	206
★ E4HT 4A297-FGA	Rockwell (Timken)	SSH D	4.56	46M	Δ	206
★ E4HT 4A297-FHA	Rockwell (Timken)	SSH D	5.38	46M	Δ	206
★ E4HT 4A297-FJA	Rockwell (Timken)	SSH D	5.57	46M	Δ	206
★ E4HT 4A297-FKA	Rockwell (Timken)	SSH D	6.14	46M	Δ	206
★ E4HT 4A297-FLA	Rockwell (Timken)	R170	3.70	23M	Δ	189
★ E4HT 4A297-FMA	Rockwell (Timken)	R170	3.90	23M	Δ	189
★ E4HT 4A297-FNA	Rockwell (Timken)	R170	4.11	23M	Δ	189
★ E4HT 4A297-FRA	Rockwell (Timken)	R170	4.33	23M	Δ	189
★ E4HT 4A297-FSA	Rockwell (Timken)	R170	4.88	23M	Δ	189
★ E4HT 4A297-FTA	Rockwell (Timken)	R170	5.29	23M	Δ	189
★ E4HT 4A297-FUA	Rockwell (Timken)	R170	5.86	23M	Δ	189
★ E4HT 4A297-FVA	Rockwell (Timken)	R170	6.14	23M	Δ	189
★ E4HT 4A297-FYA	Rockwell (Timken)	R170	6.83	23M	Δ	189
★ E4HT 4A297-FZA	Rockwell (Timken)	R170	7.40	23M	Δ	189
★ E4HT 4A297-GAA	Eaton	RS381/RS402	3.70	38M/40M	Δ	232



**1980/  
TRUCK SERIES 600/900**

**REAR AXLE T.S.L. † CROSS-REFERENCE GUIDE**

IDENTIFICATION AND/OR T.S.L. NUMBER		MANUFACTURER	MANUFACTURER MODEL	RATIO	CAPACITY	DRIVESHAFT SIZE	SEC.40.1 PARTS LIST NO.
Notes: Δ Driveshaft flange not included on assy. † Truck Specification List—included in Kentucky-built trucks. — Cont'd							
★ E4HT	4A297-GBA	Eaton	RS381/RS402	3.90	38M/40M	Δ	232
★ E4HT	4A297-GCA	Eaton	RS381/RS402	4.11	38M/40M	Δ	232
★ E4HT	4A297-GDA	Eaton	RS381/RS402	4.33	38M/40M	Δ	232
★ E4HT	4A297-GEA	Eaton	RS381/RS402	3.70	38M/40M	Δ	232
★ E4HT	4A297-GFA	Eaton	RS381/RS402	3.90	38M/40M	Δ	232
★ E4HT	4A297-GGA	Eaton	RS381/RS402	4.11	38M/40M	Δ	232
★ E4HT	4A297-GHA	Eaton	RS381/RS402	4.33	38M/40M	Δ	232
★ E4HT	4A297-GJA	Eaton	RS381/RS402	4.56	38M/40M	Δ	232
★ E4HT	4A297-GKA	Eaton	RS381/RS402	4.88	38M/40M	Δ	232
★ E4HT	4A297-GLA	Eaton	RS381/RS402	5.29	38M/40M	Δ	232
★ E4HT	4A297-GMA	Eaton	RS381/RS402	5.57	38M/40M	Δ	232
★ E4HT	4A297-GNA	Eaton	RS381/RS402	6.14	38M/40M	Δ	232
★ E4HT	4A297-GRA	Eaton	RS381/RS402	6.50	38M/40M	Δ	232
★ E4HT	4A297-GSA	Eaton	RS381/RS402	7.17	38M/40M	Δ	232
★ E4HT	4A297-GTA	Eaton	RS381/RS402	4.11	38M/40M	Δ	232
★ E4HT	4A297-GUA	Eaton	RS381/RS402	4.33	38M/40M	Δ	232
★ E4HT	4A297-GVA	Eaton	RP381/RP402	5.05	38M/40M	Δ	243
★ E4HT	4A297-GYA	Eaton	RP381/RP402	5.61	38M/40M	Δ	243
★ E4HT	4A297-GZA	Eaton	RS460	3.90	46M	Δ	247
★ E4HT	4A297-HAA	Eaton	RS460	4.11	46M	Δ	247
★ E4HT	4A297-HBA	Eaton	RS460	4.33	46M	Δ	247
★ E4HT	4A297-HCA	Eaton	RS460	4.62	46M	Δ	247
★ E4HT	4A297-HDA	Eaton	RP460	5.31	46M	Δ	224
★ E4HT	4A297-HEA	Eaton	RP460	5.90	46M	Δ	224
★ E4HT	4A297-HFA	Eaton	RP460	7.20	46M	Δ	224
★ E4HT	4A297-HGA	Eaton	23121	3.70	23M	Δ	194
★ E4HT	4A297-HHA	Eaton	23121	3.90	23M	Δ	194
★ E4HT	4A297-HJA	Eaton	23121	4.11	23M	Δ	194
★ E4HT	4A297-HKA	Eaton	23121	4.33	23M	Δ	194
★ E4HT	4A297-HLA	Eaton	23121	4.56	23M	Δ	194
★ E4HT	4A297-HMA	Eaton	23121	4.88	23M	Δ	194
★ E4HT	4A297-HNA	Eaton	23121	5.43	23M	Δ	194
★ E4HT	4A297-HRA	Eaton	23121	6.17	23M	Δ	194
★ E4HT	4A297-HSA	Eaton	23121	6.67	23M	Δ	194
★ E4HT	4A297-HTA	Eaton	23221	4.88/6.64	23M	Δ	195
★ E4HT	4A297-HUA	Eaton	23221	5.43/7.39	23M	Δ	195
★ E4HT	4A297-HVA	Eaton	23221	6.17/8.40	23M	Δ	195
★ E4HT	4A297-HYA	Eaton	23221	6.67/9.08	23M	Δ	195
★ E4HT	4A297-JAA	Rockwell (Timken)	R170	3.70	23M	Δ	189
★ E4HT	4A297-JBA	Rockwell (Timken)	R170	4.11	23M	Δ	189
★ E4HT	4A297-JCA	Rockwell (Timken)	R170	4.33	23M	Δ	189
★ E5HT	4A297-CAA	Rockwell (Timken)	SSH D	3.91	46M	Δ	206
★ E5HT	4A297-CBA	Rockwell (Timken)	SSH D	4.10	46M	Δ	206
★ E5HT	4A297-CCA	Rockwell (Timken)	SSH D	4.30	46M	Δ	206
★ E5HT	4A297-CDA	Rockwell (Timken)	SSH D	4.56	46M	Δ	206
★ E5HT	4A297-CEA	Rockwell (Timken)	SSH D	5.38	46M	Δ	206
★ E5HT	4A297-CFA	Rockwell (Timken)	SSH D	5.57	46M	Δ	206
★ E5HT	4A297-CGA	Rockwell (Timken)	SSH D	6.14	46M	Δ	206
★ E5HT	4A297-DAA	Eaton	RT341	3.70/5.05	34M	Δ	241
★ E5HT	4A297-DBA	Eaton	RT341	3.90/5.31	34M	Δ	241
★ E5HT	4A297-DCA	Eaton	RT341	4.11/5.61	34M	Δ	241
★ E6HS	4A297-AAMA	Eaton	RT341	4.56/6.21	34M	Δ	241
★ D3HA	4A298-CFA	Rockwell (Timken)	SLHD	4.44	34M	Δ	125

# 1980/ TRUCK SERIES 600/900

## REAR AXLE T.S.L. † CROSS-REFERENCE GUIDE

IDENTIFICATION AND/OR T.S.L. NUMBER	MANUFACTURER	MANUFACTURER MODEL	RATIO	CAPACITY	DRIVESHAFT SIZE	SEC.40.1 PARTS LIST NO.	
Notes: Δ Driveshaft flange not included on assy. † Truck Specification List-included in Kentucky-built trucks. — Cont'd							
★ D3HA	4A298-CGA	Rockwell (Timken)	SLHD	4.11	34M	Δ	125
★ D5HA	4A298-CRA	Rockwell (Timken)	SLHD	4.11	34M	Δ	125
★ D7HA	4A298-CTA	Eaton	DS380	4.33	38M	Δ	200
★ D7HA	4A298-CUA	Eaton	DS380	4.11	38M	Δ	200
★ D7HA	4A298-CZA	Rockwell (Timken)	SLHD	3.70	34M	Δ	125
★ D7HA	4A298-DAA	Eaton	34DSC	4.11	34M	Δ	133
★ D7HA	4A298-DBA	Eaton	34DSC	4.33	34M	Δ	133
★ D7HA	4A298-DCA	Eaton	34DSC	4.56	34M	Δ	133
★ D7HA	4A298-DEA	Eaton	34DSC	5.57	34M	Δ	133
★ D7HA	4A298-DFA	Eaton	34DSC	5.57	34M	Δ	133
★ D7HA	4A298-DGA	Eaton	34DSE	6.14	34M	Δ	133
★ D7HA	4A298-DHA	Eaton	34DSE	6.14	34M	Δ	133
★ D7HA	4A298-DJA	Eaton	34DSE	6.50	34M	Δ	133
★ D7HA	4A298-DKA	Eaton	34DSE	6.50	34M	Δ	133
★ D7HA	4A298-DLA	Eaton	34DSE	7.17	34M	Δ	133
★ D7HA	4A298-DMA	Eaton	34DSE	7.17	34M	Δ	133
★ D7HA	4A298-DNA	Eaton	34DSE	7.60	34M	Δ	133
★ D7HA	4A298-DRA	Eaton	34DSE	7.60	34M	Δ	133
★ D7HA	4A298-DSA	Eaton	34DSC	3.70	34M	Δ	133
★ D7HA	4A298-DVA	Eaton	34DPC	7.60	34M	Δ	130
★ D7HA	4A298-DYA	Eaton	34DPC	7.60	34M	Δ	130
★ D7HA	4A298-DZA	Eaton	34DTE	6.14/8.38	34M	Δ	147
★ D7HA	4A298-EAA	Eaton	34DTE	6.50/8.87	34M	Δ	147
★ D7HA	4A298-EBA	Eaton	34DTE	7.17/9.77	34M	Δ	147
★ D7HA	4A298-ECA	Eaton	34DSC	4.11	34M	Δ	133
★ D7HA	4A298-EDA	Eaton	34DSC	3.70	34M	Δ	133
★ D7HA	4A298-EEA	Eaton	34DSC	4.11	34M	Δ	133
★ D7HA	4A298-EFA	Eaton	34DSC	4.33	34M	Δ	133
★ D7HA	4A298-EGA	Eaton	34DSC	4.56	34M	Δ	133
★ D7HA	4A298-EJA	Eaton	38DSC	3.70	38M	Δ	56
★ D7HA	4A298-EKA	Eaton	38DSC	4.11	38M	Δ	56
★ D7HA	4A298-ELA	Eaton	38DSC	4.33	38M	Δ	56
★ D7HA	4A298-EMA	Eaton	38DSC	4.56	38M	Δ	56
★ D7HA	4A298-ENA	Eaton	38DSC	4.88	38M	Δ	56
★ D7HA	4A298-ERA	Eaton	38DSC	5.29	38M	Δ	56
★ D7HA	4A298-ESA	Eaton	38DSC	5.57	38M	Δ	56
★ D7HA	4A298-ETA	Eaton	38DSE	6.14	38M	Δ	56
★ D7HA	4A298-EUA	Eaton	38DSE	6.50	38M	Δ	56
★ D7HA	4A298-EZA	Eaton	38DPC	5.05	38M	Δ	53
★ D7HA	4A298-FDA	Eaton	38DPC	7.60	38M	Δ	53
★ D7HA	4A298-FEA	Eaton	38DSC	3.70	38M	Δ	56
★ D7HA	4A298-FFA	Eaton	38DSC	4.11	38M	Δ	56
★ D7HA	4A298-FGA	Eaton	38DSC	4.11	38M	Δ	56
★ D7HA	4A298-FHA	Eaton	38DSC	4.33	38M	Δ	56
★ D7HA	4A298-FJA	Eaton	38DSC	4.56	38M	Δ	56
★ D7HA	4A298-FKA	Rockwell (Timken)	SLHD	3.70	34M	Δ	125
★ D7HA	4A298-FLA	Rockwell (Timken)	SLHD	4.11	34M	Δ	125
★ D7HA	4A298-FMA	Rockwell (Timken)	SLHD	4.44	34M	Δ	125
★ D7HA	4A298-FSA	Rockwell (Timken)	SLHD	5.83	34M	Δ	125
★ D7HA	4A298-FTA	Rockwell (Timken)	SLHD	5.83	34M	Δ	125
★ D7HA	4A298-FUA	Rockwell (Timken)	SLHD	6.17	34M	Δ	125
★ D7HA	4A298-FVA	Rockwell (Timken)	SLHD	6.17	34M	Δ	125
★ D7HA	4A298-FYA	Rockwell (Timken)	SLHD	6.83	34M	Δ	125

1980/  
TRUCK SERIES 600/900

REAR AXLE T.S.L. † CROSS-REFERENCE GUIDE

IDENTIFICATION AND/OR T.S.L. NUMBER		MANUFACTURER	MANUFACTURER MODEL	RATIO	CAPACITY	DRIVESHAFT SIZE	SEC.40.1 PARTS LIST NO.
Notes: Δ Driveshaft flange not included on assy. † Truck Specification List-included in Kentucky-built trucks. — Cont'd							
★ D7HA	4A298-FZA	Rockwell (Timken)	SLHD	6.83	34M	Δ	125
★ D7HA	4A298-GAA	Rockwell (Timken)	SLHD	7.80	34M	Δ	125
★ D7HA	4A298-GBA	Rockwell (Timken)	SLHD	7.80	34M	Δ	125
★ D7HA	4A298-HAA	Eaton	DS340	4.11	34M	Δ	198
★ D7HA	4A298-HBA	Eaton	DS340	4.33	34M	Δ	198
★ D7HA	4A298-HCA	Eaton	DS340	4.11	34M	Δ	198
★ D7HA	4A298-HDA	Eaton	DS340	4.33	34M	Δ	198
★ D7HA	4A298-HEA	Eaton	DS340	3.70	34M	Δ	198
★ D7HA	4A298-HFA	Eaton	DS340	4.11	34M	Δ	198
★ D7HA	4A298-HGA	Eaton	DS340	4.33	34M	Δ	198
★ D7HA	4A298-HHA	Eaton	DS380	4.11	38M	Δ	200
★ D7HA	4A298-HJA	Eaton	DS380	4.33	38M	Δ	200
★ D7HA	4A298-HKA	Eaton	DS380	3.70	38M	Δ	200
★ D7HA	4A298-HLA	Eaton	DS380	4.11	38M	Δ	200
★ D7HA	4A298-HMA	Eaton	DS380	4.33	38M	Δ	200
★ D7HA	4A298-HNA	Eaton	DS380	3.70	38M	Δ	200
★ D7HA	4A298-HRA	Eaton	DS380	4.11	38M	Δ	200
★ D7HA	4A298-HSA	Eaton	DS380	4.33	38M	Δ	200
★ D7HA	4A298-HTA	Eaton	44DSC	4.11	46M	Δ	196
★ D7HA	4A298-HUA	Eaton	44DSC	4.33	46M	Δ	196
★ D7HA	4A298-JAA	Rockwell (Timken)	SLHD	4.44	34M	Δ	125
★ D7HA	4A298-KDA	Rockwell (Timken)	SSHD	3.90	46M	Δ	205
★ D7HA	4A298-KEA	Rockwell (Timken)	SSHD	4.11	46M	Δ	205
★ D7HA	4A298-KFA	Rockwell (Timken)	SSHD	4.63	46M	Δ	205
★ D7HA	4A298-KGA	Eaton	44DSC	3.70	44M	Δ	196
★ D7HA	4A298-KHA	Eaton	44DSC	4.11	44M	Δ	196
★ D7HA	4A298-KJA	Eaton	44DSC	4.33	44M	Δ	196
★ D7HS	4A298-ETA	Rockwell (Timken)	SQHD	3.70	38M	Δ	127
★ D7HS	4A298-EZA	Rockwell (Timken)	SQHD	4.44	38M	Δ	127
★ D7HS	4A298-RNA	Rockwell (Timken)	SQHD	3.90	38M	Δ	127
★ D7HT	4A298-CVB	Rockwell (Timken)	SQHD	3.70	38M	Δ	127
★ D7HT	4A298-CYB	Rockwell (Timken)	SQHD	3.70	38M	Δ	127
★ D7HT	4A298-GEB	Rockwell (Timken)	SQHD	4.11	38M	Δ	127
★ D7HT	4A298-GFB	Rockwell (Timken)	SQHD	4.44	38M	Δ	127
★ D7HT	4A298-GGB	Rockwell (Timken)	SQHD	4.63	38M	Δ	127
★ D7HT	4A298-GHB	Rockwell (Timken)	SQHD	4.88	38M	Δ	127
★ D7HT	4A298-GJB	Rockwell (Timken)	SQHD	5.29	38M	Δ	127
★ D7HT	4A298-GKB	Rockwell (Timken)	SQHD	5.83	38M	Δ	127
★ D7HT	4A298-GLB	Rockwell (Timken)	SQHD	6.17	38M	Δ	127
★ D7HT	4A298-GMB	Rockwell (Timken)	SQHD	6.83	38M	Δ	127
★ D7HT	4A298-GRB	Rockwell (Timken)	SQHD	4.11	38M	Δ	127
★ D7HT	4A298-GSB	Rockwell (Timken)	SQHD	4.44	38M	Δ	127
★ D7HT	4A298-GTB	Rockwell (Timken)	SQHD	4.63	38M	Δ	127
★ D7HT	4A298-GUB	Rockwell (Timken)	SQHD	4.11	38M	Δ	127
★ D8HS	4A298-GA	Rockwell (Timken)	SSHD	3.90	46M	Δ	205
★ D8HS	4A298-HA	Rockwell (Timken)	SSHD	4.11	46M	Δ	205
★ D8HS	4A298-JA	Rockwell (Timken)	SSHD	4.33	46M	Δ	205
★ D8HS	4A298-KA	Rockwell (Timken)	SSHD	4.63	46M	Δ	205
★ D8HS	4A298-LA	Rockwell (Timken)	SSHD	5.29	46M	Δ	205
★ D8HS	4A298-DVA	Rockwell (Timken)	SQHP	3.70	40M	Δ	203
★ D8HS	4A298-EAA	Rockwell (Timken)	SQHP	4.63	40M	Δ	203
★ D8HS	4A298-EBA	Rockwell (Timken)	SQHP	5.29	40M	Δ	203
★ D8HS	4A298-FTA	Rockwell (Timken)	SSHD	5.57	46M	Δ	205

**1980/  
TRUCK SERIES 600/900**

**REAR AXLE T.S.L. † CROSS-REFERENCE GUIDE**

IDENTIFICATION AND/OR T.S.L. NUMBER	MANUFACTURER	MANUFACTURER MODEL	RATIO	CAPACITY	DRIVESHAFT SIZE	SEC.40.1 PARTS LIST NO.
Notes: Δ Driveshaft flange not included on assy. † Truck Specification List-included in Kentucky-built trucks. — Cont'd						
★ D8HS 4A298-HDA	Rockwell (Timken)	SLHD	3.90	34M	Δ	125
★ D8HS 4A298-HFA	Rockwell (Timken)	SSH D	4.89	46M	Δ	205
★ D8HT 4A298-AA	Rockwell (Timken)	SQHP	4.11	40M	Δ	203
★ D8HT 4A298-BA	Rockwell (Timken)	SQHP	4.44	40M	Δ	203
★ D8HT 4A298-CA	Rockwell (Timken)	SQHP	3.70	40M	Δ	203
★ D8HT 4A298-DA	Rockwell (Timken)	SQHP	4.11	40M	Δ	203
★ D8HT 4A298-EA	Rockwell (Timken)	SQHP	4.44	40M	Δ	203
★ D8HT 4A298-FA	Rockwell (Timken)	SQHP	3.70	40M	Δ	203
★ D8HT 4A298-GA	Rockwell (Timken)	SQHP	4.11	40M	Δ	203
★ D8HT 4A298-HA	Rockwell (Timken)	SQHP	4.44	40M	Δ	203
★ D9HT 4A298-AA	Eaton	34DPE	8.38	34M	Δ	130
★ D9HT 4A298-BA	Eaton	34DPE	8.38	34M	Δ	130
★ D9HT 4A298-EA	Eaton	DP440-P	5.31	44M	Δ	223
★ D9HT 4A298-FA	Eaton	DP440-P	5.90	44M	Δ	223
★ D9HT 4A298-GA	Eaton	DP440-P	7.20	44M	Δ	223
★ E2HT 4A298-AA	Rockwell (Timken)	SQHD	3.70	38M	Δ	127
★ E2HT 4A298-BA	Rockwell (Timken)	SQHD	4.11	38M	Δ	127
★ E2HT 4A298-CA	Rockwell (Timken)	SQHD	3.70	38M	Δ	127
★ E2HT 4A298-DA	Rockwell (Timken)	SQHD	4.11	38M	Δ	127
★ E2HT 4A298-AAA	Rockwell (Timken)	SQHD	3.70	38M	Δ	127
★ E2HT 4A298-ABA	Rockwell (Timken)	SQHD	4.11	38M	Δ	127
★ E2HT 4A298-ACA	Rockwell (Timken)	SQHD	4.63	38M	Δ	127
★ E2HT 4A298-ADA	Rockwell (Timken)	SQHD	4.88	38M	Δ	127
★ E2HT 4A298-AEA	Rockwell (Timken)	SQHD	5.29	38M	Δ	127
★ E2HT 4A298-AFA	Rockwell (Timken)	SQHD	5.83	38M	Δ	127
★ E2HT 4A298-AGA	Rockwell (Timken)	SQHD	6.17	38M	Δ	127
★ E2HT 4A298-AHA	Rockwell (Timken)	SQHD	6.83	38M	Δ	127
★ E2HT 4A298-AJA	Rockwell (Timken)	SQHD	3.70	38M	Δ	127
★ E2HT 4A298-AKA	Rockwell (Timken)	SQHD	4.11	38M	Δ	127
★ E2HT 4A298-ALA	Rockwell (Timken)	SQHD	3.70	38M	Δ	127
★ E2HT 4A298-AMA	Rockwell (Timken)	SQHD	4.11	38M	Δ	127
★ E2HT 4A298-ANA	Rockwell (Timken)	SQHD	4.44	38M	Δ	127
★ E2HT 4A298-ARA	Rockwell (Timken)	SQHD	4.63	38M	Δ	127
★ E2HT 4A298-ASA	Rockwell (Timken)	SQHD	3.70	38M	Δ	127
★ E2HT 4A298-ATA	Rockwell (Timken)	SQHD	4.11	38M	Δ	127
★ E2HT 4A298-AUA	Rockwell (Timken)	SQHD	3.70	38M	Δ	127
★ E2HT 4A298-AVA	Rockwell (Timken)	SQHD	4.11	38M	Δ	127
★ E2HT 4A298-AYA	Rockwell (Timken)	SQHD	4.44	38M	Δ	127
★ E2HT 4A298-BAA	Eaton	DS341	4.11	34M	Δ	229
★ E2HT 4A298-BBA	Eaton	DS341	4.33	34M	Δ	229
★ E2HT 4A298-BCA	Eaton	DS341	3.70	34M	Δ	229
★ E2HT 4A298-BDA	Eaton	DS341	4.11	34M	Δ	229
★ E2HT 4A298-BEA	Eaton	DS341	4.33	34M	Δ	229
★ E2HT 4A298-BFA	Eaton	DS341	4.11	34M	Δ	229
★ E2HT 4A298-BGA	Eaton	DS341	4.33	34M	Δ	229
★ E2HT 4A298-BHA	Eaton	DS381	4.11	38M	Δ	231
★ E2HT 4A298-BJA	Eaton	DS381	4.33	38M	Δ	231
★ E2HT 4A298-BKA	Eaton	DS381	4.11	38M	Δ	231
★ E2HT 4A298-BLA	Eaton	DS381	4.33	38M	Δ	231
★ E2HT 4A298-BMA	Eaton	DS381	3.70	38M	Δ	231
★ E2HT 4A298-BNA	Eaton	DS381	4.11	38M	Δ	231
★ E2HT 4A298-BRA	Eaton	DS381	4.33	38M	Δ	231
★ E2HT 4A298-BSA	Eaton	DS381/DS402	3.70	38M/40M	Δ	231

**1980/  
TRUCK SERIES 600/900**

**REAR AXLE T.S.L. † CROSS-REFERENCE GUIDE**

IDENTIFICATION AND/OR T.S.L. NUMBER	MANUFACTURER	MANUFACTURER MODEL	RATIO	CAPACITY	DRIVESHAFT SIZE	SEC.40.1 PARTS LIST NO.
Notes: Δ Driveshaft flange not included on assy. † Truck Specification List-included in Kentucky-built trucks. — Cont'd						
★ E2HT 4A298-BTA	Eaton	DS381	4.11	38M	Δ	231
★ E2HT 4A298-BUA	Eaton	DS381	4.33	38M	Δ	231
★ E2HT 4A298-BVA	Rockwell (Timken)	SQHD	3.90	38M	Δ	127
★ E2HT 4A298-BYA	Rockwell (Timken)	SQHD	4.44	38M	Δ	127
★ E2HT 4A298-CBA	Eaton	DP440-P	5.31	44M	Δ	223
★ E2HT 4A298-CCA	Eaton	DP440-P	5.90	44M	Δ	223
★ E2HT 4A298-CDA	Eaton	DP440-P	7.20	44M	Δ	223
★ E2HT 4A298-DBA	Rockwell (Timken)	SLHD	4.88	34M	Δ	125
★ E2HT 4A298-DCA	Rockwell (Timken)	SLHD	5.29	34M	Δ	125
★ E2HT 4A298-DJA	Eaton	34DSC	5.29	34M	Δ	133
★ E2HT 4A298-DKA	Eaton	34DTC	5.29/7.21	34M	Δ	147
★ E2HT 4A298-DLA	Eaton	34DPC	7.21	34M	Δ	130
★ E3HT 4A298-SA	Eaton	DS341	4.88	34M	Δ	229
★ E3HT 4A298-TA	Eaton	DS341	4.88	34M	Δ	229
★ E3HT 4A298-UA	Eaton	DS341	5.29	34M	Δ	229
★ E3HT 4A298-VA	Eaton	DS341	5.29	34M	Δ	229
★ E3HT 4A298-YA	Eaton	DS341	5.57	34M	Δ	229
★ E3HT 4A298-ZA	Eaton	DS341	5.57	34M	Δ	229
★ E3HT 4A298-AAA	Eaton	DS341	6.14	34M	Δ	229
★ E3HT 4A298-ABA	Eaton	DS341	6.14	34M	Δ	229
★ E3HT 4A298-ACA	Eaton	DT341	4.88/6.65	34M	Δ	240
★ E3HT 4A298-AEA	Eaton	DT341	5.29/7.21	34M	Δ	240
★ E3HT 4A298-AGA	Eaton	DT341	5.57/7.60	34M	Δ	240
★ E3HT 4A298-AJA	Eaton	DT341	6.14/8.38	34M	Δ	240
★ E3HT 4A298-ALA	Eaton	DS381	4.88	38M	Δ	231
★ E3HT 4A298-AMA	Eaton	DS381	5.29	38M	Δ	231
★ E3HT 4A298-ANA	Eaton	DS381	5.57	38M	Δ	231
★ E3HT 4A298-ARA	Eaton	DS381	6.14	38M	Δ	231
★ E3HT 4A298-BAA	Rockwell (Timken)	SL100	5.29	34M	Δ	249
★ E3HT 4A298-BBA	Rockwell (Timken)	SL100	5.83	34M	Δ	249
★ E3HT 4A298-BCA	Rockwell (Timken)	SL100	6.17	34M	Δ	249
★ E3HT 4A298-BDA	Rockwell (Timken)	SL100	6.83	34M	Δ	249
★ E3HT 4A298-BFA	Rockwell (Timken)	SQ100	5.29	38M	Δ	251
★ E3HT 4A298-BGA	Rockwell (Timken)	SQ100	5.83	38M	Δ	251
★ E3HT 4A298-BHA	Rockwell (Timken)	SQ100	6.17	38M	Δ	251
★ E3HT 4A298-BJA	Rockwell (Timken)	SQ100	6.83	38M	Δ	251
★ E3HT 4A298-BLA	Rockwell (Timken)	SL100	3.70	34M	Δ	249
★ E3HT 4A298-BMA	Rockwell (Timken)	SL100	3.90	34M	Δ	249
★ E3HT 4A298-BNA	Rockwell (Timken)	SL100	4.11	34M	Δ	249
★ E3HT 4A298-BRA	Rockwell (Timken)	SL100	4.33	34M	Δ	249
★ E3HT 4A298-BSA	Rockwell (Timken)	SL100	4.63	34M	Δ	249
★ E3HT 4A298-BTA	Rockwell (Timken)	SL100	4.88	34M	Δ	249
★ E3HT 4A298-BUA	Rockwell (Timken)	SL100	7.20	34M	Δ	249
★ E3HT 4A298-BVA	Rockwell (Timken)	SL100	3.70	34M	Δ	249
★ E3HT 4A298-BYA	Rockwell (Timken)	SL100	3.90	34M	Δ	249
★ E3HT 4A298-BZA	Rockwell (Timken)	SL100	4.11	34M	Δ	249
★ E3HT 4A298-CAA	Rockwell (Timken)	SL100	4.33	34M	Δ	249
★ E3HT 4A298-CBA	Rockwell (Timken)	SL100	4.63	34M	Δ	249
★ E3HT 4A298-CDA	Rockwell (Timken)	SQ100	3.70	38M	Δ	251
★ E3HT 4A298-CEA	Rockwell (Timken)	SQ100	3.90	38M	Δ	251
★ E3HT 4A298-CFA	Rockwell (Timken)	SQ100	4.11	38M	Δ	251
★ E3HT 4A298-CGA	Rockwell (Timken)	SQ100	4.33	38M	Δ	251
★ E3HT 4A298-CHA	Rockwell (Timken)	SQ100	4.63	38M	Δ	251

1980/  
TRUCK SERIES 600/900

REAR AXLE T.S.L. † CROSS-REFERENCE GUIDE

IDENTIFICATION AND/OR T.S.L. NUMBER	MANUFACTURER	MANUFACTURER MODEL	RATIO	CAPACITY	DRIVESHAFT SIZE	SEC.40.1 PARTS LIST NO.
Notes: Δ Driveshaft flange not included on assy. † Truck Specification List—included in Kentucky-built trucks. — Cont'd						
★ E3HT 4A298-CJA	Rockwell (Timken)	SQ100	4.88	38M	Δ	251
★ E3HT 4A298-CKA	Rockwell (Timken)	SQ100	7.20	38M	Δ	251
★ E3HT 4A298-CLA	Rockwell (Timken)	SQ100	3.70	38M	Δ	251
★ E3HT 4A298-CMA	Rockwell (Timken)	SQ100	4.11	38M	Δ	251
★ E3HT 4A298-CNA	Rockwell (Timken)	SQ100	3.70	38M	Δ	251
★ E3HT 4A298-CRA	Rockwell (Timken)	SQ100	3.90	38M	Δ	251
★ E3HT 4A298-CSA	Rockwell (Timken)	SQ100	4.11	38M	Δ	251
★ E3HT 4A298-CTA	Rockwell (Timken)	SQ100	4.33	38M	Δ	251
★ E3HT 4A298-CUA	Rockwell (Timken)	SQ100	4.63	38M	Δ	251
★ E3HT 4A298-DAA	Rockwell (Timken)	SQ100	3.70	38M	Δ	251
★ E3HT 4A298-DBA	Rockwell (Timken)	SQ100	4.11	38M	Δ	251
★ E3HT 4A298-DCA	Rockwell (Timken)	SQ100	3.70	38M	Δ	251
★ E3HT 4A298-DDA	Rockwell (Timken)	SQ100	3.90	38M	Δ	251
★ E3HT 4A298-DEA	Rockwell (Timken)	SQ100	4.11	38M	Δ	251
★ E3HT 4A298-DLA	Eaton	DS341	6.50	34M	Δ	229
★ E3HT 4A298-DMA	Eaton	DS341	6.50	34M	Δ	229
★ E3HT 4A298-DNA	Eaton	DS341	7.17	34M	Δ	229
★ E3HT 4A298-DRA	Eaton	DS341	7.17	34M	Δ	229
★ E3HT 4A298-DSA	Eaton	DT341	6.50/8.86	34M	Δ	240
★ E3HT 4A298-DUA	Eaton	DT341	7.17/9.77	34M	Δ	240
★ E3HT 4A298-DYA	Eaton	DS381	6.50	38M	Δ	231
★ E3HT 4A298-DZA	Eaton	DS381	7.17	38M	Δ	231
★ E3HT 4A298-EAA	Eaton	DS341	3.70	34M	Δ	229
★ E3HT 4A298-EBA	Eaton	DS341	3.90	34M	Δ	229
★ E3HT 4A298-ECA	Eaton	DS341	3.90	34M	Δ	229
★ E3HT 4A298-EDA	Eaton	DS341	4.56	34M	Δ	229
★ E3HT 4A298-EEA	Eaton	DS341	4.56	34M	Δ	229
★ E3HT 4A298-ELA	Eaton	DS381	3.70	38M	Δ	231
★ E3HT 4A298-EMA	Eaton	DS381	3.90	38M	Δ	231
★ E3HT 4A298-ENA	Eaton	DS381	3.90	38M	Δ	231
★ E3HT 4A298-ESA	Eaton	DS381	4.56	38M	Δ	231
★ E3HT 4A298-ETA	Eaton	DS381	4.56	38M	Δ	231
★ E3HT 4A298-FGA	Eaton	DP381	5.05	38M	Δ	242
★ E3HT 4A298-FHA	Eaton	DP381	5.61	38M	Δ	242
★ E3HT 4A298-FJA	Eaton	DT401-P	4.11/5.61	40M	Δ	244
★ E3HT 4A298-FKA	Eaton	DT401-P	4.11/5.61	40M	Δ	244
★ E3HT 4A298-FLA	Eaton	DT401-P	4.33/5.91	40M	Δ	244
★ E3HT 4A298-FMA	Eaton	DT401-P	4.33/5.91	40M	Δ	244
★ E3HT 4A298-FNA	Eaton	DT401-P	4.56/6.21	40M	Δ	244
★ E3HT 4A298-FRA	Eaton	DT401-P	4.56/6.21	40M	Δ	244
★ E3HT 4A298-FTA	Eaton	DS440/460-P	3.90	46M	Δ	246
★ E3HT 4A298-FUA	Eaton	DS440/460-P	4.11	46M	Δ	246
★ E3HT 4A298-FVA	Eaton	DS440/460-P	4.33	46M	Δ	246
★ E3HT 4A298-FYA	Eaton	DS440/460-P	4.62	46M	Δ	246
★ E3HT 4A298-FZA	Eaton	DP440/460-P	5.31	46M	Δ	223
★ E3HT 4A298-GAA	Eaton	DP440/460-P	5.90	46M	Δ	223
★ E3HT 4A298-GBA	Eaton	DP440/460-P	7.20	46M	Δ	223
★ E3HT 4A298-GCA	Eaton	DS341	6.14	34M	Δ	229
★ E3HT 4A298-GDA	Eaton	DS341	6.50	34M	Δ	229
★ E3HT 4A298-GEA	Eaton	DS341	7.17	34M	Δ	229
★ E3HT 4A298-GHA	Rockwell (Timken)	SQHP	3.70	40M	Δ	203
★ E3HT 4A298-GJA	Rockwell (Timken)	SQHP	4.11	40M	Δ	203
★ E3HT 4A298-GKA	Rockwell (Timken)	SQHP	4.44	40M	Δ	203

1980/  
TRUCK SERIES 600/900

REAR AXLE T.S.L. † CROSS-REFERENCE GUIDE

IDENTIFICATION AND/OR T.S.L. NUMBER		MANUFACTURER	MANUFACTURER MODEL	RATIO	CAPACITY	DRIVESHAFT SIZE	SEC.40.1 PARTS LIST NO.
Notes: Δ Driveshaft flange not included on assy. † Truck Specification List-included in Kentucky-built trucks. — Cont'd							
★ E3HT	4A298-GLA	Rockwell (Timken)	SQHP	3.70	40M	Δ	203
★ E3HT	4A298-GMA	Rockwell (Timken)	SQHP	4.11	40M	Δ	203
★ E3HT	4A298-GNA	Rockwell (Timken)	SQHP	3.70	40M	Δ	203
★ E3HT	4A298-GRA	Rockwell (Timken)	SQHP	4.11	40M	Δ	203
★ E3HT	4A298-GSA	Rockwell (Timken)	SQHP	4.44	40M	Δ	203
★ E3HT	4A298-GTA	Rockwell (Timken)	SQHP	3.70	40M	Δ	203
★ E3HT	4A298-GUA	Rockwell (Timken)	SQHP	4.11	40M	Δ	203
★ E3HT	4A298-GVA	Rockwell (Timken)	SQHP	3.70	40M	Δ	203
★ E3HT	4A298-GYA	Rockwell (Timken)	SQHP	4.11	40M	Δ	203
★ E3HT	4A298-GZA	Rockwell (Timken)	SSHD	3.90	46M	Δ	205
★ E3HT	4A298-HAA	Rockwell (Timken)	SSHD	4.11	46M	Δ	205
★ E3HT	4A298-HBA	Rockwell (Timken)	SSHD	4.33	46M	Δ	205
★ E3HT	4A298-HCA	Rockwell (Timken)	SSHD	4.63	46M	Δ	205
★ E3HT	4A298-HDA	Rockwell (Timken)	SSHD	5.29	46M	Δ	205
★ E3HT	4A298-HEA	Rockwell (Timken)	SSHD	5.57	46M	Δ	205
★ E3HT	4A298-HFA	Rockwell (Timken)	SSHD	6.17	46M	Δ	205
★ E3HT	4A298-HKA	Rockwell (Timken)	SL100	4.88	34M	Δ	249
★ E3HT	4A298-HLA	Rockwell (Timken)	SL100	5.29	34M	Δ	249
★ E3HT	4A298-HMA	Rockwell (Timken)	SL100	5.83	34M	Δ	249
★ E3HT	4A298-HNA	Rockwell (Timken)	SL100	6.17	34M	Δ	249
★ E3HT	4A298-HRA	Rockwell (Timken)	SL100	6.83	34M	Δ	249
★ E3HT	4A298-HSA	Rockwell (Timken)	SL100	7.20	34M	Δ	249
★ E3HT	4A298-HVA	Eaton	DS341	4.11	34M	Δ	229
★ E3HT	4A298-HYA	Eaton	DS341	4.33	34M	Δ	229
★ E3HT	4A298-HZA	Eaton	DS381	4.11	38M	Δ	231
★ E3HT	4A298-JAA	Eaton	DS381	4.33	38M	Δ	231
★ E3HT	4A298-JBA	Eaton	DS381	3.70	38M	Δ	231
★ E3HT	4A298-JCA	Eaton	DS381	3.90	38M	Δ	231
★ E3HT	4A298-JDA	Eaton	DS381	4.11	38M	Δ	231
★ E3HT	4A298-JEA	Eaton	DS381	4.33	38M	Δ	231
★ E3HT	4A298-JFA	Eaton	DS381	4.11	38M	Δ	231
★ E3HT	4A298-JGA	Eaton	DS381	4.33	38M	Δ	231
★ E4HS	4A298-ASEA	Eaton	DS402	3.70	40M	Δ	231
★ E4HS	4A298-ASFA	Eaton	DS402	3.90	40M	Δ	231
★ E4HS	4A298-BJDB	Rockwell (Timken)	SQ100	3.55	40M	Δ	251
★ E4HS	4A298-BJFB	Rockwell (Timken)	SQ100	3.55	40M	Δ	251
★ E4HS	4A298-BMCB	Rockwell (Timken)	SQ100-P	3.55	40M	Δ	265
★ E4HS	4A298-BMDB	Rockwell (Timken)	SQ100-P	3.73	40M	Δ	265
★ E4HS	4A298-BNDB	Rockwell (Timken)	SQ100-P	3.90	40M	Δ	265
★ E4HS	4A298-BNMB	Rockwell (Timken)	SQ100-P	3.73	40M	Δ	265
★ E4HS	4A298-BNTA	Rockwell (Timken)	SQ100-P	4.10	40M	Δ	265
★ E4HT	4A298-AA	Rockwell (Timken)	SL100	3.73	34M	Δ	249
★ E4HT	4A298-AB	Rockwell (Timken)	SL100	3.73	34M	Δ	249
★ E4HT	4A298-BA	Rockwell (Timken)	SL100	3.90	34M	Δ	249
★ E4HT	4A298-BB	Rockwell (Timken)	SL100	3.90	34M	Δ	249
★ E4HT	4A298-CA	Rockwell (Timken)	SL100	4.10	34M	Δ	249
★ E4HT	4A298-CB	Rockwell (Timken)	SL100	4.10	34M	Δ	249
★ E4HT	4A298-DA	Rockwell (Timken)	SL100	4.33	34M	Δ	249
★ E4HT	4A298-DB	Rockwell (Timken)	SL100	4.33	34M	Δ	249
★ E4HT	4A298-EA	Rockwell (Timken)	SL100	4.63	34M	Δ	249
★ E4HT	4A298-EB	Rockwell (Timken)	SL100	4.63	34M	Δ	249
★ E4HT	4A298-FA	Rockwell (Timken)	SL100	4.88	34M	Δ	249
★ E4HT	4A298-FB	Rockwell (Timken)	SL100	4.88	34M	Δ	249

1980/  
TRUCK SERIES 600/900

REAR AXLE T.S.L. † CROSS-REFERENCE GUIDE

IDENTIFICATION AND/OR T.S.L. NUMBER	MANUFACTURER	MANUFACTURER MODEL	RATIO	CAPACITY	DRIVESHAFT SIZE	SEC.40.1 PARTS LIST NO.
Notes: Δ Driveshaft flange not included on assy. † Truck Specification List-included in Kentucky-built trucks. — Cont'd						
★ E4HT 4A298-GA	Rockwell (Timken)	SL100	5.29	34M	Δ	249
★ E4HT 4A298-GB	Rockwell (Timken)	SL100	5.29	34M	Δ	249
★ E4HT 4A298-HA	Rockwell (Timken)	SL100	5.86	34M	Δ	249
★ E4HT 4A298-HB	Rockwell (Timken)	SL100	5.86	34M	Δ	249
★ E4HT 4A298-JA	Rockwell (Timken)	SL100	6.14	34M	Δ	249
★ E4HT 4A298-JB	Rockwell (Timken)	SL100	6.14	34M	Δ	249
★ E4HT 4A298-KA	Rockwell (Timken)	SL100	6.83	34M	Δ	249
★ E4HT 4A298-KB	Rockwell (Timken)	SL100	6.83	34M	Δ	249
★ E4HT 4A298-LA	Rockwell (Timken)	SL100	7.17	34M	Δ	249
★ E4HT 4A298-LB	Rockwell (Timken)	SL100	7.17	34M	Δ	249
★ E4HT 4A298-MA	Rockwell (Timken)	SL100	3.73	34M	Δ	249
★ E4HT 4A298-MB	Rockwell (Timken)	SL100	3.73	34M	Δ	249
★ E4HT 4A298-NA	Rockwell (Timken)	SL100	3.90	34M	Δ	249
★ E4HT 4A298-NB	Rockwell (Timken)	SL100	3.90	34M	Δ	249
★ E4HT 4A298-RA	Rockwell (Timken)	SL100	4.10	34M	Δ	249
★ E4HT 4A298-RB	Rockwell (Timken)	SL100	4.10	34M	Δ	249
★ E4HT 4A298-SA	Rockwell (Timken)	SL100	4.33	34M	Δ	249
★ E4HT 4A298-SB	Rockwell (Timken)	SL100	4.33	34M	Δ	249
★ E4HT 4A298-TA	Rockwell (Timken)	SL100	4.63	34M	Δ	249
★ E4HT 4A298-TB	Rockwell (Timken)	SL100	4.63	34M	Δ	249
★ E4HT 4A298-UA	Rockwell (Timken)	SL100	4.88	34M	Δ	249
★ E4HT 4A298-UB	Rockwell (Timken)	SL100	4.88	34M	Δ	249
★ E4HT 4A298-VA	Rockwell (Timken)	SL100	5.29	34M	Δ	249
★ E4HT 4A298-VB	Rockwell (Timken)	SL100	5.29	34M	Δ	249
★ E4HT 4A298-YA	Rockwell (Timken)	SL100	5.86	34M	Δ	249
★ E4HT 4A298-YB	Rockwell (Timken)	SL100	5.86	34M	Δ	249
★ E4HT 4A298-ZA	Rockwell (Timken)	SL100	6.14	34M	Δ	249
★ E4HT 4A298-ZB	Rockwell (Timken)	SL100	6.14	34M	Δ	249
★ E4HT 4A298-AAA	Rockwell (Timken)	SL100	6.83	34M	Δ	249
★ E4HT 4A298-AAB	Rockwell (Timken)	SL100	6.83	34M	Δ	249
★ E4HT 4A298-ABA	Rockwell (Timken)	SL100	7.17	34M	Δ	249
★ E4HT 4A298-ABB	Rockwell (Timken)	SL100	7.17	34M	Δ	249
★ E4HT 4A298-BGA	Eaton	DS341	3.70	34M	Δ	229
★ E4HT 4A298-BGB	Eaton	DS341	3.70	34M	Δ	229
★ E4HT 4A298-BHA	Eaton	DS341	3.90	34M	Δ	229
★ E4HT 4A298-BHB	Eaton	DS341	3.90	34M	Δ	229
★ E4HT 4A298-BJA	Eaton	DS341	4.11	34M	Δ	229
★ E4HT 4A298-BJB	Eaton	DS341	4.11	34M	Δ	229
★ E4HT 4A298-BKA	Eaton	DS341	4.33	34M	Δ	229
★ E4HT 4A298-BKB	Eaton	DS341	4.33	34M	Δ	229
★ E4HT 4A298-BLA	Eaton	DS341	4.56	34M	Δ	229
★ E4HT 4A298-BLB	Eaton	DS341	4.56	34M	Δ	229
★ E4HT 4A298-BMA	Eaton	DS341	4.88	34M	Δ	229
★ E4HT 4A298-BMB	Eaton	DS341	4.88	34M	Δ	229
★ E4HT 4A298-BNA	Eaton	DS341	5.29	34M	Δ	229
★ E4HT 4A298-BNB	Eaton	DS341	5.29	34M	Δ	229
★ E4HT 4A298-BRA	Eaton	DS341	5.57	34M	Δ	229
★ E4HT 4A298-BRB	Eaton	DS341	5.57	34M	Δ	229
★ E4HT 4A298-BSA	Eaton	DS341	6.14	34M	Δ	229
★ E4HT 4A298-BSB	Eaton	DS341	6.14	34M	Δ	229
★ E4HT 4A298-BTA	Eaton	DS341	6.50	34M	Δ	229
★ E4HT 4A298-BTB	Eaton	DS341	6.50	34M	Δ	229
★ E4HT 4A298-BUA	Eaton	DS341	7.17	34M	Δ	229



1980/  
TRUCK SERIES 600/900

REAR AXLE T.S.L. † CROSS-REFERENCE GUIDE

IDENTIFICATION AND/OR T.S.L. NUMBER		MANUFACTURER	MANUFACTURER MODEL	RATIO	CAPACITY	DRIVESHAFT SIZE	SEC.40.1 PARTS LIST NO.
Notes: Δ Driveshaft flange not included on assy. † Truck Specification List-included in Kentucky-built trucks. — Cont'd							
★ E4HT	4A298-BUB	Eaton	DS341	7.17	34M	Δ	229
★ E4HT	4A298-BVA	Eaton	DS341	3.70	34M	Δ	229
★ E4HT	4A298-BVB	Eaton	DS341	3.70	34M	Δ	229
★ E4HT	4A298-BYA	Eaton	DS341	3.90	34M	Δ	229
★ E4HT	4A298-BYB	Eaton	DS341	3.90	34M	Δ	229
★ E4HT	4A298-BZA	Eaton	DS341	4.11	34M	Δ	229
★ E4HT	4A298-BZB	Eaton	DS341	4.11	34M	Δ	229
★ E4HT	4A298-CAA	Eaton	DS341	4.33	34M	Δ	229
★ E4HT	4A298-CAB	Eaton	DS341	4.33	34M	Δ	229
★ E4HT	4A298-CBA	Eaton	DS341	4.56	34M	Δ	229
★ E4HT	4A298-CBB	Eaton	DS341	4.56	34M	Δ	229
★ E4HT	4A298-CCA	Eaton	DT341	4.88/6.65	34M	Δ	240
★ E4HT	4A298-CCB	Eaton	DT341	4.88/6.65	34M	Δ	240
★ E4HT	4A298-CDA	Eaton	DT341	5.29/7.21	34M	Δ	240
★ E4HT	4A298-CDB	Eaton	DT341	5.29/7.21	34M	Δ	240
★ E4HT	4A298-CEA	Eaton	DT341	5.57/7.60	34M	Δ	240
★ E4HT	4A298-CEB	Eaton	DT341	5.57/7.60	34M	Δ	240
★ E4HT	4A298-CFA	Eaton	DT341	6.14/8.38	34M	Δ	240
★ E4HT	4A298-CFB	Eaton	DT341	6.14/8.38	34M	Δ	240
★ E4HT	4A298-CGA	Eaton	DT341	6.50/8.86	34M	Δ	240
★ E4HT	4A298-CGB	Eaton	DT341	6.50/8.86	34M	Δ	240
★ E4HT	4A298-CHA	Eaton	DT341	7.17/9.77	34M	Δ	240
★ E4HT	4A298-CHB	Eaton	DT341	7.17/9.77	34M	Δ	240
★ E4HT	4A298-CJA	Eaton	DS341	4.88	34M	Δ	229
★ E4HT	4A298-CJB	Eaton	DS341	4.88	34M	Δ	229
★ E4HT	4A298-CKA	Eaton	DS341	5.29	34M	Δ	229
★ E4HT	4A298-CKB	Eaton	DS341	5.29	34M	Δ	229
★ E4HT	4A298-CLA	Eaton	DS341	5.57	34M	Δ	229
★ E4HT	4A298-CLB	Eaton	DS341	5.57	34M	Δ	229
★ E4HT	4A298-CMA	Eaton	DS341	6.14	34M	Δ	229
★ E4HT	4A298-CMB	Eaton	DS341	6.14	34M	Δ	229
★ E4HT	4A298-CNA	Eaton	DS341	6.50	34M	Δ	229
★ E4HT	4A298-CNB	Eaton	DS341	6.50	34M	Δ	229
★ E4HT	4A298-CRA	Eaton	DS341	7.17	34M	Δ	229
★ E4HT	4A298-CRB	Eaton	DS341	7.17	34M	Δ	229
★ E4HT	4A298-CSA	Eaton	DS341	6.14	34M	Δ	229
★ E4HT	4A298-CSB	Eaton	DS341	6.14	34M	Δ	229
★ E4HT	4A298-CTA	Eaton	DS341	6.50	34M	Δ	229
★ E4HT	4A298-CTB	Eaton	DS341	6.50	34M	Δ	229
★ E4HT	4A298-CUA	Eaton	DS341	7.17	34M	Δ	229
★ E4HT	4A298-CUB	Eaton	DS341	7.17	34M	Δ	229
★ E4HT	4A298-CVA	Eaton	DS381	3.70	38M	Δ	231
★ E4HT	4A298-CVB	Eaton	DS381/DS402	3.70	38M/40M	Δ	231
★ E4HT	4A298-CYA	Eaton	DS381	3.90	38M	Δ	231
★ E4HT	4A298-CYB	Eaton	DS381/DS402	3.90	38M/40M	Δ	231
★ E4HT	4A298-CZA	Eaton	DS381	4.11	38M	Δ	231
★ E4HT	4A298-CZB	Eaton	DS381/DS402	4.11	38M/40M	Δ	231
★ E4HT	4A298-DAA	Eaton	DS381	4.33	38M	Δ	231
★ E4HT	4A298-DAB	Eaton	DS381/DS402	4.33	38M/40M	Δ	231
★ E4HT	4A298-DBA	Eaton	DS381	4.56	38M	Δ	231
★ E4HT	4A298-DBB	Eaton	DS381/DS402	4.56	38M/40M	Δ	231
★ E4HT	4A298-DCA	Rockwell (Timken)	SQ100	3.73	38M	Δ	251
★ E4HT	4A298-DCB	Rockwell (Timken)	SQ100	3.73	38M	Δ	251

1980/  
TRUCK SERIES 600/900

REAR AXLE T.S.L. † CROSS-REFERENCE GUIDE

IDENTIFICATION AND/OR T.S.L. NUMBER	MANUFACTURER	MANUFACTURER MODEL	RATIO	CAPACITY	DRIVESHAFT SIZE	SEC.40.1 PARTS LIST NO.
Notes: Δ Driveshaft flange not included on assy. † Truck Specification List-included in Kentucky-built trucks. — Cont'd						
★ E4HT 4A298-DDA	Rockwell (Timken)	SQ100	3.90	38M	Δ	251
★ E4HT 4A298-DDB	Rockwell (Timken)	SQ100	3.90	38M	Δ	251
★ E4HT 4A298-DEA	Rockwell (Timken)	SQ100	4.10	38M	Δ	251
★ E4HT 4A298-DEB	Rockwell (Timken)	SQ100	4.10	38M	Δ	251
★ E4HT 4A298-DFA	Rockwell (Timken)	SQ100	4.33	38M	Δ	251
★ E4HT 4A298-DFB	Rockwell (Timken)	SQ100	4.33	38M	Δ	251
★ E4HT 4A298-DGA	Rockwell (Timken)	SQ100	4.63	38M	Δ	251
★ E4HT 4A298-DGB	Rockwell (Timken)	SQ100	4.63	38M	Δ	251
★ E4HT 4A298-DHA	Rockwell (Timken)	SQ100	3.73	38M	Δ	251
★ E4HT 4A298-DHB	Rockwell (Timken)	SQ100	3.73	38M	Δ	251
★ E4HT 4A298-DJA	Rockwell (Timken)	SQ100	4.10	38M	Δ	251
★ E4HT 4A298-DJB	Rockwell (Timken)	SQ100	4.10	38M	Δ	251
★ E4HT 4A298-DKA	Rockwell (Timken)	SQHP	3.73	40M	Δ	203
★ E4HT 4A298-DKB	Rockwell (Timken)	SQHP	3.73	40M	Δ	203
★ E4HT 4A298-DMA	Rockwell (Timken)	SQHP	4.10	40M	Δ	203
★ E4HT 4A298-DMB	Rockwell (Timken)	SQHP	4.10	40M	Δ	203
★ E4HT 4A298-DNA	Rockwell (Timken)	SQHP	4.44	40M	Δ	203
★ E4HT 4A298-DNB	Rockwell (Timken)	SQHP	4.44	40M	Δ	203
★ E4HT 4A298-DSA	Rockwell (Timken)	SQHP	3.73	40M	Δ	203
★ E4HT 4A298-DSB	Rockwell (Timken)	SQHP	3.73	40M	Δ	203
★ E4HT 4A298-DTA	Rockwell (Timken)	SQHP	4.10	40M	Δ	203
★ E4HT 4A298-DTB	Rockwell (Timken)	SQHP	4.10	40M	Δ	203
★ E4HT 4A298-EAA	Rockwell (Timken)	SQ100	3.73	38M	Δ	251
★ E4HT 4A298-EAB	Rockwell (Timken)	SQ100	3.73	38M	Δ	251
★ E4HT 4A298-EBA	Rockwell (Timken)	SQ100	3.90	38M	Δ	251
★ E4HT 4A298-EBB	Rockwell (Timken)	SQ100	3.90	38M	Δ	251
★ E4HT 4A298-ECA	Rockwell (Timken)	SQ100	4.10	38M	Δ	251
★ E4HT 4A298-ECB	Rockwell (Timken)	SQ100	4.10	38M	Δ	251
★ E4HT 4A298-EDA	Rockwell (Timken)	SQ100	4.33	38M	Δ	251
★ E4HT 4A298-EDB	Rockwell (Timken)	SQ100	4.33	38M	Δ	251
★ E4HT 4A298-EEA	Rockwell (Timken)	SQ100	4.63	38M	Δ	251
★ E4HT 4A298-EEB	Rockwell (Timken)	SQ100	4.63	38M	Δ	251
★ E4HT 4A298-EFA	Rockwell (Timken)	SQ100	4.88	38M	Δ	251
★ E4HT 4A298-EFB	Rockwell (Timken)	SQ100	4.88	38M	Δ	251
★ E4HT 4A298-EGA	Rockwell (Timken)	SQ100	5.29	38M	Δ	251
★ E4HT 4A298-EGB	Rockwell (Timken)	SQ100	5.29	38M	Δ	251
★ E4HT 4A298-EHA	Rockwell (Timken)	SQ100	5.86	38M	Δ	251
★ E4HT 4A298-EHB	Rockwell (Timken)	SQ100	5.86	38M	Δ	251
★ E4HT 4A298-EJA	Rockwell (Timken)	SQ100	6.14	38M	Δ	251
★ E4HT 4A298-EJB	Rockwell (Timken)	SQ100	6.14	38M	Δ	251
★ E4HT 4A298-EKA	Rockwell (Timken)	SQ100	6.83	38M	Δ	251
★ E4HT 4A298-EKB	Rockwell (Timken)	SQ100	6.83	38M	Δ	251
★ E4HT 4A298-ELA	Rockwell (Timken)	SQ100	7.17	38M	Δ	251
★ E4HT 4A298-ELB	Rockwell (Timken)	SQ100	7.17	38M	Δ	251
★ E4HT 4A298-EMA	Rockwell (Timken)	SQ100	3.73	38M	Δ	251
★ E4HT 4A298-EMB	Rockwell (Timken)	SQ100	3.73	38M	Δ	251
★ E4HT 4A298-ENA	Rockwell (Timken)	SQ100	4.10	38M	Δ	251
★ E4HT 4A298-ENB	Rockwell (Timken)	SQ100	4.10	38M	Δ	251
★ E4HT 4A298-ERA	Rockwell (Timken)	SQ100	3.73	38M	Δ	251
★ E4HT 4A298-ERB	Rockwell (Timken)	SQ100	3.73	38M	Δ	251
★ E4HT 4A298-ESA	Rockwell (Timken)	SQ100	3.90	38M	Δ	251
★ E4HT 4A298-ESB	Rockwell (Timken)	SQ100	3.90	38M	Δ	251
★ E4HT 4A298-ETA	Rockwell (Timken)	SQ100	4.10	38M	Δ	251

1980/  
TRUCK SERIES 600/900

REAR AXLE T.S.L. † CROSS-REFERENCE GUIDE

IDENTIFICATION AND/OR T.S.L. NUMBER		MANUFACTURER	MANUFACTURER MODEL	RATIO	CAPACITY	DRIVESHAFT SIZE	SEC.40.1 PARTS LIST NO.
Notes:     Δ Driveshaft flange not included on assy. † Truck Specification List-included in Kentucky-built trucks. — Cont'd							
★ E4HT	4A298-ETB	Rockwell (Timken)	SQ100	4.10	38M	Δ	251
★ E4HT	4A298-EUA	Rockwell (Timken)	SQHP	3.73	40M	Δ	203
★ E4HT	4A298-EUB	Rockwell (Timken)	SQHP	3.73	40M	Δ	203
★ E4HT	4A298-EVA	Rockwell (Timken)	SQHP	4.10	40M	Δ	203
★ E4HT	4A298-EVB	Rockwell (Timken)	SQHP	4.10	40M	Δ	203
★ E4HT	4A298-EYA	Rockwell (Timken)	SQHP	4.44	40M	Δ	203
★ E4HT	4A298-EYB	Rockwell (Timken)	SQHP	4.44	40M	Δ	203
★ E4HT	4A298-EZA	Rockwell (Timken)	SQHP	3.73	40M	Δ	203
★ E4HT	4A298-EZB	Rockwell (Timken)	SQHP	3.73	40M	Δ	203
★ E4HT	4A298-FAA	Rockwell (Timken)	SQHP	4.10	40M	Δ	203
★ E4HT	4A298-FAB	Rockwell (Timken)	SQHP	4.10	40M	Δ	203
★ E4HT	4A298-FBA	Rockwell (Timken)	SQHP	3.73	40M	Δ	203
★ E4HT	4A298-FBB	Rockwell (Timken)	SQHP	3.73	40M	Δ	203
★ E4HT	4A298-FCA	Rockwell (Timken)	SQHP	4.10	40M	Δ	203
★ E4HT	4A298-FCB	Rockwell (Timken)	SQHP	4.10	40M	Δ	203
★ E4HT	4A298-FDA	Rockwell (Timken)	SSHD	3.91	46M	Δ	205
★ E4HT	4A298-FEA	Rockwell (Timken)	SSHD	4.10	46M	Δ	205
★ E4HT	4A298-FFA	Rockwell (Timken)	SSHD	4.30	46M	Δ	205
★ E4HT	4A298-FGA	Rockwell (Timken)	SSHD	4.56	46M	Δ	205
★ E4HT	4A298-FHA	Rockwell (Timken)	SSHD	5.38	46M	Δ	205
★ E4HT	4A298-FJA	Rockwell (Timken)	SSHD	5.57	46M	Δ	205
★ E4HT	4A298-FKA	Rockwell (Timken)	SSHD	6.14	46M	Δ	205
★ E4HT	4A298-GAA	Eaton	DS381/DS402	3.70	38M/40M	Δ	231
★ E4HT	4A298-GBA	Eaton	DS381/DS402	3.90	38M/40M	Δ	231
★ E4HT	4A298-GCA	Eaton	DS381/DS402	4.11	38M/40M	Δ	231
★ E4HT	4A298-GDA	Eaton	DS381/DS402	4.33	38M/40M	Δ	231
★ E4HT	4A298-GEA	Eaton	DS381/DS402	3.70	38M/40M	Δ	231
★ E4HT	4A298-GFA	Eaton	DS381/DS402	3.90	38M/40M	Δ	231
★ E4HT	4A298-GGA	Eaton	DS381/DS402	4.11	38M/40M	Δ	231
★ E4HT	4A298-GHA	Eaton	DS381/DS402	4.33	38M/40M	Δ	231
★ E4HT	4A298-GJA	Eaton	DS381/DS402	4.56	38M/40M	Δ	231
★ E4HT	4A298-GKA	Eaton	DS381/DS402	4.88	38M/40M	Δ	231
★ E4HT	4A298-GLA	Eaton	DS381/DS402	5.29	38M/40M	Δ	231
★ E4HT	4A298-GMA	Eaton	DS381/DS402	5.57	38M/40M	Δ	231
★ E4HT	4A298-GNA	Eaton	DS381/DS402	6.14	38M/40M	Δ	231
★ E4HT	4A298-GRA	Eaton	DS381/DS402	6.50	38M/40M	Δ	231
★ E4HT	4A298-GSA	Eaton	DS381/DS402	7.17	38M/40M	Δ	231
★ E4HT	4A298-GTA	Eaton	DS381/DS402	4.11	38M/40M	Δ	231
★ E4HT	4A298-GUA	Eaton	DS381/DS402	4.33	38M/40M	Δ	231
★ E4HT	4A298-GVA	Eaton	DP381/DP402	5.05	38M/40M	Δ	242
★ E4HT	4A298-GYA	Eaton	DP381/DP402	5.61	38M/40M	Δ	242
★ E4HT	4A298-GZA	Eaton	DS460-P	3.90	46M	Δ	246
★ E4HT	4A298-HAA	Eaton	DS460-P	4.11	46M	Δ	246
★ E4HT	4A298-HBA	Eaton	DS460-P	4.33	46M	Δ	246
★ E4HT	4A298-HCA	Eaton	DS460-P	4.62	46M	Δ	246
★ E4HT	4A298-HDA	Eaton	DP460-P	5.31	46M	Δ	223
★ E4HT	4A298-HEA	Eaton	DP460-P	5.90	46M	Δ	223
★ E4HT	4A298-HFA	Eaton	DP460-P	7.20	46M	Δ	223
★ E5HS	4A298-BBGA	Rockwell (Timken)	SQ100-P	4.10	40M	Δ	265
★ E5HS	4A298-BBKA	Rockwell (Timken)	SQ100-P	3.90	40M	Δ	265
★ E5HS	4A298-BBRA	Rockwell (Timken)	SQ100-P	3.55	40M	Δ	265
★ E5HT	4A298-CAA	Rockwell (Timken)	SSHD	3.91	46M	Δ	205
★ E5HT	4A298-CBA	Rockwell (Timken)	SSHD	4.10	46M	Δ	205

1980/  
TRUCK SERIES 600/900

REAR AXLE T.S.L. † CROSS-REFERENCE GUIDE

IDENTIFICATION AND/OR T.S.L. NUMBER	MANUFACTURER	MANUFACTURER MODEL	RATIO	CAPACITY	DRIVESHAFT SIZE	SEC.40.1 PARTS LIST NO.
Notes: Δ Driveshaft flange not included on assy. † Truck Specification List-included in Kentucky-built trucks. — Cont'd						
★ E5HT 4A298-CCA	Rockwell (Timken)	SSHD	4.30	46M	Δ	205
★ E5HT 4A298-CDA	Rockwell (Timken)	SSHD	4.56	46M	Δ	205
★ E5HT 4A298-CEA	Rockwell (Timken)	SSHD	5.38	46M	Δ	205
★ E5HT 4A298-CFA	Rockwell (Timken)	SSHD	5.57	46M	Δ	205
★ E5HT 4A298-CGA	Rockwell (Timken)	SSHD	6.14	46M	Δ	205
★ E5HT 4A298-DAA	Eaton	DT341	3.70/5.05	34M	Δ	240
★ E5HT 4A298-DBA	Eaton	DT341	3.90/5.31	34M	Δ	240
★ E5HT 4A298-DCA	Eaton	DT341	4.11/5.61	34M	Δ	240
★ E6HS 4A298-AAMA	Eaton	DT341	4.56/6.21	34M	Δ	240
★ E6HS 4A298-BDLA	Rockwell (Timken)	SQ100	3.55	40M	Δ	251
★ E6HT 4A298-AA	Rockwell (Timken)	SQ100-P	4.33	40M	Δ	265
★ E6HT 4A298-AB	Rockwell (Timken)	SQ100-P	4.33	40M	Δ	265
★ E6HT 4A298-BA	Rockwell (Timken)	SQ100-P	4.63	40M	Δ	265
★ E6HT 4A298-BB	Rockwell (Timken)	SQ100-P	4.63	40M	Δ	265
★ E6HT 4A298-CA	Rockwell (Timken)	SQ100-P	3.73	40M	Δ	265
★ E6HT 4A298-CB	Rockwell (Timken)	SQ100-P	3.73	40M	Δ	265
★ E6HT 4A298-DA	Rockwell (Timken)	SQ100-P	4.10	40M	Δ	265
★ E6HT 4A298-DB	Rockwell (Timken)	SQ100-P	4.10	40M	Δ	265
★ E6HT 4A298-EA	Rockwell (Timken)	SQ100-P	4.33	40M	Δ	265
★ E6HT 4A298-EB	Rockwell (Timken)	SQ100-P	4.33	40M	Δ	265
★ E6HT 4A298-FA	Rockwell (Timken)	SQ100-P	4.63	40M	Δ	265
★ E6HT 4A298-FB	Rockwell (Timken)	SQ100-P	4.63	40M	Δ	265
★ E6HT 4A298-GA	Rockwell (Timken)	SQ100-P	4.88	40M	Δ	265
★ E6HT 4A298-GB	Rockwell (Timken)	SQ100-P	4.88	40M	Δ	265
★ E6HT 4A298-HA	Rockwell (Timken)	SQ100-P	5.29	40M	Δ	265
★ E6HT 4A298-HB	Rockwell (Timken)	SQ100-P	5.29	40M	Δ	265
★ E6HT 4A298-JA	Rockwell (Timken)	SQ100-P	5.86	40M	Δ	265
★ E6HT 4A298-JB	Rockwell (Timken)	SQ100-P	5.86	40M	Δ	265
★ E6HT 4A298-KA	Rockwell (Timken)	SQ100-P	6.14	40M	Δ	265
★ E6HT 4A298-KB	Rockwell (Timken)	SQ100-P	6.14	40M	Δ	265
★ E6HT 4A298-LA	Rockwell (Timken)	SQ100-P	3.73	40M	Δ	265
★ E6HT 4A298-LB	Rockwell (Timken)	SQ100-P	3.73	40M	Δ	265
★ E6HT 4A298-MA	Rockwell (Timken)	SQ100-P	4.10	40M	Δ	265
★ E6HT 4A298-MB	Rockwell (Timken)	SQ100-P	4.10	40M	Δ	265
★ E6HT 4A298-NB	Rockwell (Timken)	SQ100-P	4.33	40M	Δ	265
★ E6HT 4A298-RA	Rockwell (Timken)	SQ100-P	3.55	40M	Δ	265
★ E6HT 4A298-SA	Rockwell (Timken)	SQ100-P	3.73	40M	Δ	265
★ E6HT 4A298-TA	Rockwell (Timken)	SQ100-P	3.90	40M	Δ	265
★ E6HT 4A298-UA	Rockwell (Timken)	SQ100-P	4.10	40M	Δ	265
★ E6HT 4A298-VA	Rockwell (Timken)	SQ100-P	3.55	40M	Δ	265
★ E6HT 4A298-YA	Rockwell (Timken)	SQ100-P	3.73	40M	Δ	265
★ E6HT 4A298-ZA	Rockwell (Timken)	SQ100-P	3.90	40M	Δ	265
★ E6HT 4A298-AAA	Rockwell (Timken)	SQ100-P	4.10	40M	Δ	265
★ E6HT 4A298-ABA	Rockwell (Timken)	SQ100-P	3.55	40M	Δ	265
★ E6HT 4A298-ACA	Rockwell (Timken)	SQ100-P	3.73	40M	Δ	265
★ E6HT 4A298-ADA	Rockwell (Timken)	SQ100-P	3.90	40M	Δ	265
★ E6HT 4A298-AEA	Rockwell (Timken)	SQ100-P	4.10	40M	Δ	265
★ E6HT 4A298-AFA	Rockwell (Timken)	SQ100	3.55	40M	Δ	251
★ E6HT 4A298-AGA	Rockwell (Timken)	SQ100	3.73	40M	Δ	251
★ E6HT 4A298-AHA	Rockwell (Timken)	SQ100	3.90	40M	Δ	251
★ E6HT 4A298-AJA	Rockwell (Timken)	SQ100	4.10	40M	Δ	251
★ E6HT 4A298-AKA	Rockwell (Timken)	SQ100	4.33	40M	Δ	251
★ E6HT 4A298-ALA	Rockwell (Timken)	SQ100	4.63	40M	Δ	251
★ E6HT 4A298-AMA	Rockwell (Timken)	SQ100	3.73	40M	Δ	251

## 1980/ TRUCK SERIES 600/900

### REAR AXLE T.S.L. † CROSS-REFERENCE GUIDE

IDENTIFICATION AND/OR T.S.L. NUMBER		MANUFACTURER	MANUFACTURER MODEL	RATIO	CAPACITY	DRIVESHAFT SIZE	SEC.40.1 PARTS LIST NO.
Notes: Δ Driveshaft flange not included on assy. † Truck Specification List-included in Kentucky-built trucks. — Cont'd							
★ E6HT	4A298-ANA	Rockwell (Timken)	SQ100	4.10	40M	Δ	251
★ E6HT	4A298-ARA	Rockwell (Timken)	SQ100	3.55	40M	Δ	251
★ E6HT	4A298-ASA	Rockwell (Timken)	SQ100	3.73	40M	Δ	251
★ E6HT	4A298-ATA	Rockwell (Timken)	SQ100	3.90	40M	Δ	251
★ E6HT	4A298-AUA	Rockwell (Timken)	SQ100	4.10	40M	Δ	251
★ E6HT	4A298-AVA	Rockwell (Timken)	SQ100	4.33	40M	Δ	251
★ E6HT	4A298-AYA	Rockwell (Timken)	SQ100	4.64	40M	Δ	251
★ E6HT	4A298-AZA	Rockwell (Timken)	SQ100	4.88	40M	Δ	251
★ E6HT	4A298-BAA	Rockwell (Timken)	SQ100	5.29	40M	Δ	251
★ E6HT	4A298-BBA	Rockwell (Timken)	SQ100	5.86	40M	Δ	251
★ E6HT	4A298-BCA	Rockwell (Timken)	SQ100	6.14	40M	Δ	251
★ E6HT	4A298-BDA	Rockwell (Timken)	SQ100	6.83	40M	Δ	251
★ E6HT	4A298-BEA	Rockwell (Timken)	SQ100	7.17	40M	Δ	251
★ E6HT	4A298-BFA	Rockwell (Timken)	SQ100	3.73	40M	Δ	251
★ E6HT	4A298-BGA	Rockwell (Timken)	SQ100	4.10	40M	Δ	251
★ E6HT	4A298-BHA	Rockwell (Timken)	SQ100	3.73	40M	Δ	251
★ E6HT	4A298-BJA	Rockwell (Timken)	SQ100	3.90	40M	Δ	251
★ E6HT	4A298-BKA	Rockwell (Timken)	SQ100	4.10	40M	Δ	251
★ E6HT	4A298-BLA	Rockwell (Timken)	SL100	3.73	34M	Δ	249
★ E6HT	4A298-BMA	Rockwell (Timken)	SL100	3.90	34M	Δ	249
★ E6HT	4A298-BNA	Rockwell (Timken)	SL100	4.10	34M	Δ	249
★ E6HT	4A298-BRA	Rockwell (Timken)	SL100	4.33	34M	Δ	249
★ E6HT	4A298-BSA	Rockwell (Timken)	SL100	4.63	34M	Δ	249
★ E6HT	4A298-BTA	Rockwell (Timken)	SL100	3.73	34M	Δ	249
★ E6HT	4A298-BUA	Rockwell (Timken)	SL100	3.90	34M	Δ	249
★ E6HT	4A298-BVA	Rockwell (Timken)	SL100	4.10	34M	Δ	249
★ E6HT	4A298-BYA	Rockwell (Timken)	SL100	4.33	34M	Δ	249
★ E6HT	4A298-BZA	Rockwell (Timken)	SL100	4.63	34M	Δ	249
★ E6HT	4A298-CAA	Rockwell (Timken)	SL100	4.88	34M	Δ	249
★ E6HT	4A298-CBA	Rockwell (Timken)	SL100	5.29	34M	Δ	249
★ E6HT	4A298-CCA	Rockwell (Timken)	SL100	5.86	34M	Δ	249
★ E6HT	4A298-CDA	Rockwell (Timken)	SL100	6.14	34M	Δ	249
★ E6HT	4A298-CEA	Rockwell (Timken)	SL100	6.83	34M	Δ	249
★ E6HT	4A298-CFA	Rockwell (Timken)	SL100	7.17	34M	Δ	249
★ E6HT	4A298-CGA	Rockwell (Timken)	SL100	4.88	34M	Δ	249
★ E6HT	4A298-CHA	Rockwell (Timken)	SL100	5.29	34M	Δ	249
★ E6HT	4A298-CJA	Rockwell (Timken)	SL100	5.86	34M	Δ	249
★ E6HT	4A298-CKA	Rockwell (Timken)	SL100	6.14	34M	Δ	249
★ E6HT	4A298-CLA	Rockwell (Timken)	SL100	6.83	34M	Δ	249
★ E6HT	4A298-CMA	Rockwell (Timken)	SL100	7.17	34M	Δ	249
★ D7HT	4305-AA	Rockwell (Timken)	SFDD-4640	5.76	65M	1810	213
★ D7HT	4305-DA	Rockwell (Timken)	SUDD	5.96	58M	1810	211
★ D7HT	4305-GA	Rockwell (Timken)	SRDD	5.78	44M	1810	209
★ E1HT	4305-JA	Rockwell (Timken)	SQHP	3.70	40M	1610	203
★ E1HT	4305-KA	Rockwell (Timken)	SQHP	3.70	40M	1710	203
★ E1HT	4305-LA	Rockwell (Timken)	SQHP	4.11	40M	1610	203
★ E1HT	4305-MA	Rockwell (Timken)	SQHP	4.11	40M	1710	203
★ E1HT	4305-NA	Rockwell (Timken)	SQHP	4.44	40M	1610	203
★ E1HT	4305-RA	Rockwell (Timken)	SQHP	4.44	40M	1710	203
★ E1HT	4305-SA	Rockwell (Timken)	SQHP	3.70	40M	1610	203
★ E1HT	4305-TA	Rockwell (Timken)	SQHP	3.70	40M	1710	203
★ E1HT	4305-UA	Rockwell (Timken)	SQHP	4.11	40M	1610	203
★ E1HT	4305-VA	Rockwell (Timken)	SQHP	4.11	40M	1710	203

1980/  
TRUCK SERIES 600/900

REAR AXLE T.S.L. † CROSS-REFERENCE GUIDE

IDENTIFICATION AND/OR T.S.L. NUMBER	MANUFACTURER	MANUFACTURER MODEL	RATIO	CAPACITY	DRIVESHAFT SIZE	SEC.40.1 PARTS LIST NO.
Notes:     Δ Driveshaft flange not included on assy. † Truck Specification List-included in Kentucky-built trucks. — Cont'd						
★ E1HT 4305-YA	Rockwell (Timken)	SQHP	3.70	40M	1610	203
★ E1HT 4305-ZA	Rockwell (Timken)	SQHP	3.70	40M	1710	203
★ E1HT 4305-AAA	Rockwell (Timken)	SQHP	4.11	40M	1610	203
★ E1HT 4305-ABA	Rockwell (Timken)	SQHP	4.11	40M	1710	203
★ E1HT 4305-ACA	Rockwell (Timken)	SQHP	4.44	40M	1610	203
★ E1HT 4305-ADA	Rockwell (Timken)	SQHP	4.44	40M	1710	203
★ E1HT 4305-AGA	Rockwell (Timken)	SSHD	3.90	46M	1610	205
★ E1HT 4305-AHA	Rockwell (Timken)	SSHD	3.90	46M	1710	205
★ E1HT 4305-AJA	Rockwell (Timken)	SSHD	4.11	46M	1610	205
★ E1HT 4305-AKA	Rockwell (Timken)	SSHD	4.11	46M	1710	205
★ E1HT 4305-ALA	Rockwell (Timken)	SSHD	4.63	46M	1610	205
★ E1HT 4305-AMA	Rockwell (Timken)	SSHD	4.63	46M	1710	205
★ E1HT 4305-ANA	Rockwell (Timken)	SSHD	4.11	46M	1610	205
★ E1HT 4305-ARA	Rockwell (Timken)	SSHD	4.11	46M	1710	205
★ E1HT 4305-ASA	Rockwell (Timken)	SSHD	4.33	46M	1610	205
★ E1HT 4305-ATA	Rockwell (Timken)	SSHD	4.33	46M	1710	205
★ E1HT 4305-AUA	Rockwell (Timken)	SSHD	4.63	46M	1610	205
★ E1HT 4305-AVA	Rockwell (Timken)	SSHD	4.63	46M	1710	205
★ E1HT 4305-AYA	Rockwell (Timken)	SSHD	5.29	46M	1610	205
★ E1HT 4305-AZA	Rockwell (Timken)	SSHD	5.29	46M	1710	205
★ E1HT 4305-BAA	Rockwell (Timken)	SSHD	5.57	46M	1610	205
★ E1HT 4305-BBA	Rockwell (Timken)	SSHD	5.57	46M	1710	205
★ E2HT 4305-AA	Rockwell (Timken)	SQHP	3.70	40M	1610	203
★ E2HT 4305-BA	Rockwell (Timken)	SQHP	3.70	40M	1710	203
★ E2HT 4305-CA	Rockwell (Timken)	SQHP	4.11	40M	1610	203
★ E2HT 4305-DA	Rockwell (Timken)	SQHP	4.11	40M	1710	203
★ E2HT 4305-EA	Rockwell (Timken)	SQHP	3.70	40M	1610	203
★ E2HT 4305-FA	Rockwell (Timken)	SQHP	3.70	40M	1710	203
★ E2HT 4305-GA	Rockwell (Timken)	SQHP	4.11	40M	1610	203
★ E2HT 4305-HA	Rockwell (Timken)	SQHP	4.11	40M	1710	203
★ E2HT 4305-JA	Rockwell (Timken)	SQHP	3.70	40M	1610	203
★ E2HT 4305-KA	Rockwell (Timken)	SQHP	3.70	40M	1710	203
★ E2HT 4305-LA	Rockwell (Timken)	SQHP	4.11	40M	1610	203
★ E2HT 4305-MA	Rockwell (Timken)	SQHP	4.11	40M	1710	203
★ E2HT 4305-NA	Rockwell (Timken)	SQHP	4.44	40M	1610	203
★ E2HT 4305-RA	Rockwell (Timken)	SQHP	4.44	40M	1710	203
★ E2HT 4305-SA	Rockwell (Timken)	SQHP	3.70	40M	1610	203
★ E2HT 4305-TA	Rockwell (Timken)	SQHP	3.70	40M	1710	203
★ E2HT 4305-UA	Rockwell (Timken)	SQHP	4.11	40M	1610	203
★ E2HT 4305-VA	Rockwell (Timken)	SQHP	4.11	40M	1710	203
★ E2HT 4305-YA	Rockwell (Timken)	SQHP	3.70	40M	1610	203
★ E2HT 4305-ZA	Rockwell (Timken)	SQHP	3.70	40M	1710	203
★ E2HT 4305-AAA	Rockwell (Timken)	SQHP	4.11	40M	1610	203
★ E2HT 4305-ABA	Rockwell (Timken)	SQHP	4.11	40M	1710	203
★ E2HT 4305-ACA	Rockwell (Timken)	SQHP	4.44	40M	1610	203
★ E2HT 4305-ADA	Rockwell (Timken)	SQHP	4.44	40M	1710	203
★ E2HT 4305-AEA	Rockwell (Timken)	SQHP	3.70	40M	1610	203
★ E2HT 4305-AFA	Rockwell (Timken)	SQHP	3.70	40M	1710	203
★ E2HT 4305-AGA	Rockwell (Timken)	SQHP	4.11	40M	1610	203
★ E2HT 4305-AHA	Rockwell (Timken)	SQHP	4.11	40M	1710	203
★ E2HT 4305-AJA	Rockwell (Timken)	SQHP	3.70	40M	1610	203
★ E2HT 4305-AKA	Rockwell (Timken)	SQHP	3.70	40M	1710	203
★ E2HT 4305-ALA	Rockwell (Timken)	SQHP	4.11	40M	1610	203

1980/  
TRUCK SERIES 600/900

REAR AXLE T.S.L. † CROSS-REFERENCE GUIDE

IDENTIFICATION AND/OR T.S.L. NUMBER		MANUFACTURER	MANUFACTURER MODEL	RATIO	CAPACITY	DRIVESHAFT SIZE	SEC.40.1 PARTS LIST NO.
Notes: Δ Driveshaft flange not included on assy. † Truck Specification List-included in Kentucky-built trucks. — Cont'd							
★E2HT	4305-AMA	Rockwell (Timken)	SQHP	4.11	40M	1710	203
★E2HT	4305-ANA	Rockwell (Timken)	SSHD	3.90	46M	1610	205
★E2HT	4305-ARA	Rockwell (Timken)	SSHD	3.90	46M	1710	205
★E2HT	4305-ASA	Rockwell (Timken)	SSHD	4.11	46M	1610	205
★E2HT	4305-ATA	Rockwell (Timken)	SSHD	4.11	46M	1710	205
★E2HT	4305-AUA	Rockwell (Timken)	SSHD	4.63	46M	1610	205
★E2HT	4305-AVA	Rockwell (Timken)	SSHD	4.63	46M	1710	205
★E2HT	4305-AYA	Rockwell (Timken)	SSHD	4.11	46M	1610	205
★E2HT	4305-AZA	Rockwell (Timken)	SSHD	4.11	46M	1710	205
★E2HT	4305-BAA	Rockwell (Timken)	SSHD	4.33	46M	1610	205
★E2HT	4305-BBA	Rockwell (Timken)	SSHD	4.33	46M	1710	205
★E2HT	4305-BCA	Rockwell (Timken)	SSHD	4.63	46M	1610	205
★E2HT	4305-BDA	Rockwell (Timken)	SSHD	4.63	46M	1710	205
★E2HT	4305-BEA	Rockwell (Timken)	SSHD	5.29	46M	1610	205
★E2HT	4305-BFA	Rockwell (Timken)	SSHD	5.29	46M	1710	205
★E2HT	4305-BGA	Rockwell (Timken)	SSHD	5.57	46M	1610	205
★E2HT	4305-BHA	Rockwell (Timken)	SSHD	5.57	46M	1710	205
★E2HT	4305-BJA	Rockwell (Timken)	SQHP	3.70	40M	1710	203
★E2HT	4305-BKA	Rockwell (Timken)	SQHP	4.11	40M	1710	203
★E2HT	4305-BLA	Rockwell (Timken)	SQHP	4.44	40M	1710	203
★E2HT	4305-BMA	Rockwell (Timken)	SQHP	3.70	40M	1710	203
★E2HT	4305-BNA	Rockwell (Timken)	SQHP	4.11	40M	1710	203
★E2HT	4305-BRA	Rockwell (Timken)	SQHP	3.70	40M	1710	203
★E2HT	4305-BSA	Rockwell (Timken)	SQHP	4.11	40M	1710	203
★E2HT	4305-BTA	Rockwell (Timken)	SQHP	4.44	40M	1710	203
★E2HT	4305-BUA	Rockwell (Timken)	SQHP	3.70	40M	1710	203
★E2HT	4305-BVA	Rockwell (Timken)	SQHP	4.11	40M	1710	203
★E2HT	4305-BYA	Rockwell (Timken)	SQHP	3.70	40M	1710	203
★E2HT	4305-BZA	Rockwell (Timken)	SQHP	4.11	40M	1710	203
★E2HT	4305-CAA	Rockwell (Timken)	SSHD	4.11	46M	1710	205
★E2HT	4305-CBA	Rockwell (Timken)	SSHD	4.33	46M	1710	205
★E2HT	4305-CCA	Rockwell (Timken)	SSHD	4.63	46M	1710	205
★E2HT	4305-CDA	Rockwell (Timken)	SSHD	5.29	46M	1710	205
★E2HT	4305-CEA	Rockwell (Timken)	SSHD	5.57	46M	1710	205
★E2HT	4305-CFA	Rockwell (Timken)	SSHD	3.90	46M	1710	205
★E2HT	4305-CGA	Rockwell (Timken)	SSHD	4.11	46M	1710	205
★E2HT	4305-CHA	Rockwell (Timken)	SSHD	4.63	46M	1710	205
★E2HT	4305-CTA	Rockwell (Timken)	SSHD	6.17	46M	1610	205
★E2HT	4305-CUA	Rockwell (Timken)	SSHD	5.29	46M	1610	205
★E2HT	4305-CVA	Rockwell (Timken)	SSHD	5.57	46M	1610	205
★E2HT	4305-CYA	Rockwell (Timken)	SSHD	6.17	46M	1610	205
★E8HT	4305-S084A	Rockwell (Timken)	RD20145	4.56	40M	1610	282
★E8HT	4305-S934A	Rockwell (Timken)	RD20145	4.56	40M	1610	282
★E8HT	4305-V934A	Rockwell (Timken)	RP20145	4.56	40M	1610	283
★89HU	4305-S084A	Rockwell (Timken)	RD20145	4.56	40M	1610	282
★89HU	4305-S934A	Rockwell (Timken)	RD20145	4.56	40M	1610	282
★E9HT	4A375-A004A	Rockwell (Timken)	RD23160	3.42	46M	Δ	293
★E9HT	4A375-A005A	Rockwell (Timken)	RD23160	3.58	46M	Δ	293
★E9HT	4A375-A006A	Rockwell (Timken)	RD23160	3.73	46M	Δ	293
★E9HT	4A375-A007A	Rockwell (Timken)	RD23160	3.91	46M	Δ	293
★E9HT	4A375-A008A	Rockwell (Timken)	RD23160	4.10	46M	Δ	293
★E9HT	4A375-A009A	Rockwell (Timken)	RD23160	4.30	46M	Δ	293
★E9HT	4A375-A010A	Rockwell (Timken)	RD23160	4.56	46M	Δ	293
★E9HT	4A375-A011A	Rockwell (Timken)	RD23160	4.89	46M	Δ	293
★E9HT	4A375-A013A	Rockwell (Timken)	RD23160	5.38	46M	Δ	293

1980/  
TRUCK SERIES 600/900

REAR AXLE T.S.L. † CROSS-REFERENCE GUIDE

IDENTIFICATION AND/OR T.S.L. NUMBER	MANUFACTURER	MANUFACTURER MODEL	RATIO	CAPACITY	DRIVESHAFT SIZE	SEC. 40.1 PARTS LIST NO.
Notes: Δ Driveshaft flange not included on assy. † Truck Specification List-included in Kentucky-built trucks. — Cont'd						
★E9HT 4A375-A014A	Rockwell (Timken)	RD23160	5.63	46M	Δ	293
★E9HT 4A375-A054A	Rockwell (Timken)	RD23160	3.42	46M	Δ	293
★E9HT 4A375-A055A	Rockwell (Timken)	RD23160	3.58	46M	Δ	293
★E9HT 4A375-A056A	Rockwell (Timken)	RD23160	3.73	46M	Δ	293
★E9HT 4A375-A057A	Rockwell (Timken)	RD23160	3.91	46M	Δ	293
★E9HT 4A375-A058A	Rockwell (Timken)	RD23160	4.10	46M	Δ	293
★E9HT 4A375-A059A	Rockwell (Timken)	RD23160	4.30	46M	Δ	293
★E9HT 4A375-A060A	Rockwell (Timken)	RD23160	4.56	46M	Δ	293
★E9HT 4A375-A061A	Rockwell (Timken)	RD23160	4.89	46M	Δ	293
★E9HT 4A375-A063A	Rockwell (Timken)	RD23160	5.38	46M	Δ	293
★E9HT 4A375-A064A	Rockwell (Timken)	RD23160	5.63	46M	Δ	293
★E9HT 4A375-A105A	Rockwell (Timken)	RD23160	3.58	46M	Δ	293
★E9HT 4A375-A106A	Rockwell (Timken)	RD23160	3.73	46M	Δ	293
★E9HT 4A375-A107A	Rockwell (Timken)	RD23160	3.91	46M	Δ	293
★E9HT 4A375-A108A	Rockwell (Timken)	RD23160	4.10	46M	Δ	293
★E9HT 4A375-B029A	Rockwell (Timken)	RP23160	3.42	46M	Δ	295
★E9HT 4A375-B030A	Rockwell (Timken)	RP23160	3.58	46M	Δ	295
★E9HT 4A375-B031A	Rockwell (Timken)	RP23160	3.73	46M	Δ	295
★E9HT 4A375-B032A	Rockwell (Timken)	RP23160	3.91	46M	Δ	295
★E9HT 4A375-B033A	Rockwell (Timken)	RP23160	4.10	46M	Δ	295
★E9HT 4A375-B034A	Rockwell (Timken)	RP23160	4.30	46M	Δ	295
★E9HT 4A375-B035A	Rockwell (Timken)	RP23160	4.56	46M	Δ	295
★E9HT 4A375-B036A	Rockwell (Timken)	RP23160	4.89	46M	Δ	295
★E9HT 4A375-B038A	Rockwell (Timken)	RP23160	5.38	46M	Δ	295
★E9HT 4A375-B039A	Rockwell (Timken)	RP23160	5.63	46M	Δ	295
★E9HT 4A375-B079A	Rockwell (Timken)	RP23160	3.42	46M	Δ	295
★E9HT 4A375-B080A	Rockwell (Timken)	RP23160	3.58	46M	Δ	295
★E9HT 4A375-B081A	Rockwell (Timken)	RP23160	3.73	46M	Δ	295
★E9HT 4A375-B082A	Rockwell (Timken)	RP23160	3.91	46M	Δ	295
★E9HT 4A375-B083A	Rockwell (Timken)	RP23160	4.10	46M	Δ	295
★E9HT 4A375-B084A	Rockwell (Timken)	RP23160	4.30	46M	Δ	295
★E9HT 4A375-B085A	Rockwell (Timken)	RP23160	4.56	46M	Δ	295
★E9HT 4A375-B086A	Rockwell (Timken)	RP23160	4.89	46M	Δ	295
★E9HT 4A375-B088A	Rockwell (Timken)	RP23160	5.38	46M	Δ	295
★E9HT 4A375-B089A	Rockwell (Timken)	RP23160	5.63	46M	Δ	295
★E9HT 4A375-B130A	Rockwell (Timken)	RP23160	3.58	46M	Δ	295
★E9HT 4A375-B131A	Rockwell (Timken)	RP23160	3.73	46M	Δ	295
★E9HT 4A375-B132A	Rockwell (Timken)	RP23160	3.91	46M	Δ	295
★E9HT 4A375-B133A	Rockwell (Timken)	RP23160	4.10	46M	Δ	295
★E9HT 4A375-E006A	Rockwell (Timken)	SL100	3.73	34M	Δ	249
★E9HT 4A375-E007A	Rockwell (Timken)	SL100	3.90	34M	Δ	249
★E9HT 4A375-E008A	Rockwell (Timken)	SL100	4.10	34M	Δ	249
★E9HT 4A375-E009A	Rockwell (Timken)	SL100	4.33	34M	Δ	249
★E9HT 4A375-E011A	Rockwell (Timken)	SL100	4.63	34M	Δ	249
★E9HT 4A375-E012A	Rockwell (Timken)	SL100	4.88	34M	Δ	249
★E9HT 4A375-E013A	Rockwell (Timken)	SL100	5.29	34M	Δ	249
★E9HT 4A375-E015A	Rockwell (Timken)	SL100	5.86	34M	Δ	249
★E9HT 4A375-E016A	Rockwell (Timken)	SL100	6.14	34M	Δ	249
★E9HT 4A375-E056A	Rockwell (Timken)	SQ100	3.73	40M	Δ	251
★E9HT 4A375-E058A	Rockwell (Timken)	SQ100	4.10	40M	Δ	251
★E9HT 4A375-E059A	Rockwell (Timken)	SQ100	4.33	40M	Δ	251
★E9HT 4A375-E061A	Rockwell (Timken)	SQ100	4.63	40M	Δ	251
★E9HT 4A375-E062A	Rockwell (Timken)	SQ100	4.88	40M	Δ	251



1980/  
TRUCK SERIES 600/900

REAR AXLE T.S.L. † CROSS-REFERENCE GUIDE

IDENTIFICATION AND/OR T.S.L. NUMBER		MANUFACTURER	MANUFACTURER MODEL	RATIO	CAPACITY	DRIVESHAFT SIZE	SEC. 40.1 PARTS LIST NO.
Notes: Δ Driveshaft flange not included on assy. † Truck Specification List-included in Kentucky-built trucks. — Cont'd							
★E9HT	4A375-E063A	Rockwell (Timken)	SQ100	5.29	40M	Δ	251
★E9HT	4A375-E065A	Rockwell (Timken)	SQ100	5.86	40M	Δ	251
★E9HT	4A375-E066A	Rockwell (Timken)	SQ100	6.14	40M	Δ	251
★E9HT	4A375-E107A	Rockwell (Timken)	SQ100-P	3.90	40M	Δ	265
★E9HT	4A375-E108A	Rockwell (Timken)	SQ100-P	4.10	40M	Δ	265
★E9HT	4A375-E109A	Rockwell (Timken)	SQ100-P	4.33	40M	Δ	265
★E9HT	4A375-E111A	Rockwell (Timken)	SQ100-P	4.63	40M	Δ	265
★E9HT	4A375-E112A	Rockwell (Timken)	SQ100-P	4.88	40M	Δ	265
★E9HT	4A375-E113A	Rockwell (Timken)	SQ100-P	5.29	40M	Δ	265
★E9HT	4A375-E115A	Rockwell (Timken)	SQ100-P	5.86	40M	Δ	265
★E9HT	4A375-E116A	Rockwell (Timken)	SQ100-P	6.14	40M	Δ	265
★E9HT	4A375-K004A	Rockwell (Timken)	RD17145	3.42	34M	Δ	288
★E9HT	4A375-K005A	Rockwell (Timken)	RD17145	3.58	34M	Δ	288
★E9HT	4A375-K006A	Rockwell (Timken)	RD17145	3.73	34M	Δ	288
★E9HT	4A375-K007A	Rockwell (Timken)	RD17145	3.91	34M	Δ	288
★E9HT	4A375-K008A	Rockwell (Timken)	RD17145	4.10	34M	Δ	288
★E9HT	4A375-K009A	Rockwell (Timken)	RD17145	4.30	34M	Δ	288
★E9HT	4A375-K010A	Rockwell (Timken)	RD17145	4.56	34M	Δ	288
★E9HT	4A375-K011A	Rockwell (Timken)	RD17145	4.88	34M	Δ	288
★E9HT	4A375-K013A	Rockwell (Timken)	RD17145	5.29	34M	Δ	288
★E9HT	4A375-K015A	Rockwell (Timken)	RD17145	5.86	34M	Δ	288
★E9HT	4A375-K016A	Rockwell (Timken)	RD17145	6.14	34M	Δ	288
★E9HT	4A375-K017A	Rockwell (Timken)	RD17145	6.43	34M	Δ	288
★E9HT	4A375-K019A	Rockwell (Timken)	RD17145	7.17	34M	Δ	288
★E9HT	4A375-K029A	Rockwell (Timken)	RD17145	3.42	34M	Δ	288
★E9HT	4A375-K030A	Rockwell (Timken)	RD17145	3.58	34M	Δ	288
★E9HT	4A375-K031A	Rockwell (Timken)	RD17145	3.73	34M	Δ	288
★E9HT	4A375-K032A	Rockwell (Timken)	RD17145	3.91	34M	Δ	288
★E9HT	4A375-K033A	Rockwell (Timken)	RD17145	4.10	34M	Δ	288
★E9HT	4A375-K034A	Rockwell (Timken)	RD17145	4.30	34M	Δ	288
★E9HT	4A375-K035A	Rockwell (Timken)	RD17145	4.56	34M	Δ	288
★E9HT	4A375-K036A	Rockwell (Timken)	RD17145	4.88	34M	Δ	288
★E9HT	4A375-S004A	Rockwell (Timken)	RD20145	3.42	40M	Δ	290
★E9HT	4A375-S005A	Rockwell (Timken)	RD20145	3.58	40M	Δ	290
★E9HT	4A375-S006A	Rockwell (Timken)	RD20145	3.73	40M	Δ	290
★E9HT	4A375-S007A	Rockwell (Timken)	RD20145	3.91	40M	Δ	290
★E9HT	4A375-S008A	Rockwell (Timken)	RD20145	4.10	40M	Δ	290
★E9HT	4A375-S009A	Rockwell (Timken)	RD20145	4.30	40M	Δ	290
★E9HT	4A375-S010A	Rockwell (Timken)	RD20145	4.56	40M	Δ	290
★E9HT	4A375-S011A	Rockwell (Timken)	RD20145	4.88	40M	Δ	290
★E9HT	4A375-S013A	Rockwell (Timken)	RD20145	5.29	40M	Δ	290
★E9HT	4A375-S015A	Rockwell (Timken)	RD20145	5.86	40M	Δ	290
★E9HT	4A375-S016A	Rockwell (Timken)	RD20145	6.14	40M	Δ	290
★E9HT	4A375-S017A	Rockwell (Timken)	RD20145	6.43	40M	Δ	290
★E9HT	4A375-S019A	Rockwell (Timken)	RD20145	7.17	40M	Δ	290
★E9HT	4A375-S029A	Rockwell (Timken)	RD20145	3.42	40M	Δ	282
★E9HT	4A375-S030A	Rockwell (Timken)	RD20145	3.58	40M	Δ	282
★E9HT	4A375-S031A	Rockwell (Timken)	RD20145	3.73	40M	Δ	282
★E9HT	4A375-S032A	Rockwell (Timken)	RD20145	3.91	40M	Δ	282
★E9HT	4A375-S033A	Rockwell (Timken)	RD20145	4.10	40M	Δ	282
★E9HT	4A375-S034A	Rockwell (Timken)	RD20145	4.30	40M	Δ	282
★E9HT	4A375-S035A	Rockwell (Timken)	RD20145	4.56	40M	Δ	282

1980/  
TRUCK SERIES 600/900

REAR AXLE T.S.L. † CROSS-REFERENCE GUIDE

IDENTIFICATION AND/OR T.S.L. NUMBER	MANUFACTURER	MANUFACTURER MODEL	RATIO	CAPACITY	DRIVESHAFT SIZE	SEC.40.1 PARTS LIST NO.
Notes: Δ Driveshaft flange not included on assy. † Truck Specification List-included in Kentucky-built trucks. — Cont'd						
★E9HT 4A375-S036A	Rockwell (Timken)	RD20145	4.88	40M	Δ	282
★E9HT 4A375-S038A	Rockwell (Timken)	RD20145	5.29	40M	Δ	282
★E9HT 4A375-S040A	Rockwell (Timken)	RD20145	5.86	40M	Δ	282
★E9HT 4A375-S079A	Rockwell (Timken)	RD20145	3.42	40M	Δ	290
★E9HT 4A375-S080A	Rockwell (Timken)	RD20145	3.58	40M	Δ	290
★E9HT 4A375-S081A	Rockwell (Timken)	RD20145	3.73	40M	Δ	290
★E9HT 4A375-S082A	Rockwell (Timken)	RD20145	3.91	40M	Δ	290
★E9HT 4A375-S083A	Rockwell (Timken)	RD20145	4.10	40M	Δ	290
★E9HT 4A375-S084A	Rockwell (Timken)	RD20145	4.30	40M	Δ	290
★E9HT 4A375-S085A	Rockwell (Timken)	RD20145	4.56	40M	Δ	290
★E9HT 4A375-S086A	Rockwell (Timken)	RD20145	4.88	40M	Δ	290
★E9HT 4A375-S088A	Rockwell (Timken)	RD20145	5.29	40M	Δ	290
★E9HT 4A375-S090A	Rockwell (Timken)	RD20145	5.86	40M	Δ	290
★E9HT 4A375-S104A	Rockwell (Timken)	RD20145	3.42	40M	Δ	282
★E9HT 4A375-S105A	Rockwell (Timken)	RD20145	3.58	40M	Δ	282
★E9HT 4A375-S106A	Rockwell (Timken)	RD20145	3.73	40M	Δ	282
★E9HT 4A375-S107A	Rockwell (Timken)	RD20145	3.91	40M	Δ	282
★E9HT 4A375-S108A	Rockwell (Timken)	RD20145	4.10	40M	Δ	282
★E9HT 4A375-S109A	Rockwell (Timken)	RD20145	4.30	40M	Δ	282
★E9HT 4A375-S110A	Rockwell (Timken)	RD20145	4.56	40M	Δ	282
★E9HT 4A375-S111A	Rockwell (Timken)	RD20145	4.88	40M	Δ	282
★E9HT 4A375-S113A	Rockwell (Timken)	RD20145	5.29	40M	Δ	282
★E9HT 4A375-S115A	Rockwell (Timken)	RD20145	5.86	40M	Δ	282
★E9HT 4A375-S116A	Rockwell (Timken)	RD20145	6.14	40M	Δ	282
★E9HT 4A375-S117A	Rockwell (Timken)	RD20145	6.43	40M	Δ	282
★E9HT 4A375-S119A	Rockwell (Timken)	RD20145	7.17	40M	Δ	282
★E9HT 4A375-S154A	Rockwell (Timken)	RD20145	3.42	40M	Δ	290
★E9HT 4A375-S155A	Rockwell (Timken)	RD20145	3.58	40M	Δ	290
★E9HT 4A375-S156A	Rockwell (Timken)	RD20145	3.73	40M	Δ	290
★E9HT 4A375-S157A	Rockwell (Timken)	RD20145	3.91	40M	Δ	290
★E9HT 4A375-S158A	Rockwell (Timken)	RD20145	4.10	40M	Δ	290
★E9HT 4A375-S159A	Rockwell (Timken)	RD20145	4.30	40M	Δ	290
★E9HT 4A375-S160A	Rockwell (Timken)	RD20145	4.56	40M	Δ	290
★E9HT 4A375-S161A	Rockwell (Timken)	RD20145	4.88	40M	Δ	290
★E9HT 4A375-S163A	Rockwell (Timken)	RD20145	5.29	40M	Δ	290
★E9HT 4A375-S165A	Rockwell (Timken)	RD20145	5.86	40M	Δ	290
★E9HT 4A375-S179A	Rockwell (Timken)	RD20145	3.42	40M	Δ	282
★E9HT 4A375-S180A	Rockwell (Timken)	RD20145	3.58	40M	Δ	282
★E9HT 4A375-S181A	Rockwell (Timken)	RD20145	3.73	40M	Δ	282
★E9HT 4A375-S182A	Rockwell (Timken)	RD20145	3.91	40M	Δ	282
★E9HT 4A375-S183A	Rockwell (Timken)	RD20145	4.10	40M	Δ	282
★E9HT 4A375-S184A	Rockwell (Timken)	RD20145	4.30	40M	Δ	282
★E9HT 4A375-S185A	Rockwell (Timken)	RD20145	4.56	40M	Δ	282
★E9HT 4A375-S186A	Rockwell (Timken)	RD20145	4.88	40M	Δ	282
★E9HT 4A375-S188A	Rockwell (Timken)	RD20145	5.29	40M	Δ	282
★E9HT 4A375-S190A	Rockwell (Timken)	RD20145	5.86	40M	Δ	282
★E9HT 4A375-S230A	Rockwell (Timken)	RD20145	3.58	40M	Δ	290

1980/  
TRUCK SERIES 600/900

REAR AXLE T.S.L. † CROSS-REFERENCE GUIDE

IDENTIFICATION AND/OR T.S.L. NUMBER		MANUFACTURER	MANUFACTURER MODEL	RATIO	CAPACITY	DRIVESHAFT SIZE	SEC.40.1 PARTS LIST NO.
Notes:      Δ Driveshaft flange not included on assy. † Truck Specification List-included in Kentucky-built trucks. — Cont'd							
★E9HT	4A375-S231A	Rockwell (Timken)	RD20145	3.73	40M	Δ	290
★E9HT	4A375-S232A	Rockwell (Timken)	RD20145	3.91	40M	Δ	290
★E9HT	4A375-S233A	Rockwell (Timken)	RD20145	4.10	40M	Δ	290
★E9HT	4A375-S255A	Rockwell (Timken)	RD20145	3.58	40M	Δ	282
★E9HT	4A375-S256A	Rockwell (Timken)	RD20145	3.73	40M	Δ	282
★E9HT	4A375-S257A	Rockwell (Timken)	RD20145	3.91	40M	Δ	282
★E9HT	4A375-S258A	Rockwell (Timken)	RD20145	4.10	40M	Δ	282
★E9HT	4A375-S279A	Rockwell (Timken)	RD20145	3.42	40M	Δ	290
★E9HT	4A375-S279B	Rockwell (Timken)	RD20145	3.42	40M	Δ	290
★E9HT	4A375-S280A	Rockwell (Timken)	RD20145	3.58	40M	Δ	290
★E9HT	4A375-S280B	Rockwell (Timken)	RD20145	3.58	40M	Δ	290
★E9HT	4A375-S281A	Rockwell (Timken)	RD20145	3.73	40M	Δ	290
★E9HT	4A375-S281B	Rockwell (Timken)	RD20145	3.73	40M	Δ	290
★E9HT	4A375-S282A	Rockwell (Timken)	RD20145	3.91	40M	Δ	290
★E9HT	4A375-S282B	Rockwell (Timken)	RD20145	3.91	40M	Δ	290
★E9HT	4A375-S283A	Rockwell (Timken)	RD20145	4.10	40M	Δ	290
★E9HT	4A375-S283B	Rockwell (Timken)	RD20145	4.10	40M	Δ	290
★E9HT	4A375-S284A	Rockwell (Timken)	RD20145	4.30	40M	Δ	290
★E9HT	4A375-S284B	Rockwell (Timken)	RD20145	4.30	40M	Δ	290
★E9HT	4A375-S285A	Rockwell (Timken)	RD20145	4.56	40M	Δ	290
★E9HT	4A375-S285B	Rockwell (Timken)	RD20145	4.56	40M	Δ	290
★E9HT	4A375-S304A	Rockwell (Timken)	RD20145	3.42	40M	Δ	282
★E9HT	4A375-S304B	Rockwell (Timken)	RD20145	3.42	40M	Δ	282
★E9HT	4A375-S305A	Rockwell (Timken)	RD20145	3.58	40M	Δ	282
★E9HT	4A375-S305B	Rockwell (Timken)	RD20145	3.58	40M	Δ	282
★E9HT	4A375-S306A	Rockwell (Timken)	RD20145	3.73	40M	Δ	282
★E9HT	4A375-S306B	Rockwell (Timken)	RD20145	3.73	40M	Δ	282
★E9HT	4A375-S307A	Rockwell (Timken)	RD20145	3.91	40M	Δ	282
★E9HT	4A375-S307B	Rockwell (Timken)	RD20145	3.91	40M	Δ	282
★E9HT	4A375-S308A	Rockwell (Timken)	RD20145	4.10	40M	Δ	282
★E9HT	4A375-S308B	Rockwell (Timken)	RD20145	4.10	40M	Δ	282
★E9HT	4A375-S309A	Rockwell (Timken)	RD20145	4.30	40M	Δ	282
★E9HT	4A375-S309B	Rockwell (Timken)	RD20145	4.30	40M	Δ	282
★E9HT	4A375-S310A	Rockwell (Timken)	RD20145	4.56	40M	Δ	282
★E9HT	4A375-S310B	Rockwell (Timken)	RD20145	4.56	40M	Δ	282
★E9HT	4A375-V004A	Rockwell (Timken)	RP20145	3.42	40M	Δ	292
★E9HT	4A375-V005A	Rockwell (Timken)	RP20145	3.58	40M	Δ	292
★E9HT	4A375-V006A	Rockwell (Timken)	RP20145	3.73	40M	Δ	292
★E9HT	4A375-V007A	Rockwell (Timken)	RP20145	3.91	40M	Δ	292
★E9HT	4A375-V008A	Rockwell (Timken)	RP20145	4.10	40M	Δ	292
★E9HT	4A375-V009A	Rockwell (Timken)	RP20145	4.30	40M	Δ	292
★E9HT	4A375-V010A	Rockwell (Timken)	RP20145	4.56	40M	Δ	292
★E9HT	4A375-V011A	Rockwell (Timken)	RP20145	4.88	40M	Δ	292
★E9HT	4A375-V013A	Rockwell (Timken)	RP20145	5.29	40M	Δ	292
★E9HT	4A375-V015A	Rockwell (Timken)	RP20145	5.86	40M	Δ	292
★E9HT	4A375-V016A	Rockwell (Timken)	RP20145	6.14	40M	Δ	292
★E9HT	4A375-V017A	Rockwell (Timken)	RP20145	6.43	40M	Δ	292
★E9HT	4A375-V019A	Rockwell (Timken)	RP20145	7.17	40M	Δ	292
★E9HT	4A375-V029A	Rockwell (Timken)	RP20145	3.42	40M	Δ	283
★E9HT	4A375-V030A	Rockwell (Timken)	RP20145	3.58	40M	Δ	283
★E9HT	4A375-V031A	Rockwell (Timken)	RP20145	3.73	40M	Δ	283
★E9HT	4A375-V032A	Rockwell (Timken)	RP20145	3.91	40M	Δ	283
★E9HT	4A375-V033A	Rockwell (Timken)	RP20145	4.10	40M	Δ	283
★E9HT	4A375-V034A	Rockwell (Timken)	RP20145	4.30	40M	Δ	283
★E9HT	4A375-V035A	Rockwell (Timken)	RP20145	4.56	40M	Δ	283

1980/  
TRUCK SERIES 600/900

REAR AXLE T.S.L. † CROSS-REFERENCE GUIDE

IDENTIFICATION AND/OR T.S.L. NUMBER	MANUFACTURER	MANUFACTURER MODEL	RATIO	CAPACITY	DRIVESHAFT SIZE	SEC. 40.1 PARTS LIST NO.
Notes: Δ Driveshaft flange not included on assy. † Truck Specification List-included in Kentucky-built trucks. — Cont'd						
★E9HT 4A375-V036A	Rockwell (Timken)	RP20145	4.88	40M	Δ	283
★E9HT 4A375-V038A	Rockwell (Timken)	RP20145	5.29	40M	Δ	283
★E9HT 4A375-V040A	Rockwell (Timken)	RP20145	5.86	40M	Δ	283
★E9HT 4A375-V079A	Rockwell (Timken)	RP20145	3.42	40M	Δ	292
★E9HT 4A375-V080A	Rockwell (Timken)	RP20145	3.58	40M	Δ	292
★E9HT 4A375-V081A	Rockwell (Timken)	RP20145	3.73	40M	Δ	292
★E9HT 4A375-V082A	Rockwell (Timken)	RP20145	3.91	40M	Δ	292
★E9HT 4A375-V083A	Rockwell (Timken)	RP20145	4.10	40M	Δ	292
★E9HT 4A375-V084A	Rockwell (Timken)	RP20145	4.30	40M	Δ	292
★E9HT 4A375-V085A	Rockwell (Timken)	RP20145	4.56	40M	Δ	292
★E9HT 4A375-V086A	Rockwell (Timken)	RP20145	4.88	40M	Δ	292
★E9HT 4A375-V088A	Rockwell (Timken)	RP20145	5.29	40M	Δ	292
★E9HT 4A375-V090A	Rockwell (Timken)	RP20145	5.86	40M	Δ	292
★E9HT 4A375-V104A	Rockwell (Timken)	RP20145	3.42	40M	Δ	283
★E9HT 4A375-V105A	Rockwell (Timken)	RP20145	3.58	40M	Δ	283
★E9HT 4A375-V106A	Rockwell (Timken)	RP20145	3.73	40M	Δ	283
★E9HT 4A375-V107A	Rockwell (Timken)	RP20145	3.91	40M	Δ	283
★E9HT 4A375-V108A	Rockwell (Timken)	RP20145	4.10	40M	Δ	283
★E9HT 4A375-V109A	Rockwell (Timken)	RP20145	4.30	40M	Δ	283
★E9HT 4A375-V110A	Rockwell (Timken)	RP20145	4.56	40M	Δ	283
★E9HT 4A375-V111A	Rockwell (Timken)	RP20145	4.88	40M	Δ	283
★E9HT 4A375-V113A	Rockwell (Timken)	RP20145	5.29	40M	Δ	283
★E9HT 4A375-V115A	Rockwell (Timken)	RP20145	5.86	40M	Δ	283
★E9HT 4A375-V116A	Rockwell (Timken)	RP20145	6.14	40M	Δ	283
★E9HT 4A375-V154A	Rockwell (Timken)	RP20145	3.42	40M	Δ	292
★E9HT 4A375-V155A	Rockwell (Timken)	RP20145	3.58	40M	Δ	292
★E9HT 4A375-V156A	Rockwell (Timken)	RP20145	3.73	40M	Δ	292
★E9HT 4A375-V157A	Rockwell (Timken)	RP20145	3.91	40M	Δ	292
★E9HT 4A375-V158A	Rockwell (Timken)	RP20145	4.10	40M	Δ	292
★E9HT 4A375-V159A	Rockwell (Timken)	RP20145	4.30	40M	Δ	292
★E9HT 4A375-V160A	Rockwell (Timken)	RP20145	4.56	40M	Δ	292
★E9HT 4A375-V161A	Rockwell (Timken)	RP20145	4.88	40M	Δ	292
★E9HT 4A375-V163A	Rockwell (Timken)	RP20145	5.29	40M	Δ	292
★E9HT 4A375-V165A	Rockwell (Timken)	RP20145	5.86	40M	Δ	292
★E9HT 4A375-V179A	Rockwell (Timken)	RP20145	3.42	40M	Δ	283
★E9HT 4A375-V180A	Rockwell (Timken)	RP20145	3.58	40M	Δ	283
★E9HT 4A375-V181A	Rockwell (Timken)	RP20145	3.73	40M	Δ	283
★E9HT 4A375-V182A	Rockwell (Timken)	RP20145	3.91	40M	Δ	283
★E9HT 4A375-V183A	Rockwell (Timken)	RP20145	4.10	40M	Δ	283
★E9HT 4A375-V184A	Rockwell (Timken)	RP20145	4.30	40M	Δ	283
★E9HT 4A375-V185A	Rockwell (Timken)	RP20145	4.56	40M	Δ	283
★E9HT 4A375-V186A	Rockwell (Timken)	RP20145	4.88	40M	Δ	283
★E9HT 4A375-V188A	Rockwell (Timken)	RP20145	5.29	40M	Δ	283
★E9HT 4A375-V190A	Rockwell (Timken)	RP20145	5.86	40M	Δ	283
★E9HT 4A375-V230A	Rockwell (Timken)	RP20145	3.58	40M	Δ	292
★E9HT 4A375-V231A	Rockwell (Timken)	RP20145	3.73	40M	Δ	292
★E9HT 4A375-V232A	Rockwell (Timken)	RP20145	3.91	40M	Δ	292
★E9HT 4A375-V233A	Rockwell (Timken)	RP20145	4.10	40M	Δ	292
★E9HT 4A375-V255A	Rockwell (Timken)	RP20145	3.58	40M	Δ	283
★E9HT 4A375-V256A	Rockwell (Timken)	RP20145	3.73	40M	Δ	283
★E9HT 4A375-V257A	Rockwell (Timken)	RP20145	3.91	40M	Δ	283
★E9HT 4A375-V258A	Rockwell (Timken)	RP20145	4.10	40M	Δ	283
★E9HT 4A375-V279A	Rockwell (Timken)	RP20145	3.42	40M	Δ	292
★E9HT 4A375-V279B	Rockwell (Timken)	RP20145	3.42	40M	Δ	292
★E9HT 4A375-V280A	Rockwell (Timken)	RP20145	3.58	40M	Δ	292

1980/  
TRUCK SERIES 600/900

REAR AXLE T.S.L. † CROSS-REFERENCE GUIDE

IDENTIFICATION AND/OR T.S.L. NUMBER		MANUFACTURER	MANUFACTURER MODEL	RATIO	CAPACITY	DRIVESHAFT SIZE	SEC.40.1 PARTS LIST NO.
Notes: Δ Driveshaft flange not included on assy. † Truck Specification List-included in Kentucky-built trucks. — Cont'd							
★E9HT	4A375-V280B	Rockwell (Timken)	RP20145	3.58	40M	Δ	292
★E9HT	4A375-V281A	Rockwell (Timken)	RP20145	3.73	40M	Δ	292
★E9HT	4A375-V281B	Rockwell (Timken)	RP20145	3.73	40M	Δ	292
★E9HT	4A375-V282A	Rockwell (Timken)	RP20145	3.91	40M	Δ	292
★E9HT	4A375-V282B	Rockwell (Timken)	RP20145	3.91	40M	Δ	292
★E9HT	4A375-V283A	Rockwell (Timken)	RP20145	4.10	40M	Δ	292
★E9HT	4A375-V283B	Rockwell (Timken)	RP20145	4.10	40M	Δ	292
★E9HT	4A375-V284A	Rockwell (Timken)	RP20145	4.30	40M	Δ	292
★E9HT	4A375-V284B	Rockwell (Timken)	RP20145	4.30	40M	Δ	292
★E9HT	4A375-V285A	Rockwell (Timken)	RP20145	4.56	40M	Δ	292
★E9HT	4A375-V285B	Rockwell (Timken)	RP20145	4.56	40M	Δ	292
★E9HT	4A375-V304A	Rockwell (Timken)	RP20145	3.42	40M	Δ	283
★E9HT	4A375-V304B	Rockwell (Timken)	RP20145	3.42	40M	Δ	283
★E9HT	4A375-V305A	Rockwell (Timken)	RP20145	3.58	40M	Δ	283
★E9HT	4A375-V305B	Rockwell (Timken)	RP20145	3.58	40M	Δ	283
★E9HT	4A375-V306A	Rockwell (Timken)	RP20145	3.73	40M	Δ	283
★E9HT	4A375-V306B	Rockwell (Timken)	RP20145	3.73	40M	Δ	283
★E9HT	4A375-V307A	Rockwell (Timken)	RP20145	3.91	40M	Δ	283
★E9HT	4A375-V307B	Rockwell (Timken)	RP20145	3.91	40M	Δ	283
★E9HT	4A375-V308A	Rockwell (Timken)	RP20145	4.10	40M	Δ	283
★E9HT	4A375-V308B	Rockwell (Timken)	RP20145	4.10	40M	Δ	283
★E9HT	4A375-V309A	Rockwell (Timken)	RP20145	4.30	40M	Δ	283
★E9HT	4A375-V309B	Rockwell (Timken)	RP20145	4.30	40M	Δ	283
★E9HT	4A375-V310A	Rockwell (Timken)	RP20145	4.56	40M	Δ	283
★E9HT	4A375-V310B	Rockwell (Timken)	RP20145	4.56	40M	Δ	283
★E9HT	4B430-C004A	Rockwell (Timken)	RR23160	3.42	46M	Δ	294
★E9HT	4B430-C005A	Rockwell (Timken)	RR23160	3.58	46M	Δ	294
★E9HT	4B430-C006A	Rockwell (Timken)	RR23160	3.73	46M	Δ	294
★E9HT	4B430-C007A	Rockwell (Timken)	RR23160	3.91	46M	Δ	294
★E9HT	4B430-C008A	Rockwell (Timken)	RR23160	4.10	46M	Δ	294
★E9HT	4B430-C009A	Rockwell (Timken)	RR23160	4.30	46M	Δ	294
★E9HT	4B430-C010A	Rockwell (Timken)	RR23160	4.56	46M	Δ	294
★E9HT	4B430-C011A	Rockwell (Timken)	RR23160	4.89	46M	Δ	294
★E9HT	4B430-C013A	Rockwell (Timken)	RR23160	5.38	46M	Δ	294
★E9HT	4B430-C014A	Rockwell (Timken)	RR23160	5.63	46M	Δ	294
★E9HT	4B430-C029A	Rockwell (Timken)	RR23160	3.42	46M	Δ	296
★E9HT	4B430-C030A	Rockwell (Timken)	RR23160	3.58	46M	Δ	296
★E9HT	4B430-C031A	Rockwell (Timken)	RR23160	3.73	46M	Δ	296
★E9HT	4B430-C032A	Rockwell (Timken)	RR23160	3.91	46M	Δ	296
★E9HT	4B430-C033A	Rockwell (Timken)	RR23160	4.10	46M	Δ	296
★E9HT	4B430-C034A	Rockwell (Timken)	RR23160	4.30	46M	Δ	296
★E9HT	4B430-C035A	Rockwell (Timken)	RR23160	4.56	46M	Δ	296
★E9HT	4B430-C036A	Rockwell (Timken)	RR23160	4.89	46M	Δ	296
★E9HT	4B430-C038A	Rockwell (Timken)	RR23160	5.38	46M	Δ	296
★E9HT	4B430-C039A	Rockwell (Timken)	RR23160	5.63	46M	Δ	296
★E9HT	4B430-C054A	Rockwell (Timken)	RR23160	3.42	46M	Δ	294
★E9HT	4B430-C055A	Rockwell (Timken)	RR23160	3.58	46M	Δ	294
★E9HT	4B430-C056A	Rockwell (Timken)	RR23160	3.73	46M	Δ	294
★E9HT	4B430-C057A	Rockwell (Timken)	RR23160	3.91	46M	Δ	294
★E9HT	4B430-C058A	Rockwell (Timken)	RR23160	4.10	46M	Δ	294
★E9HT	4B430-C059A	Rockwell (Timken)	RR23160	4.30	46M	Δ	294
★E9HT	4B430-C060A	Rockwell (Timken)	RR23160	4.56	46M	Δ	294
★E9HT	4B430-C061A	Rockwell (Timken)	RR23160	4.89	46M	Δ	294
★E9HT	4B430-C063A	Rockwell (Timken)	RR23160	5.38	46M	Δ	294
★E9HT	4B430-C064A	Rockwell (Timken)	RR23160	5.63	46M	Δ	294
★E9HT	4B430-C079A	Rockwell (Timken)	RR23160	3.42	46M	Δ	296

1980/  
TRUCK SERIES 600/900

REAR AXLE T.S.L. † CROSS-REFERENCE GUIDE

IDENTIFICATION AND/OR T.S.L. NUMBER	MANUFACTURER	MANUFACTURER MODEL	RATIO	CAPACITY	DRIVESHAFT SIZE	SEC.40.1 PARTS LIST NO.	
Notes: Δ Driveshaft flange not included on assy. † Truck Specification List—included in Kentucky-built trucks. — Cont'd							
★E9HT	4B430-C080A	Rockwell (Timken)	RR23160	3.58	46M	△	296
★E9HT	4B430-C081A	Rockwell (Timken)	RR23160	3.73	46M	△	296
★E9HT	4B430-C082A	Rockwell (Timken)	RR23160	3.91	46M	△	296
★E9HT	4B430-C083A	Rockwell (Timken)	RR23160	4.10	46M	△	296
★E9HT	4B430-C084A	Rockwell (Timken)	RR23160	4.30	46M	△	296
★E9HT	4B430-C085A	Rockwell (Timken)	RR23160	4.56	46M	△	296
★E9HT	4B430-C086A	Rockwell (Timken)	RR23160	4.89	46M	△	296
★E9HT	4B430-C088A	Rockwell (Timken)	RR23160	5.38	46M	△	296
★E9HT	4B430-C089A	Rockwell (Timken)	RR23160	5.63	46M	△	296
E9HT	4B430-D009A	Rockwell (Timken)	RS13120	4.30	13M	△	267
E9HT	4B430-D011A	Rockwell (Timken)	RS13120	4.88	13M	△	267
E9HT	4B430-D015A	Rockwell (Timken)	RS13120	5.86	13M	△	267
E9HT	4B430-D016A	Rockwell (Timken)	RS13120	6.14	13M	△	267
E9HT	4B430-D019A	Rockwell (Timken)	RS13120	7.17	13M	△	267
E9HT	4B430-F056A	Rockwell (Timken)	RS15120	3.73	15M	△	268
E9HT	4B430-F058A	Rockwell (Timken)	RS15120	4.10	15M	△	268
E9HT	4B430-F059A	Rockwell (Timken)	RS15120	4.30	15M	△	268
E9HT	4B430-F060A	Rockwell (Timken)	RS15120	4.56	15M	△	268
E9HT	4B430-F061A	Rockwell (Timken)	RS15120	4.88	15M	△	268
E9HT	4B430-F062A	Rockwell (Timken)	RS15120	5.13	15M	△	268
E9HT	4B430-F065A	Rockwell (Timken)	RS15120	5.86	15M	△	268
E9HT	4B430-F066A	Rockwell (Timken)	RS15120	6.14	15M	△	268
E9HT	4B430-F069A	Rockwell (Timken)	RS15120	7.17	15M	△	268
E9HT	4B430-F110A	Rockwell (Timken)	RS15210	4.56/6.36	15M	△	269
E9HT	4B430-F111A	Rockwell (Timken)	RS15210	4.88/6.80	15M	△	269
E9HT	4B430-F113A	Rockwell (Timken)	RS15210	5.38/7.50	15M	△	269
E9HT	4B430-F115A	Rockwell (Timken)	RS15210	5.86/8.17	15M	△	269
E9HT	4B430-F116A	Rockwell (Timken)	RS15210	6.14/8.57	15M	△	269
E9HT	4B430-F118A	Rockwell (Timken)	RS15210	6.83/9.53	15M	△	269
★E9HT	4B430-G004A	Rockwell (Timken)	RR20145	3.42	40M	△	291
★E9HT	4B430-G005A	Rockwell (Timken)	RR20145	3.58	40M	△	291
★E9HT	4B430-G006A	Rockwell (Timken)	RR20145	3.73	40M	△	291
★E9HT	4B430-G007A	Rockwell (Timken)	RR20145	3.91	40M	△	291
★E9HT	4B430-G008A	Rockwell (Timken)	RR20145	4.10	40M	△	291
★E9HT	4B430-G009A	Rockwell (Timken)	RR20145	4.30	40M	△	291
★E9HT	4B430-G010A	Rockwell (Timken)	RR20145	4.56	40M	△	291
★E9HT	4B430-G011A	Rockwell (Timken)	RR20145	4.88	40M	△	291
★E9HT	4B430-G013A	Rockwell (Timken)	RR20145	5.29	40M	△	291
★E9HT	4B430-G015A	Rockwell (Timken)	RR20145	5.86	40M	△	291
★E9HT	4B430-G016A	Rockwell (Timken)	RR20145	6.14	40M	△	291
★E9HT	4B430-G017A	Rockwell (Timken)	RR20145	6.43	40M	△	291
★E9HT	4B430-G019A	Rockwell (Timken)	RR20145	7.17	40M	△	291
★E9HT	4B430-G029A	Rockwell (Timken)	RR20145	3.42	40M	△	284
★E9HT	4B430-G030A	Rockwell (Timken)	RR20145	3.58	40M	△	284
★E9HT	4B430-G031A	Rockwell (Timken)	RR20145	3.73	40M	△	284
★E9HT	4B430-G032A	Rockwell (Timken)	RR20145	3.91	40M	△	284
★E9HT	4B430-G033A	Rockwell (Timken)	RR20145	4.10	40M	△	284
★E9HT	4B430-G034A	Rockwell (Timken)	RR20145	4.30	40M	△	284
★E9HT	4B430-G035A	Rockwell (Timken)	RR20145	4.56	40M	△	284
★E9HT	4B430-G036A	Rockwell (Timken)	RR20145	4.88	40M	△	284
★E9HT	4B430-G038A	Rockwell (Timken)	RR20145	5.29	40M	△	284
★E9HT	4B430-G040A	Rockwell (Timken)	RR20145	5.86	40M	△	284
★E9HT	4B430-G079A	Rockwell (Timken)	RR20145	3.42	40M	△	291
★E9HT	4B430-G080A	Rockwell (Timken)	RR20145	3.58	40M	△	291
★E9HT	4B430-G081A	Rockwell (Timken)	RR20145	3.73	40M	△	291

1980/  
TRUCK SERIES 600/900

REAR AXLE T.S.L. † CROSS-REFERENCE GUIDE

IDENTIFICATION AND/OR T.S.L. NUMBER	MANUFACTURER	MANUFACTURER MODEL	RATIO	CAPACITY	DRIVESHAFT SIZE	SEC. 40.1 PARTS LIST NO.	
Notes: Δ Driveshaft flange not included on assy. † Truck Specification List-included in Kentucky-built trucks. — Cont'd							
★E9HT	4B430-G082A	Rockwell (Timken)	RR20145	3.91	40M	Δ	291
★E9HT	4B430-G083A	Rockwell (Timken)	RR20145	4.10	40M	Δ	291
★E9HT	4B430-G084A	Rockwell (Timken)	RR20145	4.30	40M	Δ	291
★E9HT	4B430-G085A	Rockwell (Timken)	RR20145	4.56	40M	Δ	291
★E9HT	4B430-G086A	Rockwell (Timken)	RR20145	4.88	40M	Δ	291
★E9HT	4B430-G088A	Rockwell (Timken)	RR20145	5.29	40M	Δ	291
★E9HT	4B430-G090A	Rockwell (Timken)	RR20145	5.86	40M	Δ	291
★E9HT	4B430-G104A	Rockwell (Timken)	RR20145	3.42	40M	Δ	284
★E9HT	4B430-G105A	Rockwell (Timken)	RR20145	3.58	40M	Δ	284
★E9HT	4B430-G106A	Rockwell (Timken)	RR20145	3.73	40M	Δ	284
★E9HT	4B430-G107A	Rockwell (Timken)	RR20145	3.91	40M	Δ	284
★E9HT	4B430-G108A	Rockwell (Timken)	RR20145	4.10	40M	Δ	284
★E9HT	4B430-G109A	Rockwell (Timken)	RR20145	4.30	40M	Δ	284
★E9HT	4B430-G110A	Rockwell (Timken)	RR20145	4.56	40M	Δ	284
★E9HT	4B430-G111A	Rockwell (Timken)	RR20145	4.88	40M	Δ	284
★E9HT	4B430-G113A	Rockwell (Timken)	RR20145	5.29	40M	Δ	284
★E9HT	4B430-G115A	Rockwell (Timken)	RR20145	5.86	40M	Δ	284
★E9HT	4B430-G116A	Rockwell (Timken)	RR20145	6.14	40M	Δ	284
★E9HT	4B430-G117A	Rockwell (Timken)	RR20145	6.43	40M	Δ	284
★E9HT	4B430-G119A	Rockwell (Timken)	RR20145	7.17	40M	Δ	284
★E9HT	4B430-G154A	Rockwell (Timken)	RR20145	3.42	40M	Δ	291
★E9HT	4B430-G155A	Rockwell (Timken)	RR20145	3.58	40M	Δ	291
★E9HT	4B430-G156A	Rockwell (Timken)	RR20145	3.73	40M	Δ	291
★E9HT	4B430-G157A	Rockwell (Timken)	RR20145	3.91	40M	Δ	291
★E9HT	4B430-G158A	Rockwell (Timken)	RR20145	4.10	40M	Δ	291
★E9HT	4B430-G159A	Rockwell (Timken)	RR20145	4.30	40M	Δ	291
★E9HT	4B430-G160A	Rockwell (Timken)	RR20145	4.56	40M	Δ	291
★E9HT	4B430-G161A	Rockwell (Timken)	RR20145	4.88	40M	Δ	291
★E9HT	4B430-G163A	Rockwell (Timken)	RR20145	5.29	40M	Δ	291
★E9HT	4B430-G165A	Rockwell (Timken)	RR20145	5.86	40M	Δ	291
★E9HT	4B430-G179A	Rockwell (Timken)	RR20145	3.42	40M	Δ	284
★E9HT	4B430-G180A	Rockwell (Timken)	RR20145	3.58	40M	Δ	284
★E9HT	4B430-G181A	Rockwell (Timken)	RR20145	3.73	40M	Δ	284
★E9HT	4B430-G182A	Rockwell (Timken)	RR20145	3.91	40M	Δ	284
★E9HT	4B430-G183A	Rockwell (Timken)	RR20145	4.10	40M	Δ	284
★E9HT	4B430-G184A	Rockwell (Timken)	RR20145	4.30	40M	Δ	284
★E9HT	4B430-G185A	Rockwell (Timken)	RR20145	4.56	40M	Δ	284
★E9HT	4B430-G186A	Rockwell (Timken)	RR20145	4.88	40M	Δ	284
★E9HT	4B430-G188A	Rockwell (Timken)	RR20145	5.29	40M	Δ	284
★E9HT	4B430-G190A	Rockwell (Timken)	RR20145	5.86	40M	Δ	284
★E9HT	4B430-G279A	Rockwell (Timken)	RR20145	3.42	40M	Δ	291
★E9HT	4B430-G279B	Rockwell (Timken)	RR20145	3.42	40M	Δ	291
★E9HT	4B430-G280A	Rockwell (Timken)	RR20145	3.58	40M	Δ	291
★E9HT	4B430-G280B	Rockwell (Timken)	RR20145	3.58	40M	Δ	291
★E9HT	4B430-G281A	Rockwell (Timken)	RR20145	3.73	40M	Δ	291
★E9HT	4B430-G281B	Rockwell (Timken)	RR20145	3.73	40M	Δ	291
★E9HT	4B430-G282A	Rockwell (Timken)	RR20145	3.91	40M	Δ	291
★E9HT	4B430-G282B	Rockwell (Timken)	RR20145	3.91	40M	Δ	291
★E9HT	4B430-G283A	Rockwell (Timken)	RR20145	4.10	40M	Δ	291
★E9HT	4B430-G283B	Rockwell (Timken)	RR20145	4.10	40M	Δ	291
★E9HT	4B430-G284A	Rockwell (Timken)	RR20145	4.30	40M	Δ	291
★E9HT	4B430-G284B	Rockwell (Timken)	RR20145	4.30	40M	Δ	291
★E9HT	4B430-G285A	Rockwell (Timken)	RR20145	4.56	40M	Δ	291
★E9HT	4B430-G285B	Rockwell (Timken)	RR20145	4.56	40M	Δ	291
★E9HT	4B430-G304A	Rockwell (Timken)	RR20145	3.42	40M	Δ	284

1980/  
TRUCK SERIES 600/900

REAR AXLE T.S.L. † CROSS-REFERENCE GUIDE

IDENTIFICATION AND/OR T.S.L. NUMBER	MANUFACTURER	MANUFACTURER MODEL	RATIO	CAPACITY	DRIVESHAFT SIZE	SEC.40.1 PARTS LIST NO.
Notes: Δ Driveshaft flange not included on assy. † Truck Specification List-included in Kentucky-built trucks. — Cont'd						
★E9HT 4B430-G304B	Rockwell (Timken)	RR20145	3.42	40M	Δ	284
★E9HT 4B430-G305A	Rockwell (Timken)	RR20145	3.58	40M	Δ	284
★E9HT 4B430-G305B	Rockwell (Timken)	RR20145	3.58	40M	Δ	284
★E9HT 4B430-G306A	Rockwell (Timken)	RR20145	3.73	40M	Δ	284
★E9HT 4B430-G306B	Rockwell (Timken)	RR20145	3.73	40M	Δ	284
★E9HT 4B430-G307A	Rockwell (Timken)	RR20145	3.91	40M	Δ	284
★E9HT 4B430-G307B	Rockwell (Timken)	RR20145	3.91	40M	Δ	284
★E9HT 4B430-G308A	Rockwell (Timken)	RR20145	4.10	40M	Δ	284
★E9HT 4B430-G308B	Rockwell (Timken)	RR20145	4.10	40M	Δ	284
★E9HT 4B430-G309A	Rockwell (Timken)	RR20145	4.30	40M	Δ	284
★E9HT 4B430-G309B	Rockwell (Timken)	RR20145	4.30	40M	Δ	284
★E9HT 4B430-G310A	Rockwell (Timken)	RR20145	4.56	40M	Δ	284
★E9HT 4B430-G310B	Rockwell (Timken)	RR20145	4.56	40M	Δ	284
★E9HT 4B430-H156A	Rockwell (Timken)	RS17140	3.73	17.5M	Δ	270
★E9HT 4B430-H157A	Rockwell (Timken)	RS17140	3.91	17.5M	Δ	270
★E9HT 4B430-H158A	Rockwell (Timken)	RS17140	4.10	17.5M	Δ	270
★E9HT 4B430-H159A	Rockwell (Timken)	RS17140	4.30	17.5M	Δ	270
★E9HT 4B430-H160A	Rockwell (Timken)	RS17140	4.56	17.5M	Δ	270
★E9HT 4B430-H161A	Rockwell (Timken)	RS17140	4.88	17.5M	Δ	270
★E9HT 4B430-H163A	Rockwell (Timken)	RS17140	5.29	17.5M	Δ	270
★E9HT 4B430-H165A	Rockwell (Timken)	RS17140	5.86	17.5M	Δ	270
★E9HT 4B430-H167A	Rockwell (Timken)	RS17140	6.43	17.5M	Δ	270
★E9HT 4B430-H168A	Rockwell (Timken)	RS17140	6.83	17.5M	Δ	270
★E9HT 4B430-H169A	Rockwell (Timken)	RS17140	7.17	17.5M	Δ	270
E9HT 4B430-H209A	Rockwell (Timken)	RS17220	4.30/6.00	17.5M	Δ	271
E9HT 4B430-H210A	Rockwell (Timken)	RS17220	4.56/6.36	17.5M	Δ	271
E9HT 4B430-H211A	Rockwell (Timken)	RS17220	4.88/6.80	17.5M	Δ	271
E9HT 4B430-H213A	Rockwell (Timken)	RS17220	5.38/7.50	17.5M	Δ	271
E9HT 4B430-H215A	Rockwell (Timken)	RS17220	5.86/8.17	17.5M	Δ	271
E9HT 4B430-H216A	Rockwell (Timken)	RS17220	6.14/8.57	17.5M	Δ	271
E9HT 4B430-H217A	Rockwell (Timken)	RS17220	6.50/9.07	17.5M	Δ	271
E9HT 4B430-H218A	Rockwell (Timken)	RS17220	6.83/9.53	17.5M	Δ	271
E9HT 4B430-H219A	Rockwell (Timken)	RS17220	7.17/10.00	17.5M	Δ	271
★E9HT 4B430-J006A	Rockwell (Timken)	SL100	3.73	34M	Δ	250
★E9HT 4B430-J007A	Rockwell (Timken)	SL100	3.90	34M	Δ	250
★E9HT 4B430-J008A	Rockwell (Timken)	SL100	4.10	34M	Δ	250
★E9HT 4B430-J009A	Rockwell (Timken)	SL100	4.33	34M	Δ	250
★E9HT 4B430-J011A	Rockwell (Timken)	SL100	4.63	34M	Δ	250
★E9HT 4B430-J012A	Rockwell (Timken)	SL100	4.88	34M	Δ	250
★E9HT 4B430-J013A	Rockwell (Timken)	SL100	5.29	34M	Δ	250
★E9HT 4B430-J015A	Rockwell (Timken)	SL100	5.86	34M	Δ	250
★E9HT 4B430-J016A	Rockwell (Timken)	SL100	6.14	34M	Δ	250
★E9HT 4B430-J056A	Rockwell (Timken)	SQ100	3.73	40M	Δ	252
★E9HT 4B430-J057A	Rockwell (Timken)	SQ100	3.90	40M	Δ	252
★E9HT 4B430-J058A	Rockwell (Timken)	SQ100	4.10	40M	Δ	252
★E9HT 4B430-J059A	Rockwell (Timken)	SQ100	4.33	40M	Δ	252
★E9HT 4B430-J061A	Rockwell (Timken)	SQ100	4.63	40M	Δ	252
★E9HT 4B430-J062A	Rockwell (Timken)	SQ100	4.88	40M	Δ	252
★E9HT 4B430-J063A	Rockwell (Timken)	SQ100	5.29	40M	Δ	252
★E9HT 4B430-J065A	Rockwell (Timken)	SQ100	5.86	40M	Δ	252
★E9HT 4B430-J066A	Rockwell (Timken)	SQ100	6.14	40M	Δ	252
★E9HT 4B430-L004A	Rockwell (Timken)	RR17145	3.42	34M	Δ	289
★E9HT 4B430-L005A	Rockwell (Timken)	RR17145	3.58	34M	Δ	289
★E9HT 4B430-L006A	Rockwell (Timken)	RR17145	3.73	34M	Δ	289
★E9HT 4B430-L007A	Rockwell (Timken)	RR17145	3.91	34M	Δ	289
★E9HT 4B430-L008A	Rockwell (Timken)	RR17145	4.10	34M	Δ	289
★E9HT 4B430-L009A	Rockwell (Timken)	RR17145	4.30	34M	Δ	289
★E9HT 4B430-L010A	Rockwell (Timken)	RR17145	4.56	34M	Δ	289



1980/  
TRUCK SERIES 600/900

REAR AXLE T.S.L. † CROSS-REFERENCE GUIDE

IDENTIFICATION AND/OR T.S.L. NUMBER		MANUFACTURER	MANUFACTURER MODEL	RATIO	CAPACITY	DRIVESHAFT SIZE	SEC.40.1 PARTS LIST NO.
Notes:     Δ Driveshaft flange not included on assy. † Truck Specification List-included in Kentucky-built trucks. --- Cont'd							
★E9HT	4B430-L011A	Rockwell (Timken)	RR17145	4.88	34M	Δ	289
★E9HT	4B430-L013A	Rockwell (Timken)	RR17145	5.29	34M	Δ	289
★E9HT	4B430-L015A	Rockwell (Timken)	RR17145	5.86	34M	Δ	289
★E9HT	4B430-L016A	Rockwell (Timken)	RR17145	6.14	34M	Δ	289
★E9HT	4B430-L017A	Rockwell (Timken)	RR17145	6.43	34M	Δ	289
★E9HT	4B430-L019A	Rockwell (Timken)	RR17145	7.17	34M	Δ	289
★E9HT	4B430-L029A	Rockwell (Timken)	RR17145	3.42	34M	Δ	289
★E9HT	4B430-L030A	Rockwell (Timken)	RR17145	3.58	34M	Δ	289
★E9HT	4B430-L031A	Rockwell (Timken)	RR17145	3.73	34M	Δ	289
★E9HT	4B430-L032A	Rockwell (Timken)	RR17145	3.91	34M	Δ	289
★E9HT	4B430-L033A	Rockwell (Timken)	RR17145	4.10	34M	Δ	289
★E9HT	4B430-L034A	Rockwell (Timken)	RR17145	4.30	34M	Δ	289
★E9HT	4B430-L035A	Rockwell (Timken)	RR17145	4.56	34M	Δ	289
★E9HT	4B430-L036A	Rockwell (Timken)	RR17145	4.88	34M	Δ	289
★E9HT	4B430-M256A	Rockwell (Timken)	RS21145	3.73	21M	Δ	272
★E9HT	4B430-M257A	Rockwell (Timken)	RS21145	3.91	21M	Δ	272
★E9HT	4B430-M258A	Rockwell (Timken)	RS21145	4.10	21M	Δ	272
★E9HT	4B430-M259A	Rockwell (Timken)	RS21145	4.30	21M	Δ	272
★E9HT	4B430-M260A	Rockwell (Timken)	RS21145	4.56	21M	Δ	272
★E9HT	4B430-M261A	Rockwell (Timken)	RS21145	4.88	21M	Δ	272
★E9HT	4B430-M263A	Rockwell (Timken)	RS21145	5.29	21M	Δ	272
★E9HT	4B430-M265A	Rockwell (Timken)	RS21145	5.86	21M	Δ	272
★E9HT	4B430-M267A	Rockwell (Timken)	RS21145	6.43	21M	Δ	272
★E9HT	4B430-M268A	Rockwell (Timken)	RS21145	6.83	21M	Δ	272
★E9HT	4B430-M269A	Rockwell (Timken)	RS21145	7.17	21M	Δ	272
★E9HT	4B430-M306A	Rockwell (Timken)	RS21145	3.73	21M	Δ	279
★E9HT	4B430-M307A	Rockwell (Timken)	RS21145	3.91	21M	Δ	279
★E9HT	4B430-M308A	Rockwell (Timken)	RS21145	4.10	21M	Δ	279
★E9HT	4B430-M309A	Rockwell (Timken)	RS21145	4.30	21M	Δ	279
★E9HT	4B430-M310A	Rockwell (Timken)	RS21145	4.56	21M	Δ	279
★E9HT	4B430-M311A	Rockwell (Timken)	RS21145	4.88	21M	Δ	279
★E9HT	4B430-M313A	Rockwell (Timken)	RS21145	5.29	21M	Δ	279
★E9HT	4B430-M315A	Rockwell (Timken)	RS21145	5.86	21M	Δ	279
★E9HT	4B430-M317A	Rockwell (Timken)	RS21145	6.43	21M	Δ	279
★E9HT	4B430-M318A	Rockwell (Timken)	RS21145	6.83	21M	Δ	279
★E9HT	4B430-M319A	Rockwell (Timken)	RS21145	7.17	21M	Δ	279
E9HT	4B430-M357A	Rockwell (Timken)	RS21230	3.91/5.45	21M	Δ	273
E9HT	4B430-M358A	Rockwell (Timken)	RS21230	4.10/5.72	21M	Δ	273
E9HT	4B430-M359A	Rockwell (Timken)	RS21230	4.30/6.00	21M	Δ	273
E9HT	4B430-M360A	Rockwell (Timken)	RS21230	4.56/6.36	21M	Δ	273
E9HT	4B430-M361A	Rockwell (Timken)	RS21230	4.88/6.80	21M	Δ	273
E9HT	4B430-M363A	Rockwell (Timken)	RS21230	5.38/7.50	21M	Δ	273
E9HT	4B430-M365A	Rockwell (Timken)	RS21230	5.86/8.17	21M	Δ	273
E9HT	4B430-M367A	Rockwell (Timken)	RS21230	6.50/9.07	21M	Δ	273
E9HT	4B430-M368A	Rockwell (Timken)	RS21230	6.83/9.53	21M	Δ	273
E9HT	4B430-M369A	Rockwell (Timken)	RS21230	7.17/10.00	21M	Δ	273
★E9HT	4B430-R406A	Rockwell (Timken)	RS23160	3.73	23M	Δ	274
★E9HT	4B430-R407A	Rockwell (Timken)	RS23160	3.91	23M	Δ	274
★E9HT	4B430-R408A	Rockwell (Timken)	RS23160	4.10	23M	Δ	274
★E9HT	4B430-R409A	Rockwell (Timken)	RS23160	4.30	23M	Δ	274
★E9HT	4B430-R410A	Rockwell (Timken)	RS23160	4.56	23M	Δ	274
★E9HT	4B430-R411A	Rockwell (Timken)	RS23160	4.89	23M	Δ	274
★E9HT	4B430-R413A	Rockwell (Timken)	RS23160	5.38	23M	Δ	274

1980/  
TRUCK SERIES 600/900

REAR AXLE T.S.L. † CROSS-REFERENCE GUIDE

IDENTIFICATION AND/OR T.S.L. NUMBER	MANUFACTURER	MANUFACTURER MODEL	RATIO	CAPACITY	DRIVESHAFT SIZE	SEC.40.1 PARTS LIST NO.
Notes: Δ Driveshaft flange not included on assy. † Truck Specification List—included in Kentucky-built trucks. — Cont'd						
★ E9HT 4B430-R414A	Rockwell (Timken)	RS23160	5.63	23M	Δ	274
★ E9HT 4B430-R416A	Rockwell (Timken)	RS23160	6.14	23M	Δ	274
★ E9HT 4B430-R418A	Rockwell (Timken)	RS23160	6.83	23M	Δ	274
★ E9HT 4B430-R419A	Rockwell (Timken)	RS23160	7.17	23M	Δ	274
★ E9HT 4B430-R454A	Rockwell (Timken)	RS23160	3.42	23M	Δ	280
★ E9HT 4B430-R455A	Rockwell (Timken)	RS23160	3.58	23M	Δ	280
★ E9HT 4B430-R456A	Rockwell (Timken)	RS23160	3.73	23M	Δ	280
★ E9HT 4B430-R457A	Rockwell (Timken)	RS23160	3.91	23M	Δ	280
★ E9HT 4B430-R458A	Rockwell (Timken)	RS23160	4.10	23M	Δ	280
★ E9HT 4B430-R459A	Rockwell (Timken)	RS23160	4.30	23M	Δ	280
★ E9HT 4B430-R460A	Rockwell (Timken)	RS23160	4.56	23M	Δ	280
★ E9HT 4B430-R461A	Rockwell (Timken)	RS23160	4.89	23M	Δ	280
★ E9HT 4B430-R463A	Rockwell (Timken)	RS23160	5.38	23M	Δ	280
★ E9HT 4B430-R464A	Rockwell (Timken)	RS23160	5.63	23M	Δ	280
★ E9HT 4B430-R466A	Rockwell (Timken)	RS23160	6.14	23M	Δ	280
★ E9HT 4B430-R468A	Rockwell (Timken)	RS23160	6.83	23M	Δ	280
★ E9HT 4B430-R469A	Rockwell (Timken)	RS23160	7.17	23M	Δ	280
★ E9HT 4B430-R504A	Rockwell (Timken)	RS23160	3.42	23M	Δ	274
★ E9HT 4B430-R506A	Rockwell (Timken)	RS23160	3.73	23M	Δ	274
★ E9HT 4B430-R507A	Rockwell (Timken)	RS23160	3.91	23M	Δ	274
★ E9HT 4B430-R508A	Rockwell (Timken)	RS23160	4.10	23M	Δ	274
★ E9HT 4B430-R554A	Rockwell (Timken)	RS23160	3.42	23M	Δ	280
★ E9HT 4B430-R555A	Rockwell (Timken)	RS23160	3.58	23M	Δ	280
★ E9HT 4B430-R556A	Rockwell (Timken)	RS23160	3.73	23M	Δ	280
★ E9HT 4B430-R557A	Rockwell (Timken)	RS23160	3.91	23M	Δ	280
★ E9HT 4B430-R558A	Rockwell (Timken)	RS23160	4.10	23M	Δ	280
★ E9HT 4B430-R604A	Rockwell (Timken)	RS23180	3.42	23M	Δ	275
★ E9HT 4B430-R605A	Rockwell (Timken)	RS23180	3.58	23M	Δ	275
★ E9HT 4B430-R606A	Rockwell (Timken)	RS23180	3.73	23M	Δ	275
★ E9HT 4B430-R607A	Rockwell (Timken)	RS23180	3.91	23M	Δ	275
★ E9HT 4B430-R608A	Rockwell (Timken)	RS23180	4.10	23M	Δ	275
★ E9HT 4B430-R609A	Rockwell (Timken)	RS23180	4.30	23M	Δ	275
★ E9HT 4B430-R610A	Rockwell (Timken)	RS23180	4.56	23M	Δ	275
★ E9HT 4B430-R611A	Rockwell (Timken)	RS23180	4.89	23M	Δ	275
★ E9HT 4B430-R613A	Rockwell (Timken)	RS23180	5.38	23M	Δ	275
★ E9HT 4B430-R614A	Rockwell (Timken)	RS23180	5.63	23M	Δ	275
★ E9HT 4B430-R654A	Rockwell (Timken)	RS23180	3.42	23M	Δ	281
★ E9HT 4B430-R655A	Rockwell (Timken)	RS23180	3.58	23M	Δ	281
★ E9HT 4B430-R656A	Rockwell (Timken)	RS23180	3.73	23M	Δ	281
★ E9HT 4B430-R657A	Rockwell (Timken)	RS23180	3.91	23M	Δ	281
★ E9HT 4B430-R658A	Rockwell (Timken)	RS23180	4.10	23M	Δ	281
★ E9HT 4B430-R659A	Rockwell (Timken)	RS23180	4.30	23M	Δ	281
★ E9HT 4B430-R660A	Rockwell (Timken)	RS23180	4.56	23M	Δ	281
★ E9HT 4B430-R661A	Rockwell (Timken)	RS23180	4.89	23M	Δ	281
★ E9HT 4B430-R663A	Rockwell (Timken)	RS23180	5.38	23M	Δ	281
★ E9HT 4B430-R664A	Rockwell (Timken)	RS23180	5.63	23M	Δ	281
★ E9HT 4B430-R704A	Rockwell (Timken)	RS23180	3.42	23M	Δ	275
★ E9HT 4B430-R705A	Rockwell (Timken)	RS23180	3.58	23M	Δ	275
★ E9HT 4B430-R706A	Rockwell (Timken)	RS23180	3.73	23M	Δ	275
★ E9HT 4B430-R707A	Rockwell (Timken)	RS23180	3.91	23M	Δ	275
★ E9HT 4B430-R708A	Rockwell (Timken)	RS23180	4.10	23M	Δ	275
★ E9HT 4B430-R754A	Rockwell (Timken)	RS23180	3.42	23M	Δ	281
★ E9HT 4B430-R755A	Rockwell (Timken)	RS23180	3.58	23M	Δ	281
★ E9HT 4B430-R756A	Rockwell (Timken)	RS23180	3.73	23M	Δ	281
★ E9HT 4B430-R757A	Rockwell (Timken)	RS23180	3.91	23M	Δ	281

1980/  
TRUCK SERIES 600/900

REAR AXLE T.S.L. † CROSS-REFERENCE GUIDE

IDENTIFICATION AND/OR T.S.L. NUMBER	MANUFACTURER	MANUFACTURER MODEL	RATIO	CAPACITY	DRIVESHAFT SIZE	SEC.40.1 PARTS LIST NO.
Notes: Δ Driveshaft flange not included on assy. † Truck Specification List-included in Kentucky-built trucks. — Cont'd						
★E9HT 4B430-R758A	Rockwell (Timken)	RS23180	4.10	23M	Δ	281
E9HT 4B430-R808A	Rockwell (Timken)	RS23240	4.10/5.59	23M	Δ	276
E9HT 4B430-R809A	Rockwell (Timken)	RS23240	4.30/5.86	23M	Δ	276
E9HT 4B430-R810A	Rockwell (Timken)	RS23240	4.56/6.22	23M	Δ	276
E9HT 4B430-R811A	Rockwell (Timken)	RS23240	4.88/6.65	23M	Δ	276
E9HT 4B430-R813A	Rockwell (Timken)	RS23240	5.38/7.33	23M	Δ	276
E9HT 4B430-R814A	Rockwell (Timken)	RS23240	5.57/7.60	23M	Δ	276
E9HT 4B430-R816A	Rockwell (Timken)	RS23240	6.14/8.38	23M	Δ	276
E9HT 4B430-R817A	Rockwell (Timken)	RS23240	6.50/8.86	23M	Δ	276
E9HT 4B430-R819A	Rockwell (Timken)	RS23240	7.17/9.77	23M	Δ	276
★7T-D010A (E7HT 4005-D010A)	Rockwell (Timken)	RS13120	5.86	13M	1480	267
★7T-D011A (E7HT 4005-D011A)	Rockwell (Timken)	RS13120	6.14	13M	1480	267
★7T-D014A (E7HT 4005-D014A)	Rockwell (Timken)	RS13120	7.17	13M	1480	267
★7T-D024A (E7HT 4005-D024A)	Rockwell (Timken)	RS13120	4.30	13M	1550	267
★7T-D026A (E7HT 4005-D026A)	Rockwell (Timken)	RS13120	4.88	13M	1550	267
★7T-D030A (E7HT 4005-D030A)	Rockwell (Timken)	RS13120	5.86	13M	1550	267
★7T-D031A (E7HT 4005-D031A)	Rockwell (Timken)	RS13120	6.14	13M	1550	267
★7T-D034A (E7HT 4005-D034A)	Rockwell (Timken)	RS13120	7.17	13M	1550	267
★7T-F506A (E7HT 4005-F506A)	Rockwell (Timken)	RS15120	4.88	15M	1480	268
★7T-F507A (E7HT 4005-F507A)	Rockwell (Timken)	RS15120	5.13	15M	1480	268
★7T-F510A (E7HT 4005-F510A)	Rockwell (Timken)	RS15120	5.86	15M	1480	268
★7T-F511A (E7HT 4005-F511A)	Rockwell (Timken)	RS15120	6.14	15M	1480	268
★7T-F514A (E7HT 4005-F514A)	Rockwell (Timken)	RS15120	7.17	15M	1480	268
★7T-F525A (E7HT 4005-F525A)	Rockwell (Timken)	RS15120	4.56	15M	1550	268
★7T-F526A (E7HT 4005-F526A)	Rockwell (Timken)	RS15120	4.88	15M	1550	268
★7T-F527A (E7HT 4005-F527A)	Rockwell (Timken)	RS15120	5.13	15M	1550	268
★7T-F530A (E7HT 4005-F530A)	Rockwell (Timken)	RS15120	5.86	15M	1550	268
★7T-F531A (E7HT 4005-F531A)	Rockwell (Timken)	RS15120	6.14	15M	1550	268
★7T-F534A (E7HT 4005-F534A)	Rockwell (Timken)	RS15120	7.17	15M	1550	268
★7T-F566A (E7HT 4005-F566A)	Rockwell (Timken)	RS15210	4.88/6.80	15M	1480	269
★7T-F568A (E7HT 4005-F568A)	Rockwell (Timken)	RS15210	5.38/7.50	15M	1480	269
★7T-F570A (E7HT 4005-F570A)	Rockwell (Timken)	RS15210	5.86/8.17	15M	1480	269
★7T-F571A (E7HT 4005-F571A)	Rockwell (Timken)	RS15210	6.14/8.57	15M	1480	269
★7T-F573A (E7HT 4005-F573A)	Rockwell (Timken)	RS15210	6.83/9.53	15M	1480	269
★7T-F585A (E7HT 4005-F585A)	Rockwell (Timken)	RS15210	4.56/6.36	15M	1550	269
★7T-F586A (E7HT 4005-F586A)	Rockwell (Timken)	RS15210	4.88/6.80	15M	1550	269
★7T-F588A (E7HT 4005-F588A)	Rockwell (Timken)	RS15210	5.38/7.50	15M	1550	269
★7T-F590A (E7HT 4005-F590A)	Rockwell (Timken)	RS15210	5.86/8.17	15M	1550	269
★7T-F591A (E7HT 4005-F591A)	Rockwell (Timken)	RS15210	6.14/8.57	15M	1550	269
★7T-F593A (E7HT 4005-F593A)	Rockwell (Timken)	RS15210	6.83/9.53	15M	1550	269
★7T-H010A (E7HT 4005-H010A)	Rockwell (Timken)	RS17140	4.88	17.5M	1480	270
★7T-H012A (E7HT 4005-H012A)	Rockwell (Timken)	RS17140	5.29	17.5M	1480	270
★7T-H014A (E7HT 4005-H014A)	Rockwell (Timken)	RS17140	5.86	17.5M	1480	270
★7T-H016A (E7HT 4005-H016A)	Rockwell (Timken)	RS17140	6.43	17.5M	1480	270
★7T-H017A (E7HT 4005-H017A)	Rockwell (Timken)	RS17140	6.83	17.5M	1480	270
★7T-H018A (E7HT 4005-H018A)	Rockwell (Timken)	RS17140	7.17	17.5M	1480	270
★7T-H033A (E7HT 4005-H033A)	Rockwell (Timken)	RS17140	4.30	17.5M	1550	270
★7T-H034A (E7HT 4005-H034A)	Rockwell (Timken)	RS17140	4.56	17.5M	1550	270
★7T-H035A (E7HT 4005-H035A)	Rockwell (Timken)	RS17140	4.88	17.5M	1550	270
★7T-H037A (E7HT 4005-H037A)	Rockwell (Timken)	RS17140	5.29	17.5M	1550	270
★7T-H039A (E7HT 4005-H039A)	Rockwell (Timken)	RS17140	5.86	17.5M	1550	270
★7T-H041A (E7HT 4005-H041A)	Rockwell (Timken)	RS17140	6.43	17.5M	1550	270
★7T-H042A (E7HT 4005-H042A)	Rockwell (Timken)	RS17140	6.83	17.5M	1550	270
★7T-H043A (E7HT 4005-H043A)	Rockwell (Timken)	RS17140	7.17	17.5M	1550	270
★7T-H056A (E7HT 4005-H056A)	Rockwell (Timken)	RS17140	3.91	17.5M	1610	270

1980/  
TRUCK SERIES 600/900

REAR AXLE T.S.L. † CROSS-REFERENCE GUIDE

IDENTIFICATION AND/OR T.S.L. NUMBER	MANUFACTURER	MANUFACTURER MODEL	RATIO	CAPACITY	DRIVESHAFT SIZE	SEC.40.1 PARTS LIST NO.
Notes: Δ Driveshaft flange not included on assy. † Truck Specification List-included in Kentucky-built trucks. — Cont'd						
★ 7T-H057A (E7HT 4005-H057A)	Rockwell (Timken)	RS17140	4.10	17.5M	1610	270
★ 7T-H058A (E7HT 4005-H058A)	Rockwell (Timken)	RS17140	4.30	17.5M	1610	270
★ 7T-H059A (E7HT 4005-H059A)	Rockwell (Timken)	RS17140	4.56	17.5M	1610	270
★ 7T-H060A (E7HT 4005-H060A)	Rockwell (Timken)	RS17140	4.88	17.5M	1610	270
★ 7T-H062A (E7HT 4005-H062A)	Rockwell (Timken)	RS17140	5.29	17.5M	1610	270
★ 7T-H064A (E7HT 4005-H064A)	Rockwell (Timken)	RS17140	5.86	17.5M	1610	270
★ 7T-H066A (E7HT 4005-H066A)	Rockwell (Timken)	RS17140	6.43	17.5M	1610	270
★ 7T-H067A (E7HT 4005-H067A)	Rockwell (Timken)	RS17140	6.83	17.5M	1610	270
★ 7T-H068A (E7HT 4005-H068A)	Rockwell (Timken)	RS17140	7.17	17.5M	1610	270
★ 7T-H081A (E7HT 4005-H081A)	Rockwell (Timken)	RS17140	3.91	17.5M	1710	270
★ 7T-H082A (E7HT 4005-H082A)	Rockwell (Timken)	RS17140	4.10	17.5M	1710	270
★ 7T-H083A (E7HT 4005-H083A)	Rockwell (Timken)	RS17140	4.30	17.5M	1710	270
★ 7T-H084A (E7HT 4005-H084A)	Rockwell (Timken)	RS17140	4.56	17.5M	1710	270
★ 7T-H085A (E7HT 4005-H085A)	Rockwell (Timken)	RS17140	4.88	17.5M	1710	270
★ 7T-H087A (E7HT 4005-H087A)	Rockwell (Timken)	RS17140	5.29	17.5M	1710	270
★ 7T-H089A (E7HT 4005-H089A)	Rockwell (Timken)	RS17140	5.86	17.5M	1710	270
★ 7T-H091A (E7HT 4005-H091A)	Rockwell (Timken)	RS17140	6.43	17.5M	1710	270
★ 7T-H092A (E7HT 4005-H092A)	Rockwell (Timken)	RS17140	6.83	17.5M	1710	270
★ 7T-H093A (E7HT 4005-H093A)	Rockwell (Timken)	RS17140	7.17	17.5M	1710	270
★ 7T-H210A (E7HT 4005-H210A)	Rockwell (Timken)	RS17220	4.88/6.80	17.5M	1480	271
★ 7T-H212A (E7HT 4005-H212A)	Rockwell (Timken)	RS17220	5.38/7.50	17.5M	1480	271
★ 7T-H214A (E7HT 4005-H214A)	Rockwell (Timken)	RS17220	5.86/8.17	17.5M	1480	271
★ 7T-H216A (E7HT 4005-H216A)	Rockwell (Timken)	RS17220	6.50/9.07	17.5M	1480	271
★ 7T-H217A (E7HT 4005-H217A)	Rockwell (Timken)	RS17220	6.83/9.53	17.5M	1480	271
★ 7T-H218A (E7HT 4005-H218A)	Rockwell (Timken)	RS17220	7.17/10.0	17.5M	1480	271
★ 7T-H233A (E7HT 4005-H233A)	Rockwell (Timken)	RS17220	4.30/6.00	17.5M	1550	271
★ 7T-H234A (E7HT 4005-H234A)	Rockwell (Timken)	RS17220	4.56/6.36	17.5M	1550	271
★ 7T-H235A (E7HT 4005-H235A)	Rockwell (Timken)	RS17220	4.88/6.80	17.5M	1550	271
★ 7T-H237A (E7HT 4005-H237A)	Rockwell (Timken)	RS17220	5.38/7.50	17.5M	1550	271
★ 7T-H239A (E7HT 4005-H239A)	Rockwell (Timken)	RS17220	5.86/8.17	17.5M	1550	271
★ 7T-H240A (E7HT 4005-H240A)	Rockwell (Timken)	RS17220	6.14/8.57	17.5M	1550	271
★ 7T-H241A (E7HT 4005-H241A)	Rockwell (Timken)	RS17220	6.50/9.07	17.5M	1550	271
★ 7T-H242A (E7HT 4005-H242A)	Rockwell (Timken)	RS17220	6.83/9.53	17.5M	1550	271
★ 7T-H243A (E7HT 4005-H243A)	Rockwell (Timken)	RS17220	7.17/10.0	17.5M	1550	271
★ 7T-H256A (E7HT 4005-H256A)	Rockwell (Timken)	RS17220	3.91/5.45	17.5M	1610	271
★ 7T-H257A (E7HT 4005-H257A)	Rockwell (Timken)	RS17220	4.10/5.72	17.5M	1610	271
★ 7T-H258A (E7HT 4005-H258A)	Rockwell (Timken)	RS17220	4.30/6.00	17.5M	1610	271
★ 7T-H259A (E7HT 4005-H259A)	Rockwell (Timken)	RS17220	4.56/6.36	17.5M	1610	271
★ 7T-H260A (E7HT 4005-H260A)	Rockwell (Timken)	RS17220	4.88/6.80	17.5M	1610	271
★ 7T-H262A (E7HT 4005-H262A)	Rockwell (Timken)	RS17220	5.38/7.50	17.5M	1610	271
★ 7T-H264A (E7HT 4005-H264A)	Rockwell (Timken)	RS17220	5.86/8.17	17.5M	1610	271
★ 7T-H265A (E7HT 4005-H265A)	Rockwell (Timken)	RS17220	6.14/8.57	17.5M	1610	271
★ 7T-H266A (E7HT 4005-H266A)	Rockwell (Timken)	RS17220	6.50/9.07	17.5M	1610	271
★ 7T-H267A (E7HT 4005-H267A)	Rockwell (Timken)	RS17220	6.83/9.53	17.5M	1610	271
★ 7T-H268A (E7HT 4005-H268A)	Rockwell (Timken)	RS17220	7.17/10.0	17.5M	1610	271
★ 7T-H281A (E7HT 4005-H281A)	Rockwell (Timken)	RS17220	3.91/5.45	17.5M	1710	271
★ 7T-H282A (E7HT 4005-H282A)	Rockwell (Timken)	RS17220	4.10/5.72	17.5M	1710	271
★ 7T-H284A (E7HT 4005-H284A)	Rockwell (Timken)	RS17220	4.56/6.36	17.5M	1710	271
★ 7T-H285A (E7HT 4005-H285A)	Rockwell (Timken)	RS17220	4.88/6.80	17.5M	1710	271
★ 7T-H289A (E7HT 4005-H289A)	Rockwell (Timken)	RS17220	5.86/8.17	17.5M	1710	271
★ 7T-H290A (E7HT 4005-H290A)	Rockwell (Timken)	RS17220	6.14/8.57	17.5M	1710	271
★ 7T-M559A (E7HT 4005-M559A)	Rockwell (Timken)	RS21145	4.56	21M	1550	272
★ 7T-M560A (E7HT 4005-M560A)	Rockwell (Timken)	RS21145	4.88	21M	1550	272
★ 7T-M562A (E7HT 4005-M562A)	Rockwell (Timken)	RS21145	5.29	21M	1550	272
★ 7T-M564A (E7HT 4005-M564A)	Rockwell (Timken)	RS21145	5.86	21M	1550	272

1980/  
TRUCK SERIES 600/900

REAR AXLE T.S.L. † CROSS-REFERENCE GUIDE

IDENTIFICATION AND/OR T.S.L. NUMBER	MANUFACTURER	MANUFACTURER MODEL	RATIO	CAPACITY	DRIVESHAFT SIZE	SEC.40.1 PARTS LIST NO.
Notes: Δ Driveshaft flange not included on assy. † Truck Specification List-included in Kentucky-built trucks. --- Cont'd						
★ 7T-M566A (E7HT 4005-M566A)	Rockwell (Timken)	RS21145	6.43	21M	1550	272
★ 7T-M567A (E7HT 4005-M567A)	Rockwell (Timken)	RS21145	6.83	21M	1550	272
★ 7T-M568A (E7HT 4005-M568A)	Rockwell (Timken)	RS21145	7.17	21M	1550	272
★ 7T-M606A (E7HT 4005-M606A)	Rockwell (Timken)	RS21145	3.91	21M	1610	272
★ 7T-M607A (E7HT 4005-M607A)	Rockwell (Timken)	RS21145	4.10	21M	1610	272
★ 7T-M609A (E7HT 4005-M609A)	Rockwell (Timken)	RS21145	4.56	21M	1610	272
★ 7T-M610A (E7HT 4005-M610A)	Rockwell (Timken)	RS21145	4.88	21M	1610	272
★ 7T-M612A (E7HT 4005-M612A)	Rockwell (Timken)	RS21145	5.29	21M	1610	272
★ 7T-M614A (E7HT 4005-M614A)	Rockwell (Timken)	RS21145	5.86	21M	1610	272
★ 7T-M616A (E7HT 4005-M616A)	Rockwell (Timken)	RS21145	6.43	21M	1610	272
★ 7T-M617A (E7HT 4005-M617A)	Rockwell (Timken)	RS21145	6.83	21M	1610	272
★ 7T-M618A (E7HT 4005-M618A)	Rockwell (Timken)	RS21145	7.17	21M	1610	272
★ 7T-M656A (E7HT 4005-M656A)	Rockwell (Timken)	RS21145	3.91	21M	1710	272
★ 7T-M657A (E7HT 4005-M657A)	Rockwell (Timken)	RS21145	4.10	21M	1710	272
★ 7T-M659A (E7HT 4005-M659A)	Rockwell (Timken)	RS21145	4.56	21M	1710	272
★ 7T-M660A (E7HT 4005-M660A)	Rockwell (Timken)	RS21145	4.88	21M	1710	272
★ 7T-M662A (E7HT 4005-M662A)	Rockwell (Timken)	RS21145	5.29	21M	1710	272
★ 7T-M664A (E7HT 4005-M664A)	Rockwell (Timken)	RS21145	5.86	21M	1710	272
★ 7T-M666A (E7HT 4005-M666A)	Rockwell (Timken)	RS21145	6.43	21M	1710	272
★ 7T-M667A (E7HT 4005-M667A)	Rockwell (Timken)	RS21145	6.83	21M	1710	272
★ 7T-M668A (E7HT 4005-M668A)	Rockwell (Timken)	RS21145	7.17	21M	1710	272
★ 7T-M933A (E7HT 4005-M933A)	Rockwell (Timken)	RS21230	4.30/6.00	21M	1550	273
★ 7T-M934A (E7HT 4005-M934A)	Rockwell (Timken)	RS21230	4.56/6.36	21M	1550	273
★ 7T-M935A (E7HT 4005-M935A)	Rockwell (Timken)	RS21230	4.88/6.80	21M	1550	273
★ 7T-M937A (E7HT 4005-M937A)	Rockwell (Timken)	RS21230	5.38/7.50	21M	1550	273
★ 7T-M939A (E7HT 4005-M939A)	Rockwell (Timken)	RS21230	5.86/8.17	21M	1550	273
★ 7T-M941A (E7HT 4005-M941A)	Rockwell (Timken)	RS21230	6.50/9.07	21M	1550	273
★ 7T-M942A (E7HT 4005-M942A)	Rockwell (Timken)	RS21230	6.83/9.53	21M	1550	273
★ 7T-M943A (E7HT 4005-M943A)	Rockwell (Timken)	RS21230	7.17/10.0	21M	1550	273
★ 7T-M956A (E7HT 4005-M956A)	Rockwell (Timken)	RS21230	3.91/5.45	21M	1610	273
★ 7T-M957A (E7HT 4005-M957A)	Rockwell (Timken)	RS21230	4.10/5.72	21M	1610	273
★ 7T-M958A (E7HT 4005-M958A)	Rockwell (Timken)	RS21230	4.30/6.00	21M	1610	273
★ 7T-M959A (E7HT 4005-M959A)	Rockwell (Timken)	RS21230	4.56/6.36	21M	1610	273
★ 7T-M960A (E7HT 4005-M960A)	Rockwell (Timken)	RS21230	4.88/6.80	21M	1610	273
★ 7T-M962A (E7HT 4005-M962A)	Rockwell (Timken)	RS21230	5.38/7.50	21M	1610	273
★ 7T-M964A (E7HT 4005-M964A)	Rockwell (Timken)	RS21230	5.86/8.17	21M	1610	273
★ 7T-M966A (E7HT 4005-M966A)	Rockwell (Timken)	RS21230	6.50/9.07	21M	1610	273
★ 7T-M967A (E7HT 4005-M967A)	Rockwell (Timken)	RS21230	6.83/9.53	21M	1610	273
★ 7T-M968A (E7HT 4005-M968A)	Rockwell (Timken)	RS21230	7.17/10.0	21M	1610	273
★ 7T-M981A (E7HT 4005-M981A)	Rockwell (Timken)	RS21230	3.91/5.45	21M	1710	273
★ 7T-M982A (E7HT 4005-M982A)	Rockwell (Timken)	RS21230	4.10/5.72	21M	1710	273
★ 7T-M983A (E7HT 4005-M983A)	Rockwell (Timken)	RS21230	4.30/6.00	21M	1710	273
★ 7T-M984A (E7HT 4005-M984A)	Rockwell (Timken)	RS21230	4.56/6.36	21M	1710	273
★ 7T-M985A (E7HT 4005-M985A)	Rockwell (Timken)	RS21230	4.88/6.80	21M	1710	273
★ 7T-M987A (E7HT 4005-M987A)	Rockwell (Timken)	RS21230	5.38/7.50	21M	1710	273
★ 7T-M989A (E7HT 4005-M989A)	Rockwell (Timken)	RS21230	5.86/8.17	21M	1710	273
★ 7T-M991A (E7HT 4005-M991A)	Rockwell (Timken)	RS21230	6.50/9.07	21M	1710	273
★ 7T-M992A (E7HT 4005-M992A)	Rockwell (Timken)	RS21230	6.83/9.53	21M	1710	273
★ 7T-M993A (E7HT 4005-M993A)	Rockwell (Timken)	RS21230	7.17/10.0	21M	1710	273
★ 7T-R007A (E7HT 4005-R007A)	Rockwell (Timken)	RS23160	4.10	23M	1610	274
★ 7T-R008A (E7HT 4005-R008A)	Rockwell (Timken)	RS23160	4.30	23M	1610	274
★ 7T-R009A (E7HT 4005-R009A)	Rockwell (Timken)	RS23160	4.56	23M	1610	274
★ 7T-R010A (E7HT 4005-R010A)	Rockwell (Timken)	RS23160	4.89	23M	1610	274
★ 7T-R012A (E7HT 4005-R012A)	Rockwell (Timken)	RS23160	5.38	23M	1610	274
★ 7T-R013A (E7HT 4005-R013A)	Rockwell (Timken)	RS23160	5.63	23M	1610	274

1980/  
TRUCK SERIES 600/900

REAR AXLE T.S.L. † CROSS-REFERENCE GUIDE

IDENTIFICATION AND/OR T.S.L. NUMBER	MANUFACTURER	MANUFACTURER MODEL	RATIO	CAPACITY	DRIVESHAFT SIZE	SEC.40.1 PARTS LIST NO.
Notes: Δ Driveshaft flange not included on assy. † Truck Specification List-included in Kentucky-built trucks. — Cont'd						
★ 7T R015A (E7HT 4005-R015A)	Rockwell (Timken)	RS23160	6.14	23M	1610	274
★ 7T-R017A (E7HT 4005 R017A)	Rockwell (Timken)	RS23160	6.83	23M	1610	274
★ 7T R018A (E7HT 4005 R018A)	Rockwell (Timken)	RS23160	7.17	23M	1610	274
★ 7T-R053A (E7HT 4005-R053A)	Rockwell (Timken)	RS23160	3.42	23M	1710	274
★ 7T-R054A (E7HT 4005-R054A)	Rockwell (Timken)	RS23160	3.58	23M	1710	274
★ 7T R055A (E7HT 4005-R055A)	Rockwell (Timken)	RS23160	3.73	23M	1710	274
★ 7T-R056A (E7HT 4005-R056A)	Rockwell (Timken)	RS23160	3.91	23M	1710	274
★ 7T-R057A (E7HT 4005 R057A)	Rockwell (Timken)	RS23160	4.10	23M	1710	274
★ 7T-R058A (E7HT 4005-R058A)	Rockwell (Timken)	RS23160	4.30	23M	1710	274
★ 7T-R059A (E7HT 4005-R059A)	Rockwell (Timken)	RS23160	4.56	23M	1710	274
★ 7T R060A (E7HT 4005 R060A)	Rockwell (Timken)	RS23160	4.89	23M	1710	274
★ 7T-R062A (E7HT 4005-R062A)	Rockwell (Timken)	RS23160	5.38	23M	1710	274
★ 7T-R063A (E7HT 4005 R063A)	Rockwell (Timken)	RS23160	5.63	23M	1710	274
★ 7T R065A (E7HT 4005-R065A)	Rockwell (Timken)	RS23160	6.14	23M	1710	274
★ 7T-R067A (E7HT 4005 R067A)	Rockwell (Timken)	RS23160	6.83	23M	1710	274
★ 7T-R068A (E7HT 4005 R068A)	Rockwell (Timken)	RS23160	7.17	23M	1710	274
★ 7T-R103A (E7HT 4005-R103A)	Rockwell (Timken)	RS23160	3.42	23M	1760	274
★ 7T-R104A (E7HT 4005-R104A)	Rockwell (Timken)	RS23160	3.58	23M	1760	274
★ 7T-R105A (E7HT 4005 R105A)	Rockwell (Timken)	RS23160	3.73	23M	1760	274
★ 7T-R106A (E7HT 4005-R106A)	Rockwell (Timken)	RS23160	3.91	23M	1760	274
★ 7T-R107A (E7HT 4005-R107A)	Rockwell (Timken)	RS23160	4.10	23M	1760	274
★ 7T-R108A (E7HT 4005-R108A)	Rockwell (Timken)	RS23160	4.30	23M	1760	274
★ 7T R109A (E7HT 4005-R109A)	Rockwell (Timken)	RS23160	4.56	23M	1760	274
★ 7T-R110A (E7HT 4005 R110A)	Rockwell (Timken)	RS23160	4.89	23M	1760	274
★ 7T-R203A (E7HT 4005-R203A)	Rockwell (Timken)	RS23160	3.42	23M	1810	274
★ 7T R204A (E7HT 4005-R204A)	Rockwell (Timken)	RS23160	3.58	23M	1810	274
★ 7T-R205A (E7HT 4005-R205A)	Rockwell (Timken)	RS23160	3.73	23M	1810	274
★ 7T R206A (E7HT 4005-R206A)	Rockwell (Timken)	RS23160	3.91	23M	1810	274
★ 7T-R207A (E7HT 4005 R207A)	Rockwell (Timken)	RS23160	4.10	23M	1810	274
★ 7T R208A (E7HT 4005-R208A)	Rockwell (Timken)	RS23160	4.30	23M	1810	274
★ 7T-R209A (E7HT 4005-R209A)	Rockwell (Timken)	RS23160	4.56	23M	1810	274
★ 7T-R210A (E7HT 4005-R210A)	Rockwell (Timken)	RS23160	4.89	23M	1810	274
★ 7T-R507A (E7HT 4005-R507A)	Rockwell (Timken)	RS23180	4.10	23M	1610	275
★ 7T-R508A (E7HT 4005 R508A)	Rockwell (Timken)	RS23180	4.30	23M	1610	275
★ 7T-R509A (E7HT 4005-R509A)	Rockwell (Timken)	RS23180	4.56	23M	1610	275
★ 7T-R510A (E7HT 4005-R510A)	Rockwell (Timken)	RS23180	4.89	23M	1610	275
★ 7T-R512A (E7HT 4005 R512A)	Rockwell (Timken)	RS23180	5.38	23M	1610	275
★ 7T-R513A (E7HT 4005-R513A)	Rockwell (Timken)	RS23180	5.63	23M	1610	275
★ 7T-R515A (E7HT 4005-R515A)	Rockwell (Timken)	RS23180	6.14	23M	1610	275
★ 7T-R553A (E7HT 4005-R553A)	Rockwell (Timken)	RS23180	3.42	23M	1710	275
★ 7T-R554A (E7HT 4005-R554A)	Rockwell (Timken)	RS23180	3.58	23M	1710	275
★ 7T-R555A (E7HT 4005 R555A)	Rockwell (Timken)	RS23180	3.73	23M	1710	275
★ 7T-R556A (E7HT 4005-R556A)	Rockwell (Timken)	RS23180	3.91	23M	1710	275
★ 7T-R557A (E7HT 4005-R557A)	Rockwell (Timken)	RS23180	4.10	23M	1710	275
★ 7T-R558A (E7HT 4005-R558A)	Rockwell (Timken)	RS23180	4.30	23M	1710	275
★ 7T-R559A (E7HT 4005 R559A)	Rockwell (Timken)	RS23180	4.56	23M	1710	275
★ 7T-R560A (E7HT 4005-R560A)	Rockwell (Timken)	RS23180	4.89	23M	1710	275
★ 7T-R562A (E7HT 4005 R562A)	Rockwell (Timken)	RS23180	5.38	23M	1710	275
★ 7T-R563A (E7HT 4005-R563A)	Rockwell (Timken)	RS23180	5.63	23M	1710	275
★ 7T-R565A (E7HT 4005-R565A)	Rockwell (Timken)	RS23180	6.14	23M	1710	275
★ 7T-R603A (E7HT 4005 R603A)	Rockwell (Timken)	RS23180	3.42	23M	1760	275
★ 7T-R604A (E7HT 4005-R604A)	Rockwell (Timken)	RS23180	3.58	23M	1760	275
★ 7T-R605A (E7HT 4005-R605A)	Rockwell (Timken)	RS23180	3.73	23M	1760	275
★ 7T-R606A (E7HT 4005 R606A)	Rockwell (Timken)	RS23180	3.91	23M	1760	275
★ 7T R607A (E7HT 4005-R607A)	Rockwell (Timken)	RS23180	4.10	23M	1760	275

1980/  
TRUCK SERIES 600/900

REAR AXLE T.S.L. † CROSS-REFERENCE GUIDE

IDENTIFICATION AND/OR T.S.L. NUMBER	MANUFACTURER	MANUFACTURER MODEL	RATIO	CAPACITY	DRIVESHAFT SIZE	SEC. 40.1 PARTS LIST NO.
Notes: Δ Driveshaft flange not included on assy. † Truck Specification List-included in Kentucky-built trucks. — Cont'd						
★7T-R608A (E7HT 4005-R608A)	Rockwell (Timken)	RS23180	4.30	23M	1760	275
★7T-R609A (E7HT 4005-R609A)	Rockwell (Timken)	RS23180	4.56	23M	1760	275
★7T-R610A (E7HT 4005-R610A)	Rockwell (Timken)	RS23180	4.89	23M	1760	275
★7T-R703A (E7HT 4005-R703A)	Rockwell (Timken)	RS23180	3.42	23M	1810	275
★7T-R704A (E7HT 4005-R704A)	Rockwell (Timken)	RS23180	3.58	23M	1810	275
★7T-R705A (E7HT 4005-R705A)	Rockwell (Timken)	RS23180	3.73	23M	1810	275
★7T-R706A (E7HT 4005-R706A)	Rockwell (Timken)	RS23180	3.91	23M	1810	275
★7T-R707A (E7HT 4005-R707A)	Rockwell (Timken)	RS23180	4.10	23M	1810	275
★7T-R708A (E7HT 4005-R708A)	Rockwell (Timken)	RS23180	4.30	23M	1810	275
★7T-R709A (E7HT 4005-R709A)	Rockwell (Timken)	RS23180	4.56	23M	1810	275
★7T-R710A (E7HT 4005-R710A)	Rockwell (Timken)	RS23180	4.89	23M	1810	275
★7T-R907A (E7HT 4005-R907A)	Rockwell (Timken)	RS23240	4.10/5.59	23M	1610	276
★7T-R908A (E7HT 4005-R908A)	Rockwell (Timken)	RS23240	4.30/5.86	23M	1610	276
★7T-R909A (E7HT 4005-R909A)	Rockwell (Timken)	RS23240	4.56/6.22	23M	1610	276
★7T-R910A (E7HT 4005-R910A)	Rockwell (Timken)	RS23240	4.88/6.65	23M	1610	276
★7T-R912A (E7HT 4005-R912A)	Rockwell (Timken)	RS23240	5.38/7.33	23M	1610	276
★7T-R913A (E7HT 4005-R913A)	Rockwell (Timken)	RS23240	5.57/7.60	23M	1610	276
★7T-R915A (E7HT 4005-R915A)	Rockwell (Timken)	RS23240	6.14/8.38	23M	1610	276
★7T-R916A (E7HT 4005-R916A)	Rockwell (Timken)	RS23240	6.50/8.86	23M	1610	276
★7T-R918A (E7HT 4005-R918A)	Rockwell (Timken)	RS23240	7.17/9.77	23M	1610	276
★7T-R932A (E7HT 4005-R932A)	Rockwell (Timken)	RS23240	4.10/5.59	23M	1710	276
★7T-R933A (E7HT 4005-R933A)	Rockwell (Timken)	RS23240	4.30/5.86	23M	1710	276
★7T-R934A (E7HT 4005-R934A)	Rockwell (Timken)	RS23240	4.56/6.22	23M	1710	276
★7T-R935A (E7HT 4005-R935A)	Rockwell (Timken)	RS23240	4.88/6.65	23M	1710	276
★7T-R937A (E7HT 4005-R937A)	Rockwell (Timken)	RS23240	5.38/7.33	23M	1710	276
★7T-R938A (E7HT 4005-R938A)	Rockwell (Timken)	RS23240	5.57/7.60	23M	1710	276
★7T-R940A (E7HT 4005-R940A)	Rockwell (Timken)	RS23240	6.14/8.38	23M	1710	276
★7T-R941A (E7HT 4005-R941A)	Rockwell (Timken)	RS23240	6.50/8.86	23M	1710	276
★7T-R943A (E7HT 4005-R943A)	Rockwell (Timken)	RS23240	7.17/9.77	23M	1710	276
★7U-M559A (87HU 4005-M559A)	Rockwell (Timken)	RS21145	4.56	21M	1550	272
★7U-M560A (87HU 4005-M560A)	Rockwell (Timken)	RS21145	4.88	21M	1550	272
★7U-M564A (87HU 4005-M564A)	Rockwell (Timken)	RS21145	5.86	21M	1550	272
★7U-M609A (87HU 4005-M609A)	Rockwell (Timken)	RS21145	4.56	21M	1610	272
★7U-M610A (87HU 4005-M610A)	Rockwell (Timken)	RS21145	4.88	21M	1610	272
★7U-M659A (87HU 4005-M659A)	Rockwell (Timken)	RS21145	4.56	21M	1710	272
★7U-M660A (87HU 4005-M660A)	Rockwell (Timken)	RS21145	4.88	21M	1710	272
★8T-G034A (E8HT 4005-G034A)	Rockwell (Timken)	RR20145	4.56	40M	1610	284
★8T-G434A (E8HT 4005-G434A)	Rockwell (Timken)	RR20145	4.56	40M	1610	284
★8T-M558A (E8HT 4005-M558A)	Rockwell (Timken)	RS21145	4.30	21M	1550	272
★8T-M562A (E8HT 4005-M562A)	Rockwell (Timken)	RS21145	5.29	21M	1550	272
★8T-M566A (E8HT 4005-M566A)	Rockwell (Timken)	RS21145	6.43	21M	1550	272
★8T-M567A (E8HT 4005-M567A)	Rockwell (Timken)	RS21145	6.83	21M	1550	272
★8T-M568A (E8HT 4005-M568A)	Rockwell (Timken)	RS21145	7.17	21M	1550	272
★8T-M583A (E8HT 4005-M583A)	Rockwell (Timken)	RS21145	4.30	21M	1550	279
★8T-M584A (E8HT 4005-M584A)	Rockwell (Timken)	RS21145	4.56	21M	1550	279
★8T-M585A (E8HT 4005-M585A)	Rockwell (Timken)	RS21145	4.88	21M	1550	279
★8T-M587A (E8HT 4005-M587A)	Rockwell (Timken)	RS21145	5.29	21M	1550	279
★8T-M589A (E8HT 4005-M589A)	Rockwell (Timken)	RS21145	5.86	21M	1550	279
★8T-M591A (E8HT 4005-M591A)	Rockwell (Timken)	RS21145	6.43	21M	1550	279
★8T-M592A (E8HT 4005-M592A)	Rockwell (Timken)	RS21145	6.83	21M	1550	279
★8T-M593A (E8HT 4005-M593A)	Rockwell (Timken)	RS21145	7.17	21M	1550	279
★8T-M606A (E8HT 4005-M606A)	Rockwell (Timken)	RS21145	3.91	21M	1610	272
★8T-M607A (E8HT 4005-M607A)	Rockwell (Timken)	RS21145	4.10	21M	1610	272
★8T-M608A (E8HT 4005-M608A)	Rockwell (Timken)	RS21145	4.30	21M	1610	272
★8T-M612A (E8HT 4005-M612A)	Rockwell (Timken)	RS21145	5.29	21M	1610	272

1980/  
TRUCK SERIES 600/900

REAR AXLE T.S.L. † CROSS-REFERENCE GUIDE

IDENTIFICATION AND/OR T.S.L. NUMBER	MANUFACTURER	MANUFACTURER MODEL	RATIO	CAPACITY	DRIVESHAFT SIZE	SEC.40.1 PARTS LIST NO.
Notes: Δ Driveshaft flange not included on assy. † Truck Specification List-included in Kentucky-built trucks. — Cont'd						
★8T-M614A (E8HT 4005-M614A)	Rockwell (Timken)	RS21145	5.86	21M	1610	272
★8T-M616A (E8HT 4005-M616A)	Rockwell (Timken)	RS21145	6.43	21M	1610	272
★8T-M617A (E8HT 4005-M617A)	Rockwell (Timken)	RS21145	6.83	21M	1610	272
★8T-M618A (E8HT 4005-M618A)	Rockwell (Timken)	RS21145	7.17	21M	1610	272
★8T-M631A (E8HT 4005-M631A)	Rockwell (Timken)	RS21145	3.91	21M	1610	279
★8T-M632A (E8HT 4005-M632A)	Rockwell (Timken)	RS21145	4.10	21M	1610	279
★8T-M633A (E8HT 4005-M633A)	Rockwell (Timken)	RS21145	4.30	21M	1610	279
★8T-M634A (E8HT 4005-M634A)	Rockwell (Timken)	RS21145	4.56	21M	1610	279
★8T-M635A (E8HT 4005-M635A)	Rockwell (Timken)	RS21145	4.88	21M	1610	279
★8T-M637A (E8HT 4005-M637A)	Rockwell (Timken)	RS21145	5.29	21M	1610	279
★8T-M639A (E8HT 4005-M639A)	Rockwell (Timken)	RS21145	5.86	21M	1610	279
★8T-M641A (E8HT 4005-M641A)	Rockwell (Timken)	RS21145	6.43	21M	1610	279
★8T-M642A (E8HT 4005-M642A)	Rockwell (Timken)	RS21145	6.83	21M	1610	279
★8T-M643A (E8HT 4005-M643A)	Rockwell (Timken)	RS21145	7.17	21M	1610	279
★8T-M656A (E8HT 4005-M656A)	Rockwell (Timken)	RS21145	3.91	21M	1710	272
★8T-M657A (E8HT 4005-M657A)	Rockwell (Timken)	RS21145	4.10	21M	1710	272
★8T-M658A (E8HT 4005-M658A)	Rockwell (Timken)	RS21145	4.30	21M	1710	272
★8T-M662A (E8HT 4005-M662A)	Rockwell (Timken)	RS21145	5.29	21M	1710	272
★8T-M664A (E8HT 4005-M664A)	Rockwell (Timken)	RS21145	5.86	21M	1710	272
★8T-M666A (E8HT 4005-M666A)	Rockwell (Timken)	RS21145	6.43	21M	1710	272
★8T-M667A (E8HT 4005-M667A)	Rockwell (Timken)	RS21145	6.83	21M	1710	272
★8T-M668A (E8HT 4005-M668A)	Rockwell (Timken)	RS21145	7.17	21M	1710	272
★8T-M681A (E8HT 4005-M681A)	Rockwell (Timken)	RS21145	3.91	21M	1710	279
★8T-M682A (E8HT 4005-M682A)	Rockwell (Timken)	RS21145	4.10	21M	1710	279
★8T-M683A (E8HT 4005-M683A)	Rockwell (Timken)	RS21145	4.30	21M	1710	279
★8T-M684A (E8HT 4005-M684A)	Rockwell (Timken)	RS21145	4.56	21M	1710	279
★8T-M685A (E8HT 4005-M685A)	Rockwell (Timken)	RS21145	4.88	21M	1710	279
★8T-M687A (E8HT 4005-M687A)	Rockwell (Timken)	RS21145	5.29	21M	1710	279
★8T-M689A (E8HT 4005-M689A)	Rockwell (Timken)	RS21145	5.86	21M	1710	279
★8T-M691A (E8HT 4005-M691A)	Rockwell (Timken)	RS21145	6.43	21M	1710	279
★8T-R032A (E8HT 4005-R032A)	Rockwell (Timken)	RS23160	4.10	23M	1610	280
★8T-R033A (E8HT 4005-R033A)	Rockwell (Timken)	RS23160	4.30	23M	1610	280
★8T-R034A (E8HT 4005-R034A)	Rockwell (Timken)	RS23160	4.56	23M	1610	280
★8T-R035A (E8HT 4005-R035A)	Rockwell (Timken)	RS23160	4.89	23M	1610	280
★8T-R037A (E8HT 4005-R037A)	Rockwell (Timken)	RS23160	5.38	23M	1610	280
★8T-R038A (E8HT 4005-R038A)	Rockwell (Timken)	RS23160	5.63	23M	1610	280
★8T-R040A (E8HT 4005-R040A)	Rockwell (Timken)	RS23160	6.14	23M	1610	280
★8T-R042A (E8HT 4005-R042A)	Rockwell (Timken)	RS23160	6.83	23M	1610	280
★8T-R043A (E8HT 4005-R043A)	Rockwell (Timken)	RS23160	7.17	23M	1610	280
★8T-R082A (E8HT 4005-R082A)	Rockwell (Timken)	RS23160	4.10	23M	1710	280
★8T-R083A (E8HT 4005-R083A)	Rockwell (Timken)	RS23160	4.30	23M	1710	280
★8T-R084A (E8HT 4005-R084A)	Rockwell (Timken)	RS23160	4.56	23M	1710	280
★8T-R085A (E8HT 4005-R085A)	Rockwell (Timken)	RS23160	4.89	23M	1710	280
★8T-R087A (E8HT 4005-R087A)	Rockwell (Timken)	RS23160	5.38	23M	1710	280
★8T-R088A (E8HT 4005-R088A)	Rockwell (Timken)	RS23160	5.63	23M	1710	280
★8T-R090A (E8HT 4005-R090A)	Rockwell (Timken)	RS23160	6.14	23M	1710	280
★8T-R103A (E8HT 4005-R103A)	Rockwell (Timken)	RS23160	3.42	23M	1760	274
★8T-R104A (E8HT 4005-R104A)	Rockwell (Timken)	RS23160	3.58	23M	1760	274
★8T-R105A (E8HT 4005-R105A)	Rockwell (Timken)	RS23160	3.73	23M	1760	274
★8T-R106A (E8HT 4005-R106A)	Rockwell (Timken)	RS23160	3.91	23M	1760	274
★8T-R107A (E8HT 4005-R107A)	Rockwell (Timken)	RS23160	4.10	23M	1760	274
★8T-R108A (E8HT 4005-R108A)	Rockwell (Timken)	RS23160	4.30	23M	1760	274
★8T-R109A (E8HT 4005-R109A)	Rockwell (Timken)	RS23160	4.56	23M	1760	274
★8T-R110A (E8HT 4005-R110A)	Rockwell (Timken)	RS23160	4.89	23M	1760	274
★8T-R128A (E8HT 4005-R128A)	Rockwell (Timken)	RS23160	3.42	23M	1760	280



1980/  
TRUCK SERIES 600/900

REAR AXLE T.S.L. † CROSS-REFERENCE GUIDE

IDENTIFICATION AND/OR T.S.L. NUMBER	MANUFACTURER	MANUFACTURER MODEL	RATIO	CAPACITY	DRIVESHAFT SIZE	SEC.40.1 PARTS LIST NO.
Notes:     Δ Driveshaft flange not included on assy. † Truck Specification List-included in Kentucky-built trucks. — Cont'd						
★8T-R129A (E8HT 4005-R129A)	Rockwell (Timken)	RS23160	3.58	23M	1760	280
★8T-R130A (E8HT 4005-R130A)	Rockwell (Timken)	RS23160	3.73	23M	1760	280
★8T-R131A (E8HT 4005-R131A)	Rockwell (Timken)	RS23160	3.91	23M	1760	280
★8T-R132A (E8HT 4005-R132A)	Rockwell (Timken)	RS23160	4.10	23M	1760	280
★8T-R133A (E8HT 4005-R133A)	Rockwell (Timken)	RS23160	4.30	23M	1760	280
★8T-R134A (E8HT 4005-R134A)	Rockwell (Timken)	RS23160	4.56	23M	1760	280
★8T-R135A (E8HT 4005-R135A)	Rockwell (Timken)	RS23160	4.89	23M	1760	280
★8T-R153A (E8HT 4005-R153A)	Rockwell (Timken)	RS23160	3.42	23M	1760	274
★8T-R154A (E8HT 4005-R154A)	Rockwell (Timken)	RS23160	3.58	23M	1760	274
★8T-R155A (E8HT 4005-R155A)	Rockwell (Timken)	RS23160	3.73	23M	1760	274
★8T-R156A (E8HT 4005-R156A)	Rockwell (Timken)	RS23160	3.91	23M	1760	274
★8T-R157A (E8HT 4005-R157A)	Rockwell (Timken)	RS23160	4.10	23M	1760	274
★8T-R178A (E8HT 4005-R178A)	Rockwell (Timken)	RS23160	3.42	23M	1760	280
★8T-R179A (E8HT 4005-R179A)	Rockwell (Timken)	RS23160	3.58	23M	1760	280
★8T-R180A (E8HT 4005-R180A)	Rockwell (Timken)	RS23160	3.73	23M	1760	280
★8T-R181A (E8HT 4005-R181A)	Rockwell (Timken)	RS23160	3.91	23M	1760	280
★8T-R203A (E8HT 4005-R203A)	Rockwell (Timken)	RS23160	3.42	23M	1810	274
★8T-R204A (E8HT 4005-R204A)	Rockwell (Timken)	RS23160	3.58	23M	1810	274
★8T-R205A (E8HT 4005-R205A)	Rockwell (Timken)	RS23160	3.73	23M	1810	274
★8T-R206A (E8HT 4005-R206A)	Rockwell (Timken)	RS23160	3.91	23M	1810	274
★8T-R207A (E8HT 4005-R207A)	Rockwell (Timken)	RS23160	4.10	23M	1810	274
★8T-R208A (E8HT 4005-R208A)	Rockwell (Timken)	RS23160	4.30	23M	1810	274
★8T-R209A (E8HT 4005-R209A)	Rockwell (Timken)	RS23160	4.56	23M	1810	274
★8T-R210A (E8HT 4005-R210A)	Rockwell (Timken)	RS23160	4.89	23M	1810	274
★8T-R228A (E8HT 4005-R228A)	Rockwell (Timken)	RS23160	3.42	23M	1810	280
★8T-R229A (E8HT 4005-R229A)	Rockwell (Timken)	RS23160	3.58	23M	1810	280
★8T-R230A (E8HT 4005-R230A)	Rockwell (Timken)	RS23160	3.73	23M	1810	280
★8T-R231A (E8HT 4005-R231A)	Rockwell (Timken)	RS23160	3.91	23M	1810	280
★8T-R232A (E8HT 4005-R232A)	Rockwell (Timken)	RS23160	4.10	23M	1810	280
★8T-R233A (E8HT 4005-R233A)	Rockwell (Timken)	RS23160	4.30	23M	1810	280
★8T-R234A (E8HT 4005-R234A)	Rockwell (Timken)	RS23160	4.56	23M	1810	280
★8T-R235A (E8HT 4005-R235A)	Rockwell (Timken)	RS23160	4.89	23M	1810	280
★8T-R253A (E8HT 4005-R253A)	Rockwell (Timken)	RS23160	3.42	23M	1810	274
★8T-R254A (E8HT 4005-R254A)	Rockwell (Timken)	RS23160	3.58	23M	1810	274
★8T-R255A (E8HT 4005-R255A)	Rockwell (Timken)	RS23160	3.73	23M	1810	274
★8T-R256A (E8HT 4005-R256A)	Rockwell (Timken)	RS23160	3.91	23M	1810	274
★8T-R257A (E8HT 4005-R257A)	Rockwell (Timken)	RS23160	4.10	23M	1810	274
★8T-R278A (E8HT 4005-R278A)	Rockwell (Timken)	RS23160	3.42	23M	1810	280
★8T-R279A (E8HT 4005-R279A)	Rockwell (Timken)	RS23160	3.58	23M	1810	280
★8T-R280A (E8HT 4005-R280A)	Rockwell (Timken)	RS23160	3.73	23M	1810	280
★8T-R281A (E8HT 4005-R281A)	Rockwell (Timken)	RS23160	3.91	23M	1810	280
★8T-R282A (E8HT 4005-R282A)	Rockwell (Timken)	RS23160	4.10	23M	1810	280
★8T-R532A (E8HT 4005-R532A)	Rockwell (Timken)	RS23180	4.10	23M	1610	281
★8T-R533A (E8HT 4005-R533A)	Rockwell (Timken)	RS23180	4.30	23M	1610	281
★8T-R534A (E8HT 4005-R534A)	Rockwell (Timken)	RS23180	4.56	23M	1610	281
★8T-R535A (E8HT 4005-R535A)	Rockwell (Timken)	RS23180	4.89	23M	1610	281
★8T-R537A (E8HT 4005-R537A)	Rockwell (Timken)	RS23180	5.38	23M	1610	281
★8T-R538A (E8HT 4005-R538A)	Rockwell (Timken)	RS23180	5.63	23M	1610	281
★8T-R540A (E8HT 4005-R540A)	Rockwell (Timken)	RS23180	6.14	23M	1610	281
★8T-R578A (E8HT 4005-R578A)	Rockwell (Timken)	RS23180	3.42	23M	1710	281
★8T-R579A (E8HT 4005-R579A)	Rockwell (Timken)	RS23180	3.58	23M	1710	281
★8T-R580A (E8HT 4005-R580A)	Rockwell (Timken)	RS23180	3.73	23M	1710	281
★8T-R581A (E8HT 4005-R581A)	Rockwell (Timken)	RS23180	3.91	23M	1710	281
★8T-R582A (E8HT 4005-R582A)	Rockwell (Timken)	RS23180	4.10	23M	1710	281
★8T-R583A (E8HT 4005-R583A)	Rockwell (Timken)	RS23180	4.30	23M	1710	281

1980/  
TRUCK SERIES 600/900

REAR AXLE T.S.L. † CROSS-REFERENCE GUIDE

IDENTIFICATION AND/OR T.S.L. NUMBER	MANUFACTURER	MANUFACTURER MODEL	RATIO	CAPACITY	DRIVESHAFT SIZE	SEC.40.1 PARTS LIST NO.
Notes: Δ Driveshaft flange not included on assy. † Truck Specification List-included in Kentucky-built trucks. — Cont'd						
★8T-R584A (E8HT 4005-R584A)	Rockwell (Timken)	RS23180	4.56	23M	1710	281
★8T-R585A (E8HT 4005-R585A)	Rockwell (Timken)	RS23180	4.89	23M	1710	281
★8T-R587A (E8HT 4005-R587A)	Rockwell (Timken)	RS23180	5.38	23M	1710	281
★8T-R588A (E8HT 4005-R588A)	Rockwell (Timken)	RS23180	5.63	23M	1710	281
★8T-R590A (E8HT 4005-R590A)	Rockwell (Timken)	RS23180	6.14	23M	1710	281
★8T-R603A (E8HT 4005-R603A)	Rockwell (Timken)	RS23180	3.42	23M	1760	275
★8T-R604A (E8HT 4005-R604A)	Rockwell (Timken)	RS23180	3.58	23M	1760	275
★8T-R605A (E8HT 4005-R605A)	Rockwell (Timken)	RS23180	3.73	23M	1760	275
★8T-R606A (E8HT 4005-R606A)	Rockwell (Timken)	RS23180	3.91	23M	1760	275
★8T-R607A (E8HT 4005-R607A)	Rockwell (Timken)	RS23180	4.10	23M	1760	275
★8T-R608A (E8HT 4005-R608A)	Rockwell (Timken)	RS23180	4.30	23M	1760	275
★8T-R609A (E8HT 4005-R609A)	Rockwell (Timken)	RS23180	4.56	23M	1760	275
★8T-R610A (E8HT 4005-R610A)	Rockwell (Timken)	RS23180	4.89	23M	1760	275
★8T-R628A (E8HT 4005-R628A)	Rockwell (Timken)	RS23180	3.42	23M	1760	281
★8T-R629A (E8HT 4005-R629A)	Rockwell (Timken)	RS23180	3.58	23M	1760	281
★8T-R630A (E8HT 4005-R630A)	Rockwell (Timken)	RS23180	3.73	23M	1760	281
★8T-R631A (E8HT 4005-R631A)	Rockwell (Timken)	RS23180	3.91	23M	1760	281
★8T-R632A (E8HT 4005-R632A)	Rockwell (Timken)	RS23180	4.10	23M	1760	281
★8T-R633A (E8HT 4005-R633A)	Rockwell (Timken)	RS23180	4.30	23M	1760	281
★8T-R634A (E8HT 4005-R634A)	Rockwell (Timken)	RS23180	4.56	23M	1760	281
★8T-R635A (E8HT 4005-R635A)	Rockwell (Timken)	RS23180	4.89	23M	1760	281
★8T-R653A (E8HT 4005-R653A)	Rockwell (Timken)	RS23180	3.42	23M	1760	275
★8T-R654A (E8HT 4005-R654A)	Rockwell (Timken)	RS23180	3.58	23M	1760	275
★8T-R655A (E8HT 4005-R655A)	Rockwell (Timken)	RS23180	3.73	23M	1760	275
★8T-R656A (E8HT 4005-R656A)	Rockwell (Timken)	RS23180	3.91	23M	1760	275
★8T-R657A (E8HT 4005-R657A)	Rockwell (Timken)	RS23180	4.10	23M	1760	275
★8T-R678A (E8HT 4005-R678A)	Rockwell (Timken)	RS23180	3.42	23M	1760	281
★8T-R679A (E8HT 4005-R679A)	Rockwell (Timken)	RS23180	3.58	23M	1760	281
★8T-R680A (E8HT 4005-R680A)	Rockwell (Timken)	RS23180	3.73	23M	1760	281
★8T-R681A (E8HT 4005-R681A)	Rockwell (Timken)	RS23180	3.91	23M	1760	281
★8T-R682A (E8HT 4005-R682A)	Rockwell (Timken)	RS23180	4.10	23M	1760	281
★8T-R703A (E8HT 4005-R703A)	Rockwell (Timken)	RS23180	3.42	23M	1810	275
★8T-R704A (E8HT 4005-R704A)	Rockwell (Timken)	RS23180	3.58	23M	1810	275
★8T-R705A (E8HT 4005-R705A)	Rockwell (Timken)	RS23180	3.73	23M	1810	275
★8T-R706A (E8HT 4005-R706A)	Rockwell (Timken)	RS23180	3.91	23M	1810	275
★8T-R707A (E8HT 4005-R707A)	Rockwell (Timken)	RS23180	4.10	23M	1810	275
★8T-R708A (E8HT 4005-R708A)	Rockwell (Timken)	RS23180	4.30	23M	1810	275
★8T-R709A (E8HT 4005-R709A)	Rockwell (Timken)	RS23180	4.56	23M	1810	275
★8T-R710A (E8HT 4005-R710A)	Rockwell (Timken)	RS23180	4.89	23M	1810	275
★8T-R728A (E8HT 4005-R728A)	Rockwell (Timken)	RS23180	3.42	23M	1810	281
★8T-R729A (E8HT 4005-R729A)	Rockwell (Timken)	RS23180	3.58	23M	1810	281
★8T-R730A (E8HT 4005-R730A)	Rockwell (Timken)	RS23180	3.73	23M	1810	281
★8T-R731A (E8HT 4005-R731A)	Rockwell (Timken)	RS23180	3.91	23M	1810	281
★8T-R732A (E8HT 4005-R732A)	Rockwell (Timken)	RS23180	4.10	23M	1810	281
★8T-R733A (E8HT 4005-R733A)	Rockwell (Timken)	RS23180	4.30	23M	1810	281
★8T-R734A (E8HT 4005-R734A)	Rockwell (Timken)	RS23180	4.56	23M	1810	281
★8T-R735A (E8HT 4005-R735A)	Rockwell (Timken)	RS23180	4.89	23M	1810	281
★8T-R753A (E8HT 4005-R753A)	Rockwell (Timken)	RS23180	3.42	23M	1810	275
★8T-R754A (E8HT 4005-R754A)	Rockwell (Timken)	RS23180	3.58	23M	1810	275
★8T-R755A (E8HT 4005-R755A)	Rockwell (Timken)	RS23180	3.73	23M	1810	275
★8T-R756A (E8HT 4005-R756A)	Rockwell (Timken)	RS23180	3.91	23M	1810	275
★8T-R757A (E8HT 4005-R757A)	Rockwell (Timken)	RS23180	4.10	23M	1810	275
★8T-R778A (E8HT 4005-R778A)	Rockwell (Timken)	RS23180	3.42	23M	1810	281
★8T-R779A (E8HT 4005-R779A)	Rockwell (Timken)	RS23180	3.58	23M	1810	281
★8T-R780A (E8HT 4005-R780A)	Rockwell (Timken)	RS23180	3.73	23M	1810	281

**1980/  
TRUCK SERIES 600/900**

**REAR AXLE T.S.L. † CROSS-REFERENCE GUIDE**

IDENTIFICATION AND/OR T.S.L. NUMBER	MANUFACTURER	MANUFACTURER MODEL	RATIO	CAPACITY	DRIVESHAFT SIZE	SEC.40.1 PARTS LIST NO.
Notes: Δ Driveshaft flange not included on assy. † Truck Specification List-included in Kentucky-built trucks. — Cont'd						
★8T-R781A (E8HT 4005-R781A)	Rockwell (Timken)	RS23180	3.91	23M	1810	281
★8T-R782A (E8HT 4005-R782A)	Rockwell (Timken)	RS23180	4.10	23M	1810	281
★8T-S084A (E8HT 4305-S084A)	Rockwell (Timken)	RD20145	4.56	40M	1610	282
★8T-S934A (E8HT 4305-S934A)	Rockwell (Timken)	RD20145	4.56	40M	1610	282
★8T-V934A (E8HT 4305-V934A)	Rockwell (Timken)	RP20145	4.56	40M	1610	283
★9T-A004A (E9HT 4A375-A004A)	Rockwell (Timken)	RD23160	3.42	46M	Δ	293
★9T-A005A (E9HT 4A375-A005A)	Rockwell (Timken)	RD23160	3.58	46M	Δ	293
★9T-A006A (E9HT 4A375-A006A)	Rockwell (Timken)	RD23160	3.73	46M	Δ	293
★9T-A007A (E9HT 4A375-A007A)	Rockwell (Timken)	RD23160	3.91	46M	Δ	293
★9T-A008A (E9HT 4A375-A008A)	Rockwell (Timken)	RD23160	4.10	46M	Δ	293
★9T-A009A (E9HT 4A375-A009A)	Rockwell (Timken)	RD23160	4.30	46M	Δ	293
★9T-A010A (E9HT 4A375-A010A)	Rockwell (Timken)	RD23160	4.56	46M	Δ	293
★9T-A011A (E9HT 4A375-A011A)	Rockwell (Timken)	RD23160	4.89	46M	Δ	293
★9T-A013A (E9HT 4A375-A013A)	Rockwell (Timken)	RD23160	5.38	46M	Δ	293
★9T-A014A (E9HT 4A375-A014A)	Rockwell (Timken)	RD23160	5.63	46M	Δ	293
★9T-A054A (E9HT 4A375-A054A)	Rockwell (Timken)	RD23160	3.42	46M	Δ	293
★9T-A055A (E9HT 4A375-A055A)	Rockwell (Timken)	RD23160	3.58	46M	Δ	293
★9T-A056A (E9HT 4A375-A056A)	Rockwell (Timken)	RD23160	3.73	46M	Δ	293
★9T-A057A (E9HT 4A375-A057A)	Rockwell (Timken)	RD23160	3.91	46M	Δ	293
★9T-A058A (E9HT 4A375-A058A)	Rockwell (Timken)	RD23160	4.10	46M	Δ	293
★9T-A059A (E9HT 4A375-A059A)	Rockwell (Timken)	RD23160	4.30	46M	Δ	293
★9T-A060A (E9HT 4A375-A060A)	Rockwell (Timken)	RD23160	4.56	46M	Δ	293
★9T-A061A (E9HT 4A375-A061A)	Rockwell (Timken)	RD23160	4.89	46M	Δ	293
★9T-A063A (E9HT 4A375-A063A)	Rockwell (Timken)	RD23160	5.38	46M	Δ	293
★9T-A064A (E9HT 4A375-A064A)	Rockwell (Timken)	RD23160	5.63	46M	Δ	293
★9T-A105A (E9HT 4A375-A105A)	Rockwell (Timken)	RD23160	3.58	46M	Δ	293
★9T-A106A (E9HT 4A375-A106A)	Rockwell (Timken)	RD23160	3.73	46M	Δ	293
★9T-A107A (E9HT 4A375-A107A)	Rockwell (Timken)	RD23160	3.91	46M	Δ	293
★9T-A108A (E9HT 4A375-A108A)	Rockwell (Timken)	RD23160	4.10	46M	Δ	293
★9T-B029A (E9HT 4A375-B029A)	Rockwell (Timken)	RP23160	3.42	46M	Δ	295
★9T-B030A (E9HT 4A375-B030A)	Rockwell (Timken)	RP23160	3.58	46M	Δ	295
★9T-B031A (E9HT 4A375-B031A)	Rockwell (Timken)	RP23160	3.73	46M	Δ	295
★9T-B032A (E9HT 4A375-B032A)	Rockwell (Timken)	RP23160	3.91	46M	Δ	295
★9T-B033A (E9HT 4A375-B033A)	Rockwell (Timken)	RP23160	4.10	46M	Δ	295
★9T-B034A (E9HT 4A375-B034A)	Rockwell (Timken)	RP23160	4.30	46M	Δ	295
★9T-B035A (E9HT 4A375-B035A)	Rockwell (Timken)	RP23160	4.56	46M	Δ	295
★9T-B036A (E9HT 4A375-B036A)	Rockwell (Timken)	RP23160	4.89	46M	Δ	295
★9T-B038A (E9HT 4A375-B038A)	Rockwell (Timken)	RP23160	5.38	46M	Δ	295
★9T-B039A (E9HT 4A375-B039A)	Rockwell (Timken)	RP23160	5.63	46M	Δ	295
★9T-B079A (E9HT 4A375-B079A)	Rockwell (Timken)	RP23160	3.42	46M	Δ	295
★9T-B080A (E9HT 4A375-B080A)	Rockwell (Timken)	RP23160	3.58	46M	Δ	295
★9T-B081A (E9HT 4A375-B081A)	Rockwell (Timken)	RP23160	3.73	46M	Δ	295
★9T-B082A (E9HT 4A375-B082A)	Rockwell (Timken)	RP23160	3.91	46M	Δ	295
★9T-B083A (E9HT 4A375-B083A)	Rockwell (Timken)	RP23160	4.10	46M	Δ	295
★9T-B084A (E9HT 4A375-B084A)	Rockwell (Timken)	RP23160	4.30	46M	Δ	295
★9T-B085A (E9HT 4A375-B085A)	Rockwell (Timken)	RP23160	4.56	46M	Δ	295
★9T-B086A (E9HT 4A375-B086A)	Rockwell (Timken)	RP23160	4.89	46M	Δ	295
★9T-B088A (E9HT 4A375-B088A)	Rockwell (Timken)	RP23160	5.38	46M	Δ	295
★9T-B089A (E9HT 4A375-B089A)	Rockwell (Timken)	RP23160	5.63	46M	Δ	295
★9T-B130A (E9HT 4A375-B130A)	Rockwell (Timken)	RP23160	3.58	46M	Δ	295
★9T-B131A (E9HT 4A375-B131A)	Rockwell (Timken)	RP23160	3.73	46M	Δ	295
★9T-B132A (E9HT 4A375-B132A)	Rockwell (Timken)	RP23160	3.91	46M	Δ	295
★9T-B133A (E9HT 4A375-B133A)	Rockwell (Timken)	RP23160	4.10	46M	Δ	295
★9T-C004A (E9HT 4B430-C004A)	Rockwell (Timken)	RP23160	3.42	46M	Δ	294
★9T-C005A (E9HT 4B430-C005A)	Rockwell (Timken)	RR23160	3.58	46M	Δ	294

1980/  
TRUCK SERIES 600/900

REAR AXLE T.S.L. † CROSS-REFERENCE GUIDE

IDENTIFICATION AND/OR T.S.L. NUMBER	MANUFACTURER	MANUFACTURER MODEL	RATIO	CAPACITY	DRIVESHAFT SIZE	SEC.40.1 PARTS LIST NO.
Notes: Δ Driveshaft flange not included on assy. † Truck Specification List-included in Kentucky-built trucks. — Cont'd						
★9T-C006A (E9HT 4B430-C006A)	Rockwell (Timken)	RR23160	3.73	46M	Δ	294
★9T-C007A (E9HT 4B430-C007A)	Rockwell (Timken)	RR23160	3.91	46M	Δ	294
★9T-C008A (E9HT 4B430-C008A)	Rockwell (Timken)	RR23160	4.10	46M	Δ	294
★9T-C009A (E9HT 4B430-C009A)	Rockwell (Timken)	RR23160	4.30	46M	Δ	294
★9T-C010A (E9HT 4B430-C010A)	Rockwell (Timken)	RR23160	4.56	46M	Δ	294
★9T-C011A (E9HT 4B430-C011A)	Rockwell (Timken)	RR23160	4.89	46M	Δ	294
★9T-C013A (E9HT 4B430-C013A)	Rockwell (Timken)	RR23160	5.38	46M	Δ	294
★9T-C014A (E9HT 4B430-C014A)	Rockwell (Timken)	RR23160	5.63	46M	Δ	294
★9T-C029A (E9HT 4B430-C029A)	Rockwell (Timken)	RR23160	3.42	46M	Δ	296
★9T-C030A (E9HT 4B430-C030A)	Rockwell (Timken)	RR23160	3.58	46M	Δ	296
★9T-C031A (E9HT 4B430-C031A)	Rockwell (Timken)	RR23160	3.73	46M	Δ	296
★9T-C032A (E9HT 4B430-C032A)	Rockwell (Timken)	RR23160	3.91	46M	Δ	296
★9T-C033A (E9HT 4B430-C033A)	Rockwell (Timken)	RR23160	4.10	46M	Δ	296
★9T-C034A (E9HT 4B430-C034A)	Rockwell (Timken)	RR23160	4.30	46M	Δ	296
★9T-C035A (E9HT 4B430-C035A)	Rockwell (Timken)	RR23160	4.56	46M	Δ	296
★9T-C036A (E9HT 4B430-C036A)	Rockwell (Timken)	RR23160	4.89	46M	Δ	296
★9T-C038A (E9HT 4B430-C038A)	Rockwell (Timken)	RR23160	5.38	46M	Δ	296
★9T-C039A (E9HT 4B430-C039A)	Rockwell (Timken)	RR23160	5.63	46M	Δ	296
★9T-C054A (E9HT 4B430-C054A)	Rockwell (Timken)	RR23160	3.42	46M	Δ	294
★9T-C055A (E9HT 4B430-C055A)	Rockwell (Timken)	RR23160	3.58	46M	Δ	294
★9T-C056A (E9HT 4B430-C056A)	Rockwell (Timken)	RR23160	3.73	46M	Δ	294
★9T-C057A (E9HT 4B430-C057A)	Rockwell (Timken)	RR23160	3.91	46M	Δ	294
★9T-C058A (E9HT 4B430-C058A)	Rockwell (Timken)	RR23160	4.10	46M	Δ	294
★9T-C059A (E9HT 4B430-C059A)	Rockwell (Timken)	RR23160	4.30	46M	Δ	294
★9T-C060A (E9HT 4B430-C060A)	Rockwell (Timken)	RR23160	4.56	46M	Δ	294
★9T-C061A (E9HT 4B430-C061A)	Rockwell (Timken)	RR23160	4.89	46M	Δ	294
★9T-C063A (E9HT 4B430-C063A)	Rockwell (Timken)	RR23160	5.38	46M	Δ	294
★9T-C064A (E9HT 4B430-C064A)	Rockwell (Timken)	RR23160	5.63	46M	Δ	294
★9T-C079A (E9HT 4B430-C079A)	Rockwell (Timken)	RR23160	3.42	46M	Δ	296
★9T-C080A (E9HT 4B430-C080A)	Rockwell (Timken)	RR23160	3.58	46M	Δ	296
★9T-C081A (E9HT 4B430-C081A)	Rockwell (Timken)	RR23160	3.73	46M	Δ	296
★9T-C082A (E9HT 4B430-C082A)	Rockwell (Timken)	RR23160	3.91	46M	Δ	296
★9T-C083A (E9HT 4B430-C083A)	Rockwell (Timken)	RR23160	4.10	46M	Δ	296
★9T-C084A (E9HT 4B430-C084A)	Rockwell (Timken)	RR23160	4.30	46M	Δ	296
★9T-C085A (E9HT 4B430-C085A)	Rockwell (Timken)	RR23160	4.56	46M	Δ	296
★9T-C086A (E9HT 4B430-C086A)	Rockwell (Timken)	RR23160	4.89	46M	Δ	296
★9T-C088A (E9HT 4B430-C088A)	Rockwell (Timken)	RR23160	5.38	46M	Δ	296
★9T-C089A (E9HT 4B430-C089A)	Rockwell (Timken)	RR23160	5.63	46M	Δ	296
9T-D009A (E9HT 4B430-D009A)	Rockwell (Timken)	RS13120	4.30	13M	Δ	267
9T-D011A (E9HT 4B430-D011A)	Rockwell (Timken)	RS13120	4.88	13M	Δ	267
9T-D015A (E9HT 4B430-D015A)	Rockwell (Timken)	RS13120	5.86	13M	Δ	267
9T-D016A (E9HT 4B430-D016A)	Rockwell (Timken)	RS13120	6.14	13M	Δ	267
9T-D019A (E9HT 4B430-D019A)	Rockwell (Timken)	RS13120	7.17	13M	Δ	267
★9T-E006A (E9HT 4A375-E006A)	Rockwell (Timken)	SL100	3.73	34M	Δ	249
★9T-E007A (E9HT 4A375-E007A)	Rockwell (Timken)	SL100	3.90	34M	Δ	249
★9T-E008A (E9HT 4A375-E008A)	Rockwell (Timken)	SL100	4.10	34M	Δ	249
★9T-E009A (E9HT 4A375-E009A)	Rockwell (Timken)	SL100	4.33	34M	Δ	249
★9T-E011A (E9HT 4A375-E011A)	Rockwell (Timken)	SL100	4.63	34M	Δ	249
★9T-E012A (E9HT 4A375-E012A)	Rockwell (Timken)	SL100	4.88	34M	Δ	249
★9T-E013A (E9HT 4A375-E013A)	Rockwell (Timken)	SL100	5.29	34M	Δ	249
★9T-E015A (E9HT 4A375-E015A)	Rockwell (Timken)	SL100	5.86	34M	Δ	249
★9T-E016A (E9HT 4A375-E016A)	Rockwell (Timken)	SL100	6.14	34M	Δ	249
★9T-E056A (E9HT 4A375-E056A)	Rockwell (Timken)	SQ100	3.73	40M	Δ	251
★9T-E058A (E9HT 4A375-E058A)	Rockwell (Timken)	SQ100	4.10	40M	Δ	251
★9T-E059A (E9HT 4A375-E059A)	Rockwell (Timken)	SQ100	4.33	40M	Δ	251

1980/  
TRUCK SERIES 600/900

REAR AXLE T.S.L. † CROSS-REFERENCE GUIDE

IDENTIFICATION AND/OR T.S.L. NUMBER	MANUFACTURER	MANUFACTURER MODEL	RATIO	CAPACITY	DRIVESHAFT SIZE	SEC. 40.1 PARTS LIST NO.
Notes:      Δ Driveshaft flange not included on assy. † Truck Specification List-included in Kentucky-built trucks. --- Cont'd						
★ 9T-E061A (E9HT 4A375 E061A)	Rockwell (Timken)	SQ100	4.63	40M	Δ	251
★ 9T-E062A (E9HT 4A375-E062A)	Rockwell (Timken)	SQ100	4.88	40M	Δ	251
★ 9T-E063A (E9HT 4A375-E063A)	Rockwell (Timken)	SQ100	5.29	40M	Δ	251
★ 9T-E065A (E9HT 4A375 E065A)	Rockwell (Timken)	SQ100	5.86	40M	Δ	251
★ 9T-E066A (E9HT 4A375-E066A)	Rockwell (Timken)	SQ100	6.14	40M	Δ	251
★ 9T-E107A (E9HT 4A375-E107A)	Rockwell (Timken)	SQ100-P	3.90	40M	Δ	265
★ 9T-E108A (E9HT 4A375-E108A)	Rockwell (Timken)	SQ100-P	4.10	40M	Δ	265
★ 9T-E109A (E9HT 4A375-E109A)	Rockwell (Timken)	SQ100-P	4.33	40M	Δ	265
★ 9T-E111A (E9HT 4A375-E111A)	Rockwell (Timken)	SQ100-P	4.63	40M	Δ	265
★ 9T-E112A (E9HT 4A375-E112A)	Rockwell (Timken)	SQ100-P	4.88	40M	Δ	265
★ 9T-E113A (E9HT 4A375 E113A)	Rockwell (Timken)	SQ100-P	5.29	40M	Δ	265
★ 9T-E115A (E9HT 4A375 E115A)	Rockwell (Timken)	SQ100-P	5.86	40M	Δ	265
★ 9T-E116A (E9HT 4A375 E116A)	Rockwell (Timken)	SQ100-P	6.14	40M	Δ	265
9T-F056A (E9HT 4B430-F056A)	Rockwell (Timken)	RS15120	3.73	15M	Δ	268
9T-F058A (E9HT 4B430-F058A)	Rockwell (Timken)	RS15120	4.10	15M	Δ	268
9T-F059A (E9HT 4B430-F059A)	Rockwell (Timken)	RS15120	4.30	15M	Δ	268
9T-F060A (E9HT 4B430-F060A)	Rockwell (Timken)	RS15120	4.56	15M	Δ	268
9T-F061A (E9HT 4B430-F061A)	Rockwell (Timken)	RS15120	4.88	15M	Δ	268
9T-F062A (E9HT 4B430-F062A)	Rockwell (Timken)	RS15120	5.13	15M	Δ	268
9T-F065A (E9HT 4B430-F065A)	Rockwell (Timken)	RS15120	5.86	15M	Δ	268
9T-F066A (E9HT 4B430-F066A)	Rockwell (Timken)	RS15120	6.14	15M	Δ	268
9T-F069A (E9HT 4B430 F069A)	Rockwell (Timken)	RS15120	7.17	15M	Δ	268
9T-F110A (E9HT 4B430-F110A)	Rockwell (Timken)	RS15210	4.56/6.36	15M	Δ	269
9T-F111A (E9HT 4B430-F111A)	Rockwell (Timken)	RS15210	4.88/6.80	15M	Δ	269
9T-F113A (E9HT 4B430-F113A)	Rockwell (Timken)	RS15210	5.38/7.50	15M	Δ	269
9T-F115A (E9HT 4B430-F115A)	Rockwell (Timken)	RS15210	5.86/8.17	15M	Δ	269
9T-F116A (E9HT 4B430-F116A)	Rockwell (Timken)	RS15210	6.14/8.57	15M	Δ	269
9T-F118A (E9HT 4B430-F118A)	Rockwell (Timken)	RS15210	6.83/9.53	15M	Δ	269
★ 9T-G004A (E9HT 4B430-G004A)	Rockwell (Timken)	RR20145	3.42	40M	Δ	291
★ 9T-G005A (E9HT 4B430-G005A)	Rockwell (Timken)	RR20145	3.58	40M	Δ	291
★ 9T-G006A (E9HT 4B430-G006A)	Rockwell (Timken)	RR20145	3.73	40M	Δ	291
★ 9T-G007A (E9HT 4B430-G007A)	Rockwell (Timken)	RR20145	3.91	40M	Δ	291
★ 9T-G008A (E9HT 4B430-G008A)	Rockwell (Timken)	RR20145	4.10	40M	Δ	291
★ 9T-G009A (E9HT 4B430 G009A)	Rockwell (Timken)	RR20145	4.30	40M	Δ	291
★ 9T-G010A (E9HT 4B430-G010A)	Rockwell (Timken)	RR20145	4.56	40M	Δ	291
★ 9T-G011A (E9HT 4B430-G011A)	Rockwell (Timken)	RR20145	4.88	40M	Δ	291
★ 9T-G013A (E9HT 4B430 G013A)	Rockwell (Timken)	RR20145	5.29	40M	Δ	291
★ 9T-G015A (E9HT 4B430-G015A)	Rockwell (Timken)	RR20145	5.86	40M	Δ	291
★ 9T-G016A (E9HT 4B430-G016A)	Rockwell (Timken)	RR20145	6.14	40M	Δ	291
★ 9T-G017A (E9HT 4B430-G017A)	Rockwell (Timken)	RR20145	6.43	40M	Δ	291
★ 9T-G019A (E9HT 4B430-G019A)	Rockwell (Timken)	RR20145	7.17	40M	Δ	291
★ 9T-G029A (E9HT 4B430-G029A)	Rockwell (Timken)	RR20145	3.42	40M	Δ	284
★ 9T-G030A (E9HT 4B430-G030A)	Rockwell (Timken)	RR20145	3.58	40M	Δ	284
★ 9T-G031A (E9HT 4B430-G031A)	Rockwell (Timken)	RR20145	3.73	40M	Δ	284
★ 9T-G032A (E9HT 4B430-G032A)	Rockwell (Timken)	RR20145	3.91	40M	Δ	284
★ 9T-G033A (E9HT 4B430-G033A)	Rockwell (Timken)	RR20145	4.10	40M	Δ	284
★ 9T-G034A (E9HT 4B430-G034A)	Rockwell (Timken)	RR20145	4.30	40M	Δ	284
★ 9T-G035A (E9HT 4B430-G035A)	Rockwell (Timken)	RR20145	4.56	40M	Δ	284
★ 9T-G036A (E9HT 4B430-G036A)	Rockwell (Timken)	RR20145	4.88	40M	Δ	284
★ 9T-G038A (E9HT 4B430-G038A)	Rockwell (Timken)	RR20145	5.29	40M	Δ	284
★ 9T-G040A (E9HT 4B430-G040A)	Rockwell (Timken)	RR20145	5.86	40M	Δ	284
★ 9T-G079A (E9HT 4B430-G079A)	Rockwell (Timken)	RR20145	3.42	40M	Δ	291
★ 9T-G080A (E9HT 4B430-G080A)	Rockwell (Timken)	RR20145	3.58	40M	Δ	291
★ 9T-G081A (E9HT 4B430-G081A)	Rockwell (Timken)	RR20145	3.73	40M	Δ	291

1980/  
TRUCK SERIES 600/900

REAR AXLE T.S.L. † CROSS-REFERENCE GUIDE

IDENTIFICATION AND/OR T.S.L. NUMBER	MANUFACTURER	MANUFACTURER MODEL	RATIO	CAPACITY	DRIVESHAFT SIZE	SEC.40.1 PARTS LIST NO.
Notes:      Δ Driveshaft flange not included on assy. † Truck Specification List-included in Kentucky-built trucks. — Cont'd						
★9T-G082A (E9HT 4B430-G082A)	Rockwell (Timken)	RR20145	3.91	40M	Δ	291
★9T-G083A (E9HT 4B430-G083A)	Rockwell (Timken)	RR20145	4.10	40M	Δ	291
★9T-G084A (E9HT 4B430-G084A)	Rockwell (Timken)	RR20145	4.30	40M	Δ	291
★9T-G085A (E9HT 4B430-G085A)	Rockwell (Timken)	RR20145	4.56	40M	Δ	291
★9T-G086A (E9HT 4B430-G086A)	Rockwell (Timken)	RR20145	4.88	40M	Δ	291
★9T-G088A (E9HT 4B430-G088A)	Rockwell (Timken)	RR20145	5.29	40M	Δ	291
★9T-G090A (E9HT 4B430-G090A)	Rockwell (Timken)	RR20145	5.86	40M	Δ	291
★9T-G104A (E9HT 4B430-G104A)	Rockwell (Timken)	RR20145	3.42	40M	Δ	284
★9T-G105A (E9HT 4B430-G105A)	Rockwell (Timken)	RR20145	3.58	40M	Δ	284
★9T-G106A (E9HT 4B430-G106A)	Rockwell (Timken)	RR20145	3.73	40M	Δ	284
★9T-G107A (E9HT 4B430-G107A)	Rockwell (Timken)	RR20145	3.91	40M	Δ	284
★9T-G108A (E9HT 4B430-G108A)	Rockwell (Timken)	RR20145	4.10	40M	Δ	284
★9T-G109A (E9HT 4B430-G109A)	Rockwell (Timken)	RR20145	4.30	40M	Δ	284
★9T-G110A (E9HT 4B430-G110A)	Rockwell (Timken)	RR20145	4.56	40M	Δ	284
★9T-G111A (E9HT 4B430-G111A)	Rockwell (Timken)	RR20145	4.88	40M	Δ	284
★9T-G113A (E9HT 4B430-G113A)	Rockwell (Timken)	RR20145	5.29	40M	Δ	284
★9T-G115A (E9HT 4B430-G115A)	Rockwell (Timken)	RR20145	5.86	40M	Δ	284
★9T-G116A (E9HT 4B430-G116A)	Rockwell (Timken)	RR20145	6.14	40M	Δ	284
★9T-G117A (E9HT 4B430-G117A)	Rockwell (Timken)	RR20145	6.43	40M	Δ	284
★9T-G119A (E9HT 4B430-G119A)	Rockwell (Timken)	RR20145	7.17	40M	Δ	284
★9T-G154A (E9HT 4B430-G154A)	Rockwell (Timken)	RR20145	3.42	40M	Δ	291
★9T-G155A (E9HT 4B430-G155A)	Rockwell (Timken)	RR20145	3.58	40M	Δ	291
★9T-G156A (E9HT 4B430-G156A)	Rockwell (Timken)	RR20145	3.73	40M	Δ	291
★9T-G157A (E9HT 4B430-G157A)	Rockwell (Timken)	RR20145	3.91	40M	Δ	291
★9T-G158A (E9HT 4B430-G158A)	Rockwell (Timken)	RR20145	4.10	40M	Δ	291
★9T-G159A (E9HT 4B430-G159A)	Rockwell (Timken)	RR20145	4.30	40M	Δ	291
★9T-G160A (E9HT 4B430-G160A)	Rockwell (Timken)	RR20145	4.56	40M	Δ	291
★9T-G161A (E9HT 4B430-G161A)	Rockwell (Timken)	RR20145	4.88	40M	Δ	291
★9T-G163A (E9HT 4B430-G163A)	Rockwell (Timken)	RR20145	5.29	40M	Δ	291
★9T-G165A (E9HT 4B430-G165A)	Rockwell (Timken)	RR20145	5.86	40M	Δ	291
★9T-G179A (E9HT 4B430-G179A)	Rockwell (Timken)	RR20145	3.42	40M	Δ	284
★9T-G180A (E9HT 4B430-G180A)	Rockwell (Timken)	RR20145	3.58	40M	Δ	284
★9T-G181A (E9HT 4B430-G181A)	Rockwell (Timken)	RR20145	3.73	40M	Δ	284
★9T-G182A (E9HT 4B430-G182A)	Rockwell (Timken)	RR20145	3.91	40M	Δ	284
★9T-G183A (E9HT 4B430-G183A)	Rockwell (Timken)	RR20145	4.10	40M	Δ	284
★9T-G184A (E9HT 4B430-G184A)	Rockwell (Timken)	RR20145	4.30	40M	Δ	284
★9T-G185A (E9HT 4B430-G185A)	Rockwell (Timken)	RR20145	4.56	40M	Δ	284
★9T-G186A (E9HT 4B430-G186A)	Rockwell (Timken)	RR20145	4.88	40M	Δ	284
★9T-G188A (E9HT 4B430-G188A)	Rockwell (Timken)	RR20145	5.29	40M	Δ	284
★9T-G190A (E9HT 4B430-G190A)	Rockwell (Timken)	RR20145	5.86	40M	Δ	284
★9T-G279A (E9HT 4B430-G279A)	Rockwell (Timken)	RR20145	3.42	40M	Δ	291
★9T-G279B (E9HT 4B430-G279B)	Rockwell (Timken)	RR20145	3.42	40M	Δ	291
★9T-G280A (E9HT 4B430-G280A)	Rockwell (Timken)	RR20145	3.58	40M	Δ	291
★9T-G280B (E9HT 4B430-G280B)	Rockwell (Timken)	RR20145	3.58	40M	Δ	291
★9T-G281A (E9HT 4B430-G281A)	Rockwell (Timken)	RR20145	3.73	40M	Δ	291
★9T-G281B (E9HT 4B430-G281B)	Rockwell (Timken)	RR20145	3.73	40M	Δ	291
★9T-G282A (E9HT 4B430-G282A)	Rockwell (Timken)	RR20145	3.91	40M	Δ	291
★9T-G282B (E9HT 4B430-G282B)	Rockwell (Timken)	RR20145	3.91	40M	Δ	291
★9T-G283A (E9HT 4B430-G283A)	Rockwell (Timken)	RR20145	4.10	40M	Δ	291
★9T-G283B (E9HT 4B430-G283B)	Rockwell (Timken)	RR20145	4.10	40M	Δ	291
★9T-G284A (E9HT 4B430-G284A)	Rockwell (Timken)	RR20145	4.30	40M	Δ	291
★9T-G284B (E9HT 4B430-G284B)	Rockwell (Timken)	RR20145	4.30	40M	Δ	291
★9T-G285A (E9HT 4B430-G285A)	Rockwell (Timken)	RR20145	4.56	40M	Δ	291
★9T-G285B (E9HT 4B430-G285B)	Rockwell (Timken)	RR20145	4.56	40M	Δ	291

1980/  
TRUCK SERIES 600/900

REAR AXLE T.S.L. † CROSS-REFERENCE GUIDE

IDENTIFICATION AND/OR T.S.L. NUMBER	MANUFACTURER	MANUFACTURER MODEL	RATIO	CAPACITY	DRIVESHAFT SIZE	SEC.40.1 PARTS LIST NO.
Notes: Δ Driveshaft flange not included on assy. † Truck Specification List-included in Kentucky-built trucks. — Cont'd						
★9T-G304A (E9HT 4B430-G304A)	Rockwell (Timken)	RR20145	3.42	40M	Δ	284
★9T-G304B (E9HT 4B430-G304B)	Rockwell (Timken)	RR20145	3.42	40M	Δ	284
★9T-G305A (E9HT 4B430-G305A)	Rockwell (Timken)	RR20145	3.58	40M	Δ	284
★9T-G305B (E9HT 4B430-G305B)	Rockwell (Timken)	RR20145	3.58	40M	Δ	284
★9T-G306A (E9HT 4B430-G306A)	Rockwell (Timken)	RR20145	3.73	40M	Δ	284
★9T-G306B (E9HT 4B430-G306B)	Rockwell (Timken)	RR20145	3.73	40M	Δ	284
★9T-G307A (E9HT 4B430-G307A)	Rockwell (Timken)	RR20145	3.91	40M	Δ	284
★9T-G307B (E9HT 4B430-G307B)	Rockwell (Timken)	RR20145	3.91	40M	Δ	284
★9T-G308A (E9HT 4B430-G308A)	Rockwell (Timken)	RR20145	4.10	40M	Δ	284
★9T-G308B (E9HT 4B430-G308B)	Rockwell (Timken)	RR20145	4.10	40M	Δ	284
★9T-G309A (E9HT 4B430-G309A)	Rockwell (Timken)	RR20145	4.30	40M	Δ	284
★9T-G309B (E9HT 4B430-G309B)	Rockwell (Timken)	RR20145	4.30	40M	Δ	284
★9T-G310A (E9HT 4B430-G310A)	Rockwell (Timken)	RR20145	4.56	40M	Δ	284
★9T-G310B (E9HT 4B430-G310B)	Rockwell (Timken)	RR20145	4.56	40M	Δ	284
★9T-H156A (E9HT 4B430-H156A)	Rockwell (Timken)	RS17140	3.73	17.5M	Δ	270
★9T-H157A (E9HT 4B430-H157A)	Rockwell (Timken)	RS17140	3.91	17.5M	Δ	270
★9T-H158A (E9HT 4B430-H158A)	Rockwell (Timken)	RS17140	4.10	17.5M	Δ	270
★9T-H159A (E9HT 4B430-H159A)	Rockwell (Timken)	RS17140	4.30	17.5M	Δ	270
★9T-H160A (E9HT 4B430-H160A)	Rockwell (Timken)	RS17140	4.56	17.5M	Δ	270
★9T-H161A (E9HT 4B430-H161A)	Rockwell (Timken)	RS17140	4.88	17.5M	Δ	270
★9T-H163A (E9HT 4B430-H163A)	Rockwell (Timken)	RS17140	5.29	17.5M	Δ	270
★9T-H165A (E9HT 4B430-H165A)	Rockwell (Timken)	RS17140	5.86	17.5M	Δ	270
★9T-H167A (E9HT 4B430-H167A)	Rockwell (Timken)	RS17140	6.43	17.5M	Δ	270
★9T-H168A (E9HT 4B430-H168A)	Rockwell (Timken)	RS17140	6.83	17.5M	Δ	270
★9T-H169A (E9HT 4B430-H169A)	Rockwell (Timken)	RS17140	7.17	17.5M	Δ	270
9T-H209A (E9HT 4B430-H209A)	Rockwell (Timken)	RS17220	4.30/6.00	17.5M	Δ	271
9T-H210A (E9HT 4B430-H210A)	Rockwell (Timken)	RS17220	4.56/6.36	17.5M	Δ	271
9T-H211A (E9HT 4B430-H211A)	Rockwell (Timken)	RS17220	4.88/6.80	17.5M	Δ	271
9T-H213A (E9HT 4B430-H213A)	Rockwell (Timken)	RS17220	5.38/7.50	17.5M	Δ	271
9T-H215A (E9HT 4B430-H215A)	Rockwell (Timken)	RS17220	5.86/8.17	17.5M	Δ	271
9T-H216A (E9HT 4B430-H216A)	Rockwell (Timken)	RS17220	6.14/8.57	17.5M	Δ	271
9T-H217A (E9HT 4B430-H217A)	Rockwell (Timken)	RS17220	6.50/9.07	17.5M	Δ	271
9T-H218A (E9HT 4B430-H218A)	Rockwell (Timken)	RS17220	6.83/9.53	17.5M	Δ	271
9T-H219A (E9HT 4B430-H219A)	Rockwell (Timken)	RS17220	7.17/10.00	17.5M	Δ	271
★9T-J006A (E9HT 4B430-J006A)	Rockwell (Timken)	SL100	3.73	34M	Δ	250
★9T-J007A (E9HT 4B430-J007A)	Rockwell (Timken)	SL100	3.90	34M	Δ	250
★9T-J008A (E9HT 4B430-J008A)	Rockwell (Timken)	SL100	4.10	34M	Δ	250
★9T-J009A (E9HT 4B430-J009A)	Rockwell (Timken)	SL100	4.33	34M	Δ	250
★9T-J011A (E9HT 4B430-J011A)	Rockwell (Timken)	SL100	4.63	34M	Δ	250
★9T-J012A (E9HT 4B430-J012A)	Rockwell (Timken)	SL100	4.88	34M	Δ	250
★9T-J013A (E9HT 4B430-J013A)	Rockwell (Timken)	SL100	5.29	34M	Δ	250
★9T-J015A (E9HT 4B430-J015A)	Rockwell (Timken)	SL100	5.86	34M	Δ	250
★9T-J016A (E9HT 4B430-J016A)	Rockwell (Timken)	SL100	6.14	34M	Δ	250
★9T-J056A (E9HT 4B430-J056A)	Rockwell (Timken)	SQ100	3.73	40M	Δ	252
★9T-J057A (E9HT 4B430-J057A)	Rockwell (Timken)	SQ100	3.90	40M	Δ	252
★9T-J058A (E9HT 4B430-J058A)	Rockwell (Timken)	SQ100	4.10	40M	Δ	252
★9T-J059A (E9HT 4B430-J059A)	Rockwell (Timken)	SQ100	4.33	40M	Δ	252
★9T-J061A (E9HT 4B430-J061A)	Rockwell (Timken)	SQ100	4.63	40M	Δ	252
★9T-J062A (E9HT 4B430-J062A)	Rockwell (Timken)	SQ100	4.88	40M	Δ	252
★9T-J063A (E9HT 4B430-J063A)	Rockwell (Timken)	SQ100	5.29	40M	Δ	252
★9T-J065A (E9HT 4B430-J065A)	Rockwell (Timken)	SQ100	5.86	40M	Δ	252
★9T-J066A (E9HT 4B430-J066A)	Rockwell (Timken)	SQ100	6.14	40M	Δ	252
★9T-K004A (E9HT 4A375-K004A)	Rockwell (Timken)	RD17145	3.42	34M	Δ	288
★9T-K005A (E9HT 4A375-K005A)	Rockwell (Timken)	RD17145	3.58	34M	Δ	288
★9T-K006A (E9HT 4A375-K006A)	Rockwell (Timken)	RD17145	3.73	34M	Δ	288

1980/  
TRUCK SERIES 600/900

REAR AXLE T.S.L. † CROSS-REFERENCE GUIDE

IDENTIFICATION AND/OR T.S.L. NUMBER	MANUFACTURER	MANUFACTURER MODEL	RATIO	CAPACITY	DRIVESHAFT SIZE	SEC.40.1 PARTS LIST NO.
Notes:      Δ Driveshaft flange not included on assy. † Truck Specification List-included in Kentucky-built trucks. — Cont'd						
★9T-K007A (E9HT 4A375-K007A)	Rockwell (Timken)	RD17145	3.91	34M	Δ	288
★9T-K008A (E9HT 4A375-K008A)	Rockwell (Timken)	RD17145	4.10	34M	Δ	288
★9T-K009A (E9HT 4A375-K009A)	Rockwell (Timken)	RD17145	4.30	34M	Δ	288
★9T-K010A (E9HT 4A375-K010A)	Rockwell (Timken)	RD17145	4.56	34M	Δ	288
★9T-K011A (E9HT 4A375-K011A)	Rockwell (Timken)	RD17145	4.88	34M	Δ	288
★9T-K013A (E9HT 4A375-K013A)	Rockwell (Timken)	RD17145	5.29	34M	Δ	288
★9T-K015A (E9HT 4A375-K015A)	Rockwell (Timken)	RD17145	5.86	34M	Δ	288
★9T-K016A (E9HT 4A375-K016A)	Rockwell (Timken)	RD17145	6.14	34M	Δ	288
★9T-K017A (E9HT 4A375-K017A)	Rockwell (Timken)	RD17145	6.43	34M	Δ	288
★9T-K019A (E9HT 4A375-K019A)	Rockwell (Timken)	RD17145	7.17	34M	Δ	288
★9T-K029A (E9HT 4A375-K029A)	Rockwell (Timken)	RD17145	3.42	34M	Δ	288
★9T-K030A (E9HT 4A375-K030A)	Rockwell (Timken)	RD17145	3.58	34M	Δ	288
★9T-K031A (E9HT 4A375-K031A)	Rockwell (Timken)	RD17145	3.73	34M	Δ	288
★9T-K032A (E9HT 4A375-K032A)	Rockwell (Timken)	RD17145	3.91	34M	Δ	288
★9T-K033A (E9HT 4A375-K033A)	Rockwell (Timken)	RD17145	4.10	34M	Δ	288
★9T-K034A (E9HT 4A375-K034A)	Rockwell (Timken)	RD17145	4.30	34M	Δ	288
★9T-K035A (E9HT 4A375-K035A)	Rockwell (Timken)	RD17145	4.56	34M	Δ	288
★9T-K036A (E9HT 4A375-K036A)	Rockwell (Timken)	RD17145	4.88	34M	Δ	288
★9T-L004A (E9HT 4B430-L004A)	Rockwell (Timken)	RR17145	3.42	34M	Δ	289
★9T-L005A (E9HT 4B430-L005A)	Rockwell (Timken)	RR17145	3.58	34M	Δ	289
★9T-L006A (E9HT 4B430-L006A)	Rockwell (Timken)	RR17145	3.73	34M	Δ	289
★9T-L007A (E9HT 4B430-L007A)	Rockwell (Timken)	RR17145	3.91	34M	Δ	289
★9T-L008A (E9HT 4B430-L008A)	Rockwell (Timken)	RR17145	4.10	34M	Δ	289
★9T-L009A (E9HT 4B430-L009A)	Rockwell (Timken)	RR17145	4.30	34M	Δ	289
★9T-L010A (E9HT 4B430-L010A)	Rockwell (Timken)	RR17145	4.56	34M	Δ	289
★9T-L011A (E9HT 4B430-L011A)	Rockwell (Timken)	RR17145	4.88	34M	Δ	289
★9T-L013A (E9HT 4B430-L013A)	Rockwell (Timken)	RR17145	5.29	34M	Δ	289
★9T-L015A (E9HT 4B430-L015A)	Rockwell (Timken)	RR17145	5.86	34M	Δ	289
★9T-L016A (E9HT 4B430-L016A)	Rockwell (Timken)	RR17145	6.14	34M	Δ	289
★9T-L017A (E9HT 4B430-L017A)	Rockwell (Timken)	RR17145	6.43	34M	Δ	289
★9T-L019A (E9HT 4B430-L019A)	Rockwell (Timken)	RR17145	7.17	34M	Δ	289
★9T-L029A (E9HT 4B430-L029A)	Rockwell (Timken)	RR17145	3.42	34M	Δ	289
★9T-L030A (E9HT 4B430-L030A)	Rockwell (Timken)	RR17145	3.58	34M	Δ	289
★9T-L031A (E9HT 4B430-L031A)	Rockwell (Timken)	RR17145	3.73	34M	Δ	289
★9T-L032A (E9HT 4B430-L032A)	Rockwell (Timken)	RR17145	3.91	34M	Δ	289
★9T-L033A (E9HT 4B430-L033A)	Rockwell (Timken)	RR17145	4.10	34M	Δ	289
★9T-L034A (E9HT 4B430-L034A)	Rockwell (Timken)	RR17145	4.30	34M	Δ	289
★9T-L035A (E9HT 4B430-L035A)	Rockwell (Timken)	RR17145	4.56	34M	Δ	289
★9T-L036A (E9HT 4B430-L036A)	Rockwell (Timken)	RR17145	4.88	34M	Δ	289
★9T-M256A (E9HT 4B430-M256A)	Rockwell (Timken)	RS21145	3.73	21M	Δ	272
★9T-M257A (E9HT 4B430-M257A)	Rockwell (Timken)	RS21145	3.91	21M	Δ	272
★9T-M258A (E9HT 4B430-M258A)	Rockwell (Timken)	RS21145	4.10	21M	Δ	272
★9T-M259A (E9HT 4B430-M259A)	Rockwell (Timken)	RS21145	4.30	21M	Δ	272
★9T-M260A (E9HT 4B430-M260A)	Rockwell (Timken)	RS21145	4.56	21M	Δ	272
★9T-M261A (E9HT 4B430-M261A)	Rockwell (Timken)	RS21145	4.88	21M	Δ	272
★9T-M263A (E9HT 4B430-M263A)	Rockwell (Timken)	RS21145	5.29	21M	Δ	272
★9T-M265A (E9HT 4B430-M265A)	Rockwell (Timken)	RS21145	5.86	21M	Δ	272
★9T-M267A (E9HT 4B430-M267A)	Rockwell (Timken)	RS21145	6.43	21M	Δ	272
★9T-M268A (E9HT 4B430-M268A)	Rockwell (Timken)	RS21145	6.83	21M	Δ	272
★9T-M269A (E9HT 4B430-M269A)	Rockwell (Timken)	RS21145	7.17	21M	Δ	272
★9T-M306A (E9HT 4B430-M306A)	Rockwell (Timken)	RS21145	3.73	21M	Δ	279
★9T-M307A (E9HT 4B430-M307A)	Rockwell (Timken)	RS21145	3.91	21M	Δ	279
★9T-M308A (E9HT 4B430-M308A)	Rockwell (Timken)	RS21145	4.10	21M	Δ	279
★9T-M309A (E9HT 4B430-M309A)	Rockwell (Timken)	RS21145	4.30	21M	Δ	279
★9T-M310A (E9HT 4B430-M310A)	Rockwell (Timken)	RS21145	4.56	21M	Δ	279



1980/  
TRUCK SERIES 600/900

REAR AXLE T.S.L. † CROSS-REFERENCE GUIDE

IDENTIFICATION AND/OR T.S.L. NUMBER	MANUFACTURER	MANUFACTURER MODEL	RATIO	CAPACITY	DRIVESHAFT SIZE	SEC.40.1 PARTS LIST NO.
Notes: Δ Driveshaft flange not included on assy. † Truck Specification List-included in Kentucky-built trucks. — Cont'd						
★9T-M311A (E9HT 4B430-M311A)	Rockwell (Timken)	RS21145	4.88	21M	Δ	279
★9T-M313A (E9HT 4B430-M313A)	Rockwell (Timken)	RS21145	5.29	21M	Δ	279
★9T-M315A (E9HT 4B430-M315A)	Rockwell (Timken)	RS21145	5.86	21M	Δ	279
★9T-M317A (E9HT 4B430-M317A)	Rockwell (Timken)	RS21145	6.43	21M	Δ	279
★9T-M318A (E9HT 4B430-M318A)	Rockwell (Timken)	RS21145	6.83	21M	Δ	279
★9T-M319A (E9HT 4B430-M319A)	Rockwell (Timken)	RS21145	7.17	21M	Δ	279
9T-M357A (E9HT 4B430-M357A)	Rockwell (Timken)	RS21230	3.91/5.45	21M	Δ	273
9T-M358A (E9HT 4B430-M358A)	Rockwell (Timken)	RS21230	4.10/5.72	21M	Δ	273
9T-M359A (E9HT 4B430-M359A)	Rockwell (Timken)	RS21230	4.30/6.00	21M	Δ	273
9T-M360A (E9HT 4B430-M360A)	Rockwell (Timken)	RS21230	4.56/6.36	21M	Δ	273
9T-M361A (E9HT 4B430-M361A)	Rockwell (Timken)	RS21230	4.88/6.80	21M	Δ	273
9T-M363A (E9HT 4B430-M363A)	Rockwell (Timken)	RS21230	5.38/7.50	21M	Δ	273
9T-M365A (E9HT 4B430-M365A)	Rockwell (Timken)	RS21230	5.86/8.17	21M	Δ	273
9T-M367A (E9HT 4B430-M367A)	Rockwell (Timken)	RS21230	6.50/9.07	21M	Δ	273
9T-M368A (E9HT 4B430-M368A)	Rockwell (Timken)	RS21230	6.83/9.53	21M	Δ	273
9T-M369A (E9HT 4B430-M369A)	Rockwell (Timken)	RS21230	7.17/10.00	21M	Δ	273
★9T-R406A (E9HT 4B430-R406A)	Rockwell (Timken)	RS23160	3.73	23M	Δ	274
★9T-R407A (E9HT 4B430-R407A)	Rockwell (Timken)	RS23160	3.91	23M	Δ	274
★9T-R408A (E9HT 4B430-R408A)	Rockwell (Timken)	RS23160	4.10	23M	Δ	274
★9T-R409A (E9HT 4B430-R409A)	Rockwell (Timken)	RS23160	4.30	23M	Δ	274
★9T-R410A (E9HT 4B430-R410A)	Rockwell (Timken)	RS23160	4.56	23M	Δ	274
★9T-R411A (E9HT 4B430-R411A)	Rockwell (Timken)	RS23160	4.89	23M	Δ	274
★9T-R413A (E9HT 4B430-R413A)	Rockwell (Timken)	RS23160	5.38	23M	Δ	274
★9T-R414A (E9HT 4B430-R414A)	Rockwell (Timken)	RS23160	5.63	23M	Δ	274
★9T-R416A (E9HT 4B430-R416A)	Rockwell (Timken)	RS23160	6.14	23M	Δ	274
★9T-R418A (E9HT 4B430-R418A)	Rockwell (Timken)	RS23160	6.83	23M	Δ	274
★9T-R419A (E9HT 4B430-R419A)	Rockwell (Timken)	RS23160	7.17	23M	Δ	274
★9T-R454A (E9HT 4B430-R454A)	Rockwell (Timken)	RS23160	3.42	23M	Δ	280
★9T-R455A (E9HT 4B430-R455A)	Rockwell (Timken)	RS23160	3.58	23M	Δ	280
★9T-R456A (E9HT 4B430-R456A)	Rockwell (Timken)	RS23160	3.73	23M	Δ	280
★9T-R457A (E9HT 4B430-R457A)	Rockwell (Timken)	RS23160	3.91	23M	Δ	280
★9T-R458A (E9HT 4B430-R458A)	Rockwell (Timken)	RS23160	4.10	23M	Δ	280
★9T-R459A (E9HT 4B430-R459A)	Rockwell (Timken)	RS23160	4.30	23M	Δ	280
★9T-R460A (E9HT 4B430-R460A)	Rockwell (Timken)	RS23160	4.56	23M	Δ	280
★9T-R461A (E9HT 4B430-R461A)	Rockwell (Timken)	RS23160	4.89	23M	Δ	280
★9T-R463A (E9HT 4B430-R463A)	Rockwell (Timken)	RS23160	5.38	23M	Δ	280
★9T-R464A (E9HT 4B430-R464A)	Rockwell (Timken)	RS23160	5.63	23M	Δ	280
★9T-R466A (E9HT 4B430-R466A)	Rockwell (Timken)	RS23160	6.14	23M	Δ	280
★9T-R468A (E9HT 4B430-R468A)	Rockwell (Timken)	RS23160	6.83	23M	Δ	280
★9T-R469A (E9HT 4B430-R469A)	Rockwell (Timken)	RS23160	7.17	23M	Δ	280
★9T-R504A (E9HT 4B430-R504A)	Rockwell (Timken)	RS23160	3.42	23M	Δ	274
★9T-R506A (E9HT 4B430-R506A)	Rockwell (Timken)	RS23160	3.73	23M	Δ	274
★9T-R507A (E9HT 4B430-R507A)	Rockwell (Timken)	RS23160	3.91	23M	Δ	274
★9T-R508A (E9HT 4B430-R508A)	Rockwell (Timken)	RS23160	4.10	23M	Δ	274
★9T-R554A (E9HT 4B430-R554A)	Rockwell (Timken)	RS23160	3.42	23M	Δ	280
★9T-R555A (E9HT 4B430-R555A)	Rockwell (Timken)	RS23160	3.58	23M	Δ	280
★9T-R556A (E9HT 4B430-R556A)	Rockwell (Timken)	RS23160	3.73	23M	Δ	280
★9T-R557A (E9HT 4B430-R557A)	Rockwell (Timken)	RS23160	3.91	23M	Δ	280
★9T-R558A (E9HT 4B430-R558A)	Rockwell (Timken)	RS23160	4.10	23M	Δ	280
★9T-R604A (E9HT 4B430-R604A)	Rockwell (Timken)	RS23180	3.42	23M	Δ	275
★9T-R605A (E9HT 4B430-R605A)	Rockwell (Timken)	RS23180	3.58	23M	Δ	275
★9T-R606A (E9HT 4B430-R606A)	Rockwell (Timken)	RS23180	3.73	23M	Δ	275
★9T-R607A (E9HT 4B430-R607A)	Rockwell (Timken)	RS23180	3.91	23M	Δ	275
★9T-R608A (E9HT 4B430-R608A)	Rockwell (Timken)	RS23180	4.10	23M	Δ	275
★9T-R609A (E9HT 4B430-R609A)	Rockwell (Timken)	RS23180	4.30	23M	Δ	275

1980/  
TRUCK SERIES 600/900

REAR AXLE T.S.L. † CROSS-REFERENCE GUIDE

IDENTIFICATION AND/OR T.S.L. NUMBER	MANUFACTURER	MANUFACTURER MODEL	RATIO	CAPACITY	DRIVESHAFT SIZE	SEC.40.1 PARTS LIST NO.
Notes: Δ Driveshaft flange not included on assy. † Truck Specification List-included in Kentucky-built trucks. — Cont'd						
★9T-R610A (E9HT 4B430-R610A)	Rockwell (Timken)	RS23180	4.56	23M	Δ	275
★9T-R611A (E9HT 4B430-R611A)	Rockwell (Timken)	RS23180	4.89	23M	Δ	275
★9T-R613A (E9HT 4B430-R613A)	Rockwell (Timken)	RS23180	5.38	23M	Δ	275
★9T-R614A (E9HT 4B430-R614A)	Rockwell (Timken)	RS23180	5.63	23M	Δ	275
★9T-R654A (E9HT 4B430-R654A)	Rockwell (Timken)	RS23180	3.42	23M	Δ	281
★9T-R655A (E9HT 4B430-R655A)	Rockwell (Timken)	RS23180	3.58	23M	Δ	281
★9T-R656A (E9HT 4B430-R656A)	Rockwell (Timken)	RS23180	3.73	23M	Δ	281
★9T-R657A (E9HT 4B430-R657A)	Rockwell (Timken)	RS23180	3.91	23M	Δ	281
★9T-R658A (E9HT 4B430-R658A)	Rockwell (Timken)	RS23180	4.10	23M	Δ	281
★9T-R659A (E9HT 4B430-R659A)	Rockwell (Timken)	RS23180	4.30	23M	Δ	281
★9T-R660A (E9HT 4B430-R660A)	Rockwell (Timken)	RS23180	4.56	23M	Δ	281
★9T-R661A (E9HT 4B430-R661A)	Rockwell (Timken)	RS23180	4.89	23M	Δ	281
★9T-R663A (E9HT 4B430-R663A)	Rockwell (Timken)	RS23180	5.38	23M	Δ	281
★9T-R664A (E9HT 4B430-R664A)	Rockwell (Timken)	RS23180	5.63	23M	Δ	281
★9T-R704A (E9HT 4B430-R704A)	Rockwell (Timken)	RS23180	3.42	23M	Δ	275
★9T-R705A (E9HT 4B430-R705A)	Rockwell (Timken)	RS23180	3.58	23M	Δ	275
★9T-R706A (E9HT 4B430-R706A)	Rockwell (Timken)	RS23180	3.73	23M	Δ	275
★9T-R707A (E9HT 4B430-R707A)	Rockwell (Timken)	RS23180	3.91	23M	Δ	275
★9T-R708A (E9HT 4B430-R708A)	Rockwell (Timken)	RS23180	4.10	23M	Δ	275
★9T-R754A (E9HT 4B430-R754A)	Rockwell (Timken)	RS23180	3.42	23M	Δ	281
★9T-R755A (E9HT 4B430-R755A)	Rockwell (Timken)	RS23180	3.58	23M	Δ	281
★9T-R756A (E9HT 4B430-R756A)	Rockwell (Timken)	RS23180	3.73	23M	Δ	281
★9T-R757A (E9HT 4B430-R757A)	Rockwell (Timken)	RS23180	3.91	23M	Δ	281
★9T-R758A (E9HT 4B430-R758A)	Rockwell (Timken)	RS23180	4.10	23M	Δ	281
9T-R808A (E9HT 4B430-R808A)	Rockwell (Timken)	RS23240	4.10/5.59	23M	Δ	276
9T-R809A (E9HT 4B430-R809A)	Rockwell (Timken)	RS23240	4.30/5.86	23M	Δ	276
9T-R810A (E9HT 4B430-R810A)	Rockwell (Timken)	RS23240	4.56/6.22	23M	Δ	276
9T-R811A (E9HT 4B430-R811A)	Rockwell (Timken)	RS23240	4.88/6.65	23M	Δ	276
9T-R813A (E9HT 4B430-R813A)	Rockwell (Timken)	RS23240	5.38/7.33	23M	Δ	276
9T-R814A (E9HT 4B430-R814A)	Rockwell (Timken)	RS23240	5.57/7.60	23M	Δ	276
9T-R816A (E9HT 4B430-R816A)	Rockwell (Timken)	RS23240	6.14/8.38	23M	Δ	276
9T-R817A (E9HT 4B430-R817A)	Rockwell (Timken)	RS23240	6.50/8.86	23M	Δ	276
9T-R819A (E9HT 4B430-R819A)	Rockwell (Timken)	RS23240	7.17/9.77	23M	Δ	276
★9T-S004A (E9HT 4A375-S004A)	Rockwell (Timken)	RD20145	3.42	40M	Δ	290
★9T-S005A (E9HT 4A375-S005A)	Rockwell (Timken)	RD20145	3.58	40M	Δ	290
★9T-S006A (E9HT 4A375-S006A)	Rockwell (Timken)	RD20145	3.73	40M	Δ	290
★9T-S007A (E9HT 4A375-S007A)	Rockwell (Timken)	RD20145	3.91	40M	Δ	290
★9T-S008A (E9HT 4A375-S008A)	Rockwell (Timken)	RD20145	4.10	40M	Δ	290
★9T-S009A (E9HT 4A375-S009A)	Rockwell (Timken)	RD20145	4.30	40M	Δ	290
★9T-S010A (E9HT 4A375-S010A)	Rockwell (Timken)	RD20145	4.56	40M	Δ	290
★9T-S011A (E9HT 4A375-S011A)	Rockwell (Timken)	RD20145	4.88	40M	Δ	290
★9T-S013A (E9HT 4A375-S013A)	Rockwell (Timken)	RD20145	5.29	40M	Δ	290
★9T-S015A (E9HT 4A375-S015A)	Rockwell (Timken)	RD20145	5.86	40M	Δ	290
★9T-S016A (E9HT 4A375-S016A)	Rockwell (Timken)	RD20145	6.14	40M	Δ	290
★9T-S017A (E9HT 4A375-S017A)	Rockwell (Timken)	RD20145	6.43	40M	Δ	290
★9T-S019A (E9HT 4A375-S019A)	Rockwell (Timken)	RD20145	7.17	40M	Δ	290
★9T-S029A (E9HT 4A375-S029A)	Rockwell (Timken)	RD20145	3.42	40M	Δ	282
★9T-S030A (E9HT 4A375-S030A)	Rockwell (Timken)	RD20145	3.58	40M	Δ	282
★9T-S031A (E9HT 4A375-S031A)	Rockwell (Timken)	RD20145	3.73	40M	Δ	282
★9T-S032A (E9HT 4A375-S032A)	Rockwell (Timken)	RD20145	3.91	40M	Δ	282
★9T-S033A (E9HT 4A375-S033A)	Rockwell (Timken)	RD20145	4.10	40M	Δ	282
★9T-S034A (E9HT 4A375-S034A)	Rockwell (Timken)	RD20145	4.30	40M	Δ	282
★9T-S035A (E9HT 4A375-S035A)	Rockwell (Timken)	RD20145	4.56	40M	Δ	282
★9T-S036A (E9HT 4A375-S036A)	Rockwell (Timken)	RD20145	4.88	40M	Δ	282
★9T-S038A (E9HT 4A375-S038A)	Rockwell (Timken)	RD20145	5.29	40M	Δ	282

1980/  
TRUCK SERIES 600/900

REAR AXLE T.S.L. † CROSS-REFERENCE GUIDE

IDENTIFICATION AND/OR T.S.L. NUMBER	MANUFACTURER	MANUFACTURER MODEL	RATIO	CAPACITY	DRIVESHAFT SIZE	SEC.40.1 PARTS LIST NO.
Notes:    Δ Driveshaft flange not included on assy. † Truck Specification List-included in Kentucky-built trucks. — Cont'd						
★9T-S040A (E9HT 4A375-S040A)	Rockwell (Timken)	RD20145	5.86	40M	Δ	282
★9T-S079A (E9HT 4A375-S079A)	Rockwell (Timken)	RD20145	3.42	40M	Δ	290
★9T-S080A (E9HT 4A375-S080A)	Rockwell (Timken)	RD20145	3.58	40M	Δ	290
★9T-S081A (E9HT 4A375-S081A)	Rockwell (Timken)	RD20145	3.73	40M	Δ	290
★9T-S082A (E9HT 4A375-S082A)	Rockwell (Timken)	RD20145	3.91	40M	Δ	290
★9T-S083A (E9HT 4A375-S083A)	Rockwell (Timken)	RD20145	4.10	40M	Δ	290
★9T-S084A (E9HT 4A375-S084A)	Rockwell (Timken)	RD20145	4.30	40M	Δ	290
★9T-S085A (E9HT 4A375-S085A)	Rockwell (Timken)	RD20145	4.56	40M	Δ	290
★9T-S086A (E9HT 4A375-S086A)	Rockwell (Timken)	RD20145	4.88	40M	Δ	290
★9T-S088A (E9HT 4A375-S088A)	Rockwell (Timken)	RD20145	5.29	40M	Δ	290
★9T-S090A (E9HT 4A375-S090A)	Rockwell (Timken)	RD20145	5.86	40M	Δ	290
★9T-S104A (E9HT 4A375-S104A)	Rockwell (Timken)	RD20145	3.42	40M	Δ	282
★9T-S105A (E9HT 4A375-S105A)	Rockwell (Timken)	RD20145	3.58	40M	Δ	282
★9T-S106A (E9HT 4A375-S106A)	Rockwell (Timken)	RD20145	3.73	40M	Δ	282
★9T-S107A (E9HT 4A375-S107A)	Rockwell (Timken)	RD20145	3.91	40M	Δ	282
★9T-S108A (E9HT 4A375-S108A)	Rockwell (Timken)	RD20145	4.10	40M	Δ	282
★9T-S109A (E9HT 4A375-S109A)	Rockwell (Timken)	RD20145	4.30	40M	Δ	282
★9T-S110A (E9HT 4A375-S110A)	Rockwell (Timken)	RD20145	4.56	40M	Δ	282
★9T-S111A (E9HT 4A375-S111A)	Rockwell (Timken)	RD20145	4.88	40M	Δ	282
★9T-S113A (E9HT 4A375-S113A)	Rockwell (Timken)	RD20145	5.29	40M	Δ	282
★9T-S115A (E9HT 4A375-S115A)	Rockwell (Timken)	RD20145	5.86	40M	Δ	282
★9T-S116A (E9HT 4A375-S116A)	Rockwell (Timken)	RD20145	6.14	40M	Δ	282
★9T-S117A (E9HT 4A375-S117A)	Rockwell (Timken)	RD20145	6.43	40M	Δ	282
★9T-S119A (E9HT 4A375-S119A)	Rockwell (Timken)	RD20145	7.17	40M	Δ	282
★9T-S154A (E9HT 4A375-S154A)	Rockwell (Timken)	RD20145	3.42	40M	Δ	290
★9T-S155A (E9HT 4A375-S155A)	Rockwell (Timken)	RD20145	3.58	40M	Δ	290
★9T-S156A (E9HT 4A375-S156A)	Rockwell (Timken)	RD20145	3.73	40M	Δ	290
★9T-S157A (E9HT 4A375-S157A)	Rockwell (Timken)	RD20145	3.91	40M	Δ	290
★9T-S158A (E9HT 4A375-S158A)	Rockwell (Timken)	RD20145	4.10	40M	Δ	290
★9T-S159A (E9HT 4A375-S159A)	Rockwell (Timken)	RD20145	4.30	40M	Δ	290
★9T-S160A (E9HT 4A375-S160A)	Rockwell (Timken)	RD20145	4.56	40M	Δ	290
★9T-S161A (E9HT 4A375-S161A)	Rockwell (Timken)	RD20145	4.88	40M	Δ	290
★9T-S163A (E9HT 4A375-S163A)	Rockwell (Timken)	RD20145	5.29	40M	Δ	290
★9T-S165A (E9HT 4A375-S165A)	Rockwell (Timken)	RD20145	5.86	40M	Δ	290
★9T-S179A (E9HT 4A375-S179A)	Rockwell (Timken)	RD20145	3.42	40M	Δ	282
★9T-S180A (E9HT 4A375-S180A)	Rockwell (Timken)	RD20145	3.58	40M	Δ	282
★9T-S181A (E9HT 4A375-S181A)	Rockwell (Timken)	RD20145	3.73	40M	Δ	282
★9T-S182A (E9HT 4A375-S182A)	Rockwell (Timken)	RD20145	3.91	40M	Δ	282
★9T-S183A (E9HT 4A375-S183A)	Rockwell (Timken)	RD20145	4.10	40M	Δ	282
★9T-S184A (E9HT 4A375-S184A)	Rockwell (Timken)	RD20145	4.30	40M	Δ	282
★9T-S185A (E9HT 4A375-S185A)	Rockwell (Timken)	RD20145	4.56	40M	Δ	282
★9T-S186A (E9HT 4A375-S186A)	Rockwell (Timken)	RD20145	4.88	40M	Δ	282
★9T-S188A (E9HT 4A375-S188A)	Rockwell (Timken)	RD20145	5.29	40M	Δ	282
★9T-S190A (E9HT 4A375-S190A)	Rockwell (Timken)	RD20145	5.86	40M	Δ	282
★9T-S230A (E9HT 4A375-S230A)	Rockwell (Timken)	RD20145	3.58	40M	Δ	290
★9T-S231A (E9HT 4A375-S231A)	Rockwell (Timken)	RD20145	3.73	40M	Δ	290
★9T-S232A (E9HT 4A375-S232A)	Rockwell (Timken)	RD20145	3.91	40M	Δ	290
★9T-S233A (E9HT 4A375-S233A)	Rockwell (Timken)	RD20145	4.10	40M	Δ	290
★9T-S255A (E9HT 4A375-S255A)	Rockwell (Timken)	RD20145	3.58	40M	Δ	282
★9T-S256A (E9HT 4A375-S256A)	Rockwell (Timken)	RD20145	3.73	40M	Δ	282
★9T-S257A (E9HT 4A375-S257A)	Rockwell (Timken)	RD20145	3.91	40M	Δ	282
★9T-S258A (E9HT 4A375-S258A)	Rockwell (Timken)	RD20145	4.10	40M	Δ	282
★9T-S279A (E9HT 4A375-S279A)	Rockwell (Timken)	RD20145	3.42	40M	Δ	290
★9T-S279B (E9HT 4A375-S279B)	Rockwell (Timken)	RD20145	3.42	40M	Δ	290
★9T-S280A (E9HT 4A375-S280A)	Rockwell (Timken)	RD20145	3.58	40M	Δ	290

1980/  
TRUCK SERIES 600/900

REAR AXLE T.S.L. † CROSS-REFERENCE GUIDE

IDENTIFICATION AND/OR T.S.L. NUMBER	MANUFACTURER	MANUFACTURER MODEL	RATIO	CAPACITY	DRIVESHAFT SIZE	SEC.40.1 PARTS LIST NO.
Notes: Δ Driveshaft flange not included on assy. † Truck Specification List-included in Kentucky-built trucks. -- Cont'd						
★ 9T-S280B (E9HT 4A375-S280B)	Rockwell (Timken)	RD20145	3.58	40M	Δ	290
★ 9T-S281A (E9HT 4A375-S281A)	Rockwell (Timken)	RD20145	3.73	40M	Δ	290
★ 9T-S281B (E9HT 4A375-S281B)	Rockwell (Timken)	RD20145	3.73	40M	Δ	290
★ 9T-S282A (E9HT 4A375-S282A)	Rockwell (Timken)	RD20145	3.91	40M	Δ	290
★ 9T-S282B (E9HT 4A375-S282B)	Rockwell (Timken)	RD20145	3.91	40M	Δ	290
★ 9T-S283A (E9HT 4A375-S283A)	Rockwell (Timken)	RD20145	4.10	40M	Δ	290
★ 9T-S283B (E9HT 4A375-S283B)	Rockwell (Timken)	RD20145	4.10	40M	Δ	290
★ 9T-S284A (E9HT 4A375-S284A)	Rockwell (Timken)	RD20145	4.30	40M	Δ	290
★ 9T-S284B (E9HT 4A375-S284B)	Rockwell (Timken)	RD20145	4.30	40M	Δ	290
★ 9T-S285A (E9HT 4A375-S285A)	Rockwell (Timken)	RD20145	4.56	40M	Δ	290
★ 9T-S285B (E9HT 4A375-S285B)	Rockwell (Timken)	RD20145	4.56	40M	Δ	290
★ 9T-S304A (E9HT 4A375-S304A)	Rockwell (Timken)	RD20145	3.42	40M	Δ	282
★ 9T-S304B (E9HT 4A375-S304B)	Rockwell (Timken)	RD20145	3.42	40M	Δ	282
★ 9T-S305A (E9HT 4A375-S305A)	Rockwell (Timken)	RD20145	3.58	40M	Δ	282
★ 9T-S305B (E9HT 4A375-S305B)	Rockwell (Timken)	RD20145	3.58	40M	Δ	282
★ 9T-S306A (E9HT 4A375-S306A)	Rockwell (Timken)	RD20145	3.73	40M	Δ	282
★ 9T-S306B (E9HT 4A375-S306B)	Rockwell (Timken)	RD20145	3.73	40M	Δ	282
★ 9T-S307A (E9HT 4A375-S307A)	Rockwell (Timken)	RD20145	3.91	40M	Δ	282
★ 9T-S307B (E9HT 4A375-S307B)	Rockwell (Timken)	RD20145	3.91	40M	Δ	282
★ 9T-S308A (E9HT 4A375-S308A)	Rockwell (Timken)	RD20145	4.10	40M	Δ	282
★ 9T-S308B (E9HT 4A375-S308B)	Rockwell (Timken)	RD20145	4.10	40M	Δ	282
★ 9T-S309A (E9HT 4A375-S309A)	Rockwell (Timken)	RD20145	4.30	40M	Δ	282
★ 9T-S309B (E9HT 4A375-S309B)	Rockwell (Timken)	RD20145	4.30	40M	Δ	282
★ 9T-S310A (E9HT 4A375-S310A)	Rockwell (Timken)	RD20145	4.56	40M	Δ	282
★ 9T-S310B (E9HT 4A375-S310B)	Rockwell (Timken)	RD20145	4.56	40M	Δ	282
★ 9T-V004A (E9HT 4A375-V004A)	Rockwell (Timken)	RP20145	3.42	40M	Δ	292
★ 9T-V005A (E9HT 4A375-V005A)	Rockwell (Timken)	RP20145	3.58	40M	Δ	292
★ 9T-V006A (E9HT 4A375-V006A)	Rockwell (Timken)	RP20145	3.73	40M	Δ	292
★ 9T-V007A (E9HT 4A375-V007A)	Rockwell (Timken)	RP20145	3.91	40M	Δ	292
★ 9T-V008A (E9HT 4A375-V008A)	Rockwell (Timken)	RP20145	4.10	40M	Δ	292
★ 9T-V009A (E9HT 4A375-V009A)	Rockwell (Timken)	RP20145	4.30	40M	Δ	292
★ 9T-V010A (E9HT 4A375-V010A)	Rockwell (Timken)	RP20145	4.56	40M	Δ	292
★ 9T-V011A (E9HT 4A375-V011A)	Rockwell (Timken)	RP20145	4.88	40M	Δ	292
★ 9T-V013A (E9HT 4A375-V013A)	Rockwell (Timken)	RP20145	5.29	40M	Δ	292
★ 9T-V015A (E9HT 4A375-V015A)	Rockwell (Timken)	RP20145	5.86	40M	Δ	292
★ 9T-V016A (E9HT 4A375-V016A)	Rockwell (Timken)	RP20145	6.14	40M	Δ	292
★ 9T-V017A (E9HT 4A375-V017A)	Rockwell (Timken)	RP20145	6.43	40M	Δ	292
★ 9T-V019A (E9HT 4A375-V019A)	Rockwell (Timken)	RP20145	7.17	40M	Δ	292
★ 9T-V029A (E9HT 4A375-V029A)	Rockwell (Timken)	RP20145	3.42	40M	Δ	283
★ 9T-V030A (E9HT 4A375-V030A)	Rockwell (Timken)	RP20145	3.58	40M	Δ	283
★ 9T-V031A (E9HT 4A375-V031A)	Rockwell (Timken)	RP20145	3.73	40M	Δ	283
★ 9T-V032A (E9HT 4A375-V032A)	Rockwell (Timken)	RP20145	3.91	40M	Δ	283
★ 9T-V033A (E9HT 4A375-V033A)	Rockwell (Timken)	RP20145	4.10	40M	Δ	283
★ 9T-V034A (E9HT 4A375-V034A)	Rockwell (Timken)	RP20145	4.30	40M	Δ	283
★ 9T-V035A (E9HT 4A375-V035A)	Rockwell (Timken)	RP20145	4.56	40M	Δ	283
★ 9T-V036A (E9HT 4A375-V036A)	Rockwell (Timken)	RP20145	4.88	40M	Δ	283
★ 9T-V038A (E9HT 4A375-V038A)	Rockwell (Timken)	RP20145	5.29	40M	Δ	283
★ 9T-V040A (E9HT 4A375-V040A)	Rockwell (Timken)	RP20145	5.86	40M	Δ	283
★ 9T-V079A (E9HT 4A375-V079A)	Rockwell (Timken)	RP20145	3.42	40M	Δ	292
★ 9T-V080A (E9HT 4A375-V080A)	Rockwell (Timken)	RP20145	3.58	40M	Δ	292
★ 9T-V081A (E9HT 4A375-V081A)	Rockwell (Timken)	RP20145	3.73	40M	Δ	292
★ 9T-V082A (E9HT 4A375-V082A)	Rockwell (Timken)	RP20145	3.91	40M	Δ	292
★ 9T-V083A (E9HT 4A375-V083A)	Rockwell (Timken)	RP20145	4.10	40M	Δ	292
★ 9T-V084A (E9HT 4A375-V084A)	Rockwell (Timken)	RP20145	4.30	40M	Δ	292
★ 9T-V085A (E9HT 4A375-V085A)	Rockwell (Timken)	RP20145	4.56	40M	Δ	292
★ 9T-V086A (E9HT 4A375-V086A)	Rockwell (Timken)	RP20145	4.88	40M	Δ	292

1980/  
TRUCK SERIES 600/900

REAR AXLE T.S.L. † CROSS-REFERENCE GUIDE

IDENTIFICATION AND/OR T.S.L. NUMBER	MANUFACTURER	MANUFACTURER MODEL	RATIO	CAPACITY	DRIVESHAFT SIZE	SEC.40.1 PARTS LIST NO.
Notes: Δ Driveshaft flange not included on assy. † Truck Specification List-included in Kentucky-built trucks. — Cont'd						
★9T-V088A (E9HT 4A375-V088A)	Rockwell (Timken)	RP20145	5.29	40M	Δ	292
★9T-V090A (E9HT 4A375-V090A)	Rockwell (Timken)	RP20145	5.86	40M	Δ	292
★9T-V104A (E9HT 4A375-V104A)	Rockwell (Timken)	RP20145	3.42	40M	Δ	283
★9T-V105A (E9HT 4A375-V105A)	Rockwell (Timken)	RP20145	3.58	40M	Δ	283
★9T-V106A (E9HT 4A375-V106A)	Rockwell (Timken)	RP20145	3.73	40M	Δ	283
★9T-V107A (E9HT 4A375-V107A)	Rockwell (Timken)	RP20145	3.91	40M	Δ	283
★9T-V108A (E9HT 4A375-V108A)	Rockwell (Timken)	RP20145	4.10	40M	Δ	283
★9T-V109A (E9HT 4A375-V109A)	Rockwell (Timken)	RP20145	4.30	40M	Δ	283
★9T-V110A (E9HT 4A375-V110A)	Rockwell (Timken)	RP20145	4.56	40M	Δ	283
★9T-V111A (E9HT 4A375-V111A)	Rockwell (Timken)	RP20145	4.88	40M	Δ	283
★9T-V113A (E9HT 4A375-V113A)	Rockwell (Timken)	RP20145	5.29	40M	Δ	283
★9T-V115A (E9HT 4A375-V115A)	Rockwell (Timken)	RP20145	5.86	40M	Δ	283
★9T-V116A (E9HT 4A375-V116A)	Rockwell (Timken)	RP20145	6.14	40M	Δ	283
★9T-V154A (E9HT 4A375-V154A)	Rockwell (Timken)	RP20145	3.42	40M	Δ	292
★9T-V155A (E9HT 4A375-V155A)	Rockwell (Timken)	RP20145	3.58	40M	Δ	292
★9T-V156A (E9HT 4A375-V156A)	Rockwell (Timken)	RP20145	3.73	40M	Δ	292
★9T-V157A (E9HT 4A375-V157A)	Rockwell (Timken)	RP20145	3.91	40M	Δ	292
★9T-V158A (E9HT 4A375-V158A)	Rockwell (Timken)	RP20145	4.10	40M	Δ	292
★9T-V159A (E9HT 4A375-V159A)	Rockwell (Timken)	RP20145	4.30	40M	Δ	292
★9T-V160A (E9HT 4A375-V160A)	Rockwell (Timken)	RP20145	4.56	40M	Δ	292
★9T-V161A (E9HT 4A375-V161A)	Rockwell (Timken)	RP20145	4.88	40M	Δ	292
★9T-V163A (E9HT 4A375-V163A)	Rockwell (Timken)	RP20145	5.29	40M	Δ	292
★9T-V165A (E9HT 4A375-V165A)	Rockwell (Timken)	RP20145	5.86	40M	Δ	292
★9T-V179A (E9HT 4A375-V179A)	Rockwell (Timken)	RP20145	3.42	40M	Δ	283
★9T-V180A (E9HT 4A375-V180A)	Rockwell (Timken)	RP20145	3.58	40M	Δ	283
★9T-V181A (E9HT 4A375-V181A)	Rockwell (Timken)	RP20145	3.73	40M	Δ	283
★9T-V182A (E9HT 4A375-V182A)	Rockwell (Timken)	RP20145	3.91	40M	Δ	283
★9T-V183A (E9HT 4A375-V183A)	Rockwell (Timken)	RP20145	4.10	40M	Δ	283
★9T-V184A (E9HT 4A375-V184A)	Rockwell (Timken)	RP20145	4.30	40M	Δ	283
★9T-V185A (E9HT 4A375-V185A)	Rockwell (Timken)	RP20145	4.56	40M	Δ	283
★9T-V186A (E9HT 4A375-V186A)	Rockwell (Timken)	RP20145	4.88	40M	Δ	283
★9T-V188A (E9HT 4A375-V188A)	Rockwell (Timken)	RP20145	5.29	40M	Δ	283
★9T-V190A (E9HT 4A375-V190A)	Rockwell (Timken)	RP20145	5.86	40M	Δ	283
★9T-V230A (E9HT 4A375-V230A)	Rockwell (Timken)	RP20145	3.58	40M	Δ	292
★9T-V231A (E9HT 4A375-V231A)	Rockwell (Timken)	RP20145	3.73	40M	Δ	292
★9T-V232A (E9HT 4A375-V232A)	Rockwell (Timken)	RP20145	3.91	40M	Δ	292
★9T-V233A (E9HT 4A375-V233A)	Rockwell (Timken)	RP20145	4.10	40M	Δ	292
★9T-V255A (E9HT 4A375-V255A)	Rockwell (Timken)	RP20145	3.58	40M	Δ	283
★9T-V256A (E9HT 4A375-V256A)	Rockwell (Timken)	RP20145	3.73	40M	Δ	283
★9T-V257A (E9HT 4A375-V257A)	Rockwell (Timken)	RP20145	3.91	40M	Δ	283
★9T-V258A (E9HT 4A375-V258A)	Rockwell (Timken)	RP20145	4.10	40M	Δ	283
★9T-V279A (E9HT 4A375-V279A)	Rockwell (Timken)	RP20145	3.42	40M	Δ	292
★9T-V279B (E9HT 4A375-V279B)	Rockwell (Timken)	RP20145	3.42	40M	Δ	292
★9T-V280A (E9HT 4A375-V280A)	Rockwell (Timken)	RP20145	3.58	40M	Δ	292
★9T-V280B (E9HT 4A375-V280B)	Rockwell (Timken)	RP20145	3.58	40M	Δ	292
★9T-V281A (E9HT 4A375-V281A)	Rockwell (Timken)	RP20145	3.73	40M	Δ	292
★9T-V281B (E9HT 4A375-V281B)	Rockwell (Timken)	RP20145	3.73	40M	Δ	292
★9T-V282A (E9HT 4A375-V282A)	Rockwell (Timken)	RP20145	3.91	40M	Δ	292
★9T-V282B (E9HT 4A375-V282B)	Rockwell (Timken)	RP20145	3.91	40M	Δ	292
★9T-V283A (E9HT 4A375-V283A)	Rockwell (Timken)	RP20145	4.10	40M	Δ	292
★9T-V283B (E9HT 4A375-V283B)	Rockwell (Timken)	RP20145	4.10	40M	Δ	292
★9T-V284A (E9HT 4A375-V284A)	Rockwell (Timken)	RP20145	4.30	40M	Δ	292
★9T-V284B (E9HT 4A375-V284B)	Rockwell (Timken)	RP20145	4.30	40M	Δ	292
★9T-V285A (E9HT 4A375-V285A)	Rockwell (Timken)	RP20145	4.56	40M	Δ	292
★9T-V285B (E9HT 4A375-V285B)	Rockwell (Timken)	RP20145	4.56	40M	Δ	292

1980/  
TRUCK SERIES 600/900

REAR AXLE T.S.L. † CROSS-REFERENCE GUIDE

IDENTIFICATION AND/OR T.S.L. NUMBER	MANUFACTURER	MANUFACTURER MODEL	RATIO	CAPACITY	DRIVESHAFT SIZE	SEC.40.1 PARTS LIST NO.
Notes: Δ Driveshaft flange not included on assy. † Truck Specification List-included in Kentucky-built trucks. — Cont'd						
★9T-V304A (E9HT 4A375-V304A)	Rockwell (Timken)	RP20145	3.42	40M	Δ	283
★9T-V304B (E9HT 4A375-V304B)	Rockwell (Timken)	RP20145	3.42	40M	Δ	283
★9T-V305A (E9HT 4A375-V305A)	Rockwell (Timken)	RP20145	3.58	40M	Δ	283
★9T-V305B (E9HT 4A375-V305B)	Rockwell (Timken)	RP20145	3.58	40M	Δ	283
★9T-V306A (E9HT 4A375-V306A)	Rockwell (Timken)	RP20145	3.73	40M	Δ	283
★9T-V306B (E9HT 4A375-V306B)	Rockwell (Timken)	RP20145	3.73	40M	Δ	283
★9T-V307A (E9HT 4A375-V307A)	Rockwell (Timken)	RP20145	3.91	40M	Δ	283
★9T-V307B (E9HT 4A375-V307B)	Rockwell (Timken)	RP20145	3.91	40M	Δ	283
★9T-V308A (E9HT 4A375-V308A)	Rockwell (Timken)	RP20145	4.10	40M	Δ	283
★9T-V308B (E9HT 4A375-V308B)	Rockwell (Timken)	RP20145	4.10	40M	Δ	283
★9T-V309A (E9HT 4A375-V309A)	Rockwell (Timken)	RP20145	4.30	40M	Δ	283
★9T-V309B (E9HT 4A375-V309B)	Rockwell (Timken)	RP20145	4.30	40M	Δ	283
★9T-V310A (E9HT 4A375-V310A)	Rockwell (Timken)	RP20145	4.56	40M	Δ	283
★9T-V310B (E9HT 4A375-V310B)	Rockwell (Timken)	RP20145	4.56	40M	Δ	283
★9U-G034A (89HU 4005-G034A)	Rockwell (Timken)	RR20145	4.56	40M	1610	284
★9U-G434A (89HU 4005-G434A)	Rockwell (Timken)	RR20145	4.56	40M	1610	284
★9U-H035A (89HU 4005-H035A)	Rockwell (Timken)	RS17140	4.88	17.5M	1550	270
★9U-M560A (89HU 4005-M560A)	Rockwell (Timken)	RS21145	4.88	21M	1550	272
★9U-M609A (89HU 4005-M609A)	Rockwell (Timken)	RS21145	4.56	21M	1610	272
★9U-M659A (89HU 4005-M659A)	Rockwell (Timken)	RS21145	4.56	21M	1710	272
★9U-R009A (89HU 4005-R009A)	Rockwell (Timken)	RS23160	4.56	23M	1610	274
★9U-R034A (89HU 4005-R034A)	Rockwell (Timken)	RS23160	4.56	23M	1610	280
★9U-R059A (89HU 4005-R059A)	Rockwell (Timken)	RS23160	4.56	23M	1710	274
★9U-R084A (89HU 4005-R084A)	Rockwell (Timken)	RS23160	4.56	23M	1710	280
★9U-S084A (89HU 4305-S084A)	Rockwell (Timken)	RD20145	4.56	40M	1610	282
★9U-S934A (89HU 4305-S934A)	Rockwell (Timken)	RD20145	4.56	40M	1610	282
★E600-F (E2HT 4A298-BAA)	Eaton	DS341	4.11	34M	Δ	229
★E600-R (E2HT 4A297-BAA)	Eaton	RS341	4.11	34M	Δ	230
★E601-F (E2HT 4A298-BBA)	Eaton	DS341	4.33	34M	Δ	229
★E601-R (E2HT 4A297-BBA)	Eaton	RS341	4.33	34M	Δ	230
★E602-F (E2HT 4A298-BHA)	Eaton	DS381	4.11	38M	Δ	231
★E602-R (E2HT 4A297-BHA)	Eaton	RS381	4.11	38M	Δ	232
★E603-F (E2HT 4A298-BJA)	Eaton	DS381	4.33	38M	Δ	231
★E603-R (E2HT 4A297-BJA)	Eaton	RS381	4.33	38M	Δ	232
★E604-F (E2HT 4A298-BKA)	Eaton	DS381	4.11	38M	Δ	231
★E604-R (E2HT 4A297-BKA)	Eaton	RS381	4.11	38M	Δ	232
★E605-F (E2HT 4A298-BLA)	Eaton	DS381	4.33	38M	Δ	231
★E605-R (E2HT 4A297-BLA)	Eaton	RS381	4.33	38M	Δ	232
★E606-F (E2HT 4A298-BCA)	Eaton	DS341	3.70	34M	Δ	229
★E606-R (E2HT 4A297-BCA)	Eaton	RS341	3.70	34M	Δ	230
★E607-F (E2HT 4A298-BDA)	Eaton	DS341	4.11	34M	Δ	229
★E607-R (E2HT 4A297-BDA)	Eaton	RS341	4.11	34M	Δ	230
★E608-F (E2HT 4A298-BEA)	Eaton	DS341	4.33	34M	Δ	229
★E608-R (E2HT 4A297-BEA)	Eaton	RS341	4.33	34M	Δ	230
★E609-F (E2HT 4A298-BMA)	Eaton	DS381	3.70	38M	Δ	231
★E609-R (E2HT 4A297-BMA)	Eaton	RS381	3.70	38M	Δ	232
★E610-F (E2HT 4A298-BNA)	Eaton	DS381	4.11	38M	Δ	231
★E610-R (E2HT 4A297-BNA)	Eaton	RS381	4.11	38M	Δ	232
★E611-F (E2HT 4A298-BRA)	Eaton	DS381	4.33	38M	Δ	231
★E611-R (E2HT 4A297-BRA)	Eaton	RS381	4.33	38M	Δ	232
★E612-F (E2HT 4A298-BFA)	Eaton	DS341	4.11	34M	Δ	229
★E612-R (E2HT 4A297-BFA)	Eaton	RS341	4.11	34M	Δ	230
★E613-F (E2HT 4A298-BGA)	Eaton	DS341	4.33	34M	Δ	229
★E613-R (E2HT 4A297-BGA)	Eaton	RS341	4.33	34M	Δ	230
★E614-F (E2HT 4A298-BSA)	Eaton	DS381/DS402	3.70	38M/40M	Δ	231

1980/  
TRUCK SERIES 600/900

REAR AXLE T.S.L. † CROSS-REFERENCE GUIDE

IDENTIFICATION AND/OR T.S.L. NUMBER	MANUFACTURER	MANUFACTURER MODEL	RATIO	CAPACITY	DRIVESHAFT SIZE	SEC. 40.1 PARTS LIST NO.
Notes: Δ Driveshaft flange not included on assy. † Truck Specification List-included in Kentucky-built trucks. — Cont'd						
★E614-R (E2HT 4A297-BSA)	Eaton	RS381/RS402	3.70	38M/40M	Δ	232
★E615-F (E2HT 4A298-BTA)	Eaton	DS381	4.11	38M	Δ	231
★E616-F (E2HT 4A298-BUA)	Eaton	DS381	4.33	38M	Δ	231
★E617-F (E2HT 4A298-CBA)	Eaton	DP440-P	5.31	44M	Δ	223
★E617-R (E2HT 4A297-CBA)	Eaton	RP440	5.31	44M	Δ	224
★E618-F (E2HT 4A298-CCA)	Eaton	DP440-P	5.90	44M	Δ	223
★E618-R (E2HT 4A297-CCA)	Eaton	RP440	5.90	44M	Δ	224
★E619-F (E2HT 4A298-CDA)	Eaton	DP440-P	7.20	44M	Δ	223
★E619-R (E2HT 4A297-CDA)	Eaton	RP440	7.20	44M	Δ	224
★E632-S (E2HT 4A297-DDA)	Eaton	22121	5.29	22M	Δ	221
★E633-S (E2HT 4A297-DEA)	Eaton	22121	4.88	22M	Δ	221
★E634-S (E2HT 4A297-DFA)	Eaton	22221	5.29/7.21	22M	Δ	222
★E635-S (E2HT 4A297-DGA)	Eaton	22221	4.88/6.65	22M	Δ	222
★E636-S (E2HT 4A297-DHA)	Eaton	23221	4.88/6.64	23M	Δ	195
★E637-F (E2HT 4A298-DJA)	Eaton	34DSC	5.29	34M	Δ	133
★E638-R (E2HT 4A297-DJA)	Eaton	34RSC	5.29	34M	Δ	134
★E639-F (E2HT 4A298-DKA)	Eaton	34DTC	5.29/7.21	34M	Δ	147
★E640-R (E2HT 4A297-DKA)	Eaton	34RTC	5.29/7.21	34M	Δ	148
★E641-F (E2HT 4A298-DLA)	Eaton	34DPC	7.21	34M	Δ	130
★E641-R (E2HT 4A297-DLA)	Eaton	34RPC	7.21	34M	Δ	131
★E642-S (E2HT 4005-CJA)	Eaton	15201	5.86/8.15	15M	1410	164
★E643-S (E2HT 4005-CKA)	Eaton	15201	6.29/8.74	15M	1410	164
★E644-S (E2HT 4005-CLA)	Eaton	15201	5.86/8.15	15M	1480	164
★E645-S (E2HT 4005-CMA)	Eaton	15201	6.29/8.74	15M	1480	164
★E646-S (E2HT 4005-CNA)	Eaton	16244	6.57/9.13	17.5M	1410	101
★E647-S (E2HT 4005-CRA)	Eaton	16244	6.57/9.13	17.5M	1480	101
★E648-S (E2HT 4005-CSA)	Eaton	16244	6.57/9.13	17.5M	1550	101
★E649-S (E2HT 4A297-CEA)	Eaton	17121	6.57	18.5/19M	Δ	97
★E651-S (E2HT 4A297-CGA)	Eaton	17221	6.57/8.94	18.5/19M	Δ	102
★E653-F (E3HT 4A298-EAA)	Eaton	DS341	3.70	34M	Δ	229
★E654-R (E3HT 4A297-EAA)	Eaton	RS341	3.70	34M	Δ	230
★E655-F (E3HT 4A298-EBA)	Eaton	DS341	3.90	34M	Δ	229
★E656-R (E3HT 4A297-EBA)	Eaton	RS341	3.90	34M	Δ	230
★E657-F (E3HT 4A298-EDA)	Eaton	DS341	4.56	34M	Δ	229
★E658-R (E3HT 4A297-EDA)	Eaton	RS341	4.56	34M	Δ	230
★E659-F (E3HT 4A298-SA)	Eaton	DS341	4.88	34M	Δ	229
★E660-R (E3HT 4A297-SA)	Eaton	RS341	4.88	34M	Δ	230
★E661-F (E3HT 4A298-UA)	Eaton	DS341	5.29	34M	Δ	229
★E662-R (E3HT 4A297-UA)	Eaton	RS341	5.29	34M	Δ	230
★E663-F (E3HT 4A298-YA)	Eaton	DS341	5.57	34M	Δ	229
★E664-R (E3HT 4A297-YA)	Eaton	RS341	5.57	34M	Δ	230
★E665-F (E3HT 4A298-ABA)	Eaton	DS341	6.14	34M	Δ	229
★E666-F (E3HT 4A298-AAA)	Eaton	DS341	6.14	34M	Δ	229
★E667-R (E3HT 4A297-AAA)	Eaton	RS341	6.14	34M	Δ	230
★E668-F (E3HT 4A298-DMA)	Eaton	DS341	6.50	34M	Δ	229
★E669-F (E3HT 4A298-DLA)	Eaton	DS341	6.50	34M	Δ	229
★E670-R (E3HT 4A297-DLA)	Eaton	RS341	6.50	34M	Δ	230
★E671-F (E3HT 4A298-DRA)	Eaton	DS341	7.17	34M	Δ	229
★E672-F (E3HT 4A298-DNA)	Eaton	DS341	7.17	34M	Δ	229
★E673-R (E3HT 4A297-DNA)	Eaton	RS341	7.17	34M	Δ	230
★E674-F (E3HT 4A298-ACA)	Eaton	DT341	4.88/6.65	34M	Δ	240
★E675-R (E3HT 4A297-ACA)	Eaton	RT341	4.88/6.65	34M	Δ	241
★E676-F (E3HT 4A298-AEA)	Eaton	DT341	5.29/7.21	34M	Δ	240
★E677-R (E3HT 4A297-AEA)	Eaton	RT341	5.29/7.21	34M	Δ	241
★E678-F (E3HT 4A298-AGA)	Eaton	DT341	5.57/7.60	34M	Δ	240

1980/  
TRUCK SERIES 600/900

REAR AXLE T.S.L. † CROSS-REFERENCE GUIDE

IDENTIFICATION AND/OR T.S.L. NUMBER	MANUFACTURER	MANUFACTURER MODEL	RATIO	CAPACITY	DRIVESHAFT SIZE	SEC.40.1 PARTS LIST NO.
Notes: Δ Driveshaft flange not included on assy. † Truck Specification List-included in Kentucky-built trucks. — Cont'd						
★E679-R (E3HT 4A297-AGA)	Eaton	RT341	5.57/7.60	34M	Δ	241
★E680-F (E3HT 4A298-AJA)	Eaton	DT341	6.14/8.38	34M	Δ	240
★E681-R (E3HT 4A297-AJA)	Eaton	RT341	6.14/8.38	34M	Δ	241
★E682-F (E3HT 4A298-DSA)	Eaton	DT341	6.50/8.86	34M	Δ	240
★E683-R (E3HT 4A297-DSA)	Eaton	RT341	6.50/8.86	34M	Δ	241
★E684-F (E3HT 4A298-DUA)	Eaton	DT341	7.17/9.77	34M	Δ	240
★E685-R (E3HT 4A297-DUA)	Eaton	RT341	7.17/9.77	34M	Δ	241
★E686-F (E3HT 4A298-ELA)	Eaton	DS381	3.70	38M	Δ	231
★E687-R (E3HT 4A297-ELA)	Eaton	RS381	3.70	38M	Δ	232
★E688-F (E3HT 4A298-EMA)	Eaton	DS381	3.90	38M	Δ	231
★E689-R (E3HT 4A297-EMA)	Eaton	RS381	3.90	38M	Δ	232
★E690-F (E3HT 4A298-ESA)	Eaton	DS381	4.56	38M	Δ	231
★E691-R (E3HT 4A297-ESA)	Eaton	RS381	4.56	38M	Δ	232
★E692-F (E3HT 4A298-ALA)	Eaton	DS381	4.88	38M	Δ	231
★E693-R (E3HT 4A297-ALA)	Eaton	RS381	4.88	38M	Δ	232
★E694-F (E3HT 4A298-AMA)	Eaton	DS381	5.29	38M	Δ	231
★E695-R (E3HT 4A297-AMA)	Eaton	RS381	5.29	38M	Δ	232
★E696-F (E3HT 4A298-ANA)	Eaton	DS381	5.57	38M	Δ	231
★E697-R (E3HT 4A297-ANA)	Eaton	RS381	5.57	38M	Δ	232
★E698-F (E3HT 4A298-ARA)	Eaton	DS381	6.14	38M	Δ	231
★E699-R (E3HT 4A297-ARA)	Eaton	RS381	6.14	38M	Δ	232
★E700-F (E3HT 4A298-DYA)	Eaton	DS381	6.50	38M	Δ	231
★E701-R (E3HT 4A297-DYA)	Eaton	RS381	6.50	38M	Δ	232
★E702-F (E3HT 4A298-DZA)	Eaton	DS381	7.17	38M	Δ	231
★E703-R (E3HT 4A297-DZA)	Eaton	RS381	7.17	38M	Δ	232
★E704-F (E3HT 4A298-FGA)	Eaton	DP381	5.05	38M	Δ	242
★E705-R (E3HT 4A297-FGA)	Eaton	RP381	5.05	38M	Δ	243
★E706-F (E3HT 4A298-FHA)	Eaton	DP381	5.61	38M	Δ	242
★E707-R (E3HT 4A297-FHA)	Eaton	RP381	5.61	38M	Δ	243
★E708-F (E3HT 4A298-FJA)	Eaton	DT401-P	4.11/5.61	40M	Δ	244
★E709-R (E3HT 4A297-FJA)	Eaton	RT401	4.11/5.61	40M	Δ	245
★E710-F (E3HT 4A298-FLA)	Eaton	DT401-P	4.33/5.91	40M	Δ	244
★E711-R (E3HT 4A297-FLA)	Eaton	RT401	4.33/5.91	40M	Δ	245
★E712-F (E3HT 4A298-FNA)	Eaton	DT401-P	4.56/6.21	40M	Δ	244
★E713-R (E3HT 4A297-FNA)	Eaton	RT401	4.56/6.21	40M	Δ	245
★E716-F (E3HT 4A298-FTA)	Eaton	DS440/460-P	3.90	46M	Δ	246
★E717-R (E3HT 4A297-FTA)	Eaton	RS440/460	3.90	46M	Δ	247
★E718-F (E3HT 4A298-FUA)	Eaton	DS440/460-P	4.11	46M	Δ	246
★E719-R (E3HT 4A297-FUA)	Eaton	RS440/460	4.11	46M	Δ	247
★E720-F (E3HT 4A298-FVA)	Eaton	DS440/460-P	4.33	46M	Δ	246
★E721-R (E3HT 4A297-FVA)	Eaton	RS440/460	4.33	46M	Δ	247
★E722-F (E3HT 4A298-FYA)	Eaton	DS440/460-P	4.62	46M	Δ	246
★E723-R (E3HT 4A297-FYA)	Eaton	RS440/460	4.62	46M	Δ	247
★E724-F (E3HT 4A298-FZA)	Eaton	DP440/460-P	5.31	46M	Δ	223
★E725-R (E3HT 4A297-FZA)	Eaton	RP440/460	5.31	46M	Δ	224
★E725-S (D7TA 4A297-AAA)	Eaton	17121	6.14	18.5M	Δ	97
★E726-F (E3HT 4A298-GAA)	Eaton	DP440/460-P	5.90	46M	Δ	223
★E726-S (D7TA 4A297-ABA)	Eaton	17121	6.50	18.5M	Δ	97
★E727-R (E3HT 4A297-GAA)	Eaton	RP440/460	5.90	46M	Δ	224
★E727-S (D7TA 4A297-ACA)	Eaton	17121	7.17	18.5M	Δ	97
★E728-F (E3HT 4A298-GBA)	Eaton	DP440/460-P	7.20	46M	Δ	223
★E729-R (E3HT 4A297-GBA)	Eaton	RP440/460	7.20	46M	Δ	224
★E729-S (D7TA 4A297-AEA)	Eaton	17221	5.57/7.60	18.5M	Δ	102
★E730-F (E3HT 4A298-ECA)	Eaton	DS341	3.90	34M	Δ	229
★E730-S (D7TA 4A297-AFA)	Eaton	17221	6.14/8.38	18.5M	Δ	102



1980/  
TRUCK SERIES 600/900

REAR AXLE T.S.L. † CROSS-REFERENCE GUIDE

IDENTIFICATION AND/OR T.S.L. NUMBER	MANUFACTURER	MANUFACTURER MODEL	RATIO	CAPACITY	DRIVESHAFT SIZE	SEC.40.1 PARTS LIST NO.
Notes: Δ Driveshaft flange not included on assy. † Truck Specification List-included in Kentucky-built trucks. — Cont'd						
★E731-R (E3HT 4A297-ECA)	Eaton	RS341	3.90	34M	Δ	230
★E731-S (D7HA 4A297-AGA)	Eaton	17221	6.50/8.87	18.5M	Δ	102
★E732-F (E3HT 4A298-EEA)	Eaton	DS341	4.56	34M	Δ	229
★E732-S (D7HA 4A297-AHA)	Eaton	17221	7.17/9.77	18.5M	Δ	102
★E733-R (E3HT 4A297-EEA)	Eaton	RS341	4.56	34M	Δ	230
★E733-S (D7HA 4A297-AJA)	Eaton	18121	6.50	22M	Δ	167
★E734-S (D7HA 4A297-AKA)	Eaton	18121	7.17	22M	Δ	167
★E735-S (D7HA 4A297-ALA)	Eaton	18221	5.57/7.60	22M	Δ	25
★E736-S (D7HA 4A297-AMA)	Eaton	18221	6.14/8.38	22M	Δ	25
★E737-S (D7HA 4A297-ANA)	Eaton	18221	6.50/8.87	22M	Δ	25
★E738-S (D7HA 4A297-ARA)	Eaton	18221	7.17/9.77	22M	Δ	25
★E739-S (D7HA 4A297-BGA)	Eaton	23121	3.70	23M	Δ	194
★E740-S (D7HA 4A297-ASA)	Eaton	23121	4.11	23M	Δ	194
★E741-S (D7HA 4A297-ATA)	Eaton	23121	4.33	23M	Δ	194
★E742-S (D7HA 4A297-AUA)	Eaton	23121	4.56	23M	Δ	194
★E743-S (D7HA 4A297-AVA)	Eaton	23121	4.88	23M	Δ	194
★E744-F (E3HT 4A298-ENA)	Eaton	DS381	3.90	38M	Δ	231
★E744-S (D7HA 4A297-AYA)	Eaton	23121	5.43	23M	Δ	194
★E745-R (E3HT 4A297-ENA)	Eaton	RS381	3.90	38M	Δ	232
★E745-S (D7HA 4A297-AZA)	Eaton	23121	6.17	23M	Δ	194
★E746-S (D7HA 4A297-BAA)	Eaton	23121	6.67	23M	Δ	194
★E747-S (D7HA 4A297-BBA)	Eaton	23221	4.11/5.60	23M	Δ	195
★E748-F (E3HT 4A298-ETA)	Eaton	DS381	4.56	38M	Δ	231
★E748-S (D7HA 4A297-BCA)	Eaton	23221	4.33/5.90	23M	Δ	195
★E749-R (E3HT 4A297-ETA)	Eaton	RS381	4.56	38M	Δ	232
★E749-S (D7HA 4A297-BDA)	Eaton	23221	5.43/7.39	23M	Δ	195
★E750-S (D7HA 4A297-BEA)	Eaton	23221	6.17/8.40	23M	Δ	195
★E751-S (D7HA 4A297-BFA)	Eaton	23221	6.67/9.08	23M	Δ	195
★E753-F (D7HA 4A298-DSA)	Eaton	34DSC	3.70	34M	Δ	133
★E753-R (D7HA 4A297-DKA)	Eaton	34RSC	3.70	34M	Δ	134
★E754-F (D7HA 4A298-DAA)	Eaton	34DSC	4.11	34M	Δ	133
★E754-R (D7HA 4A297-DAA)	Eaton	34RSC	4.11	34M	Δ	134
★E755-F (D7HA 4A298-DBA)	Eaton	34DSC	4.33	34M	Δ	133
★E755-R (D7HA 4A297-DBA)	Eaton	34RSC	4.33	34M	Δ	134
★E756-F (D7HA 4A298-DCA)	Eaton	34DSC	4.56	34M	Δ	133
★E756-R (D7HA 4A297-DCA)	Eaton	34RSC	4.56	34M	Δ	134
★E758-F (D7HA 4A298-DEA)	Eaton	34DSC	5.57	34M	Δ	133
★E758-R (D7HA 4A297-DEA)	Eaton	34RSC	5.57	34M	Δ	134
★E759-F (D7HA 4A298-DFA)	Eaton	34DSC	5.57	34M	Δ	133
★E760-F (D7HA 4A298-DGA)	Eaton	34DSE	6.14	34M	Δ	133
★E760-R (D7HA 4A297-DFA)	Eaton	34RSE	6.14	34M	Δ	134
★E761-F (D7HA 4A298-DHA)	Eaton	34DSE	6.14	34M	Δ	133
★E762-F (D7HA 4A298-DJA)	Eaton	34DSE	6.50	34M	Δ	133
★E762-R (D7HA 4A297-DGA)	Eaton	34RSE	6.50	34M	Δ	134
★E763-F (D7HA 4A298-DKA)	Eaton	34DSE	6.50	34M	Δ	133
★E764-F (D7HA 4A298-DLA)	Eaton	34DSE	7.17	34M	Δ	133
★E764-R (D7HA 4A297-DHA)	Eaton	34RSE	7.17	34M	Δ	134
★E765-F (D7HA 4A298-DMA)	Eaton	34DSE	7.17	34M	Δ	133
★E765-R (E3HT 4A297-FKA)	Eaton	RT401	4.11/5.61	40M	Δ	245
★E766-F (D7HA 4A298-DNA)	Eaton	34DSE	7.60	34M	Δ	133
★E766-R (D7HA 4A297-DJA)	Eaton	34RSE	7.60	34M	Δ	134
★E767-F (D7HA 4A298-DRA)	Eaton	34DSE	7.60	34M	Δ	133
★E767-R (E3HT 4A297-FMA)	Eaton	RT401	4.33/5.91	40M	Δ	245
★E768-F (D7HA 4A298-EDA)	Eaton	34DSC	3.70	34M	Δ	133
★E768-R (D7HA 4A297-DUA)	Eaton	34RSC	3.70	34M	Δ	134

1980/  
TRUCK SERIES 600/900

REAR AXLE T.S.L. † CROSS-REFERENCE GUIDE

IDENTIFICATION AND/OR T.S.L. NUMBER	MANUFACTURER	MANUFACTURER MODEL	RATIO	CAPACITY	DRIVESHAFT SIZE	SEC.40.1 PARTS LIST NO.
Notes: Δ Driveshaft flange not included on assy. † Truck Specification List-included in Kentucky-built trucks. — Cont'd						
★E769-F (D7HA 4A298-EEA)	Eaton	34DSC	4.11	34M	Δ	133
★E769-R (D7HA 4A297-DVA)	Eaton	34RSC	4.11	34M	Δ	134
★E770-F (D7HA 4A298-EFA)	Eaton	34DSC	4.33	34M	Δ	133
★E770-R (D7HA 4A297-DYA)	Eaton	34RSC	4.33	34M	Δ	134
★E771-F (D7HA 4A298-EGA)	Eaton	34DSC	4.56	34M	Δ	133
★E771-R (D7HA 4A297-DZA)	Eaton	34RSC	4.56	34M	Δ	134
★E773-F (D7HA 4A298-ECA)	Eaton	34DSC	4.11	34M	Δ	133
★E773-R (D7HA 4A297-DTA)	Eaton	34RSC	4.11	34M	Δ	134
★E774-F (D7HA 4A298-DZA)	Eaton	34DTE	6.14/8.38	34M	Δ	147
★E774-R (D7HA 4A297-DNA)	Eaton	34RTE	6.14/8.38	34M	Δ	148
★E774-S (E3HT 4005-BLA)	Eaton	16244	4.88/7.68	17.5M	1550	101
★E775-F (D7HA 4A298-EAA)	Eaton	34DTE	6.50/8.87	34M	Δ	147
★E775-R (D7HA 4A297-DRA)	Eaton	34RTE	6.50/8.87	34M	Δ	148
★E775-S (E3HT 4A297-BA)	Eaton	17101	4.88	18.5/19M	Δ	97
★E776-F (D7HA 4A298-EBA)	Eaton	34DTE	7.17/9.77	34M	Δ	147
★E776-R (D7HA 4A297-DSA)	Eaton	34RTE	7.17/9.77	34M	Δ	148
★E776-S (E3HT 4A297-CA)	Eaton	17101	5.29	18.5/19M	Δ	97
★E777-S (E3HT 4A297-DA)	Eaton	17201	4.88/6.65	18.5/19M	Δ	102
★E778-S (E3HT 4A297-EA)	Eaton	17201	5.29/7.21	18.5/19M	Δ	102
★E779-F (D7HA 4A298-DVA)	Eaton	34DPC	7.60	34M	Δ	130
★E779-R (D7HA 4A297-DMA)	Eaton	34RPC	7.60	34M	Δ	131
★E780-F (D7HA 4A298-DYA)	Eaton	34DPC	7.60	34M	Δ	130
★E781-F (D7HA 4A298-EJA)	Eaton	38DSC	3.70	38M	Δ	56
★E781-R (D7HA 4A297-EBA)	Eaton	38RSC	3.70	38M	Δ	58
★E782-F (D7HA 4A298-EKA)	Eaton	38DSC	4.11	38M	Δ	56
★E782-R (D7HA 4A297-ECA)	Eaton	38RSC	4.11	38M	Δ	58
★E783-F (D7HA 4A298-ELA)	Eaton	38DSC	4.33	38M	Δ	56
★E783-R (D7HA 4A297-EDA)	Eaton	38RSC	4.33	38M	Δ	58
★E784-F (D7HA 4A298-EMA)	Eaton	38DSC	4.56	38M	Δ	56
★E784-R (D7HA 4A297-EEA)	Eaton	38RSC	4.56	38M	Δ	58
★E785-F (D7HA 4A298-ENA)	Eaton	38DSC	4.88	38M	Δ	56
★E785-R (D7HA 4A297-EFA)	Eaton	38RSC	4.88	38M	Δ	58
★E786-F (D7HA 4A298-ERA)	Eaton	38DSC	5.29	38M	Δ	56
★E786-R (D7HA 4A297-EGA)	Eaton	38RSC	5.29	38M	Δ	58
★E787-F (D7HA 4A298-ESA)	Eaton	38DSC	5.57	38M	Δ	56
★E787-R (D7HA 4A297-EHA)	Eaton	38RSC	5.57	38M	Δ	58
★E788-F (D7HA 4A298-ETA)	Eaton	38DSE	6.14	38M	Δ	56
★E788-R (D7HA 4A297-EJA)	Eaton	38RSE	6.14	38M	Δ	58
★E789-F (D7HA 4A298-EUA)	Eaton	38DSE	6.50	38M	Δ	56
★E789-R (D7HA 4A297-EKA)	Eaton	38RSE	6.50	38M	Δ	58
★E790-S (E3HT 4005-BMA)	Eaton	16244	5.57/7.75	17.5M	1410	101
★E791-S (E3HT 4005-BNA)	Eaton	16244	6.14/8.54	17.5M	1410	101
★E792-F (D7HA 4A298-FEA)	Eaton	38DSC	3.70	38M	Δ	56
★E792-R (D7HA 4A297-EVA)	Eaton	38RSC	3.70	38M	Δ	58
★E792-S (E3HT 4005-BRA)	Eaton	16244	6.57/9.13	17.5M	1410	101
★E793-F (D7HA 4A298-FFA)	Eaton	38DSC	4.11	38M	Δ	56
★E793-R (D7HA 4A297-EYA)	Eaton	38RSC	4.11	38M	Δ	58
★E793-S (E3HT 4005-BSA)	Eaton	16244	7.17/9.97	17.5M	1410	101
★E794-F (D7HA 4A298-FHA)	Eaton	38DSC	4.33	38M	Δ	56
★E794-R (D7HA 4A297-FAA)	Eaton	38RSC	4.33	38M	Δ	58
★E794-S (E3HT 4005-BTA)	Eaton	16244	5.57/7.75	17.5M	1480	101
★E795-F (D7HA 4A298-FJA)	Eaton	38DSC	4.56	38M	Δ	56
★E795-R (D7HA 4A297-FBA)	Eaton	38RSC	4.56	38M	Δ	58
★E795-S (E3HT 4005-BUA)	Eaton	16244	6.14/8.54	17.5M	1480	101
★E796-F (D7HA 4A298-FGA)	Eaton	38DSC	4.11	38M	Δ	56

1980/  
TRUCK SERIES 600/900

REAR AXLE T.S.L. † CROSS-REFERENCE GUIDE

IDENTIFICATION AND/OR T.S.L. NUMBER	MANUFACTURER	MANUFACTURER MODEL	RATIO	CAPACITY	DRIVESHAFT SIZE	SEC.40.1 PARTS LIST NO.
Notes: Δ Driveshaft flange not included on assy. † Truck Specification List-included in Kentucky-built trucks. — Cont'd						
★E796-R (D7HA 4A297-EZA)	Eaton	38RSC	4.11	38M	Δ	58
★E796-S (E3HT 4005-BVA)	Eaton	16244	6.57/9.13	17.5M	1480	101
★E797-F (D7HA 4A298-EZA)	Eaton	38DPC	5.05	38M	Δ	53
★E797-R (D7HA 4A297-ENA)	Eaton	38RPC	5.05	38M	Δ	54
★E797-S (E3HT 4005-BYA)	Eaton	16244	7.17/9.97	17.5M	1480	101
★E798-S (E3HT 4005-BZA)	Eaton	16244	5.57/7.75	17.5M	1550	101
★E799-S (E3HT 4005-CAA)	Eaton	16244	6.14/8.54	17.5M	1550	101
★E800-F (D7HA 4A298-FDA)	Eaton	38DPC	7.60	38M	Δ	53
★E800-R (D7HA 4A297-EUA)	Eaton	38RPC	7.60	38M	Δ	54
★E800-S (E3HT 4005-CBA)	Eaton	16244	6.57/9.13	17.5M	1550	101
★E801-S (E3HT 4005-CCA)	Eaton	16244	7.17/9.97	17.5M	1550	101
★E802-S (E3HT 4005-CDA)	Eaton	16244	4.88/6.78	17.5M	1610	101
★E803-S (E3HT 4005-CEA)	Eaton	16244	5.57/7.75	17.5M	1610	101
★E804-S (E3HT 4005-CFA)	Eaton	16244	6.14/8.54	17.5M	1610	101
★E805-F (D7HA 4A298-HAA)	Eaton	DS340	4.11	34M	Δ	198
★E805-F (E3HT 4A298-HVA)	Eaton	DS341	4.11	34M	Δ	229
★E805-R (D7HA 4A297-HAA)	Eaton	RS340	4.11	34M	Δ	199
★E805-R (E3HT 4A297-HVA)	Eaton	RS341	4.11	34M	Δ	230
★E806-F (D7HA 4A298-HBA)	Eaton	DS340	4.33	34M	Δ	198
★E806-F (E3HT 4A298-HYA)	Eaton	DS341	4.33	34M	Δ	229
★E806-R (D7HA 4A297-HBA)	Eaton	RS340	4.33	34M	Δ	199
★E806-R (E3HT 4A297-HYA)	Eaton	RS341	4.33	34M	Δ	230
★E807-F (D7HA 4A298-HCA)	Eaton	DS340	4.11	34M	Δ	198
★E807-F (E3HT 4A298-HZA)	Eaton	DS381	4.11	38M	Δ	231
★E807-R (D7HA 4A297-HCA)	Eaton	RS340	4.11	34M	Δ	199
★E807-R (E3HT 4A297-HZA)	Eaton	RS381	4.11	38M	Δ	232
★E808-F (D7HA 4A298-HDA)	Eaton	DS340	4.33	34M	Δ	198
★E808-F (E3HT 4A298-JAA)	Eaton	DS381	4.33	38M	Δ	231
★E808-R (D7HA 4A297-HDA)	Eaton	RS340	4.33	34M	Δ	199
★E808-R (E3HT 4A297-JAA)	Eaton	RS381	4.33	38M	Δ	232
★E809-F (D7HA 4A298-HEA)	Eaton	DS340	3.70	34M	Δ	198
★E809-F (E3HT 4A298-JDA)	Eaton	DS381	4.11	38M	Δ	231
★E809-R (D7HA 4A297-HEA)	Eaton	RS340	3.70	34M	Δ	199
★E809-R (E3HT 4A297-JDA)	Eaton	RS381	4.11	38M	Δ	232
★E810-F (D7HA 4A298-HFA)	Eaton	DS340	4.11	34M	Δ	198
★E810-F (E3HT 4A298-JEA)	Eaton	DS381	4.33	38M	Δ	231
★E810-R (D7HA 4A297-HFA)	Eaton	RS340	4.11	34M	Δ	199
★E810-R (E3HT 4A297-JEA)	Eaton	RS381	4.33	38M	Δ	232
★E811-F (D7HA 4A298-HGA)	Eaton	DS340	4.33	34M	Δ	198
★E811-R (D7HA 4A297-HGA)	Eaton	RS340	4.33	34M	Δ	199
★E815-F (D7HA 4A298-HHA)	Eaton	DS380	4.11	38M	Δ	200
★E815-R (D7HA 4A297-HHA)	Eaton	RS380	4.11	38M	Δ	201
★E816-F (D7HA 4A298-HJA)	Eaton	DS380	4.33	38M	Δ	200
★E816-R (D7HA 4A297-HJA)	Eaton	RS380	4.33	38M	Δ	201
★E817-F (D7HA 4A298-HKA)	Eaton	DS380	3.70	38M	Δ	200
★E817-R (D7HA 4A297-HKA)	Eaton	RS380	3.70	38M	Δ	201
★E818-F (D7HA 4A298-HLA)	Eaton	DS380	4.11	38M	Δ	200
★E818-F (E3HT 4A298-FKA)	Eaton	DT401-P	4.11/5.61	40M	Δ	244
★E818-R (D7HA 4A297-HLA)	Eaton	RS380	4.11	38M	Δ	201
★E819-F (D7HA 4A298-HMA)	Eaton	DS380	4.33	38M	Δ	200
★E819-F (E3HT 4A298-FMA)	Eaton	DT401-P	4.33/5.91	40M	Δ	244
★E819-R (D7HA 4A297-HMA)	Eaton	RS380	4.33	38M	Δ	201
★E820-F (D7HA 4A298-CUA)	Eaton	DS380	4.11	38M	Δ	200
★E820-F (E3HT 4A298-FRA)	Eaton	DT401-P	4.56/6.21	40M	Δ	244
★E821-F (D7HA 4A298-CTA)	Eaton	DS380	4.33	38M	Δ	200

1980/  
TRUCK SERIES 600/900

REAR AXLE T.S.L. † CROSS-REFERENCE GUIDE

IDENTIFICATION AND/OR T.S.L. NUMBER	MANUFACTURER	MANUFACTURER MODEL	RATIO	CAPACITY	DRIVESHAFT SIZE	SEC.40.1 PARTS LIST NO.
Notes: Δ Driveshaft flange not included on assy. † Truck Specification List-included in Kentucky-built trucks. — Cont'd						
★E821-R (E3HT 4A297-FRA)	Eaton	RT401	4.56/6.21	40M	Δ	245
★E822-F (D7HA 4A298-HNA)	Eaton	DS380	3.70	38M	Δ	200
★E822-F (E3HT 4A298-VA)	Eaton	DS341	5.29	34M	Δ	229
★E822-R (D7HA 4A297-HNA)	Eaton	RS380	3.70	38M	Δ	201
★E823-F (D7HA 4A298-HRA)	Eaton	DS380	4.11	38M	Δ	200
★E823-F (E3HT 4A298-ZA)	Eaton	DS341	5.57	34M	Δ	229
★E823-R (D7HA 4A297-HRA)	Eaton	RS380	4.11	38M	Δ	201
★E824-F (D7HA 4A298-HSA)	Eaton	DS380	4.33	38M	Δ	200
★E824-F (E3HT 4A298-TA)	Eaton	DS341	4.88	34M	Δ	229
★E824-R (D7HA 4A297-HSA)	Eaton	RS380	4.33	38M	Δ	201
★E827-F (E3HT 4A298-GCA)	Eaton	DS341	6.14	34M	Δ	229
★E828-F (D7HA 4A298-KGA)	Eaton	44DSC	3.70	44M	Δ	196
★E828-F (E3HT 4A298-GDA)	Eaton	DS341	6.50	34M	Δ	229
★E828-R (D7HA 4A297-KGA)	Eaton	44RSC	3.70	44M	Δ	197
★E829-F (D7HA 4A298-KHA)	Eaton	44DSC	4.11	44M	Δ	196
★E829-F (E3HT 4A298-GEA)	Eaton	DS341	7.17	34M	Δ	229
★E829-R (D7HA 4A297-KHA)	Eaton	44RSC	4.11	44M	Δ	197
★E830-F (D7HA 4A298-KJA)	Eaton	44DSC	4.33	44M	Δ	196
★E830-F (E3HT 4A298-JBA)	Eaton	DS381	3.70	38M	Δ	231
★E830-R (D7HA 4A297-KJA)	Eaton	44RSC	4.33	44M	Δ	197
★E831-F (D7HA 4A298-HTA)	Eaton	44DSC	4.11	44M	Δ	196
★E831-R (D7HA 4A297-HTA)	Eaton	44RSC	4.11	44M	Δ	197
★E831-R (E3HT 4A297-JBA)	Eaton	RS381	3.70	38M	Δ	232
★E832-F (D7HA 4A298-HUA)	Eaton	44DSC	4.33	44M	Δ	196
★E832-F (E3HT 4A298-JFA)	Eaton	DS381	4.11	38M	Δ	231
★E832-R (D7HA 4A297-HUA)	Eaton	44RSC	4.33	44M	Δ	197
★E833-R (E3HT 4A297-JFA)	Eaton	RS381	4.11	38M	Δ	232
★E834-F (E3HT 4A298-JGA)	Eaton	DS381	4.33	38M	Δ	231
★E835-R (E3HT 4A297-JGA)	Eaton	RS381	4.33	38M	Δ	232
★E836-F (E3HT 4A298-JCA)	Eaton	DS381	3.90	38M	Δ	231
★E837-R (E3HT 4A297-JCA)	Eaton	RS381	3.90	38M	Δ	232
★E838-S (E3HT 4005-CKA)	Eaton	15201	5.57/7.75	15M	1550	164
★E839-S (E3HT 4005-CLA)	Eaton	15201	5.86/8.15	15M	1550	164
★E878-S (D8HT 4006-CA)	Eaton	15201	6.33/8.81	15M	1410	164
★E879-S (D8HT 4006-AA)	Eaton	15201	5.83/8.12	15M	1410	164
★E880-S (D8HT 4006-BA)	Eaton	15201	5.83/8.12	15M	1480	164
★E881-S (D8HT 4006-DA)	Eaton	15201	6.33/8.81	15M	1480	164
★E882-S (D8HT 4005-UA)	Eaton	16244	5.57/7.75	17.5M	1410	101
★E883-S (D8HT 4005-VA)	Eaton	16244	5.57/7.75	17.5M	1480	101
★E884-S (D8HT 4005-YA)	Eaton	16244	5.57/7.75	17.5M	6C	101
★E885-S (D8HT 4005-ZA)	Eaton	16244	6.17/8.58	17.5M	1410	101
★E886-S (D8HT 4005-AAA)	Eaton	16244	6.17/8.58	17.5M	1480	101
★E887-S (D8HT 4005-ABA)	Eaton	16244	6.17/8.58	17.5M	6C	101
★E888-S (D8HT 4005-ACA)	Eaton	16244	6.50/9.04	17.5M	1410	101
★E889-S (D8HT 4005-ADA)	Eaton	16244	6.50/9.04	17.5M	1480	101
★E890-S (D8HT 4005-AEA)	Eaton	16244	6.50/9.04	17.5M	6C	101
★E896-S (D9HT 4005-NA)	Eaton	16244	7.17/9.97	17.5M	1480	101
★E897-S (D9HT 4005-MA)	Eaton	16244	7.17/9.97	17.5M	1410	101
★E898-S (D9HT 4A297-BA)	Eaton	18121	6.14	22M	Δ	167
★E899-F (D9HT 4A298-BA)	Eaton	34DPE	8.38	34M	Δ	130
★E899-R (D9HT 4A297-CA)	Eaton	34RPE	8.38	34M	Δ	131
★E900-F (D9HT 4A298-AA)	Eaton	34DPE	8.38	34M	Δ	130
★E902-S (EOHT 4A297-EA)	Eaton	17121	5.57	18.5M	Δ	97
★E904-F (D9HT 4A298-EA)	Eaton	DP440-P	5.31	44M	Δ	223
★E904-R (D9HT 4A297-EA)	Eaton	RP440	5.31	44M	Δ	224

1980/  
TRUCK SERIES 600/900

REAR AXLE T.S.L. † CROSS-REFERENCE GUIDE

IDENTIFICATION AND/OR T.S.L. NUMBER	MANUFACTURER	MANUFACTURER MODEL	RATIO	CAPACITY	DRIVESHAFT SIZE	SEC. 40.1 PARTS LIST NO.
Notes: Δ Driveshaft flange not included on assy. † Truck Specification List included in Kentucky-built trucks. — Cont'd						
★E905-F (D9HT 4A298-FA)	Eaton	DP440-P	5.90	44M	Δ	223
★E905-R (D9HT 4A297-FA)	Eaton	RP440	5.90	44M	Δ	224
★E906-F (D9HT 4A298-GA)	Eaton	DP440-P	7.20	44M	Δ	223
★E906-R (D9HT 4A297-GA)	Eaton	RP440	7.20	44M	Δ	224
★E907-S (E0HT 4005-ZA)	Eaton	16244	5.57/7.75	17.5M	1550	101
★E908-S (E0HT 4005-AAA)	Eaton	16244	6.17/8.58	17.5M	1550	101
★E909-S (E0HT 4005-ABA)	Eaton	16244	6.50/9.04	17.5M	1550	101
★E910-S (E0HT 4A297-GA)	Eaton	22121	5.57	22M	Δ	221
★E911-S (E0HT 4A297-HA)	Eaton	22121	6.17	22M	Δ	221
★E912-S (E0HT 4A297-JA)	Eaton	22121	6.50	22M	Δ	221
★E913-S (E0HT 4A297-KA)	Eaton	22121	7.17	22M	Δ	221
★E914-S (E0HT 4A297-LA)	Eaton	22221	5.57/7.60	22M	Δ	222
★E915-S (E0HT 4A297-MA)	Eaton	22221	6.17/8.41	22M	Δ	222
★E916-S (E0HT 4A297-NA)	Eaton	22221	6.50/8.86	22M	Δ	222
★E917-S (E0HT 4A297-RA)	Eaton	22221	7.17/9.77	22M	Δ	222
★E919-S (E0HT 4005-AYA)	Eaton	15201	5.83/8.12	15M	1410	164
★E920-S (E0HT 4005-AZA)	Eaton	15201	6.33/8.81	15M	1410	164
★E921-S (E0HT 4005-BAA)	Eaton	15201	5.83/8.12	15M	1480	164
★E922-S (E0HT 4005-BBA)	Eaton	15201	6.33/8.81	15M	1480	164
★E924-S (D7HS 4A297-BSA)	Eaton	23121	3.90	23M	Δ	194
★E925-S (E0HT 4005-BEA)	Eaton	15201	5.57/7.75	15M	1410	164
★E926-S (E0HT 4005-BFA)	Eaton	15201	5.57/7.75	15M	1480	164
★E927-S (E0HT 4005-BGA)	Eaton	16244	7.17/9.97	17.5M	1550	101
★E935-S (E1HT 4005-BUA)	Eaton	16244	6.14/8.54	17.5M	1550	101
★E936-S (E1HT 4005-CEA)	Eaton	16244	7.17/9.97	17.5M	1480	101
★E937-S (E1HT 4005-BVA)	Eaton	16244	5.57/7.75	17.5M	1410	101
★E938-S (E1HT 4005-CBA)	Eaton	16244	5.57/7.75	17.5M	1480	101
★E939-S (E1HT 4005-BYA)	Eaton	16244	6.14/8.54	17.5M	1410	101
★E940-S (E1HT 4005-CCA)	Eaton	16244	6.14/8.54	17.5M	1480	101
★E941-S (E1HT 4005-BZA)	Eaton	16244	6.50/9.04	17.5M	1410	101
★E942-S (E1HT 4005-CDA)	Eaton	16244	6.50/9.04	17.5M	1480	101
★E943-S (E1HT 4005-CAA)	Eaton	16244	7.17/9.97	17.5M	1410	101
★E944-S (E1HT 4005-CHA)	Eaton	16244	6.50/9.04	17.5M	1550	101
★E945-S (E1HT 4005-CJA)	Eaton	16244	7.17/9.97	17.5M	1550	101
★E946-S (E1HT 4005-CGA)	Eaton	16244	6.14/8.54	17.5M	1550	101
★E947-S (E1HT 4005-CFA)	Eaton	16244	5.57/7.75	17.5M	1550	101
★E949-S (E1HT 4005-CKA)	Eaton	15201	5.57/7.75	15M	1480	164
★E950-S (E1HT 4005-CLA)	Eaton	15201	5.57/7.75	15M	1410	164
★E951-S (E1HT 4005-CMA)	Eaton	15201	6.33/8.81	15M	1480	164
★E952-S (E1HT 4005-CNA)	Eaton	15201	5.83/8.12	15M	1480	164
★E953-S (E1HT 4005-CRA)	Eaton	15201	6.33/8.81	15M	1410	164
★E954-S (E1HT 4005-CSA)	Eaton	15201	5.83/8.12	15M	1410	164
★E955-S (E1HT 4A297-KA)	Eaton	17121	6.14	18.5/19M	Δ	97
★E956-S (E1HT 4A297-LA)	Eaton	17121	6.50	18.5/19M	Δ	97
★E958-S (E1HT 4A297-MA)	Eaton	17121	7.17	18.5/19M	Δ	97
★E960-S (E1HT 4A297-NA)	Eaton	17121	5.57	18.5/19M	Δ	97
★E961-S (E1HT 4A297-RA)	Eaton	17221	5.57/7.60	18.5/19M	Δ	102
★E962-S (E1HT 4A297-SA)	Eaton	17221	6.14/8.38	18.5/19M	Δ	102
★E963-S (E1HT 4A297-TA)	Eaton	17221	6.50/8.86	18.5/19M	Δ	102
★E964-S (E1HT 4A297-UA)	Eaton	17221	7.17/9.77	18.5/19M	Δ	102
★E970-S (E1HT 4A297-AFA)	Eaton	23121	3.70	23M	Δ	194
★E971-S (E1HT 4A297-AGA)	Eaton	23121	4.11	23M	Δ	194
★E972-S (E1HT 4A297-AHA)	Eaton	23121	4.33	23M	Δ	194
★E973-S (E1HT 4A297-AJA)	Eaton	23121	4.56	23M	Δ	194
★E974-S (E1HT 4A297-AKA)	Eaton	23121	4.88	23M	Δ	194

1980/  
TRUCK SERIES 600/900

REAR AXLE T.S.L. † CROSS-REFERENCE GUIDE

IDENTIFICATION AND/OR T.S.L. NUMBER	MANUFACTURER	MANUFACTURER MODEL	RATIO	CAPACITY	DRIVESHAFT SIZE	SEC.40.1 PARTS LIST NO.
Notes:     Δ Driveshaft flange not included on assy. † Truck Specification List-included in Kentucky-built trucks. — Cont'd						
★E975-S (E1HT 4A297-ALA)	Eaton	23121	5.43	23M	Δ	194
★E976-S (E1HT 4A297-AMA)	Eaton	23121	6.17	23M	Δ	194
★E977-S (E1HT 4A297-ANA)	Eaton	23121	6.67	23M	Δ	194
★E978-S (E1HT 4A297-ARA)	Eaton	23121	3.90	23M	Δ	194
★E980-S (E1HT 4A297-ATA)	Eaton	23221	5.43/7.39	23M	Δ	195
★E981-S (E1HT 4A297-AUA)	Eaton	23221	6.17/8.40	23M	Δ	195
★E982-S (E1HT 4A297-AVA)	Eaton	23221	6.67/9.08	23M	Δ	195
★E984-S (E1HT 4A297-VA)	Eaton	22121	5.57	22M	Δ	221
★E985-S (E1HT 4A297-YA)	Eaton	22121	6.17	22M	Δ	221
★E986-S (E1HT 4A297-ZA)	Eaton	22121	6.50	22M	Δ	221
★E987-S (E1HT 4A297-AAA)	Eaton	22121	7.17	22M	Δ	221
★E988-S (E1HT 4A297-ABA)	Eaton	22221	5.57/7.60	22M	Δ	222
★E989-S (E1HT 4A297-ACA)	Eaton	22221	6.17/8.41	22M	Δ	222
★E990-S (E1HT 4A297-ADA)	Eaton	22221	6.50/8.86	22M	Δ	222
★E991-S (E1HT 4A297-AEA)	Eaton	22221	7.17/9.77	22M	Δ	222
★R22-BW (D3HA 4A298-CGA)	Rockwell (Timken)	SLHD	4.11	34M	Δ	125
★R52-BW (D3HA 4A297-BMA)	Rockwell (Timken)	SLHD	4.11	34M	Δ	126
★R52-CW (D3HA 4A297-BNA)	Rockwell (Timken)	SLHD	4.44	34M	Δ	126
★R005-M (E2HT 4305-CUA)	Rockwell (Timken)	SSHHD	5.29	46M	1610	205
★R006-M (E2HT 4305-CVA)	Rockwell (Timken)	SSHHD	5.57	46M	1610	205
★R007-M (E2HT 4305-CYA)	Rockwell (Timken)	SSHHD	6.17	46M	1610	205
★R014-M (D8HS 4A298-GA)	Rockwell (Timken)	SSHHD	3.90	46M	Δ	205
★R015-M (D8HS 4A298-HA)	Rockwell (Timken)	SSHHD	4.11	46M	Δ	205
★R016-M (D8HS 4A298-JA)	Rockwell (Timken)	SSHHD	4.33	46M	Δ	205
★R017-M (D8HS 4A298-KA)	Rockwell (Timken)	SSHHD	4.63	46M	Δ	205
★R018-M (D8HS 4A298-HFA)	Rockwell (Timken)	SSHHD	4.89	46M	Δ	205
★R019-M (D8HS 4A298-LA)	Rockwell (Timken)	SSHHD	5.29	46M	Δ	205
★R020-M (D8HS 4A298-FTA)	Rockwell (Timken)	SSHHD	5.57	46M	Δ	205
★R022-M (D8HS 4A297-GA)	Rockwell (Timken)	SSHHD	3.90	46M	Δ	206
★R023-M (D8HS 4A297-HA)	Rockwell (Timken)	SSHHD	4.11	46M	Δ	206
★R024-M (D8HS 4A297-JA)	Rockwell (Timken)	SSHHD	4.33	46M	Δ	206
★R025-M (D8HS 4A297-KA)	Rockwell (Timken)	SSHHD	4.63	46M	Δ	206
★R026-M (D8HS 4A297-HFA)	Rockwell (Timken)	SSHHD	4.89	46M	Δ	206
★R027-M (D8HS 4A297-LA)	Rockwell (Timken)	SSHHD	5.29	46M	Δ	206
★R027-W (D5HA 4A297-DNA)	Rockwell (Timken)	SLHD	4.11	34M	Δ	126
★R028-M (D8HS 4A297-FTA)	Rockwell (Timken)	SSHHD	5.57	46M	Δ	206
★R030-M (D5HA 4A297-CBA)	Rockwell (Timken)	R170	4.11	23M	Δ	189
★R031-M (D5HA 4A297-CCA)	Rockwell (Timken)	R170	4.33	23M	Δ	189
★R032-M (D5HA 4A297-CDA)	Rockwell (Timken)	R170	5.29	23M	Δ	189
★R033-M (D5HA 4A297-CEA)	Rockwell (Timken)	R170	5.86	23M	Δ	189
★R034-M (D5HA 4A297-CFA)	Rockwell (Timken)	R170	6.14	23M	Δ	189
★R035-M (D9HT 4A297-AA)	Rockwell (Timken)	R170	6.83	23M	Δ	189
★R035-W (E3HT 4A298-GNA)	Rockwell (Timken)	SQHP	3.70	40M	Δ	203
★R036-M (D9HT 4A297-DA)	Rockwell (Timken)	R170	7.40	23M	Δ	189
★R036-W (E3HT 4A298-GRA)	Rockwell (Timken)	SQHP	4.11	40M	Δ	203
★R037-W (D3HA 4A298-CGA)	Rockwell (Timken)	SLHD	4.11	34M	Δ	125
★R038-W (D3HA 4A298-CFA)	Rockwell (Timken)	SLHD	4.44	34M	Δ	125
★R039-W (E3HT 4A298-GSA)	Rockwell (Timken)	SQHP	4.44	40M	Δ	203
★R040-W (E2HT 4305-AA)	Rockwell (Timken)	SQHP	3.70	40M	1610	203
★R040-W (E3HT 4A298-GTA)	Rockwell (Timken)	SQHP	3.70	40M	Δ	203
★R041-W (E2HT 4305-CA)	Rockwell (Timken)	SQHP	4.11	40M	1610	203
★R041-W (E3HT 4A298-GUA)	Rockwell (Timken)	SQHP	4.11	40M	Δ	203
★R042-W (E2HT 4305-BA)	Rockwell (Timken)	SQHP	3.70	40M	1710	203
★R042-W (E3HT 4A298-GVA)	Rockwell (Timken)	SQHP	3.70	40M	Δ	203
★R043-W (E2HT 4305-DA)	Rockwell (Timken)	SQHP	4.11	40M	1710	203

1980/  
TRUCK SERIES 600/900

REAR AXLE T.S.L. † CROSS-REFERENCE GUIDE

IDENTIFICATION AND/OR T.S.L. NUMBER	MANUFACTURER	MANUFACTURER MODEL	RATIO	CAPACITY	DRIVESHAFT SIZE	SEC. 40.1 PARTS LIST NO.
Notes: Δ Driveshaft flange not included on assy. † Truck Specification List-included in Kentucky-built trucks. — Cont'd						
★R043-W (E3HT 4A298-GYA)	Rockwell (Timken)	SQHP	4.11	40M	Δ	203
★R044-W (E3HT 4A298-GHA)	Rockwell (Timken)	SQHP	3.70	40M	Δ	203
★R045-W (E2HT 4005-AA)	Rockwell (Timken)	SQHP	3.70	40M	1610	204
★R045-W (E3HT 4A298-GJA)	Rockwell (Timken)	SQHP	4.11	40M	Δ	203
★R046-W (E2HT 4005-CA)	Rockwell (Timken)	SQHP	4.11	40M	1610	204
★R046-W (E3HT 4A298-GKA)	Rockwell (Timken)	SQHP	4.44	40M	Δ	203
★R047-W (E2HT 4005-BA)	Rockwell (Timken)	SQHP	3.70	40M	1710	204
★R047-W (E3HT 4A298-GLA)	Rockwell (Timken)	SQHP	3.70	40M	Δ	203
★R048-W (E2HT 4005-DA)	Rockwell (Timken)	SQHP	4.11	40M	1710	204
★R048-W (E3HT 4A298-GMA)	Rockwell (Timken)	SQHP	4.11	40M	Δ	203
★R050-W (E3HT 4A297-GHA)	Rockwell (Timken)	SQHP	3.70	40M	Δ	204
★R051-W (E3HT 4A297-GJA)	Rockwell (Timken)	SQHP	4.11	40M	Δ	204
★R052-W (E3HT 4A297-GKA)	Rockwell (Timken)	SQHP	4.44	40M	Δ	204
★R053-W (E3HT 4A297-GLA)	Rockwell (Timken)	SQHP	3.70	40M	Δ	204
★R054-W (E3HT 4A297-GMA)	Rockwell (Timken)	SQHP	4.11	40M	Δ	204
★R056-W (D5HA 4A298-CRA)	Rockwell (Timken)	SLHD	4.11	34M	Δ	125
★R058-W (D3HA 4A297-BMA)	Rockwell (Timken)	SLHD	4.11	34M	Δ	126
★R059-W (D3HA 4A297-BNA)	Rockwell (Timken)	SLHD	4.44	34M	Δ	126
★R060-W (E2HT 4305-EA)	Rockwell (Timken)	SQHP	3.70	40M	1610	203
★R061-W (E2HT 4305-GA)	Rockwell (Timken)	SQHP	4.11	40M	1610	203
★R062-W (E2HT 4305-FA)	Rockwell (Timken)	SQHP	3.70	40M	1710	203
★R063-W (E2HT 4305-HA)	Rockwell (Timken)	SQHP	4.11	40M	1710	203
★R064-W (E2HT 4005-EA)	Rockwell (Timken)	SQHP	3.70	40M	1610	204
★R065-W (E2HT 4005-GA)	Rockwell (Timken)	SQHP	4.11	40M	1610	204
★R066-W (E2HT 4005-FA)	Rockwell (Timken)	SQHP	3.70	40M	1710	204
★R067-W (E2HT 4005-HA)	Rockwell (Timken)	SQHP	4.11	40M	1710	204
★R068-W (E3HT 4A297-GNA)	Rockwell (Timken)	SQHP	3.70	40M	Δ	204
★R069-W (E3HT 4A297-GRA)	Rockwell (Timken)	SQHP	4.11	40M	Δ	204
★R070-W (E3HT 4A297-GSA)	Rockwell (Timken)	SQHP	4.44	40M	Δ	204
★R071-W (E3HT 4A297-GTA)	Rockwell (Timken)	SQHP	3.70	40M	Δ	204
★R072-W (D5HA 4A297-DNA)	Rockwell (Timken)	SLHD	4.11	34M	Δ	126
★R074-W (E2HT 4A298-AA)	Rockwell (Timken)	SQHD	3.70	38M	Δ	127
★R075-W (E2HT 4A298-BA)	Rockwell (Timken)	SQHD	4.11	38M	Δ	127
★R077-W (E2HT 4A297-AA)	Rockwell (Timken)	SQHD	3.70	38M	Δ	128
★R078-W (E2HT 4A297-BA)	Rockwell (Timken)	SQHD	4.11	38M	Δ	128
★R078-W (E3HT 4A298-HKA)	Rockwell (Timken)	SL100	4.88	34M	Δ	249
★R079-W (E3HT 4A298-HLA)	Rockwell (Timken)	SL100	5.29	34M	Δ	249
★R080-W (E2HT 4A298-CA)	Rockwell (Timken)	SQHD	3.70	38M	Δ	127
★R080-W (E3HT 4A298-HMA)	Rockwell (Timken)	SL100	5.83	34M	Δ	249
★R081-W (E2HT 4A298-DA)	Rockwell (Timken)	SQHD	4.11	38M	Δ	127
★R081-W (E3HT 4A298-HNA)	Rockwell (Timken)	SL100	6.17	34M	Δ	249
★R082-W (E3HT 4A298-HRA)	Rockwell (Timken)	SL100	6.83	34M	Δ	249
★R083-W (E2HT 4A297-CA)	Rockwell (Timken)	SQHD	3.70	38M	Δ	128
★R083-W (E3HT 4A298-HSA)	Rockwell (Timken)	SL100	7.20	34M	Δ	249
★R084-W (E2HT 4A297-DA)	Rockwell (Timken)	SQHD	4.11	38M	Δ	128
★R085-W (E3HT 4A297-GUA)	Rockwell (Timken)	SQHP	4.11	40M	Δ	204
★R086-W (E3HT 4A297-GVA)	Rockwell (Timken)	SQHP	3.70	40M	Δ	204
★R087-W (E3HT 4A297-GYA)	Rockwell (Timken)	SQHP	4.11	40M	Δ	204
★R090-M (E2HT 4A297-CJA)	Rockwell (Timken)	R170	3.70	23M	Δ	189
★R091-M (E2HT 4A297-CKA)	Rockwell (Timken)	R170	3.90	23M	Δ	189
★R092-M (E2HT 4A297-CLA)	Rockwell (Timken)	R170	4.11	23M	Δ	189
★R093-M (E2HT 4A297-CMA)	Rockwell (Timken)	R170	4.33	23M	Δ	189
★R094-M (E2HT 4A297-CNA)	Rockwell (Timken)	R170	5.29	23M	Δ	189
★R095-M (E2HT 4A297-CRA)	Rockwell (Timken)	R170	5.86	23M	Δ	189
★R096-M (E2HT 4A297-CSA)	Rockwell (Timken)	R170	6.14	23M	Δ	189

1980/  
TRUCK SERIES 600/900

REAR AXLE T.S.L. † CROSS-REFERENCE GUIDE

IDENTIFICATION AND/OR T.S.L. NUMBER	MANUFACTURER	MANUFACTURER MODEL	RATIO	CAPACITY	DRIVESHAFT SIZE	SEC.40.1 PARTS LIST NO.
Notes: Δ Driveshaft flange not included on assy. † Truck Specification List-included in Kentucky-built trucks. — Cont'd						
★R097-M (E2HT 4A297-CTA)	Rockwell (Timken)	R170	6.83	23M	Δ	189
★R098-M (E2HT 4A297-CUA)	Rockwell (Timken)	R170	7.40	23M	Δ	189
★R099-M (E2HT 4A297-CVA)	Rockwell (Timken)	R170	3.70	23M	Δ	189
★R100-M (E2HT 4A297-CYA)	Rockwell (Timken)	R170	4.11	23M	Δ	189
★R101-M (E2HT 4A297-CZA)	Rockwell (Timken)	R170	4.33	23M	Δ	189
★R102-M (E2HT 4A297-DAA)	Rockwell (Timken)	R170	4.88	23M	Δ	189
★R104-M (D8HS 4A297-AZA)	Rockwell (Timken)	R170	3.90	23M	Δ	189
★R106-M (E3HT 4A297-GZA)	Rockwell (Timken)	SSH D	3.90	46M	Δ	206
★R107-M (E3HT 4A297-HAA)	Rockwell (Timken)	SSH D	4.11	46M	Δ	206
★R108-M (E3HT 4A297-HBA)	Rockwell (Timken)	SSH D	4.33	46M	Δ	206
★R109-M (D5TA 4005-REB)	Rockwell (Timken)	D140	5.83	13M	1410	191
★R109-M (E3HT 4A297-HCA)	Rockwell (Timken)	SSH D	4.63	46M	Δ	206
★R110-M (D5TA 4005-RGB)	Rockwell (Timken)	D140	6.20	13M	1410	191
★R110-M (E3HT 4A297-HDA)	Rockwell (Timken)	SSH D	5.29	46M	Δ	206
★R111-M (D5TA 4005-RJB)	Rockwell (Timken)	D140	6.80	13M	1410	191
★R111-M (E3HT 4A297-HEA)	Rockwell (Timken)	SSH D	5.57	46M	Δ	206
★R112-M (E3HT 4A297-HFA)	Rockwell (Timken)	SSH D	6.17	46M	Δ	206
★R113-M (E3HT 4005-CGA)	Rockwell (Timken)	F106	5.29	15M	1550	95
★R114-M (D7HT 4305-GA)	Rockwell (Timken)	SRDD	5.78	44M	1810	209
★R115-M (D7HT 4005-GA)	Rockwell (Timken)	SRDR	5.78	44M	1710	210
★R115-M (E3HT 4005-CJA)	Rockwell (Timken)	F106	6.14	15M	1550	95
★R116-M (D7HT 4305-DA)	Rockwell (Timken)	SUDD	5.96	58M	1710	211
★R117-M (D7HT 4005-DA)	Rockwell (Timken)	SUDR	5.96	58M	1710	212
★R118-M (D7HT 4305-AA)	Rockwell (Timken)	SFDD-4640	5.76	65M	1810	213
★R119-M (D7HT 4005-AA)	Rockwell (Timken)	SFDD-4640	5.76	65M	1710	214
★R120-W (D7HS 4A298-ETA)	Rockwell (Timken)	SQHD	3.70	38M	Δ	127
★R121-W (D7HS 4A297-ETA)	Rockwell (Timken)	SQHD	3.70	38M	Δ	128
★R122-W (D7HS 4A298-EZA)	Rockwell (Timken)	SQHD	4.44	38M	Δ	127
★R123-W (D7HS 4A297-EZA)	Rockwell (Timken)	SQHD	4.44	38M	Δ	128
★R126-W (D8HS 4A298-HDA)	Rockwell (Timken)	SLHD	3.90	34M	Δ	125
★R127-W (D7HA 4A298-FKA)	Rockwell (Timken)	SLHD	3.70	34M	Δ	125
★R128-W (D7HA 4A298-FLA)	Rockwell (Timken)	SLHD	4.11	34M	Δ	125
★R129-W (D7HA 4A298-FMA)	Rockwell (Timken)	SLHD	4.44	34M	Δ	125
★R131-W (E2HT 4A298-DBA)	Rockwell (Timken)	SLHD	4.88	34M	Δ	125
★R132-W (D7HA 4A298-FSA)	Rockwell (Timken)	SLHD	5.83	34M	Δ	125
★R133-W (D7HA 4A298-FTA)	Rockwell (Timken)	SLHD	5.83	34M	Δ	125
★R134-W (D7HA 4A298-FUA)	Rockwell (Timken)	SLHD	6.17	34M	Δ	125
★R135-W (D7HA 4A298-FVA)	Rockwell (Timken)	SLHD	6.17	34M	Δ	125
★R136-W (D7HA 4A298-FYA)	Rockwell (Timken)	SLHD	6.83	34M	Δ	125
★R137-W (D7HA 4A298-FZA)	Rockwell (Timken)	SLHD	6.83	34M	Δ	125
★R138-W (D7HA 4A298-GAA)	Rockwell (Timken)	SLHD	7.80	34M	Δ	125
★R139-W (D7HA 4A298-GBA)	Rockwell (Timken)	SLHD	7.80	34M	Δ	125
★R140-W (E2HT 4A298-DCA)	Rockwell (Timken)	SLHD	5.29	34M	Δ	125
★R141-W (E2HT 4A297-DCA)	Rockwell (Timken)	SLHD	5.29	34M	Δ	126
★R142-W (D7HA 4A298-CZA)	Rockwell (Timken)	SLHD	3.70	34M	Δ	125
★R143-W (D7HA 4A297-FLA)	Rockwell (Timken)	SLHD	7.80	34M	Δ	126
★R144-W (D7HA 4A297-FDA)	Rockwell (Timken)	SLHD	4.11	34M	Δ	126
★R145-W (D7HA 4A297-FEA)	Rockwell (Timken)	SLHD	4.44	34M	Δ	126
★R147-W (E2HT 4A297-DBA)	Rockwell (Timken)	SLHD	4.88	34M	Δ	126
★R148-W (D7HA 4A297-FHA)	Rockwell (Timken)	SLHD	5.83	34M	Δ	126
★R149-W (D7HA 4A297-FJA)	Rockwell (Timken)	SLHD	6.17	34M	Δ	126
★R150-W (D7HA 4A297-FKA)	Rockwell (Timken)	SLHD	6.83	34M	Δ	126
★R151-W (D7HA 4A297-FCA)	Rockwell (Timken)	SLHD	3.70	34M	Δ	126
★R152-W (D8HS 4A297-HDA)	Rockwell (Timken)	SLHD	3.90	34M	Δ	126
★R153-W (D7HA 4A297-GGA)	Rockwell (Timken)	SLHD	3.70	34M	Δ	126



1980/  
TRUCK SERIES 600/900

REAR AXLE T.S.L. † CROSS-REFERENCE GUIDE

IDENTIFICATION AND/OR T.S.L. NUMBER	MANUFACTURER	MANUFACTURER MODEL	RATIO	CAPACITY	DRIVESHAFT SIZE	SEC. 40.1 PARTS LIST NO.
Notes:      Δ Driveshaft flange not included on assy. † Truck Specification List-included in Kentucky-built trucks. — Cont'd						
★R154-M (E3HT 4A298-GZA)	Rockwell (Timken)	SSHD	3.90	46M	Δ	205
★R154-W (D7HT 4A298-CYB)	Rockwell (Timken)	SQHD	3.70	38M	Δ	127
★R155-M (E3HT 4A298-HAA)	Rockwell (Timken)	SSHD	4.11	46M	Δ	205
★R155-W (D7HT 4A298-GEB)	Rockwell (Timken)	SQHD	4.11	38M	Δ	127
★R156-M (E3HT 4A298-HBA)	Rockwell (Timken)	SSHD	4.33	46M	Δ	205
★R156-W (D7HT 4A298-GFB)	Rockwell (Timken)	SQHD	4.44	38M	Δ	127
★R157-M (E3HT 4A298-HCA)	Rockwell (Timken)	SSHD	4.63	46M	Δ	205
★R157-W (D7HT 4A298-GGB)	Rockwell (Timken)	SQHD	4.63	38M	Δ	127
★R158-M (E3HT 4A298-HDA)	Rockwell (Timken)	SSHD	5.29	46M	Δ	205
★R158-W (D7HT 4A298-GHB)	Rockwell (Timken)	SQHD	4.88	38M	Δ	127
★R159-M (E3HT 4A298-HEA)	Rockwell (Timken)	SSHD	5.57	46M	Δ	205
★R159-W (D7HT 4A298-GJB)	Rockwell (Timken)	SQHD	5.29	38M	Δ	127
★R160-M (E3HT 4A298-HFA)	Rockwell (Timken)	SSHD	6.17	46M	Δ	205
★R160-W (D7HT 4A298-GKB)	Rockwell (Timken)	SQHD	5.83	38M	Δ	127
★R161-M (E3HT 4005-AUA)	Rockwell (Timken)	H173	4.63	17.5M	1550	248
★R161-W (D7HT 4A298-GLB)	Rockwell (Timken)	SQHD	6.17	38M	Δ	127
★R162-M (E3HT 4005-AVA)	Rockwell (Timken)	H173	4.63	17.5M	1610	248
★R162-W (D7HT 4A298-GMB)	Rockwell (Timken)	SQHD	6.83	38M	Δ	127
★R163-M (E3HT 4005-AYA)	Rockwell (Timken)	H173	5.29	17.5M	1610	248
★R163-W (D7HS 4A298-RNA)	Rockwell (Timken)	SQHD	3.90	38M	Δ	127
★R164-M (E3HT 4005-AZA)	Rockwell (Timken)	H173	5.83	17.5M	1610	248
★R164-W (D7HT 4A298-CVB)	Rockwell (Timken)	SQHD	3.70	38M	Δ	127
★R165-M (E3HT 4005-BAA)	Rockwell (Timken)	H173	6.17	17.5M	1610	248
★R165-W (D7HT 4A298-GRB)	Rockwell (Timken)	SQHD	4.11	38M	Δ	127
★R166-M (E3HT 4005-GA)	Rockwell (Timken)	H173	5.83	17.5M	1410	248
★R166-W (D7HT 4A298-GSB)	Rockwell (Timken)	SQHD	4.44	38M	Δ	127
★R167-M (E3HT 4005-HA)	Rockwell (Timken)	H173	6.17	17.5M	1410	248
★R167-W (D7HT 4A298-GTB)	Rockwell (Timken)	SQHD	4.63	38M	Δ	127
★R168-M (E3HT 4005-JA)	Rockwell (Timken)	H173	6.83	17.5M	1410	248
★R168-W (D7HT 4A298-GUB)	Rockwell (Timken)	SQHD	4.11	38M	Δ	127
★R169-M (E3HT 4005-KA)	Rockwell (Timken)	H173	7.17	17.5M	1410	248
★R169-W (D7HT 4A297-GFB)	Rockwell (Timken)	SQHD	3.70	38M	Δ	128
★R170-M (E1HS 4005-RABA)	Rockwell (Timken)	H173	5.29	17.5M	1480	248
★R170-W (D7HT 4A297-FNB)	Rockwell (Timken)	SQHD	4.11	38M	Δ	128
★R171-M (E1HS 4005-RACA)	Rockwell (Timken)	H173	5.83	17.5M	1480	248
★R171-W (D7HT 4A297-FRB)	Rockwell (Timken)	SQHD	4.44	38M	Δ	128
★R172-M (E1HS 4005-RADA)	Rockwell (Timken)	H173	6.17	17.5M	1480	248
★R172-W (D7HT 4A297-FSB)	Rockwell (Timken)	SQHD	4.63	38M	Δ	128
★R173-M (E1HS 4005-RAEA)	Rockwell (Timken)	H173	6.83	17.5M	1480	248
★R173-W (D7HT 4A297-FTB)	Rockwell (Timken)	SQHD	4.88	38M	Δ	128
★R174-M (E1HS 4005-RAFA)	Rockwell (Timken)	H173	7.17	17.5M	1480	248
★R174-W (D7HT 4A297-FUB)	Rockwell (Timken)	SQHD	5.29	38M	Δ	128
★R175-M (E1HS 4005-RAGA)	Rockwell (Timken)	H173	5.29	17.5M	1550	248
★R175-W (D7HT 4A297-FVB)	Rockwell (Timken)	SQHD	5.83	38M	Δ	128
★R176-M (E1HS 4005-RAHA)	Rockwell (Timken)	H173	5.83	17.5M	1550	248
★R176-W (D7HT 4A297-FYB)	Rockwell (Timken)	SQHD	6.17	38M	Δ	128
★R177-M (E1HS 4005-RAJA)	Rockwell (Timken)	H173	6.17	17.5M	1550	248
★R177-W (D7HT 4A297-FZB)	Rockwell (Timken)	SQHD	6.83	38M	Δ	128
★R178-M (E1HS 4005-RAKA)	Rockwell (Timken)	H173	6.83	17.5M	1550	248
★R178-W (D7HS 4A297-RNA)	Rockwell (Timken)	SQHD	3.90	38M	Δ	128
★R179-M (E1HS 4005-RALA)	Rockwell (Timken)	H173	7.17	17.5M	1550	248
★R179-W (D7HT 4A297-GHB)	Rockwell (Timken)	SQHD	3.70	38M	Δ	128
★R180-W (D7HT 4A297-GBB)	Rockwell (Timken)	SQHD	4.11	38M	Δ	128
★R181-W (D7HT 4A297-GCB)	Rockwell (Timken)	SQHD	4.44	38M	Δ	128
★R182-W (D7HT 4A297-GDB)	Rockwell (Timken)	SQHD	4.63	38M	Δ	128

1980/  
TRUCK SERIES 600/900

REAR AXLE T.S.L. † CROSS-REFERENCE GUIDE

IDENTIFICATION AND/OR T.S.L. NUMBER	MANUFACTURER	MANUFACTURER MODEL	RATIO	CAPACITY	DRIVESHAFT SIZE	SEC.40.1 PARTS LIST NO.
Notes: Δ Driveshaft flange not included on assy. † Truck Specification List-included in Kentucky-built trucks. — Cont'd						
★R183-W (D7HT 4A297-GEB)	Rockwell (Timken)	SQHD	4.11	38M	Δ	128
★R184-W (E3HT 4A298-BLA)	Rockwell (Timken)	SL100	3.70	34M	Δ	249
★R185-W (E3HT 4A298-BMA)	Rockwell (Timken)	SL100	3.90	34M	Δ	249
★R186-W (E3HT 4A298-BNA)	Rockwell (Timken)	SL100	4.11	34M	Δ	249
★R187-W (E3HT 4A298-BRA)	Rockwell (Timken)	SL100	4.33	34M	Δ	249
★R187-W (D7HA 4A297-JMA)	Rockwell (Timken)	SQHP	3.70	40M	Δ	204
★R188-W (D7HA 4A297-JNA)	Rockwell (Timken)	SQHP	4.11	40M	Δ	204
★R188-W (E3HT 4A298-BSA)	Rockwell (Timken)	SL100	4.63	34M	Δ	249
★R189-W (D7HA 4A297-JRA)	Rockwell (Timken)	SQHP	4.44	40M	Δ	204
★R189-W (E3HT 4A298-BTA)	Rockwell (Timken)	SL100	4.88	34M	Δ	249
★R190-W (D8HT 4A298-AA)	Rockwell (Timken)	SQHP	4.11	40M	Δ	203
★R190-W (E3HT 4A298-BAA)	Rockwell (Timken)	SL100	5.29	34M	Δ	249
★R191-W (D8HT 4A298-BA)	Rockwell (Timken)	SQHP	4.44	40M	Δ	203
★R191-W (E3HT 4A298-BBA)	Rockwell (Timken)	SL100	5.83	34M	Δ	249
★R192-W (D8HT 4A298-CA)	Rockwell (Timken)	SQHP	3.70	40M	Δ	203
★R192-W (E3HT 4A298-BCA)	Rockwell (Timken)	SL100	6.17	34M	Δ	249
★R193-W (D8HT 4A298-DA)	Rockwell (Timken)	SQHP	4.11	40M	Δ	203
★R193-W (E3HT 4A298-BDA)	Rockwell (Timken)	SL100	6.83	34M	Δ	249
★R194-W (D8HT 4A298-EA)	Rockwell (Timken)	SQHP	4.44	40M	Δ	203
★R194-W (E3HT 4A298-BUA)	Rockwell (Timken)	SL100	7.20	34M	Δ	249
★R195-W (D8HT 4A298-FA)	Rockwell (Timken)	SQHP	3.70	40M	Δ	203
★R195-W (E3HT 4A298-BVA)	Rockwell (Timken)	SL100	3.70	34M	Δ	249
★R196-W (D8HT 4A298-GA)	Rockwell (Timken)	SQHP	4.11	40M	Δ	203
★R196-W (E3HT 4A298-BYA)	Rockwell (Timken)	SL100	3.90	34M	Δ	249
★R197-W (D8HT 4A298-HA)	Rockwell (Timken)	SQHP	4.44	40M	Δ	203
★R197-W (E3HT 4A298-BZA)	Rockwell (Timken)	SL100	4.11	34M	Δ	249
★R198-W (D8HS 4A298-DVA)	Rockwell (Timken)	SQHP	3.70	40M	Δ	203
★R198-W (E3HT 4A298-CAA)	Rockwell (Timken)	SL100	4.33	34M	Δ	249
★R199-W (D8HS 4A298-EAA)	Rockwell (Timken)	SQHP	4.63	40M	Δ	203
★R199-W (E3HT 4A298-CBA)	Rockwell (Timken)	SL100	4.63	34M	Δ	249
★R200-W (D8HS 4A298-EBA)	Rockwell (Timken)	SQHP	5.29	40M	Δ	203
★R201-W (D8HS 4A297-AA)	Rockwell (Timken)	SQHP	3.70	40M	Δ	204
★R201-W (E3HT 4A297-BLA)	Rockwell (Timken)	SL100	3.70	34M	Δ	250
★R202-W (D8HS 4A297-AKA)	Rockwell (Timken)	SQHP	4.63	40M	Δ	204
★R202-W (E3HT 4A297-BMA)	Rockwell (Timken)	SL100	3.90	34M	Δ	250
★R203-W (D8HS 4A297-ALA)	Rockwell (Timken)	SQHP	5.29	40M	Δ	204
★R203-W (E3HT 4A297-BNA)	Rockwell (Timken)	SL100	4.11	34M	Δ	250
★R204-W (E3HT 4A297-BRA)	Rockwell (Timken)	SL100	4.33	34M	Δ	250
★R205-W (E3HT 4A297-BSA)	Rockwell (Timken)	SL100	4.63	34M	Δ	250
★R206-M (D6HA 4A297-FA)	Rockwell (Timken)	R170	3.70	23M	Δ	189
★R207-W (E3HT 4A297-BTA)	Rockwell (Timken)	SL100	4.88	34M	Δ	250
★R208-W (E3HT 4A297-BAA)	Rockwell (Timken)	SL100	5.29	34M	Δ	250
★R209-W (E3HT 4A297-BBA)	Rockwell (Timken)	SL100	5.83	34M	Δ	250
★R210-W (E3HT 4A297-BCA)	Rockwell (Timken)	SL100	6.17	34M	Δ	250
★R211-W (E3HT 4A297-BDA)	Rockwell (Timken)	SL100	6.83	34M	Δ	250
★R212-W (E3HT 4A297-BUA)	Rockwell (Timken)	SL100	7.20	34M	Δ	250
★R213-W (E3HT 4A297-BVA)	Rockwell (Timken)	SL100	3.70	34M	Δ	250
★R214-W (E3HT 4A297-BYA)	Rockwell (Timken)	SL100	3.90	34M	Δ	250
★R215-M (D7HA 4A297-BNA)	Rockwell (Timken)	R170	3.70	23M	Δ	189
★R216-M (D7HA 4A297-BRA)	Rockwell (Timken)	R170	4.11	23M	Δ	189
★R217-M (D7HA 4A297-BSA)	Rockwell (Timken)	R170	4.33	23M	Δ	189
★R218-M (D7HT 4A297-BZA)	Rockwell (Timken)	R170	3.70	23M	Δ	189
★R219-M (D7HT 4A297-CAA)	Rockwell (Timken)	R170	4.11	23M	Δ	189
★R220-M (D7HT 4A297-CBA)	Rockwell (Timken)	R170	4.33	23M	Δ	189
★R220-W (D3HA 4A298-CFA)	Rockwell (Timken)	SLHD	4.44	34M	Δ	125

1980/  
TRUCK SERIES 600/900

REAR AXLE T.S.L. † CROSS-REFERENCE GUIDE

IDENTIFICATION AND/OR T.S.L. NUMBER	MANUFACTURER	MANUFACTURER MODEL	RATIO	CAPACITY	DRIVESHAFT SIZE	SEC.40.1 PARTS LIST NO.
Notes: Δ Driveshaft flange not included on assy. † Truck Specification List-included in Kentucky-built trucks. — Cont'd						
★R221-W (D7HA 4A298-JAA)	Rockwell (Timken)	SLHD	4.44	34M	Δ	125
★R222-W (E3HT 4A297-BZA)	Rockwell (Timken)	SL100	4.11	34M	Δ	250
★R223-W (E3HT 4A297-CAA)	Rockwell (Timken)	SL100	4.33	34M	Δ	250
★R224-W (E3HT 4A297-CBA)	Rockwell (Timken)	SL100	4.63	34M	Δ	250
★R225-W (E3HT 4A298-CDA)	Rockwell (Timken)	SQ100	3.70	38M	Δ	251
★R226-W (E3HT 4A298-CEA)	Rockwell (Timken)	SQ100	3.90	38M	Δ	251
★R227-M (D7HA 4A298-KDA)	Rockwell (Timken)	SSHD	3.90	46M	Δ	205
★R227-W (E3HT 4A298-CFA)	Rockwell (Timken)	SQ100	4.11	38M	Δ	251
★R228-M (D7HA 4A298-KEA)	Rockwell (Timken)	SSHD	4.11	46M	Δ	205
★R228-W (E3HT 4A298-CGA)	Rockwell (Timken)	SQ100	4.33	38M	Δ	251
★R229-M (D7HA 4A298-KFA)	Rockwell (Timken)	SSHD	4.63	46M	Δ	205
★R229-W (E3HT 4A298-CHA)	Rockwell (Timken)	SQ100	4.63	38M	Δ	251
★R230-W (D7HA 4A297-JAA)	Rockwell (Timken)	SLHD	4.44	34M	Δ	126
★R231-W (D7HA 4A297-JKA)	Rockwell (Timken)	SQHP	4.11	40M	Δ	204
★R231-W (E3HT 4A298-CJA)	Rockwell (Timken)	SQ100	4.88	38M	Δ	251
★R232-W (D7HA 4A297-JLA)	Rockwell (Timken)	SQHP	4.44	40M	Δ	204
★R232-W (E3HT 4A298-BFA)	Rockwell (Timken)	SQ100	5.29	38M	Δ	251
★R233-W (D7HA 4A297-JVA)	Rockwell (Timken)	SQHP	3.70	40M	Δ	204
★R233-W (E3HT 4A298-BGA)	Rockwell (Timken)	SQ100	5.83	38M	Δ	251
★R234-W (D7HA 4A297-JYA)	Rockwell (Timken)	SQHP	4.11	40M	Δ	204
★R234-W (E3HT 4A298-BHA)	Rockwell (Timken)	SQ100	6.17	38M	Δ	251
★R235-W (D7HA 4A297-JZA)	Rockwell (Timken)	SQHP	4.44	40M	Δ	204
★R235-W (E3HT 4A298-BJA)	Rockwell (Timken)	SQ100	6.83	38M	Δ	251
★R236-M (D7HA 4A297-KDA)	Rockwell (Timken)	SSHD	3.90	46M	Δ	206
★R236-W (E3HT 4A298-CKA)	Rockwell (Timken)	SQ100	7.20	38M	Δ	251
★R237-M (D7HA 4A297-KEA)	Rockwell (Timken)	SSHD	4.11	46M	Δ	206
★R237-W (E3HT 4A298-CLA)	Rockwell (Timken)	SQ100	3.70	38M	Δ	251
★R238-M (D7HA 4A297-KFA)	Rockwell (Timken)	SSHD	4.63	46M	Δ	206
★R238-W (E3HT 4A298-CMA)	Rockwell (Timken)	SQ100	4.11	38M	Δ	251
★R239-W (E3HT 4A298-CNA)	Rockwell (Timken)	SQ100	3.70	38M	Δ	251
★R240-M (E0HT 4005-BDA)	Rockwell (Timken)	F106	5.29	15M	1410	95
★R241-M (E1HT 4005-GA)	Rockwell (Timken)	F106	5.83	15M	1410	95
★R242-M (E1HT 4005-HA)	Rockwell (Timken)	F106	5.83	15M	1480	95
★R243-W (E3HT 4A298-CRA)	Rockwell (Timken)	SQ100	3.90	38M	Δ	251
★R244-W (E3HT 4A298-CSA)	Rockwell (Timken)	SQ100	4.11	38M	Δ	251
★R245-W (E3HT 4A298-CTA)	Rockwell (Timken)	SQ100	4.33	38M	Δ	251
★R246-W (E3HT 4A298-CUA)	Rockwell (Timken)	SQ100	4.63	38M	Δ	251
★R249-M (E1HT 4005-AA)	Rockwell (Timken)	H172	5.29	17.5M	1480	202
★R250-M (E1HT 4005-BA)	Rockwell (Timken)	H172	5.29	17.5M	1550	202
★R251-M (E1HT 4005-CA)	Rockwell (Timken)	H172	5.29	17.5M	1610	202
★R252-M (E1HT 4005-DA)	Rockwell (Timken)	H172	5.83	17.5M	1610	202
★R253-M (E1HT 4005-EA)	Rockwell (Timken)	H172	6.17	17.5M	1610	202
★R254-M (E1HT 4005-FA)	Rockwell (Timken)	H172	6.83	17.5M	1610	202
★R256-M (D8HT 4005-AA)	Rockwell (Timken)	H172	5.83	17.5M	1410	202
★R257-M (D8HT 4005-EA)	Rockwell (Timken)	H172	6.17	17.5M	1410	202
★R258-M (D8HT 4005-JA)	Rockwell (Timken)	H172	6.83	17.5M	1410	202
★R259-M (D8HT 4005-NA)	Rockwell (Timken)	H172	7.17	17.5M	1410	202
★R260-M (D8HT 4005-BA)	Rockwell (Timken)	H172	5.83	17.5M	1480	202
★R261-M (D8HT 4005-FA)	Rockwell (Timken)	H172	6.17	17.5M	1480	202
★R262-M (D8HT 4005-KA)	Rockwell (Timken)	H172	6.83	17.5M	1480	202
★R263-M (D8HT 4005-RA)	Rockwell (Timken)	H172	7.17	17.5M	1480	202
★R264-M (D8HT 4005-CA)	Rockwell (Timken)	H172	5.83	17.5M	6C	202
★R265-M (D8HT 4005-GA)	Rockwell (Timken)	H172	6.17	17.5M	6C	202
★R265-W (E3HT 4A298-DAA)	Rockwell (Timken)	SQ100	3.70	38M	Δ	251
★R266-M (D8HT 4005-LA)	Rockwell (Timken)	H172	6.83	17.5M	6C	202

1980/  
TRUCK SERIES 600/900

REAR AXLE T.S.L. † CROSS-REFERENCE GUIDE

IDENTIFICATION AND/OR T.S.L. NUMBER	MANUFACTURER	MANUFACTURER MODEL	RATIO	CAPACITY	DRIVESHAFT SIZE	SEC. 40.1 PARTS LIST NO.
Notes: Δ Driveshaft flange not included on assy. † Truck Specification List-included in Kentucky-built trucks. — Cont'd						
★R266-W (E3HT 4A298-DBA)	Rockwell (Timken)	SQ100	4.11	38M	Δ	251
★R267-M (D8HT 4005-SA)	Rockwell (Timken)	H172	7.17	17.5M	6C	202
★R267-W (E3HT 4A298-DCA)	Rockwell (Timken)	SQ100	3.70	38M	Δ	251
★R268-M (D8HT 4005-DA)	Rockwell (Timken)	H172	5.83	17.5M	7C	202
★R268-W (E3HT 4A298-DDA)	Rockwell (Timken)	SQ100	3.90	38M	Δ	251
★R269-M (D8HT 4005-HA)	Rockwell (Timken)	H172	6.17	17.5M	7C	202
★R269-W (E3HT 4A298-DEA)	Rockwell (Timken)	SQ100	4.11	38M	Δ	251
★R270-M (D8HT 4005-MA)	Rockwell (Timken)	H172	6.83	17.5M	7C	202
★R271-M (D8HT 4005-TA)	Rockwell (Timken)	H172	7.17	17.5M	7C	202
★R275-W (E3HT 4A297-CDA)	Rockwell (Timken)	SQ100	3.70	38M	Δ	252
★R276-W (E3HT 4A297-CEA)	Rockwell (Timken)	SQ100	3.90	38M	Δ	252
★R277-W (E3HT 4A297-CFA)	Rockwell (Timken)	SQ100	4.11	38M	Δ	252
★R278-W (E3HT 4A297-CGA)	Rockwell (Timken)	SQ100	4.33	38M	Δ	252
★R279-M (E0HT 4005-AVA)	Rockwell (Timken)	F106	5.29	15M	1480	95
★R280-M (D9HT 4005-CA)	Rockwell (Timken)	F106	6.14	15M	1410	95
★R280-W (E3HT 4A297-CHA)	Rockwell (Timken)	SQ100	4.63	38M	Δ	252
★R281-M (D9HT 4005-DA)	Rockwell (Timken)	F106	6.83	15M	1410	95
★R281-W (E3HT 4A297-CJA)	Rockwell (Timken)	SQ100	4.88	38M	Δ	252
★R282-M (D9HT 4005-EA)	Rockwell (Timken)	F106	7.17	15M	1410	95
★R282-W (E3HT 4A297-BFA)	Rockwell (Timken)	SQ100	5.29	38M	Δ	252
★R283-M (D9HT 4005-FA)	Rockwell (Timken)	F106	6.14	15M	1480	95
★R283-W (E3HT 4A297-BGA)	Rockwell (Timken)	SQ100	5.83	38M	Δ	252
★R284-M (D9HT 4005-GA)	Rockwell (Timken)	F106	6.83	15M	1480	95
★R284-W (E3HT 4A297-BHA)	Rockwell (Timken)	SQ100	6.17	38M	Δ	252
★R285-M (D9HT 4005-HA)	Rockwell (Timken)	F106	7.17	15M	1480	95
★R285-W (E3HT 4A297-BJA)	Rockwell (Timken)	SQ100	6.83	38M	Δ	252
★R286-M (E0HT 4005-AA)	Rockwell (Timken)	F106	5.29	15M	1480	95
★R286-W (E3HT 4A297-CKA)	Rockwell (Timken)	SQ100	7.20	38M	Δ	252
★R287-M (E0HT 4005-AJA)	Rockwell (Timken)	D140	5.83	13M	1410	191
★R288-M (E0HT 4005-AKA)	Rockwell (Timken)	D140	6.20	13M	1410	191
★R289-M (E0HT 4005-ALA)	Rockwell (Timken)	D140	6.80	13M	1410	191
★R290-M (E0HT 4005-AMA)	Rockwell (Timken)	F106	6.14	15M	1410	95
★R291-M (E0HT 4005-ANA)	Rockwell (Timken)	F106	6.83	15M	1410	95
★R292-M (E0HT 4005-ARA)	Rockwell (Timken)	F106	7.17	15M	1410	95
★R293-M (E0HT 4005-ASA)	Rockwell (Timken)	F106	6.14	15M	1480	95
★R294-M (E0HT 4005-ATA)	Rockwell (Timken)	F106	6.83	15M	1480	95
★R295-M (E0HT 4005-AUA)	Rockwell (Timken)	F106	7.17	15M	1480	95
★R296-M (E0HT 4005-ACA)	Rockwell (Timken)	H172	5.83	17.5M	1550	202
★R297-M (E0HT 4005-ADA)	Rockwell (Timken)	H172	6.17	17.5M	1550	202
★R298-M (E0HT 4005-AEA)	Rockwell (Timken)	H172	6.83	17.5M	1550	202
★R299-M (E0HT 4005-AFA)	Rockwell (Timken)	H172	7.17	17.5M	1550	202
★R300-M (E1HT 4305-AGA)	Rockwell (Timken)	SSH D	3.90	46M	1610	205
★R301-M (E1HT 4305-AJA)	Rockwell (Timken)	SSH D	4.11	46M	1610	205
★R302-M (E1HT 4305-ALA)	Rockwell (Timken)	SSH D	4.63	46M	1610	205
★R305-M (E1HT 4005-AGA)	Rockwell (Timken)	SSH D	3.90	46M	1610	206
★R306-M (E1HT 4005-AJA)	Rockwell (Timken)	SSH D	4.11	46M	1610	206
★R307-M (E1HT 4005-ALA)	Rockwell (Timken)	SSH D	4.63	46M	1610	206
★R310-M (E1HT 4305-AHA)	Rockwell (Timken)	SSH D	3.90	46M	1710	205
★R311-M (E1HT 4305-AKA)	Rockwell (Timken)	SSH D	4.11	46M	1710	205
★R312-M (E1HT 4305-AMA)	Rockwell (Timken)	SSH D	4.63	46M	1710	205
★R315-M (E1HT 4005-AHA)	Rockwell (Timken)	SSH D	3.90	46M	1710	206
★R316-M (E1HT 4005-AKA)	Rockwell (Timken)	SSH D	4.11	46M	1710	206
★R317-M (E1HT 4005-AMA)	Rockwell (Timken)	SSH D	4.63	46M	1710	206
★R320-M (E1HT 4305-ANA)	Rockwell (Timken)	SSH D	4.11	46M	1610	205
★R321-M (E1HT 4305-ASA)	Rockwell (Timken)	SSH D	4.33	46M	1610	205

1980/  
TRUCK SERIES 600/900

REAR AXLE T.S.L. † CROSS-REFERENCE GUIDE

IDENTIFICATION AND/OR T.S.L. NUMBER	MANUFACTURER	MANUFACTURER MODEL	RATIO	CAPACITY	DRIVESHAFT SIZE	SEC. 40.1 PARTS LIST NO.
Notes: Δ Driveshaft flange not included on assy. † Truck Specification List-included in Kentucky-built trucks. — Cont'd						
★R322-M (E1HT 4305-AUA)	Rockwell (Timken)	SSHD	4.63	46M	1610	205
★R323-M (E1HT 4305-AYA)	Rockwell (Timken)	SSHD	5.29	46M	1610	205
★R324-M (E1HT 4305-BBA)	Rockwell (Timken)	SSHD	5.57	46M	1610	205
★R325-M (E1HT 4005-ANA)	Rockwell (Timken)	SSHD	4.11	46M	1610	206
★R326-M (E1HT 4005-ASA)	Rockwell (Timken)	SSHD	4.33	46M	1610	206
★R327-M (E1HT 4005-AUA)	Rockwell (Timken)	SSHD	4.63	46M	1610	206
★R328-M (E1HT 4005-AYA)	Rockwell (Timken)	SSHD	5.29	46M	1610	206
★R329-M (E1HT 4005-BAA)	Rockwell (Timken)	SSHD	5.57	46M	1610	206
★R330-M (E1HT 4305-ARA)	Rockwell (Timken)	SSHD	4.11	46M	1710	205
★R331-M (E1HT 4305-ATA)	Rockwell (Timken)	SSHD	4.33	46M	1710	205
★R332-M (E1HT 4305-AVA)	Rockwell (Timken)	SSHD	4.63	46M	1710	205
★R333-M (E1HT 4305-AZA)	Rockwell (Timken)	SSHD	5.29	46M	1710	205
★R334-M (E1HT 4305-BBA)	Rockwell (Timken)	SSHD	5.57	46M	1710	205
★R335-M (E1HT 4005-ARA)	Rockwell (Timken)	SSHD	4.11	46M	1710	206
★R336-M (E1HT 4005-ATA)	Rockwell (Timken)	SSHD	4.33	46M	1710	206
★R337-M (E1HT 4005-AVA)	Rockwell (Timken)	SSHD	4.63	46M	1710	206
★R338-M (E1HT 4005-AZA)	Rockwell (Timken)	SSHD	5.29	46M	1710	206
★R339-M (E1HT 4005-BBA)	Rockwell (Timken)	SSHD	5.57	46M	1710	206
★R340-W (E1HT 4305-YA)	Rockwell (Timken)	SQHP	3.70	40M	1610	203
★R341-W (E1HT 4305-AAA)	Rockwell (Timken)	SQHP	4.11	40M	1610	203
★R342-W (E1HT 4305-ACA)	Rockwell (Timken)	SQHP	4.44	40M	1610	203
★R345-W (E1HT 4005-YA)	Rockwell (Timken)	SQHP	3.70	40M	1610	204
★R346-W (E1HT 4005-AAA)	Rockwell (Timken)	SQHP	4.11	40M	1610	204
★R347-W (E1HT 4005-ACA)	Rockwell (Timken)	SQHP	4.44	40M	1610	204
★R350-W (E1HT 4305-ZA)	Rockwell (Timken)	SQHP	3.70	40M	1710	203
★R351-W (E1HT 4305-ABA)	Rockwell (Timken)	SQHP	4.11	40M	1710	203
★R352-W (E1HT 4305-ADA)	Rockwell (Timken)	SQHP	4.44	40M	1710	203
★R355-W (E1HT 4005-ZA)	Rockwell (Timken)	SQHP	3.70	40M	1710	204
★R356-W (E1HT 4005-ABA)	Rockwell (Timken)	SQHP	4.11	40M	1710	204
★R357-W (E1HT 4005-ADA)	Rockwell (Timken)	SQHP	4.44	40M	1710	204
★R360-W (E1HT 4305-JA)	Rockwell (Timken)	SQHP	3.70	40M	1610	203
★R361-W (E1HT 4305-LA)	Rockwell (Timken)	SQHP	4.11	40M	1610	203
★R362-W (E1HT 4305-NA)	Rockwell (Timken)	SQHP	4.44	40M	1610	203
★R365-W (E1HT 4005-JA)	Rockwell (Timken)	SQHP	3.70	40M	1610	204
★R366-W (E1HT 4005-LA)	Rockwell (Timken)	SQHP	4.11	40M	1610	204
★R367-W (E1HT 4005-NA)	Rockwell (Timken)	SQHP	4.44	40M	1610	204
★R370-W (E1HT 4305-KA)	Rockwell (Timken)	SQHP	3.70	40M	1710	203
★R371-W (E1HT 4305-MA)	Rockwell (Timken)	SQHP	4.11	40M	1710	203
★R372-W (E1HT 4305-RA)	Rockwell (Timken)	SQHP	4.44	40M	1710	203
★R375-W (E1HT 4005-KA)	Rockwell (Timken)	SQHP	3.70	40M	1710	204
★R376-W (E1HT 4005-MA)	Rockwell (Timken)	SQHP	4.11	40M	1710	204
★R377-W (E1HT 4005-RA)	Rockwell (Timken)	SQHP	4.44	40M	1710	204
★R380-W (E1HT 4305-SA)	Rockwell (Timken)	SQHP	3.70	40M	1610	203
★R381-W (E1HT 4305-UA)	Rockwell (Timken)	SQHP	4.11	40M	1610	203
★R385-W (E1HT 4005-SA)	Rockwell (Timken)	SQHP	3.70	40M	1610	204
★R386-W (E1HT 4005-UA)	Rockwell (Timken)	SQHP	4.11	40M	1610	204
★R390-W (E1HT 4305-TA)	Rockwell (Timken)	SQHP	3.70	40M	1710	203
★R391-W (E1HT 4305-VA)	Rockwell (Timken)	SQHP	4.11	40M	1710	203
★R395-W (E1HT 4005-TA)	Rockwell (Timken)	SQHP	3.70	40M	1710	204
★R396-W (E1HT 4005-VA)	Rockwell (Timken)	SQHP	4.11	40M	1710	204
★R400-W (E3HT 4A297-CLA)	Rockwell (Timken)	SQ100	3.70	38M	Δ	252
★R401-W (E3HT 4A297-CMA)	Rockwell (Timken)	SQ100	4.11	38M	Δ	252
★R402-W (E3HT 4A297-CNA)	Rockwell (Timken)	SQ100	3.70	38M	Δ	252
★R403-W (E3HT 4A297-CRA)	Rockwell (Timken)	SQ100	3.90	38M	Δ	252
★R404-W (E3HT 4A297-CSA)	Rockwell (Timken)	SQ100	4.11	38M	Δ	252

1980/  
TRUCK SERIES 600/900

REAR AXLE T.S.L. † CROSS-REFERENCE GUIDE

IDENTIFICATION AND/OR T.S.L. NUMBER	MANUFACTURER	MANUFACTURER MODEL	RATIO	CAPACITY	DRIVESHAFT SIZE	SEC. 40.1 PARTS LIST NO.
Notes: Δ Driveshaft flange not included on assy. † Truck Specification List-included in Kentucky-built trucks. — Cont'd						
★R405-W (E3HT 4A297-CTA)	Rockwell (Timken)	SQ100	4.33	38M	Δ	252
★R406-W (E3HT 4A297-CUA)	Rockwell (Timken)	SQ100	4.63	38M	Δ	252
★R410 W (E3HT 4A297-DAA)	Rockwell (Timken)	SQ100	3.70	38M	Δ	252
★R411-W (E3HT 4A297-DBA)	Rockwell (Timken)	SQ100	4.11	38M	Δ	252
★R412-W (E3HT 4A297-DCA)	Rockwell (Timken)	SQ100	3.70	38M	Δ	252
★R413-W (E3HT 4A297-DDA)	Rockwell (Timken)	SQ100	3.90	38M	Δ	252
★R414 W (E3HT 4A297-DEA)	Rockwell (Timken)	SQ100	4.11	38M	Δ	252
★R425-M (E2HT 4305-CFA)	Rockwell (Timken)	SSHD	3.90	46M	1710	205
★R426-M (E2HT 4305-CGA)	Rockwell (Timken)	SSHD	4.11	46M	1710	205
★R427-M (E2HT 4305-CHA)	Rockwell (Timken)	SSHD	4.63	46M	1710	205
★R430-M (E2HT 4305-CAA)	Rockwell (Timken)	SSHD	4.11	46M	1710	205
★R431-M (E2HT 4305-CBA)	Rockwell (Timker)	SSHD	4.33	46M	1710	205
★R432 M (E2HT 4305-CCA)	Rockwell (Timker)	SSHD	4.63	46M	1710	205
★R433-M (E2HT 4305-CDA)	Rockwell (Timken)	SSHD	5.29	46M	1710	205
★R434-M (E2HT 4305-CEA)	Rockwell (Timken)	SSHD	5.57	46M	1710	205
★R437-M (E2HT 4305-ANA)	Rockwell (Timken)	SSHD	3.90	46M	1610	205
★R438-M (E2HT 4305-ASA)	Rockwell (Timken)	SSHD	4.11	46M	1610	205
★R439-M (E2HT 4305-AUA)	Rockwell (Timken)	SSHD	4.63	46M	1610	205
★R441-M (E2HT 4305-ARA)	Rockwell (Timken)	SSHD	3.90	46M	1710	205
★R442-M (E2HT 4305-ATA)	Rockwell (Timken)	SSHD	4.11	46M	1710	205
★R443-M (E2HT 4305-AVA)	Rockwell (Timken)	SSHD	4.63	46M	1710	205
★R445-M (E2HT 4005-ANA)	Rockwell (Timken)	SSHD	3.90	46M	1610	206
★R446-M (E2HT 4005-ASA)	Rockwell (Timken)	SSHD	4.11	46M	1610	206
★R447-M (E2HT 4005-AUA)	Rockwell (Timken)	SSHD	4.63	46M	1610	206
★R448-M (E2HT 4005-ARA)	Rockwell (Timken)	SSHD	3.90	46M	1710	206
★R449-M (E2HT 4005-ATA)	Rockwell (Timken)	SSHD	4.11	46M	1710	206
★R450 M (E2HT 4005-AVA)	Rockwell (Timken)	SSHD	4.63	46M	1710	206
★R451-M (E2HT 4005-AYA)	Rockwell (Timken)	SSHD	4.11	46M	1610	206
★R452-M (E2HT 4005-BAA)	Rockwell (Timken)	SSHD	4.33	46M	1610	206
★R453-M (E2HT 4005-BCA)	Rockwell (Timken)	SSHD	4.63	46M	1610	206
★R454-M (E2HT 4005-BEA)	Rockwell (Timken)	SSHD	5.29	46M	1610	206
★R455-M (E2HT 4005-BGA)	Rockwell (Timken)	SSHD	5.57	46M	1610	206
★R456-M (E2HT 4005-AZA)	Rockwell (Timken)	SSHD	4.11	46M	1710	206
★R457-M (E2HT 4005-BBA)	Rockwell (Timken)	SSHD	4.33	46M	1710	206
★R458 M (E2HT 4005-BDA)	Rockwell (Timken)	SSHD	4.63	46M	1710	206
★R459-M (E2HT 4005-BFA)	Rockwell (Timken)	SSHD	5.29	46M	1710	206
★R460-M (E2HT 4005-BHA)	Rockwell (Timken)	SSHD	5.57	46M	1710	206
★R461-M (E2HT 4005-CTA)	Rockwell (Timken)	SSHD	6.17	46M	1610	206
★R463-M (E2HT 4305-AYA)	Rockwell (Timken)	SSHD	4.11	46M	1610	205
★R464-M (E2HT 4305-BAA)	Rockwell (Timken)	SSHD	4.33	46M	1610	205
★R465-M (E2HT 4305-BCA)	Rockwell (Timken)	SSHD	4.63	46M	1610	205
★R466-M (E2HT 4305-BEA)	Rockwell (Timken)	SSHD	5.29	46M	1610	205
★R467-M (E2HT 4305-BGA)	Rockwell (Timken)	SSHD	5.57	46M	1610	205
★R468-M (E2HT 4305-CTA)	Rockwell (Timken)	SSHD	6.17	46M	1610	205
★R469-M (E2HT 4305-AZA)	Rockwell (Timken)	SSHD	4.11	46M	1710	205
★R470-M (E2HT 4305-BBA)	Rockwell (Timken)	SSHD	4.33	46M	1710	205
★R471-M (E2HT 4305-BDA)	Rockwell (Timken)	SSHD	4.63	46M	1710	205
★R472-M (E2HT 4305-BFA)	Rockwell (Timken)	SSHD	5.29	46M	1710	205
★R473-M (E2HT 4305-BHA)	Rockwell (Timken)	SSHD	5.57	46M	1710	205
★R475-W (E2HT 4A298-AAA)	Rockwell (timken)	SQHD	3.70	38M	Δ	127
★R476-W (E2HT 4A298-BVA)	Rockwell (Timken)	SQHD	3.90	38M	Δ	127
★R477-W (E2HT 4A298-ABA)	Rockwell (Timken)	SQHD	4.11	38M	Δ	127
★R478-W (E2HT 4A298-BYA)	Rockwell (Timken)	SQHD	4.44	38M	Δ	127
★R479-W (E2HT 4A298-ACA)	Rockwell (Timken)	SQHD	4.63	38M	Δ	127
★R480-W (E2HT 4A298-ADA)	Rockwell (Timken)	SQHD	4.88	38M	Δ	127

1980/  
TRUCK SERIES 600/900

REAR AXLE T.S.L. † CROSS-REFERENCE GUIDE

IDENTIFICATION AND/OR T.S.L. NUMBER	MANUFACTURER	MANUFACTURER MODEL	RATIO	CAPACITY	DRIVESHAFT SIZE	SEC.40.1 PARTS LIST NO.
Notes: Δ Driveshaft flange not included on assy. † Truck Specification List-included in Kentucky-built trucks. — Cont'd						
★R481-W (E2HT 4A298-AEA)	Rockwell (Timken)	SQHD	5.29	38M	Δ	127
★R482-W (E2HT 4A298-AFA)	Rockwell (Timken)	SQHD	5.83	38M	Δ	127
★R483-W (E2HT 4A298-AGA)	Rockwell (Timken)	SQHD	6.17	38M	Δ	127
★R484-W (E2HT 4A298-AHA)	Rockwell (Timken)	SQHD	6.83	38M	Δ	127
★R487-W (E2HT 4A297-AAA)	Rockwell (Timken)	SQHD	3.70	38M	Δ	128
★R488-W (E2HT 4A297-BVA)	Rockwell (Timken)	SQHD	3.90	38M	Δ	128
★R489-W (E2HT 4A297-ABA)	Rockwell (Timken)	SQHD	4.11	38M	Δ	128
★R490-W (E2HT 4A297-BYA)	Rockwell (Timken)	SQHD	4.44	38M	Δ	128
★R491-W (E2HT 4A297-ACA)	Rockwell (Timken)	SQHD	4.63	38M	Δ	128
★R492-W (E2HT 4A297-ADA)	Rockwell (Timken)	SQHD	4.88	38M	Δ	128
★R493-W (E2HT 4A297-AEA)	Rockwell (Timken)	SQHD	5.29	38M	Δ	128
★R494-W (E2HT 4A297-AFA)	Rockwell (Timken)	SQHD	5.83	38M	Δ	128
★R495-W (E2HT 4A297-AGA)	Rockwell (Timken)	SQHD	6.17	38M	Δ	128
★R496-W (E2HT 4A297-AHA)	Rockwell (Timken)	SQHD	6.83	38M	Δ	128
★R499-W (E2HT 4A298-ALA)	Rockwell (Timken)	SQHD	3.70	38M	Δ	127
★R500-W (E2HT 4A298-AMA)	Rockwell (Timken)	SQHD	4.11	38M	Δ	127
★R501-W (E2HT 4A298-ANA)	Rockwell (Timken)	SQHD	4.44	38M	Δ	127
★R502-W (E2HT 4A298-ARA)	Rockwell (Timken)	SQHD	4.63	38M	Δ	127
★R505-W (E2HT 4A297-ALA)	Rockwell (Timken)	SQHD	3.70	38M	Δ	128
★R506-W (E2HT 4A297-AMA)	Rockwell (Timken)	SQHD	4.11	38M	Δ	128
★R507-W (E2HT 4A297-ANA)	Rockwell (Timken)	SQHD	4.44	38M	Δ	128
★R508-W (E2HT 4A297-ARA)	Rockwell (Timken)	SQHD	4.63	38M	Δ	128
★R511-W (E2HT 4A298-AUA)	Rockwell (Timken)	SQHD	3.70	38M	Δ	127
★R512-W (E2HT 4A298-AVA)	Rockwell (Timken)	SQHD	4.11	38M	Δ	127
★R513-W (E2HT 4A298-AYA)	Rockwell (Timken)	SQHD	4.44	38M	Δ	127
★R516-W (E2HT 4A297-AUA)	Rockwell (Timken)	SQHD	3.70	38M	Δ	128
★R517-W (E2HT 4A297-AVA)	Rockwell (Timken)	SQHD	4.11	38M	Δ	128
★R518-W (E2HT 4A297-AYA)	Rockwell (Timken)	SQHD	4.44	38M	Δ	128
★R521-W (E2HT 4A298-AJA)	Rockwell (Timken)	SQHD	3.70	38M	Δ	127
★R522-W (E2HT 4A298-AKA)	Rockwell (Timken)	SQHD	4.11	38M	Δ	127
★R525-W (E2HT 4A297-AJA)	Rockwell (Timken)	SQHD	3.70	38M	Δ	128
★R526-W (E2HT 4A297-AKA)	Rockwell (Timken)	SQHD	4.11	38M	Δ	128
★R529-W (E2HT 4A298-ASA)	Rockwell (Timken)	SQHD	3.70	38M	Δ	127
★R530-W (E2HT 4A298-ATA)	Rockwell (Timken)	SQHD	4.11	38M	Δ	127
★R533-W (E2HT 4A297-ASA)	Rockwell (Timken)	SQHD	3.70	38M	Δ	128
★R534-W (E2HT 4A297-ATA)	Rockwell (Timken)	SQHD	4.11	38M	Δ	128
★R540-W (E2HT 4305-JA)	Rockwell (Timken)	SQHP	3.70	40M	1610	203
★R541-W (E2HT 4305-LA)	Rockwell (Timken)	SQHP	4.11	40M	1610	203
★R542-W (E2HT 4305-NA)	Rockwell (Timken)	SQHP	4.44	40M	1610	203
★R543-W (E2HT 4305-KA)	Rockwell (Timken)	SQHP	3.70	40M	1710	203
★R544-W (E2HT 4305-MA)	Rockwell (Timken)	SQHP	4.11	40M	1710	203
★R545-W (E2HT 4305-RA)	Rockwell (Timken)	SQHP	4.44	40M	1710	203
★R546-W (E2HT 4305-BJA)	Rockwell (Timken)	SQHP	3.70	40M	1710	203
★R547-W (E2HT 4305-BKA)	Rockwell (Timken)	SQHP	4.11	40M	1710	203
★R548-W (E2HT 4305-BLA)	Rockwell (Timken)	SQHP	4.44	40M	1710	203
★R549-W (E2HT 4005-JA)	Rockwell (Timken)	SQHP	3.70	40M	1610	204
★R550-W (E2HT 4005-LA)	Rockwell (Timken)	SQHP	4.11	40M	1610	204
★R551-W (E2HT 4005-NA)	Rockwell (Timken)	SQHP	4.44	40M	1610	204
★R552-W (E2HT 4005-KA)	Rockwell (Timken)	SQHP	3.70	40M	1710	204
★R553-W (E2HT 4005-MA)	Rockwell (Timken)	SQHP	4.11	40M	1710	204
★R554-W (E2HT 4005-RA)	Rockwell (Timken)	SQHP	4.44	40M	1710	204
★R555-W (E2HT 4305-SA)	Rockwell (Timken)	SQHP	3.70	40M	1610	203
★R556-W (E2HT 4305-UA)	Rockwell (Timken)	SQHP	4.11	40M	1610	203
★R557-W (E2HT 4305-TA)	Rockwell (Timken)	SQHP	3.70	40M	1710	203
★R558-W (E2HT 4305-VA)	Rockwell (Timken)	SQHP	4.11	40M	1710	203

1980/  
TRUCK SERIES 600/900

REAR AXLE T.S.L. † CROSS-REFERENCE GUIDE

IDENTIFICATION AND/OR T.S.L. NUMBER	MANUFACTURER	MANUFACTURER MODEL	RATIO	CAPACITY	DRIVESHAFT SIZE	SEC.40.1 PARTS LIST NO.
Notes: Δ Driveshaft flange not included on assy. † Truck Specification List-included in Kentucky-built trucks. — Cont'd						
★R559-W (E2HT 4305-BMA)	Rockwell (Timken)	SQHP	3.70	40M	1710	203
★R560-W (E2HT 4305-BNA)	Rockwell (Timken)	SQHP	4.11	40M	1710	203
★R561-W (E2HT 4005-SA)	Rockwell (Timken)	SQHP	3.70	40M	1610	204
★R562-W (E2HT 4005-UA)	Rockwell (Timken)	SQHP	4.11	40M	1610	204
★R563-W (E2HT 4005-TA)	Rockwell (Timken)	SQHP	3.70	40M	1710	204
★R564-W (E2HT 4005-VA)	Rockwell (Timken)	SQHP	4.11	40M	1710	204
★R565-W (E2HT 4305-YA)	Rockwell (Timken)	SQHP	3.70	40M	1610	203
★R566-W (E2HT 4305-AAA)	Rockwell (Timken)	SQHP	4.11	40M	1610	203
★R567-W (E2HT 4305-ACA)	Rockwell (Timken)	SQHP	4.44	40M	1610	203
★R568-W (E2HT 4305-ZA)	Rockwell (Timken)	SQHP	3.70	40M	1710	203
★R569-W (E2HT 4305-ABA)	Rockwell (Timken)	SQHP	4.11	40M	1710	203
★R570-W (E2HT 4305-ADA)	Rockwell (Timken)	SQHP	4.44	40M	1710	203
★R571-W (E2HT 4305-BRA)	Rockwell (Timken)	SQHP	3.70	40M	1710	203
★R572-W (E2HT 4305-BSA)	Rockwell (Timken)	SQHP	4.11	40M	1710	203
★R573-W (E2HT 4305-BTA)	Rockwell (Timken)	SQHP	4.44	40M	1710	203
★R574-W (E2HT 4005-YA)	Rockwell (Timken)	SQHP	3.70	40M	1610	204
★R575-W (E2HT 4005-AAA)	Rockwell (Timken)	SQHP	4.11	40M	1610	204
★R576-W (E2HT 4005-ACA)	Rockwell (Timken)	SQHP	4.44	40M	1610	204
★R577-W (E2HT 4005-ZA)	Rockwell (Timken)	SQHP	3.70	40M	1710	204
★R578-W (E2HT 4005-ABA)	Rockwell (Timken)	SQHP	4.11	40M	1710	204
★R579-W (E2HT 4005-ADA)	Rockwell (Timken)	SQHP	4.44	40M	1710	204
★R580-W (E2HT 4305-AEA)	Rockwell (Timken)	SQHP	3.70	40M	1610	203
★R581-W (E2HT 4305-AGA)	Rockwell (Timken)	SQHP	4.11	40M	1610	203
★R582-W (E2HT 4305-AFA)	Rockwell (Timken)	SQHP	3.70	40M	1710	203
★R583-W (E2HT 4305-AHA)	Rockwell (Timken)	SQHP	4.11	40M	1710	203
★R584-W (E2HT 4305-BUA)	Rockwell (Timken)	SQHP	3.70	40M	1710	203
★R585-W (E2HT 4305-BVA)	Rockwell (Timken)	SQHP	4.11	40M	1710	203
★R586-W (E2HT 4005-AEA)	Rockwell (Timken)	SQHP	3.70	40M	1610	204
★R587-W (E2HT 4005-AGA)	Rockwell (Timken)	SQHP	4.11	40M	1610	204
★R588-W (E2HT 4005-AFA)	Rockwell (Timken)	SQHP	3.70	40M	1710	204
★R589-W (E2HT 4005-AHA)	Rockwell (Timken)	SQHP	4.11	40M	1710	204
★R590-W (E2HT 4305-AJA)	Rockwell (Timken)	SQHP	3.70	40M	1610	203
★R591-W (E2HT 4305-ALA)	Rockwell (Timken)	SQHP	4.11	40M	1610	203
★R592-W (E2HT 4305-AKA)	Rockwell (Timken)	SQHP	3.70	40M	1710	203
★R593-W (E2HT 4305-AMA)	Rockwell (Timken)	SQHP	4.11	40M	1710	203
★R594-W (E2HT 4305-BYA)	Rockwell (Timken)	SQHP	3.70	40M	1710	203
★R595-W (E2HT 4305-BZA)	Rockwell (Timken)	SQHP	4.11	40M	1710	203
★R596-W (E2HT 4005-AJA)	Rockwell (Timken)	SQHP	3.70	40M	1610	204
★R597-W (E2HT 4005-ALA)	Rockwell (Timken)	SQHP	4.11	40M	1610	204
★R598-W (E2HT 4005-AKA)	Rockwell (Timken)	SQHP	3.70	40M	1710	204
★R599-W (E2HT 4005-AMA)	Rockwell (Timken)	SQHP	4.11	40M	1710	204
★S001-H (EOHT 4005-CA)	Dana (Spicer)	G175-T	5.57/7.75	17.5M	1410	219
★S002-H (EOHT 4005-DA)	Dana (Spicer)	G175-T	5.57/7.75	17.5M	1480	219
★S003-H (EOHT 4005-EA)	Dana (Spicer)	G175-T	5.57/7.75	17.5M	1550	219
★S004-H (EOHT 4005-FA)	Dana (Spicer)	G175-T	5.57/7.75	17.5M	1610	219
★S005-H (EOHT 4005-GA)	Dana (Spicer)	G175-T	6.17/8.58	17.5M	1410	219
★S006-H (EOHT 4005-HA)	Dana (Spicer)	G175-T	6.17/8.58	17.5M	1480	219
★S007-H (EOHT 4005-JA)	Dana (Spicer)	G175-T	6.17/8.58	17.5M	1550	219
★S008-H (EOHT 4005-KA)	Dana (Spicer)	G175-T	6.17/8.58	17.5M	1610	219
★S009-H (EOHT 4005-LA)	Dana (Spicer)	G175-T	6.50/9.04	17.5M	1410	219
★S010-H (EOHT 4005-MA)	Dana (Spicer)	G175-T	6.50/9.04	17.5M	1480	219
★S011-H (EOHT 4005-NA)	Dana (Spicer)	G175-T	6.50/9.04	17.5M	1550	219
★S012-H (EOHT 4005-RA)	Dana (Spicer)	G175-T	6.50/9.04	17.5M	1610	219
★S013-H (EOHT 4005-SA)	Dana (Spicer)	G175-T	7.17/9.97	17.5M	1410	219
★S014-H (EOHT 4005-TA)	Dana (Spicer)	G175-T	7.17/9.97	17.5M	1480	219
★S015-H (EOHT 4005-UA)	Dana (Spicer)	G175-T	7.17/9.97	17.5M	1550	219



**1980/  
TRUCK SERIES 600/900**

**REAR AXLE T.S.L. † CROSS-REFERENCE GUIDE**

IDENTIFICATION AND/OR T.S.L. NUMBER	MANUFACTURER	MANUFACTURER MODEL	RATIO	CAPACITY	DRIVESHAFT SIZE	SEC.40.1 PARTS LIST NO.
<b>Notes: Δ Driveshaft flange not included on assy. † Truck Specification List-included in Kentucky-built trucks. — Cont'd</b>						
★S016-H (EOHT 4005-VA)	Dana (Spicer)	G175-T	7.17/9.97	17.5M	1610	219
★S017-H (EOHT 4A297-AA)	Dana (Spicer)	M185-T	5.57/7.60	18.5M	Δ	220
★S018-H (EOHT 4A297-BA)	Dana (Spicer)	M185-T	6.14/8.38	18.5M	Δ	220
★S019-H (EOHT 4A297-CA)	Dana (Spicer)	M185-T	6.50/8.86	18.5M	Δ	220
★S020-H (EOHT 4A297-DA)	Dana (Spicer)	M185-T	7.17/9.77	18.5/19M	Δ	220
★S021-H (E1HT 4005-BCA)	Dana (Spicer)	M185-T	5.57/7.60	18.5/19M	1480	220
★S022-H (E1HT 4005-BDA)	Dana (Spicer)	M185-T	5.57/7.60	18.5/19M	1550	220
★S023-H (E1HT 4005-BEA)	Dana (Spicer)	M185-T	5.57/7.60	18.5/19M	1610	220
★S024-H (E1HT 4005-BFA)	Dana (Spicer)	M185-T	6.14/8.38	18.5/19M	1480	220
★S025-H (E1HT 4005-BGA)	Dana (Spicer)	M185-T	6.14/8.38	18.5/19M	1550	220
★S026-H (E1HT 4005-BHA)	Dana (Spicer)	M185-T	6.14/8.38	18.5/19M	1610	220
★S027-H (E1HT 4005-BJA)	Dana (Spicer)	M185-T	6.50/8.86	18.5/19M	1480	220
★S028-H (E1HT 4005-BKA)	Dana (Spicer)	M185-T	6.50/8.86	18.5/19M	1550	220
★S029-H (E1HT 4005-BLA)	Dana (Spicer)	M185-T	6.50/8.86	18.5/19M	1610	220
★S030-H (E1HT 4005-BMA)	Dana (Spicer)	M185-T	7.17/9.77	18.5/19M	1480	220
★S031-H (E1HT 4005-BNA)	Dana (Spicer)	M185-T	7.17/9.77	18.5/19M	1550	220
★S032-H (E1HT 4005-BRA)	Dana (Spicer)	M185-T	7.17/9.77	18.5/19M	1610	220
★S033-H (E3HT 4005-AAA)	Dana (Spicer)	G175-T	5.57/7.75	17.5M	1410	219
★S034-H (E3HT 4005-AEA)	Dana (Spicer)	G175-T	5.57/7.75	17.5M	1480	219
★S035-H (E3HT 4005-AJA)	Dana (Spicer)	G175-T	5.57/7.75	17.5M	1550	219
★S036-H (E3HT 4005-ANA)	Dana (Spicer)	G175-T	5.57/7.75	17.5M	1610	219
★S037-H (E3HT 4005-ABA)	Dana (Spicer)	G175-T	6.17/8.58	17.5M	1410	219
★S038-H (E3HT 4005-AFA)	Dana (Spicer)	G175-T	6.17/8.58	17.5M	1480	219
★S039-H (E3HT 4005-AKA)	Dana (Spicer)	G175-T	6.17/8.58	17.5M	1550	219
★S040-H (E3HT 4005-ARA)	Dana (Spicer)	G175-T	6.17/8.58	17.5M	1610	219
★S041-H (E3HT 4005-ACA)	Dana (Spicer)	G175-T	6.50/9.04	17.5M	1410	219
★S042-H (E3HT 4005-AGA)	Dana (Spicer)	G175-T	6.50/9.04	17.5M	1480	219
★S043-H (E3HT 4005-ALA)	Dana (Spicer)	G175-T	6.50/9.04	17.5M	1550	219
★S044-H (E3HT 4005-ASA)	Dana (Spicer)	G175-T	6.50/9.04	17.5M	1610	219
★S045-H (E3HT 4005-ADA)	Dana (Spicer)	G175-T	7.17/9.97	17.5M	1410	219
★S046-H (E3HT 4005-AHA)	Dana (Spicer)	G175-T	7.17/9.97	17.5M	1480	219
★S047-H (E3HT 4005-AMA)	Dana (Spicer)	G175-T	7.17/9.97	17.5M	1550	219
★S048-H (E3HT 4005-ATA)	Dana (Spicer)	G175-T	7.17/9.97	17.5M	1610	219
★S049-H (E3HT 4005-BBA)	Dana (Spicer)	G175-T	4.89/6.79	17.5M	1550	219
★S050-H (E3HT 4005-BCA)	Dana (Spicer)	G175-T	4.89/6.79	17.5M	1610	219
★S051-H (E3HT 4005-BDA)	Dana (Spicer)	M185-T	4.89/6.66	18.5/19M	1550	220
★S052-H (E3HT 4005-BEA)	Dana (Spicer)	M185-T	4.89/6.66	18.5/19M	1610	220
★1000-E (E4HT 4A298-BUA)	Eaton	DS341	7.17	34M	Δ	229
★1001-E (E4HT 4A297-BUA)	Eaton	RS341	7.17	34M	Δ	230
★1002-E (E4HT 4A297-BEA)	Eaton	22221	6.50/8.86	22M	Δ	222
★1003-E (E4HT 4A297-AMA)	Eaton	17221	6.14/8.38	19M	Δ	102
★1004-E (E4HT 4005-CYA)	Eaton	16244	6.14/8.54	17.5M	1550	101
★1005-E (E4HT 4005-CAA)	Eaton	15201	5.57/7.75	15M	1410	164
★1006-E (E4HT 4005-CBA)	Eaton	15201	5.86/8.15	15M	1410	164
★1007-E (E4HT 4005-CCA)	Eaton	15201	6.29/8.74	15M	1410	164
★1008-E (E4HT 4005-CDA)	Eaton	15201	5.57/7.75	15M	1480	164
★1009-E (E4HT 4005-CEA)	Eaton	15201	5.86/8.15	15M	1480	164
★1010-E (E4HT 4005-CFA)	Eaton	15201	6.29/8.74	15M	1480	164
★1011-E (E4HT 4005-CGA)	Eaton	15201	5.57/7.75	15M	1550	164
★1012-E (E4HT 4005-CHA)	Eaton	15201	5.86/8.15	15M	1550	164
★1013-E (E4HT 4005-CJA)	Eaton	16244	5.57/7.75	17.5M	1410	101
★1014-E (E4HT 4005-CKA)	Eaton	16244	6.14/8.54	17.5M	1410	101
★1015-E (E4HT 4005-CLA)	Eaton	16244	6.57/9.13	17.5M	1410	101
★1016-E (E4HT 4005-CMA)	Eaton	16244	7.17/9.97	17.5M	1410	101

**1980/  
TRUCK SERIES 600/900**

**REAR AXLE T.S.L. † CROSS-REFERENCE GUIDE**

IDENTIFICATION AND/OR T.S.L. NUMBER	MANUFACTURER	MANUFACTURER MODEL	RATIO	CAPACITY	DRIVESHAFT SIZE	SEC.40.1 PARTS LIST NO.
Notes: Δ Driveshaft flange not included on assy. † Truck Specification List-included in Kentucky-built trucks. — Cont'd						
★1017 E (E4HT 4005-CNA)	Eaton	16244	5.57/7.75	17.5M	1480	101
★1018-E (E4HT 4005-CRA)	Eaton	16244	6.14/8.54	17.5M	1480	101
★1019 E (E4HT 4005-CSA)	Eaton	16244	6.57/9.13	17.5M	1480	101
★1020-E (E4HT 4005-CTA)	Eaton	16244	7.17/9.97	17.5M	1480	101
★1021-E (E4HT 4005-CUA)	Eaton	16244	4.88/6.78	17.5M	1550	101
★1022-E (E4HT 4005-CVA)	Eaton	16244	5.57/7.75	17.5M	1550	101
★1023-E (E4HT 4005-CZA)	Eaton	16244	6.57/9.13	17.5M	1550	101
★1024-E (E4HT 4005 DAA)	Eaton	16244	7.17/9.97	17.5M	1550	101
★1025-E (E4HT 4005 DBA)	Eaton	16244	4.88/6.78	17.5M	1610	101
★1026-E (E4HT 4005-DCA)	Eaton	16244	5.57/7.75	17.5M	1610	101
★1027 E (E4HT 4005 DDA)	Eaton	16244	6.14/8.54	17.5M	1610	101
★1028-E (E4HT 4A297 ACA)	Eaton	17101	4.88	19M	Δ	97
★1029-E (E4HT 4A297-ADA)	Eaton	17101	5.29	19M	Δ	97
★1030-E (E4HT 4A297-AEA)	Eaton	17121	5.57	19M	Δ	97
★1031 E (E4HT 4A297-AFA)	Eaton	17121	6.14	19M	Δ	97
★1032-E (E4HT 4A297 AGA)	Eaton	17121	6.57	19M	Δ	97
★1033-E (E4HT 4A297-AHA)	Eaton	17121	7.17	19M	Δ	97
★1034-E (E4HT 4A297 AJA)	Eaton	17201	4.88/6.65	19M	Δ	102
★1035-E (E4HT 4A297 AKA)	Eaton	17201	5.29/7.21	19M	Δ	102
★1036-E (E4HT 4A297-ALA)	Eaton	17221	5.57/7.60	19M	Δ	102
★1037-E (E4HT 4A297-ANA)	Eaton	17221	6.57/8.94	19M	Δ	102
★1038 E (E4HT 4A297 ARA)	Eaton	17221	7.17/9.77	19M	Δ	102
★1039 E (E4HT 4A297-ASA)	Eaton	22121	4.88	22M	Δ	221
★1040 E (E4HT 4A297-ATA)	Eaton	22121	5.29	22M	Δ	221
★1041-E (E4HT 4A297 AUA)	Eaton	22121	5.57	22M	Δ	221
★1042-E (E4HT 4A297 AVA)	Eaton	22121	6.17	22M	Δ	221
★1043 E (E4HT 4A297 AYA)	Eaton	22121	6.50	22M	Δ	221
★1044-E (E4HT 4A297-AZA)	Eaton	22121	7.17	22M	Δ	221
★1045-E (E4HT 4A297-BAA)	Eaton	22221	4.88/6.65	22M	Δ	222
★1046-E (E4HT 4A297-BBA)	Eaton	22221	5.29/7.21	22M	Δ	222
★1047-E (E4HT 4A297 BCA)	Eaton	22221	5.57/7.60	22M	Δ	222
★1048-E (E4HT 4A297-BDA)	Eaton	22221	6.17/8.41	22M	Δ	222
★1049-E (E4HT 4A297-BFA)	Eaton	22221	7.17/9.77	22M	Δ	222
★1050-E (E4HT 4A298-BGA)	Eaton	DS341	3.70	34M	Δ	229
★1051-E (E4HT 4A297 BGA)	Eaton	RS341	3.70	34M	Δ	230
★1052-E (E4HT 4A298-BHA)	Eaton	DS341	3.90	34M	Δ	229
★1053-E (E4HT 4A297-BHA)	Eaton	RS341	3.90	34M	Δ	230
★1054 E (E4HT 4A298 BJA)	Eaton	DS341	4.11	34M	Δ	229
★1055-E (E4HT 4A297-BJA)	Eaton	RS341	4.11	34M	Δ	230
★1056-E (E4HT 4A298-BKA)	Eaton	DS341	4.33	34M	Δ	229
★1057-E (E4HT 4A297 BKA)	Eaton	RS341	4.33	34M	Δ	230
★1058 E (E4HT 4A298-BLA)	Eaton	DS341	4.56	34M	Δ	229
★1059-E (E4HT 4A297-BLA)	Eaton	RS341	4.56	34M	Δ	230
★1060-E (E4HT 4A298-BMA)	Eaton	DS341	4.88	34M	Δ	229
★1061 E (E4HT 4A297-BMA)	Eaton	RS341	4.88	34M	Δ	230
★1062-E (E4HT 4A298-BNA)	Eaton	DS341	5.29	34M	Δ	229
★1063 E (E4HT 4A297-BNA)	Eaton	RS341	5.29	34M	Δ	230
★1064-E (E4HT 4A298-BRA)	Eaton	DS341	5.57	34M	Δ	229
★1065-E (E4HT 4A297-BRA)	Eaton	RS341	5.57	34M	Δ	230
★1066-E (E4HT 4A298-BSA)	Eaton	DS341	6.14	34M	Δ	229
★1067-E (E4HT 4A297-BSA)	Eaton	RS341	6.14	34M	Δ	230
★1068-E (E4HT 4A298-BTA)	Eaton	DS341	6.50	34M	Δ	229
★1069 E (E4HT 4A297-BTA)	Eaton	RS341	6.50	34M	Δ	230
★1070-E (E4HT 4A298-BVA)	Eaton	DS341	3.70	34M	Δ	229
★1071-E (E4HT 4A297-BVA)	Eaton	RS341	3.70	34M	Δ	230

1980/  
TRUCK SERIES 600/900

REAR AXLE T.S.L. † CROSS-REFERENCE GUIDE

IDENTIFICATION AND/OR T.S.L. NUMBER	MANUFACTURER	MANUFACTURER MODEL	RATIO	CAPACITY	DRIVESHAFT SIZE	SEC.40.1 PARTS LIST NO.
Notes: Δ Driveshaft flange not included on assy. † Truck Specification List-included in Kentucky-built trucks. — Cont'd						
★1072-E (E4HT 4A298-BYA)	Eaton	DS341	3.90	34M	Δ	229
★1073-E (E4HT 4A297-BYA)	Eaton	RS341	3.90	34M	Δ	230
★1074-E (E4HT 4A298-BZA)	Eaton	DS341	4.11	34M	Δ	229
★1075-E (E4HT 4A297-BZA)	Eaton	RS341	4.11	34M	Δ	230
★1076-E (E4HT 4A298-CAA)	Eaton	DS341	4.33	34M	Δ	229
★1077-E (E4HT 4A297-CAA)	Eaton	RS341	4.33	34M	Δ	230
★1078-E (E4HT 4A298-CBA)	Eaton	DS341	4.56	34M	Δ	229
★1079-E (E4HT 4A297-CBA)	Eaton	RS341	4.56	34M	Δ	230
★1080-E (E4HT 4A298-CCA)	Eaton	DT341	4.88/6.65	34M	Δ	240
★1081-E (E4HT 4A297-CCA)	Eaton	RT341	4.88/6.65	34M	Δ	241
★1082-E (E4HT 4A298-CDA)	Eaton	DT341	5.29/7.21	34M	Δ	240
★1083-E (E4HT 4A297-CDA)	Eaton	RT341	5.29/7.21	34M	Δ	241
★1084-E (E4HT 4A298-CEA)	Eaton	DT341	5.57/7.60	34M	Δ	240
★1085-E (E4HT 4A297-CEA)	Eaton	RT341	5.57/7.60	34M	Δ	241
★1086-E (E4HT 4A298-CFA)	Eaton	DT341	6.14/8.38	34M	Δ	240
★1087-E (E4HT 4A297-CFA)	Eaton	RT341	6.14/8.38	34M	Δ	241
★1088-E (E4HT 4A298-CGA)	Eaton	DT341	6.50/8.86	34M	Δ	240
★1089-E (E4HT 4A297-CGA)	Eaton	RT341	6.50/8.86	34M	Δ	241
★1090-E (E4HT 4A298-CHA)	Eaton	DT341	7.17/9.77	34M	Δ	240
★1091-E (E4HT 4A297-CHA)	Eaton	RT341	7.17/9.77	34M	Δ	241
★1092-E (E4HT 4A298-CJA)	Eaton	DS341	4.88	34M	Δ	229
★1093-E (E4HT 4A298-CKA)	Eaton	DS341	5.29	34M	Δ	229
★1094-E (E4HT 4A298-CLA)	Eaton	DS341	5.57	34M	Δ	229
★1095-E (E4HT 4A298-CMA)	Eaton	DS341	6.14	34M	Δ	229
★1096-E (E4HT 4A298-CNA)	Eaton	DS341	6.50	34M	Δ	229
★1097-E (E4HT 4A298-CRA)	Eaton	DS341	7.17	34M	Δ	229
★1098-E (E4HT 4A298-CSA)	Eaton	DS341	6.14	34M	Δ	229
★1099-E (E4HT 4A298-CTA)	Eaton	DS341	6.50	34M	Δ	229
★1100-E (E4HT 4A298-CUA)	Eaton	DS341	7.17	34M	Δ	229
★1101-E (E4HT 4A298-CVA)	Eaton	DS381	3.70	38M	Δ	231
★1102-E (E4HT 4A297-CVA)	Eaton	RS381	3.70	38M	Δ	232
★1103-E (E4HT 4A298-CYA)	Eaton	DS381	3.90	38M	Δ	231
★1104-E (E4HT 4A297-CYA)	Eaton	RS381	3.90	38M	Δ	232
★1105-E (E4HT 4A298-CZA)	Eaton	DS381	4.11	38M	Δ	231
★1106-E (E4HT 4A297-CZA)	Eaton	RS381	4.11	38M	Δ	232
★1107-E (E4HT 4A298-DAA)	Eaton	DS381	4.33	38M	Δ	231
★1108-E (E4HT 4A297-DAA)	Eaton	RS381	4.33	38M	Δ	232
★1109-E (E4HT 4A298-DBA)	Eaton	DS381	4.56	38M	Δ	231
★1110-E (E4HT 4A297-DBA)	Eaton	RS381	4.56	38M	Δ	232
★1111-E (E4HT 4005-CAB)	Eaton	15201	5.57/7.75	15M	1410	164
★1112-E (E4HT 4005-CBB)	Eaton	15201	5.86/8.15	15M	1410	164
★1113-E (E4HT 4005-CCB)	Eaton	15201	6.29/8.74	15M	1410	164
★1114-E (E4HT 4005-CDB)	Eaton	15201	5.57/7.75	15M	1480	164
★1115-E (E4HT 4005-CEB)	Eaton	15201	5.86/8.15	15M	1480	164
★1116-E (E4HT 4005-CFB)	Eaton	15201	6.29/8.74	15M	1480	164
★1117-E (E4HT 4005-CGB)	Eaton	15201	5.57/7.75	15M	1550	164
★1118-E (E4HT 4005-CHB)	Eaton	15201	5.86/8.15	15M	1550	164
★1119-E (E4HT 4005-CJB)	Eaton	16244	5.57/7.75	17.5M	1410	101
★1120-E (E4HT 4005-CKB)	Eaton	16244	6.14/8.54	17.5M	1410	101
★1121-E (E4HT 4005-CLB)	Eaton	16244	6.57/9.13	17.5M	1410	101
★1122-E (E4HT 4005-CMB)	Eaton	16244	7.17/9.97	17.5M	1410	101
★1123-E (E4HT 4005-CNB)	Eaton	16244	5.57/7.75	17.5M	1480	101
★1124-E (E4HT 4005-CRB)	Eaton	16244	6.14/8.54	17.5M	1480	101
★1125-E (E4HT 4005-CSB)	Eaton	16244	6.57/9.13	17.5M	1480	101
★1126-E (E4HT 4005-CTB)	Eaton	16244	7.17/9.97	17.5M	1480	101

1980/  
TRUCK SERIES 600/900

REAR AXLE T.S.L. † CROSS-REFERENCE GUIDE

IDENTIFICATION AND/OR T.S.L. NUMBER	MANUFACTURER	MANUFACTURER MODEL	RATIO	CAPACITY	DRIVESHAFT SIZE	SEC.40.1 PARTS LIST NO.
Notes: Δ Driveshaft flange not included on assy. † Truck Specification List-included in Kentucky-built trucks. — Cont'd						
★1127-E (E4HT 4005-CUB)	Eaton	16244	4.88/6.78	17.5M	1550	101
★1128-E (E4HT 4005-CVB)	Eaton	16244	5.57/7.75	17.5M	1550	101
★1129-E (E4HT 4005-CYB)	Eaton	16244	6.14/8.54	17.5M	1550	101
★1130-E (E4HT 4005-CZB)	Eaton	16244	6.57/9.13	17.5M	1550	101
★1131-E (E4HT 4005-DAB)	Eaton	16244	7.17/9.97	17.5M	1550	101
★1132-E (E4HT 4005-DBB)	Eaton	16244	4.88/6.78	17.5M	1610	101
★1133-E (E4HT 4005-DCB)	Eaton	16244	5.57/7.75	17.5M	1610	101
★1134-E (E4HT 4005-DCB)	Eaton	16244	6.14/8.54	17.5M	1610	101
★1134-E (E4HT 4005-DCB)	Eaton	16244	6.14/8.54	17.5M	1610	101
★1135-E (E4HT 4A297-ACB)	Eaton	17101	4.88	19M	Δ	97
★1136-E (E4HT 4A297-ADB)	Eaton	17101	5.29	19M	Δ	97
★1137-E (E4HT 4A297-AEB)	Eaton	17121	5.57	19M	Δ	97
★1138-E (E4HT 4A297-AFB)	Eaton	17121	6.14	19M	Δ	97
★1139-E (E4HT 4A297-AGB)	Eaton	17121	6.57	19M	Δ	97
★1140-E (E4HT 4A297-AHB)	Eaton	17121	7.17	19M	Δ	97
★1141-E (E4HT 4A297-AJB)	Eaton	17201	4.88/6.65	19M	Δ	102
★1142-E (E4HT 4A297-AKB)	Eaton	17201	5.29/7.21	19M	Δ	102
★1143-E (E4HT 4A297-ALB)	Eaton	17221	5.57/7.60	19M	Δ	102
★1144-E (E4HT 4A297-AMB)	Eaton	17221	6.14/8.38	19M	Δ	102
★1145-E (E4HT 4A297-ANB)	Eaton	17221	6.57/8.94	19M	Δ	102
★1146-E (E4HT 4A297-ARB)	Eaton	17221	7.17/9.77	19M	Δ	102
★1147-E (E4HT 4A297-ASB)	Eaton	22121	4.88	22M	Δ	221
★1148-E (E4HT 4A297-ATB)	Eaton	22121	5.29	22M	Δ	221
★1149-E (E4HT 4A297-AUB)	Eaton	22121	5.57	22M	Δ	221
★1150-E (E4HT 4A297-AVB)	Eaton	22121	6.17	22M	Δ	221
★1151-E (E4HT 4A297-AYB)	Eaton	22121	6.50	22M	Δ	221
★1152-E (E4HT 4A297-AZB)	Eaton	22121	7.17	22M	Δ	221
★1153-E (E4HT 4A297-BAB)	Eaton	22221	4.88/6.65	22M	Δ	222
★1154-E (E4HT 4A297-BBB)	Eaton	22221	5.29/7.21	22M	Δ	222
★1155-E (E4HT 4A297-BCB)	Eaton	22221	5.57/7.60	22M	Δ	222
★1156-E (E4HT 4A297-BDB)	Eaton	22221	6.17/8.41	22M	Δ	222
★1157-E (E4HT 4A297-BEB)	Eaton	22221	6.50/8.86	22M	Δ	222
★1158-E (E4HT 4A297-BFB)	Eaton	22221	7.17/9.77	22M	Δ	222
★1159-E (E4HT 4A297-BGB)	Eaton	RS341	3.70	34M	Δ	230
★1160-E (E4HT 4A297-BHB)	Eaton	RS341	3.90	34M	Δ	230
★1161-E (E4HT 4A297-BJB)	Eaton	RS341	4.11	34M	Δ	230
★1162-E (E4HT 4A297-BKB)	Eaton	RS341	4.33	34M	Δ	230
★1163-E (E4HT 4A297-BLB)	Eaton	RS341	4.56	34M	Δ	230
★1164-E (E4HT 4A297-BMB)	Eaton	RS341	4.88	34M	Δ	230
★1165-E (E4HT 4A297-BNB)	Eaton	RS341	5.29	34M	Δ	230
★1166-E (E4HT 4A297-BRB)	Eaton	RS341	5.57	34M	Δ	230
★1167-E (E4HT 4A297-BSB)	Eaton	RS341	6.14	34M	Δ	230
★1168-E (E4HT 4A297-BTB)	Eaton	RS341	6.50	34M	Δ	230
★1169-E (E4HT 4A297-BUB)	Eaton	RS341	7.17	34M	Δ	230
★1170-E (E4HT 4A297-BVB)	Eaton	RS341	3.70	34M	Δ	230
★1171-E (E4HT 4A297-BYB)	Eaton	RS341	3.90	34M	Δ	230
★1172-E (E4HT 4A297-BZB)	Eaton	RS341	4.11	34M	Δ	230
★1173-E (E4HT 4A297-CAB)	Eaton	RS341	4.33	34M	Δ	230
★1174-E (E4HT 4A297-CBB)	Eaton	RS341	4.56	34M	Δ	230
★1175-E (E4HT 4A297-CCB)	Eaton	RT341	4.88/6.65	34M	Δ	241
★1176-E (E4HT 4A297-CDB)	Eaton	RT341	5.29/7.21	34M	Δ	241
★1177-E (E4HT 4A297-CEB)	Eaton	RT341	5.57/7.60	34M	Δ	241
★1178-E (E4HT 4A297-CFB)	Eaton	RT341	6.14/8.38	34M	Δ	241
★1179-E (E4HT 4A297-CGB)	Eaton	RT341	6.50/8.86	34M	Δ	241
★1180-E (E4HT 4A297-CHB)	Eaton	RT341	7.17/9.77	34M	Δ	241
★1181-E (E4HT 4A298-BGB)	Eaton	DS341	3.70	34M	Δ	229
★1182-E (E4HT 4A298-BHB)	Eaton	DS341	3.90	34M	Δ	229
★1183-E (E4HT 4A298-BJB)	Eaton	DS341	4.11	34M	Δ	229
★1184-E (E4HT 4A298-BKB)	Eaton	DS341	4.33	34M	Δ	229

1980/  
TRUCK SERIES 600/900

REAR AXLE T.S.L. † CROSS-REFERENCE GUIDE

IDENTIFICATION AND/OR T.S.L. NUMBER	MANUFACTURER	MANUFACTURER MODEL	RATIO	CAPACITY	DRIVESHAFT SIZE	SEC.40.1 PARTS LIST NO.
Notes: Δ Driveshaft flange not included on assy. † Truck Specification List-included in Kentucky-built trucks. — Cont'd						
★1185-E (E4HT 4A298-BLB)	Eaton	DS341	4.56	34M	Δ	229
★1186-E (E4HT 4A298-BMB)	Eaton	DS341	4.88	34M	Δ	229
★1187-E (E4HT 4A298-BNB)	Eaton	DS341	5.29	34M	Δ	229
★1188-E (E4HT 4A298-BRB)	Eaton	DS341	5.57	34M	Δ	229
★1189-E (E4HT 4A298-BSB)	Eaton	DS341	6.14	34M	Δ	229
★1190-E (E4HT 4A298-BTB)	Eaton	DS341	6.50	34M	Δ	229
★1191-E (E4HT 4A298-BUB)	Eaton	DS341	7.17	34M	Δ	229
★1192-E (E4HT 4A298-BVB)	Eaton	DS341	3.70	34M	Δ	229
★1193-E (E4HT 4A298-BYB)	Eaton	DS341	3.90	34M	Δ	229
★1194-E (E4HT 4A298-BZB)	Eaton	DS341	4.11	34M	Δ	229
★1195-E (E4HT 4A298-CAB)	Eaton	DS341	4.33	34M	Δ	229
★1196-E (E4HT 4A298-CBB)	Eaton	DS341	4.56	34M	Δ	229
★1197-E (E4HT 4A298-CCB)	Eaton	DT341	4.88/6.65	34M	Δ	240
★1198-E (E4HT 4A298-CDB)	Eaton	DT341	5.29/7.21	34M	Δ	240
★1199-E (E4HT 4A298-CEB)	Eaton	DT341	5.57/7.60	34M	Δ	240
★1200-E (E4HT 4A298-CFB)	Eaton	DT341	6.14/8.38	34M	Δ	240
★1201-E (E4HT 4A298-CGB)	Eaton	DT341	6.50/8.86	34M	Δ	240
★1202-E (E4HT 4A298-CHB)	Eaton	DT341	7.17/9.77	34M	Δ	240
★1203-E (E4HT 4A298-CJB)	Eaton	DS341	4.88	34M	Δ	229
★1204-E (E4HT 4A298-CKB)	Eaton	DS341	5.29	34M	Δ	229
★1205-E (E4HT 4A298-CLB)	Eaton	DS341	5.57	34M	Δ	229
★1206-E (E4HT 4A298-CMB)	Eaton	DS341	6.14	34M	Δ	229
★1207-E (E4HT 4A298-CNB)	Eaton	DS341	6.50	34M	Δ	229
★1208-E (E4HT 4A298-CRB)	Eaton	DS341	7.17	34M	Δ	229
★1209-E (E4HT 4A298-CSB)	Eaton	DS341	6.14	34M	Δ	229
★1210-E (E4HT 4A298-CTB)	Eaton	DS341	6.50	34M	Δ	229
★1211-E (E4HT 4A298-CUB)	Eaton	DS341	7.17	34M	Δ	229
★1212-E (E4HT 4A297-CVB)	Eaton	RS381/RS402	3.70	38M/40M	Δ	232
★1213-E (E4HT 4A297-CYB)	Eaton	RS381/RS402	3.90	38M/40M	Δ	232
★1214-E (E4HT 4A297-CZB)	Eaton	RS381/RS402	4.11	38M/40M	Δ	232
★1215-E (E4HT 4A297-DAB)	Eaton	RS381/RS402	4.33	38M/40M	Δ	232
★1216-E (E4HT 4A297-DBB)	Eaton	RS381/RS402	4.56	38M/40M	Δ	232
★1217-E (E4HT 4A298-CVB)	Eaton	DS381/DS402	3.70	38M/40M	Δ	231
★1218-E (E4HT 4A298-CYB)	Eaton	DS381/DS402	3.90	38M/40M	Δ	231
★1219-E (E4HT 4A298-CZB)	Eaton	DS381/DS402	4.11	38M/40M	Δ	231
★1220-E (E4HT 4A298-DAB)	Eaton	DS381/DS402	4.33	38M/40M	Δ	231
★1221-E (E4HT 4A298-DBB)	Eaton	DS381/DS402	4.56	38M/40M	Δ	231
★1222-E (E4HT 4A297-GAA)	Eaton	RS381/RS402	3.70	38M/40M	Δ	232
★1223-E (E4HT 4A297-GBA)	Eaton	RS381/RS402	3.90	38M/40M	Δ	232
★1224-E (E4HT 4A297-GCA)	Eaton	RS381/RS402	4.11	38M/40M	Δ	232
★1225-E (E4HT 4A297-GDA)	Eaton	RS381/RS402	4.33	38M/40M	Δ	232
★1226-E (E4HT 4A298-GAA)	Eaton	DS381/DS402	3.70	38M/40M	Δ	231
★1227-E (E4HT 4A298-GBA)	Eaton	DS381/DS402	3.90	38M/40M	Δ	231
★1228-E (E4HT 4A298-GCA)	Eaton	DS381/DS402	4.11	38M/40M	Δ	231
★1229-E (E4HT 4A298-GDA)	Eaton	DS381/DS402	4.33	38M/40M	Δ	231
★1230-E (E4HT 4A297-GEA)	Eaton	RS381/RS402	3.70	38M/40M	Δ	232
★1231-E (E4HT 4A297-GFA)	Eaton	RS381/RS402	3.90	38M/40M	Δ	232
★1232-E (E4HT 4A297-GGA)	Eaton	RS381/RS402	4.11	38M/40M	Δ	232
★1233-E (E4HT 4A297-GHA)	Eaton	RS381/RS402	4.33	38M/40M	Δ	232
★1234-E (E4HT 4A297-GJA)	Eaton	RS381/RS402	4.56	38M/40M	Δ	232
★1235-E (E4HT 4A297-GKA)	Eaton	RS381/RS402	4.88	38M/40M	Δ	232
★1236-E (E4HT 4A297-GLA)	Eaton	RS381/RS402	5.29	38M/40M	Δ	232
★1237-E (E4HT 4A297-GMA)	Eaton	RS381/RS402	5.57	38M/40M	Δ	232
★1238-E (E4HT 4A297-GNA)	Eaton	RS381/RS402	6.14	38M/40M	Δ	232
★1239-E (E4HT 4A297-GRA)	Eaton	RS381/RS402	6.50	38M/40M	Δ	232
★1240-E (E4HT 4A297-GSA)	Eaton	RS381/RS402	7.17	38M/40M	Δ	232

1980/  
TRUCK SERIES 600/900

REAR AXLE T.S.L. † CROSS-REFERENCE GUIDE

IDENTIFICATION AND/OR T.S.L. NUMBER	MANUFACTURER	MANUFACTURER MODEL	RATIO	CAPACITY	DRIVESHAFT SIZE	SEC.40.1 PARTS LIST NO.
Notes: Δ Driveshaft flange not included on assy. † Truck Specification List-included in Kentucky-built trucks. — Cont'd						
★1241-E (E4HT 4A298-GEA)	Eaton	DS381/DS402	3.70	38M/40M	Δ	231
★1242-E (E4HT 4A298-GFA)	Eaton	DS381/DS402	3.90	38M/40M	Δ	231
★1243-E (E4HT 4A298-GGA)	Eaton	DS381/DS402	4.11	38M/40M	Δ	231
★1244-E (E4HT 4A298-GHA)	Eaton	DS381/DS402	4.33	38M/40M	Δ	231
★1245-E (E4HT 4A298-GJA)	Eaton	DS381/DS402	4.56	38M/40M	Δ	231
★1246-E (E4HT 4A298-GKA)	Eaton	DS381/DS402	4.88	38M/40M	Δ	231
★1247-E (E4HT 4A298-GLA)	Eaton	DS381/DS402	5.29	38M/40M	Δ	231
★1248-E (E4HT 4A298-GMA)	Eaton	DS381/DS402	5.57	38M/40M	Δ	231
★1249-E (E4HT 4A298-GNA)	Eaton	DS381/DS402	6.14	38M/40M	Δ	231
★1250-E (E4HT 4A298-GRA)	Eaton	DS381/DS402	6.50	38M/40M	Δ	231
★1251-E (E4HT 4A298-GSA)	Eaton	DS381/DS402	7.17	38M/40M	Δ	231
★1252-E (E4HT 4A297-GTA)	Eaton	RS381/RS402	4.11	38M/40M	Δ	232
★1253-E (E4HT 4A297-GUA)	Eaton	RS381/RS402	4.33	38M/40M	Δ	232
★1254-E (E4HT 4A298-GTA)	Eaton	DS381/DS402	4.11	38M/40M	Δ	231
★1255-E (E4HT 4A298-GUA)	Eaton	DS381/DS402	4.33	38M/40M	Δ	231
★1256-E (E4HT 4A297-GVA)	Eaton	RP381/RP402	5.05	38M/40M	Δ	243
★1257-E (E4HT 4A297-GYA)	Eaton	RP381/RP402	5.61	38M/40M	Δ	243
★1258-E (E4HT 4A298-GVA)	Eaton	DP381/DP402	5.05	38M/40M	Δ	242
★1259-E (E4HT 4A298-GYA)	Eaton	DP381/DP402	5.61	38M/40M	Δ	242
★1260-E (E4HT 4A297-GZA)	Eaton	RS460	3.90	46M	Δ	247
★1261-E (E4HT 4A297-HAA)	Eaton	RS460	4.11	46M	Δ	247
★1262-E (E4HT 4A297-HBA)	Eaton	RS460	4.33	46M	Δ	247
★1263-E (E4HT 4A297-HCA)	Eaton	RS460	4.62	46M	Δ	247
★1264-E (E4HT 4A298-GZA)	Eaton	DS460-P	3.90	46M	Δ	246
★1265-E (E4HT 4A298-HAA)	Eaton	DS460-P	4.11	46M	Δ	246
★1266-E (E4HT 4A298-HBA)	Eaton	DS460-P	4.33	46M	Δ	246
★1267-E (E4HT 4A298-HCA)	Eaton	DS460-P	4.62	46M	Δ	246
★1268-E (E4HT 4A297-HDA)	Eaton	RP460	5.31	46M	Δ	224
★1269-E (E4HT 4A297-HEA)	Eaton	RP460	5.90	46M	Δ	224
★1270-E (E4HT 4A297-HFA)	Eaton	RP460	7.20	46M	Δ	224
★1271-E (E4HT 4A298-HDA)	Eaton	DP460-P	5.31	46M	Δ	223
★1272-E (E4HT 4A298-HEA)	Eaton	DP460-P	5.90	46M	Δ	223
★1273-E (E4HT 4A298-HFA)	Eaton	DP460-P	7.20	46M	Δ	223
★1274-E (E4HT 4A297-HGA)	Eaton	23121	3.70	23M	Δ	194
★1275-E (E4HT 4A297-HHA)	Eaton	23121	3.90	23M	Δ	194
★1276-E (E4HT 4A297-HJA)	Eaton	23121	4.11	23M	Δ	194
★1277-E (E4HT 4A297-HKA)	Eaton	23121	4.33	23M	Δ	194
★1278-E (E4HT 4A297-HLA)	Eaton	23121	4.56	23M	Δ	194
★1279-E (E4HT 4A297-HMA)	Eaton	23121	4.88	23M	Δ	194
★1280-E (E4HT 4A297-HNA)	Eaton	23121	5.43	23M	Δ	194
★1281-E (E4HT 4A297-HRA)	Eaton	23121	6.17	23M	Δ	194
★1282-E (E4HT 4A297-HSA)	Eaton	23121	6.67	23M	Δ	194
★1283-E (E4HT 4A297-HTA)	Eaton	23221	4.88/6.64	23M	Δ	194
★1284-E (E4HT 4A297-HUA)	Eaton	23221	5.43/7.39	23M	Δ	195
★1285-E (E4HT 4A297-HVA)	Eaton	23221	6.17/8.40	23M	Δ	195
★1286-E (E4HT 4A297-HYA)	Eaton	23221	6.67/9.08	23M	Δ	195
★1287-E (E4HS 4A297-EBAB)	Eaton	17101	3.70	19M	Δ	97
★1289-E (E4HS 4A297-EBBB)	Eaton	17101	4.11	19M	Δ	97
★1291-E (E4HS 4A297-ECMB)	Eaton	22121	3.90	22M	Δ	221
★1292-E (E4HS 4A297-ECNB)	Eaton	22121	4.11	22M	Δ	221
★1293-E (E4HS 4A297-EFBB)	Eaton	17201	3.70/5.05	19M	Δ	102
★1295-E (E4HS 4A297-EBKB)	Eaton	17201	4.11/5.61	19M	Δ	102
★1297-E (E4HS 4A297-EDFB)	Eaton	22221	3.90/5.31	22M	Δ	222
★1298-E (E4HS 4A297-EDGB)	Eaton	22221	4.11/5.61	22M	Δ	222
★1299-E (E4HS 4A297-EFNB)	Eaton	23221	3.70/5.04	23M	Δ	195

1980/  
TRUCK SERIES 600/900

REAR AXLE T.S.L. † CROSS-REFERENCE GUIDE

IDENTIFICATION AND/OR T.S.L. NUMBER	MANUFACTURER	MANUFACTURER MODEL	RATIO	CAPACITY	DRIVESHAFT SIZE	SEC.40.1 PARTS LIST NO.
Notes: Δ Driveshaft flange not included on assy. † Truck Specification List-included in Kentucky-built trucks. — Cont'd						
★ 1300-E (E4HS 4A297-EFSB)	Eaton	23221	4.11/5.60	23M	Δ	195
★ 1301-E (E5HT 4A298-DAA)	Eaton	DT341	3.70/5.05	34M	Δ	240
★ 1302-E (E5HT 4A298-DBA)	Eaton	DT341	3.90/5.31	34M	Δ	240
★ 1303-E (E5HT 4A298-DCA)	Eaton	DT341	4.11/5.61	34M	Δ	240
★ 1304-E (E5HT 4A297-DAA)	Eaton	RT341	3.70/5.05	34M	Δ	241
★ 1305-E (E5HT 4A297-DBA)	Eaton	RT341	3.90/5.31	34M	Δ	241
★ 1306-E (E5HT 4A297-DCA)	Eaton	RT341	4.11/5.61	34M	Δ	241
★ 1307-E (E4HS 4A297-EBDB)	Eaton	17101	4.56	19M	Δ	97
★ 1308-E (E4HS 4A297-EBMB)	Eaton	17201	4.56/6.21	19M	Δ	102
★ 1309-E (E4HS 4A297-ECSB)	Eaton	22121	4.62	22M	Δ	221
★ 1311-E (E4HS 4A297-EFRB)	Eaton	23221	4.56/6.21	23M	Δ	195
★ 1312-E (E4HS 4A297-EJJB)	Eaton	22221	4.62/6.31	22M	Δ	222
★ 1314-E (E4HS 4A297-ASEA)	Eaton	RS402	3.70	40M	Δ	232
★ 1315-E (E4HS 4A297-ASFA)	Eaton	RS402	3.90	40M	Δ	232
★ 1317-E (E4HS 4A298-ASEA)	Eaton	DS402	3.70	40M	Δ	231
★ 1318-E (E4HS 4A298-ASFA)	Eaton	DS402	3.90	40M	Δ	231
★ 1319-E (E6HS 4A297-AAMA)	Eaton	RT341	4.56/6.21	34M	Δ	241
★ 1320-E (E6HS 4A298-AAMA)	Eaton	DT341	4.56/6.21	34M	Δ	240
★ 4001-S (E4HT 4005-DEA)	Dana (Spicer)	G175-T	5.57/7.75	17.5M	1410	219
★ 4002-S (E4HT 4005-DJA)	Dana (Spicer)	G175-T	5.57/7.75	17.5M	1480	219
★ 4003-S (E4HT 4005-DRA)	Dana (Spicer)	G175-T	5.57/7.75	17.5M	1550	219
★ 4004-S (E4HT 4005-DYA)	Dana (Spicer)	G175-T	5.57/7.75	17.5M	1610	219
★ 4005-S (E4HT 4005-DFA)	Dana (Spicer)	G175-T	6.17/8.58	17.5M	1410	219
★ 4006-S (E4HT 4005-DKA)	Dana (Spicer)	G175-T	6.17/8.58	17.5M	1480	219
★ 4007-S (E4HT 4005-DSA)	Dana (Spicer)	G175-T	6.17/8.58	17.5M	1550	219
★ 4008-S (E4HT 4005-DZA)	Dana (Spicer)	G175-T	6.17/8.58	17.5M	1610	219
★ 4009-S (E4HT 4005-DGA)	Dana (Spicer)	G175-T	6.50/9.04	17.5M	1410	219
★ 4010-S (E4HT 4005-DLA)	Dana (Spicer)	G175-T	6.50/9.04	17.5M	1480	219
★ 4011-S (E4HT 4005-DTA)	Dana (Spicer)	G175-T	6.50/9.04	17.5M	1550	219
★ 4013-S (E4HT 4005-DHA)	Dana (Spicer)	G175-T	7.17/9.97	17.5M	1410	219
★ 4014-S (E4HT 4005-DMA)	Dana (Spicer)	G175-T	7.17/9.97	17.5M	1480	219
★ 4015-S (E4HT 4005-DUA)	Dana (Spicer)	G175-T	7.17/9.97	17.5M	1550	219
★ 4017-S (E4HT 4005-DNA)	Dana (Spicer)	G175-T	4.89/6.79	17.5M	1550	219
★ 4018-S (E4HT 4005-DVA)	Dana (Spicer)	G175-T	4.89/6.79	17.5M	1610	219
★ 4501-S (E4HT 4005-EEA)	Dana (Spicer)	M185-T/190-T	4.89/6.66	19M	1550	220
★ 4502-S (E4HT 4005-EFA)	Dana (Spicer)	M185-T/190-T	5.57/7.60	19M	1550	220
★ 4503-S (E4HT 4005-EAA)	Dana (Spicer)	M185-T/190-T	5.57/7.60	19M	1480	220
★ 4504-S (E4HT 4005-ELA)	Dana (Spicer)	M185-T/190-T	5.57/7.60	19M	1610	220
★ 4505-S (E4HT 4005-EBA)	Dana (Spicer)	M185-T/190-T	6.14/8.38	19M	1480	220
★ 4506-S (E4HT 4005-EGA)	Dana (Spicer)	M185-T/190-T	6.14/8.38	19M	1550	220
★ 4507-S (E4HT 4005-EMA)	Dana (Spicer)	M185-T/190-T	6.14/8.38	19M	1610	220
★ 4508-S (E4HT 4005-ECA)	Dana (Spicer)	M185-T/190-T	6.50/8.86	19M	1480	220
★ 4509-S (E4HT 4005-EHA)	Dana (Spicer)	M185-T/190-T	6.50/8.86	19M	1550	220
★ 4510-S (E4HT 4005-ENA)	Dana (Spicer)	M185-T/190-T	6.50/8.86	19M	1610	220
★ 4511-S (E4HT 4005-EDA)	Dana (Spicer)	M185-T/190-T	7.17/9.77	19M	1480	220
★ 4512-S (E4HT 4005-EJA)	Dana (Spicer)	M185-T/190-T	7.17/9.77	19M	1550	220
★ 4513-S (E4HT 4005-ERA)	Dana (Spicer)	M185-T/190-T	7.17/9.77	19M	1610	220
★ 4514-S (E4HT 4005-EKA)	Dana (Spicer)	M185-T/190-T	4.89/6.66	19M	1610	220
★ 4515-S (E5HT 4005-CCA)	Dana (Spicer)	M185-T	3.70/5.05	18.5M	1610	220
★ 4517-S (E5HT 4005-CEA)	Dana (Spicer)	M185-T	4.11/5.60	18.5M	1610	220
★ 4518-S (E5HT 4005-CFA)	Dana (Spicer)	M185-T	3.70/5.05	18.5M	1710	220
★ 4520-S (E5HT 4005-CHA)	Dana (Spicer)	M185-T	4.11/5.60	18.5M	1710	220
★ 4521-S (E6HT 4005-FA)	Dana (Spicer)	M185-T	4.56/6.22	18.5M	1610	220
★ 4522-S (E5HS 4005-DAYA)	Dana (Spicer)	M185-T	5.29/7.21	18.5M	1610	220
★ 4523-S (E6HT 4005-GA)	Dana (Spicer)	M185-T	4.56/6.22	18.5M	1710	220

1980/  
TRUCK SERIES 600/900

REAR AXLE T.S.L. † CROSS-REFERENCE GUIDE

IDENTIFICATION AND/OR T.S.L. NUMBER	MANUFACTURER	MANUFACTURER MODEL	RATIO	CAPACITY	DRIVESHAFT SIZE	SEC.40.1 PARTS LIST NO.
Notes: Δ Driveshaft flange not included on assy. † Truck Specification List-included in Kentucky-built trucks. — Cont'd						
★4524-S (E6HT 4005-HA)	Dana (Spicer)	M185-T	4.89/6.66	18.5M	1710	220
★4525-S (E6HT 4005-JA)	Dana (Spicer)	M185-T	5.29/7.21	18.5M	1710	220
★4526-S (E6HT 4005-KA)	Dana (Spicer)	M185-T	5.57/7.60	18.5M	1710	220
★4527-S (E6HT 4005-LA)	Dana (Spicer)	M185-T	6.14/8.38	18.5M	1710	220
★4528-S (E6HT 4005-MA)	Dana (Spicer)	M185-T	6.50/8.86	18.5M	1710	220
★5002-S (E4HT 4005-ESA)	Dana (Spicer)	M220-T	3.70/5.05	22M	1610	255
★5003-S (E4HT 4005-ETA)	Dana (Spicer)	M220-T	3.90/5.32	22M	1610	255
★5004-S (E4HT 4005-EUA)	Dana (Spicer)	M220-T	4.11/5.60	22M	1610	255
★5005-S (E5HT 4005-CJA)	Dana (Spicer)	M220-T	3.70/5.05	22M	1710	255
★5006-S (E5HT 4005-CKA)	Dana (Spicer)	M220-T	3.90/5.32	22M	1710	255
★5007-S (E5HT 4005-CLA)	Dana (Spicer)	M220-T	4.11/5.60	22M	1710	255
★5051-S (E4HS 4005-DESA)	Dana (Spicer)	M220-S	3.70	22M	1610	266
★5052-S (E5HT 4005-CMA)	Dana (Spicer)	M220-S	3.90	22M	1610	266
★5053-S (E4HS 4005-DEAA)	Dana (Spicer)	M220-S	4.11	22M	1610	266
★5054-S (E5HT 4005-CNA)	Dana (Spicer)	M220-S	3.70	22M	1710	266
★5055-S (E5HT 4005-CRA)	Dana (Spicer)	M220-S	3.90	22M	1710	266
★5056-S (E5HT 4005-CSA)	Dana (Spicer)	M220-S	4.11	22M	1710	266
★5057-S (E6HT 4005-NA)	Dana (Spicer)	M220-T	4.56/6.22	22M	1610	255
★5058-S (E4HS 4005-DDAA)	Dana (Spicer)	M220-T	4.89/6.66	22M	1610	255
★5059-S (E4HS 4005-DEBA)	Dana (Spicer)	M220-T	5.29/7.21	22M	1610	255
★5060-S (E4HS 4005-DDBA)	Dana (Spicer)	M220-T	5.57/7.60	22M	1610	255
★5061-S (E4HS 4005-DDCA)	Dana (Spicer)	M220-T	6.14/8.38	22M	1610	255
★5062-S (E6HT 4005-RA)	Dana (Spicer)	M220-T	4.56/6.22	22M	1710	255
★5063-S (E6HT 4005-SA)	Dana (Spicer)	M220-T	4.89/6.66	22M	1710	255
★5064-S (E6HT 4005-TA)	Dana (Spicer)	M220-T	5.29/7.21	22M	1710	255
★5065-S (E6HT 4005-UA)	Dana (Spicer)	M220-T	5.57/7.60	22M	1710	255
★5066-S (E6HT 4005-VA)	Dana (Spicer)	M220-T	6.14/8.38	22M	1710	255
★6003-R (E4HT 4005-AAA)	Rockwell (Timken)	D140	5.83	13M	1410	191
★6004-R (E4HT 4005-ABA)	Rockwell (Timken)	D140	6.20	13M	1410	191
★6005-R (E4HT 4005-ACA)	Rockwell (Timken)	D140	6.80	13M	1410	191
★6101-R (E4HT 4005-ADA)	Rockwell (Timken)	F106	5.29	15M	1410	95
★6102-R (E4HT 4005-AEA)	Rockwell (Timken)	F106	5.83	15M	1410	95
★6103-R (E4HT 4005-AFA)	Rockwell (Timken)	F106	6.14	15M	1410	95
★6104-R (E4HT 4005-AGA)	Rockwell (Timken)	F106	6.83	15M	1410	95
★6105-R (E4HT 4005-AHA)	Rockwell (Timken)	F106	7.17	15M	1410	95
★6106-R (E4HT 4005-AJA)	Rockwell (Timken)	F106	5.29	15M	1480	95
★6107-R (E4HT 4005-AKA)	Rockwell (Timken)	F106	5.83	15M	1480	95
★6108-R (E4HT 4005-ALA)	Rockwell (Timken)	F106	6.14	15M	1480	95
★6109-R (E4HT 4005-AMA)	Rockwell (Timken)	F106	6.83	15M	1480	95
★6110-R (E4HT 4005-ANA)	Rockwell (Timken)	F106	7.17	15M	1480	95
★6111-R (E4HT 4005-ARA)	Rockwell (Timken)	F106	5.29	15M	1550	95
★6112-R (E4HT 4005-ASA)	Rockwell (Timken)	F106	5.83	15M	1550	95
★6113-R (E4HT 4005-ATA)	Rockwell (Timken)	F106	6.14	15M	1550	95
★6114-R (E4HT 4005-AUA)	Rockwell (Timken)	F106	6.83	15M	1550	95
★6115-R (E4HT 4005-AVA)	Rockwell (Timken)	F106	7.17	15M	1550	95
★6206-R (E4HT 4005-AYA)	Rockwell (Timken)	H173	5.86	17.5M	1410	248
★6207-R (E4HT 4005-AZA)	Rockwell (Timken)	H173	6.14	17.5M	1410	248
★6208-R (E4HT 4005-BAA)	Rockwell (Timken)	H173	6.83	17.5M	1410	248
★6209-R (E4HT 4005-BBA)	Rockwell (Timken)	H173	7.17	17.5M	1410	248
★6215-R (E4HT 4005-BZA)	Rockwell (Timken)	H173	4.88	17.5M	1480	248
★6216-R (E4HT 4005-BCA)	Rockwell (Timken)	H173	5.83	17.5M	1480	248
★6217-R (E4HT 4005-BDA)	Rockwell (Timken)	H173	5.86	17.5M	1480	248
★6218-R (E4HT 4005-BEA)	Rockwell (Timken)	H173	6.14	17.5M	1480	248
★6219-R (E4HT 4005-BFA)	Rockwell (Timken)	H173	6.83	17.5M	1480	248
★6220-R (E4HT 4005-BGA)	Rockwell (Timken)	H173	7.17	17.5M	1480	248



1980/  
TRUCK SERIES 600/900

REAR AXLE T.S.L. † CROSS-REFERENCE GUIDE

IDENTIFICATION AND/OR T.S.L. NUMBER	MANUFACTURER	MANUFACTURER MODEL	RATIO	CAPACITY	DRIVESHAFT SIZE	SEC. 40.1 PARTS LIST NO.
<b>Notes:</b> Δ Driveshaft flange not included on assy. † Truck Specification List-included in Kentucky-built trucks. — Cont'd						
★6225-R (E4HT 4005-BHA)	Rockwell (Timken)	H173	4.56	17.5M	1550	248
★6226-R (E4HT 4005-BJA)	Rockwell (Timken)	H173	4.88	17.5M	1550	248
★6227-R (E4HT 4005-BKA)	Rockwell (Timken)	H173	5.38	17.5M	1550	248
★6228-R (E4HT 4005-BLA)	Rockwell (Timken)	H173	5.86	17.5M	1550	248
★6229-R (E4HT 4005-BMA)	Rockwell (Timken)	H173	6.14	17.5M	1550	248
★6230-R (E4HT 4005-BNA)	Rockwell (Timken)	H173	6.83	17.5M	1550	248
★6231-R (E4HT 4005-BRA)	Rockwell (Timken)	H173	7.17	17.5M	1550	248
★6236-R (E4HT 4005-BSA)	Rockwell (Timken)	H173	4.56	17.5M	1610	248
★6237-R (E4HT 4005-BTA)	Rockwell (Timken)	H173	4.88	17.5M	1610	248
★6238-R (E4HT 4005-BUA)	Rockwell (Timken)	H173	5.38	17.5M	1610	248
★6239-R (E4HT 4005-BVA)	Rockwell (Timken)	H173	5.86	17.5M	1610	248
★6240-R (E4HT 4005-BYA)	Rockwell (Timken)	H173	6.14	17.5M	1610	248
★6502-R (E4HT 4A298-AA)	Rockwell (Timken)	SL100	3.73	34M	Δ	249
★6503-R (E4HT 4A298-BA)	Rockwell (Timken)	SL100	3.90	34M	Δ	249
★6504-R (E4HT 4A298-CA)	Rockwell (Timken)	SL100	4.10	34M	Δ	249
★6505-R (E4HT 4A298-DA)	Rockwell (Timken)	SL100	4.33	34M	Δ	249
★6507-R (E4HT 4A298-EA)	Rockwell (Timken)	SL100	4.63	34M	Δ	249
★6508-R (E4HT 4A298-FA)	Rockwell (Timken)	SL100	4.88	34M	Δ	249
★6509-R (E4HT 4A298-GA)	Rockwell (Timken)	SL100	5.29	34M	Δ	249
★6510-R (E4HT 4A298-HA)	Rockwell (Timken)	SL100	5.86	34M	Δ	249
★6511-R (E4HT 4A298-JA)	Rockwell (Timken)	SL100	6.14	34M	Δ	249
★6512-R (E4HT 4A298-KA)	Rockwell (Timken)	SL100	6.83	34M	Δ	249
★6513-R (E4HT 4A298-LA)	Rockwell (Timken)	SL100	7.17	34M	Δ	249
★6516-R (E6HT 4A298-BTA)	Rockwell (Timken)	SL100	3.73	34M	Δ	249
★6517-R (E6HT 4A298-BUA)	Rockwell (Timken)	SL100	3.90	34M	Δ	249
★6518-R (E6HT 4A298-BVA)	Rockwell (Timken)	SL100	4.10	34M	Δ	249
★6519-R (E6HT 4A298-BYA)	Rockwell (Timken)	SL100	4.33	34M	Δ	249
★6521-R (E6HT 4A298-BZA)	Rockwell (Timken)	SL100	4.63	34M	Δ	249
★6522-R (E6HT 4A298-CAA)	Rockwell (Timken)	SL100	4.88	34M	Δ	249
★6523-R (E6HT 4A298-CBA)	Rockwell (Timken)	SL100	5.29	34M	Δ	249
★6524-R (E6HT 4A298-CCA)	Rockwell (Timken)	SL100	5.86	34M	Δ	249
★6525-R (E6HT 4A298-CDA)	Rockwell (Timken)	SL100	6.14	34M	Δ	249
★6526-R (E6HT 4A298-CEA)	Rockwell (Timken)	SL100	6.83	34M	Δ	249
★6527-R (E6HT 4A298-CFA)	Rockwell (Timken)	SL100	7.17	34M	Δ	249
★6530-R (E4HT 4A298-AB)	Rockwell (Timken)	SL100	3.73	34M	Δ	249
★6531-R (E4HT 4A298-BB)	Rockwell (Timken)	SL100	3.90	34M	Δ	249
★6532-R (E4HT 4A298-CB)	Rockwell (Timken)	SL100	4.10	34M	Δ	249
★6533-R (E4HT 4A298-DB)	Rockwell (Timken)	SL100	4.33	34M	Δ	249
★6535-R (E4HT 4A298-EB)	Rockwell (Timken)	SL100	4.63	34M	Δ	249
★6536-R (E4HT 4A298-FB)	Rockwell (Timken)	SL100	4.88	34M	Δ	249
★6537-R (E4HT 4A298-GB)	Rockwell (Timken)	SL100	5.29	34M	Δ	249
★6538-R (E4HT 4A298-HB)	Rockwell (Timken)	SL100	5.86	34M	Δ	249
★6539-R (E4HT 4A298-JB)	Rockwell (Timken)	SL100	6.14	34M	Δ	249
★6540-R (E4HT 4A298-KB)	Rockwell (Timken)	SL100	6.83	34M	Δ	249
★6541-R (E4HT 4A298-LB)	Rockwell (Timken)	SL100	7.17	34M	Δ	249
★6602-R (E4HT 4A298-MA)	Rockwell (Timken)	SL100	3.73	34M	Δ	249
★6603-R (E4HT 4A298-NA)	Rockwell (Timken)	SL100	3.90	34M	Δ	249
★6604-R (E4HT 4A298-RA)	Rockwell (Timken)	SL100	4.10	34M	Δ	249
★6605-R (E4HT 4A298-SA)	Rockwell (Timken)	SL100	4.33	34M	Δ	249
★6607-R (E4HT 4A298-TA)	Rockwell (Timken)	SL100	4.63	34M	Δ	249
★6616-R (E6HT 4A298-BLA)	Rockwell (Timken)	SL100	3.73	34M	Δ	249
★6617-R (E6HT 4A298-BMA)	Rockwell (Timken)	SL100	3.90	34M	Δ	249
★6618-R (E6HT 4A298-BNA)	Rockwell (Timken)	SL100	4.10	34M	Δ	249
★6619-R (E6HT 4A298-BRA)	Rockwell (Timken)	SL100	4.33	34M	Δ	249
★6621-R (E6HT 4A298-BSA)	Rockwell (Timken)	SL100	4.63	34M	Δ	249

1980/  
TRUCK SERIES 600/900

REAR AXLE T.S.L. † CROSS-REFERENCE GUIDE

IDENTIFICATION AND/OR T.S.L. NUMBER	MANUFACTURER	MANUFACTURER MODEL	RATIO	CAPACITY	DRIVESHAFT SIZE	SEC.40.1 PARTS LIST NO.
Notes: Δ Driveshaft flange not included on assy. † Truck Specification List-included in Kentucky-built trucks. — Cont'd						
★6630-R (E4HT 4A298-MB)	Rockwell (Timken)	SL100	3.73	34M	Δ	249
★6631-R (E4HT 4A298-NB)	Rockwell (Timken)	SL100	3.90	34M	Δ	249
★6632-R (E4HT 4A298-RB)	Rockwell (Timken)	SL100	4.10	34M	Δ	249
★6633-R (E4HT 4A298-SB)	Rockwell (Timken)	SL100	4.33	34M	Δ	249
★6635-R (E4HT 4A298-TB)	Rockwell (Timken)	SL100	4.63	34M	Δ	249
★6708-R (E4HT 4A298-UA)	Rockwell (Timken)	SL100	4.88	34M	Δ	249
★6709-R (E4HT 4A298-VA)	Rockwell (Timken)	SL100	5.29	34M	Δ	249
★6710-R (E4HT 4A298-YA)	Rockwell (Timken)	SL100	5.86	34M	Δ	249
★6711-R (E4HT 4A298-ZA)	Rockwell (Timken)	SL100	6.14	34M	Δ	249
★6712-R (E4HT 4A298-AAA)	Rockwell (Timken)	SL100	6.83	34M	Δ	249
★6713-R (E4HT 4A298-ABA)	Rockwell (Timken)	SL100	7.17	34M	Δ	249
★6722-R (E6HT 4A298-CGA)	Rockwell (Timken)	SL100	4.88	34M	Δ	249
★6723-R (E6HT 4A298-CHA)	Rockwell (Timken)	SL100	5.29	34M	Δ	249
★6724-R (E6HT 4A298-CJA)	Rockwell (Timken)	SL100	5.86	34M	Δ	249
★6725-R (E6HT 4A298-CKA)	Rockwell (Timken)	SL100	6.14	34M	Δ	249
★6726-R (E6HT 4A298-CLA)	Rockwell (Timken)	SL100	6.83	34M	Δ	249
★6727-R (E6HT 4A298-CMA)	Rockwell (Timken)	SL100	7.17	34M	Δ	249
★6736-R (E4HT 4A298-UB)	Rockwell (Timken)	SL100	4.88	34M	Δ	249
★6737-R (E4HT 4A298-VB)	Rockwell (Timken)	SL100	5.29	34M	Δ	249
★6738-R (E4HT 4A298-YB)	Rockwell (Timken)	SL100	5.86	34M	Δ	249
★6739-R (E4HT 4A298-ZB)	Rockwell (Timken)	SL100	6.14	34M	Δ	249
★6740-R (E4HT 4A298-AAB)	Rockwell (Timken)	SL100	6.83	34M	Δ	249
★6741-R (E4HT 4A298-ABB)	Rockwell (Timken)	SL100	7.17	34M	Δ	249
★6802-R (E4HT 4A297-AA)	Rockwell (Timken)	SL100	3.73	34M	Δ	250
★6803-R (E4HT 4A297-BA)	Rockwell (Timken)	SL100	3.90	34M	Δ	250
★6804-R (E4HT 4A297-CA)	Rockwell (Timken)	SL100	4.10	34M	Δ	250
★6805-R (E4HT 4A297-DA)	Rockwell (Timken)	SL100	4.33	34M	Δ	250
★6807-R (E4HT 4A297-EA)	Rockwell (Timken)	SL100	4.63	34M	Δ	250
★6808-R (E4HT 4A297-FA)	Rockwell (Timken)	SL100	4.88	34M	Δ	250
★6809-R (E4HT 4A297-GA)	Rockwell (Timken)	SL100	5.29	34M	Δ	250
★6810-R (E4HT 4A297-HA)	Rockwell (Timken)	SL100	5.86	34M	Δ	250
★6811-R (E4HT 4A297-JA)	Rockwell (Timken)	SL100	6.14	34M	Δ	250
★6812-R (E4HT 4A297-KA)	Rockwell (Timken)	SL100	6.83	34M	Δ	250
★6813-R (E4HT 4A297-LA)	Rockwell (Timken)	SL100	7.17	34M	Δ	250
★6902-R (E4HT 4A297-MA)	Rockwell (Timken)	SL100	3.73	34M	Δ	250
★6903-R (E4HT 4A297-NA)	Rockwell (Timken)	SL100	3.90	34M	Δ	250
★6904-R (E4HT 4A297-RA)	Rockwell (Timken)	SL100	4.10	34M	Δ	250
★6905-R (E4HT 4A297-SA)	Rockwell (Timken)	SL100	4.33	34M	Δ	250
★6907-R (E4HT 4A297-TA)	Rockwell (Timken)	SL100	4.63	34M	Δ	250
★7002-R (E4HT 4A298-EAA)	Rockwell (Timken)	SQ100	3.73	38M	Δ	251
★7003-R (E4HT 4A298-EBA)	Rockwell (Timken)	SQ100	3.90	38M	Δ	251
★7004-R (E4HT 4A298-ECA)	Rockwell (Timken)	SQ100	4.10	38M	Δ	251
★7005-R (E4HT 4A298-EDA)	Rockwell (Timken)	SQ100	4.33	38M	Δ	251
★7007-R (E4HT 4A298-EEA)	Rockwell (Timken)	SQ100	4.63	38M	Δ	251
★7008-R (E4HT 4A298-EFA)	Rockwell (Timken)	SQ100	4.88	38M	Δ	251
★7009-R (E4HT 4A298-EGA)	Rockwell (Timken)	SQ100	5.29	38M	Δ	251
★7010-R (E4HT 4A298-EHA)	Rockwell (Timken)	SQ100	5.86	38M	Δ	251
★7011-R (E4HT 4A298-EJA)	Rockwell (Timken)	SQ100	6.14	38M	Δ	251
★7012-R (E4HT 4A298-EKA)	Rockwell (Timken)	SQ100	6.83	38M	Δ	251
★7013-R (E4HT 4A298-ELA)	Rockwell (Timken)	SQ100	7.17	38M	Δ	251
★7015-R (E6HT 4A298-ARA)	Rockwell (Timken)	SQ100	3.55	40M	Δ	251
★7016-R (E6HT 4A298-ASA)	Rockwell (Timken)	SQ100	3.73	40M	Δ	251
★7017-R (E6HT 4A298-ATA)	Rockwell (Timken)	SQ100	3.90	40M	Δ	251
★7018-R (E6HT 4A298-AUA)	Rockwell (Timken)	SQ100	4.10	40M	Δ	251
★7019-R (E6HT 4A298-AVA)	Rockwell (Timken)	SQ100	4.33	40M	Δ	251

1980/  
TRUCK SERIES 600/900

REAR AXLE T.S.L. † CROSS-REFERENCE GUIDE

IDENTIFICATION AND/OR T.S.L. NUMBER		MANUFACTURER	MANUFACTURER MODEL	RATIO	CAPACITY	DRIVESHAFT SIZE	SEC. 40.1 PARTS LIST NO.
Notes: Δ Driveshaft flange not included on assy. † Truck Specification List-included in Kentucky-built trucks. — Cont'd							
★7021-R	(E6HT 4A298-AYA)	Rockwell (Timken)	SQ100	4.63	40M	Δ	251
★7022-R	(E6HT 4A298-AZA)	Rockwell (Timken)	SQ100	4.88	40M	Δ	251
★7023-R	(E6HT 4A298-BAA)	Rockwell (Timken)	SQ100	5.29	40M	Δ	251
★7024-R	(E6HT 4A298-BBA)	Rockwell (Timken)	SQ100	5.86	40M	Δ	251
★7025-R	(E6HT 4A298-BCA)	Rockwell (Timken)	SQ100	6.14	40M	Δ	251
★7026-R	(E6HT 4A298-BDA)	Rockwell (Timken)	SQ100	6.83	40M	Δ	251
★7027-R	(E6HT 4A298-BEA)	Rockwell (Timken)	SQ100	7.17	40M	Δ	251
★7029-R	(E4HS 4A298-BJFB)	Rockwell (Timken)	SQ100	3.55	40M	Δ	251
★7030-R	(E4HT 4A298-EAB)	Rockwell (Timken)	SQ100	3.73	38M	Δ	251
★7031-R	(E4HT 4A298-EBB)	Rockwell (Timken)	SQ100	3.90	38M	Δ	251
★7032-R	(E4HT 4A298-ECB)	Rockwell (Timken)	SQ100	4.10	38M	Δ	251
★7033-R	(E4HT 4A298-EDB)	Rockwell (Timken)	SQ100	4.33	38M	Δ	251
★7035-R	(E4HT 4A298-EEB)	Rockwell (Timken)	SQ100	4.63	38M	Δ	251
★7036-R	(E4HT 4A298-EFB)	Rockwell (Timken)	SQ100	4.88	38M	Δ	251
★7037-R	(E4HT 4A298-EGB)	Rockwell (Timken)	SQ100	5.29	38M	Δ	251
★7038-R	(E4HT 4A298-EHB)	Rockwell (Timken)	SQ100	5.86	38M	Δ	251
★7039-R	(E4HT 4A298-EJB)	Rockwell (Timken)	SQ100	6.14	38M	Δ	251
★7040-R	(E4HT 4A298-EKB)	Rockwell (Timken)	SQ100	6.83	38M	Δ	251
★7041-R	(E4HT 4A298-ELB)	Rockwell (Timken)	SQ100	7.17	38M	Δ	251
★7052-R	(E4HT 4A298-EMA)	Rockwell (Timken)	SQ100	3.73	38M	Δ	251
★7053-R	(E4HT 4A298-ENA)	Rockwell (Timken)	SQ100	4.10	38M	Δ	251
★7066-R	(E6HT 4A298-BFA)	Rockwell (Timken)	SQ100	3.73	40M	Δ	251
★7068-R	(E6HT 4A298-BGA)	Rockwell (Timken)	SQ100	4.10	40M	Δ	251
★7080-R	(E4HT 4A298-EMB)	Rockwell (Timken)	SQ100	3.73	38M	Δ	251
★7082-R	(E4HT 4A298-ENB)	Rockwell (Timken)	SQ100	4.10	38M	Δ	251
★7102-R	(E4HT 4A298-DCA)	Rockwell (Timken)	SQ100	3.73	38M	Δ	251
★7103-R	(E4HT 4A298-DDA)	Rockwell (Timken)	SQ100	3.90	38M	Δ	251
★7104-R	(E4HT 4A298-DEA)	Rockwell (Timken)	SQ100	4.10	38M	Δ	251
★7105-R	(E4HT 4A298-DFA)	Rockwell (Timken)	SQ100	4.33	38M	Δ	251
★7107-R	(E4HT 4A298-DGA)	Rockwell (Timken)	SQ100	4.63	38M	Δ	251
★7115-R	(E6HT 4A298-AFA)	Rockwell (Timken)	SQ100	3.55	40M	Δ	251
★7116-R	(E6HT 4A298-AGA)	Rockwell (Timken)	SQ100	3.73	40M	Δ	251
★7117-R	(E6HT 4A298-AHA)	Rockwell (Timken)	SQ100	3.90	40M	Δ	251
★7118-R	(E6HT 4A298-AJA)	Rockwell (Timken)	SQ100	4.10	40M	Δ	251
★7119-R	(E6HT 4A298-AKA)	Rockwell (Timken)	SQ100	4.33	40M	Δ	251
★7121-R	(E6HT 4A298-ALA)	Rockwell (Timken)	SQ100	4.63	40M	Δ	251
★7129-R	(E4HS 4A298-BJDB)	Rockwell (Timken)	SQ100	3.55	40M	Δ	251
★7130-R	(E4HT 4A298-DCB)	Rockwell (Timken)	SQ100	3.73	38M	Δ	251
★7131-R	(E4HT 4A298-DCB)	Rockwell (Timken)	SQ100	3.90	38M	Δ	251
★7132-R	(E4HT 4A298-DEB)	Rockwell (Timken)	SQ100	4.10	38M	Δ	251
★7133-R	(E4HT 4A298-DFB)	Rockwell (Timken)	SQ100	4.33	38M	Δ	251
★7135-R	(E4HT 4A298-DGB)	Rockwell (Timken)	SQ100	4.63	38M	Δ	251
★7152-R	(E4HT 4A298-DHA)	Rockwell (Timken)	SQ100	3.73	38M	Δ	251
★7154-R	(E4HT 4A298-DJA)	Rockwell (Timken)	SQ100	4.10	38M	Δ	251
★7166-R	(E6HT 4A298-AMA)	Rockwell (Timken)	SQ100	3.73	40M	Δ	251
★7168-R	(E6HT 4A298-ANA)	Rockwell (Timken)	SQ100	4.10	40M	Δ	251
★7180-R	(E4HT 4A298-DHB)	Rockwell (Timken)	SQ100	3.73	38M	Δ	251
★7182-R	(E4HT 4A298-DJB)	Rockwell (Timken)	SQ100	4.10	38M	Δ	251
★7202-R	(E4HT 4A298-ERA)	Rockwell (Timken)	SQ100	3.73	38M	Δ	251
★7203-R	(E4HT 4A298-ESA)	Rockwell (Timken)	SQ100	3.90	38M	Δ	251
★7204-R	(E4HT 4A298-ETA)	Rockwell (Timken)	SQ100	4.10	38M	Δ	251
★7215-R	(E6HS 4A298-BDLA)	Rockwell (Timken)	SQ100	3.55	40M	Δ	251
★7216-R	(E6HT 4A298-BHA)	Rockwell (Timken)	SQ100	3.73	40M	Δ	251
★7217-R	(E6HT 4A298-BJA)	Rockwell (Timken)	SQ100	3.90	40M	Δ	251
★7218-R	(E6HT 4A298-BKA)	Rockwell (Timken)	SQ100	4.10	40M	Δ	251

1980/  
TRUCK SERIES 600/900

REAR AXLE T.S.L. † CROSS-REFERENCE GUIDE

IDENTIFICATION AND/OR T.S.L. NUMBER	MANUFACTURER	MANUFACTURER MODEL	RATIO	CAPACITY	DRIVESHAFT SIZE	SEC.40.1 PARTS LIST NO.
Notes: Δ Driveshaft flange not included on assy. † Truck Specification List-included in Kentucky-built trucks. — Cont'd						
★7230-R (E4HT 4A298-ERB)	Rockwell (Timken)	SQ100	3.73	38M	Δ	251
★7231-R (E4HT 4A298-ESB)	Rockwell (Timken)	SQ100	3.90	38M	Δ	251
★7232-R (E4HT 4A298-ETB)	Rockwell (Timken)	SQ100	4.10	38M	Δ	251
★7251-R (E4HS 4A297-BJFA)	Rockwell (Timken)	SQ100	3.55	40M	Δ	252
★7252-R (E4HT 4A297-EAA)	Rockwell (Timken)	SQ100	3.73	38M	Δ	252
★7253-R (E4HT 4A297-EBA)	Rockwell (Timken)	SQ100	3.90	38M	Δ	252
★7254-R (E4HT 4A297-ECA)	Rockwell (Timken)	SQ100	4.10	38M	Δ	252
★7255-R (E4HT 4A297-EDA)	Rockwell (Timken)	SQ100	4.33	38M	Δ	252
★7257-R (E4HT 4A297-EEA)	Rockwell (Timken)	SQ100	4.63	38M	Δ	252
★7258-R (E4HT 4A297-EFA)	Rockwell (Timken)	SQ100	4.88	38M	Δ	252
★7259-R (E4HT 4A297-EGA)	Rockwell (Timken)	SQ100	5.29	38M	Δ	252
★7260-R (E4HT 4A297-EHA)	Rockwell (Timken)	SQ100	5.86	38M	Δ	252
★7261-R (E4HT 4A297-EJA)	Rockwell (Timken)	SQ100	6.14	38M	Δ	252
★7262-R (E4HT 4A297-EKA)	Rockwell (Timken)	SQ100	6.83	38M	Δ	252
★7263-R (E4HT 4A297-ELA)	Rockwell (Timken)	SQ100	7.17	38M	Δ	252
★7302-R (E4HT 4A297-EMA)	Rockwell (Timken)	SQ100	3.73	38M	Δ	252
★7304-R (E4HT 4A297-ENA)	Rockwell (Timken)	SQ100	4.10	38M	Δ	252
★7351-R (E4HS 4A297-BJDA)	Rockwell (Timken)	SQ100	3.55	40M	Δ	252
★7352-R (E4HT 4A297-DCA)	Rockwell (Timken)	SQ100	3.73	38M	Δ	252
★7353-R (E4HT 4A297-DDA)	Rockwell (Timken)	SQ100	3.90	38M	Δ	252
★7354-R (E4HT 4A297-DEA)	Rockwell (Timken)	SQ100	4.10	38M	Δ	252
★7355-R (E4HT 4A297-DFA)	Rockwell (Timken)	SQ100	4.33	38M	Δ	252
★7357-R (E4HT 4A297-DGA)	Rockwell (Timken)	SQ100	4.63	38M	Δ	252
★7402-R (E4HT 4A297-DHA)	Rockwell (Timken)	SQ100	3.73	38M	Δ	252
★7404-R (E4HT 4A297-DJA)	Rockwell (Timken)	SQ100	4.10	38M	Δ	252
★7451-R (E4HS 4A297-BHUA)	Rockwell (Timken)	SQ100	3.55	40M	Δ	252
★7452-R (E4HT 4A297-ERA)	Rockwell (Timken)	SQ100	3.73	38M	Δ	252
★7453-R (E4HT 4A297-ESA)	Rockwell (Timken)	SQ100	3.90	38M	Δ	252
★7454-R (E4HT 4A297-ETA)	Rockwell (Timken)	SQ100	4.10	38M	Δ	252
★7502-R (E4HT 4A298-EUA)	Rockwell (Timken)	SQHP	3.73	40M	Δ	203
★7504-R (E4HT 4A298-EVA)	Rockwell (Timken)	SQHP	4.10	40M	Δ	203
★7506-R (E4HT 4A298-EYA)	Rockwell (Timken)	SQHP	4.44	40M	Δ	203
★7514-R (E6HT 4A298-VA)	Rockwell (Timken)	SQ100-P	3.55	40M	Δ	265
★7515-R (E6HT 4A298-YA)	Rockwell (Timken)	SQ100-P	3.73	40M	Δ	265
★7516-R (E6HT 4A298-ZA)	Rockwell (Timken)	SQ100-P	3.90	40M	Δ	265
★7517-R (E6HT 4A298-AAA)	Rockwell (Timken)	SQ100-P	4.10	40M	Δ	265
★7518-R (E6HT 4A298-EB)	Rockwell (Timken)	SQ100-P	4.33	40M	Δ	265
★7520-R (E6HT 4A298-FB)	Rockwell (Timken)	SQ100-P	4.63	40M	Δ	265
★7521-R (E6HT 4A298-GB)	Rockwell (Timken)	SQ100-P	4.88	40M	Δ	265
★7522-R (E6HT 4A298-HB)	Rockwell (Timken)	SQ100-P	5.29	40M	Δ	265
★7523-R (E6HT 4A298-JB)	Rockwell (Timken)	SQ100-P	5.86	40M	Δ	265
★7524-R (E6HT 4A298-KB)	Rockwell (Timken)	SQ100-P	6.14	40M	Δ	265
★7528-R (E4HT 4A298-EUB)	Rockwell (Timken)	SQHP	3.73	40M	Δ	203
★7530-R (E4HT 4A298-EVB)	Rockwell (Timken)	SQHP	4.10	40M	Δ	203
★7532-R (E4HT 4A298-EYB)	Rockwell (Timken)	SQHP	4.44	40M	Δ	203
★7540-R (E5HS 4A298-BBRA)	Rockwell (Timken)	SQ100-P	3.55	40M	Δ	265
★7541-R (E4HS 4A298-BNMB)	Rockwell (Timken)	SQ100-P	3.73	40M	Δ	265
★7542-R (E4HS 4A298-BNDB)	Rockwell (Timken)	SQ100-P	3.90	40M	Δ	265
★7543-R (E4HS 4A298-BNTA)	Rockwell (Timken)	SQ100-P	4.10	40M	Δ	265
★7544-R (E6HT 4A298-EA)	Rockwell (Timken)	SQ100-P	4.33	40M	Δ	265
★7546-R (E6HT 4A298-FA)	Rockwell (Timken)	SQ100-P	4.63	40M	Δ	265
★7547-R (E6HT 4A298-GA)	Rockwell (Timken)	SQ100-P	4.88	40M	Δ	265
★7548-R (E6HT 4A298-HA)	Rockwell (Timken)	SQ100-P	5.29	40M	Δ	265
★7549-R (E6HT 4A298-JA)	Rockwell (Timken)	SQ100-P	5.86	40M	Δ	265
★7550-R (E6HT 4A298-KA)	Rockwell (Timken)	SQ100-P	6.14	40M	Δ	265

1980/  
TRUCK SERIES 600/900

REAR AXLE T.S.L. † CROSS-REFERENCE GUIDE

IDENTIFICATION AND/OR T.S.L. NUMBER	MANUFACTURER	MANUFACTURER MODEL	RATIO	CAPACITY	DRIVESHAFT SIZE	SEC.40.1 PARTS LIST NO.
Notes: Δ Driveshaft flange not included on assy. † Truck Specification List-included in Kentucky-built trucks. — Cont'd						
★7552-R (E4HT 4A298-EZA)	Rockwell (Timken)	SQHP	3.73	40M	Δ	203
★7554-R (E4HT 4A298-FAA)	Rockwell (Timken)	SQHP	4.10	40M	Δ	203
★7565-R (E6HT 4A298-LB)	Rockwell (Timken)	SQ100-P	3.73	40M	Δ	265
★7567-R (E6HT 4A298-MB)	Rockwell (Timken)	SQ100-P	4.10	40M	Δ	265
★7578-R (E4HT 4A298-EZB)	Rockwell (Timken)	SQHP	3.73	40M	Δ	203
★7580-R (E4HT 4A298-FAB)	Rockwell (Timken)	SQHP	4.10	40M	Δ	203
★7591-R (E6HT 4A298-LA)	Rockwell (Timken)	SQ100-P	3.73	40M	Δ	265
★7593-R (E6HT 4A298-MA)	Rockwell (Timken)	SQ100-P	4.10	40M	Δ	265
★7602-R (E4HT 4A298-DKA)	Rockwell (Timken)	SQHP	3.73	40M	Δ	203
★7604-R (E4HT 4A298-DMA)	Rockwell (Timken)	SQHP	4.10	40M	Δ	203
★7606-R (E4HT 4A298-DNA)	Rockwell (Timken)	SQHP	4.44	40M	Δ	203
★7614-R (E6HT 4A298-RA)	Rockwell (Timken)	SQ100-P	3.55	40M	Δ	265
★7615-R (E6HT 4A298-SA)	Rockwell (Timken)	SQ100-P	3.73	40M	Δ	265
★7616-R (E6HT 4A298-TA)	Rockwell (Timken)	SQ100-P	3.90	40M	Δ	265
★7617-R (E6HT 4A298-UA)	Rockwell (Timken)	SQ100-P	4.10	40M	Δ	265
★7618-R (E6HT 4A298-AB)	Rockwell (Timken)	SQ100-P	4.33	40M	Δ	265
★7620-R (E6HT 4A298-BB)	Rockwell (Timken)	SQ100-P	4.63	40M	Δ	265
★7628-R (E4HT 4A298-DKB)	Rockwell (Timken)	SQHP	3.73	40M	Δ	203
★7630-R (E4HT 4A298-DMB)	Rockwell (Timken)	SQHP	4.10	40M	Δ	203
★7632-R (E4HT 4A298-DNB)	Rockwell (Timken)	SQHP	4.44	40M	Δ	203
★7640-R (E4HS 4A298-BMCB)	Rockwell (Timken)	SQ100-P	3.55	40M	Δ	265
★7641-R (E4HS 4A298-BMDB)	Rockwell (Timken)	SQ100-P	3.73	40M	Δ	265
★7642-R (E5HS 4A298-BBKA)	Rockwell (Timken)	SQ100-P	3.90	40M	Δ	265
★7643-R (E5HS 4A298-BBGA)	Rockwell (Timken)	SQ100-P	4.10	40M	Δ	265
★7644-R (E6HT 4A298-AA)	Rockwell (Timken)	SQ100-P	4.33	40M	Δ	265
★7646-R (E6HT 4A298-BA)	Rockwell (Timken)	SQ100-P	4.63	40M	Δ	265
★7652-R (E4HT 4A298-DSA)	Rockwell (Timken)	SQHP	3.73	40M	Δ	203
★7654-R (E4HT 4A298-DTA)	Rockwell (Timken)	SQHP	4.10	40M	Δ	203
★7665-R (E6HT 4A298-CB)	Rockwell (Timken)	SQ100-P	3.73	40M	Δ	265
★7667-R (E6HT 4A298-DB)	Rockwell (Timken)	SQ100-P	4.10	40M	Δ	265
★7678-R (E4HT 4A298-DSB)	Rockwell (Timken)	SQHP	3.73	40M	Δ	203
★7680-R (E4HT 4A298-DTB)	Rockwell (Timken)	SQHP	4.10	40M	Δ	203
★7691-R (E6HT 4A298-CA)	Rockwell (Timken)	SQ100-P	3.73	40M	Δ	265
★7693-R (E6HT 4A298-DA)	Rockwell (Timken)	SQ100-P	4.10	40M	Δ	265
★7702-R (E4HT 4A298-FBA)	Rockwell (Timken)	SQHP	3.73	40M	Δ	203
★7704-R (E4HT 4A298-FCA)	Rockwell (Timken)	SQHP	4.10	40M	Δ	203
★7714-R (E6HT 4A298-ABA)	Rockwell (Timken)	SQ100-P	3.55	40M	Δ	265
★7715-R (E6HT 4A298-ACA)	Rockwell (Timken)	SQ100-P	3.73	40M	Δ	265
★7716-R (E6HT 4A298-ADA)	Rockwell (Timken)	SQ100-P	3.90	40M	Δ	265
★7717-R (E6HT 4A298-AEA)	Rockwell (Timken)	SQ100-P	4.10	40M	Δ	265
★7718-R (E6HT 4A298-NB)	Rockwell (Timken)	SQ100-P	4.33	40M	Δ	265
★7728-R (E4HT 4A298-FBB)	Rockwell (Timken)	SQHP	3.73	40M	Δ	203
★7730-R (E4HT 4A298-FCB)	Rockwell (Timken)	SQHP	4.10	40M	Δ	203
★7752-R (E4HT 4A297-EUA)	Rockwell (Timken)	SQHP	3.73	40M	Δ	204
★7754-R (E4HT 4A297-EVA)	Rockwell (Timken)	SQHP	4.10	40M	Δ	204
★7756-R (E4HT 4A297-EYA)	Rockwell (Timken)	SQHP	4.44	40M	Δ	204
★7802-R (E4HT 4A297-EZA)	Rockwell (Timken)	SQHP	3.73	40M	Δ	204
★7804-R (E4HT 4A297-FAA)	Rockwell (Timken)	SQHP	4.10	40M	Δ	204
★7852-R (E4HT 4A297 DKA)	Rockwell (Timken)	SQHP	3.73	40M	Δ	204
★7854-R (E4HT 4A297-DMA)	Rockwell (Timken)	SQHP	4.10	40M	Δ	204
★7856-R (E4HT 4A297-DNA)	Rockwell (Timken)	SQHP	4.44	40M	Δ	204
★7902-R (E4HT 4A297-DSA)	Rockwell (Timken)	SQHP	3.73	40M	Δ	204
★7904-R (E4HT 4A297-DTA)	Rockwell (Timken)	SQHP	4.10	40M	Δ	204
★7952-R (E4HT 4A297-FBA)	Rockwell (Timken)	SQHP	3.73	40M	Δ	204
★7954-R (E4HT 4A297-FCA)	Rockwell (Timken)	SQHP	4.10	40M	Δ	204

1980/  
TRUCK SERIES 600/900

REAR AXLE T.S.L. † CROSS-REFERENCE GUIDE

IDENTIFICATION AND/OR T.S.L. NUMBER	MANUFACTURER	MANUFACTURER MODEL	RATIO	CAPACITY	DRIVESHAFT SIZE	SEC.40.1 PARTS LIST NO.
Notes: Δ Driveshaft flange not included on assy. † Truck Specification List-included in Kentucky-built trucks. — Cont'd						
★8001-R (E4HT 4A298-FDA)	Rockwell (Timken)	SSHD	3.91	46M	Δ	205
★8002-R (E4HT 4A298-FEA)	Rockwell (Timken)	SSHD	4.10	46M	Δ	205
★8003-R (E4HT 4A298-FFA)	Rockwell (Timken)	SSHD	4.30	46M	Δ	205
★8004-R (E4HT 4A298-FGA)	Rockwell (Timken)	SSHD	4.56	46M	Δ	205
★8006-R (E4HT 4A298-FHA)	Rockwell (Timken)	SSHD	5.38	46M	Δ	205
★8007-R (E4HT 4A298-FJA)	Rockwell (Timken)	SSHD	5.57	46M	Δ	205
★8008-R (E4HT 4A298-FKA)	Rockwell (Timken)	SSHD	6.14	46M	Δ	205
★8011-R (E5HT 4A298-CAA)	Rockwell (Timken)	SSHD	3.91	46M	Δ	205
★8012-R (E5HT 4A298-CBA)	Rockwell (Timken)	SSHD	4.10	46M	Δ	205
★8013-R (E5HT 4A298-CCA)	Rockwell (Timken)	SSHD	4.30	46M	Δ	205
★8014-R (E5HT 4A298-CDA)	Rockwell (Timken)	SSHD	4.56	46M	Δ	205
★8016-R (E5HT 4A298-CEA)	Rockwell (Timken)	SSHD	5.38	46M	Δ	205
★8017-R (E5HT 4A298-CFA)	Rockwell (Timken)	SSHD	5.57	46M	Δ	205
★8018-R (E5HT 4A298-CGA)	Rockwell (Timken)	SSHD	6.14	46M	Δ	205
★8051-R (E4HT 4A297-FDA)	Rockwell (Timken)	SSHD	3.91	46M	Δ	206
★8052-R (E4HT 4A297-FEA)	Rockwell (Timken)	SSHD	4.10	46M	Δ	206
★8053-R (E4HT 4A297-FFA)	Rockwell (Timken)	SSHD	4.30	46M	Δ	206
★8054-R (E4HT 4A297-FGA)	Rockwell (Timken)	SSHD	4.56	46M	Δ	206
★8056-R (E4HT 4A297-FHA)	Rockwell (Timken)	SSHD	5.38	46M	Δ	206
★8057-R (E4HT 4A297-FJA)	Rockwell (Timken)	SSHD	5.57	46M	Δ	206
★8058-R (E4HT 4A297-FKA)	Rockwell (Timken)	SSHD	6.14	46M	Δ	206
★8061-R (E5HT 4A297-CAA)	Rockwell (Timken)	SSHD	3.91	46M	Δ	206
★8062-R (E5HT 4A297-CBA)	Rockwell (Timken)	SSHD	4.10	46M	Δ	206
★8063-R (E5HT 4A297-CCA)	Rockwell (Timken)	SSHD	4.30	46M	Δ	206
★8064-R (E5HT 4A297-CDA)	Rockwell (Timken)	SSHD	4.56	46M	Δ	206
★8066-R (E5HT 4A297-CEA)	Rockwell (Timken)	SSHD	5.38	46M	Δ	206
★8067-R (E5HT 4A297-CFA)	Rockwell (Timken)	SSHD	5.57	46M	Δ	206
★8068-R (E5HT 4A297-CGA)	Rockwell (Timken)	SSHD	6.14	46M	Δ	206
★8102-R (E4HT 4A297-FLA)	Rockwell (Timken)	R170	3.70	23M	Δ	189
★8103-R (E4HT 4A297-FMA)	Rockwell (Timken)	R170	3.90	23M	Δ	189
★8104-R (E4HT 4A297-FNA)	Rockwell (Timken)	R170	4.11	23M	Δ	189
★8105-R (E4HT 4A297-FRA)	Rockwell (Timken)	R170	4.33	23M	Δ	189
★8106-R (E4HS 4A297-RBAA)	Rockwell (Timken)	R170	4.63	23M	Δ	189
★8107-R (E4HT 4A297-FSA)	Rockwell (Timken)	R170	4.88	23M	Δ	189
★8108-R (E4HT 4A297-FTA)	Rockwell (Timken)	R170	5.29	23M	Δ	189
★8110-R (E4HT 4A297-FUA)	Rockwell (Timken)	R170	5.86	23M	Δ	189
★8111-R (E4HT 4A297-FVA)	Rockwell (Timken)	R170	6.14	23M	Δ	189
★8112-R (E4HT 4A297-FYA)	Rockwell (Timken)	R170	6.83	23M	Δ	189
★8113-R (E4HT 4A297-FZA)	Rockwell (Timken)	R170	7.40	23M	Δ	189
★8152-R (E4HT 4A297-JAA)	Rockwell (Timken)	R170	3.70	23M	Δ	189
★8154-R (E4HT 4A297-JBA)	Rockwell (Timken)	R170	4.11	23M	Δ	189
★8155-R (E4HT 4A297-JCA)	Rockwell (Timken)	R170	4.33	23M	Δ	189
★8504-R (E5HT 4005-TA)	Rockwell (Timken)	H173	5.86	17.5M	1410	248
★8505-R (E5HT 4005-UA)	Rockwell (Timken)	H173	6.14	17.5M	1410	248
★8506-R (E5HT 4005-VA)	Rockwell (Timken)	H173	6.83	17.5M	1410	248
★8507-R (E5HT 4005-YA)	Rockwell (Timken)	H173	7.17	17.5M	1410	248
★8552-R (E5HT 4005-ZA)	Rockwell (Timken)	H173	4.88	17.5M	1480	248
★8553-R (E5HT 4005-AAA)	Rockwell (Timken)	H173	5.38	17.5M	1480	248
★8554-R (E5HT 4005-ABA)	Rockwell (Timken)	H173	5.86	17.5M	1480	248
★8555-R (E5HT 4005-ACA)	Rockwell (Timken)	H173	6.14	17.5M	1480	248
★8556-R (E5HT 4005-ADA)	Rockwell (Timken)	H173	6.83	17.5M	1480	248
★8557-R (E5HT 4005-AEA)	Rockwell (Timken)	H173	7.17	17.5M	1480	248
★8601-R (E5HT 4005-AFA)	Rockwell (Timken)	H173	4.56	17.5M	1550	248
★8602-R (E5HT 4005-AGA)	Rockwell (Timken)	H173	4.88	17.5M	1550	248



# 1980/ TRUCK SERIES 600/900

## 1980/ REAR AXLE WARRANTY PLATE CODE CHART

For instructions on the use of the warranty plate codes, also for other methods of identifying rear axle parts and assemblies, refer to page 1 of this section.

If complete Axle Assembly or Differential Assembly is desired, find the Parts List Number in the rear axle T.S.L. Cross Reference Guide Page 3, then refer to page 119 of this section.

☐ Under "Vendor Model", Dana, refers to Dana (Spicer) and Rockwell refers to Rockwell (Timken).

C O D E	YEAR	TYPE	RATIO & CAPACITY	VENDOR MODEL %	C O D E	YEAR	TYPE	RATIO & CAPACITY	VENDOR MODEL %
<b>Notes:    ■ B-F 600 Series, ● Except B-F 600 Series</b>									
AG	80/87	Single speed	4.11 (23M)	Eaton (23121)	CJ	80/83	Forward rear Rear rear	5.57 (38M)	Eaton 38DS Eaton 38RS
AJ	80/83	Forward rear Rear rear	4.56 (38M)	Eaton 38DS Eaton 38RS	CK	80	Single speed	6.14 (22M)	Eaton (18121)
AM	80/83	Forward rear Rear rear	8.38 (34M)	Eaton 34DP Eaton 34RP	CP	80/	Two speed	5.43/7.39 (23M)	Eaton (23221)
AP	80	Two speed	4.33/5.90 (23M)	Eaton (23221)	DA	80/83	Forward rear Rear rear	6.17 (38M)	Rockwell SQHD Rockwell SQHD
AQ	82	Forward rear Rear rear	7.20 (38M)	Rockwell SQHD Rockwell SQHD	DB	80	Two speed	5.57/7.60 (22M)	Eaton (18221)
AR	80/83	Forward rear Rear rear	5.05 (38M)	Eaton 38DP Eaton 38RP	DG	80/86	Single speed	5.43 (23M)	Eaton (23121)
AS	88	Single speed	3.70 (19M)	Eaton (17101)	DJ	80/83	Forward rear Rear rear	6.14 (38M)	Eaton 38DS Eaton 38RS
AU	87	Forward rear Rear rear	3.70/5.05 (34M)	Eaton DT341 Eaton RT341	DK	80	Single speed	6.50 (22M)	Eaton (18121)
BA	87/	Forward rear Rear rear	5.29 (40M)	Rockwell SQ100 Rockwell SQ100	DP	80/	Two speed	6.17/8.40 (23M)	Eaton (23221)
BB	87/	Forward rear Rear rear	5.86 (40M)	Rockwell SQ100 Rockwell SQ100	DS	88	Single speed	4.56 (19M)	Eaton (17101)
BC	80/83	Forward rear Rear rear	3.70 (34M)	Rockwell SLHD Rockwell SLHD	DU	87	Forward rear Rear rear	4.56/6.21 (34M)	Eaton DT341 Eaton RT341
BC	87/	Forward rear Rear rear	6.14 (40M)	Rockwell SQ100 Rockwell SQ100	EB	80	Two speed	6.14/8.38 (22M)	Eaton (18221)
BD	87/	Forward rear Rear rear	6.83 (40M)	Rockwell SQ100 Rockwell SQ100	EG	80/86	Single speed	6.17 (23M)	Eaton (23121)
BE	87/	Forward rear Rear rear	7.17 (40M)	Rockwell SQ100 Rockwell SQ100	EH	80/	Two speed	5.57/7.60 (18.5M)	Eaton (17221)
BF	80/83	Forward rear Rear rear	4.33 (34M)	Eaton 34DS Eaton 34RS	EJ	80/83	Forward rear Rear rear	6.50 (38M)	Eaton 38DS Eaton 38RS
BG	80/87	Single speed	4.33 (23M)	Eaton (23121)	EK	80	Single speed	7.17 (22M)	Eaton (18121)
BJ	80/83	Forward rear Rear rear	4.88 (38M)	Eaton 38DS Eaton 38RS	EP	80/	Two speed	6.67/9.08 (23M)	Eaton (23221)
BK	80	Single speed	5.57 (22M)	Eaton 18121	EQ	80/	Single speed	5.57 (18.5M)	Eaton (17121)
BS	88	Single speed	4.11 (19M)	Eaton (17101)	ES	88	Single speed	4.88 (19M)	Eaton (17101)
BU	87	Forward rear Rear rear	4.11/5.61 (34M)	Eaton DT341 Eaton RT341	EU	87	Forward rear Rear rear	4.88/6.65 (34M)	Eaton DT341 Eaton RT341
CF	80/83	Forward rear Rear rear	4.56 (34M)	Eaton 34DS Eaton 34RS	FB	80	Two speed	6.50/8.87 (22M)	Eaton (18221)
CG	80/86	Single speed	4.88 (23M)	Eaton (23121)	FC	88	Single speed Non-Locking	5.86 (13M)	Rockwell (RS13120)
					FF	80/83	Forward rear Rear rear	5.57 (34M)	Eaton 34DS Eaton 34RS
					FG	80/86	Single speed	6.67 (23M)	Eaton (23121)
					FH	80/	Two speed	6.14/8.38 (18.5M)	Eaton (17221)
					FJ	80/83	Forward rear Rear rear	4.11 (38M)	Eaton 38DS Eaton 38RS
					FK	80/	Single speed	5.57 (22M)	Eaton (22121)



1980/  
TRUCK SERIES 600/900

C O D E	YEAR	TYPE	RATIO & CAPACITY	VENDOR MODEL %	C O D E	YEAR	TYPE	RATIO & CAPACITY	VENDOR MODEL %
Notes: ■ B-F 600 Series, ● Except B-F 600 Series — Cont'd									
FN	80/83	Forward rear Rear rear	7.60 (34M)	Eaton 34DP Eaton 34RP	KB	80/	Two speed	6.50/8.86 (22M)	Eaton (22221)
FQ	80/	Single speed	6.14 (18.5M)	Eaton (17121)	KF	80/83	Forward rear Rear rear	7.60 (34M)	Eaton 34DS Eaton 34RS
FR	80/81	Forward rear Rear rear	7.60 (38M)	Eaton 38DP Eaton 38RP	KK	88	Single speed	5.29 (22M)	Eaton (22121)
FS	88	Single speed	5.29 (19M)	Eaton (17101)	KU	87	Forward rear Rear rear	7.17/9.77 (34M)	Eaton DT341 Eaton RT341
FU	87	Forward rear Rear rear	5.29/7.21 (34M)	Eaton DT341 Eaton RT341	LB	80/86	Two speed	7.17/9.77 (22M)	Eaton (22221)
FW	80/83	Forward rear Rear rear	6.14/8.38 (34M)	Eaton 34DT Eaton 34RT	LF	80/83	Forward rear Rear rear	3.70 (34M)	Eaton 34DS Eaton 34RS
GB	80	Two speed	7.17/9.77 (22M)	Eaton (18221)	LJ	80/83	Forward rear Rear rear	3.70 (38M)	Eaton 38DS Eaton 38RS
GC	88	Two speed Non-locking	5.86/8.17 (15M)	Rockwell (RS15210)	MB	88	Two speed	4.88/6.65 (22M)	Eaton (22221)
GF	80/83	Forward rear Rear rear	6.14 (34M)	Eaton 34DS Eaton 34RS	MF	80/83	Forward rear Rear rear	7.17 (34M)	Eaton 34DS Eaton 34RS
GG	80/87	Single speed	3.70 (23M)	Eaton (23121)	NB	88	Two speed	5.29/7.21 (22M)	Eaton (22221)
GH	80/86	Two speed	6.50/8.87 (18.5M)	Eaton (17221)	PB	88	Two speed	3.90/5.31 (22M)	Eaton (22221)
GJ	80/83	Forward rear Rear rear	4.33 (38M)	Eaton 38DS Eaton 38RS	PK	88	Single speed	4.11 (22M)	Eaton (22121)
GK	80/	Single speed	6.17 (22M)	Eaton (22121)	QB	88	Two speed	4.11/5.61 (22M)	Eaton (22221)
GP	80/	Two speed	4.11/5.60 (23M)	Eaton (23221)	QP	88	Two speed	4.56/6.21 (23M)	Eaton (23221)
GQ	80/86	Single speed	6.50 (18.5M)	Eaton (17121)	RC	87	Forward rear Rear rear	6.50 (34M)	Eaton DS341 Eaton RS341
GU	87	Forward rear Rear rear	5.57/7.60 (34M)	Eaton DT341 Eaton RT341	RK	88	Single speed	4.62 (22M)	Eaton (22121)
GW	80/83	Forward rear Rear rear	6.50/8.87 (34M)	Eaton 34DT Eaton 34RT	RP	88	Two speed	4.88/6.64 (23M)	Eaton (23221)
HB	80/	Two speed	5.57/7.60 (22M)	Eaton (22221)	SA	88	Single speed	4.63 (23M)	Rockwell (R170)
HF	80/83	Forward rear Rear rear	6.50 (34M)	Eaton 34DS Eaton 34RS	SB	88	Two speed	4.62/6.31 (22M)	Eaton (22221)
HG	80/86	Single speed	4.56 (23M)	Eaton (23121)	SC	87	Forward rear Rear rear	7.17 (34M)	Eaton DS341 Eaton RS341
HH	80/86	Two speed	7.17/9.77 (18.5M)	Eaton (17221)	SK	88	Single speed	4.88 (22M)	Eaton (22121)
HJ	80/83	Forward rear Rear rear	5.29 (38M)	Eaton 38DS Eaton 38RS	TA	80/86	Forward rear Rear rear	3.70 (40M)	Rockwell SQHP Rockwell SQHP
HK	80/	Single speed	6.50 (22M)	Eaton (22121)	TB	80/86	Forward rear Rear rear	4.11 (40M)	Rockwell SQHP Rockwell SQHP
HQ	80/86	Single speed	7.17 (18.5M)	Eaton (17121)	TC	80/86	Forward rear Rear rear	4.44 (40M)	Rockwell SQHP Rockwell SQHP
HU	87	Forward rear Rear rear	6.14/8.38 (34M)	Eaton DT341 Eaton RT341	TC	87/	Single speed Non-Locking	4.56 (15M)	Rockwell (RS15120)
HW	80/83	Forward rear Rear rear	7.17/9.77 (34M)	Eaton 34DT Eaton 34RT	TD	80/81	Forward rear Rear rear	4.63 (40M)	Rockwell SQHP Rockwell SQHP
JB	80/	Two speed	6.17/8.41 (22M)	Eaton (22221)	TD	87/	Single speed Non-Locking	4.88 (15M)	Rockwell (RS15120)
JF	80/83	Forward rear Rear rear	4.11 (34M)	Eaton 34DS Eaton 34RS	TE	87/	Single speed Non-Locking	5.13 (15M)	Rockwell (RS15120)
JG	80/87	Single speed	3.90 (23M)	Eaton (23121)	TF	80/81	Forward rear Rear rear	5.29 (40M)	Rockwell SQHP Rockwell SQHP
JH	88	Two speed	6.57/8.94 (18.5M)	Eaton (17221)	TF	87/	Single speed Non Locking	6.14 (15M)	Rockwell (RS15120)
JK	80/86	Single speed	7.17 (22M)	Eaton (22121)	TG	87/	Single speed Non-Locking	7.17 (15M)	Rockwell (RS15120)
JQ	88	Single speed	6.57 (18.5M)	Eaton (17121)	TJ	88	Single speed Non-Locking	4.30 (15M)	Rockwell (RS15120)
JU	87	Forward rear Rear rear	6.50/8.86 (34M)	Eaton DT341 Eaton RT341					

1980/  
TRUCK SERIES 600/900

C O D E	YEAR	TYPE	RATIO & CAPACITY	VENDOR MODEL %	C O D E	YEAR	TYPE	RATIO & CAPACITY	VENDOR MODEL %
Notes: ■ B-F 600 Series, ● Except B-F 600 Series -- Cont'd									
TL	82	Forward rear Rear rear	7.17 (38M)	Eaton 38DS Eaton 38RS	YN	87/	Forward rear Rear rear	5.86 (40M)	Rockwell SQ100P Rockwell SQ100
VA	88	Single speed	4.88 (23M)	Rockwell (R170)	YQ	87/	Forward rear	3.73 (40M)	Rockwell SQ100P
VB	87/	Single speed Non-Locking	5.38 (23M)	Rockwell (RS23160)			Rear rear		Rockwell SQ100
VC	87/	Single speed Non-Locking	5.63 (23M)	Rockwell (RS23160)	YR	87/	Forward rear	3.55 (40M)	Rockwell SQ100P
VD	87/	Single speed Non-Locking	6.14 (23M)	Rockwell (RS23160)	YS	87/	Forward rear Rear rear	4.33 (40M)	Rockwell SQ100P Rockwell SQ100
VE	87/	Single speed Non-Locking	6.83 (23M)	Rockwell (RS23160)	YT	87/	Forward rear Rear rear	4.88 (40M)	Rockwell SQ100P Rockwell SQ100
VF	87/	Single speed Non-Locking	7.17 (23M)	Rockwell (RS23160)	YU	87/	Forward rear Rear rear	3.90 (40M)	Rockwell SQ100P Rockwell SQ100
VH	88	Two speed	3.70/5.05 (19M)	Eaton (17201)	YV	87/	Forward rear Rear rear	4.10 (40M)	Rockwell SQ100P Rockwell SQ100
VJ	88	Two speed	4.11/5.61 (19M)	Eaton (17201)	YW	87/	Forward rear	5.29 (40M)	Rockwell SQ100P
VL	88	Two speed	4.56/6.21 (19M)	Eaton (17201)			Rear rear		Rockwell SQ100
VM	88	Two speed	4.88/6.65 (19M)	Eaton (17201)	B1	80/83	Forward rear	4.11 (34M)	Rockwell SLHD
VN	88	Two speed	5.29/7.21 (19M)	Eaton (17201)			Rear rear		Rockwell SLHD
WA	87/	Two speed Non-Locking	6.50/9.07 (17.5M)	Rockwell (RS17220)	B2	80/83	Forward rear Rear rear	4.44 (34M)	Rockwell SLHD Rockwell SLHD
WB	87/	Two speed Non-Locking	6.83/9.53 (17.5M)	Rockwell (RS17220)	B2	87/	Forward rear Rear rear	3.55 (40M)	Rockwell SQ100 Rockwell SQ100
WC	87/	Two speed Non-Locking	7.17/10.0 (17.5M)	Rockwell (RS17220)	B3	80/83	Forward rear Rear rear	3.90 (34M)	Rockwell SLHD Rockwell SLHD
WL	87/	Forward rear Rear rear	3.90 (34M)	Rockwell SL100 Rockwell SL100	B3	87/	Forward rear Rear rear	3.73 (40M)	Rockwell SQ100 Rockwell SQ100
WM	88	Two speed Non-locking	5.86/8.17 (17.5M)	Rockwell (RS17220)	B4	87/	Forward rear Rear rear	3.90 (40M)	Rockwell SQ100 Rockwell SQ100
WN	87/	Forward rear Rear rear	4.33 (34M)	Rockwell SL100 Rockwell SL100	B5	87/	Forward rear Rear rear	4.10 (40M)	Rockwell SQ100 Rockwell SQ100
WQ	87/	Forward rear Rear rear	4.63 (34M)	Rockwell SL100 Rockwell SL100	B6	80/83	Forward rear Rear rear	5.83 (34M)	Rockwell SLHD Rockwell SLHD
WR	87/	Forward rear Rear rear	4.88 (34M)	Rockwell SL100 Rockwell SL100	B6	87/	Forward rear Rear rear	4.33 (40M)	Rockwell SQ100 Rockwell SQ100
WS	87/	Forward rear Rear rear	5.29 (34M)	Rockwell SL100 Rockwell SL100	B7	80/83	Forward rear Rear rear	6.17 (34M)	Rockwell SLHD Rockwell SLHD
WV	87/	Forward rear Rear rear	6.83 (34M)	Rockwell SL100 Rockwell SL100	B8	80/83	Forward rear Rear rear	6.83 (34M)	Rockwell SLHD Rockwell SLHD
XB	80	Forward rear Rear rear	5.78 (44M)	Rockwell SRDD Rockwell SRDD	B8	87/	Forward rear Rear rear	4.63 (40M)	Rockwell SQ100 Rockwell SQ100
XK	80/83	Forward rear Rear rear	5.96 (58M)	Rockwell SUDD Rockwell SUDD	B9	80/83	Forward rear Rear rear	7.80 (34M)	Rockwell SLHD Rockwell SLHD
XS	80/83	Forward rear Rear rear	5.76 (65M)	Rockwell SFDD Rockwell SFDD	B9	87/	Forward rear Rear rear	4.88 (40M)	Rockwell SQ100 Rockwell SQ100
XT	80/83	Forward rear Rear rear	8.08 (65M)	Rockwell SFDD Rockwell SFDD	C4	87/	Single speed Non-Locking	3.42 (23M)	Rockwell (RS23180)
YB	87/	Forward rear Rear rear	6.14 (40M)	Rockwell SQ100P Rockwell SQ100	C5	87/	Single speed Non Locking	3.58 (23M)	Rockwell (RS23180)
YM	87/	Forward rear Rear rear	4.63 (40M)	Rockwell SQ100P Rockwell SQ100	C6	81/83	Forward rear Rear rear	3.70 (38M)	Rockwell SQHD Rockwell SQHD

1980/  
TRUCK SERIES 600/900

C O D E	YEAR	TYPE	RATIO & CAPACITY	VENDOR MODEL %	C O D E	YEAR	TYPE	RATIO & CAPACITY	VENDOR MODEL %
Notes: ■ B-F 600 Series, ● Except B-F 600 Series — Cont'd									
C6	87/	Single speed Non-Locking	3.73 (23M)	Rockwell (RS23180)	F6	81/83	Forward rear Rear rear	4.11 (38M)	Rockwell SQHD Rockwell SQHD
C7	87/	Single speed Non-Locking	3.91 (23M)	Rockwell (RS23180)	F6	87/	Single speed Non-Locking	6.14 (13M)	Rockwell (RS13120)
C8	87/	Single speed Non-Locking	4.10 (23M)	Rockwell (RS23180)	F7	87/	Single speed Non-Locking	7.17 (13M)	Rockwell (RS13120)
D1	80/83	Forward rear Rear rear	4.11 (38M)	Rockwell SQHD Rockwell SQHD	G4	87/	Two speed Non-Locking	4.56/6.36 (15M)	Rockwell (RS15210)
D2	80/83	Forward rear Rear rear	4.44 (38M)	Rockwell SQHD Rockwell SQHD	G5	87/	Two speed Non-Locking	4.88/6.80 (15M)	Rockwell (RS15210)
D3	80/83	Forward rear Rear rear	4.63 (38M)	Rockwell SQHD Rockwell SQHD	G6	87/	Two speed Non-Locking	5.38/7.50 (15M)	Rockwell (RS15210)
D3	87/	Forward rear Rear rear	3.73 (40M)	Rockwell SQ100 Rockwell SQ100	G7	87/	Two speed Non-Locking	6.14/8.57 (15M)	Rockwell (RS15210)
D4	80/83	Forward rear Rear rear	5.29 (38M)	Rockwell SQHD Rockwell SQHD	G9	87/	Two speed Non-Locking	6.83/9.53 (15M)	Rockwell (RS15210)
D5	80/83	Forward rear Rear rear	5.83 (38M)	Rockwell SQHD Rockwell SQHD	N1	80/86	Two speed	5.57/7.75 (17.5M)	Dana (G175-T)
D5	87/	Forward rear Rear rear	4.10 (40M)	Rockwell SQ100 Rockwell SQ100	N2	80/86	Two speed	6.17/8.58 (17.5M)	Dana (G175-T)
D6	80/83	Forward rear Rear rear	6.83 (38M)	Rockwell SQHD Rockwell SQHD	N3	80/86	Two speed	6.50/9.04 (17.5M)	Dana (G175-T)
D7	80/83	Forward rear Rear rear	3.90 (38M)	Rockwell SQHD Rockwell SQHD	N4	80/86	Two speed	7.17/9.97 (17.5M)	Dana (G175-T)
D8	80/83	Forward rear Rear rear	4.88 (38M)	Rockwell SQHD Rockwell SQHD	P1	80/86	Two speed	5.57/7.60 (18.5M) (19M)	Dana (M185-T) Dana (M190-T)
D9	80/83	Forward rear Rear rear	3.70 (38M)	Rockwell SQHD Rockwell SQHD	P2	80/86	Two speed	6.14/8.38 (18.5M) (19M)	Dana (M185-T) Dana (M190-T)
E0	82	Two speed	6.14/8.54 (17.5M)	Eaton (16244)	P3	80/86	Two speed	6.50/8.86 (18.5M) (19M)	Dana (M185-T) Dana (M190-T)
E1	80/86	Two speed	5.57/7.75 (17.5M)	Eaton (16244)	P4	80/86	Two speed	7.17/9.77 (18.5M) (19M)	Dana (M185-T) Dana (M190-T)
E2	80/81	Two speed	6.17/8.58 (17.5M)	Eaton (16244)	T7	88	Single speed Non-Locking	5.86 (15M)	Rockwell (RS15120)
E3	80/86	Two speed	6.50/9.04 (17.5M)	Eaton (16244)	V1	80/86	Forward rear Rear rear	4.11 (40M)	Rockwell SQHP Rockwell SQHP
E4	80/81	Two speed	7.17/9.97 (17.5M)	Eaton (16244)	V1	87/	Single speed Non-Locking	3.42 (23M)	Rockwell (RS23160)
E5	80/81	Two speed	7.17/9.97 (17.5M)	Eaton (16244)	V2	87/	Single speed Non-Locking	3.58 (23M)	Rockwell (RS23160)
F1	80/86	Two speed	5.57/7.75 (15M)	Eaton (15201)	V3	80/86	Forward rear Rear rear	3.70 (40M)	Rockwell SQHP Rockwell SQHP
F2	80/86	Two speed	5.83/8.12 (15M)	Eaton (15201)	V4	87/	Single speed Non-Locking	3.73 (23M)	Rockwell (RS23160)
F3	80/86	Two speed	6.33/8.81 (15M)	Eaton (15201)	V5	87/	Single speed Non-Locking	3.91 (23M)	Rockwell (RS23160)
F4	87/	Single speed Non-Locking	4.30 (13M)	Rockwell (RS13120)	V6	87/	Single speed Non-Locking	4.10 (23M)	Rockwell (RS23160)
F5	87/	Single speed Non-Locking	4.88 (13M)	Rockwell (RS13120)	V7	80/83	Forward rear Rear rear	4.44 (38M)	Rockwell SQHD Rockwell SQHD
					V7	87/	Single speed Non-Locking	4.30 (23M)	Rockwell (RS23160)
					V8	87/	Single speed Non-Locking	4.56 (23M)	Rockwell (RS23160)

1980/  
TRUCK SERIES 600/900

C O D E	YEAR	TYPE	RATIO & CAPACITY	VENDOR MODEL %	C O D E	YEAR	TYPE	RATIO & CAPACITY	VENDOR MODEL %
Notes: ■ B-F 600 Series, ● Except B-F 600 Series — Cont'd									
V9	87/	Single speed Non-Locking	4.89 (23M)	Rockwell (RS23160)	1C	87	Forward rear Rear rear	4.11 (34M)	Eaton DS341 Eaton RS341
W1	88	Two speed Non-Locking	4.30/6.00 (17.5M)	Rockwell (RS17220)	2C	80/81	Forward rear Rear rear	4.33 (34M)	Eaton DS340 Eaton RS340
W3	88	Two speed Non-Locking	6.14/8.57 (17.5M)	Rockwell (RS17220)	2C	82	Forward rear Rear rear	4.33 (34M)	Eaton DS341 Eaton RS341
W5	87	Two speed Non-Locking	3.91/5.45 (17.5M)	Rockwell (RS17220)	2C	87	Forward rear Rear rear	4.33 (34M)	Eaton DS341 Eaton RS341
W6	87	Two speed Non-Locking	4.10/5.72 (17.5M)	Rockwell (RS17220)	3C	80/81	Forward rear Rear rear	3.70 (34M)	Eaton DS340 Eaton RS340
W7	87/	Two speed Non-Locking	4.56/6.36 (17.5M)	Rockwell (RS17220)	3C	82	Forward rear Rear rear	3.70 (34M)	Eaton DS341 Eaton RS341
W8	87/	Two speed Non-Locking	4.88/6.80 (17.5M)	Rockwell (RS17220)	3C	87	Forward rear Rear rear	3.70 (34M)	Eaton DS341 Eaton RS341
W9	87/	Two speed Non-Locking	5.38/7.50 (17.5M)	Rockwell (RS17220)	4C	87	Forward rear Rear rear	3.90 (34M)	Eaton DS341 Eaton RS341
X1	87/	Two speed Non-Locking	4.10/5.59 (23M)	Rockwell (RS23240)	5C	87	Forward rear Rear rear	4.56 (34M)	Eaton DS341 Eaton RS341
X2	87/	Two speed Non-Locking	4.30/5.86 (23M)	Rockwell (RS23240)	6C	87	Forward rear Rear rear	4.88 (34M)	Eaton DS341 Eaton RS341
X3	87/	Two speed Non-Locking	4.56/6.22 (23M)	Rockwell (RS23240)	7C	87	Forward rear Rear rear	5.29 (34M)	Eaton DS341 Eaton RS341
X4	87/	Two speed Non-Locking	4.88/6.65 (23M)	Rockwell (RS23240)	8C	87	Forward rear Rear rear	5.57 (34M)	Eaton DS341 Eaton RS341
X5	87/	Two speed Non-Locking	5.38/7.33 (23M)	Rockwell (RS23240)	9C	87	Forward rear Rear rear	6.14 (34M)	Eaton DS341 Eaton RS341
X6	87/	Two speed Non-Locking	5.57/7.60 (23M)	Rockwell (RS23240)	8D	87	Forward rear Rear rear	5.57 (40M)	Eaton DS402 Eaton RS402
X7	87/	Two speed Non-Locking	6.14/8.38 (23M)	Rockwell (RS23240)	2E	87/	Single speed Non-Locking	3.91 (21M)	Rockwell (RS21145)
X8	87/	Two speed Non-Locking	6.50/8.86 (23M)	Rockwell (RS23240)	3E	87/	Two speed Non-Locking	3.91/5.45 (21M)	Rockwell (RS21230)
X9	87/	Two speed Non-Locking	7.17/9.77 (23M)	Rockwell (RS23240)	8E	87	Forward rear Rear rear	5.83 (40M)	Eaton DS402 Eaton RS402
1A	80/	Single speed	4.11 (23M)	Rockwell (R170)	2F	87/	Single speed Non-Locking	4.10 (21M)	Rockwell (RS21145)
2A	80/87	Single speed	4.33 (23M)	Rockwell (R170)					
3A	80/	Single speed	5.29 (23M)	Rockwell (R170)	3F	87/	Two speed Non-Locking	4.10/5.72 (21M)	Rockwell (RS21230)
4A	80/	Single speed	6.14 (23M)	Rockwell (R170)					
5A	80/	Single speed	6.83 (23M)	Rockwell (R170)	8F	87/	Forward rear Rear rear	3.73 (40M)	Rockwell SQ100P Rockwell SQ100
6A	80/86	Single speed	7.40 (23M)	Rockwell (R170)					
7A	80/	Single speed	5.86 (23M)	Rockwell (R170)	1G	87/	Single speed Non-Locking	3.42 (23M)	Rockwell (RS23160)
8A	80/	Single speed	3.70 (23M)	Rockwell (R170)					
9A	80/	Single speed	3.90 (23M)	Rockwell (R170)	2G	87/	Single speed Non-Locking	4.56 (21M)	Rockwell (RS21145)
8B	87	Forward rear Rear rear	5.29 (40M)	Eaton DS402 Eaton RS402					
1C	80/81	Forward rear Rear rear	4.11 (34M)	Eaton DS340 Eaton RS340	3G	87/	Two speed Non-Locking	4.56/6.36 (21M)	Rockwell (RS21230)
1C	82	Forward rear Rear rear	4.11 (34M)	Eaton DS341 Eaton RS341	1H	87/	Single speed Non-Locking	3.58 (23M)	Rockwell (RS23160)

1980/  
TRUCK SERIES 600/900

C O D E	YEAR	TYPE	RATIO & CAPACITY	VENDOR MODEL %	C O D E	YEAR	TYPE	RATIO & CAPACITY	VENDOR MODEL %
Notes: ■ B-F 600 Series, ● Except B-F 600 Series — Cont'd									
2H	87/	Single speed Non-Locking	4.88 (21M)	Rockwell (RS21145)	3M	80/81	Forward rear Rear rear	3.70 (44M)	Eaton 44DS Eaton 44RS
3H	87/	Two speed Non-Locking	4.88/6.80 (21M)	Rockwell (RS21230)	3M	87/	Two speed Non-Locking	6.83/9.53 (21M)	Rockwell (RS21230)
8H	87	Forward rear Rear rear	6.50 (40M)	Eaton DS402 Eaton RS402	7M	87/	Forward rear Rear rear	4.30 (46M)	Rockwell SSHD Rockwell SSHD
1J	87/	Single speed Non-Locking	3.73 (23M)	Rockwell (RS23160)	9M	87/	Single speed Non-Locking	3.73 (23M)	Rockwell (RS23180)
2J	87/	Single speed Non-Locking	5.29 (21M)	Rockwell (RS21145)	2N	87/	Single speed Non-Locking	6.83 (21M)	Rockwell (RS21145)
3J	87/	Two speed Non-Locking	5.38/7.50 (21M)	Rockwell (RS21230)	3N	87/	Two speed Non-Locking	7.17/10.0 (21M)	Rockwell (RS21230)
7J	87/	Forward rear Rear rear	3.91 (46M)	Rockwell SSHD Rockwell SSHD	9N	87/	Single speed Non-Locking	3.91 (23M)	Rockwell (RS23180)
8J	87/	Forward rear Rear rear	4.10 (40M)	Rockwell SQ100P Rockwell SQ100	2P	87/	Single speed Non-Locking	7.17 (21M)	Rockwell (RS21145)
9J	87/	Single speed Non-Locking	3.42 (23M)	Rockwell (RS23180)	9P	87/	Single speed Non-Locking	4.10 (23M)	Rockwell (RS23180)
1K	87/	Single speed Non-Locking	3.91 (23M)	Rockwell (RS23160)	7Q	87/	Forward rear Rear rear	4.56 (46M)	Rockwell SSHD Rockwell SSHD
2K	87/	Single speed Non-Locking	5.86 (21M)	Rockwell (RS21145)	9Q	87/	Single speed Non-Locking	4.30 (23M)	Rockwell (RS23180)
3K	87/	Two speed Non-Locking	6.50/9.07 (21M)	Rockwell (RS21230)	9R	87/	Single speed Non-Locking	4.56 (23M)	Rockwell (RS23180)
7K	87/	Forward rear Rear rear	4.10 (46M)	Rockwell SSHD Rockwell SSHD	7S	88	Forward rear Rear rear	5.38 (46M)	Rockwell SSHD Rockwell SSHD
8K	87	Forward rear Rear rear	7.17 (40M)	Eaton DS402 Eaton RS402	9S	87/	Single speed Non-Locking	4.89 (23M)	Rockwell (RS23180)
9K	87/	Single speed Non-Locking	3.58 (23M)	Rockwell (RS23180)	1T	80/87	Single speed	4.11 (23M)	Rockwell (R170)
					2T	80/87	Single speed	4.33 (23M)	Rockwell (R170)
1L	80/81	Forward rear Rear rear	4.11 (38M)	Eaton DS380 Eaton RS380	3T	80/87	Single speed	3.70 (23M)	Rockwell (R170)
					1U	80/86	Forward rear Rear rear	4.11 (40M)	Rockwell SQHP Rockwell SQHP
1L	82	Forward rear Rear rear	4.11 (38M)	Eaton DS381 Eaton RS381	3U	80/86	Forward rear Rear rear	3.70 (40M)	Rockwell SQHP Rockwell SQHP
2L	80/81	Forward rear Rear rear	4.33 (38M)	Eaton DS380 Eaton RS380	7U	80/86	Forward rear Rear rear	4.44 (40M)	Rockwell SQHP Rockwell SQHP
2L	82	Forward rear Rear rear	4.33 (38M)	Eaton DS381 Eaton RS381	7W	88	Forward rear Rear rear	6.14 (46M)	Rockwell SSHD Rockwell SSHD
3L	80/81	Forward rear Rear rear	3.70 (38M)	Eaton DS380 Eaton RS380	1X	80/83	Forward rear Rear rear	5.31 (46M)	Eaton DP440-P Eaton RP440
1M	80/81	Forward rear Rear rear	4.11 (44M)	Eaton 44DS Eaton 44RS					
1M	87/	Single speed Non-Locking	4.10 (23M)	Rockwell (RS23160)					
2M	80/81	Forward rear Rear rear	4.33 (44M)	Eaton 44DS Eaton 44RS					
2M	87/	Single speed Non-Locking	6.43 (21M)	Rockwell (RS21145)					

1980/  
TRUCK SERIES 600/900

C O D E	YEAR	TYPE	RATIO & CAPACITY	VENDOR MODEL %	C O D E	YEAR	TYPE	RATIO & CAPACITY	VENDOR MODEL %
Notes: ■ B-F 600 Series, ● Except B-F 600 Series — Cont'd									
2X	80/83	Forward rear Rear rear	5.90 (46M)	Eaton DP440-P Eaton RP440	58	87/	Single speed Non-Locking	6.83 (17.5M)	Rockwell (RS17140)
2X	83/86	Forward rear Rear rear	5.90 (46M)	Eaton DP460-P Eaton RP460	59	87/	Single speed Non-Locking	7.17 (17.5M)	Rockwell (RS17140)
3X	80/83	Forward rear Rear rear	7.20 (46M)	Eaton DP440-P Eaton RP440	61	80/81	Single speed	5.29 (15M)	Rockwell (F106)
3X	83/86	Forward rear Rear rear	7.20 (46M)	Eaton DP460-P Eaton RP460	61	80/81	Single speed	6.14 (15M)	Rockwell (F106)
9X	87/	Single speed Non-Locking	6.14 (23M)	Rockwell (RS23180)	61	82	Single speed	6.14 (15M)	Rockwell (F106)
					62	81	Single speed	5.83 (15M)	Rockwell (F106)
1Y	80/86	Forward rear Rear rear	4.11 (46M)	Rockwell SSHD Rockwell SSHD	63	80/81	Single speed	6.14 (15M)	Rockwell (F106)
2Y	80/86	Forward rear Rear rear	4.33 (46M)	Rockwell SSHD Rockwell SSHD	63	80/81	Single speed	6.83 (15M)	Rockwell (F106)
4Y	80/86	Forward rear Rear rear	5.29 (46M)	Rockwell SSHD Rockwell SSHD	63	82	Single speed	6.83 (15M)	Rockwell (F106)
					65	80/81	Single speed	6.83 (15M)	Rockwell (F106)
5Y	80/86	Forward rear Rear rear	4.63 (46M)	Rockwell SSHD Rockwell SSHD	65	80/81	Single speed	7.17(15M)	Rockwell (F106)
6Y	80/86	Forward rear Rear rear	3.90 (46M)	Rockwell SSHD Rockwell SSHD	65	82	Single speed	7.17 (15M)	Rockwell (F106)
7Y	80/86	Forward rear Rear rear	5.57 (46M)	Rockwell SSHD Rockwell SSHD	67	80/81	Single speed	7.17 (15M)	Rockwell (F106)
8Y	80/81	Forward rear Rear rear	4.88 (46M)	Rockwell SSHD Rockwell SSHD	67	81	Single speed	5.29 (15M)	Rockwell (F106)
29	88	Single speed Non-Locking	4.30 (21M)	Rockwell (RS21145)	67	82	Single speed	5.29 (15M)	Rockwell (F106)
					68	81/86	Single speed	5.83 (15M)	Rockwell (F106)
39	88	Two speed Non-Locking	4.30/6.00 (21M)	Rockwell (RS21230)	81	87	Forward rear Rear rear	3.70 (40M)	Eaton DS402 Eaton RS402
41	80/86	Single speed	5.83 (13M)	Rockwell (D140)	82	87	Forward rear Rear rear	3.90 (40M)	Eaton DS402 Eaton RS402
42	80/86	Single speed	6.20 (13M)	Rockwell (D140)					
44	80/86	Single speed	6.80 (13M)	Rockwell (D140)	83	87	Forward rear Rear rear	4.11 (40M)	Eaton DS402 Eaton RS402
51	80/83	Single speed	5.29 (17.5M)	Rockwell (H172)					
51	87	Single speed Non-Locking	3.91 (17.5M)	Rockwell (RS17140)	86	87	Forward rear Rear rear	4.33 (40M)	Eaton DS402 Eaton RS402
52	80/83	Single speed	5.83 (17.5M)	Rockwell (H172)	87	87	Forward rear Rear rear	4.56 (40M)	Eaton DS402 Eaton RS402
52	87	Single speed Non-Locking	4.10 (17.5M)	Rockwell (RS17140)	89	87	Forward rear Rear rear	4.88 (40M)	Eaton DS402 Eaton RS402
53	80/83	Single speed	6.17 (17.5M)	Rockwell (H172)					
53	87/	Single speed Non-Locking	4.56 (17.5M)	Rockwell (RS17140)	91	87/	Forward rear Rear rear	3.73 (34M)	Rockwell SL100 Rockwell SL100
54	80/83	Single speed	6.83 (17.5M)	Rockwell (H172)	92	87/	Forward rear Rear rear	4.10 (34M)	Rockwell SL100 Rockwell SL100
54	87/	Single speed Non-Locking	4.88 (17.5M)	Rockwell (RS17140)	93	87/	Forward rear Rear rear	5.86 (34M)	Rockwell SL100 Rockwell SL100
55	80/83	Single speed	7.17 (17.5M)	Rockwell (H172)					
55	87/	Single speed Non-Locking	5.29 (17.5M)	Rockwell (RS17140)	94	87/	Forward rear Rear rear	6.14 (34M)	Rockwell SL100 Rockwell SL100
56	87/	Single speed Non-Locking	5.86 (17.5M)	Rockwell (RS17140)	95	87/	Forward rear Rear rear	7.17 (34M)	Rockwell SL100 Rockwell SL100
57	87/	Single speed Non-Locking	6.43 (17.5M)	Rockwell (RS17140)	96	87	Forward rear Rear rear	5.05 (40M)	Eaton DP402 Eaton RP402
					97	87	Forward rear Rear rear	5.61 (40M)	Eaton DP402 Eaton RP402

1980/  
TRUCK SERIES 600/900

1980/ REAR AXLE APPLICATION CHART

For information pertaining to the identification of rear axles and related parts, refer to page 1 of this section.

If complete axle assy. or differential assy. is desired, find the parts list number in the chart below, then refer the the Rear Axle and Differential Carrier Chart on page 138 of this section.

SERIES	YEAR	S P E E D	MANUFACTURER		CAPACITY	REMARKS	DRIVE GEAR TYPE	ILLUS. SEC.40 PAGE	PARTS LIST NO.
			NAME %	MODEL					
% Dana refers to Dana (Spicer) and Rockwell refers to Rockwell (Timken)									
<b>SINGLE AXLES</b>									
B-F600/800	80/86	1	Rockwell	D140	13M		Hypoid	20	191
B-F600/900	87/	1	Rockwell	RS13120	13M	Non-Locking	Hypoid	30	267
B-C-CL-F-LN600/900	80/86	1	Rockwell	F106	15M		Hypoid	1	95
B-F600/900	87/	1	Rockwell	RS15120	15M	Non-Locking	Hypoid	31	268
B-F600/900	87/	2	Rockwell	RS15210	15M	Non-Locking	Hypoid	32	269
B-C-F-LN600	80/86	2	Eaton	15201	15M		Bevel	3	164
B-C-F-L-LN600/900	80/86	2	Dana	G175-T	17.5M		Hypoid	19	219
B-C-F-LN600/700	80/83	1	Rockwell	H172	17.5M		Hypoid	8	202
B-C-CF-CL-F-L-LN600/900	83/86	1	Rockwell	H173	17.5M		Hypoid	8	248
B-CF-F-LN600/900	87/	1	Rockwell	RS17140	17.5M	Non-Locking	Hypoid	33	270
B-CF-F-LN600/900	87/	2	Rockwell	RS17220	17.5M	Non-Locking	Hypoid	34	271
B-C-F-LN600/900	80/86	2	Eaton	16244	17.5M		Bevel	3	101
CF600	86	2	Rockwell	H601	17.5M		Hypoid	29	262
B-C-F-L-LN600/900	80/86	2	Dana	M185-T M190-T	18.5M 19M		Hypoid	19	220
B-C-F-L-LN600/900	83/88	1	Eaton	17101	18.5M 19M		Bevel	2	97
B-C-F-L-LN700/900	80/88	1	Eaton	17121	18.5M 19M		Bevel	2	97
B-C-F-L-LN600/900	83/88	2	Eaton	17201	18.5M 19M		Bevel	3	102
B-C-F-L-LN700/900	80/88	2	Eaton	17221	18.5M 19M		Bevel	3	102
B-C-CF-CL-F-L-LN-LS600/900	87/	1	Rockwell	RS21145	21M	Non-Locking	Hypoid	35	272
B-C-CF-CL-F-L-LA-LN-LS600/900	88/	1	Rockwell	RS21145	21M	Locking	Hypoid	41	279
B-C-CF-CL-F-L-LN600/900	87/	2	Rockwell	RS21230	21M	Non-Locking	Hypoid	36	273
CF700	86	1	Rockwell	P174	20M		Hypoid	28	264
CF700	86/87	2	Rockwell	P601	20M		Hypoid	29	263
C-F-L-LN800/900	80	1	Eaton	18121	22M		Bevel	2	167
C-F-L-LN800/900	80	2	Eaton	18221	22M		Bevel	3	25
B-C-F-L-LN600/900	80/88	1	Eaton	22121	22M		Bevel	3	221
B-C-F-L-LN600/900	80/88	2	Eaton	22221	22M		Bevel	3	222
B-F-L-LN600/900	84/86	2	Dana	M220-T	22M		Hypoid	19	255
B-F-L-LN600/900	86	1	Dana	M220-S	22M		Hypoid	40	266
C-CL-L-LN800/900	80/88	1	Eaton	23121	23M		Bevel	2	194
B-C-F-L-LN600/900	80/88	2	Eaton	23221	23M		Bevel	3	195
B-C-CL-F-L-LN600/900	80/88	1	Rockwell	R170	23M	Non-Locking	Hypoid	8	189
B-CF-CL-F-L-LA-LN-LS600/900	87/	1	Rockwell	RS23160	23M	Non-Locking	Hypoid	37	274
B-CF-CL-F-L-LA-LN-LS600/900	88/	1	Rockwell	RS23160	23M	Locking	Hypoid	42	280
CL-L-LA-LL-LN-LS700/900	87/	1	Rockwell	RS23180	23M	Non-Locking	Hypoid	38	275

1980/  
TRUCK SERIES 600/900

SERIES	YEAR	S P E E D	MANUFACTURER		CAPACITY	REMARKS	DRIVE GEAR TYPE	ILLUS. SEC.40 PAGE	PARTS LIST NO.
			NAME %	MODEL					
% Dana refers to Dana (Spicer) and Rockwell refers to Rockwell (Timken) — Cont'd									
SINGLE AXLES									
CL-F-LA-LL-LN-LS800/900	88/	1	Rockwell	RS23180	23M	Locking	Hypoid	43	281
B-C-CF-CL-F-L-LN600/900	87/	2	Rockwell	RS23240	23M	Non-Locking	Hypoid	39	276
TANDEM AXLES									
S-Single Reduction PDR-Planetary Double Reduction DR-Dual Range									
CLT900 -- forward	80/81	S	Eaton	DS340	34M		Bevel	4	198
rear				RS340				5	199
CLT-CT-FT-LNT-LT- LTL-LTS800/900 -- forward	82/87	S	Eaton	DS341	34M		Bevel	4	229
rear				RS341				5	230
CLT900 -- forward	80/81	S	Eaton	DS380	38M		Bevel	4	200
rear				RS380				5	201
CLT-CT-FT-LNT-LT- LTL-LTS800/900 -- forward	82/87	S	Eaton	DS381	38M		Bevel	4	231
rear				RS381				5	232
CLT-CT-FT-LNT-LT- LTL-LTS800/900 -- forward	87	S	Eaton	DS402	40M		Bevel	4	231
rear				RS402				5	232
CLT900 -- forward	80/86	S	Rockwell	SQHP	40M		Hypoid	9	203
rear				SQHP				12	204
CLT900 -- forward	80/81	S	Eaton	44DSC	44M		Bevel	23	196
rear				44RSC				5	197
CLT-CT-LNT-LT- LTS800/900 -- forward	80/83	S	Eaton	34DSC,E	34M		Bevel	4	133
rear				34RSC,E				5&10	134
CLT-LNT-LT-LTL- LTS800/900 -- forward	83	S	Eaton	DS440-P	46M		Bevel	24	246
rear				RS440				25	247
CLT-LNT-LT-LTL- LTS800/900 -- Forward	83/87	S	Eaton	DS460-P	46M		Bevel	24	246
rear				RS460				25	247
CLT-LNT-LT-LTA-LTL- LTS800/900 -- forward	80/88	S	Rockwell	SSHD	46M		Hypoid	13	205
rear				SSHD				14	206
CLT-CT-LNT-LT- LTS800/900 -- forward	80/83	S	Rockwell	SLHD	34M		Hypoid	7	125
rear				SLHD				8	126
CLT-CT-FT-LNT-LT-LTA-LTL- LTS800/900 -- forward	83/	S	Rockwell	SL100	34M		Hypoid	26	249
rear				SL100				27	250
CLT-CT-LNT-LT- LTS800/900 -- forward	80/83	S	Rockwell	SQHD	38M		Hypoid	7	127
rear				SQHD				8	128
CLT-CT-FT-LNT-LT-LTA-LTL- LTS800/900 -- Forward	83/	S	Rockwell	SQ100	38M		Hypoid	26	251
rear				SQ100				27	252
CLT-CT-FT-LNT-LT-LTA-LTL- LTS800/900 -- forward	86/	S	Rockwell	SQ100-P	40M		Hypoid	44	265
rear				SQ100				27	252
CFT-CLT-FT-LNT-LT-LTL- LTS800/900 -- forward	88/	S	Rockwell	RD20145	40M	W/diff. lock	Hypoid	47	282
rear				RR20145				54	284



1980/  
TRUCK SERIES 600/900

SERIES	YEAR	S P E E D	MANUFACTURER		CAPACITY	REMARKS	DRIVE GEAR TYPE	ILLUS. SEC.40 PAGE	PARTS LIST NO.
			NAME %	MODEL					
% Dana refers to Dana (Spicer) and Rockwell refers to Rockwell (Timken) — Cont'd									
TANDEM AXLES									
S-Single Reduction PDR-Planetary Double Reduction DR-Dual Range									
CLT-FT-LNT-LT-LTL- LTS800/900 -- forward rear	89	S	Rockwell	RD20145 RR20145	40M	W/o diff. lock	Hypoid	46 53	290 291
CLT-FT-LNT-LT-LTL- LTS800/900 -- forward rear	89	S	Rockwell	RP20145 RR20145	40M	W/o diff. lock	Hypoid	48 53	292 291
CFT-CLT-FT-LNT-LT-LTL- LTS800/900 -- forward rear	88/	S	Rockwell	RP20145 RR20145	40M	W/diff. lock	Hypoid	49 54	283 284
CT-LNT-LT- LTS800/900 -- forward rear	80/83	PDR	Eaton	34DPC,E 34RPC,E	34M		Bevel	15 6	130 131
CT-LNT-LT- LTS800/900 -- forward rear	80/83	2	Eaton	34DTC,E 34RTC,E	34M		Bevel	15 6	147 148
CT-LNT-LT- LTS800/900 -- forward rear	80/83	S	Eaton	38DSC,E 38RSC,E	38M		Bevel	4 5	56 58
CT-LNT-LT- LTS800/900 -- forward rear	80/83	PDR	Eaton	38DPC 38RPC	38M		Bevel	15 6	53 54
CT-FT-LNT-LT-LTL- LTS800/900 -- forward rear	83/87	2	Eaton	DT341 RT341	34M		Bevel	15 6	240 241
FT-LNT-LT-LTL- LTS800/900 -- forward rear	89	S	Rockwell	RD17145 RR17145	34M	W/o diff. lock	Hypoid	45 52	288 289
LNT-LT-LTL-LTS900 -- forward rear	80/86	S	Rockwell	SQHP SQHP	40M		Hypoid	9 12	203 204
LNT-LT-LTS800/900 -- forward rear	80/83	PDR	Eaton	DP440-P RP440	46M		Bevel	21 22	223 224
LNT-LT-LTS800/900 -- Forward rear	83/87	PDR	Eaton	DP460-P RP460	46M		Bevel	21 22	223 224
LNT-LT-LTS900 -- forward rear	80/83	S	Rockwell	SRDD SRDR	44M		Hypoid	16 17	209 210
LNT-LT-LTS900 -- forward rear	80/83	S	Rockwell	SUDD SUDR	58M		Hypoid	16 18	211 212
LNT-LT-LTS900 -- forward rear	80/83	S	Rockwell	SFDD-4640 SFDD-4640	65M		Hypoid	16 17	213 214
LNT-LT-LTL-LTS800/900 -- forward rear	83/87	PDR	Eaton	DP381 RP381	38M		Bevel	15 6	242 243
LNT-LT-LTL-LTS -- forward rear	87	PDR	Eaton	DP402 RP402	40M		Bevel	15 6	242 243
LNT-LT-LTL-LTS800/900 -- forward rear	89	S	Rockwell	RD23160 RR23160	46M	W/o diff. lock	Hypoid	50 55	293 294
LNT-LT-LTL-LTS800/900 -- forward rear	89	S	Rockwell	RP23160 RR23160	46M	W/diff. lock	Hypoid	51 56	295 296

**1980/  
TRUCK SERIES 600/900**

SERIES	YEAR	S P E E D	MANUFACTURER		CAPACITY	REMARKS	DRIVE GEAR TYPE	ILLUS. SEC.40 PAGE	PARTS LIST NO.
			NAME %	MODEL					
% Dana refers to Dana (Spicer) and Rockwell refers to Rockwell (Timken) — Cont'd									
<b>TANDEM AXLES</b>									
S-Single Reduction PDR-Planetary Double Reduction DR-Dual Range									
LT-LTL-LTS800/900 -- forward	83/86	2	Eaton	DT401-P	40M		Bevel	21	244
rear				RT401				6	245
LTL900 -- Forward	82/83	PDR	Eaton	DP440-P	46M		Bevel	21	223
rear				RP440				22	224
LTL900 -- Forward	83/87	PDR	Eaton	DP460-P	46M		Bevel	21	223
rear				RP460				22	224
LTL900 -- Forward	82	S	Rockwell	SQHD	38M		Hypoid	7	127
rear				SQHD				8	128

**DIFFERENTIAL CARRIER and REAR AXLE IDENTIFICATION**

For illustrations showing the location of the various carrier and axle identification numbers, refer to page 2 of this Section. Also refer to page 1 of this section for information pertaining to other methods of identifying rear axles and related parts.

IF COMPLETE AXLE ASSY. or DIFFERENTIAL ASSY. IS DESIRED, FIND THE PARTS LIST NUMBER IN THE CHART BELOW, THEN REFER TO PAGE 138 OF THIS SECTION.

**DIFFERENTIAL CARRIER AND REAR AXLE IDENTIFICATION CHART**

IDENTIFICATION NUMBER	%MFR.	RATIO	PARTS LIST NO.	IDENTIFICATION NUMBER	%MFR.	RATIO	PARTS LIST NO.
% Dana refers to Dana (Spicer) and Rockwell refers to Rockwell (Timken)							
72198	Eaton	7.60	131	80128	Eaton	5.57/7.60	25
72289	Eaton	5.05	54	83249	Eaton	7.60	54
74486	Eaton	5.83/8.12	164	87412	Eaton	4.33	56
74487	Eaton	6.33/8.81	164	95640	Eaton	3.70	133
74609	Eaton	5.57/7.75	101	95641	Eaton	4.11	133
74610	Eaton	6.17/8.58	101	95642	Eaton	4.33	133
74611	Eaton	6.50/9.04	101	95643	Eaton	4.56	133
74896	Eaton	6.33/8.81	164	95645	Eaton	5.29	133
75157	Eaton	5.57/7.75	101	95646	Eaton	5.57	133
75158	Eaton	6.17/8.58	101	95667	Eaton	5.57	133
75159	Eaton	6.50/9.04	101	95668	Eaton	6.14	133
75163	Eaton	5.57/7.75	101	95669	Eaton	6.50	133
75164	Eaton	6.17/8.58	101	95670	Eaton	7.17	133
75165	Eaton	6.50/9.04	101	95671	Eaton	7.60	133
76337	Eaton	6.14/8.38	102	95672	Eaton	6.14	133
76338	Eaton	6.50/8.87	102	95673	Eaton	6.50	133
76339	Eaton	7.17/9.77	102	95674	Eaton	7.17	133
76421	Eaton	6.14/8.38	25	95675	Eaton	7.60	133
76422	Eaton	6.50/8.87	25	95680	Eaton	3.70	56
76423	Eaton	7.17/9.77	25	95681	Eaton	4.11	56
76886	Eaton	5.83/8.12	164	95682	Eaton	4.33	56
78028	Eaton	6.14/8.38	148	95683	Eaton	4.56	56
78029	Eaton	6.50/8.87	148	95684	Eaton	4.88	56
78030	Eaton	7.17/9.77	148	95685	Eaton	5.29	56
80127	Eaton	5.57/7.60	102	95686	Eaton	5.57	56



1980/  
TRUCK SERIES 600/900

DIFFERENTIAL CARRIER AND REAR AXLE IDENTIFICATION CHART

IDENTIFICATION NUMBER	%MFR.	RATIO	PARTS LIST NO.	IDENTIFICATION NUMBER	%MFR.	RATIO	PARTS LIST NO.
% Dana refers to Dana (Spicer) and Rockwell refers to Rockwell (Timken) — Cont'd							
101948	Eaton	7.17	97, 134	107942	Eaton	4.88	194
				107943	Eaton	5.43	194
101949	Eaton	7.60	134	107944	Eaton	6.17	194
101950	Eaton	3.70	58	107945	Eaton	6.67	194
101951	Eaton	4.11	58	108234	Eaton	5.57	221
101952	Eaton	4.33	58	108235	Eaton	6.17	221
101953	Eaton	4.56	58	108236	Eaton	6.50	221
101954	Eaton	4.88	58	108237	Eaton	7.17	221
101955	Eaton	5.29	58	108244	Eaton	5.57/7.60	222
101956	Eaton	5.57	58	108245	Eaton	6.17/8.41	222
101957	Eaton	6.14	58 167	108246	Eaton	6.50/8.86	222
				108247	Eaton	7.17/9.77	222
101958	Eaton	6.50	58, 167	109295	Eaton	5.57/7.75	101
				109296	Eaton	6.17/8.58	101
101959	Eaton	7.17	167	109297	Eaton	6.50/9.04	101
102640	Eaton	8.38	131	110181	Eaton	5.57/7.75	164
103827	Eaton	5.83/8.12	164	110182	Eaton	5.57/7.75	164
103828	Eaton	6.33/8.81	164	110365	Eaton	7.17/9.97	101
103831	Eaton	5.83/8.12	164	111550	Eaton	6.14/8.54	101
103832	Eaton	6.33/8.81	164	114133	Eaton	5.57/7.75	101
103892	Eaton	5.57/7.75	101	114134	Eaton	6.14/8.54	101
103893	Eaton	6.17/8.58	101	114135	Eaton	6.50/9.04	101
103894	Eaton	6.50/9.04	101	114136	Eaton	7.17/9.97	101
103895	Eaton	7.17/9.97	101	114139	Eaton	5.57/7.75	101
103898	Eaton	5.57/7.75	101	114140	Eaton	6.14/8.54	101
103899	Eaton	6.17/8.58	101	114141	Eaton	6.50/9.04	101
103900	Eaton	6.50/9.04	101	114142	Eaton	7.17/9.97	101
103901	Eaton	7.17/9.97	101	114216	Eaton	4.88/6.78	101
103904	Eaton	5.57/7.75	101	114217	Eaton	5.57/7.75	101
103905	Eaton	6.17/8.58	101	114218	Eaton	6.14/8.54	101
103906	Eaton	6.50/9.04	101	114219	Eaton	6.50/9.04	101
104829	Eaton	5.31	223	114221	Eaton	7.17/9.97	101
104831	Eaton	5.90	223	114228	Eaton	4.88/6.78	101
104833	Eaton	7.20	223	114229	Eaton	5.57/7.75	101
104873	Eaton	5.43/7.39	195	114230	Eaton	6.14/8.54	101
104874	Eaton	6.17/8.40	195	114292	Eaton	5.86/8.15	164
104876	Eaton	5.31	224	114293	Eaton	6.29/8.74	164
104878	Eaton	5.90	224	114502	Eaton	6.33/8.81	164
104880	Eaton	7.20	224	114504	Eaton	3.70	229
104909	Eaton	3.70	198	114505	Eaton	3.90	229
104911	Eaton	4.11	198	114506	Eaton	4.11	229
104912	Eaton	4.33	198	114507	Eaton	4.33	229
104953	Eaton	3.70	200	114508	Eaton	4.56	229
104955	Eaton	4.11	200	114509	Eaton	4.88	229
104956	Eaton	4.33	200	114510	Eaton	5.29	229
106155	Eaton	3.70	199	114511	Eaton	5.57	229
106157	Eaton	4.11	199	114512	Eaton	6.14	229
106158	Eaton	4.33	199	114513	Eaton	6.50	229
106221	Eaton	3.70	201	114514	Eaton	7.17	229
106223	Eaton	4.11	201	114524	Eaton	6.14	229
106224	Eaton	4.33	201	114525	Eaton	6.50	229
107937	Eaton	3.70	194	114526	Eaton	7.17	229
107938	Eaton	3.90	194	114540	Eaton	3.70/5.05	240
107939	Eaton	4.11	194	114541	Eaton	4.11/5.61	240
107940	Eaton	4.33	194	114544	Eaton	4.88/6.65	240
107941	Eaton	4.56	194	114545	Eaton	5.29/7.21	240

1980/  
TRUCK SERIES 600/900

**DIFFERENTIAL CARRIER AND REAR AXLE IDENTIFICATION CHART**

IDENTIFICATION NUMBER	%MFR.	RATIO	PARTS LIST NO.	IDENTIFICATION NUMBER	%MFR.	RATIO	PARTS LIST NO.
% Dana refers to Dana (Spicer) and Rockwell refers to Rockwell (Timken) — Cont'd							
114546	Eaton	5.57/7.60	240	115204	Eaton	3.70/5.05	241
114547	Eaton	6.14/8.38	240	115205	Eaton	4.11/5.61	241
114548	Eaton	6.50/8.86	240	115219	Eaton	4.88/6.65	241
114549	Eaton	7.17/9.77	240	115220	Eaton	5.29/7.21	241
114562	Eaton	3.70	231	115221	Eaton	5.57/7.60	241
114563	Eaton	3.90	231	115222	Eaton	6.14/8.38	241
114564	Eaton	4.11	231	115223	Eaton	6.50/8.86	241
114565	Eaton	4.33	231	115224	Eaton	7.17/9.77	241
114566	Eaton	4.56	231	115260	Eaton	4.11/5.61	245
114567	Eaton	4.88	231	115261	Eaton	4.33/5.91	245
114568	Eaton	5.29	231	115262	Eaton	4.56/6.21	245
114569	Eaton	5.57	231	115314	Eaton	5.05	243
114570	Eaton	6.14	231	115315	Eaton	5.61	243
114571	Eaton	6.50	231	115346	Eaton	3.70	97
114572	Eaton	7.17	231	115347	Eaton	4.11	97
114608	Eaton	5.05	242	115349	Eaton	4.56	97
114609	Eaton	5.61	242	115350	Eaton	4.88	97
114687	Eaton	4.11/5.61	244	115351	Eaton	5.29	97
114688	Eaton	4.33/5.91	244	115412	Eaton	5.57	97
114689	Eaton	4.56/6.21	244	115413	Eaton	6.14	97
114749	Eaton	3.70/5.04	195	115414	Eaton	6.50	97
114750	Eaton	4.11/5.60	195	115415	Eaton	7.17	97
114752	Eaton	4.56/6.21	195	115420	Eaton	6.57/9.13	101
114753	Eaton	4.88/6.64	195	115421	Eaton	6.57/9.13	101
114754	Eaton	5.43/7.39	195	115422	Eaton	6.57/9.13	101
114755	Eaton	6.17/8.40	195	115505	Eaton	557/760	102
114756	Eaton	6.67/9.08	195	115506	Eaton	6.14/8.38	102
115057	Eaton	3.70	230	115507	Eaton	6.50/8.86	102
115059	Eaton	4.11	230	115508	Eaton	7.17/9.77	102
115060	Eaton	4.33	230	115535	Eaton	5.86/8.15	164
115069	Eaton	3.70	230	115536	Eaton	6.29/8.74	164
115070	Eaton	3.90	230	115651	Eaton	3.70/5.05	102
115071	Eaton	4.11	230	115652	Eaton	4.11/5.61	102
115072	Eaton	4.33	230	115654	Eaton	4.56/6.21	102
115073	Eaton	4.56	230	115655	Eaton	4.88/6.65	102
115074	Eaton	4.88	230	115656	Eaton	5.29/7.21	102
115075	Eaton	5.29	230	115841	Eaton	3.90	221
115076	Eaton	5.57	230	115842	Eaton	4.11	221
115077	Eaton	6.14	230	115844	Eaton	4.62	221
115078	Eaton	6.50	230	115845	Eaton	4.88	221
115079	Eaton	7.17	230	115846	Eaton	5.29	221
115093	Eaton	3.70	232	115847	Eaton	5.57	221
115094	Eaton	3.90	232	115848	Eaton	6.17	221
115095	Eaton	4.11	232	115849	Eaton	6.50	221
115096	Eaton	4.33	232	115850	Eaton	7.17	221
115103	Eaton	7.17	232	115917	Eaton	3.90/5.31	222
115105	Eaton	3.70	232	115918	Eaton	4.11/5.61	222
115106	Eaton	3.90	232	115920	Eaton	4.62/6.31	222
115107	Eaton	4.11	232	115921	Eaton	4.88/6.65	222
115108	Eaton	4.33	232	115922	Eaton	5.29/7.21	222
115109	Eaton	4.56	232	115923	Eaton	5.57/7.60	222
115110	Eaton	4.88	232	115924	Eaton	6.17/8.41	222
115111	Eaton	5.29	232	115925	Eaton	6.50/8.86	222
115112	Eaton	5.57	232	115926	Eaton	7.17/9.77	222
115113	Eaton	6.14	232	116571	Eaton	5.57/7.75	164
115114	Eaton	6.50	232	116572	Eaton	5.83/8.12	164
115115	Eaton	7.17	232				

1980/  
TRUCK SERIES 600/900

**DIFFERENTIAL CARRIER AND REAR AXLE IDENTIFICATION CHART**

IDENTIFICATION NUMBER	%MFR.	RATIO	PARTS LIST NO.	IDENTIFICATION NUMBER	%MFR.	RATIO	PARTS LIST NO.		
% Dana refers to Dana (Spicer) and Rockwell refers to Rockwell (Timken) — Cont'd									
116573	Eaton	6.33/8.81	164	A-Y-1091	Rockwell	5.83	202		
116576	Eaton	5.57/7.75	164			6.17	202		
116577	Eaton	5.83/8.12	164			6.83	202		
117312	Eaton	3.90	246			7.17	202		
117313	Eaton	4.11	246			A1 C-1225	Rockwell	5.76	214
117314	Eaton	4.33	246			A1-D-1226	Rockwell	5.78	210
117315	Eaton	4.62	246			A1-J-1648	Rockwell	3.42	293
117350	Eaton	3.90	247					3.58	293
117351	Eaton	4.11	247					3.73	293
117352	Eaton	4.33	247					3.91	293
117353	Eaton	4.62	247	4.10	293				
117457	Eaton	5.31	223	4.30	293				
117459	Eaton	5.90	223	4.56	293				
117461	Eaton	7.20	223	4.89	293				
117481	Eaton	5.31	224	5.38	293				
117483	Eaton	5.90	224	5.63	293				
117485	Eaton	7.20	224	A1-M-1677	Rockwell	3.42	282		
118146	Eaton	6.57/8.94	102			3.58	282		
118148	Eaton	6.57	97			3.73	282		
118551	Eaton	4.88	229			3.91	282		
118552	Eaton	5.29	229			4.10	282		
118553	Eaton	5.57	229			4.30	282		
118554	Eaton	6.14	229			4.56	282		
118555	Eaton	6.50	229			4.88	282		
118556	Eaton	7.17	229			5.29	282		
118770	Eaton	5.57/7.75	164			5.86	282		
118771	Eaton	5.86/8.15	164	6.14	282				
119324	Eaton	6.14/8.54	101	A1-T-1658	Rockwell	6.43	282		
119382	Eaton	5.57/7.75	164			7.17	282		
119383	Eaton	5.86/8.15	164			3.42	294		
119384	Eaton	6.29/8.74	164			3.58	294		
119385	Eaton	5.57/7.75	164			3.73	274,294		
119386	Eaton	5.86/8.15	164			3.91	274,294		
119387	Eaton	6.29/8.74	164			4.10	274,294		
119388	Eaton	5.57/7.75	164			4.30	274,294		
119389	Eaton	5.86/8.15	164			4.56	274,294		
119395	Eaton	5.57/7.75	101			4.89	274,294		
119396	Eaton	6.14/8.54	101	5.38	274,294				
119397	Eaton	6.57/9.13	101	5.63	274,294				
119398	Eaton	7.17/9.97	101	6.14	274				
119399	Eaton	5.57/7.75	101	6.83	274				
119400	Eaton	6.14/8.54	101	7.17	274				
119401	Eaton	6.57/9.13	101	A1 V 1660	Rockwell	3.42	280,296		
119402	Eaton	7.17/9.97	101			3.58	280,296		
119403	Eaton	4.88/6.78	101			3.73	280,296		
119404	Eaton	5.57/7.75	101			3.91	280,296		
119405	Eaton	6.57/9.13	101			4.10	280,296		
119406	Eaton	7.17/9.97	101			4.30	280,296		
120667	Eaton	6.50/8.86	102			4.56	280,296		
120767	Eaton	5.83/8.12	164			4.89	280,296		
120837	Eaton	3.90/5.31	240			5.38	280,296		
120841	Eaton	3.90/5.31	241			5.63	280,296		
A-C-1225	Rockwell	5.76	213	6.14	280				
A-D-1226	Rockwell	5.78	209	6.83	280				
A-E-1227	Rockwell	5.96	211	7.17	280				
A-L-1234	Rockwell	5.96	212						

1980/  
TRUCK SERIES 600/900

**DIFFERENTIAL CARRIER AND REAR AXLE IDENTIFICATION CHART**

IDENTIFICATION NUMBER	%MFR.	RATIO	PARTS LIST NO.	IDENTIFICATION NUMBER	%MFR.	RATIO	PARTS LIST NO.		
% Dana refers to Dana (Spicer) and Rockwell refers to Rockwell (Timken) — Cont'd									
A1-X-1662	Rockwell	3.42	292	A5-R-1500	Rockwell	4.88	272		
		3.58	292			5.29	272		
		3.73	292			5.86	272		
		3.91	292			6.43	272		
		4.10	292			6.83	272		
		4.30	292			7.17	272		
		4.56	292			A5-T-1658	Rockwell	4.56	274
		4.88	292			A5-V-1660	Rockwell	4.56	280
		5.29	292			A6-C-1381	Rockwell	3.42	281
		5.86	292					3.58	281
		6.14	292					3.73	281
		6.43	292					3.91	281
7.17	292	4.10	281						
A1-Y-1091	Rockwell	5.29	202	A6-G-1645	Rockwell	3.42	288		
		5.83	202			3.58	288		
		6.17	202			3.73	288		
		6.83	202			3.91	288		
		7.17	202			4.10	288		
A3-C-1511	Rockwell	3.42	280			4.30	288		
		3.58	280			4.56	288		
		3.73	280			4.88	288		
		3.91	280			5.29	288		
A3-M-1677	Rockwell	4.56	282			5.86	288		
A3-P-1420	Rockwell	3.91	205			6.14	288		
		4.10	205			6.43	288		
		4.30	205			7.17	288		
		4.56	205			A6-N-1314	Rockwell	3.70	252
		5.38	205					3.90	252
		5.57	205			A6-R-1500	Rockwell	3.91	272
6.14	205	4.10	272						
A3-R-1656	Rockwell	4.56	282			4.56	272		
A4-C-1511	Rockwell	3.42	280			4.88	272		
		3.58	280			5.29	272		
		3.73	280			5.86	272		
		3.91	280			6.43	272		
		4.10	280			6.83	272		
A4-G-1645	Rockwell	3.42	290			7.17	272		
		3.58	290			A6-T-1346	Rockwell	3.70	252
		3.73	290			A7-C-1381	Rockwell	3.42	275
		3.91	290					3.58	275
		4.10	290					3.73	275
		4.30	290					3.91	275
		4.56	290					4.10	275
		4.88	290			A7-C-1511	Rockwell	3.42	274
		5.29	290					3.58	274
		5.86	290					3.73	274
		6.14	290					3.91	274
		6.43	290					4.10	274
7.17	290	A7-L-1676	Rockwell	3.73	270				
				3.91	270				
				4.10	270				
A4-T-1658	Rockwell	4.56	274			4.30	270		
A4-V-1660	Rockwell	4.56	280			4.56	270		
A5-C-1381	Rockwell	3.42	275			4.88	270		
		3.58	275			5.29	270		
		3.73	275			5.86	270		
		3.91	275			6.43	270		
		4.10	275			6.83	270		
A5-R-1500	Rockwell	3.91	272			7.17	270		
		4.10	272						
		4.56	272						

1980/  
TRUCK SERIES 600/900

**DIFFERENTIAL CARRIER AND REAR AXLE IDENTIFICATION CHART**

IDENTIFICATION NUMBER	%MFR.	RATIO	PARTS LIST NO.	IDENTIFICATION NUMBER	%MFR.	RATIO	PARTS LIST NO.	
% Dana refers to Dana (Spicer) and Rockwell refers to Rockwell (Timken) — Cont'd								
A7-M-1547	Rockwell	3.91	272	A8-L-1676	Rockwell	3.42	291	
		4.10	272			3.58	291	
		4.30	272			3.73	291	
		4.56	272			3.91	272,291	
		4.88	272			4.10	272,291	
		5.29	272			4.30	272,291	
		5.86	272			4.56	272,291	
		6.43	272			4.88	272,291	
A7-N-1314	Rockwell	6.83	272	A8-N-1314	Rockwell	5.29	272,291	
		7.17	272			5.86	272,291	
		4.11	252			6.14	291	
		4.33	252			6.43	272,291	
A7-R-1500	Rockwell	4.63	252	A8-Y-1091	Rockwell	6.83	272	
		4.56	272			7.17	272,291	
		4.88	272			4.88	252	
		5.29	272			5.29	252	
		5.86	272			5.83	252	
		6.43	272			6.17	252	
		6.83	272			6.83	252	
A7-T-1346	Rockwell	7.17	272	A9-C-1381	Rockwell	7.20	252	
		4.11	252			3.42	281	
		5.83	202			3.58	281	
		6.17	202			3.73	281	
A7-Y-1091	Rockwell	6.83	202	A9-D-1616	Rockwell	3.91	281	
		7.17	202			4.10	281	
		4.56/6.36	271			4.88	268	
		4.88	274			5.13	268	
A8-C-1381	Rockwell	3.42	275	A9-F-1488	Rockwell	5.86	267	
		3.58	275			6.14	267,268	
		3.73	275			7.17	267,268	
		3.91	275			4.56	283	
		4.10	275			4.88	289	
A8-C-1511	Rockwell	3.42	274	A9-L-1624	Rockwell	3.42	289	
		3.58	274			3.58	289	
		3.73	274			3.73	289	
		3.91	274			3.91	289	
		4.10	274			4.10	289	
A8-E-603	Rockwell	4.33	189	A9-L-1676	Rockwell	4.30	289	
		3.73	268			4.56	289	
		4.10	268			4.88	289	
		4.30	267,268			5.13	289	
		4.56	268			5.86	289	
		4.88	267,268			6.14	289	
		5.13	268			7.17	289	
		5.86	267,268					
A8-F-1488	Rockwell	6.14	267,268					
		7.17	267,268					





1980/  
TRUCK SERIES 600/900

**DIFFERENTIAL CARRIER AND REAR AXLE IDENTIFICATION CHART**

IDENTIFICATION NUMBER	%MFR.	RATIO	PARTS LIST NO.	IDENTIFICATION NUMBER	%MFR.	RATIO	PARTS LIST NO.		
% Dana refers to Dana (Spicer) and Rockwell refers to Rockwell (Timken) — Cont'd									
A14-C-1433	Rockwell	3.91	206	A16-E-603	Rockwell	3.70	189		
		4.10	206			4.11	189		
		4.30	206			A16-M-1547	Rockwell	4.30	272
		4.56	206					4.56	272
		5.38	206					4.88	272
		5.57	206					5.29	272
		6.14	206					5.86	272
A14-D-1564	Rockwell	6.83/9.53	273			6.43	272		
A14-D-1616	Rockwell	6.50/9.07	271			6.83	272		
A14-H-1568	Rockwell	5.38/7.50	269			7.17	272		
A14-L-1078	Rockwell	4.11	203	A17-C-1511	Rockwell	3.42	280		
A14-M-1547	Rockwell	3.91	270			3.58	280		
		4.10	270			3.73	280		
		4.30	270			3.91	280		
		4.56	270			4.10	280		
		4.88	270			A17-D-1616	Rockwell	3.91/5.45	271
		5.29	270					A17-H-1568	Rockwell
		5.86	270	A17-L-1078	Rockwell	4.11	203		
6.43	270	A17-L-1676	Rockwell	4.88	270				
6.83	270	A17-M-1547	Rockwell	3.91	272				
7.17	270			4.10	272				
A14-Y-1091	Rockwell			4.56	248	4.30	272		
				4.63	248	4.56	272		
				4.88	248	4.88	272		
				5.29	202	5.29	272		
				5.38	248	5.86	272		
		5.83	202	6.43	272				
		5.86	248	6.83	272				
6.14	248	A17-R-1500	Rockwell	7.17	272				
6.17	202			4.56	284				
6.83	202	A18-D-1616	Rockwell	3.91/5.45	271				
A14-Z-1560	Rockwell	3.42	274	A18-F-1566	Rockwell	4.10/5.59	276		
		3.58	274	A18-H-1568	Rockwell	4.56/6.36	269		
		3.73	274	A18-L-1078	Rockwell	3.70	203		
		3.91	274	A18-L-1624	Rockwell	3.42	283		
		4.10	274			3.58	283		
		4.30	274			3.73	283		
		4.56	274			3.91	283		
4.89	274	4.10	283						
4.30	274	4.30	283						
A15-C-1511	Rockwell	3.42	274	4.56	283				
		3.73	274	4.88	283				
		3.91	274	5.29	283				
		4.10	274	5.86	283				
A15-D-1616	Rockwell	6.50/9.07	271			6.14	283		
A15-L-1078	Rockwell	3.70	203						
A15-Z-1560	Rockwell	3.42	274	A19-D-1616	Rockwell	4.10/5.72	271		
		3.58	274	A19-F-1566	Rockwell	4.10/5.59	276		
		3.73	274	A19-H-1568	Rockwell	4.88/6.80	269		
		3.91	274	A19-L-1078	Rockwell	3.70	203		
		4.10	274	A20-D-1564	Rockwell	3.91/5.45	273		
		4.30	274	A20-D-1616	Rockwell	4.10/5.72	271		
		4.56	274	A20-F-1566	Rockwell	4.30/5.86	276		
		4.89	274						

1980/  
TRUCK SERIES 600/900

**DIFFERENTIAL CARRIER AND REAR AXLE IDENTIFICATION CHART**

IDENTIFICATION NUMBER	%MFR.	RATIO	PARTS LIST NO.	IDENTIFICATION NUMBER	%MFR.	RATIO	PARTS LIST NO.		
% Dana refers to Dana (Spicer) and Rockwell refers to Rockwell (Timken) — Cont'd									
A20-H-1568	Rockwell	4.88/6.80	269	A29-D-1564	Rockwell	4.88/6.80	273		
A20-L-1078	Rockwell	4.11	203	A29-D-1616	Rockwell	5.38/7.50	271		
A21-D-1564	Rockwell	3.91/5.45	273	A29-F-1566	Rockwell	5.57/7.60	276		
A21-D-1616	Rockwell	4.56/6.36	271	A29-R-1500	Rockwell	4.30	279		
A21-F-1566	Rockwell	4.30/5.86	276			4.56	279		
A21-G-605	Rockwell	3.70	189			4.88	279		
		3.90	189			5.29	279		
		4.11	189			5.86	279		
		4.33	189			6.43	279		
		4.88	189			6.83	279		
		5.29	189			7.17	279		
		5.86	189			A29-Y-1039	Rockwell	5.29	204
		6.14	189			A30-D-1564	Rockwell	5.38/7.50	273
6.83	189	A30-D-1616	Rockwell	6.83/9.53	271				
7.40	189	A30-F-1566	Rockwell	6.14/8.38	276				
A21-H-1568	Rockwell	6.14/8.57	269	A30-R-1500	Rockwell	3.91	279		
A22-D-1564	Rockwell	4.10/5.72	273			4.10	279		
A22-D-1616	Rockwell	4.56/6.36	271			4.30	279		
A22-F-1566	Rockwell	4.56/6.22	276			4.56	279		
A22-H-1568	Rockwell	6.14/8.57	269			4.88	279		
A23-D-1564	Rockwell	4.10/5.72	273			5.29	279		
A23-D-1616	Rockwell	4.88/6.80	271			5.86	279		
A23-F-1566	Rockwell	4.56/6.22	276			6.43	279		
A23-H-1568	Rockwell	6.83/9.53	269			6.83	279		
A24-D-1564	Rockwell	4.56/6.36	273			7.17	279		
A24-D-1616	Rockwell	4.88/6.80	271	A30-Y-1039	Rockwell	4.11	204		
A24-F-1566	Rockwell	4.88/6.65	276			4.44	204		
A24-H-1568	Rockwell	6.83/9.53	269			4.63	204		
A24-P-1420	Rockwell	3.91	205	A31-D-1564	Rockwell	5.38/7.50	273		
		4.10	205	A31-D-1616	Rockwell	6.83/9.53	271		
		4.30	205	A31-F-1566	Rockwell	6.14/8.38	276		
		4.56	205	A31-H-1568	Rockwell	4.56/6.36	269		
		5.38	205			4.88/6.80	269		
		5.57	205			5.38/7.50	269		
6.14	205	5.86/8.17	269						
A25-D-1564	Rockwell	4.56/6.36	273	A31-R-1500	Rockwell	6.14/8.57	269		
A25-D-1616	Rockwell	4.88/6.80	271			6.83/9.53	269		
A25-F-1566	Rockwell	4.88/6.65	276			3.91	279		
A26-D-1564	Rockwell	4.56/6.36	273			4.10	279		
A26-D-1616	Rockwell	4.88/6.80	271			4.30	279		
A26-F-1566	Rockwell	5.38/7.33	276			4.56	279		
A26-H-1568	Rockwell	5.86/8.17	269			4.88	279		
A27-D-1564	Rockwell	4.88/6.80	273			5.29	279		
A27-D-1616	Rockwell	5.38/7.50	271			5.86	279		
A27-F-1566	Rockwell	5.38/7.33	276			6.43	279		
A27-H-1568	Rockwell	5.86/8.17	269	A31-Y-1039	Rockwell	3.70	204		
A28-D-1564	Rockwell	4.88/6.80	273	A32-D-1564	Rockwell	6.50/9.07	273		
A28-D-1616	Rockwell	5.38/7.50	271	A32-D-1616	Rockwell	6.83/9.53	271		
A28-F-1566	Rockwell	5.57/7.60	276	A32-F-1566	Rockwell	6.50/8.86	276		

---



---



---



---



---



---



---



---



---



---

1980/  
TRUCK SERIES 600/900

**DIFFERENTIAL CARRIER AND REAR AXLE IDENTIFICATION CHART**

IDENTIFICATION NUMBER	%MFR.	RATIO	PARTS LIST NO.	IDENTIFICATION NUMBER	%MFR.	RATIO	PARTS LIST NO.
% Dana refers to Dana (Spicer) and Rockwell refers to Rockwell (Timken) — Cont'd							
A32-Z-1560	Rockwell	4.10	280	A39-U-1399	Rockwell	3.42	275
		4.30	280			3.58	275
		4.56	280			3.73	275
		4.89	280			3.91	275
		5.38	280			4.10	275
		5.63	280			4.30	275
		6.14	280			4.56	275
		6.83	280			4.89	275
		7.17	280	A39-Z-1560	Rockwell	3.42	280
A33-D-1564	Rockwell	6.50/9.07	273			3.58	280
A33-D-1616	Rockwell	7.17/10.0	271			3.73	280
A33-F-1566	Rockwell	6.50/8.86	276			3.91	280
A33-Z-1560	Rockwell	4.10	280			4.10	280
		4.30	280			4.30	280
		4.56	280			4.56	280
		4.89	280			4.89	280
		5.38	280	A40-U-1399	Rockwell	3.42	275
		5.63	280			3.58	275
		6.14	280	3.73	275		
A34-D-1564	Rockwell	6.83/9.53	273	3.91	275		
A34-D-1616	Rockwell	7.17/10.0	271	4.10	275		
A34-F-1566	Rockwell	7.17/9.77	276	4.30	275		
A35-D-1564	Rockwell	7.17/10.0	273	4.56	275		
A35-D-1616	Rockwell	7.17/10.0	271	4.89	275		
A35-F-1566	Rockwell	7.17/9.77	276	5.38	275		
A36-D-1564	Rockwell	7.17/10.0	273	5.63	275		
A37-D-1564	Rockwell	6.83/9.53	273	6.14	275		
A37-G-605	Rockwell	7.40	189	A40-Z-1560	Rockwell	3.42	274
A37-U-1399	Rockwell	4.10	275			3.58	274
		4.30	275			3.73	274
		4.56	275			3.91	274
		4.89	275			4.10	274
		5.38	275			4.30	274
		5.63	275			4.56	274
		6.14	275			4.89	274
A38-U-1399	Rockwell	3.42	275	A41-Z-1560	Rockwell	3.42	274
		3.58	275			3.58	274
		3.73	275			3.73	274
		3.91	275			3.91	274
		4.10	275			4.10	274
		4.30	275			4.30	274
		4.56	275			4.56	274
		4.89	275			4.89	274
A38-Z-1560	Rockwell	3.42	280	A43-C-1433	Rockwell	3.91	206
		3.58	280			4.10	206
		3.73	280			4.30	206
		3.91	280			4.56	206
		4.10	280			5.38	206
		4.30	280			5.57	206
		4.56	280			6.14	206
		4.89	280				
				A43-D-1616	Rockwell	5.86/8.17	271
				A43-N-1314	Rockwell	3.70	250
						3.90	250

1980/  
TRUCK SERIES 600/900

**DIFFERENTIAL CARRIER AND REAR AXLE IDENTIFICATION CHART**

IDENTIFICATION NUMBER	%MFR.	RATIO	PARTS LIST NO.	IDENTIFICATION NUMBER	%MFR.	RATIO	PARTS LIST NO.
% Dana refers to Dana (Spicer) and Rockwell refers to Rockwell (Timken) — Cont'd							
A44-D-1616	Rockwell	4.30/6.00	271	A54-N-1080	Rockwell	4.11	204
		5.86/8.17	271	A54-U-1399	Rockwell	3.42	281
		6.14/8.57	271			3.58	281
A44-F-1566	Rockwell	4.10/5.59	276			3.73	281
		4.30/5.86	276			3.91	281
		4.56/6.22	276			4.10	281
		4.88/6.65	276			4.30	281
		5.38/7.33	276			4.56	281
		5.57/7.60	276			4.89	281
		6.14/8.38	276			5.38	281
		6.50/8.86	276			5.63	281
		7.17/9.77	276	A55-N-1080	Rockwell	3.70	204
A44-N-1314	Rockwell	4.11	250	A56-T-1346	Rockwell	3.73	252
		4.33	250			4.10	252
		4.63	250	A58-D-1564	Rockwell	7.17/10.0	273
A45-D-1616	Rockwell	4.30/6.00	271	A59-D-1564	Rockwell	3.91/5.45	273
		5.86/8.17	271			4.10/5.72	273
		6.14/8.57	271			4.30/6.00	273
A45-N-1314	Rockwell	4.88	250			4.56/6.36	273
		5.29	250			4.88/6.80	273
		5.83	250			5.38/7.50	273
		6.17	250			5.86/8.17	273
		6.83	250			6.50/9.07	273
		7.20	250			6.83/9.53	273
A45-Y-1091	Rockwell	4.63	248			7.17/10.00	273
		5.29	202	A60-N-1080	Rockwell	4.11	204
		5.83	202	A61-N-1080	Rockwell	3.70	204
		6.83	202	A61-U-1399	Rockwell	3.42	275
		7.17	202			3.58	275
		6.17	202			3.73	275
A46-D-1616	Rockwell	5.86/8.17	271			3.91	275
		6.14/8.57	271			4.10	275
A48-D-1616	Rockwell	4.30/6.00	271			4.30	275
		4.56/6.36	271			4.56	275
		4.88/6.80	271			4.89	275
		5.38/7.50	271			5.38	275
		5.86/8.17	271			5.63	275
		6.14/8.57	271	A62-N-1080	Rockwell	3.70	204
		6.50/9.07	271	A63-N-1080	Rockwell	4.11	204
		6.83/9.53	271	A64-R-1162	Rockwell	3.90	205
		7.17/10.00	271			4.11	205
A50-D-1564	Rockwell	4.30/6.00	273			4.33	205
		5.86/8.17	273			4.63	205
A53-D-1564	Rockwell	4.30/6.00	273	A65-R-1162	Rockwell	5.29	205
		5.86/8.17	273			5.57	205
A53-L-1078	Rockwell	3.70	251	A66-R-1162	Rockwell	3.90	205
A54-D-1564	Rockwell	4.30/6.00	273			4.11	205
		5.86/8.17	273			4.33	205
A54-L-1078	Rockwell	4.11	251			4.63	205

1980/  
TRUCK SERIES 600/900

**DIFFERENTIAL CARRIER AND REAR AXLE IDENTIFICATION CHART**

IDENTIFICATION NUMBER	%MFR.	RATIO	PARTS LIST NO.	IDENTIFICATION NUMBER	%MFR.	RATIO	PARTS LIST NO.		
% Dana refers to Dana (Spicer) and Rockwell refers to Rockwell (Timken) — Cont'd									
A67-R-1162	Rockwell	3.90	205	A75-U-1399	Rockwell	3.42	281		
		4.11	205			3.58	281		
		4.33	205			3.73	281		
		4.63	205			3.91	281		
		4.89	205			4.10	281		
		5.29	205			4.30	281		
		5.57	205			4.56	281		
		6.17	205	4.89	281				
A68-R-1162	Rockwell	3.90	205	A76-U-1399	Rockwell	4.10	281		
		4.11	205			4.30	281		
		4.33	205			4.56	281		
		4.63	205			4.89	281		
A69-R-1162	Rockwell	5.29	205			5.38	281		
		5.57	205			5.63	281		
A70-Y-1091	Rockwell	4.88	248	A79-U-1399	Rockwell	3.42	275		
		5.38	248			3.58	275		
		5.86	248			3.73	275		
		6.14	248			3.91	275		
		6.83	248			4.10	275		
		7.17	248	4.30	275				
A71-Y-1091	Rockwell	4.56	248			4.56	275		
		4.88	248			4.89	275		
		5.38	248			A80-U-1399	Rockwell	3.42	275
		5.86	248					3.58	275
		6.14	248					3.73	275
		6.83	248					3.91	275
		7.17	248	4.10	275				
A72-U-1399	Rockwell	3.42	281	A80-Y-1091	Rockwell	3.73	248		
		3.58	281			4.10	248		
		3.73	281			4.56	248		
		3.91	281			4.88	248		
		4.10	281			5.38	248		
		4.30	281			5.86	248		
		4.56	281			6.14	248		
		4.89	281			A81-Y-1091	Rockwell	4.88	248
		5.38	281					5.38	248
		5.63	281					5.86	248
6.14	281	6.14	248						
		6.83	248						
		7.17	248						
A72-Y-1091	Rockwell	5.86	248	A82-Y-1091	Rockwell	4.56	248		
		6.14	248			4.88	248		
		6.83	248			5.38	248		
		7.17	248			5.86	248		
						6.14	248		
						6.83	248		
						7.17	248		
A74-U-1399	Rockwell	3.42	281			4.56	248		
		3.58	281			4.88	248		
		3.73	281			5.38	248		
		3.91	281			5.86	248		
		4.10	281			6.14	248		
		4.30	281			6.83	248		
		4.56	281			7.17	248		
		4.89	281						


1980/  
TRUCK SERIES 600/900

**DIFFERENTIAL CARRIER AND REAR AXLE IDENTIFICATION CHART**

IDENTIFICATION NUMBER	%MFR.	RATIO	PARTS LIST NO.	IDENTIFICATION NUMBER	%MFR.	RATIO	PARTS LIST NO.
% Dana refers to Dana (Spicer) and Rockwell refers to Rockwell (Timken) — Cont'd							
A83-Y-1091	Rockwell	5.86 6.14 6.83 7.17	248 248 248 248	B19-P-1420	Rockwell	3.91 4.10 4.30 4.56 4.63 4.89 5.29	205 205 205 205 205 205 205
A92-E-603	Rockwell	3.70 4.11 4.33	189 189 189			5.38 5.57 6.14	205 205 205
A92-R-616	Rockwell	3.70 4.11	128 128				205 205
B2-Y-1091	Rockwell	4.88	264				205
B5-N-1080	Rockwell	3.73 4.10 4.44	204 204 204	B20-L-1078	Rockwell	3.73 4.10	203 203
B5-Y-1091	Rockwell	3.73 4.10 4.56 4.88	248 248 248 248	B20-P-1420	Rockwell	3.91 4.10 4.30 4.63 5.29 5.57	205 205 205 205 205 205
B7-Y-1039	Rockwell	4.11 4.44	204 204	B21-L-1078	Rockwell	3.73 4.10	251 251
B8-Y-1039	Rockwell	3.70	204				
B9-Y-1039	Rockwell	5.29	204	B25-P-1420	Rockwell	3.91 4.10 4.30 4.63 5.29 5.57	205 205 205 205 205 205
B10-N-1314	Rockwell	3.55 3.73 3.90 4.10 4.33 4.63 4.88 5.29 5.86 6.14 6.83 7.17	252 252 252 252 252 252 252 252 252 252 252 252	B29-P-1420	Rockwell	3.91 4.10 4.30 4.63 5.29 5.57 6.14	205 205 205 205 205 205 205
B10-Y-1039	Rockwell	4.11 4.44 4.63	204 204 204	B43-G-605	Rockwell	3.70 3.90 4.11	189 189 189
B11-N-1314	Rockwell	3.73 3.90 4.10 4.33 4.63 4.88 5.29 5.86 6.14 6.83 7.17	250 250 250 250 250 250 250 250 250 250 250	B44-G-605	Rockwell	4.33 5.29 5.86 6.14 6.83	189 189 189 189 189
B11-Y-1039	Rockwell	3.70	204	B48-L-1078	Rockwell	3.73 4.10	203 203
B15-Y-1039	Rockwell	5.29	204	B49-L-1078	Rockwell	3.73 4.10	251 251
B16-Y-1039	Rockwell	4.11 4.44 4.63	204 204 204	B53-R-1162	Rockwell	3.90 4.11 4.33 4.63 5.29 5.57 6.17	205 205 205 205 205 205 205
B17-Y-1039	Rockwell	3.70	204				

1980/  
TRUCK SERIES 600/900

**DIFFERENTIAL CARRIER AND REAR AXLE IDENTIFICATION CHART**

IDENTIFICATION NUMBER	%MFR.	RATIO	PARTS LIST NO.	IDENTIFICATION NUMBER	%MFR.	RATIO	PARTS LIST NO.		
% Dana refers to Dana (Spicer) and Rockwell refers to Rockwell (Timken) — Cont'd									
B75-R-1162	Rockwell	5.29	205	D16-G-605	Rockwell	3.70	189		
		5.57	205			3.90	189		
		6.17	205			4.11	189		
C1-R-1032	Rockwell	4.11	203			4.33	189		
		4.44	203			4.63	189		
C2-R-1032	Rockwell	3.70	203			4.88	189		
C3-R-1032	Rockwell	5.29	203			5.29	189		
C4-R-1032	Rockwell	4.11	203			5.86	189		
		4.44	203			6.14	189		
		4.63	203			6.83	189		
C5-R-1032	Rockwell	3.70	203	7.40	189				
C5-Y-1039	Rockwell	3.73	204	D67-H-606	Rockwell	3.90	206		
		4.10	204			4.11	206		
		4.44	204			4.33	206		
C7-R-1032	Rockwell	4.11	203	D72-H-606	Rockwell	4.63	206		
		4.44	203			4.89	206		
C8-R-1032	Rockwell	3.70	203	5.29	206				
C16-L-1078	Rockwell	3.73	265	D75-H-606	Rockwell	5.57	206		
		4.10	265			3.90	206		
C17-L-1078	Rockwell	3.73	251			4.11	206		
		4.10	251	4.33	206				
C17-U-801	Rockwell	3.70	127	D76-H-606	Rockwell	4.63	206		
		4.11	127			2.90	206		
C28-R-1032	Rockwell	4.11	203	D80-H-606	Rockwell	4.11	206		
		4.44	203			4.33	206		
C29-R-1032	Rockwell	3.70	203			4.63	206		
C63-R-1032	Rockwell	3.70	251			5.29	206		
		3.90	251			5.57	206		
C64-R-1032	Rockwell	4.11	251			E25-R-1032	Rockwell	3.73	203
		4.33	251					4.10	203
		4.63	251					4.44	203
C65-R-1032	Rockwell	4.88	251			E26-R-1032	Rockwell	3.73	251
		5.29	251					3.90	251
		5.83	251	4.10	251				
		6.17	251	4.33	251				
		6.83	251	4.63	251				
		7.20	251	4.88	251				
C88-R-1032	Rockwell	3.70	249	D2-R-1032	Rockwell			4.88	249
		3.90	249					5.29	249
C89-R-1032	Rockwell	4.11	249					5.83	249
		4.33	249					6.17	249
		4.63	249			6.83	249		
C90-R-1032	Rockwell	4.88	249			7.20	249		
		5.29	249			4.88	249		
		5.83	249			5.29	249		
		6.17	249			5.86	251		
		6.83	249			6.14	251		



1980/  
TRUCK SERIES 600/900

**DIFFERENTIAL CARRIER AND REAR AXLE IDENTIFICATION CHART**

IDENTIFICATION NUMBER	%MFR.	RATIO	PARTS LIST NO.	IDENTIFICATION NUMBER	%MFR.	RATIO	PARTS LIST NO.		
% Dana refers to Dana (Spicer) and Rockwell refers to Rockwell (Timken) — Cont'd									
E27-R-1032	Rockwell	3.73	249	F17-R-1032	Rockwell	3.73	249		
		3.90	249			3.90	249		
		4.10	249			4.10	249		
		4.33	249			4.33	249		
		4.63	249			4.63	249		
		4.88	249			4.88	249		
		5.29	249			5.29	249		
		5.86	249			5.86	249		
		6.14	249			6.14	249		
		6.83	249			6.83	249		
7.17	249	7.17	249						
E28-R-1032	Rockwell	4.88	249	F18-R-1032	Rockwell	4.88	249		
		5.29	249			5.29	249		
		5.86	249			5.86	249		
		6.14	249			6.14	249		
		6.83	249			6.83	249		
7.17	249	7.17	249						
F8-H-606	Rockwell	3.90	206	F31-C-393	Rockwell	3.70	126		
		4.11	206			4.11	126		
		4.33	206			4.44	126		
		4.63	206	F32-C-393	Rockwell	4.11	126		
		5.29	206	F34-C-393	Rockwell	3.70	128		
		5.57	206	F36-R-1110	Rockwell	5.83	191		
		6.17	206			6.20	191		
F15-R-1032	Rockwell	3.55	265	F49-C-393	Rockwell	4.88	128		
		3.73	203			5.29	128		
		3.90	265			5.83	128		
		4.10	203			6.17	128		
		4.33	265			6.83	128		
		4.44	203	F50-C-393	Rockwell	5.29	126		
		4.63	265			5.83	126		
		4.88	265			6.17	126		
		5.29	265			6.83	126		
		5.86	265			7.80	126		
		6.14	265			F51-C-393	Rockwell	3.70	128
								3.90	128
								4.11	128
F16-R-1032	Rockwell	3.55	251	F52-C-393	Rockwell	3.70	126		
		3.73	251			3.90	126		
		3.90	251			4.11	126		
		4.10	251			4.44	126		
		4.33	251			4.63	128		
		4.63	251	F56-R-1110	Rockwell	5.29	95		
		4.88	251			4.88	128		
		5.29	251			5.29	128		
		5.86	251	G25-C-393	Rockwell	5.83	128		
		6.14	251			6.17	128		
		6.83	251			6.17	128		
		7.17	251			6.83	128		
						6.83	128		

1980/  
TRUCK SERIES 600/900

**DIFFERENTIAL CARRIER AND REAR AXLE IDENTIFICATION CHART**

IDENTIFICATION NUMBER	%MFR.	RATIO	PARTS LIST NO.	IDENTIFICATION NUMBER	%MFR.	RATIO	PARTS LIST NO.
% Dana refers to Dana (Spicer) and Rockwell refers to Rockwell (Timken) — Cont'd							
G26-C-393	Rockwell	5.83	126	G75-R-1110	Rockwell	6.14	95
		6.17	126			6.83	95
		6.83	126			7.17	95
		7.80	126				
G27-C-393	Rockwell	3.70	128	G76-R-1110	Rockwell	6.14	95
		4.11	128			6.83	95
		4.44	128			7.17	95
		4.63	128				
G28-C-393	Rockwell	3.70	126	G87-R-1110	Rockwell	5.29	95
		4.11	126			5.83	95
		4.44	126				
G71-R-1032	Rockwell	3.55	265	G88-R-1110	Rockwell	6.14	95
		3.73	265			6.83	95
		3.90	265			7.17	95
		4.10	265	H10-T-800	Rockwell	4.11	125
		4.33	265			5.29	95
		4.63	265			5.83	95
		4.88	265	H16-R-1110	Rockwell	5.83	191
		5.29	265			6.20	191
		5.86	265			6.80	191
		G72-R-1032	Rockwell	6.14	265	H24-R-1110	Rockwell
				6.14	95		
3.55	251			H51-R-1110	Rockwell	5.83	191
3.73	251					6.20	191
3.90	251					6.80	191
4.10	251			H52-R-1110	Rockwell	5.29	95
4.33	251					5.83	95
4.63	251					6.14	95
4.88	251					6.83	95
5.29	251					7.17	95
5.86	251	H53-R-1110	Rockwell	5.29	95		
6.14	251			5.83	95		
6.83	251			6.14	95		
G72-T-800	Rockwell	4.11	125			6.83	95
						7.17	95
G73-R-1032	Rockwell	3.73	249	H54-R-1110	Rockwell	5.29	95
		3.90	249			5.83	95
		4.10	249			6.14	95
		4.33	249			6.83	95
		4.63	249			7.17	95
		4.88	249	J5-T-800	Rockwell	5.29	125
		5.29	249			5.83	125
		5.86	249			6.17	125
		6.14	249			6.83	125
		6.83	249			7.80	125
G74-R-1032	Rockwell	4.88	249	J10-T-800	Rockwell	5.29	127
		5.29	249			5.83	127
		5.86	249			6.17	127
		6.14	249			6.83	127
		6.83	249				
		7.17	249				

1980/  
TRUCK SERIES 600/900

**DIFFERENTIAL CARRIER AND REAR AXLE IDENTIFICATION CHART**

IDENTIFICATION NUMBER	%MFR.	RATIO	PARTS LIST NO.	IDENTIFICATION NUMBER	%MFR.	RATIO	PARTS LIST NO.
% Dana refers to Dana (Spicer) and Rockwell refers to Rockwell (Timken) — Cont'd							
J11-T-800	Rockwell	3.70 3.90 4.11 4.44	127 127 127 127	GGACA116-10X	Dana	6.50/9.04	219
				GGACA116-11X	Dana	6.50/9.04	219
				GGACA116-13X	Dana	7.17/9.97	219
				GGACA116-14X	Dana	7.17/9.97	219
J30-T-800	Rockwell	3.70 3.90 4.44	125 125 125	GGACA116-15X	Dana	7.17/9.97	219
				GGACA116-21X	Dana	4.89/6.79	219
				GGACA116-22X	Dana	4.89/6.79	219
J55-T-800	Rockwell	3.70 5.83 6.17 6.83 7.80	125 125 125 125 125	MJACA100-1X	Dana	5.57/7.60	220
				MJACA100-2X	Dana	6.14/8.38	220
				MJACA100-3X	Dana	6.50/8.86	220
				MJACA100-4X	Dana	7.17/9.77	220
				MJACA100-6X	Dana	5.57/7.60	220
GGACA100-1X	Dana	5.57/7.75	219	MJACA100-7X	Dana	5.57/7.60	220
GGACA100-2X	Dana	5.57/7.75	219	MJACA100-8X	Dana	5.57/7.60	220
GGACA100-3X	Dana	5.57/7.75	219	MJACA100-9X	Dana	6.14/8.38	220
GGACA100-4X	Dana	5.57/7.75	219	MJACA100-10X	Dana	6.14/8.38	220
GGACA100-5X	Dana	6.17/8.58	219	MJACA100-11X	Dana	6.14/8.38	220
GGACA100-6X	Dana	6.17/8.58	219	MJACA100-12X	Dana	6.50/8.86	220
GGACA100-7X	Dana	6.17/8.58	219	MJACA100-13X	Dana	6.50/8.86	220
GGACA100-8X	Dana	6.17/8.58	219	MJACA100-14X	Dana	6.50/8.86	220
GGACA100-9X	Dana	6.50/9.04	219	MJACA100-15X	Dana	7.17/9.77	220
GGACA100-10X	Dana	6.50/9.04	219	MJACA100-16X	Dana	7.17/9.77	220
GGACA100-11X	Dana	6.50/9.04	219	MJACA100-17X	Dana	7.17/9.77	220
GGACA100-12X	Dana	6.50/9.04	219	MJACA104-8X	Dana	5.57/7.60	255
GGACA100-13X	Dana	7.17/9.97	219	MJACA104-11X	Dana	6.14/8.38	255
GGACA100-14X	Dana	7.17/9.97	219	MJACA104-18X	Dana	4.89/6.66	255
GGACA100-15X	Dana	7.17/9.97	219	MJACA104-24X	Dana	4.11/5.60	255
GGACA100-16X	Dana	7.17/9.97	219	MJACA104-25X	Dana	3.90/5.32	255
GGACA109-1X	Dana	5.57/7.75	219	MJACA104-26X	Dana	3.70/5.05	255
GGACA109-2X	Dana	5.57/7.75	219	MJACA104-33X	Dana	4.56/6.22	255
GGACA109-3X	Dana	5.57/7.75	219	MJACA104-36X	Dana	5.29/7.21	255
GGACA109-4X	Dana	5.57/7.75	219	MJACA104-38X	Dana	4.56/6.22	255
GGACA109-5X	Dana	6.17/8.58	219	MJACA104-39X	Dana	4.89/6.66	255
GGACA109-6X	Dana	6.17/8.58	219	MJACA104-40X	Dana	5.29/7.21	255
GGACA109-7X	Dana	6.17/8.58	219	MJACA104-41X	Dana	5.57/7.60	255
GGACA109-8X	Dana	6.17/8.58	219	MJACA104-42X	Dana	6.14/8.38	255
GGACA109-9X	Dana	6.50/9.04	219	MJACA104-47X	Dana	3.70/5.05	255
GGACA109-10X	Dana	6.50/9.04	219	MJACA104-48X	Dana	3.90/5.32	255
GGACA109-11X	Dana	6.50/9.04	219	MJACA104-49X	Dana	4.11/5.60	255
GGACA109-12X	Dana	6.50/9.04	219	MJACA105-39X	Dana	4.11	266
GGACA109-13X	Dana	7.17/9.97	219	MJACA105-43X	Dana	3.70	266
GGACA109-14X	Dana	7.17/9.97	219	MJACA105-45X	Dana	3.90	266
GGACA109-15X	Dana	7.17/9.97	219	MJACA105-46X	Dana	3.90	266
GGACA109-16X	Dana	7.17/9.97	219	MJACA105-47X	Dana	3.70	266
GGACA109-21X	Dana	4.89/6.79	219	MJACA105-48X	Dana	4.11	266
GGACA109-22X	Dana	4.89/6.79	219	MJACA107-1X	Dana	5.57/7.60	220
GGACA116-1X	Dana	5.57/7.75	219	MJACA107-2X	Dana	6.14/8.38	220
GGACA116-2X	Dana	5.57/7.75	219	MJACA107-3X	Dana	6.50/8.86	220
GGACA116-3X	Dana	5.57/7.75	219	MJACA107-4X	Dana	7.17/9.77	220
GGACA116-4X	Dana	5.57/7.75	219	MJACA107-5X	Dana	4.89/6.66	220
GGACA116-5X	Dana	6.17/8.58	219	MJACA107-6X	Dana	5.57/7.60	220
GGACA116-6X	Dana	6.17/8.58	219	MJACA107-7X	Dana	5.57/7.60	220
GGACA116-7X	Dana	6.17/8.58	219	MJACA107-8X	Dana	5.57/7.60	220
GGACA116-8X	Dana	6.17/8.58	219	MJACA107-9X	Dana	6.14/8.38	220
GGACA116-9X	Dana	6.50/9.04	219	MJACA107-10X	Dana	6.14/8.38	220

1980/  
TRUCK SERIES 600/900

**DIFFERENTIAL CARRIER AND REAR AXLE IDENTIFICATION CHART**

IDENTIFICATION NUMBER	%MFR.	RATIO	PARTS LIST NO.	IDENTIFICATION NUMBER	%MFR.	RATIO	PARTS LIST NO.
% Dana refers to Dana (Spicer) and Rockwell refers to Rockwell (Timken) — Cont'd							
MJACA107-11X	Dana	6.14/8.38	220	MJACA107-31X	Dana	7.17/9.77	220
MJACA107-12X	Dana	6.50/8.86	220	MJACA107-32X	Dana	7.17/9.77	220
MJACA107-13X	Dana	6.50/8.86	220	MJACA107-41X	Dana	4.56/6.22	220
MJACA107-14X	Dana	6.50/8.86	220	MJACA107-44X	Dana	5.29/7.21	220
MJACA107-15X	Dana	7.17/9.77	220	MJACA107-46X	Dana	4.56/6.22	220
MJACA107-16X	Dana	7.17/9.77	220	MJACA107-47X	Dana	4.89/6.66	220
MJACA107-17X	Dana	7.17/9.77	220	MJACA107-48X	Dana	5.29/7.21	220
MJACA107-18X	Dana	4.89/6.66	220	MJACA107-49X	Dana	5.57/7.60	220
MJACA107-24X	Dana	4.89/6.66	220	MJACA107-50X	Dana	6.14/8.38	220
MJACA107-25X	Dana	5.57/7.60	220	MJACA107-51X	Dana	6.50/8.86	220
MJACA107-26X	Dana	5.57/7.60	220	MJACA107-55X	Dana	3.70/5.05	220
MJACA107-27X	Dana	6.14/8.38	220	MJACA107-57X	Dana	4.11/5.60	220
MJACA107-28X	Dana	6.14/8.38	220	MJACA107-58X	Dana	3.70/5.05	220
MJACA107-29X	Dana	6.50/8.86	220	MJACA107-60X	Dana	4.11/5.60	220
MJACA107-30X	Dana	6.50/8.86	220				

# 1980/ TRUCK SERIES 600/900

## REAR AXLE and DIFFERENTIAL CARRIER ASSEMBLIES

Rear axle and differential carrier assemblies, although not normally stocked as service items, may be obtained from the nearest assembly plant when used in current production. Order through your local parts distribution center.

The chart which follows is in parts list number sequence. Refer to page 1 of this Section for information to identify rear axle and differential carrier assemblies by -

1. Warranty Plate Code. . . . . Page 109
2. Truck Model Application. . . . . Page 116
3. Differential Carrier or Axle Tag Identification. Page 119
4. Truck Specifications List (T.S.L.). . . . . Page 3

The rear axle assemblies vary as follows.

- 4001 - incl. brakes, hubs, drums and shafts
- 4004 - incl. brakes and shafts, less hubs and drums
- 4005 - incl. shafts, less brakes, hubs and drums
- 4006 - less brakes, hubs, drums and shafts
- 4200 - less brakes, hubs, drums, shafts and housing
- 4A297 - incl. shafts, less brakes, hubs, drums and yoke
- 4A298 - incl. shafts, less brakes, hubs, drums and yoke
- 4300 - less brakes, hubs, drums, shafts and housing
- 4305 - incl. shafts, less brakes, hubs and drums
- 4A375 - incl. shafts, less brakes, hubs, drums and yoke (incl. yoke for production assemblies only)
- 4B430 - incl. shafts, less brakes, hubs, drums and yoke (incl. yoke for production assemblies only)

**REAR AXLE AND DIFFERENTIAL CARRIER CHART**

PARTS LIST NO.	RATIO	FLANGE				NOTE	REAR AXLE PART NUMBER	RING GEAR DIA. (IN.)	CARRIER	
		SIZE †	INPUT	SIZE †	OUTPUT				IDENTIFICATION	PART NUMBER

▲ RING GEAR DIAMETER LISTED ONLY WHEN OPTIONAL SIZES ARE SHOWN IN PARTS LISTS.

† FOR FLANGE TYPE IDENTIFICATION REFER TO GROUP 4851

Notes:     ◇ U joint flange not included in assy. Determine by size of vehicle drive line. A - Air lockout, E - Electric lockout  
             H - Hendrickson suspension, V - Vacuum lockout, @ - Reyco suspension, N - Neway suspension

◆ 1980/86 ● 1987/ % 1980/87 ♦ 1988

25	5.57/7.60	6C	TGAA 4851-B			◇	★ D7HA 4A297-ALA		80128,101387	★ C8TZ 4200-LA
		7C	B8QH 4851-C							
		1550	D9HZ 4851-A							
		1610	D4HZ 4851-C							
	6.14/8.38	6C	TGAA 4851-B			◇	★ D7HA 4A297-AMA		76421,101388	★ C8TZ 4200-ED
		7C	B8QH 4851-C							
		1550	D9HZ 4851-A							
		1610	D4HZ 4851-C							
	6.50/8.87	6C	TGAA 4851-B			◇	★ D7HA 4A297-ANA		76422,101389	★ C8TZ 4200-EE
		7C	B8QH 4851-C							
		1550	D9HZ 4851-A							
		1610	D4HZ 4851-C							
	7.17/9.77	6C	TGAA 4851-B			◇	★ D7HA 4A297-ARA		76423,101390	★ C8TZ 4200-EF
		7C	B8QH 4851-C							
		1550	D9HZ 4851-A							
		1610	D4HZ 4851-C							

**1980/  
TRUCK SERIES 600/900**

**REAR AXLE AND DIFFERENTIAL CARRIER CHART**

PARTS LIST NO.	RATIO	FLANGE				NOTE	REAR AXLE PART NUMBER	RING GEAR DIA. (IN.)	CARRIER						
		SIZE †	INPUT	SIZE †	OUTPUT				IDENTIFICATION	PART NUMBER					
▲ RING GEAR DIAMETER LISTED ONLY WHEN OPTIONAL SIZES ARE SHOWN IN PARTS LISTS. † FOR FLANGE TYPE IDENTIFICATION REFER TO GROUP 4851															
Notes:     ◇ U joint flange not included in assy. Determine by size of vehicle drive line. A - Air lockout, E - Electric lockout H - Hendrickson suspension, V - Vacuum lockout, @ - Reyco suspension, N - Neway suspension † 1980/86 • 1987/ % 1980/87 ♦ 1988															
53	5.05	7C	B8QH 4351-A	7C	B8QH 4465-B	A, ◇	★ D7HA 4A298-EZA		96021,101615	D5HZ 4300-R					
		8C	B8QH 4351-C	7C	B8QH 4465-B										
		1610	D5HZ 4851-D	1610	C6TZ 4465-A										
		1710	C6TZ 4351-A	1610	C6TZ 4465-A										
		1760	E1HZ 4851-C	1610	C6TZ 4465-A										
		1810	D1HZ 4351-C	1710	C7TZ 4465-B										
	7.60	7C	B8QH 4351-A	7C	B8QH 4465-B	A, ◇	★ D7HA 4A298-FDA		96027,101621	★ D5HZ 4300-T					
		8C	B8QH 4351-C	7C	B8QH 4465-B										
		1610	D5HZ 4851-D	1610	C6TZ 4465-A										
		1710	C6TZ 4351-A	1610	C6TZ 4465-A										
		1760	E1HZ 4851-C	1610	C6TZ 4465-A										
		1810	D1HZ 4351-C	1710	C7TZ 4465-B										
	54	5.05	7C	B8QH 4851-C			◇	★ D7HA 4A297-ENA	72289, 101604, 101853	★ C8TZ 4200-GC					
			1610	C6TZ 4851-U											
1710			C7TZ 4851-E												
7.60		7C	B8QH 4851-C			◇	★ D7HA 4A297-EUA	83249, 101610, 101859	★ D0HZ 4200-AC						
		1610	C6TZ 4851-T												
		1710	C7TZ 4851-D												
56	3.70	7C	B8QH 4351-A	7C	B8QH 4465-B	A,H, ◇	★ D7HA 4A298-EJA	16	95680	★ D6HZ 4300-A					
		8C	B8QH 4351-C	7C	B8QH 4465-B										
		1610	D5HZ 4851-D	1610	C6TZ 4465-A										
		1710	C6TZ 4351-A	1610	C6TZ 4465-A										
		1760	E1HZ 4851-C	1610	C6TZ 4465-A										
		1810	D1HZ 4351-C	1710	C7TZ 4465-B										
		1710	C6TZ 4351-A	1610	C6TZ 4465-A						A,@,◇	★ D7HA 4A298-FEA	16	95680	★ D6HZ 4300-A
		1760	E1HZ 4851-C	1610	C6TZ 4465-A										
		1810	D1HZ 4351-C	1710	C7TZ 4465-B										
	4.11	7C	B8QH 4351-A	7C	B8QH 4465-B	A,H, ◇	★ D7HA 4A298-EKA	16	95681	★ D7HZ 4300-C					
		8C	B8QH 4351-C	7C	B8QH 4465-B										
		1610	D5HZ 4851-D	1610	C6TZ 4465-A										
		1710	C6TZ 4351-A	1610	C6TZ 4465-A										
		1760	E1HZ 4851-C	1610	C6TZ 4465-A										
		1810	D1HZ 4351-C	1710	C7TZ 4465-B										
	1710	C6TZ 4351-A	1610	C6TZ 4465-A	A,@,◇	★ D7HA 4A298-FFA	16	95681	★ D7HZ 4300-C						
	1760	E1HZ 4851-C	1610	C6TZ 4465-A											
	1810	D1HZ 4351-C	1710	C7TZ 4465-B											
4.33	7C	B8QH 4351-A	7C	B8QH 4465-B	A,H, ◇	★ D7HA 4A298-ELA	16	87412,95682	★ D5HZ 4300-A						
		B8QH 4351-C	7C	B8QH 4465-B											
		D5HZ 4851-D	1610	C6TZ 4465-A											
	1710	C6TZ 4351-A	1610	C6TZ 4465-A											
	1760	E1HZ 4851-C	1610	C6TZ 4465-A											
	1810	D1HZ 4351-C	1710	C7TZ 4465-B											
1710	C6TZ 4351-A	1610	C6TZ 4465-A	A,@,◇	★ D7HA 4A298-FHA	16	87412,95682	★ D5HZ 4300-A							
1760	E1HZ 4851-C	1610	C6TZ 4465-A												
1810	D1HZ 4351-C	1610	C7TZ 4465-B												

1980/  
TRUCK SERIES 600/900

REAR AXLE AND DIFFERENTIAL CARRIER CHART

PARTS LIST NO.	RATIO	FLANGE				NOTE	REAR AXLE PART NUMBER	RING GEAR DIA. (IN.) ▲	CARRIER		
		SIZE †	INPUT	SIZE †	OUTPUT				IDENTIFICATION	PART NUMBER	
▲ RING GEAR DIAMETER LISTED ONLY WHEN OPTIONAL SIZES ARE SHOWN IN PARTS LISTS.											
† FOR FLANGE TYPE IDENTIFICATION REFER TO GROUP 4851											
Notes:      ◇ U joint flange not included in assy. Determine by size of vehicle drive line. A - Air lockout, E - Electric lockout H - Hendrickson suspension, V - Vacuum lockout, @ - Reyco suspension, N - Neway suspension											
▲ 1980/86 • 1987/ % 1980/87 ◆ 1988											
56	4.56	7C	B8QH 4351-A	7C	B8QH 4465-B	A,H, ◇	★ D7HA 4A298-EMA	16	95683	★ D7HZ 4300-D	
		8C	B8QH 4351-C	7C	B8QH 4465-B						
		1610	D5HZ 4851-D	1610	C6TZ 4465-A						
		1710	C6TZ 4351-A	1610	C6TZ 4465-A						
		1760	E1HZ 4851-C	1610	C6TZ 4465-A						
		1810	D1HZ 4351-C	1710	C7TZ 4465-B						
	4.88	7C	B8QH 4351-A	7C	B8QH 4465-B	A,H, ◇	★ D7HA 4A298-ENA	16	95684	★ D7HZ 4300-E	
		8C	B8QH 4351-C	7C	B8QH 4465-B						
		1610	D5HZ 4851-D	1610	C6TZ 4465-A						
		1710	C6TZ 4351-A	1610	C6TZ 4465-A						
		1760	E1HZ 4851-C	1610	C6TZ 4465-A						
		1810	D1HZ 4351-C	1710	C7TZ 4465-B						
	5.29	7C	B8QH 4351-A	7C	B8QH 4465-B	A,H, ◇	★ D7HA 4A298-ERA	16	95685	★ D7HZ 4300-F	
		8C	B8QH 4351-C	7C	B8QH 4465-B						
		1610	D5HZ 4851-D	1610	C6TZ 4465-A						
		1710	C6TZ 4351-A	1610	C6TZ 4465-A						
		1760	E1HZ 4851-C	1610	C6TZ 4465-A						
		1810	D1HZ 4351-C	1710	C7TZ 4465-B						
	5.57	7C	B8QH 4351-A	7C	B8QH 4465-B	A,H, ◇	★ D7HA 4A298-ESA	16	95686	★ D7HZ 4300-G	
		8C	B8QH 4351-C	7C	B8QH 4465-B						
		1610	D5HZ 4851-D	1610	C6TZ 4465-A						
		1710	C6TZ 4351-A	1610	C6TZ 4465-A						
		1760	E1HZ 4851-C	1610	C6TZ 4465-A						
		1810	D1HZ 4351-C	1710	C7TZ 4465-B						
6.14	7C	B8QH 4351-A	7C	B8QH 4465-B	A,H, ◇	★ D7HA 4A298-ETA	16 1/2	95694	★ D7HZ 4300-H		
	8C	B8QH 4351-C	7C	B8QH 4465-B							
	1610	D5HZ 4851-D	1610	C6TZ 4465-A							
	1710	C6TZ 4351-A	1610	C6TZ 4465-A							
	1760	E1HZ 4851-C	1610	C6TZ 4465-A							
	1810	D1HZ 4351-C	1710	C7TZ 4465-B							
6.50	7C	B8QH 4351-A	7C	B8QH 4465-B	A,H, ◇	★ D7HA 4A298-EUA	16 1/2	95695	★ D7HZ 4300-J		
	8C	B8QH 4351-C	7C	B8QH 4465-B							
	1610	D5HZ 4851-D	1610	C6TZ 4465-A							
	1710	C6TZ 4351-A	1610	C6TZ 4465-A							
	1760	E1HZ 4851-C	1610	C6TZ 4465-A							
	1810	D1HZ 4351-C	1710	C7TZ 4465-B							
58	3.70	7C	B8QH 4851-C			H, ◇	★ D7HA 4A297-EBA	16	96439, 101950	★ D6HZ 4200-B	
		1610	C6TZ 4851-U								
		1710	C7TZ 4851-E								
		1610	C6TZ 4851-U								@, ◇
	4.11	7C	B8QH 4851-C				H, ◇	★ D7HA 4A297-ECA	16	96440, 101951	★ D7HZ 4200-D
		1610	C6TZ 4851-U								
		1710	C7TZ 4851-E								
		1610	C6TZ 4851-U			@, ◇					
1710	C7TZ 4851-E										
1610	C6TZ 4851-U				N, ◇	★ D7HA 4A297-EZA	16	96440, 101951	★ D7HZ 4200-D		

1980/  
TRUCK SERIES 600/900

REAR AXLE AND DIFFERENTIAL CARRIER CHART

PARTS LIST NO.	RATIO	FLANGE				NOTE	REAR AXLE PART NUMBER	RING GEAR DIA. (IN.)	CARRIER	
		SIZE †	INPUT	SIZE †	OUTPUT				IDENTIFICATION	PART NUMBER

▲ RING GEAR DIAMETER LISTED ONLY WHEN OPTIONAL SIZES ARE SHOWN IN PARTS LISTS.

† FOR FLANGE TYPE IDENTIFICATION REFER TO GROUP 4851

Notes:      ◇ U joint flange not included in assy. Determine by size of vehicle drive line. A - Air lockout, E - Electric lockout  
 H - Hendrickson suspension, V - Vacuum lockout, @ - Reyco suspension, N - Neway suspension  
 ♦ 1980/86 ● 1987/ % 1980/87 ◆ 1988

58	4.33	7C	B8QH	4851-C			H, ◇	★ D7HA 4A297-EDA	16	96441,101952	★ D7HZ 4200-E	
		1610	C6TZ	4851-U								
		1710	C7TZ	4851-E								
		1610	C6TZ	4851-T			@, ◇	★ D7HA 4A297-FAA	16	96441,101952	★ D7HZ 4200-E	
		1710	C7TZ	4851-E								
		4.56	7C	B8QH	4851-C			H, ◇	★ D7HA 4A297-EEA	16	96442,101953	★ D7HZ 4200-F
	1610		C6TZ	4851-T								
			1710	C7TZ	4851-D							
		1610	C6TZ	4851-T			@, ◇	★ D7HA 4A297-FBA	16	96442,101953	★ D7HZ 4200-F	
		1710	C7TZ	4851-D								
	4.88	7C	B8QH	4851-C			H, ◇	★ D7HA 4A297-EFA	16	96443,101954	★ D7HZ 4200-G	
		1610	C6TZ	4851-T								
		1710	C7TZ	4851-D								
	5.29	7C	B8QH	4851-C			H, ◇	★ D7HA 4A297-EGA	16	96444,101955	★ D7HZ 4200-H	
		1610	C6TZ	4851-T								
		1710	C7TZ	4851-D								
	5.57	7C	B8QH	4851-C			H, ◇	★ D7HA 4A297-EHA	16	96445,101956	★ D7HZ 4200-J	
		1610	C6TZ	4851-T								
		1710	C7TZ	4851-D								
	6.14	7C	B8QH	4851-C			H, ◇	★ D7HA 4A297-EJA	16 1/2	96447,101957	D7HZ 4200-K	
		1610	C6TZ	4851-T								
		1710	C7TZ	4851-D								
	6.50	7C	B8QH	4851-C			H, ◇	★ D7HA 4A297-EKA	16 1/2	96448,101958	D7HZ 4200-L	
		1610	C6TZ	4851-T								
		1710	C7TZ	4851-D								
95	5.29	1410	D5TZ	4851-C				★ E0HT 4005-BDA		G87-R-1110	E0HZ 4200-BK	
		1410	E4HZ	4851-L				★ E4HT 4005-ADA		H52-R-1110	E4HZ 4200-EA	
		1480	D5HZ	4851-A				★ E0HT 4005-AA		F56-R-1110	E0HZ 4200-AL	
								★ E0HT 4005-AVA		H12-R-1110	E0HZ 4200-BF	
		1480	E4HZ	4851-M				★ E4HT 4005-AJA		H53-R-1110	E4HZ 4200-EF	
		1550	E3HZ	4851-E				★ E3HT 4005-CGA		H24-R-1110	E3HZ 4200-BZ	
		5.83	1550	E4HZ	4851-N				★ E4HT 4005-ARA		H54-R-1110	E4HZ 4200-EL
	1410		D5TZ	4851-C				★ E1HT 4005-GA		G87-R-1110	E0HZ 4200-BV	
	1410		E4HZ	4851-L				★ E4HT 4005-AEA		H52-R-1110	E4HZ 4200-EB	
	1480		D5HZ	4851-A				★ E1HT 4005-HA		H12-R-1110	E0HZ 4200-BW	
	1480		E4HZ	4851-M				★ E4HT 4005-AKA		H53-R-1110	E4HZ 4200-EG	
	1550		E4HZ	4851-N				★ E4HT 4005-ASA		H54-R-1110	E4HZ 4200-EM	
		6.14	1410	D5TZ	4851-C				★ D9HT 4005-CA		G76-R-1110	D9HZ 4200-F
									★ E0HT 4005-AMA		G88-R-1110	E0HZ 4200-BC
			1410	E4HZ	4851-L				★ E4HT 4005-AFA		H52-R-1110	E4HZ 4200-EC
			1480	D5HZ	4851-A				★ D9HT 4005-FA		G75-R-1110	D9HZ 4200-B
									★ E0HT 4005-ASA		G89-R-1110	E0HZ 4200-BG
				1480	E4HZ	4851-M			★ E4HT 4005-ALA		H53-R-1110	E4HZ 4200-EH
			1550	E3HZ	4851-E			★ E3HT 4005-CJA		H24-R-1110	E3HZ 4200-CA	
			1550	E4HZ	4851-N			★ E4HT 4005-ATA		H54-R-1110	E4HZ 4200-EN	
		6.83	1410	D5TZ	4851-C				★ D9HT 4005-DA		G76-R-1110	D9HZ 4200-G
									★ E0HT 4005-ANA		G88-R-1110	E0HZ 4200-BD
			1410	E4HZ	4851-L				★ E4HT 4005-AGA		H52-R-1110	E4HZ 4200-ED
			1480	D5HZ	4851-A				★ D9HT 4005-GA		G75-R-1110	D9HZ 4200-C
								★ E0HT 4005-ATA		G89-R-1110	E0HZ 4200-BH	
			1480	E4HZ	4851-M			★ E4HT 4005-AMA		H53-R-1110	E4HZ 4200-EJ	
		1550	E4HZ	4851-N			★ E4HT 4005-AUA		H54-R-1110	E4HZ 4200-EP		



1980/  
TRUCK SERIES 600/900

REAR AXLE AND DIFFERENTIAL CARRIER CHART

PARTS LIST NO.	RATIO	FLANGE				NOTE	REAR AXLE PART NUMBER	RING GEAR DIA. (IN.)	CARRIER	
		SIZE †	INPUT	SIZE †	OUTPUT				IDENTIFICATION	PART NUMBER

▲ RING GEAR DIAMETER LISTED ONLY WHEN OPTIONAL SIZES ARE SHOWN IN PARTS LISTS.

† FOR FLANGE TYPE IDENTIFICATION REFER TO GROUP 4851

Notes: ◊ U joint flange not included in assy. Determine by size of vehicle drive line. A - Air lockout, E - Electric lockout  
H - Hendrickson suspension, V - Vacuum lockout, @ - Reyco suspension, N - Neway suspension  
◆ 1980/86 ● 1987/ % 1980/87 ◆ 1988

95	7.17	1410	D5TZ 4851-C				★ D9HT 4005-EA		G76-R-1110	D9HZ 4200-H	
							★ E0HT 4005-ARA		G88-R-1110	E0HZ 4200-BE	
		1410	E4HZ 4851-L				★ E4HT 4005-AHA		H52-R-1110	E4HZ 4200-EE	
		1480	D5HZ 4851-A				★ D9HT 4005-HA		G75-R-1110	D9HZ 4200-D	
							★ E0HT 4005-AUA		G89-R-1110	E0HZ 4200-BJ	
		1480	E4HZ 4851-M				★ E4HT 4005-ANA		H53-R-1110	E4HZ 4200-EK	
		1550	E4HZ 4851-N				★ E4HT 4005-AVA		H54-R-1110	E4HZ 4200-ER	
97	3.70	1550	E4HZ 4851-K			◊	★ E4HS 4A297-EBAB		115346	E6HZ 4200-AY	
		1610	◆ D5HZ 4851-D								
		1610	● E7HZ 4851-B								
		1710	◆ C6TZ 4351-A								
		1710	● E7HZ 4851-D								
			1760	E1HZ 4851-C							
		4.11	1550	E4HZ 4851-K			◊	★ E4HS 4A297-EBBB		115347	E6HZ 4200-AZ
			1610	◆ D5HZ 4851-D							
			1610	● E7HZ 4851-B							
			1710	◆ C6TZ 4351-A							
			1710	● E7HZ 4851-D							
			1760	E1HZ 4851-C							
		4.56	1480	E4HZ 4851-D			◊	★ E4HS 4A297-EBDB		115349	E6HZ 4200-BA
			1550	E4HZ 4851-F							
			1610	◆ D4HZ 4851-C							
		1610	● E7HZ 4851-A								
		1710	◆ E6HZ 4851-C								
		1710	● E7HZ 4851-C								
		1760	E1HZ 4851-D								
	4.88	1480	C1TT 4851-J			◊	★ E3HT 4A297-BA	16	115350	E3HZ 4200-BS	
		1550	D9HZ 4851-A								
		1610	D4HZ 4851-C								
		1760	E1HZ 4851-D								
		1480	E4HZ 4851-D			◊	★ E4HT 4A297-ACA,	16	115350	E3HZ 4200-BS	
		1550	E4HZ 4851-F				★ E4HT 4A297-ACB				
		1610	◆ D4HZ 4851-C								
		1610	● E7HZ 4851-A								
		1710	◆ E6HZ 4851-C								
		1710	● E7HZ 4851-C								
		1760	E1HZ 4851-D								
	5.29	1480	C1TT 4851-J			◊	★ E3HT 4A297-CA	16	115351	E3HZ 4200-BT	
		1550	D9HZ 4851-A								
		1610	D4HZ 4851-C								
		1760	E1HZ 4851-D								
		1480	E4HZ 4851-D			◊	★ E4HT 4A297-ADA,	16	115351	E3HZ 4200-BT	
		1550	E4HZ 4851-F				★ E4HT 4A297-ADB				
		1610	◆ D4HZ 4851-C								
		1610	● E7HZ 4851-A								
		1710	◆ E6HZ 4851-C								
		1710	● E7HZ 4851-C								
		1760	E1HZ 4851-D								

1980/  
TRUCK SERIES 600/900

REAR AXLE AND DIFFERENTIAL CARRIER CHART											
PARTS LIST NO.	RATIO	FLANGE				NOTE	REAR AXLE PART NUMBER	RING GEAR DIA. (IN.)	CARRIER		
		SIZE †	INPUT	SIZE †	OUTPUT				IDENTIFICATION	PART NUMBER	
▲ RING GEAR DIAMETER LISTED ONLY WHEN OPTIONAL SIZES ARE SHOWN IN PARTS LISTS. † FOR FLANGE TYPE IDENTIFICATION REFER TO GROUP 4851											
Notes:      ◇ U joint flange not included in assy. Determine by size of vehicle drive line. A - Air lockout, E - Electric lockout H - Hendrickson suspension, V - Vacuum lockout, @ - Reyco suspension, N - Neway suspension ♦ 1980/86 • 1987/ % 1980/87 ♦ 1988											
97	5.57	6C	TGAA 4851-B			◇	★ E0HT 4A297-EA	16 1/2	96434	E1HZ 4200-H	
		7C	B8QH 4851-C								
		8C	D7HZ 4851-B								
		1480	C1TT 4851-J								
		1550	D9HZ 4851-A								
		1610	D4HZ 4851-C								
	1760	E1HZ 4851-D									
		6.14	1480	C1TT 4851-J			◇	★ E1HT 4A297-NA	16 1/2	115412	E1HZ 4200-BX
	1550		D9HZ 4851-A								
	1610		D4HZ 4851-C								
	1760		E1HZ 4851-D								
	1480		E4HZ 4851-D			◇	★ E4HT 4A297-AEA	16 1/2	115412	E1HZ 4200-BX	
1550	E4HZ 4851-F					★ E4HT 4A297-AEB					
1610	Ⓛ D4HZ 4851-C										
1610	● E7HZ 4851-A										
1710	Ⓛ E6HZ 4851-C										
1710	● E7HZ 4851-C										
1760	E1HZ 4851-D										
	6.50	6C	TGAA 4851-B			◇	★ D7TA 4A297-AAA	16 1/2	96435,101946	D5HZ 4200-AD	
7C		B8QH 4851-C									
8C		D7HZ 4851-B									
1480		C1TT 4851-J									
1550		D9HZ 4851-A									
1610		D4HZ 4851-C									
1760	E1HZ 4851-D										
	6.50	1480	C1TT 4851-J			◇	★ E1HT 4A297-KA	16 1/2	115413	E1HZ 4200-BY	
1550		D9HZ 4851-A									
1610		D4HZ 4851-C									
1760		E1HZ 4851-D									
1480		E4HZ 4851-D			◇	★ E4HT 4A297-AFA	16 1/2	115413	E1HZ 4200-BY		
1550		E4HZ 4851-F				★ E4HT 4A297-AFB					
1610	Ⓛ D4HZ 4851-C										
1610	● E7HZ 4851-A										
1710	Ⓛ E6HZ 4851-C										
1710	● E7HZ 4851-C										
1760	E1HZ 4851-D										
	6.50	6C	TGAA 4851-B			◇	★ D7TA 4A297-ABA	16 1/2	96436,101947	D5HZ 4200-AE	
7C		B8QH 4851-C									
82N		D7HZ 4851-B									
1480		C1TT 4851-J									
1550		D9HZ 4851-A									
1610		D4HZ 4851-C									
1760	E1HZ 4851-D										
	6.50	1480	C1TT 4851-J			◇	★ E1HT 4A297-LA	16 1/2	115414	E1HZ 4200-BZ	
1550		D9HZ 4851-A									
1610		D4HZ 4851-C									
1760		E1HZ 4851-D									

1980/  
TRUCK SERIES 600/900

REAR AXLE AND DIFFERENTIAL CARRIER CHART

PARTS LIST NO.	RATIO	FLANGE				NOTE	REAR AXLE PART NUMBER	RING GEAR DIA. (IN.)	CARRIER		
		SIZE †	INPUT	SIZE †	OUTPUT				IDENTIFICATION	PART NUMBER	
▲ RING GEAR DIAMETER LISTED ONLY WHEN OPTIONAL SIZES ARE SHOWN IN PARTS LISTS. † FOR FLANGE TYPE IDENTIFICATION REFER TO GROUP 4851											
Notes: ◊ U joint flange not included in assy. Determine by size of vehicle drive line. A - Air lockout, E - Electric lockout H - Hendrickson suspension, V - Vacuum lockout, @ - Reyco suspension, N - Neway suspension ♣ 1980/86 • 1987/ % 1980/87 ♦ 1988											
97	6.57	1480	C1TT 4851-J			◊	★ E2HT 4A297-CEA	16 1/2	118148	E2HZ 4200-AL	
		1550	D9HZ 4851-A								
		1610	D4HZ 4851-C								
		1760	E1HZ 4851-D								
	1480	E4HZ 4851-D			◊	★ E4HT 4A297-AGA, ★ E4HT 4A297-AGB	16 1/2	118148	E2HZ 4200-AL		
	1550	E4HZ 4851-F									
	1610	♣ D4HZ 4851-C									
	1610	• E7HZ 4851-A									
	1710	♣ E6HZ 4851-C									
	1710	• E7HZ 4851-C									
	1760	E1HZ 4851-D									
	7.17	6C	7C	TGAA 4851-B			◊	★ D7TA 4A297-ACA	16 1/2	96437,101948	D5HZ 4200-AF
			82N	B8QH 4851-C							
			1480	D7HZ 4851-B							
			1550	C1TT 4851-J							
			1610	D9HZ 4851-A							
1760			D4HZ 4851-C								
1480		1550	1610	C1TT 4851-J			◊	★ E1HT 4A297-MA	16 1/2	115415	E1HZ 4200-CA
			1610	D9HZ 4851-A							
			1760	D4HZ 4851-C							
			1760	E1HZ 4851-D							
			1480	E4HZ 4851-D			◊	★ E4HT 4A297-AHA, ★ E4HT 4A297-AHB	16 1/2	115415	E1HZ 4200-CA
			1550	E4HZ 4851-F							
101	4.88/6.78	1550	E0HZ 4851-F				★ E3HT 4005-BLA		114216	E3HZ 4200-Y	
		1550	E4HZ 4851-F				★ E4HT 4005-CUA, ★ E4HT 4005-CUB		119403	E4HZ 4200-A	
		1610	E3HZ 4851-C				★ E3HT 4005-CDA, ★ E4HT 4005-DBA, ★ E4HT 4005-DBB		114228	E3HZ 4200-Z	
		6C	B7T 4851-C				★ D8HT 4005-YA		75163,103904	C8TZ 4200-AL	
	5.57/7.75	1410	1410	B6Q 4851-A				★ D8HT 4005-UA		75157,103892	C8TZ 4200-AK
			1410	B6Q 4851-A				★ E1HT 4005-BVA, ★ E3HT 4005-BMA		114133	E1HZ 4200-AL
		1410	1410	E4HZ 4851-B				★ E4HT 4005-CJA, ★ E4HT 4005-CJB		119395	E4HZ 4200-B
				1480	C1TT 4851-J				★ D8HT 4005-VA		74609,103898
		1480	C1TT 4851-J				★ E1HT 4005-CBA, ★ E3HT 4005-BTA		114139	E1HZ 4200-AR	
		1480	E4HZ 4851-D				★ E4HT 4005-CNA, ★ E4HT 4005-CNB		119399	E4HZ 4200-C	
1550	E0HZ 4851-F				★ E0HT 4005-ZA		109295	E0HZ 4200-AM			

**1980/  
TRUCK SERIES 600/900**

REAR AXLE AND DIFFERENTIAL CARRIER CHART										
PARTS LIST NO.	RATIO	FLANGE				NOTE	REAR AXLE PART NUMBER	RING GEAR DIA. (IN.)	CARRIER	
		SIZE †	INPUT	SIZE †	OUTPUT				IDENTIFICATION	PART NUMBER
▲ RING GEAR DIAMETER LISTED ONLY WHEN OPTIONAL SIZES ARE SHOWN IN PARTS LISTS.										
† FOR FLANGE TYPE IDENTIFICATION REFER TO GROUP 4851										
Notes:      ◇ U joint flange not included in assy. Determine by size of vehicle drive line. A - Air lockout, E - Electric lockout H - Hendrickson suspension, V - Vacuum lockout, @ - Reyco suspension, N - Neway suspension ♦ 1980/86 • 1987/ % 1980/87 ♦ 1988										
101	5.57/7.75	1550	E0HZ	4851-F			★ E1HT 4005-CFA, ★ E3HT 4005-BZA		114217	E1HZ 4200-AW
		1550	E4HZ	4851-F			★ E4HT 4005-CVA, ★ E4HT 4005-CVB		119404	E4HZ 4200-D
		1610	E3HZ	4851-C			★ E3HT 4005-CEA, ★ E4HT 4005-DCA, ★ E4HT 4005-DCB		114229	E3HZ 4200-AA
	6.14/8.54	1410	B6Q	4851-A			★ E1HT 4005-BYA, ★ E3HT 4005-BNA		114134	E1HZ 4200-AM
		1410	E4HZ	4851-B			★ E4HT 4005-CKA, ★ E4HT 4005-CKB		119396	E4HZ 4200-E
		1480	C1TT	4851-J			★ E1HT 4005-CCA, ★ E3HT 4005-BUA		114140	E1HZ 4200-AS
		1480	E4HZ	4851-D			★ E4HT 4005-CRA, ★ E4HT 4005-CRB		119400	E4HZ 4200-F
		1550	E0HZ	4851-F			★ E1HT 4005-BUA		111550	E1HZ 4200-BA
		1550	E0HZ	4851-F			★ E1HT 4005-CGA, ★ E3HT 4005-CAA		114218	E1HZ 4200-AX
		1550	E4HZ	4851-F			★ E4HT 4005-CYA, ★ E4HT 4005-CYB		119324	E4HZ 4200-G
		1610	E3HZ	4851-C			★ E3HT 4005-CFA, ★ E4HT 4005-DDA, ★ E4HT 4005-DOB		114230	E3HZ 4200-AB
	6.17/8.58	6C	B7T	4851-C			★ D8HT 4005-ABA		75164,103905	C8TZ 4200-AN
		1410	B6Q	4851-A			★ D8HT 4005-ZA		75158,103893	C8TZ 4200-AM
		1480	C1TT	4851-J			★ D8HT 4005-AAA		74610,103899	C8TZ 4200-AG
		1550	E0HZ	4851-F			★ E0HT 4005-AAA		109296	E0HZ 4200-AN
	6.50/9.04	6C	B7T	4851-C			★ D8HT 4005-AEA		75165,103906	C8TZ 4200-AT
		1410	B6Q	4851-A			★ D8HT 4005-ACA		75159,103894	C8TZ 4200-AR
		1410	B6Q	4851-A			★ E1HT 4005-BZA		114135	E1HZ 4200-AN
		1480	C1TT	4851-J			★ D8HT 4005-ADA		74611,103900	C8TZ 4200-AS
		1480	C1TT	4851-J			★ E1HT 4005-CDA		114141	E1HZ 4200-AT
		1550	E0HZ	4851-F			★ E0HT 4005-ABA		109297	E0HZ 4200-AP
		1550	E0HZ	4851-F			★ E1HT 4005-CHA		114219	E1HZ 4200-AY
	6.57/9.13	1410	B6Q	4851-A			★ E2HT 4005-CNA, ★ E3HT 4005-BRA		115420	E2HZ 4200-AH
		1410	E4HZ	4851-B			★ E4HT 4005-CLA, ★ E4HT 4005-CLB		119397	E4HZ 4200-H
		1480	C1TT	4851-J			★ E2HT 4005-CRA, ★ E3HT 4005-BVA		115421	E2HZ 4200-AJ
		1480	E4HZ	4851-D			★ E4HT 4005-CSA, ★ E4HT 4005-CSB		119401	E4HZ 4200-J
		1550	E0HZ	4851-F			★ E2HT 4005-CSA, ★ E3HT 4005-CBA		115422	E2HZ 4200-AK
		1550	E4HZ	4851-F			★ E4HT 4005-CZA, ★ E4HT 4005-CZB		119405	E4HZ 4200-K

**1980/  
TRUCK SERIES 600/900**

**REAR AXLE AND DIFFERENTIAL CARRIER CHART**

PARTS LIST NO.	RATIO	FLANGE				NOTE	REAR AXLE PART NUMBER	RING GEAR DIA. (IN.)	CARRIER	
		SIZE †	INPUT	SIZE †	OUTPUT				IDENTIFICATION	PART NUMBER

▲ RING GEAR DIAMETER LISTED ONLY WHEN OPTIONAL SIZES ARE SHOWN IN PARTS LISTS.  
 † FOR FLANGE TYPE IDENTIFICATION REFER TO GROUP 4851

Notes:      ◇ U joint flange not included in assy. Determine by size of vehicle drive line. A - Air lockout, E - Electric lockout  
 H - Hendrickson suspension, V - Vacuum lockout, @ - Reyco suspension, N - Neway suspension  
 † 1980/86 ● 1987/ % 1980/87 ◆ 1988

101	7.17/9.97	1410	B6Q 4851-A				★ D9HT 4005-MA		103895	D9HZ 4200-J	
		1410	B6Q 4851-A				★ E1HT 4005-CAA, ★ E3HT 4005-BSA		114136	E1HZ 4200-AP	
		1410	E4HZ 4851-B				★ E4HT 4005-CMA, ★ E4HT 4005-CMB		119398	E4HZ 4200-L	
		1480	C1TT 4851-J				★ D9HT 4005-NA		103901	D9HZ 4200-K	
		1480	C1TT 4851-J				★ E1HT 4005-CEA, ★ E3HT 4005-BYA		114142	E1HZ 4200-AV	
		1480	E4HZ 4851-D				★ E4HT 4005-CTA, ★ E4HT 4005-CTB		119402	E4HZ 4200-M	
		1550	E0HZ 4851-F				★ E0HT 4005-BGA		110365	E0HZ 4200-BT	
		1550	E0HZ 4851-F				★ E1HT 4005-CJA, ★ E3HT 4005-CCA		114221	E1HZ 4200-AZ	
	1550	E4HZ 4851-F				★ E4HT 4005-DAA, ★ E4HT 4005-DAB		119406	E4HZ 4200-N		
102	3.70/5.05	1550	E4HZ 4851-K			◇	★ E4HS 4A297-EFBB		115651	E6HZ 4200-BB	
		1610	◆ D5HZ 4851-D								
		1610	● E7HZ 4851-B								
		1710	◆ E6HZ 4851-C								
		1710	● E7HZ 4851-D								
		1760	E1HZ 4851-C								
	4.11/5.61	1550	E4HZ 4851-K				◇	★ E4HS 4A297-EBKB		115652	E6HZ 4200-BC
		1610	◆ D5HZ 4851-D								
		1610	● E7HZ 4851-B								
		1710	◆ E6HZ 4851-C								
		1710	● E7HZ 4851-D								
		1760	E1HZ 4851-C								
4.56/6.21	1480	E4HZ 4851-D				◇	★ E4HS 4A297-EBMB		115654	E6HZ 4200-BD	
	1550	E4HZ 4851-F									
	1610	◆ D4HZ 4851-C									
	1610	● E7HZ 4851-A									
	1710	◆ E6HZ 4851-C									
	1760	E1HZ 4851-D									
4.88/6.65	1480	C1TT 4851-J				◇	★ E3HT 4A297-DA	16	115655	E3HZ 4200-BV	
	1550	D9HZ 4851-A									
	1610	D4HZ 4851-C									
	1760	E1HZ 4851-D									
	1480	E4HZ 4851-D				◇	★ E4HT 4A297-AJA, ★ E4HT 4A297-AJB	16	115655	E3HZ 4200-BV	
	1550	E4HZ 4851-F									
	1610	◆ D4HZ 4851-C									
	1760	E1HZ 4851-D									
5.29/7.21	1480	C1TT 4851-J				◇	★ E3HT 4A297-EA	16	115656	E3HZ 4200-BW	
	1550	D9HZ 4851-A									
	1610	D4HZ 4851-C									
	1760	E1HZ 4851-D									

**1980/  
TRUCK SERIES 600/900**

REAR AXLE AND DIFFERENTIAL CARRIER CHART											
PARTS LIST NO.	RATIO	FLANGE				NOTE	REAR AXLE PART NUMBER	RING GEAR DIA. (IN.)	CARRIER		
		SIZE †	INPUT	SIZE †	OUTPUT				IDENTIFICATION	PART NUMBER	
▲ RING GEAR DIAMETER LISTED ONLY WHEN OPTIONAL SIZES ARE SHOWN IN PARTS LISTS.											
† FOR FLANGE TYPE IDENTIFICATION REFER TO GROUP 4851											
Notes:     ◇ U joint flange not included in assy. Determine by size of vehicle drive line. A - Air lockout, E - Electric lockout H - Hendrickson suspension, V - Vacuum lockout, @ - Reyco suspension, N - Neway suspension ‡ 1980/86 • 1987/ % 1980/87 ◆ 1988											
102	5.29/7.21	1480	E4HZ 4851-D			◇	★ E4HT 4A297-AKA, ★ E4HT 4A297-AKB	16	115656	E3HZ 4200-BW	
		1550	E4HZ 4851-F								
		1610	‡ D4HZ 4851-C								
		1610	• E7HZ 4851-A								
		1710	‡ E6HZ 4851-C								
		1710	• E7HZ 4851-C								
		1760	E1HZ 4851-D								
		5.57/7.60	6C	TGAA 4851-B			◇	★ D7TA 4A297-AEA	16 1/2	80127,101251	C8TZ 4200-KZ
	7C		B8QH 4851-C								
	1480		C1TT 4851-J								
	1550		D9HZ 4851-A								
	1610		D4HZ 4851-C								
	1760		E1HZ 4851-D								
	1480		C1TT 4851-J			◇	★ E1HT 4A297-RA	16 1/2	115505	E1HZ 4200-CB	
	1550		D9HZ 4851-A								
	1610		D4HZ 4851-C								
	1710		• E7HZ 4851-C								
	1760		E1HZ 4851-D								
	6.14/8.38		6C	TGAA 4851-B			◇	★ D7TA 4A297-AFA	16 1/2	76337,101252	C8TZ 4200-DV
		7C	B8QH 4851-C								
		1480	C1TT 4851-J								
		1550	D9HZ 4851-A								
		1610	D4HZ 4851-C								
		1760	E1HZ 4851-D								
		1480	C1TT 4851-J			◇	★ E1HT 4A297-SA	16 1/2	115506	E1HZ 4200-CC	
		1550	D9HZ 4851-A								
		1610	D4HZ 4851-C								
		1710	• E7HZ 4851-C								
1760		E1HZ 4851-D									
6.50/8.86		6C	TGAA 4851-B			◇	★ D7TA 4A297-AGA	16 1/2	76338,101253, 120667	C8TZ 4200-DY	
	7C	B8QH 4851-C									
	1480	C1TT 4851-J									
	1550	D9HZ 4851-A									
	1610	D4HZ 4851-C									
	1760	E1HZ 4851-D									
	1480	C1TT 4851-J			◇	★ E1HT 4A297-TA	16 1/2	115507	E1HZ 4200-CD		
	1550	D9HZ 4851-A									
	1610	D4HZ 4851-C									
	1760	E1HZ 4851-D									



1980/  
TRUCK SERIES 600/900

REAR AXLE AND DIFFERENTIAL CARRIER CHART																
PARTS LIST NO.	RATIO	FLANGE				NOTE	REAR AXLE PART NUMBER	RING GEAR DIA. (IN.)	CARRIER							
		SIZE †	INPUT	SIZE †	OUTPUT				IDENTIFICATION	PART NUMBER						
▲ RING GEAR DIAMETER LISTED ONLY WHEN OPTIONAL SIZES ARE SHOWN IN PARTS LISTS. † FOR FLANGE TYPE IDENTIFICATION REFER TO GROUP 4851																
Notes:      ◇ U joint flange not included in assy. Determine by size of vehicle drive line. A - Air lockout, E - Electric lockout H - Hendrickson suspension, V - Vacuum lockout, @ - Reyco suspension, N - Neway suspension ♣ 1980/86 • 1987/ % 1980/87 ♦ 1988																
125	4.11	6C	D0HZ 4851-E	7C	C1TZ 4851-A	A,H ◇	★ D7HA 4A298-FLA		G72,H10-T-800	★ D7HZ 4300-AH						
		7C	★ C1TT 4351-B	7C	C1TZ 4851-A											
		8C	C1TT 4351-A	7C	C1TZ 4851-A											
		1550	★ D9HZ 4351-B	1610	C6TZ 4465-B											
		1610	D5HZ 4851-C	1610	C6TZ 4465-B											
		1710	C6TZ 4351-B	1610	C6TZ 4465-B											
		1760	E1HZ 4351-A	1610	C6TZ 4465-B											
		1810	D1HZ 4351-B	1710	D1HZ 4465-A											
		1710	C6TZ 4351-B	1610	C6TZ 4465-B						A,@, ◇	★ D3HA 4A298-CGA		G72,H10-T-800	★ D7HZ 4300-AH	
		1760	E1HZ 4351-A	1610	C6TZ 4465-B											
		1810	D1HZ 4351-B	1710	D1HZ 4465-A											
		1710	C6TZ 4351-B	1610	C6TZ 4465-B						A,N, ◇	★ D5HA 4A298-CRA		G72,H10-T-800	★ D7HZ 4300-AH	
	1760	E1HZ 4351-A	1610	C6TZ 4465-B												
	4.44	4.44	6C	D0HZ 4851-E	7C	C1TZ 4851-A	A,H, ◇	★ D7HA 4A298-FMA		J30-T-800	★ E0HZ 4300-S					
			7C	★ C1TT 4351-B	7C	C1TZ 4851-A										
			8C	C1TT 4351-A	7C	C1TZ 4851-A										
			1550	★ D9HZ 4351-B	1610	C6TZ 4465-B										
			1610	D5HZ 4851-C	1610	C6TZ 4465-B										
			1710	C6TZ 4351-B	1610	C6TZ 4465-B										
			1760	E1HZ 4351-A	1610	C6TZ 4465-B										
			1810	D1HZ 4351-B	1710	D1HZ 4465-A										
			1710	C6TZ 4351-B	1610	C6TZ 4465-B						A,@, ◇	★ D3HA 4A298-CFA		J30-T-800	★ E0HZ 4300-S
			1760	E1HZ 4351-A	1610	C6TZ 4465-B										
			1810	D1HZ 4351-B	1710	D1HZ 4465-A										
1710			C6TZ 4351-B	1610	C6TZ 4465-B	A,N, ◇						★ D7HA 4A298-JAA		J30-T-800	★ E0HZ 4300-S	
1760	E1HZ 4351-A	1610	C6TZ 4465-B													
1810	D1HZ 4351-B	1710	D1HZ 4465-A													
4.88	4.88	1550	★ D9HZ 4351-B	1610	C6TZ 4465-B	A,H, ◇	★ E2HT 4A298-DBA		J5-T-800	★ D7HZ 4300-BE						
		1610	D5HZ 4851-C	1610	C6TZ 4465-B											
		1760	E1HZ 4351-A	1610	C6TZ 4465-B											
		1810	D1HZ 4351-B	1710	D1HZ 4465-A											
5.29	5.29	1550	★ D9HZ 4351-B	1610	C6TZ 4465-B	A,H, ◇	★ E2HT 4A298-DCA		J5-T-800	★ E2HZ 4300-Y						
		1610	D5HZ 4851-C	1610	C6TZ 4465-B											
		1760	E1HZ 4351-A	1610	C6TZ 4465-B											
		1810	D1HZ 4351-B	1710	D1HZ 4465-A											
5.83	5.83	6C	D0HZ 4851-E	7C	C1TZ 4851-A	V,H, ◇	★ D7HA 4A298-FSA		J55-T-800	★ E0HZ 4300-T						
		7C	★ C1TT 4351-B	7C	C1TZ 4851-A											
		8C	C1TT 4351-A	7C	C1TZ 4851-A											
		1550	★ D9HZ 4351-B	1610	C6TZ 4465-B											
		1610	D5HZ 4851-C	1610	C6TZ 4465-B											
		1710	C6TZ 4351-B	1610	C6TZ 4465-B											
		1760	E1HZ 4351-A	1610	C6TZ 4465-B											
		1810	D1HZ 4351-B	1710	D1HZ 4465-A											
		6C	D0HZ 4851-E	7C	C1TZ 4851-A						A,H, ◇	★ D7HA 4A298-FTA		J5-T-800	★ E0HZ 4300-K	
		7C	★ C1TT 4351-B	7C	C1TZ 4851-A											
		8C	C1TT 4351-A	7C	C1TZ 4851-A											
		1550	★ D9HZ 4351-B	1610	C6TZ 4465-B											
		1610	D5HZ 4851-C	1610	C6TZ 4465-B											
		1710	C6TZ 4351-B	1610	C6TZ 4465-B											
		1760	E1HZ 4351-A	1610	C6TZ 4465-B											
		1810	D1HZ 4351-B	1710	D1HZ 4465-A											



1980/  
TRUCK SERIES 600/900

REAR AXLE AND DIFFERENTIAL CARRIER CHART

PARTS LIST NO.	RATIO	FLANGE				NOTE	REAR AXLE PART NUMBER	RING GEAR DIA. (IN.)	CARRIER		
		SIZE †	INPUT	SIZE †	OUTPUT				IDENTIFICATION	PART NUMBER	
▲ RING GEAR DIAMETER LISTED ONLY WHEN OPTIONAL SIZES ARE SHOWN IN PARTS LISTS. † FOR FLANGE TYPE IDENTIFICATION REFER TO GROUP 4851											
Notes:     ◇ U joint flange not included in assy. Determine by size of vehicle drive line. A - Air lockout, E - Electric lockout H - Hendrickson suspension, V - Vacuum lockout, @ - Reyco suspension, N - Neway suspension ♣ 1980/86 • 1987/ % 1980/87 ♦ 1988											
125	6.17	6C	DOHZ 4851-E	7C	C1TZ 4851-A	V,H,◇	★ D7HA 4A298-FUA		J55-T-800	★ EOHZ 4300-V	
		7C	★ C1TT 4351-B	7C	C1TZ 4851-A						
		8C	C1TT 4351-A	7C	C1TZ 4851-A						
		1550	★ D9HZ 4351-B	1610	C6TZ 4465-B						
		1610	D5HZ 4851-C	1610	C6TZ 4465-B						
		1710	C6TZ 4351-B	1610	C6TZ 4465-B						
		1760	E1HZ 4351-A	1610	C6TZ 4465-B						
		1810	D1HZ 4351-B	1710	D1HZ 4465-A						
		6C	DOHZ 4851-E	7C	C1TZ 4851-A						A,H,◇
	7C	★ C1TT 4351-B	7C	C1TZ 4851-A							
	8C	C1TT 4351-A	7C	C1TZ 4851-A							
	1550	★ D9HZ 4351-B	1610	C6TZ 4465-B							
	1610	D5HZ 4851-C	1610	C6TZ 4465-B							
	1710	C6TZ 4351-B	1610	C6TZ 4465-B							
	1760	E1HZ 4351-A	1610	C6TZ 4465-B							
	1810	D1HZ 4351-B	1710	D1HZ 4465-A							
	6.83	6.83	6C	DOHZ 4851-E	7C	C1TZ 4851-A	V,H,◇	★ D7HA 4A298-FYA		J55-T-800	
			7C	★ C1TT 4351-B	7C	C1TZ 4851-A					
8C			C1TT 4351-A	7C	C1TZ 4851-A						
1550			★ D9HZ 4351-B	1610	C6TZ 4465-B						
1610			D5HZ 4851-C	1610	C6TZ 4465-B						
1710			C6TZ 4351-B	1610	C6TZ 4465-B						
1760			E1HZ 4351-A	1610	C6TZ 4465-B						
1810			D1HZ 4351-B	1710	D1HZ 4465-A						
6C			DOHZ 4851-E	7C	C1TZ 4851-A	A,H,◇					★ D7HA 4A298-FZA
7C		★ C1TT 4351-B	7C	C1TZ 4851-A							
8C		C1TT 4351-A	7C	C1TZ 4851-A							
1550		★ D9HZ 4351-B	1610	C6TZ 4465-B							
1610		D5HZ 4851-C	1610	C6TZ 4465-B							
1710		C6TZ 4351-B	1610	C6TZ 4465-B							
1760		E1HZ 4351-A	1610	C6TZ 4465-B							
1810		D1HZ 4351-B	1710	D1HZ 4465-A							
7.80		7.80	6C	DOHZ 4851-E	7C		C1TZ 4851-A	V,H,◇	★ D7HA 4A298-GAA		
			7C	★ C1TT 4351-B	7C	C1TZ 4851-A					
	8C		C1TT 4351-A	7C	C1TZ 4851-A						
	1550		★ D9HZ 4351-B	1610	C6TZ 4465-B						
	1610		D5HZ 4851-C	1610	C6TZ 4465-B						
	1710		C6TZ 4351-B	1610	C6TZ 4465-B						
	1760		E1HZ 4351-A	1610	C6TZ 4465-B						
	1810		D1HZ 4351-B	1710	D1HZ 4465-A						
	6C		DOHZ 4851-E	7C	C1TZ 4851-A	A,H,◇	★ D7HA 4A298-GBA				
	7C	★ C1TT 4351-B	7C	C1TZ 4851-A							
	8C	C1TT 4351-A	7C	C1TZ 4851-A							
	1550	★ D9HZ 4351-B	1610	C6TZ 4465-B							
	1610	D5HZ 4851-C	1610	C6TZ 4465-B							
	1710	C6TZ 4351-B	1610	C6TZ 4465-B							
	1760	E1HZ 4351-A	1610	C6TZ 4465-B							
	1810	D1HZ 4351-B	1710	D1HZ 4465-A							

**1980/  
TRUCK SERIES 600/900**

REAR AXLE AND DIFFERENTIAL CARRIER CHART											
PARTS LIST NO.	RATIO	FLANGE				NOTE	REAR AXLE PART NUMBER	RING GEAR DIA. (IN.)	CARRIER		
		SIZE †	INPUT	SIZE †	OUTPUT				IDENTIFICATION	PART NUMBER	
▲ RING GEAR DIAMETER LISTED ONLY WHEN OPTIONAL SIZES ARE SHOWN IN PARTS LISTS.											
† FOR FLANGE TYPE IDENTIFICATION REFER TO GROUP 4851											
Notes:      ◇ U joint flange not included in assy. Determine by size of vehicle drive line. A - Air lockout, E - Electric lockout H - Hendrickson suspension, V - Vacuum lockout, @ - Reyco suspension, N - Neway suspension ◆ 1980/86 ● 1987/ % 1980/87 ♦ 1988											
126	3.70	7C	★ C1TT 4851-E			H,◇	★ D7HA 4A297-FCA		F31,F52,G28-C-393	★ D7HZ 4200-B	
		1610	C6TZ 4851-AA								
		1710	C7TZ 4851-B								
	3.90	7C	★ C1TT 4851-E			H,◇	★ D8HS 4A297-HDA		F52-C-393	★ E0HZ 4200-BY	
		1610	C6TZ 4851-AA								
		1710	C7TZ 4851-B								
	4.11	7C	★ C1TT 4851-E			H,◇	★ D7HA 4A297-FDA		F52,G28-C-393	★ D7HZ 4200-AC	
		1610	C6TZ 4851-AA								
		1710	C7TZ 4851-B								
		1610	C6TZ 4851-AA			@,◇	★ D3HA 4A297-BMA		F31-C-393	★ C8TZ 4200-JS	
		1710	C7TZ 4851-B								
	4.44	7C	★ C1TT 4851-E			H,◇	★ D7HA 4A297-FEA		F52,G28-C-393	★ D7HZ 4200-AD	
		1610	C6TZ 4851-AA								
		1710	C7TZ 4851-B								
		1610	C6TZ 4851-AA			@,◇	★ D3HA 4A297-BNA		F31-C-393	★ C8TZ 4200-JT	
		1710	C7TZ 4851-B								
	4.88	1610	C6TZ 4851-AA			H,◇	★ E2HT 4A297-DBA		F50,G26-C-393	★ D7HZ 4200-AF	
		1710	C7TZ 4851-B								
		1610	C6TZ 4851-AA			H,◇	★ E2HT 4A297-DCA		F50-C-393	★ E2HZ 4200-AB	
	5.29	1710	C7TZ 4851-B								
7C		★ C1TT 4851-E			H,◇	★ D7HA 4A297-FHA		F50,G26-C-393	★ D7HZ 4200-AG		
1610		C6TZ 4851-AA									
6.17	1710	C7TZ 4851-B									
	7C	★ C1TT 4851-E			H,◇	★ D7HA 4A297-FJA		F50,G26-C-393	★ D7HZ 4200-AH		
	1610	C6TZ 4851-AA									
6.83	1710	C7TZ 4851-B									
	7C	★ C1TT 4851-E			H,◇	★ D7HA 4A297-FKA		F50,G26-C-393	★ D7HZ 4200-AJ		
	1610	C6TZ 4851-AA									
7.80	1710	C7TZ 4851-B									
	7C	★ C1TT 4851-E			H,◇	★ D7HA 4A297-FLA		F50,G26-C-393	★ D7HZ 4200-AK		
	1610	C6TZ 4851-AA									
127	3.70	7C	★ C1TT 4351-B	7C	C1TZ 4851-A	A,H,◇	★ D7HT 4A298-CYB		J11-T-800	E0HZ 4300-AD	
		8C	C1TT 4351-A	7C	C1TZ 4851-A						
		1610	D5HZ 4851-C	1610	C6TZ 4465-B						
		1710	C6TZ 4351-B	1610	C6TZ 4465-B						
		1760	E1HZ 4351-A	1610	C6TZ 4465-B						
		1810	D1HZ 4351-B	1710	D1HZ 4465-A						
		1710	C6TZ 4351-B	1610	C6TZ 4465-B	A,@,N,◇	★ D7HS 4A298-ETA, ★ D7HT 4A298-CVB		J11-T-800	E0HZ 4300-AD	
		1760	E1HZ 4351-A	1610	C6TZ 4465-B						
		1810	D1HZ 4351-B	1710	D1HZ 4465-A						
		1610	D5HZ 4851-C	1610	C6TZ 4465-B	A,H,@,N,◇	★ E2HT 4A298-AAA, ★ E2HT 4A298-ALA, ★ E2HT 4A298-AUA		J11-T-800	E0HZ 4300-AD	
		1760	E1HZ 4351-A	1610	C6TZ 4465-B						
		1810	D1HZ 4351-B	1710	D1HZ 4465-A						

1980/  
TRUCK SERIES 600/900

REAR AXLE AND DIFFERENTIAL CARRIER CHART

PARTS LIST NO.	RATIO	FLANGE				NOTE	REAR AXLE PART NUMBER	RING GEAR DIA. (IN.)	CARRIER		
		SIZE †	INPUT	SIZE †	OUTPUT				IDENTIFICATION	PART NUMBER	
▲ RING GEAR DIAMETER LISTED ONLY WHEN OPTIONAL SIZES ARE SHOWN IN PARTS LISTS. † FOR FLANGE TYPE IDENTIFICATION REFER TO GROUP 4851											
Notes:      ◇ U joint flange not included in assy. Determine by size of vehicle drive line. A - Air lockout, E - Electric lockout H - Hendrickson suspension, V - Vacuum lockout, @ - Reyco suspension, N - Neway suspension ‡ 1980/86 • 1987/ % 1980/87 ♦ 1988											
127	3.70	1610	D5HZ 4851-C	1610	C6TZ 4465-B	A,H,@,◇	★ E2HT 4A298-AA,		C17-U-801	E1HZ 4300-Z	
		1710	C6TZ 4351-B	1610	C6TZ 4465-B		★ E2HT 4A298-CA				
		1760	E1HZ 4351-A	1610	C6TZ 4465-B						
		1810	D1HZ 4351-B	1710	D1HZ 4465-A						
		3.90	1610	D5HZ 4851-C	1610	C6TZ 4465-B	A,H,@,◇	★ E2HT 4A298-AJA,	C17-U-801	E1HZ 4300-Z	
	1760		E1HZ 4351-A	1610	C6TZ 4465-B		★ E2HT 4A298-ASA				
	1810		D1HZ 4351-B	1710	D1HZ 4465-A						
	7C		★ C1TT 4351-B	7C	C1TZ 4851-A	A,H,◇	★ D7HS 4A298-RNA				J11-T-800
		3.90	8C	C1TT 4351-A	7C	C1TZ 4851-A					
	1610		D5HZ 4851-C	1610	C6TZ 4465-B						
	1710		C6TZ 4351-B	1610	C6TZ 4465-B						
	1760		E1HZ 4351-A	1610	C6TZ 4465-B						
		4.11	1810	D1HZ 4351-B	1710	D1HZ 4465-A					
	1610		D5HZ 4851-C	1610	C6TZ 4465-B	A,H,◇	★ E2HT 4A298-BVA		J11-T-800	E0HZ 4300-AH	
	1760		E1HZ 4351-A	1610	C6TZ 4465-B						
	1810		D1HZ 4351-B	1710	D1HZ 4465-A						
		4.11	7C	★ C1TT 4351-B	7C	C1TZ 4851-A	A,H,◇	★ D7HT 4A298-GEB		J11-T-800	★ E0HZ 4300-AE
	8C		C1TT 4351-A	7C	C1TZ 4851-A						
	1610		D5HZ 4851-C	1610	C6TZ 4465-B						
	1710		C6TZ 4351-B	1610	C6TZ 4465-B						
	1760		E1HZ 4351-A	1610	C6TZ 4465-B						
	1810		D1HZ 4351-B	1710	D1HZ 4465-A						
	1710		C6TZ 4351-B	1610	C6TZ 4465-B	A,@,◇	★ D7HT 4A298-GRB		J11-T-800	★ E0HZ 4300-AE	
	1760		E1HZ 4351-A	1610	C6TZ 4465-B						
1810	D1HZ 4351-B		1710	D1HZ 4465-A							
1710	C6TZ 4351-B		1610	C6TZ 4465-B	A,N,◇	★ D7HT 4A298-GUB		J11-T-800	★ E0HZ 4300-AE		
1760	E1HZ 4351-A		1610	C6TZ 4465-B							
1610	D5HZ 4851-C		1610	C6TZ 4465-B	A,H,@,N,◇	★ E2HT 4A298-ABA,		J11-T-800	★ E0HZ 4300-AE		
1760	E1HZ 4351-A	1610	C6TZ 4465-B		★ E2HT 4A298-AMA,						
1810	D1HZ 4351-B	1710	D1HZ 4465-A		★ E2HT 4A298-AVA						
1610	D5HZ 4851-C	1610	C6TZ 4465-B	A,H,@,◇	★ E2HT 4A298-BA,		C17-U-801	E1HZ 4300-AA			
1710	C6TZ 4351-B	1610	C6TZ 4465-B		★ E2HT 4A298-DA						
1760	E1HZ 4351-A	1610	C6TZ 4465-B								
1810	D1HZ 4351-B	1710	D1HZ 4465-A								
1610	D5HZ 4851-C	1610	C6TZ 4465-B	A,H,@,◇	★ E2HT 4A298-AKA,		C17-U-801	E1HZ 4300-AA			
1760	E1HZ 4351-A	1610	C6TZ 4465-B		★ E2HT 4A298-ATA						
1810	D1HZ 4351-B	1710	D1HZ 4465-A								
	4.44	7C	★ C1TT 4351-B	7C	C1TZ 4851-A	A,H,◇	★ D7HT 4A298-GFB		J11-T-800	E0HZ 4300-AF	
8C		C1TT 4351-A	7C	C1TZ 4851-A							
1610		D5HZ 4851-C	1610	C6TZ 4465-B							
1710		C6TZ 4351-B	1610	C6TZ 4465-B							
1760		E1HZ 4351-A	1610	C6TZ 4465-B							
1810		D1HZ 4351-B	1710	D1HZ 4465-A							
1710		C6TZ 4351-B	1610	C6TZ 4465-B	A,@,N,◇	★ D7HS 4A298-EZA,		J11-T-800	E0HZ 4300-AF		
1760		E1HZ 4351-A	1610	C6TZ 4465-B		★ D7HT 4A298-GSB					
1810		D1HZ 4351-B	1710	D1HZ 4465-A							
1610		D5HZ 4851-C	1610	C6TZ 4465-B	A,H,@,N,◇	★ E2HT 4A298-ANA,		J11-T-800	E0HZ 4300-AF		
1760		E1HZ 4351-A	1610	C6TZ 4465-B		★ E2HT 4A298-AYA,					
1810		D1HZ 4351-B	1710	D1HZ 4465-A		★ E2HT 4A298-BYA					

1980/  
TRUCK SERIES 600/900

REAR AXLE AND DIFFERENTIAL CARRIER CHART															
PARTS LIST NO.	RATIO	FLANGE				NOTE	REAR AXLE PART NUMBER	RING GEAR DIA. (IN.) ▲	CARRIER						
		SIZE †	INPUT	SIZE †	OUTPUT				IDENTIFICATION	PART NUMBER					
▲ RING GEAR DIAMETER LISTED ONLY WHEN OPTIONAL SIZES ARE SHOWN IN PARTS LISTS.															
† FOR FLANGE TYPE IDENTIFICATION REFER TO GROUP 4851															
Notes:      ◇ U joint flange not included in assy. Determine by size of vehicle drive line. A - Air lockout, E - Electric lockout H - Hendrickson suspension, V - Vacuum lockout, @ - Reyco suspension, N - Newway suspension															
◆ 1980/86 ◆ 1987 / % 1980/87 ◆ 1988															
127	4.63	7C	★ C1TT 4351-B	7C	C1TZ 4851-A	A,H,◇	★ D7HT 4A298-GGB		J11-T-800	EOHZ 4300-AG					
		8C	C1TT 4351-A	7C	C1TZ 4851-A										
		1610	D5HZ 4851-C	1610	C6TZ 4465-B										
		1710	C6TZ 4351-B	1610	C6TZ 4465-B										
		1760	E1HZ 4351-A	1610	C6TZ 4465-B										
		1810	D1HZ 4351-B	1710	D1HZ 4465-A										
		1710	C6TZ 4351-B	1610	C6TZ 4465-B						A,@,◇	★ D7HT 4A298-GTB	J11-T-800	EOHZ 4300-AG	
		1760	E1HZ 4351-A	1610	C6TZ 4465-B						A,H,@,◇	★ E2HT 4A298-ACA, ★ E2HT 4A298-ARA	J11-T-800	EOHZ 4300-AG	
		1810	D1HZ 4351-B	1710	D1HZ 4465-A										
	1610	D5HZ 4851-C	1610	C6TZ 4465-B											
	4.88	4.88	7C	★ C1TT 4351-B	7C	C1TZ 4851-A	A,H,◇	★ D7HT 4A298-GHB		J10-T-800	EOHZ 4300-Y				
			8C	C1TT 4351-A	7C	C1TZ 4851-A									
			1610	D5HZ 4851-C	1610	C6TZ 4465-B									
			1710	C6TZ 4351-B	1610	C6TZ 4465-B									
			1760	E1HZ 4351-A	1610	C6TZ 4465-B									
			1810	D1HZ 4351-B	1710	D1HZ 4465-A									
			1610	D5HZ 4851-C	1610	C6TZ 4465-B						A,H,◇	★ E2HT 4A298-ADA	J10-T-800	EOHZ 4300-Y
			1760	E1HZ 4351-A	1610	C6TZ 4465-B						A,H,◇	★ D7HT 4A298-GJB	J10-T-800	EOHZ 4300-Z
			1810	D1HZ 4351-B	1710	D1HZ 4465-A									
	1610	D5HZ 4851-C	1610	C6TZ 4465-B											
	5.29	5.29	7C	★ C1TT 4351-B	7C	C1TZ 4851-A	A,H,◇	★ D7HT 4A298-GJB		J10-T-800	EOHZ 4300-Z				
			8C	C1TT 4351-A	7C	C1TZ 4851-A									
			1610	D5HZ 4851-C	1610	C6TZ 4465-B									
			1710	C6TZ 4351-B	1610	C6TZ 4465-B									
1760			E1HZ 4351-A	1610	C6TZ 4465-B										
1810			D1HZ 4351-B	1710	D1HZ 4465-A										
1610			D5HZ 4851-C	1610	C6TZ 4465-B	A,H,◇						★ E2HT 4A298-AEA	J10-T-800	EOHZ 4300-Z	
1760			E1HZ 4351-A	1610	C6TZ 4465-B	A,H,◇						★ D7HT 4A298-GKB	J10-T-800	EOHZ 4300-AA	
1810			D1HZ 4351-B	1710	D1HZ 4465-A										
1610	D5HZ 4851-C	1610	C6TZ 4465-B												
5.83	5.83	7C	★ C1TT 4351-B	7C	C1TZ 4851-A	A,H,◇	★ D7HT 4A298-GKB		J10-T-800	EOHZ 4300-AA					
		8C	C1TT 4351-A	7C	C1TZ 4851-A										
		1610	D5HZ 4851-C	1610	C6TZ 4465-B										
		1710	C6TZ 4351-B	1610	C6TZ 4465-B										
		1760	E1HZ 4351-A	1610	C6TZ 4465-B										
		1810	D1HZ 4351-B	1710	D1HZ 4465-A										
		1610	D5HZ 4851-C	1610	C6TZ 4465-B						A,H,◇	★ E2HT 4A298-AFA	J10-T-800	EOHZ 4300-AA	
		1760	E1HZ 4351-A	1610	C6TZ 4465-B						A,H,◇	★ D7HT 4A298-GLB	J10-T-800	EOHZ 4300-AB	
		1810	D1HZ 4351-B	1710	D1HZ 4465-A										
1610	D5HZ 4851-C	1610	C6TZ 4465-B												
6.17	6.17	7C	★ C1TT 4351-B	7C	C1TZ 4851-A	A,H,◇	★ D7HT 4A298-GLB		J10-T-800	EOHZ 4300-AB					
		8C	C1TT 4351-A	7C	C1TZ 4851-A										
		1610	D5HZ 4851-C	1610	C6TZ 4465-B										
		1710	C6TZ 4351-B	1610	C6TZ 4465-B										
		1760	E1HZ 4351-A	1610	C6TZ 4465-B										
		1810	D1HZ 4351-B	1710	D1HZ 4465-A										
		1610	D5HZ 4851-C	1610	C6TZ 4465-B						A,H,◇	★ E2HT 4A298-AGA	J10-T-800	EOHZ 4300-AB	
		1760	E1HZ 4351-A	1610	C6TZ 4465-B						A,H,◇	★ D7HT 4A298-GLB	J10-T-800	EOHZ 4300-AB	
		1810	D1HZ 4351-B	1710	D1HZ 4465-A										
1610	D5HZ 4851-C	1610	C6TZ 4465-B												

1980/  
TRUCK SERIES 600/900

REAR AXLE AND DIFFERENTIAL CARRIER CHART

PARTS LIST NO.	RATIO	FLANGE				NOTE	REAR AXLE PART NUMBER	RING GEAR DIA. (IN.)	CARRIER	
		SIZE †	INPUT	SIZE †	OUTPUT				IDENTIFICATION	PART NUMBER

▲ RING GEAR DIAMETER LISTED ONLY WHEN OPTIONAL SIZES ARE SHOWN IN PARTS LISTS.

† FOR FLANGE TYPE IDENTIFICATION REFER TO GROUP 4851

Notes: ◇ U joint flange not included in assy. Determine by size of vehicle drive line. A - Air lockout, E - Electric lockout

H - Hendrickson suspension, V - Vacuum lockout, @ - Reyco suspension, N - Neway suspension

◆ 1980/86 • 1987/ % 1980/87 ◆ 1988

127	6.83	7C	★ C1TT 4351-B	7C	C1TZ 4851-A	A,H,◇	★ D7HT 4A298-GMB		J10-T-800	E0HZ 4300-AC	
		8C	C1TT 4351-A	7C	C1TZ 4851-A						
		1610	D5HZ 4851-C	1610	C6TZ 4465-B						
		1710	C6TZ 4351-B	1610	C6TZ 4465-B						
		1760	E1HZ 4351-A	1610	C6TZ 4465-B						
		1810	D1HZ 4351-B	1710	D1HZ 4465-A						
		1610	D5HZ 4851-C	1610	C6TZ 4465-B	A,H,◇	★ E2HT 4A298-AHA		J10-T-800	E0HZ 4300-AC	
		1760	E1HZ 4351-A	1610	C6TZ 4465-B						
		1810	D1HZ 4351-B	1710	D1HZ 4465-A						
		128	3.70	7C	★ C1TT 4851-E			H,◇	★ D7HT 4A297-GFB		F34,F51,G27-C-393
1610	C6TZ 4851-AA										
1710	C7TZ 4851-B										
1610	C6TZ 4851-AA					@,N,◇	★ D7HS 4A297-ETA, ★ D7HT 4A297-GHB		F34,F51, G27-C-393	★ D7HZ 4200-C	
1710	C7TZ 4851-B										
1610	C6TZ 4851-AA					H,@,N,◇	★ E2HT 4A297-AAA, ★ E2HT 4A297-ALA, ★ E2HT 4A297-AUA		F34,F51, G27-C-393	★ D7HZ 4200-C	
1710	C7TZ 4851-B										
1610	C6TZ 4851-AA					H,@,◇	★ E2HT 4A297-AA, ★ E2HT 4A297-CA, ★ E2HT 4A297-AJA, ★ E2HT 4A297-ASA		A92-R-616	★ E1HZ 4200-AE	
1710	C7TZ 4851-B										
3.90	7C			★ C1TT 4851-E				H,◇	★ D7HS 4A297-RNA		F51-C-393
	1610		C6TZ 4851-AA								
	1710		C7TZ 4851-B								
	1610		C6TZ 4851-AA			H,◇	★ E2HT 4A297-BVA		F51-C-393	★ E0HZ 4200-BX	
	1710		C7TZ 4851-B								
4.11	7C		★ C1TT 4851-E				H,◇	★ D7HT 4A297-FNB		F51,G27-C-393	★ D7HZ 4200-R
			C6TZ 4851-AA								
			C7TZ 4851-B								
			C6TZ 4851-AA			@,◇	★ D7HT 4A297-GBB		F51,G27-C-393	★ D7HZ 4200-R	
			C7TZ 4851-B								
	1610		C6TZ 4851-AA				N,◇	★ D7HT 4A297-GEB		F51,G27-C-393	★ D7HZ 4200-R
		C6TZ 4851-AA				H,@,N,◇	★ E2HT 4A297-ABA, ★ E2HT 4A297-AMA, ★ E2HT 4A297-AVA		F51-G27-C-393	★ D7HZ 4200-R	
		C7TZ 4851-B									
		C6TZ 4851-AA				H,@,◇	★ E2HT 4A297-BA, ★ E2HT 4A297-DA, ★ E2HT 4A297-AKA, ★ E2HT 4A297-ATA		A92-R-616	★ E1HZ 4200-AF	
		C7TZ 4851-B									
4.44	7C	★ C1TT 4851-E				H,◇	★ D7HT 4A297-FRB		F51,G27-C-393	★ D7HZ 4200-S	
		C6TZ 4851-AA									
		C7TZ 4851-B									
	1610	C6TZ 4851-AA				@,N,◇	★ D7HS 4A297-EZA, ★ D7HT 4A297-GCB		F51,G27-C-393	★ D7HZ 4200-S	
		C7TZ 4851-B									
		C6TZ 4851-AA				H,@,N,◇	★ E2HT 4A297-ANA, ★ E2HT 4A297-AYA, ★ E2HT 4A297-BYA		F51-G27-C-393	★ D7HZ 4200-S	
		C7TZ 4851-B									

**1980/  
TRUCK SERIES 600/900**

**REAR AXLE AND DIFFERENTIAL CARRIER CHART**

PARTS LIST NO.	RATIO	FLANGE				NOTE	REAR AXLE PART NUMBER	RING GEAR DIA. (IN.)	CARRIER		
		SIZE †	INPUT	SIZE †	OUTPUT				IDENTIFICATION	PART NUMBER	
▲ RING GEAR DIAMETER LISTED ONLY WHEN OPTIONAL SIZES ARE SHOWN IN PARTS LISTS.											
† FOR FLANGE TYPE IDENTIFICATION REFER TO GROUP 4851											
Notes:      ◊ U joint flange not included in assy. Determine by size of vehicle drive line. A - Air lockout, E - Electric lockout H - Hendrickson suspension, V - Vacuum lockout, @ - Reyco suspension, N - Neway suspension ‡ 1980/86 • 1987/ % 1980/87 ♦ 1988											
128	4.63	7C	★ C1TT 4851-E			H,◊	★ D7HT 4A297-FSB		F51,G27-C-393	★ D7HZ 4200-T	
		1610	C6TZ 4851-AA								
		1710	C7TZ 4851-B								
		1610	C6TZ 4851-AA			@,◊	★ D7HT 4A297-GDB		F51,G27-C-393	★ D7HZ 4200-T	
		1710	C7TZ 4851-B								
		1610	C6TZ 4851-AA			H,@,◊	★ E2HT 4A297-ACA, ★ E2HT 4A297-ARA		F51-G27-C-393	★ D7HZ 4200-T	
		4.88	7C	★ C1TT 4851-E			H,◊	★ D7HT 4A297-FTB		F49,G25-C-393	★ D7HZ 4200-V
	1610		C6TZ 4851-AA								
	1710		C7TZ 4851-B								
		5.29	7C	★ C1TT 4851-E			H,◊	★ D7HT 4A297-FUB		F49,G25-C-393	★ D7HZ 4200-W
	1610		C6TZ 4851-AA								
	1710		C7TZ 4851-B								
		5.83	7C	★ C1TT 4851-E			H,◊	★ D7HT 4A297-FVB		F49,G25-C-393	★ D7HZ 4200-X
	1610		C6TZ 4851-AA								
	1710		C7TZ 4851-B								
		6.17	7C	★ C1TT 4851-E			H,◊	★ D7HT 4A297-FYB		F49,G25-C-393	★ D7HZ 4200-Y
	1610		C6TZ 4851-AA								
	1710		C7TZ 4851-B								
		6.83	7C	★ C1TT 4851-E			H,◊	★ D7HT 4A297-FZB		F49,G25-C-393	★ D7HZ 4200-Z
	1610		C6TZ 4851-AA								
	1710		C7TZ 4851-B								
		7.21	1550	D9HZ 4351-A	1610	C6TZ 4465-A	A,H,◊	★ E2HT 4A298-DLA	16	101680	★ E2HZ 4300-AD
	1610		D5HZ 4851-D	1610	C6TZ 4465-A						
	1760		E1HZ 4851-C	1610	C6TZ 4465-A						
	7.60	1810	D1HZ 4351-C	1710	C7TZ 4465-B						
6C		★ D0HZ 4351-A	7C	B8QH 4465-B	V,H,◊	★ D7HA 4A298-DVA	16	96007,101688	★ D5HZ 4300-AT		
7C		B8QH 4351-A	7C	B8QH 4465-B							
1550		D9HZ 4351-A	1610	C6TZ 4465-A							
1710		C6TZ 4351-A	1610	C6TZ 4465-A							
1810		D1HZ 4351-C	1710	C7TZ 4465-B							
6C		★ D0HZ 4351-A	7C	B8QH 4465-B	A,H,◊	★ D7HA 4A298-DYA	16	96000,101681	★ D5HZ 4300-AR		
7C		B8QH 4351-A	7C	B8QH 4465-B							
1550		D9HZ 4351-A	1610	C6TZ 4465-A							
1610		D5HZ 4851-D	1610	C6TZ 4465-A							
1710		C6TZ 4351-A	1610	C6TZ 4465-A							
1810		D1HZ 4351-C	1710	C7TZ 4465-B							



**1980/  
TRUCK SERIES 600/900**

**REAR AXLE AND DIFFERENTIAL CARRIER CHART**

PARTS LIST NO.	RATIO	FLANGE				NOTE	REAR AXLE PART NUMBER	RING GEAR DIA. (IN.)	CARRIER	
		SIZE †	INPUT	SIZE †	OUTPUT				IDENTIFICATION	PART NUMBER

▲ RING GEAR DIAMETER LISTED ONLY WHEN OPTIONAL SIZES ARE SHOWN IN PARTS LISTS.

† FOR FLANGE TYPE IDENTIFICATION REFER TO GROUP 4851

Notes: ◇ U joint flange not included in assy. Determine by size of vehicle drive line. A - Air lockout, E - Electric lockout  
H - Hendrickson suspension, V - Vacuum lockout, @ - Reyco suspension, N - Neway suspension

◆ 1980/86 ● 1987/ % 1980/87 ♦ 1988

133	4.33	1710	C6TZ 4351-A	1610	C6TZ 4465-A	A,@,◇	★ D7HA 4A298-EFA	16	95642	★ D5HZ 4300-X					
		1760	E1HZ 4851-C	1610	C6TZ 4465-A										
		1810	D1HZ 4351-C	1710	C7TZ 4465-B										
	4.56	6C	★ D0HZ 4351-A	7C	B8QH 4465-B	A,H,◇	★ D7HA 4A298-DCA	16	95643	★ D5HZ 4300-Y					
		7C	B8QH 4351-A	7C	B8QH 4465-B										
		8C	B8QH 4351-C	7C	B8QH 4465-B										
		1550	D9HZ 4351-A	1610	C6TZ 4465-A										
		1610	D5HZ 4851-D	1610	C6TZ 4465-A										
		1710	C6TZ 4351-A	1610	C6TZ 4465-A										
		1760	E1HZ 4851-C	1610	C6TZ 4465-A										
		1810	D1HZ 4351-C	1710	C7TZ 4465-B										
		1710	C6TZ 4351-A	1610	C6TZ 4465-A						A,@,◇	★ D7HA 4A298-EGA	16	95643	★ D5HZ 4300-Y
		1760	E1HZ 4851-C	1610	C6TZ 4465-A										
	1810	D1HZ 4351-C	1710	C7TZ 4465-B											
	5.29	1550	D9HZ 4351-A	1610	C6TZ 4465-A	A,H,◇	★ E2HT 4A298-DJA	16	95645	★ E2HZ 4300-AE					
		1610	D5HZ 4851-D	1610	C6TZ 4465-A										
		1760	E1HZ 4851-C	1610	C6TZ 4465-A										
		1810	D1HZ 4351-C	1710	C7TZ 4465-B										
	5.57	6C	★ D0HZ 4351-A	7C	B8QH 4465-B	V,H,◇	★ D7HA 4A298-DEA	16	95667	★ D5HZ 4300-AB					
		7C	B8QH 4351-A	7C	B8QH 4465-B										
		8C	B8QH 4351-C	7C	B8QH 4465-B										
		1550	D9HZ 4351-A	1610	C6TZ 4465-A										
		1610	D5HZ 4851-D	1610	C6TZ 4465-A										
		1710	C6TZ 4351-A	1610	C6TZ 4465-A										
1760		E1HZ 4851-C	1610	C6TZ 4465-A											
1810		D1HZ 4351-C	1710	C7TZ 4465-B											
6C		★ D0HZ 4351-A	7C	B8QH 4465-B	A,H,◇						★ D7HA 4A298-DFA	16	95646	★ D5HZ 4300-AA	
7C		B8QH 4351-A	7C	B8QH 4465-B											
8C	B8QH 4351-C	7C	B8QH 4465-B												
1550	D9HZ 4351-A	1610	C6TZ 4465-A												
1610	D5HZ 4851-D	1610	C6TZ 4465-A												
1710	C6TZ 4351-A	1610	C6TZ 4465-A												
1760	E1HZ 4851-C	1610	C6TZ 4465-A												
1810	D1HZ 4351-C	1710	C7TZ 4465-B												
6.14	6C	★ D0HZ 4351-A	7C	B8QH 4465-B	V,H,◇	★ D7HA 4A298-DGA	16 1/2	95672	★ D5HZ 4300-AG						
	7C	B8QH 4351-A	7C	B8QH 4465-B											
	8C	B8QH 4351-C	7C	B8QH 4465-B											
	1550	D9HZ 4351-A	1610	C6TZ 4465-A											
	1610	D5HZ 4851-D	1610	C6TZ 4465-A											
	1710	C6TZ 4351-A	1610	C6TZ 4465-A											
	1760	E1HZ 4851-C	1610	C6TZ 4465-A											
	1810	D1HZ 4351-C	1710	C7TZ 4465-B											
	6C	★ D0HZ 4351-A	7C	B8QH 4465-B						A,H,◇	★ D7HA 4A298-DHA	16 1/2	95668	★ D5HZ 4300-AC	
	7C	B8QH 4351-A	7C	B8QH 4465-B											
8C	B8QH 4351-C	7C	B8QH 4465-B												
1550	D9HZ 4351-A	1610	C6TZ 4465-A												
1610	D5HZ 4851-D	1610	C6TZ 4465-A												
1710	C6TZ 4351-A	1610	C6TZ 4465-A												
1760	E1HZ 4851-C	1610	C6TZ 4465-A												
1810	D1HZ 4351-C	1710	C7TZ 4465-B												



1980/  
TRUCK SERIES 600/900

REAR AXLE AND DIFFERENTIAL CARRIER CHART

PARTS LIST NO.	RATIO	FLANGE				NOTE	REAR AXLE PART NUMBER	RING GEAR DIA. (IN.)	CARRIER							
		SIZE †	INPUT	SIZE †	OUTPUT				IDENTIFICATION	PART NUMBER						
▲ RING GEAR DIAMETER LISTED ONLY WHEN OPTIONAL SIZES ARE SHOWN IN PARTS LISTS. † FOR FLANGE TYPE IDENTIFICATION REFER TO GROUP 4851																
Notes:     ◊ U joint flange not included in assy. Determine by size of vehicle drive line. A - Air lockout, E - Electric lockout H - Hendrickson suspension, V - Vacuum lockout, @ - Reyco suspension, N - Neway suspension ♣ 1980/86 • 1987/ % 1980/87 ♦ 1988																
133	6.50	6C	★ D0HZ 4351-A	7C	B8QH 4465-B	V,H,◊	★ D7HA 4A298-DJA	16 1/2	95673	★ D5HZ 4300-AH						
		7C	B8QH 4351-A	7C	B8QH 4465-B											
		8C	B8QH 4351-C	7C	B8QH 4465-B											
		1550	D9HZ 4351-A	1610	C6TZ 4465-A											
		1610	D5HZ 4851-D	1610	C6TZ 4465-A											
		1710	C6TZ 4351-A	1610	C6TZ 4465-A											
		1760	E1HZ 4851-C	1610	C6TZ 4465-A											
		1810	D1HZ 4351-C	1710	C7TZ 4465-B											
		6C	★ D0HZ 4351-A	7C	B8QH 4465-B						A,H,◊	★ D7HA 4A298-DKA	16 1/2	95669	★ D5HZ 4300-AD	
		7C	B8QH 4351-A	7C	B8QH 4465-B											
		8C	B8QH 4351-C	7C	B8QH 4465-B											
		1550	D9HZ 4351-A	1610	C6TZ 4465-A											
	1610	D5HZ 4851-D	1610	C6TZ 4465-A												
	1710	C6TZ 4351-A	1610	C6TZ 4465-A												
	1760	E1HZ 4851-C	1610	C6TZ 4465-A												
	1810	D1HZ 4351-C	1710	C7TZ 4465-B												
	7.17	6.50	6C	★ D0HZ 4351-A	7C	B8QH 4465-B	V,H,◊	★ D7HA 4A298-DLA	16 1/2	95674						★ D5HZ 4300-AJ
			7C	B8QH 4351-A	7C	B8QH 4465-B										
			8C	B8QH 4351-C	7C	B8QH 4465-B										
			1550	D9HZ 4351-A	1610	C6TZ 4465-A										
			1610	D5HZ 4851-D	1610	C6TZ 4465-A										
			1710	C6TZ 4351-A	1610	C6TZ 4465-A										
			1760	E1HZ 4851-C	1610	C6TZ 4465-A										
			1810	D1HZ 4351-C	1710	C7TZ 4465-B										
6C			★ D0HZ 4351-A	7C	B8QH 4465-B	A,H,◊					★ D7HA 4A298-DMA	16 1/2	95670	★ D5HZ 4300-AE		
7C			B8QH 4351-A	7C	B8QH 4465-B											
8C			B8QH 4351-C	7C	B8QH 4465-B											
1550			D9HZ 4351-A	1610	C6TZ 4465-A											
1610	D5HZ 4851-D	1610	C6TZ 4465-A													
1710	C6TZ 4351-A	1610	C6TZ 4465-A													
1760	E1HZ 4851-C	1610	C6TZ 4465-A													
1810	D1HZ 4351-C	1710	C7TZ 4465-B													
7.60	6.50	6C	★ D0HZ 4351-A	7C	B8QH 4465-B		V,H,◊	★ D7HA 4A298-DNA	16 1/2	95675					★ D5HZ 4300-AK	
		7C	B8QH 4351-A	7C	B8QH 4465-B											
		8C	B8QH 4351-C	7C	B8QH 4465-B											
		1550	D9HZ 4351-A	1610	C6TZ 4465-A											
		1610	D5HZ 4851-D	1610	C6TZ 4465-A											
		1710	C6TZ 4351-A	1610	C6TZ 4465-A											
		1760	E1HZ 4851-C	1610	C6TZ 4465-A											
		1810	D1HZ 4351-C	1710	C7TZ 4465-B											
		6C	★ D0HZ 4351-A	7C	B8QH 4465-B	A,H,◊					★ D7HA 4A298-DRA	16 1/2	95671	★ D5HZ 4300-AF		
		7C	B8QH 4351-A	7C	B8QH 4465-B											
		8C	B8QH 4351-C	7C	B8QH 4465-B											
		1550	D9HZ 4351-A	1610	C6TZ 4465-A											
1610	D5HZ 4851-D	1610	C6TZ 4465-A													
1710	C6TZ 4351-A	1610	C6TZ 4465-A													
1760	E1HZ 4851-C	1610	C6TZ 4465-A													
1810	D1HZ 4351-C	1710	C7TZ 4465-B													

1980/  
TRUCK SERIES 600/900

REAR AXLE AND DIFFERENTIAL CARRIER CHART

PARTS LIST NO.	RATIO	FLANGE				NOTE	REAR AXLE PART NUMBER	RING GEAR DIA. (IN.)	CARRIER	
		SIZE †	INPUT	SIZE †	OUTPUT				IDENTIFICATION	PART NUMBER
▲ RING GEAR DIAMETER LISTED ONLY WHEN OPTIONAL SIZES ARE SHOWN IN PARTS LISTS. † FOR FLANGE TYPE IDENTIFICATION REFER TO GROUP 4851										
Notes:      ◇ U joint flange not included in assy. Determine by size of vehicle drive line. A - Air lockout, E - Electric lockout H - Hendrickson suspension, V - Vacuum lockout, @ - Reyco suspension, N - Neway suspension ♣ 1980/86 • 1987/ % 1980/87 ♦ 1988										
134	3.70	7C	B8QH 4851-C			H,@,◇	★ D7HA 4A297-DKA, ★ D7HA 4A297-DUA	16	96427,101939	★ D5HZ 4200-X
		1610	C6TZ 4851-U							
		1710	C7TZ 4851-E							
	4.11	7C	B8QH 4851-C			H,@,◇	★ D7HA 4A297-DAA, ★ D7HA 4A297-DVA	16	96428,101940	★ D5HZ 4200-Y
		1610	C6TZ 4851-U							
		1710	C7TZ 4851-E							
	4.33	7C	B8QH 4851-C			H,@,◇	★ D7HA 4A297-DBA, ★ D7HA 4A297-DYA	16	96429,101941	★ D5HZ 4200-Z
		1610	C6TZ 4851-T							
		1710	C7TZ 4851-E							
	4.56	7C	B8QH 4851-C			H,◇	★ D7HA 4A297-DCA	16	96430,101942	★ D5HZ 4200-AA
		1610	C6TZ 4851-T							
		1710	C7TZ 4851-D							
		1610	C6TZ 4851-T							
	5.29	1610	C6TZ 4851-T			H,◇	★ E2HT 4A297-DJA	16	101944	★ E2HZ 4200-AY
1710		C7TZ 4851-D								
5.57	7C	B8QH 4851-C			H,◇	★ D7HA 4A297-DEA	16	96433,101945	★ D5HZ 4200-AC	
	1610	C6TZ 4851-T								
	1710	C7TZ 4851-D								
6.14	7C	B8QH 4851-C			H,◇	★ D7HA 4A297-DFA	16 1/2	96435,101946	D5HZ 4200-AD	
	1610	C6TZ 4851-T								
	1710	C7TZ 4851-D								
6.50	7C	B8QH 4851-C			H,◇	★ D7HA 4A297-DGA	16 1/2	96436,101947	D5HZ 4200-AE	
	1610	C6TZ 4851-T								
	1710	C7TZ 4851-D								
7.17	7C	B8QH 4851-C			H,◇	★ D7HA 4A297-DHA	16 1/2	96437,101948	D5HZ 4200-AF	
	1610	C6TZ 4851-T								
	1710	C7TZ 4851-D								
7.60	7C	B8QH 4851-C			H,◇	★ D7HA 4A297-DJA	16 1/2	96438,101949	★ D5HZ 4200-AG	
	1610	C6TZ 4851-T								
	1710	C7TZ 4851-D								
147	5.29/7.21	1550	D9HZ 4351-A	1610	C6TZ 4465-A	A,H,◇	★ E2HT 4A298-DKA	16	101408	★ E2HZ 4300-AF
		1610	D5HZ 4851-D	1610	C6TZ 4465-A					
		1760	E1HZ 4851-C	1610	C6TZ 4465-A					
		1810	D1HZ 4351-C	1710	C7TZ 4465-B					
6.14/8.38	6C	★ D0HZ 4351-A	7C	B8QH 4465-B	A,H,◇	★ D7HA 4A298-DZA	16 1/2	95824,101435	★ D5HZ 4300-AL	
		B8QH 4351-A	7C	B8QH 4465-B						
		D9HZ 4351-A	1610	C6TZ 4465-A						
		D5HZ 4851-D	1610	C6TZ 4465-A						
		C6TZ 4351-A	1610	C6TZ 4465-A						
		E1HZ 4851-C	1610	C6TZ 4465-A						
		D1HZ 4351-C	1710	C7TZ 4465-B						
6.50/8.87	6C	★ D0HZ 4351-A	7C	B8QH 4465-B	A,H,◇	★ D7HA 4A298-EAA	16 1/2	95825,101436	★ D5HZ 4300-AM	
		B8QH 4351-A	7C	B8QH 4465-B						
		D9HZ 4351-A	1610	C6TZ 4465-A						
		D5HZ 4851-D	1610	C6TZ 4465-A						
		C6TZ 4351-A	1610	C6TZ 4465-A						
		E1HZ 4851-C	1610	C6TZ 4465-A						
		D1HZ 4351-C	1710	C7TZ 4465-B						

1980/  
TRUCK SERIES 600/900

REAR AXLE AND DIFFERENTIAL CARRIER CHART

PARTS LIST NO.	RATIO	FLANGE				NOTE	REAR AXLE PART NUMBER	RING GEAR DIA. (IN.) ▲	CARRIER	
		SIZE †	INPUT	SIZE †	OUTPUT				IDENTIFICATION	PART NUMBER
▲ RING GEAR DIAMETER LISTED ONLY WHEN OPTIONAL SIZES ARE SHOWN IN PARTS LISTS.										
† FOR FLANGE TYPE IDENTIFICATION REFER TO GROUP 4851										
Notes:      ◇ U joint flange not included in assy. Determine by size of vehicle drive line. A - Air lockout, E - Electric lockout H - Hendrickson suspension, V - Vacuum lockout, @ - Reyco suspension, N - Neway suspension ◆ 1980/86 • 1987/ % 1980/87 ◆ 1988										
147	7.17/9.77	6C	★ DOHZ 4351-A	7C	B8QH 4465-B	A,H,◇	★ D7HA 4A298-EBA	16 1/2	95826,101437	★ D5HZ 4300-AN
		7C	B8QH 4351-A	7C	B8QH 4465-B					
		1610	D5HZ 4851-D	1610	C6TZ 4465-A					
		1710	C6TZ 4351-A	1610	C6TZ 4465-A					
148	5.29/7.21	1610	C6TZ 4851-T			H,◇	★ E2HT 4A297-DKA	16	101762	★ E2HZ 4200-AZ
		1710	C7TZ 4851-D							
	6.14/8.38	7C	B8QH 4851-C			H,◇	★ D7HA 4A297-DNA	16 1/2	78028,101469, 101764	★ C8TZ 4200-FM
		1610	C6TZ 4851-T							
		1710	C7TZ 4851-D							
	6.50/8.87	7C	B8QH 4851-C			H,◇	★ D7HA 4A297-DRA	16 1/2	78029,101470, 101765	★ C8TZ 4200-FN
		1610	C6TZ 4851-T							
		1710	C7TZ 4851-D							
	7.17/9.77	7C	B8QH 4851-C			H,◇	★ D7HA 4A297-DSA	16 1/2	78030,101471, 101766	★ C8TZ 4200-FR
		1610	C6TZ 4851-T							
		1710	C7TZ 4851-D							
	164	5.57/7.75	1410	8TH 4851				★ E0HT 4005-BEA		110181
1410			8TH 4851				★ E1HT 4005-CLA		116576	E1HZ 4200-BP
1410			E4HZ 4851-A				★ E4HT 4005-CAA, ★ E4HT 4005-CAB		119382	E4HZ 4200-P
1480			C8TZ 4851-B				★ E0HT 4005-BFA		110182	E0HZ 4200-BP
1480			C8TZ 4851-B				★ E1HT 4005-CKA		116571	E1HZ 4200-BR
1480			E4HZ 4851-C				★ E4HT 4005-CDA, ★ E4HT 4005-CDB		119385	E4HZ 4200-R
1550			E3HZ 4851-D				★ E3HT 4005-CKA		118770	E3HZ 4200-BX
1550			E4HZ 4851-E				★ E4HT 4005-CGA, ★ E4HT 4005-CGB		119388	E4HZ 4200-S
5.83/8.12		1410	8TH 4851				★ D8HT 4006-AA, ★ E0HT 4005-AYA		74486,103827	C8TZ 4200-AB
		1410	8TH 4851				★ E1HT 4005-CSA		116577	★ E1HZ 4200-BS y/bE2HZ 4200-AD
		1480	C8TZ 4851-B				★ D8HT 4006-BA, ★ E0HT 4005-BAA		76886,103831, 120767	C8TZ 4200-Y
		1480	C8TZ 4851-B				★ E1HT 4005-CNA		116572	★ E1HZ 4200-BT y/bE2HZ 4200-AE
5.86/8.15		1410	8TH 4851				★ E2HT 4005-CJA		115535	E2HZ 4200-AD
		1410	E4HZ 4851-A				★ E4HT 4005-CBA, ★ E4HT 4005-CBB		119383	E4HZ 4200-T
		1480	C8TZ 4851-B				★ E2HT 4005-CLA		114292	E2HZ 4200-AE
		1480	E4HZ 4851-C				★ E4HT 4005-CEA, ★ E4HT 4005-CEB		119386	E4HZ 4200-V
		1550	E3HZ 4851-D				★ E3HT 4005-CLA		118771	E3HZ 4200-BY
		1550	E4HZ 4851-E				★ E4HT 4005-CHA, ★ E4HT 4005-CHB		119389	E4HZ 4200-W
6.29/8.74		1410	8TH 4851				★ E2HT 4005-CKA		115536	E2HZ 4200-AF
		1410	E4HZ 4851-A				★ E4HT 4005-CCA, ★ E4HT 4005-CCB		119384	E4HZ 4200-X
		1480	C8TZ 4851-B				★ E2HT 4005-CMA		114293	E2HZ 4200-AG
		1480	E4HZ 4851-C				★ E4HT 4005-CFA, ★ E4HT 4005-CFB		119387	E4HZ 4200-Y

1980/  
TRUCK SERIES 600/900

REAR AXLE AND DIFFERENTIAL CARRIER CHART										
PARTS LIST NO.	RATIO	FLANGE				NOTE	REAR AXLE PART NUMBER	RING GEAR DIA. (IN.) ▲	CARRIER	
		SIZE †	INPUT	SIZE †	OUTPUT				IDENTIFICATION	PART NUMBER
▲ RING GEAR DIAMETER LISTED ONLY WHEN OPTIONAL SIZES ARE SHOWN IN PARTS LISTS.										
† FOR FLANGE TYPE IDENTIFICATION REFER TO GROUP 4851										
Notes:      ◇ U joint flange not included in assy. Determine by size of vehicle drive line. A - Air lockout, E - Electric lockout H - Hendrickson suspension, V - Vacuum lockout, @ - Reyco suspension, N - Neway suspension ♣ 1980/86 • 1987/ % 1980/87 ♦ 1988										
164	6.33/8.81	1410	8TH	4851			★ D8HT 4006-CA, ★ E0HT 4005-AZA		74487,103828	C8TZ 4200-AC
		1480	C8TZ	4851-B			★ D8HT 4006-DA, ★ E0HT 4005-BBA		74896,103832	C8TZ 4200-AD
		1410	8TH	4851			★ E1HT 4005-CRA		114502	★ E1HZ 4200-BV r/bE2HZ 4200-AF
		1480	C8TZ	4851-B			★ E1HT 4005-CMA		116573	★ E1HZ 4200-BW r/bE2HZ 4200-AG
167	6.14	6C	TGAA	4851-B			★ D9HT 4A297-BA		96447,101957	D7HZ 4200-K
		7C	B8QH	4851-C						
		82N	D7HZ	4851-B						
		1550	D9HZ	4851-A						
	1610	D4HZ	4851-C							
	6.50	6C	TGAA	4851-B			◇ ★ D7HA 4A297-AJA		96448,101958	D7HZ 4200-L
		7C	B8QH	4851-C						
		82N	D7HZ	4851-B						
		1550	D9HZ	4851-A						
1610	D4HZ	4851-C								
7.17	6C	TGAA	4851-B			◇ ★ D7HA 4A297-AKA		96449,101959	D7HZ 4200-M	
	7C	B8QH	4851-C							
	82N	D7HZ	4851-B							
	1550	D9HZ	4851-A							
1610	D4HZ	4851-C								
189	3.70	7C	C3TZ	4851-B			◇ ★ D6HA 4A297-FA, ★ D7HA 4A297-BNA		B43-G-605	D7HZ 4200-A
		8C	C3TZ	4351-F						
		1610	D4HZ	4851-A						
		1710	C6TZ	4851-P						
		1760	E1HZ	4851-B						
		1810	D1HZ	4851-A						
		1610	D4HZ	4851-A			◇	★ D7HT 4A297-BZA	A16-E-603	D8HZ 4200-K
		1760	E1HZ	4851-B			◇	★ E2HT 4A297-CJA	A21-G-605	E2HZ 4200-L
		1810	D1HZ	4851-A			◇	★ E2HT 4A297-CVA	A16-E-603	D8HZ 4200-K
		1610	♣ E4HZ	4851-V			◇	★ E4HT 4A297-FLA	D16-G-605	E4HZ 4200-EW
		1610	• E7HZ	4851-G						
		1710	♣ E6HZ	4851-D						
		1710	• E7HZ	4851-H						
1760	E4HZ	4851-W								
1810	E4HZ	4851-X								
1610	♣ E4HZ	4851-V			◇	★ E4HT 4A297-JAA	A92-E-603	E4HZ 4200-ES		
1610	• E7HZ	4851-G								
1710	♣ E6HZ	4851-D								
1710	• E7HZ	4851-H								
1760	E4HZ	4851-W								
1810	E4HZ	4851-X								

1980/  
TRUCK SERIES 600/900

REAR AXLE AND DIFFERENTIAL CARRIER CHART											
PARTS LIST NO.	RATIO	FLANGE				NOTE	REAR AXLE PART NUMBER	RING GEAR DIA. (IN.) ▲	CARRIER		
		SIZE †	INPUT	SIZE †	OUTPUT				IDENTIFICATION	PART NUMBER	
▲ RING GEAR DIAMETER LISTED ONLY WHEN OPTIONAL SIZES ARE SHOWN IN PARTS LISTS.											
† FOR FLANGE TYPE IDENTIFICATION REFER TO GROUP 4851											
Notes:      ◇ U joint flange not included in assy. Determine by size of vehicle drive line. A - Air lockout, E - Electric lockout H - Hendrickson suspension, V - Vacuum lockout, @ - Reyco suspension, N - Neway suspension ♣ 1980/86 • 1987/ % 1980/87 ♦ 1988											
189	3.90	72N	D7HZ 4851-C			◇	★ D8HS 4A297-AZA		B43-G-605	E0HZ 4200-BL	
		8C	C3TZ 4351-F								
		1610	D4HZ 4851-A								
		1710	C6TZ 4851-P								
		1760	E1HZ 4851-B								
		1810	D1HZ 4851-A								
		1610	D4HZ 4851-A			◇	★ E2HT 4A297-CKA		A21-G-605	E2HZ 4200-M	
		1760	E1HZ 4851-B								
		1810	D1HZ 4851-A								
		1610	♣ E4HZ 4851-V			◇	★ E4HT 4A297-FMA		D16-G-605	E4HZ 4200-EX	
	1610	• E7HZ 4851-G									
	1710	♣ E6HZ 4851-D									
	1710	• E7HZ 4851-H									
	1760	E4HZ 4851-W									
	1810	E4HZ 4851-X									
	4.11	7C	8C	C3TZ 4851-B			◇	★ D5HA 4A297-CBA, ★ D7HA 4A297-BRA		B43-G-605	D3HZ 4200-A
			1610	D4HZ 4851-A							
			1710	C6TZ 4851-P							
			1760	E1HZ 4851-B							
			1810	D1HZ 4851-A							
			1610	D4HZ 4851-A			◇	★ D7HT 4A297-CAA		A16-E-603	D8HZ 4200-L
		1610	1760	D4HZ 4851-A			◇	★ E2HT 4A297-CLA		A21-G-605	E2HZ 4200-N
			1760	E1HZ 4851-B							
			1810	D1HZ 4851-A							
			1610	D4HZ 4851-A			◇	★ E2HT 4A297-CYA,		A16-E-603	D8HZ 4200-L
			1760	E1HZ 4851-B							
			1810	D1HZ 4851-A							
		1610	♣ E4HZ 4851-V			◇	★ E4HT 4A297-FNA		D16-G-605	E4HZ 4200-EY	
			1610	• E7HZ 4851-G							
			1710	♣ E6HZ 4851-D							
1710			• E7HZ 4851-H								
1760			E4HZ 4851-W								
1810			E4HZ 4851-X								
1610	♣ E4HZ 4851-V			◇	★ E4HT 4A297-JBA		A92-E-603	E4HZ 4200-ET			
	1610	• E7HZ 4851-G									
	1710	♣ E6HZ 4851-D									
	1710	• E7HZ 4851-H									
	1760	E4HZ 4851-W									
	1810	E4HZ 4851-X									
4.33	7C	8C	C3TZ 4851-B			◇	★ D5HA 4A297-CCA, ★ D7HA 4A297-BSA		B44-G-605	D3HZ 4200-B	
		1610	C3TZ 4351-F								
		1710	D4HZ 4851-A								
		1760	C6TZ 4851-P								
	1610	1760	E1HZ 4851-B								
		1810	D1HZ 4851-A								
		1610	D4HZ 4851-A			◇	★ D7HT 4A297-CBA		A8-E-603	D8HZ 4200-M	
		1760	E1HZ 4851-B				★ E2HT 4A297-CMA		A21-G-605	E2HZ 4200-P	
1810	D1HZ 4851-A										

1980/  
TRUCK SERIES 600/900

REAR AXLE AND DIFFERENTIAL CARRIER CHART

PARTS LIST NO.	RATIO	FLANGE				NOTE	REAR AXLE PART NUMBER	RING GEAR DIA. (IN.) ▲	CARRIER			
		SIZE †	INPUT	SIZE †	OUTPUT				IDENTIFICATION	PART NUMBER		
▲ RING GEAR DIAMETER LISTED ONLY WHEN OPTIONAL SIZES ARE SHOWN IN PARTS LISTS.												
† FOR FLANGE TYPE IDENTIFICATION REFER TO GROUP 4851												
Notes:      ◇ U joint flange not included in assy. Determine by size of vehicle drive line. A - Air lockout, E - Electric lockout H - Hendrickson suspension, V - Vacuum lockout, @ - Reyco suspension, N - Neway suspension												
◆ 1980/86 • 1987/ % 1980/87 ◆ 1988												
189	4.33	1610	↓ D4HZ	4851-A			◇	★ E2HT 4A297-CZA		A8-E-603	D8HZ 4200-M	
		1760	E1HZ	4851-B								
		1810	D1HZ	4851-A								
	4.63	4.33	1610	↓ E4HZ	4851-V			◇	★ E4HT 4A297-FRA		D16-G-605	E4HZ 4200-EZ
			1610	● E7HZ	4851-G							
			1710	↓ E6HZ	4851-D							
			1710	● E7HZ	4851-H							
			1760	E4HZ	4851-W							
			1810	E4HZ	4851-X							
	4.88	4.63	1610	↓ E4HZ	4851-V			◇	★ E4HT 4A297-JCA		A92-E-603	E4HZ 4200-EV
			1610	● E7HZ	4851-G							
			1710	↓ E6HZ	4851-D							
			1710	● E7HZ	4851-H							
			1760	E4HZ	4851-W							
			1810	E4HZ	4851-X							
	5.29	4.88	1610	↓ E4HZ	4851-V			◇	★ E4HS 4A297-RBAA		D16-G-605	E6HZ 4200-K
			1610	● E7HZ	4851-G							
			1710	↓ E6HZ	4851-D							
5.29		4.88	1610	↓ E4HZ	4851-V			◇	★ E2HT 4A297-DAA		A21-G-605	E2HZ 4200-AA
			1610	● E7HZ	4851-G							
			1710	↓ E6HZ	4851-D							
			1710	● E7HZ	4851-H							
			1760	E4HZ	4851-W							
			1810	E4HZ	4851-X							
5.29		5.29	7C	C3TZ	4851-B			◇	★ D5HA 4A297-CDA		B44-G-605	D3HZ 4200-C
			72N	D7HZ	4851-C							
			8C	C3TZ	4351-F							
	1610		D4HZ	4851-A								
	1710		C6TZ	4851-P								
	1760		E1HZ	4851-B								
	1810		D1HZ	4851-A								
	1610		↓ D4HZ	4851-A				◇	★ E2HT 4A297-CNA		A21-G-605	E2HZ 4200-R
	1760		E1HZ	4851-B								
1810	D1HZ	4851-A										
5.29	5.29	1610	↓ E4HZ	4851-V			◇	★ E4HT 4A297-FTA		D16-G-605	E4HZ 4200-FB	
		1610	● E7HZ	4851-G								
		1710	↓ E6HZ	4851-D								
		1710	● E7HZ	4851-H								
		1760	E4HZ	4851-W								
		1810	E4HZ	4851-X								

1980/  
TRUCK SERIES 600/900

REAR AXLE AND DIFFERENTIAL CARRIER CHART												
PARTS LIST NO.	RATIO	FLANGE				NOTE	REAR AXLE PART NUMBER	RING GEAR DIA. (IN.) ▲	CARRIER			
		SIZE †	INPUT	SIZE †	OUTPUT				IDENTIFICATION	PART NUMBER		
▲ RING GEAR DIAMETER LISTED ONLY WHEN OPTIONAL SIZES ARE SHOWN IN PARTS LISTS.												
† FOR FLANGE TYPE IDENTIFICATION REFER TO GROUP 4851												
Notes: ◇ U joint flange not included in assy. Determine by size of vehicle drive line. A - Air lockout, E - Electric lockout H - Hendrickson suspension, V - Vacuum lockout, @ - Reyco suspension, N - Neway suspension ♣ 1980/86 • 1987/ % 1980/87 ♦ 1988												
189	5.86	7C	♣ C3TZ	4851-B			◇	★ D5HA 4A297-CEA		B44-G-605	D5HZ 4200-V	
		72N	D7HZ	4851-C								
		8C	C3TZ	4351-F								
		1610	D4HZ	4851-A								
		1710	C6TZ	4851-P								
		1760	E1HZ	4851-B								
		1810	D1HZ	4851-A								
		1610	D4HZ	4851-A			◇	★ E2HT 4A297-CRA		A21-G-605	E2HZ 4200-S	
		1760	E1HZ	4851-B								
	1810	D1HZ	4851-A									
	1610	♣ E4HZ	4851-V			◇	★ E4HT 4A297-FUA		D16-G-605	E4HZ 4200-FC		
	1610	• E7HZ	4851-G									
	1710	♣ E6HZ	4851-D									
	1710	• E7HZ	4851-H									
	1760	E4HZ	4851-W									
	1810	E4HZ	4851-X									
	6.14	6.14	7C	C3TZ	4851-B			◇	★ D5HA 4A297-CFA		B44-G-605	D5HZ 4200-W
			72N	D7HZ	4851-C							
			8C	C3TZ	4351-F							
			1610	D4HZ	4851-A							
			1710	C6TZ	4851-P							
			1760	E1HZ	4851-B							
			1810	D1HZ	4851-A							
			1610	D4HZ	4851-A			◇	★ E2HT 4A297-CSA		A21-G-605	E2HZ 4200-T
			1760	E1HZ	4851-B							
	1810	D1HZ	4851-A									
	1610	♣ E4HZ	4851-V			◇	★ E4HT 4A297-FVA		D16-G-605	E4HZ 4200-FD		
1610	• E7HZ	4851-G										
1710	♣ E6HZ	4851-D										
1710	• E7HZ	4851-H										
1760	E4HZ	4851-W										
1810	E4HZ	4851-X										
6.83	6.83	7C	C3TZ	4851-B			◇	★ D9HT 4A297-AA		B44-G-605	D9HZ 4200-A	
		72N	D7HZ	4851-C								
		8C	C3TZ	4351-F								
		1610	D4HZ	4851-A								
		1710	C6TZ	4851-P								
		1760	E1HZ	4851-B								
		1810	D1HZ	4851-A								
		1610	D4HZ	4851-A			◇	★ E2HT 4A297-CTA		A21-G-605	E2HZ 4200-V	
		1760	E1HZ	4851-B								
1810	D1HZ	4851-A										
1610	♣ E4HZ	4851-V			◇	★ E4HT 4A297-FYA		D16-G-605	E4HZ 4200-FE			
1610	• E7HZ	4851-G										
1710	♣ E6HZ	4851-D										
1710	• E7HZ	4851-H										
1760	E4HZ	4851-W										
1810	E4HZ	4851-X										

1980/  
TRUCK SERIES 600/900

REAR AXLE AND DIFFERENTIAL CARRIER CHART

PARTS LIST NO.	RATIO	FLANGE				NOTE	REAR AXLE PART NUMBER	RING GEAR DIA. (IN.)	CARRIER		
		SIZE †	INPUT	SIZE †	OUTPUT				IDENTIFICATION	PART NUMBER	
▲ RING GEAR DIAMETER LISTED ONLY WHEN OPTIONAL SIZES ARE SHOWN IN PARTS LISTS. † FOR FLANGE TYPE IDENTIFICATION REFER TO GROUP 4851											
Notes:      ◇ U joint flange not included in assy. Determine by size of vehicle drive line. A - Air lockout, E - Electric lockout H - Hendrickson suspension, V - Vacuum lockout, @ - Reyco suspension, N - Neway suspension ♣ 1980/86 • 1987/ % 1980/87 ♦ 1988											
189	7.40	7C	C3TZ	4851-B			◇	★ D9HT 4A297-DA		A37-G-605	D9HZ 4200-M
		72N	D7HZ	4851-C							
		8C	C3TZ	4351-F							
		1610	D4HZ	4851-A							
		1710	C6TZ	4851-P							
		1760	E1HZ	4851-B							
		1810	D1HZ	4851-A							
		1610	D4HZ	4851-A			◇	★ E2HT 4A297-CUA		A21-G-605	E2HZ 4200-W
		1760	E1HZ	4851-B							
		1810	D1HZ	4851-A							
		1610	♣ E4HZ	4851-V			◇	★ E4HT 4A297-FZA		D16-G-605	E4HZ 4200-FF
		1610	● E7HZ	4851-G							
1710	♣ E6HZ	4851-D									
1710	● E7HZ	4851-H									
1760	E4HZ	4851-W									
1810	E4HZ	4851-X									
191	5.83	1410	D6TZ	4851-C			◇	★ D5TA 4005-REB ★ E0HT 4005-AJA	F36-R-1110 H16-R-1110	D6TZ 4200-D E0HZ 4200-AZ	
		1410	E4HZ	4851-P				★ E4HT 4005-AAA	H51-R-1110	E4HZ 4200-DX	
		6.20	1410	D6TZ	4851-C			◇	★ D5TA 4005-RGB ★ E0HT 4005-AKA	F36-R-1110 H16-R-1110	D6TZ 4200-E E0HZ 4200-BA
			1410	E4HZ	4851-P				★ E4HT 4005-ABA	H51-R-1110	E4HZ 4200-DY
		6.80	1410	D6TZ	4851-C			◇	★ D5TA 4005-RJB ★ E0HT 4005-ALA	F36-R-1110 H16-R-1110	D8HZ 4200-S E0HZ 4200-BB
			1410	E4HZ	4851-P				★ E4HT 4005-ACA	H51-R-1110	E4HZ 4200-DZ
	194	3.70	7C	C4TZ	4851-C			◇	★ D7HA 4A297-BGA	98541	D6HZ 4200-C
			8C	C4TZ	4851-B						
			1610	D4HZ	4851-B						
			1710	C6TZ	4851-R						
			1760	D9HZ	4851-B						
			1810	D2HZ	4851-B						
1610		♣ D4HZ	4851-B			◇	★ E1HT 4A297-AFA, ★ E4HT 4A297-HGA	107937	E1HZ 4200-CP		
1610		● E7HZ	4851-E								
1710		♣ C6TZ	4851-R								
1710		● E7HZ	4851-F								
1760		D9HZ	4851-B								
1810		D2HZ	4851-B								
3.90	7C	C4TZ	4851-C			◇	★ D7HS 4A297-BSA	101402	E0HZ 4200-BM		
	1610	D4HZ	4851-B								
	1710	C6TZ	4851-R								
	1760	D9HZ	4851-B								
	1810	D2HZ	4851-B								
	1610	♣ D4HZ	4851-B			◇	★ E1HT 4A297-ARA, ★ E4HT 4A297-HHA	107938	E1HZ 4200-CR		
1610	● E7HZ	4851-E									
1710	♣ C6TZ	4851-R									
1710	● E7HZ	4851-F									
1760	D9HZ	4851-B									
1810	D2HZ	4851-B									



1980/  
TRUCK SERIES 600/900

REAR AXLE AND DIFFERENTIAL CARRIER CHART

PARTS LIST NO.	RATIO	FLANGE				NOTE	REAR AXLE PART NUMBER	RING GEAR DIA. (IN.)	CARRIER		
		SIZE †	INPUT	SIZE †	OUTPUT				IDENTIFICATION	PART NUMBER	
▲ RING GEAR DIAMETER LISTED ONLY WHEN OPTIONAL SIZES ARE SHOWN IN PARTS LISTS. † FOR FLANGE TYPE IDENTIFICATION REFER TO GROUP 4851											
Notes:     ◊ U joint flange not included in assy. Determine by size of vehicle drive line. A - Air lockout, E - Electric lockout H - Hendrickson suspension, V - Vacuum lockout, @ - Reyco suspension, N - Neway suspension † 1980/86 ● 1987/ % 1980/87 ◆ 1988											
194	4.11	7C	C4TZ	4851-C			◊	★ D7HA 4A297-ASA	98542	D6HZ 4200-D	
		8C	C4TZ	4851-B							
		1610	D4HZ	4851-B							
		1710	C6TZ	4851-R							
		1760	D9HZ	4851-B							
		1810	D2HZ	4851-B							
	4.33	4.33	7C	C4TZ	4851-C			◊	★ D7HA 4A297-ATA	98543	D6HZ 4200-E
			8C	C4TZ	4851-B						
			1610	D4HZ	4851-B						
			1710	C6TZ	4851-R						
			1760	D9HZ	4851-B						
			1810	D2HZ	4851-B						
	4.56	4.56	7C	C4TZ	4851-C			◊	★ D7HA 4A297-AUA	98544	D6HZ 4200-F
			8C	C4TZ	4851-B						
			1610	D4HZ	4851-B						
			1710	C6TZ	4851-R						
			1760	D9HZ	4851-B						
			1810	D2HZ	4851-B						
	4.88	4.88	7C	C4TZ	4851-C			◊	★ D7HA 4A297-AVA	98545	D6HZ 4200-G
			8C	C4TZ	4851-B						
			1610	D4HZ	4851-B						
			1710	C6TZ	4851-R						
			1760	D9HZ	4851-B						
			1810	D2HZ	4851-B						
4.88	4.88	1610	◆ D4HZ	4851-B			◊	★ E1HT 4A297-AJA, ★ E4HT 4A297-HLA	107941	E1HZ 4200-CV	
		1610	● E7HZ	4851-E							
		1710	◆ C6TZ	4851-R							
		1710	● E7HZ	4851-F							
		1760	D9HZ	4851-B							
		1810	D2HZ	4851-B							
4.88	4.88	1610	◆ E4HZ	4851-B			◊	★ E1HT 4A297-AKA, ★ E4HT 4A297-HMA	107942	E1HZ 4200-CW	
		1610	● E7HZ	4851-E							
		1710	◆ C6TZ	4851-R							
		1710	● E7HZ	4851-F							
		1760	D9HZ	4851-B							
		1810	D2HZ	4851-B							

1980/  
TRUCK SERIES 600/900

REAR AXLE AND DIFFERENTIAL CARRIER CHART										
PARTS LIST NO.	RATIO	FLANGE				NOTE	REAR AXLE PART NUMBER	RING GEAR DIA. (IN.)	CARRIER	
		SIZE †	INPUT	SIZE †	OUTPUT				IDENTIFICATION	PART NUMBER
▲ RING GEAR DIAMETER LISTED ONLY WHEN OPTIONAL SIZES ARE SHOWN IN PARTS LISTS.										
† FOR FLANGE TYPE IDENTIFICATION REFER TO GROUP 4851										
Notes:      ◇ U joint flange not included in assy. Determine by size of vehicle drive line. A - Air lockout, E - Electric lockout H - Hendrickson suspension, V - Vacuum lockout, @ - Reyco suspension, N - Neway suspension ◆ 1980/86 ● 1987/ % 1980/87 ♦ 1988										
194	5.43	7C	C4TZ	4851-C			◇	★ D7HA 4A297-AYA	98546	D6HZ 4200-H
		8C	C4TZ	4851-B						
		1610	D4HZ	4851-B						
		1710	C6TZ	4851-R						
		1760	D9HZ	4851-B						
		1810	D2HZ	4851-B						
		1610	◆ D4HZ	4851-B			◇	★ E1HT 4A297-ALA, ★ E4HT 4A297-HNA	107943	E1HZ 4200-CX
		1610	● E7HZ	4851-E						
		1710	◆ C6TZ	4851-R						
		1710	● E7HZ	4851-F						
	1760	D9HZ	4851-B							
	1810	D2HZ	4851-B							
	6.17	7C	C4TZ	4851-C			◇	★ D7HA 4A297-AZA	98547	D6HZ 4200-J
		8C	C4TZ	4851-B						
		1610	D4HZ	4851-B						
		1710	C6TZ	4851-R						
		1760	D9HZ	4851-B						
		1810	D2HZ	4851-B						
		1610	◆ D4HZ	4851-B			◇	★ E1HT 4A297-AMA, ★ E4HT 4A297-HRA	107944	E1HZ 4200-CY
		1610	● E7HZ	4851-E						
		1710	◆ C6TZ	4851-R						
		1710	● E7HZ	4851-F						
	1760	D9HZ	4851-B							
	1810	D2HZ	4851-B							
6.67	7C	C4TZ	4851-C			◇	★ D7HA 4A297-BAA	98548	D6HZ 4200-K	
	8C	C4TZ	4851-B							
	1610	D4HZ	4851-B							
	1710	C6TZ	4851-R							
	1760	D9HZ	4851-B							
	1810	D2HZ	4851-B							
	1610	◆ D4HZ	4851-B			◇	★ E1HT 4A297-ANA, ★ E4HT 4A297-HSA	107945	E1HZ 4200-CZ	
	1610	● E7HZ	4851-E							
	1710	◆ C6TZ	4851-R							
	1710	● E7HZ	4851-F							
1760	D9HZ	4851-B								
1810	D2HZ	4851-B								
195	3.70/5.04	1610	◆ D4HZ	4851-B			◇	★ E4HS 4A297-EFNB	114749	E6HZ 4200-BL
		1610	● E7HZ	4851-E						
		1710	◆ C6TZ	4851-R						
		1710	● E7HZ	4851-F						
		1760	D9HZ	4851-B						
	1810	D2HZ	4851-B							
	4.11/5.60	7C	C4TZ	4851-C			◇	★ D7HA 4A297-BBA	98622	D6HZ 4200-L
		1610	D4HZ	4851-B						
		1710	C6TZ	4851-R						
		1760	D9HZ	4851-B						
1810		D2HZ	4851-B							

1980/  
TRUCK SERIES 600/900

REAR AXLE AND DIFFERENTIAL CARRIER CHART

PARTS LIST NO.	RATIO	FLANGE				NOTE	REAR AXLE PART NUMBER	RING GEAR DIA. (IN.) ▲	CARRIER	
		SIZE †	INPUT	SIZE †	OUTPUT				IDENTIFICATION	PART NUMBER
▲ RING GEAR DIAMETER LISTED ONLY WHEN OPTIONAL SIZES ARE SHOWN IN PARTS LISTS.										
† FOR FLANGE TYPE IDENTIFICATION REFER TO GROUP 4851										
Notes: ◇ U joint flange not included in assy. Determine by size of vehicle drive line. A - Air lockout, E - Electric lockout H - Hendrickson suspension, V - Vacuum lockout, @ - Reyco suspension, N - Neway suspension										
⚡ 1980/86 ● 1987/ % 1980/87 ◆ 1988										
195	4.11/5.60	1610	⚡ D4HZ 4851-B			◇	★ E4HS 4A297-EFSB		114750	E6HZ 4200-BM
		1610	● E7HZ 4851-E							
		1710	⚡ C6TZ 4851-R							
		1710	● E7HZ 4851-F							
		1760	D9HZ 4851-B							
		1810	D2HZ 4851-B							
	4.33/5.90	7C	C4TZ 4851-C			◇	★ D7HA 4A297-BCA		98623	D6HZ 4200-M
		1610	D4HZ 4851-B							
		1710	C6TZ 4851-R							
		1760	D9HZ 4851-B							
		1810	D2HZ 4851-B							
	4.56/6.21	1610	⚡ D4HZ 4851-B			◇	★ E4HS 4A297-EFRB		114752	E6HZ 4200-BN
		1610	● E7HZ 4851-E							
		1710	⚡ C6TZ 4851-R							
1710		● E7HZ 4851-F								
1760		D9HZ 4851-B								
1810		D2HZ 4851-B								
4.88/6.64	1610	⚡ D4HZ 4851-B			◇	★ E2HT 4A297-DHA, ★ E4HT 4A297-HTA		114753	E2HZ 4200-AW	
	1610	● E7HZ 4851-E								
	1710	⚡ C6TZ 4851-R								
	1710	● E7HZ 4851-F								
	1760	D9HZ 4851-B								
	1810	D2HZ 4851-B								
5.43/7.39	7C	C4TZ 4851-C			◇	★ D7HA 4A297-BDA		98626, 104873	D6HZ 4200-N	
	1610	D4HZ 4851-B								
	1710	C6TZ 4851-R								
	1760	D9HZ 4851-B								
	1810	D2HZ 4851-B								
	1610	⚡ D4HZ 4851-B			◇	★ E1HT 4A297-ATA, ★ E4HT 4A297-HUA				114754
1610	● E7HZ 4851-E									
1710	⚡ C6TZ 4851-R									
1710	● E7HZ 4851-F									
1760	D9HZ 4851-B									
1810	D2HZ 4851-B									
6.17/8.40	7C	C4TZ 4851-C			◇	★ D7HA 4A297-BEA		98627,104874	D6HZ 4200-P	
	1610	D4HZ 4851-B								
	1710	C6TZ 4851-R								
	1760	D9HZ 4851-B								
	1810	D2HZ 4851-B								
	1610	⚡ D4HZ 4851-B			◇	★ E1HT 4A297-AUA, ★ E4HT 4A297-HVA				114755
1610	● E7HZ 4851-E									
1710	⚡ C6TZ 4851-R									
1710	● E7HZ 4851-F									
1760	D9HZ 4851-B									
1810	D2HZ 4851-B									
6.67/9.08	7C	C4TZ 4851-C			◇	★ D5HA 4A297-BNC, ★ D7HA 4A297-BFA		98628	D6HZ 4200-R	
	1610	D4HZ 4851-B								
	1710	C6TZ 4851-R								
	1760	D9HZ 4851-B								
	1810	D2HZ 4851-B								

**1980/  
TRUCK SERIES 600/900**

**REAR AXLE AND DIFFERENTIAL CARRIER CHART**

PARTS LIST NO.	RATIO	FLANGE				NOTE	REAR AXLE PART NUMBER	RING GEAR DIA. (IN.)	CARRIER	
		SIZE †	INPUT	SIZE †	OUTPUT				IDENTIFICATION	PART NUMBER
▲ RING GEAR DIAMETER LISTED ONLY WHEN OPTIONAL SIZES ARE SHOWN IN PARTS LISTS. † FOR FLANGE TYPE IDENTIFICATION REFER TO GROUP 4851										
Notes:      ◇ U joint flange not included in assy. Determine by size of vehicle drive line. A - Air lockout, E - Electric lockout H - Hendrickson suspension, V - Vacuum lockout, @ - Reyco suspension, N - Neway suspension ‡ 1980/86 • 1987/ % 1980/87 ♦ 1988										
195	6.67/9.08	1610 1610 1710 1710 1760 1810	‡ D4HZ 4851-B • E7HZ 4851-E ‡ C6TZ 4851-R • E7HZ 4851-F D9HZ 4851-B D2HZ 4851-B			◇	★ E1HT 4A297-AVA, ★ E4HT 4A297-HYA		114756	E1HZ 4200-DC
196	3.70	1710 1810	D8HZ 4351-C D8HZ 4351-J	1610 1710	D8HZ 4465-E D8HZ 4465-F	A,H,◇	★ D7HA 4A298-KGA		98785	★ D8HZ 4300-G
	4.11	1710 1810	D8HZ 4351-C D8HZ 4351-J	1610 1710	D8HZ 4465-E D8HZ 4465-F	A,H,◇	★ D7HA 4A298-HTA, ★ D7HA 4A298-KHA		98786	★ D8HZ 4300-H
	4.33	1710 1810	D8HZ 4351-C D8HZ 4351-J	1610 1710	D8HZ 4465-E D8HZ 4465-F	A,H,◇	★ D7HA 4A298-HUA, ★ D7HA 4A298-KJA		98787	★ D8HZ 4300-J
197	3.70	1610 1710	D8HZ 4851-B D8HZ 4851-A			H,◇	★ D7HA 4A297-KGA		98541	D6HZ 4200-C
	4.11	1610 1710	D8HZ 4851-B D8HZ 4851-A			H,◇	★ D7HA 4A297-HTA, ★ D7HA 4A297-KHA		98542	D6HZ 4200-D
	4.33	1610 1710	D8HZ 4851-B D8HZ 4851-A			H,◇	★ D7HA 4A297-HUA, ★ D7HA 4A297-KJA		98543	D6HZ 4200-E
198	3.70	1710 1810	★ D8HZ 4351-K ★ D8HZ 4351-P	1610 1710	C6TZ 4465-A C7TZ 4465-B	A,H,◇	★ D7HA 4A298-HEA	16	99032, 104909	★ D8HZ 4300-K
	4.11	1710 1810	★ D8HZ 4351-K ★ D8HZ 4351-P	1610 1710	C6TZ 4465-A C7TZ 4465-B	A,H,@,N,◇	★ D7HA 4A298-HAA, ★ D7HA 4A298-HFA, ★ D7HA 4A298-HCA	16 1/2	95702, 104911	★ D8HZ 4300-A
	4.33	1710 1810	★ D8HZ 4351-K ★ D8HZ 4351-P	1610 1710	C6TZ 4465-A C7TZ 4465-B	A,H,@,N, ◇	★ D7HA 4A298-HBA, ★ D7HA 4A298-HDA, ★ D7HA 4A298-HGA	16 1/2	95703, 104912	★ D8HZ 4300-B
199	3.70	1610 1710	C6TZ 4851-U C7TZ 4851-E			@,◇	★ D7HA 4A297-HEA	16	99038, 106155	★ D8HZ 4200-F
	4.11	1610 1710	C6TZ 4851-U C7TZ 4851-E			H,@,N,◇	★ D7HA 4A297-HAA, ★ D7HA 4A297-HCA, ★ D7HA 4A297-HFA	16 1/2	96460, 106157	★ D8HZ 4200-A
	4.33	1610 1710	C6TZ 4851-U C7TZ 4851-E			H,@,N,◇	★ D7HA 4A297-HBA, ★ D7HA 4A297-HDA, ★ D7HA 4A297-HGA	16 1/2	96461, 106158	★ D8HZ 4200-B
200	3.70	1710 1810 1880	★ D8HZ 4351-K ★ D8HZ 4351-P ★ D8HZ 4351-A	1610 1710 1710	C6TZ 4465-A C7TZ 4465-B C7TZ 4465-B	A,H,@,◇	★ D7HA 4A298-HKA, ★ D7HA 4A298-HNA	16	95720, 104953	★ D8HZ 4300-F
	4.11	1710 1810 1880	★ D8HZ 4351-K ★ D8HZ 4351-P ★ D8HZ 4351-A	1610 1710 1710	C6TZ 4465-A C7TZ 4465-B C7TZ 4465-B	A,H,@,N,◇	★ D7HA 4A298-CUA, ★ D7HA 4A298-HHA, ★ D7HA 4A298-HLA, ★ D7HA 4A298-HRA	16 1/2	95711, 104955	★ D8HZ 4300-D
	4.33	1710 1810 1880	★ D8HZ 4351-K ★ D8HZ 4351-P ★ D8HZ 4351-A	1610 1710 1710	C6TZ 4465-A C7TZ 4465-B C7TZ 4465-B	A,H,@,N,◇	★ D7HA 4A298-CTA, ★ D7HA 4A298-HJA, ★ D7HA 4A298-HMA, ★ D7HA 4A298-HSA	16 1/2	95712, 104956	★ D8HZ 4300-E
201	3.70	1610 1710	C6TZ 4851-U C7TZ 4851-E			@,N,◇	★ D7HA 4A297-HKA, ★ D7HA 4A297-HNA	16	96512, 106221	★ D8HZ 4200-E
	4.11	1610 1710	C6TZ 4851-U C7TZ 4851-E			H,@,N,◇	★ D7HA 4A297-HHA, ★ D7HA 4A297-HLA, ★ D7HA 4A297-HRA	16 1/2	96478, 106223	★ D8HZ 4200-C



**1980/  
TRUCK SERIES 600/900**

REAR AXLE AND DIFFERENTIAL CARRIER CHART											
PARTS LIST NO.	RATIO	FLANGE				NOTE	REAR AXLE PART NUMBER	RING GEAR DIA. (IN.) ▲	CARRIER		
		SIZE †	INPUT	SIZE †	OUTPUT				IDENTIFICATION	PART NUMBER	
▲ RING GEAR DIAMETER LISTED ONLY WHEN OPTIONAL SIZES ARE SHOWN IN PARTS LISTS.											
† FOR FLANGE TYPE IDENTIFICATION REFER TO GROUP 4851											
Notes:      ◇ U joint flange not included in assy. Determine by size of vehicle drive line. A - Air lockout, E - Electric lockout H - Hendrickson suspension, V - Vacuum lockout, @ - Reyco suspension, N - Neway suspension											
◆ 1980/86 ● 1987/ % 1980/87 ♦ 1988											
203	3.70	1760	E2HZ 4351-C	1610	E1HZ 4465-A	A,H,@,N	★ E2HT 4305-JA, ★ E2HT 4305-YA, ★ E2HT 4305-AJA		C29-R-1032	E2HZ 4300-G	
		1760	E2HZ 4351-C	1610	E1HZ 4465-A	A,H,@	★ E2HT 4305-SA, ★ E2HT 4305-AEA		A19-L-1078	E2HZ 4300-K	
		1760	E2HZ 4351-C	1710	E1HZ 4465-B	A,H,@,N	★ E2HT 4305-KA, ★ E2HT 4305-ZA, ★ E2HT 4305-AKA		C29-R-1032	E2HZ 4300-G	
		1760	E2HZ 4351-C	1710	E1HZ 4465-B	A,H,@	★ E2HT 4305-TA, ★ E2HT 4305-AFA		A19-L-1078	E2HZ 4300-K	
		1760 1810	E3HZ 4351-F E1HZ 4351-D	1610 1710	E1HZ 4465-A E1HZ 4465-B	A,H,@,N	★ E3HT 4A298-GHA, ★ E3HT 4A298-GNA, ★ E3HT 4A298-GVA		C5-R-1032	D8HZ 4300-T	
		1760 1810	E3HZ 4351-F E1HZ 4351-D	1610 1710	E1HZ 4465-A E1HZ 4465-B	A,H,@,◇	★ E3HT 4A298-GLA, ★ E3HT 4A298-GTA		A12-L-1078	E3HZ 4300-AW	
	3.73	1760 1810	E3HZ 4351-F E1HZ 4351-D	1610 1710	E1HZ 4465-A E1HZ 4465-B	A,H,N,◇	★ E4HT 4A298-DKA, ★ E4HT 4A298-EUA, ★ E4HT 4A298-FBA		E25-R-1032	★ E4HZ 4300-M y/bE4HZ 4300-BC	
		1760 1810	E3HZ 4351-F E1HZ 4351-D	1610 1710	E1HZ 4465-A E1HZ 4465-B	A,H,N,◇	★ E4HT 4A298-DKB, ★ E4HT 4A298-EUB, ★ E4HT 4A298-FBB		F15-R-1032	E4HZ 4300-BC	
		1760 1810	E3HZ 4351-F E1HZ 4351-D	1610 1710	E1HZ 4465-A E1HZ 4465-B	A,H,◇	★ E4HT 4A298-DSA, ★ E4HT 4A298-EZA		B20-L-1078	★ E4HZ 4300-H y/bE4HZ 4300-AY	
		1760 1810	E3HZ 4351-F E1HZ 4351-D	1610 1710	E1HZ 4465-A E1HZ 4465-B	A,H,◇	★ E4HT 4A298-DSB, ★ E4HT 4A298-EZB		B48-L-1078	E4HZ 4300-AY	
		4.10	1760 1810	E3HZ 4351-F E1HZ 4351-D	1610 1710	E1HZ 4465-A E1HZ 4465-B	A,H,N,◇	★ E4HT 4A298-DMA, ★ E4HT 4A298-EVA, ★ E4HT 4A298-FCA		E25-R-1032	★ E4HZ 4300-N y/bE4HZ 4300-BD
			1760 1810	E3HZ 4351-F E1HZ 4351-D	1610 1710	E1HZ 4465-A E1HZ 4465-B	A,H,N,◇	★ E4HT 4A298-DMB, ★ E4HT 4A298-EVB, ★ E4HT 4A298-FCB		F15-R-1032	E4HZ 4300-BD
	1760 1810		E3HZ 4351-F E1HZ 4351-D	1610 1710	E1HZ 4465-A E1HZ 4465-B	A,H,◇	★ E4HT 4A298-DTA, ★ E4HT 4A298-FAA		B20-L-1078	★ E4HZ 4300-J y/bE4HZ 4300-AZ	
	1760 1810		E3HZ 4351-F E1HZ 4351-D	1610 1710	E1HZ 4465-A E1HZ 4465-B	A,H,◇	★ E4HT 4A298-DTB, ★ E4HT 4A298-FAB		B48-L-1078	E4HZ 4300-AZ	
	4.11	1710 1810	D8HZ 4351-L D8HZ 4351-M	1610 1710	D8HZ 4465-A D8HZ 4465-B	A,H,N,◇	★ D8HT 4A298-AA, ★ D8HT 4A298-DA, ★ D8HT 4A298-GA		C4-R-1032	D8HZ 4300-V	
		1710	E1HZ 4351-C	1610	E1HZ 4465-A	A,H,@,N	★ E1HT 4305-LA, ★ E1HT 4305-UA, ★ E1HT 4305-AAA		C1-R-1032	E1HZ 4300-S	
		1810	E1HZ 4351-D	1710	E1HZ 4465-B	A,H,@,N	★ E1HT 4305-MA, ★ E1HT 4305-VA, ★ E1HT 4305-ABA, ★ E2HT 4305-BKA, ★ E2HT 4305-BSA, ★ E2HT 4305-BZA		C7-R-1032	E1HZ 4300-W	
		1710	E1HZ 4351-C	1610	E1HZ 4465-A	A,H,@	★ E2HT 4305-CA, ★ E2HT 4305-GA		A14-L-1078	E1HZ 4300-AC	



**1980/  
TRUCK SERIES 600/900**

REAR AXLE AND DIFFERENTIAL CARRIER CHART										
PARTS LIST NO.	RATIO	FLANGE				NOTE	REAR AXLE PART NUMBER	RING GEAR DIA. (IN.)	CARRIER	
		SIZE †	INPUT	SIZE †	OUTPUT				IDENTIFICATION	PART NUMBER
▲ RING GEAR DIAMETER LISTED ONLY WHEN OPTIONAL SIZES ARE SHOWN IN PARTS LISTS.										
† FOR FLANGE TYPE IDENTIFICATION REFER TO GROUP 4851										
Notes: ◇ U joint flange not included in assy. Determine by size of vehicle drive line. A - Air lockout, E - Electric lockout H - Hendrickson suspension, V - Vacuum lockout, @ - Reyco suspension, N - Neway suspension ♦ 1980/86 • 1987/ % 1980/87 ♦ 1988										
204	3.70	1610	E1HZ 4851-E			H,@,N	★ E1HT 4005-JA, ★ E1HT 4005-SA, ★ E1HT 4005-YA, ★ E2HT 4005-JA, ★ E2HT 4005-YA, ★ E2HT 4005-AJA		B17-Y-1039	E1HZ 4200-P
		1710	E1HZ 4851-F			H,@,N	★ E1HT 4005-KA, ★ E1HT 4005-TA, ★ E1HT 4005-ZA, ★ E2HT 4005-KA, ★ E2HT 4005-ZA, ★ E2HT 4005-AKA		B11-Y-1039	E1HZ 4200-L
		1610	E1HZ 4851-E			H,@	★ E2HT 4005-AA, ★ E2HT 4005-EA, ★ E2HT 4005-SA, ★ E2HT 4005-AEA		A62-N-1080	E1HZ 4200-AG
		1710	E1HZ 4851-F			H,@	★ E2HT 4005-BA, ★ E2HT 4005-FA, ★ E2HT 4005-TA, ★ E2HT 4005-AFA		A61-N-1080	E1HZ 4200-AJ
		1610 1710	E1HZ 4851-E E3HZ 4851-A			H,@,N,◇	★ E3HT 4A297-GHA, ★ E3HT 4A297-GNA, ★ E3HT 4A297-GVA		B8-Y-1039	E3HZ 4200-CD
		1610 1710	E1HZ 4851-E E3HZ 4851-A			H,@,◇	★ E3HT 4A297-GLA, ★ E3HT 4A297-GTA		A55-N-1080	E3HZ 4200-CE
	3.73	1610 1710	E1HZ 4851-E E3HZ 4851-A			H,N,◇	★ E4HT 4A297-DKA, ★ E4HT 4A297-EUA, ★ E4HT 4A297-FBA		C5-Y-1039	E4HZ 4200-DT
		1610 1710	E1HZ 4851-E E3HZ 4851-A			H,◇	★ E4HT 4A297-DSA, ★ E4HT 4A297-EZA		B5-N-1080	E4HZ 4200-CR
	4.10	1610 1710	E1HZ 4851-E E3HZ 4851-A			H,N,◇	★ E4HT 4A297-DMA, ★ E4HT 4A297-EVA, ★ E4HT 4A297-FCA		C5-Y-1039	E4HZ 4200-DV
		1610 1710	E1HZ 4851-E E3HZ 4851-A			H,◇	★ E4HT 4A297-DTA, ★ E4HT 4A297-FAA		B5-N-1080	E4HZ 4200-CS
	4.11	1610 1710	D8HZ 4851-E D8HZ 4851-F			H,@,N,◇	★ D7HA 4A297-JKA, ★ D7HA 4A297-JNA, ★ D7HA 4A297-JYA		A30-Y-1039	★ D8HZ 4200-H y/bMAT 80208
		1610	E1HZ 4851-E			H,@,N	★ E1HT 4005-LA, ★ E1HT 4005-UA, ★ E1HT 4005-AAA, ★ E2HT 4005-LA, ★ E2HT 4005-AAA, ★ E2HT 4005-ALA		B16-Y-1039	E1HZ 4200-M
		1710	E1HZ 4851-F			H,@,N	★ E1HT 4005-MA, ★ E1HT 4005-VA, ★ E1HT 4005-ABA, ★ E2HT 4005-MA, ★ E2HT 4005-ABA, ★ E2HT 4005-AMA		B10-Y-1039	E1HZ 4200-J





1980/  
TRUCK SERIES 600/900

REAR AXLE AND DIFFERENTIAL CARRIER CHART											
PARTS LIST NO.	RATIO	FLANGE				NOTE	REAR AXLE PART NUMBER	RING GEAR DIA. (IN.) ▲	CARRIER		
		SIZE †	INPUT	SIZE †	OUTPUT				IDENTIFICATION	PART NUMBER	
▲ RING GEAR DIAMETER LISTED ONLY WHEN OPTIONAL SIZES ARE SHOWN IN PARTS LISTS.											
† FOR FLANGE TYPE IDENTIFICATION REFER TO GROUP 4851											
Notes:      ◊ U joint flange not included in assy. Determine by size of vehicle drive line. A - Air lockout, E - Electric lockout H - Hendrickson suspension, V - Vacuum lockout, @ - Reyco suspension, N - Neway suspension ◆ 1980/86 • 1987/ % 1980/87 ◆ 1988											
205	3.90	1760	E2HZ 4351-D	1710	E1HZ 4465-D	A,H	★ E2HT 4305-ARA		B53-R-1162	★ E2HZ 4300-A r/bE8HZ 4300-W (3.91 ratio)	
		1610	E3HZ 4351-C	1610	D8HZ 4465-C	A,H,◊	★ E3HT 4A298-GZA		A67-R-1162	★ E3HZ 4300-AY r/bE8HZ 4300-C (3.91 ratio)	
		1760	E2HZ 4351-D	1610	D8HZ 4465-C						
		1810	D8HZ 4351-E	1710	D8HZ 4465-D						
	3.91	1760	E2HZ 4351-D	1610	D8HZ 4465-C	A,H,◊	★ E4HT 4A298-FDA		A3-P-1420	★ E4HZ 4300-A r/bE8HZ 4300-C	
		1810	D8HZ 4351-E	1710	D8HZ 4465-D				B19-P-1420	E8HZ 4300-C	
		1610	E7HZ 4351-E	1610	D8HZ 4465-C	A,H,◊	★ E5HT 4A298-CAA		A24-P-1420	★ E5HZ 4300-A r/bE8HZ 4300-C	
		1710	◊ D8HZ 4351-F	1610	D8HZ 4465-C						
		1710	• E7HZ 4351-F	1610	D8HZ 4465-C						
		1760	% E2HZ 4351-D	1710	D8HZ 4465-D						
		1760	◆ E8HZ 4351-B	1710	D8HZ 4465-D						
		1810	% D8HZ 4351-E	1710	D8HZ 4465-D						
		1810	◆ E8HZ 4351-D	1710	D8HZ 4465-D						
										B19-P-1420	E8HZ 4300-C
		4.10	1760	E2HZ 4351-D	1610	D8HZ 4465-C	A,H,◊	★ E4HT 4A298-FEA		A3-P-1420	★ E4HZ 4300-B r/bE8HZ 4300-D
	1810		D8HZ 4351-E	1710	D8HZ 4465-D				B19-P-1420	E8HZ 4300-D	
	1610		E7HZ 4351-E	1610	D8HZ 4465-C	A,H,◊	★ E5HT 4A298-CBA		A24-P-1420	★ E5HZ 4300-B r/bE8HZ 4300-D	
	1710		◊ D8HZ 4351-F	1610	D8HZ 4465-C						
	1710		• E7HZ 4351-F	1610	D8HZ 4465-C						
	1760		% E2HZ 4351-D	1710	D8HZ 4465-D						
	1760		◆ E8HZ 4351-B	1710	D8HZ 4465-D						
	1810		% D8HZ 4351-E	1710	D8HZ 4465-D						
	1810		◆ E8HZ 4351-D	1710	D8HZ 4465-D						
										B19-P-1420	E8HZ 4300-D
4.11	1710		D8HZ 4351-F	1610	D8HZ 4465-C	A,H,◊	★ D7HA 4A298-KEA, ★ D8HS 4A298-HA		A66-R-1162	★ D8HZ 4300-Y r/bE8HZ 4300-D (4.10 ratio)	
	1810	D8HZ 4351-E	1710	D8HZ 4465-D							
	1710	E1HZ 4351-E	1610	E1HZ 4465-C	A,H	★ E1HT 4305-AJA, ★ E1HT 4305-ANA		A64-R-1162	★ E1HZ 4300-E r/bE8HZ 4300-P (4.10 ratio)		
	1810	D8HZ 4351-E	1710	E1HZ 4465-D	A,H	★ E1HT 4305-AKA, ★ E1HT 4305-ARA, ★ E2HT 4305-CAA, ★ E2HT 4305-CGA		A68-R-1162	★ E1HZ 4300-L r/bE8HZ 4300-AE (4.10 ratio)		
	1760	E2HZ 4351-D	1610	E1HZ 4465-C	A,H	★ E2HT 4305-ASA, ★ E2HT 4305-AYA		B53-R-1162	★ E2HZ 4300-B r/bE8HZ 4300-X (4.10 ratio)		
	1760	E2HZ 4351-D	1710	E1HZ 4465-D	A,H	★ E2HT 4305-ATA, ★ E2HT 4305-AZA		B53-R-1162	★ E2HZ 4300-B r/bE8HZ 4300-X (4.10 ratio)		
	1610	E3HZ 4351-C	1610	D8HZ 4465-C	A,H,◊	★ E3HT 4A298-HAA		A67-R-1162	★ E3HZ 4300-AZ r/bE8HZ 4300-D (4.10 ratio)		
	1760	E2HZ 4351-D	1610	D8HZ 4465-C							
	1810	D8HZ 4351-E	1710	D8HZ 4465-D							

1980/  
TRUCK SERIES 600/900

REAR AXLE AND DIFFERENTIAL CARRIER CHART

PARTS LIST NO.	RATIO	FLANGE				NOTE	REAR AXLE PART NUMBER	RING GEAR DIA. (IN.) ▲	CARRIER			
		SIZE †	INPUT	SIZE †	OUTPUT				IDENTIFICATION	PART NUMBER		
▲ RING GEAR DIAMETER LISTED ONLY WHEN OPTIONAL SIZES ARE SHOWN IN PARTS LISTS.												
† FOR FLANGE TYPE IDENTIFICATION REFER TO GROUP 4851												
Notes: ◇ U joint flange not included in assy. Determine by size of vehicle drive line. A - Air lockout, E - Electric lockout H - Hendrickson suspension, V - Vacuum lockout, @ - Reyco suspension, N - Neway suspension ◆ 1980/86 • 1987/ % 1980/87 ◆ 1988												
205	4.30	1760	E2HZ 4351-D	1610	D8HZ 4465-C	A,H,◇	★ E4HT 4A298-FFA		A3-P-1420	★ E4HZ 4300-C r/bE8HZ 4300-E		
		1810	D8HZ 4351-E	1710	D8HZ 4465-D				B19-P-1420	E8HZ 4300-E		
		1610	E7HZ 4351-E	1610	D8HZ 4465-C	A,H,◇			★ E5HT 4A298-CCA		A24-P-1420	★ E5HZ 4300-C r/bE8HZ 4300-E
		1710	◆ D8HZ 4351-F	1610	D8HZ 4465-C							
		1710	◆ E7HZ 4351-F	1610	D8HZ 4465-C							
		1760	% E2HZ 4351-D	1710	D8HZ 4465-D							
		1760	◆ E8HZ 4351-B	1710	D8HZ 4465-D							
		1810	% D8HZ 4351-E	1710	D8HZ 4465-D							
		1810	◆ E8HZ 4351-D	1710	D8HZ 4465-D							
						B19-P-1420	E8HZ 4300-E					
	4.33	1710	D8HZ 4351-F	1610	D8HZ 4465-C	A,H,◇	★ D8HS 4A298-JA		A66-R-1162	★ E0HZ 4300-A r/bE8HZ 4300-E (4.30 ratio)		
			1810	D8HZ 4351-E	1710	D8HZ 4465-D						
		1710	E1HZ 4351-E	1610	E1HZ 4465-C	A,H	★ E1HT 4305-ASA,		A64-R-1162	★ E1HZ 4300-F r/bE8HZ 4300-R (4.30 ratio)		
		1810	D8HZ 4351-E	1710	E1HZ 4465-D	A,H	★ E1HT 4305-ATA, ★ E2HT 4305-CBA		A68-R-1162	★ E1HZ 4300-M r/bE8HZ 4300-AF (4.30 ratio)		
		1760	E2HZ 4351-D	1610	E1HZ 4465-C	A,H	★ E2HT 4305-BAA		B53-R-1162	★ E2HZ 4300-C r/bE8HZ 4300-Y (4.30 ratio)		
		1760	E2HZ 4351-D	1710	E1HZ 4465-D	A,H	★ E2HT 4305-BBA		B53-R-1162	★ E2HZ 4300-C r/bE8HZ 4300-Y (4.30 ratio)		
		1610	E3HZ 4351-C	1610	D8HZ 4465-C	A,H,◇	★ E3HT 4A298-HBA		A67-R-1162	★ E3HZ 4300-BA r/bE8HZ 4300-E (4.30 ratio)		
		1760	E2HZ 4351-D	1610	D8HZ 4465-C							
		1810	D8HZ 4351-E	1710	D8HZ 4465-D							
		4.56	1760	E2HZ 4351-D	1610	D8HZ 4465-C	A,H,◇	★ E4HT 4A298-FGA		A3-P-1420	★ E4HZ 4300-D r/bE8HZ 4300-F	
				1810	D8HZ 4351-E	1710	D8HZ 4465-D				B19-P-1420	E8HZ 4300-F
	1610		E7HZ 4351-E	1610	D8HZ 4465-C	A,H,◇	★ E5HT 4A298-CDA		A24-P-1420	★ E5HZ 4300-D r/bE8HZ 4300-F		
	1710		◆ D8HZ 4351-F	1610	D8HZ 4465-C							
	1710		◆ E7HZ 4351-F	1610	D8HZ 4465-C							
	1760		% E2HZ 4351-D	1710	D8HZ 4465-D							
	1760		◆ E8HZ 4351-B	1710	D8HZ 4465-D							
	1810		% D8HZ 4351-E	1710	D8HZ 4465-D							
1810	◆ E8HZ 4351-D		1710	D8HZ 4465-D		B19-P-1420			E8HZ 4300-F			
4.63	1710	D8HZ 4351-F	1610	D8HZ 4465-C	A,H,◇	★ D7HA 4A298-KFA, ★ D8HS 4A298-KA		A66-R-1162	★ D8HZ 4300-Z r/bE8HZ 4300-G			
		1810	D8HZ 4351-E	1710	D8HZ 4465-D				B19-P-1420	E8HZ 4300-G		
	1710	E1HZ 4351-E	1610	E1HZ 4465-C	A,H	★ E1HT 4305-ALA, ★ E1HT 4305-AUA		A64-R-1162	★ E1HZ 4300-G r/bE8HZ 4300-S			
								B20-P-1420	E8HZ 4300-S			
	1810	D8HZ 4351-E	1710	E1HZ 4465-D	A,H	★ E1HT 4305-AMA, ★ E1HT 4305-AVA, ★ E2HT 4305-CCA, ★ E2HT 4305-CHA		A68-R-1162	★ E1HZ 4300-N r/bE8HZ 4300-AG			
							B25-P-1420	E8HZ 4300-AG				

1980/  
TRUCK SERIES 600/900

REAR AXLE AND DIFFERENTIAL CARRIER CHART														
PARTS LIST NO.	RATIO	FLANGE				NOTE	REAR AXLE PART NUMBER	RING GEAR DIA. (IN.) ▲	CARRIER					
		SIZE †	INPUT	SIZE †	OUTPUT				IDENTIFICATION	PART NUMBER				
▲ RING GEAR DIAMETER LISTED ONLY WHEN OPTIONAL SIZES ARE SHOWN IN PARTS LISTS.														
† FOR FLANGE TYPE IDENTIFICATION REFER TO GROUP 4851														
Notes:      ◊ U joint flange not included in assy. Determine by size of vehicle drive line. A - Air lockout, E - Electric lockout H - Hendrickson suspension, V - Vacuum lockout, @ - Reyco suspension, N - Neway suspension ‡ 1980/86 • 1987/ % 1980/87 ♦ 1988														
205	4.63	1760	E2HZ 4351-D	1610	E1HZ 4465-C	A,H	★ E2HT 4305-AUA, ★ E2HT 4305-BCA		B53-R-1162	★ E2HZ 4300-D /bE8HZ 4300-Z				
									B29-P-1420	E8HZ 4300-Z				
		1760	E2HZ 4351-D	1710	E1HZ 4465-D	A,H	★ E2HT 4305-AVA, ★ E2HT 4305-BDA		B53-R-1162	★ E2HZ 4300-D /bE8HZ 4300-Z				
		1760	E2HZ 4351-D	1610	D8HZ 4465-C	A,H,◊	★ E3HT 4A298-HCA		A67-R-1162	★ E3HZ 4300-BB /bE8HZ 4300-G				
		1810	D8HZ 4351-E	1710	D8HZ 4465-D					B19-P-1420	E8HZ 4300-G			
		4.89	1710	D8HZ 4351-F	1610	D8HZ 4465-C	A,H,◊	★ D8HS 4A298-HFA		A67-R-1162	★ E0HZ 4300-B /bE8HZ 4300-H			
			1810	D8HZ 4351-E	1710	D8HZ 4465-D					B19-P-1420	E8HZ 4300-H		
		5.29	1610	E2HZ 4351-E	1610	E1HZ 4465-C	A,H	★ E2HT 4305-CUA		B75-R-1162	★ E2HZ 4300-AA			
			1710	D8HZ 4351-F	1610	D8HZ 4465-C	A,H,◊	★ D8HS 4A298-LA		A67-R-1162	★ E0HZ 4300-C /bE8HZ 4300-J			
			1810	D8HZ 4351-E	1710	D8HZ 4465-D					B19-P-1420	E8HZ 4300-J		
				1710	E1HZ 4351-E	1610	E1HZ 4465-C	A,H	★ E1HT 4305-AYA		A65-R-1162	★ E1HZ 4300-H /bE8HZ 4300-T		
										B20-P-1420	E8HZ 4300-T			
				1810	D8HZ 4351-E	1710	E1HZ 4465-D	A,H	★ E1HT 4305-AZA, ★ E2HT 4305-CDA		A69-R-1162	★ E1HZ 4300-P /bE8HZ 4300-AH		
										B25-P-1420	E8HZ 4300-AH			
				1760	E2HZ 4351-D	1610	E1HZ 4465-C	A,H	★ E2HT 4305-BEA		B53-R-1162	★ E2HZ 4300-E /bE8HZ 4300-AA		
										B29-P-1420	E8HZ 4300-AA			
				1760	E2HZ 4351-D	1710	E1HZ 4465-D	A,H	★ E2HT 4305-BFA		B53-R-1162	★ E2HZ 4300-E /bE8HZ 4300-AA		
									B29-P-1420	E8HZ 4300-AA				
			1610	E3HZ 4351-C	1610	D8HZ 4465-C	A,H,◊	★ E3HT 4A298-HDA		A67-R-1162	★ E0HZ 4300-C /bE8HZ 4300-J			
			1760	E2HZ 4351-D	1610	D8HZ 4465-C								
			1810	D8HZ 4351-E	1710	D8HZ 4465-D							B19-P-1420	E8HZ 4300-J
		5.38	1760	E2HZ 4351-D	1610	D8HZ 4465-C	A,H,◊	★ E4HT 4A298-FHA		A3-P-1420	★ E4HZ 4300-E /bE8HZ 4300-K			
										1810	D8HZ 4351-E	1710	D8HZ 4465-D	
				1610	E7HZ 4351-E	1610	D8HZ 4465-C	A,H,◊	★ E5HT 4A298-CEA		A24-P-1420	★ E5HZ 4300-E /bE8HZ 4300-K		
				1710	D8HZ 4351-F	1610	D8HZ 4465-C							
				1710	• E7HZ 4351-F	1610	D8HZ 4465-C							
				1760	% E2HZ 4351-D	1710	D8HZ 4465-D							
				1760	♦ E8HZ 4351-B	1710	D8HZ 4465-D							
			1810	% D8HZ 4351-E	1710	D8HZ 4465-D								
			1810	♦ E8HZ 4351-D	1710	D8HZ 4465-D								
												B19-P-1420	E8HZ 4300-K	
	5.57	1610	E2HZ 4351-E	1610	E1HZ 4465-C	A,H	★ E2HT 4305-CVA		B75-R-1162	★ E2HZ 4300-AB				
		1710	D8HZ 4351-F	1610	D8HZ 4465-C	A,H,◊	★ D8HS 4A298-FTA		A67-R-1162	★ E0HZ 4300-D /bE8HZ 4300-L				
		1810	D8HZ 4351-E	1710	D8HZ 4465-D					B19-P-1420	E8HZ 4300-L			
			1710	E1HZ 4351-E	1610	E1HZ 4465-C	A,H	★ E1HT 4305-BAA		A65-R-1162	★ E1HZ 4300-J /bE8HZ 4300-V			
								B20-P-1420	E8HZ 4300-V					

1980/  
TRUCK SERIES 600/900

REAR AXLE AND DIFFERENTIAL CARRIER CHART										
PARTS LIST NO.	RATIO	FLANGE				NOTE	REAR AXLE PART NUMBER	RING GEAR DIA. (IN.)	CARRIER	
		SIZE †	INPUT	SIZE †	OUTPUT				IDENTIFICATION	PART NUMBER
▲ RING GEAR DIAMETER LISTED ONLY WHEN OPTIONAL SIZES ARE SHOWN IN PARTS LISTS. † FOR FLANGE TYPE IDENTIFICATION REFER TO GROUP 4851										
Notes: ◇ U joint flange not included in assy. Determine by size of vehicle drive line. A - Air lockout, E - Electric lockout H - Hendrickson suspension, V - Vacuum lockout, @ - Reyco suspension, N - Neway suspension ♣ 1980/86 ● 1987/ % 1980/87 ◆ 1988										
205	5.57	1810	D8HZ 4351-E	1710	E1HZ 4465-D	A,H	★ E1HT 4305-BBA, ★ E2HT 4305-CEA		A69-R-1162	★ E1HZ 4300-R /bE8HZ 4300-AJ
									B25-P-1420	E8HZ 4300-AJ
		1760	E2HZ 4351-D	1610	E1HZ 4465-C	A,H	★ E2HT 4305-BGA		B53-R-1162	★ E2HZ 4300-F /bE8HZ 4300-AB
									B29-P-1420	E8HZ 4300-AB
		1760	E2HZ 4351-D	1710	E1HZ 4465-D	A,H	★ E2HT 4305-BHA		B53-R-1162	★ E2HZ 4300-F /bE8HZ 4300-AB
									B29-P-1420	E8HZ 4300-AB
		1610	E3HZ 4351-C	1610	D8HZ 4465-C	A,H,◇	★ E3HT 4A298-HEA		A67-R-1162	★ E0HZ 4300-D /bE8HZ 4300-L
		1760	E2HZ 4351-D	1610	D8HZ 4465-C					
		1810	D8HZ 4351-E	1710	D8HZ 4465-D					
									B19-P-1420	E8HZ 4300-L
		1760	E2HZ 4351-D	1610	D8HZ 4465-C	A,H,◇	★ E4HT 4A298-FJA		A3-P-1420	★ E4HZ 4300-F /bE8HZ 4300-L
		1810	D8HZ 4351-E	1710	D8HZ 4465-D				B19-P-1420	E8HZ 4300-L
		1610	E7HZ 4351-E	1610	D8HZ 4465-C	A,H,◇	★ E5HT 4A298-CFA		A24-P-1420	★ E5HZ 4300-F /bE8HZ 4300-L
		1710	♣ D8HZ 4351-F	1610	D8HZ 4465-C					
	1710	● E7HZ 4351-F	1610	D8HZ 4465-C						
	1760	% E2HZ 4351-D	1710	D8HZ 4465-D						
	1760	◆ E8HZ 4351-B	1710	D8HZ 4465-D						
	1810	% D8HZ 4351-E	1710	D8HZ 4465-D						
	1810	◆ E8HZ 4351-D	1710	D8HZ 4465-D						
								B19-P-1420	E8HZ 4300-L	
	6.14	1760	E2HZ 4351-D	1610	D8HZ 4465-C	A,H,◇	★ E4HT 4A298-FKA		A3-P-1420	★ E4HZ 4300-G /bE8HZ 4300-M
			1810	D8HZ 4351-E	1710	D8HZ 4465-D			B19-P-1420	E8HZ 4300-M
		1610	E7HZ 4351-E	1610	D8HZ 4465-C	A,H,◇	★ E5HT 4A298-CGA		A24-P-1420	★ E5HZ 4300-G /bE8HZ 4300-M
			1710	♣ D8HZ 4351-F	1610	D8HZ 4465-C				
			1710	● E7HZ 4351-F	1610	D8HZ 4465-C				
			1760	% E2HZ 4351-D	1710	D8HZ 4465-D				
			1760	◆ E8HZ 4351-B	1710	D8HZ 4465-D				
			1810	% D8HZ 4351-E	1710	D8HZ 4465-D				
1810			◆ E8HZ 4351-D	1710	D8HZ 4465-D					
									B19-P-1420	E8HZ 4300-M
1610			E2HZ 4351-E	1610	E1HZ 4465-C	A,H	★ E2HT 4305-CYA		B75-R-1162	★ E2HZ 4300-AC
			1760	E2HZ 4351-D	1610	E1HZ 4465-C	A,H	★ E2HT 4305-CTA		B53-R-1162
1610			E3HZ 4351-C	1610	D8HZ 4465-C	A,H,◇	★ E3HT 4A298-HFA		A67-R-1162	★ E3HZ 4300-BC /bE8HZ 4300-M (6.14 ratio)
1760			E2HZ 4351-D	1610	D8HZ 4465-C					
1810	D8HZ 4351-E	1710	D8HZ 4465-D							
206	3.90	1610	D8HZ 4851-G			H,◇	★ D7HA 4A297-KDA, ★ D8HS 4A297-GA		D67-H-606	D8HZ 4200-T
		1710	D8HZ 4851-H							
		1610	E1HZ 4851-G			H	★ E1HT 4005-AGA, ★ E2HT 4005-ANA		F8-H-606	E1HZ 4200-Y
		1710	D7HZ 4851-H			H	★ E1HT 4005-AHA		D75-H-606	E1HZ 4200-R
		1710	D7HZ 4851-H			H	★ E2HT 4005-ARA		D76-H-606	E2HZ 4200-G
		1610	D8HZ 4851-G			H,◇	★ E3HT 4A297-GZA		D80-H-606	E3HZ 4200-CJ
1710	D8HZ 4851-H									

1980/  
TRUCK SERIES 600/900

REAR AXLE AND DIFFERENTIAL CARRIER CHART

PARTS LIST NO.	RATIO	FLANGE				NOTE	REAR AXLE PART NUMBER	RING GEAR DIA. (IN.)	CARRIER		
		SIZE †	INPUT	SIZE †	OUTPUT				IDENTIFICATION	PART NUMBER	
▲ RING GEAR DIAMETER LISTED ONLY WHEN OPTIONAL SIZES ARE SHOWN IN PARTS LISTS. † FOR FLANGE TYPE IDENTIFICATION REFER TO GROUP 4851											
Notes:      ◇ U joint flange not included in assy. Determine by size of vehicle drive line. A - Air lockout, E - Electric lockout H - Hendrickson suspension, V - Vacuum lockout, @ - Reyco suspension, N - Neway suspension ♦ 1980/86 • 1987/ % 1980/87 ♦ 1988											
206	3.91	1610	D8HZ 4851-G			H,◇	★ E4HT 4A297-FDA		A14-C-1433	E4HZ 4200-BF	
		1710	D8HZ 4851-H								
		1610	E5HZ 4851-A			H,◇	★ E5HT 4A297-CAA		A43-C-1433	E5HZ 4200-A	
		1710	E5HZ 4851-B								
	4.10	1610	D8HZ 4851-G				H,◇	★ E4HT 4A297-FEA		A14-C-1433	E4HZ 4200-BG
		1710	D8HZ 4851-H								
		1610	E5HZ 4851-A			H,◇	★ E5HT 4A297-CBA		A43-C-1433	E5HZ 4200-B	
		1710	E5HZ 4851-B								
	4.11	1610	D8HZ 4851-G				H,◇	★ D7HA 4A297-KEA, ★ D8HS 4A297-HA		D67-H-606	D8HZ 4200-V
		1710	D8HZ 4851-H								
		1610	E1HZ 4851-G			H	★ E1HT 4005-AJA, ★ E1HT 4005-ANA, ★ E2HT 4005-ASA, ★ E2HT 4005-AYA		F8-H-606	E1HZ 4200-Z	
		1710	D7HZ 4851-H			H	★ E1HT 4005-AKA, ★ E1HT 4005-ARA,		D75-H-606	E1HZ 4200-S	
		1710	D7HZ 4851-H			H	★ E2HT 4005-ATA, ★ E2HT 4005-AZA		D76-H-606	E2HZ 4200-H	
		1610	D8HZ 4851-G			H,◇	★ E3HT 4A297-HAA		D80-H-606	E3HZ 4200-CK	
		1710	D8HZ 4851-H								
		1610	D8HZ 4851-G								
	4.30	1610	D8HZ 4851-G				H,◇	★ E4HT 4A297-FFA		A14-C-1433	E4HZ 4200-BH
		1710	D8HZ 4851-H								
		1610	E5HZ 4851-A			H,◇	★ E5HT 4A297-CCA		A43-C-1433	E5HZ 4200-C	
		1710	E5HZ 4851-B								
	4.33	1610	D8HZ 4851-G				H,◇	★ D8HS 4A297-JA		D67-H-606	E0HZ 4200-AR
		1710	D8HZ 4851-H								
		1610	E1HZ 4851-G			H	★ E1HT 4005-ASA, ★ E2HT 4005-BAA		F8-H-606	E1HZ 4200-AA	
		1710	D7HZ 4851-H			H	★ E1HT 4005-ATA		D75-H-606	E1HZ 4200-T	
		1710	D7HZ 4851-H			H	★ E2HT 4005-BBA		D76-H-606	E2HZ 4200-J	
		1610	D8HZ 4851-G			H,◇	★ E3HT 4A297-HBA		D80-H-606	E3HZ 4200-CL	
		1710	D8HZ 4851-H								
	4.56	1610	D8HZ 4851-G				H,◇	★ E4HT 4A297-FGA		A14-C-1433	E4HZ 4200-BJ
		1710	D8HZ 4851-H								
		1610	E5HZ 4851-A			H,◇	★ E5HT 4A297-CDA		A43-C-1433	E5HZ 4200-D	
1710		E5HZ 4851-B									
4.63	1610	D8HZ 4851-G				H,◇	★ D7HA 4A297-KFA, ★ D8HS 4A297-KA		D67-H-606	D8HZ 4200-W	
	1710	D8HZ 4851-H									
	1610	E1HZ 4851-G			H	★ E1HT 4005-ALA, ★ E1HT 4005-AUA, ★ E2HT 4005-AUA, ★ E2HT 4005-BCA		F8-H-606	E1HZ 4200-AB		
	1710	D7HZ 4851-H			H	★ E1HT 4005-AMA, ★ E1HT 4005-AVA		D75-H-606	E1HZ 4200-V		
	1710	D7HZ 4851-H			H	★ E2HT 4005-AVA, ★ E2HT 4005-BDA		D76-H-606	E2HZ 4200-K		
	1610	D8HZ 4851-G			H,◇	★ E3HT 4A297-HCA		D80-H-606	E3HZ 4200-CM		
	1710	D8HZ 4851-H									
	1610	D8HZ 4851-G				H,◇	★ D8HS 4A297-HFA		D72-H-606	E0HZ 4200-AS	
1710	D8HZ 4851-H										



1980/  
TRUCK SERIES 600/900

REAR AXLE AND DIFFERENTIAL CARRIER CHART

PARTS LIST NO.	RATIO	FLANGE				NOTE	REAR AXLE PART NUMBER	RING GEAR DIA. (IN.)	CARRIER		
		SIZE †	INPUT	SIZE †	OUTPUT				IDENTIFICATION	PART NUMBER	
▲ RING GEAR DIAMETER LISTED ONLY WHEN OPTIONAL SIZES ARE SHOWN IN PARTS LISTS.											
† FOR FLANGE TYPE IDENTIFICATION REFER TO GROUP 4851											
Notes: ◇ U joint flange not included in assy. Determine by size of vehicle drive line. A - Air lockout, E - Electric lockout H - Hendrickson suspension, V - Vacuum lockout, @ - Reyco suspension, N - Neway suspension ◆ 1980/86 ● 1987/ % 1980/87 ◆ 1988											
219	5.57/7.75	1480	E4HZ 4851-H				★ E4HT 4005-DJA		GGACA116 2X	E4HZ 4200-AC	
		1550	E0HZ 4851-C				★ E0HT 4005-EA		GGACA100 3X	★ E0HZ 4200-C r/bE3HZ 4200-E	
		1550	E0HZ 4851-C				★ E3HT 4005-AJA		GGACA109 3X	E3HZ 4200-E	
		1550	E4HZ 4851-J				★ E4HT 4005-DRA		GGACA116 3X	E4HZ 4200-AD	
		1610	E0HZ 4851-D				★ E0HT 4005-FA		GGACA100 4X	★ E0HZ 4200-D r/bE3HZ 4200-F	
		1610	E0HZ 4851-D				★ E3HT 4005-ANA		GGACA109 4X	E3HZ 4200-F	
	6.17/8.58	1610	E0HZ 4851-D				★ E4HT 4005-DYA		GGACA116 4X	E4HZ 4200-AE	
			1410	E0HZ 4851-A				★ E0HT 4005-GA		GGACA100 5X	★ E0HZ 4200-E r/bE3HZ 4200-G
		1410	E0HZ 4851-A				★ E3HT 4005-ABA		GGACA109 5X	E3HZ 4200-G	
			E4HZ 4851-G				★ E4HT 4005-DFA		GGACA116 5X	E4HZ 4200-AF	
		1480	E0HZ 4851-B				★ E0HT 4005-HA		GGACA100 6X	★ E0HZ 4200-F r/bE3HZ 4200-H	
			1480	E0HZ 4851-B				★ E3HT 4005-AFA		GGACA109 6X	E3HZ 4200-H
		1480	E4HZ 4851-H				★ E4HT 4005-DKA		GGACA116 6X	E4HZ 4200-AG	
			1550	E0HZ 4851-C				★ E0HT 4005-JA		GGACA100 7X	★ E0HZ 4200-G r/bE3HZ 4200-J
		1550	E0HZ 4851-C				★ E3HT 4005-AKA		GGACA109 7X	E3HZ 4200-J	
			1550	E4HZ 4851-J				★ E4HT 4005-DSA		GGACA116 7X	E4HZ 4200-AH
		1610	E0HZ 4851-D					★ E0HT 4005-KA		GGACA100 8X	★ E0HZ 4200-H r/bE3HZ 4200-K
			1610	E0HZ 4851-D				★ E3HT 4005-ARA		GGACA109 8X	E3HZ 4200-K
		6.50/9.04	1610	E0HZ 4851-D				★ E4HT 4005-DZA		GGACA116 8X	E4HZ 4200-AJ
				1410	E0HZ 4851-A				★ E0HT 4005-LA		GGACA100 9X
	1410		E0HZ 4851-A				★ E3HT 4005-ACA		GGACA109 9X	E3HZ 4200-L	
			E4HZ 4851-G				★ E4HT 4005-DGA		GGACA116 9X	E4HZ 4200-AK	
	1480		E0HZ 4851-B				★ E0HT 4005-MA		GGACA100 10X	★ E0HZ 4200-K r/bE3HZ 4200-M	
			1480	E0HZ 4851-B				★ E3HT 4005-AGA		GGACA109 10X	E3HZ 4200-M
	1480		E4HZ 4851-H				★ E4HT 4005-DLA		GGACA116 10X	E4HZ 4200-AL	
			1550	E0HZ 4851-C				★ E0HT 4005-NA		GGACA100 11X	★ E0HZ 4200-L r/bE3HZ 4200-N
	1550		E0HZ 4851-C				★ E3HT 4005-ALA		GGACA109 11X	E3HZ 4200-N	
			1550	E4HZ 4851-J				★ E4HT 4005-DTA		GGACA116 11X	E4HZ 4200-AM
	1610		E0HZ 4851-D					★ E0HT 4005-RA		GGACA100 12X	★ E0HZ 4200-M r/bE3HZ 4200-P
			1610	E0HZ 4851-D				★ E3HT 4005-ASA		GGACA109 12X	E3HZ 4200-P
	7.17/9.97		1410	E0HZ 4851-A				★ E0HT 4005-SA		GGACA100 13X	★ E0HZ 4200-N r/bE3HZ 4200-R
				1410	E0HZ 4851-A				★ E3HT 4005-ADA		GGACA109 13X
		1410	E4HZ 4851-G				★ E4HT 4005-DHA		GGACA116 13X	E4HZ 4200-AN	
			1480	E0HZ 4851-B				★ E0HT 4005-TA		GGACA100 14X	★ E0HZ 4200-P r/bE3HZ 4200-S
		1480	E0HZ 4851-B				★ E3HT 4005-AHA		GGACA109 14X	E3HZ 4200-S	
			1480	E4HZ 4851-H				★ E4HT 4005-DMA		GGACA116 14X	E4HZ 4200-AP
		1550	E0HZ 4851-C				★ E0HT 4005-UA		GGACA100 15X	★ E0HZ 4200-R r/bE3HZ 4200-T	



1980/  
TRUCK SERIES 600/900

REAR AXLE AND DIFFERENTIAL CARRIER CHART

PARTS LIST NO.	RATIO	FLANGE				NOTE	REAR AXLE PART NUMBER	RING GEAR DIA. (IN.)	CARRIER	
		SIZE †	INPUT	SIZE †	OUTPUT				IDENTIFICATION	PART NUMBER

▲ RING GEAR DIAMETER LISTED ONLY WHEN OPTIONAL SIZES ARE SHOWN IN PARTS LISTS.

† FOR FLANGE TYPE IDENTIFICATION REFER TO GROUP 4851

Notes:     ◇ U joint flange not included in assy. Determine by size of vehicle drive line. A - Air lockout, E - Electric lockout  
           H - Hendrickson suspension, V - Vacuum lockout, @ - Reyco suspension, N - Neway suspension  
           ◆ 1980/86 ● 1987/ % 1980/87 ♦ 1988

219	7.17/9.97	1550	E0HZ 4851-C				★ E3HT 4005-AMA		GGACA109-15X	E3HZ 4200-T	
		1550	E4HZ 4851-J				★ E4HT 4005-DUA		GGACA116-15X	E4HZ 4200-AR	
		1610	E0HZ 4851-D				★ E0HT 4005-VA		GGACA100-16X	★ E0HZ 4200-S r/bE3HZ 4200-V	
		1610	E0HZ 4851-D				★ E3HT 4005-ATA		GGACA109-16X	E3HZ 4200-V	
220	3.70/5.05	1610	E6HZ 4851-F				★ E5HT 4005-CCA		MJACA107-55X	E6HZ 4200-V	
		1710	E6HZ 4851-G				★ E5HT 4005-CFA		MJACA107-58X	E6HZ 4200-W	
	4.11/5.60	1610	E6HZ 4851-F				★ E5HT 4005-CEA		MJACA107-57X	E6HZ 4200-Z	
		1710	E6HZ 4851-G				★ E5HT 4005-CHA		MJACA107-60X	E6HZ 4200-AA	
	4.56/6.22	1610	E6HZ 4851-F				★ E6HT 4005-FA		MJACA107-41X	E6HZ 4200-AC	
		1710	E6HZ 4851-G				★ E6HT 4005-GA		MJACA107-46X	E6HZ 4200-AD	
	4.89/6.66	1550	E0HZ 4851-C				★ E3HT 4005-BDA		MJACA107-5X	E3HZ 4200-W	
			E4HZ 4851-J				★ E4HT 4005-EEA		MJACA107-24X	E4HZ 4200-AS	
		1610	E0HZ 4851-D				★ E3HT 4005-BEA, ★ E4HT 4005-EKA		MJACA107-18X	E3HZ 4200-X	
		1710	E6HZ 4851-G				★ E6HT 4005-HA		MJACA107-47X	E6HZ 4200-AG	
	5.29/7.21	1610	E6HZ 4851-F				★ E5HS 4005-DAYA		MJACA107-44X	E6HZ 4200-AK	
		1710	E6HZ 4851-G				★ E6HT 4005-JA		MJACA107-48X	E6HZ 4200-AL	
	5.57/7.60	1480	E0HZ 4851-B				◇	★ E0HT 4A297-AA		MJACA100-1X	★ E0HZ 4200-T r/bE0HZ 4200-BZ
			1550	E0HZ 4851-C							
		1610	E0HZ 4851-D								
			1480	E0HZ 4851-B				★ E0HT 4A297-AA		MJACA107-1X	E0HZ 4200-BZ
			1480	E0HZ 4851-B				★ E1HT 4005-BCA		MJACA100-7X	★ E1HZ 4200-BB r/bE2HZ 4200-BA
			1480	E0HZ 4851-B				★ E1HT 4005-BCA		MJACA107-7X	E2HZ 4200-BA
			1480	E4HZ 4851-H				★ E4HT 4005-EAA		MJACA107-26X	E4HZ 4200-AT
			1550	E0HZ 4851-C				★ E1HT 4005-BDA		MJACA100-6X	★ E1HZ 4200-BC r/bE2HZ 4200-BB
			1550	E0HZ 4851-C				★ E1HT 4005-BDA		MJACA107-6X	E2HZ 4200-BB
			1550	E4HZ 4851-J				★ E4HT 4005-EFA		MJACA107-25X	E4HZ 4200-AV
			1610	E0HZ 4851-D				★ E1HT 4005-BEA		MJACA100-8X	★ E1HZ 4200-BD r/bE2HZ 4200-BC
			1610	E0HZ 4851-D				★ E1HT 4005-BEA, ★ E4HT 4005-ELA		MJACA107-8X	E2HZ 4200-BC
			1710	E6HZ 4851-G				★ E6HT 4005-KA		MJACA107-49X	E6HZ 4200-AP
		6.14/8.38	1480	E0HZ 4851-B				◇	★ E0HT 4A297-BA		MJACA100-2X
	1550			E0HZ 4851-C							
	1610		E0HZ 4851-D								
			1480	E0HZ 4851-B				★ E0HT 4A297-BA		MJACA107-2X	E0HZ 4200-CA
			1480	E0HZ 4851-B				★ E1HT 4005-BFA		MJACA100-9X	★ E1HZ 4200-BE r/bE2HZ 4200-BD
			1480	E0HZ 4851-B				★ E1HT 4005-BFA		MJACA107-9X	E2HZ 4200-BD
			1480	E4HZ 4851-H				★ E4HT 4005-EBA		MJACA107-27X	E4HZ 4200-AW
	1550		E0HZ 4851-C				★ E1HT 4005-BGA		MJACA100-10X	★ E1HZ 4200-BF r/bE2HZ 4200-BE	
	1550		E0HZ 4851-C				★ E1HT 4005-BGA		MJACA107-10X	E2HZ 4200-BE	
	1550		E4HZ 4851-J				★ E4HT 4005-EGA		MJACA107-28X	E4HZ 4200-AX	
	1610		E0HZ 4851-D				★ E1HT 4005-BHA		MJACA100-11X	★ E1HZ 4200-BG r/bE2HZ 4200-BF	
	1610		E0HZ 4851-D				★ E1HT 4005-BHA, ★ E4HT 4005-EMA		MJACA107-11X	E2HZ 4200-BF	
	1710		E6HZ 4851-G				★ E6HT 4005-LA		MJACA107-50X	E6HZ 4200-AT	

1980/  
TRUCK SERIES 600/900

REAR AXLE AND DIFFERENTIAL CARRIER CHART										
PARTS LIST NO.	RATIO	FLANGE				NOTE	REAR AXLE PART NUMBER	RING GEAR DIA. (IN.) ▲	CARRIER	
		SIZE †	INPUT	SIZE †	OUTPUT				IDENTIFICATION	PART NUMBER
▲ RING GEAR DIAMETER LISTED ONLY WHEN OPTIONAL SIZES ARE SHOWN IN PARTS LISTS.										
† FOR FLANGE TYPE IDENTIFICATION REFER TO GROUP 4851										
Notes:      ◇ U joint flange not included in assy. Determine by size of vehicle drive line. A - Air lockout, E - Electric lockout H - Hendrickson suspension, V - Vacuum lockout, @ - Reyco suspension, N - Neway suspension ◆ 1980/86 ● 1987/ % 1980/87 ♦ 1988										
220	6.50/8.86	1480	E0HZ 4851-B			◇	★ E0HT 4A297-CA		MJACA100-3X	★ E0HZ 4200-W r/bE0HZ 4200-CB
		1550	E0HZ 4851-C							
		1610	E0HZ 4851-D							
		1480	E0HZ 4851-B				★ E0HT 4A297-CA		MJACA107-3X	E0HZ 4200-CB
		1480	E0HZ 4851-B				★ E1HT 4005-BJA		MJACA100 12X	★ E1HZ 4200-BH r/bE2HZ 4200-BG
		1480	E0HZ 4851-B				★ E1HT 4005-BJA		MJACA107-12X	E2HZ 4200-BG
		1480	E4HZ 4851-H				★ E4HT 4005-ECA		MJACA107-29X	E4HZ 4200-AY
		1550	E0HZ 4851-C				★ E1HT 4005-BKA		MJACA100 13X	★ E1HZ 4200-BJ r/bE2HZ 4200-BH
		1550	E0HZ 4851-C				★ E1HT 4005-BKA		MJACA107-13X	E2HZ 4200-BH
		1550	E4HZ 4851-J				★ E4HT 4005-EHA		MJACA107-30X	E4HZ 4200-AZ
		1610	E0HZ 4851-D				★ E1HT 4005-BLA		MJACA100 14X	★ E1HZ 4200-BK r/bE2HZ 4200-BJ
		1610	E0HZ 4851-D				★ E1HT 4005-BLA, ★ E4HT 4005-ENA		MJACA107-14X	E2HZ 4200-BJ
	1710	E6HZ 4851-G				★ E6HT 4005-MA		MJACA107 51X	E6HZ 4200-AX	
	7.17/9.77	1480	E0HZ 4851-B			◇	★ E0HT 4A297-DA		MJACA100-4X	★ E0HZ 4200-X r/bE0HZ 4200-CC
		1550	E0HZ 4851-C							
		1610	E0HZ 4851-D							
		1480	E0HZ 4851-B				★ E0HT 4A297-DA		MJACA107 4X	E0HZ 4200-CC
		1480	E0HZ 4851-B				★ E1HT 4005-BMA		MJACA100 15X	★ E1HZ 4200-BL r/bE2HZ 4200-BK
		1480	E0HZ 4851-B				★ E1HT 4005-BMA		MJACA107 15X	E2HZ 4200-BK
		1480	E4HZ 4851-H				★ E4HT 4005-EDA		MJACA107-31X	E4HZ 4200-BA
		1550	E0HZ 4851-C				★ E1HT 4005-BNA		MJACA100 16X	★ E1HZ 4200-BM r/bE2HZ 4200-BL
		1550	E0HZ 4851-C				★ E1HT 4005-BNA		MJACA107-16X	E2HZ 4200-BL
		1550	E4HZ 4851-J				★ E4HT 4005-EJA		MJACA107-32X	E4HZ 4200-BB
		1610	E0HZ 4851-D				★ E1HT 4005-BRA		MJACA100-X	★ E1HZ 4200-BN r/bE2HZ 4200-BM
1610		E0HZ 4851-D				★ E1HT 4005-BRA, ★ E4HT 4005-ERA		MJACA107 17X	E2HZ 4200-BM	
221	3.90	1550	E4HZ 4851-K			◇	★ E4HS 4A297-ECMB		115841	E6HZ 4200-BE
		1610	◆ D5HZ 4851-D							
		1610	● E7HZ 4851-B							
		1710	◆ C6TZ 4351-A							
		1710	● E7HZ 4851-D							
		1760	E1HZ 4851-C							
	4.11	1550	E4HZ 4851-K			◇	★ E4HS 4A297-ECNB		115842	E6HZ 4200-BF
		1610	◆ D5HZ 4851-D							
		1610	● E7HZ 4851-B							
		1710	◆ C6TZ 4351-A							
		1710	● E7HZ 4851-D							
		1760	E1HZ 4851-C							
4.62	1550	E4HZ 4851-K			◇	★ E4HS 4A297-ECSB		115844	E6HZ 4200-BG	
	1610	◆ D5HZ 4851-D								
	1610	● E7HZ 4851-B								
	1710	◆ C6TZ 4351-A								
	1710	● E7HZ 4851-D								
	1760	E1HZ 4851-C								



1980/  
TRUCK SERIES 600/900

REAR AXLE AND DIFFERENTIAL CARRIER CHART

PARTS LIST NO.	RATIO	FLANGE				NOTE	REAR AXLE PART NUMBER	RING GEAR DIA. (IN.)	CARRIER			
		SIZE †	INPUT	SIZE †	OUTPUT				IDENTIFICATION	PART NUMBER		
▲ RING GEAR DIAMETER LISTED ONLY WHEN OPTIONAL SIZES ARE SHOWN IN PARTS LISTS. † FOR FLANGE TYPE IDENTIFICATION REFER TO GROUP 4851												
Notes:      ◇ U joint flange not included in assy. Determine by size of vehicle drive line. A - Air lockout, E - Electric lockout H - Hendrickson suspension, V - Vacuum lockout, @ - Reyco suspension, N - Neway suspension ♣ 1980/86 ● 1987/ % 1980/87 ◆ 1988												
221	6.50	7C	B8QH 4351-A			◇	★ E0HT 4A297-JA		108232	E0HZ 4200-AA		
		8C	B8QH 4351-C									
		1550	D9HZ 4351-A									
		1610	D5HZ 4851-D									
		1760	E1HZ 4851-C									
		1550	D9HZ 4351-A			◇	★ E1HT 4A297-ZA		115849	E1HZ 4200-CH		
	7.17	6.50	1610	D5HZ 4851-D								
			1760	E1HZ 4851-C								
			1550	E4HZ 4851-K			◇	★ E4HT 4A297-AYA, ★ E4HT 4A297-AYB		115849	E1HZ 4200-CH	
			1610	♣ D5HZ 4851-D								
			1610	● E7HZ 4851-B								
			1710	♣ C6TZ 4351-A								
		4.11/5.61	6.50	1710	● E7HZ 4851-D							
				1760	E1HZ 4851-C							
				1550	E4HZ 4851-K			◇	★ E4HT 4A297-AZA, ★ E4HT 4A297-AZB		115850	E1HZ 4200-CJ
222	3.90/5.31	1610	♣ D5HZ 4851-D									
		1610	● E7HZ 4851-B									
		1710	♣ C6TZ 4351-A									
		1710	● E7HZ 4851-D									
	4.11/5.61	6.50	1760	E1HZ 4851-C								
			1550	E4HZ 4851-K			◇	★ E4HS 4A297-EDFB		115917	E6HZ 4200-BH	
			1610	♣ D5HZ 4851-D								
			1610	● E7HZ 4851-B								
	4.62/6.31	6.50	1710	♣ C6TZ 4351-A								
			1710	● E7HZ 4851-D								
			1760	E1HZ 4851-C								
			1550	E4HZ 4851-K			◇	★ E4HS 4A297-EDGB		115918	E6HZ 4200-BJ	
4.88/6.65	6.50	1610	♣ D5HZ 4851-D									
		1610	● E7HZ 4851-B									
		1710	♣ C6TZ 4351-A									
		1710	● E7HZ 4851-D									
4.88/6.65	6.50	1760	E1HZ 4851-C									
		1550	D9HZ 4351-A			◇	★ E2HT 4A297-DGA		115921	E2HZ 4200-AT		
		1610	D5HZ 4851-D									
		1760	E1HZ 4851-C									



1980/  
TRUCK SERIES 600/900

REAR AXLE AND DIFFERENTIAL CARRIER CHART

PARTS LIST NO.	RATIO	FLANGE				NOTE	REAR AXLE PART NUMBER	RING GEAR DIA. (IN.) ▲	CARRIER		
		SIZE †	INPUT	SIZE †	OUTPUT				IDENTIFICATION	PART NUMBER	
▲ RING GEAR DIAMETER LISTED ONLY WHEN OPTIONAL SIZES ARE SHOWN IN PARTS LISTS.											
† FOR FLANGE TYPE IDENTIFICATION REFER TO GROUP 4851											
Notes:      ◇ U joint flange not included in assy. Determine by size of vehicle drive line. A - Air lockout, E - Electric lockout H - Hendrickson suspension, V - Vacuum lockout, @ - Reyco suspension, N - Neway suspension ‡ 1980/86 • 1987/ % 1980/87 ♦ 1988											
222	6.50/8.86	1550	D9HZ 4351-A			◇	★ E1HT 4A297-ADA		115925	E1HZ 4200-CM	
		1610	D5HZ 4851-D								
		1760	E1HZ 4851-C								
		1550	E4HZ 4851-K			◇	★ E4HT 4A297-BEA, ★ E4HT 4A297-BEB		115925	E1HZ 4200-CM	
		1610	‡ D5HZ 4851-D								
		1610	• E7HZ 4851-B								
		1710	‡ C6TZ 4351-A								
		1710	• E7HZ 4851-D								
		1760	E1HZ 4851-C								
	7.17/9.77	7C	B8QH 4351-A			◇	★ E0HT 4A297-RA		108247	E0HZ 4200-AF	
		8C	B8QH 4351-C								
		1550	D9HZ 4351-A								
		1610	D5HZ 4851-D								
		1760	E1HZ 4851-C								
		1550	D9HZ 4351-A			◇	★ E1HT 4A297-AEA		115926	E1HZ 4200-CN	
		1610	D5HZ 4851-D								
		1760	E1HZ 4851-C								
		1550	E4HZ 4851-K			◇	★ E4HT 4A297-BFA, ★ E4HT 4A297-BFB		115926	E1HZ 4200-CN	
223	5.31	1610	E1HZ 4351-G	1610	D8HZ 4465-E	A,H,◇	★ D9HT 4A298-EA		104829	E0HZ 4300-E	
		1710	D8HZ 4351-C	1610	D8HZ 4465-E						
		1760	E1HZ 4351-B	1610	D8HZ 4465-E						
		1810	D8HZ 4351-J	1710	D8HZ 4465-F						
		1610	E1HZ 4351-G	1610	D8HZ 4465-E	A,H,◇	★ E2HT 4A298-CBA		117457	E2HZ 4300-V	
		1760	E1HZ 4351-B	1610	D8HZ 4465-E						
		1760	E1HZ 4351-B	1710	D8HZ 4465-F						
		1810	D8HZ 4351-J	1710	D8HZ 4465-F						
		1610	‡ E1HZ 4351-G	1610	D8HZ 4465-E	A,H,◇	★ E3HT 4A298-FZA, ★ E4HT 4A298-HDA		117457	E2HZ 4300-V	
	5.90	1610	E1HZ 4351-G	1610	D8HZ 4465-E	A,H,◇	★ D9HT 4A298-FA		104831	E0HZ 4300-F	
		1710	D8HZ 4351-C	1610	D8HZ 4465-E						
		1760	E1HZ 4351-B	1610	D8HZ 4465-E						
		1810	D8HZ 4351-J	1710	D8HZ 4465-F						
		1610	E1HZ 4351-G	1610	D8HZ 4465-E	A,H,◇	★ E2HT 4A298-CCA		117459	E2HZ 4300-W	
		1760	E1HZ 4351-B	1610	D8HZ 4465-E						
		1760	E1HZ 4351-B	1710	D8HZ 4465-F						
		1810	D8HZ 4351-J	1710	D8HZ 4465-F						
		1610	‡ E1HZ 4351-G	1610	D8HZ 4465-E	A,H,◇	★ E3HT 4A298-GAA, ★ E4HT 4A298-HEA		117459	E2HZ 4300-W	

1980/  
TRUCK SERIES 600/900

REAR AXLE AND DIFFERENTIAL CARRIER CHART

PARTS LIST NO.	RATIO	FLANGE				NOTE	REAR AXLE PART NUMBER	RING GEAR DIA. (IN.)	CARRIER			
		SIZE †	INPUT	SIZE †	OUTPUT				IDENTIFICATION	PART NUMBER		
▲ RING GEAR DIAMETER LISTED ONLY WHEN OPTIONAL SIZES ARE SHOWN IN PARTS LISTS. † FOR FLANGE TYPE IDENTIFICATION REFER TO GROUP 4851												
Notes:     ◇ U joint flange not included in assy. Determine by size of vehicle drive line. A - Air lockout, E - Electric lockout H - Hendrickson suspension, V - Vacuum lockout, @ - Reyco suspension, N - Neway suspension ♣ 1980/86 • 1987/ % 1980/87 ♦ 1988												
223	7.20	1610	E1HZ 4351-G	1610	D8HZ 4465-E	A,H,◇	★ D9HT 4A298-GA		104833	E0HZ 4300-G		
		1710	D8HZ 4351-C	1610	D8HZ 4465-E							
		1760	E1HZ 4351-B	1610	D8HZ 4465-E							
		1810	D8HZ 4351-J	1710	D8HZ 4465-F							
	7.20	7.20	1610	E1HZ 4351-G	1610	D8HZ 4465-E	A,H,◇	★ E2HT 4A298-CDA		117461	E2HZ 4300-X	
			1760	E1HZ 4351-B	1610	D8HZ 4465-E						
			1760	E1HZ 4351-B	1710	D8HZ 4465-F						
			1810	D8HZ 4351-J	1710	D8HZ 4465-F						
		7.20	7.20	1610	♣ E1HZ 4351-G	1610	D8HZ 4465-E	A,H,◇	★ E3HT 4A298-GBA, ★ E4HT 4A298-HFA		117461	E2HZ 4300-X
				1610	• E7HZ 4351-A	1610	D8HZ 4465-E					
				1710	♣ D8HZ 4351-C	1710	D8HZ 4465-F					
				1710	• E7HZ 4351-B	1710	D8HZ 4465-F					
	224	5.31	1610	D8HZ 4851-B			H,◇	★ D9HT 4A297-EA		104876	E0HZ 4200-AW	
			1710	D8HZ 4851-A								
		5.31	5.31	1610	D8HZ 4851-B			H,◇	★ E2HT 4A297-CBA, ★ E3HT 4A297-FZA, ★ E4HT 4A297-HDA		117481	E2HZ 4200-X
				1710	D8HZ 4851-A							
		5.90	5.90	1610	D8HZ 4851-B			H,◇	★ D9HT 4A297-FA		104878	E0HZ 4200-AX
				1710	D8HZ 4851-A							
7.20		7.20	1610	D8HZ 4851-B			H,◇	★ E2HT 4A297-CCA, ★ E3HT 4A297-GAA, ★ E4HT 4A297-HEA		117483	E2HZ 4200-Y	
			1710	D8HZ 4851-A								
		7.20	7.20	1610	D8HZ 4851-B			H,◇	★ D9HT 4A297-GA		104880	E0HZ 4200-AY
				1710	D8HZ 4851-A							
229	3.70	1760	E2HZ 4351-A	1610	E2HZ 4465-A	A,@,◇	★ E2HT 4A298-BCA	16	114504	E2HZ 4300-M		
		1810	E2HZ 4351-B	1710	E2HZ 4465-B							
		1610	♣ E3HZ 4351-B	1610	E2HZ 4465-A	A,H,◇	★ E3HT 4A298-EAA, ★ E4HT 4A298-BGA, ★ E4HT 4A298-BGB, ★ E4HT 4A298-BVA, ★ E4HT 4A298-BVB	16	114504	E2HZ 4300-M		
		1610	• E7HZ 4351-C	1610	E2HZ 4465-A							
		1710	♣ E6HZ 4351-A	1710	E2HZ 4465-B							
		1710	• E7HZ 4351-D	1710	E2HZ 4465-B							
	3.90	3.90	1760	E2HZ 4351-A	1710	E2HZ 4465-B						
			1810	E2HZ 4351-B	1710	E2HZ 4465-B						
			1610	♣ E3HZ 4351-B	1610	E2HZ 4465-A	A,H,@,◇	★ E3HT 4A298-EBA, ★ E3HT 4A298-ECA, ★ E4HT 4A298-BHA, ★ E4HT 4A298-BHB, ★ E4HT 4A298-BYA, ★ E4HT 4A298-BYB	16 1/2	114505	E3HZ 4300-AB	
			1610	• E7HZ 4351-C	1610	E2HZ 4465-A						
			1710	♣ E6HZ 4351-A	1710	E2HZ 4465-B						
			1710	• E7HZ 4351-D	1710	E2HZ 4465-B						
4.11	4.11	1760	E2HZ 4351-A	1610	E2HZ 4465-A	A,H,@,N,◇	★ E2HT 4A298-BAA, ★ E2HT 4A298-BDA, ★ E2HT 4A298-BFA	16 1/2	114506	E2HZ 4300-P		
		1810	E2HZ 4351-B	1710	E2HZ 4465-B							

1980/  
TRUCK SERIES 600/900

REAR AXLE AND DIFFERENTIAL CARRIER CHART

PARTS LIST NO.	RATIO	FLANGE				NOTE	REAR AXLE PART NUMBER	RING GEAR DIA. (IN.)	CARRIER			
		SIZE †	INPUT	SIZE †	OUTPUT				IDENTIFICATION	PART NUMBER		
▲ RING GEAR DIAMETER LISTED ONLY WHEN OPTIONAL SIZES ARE SHOWN IN PARTS LISTS.												
† FOR FLANGE TYPE IDENTIFICATION REFER TO GROUP 4851												
Notes: ◇ U joint flange not included in assy. Determine by size of vehicle drive line. A - Air lockout, E - Electric lockout H - Hendrickson suspension, V - Vacuum lockout, @ - Reyco suspension, N - Neway suspension												
◆ 1980/86 ● 1987/ % 1980/87 ♦ 1988												
229	4.11	1610	⚡ E3HZ 4351-B	1610	E2HZ 4465-A	A,H,◇	★ E3HT 4A298-HVA,	16 1/2	114506	E2HZ 4300-P		
		1610	● E7HZ 4351-C	1610	E2HZ 4465-A		★ E4HT 4A298-BJA,					
		1710	⚡ E6HZ 4351-A	1710	E2HZ 4465-B		★ E4HT 4A298-BJB,					
		1710	● E7HZ 4351-D	1710	E2HZ 4465-B		★ E4HT 4A298-BZA,					
		1760	E2HZ 4351-A	1710	E2HZ 4465-B		★ E4HT 4A298-BZB,					
	4.33	1760	E2HZ 4351-A	1610	E2HZ 4465-A	A,H,@,N,◇	★ E2HT 4A298-BBA,	16 1/2	114507	E2HZ 4300-S		
			1810	E2HZ 4351-B	1710	E2HZ 4465-B					★ E2HT 4A298-BEA,	
		4.56	1610	⚡ E3HZ 4351-B	1610	E2HZ 4465-A	A,H,◇	★ E3HT 4A298-HYA,	16 1/2	114507	E2HZ 4300-S	
				● E7HZ 4351-C	1610	E2HZ 4465-A		★ E4HT 4A298-BKA,				
			1710	⚡ E6HZ 4351-A	1710	E2HZ 4465-B		★ E4HT 4A298-BKB,				
			1710	● E7HZ 4351-D	1710	E2HZ 4465-B		★ E4HT 4A298-CAA,				
			1760	E2HZ 4351-A	1710	E2HZ 4465-B		★ E4HT 4A298-CAB				
			4.88	1610	⚡ E3HZ 4351-B	1610	E2HZ 4465-A	A,H,◇	★ E3HT 4A298-EDA,	16 1/2	114508	E3HZ 4300-AC
					● E7HZ 4351-C	1610	E2HZ 4465-A		★ E3HT 4A298-EEA,			
				1710	⚡ E6HZ 4351-A	1710	E2HZ 4465-B		★ E4HT 4A298-BLA,			
	1710	● E7HZ 4351-D		1710	E2HZ 4465-B		★ E4HT 4A298-BLB,					
	1760	E2HZ 4351-A		1710	E2HZ 4465-B		★ E4HT 4A298-CBA,					
	1810	E2HZ 4351-B		1710	E2HZ 4465-B		★ E4HT 4A298-CBB					
	4.88	1610	⚡ E3HZ 4351-B	1610	E2HZ 4465-A	A,H,◇	★ E3HT 4A298-SA,	16 1/2	114509	E3HZ 4300-AD		
			● E7HZ 4351-C	1610	E2HZ 4465-A		★ E4HT 4A298-BMA,					
⚡ E6HZ 4351-A			1710	E2HZ 4465-B		★ E4HT 4A298-BMB						
● E7HZ 4351-D			1710	E2HZ 4465-B								
1760			E2HZ 4351-A	1710	E2HZ 4465-B							
5.29		1610	⚡ E3HZ 4351-B	1610	E2HZ 4465-A	A,H,◇	★ E3HT 4A298-UA,	16 1/2	114510	E3HZ 4300-AF		
			● E7HZ 4351-C	1610	E2HZ 4465-A		★ E4HT 4A298-BNA,					
		1710	⚡ E6HZ 4351-A	1710	E2HZ 4465-B		★ E4HT 4A298-BNB					
		1710	● E7HZ 4351-D	1710	E2HZ 4465-B							
		1760	E2HZ 4351-A	1710	E2HZ 4465-B							
4.88	1610	⚡ E3HZ 4351-B	1610	E2HZ 4465-A	E,H,◇	★ E3HT 4A298-TA,	16 1/2	118551	E3HZ 4300-AE			
		● E7HZ 4351-C	1610	E2HZ 4465-A		★ E4HT 4A298-CJA,						
	1710	⚡ E6HZ 4351-A	1710	E2HZ 4465-B		★ E4HT 4A298-CJB						
	1710	● E7HZ 4351-D	1710	E2HZ 4465-B								
	1760	E2HZ 4351-A	1710	E2HZ 4465-B								
	1810	E2HZ 4351-B	1710	E2HZ 4465-B								
	5.29	1610	⚡ E3HZ 4351-B	1610	E2HZ 4465-A	E,H,◇	★ E3HT 4A298-VA,	16 1/2	118552	E3HZ 4300-AG		
			● E7HZ 4351-C	1610	E2HZ 4465-A		★ E4HT 4A298-CKA,					
1710		⚡ E6HZ 4351-A	1710	E2HZ 4465-B		★ E4HT 4A298-CKB						
1710		● E7HZ 4351-D	1710	E2HZ 4465-B								
1760		E2HZ 4351-A	1710	E2HZ 4465-B								
5.57	1610	⚡ E3HZ 4351-B	1610	E2HZ 4465-A	A,H,◇	★ E3HT 4A298-YA,	16 1/2	114511	E3HZ 4300-AH			
		● E7HZ 4351-C	1610	E2HZ 4465-A		★ E4HT 4A298-BRA,						
	1710	⚡ E6HZ 4351-A	1710	E2HZ 4465-B		★ E4HT 4A298-BRB						
	1710	● E7HZ 4351-D	1710	E2HZ 4465-B								
	1760	E2HZ 4351-A	1710	E2HZ 4465-B								
1810	E2HZ 4351-B	1710	E2HZ 4465-B									



1980/  
TRUCK SERIES 600/900

REAR AXLE AND DIFFERENTIAL CARRIER CHART

PARTS LIST NO.	RATIO	FLANGE				NOTE	REAR AXLE PART NUMBER	RING GEAR DIA. (IN.)	CARRIER			
		SIZE †	INPUT	SIZE †	OUTPUT				IDENTIFICATION	PART NUMBER		
▲ RING GEAR DIAMETER LISTED ONLY WHEN OPTIONAL SIZES ARE SHOWN IN PARTS LISTS. † FOR FLANGE TYPE IDENTIFICATION REFER TO GROUP 4851												
Notes:     ◇ U joint flange not included in assy. Determine by size of vehicle drive line. A - Air lockout, E - Electric lockout H - Hendrickson suspension, V - Vacuum lockout, @ - Reyco suspension, N - Newway suspension												
◆ 1980/86   ● 1987/   % 1980/87   ♦ 1988												
229	5.57	1610	⚙ E3HZ 4351-B	1610	E2HZ 4465-A	E,H,◇	★ E3HT 4A298-ZA, ★ E4HT 4A298-CLA, ★ E4HT 4A298-CLB	16 1/2	118553	E3HZ 4300-AJ		
		1610	● E7HZ 4351-C	1610	E2HZ 4465-A							
		1710	⚙ E6HZ 4351-A	1710	E2HZ 4465-B							
		1710	● E7HZ 4351-D	1710	E2HZ 4465-B							
		1760	E2HZ 4351-A	1710	E2HZ 4465-B							
		1810	E2HZ 4351-B	1710	E2HZ 4465-B							
	6.14	6.14	1610	⚙ E3HZ 4351-B	1610	E2HZ 4465-A	A,H,◇	★ E3HT 4A298-AAA, ★ E4HT 4A298-BSA, ★ E4HT 4A298-BSB	16 1/2	114512	E3HZ 4300-AK	
			1610	● E7HZ 4351-C	1610	E2HZ 4465-A						
			1710	⚙ E6HZ 4351-A	1710	E2HZ 4465-B						
			1710	● E7HZ 4351-D	1710	E2HZ 4465-B						
			1760	E2HZ 4351-A	1710	E2HZ 4465-B						
			1810	E2HZ 4351-B	1710	E2HZ 4465-B						
		6.50	6.50	1610	⚙ E3HZ 4351-B	1610	E2HZ 4465-A	E,H,◇	★ E3HT 4A298-ABA, ★ E4HT 4A298-CMA, ★ E4HT 4A298-CMB	16 1/2	118554	E3HZ 4300-AL
				1610	● E7HZ 4351-C	1610	E2HZ 4465-A					
				1710	⚙ E6HZ 4351-A	1710	E2HZ 4465-B					
				1710	● E7HZ 4351-D	1710	E2HZ 4465-B					
				1760	E2HZ 4351-A	1710	E2HZ 4465-B					
				1810	E2HZ 4351-B	1710	E2HZ 4465-B					
	6.50	6.50	1610	⚙ E3HZ 4351-B	1610	E2HZ 4465-A	A,H,◇	★ E2HT 4A298-DLA, ★ E4HT 4A298-BTA, ★ E4HT 4A298-BTB	16 1/2	114513	E3HZ 4300-AN	
			1610	● E7HZ 4351-C	1610	E2HZ 4465-A						
1710			⚙ E6HZ 4351-A	1710	E2HZ 4465-B							
1710			● E7HZ 4351-D	1710	E2HZ 4465-B							
1760			E2HZ 4351-A	1710	E2HZ 4465-B							
1810			E2HZ 4351-B	1710	E2HZ 4465-B							
6.50		6.50	1610	⚙ E3HZ 4351-B	1610	E2HZ 4465-A	E,H,◇	★ E3HT 4A298-DMA, ★ E4HT 4A298-CNA, ★ E4HT 4A298-CNB	16 1/2	118555	E3HZ 4300-AP	
			1610	● E7HZ 4351-C	1610	E2HZ 4465-A						
			1710	⚙ E6HZ 4351-A	1710	E2HZ 4465-B						
			1710	● E7HZ 4351-D	1710	E2HZ 4465-B						
			1760	E2HZ 4351-A	1710	E2HZ 4465-B						
			1810	E2HZ 4351-B	1710	E2HZ 4465-B						
6.50	6.50	1610	⚙ E3HZ 4351-B	1610	E2HZ 4465-A	V,H,◇	★ E3HT 4A298-GDA, ★ E4HT 4A298-CTA, ★ E4HT 4A298-CTB	16 1/2	114525	E3HZ 4300-AR		
		1610	● E7HZ 4351-C	1610	E2HZ 4465-A							
		1710	⚙ E6HZ 4351-A	1710	E2HZ 4465-B							
		1710	● E7HZ 4351-D	1710	E2HZ 4465-B							
		1760	E2HZ 4351-A	1710	E2HZ 4465-B							
		1810	E2HZ 4351-B	1710	E2HZ 4465-B							
	7.17	7.17	1610	⚙ E3HZ 4351-B	1610	E2HZ 4465-A	A,H,◇	★ E3HT 4A298-DNA, ★ E4HT 4A298-BUA, ★ E4HT 4A298-BUB	16 1/2	114514	E3HZ 4300-AS	
			1610	● E7HZ 4351-C	1610	E2HZ 4465-A						
			1710	⚙ E6HZ 4351-A	1710	E2HZ 4465-B						
			1710	● E7HZ 4351-D	1710	E2HZ 4465-B						
			1760	E2HZ 4351-A	1710	E2HZ 4465-B						
			1810	E2HZ 4351-B	1710	E2HZ 4465-B						

1980/  
TRUCK SERIES 600/900

REAR AXLE AND DIFFERENTIAL CARRIER CHART											
PARTS LIST NO.	RATIO	FLANGE				NOTE	REAR AXLE PART NUMBER	RING GEAR DIA. (IN.)	CARRIER		
		SIZE †	INPUT	SIZE †	OUTPUT				IDENTIFICATION	PART NUMBER	
▲ RING GEAR DIAMETER LISTED ONLY WHEN OPTIONAL SIZES ARE SHOWN IN PARTS LISTS.											
† FOR FLANGE TYPE IDENTIFICATION REFER TO GROUP 4851											
Notes: ◇ U joint flange not included in assy. Determine by size of vehicle drive line. A - Air lockout, E - Electric lockout H - Hendrickson suspension, V - Vacuum lockout, @ - Reyco suspension, N - Neway suspension											
◆ 1980/86 ● 1987/ % 1980/87 ♦ 1988											
229	7.17	1610	● E3HZ 4351-B	1610	E2HZ 4465-A	E,H,◇	★ E3HT 4A298-DRA, ★ E4HT 4A298-CRA, ★ E4HT 4A298-CRB	16 1/2	118556	E3HZ 4300-AV	
		1610	● E7HZ 4351-C	1610	E2HZ 4465-A						
		1710	● E6HZ 4351-A	1710	E2HZ 4465-B						
		1710	● E7HZ 4351-D	1710	E2HZ 4465-B						
		1760	E2HZ 4351-A	1710	E2HZ 4465-B						
		1810	E2HZ 4351-B	1710	E2HZ 4465-B						
	230	3.70	1610	E2HZ 4851-A			@,◇	★ E2HT 4A297-BCA	16	115057	E2HZ 4200-A
			1710	E2HZ 4851-B							
		3.90	1610	E2HZ 4851-A			H,◇	★ E3HT 4A297-EAA, ★ E4HT 4A297-BGA, ★ E4HT 4A297-BGB, ★ E4HT 4A297-BVA, ★ E4HT 4A297-BVB	16	115069	E3HZ 4200-AC
			1710	E2HZ 4851-B			H,@,◇	★ E3HT 4A297-EBA, ★ E3HT 4A297-ECA, ★ E4HT 4A297-BHA, ★ E4HT 4A297-BHB, ★ E4HT 4A297-BYA, ★ E4HT 4A297-BYB	16 1/2	115070	E3HZ 4200-AD
4.11	1610	E2HZ 4851-A			H,@,N,◇	★ E2HT 4A297-BAA, ★ E2HT 4A297-BDA, ★ E2HT 4A297-BFA	16 1/2	115059	E2HZ 4200-C		
	1710	E2HZ 4851-B			H,◇	★ E3HT 4A297-HVA, ★ E4HT 4A297-BJA, ★ E4HT 4A297-BJB, ★ E4HT 4A297-BZA, ★ E4HT 4A297-BZB	16 1/2	115071	E3HZ 4200-BP		
4.33	1610	E2HZ 4851-A			H,@,N,◇	★ E2HT 4A297-BBA, ★ E2HT 4A297-BEA, ★ E2HT 4A297-BGA	16 1/2	115060	E2HZ 4200-E		
	1710	E2HZ 4851-B			H,◇	★ E3HT 4A297-HYA, ★ E4HT 4A297-BKA, ★ E4HT 4A297-BKB, ★ E4HT 4A297-CAA, ★ E4HT 4A297-CAB	16 1/2	115072	E3HZ 4200-BR		
4.56	1610	E2HZ 4851-A			H,@,◇	★ E3HT 4A297-EDA, ★ E3HT 4A297-EEA, ★ E4HT 4A297-BLA, ★ E4HT 4A297-BLB, ★ E4HT 4A297-CBA, ★ E4HT 4A297-CBB	16 1/2	115073	E3HZ 4200-AE		
	1710	E2HZ 4851-B									
4.88	1610	E2HZ 4851-A			H,◇	★ E3HT 4A297-SA, ★ E4HT 4A297-BMA, ★ E4HT 4A297-BMB	16 1/2	115074	E3HZ 4200-AF		
	1710	E2HZ 4851-B									

1980/  
TRUCK SERIES 600/900

REAR AXLE AND DIFFERENTIAL CARRIER CHART										
PARTS LIST NO.	RATIO	FLANGE				NOTE	REAR AXLE PART NUMBER	RING GEAR DIA. (IN.)	CARRIER	
		SIZE †	INPUT	SIZE †	OUTPUT				IDENTIFICATION	PART NUMBER
▲ RING GEAR DIAMETER LISTED ONLY WHEN OPTIONAL SIZES ARE SHOWN IN PARTS LISTS. † FOR FLANGE TYPE IDENTIFICATION REFER TO GROUP 4851										
Notes:     ◇ U joint flange not included in assy. Determine by size of vehicle drive line. A - Air lockout, E - Electric lockout H - Hendrickson suspension, V - Vacuum lockout, @ - Reyco suspension, N - Neway suspension ♣ 1980/86 • 1987/ % 1980/87 ♦ 1988										
230	5.29	1610	E2HZ 4851-A			H,◇	★ E3HT 4A297-UA, ★ E4HT 4A297-BNA, ★ E4HT 4A297-BNB	16 1/2	115075	E3HZ 4200-AG
		1710	E2HZ 4851-B							
	5.57	1610	E2HZ 4851-A			H,◇	★ E3HT 4A297-YA, ★ E4HT 4A297-BRA, ★ E4HT 4A297-BRB	16 1/2	115076	E3HZ 4200-AH
		1710	E2HZ 4851-B							
	6.14	1610	E2HZ 4851-A			H,◇	★ E3HT 4A297-AAA, ★ E4HT 4A297-BSA, ★ E4HT 4A297-BSB	16 1/2	115077	E3HZ 4200-AJ
1710		E2HZ 4851-B								
6.50	1610	E2HZ 4851-A			H,◇	★ E3HT 4A297-DLA, ★ E4HT 4A297-BTA, ★ E4HT 4A297-BTB	16 1/2	115078	E3HZ 4200-AK	
	1710	E2HZ 4851-B								
7.17	1610	E2HZ 4851-A			H,◇	★ E3HT 4A297-DNA, ★ E4HT 4A297-BUA, ★ E4HT 4A297-BUB	16 1/2	115079	E3HZ 4200-AL	
	1710	E2HZ 4851-B								
231	3.70	1760	E2HZ 4351-A	1610	E2HZ 4465-A	A,@,N,◇	★ E2HT 4A298-BMA, ★ E2HT 4A298-BSA,	16	114562	E2HZ 4300-N
		1810	E2HZ 4351-B	1710	E2HZ 4465-B					
		1610	E1HZ 4851-E							
	3.90	1610	♣ E3HZ 4351-B	1610	E2HZ 4465-A	A,H,◇	★ E3HT 4A298-JBA, ★ E3HT 4A298-ELA, ★ E4HT 4A298-CVA, ★ E4HT 4A298-CVB, ★ E4HT 4A298-GAA, ★ E4HT 4A298-GEA	16	114562	E2HZ 4300-N
			• E7HZ 4351-C	1610	E2HZ 4465-A					
			♣ E6HZ 4351-A	1710	E2HZ 4465-B					
			• E7HZ 4351-D	1710	E2HZ 4465-B					
			E2HZ 4351-A	1710	E2HZ 4465-B					
			E2HZ 4351-B	1710	E2HZ 4465-B					
	3.90	1610	♣ E3HZ 4351-B	1610	E2HZ 4465-A	A,H,@,◇	★ E3HT 4A298-EMA, ★ E3HT 4A298-ENA, ★ E3HT 4A298-JCA, ★ E4HT 4A298-CYA, ★ E4HT 4A298-CYB, ★ E4HT 4A298-GBA, ★ E4HT 4A298-GFA	16 1/2	114563	E3HZ 4300-G
			• E7HZ 4351-C	1610	E2HZ 4465-A					
			♣ E6HZ 4351-A	1710	E2HZ 4465-B					
			• E7HZ 4351-D	1710	E2HZ 4465-B					
			E2HZ 4351-A	1710	E2HZ 4465-B					
			E2HZ 4351-B	1710	E2HZ 4465-B					
4.11	1760	E2HZ 4351-A	1610	E2HZ 4465-A	A,N,◇	★ E4HS 4A298-ASFA	16 1/2	114563	E3HZ 4300-G	
		1810	E2HZ 4351-B	1710						E2HZ 4465-B
4.11	1760	E2HZ 4351-A	1610	E2HZ 4465-A	A,H,@,N,◇	★ E2HT 4A298-BHA, ★ E2HT 4A298-BKA, ★ E2HT 4A298-BNA, ★ E2HT 4A298-BTA	16 1/2	114564	E2HZ 4300-R	
		1810	E2HZ 4351-B	1710						E2HZ 4465-B
	1610	♣ E3HZ 4351-B	1610	E2HZ 4465-A	A,H,N,◇	★ E3HT 4A298-HZA, ★ E3HT 4A298-JDA, ★ E3HT 4A298-JFA, ★ E4HT 4A298-CZA, ★ E4HT 4A298-CZB, ★ E4HT 4A298-GCA, ★ E4HT 4A298-GGA, ★ E4HT 4A298-GTA	16 1/2	114564	E2HZ 4300-R	
		• E7HZ 4351-C	1610	E2HZ 4465-A						
		♣ E6HZ 4351-A	1710	E2HZ 4465-B						
		• E7HZ 4351-D	1710	E2HZ 4465-B						
		E2HZ 4351-A	1710	E2HZ 4465-B						
		E2HZ 4351-B	1710	E2HZ 4465-B						
4.33	1760	E2HZ 4351-A	1610	E2HZ 4465-A	A,H,@,N,◇	★ E2HT 4A298-BJA, ★ E2HT 4A298-BLA, ★ E2HT 4A298-BRA, ★ E2HT 4A298-BUA	16 1/2	114565	E2HZ 4300-T	
		1810	E2HZ 4351-B	1710						E2HZ 4465-B

1980/  
TRUCK SERIES 600/900

REAR AXLE AND DIFFERENTIAL CARRIER CHART										
PARTS LIST NO.	RATIO	FLANGE				NOTE	REAR AXLE PART NUMBER	RING GEAR DIA. (IN.)	CARRIER	
		SIZE †	INPUT	SIZE †	OUTPUT				IDENTIFICATION	PART NUMBER
▲ RING GEAR DIAMETER LISTED ONLY WHEN OPTIONAL SIZES ARE SHOWN IN PARTS LISTS. † FOR FLANGE TYPE IDENTIFICATION REFER TO GROUP 4851										
Notes:      ◊ U joint flange not included in assy. Determine by size of vehicle drive line. A - Air lockout, E - Electric lockout H - Hendrickson suspension, V - Vacuum lockout, @ - Reyco suspension, N - Neway suspension † 1980/86 • 1987/ % 1980/87 ♦ 1988										
231	4.33	1610	◊ E3HZ 4351-B	1610	E2HZ 4465-A	A,H,N,◊	★ E3HT 4A298-JAA, ★ E3HT 4A298-JEA, ★ E3HT 4A298-JGA, ★ E4HT 4A298-DAA, ★ E4HT 4A298-DAB, ★ E4HT 4A298-GDA, ★ E4HT 4A298-GHA, ★ E4HT 4A298-GUA	16 1/2	114565	E2HZ 4300-T
		1610	• E7HZ 4351-C	1610	E2HZ 4465-A					
		1710	◊ E6HZ 4351-A	1710	E2HZ 4465-B					
		1710	• E7HZ 4351-D	1710	E2HZ 4465-B					
		1760	E2HZ 4351-A	1710	E2HZ 4465-B					
1810	E2HZ 4351-B	1710	E2HZ 4465-B							
	4.56	1610	◊ E3HZ 4351-B	1610	E2HZ 4465-A	A,H,@,◊	★ E3HT 4A298-ESA, ★ E3HT 4A298-ETA, ★ E4HT 4A298-DBA, ★ E4HT 4A298-DBB, ★ E4HT 4A298-GJA,	16 1/2	114566	E3HZ 4300-H
		1610	• E7HZ 4351-C	1610	E2HZ 4465-A					
		1710	◊ E6HZ 4351-A	1710	E2HZ 4465-B					
		1710	• E7HZ 4351-D	1710	E2HZ 4465-B					
		1760	E2HZ 4351-A	1710	E2HZ 4465-B					
1810	E2HZ 4351-B	1710	E2HZ 4465-B							
	4.88	1610	◊ E3HZ 4351-B	1610	E2HZ 4465-A	A,H,◊	★ E3HT 4A298-ALA, ★ E4HT 4A298-GKA	16 1/2	114567	E3HZ 4300-J
		1610	• E7HZ 4351-C	1610	E2HZ 4465-A					
		1710	◊ E6HZ 4351-A	1710	E2HZ 4465-B					
		1710	• E7HZ 4351-D	1710	E2HZ 4465-B					
		1760	E2HZ 4351-A	1710	E2HZ 4465-B					
1810	E2HZ 4351-B	1710	E2HZ 4465-B							
	5.29	1610	◊ E3HZ 4351-B	1610	E2HZ 4465-A	A,H,◊	★ E3HT 4A298-AMA, ★ E4HT 4A298-GLA	16 1/2	114568	E3HZ 4300-K
		1610	• E7HZ 4351-C	1610	E2HZ 4465-A					
		1710	◊ E6HZ 4351-A	1710	E2HZ 4465-B					
		1710	• E7HZ 4351-D	1710	E2HZ 4465-B					
		1760	E2HZ 4351-A	1710	E2HZ 4465-B					
1810	E2HZ 4351-B	1710	E2HZ 4465-B							
	5.57	1610	◊ E3HZ 4351-B	1610	E2HZ 4465-A	A,H,◊	★ E3HT 4A298-ANA, ★ E4HT 4A298-GMA	16 1/2	114569	E3HZ 4300-L
		1610	• E7HZ 4351-C	1610	E2HZ 4465-A					
		1710	◊ E6HZ 4351-A	1710	E2HZ 4465-B					
		1710	• E7HZ 4351-D	1710	E2HZ 4465-B					
		1760	E2HZ 4351-A	1710	E2HZ 4465-B					
1810	E2HZ 4351-B	1710	E2HZ 4465-B							
	6.14	1610	◊ E3HZ 4351-B	1610	E2HZ 4465-A	A,H,◊	★ E3HT 4A298-ARA, ★ E4HT 4A298-GNA	16 1/2	114570	E3HZ 4300-M
		1610	• E7HZ 4351-C	1610	E2HZ 4465-A					
		1710	◊ E6HZ 4351-A	1710	E2HZ 4465-B					
		1710	• E7HZ 4351-D	1710	E2HZ 4465-B					
		1760	E2HZ 4351-A	1710	E2HZ 4465-B					
1810	E2HZ 4351-B	1710	E2HZ 4465-B							
	6.50	1610	◊ E3HZ 4351-B	1610	E2HZ 4465-A	A,H,◊	★ E3HT 4A298-DYA, ★ E4HT 4A298-GRA	16 1/2	114571	E3HZ 4300-N
		1610	• E7HZ 4351-C	1610	E2HZ 4465-A					
		1710	◊ E6HZ 4351-A	1710	E2HZ 4465-B					
		1710	• E7HZ 4351-D	1710	E2HZ 4465-B					
		1760	E2HZ 4351-A	1710	E2HZ 4465-B					
1810	E2HZ 4351-B	1710	E2HZ 4465-B							
	7.17	1610	◊ E3HZ 4351-B	1610	E2HZ 4465-A	A,H,◊	★ E3HT 4A298-DZA, ★ E4HT 4A298-GSA	16 1/2	114572	E3HZ 4300-P
		1610	• E7HZ 4351-C	1610	E2HZ 4465-A					
		1710	◊ E6HZ 4351-A	1710	E2HZ 4465-B					
		1710	• E7HZ 4351-D	1710	E2HZ 4465-B					
		1760	E2HZ 4351-A	1710	E2HZ 4465-B					
1810	E2HZ 4351-B	1710	E2HZ 4465-B							

1980/  
TRUCK SERIES 600/900

REAR AXLE AND DIFFERENTIAL CARRIER CHART

PARTS LIST NO.	RATIO	FLANGE				NOTE	REAR AXLE PART NUMBER	RING GEAR DIA. (IN.) ▲	CARRIER	
		SIZE †	INPUT	SIZE †	OUTPUT				IDENTIFICATION	PART NUMBER
232	3.70	1610	E2HZ 4851-A			@,N,◇	★ E2HT 4A297-BMA, ★ E2HT 4A297-BSA, ★ E4HS 4A297-ASEA	16	115093	E2HZ 4200-B
		1710	E2HZ 4851-B							
	3.90	1610	E2HZ 4851-A			H,◇	★ E3HT 4A297-ELA, ★ E3HT 4A297-JBA, ★ E4HT 4A297-CVA, ★ E4HT 4A297-CVB, ★ E4HT 4A297-GAA, ★ E4HT 4A297-GEA	16	115105	E3HZ 4200-AM
		1710	E2HZ 4851-B							
	3.90	1610	E2HZ 4851-A			H,@,◇	★ E3HT 4A297-EMA, ★ E3HT 4A297-ENA, ★ E3HT 4A297-JCA, ★ E4HT 4A297-CYA, ★ E4HT 4A297-CYB, ★ E4HT 4A297-GBA, ★ E4HT 4A297-GFA	16 1/2	115106	E3HZ 4200-AN
		1710	E2HZ 4851-B							
	4.11	1610	E2HZ 4851-A			A,N,◇	★ E4HS 4A297-ASFA	16 1/2	115094	E7HZ 4200-JT
		1710	E2HZ 4851-B							
	4.11	1610	E2HZ 4851-A			H,@,N,◇	★ E2HT 4A297-BHA, ★ E2HT 4A297-BKA, ★ E2HT 4A297-BNA, ★ E3HT 4A297-HZA, ★ E3HT 4A297-JDA, ★ E3HT 4A297-JFA, ★ E4HT 4A297-CZA, ★ E4HT 4A297-CZB, ★ E4HT 4A297-GCA, ★ E4HT 4A297-GGA, ★ E4HT 4A297-GTA	16 1/2	115095,115107	E2HZ 4200-D
		1710	E2HZ 4851-B							
	4.33	1610	E2HZ 4851-A			H,@,N,◇	★ E2HT 4A297-BJA, ★ E2HT 4A297-BLA, ★ E2HT 4A297-BRA, ★ E3HT 4A297-JAA, ★ E3HT 4A297-JEA, ★ E3HT 4A297-JGA, ★ E4HT 4A297-DAA, ★ E4HT 4A297-DAB, ★ E4HT 4A297-GDA, ★ E4HT 4A297-GHA, ★ E4HT 4A297-GUA	16 1/2	115096,115108	E2HZ 4200-F
		1710	E2HZ 4851-B							
4.56	1610	E2HZ 4851-A			H,@,◇	★ E3HT 4A297-ESA, ★ E3HT 4A297-ETA, ★ E4HT 4A297-DBA, ★ E4HT 4A297-DBB, ★ E4HT 4A297-GJA	16 1/2	115109	E3HZ 4200-AP	
	1710	E2HZ 4851-B								
4.88	1610	E2HZ 4851-A			H,◇	★ E3HT 4A297-ALA, ★ E4HT 4A297-GKA	16 1/2	115110	E3HZ 4200-AR	
	1710	E2HZ 4851-B								
5.29	1610	E2HZ 4851-A			H,◇	★ E3HT 4A297-AMA, ★ E4HT 4A297-GLA	16 1/2	115111	E3HZ 4200-AS	
	1710	E2HZ 4851-B								

▲ RING GEAR DIAMETER LISTED ONLY WHEN OPTIONAL SIZES ARE SHOWN IN PARTS LISTS.

† FOR FLANGE TYPE IDENTIFICATION REFER TO GROUP 4851

Notes: ◇ U joint flange not included in assy. Determine by size of vehicle drive line. A - Air lockout, E - Electric lockout

H - Hendrickson suspension, V - Vacuum lockout, @ - Reyco suspension, N - Neway suspension

◆ 1980/86 ● 1987/ % 1980/87 ◆ 1988

1980/  
TRUCK SERIES 600/900

REAR AXLE AND DIFFERENTIAL CARRIER CHART

PARTS LIST NO.	RATIO	FLANGE				NOTE	REAR AXLE PART NUMBER	RING GEAR DIA. (IN.) ▲	CARRIER	
		SIZE †	INPUT	SIZE †	OUTPUT				IDENTIFICATION	PART NUMBER
▲ RING GEAR DIAMETER LISTED ONLY WHEN OPTIONAL SIZES ARE SHOWN IN PARTS LISTS.										
† FOR FLANGE TYPE IDENTIFICATION REFER TO GROUP 4851										
Notes:     ◇ U joint flange not included in assy. Determine by size of vehicle drive line. A - Air lockout, E - Electric lockout H - Hendrickson suspension, V - Vacuum lockout, @ - Reyco suspension, N - Neway suspension ◆ 1980/86 ● 1987/ % 1980/87 ◆ 1988										
232	5.57	1610	E2HZ 4851-A			H,◇	★ E3HT 4A297-ANA, ★ E4HT 4A297-GMA	16 1/2	115112	E3HZ 4200-AT
		1710	E2HZ 4851-B							
	6.14	1610	E2HZ 4851-A			H,◇	★ E3HT 4A297-ARA, ★ E4HT 4A297-GNA	16 1/2	115113	E3HZ 4200-AV
		1710	E2HZ 4851-B							
6.50	1610	E2HZ 4851-A			H,◇	★ E3HT 4A297-DYA, ★ E4HT 4A297-GRA	16 1/2	115114	E3HZ 4200-AW	
	1710	E2HZ 4851-B								
7.17	1610	E2HZ 4851-A			H,◇	★ E3HT 4A297-DZA, ★ E4HT 4A297-GSA	16 1/2	115103, 115115	E3HZ 4200-AX	
	1710	E2HZ 4851-B								
240	3.70/5.05	1610	E3HZ 4351-B	1610	E2HZ 4465-A	A,H,◇	★ E5HT 4A298-DAA		114540	E6HZ 4300-BJ
		1710	E6HZ 4351-A	1710	E2HZ 4465-B					
		1760	E2HZ 4351-A	1710	E2HZ 4465-B					
		1810	E2HZ 4351-B	1710	E2HZ 4465-B					
	3.90/5.31	1610	E3HZ 4351-B	1610	E2HZ 4465-A	A,H,◇	★ E5HT 4A298-DBA		120837	E6HZ 4300-BK
		1710	E6HZ 4351-A	1710	E2HZ 4465-B					
		1760	E2HZ 4351-A	1710	E2HZ 4465-B					
		1810	E2HZ 4351-B	1710	E2HZ 4465-B					
	4.11/5.61	1610	E3HZ 4351-B	1610	E2HZ 4465-A	A,H,◇	★ E5HT 4A298-DCA		114541	E6HZ 4300-BL
		1710	E6HZ 4351-A	1710	E2HZ 4465-B					
		1760	E2HZ 4351-A	1710	E2HZ 4465-B					
		1810	E2HZ 4351-B	1710	E2HZ 4465-B					
4.56/6.21	1610	E3HZ 4351-B	1610	E2HZ 4465-A	A,H,◇	★ E6HS 4A298-AAMA		114543	E6HZ 4300-BM	
	1710	E6HZ 4351-A	1710	E2HZ 4465-B						
	1760	E2HZ 4351-A	1710	E2HZ 4465-B						
	1810	E2HZ 4351-B	1710	E2HZ 4465-B						
4.88/6.65	1610	E3HZ 4351-B	1610	E2HZ 4465-A	A,H,◇	★ E3HT 4A298-ACA, ★ E4HT 4A298-CCA		114544	E3HZ 4300-A	
	1760	E2HZ 4351-A	1710	E2HZ 4465-B		★ E4HT 4A298-CCB				
	1810	E2HZ 4351-B	1710	E2HZ 4465-B						
5.29/7.21	1610	E3HZ 4351-B	1610	E2HZ 4465-A	A,H,◇	★ E3HT 4A298-AEA, ★ E4HT 4A298-CDA, ★ E4HT 4A298-CDB		114545	E3HZ 4300-B	
	1760	E2HZ 4351-A	1710	E2HZ 4465-B						
	1810	E2HZ 4351-B	1710	E2HZ 4465-B						
5.57/7.60	1610	E3HZ 4351-B	1610	E2HZ 4465-A	A,H,◇	★ E3HT 4A298-AGA, ★ E4HT 4A298-CEA, ★ E4HT 4A298-CEB		114546	E3HZ 4300-C	
	1760	E2HZ 4351-A	1710	E2HZ 4465-B						
	1810	E2HZ 4351-B	1710	E2HZ 4465-B						
6.14/8.38	1610	E3HZ 4351-B	1610	E2HZ 4465-A	A,H,◇	★ E3HT 4A298-AJA, ★ E4HT 4A298-CFA, ★ E4HT 4A298-CFB		114547	E3HZ 4300-D	
	1760	E2HZ 4351-A	1710	E2HZ 4465-B						
	1810	E2HZ 4351-B	1710	E2HZ 4465-B						
6.50/8.86	1610	E3HZ 4351-B	1610	E2HZ 4465-A	A,H,◇	★ E3HT 4A298-DSA, ★ E4HT 4A298-CGA, ★ E4HT 4A298-CGB		114548	E3HZ 4300-E	
	1760	E2HZ 4351-A	1710	E2HZ 4465-B						
	1810	E2HZ 4351-B	1710	E2HZ 4465-B						
7.17/9.77	1610	E3HZ 4351-B	1610	E2HZ 4465-A	A,H,◇	★ E3HT 4A298-DUA, ★ E4HT 4A298-CHA, ★ E4HT 4A298-CHB		114549	E3HZ 4300-F	
	1760	E2HZ 4351-A	1710	E2HZ 4465-B						
	1810	E2HZ 4351-B	1710	E2HZ 4465-B						
241	3.70/5.05	1610	E2HZ 4851-A			H,◇	★ E5HT 4A297-DAA		115204	E6HZ 4200-BP
		1710	E2HZ 4851-B							
	3.90/5.31	1610	E2HZ 4851-A			H,◇	★ E5HT 4A297-DBA		120841	E6HZ 4200-BR
	1710	E2HZ 4851-B								
4.11/5.61	1610	E2HZ 4851-A			H,◇	★ E5HT 4A297-DCA		115205	E6HZ 4200-BS	
	1710	E2HZ 4851-B								

1980/  
TRUCK SERIES 600/900

REAR AXLE AND DIFFERENTIAL CARRIER CHART

PARTS LIST NO.	RATIO	FLANGE				NOTE	REAR AXLE PART NUMBER	RING GEAR DIA. (IN.) ▲	CARRIER	
		SIZE †	INPUT	SIZE †	OUTPUT				IDENTIFICATION	PART NUMBER
▲ RING GEAR DIAMETER LISTED ONLY WHEN OPTIONAL SIZES ARE SHOWN IN PARTS LISTS.										
† FOR FLANGE TYPE IDENTIFICATION REFER TO GROUP 4851										
Notes:      ◊ U joint flange not included in assy. Determine by size of vehicle drive line. A - Air lockout, E - Electric lockout H - Hendrickson suspension, V - Vacuum lockout, @ - Reyco suspension, N - Neway suspension ◆ 1980/86 • 1987/ % 1980/87 ♦ 1988										
241	4.56/6.21	1610	E2HZ 4851-A			H,◊	★ E6HS 4A297-AAMA		115207	E6HZ 4200-BT
		1710	E2HZ 4851-B							
	4.88/6.65	1610	E2HZ 4851-A			H,◊	★ E3HT 4A297-ACA, ★ E4HT 4A297-CCA, ★ E4HT 4A297-CGB		115219	E3HZ 4200-AY
		1710	E2HZ 4851-B							
	5.29/7.21	1610	E2HZ 4851-A			H,◊	★ E3HT 4A297-AEA, ★ E4HT 4A297-CDA, ★ E4HT 4A297-CDB		115220	E3HZ 4200-AZ
		1710	E2HZ 4851-B							
	5.57/7.60	1610	E2HZ 4851-A			H,◊	★ E3HT 4A297-AGA, ★ E4HT 4A297-CEA, ★ E4HT 4A297-CEB		115221	E3HZ 4200-BA
1710		E2HZ 4851-B								
6.14/8.38	1610	E2HZ 4851-A			H,◊	★ E3HT 4A297-AJA, ★ E4HT 4A297-CFA, ★ E4HT 4A297-CFB		115222	E3HZ 4200-BB	
	1710	E2HZ 4851-B								
6.50/8.86	1610	E2HZ 4851-A			H,◊	★ E3HT 4A297-DSA, ★ E4HT 4A297-CGA, ★ E4HT 4A297-CGB		115223	E3HZ 4200-BC	
	1710	E2HZ 4851-B								
7.17/9.77	1610	E2HZ 4851-A			H,◊	★ E3HT 4A297-DUA, ★ E4HT 4A297-CHA, ★ E4HT 4A297-CHB		115224	E3HZ 4200-BD	
	1710	E2HZ 4851-B								
242	5.05	1610	E3HZ 4351-B	1610	E2HZ 4465-A	A,H,◊	★ E3HT 4A298-FGA, ★ E4HT 4A298-GVA		114608	E3HZ 4300-R
		1760	E2HZ 4351-A	1610	E2HZ 4465-A					
		1810	E2HZ 4351-B	1710	E2HZ 4465-B					
5.61	1610	E3HZ 4351-B	1610	E2HZ 4465-A	A,H,◊	★ E3HT 4A298-FHA, ★ E4HT 4A298-GYA		114609	E3HZ 4300-S	
	1760	E2HZ 4351-A	1610	E2HZ 4465-A						
	1810	E2HZ 4351-B	1710	E2HZ 4465-B						
243	5.05	1610	E2HZ 4851-A			H,◊	★ E3HT 4A297-FGA, ★ E4HT 4A297-GVA		115314	E3HZ 4200-BH
		1710	E2HZ 4851-B							
	5.61	1610	E2HZ 4851-A			H,◊	★ E3HT 4A297-FHA, ★ E4HT 4A297-GYA		115315	E3HZ 4200-BJ
1710		E2HZ 4851-B								
244	4.11/5.61	1760	E2HZ 4351-A	1610	E2HZ 4465-A	A,H,@,◊	★ E3HT 4A298-FJA, ★ E3HT 4A298-FKA		114687	E3HZ 4300-T
		1810	E2HZ 4351-B	1710	E2HZ 4465-B					
	4.33/5.91	1760	E2HZ 4351-A	1610	E2HZ 4465-A	A,H,@,◊	★ E3HT 4A298-FLA, ★ E3HT 4A298-FMA		114688	E3HZ 4300-V
		1810	E2HZ 4351-B	1710	E2HZ 4465-B					
	4.56/6.21	1760	E2HZ 4351-A	1610	E2HZ 4465-A	A,H,@,◊	★ E3HT 4A298-FNA, ★ E3HT 4A298-FRA		114689	E3HZ 4300-W
		1810	E2HZ 4351-B	1710	E2HZ 4465-B					
245	4.11/5.61	1610	E2HZ 4851-A			H,@,◊	★ E3HT 4A297-FJA, ★ E3HT 4A297-FKA		115260	E3HZ 4200-BE
		1710	E2HZ 4851-B							
	4.33/5.91	1610	E2HZ 4851-A			H,@,◊	★ E3HT 4A297-FLA, ★ E3HT 4A297-FMA		115261	E3HZ 4200-BF
		1710	E2HZ 4851-B							
4.56/6.21	1610	E2HZ 4851-A			H,@,◊	★ E3HT 4A297-FNA, ★ E3HT 4A297-FRA		115262	E3HZ 4200-BG	
	1710	E2HZ 4851-B								
246	3.90	1610	E1HZ 4351-G	1610	D8HZ 4465-E	A,H,◊	★ E3HT 4A298-FTA, ★ E4HT 4A298-GZA		117312	E3HZ 4300-X
		1710	D8HZ 4351-C	1710	D8HZ 4465-F					
		1760	E1HZ 4351-B	1710	D8HZ 4465-F					
		1810	D8HZ 4351-J	1710	D8HZ 4465-F					

1980/  
TRUCK SERIES 600/900

REAR AXLE AND DIFFERENTIAL CARRIER CHART

PARTS LIST NO.	RATIO	FLANGE				NOTE	REAR AXLE PART NUMBER	RING GEAR DIA. (IN.) ▲	CARRIER	
		SIZE †	INPUT	SIZE †	OUTPUT				IDENTIFICATION	PART NUMBER
▲ RING GEAR DIAMETER LISTED ONLY WHEN OPTIONAL SIZES ARE SHOWN IN PARTS LISTS.										
† FOR FLANGE TYPE IDENTIFICATION REFER TO GROUP 4851										
Notes: ◇ U joint flange not included in assy. Determine by size of vehicle drive line. A - Air lockout, E - Electric lockout H - Hendrickson suspension, V - Vacuum lockout, @ - Reyco suspension, N - Neway suspension										
◆ 1980/86 ● 1987/ % 1980/87 ◆ 1988										
246	4.11	1610	E1HZ 4351-G	1610	D8HZ 4465-E	A,H,◇	★ E3HT 4A298-FUA, ★ E4HT 4A298-HAA		117313	E3HZ 4300-Y
		1710	D8HZ 4351-C	1710	D8HZ 4465-F					
		1760	E1HZ 4351-B	1710	D8HZ 4465-F					
		1810	D8HZ 4351-J	1710	D8HZ 4465-F					
	4.33	1610	E1HZ 4351-G	1610	D8HZ 4465-E	A,H,◇	★ E3HT 4A298-FVA, ★ E4HT 4A298-HBA		117314	E3HZ 4300-Z
		1710	D8HZ 4351-C	1710	D8HZ 4465-F					
		1760	E1HZ 4351-B	1710	D8HZ 4465-F					
		1810	D8HZ 4351-J	1710	D8HZ 4465-F					
	4.62	1610	E1HZ 4351-G	1610	D8HZ 4465-E	A,H,◇	★ E3HT 4A298-FYA, ★ E4HT 4A298-HCA		117315	E3HZ 4300-AA
		1710	D8HZ 4351-C	1710	D8HZ 4465-F					
		1760	E1HZ 4351-B	1710	D8HZ 4465-F					
		1810	D8HZ 4351-J	1710	D8HZ 4465-F					
247	3.90	1610	D8HZ 4851-B			H,◇	★ E3HT 4A297-FTA, ★ E4HT 4A297-GZA		117350	E3HZ 4200-BK
		1710	D8HZ 4851-A							
	4.11	1610	D8HZ 4851-B			H,◇	★ E3HT 4A297-FUA, ★ E4HT 4A297-HAA		117351	E3HZ 4200-BL
		1710	D8HZ 4851-A							
4.33	1610	D8HZ 4851-B			H,◇	★ E3HT 4A297-FVA, ★ E4HT 4A297-HBA		117352	E3HZ 4200-BM	
	1710	D8HZ 4851-A								
4.62	1610	D8HZ 4851-B			H,◇	★ E3HT 4A297-FYA, ★ E4HT 4A297-HCA		117353	E3HZ 4200-BN	
	1710	D8HZ 4851-A								
248	3.73	1610	E1HZ 4851-A				★ E6HT 4005-AA		A80-Y-1091	E6HZ 4200-D
		1710	E6HZ 4851-E							
	4.10	1610	E1HZ 4851-A				★ E5HS 4005-RBSA ★ E6HT 4005-CA		A80-Y-1091 B5-Y-1091	E6HZ 4200-E E6HZ 4200-G
		1710	E6HZ 4851-E							
	4.56	1550	E4HZ 4851-T				★ E4HT 4005-BHA ★ E5HT 4005-AFA ★ E4HT 4005-BSA ★ E5HT 4005-ANA ★ E6HT 4005-DA		A71-Y-1091 A82-Y-1091 A14-Y-1091 A80-Y-1091 B5-Y-1091	E4HZ 4200-CD E5HZ 4200-V E4HZ 4200-BN E5HZ 4200-AC E6HZ 4200-H
		1550	E4HZ 4851-T							
		1610	E1HZ 4851-A							
		1610	E1HZ 4851-A							
		1710	E6HZ 4851-E							
	4.63	1550	E0HZ 4851-E				★ E3HT 4005-AUA ★ E3HT 4005-AVA		A45-Y-1091 A14-Y-1091	E3HZ 4200-CB E3HZ 4200-CC
		1610	E1HZ 4851-A							
	4.88	1480	E4HZ 4851-S				★ E4HT 4005-BZA ★ E5HT 4005-ZA ★ E4HT 4005-BJA ★ E5HT 4005-AGA ★ E4HT 4005-BTA ★ E5HT 4005-ARA ★ E6HT 4005-EA		A70-Y-1091 A81-Y-1091 A71-Y-1091 A82-Y-1091 A14-Y-1091 A80-Y-1091 B5-Y-1091	E4HZ 4200-BX E5HZ 4200-M E4HZ 4200-CE E5HZ 4200-W E4HZ 4200-BP E5HZ 4200-AD E6HZ 4200-J
			E4HZ 4851-S							
		1550	E4HZ 4851-T							
		1550	E4HZ 4851-T							
		1610	E1HZ 4851-A							
		1610	E1HZ 4851-A							
	5.29	1480	D7HZ 4851-D				★ E1HS 4005-RABA ★ E1HS 4005-RAGA ★ E3HT 4005-AYA		A1-Y-1091 A45-Y-1091 A14-Y-1091	E0HZ 4200-BR E0HZ 4200-BS E1HZ 4200-D
			E0HZ 4851-E							
			E1HZ 4851-A							
	5.38	1480	E4HZ 4851-S				★ E4HT 4005-BCA ★ E5HT 4005-AAA ★ E4HT 4005-BKA ★ E5HT 4005-AHA ★ E4HT 4005-BUA ★ E5HT 4005-ASA		A70-Y-1091 A81-Y-1091 A71-Y-1091 A82-Y-1091 A14-Y-1091 A80-Y-1091	E4HZ 4200-BY E5HZ 4200-N E4HZ 4200-CF E5HZ 4200-X E4HZ 4200-BR E5HZ 4200-AE
			E4HZ 4851-S							
		1550	E4HZ 4851-T							
		1550	E4HZ 4851-T							
		1610	E1HZ 4851-A							
		1610	E1HZ 4851-A							
	5.83	1410	D7HZ 4851-A				★ E3HT 4005-GA ★ E1HS 4005-RACA		A-Y-1091 A1-Y-1091	D7HZ 4200-AV D7HZ 4200-AZ
			D7HZ 4851-D							



1980/  
TRUCK SERIES 600/900

REAR AXLE AND DIFFERENTIAL CARRIER CHART

PARTS LIST NO.	RATIO	FLANGE				NOTE	REAR AXLE PART NUMBER	RING GEAR DIA. (IN.)	CARRIER		
		SIZE †	INPUT	SIZE †	OUTPUT				IDENTIFICATION	PART NUMBER	
▲ RING GEAR DIAMETER LISTED ONLY WHEN OPTIONAL SIZES ARE SHOWN IN PARTS LISTS.											
† FOR FLANGE TYPE IDENTIFICATION REFER TO GROUP 4851											
Notes: ◇ U joint flange not included in assy. Determine by size of vehicle drive line. A - Air lockout, E - Electric lockout H - Hendrickson suspension, V - Vacuum lockout, @ - Reyco suspension, N - Neway suspension											
◆ 1980/86 • 1987/ % 1980/87 ♦ 1988											
248	5.83	1550	E0HZ 4851-E				★ E1HS 4005-RAHA		A45-Y-1091	E0HZ 4200-AG	
		1610	E1HZ 4851-A				★ E3HT 4005-AZA		A14-Y-1091	E1HZ 4200-E	
	5.86	1410	E4HZ 4851-R				★ E4HT 4005-AYA		A72 Y-1091	E4HZ 4200-CL	
		1410	E4HZ 4851-R				★ E5HT 4005-TA		A83 Y-1091	E5HZ 4200-H	
		1480	E4HZ 4851-S				★ E4HT 4005-BDA		A70-Y-1091	E4HZ 4200-BZ	
		1480	E4HZ 4851-S				★ E5HT 4005-ABA		A81-Y-1091	E5HZ 4200-P	
		1550	E4HZ 4851-T				★ E4HT 4005-BLA		A71-Y-1091	E4HZ 4200-CG	
		1550	E4HZ 4851-T				★ E5HT 4005-AJA		A82-Y-1091	E5HZ 4200-Y	
		1610	E1HZ 4851-A				★ E4HT 4005-BVA		A14-Y-1091	E4HZ 4200-BS	
	1610	E1HZ 4851-A				★ E5HT 4005-ATA		A80-Y-1091	E5HZ 4200-AF		
	6.14	1410	E4HZ 4851-R				★ E4HT 4005-AZA		A72-Y-1091	E4HZ 4200-CM	
		1410	E4HZ 4851-R				★ E5HT 4005-UA		A83-Y-1091	E5HZ 4200-J	
		1480	E4HZ 4851-S				★ E4HT 4005-BEA		A70-Y-1091	E4HZ 4200-CA	
		1480	E4HZ 4851-S				★ E5HT 4005-ACA		A81-Y-1091	E5HZ 4200-R	
		1550	E4HZ 4851-T				★ E4HT 4005-BMA		A71-Y-1091	E4HZ 4200-CH	
		1550	E4HZ 4851-T				★ E5HT 4005-AKA		A82-Y-1091	E5HZ 4200-Z	
		1610	E1HZ 4851-A				★ E4HT 4005-BYA		A14-Y-1091	E4HZ 4200-BT	
	1610	E1HZ 4851-A				★ E5HT 4005-AUA		A80-Y-1091	E5HZ 4200-AG		
	6.17	1410	D7HZ 4851-A				★ E3HT 4005-HA		A-Y-1091	D7HZ 4200-AW	
		1480	D7HZ 4851-D				★ E1HS 4005-RADA		A1-Y-1091	D7HZ 4200-BA	
		1550	E0HZ 4851-E				★ E1HS 4005-RAJA		A45-Y-1091	E0HZ 4200-AH	
		1610	E1HZ 4851-A				★ E3HT 4005-BAA		A14-Y-1091	E1HZ 4200-F	
	6.83	1410	D7HZ 4851-A				★ E3HT 4005-JA		A-Y-1091	D7HZ 4200-AX	
		1410	E4HZ 4851-R				★ E4HT 4005-BAA		A72-Y-1091	E4HZ 4200-CN	
		1410	E4HZ 4851-R				★ E5HT 4005-VA		A83-Y-1091	E5HZ 4200-K	
		1480	D7HZ 4851-D				★ E1HS 4005-RAEA		A1-Y-1091	D7HZ 4200-BB	
		1480	E4HZ 4851-S				★ E4HT 4005-BFA		A70-Y-1091	E4HZ 4200-CB	
		1480	E4HZ 4851-S				★ E5HT 4005-ADA		A81-Y-1091	E5HZ 4200-S	
		1550	E0HZ 4851-E				★ E1HS 4005-RAKA		A45-Y-1091	E0HZ 4200-AJ	
		1550	E4HZ 4851-T				★ E4HT 4005-BNA		A71-Y-1091	E4HZ 4200-CJ	
		1550	E4HZ 4851-T				★ E5HT 4005-ALA		A82-Y-1091	E5HZ 4200-AA	
	7.17	1410	D7HZ 4851-A				★ E3HT 4005-KA		A-Y-1091	D7HZ 4200-AY	
		1410	E4HZ 4851-R				★ E4HT 4005-BBA		A72-Y-1091	E4HZ 4200-CP	
		1410	E4HZ 4851-R				★ E5HT 4005-YA		A83-Y-1091	E5HZ 4200-L	
		1480	D7HZ 4851-D				★ E1HS 4005-RAFA		A1-Y-1091	D7HZ 4200-BC	
		1480	E4HZ 4851-S				★ E4HT 4005-BGA		A70-Y-1091	E4HZ 4200-CC	
		1480	E4HZ 4851-S				★ E5HT 4005-AEA		A81-Y-1091	E5HZ 4200-T	
		1550	E0HZ 4851-E				★ E1HS 4005-RALA		A45-Y-1091	E0HZ 4200-AK	
		1550	E4HZ 4851-T				★ E4HT 4005-BRA		A71-Y-1091	E4HZ 4200-CK	
		1550	E4HZ 4851-T				★ E5HT 4005-AMA		A82-Y-1091	E5HZ 4200-AB	
	249	3.70	1610	E3HZ 4351-E	1610	E1HZ 4465-A	A,H,◇	★ E3HT 4A298-BLA, ★ E3HT 4A298-BVA		C88-R-1032	E3HZ 4300-BD
			1760	E3HZ 4351-F	1710	E1HZ 4465-B					
			1810	E1HZ 4351-D	1710	E1HZ 4465-B					
		3.73	1610	E3HZ 4351-E	1610	E1HZ 4465-A	A,H,◇	★ E4HT 4A298-AA, ★ E4HT 4A298-MA		E27-R-1032	★ E4HZ 4300-AD r/bE4HZ 4300-BT
			1760	E3HZ 4351-F	1710	E1HZ 4465-B					
			1810	E1HZ 4351-D	1710	E1HZ 4465-B					
			1610	E3HZ 4351-E	1610	E1HZ 4465-A	A,H,◇	★ E4HT 4A298-AB, ★ E4HT 4A298-MB		F17-R-1032	E4HZ 4300-BT
			1710	E1HZ 4351-C	1610	E1HZ 4465-A					
			1760	E3HZ 4351-F	1710	E1HZ 4465-B					
		1810	E1HZ 4351-D	1710	E1HZ 4465-B						

1980/  
TRUCK SERIES 600/900

REAR AXLE AND DIFFERENTIAL CARRIER CHART

PARTS LIST NO.	RATIO	FLANGE				NOTE	REAR AXLE PART NUMBER	RING GEAR DIA. (IN.)	CARRIER			
		SIZE †	INPUT	SIZE †	OUTPUT				IDENTIFICATION	PART NUMBER		
▲ RING GEAR DIAMETER LISTED ONLY WHEN OPTIONAL SIZES ARE SHOWN IN PARTS LISTS. † FOR FLANGE TYPE IDENTIFICATION REFER TO GROUP 4851												
Notes:      ◇ U joint flange not included in assy. Determine by size of vehicle drive line. A - Air lockout, E - Electric lockout H - Hendrickson suspension, V - Vacuum lockout, @ - Reyco suspension, N - Neway suspension ♣ 1980/86 • 1987/ % 1980/87 ♦ 1988												
249	3.73	1610	♣ E3HZ 4351-E	1610	E1HZ 4465-A	A,H,◇	★ E6HT 4A298-BLA		G73-R-1032	E6HZ 4300-AL		
		1610	• E7HZ 4351-G	1610	E1HZ 4465-A		★ E6HT 4A298-BTA					
		1710	♣ E1HZ 4351-C	1610	E1HZ 4465-A							
		1710	• E7HZ 4351-H	1610	E1HZ 4465-A							
		1760	% E3HZ 4351-F	1710	E1HZ 4465-B							
		1760	♦ E8HZ 4351-A	1710	E1HZ 4465-B							
		1810	% E1HZ 4351-D	1710	E1HZ 4465-B							
		1810	♦ E8HZ 4351-C	1710	E1HZ 4465-B							
		1710	E9HZ 4351-D	1610	E1HZ 4465-A	A,H,◇	★ E9HT 4A375-E006A				G73-R-1032	E6HZ 4300-AL
		3.90	1610	E3HZ 4351-E	1610	E1HZ 4465-A	A,H,@,◇	★ E3HT 4A298-BMA,				C88-R-1032
	1760			E3HZ 4351-F	1710	E1HZ 4465-B	★ E3HT 4A298-BYA					
	1810			E1HZ 4351-D	1710	E1HZ 4465-B						
	1610		E3HZ 4351-E	1610	E1HZ 4465-A	A,H,◇	★ E4HT 4A298-BA,		E27-R-1032	★ E4HZ 4300-AE y/bE4HZ 4300-BV		
			1760	E3HZ 4351-F	1710	E1HZ 4465-B	★ E4HT 4A298-NA					
			1810	E1HZ 4351-D	1710	E1HZ 4465-B						
	1610		E3HZ 4351-E	1610	E1HZ 4465-A	A,H,◇	★ E4HT 4A298-BB,		F17-R-1032	E4HZ 4300-BV		
			1710	E1HZ 4351-C	1610	E1HZ 4465-A	★ E4HT 4A298-NB					
			1760	E3HZ 4351-F	1710	E1HZ 4465-B						
			1810	E1HZ 4351-D	1710	E1HZ 4465-B						
			1710	E9HZ 4351-D	1610	E1HZ 4465-A	A,H,◇	★ E6HT 4A298-BMA,				G73-R-1032
	1610		• E7HZ 4351-G	1610	E1HZ 4465-A		★ E6HT 4A298-BUA					
	1710		♣ E1HZ 4351-C	1610	E1HZ 4465-A							
	1710		• E7HZ 4351-H	1610	E1HZ 4465-A							
	1760		% E3HZ 4351-F	1710	E1HZ 4465-B							
	1760		♦ E8HZ 4351-A	1710	E1HZ 4465-B							
	1810		% E1HZ 4351-D	1710	E1HZ 4465-B							
	1810		♦ E8HZ 4351-C	1710	E1HZ 4465-B							
	1710	E9HZ 4351-D	1610	E1HZ 4465-A	A,H,◇	★ E9HT 4A375-E007A		G73-R-1032	E6HZ 4300-AM			
	4.10	1610	E3HZ 4351-E	1610	E1HZ 4465-A	A,H,◇	★ E4HT 4A298-CA,		E27-R-1032	★ E4HZ 4300-AF y/bE4HZ 4300-BW		
			1760	E3HZ 4351-F	1710	E1HZ 4465-B	★ E4HT 4A298-RA					
			1810	E1HZ 4351-D	1710	E1HZ 4465-B						
		1610	E3HZ 4351-E	1610	E1HZ 4465-A	A,H,◇	★ E4HT 4A298-CB,		F17-R-1032	E4HZ 4300-BW		
			1710	E1HZ 4351-C	1610	E1HZ 4465-A	★ E4HT 4A298-RB					
			1760	E3HZ 4351-F	1610	E1HZ 4465-A						
			1810	E1HZ 4351-D	1710	E1HZ 4465-B						
		1610	♣ E3HZ 4351-E	1610	E1HZ 4465-A	A,H,◇	★ E6HT 4A298-BNA,		G73-R-1032	E6HZ 4300-AN		
			1610	• E7HZ 4351-G	1610	E1HZ 4465-A	★ E6HT 4A298-BVA					
			1710	♣ E1HZ 4351-C	1610	E1HZ 4465-A						
			1710	• E7HZ 4351-H	1610	E1HZ 4465-A						
			1760	% E3HZ 4351-F	1710	E1HZ 4465-B						
	1760		♦ E8HZ 4351-A	1710	E1HZ 4465-B							
	1810		% E1HZ 4351-D	1710	E1HZ 4465-B							
	1810		♦ E8HZ 4351-C	1710	E1HZ 4465-B							
	1710	E9HZ 4351-D	1610	E1HZ 4465-A	A,H,◇	★ E9HT 4A375-E008A		G73-R-1032	E6HZ 4300-AN			
4.11	1610	E3HZ 4351-E	1610	E1HZ 4465-A	A,H,@,◇	★ E3HT 4A298-BNA,		C89-R-1032	E3HZ 4300-BF			
		1760	E3HZ 4351-F	1710	E1HZ 4465-B	★ E3HT 4A298-BZA						
		1810	E1HZ 4351-D	1710	E1HZ 4465-B							

1980/  
TRUCK SERIES 600/900

REAR AXLE AND DIFFERENTIAL CARRIER CHART

PARTS LIST NO.	RATIO	FLANGE				NOTE	REAR AXLE PART NUMBER	RING GEAR DIA. (IN.)	CARRIER		
		SIZE †	INPUT	SIZE †	OUTPUT				IDENTIFICATION	PART NUMBER	
▲ RING GEAR DIAMETER LISTED ONLY WHEN OPTIONAL SIZES ARE SHOWN IN PARTS LISTS. † FOR FLANGE TYPE IDENTIFICATION REFER TO GROUP 4851											
Notes:      ◇ U joint flange not included in assy. Determine by size of vehicle drive line. A - Air lockout, E - Electric lockout H - Hendrickson suspension, V - Vacuum lockout, @ - Reyco suspension, N - Neway suspension ♦ 1980/86 ● 1987/ % 1980/87 ◆ 1988											
249	4.33	1610	E3HZ 4351-E	1610	E1HZ 4465-A	A,H,@,◇	★ E3HT 4A298-BRA, ★ E3HT 4A298-CAA		C89-R-1032	E3HZ 4300-BG	
		1760	E3HZ 4351-F	1710	E1HZ 4465-B						
		1810	E1HZ 4351-D	1710	E1HZ 4465-B						
		1610	E3HZ 4351-E	1610	E1HZ 4465-A	A,H,◇	★ E4HT 4A298-DA, ★ E4HT 4A298-SA		E27-R-1032	★ E4HZ 4300-AG r/bE4HZ 4300-BX	
		1760	E3HZ 4351-F	1710	E1HZ 4465-B						
		1810	E1HZ 4351-D	1710	E1HZ 4465-B						
		1610	E3HZ 4351-E	1610	E1HZ 4465-A	A,H,◇	★ E4HT 4A298-DB, ★ E4HT 4A298-SB		F17-R-1032	E4HZ 4300-BX	
		1710	E1HZ 4351-C	1610	E1HZ 4465-A						
		1760	E3HZ 4351-F	1710	E1HZ 4465-B						
		1810	E1HZ 4351-D	1710	E1HZ 4465-B						
		1610	‡ E3HZ 4351-E	1610	E1HZ 4465-A	A,H,◇	★ E6HT 4A298-BRA, ★ E6HT 4A298-BYA		G73-R-1032	E6HZ 4200-AP	
		1610	● E7HZ 4351-G	1610	E1HZ 4465-A						
		1710	‡ E1HZ 4351-C	1610	E1HZ 4465-A						
		1710	● E7HZ 4351-H	1610	E1HZ 4465-A						
		1760	% E3HZ 4351-F	1710	E1HZ 4465-B						
		1760	◆ E8HZ 4351-A	1710	E1HZ 4465-B						
		1810	% E1HZ 4351-D	1710	E1HZ 4465-B						
		1810	◆ E8HZ 4351-C	1710	E1HZ 4465-B						
	1710	‡ E9HZ 4351-D	1610	E1HZ 4465-A	A,H,◇	★ E9HT 4A375-E009A		G73-R-1032	E6HZ 4300-AP		
	4.63	1610	E3HZ 4351-E	1610	E1HZ 4465-A	A,H,@,◇	★ E3HT 4A298-BSA, ★ E3HT 4A298-CBA		C89-R-1032	E3HZ 4300-BH	
			1760	E3HZ 4351-F	1710	E1HZ 4465-B					
			1810	E1HZ 4351-D	1710	E1HZ 4465-B					
			1610	E3HZ 4351-E	1610	E1HZ 4465-A	A,H,◇	★ E4HT 4A298-EA, ★ E4HT 4A298-TA		E27-R-1032	★ E4HZ 4300-AH r/bE4HZ 4300-BY
			1760	E3HZ 4351-F	1710	E1HZ 4465-B					
			1810	E1HZ 4351-D	1710	E1HZ 4465-B					
		1610	E3HZ 4351-E	1610	E1HZ 4465-A	A,H,◇	★ E4HT 4A298-EB, ★ E4HT 4A298-TB		F17-R-1032	E4HZ 4300-BY	
			1710	E1HZ 4351-C	1610	E1HZ 4465-A					
			1760	E3HZ 4351-F	1710	E1HZ 4465-B					
			1810	E1HZ 4351-D	1710	E1HZ 4465-B					
			1610	‡ E3HZ 4351-E	1610	E1HZ 4465-A	A,H,◇	★ E6HT 4A298-BSA, ★ E6HT 4A298-BZA		G73-R-1032	E6HZ 4300-AR
			1610	● E7HZ 4351-G	1610	E1HZ 4465-A					
		1710	‡ E1HZ 4351-C	1610	E1HZ 4465-A						
			1710	● E7HZ 4351-H	1610	E1HZ 4465-A					
			1760	% E3HZ 4351-F	1710	E1HZ 4465-B					
			1760	◆ E8HZ 4351-A	1710	E1HZ 4465-B					
			1810	% E1HZ 4351-D	1710	E1HZ 4465-B					
			1810	◆ E8HZ 4351-C	1710	E1HZ 4465-B					
	4.88	1610	E3HZ 4351-E	1610	E1HZ 4465-A	A,H,◇	★ E9HT 4A375-E011A		G73-R-1032	E6HZ 4300-AR	
			1760	E3HZ 4351-F	1710	E1HZ 4465-B	A,H,◇	★ E3HT 4A298-BTA		C90-R-1032	E3HZ 4300-BJ
			1810	E1HZ 4351-D	1710	E1HZ 4465-B					
		1610	E3HZ 4351-E	1610	E1HZ 4465-A	A,H,◇	★ E4HT 4A298-FA		E27-R-1032	★ E4HZ 4300-AJ r/bE4HZ 4300-BZ	
			1760	E3HZ 4351-F	1710	E1HZ 4465-B					
1810			E1HZ 4351-D	1710	E1HZ 4465-B						
1610		E3HZ 4351-E	1610	E1HZ 4465-A	A,H,◇	★ E4HT 4A298-FB		F17-R-1032	E4HZ 4300-BZ		
		1710	E1HZ 4351-C	1610	E1HZ 4465-A						
		1760	E3HZ 4351-F	1710	E1HZ 4465-B						
		1810	E1HZ 4351-D	1710	E1HZ 4465-B						
		1610	E3HZ 4351-E	1610	E1HZ 4465-A						
		1710	E1HZ 4351-C	1610	E1HZ 4465-A						

1980/  
TRUCK SERIES 600/900

REAR AXLE AND DIFFERENTIAL CARRIER CHART										
PARTS LIST NO.	RATIO	FLANGE				NOTE	REAR AXLE PART NUMBER	RING GEAR DIA. (IN.) ▲	CARRIER	
		SIZE †	INPUT	SIZE †	OUTPUT				IDENTIFICATION	PART NUMBER
▲ RING GEAR DIAMETER LISTED ONLY WHEN OPTIONAL SIZES ARE SHOWN IN PARTS LISTS.										
† FOR FLANGE TYPE IDENTIFICATION REFER TO GROUP 4851										
Notes:      ◇ U joint flange not included in assy. Determine by size of vehicle drive line. A - Air lockout, E - Electric lockout H - Hendrickson suspension, V - Vacuum lockout, @ - Reyco suspension, N - Neway suspension ♦ 1980/86 • 1987/ % 1980/87 ♦ 1988										
249	4.88	1610	⚡ E3HZ 4351-E	1610	E1HZ 4465-A	A,H,◇	★ E6HT 4A298-CAA		G73-R-1032	E6HZ 4300-AS
		1610	• E7HZ 4351-G	1610	E1HZ 4465-A					
		1710	⚡ E1HZ 4351-C	1610	E1HZ 4465-A					
		1710	• E7HZ 4351-H	1610	E1HZ 4465-A					
		1760	% E3HZ 4351-F	1710	E1HZ 4465-B					
		1760	♦ E8HZ 4351-A	1710	E1HZ 4465-B					
		1810	% E1HZ 4351-D	1710	E1HZ 4465-B					
		1810	♦ E8HZ 4351-C	1710	E1HZ 4465-B					
		1710	E9HZ 4351-D	1610	E1HZ 4465-A	A,H,◇	★ E9HT 4A375-E012A		G73-R-1032	E6HZ 4300-AS
		1610	E3HZ 4351-E	1610	E1HZ 4465-A	E,H,◇	★ E3HT 4A298-HKA		D2-R-1032	E3HZ 4300-BK
		1760	E3HZ 4351-F	1710	E1HZ 4465-B					
		1810	E1HZ 4351-D	1710	E1HZ 4465-B					
		1610	E3HZ 4351-E	1610	E1HZ 4465-A	E,H,◇	★ E4HT 4A298-UA		E28-R-1032	★ E4HZ 4300-AR y/bE4HZ 4300-CF
		1760	E3HZ 4351-F	1710	E1HZ 4465-B					
	1810	E1HZ 4351-D	1710	E1HZ 4465-B						
	1610	E3HZ 4351-E	1610	E1HZ 4465-A	E,H,◇	★ E4HT 4A298-UB		F18-R-1032	E4HZ 4300-CF	
	1710	E1HZ 4351-C	1610	E1HZ 4465-A						
	1760	E3HZ 4351-F	1710	E1HZ 4465-B						
	1810	E1HZ 4351-D	1710	E1HZ 4465-B						
	1610	⚡ E3HZ 4351-E	1610	E1HZ 4465-A	E,H,◇	★ E6HT 4A298-CGA		G74-R-1032	E6HZ 4300-AZ	
	1610	• E7HZ 4351-G	1610	E1HZ 4465-A						
	1710	⚡ E1HZ 4351-C	1610	E1HZ 4465-A						
	1710	• E7HZ 4351-H	1610	E1HZ 4465-A						
	1760	E3HZ 4351-F	1710	E1HZ 4465-B						
	1810	E1HZ 4351-D	1710	E1HZ 4465-B						
	5.29	1610	E3HZ 4351-E	1610	E1HZ 4465-A	A,H,◇	★ E3HT 4A298-BAA		C90-R-1032	E3HZ 4300-BL
			1760	E3HZ 4351-F	1710	E1HZ 4465-B				
			1810	E1HZ 4351-D	1710	E1HZ 4465-B				
1610		E3HZ 4351-E	1610	E1HZ 4465-A	A,H,◇	★ E4HT 4A298-GA		E27-R-1032	★ E4HZ 4300-AK y/bE4HZ 4300-CA	
		1760	E3HZ 4351-F	1710	E1HZ 4465-B					
		1810	E1HZ 4351-D	1710	E1HZ 4465-B					
1610		E3HZ 4351-E	1610	E1HZ 4465-A	A,H,◇	★ E4HT 4A298-GB		F17-R-1032	E4HZ 4300-CA	
		1710	E1HZ 4351-C	1610	E1HZ 4465-A					
		1760	E3HZ 4351-F	1710	E1HZ 4465-B					
1610		⚡ E3HZ 4351-E	1610	E1HZ 4465-A	A,H,◇	★ E6HT 4A298-CBA		G73-R-1032	E6HZ 4300-AT	
		1610	• E7HZ 4351-G	1610	E1HZ 4465-A					
		1710	⚡ E1HZ 4351-C	1610	E1HZ 4465-A					
1710		• E7HZ 4351-H	1610	E1HZ 4465-A						
		1760	% E3HZ 4351-F	1710	E1HZ 4465-B					
	1760	♦ E8HZ 4351-A	1710	E1HZ 4465-B						
1810	% E1HZ 4351-D	1710	E1HZ 4465-B							
	1810	♦ E8HZ 4351-C	1710	E1HZ 4465-B						
	1710	E9HZ 4351-D	1610	E1HZ 4465-A	A,H,◇	★ E9HT 4A375-E013A		G73-R-1032	E6HZ 4300-AT	
1610	E3HZ 4351-E	1610	E1HZ 4465-A	E,H,◇	★ E3HT 4A298-HLA		D2-R-1032	E3HZ 4300-BM		
1760	E3HZ 4351-F	1710	E1HZ 4465-B							
1810	E1HZ 4351-D	1710	E1HZ 4465-B							
1610	E3HZ 4351-E	1610	E1HZ 4465-A	E,H,◇	★ E4HT 4A298-VA		E28-R-1032	★ E4HZ 4300-AS y/bE4HZ 4300-CG		
1760	E3HZ 4351-F	1710	E1HZ 4465-B							
1810	E1HZ 4351-D	1710	E1HZ 4465-B							

1980/  
TRUCK SERIES 600/900

REAR AXLE AND DIFFERENTIAL CARRIER CHART

PARTS LIST NO.	RATIO	FLANGE				NOTE	REAR AXLE PART NUMBER	RING GEAR DIA. (IN.)	CARRIER								
		SIZE †	INPUT	SIZE †	OUTPUT				IDENTIFICATION	PART NUMBER							
▲ RING GEAR DIAMETER LISTED ONLY WHEN OPTIONAL SIZES ARE SHOWN IN PARTS LISTS. † FOR FLANGE TYPE IDENTIFICATION REFER TO GROUP 4851																	
Notes:      ◊ U joint flange not included in assy. Determine by size of vehicle drive line. A - Air lockout, E - Electric lockout H - Hendrickson suspension, V - Vacuum lockout, @ - Reyco suspension, N - Neway suspension ♣ 1980/86 • 1987/ % 1980/87 ♦ 1988																	
249	5.29	1610	E3HZ 4351-E	1610	E1HZ 4465-A	E,H,◊	★ E4HT 4A298-VB		F18-R-1032	E4HZ 4300-CG							
		1710	E1HZ 4351-C	1610	E1HZ 4465-A												
		1760	E3HZ 4351-F	1710	E1HZ 4465-B												
		1810	E1HZ 4351-D	1710	E1HZ 4465-B												
	5.83	5.83	1610	♣ E3HZ 4351-E	1610	E1HZ 4465-A	E,H,◊	★ E6HT 4A298-CHA		G74-R-1032	E6HZ 4300-BA						
			1610	• E7HZ 4351-G	1610	E1HZ 4465-A											
			1710	♣ E1HZ 4351-C	1610	E1HZ 4465-A											
			1710	• E7HZ 4351-H	1610	E1HZ 4465-A											
		5.86	5.83	1760	E3HZ 4351-F	1710	E1HZ 4465-B	A,H,◊	★ E3HT 4A298-BBA		C90-R-1032	E3HZ 4300-BN					
				1810	E1HZ 4351-D	1710	E1HZ 4465-B										
				1610	E3HZ 4351-E	1610	E1HZ 4465-A						E,H,◊	★ E3HT 4A298-HMA		D2-R-1032	E3HZ 4300-BP
				1760	E3HZ 4351-F	1710	E1HZ 4465-B										
	5.86	5.86	1810	E1HZ 4351-D	1710	E1HZ 4465-B	A,H,◊	★ E4HT 4A298-HA		E27-R-1032	★ E4HZ 4300-AL r/bE4HZ 4300-CB						
			1610	E3HZ 4351-E	1610	E1HZ 4465-A						A,H,◊	★ E4HT 4A298-HB		F17-R-1032	E4HZ 4300-CB	
			1710	E1HZ 4351-C	1610	E1HZ 4465-A											
			1760	E3HZ 4351-F	1710	E1HZ 4465-B											
		5.86	5.86	1810	E1HZ 4351-D	1710	E1HZ 4465-B	A,H,◊	★ E6HT 4A298-CCA		G73-R-1032	E6HZ 4300-AV					
				1610	♣ E3HZ 4351-E	1610	E1HZ 4465-A										
				1610	• E7HZ 4351-G	1610	E1HZ 4465-A										
				1710	♣ E1HZ 4351-C	1610	E1HZ 4465-A										
1710				• E7HZ 4351-H	1610	E1HZ 4465-A											
1760				% E3HZ 4351-F	1710	E1HZ 4465-B											
1760				♦ E8HZ 4351-A	1710	E1HZ 4465-B											
1810				% E1HZ 4351-D	1710	E1HZ 4465-B											
1810		♦ E8HZ 4351-C	1710	E1HZ 4465-B													
6.14		6.14	1710	E9HZ 4351-D	1610	E1HZ 4465-A	A,H,◊	★ E9HT 4A375-E015A		G73-R-1032	E6HZ 4300-AV						
			1610	E3HZ 4351-E	1610	E1HZ 4465-A	E,H,◊	★ E4HT 4A298-YA		E28-R-1032	★ E4HZ 4300-AT r/bE4HZ 4300-CH						
			1760	E3HZ 4351-F	1710	E1HZ 4465-B											
	1810		E1HZ 4351-D	1710	E1HZ 4465-B												
	6.14	6.14	1610	E3HZ 4351-E	1610	E1HZ 4465-A	E,H,◊	★ E4HT 4A298-YB		F18-R-1032	E4HZ 4300-CH						
			1710	E1HZ 4351-C	1610	E1HZ 4465-A											
			1760	E3HZ 4351-F	1710	E1HZ 4465-B											
			1810	E1HZ 4351-D	1710	E1HZ 4465-B											
	6.14	6.14	1610	♣ E3HZ 4351-E	1610	E1HZ 4465-A	E,H,◊	★ E6HT 4A298-CJA		G74-R-1032	E6HZ 4300-BB						
			1610	• E7HZ 4351-G	1610	E1HZ 4465-A											
			1710	♣ E1HZ 4351-C	1610	E1HZ 4465-A											
			1710	• E7HZ 4351-H	1610	E1HZ 4465-A											
6.14	6.14	1760	E3HZ 4351-F	1710	E1HZ 4465-B	A,H,◊	★ E4HT 4A298-JA		E27-R-1032	★ E4HZ 4300-AM r/bE4HZ 4300-CC							
		1810	E1HZ 4351-D	1710	E1HZ 4465-B												

**1980/  
TRUCK SERIES 600/900**

REAR AXLE AND DIFFERENTIAL CARRIER CHART												
PARTS LIST NO.	RATIO	FLANGE				NOTE	REAR AXLE PART NUMBER	RING GEAR DIA. (IN.)	CARRIER			
		SIZE †	INPUT	SIZE †	OUTPUT				IDENTIFICATION	PART NUMBER		
▲ RING GEAR DIAMETER LISTED ONLY WHEN OPTIONAL SIZES ARE SHOWN IN PARTS LISTS.												
† FOR FLANGE TYPE IDENTIFICATION REFER TO GROUP 4851												
Notes:      ◊ U joint flange not included in assy. Determine by size of vehicle drive line. A - Air lockout, E - Electric lockout H - Hendrickson suspension, V - Vacuum lockout, @ - Reyco suspension, N - Neway suspension ‡ 1980/86 • 1987/ % 1980/87 ♦ 1988												
249	6.14	1610	E3HZ 4351-E	1610	E1HZ 4465-A	A,H,◊	★ E4HT 4A298-JB		F17-R-1032	E4HZ 4300-CC		
		1710	E1HZ 4351-C	1610	E1HZ 4465-A							
		1760	E3HZ 4351-F	1710	E1HZ 4465-B							
		1810	E1HZ 4351-D	1710	E1HZ 4465-B							
		1610	‡ E3HZ 4351-E	1610	E1HZ 4465-A	A,H,◊	★ E6HT 4A298-CDA		G73-R-1032	E6HZ 4300-AW		
		1610	• E7HZ 4351-G	1610	E1HZ 4465-A							
		1710	‡ E1HZ 4351-C	1610	E1HZ 4465-A							
		1710	• E7HZ 4351-H	1610	E1HZ 4465-A							
		1760	% E3HZ 4351-F	1710	E1HZ 4465-B							
		1760	♦ E8HZ 4351-A	1710	E1HZ 4465-B							
		1810	% E1HZ 4351-D	1710	E1HZ 4465-B							
		1810	♦ E8HZ 4351-C	1710	E1HZ 4465-B							
		1710	E9HZ 4351-D	1610	E1HZ 4465-A	A,H,◊	★ E9HT 4A375-E016A		G73-R-1032	E6HZ 4300-AW		
		1610	E3HZ 4351-E	1610	E1HZ 4465-A	E,H,◊	★ E4HT 4A298-ZA		E28-R-1032	★ E4HZ 4300-AV r/bE4HZ 4300-CJ		
		1760	E3HZ 4351-F	1710	E1HZ 4465-B							
		1810	E1HZ 4351-D	1710	E1HZ 4465-B							
		1610	E3HZ 4351-E	1610	E1HZ 4465-A	E,H,◊	★ E4HT 4A298-ZB		F18-R-1032	E4HZ 4300-CJ		
		1710	E1HZ 4351-C	1610	E1HZ 4465-A							
		1760	% E3HZ 4351-F	1710	E1HZ 4465-B							
		1760	♦ E8HZ 4351-A	1710	E1HZ 4465-B							
		1810	% E1HZ 4351-D	1710	E1HZ 4465-B							
		1810	♦ E8HZ 4351-C	1710	E1HZ 4465-B							
		1610	‡ E3HZ 4351-E	1610	E1HZ 4465-A	E,H,◊	★ E6HT 4A298-CKA		G74-R-1032	E6HZ 4300-BC		
		1610	• E7HZ 4351-G	1610	E1HZ 4465-A							
		1710	‡ E1HZ 4351-C	1610	E1HZ 4465-A							
		1710	• E7HZ 4351-H	1610	E1HZ 4465-A							
		1760	E3HZ 4351-F	1710	E1HZ 4465-B							
		1810	E1HZ 4351-D	1710	E1HZ 4465-B							
		6.17	6.17	1610	E3HZ 4351-E	1610	E1HZ 4465-A	A,H,◊	★ E3HT 4A298-BCA		C90-R-1032	E3HZ 4300-BR
				1760	E3HZ 4351-F	1710	E1HZ 4465-B					
				1810	E1HZ 4351-D	1710	E1HZ 4465-B					
				1610	E3HZ 4351-E	1610	E1HZ 4465-A	E,H,◊	★ E3HT 4A298-HNA		D2-R-1032	E3HZ 4300-BS
				1760	E3HZ 4351-F	1710	E1HZ 4465-B					
				1810	E1HZ 4351-D	1710	E1HZ 4465-B					
		6.83	6.83	1610	E3HZ 4351-E	1610	E1HZ 4465-A	A,H,◊	★ E3HT 4A298-BDA		C90-R-1032	E3HZ 4300-BT
				1760	E3HZ 4351-F	1710	E1HZ 4465-B					
				1810	E1HZ 4351-D	1710	E1HZ 4465-B					
				1610	E3HZ 4351-E	1610	E1HZ 4465-A	A,H,◊	★ E4HT 4A298-KA		E27-R-1032	★ E4HZ 4300-AN r/bE4HZ 4300-CD
				1760	E3HZ 4351-F	1710	E1HZ 4465-B					
				1810	E1HZ 4351-D	1710	E1HZ 4465-B					
				1610	E3HZ 4351-E	1610	E1HZ 4465-A	A,H,◊	★ E4HT 4A298-KB		F17-R-1032	E4HZ 4300-CD
				1710	E1HZ 4351-C	1610	E1HZ 4465-A					
				1760	E3HZ 4351-F	1710	E1HZ 4465-B					
				1810	E1HZ 4351-D	1710	E1HZ 4465-B					
				1610	‡ E3HZ 4351-E	1610	E1HZ 4465-A	A,H,◊	★ E6HT 4A298-CEA		G73-R-1032	E6HZ 4300-AX
				1610	• E7HZ 4351-G	1610	E1HZ 4465-A					
				1710	‡ E1HZ 4351-C	1610	E1HZ 4465-A					
				1710	• E7HZ 4351-H	1610	E1HZ 4465-A					
1760	% E3HZ 4351-F			1710	E1HZ 4465-B							
1760	♦ E8HZ 4351-A			1710	E1HZ 4465-B							
1810	% E1HZ 4351-D			1710	E1HZ 4465-B							
1810	♦ E8HZ 4351-C			1710	E1HZ 4465-B							

1980/  
TRUCK SERIES 600/900

REAR AXLE AND DIFFERENTIAL CARRIER CHART											
PARTS LIST NO.	RATIO	FLANGE				NOTE	REAR AXLE PART NUMBER	RING GEAR DIA. (IN.)	CARRIER		
		SIZE †	INPUT	SIZE †	OUTPUT				IDENTIFICATION	PART NUMBER	
▲ RING GEAR DIAMETER LISTED ONLY WHEN OPTIONAL SIZES ARE SHOWN IN PARTS LISTS. † FOR FLANGE TYPE IDENTIFICATION REFER TO GROUP 4851											
Notes:      ◊ U joint flange not included in assy. Determine by size of vehicle drive line. A - Air lockout, E - Electric lockout H - Hendrickson suspension, V - Vacuum lockout, @ - Reyco suspension, N - Neway suspension ♣ 1980/86 • 1987/ % 1980/87 ♦ 1988											
249	6.83	1610	E3HZ 4351-E	1610	E1HZ 4465-A	E,H,◊	★ E3HT 4A298-HRA		D2-R-1032	E3HZ 4300-BV	
		1760	E3HZ 4351-F	1710	E1HZ 4465-B						
		1810	E1HZ 4351-D	1710	E1HZ 4465-B						
		1610	E3HZ 4351-E	1610	E1HZ 4465-A	E,H,◊	★ E4HT 4A298-AAA		E28-R-1032	★ E4HZ 4300-AW r/bE4HZ 4300-CK	
		1760	E3HZ 4351-F	1710	E1HZ 4465-B						
		1810	E1HZ 4351-D	1710	E1HZ 4465-B						
		1610	E3HZ 4351-E	1610	E1HZ 4465-A	E,H,◊	★ E4HT 4A298-AAB		F18-R-1032	E4HZ 4300-CK	
		1710	E1HZ 4351-C	1610	E1HZ 4465-A						
		1760	E3HZ 4351-F	1710	E1HZ 4465-B						
		1810	E1HZ 4351-D	1710	E1HZ 4465-B						
		1610	♣ E3HZ 4351-E	1610	E1HZ 4465-A	E,H,◊	★ E6HT 4A298-CLA		C74-R-1032	E6HZ 4300-BD	
		1610	• E7HZ 4351-G	1610	E1HZ 4465-A						
	1710	♣ E1HZ 4351-C	1610	E1HZ 4465-A							
	1710	• E7HZ 4351-H	1610	E1HZ 4465-A							
	1760	E3HZ 4351-F	1710	E1HZ 4465-B							
	1810	E1HZ 4351-D	1710	E1HZ 4465-B							
	7.17	7.17	1610	E3HZ 4351-E	1610	E1HZ 4465-A	A,H,◊	★ E4HT 4A298-LA		E27-R-1032	★ E4HZ 4300-AP r/bE4HZ 4300-CE
			1760	E3HZ 4351-F	1710	E1HZ 4465-B					
			1810	E1HZ 4351-D	1710	E1HZ 4465-B					
			1610	E3HZ 4351-E	1610	E1HZ 4465-A	A,H,◊	★ E4HT 4A298-LB		F17-R-1032	E4HZ 4300-CE
			1710	E1HZ 4351-C	1610	E1HZ 4465-A					
			1760	E3HZ 4351-F	1710	E1HZ 4465-B					
			1810	E1HZ 4351-D	1710	E1HZ 4465-B					
			1610	♣ E3HZ 4351-E	1610	E1HZ 4465-A	A,H,◊	★ E6HT 4A298-CFA		G73-R-1032	E6HZ 4300-AY
			1610	• E7HZ 4351-G	1610	E1HZ 4465-A					
			1710	♣ E1HZ 4351-C	1610	E1HZ 4465-A					
			1710	• E7HZ 4351-H	1610	E1HZ 4465-A					
			1760	% E3HZ 4351-F	1710	E1HZ 4465-B					
		1760	♦ E8HZ 4351-A	1710	E1HZ 4465-B						
		1810	% E1HZ 4351-D	1710	E1HZ 4465-B						
		1810	♦ E8HZ 4351-C	1710	E1HZ 4465-B						
		1610	E3HZ 4351-E	1610	E1HZ 4465-A	E,H,◊	★ E4HT 4A298-ABA		E28-R-1032	★ E4HZ 4300-AX r/bE4HZ 4300-CL	
		1760	E3HZ 4351-F	1710	E1HZ 4465-B						
		1810	E1HZ 4351-D	1710	E1HZ 4465-B						
		1610	E3HZ 4351-E	1610	E1HZ 4465-A	E,H,◊	★ E4HT 4A298-ABB		F18-R-1032	E4HZ 4300-CL	
		1710	E1HZ 4351-C	1610	E1HZ 4465-A						
		1760	E3HZ 4351-F	1710	E1HZ 4465-B						
		1810	E1HZ 4351-D	1710	E1HZ 4465-B						
		1610	♣ E3HZ 4351-E	1610	E1HZ 4465-A	E,H,◊	★ E6HT 4A298-CMA		G74-R-1032	E6HZ 4300-BE	
		1610	• E7HZ 4351-G	1610	E1HZ 4465-A						
	1710	♣ E1HZ 4351-C	1610	E1HZ 4465-A							
	1710	• E7HZ 4351-H	1610	E1HZ 4465-A							
1760	% E3HZ 4351-F	1710	E1HZ 4465-B								
1760	♦ E8HZ 4351-A	1710	E1HZ 4465-B								
1810	% E1HZ 4351-D	1710	E1HZ 4465-B								
1810	♦ E8HZ 4351-C	1710	E1HZ 4465-B								
7.20	7.20	1610	E3HZ 4351-E	1610	E1HZ 4465-A	A,H,◊	★ E3HT 4A298-BUA		C90-R-1032	E3HZ 4300-BW	
		1760	E3HZ 4351-F	1710	E1HZ 4465-B						
		1810	E1HZ 4351-D	1710	E1HZ 4465-B						
	1610	E3HZ 4351-E	1610	E1HZ 4465-A	E,H,◊	★ E3HT 4A298-HSA		D2-R-1032	E3HZ 4300-BX		
	1760	E3HZ 4351-F	1710	E1HZ 4465-B							
	1810	E1HZ 4351-D	1710	E1HZ 4465-B							

1980/  
TRUCK SERIES 600/900

REAR AXLE AND DIFFERENTIAL CARRIER CHART										
PARTS LIST NO.	RATIO	FLANGE				NOTE	REAR AXLE PART NUMBER	RING GEAR DIA. (IN.)	CARRIER	
		SIZE †	INPUT	SIZE †	OUTPUT				IDENTIFICATION	PART NUMBER
▲ RING GEAR DIAMETER LISTED ONLY WHEN OPTIONAL SIZES ARE SHOWN IN PARTS LISTS.										
† FOR FLANGE TYPE IDENTIFICATION REFER TO GROUP 4851										
Notes:      ◇ U joint flange not included in assy. Determine by size of vehicle drive line. A - Air lockout, E - Electric lockout H - Hendrickson suspension, V - Vacuum lockout, @ - Reyco suspension, N - Neway suspension ♦ 1980/86 • 1987/ % 1980/87 ♦ 1988										
250	3.70	1610	E1HZ 4851-E			H, @, ◇	★ E3HT 4A297-BLA, ★ E3HT 4A297-BVA		A43-N-1314	E3HZ 4200-CS
		1710	E3HZ 4851-A							
	3.73	1610	E1HZ 4851-E			H, ◇	★ E4HT 4A297-AA, ★ E4HT 4A297-MA		B11-N-1314	E4HZ 4200-DF
		1710	E3HZ 4851-A							
	3.90	1610	E1HZ 4851-E			H, @, ◇	★ E3HT 4A297-BMA, ★ E3HT 4A297-BYA		A43-N-1314	E3HZ 4200-CT
		1710	E3HZ 4851-A							
	4.10	1610	E1HZ 4851-E			H, ◇	★ E4HT 4A297-CA, ★ E4HT 4A297-RA		B11-N-1314	E4HZ 4200-DH
		1710	E3HZ 4851-A							
	4.11	1610	E1HZ 4851-E			H, @, ◇	★ E3HT 4A297-BNA, ★ E3HT 4A297-BZA		A44-N-1314	E3HZ 4200-CV
		1710	E3HZ 4851-A							
	4.33	1610	E1HZ 4851-E			H, @, ◇	★ E3HT 4A297-BRA, ★ E3HT 4A297-CAA		A44-N-1314	E3HZ 4200-CW
		1710	E3HZ 4851-A							
	4.63	1610	E1HZ 4851-E			H, @, ◇	★ E3HT 4A297-BSA, ★ E3HT 4A297-CBA		A44-N-1314	E3HZ 4200-CX
		1710	E3HZ 4851-A							
	4.88	1610	E1HZ 4851-E			H, ◇	★ E4HT 4A297-DA, ★ E4HT 4A297-SA		B11-N-1314	E4HZ 4200-DJ
		1710	E3HZ 4851-A							
	5.29	1610	E1HZ 4851-E			H, ◇	★ E9HT 4B430-J009A		B11-N-1314	E4HZ 4200-DJ
		1710	E3HZ 4851-A							
	5.83	1610	E1HZ 4851-E			H, @, ◇	★ E3HT 4A297-BSA, ★ E3HT 4A297-CBA		A44-N-1314	E3HZ 4200-CX
		1710	E3HZ 4851-A							
	5.86	1610	E1HZ 4851-E			H, ◇	★ E4HT 4A297-EA, ★ E4HT 4A297-TA		B11-N-1314	E4HZ 4200-DK
		1710	E3HZ 4851-A							
	6.14	1610	E1HZ 4851-E			H, ◇	★ E9HT 4B430-J011A		B11-N-1314	E4HZ 4200-DK
		1710	E3HZ 4851-A							
	6.17	1610	E1HZ 4851-E			H, ◇	★ E3HT 4A297-BTA		A45-N-1314	E3HZ 4200-CY
		1710	E3HZ 4851-A							
	6.83	1610	E1HZ 4851-E			H, ◇	★ E4HT 4A297-FA		B11-N-1314	E4HZ 4200-DL
		1710	E3HZ 4851-A							
	6.83	1610	E1HZ 4851-E			H, ◇	★ E9HT 4B430-J012A		B11-N-1314	E4HZ 4200-DL
		1710	E3HZ 4851-A							
	6.83	1610	E1HZ 4851-E			H, ◇	★ E3HT 4A297-BAA		A45-N-1314	E3HZ 4200-CZ
		1710	E3HZ 4851-A							
	6.83	1610	E1HZ 4851-E			H, ◇	★ E4HT 4A297-GA		B11-N-1314	E4HZ 4200-DM
		1710	E3HZ 4851-A							
	6.83	1610	E1HZ 4851-E			H, ◇	★ E9HT 4B430-J013A		B11-N-1314	E4HZ 4200-DM
		1710	E3HZ 4851-A							
	6.83	1610	E1HZ 4851-E			H, ◇	★ E3HT 4A297-BBA		A45-N-1314	E3HZ 4200-DA
		1710	E3HZ 4851-A							
	6.83	1610	E1HZ 4851-E			H, ◇	★ E4HT 4A297-HA		B11-N-1314	E4HZ 4200-DN
		1710	E3HZ 4851-A							
	6.83	1610	E1HZ 4851-E			H, ◇	★ E9HT 4B430-J015A		B11-N-1314	E4HZ 4200-DN
		1710	E3HZ 4851-A							
	6.83	1610	E1HZ 4851-E			H, ◇	★ E4HT 4A297-JA		B11-N-1314	E4HZ 4200-DP
		1710	E3HZ 4851-A							
	6.83	1610	E1HZ 4851-E			H, ◇	★ E9HT 4B430-J016A		B11-N-1314	E4HZ 4200-DP
		1710	E3HZ 4851-A							
	6.83	1610	E1HZ 4851-E			H, ◇	★ E3HT 4A297-BCA		A45-N-1314	E3HZ 4200-DB
		1710	E3HZ 4851-A							
	6.83	1610	E1HZ 4851-E			H, ◇	★ E3HT 4A297-BDA		A45-N-1314	E3HZ 4200-DC
		1710	E3HZ 4851-A							
	6.83	1610	E1HZ 4851-E			H, ◇	★ E4HT 4A297-KA		B11-N-1314	E4HZ 4200-DR
		1710	E3HZ 4851-A							



1980/  
TRUCK SERIES 600/900

REAR AXLE AND DIFFERENTIAL CARRIER CHART

PARTS LIST NO.	RATIO	FLANGE				NOTE	REAR AXLE PART NUMBER	RING GEAR DIA. (IN.)	CARRIER	
		SIZE †	INPUT	SIZE †	OUTPUT				IDENTIFICATION	PART NUMBER
▲ RING GEAR DIAMETER LISTED ONLY WHEN OPTIONAL SIZES ARE SHOWN IN PARTS LISTS.										
† FOR FLANGE TYPE IDENTIFICATION REFER TO GROUP 4851										
Notes:      ◊ U joint flange not included in assy. Determine by size of vehicle drive line. A - Air lockout, E - Electric lockout H - Hendrickson suspension, V - Vacuum lockout, @ - Reyco suspension, N - Neway suspension ◆ 1980/86 ● 1987/ % 1980/87 ◆ 1988										
250	7.17	1610	E1HZ 4851-E			H,◊	★ E4HT 4A297-LA		B11-N-1314	E4HZ 4200-DS
		1710	E3HZ 4851-A							
	7.20	1610	E1HZ 4851-E			H,◊	★ E3HT 4A297-BUA		A45-N-1314	E3HZ 4200-DB
		1710	E3HZ 4851-A							
251	3.55	1610	◆ E3HZ 4351-E	1610	E1HZ 4465-A	A,H,◊	★ E4HS 4A298-BJDB, ★ E4HS 4A298-BJFB		F16-R-1032	E6HZ 4300-J
		1610	● E7HZ 4351-G	1610	E1HZ 4465-A					
		1710	◆ E1HZ 4351-C	1610	E1HZ 4465-A					
		1710	● E7HZ 4351-H	1610	E1HZ 4465-A					
		1760	E3HZ 4351-F	1710	E1HZ 4465-B					
		1810	E1HZ 4351-D	1710	E1HZ 4465-B					
		1610	◆ E3HZ 4351-E	1610	E1HZ 4465-A	A,H,N,◊	★ E6HS 4A298-BDLA, ★ E6HT 4A298-AFA, ★ E6HT 4A298-ARA		G72-R-1032	E6HZ 4300-X
		1610	● E7HZ 4351-G	1610	E1HZ 4465-A					
		1710	◆ E1HZ 4351-C	1610	E1HZ 4465-A					
		1710	● E7HZ 4351-H	1610	E1HZ 4465-A					
	1760	% E3HZ 4351-F	1710	E1HZ 4465-B						
	1760	◆ E8HZ 4351-A	1710	E1HZ 4465-B						
	1810	% E1HZ 4351-D	1710	E1HZ 4465-B						
	1810	◆ E8HZ 4351-C	1710	E1HZ 4465-B						
	3.70	1610	E3HZ 4351-E	1610	E1HZ 4465-A	A,H,@,N,◊	★ E3HT 4A298-CDA, ★ E3HT 4A298-CNA, ★ E3HT 4A298-DCA		C63-R-1032	E3HZ 4300-BY
		1760	E3HZ 4351-F	1710	E1HZ 4465-B					
		1810	E1HZ 4351-D	1710	E1HZ 4465-B					
		1610	E3HZ 4351-E	1610	E1HZ 4465-A	A,H,@,◊	★ E3HT 4A298-CLA, ★ E3HT 4A298-DAA		A53-L-1078	E3HZ 4300-BZ
	3.73	1610	E3HZ 4351-E	1610	E1HZ 4465-A	A,H,N,◊	★ E4HT 4A298-DCA, ★ E4HT 4A298-EAA, ★ E4HT 4A298-ERA		E26-R-1032	★ E4HZ 4300-R /bE4HZ 4300-BF
		1760	E3HZ 4351-F	1710	E1HZ 4465-B					
1810		E1HZ 4351-D	1710	E1HZ 4465-B						
1610		E3HZ 4351-E	1610	E1HZ 4465-A	A,H,N,◊	★ E4HT 4A298-DCB, ★ E4HT 4A298-EAB, ★ E4HT 4A298-ERB		F16-R-1032	E4HZ 4300-BF	
1710		E1HZ 4351-C	1610	E1HZ 4465-A						
1760		E3HZ 4351-F	1710	E1HZ 4465-B						
1810		E1HZ 4351-D	1710	E1HZ 4465-B						
1610		◆ E3HZ 4351-E	1610	E1HZ 4465-A	A,H,N,◊	★ E6HT 4A298-AGA, ★ E6HT 4A298-ASA, ★ E6HT 4A298-BHA		G72-R-1032	E6HZ 4300-Y	
1610		● E7HZ 4351-G	1610	E1HZ 4465-A						
1710		◆ E1HZ 4351-C	1610	E1HZ 4465-A						
1710		● E7HZ 4351-H	1610	E1HZ 4465-A						
1760		% E3HZ 4351-F	1710	E1HZ 4465-B						
1760		◆ E8HZ 4351-A	1710	E1HZ 4465-B						
1810		% E1HZ 4351-D	1710	E1HZ 4465-B						
1810		◆ E8HZ 4351-C	1710	E1HZ 4465-B						
1610		E3HZ 4351-E	1610	E1HZ 4465-A	A,H,◊	★ E4HT 4A298-DHA, ★ E4HT 4A298-EMA		B21-L-1078	★ E4HZ 4300-K /bE4HZ 4300-BA	
1760	E3HZ 4351-F	1710	E1HZ 4465-B							
1810	E1HZ 4351-D	1710	E1HZ 4465-B							
1610	E3HZ 4351-E	1610	E1HZ 4465-A	A,H,◊	★ E4HT 4A298-DHB, ★ E4HT 4A298-EMB		B49-L-1078	E4HZ 4300-BA		
1710	E1HZ 4351-C	1610	E1HZ 4465-A							
1760	E3HZ 4351-F	1710	E1HZ 4465-B							
1810	E1HZ 4351-D	1710	E1HZ 4465-B							

1980/  
TRUCK SERIES 600/900

REAR AXLE AND DIFFERENTIAL CARRIER CHART												
PARTS LIST NO.	RATIO	FLANGE				NOTE	REAR AXLE PART NUMBER	RING GEAR DIA. (IN.)	CARRIER			
		SIZE †	INPUT	SIZE †	OUTPUT				IDENTIFICATION	PART NUMBER		
▲ RING GEAR DIAMETER LISTED ONLY WHEN OPTIONAL SIZES ARE SHOWN IN PARTS LISTS.												
† FOR FLANGE TYPE IDENTIFICATION REFER TO GROUP 4851												
Notes:      ◇ U joint flange not included in assy. Determine by size of vehicle drive line. A - Air lockout, E - Electric lockout H - Hendrickson suspension, V - Vacuum lockout, @ - Reyco suspension, N - Neway suspension ‡ 1980/86 • 1987/ % 1980/87 ♦ 1988												
251	3.73	1610	‡ E3HZ 4351-E	1610	E1HZ 4465-A	A,H,◇	★ E6HT 4A298-AMA, ★ E6HT 4A298-BFA		C17-L-1078	E6HZ 4300-M		
		1610	● E7HZ 4351-G	1610	E1HZ 4465-A							
		1710	‡ E1HZ 4351-C	1610	E1HZ 4465-A							
		1710	● E7HZ 4351-H	1610	E1HZ 4465-A							
		1760	% E3HZ 4351-F	1710	E1HZ 4465-B							
		1760	♦ E8HZ 4351-A	1710	E1HZ 4465-B							
		1810	% E1HZ 4351-D	1710	E1HZ 4465-B							
		1810	♦ E8HZ 4351-C	1710	E1HZ 4465-B							
		1710	E9HZ 4351-D	1610	E1HZ 4465-A	A,H,◇	★ E9HT 4A375-E056A		G72-R-1032	E6HZ 4300-Y		
	3.90	1610	E3HZ 4351-E	1610	E1HZ 4465-A	A,H,@,N,◇	★ E3HT 4A298-CEA, ★ E3HT 4A298-CRA, ★ E3HT 4A298-DDA		C63-R-1032	E3HZ 4300-CA		
			1760	E3HZ 4351-F	1710	E1HZ 4465-B						
			1810	E1HZ 4351-D	1710	E1HZ 4465-B						
		1760	E3HZ 4351-E	1610	E1HZ 4465-A	A,H,N,◇	★ E4HT 4A298-DDA, ★ E4HT 4A298-EBA, ★ E4HT 4A298-ESA		E26-R-1032	★ E4HZ 4300-S /bE4HZ 4300-BG		
			1710	E3HZ 4351-F	1710	E1HZ 4465-B						
			1810	E1HZ 4351-D	1710	E1HZ 4465-B						
		1710	E3HZ 4351-E	1610	E1HZ 4465-A	A,H,N,◇	★ E4HT 4A298-DEA, ★ E4HT 4A298-DEB, ★ E4HT 4A298-DEB,		F16-R-1032	E4HZ 4300-BG		
			1710	E1HZ 4351-C	1610	E1HZ 4465-A						
			1760	E3HZ 4351-F	1710	E1HZ 4465-B						
		1810	E1HZ 4351-D	1710	E1HZ 4465-B							
				1610	‡ E3HZ 4351-E	1610	E1HZ 4465-A	A,H,N,◇	★ E6HT 4A298-AHA, ★ E6HT 4A298-ATA, ★ E6HT 4A298-BJA		G72-R-1032	E6HZ 4300-Z
				1610	● E7HZ 4351-G	1610	E1HZ 4465-A					
	1710		‡ E1HZ 4351-C	1610	E1HZ 4465-A							
			● E7HZ 4351-H	1610	E1HZ 4465-A							
			% E3HZ 4351-F	1710	E1HZ 4465-B							
	1760		♦ E8HZ 4351-A	1710	E1HZ 4465-B							
			% E1HZ 4351-D	1710	E1HZ 4465-B							
			♦ E8HZ 4351-C	1710	E1HZ 4465-B							
	4.10	1610	E3HZ 4351-E	1610	E1HZ 4465-A	A,H,N,◇	★ E4HT 4A298-DEA, ★ E4HT 4A298-ECA, ★ E4HT 4A298-ETA		E26-R-1032	★ E4HZ 4300-T /bE4HZ 4300-BH		
1760			E3HZ 4351-F	1710	E1HZ 4465-B							
1810			E1HZ 4351-D	1710	E1HZ 4465-B							
1710		E3HZ 4351-E	1610	E1HZ 4465-A	A,H,N,◇	★ E4HT 4A298-DEB, ★ E4HT 4A298-ECB, ★ E4HT 4A298-ETB		F16-R-1032	E4HZ 4300-BH			
		1710	E1HZ 4351-C	1610	E1HZ 4465-A							
		1760	E3HZ 4351-F	1710	E1HZ 4465-B							
1810		E1HZ 4351-D	1710	E1HZ 4465-B								
		‡ E3HZ 4351-E	1610	E1HZ 4465-A	A,H,N,◇	★ E6HT 4A298-AJA, ★ E6HT 4A298-AUA, ★ E6HT 4A298-BKA		G72-R-1032	E6HZ 4300-AA			
		1610	● E7HZ 4351-G	1610	E1HZ 4465-A							
1710		‡ E1HZ 4351-C	1610	E1HZ 4465-A								
		● E7HZ 4351-H	1610	E1HZ 4465-A								
		% E3HZ 4351-F	1710	E1HZ 4465-B								
1760		♦ E8HZ 4351-A	1710	E1HZ 4465-B								
		% E1HZ 4351-D	1710	E1HZ 4465-B								
		♦ E8HZ 4351-C	1710	E1HZ 4465-B								
1810		E3HZ 4351-E	1610	E1HZ 4465-A	A,H,◇	★ E4HT 4A298-DJA, ★ E4HT 4A298-ENA		B21-L-1078	★ E4HZ 4300-L /bE4HZ 4300-BB			
	1760	E3HZ 4351-F	1710	E1HZ 4465-B								
	1810	E1HZ 4351-D	1710	E1HZ 4465-B								
1710	E3HZ 4351-E	1610	E1HZ 4465-A	A,H,◇	★ E4HT 4A298-DJB, ★ E4HT 4A298-ENB		B49-L-1078	E4HZ 4300-BB				
	1710	E1HZ 4351-C	1610	E1HZ 4465-A								
	1760	E3HZ 4351-F	1710	E1HZ 4465-B								
1810	E1HZ 4351-D	1710	E1HZ 4465-B									

1980/  
TRUCK SERIES 600/900

REAR AXLE AND DIFFERENTIAL CARRIER CHART

PARTS LIST NO.	RATIO	FLANGE				NOTE	REAR AXLE PART NUMBER	RING GEAR DIA. (IN.)	CARRIER	
		SIZE †	INPUT	SIZE †	OUTPUT				IDENTIFICATION	PART NUMBER
▲ RING GEAR DIAMETER LISTED ONLY WHEN OPTIONAL SIZES ARE SHOWN IN PARTS LISTS. † FOR FLANGE TYPE IDENTIFICATION REFER TO GROUP 4851										
Notes:      ◇ U joint flange not included in assy. Determine by size of vehicle drive line. A - Air lockout, E - Electric lockout H - Hendrickson suspension, V - Vacuum lockout, @ - Reyco suspension, N - Neway suspension ♦ 1980/86 • 1987/ % 1980/87 ♦ 1988										
251	4.10	1610	⚡ E3HZ 4351-E	1610	E1HZ 4465-A	A,H,◇	★ E6HT 4A298-ANA, ★ E6HT 4A298-BGA		C17-L-1078	E6HZ 4300-N
		1610	● E7HZ 4351-G	1610	E1HZ 4465-A					
		1710	⚡ E1HZ 4351-C	1610	E1HZ 4465-A					
		1710	● E7HZ 4351-H	1610	E1HZ 4465-A					
		1760	% E3HZ 4351-F	1710	E1HZ 4465-B					
		1760	♦ E8HZ 4351-A	1710	E1HZ 4465-B					
		1810	% E1HZ 4351-D	1710	E1HZ 4465-B					
		1810	♦ E8HZ 4351-C	1710	E1HZ 4465-B					
		1710	E9HZ 4351-D	1610	E1HZ 4465-A	A,H,◇				
	4.11	1610	E3HZ 4351-E	1610	E1HZ 4465-A	A,H,@,N,◇	★ E3HT 4A298-CFA, ★ E3HT 4A298-CSA, ★ E3HT 4A298-DEA		C64-R-1032	E6HZ 4300-AA E3HZ 4300-CB
		1760	E3HZ 4351-F	1710	E1HZ 4465-B					
		1810	E1HZ 4351-D	1710	E1HZ 4465-B					
		1610	E3HZ 4351-E	1610	E1HZ 4465-A	A,H,@,◇				
		1760	E3HZ 4351-F	1710	E1HZ 4465-B					
		1810	E1HZ 4351-D	1710	E1HZ 4465-B					
	4.33	1610	E3HZ 4351-E	1610	E1HZ 4465-A	A,H,@,◇	★ E3HT 4A298-CGA, ★ E3HT 4A298-CTA		C64-R-1032	E3HZ 4300-CD
			E3HZ 4351-F	1710	E1HZ 4465-B					
			E1HZ 4351-D	1710	E1HZ 4465-B					
		1760	E3HZ 4351-E	1610	E1HZ 4465-A	A,H,◇	★ E4HT 4A298-DFA, ★ E4HT 4A298-EDA		E26-R-1032	★ E4HZ 4300-V r/bE4HZ 4300-BJ
			E3HZ 4351-F	1710	E1HZ 4465-B					
			E1HZ 4351-D	1710	E1HZ 4465-B					
		1810	E3HZ 4351-E	1610	E1HZ 4465-A	A,H,◇	★ E4HT 4A298-DFB, ★ E4HT 4A298-EDB		F16-R-1032	E4HZ 4300-BJ
			E1HZ 4351-C	1610	E1HZ 4465-A					
			E3HZ 4351-F	1710	E1HZ 4465-B					
		1610	⚡ E3HZ 4351-E	1610	E1HZ 4465-A	A,H,◇	★ E6HT 4A298-AKA, ★ E6HT 4A298-AVA		G72-R-1032	E6HZ 4300-AB
			● E7HZ 4351-G	1610	E1HZ 4465-A					
			⚡ E1HZ 4351-C	1610	E1HZ 4465-A					
			● E7HZ 4351-H	1610	E1HZ 4465-A					
			% E3HZ 4351-F	1710	E1HZ 4465-B					
			♦ E8HZ 4351-A	1710	E1HZ 4465-B					
	% E1HZ 4351-D		1710	E1HZ 4465-B						
	♦ E8HZ 4351-C		1710	E1HZ 4465-B						
	E9HZ 4351-D		1610	E1HZ 4465-A	A,H,◇					
	4.63	1610	E3HZ 4351-E	1610	E1HZ 4465-A	A,H,@,◇	★ E3HT 4A298-CHA, ★ E3HT 4A298-CUA		C64-R-1032	E3HZ 4300-CE
			E3HZ 4351-F	1710	E1HZ 4465-B					
			E1HZ 4351-D	1710	E1HZ 4465-B					
		1760	E3HZ 4351-E	1610	E1HZ 4465-A	A,H,◇	★ E4HT 4A298-DGA, ★ E4HT 4A298-EEA		E26-R-1032	★ E4HZ 4300-W r/bE4HZ 4300-BK
			E3HZ 4351-F	1710	E1HZ 4465-B					
			E1HZ 4351-D	1710	E1HZ 4465-B					
		1810	E3HZ 4351-E	1610	E1HZ 4465-A	A,H,◇	★ E4HT 4A298-DGB, ★ E4HT 4A298-EEB		F16-R-1032	E4HZ 4300-BK
			E1HZ 4351-C	1610	E1HZ 4465-A					
			E3HZ 4351-F	1710	E1HZ 4465-B					
1610		⚡ E3HZ 4351-E	1610	E1HZ 4465-A	A,H,◇	★ E6HT 4A298-ALA, ★ E6HT 4A298-AYA		G72-R-1032	E6HZ 4300-AC	
		● E7HZ 4351-G	1610	E1HZ 4465-A						
		⚡ E1HZ 4351-C	1610	E1HZ 4465-A						
		● E7HZ 4351-H	1610	E1HZ 4465-A						
		% E3HZ 4351-F	1710	E1HZ 4465-B						
		♦ E8HZ 4351-A	1710	E1HZ 4465-B						
	% E1HZ 4351-D	1710	E1HZ 4465-B							
	♦ E8HZ 4351-C	1710	E1HZ 4465-B							
	E9HZ 4351-D	1610	E1HZ 4465-A	A,H,◇						

1980/  
TRUCK SERIES 600/900

REAR AXLE AND DIFFERENTIAL CARRIER CHART										
PARTS LIST NO.	RATIO	FLANGE				NOTE	REAR AXLE PART NUMBER	RING GEAR DIA. (IN.)	CARRIER	
		SIZE †	INPUT	SIZE †	OUTPUT				IDENTIFICATION	PART NUMBER
▲ RING GEAR DIAMETER LISTED ONLY WHEN OPTIONAL SIZES ARE SHOWN IN PARTS LISTS.										
† FOR FLANGE TYPE IDENTIFICATION REFER TO GROUP 4851										
Notes:      ◇ U joint flange not included in assy. Determine by size of vehicle drive line. A - Air lockout, E - Electric lockout H - Hendrickson suspension, V - Vacuum lockout, @ - Reyco suspension, N - Neway suspension ♦ 1980/86 • 1987/ % 1980/87 ◆ 1988										
251	4.88	1610	● E3HZ 4351-E	1610	E1HZ 4465-A	A,H,◇	★ E3HT 4A298-CJA		C65-R-1032	E3HZ 4300-CF
		1760	● E3HZ 4351-F	1710	E1HZ 4465-B					
		1810	● E1HZ 4351-D	1710	E1HZ 4465-B					
		1610	● E3HZ 4351-E	1610	E1HZ 4465-A	A,H,◇	★ E4HT 4A298-EFA		E26-R-1032	★ E4HZ 4300-X r/bE4HZ 4300-BL
		1760	● E3HZ 4351-F	1710	E1HZ 4465-B					
		1810	● E1HZ 4351-D	1710	E1HZ 4465-B					
		1610	● E3HZ 4351-E	1610	E1HZ 4465-A	A,H,◇	★ E4HT 4A298-EFB		F16-R-1032	E4HZ 4300-BL
		1710	● E1HZ 4351-C	1610	E1HZ 4465-A					
		1760	● E3HZ 4351-F	1710	E1HZ 4465-B					
		1810	● E1HZ 4351-D	1710	E1HZ 4465-B					
		1610	◆ E3HZ 4351-E	1610	E1HZ 4465-A	A,H,◇	★ E6HT 4A298-AZA		G72-R-1032	E6HZ 4300-AD
		1610	● E7HZ 4351-G	1610	E1HZ 4465-A					
		1710	◆ E1HZ 4351-C	1610	E1HZ 4465-A					
		1710	● E7HZ 4351-H	1610	E1HZ 4465-A					
		1760	% E3HZ 4351-F	1710	E1HZ 4465-B					
		1760	◆ E8HZ 4351-A	1710	E1HZ 4465-B					
		1810	% E1HZ 4351-D	1710	E1HZ 4465-B					
		1810	◆ E8HZ 4351-C	1710	E1HZ 4465-B					
	1710	● E9HZ 4351-D	1610	E1HZ 4465-A	A,H,◇	★ E9HT 4A375-E062A		G72-R-1032	E6HZ 4300-AD	
	5.29	1610	● E3HZ 4351-E	1610	E1HZ 4465-A	A,H,◇	★ E3HT 4A298-BFA		C65-R-1032	E3HZ 4300-CG
			● E3HZ 4351-F	1710	E1HZ 4465-B					
			● E1HZ 4351-D	1710	E1HZ 4465-B					
		1610	● E3HZ 4351-E	1610	E1HZ 4465-A	A,H,◇	★ E4HT 4A298-EGA		E26 R-1032	★ E4HZ 4300-Y r/bE4HZ 4300-BM
			● E3HZ 4351-F	1710	E1HZ 4465-B					
			● E1HZ 4351-D	1710	E1HZ 4465-B					
		1610	● E3HZ 4351-E	1610	E1HZ 4465-A	A,H,◇	★ E4HT 4A298-EGB		F16 R 1032	E4HZ 4300-BM
			● E1HZ 4351-C	1610	E1HZ 4465-A					
			● E3HZ 4351-F	1710	E1HZ 4465-B					
		1610	● E1HZ 4351-D	1710	E1HZ 4465-B					
			◆ E3HZ 4351-E	1610	E1HZ 4465-A	A,H,◇	★ E6HT 4A298-BAA		G72-R-1032	E6HZ 4300-AE
			● E7HZ 4351-G	1610	E1HZ 4465-A					
		1710	◆ E1HZ 4351-C	1610	E1HZ 4465-A					
			● E7HZ 4351-H	1610	E1HZ 4465-A					
			% E3HZ 4351-F	1710	E1HZ 4465-B					
		1760	◆ E8HZ 4351-A	1710	E1HZ 4465-B					
			% E1HZ 4351-D	1710	E1HZ 4465-B					
◆ E8HZ 4351-C			1710	E1HZ 4465-B						
1710	● E9HZ 4351-D	1610	E1HZ 4465-A	A,H,◇	★ E9HT 4A375-E063A		G72-R-1032	E6HZ 4300-AE		
5.83	1610	● E3HZ 4351-E	1610	E1HZ 4465-A	A,H,◇	★ E3HT 4A298-BGA		C65-R-1032	E3HZ 4300-CH	
	1760	● E3HZ 4351-F	1710	E1HZ 4465-B						
	1810	● E1HZ 4351-D	1710	E1HZ 4465-B						
5.86	1610	● E3HZ 4351-E	1610	E1HZ 4465-A	A,H,◇	★ E4HT 4A298-EHA		E26-R-1032	★ E4HZ 4300-Z r/bE4HZ 4300-BN	
		● E3HZ 4351-F	1710	E1HZ 4465-B						
		● E1HZ 4351-D	1710	E1HZ 4465-B						
	1610	● E3HZ 4351-E	1610	E1HZ 4465-A	A,H,◇	★ E4HT 4A298-EHB		F16-R-1032	E4HZ 4300-BN	
		● E1HZ 4351-C	1610	E1HZ 4465-A						
		● E3HZ 4351-F	1710	E1HZ 4465-B						
1810	● E1HZ 4351-D	1710	E1HZ 4465-B							

1980/  
TRUCK SERIES 600/900

REAR AXLE AND DIFFERENTIAL CARRIER CHART

PARTS LIST NO.	RATIO	FLANGE				NOTE	REAR AXLE PART NUMBER	RING GEAR DIA. (IN.)	CARRIER	
		SIZE †	INPUT	SIZE †	OUTPUT				IDENTIFICATION	PART NUMBER
▲ RING GEAR DIAMETER LISTED ONLY WHEN OPTIONAL SIZES ARE SHOWN IN PARTS LISTS.										
† FOR FLANGE TYPE IDENTIFICATION REFER TO GROUP 4851										
Notes: ◊ U joint flange not included in assy. Determine by size of vehicle drive line. A - Air lockout, E - Electric lockout H - Hendrickson suspension, V - Vacuum lockout, @ - Reyco suspension, N - Neway suspension										
◆ 1980/86 ● 1987/ % 1980/87 ◆ 1988										
251	5.86	1610	◊ E3HZ 4351-E	1610	E1HZ 4465-A	A,H,◊	★ E6HT 4A298-BBA		G72-R-1032	E6HZ 4300-AF
		1610	● E7HZ 4351-G	1610	E1HZ 4465-A					
		1710	◊ E1HZ 4351-C	1610	E1HZ 4465-A					
		1710	● E7HZ 4351-H	1610	E1HZ 4465-A					
		1760	% E3HZ 4351-F	1710	E1HZ 4465-B					
		1760	◆ E8HZ 4351-A	1710	E1HZ 4465-B					
		1810	% E1HZ 4351-D	1710	E1HZ 4465-B					
		1810	◆ E8HZ 4351-C	1710	E1HZ 4465-B					
		1710	E9HZ 4351-D	1610	E1HZ 4465-A	A,H,◊	★ E9HT 4A375-E065A		G72-R-1032	E6HZ 4300-AF
		6.14	1610	E3HZ 4351-E	1610	E1HZ 4465-A	A,H,◊	★ E4HT 4A298-EJA		E26-R-1032
	1760			E3HZ 4351-F	1710	E1HZ 4465-B				
	1810			E1HZ 4351-D	1710	E1HZ 4465-B				
	1610		E3HZ 4351-E	1610	E1HZ 4465-A	A,H,◊	★ E4HT 4A298-EJB		F16-R-1032	E4HZ 4300-BP
			1710	E1HZ 4351-C	1610	E1HZ 4465-A				
			1760	E3HZ 4351-F	1710	E1HZ 4465-B				
	1810		E1HZ 4351-D	1710	E1HZ 4465-B					
			◊ E3HZ 4351-E	1610	E1HZ 4465-A	A,H,◊	★ E6HT 4A298-BCA		G72-R-1032	E6HZ 4300-AG
			● E7HZ 4351-G	1610	E1HZ 4465-A					
			◊ E1HZ 4351-C	1610	E1HZ 4465-A					
	6.17	1610	E3HZ 4351-E	1610	E1HZ 4465-A	A,H,◊	★ E9HT 4A375-E066A		G72-R-1032	E6HZ 4300-AG
1760			E3HZ 4351-F	1710	E1HZ 4465-B					
1810			E1HZ 4351-D	1710	E1HZ 4465-B					
1610		E3HZ 4351-E	1610	E1HZ 4465-A	A,H,◊	★ E3HT 4A298-BHA		C65-R-1032	E3HZ 4300-CJ	
		1760	E3HZ 4351-F	1710	E1HZ 4465-B					
		1810	E1HZ 4351-D	1710	E1HZ 4465-B					
6.83		1610	E3HZ 4351-E	1610	E1HZ 4465-A	A,H,◊	★ E3HT 4A298-BJA		C65-R-1032	E3HZ 4300-CK
			1760	E3HZ 4351-F	1710	E1HZ 4465-B				
			1810	E1HZ 4351-D	1710	E1HZ 4465-B				
		1610	E3HZ 4351-E	1610	E1HZ 4465-A	A,H,◊	★ E4HT 4A298-EKA		E26-R-1032	★ E4HZ 4300-AB r/bE4HZ 4300-BR
	1760		E3HZ 4351-F	1710	E1HZ 4465-B					
	1710	E1HZ 4351-C	1610	E1HZ 4465-A	A,H,◊	★ E4HT 4A298-EKB		F16-R-1032	E4HZ 4300-BR	
		1760	E3HZ 4351-F	1710	E1HZ 4465-B					
1810	E1HZ 4351-D	1710	E1HZ 4465-B							
6.83	6.83	1610	◊ E3HZ 4351-E	1610	E1HZ 4465-A	A,H,◊	★ E6HT 4A298-BDA		G72-R-1032	E6HZ 4300-AH
		1610	● E7HZ 4351-G	1610	E1HZ 4465-A					
		1710	◊ E1HZ 4351-C	1610	E1HZ 4465-A					
		1710	● E7HZ 4351-H	1610	E1HZ 4465-A					
		1760	% E3HZ 4351-F	1710	E1HZ 4465-B					
		1760	◆ E8HZ 4351-A	1710	E1HZ 4465-B					
		1810	% E1HZ 4351-D	1710	E1HZ 4465-B					
		1810	◆ E8HZ 4351-C	1710	E1HZ 4465-B					

**1980/  
TRUCK SERIES 600/900**

**REAR AXLE AND DIFFERENTIAL CARRIER CHART**

PARTS LIST NO.	RATIO	FLANGE				NOTE	REAR AXLE PART NUMBER	RING GEAR DIA. (IN.)	CARRIER		
		SIZE †	INPUT	SIZE †	OUTPUT				IDENTIFICATION	PART NUMBER	
▲ RING GEAR DIAMETER LISTED ONLY WHEN OPTIONAL SIZES ARE SHOWN IN PARTS LISTS. † FOR FLANGE TYPE IDENTIFICATION REFER TO GROUP 4851											
Notes:     ◇ U joint flange not included in assy. Determine by size of vehicle drive line. A - Air lockout, E - Electric lockout H - Hendrickson suspension, V - Vacuum lockout, @ - Reyco suspension, N - Neway suspension ♣ 1980/86 • 1987/ % 1980/87 ♦ 1988											
251	7.17	1610	E3HZ 4351-E	1610	E1HZ 4465-A	A,H,◇	★ E4HT 4A298-ELA		E26-R-1032	★ E4HZ 4300-AC y/bE4HZ 4300-BS	
		1760	E3HZ 4351-F	1710	E1HZ 4465-B						
		1810	E1HZ 4351-D	1710	E1HZ 4465-B						
		1610	E3HZ 4351-E	1610	E1HZ 4465-A	A,H,◇	★ E4HT 4A298-ELB		F16-R-1032	E4HZ 4300-BS	
		1710	E1HZ 4351-C	1610	E1HZ 4465-A						
		1760	E3HZ 4351-F	1710	E1HZ 4465-B						
		1810	E1HZ 4351-D	1710	E1HZ 4465-B						
		1610	♣ E3HZ 4351-E	1610	E1HZ 4465-A	A,H,◇	★ E6HT 4A298-BEA		G72-R-1032	E6HZ 4300-AJ	
		1610	• E7HZ 4351-G	1610	E1HZ 4465-A						
	1710	♣ E1HZ 4351-C	1610	E1HZ 4465-A							
	1710	• E7HZ 4351-H	1610	E1HZ 4465-A							
	1760	% E3HZ 4351-F	1710	E1HZ 4465-B							
	1760	♦ E8HZ 4351-A	1710	E1HZ 4465-B							
	1810	% E1HZ 4351-D	1710	E1HZ 4465-B							
	1810	♦ E8HZ 4351-C	1710	E1HZ 4465-B							
		7.20	1610	E3HZ 4351-E	1610	E1HZ 4465-A	A,H,◇	★ E3HT 4A298-CKA		C65-R-1032	E3HZ 4300-CL
			1760	E3HZ 4351-F	1710	E1HZ 4465-B					
			1810	E1HZ 4351-D	1710	E1HZ 4465-B					
252	3.55	1610	E1HZ 4851-E			H,N,◇	★ E4HS 4A297-BHUA, ★ E4HS 4A297-BJDA, ★ E4HS 4A297-BJFA		B10-N-1314	E6HZ 4200-L	
		1710	E3HZ 4851-A								
		3.70	1610	E1HZ 4851-E			H,@,N,◇	★ E3HT 4A297-CDA, ★ E3HT 4A297-CNA, ★ E3HT 4A297-DCA		A6-N-1314	E3HZ 4200-DE
	1710		E3HZ 4851-A								
		3.73	1610	E1HZ 4851-E			H,@,◇	★ E3HT 4A297-CLA, ★ E3HT 4A297-DAA		A6-T-1346	E3HZ 4200-DF
	1710		E3HZ 4851-A								
		3.90	1610	E1HZ 4851-E			H,N,◇	★ E4HT 4A297-DCA, ★ E4HT 4A297-EAA, ★ E4HT 4A297-ERA		B10-N-1314	★ E4HZ 4200-CT
	1710		E3HZ 4851-A								
	1610		E1HZ 4851-E			H,◇	★ E4HT 4A297-DHA, ★ E4HT 4A297-EMA		A56-T-1346	★ E4HZ 4200-BV	
		3.90	1710	E3HZ 4851-A			H,◇	★ E9HT 4B430-J056A		B10-N-1314	E4HZ 4200-CT
	1610		E1HZ 4851-E			H,@,N,◇	★ E3HT 4A297-CEA, ★ E3HT 4A297-CRA, ★ E3HT 4A297-DDA		A6-N-1314	E3HZ 4200-DG	
	1710		E3HZ 4851-A			H,N,◇	★ E4HT 4A297-DDA, ★ E4HT 4A297-EBA, ★ E4HT 4A297-ESA		B10-N-1314	★ E4HZ 4200-CV	
		4.10	1610	E1HZ 4851-E			H,◇	★ E9HT 4B430-J057A		B10-N-1314	E4HZ 4200-CV
	1710		E3HZ 4851-A			H,N,◇	★ E4HT 4A297-DEA, ★ E4HT 4A297-ECA, ★ E4HT 4A297-ETA		B10-N-1314	E4HZ 4200-CW	
	1610		E1HZ 4851-E			H,◇	★ E4HT 4A297-DJA, ★ E4HT 4A297-ENA		A56-T-1346	★ E4HZ 4200-BW	
	4.11	1710	E3HZ 4851-A			H,◇	★ E9HT 4B430-J058A		B10-N-1314	E4HZ 4200-CW	
1610		E1HZ 4851-E			H,@,N,◇	★ E3HT 4A297-CFA, ★ E3HT 4A297-CSA, ★ E3HT 4A297-DEA		A7-N-1314	E3HZ 4200-DH		
1710		E3HZ 4851-A			H,@,◇	★ E3HT 4A297-CMA, ★ E3HT 4A297-DBA		A7-T-1346	E3HZ 4200-DJ		

1980/  
TRUCK SERIES 600/900

REAR AXLE AND DIFFERENTIAL CARRIER CHART

PARTS LIST NO.	RATIO	FLANGE				NOTE	REAR AXLE PART NUMBER	RING GEAR DIA. (IN.)	CARRIER	
		SIZE †	INPUT	SIZE †	OUTPUT				IDENTIFICATION	PART NUMBER

▲ RING GEAR DIAMETER LISTED ONLY WHEN OPTIONAL SIZES ARE SHOWN IN PARTS LISTS.

† FOR FLANGE TYPE IDENTIFICATION REFER TO GROUP 4851

Notes: ◊ U joint flange not included in assy. Determine by size of vehicle drive line. A - Air lockout, E - Electric lockout  
H - Hendrickson suspension, V - Vacuum lockout, @ - Reyco suspension, N - Neway suspension

◆ 1980/86 ● 1987/ % 1980/87 ◆ 1988

252	4.33	1610	E1HZ 4851-E			H,@,◊	★ E3HT 4A297-CGA, ★ E3HT 4A297-CTA		A7-N-1314	E3HZ 4200-DK
		1710	E3HZ 4851-A							
		1610	E1HZ 4851-E			H,◊	★ E4HT 4A297-DFA, ★ E4HT 4A297-EDA		B10-N-1314	★ E4HZ 4200-CX
		1710	E3HZ 4851-A							
		1610	E1HZ 4851-E			H,◊	★ E9HT 4B430-J059A		B10-N-1314	E4HZ 4200-CX
		1610	E1HZ 4851-E			H,@,◊	★ E3HT 4A297-CHA, ★ E3HT 4A297-CUA		A7-N-1314	E3HZ 4200-DL
	4.63	1610	E1HZ 4851-E			H,◊	★ E4HT 4A297-DGA, ★ E4HT 4A297-EEA		B10-N-1314	★ E4HZ 4200-CY
		1710	E3HZ 4851-A							
		1610	E1HZ 4851-E			H,◊	★ E9HT 4B430-J061A		B10-N-1314	E4HZ 4200-CY
		1610	E1HZ 4851-E			H,◊	★ E3HT 4A297-CJA		A8-N-1314	E3HZ 4200-DM
	4.88	1610	E1HZ 4851-E			H,◊	★ E4HT 4A297-EFA		B10-N-1314	★ E4HZ 4200-CZ
		1710	E3HZ 4851-A							
		1610	E1HZ 4851-E			H,◊	★ E9HT 4B430-J062A		B10-N-1314	E4HZ 4200-CZ
		1610	E1HZ 4851-E			H,◊	★ E3HT 4A297-BFA		A8-N-1314	E3HZ 4200-DN
	5.29	1610	E1HZ 4851-E			H,◊	★ E4HT 4A297-EGA		B10-N-1314	★ E4HZ 4200-DA
		1710	E3HZ 4851-A							
		1610	E1HZ 4851-E			H,◊	★ E9HT 4B430-J063A		B10-N-1314	E4HZ 4200-DA
		1610	E1HZ 4851-E			H,◊	★ E3HT 4A297-BGA		A8-N-1314	E3HZ 4200-DP
	5.83	1610	E1HZ 4851-E			H,◊	★ E4HT 4A297-EHA		B10-N-1314	E4HZ 4200-DB
		1710	E3HZ 4851-A							
	5.86	1610	E1HZ 4851-E			H,◊	★ E9HT 4B430-J065A		B10-N-1314	E4HZ 4200-DB
		1610	E1HZ 4851-E			H,◊	★ E4HT 4A297-EJA		B10-N-1314	★ E4HZ 4200-DC
	6.14	1610	E1HZ 4851-E			H,◊	★ E9HT 4B430-J066A		B10-N-1314	E4HZ 4200-DC
		1710	E3HZ 4851-A							
		1610	E1HZ 4851-E			H,◊	★ E3HT 4A297-BHA		A8-N-1314	E3HZ 4200-DR
		1710	E3HZ 4851-A							
	6.17	1610	E1HZ 4851-E			H,◊	★ E3HT 4A297-BJA		A8-N-1314	E3HZ 4200-DS
		1710	E3HZ 4851-A							
	6.83	1610	E1HZ 4851-E			H,◊	★ E4HT 4A297-EKA		B10-N-1314	★ E4HZ 4200-DD
		1710	E3HZ 4851-A							
	7.17	1610	E1HZ 4851-E			H,◊	★ E4HT 4A297-ELA		B10-N-1314	E4HZ 4200-DE
		1710	E3HZ 4851-A							
	7.20	1610	E1HZ 4851-E			H,◊	★ E3HT 4A297-CKA		A8-N-1314	E3HZ 4200-DT
		1710	E3HZ 4851-A							
255	3.70/5.05	1610	E0HZ 4851-D				★ E4HT 4005-ESA		MJACA104-26X	E4HZ 4200-BC
		1710	E6HZ 4851-G				★ E5HT 4005-CJA		MJACA104-47X	E6HZ 4200-X
	3.90/5.32	1610	E0HZ 4851-D				★ E4HT 4005-ETA		MJACA104-25X	E4HZ 4200-BD
		1710	E6HZ 4851-G				★ E5HT 4005-CKA		MJACA104-48X	E6HZ 4200-Y
	4.11/5.60	1610	E0HZ 4851-D				★ E4HT 4005-EUA		MJACA104-24X	E4HZ 4200-BE
		1710	E6HZ 4851-G				★ E5HT 4005-CLA		MJACA104-49X	E6HZ 4200-AB
	4.56/6.22	1610	E6HZ 4851-F				★ E6HT 4005-NA		MJACA104-33X	E6HZ 4200-AE
		1710	E6HZ 4851-G				★ E6HT 4005-RA		MJACA104-38X	E6HZ 4200-AF
	4.89/6.66	1610	E6HZ 4851-F				★ E4HS 4005-DDAA		MJACA104-18X	E6HZ 4200-AH
		1710	E6HZ 4851-G				★ E6HT 4005-SA		MJACA104-39X	E6HZ 4200-AJ

1980/  
TRUCK SERIES 600/900

REAR AXLE AND DIFFERENTIAL CARRIER CHART										
PARTS LIST NO.	RATIO	FLANGE				NOTE	REAR AXLE PART NUMBER	RING GEAR DIA. (IN.)	CARRIER	
		SIZE †	INPUT	SIZE †	OUTPUT				IDENTIFICATION	PART NUMBER
▲ RING GEAR DIAMETER LISTED ONLY WHEN OPTIONAL SIZES ARE SHOWN IN PARTS LISTS. † FOR FLANGE TYPE IDENTIFICATION REFER TO GROUP 4851										
Notes:      ◇ U joint flange not included in assy. Determine by size of vehicle drive line. A - Air lockout, E - Electric lockout H - Hendrickson suspension, V - Vacuum lockout, @ - Reyco suspension, N - Neway suspension ◆ 1980/86 ● 1987/ % 1980/87 ♦ 1988										
255	5.29/7.21	1610	E6HZ 4851-F				★ E4HS 4005-DERA		MJACA104-36X	E6HZ 4200-AM
		1710	E6HZ 4851-G				★ E6HT 4005-TA		MJACA104-40X	E6HZ 4200-AN
	5.57/7.60	1610	E6HZ 4851-F				★ E4HS 4005-DDBA		MJACA104-8X	E6HZ 4200-AR
		1710	E6HZ 4851-G				★ E6HT 4005-UA		MJACA104-41X	E6HZ 4200-AS
	6.14/8.38	1610	E6HZ 4851-F				★ E4HS 4005-DDCA		MJACA104-11X	E6HZ 4200-AV
		1710	E6HZ 4851-G				★ E6HT 4005-VA		MJACA104-42X	E6HZ 4200-AW
262	4.88/6.80	1550	E6HZ 4851-A				★ E5HT 4005-HAA		051377-6	E6HZ 4200-A
263	4.88/6.80	1550	E6HZ 4851-B				★ E5HT 4005-HBA		051379-2	E6HZ 4200-B
264	4.88	1550	E4HZ 4851-T				★ E5HT 4005-CVA		B2-Y-1091	E6HZ 4200-C
265	3.55	1610	E3HZ 4351-E	1610	E1HZ 4465-A	A,H,◇	★ E4HS 4A298-BMCB, ★ E5HS 4A298-BBRA		F15-R-1032	E6HZ 4300-A
		1710	E1HZ 4351-C	1710	E1HZ 4465-B					
		1760	E3HZ 4351-F	1710	E1HZ 4465-B					
		1810	E1HZ 4351-D	1710	E1HZ 4465-B					
		1610	E3HZ 4351-E	1610	E1HZ 4465-A	A,H,N,◇	★ E6HT 4A298-RA, ★ E6HT 4A298-VA, ★ E6HT 4A298-ABA		G71-R-1032	E6HZ 4300-P
		1710	E1HZ 4351-C	1710	E1HZ 4465-B					
		1760	E3HZ 4351-F	1710	E1HZ 4465-B					
		1810	%E1HZ 4351-D	1710	E1HZ 4465-B					
		1810	◆E8HZ 4351-G	1710	E1HZ 4465-B					
	3.73	1610	E3HZ 4351-E	1610	E1HZ 4465-A	A,H,◇	★ E4HS 4A298-BMDB, ★ E4HS 4A298-BNMB		F15-R-1032	E4HZ 4300-BC
		1710	E1HZ 4351-C	1710	E1HZ 4465-B					
		1760	E3HZ 4351-F	1710	E1HZ 4465-B					
		1810	E1HZ 4351-D	1710	E1HZ 4465-B					
		1610	E3HZ 4351-E	1610	E1HZ 4465-A	A,H,◇	★ E6HT 4A298-CA, ★ E6HT 4A298-LA		B48-L-1078	E4HZ 4300-AY
		1710	E1HZ 4351-C	1710	E1HZ 4465-B					
		1760	E3HZ 4351-F	1710	E1HZ 4465-B					
		1810	E1HZ 4351-D	1710	E1HZ 4465-B					
		1610	E3HZ 4351-E	1610	E1HZ 4465-A	A,H,◇	★ E6HT 4A298-CB, ★ E6HT 4A298-LB		C16-L-1078	E6HZ 4300-K
		1710	E1HZ 4351-C	1710	E1HZ 4465-B					
		1760	E3HZ 4351-F	1710	E1HZ 4465-B					
		1810	%E1HZ 4351-D	1710	E1HZ 4465-B					
		1810	◆E8HZ 4351-G	1710	E1HZ 4465-B					
		1610	E3HZ 4351-E	1610	E1HZ 4465-A	A,H,N,◇	★ E6HT 4A298-SA, ★ E6HT 4A298-YA, ★ E6HT 4A298-ACA		G71-R-1032	E6HZ 4300-R
		1710	E1HZ 4351-C	1710	E1HZ 4465-B					
		1760	E3HZ 4351-F	1710	E1HZ 4465-B					
		1810	%E1HZ 4351-D	1710	E1HZ 4465-B					
		1810	◆E8HZ 4351-G	1710	E1HZ 4465-B					
	3.90	1610	E3HZ 4351-E	1610	E1HZ 4465-A	A,H,◇	★ E4HS 4A298-BNDB, ★ E5HS 4A298-BBKA		F15-R-1032	E6HZ 4300-B
		1710	E1HZ 4351-C	1710	E1HZ 4465-B					
		1760	E3HZ 4351-F	1710	E1HZ 4465-B					
		1810	E1HZ 4351-D	1710	E1HZ 4465-B					
		1610	E3HZ 4351-E	1610	E1HZ 4465-A	A,H,N,◇	★ E6HT 4A298-TA, ★ E6HT 4A298-ZA, ★ E6HT 4A298-ADA		G71-R-1032	E6HZ 4300-S
		1710	E1HZ 4351-C	1710	E1HZ 4465-B					
		1760	E3HZ 4351-F	1710	E1HZ 4465-B					
		1810	%E1HZ 4351-D	1710	E1HZ 4465-B					
		1810	◆E8HZ 4351-G	1710	E1HZ 4465-B					
		1710	E9HZ 4351-D	1610	E1HZ 4465-A	A,H,◇	★ E9HT 4A375-E107A		G71-R-1032	E6HZ 4300-S
	4.10	1610	E3HZ 4351-E	1610	E1HZ 4465-A	A,H,◇	★ E4HS 4A298-BNTA, ★ E5HS 4A298-BBGA		F15-R-1032	E4HZ 4300-BD
		1710	E1HZ 4351-C	1710	E1HZ 4465-B					
		1760	E3HZ 4351-F	1710	E1HZ 4465-B					
		1810	E1HZ 4351-D	1710	E1HZ 4465-B					



1980/  
TRUCK SERIES 600/900

REAR AXLE AND DIFFERENTIAL CARRIER CHART

PARTS LIST NO.	RATIO	FLANGE				NOTE	REAR AXLE PART NUMBER	RING GEAR DIA. (IN.)	CARRIER			
		SIZE †	INPUT	SIZE †	OUTPUT				IDENTIFICATION	PART NUMBER		
▲ RING GEAR DIAMETER LISTED ONLY WHEN OPTIONAL SIZES ARE SHOWN IN PARTS LISTS.												
† FOR FLANGE TYPE IDENTIFICATION REFER TO GROUP 4851												
Notes: ◇ U joint flange not included in assy. Determine by size of vehicle drive line. A - Air lockout, E - Electric lockout H - Hendrickson suspension, V - Vacuum lockout, @ - Reyco suspension, N - Neway suspension												
◆ 1980/86 ● 1987/ % 1980/87 ♦ 1988												
265	4.10	1610	E3HZ 4351-E	1610	E1HZ 4465-A	A,H,◇	★ E6HT 4A298-DA,		B48-L-1078	E4HZ 4300-AZ		
		1710	E1HZ 4351-C	1710	E1HZ 4465-B		★ E6HT 4A298-MA					
		1760	E3HZ 4351-F	1710	E1HZ 4465-B							
		1810	E1HZ 4351-D	1710	E1HZ 4465-B							
	4.33	4.10	1610	E3HZ 4351-E	1610	E1HZ 4465-A	A,H,◇	★ E6HT 4A298-DB,		C16-L-1078	E6HZ 4300-L	
			1710	E1HZ 4351-C	1710	E1HZ 4465-B		★ E6HT 4A298-MB				
			1760	E3HZ 4351-F	1710	E1HZ 4465-B						
			1810	%E1HZ 4351-D	1710	E1HZ 4465-B						
		4.33	4.10	1610	E3HZ 4351-E	1610	E1HZ 4465-A	A,H,N,◇	★ E6HT 4A298-UA,		G71-R-1032	E6HZ 4300-T
				1710	E1HZ 4351-C	1710	E1HZ 4465-B		★ E6HT 4A298-AAA,			
				1760	E3HZ 4351-F	1710	E1HZ 4465-B		★ E6HT 4A298-AEA			
				1810	%E1HZ 4351-D	1710	E1HZ 4465-B					
	4.63	4.33	1610	E3HZ 4351-E	1610	E1HZ 4465-A	A,H,◇	★ E9HT 4A375-E108A		G71-R-1032	E6HZ 4300-T	
			1710	E1HZ 4351-C	1710	E1HZ 4465-B						
			1760	E3HZ 4351-F	1710	E1HZ 4465-B						
			1810	E1HZ 4351-D	1710	E1HZ 4465-B						
		4.63	4.33	1610	E3HZ 4351-E	1610	E1HZ 4465-A	A,H,N,◇	★ E6HT 4A298-AB,		G71-R-1032	E6HZ 4300-V
				1710	E1HZ 4351-C	1710	E1HZ 4465-B		★ E6HT 4A298-EB,			
				1760	E3HZ 4351-F	1710	E1HZ 4465-B		★ E6HT 4A298-NB			
				1810	%E1HZ 4351-D	1710	E1HZ 4465-B					
	4.88	4.63	1610	E3HZ 4351-E	1610	E1HZ 4465-A	A,H,◇	★ E9HT 4A375-E109A		G71-R-1032	E6HZ 4300-V	
			1710	E1HZ 4351-C	1710	E1HZ 4465-B						
			1760	E3HZ 4351-F	1710	E1HZ 4465-B						
			1810	E1HZ 4351-D	1710	E1HZ 4465-B						
4.88		4.63	1610	E3HZ 4351-E	1610	E1HZ 4465-A	A,H,◇	★ E6HT 4A298-BA,		F15-R-1032	E6HZ 4300-D	
			1710	E1HZ 4351-C	1710	E1HZ 4465-B		★ E6HT 4A298-FA				
			1760	E3HZ 4351-F	1710	E1HZ 4465-B						
			1810	E1HZ 4351-D	1710	E1HZ 4465-B						
5.29	4.88	1610	E3HZ 4351-E	1610	E1HZ 4465-A	A,H,◇	★ E6HT 4A298-BB,		G71-R-1032	E6HZ 4300-W		
		1710	E1HZ 4351-C	1710	E1HZ 4465-B		★ E6HT 4A298-FB					
		1760	E3HZ 4351-F	1710	E1HZ 4465-B							
		1810	%E1HZ 4351-D	1710	E1HZ 4465-B							
	5.29	4.88	1610	E3HZ 4351-E	1610	E1HZ 4465-A	A,H,◇	★ E9HT 4A375-E111A		G71-R-1032	E6HZ 4300-W	
			1710	E1HZ 4351-C	1710	E1HZ 4465-B		★ E6HT 4A298-GA		F15-R-1032	E6HZ 4300-E	
			1760	E3HZ 4351-F	1710	E1HZ 4465-B						
			1810	E1HZ 4351-D	1710	E1HZ 4465-B						
5.29	4.88	1610	E3HZ 4351-E	1610	E1HZ 4465-A	A,H,◇	★ E6HT 4A298-GB		G71-R-1032	E6HZ 4300-AK		
		1710	E1HZ 4351-C	1710	E1HZ 4465-B							
		1760	E3HZ 4351-F	1710	E1HZ 4465-B							
		1810	%E1HZ 4351-D	1710	E1HZ 4465-B							
5.29	4.88	1610	E3HZ 4351-E	1610	E1HZ 4465-A	A,H,◇	★ E9HT 4A375-E112A		G71-R-1032	E6HZ 4300-AK		
		1710	E1HZ 4351-C	1710	E1HZ 4465-B		★ E6HT 4A298-HA		F15-R-1032	E6HZ 4300-F		
		1760	E3HZ 4351-F	1710	E1HZ 4465-B							
		1810	E1HZ 4351-D	1710	E1HZ 4465-B							

1980/  
TRUCK SERIES 600/900

REAR AXLE AND DIFFERENTIAL CARRIER CHART

PARTS LIST NO.	RATIO	FLANGE				NOTE	REAR AXLE PART NUMBER	RING GEAR DIA. (IN.)	CARRIER	
		SIZE †	INPUT	SIZE †	OUTPUT				IDENTIFICATION	PART NUMBER
▲ RING GEAR DIAMETER LISTED ONLY WHEN OPTIONAL SIZES ARE SHOWN IN PARTS LISTS.										
† FOR FLANGE TYPE IDENTIFICATION REFER TO GROUP 4851										
Notes:     ◇ U joint flange not included in assy. Determine by size of vehicle drive line. A - Air lockout, E - Electric lockout H - Hendrickson suspension, V - Vacuum lockout, @ - Reyco suspension, N - Neway suspension										
◆ 1980/86   ● 1987/   % 1980/87   ♦ 1988										
265	5.29	1610	E3HZ 4351-E	1610	E1HZ 4465-A	A,H,◇	★ E6HT 4A298-HB		G71-R-1032	E6HZ 4300-BF
		1710	E1HZ 4351-C	1710	E1HZ 4465-B					
		1760	E3HZ 4351-F	1710	E1HZ 4465-B					
		1810	%E1HZ 4351-D	1710	E1HZ 4465-B					
		1810	♦E8HZ 4351-G	1710	E1HZ 4465-B					
		1710	E9HZ 4351-D	1610	E1HZ 4465-A	A,H,◇	★ E9HT 4A375-E113A		G71-R-1032	E6HZ 4300-BF
	5.86	1610	E3HZ 4351-E	1610	E1HZ 4465-A	A,H,◇	★ E6HT 4A298-JA		F15-R-1032	E6HZ 4300-G
			1710	E1HZ 4351-C	1710	E1HZ 4465-B				
			1760	E3HZ 4351-F	1710	E1HZ 4465-B				
			1810	E1HZ 4351-D	1710	E1HZ 4465-B				
		1710	E3HZ 4351-E	1610	E1HZ 4465-A	A,H,◇	★ E6HT 4A298-JB		G71-R-1032	E6HZ 4300-BG
			1710	E1HZ 4351-C	1710	E1HZ 4465-B				
			1760	E3HZ 4351-F	1710	E1HZ 4465-B				
			1810	%E1HZ 4351-D	1710	E1HZ 4465-B				
		1810	♦E8HZ 4351-G	1710	E1HZ 4465-B					
			E9HZ 4351-D	1610	E1HZ 4465-A	A,H,◇	★ E9HT 4A375-E115A		G71-R-1032	E6HZ 4300-BG
			E3HZ 4351-E	1610	E1HZ 4465-A	A,H,◇	★ E6HT 4A298-KA		F15-R-1032	E6HZ 4300-H
			1710	E1HZ 4351-C	1710	E1HZ 4465-B				
	6.14	1760	E3HZ 4351-F	1710	E1HZ 4465-B					
			1810	E1HZ 4351-D	1710	E1HZ 4465-B				
		1610	E3HZ 4351-E	1610	E1HZ 4465-A	A,H,◇	★ E6HT 4A298-KB		G71-R-1032	E6HZ 4300-BH
			1710	E1HZ 4351-C	1710	E1HZ 4465-B				
			1760	E3HZ 4351-F	1710	E1HZ 4465-B				
			1810	%E1HZ 4351-D	1710	E1HZ 4465-B				
1810	♦E8HZ 4351-G	1710	E1HZ 4465-B							
1710	E9HZ 4351-D	1610	E1HZ 4465-A	A,H,◇	★ E9HT 4A375-E116A		G71-R-1032	E6HZ 4300-BH		
266	3.70	1610	E6HZ 4851-F			★ E4HS 4005-DESA		MJACA105-43X	E6HZ 4200-M	
		1710	E6HZ 4851-G			★ E5HT 4005-CNA		MJACA105-47X	E6HZ 4200-N	
	3.90	1610	E6HZ 4851-F			★ E5HT 4005-CMA		MJACA105-46X	E6HZ 4200-P	
		1710	E6HZ 4851-G			★ E5HT 4005-CRA		MJACA105-45X	E6HZ 4200-R	
	4.11	1610	E6HZ 4851-F			★ E4HS 4005-DEAA		MJACA105-39X	E6HZ 4200-S	
		1710	E6HZ 4851-G			★ E5HT 4005-CSA		MJACA105-48X	E6HZ 4200-T	
267	4.30	1550	E4HZ 4851-T			◇	★ E7HT 4005-D024A		A10-F-1488	E7HZ 4200-D
		1480	E4HZ 4851-S				E9HT 4B430-D009A		A8-F-1488	E9HZ 4200-AE
		1550	E4HZ 4851-T							
		1610	E7HZ 4851-J							
		1710	E7HZ 4851-K							
		1550	E4HZ 4851-T				★ E7HT 4005-D026A		A10-F-1488	E7HZ 4200-F
	4.88	1480	E4HZ 4851-S			◇	E9HT 4B430-D011A		A8-F-1488	E9HZ 4200-AG
		1550	E4HZ 4851-T							
		1610	E7HZ 4851-J							
		1710	E7HZ 4851-K							
		1480	E4HZ 4851-S				★ E7HT 4005-D010A		A9-F-1488	E8HZ 4200-GK
		1550	E4HZ 4851-T				★ E7HT 4005-D030A		A10-F-1488	E8HZ 4200-GL
	5.86	1480	E4HZ 4851-S			◇	E9HT 4B430-D015A		A8-F-1488	E9HZ 4200-AJ
			1550	E4HZ 4851-T						
		1610	E4HZ 4851-S							
			1550	E4HZ 4851-T						
			1610	E7HZ 4851-J						
			1710	E7HZ 4851-K						

1980/  
TRUCK SERIES 600/900

REAR AXLE AND DIFFERENTIAL CARRIER CHART

PARTS LIST NO.	RATIO	FLANGE				NOTE	REAR AXLE PART NUMBER	RING GEAR DIA. (IN.)	CARRIER		
		SIZE †	INPUT	SIZE †	OUTPUT				IDENTIFICATION	PART NUMBER	
▲ RING GEAR DIAMETER LISTED ONLY WHEN OPTIONAL SIZES ARE SHOWN IN PARTS LISTS.											
† FOR FLANGE TYPE IDENTIFICATION REFER TO GROUP 4851											
Notes: ◇ U joint flange not included in assy. Determine by size of vehicle drive line. A - Air lockout, E - Electric lockout H - Hendrickson suspension, V - Vacuum lockout, @ - Reyco suspension, N - Neway suspension ◆ 1980/86 • 1987/ % 1980/87 ◆ 1988											
267	6.14	1480	E4HZ 4851-S				★ E7HT 4005-D011A		A9-F-1488	E7HZ 4200-B	
		1550	E4HZ 4851-T				★ E7HT 4005-D031A		A10-F-1488	E7HZ 4200-G	
		1480	E4HZ 4851-S			◇	E9HT 4B430-D016A		A8-F-1488	E9HZ 4200-AK	
		1550	E4HZ 4851-T								
		1610	E7HZ 4851-J								
		1710	E7HZ 4851-K								
		7.17	1480	E4HZ 4851-S				★ E7HT 4005-D014A		A9-F-1488	E7HZ 4200-C
			1550	E4HZ 4851-T				★ E7HT 4005-D034A		A10-F-1488	E7HZ 4200-H
			1480	E4HZ 4851-S			◇	E9HT 4B430-D019A		A8-F-1488	E9HZ 4200-AL
			1550	E4HZ 4851-T							
			1610	E7HZ 4851-J							
			1710	E7HZ 4851-K							
	268	3.73	1480	E4HZ 4851-S			◇	E9HT 4B430-F056A		A8-F-1488	E9HZ 4200-FV
			1550	E4HZ 4851-T							
1610			E7HZ 4851-J								
1710			E7HZ 4851-K								
		4.10	1480	E4HZ 4851-S			◇	E9HT 4B430-F058A		A8-F-1488	E9HZ 4200-FW
1550			E4HZ 4851-T								
1610			E7HZ 4851-J								
1710			E7HZ 4851-K								
		4.30	1480	E4HZ 4851-S			◇	E9HT 4B430-F059A		A8-F-1488	E9HZ 4200-AE
1550			E4HZ 4851-T								
1610			E7HZ 4851-J								
1710			E7HZ 4851-K								
		4.56	1550	E4HZ 4851-T				★ E7HT 4005-F525A		A10-F-1488	E7HZ 4200-E
			1480	E4HZ 4851-S			◇	E9HT 4B430-F060A		A8-F-1488	E9HZ 4200-AF
			1550	E4HZ 4851-T							
			1610	E7HZ 4851-J							
			1710	E7HZ 4851-K							
		4.88	1480	E4HZ 4851-S				★ E7HT 4005-F506A		A9-F-1488	E7HZ 4200-A
			1550	E4HZ 4851-T				★ E7HT 4005-F526A		A10-F-1488	E7HZ 4200-F
			1480	E4HZ 4851-S			◇	E9HT 4B430-F061A		A8-F-1488	E9HZ 4200-AG
			1550	E4HZ 4851-T							
	5.13	1480	E4HZ 4851-S				★ E7HT 4005-F507A		A9-F-1488	E7HZ 4200-JR	
		1550	E4HZ 4851-T				★ E7HT 4005-F527A		A10-F-1488	E7HZ 4200-JS	
		1480	E4HZ 4851-S			◇	E9HT 4B430-F062A		A8-F-1488	E9HZ 4200-AH	
		1550	E4HZ 4851-T								
		1610	E7HZ 4851-J								
		1710	E7HZ 4851-K								
	5.86	1480	E4HZ 4851-S				★ E7HT 4005-F510A		A9-F-1488	E8HZ 4200-GK	
		1550	E4HZ 4851-T				★ E7HT 4005-F530A		A10-F-1488	E8HZ 4200-GL	
		1480	E4HZ 4851-S			◇	E9HT 4B430-F065A		A8-F-1488	E9HZ 4200-AJ	
		1550	E4HZ 4851-T								
		1610	E7HZ 4851-J								
		1710	E7HZ 4851-K								

1980/  
TRUCK SERIES 600/900

REAR AXLE AND DIFFERENTIAL CARRIER CHART

PARTS LIST NO.	RATIO	FLANGE				NOTE	REAR AXLE PART NUMBER	RING GEAR DIA. (IN.)	CARRIER		
		SIZE †	INPUT	SIZE †	OUTPUT				IDENTIFICATION	PART NUMBER	
▲ RING GEAR DIAMETER LISTED ONLY WHEN OPTIONAL SIZES ARE SHOWN IN PARTS LISTS. † FOR FLANGE TYPE IDENTIFICATION REFER TO GROUP 4851											
Notes:      ◇ U joint flange not included in assy. Determine by size of vehicle drive line. A - Air lockout, E - Electric lockout H - Hendrickson suspension, V - Vacuum lockout, @ - Reyco suspension, N - Neway suspension ◆ 1980/86 • 1987/ % 1980/87 ◆ 1988											
268	6.14	1480	E4HZ 4851-S				★ E7HT 4005-F511A		A9-F-1488	E7HZ 4200-B	
		1550	E4HZ 4851-T				★ E7HT 4005-F531A		A10-F-1488	E7HZ 4200-G	
		1480	E4HZ 4851-S			◇	E9HT 4B430-F066A		A8-F-1488	E9HZ 4200-AK	
		1550	E4HZ 4851-T								
		1610	E7HZ 4851-J								
	7.17	1480	E4HZ 4851-S				★ E7HT 4005-F514A		A9-F-1488	E7HZ 4200-C	
		1550	E4HZ 4851-T				★ E7HT 4005-F534A		A10-F-1488	E7HZ 4200-H	
		1480	E4HZ 4851-S			◇	E9HT 4B430-F069A		A8-F-1488	E9HZ 4200-AL	
		1550	E4HZ 4851-T								
		1610	E7HZ 4851-J								
	269	4.56/6.36	1550	E4HZ 4851-T				★ E7HT 4005-F585A		A18-H-1568	E7HZ 4200-N
			1480	E4HZ 4851-S			◇	E9HT 4B430-F110A		A31-H-1568	E9HZ 4200-AM
			1550	E4HZ 4851-T							
			1610	E7HZ 4851-J							
1710			E7HZ 4851-K								
4.88/6.80		1480	E4HZ 4851-S				★ E7HT 4005-F566A		A19-H-1568	E7HZ 4200-J	
		1550	E4HZ 4851-T				★ E7HT 4005-F586A		A20-H-1568	E7HZ 4200-P	
		1480	E4HZ 4851-S			◇	E9HT 4B430-F111A		A31-H-1568	E9HZ 4200-AN	
		1550	E4HZ 4851-T								
		1610	E7HZ 4851-J								
5.38/7.50		1480	E4HZ 4851-S				★ E7HT 4005-F568A		A17-H-1568	E7HZ 4200-K	
		1550	E4HZ 4851-T				★ E7HT 4005-F588A		A14-H-1568	E7HZ 4200-R	
		1480	E4HZ 4851-S			◇	E9HT 4B430-F113A		A31-H-1568	E9HZ 4200-AP	
		1550	E4HZ 4851-T								
	1610	E7HZ 4851-J									
5.86/8.17	1480	E4HZ 4851-S				★ E7HT 4005-F570A		A26-H-1568	E8HZ 4200-GM		
	1550	E4HZ 4851-T				★ E7HT 4005-F590A		A27-H-1568	E8HZ 4200-GN		
	1480	E4HZ 4851-S			◇	E9HT 4B430-F115A		A31-H-1568	E9HZ 4200-AR		
	1550	E4HZ 4851-T									
	1610	E7HZ 4851-J									
6.14/8.57	1480	E4HZ 4851-S				★ E7HT 4005-F571A		A21-H-1568	E7HZ 4200-L		
	1550	E4HZ 4851-T				★ E7HT 4005-F591A		A22-H-1568	E7HZ 4200-S		
	1480	E4HZ 4851-S			◇	E9HT 4B430-F116A		A31-H-1568	E9HZ 4200-AS		
	1550	E4HZ 4851-T									
	1610	E7HZ 4851-J									
6.83/9.53	1480	E4HZ 4851-S				★ E7HT 4005-F573A		A23-H-1568	E7HZ 4200-M		
	1550	E4HZ 4851-T				★ E7HT 4005-F593A		A24-H-1568	E7HZ 4200-T		
	1480	E4HZ 4851-S			◇	E9HT 4B430-F118A		A31-H-1568	E9HZ 4200-AT		
	1550	E4HZ 4851-T									
	1610	E7HZ 4851-J									
1710	E7HZ 4851-K										

1980/  
TRUCK SERIES 600/900

REAR AXLE AND DIFFERENTIAL CARRIER CHART

PARTS LIST NO.	RATIO	FLANGE				NOTE	REAR AXLE PART NUMBER	RING GEAR DIA. (IN.) ▲	CARRIER			
		SIZE †	INPUT	SIZE †	OUTPUT				IDENTIFICATION	PART NUMBER		
▲ RING GEAR DIAMETER LISTED ONLY WHEN OPTIONAL SIZES ARE SHOWN IN PARTS LISTS.												
† FOR FLANGE TYPE IDENTIFICATION REFER TO GROUP 4851												
Notes:      ◇ U joint flange not included in assy. Determine by size of vehicle drive line. A - Air lockout, E - Electric lockout H - Hendrickson suspension, V - Vacuum lockout, @ - Reyco suspension, N - Neway suspension												
◆ 1980/86 • 1987/ % 1980/87 ◆ 1988												
270	3.73	1480	E4HZ	4851-S			◇	★ E9HT 48430-H156A		A7-L-1676	E9HZ 4200-FR	
		1550	E4HZ	4851-T								
		1610	E7HZ	4851-J								
		1710	E7HZ	4851-K								
	3.91	1610	E7HZ	4851-J					★ E7HT 4005-H056A		A13-M-1547	E7HZ 4200-AJ
		1710	E7HZ	4851-K					★ E7HT 4005-H081A		A14-M-1547	E7HZ 4200-AV
		1480	E4HZ	4851-S			◇		★ E9HT 48430-H157A		A7-L-1676	E9HZ 4200-FS
		1550	E4HZ	4851-T								
		1610	E7HZ	4851-J								
	4.10	1710	E7HZ	4851-K								
		1610	E7HZ	4851-J					★ E7HT 4005-H057A		A13-M-1547	E7HZ 4200-AK
		1710	E7HZ	4851-K					★ E7HT 4005-H082A		A14-M-1547	E7HZ 4200-AW
		1480	E4HZ	4851-S			◇		★ E9HT 48430-H158A		A7-L-1676	E9HZ 4200-FT
	1550	E4HZ	4851-T									
		1610	E7HZ	4851-J								
		1710	E7HZ	4851-K								
		1480	E4HZ	4851-S			◇		★ E9HT 48430-H159A		A7-L-1676	E9HZ 4200-CB
		1550	E4HZ	4851-T								
	4.30	1610	E7HZ	4851-J					★ E7HT 4005-H033A		A12-M-1547	E8HZ 4200-GP
		1710	E7HZ	4851-K					★ E7HT 4005-H058A		A13-M-1547	E8HZ 4200-HJ
		1710	E7HZ	4851-K					★ E7HZ 4005-H083A		A14-M-1547	E8HZ 4200-JC
		1480	E4HZ	4851-S			◇		★ E9HT 48430-H159A		A7-L-1676	E9HZ 4200-CB
	1550	E4HZ	4851-T									
		1610	E7HZ	4851-J								
		1710	E7HZ	4851-K								
		1480	E4HZ	4851-S			◇		★ E9HT 48430-H160A		A7-L-1676	E9HZ 4200-CC
		1550	E4HZ	4851-T								
	4.56	1610	E7HZ	4851-J					★ E7HT 4005-H034A		A12-M-1547	E7HZ 4200-AB
1710		E7HZ	4851-K					★ E7HT 4005-H059A		A13-M-1547	E7HZ 4200-AL	
1710		E7HZ	4851-K					★ E7HT 4005-H084A		A14-M-1547	E7HZ 4200-AX	
1480		E4HZ	4851-S			◇		★ E9HT 48430-H160A		A7-L-1676	E9HZ 4200-CC	
1550	E4HZ	4851-T										
	1610	E7HZ	4851-J									
	1710	E7HZ	4851-K									
	1480	E4HZ	4851-S			◇		★ E9HT 48430-H161A		A7-L-1676	E9HZ 4200-CD	
	1550	E4HZ	4851-T									
4.88	1610	E7HZ	4851-J					★ E7HT 4005-H010A		A11-M-1547	E7HZ 4200-V	
	1710	E7HZ	4851-K					★ E7HT 4005-H035A		A12-M-1547	E7HZ 4200-AC	
	1480	E4HZ	4851-S			◇		★ E7HT 4005-H060A		A13-M-1547	E7HZ 4200-AM	
	1550	E4HZ	4851-T					★ E7HT 4005-H085A		A14-M-1547	E7HZ 4200-AY	
	1610	E7HZ	4851-J					★ E9HT 48430-H161A		A7-L-1676	E9HZ 4200-CD	
1710	E7HZ	4851-K										
	1480	E4HZ	4851-S			◇		★ E9HT 48430-H161A		A7-L-1676	E9HZ 4200-CD	
	1550	E4HZ	4851-T					★ 89HU 4005-H035A		A17-L-1676	E9HZ 4200-FX	
	1610	E7HZ	4851-J					★ E7HT 4005-H012A		A11-M-1547	E7HZ 4200-W	
5.29	1710	E7HZ	4851-K					★ E7HT 4005-H037A		A12-M-1547	E7HZ 4200-AD	
	1480	E4HZ	4851-S			◇		★ E7HT 4005-H062A		A13-M-1547	E7HZ 4200-AN	
	1550	E4HZ	4851-T					★ E7HT 4005-H087A		A14-M-1547	E7HZ 4200-AZ	
	1610	E7HZ	4851-J					★ E7HT 4005-H087A		A14-M-1547	E7HZ 4200-AZ	
	1710	E7HZ	4851-K					★ E9HT 48430-H163A		A7-L-1676	E9HZ 4200-CE	

1980/  
TRUCK SERIES 600/900

REAR AXLE AND DIFFERENTIAL CARRIER CHART											
PARTS LIST NO.	RATIO	FLANGE				NOTE	REAR AXLE PART NUMBER	RING GEAR DIA. (IN.)	CARRIER		
		SIZE †	INPUT	SIZE †	OUTPUT				IDENTIFICATION	PART NUMBER	
▲ RING GEAR DIAMETER LISTED ONLY WHEN OPTIONAL SIZES ARE SHOWN IN PARTS LISTS. † FOR FLANGE TYPE IDENTIFICATION REFER TO GROUP 4851											
Notes:      ◇ U joint flange not included in assy. Determine by size of vehicle drive line. A - Air lockout, E - Electric lockout H - Hendrickson suspension, V - Vacuum lockout, @ - Reyco suspension, N - Neway suspension ‡ 1980/86 • 1987/ % 1980/87 ♦ 1988											
270	5.86	1480	E4HZ 4851-S				★ E7HT 4005-H014A		A11-M-1547	E7HZ 4200-X	
		1550	E4HZ 4851-T				★ E7HT 4005-H039A		A12-M-1547	E7HZ 4200-AE	
		1610	E7HZ 4851-J				★ E7HT 4005-H064A		A13-M-1547	E7HZ 4200-AP	
		1710	E7HZ 4851-K				★ E7HT 4005-H089A		A14-M-1547	E7HZ 4200-BA	
		1480	E4HZ 4851-S			◇	★ E9HT 48430-H165A		A7-L-1676	E9HZ 4200-CF	
		1550	E4HZ 4851-T								
		1610	E7HZ 4851-J								
	6.43		1480	E4HZ 4851-S				★ E7HT 4005-H016A		A11-M-1547	E7HZ 4200-Y
			1550	E4HZ 4851-T				★ E7HT 4005-H041A		A12-M-1547	E7HZ 4200-AF
			1610	E7HZ 4851-J				★ E7HT 4005-H066A		A13-M-1547	E7HZ 4200-AR
			1710	E7HZ 4851-K				★ E7HT 4005-H091A		A14-M-1547	E8HZ 4200-HM
			1480	E4HZ 4851-S			◇	★ E9HT 48430-H167A		A7-L-1676	E9HZ 4200-CG
			1550	E4HZ 4851-T							
			1610	E7HZ 4851-J							
	6.83		1480	E4HZ 4851-S				★ E7HT 4005-H017A		A11-M-1547	E7HZ 4200-Z
			1550	E4HZ 4851-T				★ E7HT 4005-H042A		A12-M-1547	E7HZ 4200-AG
			1610	E7HZ 4851-J				★ E7HT 4005-H067A		A13-M-1547	E7HZ 4200-AS
			1710	E7HZ 4851-K				★ E7HT 4005-H092A		A14-M-1547	E8HZ 4200-HN
			1480	E4HZ 4851-S			◇	★ E9HT 48430-H168A		A7-L-1676	E9HZ 4200-CH
			1550	E4HZ 4851-T							
			1610	E7HZ 4851-J							
	7.17		1480	E4HZ 4851-S				★ E7HT 4005-H018A		A11-M-1547	E7HZ 4200-AA
			1550	E4HZ 4851-T				★ E7HT 4005-H043A		A12-M-1547	E7HZ 4200-AH
			1610	E7HZ 4851-J				★ E7HT 4005-H068A		A13-M-1547	E7HZ 4200-AT
			1710	E7HZ 4851-K				★ E7HT 4005-H093A		A14-M-1547	E8HZ 4200-HP
			1480	E4HZ 4851-S			◇	★ E9HT 48430-H169A		A7-L-1676	E9HZ 4200-CJ
			1550	E4HZ 4851-T							
			1610	E7HZ 4851-J							
271	3.91/5.45	1610	E7HZ 4851-J				★ E7HT 4005-H256A		A17-D-1616	E7HZ 4200-BN	
		1710	E7HZ 4851-K				★ E7HT 4005-H281A		A18-D-1616	E7HZ 4200-BY	
	4.10/5.72	1610	E7HZ 4851-J				★ E7HT 4005-H257A		A19-D-1616	E7HZ 4200-BP	
		1710	E7HZ 4851-K				★ E7HT 4005-H282A		A20-D-1616	E7HZ 4200-BZ	
	4.30/6.00	1550	E4HZ 4851-T				★ E7HT 4005-H233A		A44-D-1616	E8HZ 4200-GR	
			1610	E7HZ 4851-J			★ E7HT 4005-H258A		A45-D-1616	E8HZ 4200-HL	
		1480	E4HZ 4851-S			◇	E9HT 48430-H209A		A48-D-1616	E9HZ 4200-CK	
		1550	E4HZ 4851-T								
		1610	E7HZ 4851-J								
	4.56/6.36	1550	E4HZ 4851-T				★ E7HT 4005-H234A		A21-D-1616	E7HZ 4200-BG	
			1610	E7HZ 4851-J			★ E7HT 4005-H259A		A9-D-1616	E7HZ 4200-BR	
		1710	E7HZ 4851-K				★ E7HT 4005-H284A		A22-D-1616	E7HZ 4200-CA	
		1480	E4HZ 4851-S			◇	E9HT 48430-H210A		A48-D-1616	E9HZ 4200-CL	
		1550	E4HZ 4851-T								
1610	E7HZ 4851-J										
1710	E7HZ 4851-K										

1980/  
TRUCK SERIES 600/900

REAR AXLE AND DIFFERENTIAL CARRIER CHART

PARTS LIST NO.	RATIO	FLANGE				NOTE	REAR AXLE PART NUMBER	RING GEAR DIA. (IN.)	CARRIER	
		SIZE †	INPUT	SIZE †	OUTPUT				IDENTIFICATION	PART NUMBER
▲ RING GEAR DIAMETER LISTED ONLY WHEN OPTIONAL SIZES ARE SHOWN IN PARTS LISTS.										
† FOR FLANGE TYPE IDENTIFICATION REFER TO GROUP 4851										
Notes: ◇ U joint flange not included in assy. Determine by size of vehicle drive line. A - Air lockout, E - Electric lockout H - Hendrickson suspension, V - Vacuum lockout, @ - Reyco suspension, N - Neway suspension ◆ 1980/86 ● 1987 / % 1980/87 ♦ 1988										
271	4.88/6.80	1480	E4HZ 4851-S				★ E7HT 4005-H210A		A23-D-1616	E7HZ 4200-BB
		1550	E4HZ 4851-T				★ E7HT 4005-H235A		A24-D-1616	E7HZ 4200-BH
		1610	E7HZ 4851-J				★ E7HT 4005-H260A		A25-D-1616	E7HZ 4200-BS
		1710	E7HZ 4851-K				★ E7HT 4005-H285A		A26-D-1616	E7HZ 4200-CB
		1480	E4HZ 4851-S			◇	E9HT 4B430-H211A		A48-D-1616	E9HZ 4200-CM
	5.38/7.50	1480	E4HZ 4851-S				★ E7HT 4005-H212A		A27-D-1616	E7HZ 4200-BC
		1550	E4HZ 4851-T				★ E7HT 4005-H237A		A28-D-1616	E7HZ 4200-BJ
		1610	E7HZ 4851-J				★ E7HT 4005-H262A		A29-D-1616	E7HZ 4200-BT
		1480	E4HZ 4851-S			◇	E9HT 4B430-H213A		A48-D-1616	E9HZ 4200-CN
		1550	E4HZ 4851-T							
	5.86/8.17	1480	E4HZ 4851-S				★ E7HT 4005-H214A		A43-D-1616	E8HZ 4200-HK
		1550	E4HZ 4851-T				★ E7HT 4005-H239A		A44-D-1616	E8HZ 4200-GS
		1610	E7HZ 4851-J				★ E7HT 4005-H264A		A45-D-1616	E8HZ 4200-GT
		1710	E7HZ 4851-K				★ E7HT 4005-H289A		A46-D-1616	E8HZ 4200-GV
		1480	E4HZ 4851-S			◇	E9HT 4B430-H215A		A48-D-1616	E9HZ 4200-CP
	6.14/8.57	1550	E4HZ 4851-T				★ E7HT 4005-H240A		A44-D-1616	E8HZ 4200-GW
		1610	E7HZ 4851-J				★ E7HT 4005-H265A		A45-D-1616	E8HZ 4200-GX
		1710	E7HZ 4851-K				★ E7HT 4005-H290A		A46-D-1616	E8HZ 4200-GY
		1480	E4HZ 4851-S			◇	E9HT 4B430-H216A		A48-D-1616	E9HZ 4200-CR
		1550	E4HZ 4851-T							
	6.50/9.07	1480	E4HZ 4851-S				★ E7HT 4005-H216A		A14-D-1616	E7HZ 4200-BD
		1550	E4HZ 4851-T				★ E7HT 4005-H241A		A12-D-1616	E7HZ 4200-BK
		1610	E7HZ 4851-J				★ E7HT 4005-H266A		A15-D-1616	E7HZ 4200-BV
		1480	E4HZ 4851-S			◇	E9HT 4B430-H217A		A48-D-1616	E9HZ 4200-CS
		1550	E4HZ 4851-T							
	6.83/9.53	1480	E4HZ 4851-S				★ E7HT 4005-H217A		A30-D-1616	E7HZ 4200-BE
		1550	E4HZ 4851-T				★ E7HT 4005-H242A		A31-D-1616	E7HZ 4200-BL
		1610	E7HZ 4851-J				★ E7HT 4005-H267A		A32-D-1616	E7HZ 4200-BW
		1480	E4HZ 4851-S			◇	E9HT 4B430-H218A		A48-D-1616	E9HZ 4200-CT
		1550	E4HZ 4851-T							
	7.17/10.0	1480	E4HZ 4851-S				★ E7HT 4005-H218A		A33-D-1616	E7HZ 4200-BF
		1550	E4HZ 4851-T				★ E7HT 4005-H243A		A34-D-1616	E7HZ 4200-BM
		1610	E7HZ 4851-J				★ E7HT 4005-H268A		A35-D-1616	E7HZ 4200-BX
		1480	E4HZ 4851-S			◇	E9HT 4B430-H219A		A48-D-1616	★ E9HZ 4200-CV
		1550	E4HZ 4851-T							

1980/  
TRUCK SERIES 600/900

REAR AXLE AND DIFFERENTIAL CARRIER CHART

PARTS LIST NO.	RATIO	FLANGE				NOTE	REAR AXLE PART NUMBER	RING GEAR DIA. (IN.)	CARRIER	
		SIZE †	INPUT	SIZE †	OUTPUT				IDENTIFICATION	PART NUMBER
▲ RING GEAR DIAMETER LISTED ONLY WHEN OPTIONAL SIZES ARE SHOWN IN PARTS LISTS. † FOR FLANGE TYPE IDENTIFICATION REFER TO GROUP 4851										
Notes: ◇ U joint flange not included in assy. Determine by size of vehicle drive line. A - Air lockout, E - Electric lockout H - Hendrickson suspension, V - Vacuum lockout, @ - Reyco suspension, N - Newway suspension † 1980/86 • 1987/ % 1980/87 ♦ 1988										
272	3.73	1550	E7HZ 4851-M			◇	★ E9HT 4B430-M256A		A8-L-1676	E9HZ 4200-AX
		1610	E7HZ 4851-N							
		1710	E9HZ 4851-C							
	3.91	1610	E7HZ 4851-N				★ E7HT 4005-M606A		A5-R-1500	E7HZ 4200-CS
							★ E8HT 4005-M606A		A7-M-1547	E8HZ 4200-FN
			E9HZ 4851-C				★ E7HT 4005-M656A		A6-R-1500	E7HZ 4200-DC
		1550	E7HZ 4851-M			◇	★ E8HT 4005-M656A		A17-M-1547	E8HZ 4200-FZ
			1610	E7HZ 4851-N			★ E9HT 4B430-M257A		A8-L-1676	E9HZ 4200-AY
			1710	E9HZ 4851-C						
	4.10	1610	E7HZ 4851-N				★ E7HT 4005-M607A		A5-R-1500	E7HZ 4200-CT
							★ E8HT 4005-M607A		A7-M-1547	E8HZ 4200-FP
			E9HZ 4851-C				★ E7HT 4005-M657A		A6-R-1500	E7HZ 4200-DD
		1550	E7HZ 4851-M			◇	★ E8HT 4005-M657A		A17-M-1547	E8HZ 4200-GA
			1610	E7HZ 4851-N			★ E9HT 4B430-M258A		A8-L-1676	E9HZ 4200-AZ
			1710	E9HZ 4851-C						
	4.30	1550	E7HZ 4851-M				★ E8HT 4005-M558A		A16-M-1547	E8HZ 4200-GZ
			1610	E7HZ 4851-N			★ E8HT 4005-M608A		A7-M-1547	E8HZ 4200-HA
			1710	E9HZ 4851-C			★ E8HT 4005-M658A		A17-M-1547	E8HZ 4200-HB
		1550	E7HZ 4851-M			◇	★ E9HT 4B430-M259A		A8-L-1676	E9HZ 4200-BA
			1610	E7HZ 4851-N						
			1710	E9HZ 4851-C						
	4.56	1550	E7HZ 4851-M				★ E7HT 4005-M559A		A7-R-1500	E7HZ 4200-CJ
							★ 87HU 4005-M559A		A16-M-1547	E8HZ 4200-FF
			1610	E7HZ 4851-N			★ E7HT 4005-M609A		A5-R-1500	E7HZ 4200-CV
							★ 87HU 4005-M609A		A7-M-1547	E8HZ 4200-FR
		1710	E9HZ 4851-C				★ E7HT 4005-M659A		A6-R-1500	E7HZ 4200-DE
							★ 87HU 4005-M659A		A17-M-1547	E8HZ 4200-GB
			E7HZ 4851-M			◇	★ E9HT 4B430-M260A		A8-L-1676	E9HZ 4200-BB
1610			E7HZ 4851-N							
1710			E9HZ 4851-C							
1610			E7HZ 4851-N				★ 89HU 4005-M609A		A11-L-1676	E9HZ 4200-FY
4.88	1550	E7HZ 4851-M				★ 89HU 4005-M659A		A12-L-1676	E9HZ 4200-FZ	
						★ E7HT 4005-M560A		A7-R-1500	E7HZ 4200-CK	
	1610	E7HZ 4851-N				★ 87HU 4005-M560A		A16-M-1547	E8HZ 4200-FG	
						★ E7HT 4005-M610A		A5-R-1500	E7HZ 4200-CW	
					★ 87HU 4005-M610A		A7-M-1547	E8HZ 4200-FS		



1980/  
TRUCK SERIES 600/900

REAR AXLE AND DIFFERENTIAL CARRIER CHART

PARTS LIST NO.	RATIO	FLANGE				NOTE	REAR AXLE PART NUMBER	RING GEAR DIA. (IN.) ▲	CARRIER	
		SIZE †	INPUT	SIZE †	OUTPUT				IDENTIFICATION	PART NUMBER

▲ RING GEAR DIAMETER LISTED ONLY WHEN OPTIONAL SIZES ARE SHOWN IN PARTS LISTS.

† FOR FLANGE TYPE IDENTIFICATION REFER TO GROUP 4851

Notes: ◇ U joint flange not included in assy. Determine by size of vehicle drive line. A - Air lockout, E - Electric lockout  
H - Hendrickson suspension, V - Vacuum lockout, @ - Reyco suspension, N - Neway suspension

◆ 1980/86 ● 1987/ % 1980/87 ◆ 1988

272	4.88	1710	E9HZ 4851-C				★ E7HT 4005-M660A		A6-R-1500	E7HZ 4200-DF
							★ 87HU 4005-M660A		A17-M-1547	E8HZ 4200-GC
		1550	E7HZ 4851-M			◇	★ E9HT 4B430-M261A		A8-L-1676	E9HZ 4200-BC
		1610	E7HZ 4851-N							
		1710	E9HZ 4851-C							
		1550	E7HZ 4851-M				★ 89HU 4005-M560A		A10-L-1676	E9HZ 4200-GA
	5.29	1550	E7HZ 4851-M				★ E7HT 4005-M562A		A7-R-1500	E7HZ 4200-CL
							★ E8HT 4005-M562A		A16-M-1547	E8HZ 4200-FH
		1610	E7HZ 4851-N				★ E7HT 4005-M612A		A5-R-1500	E7HZ 4200-CX
							★ E8HT 4005-M612A		A7-M-1547	E8HZ 4200-FT
		1710	E9HZ 4851-C				★ E7HT 4005-M662A		A6-R-1500	E7HZ 4200-DG
							★ E8HT 4005-M662A		A17-M-1547	E8HZ 4200-GD
		1550	E7HZ 4851-M			◇	★ E9HT 4B430-M263A		A8-L-1676	E9HZ 4200-BD
		1610	E7HZ 4851-N							
		1710	E9HZ 4851-C							
	5.86	1550	E7HZ 4851-M				★ E7HT 4005-M564A		A7-R-1500	E7HZ 4200-CM
							★ 87HU 4005-M564A		A16-M-1547	E8HZ 4200-FJ
		1610	E7HZ 4851-N				★ E7HT 4005-M614A		A5-R-1500	E7HZ 4200-CY
							★ E8HT 4005-M614A		A7-M-1547	E8HZ 4200-FV
		1710	E9HZ 4851-C				★ E7HT 4005-M664A		A6-R-1500	E7HZ 4200-DH
						★ E8HT 4005-M664A		A17-M-1547	E8HZ 4200-GE	
	1550	E7HZ 4851-M			◇	★ E9HT 4B430-M265A		A8-L-1676	E9HZ 4200-BE	
	1610	E7HZ 4851-N								
	1710	E9HZ 4851-C								
6.43	1550	E7HZ 4851-M				★ E7HT 4005-M566A		A7-R-1500	E7HZ 4200-CN	
						★ E8HT 4005-M566A		A16-M-1547	E8HZ 4200-FK	
	1610	E7HZ 4851-N				★ E7HT 4005-M616A		A5-R-1500	E7HZ 4200-CZ	
						★ E8HT 4005-M616A		A7-M-1547	E8HZ 4200-FW	
	1710	E9HZ 4851-C				★ E7HT 4005-M666A		A6-R-1500	E7HZ 4200-DJ	
						★ E8HT 4005-M666A		A17-M-1547	E8HZ 4200-GF	
	1550	E7HZ 4851-M			◇	★ E9HT 4B430-M267A		A8-L-1676	E9HZ 4200-BG	
	1610	E7HZ 4851-N								
	1710	E9HZ 4851-C								
6.83	1550	E7HZ 4851-M				★ E7HT 4005-M567A		A7-R-1500	E7HZ 4200-CP	
						★ E8HT 4005-M567A		A16-M-1547	E8HZ 4200-FL	
	1610	E7HZ 4851-N				★ E7HT 4005-M617A		A5-R-1500	E7HZ 4200-DA	
						★ E8HT 4005-M617A		A7-M-1547	E8HZ 4200-FX	
	1710	E9HZ 4851-C				★ E7HT 4005-M667A		A6-R-1500	E7HZ 4200-JJ	
						★ E8HT 4005-M667A		A17-M-1547	E8HZ 4200-GG	
	1550	E7HZ 4851-M			◇	★ E9HT 4B430-M268A		A8-L-1676	E9HZ 4200-BH	
	1610	E7HZ 4851-N								
	1710	E9HZ 4851-C								
7.17	1550	E7HZ 4851-M				★ E7HT 4005-M568A		A7-R-1500	E7HZ 4200-CR	
						★ E8HT 4005-M568A		A16-M-1547	E8HZ 4200-FM	
	1610	E7HZ 4851-N				★ E7HT 4005-M618A		A5-R-1500	E7HZ 4200-DB	
						★ E8HT 4005-M618A		A7-M-1547	E8HZ 4200-FY	
	1710	E9HZ 4851-C				★ E7HT 4005-M668A		A6-R-1500	E7HZ 4200-JK	
						★ E8HT 4005-M668A		A17-M-1547	E8HZ 4200-GH	
	1550	E7HZ 4851-M			◇	★ E9HT 4B430-M269A		A8-L-1676	E9HZ 4200-BJ	
	1610	E7HZ 4851-N								
	1710	E9HZ 4851-C								
273	3.91/5.45	1610	E7HZ 4851-J				★ E7HT 4005-M956A		A20-D-1564	E7HZ 4200-DT
		1710	E7HZ 4851-K				★ E7HT 4005-M981A		A21-D-1564	E7HZ 4200-EC

1980/  
TRUCK SERIES 600/900

REAR AXLE AND DIFFERENTIAL CARRIER CHART

PARTS LIST NO.	RATIO	FLANGE				NOTE	REAR AXLE PART NUMBER	RING GEAR DIA. (IN.) ▲	CARRIER	
		SIZE †	INPUT	SIZE †	OUTPUT				IDENTIFICATION	PART NUMBER
▲ RING GEAR DIAMETER LISTED ONLY WHEN OPTIONAL SIZES ARE SHOWN IN PARTS LISTS.										
† FOR FLANGE TYPE IDENTIFICATION REFER TO GROUP 4851										
Notes:     ◇ U joint flange not included in assy. Determine by size of vehicle drive line. A - Air lockout, E - Electric lockout H - Hendrickson suspension, V - Vacuum lockout, @ - Reyco suspension, N - Newway suspension										
◆ 1980/86 ● 1987/ % 1980/87 ♦ 1988										
273	3.91/5.45	1480	E4HZ 4851-S			◇	E9HT 4B430-M357A		A59-D-1564	E9HZ 4200-FM
		1550	E4HZ 4851-T							
		1610	E7HZ 4851-J							
		1710	E7HZ 4851-K							
	4.10/5.72	1610	E7HZ 4851-J				★ E7HT 4005-M957A		A22-D-1564	E7HZ 4200-DV
		1710	E7HZ 4851-K				★ E7HT 4005-M982A		A23-D-1564	E7HZ 4200-ED
		1480	E4HZ 4851-S			◇	E9HT 4B430-M358A		A59-D-1564	E9HZ 4200-FN
		1550	E4HZ 4851-T							
		1610	E7HZ 4851-J							
	4.30/6.00	1550	E4HZ 4851-T				★ E7HT 4005-M933A		A50-D-1564	E8HZ 4200-HC
		1610	E7HZ 4851-J				★ E7HT 4005-M958A		A53-D-1564	E8HZ 4200-HD
		1710	E7HZ 4851-K				★ E7HT 4005-M983A		A54-D-1564	E8HZ 4200-HE
		1480	E4HZ 4851-S			◇	E9HT 4B430-M359A		A59-D-1564	E9HZ 4200-DK
		1550	E4HZ 4851-T							
	4.56/6.36	1610	E7HZ 4851-J				★ E7HT 4005-M934A		A24-D-1564	E7HZ 4200-DL
		1710	E7HZ 4851-K				★ E7HT 4005-M959A		A25-D-1564	E7HZ 4200-DW
		1480	E4HZ 4851-S			◇	E9HT 4B430-M360A		A59-D-1564	E9HZ 4200-DL
		1550	E4HZ 4851-T							
		1610	E7HZ 4851-J							
	4.88/6.80	1550	E4HZ 4851-T				★ E7HT 4005-M935A		A27-D-1564	E7HZ 4200-DM
1610		E7HZ 4851-J				★ E7HT 4005-M960A		A28-D-1564	E7HZ 4200-DX	
1710		E7HZ 4851-K				★ E7HT 4005-M985A		A29-D-1564	E7HZ 4200-EF	
1480		E4HZ 4851-S			◇	E9HT 4B430-M361A		A59-D-1564	E9HZ 4200-DM	
1550		E4HZ 4851-T								
5.38/7.50	1610	E7HZ 4851-J				★ E7HT 4005-M937A		A30-D-1564	E7HZ 4200-DN	
	1710	E7HZ 4851-K				★ E7HT 4005-M962A		A12-D-1564	E7HZ 4200-DY	
	1480	E4HZ 4851-S			◇	★ E7HT 4005-M987A		A31-D-1564	E7HZ 4200-EG	
	1550	E4HZ 4851-T				E9HT 4B430-M363A		A59-D-1564	E9HZ 4200-DN	
	1610	E7HZ 4851-J								
5.86/8.17	1550	E4HZ 4851-T				★ E7HT 4005-M939A		A50-D-1564	E8HZ 4200-HF	
	1610	E7HZ 4851-J				★ E7HT 4005-M964A		A53-D-1564	E8HZ 4200-HG	
	1710	E7HZ 4851-K				★ E7HT 4005-M989A		A54-D-1564	E8HZ 4200-HH	
	1480	E4HZ 4851-S			◇	E9HT 4B430-M365A		A59-D-1564	E9HZ 4200-DP	
	1550	E4HZ 4851-T								
6.50/9.07	1550	E4HZ 4851-T				★ E7HT 4005-M941A		A13-D-1564	E7HZ 4200-DP	
	1610	E7HZ 4851-J				★ E7HT 4005-M966A		A32-D-1564	E7HZ 4200-DZ	
	1710	E7HZ 4851-K				★ E7HT 4005-M991A		A33-D-1564	E7HZ 4200-EH	
	1480	E4HZ 4851-S			◇	E9HT 4B430-M367A		A59-D-1564	E9HZ 4200-DR	
	1550	E4HZ 4851-T								
1610	E7HZ 4851-J									
1710	E7HZ 4851-K									

1980/  
TRUCK SERIES 600/900

REAR AXLE AND DIFFERENTIAL CARRIER CHART

PARTS LIST NO.	RATIO	FLANGE				NOTE	REAR AXLE PART NUMBER	RING GEAR DIA. (IN.) ▲	CARRIER		
		SIZE †	INPUT	SIZE †	OUTPUT				IDENTIFICATION	PART NUMBER	
▲ RING GEAR DIAMETER LISTED ONLY WHEN OPTIONAL SIZES ARE SHOWN IN PARTS LISTS.											
† FOR FLANGE TYPE IDENTIFICATION REFER TO GROUP 4851											
Notes: ◇ U joint flange not included in assy. Determine by size of vehicle drive line. A - Air lockout, E - Electric lockout H - Hendrickson suspension, V - Vacuum lockout, @ - Reyco suspension, N - Neway suspension											
◆ 1980/86 ● 1987/ % 1980/87 ♦ 1988											
273	6.83/9.53	1550	E4HZ	4851-T			★ E7HT 4005-M942A		A34-D-1564	E7HZ 4200-DR	
		1610	E7HZ	4851-J			★ E7HT 4005-M967A		A14-D-1564	E7HZ 4200-EA	
		1710	E7HZ	4851-K			★ E7HT 4005-M992A		A37-D-1564	E7HZ 4200-JN	
		1480	E4HZ	4851-S		◇	E9HT 4B430-M368A		A59-D-1564	E9HZ 4200-DS	
		1550	E4HZ	4851-T							
		1610	E7HZ	4851-J							
	7.17/10.0		1710	E7HZ	4851-K			★ E7HT 4005-M993A		A58-D-1564	E7HZ 4200-JP
			1480	E4HZ	4851-S		◇	E9HT 4B430-M369A		A59-D-1564	E9HZ 4200-DT
			1550	E4HZ	4851-T						
			1610	E7HZ	4851-J						
			1710	E7HZ	4851-K						
			1550	E4HZ	4851-T			★ E7HT 4005-M943A		A35-D-1564	E7HZ 4200-DS
			1610	E7HZ	4851-J			★ E7HT 4005-M968A		A36-D-1564	E7HZ 4200-EB
	274	3.42	1710	E7HZ	4851-S			★ E7HT 4005-R053A		A13-Z-1560	E7HT 4200-JA
1760			E7HZ	4851-T			★ E7HT 4005-R103A		A14-Z-1560	E7HZ 4200-FC	
1760			E8HZ	4851-A			★ E8HT 4005-R103A		A40-Z-1560	E8HZ 4200-A	
1760			E8HZ	4851-A			★ E8HT 4005-R153A		A7-C-1511	E8HZ 4200-T	
1810			E7HZ	4851-V			★ E7HT 4005-R203A		A15-Z-1560	E7HZ 4200-FL	
1810			E8HZ	4851-B			★ E8HT 4005-R203A		A41-Z-1560	E8HZ 4200-J	
1810			E8HZ	4851-B			★ E8HT 4005-R253A		A8-C-1511	E8HZ 4200-Z	
1610			E7HZ	4851-R		◇	★ E9HT 4B430-R504A		A15-C-1511	E9HZ 4200-DV	
3.58			1710	E7HZ	4851-S			★ E7HT 4005-R054A		A13-Z-1560	E7HZ 4200-JB
			1760	E7HZ	4851-T			★ E7HT 4005-R104A		A14-Z-1560	E7HZ 4200-FD
			1760	E8HZ	4851-A			★ E8HT 4005-R104A		A40-Z-1560	E8HZ 4200-B
			1760	E8HZ	4851-A			★ E8HT 4005-R154A		A7-C-1511	E8HZ 4200-V
			1810	E7HZ	4851-V			★ E7HT 4005-R204A		A15-Z-1560	E7HZ 4200-FM
			1810	E8HZ	4851-B			★ E8HT 4005-R204A		A41-Z-1560	E8HZ 4200-K
	1810		E8HZ	4851-B			★ E8HT 4005-R254A		A8-C-1511	E8HZ 4200-AA	
	1710		E7HZ	4851-S			★ E7HT 4005-R055A		A13-Z-1560	E7HZ 4200-JC	
3.73		1760	E7HZ	4851-T			★ E7HT 4005-R105A		A14-Z-1560	E7HZ 4200-FE	
		1760	E8HZ	4851-A			★ E8HT 4005-R105A		A40-Z-1560	E8HZ 4200-C	
		1760	E8HZ	4851-A			★ E8HT 4005-R155A		A7-C-1511	E8HZ 4200-W	
		1810	E7HZ	4851-V			★ E7HT 4005-R205A		A15-Z-1560	E7HZ 4200-FN	
		1810	E8HZ	4851-B			★ E8HT 4005-R205A		A41-Z-1560	E8HZ 4200-L	
		1810	E8HZ	4851-B			★ E8HT 4005-R255A		A8-C-1511	E8HZ 4200-AB	
		1610	E7HZ	4851-R		◇	★ E9HT 4B430-R406A		A1-T-1648	E9HZ 4200-C	
		1710	E7HZ	4851-S							
		1760	E8HZ	4851-A							
		1810	E8HZ	4851-B							
3.91		1610	E7HZ	4851-R		◇	★ E9HT 4B430-R506A		A15-C-1511	E9HZ 4200-DW	
		1710	E7HZ	4851-S							
		1760	E8HZ	4851-A							
		1810	E8HZ	4851-B							
		1710	E7HZ	4851-S			★ E7HT 4005-R056A		A13-Z-1560	E7HZ 4200-JD	
		1760	E7HZ	4851-T			★ E7HT 4005-R106A		A14-Z-1560	E7HZ 4200-FF	
1760	E8HZ	4851-A			★ E8HT 4005-R106A		A40-Z-1560	E8HZ 4200-D			

1980/  
TRUCK SERIES 600/900

REAR AXLE AND DIFFERENTIAL CARRIER CHART												
PARTS LIST NO.	RATIO	FLANGE				NOTE	REAR AXLE PART NUMBER	RING GEAR DIA. (IN.)	CARRIER			
		SIZE †	INPUT	SIZE †	OUTPUT				IDENTIFICATION	PART NUMBER		
▲ RING GEAR DIAMETER LISTED ONLY WHEN OPTIONAL SIZES ARE SHOWN IN PARTS LISTS.												
† FOR FLANGE TYPE IDENTIFICATION REFER TO GROUP 4851												
Notes:      ◇ U joint flange not included in assy. Determine by size of vehicle drive line. A - Air lockout, E - Electric lockout H - Hendrickson suspension, V - Vacuum lockout, @ - Reyco suspension, N - Neway suspension ♦ 1980/86 • 1987/ % 1980/87 ♦ 1988												
274	3.91	1760	E8HZ	4851-A			★ E8HT 4005-R156A		A7-C-1511	E8HZ 4200-X		
		1810	E7HZ	4851-V			★ E7HT 4005-R206A		A15-Z-1560	E7HZ 4200-FP		
		1810	E8HZ	4851-B			★ E8HT 4005-R206A		A14-Z-1560	E8HZ 4200-M		
		1810	E8HZ	4851-B			★ E8HT 4005-R256A		A8-C-1511	E8HZ 4200-AC		
		1610	E7HZ	4851-R			◇	★ E9HT 4B430-R407A		A1-T-1658	E9HZ 4200-D	
		1710	E7HZ	4851-S								
		1760	E8HZ	4851-A								
		1810	E8HZ	4851-B								
		1610	E7HZ	4851-R			◇	★ E9HT 4B430-R507A		A15-C-1511	E9HZ 4200-DX	
		1710	E7HZ	4851-S								
		1760	E8HZ	4851-A								
		1810	E8HZ	4851-B								
		4.10	1610	E7HZ	4851-R				★ E7HT 4005-R007A		A12-Z-1560	E7HZ 4200-EJ
			1710	E7HZ	4851-S				★ E7HT 4005-R057A		A13-Z-1560	E7HZ 4200-EV
		1760	E7HZ	4851-T				★ E7HT 4005-R107A		A14-Z-1560	E7HZ 4200-FG	
		1760	E8HZ	4851-A				★ E8HT 4005-R107A		A40-Z-1560	E8HZ 4200-E	
		1760	E8HZ	4851-A				★ E8HT 4005-R157A		A7-C-1511	E8HZ 4200-Y	
		1810	E7HZ	4851-V				★ E7HT 4005-R207A		A15-Z-1560	E7HZ 4200-FR	
		1810	E8HZ	4851-B				★ E8HT 4005-R207A		A41-Z-1560	E8HZ 4200-N	
		1810	E8HZ	4851-B				★ E8HT 4005-R257A		A8-C-1511	E8HZ 4200-AD	
		1610	E7HZ	4851-R			◇	★ E9HT 4B430-R408A		A1-T-1658	E9HZ 4200-E	
		1710	E7HZ	4851-S								
		1760	E8HZ	4851-A								
		1810	E8HZ	4851-B								
		1610	E7HZ	4851-R			◇	★ E9HT 4B430-R508A		A15-C-1511	E9HZ 4200-DY	
		1710	E7HZ	4851-S								
		1760	E8HZ	4851-A								
		1810	E8HZ	4851-B								
	4.30	1610	E7HZ	4851-R				★ E7HT 4005-R008A		A12-Z-1560	E7HZ 4200-EK	
		1710	E7HZ	4851-S				★ E7HT 4005-R058A		A13-Z-1560	E7HZ 4200-EW	
		1760	E7HZ	4851-T				★ E7HT 4005-R108A		A14-Z-1560	E7HZ 4200-FH	
		1760	E8HZ	4851-A				★ E8HT 4005-R108A		A40-Z-1560	E8HZ 4200-F	
		1810	E7HZ	4851-V				★ E7HT 4005-R208A		A15-Z-1560	E7HZ 4200-FS	
		1810	E8HZ	4851-B				★ E8HT 4005-R208A		A41-Z-1560	E8HZ 4200-P	
		1610	E7HZ	4851-R			◇	★ E9HT 4B430-R409A		A1-T-1658	E9HZ 4200-F	
		1710	E7HZ	4851-S								
		1760	E8HZ	4851-A								
		1810	E8HZ	4851-B								
	4.56	1610	E7HZ	4851-R				★ E7HT 4005-R009A		A12-Z-1560	E7HZ 4200-EL	
		1710	E7HZ	4851-S				★ E7HT 4005-R059A		A13-Z-1560	E7HZ 4200-EX	
		1760	E7HZ	4851-T				★ E7HT 4005-R109A		A14-Z-1560	E7HZ 4200-FJ	
		1760	E8HZ	4851-A				★ E8HT 4005-R109A		A40-Z-1560	E8HZ 4200-G	
		1810	E7HZ	4851-V				★ E7HT 4005-R209A		A15-Z-1560	E7HZ 4200-FT	
		1810	E8HZ	4851-B				★ E8HT 4005-R209A		A41-Z-1560	E8HZ 4200-R	
		1610	E7HZ	4851-R			◇	★ E9HT 4B430-R410A		A1-T-1658	E9HZ 4200-G	
		1710	E7HZ	4851-S								
		1760	E8HZ	4851-A								
	1810	E8HZ	4851-B									
	1610	E7HZ	4851-R				★ 89HU 4005-R009A		A4-T-1658	E9HZ 4200-GB		
	1710	E7HZ	4851-S				★ 89HU 4005-R059A		A5-T-1658	E9HZ 4200-GC		

1980/  
TRUCK SERIES 600/900

REAR AXLE AND DIFFERENTIAL CARRIER CHART

PARTS LIST NO.	RATIO	FLANGE				NOTE	REAR AXLE PART NUMBER	RING GEAR DIA. (IN.) ▲	CARRIER		
		SIZE †	INPUT	SIZE †	OUTPUT				IDENTIFICATION	PART NUMBER	
▲ RING GEAR DIAMETER LISTED ONLY WHEN OPTIONAL SIZES ARE SHOWN IN PARTS LISTS.											
† FOR FLANGE TYPE IDENTIFICATION REFER TO GROUP 4851											
Notes:      ◇ U joint flange not included in assy. Determine by size of vehicle drive line. A - Air lockout, E - Electric lockout H - Hendrickson suspension, V - Vacuum lockout, @ - Reyco suspension, N - Neway suspension											
◆ 1980/86 • 1987/ % 1980/87 ◆ 1988											
274	4.89	1610	E7HZ	4851-R			★ E7HT 4005-R010A		A12-Z-1560	E7HZ 4200-EM	
		1710	E7HZ	4851-S			★ E7HT 4005-R060A		A13-Z-1560	E7HZ 4200-EY	
		1760	E7HZ	4851-T			★ E7HT 4005-R110A		A14-Z-1560	E7HZ 4200-FK	
		1760	E8HZ	4851-A			★ E8HT 4005-R110A		A40-Z-1560	E8HZ 4200-H	
		1810	E7HZ	4851-V			★ E7HT 4005-R210A		A15-Z-1560	E7HZ 4200-FV	
		1810	E8HZ	4851-B			★ E8HT 4005-R210A		A41-Z-1560	E8HZ 4200-S	
		1610	E7HZ	4851-R			◇ ★ E9HT 4B430-R411A		A1-T-1658	E9HZ 4200-H	
		1710	E7HZ	4851-S							
			1760	E8HZ	4851-A						
			1810	E8HZ	4851-B						
		5.38	1610	E7HZ	4851-R			★ E7HT 4005-R012A		A12-Z-1560	E7HZ 4200-EN
			1710	E7HZ	4851-S			★ E7HT 4005-R062A		A13-Z-1560	E7HZ 4200-EZ
			1610	E7HZ	4851-R			◇ ★ E9HT 4B430-R413A		A1-T-1658	E9HZ 4200-J
			1710	E7HZ	4851-S						
			1760	E8HZ	4851-A						
			1810	E8HZ	4851-B						
		5.63	1610	E7HZ	4851-R			★ E7HT 4005-R013A		A12-Z-1560	E7HZ 4200-EP
			1710	E7HZ	4851-S			★ E7HT 4005-R063A		A13-Z-1560	E7HZ 4200-FA
			1610	E7HZ	4851-R			◇ ★ E9HT 4B430-R414A		A1-T-1658	E9HZ 4200-K
			1710	E7HZ	4851-S						
			1760	E8HZ	4851-A						
			1810	E8HZ	4851-B						
		6.14	1610	E7HZ	4851-R			★ E7HT 4005-R015A		A12-Z-1560	E7HZ 4200-ER
			1710	E7HZ	4851-S			★ E7HT 4005-R065A		A13-Z-1560	E7HZ 4200-FB
			1610	E7HZ	4851-R			◇ ★ E9HT 4B430-R416A		A1-T-1658	E9HZ 4200-L
			1710	E7HZ	4851-S						
			1760	E8HZ	4851-A						
			1810	E8HZ	4851-B						
	6.83	1610	E7HZ	4851-R			★ E7HT 4005-R017A		A12-Z-1560	E7HZ 4200-ES	
		1710	E7HZ	4851-S			★ E7HT 4005-R067A		A13-Z-1560	E7HZ 4200-JL	
		1610	E7HZ	4851-R			◇ ★ E9HT 4B430-R418A		A1-T-1658	E9HZ 4200-M	
		1710	E7HZ	4851-S							
		1760	E8HZ	4851-A							
		1810	E8HZ	4851-B							
	7.17	1610	E7HZ	4851-R			★ E7HT 4005-R018A		A12-Z-1560	E7HZ 4200-ET	
		1710	E7HZ	4851-S			★ E7HT 4005-R068A		A13-Z-1560	E7HZ 4200-JM	
		1610	E7HZ	4851-R			◇ ★ E9HT 4B430-R419A		A1-T-1658	E9HZ 4200-N	
		1710	E7HZ	4851-S							
		1760	E8HZ	4851-A							
		1810	E8HZ	4851-B							
275	3.42	1710	E7HZ	4851-X			★ E7HT 4005-R553A		A40-U-1399	E7HZ 4200-JE	
		1760	E7HZ	4851-Y			★ E7HT 4005-R603A		A38-U-1399	E7HZ 4200-GL	
		1760	E8HZ	4851-C			★ E8HT 4005-R603A		A79-U-1399	E8HZ 4200-JD	
		1760	E7HZ	4851-Y			★ E8HT 4005-R653A		A7-C-1381	E8HZ 4200-HR	
		1810	E7HZ	4851-Z			★ E7HT 4005-R703A		A39-U-1399	E7HZ 4200-GW	
		1810	E8HZ	4851-D			★ E8HT 4005-R703A		A80-U-1399	E8HZ 4200-JM	
		1810	E7HZ	4851-Z			★ E8HT 4005-R753A		A8-C-1381	E8HZ 4200-HX	
		1610	E7HZ	4851-W			◇ ★ E9HT 4B430-R604A		A61-U-1399	E9HZ 4200-EE	
		1710	E7HZ	4851-X							
		1760	E8HZ	4851-C							
		1810	E8HZ	4851-D							
				1610	E7HZ	4851-W			◇ ★ E9HT 4B430-R704A		A5-C-1381
		1710	E7HZ	4851-X							
		1760	E8HZ	4851-C							
		1810	E8HZ	4851-D							

1980/  
TRUCK SERIES 600/900

REAR AXLE AND DIFFERENTIAL CARRIER CHART

PARTS LIST NO.	RATIO	FLANGE				NOTE	REAR AXLE PART NUMBER	RING GEAR DIA. (IN.)	CARRIER			
		SIZE †	INPUT	SIZE †	OUTPUT				IDENTIFICATION	PART NUMBER		
▲ RING GEAR DIAMETER LISTED ONLY WHEN OPTIONAL SIZES ARE SHOWN IN PARTS LISTS. † FOR FLANGE TYPE IDENTIFICATION REFER TO GROUP 4851												
Notes:     ◇ U joint flange not included in assy. Determine by size of vehicle drive line. A - Air lockout, E - Electric lockout H - Hendrickson suspension, V - Vacuum lockout, @ - Reyco suspension, N - Newway suspension ♦ 1980/86 • 1987/ % 1980/87 ♦ 1988												
275	3.58	1710	E7HZ	4851-X			★ E7HT 4005-R554A		A40-U-1399	E7HZ 4200-JF		
		1760	E7HZ	4851-Y			★ E7HT 4005-R604A		A38-U-1399	E7HZ 4200-GM		
		1760	E8HZ	4851-C			★ E8HT 4005-R604A		A79-U-1399	E8HZ 4200-JE		
		1760	E7HZ	4851-Y			★ E8HT 4005-R654A		A7-C-1381	E8HZ 4200-HS		
		1810	E7HZ	4851-Z			★ E7HT 4005-R704A		A39-U-1399	E7HZ 4200-GX		
		1810	E8HZ	4851-D			★ E8HT 4005-R704A		A80-U-1399	E8HZ 4200-JN		
		1810	E7HZ	4851-Z			★ E8HT 4005-R754A		A8-C-1381	E8HZ 4200-HY		
		1610	E7HZ	4851-W			◇ ★ E9HT 48430-R605A		A61-U-1399	E9HZ 4200-EF		
		1710	E7HZ	4851-X								
		1760	E8HZ	4851-C								
		1810	E8HZ	4851-D								
		1610	E7HZ	4851-W			◇	★ E9HT 48430-R705A		A5-C-1381	E9HZ 4200-GG	
		1710	E7HZ	4851-X								
		1760	E8HZ	4851-C								
		1810	E8HZ	4851-D								
		3.73	3.73	1710	E7HZ	4851-X			★ E7HT 4005-R555A		A40-U-1399	E7HZ 4200-JG
	1760			E7HZ	4851-Y			★ E7HT 4005-R605A		A38-U-1399	E7HZ 4200-GN	
	1760			E8HZ	4851-C			★ E8HT 4005-R605A		A79-U-1399	E8HZ 4200-JF	
	1760			E7HZ	4851-Y			★ E8HT 4005-R655A		A7-C-1381	E8HZ 4200-HT	
	1810			E7HZ	4851-Z			★ E7HT 4005-R705A		A39-U-1399	E7HZ 4200-GY	
	1810			E8HZ	4851-D			★ E8HT 4005-R705A		A80-U-1399	E8HZ 4200-JP	
	1810			E7HZ	4851-Z			★ E8HT 4005-R755A		A8-C-1381	E8HZ 4200-HZ	
	1610			E7HZ	4851-W			◇ ★ E9HT 48430-R606A		A61-U-1399	E9HZ 4200-EG	
	1710			E7HZ	4851-X							
	1760			E8HZ	4851-C							
	1810			E8HZ	4851-D							
	1610			E7HZ	4851-W			◇	★ E9HT 48430-R706A		A5-C-1381	E9HZ 4200-GH
	1710			E7HZ	4851-X							
	1760			E8HZ	4851-C							
	1810	E8HZ	4851-D									
	3.91	3.91	1710	E7HZ	4851-X			★ E7HT 4005-R556A		A40-U-1399	E7HZ 4200-JH	
			1760	E7HZ	4851-Y			★ E7HT 4005-R606A		A38-U-1399	E7HZ 4200-GP	
			1760	E8HZ	4851-C			★ E8HT 4005-R606A		A79-U-1399	E8HZ 4200-JG	
			1760	E7HZ	4851-Y			★ E8HT 4005-R656A		A7-C-1381	E8HZ 4200-HV	
			1810	E7HZ	4851-Z			★ E7HT 4005-R706A		A39-U-1399	E7HZ 4200-GZ	
			1810	E8HZ	4851-D			★ E8HT 4005-R706A		A80-U-1399	E8HZ 4200-JR	
			1810	E7HZ	4851-Z			★ E8HT 4005-R756A		A8-C-1381	E8HZ 4200-JA	
			1610	E7HZ	4851-W			◇ ★ E9HT 48430-R607A		A61-U-1399	E9HZ 4200-EH	
			1710	E7HZ	4851-X							
			1760	E8HZ	4851-C							
1810			E8HZ	4851-D								
1610			E7HZ	4851-W			◇	★ E9HT 48430-R707A		A5-C-1381	E9HZ 4200-GJ	
1710			E7HZ	4851-X								
1760			E8HZ	4851-C								
1810	E8HZ	4851-D										
4.10	4.10	1610	E7HZ	4851-W			★ E7HT 4005-R507A		A37-U-1399	E7HZ 4200-FW		
		1710	E7HZ	4851-X			★ E7HT 4005-R557A		A40-U-1399	E7HZ 4200-GD		
		1760	E7HZ	4851-Y			★ E7HT 4005-R607A		A38-U-1399	E7HZ 4200-GR		

1980/  
TRUCK SERIES 600/900

REAR AXLE AND DIFFERENTIAL CARRIER CHART

PARTS LIST NO.	RATIO	FLANGE				NOTE	REAR AXLE PART NUMBER	RING GEAR DIA. (IN.) ▲	CARRIER			
		SIZE †	INPUT	SIZE †	OUTPUT				IDENTIFICATION	PART NUMBER		
▲ RING GEAR DIAMETER LISTED ONLY WHEN OPTIONAL SIZES ARE SHOWN IN PARTS LISTS.												
† FOR FLANGE TYPE IDENTIFICATION REFER TO GROUP 4851												
Notes:      ◇ U joint flange not included in assy. Determine by size of vehicle drive line. A - Air lockout, E - Electric lockout H - Hendrickson suspension, V - Vacuum lockout, @ - Reyco suspension, N - Neway suspension ♦ 1980/86 • 1987/ % 1980/87 ♦ 1988												
275	4.10	1760	E8HZ	4851-C			★ E8HT 4005-R607A		A79-U-1399	E8HZ 4200-JH		
		1760	E7HZ	4851-Y			★ E8HT 4005-R657A		A7-C-1381	E8HZ 4200-HW		
		1810	E7HZ	4851-Z			★ E7HT 4005-R707A		A39-U-1399	E7HZ 4200-HA		
		1810	E8HZ	4851-D			★ E8HT 4005-R707A		A80-U-1399	E8HZ 4200-JS		
		1810	E7HZ	4851-Z			★ E8HT 4005-R757A		A8-C-1381	E8HZ 4200-JB		
		1610	E7HZ	4851-W			◇	★ E9HT 48430-R608A		A61-U-1399	E9HZ 4200-EJ	
		1710	E7HZ	4851-X								
		1760	E8HZ	4851-C								
		1810	E8HZ	4851-D								
		1610	E7HZ	4851-W			◇	★ E9HT 48430-R708A		A5-C-1381	E9HZ 4200-GK	
		1710	E7HZ	4851-X								
		1760	E8HZ	4851-C								
		1810	E8HZ	4851-D								
		4.30	1610	E7HZ	4851-W				★ E7HT 4005-R508A		A37-U-1399	E7HZ 4200-FX
			1710	E7HZ	4851-X				★ E7HT 4005-R558A		A40-U-1399	E7HZ 4200-GE
			1760	E7HZ	4851-Y				★ E7HT 4005-R608A		A38-U-1399	E7HZ 4200-GS
			1760	E8HZ	4851-C				★ E8HT 4005-R608A		A79-U-1399	E8HZ 4200-JJ
			1810	E7HZ	4851-Z				★ E7HT 4005-R708A		A39-U-1399	E7HZ 4200-HB
	1810		E8HZ	4851-D				★ E8HT 4005-R708A		A80-U-1399	E8HZ 4200-JT	
	1610		E7HZ	4851-W			◇	★ E9HT 48430-R609A		A61-U-1399	E9HZ 4200-EK	
	1710		E7HZ	4851-X								
	1760		E8HZ	4851-C								
	1810		E8HZ	4851-D								
	4.56		1610	E7HZ	4851-W				★ E7HT 4005-R509A		A37-U-1399	E7HZ 4200-FY
			1710	E7HZ	4851-X				★ E7HT 4005-R559A		A40-U-1399	E7HZ 4200-GF
		1760	E7HZ	4851-Y				★ E7HT 4005-R609A		A38-U-1399	E7HZ 4200-GT	
		1760	E8HZ	4851-C				★ E8HT 4005-R609A		A79-U-1399	E8HZ 4200-JK	
		1810	E7HZ	4851-Z				★ E7HT 4005-R709A		A39-U-1399	E7HZ 4200-HC	
		1810	E8HZ	4851-D				★ E8HT 4005-R709A		A80-U-1399	E8HZ 4200-JV	
		1610	E7HZ	4851-W			◇	★ E9HT 48430-R610A		A61-U-1399	E9HZ 4200-EL	
		1710	E7HZ	4851-X								
		1760	E8HZ	4851-C								
		1810	E8HZ	4851-D								
		4.89	1610	E7HZ	4851-W				★ E7HT 4005-R510A		A37-U-1399	E7HZ 4200-FZ
			1710	E7HZ	4851-X				★ E7HT 4005-R560A		A40-U-1399	E7HZ 4200-GG
	1760		E7HZ	4851-Y				★ E7HT 4005-R610A		A38-U-1399	E7HZ 4200-GV	
	1760		E8HZ	4851-C				★ E8HT 4005-R610A		A79-U-1399	E8HZ 4200-JL	
	1810		E7HZ	4851-Z				★ E7HT 4005-R710A		A39-U-1399	E7HZ 4200-HD	
	1810		E8HZ	4851-D				★ E8HT 4005-R710A		A80-U-1399	E8HZ 4200-JW	
	1610		E7HZ	4851-W			◇	★ E9HT 48430-R611A		A61-U-1399	E9HZ 4200-EM	
	1710		E7HZ	4851-X								
	1760		E8HZ	4851-C								
	1810		E8HZ	4851-D								
	5.38		1610	E7HZ	4851-W				★ E7HT 4005-R512A		A37-U-1399	E7HZ 4200-GA
			1710	E7HZ	4851-X				★ E7HT 4005-R562A		A40-U-1399	E7HZ 4200-GH
		1610	E7HZ	4851-W			◇	★ E9HT 48430-R613A		A61-U-1399	E9HZ 4200-EN	
		1710	E7HZ	4851-X								
		1760	E8HZ	4851-C								
1810		E8HZ	4851-D									

1980/  
TRUCK SERIES 600/900

REAR AXLE AND DIFFERENTIAL CARRIER CHART

PARTS LIST NO.	RATIO	FLANGE				NOTE	REAR AXLE PART NUMBER	RING GEAR DIA. (IN.)	CARRIER		
		SIZE †	INPUT	SIZE †	OUTPUT				IDENTIFICATION	PART NUMBER	
▲ RING GEAR DIAMETER LISTED ONLY WHEN OPTIONAL SIZES ARE SHOWN IN PARTS LISTS. † FOR FLANGE TYPE IDENTIFICATION REFER TO GROUP 4851											
Notes:      ◇ U joint flange not included in assy. Determine by size of vehicle drive line. A - Air lockout, E - Electric lockout H - Hendrickson suspension, V - Vacuum lockout, @ - Reyco suspension, N - Neway suspension ♦ 1980/86 • 1987/ % 1980/87 ♦ 1988											
275	5.63	1610	E7HZ 4851-W				★ E7HT 4005-R513A		A37-U-1399	E7HZ 4200-GB	
		1710	E7HZ 4851-X				★ E7HT 4005-R563A		A40-Y-1399	E7HZ 4200-GJ	
		1610	E7HZ 4851-W			◇	★ E9HT 48430-R614A		A61-U-1399	E9HZ 4200-EP	
		1710	E7HZ 4851-X								
		1760	E8HZ 4851-C								
	6.14	1810	E8HZ 4851-D								
		1610	E7HZ 4851-W				★ E7HT 4005-R515A		A37-U-1399	E7HZ 4200-GC	
	276	4.10/5.59	1710	E7HZ 4851-X				★ E7HT 4005-R565A		A40-U-1399	E7HZ 4200-GK
			1610	E7HZ 4851-N				★ E7HT 4005-R907A		A18-F-1566	E7HZ 4200-HE
			1710	E9HZ 4851-C				★ E7HT 4005-R932A		A19-F-1566	E7HZ 4200-HP
1550			E7HZ 4851-M			◇	E9HT 48430-R808A		A44-F-1566	E9HZ 4200-FL	
1610			E7HZ 4851-N								
4.30/5.86		1710	E9HZ 4851-C								
		1610	E7HZ 4851-N				★ E7HT 4005-R908A		A20-F-1566	E7HZ 4200-HF	
		1710	E9HZ 4851-C				★ E7HT 4005-R933A		A21-F-1566	E7HZ 4200-HR	
		1550	E7HZ 4851-M			◇	E9HT 48430-R809A		A44-F-1566	E9HZ 4200-FC	
4.56/6.22		1610	E7HZ 4851-N								
	1710	E9HZ 4851-C				★ E7HT 4005-R909A		A22-F-1566	E7HZ 4200-HG		
	1550	E7HZ 4851-M			◇	★ E7HT 4005-R934A		A23-F-1566	E7HZ 4200-HS		
	1610	E7HZ 4851-N				E9HT 48430-R810A		A44-F-1566	E9HZ 4200-FD		
4.88/6.65	1710	E9HZ 4851-C									
	1610	E7HZ 4851-N				★ E7HT 4005-R910A		A24-F-1566	E7HZ 4200-HH		
	1710	E9HZ 4851-C				★ E7HT 4005-R935A		A25-F-1566	E7HZ 4200-HT		
	1550	E7HZ 4851-M			◇	E9HT 48430-R811A		A44-F-1566	E9HZ 4200-FE		
	1610	E7HZ 4851-N									
5.38/7.33	1710	E9HZ 4851-C									
	1610	E7HZ 4851-N				★ E7HT 4005-R912A		A26-F-1566	E7HZ 4200-HJ		
	1710	E9HZ 4851-C				★ E7HT 4005-R937A		A27-F-1566	E7HZ 4200-HV		
	1550	E7HZ 4851-M			◇	E9HT 48430-R813A		A44-F-1566	E9HZ 4200-FF		
	1610	E7HZ 4851-N									
5.57/7.60	1710	E9HZ 4851-C									
	1610	E7HZ 4851-N				★ E7HT 4005-R913A		A28-F-1566	E7HZ 4200-HK		
	1710	E9HZ 4851-C				★ E7HT 4005-R938A		A29-F-1566	E7HZ 4200-HW		
	1550	E7HZ 4851-M			◇	E9HT 48430-R814A		A44-F-1566	E9HZ 4200-FG		
	1610	E7HZ 4851-N									
6.14/8.38	1710	E9HZ 4851-C									
	1610	E7HZ 4851-N				★ E7HT 4005-R915A		A30-F-1566	E7HZ 4200-HL		
	1710	E9HZ 4851-C				★ E7HT 4005-R940A		A31-F-1566	E7HZ 4200-HX		
	1550	E7HZ 4851-M			◇	E9HT 48430-R816A		A44-F-1566	E9HZ 4200-FH		
	1610	E7HZ 4851-N									
6.50/8.86	1710	E9HZ 4851-C									
	1610	E7HZ 4851-N				★ E7HT 4005-R916A		A32-F-1566	E7HZ 4200-HM		
	1710	E9HZ 4851-C				★ E7HT 4005-R941A		A33-F-1566	E7HZ 4200-HY		
	1550	E7HZ 4851-M			◇	E9HZ 48430-R817A		A44-F-1566	E9HZ 4200-FJ		
	1610	E7HZ 4851-N									
7.17/9.77	1710	E9HZ 4851-C									
	1610	E7HZ 4851-N				★ E7HT 4005-R918A		A34-F-1566	E7HZ 4200-HN		
		1710	E9HZ 4851-C			★ E7HT 4005-R943A		A35-F-1566	E7HZ 4200-HZ		



1980/  
TRUCK SERIES 600/900

REAR AXLE AND DIFFERENTIAL CARRIER CHART

PARTS LIST NO.	RATIO	FLANGE				NOTE	REAR AXLE PART NUMBER	RING GEAR DIA. (IN.) ▲	CARRIER	
		SIZE †	INPUT	SIZE †	OUTPUT				IDENTIFICATION	PART NUMBER
▲ RING GEAR DIAMETER LISTED ONLY WHEN OPTIONAL SIZES ARE SHOWN IN PARTS LISTS.										
† FOR FLANGE TYPE IDENTIFICATION REFER TO GROUP 4851										
Notes:     ◇ U joint flange not included in assy. Determine by size of vehicle drive line. A - Air lockout, E - Electric lockout H - Hendrickson suspension, V - Vacuum lockout, @ - Reyco suspension, N - Neway suspension ♦ 1980/86 • 1987/ % 1980/87 ♦ 1988										
276	7.17/9.77	1550	E7HZ 4851-M			◇	E9HT 4B430-R819A		A44-F-1566	E9HZ 4200-FK
		1610	E7HZ 4851-N							
		1710	E9HZ 4851-C							
279	3.73	1550	E7HZ 4851-M			◇	★ E9HT 4B430-M306A		A12-R-1500	E9HZ 4200-BM
		1610	E7HZ 4851-N							
		1710	E9HZ 4851-C							
	3.91	1610	E7HZ 4851-N				★ E8HT 4005-M631A		A30-R-1500	E8HZ 4200-AN
		1710	E9HZ 4851-C				★ E8HT 4005-M681A		A31-R-1500	E8HZ 4200-BA
		1550	E7HZ 4851-M			◇	★ E9HT 4B430-M307A		A12-R-1500	E9HZ 4200-BN
		1610	E7HZ 4851-N							
		1710	E9HZ 4851-C							
	4.10	1610	E7HZ 4851-N				★ E8HT 4005-M632A		A30-R-1500	E8HZ 4200-AP
		1710	E9HZ 4851-C				★ E8HT 4005-M682A		A31-R-1500	E8HZ 4200-BB
		1550	E7HZ 4851-M			◇	★ E9HT 4B430-M308A		A12-R-1500	E9HZ 4200-BP
		1610	E7HZ 4851-N							
		1710	E9HZ 4851-C							
	4.30	1550	E7HZ 4851-M				★ E8HT 4005-M583A		A29-R-1500	E8HZ 4200-AE
		1610	E7HZ 4851-N				★ E8HT 4005-M633A		A30-R-1500	E8HZ 4200-AR
		1710	E9HZ 4851-C				★ E8HT 4005-M683A		A31-R-1500	E8HZ 4200-BC
		1550	E7HZ 4851-M			◇	★ E9HT 4B430-M309A		A12-R-1500	E9HZ 4200-BR
		1610	E7HZ 4851-N							
		1710	E9HZ 4851-C							
	4.56	1550	E7HZ 4851-M				★ E8HT 4005-M584A		A29-R-1500	E8HZ 4200-AF
		1610	E7HZ 4851-N				★ E8HT 4005-M634A		A30-R-1500	E8HZ 4200-AS
		1710	E9HZ 4851-C				★ E8HT 4005-M684A		A31-R-1500	E8HZ 4200-BD
		1550	E7HZ 4851-M			◇	★ E9HT 4B430-M310A		A12-R-1500	E9HZ 4200-BS
		1610	E7HZ 4851-N							
		1710	E9HZ 4851-C							
	4.88	1550	E7HZ 4851-M				★ E8HT 4005-M585A		A29-R-1500	E8HZ 4200-AG
		1610	E7HZ 4851-N				★ E8HT 4005-M635A		A30-R-1500	E8HZ 4200-AT
		1710	E9HZ 4851-C				★ E8HT 4005-M685A		A31-R-1500	E8HZ 4200-BE
		1550	E7HZ 4851-M			◇	★ E9HT 4B430-M311A		A12-R-1500	E9HZ 4200-BT
		1610	E7HZ 4851-N							
		1710	E9HZ 4851-C							
	5.29	1550	E7HZ 4851-M				★ E8HT 4005-M587A		A29-R-1500	E8HZ 4200-AH
		1610	E7HZ 4851-N				★ E8HT 4005-M637A		A30-R-1500	E8HZ 4200-AV
		1710	E9HZ 4851-C				★ E8HT 4005-M687A		A31-R-1500	E8HZ 4200-BF
		1550	E7HZ 4851-M			◇	★ E9HT 4B430-M313A		A12-R-1500	E9HZ 4200-BV
		1610	E7HZ 4851-N							
		1710	E9HZ 4851-C							
	5.86	1550	E7HZ 4851-M				★ E8HT 4005-M589A		A29-R-1500	E8HZ 4200-AJ
		1610	E7HZ 4851-N				★ E8HT 4005-M639A		A30-R-1500	E8HZ 4200-AW
		1710	E9HZ 4851-C				★ E8HT 4005-M689A		A31-R-1500	E8HZ 4200-BG
		1550	E7HZ 4851-M			◇	★ E9HT 4B430-M315A		A12-R-1500	E9HZ 4200-BW
		1610	E7HZ 4851-N							
		1710	E9HZ 4851-C							
	6.43	1550	E7HZ 4851-M				★ E8HT 4005-M591A		A29-R-1500	E8HZ 4200-AK
		1610	E7HZ 4851-N				★ E8HT 4005-M641A		A30-R-1500	E8HZ 4200-AX
		1710	E9HZ 4851-C				★ E8HT 4005-M691A		A31-R-1500	E8HZ 4200-BH

1980/  
TRUCK SERIES 600/900

REAR AXLE AND DIFFERENTIAL CARRIER CHART

PARTS LIST NO.	RATIO	FLANGE				NOTE	REAR AXLE PART NUMBER	RING GEAR DIA. (IN.)	CARRIER		
		SIZE †	INPUT	SIZE †	OUTPUT				IDENTIFICATION	PART NUMBER	
▲ RING GEAR DIAMETER LISTED ONLY WHEN OPTIONAL SIZES ARE SHOWN IN PARTS LISTS. † FOR FLANGE TYPE IDENTIFICATION REFER TO GROUP 4851											
Notes:     ◇ U joint flange not included in assy. Determine by size of vehicle drive line. A - Air lockout, E - Electric lockout H - Hendrickson suspension, V - Vacuum lockout, @ - Reyco suspension, N - Neway suspension ◆ 1980/86 • 1987/ % 1980/87 ◆ 1988											
279	6.43	1550	E7HZ 4851-M			◇	★ E9HT 48430-M317A		A12-R-1500	E9HZ 4200-BY	
		1610	E7HZ 4851-N								
		1710	E9HZ 4851-C								
	6.83	1550	E7HZ 4851-M				★ E8HT 4005-M592A		A29-R-1500	E8HZ 4200-AL	
		1610	E7HZ 4851-N				★ E8HT 4005-M642A		A30-R-1500	E8HZ 4200-AY	
		1550	E7HZ 4851-M			◇	★ E9HT 48430-M318A		A12-R-1500	E9HZ 4200-BZ	
		1610	E7HZ 4851-N								
		1710	E9HZ 4851-C								
	7.17	1550	E7HZ 4851-M				★ E8HT 4005-M593A		A29-R-1500	E8HZ 4200-AM	
		1610	E7HZ 4851-N				★ E8HT 4005-M643A		A30-R-1500	E8HZ 4200-AZ	
		1550	E7HZ 4851-M			◇	★ E9HT 48430-M319A		A12-R-1500	E9HZ 4200-CA	
		1610	E7HZ 4851-N								
		1710	E9HZ 4851-C								
	280	3.42	1760	E8HZ 4851-A				★ E8HT 4005-R128A		A38-Z-1560	E8HZ 4200-CC
			1760	E8HZ 4851-A				★ E8HT 4005-R178A		A3-C-1511	E8HZ 4200-CW
1810			E8HZ 4851-B				★ E8HT 4005-R228A		A39-Z-1560	E8HZ 4200-CL	
1810			E8HZ 4851-B				★ E8HT 4005-R278A		A4-C-1511	E8HZ 4200-DA	
1610			E7HZ 4851-R			◇	★ E9HT 48430-R454A		A1-V-1660	E9HZ 4200-P	
1710			E7HZ 4851-S								
1760			E8HZ 4851-A								
1810			E8HZ 4851-B								
1610			E7HZ 4851-R			◇	★ E9HT 48430-R554A		A17-C-1511	E9HZ 4200-DZ	
1710			E7HZ 4851-S								
3.58		1760	E8HZ 4851-A				★ E8HT 4005-R129A		A38-Z-1560	E8HZ 4200-CD	
		1760	E8HZ 4851-A				★ E8HT 4005-R179A		A3-C-1511	E8HZ 4200-CX	
		1810	E8HZ 4851-B				★ E8HT 4005-R229A		A39-Z-1560	E8HZ 4200-CM	
		1810	E8HZ 4851-B				★ E8HT 4005-R279A		A4-C-1511	E8HZ 4200-DB	
		1610	E7HZ 4851-R			◇	★ E9HT 48430-R455A		A1-V-1660	E9HZ 4200-R	
		1710	E7HZ 4851-S								
		1760	E8HZ 4851-A								
		1810	E8HZ 4851-B								
		1610	E7HZ 4851-R			◇	★ E9HT 48430-R555A		A17-C-1511	E9HZ 4200-EA	
		1710	E7HZ 4851-S								
3.73		1760	E8HZ 4851-A				★ E8HT 4005-R130A		A38-Z-1560	E8HZ 4200-CE	
	1760	E8HZ 4851-A				★ E8HT 4005-R180A		A3-C-1511	E8HZ 4200-CY		
	1810	E8HZ 4851-B				★ E8HT 4005-R230A		A39-Z-1560	E8HZ 4200-CN		
	1810	E8HZ 4851-B				★ E8HT 4005-R280A		A4-C-1511	E8HZ 4200-DC		
	1610	E7HZ 4851-R			◇	★ E9HT 48430-R456A		A1-V-1660	E9HZ 4200-S		
	1710	E7HZ 4851-S									
	1760	E8HZ 4851-A									
	1810	E8HZ 4851-B									
	1610	E7HZ 4851-R			◇	★ E9HT 48430-R556A		A17-C-1511	E9HZ 4200-EB		
1710	E7HZ 4851-S										
1760	E8HZ 4851-A										
1810	E8HZ 4851-B										



1980/  
TRUCK SERIES 600/900

REAR AXLE AND DIFFERENTIAL CARRIER CHART											
PARTS LIST NO.	RATIO	FLANGE				NOTE	REAR AXLE PART NUMBER	RING GEAR DIA. (IN.)	CARRIER		
		SIZE †	INPUT	SIZE †	OUTPUT				IDENTIFICATION	PART NUMBER	
▲ RING GEAR DIAMETER LISTED ONLY WHEN OPTIONAL SIZES ARE SHOWN IN PARTS LISTS. † FOR FLANGE TYPE IDENTIFICATION REFER TO GROUP 4851											
Notes:      ◇ U joint flange not included in assy. Determine by size of vehicle drive line. A - Air lockout, E - Electric lockout H - Hendrickson suspension, V - Vacuum lockout, @ - Reyco suspension, N - Neway suspension ♦ 1980/86 • 1987/ % 1980/87 ♦ 1988											
280	5.38	1610	E7HZ	4851-R			★ E8HT 4005-R037A		A32-Z-1560	E8HZ 4200-BN	
		1710	E7HZ	4851-S			★ E8HT 4005-R087A		A33-Z-1560	E8HZ 4200-BZ	
		1610	E7HZ	4851-R		◇	★ E9HT 48430-R463A		A1-V-1660	E9HZ 4200-Z	
		1710	E7HZ	4851-S							
		1760	E8HZ	4851-A							
	5.63	1610	E7HZ	4851-R			★ E8HT 4005-R038A		A32-Z-1560	E8HZ 4200-BP	
		1710	E7HZ	4851-S			★ E8HT 4005-R088A		A33-Z-1560	E8HZ 4200-CA	
		1610	E7HZ	4851-R		◇	★ E9HT 48430-R464A		A1-V-1660	E9HZ 4200-AA	
		1710	E7HZ	4851-S							
		1760	E8HZ	4851-A							
	6.14	1610	E7HZ	4851-R			★ E8HT 4005-R040A		A32-Z-1560	E8HZ 4200-BR	
		1710	E7HZ	4851-S			★ E8HT 4005-R090A		A33-Z-1560	E8HZ 4200-CB	
		1610	E7HZ	4851-R		◇	★ E9HT 48430-R466A		A1-V-1660	E9HZ 4200-AB	
		1710	E7HZ	4851-S							
		1760	E8HZ	4851-A							
	6.83	1610	E7HZ	4851-R			★ E8HT 4005-R042A		A32-Z-1560	E8HZ 4200-BS	
		1610	E7HZ	4851-R		◇	★ E9HT 48430-R468A		A1-V-1660	E9HZ 4200-AC	
		1710	E7HZ	4851-S							
		1760	E8HZ	4851-A							
		1810	E8HZ	4851-B							
	7.17	1610	E7HZ	4851-R			★ E8HT 4005-R043A		A32-Z-1560	E8HZ 4200-BT	
		1610	E7HZ	4851-R		◇	★ E9HT 48430-R469A		A1-V-1660	E9HZ 4200-AD	
		1710	E7HZ	4851-S							
		1760	E8HZ	4851-A							
1810		E8HZ	4851-B								
281	3.42	1710	E7HZ	4851-X			★ E8HT 4005-R578A		A72-U-1399	E8HZ 4200-DN	
		1760	E8HZ	4851-C			★ E8HT 4005-R628A		A74-U-1399	E8HZ 4200-EB	
		1760	E8HZ	4851-C			★ E8HT 4005-R678A		A9-C-1381	E8HZ 4200-EV	
		1810	E8HZ	4851-D			★ E8HT 4005-R728A		A75-U-1399	E8HZ 4200-EK	
		1810	E8HZ	4851-D			★ E8HT 4005-R778A		A10-C-1381	E8HZ 4200-FA	
	5.38	1610	E7HZ	4851-W		◇	★ E9HT 48430-R654A		A54-U-1399	E9HZ 4200-ER	
		1710	E7HZ	4851-X							
		1760	E8HZ	4851-C							
		1810	E8HZ	4851-D							
		1610	E7HZ	4851-W		◇	★ E9HT 48430-R754A		A6-C-1381	E9HZ 4200-GL	
	3.58	1710	E7HZ	4851-X			★ E8HT 4005-R579A		A72-U-1399	E8HZ 4200-DP	
		1760	E8HZ	4851-C			★ E8HT 4005-R629A		A74-U-1399	E8HZ 4200-EC	
		1760	E8HZ	4851-C			★ E8HT 4005-R679A		A9-C-1381	E8HZ 4200-EW	
		1810	E8HZ	4851-D			★ E8HT 4005-R729A		A75-U-1399	E8HZ 4200-EL	
		1810	E8HZ	4851-D			★ E8HT 4005-R779A		A10-C-1381	E8HZ 4200-FB	
3.58	1610	E7HZ	4851-W		◇	★ E9HT 48430-R655A		A54-U-1399	E9HZ 4200-ES		
	1710	E7HZ	4851-X								
	1760	E8HZ	4851-C								
1810	E8HZ	4851-D									

1980/  
TRUCK SERIES 600/900

REAR AXLE AND DIFFERENTIAL CARRIER CHART

PARTS LIST NO.	RATIO	FLANGE				NOTE	REAR AXLE PART NUMBER	RING GEAR DIA. (IN.)	CARRIER	
		SIZE †	INPUT	SIZE †	OUTPUT				IDENTIFICATION	PART NUMBER
▲ RING GEAR DIAMETER LISTED ONLY WHEN OPTIONAL SIZES ARE SHOWN IN PARTS LISTS. † FOR FLANGE TYPE IDENTIFICATION REFER TO GROUP 4851										
Notes:     ◇ U joint flange not included in assy. Determine by size of vehicle drive line. A - Air lockout, E - Electric lockout H - Hendrickson suspension, V - Vacuum lockout, @ - Reyco suspension, N - Neway suspension ♣ 1980/86 • 1987/ % 1980/87 ♦ 1988										
281	3.58	1610	E7HZ 4851-W			◇	★ E9HT 4B430-R755A		A6-C-1381	E9HZ 4200-GM
		1710	E7HZ 4851-X							
		1760	E8HZ 4851-C							
		1810	E8HZ 4851-D							
	3.73	1710	E7HZ 4851-X				★ E8HT 4005-R580A		A72-U-1399	E8HZ 4200-DR
		1760	E8HZ 4851-C				★ E8HT 4005-R630A		A74-U-1399	E8HZ 4200-ED
		1760	E8HZ 4851-C				★ E8HT 4005-R680A		A9-C-1381	E8HZ 4200-EX
		1810	E8HZ 4851-D				★ E8HT 4005-R730A		A75-U-1399	E8HZ 4200-EM
		1810	E8HZ 4851-D				★ E8HT 4005-R780A		A10-C-1381	E8HZ 4200-FC
		1610	E7HZ 4851-W			◇	★ E9HT 4B430-R656A		A54-U-1399	E9HZ 4200-ET
		1710	E7HZ 4851-X							
		1760	E8HZ 4851-C							
		1810	E8HZ 4851-D							
		1610	E7HZ 4851-W			◇	★ E9HT 4B430-R756A		A6-C-1381	E9HZ 4200-GN
		1710	E7HZ 4851-X							
		1760	E8HZ 4851-C							
	1810	E8HZ 4851-D								
	3.91	1710	E7HZ 4851-X				★ E8HT 4005-R581A		A72-U-1399	E8HZ 4200-DS
		1760	E8HZ 4851-C				★ E8HT 4005-R631A		A74-U-1399	E8HZ 4200-EE
		1760	E8HZ 4851-C				★ E8HT 4005-R681A		A9-C-1381	E8HZ 4200-EY
		1810	E8HZ 4851-D				★ E8HT 4005-R731A		A75-U-1399	E8HZ 4200-EN
		1810	E8HZ 4851-D				★ E8HT 4005-R781A		A10-U-1381	E8HZ 4200-FD
		1610	E7HZ 4851-W			◇	★ E9HT 4B430-R657A		A54-U-1399	E9HZ 4200-EV
		1710	E7HZ 4851-X							
		1760	E8HZ 4851-C							
		1810	E8HZ 4851-D							
		1610	E7HZ 4851-W			◇	★ E9HT 4B430-R757A		A6-C-1381	E9HZ 4200-GP
		1710	E7HZ 4851-X							
		1760	E8HZ 4851-C							
	1810	E8HZ 4851-D								
	4.10	1610	E7HZ 4851-W				★ E8HT 4005-R532A		A76-U-1399	E8HZ 4200-DF
		1710	E7HZ 4851-X				★ E8HT 4005-R582A		A72-U-1399	E8HZ 4200-DT
		1760	E8HZ 4851-C				★ E8HT 4005-R632A		A74-U-1399	E8HZ 4200-EF
		1760	E8HZ 4851-C				★ E8HT 4005-R682A		A9-C-1381	E8HZ 4200-EZ
		1810	E8HZ 4851-D				★ E8HT 4005-R732A		A75-U-1399	E8HZ 4200-EP
		1810	E8HZ 4851-D				★ E8HT 4005-R782A		A10-C-1381	E8HZ 4200-FE
		1610	E7HZ 4851-W			◇	★ E9HT 4B430-R658A		A54-U-1399	E9HZ 4200-EW
		1710	E7HZ 4851-X							
		1760	E8HZ 4851-C							
		1810	E8HZ 4851-D							
1610		E7HZ 4851-W			◇	★ E9HT 4B430-R758A		A6-C-1381	E9HZ 4200-GR	
1710		E7HZ 4851-X								
1760	E8HZ 4851-C									
1810	E8HZ 4851-D									

1980/  
TRUCK SERIES 600/900

REAR AXLE AND DIFFERENTIAL CARRIER CHART												
PARTS LIST NO.	RATIO	FLANGE				NOTE	REAR AXLE PART NUMBER	RING GEAR DIA. (IN.)	CARRIER			
		SIZE †	INPUT	SIZE †	OUTPUT				IDENTIFICATION	PART NUMBER		
▲ RING GEAR DIAMETER LISTED ONLY WHEN OPTIONAL SIZES ARE SHOWN IN PARTS LISTS.												
† FOR FLANGE TYPE IDENTIFICATION REFER TO GROUP 4851												
Notes:      ◇ U joint flange not included in assy. Determine by size of vehicle drive line. A - Air lockout, E - Electric lockout H - Hendrickson suspension, V - Vacuum lockout, @ - Reyco suspension, N - Newway suspension ♦ 1980/86 • 1987/ % 1980/87 ◆ 1988												
281	4.30	1610	E7HZ 4851-W				★ E8HT 4005-R533A		A76-U-1399	E8HZ 4200-DG		
		1710	E7HZ 4851-X				★ E8HT 4005-R583A		A72-U-1399	E8HZ 4200-DV		
		1760	E8HZ 4851-C				★ E8HT 4005-R633A		A74-U-1399	E8HZ 4200-EG		
		1810	E8HZ 4851-D				★ E8HT 4005-R733A		A75-U-1399	E8HZ 4200-ER		
		1610	E7HZ 4851-W			◇	★ E9HT 4B430-R659A		A54-U-1399	E9HZ 4200-EX		
		1710	E7HZ 4851-X									
		1760	E8HZ 4851-C									
		1810	E8HZ 4851-D									
	4.56	4.56	1610	E7HZ 4851-W				★ E8HT 4005-R534A		A76-U-1399	E8HZ 4200-DH	
			1710	E7HZ 4851-X				★ E8HT 4005-R584A		A72-U-1399	E8HZ 4200-DW	
			1760	E8HZ 4851-C				★ E8HT 4005-R634A		A74-U-1399	E8HZ 4200-EH	
			1810	E8HZ 4851-D				★ E8HT 4005-R734A		A75-U-1399	E8HZ 4200-ES	
			1610	E7HZ 4851-W			◇	★ E9HT 4B430-R660A		A54-U-1399	E9HZ 4200-EY	
			1710	E7HZ 4851-X								
			1760	E8HZ 4851-C								
			1810	E8HZ 4851-D								
	4.89	4.89	1610	E7HZ 4851-W				★ E8HT 4005-R535A		A76-U-1399	E8HZ 4200-DJ	
			1710	E7HZ 4851-X				★ E8HT 4005-R585A		A72-U-1399	E8HZ 4200-DX	
			1760	E8HZ 4851-C				★ E8HT 4005-R635A		A74-U-1399	E8HZ 4200-EJ	
			1810	E8HZ 4851-D				★ E8HT 4005-R735A		A75-U-1399	E8HZ 4200-ET	
			1610	E7HZ 4851-W			◇	★ E9HT 4B430-R661A		A54-U-1399	E9HZ 4200-EZ	
			1710	E7HZ 4851-X								
			1760	E8HZ 4851-C								
			1810	E8HZ 4851-D								
	5.38	5.38	1610	E7HZ 4851-W				★ E8HT 4005-R537A		A76-U-1399	E8HZ 4200-DK	
			1710	E7HZ 4851-X				★ E8HT 4005-R587A		A72-U-1399	E8HZ 4200-DY	
			1610	E7HZ 4851-W			◇	★ E9HT 4B430-R663A		A54-U-1399	E9HZ 4200-FA	
			1710	E7HZ 4851-X								
1760			E8HZ 4851-C									
1810			E8HZ 4851-D									
1610			E7HZ 4851-W				★ E8HT 4005-R538A		A76-U-1399	E8HZ 4200-DL		
1710			E7HZ 4851-X				★ E8HT 4005-R588A		A72-U-1399	E8HZ 4200-DZ		
5.63	5.63	1610	E7HZ 4851-W			◇	★ E9HT 4B430-R664A		A54-U-1399	E9HZ 4200-FB		
		1710	E7HZ 4851-X									
		1610	E7HZ 4851-W				★ E8HT 4005-R540A		A76-U-1399	E8HZ 4200-DM		
		1710	E7HZ 4851-X				★ E8HT 4005-R590A		A72-U-1399	E8HZ 4200-EA		
		1610	E9HZ 4351-A	1610	E8HZ 4465-A	A,H,◇	★ E9HT 4A375-S029A,		A1-M-1677	E9HZ 4300-BC		
		1710	E9HZ 4351-D	1610	E8HZ 4465-A		★ E9HT 4A375-S104A,					
		1760	E9HZ 4351-B	1610	E8HZ 4465-A		★ E9HT 4A375-S179A,					
		1810	E9HZ 4351-C	1710	E9HZ 4465-A		★ E9HT 4A375-S304A,					
3.58	3.58	1610	E9HZ 4351-A	1610	E8HZ 4465-A	A,H,N,◇	★ E9HT 4A375-S304B					
		1710	E9HZ 4351-D	1610	E8HZ 4465-A		★ E9HT 4A375-S030A,		A1-M-1677	E9HZ 4300-BD		
		1760	E9HZ 4351-B	1610	E8HZ 4465-A		★ E9HT 4A375-S105A,					
		1810	E9HZ 4351-C	1710	E9HZ 4465-A		★ E9HT 4A375-S180A,					
							★ E9HT 4A375-S255A,					
							★ E9HT 4A375-S305A,					
							★ E9HT 4A375-S305B					

1980/  
TRUCK SERIES 600/900

REAR AXLE AND DIFFERENTIAL CARRIER CHART

PARTS LIST NO.	RATIO	FLANGE				NOTE	REAR AXLE PART NUMBER	RING GEAR DIA. (IN.) ▲	CARRIER	
		SIZE †	INPUT	SIZE †	OUTPUT				IDENTIFICATION	PART NUMBER
▲ RING GEAR DIAMETER LISTED ONLY WHEN OPTIONAL SIZES ARE SHOWN IN PARTS LISTS.										
† FOR FLANGE TYPE IDENTIFICATION REFER TO GROUP 4851										
Notes:      ◊ U joint flange not included in assy. Determine by size of vehicle drive line. A - Air lockout, E - Electric lockout H - Hendrickson suspension, V - Vacuum lockout, @ - Reyco suspension, N - Neway suspension										
◆ 1980/86 ● 1987/ % 1980/87 ♦ 1988										
282	3.73	1610	E9HZ 4351-A	1610	E8HZ 4465-A	A,H,N,◊	★ E9HT 4A375-S031A, ★ E9HT 4A375-S106A, ★ E9HT 4A375-S181A, ★ E9HT 4A375-S256A, ★ E9HT 4A375-S306A, ★ E9HT 4A375-S306B		A1-M-1677	E9HZ 4300-BE
		1710	E9HZ 4351-D	1610	E8HZ 4465-A					
		1760	E9HZ 4351-B	1610	E8HZ 4465-A					
		1810	E9HZ 4351-C	1710	E9HZ 4465-A					
	3.91	1610	E9HZ 4351-A	1610	E8HZ 4465-A	A,H,N,◊	★ E9HT 4A375-S032A, ★ E9HT 4A375-S107A, ★ E9HT 4A375-S182A, ★ E9HT 4A375-S257A, ★ E9HT 4A375-S307A, ★ E9HT 4A375-S307B		A1-M-1677	E9HZ 4300-BF
		1710	E9HZ 4351-D	1610	E8HZ 4465-A					
		1760	E9HZ 4351-B	1610	E8HZ 4465-A					
		1810	E9HZ 4351-C	1710	E9HZ 4465-A					
	4.10	1610	E9HZ 4351-A	1610	E8HZ 4465-A	A,H,N,◊	★ E9HT 4A375-S033A, ★ E9HT 4A375-S108A, ★ E9HT 4A375-S183A, ★ E9HT 4A375-S258A, ★ E9HT 4A375-S308A, ★ E9HT 4A375-S308B		A1-M-1677	E9HZ 4300-BG
		1710	E9HZ 4351-D	1610	E8HZ 4465-A					
		1760	E9HZ 4351-B	1610	E8HZ 4465-A					
		1810	E9HZ 4351-C	1710	E9HZ 4465-A					
	4.30	1610	E9HZ 4351-A	1610	E8HZ 4465-A	A,H,◊	★ E9HT 4A375-S034A, ★ E9HT 4A375-S109A, ★ E9HT 4A375-S184A, ★ E9HT 4A375-S309A, ★ E9HT 4A375-S309B		A1-M-1677	E9HZ 4300-BH
		1710	E9HZ 4351-D	1610	E8HZ 4465-A					
		1760	E9HZ 4351-B	1610	E8HZ 4465-A					
		1810	E9HZ 4351-C	1710	E9HZ 4465-A					
4.56		1710	E9HZ 4351-D	1610	E8HZ 4465-A	A,H	★ E8HT 4305-S084A, ★ E8HT 4305-S934A		A3-R-1656	E8HZ 4300-A
		1610	E9HZ 4351-A	1610	E8HZ 4465-A	A,H,◊	★ E9HT 4A375-S035A, ★ E9HT 4A375-S110A, ★ E9HT 4A375-S185A, ★ E9HT 4A375-S310A, ★ E9HT 4A375-S310B		A1-M-1677	E9HZ 4300-BJ
		1710	E9HZ 4351-D	1610	E8HZ 4465-A					
		1760	E9HZ 4351-B	1610	E8HZ 4465-A					
		1810	E9HZ 4351-C	1710	E9HZ 4465-A					
1710	E9HZ 4351-D	1610	E8HZ 4465-A	A,H	★ 89HU 4305-S084A ★ 89HU 4305-S934A		A3-M-1677	E9HZ 4300-CX		
4.88		1610	E9HZ 4351-A	1610	E8HZ 4465-A	A,H,◊	★ E9HT 4A375-S036A, ★ E9HT 4A375-S111A, ★ E9HT 4A375-S186A		A1-M-1677	E9HZ 4300-BK
		1710	E9HZ 4351-D	1610	E8HZ 4465-A					
		1760	E9HZ 4351-B	1610	E8HZ 4465-A					
		1810	E9HZ 4351-C	1710	E9HZ 4465-A					
5.29		1610	E9HZ 4351-A	1610	E8HZ 4465-A	A,H,◊	★ E9HT 4A375-S038A, ★ E9HT 4A375-S113A, ★ E9HT 4A375-S188A		A1-M-1677	E9HZ 4300-BL
		1710	E9HZ 4351-D	1610	E8HZ 4465-A					
		1760	E9HZ 4351-B	1610	E8HZ 4465-A					
		1810	E9HZ 4351-C	1710	E9HZ 4465-A					
5.86		1610	E9HZ 4351-A	1610	E8HZ 4465-A	A,H,◊	★ E9HT 4A375-S040A, ★ E9HT 4A375-S115A, ★ E9HT 4A375-S190A		A1-M-1677	E9HZ 4300-BM
		1710	E9HZ 4351-D	1610	E8HZ 4465-A					
		1760	E9HZ 4351-B	1610	E8HZ 4465-A					
		1810	E9HZ 4351-C	1710	E9HZ 4465-A					

1980/  
TRUCK SERIES 600/900

REAR AXLE AND DIFFERENTIAL CARRIER CHART										
PARTS LIST NO.	RATIO	FLANGE				NOTE	REAR AXLE PART NUMBER	RING GEAR DIA. (IN.)	CARRIER	
		SIZE †	INPUT	SIZE †	OUTPUT				IDENTIFICATION	PART NUMBER
▲ RING GEAR DIAMETER LISTED ONLY WHEN OPTIONAL SIZES ARE SHOWN IN PARTS LISTS.										
† FOR FLANGE TYPE IDENTIFICATION REFER TO GROUP 4851										
Notes:      ◇ U joint flange not included in assy. Determine by size of vehicle drive line. A - Air lockout, E - Electric lockout H - Hendrickson suspension, V - Vacuum lockout, @ - Reyco suspension, N - Neway suspension										
◆ 1980/86 ● 1987/ % 1980/87 ◆ 1988										
282	6.14	1610	E9HZ 4351-A	1610	E8HZ 4465-A	A,H,◇	★ E9HT 4A375-S116A,		A1-M-1677	E9HZ 4300-BN
		1710	E9HZ 4351-D	1610	E8HZ 4465-A					
		1760	E9HZ 4351-B	1610	E8HZ 4465-A					
		1810	E9HZ 4351-C	1710	E9HZ 4465-A					
	6.43	1610	E9HZ 4351-A	1610	E8HZ 4465-A	A,H,◇	★ E9HT 4A375-S117A		A1-M-1677	E9HZ 4300-BP
		1710	E9HZ 4351-D	1610	E8HZ 4465-A					
		1760	E9HZ 4351-B	1610	E8HZ 4465-A					
		1810	E9HZ 4351-C	1710	E9HZ 4465-A					
	7.17	1610	E9HZ 4351-A	1610	E8HZ 4465-A	A,H,◇	★ E9HT 4A375-S119A		A1-M-1677	E9HZ 4300-BR
		1710	E9HZ 4351-D	1610	E8HZ 4465-A					
		1760	E9HZ 4351-B	1610	E8HZ 4465-A					
		1810	E9HZ 4351-C	1710	E9HZ 4465-A					
283	3.42	1610	E9HZ 4351-A	1610	E8HZ 4465-A	A,H,◇	★ E9HT 4A375-V029A, ★ E9HT 4A375-V104A, ★ E9HT 4A375-V179A, ★ E9HT 4A375-V304A, ★ E9HT 4A375-V304B		A18-L-1624	E9HZ 4300-CG
		1710	E9HZ 4351-D	1610	E8HZ 4465-A					
		1760	E9HZ 4351-B	1610	E8HZ 4465-A					
		1810	E9HZ 4351-C	1710	E9HZ 4465-A					
	3.58	1610	E9HZ 4351-A	1610	E8HZ 4465-A	A,H,N,◇	★ E9HT 4A375-V030A, ★ E9HT 4A375-V105A, ★ E9HT 4A375-V180A, ★ E9HT 4A375-V255A, ★ E9HT 4A375-V305A, ★ E9HT 4A375-V305B		A18-L-1624	E9HZ 4300-CH
		1710	E9HZ 4351-D	1610	E8HZ 4465-A					
		1760	E9HZ 4351-B	1610	E8HZ 4465-A					
		1810	E9HZ 4351-C	1710	E9HZ 4465-A					
	3.73	1610	E9HZ 4351-A	1610	E8HZ 4465-A	A,H,N,◇	★ E9HT 4A375-V031A, ★ E9HT 4A375-V106A, ★ E9HT 4A375-V181A, ★ E9HT 4A375-V256A, ★ E9HT 4A375-V306A, ★ E9HT 4A375-V306B		A18-L-1624	E9HZ 4300-CJ
		1710	E9HZ 4351-D	1610	E8HZ 4465-A					
		1760	E9HZ 4351-B	1610	E8HZ 4465-A					
		1810	E9HZ 4351-C	1710	E9HZ 4465-A					
	3.91	1610	E9HZ 4351-A	1610	E8HZ 4465-A	A,H,N,◇	★ E9HT 4A375-V032A, ★ E9HT 4A375-V107A, ★ E9HT 4A375-V182A, ★ E9HT 4A375-V257A, ★ E9HT 4A375-V307A, ★ E9HT 4A375-V307B		A18-L-1624	E9HZ 4300-CK
		1710	E9HZ 4351-D	1610	E8HZ 4465-A					
		1760	E9HZ 4351-B	1610	E8HZ 4465-A					
		1810	E9HZ 4351-C	1710	E9HZ 4465-A					
	4.10	1610	E9HZ 4351-A	1610	E8HZ 4465-A	A,H,N,◇	★ E9HT 4A375-V033A, ★ E9HT 4A375-V108A, ★ E9HT 4A375-V183A, ★ E9HT 4A375-V258A, ★ E9HT 4A375-V308A, ★ E9HT 4A375-V308B		A18-L-1624	E9HZ 4300-CL
		1710	E9HZ 4351-D	1610	E8HZ 4465-A					
		1760	E9HZ 4351-B	1610	E8HZ 4465-A					
		1810	E9HZ 4351-C	1710	E9HZ 4465-A					



1980/  
TRUCK SERIES 600/900

REAR AXLE AND DIFFERENTIAL CARRIER CHART

PARTS LIST NO.	RATIO	FLANGE				NOTE	REAR AXLE PART NUMBER	RING GEAR DIA. (IN.)	CARRIER	
		SIZE †	INPUT	SIZE †	OUTPUT				IDENTIFICATION	PART NUMBER
▲ RING GEAR DIAMETER LISTED ONLY WHEN OPTIONAL SIZES ARE SHOWN IN PARTS LISTS.										
† FOR FLANGE TYPE IDENTIFICATION REFER TO GROUP 4851										
Notes:      ◊ U joint flange not included in assy. Determine by size of vehicle drive line. A - Air lockout, E - Electric lockout H - Hendrickson suspension, V - Vacuum lockout, @ - Reyco suspension, N - Neway suspension ♦ 1980/86 • 1987/ % 1980/87 ◆ 1988										
283	4.30	1610	E9HZ 4351-A	1610	E8HZ 4465-A	A,H,◊	★ E9HT 4A375-V034A, ★ E9HT 4A375-V109A,	A18-L-1624	E9HZ 4300-CM	
		1710	E9HZ 4351-D	1610	E8HZ 4465-A		★ E9HT 4A375-V184A,			
		1760	E9HZ 4351-B	1610	E8HZ 4465-A		★ E9HT 4A375-V309A,			
		1810	E9HZ 4351-C	1710	E9HZ 4465-A		★ E9HT 4A375-V309B			
	4.56	1710	E9HZ 4351-D	1610	E8HZ 4465-A	A,H	★ E8HT 4305-V934A	A9-L-1624	E8HZ 4300-B	
		1610	E9HZ 4351-A	1610	E8HZ 4465-A	A,H,◊	★ E9HT 4A375-V035A, ★ E9HT 4A375-V110A,	A18-L-1624	E9HZ 4300-CN	
		1710	E9HZ 4351-D	1610	E8HZ 4465-A		★ E9HT 4A375-V185A,			
		1760	E9HZ 4351-B	1610	E8HZ 4465-A		★ E9HT 4A375-V310A, ★ E9HT 4A375-V310B			
	1810	E9HZ 4351-C	1710	E9HZ 4465-A						
	4.88	1610	E9HZ 4351-A	1610	E8HZ 4465-A	A,H,◊	★ E9HT 4A375-V036A, ★ E9HT 4A375-V111A,	A18-L-1624	E9HZ 4300-CP	
		1710	E9HZ 4351-D	1610	E8HZ 4465-A		★ E9HT 4A375-V186A			
		1760	E9HZ 4351-B	1610	E8HZ 4465-A					
		1810	E9HZ 4351-C	1710	E9HZ 4465-A					
	5.29	1610	E9HZ 4351-A	1610	E8HZ 4465-A	A,H,◊	★ E9HT 4A375-V038A, ★ E9HT 4A375-V113A,	A18-L-1624	E9HZ 4300-CR	
		1710	E9HZ 4351-D	1610	E8HZ 4465-A		★ E9HT 4A375-V188A			
		1760	E9HZ 4351-B	1610	E8HZ 4465-A					
		1810	E9HZ 4351-C	1710	E9HZ 4465-A					
	5.86	1610	E9HZ 4351-A	1610	E8HZ 4465-A	A,H,◊	★ E9HT 4A375-V040A, ★ E9HT 4A375-V115A,	A18-L-1624	E9HZ 4300-CS	
		1710	E9HZ 4351-D	1610	E8HZ 4465-A		★ E9HT 4A375-V190A			
		1760	E9HZ 4351-B	1610	E8HZ 4465-A					
		1810	E9HZ 4351-C	1710	E9HZ 4465-A					
	6.14	1610	E9HZ 4351-A	1610	E8HZ 4465-A	A,H,◊	★ E9HT 4A375-V116A	A18-L-1624	E9HZ 4300-CT	
		1710	E9HZ 4351-D	1610	E8HZ 4465-A					
		1760	E9HZ 4351-B	1610	E8HZ 4465-A					
1810		E9HZ 4351-C	1710	E9HZ 4465-A						
284	3.42	1610	E1HZ 4851-E			H,◊	★ E9HT 4B430-G029A, ★ E9HT 4B430-G104A, ★ E9HT 4B430-G179A, ★ E9HT 4B430-G304A, ★ E9HT 4B430-G304B	A12-R-1500	E9HZ 4200-BK	
		1710	E1HZ 4851-F							
	3.58	1610	E1HZ 4851-E				H,N,◊	★ E9HT 4B430-G030A, ★ E9HT 4B430-G105A, ★ E9HT 4B430-G180A, ★ E9HT 4B430-G305A, ★ E9HT 4B430-G305B	A12-R-1500	E9HZ 4200-BL
		1710	E1HZ 4851-F							
	3.73	1610	E1HZ 4851-E				H,N,◊	★ E9HT 4B430-G031A, ★ E9HT 4B430-G106A, ★ E9HT 4B430-G181A, ★ E9HT 4B430-G306A, ★ E9HT 4B430-G306B	A12-R-1500	E9HZ 4200-BM
		1710	E1HZ 4851-F							
	3.91	1610	E1HZ 4851-E				H,N,◊	★ E9HT 4B430-G032A, ★ E9HT 4B430-G107A, ★ E9HT 4B430-G182A, ★ E9HT 4B430-G307A, ★ E9HT 4B430-G307B	A12-R-1500	E9HZ 4200-BN
		1710	E1HZ 4851-F							

1980/  
TRUCK SERIES 600/900

REAR AXLE AND DIFFERENTIAL CARRIER CHART										
PARTS LIST NO.	RATIO	FLANGE				NOTE	REAR AXLE PART NUMBER	RING GEAR DIA. (IN.)	CARRIER	
		SIZE †	INPUT	SIZE †	OUTPUT				IDENTIFICATION	PART NUMBER
▲ RING GEAR DIAMETER LISTED ONLY WHEN OPTIONAL SIZES ARE SHOWN IN PARTS LISTS.										
† FOR FLANGE TYPE IDENTIFICATION REFER TO GROUP 4851										
Notes:      ◇ U joint flange not included in assy. Determine by size of vehicle drive line. A - Air lockout, E - Electric lockout H - Hendrickson suspension, V - Vacuum lockout, @ - Reyco suspension, N - Neway suspension ♦ 1980/86 • 1987/ % 1980/87 ♦ 1988										
284	4.10	1610	E1HZ 4851-E			H,N,◇	★ E9HT 4B430-G033A, ★ E9HT 4B430-G108A, ★ E9HT 4B430-G183A, ★ E9HT 4B430-G308A, ★ E9HT 4B430-G308B		A12-R-1500	E9HZ 4200-BP
		1710	E1HZ 4851-F							
	4.30	1610	E1HZ 4851-E			H,◇	★ E9HT 4B430-G034A, ★ E9HT 4B430-G109A, ★ E9HT 4B430-G184A, ★ E9HT 4B430-G309A, ★ E9HT 4B430-G309B		A12-R-1500	E9HZ 4200-BR
		1710	E1HZ 4851-F							
	4.56	1610	E1HZ 4851-E			H	★ E8HT 4005-G034A, ★ E8HT 4005-G434A		A17-R-1500	E8HZ 4200-GJ
			1610	E1HZ 4851-E						
		1710	E1HZ 4851-F							
	4.88	1610	E1HZ 4851-E			H,◇	★ E9HT 4B430-G036A, ★ E9HT 4B430-G111A, ★ E9HT 4B430-G186A		A12-R-1500	E9HZ 4200-BT
			1710	E1HZ 4851-F						
	5.29	1610	E1HZ 4851-E			H,◇	★ E9HT 4B430-G038A, ★ E9HT 4B430-G113A, ★ E9HT 4B430-G188A		A12-R-1500	E9HZ 4200-BV
			1710	E1HZ 4851-F						
	5.86	1610	E1HZ 4851-E			H,◇	★ E9HT 4B430-G040A, ★ E9HT 4B430-G115A, ★ E9HT 4B430-G190A		A12-R-1500	E9HZ 4200-BW
			1710	E1HZ 4851-F						
6.14	1610	E1HZ 4851-E			H,◇	★ E9HT 4B430-G116A		A12-R-1500	E9HZ 4200-BX	
		1710	E1HZ 4851-F							
6.43	1610	E1HZ 4851-E			H,◇	★ E9HT 4B430-G117A		A12-R-1500	E9HZ 4200-BY	
		1710	E1HZ 4851-F							
7.17	1610	E1HZ 4851-E			H,◇	★ E9HT 4B430-G119A		A12-R-1500	E9HZ 4200-CA	
		1710	E1HZ 4851-F							
288	3.42	1610	E9HZ 4351-A	1610	E8HZ 4465-A	A,H,◇	★ E9HT 4A375-K004A, ★ E9HT 4A375-K029A		A6-G-1645	E9HZ 4300-Y
		1710	E9HZ 4351-D	1610	E8HZ 4465-A					
		1760	E9HZ 4351-B	1610	E8HZ 4465-A					
		1810	E9HZ 4351-C	1710	E9HZ 4465-A					
	3.58	1610	E9HZ 4351-A	1610	E8HZ 4465-A	A,H,◇	★ E9HT 4A375-K005A, ★ E9HT 4A375-K030A		A6-G-1645	E9HZ 4300-Z
		1710	E9HZ 4351-D	1610	E8HZ 4465-A					
		1760	E9HZ 4351-B	1610	E8HZ 4465-A					
		1810	E9HZ 4351-C	1710	E9HZ 4465-A					
	3.73	1610	E9HZ 4351-A	1610	E8HZ 4465-A	A,H,◇	★ E9HT 4A375-K006A, ★ E9HT 4A375-K031A		A6-G-1645	E9HZ 4300-AA
		1710	E9HZ 4351-D	1610	E8HZ 4465-A					
		1760	E9HZ 4351-B	1610	E8HZ 4465-A					
		1810	E9HZ 4351-C	1710	E9HZ 4465-A					
	3.91	1610	E9HZ 4351-A	1610	E8HZ 4465-A	A,H,◇	★ E9HT 4A375-K007A, ★ E9HT 4A375-K032A		A6-G-1645	E9HZ 4300-AB
		1710	E9HZ 4351-D	1610	E8HZ 4465-A					
		1760	E9HZ 4351-B	1610	E8HZ 4465-A					
		1810	E9HZ 4351-C	1710	E9HZ 4465-A					

1980/  
TRUCK SERIES 600/900

REAR AXLE AND DIFFERENTIAL CARRIER CHART

PARTS LIST NO.	RATIO	FLANGE				NOTE	REAR AXLE PART NUMBER	RING GEAR DIA. (IN.)	CARRIER		
		SIZE †	INPUT	SIZE †	OUTPUT				IDENTIFICATION	PART NUMBER	
▲ RING GEAR DIAMETER LISTED ONLY WHEN OPTIONAL SIZES ARE SHOWN IN PARTS LISTS.											
† FOR FLANGE TYPE IDENTIFICATION REFER TO GROUP 4851											
Notes: ◇ U joint flange not included in assy. Determine by size of vehicle drive line. A - Air lockout, E - Electric lockout H - Hendrickson suspension, V - Vacuum lockout, @ - Reyco suspension, N - Neway suspension											
◆ 1980/86 ● 1987/ % 1980/87 ◆ 1988											
288	4.10	1610	E9HZ 4351-A	1610	E8HZ 4465-A	A,H,◇	★ E9HT 4A375-K008A, ★ E9HT 4A375-K033A		A6-G-1645	E9HZ 4300-AC	
		1710	E9HZ 4351-D	1610	E8HZ 4465-A						
		1760	E9HZ 4351-B	1610	E8HZ 4465-A						
		1810	E9HZ 4351-C	1710	E9HZ 4465-A						
	4.30	1610	E9HZ 4351-A	1610	E8HZ 4465-A	A,H,◇	★ E9HT 4A375-K009A, ★ E9HT 4A375-K034A		A6-G-1645	E9HZ 4300-AD	
		1710	E9HZ 4351-D	1610	E8HZ 4465-A						
		1760	E9HZ 4351-B	1610	E8HZ 4465-A						
		1810	E9HZ 4351-C	1710	E9HZ 4465-A						
	4.56	1610	E9HZ 4351-A	1610	E8HZ 4465-A	A,H,◇	★ E9HT 4A375-K010A, ★ E9HT 4A375-K035A		A6-G-1645	E9HZ 4300-AE	
		1710	E9HZ 4351-D	1610	E8HZ 4465-A						
		1760	E9HZ 4351-B	1610	E8HZ 4465-A						
		1810	E9HZ 4351-C	1710	E9HZ 4465-A						
4.88	1610	E9HZ 4351-A	1610	E8HZ 4465-A	A,H,◇	★ E9HT 4A375-K011A, ★ E9HT 4A375-K036A		A6-G-1645	E9HZ 4300-AF		
	1710	E9HZ 4351-D	1610	E8HZ 4465-A							
	1760	E9HZ 4351-B	1610	E8HZ 4465-A							
	1810	E9HZ 4351-C	1710	E9HZ 4465-A							
5.29	1610	E9HZ 4351-A	1610	E8HZ 4465-A	A,H,◇	★ E9HT 4A375-K013A		A6-G-1645	E9HZ 4300-AG		
	1710	E9HZ 4351-D	1610	E8HZ 4465-A							
	1760	E9HZ 4351-B	1610	E8HZ 4465-A							
	1810	E9HZ 4351-C	1710	E9HZ 4465-A							
5.86	1610	E9HZ 4351-A	1610	E8HZ 4465-A	A,H,◇	★ E9HT 4A375-K015A		A6-G-1645	E9HZ 4300-AH		
	1710	E9HZ 4351-D	1610	E8HZ 4465-A							
	1760	E9HZ 4351-B	1610	E8HZ 4465-A							
	1810	E9HZ 4351-C	1710	E9HZ 4465-A							
6.14	1610	E9HZ 4351-A	1610	E8HZ 4465-A	A,H,◇	★ E9HT 4A375-K016A		A6-G-1645	E9HZ 4300-AJ		
	1710	E9HZ 4351-D	1610	E8HZ 4465-A							
	1760	E9HZ 4351-B	1610	E8HZ 4465-A							
	1810	E9HZ 4351-C	1710	E9HZ 4465-A							
6.43	1610	E9HZ 4351-A	1610	E8HZ 4465-A	A,H,◇	★ E9HT 4A375-K017A		A6-G-1645	E9HZ 4300-AK		
	1710	E9HZ 4351-D	1610	E8HZ 4465-A							
	1760	E9HZ 4351-B	1610	E8HZ 4465-A							
	1810	E9HZ 4351-C	1710	E9HZ 4465-A							
7.17	1610	E9HZ 4351-A	1610	E8HZ 4465-A	A,H,◇	★ E9HT 4A375-K019A		A6-G-1645	E9HZ 4300-AL		
	1710	E9HZ 4351-D	1610	E8HZ 4465-A							
	1760	E9HZ 4351-B	1610	E8HZ 4465-A							
	1810	E9HZ 4351-C	1710	E9HZ 4465-A							
289	3.42	1610	E1HZ 4851-E			H,◇	★ E9HT 4B430-L004A, ★ E9HT 4B430-L029A		A9-L-1676	E9HZ 4200-CW	
		1710	E1HZ 4851-F								
	3.58	1610	E1HZ 4851-E				H,◇	★ E9HT 4B430-L005A, ★ E9HT 4B430-L030A		A9-L-1676	E9HZ 4200-CX
		1710	E1HZ 4851-F								
	3.73	1610	E1HZ 4851-E				H,◇	★ E9HT 4B430-L006A, ★ E9HT 4B430-L031A		A9-L-1676	E9HZ 4200-CY
1710		E1HZ 4851-F									
3.91	1610	E1HZ 4851-E				H,◇	★ E9HT 4B430-L007A, ★ E9HT 4B430-L032A		A9-L-1676	E9HZ 4200-CZ	
	1710	E1HZ 4851-F									
4.10	1610	E1HZ 4851-E				H,◇	★ E9HT 4B430-L008A, ★ E9HT 4B430-L033A		A9-L-1676	E9HZ 4200-DA	
	1710	E1HZ 4851-F									

1980/  
TRUCK SERIES 600/900

REAR AXLE AND DIFFERENTIAL CARRIER CHART										
PARTS LIST NO.	RATIO	FLANGE				NOTE	REAR AXLE PART NUMBER	RING GEAR DIA. (IN.)	CARRIER	
		SIZE †	INPUT	SIZE †	OUTPUT				IDENTIFICATION	PART NUMBER
▲ RING GEAR DIAMETER LISTED ONLY WHEN OPTIONAL SIZES ARE SHOWN IN PARTS LISTS.										
† FOR FLANGE TYPE IDENTIFICATION REFER TO GROUP 4851										
Notes: ◇ U joint flange not included in assy. Determine by size of vehicle drive line. A - Air lockout, E - Electric lockout H - Hendrickson suspension, V - Vacuum lockout, @ - Reyco suspension, N - Neway suspension ◆ 1980/86 ● 1987/ % 1980/87 ◆ 1988										
289	4.30	1610	E1HZ 4851-E			H,◇	★ E9HT 48430-L009A, ★ E9HT 48430-L034A		A9-L-1676	E9HZ 4200-DB
		1710	E1HZ 4851-F							
	4.56	1610	E1HZ 4851-E			H,◇	★ E9HT 48430-L010A, ★ E9HT 48430-L035A		A9-L-1676	E9HZ 4200-DC
		1710	E1HZ 4851-F							
	4.88	1610	E1HZ 4851-E			H,◇	★ E9HT 48430-L011A, ★ E9HT 48430-L036A		A9-L-1676	E9HZ 4200-DD
		1710	E1HZ 4851-F							
	5.29	1610	E1HZ 4851-E			H,◇	★ E9HT 48430-L013A		A9-L-1676	E9HZ 4200-DE
		1710	E1HZ 4851-F							
5.86	1610	E1HZ 4851-E			H,◇	★ E9HT 48430-L015A		A9-L-1676	E9HZ 4200-DF	
	1710	E1HZ 4851-F								
6.14	1610	E1HZ 4851-E			H,◇	★ E9HT 48430-L016A		A9-L-1676	E9HZ 4200-DG	
	1710	E1HZ 4851-F								
6.43	1610	E1HZ 4851-E			H,◇	★ E9HT 48430-L017A		A9-L-1676	E9HZ 4200-DH	
	1710	E1HZ 4851-F								
7.17	1610	E1HZ 4851-E			H,◇	★ E9HT 48430-L019A		A9-L-1676	E9HZ 4200-DJ	
	1710	E1HZ 4851-F								
290	3.42	1610	E9HZ 4351-A	1610	E8HZ 4465-A	A,H,◇	★ E9HT 4A375-S004A, ★ E9HT 4A375-S079A, ★ E9HT 4A375-S154A, ★ E9HT 4A375-S279A, ★ E9HT 4A375-S279B		A4-G-1645	E9HZ 4300-AM
		1710	E9HZ 4351-D	1610	E8HZ 4465-A					
		1760	E9HZ 4351-B	1610	E8HZ 4465-A					
		1810	E9HZ 4351-C	1710	E9HZ 4465-A					
	3.58	1610	E9HZ 4351-A	1610	E8HZ 4465-A	A,H,N,◇	★ E9HT 4A375-S005A, ★ E9HT 4A375-S080A, ★ E9HT 4A375-S155A, ★ E9HT 4A375-S230A, ★ E9HT 4A375-S280A, ★ E9HT 4A375-S280B		A4-G-1645	E9HZ 4300-AN
		1710	E9HZ 4351-D	1610	E8HZ 4465-A					
		1760	E9HZ 4351-B	1610	E8HZ 4465-A					
		1810	E9HZ 4351-C	1710	E9HZ 4465-A					
	3.73	1610	E9HZ 4351-A	1610	E8HZ 4465-A	A,H,N,◇	★ E9HT 4A375-S006A, ★ E9HT 4A375-S081A, ★ E9HT 4A375-S156A, ★ E9HT 4A375-S231A, ★ E9HT 4A375-S281A, ★ E9HT 4A375-S281B		A4-G-1645	E9HZ 4300-AP
		1710	E9HZ 4351-D	1610	E8HZ 4465-A					
		1760	E9HZ 4351-B	1610	E8HZ 4465-A					
		1810	E9HZ 4351-C	1710	E9HZ 4465-A					
3.91	1610	E9HZ 4351-A	1610	E8HZ 4465-A	A,H,N,◇	★ E9HT 4A375-S007A, ★ E9HT 4A375-S082A, ★ E9HT 4A375-S157A, ★ E9HT 4A375-S232A, ★ E9HT 4A375-S282A, ★ E9HT 4A375-S282B		A4-G-1645	E9HZ 4300-AR	
	1710	E9HZ 4351-D	1610	E8HZ 4465-A						
	1760	E9HZ 4351-B	1610	E8HZ 4465-A						
	1810	E9HZ 4351-C	1710	E9HZ 4465-A						
4.10	1610	E9HZ 4351-A	1610	E8HZ 4465-A	A,H,N,◇	★ E9HT 4A375-S008A, ★ E9HT 4A375-S083A, ★ E9HT 4A375-S158A, ★ E9HT 4A375-S233A, ★ E9HT 4A375-S283A, ★ E9HT 4A375-S283B		A4-G-1645	E9HZ 4300-AS	
	1710	E9HZ 4351-D	1610	E8HZ 4465-A						
	1760	E9HZ 4351-B	1610	E8HZ 4465-A						
	1810	E9HZ 4351-C	1710	E9HZ 4465-A						
4.30	1610	E9HZ 4351-A	1610	E8HZ 4465-A	A,H,◇	★ E9HT 4A375-S009A, ★ E9HT 4A375-S084A, ★ E9HT 4A375-S159A, ★ E9HT 4A375-S284A, ★ E9HT 4A375-S284B		A4-G-1645	E9HZ 4300-AT	
	1710	E9HZ 4351-D	1610	E8HZ 4465-A						
	1760	E9HZ 4351-B	1610	E8HZ 4465-A						
	1810	E9HZ 4351-C	1710	E9HZ 4465-A						

1980/  
TRUCK SERIES 600/900

REAR AXLE AND DIFFERENTIAL CARRIER CHART

PARTS LIST NO.	RATIO	FLANGE				NOTE	REAR AXLE PART NUMBER	RING GEAR DIA. (IN.) ▲	CARRIER				
		SIZE †	INPUT	SIZE †	OUTPUT				IDENTIFICATION	PART NUMBER			
▲ RING GEAR DIAMETER LISTED ONLY WHEN OPTIONAL SIZES ARE SHOWN IN PARTS LISTS.													
† FOR FLANGE TYPE IDENTIFICATION REFER TO GROUP 4851													
Notes:      ◊ U joint flange not included in assy. Determine by size of vehicle drive line. A - Air lockout, E - Electric lockout H - Hendrickson suspension, V - Vacuum lockout, @ - Reyco suspension, N - Neway suspension													
♦ 1980/86 • 1987/ % 1980/87 ♦ 1988													
290	4.56	1610	E9HZ 4351-A	1610	E8HZ 4465-A	A,H,◊	★ E9HT 4A375-S010A, ★ E9HT 4A375-S085A, ★ E9HT 4A375-S160A, ★ E9HT 4A375-S285A, ★ E9HT 4A375-S285B	A4-G-1645	E9HZ 4300-AV				
		1710	E9HZ 4351-D	1610	E8HZ 4465-A								
		1760	E9HZ 4351-B	1610	E8HZ 4465-A								
		1810	E9HZ 4351-C	1710	E9HZ 4465-A								
	4.88	1610	E9HZ 4351-A	1610	E8HZ 4465-A	A,H,◊	★ E9HT 4A375-S011A ★ E9HT 4A375-S086A ★ E9HT 4A375-S161A	A4-G-1645	E9HZ 4300-AW				
		1710	E9HZ 4351-D	1610	E8HZ 4465-A								
		1760	E9HZ 4351-B	1610	E8HZ 4465-A								
		1810	E9HZ 4351-C	1710	E9HZ 4465-A								
5.29	1610	E9HZ 4351-A	1610	E8HZ 4465-A	A,H,◊	★ E9HT 4A375-S013A, ★ E9HT 4A375-S088A, ★ E9HT 4A375-S163A	A4-G-1645	E9HZ 4300-AX					
	1710	E9HZ 4351-D	1610	E8HZ 4465-A									
	1760	E9HZ 4351-B	1610	E8HZ 4465-A									
	1810	E9HZ 4351-C	1710	E9HZ 4465-A									
5.86	1610	E9HZ 4351-A	1610	E8HZ 4465-A	A,H,◊	★ E9HT 4A375-S015A, ★ E9HT 4A375-S090A, ★ E9HT 4A375-S165A	A4-G-1645	E9HZ 4300-AY					
	1710	E9HZ 4351-D	1610	E8HZ 4465-A									
	1760	E9HZ 4351-B	1610	E8HZ 4465-A									
	1810	E9HZ 4351-C	1710	E9HZ 4465-A									
6.14	1610	E9HZ 4351-A	1610	E8HZ 4465-A	A,H,◊	★ E9HT 4A375-S016A	A4-G-1645	E9HZ 4300-AZ					
	1710	E9HZ 4351-D	1610	E8HZ 4465-A									
	1760	E9HZ 4351-B	1610	E8HZ 4465-A									
	1810	E9HZ 4351-C	1710	E9HZ 4465-A									
6.43	1610	E9HZ 4351-A	1610	E8HZ 4465-A	A,H,◊	★ E9HT 4A375-S017A	A4-G-1645	E9HZ 4300-BA					
	1710	E9HZ 4351-D	1610	E8HZ 4465-A									
	1760	E9HZ 4351-B	1610	E8HZ 4465-A									
	1810	E9HZ 4351-C	1710	E9HZ 4465-A									
7.17	1610	E9HZ 4351-A	1610	E8HZ 4465-A	A,H,◊	★ E9HT 4A375-S019A	A4-G-1645	E9HZ 4300-BB					
	1710	E9HZ 4351-D	1610	E8HZ 4465-A									
	1760	E9HZ 4351-B	1610	E8HZ 4465-A									
	1810	E9HZ 4351-C	1710	E9HZ 4465-A									
291	3.42	1610	E1HZ 4851-E			H,◊	★ E9HT 4B430-G004A, ★ E9HT 4B430-G079A, ★ E9HT 4B430-G154A, ★ E9HT 4B430-G279A, ★ E9HT 4B430-G279B	A8-L-1676	E9HZ 4200-AV				
		1710	E1HZ 4851-F										
		1610	E1HZ 4851-E							H,N,◊	★ E9HT 4B430-G005A, ★ E9HT 4B430-G080A, ★ E9HT 4B430-G155A, ★ E9HT 4B430-G280A, ★ E9HT 4B430-G280B	A8-L-1676	E9HZ 4200-AW
		1710	E1HZ 4851-F										
3.73	1610	E1HZ 4851-E			H,N,◊	★ E9HT 4B430-G006A, ★ E9HT 4B430-G081A, ★ E9HT 4B430-G156A, ★ E9HT 4B430-G281A, ★ E9HT 4B430-G281B	A8-L-1676	E9HZ 4200-AX					
	1710	E1HZ 4851-F											
3.91	1610	E1HZ 4851-E			H,N,◊	★ E9HT 4B430-G007A, ★ E9HT 4B430-G082A, ★ E9HT 4B430-G157A, ★ E9HT 4B430-G282A, ★ E9HT 4B430-G282B	A8-L-1676	E9HZ 4200-AY					
	1710	E1HZ 4851-F											

1980/  
TRUCK SERIES 600/900

REAR AXLE AND DIFFERENTIAL CARRIER CHART

PARTS LIST NO.	RATIO	FLANGE				NOTE	REAR AXLE PART NUMBER	RING GEAR DIA. (IN.)	CARRIER	
		SIZE †	INPUT	SIZE †	OUTPUT				IDENTIFICATION	PART NUMBER
▲ RING GEAR DIAMETER LISTED ONLY WHEN OPTIONAL SIZES ARE SHOWN IN PARTS LISTS. † FOR FLANGE TYPE IDENTIFICATION REFER TO GROUP 4851										
Notes:      ◊ U joint flange not included in assy. Determine by size of vehicle drive line. A - Air lockout, E - Electric lockout H - Hendrickson suspension, V - Vacuum lockout, @ - Reyco suspension, N - Neway suspension ♦ 1980/86 • 1987/ % 1980/87 ♦ 1988										
291	4.10	1610	E1HZ 4851-E			H,N,◊	★ E9HT 4B430-G008A, ★ E9HT 4B430-G083A, ★ E9HT 4B430-G158A, ★ E9HT 4B430-G283A, ★ E9HT 4B430-G283B	A8-L-1676	E9HZ 4200-AZ	
		1710	E1HZ 4851-F							
	4.30	1610	E1HZ 4851-E			H,◊	★ E9HT 4B430-G009A, ★ E9HT 4B430-G084A, ★ E9HT 4B430-G159A, ★ E9HT 4B430-G284A, ★ E9HT 4B430-G284B	A8-L-1676	E9HZ 4200-BA	
		1710	E1HZ 4851-F							
	4.56	1610	E1HZ 4851-E			H,◊	★ E9HT 4B430-G010A, ★ E9HT 4B430-G085A, ★ E9HT 4B430-G160A, ★ E9HT 4B430-G285A, ★ E9HT 4B430-G285B	A8-L-1676	E9HZ 4200-BB	
		1710	E1HZ 4851-F							
	4.88	1610	E1HZ 4851-E			H,◊	★ E9HT 4B430-G011A, ★ E9HT 4B430-G086A, ★ E9HT 4B430-G161A	A8-L-1676	E9HZ 4200-BC	
		1710	E1HZ 4851-F							
	5.29	1610	E1HZ 4851-E			H,◊	★ E9HT 4B430-G013A, ★ E9HT 4B430-G088A, ★ E9HT 4B430-G163A	A8-L-1676	E9HZ 4200-BD	
		1710	E1HZ 4851-F							
5.86	1610	E1HZ 4851-E			H,◊	★ E9HT 4B430-G015A, ★ E9HT 4B430-G090A, ★ E9HT 4B430-G165A	A8-L-1676	E9HZ 4200-BE		
	1710	E1HZ 4851-F								
6.14	1610	E1HZ 4851-E			H,◊	★ E9HT 4B430-G016A	A8-L-1676	E9HZ 4200-BF		
	1710	E1HZ 4851-F								
6.43	1610	E1HZ 4851-E			H,◊	★ E9HT 4B430-G017A	A8-L-1676	E9HZ 4200-BG		
	1710	E1HZ 4851-F								
7.17	1610	E1HZ 4851-E			H,◊	★ E9HT 4B430-G019A	A8-L-1676	E9HZ 4200-BJ		
	1710	E1HZ 4851-F								
292	3.42	1610	E9HZ 4351-A	1610	E8HZ 4465-A	A,H,◊	★ E9HT 4A375-V004A, ★ E9HT 4A375-V079A, ★ E9HT 4A375-V154A, ★ E9HT 4A375-V279A, ★ E9HT 4A375-V279B	A1-X-1662	E9HZ 4300-BS	
		1710	E9HZ 4351-D	1610	E8HZ 4465-A					
		1760	E9HZ 4351-B	1610	E8HZ 4465-A					
		1810	E9HZ 4351-C	1710	E9HZ 4465-A					
	3.58	1610	E9HZ 4351-A	1610	E8HZ 4465-A	A,H,N,◊	★ E9HT 4A375-V005A, ★ E9HT 4A375-V080A, ★ E9HT 4A375-V155A, ★ E9HT 4A375-V230A, ★ E9HT 4A375-V280A, ★ E9HT 4A375-V280B	A1-X-1662	E9HZ 4300-BT	
		1710	E9HZ 4351-D	1610	E8HZ 4465-A					
		1760	E9HZ 4351-B	1610	E8HZ 4465-A					
		1810	E9HZ 4351-C	1710	E9HZ 4465-A					
	3.73	1610	E9HZ 4351-A	1610	E8HZ 4465-A	A,H,N,◊	★ E9HT 4A375-V006A, ★ E9HT 4A375-V081A, ★ E9HT 4A375-V156A, ★ E9HT 4A375-V231A, ★ E9HT 4A375-V281A, ★ E9HT 4A375-V281B	A1-X-1662	E9HZ 4300-BV	
		1710	E9HZ 4351-D	1610	E8HZ 4465-A					
1760		E9HZ 4351-B	1610	E8HZ 4465-A						
1810		E9HZ 4351-C	1710	E9HZ 4465-A						

1980/  
TRUCK SERIES 600/900

REAR AXLE AND DIFFERENTIAL CARRIER CHART

PARTS LIST NO.	RATIO	FLANGE				NOTE	REAR AXLE PART NUMBER	RING GEAR DIA. (IN.)	CARRIER	
		SIZE †	INPUT	SIZE †	OUTPUT				IDENTIFICATION	PART NUMBER
▲ RING GEAR DIAMETER LISTED ONLY WHEN OPTIONAL SIZES ARE SHOWN IN PARTS LISTS. † FOR FLANGE TYPE IDENTIFICATION REFER TO GROUP 4851										
Notes:      ◇ U joint flange not included in assy. Determine by size of vehicle drive line. A - Air lockout, E - Electric lockout H - Hendrickson suspension, V - Vacuum lockout, @ - Reyco suspension, N - Newway suspension ◆ 1980/86 • 1987/ % 1980/87 ◆ 1988										
292	3.91	1610	E9HZ 4351-A	1610	E8HZ 4465-A	A,H,N,◇	★ E9HT 4A375-V007A, ★ E9HT 4A375-V082A, ★ E9HT 4A375-V157A, ★ E9HT 4A375-V232A, ★ E9HT 4A375-V282A, ★ E9HT 4A375-V282B		A1-X-1662	E9HZ 4300-BW
		1710	E9HZ 4351-D	1610	E8HZ 4465-A					
		1760	E9HZ 4351-B	1610	E8HZ 4465-A					
		1810	E9HZ 4351-C	1710	E9HZ 4465-A					
	4.10	1610	E9HZ 4351-A	1610	E8HZ 4465-A	A,H,N,◇	★ E9HT 4A375-V008A, ★ E9HT 4A375-V083A, ★ E9HT 4A375-V158A, ★ E9HT 4A375-V233A, ★ E9HT 4A375-V283A, ★ E9HT 4A375-V283B		A1-X-1662	E9HZ 4300-BX
		1710	E9HZ 4351-D	1610	E8HZ 4465-A					
		1760	E9HZ 4351-B	1610	E8HZ 4465-A					
		1810	E9HZ 4351-C	1710	E9HZ 4465-A					
	4.30	1610	E9HZ 4351-A	1610	E8HZ 4465-A	A,H,◇	★ E9HT 4A375-V009A, ★ E9HT 4A375-V084A, ★ E9HT 4A375-V159A, ★ E9HT 4A375-V284A, ★ E9HT 4A375-V284B		A1-X-1662	E9HZ 4300-BY
		1710	E9HZ 4351-D	1610	E8HZ 4465-A					
		1760	E9HZ 4351-B	1610	E8HZ 4465-A					
		1810	E9HZ 4351-C	1710	E9HZ 4465-A					
4.56	1610	E9HZ 4351-A	1610	E8HZ 4465-A	A,H,◇	★ E9HT 4A375-V010A, ★ E9HT 4A375-V085A, ★ E9HT 4A375-V160A, ★ E9HT 4A375-V285A, ★ E9HT 4A375-V285B		A1-X-1662	E9HZ 4300-BZ	
	1710	E9HZ 4351-D	1610	E8HZ 4465-A						
	1760	E9HZ 4351-B	1610	E8HZ 4465-A						
	1810	E9HZ 4351-C	1710	E9HZ 4465-A						
4.88	1610	E9HZ 4351-A	1610	E8HZ 4465-A	A,H,◇	★ E9HT 4A375-V011A, ★ E9HT 4A375-V086A, ★ E9HT 4A375-V161A		A1-X-1662	E9HZ 4300-CA	
	1710	E9HZ 4351-D	1610	E8HZ 4465-A						
	1760	E9HZ 4351-B	1610	E8HZ 4465-A						
	1810	E9HZ 4351-C	1710	E9HZ 4465-A						
5.29	1610	E9HZ 4351-A	1610	E8HZ 4465-A	A,H,◇	★ E9HT 4A375-V013A, ★ E9HT 4A375-V088A, ★ E9HT 4A375-V163A		A1-X-1662	E9HZ 4300-CB	
	1710	E9HZ 4351-D	1610	E8HZ 4465-A						
	1760	E9HZ 4351-B	1610	E8HZ 4465-A						
	1810	E9HZ 4351-C	1710	E9HZ 4465-A						
5.86	1610	E9HZ 4351-A	1610	E8HZ 4465-A	A,H,◇	★ E9HT 4A375-V015A, ★ E9HT 4A375-V090A, ★ E9HT 4A375-V165A		A1-X-1662	E9HZ 4300-CC	
	1710	E9HZ 4351-D	1610	E8HZ 4465-A						
	1760	E9HZ 4351-B	1610	E8HZ 4465-A						
	1810	E9HZ 4351-C	1710	E9HZ 4465-A						
6.14	1610	E9HZ 4351-A	1610	E8HZ 4465-A	A,H,◇	★ E9HT 4A375-V016A		A1-X-1662	E9HZ 4300-CD	
	1710	E9HZ 4351-D	1610	E8HZ 4465-A						
	1760	E9HZ 4351-B	1610	E8HZ 4465-A						
	1810	E9HZ 4351-C	1710	E9HZ 4465-A						
6.43	1610	E9HZ 4351-A	1610	E8HZ 4465-A	A,H,◇	★ E9HT 4A375-V017A		A1-X-1662	E9HZ 4300-CE	
	1710	E9HZ 4351-D	1610	E8HZ 4465-A						
	1760	E9HZ 4351-B	1610	E8HZ 4465-A						
	1810	E9HZ 4351-C	1710	E9HZ 4465-A						
7.17	1610	E9HZ 4351-A	1610	E8HZ 4465-A	A,H,◇	★ E9HT 4A375-V019A		A1-X-1662	E9HZ 4300-CF	
	1710	E9HZ 4351-D	1610	E8HZ 4465-A						
	1760	E9HZ 4351-B	1610	E8HZ 4465-A						
	1810	E9HZ 4351-C	1710	E9HZ 4465-A						
293	3.42	1610	E7HZ 4851-R	1610	E8HZ 4465-A	A,H,◇	★ E9HT 4A375-A004A, ★ E9HT 4A375-A054A		A1-J-1648	E9HZ 4300-A
		1710	E7HZ 4851-S	1610	E8HZ 4465-A					
		1760	E8HZ 4851-A	1610	E8HZ 4465-A					
		1810	E8HZ 4851-B	1710	E9HZ 4465-A					

1980/  
TRUCK SERIES 600/900

REAR AXLE AND DIFFERENTIAL CARRIER CHART										
PARTS LIST NO.	RATIO	FLANGE				NOTE	REAR AXLE PART NUMBER	RING GEAR DIA. (IN.)	CARRIER	
		SIZE †	INPUT	SIZE †	OUTPUT				IDENTIFICATION	PART NUMBER
▲ RING GEAR DIAMETER LISTED ONLY WHEN OPTIONAL SIZES ARE SHOWN IN PARTS LISTS.										
† FOR FLANGE TYPE IDENTIFICATION REFER TO GROUP 4851										
Notes:      ◇ U joint flange not included in assy. Determine by size of vehicle drive line. A - Air lockout, E - Electric lockout H - Hendrickson suspension, V - Vacuum lockout, @ - Reyco suspension, N - Neway suspension										
◆ 1980/86 • 1987/ % 1980/87 ◆ 1988										
293	3.58	1610	E7HZ 4851-R	1610	E8HZ 4465-A	A,H,N,◇	★ E9HT 4A375-A005A, ★ E9HT 4A375-A055A, ★ E9HT 4A375-A105A		A1-J-1648	E9HZ 4300-B
		1710	E7HZ 4851-S	1610	E8HZ 4465-A					
		1760	E8HZ 4851-A	1610	E8HZ 4465-A					
		1810	E8HZ 4851-B	1710	E9HZ 4465-A					
	3.73	1610	E7HZ 4851-R	1610	E8HZ 4465-A	A,H,N,◇	★ E9HT 4A375-A006A, ★ E9HT 4A375-A056A, ★ E9HT 4A375-A106A		A1-J-1648	E9HZ 4300-C
		1710	E7HZ 4851-S	1610	E8HZ 4465-A					
		1760	E8HZ 4851-A	1610	E8HZ 4465-A					
		1810	E8HZ 4851-B	1710	E9HZ 4465-A					
	3.91	1610	E7HZ 4851-R	1610	E8HZ 4465-A	A,H,N,◇	★ E9HT 4A375-A007A, ★ E9HT 4A375-A057A, ★ E9HT 4A375-A107A		A1-J-1648	E9HZ 4300-D
		1710	E7HZ 4851-S	1610	E8HZ 4465-A					
		1760	E8HZ 4851-A	1610	E8HZ 4465-A					
		1810	E8HZ 4851-B	1710	E9HZ 4465-A					
4.10	1610	E7HZ 4851-R	1610	E8HZ 4465-A	A,H,N,◇	★ E9HT 4A375-A008A, ★ E9HT 4A375-A058A, ★ E9HT 4A375-A108A		A1-J-1648	E9HZ 4300-E	
	1710	E7HZ 4851-S	1610	E8HZ 4465-A						
	1760	E8HZ 4851-A	1610	E8HZ 4465-A						
	1810	E8HZ 4851-B	1710	E9HZ 4465-A						
4.30	1610	E7HZ 4851-R	1610	E8HZ 4465-A	A,H,◇	★ E9HT 4A375-A009A, ★ E9HT 4A375-A059A		A1-J-1648	E9HZ 4300-F	
	1710	E7HZ 4851-S	1610	E8HZ 4465-A						
	1760	E8HZ 4851-A	1610	E8HZ 4465-A						
	1810	E8HZ 4851-B	1710	E9HZ 4465-A						
4.56	1610	E7HZ 4851-R	1610	E8HZ 4465-A	A,H,◇	★ E9HT 4A375-A010A, ★ E9HT 4A375-A060A		A1-J-1648	E9HZ 4300-G	
	1710	E7HZ 4851-S	1610	E8HZ 4465-A						
	1760	E8HZ 4851-A	1610	E8HZ 4465-A						
	1810	E8HZ 4851-B	1710	E9HZ 4465-A						
4.89	1610	E7HZ 4851-R	1610	E8HZ 4465-A	A,H,◇	★ E9HT 4A375-A011A, ★ E9HT 4A375-A061A		A1-J-1648	E9HZ 4300-H	
	1710	E7HZ 4851-S	1610	E8HZ 4465-A						
	1760	E8HZ 4851-A	1610	E8HZ 4465-A						
	1810	E8HZ 4851-B	1710	E9HZ 4465-A						
5.38	1610	E7HZ 4851-R	1610	E8HZ 4465-A	A,H,◇	★ E9HT 4A375-A013A, ★ E9HT 4A375-A063A		A1-J-1648	E9HZ 4300-J	
	1710	E7HZ 4851-S	1610	E8HZ 4465-A						
	1760	E8HZ 4851-A	1610	E8HZ 4465-A						
	1810	E8HZ 4851-B	1710	E9HZ 4465-A						
5.63	1610	E7HZ 4851-R	1610	E8HZ 4465-A	A,H,◇	★ E9HT 4A375-A014A, ★ E9HT 4A375-A064A		A1-J-1648	E9HZ 4300-K	
	1710	E7HZ 4851-S	1610	E8HZ 4465-A						
	1760	E8HZ 4851-A	1610	E8HZ 4465-A						
	1810	E8HZ 4851-B	1710	E9HZ 4465-A						
294	3.42	1610	E9HZ 4851-A			H,◇	★ E9HT 4B430-C004A ★ E9HT 4B430-C054A		A1-T-1658	E9HZ 4200-A
		1710	E9HZ 4851-B							
	3.58	1610	E9HZ 4851-A			H,◇	★ E9HT 4B430-C005A ★ E9HT 4B430-C055A		A1-T-1658	E9HZ 4200-B
		1710	E9HZ 4851-B							
	3.73	1610	E9HZ 4851-A			H,◇	★ E9HT 4B430-C006A ★ E9HT 4B430-C056A		A1-T-1658	E9HZ 4200-C
		1710	E9HZ 4851-B							
	3.91	1610	E9HZ 4851-A			H,◇	★ E9HT 4B430-C007A ★ E9HT 4B430-C057A		A1-T-1658	E9HZ 4200-D
		1710	E9HZ 4851-B							
4.10	1610	E9HZ 4851-A			H,◇	★ E9HT 4B430-C008A ★ E9HT 4B430-C058A		A1-T-1658	E9HZ 4200-E	
	1710	E9HZ 4851-B								
4.30	1610	E9HZ 4851-A			H,◇	★ E9HT 4B430-C009A ★ E9HT 4B430-C059A		A1-T-1658	E9HZ 4200-F	
	1710	E9HZ 4851-B								
4.56	1610	E9HZ 4851-A			H,◇	★ E9HT 4B430-C010A ★ E9HT 4B430-C060A		A1-T-1658	E9HZ 4200-G	
	1710	E9HZ 4851-B								



1980/  
TRUCK SERIES 600/900

REAR AXLE AND DIFFERENTIAL CARRIER CHART

PARTS LIST NO.	RATIO	FLANGE				NOTE	REAR AXLE PART NUMBER	RING GEAR DIA. (IN.) ▲	CARRIER	
		SIZE †	INPUT	SIZE †	OUTPUT				IDENTIFICATION	PART NUMBER

▲ RING GEAR DIAMETER LISTED ONLY WHEN OPTIONAL SIZES ARE SHOWN IN PARTS LISTS.

† FOR FLANGE TYPE IDENTIFICATION REFER TO GROUP 4851

Notes:     ◇ U joint flange not included in assy. Determine by size of vehicle drive line. A - Air lockout, E - Electric lockout  
 H - Hendrickson suspension, V - Vacuum lockout, @ - Reyco suspension, N - Neway suspension

◆ 1980/86 • 1987/ % 1980/87 ◆ 1988

294	4.89	1610	E9HZ 4851-A			H,◇	★ E9HT 4B430-C011A		A1-T-1658	E9HZ 4200-H
		1710	E9HZ 4851-B				★ E9HT 4B430-C061A			
	5.38	1610	E9HZ 4851-A			H,◇	★ E9HT 4B430-C013A		A1-T-1658	E9HZ 4200-J
1710		E9HZ 4851-B				★ E9HT 4B430-C063A				
5.63	1610	E9HZ 4851-A			H,◇	★ E9HT 4B430-C014A		A1-T-1658	E9HZ 4200-K	
		E9HZ 4851-B				★ E9HT 4B430-C064A				
295	3.42	1610	E7HZ 4851-R	1610	E8HZ 4465-A	A,H,◇	★ E9HT 4A375-B029A		A9-P-1628	E9HZ 4300-L
		1710	E7HZ 4851-S	1610	E8HZ 4465-A		★ E9HT 4A375-B079A			
		1760	E8HZ 4851-A	1610	E8HZ 4465-A					
		1810	E8HZ 4851-B	1710	E9HZ 4465-A					
3.58	1610	E7HZ 4851-R	1610	E8HZ 4465-A	A,H,N,◇	★ E9HT 4A375-B030A		A9-P-1628	E9HZ 4300-M	
		1710	E7HZ 4851-S	1610	E8HZ 4465-A		★ E9HT 4A375-B080A			
		1760	E8HZ 4851-A	1610	E8HZ 4465-A		★ E9HT 4A375-B130A			
		1810	E8HZ 4851-B	1710	E9HZ 4465-A					
3.73	1610	E7HZ 4851-R	1610	E8HZ 4465-A	A,H,N,◇	★ E9HT 4A375-B031A		A9-P-1628	E9HZ 4300-N	
		1710	E7HZ 4851-S	1610	E8HZ 4465-A		★ E9HT 4A375-B081A			
		1760	E8HZ 4851-A	1610	E8HZ 4465-A		★ E9HT 4A375-B131A			
		1810	E8HZ 4851-B	1710	E9HZ 4465-A					
3.91	1610	E7HZ 4851-R	1610	E8HZ 4465-A	A,H,N,◇	★ E9HT 4A375-B032A		A9-P-1628	E9HZ 4300-P	
		1710	E7HZ 4851-S	1610	E8HZ 4465-A		★ E9HT 4A375-B082A			
		1760	E8HZ 4851-A	1610	E8HZ 4465-A		★ E9HT 4A375-B132A			
		1810	E8HZ 4851-B	1710	E9HZ 4465-A					
4.10	1610	E7HZ 4851-R	1610	E8HZ 4465-A	A,H,N,◇	★ E9HT 4A375-B033A		A9-P-1628	E9HZ 4300-R	
		1710	E7HZ 4851-S	1610	E8HZ 4465-A		★ E9HT 4A375-B083A			
		1760	E8HZ 4851-A	1610	E8HZ 4465-A		★ E9HT 4A375-B133A			
		1810	E8HZ 4851-B	1710	E9HZ 4465-A					
4.30	1610	E7HZ 4851-R	1610	E8HZ 4465-A	A,H,◇	★ E9HT 4A375-B034A		A9-P-1628	E9HZ 4300-S	
		1710	E7HZ 4851-S	1610	E8HZ 4465-A		★ E9HT 4A375-B084A			
		1760	E8HZ 4851-A	1610	E8HZ 4465-A					
		1810	E8HZ 4851-B	1710	E9HZ 4465-A					
4.56	1610	E7HZ 4851-R	1610	E8HZ 4465-A	A,H,◇	★ E9HT 4A375-B035A		A9-P-1628	E9HZ 4300-T	
		1710	E7HZ 4851-S	1610	E8HZ 4465-A		★ E9HT 4A375-B085A			
		1760	E8HZ 4851-A	1610	E8HZ 4465-A					
		1810	E8HZ 4851-B	1710	E9HZ 4465-A					
4.89	1610	E7HZ 4851-R	1610	E8HZ 4465-A	A,H,◇	★ E9HT 4A375-B036A		A9-P-1628	E9HZ 4300-V	
		1710	E7HZ 4851-S	1610	E8HZ 4465-A		★ E9HT 4A375-B086A			
		1760	E8HZ 4851-A	1610	E8HZ 4465-A					
		1810	E8HZ 4851-B	1710	E9HZ 4465-A					
5.38	1610	E7HZ 4851-R	1610	E8HZ 4465-A	A,H,◇	★ E9HT 4A375-B038A		A9-P-1628	E9HZ 4300-W	
		1710	E7HZ 4851-S	1610	E8HZ 4465-A		★ E9HT 4A375-B088A			
		1760	E8HZ 4851-A	1610	E8HZ 4465-A					
		1810	E8HZ 4851-B	1710	E9HZ 4465-A					
5.63	1610	E7HZ 4851-R	1610	E8HZ 4465-A	A,H,◇	★ E9HT 4A375-B039A		A9-P-1628	E9HZ 4300-X	
		1710	E7HZ 4851-S	1610	E8HZ 4465-A		★ E9HT 4A375-B089A			
		1760	E8HZ 4851-A	1610	E8HZ 4465-A					
		1810	E8HZ 4851-B	1710	E9HZ 4465-A					

**1980/  
TRUCK SERIES 600/900**

**REAR AXLE AND DIFFERENTIAL CARRIER CHART**

PARTS LIST NO.	RATIO	FLANGE				NOTE	REAR AXLE PART NUMBER	RING GEAR DIA. (IN.)	CARRIER	
		SIZE †	INPUT	SIZE †	OUTPUT				IDENTIFICATION	PART NUMBER
▲ RING GEAR DIAMETER LISTED ONLY WHEN OPTIONAL SIZES ARE SHOWN IN PARTS LISTS. † FOR FLANGE TYPE IDENTIFICATION REFER TO GROUP 4851										
Notes:      ◇ U joint flange not included in assy. Determine by size of vehicle drive line. A - Air lockout, E - Electric lockout H - Hendrickson suspension, V - Vacuum lockout, @ - Reyco suspension, N - Newway suspension										
◆ 1980/86 ● 1987/ % 1980/87 ◆ 1988										
296	3.42	1610 1710	E9HZ 4851-A E9HZ 4851-B			H,◇	★ E9HT 4B430-C029A, ★ E9HT 4B430-C079A		A1-V-1660	E9HZ 4200-P
	3.58	1610 1710	E9HZ 4851-A E9HZ 4851-B			H,◇	★ E9HT 4B430-C030A, ★ E9HT 4B430-C080A		A1-V-1660	E9HZ 4200-R
	3.73	1610 1710	E9HZ 4851-A E9HZ 4851-B			H,◇	★ E9HT 4B430-C031A, ★ E9HT 4B430-C081A		A1-V-1660	E9HZ 4200-S
	3.91	1610 1710	E9HZ 4851-A E9HZ 4851-B			H,◇	★ E9HT 4B430-C032A, ★ E9HT 4B430-C082A		A1-V-1660	E9HZ 4200-T
	4.10	1610 1710	E9HZ 4851-A E9HZ 4851-B			H,◇	★ E9HT 4B430-C033A, ★ E9HT 4B430-C083A		A1-V-1660	E9HZ 4200-V
	4.30	1610 1710	E9HZ 4851-A E9HZ 4851-B			H,◇	★ E9HT 4B430-C034A, ★ E9HT 4B430-C084A		A1-V-1660	E9HZ 4200-W
	4.56	1610 1710	E9HZ 4851-A E9HZ 4851-B			H,◇	★ E9HT 4B430-C035A, ★ E9HT 4B430-C085A		A1-V-1660	E9HZ 4200-X
	4.89	1610 1710	E9HZ 4851-A E9HZ 4851-B			H,◇	★ E9HT 4B430-C036A, ★ E9HT 4B430-C086A		A1-V-1660	E9HZ 4200-Y
	5.38	1610 1710	E9HZ 4851-A E9HZ 4851-B			H,◇	★ E9HT 4B430-C038A, ★ E9HT 4B430-C088A		A1-V-1660	E9HZ 4200-Z
	5.63	1610 1710	E9HZ 4851-A E9HZ 4851-B			H,◇	★ E9HT 4B430-C039A, ★ E9HT 4B430-C089A		A1-V-1660	E9HZ 4200-AA

**1980/  
TRUCK SERIES 600/900**

**INSTRUCTIONS FOR IDENTIFYING REAR AXLE ASSEMBLIES and THEIR RELATED PARTS  
LIST NUMBERS ARE SHOWN ON PAGE 1 OF SECTION 40.**

Axle manufacturer and model are shown at the beginning of each Parts Lists.

QTY.	PART NUMBER	DESCRIPTION	QTY.	PART NUMBER	DESCRIPTION
<b>EATON 18221 REAR AXLE SERVICE PARTS LIST NO. 25</b>					
Notes % Also serviced in kit - group 4A195, Δ Also serviced in kit - group 4A109 ⊕ Also serviced in kit-group 4237					
1	D7HZ 4010-C	Housing assy.-#100304, 100852	12	58720-S2(B-138-B)	Bolt (carrier to housing)-5/8"-11 x 1 3/4"
1	374506-S(PP-51)	Plug (drain)-magnetic-3/4"-14	12	34811-S2(X-71)	Lockwasher-5/8"
1	B6QH 4019-A	Washer (drive pinion grease retainer)	2	353069-S(PP-46)	Plug (oil dist. pipe and peep hole)-1" square countersunk
	4027	Refer to group 4127 within parts list	1	74121-S(P-8)	Plug expansion (shift fork shaft hole)-upper-1 1/4"
4	7EQH 4029	Pin (Planetary gear)-1 1/2" x 4 5/16"	1	★74116-S	Plug expansion (shift fork shaft hole)-lower-15/16"
1	ΔB7TZ 4035-A	Gasket (differential carrier)-18 3/4" O.D.-17 1/2" bolt circle	2	D3HZ 4323-B	Stud (shift housing)-7/16"-20-14 x 1 11/16"
1	Δ7EQH 4036	Gasket (cover to housing)-18 3/4" O.D.	2	44730-S8(X-26)	Washer (shift housing stud)-7/16"-use on vehicles w/rear shocks
1	%C3TZ 4040-B	Plate (high speed clutch)-#56931-7 3/4" O.D.-3/4" thick-16 internal teeth	2	E4HZ 4B147-A	Washer (shift housing stud)-15/32" I.D. x 15/16" O.D. x 3/32" thick-use on vehicles w/o rear shocks
1	A8TZ 4045-A	Fork & roller assy. (diff. shift)-#62720	2	B8TZ 4322-A	Nut (shift housing stud)-7/16"-20
2	B9TZ 4053-A	Pin (differential shift fork roller)-1 3/64" long-major O.D.-11/16"-minor O.D. 15/32"	1	4143	Lock (diff. bearing adjusting)
1	%E3HZ 4055-D	Gear (sliding clutch)-#113596-7 21/64" long-16 teeth each end	1	7EQH 4143	R.H.
1	★B9TT 4062-A	Shift assy.-electric #41059-use on vehicles w/rear shocks r/b MAT 89011	1	B6TZ 4143-A	L.H.
1	E5HZ 4062-A	#113770-use on vehicles w/o rear shocks	2	371173-S(BB-349)	Bolt (lock)-5/8"-11 x 2"-head drilled
	4062	Shift assy. kit (electric)-retrofit-to convert axles w/o rear shocks to new style shift assy.-refer to group in Section 41	1	%7EQH 4147	Washer (high speed clutch plate thrust)-4 1/4" I.D.-7 27/32" O.D.
	4B062	Electric shift unit repair kit-refer to group in Section 41	1	E3HZ 4149-B	Shaft assy. (differential shift fork)-includes "O" ring
	4067	Adjuster (differential bearing)	4	7EQH 4154	Pin (high speed clutch plate)-2 7/16" long
1	7EQH 4067	R.H.-#27842-use on old style case #27839	2	B6QH 4156-A	Bushing (diff. bearing adjuster lock)
1	E1HZ 4067-B	R.H.-#110243-use on new style case #110148-also serviced in kit-group 4127	1	C8TZ 4159-A	Lubricator (diff.)-trough-stamped #67814
1	%C3TZ 4067-M	L.H.-#56932	1	A8TZ 4168-A	Retainer (driving pinion oil seal)-2 39/64" I.D. x 3 41/64" O.D. x 1/4" thick
1	E4HZ 4072-A	Seal assy. (shift fork)-#119851	1	B6TZ 4A195-A	Sliding clutch gear kit
1	B7TZ 4A109-C	Gasket kit	Consists of		
	1-E0HZ 4536-A	Shim 1-38939 Sealer	1	C3TZ 4040-B	Plate 1-C3TZ 4067-M Adjuster
	1-E0HZ 4536-C	Shim 1-43590 Shim	1	E3HZ 4055-D	Gear 1-7EQH 4147 Washer
	1-7EQH 4662	Gasket 1-107276 Rtv. gasket		4200	Differential assy.-refer to group in section 40
	4127	Case (differential gear support)	1	C0TT 4204-B	Case assy. (diff.)-incl. (8) 350048-S bolt
1	★7EQH 4127	R.H.-#27839-use on vehicles with old style case-r/b E3HZ 4127-A	8	D6HZ 4216-A	Bolt (case)-self-locking-1/2"-13 x 2 3/4"
1	E1HZ 4127-A	R.H.-#110148-use on vehicles with new style case-also serviced in kit-group 4127		4209	Ring gear and pinion kit
1	7EQH 4027	L.H.-#27838		D6HZ 4209-AV	Solid pinion-includes self-locking nut
1	E3HZ 4127-A	Case kit (differential gear support)-R.H.-use on vehicles to convert to new style case	1	D6HZ 4209-AM	5.57/7.60 ratio
	Consists of		1	4209	6.14/8.38 ratio
	1-E1HZ 4067-B	Adjuster 1-E1HZ 4127-A Case	1	E2HZ 4209-K	6.50/8.87 ratio-use E2HZ 4209-K
2	C8TZ 4A133-A	Screw (differential oil trough)-1/4"-20 x 3/4" nylock	1	E4HZ 4209-B	6.57/8.94 ratio
1	C8TZ 4141-B	Carrier assy. (differential)-#67757	1	4211	7.17/9.77 ratio
					Shaft (pinion)-Service only in kit-group 4237

1980/  
TRUCK SERIES 600/900

QTY.	PART NUMBER	DESCRIPTION	QTY.	PART NUMBER	DESCRIPTION	
EATON 18221 REAR AXLE SERVICE PARTS LIST NO. 25 — Cont'd						
Notes % Also serviced in kit - group 4A195, Δ Also serviced in kit - group 4A109						
⊕ Also serviced in kit - group 4237						
8	A8TZ 4217-A	Bolt and nut assy. (diff. case-support)- 9/16"-18 x 4 13/64"	1	4537	Spacer (driving pinion bearing) — Cont'd	
1	A8TZ 4217-C	Bolt and nut kit (gear support case)	1	D5HZ 4537-H	.632" thick	
Consists of			1	D5HZ 4537-J	.633" thick	
8-44358	Bolts	8-60599	Nuts	1	D5HZ 4537-K	.634" thick
	4221	Cone and roller (differential bearing)	1	7EQH 4537-E	.635" thick	
1	A7TZ 4221-A	R.H.-#497	1	D5HZ 4537-L	.636" thick	
1	7EQH 4221	L.H.-#56425	1	D5HZ 4537-M	.637" thick	
	4222	Cup (differential bearing)	1	D5HZ 4537-N	.638" thick	
1	B6Q 1243-A	R.H.-#493	1	D5HZ 4537-P	.639" thick	
1	7EQH 4222	L.H.-#56650	1	D5HZ 4537-R	.640" thick	
4	⊕A8TZ 4228-A	Washer (differential side gear thrust and support case)-4 9/16" O.D.	1	7EQH 4537-G	.641" thick	
4	7EQH 4229	Gear (differential planetary)- 1 1/2" I.D. x 3 1/16" O.D.	1	D5HZ 4537-S	.642" thick	
4	⊕7EQH 4230	Washer (pinion thrust)- 1 1/64" I.D. x 2 7/16" O.D.	1	D5HZ 4537-T	.643" thick	
2	D7HZ 4234-A	Shaft assy.	1	D5HZ 4537-V	.644" thick	
	4236	Gear (differential side) - serviced only in kit-group 4237	1	D5HZ 4537-W	.645" thick	
1	B8QH 4237-G	Gear and pinion kit (differential)-	1	D5HZ 4537-X	.646" thick	
Consists of			1	7EQH 4537-J	.647" thick	
1-7EQH 4211	Shaft	2-TUAA 4236-B	Side gear	1	D5HZ 4537-Y	.648" thick
2-A8TZ 4228-A	Washer-gear	4-104139	Pinion gear	1	D5HZ 4537-Z	.649" thick
4-7EQH 4230	Washer-pinion			1	D5HZ 4537-AA	.650" thick
	4292	Pinion-serviced only in kit-group 4237		1	D5HZ 4537-AB	.651" thick
1	C8TZ 4A309-A	Trap (filler plug)-magnetic-1" x 1 1/2"	6	D5HZ 4537-AC	.652" thick	
8	A8TZ 4322-A	Nut (gear case bolt)-9/16"-18- conelock-also serviced in assy.-group 4217	6	7EQH 4537-L	.653" thick	
	4536	Shim (driving pinion bearing retainer)	1	D5HZ 4537-AD	.654" thick	
AR ΔE0HZ 4536-A	.003" thick		1	C8TZ 4614-B	Retainer assy. (driving pinion)- stamped 67817	
AR ΔE0HZ 4536-C	.010" thick		6	21044-S8(B-132)	Bolt (retainer to carrier)-9/16" - 12 x 1 3/4"	
1	TGAA 4536-A	Shim (gear shaft bearing cage)- .125" thick	6	34810-S7(X-69)	Lockwasher-9/16"	
	4537	Spacer (driving pinion bearing)	2	7EQH 4616	Cup (driving pinion bearing)-#55437	
1	D5HZ 4537-AG	.621" thick	2	A8TZ 4621-A	Cone & roller (driving pinion)- #55200-C	
1	★D5HZ 4537-AH	.622" thick	1	7EQH 4625	Bearing assy. (driving pinion pilot)- #MUS 1307TM, #15828	
1	7EQH 4537-A	.623" thick	1	7EQH 4637	Washer (driving pinion)-1 9/32" I.D.	
1	D5HZ 4537-A	.624" thick	1	E3HZ 4676-A	Seal and retainer assy. (drive pinion oil)- includes integral seal and retainer- #119427-4 9/16" O.D.-For 2 5/8" dia. shaft	
1	D5HZ 4537-B	.625" thick		4851	Flange assy.(universal joint)-axle end	
1	D5HZ 4537-C	.626" thick	1	TGAA 4851-B	6C size	
1	D5HZ 4537-D	.627" thick	1	B8QH 4851-C	7C size-#45926	
1	D5HZ 4537-E	.628" thick	1	D9HZ 4851-A	1550 size-#4-4-1901	
1	7EQH 4537-C	.629" thick	1	D4HZ 4851-C	1610 size	
1	D5HZ 4537-F	.630" thick	1	D5HZ 4320-A	Nut (flange to pinion)-self-locking-1 1/4" -12 x 1 3/4"-also serviced in kit-group 4209	
1	D5HZ 4537-G	.631" thick				

**1980/  
TRUCK SERIES 600/900**

QTY.	PART NUMBER	DESCRIPTION	QTY.	PART NUMBER	DESCRIPTION	
<b>EATON 38DPC REAR AXLE SERVICE PARTS LIST NO. 53</b>						
Notes: ⊕ Also serviced in kit-group 4237 ♦ Also serviced in kit-group 4215 Δ Also serviced in kit - group 4A109 % Also serviced in kit-group 4A195						
	4027	Refer to group 4127 within parts list		4143	Lock (diff. bearing adjuster)	
1	7EQH 4028-A	Drum (oil collector)-13 13/16" O.D.	1	B6TZ 4143-A	R.H.	
4	7EQH 4029	Pin (planetary gear)-1 1/2" x 4 5/16"	1	7EQH 4143	L.H.-7/32" thick	
1	★D0HZ 4033-A	Cover assy. (housing) - #77749, 77752 - incl. 4475 bearing, 4676 Seal, 371365-S Snap ring and fill plug	2	371173-S(BB-349)	Bolt (lock)-head drilled-5/8"-11 x 2"	
1	358048-S(PP-43)	Plug (filler)-3/4"-14-also serviced in kit-group 4341	1	%7EQH 4147	Washer (high speed clutch plate thrust)- 4 1/4" I.D. x 7 27/32" O.D.	
1	ΔB7TZ 4035-A	Gasket (differential carrier)-18 3/4" O.D.-12 bolt holes-17 1/2" bolt circle	4	7EQH 4154	Pin (high speed clutch plate)- 2 7/16" long	
1	★ΔB8QH 4036-A	Gasket (cover to housing)-18 3/4" O.D.-12 bolt holes-17 1/2" bolt circle r/b D6AZ 19562-B	2	B6QH 4156-A	Bushing (diff. bearing adjuster lock)	
1	%C3TZ 4040-B	Plate (high speed clutch)-#56931	1	C8TZ 4159-B	Lubricator (differential)-trough	
1	★59T 4052-M	Cover (differential carrier)-shift fork opening	1	A8TZ 4168-A	Retainer (driving pinion oil seal)- 2 39/64" I.D. x 3 49/64" O.D.- 1/4" thick	
2	357183-S8 (WW-37)	Stud (cover retaining)-7/16"-14 x 7/8"	1	B6TZ 4A195-B	Sun gear kit	
2	34808-S8(X-67)	Lockwasher-7/16"	Consists of			
1	%E3HZ 4055-E	Sun gear-#113598	1-C3TZ 4040-B	Plate	1-C3TZ 4067-M Adjuster	
1	C1TZ 4062-A	Shift assy.-power divider-air	1-E3HZ 4055-E	Gear	1-7EQH 4147 Washer	
	4067	Adjuster (differential bearing)	8	350047-S7(BB-338)	Bolt (case)-head drilled- 1/2"-13 x 2 7/16"	
1	%C3TZ 4067-M	R.H.-#56932	1	C0TT 4204-B	Case assy. (differential)	
1	7EQH 4067	L.H.-#27842-use on old style case #27839	8	D6HZ 4216-A	Bolt (case)-self-locking- 1/2"-13 x 2 3/4"	
1	E1HZ 4067-B	L.H.-#110243-use on new style case #110148-also serviced in kit-group 4127		4211	Shaft (pinion)-serviced only in kit- group 4237	
1	Δ01T 4073-M	Gasket (differential carrier cover)- shift fork opening	1	D5HZ 4215-A	Kit (Power Divider Differential Repair)	
1	C1TZ 4A109-A	Gasket kit	Consists of			
Consists of						
1-B8QH 4436-A	Shim	1-B8QH 4536-X	Shim	4-8Q 4230-B	Washer	
1-B8TZ 4436-B	Shim	1-7EQH 4662	Gasket	4-95210	Side pinion	
1-TVAA 4456-A	Seal	1-38939	Sealer	8	B8TZ 4216-A	Bolt (differential case)-power divider 7/16"-20 x 2 5/8"
1-TVAA 4457-A	Retainer	1-43590	Shim	8	A8TZ 4217-A	Bolt and nut assy. (differential case)-support- 9/16"-18 x 4 13/64"-1980/82
1-TWAA 4461-A	Gasket	1-45499	Shim	1	A8TZ 4217-C	Bolt and nut kit (gear support case)-1983
1-B7Q 4536-B	Shim	1-57373	Sealer	Consists of		
1-B7Q 4536-C	Shim	1-85406	Shim	8-44358	Bolts	
1-B8QH 4536-V	Shim	1-107276	Rtv. gasket		8-60599	Nuts
1-B8QH 4536-W	Shim			1	7EQH 4221	Cone and roller (differential bearing)
	4127	Case (differential gear support)		1	7EQH 4221	R.H.-#56425
1	7EQH 4027	R.H.-#27838		1	A7TZ 4221-A	L.H.-#497
1	★7EQH 4127	L.H.-#27839-use on vehicles with old style case-r/b E3HZ 4127-A			4222	Cup (diff. bearing)
1	E1HZ 4127-A	L.H.-#110148-use on vehicles with new style case-also serviced in kit-group 4127		1	7EQH 4222	R.H.-#56650
1	E3HZ 4127-A	Case kit (differential gear support)-L.H.- use on vehicles to convert to new style case		1	B6Q 1243-A	L.H.-#493
Consists of						
1-E1HZ 4067-B	Adjuster	1-E1HZ 4127-A	Case	1	D3HZ 4222-A	Cup (Input shaft bearing) #JM207010-use with tapered bearing cone
2	C8TZ 4A133-A	Screw (differential oil trough)- 1/4"-20 x 3/4" nylock		3	⊕A8TZ 4228-A	Washer (differential side gear thrust and support case)-4 9/16" O.D.
	4A142	Nut		4	⊕7EQH 4229	Gear (differential planetary)- 1 1/2" I.D. x 3 1/6" O.D.
11	B7TZ 4A142-A	Carrier to housing 5/8"-18		4	7EQH 4230	Washer (pinion thrust)-differential- 1 1/64" I.D. x 2 7/8" O.D.
11	C1TZ 4A142-A	Cover to housing 7/16"-20		4	♦8Q 4230-B	Washer (pinion thrust)-power divider 31/32" I.D. x 2" O.D.
				2	D7HZ 4234-A	Shaft (assy.)
					4236	Gear (differential side)-serviced only in kit-group 4237

1980/  
TRUCK SERIES 600/900

QTY.	PART NUMBER	DESCRIPTION	QTY.	PART NUMBER	DESCRIPTION	
EATON 38DPC REAR AXLE SERVICE PARTS LIST NO. 53 — Cont'd						
Notes: ⊕ Also serviced in kit-group 4237 ♦ Also serviced in kit-group 4215						
Δ Also serviced in kit - group 4A109 % Also serviced in kit-group 4A195						
1	B8QH 4237-G	Gear and pinion kit (diff.)-	1	C1TT 4344-A	Seal (shift fork)-air	
Consists of						
1-7EQH 4211	Shaft	2 TUA 4236-B	Side gear	1	C1TT 4345-A	Washer (shift fork push rod)-air
2 A8TZ 4228-A	Washer-gear	4 104139	Pinion gear	11	C1TZ 4346-A	Stud (cover to housing)-7/16"-14 and 7/16"-20 x 2"
4.7EQH 4230	Washer-pinion			1	E1HZ 4346-A	Bolt (cover to housing)-7/16"-14 x 3"
1	D8HZ 4N282-A	Plug (housing cover filler)-magnetic-1"-11 1/2" also serviced in 4033 assy.		12	34793-S2(X-67-A)	Lockwasher (cover to housing)-7/16"
	4292	Pinion serviced only in kit-group 4237			4351	Flange assy. (universal joint)-power divider end-input-
	4300	Differential assy. refer to group in section 40		1	B8QH 4351-A	7C size
	4309	Ring gear and pinion kit		1	B8QH 4351-C	8C size
		Solid pinion-includes self-locking nut		1	D5HZ 4851-D	1610 size
1	★D6HZ 4309-T	5.05 ratio		1	C6TZ 4351-A	1710 size
1	★D6HZ 4309-H	7.60 ratio		1	E1HZ 4851-C	1760 size
16	352330-S(SS-32-D)	Rivet (gear to case)-1/2" x 1 1/2"		1	D1HZ 4351-C	1810 size
	4310	Housing assy. Hendrickson suspension		1	D6HZ 4320-A	Nut (flange to input shaft)-self-locking-1 1/2"-18 x 2 1/4"-also serviced in kit-group 4209
1	★D7HZ 4310-E	#100336. 301255-w/o 60" spread frame-r/b D7HZ 4310-X		1	C1TZ 4404-A	Case assy. (power divider diff.)
1	D7HZ 4310-X	#303207 w/o 60" spread frame		1	★B8QH 4414-B	Retainer assy. (drive pinion bearing)
1	★D7HZ 4310-H	#100394, 301258-w/60" spread frame-r/b D7HZ 4310-Y		6	357453-S(BB-342)	Bolt (retainer)-9/16"-12 x 1 1/2" head drilled
1	★D7HZ 4310-Y	#303209-W/60" spread frame		6	34810-S7-8(X-69)	Lockwasher-9/16"
1	353240-SA(PP-52)	Plug (drain)-magnetic-3/4"-14		1	★C1TT 4418-A	Strainer (air)-improvise
1	B8QH 4319-A	Washer (output flange to bearing)-1 3/4" I.D. x 29/32" O.D.-3/16" thick		1	D3HZ 4423-A	Bearing (power divider input shaft)-front-#JM207049 (tapered)
8	A8TZ 4322-A	Nut (gear case bolt)-9/16"-18 conelok -also serviced in assy.-group 4217		1	371365-S(QQ-14)	Snap ring (bearing retainer)
8	B8TZ 4322-A	Nut (gear case bolt)-7/16"-20		1	371357-S(MM-97)	Nut (retainer)-slotted-1 1/2"-18
11	E0HZ 4323-D	Stud (carrier to housing)-5/8"-18 and 5/8"-11 x 2 11/16"		1	★A8BTZ 4427-A	Gasket (power divider cover)-r/b D6AZ 19562-B
1	E1HZ 4323-A	Bolt (carrier to housing)-5/8"-11 x 1 3/8"		1	B8QH 4428-B	Cover (power divider)
12	34811-S2(X-71)	Lockwasher (carrier to housing)-5/8"		5	21044-S8(B-132)	Bolt (cover to housing)-short-9/16"-12 x 1 3/4"
1	C1TT 4334-A	Seal (shift housing cover)-air		4	304894-S2(B-134-B)	Bolt (cover to housing)-long-9/16"-12 x 2 1/2"
1	B8QH 4337-A	Retainer (sun gear)		9	34810-S7-8(X-69)	Lockwasher-9/16"
1	★C8TZ 4341-B	Carrier assy. (differential)-#65416-cstg. no. 65417, 106409 old style-r/b D3HZ 4341-B		1	★D3HZ 4431-A	Retainer (power divider input shaft brg.)
1	★D3HZ 4341-B	Carrier kit (diff.) cstg. no. 110816 use to update old style assy. to new style			4433	Gear (power divider output shaft cluster)-rear-22 teeth-16 splines
Consists of						
2-7641	Pin	1-358048-S	Plug	1	D3HZ 4433-A	Use on old style carrier with cstg. no. 65417, 106409
1-9797	Plug	2 E4HZ 4B147-A	Washer	1	★D3HZ 4433-B	#119896-use on new style carrier with cstg. no. 110816-also serviced in kit-group 4341
1-30703	Plug	1-E3HZ 4149-B	Shift fork	1	B8QH 4434-A	Gear (power divider input shaft cluster)-front-18-41-22 teeth
1-45521	Cover	2-B8TZ 4322 A	Nut		4436	Shim (drive pinion bearing retainer)
4-90538	Wire	1-D3HZ 4323-E	Stud	AR	ΔB8QH 4436-A	.003" thick
1-107276	Rtv. gasket	1-D3HZ 4433 B	Gear	AR	ΔB8TZ 4436-B	.005" thick
1-110817	Carrier assy.	1-E2HZ 4470 A	Bearing assy.	2	★C0TT 4437-A	Bushing (power divider cluster gear) 2 1/4" O.D.-1 7/32" long
1	350724-S(BB-201)	Bolt (carrier to hsg.)-5/8"-11 x 1 7/16"		1	B9TT 4442-A	Gear (drive pinion transfer)-#46977-41 teeth-10 splines-1 31/32" I.D. spline
4	350799-S(BB-373)	Bolt (cap to carrier)-13/16"-10 x 4 1/4"		1	B8QH 4445-A	Washer (power divider input shaft thrust)
4	★351541-S	Washer-flat-13/16" I.D. x 1 1/4" O.D.-5/32" thick		1	D3HZ 4446-B	Shaft kit (power divider input)
2	353069-S(PP-46)	Plug (oil dist. retaining) - 1" counter sunk		Consists of		
2	358048-S(PP-43)	Plug (filler and peep hole)-3/4"-14-also serviced in kit-group 4341		1-D6HZ 4320-A	Locknut	1-95395 Tag
1	74121-S(P-8)	Plug expansion (shift fork shaft) hole-upper 1 1/4" lower-15/16"		1-D3TZ 4446-B	Shaft	
1	★74116-S					
	★371934-S	Pin-dowel-5/8" x 1 3/8"				

1980/  
TRUCK SERIES 600/900

QTY.	PART NUMBER	DESCRIPTION	QTY.	PART NUMBER	DESCRIPTION	
EATON 38DPC REAR AXLE SERVICE PARTS LIST NO. 53 — Cont'd						
Notes: ⊕ Also serviced in kit-group 4237 ♦ Also serviced in kit-group 4215						
△ Also serviced in kit - group 4A109 % Also serviced in kit-group 4A195						
1	D6HZ 4320-A	Nut (retainer)-self-locking- 1 1/2"-18 x 2 1/4"-also serviced in kit-group 4446	1	371365-S(QQ-14)	Snap ring (bearing retainer)- piston)-felt- 1 3/4" I.D. x 1/4" thick	
1	★B8QH 4450-B	Fork assy. (power divider diff. lockout shift)-vacuum			2 19/32" I.D.-also serviced in assy. group 4033	
1	C1TT 4450-A	Shift fork and push rod assy. (air)	2	B8QH 4476-B	"O" ring (power divider output shaft)	
1	★TWAA 4453-B	Bracket (power divider diff. lockout)- vacuum		4526	Bracket (torque arm)	
2	354136-S(BB-906)	Bolt (bracket to case cover)- 7/16"-14 x 1 1/4"	1	★D7HZ 4526-A	Straddle mount type - w/o 60" spread frame	
2	34793-S2(X-67-A)	Lockwasher-7/16"	1	★D7HZ 4526-B	Straddle mount tapered ball type - w/60" spread frame	
2	34808-S8(X-67)	Lockwasher-7/16"		4536	Shim (driving pinion bearing retainer)	
1	B8QH 4454-A	Washer (power divider input shaft)	AR	ΔB8QH 4536-V	.003" thick	
1	C1TT 4454-A	Bushing (power divider output shaft)	AR	ΔB8QH 4536-W	.010" thick	
1	B8QH 4455-A	Gear (power divider sliding clutch)- 18 teeth-20 splines	AR	ΔB8QH 4536-X	.030" thick	
1	C1TT 4458-A	Spring (power divider differential lockout shift lever return)-air		4537	Spacer (driving pinion bearing)	
1	★TVAA 4458-A	Spring (power divider differential lockout shift lever return)-vacuum	1	D5HZ 4537-AG	.621" thick	
1	352574-S(NN-140)	Pin (spring to lockout bracket)- straight-5/32" x 1 3/8"	1	★D5HZ 4537-AH	.622" thick	
1	352599-S(XX-236)	Washer (spring retaining)-flat-25/32"	1	7EQH 4537-A	.623" thick	
1	TWAA 4459-B	Lever (power divider differential lockout shift)-vacuum	1	D5HZ 4537-A	.624" thick	
1	73995-S7(N-32)	Clevis pin-1/2" x 1 3/4"	1	D5HZ 4537-B	.625" thick	
1	TWAA 4460-B	Boot (power divider differential lockout shift)-vacuum	1	D5HZ 4537-C	.626" thick	
1	ΔTWAA 4461-A	Gasket (power divider diff. lockout bracket)-1 13/16" I.D.	1	D5HZ 4537-D	.627" thick	
	4465	Flange assy. (universal joint)-output	1	D5HZ 4537-E	.628" thick	
1	B8QH 4465-B	7C size	1	7EQH 4537-C	.629" thick	
1	C6TZ 4465-A	1610 size-#5-3901	1	D5HZ 4537-F	.630" thick	
1	C7TZ 4465-B	1710 size	1	D5HZ 4537-G	.631" thick	
	4470	Bearing (power divider output shaft)-front	1	D5HZ 4537-H	.632" thick	
1	C2TZ 4470-A	Includes cup #34492A, cone #34274- use on old style carrier with cstg. no. 65417, 106409	1	D5HZ 4537-I	.633" thick	
1	E2HZ 4470-A	Includes cup #29620, cone #29675- use on new style carrier with cstg. no. 110816-also serviced in kit-group 4341	1	D5HZ 4537-J	.633" thick	
1	371356-S(QQ-28)	Snap ring (bearing retainer)- 2 19/32" I.D.	1	D5HZ 4537-K	.634" thick	
1	D2HZ 4471-B	Shaft kit (power divider output)	1	D5HZ 4537-L	.635" thick	
Consists of						
1	D5HZ 4320-A	Locknut 1-95395	Tag	1	D5HZ 4537-E	.635" thick
1	D2HZ 4471-A	Shaft & Bushing		1	D5HZ 4537-L	.636" thick
1	371366-S(QQ-22)	Snap ring (retainer)-1 63/64" I.D.		1	D5HZ 4537-M	.637" thick
1	D5HZ 4320-A	Nut (output shaft end)-self-locking - 1 1/4" - 12 X 1 3/4"		1	D5HZ 4537-N	.638" thick
1	B8QH 4475-A	Bearing (power divider output shaft)- rear-#MU 1209 CAHL-1 25/32" I.D.- 3 11/32" O.D.-3/4" thick-also serviced in assy.-group 4033 and in kit-group 4A216		1	D5HZ 4537-P	.639" thick
				1	D5HZ 4537-R	.640" thick
				1	7EQH 4537-G	.641" thick
				1	D5HZ 4537-S	.642" thick
				1	D5HZ 4537-T	.643" thick
				1	D5HZ 4537-V	.644" thick
				1	D5HZ 4537-W	.645" thick
				1	D5HZ 4537-X	.646" thick
				1	7EQH 4537-J	.647" thick
				1	D5HZ 4537-Y	.648" thick
				1	D5HZ 4537-Z	.649" thick
				1	D5HZ 4537-AA	.650" thick
				1	D5HZ 4537-AB	.651" thick
				1	D5HZ 4537-AC	.652" thick
				1	7EQH 4537-L	.653" thick
				1	D5HZ 4537-AD	.654" thick
				2	D8HZ 4550-A	Oiler (power divider lockout shift piston)-felt- 1 3/4" I.D. x 1/4" thick
				1	C1TT 4567-G	Ring (snap)-2 1/32" I.D.
				2	B8QH 4616-A	Cup (driving pinion bearing)-#72487
				2	B8TZ 4621-A	Cone and roller (drive pinion bearing)-#72200-C

1980/  
TRUCK SERIES 600/900

QTY.	PART NUMBER	DESCRIPTION	QTY.	PART NUMBER	DESCRIPTION
EATON 38DPC REAR AXLE SERVICE PARTS LIST NO. 53 — Cont'd					
Notes: ⊕ Also serviced in kit-group 4237 ♦ Also serviced in kit-group 4215					
Δ Also serviced in kit - group 4A109 % Also serviced in kit-group 4A195					
1	C1TT 4623-A	Piston (power divider lockout shift)	1	C1TT 4727-A	Cover (power divider diff. lockout)
1	7EQH 4625	Bearing assy. (driving pinion pilot)- #MUS 1307 TM, #15828	4	D8HZ 4A197-A	Lockwasher (power divider diff. lockout cover bolt)- 1/4" I.D. x 31/64" O.D. x 3/64" thick
1	7EQH 4637	Washer (output shaft flange retaining)- 1 9/32" I.D.	4	304646-S(BB-42-A)	Bolt (power divider diff. lockout cover)- 1/4"-20 x 3/4"
1	C6TZ 4637-A	Washer (input shaft nut)-1 17/32" I.D. x 2 5/8" O.D.-1/16" thick	5	357451-S(BB-195)	Bolt (cover to carrier)-1/2"-13 x 1 3/4"
1	E3HZ 4676-C	Seal assy. (output shaft oil)- #119431-3 5/8" O.D.-for 2 5/8" dia. shaft also serviced in assy.-group 4033	1	D5HZ 4749-A	Body (power divider diff. lockout shift)-air-#32828
1	E3HZ 4676-C	Seal assy. (input shaft oil) #119431	1	4851	Flange Assy. (Universal Joint)-axle end-Refer to group 4351 within parts list
1	★B8QH 4859-A		1	★B8QH 4859-A	Deflector (output shaft oil seal dust)
EATON 38RPC REAR AXLE SERVICE PARTS LIST NO. 54					
Notes: Δ Also serviced in kit- group 4A109 ⊕ Also serviced in kit-group 4237					
% Also serviced in kit-group 4A195					
1	★D7HZ 4010	Housing Assy. #100338, 301256-w/o 60" spread frame- r/b D7HZ 4010-Z	1	E3HZ 4127-A	Case kit (differential gear support)-R.H.- use on vehicles to convert to new style case
1	D7HZ 4010-Z	#303208-w/o 60" spread frame	Consists of		
1	D7HZ 4010-K	#100395, 301259-w/60" spread frame	1-E1HZ 4067-B	Adjuster	1-E1HZ 4127-A Case
1	374506-S(PP-51)	Plug (drain)-magnetic-3/4"-14	2	C8TZ 4A133-A	Screw (differential oil trough)- 1/4"-20 x 3/4" nylock
1	358048-S(PP-43)	Plug (filler)-magnetic-3/4"-14	1	C8TZ 4141-B	Carrier assy. (diff.)-#67757
1	B6QH 4019-A	Washer (driving pinion grease retainer)	4	350799-S(BB-373)	Bolt(cap to carrier)-13/16"-10x4 1/4"
1	4027	Refer to group 4127 within parts list	4	★351541-S	Washer-flat-13/16" I.D. x 1 1/4" O.D.-5/32" thick
4	7EQH 4029	Pin (planetary gear)-1 1/2" x 4 5/16"	2	353069-S(PP-46)	Plug (peep hole and oil distributor retaining)-1" square countersunk
1	B7TZ 4035-A	Gasket (diff. carrier)-18 3/4" O.D.	1	★74116-S	Plug (lower shift fork-shaft hole)- expansion-15/16" (upper)-1 1/4"
1	%C3TZ 4040-B	Plate (high speed clutch)-#56931-7 3/4" O.D.- 3/4" thick-16 internal teeth	1	74121-S(P-B)	
1	★59T 4052-M	Cover (diff. carrier)-shiftfork opening	12	B7TZ 4A142-A	Nut (carrier to housing)-5/8"-18
1	%E3HZ 4055-E	Sun gear-#113598	1	4143	Lock (diff. bearing adjuster)
1	4067	Adjuster (differential bearing)	1	7EQH 4143	R.H.-7/32" thick
1	7EQH 4067	R.H.-#27842-use on old style case #27839	1	B6TZ 4143-A	L.H.
1	E1HZ 4067-B	R.H.-#110243-use on new style case #110148-also serviced in kit-group 4127	2	371173-S(BB-349)	Bolt (lock)-head drilled-5/8"-11 x 2"
1	%C3TZ 4067-M	L.H.-#56932	1	72046-S7(N-67)	Cotter pin-3/16" x 1 3/8"
1	Δ01T 4073-M	Gasket (differential carrier cover)- shift fork opening	1	%7EQH 4147	Washer (high speed clutch plate thrust)- 4 1/4" I.D. x 7 27/32" O.D.
1	C1TZ 4A109-A	Gasket kit	4	7EQH 4154	Pin (high speed clutch plate)-2 7/16" long
Consists of					
1	B8QH 4436-A	Shim	1	B6QH 4156-A	Bushing (diff. bearing adjuster lock)
1	B8TZ 4436-B	Shim	1	C8TZ 4159-A	Lubricator (differential)-trough- #67814
1	TVAA 4456-A	Seal	1	A8TZ 4168-A	Retainer (driving pinion oil seal)- 2 39/64" I.D. x 3 49/64" O.D.- 1/4" thick
1	TVAA 4457-A	Retainer	1	B6TZ 4A195-B	Sun gear kit
1	TWAA 4461-A	Gasket	Consists of		
1	E0HZ 4536-A	Shim	1-C3TZ 4040-B	Plate	1-C3TZ 4067-M
1	E0HZ 4536-C	Shim	1-E3HZ 4055-E	Gear	1-7EQH 4147
1	B8QH 4536-V	Shim	1	4200	Differential assy.-refer to group in in section 40
1	B8QH 4536-W	Shim	1	C0TT 4204-B	Case assy. (differential)-incl. 8-350048-S bolt
1	★7EQH 4127	Case (differential gear support) R.H.-#27839-use on vehicles with old style case-r/b E3HZ 4127-A	8	D6HZ 4216-A	Bolt (case)-self-locking- 1/2"-13 x 2 3/4"
1	E1HZ 4127-A	R.H.-#110148-use on vehicles with new style case-also serviced in kit-group 4127	1	4209	Ring gear and pinion kit Solid pinion-includes self-locking nut
1	7EQH 4027	L.H.-#27838	1	D6HZ 4209-AF	5.05 ratio
			1	D6HZ 4209-H	7.60 ratio



1980/  
TRUCK SERIES 600/900

QTY.	PART NUMBER	DESCRIPTION	QTY.	PART NUMBER	DESCRIPTION	
EATON 38RPC REAR AXLE SERVICE PARTS LIST NO. 54 — Cont'd						
Notes: Δ Also serviced in kit- group 4A109 ⊕ Also serviced in kit-group 4237						
% Also serviced in kit-group 4A195						
	4211	Shaft (pinion)-serviced only in kit-group 4237		4537	Spacer (driving pinion bearing) — Cont'd	
8	A8TZ 4217-A	Bolt and nut assy. (diff. case)- 9/16"-18 x 4 13/64"-1980/82	1	D5HZ 4537-A	.624" thick	
1	A8TZ 4217-C	Bolt and nut kit (gear support case)-1983	1	D5HZ 4537-B	.625" thick	
Consists of			1	D5HZ 4537-C	.626" thick	
8-44358	Bolts	8-60599	Nuts	1	D5HZ 4537-D	.627" thick
1	A7TZ 4221-A	4221 Cone and roller (diff. bearing) R.H.-#497	1	D5HZ 4537-E	.628" thick	
1	7EQH 4221	L.H.-#56425	1	7EQH 4537-C	.629" thick	
	4222	Cup (diff. bearing)	1	D5HZ 4537-F	.630" thick	
1	B6Q 1243-A	R.H.-#493	1	D5HZ 4537-G	.631" thick	
1	7EQH 4222	L.H.-#56650	1	D5HZ 4537-H	.632" thick	
3	⊕A8TZ 4228-A	Washer (differential side gear thrust support case)-4 9/16" O.D.	1	D5HZ 4537-J	.633" thick	
4	7EQH 4229	Gear (differential planetary)- 1 1/2" I.D. x 3 1/16" O.D.	1	D5HZ 4537-K	.634" thick	
4	⊕7EQH 4230	Washer (pinion thrust)- 1 1/64" I.D. x 2 7/16" O.D.	1	7EQH 4537-E	.635" thick	
2	D7HZ 4234-A	Shaft (assy.)	1	D5HZ 4537-L	.636" thick	
	4236	Gear (diff. side)-serviced only in kit-group 4237	1	D5HZ 4537-M	.637" thick	
1	B8QH 4237-G	Gear and pinion kit (diff.)-	1	D5HZ 4537-N	.638" thick	
Consists of			1	D5HZ 4537-P	.639" thick	
1-7EQH 4211	Shaft	2-TUAA 4236-B	Side gear	1	D5HZ 4537-R	.640" thick
2-A8TZ 4228-A	Washer-gear	4-104139	Pinion gear	1	7EQH 4537-G	.641" thick
4-7EQH 4230	Washer-pinion			1	D5HZ 4537-S	.642" thick
	4292	Pinion-serviced only in kit-group 4237	1	D5HZ 4537-T	.643" thick	
8	A8TZ 4322-A	Nut (gear case bolt)-9/16"-18 conelok -also serviced in assy.-group 4217	1	D5HZ 4537-V	.644" thick	
	4323	Stud (carrier to housing)	1	D5HZ 4537-W	.645" thick	
11	E0HZ 4323-D	5/8"-11 and 5/8"-18 x 2 11/16"	1	D5HZ 4537-X	.646" thick	
1	D3HZ 4323-D	5/8"-11 and 5/8"-18 x 2 7/8"	1	7EQH 4537-J	.647" thick	
12	34811-S2(X-71)	Lockwasher (carrier to housing)-5/8"	1	D5HZ 4537-Y	.648" thick	
1	B8QH 4337-A	Retainer (sun gear)	1	D5HZ 4537-Z	.649" thick	
	4526	Bracket (torque arm)	1	D5HZ 4537-AA	.650" thick	
1	★D7HZ 4526-A	Straddle mount type-w/o 60" Spread frame	1	D5HZ 4537-AB	.651" thick	
1	★D7HZ 4526-B	Straddle mount tapered ball type-w/60" spread frame	1	D5HZ 4537-AC	.652" thick	
AR	ΔE0HZ 4536-A	4536 Shim (driving pinion bearing retainer) .003" thick	1	7EQH 4537-L	.653" thick	
AR	ΔE0HZ 4536-C	.010" thick	1	D5HZ 4537-AD	.654" thick	
	4537	Spacer (driving pinion bearing)	4	C1TT 4562-A	Plug (differential carrier cup)-7/16"	
1	D5HZ 4537-AG	.621" thick	1	B6QH 4614-A	Retainer assy. (driving pinion)	
1	★D5HZ 4537-AH	.622" thick	6	21044-S8(B-132)	Bolt (sleeve to carrier)- 9/16"-12 x 1 3/4"	
1	7EQH 4537-A	.623" thick	6	★34945-S	Lockwasher-9/16"	
			2	7EQH 4616	Cup (driving pinion bearing)-#55437	
			2	A8TZ 4621-A	Cone and roller (driving pinion)- #55200-C	
			1	7EQH 4625	Bearing assy. (driving pinion pilot)- #MUS 1307 TM, #15828	
			1	7EQH 4637	Washer (driving pinion)-1 9/32" I.D.	
			1	E3HZ 4676-A	Seal and retainer assy. (drive pinion oil)- includes integral seal and retainer #119427-4 9/16" O.D.-for 2 5/8" dia. shaft	

1980/  
TRUCK SERIES 600/900

QTY.	PART NUMBER	DESCRIPTION	QTY.	PART NUMBER	DESCRIPTION
EATON 38RPC REAR AXLE SERVICE PARTS LIST NO. 54 -- Cont'd					
Notes: Δ Also serviced in kit- group 4A109 ⊕ Also serviced in kit-group 4237					
% Also serviced in kit-group 4A195					
	4851	Flange assy. (universal joint)-input	1	D6HZ 4320-A	Nut (flange to pinion)-self-locking- 1 1/2"-18 x 2 1/4"-also serviced in kit-group 4209
1	B8QH 4851-C	7C size-#45926			
1	C6TZ 4851-U	1610 size-#73596-5.05 ratio			
1	C6TZ 4851-T	1610 size-#73590-except 5.05 ratio			
1	C7TZ 4851-E	1710 size-#73592-5.05 ratio			
1	C7TZ 4851-D	1710 size-#73594-except 5.05 ratio			
EATON 38DSC-38DSE REAR AXLE SERVICE PARTS LIST NO. 56					
Notes: Δ Also serviced in kit-group 4A109					
▲ 16 1/2" Ring Gear ⊕ 16"-Ring Gear ⊕ Also serviced in kit - group 4237 ◆ Also serviced in kit - group 4215					
1	★D0HZ 4033-A	Cover assy. (housing)- #77749, 77752-incl. 4475 bearing, 4676 seal, 371365-S Snap ring and fill plug	2	350041-S(BB-347)	Bolt (lock to case)-head drilled- 5/8"-11 x 1 3/4"
			1	★72031-S	Cotter pin-5/16" x 7/8"
			1	C8TZ 4159-C	Lubricator (differential)-trough
1	358048-S(PP-43)	Plug (filler)-3/4"-14-also serviced in kit-group 4341	1	A8TZ 4168-A	Retainer (driving pinion oil seal)- 2 39/64" I.D. x 3 49/64" O.D.-1/4" thick
1	ΔB7TZ 4035-A	Gasket (diff. carrier)-18 1/2" O.D.- 17 1/2" bolt circle-12 bolt holes	1	D5HZ 4204-B	Kit Non-Tenon Diff. Case (Plain Surface Design) Consists of
1	★ΔB8QH 4036-A	Gasket (cover to hsg.)-18 3/4" O.D.- 17 1/2" bolt circle-12 holes r/b D6AZ 19562-B	1-E1HZ 4067-B	Adjuster	1-88677 Case flanged half
			12-D5HZ 4216-E	Bolts	1-210017 Case plain half
1	★59T 4052-M	Cover (diff. carrier)-shift fork opening	12	D5HZ 4216-E	Bolt (case)-self-locking-9/16"-12 x 2 3/4"-also serviced in kit-group 4204
2	357450-S(BB-172)	Bolt (cover retaining)-7/16"-14 x 7/8"		4211	Shaft (pinion)-Serviced only in kit-group 4237
2	34808-S8(X-67)	Lockwasher-7/16"			
1	C1TZ 4062-A	Shift assy. (power divider-air)	1	D5HZ 4215-A	Kit (Power Divider Differential Repair) Consists of
	4067	Adjuster (differential bearing)	4-8Q 4230-B	Washer	4-95211 Bushing
1	A8TZ 4067-B	R.H.-#31562	4-95210	Side pinion	1-95212 Spider
1	7EQH 4067	L.H. - #27842-use on vehicles with plain half diff. case-#88678	8	D2HZ 4216-B	Bolt (power divider case)-5/16"-24 x 2 1/2"
1	E1HZ 4067-B	L.H.-#110243-use on vehicles with plain half diff. case-#110138 or 210017-also serviced in kit-group 4204	8	33923-S7(M-32)	Nut (power divider diff. case bolt)- 5/16"-24
1	Δ01T 4073-M	Gasket (differential carrier cover)- shift fork opening	16	D3HZ 4217-A	Bolt (diff. case)-5/8"-18 x 2 1/8"- also serviced in D6HZ 4982-A Kit
			AR	55757-S2(M89B)	Nut(gear to case) - 5/8" - 18
1	C1TZ 4A109-A	Gasket kit		4221	Cone and roller (diff. bearing)-
Consists of					
1	B8QH 4436-A	Shim	1	8QH 4221-B	R.H.-#567
1	B8TZ 4436-B	Shim	1	A7TZ 4221-A	L.H.-#497
1	TVAA 4456-A	Seal		4222	Cup (diff. bearing)
1	TVAA 4457-A	Retainer	1	8QH 4222-A	R.H.-#563
1	TWAA 4461-A	Gasket	1	B6Q 1243-A	L.H.-#493
1	B7Q 4536-B	Shim	1	D3HZ 4222-A	Cup (input shaft bearing)- #JM207010-use with tapered bearing cone
1	B7Q 4536-C	Shim	3	⊕A8TZ 4228-A	Washer (differential side gear thrust and support case)-4 9/16" O.D.
1	B8QH 4536-V	Shim	4	⊕7EQH 4230	Washer (differential pinion thrust)- 1 1/64" I.D. x 2 7/16" O.D.
1	B8QH 4536-W	Shim	4	◆8Q 4230-B	Washer (pinion thrust)-power divider- 31/32" I.D. x 2" O.D.
2	C8TZ 4A133-A	Screw (differential oil trough)- 1/4"-20 x 3/4" nylock	2	D7HZ 4234-A	Shaft (assy.)
	4A142	Nut		4236	Gear (differential side)-serviced only in kit-group 4237
11	B7TZ 4A142-A	Carrier to housing-5/8"-18			
11	C1TZ 4A142-A	Cover to housing-7/16"-20			
	4143	Lock (diff. bearing adjuster)			
1	TWAA 4143-A	R.H.			
1	7EQH 4143	L.H.-7/32" thick			

1980/  
TRUCK SERIES 600/900

QTY.	PART NUMBER	DESCRIPTION	QTY.	PART NUMBER	DESCRIPTION
EATON 38DSC-38DSE REAR AXLE SERVICE PARTS LIST NO. 56 — Cont'd					
Notes: Δ Also serviced in kit-group 4A109					
▲ 16 1/2" Ring Gear † 16"-Ring Gear ⊕ Also serviced in kit - group 4237 ♦ Also serviced in kit - group 4215					
1	B8QH 4237-G	Gear and pinion kit (differential)-	1	353069-S(PP-46)	Plug (oil distributor retaining)-
Consists of					
1-7EQH 4211	Shaft	2-TUAA 4236-B	Side gear		
2-A8TZ 4228-A	Washer-gear	4-104139	Pinion gear		
4-7EQH 4230	Washer-pinion				
1	D8HZ 4N282-A	Plug (housing cover filler)-magnetic-	1	C1TT 4344-A	Seal (shift fork)-air
		1"-11 1/2"-also serviced in 4033 assy.	1	C1TT 4345-A	Washer (shift fork push rod)-air
		Pinion-serviced only in kit-group 4237	11	C1TZ 4346-A	Stud (cover to housing)-7/16"-14 and
		4292	7/16"-20 x 2"		
		4300	Differential assy.-refer to group		
		in section 40			
		4309	Ring gear and pinion kit		
		Solid pinion-includes self-locking nut			
		5/8" bolt hole			
1	†D6HZ 4309-A	3.70 ratio-1 31/32" pinion shaft spline dia.	1	E1HZ 4346-A	Bolt (cover to housing)-7/16"-14 x 3"
1	†D6HZ 4309-B	4.11 ratio-1 31/32" pinion shaft spline dia.	1	D5HZ 4851-D	1610 size
1	†D6HZ 4309-C	4.33 ratio-1 31/32" pinion shaft spline dia.	1	C6TZ 4351-A	1710 size
1	†D6HZ 4309-D	4.56 ratio-1 31/32" pinion shaft spline dia.	1	E1HZ 4851-C	1760 size
1	†D6HZ 4309-E	4.88 ratio-1 31/32" pinion shaft spline dia.	1	D1HZ 4351-C	1810 size
1	†D6HZ 4309-F	5.29 ratio-1 31/32" pinion shaft spline dia.	1	D6HZ 4320-A	Nut (flange to input shaft)-self-locking-
1	†D6HZ 4309-G	5.57 ratio-1 31/32" pinion shaft spline dia.	1 1/2"-18 x 2 1/4"		
1	†D6HZ 4309-AE	6.14 ratio-1 31/32" pinion shaft spline dia.	also serviced in kit-group 4309		
1	Δ D6HZ 4309-AF	6.50 ratio-1 31/32" pinion shaft spline dia.	1	C1TZ 4404-A	Case assy. (power divider diff.)
		352330-S(SS-32-D)	4414 Retainer assy. (drive pinion bearing)		
		Rivets (gear to case)-1/2" x 1 1/2"			
1	C8TZ 4A309-A	Trap (filler plug)-magnetic-1" x 11 1/2"	1	†B8QH 4414-B	
		4310	4414-B		
		Housing assy.	1	†C8TZ 4414-A	
1	★D7HZ 4310-E	#100336, 301255-Hendrickson Suspension-	6	357453-S(BB-342)	Bolt (retainer)-head drilled-
		r/b D7HZ 4310-X	9/16"-12 x 1 1/2"		
1	D7HZ 4310-X	#303207-Hendrickson Suspension	6	34810-S7-8(X-69)	Lockwasher-9/16"
1	D7HZ 4310-F	#100337-Reyco Suspension	1	★C1TT 4418-A	Strainer (air)-improvised
1	★D7HZ 4310-G	#100417, 301260-Neway Suspension-	1	D3HZ 4423-A	Bearing (power divider input shaft)-front-
		r/b E4HZ 4310-R	#JM207049 (tapered)		
1	E4HZ 4310-R	#303326-Neway Suspension	1	371365-S(QQ-14)	Snap ring (bearing retainer)
1	353240-SA(PP-52)	Plug (drain)-magnetic-3/4"-14	1	★ΔB8TZ 4427-A	Gasket (power divider cover)-r/b
1	B8QH 4319-A	Washer (output flange to bearing)-	D6AZ 19562-B		
		1 3/4" I.D. x 29/32" O.D.-3/16" thick	1	B8QH 4428-B	Cover (power divider)
4	C8TZ 4321-A	Bolt (differential bearing cap)-	5	21044-S8(B-132)	Bolt (cover to case)-9/16"-12 x 1 3/4"
		head drilled-3/4"-10 x 3 5/8"	9	34810-S7-8(X-69)	Lockwasher-9/16"
4	351521-S(XX-237)	Washer (bearing cap bolts)-3/4"	1	353240-SA(PP-52)	Plug (drain)-magnetic-3/4"-14
12	B8TZ 4322-A	Nut (gear case bolt)-7/16"-20	4	304894-S2(B-134-B)	Bolt-9/16"-12 x 2 1/2"
16	★C5TZ 4322-A	Nut (gear case bolt)-1/2"-20 conelock	1	★D3HZ 4431-A	Retainer (power divider input shaft bearing)
11	E0HZ 4323-D	Stud (carrier to housing)-	5	★D3HZ 4398-A	Bolt (retainer to cover)-
		5/8"-18 and 5/8"-11 x 2 11/16"	1/2"-13 x 1 5/8"-1980/83-"Before 1/83"		
1	E1HZ 4323-A	Bolt (carrier to housing)-5/8"-11 x 1 3/8"	r/b E3HZ 4398-A		
12	34811-S2(X-71)	Lockwasher (carrier to housing)-5/8"	5	34809-S8(X-68)	Lockwasher-1/2"-1980/83-"Before 1/83"
1	C1TT 4334-A	Seal (shift housing cover)-air	5	E3HZ 4398-A	Bolt (retainer to cover)-1/2"-13 x 1 1/2"
1	★C8TZ 4341-C	Carrier assy. (diff.)-#106400-cstg. no.-	1983-"From 1/83"		
		67851 old style-r/b D3HZ 4341-A	★ Lockwasher (retainer to cover)-		
1	★D3HZ 4341-A	Carrier kit (diff.)-cstg. no. 110814-	1983-"From 1/83"-Not required		
		use to update old style assy. to	4433 Gear (power divider output shaft cluster)-		
		new style	rear		
Consists of			1	D3HZ 4433-A	22 teeth 16 splines-use on old style
2-7641	Pin	1-358048-S	Plug	carrier with cstg. no. 67851	
4-90538	Wire	1-D3HZ 4433-B	Gear	#119896-use on new style	
1-110815	Carrier assy.	1-E2HZ 4470-A	Bearing assy.	carrier with cstg. no. 110814-	
			also serviced in kit-group 4341		
4	350799-S(BB-373)	Bolt (cap to carrier)-13/16"-10 x 4 1/4"	1	B8QH 4434-A	Gear (power divider input shaft
4	★	Washer-flat-13/16" I.D. x	cluster)-front-18-41-22 teeth		
		1 1/4" O.D.-5/32" thick	1	4436	Shim (input shaft bearing retainer)
			1	ΔB8QH 4436-A	.003" thick
			1	ΔB8TZ 4436-B	.005" thick

1980/  
TRUCK SERIES 600/900

QTY.	PART NUMBER	DESCRIPTION	QTY.	PART NUMBER	DESCRIPTION
EATON 38DSC-38DSE REAR AXLE SERVICE PARTS LIST NO. 56 — Cont'd					
Notes: Δ Also serviced in kit-group 4A109					
⊕ 16 1/2" Ring Gear ⊕ 16"-Ring Gear ⊕ Also serviced in kit - group 4237 ♦ Also serviced in kit - group 4215					
2	★COTT 4437-A	Bushing (power divider cluster gear)- 2 1/4" O.D. x 1 7/32" long	1	ΔTWAA 4461-A	Gasket (power divider differential lockout bracket)-1 13/16" I.D.
	4442	Gear (drive pinion transfer)		4465	Flange assy. (universal joint) output
1	‡B9TT 4442-A	#46977-41 teeth-10 splines- 1 31/32" I.D. splines	1	B8QH 4465-B	7C size
1	*Δ C8TZ 4442-A		1	C6TZ 4465-A	1610 size-#5-3901
1	371357-S(MM-97)	Nut (rear)-1 1/2"-18	1	C7TZ 4465-B	1710 size
1	B8QH 4445-A	Washer (power divider input shaft thrust)	1	351161-S7(MM-91)	Nut-1 1/4"-12
1	D3HZ 4446-B	Shaft kit (power divider input)		★	Cotter pin 1/8" x 2 1/2"
Consists of					
	1-D6HZ 4320-A	Locknut		4470	Bearing (power divider output shaft) front
	1-D3TZ 4446-B	Shaft		1 C2TZ 4470-A	Includes cup #34492-A, cone #34274- use on old style carrier with cstg. no. 67851
1	D6HZ 4320-A	Nut (retainer)-self-locking 1 1/2"-18 x 2 1/4"-also serviced in kit-group 4446	1	E2HZ 4470-A	Includes cup-#29620, cone #29675- use on new style carrier with cstg. no. 110814-also serviced in kit-group 4341
1	★B8QH 4450-B	Fork assy. (power divider diff. lockout shift)-vacuum	1	371356-S(QQ-28)	Snap ring (bearing retaining)-2 19/32" I.D.
1	C1TT 4450-A	Shift fork and push rod assy. - air	1	D2HZ 4471-B	Shaft kit (power divider output)
1	352547-S(NN-6)	Clevis pin (fork)-1 1/4" x 63/64"	Consists of		
1	★TWAA 4453-B	Bracket (power divider diff. lockout)-vacuum	1-D5HZ 4320-A	Locknut	1-95395 Tag
2	354136-S(BB-906)	Bolt (bracket to cover)- 7/16"-14 x 1 1/4"	1-D2HZ 4471-A	Shaft & Bushing	
2	34793-S2(X-67-A)	Lockwasher-7/16"	1	371366-S(QQ-22)	Snap ring (retainer)-1 63/64" I.D.
1	C1TT 4454-A	Bushing (power divider output shaft)	1	D5HZ 4320-A	Nut (output shaft end)-Self-locking- 1 1/4"-12 x 1 3/4" also Serviced in kit-group 4471
1	B8QH 4454-A	Washer (power divider input shaft)	1	B8QH 4475-A	Bearing (power divider output shaft)-rear-#MU 1209 CAHL- 1 25/32" I.D. x 3 11/32" O.D. x 3/4" thick
1	B8QH 4455-A	Gear (power divider sliding clutch)- 18 teeth-20 splines	1	371356-S(QQ-28)	Snap ring (bearing retainer)-2 19/32" I.D.
1	C1TT 4458-A	Spring (power divider diff. lockout shift lever return)-air	2	B8QH 4476-B	"O" ring (power divider output shaft)
1	★TVAA 4458-A	Spring (power divider diff. lockout shift lever return) vacuum	1	B4Q 4484-A	Valve assy. (power divider diff. lockout control)-vacuum
1	352574-S(NN-140)	Pin (spring to lockout bracket)- 5/32" x 1 3/16"-straight		4526	Bracket (torque arm)
1	352599-S(XX-263)	Washer-flat-25/32"	1	★D7HZ 4526-A	Straddle mount type-w/Hendrickson Suspension
1	TWAA 4459-B	Lever (power divider differential lockout shift)-vacuum	1	★D7HZ 4526-C	Straddle mount tapered Ball type- w/Neway Suspension
1	73995-S7(N-32)	Clevis pin-1/2" x 1 3/4"		4536	Shim (driving pinion brg. retainer)
1	72035-S7-8(N-51)	Cotter pin-1/8" x 1"	AR	ΔB8QH 4536-V	.003" thick
1	TWAA 4460-B	Boot (power divider differential lockout shift)-vacuum	AR	ΔB8QH 4536-W	.010" thick
			AR	ΔB8QH 4536-X	.030" thick

1980/  
TRUCK SERIES 600/900

QTY.	PART NUMBER	DESCRIPTION	QTY.	PART NUMBER	DESCRIPTION
EATON 38DSC-38DSE REAR AXLE SERVICE PARTS LIST NO. 56 — Cont'd					
Notes: Δ Also serviced in kit-group 4A109					
⊕ 16 1/2" Ring Gear ⊕ 16"-Ring Gear ⊕ Also serviced in kit - group 4237 ◆ Also serviced in kit - group 4215					
	4537	Spacer (driving pinion bearing)	2	D8HZ 4550-A	Oiler (power divider lockout shift piston)-felt-1 3/4" I.D. x 1/4" thick
1	D5HZ 4537-AG	.621" thick	1	C1TT 4567-G	Ring (snap)-2 1/32" I.D.
1	★D5HZ 4537-AH	.622" thick	1	D8HZ 4593-C	"O" ring (power divider oil pump shaft)-1 7/8" I.D. x 2" O.D. x 1/16" thick
1	7EQH 4537-A	.623" thick	2	B8QH 4616-A	Cup (driving pinion bearing)-#72487
1	D5HZ 4537-A	.624" thick	2	B8TZ 4621-A	Cone & roller (driving pinion)-#72200-C
1	D5HZ 4537-B	.625" thick	1	C1TT 4623-A	Piston (power divider lockout shift)
1	D5HZ 4537-C	.626" thick	1	7EQH 4625	Bearing assy. (driving pinion pilot)-#MUS 1307 TM, #15828
1	D5HZ 4537-D	.627" thick	1	C6TZ 4637-A	Washer (input shaft nut)-2 5/8" O.D. x 1 17/32" I.D. x 1/16" thick
1	D5HZ 4537-E	.628" thick	1	7EQH 4637	Washer (output shaft flange retaining)-1 9/32" I.D.
1	7EQH 4537-C	.629" thick	1	E3HZ 4676-C	Seal assy. (output shaft oil)-#119431-3 5/8" O.D.-for 2 5/8" dia. shaft-also serviced in assy.-group 4033
1	D5HZ 4537-F	.630" thick	1	E3HZ 4676-C	Seal assy. (input shaft oil)-#119431
1	D5HZ 4537-G	.631" thick	1	C1TT 4727-A	Cover (power divider differential lockout)
1	D5HZ 4537-H	.632" thick	4	D8HZ 4A197-A	Lockwasher (power divider diff. lockout cover bolt)-1/4" I.D. x 31/64" O.D. x 3/64" thick
1	D5HZ 4537-J	.633" thick	4	304646-S8(B-42-A)	Bolt (power divider diff. lockout cover)-1/4"-20 x 3/4"
1	D5HZ 4537-K	.634" thick	5	357451-S(BB-195)	Bolt (cover to carrier)-1/2"-13 x 1 3/4"
1	7EQH 4537-E	.635" thick	1	D5HZ 4749-A	Body (power divider diff. lockout shift)-air-#32828
1	D5HZ 4537-L	.636" thick		4851	Flange assy. (universal joint)-refer to group 4351 within parts list
1	D5HZ 4537-M	.637" thick	1	★B8QH 4859-A	Deflector (output shaft oil seal dust)
1	D5HZ 4537-N	.638" thick	1	D6HZ 4982-A	Bolt and nut kit (driving gear)
1	D5HZ 4537-P	.639" thick	Consists of		
1	D5HZ 4537-R	.640" thick	16-D3HZ 4217-A	Bolt	16-60600 Nut
1	7EQH 4537-G	.641" thick			
1	D5HZ 4537-S	.642" thick			
1	D5HZ 4537-T	.643" thick			
1	D5HZ 4537-V	.644" thick			
1	D5HZ 4537-W	.645" thick			
1	D5HZ 4537-X	.646" thick			
1	7EQH 4537-J	.647" thick			
1	D5HZ 4537-Y	.648" thick			
1	D5HZ 4537-Z	.649" thick			
1	D5HZ 4537-AA	.650" thick			
1	D5HZ 4537-AB	.651" thick			
1	D5HZ 4537-AC	.652" thick			
1	7EQH 4537-L	.653" thick			
1	D5HZ 4537-AD	.654" thick			

EATON 38RSC-38RSE REAR AXLE SERVICE PARTS LIST NO. 58					
Notes: Δ Also serviced in kit-group 4A109					
⊕ Also serviced in kit - group 4237					
⊕ 16" Ring gear Δ 16 1/2" ring gear					
	4010	Housing assy.	1	358048-S(PP-43)	Plug (filler)-3/4"-14
1	★D7HZ 4010-H	Hendrickson or Neway Suspension-#100338, 301256-w/o 60" spread frame-r/b D7HZ 4010-Z	1	ΔB7TZ 4035-A	Gasket (differential carrier)-18 3/4" O.D. x 17 1/2" bolt circle
1	D7HZ 4010-Z	Hendrickson or Neway Suspension-#303208-w/o 60" spread frame	1	4067	Adjuster (diff. bearing)
1	D7HZ 4010-K	Hendrickson or Neway Suspension-#100395, 301259-w/60" spread frame	1	7EQH 4067	R.H.-#27842-use on vehicles with plain half diff. case-#88678
1	D7HZ 4010-J	Reyco Suspension-#100339	1	E1HZ 4067-B	R.H.-#110243-use on vehicles with plain half diff. case-#110138 or 210017-also serviced in kit-group 4204
1	★D7HZ 4010-AD	Reyco Suspension-#303330	1	A8TZ 4067-B	L.H.-#31562
1	B6QH 4019-A	Washer (drive pinion grease retainer)	1	Δ01T 4073-M	Gasket (differential carrier cover)

1980/  
TRUCK SERIES 600/900

QTY.	PART NUMBER	DESCRIPTION	QTY.	PART NUMBER	DESCRIPTION
EATON 38RSC-38RSE REAR AXLE SERVICE PARTS LIST NO. 58 — Cont'd					
Notes: Δ Also serviced in kit-group 4A109					
⊕ Also serviced in kit - group 4237					
‡ 16" Ring gear & 16 1/2" ring gear					
1	C1TZ 4A109-A	Gasket kit		4209	Ring gear and pinion kit
Consists of					Solid pinion-includes self-locking nut
1	B8QH 4436-A	Shim	1	B8QH 4536-X	Shim
1	B8TZ 4436-B	Shim	1	7EQH 4662	Gasket
1	TVAA 4456-A	Seal	1	38939	Sealer
1	TVAA 4457-A	Retainer	1	43590	Shim
1	TWAA 4461-A	Gasket	1	45499	Shim
1	E0HZ 4536-A	Shim	1	57373	Sealer
1	E0HZ 4536-C	Shim	1	85406	Shim
1	B8QH 4536-V	Shim	1	107276	Rtv. gasket
1	B8QH 4536-W	Shim			
2	C8TZ 4A133-A	Screw (4159 to carrier)-1/4"-20 x 3/4" nylock	1	Δ D6HZ 4209-AZ	6.14 ratio-1 3/4" pinion shaft spline dia.
1	C8TZ 4141-C	Carrier assy. (diff.)-#106402	1	Δ D6HZ 4209-BA	6.50 ratio-1 3/4" pinion shaft spline dia.
2	355799-S(BB-352)	Bolt (cap to carrier)-R.H.-5/8"-11 x 3 7/8"		4211	Shaft (pinion)-Serviced only in kit-group 4237
2	350049-S(BB-370)	L.H.-11/16"-11 x 3"	16	D3HZ 4217-A	Bolt (differential case)-5/8" - 18 x 2 1/8 - also serviced in kit-group 4982
12	B7TZ 4A142-A	Nut (carrier to housing)-5/8"-18	AR	55757-S2(M89B)	Nut(gear to case) - 5/8" - 18
	4143	Lock (diff. bearing adjuster)		4221	Cone and roller (diff. bearing)
1	7EQH 4143	R.H.	1	A7TZ 4221-A	R.H.-#497
1	TWAA 4143-A	L.H.	1	8QH 4221-B	L.H.-#567
1	C8TZ 4159-A	Trough (oil pickup)-#67814		4222	Cup (diff. bearing)
1	81T 4160-M	Spring (diff. carrier oil tube contact)	1	B6Q 1243-A	R.H.-#493
1	A8TZ 4168-A	Retainer (driving pinion oil seal)-2 39/64" I.D. x 3 49/64" O.D. x 1/4" thick	1	8QH 4222-A	L.H.-#563
1	★8QH 4189	Screw (driving gear thrust block adjusting)-1 1/4"-12 x 4"	1	★8QH 4226	Lock (drive gear adjusting screw)
1	356120-S(MM-34)	Check nut-1 1/4"-12	2	⊕A8TZ 4228-A	Washer (diff. side gear thrust)-4 9/16" O.D.
1	★8QH 4194	Block (driving gear thrust)	4	⊕7EQH 4230	Washer (pinion thrust)-1 1/64" I.D. x 2 7/16" O.D.
	4200	Differential assy.-refer to group in section 40	2	D7HZ 4234-A	Shaft assy.
1	D5HZ 4204-B	Kit non tenon diff. case (plain surface design)		4236	Gear (differential side)-serviced only in kit-group 4237
Consists of			1	B8QH 4237-G	Gear and pinion kit (differential)-
1	E1HZ 4067-B	Adjuster	Consists of		
12	D5HZ 4216-E	Bolts	1	7EQH 4211	Shaft
		1-88677 Case flanged half	2	A8TZ 4228-A	Washer-gear
		1-210017 Case plain half	4	7EQH 4230	Washer-pinion
12	D5HZ 4216-E	Bolt (case)-self-locking-9/16"-12 x 2 3/4"-also serviced in kit-group 4204		4292	Pinion-serviced only in kit-group 4237
			1	C8TZ 4A309-A	Trap (filler plug)-magnetic- 1 x 11 1/2"

**1980/  
TRUCK SERIES 600/900**

QTY.	PART NUMBER	DESCRIPTION	QTY.	PART NUMBER	DESCRIPTION
<b>EATON 38RSC-38RSE REAR AXLE SERVICE PARTS LIST NO. 58 — Cont'd</b> Notes: Δ Also serviced in kit-group 4A109 ⊕ Also serviced in kit - group 4237 ‡ 16" Ring gear † 16 1/2" ring gear					
4	C8TZ 4321-A	Bolt (diff. bearing caps)-head drilled 3/4"-10 x 3 5/8"	1	4537	Spacer (driving pinion bearing) — Cont'd
	4323	Stud (carrier to housing)	1	D5HZ 4537-W	.645" thick
11	E0HZ 4323-D	5/8"-11 and 5/8"-18 x 2 11/16"	1	D5HZ 4537-X	.646" thick
1	D3HZ 4323-D	5/8"-11 and 5/8"-18 x 2 7/8"	1	7EQH 4537-J	.647" thick
12	34811-S2(X-71)	Lockwasher (carrier to housing)-5/8"	1	D5HZ 4537-Y	.648" thick
	4526	Bracket (torque arm)	1	D5HZ 4537-Z	.649" thick
1	★D7HZ 4526-A	Straddle mount type-w/Hendrickson Suspension-w/o 60" spread frame	1	D5HZ 4537-AA	.650" thick
1	★D7HZ 4526-B	Straddle mount tapered ball type- w/Hendrickson or Neway- Suspension and 60" spread frame	1	D5HZ 4537-AB	.651" thick
	4536	Shim (driving pinion bearing retainer)	1	D5HZ 4537-AC	.652" thick
AR	ΔE0HZ 4536-A	.003" thick	1	7EQH 4537-L	.653" thick
AR	ΔE0HZ 4536-C	.010" thick	1	D5HZ 4537-AD	.654" thick
1	TGAA 4536-A	Shim (pinion bearing cage)-.125" thick	1	4614	Retainer assy. (driving pinion)
	4537	Spacer (driving pinion bearing)	1	‡D3HZ 4614-A	#75108
1	D5HZ 4537-AG	.621" thick	1	‡ C8TZ 4614-B	#67817
1	★D5HZ 4537-AH	.622" thick	6	21044-S8(B-132)	Bolt (retainer to carrier)-9/16"- 12 x 1 3/4"
1	7EQH 4537-A	.623" thick	6	★34944-S	Lockwasher-external tooth-9/16"
1	D5HZ 4537-A	.624" thick	2	7EQH 4616	Cup (driving pinion brg.)-#55437
1	D5HZ 4537-B	.625" thick	2	A8TZ 4621-A	Cone and roller (driving pinion)-#55200-C
1	D5HZ 4537-C	.626" thick	1	7EQH 4625	Bearing assy. (driving pinion pilot)- #MUS 1307 TM, #15828
1	D5HZ 4537-D	.627" thick	1	7EQH 4637	Washer (driving pinion)-1 9/32" I.D.
1	D5HZ 4537-E	.628" thick	1	Δ7EQH 4662	Gasket (driving pinion bearing sleeve)-cork-17 7/16" long
1	7EQH 4537-C	.629" thick	1	E3HZ 4676-A	Seal and retainer assy. (drive pinion oil)- includes integral seal and retainer #119427-4 9/16" O.D.-for 2 5/8" dia. shaft
1	D5HZ 4537-F	.630" thick		4851	Flange assy. (universal joint)-input
1	D5HZ 4537-G	.631" thick	1	B8QH 4851-C	7C size
1	D5HZ 4537-H	.632" thick	1	C6TZ 4851-T	1610 size-#73590-1 3/4" spline dia.
1	D5HZ 4537-J	.633" thick	1	C6TZ 4851-U	1610 size-#73596-1 31/32" spline dia.
1	D5HZ 4537-K	.634" thick	1	C7TZ 4851-D	1710 size-#73594-1 3/4" spline dia.
1	7EQH 4537-E	.635" thick	1	C7TZ 4851-E	1710 size-#73592-1 31/32" spline dia.
1	D5HZ 4537-L	.636" thick		4320	Nut (flange to pinion)-self-locking- also serviced in kit-group 4209
1	D5HZ 4537-M	.637" thick	1	D6HZ 4320-A	3.70 thru 4.33 ratio-1 1/2"-18 x 2 1/4"
1	D5HZ 4537-N	.638" thick	1	D5HZ 4320-A	4.56 thru 6.50 ratio-1 1/4"-12 x 1 3/4"
1	D5HZ 4537-P	.639" thick	1	D6HZ 4982-A	Bolt and nut kit (driving gear)
1	D5HZ 4537-R	.640" thick	Consists of		
1	7EQH 4537-G	.641" thick	16-D3HZ 4217-A	Bolt	16-60600
1	D5HZ 4537-S	.642" thick			Nut
1	D5HZ 4537-T	.643" thick	<b>ROCKWELL (TIMKEN) F106 REAR AXLE SERVICE PARTS LIST NO. 95</b>		
1	D5HZ 4537-V	.644" thick	Note 1 It is imperative that all (12) replacing bolts and nuts be used as a set and all (12) replaced bolts and nuts be removed and discarded when servicing the vehicle to avoid thread mixing and cross threading		
16	B7TZ 1151-B	Stud (drive flange axle shaft)	1	D3TZ 4141-A	Carrier and Cap assy. (Differential)- #A2-3200-R1110-with 16 drilled holes
	4010	Housing assy.		358048-S(PP-43)	Plug (filler)-3/4"
1	D5TZ 4010-A	#C-E-239-1980/83	4	351689-S(BB-351)	Bolt-head drilled-5/8"-11 x 3 27/32"
1	E4HZ 4010-L	#C-U-6937-1984/86		4A146	Bolt (carrier to housing)
1	358048-S(PP-43)	Plug (drain)-3/4"	2	D3TZ 4A146-A	7/16"-14 x 2 1/4"-long
1	374224-S(PP-51-A)	Plug (drain)-magnetic-3/4"-14	2	D5TZ 4A146-A	7/16"-14 x 1 1/2"-medium
1	B6T 4035-C	Gasket (differential carrier)-14 5/8" O.D.	12	D5TZ 4A140-A	1/2"-13 x 1 1/2"-short
2	TDAA 4067-A	Adjuster (differential bearing)			
	4A140	Refer to group 4A146 within parts list			

1980/  
TRUCK SERIES 600/900

QTY.	PART NUMBER	DESCRIPTION	QTY.	PART NUMBER	DESCRIPTION
ROCKWELL (TIMKEN) F106 REAR AXLE SERVICE PARTS LIST NO. 95 — Cont'd					
Note 1 It is imperative that all (12) replacing bolts and nuts be used as a set and all (12) replaced bolts and nuts be removed and discarded when servicing the vehicle to avoid thread mixing and cross threading					
2	TDA4 4143-A	Lock (differential bearing adjuster) "L" shaped	4	C1TT 4326-B	Washer (differential carrier cap bolt)- 21/32" I.D. x 11/16" O.D. - 3/32" thick
2	C2TZ 4143-A	2 9/32" long-1/4" shank-use w/untapped carrier		4537	Spacer (driving pinion bearing)
2	353408-S(BB-329)	Bolt (lock)-head drilled-5/16"-18 x 7/16"	AR	D5TZ 4537-A	.125" thick
	4A147	Washer (carrier to housing bolt)	AR	D5TZ 4537-B	.126" thick
4	D7HZ 4A147-A	15/32" I.D. x 13/16" O.D. x 3/32" thick	AR	D5TZ 4537-C	.127" thick
12	D7HZ 4326-A	17/32" I.D. x 7/8" O.D. x 3/32" thick	AR	D5TZ 4537-D	.128" thick
	4200	Differential assy.-Refer to group in Section 40	AR	D5TZ 4537-E	.129" thick
1	B6T 4204-B	Case assy. (diff.)	AR	D5TZ 4537-F	.130" thick
	4209	Ring gear and pinion kit-includes Self-locking nut	AR	D5TZ 4537-G	.136" thick
1	E0HZ 4209-T	5.29 ratio	AR	D5TZ 4537-H	.142" thick
1	E0HZ 4209-AG	5.83 ratio	AR	D5TZ 4537-J	.148" thick
1	D9HZ 4209-A	6.14 ratio	AR	D5TZ 4537-K	.154" thick
1	D9HZ 4209-B	6.83 ratio	AR	D5TZ 4537-L	.158" thick
1	D9HZ 4209-C	7.17 ratio	1	D9HZ 4614-A	Retainer and brg cup assy. (driving pinion)
12	357007-S(SS-4)	Rivet (gear to case)-1/2" x 1 1/2"	8	20450-S(B-106)	Bolt (case to carrier)-7/16"-14 x 1 3/8"
1	8TH 4211	Shaft (pinion)-6 1/2" long	8	D5TZ 4A146-A	Bolt (pinion bearing retainer to carrier) 7/16"-14 x 1 1/2"
4	C1TT 4215-B	Pinion-9 teeth	8	D7HZ 4A147-A	Washer (pinion bearing retainer bolt)- 15/32" I.D. x 13/16" O.D. x 3/32" thick
8	D7HZ 4216-B	Bolt (differential case)- 1/2"-13 x 3"-w/locking material	2	B6D 4616-A	Cup (driving pinion bearing)-#HM803110-also serviced in assy.-group 4614
8	D7HZ 4326-A	Washer (diff. case bolt)-17/32" I.D. x 7/8" O.D. x 3/32" thick	2	D5TZ 4621-A	Cone and roller (driving pinion)
4	D3HZ 4216-C	Bolt (cap to carrier) - 5/8" - 11 x 3 1/2"	1	C1TT 4625-B	Bearing assy. (driving pinion pilot)- #H715343-311 1 3/32" I.D. x 2 7/16" O.D.
8	34032-S7(M-9)	Nut - 1/2"-20	1	C1TT 4627-C	Ring (driving pinion bearing retainer)
2	8TH 4221	Cone and roller (diff. brg.)-#3994	1	2Q 4637-A	Washer (driving pinion)-1 1/32" I.D.
2	D3TZ 4222-A	Cup (Differential Bearing)- #JM 511910		4662	Shim (driving pinion bearing sleeve)
2	B6T 4228-A	Washer (diff. side gear thrust)- 2 1/2" I.D. x 3 9/16" O.D.	AR	D3HZ 4662-A	.003" thick
4	E0HZ 4230-B	Washer (differential pinion thrust)- 7/8" I.D. x 31/32" O.D.	AR	D3HZ 4662-B	.005" thick
2	C5TZ 4A230-A	Gasket (housing plug)-5/16" I.D. x 5/8" O.D.	AR	D3HZ 4662-C	.010" thick
2	356184-S(XX-113)	Washer (housing plug gasket bolt)-5/16"	1	D9HZ 4667-A	Washer (driving pinion bearing thrust)- 1 17/32" I.D. x 2 1/2" O.D. x 1/4" thick
2	D8HZ 4A322-C	Bolt (housing plug gasket)-5/16"-18 x 1"		4674	Not required
	4234	Shaft assy.		4676	Seal Assy. (drive pinion oil)
2	C4TZ 4234-D	#3202-B-5228-1980 "Before 10/79"	1	D5TZ 4676-A	#A-1805-S-71-1980/85-"Before 4/85"
2	E0HZ 4234-C	1980/83-"From 10/79"	1	E5HZ 4676-C	#A-1205-E-1929 1985/86-"From 4/85"
2	E0HZ 4234-E	Field fix-1362-HT-1980/83		4851	Flange assy. (universal joint)-axle end
2	E0HZ 4234-E	1984/86	1	D5TZ 4851-C	1410 size-1980/83
	4236	Gear (differential side)	1	E4HZ 4851-L	1410 size-1984/86
2	D5TZ 4236-A	#2234-Q-797 or 2234-V-256-16 teeth-19 splines-1980 "Before 10/79"	1	D5HZ 4851-A	1480 size-1980/83
2	E0HZ 4236-A	#2234-N-872-16 teeth-34 splines-1980/86-"From 10/79"	1	E4HZ 4851-M	1480 size-1984/86
1	D3HZ 4320-B	Nut (drive pinion flange)-1 1/4"-20 x 1 19/32" across flats-also Serviced in kit-group 4209	1	E3HZ 4851-E	1550 size-1980/83
			1	E4HZ 4851-N	1550 size-1984/86
			1	4982	Bolt and nut kit (driving gear)-Note 1 1980-"Before 10/79"-r/b E0HZ 4982-A
			1	★D5TZ 4982-A	1980-"Before 10/79"-r/b E0HZ 4982-A
			Consists of		
			12-15X-1324	Bolt	12-NL-28-1 Nut
			12-1229-C-1511	Washer	
			1	E0HZ 4982-A	1980/86-"From 10/79"
			Consists of		
			12-15X-1325	Bolt	12-NL-18-1 Nut
			12-1229-C-1511	Washer	



**1980/  
TRUCK SERIES 600/900**

QTY.	PART NUMBER	DESCRIPTION	QTY.	PART NUMBER	DESCRIPTION
<b>EATON 17101-17121 REAR AXLE SERVICE PARTS LIST NO. 97</b>					
Notes Δ Also serviced in kit-group 4A109 ⊕ Also serviced in kit-group 4237 ✎ 16 1/2" ring gear ± 16" ring gear					
	4010	Housing assy.		4209	Ring gear and pinion kit
1	★D7HZ 4010-B	#100302-1980/83 r/b MAT 86073			Solid pinion-includes self-locking nut 5/8" Bolt hole
1	D7HZ 4010-AA	#303108-1980/83	1	±D6HZ 4209-A	3.70 ratio
1	★E4HZ 4010-E	#301548-1984-"Before 7/84" r/b MAT 87064	1	±D6HZ 4209-B	4.11 ratio
1	E4HZ 4010-T	#303118-1984/88-"From 7/84"	1	±D6HZ 4209-D	4.56 ratio
1	374506-S(PP-51)	Plug (drain)-magnetic-3/4"-14	1	±D6HZ 4209-E	4.88 ratio
1	B6QH 4019-A	Washer (drive pinion grease retainer spacing)	1	±D6HZ 4209-F	5.29 ratio
1	358048-S(PP-43)	Plug (filler)-3/4"-14	1	Δ E1HZ 4209-B	5.57 ratio
1	B7TZ 4035-A	Gasket (differential carrier)- 18 3/4" O.D.-17 1/2" bolt circle	1	Δ D6HZ 4209-AZ	6.14 ratio
1	7EQH 4036	Gasket (cover to housing)-18 3/4" O.D.	1	Δ 4209	6.50 ratio-use E2HZ 4209-H
	4067	Adjuster (diff. bearing)	1	Δ E2HZ 4209-H	6.57 ratio
1	7EQH 4067	R.H.-#27842-use on vehicles with plain half diff. case #88678	1	Δ E4HZ 4209-A	7.17 ratio
1	E1HZ 4067-B	R.H.-#110243-Use on vehicles with plain half diff. case-#110138 or 210017- also serviced in kit-group 4204		4211	Shaft (pinion)-Serviced only in kit-group 4237
1	A8TZ 4067-B	L.H. - #31562	16	D3HZ 4217-A	Bolt (differential case)- 5/8"-18 x 2 1/8" also serviced in D6HZ 4982-A kit
1	C1TZ 4A109-A	Gasket kit	AR	55757-S2(M89B)	Nut (gear to case) - 5/8" - 18
Consists of					
1	B8QH 4436-A	Shim	1	4221	Cone and roller (diff. bearing)
1	B8TZ 4436-B	Shim	1	A7TZ 4221-A	R.H.-#497
1	TVAA 4456-A	Seal	1	8QH 4221-B	L.H.-#567
1	TVAA 4457-A	Retainer		4222	Cup (diff. bearing)
1	TWAA 4461-A	Gasket	1	B6Q 1243-A	R.H.-#493
1	E0HZ 4536-A	Shim	1	8QH 4222-A	L.H.-#563
1	E0HZ 4536-C	Shim	2	⊕A8TZ 4228-A	Washer (diff. side gear thrust)- 4 9/16" O.D.
1	B8QH 4536-V	Shim	4	⊕7EQH 4230	Washer (pinion thrust)-1 1/64" I.D. x 2 7/16" O.D.
1	B8QH 4536-W	Shim		4234	Shaft assy.
1	C8TZ 4141-C	Carrier assy. (diff.)-#106402	2	C3TZ 4234-N	#56980-1980/81-"Before 4/81"
1	353069-S(PP-46)	Plug (peep hole and oil distributor pipe)- 1" square counter sunk	2	E1HZ 4234-C	#110882-1981/88-"From 4/81"
1	7EQH 4143	Lock (differential adjuster)-R.H.		4236	Gear (differential side)-serviced only in kit-group 4237
1	TWAA 4143-A	Lock (differential adjuster)-L.H.		4237	Gear and pinion Kit (differential)
1	A8TZ 4168-A	Retainer (driving pinion oil seal)- 2 39/64" I.D. x 3 3/4" O.D. x 1/4" thick	1	B9TZ 4237-G	Straight spline side gear- 1980/81-"Before 4/81"
	4200	Differential assy. - Refer to group in Section 40	Consists of		
1	D5HZ 4204-B	Kit non-tenon diff. case (plain surface design) 5/8" Bolt hole	1	7EQH 4211	Pinion shaft
Consists of					
1	E1HZ 4067-B	Adjuster	2	A8TZ 4228-A	Washer-gear
12	D5HZ 4216-E	Bolts	4	7EQH 4230	Washer-pinion
		1-88677 Case flanged half	1	E1HZ 4237-B	Involute spline side gear- 1981/88-"From 4/81"
		1-210017 Case plain half	Consists of		
12	D5HZ 4216-E	Bolt (case)-self-locking-9/16"-12 x 2 3/4"-also serviced in kit-group 4204	1	7EQH 4211	Pinion Shaft
			2	A8TZ 4228-A	Washer-gear
			4	7EQH 4230	Washer-pinion
				4292	Pinion-serviced only in kit-group 4237
			1	C8TZ 4A309-A	Trap (filler plug)-magnet-1" x 11 1/2"
				4536	Shim (driving pinion bearing retainer)- .125" thick
			AR	TGAA 4536-A	.125" thick
			AR	ΔE0HZ 4536-A	.003" thick
			AR	ΔE0HZ 4536-C	.010" thick

1980/  
TRUCK SERIES 600/900

QTY.	PART NUMBER	DESCRIPTION	QTY.	PART NUMBER	DESCRIPTION
EATON 17101-17121 REAR AXLE SERVICE PARTS LIST NO. 97 — Cont'd					
Notes: Δ Also serviced in kit-group 4A109 ⊕ Also serviced in kit-group 4237 Δ16 1/2" ring gear ‡ 16" ring gear					
	4537	Spacer (driving pinion bearing)		4545	Lockwasher-(drive pinion bearing retainer bolt)
1	D5HZ 4537-AG	.621" thick		E0HZ 4545-A	1980/82-9/16"
1	★D5HZ 4537-AH	.622" thick	6	★4545	1981/88-Not required
1	7EQH 4537-A	.623" thick		4560	Bolt (drive pinion bearing retainer)
1	D5HZ 4537-A	.624" thick		6 ★C1TT 4560-B	1980/82-9/16"-12 x 1 5/8"
1	D5HZ 4537-B	.625" thick	6	E3HZ 4560-A	1983/88-9/16"-12 x 1 1/2"
1	D5HZ 4537-C	.626" thick	2	7EQH 4616	Cup (driving pinion brg.)-#55437
1	D5HZ 4537-D	.627" thick	2	A8TZ 4621-A	Cone and roller (driving pinion)-#55200-C
1	D5HZ 4537-E	.628" thick	1	7EQH 4625	Bearing assy. (driving pinion pilot)-#MUS 1307-TM, #15828
1	7EQH 4537-C	.629" thick	1	7EQH 4637	Washer (driving pinion)-1 9/32" I.D.
1	D5HZ 4537-F	.630" thick	1	Δ7EQH 4662	Gasket (driving pinion bearing sleeve)-cork-17 7/16" long
1	D5HZ 4537-G	.631" thick	1	E3HZ 4676-C	Seal assy. (drive pinion oil)-#119431
1	D5HZ 4537-H	.632" thick	1	E3HZ 4676-A	Seal and retainer assy. (drive pinion oil)-includes integral seal and retainer #119427-4 9/16" O.D.-for 2 5/8" dia. shaft
1	D5HZ 4537-J	.633" thick		4851	Flange assy. (universal joint)-axle end-
1	D5HZ 4537-K	.634" thick	1	TGAA 4851-B	6C size
1	7EQH 4537-E	.635" thick	1	B8QH 4851-C	7C size
1	D5HZ 4537-L	.636" thick	1	D7HZ 4851-B	82N size
1	D5HZ 4537-M	.637" thick	1	C1TT 4851-J	1480 size-#42200-1980/83
1	D5HZ 4537-N	.638" thick	1	E4HZ 4851-D	1480 size-1984/88
1	D5HZ 4537-P	.639" thick	1	D9HZ 4851-A	1550 size-#4-4-1901-1980/83
1	D5HZ 4537-R	.640" thick	1	E4HZ 4851-F	1550 size-exc. 3.70 and 4.11 ratios-1984/88
1	7EQH 4537-G	.641" thick	1	E4HZ 4851-K	1550 size-3.70 and 4.11 ratios-1987/88
1	D5HZ 4537-S	.642" thick	1	D4HZ 4851-C	1610 size-1980/86
1	D5HZ 4537-T	.643" thick	1	E7HZ 4851-A	1610 size-exc. 3.70 and 4.11 ratios-1987/88
1	D5HZ 4537-V	.644" thick	1	E7HZ 4851-B	1610 size-3.70 and 4.11 ratios-1987/88
1	D5HZ 4537-W	.645" thick	1	E6HZ 4851-C	1710 size-1980/86
1	D5HZ 4537-X	.646" thick	1	E7HZ 4851-C	1710 size-exc. 3.70 and 4.11 ratios-1987/88
1	7EQH 4537-J	.647" thick	1	E7HZ 4851-D	1710 size-3.70 and 4.11 ratios-1987/88
1	D5HZ 4537-Y	.648" thick	1	E1HZ 4851-D	1760 size-exc. 3.70 and 4.11 ratios
1	D5HZ 4537-Z	.649" thick	1	E1HZ 4851-C	1760 size-3.70 and 4.11 ratios
1	D5HZ 4537-AA	.650" thick	1	D5HZ 4320-A	Nut (flange to pinion)-self-locking-1 1/4"-12 x 1 3/4"-also serviced in kit-group 4209
1	D5HZ 4537-AB	.651" thick	1	D6HZ 4982-A	Bolt and nut kit (driving gear)
1	D5HZ 4537-AC	.652" thick	Consists of		
1	7EQH 4537-L	.653" thick	16-D3HZ 4217-A	Bolt	16-60600 Nut
1	D5HZ 4537-AD	.654" thick			
12	D2HZ 4560-A	Bolt (carrier to housing)-5/8"-11 x 1 3/4"			
12	34811-S2(X-71)	Lock washer (carrier bolt to housing)-5/8"			
	4614	Retainer assy. (driving pinion)			
1	D3HZ 4614-A	#75108-use on 17101 axle-w/16" ring gear			
1	C8TZ 4614-B	#67817-Use on 17121 axle-w/16 1/2" ring gear			
EATON 16244 REAR AXLE SERVICE PARTS LIST NO. 101					
Notes: Δ Also serviced in kit - group 4A109					
%Also serviced in kit-group 4A195					
	1243	Refer to group 4222 within parts list		4029	Pin (planetary gear)
	4010	Housing assy.	4	8Q 4029-A	1 3/8" x 3 25/32"-use on vehicles with old style diff. case-#109234 and 109236
1	★D8HZ 4010-L	#100301-1980/82-r/b MAT 86076	4	E0HZ 4029-C	1 3/8" x 3 5/8"-use on vehicles with updated diff. case-#126006 and 126007
1	D8HZ 4010-Y	#303103-1980/82		358048-S(PP-43)	Plug (filler)-3/4"-14
1	E3HZ 4010-B	#301443-1983	1	★C8TZ 4035-B	Gasket (differential carrier)-17 1/4" O.D. x 15 7/8" bolt circle-12 holes r/b D6AZ 19562-B
1	★E4HZ 4010-D	#301545-1984-"Before 7/84" r/b MAT 89042	1	Δ8Q 4036-A	Gasket (cover to housing)-16 7/8" O.D.
1	E4HZ 4010-V	#303353-1984/86-"From 7/84"	1	%C8TZ 4040-B	Plate (high speed clutch)-7 3/8" O.D.-18 internal teeth
1	374506-S(PP-51)	Plug (drain)-magnetic-3/4"-14			
1	B6QH 4019-A	Washer (drive pinion grease retainer)			
1	8Q 4027-A	Case (diff. gear support)-L.H.-10" O.D.			

**1980/  
TRUCK SERIES 600/900**

QTY.	PART NUMBER	DESCRIPTION	QTY.	PART NUMBER	DESCRIPTION
EATON 16244 REAR AXLE SERVICE PARTS LIST NO. 101 — Cont'd					
Notes: Δ Also serviced in kit - group 4A109					
%Also serviced in kit-group 4A195					
1	2Q 4045-A	Fork and roller assy. (diff. shift)	2	357453-S(BB-342)	Bolt (lock)-9/16"-12 x 1 1/2"
2	★C8TZ 4053-A	Pin (differential shift fork roller)- r/b 2Q 4045-A	1	%8Q 4147-A	Washer (high speed clutch plate thrust)-4 1/8" I.D. x 7 5/64" O.D.
1	%E3HZ 4055-A	Gear (sliding clutch)-#113629	1	E3HZ 4149-A	Shaft assy. (differential shift fork)- includes "O" ring
1	★B9TT 4062-A	Shift assy. electric #41059-use on vehicles w/rear shocks- 1980/85-r/b MAT 89011	4	8Q 4154-A	Pin (high speed clutch plate)-2 5/16" long
1	E5HZ 4062-A	#113770-use on vehicles w/o rear shocks- 1980/85	1	C8TZ 4159-A	Lubricator (differential)-trough-#67814
1	E5HZ 4062-A	#113770-1986	1	353069-S(PP-46)	Plug (oil distributor retaining)-1" square-countersunk
	4062	Shift assy kit (electric)-retrofit- to convert axles w/o rear shocks to new style shift assy.-refer to group in Section 41	1	D5HZ 4A195-B	Sliding clutch gear kit
	4B062	Electric shift unit repair kit- refer to group in Section 41	Consists of		
1	8Q 4067-A	Adjuster (diff. bearing)- R.H.-1 31/32" I.D.	1-C8TZ 4040-B	Plate	1-C8TZ 4067-B Adjuster
1	%C8TZ 4067-B	L.H.-20 internal teeth-5 15/16" thread	1-E3HZ 4055-A	Gear	1-8Q 4147-A Washer
1	E4HZ 4072-A	Seal assy. (shift fork)-#119851	4200	Differential assy. - refer to group in Section 40	
2	D3HZ 4323-B	Stud (shift housing)- 7/16"-20-14 x 1 11/16"	1	★B9TT 4204-C	Case assy. (differential)-old style-#109234 and 109236-r/b MAT 89008
2	44730-S8 (X-26)	Washer (shift housing stud)-7/16" use on vehicles w/rear shocks	1	E0HZ 4204-H	Case kit (differential)-new style- #126006 and 126007-also serviced in update kit-group 4204
2	E4HZ 4B147-A	Washer (shift housing stud)- 15/32" I.D. x 15/16" O.D. x 3/32" thick- use on vehicles w/o rear shocks	Consists of		
2	B8TZ 4322-A	Nut (shift housing stud)-7/16"-20	4-E0HZ 4216-F	Bolt-short	1-126006 Case half w/pin
1	B2Q 4073-A	Gasket (differential carrier cover)- shift fork opening	8-E1HZ 4216-A	Bolt-long	1-126007 Case half plain
1	B9TZ 4A109-A	Gasket kit	4204	Case kit (differential update)-use to update vehicles to new style diff. case	
Consists of			1	E0HZ 4204-J	16 spline side gear-1980/81- "Before 11/80"
1-81T 4536-MA	Shim	1-75969 Shim	Consists of		
1-81T 4536-MB	Shim	1-75971 Shim	4-E0HZ 4029-C	Pin	4-E0HZ 4230-C Washer pinion
1-81T 4536-MD	Shim	1-107276 Rtv. gasket	1-E0HZ 4127-C	Case support	2-E0HZ 4236-B Side gear
1-BB 4662	Gasket		4-E0HZ 4216-F	Bolt short	4-126001 Pinion gear
	4127	Case (differential gear support)	8-E1HZ 4216-A	Bolt long	1-126002 Pinion shaft
1	8Q 4127-A	R.H.-use on vehicles with old style diff. case-#109234 and 109236	3-E0HZ 4228-D	Washer gear and support case	1-126006 Case half w/pin 1-126007 Case half plain
1	E0HZ 4127-C	R.H.-use on vehicles with updated diff. case-#126006 and 126007	1	E1HZ 4204-C	36 spline side gear-1981/86-"From 11/80"
8	373127-S(BB-804)	Bolt (gear support case)- 1/2"-20 x 3 1/2"	Consists of		
2	C8TZ 4A133-A	Screw (differential oil trough)- 1/4"-20 x 3/4" nylock	4-E0HZ 4029-C	Pin	4-E0HZ 4230-C Washer pinion
1	C8TZ 4141-J	Carrier assy. (diff.)-#74019	1-E0HZ 4127-C	Case support	2-E1HZ 4236-A Side gear
12	357451-S(BB-195)	Bolt (carrier to hsg.)-1/2"-13 x 1 3/4"	4-E0HZ 4216-F	Bolt-short	4-126001 Pinion gear
12	34809-S8(X-68)	Lockwasher-1/2"	8-E1HZ 4216-A	Bolt-long	1-126002 Pinion shaft
2	★74116-S	Plug (shift fork shaft hole)- expansion-upper and lower-15/16"	3-E0HZ 4228-D	Washer gear and support case	1-126006 Case half w/pin 1-126007 Case half plain
2	B8TZ 4322-A	Nut (shift fork seal stud)-7/16"-20	8	357354-S(BB-336)	Bolt (diff. case)-head drilled- 7/16"-14 x 2 3/4"-use on vehicles with old style diff. case-#109234 and 109236-1981/81-"Before 11/80"
2	D3HZ 4323-B	Stud (carrier to shift motor housing)- 7/16"-20-14 x 1 11/16"	8	E1HZ 4216-A	Bolt (diff. case)-self-locking-7/16"-14 x 2 9/16" use on vehicles with old style diff. case #109234 and 109236-1981/86-"From 11/80"
2	44730-S8(X-26)	Washer-7/16"		4216	Bolt (diff. case)-self locking-use on vehicles with update diff. case #126006 and 126007-also serviced in assy. and kit-group 4204
1	7EQH 4143	R.H.-7/32" thick	4	E0HZ 4216-F	7/16"-14 x 1 5/16"
1	A8TZ 4143-A	L.H.-4 7/8" wide	8	E1HZ 4216-A	7/16"-14 x 2 9/16"

1980/  
TRUCK SERIES 600/900

QTY.	PART NUMBER	DESCRIPTION	QTY.	PART NUMBER	DESCRIPTION
<b>EATON 16244 REAR AXLE SERVICE PARTS LIST NO. 101 — Cont'd</b> Notes: Δ Also serviced in kit - group 4A109 %Also serviced in kit-group 4A195					
	4209	Ring gear and pinion kit- Solid pinion-includes self-locking nut		4237	Gear and pinion kit (differential) — Cont'd
1	E3HZ 4209-C	4.88/6.78 ratio	1	B8QH 4237-F	Straight cut 16 spline side gear- 1980/81-"Before 11/80"
1	D6HZ 4209-AR	5.57/7.75 ratio	Consists of		
1	E1HZ 4209-H	6.14/8.54 ratio	1-8Q 4211-A	Pinion shaft	2-102498 Side gear
1	D6HZ 4209-AS	6.17/8.58 ratio	2-8Q 4228-A	Washer gear	4-102500 Pinion gear
1	★D6HZ 4209-AT	6.50/9.04 ratio-r/b E2HZ 4209-G	4-B9TZ 4230-A	Washer pinion	
1	E2HZ 4209-G	6.57/9.13 ratio	1	E1HZ 4237-A	Involute 36 spline side gear-1981/86 "From 11/80"
1	D9HZ 4209-D	7.17/9.97 ratio	Consists of		
	4211	Shaft (pinion)-serviced only in kit-group 4237	1-8Q 4211-A	Pinion shaft	4-102500 Pinion gear
	4215	Pinion-serviced only in kit- group 4237	2-8Q 4228-A	Washer gear	2-110524 Side gear
1	E0HZ 4217-A	Bolt and nut kit (gear support case)	4-B9TZ 4230-A	Washer pinion	1-114242 Part list
Consists of			1	E0HZ 4237-E	Gear and pinion kit (differential)-less side gear-use on vehicles with update diff. case-#126006 and 126007-for side gears refer to group 4236 within parts list
8-44356	Bolts	8-67592	Nuts		
	4221	Cone and roller (diff. bearing)	Consists of		
1	A8TZ 4221-A	R.H.-#495A	3-E0HZ 4228-D	Washer gear and support case	4-126001 Pinion gear 1-126002 Pinion shaft
1	8Q 4221-A	L.H.-#42381	4-E0HZ 4230-C	Washer pinion	
	4222	Cup (diff. bearing)		4292	Pinion-serviced only in kit-group 4237
1	B6Q 1243-A	R.H.-#493	1	C8TZ 4A309-A	Trap (filler plug)-magnetic-1" x 1 1/2"
1	8Q 4222-A	L.H.-#42584	1	★C8TZ 4A318-A	Element kit (oil filter)-incl. element and (2) gaskets-r/b 87675-S
	4228	Washer (diff. side gear thrust and support case)-also serviced in kit-groups 4204, 4237	1	87675-S(P-17)	Plug (oil filter) 1/2"-14 x 5/8"
3	8Q 4228-A	Use on vehicles with old style diff. case-#109234 and 109236	1	C8TZ 4A319-A	Housing (oil filter)
3	E0HZ 4228-D	Use on vehicles with update diff. case-#126006 and 126007	1	★C8TZ 4A320-A	Cover (oil filter)
4	8Q 4229-A	Gear (diff. planetary)-1 3/8" I.D. x 2 37/64" O.D.	1	C8TZ 4A321-A	Lockplate (oil filter)
	4230	Washer (pinion thrust)- also serviced in kit groups 4204, 4237		4322	Nut (gear case bolt)- Serviced in kit-group 4217
4	B9TZ 4230-A	Use on vehicles with old style diff. case-#109234 and 109236	2	C8TZ 4A322-A	Stud (oil filter mounting)
4	E0HZ 4230-C	Use on vehicles with update diff. case-#126006 and 126007	2	382750-S (MM-121-ZH)	Nut (oil filter stud)-1/2"-14 pipe thread
	4234	Shaft assy.	2	382752-S (XX-232-A)	Gasket (stud to hsg.)-inner-3/4" I.D.
2	C3TZ 4234-S	#58975-Straight cut 16 spline- 1980/81-"Before 11/80"	2	382975-S (XX-166-C)	Gasket (cover to filter hsg.)-7/16" I.D. x 7/8" O.D.
2	E1HZ 4234-B	#110881-Rolled involute 36 spline- 1981/82-"From 11/80"	2	34447-S2(M-83)	Nut (cover to hsg.)-7/16"-20
2	E3HZ 4234-B	#113645-Rolled involute 36 spline- 1983/86	2	87065-S91(T-2-E)	"O" ring (seal filter to axle hsg.)- 15/16" O.D.
	4236	Gear (diff. side)-old style diff. case-#109234 and 109236-serviced only in kit-group 4237	1	★C8TZ 4A329-A	Installation kit (oil filter)
	4236	Gear (diff. side)-use on vehicles with update diff. case-#126006 and 126007- also serviced in kit-group 4204	AR	4536	Shim (driving pinion brg. retainer)
2	E0HZ 4236-B	16 splines	AR	E0HZ 4536-A	.003" thick
2	E1HZ 4236-A	36 splines	AR	E0HZ 4536-C	.010" thick
	4237	Gear and pinion kit (differential) use on vehicles with old style diff. case-#109234 and 109236	AR	Δ81T 4536-MA	.028"/.032" thick
			AR	Δ81T 4536-MB	.00975"/.01025" thick
			AR	Δ81T 4536-MD	.00275"/.00325" thick
			AR	4537	Spacer (driving pinion bearing)
			AR	B6Q 4537-A	.623" thick
			AR	D3HZ 4537-BF	.624" thick
			AR	B6Q 4537-B	.625" thick
			AR	D3HZ 4537-BG	.626" thick

1980/  
TRUCK SERIES 600/900

QTY.	PART NUMBER	DESCRIPTION	QTY.	PART NUMBER	DESCRIPTION
EATON 16244 REAR AXLE SERVICE PARTS LIST NO. 101 — Cont'd					
Notes: Δ Also serviced in kit - group 4A109					
%Also serviced in kit-group 4A195					
	4537	Spacer (driving pinion bearing) — Cont'd		4560	Bolt (drive pinion bearing retainer)
AR	D3HZ 4537-BH	.627" thick	6	★C1TT 4560-B	1980/82-9/16"-12 x 1 5/8"
AR	D3HZ 4537-BJ	.628" thick	6	E3HZ 4560-A	1983/86-9/16"-12 x 1 1/2"
AR	B6Q 4537-C	.629" thick	1	C8TZ 4614-B	Retainer assy. (driving pinion)- #67817-incl. (2) 7EQH 4616 bearing cups-#55437
AR	D3HZ 4537-BK	.630" thick			
AR	D3HZ 4537-BL	.631" thick			
AR	B6Q 4537-D	.632" thick	2	7EQH 4616	Cup (driving pinion brg.)-#55437
AR	D3HZ 4537-BM	.633" thick	2	TWAA 4621-A	Cone and roller (driving pinion)-#55175-C
AR	D3HZ 4537-BN	.634" thick	1	7EQH 4625	Bearing assy. (driving pinion pilot)- #MUS1307-TM, #15828
AR	B6Q 4537-E	.635" thick			
AR	D3HZ 4537-BP	.636" thick	1	8Q 4637-A	Washer (pinion and coupling shaft flange)- 1 5/32"
AR	D3HZ 4537-BR	.637" thick			
AR	B6Q 4537-F	.638" thick	1	△BB 4662	Gasket (driving pinion bearing sleeve)
AR	D3HZ 4537-BS	.639" thick	1	E3HZ 4676-A	Seal and retainer assy. (drive pinion oil)- includes integral seal and retainer #119427-4 9/16" O.D.-for 2 5/8" dia. shaft
AR	D3HZ 4537-BT	.640" thick			
AR	B6Q 4537-G	.641" thick			
AR	D3HZ 4537-BV	.642" thick			
AR	D3HZ 4537-BW	.643" thick			
AR	B6Q 4537-H	.644" thick	1	B7T 4851-C	Flange assy. (universal joint)-axle end 6C size
AR	D3HZ 4537-BX	.645" thick	1	B8QH 4851-C	7C size
AR	D3HZ 4537-BY	.646" thick	1	B6Q 4851-A	1410 size-1980/83
AR	B6Q 4537-J	.647" thick	1	E4HZ 4851-B	1410 size-1984/86
AR	D3HZ 4537-BZ	.648" thick	1	C1TT 4851-J	1480 size-#42200-1980/83
AR	D3HZ 4537-CB	.649" thick	1	E4HZ 4851-D	1480 size-1984/86
AR	B6Q 4537-K	.650" thick	1	E0HZ 4851-F	1550 size-#47999-1980/83
AR	D3HZ 4537-CC	.651" thick	1	E4HZ 4851-F	1550 size-1984/86
AR	D3HZ 4537-CD	.652" thick	1	E3HZ 4851-C	1610 Size-#50568
AR	B6Q 4537-L	.653" thick			
AR	D3HZ 4537-CE	.654" thick	1	D6HZ 4320-B	Nut (flange to pinion)-self-locking- 1 1/8"-18 x 1 5/8"-also serviced in kit-group 4209
	4545	Lockwasher (drive pinion bearing retainer bolt)			
6	E0HZ 4545-A	1980/82-9/16"			
	★4545	1983/86-Not required			
EATON 17201-17221 REAR AXLE SERVICE PARTS LIST NO. 102					
Notes ⊕ Also serviced in kit - group 4237					
Δ Also serviced in kit - group 4A109 % Also serviced in kit-group 4A195 Δ 16 1/2" ring gear ± 16" ring gear					
	1243	Refer to group 4222 within parts list	1	%E3HZ 4055-D	Gear (sliding clutch)-#113596- 7 21/64" long-16 teeth each end
	4010	Housing assy.		4062	Shift assy.-electric
1	★D7HZ 4010-B	#100302-1980/83 r/b MAT 86073	1	★B9TT 4062-A	#41059-use on vehicles w/rear shocks- 1980/85-r/b MAT 89011
1	D7HZ 4010-AA	#303108-1980/83			
1	★E4HZ 4010-E	#301548-1984-"Before 7/84"- r/b MAT 87064	1	E5HZ 4062-A	#113770-use on vehicles w/o rear shocks- 1980/85
1	E4HZ 4010-T	#303118-1984/88-"From 7/84"	1	E5HZ 4062-A	#113770-1986/88
1	374506-S(PP-51)	Plug (drain)-magnetic-3/4"-14		4062	Shift assy. kit (electric)-retrofit- to convert axles w/o rear shocks to new style shift assy.-refer to group in Section 41
1	B6QH 4019-A	Washer (drive pinion grease retainer)			
	4027	Refer to group 4127 within parts list			
4	7EQH 4029	Pin (planetary gear)-1 1/2" x 4 5/16"			
1	△B7TZ 4035-A	Gasket (differential carrier)-18 3/4" O.D.-17 1/2" bolt circle		48062	Electric shift unit repair kit- refer to group in Section 41
1	△7EQH 4036	Gasket (cover to housing)-18 3/4" O.D.		4067	Adjuster (differential bearing)
1	%C3TZ 4040-B	Plate (high speed clutch)-#56931- 7 3/4" O.D.-3/4" thick, 16 internal teeth	1	7EQH 4067	R.H.-#27842-use on old style case #27839-1980/81-"Before 4/81"
1	A8TZ 4045-A	Fork and roller assy. (differential shift)-#62720	1	E1HZ 4067-B	R.H.-#110243-use on new style case #110148-1981/88-"From 4/81- also serviced in kit-group 4127
2	B9TZ 4053-A	Pin (differential shift fork roller)- 1 3/64" long-11/16" major O.D.- 15/32" minor O.D.	1	%C3TZ 4067-M	L.H.-#56932
			1	E4HZ 4072-A	Seal assy (shift fork)-#119851
			1	B2Q 4073-A	Gasket (differential carrier)-shift fork opening

1980/  
TRUCK SERIES 600/900

QTY.	PART NUMBER	DESCRIPTION	QTY.	PART NUMBER	DESCRIPTION
EATON 17201-17221 REAR AXLE SERVICE PARTS LIST NO. 102 — Cont'd					
Notes: ⊕ Also serviced in kit - group 4237					
⚠ Also serviced in kit - group 4A109 % Also serviced in kit-group 4A195⚠ 16 1/2" ring gear ‡ 16" ring gear					
1	B7TZ 4A109-C	Gasket kit		4209	Ring gear and pinion kit
Consists of					Solid pinion-includes self-locking nut
1	E0HZ 4536-A	Shim 1-38939		1 ‡D6HZ 4209-AF	3.70/5.05 ratio
1	E0HZ 4536-C	Shim 1-43590		1 ‡C3TZ 4209-AR	4.11/5.61 ratio
1	7EQH 4662	Gasket 1-107276		1 ★‡D6HZ 4209-M	4.56/6.21 ratio
	4127	Case (differential gear support)		1 ‡D6HZ 4209-K	4.88/6.65 ratio
1	★7EQH 4127	R.H.-#27839-use on vehicles with old style case-1980/81-"Before 4/81" r/b E3HZ 4127-A		1 ‡C6TZ 4209-AR	5.29/7.21 ratio
1	E1HZ 4127-A	R.H.-#110148-use on vehicles with new style case-1981/88-"From 4/81" also serviced in kit-group 4127		1 ⚠ D6HZ 4209-AV	5.57/7.60 ratio
1	7EQH 4027	L.H.-#27838		1 ⚠ D6HZ 4209-AM	6.14/8.38 ratio
1	E3HZ 4127-A	Case kit (differential gear support)-R.H.-use on vehicles to convert to new style case		1 ⚠ 4209	6.50/8.86 ratio-use E2HZ 4209-K
Consists of				1 ⚠ E2HZ 4209-K	6.57/8.94 ratio
1	E1HZ 4067-B	Adjuster 1-E1HZ 4127-A		1 ⚠ E4HZ 4209-B	7.17/9.77 ratio
2	C8TZ 4A133-A	Screw (differential oil trough)-nylock-1/4"-20 x 3/4"			4211 Shaft (pinion)-serviced only in kit-group 4237
1	C8TZ 4141-B	Carrier assy. (differential)-#67757		8	A8TZ 4217-A Bolt and nut assy. (support case)-9/16"-18 x 4 13/64"-1980/87
2	353069-S(PP-46)	Plug (peep hole and oil distributor pipe)-1" square countersunk		1	A8TZ 4217-C Bolt and nut kit (gear support case)-1988
1	74121-S(P-8)	Plug expansion (shift fork shaft hole)-upper-1 1/4"		Consists of	
1	★74116-S	Plug expansion (shift fork shaft hole)-lower-15/16"		8-44358	Bolts 8-60599 Nuts
2	357183-S8(WW-37)	Stud (shift motor to housing)-7/16"-14 and 7/16"-20 x 1 5/8"			4221 Cone and roller (differential bearing)
1	87675-S(P-17)	Plug (shift fork opening hole)-lower-1/2"-14		1	A7TZ 4221-A R.H.-#497
2	34671-S8(M-67)	Nut-7/16"-20		1	7EQH 4221 L.H.-#56425
	4143	Lock (differential bearing adjuster)			4222 Cup (differential)
1	7EQH 4143	R.H.-7/32" thick		1	B6Q 1243-A R.H.-#493
1	B6TZ 4143-A	L.H.		1	7EQH 4222 L.H.-#56650
2	371173-S(BB-349)	Bolt diff. bearing adjuster lock)-5/8"-11 x 2"		3	⊕A8TZ 4228-A Washer (differential side gear thrust and support case)-4 9/16" O.D.
1	%7EQH 4147	Washer (high speed clutch plate)-thrust 4 1/4" I.D. x 7 27/32" O.D.		4	7EQH 4229 Gear (differential planetary)-1 1/2" I.D.x3 1/16" O.D.
1	E3HZ 4149-B	Shaft assy. (differential shift fork)-includes "O" ring		4	⊕7EQH 4230 Washer (pinion thrust)-1 1/64" I.D. x 2 7/16" O.D.
4	7EQH 4154	Pin (high speed clutch plate)-2 7/16" long			4234 Shaft assy.
1	353069-S(PP-46)	Plug (oil distributor pipe)-1" square		2	C3TZ 4234-N #56980-1980/81-"Before 4/81"
2	B6QH 4156-A	Bushing (diff. bearing adjuster lock)		2	E1HZ 4234-C #110882-1981/88-"From 4/81"
1	C8TZ 4159-A	Lubricator (differential)-trough-#67814			4236 Gear (differential side)-serviced only in kit-group 4237
1	A8TZ 4168-A	Retainer (driving pinion oil seal)-2 39/64" I.D. x3 49/64" O.D.			4237 Gear and pinion Kit (differential)
1	B6TZ 4A195-A	Sliding clutch gear kit		1	B9TZ 4237-G Straight spline side gear-1980/81-"Before 4/81"
Consists of				Consists of	
1	C3TZ 4040-B	Plate 1-C3TZ 4067-M		1-7EQH 4211	Pinion shaft 2-TGAA 4236-B Side gear
1	E3HZ 4055-D	Gear 1-7EQH 4147		2-A8TZ 4228-A	Washer-gear 4-TGAA 4292-B Pinion gear
	4200	Differential assy. - refer to group in Section 40		4-7EQH 4230	Washer-pinion
1	C0TT 4204-B	Case assy. (differential)-incl. (8) 350048 S bolt		1	E1HZ 4237-B Involute spline side gear-1981/88-"From 4/81"
8	D6HZ 4216-A	Bolt (case)-self-locking-1/2"-13 x 2 3/4"		Consists of	
				1-7EQH 4211	Pinion shaft 4-104139 Pinion-gear
				2-A8TZ 4228-A	Washer-gear 2-110525 Side gear
				4-7EQH 4230	Washer-pinion
					4292 Pinion-serviced only in kit-group 4237
				1	C8TZ 4A309-A Trap (filler plug)-magnetic-1" x 11 1/2"
				8	A8TZ 4322-A Nut (gear case bolt)-9/16"-18 conelock-also serviced in assy.-group 4217
				2	B8TZ 4322-A Nut (shift housing stud)-7/16"-20
					4323 Stud (shift housing)-
				2	D3HZ 4323-B 1980/85-7/16"-20-14 x 1 11/16"
				2	D3HZ 4323-E 1986/88-7/16"-20-14 x 1 3/4"
				2	44730-S8(XX-26) Washer (shift housing stud)-7/16"-use on vehicles w/rear shocks
				2	E4HZ 4B147-A Washer (shift housing stud)-15/32" I.D. x 15/16" O.D. x 3/32" thick-use on vehicles w/o rear shocks

**1980/  
TRUCK SERIES 600/900**

QTY.	PART NUMBER	DESCRIPTION	QTY.	PART NUMBER	DESCRIPTION
EATON 17201-17221 REAR AXLE SERVICE PARTS LIST NO. 102 — Cont'd					
Notes: ⊕ Also serviced in kit - group 4237					
△ Also serviced in kit - group 4A109 % Also serviced in kit-group 4A195A 16 1/2" ring gear ± 16" ring gear					
	4536	Shim (driving pinion bearing retainer)		4614	Retainer assy. (driving pinion)
AR	△E0HZ 4536-A	.003" thick	1	D3HZ 4614-A	#75108-use on 17201 axle-w/16" ring gear
AR	△E0HZ 4536-C	.010" thick			
	4537	Spacer (driving pinion bearing)	1	C8TZ 4614-B	#67817-Use on 17221 axle-w/16 1/2" ring gear
1	D5HZ 4537-AG	.621" thick			
1	★D5HZ 4537-AH	.622" thick	6	E0HZ 4545-A	Lockwasher (retainer to carrier)-9/16"
1	7EQH 4537-A	.623" thick		4560	Bolt (drive pinion bearing retainer)-
1	D5HZ 4537-A	.624" thick	6	★C1TT 4560-B	1980/83-9/16"-12 x 1 5/8"
1	D5HZ 4537-B	.625" thick	6	E3HZ 4560-A	1983/88-9/16"-12 x 1 1/2"
1	D5HZ 4537-C	.626" thick	2	7EQH 4616	Cup (driving pinion bearing)-#55437
1	D5HZ 4537-D	.627" thick	2	A8TZ 4621-A	Cone and roller (driving pinion)-#55200-C
1	D5HZ 4537-E	.628" thick	1	7EQH 4625	Bearing assy. (driving pinion pilot)-
1	7EQH 4537-C	.629" thick			#MUS 1307-TM, #15828
1	D5HZ 4537-F	.630" thick	1	7EQH 4637	Washer (driving pinion)-1 9/32" I.D.
1	D5HZ 4537-G	.631" thick	1	△7EQH 4662	Gasket (driving pinion bearing sleeve)-
1	D5HZ 4537-H	.632" thick	1	E3HZ 4676-A	Seal and retainer assy. (drive pinion oil)-
1	D5HZ 4537-J	.633" thick			includes integral seal and retainer
1	D5HZ 4537-K	.634" thick			#119427-4 9/16" O.D.-for 2 5/8" dia. shaft
1	7EQH 4537-E	.635" thick			
1	D5HZ 4537-L	.636" thick	1	TGAA 4851	Flange assy. (universal joint)-axle end
1	D5HZ 4537-M	.637" thick	1	B8QH 4851-B	6C size
1	D5HZ 4537-N	.638" thick	1	C1TT 4851-C	7C size
1	D5HZ 4537-P	.639" thick	1	C1TT 4851-J	1480 size-1980/83
1	D5HZ 4537-R	.640" thick	1	E4HZ 4851-D	1480 size-1984/88
1	7EQH 4537-G	.641" thick	1	D9HZ 4851-A	1550 size-#4-4-1901-1980/83
1	D5HZ 4537-S	.642" thick	1	E4HZ 4851-F	1550 size-exc. 3.70/5.05 and 4.11/5.61 ratios-1984/88
1	D5HZ 4537-T	.643" thick			
1	D5HZ 4537-V	.644" thick	1	E4HZ 4851-K	1550 size-3.70/5.05 and 4.11/5.61 ratios-1987/88
1	D5HZ 4537-W	.645" thick			
1	D5HZ 4537-X	.646" thick	1	D4HZ 4851-C	1610 size-1980/86
1	7EQH 4537-J	.647" thick	1	E7HZ 4851-A	1610 size-exc. 3.70/5.05 and 4.11/5.61 ratios-1987/88
1	D5HZ 4537-Y	.648" thick			
1	D5HZ 4537-Z	.649" thick	1	E7HZ 4851-B	1610 size-3.70/5.05 and 4.11/5.61 ratios-1987/88
1	D5HZ 4537-AA	.650" thick			
1	D5HZ 4537-AB	.651" thick	1	E6HZ 4851-C	1710 size-1980/86
1	D5HZ 4537-AC	.652" thick	1	E7HZ 4851-C	1710 size-exc. 3.70/5.05 and 4.11/5.61 ratios-1987/88
1	7EQH 4537-L	.653" thick			
1	D5HZ 4537-AD	.654" thick	1	E7HZ 4851-D	1710 size-3.70/5.05 and 4.11/5.61 ratios-1987/88
12	D2HZ 4560-A	Bolt (carrier to housing)-5/8"-11 x 1 3/4"	1	E1HZ 4851-D	1760 size-exc. 3.70/5.05 and 4.11/5.61 ratios
12	34811-S2(X-71)	Lockwasher (carrier bolt to housing)-5/8"	1	E1HZ 4851-C	1760 size-3.70/5.05 and 4.11/5.61 ratios
			1	D5HZ 4320-A	Nut (flange to pinion)-self-locking-1 1/4"-12 x 1 3/4" also serviced in kit-group 4209

**ROCKWELL (TIMKEN) SLHD REAR AXLE SERVICE PARTS LIST NO. 125**

Notes: ⊕ Also serviced in kit-group 4237.

Note 1- It is imperative that all (12) replacing bolts and nuts be used as a Set and all (12) replaced bolts and nuts be removed and discarded when servicing the vehicle to avoid thread mixing and cross threading

Note 2- Use for operating axle lube temperature range from -20° to +250°

Note 3- Use for operating axle lube temperature range from -35° to +250°

1	D0HZ 4N025-A	Plug (heat indicator)		4A140	Bolt (power divider cover)
1	C1TT 4035-A	Gasket (differential carrier)- 16 7/8" O.D.-14 holes	4	C6TZ 4A140-B	1/2"-13 x 1 3/4"
			2	★C6TZ 4A140-C	1/2"-13 x 1 7/8"
1	353051-S (PP-32)	Plug (diff. carrier filler)- 3/4"-14 x 5/8"	10	380079-S2 (XX-173-C)	Washer-flat-7/16"
2	E1HZ 4067-A	Adjuster (differential bearing)- 4 9/16" I.D. x 5 31/64" O.D.-14 holes	2	C2TZ 4143-A	Lock (differential bearing adjuster)

1980/  
TRUCK SERIES 600/900

QTY.	PART NUMBER	DESCRIPTION	QTY.	PART NUMBER	DESCRIPTION
ROCKWELL (TIMKEN) SLHD REAR AXLE SERVICE PARTS LIST NO. 125 — Cont'd					
Notes: ⊕ Also serviced in kit-group 4237.					
Note 1- It is imperative that all (12) replacing bolts and nuts be used as a Set and all (12) replaced bolts and nuts be removed and discarded when servicing the vehicle to avoid thread mixing and cross threading					
Note 2- Use for operating axle lube temperature range from -20° to +250°					
Note 3- Use for operating axle lube temperature range from -35° to +250°					
4	353408-S(BB-329)	Bolt (lock)-head drilled- 5/16"-18 x 7/16"	2	C5TZ 4A230-A	Gasket (housing plug)-5/8" O.D. x 5/16" I.D.
6	★C1TZ 4A146-A	Bolt (power divider cover)- 7/16"-14 x 1 1/2"- use w/C1TT 4574-A	2	D8HZ 4A322-C	Bolt (housing plug gasket)- 5/16"-18 x 1"
2	D7HZ 4147-B	Washer (power divider diaphragm assy.)- 13/32" I.D. x 13/16" O.D. x 1/16" thick	2	D4HZ 4234-A	Shaft assy.
1	B8QH 4150-A	Gasket (sliding clutch push rod retainer)-upper- also serviced in housing & shift assy.-group 4563		4236	Gear (differential side)-serviced only in kit-group 4237
2	C3TZ 4399-B	Bolt (power divider diaphragm assy.)- 3/8"-16 x 7/8"	1	★C8TZ 4237-A	Gear and pinion kit (differential)
1	C1TZ 4189-A	Screw (thrust adjusting)-does not require thrustblock-7/8"-14 x 3 5/8"	Consists of		
1	D3TZ 4204-C	Case assy. (diff.) 3.70 thru 4.44 ratio	4-C8TZ 4215-C	Pinion gear	4-C1TT 4230-D Washer-pinion
1	D3TZ 4204-B	4.88 thru 7.80 ratio	2-C1TT 4228-D	Washer-gear	2-C8TZ 4236-F Side gear
1	E1HZ 4211-A	Shaft (pinion)-#S-305		4300	Differential assy.-refer to group in section 40
4	C1TT 4215-B	Pinion-power divider-#2233-A-105 4215 Pinion-differential-serviced only in kit-group 4237		4309	Ring gear and pinion kit-includes pilot bearing and self-locking nut Non-high torque
16	D7HZ 4216-C	Bolt (differential case)- 1/2"-13 x 3 1/4"-w/locking material	1	★D7HZ 4309-A	3.70 ratio
16	D7HZ 4326-A	Washer (differential case bolt)- 17/32" I.D. x 7/8" O.D. x 3/32" thick	1	★E0HZ 4309-H	3.90 ratio
1	C1TT 4221-A	4221 Cone and roller Diff. bearing-R.H.-#496- use with 3.70 thru 4.44 ratios	1	★C4TZ 4309-F	4.11 ratio
1	A7TZ 4221-A	Diff. bearing-L.H.-#497- use with 3.70 thru 4.44 ratios	1	★C4TZ 4309-E	4.44 ratio
2	C1TT 4221-A	Diff. bearing-#496-use with 4.88 thru 7.80 ratios	1	C6TZ 4309-H	4.88 ratio-1980/82
2	B7A 4221-B	Power divider output shaft-#LM603049 4222 Cup	1	★E3HZ 4309-AF	4.88 ratio-1983
2	B6Q 1243-A	Diff. bearing-#493	1	C1TZ 4309-T	5.29 ratio
2	B7A 4222-B	Power divider output shaft-#LM603011 4228 Washer (side gear thrust)	1	★C1TZ 4309-S	5.83 ratio
1	C1TT 4228-B	Power divider-forward-2 31/32" I.D. x 3 7/8" O.D.	1	★C6TZ 4309-G	6.17 ratio
1	C1TT 4228-C	Power divider-rear-use on plain surface power divider diff. case half- 2 13/16" I.D. x 3 13/16" O.D.	1	★C1TZ 4309-R	6.83 ratio
1	E0HZ 4228-C	Power divider-rear-use on power divider diff. case half with 4 machine grooves-2 53/64" I.D. x 3 3/16" O.D.-2 tangs on washer	1	★C1TZ 4309-N	7.80 ratio
2	⊕C1TT 4228-D	Differential-2 45/64" I.D. x 4 1/16" O.D. 4230 Washer (pinion thrust)	1	★D3HZ 4309-M	Ring gear and pinion kit (update high torque)- 6.83 ratio
4	⊕C1TT 4230-D	Differential pinion-1 1/16" I.D. x 2 13/32" O.D.	Consists of		
4	E0HZ 4230-B	Power divider pinion 7/8" I.D. x 1 31/32" O.D.	1-D8HZ 4320-A	Nut	1-TSA-396 Instr. tag
			1-D3HZ 4442-A	Gear	1-TSA-2110 Instr. sheet
			1-D8HZ 4586-A	Washer	1-SP-8039 Instr. sheet
			1-D8HZ 4625-A	Bearing	1-A35806-20 Gear set
			1-C6TZ 4627-A	Retainer	1-MIS128-TP8371 Instr. tag
				4310	Housing assy.
			1	★D7HZ 4310-J	Hendrickson Susp.-#C3-B-106
			1	★D7HZ 4310-A	Reyco susp.-#C-B-106
			1	★D5HZ 4310-T	Neway Susp.-#C2-B-106
			1	D8HZ 4N282-B	Plug (drain)-magnetic- 3/4"-14 x 1 5/16"
			1	D3HZ 4320-A	Nut (drive pinion transfer gear)- 1 3/4"-12 x 2 7/32" across flats- use with C1TT 4442-B gear- 1980-"Before 12/79"
			1	D8HZ 4320-A	Nut (drive pinion transfer gear)- 1 3/4"-12 x 2 19/32" across flats- use with E0HZ 4442-A gear- also serviced in assy.-group 4442- 1980/83-"From 12/79"
			1	D3HZ 4320-C	Nut (input shaft flange)- 1 1/2"-18 x 1 13/16" across flats- use with D7HZ 4404-A case- 1980-"Before 12/79"



**1980/  
TRUCK SERIES 600/900**

QTY.	PART NUMBER	DESCRIPTION	QTY.	PART NUMBER	DESCRIPTION
ROCKWELL (TIMKEN) SLHD REAR AXLE SERVICE PARTS LIST NO. 125 — Cont'd					
Notes: ⊕ Also serviced in kit-group 4237.					
Note 1- It is imperative that all (12) replacing bolts and nuts be used as a Set and all (12) replaced bolts and nuts be removed and discarded when servicing the vehicle to avoid thread mixing and cross threading					
Note 2- Use for operating axle lube temperature range from -20° to +250°					
Note 3- Use for operating axle lube temperature range from -35° to +250°					
1	D7HZ 4320-B	Nut (input shaft flange)- 1 1/2"-12 x 2 7/32" across flats- use with E0HZ 4404-B case- also serviced in assy.-group 4404- 1980/83-"From 12/79"	1	C1TT 4391-A	Nut (driven gear thrust block adj.)- lock-7/8"-14 x 1 1/4" across flats
1	D3HZ 4320-D	Nut (thru shaft output flange) 1 1/4"-18 x 1 19/32" across flats	1	★C1TT 4392-A	Bearing (power divider carrier)- rear-3 35/64" I.D. x 5 1/2" O.D.- #118 or 118S
1	D3HZ 4320-D	Nut (idler gear shaft)-1 1/4"-18 x 1 19/32" across flats	1	★D4TZ 4393-A	Screw (shift push rod collar)-set- 3/8"-24 x 7/8"
4	★C1TT 4321-A	Bolt (differential bearing cap)- 3/4"-10 x 5"-hex. hd.	1	★C1TT 4394-A	Bushing (shift push rod)- 1 1/8" I.D. x 1 17/64" O.D. x 1 5/16" long
4	D8HZ 4323-A	Stud (housing)-5/8"-11 and 5/8"-18 x 2 5/8"	6	★D4TZ 4399-A	Bolt (power divider shift housing)- 3/8"-16 x 7/8"
10	D7HZ 4323-A	Bolt (housing)-5/8"-11 x 1 3/4"	1	E0HZ 4404-B	Case assy. (power divider diff.)
4	D8HZ 4A142-A	Nut (carrier to housing stud)-5/8"-18	8	D7HZ 4216-B	Bolt (diff. case)-power divider- 1/2-13 x 3"-w/locking material
4	C1TT 4326-A	Washer (diff. bearing cap bolt)- 25/32" I.D. x 1 3/8" O.D.-1/8" thick	1	C1TT 4411-A	Shaft (power divider diff. pinion)
14	C1TT 4326-B	Washer (carrier to housing stud)- 1 1/16" O.D. x 21/32" I.D.-3/32" thick	1	★C1TT 4414-B	Retainer assy. (drive pinion bearing)- incl. bearing cups
1	★C1TT 4329-A	4329 Washer (idler shaft nut) 1 9/32" I.D. x 2 3/16" O.D. x 7/32" thick- 1980/82-"Before 4/82"-r/b D7HZ 4637-A	1	★D7HZ 4414-A	Retainer assy.(power divider drive gear brg.)- Incl. 1-C3TZ 4561-A Cup
1	D7HZ 4637-A	1 9/32" I.D. x 2 3/16" O.D. x 7/32" thick- 1982/83 - "From 4/82"	1	★C3TZ 4428-B	Cover (power divider)-malleable or aluminum-10-1/2"-13 tapped holes
1	★C1TT 4332-A	Screw (shifter fork adjusting)- 1/2"-20 x 1 9/16"- also serviced in housing and shift assy-group 4563	2	D7HZ 4A140-A	Bolt (cover to carrier)-1/2"-13 x 1 1/2"
1	33943-S8(M-36)	Locknut - 1/2"-20- also serviced in housing and shift assy-group 4563 1980/82-"Before 4/82"	8	C8TZ 4323-A	Bolt (cover to carrier)-1/2"-13 x 1 3/8"
1	D7HZ 4571-B	Locknut-1/2"-20-also serviced in housing and shift assy.-group 4563 1982/83-"From 4/82"	10	D7HZ 4326-A	Washer (cover to carrier bolt)- 17/32" I.D. x 7/8" O.D. x 3/32" thick
1	★C1TZ 4341-A	Carrier assy. (diff.)-#A2-X-544- A2-T-800	1	C1TT 4434-C	Gear (power divider diff. side)- forward-16 splines-16 teeth
1	358048-S(PP-43)	Plug (filler)-3/4"-14	1	C3TZ 4434-B	Gear (power divider diff. side)-rear 4436 Shim (drive pinion bearing retainer) 5 15/16" I.D. x 7 11/16" O.D.- .003" thick
1	C1TT 4345-B	Washer (shift fork push rod)- 1 1/64" I.D. x 1 3/8" O.D.- also serviced in housing and shift assy-group 4563	AR	★C1TT 4436-A	.003" thick
2	D7HZ 4345-A	Retainer (shift fork push rod washer)- also serviced in housing and shift assy-group 4563	AR	★C1TT 4436-C	.005" thick
1	4351	Flange assy. (universal joint)-power divider end-input	AR	★C1TT 4436-D	.010" thick
1	D0HZ 4851-E	6C size - #R2358	AR	★C1TT 4436-B	Spacer (drive pinion bearing retainer)- 5 31/32" I.D. x 7 11/16" O.D.-use with 6.83, 7.80 ratio only-.125" thick
1	★C1TT 4351-B	7C size-#H2168	1	★C1TT 4442-B	Gear (drive pinion transfer)-24 teeth- 21 splines-r/b E0HZ 4442-A
1	C1TT 4351-A	8C size-#H2166	1	E0HZ 4442-A	Gear and nut assy. (drive pinion transfer)- 24 teeth-21 splines-use with non-high torque gear sets
1	★D9HZ 4351-B	1550 size-#4-4-4041-X	1	★D3HZ 4442-A	Gear (drive pinion transfer)-24 teeth- 39 splines-use on vehicles with high torque update kit gear set- also serviced in kit-group 4309
1	D5HZ 4851-C	1610 size		4450	Fork assy.(power divider diff. lockout shift)
1	C6TZ 4351-B	1710 size-#63241	1	C1TT 4450-C	Single yoke
1	E1HZ 4351-A	1760 size	1	★C1TT 4450-B	Double yoke
1	D1HZ 4351-B	1810 size	1	★C1TT 4458-B	Spring (power divider differential lockout shift lever return)-3/4" O.D. -1 3/16" free length
1	C1TT 4390-A	Washer (shift fork seat)- 15/32" I.D. x 1 7/16" O.D.			

1980/  
TRUCK SERIES 600/900

QTY.	PART NUMBER	DESCRIPTION	QTY.	PART NUMBER	DESCRIPTION
ROCKWELL (TIMKEN) SLHD REAR AXLE SERVICE PARTS LIST NO. 125 — Cont'd					
Notes: ⊕ Also serviced in kit-group 4237.					
Note 1- It is imperative that all (12) replacing bolts and nuts be used as a Set and all (12) replaced bolts and nuts be removed and discarded when servicing the vehicle to avoid thread mixing and cross threading					
Note 2- Use for operating axle lube temperature range from -20° to +250°					
Note 3- Use for operating axle lube temperature range from -35° to +250°					
1	C1TT 4458-C	Spring (power divider differential lockout shift lever return)- 1 5/16" O.D.-2 1/2" free length.-also serviced in housing and shift assy.-group 4563	8	★D4TZ 4560-A	Bolt (pinion bearing retainer to carrier)-1/2"-13 x 1 3/8"
1	352618-S(XX-13)	Washer - 23/32"	2	C3TZ 4561-A	Cup (power divider diff. drive gear bearing)-#29630
	4465	Flange assy. (universal joint)-output	2	C3TZ 4561-B	Cone and roller (power divider diff. drive gear)-#29675
1	DOHZ 4851-E	6C size-#R2358	1	★C1TT 4563-A	Housing assy. (power divider shift fork)-#3280-N-2536
1	C1TZ 4851-A	7C size	1	★C1TT 4563-B	Housing assy. (power divider shift fork)-#3280-C-525- also serviced in housing and shift assy.-group 4563
1	C6TZ 4465-B	1610 size-#5-3861	1	D7HZ 4563-A	Housing and shift assy. (power divider diff. lockout)
1	D1HZ 4465-A	1710 size	Consists of		
1	D1HZ 4475-A	Shaft and bearing kit (power divider output shaft-dual bearings)-	1	B8QH 4150-A	Gasket
Consists of			1	C1TT 4332-A	Screw
1	A1-3226-Q-537	Thru shaft bearing	1	C1TT 4345-B	Washer
		Cage assy.	1	C1TT 4458-C	Spring
		(assembled)	1	C1TT 4497-B	Diaphragm
		1-D4HZ 4567-L	1	C1TT 4563-B	Housing
		1-72107-S	2	33800-S8	Nut
			1	33943-S	Locknut
4	D1HZ 4A147-A	Washer	2	352618-S	Washer
1	C1TT 4479-A	Gasket	2	1229-F-1514	Washer
1	★D4HZ 4477-A	Retainer (power divider thru shaft rear bearing)	4	C3TZ 4399-B	Bolt (retaining)-3/8"-16 x 1"
	4478	Seal (power divider thru shaft oil)	4	34807-S8(X-66)	Lockwasher - 3/8"
1	C1TT 4478-A	NOTE 2-3 17/32" O.D.-to seal 2 3/4" shaft	2	33800-S(M-63)	Nut - 3/8"-24- also serviced in housing and shift assy.-group 4563
1	E2HZ 4478-A	NOTE 3	1	★C1TT 4564-A	Gasket (shift fork opening)
4	C3TZ 4399-B	Bolt (retainer)-3/8"-16 x 1" -also serviced in kit-group 4475	1	★C1TT 4565-A	Rod (diff. lockout shift push)- 8 13/32" long
4	D1HZ 4A147-A	Washer (retainer bolt)-13/32" I.D. x 3/4" O.D. x 3/32" thick also serviced in kit-group 4475	1	★C1TT 4566-A	Spring (diff. lockout shift push rod)- 1 5/8" O.D. x 1 3/4" free length
1	C1TT 4479-A	Gasket (power divider output shaft rear bearing retainer) -also serviced in kit-group 4475		4567	Ring-snap
1	C1TT 4497-A	Diaphragm assy. (power divider diff. lockout)-vacuum shift	1	C1TT 4567-A	3 5/32" free O.D.-.120" thick
1	C1TT 4497-B	Diaphragm assy. (power divider diff. lockout cylinder)-air shift-also serviced in housing and shift assy.-group 4563	1	★C1TT 4567-B	2 7/16" free I.D. .107"/.111" thick
1	★C1TT 4526-F	Bracket (torque arm)	1	★C1TT 4567-C	3 7/16" free I.D.
	4536	Shim (power divider carrier)	1	C1TT 4567-D	4 1/4" free O.D.
AR	C3TZ 4536-D	.003" thick	1	★C1TT 4567-E	3 5/8" free O.D. (thru shaft brg.)
AR	★C3TZ 4536-E	.010" thick		4567	Snap ring (axle thru shaft bearing rear)-3" O.D.
	4537	Spacer (driving pinion bearing)	AR	D4HZ 4567-A	.155" thick
AR	★C1TT 4537-Z	.238" thick	AR	D4HZ 4567-B	.158" thick
AR	★C1TT 4537-AE	.243" thick	AR	D4HZ 4567-C	.161" thick
AR	★C1TT 4537-AF	.249" thick	AR	D4HZ 4567-L	.163" thick
AR	C1TT 4537-AG	.255" thick	AR	D4HZ 4567-D	.164" thick
AR	★C1TT 4537-AH	.261" thick	AR	D4HZ 4567-E	.167" thick
AR	★C1TT 4537-AJ	.267" thick	AR	D4HZ 4567-F	.170" thick
AR	★C1TT 4537-AK	.273" thick	AR	D4HZ 4567-G	.173" thick
1	★C1TT 4556-A	Clutch (power divider input shaft)-sliding-19 splines	AR	D4HZ 4567-H	.176" thick
12	★C1TT 4558-A	Rivet (differential drive gear)- 5/8" x 1 5/8"	AR	D4HZ 4567-J	.179" thick
1	TGAA 7025-A	Bearing (power divider input shaft)- 2 3/16" I.D. x 3 15/16" O.D.	AR	D4HZ 4567-K	.182" thick
			1	★C1TT 4569-A	Collar (lockout shift push rod)- 2 1/16" overall length
			1	C1TT 4570-A	Ball (shift fork pivot)-3/8" I.D. x 1 15/16" O.D.
			1	D4TZ 4571-A	Nut (shift fork pivot bolt)
				4571	Nut (power divider diaphragm assy.)- NOT REQUIRED

**1980/  
TRUCK SERIES 600/900**

QTY.	PART NUMBER	DESCRIPTION	QTY.	PART NUMBER	DESCRIPTION
<b>ROCKWELL (TIMKEN) SLHD REAR AXLE SERVICE PARTS LIST NO. 125 — Cont'd</b>					
Notes: ⊕ Also serviced in kit-group 4237.					
Note 1- It is imperative that all (12) replacing bolts and nuts be used as a Set and all (12) replaced bolts and nuts be removed and discarded when servicing the vehicle to avoid thread mixing and cross threading					
Note 2- Use for operating axle lube temperature range from -20° to +250°					
Note 3- Use for operating axle lube temperature range from -35° to +250°					
1	C1TT 4573-A	Seal (power divider main drive shaft front brg.)-oil-3 15/16" O.D. for 2 15/16" O.D. shaft	1	72016-S7-8 (N-44)	Cotter Pin-3/32"-3/4"
1	C1TT 4574-A	Housing assy. (power divider front)-8 holes-9" bolt circle	1	D8HZ 4586-A	Washer (drive pinion transfer gear)-outer 1 25/32" I.D. x 3" O.D. x 3/16" thick
8	D8HZ 4A145-A	Bolt (housing power divider front)-7/16"-14 x 1 3/8"	1	★C1TT 4587-A	Washer (drive pinion transfer gear) - inner 2 1/64" I.D. x 2 7/8" O.D. x 1/8" thick
8	D7HZ 4A147-A	Washer (power divider housing bolt)-15/32" I.D. x 13/16" O.D. x 3/32" thick	1	★C1TT 4588-A	Ring (differential lock)-8 tangs-3 9/16" I.D. x 4" O.D. x 3/64" thick
1	358048-S(PP-43)	Plug (drain)-3/4"-14	1	★C1TT 4588-B	Ring (differential lock)-19 tangs-3 1/16" I.D. x 3 9/16" O.D.
1	★C3TZ 4575	Bushing (power divider case) 1980-"Before 12/79"	1	★C1TZ 4593-A	Seal (idler gear shaft oil)-1 7/64" I.D. x 1 3/8" O.D.
1	★C3TZ 4575-A	1980/83-"From 12/79"-Serviced in assy. group 4404	2	B8QH 4616-A	Cup (driving pinion bearing)-#72487
1	C1TT 4577-A	Spacer (diff. thru shaft bearing)-2 11/64" I.D. x 2 13/16" O.D.	2	B8TZ 4621-A	Cone and roller (driving pinion)-#72200-C
1	★C1TT 4578-A	Spacer (diff. drive gear bearing)-4 47/64" I.D. x 5 23/64" O.D. x .160" thick	1	D8HZ 4625-A	Bearing assy. (driving pinion pilot)
	4579	Shaft (power divider thru shaft)-Refer to group 4475 within parts list	1	C6TZ 4627-A	Retainer (driving pinion pilot bearing)-1 7/32" I.D. x 1 15/32" O.D. x 1/16" thick
1	C1TT 4580-A	Gear assy. (differential idler)-29 teeth incl. bearing cups	2	8A 4628	Cup (driving pinion bearing)-3" O.D.-#31520
1	★C1TT 4581-A	Shaft (diff. idler gear)-6 5/8" long	2	8A 4630	Cone and roller (driving pinion brg.)-#31597
1	★C1TT 4582-A	Spacer (diff. idler gear bearing)-2 1/2" I.D. x 2 31/32" O.D.	1	★C8TZ 4637-A	Washer (driving pinion)-2 9/16" O.D. x 1 1/8" I.D.
	4583	Spacer (diff. idler gear bearing cone)-1 29/64" I.D. x 2 1/4" O.D. .250" thick		4637	Also refer to group 4329 within parts list
AR	★C1TT 4583-S	.255" thick	1	C3TZ 4739-S	Gear (diff. driven)-#3892-P-2044
AR	★C1TT 4583-T	.740" thick	1	★C1TT 4791-A	Slinger (drive shaft stud yoke)-2 15/16" I.D. x 4 13/16" O.D.
AR	★C1TT 4583-R	.750" thick		4851	Flange assy. (universal joint)-refer to 4351 and 4465 within parts list
AR	★C1TT 4583-K	.760" thick	1	★C1TT 4859-D	Deflector (driving pinion oil seal)-2 15/16" I.D. x 4 3/4" O.D.
AR	★C1TT 4583-L	.770" thick	1	★C1TT 4885-A	Gasket (diff. center housing)-8 holes-9" bolt circle
AR	★C1TT 4583-M	.780" thick	1	C1TZ 4885-B	Gasket (power divider cover)
AR	★C1TT 4583-N	.780" thick	1	D8HZ 4982-A	Bolt and nut kit (driving gear)-NOTE 1
1	C1TT 4585-A	Bolt (shift fork pivot)-3/8"-24 x 2 3/4" (shoulder)	Consists of		
			12-D8HZ 4322-C	Nut	12-D8HZ 4558-B Bolt
			12-C1TT 4326-B	Washer	

**ROCKWELL (TIMKEN) SLHD REAR AXLE SERVICE PARTS LIST NO. 126**

Notes: ⊕ Also serviced in kit - group 4237

Note 1- It is imperative that all (12) replacing bolts and nuts be used as a Set and all (12) replaced bolts and nuts be removed and discarded when servicing the vehicle to avoid thread mixing and cross threading

1	★D7HZ 4010	Housing assy. With 34M Hendrickson Susp.-#C3-A-105	1	C1TT 4035-A	Gasket (diff. carrier)-16 7/8" O.D.-14 holes
1	D7HZ 4010-A	With 34M Reyco susp. #C-A-105	1	353051-S(PP-32)	Plug (diff. carrier filler)-3/4"-14 x 5/8"
1	D5HZ 4010-AC	With 34M Neway Susp.-#C2-A-105	2	E1HZ 4067-A	Adjuster (diff. bearing)-4 9/16" I.D. x 5 31/64" O.D.-14 slots
1	D8HZ 4N282-B	Plug (drain)-magnetic-3/4"-14 x 1 5/16"	1	★C3TZ 4141-M	Carrier & cap assy.-(diff.)-#A2-C-393
1	358048-S(PP-43)	Plug (filler)-3/4"-14	2	C2TZ 4143-A	Lock (diff. brg. adjuster)
1	D0HZ 4N025-A	Plug (heat indicator)			

October, 1993

COPYRIGHT © 1993 - FORD MOTOR - DEARBORN, MICHIGAN  
COMPANY

Final Issue

1980/  
TRUCK SERIES 600/900

QTY.	PART NUMBER	DESCRIPTION	QTY.	PART NUMBER	DESCRIPTION
ROCKWELL (TIMKEN) SLHD REAR AXLE SERVICE PARTS LIST NO. 126 -- Cont'd					
Notes: ⊕ Also serviced in kit - group 4237					
Note 1- It is imperative that all (12) replacing bolts and nuts be used as a Set and all (12) replaced bolts and nuts be removed and discarded when servicing the vehicle to avoid thread mixing and cross threading					
4	353408-S(BB-329)	Bolt (lock)-head drilled- 5/16"-18 x 7/16"	4	★C1TT 4321-A	Bolt (differential bearing cap)- 3/4"-10 x 5" hex. head.
2	C3TZ 4A145-A	Bolt (housing plug)-3/8"-24 x 3/4"		4322	Nut (gear to case)-serviced in kit-group 4982
1	C1TZ 4189-A	Screw (thrust adjusting)-7/8"-14 x 3 5/8"-does not require thrust block	4	D8HZ 4323-A	Stud (housing)-5/8"-11 and 5/8"-18 x 2 5/8"
	4200	Differential assy.-refer to group in section 40	10	D7HZ 4323-A	Bolt (housing)-5/8"-11 x 1 3/4"
	4204	Case assy. (diff.)	4	D8HZ 4A142-A	Nut (carrier to housing stud)- 5/8"-18
1	D3TZ 4204-C	3.70 thru 4.44 ratio	4	C1TT 4326-A	Washer (diff. bearing cap bolt)- 25/32" I.D. x 1 3/8" O.D. x 1/8" thick
1	D3TZ 4204-B	4.88 thru 7.80 ratio	14	C1TT 4326-B	Washer (carrier to housing stud)-21/32" I.D. x 1 1/16" O.D. x 3/32" thick
12	34032-S7(M-9)	Nut - castle-1/2"-20		4326	Washer (gear to case)-serviced in kit-group 4982
	4209	Ring gear and pinion kit-includes pilot bearing and self-locking nut		4329	Washer (drive pinion flange)
1	D7HZ 4209-A	3.70 ratio	1	★C1TT 4329-A	1 9/32" I.D. x 2 3/16" O.D. x 7/32" thick- 1980/82-"Before 4/82"-r/b D7HZ 4637-A
1	E0HZ 4209-AH	3.90 ratio	1	D7HZ 4637-A	1 9/32" I.D. x 2 3/16" O.D. x 7/32" thick- 1982/83-"From 4/82"
1	C4TZ 4209-U	4.11 ratio	1	C1TT 4391-A	Locknut (drive gear thrust block adjusting screw)-7/8"-14 threads- 1 1/4" across flats
1	C4TZ 4209-T	4.44 ratio		4436	Shim (drive pinion bearing retainer)- 5 15/16" I.D. x 7 11/16" O.D. .003" thick
1	C6TZ 4209-AG	4.88 ratio	AR	★C1TT 4436-A	.005" thick
1	★C1TZ 4209-CE	5.29 ratio	AR	★C1TT 4436-C	.010" thick
1	★C1TZ 4209-CD	5.83 ratio	1	★C1TT 4436-B	Shim (drive pinion bearing retainer)- 5 3/32" I.D. x 7 11/16" O.D.- 6 5/8" bolt circle-.125" thick-use only with 4.88, 5.29, 6.17, 6.83, 7.80 ratio
1	★C6TZ 4209-AF	6.17 ratio	1	C1TT 4507-C	Gasket (driving pinion grease retainer support)
1	C1TZ 4209-CC	6.83 ratio	1	★C1TT 4526-E	Bracket (torque arm)
1	C1TZ 4209-CB	7.80 ratio		4537	Spacer (driving pinion brg.)- 2 1/64" I.D. x 2 9/16" O.D. .238" thick
1	E1HZ 4211-A	Shaft (pinion)-#S-305	AR	★C1TT 4537-Z	.243" thick
	4215	Pinion - serviced only in kit-group 4237	AR	★C1TT 4537-AE	.249" thick
16	D7HZ 4216-C	Bolt (differential case) 1/2"-13 x 3 1/4"	AR	★C1TT 4537-AF	.255" thick
16	D7HZ 4326-A	Washer (differential case bolt)- 17/32" I.D. x 7/8" O.D. x 3/32" thick	AR	C1TT 4537-AG	.261" thick
	4221	Cone and roller (diff. bearing)	AR	★C1TT 4537-AH	.267" thick
1	C1TT 4221-A	R.H.-#496-use with 3.70 thru 4.44 ratios	AR	★C1TT 4537-AJ	.273" thick
1	A7TZ 4221-A	L.H.-#497-use with 3.70 thru 4.44 ratios		4558	Bolt (gear to case)-serviced in kit-group 4982
2	C1TT 4221-A	#496 use with 4.88 thru 7.80 ratios	8	C1TT 4560-C	Bolt (pinion bearing retainer to carrier)-1/2"-13 x 1 5/8"
2	B6Q 1243-A	Cup (diff. bearing)-#493	8	D7HZ 4326-A	Washer (pinion bearing retainer bolt)- 17/32" I.D. x 7/8" O.D. x 3/32" thick
2	⊕C1TT 4228-D	Washer (diff. side gear thrust)- 4 holes-2 45/64" I.D. x 4 1/16" O.D.-3 11/16" bolt circle	1	★C1TT 4614-D	Retainer assy. (driving pinion)
4	⊕C1TT 4230-D	Washer (diff. pinion thrust)- 1 1/16" I.D. x 2 13/32" O.D.	2	B8QH 4616-A	Cup (driving pinion brg.)-#72487
2	C5TZ 4A230-A	Gasket (housing plug)-5/8" O.D. x 5/16" I.D.		4621	Cone and roller (driving pinion)
2	D8HZ 4A322-C	Bolt (housing plug gasket)- 5/16"-18 x 1"	1	B8TZ 4621-A	#72200-C
2	D4HZ 4234-A	Shaft assy.	1	C1TZ 4621-A	#72188-C
	4236	Gear (diff. side)-serviced only in kit group 4237	1	D8HZ 4625-A	Bearing assy. (driving pinion pilot)
1	★C8TZ 4237-A	Gear and pinion kit (differential)			
Consists of					
4	C8TZ 4215-C	Pinion gear	4	C1TT 4230-D	Washer-pinion
2	C1TT 4228-D	Washer-gear	2	C8TZ 4236-F	Side gear
1	D3HZ 4320-D	Nut (drive pinion flange)-1 1/4"-18 thread-1 19/32" across flats-also Serviced in kit-group 4209			

1980/  
TRUCK SERIES 600/900

QTY.	PART NUMBER	DESCRIPTION	QTY.	PART NUMBER	DESCRIPTION
<b>ROCKWELL (TIMKEN) SLHD REAR AXLE SERVICE PARTS LIST NO. 126 — Cont'd</b>					
Notes: ⊕ Also serviced in kit - group 4237					
Note 1- It is imperative that all (12) replacing bolts and nuts be used as a Set and all (12) replaced bolts and nuts be removed and discarded when servicing the vehicle to avoid thread mixing and cross threading					
1	C6TZ 4627-A	Retainer (driving pinion pilot brg.)- 1 7/32" I.D. x 1 15/32" O.D. x 1/16" thick	1	★C1TT 4851-E	Flange assy. (universal joint) axle end 7C size-#X2546
	4637	Refer to group 4329 within parts list	1	C6TZ 4851-AA	1610 size
			1	C7TZ 4851-B	1710 size-#A1-S-4101
1	C1TT 4675-C	Retainer (driving pinion grease seal)- 3 3/8" I.D. x 7 11/16" O.D.- 8 holes-6 5/8" bolt circle	1	★C1TT 4859-C	Deflector (driving pinion oil seal)- 2 15/16" I.D. x 5 1/8" O.D.
1	C1TT 4676-A	Seal (drive pinion oil)-2 7/8" I.D. x 3 7/8" O.D.	1	D8HZ 4982-A	Bolt and nut Kit (driving gear)-NOTE 1 Consists of
			12-	D8HZ 4322-C Nut	12-D8HZ 4558-B Bolt
			12-	C1TT 4326-B Washer	
<b>ROCKWELL (TIMKEN) SQHD REAR AXLE SERVICE PARTS LIST NO. 127</b>					
Notes: ⊕ Also serviced in kit - group 4237 ‡ Use two as required for selective fit					
Note 1- It is imperative that all (12) replacing bolts and nuts be used as a Set and all (12) replaced bolts and nuts be removed and discarded when servicing the vehicle to avoid thread mixing and cross threading					
Note 2- Use for operating axle lube temperature range from -20° to +250°					
Note 3- Use for operating axle lube temperature range from -35° to +250°					
1	DOHZ 4N025-A	Plug (heat indicator)	1	C1TT 4221-A	Cone and roller Diff. bearing-R.H.-#496- use with 3.70 thru 4.63 ratios
1	C1TT 4035-A	Gasket (differential carrier)- 16 7/8" O.D.-14 holes	1	A7TZ 4221-A	Diff. bearing-L.H.-#497- use with 3.70 thru 4.63 ratios
2	E1HZ 4067-A	Adjuster (differential bearing)- 4 9/16" I.D. x 5 31/64" O.D. - 14 holes	2	C1TT 4221-A	Diff. bearing-#496-use with 4.88 thru 6.83 ratios
	4A140	Bolt (power divider cover)- 1/2" 13 x 1 3/4"	2	B7A 4221-B	Power divider output shaft-#LM603049
4	C6TZ 4A140-B	1/2"-13 x 1 7/8"	2	B6Q 1243-A	Cup (diff. bearing)-#493
2	★C6TZ 4A140-C	7/16"-14 x 1 1/4"	2	B7A 4222-B	Cup (differential bearing)-power divider output shaft-#LM 603011
8	C7TZ 4A140-A	Flat washer-7/16"	1	C1TT 4228-B	Washer (side gear thrust) Power divider-forward-2 31/32" I.D. x 3 7/8" O.D.
10	380079-S(XX-173-C)	Lock (diff. bearing adjuster)	1	C1TT 4228-C	Power divider-rear-use on plain surface power divider diff. case half- 2 13/16" I.D. x 3 13/16" O.D.
2	C2TZ 4143-A	Bolt (lock)-5/16"-18 x 7/16" head drilled	1	E0HZ 4228-C	Power divider-rear-use on power divider diff. case half with 4 machine grooves-2 53/64" I.D. x 3 3/16" O.D.-2 tangs on washer
4	353408-S(BB-329)	Washer (power divider diaphragm assy.)- 13/32" I.D. x 13/16" O.D. x 1/16" thick	1	⊕C1TT 4228-D	Differential-2 45/64" I.D. x 4 1/16" O.D. Washer (pinion thrust)
6	★C1TZ 4A146-A	Gasket (sliding clutch push rod retainer)-upper- also serviced in housing and shift assy.-group 4563	4	⊕C1TT 4230-D	Differential pinion-1 1/16" I.D. x 2 13/32" O.D.
2	D7HZ 4147-B	Bolt (power divider diaphragm assy.)- 3/8"-16 x 7/8"	4	E0HZ 4230-B	Power divider pinion-7/8" I.D. x 1 31/32" O.D.
1	B8QH 4150-A	Screw (thrust adj.)-does not require thrust block-7/8"-14 x 3 5/8"	2	C5TZ 4A230-A	Gasket (housing plug)-5/8" O.D. x 5/16" I.D.
	4204	Case assy. (diff.)	2	D8HZ 4A322-C	Bolt (housing plug gasket)- 5/16"-18 x 1"
1	D3TZ 4204-C	3.70 thru 4.63 ratio	2	D7HZ 4235-A	Shaft assy.
1	D3TZ 4204-B	4.88 thru 6.83 ratio		4236	Gear (diff. side)-serviced only in kit- group 4237
1	E1HZ 4211-A	Shaft (pinion)-#S-305	1	C8TZ 4237-B	Gear and pinion kit (differential)
	4215	Pinion (diff.)-serviced only in kit - group 4237	4-	C8TZ 4215-C Pinion gear	4-C1TT 4230-D Washer-pinion
4	C1TT 4215-B	Pinion (power divider)-#2233-A-105	2-	C1TT 4228-D Washer-gear	2-C8TZ 4236-G Side gear
16	D7HZ 4216-C	Bolt (differential case)- 1/2"-13 x 3 1/4"-w/locking material			
16	D7HZ 4326-A	Washer (differential case bolt)- 17/32" I.D. x 7/8" O.D. x 3/32" thick			

1980/  
TRUCK SERIES 600/900

QTY.	PART NUMBER	DESCRIPTION	QTY.	PART NUMBER	DESCRIPTION
ROCKWELL (TIMKEN) SQHD REAR AXLE SERVICE PARTS LIST NO. 127 — Cont'd					
Notes: ⊕ Also serviced in kit - group 4237 ‡ Use two as required for selective fit					
Note 1- It is imperative that all (12) replacing bolts and nuts be used as a Set and all (12) replaced bolts and nuts be removed and discarded when servicing the vehicle to avoid thread mixing and cross threading					
Note 2- Use for operating axle lube temperature range from -20° to +250°					
Note 3- Use for operating axle lube temperature range from -35° to +250°					
	4300	Differential assy.-refer to group in section 40	1	D3HZ 4320-D	Nut (idler gear shaft)- 1 1/4"-18 x 1 19/32" across flats
	4309	Ring gear and pinion kit-includes pilot bearing and self-locking nut Non-high torque	4	★C1TT 4321-A	Bolt (differential bearing cap)- 3/4"-10 x 5" hex. head
1	★D7HZ 4309-A	3.70 ratio	4	D8HZ 4323-A	Stud (housing)-5/8"-11 and 5/8"-18 x 2 5/8"
1	★E0HZ 4309-H	3.90 ratio	10	D7HZ 4323-A	Bolt (housing)-5/8"-11 x 1 3/4"
1	★C4TZ 4309-F	4.11 ratio	4	D8HZ 4A142-A	Nut (carrier to housing stud)-5/8"-18
1	★C4TZ 4309-E	4.44 ratio	4	C1TT 4326-A	Washer (diff. bearing cap bolt)- 25/32" I.D. x 1 3/8" O.D. x 1/8" thick
1	★C1TZ 4309-U	4.63 ratio	14	C1TT 4326-B	Washer (carrier to housing stud)-21/32" I.D. x 1 1/16" O.D. x 3/32" thick
1	C6TZ 4309-H	4.88 ratio-1980/82	1	★C1TT 4329-A	Washer (idler shaft nut)-1 9/32" I.D. x 2 3/16" O.D. x 7/32" thick- r/b D7HZ 4637-A
1	★E3HZ 4309-AF	4.88 ratio-1983	1	★C1TT 4332-A	Screw (shifter fork adjusting)- 1/2"-20 x 1 9/16" - also serviced in housing & shift assy.-group 4563
1	★C1TZ 4309-T	5.29 ratio	1	★C1TT 4332-A	Screw (shifter fork adjusting)- 1/2"-20 x 1 9/16" - also serviced in housing & shift assy.-group 4563
1	★C1TZ 4309-S	5.83 ratio	1	★C1TT 4332-A	Screw (shifter fork adjusting)- 1/2"-20 x 1 9/16" - also serviced in housing & shift assy.-group 4563
1	★C6TZ 4309-G	6.17 ratio	1	33943-S8(M-36)	Locknut - 1/2"-20- also serviced in housing & shift assy.-group 4563
1	★C1TZ 4309-R	6.83 ratio	1	33943-S8(M-36)	Locknut - 1/2"-20- also serviced in housing & shift assy.-group 4563
1	★D3HZ 4309-M	Ring gear and pinion kit (update high torque)- 6.83 ratio	1	4341	Carrier assy. (diff.)
Consists of					
1	D8HZ 4320-A	Nut	1	TSA-396	Instr. tag
1	D3HZ 4442-A	Gear	1	TSA-2110	Instr. sheet
1	D8HZ 4586-A	Washer	1	SP-8039	Instr. sheet
1	D8HZ 4625-A	Bearing	1	A35806-20	Gear set
1	C6TZ 4627-A	Retainer	1	MIS128-TP8371	Instr. tag
	4310	Housing assy.			
1	★D7HZ 4310-K	#C1-X-154-Hendrickson Susp.-1980/81			
1	E2HZ 4310-F	#C1-M-585-Hendrickson Susp.-1982/83			
1	★D7HZ 4310-L	#C4-X-154-Neway Susp.-1980/81			
1	E2HZ 4310-G	#C4-M-585-Neway Susp.-1982/83			
1	★D7HZ 4310-M	#C-X-154-Reyco Susp.-1980/81			
1	E2HZ 4310-H	#C-M-585-Reyco Susp.-1982/83			
1	D8HZ 4N282-B	Plug (drain)-magnetic- 3/4"-14 x 1 5/16"			
1	D3HZ 4320-A	Nut (drive pinion transfer gear)- 1 3/4"-12 x 2 7/32" across flats- use with C1TT 4442-B gear-1980- "Before 12/79"	1	★C1TT 4351-B	7C size-#H2168
1	D8HZ 4320-A	Nut (drive pinion transfer gear)- 1 3/4"-12 x 2 19/32" across flats- use with E0HZ 4442-A gear- also serviced in assy.-group 4442-1980/83 "From 12/79"	1	C1TT 4351-A	8C size-#H2166
1	D3HZ 4320-C	Nut (input shaft flange)- 1 1/2"-18 x 1 13/16" across flats- use with D7HZ 4404-A case-1980- "Before 12/79"	1	D5HZ 4851-C	1610 size
1	D7HZ 4320-B	Nut (input shaft flange)- 1 1/2"-12 x 2 7/32" across flats- use with E0HZ 4404-B case- also serviced in assy.-group 4404-1980/83 "From 12/79"	1	C6TZ 4351-B	1710 size-#63241
1	D3HZ 4320-D	Nut (thru shaft output flange)- 1 1/4"-18 x 1 19/32" across flats	1	E1HZ 4351-A	1760 size
			1	D1HZ 4351-B	1810 size
			1	C1TT 4390-A	Washer (shift fork seat)-15/32" I.D. x 1 7/16" O.D.
			1	C1TT 4391-A	Nut (driven gear thrust block adj. screw)-7/8"-14 x 1 1/4" across flats
			1	★C1TT 4392-A	Bearing (power divider carrier)- rear-3 35/64" I.D. x 5 1/2" O.D.- #118 or #118S
			1	★D4TZ 4393-A	Screw (shift push rod collar)-set- Slotted or Allen hd.-3/8"-24 x 7/8"
			1	★C1TT 4394-A	Bushing (shift push rod)-1 5/16" long- 1 9/64" I.D. x 1 17/64" O.D.
			6	★D4TZ 4399-A	Bolt (drive pinion bearing retainer)- 3/8" - 16 x 7/8" - use on vehicles - w/malleable carrier

1980/  
TRUCK SERIES 600/900

QTY.	PART NUMBER	DESCRIPTION	QTY.	PART NUMBER	DESCRIPTION
ROCKWELL (TIMKEN) SQHD REAR AXLE SERVICE PARTS LIST NO. 127 — Cont'd					
Notes: ⊕ Also serviced in kit - group 4237 ‡ Use two as required for selective fit					
Note 1- It is imperative that all (12) replacing bolts and nuts be used as a Set and all (12) replaced bolts and nuts be removed and discarded when servicing the vehicle to avoid thread mixing and cross threading					
Note 2- Use for operating axle lube temperature range from -20° to +250°					
Note 3- Use for operating axle lube temperature range from -35° to +250°					
6	C3TZ 4A140-B	Bolt (drive pinion bearing retainer)- 3/8" - 16 x 1 1/8" - use on vehicles - w/aluminum carrier	1	4465	Flange assy. (universal joint)-output 7C size
1	E0HZ 4404-B	Case assy. (power divider diff.)	1	C1TZ 4851-A	7C size
8	D7HZ 4216-B	Bolt (diff. case)-power divider- 1/2"-13 x 3"-w/locking material	1	C6TZ 4465-B	1610 size
2	358048-S(PP-43)	Plug (filler & drain)	1	D1HZ 4465-A	1710 size
1	C1TT 4411-A	Shaft (power divider differential)	Consists of		
1	★C1TT 4414-B	Retainer assy. (drive pinion bearing)- incl. bearing cups	1-A1-3226-Q-537	Thru shaft bearing & Cage assy. (assembled)	4-C3TZ 4399-B Bolt 1-D4HZ 4567-L Spacer 1-72107-S Cotter pin
1	★D7HZ 4414-A	Retainer assy. (power divider drive gear brg.)- incl. 1-C3TZ 4561-A Cup	4-D1HZ 4A147-A	Washer	
1	★C3TZ 4428-B	Cover (power divider)-malleable or aluminum-10-1/2"-13 tapped holes	1-C1TT 4479-A	Gasket	
2	D7HZ 4A140-A	Bolt (cover to carrier)-1/2"-13 x 1 1/2"	1	★D4HZ 4477-A	Retainer (power divider thru shaft rear bearing)
8	C8TZ 4323-A	Bolt (cover to carrier)-1/2"-13 x 1 3/8"	4	C3TZ 4399-B	Bolt (retainer)-3/8"-16 x 1"- also serviced in kit-group 4475
10	D7HZ 4326-A	Washer (cover to carrier bolt)- 17/32" I.D. x 7/8" O.D. x 3/32" thick	4	D1HZ 4A147-A	Washer (retainer bolt) 13/32" I.D. x 3/4" O.D. x 3/32" thick- also serviced in kit-group 4475
1	353051-S(PP-32)	Plug (cover filler hole)-3/4"-14	4478		
10	★359264-S	Bolt (cover to housing)	1	C1TT 4478-A	Seal (power divider thru shaft oil) Note 2-3 17/32" O.D.-to seal 2 3/4" shaft
10	★373230-S	Washer (cover to housing bolt)	1	E2HZ 4478-A	Note 3
1	C1TT 4434-C	Gear (power divider diff. side)- front-16 teeth-16 splines	1	C1TT 4479-A	Gasket (power divider output shaft rear bearing retainer)- also serviced in kit- group 4475
1	C3TZ 4434-B	Gear (power divider diff. side)- rear-#2234-B-340	1	C1TT 4497-A	Diaphragm assy. (power divider diff. lockout cylinder)-vacuum shift
	4436	Shim (drive pinion brg. retainer)- 5 15/16" I.D. x 7 11/16" O.D. .003" thick	1	C1TT 4497-B	Diaphragm assy. (power divider diff. lockout cylinder) air shift- also serviced in housing and shift assy.-group 4563
AR	★C1TT 4436-A	.003" thick	1	★C1TT 4526-G	Bracket (torque arm)#3299-N-1921
AR	★C1TT 4436-C	.005" thick	AR	4536	Shim (power divider carrier)
AR	★C1TT 4436-D	.010" thick	AR	C3TZ 4536-D	.003" thick
1	★C1TT 4436-B	Spacer (drive pinion brg. retainer)- 5 31/32" I.D. x 7 11/16" O.D.-use with 6.83 ratio only-.125" thick	AR	★C3TZ 4536-E	.010" thick
1	★C1TT 4442-B	Gear (drive pinion transfer)-24 teeth- 21 splines-r/b E0HZ 4442-A	AR	4537	Spacer (driving pinion bearing)- .238" thick
1	E0HZ 4442-A	Gear and nut assy. (drive pinion transfer)- 24 teeth-21 splines-use with non-high torque gear sets	AR	★‡C1TT 4537-Z	.238" thick
1	★D3HZ 4442-A	Gear (drive pinion transfer)-24 teeth- 39 spline-use on vehicles with high torque update kit gear set- also serviced in kit-group 4309	AR	★‡C1TT 4537-AE	.243" thick
1	★C1TT 4450-B	Fork assy. (power divider diff. lockout shift)-double yoke	AR	★‡C1TT 4537-AF	.249" thick
1	C1TT 4450-C	Fork assy. (power divider diff. lockout shift)-single yoke	AR	‡C1TT 4537-AG	.255" thick
1	★C1TT 4458-B	Spring (power divider diff. lockout shift lever return)-1 13/64" long-3/4" O.D.	AR	★‡C1TT 4537-AH	.261" thick
1	C1TT 4458-C	Spring (power divider diff. lockout shift lever return)-2 1/2" free length-1" I.D.- also serviced in housing & shift assy.-group 4563	AR	★‡C1TT 4537-AJ	.267" thick
			AR	★‡C1TT 4537-AK	.273" thick
			1	★C1TT 4556-A	Clutch (power divider input)-19 splines
			1	TGAA 7025-A	Bearing (power divider) main drive shaft-2 11/64" I.D. x 3 15/16" O.D.
			8	4560	Bolt (pinion bearing retainer to carrier)
			8	★D4TZ 4560-A	1/2"- 13 x 1 3/8" - use on vehicles w/malleable carrier
			8	E1HZ 4560-A	1/2" - 13 x 1 7/8" - use on vehicles w/aluminum carrier
			2	C3TZ 4561-A	Cup (power divider diff. drive gear bearing)-#29630

1980/  
TRUCK SERIES 600/900

QTY.	PART NUMBER	DESCRIPTION	QTY.	PART NUMBER	DESCRIPTION
ROCKWELL (TIMKEN) SQHD REAR AXLE SERVICE PARTS LIST NO. 127 — Cont'd					
Notes: ⊕ Also serviced in kit - group 4237 ‡ Use two as required for selective fit					
Note 1- It is imperative that all (12) replacing bolts and nuts be used as a Set and all (12) replaced bolts and nuts be removed and discarded when servicing the vehicle to avoid thread mixing and cross threading					
Note 2- Use for operating axle lube temperature range from -20° to +250°					
Note 3- Use for operating axle lube temperature range from -35° to +250°					
2	C3TZ 4561-B	Cone and roller (power divider diff. gear)-#29675	1	C1TT 4572-A	Scoop (power divider diff.)-8 holes-5 3/4" bolt circle
1	★C1TT 4563-A	Housing assy. (power divider shift fork)-#3280-N-2536	1	C1TT 4573-A	Seal (power divider maindrive shaft front bearing)-oil-3 15/16" O.D. for 2 15/16" O.D. shaft
1	★C1TT 4563-B	Housing assy. (power divider shift fork)-#3280-C-525- also serviced in housing and shift assy.-group 4563	1	4574	Housing assy. (power divider front)
1	D7HZ 4563-A	Housing and shift assy. (power divider diff. lockout)	1	C1TT 4574-A	Use on vehicles w/malleable carrier
Consists of					
1	B8QH 4150-A	Gasket	1	E1HZ 4574-A	Use on vehicles w/aluminum carrier
1	C1TT 4332-A	Screw	8	D8HZ 4A145-A	Bolt (housing power divider front)-7/16"-14 x 1 3/8"
1	C1TT 4345-B	Washer	8	D7HZ 4A147-A	Washer (power divider housing bolt)-15/32" I.D. x 13/16" O.D. x 3/32" thick
1	C1TT 4458-C	Spring	1	353051-S(PP-32)	Plug (drain)-3/4"-14 8 holes-9" bolt circle
1	C1TT 4497-B	Diaphragm	2	4575	Bushing (power divider case)
4	C3TZ 4399-B	Bolt (powder divider shift housing) 3/8" - 16 x 1" - use on vehicles w/malleable carrier	1	★C3TZ 4575-A	1980-"Before 12/79"
4	E1HZ 4399-A	3/8" - 16 x 1 1/4" - use on vehicles w/aluminum carrier	1	★4575	1980/83-"From 12/79" Serviced in assy.-group 4404
4	34807-S8(X-66)	Lockwasher-3/8"	1	C1TT 4577-A	Spacer (diff. thru shaft bearing)-2 11/16" I.D. x 2 13/16" O.D.
2	33800-S(M-63)	Nut-3/8"-24-also serviced in housing and shift assy.-group 4563	1	★C1TT 4578-A	Spacer (diff. drive gear bearing)-5 23/64" I.D. x 4 47/64" O.D. x 5/32" thick
2	358048-S(PP-43)	Plug (shift housing)-drain and fill		4579	Shaft (power divider thru shaft)-Refer to group 4475 within parts list
1	★C1TT 4564-A	Gasket (shift fork opening)	1	C1TT 4580-A	Gear assy. (diff. idler)-29 teeth-incl. bearing cups
1	★C1TT 4565-A	Rod (diff. lockout shift push)-8 13/32" long	1	★C1TT 4581-A	Shaft (diff. idler gear)-6 5/8" long
1	★C1TT 4566-A	Spring (diff. lockout shift push rod)-1 5/8" O.D. x 1 3/4" free length	1	★C1TT 4582-A	Spacer (diff idler gear bearing)-2 1/2" I.D. x 2 31/32" O.D.
1	C1TT 4567-A	Ring-snap-3 5/32" free O.D. x 1/8" thick		4583	Spacer (differential idler gear bearing cone)-1 29/64" I.D. x 2 1/4" O.D.
1	★C1TT 4567-B	2 7/16" free I.D. x 7/64" thick	AR	★C1TT 4583-S	.250" thick
1	★C1TT 4567-C	3 7/16" free I.D.	AR	★C1TT 4583-T	.255" thick
1	C1TT 4567-D	4 1/4" free O.D.	AR	★C1TT 4583-R	.740" thick
1	★C1TT 4567-E	3 5/8" free O.D.-(thru shaft brg.)	AR	★C1TT 4583-K	.750" thick
	4567	Snap ring (axle thru shaft bearing rear)-.3" O.D.	AR	★C1TT 4583-L	.760" thick
AR	D4HZ 4567-A	.155" thick	AR	★C1TT 4583-M	.770" thick
AR	D4HZ 4567-B	.158" thick	AR	★C1TT 4583-N	.780" thick
AR	D4HZ 4567-C	.161" thick	1	★C1TT 4585-A	Bolt (shift fork pivot)-3/8"-24 x 2 3/4" (shoulder)
AR	D4HZ 4567-L	.163" thick	1	D8HZ 4586-A	Washer (drive pinion transfer gear)-outer 1 25/32" I.D. x 3" O.D. x 3/16" thick
AR	D4HZ 4567-D	.164" thick	1	★C1TT 4587-A	Washer (drive pinion transfer gear)-inner 2 1/64" I.D. x 2 7/8" O.D. x 1/8" thick
AR	D4HZ 4567-E	.167" thick	1	★C1TT 4588-A	Ring (differential lock)-8 tangs-3 9/16" I.D. x 4" O.D. x 3/64" thick
AR	D4HZ 4567-F	.170" thick	1	★C1TT 4588-B	Ring (differential lock)-19 tangs-3 1/16" I.D. x 3 9/16" O.D.
AR	D4HZ 4567-G	.173" thick	1	★C1TZ 4593-A	Seal (idler gear shaft oil)-1 7/64" I.D. x 1 3/8" O.D.
AR	D4HZ 4567-H	.176" thick	2	B8QH 4616-A	Cup (driving pinion bearing)-#72487
AR	D4HZ 4567-J	.179" thick	2	B8TZ 4621-A	Cone and roller (driving pinion)-#72200-C
AR	D4HZ 4567-K	.182" thick	1	D8HZ 4625-A	Bearing assy. (driving pinion pilot)
1	★C1TT 4569-A	Collar (lockout shift push rod)-2 1/16" overall length			
1	C1TT 4570-A	Ball (shift fork pivot)-3/8" I.D. x 1 15/16" O.D.			
1	D4TZ 4571-A	Nut (shift fork pivot bolt)-3/8"-24			
	4571	Nut (power divider diaphragm assy.)-not required			



1980/  
TRUCK SERIES 600/900

QTY.	PART NUMBER	DESCRIPTION	QTY.	PART NUMBER	DESCRIPTION
<b>ROCKWELL (TIMKEN) SQHD REAR AXLE SERVICE PARTS LIST NO. 127 — Cont'd</b>					
Notes: ⊕ Also serviced in kit - group 4237 ‡ Use two as required for selective fit					
Note 1- It is imperative that all (12) replacing bolts and nuts be used as a Set and all (12) replaced bolts and nuts be removed and discarded when servicing the vehicle to avoid thread mixing and cross threading					
Note 2- Use for operating axle lube temperature range from -20° to +250°					
Note 3- Use for operating axle lube temperature range from -35° to +250°					
1	C6TZ 4627-A	Retainer (driving pinion pilot brg.)- 1 7/32" I.D. x 1 15/32" O.D. x 1/16" thick	1	★C1TT 4791-A	Slinger (drive shaft stud yoke)- 2 15/16" I.D. x 4 13/16" O.D.
2	8A 4628	Cup (driving pinion bearing)-3" O.D. #31520		4851	Flange assy. (universal joint)-refer to group 4351 & 4465 within parts list
2	8A 4630	Cone and roller (driving pinion brg.)- #31597	1	★C1TT 4859-D	Deflector (driving pinion oil seal)- 2 15/16" I.D. x 4 3/4" O.D.
1	★C8TZ 4637-A	Washer (driving pinion)- 1 1/8" I.D. x 2 9/16" O.D.	1	C1TT 4885-A	Gasket (diff. center housing)- 8 holes-9" bolt circle
1	D7HZ 4637-A	Washer (idler shaft nut)- 1 9/32" I.D. x 2 3/16" O.D. x 7/32" thick	1	C1TZ 4885-B	Gasket (power divider cover)
1	C3TZ 4739-S	Gear (diff. driven)-#3892-P-2044	1	D8HZ 4982-A	Bolt and nut kit (driving gear)-NOTE 1
			Consists of		
			12-D8HZ 4322-C	Nut	12-D8HZ 4558-B Bolt
			12-C1TT 4326-B	Washer	
<b>ROCKWELL (TIMKEN) SQHD REAR AXLE SERVICE PARTS LIST NO. 128</b>					
Notes: ⊕ Also serviced in kit - group 4237					
Note 1- It is imperative that all (12) replacing bolts and nuts be used as a Set and all (12) replaced bolts and nuts be removed and discarded when servicing the vehicle to avoid thread mixing and cross threading					
1	★D7HZ 4010-M	Housing assy. #C1-Y-155-Hendrickson Susp.-1980/81 r/b D7HZ 4010-T		4209	Ring gear and pinion kit-includes pilot bearing and self-locking nut 3.70 ratio
1	★E2HZ 4010-F	#C1-N-586-Hendrickson Susp.-1982/83	1	D7HZ 4209-A	3.90 ratio
1	★D7HZ 4010-N	#C-L-298-Neway Susp.-1980/81 r/b D7HZ 4010-V	1	E0HZ 4209-AH	4.11 ratio
1	E2HZ 4010-G	#C-R-694-Neway Susp.-1982/83	1	C4TZ 4209-U	4.44 ratio
1	D7HZ 4010-P	#C-Y-155-Reyco Susp.-1980/81	1	C4TZ 4209-T	4.63 ratio
1	E2HZ 4010-H	#C-N-586-Reyco Susp.-1982/83	1	C1TZ 4209-CF	4.88 ratio
	4010	Housing kit-includes 2 wheel end inner bearing cones	1	C6TZ 4209-AG	5.29 ratio
1	★D7HZ 4010-T	Hendrickson Susp.-1980/81	1	★C1TZ 4209-CE	5.83 ratio
1	D7HZ 4010-V	Neway susp.-1980/81	1	★C1TZ 4209-CD	6.17 ratio
1	D8HZ 4N282-B	Plug (drain)-magnetic- 3/4"-14 x 1 5/16"	1	★C6TZ 4209-AF	6.83 ratio
1	358048-S(PP-43)	Plug (filler)-3/4"-14	1	C1TZ 4209-CC	6.83 ratio
1	D0HZ 4N025-A	Plug (heat indicator)-Reyco susp.	1	E1HZ 4211-A	Shaft (pinion)-#S-305
1	C1TT 4035-A	Gasket (differential carrier)-16 7/8" O.D.-14 holes		4215	Pinion (differential)-serviced only in kit - group 4237
1	353051-S(PP-32)	Plug (differential carrier filler)- 3/4"-14 x 5/8"	16	D7HZ 4216-C	Bolt (differential case)-1/2"-13 x 3 1/4"-w/locking material
2	E1HZ 4067-A	Adjuster (differential bearing)- 4 9/16" I.D. x 5 31/64" O.D. - 14 holes -	16	D7HZ 4326-A	Washer (differential case bolt)- 17/32" I.D. x 7/8" O.D. x 3/32" thick
	4141	Carrier assy. (differential)	1	4221	Cone and roller (differential bearing)
1	★C3TZ 4141-M	#A2-C-393 - malleable carrier	1	C1TT 4221-A	R.H.-#496-use with 3.70 thru 4.63 ratios
1	★E1HZ 4141-A	#A2-R-616 - aluminum carrier	1	A7TZ 4221-A	L.H.-#497-use with 3.70 thru 4.63 ratios
2	C2TZ 4143-A	Lock (diff. brg. adjuster)	2	C1TT 4221-A	#496-use with 4.88 thru 6.83 ratios
4	353408-S(BB-329)	Bolt (lock)-head drilled-5/16"-18 x 7/16"	2	B6Q 1243-A	Cup (differential bearing)-#493
1	C1TZ 4189-A	Screw (thrust adjusting)-does not require thrust block-7/8"-14 x 3 5/8"	2	⊕C1TT 4228-D	Washer (differential side gear thrust)- 4 holes-2 45/64" I.D. x 4 1/16" O.D.-3 11/16" bolt circle
12	34032-S7(M-9)	Nut-castle-1/2"-20	4	⊕C1TT 4230-D	Washer (pinion thrust)-1 1/16" I.D. x 2 13/32" O.D.
	4200	Differential assy.-refer to group in section 40	2	C5TZ 4A230-A	Gasket (housing plug)-5/8" O.D. x 5/16" I.D.
	4204	Case assy. (differential)	2	D8HZ 4A322-C	Bolt (housing plug gasket)- 5/16"-18 x 1"
1	D3TZ 4204-C	3.70 thru 4.63 ratio	2	D7HZ 4235-A	Shaft assy.-#3202-R-3268
1	D3TZ 4204-B	4.88 thru 6.83 ratio		4236	Gear (differential side)-serviced only in kit - group 4237

**1980/  
TRUCK SERIES 600/900**

QTY.	PART NUMBER	DESCRIPTION	QTY.	PART NUMBER	DESCRIPTION
<b>ROCKWELL (TIMKEN) SQHD REAR AXLE SERVICE PARTS LIST NO. 128 — Cont'd</b>					
Notes: ⊕ Also serviced in kit - group 4237					
Note 1- It is imperative that all (12) replacing bolts and nuts be used as a Set and all (12) replaced bolts and nuts be removed and discarded when servicing the vehicle to avoid thread mixing and cross threading					
1	C8TZ 4237-B	Gear and pinion (differential)		4537	Spacer (driving pinion bearing)- 2 9/16" O.D. x 2 1/64" I.D. — Cont'd
Consists of					
4	C8TZ 4215-C	Pinion gear	4	C1TT 4230-D	Washer-pinion
2	C1TT 4228-D	Washer-gear	2	C8TZ 4236-G	Side gear
1	D3HZ 4320-D	Nut (drive pinion flange)-1 1/4"- 18-1 19/32" across flats-also Serviced in kit-group 4209	AR	★C1TT 4537-AF	.249" thick
4	★C1TT 4321-A	Bolt (differential bearing cap)- hex. head-3/4"-10 x 5"	AR	C1TT 4537-AG	.255" thick
	4322	Nut (gear to case)-serviced in kit-group 4982	AR	★C1TT 4537-AH	.261" thick
4	D8HZ 4323-A	Stud (housing)-5/8"-11 and 5/8"-18 x 2 5/8"	AR	★C1TT 4537-AJ	.267" thick
10	D7HZ 4323-A	Bolt (housing)-5/8"-11 x 1 3/4"	AR	★C1TT 4537-AK	.273" thick
4	D8HZ 4A142-A	Nut (carrier to housing stud)- 5/8"-18		4558	Bolt (gear to case)-serviced in kit-group 4982
4	C1TT 4326-A	Washer (differential bearing cap bolt)- 25/32" I.D. x 1 3/8" O.D. x 1/8" thick		4560	Bolt (pinion bearing retainer to carrier)
14	C1TT 4326-B	Washer (carrier to housing stud)- 21/32" I.D. x 1 1/16" O.D. x 3/32" thick	8	C1TT 4560-C	1/2" - 13 x 1 5/8" - use on vehicles w/malleable carrier
	4326	Washer (gear to case)-serviced in kit-group 4982	8	★E1HZ 4560-B	1/2" - 13 x 2" - use on vehicles w/aluminum carrier
1	★C1TT 4329-A	Washer (drive pinion flange)-1 9/32" I.D. x 2 3/16" O.D.-7/32" thick- r/b D7HZ 4637-A	8	D7HZ 4326-A	Washer (pinion bearing retainer bolt)- 17/32" I.D. x 7/8" O.D. x 3/32" thick
1	C1TT 4391-A	Nut (driven gear thrust block adjusting screw)-lock-7/8"-14-1 1/4" across flats	1	★C1TT 4614-D	Retainer assy. (driving pinion)
	4436	Shim (drive pinion bearing retainer)- 5 15/16" I.D. x 7 11/16" O.D.- 6 5/8" bolt circle	2	B8QH 4616-A	Cup (driving pinion bearing)-#72487
AR	★C1TT 4436-A	.003" thick	1	B8TZ 4621-A	Cone and roller (driving pinion)- inner-#72200-C
AR	★C1TT 4436-C	.005" thick	1	C1TZ 4621-A	Cone and roller (driving pinion)- outer-#72188-C
AR	★C1TT 4436-D	.010" thick	1	D8HZ 4625-A	Bearing assy. (driving pinion pilot)
1	★C1TT 4436-B	Spacer (drive bearing retainer)- 5 31/32" I.D. x 7 11/16" O.D.-6 5/8" bolt circle-use with 4.88, 6.17 and 6.83 ratios only-1/8" thick	1	C6TZ 4627-A	Retainer (driving pinion pilot bearing)- 1 7/32" I.D. x 1 15/32" O.D.-1/16" thick
1	C1TT 4507-C	Gasket (driving pinion grease retainer support)	1	D7HZ 4637-A	Washer (drive pinion flange)- 1 9/32" I.D. x 2 3/16" O.D. x 7/32" thick
1	★C1TT 4526-H	Bracket (torque arm) #3299-X-1922	1	C1TT 4675-C	Retainer (driving pinion grease seal)-3 3/8" I.D. x 7 11/16" O.D.- 8 holes-6 5/8" bolt circle
	4537	Spacer (driving pinion bearing)- 2 9/16" O.D. x 2 1/64" I.D.-	1	C1TT 4676-A	Seal (drive pinion oil)- 2 7/8" I.D. x 3 7/8" O.D.
AR	★C1TT 4537-Z	.238" thick		4851	Flange assy. (universal joint)-axle end
AR	★C1TT 4537-AE	.243" thick	1	★C1TT 4851-E	7C size-#X2546
<b>EATON 34DPC-34DPE REAR AXLE SERVICE PARTS LIST NO. 130</b>					
Notes: ⊕ Also serviced in kit - group 4237 ‡ 16" Ring gear, † 16 1/2" Ring gear					
⊠ Also serviced in kit-group 4A109					
◆ Also serviced in kit - group 4215 % Also serviced in kit-group 4A195					
	4027	Refer to group 4127 within parts list	1	★ΔB8QH 4036-A	Gasket (cover to housing)-16 1/8" I.D. 18 3/4" O.D.-17 1/2" bolt circle r/b D6AZ 19562-B
4	7EQH 4029	Pin (planetary gear)-1 1/2" x 4 5/16"	1	%C3TZ 4040-B	Plate (high speed clutch)-#56931- 7 3/4" O.D.-3/4" thick-16 internal teeth
1	★D0HZ 4033-A	Cover assy. (housing)- #77749, 77752-incl. 4475 bearing, 4676 Seal, 371365-S Snap ring and fill plug	1	A8TZ 4045-A	Fork and roller assy. (differential shift)-#62720
1	358048-S(PP-43)	Plug (filler)-3/4"-14-also serviced in kit-group 4341	1	★59T 4052-M	Cover (differential carrier)-shift fork opening
1	ΔB7TZ 4035-A	Gasket (differential carrier)-18 3/4" O.D.-12 bolt holes-17 1/2" bolt circle			

**1980/  
TRUCK SERIES 600/900**

QTY.	PART NUMBER	DESCRIPTION	QTY.	PART NUMBER	DESCRIPTION
<b>EATON 34DPC-34DPE REAR AXLE SERVICE PARTS LIST NO. 130 — Cont'd</b> Notes: ⊕ Also serviced in kit - group 4237 ‡ 16" Ring gear, † 16 1/2" Ring gear Δ Also serviced in kit-group 4A109 ◆ Also serviced in kit - group 4215 % Also serviced in kit-group 4A195					
2	B9TZ 4053-A	Pin (differential shift fork roller)- 1 3/64" long-11/16" major O.D. x 15/32" minor O.D.	1	A8TZ 4168-A	Retainer (driving pinion oil seal)-2 39/64" I.D. x 3 49/64" O.D.-1/4" thick
1	%E3HZ 4055-E	Sun gear-#113598	1	B6TZ 4A195-B	Sun gear Kit
1	C3TZ 4062-B	Shift assy.-air	Consists of		
	4067	Adjuster (differential bearing)	1-C3TZ 4040-B	Plate	1-C3TZ 4067-M Adjuster
1	%C3TZ 4067-M	R.H.-#56932	1-E3HZ 4055-E	Gear	1-7EQH 4147 Washer
1	7EQH 4067	L.H.-#27842-use on old style case #27839	1	C0TT 4204-B	Case assy. (differential)
1	E1HZ 4067-B	L.H.-#110243-use on new style case #110148-also serviced in kit-group 4127	8	D6HZ 4216-A	Bolt (case)-1/2"-13 x 2 3/4"- self-locking
1	Δ01T 4073-M	Gasket (differential carrier cover)- shift fork opening		4211	Shaft (pinion)-serviced only in kit- group 4237
1	C1TZ 4A109-A	Gasket kit	1	D5HZ 4215-A	Kit (power divider differential repair)
Consists of					
1-B8QH 4436-A	Shim	1-B8QH 4536-X	Shim	4-8Q 4230-B	Washer
1-B8TZ 4436-B	Shim	1-7EQH 4662	Gasket	4-95210	Side Pinion
1-TVAA 4456-A	Seal	1-38939	Sealer		4216
1-TVAA 4457-A	Retainer	1-43590	Shim		Bolt (differential case)-power divider
1-TWAA 4461-A	Gasket	1-45499	Shim	8	D2HZ 4216-B
1-B7Q 4536-B	Shim	1-57373	Sealer	8	B8TZ 4216-A
1-B7Q 4536-C	Shim	1-85406	Shim	8	A8TZ 4217-A
1-B8QH 4536-V	Shim	1-107276	Rtv. gasket	1	A8TZ 4217-C
1-B8QH 4536-W	Shim			Consists of	
	4127	Case (differential gear support)		8-44358	Bolts
1	7EQH 4027	R.H.-#27838			8-60599
1	★7EQH 4127	L.H.-#27839-use on vehicles with old style case-r/b E3HZ 4127-A			Nuts
1	E1HZ 4127-A	L.H.-#110148-use on vehicles with new style case-also serviced in kit-group 4127		4221	Cone and roller (differential bearing)
1	E3HZ 4127-A	Case kit (differential gear support)-L.H.- use on vehicles to convert to new style case		1	A7TZ 4221-A
Consists of					
1-E1HZ 4067-B	Adjuster	1-E1HZ 4127-A	Case	1	7EQH 4221
2	C8TZ 4A133-A	Screw (differential oil trough)- 1/4"-20 x 3/4" nylock			4222
	4A140	Bolt (power divider cover to housing)		1	7EQH 4222
5	E0HZ 4A140-A	Short-9/16"-12 x 1 3/4"		1	B6Q 1243-A
4	E1HZ 4A140-A	Long-9/16"-12 x 2 1/2"		1	D3HZ 4222-A
9	34810-S7-8(X-69)	Lockwasher-9/16"			Cup (input shaft bearing)- #JM207010-use with tapered bearing cone
	4A142	Nut		3	⊕A8TZ 4228-A
11	B7TZ 4A142-A	Carrier to housing-5/8"-18		4	7EQH 4229
11	C1TZ 4A142-A	Cover to housing-7/16"-20		4	⊕7EQH 4230
1	B6TZ 4143-A	Lock (differential bearing adjuster)-R.H.		4	◆8Q 4230-B
1	7EQH 4143	L.H.-7/32" thick		2	C3TZ 4234-N
2	371173-S(BB-349)	Bolts (lock retaining)-head drilled- 5/8"-11 x 2"			4236
1	★	Cotter pin-1/4" x 1"			Gear (differential side)-serviced only in kit - group 4237
1	%7EQH 4147	Washer (high speed clutch plate thrust)-4 1/4" I.D. x 7 27/32" O.D.		1	B9TZ 4237-G
1	E3HZ 4149-B	Shaft assy. (differential shift fork)- includes "O" ring		Consists of	
4	7EQH 4154	Pin (high speed clutch plate)-2 7/16" long		1-7EQH 4211	Pinion shaft
2	B6QH 4156-A	Bushing (differential bearing adjuster lock)		2-A8TZ 4228-A	Washer-gear
1	C8TZ 4159-B	Lubricator (differential)-trough		4-TGAA 4292-B	Pinion gear
				4-7EQH 4230	Washer pinion
				1	D8HZ 4N282-A
					Plug (housing cover filler)-magnetic- 1"-11 1/2"-also serviced in 4033 assy.
					4292
					Pinion-serviced only in kit - group 4237
					4300
					Differential assy.-refer to group in section 40
					4309
					Ring gear and pinion kit Solid pinion-includes self-locking nut
				1	★‡C6TZ 4309-J
					7.21 ratio
				1	★‡D6HZ 4309-H
					7.60 ratio
				1	★‡D6HZ 4309-V
					8.38 ratio

1980/  
TRUCK SERIES 600/900

QTY.	PART NUMBER	DESCRIPTION	QTY.	PART NUMBER	DESCRIPTION		
EATON 34DPC-34DPE REAR AXLE SERVICE PARTS LIST NO. 130 — Cont'd							
Notes: ⊕ Also serviced in kit - group 4237 ‡ 16" Ring gear, ⚠ 16 1/2" Ring gear							
⚠ Also serviced in kit-group 4A109							
♦ Also serviced in kit - group 4215 % Also serviced in kit-group 4A195							
1	C8TZ 4A309-A	Trap assy. (filler plug)-magnetic-1" x 1 1/2"	1	D6HZ 4320-A	Nut (flange to input shaft)-self-locking-1 1/2"-18 x 2 1/4"-also serviced in kit-group 4309		
	4310	Housing assy.					
1	★D7HZ 4310-B	#100314, 301179-r/b D7HZ 4310-W	1	C1TZ 4404-A	Case assy. (power divider diff.)		
1	D7HZ 4310-W	#303163		4414	Retainer assy. (drive pinion bearing)		
1	B8QH 4319-A	Washer (output flange to bearing)-1 3/4" I.D. x 2 9/32" O.D.-3/16" thick	1	★B8QH 4414-B	Use on axles #34DPC with 16" ring gear		
			1	★C8TZ 4414-A	Use on axles #34DPE with 16 1/2" ring gear		
8	A8TZ 4322-A	Nut (gear case bolt differential)-9/16"-18 conelock-also serviced in assy.-group 4217	1	D3HZ 4423-A	Bearing (power divider input shaft)-front-#JM 207049 (tapered)		
8	B8TZ 4322-A	Nut (gear case bolt)-power divider-7/16"-20	1	★ΔB8TZ 4427-A	Gasket (power divider cover)-r/b D6AZ 19562-B		
11	E0HZ 4323-D	Stud (carrier to housing)-5/8"-18 and 5/8"-11 x 2 11/16"	1	B8QH 4428-B	Cover (power divider)		
1	E1HZ 4323-A	Bolt (carrier to housing)-5/8"-11 x 1 3/8"	1	★D3HZ 4431-A	Retainer (power divider input shaft)		
12	34811-S2(X-71)	Lockwasher (carrier to housing)-5/8"	5	★D3HZ 4398-A	Bolt (retainer to cover)-1/2"-13 x 1 5/8"-1980/83-Before 1/83"-r/b E3HZ 4398-A		
1	C1TT 4334-A	Seal (shift housing cover)-air	5	34809-S8(X-68)	Lockwasher-1/2"-1980/83-Before 1/83"		
1	B8QH 4337-A	Retainer (sun gear)	5	E3HZ 4398-A	Bolt (retainer to cover)-1/2"-13 x 1 1/2"-1983-"From 1/83"		
1	★C8TZ 4341-B	Carrier assy. (differential)-#65416 cstg. no.-65417, 106409 old style-r/b D3HZ 4341-B		★	Lockwasher (retainer to cover)-1983-"From 1/83"-Not required		
1	★D3HZ 4341-B	Carrier kit (diff.)-cstg. no. 110816-use to update old style assy. to new style		4433	Gear (power divider output shaft cluster)-Rear-22 teeth-16 splines		
Consists of							
2-7641	Pin	1-358048-S	Plug				
1-9797	Plug	2-E4HZ 4B147-A	Washer	1	D3HZ 4433-A	Use on old style carrier with cstg. no. 65417, 106409	
1-30703	Plug	1-E3HZ 4149-B	Shift fork	1	★D3HZ 4433-B	#119896-use on new style carrier with cstg. no. 110816-also serviced in kit-group 4341	
1-45521	Cover	2-B8TZ 4322-A	Nut	1	B8QH 4434-A	Gear (power divider input shaft cluster)-front-18-41-22 teeth	
4-90538	Wire	1-D3HZ 4323-E	Stud	AR	ΔB8QH 4436-A	Shim (drive pinion bearing retainer)-003" thick	
1-107276	Rtv. gasket	1-D3HZ 4433-B	Gear	AR	ΔB8TZ 4436-B	005" thick	
1-110817	Carrier assy.	1-E2HZ 4470-A	Bearing assy.	2	★C0TT 4437-A	Bushing (power divider cluster gear)-2 1/4" O.D.-1 7/32" long	
4	350799-S(BB-373)	Bolt (cap to carrier)-13/16"-11 x 4 1/4"			4442	Gear (drive pinion transfer)	
4	★351541-S	Washer-flat-27/32"		1	B9TT 4442-A	Use on axles #34DPC with 16" ring gear	
1	353069-S(PP-46)	Plug (oil distributor retaining)-1" countersunk		1	★C8TZ 4442-A	Use on axles #34DPE with 16 1/2" ring gear	
1	74121-S(P-8)	Expansion plug (shift fork shaft hole) upper-1 1/4"		1	B8QH 4445-A	Washer (power divider input shaft thrust)	
2	358048-S(PP-43)	Plug (peep hole and oil passage hole) 3/4"-14-also serviced in kit-group 4341		1	D3HZ 4446-B	Shaft kit (power divider input)	
1	★74116-S	Expansion plug (shift fork shaft hole)-lower-15/16"		Consists of			
1	★371934-S	Dowel pin-3/8" x 1 3/8"		1-D6HZ 4320-A	Locknut	1-95395	Tag
1	C1TT 4344-A	Seal (shift fork)-air		1-D3TZ 4446-B	Shaft		
1	C1TT 4345-A	Washer (shift fork push rod)-air		1	D6HZ 4320-A	Nut (input shaft)-self-locking-1 1/2"-18 x 2 1/4"- also serviced in kit-group 4446	
11	C1TZ 4346-A	Stud (cover to housing)-7/16"-14 and 7/16"-20 x 2"		1	★B8QH 4450-B	Fork assy. (power divider diff. lockout shift)-vacuum	
1	E1HZ 4346-A	Bolt (cover to housing)-7/16"-14 x 3"		1	C1TT 4450-A	-air	
12	34793-S2(X-67-A)	Lockwasher (cover to housing)-7/16"		1	★73928-S	Clevis pin-1/2" x 1 23/64"	
	4351	Flange assy. (universal joint)-power divider end-input shaft		1	★TWAA 4453-B	Bracket (power divider diff. lockout)-vacuum	
1	B8QH 4351-A	7C size-#64430		2	354136-S(BB-906)	Bolt (bracket to case cover)-7/16"-14 x 1 1/4"	
1	★DOHZ 4351-A	6C size-#32946		2	34793-S2(X-67-A)	Lockwasher-7/16"	
1	B8QH 4351-C	8C size		1	★74116-S	Plug-expansion-15/16"	
1	D9HZ 4351-A	1550 size-#4-4-2431					
1	D5HZ 4851-D	1610 size					
1	C6TZ 4351-A	1710 size-#63371					

1980/  
TRUCK SERIES 600/900

QTY.	PART NUMBER	DESCRIPTION	QTY.	PART NUMBER	DESCRIPTION
EATON 34DPC-34DPE REAR AXLE SERVICE PARTS LIST NO. 130 — Cont'd					
Notes: ⊕ Also serviced in kit - group 4237 ‡ 16" Ring gear, † 16 1/2" Ring gear					
Δ Also serviced in kit-group 4A109					
◆ Also serviced in kit - group 4215 % Also serviced in kit-group 4A195					
1	B8QH 4454-A	Washer (power divider input shaft)		4537	Spacer (driving pinion bearing) — Cont'd
1	C1TT 4454-A	Bushing (power divider output shaft)- 1 3/8" I.D. x 1 1/2" O.D. x 1 1/2" long	1	D5HZ 4537-E	.628" thick
1	B8QH 4455-A	Gear (power divider sliding clutch)- 18 teeth-20 splines	1	7EQH 4537-C	.629" thick
1	★TVAA 4458-A	Spring (power divider differential lockout shift lever return)-vacuum -air	1	D5HZ 4537-F	.630" thick
1	C1TT 4458-A	Washer-flat (spring retaining)-25/32"	1	D5HZ 4537-G	.631" thick
1	352599-S(XX-236)	Pin (spring to lockout bracket)- straight-5/32" x 1 3/16"	1	D5HZ 4537-H	.632" thick
1	352574-S(NN-140)	Lever (power divider differential lockout shift)	1	D5HZ 4537-J	.633" thick
1	TWAA 4459-B	Clevis pin-1/2" x 1 3/4"	1	D5HZ 4537-K	.634" thick
1	73995-S7(N-32)	Boot (power divider differential lockout shift)	1	7EQH 4537-E	.635" thick
1	TWAA 4460-B	Gasket (power divider differential lockout bracket)-1 13/16" I.D.	1	D5HZ 4537-L	.636" thick
1	ΔTWAA 4461-A	Flange assy. (universal joint)-output 1610 size	1	D5HZ 4537-M	.637" thick
1	C6TZ 4465-A	7C size	1	D5HZ 4537-N	.638" thick
1	B8QH 4465-B	Bearing (power divider output shaft)-front	1	D5HZ 4537-P	.639" thick
1	C2TZ 4470-A	Includes cup #34492-A, cone #34274- use on old style carrier with cstg. no. 65417, 106409	1	D5HZ 4537-R	.640" thick
1	E2HZ 4470-A	Includes cup #29620, cone #29675- use on new style carrier with cstg. no. 110816-also serviced in kit-group 4341	1	7EQH 4537-G	.641" thick
1	371356-S(QQ-28)	Snap ring-2 5/8" I.D.	1	D5HZ 4537-S	.642" thick
1	D2HZ 4471-B	Shaft kit (power divider output)	1	D5HZ 4537-T	.643" thick
Consists of					
1-D5HZ 4320-A		Locknut	1-95395		Tag
1-D2HZ 4471-A		Shaft & bushing			
2	D2HZ 4567-C	Snap ring (output shaft retainer)	1	D5HZ 4537-V	.644" thick
1	D5HZ 4320-A	Nut (output shaft end)-Self-locking- 1 1/4"-12 x 1 3/4"- also serviced in kit-group 4471	1	D5HZ 4537-W	.645" thick
1	B8QH 4475-A	Bearing (power divider output shaft) rear-#MU 1209-CAHL-1 25/32" I.D. x 3 11/32" O.D. x 3/4" thick	1	D5HZ 4537-X	.646" thick
2	B8QH 4476-B	"0" ring (power divider output shaft)	1	7EQH 4537-J	.647" thick
1	★D7HZ 4526-A	Bracket (torque arm)	1	D5HZ 4537-Y	.648" thick
	4536	Shim(driving pinion bearing retainer)	1	D5HZ 4537-Z	.649" thick
AR	ΔB8QH 4536-V	.003" thick	1	D5HZ 4537-AA	.650" thick
AR	ΔB8QH 4536-W	.010" thick	1	D5HZ 4537-AB	.651" thick
AR	ΔB8QH 4536-X	.030" thick	1	D5HZ 4537-AC	.652" thick
1	D5HZ 4537-AG	Spacer (driving pinion bearing)	1	7EQH 4537-L	.653" thick
1	★D5HZ 4537-AH	.621" thick	1	D5HZ 4537-AD	.654" thick
1	7EQH 4537-A	.622" thick	6	E0HZ 4545-A	Lockwasher (drive pinion bearing retainer bolt)- 9/16"
1	D5HZ 4537-A	.623" thick	2	D8HZ 4550-A	Oiler (power divider lockout shift piston)-felt- 1 3/4" I.D. x 1/4" thick
1	D5HZ 4537-B	.624" thick	6	E0HZ 4560-A	Bolt (drive pinion bearing retainer)- 9/16"-12 x 1 1/2"
1	D5HZ 4537-B	.625" thick	1	C1TT 4567-G	Ring (snap)-2 1/32" I.D.
1	D5HZ 4537-C	.626" thick	2	B8QH 4616-A	Cup (driving pinion bearing)-#72487
1	D5HZ 4537-D	.627" thick	2	B8TZ 4621-A	Cone and roller (driving pinion)-#72200-C
			1	C1TT 4623-A	Piston (power divider lockout shift)
			1	7EQH 4625	Bearing assy. (driving pinion pilot)- #MUS 1307-TM, #15828
			1	7EQH 4637	Washer (output shaft flange)-1 9/32" I.D.
			1	C6TZ 4637-A	Washer (input shaft nut)-2 5/8" O.D.- 1 17/32" I.D. - 1/16" thick
			1	E3HZ 4676-C	Seal assy. (output shaft oil)- #119431-3 5/8" O.D.-for 2 5/8" dia. shaft-also serviced in assy.-group 4033
			1	E3HZ 4676-C	Seal assy. (input shaft oil)-#119431
			1	C1TT 4727-A	Cover(power divider differential lockout)
			4	D8HZ 4A197-A	Lockwasher (power divider diff. lockout cover bolt) 1/4" I.D. x 31/64" O.D. x 3/64" thick
			4	304646-S8(B-42-A)	Bolt (power divider diff. lockout cover)- 1/4"-20 x 3/4"
			1	D5HZ 4749-A	Body(power divider diff. lockout shift)-air-#32828
				4851	Refer to group 4351 within parts list

1980/  
TRUCK SERIES 600/900

QTY.	PART NUMBER	DESCRIPTION	QTY.	PART NUMBER	DESCRIPTION
EATON 34RPC-34RPE REAR AXLE SERVICE PARTS LIST NO. 131					
Notes Δ Also serviced in kit-group 4A109 ‡ 16" Ring gear, Δ 16 1/2" Ring gear ⊕ Also serviced in kit-group 4237 % Also serviced in kit-group 4A195					
1	★D7HZ 4010-E	Housing assy. #100316, 301180 r/b D7HZ 4010-X	4	★351541-S	Washer-27/32"
1	★D7HZ 4010-X	#303164	2	353069-S(PP-46)	Plug (peep hole and oil distributor retaining)-1" countersunk
1	374506-S(PP-51)	Plug (drain)-magnetic-3/4"-14	1	87675-S(P-17)	Pipe plug (shift fork opening hole)-1/2"-14
1	358048-S(PP-43)	Plug (filler)-3/4"-14	12	B7TZ 4A142-A	Nut (carrier to housing)-5/8"-18
1	B6QH 4019-A	Washer (drive pinion grease retainer)		4143	Lock (differential bearing adjuster)
	4027	Refer to group 4127 within parts list	1	7EQH 4143	R.H.-7/32" thick
4	7EQH 4029	Pin (planetary gear)-1 1/2" x 4 5/16"	1	B6TZ 4143-A	L.H.
1	ΔB7TZ 4035-A	Gasket (differential carrier)-18 3/4" O.D.-12 bolt holes-17 1/2" bolt circle	1	★72031-S	Cotter pin-5/16" x 7/8"
1	%C3TZ 4040-B	Plate (high speed clutch)-#56931-7 3/4" O.D.-3/4" thick-16 internal teeth	2	350041-S(BB-347)	Bolt (lock)-head drilled-5/8"-11 x 1 3/4"
1	★59T 4052-M	Cover (differential carrier)-shift fork housing	1	%7EQH 4147	Washer (high speed clutch plate thrust)-4 1/4" I.D. x 7 7/32" O.D.
1	%E3HZ 4055-E	Sun gear-#113598	4	7EQH 4154	Pin (high speed clutch plate)-2 7/16" long
	4067	Adjuster (differential bearing)	2	B6QH 4156-A	Bushing (differential bearing adjuster lock)
1	7EQH 4067	R.H.-#27842-use on old style case #27839	1	C8TZ 4159-A	Lubricator (differential)-trough
1	E1HZ 4067-B	R.H.-#110243-use on new style case #110148-also serviced in kit-group 4127	1	81T 4160-M	Spring (differential carrier oil tube contact)
1	%C3TZ 4067-M	L.H.-#56932	1	A8TZ 4168-A	Retainer (driving pinion oil seal)-2 39/64" I.D. 3 49/64" O.D.- 1/4" thick
1	01T 4073-M	Gasket (differential carrier cover)-shift fork housing	1	B6TZ 4A195-B	Sun gear Kit
1	C1TZ 4A109-A	Gasket kit	Consists of		
Consists of			1-C3TZ 4040-B	Plate	1-C3TZ 4067-M Adjuster
1-B8QH 4436-A	Shim	1-B8QH 4536-X Shim	1-E3HZ 4055-E	Gear	1-7EQH 4147 Washer
1-B8TZ 4436-B	Shim	1-7EQH 4662 Gasket	4200 Differential assy.-refer to group in section 40		
1-TVAA 4456-A	Seal	1-38939 Sealer	1	C0TT 4204-B	Case assy. (differential)-incl. (8) 350048-S bolts
1-TVAA 4457-A	Retainer	1-43590 Shim	8	D6HZ 4216-A	Bolt (case)-self-locking-1/2"-13 x 2 3/4
1-TWAA 4461-A	Gasket	1-45499 Shim	4209 Ring gear and pinion kit		
1-E0HZ 4536-A	Shim	1-57373 Sealer	1	‡C6TZ 4209-AR	7.21 ratio
1-E0HZ 4536-C	Shim	1-85406 Shim	1	‡D6HZ 4209-H	7.60 ratio
1-B8QH 4536-V	Shim	1 107276 Rtv. gasket	1	Δ D6HZ 4209-AM	8.38 ratio
1-B8QH 4536-W	Shim		4211 Shaft (pinion)-serviced only in kit-group 4237		
1	★7EQH 4127	Case (differential gear support) R.H.-#27839-use on vehicles with old style case-r/b E3HZ 4127-A	8	A8TZ 4217-A	Bolt and nut assy. (differential case)-support-9/16" -18 x 4 13/64"-1980/82
1	E1HZ 4127-A	R.H.-#110148-use on vehicles with new style case-also serviced in kit-group 4127	1	A8TZ 4217-C	Bolt and nut kit (gear support case)-1983
1	7EQH 4027	L.H.-#27838	Consists of		
1	E3HZ 4127-A	Case kit (differential gear support)-R.H.-use on vehicles to convert to new style case	8-44358	Bolts	8-60599 Nuts
Consists of				4221	Cone and roller (differential bearing)
1-E1HZ 4067-B	Adjuster	1-E1HZ 4127-A Case	1	A7TZ 4221-A	R.H.-#497
2	C8TZ 4A133-A	Screw (differential oil trough)-1/4"-20 x 3/4" nylock	1	7EQH 4221	L.H.-#56425
1	C8TZ 4141-B	Carrier assy. (differential)-#67757		4222	Cup (differential bearing)
1	74121-S(P-8)	Expansion plug (shift fork shaft hole)-upper-1 1/4" lower-15/16"	1	B6Q 1243-A	R.H.-#493
1	★74116-S		1	7EQH 4222	L.H.-#56650
4	350799-S(BB-373)	Bolts (carrier and bearing caps)-13/16"-10 x 4 1/4"	3	⊕A8TZ 4228-A	Washer (differential side gear thrust and support case thrust)-4 9/16" O.D.
			4	7EQH 4229	Gear (differential planetary)-1 1/2" I.D. x 3 1/16" O.D.
			4	⊕7EQH 4230	Washer (pinion thrust)-1 1/64" I.D. x 2 7/16" O.D.
			2	C3TZ 4234-N	Shaft assy.-#56980
				4236	Gear (differential side)-serviced only in kit-group 4237

1980/  
TRUCK SERIES 600/900

QTY.	PART NUMBER	DESCRIPTION	QTY.	PART NUMBER	DESCRIPTION	
EATON 34RPC-34RPE REAR AXLE SERVICE PARTS LIST NO. 131 — Cont'd						
Notes: Δ Also serviced in kit-group 4A109 ± 16" Ring gear, Δ 16 1/2" Ring gear						
⊕ Also serviced in kit-group 4237 % Also serviced in Kit-group 4A195						
1	B9TZ 4237-G	Gear and pinion kit (differential)-		4537	Spacer (driving pinion bearing) — Cont'd	
Consists of						
1-7EQH 4211	Pinion shaft	2-TGAA 4236-B	Side gear	1	D5HZ 4537-R	.640" thick
2 A8TZ 4228-A	Washer-gear	4-TGAA 4292-B	Pinion gear	1	7EQH 4537-G	.641" thick
4-7EQH 4230	Washer-pinion			1	D5HZ 4537-S	.642" thick
	4292	Pinion-serviced only in kit-group 4237		1	D5HZ 4537-T	.643" thick
1	C8TZ 4A309-A	Trap (filler plug)-magnetic-1" x 11 1/2		1	D5HZ 4537-V	.644" thick
8	A8TZ 4322-A	Nut gear (case bolt)-9/16"-18 conelok-also serviced in assy.-group 4217		1	D5HZ 4537-W	.645" thick
11	E0HZ 4323-D	Stud (carrier to housing)-5/8"-11 and 5/8"-18 x 2 11/16"		1	D5HZ 4537-X	.646" thick
1	D3HZ 4323-D	5/8"-11 and 5/8"-18 x 2 7/8"		1	7EQH 4537-J	.647" thick
12	34811-S2(X-71)	Lockwasher (carrier to housing)-5/8"		1	D5HZ 4537-Y	.648" thick
1	B8QH 4337-A	Retainer (sun gear)		1	D5HZ 4537-Z	.649" thick
1	★D7HZ 4526-A	Bracket (torque arm)-Straddle mount type		1	D5HZ 4537-AA	.650" thick
	4536	Shim (driving pinion brg. retainer)		1	D5HZ 4537-AB	.651" thick
AR	ΔE0HZ 4536-A	.003" thick		1	D5HZ 4537-AC	.652" thick
AR	ΔE0HZ 4536-C	.010" thick		1	7EQH 4537-L	.653" thick
	4537	Spacer (driving pinion bearing)		1	D5HZ 4537-AD	.654" thick
1	D5HZ 4537-AG	.621" thick		6	E0HZ 4545-A	Washer (drive pinion retainer bolt)-9/16"
1	★D5HZ 4537-AH	.622" thick		6	★C1TT 4560-B	Bolt (drive pinion retainer)-9/16"-12 x 1 5/8"
1	7EQH 4537-A	.623" thick		4	C1TT 4562-A	Plug (differential carrier cup)-7/16"
1	D5HZ 4537-A	.624" thick			4614	Retainer assy. (driving pinion)
1	D5HZ 4537-B	.625" thick		1	D3HZ 4614-A	#75108-use on axles #34RPC with 16" ring gear
1	D5HZ 4537-C	.626" thick		1	C8TZ 4614-B	#67817-use on axles #34RPE with 16 1/2" ring gear
1	D5HZ 4537-D	.627" thick		2	7EQH 4616	Cup (driving pinion bearing)-#55437
1	D5HZ 4537-E	.628" thick		2	A8TZ 4621-A	Cone and roller (driving pinion)-#55200-C
1	7EQH 4537-C	.629" thick		1	7EQH 4625	Bearing assy. (driving pinion pilot)-#MUS 1307-TM, #15828
1	D5HZ 4537-F	.630" thick		1	7EQH 4637	Washer (driving pinion)-1 9/32" I.D.
1	D5HZ 4537-G	.631" thick		1	E3HZ 4676-A	Seal and retainer assy. (drive pinion oil)-includes integral seal and retainer #119427-4 9/16" O.D.-for 2 5/8" dia. shaft
1	D5HZ 4537-H	.632" thick			4851	Flange assy. (universal joint)-input
1	D5HZ 4537-J	.633" thick		1	B8QH 4851-C	7C size-#45926
1	D5HZ 4537-K	.634" thick		1	C6TZ 4851-T	1610 size-#73590
1	7EQH 4537-E	.635" thick		1	C7TZ 4851-D	1710 size-#73594
1	D5HZ 4537-L	.636" thick		1	D5HZ 4320-A	Nut (flange to pinion)-self-locking-1 1/4"-12 x 1 3/4"-also serviced in kit-group 4209
1	D5HZ 4537-M	.637" thick			4062	Shift assy.
1	D5HZ 4537-N	.638" thick		1	C1TZ 4062-A	Power divider-air
1	D5HZ 4537-P	.639" thick		1	C3TZ 4062-B	Axle-air
EATON 34DSC-34DSE REAR AXLE SERVICE PARTS LIST NO. 133						
Notes: ⊕ Also serviced in kit-group 4237						
Δ Also serviced in kit-group 4A109 ±16" Ring gear, Δ 16 1/2" Ring gear						
◆Also serviced in kit-group 4215						
1	★D0HZ 4033-A	Cover assy. (housing)-#77749, 77752-incl. 4475 bearing, 4676 seal, 371365-S Snap ring and fill plug		1	4067	Adjuster (differential bearing)
1	358048-S(PP-43)	Plug (filler)-3/4"-14-also serviced in kit-group 4341		1	A8TZ 4067-B	R.H. - #31562
1	ΔB7TZ 4035-A	Gasket (differential carrier)-18 3/4" O.D.-12 bolt holes-17 1/2" bolt circle		1	7EQH 4067	L.H. - #27842-use on vehicles with plain half diff. case-#88678
1	★ΔB8QH 4036-A	Gasket (cover to housing)-16 1/8" I.D. x 18 3/4" O.D.-17 1/2" bolt circle-r/b D6AZ 19562-B		1	E1HZ 4067-B	L.H.-#110243-use on vehicles with plain half diff. case-#110138 or 210017-also serviced in kit-group 4204
				1	Δ01T 4073-M	Gasket (power divider lockout opening cover)

1980/  
TRUCK SERIES 600/900

QTY.	PART NUMBER	DESCRIPTION	QTY.	PART NUMBER	DESCRIPTION
EATON 34DSC-34DSE REAR AXLE SERVICE PARTS LIST NO. 133 — Cont'd					
Notes: ⊕ Also serviced in kit-group 4237					
Δ Also serviced in kit-group 4A109					
‡16" Ring gear, †16 1/2" Ring gear					
◆Also serviced in kit-group 4215					
1	C1TZ 4A109-A	Gasket kit			
Consists of					
1	B8QH 4436-A	Shim	1	B8QH 4536-X	Shim
1	B8TZ 4436-B	Shim	1	7EQH 4662	Gasket
1	TVAA 4456-A	Seal	1	38939	Sealer
1	TVAA 4457-A	Retainer	1	43590	Shim
1	TWAA 4461-A	Gasket	1	45499	Shim
1	B7Q 4536-B	Shim	1	57373	Sealer
1	B7Q 4536-C	Shim	1	85406	Shim
1	B8QH 4536-V	Shim	1	107276	Rtv. gasket
1	B8QH 4536-W	Shim			
2	C8TZ 4A133-A	Screw (differential oil trough)-1/4" x 20 x 3/4" nylock			
	4A140	Bolt (power divider cover to housing)			
5	E0HZ 4A140-A	Short-9/16"-12 x 1 3/4"			
4	E1HZ 4A140-A	Long-9/16"-12 x 2 1/2"			
9	34810-S7-8(X-69)	Lockwasher-9/16"			
	4A142	Nut			
11	B7TZ 4A142-A	Carrier to housing-5/8"-18			
11	C1TZ 4A142-A	Cover to housing-7/16"-20			
	4143	Lock (differential bearing adjuster)			
1	TWAA 4143-A	R.H.			
1	7EQH 4143	L.H.-7/32" thick			
2	350041-S(BB-347)	Bolt-head drilled-5/8"-11 x 1 3/4"			
1	72046-N-67	Cotter pin-1/4" x 1"			
1	★C8TZ 4159-C	Lubricator (differential)-trough			
1	81T 4160-M	Spring (differential carrier oil tube contact)			
1	A8TZ 4168-A	Retainer (driving pinion oil seal)-2 39/64" I.D. x 3 49/64" O.D.-1/4" thick			
1	D5HZ 4204-B	Kit non-tenon diff. case (plain surface design) 5/8" Bolt hole			
Consists of					
1	E1HZ 4067-B	Adjuster	1	88677	Case flanged half
12	D5HZ 4216-E	Bolts	1	210017	Case plain half
12	D5HZ 4216-E	Bolt (case)-self-locking-9/16"-12 x 2 3/4"-also serviced in kit-group 4204			
	4211	Shaft (pinion)-Serviced only in kit-group 4237			
1	D5HZ 4215-A	Kit (power divider differential repair)			
Consists of					
4	8Q 4230-B	Washer	4	95211	Bushing
4	95210	Side pinion	1	95212	Spider
	4216	Bolt (differential case)-power divider			
8	D2HZ 4216-B	5/16"-24 x 2 1/2"			
8	B8TZ 4216-A	7/16" .20 x 2 5/8"-also serviced in kit-group 4982			
8	33923-S7(M-32)	Nut (power divider diff. case bolt)-5/16"-24			
16	D3HZ 4217-A	Bolt (differential case)-5/8"-18 x 2 1/8" - also serviced in kit - group 4982			
AR	55757-S2(M89B)	Nut (gear to case) - 5/8" - 18			
	4221	Cone and roller (differential bearing)			
1	8QH 4221-B	R.H.-#567			
1	A7TZ 4221-A	L.H.-#497			
	4222	Cup (differential bearing)			
1	8QH 4222-A	R.H.-#563			
1	B6Q 1243-A	L.H.-#493			
1	D3HZ 4222-A	Cup (input shaft bearing)-#JM207010-use with tapered bearing cone			
2	⊕A8TZ 4228-A	Washer (differential side gear thrust)-4 9/16" O.D.			
	4230	Washer (pinion thrust)			
4	⊕7EQH 4230	Differential-1 1/64" I.D. x 2 7/16" O.D.			
4	◆8Q 4230-B	Power divider-31/32" I.D. x 2" O.D.			
2	C3TZ 4234-N	Shaft assy.-#56980			
	4236	Gear (differential side)-serviced only in kit-group 4237			
1	B9TZ 4237-G	Gear and pinion kit (differential)			
Consists of					
1	7EQH 4211	Pinion shaft	2	TGAA 4236-B	side gear
2	A8TZ 4228-A	Washer-gear	4	TGAA 4292-B	Pinion gear
4	7EQH 4230	Washer-pinion			
1	D8HZ 4N282-A	Plug (housing cover filler)-magnetic-1"-11 1/2"-also serviced in 4033 assy.			
	4292	Pinion-serviced only in kit-group 4237			
	4300	Differential assy.-refer to group in section 40			
	4309	Ring gear and pinion kit			
		Solid pinion-includes self-locking nut 5/8" bolt hole			
1	★‡D6HZ 4309-A	3.70 ratio			
1	★‡D6HZ 4309-B	4.11 ratio			
1	★‡D6HZ 4309-C	4.33 ratio			
1	★‡D6HZ 4309-D	4.56 ratio			
1	★‡D6HZ 4309-F	5.29 ratio			
1	★‡D6HZ 4309-G	5.57 ratio			
1	★‡D6HZ 4309-AE	6.14 ratio			
1	†D6HZ 4309-AF	6.50 ratio			
1	†D6HZ 4309-AG	7.17 ratio			
1	†D6HZ 4309-AH	7.60 ratio			
16	352330-S(SS-32-D)	Rivet (gear to case)-1/2" x 1 1/2"			
1	C8TZ 4A309-A	Trap assy. (filler plug)-magnetic-1" x 1 1/2"			
	4310	Housing assy.			
1	★D7HZ 4310-B	#100314, 301179-Hendrickson Suspension r/b D7HZ 4310-W			
1	D7HZ 4310-W	#303163-Hendrickson Suspension			
1	D7HZ 4310-C	#100315, 301296-Reyco Suspension			
1	★D7HZ 4310-D	#100434, 301212-Neway Suspension r/b D7HZ 4310-Z			
1	D7HZ 4310-Z	#303173-Neway Suspension			
1	B8QH 4319-A	Washer (output flange to bearing)-1 3/4" I.D. x 2 9/32" O.D.-3/16" thick			
4	C8TZ 4321-A	Bolt (differential bearing cap)-head drilled-3/4" - 10 x 3 5/8"			
8	B8TZ 4322-A	Nut (gear case bolt)-power divider-7/16" - 20			
16	★C5TZ 4322-A	Nut (gear case bolt)-1/2" - 20 hexlock also serviced in assy.-group 4217 & also serviced in kit-group 4982			



1980/  
TRUCK SERIES 600/900

QTY.	PART NUMBER	DESCRIPTION	QTY.	PART NUMBER	DESCRIPTION
<b>EATON 34DSC-34DSE REAR AXLE SERVICE PARTS LIST NO. 133 — Cont'd</b>					
<b>Notes:</b> ⊕ Also serviced in kit-group 4237 Δ Also serviced in kit-group 4A109 ‡16" Ring gear, † 16 1/2" Ring gear ◆Also serviced in kit-group 4215					
11	E0HZ 4323-D	Stud (carrier to housing)- 5/8"-18 and 5/8"-11 x 2 11/16	5	★D3HZ 4398-A	Bolt (retainer to cover)-1/2"-13 x 1 5/8"-1980/83-"Before 1/83"- r/b E3HZ 4398-A
1	E1HZ 4323-A	Bolt (carrier to housing)-5/8"-11 x 1 3/8"	5	34809-S8(X-68)	Lockwasher-1/2"-1980/83-"Before 1/83"
12	34811-S2(X-71)	Lockwasher (carrier to housing)-5/8"	5	E3HZ 4398-A	Bolt (retainer to cover)-1/2-13 x 1 1/2"- 1983-"From 1/83"
1	C1TT 4334-A	Seal (shift housing cover)-air	* Lockwasher (retainer to cover)- 1983-"From 1/83"-Not required		
1	★C8TZ 4341-C	Carrier assy. (differential)-#106400- cstg. no. 67851 old style-r/b D3HZ 4341-A			
1	★D3HZ 4341-A	Carrier kit (diff.)-cstg. no. 110814- use to update old style assy. to new style	1	4433	Gear (power divider output shaft cluster)-Rear
Consists of 2-7641 Pin 1-358048-S Plug 4-90538 Wire 1-D3HZ 4433-B Gear 1-110815 Carrier assy. 1-E2HZ 4470-A Bearing assy.			1	D3HZ 4433-A	22 teeth 16 splines-use on old style carrier with cstg. no. 67851
4	350799-S(BB-373)	Bolt (cap to carrier)-13/16"-10 x 4 1/4"	1	★D3HZ 4433-B	#119896-use on new style carrier with cstg. no. 110814- also serviced in kit-group 4341
4	350699-S(BB-339)	Bolt (cap to carrier)-1/2"-13 x 2 7/8"	1	B8QH 4434-A	Gear (power divider input shaft cluster)-front-18-41-22 teeth
4	★351541-S	Washer (cap bolt)-13/16"	AR	ΔB8QH 4436-A	Shim (drive pinion bearing retainer)- input shaft-.003" thick
1	353069-S(PP-46)	Plug (oil distributor retaining)-1" countersunk	AR	ΔB8TZ 4436-B	.005" thick
1	★74116-S	Expansion plug (shift fork hole)- lower-15/16"	2	★COTT 4437-A	Bushing (power divider cluster gear) 2 1/4" O.D. - 1 7/32" long
1	74121-S(P-8)	Plug-expansion (shift fork shaft hole)-upper-1 1/4"	1	4442	Gear (drive pinion transfer)
2	358048-S(PP-43)	Plug (filler and oil passage hole)- 3/4"-14-also serviced in kit-group 4341	1	‡B9TT 4442-A	#46977
1	C1TT 4344-A	Seal (shift fork)-air	1	‡ C8TZ 4442-A	#74991
1	C1TT 4345-A	Washer (shift fork push rod)	1	B8QH 4445-A	Washer (power divider input shaft thrust)
11	C1TZ 4346-A	Stud (cover to housing) 7/16"-14 and 7/16"-20 x 2"	1	D3HZ 4446-B	Shaft kit (power divider input)
1	E1HZ 4346-A	Bolt (cover to housing)-7/16"-14 x 3"	Consists of 1-D6HZ 4320-A Locknut 1-95395 Tag 1-D3TZ 4446-B Shaft		
12	34793-S2(X-67-A)	Lockwasher (cover to housing)-7/16"	1	D6HZ 4320-A	Nut (retainer)-self-locking- 1 1/2"-18 x 2 1/4"- also serviced- in kit-group 4446
	4351	Flange assy. (universal joint)-power divider end-input shaft	1	★B8QH 4450-B	Fork assy. (power divider differential lockout shift)-vacuum
1	★DOHZ 4351-A	6C size-#32947	1	C1TT 4450-A	Fork assy. (power divider differential lockout shift)-air
1	B8QH 4351-A	7C size	1	★TWAA 4453-B	Bracket (power divider differential lockout)- vacuum
1	B8QH 4351-C	8C size	2	354136-S(BB-906)	Bolt (bracket to case cover)- 7/16"-14 x 1 1/4"
1	D9HZ 4351-A	1550 size-#4-4-2431	2	34793-S2(X-67-A)	Lockwasher-7/16"
1	D5HZ 4851-D	1610 size	1	★	Plug-expansion-15/16"
1	C6TZ 4351-A	1710 size	1	B8QH 4454-A	Washer (power divider input shaft)
1	E1HZ 4851-C	1760 size	1	C1TT 4454-A	Bushing (power divider output shaft)
1	D1HZ 4351-C	1810 size	1	B8QH 4455-A	Gear (power divider sliding clutch)
1	D6HZ 4320-A	Nut (flange to input shaft)-self-locking- 1 1/2"-18 x 2 1/4"-also serviced in kit-group 4309	1	C1TT 4458-A	Spring (power divider differential lockout shift lever return)-air
1	C1TZ 4404-A	Case assy. (power divider differential)	1	★TVAA 4458-A	Spring (power divider differential lockout shift lever return)-vacuum
	4414	Retainer assy. (drive pinion bearing)	1	352599-S(XX-236)	Washer-flat (spring retaining) 25/32
1	‡B8QH 4414-B		1	352574-S(NN-140)	Pin (spring to lockout bracket)- straight-5/32" x 1 3/16"
1	‡ C8TZ 4414-A		1	TWAA 4459-B	Lever (power divider differential lockout shift)-vacuum
1	★C1TT 4418-A	Strainer (air)-improvise	1	73995-S7(N-32)	Clevis pin (lever to axle)-1/2"- 1 3/4"
1	D3HZ 4423-A	Bearing (power divider input shaft)-front-- #JM 207049 (tapered)			
1	★ΔB8TZ 4427-A	Gasket (power divider cover)-r/b D6AZ 19562-B			
1	B8QH 4428-B	Cover (power divider)			
1	★D3HZ 4431-A	Retainer (power divider input shaft bearing)			

1980/  
TRUCK SERIES 600/900

QTY.	PART NUMBER	DESCRIPTION	QTY.	PART NUMBER	DESCRIPTION
<p>EATON 34DSC-34DSE REAR AXLE SERVICE PARTS LIST NO. 133 — Cont'd</p> <p>Notes: ⊕ Also serviced in kit-group 4237                      Δ Also serviced in kit-group 4A109                      ‡16" Ring gear, †16 1/2" Ring gear                      ♦Also serviced in kit-group 4215</p>					
1	TWAA 4460-B	Boot (power divider differential lockout shift)	1	4537	Spacer (driving pinion bearing) — Cont'd
1	ΔTWAA 4461-A	Gasket (power divider differential shift fork housing)-1 13/16" I.D.	1	D5HZ 4537-D	.627" thick
	4465	Flange assy. (universal joint)-output	1	D5HZ 4537-E	.628" thick
1	B8QH 4465-B	7C size	1	7EQH 4537-C	.629" thick
1	C6TZ 4465-A	1610 size	1	D5HZ 4537-F	.630" thick
1	C7TZ 4465-B	1710 size	1	D5HZ 4537-G	.631" thick
1	TVAA 4467-A	Cylinder (power divider lockout)-vacuum	1	D5HZ 4537-H	.632" thick
	4470	Bearing (power divider output shaft) front	1	D5HZ 4537-J	.633" thick
1	C2TZ 4470-A	Includes cup #34492A, cone #34274- use on old style carrier with cstg. no. 67851	1	D5HZ 4537-K	.634" thick
1	E2HZ 4470-A	Includes cup #29620, cone #29675- use on new style carrier with cstg. no. 110814-also serviced in kit-group 4341	1	7EQH 4537-E	.635" thick
1	371356-S(QQ-28)	Snap ring-2 5/8" I.D.	1	D5HZ 4537-L	.636" thick
1	D2HZ 4471-B	Shaft kit (power divider output)	1	D5HZ 4537-M	.637" thick
Consists of					
1	D5HZ 4320-A	Locknut 1-95395 Tag	1	D5HZ 4537-N	.638" thick
1	D2HZ 4471-A	Shaft & bushing	1	D5HZ 4537-P	.639" thick
1	D5HZ 4320-A	Nut (Output Shaft end)-Self-locking- 1 1/4"-12 x 1 3/4" also serviced in kit-group 4471	1	D5HZ 4537-R	.640" thick
2	D2HZ 4567-C	Snap ring (output shaft retaining) 1 63/64" I.D.	1	7EQH 4537-G	.641" thick
1	B8QH 4475-A	Bearing (power divider output shaft)- rear-#MU 1209-CAHL-1 25/32" I.D. x 3 11/32" O.D. x 3/4" thick	1	D5HZ 4537-S	.642" thick
2	B8QH 4476-B	"O" ring (power divider output shaft)	1	D5HZ 4537-T	.643" thick
	4526	Bracket (torque arm)	1	D5HZ 4537-V	.644" thick
1	★D7HZ 4526-A	Straddle mount type-w/Hendrickson Suspension	1	D5HZ 4537-W	.645" thick
1	★D7HZ 4526-C	Straddle mount tapered ball type- w/Neway Suspension	1	D5HZ 4537-X	.646" thick
	4536	Shim (driving pinion bearing retainer)	1	7EQH 4537-J	.647" thick
AR	ΔB8QH 4536-V	.003" thick	1	D5HZ 4537-Y	.648" thick
AR	ΔB8QH 4536-W	.010" thick	1	D5HZ 4537-Z	.649" thick
AR	ΔB8QH 4536-X	.030" thick	1	D5HZ 4537-AA	.650" thick
	4537	Spacer (driving pinion bearing)	1	D5HZ 4537-AB	.651" thick
1	D5HZ 4537-AG	.621" thick	1	D5HZ 4537-AC	.652" thick
1	★D5HZ 4537-AH	.622" thick	1	7EQH 4537-L	.653" thick
1	7EQH 4537-A	.623" thick	1	D5HZ 4537-AD	.654" thick
1	D5HZ 4537-A	.624" thick	6	E0HZ 4545-A	Lockwasher (drive pinion bearing retainer bolt)- 9/16"
1	D5HZ 4537-B	.625" thick	2	D8HZ 4550-A	Oiler (power divider lockout shift piston)-felt- 1 3/4" I.D. x 1/4" thick
1	D5HZ 4537-C	.626" thick	6	E0HZ 4560-A	Bolt (drive pinion bearing retainer)- 9/16"-12 x 1 1/2"
			1	C1TT 4567-G	Ring (snap)-power divider side gear retaining-2 1/32" free I.D.
			1	D8HZ 4593-C	"O" ring (power divider oil pump shaft)- 1 7/8" I.D. x 2" O.D. x 1/16" thick
			2	B8QH 4616-A	Cup (driving pinion bearing)-#72487
			2	B8TZ 4621-A	Cone and roller (driving pinion)-#72200-C
			1	C1TT 4623-A	Piston (power divider lockout shift)
			1	7EQH 4625	Bearing assy. (driving pinion pilot)- #MUS 1307-TM, #15828
			1	7EQH 4637	Washer (output shaft flange retaining)- 1 9/32" I.D.
			1	C6TZ 4637-A	Washer (input shaft nut)- 1 17/32" I.D. x 2 5/8" O.D. x 1/16" thick

**1980/  
TRUCK SERIES 600/900**

QTY.	PART NUMBER	DESCRIPTION	QTY.	PART NUMBER	DESCRIPTION
<b>EATON 34DSC-34DSE REAR AXLE SERVICE PARTS LIST NO. 133 — Cont'd</b>					
Notes: ⊕ Also serviced in kit-group 4237 Δ Also serviced in kit-group 4A109 ‡16" Ring gear, ∄ 16 1/2" Ring gear ◆Also serviced in kit-group 4215					
2	E3HZ 4676-C	Seal assy. (input and output shaft oil)- #119431-3 5/8" O.D.-for 2 5/8" dia. shaft-also serviced in assy.-group 4033	4	304646-S8(B-42-A)	Bolt (power divider diff. lockout cover)- 1/4"-20 x 3/4"
1	C1TT 4727-A	Cover (power divider differential lockout)-air	1	D5HZ 4749-A	Body (power divider diff. lockout shift)-air- #32828
4	D8HZ 4A197-A	Lockwasher (power divider diff. lockout cover bolt)- 1/4" I.D. x 31/64" O.D. x 3/64" thick	1	4851	Refer to group 4351 within parts list
			1	★B8QH 4859-A	Deflector (driving pinion oil seal)
			1	D6HZ 4982-A	Bolt and nut kit (driving gear)
			Consists of		
			16-D3HZ 4217-A	Bolt	16-60600 Nut
<b>EATON 34RSC-34RSE REAR AXLE SERVICE PARTS LIST NO. 134</b>					
Notes: Δ Also serviced in kit - group 4A109 ⊕ Also serviced in kit - group 4237 ‡ 16" Ring Gear ∄ 16 1/2" Ring Gear					
1	★D7HZ 4010	Housing assy.	1	★72031-S	Cotter pin-5/16" x 7/8"
1	★D7HZ 4010-E	#100316, 301180-Hendrickson Suspension r/b D7HZ 4010-X	1	★C1TT 4159-B	Lubricator (differential)-tube-3.70, 4.11 ratio
1	★D7HZ 4010-X	#303164-Hendrickson Suspension	1	★8QH 4159-B	Lubricator (differential)-tube-exc. 3.70, 4.11 ratio
1	D7HZ 4010-F	#100317, 301297-Reyco Suspension	1	81T 4160-M	Spring (differential carrier oil tube contact)
1	★D7HZ 4010-G	#100435, 301213-Neway Suspension r/b D7HZ 4010-Y	1	A8TZ 4168-A	Retainer (driving pinion oil seal)- 2 39/64" I.D. x 3 49/64" O.D.-1/4" thick
1	D7HZ 4010-Y	#303174-Neway Suspension	1	★8QH 4189	Screw (thrust adjusting)-1 1/4"-12 x 4"
1	353240-SA(PP-52)	Plug (drain)-magnetic-3/4"-14	1	356120-S(MM-34)	Nut-1 1/4"-12
1	358048-S(PP-43)	Plug (filler)-3/4"-14	1	★8QH 4194	Block (driving gear thrust)
1	B6QH 4019-A	Washer (driving pinion bearing spacer)	1	4200	Differential assy.-refer to group in section 40
1	ΔB7TZ 4035-A	Gasket (differential carrier)-18 3/4" O.D.-12 bolt holes-17 1/2" bolt circle	1	D5HZ 4204-B	Kit non-tenon diff. case (plain surface design)- 5/8" bolt hole
1	★59T 4052-M	Cover (differential carrier)-shift fork opening	Consists of		
1	7EQH 4067	Adjuster (differential bearing) R.H. - #27842-use on vehicles with plain half diff. case-#88678	1-E1HZ 4067-B	Adjuster	1-88677 Case flanged half
1	E1HZ 4067-B	R.H.-#110243-use on vehicles with plain half diff. case-#110138 or 210017-also serviced in kit- group 4204	12-D5HZ 4216-E	Bolts	1-210017 Case plain half
1	A8TZ 4067-B	L.H. - #31562	12	D5HZ 4216-E	Bolt (case)-self-locking-9/16"-12 x 2 3/4"-also serviced in kit-group 4204
1	Δ01T 4073-M	Gasket (differential carrier cover) shift fork opening		4209	Ring gear and pinion kit Solid pinion-includes self-locking nut 5/8" bolt hole
1	C1TZ 4A109-A	Gasket kit	1	‡D6HZ 4209-A	3.70 ratio
Consists of			1	‡D6HZ 4209-B	4.11 ratio
1	B8QH 4436-A	Shim 1-B8QH 4536-X Shim	1	‡D3HZ 4209-F	4.33 ratio-1 3/4" pinion shaft spline dia.
1	B8TZ 4436-B	Shim 1-7EQH 4662 Gasket	1	‡D6HZ 4209-C	4.33 ratio-1 31/32" pinion shaft spline dia.
1	TVAA 4456-A	Seal 1-38939 Sealer	1	‡D6HZ 4209-D	4.56 ratio
1	TVAA 4457-A	Retainer 1-45390 Shim	1	‡D6HZ 4209-E	5.29 ratio
1	TWAA 4461-A	Gasket 1-45499 Shim	1	‡D6HZ 4209-F	5.57 ratio
1	E0HZ 4536-A	Shim 1-57373 Sealer	1	‡D6HZ 4209-G	5.7 ratio
1	E0HZ 4536-C	Shim 1-85406 Shim	1	∄ D6HZ 4209-AZ	6.14 ratio
1	B8QH 4536-V	Shim 1-107276 Rtv. gasket	1	∄ D6HZ 4209-BA	6.50 ratio
1	B8QH 4536-W	Shim	1	∄ E4HZ 4209-A	7.17 ratio
1	C8TZ 4141-C	Carrier assy (differential)-#106402	1	∄ D6HZ 4209-BC	7.60 ratio
2	350049-S(BB-370)	Bolt (cap to carrier)-L.H.-11/16" -11 x 3"	16	352330-S(SS-32-D)	Rivet (gear to case)-1/2" x 1 1/2"
2	355799-S(BB-352)	Bolt (cap to carrier)-R.H.-5/8"- 11 x 3 7/16"		4211	Shaft (pinion)-Serviced only in kit-group 4237
1	72129-S(N-72)	Cotter pin-1/4" x 2 1/4"	AR	55757-S2(M89B)	Nut (gear to case) - 5/8" - 18
12	B7TZ 4A142-A	Nut (carrier housing)-5/8"-18	16	★55757-S2	Nut (differential case)-5/8"-18
1	7EQH 4143	Lock (differential bearing adjuster)- R.H.-7/32" thick	1	4221	Cone and roller (differential bearing)
1	TWAA 4143-A	L.H.	1	A7TZ 4221-A	R.H.-#497
			1	8QH 4221-B	L.H.-#567

October, 1993

COPYRIGHT © 1993 - FORD MOTOR - DEARBORN, MICHIGAN  
COMPANY

Final Issur

1980/  
TRUCK SERIES 600/900

QTY.	PART NUMBER	DESCRIPTION	QTY.	PART NUMBER	DESCRIPTION	
EATON 34RSC-34RSE REAR AXLE SERVICE PARTS LIST NO. 134 — Cont'd						
Notes: Δ Also serviced in kit - group 4A109 ⊕ Also serviced in kit - group 4237						
‡ 16" Ring Gear † 16 1/2" Ring Gear						
	4222	Cup (diff. bearing)		4537	Spacer (driving pinion bearing) — Cont'd	
1	B6Q 1243-A	R.H.-#493	1	7EQH 4537-E	.635" thick	
1	8QH 4222-A	L.H.-#563	1	D5HZ 4537-L	.636" thick	
1	★8QH 4226	Lock (driving gear adjusting screw)	1	D5HZ 4537-M	.637" thick	
2	⊕A8TZ 4228-A	Washer (differential side gear thrust)- 4 9/16" O.D.	1	D5HZ 4537-N	.638" thick	
4	⊕7EQH 4230	Washer (pinion thrust)-1 1/64" I.D. x 2 7/16" O.D.	1	D5HZ 4537-P	.639" thick	
2	C3TZ 4234-N	Shaft assy.-#56980	1	D5HZ 4537-R	.640" thick	
	4236	Gear (differential side)- serviced only in kit-group 4237	1	7EQH 4537-G	.641" thick	
1	B9TZ 4237-G	Gear and pinion Kit (differential)	1	D5HZ 4537-S	.642" thick	
Consists of						
1	7EQH 4211	Pinion Shaft 2-TGAA 4236-B	Side gear	1	D5HZ 4537-T	.643" thick
2	A8TZ 4228-A	Washer-gear 4-TGAA 4292-B	Pinion gear	1	D5HZ 4537-V	.644" thick
4	7EQH 4230	Washer-pinion		1	D5HZ 4537-W	.645" thick
	4292	Pinion-serviced only in kit-group 4237		1	D5HZ 4537-X	.646" thick
1	C8TZ 4A309-A	Trap (filler plug)-magnetic-1" x 1 1/2	1	7EQH 4537-J	.647" thick	
4	C8TZ 4321-A	Bolt (differential bearing cap)-head drilled-3/4"-10 x 3 5/8"	1	D5HZ 4537-Y	.648" thick	
16	★C5TZ 4322-A	Nut (gear case bolt)-1/2"-20 hexlock also serviced in assy.-group 4217 also serviced in kit-group 4982	1	D5HZ 4537-Z	.649" thick	
	4323	Stud (carrier to housing)	1	D5HZ 4537-AA	.650" thick	
11	E0HZ 4323-D	5/8"-11 and 5/8"-18 x 2 11/16"	1	D5HZ 4537-AB	.651" thick	
1	D3HZ 4323-D	5/8"-11 and 5/8"-18 x 2 7/8"	1	D5HZ 4537-AC	.652" thick	
12	34811-S2(X-71)	Lockwasher (carrier to housing)-5/8"	1	7EQH 4537-L	.653" thick	
	4526	Bracket (torque arm)	1	D5HZ 4537-AD	.654" thick	
1	★D7HZ 4526-A	Straddle mount type- w/Hendrickson Suspension	6	E0HZ 4545-A	Lockwasher (drive pinion retainer bolt)- 9/16"	
1	★D7HZ 4526-B	Straddle mount tapered ball type- w/Neway Suspension	6	★C1TT 4560-B	Bolt (drive pinion retainer)-9/16"-12 x 1 5/8"	
	4536	Shim (driving pinion bearing retainer)		4614	Retainer assy. (driving pinion)	
AR	ΔE0HZ 4536-A	.003" thick	1	★‡7EQH 4614		
AR	ΔE0HZ 4536-C	.010" thick	1	† C8TZ 4614-B		
1	TGAA 4536-A	Shim (pinion bearing cage) .125" thick	2	7EQH 4616	Cup (driving pinion bearing)-#55437	
	4537	Spacer (driving pinion bearing)	2	A8TZ 4621-A	Cone and roller (driving pinion)-#55200-C	
1	D5HZ 4537-AG	.621" thick	1	7EQH 4625	Bearing assy. (driving pinion pilot)- #MUS 1307-TM, #15828	
1	★D5HZ 4537-AH	.622" thick	1	7EQH 4637	Washer (driving pinion)-1 9/32" I.D.	
1	7EQH 4537-A	.623" thick	1	Δ7EQH 4662	Gasket (driving pinion bearing sleeve)- cork-17 7/16" long	
1	D5HZ 4537-A	.624" thick	1	E3HZ 4676-A	Seal and retainer assy. (drive pinion oil)- includes integral seal and retainer- #119427-4 9/16" O.D.-for 2 5/8" dia. shaft	
1	D5HZ 4537-B	.625" thick		4851	Flange assy. (universal joint)-input	
1	D5HZ 4537-C	.626" thick	1	B8QH 4851-C	7C size-#45926	
1	D5HZ 4537-D	.627" thick	1	C6TZ 4851-T	1610 size-#73590-exc. 3.70, 4.11 ratio	
1	D5HZ 4537-E	.628" thick	1	C6TZ 4851-U	1610 size-#73596-with 3.70, 4.11 ratio	
1	7EQH 4537-C	.629" thick	1	C7TZ 4851-D	1710 size-#73594-exc. 3.70, 4.11, 4.33 ratio	
1	D5HZ 4537-F	.630" thick	1	C7TZ 4851-E	1710 size-#73592-with 3.70, 4.11, 4.33 ratio	
1	D5HZ 4537-G	.631" thick		4320	Nut (flange to pinion)-self-locking- -also serviced in kit-group 4209	
1	D5HZ 4537-H	.632" thick	1	D5HZ 4320-A	1 1/4"-12 x 1 3/4"-exc. 3.70 or 4.11 ratio	
1	D5HZ 4537-J	.633" thick	1	D6HZ 4320-A	1 1/2"-18 x 2 1/4"-w/3.70 or 4.11 ratio	
1	D5HZ 4537-K	.634" thick	1	D6HZ 4982-A	Bolt and nut kit (driving gear)-	
Consists of						
	16-D3HZ 4217-A	Bolt		16-60600	Nut	

1980/  
TRUCK SERIES 600/900

QTY.	PART NUMBER	DESCRIPTION	QTY.	PART NUMBER	DESCRIPTION
EATON 34DTC-34DTE REAR AXLE SERVICE PARTS LIST NO. 147					
Notes: % Also serviced in kit-group 4A195					
Δ Also serviced in kit group 4A109, ⊕ Also serviced in kit-group 4237					
◆ Also serviced in kit-group 4215 ± 16" Ring gear ⚡ 16 1/2" Ring gear					
	4027	Refer to group 4127 within parts list	1	E3HZ 4127-A	Case kit (differential gear support)-L.H.-use on vehicles to convert to new style case
4	7EQH 4029	Pin (planetary gear)-1 1/2" x 4 5/16"	Consists of		
1	★D0HZ 4033-A	Cover assy. (housing)-#77749, 77752-incl. 4475 bearing, 4676 Seal, 371365-S Snap ring and fill plug	1	E1HZ 4067-B	Adjuster
1	ΔB7TZ 4035-A	Gasket (diff. carrier)-18 3/4" O.D.-12 bolt holes-17 1/2" bolt circle	1	E1HZ 4127-A	Case
1	★ΔB8QH 4036-A	Gasket (cover to housing)-r/b D6AZ 19562-B	2	C8TZ 4A133-A	Screw (differential oil trough)-1/4"-20 x 3/4" nylock
1	%C3TZ 4040-B	Plate (high speed clutch)-#56931-7 3/4" O.D. x 3/4" thick-16 internal teeth		4A140	Bolt (power divider cover to housing)
1	A8TZ 4045-A	Fork & roller assy. (diff. shift)-#62720	5	E0HZ 4A140-A	Short-9/16"-12 x 1 3/4"
1	C3TZ 4052-G	Cover (diff. carrier)-shift fork opening	4	E1HZ 4A140-A	Long-9/16"-12 x 2 1/2"
2	B9TZ 4053-A	Pin (diff. shift fork roller)-1 3/64" long-11/16" major O.D.-15/32" minor O.D.	9	34810-S7-8(X-69)	Lockwasher-9/16"
1	%E3HZ 4055-D	Gear (sliding clutch)-#113596-7 21/64" long-16 teeth each end		4A142	Nut
1	C1TZ 4062-A	Shift assy. (power divider)-air	11	B7TZ 4A142-A	Carrier to housing-5/8"-18
1	C8HZ 4062-B	Shift assy. (axle)-piston type air	11	C1TZ 4A142-A	Cover to housing-7/16"-20
1	%C3TZ 4067-M	Adjuster (differential bearing) R.H.-#56932	1	B6TZ 4143-A	Lock (diff. brg. adjuster)-R.H.
1	7EQH 4067	L.H.-#27842-use on old style case #27839	2	371173-S(BB-349)	Bolt (adjuster lock)-5/8"-11 x 1 1/4"
1	E1HZ 4067-B	L.H.-#110243-use on new style case #110148-also serviced in kit-group 4127	1	7EQH 4143	Lock (diff. brg. adjuster)-L.H.
1	E4HZ 4072-A	Seal assy. (shift fork)-#119851	1	★72031-S	Cotter pin lock-5/16" x 7/8" thrust-4 1/4" I.D. x 7 27/32" O.D.
1	Δ01T 4073-M	Gasket (shift fork opening cover)	1	%7EQH 4147	Washer (high speed clutch plate)
1	C1TZ 4A109-A	Gasket kit	1	E3HZ 4149-B	Shaft assy. (differential shift fork)-Includes "O" ring-serviced in kit-group 4341
Consists of					
1	B8QH 4436-A	Shim	1	7EQH 4154	Pin (high speed clutch plate)-2 17/64" long
1	B8TZ 4436-B	Shim	2	B6QH 4156-A	Bushing (diff. bearing adjuster lock)
1	TVAA 4456-A	Seal	1	★C8TZ 4159-B	Lubricator (differential)-trough-#67827
1	TVAA 4457-A	Retainer	1	A8TZ 4168-A	Retainer (driving pinion oil seal)-2 39/64" I.D. x 3 49/64" O.D. x 1/4" thick
1	TWAA 4461-A	Gasket	1	B6TZ 4A195-A	Sliding clutch gear kit
1	B7Q 4536-B	Shim	Consists of		
1	B7Q 4536-C	Shim	1	C3TZ 4040-B	Plate
1	B8QH 4536-V	Shim	1	C3TZ 4067-M	Adjuster
1	B8QH 4536-W	Shim	1	E3HZ 4055-D	Gear
	4127	Case (differential gear support) R.H.-#27838	1	7EQH 4147	Washer
1	7EQH 4027	L.H.-#27839-use on vehicles with old style case-r/b E3HZ 4127-A	1	C0TT 4204-B	Case assy. (diff.)-incl. (8) 350048-S bolts
1	★7EQH 4127	L.H.-#110148-use on vehicles with new style case-also serviced in kit-group 4127	8	D6HZ 4216-A	Bolt (case)-self-locking-1/2"-13 x 2 3/4"
				4211	Shaft (pinion)-serviced only in kit-group 4237
			1	D5HZ 4215-A	Kit (power divider differential repair)
			Consists of		
			4	8Q 4230-B	Washer
			4	95210	Side pinion
				4216	Bolt (differential case)-power divider
			8	B8TZ 4216-A	7/16"-20 x 2 5/8"
			8	D2HZ 4216-B	5/16"-24 x 2 1/2"

1980/  
TRUCK SERIES 600/900

QTY.	PART NUMBER	DESCRIPTION	QTY.	PART NUMBER	DESCRIPTION		
EATON 34DTC-34DTE REAR AXLE SERVICE PARTS LIST NO. 147 — Cont'd							
Notes: % Also serviced in kit-group 4A195							
Δ Also serviced in kit group 4A109, ⊕ Also serviced in kit-group 4237							
◆ Also serviced in kit-group 4215 ± 16" Ring gear ⊕ 16 1/2" Ring gear							
8	A8TZ 4217-A	Bolt and nut assy. (diff. case)-9/16"-18 x 4 13/64"-1980/82	8	A8TZ 4322-A	Nut (gear case bolt)-9/16"-18 conelok-also serviced in assy.-group 4217		
1	A8TZ 4217-C	Bolt and nut kit (gear support case)-1983	11	E0HZ 4323-D	Stud (carrier to housing)-5/8"-18 and 5/8"-11 x 2 11/16"		
Consists of							
8-44358	Bolts	8-60599	Nuts	1	E1HZ 4323-A	Bolt (carrier to housing)-5/8"-11 x 1 3/8"	
	4221	Cone and roller (diff. brg.)		12	34811-S2(X-71)	Lockwasher (carrier to housing)-5/8"	
1	7EQH 4221	R.H.-#56425			4323	Stud (carrier to shift motor housing)	
1	A7TZ 4221-A	L.H.-#497		2	D3HZ 4323-B	7/16"-20-14 x 1 11/16"-use on old style carrier with cstg. no. 65417, 106409	
	4222	Cup (differential bearing)		2	D3HZ 4323-E	7/16"-20-14 x 1 3/4"-use on new style carrier with cstg. no. 110816-also serviced in kit-group 4341	
1	7EQH 4222	R.H.-#56650		2	44730-S8(X-26)	Washer (carrier to shift motor housing)-7/16"-use on old style carrier with cstg. no. 65417, 106409	
1	B6Q 1243-A	L.H.-#493		2	E4HZ 4B147-A	Washer (carrier to shift motor housing) 15/32" I.D. x 15/16" O.D. x 3/32" thick-use on new style carrier with cstg. no. 110816-also serviced in kit-group 4341	
1	D3HZ 4222-A	Cup (input shaft bearing)-#JM 207010-use with tapered bearing cone		1	C1TT 4334-A	Seal (shift housing cover)-1 3/4" I.D. x 2 1/64" O.D.	
2	⊕A8TZ 4228-A	Washer (diff. side gear thrust)-4 9/16" O.D.		1	★C8TZ 4341-B	Carrier assy. (diff.)-#65416 or #65419-cstg. no. 65417, 106409 old style-r/b D3HZ 4341-B	
1	A8TZ 4228-A	Washer (diff. support case)-L.H.-4 9/16" O.D.		1	★D3HZ 4341-B	Carrier kit (diff.)-cstg. no. 110816-use to update old style assy. to new style	
4	7EQH 4229	Gear (diff. planetary)-1 1/2" I.D. x 3 1/16" O.D.		Consists of			
4	⊕7EQH 4230	Washer (pinion thrust)-diff.-1 1/64" I.D. x 2 7/16" O.D.		2-7641	Pin	1-358048-S	Plug
4	8Q 4230-B	Washer (pinion thrust)-power divider-31/32" I.D. x 2" O.D.		1-9797	Plug	2-E4HZ 4B147-A	Washer
2	C3TZ 4234-N	Shaft assy.-#56980		1-30703	Plug	1-E3HZ 4149-B	Shift fork
	4236	Gear-(diff.)-serviced only in kit - group 4237		1-45521	Cover	2-B8TZ 4322-A	Nut
1	B9TZ 4237-G	Gear and pinion kit (differential)-		4-90538	Wire	1-D3HZ 4323-E	Stud
Consists of							
1-7EQH 4211	Pinion shaft	2-TGAA 4236-B	Side gear	1-107276	Rtv. gasket	1-D3HZ 4433-B	Gear
2-A8TZ 4228-A	Washer-gear	4-TGAA 4292-B	Pinion gear	1-110817	Carrier assy.	1-E2HZ 4470-A	Bearing assy.
4-7EQH 4230	Washer-pinion			1	350724-S(BB-201)	Bolt (carrier to housing)-5/8"-11 x 1 7/16"	
1	D8HZ 4N282-A	Plug (housing cover filler)-magnetic-1"-11 1/2"-also serviced in 4033 assy.		4	350799-S(BB-373)	Bolt (diff. bearing cap to carrier)	
	4292	Pinion-serviced only in kit-group 4237		1	74121-S(P-8)	Plug-expansion (upper shift fork shaft hole)	
	4309	Ring gear and pinion kit		1	★74116-S	Plug-expansion (lower shift fork shaft hole)	
		Solid pinion-includes self-locking nut		1	353069-S(PP-46)	Plug-pipe (oil dist. retaining)	
1	★C6TZ 4309-J	5.29/7.21 ratio		2	358048-S(PP-43)	Plug-pipe (carrier filler and oil passage hole)-also serviced in kit-group 4341	
1	★D6HZ 4309-V	6.14/8.38 ratio		1	★371934-S	Dowel pin-3/8" x 1 3/8"	
1	★D6HZ 4309-W	6.50/8.87 ratio		1	C1TT 4344-A	Seal (shift fork)	
1	★D6HZ 4309-X	7.17/9.77 ratio		1	C1TT 4345-A	Washer (shift fork push rod)	
1	371357-S(MM-97)	Nut (pinion)		11	C1TZ 4346-A	Stud (cover to housing)-7/16"-14 and 7/16"-20 x 2"	
1	C8TZ 4A309-A	Trap (filler plug)-magnetic-1" x 11 1/2		1	E1HZ 4346-A	Bolt (cover to housing)-7/16"-14 x 3"	
	4310	Housing assy.					
1	D7HZ 4310-B	#100314, 301179-r/b D7HZ 4310-W					
1	D7HZ 4310-W	#303163					
1	B8QH 4319-A	Washer (output flange to bearing)-1 3/4" I.D. x 2 9/32" O.D. x 3/16" thick					
2	B8TZ 4322-A	Nut (shift motor housing stud)-7/16"-20-also serviced in kit-group 4341					

1980/  
TRUCK SERIES 600/900

QTY.	PART NUMBER	DESCRIPTION	QTY.	PART NUMBER	DESCRIPTION
EATON 34DTC-34DTE REAR AXLE SERVICE PARTS LIST NO. 147 — Cont'd					
Notes: % Also serviced in kit-group 4A195					
Δ Also serviced in kit group 4A109, ⊕ Also serviced in kit-group 4237					
◆ Also serviced in kit-group 4215 ± 16" Ring gear ⊕ 16 1/2" Ring gear					
12	34793-S2(X-67-A)	Lockwasher (cover to housing)-7/16"	1	D6HZ 4320-A	Nut (input shaft)-self-locking- 1 1/2"-18 x 2 1/4"- also serviced in kit-group 4446
	4351	Flange assy. (universal joint)-power divider input			
1	★D0HZ 4351-A	6C size-#32946	1	★B8QH 4450-B	Fork assy. (power divider diff. lockout shift)-vacuum shift
1	B8QH 4351-A	7C size	1	C1TT 4450-A	Fork assy. (power divider diff. lockout shift)-air shift
1	D9HZ 4351-A	1550 size-#4-4-2431	1	★TWAA 4453-B	Bracket (power divider differential lockout)- vacuum
1	D5HZ 4851-D	1610 size	2	354136-S(BB-906)	Bolt (bracket to case cover)- 7/16"-14 x 1 1/4"
1	C6TZ 4351-A	1710 size	2	34793-S2(X-67-A)	Lockwasher-7/16"
1	E1HZ 4851-C	1760 size	1	C1TT 4454-A	Bushing (power divider output shaft)
1	D1HZ 4351-C	1810 size	1	B8QH 4454-A	Washer (power divider input shaft)
1	D6HZ 4320-A	Nut (flange to input shaft)-self-locking- 1 1/2"-18 x 2 1/4"-also serviced in kit-group 4309	1	B8QH 4455-A	Gear (power divider sliding clutch)- 18 teeth-20 splines
1	C1TZ 4404-A	Case assy. (power divider diff.)	1	C1TT 4458-A	Spring (power divider diff. lockout shift lever return)-air
	4414	Retainer assy. (drive pinion brg)	1	★TVAA 4458-A	Spring (power divider diff. lockout shift lever return)-vacuum
1	B8QH 4414-B	use on axles #34DTC with 16" ring gear	1	TWAA 4459-B	Lever (power divider diff. lockout shift)
1	★C8TZ 4414-A	use on axles #34DTE with 16 1/2" ring gear	1	★73928-S	Clevis pin-1/2" x 1 3/16"
1	★C1TT 4418-A	Strainer (air)-improvise	1	TWAA 4460-B	Boot (power divider diff. lockout shift)
1	D3HZ 4423-A	Bearing (power divider input -shaft)-front- #JUM 207049 (tapered)	1	ΔTWAA 4461-A	Gasket (power divider diff. lockout bracket)-1 13/16" I.D.
1	★ΔB8TZ 4427-A	Gasket (power divider cover)- r/b D6AZ 19562-B		4465	Flange (universal joint)-power divider output shaft
1	B8QH 4428-B	Cover (power divider)	1	B8QH 4465-B	7C size
1	★D3HZ 4431-A	Retainer (power divider input shaft bearing)	1	C6TZ 4465-A	1610 size
5	★D3HZ 4398-A	Bolt (retainer to cover)-1/2"-13 x 1 5/8"-1980/83-"Before 1/83"- r/b E3HZ 4398-A	1	C7TZ 4465-B	1710 size
5	34809-S8(X-68)	Lockwasher-1/2"-1980/83-"Before 1/83"		4470	Bearing (power divider output shaft)- front
5	E3HZ 4398-A	Bolt (retainer to cover)-1/2"-13 x 1 1/2"- 1983-"From 1/83"	1	C2TZ 4470-A	Includes cup #34492A, cone #34274- use on old style carrier with cstg. no. 65417, 106409
	★	Lockwasher (retainer to cover)- 1983-"From 1/83"-Not required	1	E2HZ 4470-A	Includes cup #29620, cone #29675- use on new style carrier with cstg. no. 110816-also serviced in kit-group 4341
	4433	Gear (power divider output shaft cluster)-Rear-22 teeth-16 splines- Use on old style carrier with cstg. no. 65417, 106409	1	371356-S(QQ-28)	Snap ring-2 5/8" I.D.
1	D3HZ 4433-A	#119896-use on new style carrier with cstg. no. 110816-also serviced in kit-group 4341	1	D2HZ 4471-B	Shaft kit (power divider output)
1	B8QH 4434-A	Gear (power divider input shaft cluster)-front-18-41-22 teeth	Consists of		
	4436	Shim (drive pinion bearing retainer)	1-D5HZ 4320-A	Locknut	1-95395 Tag
AR	ΔB8QH 4436-A	.003" thick	1-D2HZ 4471-A	Shaft & bushing	
AR	ΔB8TZ 4436-B	.005" thick	1	D5HZ 4320-A	Nut (output shaft end)-Self-locking- 1 1/4"-12 x 1 3/4"-also serviced in kit-group 4471
2	★COTT 4437-A	Bushing (power divider cluster gear)- 2 1/4" O.D. x 1 7/32" long	2	D2HZ 4567-C	Snap ring (output shaft retainer)
1	B9TT 4442-A	Gear (drive pinion transfer)-41 teeth-10 splines	1	B8QH 4475-A	Bearing (power divider output shaft)- rear-1 25/32" I.D. x 3 11/32" O.D. x 3/4" thick-#MU1209 CAHL
1	★C8TZ 4442-A	Gear (drive pinion transfer)	2	B8QH 4476-B	"O" ring (power divider output shaft)
1	B8QH 4445-A	Washer (power divider input shaft thrust)	1	★D7HZ 4526-A	Bracket (torque arm)- straddle mount type
1	★B8TZ 4446-C	Shaft kit (power divider input)- use on axle #34DTC with 16" ring gear		4536	Shim (driving pinion brg. retainer)
Consists of					
1	D6HZ 4320-A	Locknut	1	ΔB8QH 4536-V	.003" thick
1	B8TZ 4446-B	Shaft	AR	ΔB8QH 4536-W	.010" thick
1	D3HZ 4446-B	Shaft kit (power divider input)- use on axle #34DTE with 16 1/2" ring gear	AR	ΔB8QH 4536-X	.030" thick
Consists of					
1	D6HZ 4320-A	Locknut			
1	D3TZ 4446-B	Shaft			

1980/  
TRUCK SERIES 600/900

QTY.	PART NUMBER	DESCRIPTION	QTY.	PART NUMBER	DESCRIPTION
EATON 34DTC-34DTE REAR AXLE SERVICE PARTS LIST NO. 147 — Cont'd					
Notes: % Also serviced in kit-group 4A195					
Δ Also serviced in kit group 4A109, ⊕ Also serviced in kit-group 4237					
◆ Also serviced in kit-group 4215 ‡ 16" Ring gear Δ 16 1/2" Ring gear					
	4537	Spacer (driving pinion brg.)		4537	Spacer (driving pinion brg.) — Cont'd
1	D5HZ 4537-AG	.621" thick	1	7EQH 4537-L	.653" thick
1	★D5HZ 4537-AH	.622" thick	1	D5HZ 4537-AD	.654" thick
1	7EQH 4537-A	.623" thick	6	E0HZ 4545-A	Lockwasher (drive pinion bearing retainer bolt)- 9/16"
1	D5HZ 4537-A	.624" thick	2	D8HZ 4550-A	Oiler (power divider lockout shift piston)-felt- 1 3/4" I.D. x 1/4" thick
1	D5HZ 4537-B	.625" thick	6	E0HZ 4560-A	Bolt (drive pinion bearing retainer)- 9/16"-12 x 1 1/2"
1	D5HZ 4537-C	.626" thick	1	C1TT 4567-G	Ring (snap)
1	D5HZ 4537-D	.627" thick	1	★C4TZ 4589-A	Shift assy. (air shift control)
1	D5HZ 4537-E	.628" thick	2	B8QH 4616-A	Cup (driving pinion brg.)-#72487
1	7EQH 4537-C	.629" thick	2	B8TZ 4621-A	Cone and roller (driving pinion)-#72200-C
1	D5HZ 4537-F	.630" thick	1	C1TT 4623-A	Piston (power divider lockout shift)
1	D5HZ 4537-G	.631" thick	1	7EQH 4625	Bearing assy. (driving pinion pilot)- #MUS1307 TM, #15828
1	D5HZ 4537-H	.632" thick	1	7EQH 4637	Washer (output shaft to flange)
1	D5HZ 4537-J	.633" thick	1	C6TZ 4637-A	Washer (input shaft nut)-1 17/32" I.D. x 2 5/8" O.D. x 1/16" thick
1	D5HZ 4537-K	.634" thick	1	E3HZ 4676-C	Seal assy. (input shaft oil)-#119431
1	7EQH 4537-E	.635" thick	1	E3HZ 4676-C	Seal assy. (output shaft oil) #119431-3 5/8" O.D.-for 2 5/8" dia. shaft-1983-"From 3/83"
1	D5HZ 4537-L	.636" thick	1	C1TT 4727-A	Cover (power divider differential lockout)
1	D5HZ 4537-M	.637" thick	4	D8HZ 4A197-A	Lockwasher (power divider diff. lockout cover bolt)- 1/4" I.D. x 31/64" O.D. x 3/64" thick
1	D5HZ 4537-N	.638" thick	4	304646-S8(B-42-A)	Bolt (power divider diff. lockout cover)- 1/4"-20 x 3/4"
1	D5HZ 4537-P	.639" thick	1	D5HZ 4749-A	Body(power divider diff. lockout shift)- air-#32828
1	D5HZ 4537-R	.640" thick		4851	Refer to group 4351 within parts list
1	7EQH 4537-G	.641" thick	1	★B8QH 4859-A	Deflector (drive pinion oil seal)
1	D5HZ 4537-S	.642" thick	1	★C5TZ 4982-A	Bolt and nut kit (driving gear)
1	D5HZ 4537-T	.643" thick			
1	D5HZ 4537-V	.644" thick			
1	D5HZ 4537-W	.645" thick			
1	D5HZ 4537-X	.646" thick			
1	7EQH 4537-J	.647" thick			
1	D5HZ 4537-Y	.648" thick			
1	D5HZ 4537-Z	.649" thick			
1	D5HZ 4537-AA	.650" thick			
1	D5HZ 4537-AB	.651" thick			
1	D5HZ 4537-AC	.652" thick			
EATON 34RTC-34RTE REAR AXLE SERVICE PARTS LIST NO. 148					
Notes: ‡ 16" Ring gear Δ 16 1/2" Ring gear					
⊕ Also serviced in kit - group 4237 Δ Also serviced in kit-group 4A109 % Also serviced in kit-group 4A195					
1	★D7HZ 4010-E	Housing assy. #100316, 301180 r/b D7HZ 4010-X	2	B9TZ 4053-A	Pin (differential shift fork roller)- 1 3/64" long x 5 11/16" major O.D. x 15/32" minor O.D.
1	★D7HZ 4010-X	#303164	1	%E3HZ 4055-D	Gear (sliding clutch)-#113596- 7 21/64" long-16 teeth each end
1	374506-S(PP-51)	Plug (drain)-magnetic-3/4"-14	1	C8HZ 4062-C	Shift assy. (air)
1	358048-S(PP-43)	Plug (filler)-magnetic-3/4"-14		4067	Adjuster (differential bearing)
1	B6QH 4019-A	Washer (drive pinion grease retainer)	1	7EQH 4067	R.H.-#27842-use on old style case #27839
	4027	Refer to group 4127 within parts list	1	E1HZ 4067-B	R.H.-#110243-use on new style case #110148-also serviced in kit-group 4127
4	7EQH 4029	Pin (planetary gear)-1 1/2" x 4 5/16"	1	%C3TZ 4067-M	L.H.-#56932
1	ΔB7TZ 4035-A	Gasket (differential carrier)-18 3/4" O.D.-12 bolt holes-17 1/2" bolt circle	1	E4HZ 4072-A	Seal assy. (shift fork)-#119851
1	%C3TZ 4040-B	Plate (high speed clutch)-#56931-7 3/4" O.D. x 3/4" thick-16 internal teeth	1	B2Q 4073-A	Gasket (differential carrier cover)- shift fork opening
1	A8TZ 4045-A	Fork and roller assy. (diff. shift)-#62720			
1	C3TZ 4052-H	Cover (differential carrier)-shift fork opening			



1980/  
TRUCK SERIES 600/900

QTY.	PART NUMBER	DESCRIPTION	QTY.	PART NUMBER	DESCRIPTION
EATON 34RTC-34RTE REAR AXLE SERVICE PARTS LIST NO.148 --- Cont'd					
Notes: ‡ 16" Ring gear † 16 1/2" Ring gear					
⊕ Also serviced in kit - group 4237 Δ Also serviced in kit-group 4A109 % Also serviced in kit-group 4A195					
1	C1TZ 4A109-A	Gasket kit	1	B6TZ 4A195-A	Sliding clutch gear kit
Consists of			Consists of		
1-B8QH 4436-A	Shim	1-B8QH 4536-X Shim	1-C3TZ 4040-B	Plate	1-C3TZ 4067-M Adjuster
1-B8TZ 4436-B	Shim	1-7EQH 4662 Gasket	1-E3HZ 4055-D	Gear	1-7EQH 4147 Washer
1-TVAA 4456-A	Seal	1-38939 Sealer	4200 Differential assy. refer to group in section 40		
1-TVAA 4457-A	Retainer	1-43590 Shim	1	C0TT 4204-B	Case assy. (diff.)-incl. (8) 350048-S bolt
1-TWAA 4461-A	Gasket	1-45499 Shim	8	D6HZ 4216-A	Bolt (case)-self-locking-1/2"-13 x 2 3/4"
1-E0HZ 4536-A	Shim	1-57373 Sealer	4209 Ring gear and pinion kit		
1-E0HZ 4536-C	Shim	1-85406 Shim	Solid pinion-includes self-locking nut		
1-B8QH 4536-V	Shim	1-107276 Rtv. gasket	1	‡C6TZ 4209-AR	5.29/7.21 ratio
1-B8QH 4536-W	Shim		1	† D6HZ 4209-AM	6.14/8.38 ratio
	4127	Case (differential gear support)	1	† D6HZ 4209-AN	6.50/8.87 ratio
1	★7EQH 4127	R.H.-#27839-use on vehicles with old style case-r/b E3HZ 4127-A	1	E4HZ 4209-B	7.17/9.77 ratio
1	E1HZ 4127-A	R.H.-#110148-use on vehicles with new style case-also serviced in kit-group 4127	4211 Shaft (pinion)-serviced only in kit-group 4237		
1	7EQH 4027	L.H.-#27838	8	A8TZ 4217-A	Bolt and nut assy. (diff. case)-9/16"-18 x 4 13/64"-1980/82
1	E3HZ 4127-A	Case kit (differential gear support)-R.H.-use on vehicles to convert to new style case	1	A8TZ 4217-C	Bolt and nut kit (gear support case)-1983
Consists of			Consists of		
1-E1HZ 4067-B	Adjuster	1-E1HZ 4127-A Case	8-44358	Bolts	8-60599 Nuts
2	C8TZ 4A133-A	Screw (differential oil trough)-1/4"-20 x 3/4" nylock		4221	Cone and roller (differential bearing)
1	C8TZ 4141-B	Carrier assy. (diff.)-#67757	1	A7TZ 4221-A	R.H.-#497
2	353069-S(PP-46)	Plug (peep hole and oil distributor pipe)-1" square countersunk	1	7EQH 4221	L.H.-#56425
4	350799-S(BB-373)	Bolt (carrier and bearing caps)-13/16"-10 x 4 1/4"		4222	Cup (differential)
4	★	Washer-1 1/4" O.D. x 13/16" flat x 5/32" thick	1	B6Q 1243-A	R.H.-#493
1	74121-S(P-8)	Plug-expansion (shift fork shaft hole)-upper-1 1/4"	1	7EQH 4222	L.H.-#56650
1	★74116-S	Plug-expansion (shift fork shaft hole)-lower-15/16"	2	⊕A8TZ 4228-A	Washer (diff. side gear thrust)-4 9/16" O.D.
2	357183-S8(WW-37)	Stud (shift motor to housing)-7/16" 14 & 7/16"-20 x 1 5/8"	1	A8TZ 4228-A	Washer (diff. support case)-R.H.-4 9/16" O.D.
2	34671-S8(M-67)	Nut-7/16"-20	4	7EQH 4229	Gear (differential planetary)-1 1/2" I.D. x 3 1/16" O.D.
12	B7TZ 4A142-A	Nut (carrier to housing) 5/8"-18	4	⊕7EQH 4230	Washer (pinion thrust)-1 1/64" I.D. x 2 7/16" O.D.
1	7EQH 4143	Lock (differential bearing adjuster) R.H.-7/32" thick	2	C3TZ 4234-N	Shaft assy.-#56980
1	B6TZ 4143-A	L.H.		4236	Gear (differential side)-serviced only in kit - group 4237
1	★	Cotter pin 1/4" x 1"	1	B9TZ 4237-G	Gear and pinion kit (differential)-
2	350041-S(BB-347)	Bolt (lock)-head drilled-5/8"-11 x 1 3/4"	Consists of		
1	%7EQH 4147	Washer (high speed clutch plate)-thrust-4 1/4" I.D. x 7 27/32" O.D.	1-7EQH 4211	Pinion shaft	2-TGAA 4236-B Side gear
1	E3HZ 4149-B	Shaft assy. (differential shift fork)-includes "O" ring	2-A8TZ 4228-A	Washer-gear	4-TGAA 4292-B Pinion gear
4	7EQH 4154	Pin (high speed clutch plate)-2 7/16" long	4-7EQH 4230	Washer-pinion	
2	B6QH 4156-A	Bushing (diff. bearing adjuster lock)		4292	Pinion-serviced only in kit-group 4237
1	C8TZ 4159-A	Lubricator (differential)-trough	1	C8TZ 4A309-A	Trap (filler plug)-magnetic-1" x 11 1/2
1	353069-S(PP-46)	Plug (oil distributor pipe)-1" square countersunk	2	B8TZ 4322-A	Nut (shift motor housing stud)-7/16"-20
1	A8TZ 4168-A	Retainer (driving pinion oil seal)-2 39/64" I.D. x 3 49/64" O.D. x 1/4" thick	8	A8TZ 4322-A	Nut (gear case bolt)-9/16"-18 conelock-also serviced in assy.-group 4217
				4323	Stud (carrier to housing)
			11	E0HZ 4323-D	5/8"-11 and 5/8"-18 x 2 11/16"
			1	D3HZ 4323-D	5/8"-11 and 5/8"-18 x 2 7/8"
			12	34811-S2(X-71)	Lockwasher (carrier to housing)-5/8"
			2	D3HZ 4323-B	Stud (shift fork opening cover)-7/16"-20-14 x 1 11/16"
			2	44730-S8(X-26)	Washer (carrier to shift motor housing)-7/16"
			1	★D7HZ 4526-A	Bracket (torque arm)

1980/  
TRUCK SERIES 600/900

QTY.	PART NUMBER	DESCRIPTION	QTY.	PART NUMBER	DESCRIPTION
EATON 34RTC-34RTE REAR AXLE SERVICE PARTS LIST NO. 148 — Cont'd					
Notes: ‡ 16" ring gear † 16 1/2" ring gear					
⊕ Also serviced in kit - group 4237 Δ Also serviced in kit-group 4A109 % Also serviced in kit-group 4A195					
	4536	Shim (driving pinion bearing retainer)-		4537	Spacer (driving pinion bearing) — Cont'd
AR	ΔE0HZ 4536-A	.003" thick	1	D5HZ 4537-Y	.648" thick
AR	ΔE0HZ 4536-C	.010" thick	1	D5HZ 4537-Z	.649" thick
	4537	Spacer (driving pinion bearing)	1	D5HZ 4537-AA	.650" thick
1	D5HZ 4537-AG	.621" thick	1	D5HZ 4537-AB	.651" thick
1	★D5HZ 4537-AH	.622" thick	1	D5HZ 4537-AC	.652" thick
1	7EQH 4537-A	.623" thick	1	7EQH 4537-L	.653" thick
1	D5HZ 4537-A	.624" thick	1	D5HZ 4537-AD	.654" thick
1	D5HZ 4537-B	.625" thick	6	E0HZ 4545-A	Lockwasher (drive pinion retainer bolt)- 9/16"
1	D5HZ 4537-C	.626" thick	6	★C1TT 4560-B	Bolt (drive pinion retainer)-9/16"-12 x 1 5/8"
1	D5HZ 4537-D	.627" thick	1	★C3TZ 4589-B	Shift assy. (air shift control)
1	D5HZ 4537-E	.628" thick		4614	Retainer assy. (driving pinion)
1	7EQH 4537-C	.629" thick	1	D3HZ 4614-A	#75108-use on axle #34RTC with 16" ring gear
1	D5HZ 4537-F	.630" thick	1	C8TZ 4614-B	#67817-use on axle #34RTE with 16 1/2" ring gear
1	D5HZ 4537-G	.631" thick	2	7EQH 4616	Cup (driving pinion bearing)-#55437
1	D5HZ 4537-H	.632" thick	2	A8TZ 4621-A	Cone and roller (driving pinion)-#55200-C
1	D5HZ 4537-J	.633" thick	1	7EQH 4625	Bearing assy. (driving pinion pilot)- #MUS1307 TM, #15828
1	D5HZ 4537-K	.634" thick	1	7EQH 4637	Washer (driving pinion)-1 9/32" I.D.
1	7EQH 4537-E	.635" thick	1	E3HZ 4676-A	Seal and retainer assy. (drive pinion oil)- includes integral seal and retainer- #119427-4 9/16" O.D.-for 2 5/8" dia. shaft
1	D5HZ 4537-L	.636" thick		4851	Flange assy. (universal joint)-input-
1	D5HZ 4537-M	.637" thick	1	B8QH 4851-C	7C size-#45926
1	D5HZ 4537-N	.638" thick	1	C6TZ 4851-T	1610 size-#73590
1	D5HZ 4537-P	.639" thick	1	C7TZ 4851-D	1710 size-#73594
1	D5HZ 4537-R	.640" thick	1	D5HZ 4320-A	Nut (flange to pinion)-self-locking-1 1/4"-12 x 1 3/4"-also serviced in kit group 4209
1	7EQH 4537-G	.641" thick			
1	D5HZ 4537-S	.642" thick			
1	D5HZ 4537-T	.643" thick			
1	D5HZ 4537-V	.644" thick			
1	D5HZ 4537-W	.645" thick			
1	D5HZ 4537-X	.646" thick			
1	7EQH 4537-J	.647" thick			
EATON 15201 REAR AXLE SERVICE PARTS LIST NO. 164					
Notes: Δ Also serviced in kit - group 4A109 % Also serviced in kit group 4A195					
	1243	Refer to group 4222 within Parts list		4062	Shift assy.-electric
	4010	Housing assy.	1	★B9TT 4062-C	#41058-use on vehicles w/rear shocks- 1980/85-r/b MAT 89012
1	★D8HZ 4010-M	#100300-1980/83-r/b MAT 86077	1	E5HZ 4062-A	#113770-use on vehicles w/o rear shocks- 1980/85
1	D8HZ 4010-X	#303100-1980/83	1	E5HZ 4062-A	#113770-1986
1	★E4HZ 4010-B	#301544-1984-"Before 7/84"- r/b MAT 87063		4062	Shift assy. kit (electric)-retrofit- to convert axles w/o rear shocks to new style shift assy.-refer to group in Section 41
1	E4HZ 4010-W	#303352-1984/86-"From 7/84"		4B062	Electric shift unit repair kit- refer to group in Section 41
1	374506-S(PP-51)	Plug (drain)-magnetic-3/4"-14		4067	Adjuster (differential bearing)
1	8Q 4019-A	Washer (driving pinion grease retainer)-3 3/8" I.D. x 4 13/32" O.D.	1	81T 4067-M	R.H.-1 13/16" I.D.
1	01T 4027-M	Case (differential gear support)-L.H.	1	%C8TZ 4067-A	L.H.-#74055
4	81T 4029-M	Pin (planetary gear)-1 1/8" x 3 39/64"	1	E4HZ 4072-A	Seal assy. (shift fork)-#119851
1	★ΔC1TZ 4035-C	Gasket (differential carrier)-12 holes- 14 5/8" bolt circle-r/b D6AZ 19562-B	1	B2Q 4073-A	Gasket (shift fork opening cover)
1	Δ81T 4036-M	Gasket (cover to housing)-15 1/2" O.D.	1	B7TZ 4A109-G	Gasket kit
1	%C8TZ 4040-A	Plate (high speed clutch)-6" O.D.- 18 internal teeth	Consists of		
1	TEAA 4045-A	Fork (differential shift)	1-81T 4536-MA	Shim	1-75969 Shim
2	★C8TZ 4053-A	Pin (differential shift fork roller)- r/b TEAA 4045-A	1-81T 4536-MB	Shim	1-75971 Shim
1	%E3HZ 4055-F	Gear (sliding clutch)-#113599- 20 and 18 teeth-6 5/32" long	1-81T 4536-MD	Shim	1-107276 Rtv. gasket
			1-BB 4662	Gasket	

**1980/  
TRUCK SERIES 600/900**

QTY.	PART NUMBER	DESCRIPTION	QTY.	PART NUMBER	DESCRIPTION
EATON 15201 REAR AXLE SERVICE PARTS LIST NO. 164 — Cont'd					
Notes: Δ Also serviced in kit - group 4A109 % Also serviced in kit group 4A195					
1	01T 4127-M	Case (differential gear support)-R.H.	4	C8TZ 4229-A	Gear (differential planetary)-1 1/8" I.D.-2" long-14 teeth-#74057
2	C8TZ 4A133-A	Screw (differential oil trough)-1/4"-20 x 3/4" nylock	4	8Q 4230-B	Washer (pinion thrust)-31/32" I.D. x 2" O.D.-
1	C8TZ 4141-G	Carrier assy. (differential)-#74036		4234	Shaft assy.
12	354136-S(BB-906)	Bolt (carrier to housing)-7/16"-14 x 1 1/4"	2	C4TZ 4234-D	1980/81-"Before 4/81"
12	34793-S2(X-67-A)	Lockwasher-7/16"	2	E1HZ 4234-F	1981/83-"From 4/81"
2	353069-S(PP-46)	Plug (peep hole and oil distributor retaining)-1"	2	E4HZ 4234-A	#118866-Field fix-1362-HT-1980/83
2	357183-S8(WW-37)	Stud (shift motor to housing)-7/16"-14 and 7/16"-20 x 1 5/8"	2	E4HZ 4234-A	#118866-1984/86
2	34671-S8(M-67)	Nut-7/16"-20		4236	Gear (differential side)-serviced only in kit-group 4237
2	34808-S8(X-67)	Lockwasher-7/16"		4237	Gear and pinion kit (differential)
2	★74116-S	Expansion plug (upper and lower shift fork opening)-15/16"	1	C3TZ 4237-A	Straight spline side gear-1980/81-"Before 4/81"
1	A8TZ 4143-C	Lock (differential bearing adjuster)-L.H.-4 1/2" wide	Consists of		
2	357453-S(BB-342)	Bolt (lock retaining)-L.H.-head drilled-9/16"-12 x 1 1/2"	01T 4211-M	Pinion shaft	4-102512 Pinion gear
1	81T 4143-M	Lock (differential bearing adjuster)-R.H.-5/32" thick	2-102511	Side gear	
1	%81T 4147-M	Washer (high speed clutch plate thrust)-3 3/4" I.D. x 6" O.D.	1	E1HZ 4237-D	Involute spline side gears-1981/86-"From 4/81"
1	E3HZ 4149-A	Shaft assy. (differential shift fork)-includes "O" ring	Consists of		
4	81T 4154-M	Pin (high speed clutch plate)-1 15/16" long	1-01T 4211-M	Pinion shaft	4-102512 Pinion gear
1	C8TZ 4159-A	Lubricator (differential)-trough-#67814	2-A0TZ 4228-A	Washer-gear	2-110522 Side gear
1	B9TZ 4168-A	Retainer (drive pinion oil seal)-cut to 9 3/4" long-use w/C1TZ 4614-B	4-8Q 4230-B	Washer-pinion	
1	D5HZ 4A195-A	Sliding clutch gear kit	1	C8TZ 4A309-A	Trap (filler plug)-magnetic-1" x 11 1/2"
Consists of			6	B7TZ 4322-A	Nut (gear case bolt)-7/16"-20 conelock
1-C8TZ 4040-A	Plate	1-C8TZ 4067-A Adjuster	2	B8TZ 4322-A	Nut (shift housing stud)-7/16"-20
1-E3HZ 4055-F	Gear	1-81T 4147-M Washer	2	D3HZ 4323-B	Stud (shift housing)-7/16"-20-14 x 1 11/16"
	4200	Differential assy.-refer to group in section 40	2	44730-S8(X-26)	Washer (shift housing stud)-7/16"-use on vehicles w/rear shocks
1	C0TT 4204-A	Case assy. (differential)	2	E4HZ 4B147-A	Washer (shift housing stud)-15/32" I.D. x 15/16" O.D. x 3/32" thick-use on vehicles w/o rear shocks
	4209	Ring gear and pinion kit		4536	Shim (driving pinion bearing retainer)-
1	E0HZ 4209-AE	Solid pinion-includes self-locking nut 5.57/7.75 ratio	AR Δ81T 4536-MD	.003" thick	
1	D6TZ 4209-A	5.83/8.12 ratio	AR Δ81T 4536-MB	.010" thick	
1	E2HZ 4209-E	5.86/8.15 ratio	AR Δ81T 4536-MA	.030" thick	
1	E2HZ 4209-F	6.29/8.74 ratio		4537	Spacer (driving pinion bearing)
1	★D6TZ 4209-B	6.33/8.81 ratio-r/b E2HZ 4209-F	AR 01T 4537-MA	.513" thick	
	4211	Shaft (pinion)-serviced only in kit-group 4237	AR D3HZ 4537-AB	.514" thick	
	4215	Pinion-serviced in kit-group 4237	AR D3HZ 4537-AC	.515" thick	
6	B8T 4216-A	Bolt (differential gear support case)-7/16"-20 x 3 1/2"	AR D3HZ 4537-AD	.516" thick	
8	D3HZ 4216-F	Bolt (differential case)-also Serviced in assy. group 4204	AR D3HZ 4537-AE	.517" thick	
	4221	Cone and roller (differential bearing)	AR D3HZ 4537-AF	.518" thick	
1	B4TZ 4221-A	R.H.-#33275	AR 01T 4537-ME	.519" thick	
1	81T 4221-M	L.H.-#498	AR D3HZ 4537-AG	.520" thick	
	4222	Cup (differential bearing)	AR D3HZ 4537-AG	.520" thick	
1	7EQ 4222	R.H.-#33472	AR D3HZ 4537-AH	.521" thick	
1	B6Q 1243-A	L.H.-#493	AR 01T 4537-MG	.522" thick	
3	A0TZ 4228-A	Washer (differential gear thrust and support case)-L.H.-3 3/4" O.D.	AR D3HZ 4537-AJ	.523" thick	
			AR D3HZ 4537-AK	.524" thick	
			AR D3HZ 4537-AL	.525" thick	
			AR D3HZ 4537-AM	.526" thick	
			AR D3HZ 4537-AN	.527" thick	
			AR 01T 4537-ML	.528" thick	
			AR D3HZ 4537-AP	.529" thick	
			AR D3HZ 4537-AR	.530" thick	
			AR D3HZ 4537-AS	.531" thick	
			AR D3HZ 4537-AT	.532" thick	
			AR D3HZ 4537-AV	.533" thick	

1980/  
TRUCK SERIES 600/900

QTY.	PART NUMBER	DESCRIPTION	QTY.	PART NUMBER	DESCRIPTION
<b>EATON 15201 REAR AXLE SERVICE PARTS LIST NO. 164 — Cont'd</b>					
Notes: Δ Also serviced in kit - group 4A109 % Also serviced in kit group 4A195					
	4537	Spacer (driving pinion bearing) — Cont'd	1	C3TZ 4625-B	Bearing assy. (driving pinion pilot)- #MU1305 TDM, #MRY1305 EM
AR	01T 4537-MQ	.534" thick	1	7EQ 4637	Washer (driving pinion)-1 1/32" I.D.
AR	D3HZ 4537-AW	.535" thick	1	8T 4667	Washer (driving pinion bearing thrust)- 1 1/2" I.D. x 2 3/8" O.D.
AR	D3HZ 4537-AX	.536" thick	1	★E3HZ 4676-D	Seal assy. (drive pinion oil)- #119458-4 1/16" O.D.-for 2 1/4" dia. shaft-r/b E6HZ 4676-C
AR	D3HZ 4537-AY	.537" thick			
AR	D3HZ 4537-AZ	.538" thick			
AR	D3HZ 4537-BB	.539" thick			
AR	D3HZ 4537-BC	.540" thick			
AR	01T 4537-MU	.541" thick	1	E6HZ 4676-C	Seal assy. (drive pinion oil)- #935830-4 1/16" O.D.-for 2 1/4" dia. shaft
AR	D3HZ 4537-BD	.542" thick			
AR	01T 4537-MW	.543" thick			
AR	D3HZ 4537-BE	.544" thick			
1	★C1TZ 4614-B	Retainer assy. (driving pinion)- #64547-incl. C1TZ 4674-A and (2) B9TT 4616-A-use B9TZ 4168-A retainer and C1TZ 4676-A seal	1	4851	Flange assy. (universal joint) axle end
			1	8TH 4851	1410 size-1980/83
			1	E4HZ 4851-A	1410 size-1984/86
			1	C8TZ 4851-B	1480 size-#57451-1980/83
			1	E4HZ 4851-C	1480 size-1984/86
6	357454-S(BB-199-ME)	Bolt (retainer to carrier)-9/16"-12 x 1 1/2"-use w/C1TZ 4614-B	1	E3HZ 4851-D	1550 size-#85839-1980/83
			1	E4HZ 4851-E	1550 size-1984/86
6	E0HZ 4545-A	Lockwasher-9/16"	1	D6TZ 4320-A	Nut (flange to pinion)-self-locking- 1"-20 x 1 1/2"-also serviced in kit-group 4209
2	B9TT 4616-A	Cup (driving pinion bearing)-#HM 903210			
2	B9TT 4621-B	Cone and roller (driving pinion)- #HM903249			
<b>EATON 18121 REAR AXLE SERVICE PARTS LIST NO. 167</b>					
Notes: ⊕ Also serviced in kit - group 4237 Δ Also serviced in kit - group 4A109					
1	D7HZ 4010-C	Housing assy.-#100304,100852	1	D5HZ 4204-B	Kit non-tenon diff. case (plain surface design) 5/8" Bolt hole
1	374506-S(PP-51)	Plug (drain)-magnetic-3/4"-14			
1	B6QH 4019-A	Washer (drive pinion bearing spacer)	Consists of		
1	B7TZ 4035-A	Gasket (differential carrier)-18 3/4" O.D.	1	E1HZ 4067-B	Adjuster 1-88677 Case flanged half
1	★59T 4052-M	Cover (differential carrier)-shift fork housing	12	D5HZ 4216-E	Bolts 1-210017 Case plain half
	4067	Adjuster (differential bearing)	12	D5HZ 4216-E	Bolt (case)-self-locking-9/16"-12 x 2 3/4"-also serviced in kit-group 4204
1	7EQH 4067	R.H.-#27842-use on vehicles with plain half diff. case-#88678		4209	Ring gear and pinion kit Solid pinion-includes self-locking nut 5/8" Bolt hole
1	E1HZ 4067-B	R.H.-#110243-use on vehicles with plain half diff. case-#110138 or 210017-also serviced in kit- group 4204	1	D6HZ 4209-AZ	6.14 ratio
			1	4209	6.50 ratio-use E2HZ 4209-H
			1	E2HZ 4209-H	6.57 ratio
1	A8TZ 4067-B	L.H.-#31562	1	E4HZ 4209-A	7.17 ratio
1	01T 4073-M	Gasket (differential carrier cover)- shift fork housing		4211	Shaft (pinion)-Serviced only in kit-group 4237
1	B7TZ 4A109-F	Gasket kit	16	D3HZ 4217-A	Bolt (differential case) 5/8"-18 x 2 1/8"-also serviced in kit-group 4982
Consists of			AR	55757-S2(M-89-B)	Nut (gear to case) - 5/8" - 18
1	E0HZ 4536-A	Shim 1-43590 Shim		4221	Cone and roller (differential bearing)
1	E0HZ 4536-C	Shim 1-107276 Rtv. gasket	1	A7TZ 4221-A	R.H.-#497
1	7EQH 4662	Gasket	1	8QH 4221-B	L.H.-#567
1	C8TZ 4141-C	Carrier assy. (differential)-#106402		4222	Cup (differential bearing)
1	★74116-S	Expansion plug (lower shift fork shaft hole)-15/16"	1	8QH 4222-A	L.H.-#563
			1	B6Q 1243-A	R.H.-#493
1	74121-S(P-8)	Expansion plug (upper shift fork shaft hole)-1 1/4"	2	⊕A8TZ 4228-A	Washer (differential side gear thrust)- 4 9/16" O.D.
1	353069-S(PP-46)	Plug (oil distributor retainer)-1" square countersunk	4	⊕7EQH 4230	Washer (pinion thrust)-1 1/64" I.D. x 2 7/16" O.D.
1	TWAA 4143-A	Lock (differential bearing adjuster)-L.H.	2	D7HZ 4234-A	Shaft assy.
1	7EQH 4143	R.H.-7/32" thick		4236	Gear (differential side)-serviced only in kit - group 4237
1	A8TZ 4168-A	Felt (drive pinion oil seal)- 5/8" I.D. x 3/4" O.D. x 1/4" thick			
	4200	Differential assy.-refer to group in section 40			

**1980/  
TRUCK SERIES 600/900**

QTY.	PART NUMBER	DESCRIPTION	QTY.	PART NUMBER	DESCRIPTION		
EATON 18121 REAR AXLE SERVICE PARTS LIST NO. 167 — Cont'd							
Notes: ⊕ Also serviced in kit - group 4237							
△Also serviced in kit - group 4A109							
1	B8QH 4237-G	Gear and pinion kit (differential)-		4537	Spacer (driving pinion bearing) — Cont'd		
Consists of			1	D5HZ 4537-X	.646" thick		
1-7EQH 4211	Shaft	2-TUAA 4236-B	Side gear	1	7EQH 4537-J	.647" thick	
2-A8TZ 4228-A	Washer-gear	4-104139	Pinion gear	1	D5HZ 4537-Y	.648" thick	
4-7EQH 4230	Washer-pinion			1	D5HZ 4537-Z	.649" thick	
	4292	Pinion-serviced only in kit - group 4237					
1	C8TZ 4A309-A	Trap (filler plug)-magnetic-1" x 1 1/2"		1	D5HZ 4537-AA	.650" thick	
4	C8TZ 4321-A	Bolt (differential bearing cap)-head drilled-3/4"-10 x 3 5/8"		1	D5HZ 4537-AB	.651" thick	
	4536	Shim (driving pinion bearing retainer)					
AR	△E0HZ 4536-A	.003" thick		1	D5HZ 4537-AC	.652" thick	
AR	△E0HZ 4536-C	.010" thick		1	7EQH 4537-L	.653" thick	
1	TGAA 4536-A	Shim (pinion bearing cage)-.125" thick		1	D5HZ 4537-AD	.654" thick	
	4537	Spacer (driving pinion bearing)					
1	D5HZ 4537-AG	.621" thick		12	D2HZ 4560-A	Bolt (carrier to housing)- 5/8"-11 X 1 3/4"	
1	★D5HZ 4537-AH	.622" thick		12	34811-S2(X-71)	Lockwasher (carrier bolt to housing)-5/8"	
1	7EQH 4537-A	.623" thick		1	C8TZ 4614-B	Retainer assy. (driving pinion)-#67817	
1	D5HZ 4537-A	.624" thick		6	★34944-S	Lockwasher-external tooth-9/16"	
1	D5HZ 4537-B	.625" thick		6	357453-S(BB-342)	Bolt (retainer to carrier)-9/16"- 12 x 1 1/2"	
1	D5HZ 4537-C	.626" thick		2	7EQH 4616	Cup (driving pinion bearing)-#55437	
1	D5HZ 4537-D	.627" thick		2	A8TZ 4621-A	Cone and roller (driving pinion)-#55200-C	
1	D5HZ 4537-E	.628" thick		1	7EQH 4625	Bearing assy. (driving pinion pilot)- #MUS1307 TM, #15828	
1	7EQH 4537-C	.629" thick		1	7EQH 4637	Washer (driving pinion)-1 9/32" I.D.	
1	D5HZ 4537-F	.630" thick		1	△7EQH 4662	Gasket (driving pinion bearing sleeve)- cork-17 7/16" long	
1	D5HZ 4537-G	.631" thick		1	E3HZ 4676-A	Seal and retainer assy. (drive pinion oil)- includes integral Seal and retainer- #119427-4 9/16" O.D.-For 2 5/8" dia. shaft	
1	D5HZ 4537-H	.632" thick			4851	Flange assy. (universal joint)-axle end	
1	D5HZ 4537-J	.633" thick		1	TGAA 4851-B	6C size	
1	D5HZ 4537-K	.634" thick		1	B8QH 4851-C	7C size	
1	7EQH 4537-E	.635" thick		1	D7HZ 4851-B	82N size	
1	D5HZ 4537-L	.636" thick		1	D9HZ 4851-A	1550 size-#4-4-1901	
1	D5HZ 4537-M	.637" thick		1	D4HZ 4851-C	1610 size	
1	D5HZ 4537-N	.638" thick		1	D5HZ 4320-A	Nut (flange to pinion)-self-locking- 1 1/4"-12 x 1 3/4"-also serviced in kit-group 4209	
1	D5HZ 4537-P	.639" thick		1	D6HZ 4982-A	Bolt and nut kit (driving gear) - Consists of	
1	D5HZ 4537-R	.640" thick		16-D3HZ 4217-A	Bolt	16-60600	Nut
1	7EQH 4537-G	.641" thick					
1	D5HZ 4537-S	.642" thick					
1	D5HZ 4537-T	.643" thick					
1	D5HZ 4537-V	.644" thick					
1	D5HZ 4537-W	.645" thick					
<b>ROCKWELL (TIMKEN) R170 REAR AXLE SERVICE PARTS LIST NO. 189</b>							
<b>(NON-LOCKING)</b>							
	1243	Refer to group 4222 within parts list					
	1244	Refer to group 4221 within parts list					
	4010	Housing assy.					
1	★D5HZ 4010-S	#C-C-133-Exc. CL-900 Series-1980/81 r/b D5HZ 4010-AD		1	D0HZ 4N025-A	Plug (heat indicator)	
1	★D8HZ 4010-J	#C2-C-133-CL-900 Series-1980/81- r/b D8HZ 4010-T		1	B7T 7034-A	Breather (axle housing)	
1	E2HZ 4010-J	#C-B-548-All Series-1982/88		1	C3TZ 4035-A	Gasket (differential carrier)-14 holes-20 3/8" O.D.	
	4010	Housing kit					
1	D5HZ 4010-AD	#C-B-548-R Exc. CL-900 Series-1980/81- includes 2 wheel end oil seals and inner bearing cones		1	C3TZ 4067-A	Adjuster (differential bearing)- R.H.-16 slots-6 3/32" x 12 thread L.H.-16 slots-6 9/32" x 12 thread	
1	★D8HZ 4010-T	#C1-G-475-R-CL900 Series-1980/81- includes 2 wheel end oil seals and inner bearing cones		1	C3TZ 4067-B		
	374506-S(PP-51)	Plug (drain)-magnetic-3/4"-14 square countersunk					
					4A140	Bolt (driving pinion bearing retainer)- refer to group 4323 within parts list	
					4141	Carrier assy. (differential)	
				1	C5TZ 4141-A	#A2-G-605-malleable	
				1	C3TZ 4141-A	#A2-E-603-aluminum	
				1	353051-S(PP-32)	Plug (filler) - 3/4"-14	
				2	C3TZ 4143-A	Lock (differential bearing adjuster)	
					4A144	Bolt (diff. bearing adjuster lock)- refer to group 4A322 within parts list	

**1980/  
TRUCK SERIES 600/900**

QTY.	PART NUMBER	DESCRIPTION	QTY.	PART NUMBER	DESCRIPTION
ROCKWELL(TIMKEN) R170 REAR AXLE SERVICE PARTS LIST NO. 189 — Cont'd (NON-LOCKING)					
4	D8HZ 4A322-B	Bolt (differential bearing adjuster lock) 5/16"-18 x 3/4"	2	4323	Bolt (housing)
4	356184-S(XX-113)	Washer (differential bearing adjuster lock bolt) - 5/16"	6	D3HZ 4216-C	Long-5/8"-11 x 3 1/2"
4	383952-S(BB-277-S)	Bolt (differential bearing cap)- 7/8"-14 x 1 1/2"	2	D8HZ 4323-C	Short-5/8"-11 x 2"
1	D3HZ 4189-A	Screw (thrust adjusting)-1 1/8"- 16 x 5 1/16"	2	D8HZ 4323-D	Medium-5/8"-11 x 3"
1	★C3TZ 4194-A	Block (driving gear thrust)-2 3/8" x 1 1/8" x 5/8"-r/b D3HZ 4189-A	AR	D8HZ 4A142-A	Nut (carrier to housing stud)- 5/8"-18
	4200	Differential assy.-refer to group in section 40	12	C1TT 4326-B	Washer (differential case bolts)- 29/32 I.D. x 1 1/16 O.D. x 1/4" thick
	4204	Case assy. (differential)	16	C1TT 4326-B	Washer (ring gear to case bolt)- 29/32" I.D. x 1 1/16" O.D. x 1/4" thick
1	D8HZ 4204-E	3.70 and 4.11 ratios	14	C1TT 4326-B	Washer (differential carrier to housing stud)-21/32" I.D. x 1 3/8" O.D. x 3/16" thick
1	D8HZ 4204-B	4.33 ratio thru 7.40 ratios	4	C3TZ 4326-E	Washer (differential bearing cap bolt)- 29/32" I.D. x 1 1/2" O.D. x 1/8" thick
	4209	Ring gear and pinion kit-includes self-locking nut	4	★	Bolt (differential bearing cap)- Serviced in 4141 assy.
1	D3HZ 4209-V	3.70 ratio		4351	Flange assy. (universal joint)-refer to group 4851 within parts list
1	E0HZ 4209-AF	3.90 ratio	1	C3TZ 4391-A	Nut (driven gear thrust block adjusting screw)-1 1/8"-16-1 11/16" across flats
1	D3HZ 4209-W	4.11 ratio	1	C1TT 4507-A	Gasket (pinion grease retainer support)
1	D3HZ 4209-X	4.33 ratio	AR	C1TT 4536-K	Shim (driving pinion bearing retainer)-.003" thick
1	D3HZ 4209-Y	4.63 ratio	AR	C1TT 4536-N	.005" thick
1	D3HZ 4209-Z	4.88 ratio	AR	C1TT 4536-M	.010" thick
1	D3HZ 4209-AA	5.29 ratio		4537	Spacer (driving pinion bearing)- use in pairs as required
1	D3HZ 4209-AB	5.86 ratio	AR	C1TT 4537-H	.248" thick
1	D3HZ 4209-AC	6.14 ratio	AR	C1TT 4537-J	.249" thick
1	D3HZ 4209-AD	6.83 ratio	AR	C1TT 4537-K	.250" thick
1	D9HZ 4209-E	7.40 ratio	AR	C1TT 4537-L	.251" thick
1	B8QH 4211-A	Shaft (pinion)-8 25/32" long	AR	C1TT 4537-M	.252" thick
4	B8QH 4215-A	Pinion (differential)-9 teeth	AR	C1TT 4537-N	.253" thick
	4216	Bolt (differential case)-w/locking material	AR	C1TT 4537-R	.259" thick
4	D8HZ 4216-D	Short-5/8"-11 x 2 1/2"	AR	C1TT 4537-S	.265" thick
8	D8HZ 4216-E	Long-5/8"-11 x 3 1/2"	AR	C1TT 4537-T	.271" thick
4	D3HZ 4216-D	Bolt (differential case)-short 5/8" 11 x 2 1/2"	AR	C1TT 4537-U	.277" thick
	4216	Refer to group 4323 within parts list	AR	C1TT 4537-V	.283" thick
	4221	Cone and roller (differential case)		4558	Bolt (drive gear to case)
1	D5HZ 1244-A	R.H.-# 598-A	16	D3HZ 4558-A	5/8"-11 x 2 3/8"-1980-"Before 1/80"
1	C3TZ 4221-D	L.H.-# 52387	16	E0HZ 4558-C	5/8"-18 x 2 3/8"-1980/88-"From 1/80"
	4222	Cup (differential case)		4322	Nut (drive gear case bolt)
1	TUAA 1243-A	R.H.-# 592-A	16	D8HZ 4322-B	5/8"-11-1980-"Before 1/80"
1	C3TZ 4222-C	L.H.-# 52618	16	D8HZ 4322-C	5/8"-18-1980/88-"From 1/80"
2	B8QH 4228-A	Washer (diff. side gear thrust)	1	D8HZ 4586-A	Washer (driving pinion pilot bearing)- 1 25/32" I.D. x 3" O.D. x 3/16" thick
4	B8QH 4230-A	Washer (pinion thrust)		4614	Retainer assy. (driving pinion)-includes bearing cups B8QH 4616-B # H715311
2	C5TZ 4A230-A	Gasket (housing plug)-5/8" O.D. x 5/16" I.D.	1	C1TT 4614-C	1980/84-"Before 2/84"
2	356184-S(XX-113)	Washer (housing plug gasket bolt)-5/16"	1	E4HZ 4614-B	1984/88-"From 2/84"
2	D8HZ 4A322-C	Bolt (housing plug gasket)-5/16"-18 x 1"	2	B8QH 4616-B	Cup (driving pinion bearing)- # H715311-also serviced in assy.- group 4614, kit - group 4A216
2	D3HZ 4234-A	Shaft assy.-# B-110-2	1	C1TT 4621-A	Cone and roller (driving pinion)- # H715334
2	C3TZ 4236-B	Gear (differential side)			
1	D8HZ 4N282-B	Plug (drain) magnetic-3/4" - 14 x 1 5/16"			
1	D3HZ 4320-A	Nut (drive pinion flange)- 1 3/4" - 12 x 2 7/32" across flats- also serviced in kit-group 4209			
	4323	Stud (housing)			
4	C6TZ 4323-A	5/8"-11-5/8"-18 x 2 7/8"			
4	D8HZ 4323-B	5/8"-11-5/8"-18 x 2 3/4"			

1980/  
TRUCK SERIES 600/900

QTY.	PART NUMBER	DESCRIPTION	QTY.	PART NUMBER	DESCRIPTION
ROCKWELL (TIMKEN) R170 REAR AXLE SERVICE PARTS LIST NO. 189 — Cont'd (NON-LOCKING)					
1	C3TZ 4625-A	Bearing assy. (driving pinion pilot)- 3.70 thru 6.83 ratio-#MUB 1309TM- rear-self-contained roller- 1 25/32" I.D. x 3 15/16" O.D.	8	E2HZ 4323-A	Bolt (driving pinion bearing retainer) — Cont'd 1/2"-13 x 2 3/8"-use on vehicles w/aluminum carrier
1	D9HZ 4625-A	7.40 ratio	8	D7HZ 4326-A	Washer (driving pinion bearing retainer bolt)-17/32" I.D. x 7/8 O.D. x 3/32" thick
1	C1TT 4630-B	Cone and roller (driving pinion)- #715343-inner		4676	Seal (drive pinion oil)
1	C3TZ 4668-A	Snap ring (drive pinion bearing) 3.70 thru 6.83 ratio-1 5/8" I.D. x 1 7/8" O.D. x 3/32" thick	1	C3TZ 4676-A	4 1/4" O.D.-1980/84-"Before 2/84"
1	D9HZ 4668-A	7.40 ratio-1 7/16" I.D. x 1 3/4" O.D. x 3/32" thick	1	E4HZ 4676-B	5 1/2" O.D.-1984/88-"From 2/84"
1	C3TZ 4674-A	Retainer and seal assy. (driving pinion bearing)-9 3/8" O.D.-8 holes- 8 1/4" bolt circle-1980/84-"Before 2/84"	1	C3TZ 4851-B	Flange assy. (universal joint)-axle end- 7C size
	★4674	Retainer and seal assy. (driving pinion bearing)-1984/88-"From 2/84"- Not required	1	D7HZ 4851-C	72N size
8	C8TZ 4323-B	Bolt (driving pinion bearing retainer) 1/2"-13 x 2"-use on vehicles w/malleable carrier-1980/84-"Before 2/84"	1	C3TZ 4351-F	8C size
8	C6TZ 4A140-B	1/2"-13 x 1 3/4"-use on vehicles w/malleable carrier-1984/88-"From 2/84"	1	D4HZ 4851-A	1610 size-1980/84-"Before 2/84"
			1	E4HZ 4851-V	1610 size-1984/86-"From 2/84"
			1	E7HZ 4851-G	1610 size-1987/88
			1	C6TZ 4851-P	1710 size-1980/82
			1	E6HZ 4851-D	1710 size-1986
			1	E7HZ 4851-H	1710 size-1987/88
			1	E1HZ 4851-B	1760 size-1980/84-"Before 2/84"
			1	E4HZ 4851-W	1760 size-1984/87-"From 2/84"
			1	D1HZ 4851-A	1810 size-1980/84-"Before 2/84"
			1	E4HZ 4851-X	1810 size-1984/87-"From 2/84"
				4859	Deflector (driving pinion oil seal)-dust- serviced only in assy.-group 4851

ROCKWELL (TIMKEN) D140 REAR AXLE SERVICE PARTS LIST NO. 191

Note 1 It is imperative that all (12) replacing bolts and nuts be used as a set and all (12) replaced bolts and nuts be removed and discarded when servicing the vehicle to avoid thread mixing and cross threading

16	B7TZ 1151-B	Stud (axle shaft)		4200	Differential assy.-refer to group in Section 40
		4010 Housing assy.			
1	★D5TZ 4010-B	1980/83	1	B6T 4204-B	Case assy. (differential)
1	E4HZ 4010-M	1984/86		4209	Ring gear and pinion kit-includes self-locking nut
1	358048-S (PP-43)	Plug (drain)-3/4	1	B6T 4209-F	5.83 ratio
1	374224-S (PP-51-A)	Plug (drain)-magnetic-3/4"-14	1	B6T 4209-A	6.20 ratio
1	D3TZ 4030-A	Gasket (axle hsg. plug)-7/16" I.D. x 1 9/32" O.D.	1	B6T 4209-B	6.80 ratio
1	B6T 4035-C	Gasket (differential carrier)- 14 5/8" O.D.	12	357007-S (SS-4)	Rivet (gear to case)-1/2" x 1 1/2"
2	TDAA 4067-A	Adjuster (differential bearing)- 3 1/4" I.D.-17 slots	1	8TH 4211	Shaft (pinion)-6 1/2" long
8	C7TZ 4A140-A	Bolt (carrier to housing)-7/16" -14 x 1 1/4"	4	C1TT 4215-B	Pinion (differential)-#2233-A-105
1	D3TZ 4141-A	Carrier assy. (differential)- with 16 drilled holes	8	D7HZ 4216-B	Bolt (differential case)-1/2" -13 x 3"- w/locking material
1	358048-S (PP-43)	Plug (filler)-3/4" -14	8	D7HZ 4326-A	Washer (differential case bolt)- 17/32" I.D. x 7/8" O.D. x 3/32" thick
2	C2TZ 4143-A	Lock (differential brg. adjusters) 2 9/32" long-1/4" shank-use w/ untapped carrier	4	D3HZ 4216-C	Bolt (cap to carrier)-5/8" -11 x 3 1/2"
2	353408-S (BB-329)	Bolt (lock)-5/16" -18 x 7/16"	8	34032-S7 (M-9)	Nut-castle-1/2" -20
2	D3TZ 4A146-A	7/16" -14 x 2 1/4"-long	2	8TH 4221	Cone and roller (differential brg.)-#3994
2	D5TZ 4A146-A	7/16" -14 x 1 1/2"-medium	2	D3TZ 4222-A	Cup (differential brg.)-#JM-511910
12	D5TZ 4A140-A	1/2" -13 x 1 1/2"-short-	2	B6T 4228-A	Washer (differential side gear thrust)- 2 1/2" I.D. x 3 9/16" O.D.-
4	D7HZ 4A147-A	Washer (carrier to housing)- 15/32" I.D. x 13/16" O.D. x 3/32" thick	4	E0HZ 4230-B	Washer (differential pinion thrust)- 7/8" I.D. x 1 31/32" O.D.
12	D7HZ 4326-A	Washer (carrier to housing)-17/32" I.D. x 7/8" O.D. x 3/32" thick	2	C5TZ 4A230-A	Gasket (housing plug)-5/16" I.D. x 5/8" O.D.
			2	356184-S (XX-113)	Washer (housing plug gasket bolt)-5/16"
			2	D8HZ 4A322-C	Bolt (housing plug gasket)-5/16"-18 x 1" 4234-5 Shaft assy.
			2	D6TZ 4235-A	1980-"Before 10/79"
			2	E0HZ 4234-D	1980/86-"From 10/79"

1980/  
TRUCK SERIES 600/900

QTY.	PART NUMBER	DESCRIPTION	QTY.	PART NUMBER	DESCRIPTION
<b>ROCKWELL (TIMKEN) D140 REAR AXLE SERVICE PARTS LIST NO. 191 — Cont'd</b>					
<p>Note 1 It is imperative that all (12) replacing bolts and nuts be used as a set and all (12) replaced bolts and nuts be removed and discarded when servicing the vehicle to avoid thread mixing and cross threading</p>					
2	D5TZ 4236-A	Gear (differential side) #2234-Q-797-16 teeth-19 splines-1980-"Before 10/79"	1	BB 4616	Cup (driving pinion bearing) Outer-#44348
2	E0HZ 4236-A	#2234-N-872-16 teeth-34 splines-1980/86-"From 10/79"	1	B6D 4616-A	Inner-#HM803110
1	D3HZ 4320-B	Nut (drive pinion-flange)-1 1/4" - 20 x 1 19/32" across flats-also Serviced in kit-group 4209	1	TDAA 4621-A	Cone and roller (driving pinion)-front-#44143
4	C1TT 4326-B	Washer (differential carrier cap bolt)-2 1/32" I.D. x 1 1/16" O.D.-3/32" thick	1	C3TZ 4625-B	Bearing (driving pinion pilot)-#MU 1305 TDM, #MRY 1305 EM
8	D7HZ 4326-A	Washer (differential case bolt)-1 7/32" I.D. x 7/8" O.D. x 3/32" thick	1	B5TZ 4627-A	Ring (driving pinion pilot bearing)
1	8TH 4507	Gasket (driving pinion grease retainer support)	1	B5D 4630-A	Cone and roller (driving pinion)-rear #HM803146
AR	D6TZ 4537-A	4537 Spacer (driving pinion bearing) .153" thick	1	2Q 4637-A	Washer (driving pinion)-1 1/32" I.D. 4662 Shim (driving pinion bearing sleeve)
AR	D6TZ 4537-B	.154" thick	1	D3HZ 4662-A	.003" thick
AR	D6TZ 4537-C	.155" thick	3	D3HZ 4662-B	.005" thick
AR	D6TZ 4537-D	.156" thick	4	D3HZ 4662-C	.010" thick
AR	D6TZ 4537-E	.157" thick	1	D3TZ 4668-A	Lock ring (driving pinion bearing)-57/64" I.D. x 1/16" thick
AR	D6TZ 4537-F	.158" thick	1	D3TZ 4674-A	Retainer and seal assy. (driving pinion bearing)-incl. cover and seal-TCAA 4676-A
AR	D6TZ 4537-G	.164" thick	1	D6TZ 4676-A	Seal (drive pinion oil)
AR	D6TZ 4537-H	.170" thick		4851	Flange assy. (universal joint)-axle end
AR	TDAA 4537-AT	.172" thick	1	D6TZ 4851-C	1410 size-1980/83
AR	TDAA 4537-AX	.176" thick	1	E4HZ 4851-P	1410 size-1984/86
AR	D6TZ 4537-J	.182" thick	1	351165-S8 (MM-85)	Nut castle-1" -20
AR	TDAA 4537-AZ	.183" thick	1	72089-S (N-55)	Cotter pin-1/8" x 1 3/4"
AR	TDAA 4537-BA	.189" thick	1	D6TZ 4859-A	Deflector (driving pinion oil seal)
AR	TDAA 4537-BB	.195" thick		4982	Bolt and nut kit (driving gear)-Note 1
AR	TDAA 4537-BD	.207" thick	1	★D5TZ 4982-A	1980-"Before 10/79"-r/b EOHZ 4982-A
1	D6TZ 4614-A	Retainer assy. (driving pinion)-Incl. cage, outer cup BB 4616-A and inner cup-B6D 4616-A	Consists of 12-15X-1324 Bolt 12-NL-28-1 Nut 12-1229-C-1511 Washer 1 EOHZ 4982-A 1980/86-"From 10/79"		
8	D5TZ 4A146-A	Bolt (pinion bearing retainer to carrier)-7/16"-14 x 1 1/2"	Consists of 12-15X-1325 Bolt 12-NL-18-1 Nut 12-1229-C-1511 Washer		
8	D7HZ 4A147-A	Washer (pinion bearing retainer bolt)-15/32" I.D. x 13/16" O.D. x 3/32" thick			
<b>EATON 23121 REAR AXLE SERVICE PARTS LIST NO. 194</b>					
<p>Notes △ Also serviced in kit - group 4A109</p>					
1	★D7HZ 4010-D	4010 Housing assy. #100311-1980/84-"Before 7/84" For vehicles exc. CL900 Series use E4HZ 4010-X and 2 pcs. E4HZ 5793-K and 2 pcs. E4HZ 5796-N For vehicles CL900 Series use E4HZ 4010-X and 2 pcs. E4HZ 5793-J and 2 pcs. E4HZ 5796-N	1	4067	Adjuster (differential bearing)
1	E4HZ 4010-X	#303140-1984/88-"From 7/84"	1	B8QH 4067-B	R.H.-2 5/16" I.D.-16 slots-#21637
1	374506-S(PP-51)	Plug (drain) - 3/4"-14	1	B8QH 4067-A	L.H.-4" I.D.-14 slots-#39448
1	★C4TZ 4035-A	Gasket (differential carrier) - 17 1/4" I.D. x 19 7/8" O.D.-12 bolt holes-18 1/2" bolt circle-r/b D6AZ 19562-B	1	D6HZ 4A109-A	Gasket kit
Consists of 1-C8TZ 4536-A Shim 1-D8HZ 4536-L Shim 1-C8TZ 4536-B Shim 1-D8HZ 4536-M Shim 1-D8HZ 4536-K Shim 1-107276 Rtv. gasket					
1	D6HZ 4141-A	Carrier assy. (differential)	1	D6HZ 4141-A	Carrier assy. (differential)
1	353069-S(PP-46)	Plug (oil tube retaining)-1"	1	353069-S(PP-46)	Plug (oil tube retaining)-1"
2	TWAA 4143-A	Lock (differential bearing adjuster)	2	TWAA 4143-A	Lock (differential bearing adjuster)
2	72129-S(N-72)	Cotter pin-1/4" x 2 1/4"	2	72129-S(N-72)	Cotter pin-1/4" x 2 1/4"
4200 Differential assy.-refer to group in section 40					



**1980/  
TRUCK SERIES 600/900**

QTY.	PART NUMBER	DESCRIPTION	QTY.	PART NUMBER	DESCRIPTION		
<b>EATON 23121 REAR AXLE SERVICE PARTS LIST NO. 194 — Cont'd</b>							
Notes: $\Delta$ Also serviced in kit — group 4A109							
	4204	Differential case kit	1	C8TZ 4A309-A	Trap (filler plug)—magnetic—1" x 1 1/2"		
1	D6HZ 4204-B	Use with 3.70 & 4.11 ratios	4	C4TZ 4347-C	Bolt (carrier to housing)—long— 5/8"-11 x 2 1/4"		
Consists of							
12-D8HZ 4216-F	Bolt	1-88501	Case flanged half	8	C4TZ 4347-E	Bolt (carrier to housing)—short— 5/8"-11 x 2"	
1-86777	Case plain half						
1	D6HZ 4204-C	Use with 4.33 thru 6.67 ratios	12	34811-S2(X-71)	Washer (carrier housing bolt)—5/8"		
Consists of							
12-D8HZ 4216-F	Bolt	1-86777	Case plain half	AR	$\Delta$ C8TZ 4536-A	.003" thick	
1-86776	Case flanged half			AR	$\Delta$ D8HZ 4536-K	.005" thick	
	4209	Ring gear and pinion kit—includes self-locking nut		AR	$\Delta$ C8TZ 4536-B	.010" thick	
1	D6HZ 4209-BD	3.70 ratio		AR	$\Delta$ D8HZ 4536-L	.020" thick	
1	E0HZ 4209-AC	3.90 ratio		AR	$\Delta$ D8HZ 4536-M	.030" thick	
1	D6HZ 4209-BE	4.11 ratio			4537	Spacer (driving pinion bearing)	
1	D6HZ 4209-BF	4.33 ratio		AR	B8QH 4537-A	.167" thick	
1	D6HZ 4209-BG	4.56 ratio		AR	D6HZ 4537-C	.168" thick	
1	D6HZ 4209-BH	4.88 ratio		AR	B8QH 4537-B	.169" thick	
1	D6HZ 4209-BJ	5.43 ratio		AR	D6HZ 4537-D	.170" thick	
1	D6HZ 4209-BK	6.17 ratio		AR	B8QH 4537-C	.171" thick	
1	D6HZ 4209-BL	6.67 ratio		AR	D6HZ 4537-E	.172" thick	
	4211	Shaft (pinion)—serviced only in kit—group 4237		AR	B8QH 4537-D	.173" thick	
	4215	Pinion—#86780—serviced only in kit—group 4237		AR	C8TZ 4537-AV	.174" thick	
12	D8HZ 4216-F	Bolt (diff. case)—self-locking— 5/8"-11 x 3 3/8"—also serviced in kit—group 4204		AR	B8QH 4537-E	.175" thick	
	4217-A	Bolt (drive gear to case)—5/8"-18 x 2 1/8"— also serviced in kit—group 4982		AR	B8QH 4537-AD	.176" thick	
16	D3HZ 4217-A	Bolt (drive gear to case)—5/8"-18 x 2 1/8"— also serviced in kit—group 4982		AR	B8QH 4537-F	.177" thick	
	4221	Cone and roller (differential bearing)		AR	D6HZ 4537-F	.178" thick	
1	8Q 4221-A	R.H.—# 42381		AR	B8QH 4537-G	.179" thick	
1	B8QH 4221-E	L.H.—# 665		AR	C8TZ 4537-AW	.180" thick	
	4222	Cup (differential bearing)		AR	B8QH 4537-H	.181" thick	
1	8Q 4222-A	R.H.—# 42584		AR	D6HZ 4537-G	.182" thick	
1	B8QH 4222-D	L.H.—# 653		AR	B8QH 4537-J	.183" thick	
	4228	Washer (differential side gear thrust)— serviced only in kit—group 4237		AR	C8TZ 4537-AT	.184" thick	
	4230	Washer (pinion thrust)—serviced only in kit—group 4237		AR	B8QH 4537-K	.185" thick	
	4234	Shaft assy.		AR	D6HZ 4537-H	.186" thick	
2	D7HZ 4234-B	1980/81—"Before 4/81"		AR	B8QH 4537-L	.187" thick	
2	E1HZ 4234-E	#110885-1981/88—"From 4/81"		AR	B8QH 4537-AF	.188" thick	
	4236	Gear (differential side)—# 86784— serviced only in kit—group 4237		AR	B8QH 4537-M	.189" thick	
	4237	Gear and pinion kit (differential)		AR	D6HZ 4537-J	.190" thick	
1	D6HZ 4237-B	22 involute spline side gear— 1980/81—"Before 4/81"		AR	B8QH 4537-N	.191" thick	
Consists of							
2-27274	Washer—gear	4-86781	Washer—pinion	AR	D6HZ 4537-K	.192" thick	
1-86778	Pinion shaft	2-86784	Side gear	AR	B8QH 4537-P	.193" thick	
4-86780	Pinion gear			AR	D6HZ 4537-L	.194" thick	
1	E1HZ 4237-E	36 involute spline side gear— 1981/88—"From 4/81"		AR	B8QH 4537-R	.195" thick	
Consists of							
2-27274	Washer—gear	4-86781	Washer—pinion	AR	D6HZ 4537-M	.196" thick	
1-86778	Pinion shaft	2-93401	side gear	AR	D6HZ 4537-N	.198" thick	
4-86780	Pinion gear			AR	D6HZ 4537-A	.199" thick	
	4292	Pinion—serviced only in kit—group 4237		AR	D6HZ 4537-P	.200" thick	
				AR	D6HZ 4537-B	.201" thick	
				AR	D6HZ 4537-R	.202" thick	
				6	34811-S2(X-71)	Washer (pinion bearing retainer bolt)—5/8"	
				6	C4TZ 4560-A	Bolt (pinion bearing retainer to carrier)—5/8"-11 x 1 3/4"	
				1	D6HZ 4614-A	Retainer and bearing cup assy (driving pinion)—# 79246	
				Consists of			
				1-B8QH 4616-A	Outer cup	1-79245	Cage
				1-B8QH 4616-D	Inner cup		

1980/  
TRUCK SERIES 600/900

QTY.	PART NUMBER	DESCRIPTION	QTY.	PART NUMBER	DESCRIPTION
<b>EATON 23121 REAR AXLE SERVICE PARTS LIST NO. 194 — Cont'd</b>					
Notes: $\Delta$ Also serviced in kit - group 4A109					
	4616	Cup (driving pinion bearing)-also serviced in kit-group 4614		4851	Flange assy. (universal joint)-axle end
1	B8QH 4616-A	Outer-#72487	1	C4TZ 4851-C	7C size
1	B8QH 4616-D	Inner-#78551	1	C4TZ 4851-B	8C size
	4621	Cone and roller(driving pinion)	1	D4HZ 4851-B	1610 size-1980/86
1	B8TZ 4621-B	Inner-#78215-C	1	E7HZ 4851-E	1610 size-1987/88
1	B8TZ 4621-C	Outer-#72212-C	1	C6TZ 4851-R	1710 size-1980/86
1	B8QH 4625-B	Bearing assy. (driving pinion pilot)-#MUS1309TM	1	E7HZ 4851-F	1710 size-1987/88
1	B8QH 4667-A	Spacer (pinion bearing)	1	D9HZ 4851-B	1760 size
1	E3HZ 4674-A	Seal and retainer assy. (drive pinion oil)-includes integral seal and retainer #119432-4 15/16" O.D.-for 2 15/16" dia. shaft	1	D2HZ 4851-B	1810 size
	4676	Seal (drive pinion oil)-serviced in 4674 assy.	1	D6HZ 4320-C	Nut (flange to pinion)-self locking-1 3/4"-12-also serviced in kit-group 4209
			1	C4TZ 4859-A	Deflector (drive pinion oil seal)-3" I.D. x 4 5/16" O.D.
			1	D6HZ 4982-A	Bolt & nut kit (driving gear)
			Consists of		
			16-D3HZ 4217-A	Bolt	16-60600 Nut
<b>EATON 23221 REAR AXLE SERVICE PARTS LIST NO. 195</b>					
Notes: $\Delta$ Also serviced in kit - group 4A109 % Also serviced in kit-group 4A195					
	4010	Housing assy.		4067	Adjuster (differential bearing)
1	$\star$ D7HZ 4010-D	#100311-1980/84-"Before 7/84" For vehicles exc. CL900 Series use E4HZ 4010-X and 2 pcs. E4HZ 5793-K and 2 pcs. E4HZ 5796-N For vehicles CL900 Series use E4HZ 4010-X and 2 pcs. E4HZ 5793-J and 2 pcs. E4HZ 5796-N	1	B8QH 4067-B	R.H.-#21637-2 5/16" I.D.-16 slots
			1	%C3TZ 4067-L	L.H.-#56929
			1	E4HZ 4072-A	Seal assy. (shift fork)-#119851
1	E4HZ 4010-X	#303140-1984/88-"From 7/84"	1	D6HZ 4A109-A	Gasket kit
			Consists of		
1	374506-S(PP-51)	Plug (drain)-3/4"-14	1-C8TZ 4536-A	Shim	1-D8HZ 4536-L Shim
1	B8QH 4027-B	Case kit (differential gear support)-L.H.	1-C8TZ 4536-B	Shim	1-D8HZ 4536-M Shim
Consists of			1-D8HZ 4536-K	Shim	1-107276 Rtv. gasket
1-102660	Bearing cone	1-103537	Cover		
4	B8QH 4029-A	Pin (planetary gear)	1	B8QH 4127-A	Case (differential gear support)-R.H.
1	$\star$ C4TZ 4035-A	Gasket (differential carrier)-17 1/4" I.D. x 19 7/8" O.D.-12 bolt holes-18 1/2" bolt circle-r/b D6AZ 19562-B	1	D6HZ 4141-B	Carrier assy. (differential)
1	%C3TZ 4040-A	Plate (high speed clutch)	1	$\star$ 74116-S	Expansion plug (shift fork shaft hole)-lower-15/16"
	4045	Fork and roller assy. (differential shift)	1	74121-S(P-8)	Expansion plug (shift fork shaft hole)-upper-1 1/4"
1	D6HZ 4045-A	1980/81-"Before 4/81"	1	357183-S8(WW-37)	Stud (shift motor to housing)-7/16"-20 and 7/16"-14 x 1 5/8"
1	B8QH 4045-B	1981/-88"From 4/81"		4143	Lock (differential bearing adjuster)-R.H.
2	B9TZ 4053-A	Pin (differential shift fork roller)-1 3/64" long x 11/16 major O.D.-15/32" minor O.D.	1	TWAA 4143-A	R.H.
	4055	Gear (sliding clutch)	1	B9TZ 4143-A	L.H.
1	%D6HZ 4055-B	#113594-1980/81-"Before 4/81"	2	371173-S(BB-349)	Bolt (diff. bearing adjuster lock)-5/8"-11 x 2"
1	%E3HZ 4055-B	#113593-1981/88-"From 4/81"	1	%B8QH 4147-A	Washer (high speed clutch plate thrust)-4 1/2" I.D. x 8 21/32" O.D.
	4062	Shift assy.-electric	1	E3HZ 4149-B	Shaft assy. (differential shift fork)-includes "O" ring
1	$\star$ B9TT 4062-A	#41059-use on vehicles w/rear shocks-1980/85-r/b MAT 89011	4	$\star$ B8QH 4154-A	Pin (high speed clutch plate)-2 11/16" long
1	E5HZ 4062-A	#113770-use on vehicles w/o rear shocks-1980/85	2	B6QH 4156-A	Bushing (diff. bearing adjuster lock)
1	E5HZ 4062-A	#113770-1986/88		4A195	Sliding clutch gear kit
	4062	Shift assy. kit (electric)-retrofit-to convert axles w/o rear shocks to new style shift assy.-refer to group in Section 41	1	$\star$ D6HZ 4A195-A	1980/81-"Before 4/81"
	4B062	Electric shift unit repair kit-refer to group in Section 41	Consists of		
			1-C3TZ 4040-A	Plate	1-C3TZ 4067-L Adjuster
			1-D6HZ 4055-B	Gear	1-B8QH 4147-A Washer
			1	B8TZ 4A195-A	1981/88-"From 4/81"
			Consists of		
			1-C3TZ 4040-A	Plate	1-C3TZ 4067-L Adjuster
			1-E3HZ 4055-B	Gear	1-B8QH 4147-A Washer
				4200	Differential assy.-refer to group in section 40

1980/  
TRUCK SERIES 600/900

QTY.	PART NUMBER	DESCRIPTION	QTY.	PART NUMBER	DESCRIPTION
EATON 23221 REAR AXLE SERVICE PARTS LIST NO. 195 — Cont'd					
Notes: ΔAlso serviced in kit - group 4A109 % Also serviced in kit-group 4A195					
1	D6HZ 4204-A	Differential case kit	2	B8TZ 4322-A	Nut (shift housing stud)-7/16"-20
Consists of			8	A8TZ 4322-A	Nut (gear case bolt)-9/16"-18 conelok-also serviced in assy.-group 4217
4	E0HZ 4216 D Bolt	1-96281 Case			
8	E0HZ 4216-E Bolt	1-98183 Case and plate			
		4209 Ring gear and pinion kit-includes self-locking nut			
1	E6HZ 4209-F	3.70/5.04 ratio	2	D3HZ 4323-B	1980/85-7/16"-20-14 x 1 11/16"
1	D6HZ 4209-AD	4.11/5.60 ratio	2	D3HZ 4323-E	1986/88-7/16"-20-14 x 1 3/4"
1	D6HZ 4209-S	4.33/5.90 ratio			
1	C7TZ 4209-W	4.56/6.21 ratio	2	44730-S8(X-26)	Washer (shift housing stud)-7/16"-use on vehicles w/rear shocks
1	C4TZ 4209-V	4.88/6.64 ratio			
1	D6HZ 4209-V	5.43/7.39 ratio	2	E4HZ 4B147-A	Washer (shift housing stud)-15/32" I.D. x 15/16" O.D. x 3/32" thick-use on vehicles w/o rear shocks
1	D6HZ 4209-T	6.17/8.40 ratio			
1	D6HZ 4209-W	6.67/9.08 ratio	4	C4TZ 4347-C	Bolt (carrier to housing)-long-5/8"-11 x 2 1/4"
		4211 Shaft (pinion)-serviced only in kit-group 4237	8	C4TZ 4347-E	Bolt (carrier to housing)-short-5/8"-11 x 2"
		4215 Pinion-#96900-serviced only in kit-group 4237	12	34811-S2(X-71)	Washer (carrier housing bolt)-5/8"
		4216 Bolt (differential case)-also serviced in kit-group 4204		4536	Shim (driving pinion bearing retainer)
4	E0HZ 4216-D	Short	AR	C8TZ 4536-A	.003" thick
8	E0HZ 4216-E	Long	AR	D8HZ 4536-K	.005" thick
8	A8TZ 4217-A	Bolt and nut assy. (differential case)-support-9/16"-18 x 4 13/64"-1980/87	AR	C8TZ 4536-B	.010" thick
1	A8TZ 4217-C	Bolt and nut kit (gear support case)-1988	AR	D8HZ 4536-L	.020" thick
Consists of			AR	D8HZ 4536-M	.030" thick
8	44358 Bolts	8-60599 Nuts		4537	Spacer (driving pinion bearing)
		4221 Cone and roller (differential bearing)	AR	B8QH 4537-A	.167" thick
1	B8TZ 4221-B	R.H.-#42346	AR	D6HZ 4537-C	.168" thick
1	B8QH 4221-F	L.H.-#68450-1980/85	AR	B8QH 4537-B	.169" thick
1	E0HZ 4221-B	L.H.-#68462-1986/88	AR	D6HZ 4537-D	.170" thick
		4222 Cup (differential bearing)	AR	B8QH 4537-C	.171" thick
1	8Q 4222-A	R.H.-#42584	AR	D6HZ 4537-E	.172" thick
1	B8QH 4222-E	L.H.-#68712	AR	B8QH 4537-D	.173" thick
3	B8TZ 4228-A	Washer differential (side gear thrust and support case)-also serviced in kit-group 4237	AR	C8TZ 4537-AV	.174" thick
4	B8QH 4229-A	Gear (differential planetary)	AR	B8QH 4537-E	.175" thick
4	B8QH 4230-B	Washer (pinion thrust)-also serviced in kit-group 4237	AR	B8QH 4537-AD	.176" thick
		4234 Shaft assy.	AR	B8QH 4537-F	.177" thick
2	D7HZ 4234-B	1980/81-"Before 4/81"	AR	D6HZ 4537-F	.178" thick
2	E1HZ 4234-E	#110885-1981/88-"From 4/81"	AR	B8QH 4537-G	.179" thick
		4236 Gear (differential side)-#98257-serviced only in kit-group 4237	AR	C8TZ 4537-AW	.180" thick
		4237 Gear and pinion kit (differential)	AR	B8QH 4537-H	.181" thick
1	D6HZ 4237-D	22 involute spline side gear-1980/81-"Before 4/81"	AR	D6HZ 4537-G	.182" thick
Consists of			AR	B8QH 4537-J	.183" thick
1	B8QH 4211-B	Pinion shaft 4-96900 Pinion gear	AR	C8TZ 4537-AT	.184" thick
2	B8TZ 4228-A	Washer-gear 2-98257 Side gear	AR	B8QH 4537-K	.185" thick
4	B8QH 4230-B	Washer-pinion	AR	D6HZ 4537-H	.186" thick
1	E1HZ 4237-F	36 involute spline side gear-1981/88-"From 4/81"	AR	B8QH 4537-L	.187" thick
Consists of			AR	B8QH 4537-AF	.188" thick
2	B8TZ 4228-A	Washer-gear 1-107371 Pinion shaft	AR	B8QH 4537-M	.189" thick
4	B8QH 4230-B	Washer-pinion 2-110528 Side gear	AR	D6HZ 4537-J	.190" thick
4	96900	Pinion gear	AR	B8QH 4537-N	.191" thick
		4292 Pinion-serviced only in kit-group 4237	AR	D6HZ 4537-K	.192" thick
1	C8TZ 4A309-A	Trap (filler plug)-magnetic-1" x 1 1/2"	AR	B8QH 4537-P	.193" thick
			AR	D6HZ 4537-L	.194" thick
			AR	B8QH 4537-R	.195" thick
			AR	D6HZ 4537-M	.196" thick
			AR	D6HZ 4537-N	.198" thick
			AR	D6HZ 4537-A	.199" thick
			AR	D6HZ 4537-P	.200" thick
			AR	D6HZ 4537-B	.201" thick
			AR	D6HZ 4537-R	.202" thick
			6	34811-S2(X-71)	Washer (pinion bearing retainer bolt)-5/8"

1980/  
TRUCK SERIES 600/900

QTY.	PART NUMBER	DESCRIPTION	QTY.	PART NUMBER	DESCRIPTION
EATON 23221 REAR AXLE SERVICE PARTS LIST NO. 195 — Cont'd					
Notes: ΔAlso serviced in kit - group 4A109 % Also serviced in kit-group 4A195					
6	C4TZ 4560-A	Bolt (pinion bearing retainer to carrier)-5/8"-11 x 1 3/4"	1	E3HZ 4674-A	Seal and retainer assy. (drive pinion oil)-includes integral seal and retainer #119432-4 15/16" O.D.-for 2 15/16" dia. shaft
1	D6HZ 4614-A	Retainer and bearing cup assy (driving pinion)-#79246		4676	Seal (drive pinion oil)-serviced in 4674 assy.
Consists of				4851	Flange assy. (universal joint) - axle end
1	B8QH 4616-A	Outer cup 1-79245			7C size
1	B8QH 4616-D	Inner cup			1610 size-1980/86
	4616	Cup (driving pinion bearing)-also serviced in kit-group 4614	1	C4TZ 4851-C	1610 size-1987/88
1	B8QH 4616-A	Outer #72487	1	D4HZ 4851-B	1710 size-1980/86
1	B8QH 4616-D	Inner-#78551	1	E7HZ 4851-E	1710 size-1987/88
	4621	Cone and roller (driving pinion)	1	C6TZ 4851-R	1710 size-1980/86
1	B8TZ 4621-B	Inner-#78215-C	1	E7HZ 4851-F	1760 size
1	B8TZ 4621-C	Outer-#72212-C	1	D9HZ 4851-B	1810 size
	4625	Bearing assy. (driving pinion pilot)	1	D2HZ 4851-B	1810 size
1	B8QH 4625-B	1980/85-#MUS1309TM	1	D6HZ 4320-C	Nut (flange to pinion)-self locking-1 3/4"-12 also serviced in kit-group 4209
1	E6HZ 4625-B	1986/88	1	C4TZ 4859-A	Deflector (driving pinion oil seal)-3" I.D. x 4 5/16" O.D.
1	B8QH 4667-A	Spacer (pinion bearing)			
EATON 44DSC REAR AXLE SERVICE PARTS LIST NO. 196					
Notes: ΔAlso serviced in kit - group 4A109					
1	★D8HZ 4033-A	Cover assy. (housing) - incl. bearing, oil seal, snap ring and fill plug	1	4143	Lock (differential bearing adjuster)
1	★D8HZ 4035-A	Gasket (differential carrier)-17 1/4" I.D. x 19 7/8" O.D.-18 1/2" bolt circle-#79556 r/b D6AZ 19562-B	1	B8QH 4143-A	R.H.
1	★D8HZ 4036-A	Gasket (cover to housing)-17 1/4" I.D. x 19 5/8" O.D.-18 1/2" bolt circle-#79557 r/b D6AZ 19562-B	1	TWAA 4143-A	L.H.
	4038	Piston (differential lock and shift)	1	★90876	Cotter Pin (adjuster lock)
1	C8TZ 4038-A	Use on old style carrier	2	350041-S(BB-347)	Bolt (lock to case)-head drilled-5/8"-11 x 1 3/4"
1	C1TT 4623-A	Use on new style carrier	1	D8HZ 4A143-A	Washer (differential carrier to cover)-2 1/32" I.D. x 1 1/16" O.D.
4	E0HZ 4B050-A	Dowel (diff. carrier to housing)-7/8" O.D. x 1 1/2" long	4	D8HZ 4146-A	Dowel (differential to housing)
1	★59T 4052-M	Cover (differential carrier)-Shift fork opening	4	D8HZ 4146-B	Dowel (cover to housing)
2	357450-S(BB-172)	Bolt (cover retaining)-7/16"-14 x 7/8"	1	★C8TZ 4159-B	Lubricator (differential)-trough
2	34793-S2(X-67-A)	Lockwasher-7/16"	1	C8TZ 4A192-A	Stop (differential lockout shift piston)-use on old style carrier
1	D8HZ 4067-B	Adjuster (differential bearing) R.H. #78940 5 1/8" I.D.-16 slots-incl. bearing cup B8QH 4222-D	1	4204	Differential case kit
1	B8QH 4067-B	L.H.-#21637.2 5/16" I.D.-16 slots	1	D6HZ 4204-B	Use with 3.70 & 4.11 ratios
1	OIT 4073-M	Gasket (differential carrier cover)-Shift fork opening	Consists of		
1	★D8HZ 4A109-A	Gasket kit	12	D8HZ 4216-F	Bolt 1-88501 Case flanged half
Consists of			1	1-86777	Case plain half
1	D8HZ 4436-G	Shim 1-B8QH 4536-X Shim	1	D6HZ 4204-C	Use with 4.33 ratio
1	D8HZ 4436-H	Shim 1-62829 Shim	Consists of		
1	D8HZ 4436-J	Shim 1 62830 Shim	12	D8HZ 4216-F	Bolt 1-86777 Case plain half
1	B8QH 4536-V	Shim 1 107276 Rtv. gasket	1	1-86776	Case flanged half
1	B8QH 4536-W	Shim	1	D8HZ 4215-A	Kit (power divider differential repair)
1	C8TZ 4A130-A	Nut (differential lockout shift push rod)-use on old style carrier	Consists of		
1	33800-S8(M-63)	Nut (differential lockout shift push rod)-use on new style carrier	4	7EQH 4230	Washer 4-95219 Bushing
2	C8TZ 4A133-A	Screw (differential oil trough)-1/4"-20 x 3/4" nylock	4	95218	Side pinion 1-95220 Spider
1	★D8HZ 4A133-A	Screw (oil filter element)-1/4"-20 x 1/2"	12	D8HZ 4216-F	Bolt (diff. case)-self-locking-5/8"-11 x 3 3/8"-also serviced in kit-group 4204
11	B7TZ 4A142-A	Nut (carrier to housing)-5/8"-18	8	E0HZ 4216-C	Bolt (diff. case)-power divider-5/16"-24 x 2 7/8"-also serviced in kit-group 4404
11	C1TZ 4A142-A	Nut (cover to housing)-7/16"-20	8	33923-S7(M-32)	Nut (power divider diff. case bolt)-5/16"-24
			16	D3HZ 4217-A	Bolt (drive gear to case)-5/8"-18 x 2 1/8"-also serviced in kit-group 4982
			16	55757-S2(M-89-B)	Nut (gear to case)-5/8"-18
				4221	Cone and roller (differential bearing)
			1	B8QH 4221-E	R.H.-#665
			1	8Q 4221-A	L.H.-#42381

**1980/  
TRUCK SERIES 600/900**

QTY.	PART NUMBER	DESCRIPTION	QTY.	PART NUMBER	DESCRIPTION
EATON 44DSC REAR AXLE SERVICE PARTS LIST NO. 196 — Cont'd					
Notes: ΔAlso serviced in kit — group 4A109					
1	B4TZ 4221-A	Cone and roller (output shaft) Front- #33275	1	D8HZ 4346-A	Bolt (carrier to cover)-5/8"-14 x 5"- 1 1/8" thread length
1	7EQ 4222	Cup (output shaft)-front-#33472		4351	Flange assy. (u/joint)-power divider end-input
	4222	Cup (differential bearing)			
1	B8QH 4222-D	R.H.-#653 — also serviced in D8HZ 4067-B	1	D8HZ 4351-C	1710 size
1	8Q 4222-A	L.H.-#42584	1	D8HZ 4351-J	1810 size
4	7EQH 4230	Washer (pinion thrust)-also Serviced in kit-group 4215	2	★E0HZ 4A545-A	Lock (drive pinion pilot bearing retainer)
2	D8HZ 4234-A	Shaft assy.-#54014	2	D8HZ 4393-A	Bolt (drive pinion pilot bearing retainer)- 5/16"-18 x 3/4"
1	D6HZ 4237-B	Gear and pinion kit (differential)	1	★D8HZ 4404-A	Power divider diff. case kit
Consists of			Consists of		
2-27274	Washer-gear	4-86781	8-E0HZ 4216-C	Bolt	2-78906
1-86778	Pinion shaft	2-86784	8-57637	Nut	Case
4-86780	Pinion gear				
1	D8HZ 4N282-A	Plug (housing cover filler)-magnetic- 1"-11 1/2"-also serviced in 4033 assy.	1	★D8HZ 4414-B	Retainer assy. (drive pinion bearing)- #78914-incl. B8QH 4616-A cups
	4300	Differential assy.-refer to group in Section 40	6	E0HZ 4545-A	Washer (drive pinion bearing retainer bolt)-9/16"
	4309	Ring gear and pinion kit-includes self-locking nut 3.70 ratio	6	E0HZ 4560-A	Bolt (drive pinion bearing retainer)- 9/16"-12 x 1 1/2"
1	★D8HZ 4309-E	4.11 ratio	1	★D8HZ 4A420	Filter assy. (power divider oil)
1	★D8HZ 4309-F	4.11 ratio	1	★D8HZ 4A420-B	#81474-1" I.D. x 2 17/32 O.D. x 5 31/32" long- use on old style carrier
1	★D8HZ 4309-D	4.33 ratio	1	E0HZ 4A420-A	Use on new style carrier
	4310	Housing assy.	1	★D8HZ 4A421-B	Cover (power divider oil filter)-#81475- 3 holes — 4 1/8" bolt circle-use on old style carrier
1	★D8HZ 4310-C	#100354-w/o 60" Spread frame- r/b D8HZ 4310-P	3	34807-S8(X-66)	Lockwasher (power divider oil filter shield bolt) — 5/16"-use on old style carrier
1	D8HZ 4310-P	#303275-w/o 60" Spread frame	3	20346-S8(B-50)	Bolt (power divider oil filter shield)- 5/16" — 18 x 3/4"-use on old style carrier
1	★D8HZ 4310-D	#100396-with 60" Spread frame	1	★E0HZ 4423-A	Bearing assy. (power divider input shaft front)-#78930,3313,6313
1	374506-S(PP-51)	Plug (drain)-3/4"-14	1	★D8HZ 4427-A	Gasket (power divider cover)-r/b D6AZ 19562-B
1	★D8HZ 4A318-B	Element assy. (oil filter)- 5/8" O.D. x 3 3/4" long		4428	Cover assy. (power divider)
1	D8HZ 4319-A	Washer (output flange to bearing)- 2 1/8"-I.D. x 2 5/8" O.D.	1	★D8HZ 4428-C	Use on old style carrier
	4320	Locknut	1	★E0HZ 4428-A	Use on new style carrier-also serviced in kit-group 4N341
1	D8HZ 4320-D	Flange to input shaft-1 7/8"-12- also serviced in kit-group 4446		4A140	Bolt (power divider cover)
1	D6HZ 4320-C	Flange to output shaft-1 3/4"-12	6	E0HZ 4A140-A	Short-9/16"-12 x 1 3/4"-use on old style carrier
1	D6HZ 4320-C	Drive pinion-1 3/4"-12- Also serviced in kit group 4309	8	E0HZ 4A140-A	Short-9/16"-12 x 1 3/4"-use on new style carrier
1	B8TZ 4322-A	Nut (oil pump drive gear)-7/16"-20- use on old style carrier	1	D8HZ 4A140-A	Long-9/16"-12 x 2 1/4"-use on old style carrier
3	★D8HZ 4A322-A	Bolt (power divider oil pump) — 5/16"-18 x 1 1/4"-use on old style carrier	1	D8HZ 4A140-A	Long-9/16"-12 x 2 1/4"-use on new style carrier
1	C1TT 4334-A	"0" ring (differential lockout shift piston)	3	D8HZ 4A140-B	Special head-9/16"-12 x 1 3/4"-use on old style carrier
	4341	Carrier assy. (differential)	1	D8HZ 4A140-B	Special head-9/16"-12 x 1 3/4"-use on new style carrier
1	★D8HZ 4341-A	Old style-#casting no. 78997-	10	34810-S7(X-69)	Washer (carrier cover bolt)-9/16"
1	E0HZ 4341-A	New style-#casting no. 103530 or 110500-also serviced in kit-group 4N341	1	★D8HZ 4431-C	Retainer assy. (power divider input shaft bearing)-incl. D8HZ 4573-C seal
1	C1TT 4344-A	"0" ring (differential lockout shift push rod)	5	34809-S8(X-68)	Washer (power divider retainer bolt)-1/2"
	4345	Washer (differential lockout shift push rod)	5	E0HZ 4A145-A	Bolt (power divider input shaft bearing retainer)-1/2"-13 x 1 1/2"
1	C1TT 4345-A	Use on old style carrier	1	D8HZ 4433-A	Gear (power divider output shaft cluster rear)-#78911-18 teeth- 16 splines
1	E2HZ 4345-A	Use on new style carrier			
1	74121-S(P-8)	Plug (shift fork shaft hole)- expansion-upper-1 1/4"			
1	★74116-S(P-8)	Plug (shift fork shaft hole)- expansion-lower-15/16"			
1	358048-S(PP-43)	Plug (filler)-3/4"-14			
1	★D8HZ 4N341-A	Carrier kit (power divider diff. conversion)			
Consists of					
1-E0HZ 4341-A	Carrier	1-E0HZ 4A581-A			Pump Kit
1-E0HZ 4428-A	Cover	1-104819			Lockout assy.

1980/  
TRUCK SERIES 600/900

QTY.	PART NUMBER	DESCRIPTION	QTY.	PART NUMBER	DESCRIPTION
EATON 44DSC REAR AXLE SERVICE PARTS LIST NO. 196 - Cont'd					
Notes: $\Delta$ Also serviced in kit - group 4A109					
1	D8HZ 4434-E	Gear assy. (power divider input shaft cluster)-front-#78853-R-18-31-10 teeth-incl. D8HZ 4437-A bushings	AR	4537	Shim (driving pinion bearing retainer)
	4436	Shim (input shaft bearing)	AR	B8QH 4537-A	.167" thick
AR	$\Delta$ D8HZ 4436-G	.003" thick	AR	D6HZ 4537-C	.168" thick
AR	$\Delta$ D8HZ 4436-H	.005" thick	AR	B8QH 4537-B	.169" thick
AR	$\Delta$ D8HZ 4436-J	.010" thick	AR	D6HZ 4537-D	.170" thick
2	D8HZ 4437-A	Bushing (power divider cluster gear)-also serviced in assy.-group 4434	AR	B8QH 4537-C	.171" thick
1	$\star$ D8HZ 4442-D	Gear (drive pinion transfer)-31 teeth-16 splines	AR	D6HZ 4537-E	.172" thick
1	D8HZ 4445-A	Washer (power divider input shaft thrust)-2 13/32" I.D. x 4 1/8" O.D. x 1/16" thick	AR	B8QH 4537-D	.173" thick
1	D8HZ 4446-C	Shaft Kit (power divider input)	AR	C8TZ 4537-AV	.174" thick
Consists of					
1	D8HZ 4320-D	Locknut	1	95395	Tag
1	78908	Shaft	AR	B8QH 4537-E	.175" thick
1	E0HZ 4450-A	Fork assy. (power divider diff. lockout-shift)-use on new style carrier	AR	B8QH 4537-AD	.176" thick
1	$\star$ D8HZ 4451-A	Fork (power divider diff lockout shift)-5" wide x 5 1/2" long to center of hole -use on old style carrier	AR	B8QH 4537-F	.177" thick
1	33923-S7(M-32)	Locknut (Shift fork bolt)-5/16"-24-use on old style carrier	AR	D6HZ 4537-F	.178" thick
1	20521-S8(B-162)	Bolt (shift fork)-5/16"-24 x 2"-use on old style carrier	AR	B8QH 4537-G	.179" thick
1	C1TT 4454-A	Bushing (power divider output shaft)-1 3/8" I.D. x 1 1/2" O.D. x 1 1/2" long-also serviced in assy.-group 4471	AR	C8TZ 4537-AW	.180" thick
1	D8HZ 4454-C	Washer (power divider input shaft)-D type-3 1/32" I.D. x 4 1/4" O.D.	AR	B8QH 4537-H	.181" thick
1	D8HZ 4455-C	Gear (power divider sliding clutch)-#78917-R-3 7/32" I.D. x 5 11/16" O.D. x 1 7/32" wide-18 teeth-16 splines	AR	D6HZ 4537-G	.182" thick
1	C1TT 4458-A	Spring (diff. lockout shift lever return)	AR	B8QH 4537-J	.183" thick
1	$\star$ D8HZ 4461-A	Gasket (power divider shift cylinder to carrier)-3 3/8" wide x 5 21/32" long-4 holes-use on old style carrier	AR	C8TZ 4537-AT	.184" thick
	4465	Flange assy. (universal joint)-output	AR	B8QH 4537-K	.185" thick
1	D8HZ 4465-E	1610 size	AR	D6HZ 4537-H	.186" thick
1	D8HZ 4465-F	1710 size	AR	B8QH 4537-L	.187" thick
1	D8HZ 4471-A	Shaft assy. (power divider output)-incl. bushing and D2HZ 4567-C-snap ring	AR	B8QH 4537-AF	.188" thick
1	E0HZ 4475-A	Bearing and sleeve assy. (power divider output shaft)-also serviced in assy.-group 4033	AR	B8QH 4537-M	.189" thick
2	D8HZ 4476-B	"O" ring (power divider output shaft)-2 7/32" I.D. x 7/32" thick	AR	D6HZ 4537-J	.190" thick
1	$\star$ D8HZ 4A476-A	"O" ring (diff. carrier to cover)-1 63/64" I.D. x 2 3/16" O.D. x 7/64" thick	AR	B8QH 4537-N	.191" thick
1	$\star$ D8HZ 4B476-A	"O" ring (power divider oil filter cover)-3 7/64" I.D. x 3 3/8" O.D. x 9/64" thick -use on old style carrier	AR	D6HZ 4537-K	.192" thick
	4536	Shim (driving pinion bearing retainer)	AR	B8QH 4537-P	.193" thick
AR	$\Delta$ B8QH 4536-V	.003" thick	AR	D6HZ 4537-L	.194" thick
AR	$\Delta$ B8QH 4536-W	.010" thick	AR	B8QH 4537-R	.195" thick
AR	$\Delta$ B8QH 4536-X	.030" thick	AR	D6HZ 4537-M	.196" thick
			AR	D6HZ 4537-N	.198" thick
			AR	D6HZ 4537-A	.199" thick
			AR	D6HZ 4537-P	.200" thick
			AR	D6HZ 4537-B	.201" thick
			AR	D6HZ 4537-R	.202" thick
			2	D8HZ 4550-A	Oiler (power divider lockout shift piston)-felt - 1 3/4" I.D. x 1/4" thick
			1	C4TZ 4560-A	Bolt (differential carrier to cover)-5/8"-11 x 1 3/4"
			1	$\star$ D8HZ 4565-B	Pushrod (diff. lockout shift)-#79582-3/4" O.D. x 5 1/32" long - 3/8"-24 thread -use on old style carrier
				4567	Snap ring
			1	D8HZ 4567-A	Drive pinion bearing
			1	E0HZ 4567-A	Input shaft cluster gear
			1	E0HZ 4567-B	Output shaft bearing
			1	D2HZ 4567-C	Output shaft cluster gear-also serviced in assy.-group 4471
			1	D8HZ 4573-C	Seal assy. (input shaft oil)-#78857-4 3/8" O.D. x 5/8" wide - for 3 3/8" dia. shaft-also serviced in assy.-group 4431
			1	$\star$ D8HZ 4580-B	Gear (power divider oil pump drive)-#82430-3/16" I.D. x 5 1/2" O.D.-use on old style carrier
			1	$\star$ D8HZ 4581-C	Shaft and pump assy. (power divider oil)-includes Woodruff key-3 1/16" O.D. x 4 1/4" long-use on old style carrier

**1980/  
TRUCK SERIES 600/900**

QTY.	PART NUMBER	DESCRIPTION	QTY.	PART NUMBER	DESCRIPTION
<b>EATON 44DSC REAR AXLE SERVICE PARTS LIST NO. 196 — Cont'd</b>					
Notes: $\Delta$ Also serviced in kit - group 4A109					
1	E0HZ 4A581-A	Lube pump replacement kit (power divider)- use on new style carrier-also serviced in kit-group 4N341	1	4727	Cover (power divider diff. lockout)
Consists of			1	*D8HZ 4727-A	#81896-4 holes 9/32" dia.-2 11/16" dia. bolt circle-3 ribs equally spaced- use on old style carrier
4	90419	Lock washer	1	C1TT 4727-A	Use on new style carrier
1	102607	Cover	4	D8HZ 4A197-A	Lockwasher (power divider diff. lockout cover bolt)- 1/4" I.D. x 31/64" O.D. x 3/64" thick
2	102617	Pin	4	304646-S8(B-42-A)	Bolt (power divider diff. lockout cover)- 1/4" - 20 x 3/4"
4	102618	Bolt	1	4749	Body (power divider diff. lockout shift)
1	102620	"O" ring	1	*D8HZ 4749-A	#78933-6 13/32" long-2 1/2" and 4 3/8" wide between center of mounting holes- use on old style carrier
1	111449	Gear	1	D5HZ 4749-A	Use on new style carrier
1	111451	Locknut	1	D8HZ 4461-A	Gasket (power divider diff. lockout shift body)-use on old style carrier
1	D8HZ 4593-C	"O" ring (power divider oil pump shaft)- 1 7/8" I.D. x 2" O.D. x 1/16" thick	1	*84960	Expansion plug (power divider diff. lockout shift body)
1	E0HZ 4615-A	Bearing assy. (drive pinion outer support)- #78916, MU1309CX, MU1309CL, BU1309Z	1	358048-S(PP-43)	Plug (power divider diff. lockout shift body) -use on old style carrier
2	B8QH 4616-A	Cup (driving pinion bearing)-#72487- also serviced in assy.-group 4414	1	34807-S8(X-66)	Lockwasher (power divider diff. lockout shift body)-11/16" O.D. x 3/32" thick -use on old style carrier
2	B8TZ 4621-C	Cone and roller (drive pinion bearing)- #72212-C	4	34793-S2(X-67-A)	Lockwasher (power divider diff. lockout)- 7/16"-use on new style carrier
	4623	Refer to group 4038 within parts list	2	20346-S8	Bolt (power divider diff. lockout shift body)- 5/16" - 18 x 3/4"-use on old style carrier
1	B8QH 4625-B	Bearing assy. (driving pinion pilot)- #MUS 1309 TM	2	354136-S8(BB-906)	Bolt (power divider diff. lockout shift body)- 7/16"-14 x 1 1/4"-use on new style carrier
1	*D8HZ 4627-A	Retainer (drive pinion pilot bearing)- #78907-3 15/16" O.D. x 29/32" wide	1	D6HZ 4982-A	Bolt and nut kit (driving gear)
1	D8HZ 4637-D	Washer (input shaft nut)- 1 29/32" I.D. x 3 3/16" O.D. x 1/16" thick	Consists of		
1	D8HZ 4667-B	Washer (drive pinion bearing thrust)- 2 1/8" I.D. x 2 11/16" O.D. x 61/64" thick	16	D3HZ 4217-A	Bolt
1	E3HZ 4676-B	Seal assy. (output shaft oil)-#119429- 4" O.D.-For 2 15/16" dia. shaft- also serviced in cover assy.-group 4033	16	60600	Nut
<b>EATON 44RSC REAR AXLE SERVICE PARTS LIST NO. 197</b>					
Notes: $\Delta$ Also serviced in kit - group 4A109					
1	*D8HZ 4010-C	Housing assy. #100355-w/o 60" spread frame r/b D8HZ 4010-W	1	4200	Differential assy. - refer to group in Section 40
1	D8HZ 4010-W	#303276-w/o 60" spread frame	1	4204	Differential case kit
1	*D8HZ 4010-D	#100397-with 60" spread frame	1	D6HZ 4204-B	Use with 3.70 & 4.11 ratios
1	374506-S(PP-51)	Plug (drain)-3/4"-14	Consists of		
1	*C4TZ 4035-A	Gasket (differential carrier)-17 1/4"-I.D. x 19 7/8 O.D. - 12 bolt holes-18 1/2" bolt circle-r/b D6AZ 19562-B	12	D8HZ 4216-F	Bolt
	4067	Adjuster (differential bearing)	1	88501	Case flanged half
1	B8QH 4067-B	R.H.-2 5/16" I.D.-16 slots-#21637	1	86777	Case plain half
1	B8QH 4067-A	L.H. - 4" I.D.-14 slots-#39448	1	D6HZ 4204-C	Use with 4.33 ratio
1	D6HZ 4A109-A	Gasket kit	Consists of		
Consists of			12	D8HZ 4216-F	Bolt
1	C8TZ 4536-A	Shim	1	86776	Case flanged half
1	C8TZ 4536-B	Shim	1	4209	Ring gear and pinion kit-includes self-locking nut
1	D8HZ 4536-K	Shim	1	D6HZ 4209-BD	3.70 ratio
	1-107276	Rtv. gasket	1	D6HZ 4209-BE	4.11 ratio
1	D6HZ 4141-A	Carrier assy. (differential)	1	D6HZ 4209-BF	4.33 ratio
12	B7TZ 4A142-A	Nut (housing)-carrier-5/8"-18	12	D8HZ 4216-F	Bolt (diff. case)-self-locking- 5/8"-11 x 3 3/8"-also serviced in kit- group 4204
12	34811-S2(X-71)	Lockwasher-5/8"	16	D3HZ 4217-A	Bolt (drive gear to case)-5/8"-18 x 2 1/8"- also serviced in kit-group 4982
2	TWAA 4143-A	Lock (differential bearing adjuster)	16	55757-S2(M-89-B)	Nut (gear to case)-5/8"-18

1980/  
TRUCK SERIES 600/900

QTY.	PART NUMBER	DESCRIPTION	QTY.	PART NUMBER	DESCRIPTION
EATON 44RSC REAR AXLE SERVICE PARTS LIST NO. 197 — Cont'd					
Notes: ΔAlso serviced in kit — group 4A109					
1	8Q 4221	Cone and roller (differential bearing)		4537	Spacer (driving pinion bearing retainer)
1	B8QH 4221-A	R.H. — #42381	AR	B8QH 4537-M	— Cont'd
1	B8QH 4221-E	L.H. — #665	AR	D6HZ 4537-J	.189" thick
1	8Q 4222	Cup (differential bearing)	AR	B8QH 4537-N	.190" thick
1	B8QH 4222-A	R.H. — #42584	AR	D6HZ 4537-K	.191" thick
1	B8QH 4222-D	L.H. — #653	AR	D6HZ 4537-L	.192" thick
2	D8HZ 4234-A	Shaft assy. — #54014	AR	B8QH 4537-P	.193" thick
1	D6HZ 4237-B	Gear and pinion kit (differential)	AR	D6HZ 4537-R	.194" thick
Consists of					
2-27274	Washer-gear	4-86781	Washer-pinion	AR	D6HZ 4537-M
1-86778	Pinion shaft	2-86784	Side gear	AR	D6HZ 4537-N
4-86780	Pinion gear			AR	D6HZ 4537-A
1	D6HZ 4320-C	Locknut (flange to pinion)—also serviced in kit—group 4209	AR	D6HZ 4537-P	.199" thick
AR	ΔC8TZ 4536	Shim (pinion bearing cage)	AR	D6HZ 4537-B	.200" thick
AR	ΔD8HZ 4536-A	.003" thick	AR	D6HZ 4537-R	.201" thick
AR	ΔC8TZ 4536-B	.010" thick	AR	D6HZ 4537-A	.202" thick
AR	ΔD8HZ 4536-L	.020" thick	6	34811-S2(X-71)	Washer (pinion bearing retainer bolt)—5/8"
AR	ΔD8HZ 4536-M	.030" thick	6	C4TZ 4560-A	Bolt (pinion bearing retainer to carrier)—5/8" — 11 x 1 3/4"
AR	B8QH 4537-A	.167" thick	1	D6HZ 4614-A	Retainer and bearing cup assy. (driving pinion)—#79246
AR	D6HZ 4537-C	.168" thick	Consists of		
AR	B8QH 4537-B	.169" thick	1-B8QH 4616-A	Outer cup	1-79245
AR	D6HZ 4537-D	.170" thick	1-B8QH 4616-D	Inner cup	Cage
AR	B8QH 4537-E	.171" thick		4616	Cup (driving pinion bearing)—also serviced in kit—group 4614
AR	B8QH 4537-D	.172" thick	1	B8QH 4616-A	Outer—#72487
AR	C8TZ 4537-AV	.173" thick	1	B8QH 4616-D	Inner—#78551
AR	B8QH 4537-E	.174" thick		4621	Cone and roller (driving pinion)
AR	B8QH 4537-AD	.175" thick	1	B8TZ 4621-B	Inner — #78215-C
AR	B8QH 4537-F	.176" thick	1	B8TZ 4621-C	Outer — #72212-C
AR	D6HZ 4537-F	.177" thick	1	B8QH 4625-B	Bearing assy. (driving pinion pilot) # MUS1309TM
AR	B8QH 4537-G	.178" thick	1	B8QH 4667-A	Spacer (pinion bearing)
AR	B8QH 4537-G	.179" thick	1	E3HZ 4674-A	Seal and retainer assy. (drive pinion oil)—includes integral seal and retainer—#119432-4 15/16" O.D.—for 2 15/16" dia. shaft
AR	C8TZ 4537-AW	.180" thick		4851	Flange assy. (universal joint)—axle end
AR	B8QH 4537-H	.181" thick	1	D8HZ 4851-B	1610 size
AR	D6HZ 4537-G	.182" thick	1	D8HZ 4851-A	1710 size
AR	B8QH 4537-J	.183" thick	1	D6HZ 4982-A	Bolt and nut kit (driving gear)
AR	C8TZ 4537-AT	.184" thick	Consists of		
AR	B8QH 4537-K	.185" thick	16-D3HZ 4217-A	Bolt	16-60600
AR	D6HZ 4537-H	.186" thick			Nut
AR	B8QH 4537-L	.187" thick			
AR	B8QH 4537-AF	.188" thick			



1980/  
TRUCK SERIES 600/900

QTY.	PART NUMBER	DESCRIPTION	QTY.	PART NUMBER	DESCRIPTION	
<p><b>EATON DS340 REAR AXLE SERVICE PARTS LIST NO. 198</b></p> <p>Notes: <math>\Delta</math> Also Serviced in kit-group 4A109 <math>\oplus</math> Also serviced in kit - group 4237  <math>\blacklozenge</math> Also serviced in kit - group 4215</p>						
1	$\star$ D0HZ 4033-A	Cover assy. (housing)-#77749,77752- incl. 4475 bearing, 4676 seal, 371365-S snap ring and fill plug	8	D2HZ 4216-B	Bolt (differential case)-power divider- 5/16" - 24 x 2 1/2"-also serviced in kit-group 4404	
1	358048-S(PP-43)	Plug (filler) - 3/4"-14-also serviced in kit-group 4341	8	33923-S7(M-32)	Nut (power divider diff. case bolt)- 5/16"-24	
1	$\Delta$ B7TZ 4035-A	Gasket (differential carrier)-18 3/4"- O.D. - 12 bolt holes - 17 1/2" bolt circle	16	D3HZ 4217-A	Bolt (drive gear to case)-5/8"-18 x 2 1/8"- also serviced in kit-group 4982	
1	$\star\Delta$ B8QH 4036-A	Gasket (cover to housing)-16 1/8"- I.D. x 18 3/4" O.D.-17 1/2" bolt circle- r/b D6AZ 19562-B	1	4221	Cone and roller (differential bearing)	
1	$\star$ 59T 4052-M	Cover (differential carrier)- shift fork opening	1	8QH 4221-B	R.H.-#567	
2	34793-S2(X-67-A)	Washer (differential carrier cover)-7/16"	1	A7TZ 4221-A	L.H. - #497	
2	357450-S(BB-172)	Bolt (differential carrier cover)- 7/16" - 14 x 7/8"	1	4222	Cup (differential bearing)	
	4067	Adjuster (differential bearing)	1	8QH 4222-A	R.H.-#563	
1	A8TZ 4067-B	R.H.-#31562	1	B6Q 1243-A	L.H. - #493	
1	E1HZ 4067-B	L.H.-#110243	2	$\oplus$ A8TZ 4228-A	Washer (differential side gear thrust and support case) - 4 9/16" O.D.	
1	$\Delta$ O1T 4073-M	Gasket (differential carrier cover)- Shift fork opening	1	D2HZ 4228-A	Washer (power divider input shaft thrust)- 2 11/32" I.D. x 3 5/8" O.D.	
1	C1TZ 4A109-A	Gasket kit		4230	Washer (pinion thrust)	
Consists of				4230	Diff. - 1 1/64" I.D. x 2 7/8" O.D.	
1	B8QH 4436-A	Shim	1	$\oplus$ 7EQH 4230	Power divider - 1" I.D. x 2 1/32" O.D.	
1	B8TZ 4436-B	Shim	2	C3TZ 4234-N	Shaft assy. - #56930	
1	TVAA 4456-A	Seal		4236	Gear (differential side)-serviced only in kit-group 4237	
1	TVAA 4457-A	Retainer		1	B9TZ 4237-G	Gear and pinion kit (differential)
1	TWAA 4461-A	Gasket		Consists of		
1	B7Q 4536 B	Shim	1	1-7EQH 4211	Pinion shaft	
1	B7Q 4536 C	Shim	2	A8TZ 4228-A	Washer-gear	
1	B8QH 4536-V	Shim	4	7EQH 4230	Washer-pinion	
1	B8QH 4536-W	Shim	1	D8HZ 4N282-A	Plug (housing cover filler)-magnetic- 1"-11 1/2"-also serviced in 4033 assy.	
2	C8TZ 4A133-A	Screw (differential oil trough)- 1/4"-20 x 3/4" nylock		4292	Pinion-serviced only in kit- group 4237	
	4A140	Bolt (power divider cover)		4300	Differential assy. - refer to group in Section 40	
5	E0HZ 4A140-A	Short-9/16"-12 x 1 3/4"		4309	Ring gear and pinion kit-includes self-locking nut	
4	E1HZ 4A140-A	Long-9/16"-12 x 2 1/2"		1	$\star$ D8HZ 4309-A	3.70 ratio
9	34810-S7-8(X-69)	Lockwasher (power divider cover bolt)-9/16"		1	$\star$ D8HZ 4309-B	4.11 ratio
	4A142	Nut		1	$\star$ D8HZ 4309-C	4.33 ratio
11	B7TZ 4A142-A	Carrier to housing-5/8"-18			4310	Housing assy.
11	C1TZ 4A142-A	Cover to housing-7/16"-20		1	$\star$ D7HZ 4310-B	#100314, 301179-Hendrickson suspension r/b D7HZ 4310-W
	4143	Lock (differential bearing adjuster)		1	D7HZ 4310-W	#303163-Hendrickson Suspension
1	TWAA 4143-A	R.H.		1	D7HZ 4310-C	#100315, 301296-Reyco suspension
1	7EQH 4143	L.H.		1	$\star$ D7HZ 4310-D	#100434, 301212-Neway suspension r/b D7HZ 4310-Z
2	350041-S(BB-347)	Bolt (lock retaining)-5/8"-11 x 1 3/4"		1	D7HZ 4310-Z	#303173-Neway Suspension
1	$\star$ C8TZ 4159-C	Lubricator (differential)-trough		1	B8QH 4319-A	Washer (output flange to bearing)- 1 3/4" I.D. x 2 9/32" O.D. - 3/16" thick
	D9HZ 4204-A	Differential case kit			4320	Locknut-also serviced in kits-group 4309, 4446, 4471
Consists of				1	D2HZ 4320-B	Flange to input shaft 1 5/8"-18 x 2 1/2"
1	E1HZ 4067 B	Adjuster	1	D5HZ 4320-A	Flange to output shaft-1 1/4"-12 x 1 3/4"	
12	D5HZ 4216-E	Bolt	1	D6HZ 4320-A	Drive pinion-1 1/2"-18 x 2 1/4"	
	4211	Shaft (pinion)-Serviced only in kit-group 4237	11	E0HZ 4323-D	Stud (carrier to housing)-5/8"-18 and 5/8"-11 x 2 11/16"	
1	D5HZ 4215-B	Kit (power divider differential repair)		1	E1HZ 4323-A	Bolt (carrier to housing)-5/8"-11 x 1 3/8"
Consists of				12	34811-S2(X-71)	Lockwasher (carrier to housing)-5/8"
4	D2HZ 4230 A	Washer				
4	95214	Side pinion				

1980/  
TRUCK SERIES 600/900

QTY.	PART NUMBER	DESCRIPTION	QTY.	PART NUMBER	DESCRIPTION		
EATON DS340 REAR AXLE SERVICE PARTS LIST NO. 198 — Cont'd							
Notes: $\Delta$ Also Serviced in kit-group 4A109 $\oplus$ Also serviced in kit - group 4237							
$\blacklozenge$ Also serviced in kit - group 4215							
1	C1TT 4334-A	Seal (shift housing cover)	1	D2HZ 4434-D	Gear Assy. (power divider input shaft cluster)- incl. D2HZ 4437-A bushing		
1	$\star$ C8TZ 4341-C	Carrier Assy. (differential)-#106400- cstg. no.-67851 old style		4436	Shim (input shaft bearing retainer)		
1	$\star$ D8HZ 4341-E	Carrier kit (diff.)-cstg. no. 110814- use to update old style Assy. to new style	AR	$\Delta$ B8QH 4436-A	.003" thick		
			AR	$\Delta$ B8TZ 4436-B	.005" thick		
			2	D2HZ 4437-A	Bushing (power divider cluster gear)- 2 5/16" I.D. x 2 1/2" O.D. x 1 7/32"- also serviced in Assy.-group 4434		
Consists of							
2-7641	Pin	1-358048-S	Plug	4442	Gear (drive pinion transfer)		
4-90538	Wire	1-E2HZ 4433-A	Gear	1	$\star$ C8TZ 4442-A	Exc. 3.70 ratio	
1-110815	Carrier Assy.	1-E2HZ 4470-A	Bearing Assy.	1	B9TT 4442-A	3.70 ratio	
4	350799-S(BB-373)	Bolt (cap to carrier) - 13/16"-10 x 4 1/4"		1	D2HZ 4446-F	Shaft kit (power divider input)	
1	$\star$ 74116-S	Expansion plug (shift fork hole)- lower - 15/16"	Consists of				
1	74121-S(P-8)	Plug - expansion (shift fork shaft hole)-upper - 1 1/4"	1-D2HZ 4320-B	Locknut	1-95395	Tag	
1	358048-S(PP-43)	Plug (filler and oil passage hole)- 3/4" - 14-also serviced in kit-group 4341	1-B8QH 4454-A	Washer	1-103283	Shaft	
1	C1TT 4344-A	Grommet (power divider shift fork push rod)-air	1	C1TT 4450-A	Fork (power divider lockout shift)		
1	C1TT 4345-A	Washer (shift fork push rod)	1	C1TT 4454-A	Bushing (output shaft)- 1 3/8" I.D. x 1 1/2" O.D. x 1 1/2"		
11	C1TZ 4346-A	Stud (cover to housing)- 7/16"-14 and 7/16"-20 x 2"	1	B8QH 4454-A	Washer (power divider input shaft)- also serviced in kit-group 4446		
1	E1HZ 4346-A	Bolt (cover to housing)-7/16"-14 x 3"	1	B8QH 4455-A	Clutch (power divider input shaft sliding) - 18 teeth - 20 splines		
12	34793-S2(X-67-A)	Lockwasher (cover to housing)-7/16"	1	C1TT 4458-A	Spring (power divider shift lever return)		
	4351	Flange Assy. (universal joint)-power divider end - input shaft	1	$\Delta$ TWAA 4461-A	Gasket (power divider shift cyl. to carrier)- 1 13/16" I.D.		
1	D9HZ 4351-A	1550 size-#4-4-2431		4465	Flange Assy. (output shaft)		
1	$\star$ D8HZ 4351-K	1710 size	1	C6TZ 4465-A	1610 size		
1	$\star$ D8HZ 4351-P	1810 size	1	C7TZ 4465-B	1710 size		
5	$\star$ D3HZ 4398-A	Bolt (retainer to cover)-1/2"-13 x 1 5/8"- r/b E3HZ 4398-A		4470	Bearing Assy. (power divider)-output shaft front		
5	34809-S8(X-68)	Lockwasher-1/2"-used w/D3HZ 4398-A bolt	1	C2TZ 4470-A	Includes cup #34492A, cone #34274- use on old style carrier with cstg. no. 67851		
5	E3HZ 4398-A	Bolt (retainer to cover)-1/2"-13 x 1 1/2"	1	E2HZ 4470-A	Includes cup #29620, cone #29675- use on new style carrier with cstg. no. 110814-also serviced in kit-group 4341		
	$\star$	Lockwasher (retainer to cover)- not required w/E3HZ 4398-A bolt					
1	D2HZ 4404-A	Kit (power divider differential case)	Consists of				
Consists of							
8-D2HZ 4216-B	Bolt	2-102621	Case	1-D5HZ 4320-A	Locknut	1-95395	Tag
8-57637	Nut			1-D2HZ 4471-A	Shaft & bushing		
	4414	Retainer Assy. (drive pinion bearing)- Exc. 3.70 ratio		1	B8QH 4475-A	Bearing (power divider output shaft)- rear	
1	$\star$ C8TZ 4414-A	Exc. 3.70 ratio		2	B8QH 4476-B	"O" ring (power divider output shaft)	
1	$\star$ B8QH 4414-B	3.70 ratio		4536	Shim (driving pinion bearing retainer)- front		
6	E0HZ 4545-A	Washer (drive pinion bearing retainer bolt)-9/16"		AR	B8QH 4536-V	.003" thick	
6	E0HZ 4560-A	Bolt (drive pinion bearing retainer)- 9/16"-12 x 1 1/2"		AR	B8QH 4536-W	.010" thick	
1	D2HZ 4423-A	Bearing (power divider input shaft)- #JH307749-Incl. bearing cup- D2HZ 4616-A-#JH307710		AR	B8QH 4536-X	.030" thick	
1	$\star$ $\Delta$ B8TZ 4427-A	Gasket (power divider cover)- r/b D6AZ 19562-B		1	$\star$ D2HZ 4536-A	Washer (input shaft bearing spacer)	
1	B8QH 4428-B	Cover (power divider)		4537	Spacer (driving pinion bearing)		
1	$\star$ D2HZ 4431-A	Retainer Assy. (power divider shaft bearing)- #CAST 85421-includes cup		1	7EQH 4537-A	.623" thick	
	4433	Gear (power divider output shaft cluster)		1	D5HZ 4537-A	.624" thick	
1	$\star$ D2HZ 4433-A	Use on old style carrier with cstg. no. 67851		1	D5HZ 4537-B	.625" thick	
1	E2HZ 4433-A	Use on new style carrier with cstg. no. 110814-also serviced in kit-group 4341		1	D5HZ 4537-C	.626" thick	
				1	D5HZ 4537-D	.627" thick	
				1	D5HZ 4537-E	.628" thick	
				1	7EQH 4537-C	.629" thick	
				1	D5HZ 4537-F	.630" thick	
				1	D5HZ 4537-G	.631" thick	

1980/  
TRUCK SERIES 600/900

QTY.	PART NUMBER	DESCRIPTION	QTY.	PART NUMBER	DESCRIPTION
<b>EATON DS340 REAR AXLE SERVICE PARTS LIST NO. 198 — Cont'd</b>					
Notes: $\Delta$ Also Serviced in kit-group 4A109 $\oplus$ Also serviced in kit - group 4237					
$\blacklozenge$ Also serviced in kit - group 4215					
	4537	Spacer (driving pinion bearing) — Cont'd	2	B8QH 4616-A	Cup (driving pinion bearing)-#72487
1	D5HZ 4537-H	.632" thick	1	$\star$ D2HZ 4616-A	Cup (input shaft bearing)-#JH307710
1	D5HZ 4537-J	.633" thick		4621	Cone and roller assy. (drive pinion bearing)
1	D5HZ 4537-K	.634" thick	1	D2HZ 4621-A	Exc. 3.70 ratio-inner-#72218-C
1	7EQH 4537-E	.635" thick	1	B8TZ 4621-A	Exc. 3.70 ratio-outer-#72200-C
1	D5HZ 4537-L	.636" thick	2	B8TZ 4621-A	3.70 ratio-#72200-C
1	D5HZ 4537-M	.637" thick	1	C1TT 4623-A	Piston (power divider lockout shift)
1	D5HZ 4537-N	.638" thick	1	7EQH 4625	Bearing assy. (driving pinion pilot)-#15828 or MUS1307-TM
1	D5HZ 4537-P	.639" thick	1	D2HZ 4637-A	Washer (input shaft nut) - 1 21/32" I.D.
1	D5HZ 4537-R	.640" thick	1	7EQH 4637	Washer (output shaft nut)- 1 9/32" I.D.
1	7EQH 4537-G	.641" thick	1	E3HZ 4676-C	Seal assy. (output shaft oil)-#119431 3 5/8" O.D.-for 2 5/8" dia. shaft
1	D5HZ 4537-S	.642" thick	1	E3HZ 4676-B	Seal assy. (input shaft oil)-#119429- 4" O.D.-for 2 15/16" dia. shaft
1	D5HZ 4537-T	.643" thick	1	371365-S(QQ-14)	Snap ring (output shaft bearing)- 3 1/64" I.D. x 3 31/64" O.D. x 1/16" thick
1	D5HZ 4537-V	.644" thick	1	C1TT 4727-A	Cover (power divider diff. lockout)
1	D5HZ 4537-W	.645" thick	4	D8HZ 4A197-A	Lockwasher (power divider diff. lockout cover bolt)-1/4" I.D. x 31/64" O.D. x 3/64" thick
1	D5HZ 4537-X	.646" thick	4	304646-S8(B-42-A)	Bolt (power divider diff. lockout cover)- 1/4"-20 x 3/4"
1	7EQH 4537-J	.647" thick	1	D5HZ 4749-A	Body (power divider diff. lockout shift)
1	D5HZ 4537-Y	.648" thick	2	34793-S2(X-67-A)	Lockwasher - 7/16"
1	D5HZ 4537-Z	.649" thick	2	354136-S8(BB-906)	Bolt (power divider body)-7/16" - 14 x 1 1/4"
1	D5HZ 4537-AA	.650" thick	1	D6HZ 4982-A	Bolt and nut kit (driving gear)
1	D5HZ 4537-AB	.651" thick	Consists of		
1	D5HZ 4537-AC	.652" thick	16-D3HZ 4217-A	Bolt	16-60600 Nut
1	7EQH 4537-L	.653" thick			
1	D5HZ 4537-AD	.654" thick			
2	D8HZ 4550-A	Oiler (power divider lockout shift piston)- felt-1 3/4" I.D. x 1/4" thick			
	4567	Snap ring (retainer)			
1	D2HZ 4567-B	Input shaft			
2	D2HZ 4567-C	Output shaft			
1	D8HZ 4593-C	"O" ring (power divider oil pump shaft)- 1 7/8" I.D. x 2" O.D. x 1/16" thick			
<b>EATON RS340 REAR AXLE SERVICE PARTS LIST NO. 199</b>					
Notes: $\oplus$ Also serviced in kit - group 4237 $\otimes$ Also serviced in kit - group 4A109					
	4010	Housing assy.	2	C8TZ 4A133-A	Screw (diff. oil trough)- 1/4" - 20 x 3/4" - nylock
1	$\star$ D7HZ 4010-E	#100316, 301180-Hendrickson Suspension r/b D7HZ 4010-X	1	C8TZ 4141-C	Carrier assy. (differential)-#106402
1	$\star$ D7HZ 4010-X	#303164-Hendrickson Suspension	1	74121-S(P-8)	Plug (shift fork shaft hole) expansion - upper - 1 1/4"
1	D7HZ 4010-F	#100317, 301297-Reyco Suspension	1	$\star$ 74116-S	Plug (shift fork shaft hole)- expansion - lower 15/16"
1	$\star$ D7HZ 4010-G	#100435, 301213-Neway Suspension r/b D7HZ 4010-Y	12	B7TZ 4A142-A	Nut (carrier to housing) - 5/8"-18
1	D7HZ 4010-Y	#303174-Neway Suspension	4	350799-S(BB-373)	Bolt (cap to carrier)-13/16"-10 x 4 1/4"
1	374506-S(PP-51)	Plug (drain)-magnetic-3/4"-14	4	351541-S (XX-245-C)	Washer (cap to carrier) - 27/32"
1	374506-S(PP-51)	Plug (filler) - magnetic-3/4" - 14		4143	Lock (differential bearing adjuster)
1	B7TZ 4035-A	Gasket (differential carrier) - 18 3/4" O.D. - 12 bolt holes - 17 1/2" bolt circle	1	7EQH 4143	R.H.
1	$\star$ 59T 4052-M	Cover (differential carrier) - shift fork opening	1	TWAA 4143-A	L.H.
2	357450-S(BB-172)	Bolt (cover retaining)-7/16" - 14 x 7/8"	2	350041-S(BB-347)	Bolt (lock retaining)-5/8"-11 x 1 3/4"
2	34808-S8(X-67)	Lockwasher - 7/16"	1	D8HZ 4159-A	Lubricator (differential)-trough
	4067	Adjuster (differential bearing)		4200	Differential assy.-refer to group in Section 40
1	E1HZ 4067-B	R.H.-#110243	1	D9HZ 4204-A	Differential case kit
1	A8TZ 4067-B	L.H.-#31562	Consists of		
1	01T 4073-M	Gasket (differential carrier cover)- shift fork opening	1-E1HZ 4067-B	Adjuster	1-103865 Case flanged half
1	B7TZ 4A109-F	Gasket kit	12-D5HZ 4216-E	Bolt	1-110138 Case plain half
Consists of					
1	E0HZ 4536-A	Shim	1	43590	Shim
1	E0HZ 4536-C	Shim	1	107276	Rtv. gasket
1	7EQH 4662	Gasket			

October, 1993

COPYRIGHT © 1993 - FORD MOTOR - DEARBORN, MICHIGAN  
COMPANY

Final Issue

1980/  
TRUCK SERIES 600/900

QTY.	PART NUMBER	DESCRIPTION	QTY.	PART NUMBER	DESCRIPTION
EATON RS340 REAR AXLE SERVICE PARTS LIST NO. 199 — Cont'd					
Notes: ⊕ Also serviced in kit - group 4237 ⊕ Also serviced in kit - group 4A109					
	4209	Ring gear and pinion kit—includes Self-locking nut		4537	Spacer (driving pinion bearing) — Cont'd
1	D8HZ 4209-A	3.70 ratio	1	D5HZ 4537-F	.630" thick
1	D8HZ 4209-B	4.11 ratio	1	D5HZ 4537-G	.631" thick
1	D8HZ 4209-C	4.33 ratio	1	D5HZ 4537-H	.632" thick
	4211	Shaft (pinion)—Serviced only in kit-group 4237	1	D5HZ 4537-J	.633" thick
12	D5HZ 4216-E	Bolt (diff. case)—self-locking-9/16"-12 x 2 3/4"—also serviced in kit-group 4204	1	D5HZ 4537-K	.634" thick
16	D3HZ 4217-A	Bolt (drive gear to case)-5/8"-18 x 2 1/8"- also serviced in kit-group 4982	1	7EQH 4537-E	.635" thick
	4221	Cone and roller (differential bearing)	1	D5HZ 4537-L	.636" thick
1	A7TZ 4221-A	R.H. - #497	1	D5HZ 4537-M	.637" thick
1	8QH 4221-B	L.H.—#567	1	D5HZ 4537-N	.638" thick
	4222	Cup (differential bearing)	1	D5HZ 4537-P	.639" thick
1	B6Q 1243-A	R.H. - #493	1	D5HZ 4537-R	.640" thick
1	8QH 4222-A	L.H.—#563	1	7EQH 4537-G	.641" thick
2	A8TZ 4228-A	Washer (diff. side gear thrust and support case) - 4 9/16" O.D.	1	D5HZ 4537-S	.642" thick
4	7EQH 4230	Washer (pinion thrust)— 1 1/64" I.D. x 2 7/16" O.D.	1	D5HZ 4537-T	.643" thick
2	C3TZ 4234-N	Shaft assy. - #56980	1	D5HZ 4537-V	.644" thick
	4236	Gear (differential side)—serviced only in kit-group 4237	1	D5HZ 4537-W	.645" thick
1	B9TZ 4237-G	Gear and pinion kit (differential)	1	D5HZ 4537-X	.646" thick
Consists of					
1	7EQH 4211	Pinion shaft	2	TGAA 4236-B	Side gear
2	A8TZ 4228-A	Washer-gear	4	TGAA 4292-B	Pinion gear
4	7EQH 4230	Washer-pinion			
	4292	Pinion—serviced only in kit— group 4237	1	C8TZ 4614-B	Retainer assy. (driving pinion) #67817—exc. 3.70 ratio
1	D6HZ 4320-A	Nut (flange to pinion)—self-locking—also serviced in kit-group 4209	1	D3HZ 4614-A	#75108—3.70 ratio
	4323	Stud (carrier to housing)	6	357454-S(BB-199-ME)	Bolt (drive pinion bearing retainer)— 9/16"-12 x 1 1/2"
11	E0HZ 4323-D	5/8"-11 and 5/8"-18 x 2 11/16"	2	7EQH 4616	Cup (driving pinion bearing) - #55437
1	D3HZ 4323-D	5/8"-11 and 5/8"-18 x 2 7/8"	2	A8TZ 4621-A	Cone and roller (driving pinion) - #55200-C
12	34811-S2(X-71)	Lockwasher (carrier to housing)-5/8"	1	7EQH 4625	Bearing assy. (driving pinion pilot) - #MUS1307-TM, #15828
	4536	Shim (driving pinion bearing retainer)	1	C6TZ 4637-A	Washer (driving pinion)— 2 5/8" O.D. x 1 17/32" I.D. x 1/16" thick
AR	△E0HZ 4536-A	.003" thick	1	E3HZ 4676-A	Seal and retainer assy. (drive pinion oil)— includes integral seal and retainer. #119427-4 9/16" O.D.—for 2 5/8" dia. shaft
AR	△E0HZ 4536-C	.010" thick		4851	Flange assy. (universal joint)—axle end
	4537	Spacer (driving pinion bearing)	1	C6TZ 4851-U	1610 size
1	7EQH 4537-A	.623" thick	1	C7TZ 4851-E	1710 size
1	D5HZ 4537-A	.624" thick	1	D6HZ 4982-A	Bolt and nut kit (driving gear)
1	D5HZ 4537-B	.625" thick	Consists of		
1	D5HZ 4537-C	.626" thick	16	D3HZ 4217-A	Bolt 16-60600 Nut
1	D5HZ 4537-D	.627" thick			
1	D5HZ 4537-E	.628" thick			
1	7EQH 4537-C	.629" thick			
EATON DS380 REAR AXLE SERVICE PARTS LIST NO. 200					
Notes: △ Also Serviced in kit - group 4A109 ⊕ Also serviced in kit-group 4237					
◆ Also serviced in kit-group 4215					
1	★D0HZ 4033-A	Cover assy. (housing)-#77749,77752— incl. 4475 bearing, 4676 seal, 371365-S Snap ring and fill plug	1	★B8QH 4036-A	Gasket (cover to housing)-16 1/8"— I.D. x 18 3/4" O.D. - 17 1/2" bolt circle- r/b D6AZ 19562-B
1	358048-S(PP-43)	Plug (filler) - 3/4"-14—also serviced in kit-group 4341	1	★59T 4052-M	Cover (differential carrier). Shift fork opening
1	△B7TZ 4035-A	Gasket (differential carrier)-18 3/4" O.D. - 12 bolt holes - 17 1/2" bolt circle	2	34793-S2(X-67-A)	Washer (differential carrier cover)-7/16"
			2	357450-S(BB-172)	Bolt (differential carrier cover)- 7/16" - 14 x 7/8"

**1980/  
TRUCK SERIES 600/900**

QTY.	PART NUMBER	DESCRIPTION	QTY.	PART NUMBER	DESCRIPTION
<b>EATON DS380 REAR AXLE SERVICE PARTS LIST NO. 200 — Cont'd</b>					
Notes: $\Delta$ Also Serviced in kit - group 4A109 $\oplus$ Also serviced in kit-group 4237					
$\blacklozenge$ Also serviced in kit-group 4215					
1	A8TZ 4067-B	Adjuster (differential bearing) R.H.-#31562	2	D7HZ 4234-A	Shaft assy.
1	E1HZ 4067-B	L.H.-#110243		4236	Gear (differential side)-serviced only in kit-group 4237
1	$\Delta$ 01T 4073-M	Gasket (differential carrier cover)- Shift fork opening	1	B8QH 4237-G	Gear and pinion kit (differential)-
1	C1TZ 4A109-A	Gasket kit	Consists of		
Consists of					
1	B8QH 4436-A	Shim	1	B8QH 4536-X	Shim
1	B8TZ 4436-B	Shim	1	7EQH 4662	Gasket
1	TVAA 4456-A	Seal	1	38939	Sealer
1	TVAA 4457-A	Retainer	1	43590	Shim
1	TWAA 4461-A	Gasket	1	45499	Shim
1	B7Q 4536-B	Shim	1	57373	Sealer
1	B7Q 4536-C	Shim	1	85406	Shim
1	B8QH 4536-V	Shim	1	107276	Rtv. gasket
1	B8QH 4536-W	Shim			
2	C8TZ 4A133-A	Screw (differential oil through)- 1/4"-20 x 3/4" - nylock	1	$\star$ D8HZ 4309-A	3.70 ratio
	4A140	Bolt (power divider cover)	1	$\star$ D8HZ 4309-B	4.11 ratio
5	E0HZ 4A140-A	Short-9/16"-12 x 1 3/4"	1	$\star$ D8HZ 4309-C	4.33 ratio
4	E1HZ 4A140-A	Long-9/16"-12 x 2 1/2"		4310	Housing assy.
9	34810-S7-8(X-69)	Lockwasher (power divider cover bolt)-9/16"	1	$\star$ D7HZ 4310-E	#100336, 301255-Hendrickson Suspension- w/o 60" spread frame-r/b D7HZ 4310-X
	4A142	Nut	1	D7HZ 4310-X	#303207-Hendrickson Suspension- w/o 60" spread frame
11	B7TZ 4A142-A	Carrier to housing-5/8"-18	1	$\star$ D7HZ 4310-H	#100394, 301258-Hendrickson Suspension- w/ 60" spread frame-r/b D7HZ 4310-Y
11	C1TZ 4A142-A	Cover to housing-7/16"-20	1	$\star$ D7HZ 4310-Y	#303209-Hendrickson Suspension- w/60" spread frame
	4143	Lock (differential bearing adjuster)	1	$\star$ D7HZ 4310-F	#100337 - Reyco Suspension
1	TWAA 4143-A	R.H.	1	$\star$ D7HZ 4310-G	#100417, 301260 - Neway Suspension- r/b E4HZ 4310-R
1	7EQH 4143	L.H.	1	E4HZ 4310-R	#303326-Neway Suspension
2	350041-S(BB-347)	Bolt (lock retaining)-5/8"-11-1 3/4"	1	B8QH 4319-A	Washer (output flange to bearing)- 1 3/4" I.D. x 2 9/32" O.D. - 3/16" thick
1	$\star$ C8TZ 4159-C	Lubricator (differential)-trough		4320	Locknut-also serviced in kits-group 4309, 4446, 4471
1	D9HZ 4204-A	Differential case kit	1	D2HZ 4320-B	Flange to input shaft-1 5/8"-18 x 2 1/4"
Consists of					
1	E1HZ 4067-B	Adjuster	1	D5HZ 4320-A	Flange to output shaft-1 1/4"-12 x 1 3/4"
12	D5HZ 4216-E	Bolt	1	D6HZ 4320-A	Drive pinion-1 1/2"-18 x 2 1/4"
	4211	Shaft (pinion)-Serviced only in kit-group 4237	11	E0HZ 4323-D	Stud (carrier to housing)-5/8"-18 and 5/8"-11 x 2 11/16"
1	D5HZ 4215-B	Kit (power divider differential repair)	1	E1HZ 4323-A	Bolt (carrier to housing)-5/8"-11 x 1 3/8"
Consists of					
4	D2HZ 4230-A	Washer	12	34811-S2(X-71)	Lockwasher (carrier to housing)-5/8"
4	95214	Side pinion	1	C1TT 4334-A	Seal (shift housing cover)
			1	$\star$ C8TZ 4341-C	Carrier assy. (differential)-#106400- cstg. no. 67851 old style
12	D5HZ 4216-E	Bolt (diff. case)-self-locking-9/16"-12 x 2 3/4"-also serviced in kit-group 4204	1	$\star$ D8HZ 4341-E	Carrier kit (diff.)-cstg. no. 110814- use to update old style assy. to new style
8	D2HZ 4216-B	Bolt (differential case)-power divider- 5/16" - 24 x 2 1/2"-also serviced in kit-group 4404	Consists of		
8	33923-S7(M-32)	Nut (power divider diff. case bolt)- 5/16"-24	2	7641	Pin
16	D3HZ 4217-A	Bolt (drive gear to case)-5/8"-18 x 2 1/8"	4	90538	Wire
	4221	Cone and roller (differential bearing)	1	110815	Carrier assy.
1	8QH 4221-B	R.H.-#567	4	350799-S(BB-373)	Bolt (cap to carrier)-13/16"-10 x 4 1/4"
1	A7TZ 4221-A	L.H. - #497	4	$\star$ 351541-S	Washer (cap bolt)-13/16"
	4222	Cup (differential bearing)	1	$\star$ 74116-S	Expansion plug (shift fork hole)- lower - 15/16"
1	8QH 4222-A	R.H.-#563	1	74121-S(P-8)	Plug-expansion (shift fork shaft hole) - upper - 1 1/4"
1	B6Q 1243-A	L.H. - #493	1	358048-S(PP-43)	Plug (filler and oil passage hole)-3/4"-14- also serviced in kit-group 4341
2	$\oplus$ A8TZ 4228-A	Washer (differential side gear thrust and support case)-4 9/16" O.D.			
1	D2HZ 4228-A	Washer (power divider input shaft thrust)- 2 11/32" I.D. x 3 5/8" O.D.			
	4230	Washer (pinion thrust)			
4	$\oplus$ 7EQH 4230	Diff. - 1 1/64" I.D. x 2 7/8" O.D.			
4	$\blacklozenge$ D2HZ 4230-A	Power divider - 1" I.D. x 2 1/32" O.D.			

1980/  
TRUCK SERIES 600/900

QTY.	PART NUMBER	DESCRIPTION	QTY.	PART NUMBER	DESCRIPTION
EATON DS380 REAR AXLE SERVICE PARTS LIST NO. 200 — Cont'd					
Notes: $\Delta$ Also Serviced in kit - group 4A109 $\oplus$ Also serviced in kit-group 4237					
$\blacklozenge$ Also serviced in kit-group 4215					
1	C1TT 4344-A	Grommet (power divider shift fork push rod)-air	1	C1TT 4454-A	Bushing (output shaft)- 1 3/8" I.D. x 1 1/2" O.D. x 1 1/2"
1	C1TT 4345-A	Washer (shift fork push rod)	1	B8QH 4454-A	Washer (power divider input shaft)- also serviced in kit-group 4446
11	C1TZ 4346-A	Stud (cover to housing)-7/16"-14 and 7/16"-20 x 2"	1	B8QH 4455-A	Clutch (power divider input shaft sliding)-18 teeth-20 splines
1	E1HZ 4346-A	Bolt (cover to housing)-7/16"-14 x 3"	1	C1TT 4458-A	Spring (power divider shift lever return)
12	34793-S2(X-67-A)	Lockwasher (cover to housing)-7/16"	1	$\Delta$ TWAA 4461-A	Gasket (power divider shaft cyl. to carrier)-1 13/16" I.D.
	4351	Flange assy. (universal joint)-power divider end - input shaft)		4465	Flange assy. (output shaft)
1	$\star$ D8HZ 4351-K	1710 size	1	C6TZ 4465-A	1610 size
1	$\star$ D8HZ 4351-P	1810 size	1	C7TZ 4465-B	1710 size
1	$\star$ D8HZ 4351-A	1880 size		4470	Bearing assy. (power divider)-output shaft front
5	$\star$ D3HZ 4398-A	Bolt (retainer to cover) - 1/2"-13 x 1 5/8"- r/b E3HZ 4398-A	1	C2TZ 4470-A	Includes cup #34492A, cone #34274- use on old style carrier with cstg. no. 67851
5	34809-S8(X-68)	Lockwasher-1/2"-used w/D3HZ 4398-A bolt	1	E2HZ 4470-A	Includes cup #29620, cone #29675- use on new style carrier with cstg. no. 110814-also serviced in kit-group 4341
5	E3HZ 4398-A	Bolt (retainer to cover)-1/2"-13 x 1 1/2"			
	$\star$	Lockwasher (retainer to cover)- not required w/E3HZ 4398-A bolt			
1	D2HZ 4404-A	Kit (power divider differential case)	1	D2HZ 4471-B	Shaft kit (power divider output)
Consists of					
8-	D2HZ 4216-B	Bolt	2-	102621	Case
8-	57637	Nut			
	4414	Retainer assy. (drive pinion bearing)- Exc. 3.70 ratio			
1	$\star$ C8TZ 4414-A	3.70 ratio	1-	D5HZ 4320-A	Locknut
1	$\star$ B8QH 4414-B	3.70 ratio	1-	D2HZ 4471-A	Shaft & bushing
6	E0HZ 4545-A	Washer (drive pinion bearing retainer bolt)-9/16"	1	B8QH 4475-A	Bearing (power divider output shaft)- rear
6	E0HZ 4560-A	Bolt (drive pinion bearing retainer)- 9/16"-12 x 1 1/2"	2	B8QH 4476-B	"O" ring (power divider output shaft)
1	D2HZ 4423-A	Bearing (power divider input shaft) - #JH307749 - Incl. bearing cup - D2HZ 4616-A - #JH307710		4536	Shim (driving pinion bearing reatiner)- front
1	$\star\Delta$ B8TZ 4427-A	Gasket (power divider cover)- r/b D6AZ 19562-B	AR	B8QH 4536-V	.003" thick
1	B8QH 4428-B	Cover (power divider)	AR	B8QH 4536-W	.010" thick
1	$\star$ D2HZ 4431-A	Retainer assy. (power divider shaft bearing)- #CAST 85421-includes cup	AR	B8QH 4536-X	.030" thick
1	4433	Gear (power divider output shaft cluster)	1	$\star$ D2HZ 4536-A	Washer (input shaft bearing spacer)
1	$\star$ D2HZ 4433-A	Use on old style carrier with cstg. no. 67851		4537	Spacer (driving pinion bearing)
1	E2HZ 4433-A	Use on new style carrier with cstg. no. 110814-also serviced in kit-group 4341	1	7EQH 4537-A	.623" thick
1	D2HZ 4434-D	Gear assy. (power divider input shaft cluster)- incl. D2HZ 4437-A bushing	1	D5HZ 4537-A	.624" thick
	4436	Shim (input shaft bearing retainer)	1	D5HZ 4537-B	.625" thick
AR	$\Delta$ B8QH 4436-A	.003" thick	1	D5HZ 4537-C	.626" thick
AR	$\Delta$ B8TZ 4436-B	.005" thick	1	D5HZ 4537-D	.627" thick
2	D2HZ 4437-A	Bushing (power divider cluster gear)- 2 5/16" I.D. x 2 1/2" O.D. x 1 7/32"- also serviced in assy.-group 4434	1	D5HZ 4537-E	.628" thick
	4442	Gear (drive pinion transfer)	1	7EQH 4537-C	.629" thick
1	$\star$ C8TZ 4442-A	Exc. 3.70 ratio	1	D5HZ 4537-F	.630" thick
1	B9TT 4442-A	3.70 ratio	1	D5HZ 4537-G	.631" thick
1	D2HZ 4446-F	Shaft kit (power divider input)	1	D5HZ 4537-H	.632" thick
Consists of					
1-	D2HZ 4320-B	Locknut	1-	95395	Tag
1-	B8QH 4454-A	Washer	1-	103283	Shaft
1	C1TT 4450-A	Fork (power divider lockout shift)	1	D5HZ 4537-I	.633" thick
			1	D5HZ 4537-J	.634" thick
			1	D5HZ 4537-K	.634" thick
			1	7EQH 4537-E	.635" thick
			1	D5HZ 4537-L	.636" thick
			1	D5HZ 4537-M	.637" thick
			1	D5HZ 4537-N	.638" thick
			1	D5HZ 4537-P	.639" thick
			1	D5HZ 4537-R	.640" thick
			1	7EQH 4537-G	.641" thick
			1	D5HZ 4537-S	.642" thick
			1	D5HZ 4537-T	.643" thick
			1	D5HZ 4537-V	.644" thick
			1	D5HZ 4537-W	.645" thick
			1	D5HZ 4537-X	.646" thick
			1	7EQH 4537-J	.647" thick

1980/  
TRUCK SERIES 600/900

QTY.	PART NUMBER	DESCRIPTION	QTY.	PART NUMBER	DESCRIPTION
<b>EATON D5380 REAR AXLE SERVICE PARTS LIST NO. 200 — Cont'd</b>					
Notes: $\Delta$ Also serviced in kit - group 4A109 $\oplus$ Also serviced in kit - group 4237					
$\blacklozenge$ Also serviced in kit - group 4215					
	4537	Spacer (driving pinion bearing) — Cont'd	1	7EQH 4625	Bearing assy. (driving pinion pilot)- #15828 or MUS1307-TM
1	D5HZ 4537-Y	.648" thick		1 D2HZ 4637-A	Washer (input shaft nut)-1 21/32" I.D.
1	D5HZ 4537-Z	.649" thick		1 7EQH 4637	Washer (output shaft nut)-1 9/32" I.D.
1	D5HZ 4537-AA	.650" thick		1 E3HZ 4676-C	Seal assy. (output shaft oil)-#119431- 3 5/8" O.D.-for 2 5/8" dia. shaft
1	D5HZ 4537-AB	.651" thick		1 E3HZ 4676-B	Seal assy. (input shaft oil)-#119429- 4" O.D.-for 2 15/16" dia. shaft
1	D5HZ 4537-AC	.652" thick		1 371365-S(QQ-14)	Snap ring (output shaft bearing)- 3 1/64" I.D. x 3 31/64" O.D. - 1/16" thick
1	7EQH 4537-L	.653" thick		1 C1TT 4727-A	Cover (power divider diff lockout)
1	D5HZ 4537-AD	.654" thick		4 D8HZ 4A197-A	Lockwasher (power divider diff. lockout cover bolt)- 1/4" I.D. x 31/64" O.D. x 3/64" thick
2	D8HZ 4550-A	Oiler (power divider lockout shift piston)- felt-1 3/4" I.D. x 1/4" thick		4 304646-S8(B-42-A)	Bolt (power divider diff. lockout cover)- 1/4"-20 x 3/4"
	4567	Snap ring (retainer)	1	1 D5HZ 4749-A	Body (power divider diff. lockout shift)
1	D2HZ 4567-B	Input shaft	2	34793-S2(X-67-A)	Lockwasher - 7/16"
2	D2HZ 4567-C	Output shaft	2	354136-S8(BB-906)	Bolt (power divider body)-7/16" 14 x 1 1/4"
1	D8HZ 4593-C	"0" ring (power divider oil pump shaft)- 1 7/8" I.D. x 2" O.D. x 1/16" thick	1	D6HZ 4982-A	Bolt and nut kit (driving gear)
2	B8QH 4616-A	Cup (driving pinion bearing)-#72487	Consists of		
1	$\star$ D2HZ 4616-A	Cup (input shaft bearing)-#JH 307710	16	D3HZ 4217-A	Bolt
	4621	Cone and roller assy. (drive pinion bearing)		16	60600 Nut
1	D2HZ 4621-A	Exc. 3.70 ratio-inner-#72218-C			
1	B8TZ 4621-A	Exc. 3.70 ratio-outer-#72200-C			
2	B8TZ 4621-A	3.70 ratio-#72200-C			
1	C1TT 4623-A	Piston (power divider lockout shift)			
<b>EATON RS380 REAR AXLE SERVICE PARTS LIST NO. 201</b>					
Notes: $\Delta$ Also serviced into kit-group 4A109 $\oplus$ Also serviced in kit-group 4237					
1	$\star$ D7HZ 4010-H	Housing assy. #100338, 301256-Hendrickson Suspension- w/o 60" spread frame r/b D7HZ 4010-Z	1	$\star$ 74116-S	Plug (Shift fork Shaft hole)- expansion-lower-15/16"
1	D7HZ 4010-Z	#303208-Hendrickson Suspension- w/o 60" spread frame	12	B7TZ 4A142-A	Nut (carrier to housing)-5/8"-18
1	D7HZ 4010-K	#100395, 301259-Hendrickson suspension- with 60" spread frame	4	350799-S(BB-373)	Bolt (cap to carrier)-13/16"-10 x 4 1/4"
1	D7HZ 4010-J	#100339-Reyco Suspension	4	351541-S(XX-245-C)	Washer (cap to carrier)-27/32"
1	$\star$ D7HZ 4010-AD	Reyco Suspension-#303330		4143	Lock (differential bearing adjuster)
1	D7HZ 4010-K	#100395-Neway Suspension	1	7EQH 4143	R.H.
1	374506-S(PP-51)	Plug (drain)-magnetic-3/4"-14	1	TWAA 4143-A	L.H.
1	374506-S(PP-51)	Plug (filler)-3/4"-14	2	350041-S(BB-347)	Bolt (lock retaining)-5/8"-11 x 1 3/4"
1	B7TZ 4035-A	Gasket (differential Carrier)-18 3/4"- O.D.-12 bolt holes-17 1/2" bolt circle	1	D8HZ 4159-A	Lubricator (differential)-trough
1	$\star$ 59T 4052-M	Cover (differential Carrier)-Shift fork opening	1	D9HZ 4204-A	Differential case kit
2	357450-S(BB-172)	Bolt (cover retaining)-7/16"-14 x 7/8"	Consists of		
2	34808-S8(X-67)	Lockwasher-7/16"	1	E1HZ 4067-B	Adjuster
	4067	Adjuster (differential bearing)	1	D5HZ 4216-E	1-103865 Case flanged half
1	E1HZ 4067-B	R.H.-#110243	12	D3HZ 4217-A	1-110138 Case plain half
1	A8TZ 4067-B	L.H.-#31562		4209	Ring gear and pinion kit-includes Self-locking nut
1	O1T 4073-M	Gasket (differential carrier cover)- shift fork opening	1	D8HZ 4209-A	3.70 ratio
	B7TZ 4A109-F	Gasket kit	1	D8HZ 4209-B	4.11 ratio
Consists of					
1	E0HZ 4536-A	Shim	1	D8HZ 4209-C	4.33 ratio
1	E0HZ 4536-C	Shim		4211	Shaft (pinion)-Serviced only in kit-group 4237
1	7EQH 4662	Gasket	12	D5HZ 4216-E	Bolt (diff. case)-self-locking-9/16"-12 x 2 3/4"-also serviced in kit-group 4204
2	C8TZ 4A133-A	Screw (diff. oil trough)- 1/4"-20 x 3/4"-nylock	16	D3HZ 4217-A	Bolt (drive gear to case)-5/8"-18 x 2 1/8"- also serviced in kit-group 4982
1	C8TZ 4141-C	Carrier assy. (differential)-#106402		4221	Cone and roller (differential bearing)
1	74121-S(P-8)	Plug (Shift fork Shaft hole)- expansion-upper-1 1/4"	1	A7TZ 4221-A	R.H.-#497
			1	8QH 4221-B	L.H.-#567
				4222	Cup (differential bearing)
			1	B6Q 1243-A	R.H.-#493
			1	8QH 4222-A	L.H.-#563
			2	$\oplus$ A8TZ 4228-A	Washer (diff. side gear thrust and support case)-4 9/16" O.D.

1980/  
TRUCK SERIES 600/900

QTY.	PART NUMBER	DESCRIPTION	QTY.	PART NUMBER	DESCRIPTION
<b>EATON RS380 REAR AXLE SERVICE PARTS LIST NO. 201 — Cont'd</b>					
Notes: $\Delta$ Also serviced into kit-group 4A109 $\oplus$ Also serviced in kit-group 4237					
4	$\oplus$ 7EQH 4230	Washer (pinion thrust)- 1 1/64" I.D. x 2 7/16" O.D.		4537	Spacer (driving pinion bearing) — Cont'd
2	D7HZ 4234-A	Shaft assy.	1	7EQH 4537-G	.641" thick
	4236	Gear (differential side)-serviced only in kit-group 4237	1	D5HZ 4537-S	.642" thick
1	B8QH 4237-G	Gear and pinion kit (differential)	1	D5HZ 4537-T	.643" thick
Consists of			1	D5HZ 4537-V	.644" thick
1	7EQH 4211	Shaft	1	D5HZ 4537-W	.645" thick
2	A8TZ 4228-A	Washer-gear	1	D5HZ 4537-X	.646" thick
4	7EQH 4230	Washer-pinion	1	7EQH 4537-J	.647" thick
	4292	Pinion-serviced only in kit-group 4237	1	D5HZ 4537-Y	.648" thick
1	D6HZ 4320-A	Nut (flange to pinion)-self-locking- also serviced in kit-group 4209	1	D5HZ 4537-Z	.649" thick
	4323	Stud (carrier to housing)	1	D5HZ 4537-AA	.650" thick
11	E0HZ 4323-D	5/8"-11 and 5/8"-18 x 2 11/16"	1	D5HZ 4537-AB	.651" thick
1	D3HZ 4323-D	5/8"-11 and 5/8"-18 x 2 7/8"	1	D5HZ 4537-AC	.652" thick
12	34811-S2(X-71)	Lockwasher (carrier to housing)-5/8"	1	7EQH 4537-L	.653" thick
	4536	Shim (driving pinion bearing retainer)	1	D5HZ 4537-AD	.654" thick
AR	$\Delta$ E0HZ 4536-A	.003" thick	6	E0HZ 4545-A	Lockwasher (drive pinion bearing retainer bolt)-9/16"
AR	$\Delta$ E0HZ 4536-C	.010" thick		4614	Retainer assy. (driving pinion)
	4537	Spacer (driving pinion bearing)	1	C8TZ 4614-B	#67817-exc. 3.70 ratio
1	7EQH 4537-A	.623" thick	1	D3HZ 4614-A	#75108-3.70 ratio
1	D5HZ 4537-A	.624" thick	6	357454-S(BB-199-ME)	Bolt (drive pinion bearing retainer)- 9/16"-12 x 1 1/2"
1	D5HZ 4537-B	.625" thick	2	7EQH 4616	Cup (driving pinion bearing)-#55437
1	D5HZ 4537-C	.626" thick	2	A8TZ 4621-A	Cone and roller (driving pinion)-#55200-C
1	D5HZ 4537-D	.627" thick	1	7EQH 4625	Bearing assy. (driving pinion pilot)- #MUS 1307-TM, #15828
1	D5HZ 4537-E	.628" thick	1	C6TZ 4637-A	Washer (driving pinion)- 1 17/32" I.D. x 2 5/8" O.D. x 1 1/16" thick
1	7EQH 4537-C	.629" thick	1	E3HZ 4676-A	Seal and retainer assy. (drive pinion oil)- includes integral seal and retainer- #119427-4 9/16" O.D.-For 2 5/8" dia. shaft
1	D5HZ 4537-F	.630" thick		4851	Flange assy. (universal joint)-axle end
1	D5HZ 4537-G	.631" thick	1	C6TZ 4851-U	1610 size
1	D5HZ 4537-H	.632" thick	1	C7TZ 4851-E	1710 size
1	D5HZ 4537-J	.633" thick	1	D6HZ 4982-A	Bolt and nut kit (driving gear)
1	D5HZ 4537-K	.634" thick	Consists of		
1	7EQH 4537-E	.635" thick	16	D3HZ 4217-A	Bolt
1	D5HZ 4537-L	.636" thick		16-60600	Nut
1	D5HZ 4537-M	.637" thick	<b>ROCKWELL (TIMKEN) H172 REAR AXLE SERVICE PARTS LIST NO. 202</b>		
1	D5HZ 4537-N	.638" thick	Notes: $\oplus$ Also serviced in kit-group 4237		
1	D5HZ 4537-P	.639" thick	12	D8HZ 4558-B	Bolt (gear to case)-5/8"-18 x 2"- also serviced in kit-group 4982
1	D5HZ 4537-R	.640" thick	12	C1TT 4326-B	Washer (gear to case)- 21/32" I.D. x 1 1/16" O.D. x 3/32" thick- also serviced in kit-group 4982
<b>Notes: <math>\oplus</math> Also serviced in kit-group 4237</b>					
1	D8HZ 4010-K	Housing assy.-#C1-3121-D-368	12	D8HZ 4322-C	Nut (gear to case)-5/8"-18- also serviced in kit-group 4982
1	D8HZ 4N282-B	Plug-(drain)-magnetic-3/4"-14 x 1 5/16"		4326	Washer-17/32" I.D. x 7/8" O.D. x 3/32" thick
1	353051-S(PP-32)	Plug (diff. carrier filler)- 3/4"-14 x 5/8"	14	D7HZ 4326-A	Housing stud
2	D7HZ 4067-A	Adjuster (differential bearing)	16	D7HZ 4326-A	Differential case bolt-also serviced in assy.-group 4204
1	D7HZ 4141-A	Carrier assy. (differential)	1	E1HZ 4211-A	Shaft (pinion)-#S-305
2	D7HZ 4143-A	Lock (diff. bearing adjuster)		4215	Pinion (diff.)-serviced only in kit-group 4237
	4200	Differential assy.-refer to group in Section 40	16	D7HZ 4216-C	Bolt (differential case)- 1/2"-13 x 3 1/4"-w/locking material
1	D7HZ 4204-A	Case assy. (differential)	2	D8HZ 4222-C	Cup (differential bearing)-#JLM-714110
	4209	Ring gear and pinion kit Incl. bearing, retainer and locknut	2	$\oplus$ C1TT 4228-D	Washer (diff. Side gear thrust)
1	E0HZ 4209-AD	5.29 ratio	4	$\oplus$ C1TT 4230-D	Washer (pinion thrust)
1	$\star$ D7HZ 4209-R	5.83 ratio-r/b D7HZ 4209-W			
1	D7HZ 4209-W	5.86 ratio			
1	$\star$ D7HZ 4209-S	6.17 ratio-r/b E4HZ 4209-V			
1	D7HZ 4209-T	6.83 ratio			
1	D7HZ 4209-V	7.17 ratio			
	4209	Ring gear and pinion kit-incl. locknut			
1	E4HZ 4209-V	6.14 ratio			



1980/  
TRUCK SERIES 600/900

QTY.	PART NUMBER	DESCRIPTION	QTY.	PART NUMBER	DESCRIPTION
<b>ROCKWELL (TIMKEN) H172 REAR AXLE SERVICE PARTS LIST NO. 202 — Cont'd</b>					
Notes: ⊕ Also serviced in kit-group 4237					
2	C5TZ 4A230-A	Gasket (housing plug)-5/16" I.D. x 5/8" O.D.	8	D5TZ 4A146-A	Bolt (pinion bearing retainer to Carrier)-7/16"-14 x 1/2"
2	356184-S(XX-113)	Washer (housing plug gasket bolt)-5/16"	8	D7HZ 4A147-A	Washer (pinion bearing retainer bolt) 15/32" I.D. x 13/16" O.D. x 3/32" thick
2	D8HZ 4A322-C	Bolt (housing plug gasket)-5/16"-18 x 1"		4616	Cup (driving pinion bearing)-also Serviced in assy.-group 4614
2	D7HZ 4234-C	Shaft assy.		7EQH 4616	Inner-#55437
	4236	Gear (diff. side)-serviced only in kit-group 4237		TBAA 4628-A	Outer-#HM804810-also serviced in assy.-group 4621
1	D7HZ 4237-A	Gear and pinion kit (differential)-	1	A8TZ 4621-A	Cone and roller (driving pinion)-Inner #55200-C
Consists of					
2-C1TT	4228-D	Washer 4-2233-U-151		4621-A	Cone and roller assy. (driving pinion)-Outer-#HM804846-incl. cup TBAA 4628-A-#HM804810
4-C1TT	4230-D	Washer 2-2234-F-734		D8HZ 4625-A	Bearing assy. (driving pinion pilot)-also serviced in kit-group 4209
1	D7HZ 4320-B	Nut (drive pinion flange)-Self-locking-1 1/2"-12 x 2 7/32" across flats-also serviced in kit - group 4209	1	C6TZ 4627-A	Retainer (driving pinion pilot bearing)-1 7/32" I.D. x 1 15/32" O.D. x 1/16" thick also serviced in kit-group 4209
4	C8TZ 4321-B	Bolt (differential bearing cap)		4628	Refer to group 4616 within parts list
4	378682-S(XX-211)	Washer (differential brg. Cap bolt)-5/8"	1	D7HZ 4637-A	Washer (driving pinion)-1 9/32" I.D. x 2 3/16" O.D. x 7/32" thick
	4323	Bolt (housing)		4662	Shim (driving pinion bearing retainer)
10	C8TZ 4323-A	Short-1/2"-13 x 1 3/8"	AR	7EQ 4662-A	.003" thick
4	C8TZ 4323-B	Long-1/2"-13 x 2"	AR	E7HZ 4662-T	.005" thick
2	D8HZ 4424-A	Cone and roller (diff. bearing)-#JLM-714149	1	D7HZ 4676-A	Seal (drive pinion oil)-2 1/2" I.D. x 3 7/8" O.D.
	4537	Spacer (driving pinion bearing)-use in pairs as required		4851	Flange assy. (universal joint)-axle end
AR	D7HZ 4537-A	.234" thick	1	D7HZ 4851-E	6C size
AR	D7HZ 4537-B	.235" thick	1	D7HZ 4851-F	7C size
AR	D7HZ 4537-C	.236" thick	1	D7HZ 4851-A	1410 size
AR	D7HZ 4537-D	.237" thick	1	D7HZ 4851-D	1480 size
AR	D7HZ 4537-E	.238" thick	1	EOHZ 4851-E	1550 size
AR	D7HZ 4537-F	.239" thick	1	E1HZ 4851-A	1610 size
AR	D7HZ 4537-G	.240" thick	1	D7HZ 4859-A	Deflector (drive pinion oil seal)-4 13/16" O.D.
AR	D7HZ 4537-H	.247" thick	1	D8HZ 4982-A	Bolt and nut kit (driving gear)
AR	D7HZ 4537-J	.254" thick	Consists of		
AR	D7HZ 4537-K	.261" thick	12-D8HZ	4322-C	Nut 12-D8HZ 4558-B Bolt
AR	D7HZ 4537-L	.268" thick	12-C1TT	4326-B	Washer
AR	D7HZ 4537-M	.275" thick			
AR	D7HZ 4537-N	.282" thick			
AR	D7HZ 4537-P	.289" thick			
AR	D7HZ 4537-R	.296" thick			
1	E5HZ 4614-A	Retainer assy. (drive pinion)-incl. 7EQH4616 inner cup #55437 and TBAA 4628-A outer cup #HM804810			

**ROCKWELL (TIMKEN) SQHP REAR AXLE SERVICE PARTS LIST NO. 203**

Note 1- It is imperative that all (12) replacing bolts and nuts be used as a set and all (12) replaced bolts and nuts be removed and discarded when servicing the vehicle to avoid thread mixing and cross threading

1	D6UZ 1243-A	Cup (power divider input shaft)-#JLM-710910	8	4A140	Bolt (drive pinion bearing retainer)
1	★D6UZ 1244-A	Cone and roller ( power divider input Shaft)-#JLM-710949-r/b E8HZ 4424-A	8	D5TZ 4A140-A	1/2" - 13 x 1 1/2" - use on vehicles w/malleable carrier
	4N025	Plug (heat indicator)	8	E1HZ 4A140-E	1/2"-13 x 2 1/4"-use on vehicles w/aluminum carrier
1	D0HZ 4N025-A	1980/83-"Before 10/82"		4A140	Bolt (power divider cover)
1	FOHZ 4N025-A	1983/86-"From 10/82"	12	D5TZ 4A140-A	1/2" - 13 x 1 1/2" - use on vehicles w/malleable carrier
1	★4035	Improvise-use liquid gasket	2	D5TZ 4A140-A	1/2" - 13 x 1 1/2" - use on vehicles w/aluminum carrier
2	D8HZ 4067-A	Adjuster (differential bearing)-5 1/4"-12	10	E1HZ 4A140-D	1/2" - 13 x 2" - use on vehicles w/aluminum carrier
1	D8HZ 4A090-A	Cover assy. (power divider relief valve pump)-1 1/4" x 3 3/16"-4 holes-incl. ball, spring, "O" ring and plug		4A142	Nut (carrier to housing stud)-5/8"-18
	4A140	Bolt (diff. push rod)	4	D8HZ 4A142-A	1980/83
1	D5TZ 4A140-A	1/2"-13 x 1 1/2"-1980/83-"Before 10/82"	2	D8HZ 4A142-A	1984/86
1	E3HZ 4A140-A	1/2"-20 x 1 1/2"-1983/86-"From 10/82"	2	C2TZ 4143-A	Lock (diff. bearing adjuster)

1980/  
TRUCK SERIES 600/900

QTY.	PART NUMBER	DESCRIPTION	QTY.	PART NUMBER	DESCRIPTION
ROCKWELL (TIMKEN) SQHP REAR AXLE SERVICE PARTS LIST NO. 203 — Cont'd					
Note 1- It is imperative that all (12) replacing bolts and nuts be used as a set and all (12) replaced bolts and nuts be removed and discarded when servicing the vehicle to avoid thread mixing and cross threading					
6	D8HZ 4A145-A	Bolt (input shaft bearing retainer)-7/16"-14 x 1 3/8"	1	D8HZ 4237-A	Gear and pinion kit (differential)
4	D1HZ 4A147-A	Washer (thru shaft retainer bolt)-13/32" I.D. x 3/4" O.D. x 3/32" thick	Consists of		
6	D7HZ 4A147-A	Washer (input shaft bearing retainer)-15/32" I.D. x 13/16" O.D. x 3/32" thick	2	C1TT 4228-D	Washer-gear 4-2233-U-151 Pinion gear
16	D8HZ 4A147-A	Washer (power divider case bolt)-13/32" I.D. x 11/16" O.D.-1980/84-"Before 4/84"	4	C1TT 4230-D	Washer-pinion 2-2234-C-783 Side gear
16	356184(XX-113)	Washer (power divider case bolt)-21/64" I.D. x 5/8" O.D. x 1/16" thick-1984/86-"From 4/84"	1	D8HZ 4N282-B	Plug (drain) magnetic-3/4"-14 x 1 5/16"
1	C1TZ 4189-A	Screw (thrust adj.)-does not require thrust block-7/8"-14 x 3 5/8"	4300 Differential assy.-refer to group in Section 40		
	4A192	Nut (power divider push rod stop bolt)-Self-locking	1	4309	Ring gear and pinion kit
1	★D8HZ 4A192-A	1/2"-13-1980/83-"Before 10/82"	1	D8HZ 4309-G	3.70 ratio-includes nut
1	E3HZ 4A192-A	1/2"-20-1983/86-"From 10/82"	1	E4HZ 4309-A	3.73 ratio-includes nut, retainer
	4204	Case assy. (differential)	1	E4HZ 4309-B	4.10 ratio-includes nut, retainer
1	D8HZ 4204-G	3.70,3.73 ratio	1	D8HZ 4309-H	4.11 ratio-includes nut
1	D8HZ 4204-H	4.10,4.11,4.44,4.63 ratios	1	D8HZ 4309-J	4.44 ratio-includes nut
1	E0HZ 4204-F	5.29 ratio	1	D7HZ 4309-C	4.63 ratio-includes nut
1	E1HZ 4211-A	Shaft (pinion)-#S-305	1	D7HZ 4309-E	5.29 ratio-includes nut
4	★D8HZ 4215-B	#2233-J-192-use on old style carrier-1980/84-"Before 4/84"-r/b E4HZ 4R404-A	1	★D8HZ 4310-E	Housing assy.-"NOT USED ON DSO VEHICLES" #C1-M-351-Hendrickson Suspension-1980/81
4	D8HZ 4215-C	#2233-W-153-use on new style carrier-1984/86-"From 4/84"	1	★E2HZ 4310-A	#C1-C-575-Hendrickson Suspension-1982/83-"Before 10/82"
16	D7HZ 4216-C	Bolt (differential case)-1/2"-13 x 3 1/4"-w/locking material	1	★E3HZ 4310-G	#C3-Y-571-Hendrickson Suspension-1983-"From 10/82"
8	D8HZ 4216-C	Bolt (power divider diff. case)-3/8"-16 x 2 7/8"-1980/84-"Before 4/84"	1	E4HZ 4310-D	#C-Z-988-Hendrickson Beam Suspension-1984/86
8	E4HZ 4216-A	5/16"-18 x 3"-1984/86-"From 4/84"	1	E4HZ 4310-E	#C1-U-853-Hendrickson 4 Spring Suspension-1984/86
2	B7A 4221-B	Cone and roller (thru. Shaft)-#LM-603049	1	★D8HZ 4310-F	#C-M-351-Reyco Suspension-1980/81-r/b D8HZ 4310-L
2	D8HZ 4221-A	Cone and roller assy. (differential bearing)-#JM-716649-incl. Cup #JM-716610	1	★E2HZ 4310-B	#C-C-575-Reyco Suspension-1982/83
2	B7A 4222-B	Cup (thru shaft)-#LM-603011	1	★D8HZ 4310-H	#C-D-342-Neway suspension 1980/81
1	D3TZ 4222-A	Cup (input Shaft)-#JM-511910-also Serviced in assy.-groups 4423, 4431	1	★E2HZ 4310-C	#C-A-573-Neway Suspension-1982/83-"Before 10/82"
2	D8HZ 4222-A	Cup (differential bearing)-#JM-716610-also Serviced in assy.-group 4221	1	★E3HZ 4310-H	#C-W-855-Neway Suspension-1983-"From 10/82"
2	C1TT 4228-D	Washer (diff. side gear thrust)-4 holes-2 45/64" I.D. x 4 1/16" O.D.-3 11/32" bolt circle-also serviced in kit-group 4237	1	E3HZ 4310-P	#C-Y-857-Neway Suspension-1984/86
4	C1TT 4230-D	Washer (diff. pinion thrust)-1 1/16" I.D. x 2 13/32" O.D.-also serviced in kit-group 4237	1	4310	Housing kit
4	★D8HZ 4230-A	Washer (power divider diff. pinion thrust)-1" I.D. x 1 31/32" O.D. x 1/16" thick-use on old style carrier-1980/84-"Before 4/84" r/b E4HZ 4R404-A	1	★D8HZ 4310-L	Reyco Suspension-1980/81-includes 2 wheel end inner bearing cones
4	E4HZ 4230-A	Use on new style carrier-1984/86-"From 4/84"	1	D8HZ 4A318-A	Element assy. (oil filter)-1" I.D. x 1 7/32" O.D. x 3 1/8"
2	C5TZ 4A230-A	Gasket (housing plug)-5/8" O.D. x 5/16" I.D.	1	D8HZ 4320-A	Nut (drive pinion)-self-locking-1 3/4"-12 x 2 19/32" across flats-also serviced in kit-group 4309
2	D8HZ 4A322-C	Bolt (housing plug gasket)-5/16"-18 x 1"	1	D8HZ 4320-B	Nut (thru shaft output flange)-self-locking-1 1/4"-12 x 1 27/32" across flats
	4234	Shaft assy.	1	D8HZ 4320-C	Nut (input shaft flange)-self-locking-1 1/2"-12 x 2 7/32" across flats
1	D8HZ 4234-B	R.H.-#3202-L-6356	8	E1HZ 4322-A	Nut (power divider diff. case)-3/8"-16-1980/84-"Before 4/84"
1	D8HZ 4234-C	L.H.-#3202-N-6358	8	D8HZ 4B322-A	Nut (power divider diff. case)-5/16"-18-1984/86-"From 4/84"
			12	D8HZ 4322-C	Nut (gear to case)-5/8"-18-also serviced in kit-group 4982
			2	D8HZ 4A322-B	Bolt (pump cover)-5/16"-18 x 3/4"
			2	D8HZ 4A322-E	Stud (power divider oil filter shield)-5/16"-18 and 5/16"-18 x 1 31/32"

**1980/  
TRUCK SERIES 600/900**

QTY.	PART NUMBER	DESCRIPTION	QTY.	PART NUMBER	DESCRIPTION
ROCKWELL (TIMKEN) SQHP REAR AXLE SERVICE PARTS LIST NO. 203 — Cont'd					
Note 1- It is imperative that all (12) replacing bolts and nuts be used as a set and all (12) replaced bolts and nuts be removed and discarded when servicing the vehicle to avoid thread mixing and cross threading					
AR	356184-S(XX-113)	Washer (pump cover)-5/16"		4411	Shaft (power divider diff.)-
2	D8HZ 4A322-D	Bolt (oil filter adapter)-5/16"-18 x 1 1/4"	1	★D8HZ 4411-A	2 1/32" I.D. x 6 7/16" long-39 splines- use on old style carrier- 1980/84-"Before 4/84"
2	D8HZ 4B322-A	Nut (power divider oil filter shield stud)- 5/16"-18		E4HZ 4411-A	r/b E4HZ 4R404-A Use on new style carrier- 1984/86-"From 4/84"
	4323	Bolt (carrier to housing)-5/8"-11 x 1 3/4"- use on vehicles w/malleable carrier	1	4414	Retainer assy. (drive pinion bearing)- incl. bearing cups B8QH 4616-A #72487
10	D7HZ 4323-A	1980/83	1	D8HZ 4414-A	Use on vehicles w/malleable carrier
12	D7HZ 4323-A	1984/86	1	E1HZ 4414-A	Use on vehicles w/aluminum carrier
	4323	Bolt (carrier to housing)-5/8"-11 x 2"- use on vehicles w/aluminum carrier	1	D8HZ 4A420-A	Filter assy. (power divider oil)-3 3/4" O.D. x 4 1/4" long
10	D8HZ 4323-C	1980/83	1	D8HZ 4A421-C	Shield (power divider oil filter)
12	D8HZ 4323-C	1984/86	1	D8HZ 4423-A	Bearing assy. (power divider input shaft)- front-#JM-511946-incl bearing cup D3TZ 4222-A #JM-511910
4	D8HZ 4323-A	Stud (carrier to housing)-5/8"-11 and 5/8"-18 x 2 5/8"	1	E8HZ 4424-A	Cone and roller (power divider input shaft) rear-#JLM 710949C
2	D8HZ 4323-A	1980/83		4428	Cover assy. (power divider)-incl. tube and welch plug
	4326	Washer (carrier to housing) 21/32" I.D. X 1 1/16" O.D. x 3/32" thick- use on vehicles w/malleable carrier	1	★D8HZ 4428-D	1980/83-r/b D8HZ 4450-C
14	C1TT 4326-B	21/32" I.D. x 1 5/16" O.D. x 3/16" thick- use on vehicles w/aluminum carrier	1	★E4HZ 4428-A	1984/86-also serviced in kit-group 4450- r/b E4HZ 4428-C
14	E2HZ 4326-A	21/32" I.D. x 1 5/16" O.D. x 3/16" thick- use on vehicles w/aluminum carrier		E4HZ 4428-C	Cover (power divider)-1984/86
12	C1TT 4326-B	Washer (gear to case)-21/32" I.D. x 1 1/16" O.D.-3/32" thick -also serviced in kit-group 4982	1	87710-S(P-16)	Plug (drain)-3/8"-18
	4326	Washer-17/32" I.D. x 7/8" O.D. x 3/32" thick	1	D8HZ 4428-B	Adapter (power divider oil filter)- 1 7/16" x 3"-2 holes
8	D7HZ 4326-A	Pinion bearing retainer	2	356184-S(XX-113)	Washer (filter adapter)-5/16"
12	D7HZ 4326-A	Power divider cover	1	D8HZ 4431-A	Retainer assy. (power divider input shaft bearing)-incl. cage and cup D3TZ 4222-A #JM-511910
16	D7HZ 4326-A	Differential case bolt	1	D8HZ 4434-F	Gear assy. (power divider input shaft diff. side)-front-incl. drive gear and key- #A1-N-846-2 piece design-use on old style carrier-1980/84-"Before 4/84"
1	★C1TT 4329-A	Washer (thru shaft output flange)- 1 9/32" I.D. x 2 3/16" O.D. x 7/32" thick -r/b D7HZ 4637-A	1	E4HZ 4434-A	Gear (power divider input shaft diff. side)-front-one piece design- integral spur and bevel gear-use on new style carrier-1984/86-"From 4/84- also serviced in kit-group 4R404
	4341	Carrier assy. (diff.)		4434	Gear (power divider input shaft diff. side)-rear
1	D8HZ 4341-C	#A3-R-1032 - malleable carrier	1	D8HZ 4434-B	#778-S-Use on old style carrier- 1980/84-"Before 4/84"
1	E1HZ 4341-B	#A3-L-1078 - aluminum carrier	1	E4HZ 4434-B	Use on new style carrier- 1984/86-"From 4/84"-also serviced in kit-group 4R404
1	353051-S(PP-32)	Plug (filler)-3/4"-14		4436	Shim (drive pinion bearing retainer)- 6 3/32" I.D.-7 13/16" O.D. .003" thick
	4351	Flange assy. (universal joint)-power divider end-input	AR	D8HZ 4436-A	.005" thick
1	D8HZ 4351-L	1710 size-1980/81-"Before 11/80"	AR	D8HZ 4436-B	.010" thick
1	E1HZ 4351-C	1710 size-1981/86-"From 11/80"	1	D8HZ 4442-A	Gear (drive pinion transfer)- #3892-S-3945-31 teeth-41 splines
1	E2HZ 4351-C	1760 size-1980/83-"Before 10/82"	1	D8HZ 4442-E	Gear (power divider oil pump driven)- 3/4" x 1 17/32"-7 teeth incl. ball and nut
1	E3HZ 4351-F	1760 size-1983/86-"From 10/82"			
1	D8HZ 4351-M	1810 size-1980/81-"Before 11/80"			
1	E1HZ 4351-D	1810 size-1981/86-"From 11/80"			
1	C1TT 4391-A	Nut (thrust adjusting screw)- 7/8"-14 x 1 1/4"			
4	C3TZ 4399-B	Bolt (power divider thru shaft retainer)- 3/8"-16 x 1"			
	4404	Case assy. (power divider diff.)			
1	★D8HZ 4404-D	Use on old style carrier- 1980/84-"Before 4/84"			
1	E4HZ 4404-A	Use on new style carrier- 1984/86-"From 4/84"			
1	E4HZ 4R404-A	Differential kit (inter axle update)			
Consists of					
1	E4HZ 4434-A	Gear-front	1	D8HZ 4454-D	Washer
1	E4HZ 4434-B	Gear-rear	1	A-3235-G-1801	Case and nest

1980/  
TRUCK SERIES 600/900

QTY.	PART NUMBER	DESCRIPTION	QTY.	PART NUMBER	DESCRIPTION
ROCKWELL (TIMKEN) SQHP REAR AXLE SERVICE PARTS LIST NO. 203 — Cont'd					
Note 1- It is imperative that all (12) replacing bolts and nuts be used as a set and all (12) replaced bolts and nuts be removed and discarded when servicing the vehicle to avoid thread mixing and cross threading					
1	D8HZ 4446-D	Shaft assy. (power divider input)- incl. ball, washer and nut	AR	E1HZ 4537	Spacer (drive pinion bearing) — Cont'd
	4450	Fork assy. (power divider diff. lockout shift)	AR	E1HZ 4537-F	.304" thick
1	D8HZ 4450-A	1980/83	AR	E1HZ 4537-G	.310" thick
1	E4HZ 4450-A	1984/86-also serviced in kit-group 4450	AR	E1HZ 4537-H	.316" thick
1	★D8HZ 4450-C	Shift fork kit (power divider diff. lockout)- retrofit-use to update old style assy. to new style-1980/83	AR	E1HZ 4537-J	.322" thick
			AR	E1HZ 4537-K	.328" thick
Consists of					
1	E4HZ 4428-A	Cover	1	C1TT 4458 C	Spring
1	E4HZ 4450-A	Shift fork	1	E4HZ 4565-A	Push rod
1	D8HZ 4454-D	Washer (power divider input shaft)- 2 1/4" I.D. x 3 1/4" O.D.-also serviced in kit-group 4R404	AR	4565	Push rod (diff. lockout shift)
1	D8HZ 4455-A	Gear (power divider sliding clutch)- 3 3/8" I.D. X 5" O.D.-7/8" wide-28 teeth	1	D8HZ 4565-A	1" dia. x 6 29/32" long-1980/83
1	C1TT 4458-C	Spring (power divider diff. lockout shift lever return)-2 1/2" free length-1" I.D.- also serviced in kit-group 4450	1	E4HZ 4565-A	1 1/4" dia. x 6 29/32" long-1984/86-also serviced in kit-group 4450
	4465	Flange assy. (universal joint)-Output	AR	4567	Snap ring (axle thru shaft bearing rear)-3" O.D.
1	D8HZ 4465-A	1610 size-1980/81-"Before 11/80"	AR	D4HZ 4567-A	.155" thick
1	E1HZ 4465-A	1610 size 1981/86-"From 11/80"	AR	D4HZ 4567-B	.158" thick
1	D8HZ 4465-B	1710 size-1980/81-"Before 11/80"	AR	D4HZ 4567-C	.161" thick
1	E1HZ 4465-B	1710 size-1981/86-"From 11/80"	1	D4HZ 4567-L	.163" thick
1	D8HZ 4477-A	Retainer assy. (power divider thru shaft rear bearing)-#A-X-596-S-incl. cup B7A 4222-B-#LM-603011- 3 1/16" I.D. x 5 3/4" O.D.-4 holes	AR	D4HZ 4567-D	.164" thick
1	★D8HZ 4478-A	Seal assy. (power divider output shaft oil) r/b E4HZ 4478-A	AR	D4HZ 4567-E	.167" thick
1	E4HZ 4478-A	Seal assy. (power divider output shaft oil)- 3 25/32" O.D.-53/64" wide-not used with wear sleeve	AR	D4HZ 4567-F	.170" thick
1	D8HZ 4A478-A	Kit wear sleeve and oil seal assy. (output yoke)	AR	D4HZ 4567-G	.173" thick
Consists of					
1	1199-A-3329	Sleeve	1	D4HZ 4567-H	.176" thick
1	C1TT 4479-A	Gasket (power divider thru shaft rear bearing retainer)	AR	D4HZ 4567-I	.179" thick
1	★D8HZ 4497-A	Diaphragm assy. (power divider diff. lockout cylinder)-2 1/2" x 3 7/8"- r/b E4HZ 4497-A	AR	D4HZ 4567-K	.182" thick
1	E4HZ 4497-A	Air chamber kit (power divider diff. lockout)	1	★D8HZ 4573-A	Seal assy. (input shaft oil) r/b E4HZ 4573-A
Consists of					
4	10X-1334	Screw	1	E4HZ 4573-A	Seal assy. (input shaft oil) -not used with wear sleeve
	4536	Shim (power divider input bearing retainer)-5 3/16" I.D. x 6 7/8" O.D.	1	D8HZ 4A573-A	Kit wear sleeve and oil seal assy. (input yoke)
AR	D8HZ 4536-D	.003" thick	Consists of		
AR	D8HZ 4536-E	.005" thick	1	1199-Z-3146	Sleeve
AR	D8HZ 4536-F	.010" thick	1	D8HZ 4573-A	Seal
AR	E1HZ 4537-A	.299" thick	1	D8HZ 4579-A	Shaft (power divider thru shaft)- 15 1/8" long x 1 3/4" O.D.-34 teeth-1 11/16" O.D.-32 teeth-1 1/4"-12 1/2" dia. x 1 1/2" long
AR	E1HZ 4537-B	.300" thick	1	D8HZ 4581-A	Shaft (power divider idler pump gear)- 1/2" dia. x 1 1/2" long
AR	E1HZ 4537-C	.301" thick	1	★D8HZ 4581	Shaft and gear assy. (power divider idler pump)
AR	E1HZ 4537-D	.302" thick	1	★D8HZ 4581-D	Old style-Includes gear, shaft, washer and nut-1980/83 "Before 2/83"-r/b D8HZ 4581-E
AR	E1HZ 4537-E	.303" thick	1	E3HZ 4581-A	New style-Includes gear and shaft- 1983/86-"From 2/83"-also serviced in kit-group 4581
	4537	Spacer (drive pinion bearing)-2 5/32" I.D.	1	D8HZ 4581-E	Shaft and gear kit (power divider idler pump)-use to update old style assy. to new style assy.
	4537	Spacer (drive pinion bearing) — Cont'd	Consists of		
	4537	Spacer (drive pinion bearing) — Cont'd	1	E3HZ 4581-A	Shaft and gear
	4537	Spacer (drive pinion bearing) — Cont'd	1	1244-V 1712	Spacer
	4537	Spacer (drive pinion bearing) — Cont'd	1	D8HZ 4586-A	Washer (drive pinion transfer gear)- 1 25/32" I.D. x 3" O.D. 3/16" thick
	4537	Spacer (drive pinion bearing) — Cont'd	1	D8HZ 4593-D	Snap ring (power divider idler pump shaft)
	4537	Spacer (drive pinion bearing) — Cont'd	1	★4593	Washer (power divider idler pump shaft)- Serviced only in assy.-group 4581
	4537	Spacer (drive pinion bearing) — Cont'd	2	B8QH 4616-A	Cup (driving pinion bearing)-#72487
	4537	Spacer (drive pinion bearing) — Cont'd	2	B8TZ 4621-C	Cone and roller (driving pinion)-#72212-C- incl. cup B8QH 4616 A-#72487
	4537	Spacer (drive pinion bearing) — Cont'd	1	D8HZ 4625-A	Bearing assy. (driving pinion pilot)

**1980/  
TRUCK SERIES 600/900**

QTY.	PART NUMBER	DESCRIPTION	QTY.	PART NUMBER	DESCRIPTION
<b>ROCKWELL (TIMKEN) SQHP REAR AXLE SERVICE PARTS LIST NO. 203 — Cont'd</b>					
<p>Note 1- It is imperative that all (12) replacing bolts and nuts be used as a set and all (12) replaced bolts and nuts be removed and discarded when servicing the vehicle to avoid thread mixing and cross threading</p>					
1	C6TZ 4627-A	Retainer (driving pinion pilot bearing)- 1 7/32" I.D. x 1 15/32" O.D. x 1/16" thick- also serviced in kit-group 4309	1	D8HZ 4739-B	Gear (power divider oil pump drive)- 3/4" x 1 17/32"-7 teeth
1	D7HZ 4637-A	Washer (thru shaft output flange)- 1 9/32" I.D. x 2 3/16" O.D. x 7/32" thick	1	D8HZ 4982-A	Bolt and nut kit (driving gear)-NOTE 1-
1	D8HZ 4637-C	Washer (power divider input shaft)- 1 17/32" I.D. x 2 3/8" O.D. x 1/8" thick	Consists of 12-D8HZ 4322-C Nut                      12-D8HZ 4558-B Bolt 12-C1TT 4326-B Washer		
<b>ROCKWELL (TIMKEN) SQHP REAR AXLE SERVICE PARTS LIST NO. 204</b>					
<p>Note 1- It is imperative that all (12) replacing bolts and nuts be used as a set and all (12) replaced bolts and nuts be removed and discarded when servicing the vehicle to avoid thread mixing and cross threading</p>					
1	★D8HZ 4010-E	Housing assy.-"NOT USED ON D50 VEHICLES" #C8-U-203-Hendrickson Suspension -1980/81-r/b D8HZ 4010-P	1	D8HZ 4204-G	Case assy. (differential) 3.70,3.73 ratio
1	E2HZ 4010-C	#C3-Z-572-Hendrickson Beam Susp.-1982/86	1	D8HZ 4204-H	4.10,4.11,4.44,4.63 ratios
1	E4HZ 4010-N	#C-B-990-Hendrickson 4 Spring Suspension-1984/86	1	E0HZ 4204-F	5.29 ratio
1	★D8HZ 4010-F	#C2-U-203-Reyco Suspension -1980/81-r/b D8HZ 4010-R	4209 Ring gear and pinion kit-includes Self-locking nut-1980/81-"Before 11/80"		
1	E2HZ 4010-D	#C2-Z-572-Reyco Susp.-1982/83	1	★D8HZ 4209-D	3.70 ratio-r/b MAT-80102
1	★D8HZ 4010-N	#C2-D-290-Neway Suspension -1980/81-r/b D8HZ 4010-V	1	★D8HZ 4209-E	4.11 ratio-r/b MAT-80103
1	E2HZ 4010-E	#C1-B-574-Neway suspension-1982/83- "Before 10/82"	1	★D8HZ 4209-F	4.44 ratio-r/b MAT-80104
1	E3HZ 4010-J	#C-X-586-Neway Suspension- 1983/86-"From 10/82"	1	★D7HZ 4209-C	4.63 ratio-r/b MAT-80107
1	D8HZ 4010-P	Housing kit #C3-Z-572-R-Hendrickson Suspension 1980/81-includes 2 wheel end inner bearing cones	1	★D7HZ 4209-E	5.29 ratio-r/b MAT-80100
1	D8HZ 4010-R	#C2-Z-572-R-Reyco Suspension- 1980/81-includes 2 wheel end inner bearing cones	4209 Ring gear and pinion kit- 1981/86-"From 11/80"		
1	★D8HZ 4010-V	#C1-B-574-R-Neway Suspension 1980/81-includes 2 wheel end inner bearing cones	1	E1HZ 4209-C	3.70 ratio-includes nut
1	D0HZ 4N025-A	4N025 Plug (heat indicator) 1980/83-"Before 10/82"	1	E4HZ 4209-F	3.73 ratio-includes nut, washer
1	FOHZ 4N025-A	1983/86-"From 10/82"	1	E4HZ 4209-G	4.10 ratio-includes nut, washer
2	D8HZ 4067-A	Adjuster (differential bearing)- 5 1/4"-12	1	E1HZ 4209-E	4.44 ratio-includes nut
8	D5TZ 4A140-A	4A140 Bolt (drive pinion bearing retainer) 1/2" - 13 x 1 1/2" - use on vehicles w/malleable carrier	1	E1HZ 4209-F	4.63 ratio-includes nut
8	E1HZ 4A140-E	1/2"-13 x 2 1/4"-use on vehicles w/aluminum carrier	1	E1HZ 4209-G	5.29 ratio-includes nut
1	D8HZ 4141-B	4141 Carrier assy. (diff.) #A2-Y-1039 - malleable carrier	4209 Ring gear and pinion kit conversion- use to convert old style gear set used prior to 11/80 to new style rigidize pinion-includes bearing, bolts, cones cups, gasket, nuts, oil seal, sleeve, spacers, washers and flange		
1	E1HZ 4141-B	#A2-N-1080 - aluminum carrier	1	D8HZ 4209-L	3.70 ratio-w/1610 axle flange
1	353051-S(PP-32)	Plug (filler)-3/4"-14	1	D8HZ 4209-M	3.70 ratio-w/1710 axle flange
4	D8HZ 4A142-A	4A142 Nut (carrier to housing stud)-5/8"-18 1980/83	1	D8HZ 4209-AH	4.10 ratio-w/1710 axle flange
2	D8HZ 4A142-A	1984/86	1	D8HZ 4209-N	4.11 ratio-w/1610 axle flange
2	C2TZ 4143-A	Lock (diff. bearing adjuster)	1	★D8HZ 4209-P	4.11 ratio-w/1710 axle flange r/b D8HZ 4209-AH
1	C1TZ 4189-A	Screw (thrust adj)-does not require thrust block-7/8"-14 x 3 5/8"	1	D8HZ 4209-T	4.44 ratio-w/1610 axle flange
1	4200	Differential assy.-refer to group in Section 40	1	D8HZ 4209-V	4.44 ratio-w/1710 axle flange
16	D7HZ 4216-C		1	D8HZ 4209-W	4.63 ratio-w/1610 axle flange
2	D8HZ 4221-A		1	D8HZ 4209-X	4.63 ratio-w/1710 axle flange
2	D8HZ 4222-A		1	D8HZ 4209-AA	5.29 ratio-w/1610 axle flange
2	C1TT 4228-D		1	D8HZ 4209-AB	5.29 ratio-w/1710 axle flange
			1	E1HZ 4211-A	Shaft (pinion)-#S-305
			16	D7HZ 4216-C	Bolt (differential case)- 1/2"-13 x 3 1/4"-w/locking material
			2	D8HZ 4221-A	Cone and roller assy. (diff. bearing)- #JM-716649-incl. cup D8HZ 4222-A #716610
			2	D8HZ 4222-A	Cup (diff. bearing)-#716610-also serviced in assy. group 4221
			2	C1TT 4228-D	Washer (diff. side gear thrust)- 4 holes-2 45/64" I.D. x 4 1/16" O.D.- 3 11/32" bolt circle-also serviced in kit-group 4237

**1980/  
TRUCK SERIES 600/900**

QTY.	PART NUMBER	DESCRIPTION	QTY.	PART NUMBER	DESCRIPTION
<b>ROCKWELL (TIMKEN) SQHP REAR AXLE SERVICE PARTS LIST NO. 204 — Cont'd</b>					
Note 1- It is imperative that all (12) replacing bolts and nuts be used as a set and all (12) replaced bolts and nuts be removed and discarded when servicing the vehicle to avoid thread mixing and cross threading					
4	C1TT 4230-D	Washer (diff. pinion thrust)-1 1/16" I.D. x 2 13/32" O.D.-also serviced in kit-group 4237		4537	Spacer (drive pinion bearing)-outer-2 1/64" I.D.-1980/81-"Before 11/80"
			AR	D8HZ 4537-AW	.448" thick
2	C5TZ 4A230-A	Gasket (housing plug)-5/16" I.D. x 5/8" O.D.	AR	D8HZ 4537-AX	.449" thick
2	D8HZ 4A322-C	Bolt (housing plug gasket)-5/16"-18 x 1"	AR	D8HZ 4537-AY	.450" thick
	4234	Shaft assy.	AR	D8HZ 4537-AZ	.451" thick
1	D8HZ 4234-C	R.H.-#3202-N-6358	AR	D8HZ 4537-BA	.452" thick
1	D8HZ 4234-B	L.H.-#3202-L-6356	AR	D8HZ 4537-BB	.453" thick
1	D8HZ 4237-A	Gear and pinion kit (differential)	AR	D8HZ 4537-BC	.454" thick
Consists of					
2-C1TT	4228-D	Washer-gear 4-2233-U-151 Pinion gear	AR	D8HZ 4537-BD	.455" thick
4-C1TT	4230-D	Washer-pinion 2-2234-C-783 Side gear	AR	D8HZ 4537-BE	.456" thick
1	D8HZ 4N282-B	Plug (drain)-magnetic-3/4"-14 x 1 5/16"	AR	★D8HZ 4537-BF	.457" thick
	4320	Nut (drive pinion flange)-self-locking-also serviced in kit-group 4209	AR	D8HZ 4537-BG	.458" thick
1	D7HZ 4320-A	1 1/4"-12 x 2 3/32" across flats-1980/81-"Before 11/80"	AR	D8HZ 4537-BH	.459" thick
			AR	D8HZ 4537-BJ	.460" thick
1	D8HZ 4320-C	1 1/2"-12 x 2 7/32" across flats-1981/86-"From 11/80"	AR	D8HZ 4537-BK	.461" thick
			AR	D8HZ 4537-BL	.462" thick
12	D8HZ 4322-C	Nut (gear to case)-5/8"-18-also serviced in kits-group 4209, 4982	AR	D8HZ 4537-BM	.463" thick
			AR	★D8HZ 4537-BN	.464" thick
	4323	Bolt (carrier to housing)-5/8"-11 x 1 3/4"-use on vehicles w/malleable carrier	AR	★D8HZ 4537-BP	.465" thick
			AR	D8HZ 4537-BR	.466" thick
10	D7HZ 4323-A	1980/83	AR	D8HZ 4537-BS	.467" thick
12	D7HZ 4323-A	1984/86	AR	D8HZ 4537-BT	.468" thick
	4323	Bolt (carrier to housing)-5/8"-11 x 2"-use on vehicles w/aluminum carrier	AR	D8HZ 4537-BV	.469" thick
			AR	D8HZ 4537-BW	.470" thick
10	D8HZ 4323-C	1980/83	AR	D8HZ 4537-BX	.471" thick
12	D8HZ 4323-C	1984/86	AR	D8HZ 4537-BY	.472" thick
	4323	Stud (carrier to housing)-5/8"-11 and 5/8"-18 x 2 5/8"	AR	D8HZ 4537-BZ	.473" thick
			AR	★D8HZ 4537-CA	.474" thick
4	D8HZ 4323-A	1980/83	AR	D8HZ 4537-CB	.475" thick
2	D8HZ 4323-A	1984/86	AR	D8HZ 4537-CC	.476" thick
	4326	Washer (carrier to housing)	AR	★D8HZ 4537-CD	.477" thick
14	C1TT 4326-B	21/32" I.D. x 1 1/16" O.D. x 3/32" thick-use on vehicles w/malleable carrier	AR	D8HZ 4537-CE	.478" thick
			AR	D8HZ 4537-CF	.479" thick
14	E2HZ 4326-A	21/32" I.D. x 1 5/16" O.D. x 3/16" thick-use on vehicles w/aluminum carrier	AR	D8HZ 4537-CG	.480" thick
			AR	D8HZ 4537-CH	.481" thick
12	C1TT 4326-B	Washer (gear to case)-21/32" I.D. x 1 1/16" O.D.-3/32" thick-also serviced in kits-group 4209, 4982	AR	D8HZ 4537-CJ	.482" thick
			AR	D8HZ 4537-CK	.483" thick
	4326	Washer-17/32" I.D. x 7/8" O.D. x 3/32" thick	AR	D8HZ 4537-CL	.484" thick
8	D7HZ 4326-A	Drive pinion bearing retainer bolt	AR	D8HZ 4537-CM	.485" thick
16	D7HZ 4326-A	Differential case bolt	AR	D8HZ 4537-CN	.486" thick
1	C1TT 4391-A	Nut (thrust adjusting screw)-7/8"-14 x 1 1/4"	AR	D8HZ 4537-CP	.487" thick
	4536	Shim (drive pinion brg. retainer)-5 7/8" I.D. x 8 1/2" O.D.	AR	4537	Spacer (drive pinion bearing)-outer-2 9/32" I.D.-also serviced in conversion kit-group 4209-1981/86-"From 11/80"
AR	★D8HZ 4536-A	.003" thick-1980/81	AR	E1HZ 4537-L	.378" thick
AR	★D8HZ 4536-B	.005" thick-1980/81	AR	E1HZ 4537-M	.379" thick
AR	★D8HZ 4536-C	.010" thick-1980/81	AR	E1HZ 4537-N	.380" thick
		6 5/64" I.D. x 8 1/2" O.D.	AR	E1HZ 4537-P	.381" thick
AR	E2HZ 4536-A	.003" thick-1982/86	AR	E1HZ 4537-R	.382" thick
AR	E2HZ 4536-B	.005" thick-1982/86	AR	E1HZ 4537-S	.383" thick
AR	E2HZ 4536-C	.010" thick-1982/86	AR	E1HZ 4537-T	.389" thick
			AR	E1HZ 4537-V	.395" thick
			AR	E1HZ 4537-W	.401" thick
			AR	E1HZ 4537-X	.407" thick
			AR	E1HZ 4537-Y	.413" thick

1980/  
TRUCK SERIES 600/900

QTY.	PART NUMBER	DESCRIPTION	QTY.	PART NUMBER	DESCRIPTION
<b>ROCKWELL (TIMKEN) SQHP REAR AXLE SERVICE PARTS LIST NO. 204 — Cont'd</b>					
Note 1- It is imperative that all (12) replacing bolts and nuts be used as a set and all (12) replaced bolts and nuts be removed and discarded when servicing the vehicle to avoid thread mixing and cross threading					
	4A537	Spacer (drive pinion bearing)-inner-1980/81-"Before 11/80"-not required	1	★D8HZ 4667-A	Washer (driving pinion brg. thrust)-1 25/32" I.D. x 3" O.D.-1980/81-"Before 11/80"
1	E1HZ 4A537-A	Spacer (drive pinion bearing)-inner-also serviced in conversion kit-group 4209-2 13/32" I.D. x 2 7/8" O.D. x 2 7/64" long-1981/86-"From 11/80"		★4667	Washer (driving pinion brg. thrust)-1980/86-"From 11/80"-Not required
12	D8HZ 4558-B	Bolt (gear to case)-5/8"-18 x 2"-also serviced in kits-group 4209, 4982	1	D8HZ 4676-A	Seal assy. (drive pinion oil) #A-1205-B-1328-also serviced in kit-group 4A676-1980/81-"Before 11/80"
1	D8HZ 4614-A	Retainer assy. (driving pinion)-incl. inner cup 8Q 4628-A #65500 and outer cup B8QH 4616-A #72487	1	E1HZ 4676-A	#A-1205-U-1685-also serviced in conversion kit-group 4209 1981/83-"From 11/80"
	4616	Cup (driving pinion bearing)-also serviced in conversion kit-group 4209	1	E4HZ 4676-A	#A-1205-Y-1897-1984/86
1	B8QH 4616-A	Outer- #72487	1	D8HZ 4A676-A	Kit wear sleeve and oil seal assy. (input yoke)-1980/81-"Before 11/80"
1	8Q 4628-A	Inner- #65500	Consists of		
	4621	Cone and roller (driving pinion)	1-1199-A-3329	Sleeve	1-D8HZ 4676-A Seal
1	D8HZ 4621-B	Outer- #72201-C-incl. cup B8QH 4616-A #72487-1980/81-"Before 11/80"		★4A676	1981/86-"From 11/80"-Not required
1	E0HZ 4621-A	Outer-#72225-C-also serviced in conversion kit-group 4209-1981/86-"From 11/80"	1	D8HZ 4851-E	Flange assy. (universal joint) axle end 1610 size-1980/81-"Before 11/80"
1	8Q 4630-A	Inner- #65237-also serviced in conversion kit-group 4209	1	E1HZ 4851-E	1610 size-also serviced in conversion kit-group 4209-1981/86-"From 11/80"
	4637	Washer (driving pinion thrust)-1 9/32" I.D. x 2 3/16" O.D.-1980/81-"Before 11/80"	1	D8HZ 4851-F	1710 size-1980/81-"Before 11/80"
1	★D8HZ 4637-B		1	E1HZ 4851-F	1710 size-also serviced in conversion kit-group 4209-1981/83-"From 11/80 to 10/82"
1	E1HZ 4637-A	1 17/32" I.D. x 2 3/8" O.D. x 1/4" thick-also serviced in kit-group 4209-1981/86-"From 11/80"	1	E3HZ 4851-A	1710 Size-1983/86-"From 10/82"
			1	D8HZ 4982-A	Bolt and nut kit (driving pinion)-NOTE 1
			Consists of		
			12-D8HZ 4322-C	Nut	12-D8HZ 4558-B Bolt
			12-C1TT 4326-B	Washer	
<b>ROCKWELL (TIMKEN) SSHD REAR AXLE SERVICE PARTS LIST NO. 205</b>					
Note 1- Use for operating axle lube temperature range from -20° to +250°					
Note 2- Use for operating axle lube temperature range from -35° TO +250°					
2	C7TZ 1240-A	Cone and roller (power divider thru shaft)-#LM104949		4A147	Washer (thru shaft retainer bolt)
	4N025	Plug (heat indicator)	4	D8HZ 4A147-A	13/32" I.D. x 11/16" O.D.-1980/84
1	D0HZ 4N025-A	1980/83	4	D1HZ 4A147-A	13/32" I.D. x 3/4" O.D.-1985/88
1	E3HZ 4N025-A	1984/88		4A147	Washer 15/32" I.D. x 13/16" O.D. x 3/32" thick
2	C1TT 4067-A	Adjuster (differential bearing)-3 5/8" I.D. x 5 5/16" O.D. -14 slots	1	D7HZ 4A147-A	Shift fork seat
1	C3TZ 4A136-A	Spring (power divider diff. shift)-13/16" long - 3/4" O.D. - 4 1/2 coils	7	D7HZ 4A147-A	Power divider input shaft ret. bolt
4	D8HZ 4A142-A	Nut (carrier to housing stud)-5/8"-18-35/64" thick	AR	D7HZ 4A147-A	Power divider diff. case bolt -also serviced in assy.-group 4446
2	D7HZ 4143-A	Lock (diff. bearing adjuster)	1	B8QH 4150-A	Gasket (sliding clutch push rod retainer)
6	C3TZ 4A145-A	Bolt (drive pinion oil seal retainer)-3/8"-24 x 3/4"	2	D7HZ 4A155-A	Stud (power divider shift unit housing)-3/8" - 16 & 3/8" - 24 x 1 5/8"-1980/82-"Before 4/82"
	4A146	Bolt (power divider case)-refer to group 4216 within parts list	2	C3TZ 4399-B	Bolt (power divider shift unit housing)-3/8"-16 x 1"-1982/88-"From 4/82"
7	D5TZ 4A146-A	Bolt (power divider input shaft brg. retainer)-7/16"-14 x 1 1/2"	1	C1TZ 4189-A	Screw (thrust adj.)-does not require thrust block-7/8"-14 x 3 5/8"
2	D7HZ 4147-B	Washer (diaphragm to shift housing)-13/32" I.D. x 13/16" O.D. x 1/16" thick		4204	Case assy. (differential)
	4A147	Washer-13/32" I.D. x 11/16" O.D.	1	D8HZ 4204-F	3.90 thru 4.63 ratio-1980/83
4	D8HZ 4A147-A	Power divider shift fork housing bolt	1	E4HZ 4204-B	3.91 thru 4.56 ratio-1984/88
6	D8HZ 4A147-A	Drive pinion oil seal retainer bolt	1	E0HZ 4204-E	4.89 thru 6.17 ratio-1980/83
			1	E4HZ 4204-C	5.38 thru 6.14 ratio-1984/88
			1	B8QH 4211-A	Shaft (pinion)-8 25/32" long

1980/  
TRUCK SERIES 600/900

QTY.	PART NUMBER	DESCRIPTION	QTY.	PART NUMBER	DESCRIPTION
ROCKWELL (TIMKEN) SSHD REAR AXLE SERVICE PARTS LIST NO. 205 — Cont'd					
Note 1- Use for operating axle lube temperature range from -20° to +250°					
Note 2- Use for operating axle lube temperature range from -35° TO +250°					
4	B8QH 4215-A	Pinion (differential)-9 teeth		4309	Ring gear and pinion kit-includes self-locking nut -- Cont'd
4	D8HZ 4215-C	Pinion (power divider diff.)- 1 5/32" x 3 5/32"-9 teeth-also serviced in assy.-group 4446	1	E8HZ 4309-H	5.57 ratio-1988
	4216	Bolt (differential case)-w/locking material	1	E4HZ 4309-H	6.14 ratio
4	D8HZ 4216-D	Short-5/8"-11 x 2 1/2"	1	E8HZ 4309-J	6.17 ratio
8	D8HZ 4216-E	Long-5/8"-11 x 3 1/2"		4310	Housing assy.
	4216	Bolt (power divider case)	1	★D8HZ 4310-J	#C-3121-L-350-"CLT" Series-1980/81
8	D3TZ 4A146-A	7/16" 14 x 2 1/4"-also serviced in assy.- group 4446-1980/81	1	★E2HZ 4310-D	#C-3121-P 562-"CLT" Series-1982/83 "Before 10/82"
8	E2HZ 4216-A	7/16"-14 x 3 1/4"-1982/88	1	★E0HZ 4310-A	#C3-3121-L-350 "L" Series-1980/81
2	CITT 4221-C	Cone and roller (differential bearing)-#47890	1	★E2HZ 4310-E	#C2-3121-P 562-"L" Series-1982/83 "Before 10/82"
2	CITT 4222-A	Cup (differential bearing)-#47820	1	E3HZ 4310-J	#C1-G-683-1983-"From 10/82"
	4222	Cup (power divider input shaft)	1	E4HZ 4310-F	#C-U-983 Hendrickson Beam Suspension-1984/88
1	D8HZ 4222-B	Front bearing- #JH-211710		B7T 7034-A	Breather (axle housing)
1	D8HZ 4222-C	Rear bearing- #JLM-714110	1	353051-S(PP-32)	Plug (filler)-3/4"-14
2	B8QH 4228-A	Washer (diff. side gear thrust)	1	D3HZ 4320-A	Nut (drive pinion)-1 3/4"-12 x 2 7/32" across flats-also serviced in kit-group 4309
	4228	Washer (power divider input shaft)	1	D3HZ 4320-A	Nut (input shaft)-1 3/4"-12 x 2 7/32" across flats-also serviced in assy. and kit-group 4446
1	D8HZ 4228-A	"E" type-use on original input shaft with flat square groove at spline end	1	D7HZ 4320-B	Nut (thru shaft)-1 1/2"-12 x 2 7/32" across flats
1	E8HZ 4567-C	Snap ring-use on new input shaft with round radius groove at spline end-also serviced in kit-group 4446	4	C1TT 4321-B	Bolt (diff. bearing cap)-7/8" .9 x 5 1/2"
4	B8QH 4230-A	Washer (diff pinion thrust)	12	D8HZ 4322-C	Nut (diff. drive gear to case) 5/8"-18
4	D8HZ 4230-B	Washer (power divider diff. pinion thrust)- 1 5/64" I.D. x 2 1/4" O.D. x 1/16" thick also serviced in assy.-group 4446		4322	Nut (power divider case bolt)
2	C5TZ 4A230-A	Gasket (housing plug)-5/16" I.D. x 5/8" O.D.	8	★4322	1980/81-Not required
2	356184-S(XX-113)	Washer (housing plug gasket bolt)-5/16"	2	E2HZ 4322-A	7/16"-14-1982
2	D8HZ 4A322-C	Bolt (housing plug gasket)-5/16" - 18 x 1"		4323	Stud (carrier to housing)
	4234	Shaft assy.	2	C1TT 4323-A	Long - 5/8"-11 and 5/8"-18 x 3 1/2" 1980/83
1	D8HZ 4234-D	R.H.	2	D8HZ 4323-A	Medium-5/8". 11 and 5/8"-18 x 2 5/8" 1984/88
1	D8HZ 4234-E	L.H.	2	E8HZ 4323-A	Short-5/8"-11 and 5/8"-18 x 2 1/4"
2	C3TZ 4236-B	Gear (differential side)		4323	Bolt (carrier to housing)-5/8"-11 x 2 3/4"
1	D8HZ 4N282-B	Plug (drain)-magnetic-3/4"-14 x 1 5/16"	2	D8HZ 4323-E	1980/83
	4300	Differential assy. - refer to group in Section 40	4	D8HZ 4323-E	1984/88
	4309	Ring gear and pinion kit-includes self-locking nut		4323	Bolt (carrier to housing) 5/8"-11 x 1 5/8"
1	E8HZ 4309-B	3.90 ratio	8	D8HZ 4323-F	1980/83
1	E4HZ 4309-C	3.91 ratio	6	D8HZ 4323-F	1984/88
1	E4HZ 4309-D	4.10 ratio		4326	Washer-21/32" I.D. x 1 1/16" O.D. x 3/32" thick
1	D8HZ 4309-L	4.11 ratio-1980/87	12	C1TT 4326-B	Differential case bolt
1	E8HZ 4309-C	4.11 ratio-1988	12	C1TT 4326-B	Differential drive gear to case
1	E4HZ 4309-E	4.30 ratio	14	C1TT 4326-B	Carrier to housing
1	E8HZ 4309-D	4.33 ratio	4	C1TT 4326-C	Washer (diff. bearing cap bolt)- 29/32" I.D. x 1 5/8" O.D. x 1/4" thick
1	E4HZ 4309-F	4.56 ratio-1984/87	1	D8HZ 4332-B	Bolt (power divider diff. shift fork adjusting)-1/2"-20 x 1 5/8"
1	E8HZ 4309-E	4.56 ratio 1988	1	E4HZ 4341-A	Carrier assy. (diff.) #A2-P-1420
1	D8HZ 4309-M	4.63 ratio-1980/87	1	353051-S(PP-32)	Plug (filler) - 3/4"-14-1980/84
1	E8HZ 4309-F	4.63 ratio-1988	1	D8HZ 4N282-B	Plug (filler)-magnetic-3/4"-14 x 1 5/16"-1985/ 1980/81
1	E0HZ 4309-B	4.89 ratio-1980/87	1	C1TT 4345-B	Washer (shift fork push rod)- 1 1/64" I.D. x 1 3/8" O.D.
1	E8HZ 4309-K	4.89 ratio-1988	1	D7HZ 4345-A	Retainer (shift fork push rod washer)
1	E0HZ 4309-D	5.29 ratio-1980/87			
1	E8HZ 4309-G	5.29 ratio-1988			
1	E8HZ 4309-L	5.38 ratio			
1	E0HZ 4309-C	5.57 ratio-1980/87			



**1980/  
TRUCK SERIES 600/900**

QTY.	PART NUMBER	DESCRIPTION	QTY.	PART NUMBER	DESCRIPTION
<b>ROCKWELL (TIMKEN) SSSD REAR AXLE SERVICE PARTS LIST NO. 205 — Cont'd</b>					
Note 1- Use for operating axle lube temperature range from -20° to +250°					
Note 2- Use for operating axle lube temperature range from -35° TO +250°					
	4351	Flange assy. (universal joint)- power divider end-input	1	D8HZ 4442-C	Gear (drive pinion transfer)- 31 teeth - 26 splines
1	E2HZ 4351-E	1610 size-1980/82	1	E8HZ 4446-C	Shaft and inner diff. kit (power divider input)
1	E3HZ 4351-C	1610 size-1983	Consists of		
1	E7HZ 4351-E	1610 size-1987/88	1-D3HZ 4320-A	Nut	1-E5HZ 4573-A Seal assy.
1	D8HZ 4351-F	1710 size-1980/81-"Before 11/80"	1-D8HZ 4423-B	Cone and roller	1-D8HZ 4586-A Washer
1	E1HZ 4351-E	1710 size-1981/86-"From 11/80"	1-E8HZ 4431-C	Retainer assy.	1-A8-3280-N-6748 Input shaft assy.
1	E7HZ 4351-F	1710 size-1987/88	1-E1HZ 4450-B	Shift fork	
1	E2HZ 4351-D	1760 size-1980/87	1	D8HZ 4446-F	Shaft (power divider input)-flat square groove at spline end of shaft 16 7/32" long-46 teeth-15 teeth- 22 teeth
1	E8HZ 4351-B	1760 size-1988			
1	D8HZ 4351-E	1810 size-1980/87	1	E8HZ 4446-D	Shaft kit (power divider input)- round radius groove at spline end of shaft
1	E8HZ 4351-D	1810 size-1988			
1	C1TT 4390-A	Washer (shift fork spring)-15/32" I.D. x 1 17/16" O.D.			
1	C1TT 4391-A	Nut (driven gear thrust block adj. screw)-7/8"-14 x 1 1/4" across flats	1	E8HZ 4446-D	Shaft kit (power divider input)- round radius groove at spline end of shaft
	4399	Bolt-3/8"-16 x 1"	Consists of		
4	C3TZ 4399-B	Power divider shift fork housing	1-E8HZ 4567-C	Snap ring	1-3280-N-6748 Shaft
4	C3TZ 4399-B	Power divider thru shaft rear bearing retainer-1980/84		4450	Fork assy. (power divider diff. lockout shift)
4	E5HZ 4399-A	Power divider thru shaft bearing retainer-1985	1	★D8HZ 4450-B	8 5/8" long-5 13/16" wide- 4 7/16" opening- 1980/81-"Before 11/80"- r/b D8HZ 4A455-A
1	E4HZ 4404-A	Case assy (power divider diff.)	1	E1HZ 4450-B	8 9/16" long-5 13/16" wide- 4 5/8" opening-also serviced in kit- groups 4446, 4A455 1981/88-"From 11/80"
1	D8HZ 4411-B	Shaft (power divider diff.)- 2 5/32" I.D. x 6 13/16" long - 22 splines also serviced in assy.-group 4446	1	D8HZ 4454-E	Washer (power divider input shaft)- 2 15/16" I.D. x 3 57/64" O.D. x 1/8" thick also serviced in assy.-group 4446
1	D8HZ 4423-B	Cone and roller (power divider input shaft front)-#JH-211749 - 2 9/16" I.D. x 4 23/32" O.D. - also serviced in assy. and kit-group 4446		4455	Gear (power divider sliding clutch)-also serviced in assy.-group 4446
1	D8HZ 4424-A	Cone and roller (power divider input shaft rear)-#JLM-714149-2 61/64" I.D. x 4 17/32" O.D. - also serviced in assy.-group 4446	1	★D8HZ 4455-B	4 3/8" groove dia.- 1980/81-"Before 11/80"- r/b D8HZ 4A455-A
1	D8HZ 4431-B	Retainer assy. (power divider input shaft bearing)-incl cage and cup D8HZ 4222-B-#JH-211710-1980/84- "Before 9/88"	1	E1HZ 4455-A	4 1/2" groove dia.-also serviced in kit- group 4A455 1981/88-"From 11/80 to 9/88"
1	E5HZ 4431-A	Retainer assy. (power divider input shaft bearing)-1985/88-"Before 9/88"	1	E8HZ 4455-E	Gear (power divider sliding clutch)- #3107-E-1071-use on vehicles with updated 4431 retainer #A-3226-R-1162 and updated 4455 gear #3107-E-1071- 1988-"From 9/88"
1	E8HZ 4431-C	Retainer assy. (power divider input shaft bearing)-also serviced in kit-group 4446- #A-3226-R-1162-incl. cage and cup D8HZ 4222-B #JH211710-use on vehicles with updated 4431 retainer #A-3226-R-1162 and updated 4455 gear #3107-E-1071-1988-"From 9/88"	1	D8HZ 4A455-A	Gear kit (power divider sliding clutch conversion)-use to convert old style clutch gear used prior to 11/3/80 to new style
1	E8HZ 4R431-A	Retainer Kit (power divider input shaft bearing update)-use on vehicles built prior to 9/1/88	Consists of		
Consists of			1-E1HZ 4450-B	Shift fork	1-E1HZ 4455-A Gear
1-E8HZ 4431-C	Retainer	1-E8HZ 4455-E Gear	1	E8HZ 4A455-A	Gear Kit (power divider sliding clutch conversion update)-use on vehicles built prior to 9/1/88
	4434	Gear (power divider input shaft diff. side) also serviced in assy.-group 4446	Consists of		
1	D8HZ 4434-C	Front-6 7/8" O.D.-10 teeth-16 splines	1-E8HZ 4431-C	Retainer	1-E8HZ 4455-E Gear
1	D8HZ 4434-D	Rear-16 teeth - 20 splines	1-E1HZ 4450-B	Shift fork	
	4436	Shim (drive pinion bearing retainer)- 4 1/2" I.D. x 5 3/16" O.D.			
AR	D8HZ 4436-D	.003" thick			
AR	D8HZ 4436-E	.005" thick			
AR	D8HZ 4436-F	.010" thick			

1980/  
TRUCK SERIES 600/900

QTY.	PART NUMBER	DESCRIPTION	QTY.	PART NUMBER	DESCRIPTION
ROCKWELL (TIMKEN) SSHD REAR AXLE SERVICE PARTS LIST NO. 205 — Cont'd					
Note 1- Use for operating axle lube temperature range from -20° to +250°					
Note 2- Use for operating axle lube temperature range from -35° TO +250°					
	4465	Flange assy. (universal joint)-output		4567	Snap ring (thru shaft rear bearing)- Selective
1	D8HZ 4465-C	1610 Size-1980/81-"Before 11/80"			
1	E1HZ 4465-C	1610 size-1981/83-"From 11/80 to 10/82"	1	D8HZ 4567-B	.155" thick
1	D8HZ 4465-C	1610 Size-1983/-88"From 10/82"	1	D8HZ 4567-C	.159" thick
1	D8HZ 4465-D	1710 Size-1980/81-"Before 11/80"	1	D8HZ 4567-D	.161" thick
1	E1HZ 4465-D	1710 size-1981/83-"From 11/80 to 10/82"	1	D8HZ 4567-E	.164" thick
1	D8HZ 4465-D	1710 Size-1983/88-"From 10/82"	1	D8HZ 4567-F	.167" thick
1	D8HZ 4476-A	"O" Ring (power divider input shaft)- 6 3/4" I.D. x 7" O.D. x 1/8" thick	1	D8HZ 4567-G	.170" thick
1	D8HZ 4477-C	Retainer assy. (power divider thru shaft bearing)-#A-W-699-incl. brg. cup D3HZ 7169-A-#JLM104910- 3 1/4" I.D. x 6" O.D. x 3 3/16" long-4 holes	1	D8HZ 4567-H	.173" thick
	4478	Seal (power divider thru shaft oil)	1	D8HZ 4567-J	.176" thick
1	C1TT 4478-A	Note 1- 3 17/32" O.D.-to seal 2 3/4" shaft- 1980/84	1	D8HZ 4567-K	.179" thick
1	E2HZ 4478-A	Note 2-1980/84	1	D8HZ 4567-L	.182" thick
1	E5HZ 4478-A	1985/88	1	D7HZ 4567-A	Washer (power divider thru shaft retainer)-1 27/32" I.D. x 2 3/16" O.D. x 1/8" thick
1	C1TT 4479-A	Gasket (power divider thru shaft rear bearing retainer)-1980/84	1	C1TT 4570-A	Ball (shift fork pivot)-3/8" I.D. x 1 15/16" O.D.
*	4479	Improvise-use liquid gasket-1985/88	1	D4TZ 4571-A	Nut (shift fork pivot bolt)-3/8"-24
1	C1TT 4497-B	Diaphragm assy. (power divider diff. lockout cylinder)		4571	Nut (diaphragm to shift housing)
1	D8HZ 4507-A	Gasket (drive pinion oil seal retainer)- 5 1/8" I.D. x 6 7/8" O.D. x 1/32" thick-6 holes- 1980/84	2	D7HZ 4571-A	3/8"-24-1980/82"- "Before 4/82" 1982/88-"From 4/82"-Not Required
*	4507	Improvise-use liquid gasket-1985/88		4571	1982/88-"From 4/82"-Not Required
	4536	Shim (power divider input bearing retainer)-7 1/4" I.D. x 8 7/8" O.D.	1	D7HZ 4571-B	Nut (shift fork adjusting)-1/2"-20
AR	D8HZ 4536-G	.003" thick	1	D8HZ 4573-B	Seal assy. (input shaft oil)- 4 1/4" O.D.-3/8" thick-3 1/4" shaft dia.- 1980/84
AR	D8HZ 4536-H	.005" thick	1	E5HZ 4573-A	Seal assy. (input shaft oil)-also serviced in kit-group 4446-1985/88
AR	D8HZ 4536-J	.010" thick	1	D8HZ 4579-C	Shaft (power divider thru shaft)-#3280-L-6720-S 16 63/64" long x 1 7/8" O.D.-20 teeth- 2" O.D.-39 teeth-1 1/2"-12
	4537	Spacer (driving pinion bearing)-use in pairs as required	1	D8HZ 4585-A	Bolt (shift fork)-5/8"-24 x 2 7/16"
AR	C1TT 4537-H	.248" thick	1	D8HZ 4586-A	Washer (input shaft nut)- 1 25/32" I.D. x 3" O.D. - 3/16" thick also serviced in assy. and kit-group 4446
AR	C1TT 4537-J	.249" thick	1	D8HZ 4586-B	Washer (drive pinion transfer gear)- 2 25/64" I.D. x 3 3/16" O.D.-13/16" thick
AR	C1TT 4537-K	.250" thick	1	D8HZ 4586-C	Washer (drive pinion nut)-1 3/16" I.D. x 3 1/4" O.D. - 13/32" thick
AR	C1TT 4537-L	.251" thick	1	B8QH 4616-B	Cup (driving pinion bearing)-inner- #H-715311
AR	C1TT 4537-M	.252" thick	1	8Q 4628-A	Cup (driving pinion bearing)-outer-#65500
AR	C1TT 4537-N	.253" thick		4630	Cone and roller (driving pinion bearing)- Inner-#H-715343
AR	C1TT 4537-R	.259" thick	1	C1TT 4630-B	Outer-#65237
AR	C1TT 4537-S	.265" thick	1	D8HZ 4637-C	Washer (power divider thru shaft flange)- 1 17/32" I.D. x 2 3/8" O.D. x 1/8" thick
AR	C1TT 4537-T	.271" thick	1	D8HZ 4675-A	Retainer (drive pinion oil seal)- 2 5/8" I.D. x 5 1/4" O.D.-6 holes
AR	C1TT 4537-U	.277" thick	1	D7HZ 4859-B	Deflector (driving pinion oil seal)- 3 3/8" I.D. x 5 3/4" O.D. x 15/16" wide
AR	C1TT 4537-V	.283" thick	2	D3HZ 7169-A	Cup (power divider thru shaft)- #JLM104910-also serviced in retainer assy.-group 4477
12	D8HZ 4558-C	Bolt (diff. drive gear to case)-5/8"-18 x 2 1/4"			
1	D8HZ 4563-A	Housing assy. (power divider shift fork)- 5 9/16" x 7 1/2"			
1	D8HZ 4564-A	Gasket (shift fork opening)- 4 3/8" x 7 1/2" - 1/32" thick			
1	C3TZ 4566-A	Spring (diff. lockout shift pushrod)-1 5/16" I.D. x 1 9/16" O.D.-1 7/8" free length			
	4567	Refer to group 4228 within parts list			

1980/  
TRUCK SERIES 600/900

QTY.	PART NUMBER	DESCRIPTION	QTY.	PART NUMBER	DESCRIPTION
<b>ROCKWELL (TIMKEN) SSSHD REAR AXLE SERVICE PARTS LIST NO. 206</b>					
	4010	Housing assy.		4216	Bolt (differential case)-w/locking material
1	★D8HZ 4010-H	#C9-P-94-"CLT" Series-1980/81 r/b D8HZ 4010-S	4	D8HZ 4216-D	Short-5/8"-11 x 2 1/2"
1	E2HZ 4010-B	#C4-N-560-"CLT" Series-1982/83- "Before 10/82"	8	D8HZ 4216-E	Long-5/8"-11 x 3 1/2"
1	★E0HZ 4010-D	#C8-P-94-"L" Series-1980/81 r/b E0HZ 4010-F	2	C1TT 4221-C	Cone and roller (differential bearing)-# 47890
1	E2HZ 4010-A	#C3-N-560-"L" Series-1982/83 "Before 10/82"	2	C1TT 4222-A	Cup (differential bearing)-#47820
1	E3HZ 4010-R	#C1-E-681-1983/88-"From 10/82"	2	B8QH 4228-A	Washer (diff. side gear thrust)
	4010	Housing kit includes 2 wheel end oil seals and inner bearing cones	4	B8QH 4230-A	Washer (diff. pinion thrust)
1	D8HZ 4010-S	"CLT" Series-1980/81	2	C5TZ 4A230-A	Gasket (housing plug)-5/16" I.D. x 5/8" O.D.
1	E0HZ 4010-F	"L" Series-1980/81	2	356184-S(XX-113)	Washer (housing plug gasket bolt)-5/16"
1	B7T 7034-A	Breather (axle housing)	2	D8HZ 4A322-C	Bolt (housing plug gasket)-5/16"-18 x 1"
1	353051-S(PP-32)	Plug (filler)-3/4"-14	1	4234	Shaft assy.
1	374224-S(PP-51-A)	Plug-(drain) magnetic-3/4"-14	1	D8HZ 4234-E	R.H.
	4N025	Plug (heat indicator)	1	D8HZ 4234-D	L.H.
1	D0HZ 4N025-A	1980/83	2	C3TZ 4236-B	Gear (differential side)
1	F0HZ 4N025-A	1984/88	1	D8HZ 4N282-B	Plug (drain)-magnetic-3/4"-14 x 1 5/16"
2	C1TT 4067-A	Adjuster (diff. bearing) - 3 15/16" I.D. x 5 27/32" O.D.-16 slots	1	D7HZ 4320-B	Nut (drive pinion flange)- 1 1/2"-12 x 2 7/32" across flats- also serviced in kit-group 4209
	4141	Carrier assy. (diff.)	4	C1TT 4321-B	Bolt (diff. bearing cap)-7/8"-9 x 5 1/2"
1	C1TT 4141-C	#A2-H-606-1980/83	12	D8HZ 4322-C	Nut (diff. drive gear to case)-5/8"-18
1	E4HZ 4141-A	#A2-C-1433-1984/88		4323	Bolt (carrier to housing)-1980/83
1	353051-S(PP-32)	Plug (filler)-3/4"-14	10	D8HZ 4323-F	Short-5/8"-11 x 1 5/8"
14	D8HZ 4A142-A	Nut (diff. carrier to housing)- 5/8"-18 x 35/64" thick	4	D8HZ 4323-G	Long-5/8"-11 x 2 3/8"
2	D7HZ 4143-A	Lock (diff. bearing adjuster)		4323	Bolt (carrier to housing)-1984
1	C1TZ 4189-A	Screw (thrust adjusting)-7/8"-14 x 3 5/8"- does not require thrust block	7	D8HZ 4323-F	Short-5/8"-11 x 1 5/8"
	4200	Differential assy.-refer to group in Section 40	4	D8HZ 4323-D	Long-5/8"-11 x 3"
	4204	Case assy. (differential)	3	D8HZ 4323-A	Stud (carrier to housing)-1984- 5/8"-11 and 5/8"-18 x 2 5/8"
1	D8HZ 4204-F	3.90 thru 4.63 ratio-1980/83		4323	Bolt (carrier to housing)-1985/88
1	E4HZ 4204-B	3.91 thru 4.56 ratio-1984/88	10	D8HZ 4323-F	Short-5/8"-11 x 1 5/8"
1	E0HZ 4204-E	4.89 thru 6.17 ratio-1980/83	4	D8HZ 4323-D	Long-5/8"-11 x 3"
1	E4HZ 4204-C	5.38 thru 6.14 ratio-1984/88		4326	Washer-21/32" I.D. x 1 1/16" O.D. x 3/32" thick
	4209	Ring gear and pinion kit-includes Self-locking nut	12	C1TT 4326-B	Differential case bolt
1	D8HZ 4209-H	3.90 ratio-1980/87	12	C1TT 4326-B	Differential drive gear to case
1	E8HZ 4209-AA	3.90 ratio-1988	14	C1TT 4326-B	Carrier to housing
1	E4HZ 4209-H	3.91 ratio	4	C1TT 4326-C	Washer (diff. bearing cap bolt)- 29/32" I.D. x 1 5/8" O.D. x 1/4" thick
1	E4HZ 4209-J	4.10 ratio	8	D7HZ 4326-A	Washer (pinion bearing retainer bolt)- 17/32" I.D. x 7/8" O.D. x 3/32" thick
1	E8HZ 4209-AB	4.11 ratio	1	C1TT 4391-A	Nut (driven gear thrust block adj. Screw)-7/8"-14 x 1 1/4" across flats
1	E4HZ 4209-K	4.30 ratio		4536	Shim (driving pinion bearing retainer)
1	E8HZ 4209-AC	4.33 ratio	AR	C1TT 4536-K	.003" thick
1	E8HZ 4209-AD	4.56 ratio	AR	C1TT 4536-N	.005" thick
1	E8HZ 4209-AE	4.63 ratio	AR	C1TT 4536-M	.010" thick
1	E8HZ 4209-AJ	4.89 ratio		4537	Spacer (driving pinion bearing)-use in pairs as required
1	E8HZ 4209-AF	5.29 ratio	AR	C1TT 4537-H	.248" thick
1	E4HZ 4209-M	5.38 ratio-1980/87	AR	C1TT 4537-J	.249" thick
1	E8HZ 4209-AR	5.38 ratio-1988	AR	C1TT 4537-K	.250" thick
1	E0HZ 4209-Y	5.57 ratio-1980/87	AR	C1TT 4537-L	.251" thick
1	E8HZ 4209-AG	5.57 ratio-1988	AR	C1TT 4537-M	.252" thick
1	E4HZ 4209-N	6.14 ratio	AR	C1TT 4537-N	.253" thick
1	E8HZ 4209-AH	6.17 ratio	AR	C1TT 4537-R	.259" thick
1	B8QH 4211-A	Shaft (pinion)-8 25/32" long	AR	C1TT 4537-S	.265" thick
4	B8QH 4215-A	Pinion (differential)-9 teeth	AR	C1TT 4537-T	.271" thick
			AR	C1TT 4537-U	.277" thick
			AR	C1TT 4537-V	.283" thick

1980/  
TRUCK SERIES 600/900

QTY.	PART NUMBER	DESCRIPTION	QTY.	PART NUMBER	DESCRIPTION
<b>ROCKWELL (TIMKEN) SSSH REAR AXLE SERVICE PARTS LIST NO. 206 — Cont'd</b>					
12	D8HZ 4558-C	Bolt (diff. drive gear to case)-5/8"-18 x 2 1/4"	1	C1TT 4637-A	Washer (drive pinion flange)- 2 1/32" I.D. x 3 1/4" O.D. x 5/16" thick
8	C1TT 4560-C	Bolt (pinion bearing retainer to carrier)-1/2"-13 x 1 5/8"	1	D8HZ 4637-C	Washer (driving pinion bearing thrust)- 1 17/32" I.D. x 2 3/8" O.D. x 1/8" thick
	4614	Retainer assy. (driving pinion bearing)- incl. B8QH 4616-B cups #H715311	1	D7HZ 4676-B	Seal (drive pinion oil)-2 3/4" I.D. x 5 1/2" O.D.-1980/84
1	E4HZ 4614-A	1980/84	1	E5HZ 4676-A	Seal assy. (drive pinion oil)-1985/88
1	E4HZ 4614-B	1985/88		4851	Flange assy. (universal joint)-axle end
2	B8QH 4616-B	Cup (driving pinion bearing)-#H-715311 -also serviced in retainer assy.-group 4614	1	D8HZ 4851-G	1610 size-1980/81-"Before 11/80"
1	C1TT 4621-A	Cone and roller (driving pinion)- outer-#H715334	1	E1HZ 4851-G	1610 size-1981/83-"From 11/80 to 10/82"
1	D8HZ 4625-B	Bearing assy. (driving pinion pilot)- #MU1308TM	1	D8HZ 4851-G	1610 Size-1983/84-"From 10/82"
1	C1TT 4627-A	Retainer (drive pinion pilot brg.)	1	E5HZ 4851-A	1610 Size-1985/88
1	C1TZ 4627-B	Lock ring (drive pinion brg. retainer)- 13/16" free I.D.-3/64" thick	1	D8HZ 4851-H	1710 size - 1980/81 - "Before 11/80"
1	C1TT 4630-B	Cone and roller (driving pinion bearing)-inner-#715343	1	D7HZ 4851-H	1710 size - 1981/83 "From 11/80 to 10/82"
			1	D8HZ 4851-H	1710 Size-1983/84-"From 10/82"
			1	E5HZ 4851-B	1710 Size-1985/88
			1	B8QH 4859-B	Deflector (driving pinion oil seal)
<b>ROCKWELL (TIMKEN) SRDD REAR AXLE SERVICE PARTS LIST NO. 209</b>					
	1124	Lock (pinion bearing adjuster nut)	2	D7HZ 4A155-A	Stud (power divider shift unit housing)- 3/8"-16 & 3/8"-24 x 1 5/8"
1	B8QH 1124-B	Inner	1	D7HZ 4204-C	Case assy. (differential)- 10 1/16" O.D. x 10 1/2" long - 12 holes
1	C3TZ 1124-B	Outer	6	★D7HZ 4A205-A	Bolt (diff. thru shaft bearing retainer)- 3/8"-16 x 1 1/2"
	1243	Refer to group 4222 within parts list	6	D1HZ 4A147-A	Washer (diff. thru shaft bearing retainer bolt)- 13/32" I.D. x 3/4" O.D. x 3/32" thick
1	★D7HZ 4K003-A	Plate (skid)#3305-U-21-9 3/4" wide x 12 3/4" long-6 5/8" bolt circle	1	★D7HZ 4210-B	Gear (diff. high speed driven)- 12 29/64" O.D. x 2 15/16" wide - 12 holes - 40 teeth
1	D0HZ 4N025-A	Plug (heat indicator)	1	D7HZ 4211-A	Shaft (pinion)-1 15/16" I.D. x 7" long
1	C3TZ 4052-A	Cover (diff. carrier top)-11 1/2" long x 5 7/8" wide - 10 bolt holes	4	C1TT 4215-A	Pinion (differential)-also serviced in kit-group 4237
1	C3TZ 4052-C	Cover (diff. carrier side)-5 3/4 O.D.- 8 holes - 4 3/4" bolt circle	4	D8HZ 4215-C	Pinion (power divider diff.)- 1 5/32" x 3 5/32" - 9 teeth
1	★C3TZ 4A060-B	Gasket (thru shaft rear bearing cage)	12	★D7HZ 4216-D	Bolt (diff. case)-power divider- 1/2"-13 x 5"
1	★C3TZ 4A086-A	Bearing (drive pinion gear thru shaft)- 2 9/16" I.D. x 4 23/32" O.D. x 29/32" thick		4221	Cone and roller (diff. bearing)
1	C3TZ 4A136-A	Spring (power divider diff. shift)- 3/4" O.D. x 13/16" long - 4 1/2 coils	1	A7TZ 4221-A	Outer drive pinion - #497
	4A140	Bolt (power divider adapter)	1	C3TZ 4221-E	Inner drive pinion-#42350
5	C6TZ 4A140-B	Medium-1/2"-13 x 1 3/4"	2	D7HZ 4221-A	Thru shaft-#385-A-also serviced in retainer assy.- group 4477
3	C8TZ 4323-B	Long-1/2"-13 x 2"	2	D7HZ 4221-B	Power divider diff. case-#392
1	★D7HZ 4A140-B	Bolt (power divider housing)	2	B8TZ 4221-A	Differential-#HM 516449
7	D8HZ 4A145-A	Short-7/16"-14 x 1 3/8"	1	B6Q 1243-A	Cup (diff. bearing)
18	D8HZ 4A142-A	Nut (carrier to housing stud)-5/8"-18	1	8Q 4222-A	Outer drive pinion - #493
	4A145	Bolt (power divider housing)-refer to group 4A140 within parts list	1	D7HZ 4222-A	Inner drive pinion - #42584
8	C3TZ 4A145-A	Bolt (power divider diff. brg. retainer)- 3/8"-24 x 3/4"	2	B8QH 4222-B	Power divider diff. case - #394-A
10	C3TZ 4A145-A	Bolt (diff. carrier top cover)- 3/8"-24 x 3/4"	2	TCAA 1243-A	Differential - #HM516410
	4147	Washer- 13/32" I.D. x 13/16" O.D. x 1/16" thick also serviced in shift assy. - group 4563	2		Thru shaft - #382-A-also serviced in assy. - group 4477
2	D7HZ 4147-B	Power divider shift assy.		4228	Washer (power divider side gear thrust)
8	D7HZ 4147-B	Power divider diff. bearing retainer bolt	1	C8TZ 4228-A	Forward-2 23/64" I.D. x 3 3/4" O.D.
10	D7HZ 4147-B	Differential carrier top cover bolt	1	C3TZ 4228-C	Rear-3 1/8" I.D. x 4 1/4" O.D.
8	D7HZ 4A147-A	Washer (power divider housing bolt)- 15/32" I.D. x 13/16" O.D. x 3/32" thick	4	C1TT 4230-A	Washer (pinion thrust)
1	B8QH 4150-A	Gasket (power divider diaphragm assy.)- also serviced in housing & shift assy. - group 4563	4	D8HZ 4230-B	Differential-1 3/8" I.D. x 2 15/32" O.D. also serviced in kit-group 4237

1980/  
TRUCK SERIES 600/900

QTY.	PART NUMBER	DESCRIPTION	QTY.	PART NUMBER	DESCRIPTION
ROCKWELL (TIMKEN) SRDD REAR AXLE SERVICE PARTS LIST NO. 209 — Cont'd					
	4234	Shaft assy.		4397	Bolt (gear shaft bearing retainer)
1	D7HZ 4234-H	R.H.	3	★D7HZ 4397-A	Short-7/16"-14 x 2 1/4"
1	D7HZ 4234-J	L.H.	3	D7HZ 4397-B	Long-1/2"-13 x 2 3/4"
1	D7HZ 4236-B	Gear (power divider diff. side)-front- #2234-V-724-S-4 2:732" O.D.- 16 teeth-34 splines	4	C3TZ 4399-B	Bolt (power divider shift fork housing)
1	★D7HZ 4237-D	Gear and pinion kit (diff.) Consists of 1-3278-F-84 Shaft pinion 2-1229-E-1773 Washer gear 4-C1TT 4215-A Pinion gear 4-C1TT 4230-A Washer pinion 2-2234-X-830 Side gear	2	★D7HZ 4399-B	Bolt (idler shaft bearing washer)- 7/16"-14 x 1"
1	★C3TZ 4243-A	Key (driven gear)-1/2"-3/8 x 2 5/8"	4	D1HZ 4A147-A	Washer (power divider shift fork housing bolt)- 13/32" I.D. x 3/4" O.D. x 3/32" thick
1	B8QH 4252-B	Nut (drive gear)	1	★D7HZ 4404-B	Case assy. (power divider diff.)
1	B8QH 4255-A	Nut (bearing adjusting)-bevel pinion- 4 1/8" hex.-3/4"-12 thread	1	★D7HZ 4428-B	Adapter assy. (power divider diff.)- incl. tubes-10 13/16" O.D. x 6 25/32" long-8 holes
1	D8HZ 4N282-B	Plug (drain) magnetic-3/4"-14 x 1 5/16"	2	353051-S(PP-32)	Plug (filler)-3/4"-14
	4295	Spacer (diff. bearing)	1	★C3TZ 4450-B	Fork (power divider shift)
AR	★C3TZ 4295-L	.240" thick	1	C1TT 4458-C	Spring (lockout lever return)- 1" I.D. - 2 1/2" free length-also serviced in housing & shift assy. - group 4563
AR	★C3TZ 4295-K	.245" thick	1	★D7HZ 4465-A	Flange assy. (u./joint)-output-1710 size
AR	★C1TT 4295-A	.250" thick	1	★D7HZ 4477-A	Retainer assy. (thru shaft rear bearing)- incl. (2) TCAA 1243-A Cups #382-A and (2) D7HZ 4221-A cones #385-A -4 23/32" I.D. x 6 1/2" O.D. - 6 holes
AR	★C1TT 4295-B	.255" thick	1	★D7HZ 4478-B	Seal assy. (thru shaft bearing retainer oil)-2 3/4" I.D. x 4" O.D. x 5/8" wide
AR	★C1TT 4295-C	.260" thick	1	C1TT 4497-B	Shift assy. (power divider)-air-also serviced in housing and shift assy.-group 4563
AR	★C1TT 4295-D	.265" thick	1	★C3TZ 4536-A	Shim (pinion bearing case)- 2 1/2" I.D. x 4 1/8" O.D.-.240"/.245" thick
AR	★C1TT 4295-E	.270" thick		4536	Shim (driving pinion bearing retainer)
AR	★C1TT 4295-F	.275" thick	AR	★C3TZ 4536-B	.003" thick
AR	★C1TT 4295-G	.280" thick	AR	★C3TZ 4536-C	.005" thick
1	★D7HZ 4309-K	Ring gear and quill kit-5.78 ratio		4537	Spacer (driving pinion bearing retainer)- 7 3/16" O.D.-6 bolt holes - 6 5/8" bolt circle
1	★D7HZ 4310-R	Housing assy.	AR	★C3TZ 4537-Z	.003" thick
1	B7T 7034-A	Breather (axle housing)	AR	★C3TZ 4537-AA	.005" thick
1	D3HZ 4320-A	Nut (input shaft)-1 3/4"-12-2 7/32" across flats	AR	★D7HZ 4537-DC	.010" thick
1	D7HZ 4320-B	Nut (thru shaft)-1 1/2" - 12 - 2 7/32" across flats		4537	Spacer (drive pinion bearing)-inner
12	★C3TZ 4322-D	Nut (gear to case)-power divider-1/2"-13	AR	★D7HZ 4537-DD	.367" thick
12	★D7HZ 4322-A	Nut (gear to case)-differential- 9/16"-18 x 7/8" across flat	AR	★D7HZ 4537-DE	.368" thick
	4323	Bolt (power divider adapter)- refer to group 4A140 within parts list	AR	★D7HZ 4537-DF	.369" thick
18	D8HZ 4323-H	Stud (carrier to housing)- 5/8"-11 & 5/8"-11 x 2 1/2"	AR	★D7HZ 4537-DG	.370" thick
18	C1TT 4326-B	Washer (carrier to housing stud)- 21/32" I.D. x 1 1/16" O.D. x 3/32" thick	AR	★D7HZ 4537-DH	.371" thick
8	D7HZ 4326-A	Washer (power divider adapter bolt)- 17/32" I.D. x 7/8" O.D. x 3/32" thick	AR	★D7HZ 4537-DJ	.372" thick
12	D7HZ 4326-A	Washer (diff. case)-power divider- 17/32" I.D. x 7/8" O.D. x 3/32" thick	AR	★D7HZ 4537-DK	.373" thick
1	★C1TT 4332-A	Bolt (shifter fork adjusting)- 1/2"-20 x 1 9/16"-also serviced in housing & shift assy.-group 4563	AR	★D7HZ 4537-DL	.374" thick
1	★C3TZ 4332-B	Set screw (shifter fork)-3/8"-24 x 2 3/8"	AR	★D7HZ 4537-DM	.375" thick
1	★D7HZ 4341-C	Carrier assy. (diff.)	AR	★D7HZ 4537-DN	.376" thick
1	353051-S(PP-32)	Plug (filler)-3/4"-14	AR	★D7HZ 4537-DP	.377" thick
1	C1TT 4345-B	Washer (power divider shift spring)- 1 1/64" I.D. x 1 3/8" O.D. - also serviced in housing & shift assy.-group 4563	AR	★D7HZ 4537-DR	.378" thick
2	D7HZ 4345-A	Washer (diff. shift fork push rod)- 1 1/2" O.D. x 1/16" thick	AR	★D7HZ 4537-DS	.379" thick
1	D8HZ 4351-E	Flange assy. (universal joint)-power divider- input - #6 1/2-4-2701-1810 size	AR	★D7HZ 4537-DT	.380" thick
1	C1TT 4390-A	Washer (shift fork seat)-15/32" I.D. x 1 7/16" O.D.	AR	★D7HZ 4537-DV	.381" thick
			AR	★D7HZ 4537-DW	.382" thick
			AR	★D7HZ 4537-DX	.383" thick
			AR	★D7HZ 4537-DY	.384" thick
			AR	★D7HZ 4537-DZ	.385" thick
			AR	★D7HZ 4537-EA	.386" thick
			AR	★D7HZ 4537-EB	.387" thick

1980/  
TRUCK SERIES 600/900

QTY.	PART NUMBER	DESCRIPTION	QTY.	PART NUMBER	DESCRIPTION
<b>ROCKWELL (TIMKEN) SRDD REAR AXLE SERVICE PARTS LIST NO. 209 — Cont'd</b>					
	4537	Spacer (drive pinion bearing)-inner — Cont'd	2	★C3TZ 4567-A	Lockring (thru shaft bearing)-2 7/8" free I.D.
AR	★D7HZ 4537-EC	.388" thick	1	D7HZ 4567-A	Washer (diff. thru shaft)-thrust- 1 27/32" I.D. x 2 3/16" O.D. x 1/8" thick
AR	★D7HZ 4537-ED	.389" thick		4567	Snap ring (diff. thru shaft)
AR	★D7HZ 4537-EE	.390" thick	AR	★D7HZ 4567-B	.088" thick
AR	★D7HZ 4537-EF	.391" thick	AR	★D7HZ 4567-C	.091" thick
AR	★D7HZ 4537-EG	.392" thick	AR	★D7HZ 4567-D	.094" thick
AR	★D7HZ 4537-EH	.393" thick	AR	★D7HZ 4567-E	.097" thick
AR	★D7HZ 4537-EJ	.394" thick	AR	★D7HZ 4567-F	.100" thick
AR	★D7HZ 4537-EK	.395" thick	AR	★D7HZ 4567-G	.103" thick
AR	★D7HZ 4537-EL	.396" thick	AR	★D7HZ 4567-H	.106" thick
AR	★D7HZ 4537-EM	.397" thick	AR	★D7HZ 4567-J	.109" thick
AR	★D7HZ 4537-EN	.398" thick	AR	★D7HZ 4567-K	.112" thick
AR	★D7HZ 4537-EP	.399" thick	1	C1TT 4570-A	Ball (shift fork pivot)-3/8" I.D. x 1 15/16" O.D.
AR	★D7HZ 4537-ER	.400" thick	1	D4TZ 4571-A	Nut (shifter fork set screw)-3/8"-24
AR	★D7HZ 4537-ES	.401" thick	1	D7HZ 4571-B	Nut (shifter fork adjusting bolt)- 1/2"-20
AR	★D7HZ 4537-ET	.402" thick		4571	Nut-3/8"-24
AR	★D7HZ 4537-EV	.403" thick	1	D7HZ 4571-A	Shifter fork set screw
	4537	Spacer (drive pinion bearing)-outer	2	D7HZ 4571-A	Power divider shift assy.
AR	★D7HZ 4537-EW	.288" thick	1	★C3TZ 4572-A	Scoop (power divider diff. oil)
AR	★D7HZ 4537-EX	.289" thick	1	★D7HZ 4573-A	Seal assy. (input shaft oil)- 4 1/2" O.D. - 3 1/4" shaft dia.
AR	★D7HZ 4537-EY	.290" thick	1	★D7HZ 4574-C	Housing assy. (power divider diff.)- 10 13/16" O.D. x 7 13/16" long-8 holes-assy. incl. cups
AR	★D7HZ 4537-EZ	.291" thick	1	★D7HZ 4579-C	Shaft (power divider thru shaft)- #3280-J-7264-S-28 1/4" long- 1 3/4" O.D. - 34 teeth - 2" O.D.- 39 teeth-1 1/2"-12 thread
AR	★D7HZ 4537-FA	.292" thick	1	★D7HZ 4585-A	Bolt (power divider shift fork)- 3/8"-24 x 2 3/8"
AR	★D7HZ 4537-FB	.293" thick	1	D8HZ 4586-A	Washer (input shaft)-1 25/32" I.D. x 3" O.D. - 3/16" thick
AR	★D7HZ 4537-FC	.294" thick	1	★C3TZ 4614-C	Retainer and bearing cup assy. (helical pinion shaft)-7 3/16" O.D. - cups #66462
AR	★D7HZ 4537-FD	.295" thick	1	★D7HZ 4615-A	Bearing assy. (drive gear) incl. dowel- 3 17/32" I.D. x 6 5/16" O.D. x 1 11/32" wide
AR	★D7HZ 4537-FE	.296" thick	2	C3TZ 4616-H	Cup (helical pinion shaft bearing)- #66462
AR	★D7HZ 4537-FF	.297" thick	2	C3TZ 4621-H	Cone and roller assy. (helical pinion shaft)- #66225
AR	★D7HZ 4537-FG	.298" thick	1	D8HZ 4637-C	Washer (thru shaft)- 1 17/32" I.D. x 2 3/8" O.D. x 1/8" thick
AR	★D7HZ 4537-FH	.299" thick	1	★D7HZ 4739-B	Gear (diff. spur pinion)-2 1/2" I.D. x 5 25/32" O.D. x 9 5/32" long-17 teeth
AR	★D7HZ 4537-FJ	.300" thick		4859	Deflector (driving pinion oil seal)
AR	★D7HZ 4537-FK	.301" thick	1	★C1TT 4859-C	Power divider - output
AR	★D7HZ 4537-FL	.302" thick	1	D7HZ 4859-B	Power divider - input
1	★C3TZ 4544-B	Collar (power divider clutch shift)- 9 teeth-29 splines	1	★C3TZ 4885-A	Gasket (power divider housing)- 9 7/32" I.D.-8 bolt holes-9 15/16" bolt circle
1	★D7HZ 4545-A	Washer (idler shaft bearing)-2 5/8" O.D. 1/4" thick-2 holes-1 1/4" bolt circle			
6	D7HZ 4545-B	Washer (gear shaft bearing retainer bolt)- 17/32" I.D. x 1 1/16" O.D. x 3/32" thick			
12	★D7HZ 4558-C	Bolt (gear to case)-differential-9/16"-18 x 3 1/4"			
1	★C1TT 4563-B	Housing assy. (power divider shift fork)- #3280-C-525-also serviced in housing and shift assy.-group 4563			
1	D7HZ 4563-A	Housing and shift assy. (power divider diff. lockout)			
Consists of					
2	D7HZ 4147-B	Washer	1	C1TT 4563-B	Housing
1	B8QH 4150-A	Gasket	2	33800-S8	Nut
1	C1TT 4332-A	Screw	1	33943-S	Locknut
1	C1TT 4345-B	Washer	2	352618-S	Washer
1	C1TT 4458-C	Spring			
1	C1TT 4497-B	Diaphragm			
<b>ROCKWELL (TIMKEN) SRDR REAR AXLE SERVICE PARTS LIST NO. 210</b>					
	1243	Refer to group 4222 within parts list	1	C3TZ 4052-C	Cover (diff. carrier side)-5 3/4" O.D.- 8 holes - 4 3/4" bolt circle
1	★D7HZ 4K003-A	Plate (skid)-#3305-U-21-9 3/4" wide x 12 3/4" long-6 5/8" bolt circle	1	★C3TZ 4A059-A	Spacer (thru shaft bearing)-rear- 4 1/8" I.D. x 4 11/16" O.D.
1	★D7HZ 4010-S	Housing assy.	1	★D7HZ 4A061-A	Cover (thru shaft bearing)-rear- 6 3/4" O.D.-6 holes-5 5/8" bolt circle
1	B7T 7034-A	Breather (axle housing)	1	★C3TZ 4A086-A	Bearing (drive pinion gear thru shaft)- 2 9/16" I.D. x 4 23/32" O.D. x 29/32" thick
1	D0HZ 4N025-A	Plug (heat indicator)			
1	C3TZ 4052-A	Cover (diff. carrier top)-11 1/2" long x 5 7/8" wide - 10 bolt holes			

1980/  
TRUCK SERIES 600/900

QTY.	PART NUMBER	DESCRIPTION	QTY.	PART NUMBER	DESCRIPTION	
<b>ROCKWELL (TIMKEN) SRDR REAR AXLE SERVICE PARTS LIST NO. 210 — Cont'd</b>						
18	D8HZ 4A142-A	Nut (carrier to housing stud)-5/8"-18	1	★D7HZ 4341-C	Carrier assy. (diff.)	
8	C3TZ 4A145-A	Bolt (diff. bearing retainer)- 3/8"-24 x 3/4"	1	353051-S(PP-32)	Plug (filler)-3/4"-14	
10	C3TZ 4A145-A	Bolt (diff. carrier top cover)- 3/8"-24 x 3/4"	3	4397	Bolt (gear shaft bearing retainer)	
	4147	Washer-13/32" I.D. x 13/16" O.D. x 1/16" thick	3	★D7HZ 4397-A	Short-7/16"-14 x 2 1/4"	
8	D7HZ 4147-B	Differential bearing retainer bolt	3	D7HZ 4397-B	Long-1/2"-13 x 2 3/4"	
10	D7HZ 4147-B	Differential carrier top cover bolt	6	C3TZ 4399-B	Bolt (thru shaft rear bearing cover)- 3/8"-16 x 1"	
1	D7HZ 4204-C	Case assy. (differential)- 10 1/16" O.D. x 10 1/2" long-12 holes	2	★D7HZ 4399-B	Bolt (idler shaft bearing washer)- 7/16"-14 x 1"	
1	D7HZ 4209-N	Ring gear and pinion kit-5.78 ratio- includes self-locking nut	6	D1HZ 4A147-A	Washer (thru shaft rear bearing cover bolt)- 13/32" I.D. x 3/4" O.D. x 3/32" thick	
1	★D7HZ 4210-B	Gear (diff. high speed driven)- 12 29/64" O.D. x 2 15/16" wide-12 holes- 40 teeth	1	★C3TZ 4536-A	Shim (pinion bearing case)- 2 1/2" I.D. x 4 1/8" O.D.-.240"/.245" thick	
4	C1TT 4215-A	Pinion (differential)-also serviced in kit-group 4237	AR	★C3TZ 4536-B	.003" thick	
	4221	Cone and roller (diff. bearing)	AR	★C3TZ 4536-C	.005" thick	
1	A7TZ 4221-A	Bevel pinion-outer-#497		4537	Spacer (driving pinion bearing retainer)- 7 3/16" O.D.-6 bolt holes-6 5/8" bolt circle	
1	C3TZ 4221-E	Bevel pinion-inner-#42350	AR	★C3TZ 4537-Z	.003" thick	
2	B8TZ 4221-A	Differential-#HM516449	AR	★C3TZ 4537-AA	.005" thick	
	4222	Cup (diff. bearing)	AR	★D7HZ 4537-DC	.010" thick	
1	B6Q 1243-A	Bevel pinion-outer-#493		4537	Spacer (drive pinion bearing)	
1	8Q 4222-A	Bevel pinion-inner-#42584	AR	★D7HZ 4537-EW	.288" thick	
2	B8QH 4222-B	Differential-#HM516410	AR	★D7HZ 4537-EX	.289" thick	
4	C1TT 4230-A	Washer (pinion thrust)-1 3/8" I.D. x 2 15/32" O.D.- also serviced in kit-group 4237	AR	★D7HZ 4537-EY	.290" thick	
	4234	Shaft assy.	AR	★D7HZ 4537-EZ	.291" thick	
1	D7HZ 4234-H	R.H.	AR	★D7HZ 4537-FA	.292" thick	
1	D7HZ 4234-J	L.H.	AR	★D7HZ 4537-FB	.293" thick	
1	★D7HZ 4237-D	Gear and pinion kit (diff.)	AR	★D7HZ 4537-FC	.294" thick	
Consists of						
1-3278-F-84	Shaft pinion	2-1229-E-1773	Washer gear	AR	★D7HZ 4537-FD	.295" thick
4-C1TT 4215-A	Pinion gear	4-C1TT 4230-A	Washer pinion	AR	★D7HZ 4537-FE	.296" thick
2-2234-X-830	Side gear			AR	★D7HZ 4537-FF	.297" thick
1	★C3TZ 4243-A	Key (driven gear)-1/2"-3/8 x 2 5/8"	AR	★D7HZ 4537-FG	.298" thick	
1	D8HZ 4N282-B	Plug (drain)-magnetic-3/4"-14 x 1 5/16"	AR	★D7HZ 4537-FH	.299" thick	
	4295	Spacer (diff. bearing)	AR	★D7HZ 4537-FJ	.300" thick	
AR	★C3TZ 4295-L	.240" thick	AR	★D7HZ 4537-FK	.301" thick	
AR	★C3TZ 4295-K	.245" thick	AR	★D7HZ 4537-FL	.302" thick	
AR	★C1TT 4295-A	.250" thick	1	★D7HZ 4545-A	Washer (idler shaft bearing)-2 5/8" O.D.- 1/4" thick-2 holes-1 1/4" bolt circle	
AR	★C1TT 4295-B	.255" thick	6	D7HZ 4545-B	Washer (gear shaft bearing retainer bolt)- 17/32" I.D. x 1 1/16" O.D. x 3/32" thick	
AR	★C1TT 4295-C	.260" thick	12	★D7HZ 4558-C	Bolt (gear to case)-9/16"-18 x 3 1/4"	
AR	★C1TT 4295-D	.265" thick	8	C1TT 4560-C	Bolt (pinion bearing retainer to carrier)- 1/2"-13 x 1 5/8"	
AR	★C1TT 4295-E	.270" thick	2	★C3TZ 4567-A	Lockring (thru shaft bearing)-2 7/8" free I.D.	
AR	★C1TT 4295-F	.275" thick	1	★D7HZ 4579-D	Shaft (diff. thru)-#3280-S-7273-S- 18 33/64" long-2 9/16" O.D. - 2" O.D.- 39 teeth-1 1/2"-12 thread	
AR	★C1TT 4295-G	.280" thick	1	★C3TZ 4614-C	Retainer and bearing cup assy. (helical pinion shaft)-7 3/16" O.D. - cups #66462	
1	D7HZ 4320-B	Nut (drive pinion flange)-1 1/2"-12 x 2 7/32" across flats-also serviced in kit-group 4209	1	★C3TZ 4614-M	Retainer assy. (bevel pinion)-incl. 8Q 4222 Cups	
12	★D7HZ 4322-A	Nut (gear to case)-9/16-18 x 7/8" across flats	1	★D7HZ 4615-A	Bearing assy. (drive gear)-incl. dowel- 3 17/32" I.D. x 6 5/16" O.D. x 1 11/32" wide	
18	D8HZ 4323-H	Stud (carrier to housing)- 5/8"-11 & 5/8"-11 x 2 1/2"	2	C3TZ 4616-H	Cup (helical pinion shaft bearing)- #66462	
18	C1TT 4326-B	Washer (carrier to housing stud)- 21/32" I.D. x 1 1/16" O.D. x 3/32" thick	2	C3TZ 4621-H	Cone and roller assy. (helical pinion shaft)- #66225	
8	D7HZ 4326-A	Washer (pinion bearing retainer bolt)- 17/32" I.D. x 7/8" O.D. x 3/32" thick				

1980/  
TRUCK SERIES 600/900

QTY.	PART NUMBER	DESCRIPTION	QTY.	PART NUMBER	DESCRIPTION
<b>ROCKWELL (TIMKEN) SRDR REAR AXLE SERVICE PARTS LIST NO. 210 — Cont'd</b>					
1	★D7HZ 4637-B	Washer (drive pinion flange)- 2 1/32" I.D. x 4 1/4" O.D. x 11/16" thick	1	D7HZ 4676-B	Seal assy. (drive pinion oil)- 2 3/4" I.D. x 5 1/2" O.D.
1	D8HZ 4637-C	Washer (thru shaft)- 1 17/32" I.D. x 2 3/8" O.D. x 1/8" thick	1	★D7HZ 4739-B	Gear (diff. spur pinion)-2 1/2" I.D. x 5 25/32" O.D. x 9 5/32" long-17 teeth
			1	D7HZ 4851-H	Flange assy. (u/joint)-axle end-1710 size
			1	B8QH 4859-B	Deflector (driving pinion oil seal)
<b>ROCKWELL (TIMKEN) SUDD REAR AXLE SERVICE PARTS LIST NO. 211</b>					
	1124	Lock (pinion bearing adjuster nut)		4211	Shaft (pinion)
1	B8QH 1124-B	Inner	1	B8QH 4211-A	Differential-8 25/32" long-also serviced in kit-group 4237
1	C3TZ 1124-B	Outer			
	1243	Refer to group 4222 within parts list	1	D7HZ 4211-A	Power divider-1 15/16" I.D. x 7" long
1	★D7HZ 4K003-C	Plate (skid)-#3305-R-18-9 3/4" wide x 12 3/4" long-7 1/8" bolt circle	4	B8QH 4215-A	Pinion (differential)-9 teeth- also serviced in kit-group 4237
1	DOHZ 4N025-A	Plug (heat indicator)	4	D8HZ 4215-C	Pinion (power divider diff.)- 1 5/32" x 3 5/32"-9 teeth
1	★C3TZ 4033-A	Cover assy. (housing)			
1	★C3TZ 4A060-B	Gasket (thru shaft rear bearing cage)	12	★D7HZ 4216-D	Bolt (diff. case)-power divider- 1/2"-13 x 5"
1	★C3TZ 4A066-A	Sleeve (diff. carrier bearing)- 7 31/64" I.D. x 8 11/16" O.D. x 1 1/4" thick		4221	Cone and roller (diff. bearing)
1	★C3TZ 4A086-A	Bearing (drive pinion gear thru shaft)- 2 9/16" I.D. x 4 23/32" O.D. x 29/32" thick	2	B8TZ 4221-A	Differential-#HM 516449
			2	D7HZ 4221-A	Thru shaft-#385-A also Serviced in retainer assy.-group 4477
1	★C3TZ 4A135-A	Washer (spur pinion shaft brg. adjuster)- #7534757-1 1/2" I.D. x 3" O.D. x 5/16" thick-2 holes	2	D7HZ 4221-B	Power divider diff. case-#392
			2	C3TZ 4221-E	Drive pinion #42350
1	C3TZ 4A136-A	Spring (power divider diff. shift)- 3/4" O.D. x 13/16" long-4 1/2 coils		4222	Cup (diff. bearing)
	4A140	Bolt (power divider adapter)	2	B8QH 4222-A	Cross shaft-#632
5	C6TZ 4A140-B	Short-1/2"-13 x 1 3/4"	2	B8QH 4222-B	Differential #HM 516410
3	C8TZ 4323-B	Long-1/2"-13 x 2"	2	D7HZ 4222-A	Power divider diff. case #394A
	4A140	Bolt (power divider housing)	2	8Q 4222-A	Drive pinion-#42584
1	★D7HZ 4A140-B	Long-7/16"-14 x 2 1/8"	2	TCAA 1243-A	Thru shaft-# 382A also Serviced in assy.-group 4477
7	D8HZ 4A145-A	Short-7/16"-14 x 1 3/8"			
14	D8HZ 4A142-A	Nut (carrier to housing stud)-5/8"-18	1	★C3TZ 4224-D	Cover (pinion shaft)-L.H.-6 7/8" O.D.- 8 holes-6 1/8" bolt circle
8	C3TZ 4A145-A	Bolt (power divider diff. brg. retainer)- 3/8"-24 x 3/4"		4228	Washer (diff. side gear thrust)
			2	B8QH 4228-A	Differential also serviced in kit- group 4237
10	C3TZ 4A145-A	Bolt (diff. carrier top cover)- 3/8"-24 x 3/4"	1	C8TZ 4228-A	Power divider-forward-2 23/64" I.D. x 3 3/4" O.D.
	4A145	Bolt (power divider housing)- refer to group 4A140 within parts list	1	C3TZ 4228-C	Power divider-rear-3 1/8" I.D. x 4 1/4" O.D.
	4147	Washer-13/32" I.D. x 13/16" O.D. x 1/16" thick- also serviced in shift assy.-group 4563	4	B8QH 4230-A	Washer (pinion thrust)
2	D7HZ 4147-B	Power divider shift assy.	4	B8QH 4230-B	Differential also serviced in kit- group 4237
8	D7HZ 4147-B	Power divider diff. bearing retainer bolt	4	D8HZ 4230-B	Power divider- 1 5/64" I.D. x 2 1/4" O.D.
10	D7HZ 4147-B	Differential carrier top cover bolt		4234	Shaft assy.
8	D7HZ 4A147-A	Washer (power divider housing bolt) 15/32" I.D. x 13/16" O.D. x 3/32" thick	1	D7HZ 4234-D	R.H.-#3202-F 6766
			1	★D7HZ 4234-E	L.H.-#3202-G-6767
1	★C3TZ 4A149-A	Pin (bevel gear bearing sleeve)- 5/16" O.D. x 1 5/16" long	1	D7HZ 4236-B	Gear (power divider diff. side)-Front. #2234-V-724-S- 4 27/32" O.D.- 16 teeth-34 splines
1	B8QH 4150-A	Gasket (power divider diaphragm assy.)- also serviced in housing and shift assy.- group 4563	1	★D7HZ 4237-B	Gear and pinion kit (diff.)
				Consists of	
			1-B8QH 4211-A	Shaft pinion	2-B8QH 4228-A Washer gear
2	D7HZ 4A155-A	Stud. (power divider shift unit housing)- 3/8"-16 & 3/8"-24 x 1 5/8"	4-B8QH 4215-A	Pinion gear	4-B8QH 4230 A Washer pinion
			2-2234-W-829	Side gear	
1	B8QH 4204-D	Case (differential)	1	★C3TZ 4243-A	Key (driven gear)-1/2"-3/8 x 2 5/8"
6	★D7HZ 4A205-A	Bolt (diff. thru shaft bearing retainer)- 3/8"-16 x 1 1/2"	1	B8QH 4252-B	Nut (drive gear)
			1	B8QH 4255-A	Nut (bearing adjusting)-bevel pinion- 4 1/8" hex-3/4"-12 thread
6	D1HZ 4A147-A	Washer (diff. thru shaft bearing retainer bolt)- 13/32" I.D. x 3/4" O.D. x 3/32" thick	1	★C3TZ 4281-A	Plug (housing filler hole)- 1 1/4"-11 1/2" thread
1	★B9QH 4210-A	Gear (diff. high speed driven)			



1980/  
TRUCK SERIES 600/900

QTY.	PART NUMBER	DESCRIPTION	QTY.	PART NUMBER	DESCRIPTION
ROCKWELL (TIMKEN) SUDD REAR AXLE SERVICE PARTS LIST NO. 211 — Cont'd					
1	★D7HZ 4N282-A	Plug (housing drain)-magnetic-1 1/4"-11 1/2 thread	1	★C3TZ 4450-B	Fork (power divider shift)
	4295	Spacer (diff. bearing)	1	C1TT 4458-C	Spring (lockout lever return)- 1" I.D.-2 1/2" free length-also serviced in housing & shift assy.-group 4563
AR	★C3TZ 4295-L	.240" thick	1	★D7HZ 4465-A	Flange assy. (universal joint)-output- 1710 size
AR	★C3TZ 4295-K	.245" thick	1	★D7HZ 4477-A	Retainer assy. (thru shaft rear bearing)- incl. (2) TCAA 1243-A cups #382-A and (2) D7HZ 4221-A cones #385-A- 4 23/32" I.D. x 6 1/2" O.D.-6 holes
AR	★C1TT 4295-A	.250" thick	1	★D7HZ 4478-B	Seal assy. (thru shaft bearing retainer oil)- 2 3/4" I.D. x 4" O.D. x 5/8" wide
AR	★C1TT 4295-B	.255" thick	1	C1TT 4497-B	Shift assy. (power divider)-air-also serviced in housing and shift assy.-group 4563
AR	★C1TT 4295-C	.260" thick		4536	Shim (driving pinion bearing retainer)
AR	★C1TT 4295-D	.265" thick	AR	★C3TZ 4536-B	.003" thick
AR	★C1TT 4295-E	.270" thick	AR	★C3TZ 4536-C	.005" thick
AR	★C1TT 4295-F	.275" thick		4537	Spacer (driving pinion bearing retainer)
AR	★C1TT 4295-G	.280" thick	AR	★C3TZ 4537-G	.003" thick
1	★D7HZ 4309-H	Ring gear and quill kit-5.96 ratio	AR	★C3TZ 4537-E	.005" thick
1	★D7HZ 4310-N	Housing assy.	AR	★C3TZ 4537-F	.030" thick
1	B7T 7034-A	Breather (axle housing)		4537	Spacer (drive pinion bearing)-inner
1	D3HZ 4320-A	Nut (input shaft)-1 3/4"-12-2 7/32" across flats	AR	★D7HZ 4537-BJ	.338" thick
1	D7HZ 4320-B	Nut (thru shaft)-1 1/2"-12-2 7/32" across flats	AR	★D7HZ 4537-BK	.339" thick
12	★C3TZ 4322-D	Nut (gear to case)-power divider-1/2"-13	AR	★D7HZ 4537-BL	.340" thick
12	★D7HZ 4322-B	Nut (gear to case)-differential- 9/16"-18	AR	★D7HZ 4537-BM	.341" thick
	4323	Bolt (power divider adapter)- refer to group 4A140 within parts list	AR	★D7HZ 4537-BN	.342" thick
14	D8HZ 4323-H	Stud (carrier to housing)- 5/8"-11 & 5/8"-11 x 2 1/2"	AR	★D7HZ 4537-BP	.343" thick
14	C1TT 4326-B	Washer (carrier to housing stud)- 21/32" I.D. x 1 1/16" O.D. x 3/32" thick	AR	★D7HZ 4537-BR	.344" thick
	4326	Washer 17/32" I.D. x 7/8" O.D. x 3/32" thick	AR	★D7HZ 4537-BS	.345" thick
8	D7HZ 4326-A	Power divider adapter bolt	AR	★D7HZ 4537-BT	.346" thick
12	D7HZ 4326-A	Diff. case-power divider	AR	★D7HZ 4537-BV	.347" thick
12	★D7HZ 4326-B	Washer (gear to case)-differential- 19/32" I.D. x 31/32" O.D. x 3/32" thick	AR	★D7HZ 4537-BW	.348" thick
1	★C1TT 4332-A	Bolt (shifter fork adjusting) 1/2"-20 x 1 9/16"	AR	★D7HZ 4537-BX	.349" thick
1	★C3TZ 4332-B	Set screw (shifter fork)-3/8"-24 x 2 3/8"	AR	★D7HZ 4537-BY	.350" thick
1	★D7HZ 4341-A	Carrier assy. (diff.)	AR	★D7HZ 4537-BZ	.351" thick
1	353051-S(PP-32)	Plug (filler)-3/4"-14	AR	★D7HZ 4537-CA	.352" thick
1	C1TT 4345-B	Washer (power divider shift spring)- 1 1/64" I.D. x 1 3/8" O.D.-also serviced in housing and shift assy.-group 4563	AR	★D7HZ 4537-CB	.353" thick
2	D7HZ 4345-A	Washer (diff. shift fork push rod)- 1 1/2" O.D. x 1/16" thick	AR	★D7HZ 4537-CC	.354" thick
1	D8HZ 4351-E	Flange assy. (universal joint)-power divider- input-#6 1/2-4-2701-1810 size	AR	★D7HZ 4537-CD	.355" thick
1	C1TT 4390-A	Washer (shift fork seat)-15/32" I.D. x 1 7/16" O.D.	AR	★D7HZ 4537-CE	.356" thick
	4397	Bolt (gear shaft bearing retainer)	AR	★D7HZ 4537-CF	.357" thick
3	★D7HZ 4397-E	Short-9/16"-12 x 2 1/4"	AR	★D7HZ 4537-CG	.358" thick
3	★D7HZ 4397-C	Long-9/16"-12 x 3"	AR	★D7HZ 4537-CH	.359" thick
4	C3TZ 4399-B	Bolt (power divider shift fork housing)	AR	★D7HZ 4537-CJ	.360" thick
2	★D7HZ 4399-A	Bolt (spur pinion shaft bearing adj. washer)- 9/16"-12 x 1 3/8"	AR	★D7HZ 4537-CK	.361" thick
4	D1HZ 4A147-A	Washer (power divider shift fork housing bolt)- 13/32" I.D. x 3/4" O.D. x 3/32" thick	AR	★D7HZ 4537-CL	.362" thick
1	★D7HZ 4404-B	Case assy. (power divider diff.)	AR	★D7HZ 4537-CM	.363" thick
2	353051-S(PP-32)	Plug (filler)-3/4"-14	AR	★D7HZ 4537-CN	.364" thick
1	★D7HZ 4428-A	Adapter assy. (power divider diff.)- incl. tubes and 8Q4222-A cups #42584-10 13/16" O.D. x 6 25/32" long-8 holes	AR	★D7HZ 4537-CP	.365" thick
1	★C3TZ 4433-A	Gear (power divider diff. side)-rear- #2234-G-319-16 teeth-25 splines	AR	★D7HZ 4537-CR	.366" thick
			AR	★D7HZ 4537-CS	.367" thick
			AR	★D7HZ 4537-CT	.368" thick
			AR	★D7HZ 4537-CV	.369" thick
			AR	★D7HZ 4537-CW	.370" thick
			AR	★D7HZ 4537-CX	.371" thick
			AR	★D7HZ 4537-CY	.372" thick
			AR	★D7HZ 4537-CZ	.373" thick
			AR	★D7HZ 4537-DA	.374" thick
			AR	★D7HZ 4537-DB	.375" thick

1980/  
TRUCK SERIES 600/900

QTY.	PART NUMBER	DESCRIPTION	QTY.	PART NUMBER	DESCRIPTION
<b>ROCKWELL (TIMKEN) SUDD REAR AXLE SERVICE PARTS LIST NO. 211 — Cont'd</b>					
	4537	Spacer (drive pinion bearing)-outer		4567	Snap ring (diff. thru shaft) — Cont'd
AR	★D7HZ 4537-EW	.288" thick	AR	★D7HZ 4567-E	.097" thick
AR	★D7HZ 4537-EX	.289" thick	AR	★D7HZ 4567-F	.100" thick
AR	★D7HZ 4537-EY	.290" thick	AR	★D7HZ 4567-G	.103" thick
AR	★D7HZ 4537-EZ	.291" thick	AR	★D7HZ 4567-H	.106" thick
AR	★D7HZ 4537-FA	.292" thick	AR	★D7HZ 4567-J	.109" thick
AR	★D7HZ 4537-FB	.293" thick	AR	★D7HZ 4567-K	.112" thick
AR	★D7HZ 4537-FC	.294" thick	1	C1TT 4570-A	Ball (shift fork pivot)-3/8" I.D. x 1 15/16" O.D.
AR	★D7HZ 4537-FD	.295" thick	1	D4TZ 4571-A	Nut (shift fork bolt)-3/8"-24
AR	★D7HZ 4537-FE	.296" thick	1	D7HZ 4571-B	Nut (shifter fork adjusting bolt)-1/2"-20
AR	★D7HZ 4537-FF	.297" thick		4571	Nut-3/8"-24
AR	★D7HZ 4537-FG	.298" thick	1	D7HZ 4571-A	Shifter fork set screw
AR	★D7HZ 4537-FH	.299" thick	2	D7HZ 4571-A	Power divider shift assy.
AR	★D7HZ 4537-FJ	.300" thick	1	★C3TZ 4572-A	Scoop (power divider diff. oil)
AR	★D7HZ 4537-FK	.301" thick	1	★D7HZ 4573-A	Seal assy. (input shaft oil)- 4 1/2" O.D.-3 1/4" shaft dia.
AR	★D7HZ 4537-FL	.302" thick	1	★D7HZ 4574-C	Housing assy. (power divider diff.)- 10 13/16" O.D. x 7 13/16" long-8 holes-assy. incl cups
1	★C3TZ 4544-B	Collar (power divider clutch shift)- 9 teeth-29 splines	1	★D7HZ 4579-A	Shaft (power divider thru shaft)- #3280-F-7260-S-29 1/8" long-1 3/4" O.D.- 34 teeth-2" O.D.-39 teeth- 1 1/2"-12 thread
1	★C3TZ 4545-A	Washer (drive pinion bearing retainer)- 2 7/8" I.D. x 4 5/8" O.D. x 1/8" thick			
6	D7HZ 4545-C	Washer (gear shaft bearing retainer bolt)- 19/32" I.D. x 1 1/16" O.D. x 3/32" thick			
12	D7HZ 4558-A	Bolt (gear to case)-differential-9/16"-18 x 3 3/8"			
1	★C1TT 4563-B	Housing assy. (power divider shift fork)- #3280-C-525-also serviced in housing and shift assy.-group 4563	1	★D7HZ 4585-A	Bolt (power divider shift fork)- 3/8"-24 x 2 3/8"
1	D7HZ 4563-A	Housing and shift assy. (power divider diff. lockout)	1	D8HZ 4586-A	Washer (input shaft)-1 25/32" I.D. x 3" O.D. x 3/16" thick
Consists of			1	★C3TZ 4614-H	Retainer and bearing cup assy. (spur pinion)
2	D7HZ 4147-B	Washer	1	★C3TZ 4615-A	Bearing assy. (drive pinion pilot)-front- self contained rollers-#MU-1221-UM- 4 1/8" I.D. x 7 15/32" O.D.
1	B8QH 4150-A	Gasket	2	C3TZ 4621-A	Cone and roller assy. (cross shaft bearing)- #641-2 5/8" I.D. x 1 5/8" thick
1	C1TT 4332-A	Screw	1	D8HZ 4637-C	Washer (thru shaft)- 1 17/32" I.D. x 2 3/8" O.D. x 1/8" thick
1	C1TT 4345-B	Washer	1	★D7HZ 4739-A	Gear (diff. spur pinion)-2 5/8" I.D. x 4 7/8" O.D. x 10 7/8" long-14 teeth
1	C1TT 4458-C	Spring		4859	Deflector (driving pinion oil seal)
1	C1TT 4497-B	Diaphragm	1	★C1TT 4859-C	Power divider-output
2	★C3TZ 4567-A	Locking (thru shaft bearing)-2 7/8" free I.D.	1	D7HZ 4859-B	Power divider-input
1	D7HZ 4567-A	Washer (diff. thru shaft)-thrust- 1 27/32" I.D. x 2 3/16" O.D. x 1/8" thick	1	★C3TZ 4885-A	Gasket (power divider housing)- 9 7/32" I.D.-8 bolt holes-9 15/16" bolt circle
	4567	Snap ring (diff. thru shaft)			
AR	★D7HZ 4567-B	.088" thick			
AR	★D7HZ 4567-C	.091" thick			
AR	★D7HZ 4567-D	.094" thick			
<b>ROCKWELL (TIMKEN) SUDR REAR AXLE SERVICE PARTS LIST NO. 212</b>					
1	★D7HZ 4K003-B	Plate (skid)-#A1-3305-H8-10 9/16" wide x 10 11/16" long-7 5/8" bolt circle	1	★B9QH 4212-A	Gear (diff. high speed drive)
	4010	Housing assy.-see group 4310	4	B8QH 4215-A	Pinion (differential)-9 teeth- also serviced in kit-group 4237
1	D0HZ 4N025-A	Plug (heat indicator)	2	B8TZ 4221-A	Cone and roller (diff. bearing)- #HM-516449
1	B8QH 4052-A	Cover (diff. carrier)	2	B8QH 4222-B	Cup (diff. bearing)-#HM-516410
1	★B8QH 4129-A	Washer (cross shaft bearing)-2 3/4" O.D.- 1 3/8" between center line of holes	2	B8QH 4228-A	Washer (diff. side gear thrust)- also serviced in kit-group 4237
1	★D7HZ 4141-B	Carrier assy. (diff.)	4	B8QH 4230-A	Washer (pinion thrust)-also serviced in kit-group 4237
14	D8HZ 4A142-A	Nut (carrier to housing stud)-5/8"-18		4234	Shaft assy.
4	D7HZ 4147-B	Washer (diff. inspection cover)- 13/32" I.D. x 13/16" O.D. x 1/16" thick	1	★D7HZ 4234-E	R.H.-#3202-G-6767
1	B8QH 4204-D	Case assy. (diff.)	1	D7HZ 4234-D	L.H.-#3202-F-6766
1	D7HZ 4209-P	Ring gear and pinion kit-5.96 ratio- includes self-locking nut	1	★D7HZ 4237-B	Gear and pinion kit (diff.)
1	★B9QH 4210-A	Gear (diff. high speed driven)	Consists of		
1	B8QH 4211-A	Shaft (pinion)-8 25/32" long-also serviced kit-group 4237	1	C3TZ 4211-C	Shaft pinion
			2	B8QH 4228-A	Washer gear
			4	B8QH 4230-A	Washer pinion
			2	2234-W-829	Side gear

1980/  
TRUCK SERIES 600/900

QTY.	PART NUMBER	DESCRIPTION	QTY.	PART NUMBER	DESCRIPTION
ROCKWELL (TIMKEN) SUDR REAR AXLE SERVICE PARTS LIST NO. 212 — Cont'd					
1	★B8QH 4243-B	Key (driven gear)-2 1/16" long		4537	Spacer (drive pinion bearing) — Cont'd
1	★C3TZ 4281-A	Plug (housing filler plug)- 1/4"-11 1/2 pipe thread	AR	★D7HZ 4537-Z	.474" thick
1	★D7HZ 4N282-A	Plug (housing drain)-magnetic-1 1/4"-11 1/2 thread	AR	★D7HZ 4537-AA	.475" thick
	4295	Spacer (diff. bearing)	AR	★D7HZ 4537-AB	.476" thick
AR	★C3TZ 4295-L	.240" thick	AR	★D7HZ 4537-AC	.477" thick
AR	★C3TZ 4295-K	.245" thick	AR	★D7HZ 4537-AD	.478" thick
AR	★C1TT 4295-A	.250" thick	AR	★D7HZ 4537-AE	.479" thick
AR	★C1TT 4295-B	.255" thick	AR	★D7HZ 4537-AF	.480" thick
AR	★C1TT 4295-C	.260" thick	AR	★D7HZ 4537-AG	.481" thick
AR	★C1TT 4295-D	.265" thick	AR	★D7HZ 4537-AH	.482" thick
AR	★C1TT 4295-E	.270" thick	AR	★D7HZ 4537-AJ	.483" thick
AR	★C1TT 4295-F	.275" thick	AR	★D7HZ 4537-AK	.484" thick
AR	★C1TT 4295-G	.280" thick	AR	★D7HZ 4537-AL	.485" thick
1	★D7HZ 4310-N	Housing assy.	AR	★D7HZ 4537-AM	.486" thick
1	D7HZ 4320-B	Nut (input shaft)-1 1/2"-12-2 7/32" across flats-also serviced in kit-group 4209	AR	★D7HZ 4537-AN	.487" thick
1	B7T 7034-A	Breather (axle housing)	AR	★D7HZ 4537-AP	.488" thick
12	★D7HZ 4322-B	Nut (gear to case)-differential- 9/16"-18	AR	★D7HZ 4537-AQ	.489" thick
14	D8HZ 4323-H	Stud (carrier to housing)- 5/8"-11 & 5/8"-11 x 2 1/2"	AR	★D7HZ 4537-AR	.490" thick
14	C1TT 4326-B	Washer (carrier to housing stud)- 21/32" I.D. x 1 1/16" O.D. x 3/32" thick	AR	★D7HZ 4537-AS	.491" thick
12	★D7HZ 4326-B	Washer (gear to case)-differential- 19/32" I.D. x 31/32" O.D. x 3/32" thick	AR	★D7HZ 4537-AT	.492" thick
7	★C3TZ 4397-A	Bolt (pinion bearing retainer)- 9/16"-12 x 1 3/4"	AR	★D7HZ 4537-AV	.493" thick
6	★C3TZ 4397-A	Bolt (gear shaft bearing retainer)-R.H. 9/16"-12 x 1 3/4"	AR	★D7HZ 4537-AW	.494" thick
2	★C3TZ 4397-A	Bolt (gear shaft bearing retainer)-L.H.- short-9/16"-12 x 1 3/4"	AR	★D7HZ 4537-AX	.495" thick
5	★D7HZ 4397-D	Bolt (gear shaft bearing retainer)-L.H.- long-9/16"-12 x 3 1/4"	AR	★D7HZ 4537-AY	.496" thick
4	C3TZ 4399-B	Bolt (diff. inspection cover)- 3/8"-16 x 1"	AR	★D7HZ 4537-AZ	.497" thick
2	★D7HZ 4399-A	Bolt (cross shaft bearing washer)- 9/16"-12 x 1 3/8"	AR	★D7HZ 4537-BA	.498" thick
	4536	Shim (driving pinion bearing retainer)	AR	★D7HZ 4537-BB	.499" thick
AR	B8QH 4536-E	.003" thick	AR	★D7HZ 4537-BC	.500" thick
AR	★B8QH 4536-F	.005" thick	AR	★D7HZ 4537-BD	.501" thick
AR	★B8QH 4536-G	.010" thick	AR	★D7HZ 4537-BE	.502" thick
	4536	Shim (gear shaft bearing)-R.H.	AR	★D7HZ 4537-BF	.503" thick
AR	★B8QH 4536-H	.003" thick	AR	★D7HZ 4537-BG	.504" thick
AR	★B8QH 4536-J	.005" thick		4545	Washer-19/32" I.D. x 1 1/16" O.D. x 3/32" thick
AR	★D7HZ 4536-A	.010" thick	7	D7HZ 4545-C	Pinion bearing retainer bolt
	4536	Shim (gear shaft bearing)-L.H.	13	D7HZ 4545-C	Gear shaft bearing retainer bolt
AR	★B8QH 4536-T	.003" thick	12	D7HZ 4558-A	Bolt (gear to case)-9/16"-18 x 3 3/8"
AR	★B8QH 4536-U	.005" thick	1	★B8QH 4614-B	Retainer and brg. cups assy. (bevel pinion)
AR	★B8QH 4536-AC	.030" thick	1	353051-S (PP-32)	Plug (filler)-3/4"-14
	4537	Spacer (drive pinion bearing)		4614	Retainer assy. (gear shaft bearing)- incl. 8Q 4628-A cup
AR	★D7HZ 4537-S	.468" thick	1	★B8QH 4614-C	R.H.
AR	★D7HZ 4537-T	.469" thick	1	★B8QH 4614-F	L.H.
AR	★D7HZ 4537-V	.470" thick	1	353051-S (PP-32)	Plug (gear shaft bearing retainer)-3/4"-14
AR	★D7HZ 4537-W	.471" thick		4616	Cup (pinion bearing)
AR	★D7HZ 4537-X	.472" thick	1	B8QH 4616-B	Inner-#HM-715311
AR	★D7HZ 4537-Y	.473" thick	1	B8QH 4616-C	Outer-#HM-807010
				4621	Cone and roller assy. (drive pinion)
			1	B8QH 4621-B	Inner-#H-715345
			1	B8QH 4621-C	Outer-#HM-807046
			2	8Q 4628-A	Cup (gear shaft bearing)-#65500
			2	8Q 4630-A	Cone and roller assy. (gear shaft bearing)- #65237
			1	D8HZ 4637-C	Washer (driving pinion thrust)- 1 17/32" I.D. x 2 3/8" O.D. x 1/8" thick
			1	C3TZ 4676-B	Seal assy. (drive pinion oil)- 4 1/2" O.D.-11/16" thick
			1	D7HZ 4851-H	Flange assy. (universal joint)-axle end- 1710 size
			1	B8QH 4859-B	Deflector (driving pinion oil seal)

1980/  
TRUCK SERIES 600/900

QTY.	PART NUMBER	DESCRIPTION	QTY.	PART NUMBER	DESCRIPTION
ROCKWELL (TIMKEN) SFDD (DD-4640) REAR AXLE SERVICE PARTS LIST NO. 213					
2	B8QH 1124-B	Locknut (bevel pinion bearing cone adjuster)	1	★D7HZ 4210-A	Gear (diff. high speed driven)- 14" O.D. x 4" wide-16 holes-39 teeth
2	C3TZ 1124-B	Lock (bevel pinion bearing adjusting jam nut)- 3 25/64" I.D. x 5 5/16" O.D.	1	D7HZ 4211-A	Shaft (pinion)-1 15/16" I.D. x 7" long
	1243	Refer to group 4222 within parts list	4	D8HZ 4215-C	Pinion (power divider diff.)- 1 5/32" x 3 5/32"-9 teeth
1	★D7HZ 4K003-C	Plate (skid)-#3305-R-18-9 3/4" wide x 12 3/4" long-7 1/8" bolt circle	12	D7HZ 4216-E	Bolt (diff. case)-power divider- 1/2"-13 x 5 1/4"
1	D0HZ 4N025-A	Plug (heat indicator)		4221	Cone & roller (diff. bearing)
1	★C3TZ 4033-A	Cover (diff. carrier top)	2	C3TZ 4221-A	Differential-#683
	★4A060	Use silastic gasket	2	D7HZ 4221-A	Thru shaft-#385A-also serviced in retainer assy.-group 4477
1	★C3TZ 4A064-A	Plug (diff. carrier access hole)- 6 1/4" O.D.-5 3/8"-10 thread	2	D7HZ 4221-B	Power divider diff. case-#394A
1	★C3TZ 4A065-A	Gasket (diff. carrier access hole plug)- 5 13/32" I.D. x 6 1/4" O.D.	2	C3TZ 4221-E	Drive pinion-#42350
1	★C3TZ 4A066-A	Sleeve (diff. carrier bearing)- 7 31/64" I.D. x 8 11/16" O.D. x 1 1/4" thick	2	4222	Cup (diff. bearing)
1	★C3TZ 4A086-A	Bearing (ring gear pinion) 2 9/16" I.D. x 4 23/32" O.D. x 29/32" thick	2	B8QH 4222-A	Cross shaft-#632
4	★C3TZ 4A106-A	Pin (diff. carrier guide)-7/8" major dia.-21/32" minor dia.-3/32" slot- 1/2" hole	2	C3TZ 4222-A	Differential-#683
1	★C3TZ 4A135-A	Washer (spur pinion shaft bearing adjusting)- #7534757 1 1/2" I.D. x 3" O.D. x 5/16" thick-2 holes	2	D7HZ 4222-A	Power divider diff. case-#394A
1	C3TZ 4A136-A	Spring (power divider diff. shift)- 3/4" O.D. x 13/16" long-4 1/2 coils	2	8Q 4222-A	Drive pinion-#42584
	4A140	Bolt (power divider adapter)	2	TCAA 1243-A	Thru shaft-#382-A-also serviced in assy.-group 4477
5	C6TZ 4A140-B	Medium 1/2"-13 x 1 3/4"	1	4228	Washer (power divider side gear thrust) Forward-2 23/64" I.D. x 3 3/4" O.D.
3	C8TZ 4323-B	Long-1/2"-13 x 2"	1	C3TZ 4228-C	Rear-3 1/8" I.D. x 4 1/4" O.D.
1	★D7HZ 4A140-B	Bolt (power divider housing) Medium 7/16"-14 x 2 1/8"	4	D8HZ 4230-B	Washer (power divider pinion thrust)- 1 5/64" I.D. x 2 1/4" O.D.
7	D8HZ 4A145-A	Short-7/16" 14 x 1 3/8"		4234	Shaft assy.
1	★C3TZ 4A141-A	Pin (bevel gear bearing sleeve)- 5/16" O.D. x 1 9/16" long-also serviced in assy. group 4341	1	★D7HZ 4234-F	R.H.
	4A142	Nut (carrier to housing stud)	1	D7HZ 4234-G	L.H.
14	D7HZ 4A142-A	1/2"-20	1	D7HZ 4236-B	Gear (power divider diff. side)-front- #2234-V-724-S 4 27/32" O.D. 16 teeth-34 splines
1	D7HZ 4571-B	1/2"-20	1	★D7HZ 4237-C	Gear and pinion kit (diff.) Consists of 1-3278-P-276 Shaft pinion 2 1229-E 1773 Washer gear 4-2233-U 47 Pinion gear 4 1829-Q-95 Washer pinion 2-2234-V-828 Side gear
	4A145	Bolt (power divider housing)-refer to group 4A140 within parts list	1	★C3TZ 4243-A	Key (driven gear)-1/2" 3/8 x 2 5/8"
10	C3TZ 4A145-A	Bolt (diff. carrier top cover)-3/8"-24 x 3/4"	1	B8QH 4252-B	Nut (drive gear)
	4147	Washer 13/32" I.D. x 13/16" O.D. x 1/16" thick also serviced in shift assy.-group 4563	1	B8QH 4255-A	Nut (bearing adjuster) bevel pinion- 4 1/8" hex. 3/4"-12 thread
2	D7HZ 4147-B	Power divider shift assy.		★D7HZ 4281-A	Plug (housing filler)
10	D7HZ 4147-B	Differential top cover	1	★D7HZ 4N282-A	Plug (housing drain)-magnetic- 1 1/4" -11 1/2" thread
8	D7HZ 4A147-A	Washer (power divider housing bolt)- 15/32" I.D. x 13/16" O.D. x 3/32" thick		4295	Spacer (diff. bearing)
1	B8QH 4150-A	Gasket (power divider diaphragm assy.)- also serviced in housing and shift assy.- group 4563	AR	★D7HZ 4295-A	.240" thick
2	D7HZ 4A155-A	Stud (power divider shift unit housing) 3/8" .16 & 3/8" 24 x 1 5/8"	AR	★D7HZ 4295-B	.245" thick
1	D7HZ 4204-B	Case assy. (differential)- 10 1/4" O.D. x 11 1/2" long-16 holes	AR	★D7HZ 4295-C	.250" thick
6	★D7HZ 4A205-A	Bolt (diff. thru shaft bearing retainer)- 3/8"-16 x 1 1/2"	AR	★D7HZ 4295-D	.255" thick
6	D1HZ 4A147-A	Washer (diff. thru shaft bearing retainer bolt)- 13/32" I.D. x 3/4" O.D. x 3/32" thick	AR	★D7HZ 4295-E	.260" thick
			AR	★D7HZ 4295-F	.265" thick
			1	★D7HZ 4309-J	Ring gear and quill kit-5.76 ratio
			1	★D7HZ 4310-P	Housing assy.
			1	B7T 7034-A	Breather (axle housing)
			1	D7HZ 4320-B	Nut (output shaft)-1 1/2" 12- 2 7/32" across flats
			1	D3HZ 4320-A	Nut (input shaft)-1 3/4" 12-2 7/32" across flats
			16	★D7HZ 4322-B	Nut (gear to case)-differential 9/16" 18

1980/  
TRUCK SERIES 600/900

QTY.	PART NUMBER	DESCRIPTION	QTY.	PART NUMBER	DESCRIPTION
<b>ROCKWELL (TIMKEN) SFDD (DD-4640) REAR AXLE SERVICE PARTS LIST NO. 213 — Cont'd</b>					
12	★C3TZ 4322-D	Nut (gear to case)-power divider-1/2"-13	1	★D7HZ 4477-A	Retainer assy. (thru shaft rear bearing)-incl. (2) TCAA 1243-A cups #382-A and (2) D7HZ 4221-A cones #385-A-4 23/32" I.D. x 6 1/2" O.D.-6 holes
	4323	Bolt (power divider adapter)-refer to group 4A140 within parts list			
	4323	Stud (carrier to housing)			
1	★D7HZ 4323-B	Short-1/2"-13 & 1/2"-20 x 1 7/8"	1	★D7HZ 4478-B	Seal assy. (thru shaft bearing retainer oil)-2 3/4" I.D. x 4" O.D. x 5/8" wide
14	★D7HZ 4323-C	Medium-1/2"-13 & 1/2"-20 x 2"			
4	★D7HZ 4323-D	Bolt (diff. carrier to housing)-3/4"-10 x 2"	1	C1TT 4497-B	Shift assy. (power divider)-air-also serviced in housing and shift assy.-group 4563
	4326	Washer-17/32" I.D. x 7/8" O.D. x 3/32" thick			
11	D7HZ 4326-A	Carrier to housing		4536	Shim (power divider carrier)-6 11/16" I.D. x 8" major O.D.
8	D7HZ 4326-A	Power divider adapter			
12	D7HZ 4326-A	Diff. case-power divider	AR	★C3TZ 4536-B	.003" thick
16	★D7HZ 4326-B	Washer (gear to case)-differential-19/32" I.D. x 31/32" O.D. x 3/32" thick	AR	★C3TZ 4536-C	.005" thick
				4537	Spacer (driving pinion bearing)-6 3/16" I.D.-10 holes-7 1/8" bolt circle
4	C1TT 4326-A	Washer (carrier to housing)-25/32" I.D. x 1 3/8" O.D. x 1/8" thick	AR	★C3TZ 4537-G	.003" thick
4	★D7HZ 4326-D	Washer (carrier to housing bolt)-7/8" O.D. x 3/64" thick	AR	★C3TZ 4537-E	.005" thick
			AR	★C3TZ 4537-F	.030" thick
1	★C1TT 4332-A	Bolt (shifter fork adjusting)-1/2"-20 x 1 9/16"-also serviced in housing and shift assy.-groups 4563	AR	4537	Spacer (drive pinion bearing)-inner
			AR	★D7HZ 4537-BJ	.338" thick
1	★C3TZ 4332-B	Set screw (shifter fork)-3/8"-24 x 2 3/8"	AR	★D7HZ 4537-BK	.339" thick
1	★D7HZ 4341-B	Carrier assy. (diff.)-incl. C3TZ 4A141-A pin	AR	★D7HZ 4537-BL	.340" thick
			AR	★D7HZ 4537-BM	.341" thick
1	353051-S(PP-32)	Plug (filler)-3/4"-14	AR	★D7HZ 4537-BN	.342" thick
1	C1TT 4345-B	Washer (power divider shift spring)-1 1/64" I.D. x 1 3/8" O.D.-also serviced in housing and shift assy.-group 4563	AR	★D7HZ 4537-BP	.343" thick
			AR	★D7HZ 4537-BR	.344" thick
2	D7HZ 4345-A	Washer (diff. shift fork push rod)-1 1/2" O.D. x 1/16" thick	AR	★D7HZ 4537-BT	.346" thick
			AR	★D7HZ 4537-BV	.347" thick
1	D8HZ 4351-E	Flange assy. (u/joint)-power divider-input-#6 1/2-4-2701-1810 size	AR	★D7HZ 4537-BW	.348" thick
			AR	★D7HZ 4537-BX	.349" thick
1	C1TT 4390-A	Washer (shift fork seat)-15/32" I.D. x 1 7/16" O.D.	AR	★D7HZ 4537-BY	.350" thick
			AR	★D7HZ 4537-BZ	.351" thick
	4397	Bolt (gear shaft bearing retainer)	AR	★D7HZ 4537-CA	.352" thick
3	★D7HZ 4397-E	Short-9/16"-12 x 2 1/4"	AR	★D7HZ 4537-CB	.353" thick
3	★D7HZ 4397-C	Long-9/16"-12 x 3"	AR	★D7HZ 4537-CC	.354" thick
4	C3TZ 4399-B	Bolt (power divider shift fork housing)-3/8-16 x 1"	AR	★D7HZ 4537-CD	.355" thick
			AR	★D7HZ 4537-CE	.356" thick
4	D1HZ 4A147-A	Washer (power divider shift fork housing bolt)-13/32" I.D. x 3/4" O.D. x 3/32" thick	AR	★D7HZ 4537-CF	.357" thick
			AR	★D7HZ 4537-CG	.358" thick
2	★D7HZ 4399-A	Bolt (spur pinion shaft bearing adj. washer)-9/16"-12 x 1 3/8"	AR	★D7HZ 4537-CH	.359" thick
			AR	★D7HZ 4537-CI	.360" thick
1	★D7HZ 4404-B	Case assy. (power divider diff.)	AR	★D7HZ 4537-CJ	.361" thick
1	★D7HZ 4428-A	Adapter assy. (power divider diff.)-incl. tubes and 8Q 4222-A cups #42584-10 13/16" O.D. x 6 25/32" long-8 holes	AR	★D7HZ 4537-CK	.362" thick
			AR	★D7HZ 4537-CL	.363" thick
			AR	★D7HZ 4537-CM	.363" thick
			AR	★D7HZ 4537-CN	.364" thick
			AR	★D7HZ 4537-CP	.365" thick
			AR	★D7HZ 4537-CR	.366" thick
1	353051-S(PP-32)	Plug (filler)-3/4"-14	AR	★D7HZ 4537-CS	.367" thick
1	★C3TZ 4433-A	Gear (power divider diff. side)-rear-#2234-G-319-16 teeth-25 splines	AR	★D7HZ 4537-CT	.368" thick
			AR	★D7HZ 4537-CV	.369" thick
1	★C3TZ 4450-B	Fork (power divider shift)	AR	★D7HZ 4537-CW	.370" thick
1	C1TT 4458-C	Spring (lockout lever return)-1" I.D.-2 1/2" free length-also serviced in housing and shift assy.-group 4563	AR	★D7HZ 4537-CX	.371" thick
			AR	★D7HZ 4537-CY	.372" thick
			AR	★D7HZ 4537-CZ	.373" thick
1	★C3TZ 4468-A	Retainer (thru shaft rear bearing)-6 1/2" O.D.-6 holes-5 5/8" bolt circle	AR	★D7HZ 4537-DA	.374" thick
			AR	★D7HZ 4537-DB	.375" thick

1980/  
TRUCK SERIES 600/900

QTY.	PART NUMBER	DESCRIPTION	QTY.	PART NUMBER	DESCRIPTION
<b>ROCKWELL (TIMKEN) SFDD (DD-4640) REAR AXLE SERVICE PARTS LIST NO. 213 — Cont'd</b>					
	4537	Spacer (drive pinion bearing)-outer		4567	Snap ring (diff. thru shaft)
AR	★D7HZ 4537-EW	.288" thick	AR	★D7HZ 4567-B	.088" thick
AR	★D7HZ 4537-EX	.289" thick	AR	★D7HZ 4567-C	.091" thick
AR	★D7HZ 4537-EY	.290" thick	AR	★D7HZ 4567-D	.094" thick
AR	★D7HZ 4537-EZ	.291" thick	AR	★D7HZ 4567-E	.097" thick
AR	★D7HZ 4537-FA	.292" thick	AR	★D7HZ 4567-F	.100" thick
AR	★D7HZ 4537-FB	.293" thick	AR	★D7HZ 4567-G	.103" thick
AR	★D7HZ 4537-FC	.294" thick	AR	★D7HZ 4567-H	.106" thick
AR	★D7HZ 4537-FD	.295" thick	AR	★D7HZ 4567-J	.109" thick
AR	★D7HZ 4537-FE	.296" thick	AR	★D7HZ 4567-K	.112" thick
AR	★D7HZ 4537-FF	.297" thick	1	C1TT 4570-A	Ball (shift fork pivot)-3/8" I.D. x 1 15/16" O.D.
AR	★D7HZ 4537-FG	.298" thick	1	D4TZ 4571-A	Nut (shift fork bolt)-3/8"-24
AR	★D7HZ 4537-FH	.299" thick	1	D7HZ 4571-B	Nut (shifter fork adjusting bolt)-1/2"-20
AR	★D7HZ 4537-FJ	.300" thick		4571	Nut-3/8"-24
AR	★D7HZ 4537-FK	.301" thick	1	D7HZ 4571-A	Shifter fork set screw
AR	★D7HZ 4537-FL	.302" thick	2	D7HZ 4571-A	Power divider shift assy.
1	★C3TZ 4544-B	Collar (power divider clutch shift)-9 teeth-29 splines	1	★C3TZ 4572-A	Scoop (power divider diff. oil)
6	D7HZ 4545-C	Washer (gear shaft bearing retainer bolt)-19/32" I.D. x 1 1/16" O.D. x 3/32" thick	1	★D7HZ 4573-A	Seal assy. (input shaft oil)-4 1/2" O.D.-3 1/4" shaft dia.
16	★D7HZ 4558-B	Bolt (gear to case)-differential-9/16"-18 x 3 3/8"	1	★D7HZ 4574-C	Housing assy. (power divider diff.)-10 13/16" O.D. x 7 13/16" long-8 holes-assy. incl. cups
1	★C1TT 4563-B	Housing assy. (power divider shift fork)-#3280-C-525-also serviced in housing and shift assy.-group 4563	1	★D7HZ 4579-A	Shaft (power divider thru shaft)-#3280-F-7260-S-29 1/8" long-1 3/4" O.D.-34 teeth-2" O.D.-39 teeth-1 1/2" thread
1	D7HZ 4563-A	Housing and shift assy. (power divider diff. lockout)	1	★D7HZ 4585-A	Bolt (power divider shift fork)-3/8"-24 x 2 3/8"
Consists of			1	D8HZ 4586-A	Washer (input shaft)-1 25/32" I.D. x 3" O.D. x 3/16" thick
2	D7HZ 4147-B	Washer	1	★C3TZ 4614-H	Retainer and bearing cup assy. (spur pinion)-Cup #632-6 bolt holes-4 tapped holes-7 1/8" bolt circle
1	B8QH 4150-A	Gasket	1	★C3TZ 4615-A	Bearing assy. (drive pinion pilot)-front-Self contained rollers-#MU-1221-UM-4 1/8" I.D. x 7 15/32" O.D.
1	C1TT 4332-A	Screw	2	C3TZ 4621-A	Cone and roller assy. (cross shaft bearing)-#641-2 5/8" I.D. x 1 5/8" thick
1	C1TT 4345-B	Washer	1	D8HZ 4637-C	Washer (thru shaft)-1 17/32" I.D. x 2 3/8" O.D. x 1/8" thick
1	C1TT 4458-C	Spring	1	★D7HZ 4739-C	Gear (diff. spur pinion)-2 5/8" I.D. x 5 23/32" O.D. x 11" long-14 teeth
1	C1TT 4497-B	Diaphragm	1	D7HZ 4851-H	Flange assy. (universal joint)-power divider-output-1710 size
2	★C3TZ 4567-A	Lockring (thru shaft bearing)-2 7/8" free I.D.	1	4859	Deflector (driving pinion oil seal)
1	D7HZ 4567-A	Washer (diff. thru shaft)-thrust-1 27/32" I.D. x 2 3/16" O.D. x 1/8" thick	1	B8QH 4859-B	Power divider-output
			1	D7HZ 4859-B	Power divider-input
<b>ROCKWELL (TIMKEN) SFDD (D-4640-R) REAR AXLE SERVICE PARTS LIST NO. 214</b>					
	1243	Refer to group 4222 within parts list	1	★C3TZ 4A059-A	Spacer (thru shaft bearing)-rear 4 1/8" I.D. X 4 11/16" O.D.
1	★D7HZ 4K003-C	Plate (skid)-#3305-R-18-9 3/4" wide x 12 3/4" long-7 1/8" bolt circle	1	★C3TZ 4A061-A	Cover (thru shaft bearing)-rear-flat-6 1/2" O.D.-6 holes-5 1/2" bolt circle
1	D7HZ 4010-R	Housing assy.	1	★C3TZ 4A064-A	Plug (diff. carrier access hole)-6 1/4" O.D.-5 3/8"-10 thread
1	B7T 7034-A	Breather (axle housing)			
1	DOHZ 4N025-A	Plug (heat indicator)			
1	★C3TZ 4033-A	Cover (diff. carrier top)			

1980/  
TRUCK SERIES 600/900

QTY.	PART NUMBER	DESCRIPTION	QTY.	PART NUMBER	DESCRIPTION
ROCKWELL (TIMKEN) SFDD (D-4640-R) REAR AXLE			SERVICE PARTS LIST NO. 214 --- Cont'd		
1	★C3TZ 4A065-A	Gasket (diff. carrier access hole plug)- 5 13/32" I.D. x 6 1/4" O.D.	1	★D7HZ 4N282-A	Plug (housing drain)-magnetic-1 1/4"- 1 1/2" thread
1	★C3TZ 4A066-A	Sleeve (diff. carrier bearing)- 7 31/64" I.D. x 8 11/16" O.D. x 1 1/4" thick		4295	Spacer (diff. bearing)
1	★C3TZ 4A086-A	Bearing (drive pinion gear thru shaft)- rear 2 9/16" I.D. x 4 23/32" O.D. x 29/32" thick	AR	★D7HZ 4295-A	.240" thick
			AR	★D7HZ 4295-B	.245" thick
			AR	★D7HZ 4295-C	.250" thick
			AR	★D7HZ 4295-D	.255" thick
			AR	★D7HZ 4295-E	.260" thick
			AR	★D7HZ 4295-F	.265" thick
4	★C3TZ 4A106-A	Pin (diff. carrier guide)-7/8" major dia.-21/32" minor dia.-3/32" slot- 1/2" hole	1	D7HZ 4320-B	Nut (drive pinion flange)-1 1/2"-12- 2 7/32" across flats-also serviced in kit-group 4209
1	★C3TZ 4A135-A	Washer (spur pinion shaft bearing adjusting)- #7534757-1 1/2" I.D. x 3" O.D. x 5/16" thick-2 holes	16	★D7HZ 4322-B	Nut (gear to case)-9/16"-18
1	C3TZ 4A141-A	Pin (bevel gear bearing sleeve)- 5/16" O.D. x 1 9/16" long-also serviced in assy.-group 4341		4323	Stud (carrier to housing)
	4A142	Nut (carrier to housing stud)	1	★D7HZ 4323-B	Short-1/2"-13 & 1/2"-20 x 1 7/8"
14	D7HZ 4A142-A	1/2"-20	14	★D7HZ 4323-C	Medium-1/2"-13 & 1/2"-20 x 2"
1	D7HZ 4571-B	1/2"-20	4	★D7HZ 4323-D	Bolt (carrier to housing)-3/4"-10 x 2"
10	C3TZ 4A145-A	Bolt (diff. carrier top cover)-3/8"-24 x 3/4"		4326	Washer (carrier to housing)-
10	D7HZ 4147-B	Washer (diff. carrier top cover bolt)- 13/32" I.D. x 13/16" O.D. x 1/16" thick	11	D7HZ 4326-A	17/32" I.D. x 7/8" O.D. x 3/32" thick
			4	C1TT 4326-A	25/32" I.D. x 1 3/8" O.D. x 1/8" thick
			4	★D7HZ 4326-D	Washer (carrier to housing bolt)- 7/8" O.D. x 3/64" thick
1	D7HZ 4204-B	Case assy. (differential)- 10 1/4" O.D. x 11 1/2" long-16 holes	16	★D7HZ 4326-B	Washer (gear to case)- 19/32" I.D. x 31/32" O.D. x 3/32" thick
1	D7HZ 4209-M	Ring gear and pinion kit-5.76 ratio- includes self-locking nut	8	D7HZ 4326-A	Washer (pinion bearing retainer bolt)- 17/32" I.D. x 7/8" O.D. x 3/32" thick
1	★D7HZ 4210-A	Gear (diff. high speed driven)- 14" O.D. x 4" wide-16 holes-39 teeth	1	★D7HZ 4341-B	Carrier assy. (diff.)-incl. C3TZ 4A141-A pin
	4221	Cone and roller (diff. bearing)		4397	Bolt (gear shaft bearing retainer)
1	A7TZ 4221-A	Bevel pinion outer-#497	3	★D7HZ 4397-E	Short-9/16"-12 x 2 1/4"
1	C3TZ 4221-E	Bevel pinion inner-#42350	3	★D7HZ 4397-C	Long-9/16"-12 x 3"
2	C3TZ 4221-A	Differential-#683	6	C3TZ 4399-B	Bolt (thru shaft rear bearing cover)- 3/8"-16 x 1"
	4222	Cup (diff. bearing)	6	D1HZ 4A147-A	Washer (thru shaft rear bearing cover bolt)- 13/32" I.D. x 3/4" O.D. x 3/32" thick
1	B6Q 1243-A	Bevel pinion outer-#493	1	★D7HZ 4399-A	Bolt (spur pinion shaft bearing adj. washer)- 9/16"-12 x 1 3/8"
1	8Q 4222-A	Bevel pinion inner-#42584		4536	Shim (pinion gear cage)- 6 11/16" I.D. x 8" major O.D.
2	C3TZ 4222-A	Differential-#672	AR	★C3TZ 4536-B	.003" thick
2	B8QH 4222-A	Pinion shaft bearing-#632	AR	★C3TZ 4536-C	.005" thick
	4234	Shaft assy.		4537	Spacer (driving pinion bearing)- 6 3/16" I.D.-10 holes-7 1/8" bolt circle
1	★D7HZ 4234-F	R.H.	AR	★C3TZ 4537-G	.003" thick
1	D7HZ 4234-G	L.H.	AR	★C3TZ 4537-E	.005" thick
1	★D7HZ 4237-C	Gear and pinion kit (diff.)	AR	★C3TZ 4537-F	.030" thick
Consists of					
1	3-278-P-276	Shaft pinion	2-1229-E-1773	Washer gear	
4	2-233-U-47	Pinion gear	4-1829-Q-95	Washer pinion	
2	2-234-V-828	Side gear			
1	★C3TZ 4243-A	Key (driven gear)-1/2"-3/8 x 2 5/8"			

1980/  
TRUCK SERIES 600/900

QTY.	PART NUMBER	DESCRIPTION	QTY.	PART NUMBER	DESCRIPTION
<b>ROCKWELL (TIMKEN) SFDD (D-4640-R) REAR AXLE SERVICE PARTS LIST NO. 214 -- Cont'd</b>					
	4537	Spacer (drive pinion bearing)		4537	Spacer (drive pinion bearing) — Cont'd
AR	D7HZ 4537-DD	.367" thick	AR	D7HZ 4537-ES	.401" thick
AR	D7HZ 4537-DE	.368" thick	AR	D7HZ 4537-ET	.402" thick
AR	D7HZ 4537-DF	.369" thick	AR	D7HZ 4537-EV	.403" thick
AR	D7HZ 4537-DG	.370" thick	6	D7HZ 4545-C	Washer (gear shaft bearing retainer bolt)- 19/32" I.D. x 1 1/16" O.D. x 3/32" thick
AR	D7HZ 4537-DH	.371" thick	16	★D7HZ 4558-B	Bolt (gear to case)-9/16"-18 x 3 3/8"
AR	D7HZ 4537-DJ	.372" thick	8	C1TT 4560-C	Bolt (pinion bearing retainer to carrier)- 1/2"-13 x 1 5/8"
AR	D7HZ 4537-DK	.373" thick	2	★C3TZ 4567-A	Lock ring (thru shaft bearing)- 2 7/8" free I.D.
AR	D7HZ 4537-DL	.374" thick		4571	Refer to group 4A142 within parts list
AR	D7HZ 4537-DM	.375" thick	1	★D7HZ 4579-B	Shaft (diff. thru)-#3280-G-7313-S- 19 3/8" long-2 9/16" O.D.-2" O.D.- 39 teeth-1 1/2"-12 thread
AR	D7HZ 4537-DN	.376" thick	1	★C3TZ 4614-H	Retainer and bearing cup assy. (spur pinion)- cup #632-6 bolt holes-4 tapped holes- 7 1/8" bolt circle
AR	D7HZ 4537-DP	.377" thick	1	★C3TZ 4614-M	Retainer assy. (bevel pinion)-incl. cups
AR	D7HZ 4537-DR	.378" thick	1	★C3TZ 4615-A	Bearing assy. (drive pinion pilot)-front- self contained rollers-#MU-1221-UM- 4 1/8" I.D. x 7 15/32" O.D.
AR	D7HZ 4537-DS	.379" thick	2	C3TZ 4621-A	Cone and roller assy. (pinion shaft bearing)- #641-2 5/8" I.D. x 1 5/8" thick
AR	D7HZ 4537-DT	.380" thick	1	★D7HZ 4637-B	Washer (drive pinion flange)- 2 1/32" I.D. x 4 1/4" O.D. x 11/16" thick
AR	D7HZ 4537-DW	.382" thick	1	D8HZ 4637-C	Washer (thru shaft)- 1 17/32" I.D. x 2 3/8" O.D. x 1/8" thick
AR	D7HZ 4537-DX	.383" thick	1	D7HZ 4676-B	Seal assy. (driving pinion)- 2 3/4" I.D. x 5 1/2" O.D.
AR	D7HZ 4537-DY	.384" thick	1	★D7HZ 4739-C	Gear (diff. spur pinion)-2 5/8" I.D. x 5 23/32" O.D. x 11" long-14 teeth
AR	D7HZ 4537-DZ	.385" thick	1	D7HZ 4851-H	Flange assy. (universal joint)-axle end- 1710 size
AR	D7HZ 4537-EA	.386" thick	1	B8QH 4859-B	Deflector (driving pinion oil seal)
AR	D7HZ 4537-EB	.387" thick			
AR	D7HZ 4537-EC	.388" thick			
AR	D7HZ 4537-ED	.389" thick			
AR	D7HZ 4537-EE	.390" thick			
AR	D7HZ 4537-EF	.391" thick			
AR	D7HZ 4537-EG	.392" thick			
AR	D7HZ 4537-EH	.393" thick			
AR	D7HZ 4537-EJ	.394" thick			
AR	D7HZ 4537-EK	.395" thick			
AR	D7HZ 4537-EL	.396" thick			
AR	D7HZ 4537-EM	.397" thick			
AR	D7HZ 4537-EN	.398" thick			
AR	D7HZ 4537-EP	.399" thick			
AR	D7HZ 4537-ER	.400" thick			
<b>DANA (SPICER) G175-T REAR AXLE SERVICE PARTS LIST NO. 219</b>					
	1243	Refer to group 4222 within parts list	1	E0HZ 4045-A	Shift fork kit-use on old style carrier with pressed in shift fork shaft and snap ring-1980/82
1	★E0HZ 4010-A	Housing kit-1980/82	Consists of		
	1-E0HZ 4046-A	Plug 4-GGAHM 102-1 Bolt	1-E0HZ 4149-A	Shaft kit	1-GGASV102-X Fork assy.
	1-E0HZ 4N282-A	Plug 1-MJAHM 104-1 Bolt	1	E3HZ 4045-A	Fork assy. (differential shift)- use on new style carrier with loose shift fork and set screw-1983/86
	12-E0HZ 4323-A	Bolt 1-32141 Plug	1	E0HZ 4046-A	Plug (diff. carrier filler)-1"-11 1/2"- also serviced in kit-group 4010
	1-GGACH100	Housing 1-131HG100 Silicone gasket	1	E0HZ 4055-A	Gear (diff. sliding clutch)- 3 1/4" O.D. x 6 5/8" long-18 teeth
1	E3HZ 4010-A	Housing kit-1983	1	★B9TT 4062-A	Shift assy.-electric #41059-use on vehicles w/rear shocks- 1980/85-r/b MAT 89011
Consists of			1	E5HZ 4062-A	#113770-use on vehicles w/o rear shocks- 1980/85
	1-E0HZ 4046-A	Plug 4-MJAHM102-1 Bolt	1	E5HZ 4062-A	#113770-1986
	1-E0HZ 4N282-A	Plug 1-MJAHM104-1 Bolt		4062	Shift assy. kit (electric)-retrofit- to convert axles w/o rear shocks to new style shift assy.-refer to group in Section 41
	12-E0HZ 4323-A	Bolt 1-MJAHM115 Plug		4B062	Electric shift unit repair kit- refer to group in Section 41
	1-GGACH110	Housing 1-38615 Silicone gasket			
2	MJAKM100-X	Kit wheel end hardware			
1	E4HZ 4010-H	Housing Kit-1984/86			
Consists of					
	1-E0HZ 4046-A	Plug 2-MJAKM100-X Kit wheel end hardware			
	1-E0HZ 4N282-A	Plug 4-MJAHM102-1 Bolt			
	12-E0HZ 4323-A	Bolt 1-MJAHM104-1 Bolt			
	1-GGACH127	Housing 1-MJAHM115 Plug			
4	E0HZ 4029-A	Shaft (differential planetary gear)- 1 3/8" O.D. x 3 35/64" long			
4	E0HZ 4K034-A	Bolt (diff. sliding clutch gear retainer)- 5/8"-18 x 1 3/8"			
1	E0HZ 4040-A	Plate (diff. sliding clutch gear)- 2 15/16" I.D.-18 internal teeth			



**1980/  
TRUCK SERIES 600/900**

QTY.	PART NUMBER	DESCRIPTION	QTY.	PART NUMBER	DESCRIPTION
<b>DANA (SPICER) G175-T REAR AXLE SERVICE PARTS LIST NO. 219 — Cont'd</b>					
1	<b>E0HZ 4067</b>	Adjuster (differential bearing)- R.H.-5 1/2"-16 thread-3 55/64" I.D.- 21 holes	1	<b>E4HZ 4204-A</b>	Case kit (differential)-1984/86-New style
1	<b>E0HZ 4067-A</b>	L.H.-6"-16 thread-4 5/16" I.D.- 19 holes	Consists of		
1	<b>E4HZ 4072-A</b>	Seal assy. (shift fork)-#119851	1-E0HZ 4147-A	Plate	8-E0HZ 4558-A Bolt
1	<b>E0HZ 4A105-A</b>	Retainer kit (pinion shaft pilot bearing)- also serviced in kit-group 4141	1-E0HZ 4228-A	Washer	1-GGADS103-X Case
Consists of			4209 Ring gear and pinion kit		
1-7EQH 4625	Bearing	4-GGAHM102 Bolt	1	<b>★E3HZ 4209-A</b>	4.89/6.79 ratio
1-GGACP104	Cap	1-131HG100 Silicone gasket	Consists of		
1	<b>E0HZ 4127-A</b>	Case kit (differential support)	1-E0HZ 4320-A	Nut	1-E6HZ 4676-D Seal kit
Consists of			1-E0HZ 4329-A	Washer	1-GGAGA104-X Gear and pinion
1-E0HZ 4147-A	Plate	1-GGAHC100-X Bearing kit	8-E0HZ 4558-A	Bolt	1-MJAHC103-X Bearing kit
1-E0HZ 4228-A	Washer	1-GGAHC101-X Bearing kit	1-7EQH 4625	Bearing	1-38615 Silicone gasket
8-E0HZ 4558-A	Bolt	1-131HG100 Silicone gasket	1	<b>E0HZ 4209-A</b>	5.57/7.75 ratio
1-GGADX100-X	Case		Consists of		
1	<b>★E0HZ 4141-A</b>	Carrier kit (differential)- use on old style carrier with pressed in shift fork shaft and snap ring-1980/82	1-E0HZ 4320-A	Nut	1-E6HZ 4676-D Seal kit
Consists of			1-E0HZ 4329-A	Washer	1-GGAGA103-X Gear and pinion
2-E4HZ 4B147-A	Washer	2-E0HZ 4571-A Nut	8-E0HZ 4558-A	Bolt	1-MJAHC103-X Bearing kit
12-E0HZ 4323-A	Bolt	1-GGACS100-X Carrier	1-7EQH 4625	Bearing	1-38615 Silicone gasket
2-E0HZ 4336-A	Stud	1-131HG100 Silicone gasket	1	<b>E0HZ 4209-B</b>	6.17/8.58 ratio
1	<b>E3HZ 4141-A</b>	Carrier kit (differential)-use on new style carrier with loose shift fork shaft and set screw-1983/86	Consists of		
Consists of			1-E0HZ 4320-A	Nut	1-E6HZ 4676-D Seal kit
1-E0HZ 4072-A	Seal	2-E0HZ 4336-A Stud	1-E0HZ 4329-A	Washer	1-GGAGA102-X Gear and pinion
2-E4HZ 4B147-A	Washer	2-E0HZ 4571-A Nut	8-E0HZ 4558-A	Bolt	1-MJAHC103-X Bearing kit
12-E0HZ 4323-A	Bolt	1-GGACS106-X Carrier	1-7EQH 4625	Bearing	1-38615 Silicone gasket
1-E2HZ 4332-A	Set screw	1-38615 Silicone gasket	1	<b>E0HZ 4209-C</b>	6.50/9.04 ratio
2	<b>E0HZ 4143-A</b>	Lock (differential bearing adjuster)	Consists of		
1	<b>E0HZ 4147-A</b>	Washer (diff. sliding clutch gear plate)- 3 3/4" I.D. x 7" O.D. x 1/8" thick- also serviced in kits-group 4127, 4204,4237	1-E0HZ 4320-A	Nut	1-E6HZ 4676-D Seal kit
2	<b>E4HZ 4B147-A</b>	Washer (shift housing stud)-also serviced in kit-group 4141- 15/32" I.D. x 15/16" O.D. x 3/32" thick	1-E0HZ 4329-A	Washer	1-GGAGA100-X Gear and pinion
1	<b>E0HZ 4149-A</b>	Shaft kit (shift fork)-also serviced in kit-group 4045- use on old style carrier with pressed in shift fork shaft and snap ring-1980/82	8-E0HZ 4558-A	Bolt	1-MJAHC103-X Bearing kit
Consists of			1-7EQH 4625	Bearing	1-38615 Silicone gasket
1-MJAHR103	Ring	1-MJASS101 Shaft	1	<b>E0HZ 4209-D</b>	7.17/9.97 ratio
1	<b>E2HZ 4149-A</b>	Shaft (shift fork)-11/16" O.D. x 3 23/32" long- use on new style carrier with loose shift fork shaft and set screw-1983/86	Consists of		
4200 Differential assy.-refer to group in Section 40			1-E0HZ 4320-A	Nut	1-E6HZ 4676-D Seal kit
1	<b>E0HZ 4204-G</b>	Case kit (differential)-use to update old style differential planetary gear used prior to 1984 to new style	1-E0HZ 4329-A	Washer	1-GGAGA101-X Gear and pinion
Consists of			8-E0HZ 4558-A	Bolt	1-MJAHC103-X Bearing kit
1-GGADS103-X	Case	1-GGAKP101-X Kit planetary parts	1-7EQH 4625	Bearing	1-38615 Silicone gasket
1	<b>★E0HZ 4204-A</b>	Case kit (differential)-1980/83-Old style r/b E4HZ 4204-A	8	<b>E0HZ 4216-A</b>	Bolt (differential case)-7/16"-14 x 3"- also serviced in kit-group 4204
Consists of			4221 Cone and roller (differential bearing)- also serviced in kit-group 4127		
1-E0HZ 4147-A	Plate	8-E0HZ 4558-A Bolt	1	<b>C1TT 4221-E</b>	R.H.-#495
1-E0HZ 4228-A	Washer	1-GGADS100-X Case	1	<b>8Q 4221-A</b>	L.H.-#42381
1	<b>E0HZ 4204-A</b>	Case kit (differential)-1980/83-Old style r/b E4HZ 4204-A	4222 Cup (differential bearing)- also serviced in kit-group 4127		
Consists of			1	<b>B6Q 1243-A</b>	R.H.-#493
1-E0HZ 4147-A	Plate	8-E0HZ 4558-A Bolt	1	<b>8Q 4222-A</b>	L.H.-#42584
1-E0HZ 4228-A	Washer	1-GGADS100-X Case	1	<b>E0HZ 4228-A</b>	Washer (diff. support case thrust)- 2 11/16" I.D. x 4 1/64" O.D. x 1/16" thick- also serviced in kits-group 4127,4204, 4237
1	<b>E0HZ 4204-A</b>	Case kit (differential)-1984/86-New style	4229 Gear (differential planetary)- Old style-1 3/8" I.D. x 2 19/32" O.D. x 2 1/8" long-14 teeth-1980/83-r/b E0HZ 4204-G		
Consists of			4	<b>★E0HZ 4229-A</b>	New style-1 3/8" I.D. x 2 9/16" O.D. x 2 7/32" long-14 teeth-1984/86
1-GGADS103-X	Case	1-GGAKP101-X Kit planetary parts	4234 Shaft assy.		
1	<b>★E0HZ 4204-A</b>	Case kit (differential)-1980/83-Old style r/b E4HZ 4204-A	2	<b>E0HZ 4234-A</b>	1980/82
Consists of			2	<b>E3HZ 4234-A</b>	1983/86
1-E0HZ 4147-A	Plate	8-E0HZ 4558-A Bolt			
1-E0HZ 4228-A	Washer	1-GGADS100-X Case			

1980/  
TRUCK SERIES 600/900

QTY.	PART NUMBER	DESCRIPTION	QTY.	PART NUMBER	DESCRIPTION
<b>DANA (SPICER) G175-T REAR AXLE SERVICE PARTS LIST NO. 219 — Cont'd</b>					
1	EOHZ 4237-A	Gear and pinion kit (differential)		4537	Spacer (drive pinion bearing) — Cont'd
Consists of			1	EOHZ 4537-P	.713" thick
1	EOHZ 4147-A	Plate 4-GGAGC102	1	EOHZ 4537-R	.714" thick
3	EOHZ 4228-A	Washer gear 2-GGAGD101	1	EOHZ 4537-S	.715" thick
8	EOHZ 4558-A	Bolt 4-GGAHS103	1	EOHZ 4537-T	.716" thick
1	GGADP100	Pinion shaft 1-131HG100	1	EOHZ 4537-V	.717" thick
			1	EOHZ 4537-W	.718" thick
			1	EOHZ 4537-X	.719" thick
			1	EOHZ 4537-Y	.720" thick
			1	EOHZ 4537-Z	.721" thick
1	EOHZ 4N282-A	Plug (housing drain)-magnetic-3/4"-14 thread also serviced in kit-group 4010	1	EOHZ 4537-AA	.722" thick
1	EOHZ 4N301-A	Retainer (differential sliding clutch gear)-18 teeth-2 15/16" I.D. of teeth	1	EOHZ 4537-AB	.723" thick
1	EOHZ 4320-A	Nut (flange to pinion)-1 1/4"-12 x 1 5/8" across flats-also serviced in kit-group 4209	1	EOHZ 4537-AC	.724" thick
2	EOHZ 4321-A	Bolt (differential bearing adjuster lock)-3/8"-16 x 1"	1	EOHZ 4537-AD	.725" thick
	4322	Nut (shift housing stud)-7/16"-20-also serviced in kit-group 4141	1	EOHZ 4537-AE	.726" thick
2	B8TZ 4322-A	Use on vehicles w/o rear shocks	8	EOHZ 4558-A	Bolt (gear to case)-differential-1/2"-13 x 3 1/4"-also serviced in kits-group 4127,4204,4209,4237
2	★EOHZ 4571-A	Use on vehicles w/rear shocks-r/b B8TZ 4322-A		4571	Refer to group 4322 within parts list
12	EOHZ 4323-A	Bolt (differential carrier to housing)-1/2"-13 x 1 3/8"-also serviced in kits-group 4010,4141	2	7EQH 4616	Cup (driving pinion bearing)-#55437-also serviced in kit-group 4209
2	EOHZ 4326-A	Washer (diff. bearing adjuster lock bolt)-13/32" I.D. x 13/16" O.D. x 1/16" thick	2	A8TZ 4621-A	Cone and roller assy. (drive pinion bearing)-#55200-C-also serviced in kit-group 4209
1	EOHZ 4329-A	Washer (drive pinion flange)-1 17/64" I.D. x 2 19/32" O.D. x 9/32" thick-also serviced in kit-group 4209	1	7EQH 4625	Bearing assy. (driving pinion pilot)-#MUS1307TM or UY1307TM-also serviced in kits-group 4A105,4209
	4332	Set screw (shift fork shaft)-also serviced in kit-group 4141		4670	Slinger (driving pinion shaft oil)-selective-2 3/64" I.D. x 4 31/32" O.D.
	★4332	1980/82-not required	1	EOHZ 4670-N	.052" thick
1	E2HZ 4332-A	3/4"-16 x 1/2" use on new style carrier with loose shift fork shaft and set screw-1983/86	1	EOHZ 4670-P	.055" thick
2	EOHZ 4336-A	Stud (shift motor)-7/16"-14 & 7/16"-20 x 1 19/32"-also serviced in kit-group 4141	1	EOHZ 4670-R	.058" thick
	4537	Spacer (drive pinion bearing)-selective-2 1/32" I.D. x 2 9/16" O.D.	1	EOHZ 4670-A	.061" thick
1	EOHZ 4537-A	.700" thick	1	EOHZ 4670-B	.064" thick
1	EOHZ 4537-B	.701" thick	1	EOHZ 4670-C	.067" thick
1	EOHZ 4537-C	.702" thick	1	EOHZ 4670-D	.070" thick
1	EOHZ 4537-D	.703" thick	1	EOHZ 4670-E	.073" thick
1	EOHZ 4537-E	.704" thick	1	EOHZ 4670-F	.076" thick
1	EOHZ 4537-F	.705" thick	1	EOHZ 4670-S	.079" thick
1	EOHZ 4537-G	.706" thick	1	EOHZ 4670-T	.082" thick
1	EOHZ 4537-H	.707" thick	1	EOHZ 4A670-A	Seal (driving pinion shaft oil slinger)-4 3/8" I.D. x 5 37/64" O.D. x 5/16" thick
1	EOHZ 4537-J	.708" thick	1	E6HZ 4676-D	Seal (drive pinion oil)-also serviced in kit-group 4209
1	EOHZ 4537-K	.709" thick		4851	Flange assy. (universal joint) axle end
1	EOHZ 4537-L	.710" thick	1	EOHZ 4851-A	1410 size-1980/83
1	EOHZ 4537-M	.711" thick	1	E4HZ 4851-G	1410-size-1984/86
1	EOHZ 4537-N	.712" thick	1	EOHZ 4851-B	1480 size-1980/83
			1	E4HZ 4851-H	1480 size-1984/86
			1	EOHZ 4851-C	1550 size-1980/83
			1	E4HZ 4851-J	1550 size-1984/86
			1	EOHZ 4851-D	1610 size
<b>DANA (SPICER) M185-T-M190-T REAR AXLE SERVICE PARTS LIST NO. 220</b>					
1	★EOHZ 4010-B	Housing kit-1980/83	1	E4HZ 4010-J	Housing Kit-1984/86
Consists of			Consists of		
1	EOHZ 4046-A	Plug 4-MJAHM102-1 Bolt	1	EOHZ 4046-A	Plug 1-MJAKM100-K Kit wheel end hardware
1	EOHZ 4N282-A	Plug 1-MJAHM104-1 Bolt	1	EOHZ 4N282-A	Plug 4-MJAHM102-1 Bolt
12	EOHZ 4323-B	Bolt 1-32141 Plug	12	E1HZ 4323-B	Bolt 1-MJAHM104-1 Bolt
1	MJACH100	Housing 1-131HG100 Silicone gasket	1	MJACH111	Housing 1-MJAHM115 Plug

1980/  
TRUCK SERIES 600/900

QTY.	PART NUMBER	DESCRIPTION	QTY.	PART NUMBER	DESCRIPTION
DANA (SPICER) M185-T-M190-T REAR AXLE SERVICE PARTS LIST NO. 220 — Cont'd					
4	E0HZ 4029-B	Shaft (differential planetary gear)- 1 1/2" O.D. x 4 11/64" long	2	E0HZ 4143-A	Lock (differential bearing adjuster)
4	E0HZ 4K034-A	Bolt (diff. sliding clutch gear retainer)- 5/8"-18 x 1 3/8"	1	E0HZ 4147-B	Washer (diff. sliding clutch gear plate)- 4 3/32" I.D. x 7 7/8" O.D. x 1/8" thick- also serviced in kits-group 4127, 4204, 4237
1	E0HZ 4040-B	Plate (diff. sliding clutch gear)- 3 5/32" I.D.-16 internal teeth	2	E4HZ 4B147-A	Washer (shift housing stud)-also serviced in kit-group 4141 15/32" I.D. x 15/16" O.D. x 3/32" thick
1	E0HZ 4045-B	Shift fork kit- use on old style carrier with pressed in shift fork shaft and snap ring-1980/82-"Before 7/82"	1	E0HZ 4149-A	Shaft kit (shift fork)-also serviced in kit-group 4045- use on old style carrier with pressed in shift fork shaft and snap ring-1980/82-"Before 7/82"
Consists of					
1	E0HZ 4149-A	Shaft kit	1	MJASV102-X	Fork assy.
1	E2HZ 4045-A	Fork assy. (differential shift)-use on new style carrier with loose shift fork shaft and set screw-1982/86-"From 7/82"	Consists of		
1	E0HZ 4046-A	Plug (diff. carrier filler)-1"-11 1/2- also serviced in kit-group 4010	1	MJAHR103	Ring
1	E0HZ 4055-B	Gear (diff. sliding clutch)- 3 35/64" O.D. x 7 31/64" long-16 teeth	1	E2HZ 4149-A	Shaft (shift fork)-11/16" O.D. x 3 23/32" long- use on new style carrier with loose shift fork shaft and set screw- 1982/86-"From 7/82"
1	★B9TT 4062-A	Shift assy.-electric #41059-use on vehicles w/rear shocks-1980/85 r/b Mat 89011	4200 Differential assy.-refer to group in Section 40		
1	E5HZ 4062-A	#113770-use on vehicles w/o rear shocks-1980/85	1	E0HZ 4204-B	Case kit (differential)
1	E5HZ 4062-A	#113770-1986	Consists of		
	4062	Shift assy. kit (electric)-retrofit- to convert axles w/o rear shocks to new style shift assy.-refer to group in Section 41	1	E0HZ 4147-B	Plate
	4062	Shift assy. kit (electric)-retrofit- to convert axles w/o rear shocks to new style shift assy.-refer to group in Section 41	1	E0HZ 4228-B	Washer
	4062	Shift assy. kit (electric)-retrofit- to convert axles w/o rear shocks to new style shift assy.-refer to group in Section 41	8	E0HZ 4558-B	Bolt
	4062	Shift assy. kit (electric)-retrofit- to convert axles w/o rear shocks to new style shift assy.-refer to group in Section 41	1	MJADS100-X	Case
	4062	Shift assy. kit (electric)-retrofit- to convert axles w/o rear shocks to new style shift assy.-refer to group in Section 41	1	131HG100	Silicone gasket
	4B062	Electric shift unit repair kit- refer to group in Section 41	4209 Ring gear and pinion kit		
	4067	Adjuster (differential bearing)- R.H.-5 1/4"-16 thread-3 9/16" I.D.- 18 holes	1	E4HZ 4209-C	3.70/5.05 ratio
1	E0HZ 4067-C	L.H.-6 5/8"-16 thread-4 59/64" I.D.- 24 holes	Consists of		
1	E0HZ 4067-D	L.H.-6 5/8"-16 thread-4 59/64" I.D.- 24 holes	1	E0HZ 4320-A	Nut
1	E4HZ 4072-A	Seal assy. (shift fork)-#119851	1	E0HZ 4329-A	Washer
1	E0HZ 4A105-B	Retainer kit (pinion shaft pilot bearing)- also serviced in kit-group 4141	8	E0HZ 4558-B	Bolt
Consists of					
1	B8QH 4625-B	Bearing	1	MJAHM113-1	Bolt
1	MJACP104	Cap	1	131HG100	Silicone gasket
1	E0HZ 4127-B	Case kit (differential support)	4.11/5.60 ratio		
Consists of					
1	E0HZ 4147-B	Plate	1	E0HZ 4320-A	Nut
1	E0HZ 4228-B	Washer	1	E0HZ 4329-A	Washer
8	E0HZ 4558-B	Bolt	8	E0HZ 4558-B	Bolt
1	MJADX100-X	Case	1	B8QH 4625-B	Bearing
1	E0HZ 4141-B	Carrier kit (differential)- use on old style carrier with pressed in shift fork shaft and snap ring-1980/82-"Before 7/82"	1	MJAHM113-1	Bolt
Consists of					
2	E4HZ 4B147-A	Washer	1	E6HZ 4209-P	4.56/6.22 ratio
12	E0HZ 4323-B	Bolt	Consists of		
2	E0HZ 4336-A	Stud	1	E0HZ 4320-A	Nut
1	E2HZ 4141-B	Carrier kit (differential)-use on new style carrier with loose shift fork shaft and set screw-1982/86-"From 7/82"	1	E0HZ 4329-A	Washer
Consists of					
1	E0HZ 4072-A	Seal	1	E6HZ 4676-D	Seal kit
2	E4HZ 4B147-A	Washer	5.29/7.21 ratio		
12	E1HZ 4323-B	Bolt	1	E0HZ 4320-A	Nut
1	F2HZ 4332-A	Set screw	1	E0HZ 4329-A	Washer
			8	E0HZ 4558-B	Bolt
			1	B8QH 4625-B	Bearing
			1	E6HZ 4676-D	Seal kit
			Consists of		
			1	E0HZ 4320-A	Nut
			1	E0HZ 4329-A	Washer
			8	E0HZ 4558-B	Bolt
			1	B8QH 4625-B	Bearing
			1	MJAGA104-1	Gear and pinion
			1	MJAHC102-X	Bearing kit
			1	MJAHC103-X	Bearing kit
			1	38615	Silicone gasket
			Consists of		
			1	E0HZ 4320-A	Nut
			1	E0HZ 4329-A	Washer
			8	E0HZ 4558-B	Bolt
			1	B8QH 4625-B	Bearing
			1	MJAGA001-X	Gear and pinion
			1	MJAHC102-X	Bearing kit
			1	MJAHC103-X	Bearing kit

1980/  
TRUCK SERIES 600/900

QTY.	PART NUMBER	DESCRIPTION	QTY.	PART NUMBER	DESCRIPTION
<b>DANA (SPICER) M185-T-M190-T REAR AXLE SERVICE PARTS LIST NO. 220 — Cont'd</b>					
1	EOHZ 4209-E	Ring gear and pinion kit — Cont'd 5.57/7.60 ratio	1	EOHZ 4320-A	Nut (flange to pinion)—1 1/4"—12 x 1 5/8" across flats—also serviced in kit—group 4209
Consists of			2	EOHZ 4321-A	Bolt (differential bearing adjuster lock)—3/8"—16 x 1"
1	EOHZ 4320-A	Nut	1	MJAGA103-X	Gear and pinion
1	EOHZ 4329-A	Washer	1	MJAHC102-X	Bearing kit
8	EOHZ 4558-B	Bolt	1	MJAHC103-X	Bearing kit
1	B8QH 4625-B	Bearing	1	38615	Silicone gasket
1	EOHZ 4676-A	Seal kit	2	B8TZ 4322-A	Nut (shift housing stud)—7/16"—20—also serviced in kit—group 4141
1	EOHZ 4209-F	6.14/8.38 ratio	2	★EOHZ 4571-A	Use on vehicles w/o rear shocks Use on vehicles w/rear shocks—r/b B8TZ 4322-A
Consists of			2	4323	Bolt (differential carrier to housing)—also serviced in kits—group 4010,4141
1	EOHZ 4320-A	Nut	1	MJAGA102-X	Gear and pinion
1	EOHZ 4329-A	Washer	1	MJAHC102-X	Bearing kit
8	EOHZ 4558-B	Bolt	1	MJAHC103-X	Bearing kit
1	B8QH 4625-B	Bearing	1	38615	Silicone gasket
1	EOHZ 4676-A	Seal kit	12	E1HZ 4323-B	1980/85-5/8"—11 x 2"
1	EOHZ 4209-G	6.50/8.86 ratio	12	EOHZ 4323-G	1986-5/8"—11 x 1 3/4"
Consists of			2	EOHZ 4326-A	Washer (diff. bearing adjuster lock bolt)—13/32" I.D. x 13/16" O.D. x 1/16" thick
1	EOHZ 4320-A	Nut	1	MJAGA101-X	Gear and pinion
1	EOHZ 4329-A	Washer	1	MJAHC102-X	Bearing kit
8	EOHZ 4558-B	Bolt	1	MJAHC103-X	Bearing kit
1	B8QH 4625-B	Bearing	1	38615	Silicone gasket
1	EOHZ 4676-A	Seal kit	1	EOHZ 4329-A	Washer (drive pinion flange)—1 17/64" I.D. x 2 19/32" O.D. x 9/32" thick—also serviced in kit—group 4209
1	EOHZ 4209-H	7.17/9.77 ratio	1	4332	Set screw (shift fork shaft)—also serviced in kit—group 4141
Consists of			1	★4332	1980/82—"Before 7/82"—not required
1	EOHZ 4320-A	Nut	1	MJAGA100-X	Gear and pinion
1	EOHZ 4329-A	Washer	1	MJAHC102-X	Bearing kit
8	EOHZ 4558-B	Bolt	1	MJAHC103-X	Bearing kit
1	B8QH 4625-B	Bearing	1	38615	Silicone gasket
1	EOHZ 4676-A	Seal kit	1	E2HZ 4332-A	3/4"—16 x 1/2"—use on new style carrier with loose shift fork shaft and set screw—1982/86—"From 7/82"
8	EOHZ 4216-B	Bolt (differential case)—1/2"—13 x 3 1/8"—also serviced in kit—group 4204	2	EOHZ 4336-A	Stud (shift motor)—7/16"—14 and 7/16"—20 x 1 19/32"—also serviced in kit—group 4141
1	D8HZ 4221-A	Cone and roller assy. (differential bearing)—R.H. #JM716649—incl. cup D8HZ 4222-A #JM716610—also serviced in kit—group 4127	1	4537	Spacer (drive pinion bearing)—selective—2 1/32" I.D. x 2 9/16" O.D.
1	EOHZ 4221-A	Cone and roller (differential bearing)—L.H. #JM822049—also serviced in kit—group 4127	1	EOHZ 4537-A	.700" thick
1	4222	Cup (differential bearing)—also serviced in kit—group 4127	1	EOHZ 4537-B	.701" thick
1	D8HZ 4222-A	R.H.—#JM716610—also serviced in assy.—group 4221	1	EOHZ 4537-C	.702" thick
1	EOHZ 4222-A	L.H.—#822010	1	EOHZ 4537-D	.703" thick
1	EOHZ 4228-B	Washer (diff. support case thrust)—2 11/16" I.D. x 4 13/32" O.D. x 1/16" thick—also serviced in kits—group 4127,4204, 4237	1	EOHZ 4537-E	.704" thick
4	EOHZ 4229-B	Gear (differential planetary)—1 1/2" I.D. x 3 3/32" O.D. x 2 5/8" long—14 teeth	1	EOHZ 4537-F	.705" thick
2	EOHZ 4234-B	Shaft assy.	1	EOHZ 4537-G	.706" thick
1	EOHZ 4237-B	Gear and pinion kit (differential)	1	EOHZ 4537-H	.707" thick
Consists of			1	EOHZ 4537-J	.708" thick
1	EOHZ 4147-B	Plate	1	EOHZ 4537-K	.709" thick
3	EOHZ 4228-B	Washer gear	1	EOHZ 4537-L	.710" thick
8	EOHZ 4558-B	Bolt	1	EOHZ 4537-M	.711" thick
1	MJADP100	Pinion shaft	1	EOHZ 4537-N	.712" thick
1	EOHZ 4N282-A	Plug (housing drain)—magnetic—3/4"—14 thread—also serviced in kit—group 4010	1	EOHZ 4537-P	.713" thick
1	EOHZ 4N301-B	Retainer (differential sliding clutch gear)—16 teeth—3 5/32" I.D. of teeth	1	EOHZ 4537-R	.714" thick
			1	EOHZ 4537-S	.715" thick
			1	EOHZ 4537-T	.716" thick
			1	EOHZ 4537-V	.717" thick
			1	EOHZ 4537-W	.718" thick
			1	EOHZ 4537-X	.719" thick
			1	EOHZ 4537-Y	.720" thick
			1	EOHZ 4537-Z	.721" thick
			1	EOHZ 4537-AA	.722" thick
			1	EOHZ 4537-AB	.723" thick
			1	EOHZ 4537-AC	.724" thick
			1	EOHZ 4537-AD	.725" thick
			1	EOHZ 4537-AE	.726" thick
			1	EOHZ 4537-AF	.727" thick

**1980/  
TRUCK SERIES 600/900**

QTY.	PART NUMBER	DESCRIPTION	QTY.	PART NUMBER	DESCRIPTION
<b>DANA (SPICER) M185-T-M190-T REAR AXLE SERVICE PARTS LIST NO. 220 — Cont'd</b>					
8	E0HZ 4558-B	Bolt (gear to case)-differential- 9/16"-12 x 3 27/32"-also serviced in kits-group 4127,4204,4209,4237	1	4670	Slinger (driving pinion shaft oil) — Cont'd
	4571	Refer to group 4322 within parts list	1	E0HZ 4670-H	.064" thick
	4616	Cup (driving pinion bearing)-also serviced in kit-group 4209	1	E0HZ 4670-J	.067" thick
1	7EQH 4616	Outer-#55437	1	E0HZ 4670-K	.070" thick
1	B8QH 4616-A	Inner-#72487	1	E0HZ 4670-L	.073" thick
	4621	Cone and roller assy. (drive pinion bearing)-also serviced in kit-group 4209	1	E0HZ 4670-M	.076" thick
1	A8TZ 4621-A	Outer-#55200-C	1	E0HZ 4670-Y	.079" thick
1	E0HZ 4621-A	Inner-#72225-C	1	E0HZ 4670-Z	.082" thick
1	B8QH 4625-B	Bearing assy. (driving pinion pilot)- #MUS1308TM or UY1308TM-also serviced in kits-group 4A105,4209	1	E0HZ 4A670-A	Seal (driving pinion shaft oil slinger)- 4 3/8" I.D. x 5 37/64" O.D. x 5/16" thick
	4670	Slinger (driving pinion shaft oil)-selective- 2 19/64" I.D. x 4 31/32" O.D.	1	E6HZ 4676-D	Seal (drive pinion oil)-also serviced in kit-group 4209
1	E0HZ 4670-V	.052" thick	1	4851	Flange assy. (universal joint) axle end
1	E0HZ 4670-W	.055" thick	1	E0HZ 4851-B	1480 size-1980/83
1	E0HZ 4670-X	.058" thick	1	E4HZ 4851-H	1480 size-1984/86
1	E0HZ 4670-G	.061" thick	1	E0HZ 4851-C	1550 size-1980/83
			1	E4HZ 4851-J	1550 size-1984/86
			1	E0HZ 4851-D	1610 size-1980/85
			1	E6HZ 4851-F	1610 size-1986
			1	E6HZ 4851-G	1710 size
<b>EATON 22121 REAR AXLE SERVICE PARTS LIST NO. 221</b>					
	1243	Refer to group 4222 within parts list		4204	Differential use kit — Cont'd
1	★E0HZ 4010-C	Housing assy. #100823-1980/83- For vehicles exc. C800/900 use E0HZ 4010-G and 2 pcs. E4HZ 5793-H and 2 pcs. E4HZ 5796-M For vehicles C800/900 use E0HZ 4010-G and 2 pcs. E4HZ 5793-G and 2 pcs. E4HZ 5796-M	1	E0HZ 4204-C	5.57 ratio-1980/81-"Before 4/81" Consists of 1-E0HZ 4067-E Adjuster & cup 1-88678 Case plain half 12-D5HZ 4216-E Bolt 1-103865 Case flanged half 1-8QH 4221-B Bearing
1	E0HZ 4010-G	#120175-1980/83	1	E0HZ 4204-D	6.17 thru 7.17 ratio-1980/81- "Before 4/81" Consists of 1-E0HZ 4067-E Adjuster & cup 1-88677 Case flanged half 12-D5HZ 4216-E Bolt 1 88678 Case plain half 1-8QH 4221-B Bearing
1	★E4HZ 4010-C	#301551-1984-"Before 7/84" r/b E4HZ 4010-Y	1	E1HZ 4204-B	5.57 thru 7.17 ratio- 1981/88-"From 4/81" Consists of 12-D5HZ 4216-E Bolt 1-110138 Case-plain half 1-88677 Case-flanged half
1	E4HZ 4010-Y	#303135-1984/88-"From 7/84"		4209	Ring gear and pinion kit-includes self-locking nut
1	374506-S(PP-51)	Plug (drain)-magnetic-3/4"-14	1	E6HZ 4209-G	3.90 ratio
1	★59T 4052-M	Cover (differential carrier)-shift fork opening	1	E6HZ 4209-H	4.11 ratio
2	357450-S(BB-172)	Bolt (cover retaining)-7/16"-14 x 7/8"	1	E6HZ 4209-J	4.62 ratio
2	34808-S8(X-67)	Lockwasher (cover retaining bolt)-7/16"	1	E2HZ 4209-M	4.88 ratio
	4067	Adjuster (differential bearing)	1	E2HZ 4209-N	5.29 ratio
1	7EQH 4067	R.H.-#27842-1980/81-"Before 4/81"	1	E0HZ 4209-J	5.57 ratio
1	E1HZ 4067-B	R.H.-#110243-1981/88-"From 4/81"	1	E0HZ 4209-K	6.17 ratio
1	E0HZ 4067-E	L.H.-#106694-incl. adjuster and bearing cup 8QH 4222-A-#563-also serviced in kit-group 4204	1	E0HZ 4209-L	6.50 ratio
1	E0HZ 4141-C	Carrier assy. (differential)	1	E0HZ 4209-M	7.17 ratio
	4143	Lock (differential bearing adjuster)		4211	Shaft (pinion)-Serviced only in kit-group 4237
1	7EQH 4143	R.H.	12	D5HZ 4216-E	Bolt (differential case)-self-locking- 9/16"-12 x 2 3/4"-also serviced in kit-group 4204
1	B8QH 4143-A	L.H.	1	4221	Cone and roller (differential bearing) R.H.-#497
	4200	Differential assy.-refer to group in Section 40	1	8QH 4221-B	L.H.-#567-also serviced in kit- group 4204
	4204	Differential case kit			
1	D9HZ 4204-A	3.90 thru 5.29 ratio			
Consists of					
1	E1HZ 4067-B	Adjuster 1-103865 Case flanged half			
12	D5HZ 4216-E	Bolt 1-110138 Case plain half			

1980/  
TRUCK SERIES 600/900

QTY.	PART NUMBER	DESCRIPTION	QTY.	PART NUMBER	DESCRIPTION
EATON 22121 REAR AXLE SERVICE PARTS LIST NO. 221 — Cont'd					
1	B6Q 4222	Cup (differential bearing) R.H.—#493	1	4537	Spacer (driving pinion bearing) — Cont'd
1	8QH 4222-A	L.H.—#563—also serviced in adjuster-group 4067	1	D5HZ 4537-R	.640" thick
2	A8TZ 4228-A	Washer (differential side gear thrust)— 4 9/16" O.D.—also serviced in kit-group 4237	1	7EQH 4537-G	.641" thick
4	7EQH 4230	Washer (differential pinion thrust)— 1 1/64" I.D. x 2 7/16" O.D.—also serviced in kit-group 4237	1	D5HZ 4537-S	.642" thick
2	D7HZ 4234-A	4234 Shaft assy. 1980/81—"Before 4/81"	1	D5HZ 4537-T	.643" thick
2	E1HZ 4234-D	#110884-1981/88—"From 4/81"	1	D5HZ 4537-V	.644" thick
	4236	Gear (differential side)—serviced only in kit-group 4237	1	D5HZ 4537-W	.645" thick
1	B8QH 4237-G	4237 Gear and pinion kit (differential) Straight spline side gear— 1980/81—"Before 4/81"	1	D5HZ 4537-X	.646" thick
Consists of			1	7EQH 4537-Y	.648" thick
1	7EQH 4211	Shaft	2	D5HZ 4537-Z	.649" thick
2	A8TZ 4228-A	Washer-gear	1	D5HZ 4537-AA	.650" thick
4	7EQH 4230	Washer-pinion	1	D5HZ 4537-AB	.651" thick
1	E1HZ 4237-C	Involute spline side gear— 1981/88—"From 4/81"	1	D5HZ 4537-AC	.652" thick
Consists of			1	7EQH 4537-L	.653" thick
1	7EQH 4211	Pinion shaft	1	D5HZ 4537-AD	.654" thick
2	A8TZ 4228-A	Washer-gear		4545	Lockwasher (drive pinion bearing retainer bolt)
4	7EQH 4230	Washer-pinion	6	E0HZ 4545-A	1980/82-9/16"
				★4545	1983/88-Not required
1	C8TZ 4A309-A	Trap (filler plug)—magnetic-1" x 1 1/2"		4560	Bolt (carrier to housing)
1	D6HZ 4320-A	Nut (flange to pinion)—self-locking— 1 1/2"-18 x 2 1/4"—also serviced in kit-group 4209	8	D2HZ 4560-A	Short-5/8"-11 x 1 3/4"
	4347	Refer to group 4560 within parts list	4	C4TZ 4347-C	Long-5/8"-11 x 2 1/4"
	4351	Refer to group 4851 within parts list	12	34811-S2(X-71)	Lockwasher (carrier bolt to housing)-5/8"
	4536	Shim (driving pinion bearing retainer)— 5 1/2" I.D. x 7 3/4" O.D.		4560	Bolt (drive pinion bearing retainer)
AR	E0HZ 4536-A	.003" thick	6	C1TT 4560-B	1980/82-9/16"-12 x 1 5/8"
AR	E0HZ 4536-B	.005" thick	6	E3HZ 4560-A	1983/88-9/16"-12 x 1 1/2"
AR	E0HZ 4536-C	.010" thick	1	E0HZ 4614-A	Retainer and bearing cup assy. (driving pinion)— includes brg. cage, 1-B8QH 4616-A inner cup, 1-7EQH 4616 outer cup
AR	E0HZ 4536-D	.020" thick		4616	Cup (driving pinion bearing)—also serviced in retainer assy.—group 4614
AR	E0HZ 4536-E	.030" thick	1	B8QH 4616-A	Inner-#72487
1	7EQH 4537-A	.623" thick	1	7EQH 4616	Outer-#55437
1	D5HZ 4537-A	.624" thick		4621	Cone and roller (driving pinion)
1	D5HZ 4537-B	.625" thick	1	B8TZ 4621-A	Inner-#72200-C
1	D5HZ 4537-C	.626" thick	1	A8TZ 4621-A	Outer-#55200-C
1	D5HZ 4537-D	.627" thick	1	7EQH 4625	Bearing assy. (driving pinion pilot)— #15828 or MUS1307-TM
1	D5HZ 4537-E	.628" thick	1	C6TZ 4637-A	Washer (driving pinion)— 1 17/32" I.D. x 2 5/8" O.D. x 1/16" thick
1	7EQH 4537-C	.629" thick	1	E3HZ 4676-A	Seal and retainer assy. (drive pinion oil)— includes integral seal and retainer— #119427-4 9/16" O.D.—for 2 5/8" dia. shaft
1	D5HZ 4537-F	.630" thick		4851	Flange assy. (universal joint)—axle end
1	D5HZ 4537-G	.631" thick	1	B8QH 4351-A	7C size
1	D5HZ 4537-H	.632" thick	1	B8QH 4351-C	8C size
1	D5HZ 4537-J	.633" thick	1	D9HZ 4351-A	1550 size-1980/83
1	D5HZ 4537-K	.634" thick	1	E4HZ 4851-K	1550 size-1984/87
1	7EQH 4537-E	.635" thick	1	D5HZ 4851-D	1610 size-1980/86
1	D5HZ 4537-L	.636" thick	1	E7HZ 4851-B	1610 size-1987/88
1	D5HZ 4537-M	.637" thick	1	C6TZ 4351-A	1710 size-1980/86
1	D5HZ 4537-N	.638" thick	1	E7HZ 4851-D	1710 size-1987/88
1	D5HZ 4537-P	.639" thick	1	E1HZ 4851-C	1760 size
			1	D6HZ 4982-A	Bolt and nut kit (driving gear)
Consists of			16	D3HZ 4217-A	Bolt
					16-60600 Nut

1980/  
TRUCK SERIES 600/900

QTY.	PART NUMBER	DESCRIPTION	QTY.	PART NUMBER	DESCRIPTION
<b>EATON 22221 REAR AXLE SERVICE PARTS LIST NO. 222</b>					
Notes: % Also serviced in kit-group 4A195					
	1243	Refer to group 4222 within parts list		4143	Lock (differential bearing adjuster)
1	★E0HZ 4010-C	Housing assy. #100823-1980/83 For vehicles exc. C800/900 use E0HZ 4010-G and 2 pcs. E4HZ 5793-H and 2 pcs. E4HZ 5796-M For vehicles C800/900 use E0HZ 4010-G and 2 pcs. E4HZ 5793-G and 2 pcs. E4HZ 5796-M	1	7EQH 4143	R.H.-7/32" thick
			1	B6TZ 4143-A	L.H.
			1	%7EQH 4147	Washer (high speed clutch plate thrust)- 4 1/4" I.D. x 7 27/32" O.D.
			1	E3HZ 4149-B	Shaft assy. (differential shift fork)- includes "O" ring
1	E0HZ 4010-G	#120175-1980/83	4	7EQH 4154	Pin (high speed clutch plate)-2 7/16" long
1	★E4HZ 4010-C	#301551-1984-"Before 7/84"- r/b E4HZ 4010-Y	2	B6QH 4156-A	Bushing (diff. bearing adjuster lock)
			2	371173-S(BB-349)	Bolt (diff. bearing adjuster lock bushing)- 5/8"-11 x 2"
1	E4HZ 4010-Y	#303135-1984/88-"From 7/84"	1	B6TZ 4A195-A	Sliding clutch gear kit
1	374506-S(PP-51)	Plug (drain)-magnetic-3/4"-14	Consists of		
	4027	Refer to group 4127 within parts list	1	C3TZ 4040-B	Plate
4	7EQH 4029	Pin (planetary gear)-1 1/2" x 4 5/16"	1	E3HZ 4055-D	Gear
1	%C3TZ 4040-B	Plate (high speed clutch)-#56931- 7 3/4" O.D. x 3/4" thick-16 internal teeth		4200	Differential assy.-refer to group in Section 40
1	A8TZ 4045-A	Fork and roller assy. (diff. shift)-#62720	1	C0TT 4204-B	Case assy. (differential)-includes (8) D6HZ 4216-A bolts
2	B9TZ 4053-A	Pin (differential shift fork roller)- 1 3/64" long x 5 11/16" major O.D. x 15/32" minor O.D.		4209	Ring gear and pinion kit-includes self-locking nut
1	%E3HZ 4055-D	Gear (sliding clutch)-#113596- 7 21/64" long-16 teeth each end	1	E6HZ 4209-K	3.90/5.31 ratio
	4062	Shift assy.-electric	1	E6HZ 4209-L	4.11/5.61 ratio
1	★B9TT 4062-A	#41059-use on vehicles w/rear shocks-1980/85- r/b MAT 89011	1	E6HZ 4209-M	4.62/6.31 ratio
1	E5HZ 4062-A	#113770-use on vehicles w/o rear shocks-1980/85	1	E2HZ 4209-P	4.88/6.65 ratio
1	E5HZ 4062-A	#113770-1986/88	1	E2HZ 4209-R	5.29/7.21 ratio
	4062	Shift assy. kit (electric)-retrofit- to convert axles w/o rear shocks to new style shift assy.-refer to group in Section 41	1	E0HZ 4209-N	5.57/7.60 ratio
			1	E0HZ 4209-P	6.17/8.41 ratio
			1	E0HZ 4209-R	6.50/8.86 ratio
			1	E0HZ 4209-S	7.17/9.77 ratio
	4B062	Electric shift unit repair kit- refer to group in Section 41		4211	Shaft (pinion)-Serviced only in kit-group 4237
1	7EQH 4067	Adjuster (differential bearing) R.H.-#27842-use on old style case #27839-1980/81-"Before 4/81"	8	D6HZ 4216-A	Bolt (differential case)-self-locking- 1/2"-13 x 2 3/4"-also serviced in assy.- group 4204
1	E1HZ 4067-B	R.H.-#110243-use on new style case #110148-also serviced in kit-group 4127- 1981/88-"From 4/81"	8	A8TZ 4217-A	Bolt and nut assy. (differential support case)-9/16"-18 x 4 13/64"-1980/87
1	%C3TZ 4067-M	L.H.-#56932	1	A8TZ 4217-C	Boit and nut kit (gear support case)-1988
1	E4HZ 4072-A	Seal assy. (shift fork)-#119851	Consists of		
1	★7EQH 4127	Case (differential gear support) R.H.-#27839-use on vehicles with old style case-1980/81-"Before 4/81" -r/b E3HZ 4127-A	8	44358	Boits
1	E1HZ 4127-A	R.H.-#110148-use on vehicles with new style case-also serviced in kit group 4127-1981/88-"From 4/81"		8-60599	Nuts
1	7EQH 4027	L.H.-#27838	1	4221	Cone and roller (differential bearing)
1	E3HZ 4127-A	Case kit (differential gear support)-R.H.- use on vehicles to convert to new style case	1	A7TZ 4221-A	R.H.-#497
Consists of					
1	E1HZ 4067-B	Adjuster	1	7EQH 4221	L.H.-#56425
1	E0HZ 4141-D	Carrier assy. (differential)	1	B6Q 1243-A	Cup (differential bearing)
			1	7EQH 4222	R.H.-#493
				4228	Washer-4 9/16" O.D.-also serviced in kit-group 4237
			2	A8TZ 4228-A	Side gear thrust
			1	A8TZ 4228-A	Support case thrust-R.H.
			4	7EQH 4229	Gear (differential planetary)- 1 1/2" I.D. x 3 1/16" O.D.
			4	7EQH 4230	Washer (differential pinion thrust)- 1 1/64" I.D. x 2 7/16" O.D.-also serviced in kit-group 4237
				4234	Shaft assy.
			2	D7HZ 4234-A	1980/81-"Before 4/81"
			2	E1HZ 4234-D	#110884-1981/88-"From 4/81"
				4236	Gear (differential side)-Serviced only in kit-group 4237

1980/  
TRUCK SERIES 600/900

QTY.	PART NUMBER	DESCRIPTION	QTY.	PART NUMBER	DESCRIPTION
EATON 22221 REAR AXLE SERVICE PARTS LIST NO. 222 — Cont'd					
Notes: % Also serviced in kit-group 4A195					
1	B8QH 4237-G	Gear and pinion kit (differential) Straight spline side gear- 1980/81—"Before 4/81"	1	4537	Spacer (driving pinion bearing) — Cont'd
Consists of			1	D5HZ 4537-R	.640" thick
1	7-EQH 4211	Shaft 2-TUAA 4236-B Side gear	1	7EQH 4537-G	.641" thick
2	A8TZ 4228-A	Washer-gear 4-104139 Pinion gear	1	D5HZ 4537-S	.642" thick
4	7-EQH 4230	Washer-pinion	1	D5HZ 4537-T	.643" thick
1	E1HZ 4237-C	Involute spline side gear- 1981/88—"From 4/81"	1	D5HZ 4537-V	.644" thick
Consists of			1	D5HZ 4537-W	.645" thick
1	7-EQH 4211	Pinion shaft 4-104139 Pinion gear	1	D5HZ 4537-X	.646" thick
2	A8TZ 4228-A	Washer-gear 2-110527 Side gear	1	7EQH 4537-J	.647" thick
4	7-EQH 4230	Washer-pinion	1	D5HZ 4537-Y	.648" thick
1	C8TZ 4A309-A	Trap (filler plug)-magnetic-1" x 1 1/2"	1	D5HZ 4537-Z	.649" thick
1	D6HZ 4320-A	Nut (flange to pinion)-self-locking- 1 1/2"-18 x 2 1/4"-also serviced in kit- group 4209	1	D5HZ 4537-AA	.650" thick
2	B8TZ 4322-A	Nut (shift housing stud)-7/16"-20	1	D5HZ 4537-AB	.651" thick
8	A8TZ 4322-A	Nut (gear support case bolt)- 9/16"-18 cone lok-also serviced in assy.- group 4217	1	D5HZ 4537-AC	.652" thick
2	D3HZ 4323-B	Stud (shift housing)- 1980/85-7/16"-20-14 x 1 11/16"	1	7EQH 4537-L	.653" thick
2	D3HZ 4323-E	1986/88-7/16"-20-14 x 1 3/4"	1	D5HZ 4537-AD	.654" thick
2	44730-S8(X-26)	Washer (shift housing stud)-7/16"- use on vehicles w/rear shocks	6	4545	Lockwasher (drive pinion bearing retainer bolt) 1980/82-9/16" ★4545 1983/88-Not required
2	E4HZ 4B147-A	Washer (shift housing stud)- 15/32" I.D. x 15/16" O.D. x 3/32" thick- use on vehicles w/o rear shocks	8	D2HZ 4560-A	Bolt (carrier to housing) Short-5/8"-11 x 1 3/4"
	4347	Refer to group 4560 within parts list	4	C4TZ 4347-C	Long-5/8"-11 x 2 1/4"
	4351	Refer to group 4851 within parts list	12	34811-S2(X-71)	Lockwasher (carrier bolt to housing)-5/8"
	4536	Shim (driving pinion bearing retainer)- 5 1/2" I.D. x 7 3/4" O.D.	6	4560	Bolt (drive pinion bearing retainer) 1980/82-9/16"-12 x 1 5/8"
AR	E0HZ 4536-A	.003" thick	6	C1TT 4560-B	1983/88-9/16"-12 x 1 1/2"
AR	E0HZ 4536-B	.005" thick	1	E0HZ 4614-A	Retainer and bearing cup assy. (driving pinion)-includes brg. cage, 1-B8QH 4616-A inner cup, 1-7EQH 4616 outer cup
AR	E0HZ 4536-C	.010" thick	6	4616	Cup (driving pinion bearing)-also serviced in retainer assy.-group 4614
AR	E0HZ 4536-D	.020" thick	1	B8QH 4616-A	Inner-#72487
AR	E0HZ 4536-E	.030" thick	1	7EQH 4616	Outer-#55437
1	7EQH 4537-A	.623" thick	1	4621	Cone and roller (driving pinion)
1	D5HZ 4537-A	.624" thick	1	B8TZ 4621-A	Inner-#72200-C
1	D5HZ 4537-B	.625" thick	1	A8TZ 4621-A	Outer-#55200-C
1	D5HZ 4537-C	.626" thick	1	7EQH 4625	Bearing assy. (driving pinion pilot)- #15828 or MUS1307-TM
1	D5HZ 4537-D	.627" thick	1	C6TZ 4637-A	Washer (driving pinion)- 1 17/32" I.D. x 2 5/8" O.D. x 1/16" thick
1	D5HZ 4537-E	.628" thick	1	E3HZ 4676-A	Seal and retainer assy. (drive pinion oil)- includes integral seal and retainer- #119427-4 9/16" O.D.-for 2 5/8" dia. shaft
1	7EQH 4537-C	.629" thick	1	4851	Flange assy. (universal joint)-axle end
1	D5HZ 4537-F	.630" thick	1	B8QH 4351-A	7C size
1	D5HZ 4537-G	.631" thick	1	B8QH 4351-C	8C size
1	D5HZ 4537-H	.632" thick	1	D9HZ 4351-A	1550 size-1980/83
1	D5HZ 4537-J	.633" thick	1	E4HZ 4851-K	1550 size-1984/87
1	D5HZ 4537-K	.634" thick	1	D5HZ 4851-D	1610 size-1980/86
1	7EQH 4537-E	.635" thick	1	E7HZ 4851-B	1610 size-1987/88
1	D5HZ 4537-L	.636" thick	1	C6TZ 4351-A	1710 size-1980/86
1	D5HZ 4537-M	.637" thick	1	E7HZ 4851-D	1710 size-1987/88
1	D5HZ 4537-N	.638" thick	1	E1HZ 4851-C	1760 size
1	D5HZ 4537-P	.639" thick			



**1980/  
TRUCK SERIES 600/900**

QTY.	PART NUMBER	DESCRIPTION	QTY.	PART NUMBER	DESCRIPTION
<b>EATON DP440P-DP460P REAR AXLE SERVICE PARTS LIST NO. 223</b>					
Notes: % Also serviced in Kit-group 4A195					
1	B8QH 4027-B	Case Kit (differential gear support)-R.H.		4216	Bolt (differential case)-also serviced in kit-group 4204
Consists of					
1-102660	Bearing cone	1-103537	Cover		
4	B8QH 4029-A	Pin (planetary gear)		4 EOHZ 4216-D	Short-9/16"-12 x 2 3/8"
1	EOHZ 4033-A	Cover assy. (housing)-incl. bearing and sleeve, oil seal, snap ring and plug		8 EOHZ 4216-E	Long-9/16"-12 x 3 1/4"
1	%C3TZ 4040-A	Plate (high speed clutch)		8 EOHZ 4216-C	Bolt (differential case) power divider-5/16"-24 x 2 7/8"-also serviced in kit-group 4404
4	EOHZ 4B050-A	Dowel (diff. carrier to housing)-7/8" O.D. x 1 1/2" long		8 A8TZ 4217-A	Bolt and nut assy. (diff. support case)-9/16"-18 x 4 13/64"-1980/86
1	★59T 4052-M	Cover (diff. carrier shift fork opening)		1 A8TZ 4217-C	Bolt and nut kit (gear support case)-1987
2	357450-S(BB-172)	Bolt (cover retaining)-7/16"-14 x 7/8"		Consists of	
2	34793-S2(X-67-A)	Washer (cover retaining bolt)-7/16"		8-44358	Bolts 8-60599 Nuts
1	%E3HZ 4055-C	Sun gear-#113595-6 13/32" long-17 teeth		4221	Cone and roller (diff. bearing)
1	C1TZ 4062-A	Shift assy. (air)		1 EOHZ 4221-B	R.H.-#68462
	4067	Adjuster (differential bearing)		1 B8TZ 4221-B	L.H.-#42346
1	%C3TZ 4067-L	R.H.-#56929		1 B4TZ 4221-A	Cone and roller (output shaft)-front-#33275
1	B8QH 4067-B	L.H.-#21637		4222	Cup (differential bearing)
1	B8QH 4127-A	Case (differential gear support)-L.H.		1 B8QH 4222-E	R.H.-#68712
	4A140	Bolt (power divider cover)		1 8Q 4222-A	L.H.-#42584
8	EOHZ 4A140-A	Short-9/16"-12 x 1 3/4"		4222	Cup (input shaft)
1	D8HZ 4A140-A	Long-9/16"-12 x 2 1/4"		4222	1980/82-"Before 10/81"-not required
1	D8HZ 4A140-B	Special head-9/16"-12 x 1 3/4"		1 D3TZ 4222-A	#JM-511910-also serviced in assy.-group 4431-1982/87-"From 10/81"
10	34810-S7(X-69)	Washer (power divider cover bolt)-9/16"		1 7EQ 4222	Cup (output shaft)-front-#33472
10	B7TZ 4A142-A	Nut (carrier to housing)-5/8"-18		3 B8TZ 4228-A	Washer (diff. side gear thrust and support case)-also serviced in kit-group 4237
10	C1TZ 4A142-A	Nut (cover to housing)-7/16"-20		4 B8QH 4229-A	Gear (differential planetary)
	4143	Lock (differential bearing adjuster)		4 B8QH 4230-B	Washer (diff. pinion thrust)-also serviced in kit-group 4237
1	B9TZ 4143-A	R.H.		4 7EQH 4230	Washer (diff. pinion thrust)-power divider-also serviced in kit-group 4215
1	TWAA 4143-A	L.H.		4234	Shaft assy.
5	EOHZ 4A145-A	Bolt (power divider input shaft bearing retainer)-1/2"-13 x 1 1/2"		2 D8HZ 4234-A	#54014-1980/82-"Before 10/81"
5	34809-S8(X-68)	Washer (power divider input shaft bearing retainer bolt)-1/2"		2 E2HZ 4234-A	#110890-1982/87-"From 10/81"
4	D8HZ 4146-A	Dowel (differential to housing)-1980/83-"Before 4/83"		4237	Gear and pinion kit (differential)
4	D8HZ 4146-B	Dowel (cover to housing)-1980/83-"Before 4/83"		1 D6HZ 4237-D	22 involute spline side gear-1980/82-"Before 10/81"
	★ 4146	Dowel-1983/87-"From 4/83"-not required		Consists of	
1	%B8QH 4147-A	Washer (high speed clutch plate thrust) 4 1/2" I.D. x 8 21/32" O.D.		1-B8QH 4211-B	Pinion shaft 4-96900 Pinion gear
1	E3HZ 4149-B	Shaft assy. (differential shift fork)-includes "O" ring		2-B8TZ 4228-A	Washer-gear 2-98257 Side gear
4	★B8QH 4154-A	Pin (high speed clutch plate)-2 11/16" long		4-B8QH 4230-B	Washer-pinion
2	B6QH 4156-A	Bushing (diff. bearing adjuster lock)		1 E1HZ 4237-F	36 involute spline side gear-1982/87-"From 10/81"
2	371173-S(BB-349)	Bolt (diff. bearing adjuster lock)-5/8"-11 x 2"		Consists of	
1	B8TZ 4A195-B	Sun gear kit		2-B8TZ 4228-A	Washer-gear 1-107371 Pinion shaft
Consists of					
1-C3TZ 4040 A	Plate	1-C3TZ 4067-L	Adjuster	4-B8QH 4230-B	Washer-pinion 2-110528 Side gear
1 E3HZ 4055-C	Gear	1-B8QH 4147-A	Washer	4-96900	Pinion gear
1	D6HZ 4204-A	Differential case kit		1 D8HZ 4N282-A	Plug (housing cover filler)-magnetic-1"-11 1/2"-also serviced in assy.-group 4033
Consists of					
4 EOHZ 4216-D	Bolt	1-96281	Case	4300	Differential assy.-refer to group in Section 40
8 EOHZ 4216-E	Bolt	1-98183	Case and plate	4309	Ring gear and pinion kit-includes self-locking nut
	4211	Shaft (pinion)-serviced only in kit-group 4237		1 EOHZ 4309-E	5.31 ratio
1	D8HZ 4215-A	Kit (power divider diff. repair)		1 EOHZ 4309-F	5.90 ratio
Consists of					
4-7EQH 4230	Washer	4-95219	Bushing	1 EOHZ 4309-G	7.20 ratio
4-95218	Side pinion	1-95220	Spider		

October, 1993

COPYRIGHT © 1993 - FORD MOTOR - DEARBORN, MICHIGAN  
COMPANY

Final Issue

1980/  
TRUCK SERIES 600/900

QTY.	PART NUMBER	DESCRIPTION	QTY.	PART NUMBER	DESCRIPTION
EATON DP440P-DP460P REAR AXLE SERVICE PARTS LIST NO. 223 — Cont'd					
Notes: % Also serviced in Kit-group 4A195					
1	★D8HZ 4310-C	Housing assy. #100354-Hendrickson Beam Suspension-w/o beam hanger spacer bushings-1980/82-r/b D8HZ 4310-P	2	D8HZ 4393-A	Bolt (drive pinion pilot bearing retainer)-5/16"-18 x 3/4"-1980/82 "Before 10/81"
1	D8HZ 4310-P	#303275-Hendrickson Beam Suspension-w/o beam hanger spacer bushings-1980/82		★4393	Bolt (drive pinion pilot bearing retainer)-1982/87-"From 10/81"-not required
1	★E0HZ 4310-B	#100711-Hendrickson Beam Suspension-w/beam hanger spacer bushings-1980/82	1	E0HZ 4404-A	Power divider diff. case kit Consists of 8-E0HZ 4216-C Bolt 2-104513 Case 8-57637 Nut
1	E4HZ 4310-J	#301518, 303341-Hendrickson Beam suspension-1983/87	1	E0HZ 4414-A	Retainer assy. (drive pinion bearing)-#103534-incl. B8QH 4616-A cups
1	374506-S(PP-51)	Plug (drain)-3/4"-14	1	E0HZ 4A420-A	Filter assy. (power divider oil)
1	D8HZ 4319-A	Washer (output flange to bearing)-2 1/8" I.D. x 2 5/8" O.D.		4423	Bearing assy. (power divider input shaft front)
1	D8HZ 4320-D	Locknut Flange to input shaft-1 7/8"-12-also serviced in kit-group 4446	1	★E0HZ 4423-A	#78930,3313,6313-1980/82-"Before 10/81"
1	D6HZ 4320-C	Flange to output shaft-1 3/4"-12-also serviced in assy.-group 4471	1	D8HZ 4423-A	#JM-511946-incl. bearing cup D3TZ 4222-A #JM-511910-1982/87-"From 10/81"
1	D6HZ 4320-C	Drive pinion-1 3/4"-12-also serviced in kit-group 4309	1	★E0HZ 4428-A	Cover assy. (power divider) Incl. 358048 plug and 74116-S plug-1980/82-"Before 10/81"
8	A8TZ 4322-A	Nut (differential support case)-9/16"-18 conelok-also serviced in assy.-group 4217	1	E2HZ 4428-A	Incl. 358048 plug, 74116-S plug, 4567 snap ring and 4615 bearing assy.-1982/87-"From 10/81"
1	B8TZ 4322-A	Nut (oil pump drive gear)-7/16"-20-also serviced in kit-group 4A581		4431	Retainer assy. (power divider input shaft bearing)-incl. D8HZ 4573-C seal 1980/82-"Before 10/81"
2	E0HZ 4323-C	Bolt (carrier to housing)-12 point head-5/8"-11 x 1 3/4"	1	★D8HZ 4431-C	1982/87-"From 10/81"
2	34811-S2(X-71)	Washer (carrier to housing bolt)-5/8"	1	E2HZ 4431-B	
10	E0HZ 4323-D	Stud (carrier to housing)-5/8"-11 and 5/8"-18 x 2 11/16"	1	D8HZ 4433-A	Gear (power divider output shaft cluster rear)-#78911-18 teeth-16 splines
10	34811-S2(X-71)	Washer (carrier to housing)-5/8"		4434	Gear assy. (power divider input shaft cluster front)-incl. D8HZ 4437-A bushings
11	E0HZ 4323-F	Stud (cover to housing)-1 1/2"-13 and 1 1/2"-20 x 2 5/8"	1	D8HZ 4434-E	#78853-R-teeth-18-31-10-1980/82-"Before 10/81"
12	34793-S8(X-67-A)	Washer (cover to housing)-7/16"	1	E2HZ 4434-B	#113328-teeth-18-32-18-1982/87-"From 10/81"
1	C1TT 4334-A	Seal (shift housing cover)		4436	Shim (input shaft bearing)
1	B8QH 4337-A	Retainer (sun gear)	AR	D8HZ 4436-G	.003" thick
1	E0HZ 4341-A	Carrier assy. (differential)	AR	D8HZ 4436-H	.005" thick
1	358048-S(PP-43)	Plug (filler)-3/4"-14	AR	D8HZ 4436-J	.010" thick
1	74121-S(P-8)	Plug expansion (shift fork shaft hole)-upper-1 1/4"	2	D8HZ 4437-A	Bushing (power divider cluster gear)-also serviced in assy.-group 4434
1	★74116-S	Plug expansion (shift fork hole)-lower-15/16"		4442	Gear (drive pinion transfer)-31 teeth-16 splines-1980/82-"Before 10/81"
1	C1TT 4344-A	Grommet (power divider shift fork push rod)-air	1	★D8HZ 4442-D	32 teeth-16 splines-1982/87-"From 10/81"
1	E2HZ 4345-A	Washer (power divider shift fork push rod)-air	1	E2HZ 4442-B	
1	33800-S8(M-63)	Nut (differential lockout shift push rod)-3/8"-24	1	D8HZ 4445-A	Washer (power divider input shaft thrust)-2 13/32" I.D. x 4 1/8" O.D. x 1/16" thick
1	D8HZ 4346-A	Bolt (cover to housing)-5/8"-14 x 5"-1 1/8" thread length	1	D8HZ 4446-C	Shaft kit (power divider input) Consists of 1-D8HZ 4320-D Locknut 1-95395 Tag 1-78908 Shaft
	4351	Flange assy. (universal joint)-power divider end-input	1	E0HZ 4450-A	Fork assy. (power divider diff. lockout shift)
1	E1HZ 4351-G	1610 size-1980/86		4454-A	Bushing (power divider output shaft)-1 3/8" I.D. x 1 1/2" O.D. x 1 1/2" long-also serviced in assy.-group 4471
1	E7HZ 4351-A	1610 size-1987			
1	D8HZ 4351-C	1710 size-1980/86			
1	E7HZ 4351-B	1710 size-1987			
1	E1HZ 4351-B	1760 size			
1	D8HZ 4351-J	1810 size			

**1980/  
TRUCK SERIES 600/900**

QTY.	PART NUMBER	DESCRIPTION	QTY.	PART NUMBER	DESCRIPTION
<b>EATON DP440P-DP460P REAR AXLE SERVICE PARTS LIST NO. 223 — Cont'd</b>					
Notes: % Also serviced in Kit-group 4A195					
1	D8HZ 4454-C	Washer (power divider input shaft)- D type-3 1/32" I.D. x 4 1/4" O.D.	6	E0HZ 4545-A	Washer (drive pinion bearing retainer bolt)-9/16"
1	D8HZ 4455-C	Gear (power divider sliding clutch)- #78917-R 3 7/32" I.D. x 5 11/16" O.D. x 1 7/32" wide-18 teeth-16 splines	2	★E0HZ 4A545-A	Lock (drive pinion pilot bearing retainer) 1980/82-"Before 10/81" ★4A545 1982/87-"From 10/81"-not required
1	C1TT 4458-A	Spring (power divider shift lever return)	2	D8HZ 4550-A	Oiler (power divider lockout shift piston)-felt-1 3/4" I.D. x 1/4" thick
1	D8HZ 4465-E	Flange assy. (output shaft) 1610 size	6	E0HZ 4560-A	Bolt (drive pinion bearing retainer)- 9/16"-12 x 1 1/2"
1	D8HZ 4465-F	1710 size		4567	Snap ring
1	D8HZ 4471-A	Shaft and bushing assy. (power divider output)-incl. bushing and D2HZ 4567-C snap ring	1	D8HZ 4567-A	Drive pinion bearing
1	E0HZ 4475-A	Bearing and sleeve assy. (power divider output shaft)-also serviced in assy.-group 4033	1	E0HZ 4567-A	Input shaft cluster gear
2	D8HZ 4476-B	"O" ring (power divider output shaft)- 2 7/32" I.D. x 7/32" thick	1	E0HZ 4567-B	Output shaft bearing
	4536	Washer (rear axle input shaft bearing spacer)	1	D2HZ 4567-C	Output shaft cluster gear
1	E2HZ 4536-D	1980/82-"Before 10/81"-not required 2 37/64" I.D. x 3" O.D. x 3/16" thick 1982/87-"From 10/81"	1	E3HZ 4573-A	Seal assy. (input shaft oil)- #119430-4 3/8" O.D.-for 3 3/8" dia. shaft-also serviced in assy.-group 4431
	4536	Shim (driving pinion bearing retainer)	1	E0HZ 4A581-A	Lube pump replacement kit (power divider)
AR	B8QH 4536-V	.003" thick	Consists of		
AR	B8QH 4536-W	.010" thick	4-90419	Lockwasher	102625 Gear & shaft assy.
AR	B8QH 4536-X	.030" thick	1-102607	Cover	Includes-
	4537	Shim (driving pinion bearing retainer)	2-102617	Pin	1-102610 Gear
AR	B8QH 4537-A	.167" thick	4-102618	Bolt	1-102619 Shaft
AR	D6HZ 4537-C	.168" thick	1-102620	"O" ring	111779 Gear & shaft assy.
AR	B8QH 4537-B	.169" thick	1-111449	Gear	Includes-
AR	D6HZ 4537-D	.170" thick	1-111451	Locknut	1-102610 Gear
AR	B8QH 4537-E	.171" thick			1-111450 Shaft
AR	D6HZ 4537-E	.172" thick	1	E0HZ 4586-A	Spacer (drive pinion transfer gear)- 2 9/64" I.D. x 2 11/16" O.D. x 1/2" thick
AR	B8QH 4537-D	.173" thick	1	D8HZ 4593-C	"O" ring (power divider oil pump shaft)- 1 7/8" I.D. x 2" O.D. x 1/16" thick
AR	C8TZ 4537-AV	.174" thick	1	E0HZ 4615-A	Bearing assy. (drive pinion outer support)- #78916, MU1309CX, MU1309CL, BU1309Z
AR	B8QH 4537-E	.175" thick	2	B8QH 4616-A	Cup (driving pinion bearing)-#72487-also serviced in assy.-group 4414
AR	B8QH 4537-AD	.176" thick	2	B8TZ 4621-C	Cone and roller (drive pinion bearing)- #72212-C
AR	B8QH 4537-F	.177" thick	1	C1TT 4623-A	Piston (power divider lockout shift)
AR	D6HZ 4537-F	.178" thick	1	B8QH 4625-B	Bearing assy. (driving pinion pilot)- #MUS1309TM
AR	B8QH 4537-G	.179" thick	1	★D8HZ 4627-A	Retainer (drive pinion pilot bearing)- #78907-3 15/16" O.D. x 29/32" wide 1980/82-"Before 10/81"
AR	C8TZ 4537-AW	.180" thick		★4627	Retainer (drive pinion pilot bearing)- 1982/87-"From 10/81"-not required
AR	B8QH 4537-H	.181" thick	1	D8HZ 4637-D	Washer (input shaft nut)- 1 29/32" I.D. x 3 3/16" O.D. x 1/16" thick
AR	D6HZ 4537-G	.182" thick	1	D8HZ 4667-B	Washer (drive pinion bearing thrust)- 2 1/8" I.D. x 2 11/16" O.D. x 61/64" thick
AR	B8QH 4537-J	.183" thick	1	E3HZ 4676-B	Seal assy. (output shaft oil)- #119249-4" O.D.-for 2 15/16" dia. shaft-also serviced in cover assy.-group 4033
AR	C8TZ 4537-AT	.184" thick	1	C1TT 4727-A	Cover (power divider diff. lockout)
AR	B8QH 4537-K	.185" thick	4	D8HZ 4A197-A	Lockwasher (power divider diff. lockout cover bolt) 1/4" I.D. x 31/64" O.D. x 3/64" thick
AR	D6HZ 4537-H	.186" thick	4	304646-S8(B-42-A)	Bolt (power divider diff. lockout cover)
AR	B8QH 4537-L	.187" thick	1	D5HZ 4749-A	Body (power divider diff. lockout shift)
AR	B8QH 4537-AF	.188" thick	2	34793-S2(X-67-A)	Washer (power divider body bolt)-7/16"
AR	B8QH 4537-M	.189" thick	2	354136-S8(BB-906)	Bolt (power divider body)-7/16"-14 x 1 1/4"
AR	D6HZ 4537-J	.190" thick			
AR	B8QH 4537-N	.191" thick			
AR	D6HZ 4537-K	.192" thick			
AR	B8QH 4537-P	.193" thick			
AR	D6HZ 4537-L	.194" thick			
AR	B8QH 4537-R	.195" thick			
AR	D6HZ 4537-M	.196" thick			
AR	D6HZ 4537-N	.198" thick			
AR	D6HZ 4537-A	.199" thick			
AR	D6HZ 4537-P	.200" thick			
AR	D6HZ 4537-B	.201" thick			
AR	D6HZ 4537-R	.202" thick			

1980/  
TRUCK SERIES 600/900

QTY.	PART NUMBER	DESCRIPTION	QTY.	PART NUMBER	DESCRIPTION	
<b>EATON RP440-RP460 REAR AXLE SERVICE PARTS LIST NO. 224</b>						
Notes: % Also service in Kit-group 4A195						
1	★D8HZ 4010	Housing assy.		4209	Ring gear and pinion kit-includes self-locking nut	
1	D8HZ 4010-C	#100355-Hendrickson Beam Suspension-w/o beam hanger spacer bushings-1980/82 -r/b D8HZ 4010-W	1	E0HZ 4209-Z	5.31 ratio	
1	D8HZ 4010-W	#303276-Hendrickson Beam Suspension-w/o beam hanger spacer bushings-1980/82	1	E0HZ 4209-AA	5.90 ratio	
1	E0HZ 4010-E	#100712-Hendrickson Beam Suspension-w/beam hanger spacer bushings-1980/82	1	E0HZ 4209-AB	7.20 ratio	
1	★E3HZ 4010-D	#301506-Hendrickson Beam Suspension-1983/-r/b E4HZ 4010-Z		4211	Shaft (pinion)-serviced only in kit-group 4237	
1	E4HZ 4010-Z	#303344-Hendrickson Beam Suspension-1983/87		4216	Bolt (differential case)-also serviced in kit-group 4204	
1	374506-S(PP-51)	Plug (drain)-magnetic-3/4"-14	4	E0HZ 4216-D	Short-9/16"-12 x 2 3/8"	
1	B8QH 4027-B	Case kit (differential gear support)-L.H.	8	E0HZ 4216-E	Long-9/16"-12 x 3 1/4"	
Consists of			8	A8TZ 4217-A	Bolt and nut assy. (diff. support case)-9/16"-18 x 4 13/64"-1980/86	
1-102660	Bearing cone	1-103537	1	A8TZ 4217-C	Bolt and nut kit (gear support case)-1987	
4	B8QH 4029-A	Pin (planetary gear)	Consists of			
1	%C3TZ 4040-A	Plate (high speed clutch)	8-44358	Bolts	8-60599	Nuts
1	★59T 4052-M	Cover (diff. carrier shift fork opening)	1	4221	Cone and roller (diff. bearing)	
2	357450(BB-172)	Bolt (cover retaining)-7/16"-14 x 7/8"	1	B8TZ 4221-B	R.H.-#42346	
2	34793-S2(X-67-A)	Washer (cover retaining bolt)-7/16"	1	E0HZ 4221-B	L.H.-#68462	
1	%E3HZ 4055-C	Sun gear #113595 6 13/32" long-17 teeth	1	4222	Cup (differential bearing)	
1	B8QH 4067	Adjuster (differential bearing)	1	8Q 4222-A	R.H.-#42584	
1	%C3TZ 4067-B	R.H.-#21637	1	B8QH 4222-E	L.H.-#68712	
1	B8QH 4067-L	L.H.-#56929	3	B8TZ 4228-A	Washer (diff. side gear thrust and support case)-also serviced in kit-group 4237	
1	B8QH 4127-A	Case (differential gear support)-R.H.	4	B8QH 4229-A	Gear (differential planetary)	
1	★E0HZ 4141-E	1980/82-"Before 10/81"	4	B8QH 4230-B	Washer (diff. pinion thrust)-also serviced in kit-group 4237	
1	D6HZ 4141-B	1982/87-"From 10/81"		4234	Shaft assy.	
1	74121-S(P-8)	Plug expansion (shift fork shaft hole)-upper-1 1/4"	2	D8HZ 4234-A	#54014-1980/82-"Before 10/81"	
1	★74116-S	Plug expansion (shift fork hole)-lower-15/16"	2	E2HZ 4234-A	#110890-1982/87 "From 10/81"	
12	B7TZ 4A142-A	Nut (carrier to housing)-5/8"-18	1	D6HZ 4237-D	Gear and pinion kit (differential) 22 involute spline side gear-1980/82-"Before 10/81"	
1	TWAA 4143	Lock (differential bearing adjuster)	Consists of			
1	B9TZ 4143-A	R.H.	1-B8QH 4211-B	Pinion shaft	4-96900	Pinion gear
1	%B8QH 4147-A	Washer (high speed clutch plate thrust)-4 1/2" I.D. x 8 21/32" O.D.	2-B8TZ 4228-A	Washer-gear	2-98257	Side gear
1	E3HZ 4149-B	Shaft assy. (differential shift fork)-includes "O" ring	4-B8QH 4230-B	Washer-pinion		
4	★B8QH 4154-A	Pin (high speed clutch plate)-2 11/16" long	1	E1HZ 4237-F	36 involute spline side gear-1982/87 "From 10/81"	
2	B6QH 4156-A	Bushing (diff. bearing adjuster lock)	Consists of			
2	371173-S(BB-349)	Bolt (diff. bearing adjuster lock)-5/8"-11 x 2"	2-B8TZ 4228-A	Washer-gear	1-107371	Pinion shaft
1	B8TZ 4A195-B	Sun gear kit	4-B8QH 4230-B	Washer pinion	2 110528	Side gear
Consists of			4 96900	Pinion gear		
1-C3TZ 4040 A	Plate	1-C3TZ 4067 L	1	C8TZ 4A309-A	Trap (filler plug)-magnetic-1" x 11 1/2"	
1-E3HZ 4055-C	Gear	1-B8QH 4147 A	1	D6HZ 4320-C	Locknut (flange to pinion)-1 3/4"-12-also serviced in kit-group 4209	
	4200	Differential assy.-refer to group in Section 40	8	A8TZ 4322-A	Nut (differential support case)-9/16"-18 Conelok-also serviced in assy.-group 4217	
1	D6HZ 4204-A	Differential case kit		4323	Stud (carrier to housing)	
Consists of			8	E0HZ 4323-D	Short-5/8"-11 and 5/8"-18 x 2 11/16"	
4-E0HZ 4216-D	Bolt	1 96281	4	E0HZ 4323-E	Long-5/8"-11 and 5/8"-18 x 3 3/8"	
8-E0HZ 4216-E	Bolt	1-98183	12	34811-S2(X-71)	Washer (carrier to housing)-5/8"	
			1	B8QH 4337-A	Retainer (sun gear)	
				4536	Shim (pinion bearing cage)	
			AR	C8TZ 4536-A	.003" thick	
			AR	D8HZ 4536-K	.005" thick	
			AR	C8TZ 4536-B	.010" thick	
			AR	D8HZ 4536-L	.020" thick	
			AR	D8HZ 4536-M	.030" thick	

**1980/  
TRUCK SERIES 600/900**

QTY.	PART NUMBER	DESCRIPTION	QTY.	PART NUMBER	DESCRIPTION	
<b>EATON RP440-RP460 REAR AXLE SERVICE PARTS LIST NO. 224 — Cont'd</b>						
Notes: % Also serviced in kit-group 4A195						
	4537	Shim (driving pinion bearing retainer)		4537	Shim (driving pinion bearing retainer) — Cont'd	
AR	B8QH 4537-A	.167" thick	AR	D6HZ 4537-N	.198" thick	
AR	D6HZ 4537-C	.168" thick	AR	D6HZ 4537-A	.199" thick	
AR	B8QH 4537-B	.169" thick	AR	D6HZ 4537-P	.200" thick	
AR	D6HZ 4537-D	.170" thick	AR	D6HZ 4537-B	.201" thick	
AR	B8QH 4537-C	.171" thick	AR	D6HZ 4537-R	.202" thick	
AR	D6HZ 4537-E	.172" thick	6	C4TZ 4560-A	Bolt (drive pinion bearing retainer)- 5/8"-11 x 1 3/4"	
AR	B8QH 4537-D	.173" thick	6	34811-S2(X-71)	Washer (drive pinion bearing retainer bolt)-5/8"	
AR	C8TZ 4537-AV	.174" thick	1	E0HZ 4614-B	Retainer assy. (drive pinion bearing)- #104471-incl. brg. cage, outer cup B8QH 4616-A #72487 and inner cup B8QH 4616-D #78551	
AR	B8QH 4537-E	.175" thick		4616	Cup (driving pinion bearing)-also serviced in assy.-group 4614	
AR	B8QH 4537-AD	.176" thick	1	B8QH 4616-A	Outer-#72487	
AR	B8QH 4537-F	.177" thick	1	B8QH 4616-D	Inner-#78551	
AR	D6HZ 4537-F	.178" thick		4621	Cone and roller (driving pinion)	
AR	B8QH 4537-G	.179" thick	1	B8TZ 4621-C	Outer-#72212-C	
AR	C8TZ 4537-AW	.180" thick	1	B8TZ 4621-B	Inner-#78215-C	
AR	B8QH 4537-H	.181" thick	1	B8QH 4625-B	Bearing assy. (driving pinion pilot)- #MUS1309TM	
AR	D6HZ 4537-G	.182" thick	1	B8QH 4667-A	Spacer (pinion bearing)	
AR	B8QH 4537-J	.183" thick	1	E3HZ 4674-A	Seal and retainer assy. (drive pinion oil)- includes integral seal and retainer #119432-4 15/16" O.D.-for 2 15/16" dia. shaft	
AR	C8TZ 4537-AT	.184" thick		4851	Flange assy. (universal joint)-axle end	
AR	B8QH 4537-K	.185" thick	1	D8HZ 4851-B	1610 size	
AR	D6HZ 4537-H	.186" thick	1	D8HZ 4851-A	1710 size	
AR	B8QH 4537-L	.187" thick				
AR	B8QH 4537-AF	.188" thick				
AR	B8QH 4537-M	.189" thick				
AR	D6HZ 4537-J	.190" thick				
AR	B8QH 4537-N	.191" thick				
AR	D6HZ 4537-K	.192" thick				
AR	B8QH 4537-P	.193" thick				
AR	D6HZ 4537-L	.194" thick				
AR	B8QH 4537-R	.195" thick				
AR	D6HZ 4537-M	.196" thick				
<b>EATON DS341 REAR AXLE SERVICE PARTS LIST NO. 229</b>						
Notes: ⊕ Also serviced in kit-group 4237 ‡ 16" Ring gear Δ 16 1/2" Ring gear ◆ Also serviced in kit-group 4215						
1	E2HZ 4033-A	Cover assy. (housing)-incl. 4A309 fill plug, 4475 bearing, 4676 seal, 371365-S snap ring and 87675-S hole plug		4211	Shaft (pinion) Serviced only in kit-group 4237	
	4062	Shift assy.		1	D5HZ 4215-B	Kit (power divider differential repair)
1	C1TZ 4062-A	Air	Consists of			
1	E3HZ 4062-A	Electric	4-D2HZ 4230-A	Washer	4-95215	Bushing
	4067	Adjuster (differential bearing)	4-95214	Side pinion	1-95216	Spider
1	A8TZ 4067-B	R.H.-#31562	8	D2HZ 4216-B	Bolt (differential case)-power divider- 5/16"-24 x 2 1/2"-also serviced in kit-group 4404	
1	E1HZ 4067-B	L.H.-#110243	12	D5HZ 4216-E	Bolt (differential case)-self-locking- 9/16"-12 x 2 3/4"-also serviced in kit-group 4204	
	4A140	Bolt (power divider cover)	8	33923-S7(M-32)	Nut (power divider diff. case bolt)- 5/16"-24	
5	E0HZ 4A140-A	Short-9/16"-12 x 1 3/4"	16	D3HZ 4217-A	Bolt (drive gear to case)-5/8"-18 x 2 1/8" also serviced in kit-group 4982	
4	E1HZ 4A140-A	Long-9/16"-12 x 2 1/2"		4221	Cone and roller (diff. bearing)	
9	34810-S7(X-69)	Lockwasher-9/16"	1	8QH 4221-B	R.H.-#567	
	4A142	Nut	1	A7TZ 4221-A	L.H.-#497	
11	B7TZ 4A142-A	Carrier to housing-5/8"-18		4222	Cup (differential bearing)	
11	C1TZ 4A142-A	Cover to housing-7/16"-20	1	8QH 4222-A	R.H.-#563	
	4143	Lock (differential bearing adjuster)	1	B6Q 1243-A	L.H.-#493	
1	TWAA 4143-A	R.H.	2	⊕ A8TZ 4228-A	Washer (diff. side gear thrust and Support case)-4 9/16" O.D.	
1	7EQH 4143	L.H.	1	D2HZ 4228-A	Washer (power divider input shaft thrust)-2 11/32" I.D. x 3 5/8" O.D.	
	4204	Differential case kit		4230	Washer (pinion thrust)	
1	D9HZ 4204-A	3.70 thru 5.29 ratio	4	⊕ 7EQH 4230	Diff.-1 1/64" I.D. x 2 7/8" O.D.	
Consists of			4	◆ D2HZ 4230-A	Power divider-1" I.D. x 2 1/3" O.D.	
1	E1HZ 4067-B	Adjuster	1-103865	Case flanged half		
12	D5HZ 4216-E	Bolt	1-110138	Case plain half		
1	E1HZ 4204-B	5.57 thru 7.17 ratio				
Consists of						
12	D5HZ 4216-E	Bolt	1-110138	Case plain half		
1-88677		Case flanged half				

1980/  
TRUCK SERIES 600/900

QTY.	PART NUMBER	DESCRIPTION	QTY.	PART NUMBER	DESCRIPTION	
EATON DS341 REAR AXLE SERVICE PARTS LIST NO. 229 — Cont'd						
Notes: ⊕ Also serviced in kit-group 4237 ‡ 16" Ring gear Δ 16 1/2" Ring gear						
◆ Also serviced in kit-group 4215						
2	E1HZ 4234-C	Shaft assy.	11	E0HZ 4323-D	Stud (carrier to housing)-5/8"-11 and 5/8"-18 x 2 11/16"	
	4236	Gear (differential side)-serviced only in kit-group 4237	1	E1HZ 4323-A	Bolt (carrier to housing)-5/8"-11 x 1 3/8"	
1	E1HZ 4237-B	Gear and pinion kit (differential)-involute spline side gears	12	34811-S2(X-71)	Lockwasher (carrier to housing)-5/8"	
Consists of			1	C1TT 4334-A	Seal (shift housing cover)	
1-7EQH 4211	Pinion shaft	4-104139	Pinion-gear	1	E2HZ 4341-A	Carrier assy. (differential)
2-A8TZ 4228-A	Washer-gear	2-110525	Side gear	1	358048-S(PP-43)	Plug (filler)-3/4"-14
4-7EQH 4230	Washer-pinion			1	C1TT 4344-A	Grommet (power divider shift fork push rod)-air
	4292	Pinion-Serviced only in kit-group 4237	1	E2HZ 4345-A	Washer (power divider shift fork push rod)-air	
	4300	Differential assy.-refer to group in Section 40	11	C1TZ 4346-A	Stud (cover to housing)-7/16"-14 and 7/16"-20 x 2"	
	4309	Ring gear and pinion kit-includes Slotted nut and pin	1	E1HZ 4346-A	Bolt (cover to housing)-7/16"-14 x 3"	
1 ‡E2HZ 4309-A		3.70 ratio	12	34793-S2(X-67-A)	Lockwasher (cover to housing)-7/16"	
1 Δ E3HZ 4309-E		3.90 ratio		4351	Flange assy. (universal joint)-power divider end-input shaft	
1 Δ E2HZ 4309-B		4.11 ratio	1	E3HZ 4351-B	1610 size-1982/86	
1 Δ E2HZ 4309-C		4.33 ratio	1	E7HZ 4351-C	1610 size-1987	
1 Δ E3HZ 4309-F		4.56 ratio	1	E6HZ 4351-A	1710 size-1982/86	
1 Δ E3HZ 4309-G		4.88 ratio	1	E7HZ 4351-D	1710 size-1987	
1 Δ E3HZ 4309-H		5.29 ratio	1	E2HZ 4351-A	1760 size	
1 Δ E3HZ 4309-J		5.57 ratio	1	E2HZ 4351-B	1810 size	
1 Δ E3HZ 4309-K		6.14 ratio	5	★D3HZ 4398-A	Bolt (power divider input shaft bearing retainer)-1/2"-13 x 1 5/8"-1982/83-"Before 1/83"-r/b E3HZ 4398-A	
1 Δ E3HZ 4309-L		6.50 ratio	5	34809-S8(X-68)	Lockwasher (power divider input shaft bearing retainer bolt)-1/2"-1982/83-"Before 1/83"	
1 Δ E3HZ 4309-M		7.17 ratio	5	E3HZ 4398-A	Bolt (power divider input shaft bearing retainer)-1/2"-13 x 1 1/2"-1983/87-"From 1/83"	
1	C8TZ 4A309-A	Trap (filler plug)-magnetic-1" x 1 1/2"		★	Lockwasher (power divider input shaft bearing retainer bolt)-1983/87-"From 1/83"-Not required	
	4310	Housing assy.	1	D2HZ 4404-A	Kit (power divider differential case)	
1	★D7HZ 4310-B	#301179-Hendrickson Suspension-1982 r/b D7HZ 4310-W	Consists of			
1	D7HZ 4310-W	#303163-Hendrickson Suspension-1982	8-D2HZ 4216-B	Bolt	2-102621	Case
1	★E3HZ 4310-C	#301499-Hendrickson suspension-1983	8-57637	Nut		
1	★E4HZ 4310-B	#301554-Hendrickson Beam Suspension-1984-"Before 7/84"-r/b E4HZ 4310-K		4414	Retainer assy. (drive pinion bearing)	
1	★E4HZ 4310-K	#303318-Hendrickson Beam Suspension-1984/87-"From 7/84"	1	E2HZ 4414-A	3.70 ratio-#110731	
1	★E4HZ 4310-C	#301560-Hendrickson 4 Spring Suspension-1984-"Before 7/84"	1	E2HZ 4414-B	3.90 thru 7.17 ratio-#110733	
1	E4HZ 4310-L	#303319-Hendrickson 4 Spring Suspension-1984/87-"From 7/84"	1	E2HZ 4423-A	Cone and roller (power divider input shaft)-#JH3979	
1	D7HZ 4310-C	#301296-Reyco Suspension	1	B8QH 4428-B	Cover (power divider)	
1	★D7HZ 4310-D	#301212-Neway Suspension r/b D7HZ 4310-Z	1	E2HZ 4431-A	Retainer assy. (power divider input shaft bearing)-includes cup and seal	
1	D7HZ 4310-Z	#303173-Neway Suspension	1	E2HZ 4433-A	Gear (power divider output shaft cluster)	
1	374506-S(PP-51)	Plug (drain)-magnetic-3/4"-14	1	E2HZ 4434-A	Gear assy. (power divider input shaft cluster)-includes D2HZ 4437-A bushing	
	4320	Locknut-also serviced in kits-group 4446, 4471	AR	B8QH 4436-A	.003" thick	
1	D2HZ 4320-B	Flange to input shaft-1 5/8"-18 x 2 1/2"	AR	B8TZ 4436-B	.005" thick	
1	D5HZ 4320-A	Flange to output shaft-1 1/4"-12 x 1 3/4"	2	D2HZ 4437-A	Bushing (power divider cluster gear)-2 5/16" I.D. x 2 1/2" O.D. x 1 7/32"-also serviced in assy.-group 4434	
1	D2HZ 4320-B	Locknut (drive pinion)-1 5/8"-18 x 2 1/2"-use on vehicles w/solid pinion shaft	1	E2HZ 4442-A	Gear (drive pinion transfer)	
1	E2HZ 4320-A	Slotted nut (drive pinion)-1 5/8"-18 x 2 1/2"-use on vehicles w/whole in pinion shaft-also serviced in kit-group 4309				
1	E2HZ 4N320-A	Pin (drive pinion nut)-17/64" O.D. x 2 1/2" long-use on vehicles w/whole in pinion shaft-also serviced in kit-group 4309				

**1980/  
TRUCK SERIES 600/900**

QTY.	PART NUMBER	DESCRIPTION	QTY.	PART NUMBER	DESCRIPTION	
<b>EATON DS341 REAR AXLE SERVICE PARTS LIST NO. 229 — Cont'd</b>						
Notes: ⊕ Also serviced in kit-group 4237 † 16" Ring gear Δ 16 1/2" Ring gear						
♦ Also serviced in kit-group 4215						
1	E2HZ 4446-A	Shaft kit (power divider input)		4537	Spacer (driving pinion bearing) — Cont'd	
Consists of			1	E2HZ 4537-V	.489" thick	
1	D2HZ 4320-B	Locknut	1	E2HZ 4537-W	.490" thick	
1	B8QH 4454-A	Washer	1	E2HZ 4537-X	.491" thick	
	4450	Fork (power divider lockout shift)	1	E2HZ 4537-Y	.492" thick	
1	C1TT 4450-A	Vacuum shift	1	E2HZ 4537-Z	.493" thick	
1	E3HZ 4450-A	# 51320-Electric shift	1	E2HZ 4537-AA	.494" thick	
1	33800-S8(M-63)	Nut (power divider lockout shift fork)-3/8"-24	1	E2HZ 4537-AB	.495" thick	
1	C1TT 4454-A	Bushing (output shaft)-1 3/8" I.D. x 1 1/2" O.D. x 1 1/2"	1	E2HZ 4537-AC	.496" thick	
1	B8QH 4454-A	Washer (power divider input shaft)-also serviced in kit-group 4446	1	E2HZ 4537-AD	.497" thick	
1	B8QH 4455-A	Clutch (power divider input shaft sliding)-18 teeth-20 splines	1	E2HZ 4537-AE	.498" thick	
1	TVAA 4456-A	Seal (power divider differential lockout shifter shaft oil)-felt-23/32" I.D.-1 13/16" O.D.-3/16" thick	1	E2HZ 4537-AF	.499" thick	
1	TVAA 4457-A	Retainer (power divider differential lockout shifter shaft oil seal)-25/32" I.D. x 1 1/4" O.D.	1	E2HZ 4537-AG	.500" thick	
1	C1TT 4458-A	Spring (power divider shift lever return)	1	E2HZ 4537-AH	.501" thick	
	4465	Flange assy. (output shaft)	1	E2HZ 4537-AJ	.502" thick	
1	E2HZ 4465-A	1610 size	1	E2HZ 4537-AK	.503" thick	
1	E2HZ 4465-B	1710 size	1	E2HZ 4537-AL	.504" thick	
1	E2HZ 4470-A	Bearing assy. (power divider output shaft front)-includes cup # 29620, cone # 29675	1	E2HZ 4537-AM	.505" thick	
1	E2HZ 4471-A	Shaft kit (power divider output)	1	E2HZ 4537-AN	.506" thick	
Consists of			1	E2HZ 4537-AP	.507" thick	
1	D5HZ 4320-A	Locknut	6	E0HZ 4545-A	Washer (drive pinion bearing retainer bolt)-9/16"	
1	109067	Tag	2	D8HZ 4550-A	Oiler (power divider lockout shift piston)-felt-1 3/4" I.D. x 1/4" thick	
1	B8QH 4475-A	Bearing (power divider output shaft rear)	6	E0HZ 4560-A	Bolt (drive pinion bearing retainer)-9/16"-12 x 1 1/2"	
1	371365-S(QQ-14)	Snap ring (output shaft bearing)-3 1/64" I.D. x 3 31/64" O.D. x 1/16" thick		4567	Snap ring (retainer)	
2	B8QH 4476-B	"O" ring (power divider output shaft)	1	D2HZ 4567-B	Input shaft	
	4536	Shim (driving pinion bearing retainer)	2	D2HZ 4567-C	Output shaft	
AR	B8QH 4536-V	.003" thick	1	D8HZ 4593-C	"O" ring (power divider oil pump shaft)-1 7/8" I.D. x 2" O.D. x 1/16" thick	
AR	B8QH 4536-W	.010" thick	1	4616	Cup (driving pinion bearing)	
AR	B8QH 4536-X	.030" thick	1	B8QH 4616-A	Inner-# 72487	
	4537	Spacer (driving pinion bearing)	1	B8QH 4616-C	Outer-# HM-807010	
1	E2HZ 4537-A	.472" thick	1	E2HZ 4616-A	Cup (input shaft bearing)-# JH-511910	
1	E2HZ 4537-B	.473" thick		4621	Cone and roller assy. (drive pinion bearing)	
1	E2HZ 4537-C	.474" thick	1	D2HZ 4621-A	Inner-# 72218-C	
1	E2HZ 4537-D	.475" thick	1	E2HZ 4621-A	Outer-# HM-807049	
1	E2HZ 4537-E	.476" thick	1	C1TT 4623-A	Piston (power divider lockout shift)	
1	E2HZ 4537-F	.477" thick	1	7EQH 4625	Bearing assy. (driving pinion pilot)-# 15828 or MUS1307-TM	
1	E2HZ 4537-G	.478" thick	1	D2HZ 4637-A	Washer (input shaft nut)-1 21/32" I.D.	
1	E2HZ 4537-H	.479" thick	1	7EQH 4637	Washer (output shaft nut)-1 9/32" I.D.	
1	E2HZ 4537-J	.480" thick	1	E3HZ 4676-B	Seal assy. (input shaft oil)-# 119429-4" O.D.-for 2 15/16" dia. shaft	
1	E2HZ 4537-K	.481" thick	1	E3HZ 4676-C	Seal assy. (output shaft oil)-# 119431-3 5/8" O.D.-for 2 5/8" dia. shaft	
1	E2HZ 4537-L	.482" thick	1	C1TT 4727-A	Cover (power divider diff. lockout)	
1	E2HZ 4537-M	.483" thick	4	D8HZ 4A197-A	Lockwasher (power divider diff. lockout cover bolt)-1/4" I.D. x 31/64" O.D. x 3/64" thick	
1	E2HZ 4537-N	.484" thick	4	304646-S8(B-42-A)	Bolt (power divider diff. lockout cover)-1/4"-20 x 3/4"	
1	E2HZ 4537-P	.485" thick	1	D5HZ 4749-A	Body (power divider diff. lockout shift)	
1	E2HZ 4537-R	.486" thick	2	34793-S2(X-67-A)	Lockwasher-7/16"	
1	E2HZ 4537-S	.487" thick	2	354136-S8(BB-906)	Bolt (power divider body)-7/16"-14 x 1 1/4"	
1	E2HZ 4537-T	.488" thick	1	D6HZ 4982-A	Bolt and nut kit (driving gear)	
			Consists of			
			16	D3HZ 4217-A	Bolt	
				16	60600	Nut

1980/  
TRUCK SERIES 600/900

QTY.	PART NUMBER	DESCRIPTION	QTY.	PART NUMBER	DESCRIPTION
<b>EATON RS341 REAR AXLE SERVICE PARTS LIST NO. 230</b>					
Notes: ⊕ Also serviced in kit-group 4237 ‡ 16" Ring gear Δ 16 1/2" Ring gear					
	4010	Housing assy.		4222	Cup (differential bearing)
1	★D7HZ 4010-E	#301180-Hendrickson Suspension-1982/83-r/b D7HZ 4010-X	1	B6Q 1243-A	R.H.-#493
1	★D7HZ 4010-X	#303164-Hendrickson Suspension-1982/83	1	8QH 4222-A	L.H.-#563
1	★E4HZ 4010-F	#301557-Hendrickson Beam Suspension-1984-"Before 7/84"-r/b E4HZ 4010-AA	2	A8TZ 4228-A	Washer (diff. side gear thrust and Support case)-4 9/16" O.D.
1	E4HZ 4010-AA	#303321-Hendrickson Beam Suspension-1984/87-"From 7/84"	4	⊕7EQH 4230	Washer (pinion thrust)-1 1/64" I.D. x 2 7/16" O.D.
1	E4HZ 4010-G	#301563-Hendrickson 4 Spring Suspension-1984-"Before 7/84"	2	E1HZ 4234-C	Shaft assy.
1	E4HZ 4010-AB	#303322-Hendrickson 4 Spring Suspension-1984/87-"From 7/84"		4236	Gear (differential side)-serviced only in kit-group 4237
1	D7HZ 4010-F	#301297-Reyco Suspension	1	E1HZ 4237-B	Gear and pinion kit (differential)-involute spline side gears
1	★D7HZ 4010-G	#301213-Neway Suspension-r/b D7HZ 4010-Y	Consists of		
1	D7HZ 4010-Y	#303174-Neway Suspension	1-7EQH 4211	Pinion shaft	4-104139 Pinion gear
1	374506-S(PP-51)	Plug (drain)-magnetic-3/4"-14	2-A8TZ 4228-A	Washer-gear	2-110525 Side gear
1	374506-S(PP-51)	Plug (filler)-magnetic-3/4"-14	4-7EQH 4230	Washer-pinion	
1	4067	Adjuster (differential bearing)		4292	Pinion-serviced only in kit-group 4237
1	E1HZ 4067-B	R.H.-#110243	1	C8TZ 4A309-A	Trap (filler plug)-magnetic-1" x 1 1/2"
1	A8TZ 4067-B	L.H.-#31562	1	D6HZ 4320-A	Nut (flange to pinion)-Self-locking-also Serviced in kit-group 4209
1	C8TZ 4141-C	Carrier assy. (differential)-#106402		4323	Stud (carrier to housing)
12	B7TZ 4A142-A	Nut (carrier to housing) 5/8"-18	11	E0HZ 4323-D	5/8"-11 and 5/8"-18 x 2 11/16"
	4143	Lock (differential bearing adjuster)	1	D3HZ 4323-D	5/8"-11 and 5/8"-18 x 2 7/8"
1	7EQH 4143	R.H.	12	34811-S2(X-71)	Lockwasher (carrier to housing)-5/8"
1	TWAA 4143-A	L.H.		4536	Shim (driving pinion bearing retainer)
	4200	Differential assy.-refer to group in Section 40	AR	E0HZ 4536-A	.003" thick
	4204	Differential case kit	AR	E0HZ 4536-C	.010" thick
1	D9HZ 4204-A	3.70 thru 5.29 ratio		4537	Spacer (driving pinion bearing)
Consists of			1	7EQH 4537-A	.623" thick
1	E1HZ 4067-B	Adjuster 1-103865 Case flanged half	1	D5HZ 4537-A	.624" thick
12	D5HZ 4216-E	Bolt 1-110138 Case plain half	1	D5HZ 4537-B	.625" thick
1	E1HZ 4204-B	5.57 thru 7.17 ratio	1	D5HZ 4537-C	.626" thick
Consists of			1	D5HZ 4537-D	.627" thick
12	D5HZ 4216-E	Bolt 1-110138 Case plain half	1	D5HZ 4537-E	.628" thick
1	88677	Case flanged half	1	7EQH 4537-C	.629" thick
	4209	Ring gear and pinion kit-includes Self-locking nut	1	D5HZ 4537-F	.630" thick
1	‡E2HZ 4209-A	3.70 ratio	1	D5HZ 4537-G	.631" thick
1	Δ E3HZ 4209-H	3.90 ratio	1	D5HZ 4537-H	.632" thick
1	Δ E2HZ 4209-B	4.11 ratio	1	D5HZ 4537-J	.633" thick
1	Δ E2HZ 4209-C	4.33 ratio	1	D5HZ 4537-K	.634" thick
1	Δ E3HZ 4209-J	4.56 ratio	1	7EQH 4537-E	.635" thick
1	Δ E3HZ 4209-K	4.88 ratio	1	D5HZ 4537-L	.636" thick
1	Δ E3HZ 4209-L	5.29 ratio	1	D5HZ 4537-M	.637" thick
1	Δ E3HZ 4209-M	5.57 ratio	1	D5HZ 4537-N	.638" thick
1	Δ E3HZ 4209-N	6.14 ratio	1	D5HZ 4537-P	.639" thick
1	Δ E3HZ 4209-P	6.50 ratio	1	D5HZ 4537-R	.640" thick
1	Δ E3HZ 4209-R	7.17 ratio	1	7EQH 4537-G	.641" thick
	4211	Shaft (pinion)-Serviced only in Kit-group 4237	1	D5HZ 4537-S	.642" thick
12	D5HZ 4216-E	Bolt (differential case)-self-locking-9/16"-12 x 2 3/4"-also serviced in kit-group 4204	1	D5HZ 4537-T	.643" thick
16	D3HZ 4217-A	Bolt (drive gear to case)-5/8"-18 x 2 1/8" also serviced in kit-group 4982	1	D5HZ 4537-V	.644" thick
	4221	Cone and roller (differential bearing)	1	D5HZ 4537-W	.645" thick
1	A7TZ 4221-A	R.H.-#497	1	D5HZ 4537-X	.646" thick
1	8QH 4221-B	L.H.-#567	1	7EQH 4537-J	.647" thick
			1	D5HZ 4537-Y	.648" thick
			1	D5HZ 4537-Z	.649" thick
			1	D5HZ 4537-AA	.650" thick
			1	D5HZ 4537-AB	.651" thick
			1	D5HZ 4537-AC	.652" thick
			1	7EQH 4537-L	.653" thick
			1	D5HZ 4537-AD	.654" thick



**1980/  
TRUCK SERIES 600/900**

QTY.	PART NUMBER	DESCRIPTION	QTY.	PART NUMBER	DESCRIPTION
<b>EATON RS341 REAR AXLE SERVICE PARTS LIST NO. 230— Cont'd</b>					
Notes: ⊕ Also serviced in kit-group 4237 ‡ 16" Ring gear Δ 16 1/2" Ring gear					
6	E0HZ	4545 Washer (drive pinion bearing retainer bolt) 4545-A 1982-9/16" ★4545 1983/87-Not required	1	C6TZ 4637-A	Washer (driving pinion)- 1 17/32" I.D. x 2 5/8" O.D. x 1/16" thick
6	★C1TT	4560 Bolt (drive pinion bearing retainer) 4560-B 1980/82-9/16"-12 x 1 5/8"	1	E3HZ 4676-A	Seal and retainer assy. (drive pinion oil)- includes integral seal and retainer ≠ 119427-4 9/16" O.D.-for 2 5/8" dia. shaft
6	E3HZ	4560-A 1983/87-9/16"-12 x 1 1/2" 4614 Retainer assy. (driving pinion)		4851	Flange assy. (universal joint)-axle end
1	D3HZ	4614-A = 75108-3.70 ratio	1	E2HZ 4851-A	1610 size
1	C8TZ	4614-B = 69817-3.90 thru 7.17 ratio	1	E2HZ 4851-B	1710 size
2	7EQH	4616 Cup (driving pinion bearing)-≠ 55437	1	D6HZ 4982-A	Bolt and nut kit (driving gear)
2	A8TZ	4621-A Cone and roller (driving pinion)-≠ 55200-C	Consists of		
1	7EQH	4625 Bearing assy. (driving pinion pilot)- ≠ MUSH1307-TM, ≠ 15828	16-D3HZ	4217-A Bolt	16-60600 Nut
<b>EATON DS381-DS402 REAR AXLE SERVICE PARTS LIST NO. 231</b>					
Notes: ⊕ Also serviced in kit-group 4237 ‡ 16" Ring gear Δ 16 1/2" Ring gear ◆ Also serviced in kit-group 4215					
1	E2HZ	4033-A Cover assy. (housing)-incl. 4A309 fill plug, 4475 bearing, 4676 seal 371365-S Snap ring and 87675-S hole plug	16	D3HZ 4217-A	Bolt (drive gear to case)-5/8"-18 x 2 1/8"- also serviced in kit-group 4982
1	C1TZ	4062-A Shift assy. (air)		4221	Cone and roller (diff. bearing)
		4067 Adjuster (differential bearing)	1	8QH 4221-B	R.H.-≠ 567
1	A8TZ	4067-B R.H.-≠ 31562	1	A7TZ 4221-A	L.H.-≠ 497
1	E1HZ	4067-B L.H.-≠ 110243		4222	Cup (differential bearing)
		4A140 Bolt (power divider cover)	1	8QH 4222-A	R.H.-≠ 563
5	E0HZ	4A140-A Short-9/16"-12 x 1 3/4"	1	B6Q 1243-A	L.H.-≠ 493
4	E1HZ	4A140-A Long-9/16"-12 x 2 1/2"	2	⊕ A8TZ 4228-A	Washer (diff. side gear thrust and support case)-4 9/16" O.D.
9	34810-S7(X-69)	Lockwasher-9/16"	1	D2HZ 4228-A	Washer (power divider input shaft thrust)-2 11/32" I.D. x 3 5/8" O.D.
		4A142 Nut		4230	Washer (pinion thrust)
11	B7TZ	4A142-A Carrier to housing-5/8"-18	4	⊕ 7EQH 4230	Diff.-1 1/64" I.D. x 2 7/8" O.D.
11	C1TZ	4A142-A Cover to housing-7/16"-20	4	◆ D2HZ 4230-A	Power divider-1" I.D. x 2 1/32" O.D.
		4143 Lock (differential bearing adjuster)	2	E1HZ 4234-D	Shaft assy.
1	TWAA	4143-A R.H.		4236	Gear (differential side)-serviced only in kit-group 4237
1	7EQH	4143 L.H.		E1HZ 4237-C	Gear and pinion kit (differential)- involute spline side gear
		4204 Differential case kit	Consists of		
1	D9HZ	4204-A 3.70 thru 5.29 ratio	1-7EQH	4211 Pinion shaft	4-104139 Pinion gear
Consists of			2-A8TZ	4228-A Washer-gear	2-110527 Side gear
1-E1HZ	4067-B Adjuster	1-103865 Case flanged half	4-7EQH	4230 Washer-pinion	
12-D5HZ	4216-E Bolt	1-110138 Case plain half		4292	Pinion-serviced only in kit- group 4237
1	E1HZ	4204-B 5.57 thru 7.17 ratio		4300	Differential assy.-refer to group in Section 40
Consists of				4309	Ring gear and pinion kit-includes slotted nut and pin
12-D5HZ	4216-E Bolt	1-110138 Case plain half	1	‡ E2HZ 4309-A	3.70 ratio
1-88677	Case flanged half		1	Δ E3HZ 4309-E	3.90 ratio
	4211 Shaft (pinion)-Serviced only in Kit-group 4237		1	Δ E2HZ 4309-B	4.11 ratio
1	D5HZ	4215-B Kit (power divider differential repair)	1	Δ E2HZ 4309-C	4.33 ratio
Consists of			1	Δ E3HZ 4309-F	4.56 ratio
4-D2HZ	4230-A Washer	4-95215 Bushing	1	Δ E3HZ 4309-G	4.88 ratio
4-95214	Side pinion	1-95216 Spider	1	Δ E3HZ 4309-H	5.29 ratio
8	D2HZ	4216-B Bolt (differential case)-power divider- 5/16"-24 x 2 1/2"-also serviced in kit-group 4404	1	Δ E3HZ 4309-J	5.57 ratio
12	D5HZ	4216-E Bolt (differential case)-Self-locking- 9/16"-12 x 2 3/4"-also serviced in kit-group 4204	1	Δ E3HZ 4309-K	6.14 ratio
8	33923-S7(M-32)	Nut (power divider diff. case bolt)- 5/16"-24	1	Δ E3HZ 4309-L	6.50 ratio
			1	Δ E3HZ 4309-M	7.17 ratio

1980/  
TRUCK SERIES 600/900

QTY.	PART NUMBER	DESCRIPTION	QTY.	PART NUMBER	DESCRIPTION
EATON DS381-DS402 REAR AXLE SERVICE PARTS LIST NO. 231 — Cont'd					
Notes: ⊕ Also serviced in kit-group 4237 ‡ 16" Ring gear † 16 1/2" Ring gear					
◆ Also serviced in kit-group 4215					
1	C8TZ 4A309-A	Trap (filler plug)-magnetic-1" x 1 1/2"		4351	Flange assy. (universal joint)-power divider end-input shaft)
	4310	Housing assy.			
1	★D7HZ 4310-E	#301255-Hendrickson Suspension-w/o 60" spread frame-1982-r/b D7HZ 4310-X	1	E3HZ 4351-B	1610 size-1982/86
1	D7HZ 4310-X	#303207-Hendrickson Suspension-w/o 60" spread frame-1982	1	E7HZ 4351-C	1610 size-1987
1	★E3HZ 4310-D	#301500-Hendrickson Beam Suspension-w/o 60" spread frame-1983/84-"Before 7/84"-r/b E4HZ 4310-M	1	E6HZ 4351-A	1710 size-1982/86
1	E4HZ 4310-M	#303225-Hendrickson Beam Suspension-w/o 60" spread frame 1984/87-"From 7/84"	1	E7HZ 4351-D	1710 size-1987
1	★D7HZ 4310-H	#301258-Hendrickson Suspension-w/60" spread frame-1982-r/b D7HZ 4310-Y	1	E2HZ 4351-A	1760 size
1	★D7HZ 4310-Y	#303209-Hendrickson Suspension-w/60" spread frame-1982	1	E2HZ 4351-B	1810 size
1	★E3HZ 4310-F	#301502-Hendrickson Beam Suspension-w/60" spread frame-1983/84-"Before 7/84"-r/b E4HZ 4310-N	5	★D3HZ 4398-A	Bolt (power divider input shaft bearing retainer)-1/2"-13 x 1 5/8"-1982/83-"Before 1/83"-r/b E3HZ 4398-A
1	E4HZ 4310-N	#303227-Hendrickson Beam Suspension-w/60" spread frame 1984/87-"From 7/84"	5	34809-S8(X-68)	Lockwasher (power divider input shaft bearing retainer bolt)-1/2"-1982/83-"Before 1/83"
1	★E4HZ 4310-A	#301593-Hendrickson 4 Spring Suspension-1984-"Before 7/84"	5	E3HZ 4398-A	Bolt (power divider input shaft bearing retainer)-1/2"-13 x 1 1/2"-1983/87-"From 1/83"
1	E4HZ 4310-P	#303327-Hendrickson 4 Spring Suspension-1984/87-"From 7/84"		★	Lockwasher (power divider input shaft bearing retainer bolt)-1983/87-"From 1/83"-Not required
1	D7HZ 4310-F	#100337-Reyco Suspension	1	D2HZ 4404-A	Kit (power divider differential case)
1	★D7HZ 4310-G	#301260-Neway Suspension-1982/84-"Before 7/84"-r/b E4HZ 4310-R	Consists of		
1	E4HZ 4310-R	#303326-Neway suspension-1984/87-"From 7/84"	8-D2HZ 4216-B	Bolt	2-102621 Case
1	374506-S(PP-51)	Plug (drain)-magnetic-3/4"-14	8-57637	Nut	
	4320	Locknut-also serviced in kits-groups 4446, 4471		4414	Retainer assy. (drive pinion bearing)
1	D2HZ 4320-B	Flange to input shaft-1 5/8"-18 x 2 1/2"	1	E2HZ 4414-A	3.70 ratio-#110731
1	D5HZ 4320-A	Flange to output shaft-1 1/4"-12 x 1 3/4"	1	E2HZ 4414-B	3.90 thru 7.17 ratio-#110733
1	D2HZ 4320-B	Locknut (drive pinion)-1 5/8"-18 x 2 1/2" use on vehicles w/solid pinion shaft	AR	B8QH 4436-A	.003" thick
1	E2HZ 4320-A	Slotted nut (drive pinion)-1 5/8"-18 x 2 1/2"-use on vehicles w/hole in pinion shaft-also serviced in kit-group 4309	AR	B8TZ 4436-B	.005" thick
1	E2HZ 4N320-A	Pin (drive pinion nut)-17/64" O.D. x 2 1/2" long-use on vehicles w/hole in pinion shaft-also serviced in kit-group 4309	2	D2HZ 4437-A	Bushing (power divider cluster gear)-2 5/16" I.D. x 2 1/2" O.D. x 1 7/32"-also serviced in assy.-group 4434
11	E0HZ 4323-D	Stud (carrier to housing)-5/8"-11 and 5/8"-18 x 2 11/16"	1	E2HZ 4442-A	Gear (drive pinion transfer)
1	E1HZ 4323-A	Bolt (carrier to housing)-5/8"-11 x 1 3/8"	1	E2HZ 4446-A	Shaft kit-power divider input)
12	34811-S2(X-71)	Lockwasher (carrier to housing)-5/8"	Consists of		
1	C1TT 4334-A	Seal (shift housing cover)	1-D2HZ 4320-B	Locknut	1-109069 Tag
1	E2HZ 4341-A	Carrier assy. (differential)	1-B8QH 4454-A	Washer	1-110823 Shaft
1	358048-S(PP-43)	Plug (filler)-3/4"-14	1	C1TT 4450-A	Fork (power divider lockout shift)
1	C1TT 4344-A	Grommet (power divider shift fork push rod)-air	1	33800-S8(M-63)	Nut power divider lockout shift fork)-3/8"-24
1	E2HZ 4345-A	Washer (power divider shift fork push rod)-air	1	C1TT 4454-A	Bushing (output shaft)-1 3/8" I.D. x 1 1/2" O.D. x 1 1/2"
11	C1TZ 4346-A	Stud (cover to housing)-7/16"-14 and 7/16"-20 x 2"	1	B8QH 4454-A	Washer (power divider input shaft)-also serviced in kit-group 4446
1	E1HZ 4346-A	Bolt (cover to housing)-7/16"-14 x 3"	1	B8QH 4455-A	Clutch (power divider input shaft sliding)-18 teeth-20 splines
12	34793-S2(X-67-A)	Lockwasher (cover to housing)-7/16"	1	C1TT 4458-A	Spring (power divider shift lever return)
				4465	Flange assy. (output shaft)
				E2HZ 4465-A	1610 size
				E2HZ 4465-B	1710 size
				E2HZ 4470-A	Bearing assy. (power divider output shaft front)-includes cup #29620, cone #29675

**1980/  
TRUCK SERIES 600/900**

QTY.	PART NUMBER	DESCRIPTION	QTY.	PART NUMBER	DESCRIPTION	
<b>EATON DS381-DS402 REAR AXLE SERVICE PARTS LIST NO. 231 — Cont'd</b>						
Notes: ⊕ Also serviced in kit-group 4237 † 16" Ring gear ▲ 16 1/2" Ring gear						
♦ Also serviced in kit-group 4215						
1	E2HZ 4471-A	Shaft kit (power divider output)		4537	Spacer (driving pinion bearing) — Cont'd	
Consists of			1	E2HZ 4537-AL	.504" thick	
1-D5HZ 4320-A	Locknut	1-110819	Shaft & bushing	1	E2HZ 4537-AM	.505" thick
1-109067	Tag			1	E2HZ 4537-AN	.506" thick
1	B8QH 4475-A	Bearing (power divider output shaft rear)	1	E2HZ 4537-AP	.507" thick	
1	371365-S(QQ-14)	Snap ring (output shaft bearing)- 3 1/64" I.D. x 3 31/64" O.D. x 1/16" thick	6	EOHZ 4545-A	Washer (drive pinion bearing retainer bolt)-9/16"	
2	B8QH 4476-B	0" ring (power divider output shaft)	2	D8HZ 4550-A	Oiler (power divider lockout shift piston)-felt-1 3/4" I.D. x 1/4" thick	
	4536	Shim (driving pinion bearing retainer)	6	E0HZ 4560-A	Bolt (drive pinion bearing retainer)- 9/16"-12 x 1 1/2"	
AR	B8QH 4536-V	.003" thick		4567	Snap ring (retainer)	
AR	B8QH 4536-W	.010" thick	1	D2HZ 4567-B	Input shaft	
AR	B8QH 4536-X	.030" thick	2	D2HZ 4567-C	Output shaft	
	4537	Spacer (driving pinion bearing)	1	D8HZ 4593-C	0" ring (power divider oil pump shaft)- 1 7/8" I.D. x 2" O.D. x 1/16" thick	
1	E2HZ 4537-A	.472" thick		4616	Cup (driving pinion bearing)	
1	E2HZ 4537-B	.473" thick	1	B8QH 4616-A	Inner-# 72487	
1	E2HZ 4537-C	.474" thick	1	B8QH 4616-C	Outer-# HM-807010	
1	E2HZ 4537-D	.475" thick	1	E2HZ 4616-A	Cup (input shaft bearing)-# JH-511910	
1	E2HZ 4537-E	.476" thick		4621	Cone and roller assy. (drive pinion bearing)	
1	E2HZ 4537-F	.477" thick	1	D2HZ 4621-A	Inner-# 72218-C	
1	E2HZ 4537-G	.478" thick	1	E2HZ 4621-A	Outer-# 807049	
1	E2HZ 4537-H	.479" thick	1	CITT 4623-A	Piston (power divider lockout shift)	
1	E2HZ 4537-J	.480" thick	1	7EQH 4625	Bearing assy. (driving pinion pilot)- # 15828 or MUS 1307-TM	
1	E2HZ 4537-K	.481" thick	1	D2HZ 4637-A	Washer (input shaft nut)-1 21/32" I.D.	
1	E2HZ 4537-L	.482" thick	1	7EQH 4637	Washer (output shaft nut)-1 9/32" I.D.	
1	E2HZ 4537-M	.483" thick	1	E3HZ 4676-B	Seal assy. (input shaft oil) # 119429-4" O.D.-for 2 15/16" dia. shaft	
1	E2HZ 4537-N	.484" thick	1	E3HZ 4676-C	Seal assy. (output shaft oil)- # 119431-3 5/8" O.D.-for 2 5/8" dia. shaft	
1	E2HZ 4537-P	.485" thick	1	CITT 4727-A	Cover (power divider diff. lockout)	
1	E2HZ 4537-R	.486" thick	4	D8HZ 4A197-A	Lockwasher (power divider diff. lockout cover bolt)-1/4" I.D. x 31/64" O.D. x 3/64" thick	
1	E2HZ 4537-S	.487" thick	4	304646-S8(B-42-A)	Bolt (power divider diff. lockout cover)-1/4"-20 x 3/4"	
1	E2HZ 4537-T	.488" thick	1	D5HZ 4749-A	Body (power divider diff. lockout shift)	
1	E2HZ 4537-V	.489" thick	2	34793-S2(X-67-A)	Lockwasher-7/16"	
1	E2HZ 4537-W	.490" thick	2	354136-S8(BB-906)	Bolt (power divider body)-7/16"-14 x 1 1/14"	
1	E2HZ 4537-X	.491" thick	1	D6HZ 4982-A	Bolt and nut kit (driving gear)	
1	E2HZ 4537-Y	.492" thick	Consists of			
1	E2HZ 4537-Z	.493" thick	16-D3HZ 4217-A	Bolt	16-60600 Nut	
1	E2HZ 4537-AA	.494" thick				
1	E2HZ 4537-AB	.495" thick				
1	E2HZ 4537-AC	.496" thick				
1	E2HZ 4537-AD	.497" thick				
1	E2HZ 4537-AE	.498" thick				
1	E2HZ 4537-AF	.499" thick				
1	E2HZ 4537-AG	.500" thick				
1	E2HZ 4537-AH	.501" thick				
1	E2HZ 4537-AJ	.502" thick				
1	E2HZ 4537-AK	.503" thick				
<b>EATON RS381-RS402 REAR AXLE SERVICE PARTS LIST NO. 232</b>						
Notes: ⊕ Also serviced in kit-group 4237 † 16" Ring gear ▲ 16 1/2" Ring gear						
1	★ D7HZ 4010-H	Housing assy. # 301256-Hendrickson Suspension- w/o 60" spread frame-1982 r/b D7HZ 4010-Z	1	E4HZ 4010-AC	# 303226-Hendrickson Beam Suspension- w/o 60" spread frame-1984/87-"From 7/84"	
1	D7HZ 4010-Z	# 303208-Hendrickson Suspension- w/o 60" spread frame-1982	1	D7HZ 4010-K	# 301259-Hendrickson Suspension- w/60" spread frame-1982	
1	★ E3HZ 4010-C	# 301501-Hendrickson Beam Suspension- w/o 60" spread frame-1983/84- "Before 7/84"-r/b E4HZ 4010-AC	1	★ E3HZ 4010-G	# 301503-Hendrickson Beam Suspension- w/60" spread frame-1983/84-"Before 7/84" r/b E4HZ 4010-AD	
			1	E4HZ 4010-AD	# 303228-Hendrickson Beam suspension-w/60" spread frame 1984/87-"From 7/84"	

1980/  
TRUCK SERIES 600/900

QTY.	PART NUMBER	DESCRIPTION	QTY.	PART NUMBER	DESCRIPTION
EATON RS381-RS402 REAR AXLE SERVICE PARTS LIST NO. 232 — Cont'd					
Notes: ⊕ Also serviced in kit-group 4237 ± 16" Ring gear Δ 16 1/2" Ring gear					
1	E4HZ 4010	Housing assy. — Contd.	4	⊕7EQH 4230	Washer (pinion thrust)- 1 1/64" I.D. x 2 7/16" O.D.
1	E4HZ 4010-A	#301594-Hendrickson 4 Spring Suspension- 1984-"Before 7/84"	2	E1HZ 4234-D	Shaft assy.
1	E4HZ 4010-AE	#303657-Hendrickson 4 Spring Suspension- 1984/87-"From 7/84"		4236	Gear (differential side)-serviced only in kit-group 4237
1	D7HZ 4010-J	#100339-Reyco Suspension	1	E1HZ 4237-C	Gear and pinion kit (differential)- involute spline side gear
1	★D7HZ 4010-AD	Reyco Suspension-#303330	Consists of		
1	D7HZ 4010-K	#301259-Neway Suspension-1982	1-7EQH 4211	Pinion shaft	4-104139 Pinion gear
1	E3HZ 4010-G	#301503-Neway Suspension-1983/84- "Before 7/84"	2-A8TZ 4228-A	Washer-gear	2-110527 Side gear
1	E4HZ 4010-AF	#303210-Neway suspension- 1984/87-"From 7/84"	4-7EQH 4230	Washer-pinion	
1	374506-S(PP-51)	Plug (drain)-magnetic-3/4"-14		4292	Pinion-serviced only in kit- group 4237
1	374506-S(PP-51)	Plug (filler)-magnetic-3/4"-14	1	C8TZ 4A309-A	Trap (filler plug)-magnetic-1" x 1 1/2"
	4067	Adjuster (differential bearing)	1	D6HZ 4320-A	Nut (flange to pinion)-self-locking- also serviced in kit-group 4209
1	E1HZ 4067-B	R.H.-#110243		4323	Stud (carrier to housing)
1	A8TZ 4067-B	L.H.-#31562	11	E0HZ 4323-D	5/8"-11 and 5/8"-18 x 2 11/16"
1	C8TZ 4141-C	Carrier assy. (differential)-#106402	1	D3HZ 4323-D	5/8"-11 and 5/8"-18 x 2 7/8"
12	B7TZ 4A142-A	Nut (carrier to housing)-5/8"-18	12	34811-S2(X-71)	Lockwasher (carrier to housing)-5/8"
	4143	Lock (differential bearing adjuster)	AR	E0HZ 4536-A	.003" thick
1	7EQH 4143	R.H.	AR	E0HZ 4536-C	.010" thick
1	TWAA 4143-A	L.H.		4537	Spacer (driving pinion bearing)
	4200	Differential assy.-refer to group in Section 40	1	7EQH 4537-A	.623" thick
	4204-A	Differential case kit	1	D5HZ 4537-A	.624" thick
1	D9HZ 4204-A	3.70 thru 5.29 ratio	1	D5HZ 4537-B	.625" thick
Consists of			1	D5HZ 4537-C	.626" thick
1-E1HZ 4067-B	Adjuster	1-103865 Case flanged half	1	D5HZ 4537-D	.627" thick
12-D5HZ 4216-E	Bolt	1-110138 Case plain half	1	D5HZ 4537-E	.628" thick
1	E1HZ 4204-B	5.57 thru 7.17 ratio	1	7EQH 4537-C	.629" thick
Consists of			1	D5HZ 4537-F	.630" thick
12-D5HZ 4216-E	Bolt	1-110138 Case plain half	1	D5HZ 4537-G	.631" thick
1-88677	Case flanged half		1	D5HZ 4537-H	.632" thick
	4209	Ring gear and pinion kit-includes self-locking nut	1	D5HZ 4537-J	.633" thick
1	±E2HZ 4209-A	3.70 ratio	1	D5HZ 4537-K	.634" thick
1	Δ E3HZ 4209-H	3.90 ratio	1	7EQH 4537-E	.635" thick
1	Δ E2HZ 4209-B	4.11 ratio	1	D5HZ 4537-L	.636" thick
1	Δ E2HZ 4209-C	4.33 ratio	1	D5HZ 4537-M	.637" thick
1	Δ E3HZ 4209-J	4.56 ratio	1	D5HZ 4537-N	.638" thick
1	Δ E3HZ 4209-K	4.88 ratio	1	D5HZ 4537-P	.639" thick
1	Δ E3HZ 4209-L	5.29 ratio	1	D5HZ 4537-R	.640" thick
1	Δ E3HZ 4209-M	5.57 ratio	1	7EQH 4537-G	.641" thick
1	Δ E3HZ 4209-N	6.14 ratio	1	D5HZ 4537-S	.642" thick
1	Δ E3HZ 4209-P	6.50 ratio	1	D5HZ 4537-T	.643" thick
1	Δ E3HZ 4209-R	7.17 ratio	1	D5HZ 4537-V	.644" thick
	4211	Shaft (pinion)-Serviced only in Kit-group 4237	1	D5HZ 4537-W	.645" thick
12	D5HZ 4216-E	Bolt (differential case)-self-locking- 9/16"-12 x 2 3/4"-also serviced in kit- group 4204	1	D5HZ 4537-X	.646" thick
16	D3HZ 4217-A	Bolt (drive gear to case)-5/8"-18 x 2 1/8" also serviced in kit-group 4982	1	7EQH 4537-J	.647" thick
	4221	Cone and roller (differential bearing)	1	D5HZ 4537-Y	.648" thick
1	A7TZ 4221-A	R.H.-#497	1	D5HZ 4537-Z	.649" thick
1	8QH 4221-B	L.H.-#567	1	D5HZ 4537-AA	.650" thick
	4222	Cup (differential bearing)	1	D5HZ 4537-AB	.651" thick
1	B6Q 1243-A	R.H.-#493	1	D5HZ 4537-AC	.652" thick
1	8QH 4222-A	L.H.-#563	1	7EQH 4537-L	.653" thick
2	A8TZ 4228-A	Washer (diff. side gear thrust and support case)-4 9/16" O.D.	1	D5HZ 4537-AD	.654" thick
				4545	Washer (drive pinion bearing retainer bolt)
			6	E0HZ 4545-A	1982-9/16"
				★4545	1983/87-Not required

**1980/  
TRUCK SERIES 600/900**

QTY.	PART NUMBER	DESCRIPTION	QTY.	PART NUMBER	DESCRIPTION
<b>EATON RS381-RS402 REAR AXLE SERVICE PARTS LIST NO. 232 — Cont'd</b>					
Notes: ⊕ Also serviced in kit-group 4237 ± 16" Ring gear Δ 16 1/2" Ring gear					
	4560	Bolt (drive gear pinion bearing retainer)	1	C6TZ 4637-A	Washer (driving pinion)- 1 17/32" I.D. x 2 5/8" O.D. x 1/16" thick
6	★C1TT 4560-B	1982-9/16"-12 x 1 5/8"			
6	E3HZ 4560-A	1983/87-9/16"-12 x 1 1/2"	1	E3HZ 4676-A	Seal and retainer assy. (drive pinion oil)- includes integral seal and retainer- #119427-4 9/16" O.D.-for 2 5/8" dia. shaft
	4614	Retainer assy. (driving pinion)			
1	D3HZ 4614-A	#75108-3.70 ratio			
1	C8TZ 4614-B	#67817-3.90 thru 7.17 ratio			
2	7EQH 4616	Cup (driving pinion bearing)-#55437			
2	A8TZ 4621-A	Cone and roller (driving pinion)-#55200-C	1	4851	Flange assy. (universal joint)-axle end 1610 size
1	7EQH 4625	Bearing assy. (driving pinion pilot)- #MUS 1307-TM, #15828	1	E2HZ 4851-A	1710 size
			1	E2HZ 4851-B	1710 size
			1	D6HZ 4982-A	Bolt and nut kit (driving gear)
			Consists of		
			16-D3HZ 4217-A	Bolt	16-60600 Nut
<b>EATON DT341 REAR AXLE SERVICE PARTS LIST NO. 240</b>					
Notes: % Also serviced in kit-group 4A195 ⊕ Also serviced in kit- group 4237					
◆ Also serviced in kit-group 4215					
	1243	Refer to group 4222 within parts list	2	371173-S(BB-349)	Bolt (diff. bearing adjuster lock)- 5/8"-11 x 2"
	4027	Refer to group 4127 within parts list			
4	7EQH 4029	Pin (planetary gear)-1 1/2" x 4 5/16"	1	B6TZ 4A195-A	Sliding clutch gear kit
1	E2HZ 4033-A	Cover assy. (housing)-incl. 4A309 fill plug, 4475 bearing, 4676 seal, 371365-S Snap ring and 87675-S hole plug	Consists of		
			1	C3TZ 4040-B	Plate
			1	E3HZ 4055-D	Gear
			1	C0TT 4204-B	Case assy. (diff.)-incl. (8) 350048-S bolts
1	87675-S(P-17)	Plug (housing cover)-1/2"-14			
1	%C3TZ 4040-B	Plate (high speed clutch)-#56931- 7 3/4" O.D. x 3/4" thick-16 internal teeth			
1	A8TZ 4045-A	Fork and roller assy. (diff. shift)-#62720			
2	B9TZ 4053-A	Pin (differential shift fork roller)- 1 3/64" long x 5 11/16" major O.D. x 15/32" minor O.D.			
1	%E3HZ 4055-D	Gear (sliding clutch)-#113596- 7 21/64" long-16 teeth each end	1	C0TT 4211	Shaft (pinion)-serviced only in kit- group 4237
1	C8HZ 4062-B	Shift assy. (axle)-piston type air	1	D5HZ 4215-B	Kit (power divider differential repair)
	4067	Adjuster (differential bearing)	Consists of		
1	%C3TZ 4067-M	R.H.-#56932	4	D2HZ 4230-A	Washer
1	E1HZ 4067-B	L.H.-#110243	4	95214	Side pinion
1	E4HZ 4072-A	Seal assy. (shift fork)-#119851	8	D2HZ 4216-B	Bolt (differential case)-power divider- 5/16"-24 x 2 1/2"-also serviced in Kit-group 4404
	4127	Case (differential gear support)	8	33923-S7(M-32)	Nut (power divider diff. case bolt)-5/16"-24
1	7EQH 4027	R.H.-11 1/4" O.D.	8	D6HZ 4216-A	Bolt (differential case)-self-locking- 1/2"-13 x 2 3/4"-also serviced in assy.- group 4204
1	E1HZ 4127-A	L.H. 11 5/16" O.D.	8	A8TZ 4217-A	Bolt and nut assy. (differential support case)-9/16"-18 x 4 13/64"-1983/86
	4A140	Bolt (power divider cover)	1	A8TZ 4217-C	Bolt and nut kit (gear support case)-1987
5	E0HZ 4A140-A	Short-9/16"-12 x 1 3/4"	Consists of		
4	E1HZ 4A140-A	Long-9/16"-12 x 2 1/2"	8	44358	Bolts
9	34810-S7-8(X-69)	Lock washer-9/16"			
	4A142	Nut			
11	B7TZ 4A142-A	Carrier to housing-5/8"-18			
11	C1TZ 4A142-A	Cover to housing-7/16"-20	1	7EQH 4221	Cone and roller (differential bearing) R.H.-#56425
	4143	Lock (differential bearing adjuster)	1	A7TZ 4221-A	L.H.-#497
1	B6TZ 4143-A	R.H.	1	7EQH 4222	Cup (differential bearing) R.H.-#56650
1	7EQH 4143	L.H.	1	B6Q 1243-A	L.H.-#493
1	%7EQH 4147	Washer (high speed clutch plate thrust)- 4 1/4" I.D. x 7 27/32" O.D.	2	⊕A8TZ 4228-A	Washer (differential side gear thrust)- 4 9/16" O.D.
1	E3HZ 4149-B	Shaft assy. (differential shift fork)- includes "O" ring	1	A8TZ 4228-A	Washer (differential support case)-L.H.- 4 9/16" O.D.
4	7EQH 4154	Pin (high speed clutch plate)-2 17/64" long	1	D2HZ 4228-A	Washer (power divider input shaft thrust)- 2 11/32" I.D. x 3 5/8" O.D.
2	B6QH 4156-A	Bushing (differential bearing adjuster lock)	4	7EQH 4229	Gear (differential planetary) 1 1/2" I.D. x 3 1/16" O.D.

1980/  
TRUCK SERIES 600/900

QTY.	PART NUMBER	DESCRIPTION	QTY.	PART NUMBER	DESCRIPTION	
<b>EATON DT341 REAL AXLE SERVICE PARTS LIST NO. 240—Cont'd</b>						
Notes: % Also serviced in kit-group 4A195 ⊕ Also serviced in kit-group 4237						
◆ Also serviced in kit-group 4215						
	4230	Washer (pinion thrust)	2	E4HZ 4B147-A	Washer (shift housing stud)- 15/32" I.D. x 15/16" O.D. x 3/32" thick- 1986/87	
4	⊕7EQH 4230	Diff.-1 1/64" I.D. x 2 7/16" O.D.				
4	◆D2HZ 4230-A	Power divider-1" I.D. x 2 1/32" O.D.				
2	E1HZ 4234-C	Shaft assy.	11	E0HZ 4323-D	Stud (carrier to housing)-5/8"-11 and 5/8"-18 x 2 11/16"	
	4236	Gear (differential side)-serviced only in kit-group 4237		1	E1HZ 4323-A	Bolt (carrier to housing)-5/8"-11 x 1 3/8"
1	E1HZ 4237-B	Gear and pinion kit (differential)- involute spline side gears	12	34811-S2(X-71)	Lockwasher (carrier to housing)-5/8"	
Consists of						
1	7EQH 4211	Pinion shaft	4	104139	Pinion gear	
2	A8TZ 4228-A	Washer-gear	2	110525	Side gear	
4	7EQH 4230	Washer-pinion				
	4292	Pinion-serviced only in kit-group 4237				
	4300	Differential assy. refer to group in Section 40				
	4309	Ring gear and pinion kit-includes slotted nut and pin				
1	E3HZ 4309-N	3.70/5.05 ratio	1	33800-S8(M-63)	Nut (power divider shift fork push rod)- 3/8"-24	
1	E6HZ 4309-B	3.90/5.31 ratio	11	C1TZ 4346-A	Stud (cover to housing)-7/16"-14 and 7/16"-20 x 2"	
1	E3HZ 4309-P	4.11/5.61 ratio				
1	E3HZ 4309-S	4.56/6.21 ratio	1	E1HZ 4346-A	Bolt (cover to housing)-7/16"-14 x 3"	
1	E3HZ 4309-T	4.88/6.65 ratio	12	34793-S2(X-67-A)	Lockwasher (cover to housing)-7/16"	
1	E3HZ 4309-V	5.29/7.21 ratio		4351	Flange assy. (universal joint)-power divider input	
1	E3HZ 4309-W	5.57/7.60 ratio	1	E3HZ 4351-B	1610 size	
1	E3HZ 4309-X	6.14/8.38 ratio	1	E2HZ 4351-A	1760 size	
1	E3HZ 4309-Y	6.50/8.86 ratio	1	E2HZ 4351-B	1810 size	
1	E3HZ 4309-Z	7.17/9.77 ratio	5	★D3HZ 4398-A	Bolt (power divider input shaft bearing retainer)-1/2"-13 x 1 5/8"- 1983-"Before 1/83"-r/b E3HZ 4398-A	
1	C8TZ 4A309-A	Trap (filler plug)-magnetic-1" x 1 1/2"	5	34809-S8(X-68)	Lockwasher (power divider input shaft bearing retainer bolt)-1/2"- 1983-"Before 1/83"	
	4310	Housing assy.				
1	★E3HZ 4310-C	#301499-Hendrickson Beam Suspension- 1983	5	E3HZ 4398-A	Bolt (power divider input shaft bearing retainer)-1/2"-13 x 1 1/2"- 1983/87-"From 1/83"	
1	★E4HZ 4310-B	#301554-Hendrickson Beam Suspension- 1984-"Before 7/84"-r/b E4HZ 4310-K				
1	★E4HZ 4310-K	#303318-Hendrickson Beam Suspension- 1984/87-"From 7/84"				
1	374506-S(PP-51)	Plug (drain)-magnetic-3/4"-14		★	Lockwasher (power divider input Shaft bearing retainer bolt)- 1983/87-"From 1/83"-Not required	
	4320	Locknut-also serviced in kits- groups 4446, 4471				
1	D2HZ 4320-B	Flange to input shaft-1 5/8"-18 x 2 1/2"	1	D2HZ 4404-A	Kit (power divider differential case)	
1	D5HZ 4320-A	Flange to output shaft-1 1/4"-12 x 1 3/4"	Consists of			
1	D2HZ 4320-B	Locknut (drive pinion)-1 5/8"-18 2 1/2"- use on vehicles w/solid pinion shaft	8-57637	Nut	8-D2HZ 4216-B	
			2-102621	Case	Bolt	
1	E2HZ 4320-A	Slotted nut (drive pinion)- 1 5/8"-18 x 2 1/2"-use on vehicles w/hole in pinion shaft-also serviced in kit-group 4309	1	E2HZ 4414-B	Retainer assy. (drive pinion bearing)- 4.88 thru 7.17 ratios-#110733	
1	E2HZ 4N320-A	Pin (drive pinion nut)-17/64" O.D. x 2 1/2" long-use on vehicles w/hole in pinion shaft-also serviced in kit-group 4309	1	E2HZ 4423-A	Cone and roller (power divider input shaft)- #JH3979	
2	B8TZ 4322-A	Nut (shift motor housing stud)-7/16"-20	1	B8QH 4428-B	Cover (power divider)	
8	A8TZ 4322-A	Nut (gear support case bolt)-9/16"-18- Cone lok-also serviced in assy.-group 4217	1	E2HZ 4431-A	Retainer assy. (power divider input shaft bearing)-includes cup and seal	
	4323	Stud (shift fork opening cover)-	1	E2HZ 4433-A	Gear (power divider output shaft cluster)	
1	D3HZ 4323-B	1983/85-7/16"-20-14 x 1 11/16"	1	E2HZ 4434-A	Gear assy. (power divider input shaft cluster)-includes D2HZ 4437-A bushing	
1	D3HZ 4323-E	1986/87-7/16"-20-14 x 1 3/4"		4436	Shim (input shaft bearing retainer) .003" thick	
2	44730-S8(X-26)	Lockwasher (shift fork opening cover stud)- 7/16"-59/64" O.D. x 1/16" thick- 1983/85	AR	B8QH 4436-A	.005" thick	
			AR	B8TZ 4436-B		
			2	D2HZ 4437-A	Bushing (power divider cluster gear)- 2 5/16" I.D. x 2 1/2" O.D. x 1 7/32"- also serviced in assy.-group 4434	
			1	E2HZ 4442-A	Gear (drive pinion transfer)	

**1980/  
TRUCK SERIES 600/900**

QTY.	PART NUMBER	DESCRIPTION	QTY.	PART NUMBER	DESCRIPTION
<b>EATON DT341 REAR AXLE SERVICE PARTS LIST NO. 240 — Cont'd</b>					
Notes: % Also serviced in kit-group 4A195 ⊕ Also serviced in kit-group 4237					
♦ Also serviced in kit-group 4215					
1	E2HZ 4446-A	Shaft Kit (power divider input)		4537	Spacer (driving pinion bearing) — Cont'd
Consists of			1	E2HZ 4537-Z	.493" thick
1	D2HZ 4320-B	Locknut	1	E2HZ 4537-AA	.494" thick
1	B8QH 4454-A	Washer	1	E2HZ 4537-AB	.495" thick
1	C1TT 4450-A	Fork (power divider lockout shift)	1	E2HZ 4537-AC	.496" thick
1	B8QH 4454-A	Washer (power divider input shaft)—also serviced in kit-group 4446	1	E2HZ 4537-AD	.497" thick
1	C1TT 4454-A	Bushing (output shaft)—1 3/8" I.D. x 1 1/2" O.D. x 1 1/2"	1	E2HZ 4537-AE	.498" thick
1	B8QH 4455-A	Clutch (power divider input shaft sliding)—18 teeth—20 splines	1	E2HZ 4537-AF	.499" thick
1	C1TT 4458-A	Spring (power divider shift lever return)	1	E2HZ 4537-AG	.500" thick
	4465	Flange assy. (output shaft)	1	E2HZ 4537-AH	.501" thick
1	E2HZ 4465-A	1610 size	1	E2HZ 4537-AJ	.502" thick
1	E2HZ 4465-B	1710 size	1	E2HZ 4537-AK	.503" thick
1	E2HZ 4470-A	Bearing assy. (power divider output shaft front)—includes cup #29620, cone #29675	1	E2HZ 4537-AL	.504" thick
1	E2HZ 4471-A	Shaft Kit (power divider output)	1	E2HZ 4537-AM	.505" thick
Consists of			1	E2HZ 4537-AN	.506" thick
1	D5HZ 4320-A	Locknut	1	E2HZ 4537-AP	.507" thick
1	1-109067	Tag	6	EOHZ 4545-A	Washer (drive pinion bearing retainer bolt)—9/16"
1	B8QH 4475-A	Bearing (power divider output shaft rear)	2	D8HZ 4550-A	Oiler (power divider lockout shift piston)—felt—1 3/4" I.D. x 1/4" thick
1	371365-S(QQ-14)	Snap ring (output shaft bearing)—3 1/64" I.D. x 3 31/64" O.D. x 1/16" thick	6	E0HZ 4560-A	Bolt (drive pinion bearing retainer)—9/16"—12 x 1 1/2"
2	B8QH 4476-B	"O" ring (power divider output shaft)		4567	Snap ring (retainer)
	4536	Shim (driving pinion bearing retainer)	1	D2HZ 4567-B	Input shaft
AR	B8QH 4536-V	.003" thick	1	D2HZ 4567-C	Output shaft
AR	B8QH 4536-W	.010" thick	1	D8HZ 4593-C	"O" ring (power divider oil pump shaft)—1 7/8" I.D. x 2" O.D. x 1/16" thick
AR	B8QH 4536-X	.030" thick		4616	Cup (driving pinion bearing)
1	E2HZ 4537	Spacer (driving pinion bearing)	1	B8QH 4616-A	Inner—#72487
1	E2HZ 4537-A	.472" thick	1	B8QH 4616-C	Outer—#HM807010
1	E2HZ 4537-B	.473" thick	1	E2HZ 4616-A	Cup (input shaft bearing)—#JH511910
1	E2HZ 4537-C	.474" thick		4621	Cone and roller assy. (drive pinion bearing)
1	E2HZ 4537-D	.475" thick	1	D2HZ 4621-A	Inner—#72218-C
1	E2HZ 4537-E	.476" thick	1	E2HZ 4621-A	Outer—#HM807049
1	E2HZ 4537-F	.477" thick	1	C1TT 4623-A	Piston (power divider lockout shift)
1	E2HZ 4537-G	.478" thick	1	7EQH 4625	Bearing assy. (driving pinion pilot)—#15828 or MUS1307-TM
1	E2HZ 4537-H	.479" thick	1	D2HZ 4637-A	Washer (input shaft nut)—1 21/32" I.D.
1	E2HZ 4537-J	.480" thick	1	7EQH 4637	Washer (output shaft nut)—1 9/32" I.D.
1	E2HZ 4537-K	.481" thick	1	E3HZ 4676-B	Seal assy. (input shaft oil)—#119429—4" O.D.—for 2 15/16" dia. shaft
1	E2HZ 4537-L	.482" thick	1	E3HZ 4676-C	Seal assy. (output shaft oil)—#119431—3 5/8" O.D.—for 2 5/8" dia. shaft
1	E2HZ 4537-M	.483" thick	1	C1TT 4727-A	Cover (power divider diff. lockout)
1	E2HZ 4537-N	.484" thick	4	D8HZ 4A197-A	Lockwasher (power divider diff. lockout cover bolt)—1/4" I.D. x 31/64" O.D. x 3/64" thick
1	E2HZ 4537-P	.485" thick	4	304646-S8(B-42-A)	Bolt (power divider diff. lockout cover)—1/4"—20 x 3/4"
1	E2HZ 4537-R	.486" thick	1	D5HZ 4749-A	Body (power divider diff. lockout shift)
1	E2HZ 4537-S	.487" thick	2	34793-S2(X-67-A)	Lockwasher—7/16"
1	E2HZ 4537-T	.488" thick	2	354136-S8(BB-906)	Bolt (power divider body)—7/16"—14 x 1 1/4"
1	E2HZ 4537-V	.489" thick			
1	E2HZ 4537-W	.490" thick			
1	E2HZ 4537-X	.491" thick			
1	E2HZ 4537-Y	.492" thick			

1980/  
TRUCK SERIES 600/900

QTY.	PART NUMBER	DESCRIPTION	QTY.	PART NUMBER	DESCRIPTION
<b>EATON RT341 REAR AXLE SERVICE PARTS LIST NO. 241</b>					
Notes: % Also serviced in kit-group 4A195 ⊕ Also serviced in kit-group 4237					
	1243	Refer to group 4222 within parts list		4209	Ring gear and pinion kit-includes self-locking nut — Cont'd
	4010	Housing assy.		E3HZ 4209-W	4.56/6.21 ratio
1	★D7HZ 4010-E	#301180-Hendrickson Beam Suspension-1983-r/b D7HZ 4010-X	1	E3HZ 4209-X	4.88/6.65 ratio
1	★D7HZ 4010-X	#303164-Hendrickson Beam Suspension-1983	1	E3HZ 4209-Y	5.29/7.21 ratio
1	★E4HZ 4010-F	#301557-Hendrickson Beam Suspension-1984-"Before 7/84"-r/b E4HZ 4010-AA	1	E3HZ 4209-Z	5.57/7.60 ratio
1	E4HZ 4010-AA	#303321-Hendrickson Beam Suspension-1984/87-"From 7/84"	1	E3HZ 4209-AA	6.14/8.38 ratio
			1	E3HZ 4209-AB	6.50/8.86 ratio
			1	E3HZ 4209-AC	7.17/9.77 ratio
1	374506-S(PP-51)	Plug (drain)-magnetic-3/4"-14		4211	Shaft (pinion)-serviced only in kit-group 4237
	4027	Refer to group 4127 within parts list	8	D6HZ 4216-A	Bolt (differential case)-self-locking-1/2"-13 x 2 3/4"
4	7EQH 4029	Pin (planetary gear)-1 1/2" x 4 5/16"	8	A8TZ 4217-A	Bolt and nut assy. (differential support case)-9/16"-18 x 4 13/64"-1983/86
1	%C3TZ 4040-B	Plate (high speed clutch)-#56931-7 3/4" O.D. x 3/4" thick-16 internal teeth	1	A8TZ 4217-C	Bolt and nut kit (gear support case)-1987
1	A8TZ 4045-A	Fork and roller assy. (diff. shift)-#62720	Consists of		
2	B9TZ 4053-A	Pin (differential shift fork roller)-1 3/64" long x 5 11/16" major O.D. x 15/32" minor O.D.	8-44358	Bolts	8-60599 Nuts
1	%E3HZ 4055-D	Gear (sliding clutch)-#113596-7 21/64" long-16 teeth each end	1	4221	Cone and roller (differential bearing)
1	C8HZ 4062-C	Shift assy. (air)	1	A7TZ 4221-A	R.H.-#497
	4067	Adjuster (differential bearing)	1	7EQH 4221	L.H.-#56425
1	E1HZ 4067-B	R.H.-#110243	1	B6Q 1243-A	R.H.-#493
1	%C3TZ 4067-M	L.H.-#56932	1	7EQH 4222	L.H.-#56650
1	E4HZ 4072-A	Seal assy. (shift fork)-#119851	2	⊕A8TZ 4228-A	Washer (differential side gear thrust)-4 9/16" O.D.
	4127	Case (differential gear support)	1	A8TZ 4228-A	Washer (differential support case)-L.H.-4 9/16" O.D.
1	E1HZ 4127-A	R.H.-11 5/16" O.D.	4	7EQH 4229	Gear (differential planetary)-1 1/2" I.D. x 3 1/16" O.D.
1	7EQH 4027	L.H.-11 1/4" O.D.	4	⊕7EQH 4230	Washer (differential pinion thrust)-1 1/64" I.D. x 2 7/16" O.D.
1	C8TZ 4141-B	Carrier assy. (differential)-#67757	2	E1HZ 4234-C	Shaft assy.
1	74121-S(P-8)	Plug-expansion (shift fork shaft hole)-upper-1 1/4"		4236	Gear (differential side)-serviced only in kit-group 4237
1	★74116-S	Plug-expansion (shift fork shaft hole)-lower-15/16"	1	E1HZ 4237-B	Gear and pinion kit (differential)-involute spline side gears
12	B7TZ 4A142-A	Nut (carrier to housing)-5/8"-18	Consists of		
	4143	Lock (differential bearing adjusting)	1-7EQH 4211	Pinion shaft	4-104139 Pinion gear
1	7EQH 4143	R.H.	2-A8TZ 4228-A	Washer-gear	2-110525 Side gear
1	B6TZ 4143-A	L.H.	4-7EQH 4230	Washer-pinion	
1	%7EQH 4147	Washer (high speed clutch plate thrust)-4 1/4" I.D. x 7 27/32" O.D.		4292	Pinion-serviced only in kit-group 4237
1	E3HZ 4149-B	Shaft assy. (differential shift fork)-includes "O" ring	1	C8TZ 4A309-A	Trap (filler plug)-magnetic-1" x 11 1/2"
4	7EQH 4154	Pin (high speed clutch plate)-2 17/64" long	1	D6HZ 4320-A	Nut (flange to pinion)-self-locking-1 1/2"-18 x 2 1/4"-also serviced in kit-group 4209
2	B6QH 4156-A	Bushing (differential bearing adjuster lock)	2	B8TZ 4322-A	Nut (shift motor housing stud)-7/16"-20
2	371173-S(BB-349)	Bolt (diff. bearing adjuster lock)-5/8"-11 x 2"	8	A8TZ 4322-A	Nut (gear support case bolt)-9/16"-18-cone lock-also serviced in assy.-group 4217
1	B6TZ 4A195-A	Sliding clutch gear kit		4323	Stud (shift fork opening cover)-1983/85-7/16"-20-14 x 1 11/16"
Consists of			1	D3HZ 4323-B	1986/87-7/16"-20-14 x 1 3/4"
1	C3TZ 4040-B	Plate	1	D3HZ 4323-E	1986/87-7/16"-20-14 x 1 3/4"
1	E3HZ 4055-D	Gear	2	44730-S8(X-26)	Lockwasher (shift fork opening cover stud)-7/16"-59/64" O.D. x 1/16" thick-1983/85
	4200	Differential assy.-refer to group in Section 40	2	E4HZ 4B147-A	Washer (shift housing stud)-15/32" I.D. x 15/16" O.D. x 3/32" thick-1986/87
1	C0TT 4204-B	Case assy. (diff.)-incl. (8) 350048-S bolts			
	4209	Ring gear and pinion kit-includes self-locking nut			
1	E3HZ 4209-S	3.70/5.05 ratio			
1	E6HZ 4209-N	3.90/5.31 ratio			
1	E3HZ 4209-T	4.11/5.61 ratio			



**1980/  
TRUCK SERIES 600/900**

QTY.	PART NUMBER	DESCRIPTION	QTY.	PART NUMBER	DESCRIPTION
<b>EATON RT341 REAR AXLE SERVICE PARTS LIST NO. 241 — Cont'd</b>					
Notes: % Also serviced in kit-group 4A195 ⊕ Also serviced in kit-group 4237					
	4323	Stud (carrier to housing)-		4537	Spacer (driving pinion bearing) — Cont'd
11	E0HZ 4323-D	5/8"-11 and 5/8"-18 x 2 11/16"	1	D5HZ 4537-X	.646" thick
1	D3HZ 4323-D	5/8"-11 and 5/8"-18 x 2 7/8"	1	7EQH 4537-J	.647" thick
12	34811-S2(X-71)	Lockwasher (carrier to housing)-5/8"	1	D5HZ 4537-Y	.648" thick
	4536	Shim (driving pinion bearing retainer)	1	D5HZ 4537-Z	.649" thick
AR	E0HZ 4536-A	.003" thick	1	D5HZ 4537-AA	.650" thick
AR	E0HZ 4536-C	.010" thick	1	D5HZ 4537-AB	.651" thick
	4537	Spacer (driving pinion bearing)	1	D5HZ 4537-AC	.652" thick
1	7EQH 4537-A	.623" thick	1	7EQH 4537-L	.653" thick
1	D5HZ 4537-A	.624" thick	1	D5HZ 4537-AD	.654" thick
1	D5HZ 4537-B	.625" thick		★4545	Washer (drive pinion bearing retainer bolt)-Not required
1	D5HZ 4537-C	.626" thick	6	E3HZ 4560-A	Bolt (drive pinion bearing retainer)- 9/16"-12 x 1 1/2"
1	D5HZ 4537-D	.627" thick		4614	Retainer assy. (driving pinion)
1	D5HZ 4537-E	.628" thick	1	D3HZ 4614-A	3.70/5.05 ratio
1	7EQH 4537-C	.629" thick	1	C8TZ 4614-B	3.90/5.31 thru 7.17/9.77 ratios
1	D5HZ 4537-F	.630" thick	2	7EQH 4616	Cup (driving pinion bearing)-#55437
1	D5HZ 4537-G	.631" thick	2	A8TZ 4621-A	Cone and roller (driving pinion)-#55200-C
1	D5HZ 4537-H	.632" thick	1	7EQH 4625	Bearing assy. (driving pinion pilot)- #MUS1307-TM, #15828
1	D5HZ 4537-J	.633" thick	1	C6TZ 4637-A	Washer (driving pinion)- 1 17/32" I.D. x 2 5/8" O.D. x 1/16" thick
1	D5HZ 4537-K	.634" thick	1	E3HZ 4676-A	Seal and retainer assy. (drive pinion oil)- includes integral seal and retainer #119427-4 9/16" O.D.-for 2 5/8" dia. shaft
1	7EQH 4537-E	.635" thick		4851	Flange assy. (universal joint)-axle end
1	D5HZ 4537-L	.636" thick	1	E2HZ 4851-A	1610 size
1	D5HZ 4537-M	.637" thick	1	E2HZ 4851-B	1710 size
1	D5HZ 4537-N	.638" thick			
1	D5HZ 4537-P	.639" thick			
1	D5HZ 4537-R	.640" thick			
1	7EQH 4537-G	.641" thick			
1	D5HZ 4537-S	.642" thick			
1	D5HZ 4537-T	.643" thick			
1	D5HZ 4537-V	.644" thick			
1	D5HZ 4537-W	.645" thick			
<b>EATON DP381-DP402 REAR AXLE SERVICE PARTS LIST NO. 242</b>					
Notes: % Also serviced in kit-group 4A195 ⊕ Also serviced in kit-group 4237					
◆ Also serviced in kit-group 4215 ± 16" Ring gear ▲ 16 1/2" Ring gear					
	1243	Refer to group 4222 within parts list		4A140	Bolt (power divider cover)
	4027	Refer to group 4127 within parts list	5	E0HZ 4A140-A	Short-9/16"-12 x 1 3/4"
4	7EQH 4029	Pin (planetary gear)-1 1/2" x 4 5/16"	4	E1HZ 4A140-A	Long-9/16"-12 x 2 1/2"
1	E2HZ 4033-A	Cover assy. (housing)-incl. 4A309 fill plug, 4475 bearing, 4676 seal, 371365-S snap ring and 87675-S hole plug	9	34810-S7-8(X-69)	Lockwasher-9/16"
	87675-S(P-17)	Plug (housing cover)-1/2"-14		4A142	Nut
1	%C3TZ 4040-B	Plate (high speed clutch)-#56931- 7 3/4" O.D. x 3/4" thick-16 internal teeth	11	B7TZ 4A142-A	Carrier to housing-5/8"-18
1	A8TZ 4045-A	Fork and roller assy. (diff. shift)-#62720	11	CITZ 4A142-A	Cover to housing-7/16"-20
1	★59T 4052-M	Cover (diff. carrier shift fork opening)		4143	Lock (differential bearing adjuster)
2	357450-S(BB-172)	Bolt (cover retaining)-7/16-14 x 7/8"	1	B6TZ 4143-A	R.H.
2	34793-S2(X-67-A)	Washer (cover retaining bolt)-7/16"	1	7EQH 4143	L.H.
1	%E3HZ 4055-E	Sun gear-#113598	1	%7EQH 4147	Washer (high speed clutch plate thrust)- 4 1/4" I.D. x 7 27/32" O.D.
	4067	Adjuster (differential bearing)	1	E3HZ 4149-B	Shaft assy. (differential shift fork)- includes "O" ring
1	%C3TZ 4067-M	R.H.-#56932	4	7EQH 4154	Pin (high speed clutch plate)-2 17/64" long
1	E1HZ 4067-B	L.H.-#110243	2	B6QH 4156-A	Bushing (differential bearing adjuster lock)
	4127	Case (differential gear support)	2	371173-S(BB-349)	Bolt (diff. bearing adjuster lock)- 5/8"-11 x 2"
1	7EQH 4027	R.H.-11 1/4" O.D.	1	B6TZ 4A195-B	Sun gear kit
1	E1HZ 4127-A	L.H.-11 5/16" O.D.		Consists of	
			1-C3TZ 4040-B	Plate	1-C3TZ 4067-M Adjuster
			1-E3HZ 4055-E	Gear	1-7EQH 4147 Washer

1980/  
TRUCK SERIES 600/900

QTY.	PART NUMBER	DESCRIPTION	QTY.	PART NUMBER	DESCRIPTION
EATON DP381-DP402 REAR AXLE SERVICE PARTS LIST NO. 242 — Cont'd					
Notes: % Also serviced in kit-group 4A195 ⊕ Also serviced in kit-group 4237					
◆ Also serviced in kit-group 4215 ‡ 16" Ring gear † 16 1/2" Ring gear					
1	COTT 4204-B	Case assy. (diff.)-incl. (8) 350048-S bolts	1	374506-S(PP-51)	Plug (drain)-magnetic-3/4"-14
	4211	Shaft (pinion)-serviced only in kit-group 4237		4320	Locknut-also serviced in kits-groups 4446, 4471
1	D5HZ 4215-B	Kit (power divider differential repair)	1	D2HZ 4320-B	Flange to input shaft-1 5/8"-18 x 2 1/2"
Consists of			1	D5HZ 4320-A	Flange to output shaft-1 1/4"-12 x 1 3/4"
4	D2HZ 4230-A	Washer 4-95215 Bushing	1	D2HZ 4320-B	Locknut (drive pinion)-1 5/8"-18 x 2 1/2"-use on vehicles w/solid pinion shaft
4	95214	Side pinion 1-95216 Spider			
8	D2HZ 4216-B	Bolt (differential case)-power divider-5/16"-24 x 2 1/2"-also serviced in kit-group 4404	1	E2HZ 4320-A	Slotted nut (drive pinion)-1 5/8"-18 x 2 1/2"-use on vehicles w/hole in pinion shaft-also serviced in kit-group 4309
8	33923-S7(M-32)	Nut (power divider diff. case bolt)-5/16"-24			
8	D6HZ 4216-A	Bolt (differential case)-self-locking-1/2"-13 x 2 3/4"-also serviced in assy.-group 4204	1	E2HZ 4N320-A	Pin (drive pinion nut)-17/64" O.D. x 2 1/2" long-use on vehicles w/hole in pinion shaft-also serviced in kit-group 4309
8	A8TZ 4217-A	Bolt and nut assy. (differential support case)-9/16"-18 x 4 13/64"-1983/86	8	A8TZ 4322-A	Nut (gear support case bolt)-9/16"-18-cone lok-also serviced in assy.-group 4217
1	A8TZ 4217-C	Bolt and nut kit (gear support case)-1987	11	E0HZ 4323-D	Stud (carrier to housing)-5/8"-11 and 5/8"-18 x 2 11/16"
Consists of					
8	44358	Bolts 8-60599 Nuts	1	E1HZ 4323-A	Bolt (carrier to housing)-5/8"-11 x 1 3/8"
	4221	Cone and roller (differential bearing)	12	34811-S2(X-71)	Lockwasher (carrier to housing)-5/8"
1	7EQH 4221	R.H.-#56425	1	C1TT 4334-A	Seal (shift housing cover)
1	A7TZ 4221-A	L.H.-#497	1	B8QH 4337-A	Retainer (sungear)
	4222	Cup (differential bearing)	1	E3HZ 4341-A	Carrier assy. (differential)
1	7EQH 4222	R.H.-#56650	1	358048-S(PP-43)	Plug (filler)-3/4"-14
1	B6Q 1243-A	L.H.-#493	1	74121-S(P-8)	Plug-expansion (upper shift fork shaft hole)
2	⊕A8TZ 4228-A	Washer (differential side gear thrust)-4 9/16" O.D.	1	★74116-S	Plug-expansion (lower shift fork shaft hole)
1	A8TZ 4228-A	Washer (differential support case)-4 9/16" O.D.	1	C1TT 4344-A	Seal (shift fork)
1	D2HZ 4228-A	Washer (power divider input shaft thrust)-2 11/32" I.D. x 3 5/8" O.D.	1	E2HZ 4345-A	Washer (power divider shift fork) push rod-air
4	7EQH 4229	Gear (differential planetary)-1 1/2" I.D. x 3 1/16" O.D.	1	33800-S8(M-63)	Nut (power divider shift fork push rod)-3/8"-24
	4230	Washer (pinion thrust)	11	C1TZ 4346-A	Stud (cover to housing)-7/16"-14 and 7/16"-20 x 2"
4	⊕7EQH 4230	Diff.-1 1/64" I.D. x 2 7/16" O.D.	1	E1HZ 4346-A	Bolt (cover to housing)-7/16"-14 x 3"
4	◆D2HZ 4230-A	Power divider-1" I.D. x 2 1/32" O.D.	12	34793-S2(X-67-A)	Lockwasher (cover to housing)-7/16"
2	E1HZ 4234-D	Shaft assy.		4351	Flange assy. (universal joint)-power divider input
	4236	Gear (differential side)-serviced only in kit-group 4237	1	E3HZ 4351-B	1610 size
1	E1HZ 4237-C	Gear and pinion kit (differential)-involute spline side gear	1	E2HZ 4351-A	1760 size
Consists of			1	E2HZ 4351-B	1810 size
1	7EQH 4211	Pinion shaft 4-104139 Pinion gear	5	★D3HZ 4398-A	Bolt (power divider input shaft bearing retainer)-1/2"-13 x 1 5/8"-1983-"Before 1/83"-r/b E3HZ 4398-A
2	A8TZ 4228-A	Washer-gear 2-110527 Side gear			
4	7EQH 4230	Washer-pinion	5	34809-S8(X-68)	Lockwasher (power divider input shaft bearing retainer bolt)-1/2"-1983-"Before 1/83"
	4292	Pinion-serviced only in kit-group 4237			
	4300	Differential assy.-refer to group in Section 40	5	E3HZ 4398-A	Bolt (power divider input shaft bearing retainer)-1/2"-13 x 1 1/2"-1983/87-"From 1/83"
	4309	Ring gear and pinion kit-includes slotted nut and pin		★	Lockwasher (power divider input shaft bearing retainer bolt)-1983/87-"From 1/83"-Not required
1	‡E3HZ 4309-N	5.05 ratio	1	D2HZ 4404-A	Kit (power divider differential case)
1	‡E3HZ 4309-P	5.61 ratio	Consists of		
1	C8TZ 4A309-A	Trap (filler plug)-magnetic-1" x 1 1/2"	8	57637	Nut 8-D2HZ 4216-B Bolt
	4310	Housing assy.	2	102621	Case
1	★E3HZ 4310-D	#301500-Hendrickson Beam Suspension-1983/84-"Before 7/84" r/b E4HZ 4310-M		4414	Retainer assy. (drive pinion bearing)
1	E4HZ 4310-M	#303225-Hendrickson Beam Suspension-1984/87-"From 7/84"	1	E2HZ 4414-A	5.05 ratio-#110731
			1	E2HZ 4414-B	5.61 ratio-#110733

**1980/  
TRUCK SERIES 600/900**

QTY.	PART NUMBER	DESCRIPTION	QTY.	PART NUMBER	DESCRIPTION
<b>EATON DP381-DP402 REAR AXLE SERVICE PARTS LIST NO. 242 — Cont'd</b>					
Notes: % Also serviced in kit-group 4A195 ⊕ Also serviced in kit-group 4237					
♦ Also serviced in kit-group 4215 ‡ 16" Ring gear ▲ 16 1/2" Ring gear					
1	E2HZ 4423-A	Cone and roller (power divider input shaft)-#JH3979		4537	Spacer (driving pinion bearing) — Cont'd
1	B8QH 4428-B	Cover (power divider)	1	E2HZ 4537-G	.478" thick
1	E2HZ 4431-A	Retainer assy. (power divider input shaft bearing)-includes cup and seal	1	E2HZ 4537-H	.479" thick
			1	E2HZ 4537-J	.480" thick
1	E2HZ 4433-A	Gear (power divider output shaft cluster)	1	E2HZ 4537-K	.481" thick
1	E2HZ 4434-A	Gear assy. (power divider input shaft cluster)-includes D2HZ 4437-A bushing	1	E2HZ 4537-L	.482" thick
	4436	Shim (input shaft bearing retainer)	1	E2HZ 4537-M	.483" thick
AR	B8QH 4436-A	.003" thick	1	E2HZ 4537-N	.484" thick
AR	B8TZ 4436-B	.005" thick	1	E2HZ 4537-P	.485" thick
2	D2HZ 4437-A	Bushing (power divider cluster gear)- 2 5/16" I.D. x 2 1/2" O.D. x 1 7/32"- also serviced in assy.-group 4434	1	E2HZ 4537-R	.486" thick
1	E2HZ 4442-A	Gear (drive pinion transfer)	1	E2HZ 4537-S	.487" thick
1	E2HZ 4446-A	Shaft kit (power divider input)	1	E2HZ 4537-T	.488" thick
Consists of					
1	D2HZ 4320-B	Locknut	1	1-109069	Tag
1	B8QH 4454-A	Washer	1	1-110823	Shaft
1	C1TT 4450-A	Fork (power divider lockout shift)	1	E2HZ 4537-AA	.494" thick
1	B8QH 4454-A	Washer (power divider input shaft)- also serviced in kit-group 4446	1	E2HZ 4537-AB	.495" thick
1	C1TT 4454-A	Bushing (output shaft)-1 3/8" I.D. x 1 1/2" O.D. x 1 1/2"	1	E2HZ 4537-AC	.496" thick
1	B8QH 4455-A	Clutch (power divider input shaft sliding)- 18 teeth-20 splines	1	E2HZ 4537-AD	.497" thick
1	C1TT 4458-A	Spring (power divider shift lever return)	1	E2HZ 4537-AE	.498" thick
	4465	Flange assy. (output shaft)	1	E2HZ 4537-AF	.499" thick
1	E2HZ 4465-A	1610 size	1	E2HZ 4537-AG	.500" thick
1	E2HZ 4465-B	1710 size	1	E2HZ 4537-AH	.501" thick
1	E2HZ 4470-A	Bearing assy. (power divider output shaft front)-includes cup #29620, cone #29675	1	E2HZ 4537-AJ	.502" thick
1	E2HZ 4471-A	Shaft kit (power divider output)	1	E2HZ 4537-AK	.503" thick
Consists of					
1	D5HZ 4320-A	Locknut	1	1-110819	Shaft & bushing
1	1-109067	Tag			
1	B8QH 4475-A	Bearing (power divider output shaft rear)	6	E0HZ 4545-A	Washer (drive pinion bearing retainer bolt)-9/16"
1	371365-S(QQ-14)	Snap ring (output shaft bearing)- 3 1/64" I.D. x 3 31/64" O.D. x 1/16" thick	2	D8HZ 4550-A	Oiler (power divider lockout shift piston)-felt-1 3/4" I.D. x 1/4" thick
2	B8QH 4476-B	"O" ring (power divider output shaft)	6	E0HZ 4560-A	Bolt (drive pinion bearing retainer)- 9/16"-12 x 1 1/2"
	4536	Shim (driving pinion bearing retainer)		4567	Snap ring (retainer)
AR	B8QH 4536-V	.003" thick	1	D2HZ 4567-B	Input shaft
AR	B8QH 4536-W	.010" thick	1	D2HZ 4567-C	Output shaft
AR	B8QH 4536-X	.030" thick	1	D8HZ 4593-C	"O" ring (power divider oil pump shaft)- 1 7/8" I.D. x 2" O.D. x 1/16" thick
	4537	Spacer (driving pinion bearing)	1	B8QH 4616	Cup (driving pinion bearing)
1	E2HZ 4537-A	.472" thick	1	B8QH 4616-A	Inner-#72487
1	E2HZ 4537-B	.473" thick	1	B8QH 4616-C	Outer-#HM807010
1	E2HZ 4537-C	.474" thick	1	E2HZ 4616-A	Cup (input shaft bearing)-#JH511910
1	E2HZ 4537-D	.475" thick		4621	Cone and roller assy. (drive pinion bearing)
1	E2HZ 4537-E	.476" thick	1	D2HZ 4621-A	Inner-#72218-C
1	E2HZ 4537-F	.477" thick	1	E2HZ 4621-A	Outer-#HM807049
			1	C1TT 4623-A	Piston (power divider lockout shift)
			1	7EQH 4625	Bearing assy. (driving pinion pilot)- #15828 or MUS1307-TM
			1	D2HZ 4637-A	Washer (input shaft nut)-1 21/32" I.D.

1980/  
TRUCK SERIES 600/900

QTY.	PART NUMBER	DESCRIPTION	QTY.	PART NUMBER	DESCRIPTION
EATON DP381-DP402 REAR AXLE SERVICE PARTS LIST NO. 242 — Cont'd					
Notes: % Also serviced in kit-group 4A195 ⊕ Also serviced in kit-group 4237					
◆ Also serviced in kit-group 4215 ± 16" Ring gear Δ 16 1/2" Ring gear					
1	7EQH 4637	Washer (output shaft nut)-1 9/32" I.D.	1	C1TT 4727-A	Cover (power divider diff. lockout)
1	E3HZ 4676-B	Seal assy. (input shaft oil)- #119429-4" O.D.-for 2 15/16" dia. shaft	4	D8HZ 4A197-A	Lockwasher (power divider diff. lockout cover bolt)-1/4" I.D. x 31/64" O.D. x 3/64" thick
1	E3HZ 4676-C	Seal assy. (output shaft oil) #119431-3 5/8" O.D.-for 2 5/8" dia. shaft	4	304646-S8(B-42-A)	Bolt (power divider diff. lockout cover)- 1/4"-20 x 3/4"
			1	D5HZ 4749-A	Body (power divider diff. lockout shift)
			2	34793-S2(X-67-A)	Lockwasher-7/16"
			2	354136-S8(BB-906)	Bolt (power divider body) 7/16"-14 x 1 1/4"
EATON RP381-RP402 REAR AXLE SERVICE PARTS LIST NO. 243					
Notes: % Also serviced in kit-group 4A195 ⊕ Also serviced in kit-group 4237					
± 16" Ring gear Δ 16 1/2" Ring gear					
	1243	Refer to group 4222 within parts list		4209	Ring gear and pinion kit-includes self-locking nut
	4010	Housing assy.		4209-S	5.05 ratio
1	★E3HZ 4010-C	#301501-Hendrickson Beam Suspension- 1983/84-"Before 7/84"-r/b E4HZ 4010-AC	1	Δ E3HZ 4209-T	5.61 ratio
1	E4HZ 4010-AC	#303226-Hendrickson Beam Suspension- 1984/87-"From 7/84"		4211	Shaft (pinion)-serviced only in kit- group 4237
1	374506-S(PP-51)	Plug (drain)-magnetic-3/4"-14	8	D6HZ 4216-A	Bolt (differential case)-self-locking- 1/2"-13 x 2 3/4"
	4027	Refer to group 4127 within parts list		A8TZ 4217-A	Bolt and nut assy. (differential support case)-9/16"-18 x 4 13/64"-1983/86
4	7EQH 4029	Pin (planetary gear)-1 1/2" x 4 5/16"	1	A8TZ 4217-C	Bolt and nut kit (gear support case)-1987
1	%C3TZ 4040-B	Plate (high speed clutch)-#56931- 7 3/4" O.D. x 3/4" thick-16 internal teeth	Consists of		
1	★59T 4052-M	Cover (diff. carrier shift fork opening)	8-44358	Bolts	8-60599 Nuts
2	357450-S(BB-172)	Bolt (cover retaining)-7/16"-14 x 7/8"		4221	Cone and roller (differential bearing)
2	34793-S2(X-67-A)	Washer (cover retaining bolt)-7/16"	1	A7TZ 4221-A	R.H.-#497
1	%E3HZ 4055-E	Sun gear-#113598	1	7EQH 4221	L.H.-#56425
	4067	Adjuster (differential bearing)		4222	Cup (differential bearing)
1	E1HZ 4067-B	R.H.-#110243	1	B6Q 1243-A	R.H.-#493
1	%C3TZ 4067-M	L.H.-#56932	1	7EQH 4222	L.H.-#56650
	4127	Case (differential gear support)		⊕A8TZ 4228-A	Washer (differential side gear thrust)- 4 9/16" O.D.
1	E1HZ 4127-A	R.H.-11 5/16" O.D.	1	A8TZ 4228-A	Washer (differential support case)-L.H.- 4 9/16" O.D.
1	7EQH 4027	L.H. 11 1/4" O.D.	4	7EQH 4229	Gear (differential planetary)- 1 1/2" I.D. x 3 1/16" O.D.
1	C8TZ 4141-B	Carrier assy. (differential)-#67759	4	⊕7EQH 4230	Washer (differential pinion thrust)- 1 1/64" I.D. x 2 7/16" O.D.
1	74121-S(P-8)	Plug-expansion (shift fork shaft hole)- upper-1 1/4"	2	E1HZ 4234-D	Shaft assy.
1	★74116-S	Plug-expansion (shift fork shaft hole)- lower-15/16"		4236	Gear (differential side)-serviced only in kit-group 4237
12	B7TZ 4A142-A	Nut (carrier to housing)-5/8"-18	1	E1HZ 4237-C	Gear and pinion kit (differential)- involute spline side gear
	4143	Lock (differential bearing adjusting)	Consists of		
1	7EQH 4143	R.H.	1-7EQH 4211	Pinion shaft	4-104139 Pinion gear
1	B6TZ 4143-A	L.H.	2-A8TZ 4228-A	Washer-gear	2-110527 Side gear
1	%7EQH 4147	Washer (high speed clutch plate thrust)- 4 1/4" I.D. x 7 27/32" O.D.	4-7EQH 4230	Washer-pinion	
4	7EQH 4154	Pin (high speed clutch plate)-2 17/64" long		4292	Pinion serviced only in kit-group 4237
2	B6QH 4156-A	Bushing (differential bearing adjuster lock)	1	C8TZ 4A309-A	Trap (filler plug)-magnetic-1" x 1 1/2"
2	371173-S(BB-349)	Bolt (diff. bearing adjuster lock)- 5/8"-11 x 2"	1	D6HZ 4320-A	Nut (flange to pinion)-self-locking- 1 1/2"-18 x 2 1/4"-also serviced in kit- group 4209
1	B6TZ 4A195-B	Sun gear kit	8	A8TZ 4322-A	Nut (gear support case bolt)-9/16"-18- cone lok-also serviced in assy.- group 4217
Consists of					
1-C3TZ 4040-B	Plate	1-C3TZ 4067-M	Adjuster		
1-E3HZ 4055-E	Gear	1-7EQH 4147	Washer		
	4200	Differential assy. refer to group in Section 40			
1	COTT 4204-B	Case assy. (diff.)-incl. (8) 350048-S bolts			
				4323	Stud (carrier to housing)
			11	E0HZ 4323-D	5/8"-11 and 5/8"-18 x 2 11/16"
			1	D3HZ 4323-D	5/8"-11 and 5/8"-18 x 2 7/8"

1980/  
TRUCK SERIES 600/900

QTY.	PART NUMBER	DESCRIPTION	QTY.	PART NUMBER	DESCRIPTION
<b>EATON RP381-RP402 REAR AXLE SERVICE PARTS LIST NO. 243 — Cont'd</b>					
Notes: % Also serviced in kit-group 4A195 ⊕ Also serviced in kit-group 4237 ± 16" Ring gear ≠ 16 1/2" Ring gear					
12	34811-S2(X-71)	Lockwasher (carrier to housing)-5/8"		4537	Spacer (driving pinion bearing) — Cont'd
1	B8QH 4337-A	Retainer (sun gear)	1	7EQH 4537-J	.647" thick
	4536	Shim (driving pinion bearing retainer)	1	D5HZ 4537-Y	.648" thick
AR	E0HZ 4536-A	.003" thick	1	D5HZ 4537-Z	.649" thick
AR	E0HZ 4536-C	.010" thick	1	D5HZ 4537-AA	.650" thick
	4537	Spacer (driving pinion bearing)	1	D5HZ 4537-AB	.651" thick
1	7EQH 4537-A	.623" thick	1	D5HZ 4537-AC	.652" thick
1	D5HZ 4537-A	.624" thick	1	7EQH 4537-L	.653" thick
1	D5HZ 4537-B	.625" thick	1	D5HZ 4537-AD	.654" thick
1	D5HZ 4537-C	.626" thick	6	E0HZ 4545-A	Washer (drive pinion bearing retainer bolt)-9/16"
1	D5HZ 4537-D	.627" thick	6	★C1TT 4560-B	Bolt (drive pinion bearing retainer) 9/16"-12 x 1 5/8"
1	D5HZ 4537-E	.628" thick		4614	Retainer assy. (driving pinion)
1	7EQH 4537-C	.629" thick	1	D3HZ 4614-A	#75108-5.05 ratio
1	D5HZ 4537-F	.630" thick	1	C8TZ 4614-B	#67817-5.61 ratio
1	D5HZ 4537-G	.631" thick	2	7EQH 4616	Cup (driving pinion bearing)-#55437
1	D5HZ 4537-H	.632" thick	2	A8TZ 4621-A	Cone and roller (driving pinion)-#55200-C
1	D5HZ 4537-J	.633" thick	1	7EQH 4625	Bearing assy. (driving pinion pilot)-#MUS1307-TM, #15828
1	D5HZ 4537-K	.634" thick	1	C6TZ 4637-A	Washer (driving pinion)-1 17/32" I.D. x 2 5/8" O.D. x 1/16" thick
1	7EQH 4537-E	.635" thick	1	E3HZ 4676-A	Seal and retainer assy. (drive pinion oil)-includes integral seal and retainer #119427-4 9/16" O.D.-for 2 5/8" dia. shaft
1	D5HZ 4537-L	.636" thick		4851	Flange assy. (universal joint)-axle end
1	D5HZ 4537-M	.637" thick	1	E2HZ 4851-A	1610 size
1	D5HZ 4537-N	.638" thick	1	E2HZ 4851-B	1710 size
1	D5HZ 4537-R	.640" thick			
1	7EQH 4537-G	.641" thick			
1	D5HZ 4537-S	.642" thick			
1	D5HZ 4537-T	.643" thick			
1	D5HZ 4537-V	.644" thick			
1	D5HZ 4537-W	.645" thick			
1	D5HZ 4537-X	.646" thick			
<b>EATON DT401-P REAR AXLE SERVICE PARTS LIST NO. 244</b>					
Notes: % Also serviced in kit-group 4A195 ⊕ Also serviced in kit-group 4237 ◆ Also serviced in kit-group 4215					
	1243	Refer to group 4222 within parts list		4A140	Bolt (power divider cover)
	4027	Refer to group 4127 within parts list	4	E0HZ 4A140-A	Short-9/16"-12 x 1 3/4"
4	7EQH 4029	Pin (planetary gear)-1 1/2" x 4 5/16"	4	E1HZ 4A140-A	Long-9/16"-12 x 2 1/2"
1	E2HZ 4033-A	Cover assy. (housing)-incl. 4A309 fill plug, 4475 bearing, 4676 seal, 371365-S snap ring and 87675-S hole plug	1	D8HZ 4A140-B	Special head-9/16"-12 x 1 3/4"
1	87675-S(P-17)	Plug (housing cover)-1/2"-14	9	34810-S7-8(X-69)	Lockwasher-9/16"
1	%C3TZ 4040-B	Plate (high speed clutch)-#56931 7 3/4" O.D. x 3/4" thick-16 internal teeth		4A142	Nut
1	A8TZ 4045-A	Fork and roller assy. (diff. shift)-#62720	11	B7TZ 4A142-A	Carrier to housing-5/8"-18
2	B9TZ 4053-A	Pin (differential shift fork roller)-1 3/64" long x 5 11/16" major O.D. x 15/32" minor O.D.	11	C1TZ 4A142-A	Cover to housing-7/16"-20
1	%E3HZ 4055-D	Gear (sliding clutch)-#113596-7 21/64" long-16 teeth each end	1	4143	Lock (differential bearing adjuster) R.H.
1	C8HZ 4062-B	Shift assy. (axle)-piston type air	1	B6TZ 4143-A	L.H.
	4067	Adjuster (differential bearing)	1	7EQH 4143	
1	%C3TZ 4067-M	R.H.-#56932	1	%7EQH 4147	Washer (high speed clutch plate thrust)-4 1/4" I.D. x 7 27/32" O.D.
1	E1HZ 4067-B	L.H.-#110243	1	E3HZ 4149-B	Shaft assy. (differential shift fork)-includes "O" ring
1	E4HZ 4072-A	Seal assy. (shift fork)-#119851	4	7EQH 4154	Pin (high speed clutch plate)-2 17/64" long
	4127	Case (differential gear support)	2	B6QH 4156-A	Bushing (differential bearing adjuster lock)
1	7EQH 4027	R.H.-11 1/4" O.D.	2	371173-S(BB-349)	Bolt (diff. bearing adjuster lock)-5/8"-11 x 2"
1	E1HZ 4127-A	L.H.-11 5/16" O.D.	1	E1HZ 4A192-A	Stop (power divider lockout shift piston) 1 7/16" I.D. x 9/64" thick-1 3/4" across flats

1980/  
TRUCK SERIES 600/900

QTY.	PART NUMBER	DESCRIPTION	QTY.	PART NUMBER	DESCRIPTION	
<b>EATON DT401-P REAR AXLE SERVICE PARTS LIST NO. 244 — Cont'd</b>						
Notes: % Also serviced in kit-group 4A195 ⊕ Also serviced in kit-group 4237						
◆ Also serviced in kit-group 4215						
1	B6TZ 4A195-A	Sliding clutch gear kit	1	374506-S(PP-51)	Plug (drain)-magnetic-3/4"-14	
Consists of				4320	Locknut-also serviced in kits-groups 4446, 4471	
	1-C3TZ 4040-B	Plate		1-C3TZ 4067-M	Adjuster	
	1-E3HZ 4055-D	Gear		1-7EQH 4147	Washer	
1	C0TT 4204-B	Case assy. (diff.)-incl. (8) 350048-S bolts	1	D2HZ 4320-B	Flange to input shaft-1 5/8"-18 x 2 1/2"	
	4211	Shaft (pinion)-serviced only in kit-group 4237	1	D5HZ 4320-A	Flange to output shaft-1 1/4"-12 x 1 3/4"	
1	D5HZ 4215-B	Kit (power divider differential repair)	1	D2HZ 4320-B	Locknut (drive pinion)-1 5/8"-18 x 2 1/2"-use on vehicles w/solid pinion shaft	
Consists of				1	E2HZ 4320-A	Slotted nut (drive pinion) 1 5/8"-18 x 2 1/2"-use on vehicles w/hole in pinion shaft-also serviced in kit-group 4309
	4-D2HZ 4230-A	Washer		4-95215	Bushing	
	4-95214	Side pinion		1-95216	Spider	
8	D2HZ 4216-B	Bolt (differential case)-power divider-5/16"-24 x 2 1/2"-also serviced in kit-group 4404	1	E2HZ 4N320-A	Pin (drive pinion nut)-17/64" O.D. x 2 1/2" long-use on vehicles w/hole in pinion shaft-also serviced in kit-group 4309	
8	33923-S7(M-32)	Nut (power divider diff. case bolt)-5/16"-24	2	B8TZ 4322-A	Nut (shift motor housing stud)-7/16"-20	
8	D6HZ 4216-A	Bolt (differential case)-self-locking-1/2"-13 x 2 3/4"-also serviced in assy.-group 4204	1	B8TZ 4322-A	Nut (oil pump drive gear)-7/16"-20-also serviced in kit-group 4A581	
8	A8TZ 4217-A	Bolt and nut assy. (differential support case)-9/16"-18 x 4 13/64"-1983/85	8	A8TZ 4322-A	Nut (gear support case bolt)-9/16"-18-cone lok-also serviced in assy.-group 4217	
1	A8TZ 4217-C	Bolt and nut kit (gear support case)-1986	2	D3HZ 4323-B	Stud (shift fork opening cover)-7/16"-20-14 x 1 11/16"	
Consists of				2	44730-S8(X-26)	Lockwasher (shift fork opening cover stud)-7/16"-59/64" O.D. x 1/16" thick
	8-44358	Bolts		8-60599	Nuts	
	4221	Cone and roller (differential bearings)		11	E0HZ 4323-D	Stud (carrier to housing)-5/8"-11 and 5/8"-18 x 2 11/16"
1	7EQH 4221	R.H.-#56425		1	E1HZ 4323-A	Bolt (carrier to housing)-5/8"-11 x 1 3/8"
1	A7TZ 4221-A	L.H.-#497		12	34811-S2(X-71)	Lockwasher (carrier to housing)-5/8"
	4222	Cup (differential bearing)		1	C1TT 4334-A	Seal (shift housing cover)
1	7EQH 4222	R.H.-#56650		1	E3HZ 4341-A	Carrier assy. (differential)
1	B6Q 1243-A	L.H.-#493		1	358048-S(PP-43)	Plug (filler)-3/4"-14
2	⊕A8TZ 4228-A	Washer (differential side gear thrust)-4 9/16" O.D.		1	74121-S(P-8)	Plug-expansion (upper shift fork shaft hole)
1	A8TZ 4228-A	Washer (differential support case)-L.H.-4 9/16" O.D.		1	★74116-S	Plug-expansion (lower shift fork shaft hole)
1	D2HZ 4228-A	Washer (power divider input shaft thrust)-2 11/32" I.D. x 3 5/8" O.D.		1	C1TT 4344-A	Seal (shift fork)
4	7EQH 4229	Gear (differential planetary)-1 1/2" I.D. x 3 1/16" O.D.		1	E2HZ 4345-A	Washer (power divider shift fork push rod)-air
	4230	Washer (pinion thrust)		1	33800-S8(M-63)	Nut (power divider shift fork push rod)-3/8"-24
4	⊕7EQH 4230	Diff.-1 1/64" I.D. x 2 7/16" O.D.		11	C1TZ 4346-A	Stud (cover to housing)-7/16"-14 and 7/16"-20 x 2"
4	◆D2HZ 4230-A	Power divider-1" I.D. x 2 1/32" O.D.		1	E1HZ 4346-A	Bolt (cover to housing)-7/16"-14 x 3"
2	E1HZ 4234-A	Shaft assy.		12	34793-S2(X-67-A)	Lockwasher (cover to housing)-7/16"
	4236	Gear (differential side)-serviced only in kit-group 4237			4351	Flange assy. (w/joint)-power divider input
1	D2HZ 4237-A	Gear and pinion kit (differential)		1	E2HZ 4351-A	1760 size
Consists of				1	E2HZ 4351-B	1810 size
	1-7EQH 4211	Shaft		2-D2HZ 4236-A	Side gear	
	2-A8TZ 4228-A	Washer-gear		4-104139	Pinion gear	
	4-7EQH 4230	Washer-pinion				
	4292	Pinion-serviced only in kit-group 4237		5	★D3HZ 4398-A	Bolt (power divider input shaft bearing retainer)-1/2"-13 x 1 5/8"-1983-"Before 1/83" bearing retainer bolt)-1/2"-1983-"Before 1/83"-r/b E3HZ 4398-A
	4300	Differential assy. refer to group in Section 40		5	34809-S8(X-68)	Lockwasher-1/2" 1983-"Before 1/83"
	4309	Ring gear and pinion kit-includes slotted nut and pin		5	E3HZ 4398-A	Bolt (power divider input shaft bearing retainer)-1/2"-13 x 1 1/2"-1983/86-"From 1/83"
1	E3HZ 4309-P	4.11/5.61 ratio			★	Lockwasher (power divider input shaft bearing retainer bolt)-1983/86-"From 1/83"-Not required
1	E3HZ 4309-R	4.33/5.91 ratio				
1	E3HZ 4309-S	4.56/6.21 ratio				
1	C8TZ 4A309-A	Trap (filler plug)-magnetic-1" x 1 1/2"				
	4310	Housing assy.				
1	E3HZ 4310-A	#301504-Hendrickson Suspension				
1	E3HZ 4310-B	#100780-Reyco Suspension				

1980/  
TRUCK SERIES 600/900

QTY.	PART NUMBER	DESCRIPTION	QTY.	PART NUMBER	DESCRIPTION
<b>EATON DT401-P REAR AXLE SERVICE PARTS LIST NO. 244 — Cont'd</b>					
Notes: % Also serviced in kit-group 4A195 ⊕ Also serviced in kit-group 4237					
♦ Also serviced in kit-group 4215					
1	D2HZ 4404-A	Kit (power divider differential case)		4537	Spacer (driving pinion bearing)
Consists of			1	E2HZ 4537-A	.472" thick
8	D2HZ 4216-B Bolt	2-102621 Case	1	E2HZ 4537-B	.473" thick
8	57637 Nut		1	E2HZ 4537-C	.474" thick
1	E2HZ 4414-B	Retainer assy. (drive pinion bearing)- 4.11 thru 4.56 ratios-# 110733	1	E2HZ 4537-D	.475" thick
1	E0HZ 4A420-A	Filter assy. (power divider oil)	1	E2HZ 4537-E	.476" thick
1	E2HZ 4423-A	Cone and roller (power divider input shaft)- # JH3979	1	E2HZ 4537-F	.477" thick
1	E1HZ 4428-A	Cover (power divider)	1	E2HZ 4537-G	.478" thick
1	358048-S(PP-43)	Plug (power divider cover)-3/4"-14	1	E2HZ 4537-H	.479" thick
1	★ 74116-S	Plug-expansion	1	E2HZ 4537-J	.480" thick
1	E3HZ 4431-A	Retainer assy. (power divider input shaft) bearing)-includes cup and seal	1	E2HZ 4537-K	.481" thick
1	E2HZ 4433-A	Gear (power divider output shaft cluster)	1	E2HZ 4537-L	.482" thick
1	E2HZ 4434-A	Gear assy. (power divider input shaft cluster)-includes D2HZ 4437-A bushing	1	E2HZ 4537-M	.483" thick
	4436	Shim (input shaft bearing retainer)	1	E2HZ 4537-N	.484" thick
AR	B8QH 4436-A	.003" thick	1	E2HZ 4537-P	.485" thick
AR	B8TZ 4436-B	.005" thick	1	E2HZ 4537-R	.486" thick
2	D2HZ 4437-A	Bushing (power divider cluster gear)- 2 5/16" I.D. x 2 1/2" O.D. x 1 7/32"- also serviced in assy.-group 4434	1	E2HZ 4537-S	.487" thick
1	E2HZ 4442-A	Gear (drive pinion transfer)	1	E2HZ 4537-T	.488" thick
1	E3HZ 4446-A	Shaft kit (power divider input)	1	E2HZ 4537-V	.489" thick
Consists of			1	E2HZ 4537-W	.490" thick
1	D2HZ 4320-B Locknut	1-109069 Tag	1	E2HZ 4537-X	.491" thick
1	B8QH 4454-A Washer	1-110805 Shaft	1	E2HZ 4537-Y	.492" thick
1	E1HZ 4450-A	Fork assy. (power divider lockout shift)- # 102613	1	E2HZ 4537-Z	.493" thick
1	B8QH 4454-A	Washer (power divider input shaft)- also serviced in kit-group 4446	1	E2HZ 4537-AA	.494" thick
1	C1TT 4454-A	Bushing (output shaft)-1 3/8" I.D. x 1 1/2" O.D. x 1 1/2"	1	E2HZ 4537-AB	.495" thick
1	B8QH 4455-A	Clutch (power divider input shaft sliding)- 18 teeth-20 splines	1	E2HZ 4537-AC	.496" thick
1	C1TT 4458-A	Spring (power divider shift lever return)	1	E2HZ 4537-AD	.497" thick
	4465	Flange assy. (output shaft)	1	E2HZ 4537-AE	.498" thick
1	E2HZ 4465-A	1610 size	1	E2HZ 4537-AF	.499" thick
1	E2HZ 4465-B	1710 size	1	E2HZ 4537-AG	.500" thick
1	E2HZ 4470-A	Bearing assy. (power divider output shaft front)-includes cup # 29620, cone # 29675	1	E2HZ 4537-AH	.501" thick
1	E2HZ 4471-A	Shaft kit (power divider output)	1	E2HZ 4537-AJ	.502" thick
Consists of			1	E2HZ 4537-AK	.503" thick
1	D5HZ 4320-A Locknut	1-110819 Shaft & bushing	1	E2HZ 4537-AL	.504" thick
1	109067 Tag		1	E2HZ 4537-AM	.505" thick
1	B8QH 4475-A	Bearing (power divider output shaft) rear)	1	E2HZ 4537-AN	.506" thick
1	371365-S(QQ-14)	Snap ring (output shaft bearing)- 3 1/64" I.D. x 3 31/64" O.D. x 1/16" thick	1	E2HZ 4537-AP	.507" thick
2	B8QH 4476-B	"O" ring (power divider output shaft)	6	E0HZ 4545-A	Washer (drive pinion bearing retainer bolt)-9/16"
	4536	Shim (driving pinion bearing retainer)	2	D8HZ 4550-A	Oiler (power divider lockout shift piston)-felt-1 3/4" I.D. x 1/4" thick
AR	B8QH 4536-V	.003" thick	6	E0HZ 4560-A	Bolt (drive pinion bearing retainer)- 9/16"-12 x 1 1/2"
AR	B8QH 4536-W	.010" thick		4567	Snap ring (retainer)
AR	B8QH 4536-X	.030" thick	1	D2HZ 4567-B	Input shaft
			1	D2HZ 4567-C	Output shaft
			1	E3HZ 4580-A	Gear (power divider oil pump drive)- # 111448-5 1/2" O.D. x 3/16" wide 37 teeth- also serviced in kit-group 4A581
			1	E1HZ 4A581-A	Lube pump replacement kit (power divider)
Consists of			1	E3HZ 4580-A	Gear 1-102620 "O" ring
			4-90419	Lockwasher 1-102625	Gear & shaft
			1-102607	Cover 1-111451	Locknut
			2-102617	Pin 1-111779	Gear & shaft
			4-102618	Bolt	
1	D8HZ 4593-C	"O" ring (power divider oil pump shaft)- 1 7/8" I.D. x 2" O.D. x 1/16" thick			

1980/  
TRUCK SERIES 600/900

QTY.	PART NUMBER	DESCRIPTION	QTY.	PART NUMBER	DESCRIPTION
EATON DT401-P REAR AXLE SERVICE PARTS LIST NO. 244 — Cont'd					
Notes: % Also serviced in kit-group 4A195 ⊕ Also serviced in kit-group 4237					
♦ Also serviced in kit-group 4215					
	4616	Cup (driving pinion bearing)	1	E3HZ 4676-B	Seal assy. (input shaft oil)- #119429-4" O.D.-for 2 15/16" dia. shaft
1	B8QH 4616-A	Inner-#72487			
1	B8QH 4616-C	Outer-#HM807010			
1	E2HZ 4616-A	Cup (input shaft bearing)-#JH511910	1	E3HZ 4676-C	Seal assy. (output shaft oil)- #119431-3 5/8" O.D.-for 2 5/8" dia. shaft
1	D2HZ 4621	Cone and roller assy. (drive pinion bearing)			
1	E2HZ 4621-A	Inner-#72218-C			
1	E2HZ 4621-A	Outer-#HM807049	1	C1TT 4727-A	Cover (power divider diff. lockout)
1	C1TT 4623-A	Piston (power divider lockout shift)	4	D8HZ 4A197-A	Lockwasher (power divider diff. lockout cover bolt)-1/4" I.D. x 31/64" O.D. x 3/64" thick
1	7EQH 4625	Bearing assy. (driving pinion pilot)- #15828 or MUS1307-TM	4	304646-58(B-42-A)	Bolt (power divider diff. lockout cover)- 1/4"-20 x 3/4"
1	D2HZ 4637-A	Washer (input shaft nut)-1 21/32" I.D.	1	D5HZ 4749-A	Body (power divider diff. lockout shift)
1	7EQH 4637	Washer (output shaft nut)-1 9/32" I.D.	2	34793-S2(X-67-A)	Lockwasher-7/16"
			2	354136-S(BB-906)	Bolt (power divider body)-7/16"-14 x 1 1/4"
EATON RT401 REAR AXLE SERVICE PARTS LIST NO. 245					
Notes: % Also serviced in kit-group 4A195 ⊕ Also serviced in kit-group 4237					
	1243	Refer to group 4222 within parts list	4	7EQH 4154	Pin (high speed clutch plate)-2 17/64" long
	4010	Housing assy.	2	B6QH 4156-A	Bushing (differential bearing adjuster lock)
1	E3HZ 4010-E	#301505-Hendrickson suspension	2	371173-S(BB-349)	Bolt (diff. bearing adjuster lock)- 5/8"-11 x 2"
1	★E3HZ 4010-F	#100781-Reyco suspension			
		r/b E3HZ 4010-T	1	B6TZ 4A195-A	Sliding clutch gear kit
1	E3HZ 4010-T	#303248-Reyco suspension	Consists of		
1	374506-S(PP-51)	Plug (drain)-magnetic-3/4"-14	1-C3TZ 4040-B	Plate	1-C3TZ 4067-M Adjuster
	4027	Refer to group 4127 within parts list	1-E3HZ 4055-D	Gear	1-7EQH 4147 Washer
4	7EQH 4029	Pin (planetary gear)-1 1/2" x 4 5/16"		4200	Differential assy.-refer to group in Section 40
1	%C3TZ 4040-B	Plate (high speed clutch)-#56931- 7 3/4" O.D. x 3/4" thick-16 internal teeth	1	C0TT 4204-B	Case assy. (diff.)-incl. (8) 350048-S bolts
1	A8TZ 4045-A	Fork and roller assy. (diff. shift)-#62720		4209	Ring gear and pinion kit-includes self-locking nut
2	B9TZ 4053-A	Pin (differential shift fork roller)- 1 3/64" long x 5 11/16" major O.D. x 15/32" minor O.D.	1	E3HZ 4209-T	4.11/5.61 ratio
1	%E3HZ 4055-D	Gear (sliding clutch)-#113596- 7 21/64" long-16 teeth each end	1	E3HZ 4209-V	4.33/5.91 ratio
1	C8HZ 4062-C	Shift assy. (air)	1	E3HZ 4209-W	4.56/6.21 ratio
	4067	Adjuster (differential bearing)		4211	Shaft (pinion)-serviced only in kit- group 4237
1	E1HZ 4067-B	R.H.-#110243	8	D6HZ 4216-A	Bolt (differential case)-self-locking- 1/2"-13 x 2 3/4"
1	%C3TZ 4067-M	L.H.-#56932	8	A8TZ 4217-A	Bolt and nut assy. (differential support case)-9/16"-18 x 4 13/64"-1983/85
1	E4HZ 4072-A	Seal assy. (shift fork)-#119851	1	A8TZ 4217-C	Bolt and nut kit (gear support case)-1986
	4127	Case (differential gear support)	Consists of		
1	E1HZ 4127-A	R.H.-11 5/16" O.D.	8-44358	Bolts	8-60599 Nuts
1	7EQH 4027	L.H.-11 1/4" O.D.			
1	C8TZ 4141-B	Carrier assy. (differential)-#67757	1	A7TZ 4221	Cone and roller (differential bearing)
1	74121-S(P-8)	Plug-expansion (shift fork shaft hole)- upper-1 1/4"	1	7EQH 4221	R.H.-#497
1	★74116-S	Plug expansion (shift fork shaft hole)- lower-15/16"		4222	Cup (differential bearing)
12	B7TZ 4A142-A	Nut (carrier to housing)-5/8"-18	1	B6Q 1243-A	R.H.-#493
	4143	Lock (differential bearing adjusting)	1	7EQH 4222	L.H.-#56650
1	7EQH 4143	R.H.	2	⊕A8TZ 4228-A	Washer (differential side gear thrust)- 4 9/16" O.D.
1	B6TZ 4143-A	L.H.	1	A8TZ 4228-A	Washer (differential support case)-L.H.- 4 9/16" O.D.
1	%7EQH 4147	Washer (high speed clutch plate thrust) 4 1/4" I.D. x 7 27/32" O.D.	4	7EQH 4229	Gear (differential planetary)- 1 1/2" I.D. x 3 1/16" O.D.
1	E3HZ 4149-B	Shaft assy. (differential shift fork)- includes "O" ring			



1980/  
TRUCK SERIES 600/900

QTY.	PART NUMBER	DESCRIPTION	QTY.	PART NUMBER	DESCRIPTION
<b>EATON RT401 REAR AXLE SERVICE PARTS LIST NO. 245 — Cont'd</b>					
Notes: % Also serviced in kit-group 4A195 ⊕ Also serviced in kit-group 4237					
4	⊕7EQH 4230	Washer (differential pinion thrust)- 1 1/64" I.D. x 2 7/16" O.D.	1	4537	Spacer (driving pinion bearing) — Cont'd
2	E1HZ 4234-A	Shaft assy.	1	D5HZ 4537-K	.634" thick
	4236	Gear (differential side)-serviced only in kit-group 4237	1	7EQH 4537-E	.635" thick
1	D2HZ 4237-A	Gear and pinion kit (differential)	1	D5HZ 4537-L	.636" thick
Consists of			1	D5HZ 4537-M	.637" thick
1	7EQH 4211	Shaft 2-D2HZ 4236-A Side gear	1	D5HZ 4537-N	.638" thick
2	A8TZ 4228-A	Washer-gear 4-104139 Pinion gear	1	D5HZ 4537-P	.639" thick
4	7EQH 4230	Washer-pinion	1	D5HZ 4537-R	.640" thick
	4292	Pinion-serviced only in kit-group 4237	1	7EQH 4537-G	.641" thick
1	C8TZ 4A309-A	Trap (filler plug)-magnetic-1" x 1 1/2"	1	D5HZ 4537-S	.642" thick
1	D6HZ 4320-A	Nut (flange to pinion)-self-locking- 1 1/2"-18 x 2 1/4"-also serviced in kit-group 4209	1	D5HZ 4537-T	.643" thick
2	B8TZ 4322-A	Nut (shift motor housing stud)-7/16"-20	1	D5HZ 4537-V	.644" thick
8	A8TZ 4322-A	Nut (gear support case bolt)-9/16"-18- Cone lok-also serviced in assy.- group 4217	1	D5HZ 4537-W	.645" thick
2	D3HZ 4323-B	Stud (shift fork opening cover)- 7/16"-20 x 14 x 1 11/16"	1	D5HZ 4537-X	.646" thick
2	44730-S8(X-26)	Lockwasher (shift fork opening cover stud)- 7/16"-59/64" O.D. x 1/16" thick	1	7EQH 4537-J	.647" thick
12	E0HZ 4323-D	Stud (carrier to housing)-5/8"-11 and 5/8"-18 x 2 11/16"	1	D5HZ 4537-Y	.648" thick
12	34811-S2(X-71)	Lockwasher (carrier to housing)-5/8"	1	D5HZ 4537-Z	.649" thick
	4536	Shim (driving pinion bearing retainer)	1	D5HZ 4537-AA	.650" thick
AR	E0HZ 4536-A	.003" thick	1	D5HZ 4537-AB	.651" thick
AR	E0HZ 4536-C	.010" thick	1	D5HZ 4537-AC	.652" thick
	4537	Spacer (driving pinion bearing)	1	7EQH 4537-L	.653" thick
1	7EQH 4537-A	.623" thick	1	D5HZ 4537-AD	.654" thick
1	D5HZ 4537-A	.624" thick	★4545 Washer (drive pinion bearing retainer bolt)-not required		
1	D5HZ 4537-B	.625" thick	6	E3HZ 4560-A	Bolt (drive pinion bearing retainer)- 9/16"-12 x 1/2"
1	D5HZ 4537-C	.626" thick	1	C8TZ 4614-B	Retainer assy. (driving pinion)- 4.11 thru 4.56 ratios
1	D5HZ 4537-D	.627" thick	2	7EQH 4616	Cup (driving pinion bearing)-#55437
1	D5HZ 4537-E	.628" thick	2	A8TZ 4621-A	Cone and roller (driving pinion)-#55200-C
1	D5HZ 4537-F	.629" thick	1	7EQH 4625	Bearing assy. (driving pinion pilot)- #MUS1307-TM, #15828
1	7EQH 4537-C	.629" thick	1	C6TZ 4637-A	Washer (driving pinion) 1 17/32" I.D. x 2 5/8" O.D. x 1/16" thick
1	D5HZ 4537-F	.630" thick	1	E3HZ 4676-A	Seal and retainer assy. (drive pinion oil)- includes integral seal and retainer- #119427-4 9/16" O.D.-for 2 5/8" dia. shaft
1	D5HZ 4537-G	.631" thick	4851 Flange assy. (universal joint)-axle end		
1	D5HZ 4537-H	.632" thick	1	E2HZ 4851-A	1610 size
1	D5HZ 4537-J	.633" thick	1	E2HZ 4851-B	1710 size

<b>EATON DS440P-DS460P REAR AXLE SERVICE PARTS LIST NO. 246</b>					
Notes: ⊕ Also serviced in kit-group 4237					
◆ Also serviced in kit-group 4215					
1	E0HZ 4033-A	Cover assy. (housing)-incl. bearing and sleeve, oil seal, snap ring and plug	2	34793-S2(X-67-A)	Washer (cover retaining bolt)-7/16"
4	E0HZ 4B050-A	Dowel (differential carrier to housing)- 7/8" O.D. x 1/2" long	1	C1TZ 4062-A	Shift assy. (air)
1	★59T 4052-M	Cover (diff. carrier shift fork opening)	1	D8HZ 4067-B	Adjuster (differential bearing)
2	357450-S(BB-172)	Bolt (cover retaining)-7/16"-14 x 7/8"	1	B8QH 4067-B	R.H.-#78940-5 1/8" I.D.-16 slots- incl. bearing cup B8QH 4222-D L.H.-#21637-2 5/16" I.D.-16 slots

1980/  
TRUCK SERIES 600/900

QTY.	PART NUMBER	DESCRIPTION	QTY.	PART NUMBER	DESCRIPTION
EATON DS440P-DS460P REAR AXLE SERVICE PARTS LIST NO. 246 — Cont'd					
Notes: ⊕ Also serviced in kit-group 4237					
◆ Also serviced in kit-group 4215					
	4A140	Bolt (power divider cover)	1	E1HZ 4237-F	Gear and pinion kit (differential)- 36 involute spline side gear
8	E0HZ 4A140-A	Short-9/16"-12 x 1 3/4"	Consists of		
1	D8HZ 4A140-A	Long-9/16"-12 x 2 1/4"	2	B8TZ 4228-A	Washer-gear 1-107371 Pinion shaft
1	D8HZ 4A140-B	Special head-9/16"-12 x 1 3/4"	4	B8QH 4230-B	Washer-pinion 2-110528 Side gear
10	34810-S7(X-69)	Washer (power divider cover bolt)-9/16"	4	96900	Pinion gear
	4A142	Nut	1	D8HZ 4N282-A	Plug (housing cover filler)-magnetic- 1"-11 1/2"-also serviced in assy.- group 4033
10	B7TZ 4A142-A	Carrier to housing-5/8"-18		4292	Pinion-serviced only in kit-group 4237
11	C1TZ 4A142-A	Cover to housing-7/16"-20		4300	Differential assy.-refer to group in Section 40
	4143	Lock (differential bearing adjuster)		4309	Ring gear and pinion kit-includes self-locking nut
1	B8QH 4143-A	R.H.		E3HZ 4309-A	3.90 ratio
1	TWAA 4143-A	L.H.		E3HZ 4309-B	4.11 ratio
2	350041-S(BB-347)	Bolt (lock to case)-head drilled- 5/8"-11 x 1 3/4"		E3HZ 4309-C	4.33 ratio
				E3HZ 4309-D	4.62 ratio
5	E0HZ 4A145-A	Bolt (power divider input shaft bearing retainer)-1/2"-13 x 1 1/2"	1	E4HZ 4310-J	Housing assy.-# 301518,303341- Hendrickson Beam Suspension
5	34809-S8(X-68)	Washer (power divider input shaft bearing retainer bolt)-1/2"	1	374506-S(PP-51)	Plug (drain)-3/4"-14
4	D8HZ 4146-A	Dowel (differential to housing)-1983- "Before 4/83"	1	D8HZ 4319-A	Washer (output flange to bearing)- 2 1/8" I.D. x 2 5/8" O.D.
4	D8HZ 4146-B	Dowel (cover to housing)-1983-"Before 4/83"		4320	Locknut-also serviced in kits-group 4309, 4446, 4471
	★ 4146	Dowel-1983/"From 4/83"-not required	1	D8HZ 4320-D	Flange to input shaft-1 7/8"-12
1	E3HZ 4204-A	Differential case kit	1	D6HZ 4320-C	Flange to output shaft-1 3/4"-12
Consists of			1	D6HZ 4320-C	Drive pinion-1 3/4"-12
12	E0HZ 4216-E	Bolt 1-104519 Case flanged half	10	E0HZ 4323-D	Stud (carrier to housing)-5/8"-11 and 5/8"-18 x 2 11/16"
1	1-104518	Case plain half	10	34811-S2(X-71)	Lockwasher (carrier to housing)-5/8"
	4211	Shaft (pinion)-serviced only in kit- group 4237	2	E0HZ 4323-C	Bolt (carrier to housing)-12 point head-5/8"-11 x 1 3/4"
1	D8HZ 4215-A	Kit (power divider differential repair)	2	D8HZ 4A143-A	Lockwasher (carrier to housing)- 21/32" I.D. x 1 1/16" O.D.
Consists of			11	E0HZ 4323-F	Stud (cover to housing)-1 1/2"-13 and 1 1/2"-20 x 2 5/8"
4	7EQH 4230	Washer 4-95219 Bushing	12	34793-S8(X-67-A)	Lockwasher (cover to housing)-7/16
4	95218	Side pinion 1-95220 Spider	1	C1TT 4334-A	Seal (shift housing cover)
12	E0HZ 4216-E	Bolt (differential case)-9/16"-12 x 3 1/4"- also serviced in kit-group 4204	1	E0HZ 4341-A	Carrier assy. (differential)
8	E0HZ 4216-C	Bolt (differential case)-power divider- 5/16"-24 x 2 7/8"-also serviced in kit- group 4404	1	358048-S(PP-43)	Plug (filler)-3/4"-14
8	33923-S7(M-32)	Nut (power divider diff. case bolt)-5/16"-24	1	74121-S(P-8)	Plug expansion (shift fork shaft hole)- upper-1 1/4"
16	D3HZ 4217-A	Bolt (drive gear to case)-5/8"-18 x 2 1/8"- also serviced in kit-group 4982	1	★74116-S	Plug expansion (shift fork shaft hole)-lower- 15/16"
	4221	Cone and roller (differential bearing)	1	C1TT 4344-A	Grommet (power divider shift fork push rod)-air
1	B8QH 4221-E	R.H.-# 665	1	E2HZ 4345-A	Washer (power divider shift fork push rod)-air
1	8Q 4221-A	L.H.-# 42381	1	33800-S8(M-63)	Nut (power divider shift fork push rod)- 3/8"-24
1	B4TZ 4221-A	Cone and roller (output shaft)-front- # 33275	1	D8HZ 4346-A	Bolt (cover to housing)-5/8"-14 x 5"- 1 1/8" thread length
1	7EQH 4222	Cup (output shaft)-front-# 33472			
	4222	Cup (differential bearing)			
1	B8QH 4222-D	R.H.-# 653-also serviced in D8HZ 4067-B			
1	8Q 4222-A	L.H.-# 42584			
2	⊕ B8TZ 4228-A	Washer (differential side gear thrust)			
4	⊕ B8QH 4230-B	Washer (differential pinion thrust)			
4	◆ 7EQH 4230	Washer (differential pinion thrust)-power divider			
2	E2HZ 4234-A	Shaft assy.			
	4236	Gear (differential)-serviced only in kit- group 4237			

**1980/  
TRUCK SERIES 600/900**

QTY.	PART NUMBER	DESCRIPTION	QTY.	PART NUMBER	DESCRIPTION
EATON DS440P-DS460P REAR AXLE SERVICE PARTS LIST NO. 246 — Cont'd					
Notes: ⊕ Also serviced in kit-group 4237					
◆ Also serviced in kit-group 4215					
	4351	Flange assy. (universal joint)-power divider end-input		4465	Flange assy. (output shaft)
1	E1HZ 4351-G	1610 size	1	D8HZ 4465-E	1610 size
1	D8HZ 4351-C	1710 size	1	D8HZ 4465-F	1710 size
1	E1HZ 4351-B	1760 size	1	D8HZ 4471-A	Shaft and bushing assy. (power divider output)-incl. bushing and D2HZ 4567-C snap ring
1	D8HZ 4351-J	1810 size			
1	E0HZ 4404-A	Power divider diff. case kit	1	E0HZ 4475-A	Bearing and sleeve assy. (power divider output shaft)-also serviced in assy.-group 4033
Consists of					
	8-E0HZ 4216-C	Bolt		2-D8HZ 4476-B	"O" ring (power divider output shaft)-2 7/32" I.D. x 7/32" thick
	8-57637	Nut		1-E2HZ 4536-D	Washer (rear axle input shaft bearing spacer)-2 37/64" I.D. x 3" O.D. x 3/16" thick
1	E0HZ 4414-A	Retainer assy. (drive pinion bearing)-#103534-3.90 thru 4.62 ratios-incl. B8QH 4616-A cups			
1	E0HZ 4A420-A	Filter assy. (power divider oil)		4536	Shim (driving pinion bearing retainer)
1	D8HZ 4423-A	Bearing assy. (power divider input shaft front)-#JM-511946-incl. bearing cup D3TZ 4322-A #JM-511910	AR	B8QH 4536-V	.003" thick
			AR	B8QH 4536-W	.010" thick
			AR	B8QH 4536-X	.030" thick
1	E2HZ 4428-A	Cover assy. (power divider)-incl. 358048 plug, 74116-S plug, 4567 snap ring and 4615 bearing assy.		4537	Shim (driving pinion bearing retainer)
1	358048-S(PP-43)	Plug (power divider cover)-3/4"-14	AR	B8QH 4537-A	.167" thick
1	★74116-S	Plug-expansion	AR	D6HZ 4537-C	.168" thick
1	E2HZ 4431-B	Retainer assy. (power divider input shaft bearing)-incl. D8HZ 4573-C Seal	AR	B8QH 4537-B	.169" thick
			AR	D6HZ 4537-D	.170" thick
1	D8HZ 4433-A	Gear (power divider output shaft cluster rear)-#78911-18 teeth-16 splines	AR	B8QH 4537-C	.171" thick
			AR	D6HZ 4537-E	.172" thick
1	E2HZ 4434-B	Gear assy. (power divider input shaft cluster front) #113328-teeth-18-32-18-incl. D8HZ 4437-A bushings	AR	B8QH 4537-D	.173" thick
			AR	C8TZ 4537-AV	.174" thick
			AR	B8QH 4537-E	.175" thick
			AR	B8QH 4537-AD	.176" thick
			AR	B8QH 4537-F	.177" thick
	4436	Shim (input shaft bearing)	AR	D6HZ 4537-F	.178" thick
AR	D8HZ 4436-G	.003" thick	AR	B8QH 4537-G	.179" thick
AR	D8HZ 4436-H	.005" thick	AR	C8TZ 4537-AW	.180" thick
AR	D8HZ 4436-J	.010" thick	AR	B8QH 4537-H	.181" thick
2	D8HZ 4437-A	Bushing (power divider cluster gear)-also serviced in assy.-group 4434	AR	D6HZ 4537-G	.182" thick
			AR	B8QH 4537-J	.183" thick
1	E2HZ 4442-B	Gear (drive pinion transfer)-32 teeth-16 splines	AR	C8TZ 4537-AT	.184" thick
			AR	B8QH 4537-K	.185" thick
1	D8HZ 4445-A	Washer (power divider input shaft thrust)-2 13/32" I.D. x 4 1/8" O.D. x 1/16" thick	AR	D6HZ 4537-H	.186" thick
			AR	B8QH 4537-L	.187" thick
1	D8HZ 4446-C	Shaft kit (power divider input)	AR	B8QH 4537-AF	.188" thick
Consists of					
	1-D8HZ 4320-D	Locknut		AR	B8QH 4537-M
	1-78908	Shaft		AR	D6HZ 4537-J
				AR	B8QH 4537-N
1	E0HZ 4450-A	Fork assy. (power divider diff. lockout shift)	AR	D6HZ 4537-K	.192" thick
			AR	B8QH 4537-P	.193" thick
1	C1TT 4454-A	Bushing (power divider output shaft)-1 3/8" I.D. x 1 1/2" O.D. x 1 1/2" long-also serviced in assy.-group 4471	AR	D6HZ 4537-L	.194" thick
			AR	B8QH 4537-R	.195" thick
1	D8HZ 4454-C	Washer (power divider input shaft)-D type-3 1/32" I.D. x 4 1/4" O.D.	AR	D6HZ 4537-M	.196" thick
			AR	D6HZ 4537-N	.198" thick
1	D8HZ 4455-C	Gear (power divider sliding clutch)-#78917-R 3 7/32" I.D. x 5 11/16" O.D. x 1 7/32" wide-18 teeth-16 splines	AR	D6HZ 4537-A	.199" thick
			AR	D6HZ 4537-P	.200" thick
			AR	D6HZ 4537-B	.201" thick
1	C1TT 4458-A	Spring (power divider shift lever return)	AR	D6HZ 4537-R	.202" thick

1980/  
TRUCK SERIES 600/900

QTY.	PART NUMBER	DESCRIPTION	QTY.	PART NUMBER	DESCRIPTION
EATON DS440P-DS460P REAR AXLE SERVICE PARTS LIST NO. 246 — Cont'd					
Notes: ⊕ Also serviced in kit-group 4237					
◆ Also serviced in kit-group 4215					
6	E0HZ 4545-A	Washer (drive pinion bearing retainer bolt)-9/16"	1	E0HZ 4615-A	Bearing assy. (drive pinion outer support)-# 78916, MU1309CX, MU1309CL, BU1309Z
2	D8HZ 4550-A	Oiler (power divider lockout shift piston)-felt-1 3/4" I.D. x 1/4" thick	2	B8QH 4616-A	Cup (driving pinion bearing)-# 72487-also serviced in assy.-group 4414
6	E0HZ 4560-A	Bolt (drive pinion bearing retainer)-9/16"-12 x 1 1/2"	1	E2HZ 4616-A	Cup (input shaft bearing)-# JH-511910
	4567	Snap ring	2	B8TZ 4621-C	Cone and roller (drive pinion bearing)-# 72212-C
1	D8HZ 4567-A	Drive pinion bearing	1	C1TT 4623-A	Piston (power divider lockout shift)
1	E0HZ 4567-A	Input shaft cluster gear	1	B8QH 4625-B	Bearing assy. (driving pinion pilot)-# MUS1309TM
1	D8HZ 4567-A	Output shaft bearing	1	D8HZ 4637-D	Washer (input shaft nut)-1 29/32" I.D. x 3 3/16" O.D. x 1/16" thick
1	D2HZ 4567-C	Output shaft cluster gear	1	D8HZ 4667-B	Washer (drive pinion bearing thrust)-2 1/8" I.D. x 2 11/16" O.D. x 61/64" thick
1	E3HZ 4573-A	Seal assy. (input shaft oil)-# 119430-4 3/8" O.D.-for 3 3/8" dia. shaft-also serviced in assy.-group 4431	1	E3HZ 4676-B	Seal assy. (output shaft oil)-# 119429-4" O.D.-for 2 15/16" dia. shaft-also serviced in cover assy.-group 4033
1	E0HZ 4A581-A	Lube pump replacement kit (power divider)	1	C1TT 4727-A	Cover (power divider diff. lockout)
Consists of					
4-90419	Lockwasher	1-102625	Gear & shaft assy.		
1-102607	Cover		Includes-		
2-102617	Pin	1-102610	Gear		
4-102618	Bolt	1-102619	Shaft		
1-102620	"O" ring	111779	Gear & shaft assy.		
1-111449	Gear		Includes-		
1-111451	Locknut	1-102610	Gear		
		1-111450	Shaft		
1	E0HZ 4586-A	Spacer (drive pinion transfer gear)-2 9/64" I.D. x 2 11/16" O.D. x 1/2" thick	2	354136-S8(BB-906)	Boit (power divider body)-7/16"-14 x 1 1/4"
1	D8HZ 4593-C	"O" ring (power divider oil pump shaft)-1 7/8" I.D. x 2" O.D. x 1/16" thick	1	D6HZ 4982-A	Bolt and nut kit (driving gear)
Consists of					
			16-D3HZ 4217-A	Bolt	16-60600 Nut
EATON RS440-RS460 REAR AXLE SERVICE PARTS LIST NO. 247					
Notes: ⊕ Also serviced in kit-group 4237					
1	★ E3HZ 4010-D	Housing assy. # 301506-Hendrickson Beam Suspension-r/b E4HZ 4010-Z	12	E0HZ 4216-E	Bolt (differential case)-9/16"-12 x 3 1/4"-also serviced in kit-group 4204
1	E4HZ 4010-Z	# 303344-Hendrickson Beam Suspension	16	D3HZ 4217-A	Bolt (drive gear to case)-5/8"-18 x 2 1/8"-also serviced in kit-group 4982
1	374506-S(PP-51)	Plug (drain)-magnetic-3/4"-14		4221	Cone and roller (differential bearing)
	4067	Adjuster (differential bearing)	1	8Q 4221-A	R.H.-# 42381
1	B8QH 4067-B	R.H.-2 5/16" I.D.-16 slots-# 21637	1	B8QH 4221-E	L.H.# 665
1	B8QH 4067-A	L.H.-4" I.D.-14 slots-# 39448		4222	Cup (differential bearing)
1	D6HZ 4141-A	Carrier assy. (differential)	1	8Q 4222-A	R.H.-# 42584
12	B7TZ 4A142-A	Nut (carrier to housing)-5/8"-18	1	B8QH 4222-D	L.H.-# 653
2	TWAA 4143-A	Lock (differential bearing adjuster)	2	⊕ B8TZ 4228-A	Washer (diff. side gear thrust)
	4200	Differential assy.-refer to group in Section 40	4	⊕ B8QH 4230-B	Washer (diff. pinion thrust)
1	E3HZ 4204-A	Differential case kit	2	E2HZ 4234-A	Shaft assy.
Consists of					
12-E0HZ 4216-E	Bolt	1-104519	Case flanged half		
1-104518	Case plain half				
	4209	Ring gear and pinion kit-includes self-locking nut		4236	Gear (differential side)-serviced only in kit-group 4237
1	E3HZ 4209-D	3.90 ratio	Consists of		
1	E3HZ 4209-E	4.11 ratio	2-B8TZ 4228-A	Washer-gear	1-107371 Pinion shaft
1	E3HZ 4209-F	4.33 ratio	4-B8QH 4230-B	Washer-pinion	2-110528 Side gear
1	E3HZ 4209-G	4.62 ratio	4-96900	Pinion gear	
	4211	Shaft (pinion)-serviced only in kit-group 4237		4292	Pinion-serviced only in kit-group 4237
			1	C8TZ 4A309-A	Trap (filler plug)-magnetic-1" x 11 1/2"
			1	D6HZ 4320-C	Locknut (flange to pinion)-1 3/4"-12-also serviced in kit-group 4209

1980/  
TRUCK SERIES 600/900

QTY.	PART NUMBER	DESCRIPTION	QTY.	PART NUMBER	DESCRIPTION
<b>EATON RS440-RS460 REAR AXLE SERVICE PARTS LIST NO. 247 — Cont'd</b>					
Notes: ⊕ Also serviced in kit-group 4237					
	4323	Stud (carrier to housing)		4537	Shim (driving pinion bearing retainer) — Cont'd
8	E0HZ 4323-D	Short-5/8"-11 and 5/8"-18 x 2 11/16"	AR	B8QH 4537-P	.193" thick
4	E0HZ 4323-E	Long-5/8"-11 and 5/8"-18 x 3 3/8"	AR	D6HZ 4537-L	.194" thick
12	34811-S2(X-71)	Washer (carrier to housing)-5/8"	AR	B8QH 4537-R	.195" thick
	4536	Shim (pinion bearing cage)	AR	D6HZ 4537-M	.196" thick
AR	C8TZ 4536-A	.003" thick	AR	D6HZ 4537-N	.198" thick
AR	D8HZ 4536-K	.005" thick	AR	D6HZ 4537-A	.199" thick
AR	C8TZ 4536-B	.010" thick	AR	D6HZ 4537-P	.200" thick
AR	D8HZ 4536-L	.020" thick	AR	D6HZ 4537-B	.201" thick
AR	D8HZ 4536-M	.030" thick	AR	D6HZ 4537-R	.202" thick
	4537	Shim (driving pinion bearing retainer)	6	C4TZ 4560-A	Bolt (drive pinion bearing retainer)- 5/8"-11 x 1 3/4"
AR	B8QH 4537-A	.167" thick	6	34811-S2(X-71)	Washer (drive pinion bearing retainer bolt)-5/8"
AR	D6HZ 4537-C	.168" thick	1	E0HZ 4614-B	Retainer assy. (drive pinion bearing)- #104471-incl. brg. cage, outer cup B8QH 4616-A #72487 and inner cup B8QH 4616-D #78551
AR	B8QH 4537-B	.169" thick		4616	Cup (driving pinion bearing)-also serviced in assy.-group 4614
AR	D6HZ 4537-D	.170" thick	1	B8QH 4616-A	Outer-#72487
AR	B8QH 4537-C	.171" thick	1	B8QH 4616-D	Inner-#78551
AR	D6HZ 4537-E	.172" thick		4621	Cone and roller (driving pinion)
AR	B8QH 4537-D	.173" thick	1	B8TZ 4621-C	Outer-#72212-C
AR	C8TZ 4537-AV	.174" thick	1	B8TZ 4621-B	Inner-#78215-C
AR	B8QH 4537-E	.175" thick	1	B8QH 4625-B	Bearing assy. (driving pinion pilot)- #MUS1309TM
AR	B8QH 4537-AD	.176" thick	1	B8QH 4667-A	Spacer (pinion bearing)
AR	B8QH 4537-F	.177" thick	1	E3HZ 4674-A	Seal and retainer assy. (drive pinion oil)- includes integral seal and retainer- #119432-4 15/16" O.D.-for 2 15/16" dia. shaft
AR	D6HZ 4537-F	.178" thick		4851	Flange assy. (universal joint)-axle end
AR	B8QH 4537-G	.179" thick	1	D8HZ 4851-B	1610 size
AR	C8TZ 4537-AW	.180" thick	1	D8HZ 4851-A	1710 size
AR	B8QH 4537-H	.181" thick	1	D6HZ 4982-A	Bolt and nut kit (driving pinion)
AR	D6HZ 4537-G	.182" thick	Consists of		
AR	B8QH 4537-J	.183" thick	16-D3HZ 4217-A	Bolt	16-60600
AR	C8TZ 4537-AT	.184" thick			Nut
AR	B8QH 4537-K	.185" thick	<b>ROCKWELL (TIMKEN) H173 REAR AXLE SERVICE PARTS LIST NO. 248</b>		
AR	D6HZ 4537-H	.186" thick	Notes: ⊕ Also serviced in kit-group 4237		
AR	B8QH 4537-L	.187" thick		4209	Ring gear and pinion kit — Cont'd
AR	B8QH 4537-AF	.188" thick	1	★E3HZ 4209-AE	5.29 ratio-incl. locknut
AR	B8QH 4537-M	.189" thick		E0HZ 4209-AD	5.29 ratio-incl. bearing, retainer and locknut
AR	D6HZ 4537-J	.190" thick	1	E4HZ 4209-S	5.38 ratio-incl. locknut
AR	B8QH 4537-N	.191" thick	1	★E3HZ 4209-AF	5.83 ratio-incl. locknut-r/b E4HZ 4209-T
AR	D6HZ 4537-K	.192" thick	1	E4HZ 4209-T	5.86 ratio-incl. locknut
			1	E4HZ 4209-V	6.14 ratio-incl. locknut
			1	★E3HZ 4209-AG	6.17 ratio-incl. locknut-r/b E4HZ 4209-V
			1	E3HZ 4209-AH	6.83 ratio-incl. locknut
			1	E3HZ 4209-AJ	7.17 ratio-incl. locknut
			1	E1HZ 4211-A	Shaft (pinion)-#S-305
				4215	Pinion (diff.)-serviced only in kit- group 4237
			16	D7HZ 4216-C	Bolt (differential case)- 1/2"-13 x 3 1/4"-w/locking material
			2	D8HZ 4222-C	Cup (differential bearing) #JLM-714110
			2	⊕C1TT 4228-D	Washer (diff. side gear thrust)
			4	⊕C1TT 4230-D	Washer (pinion thrust)
				4A230	Gasket (housing plug)-5/16" I.D. x 5/8" O.D.
			2	C5TZ 4A230-A	1983
			4	C5TZ 4A230-A	1984/86

1980/  
TRUCK SERIES 600/900

QTY.	PART NUMBER	DESCRIPTION	QTY.	PART NUMBER	DESCRIPTION
ROCKWELL (TIMKEN) H173 REAR AXLE SERVICE PARTS LIST NO. 248 — Cont'd					
Notes: ⊕ Also serviced in kit-group 4237					
2	356184-S (XX-113)	Washer (housing plug gasket bolt)-5/16"-1983		4537	Spacer (driving pinion bearing)— Cont'd use in pairs as required
4	356184-S(XX-113)	Washer (housing plug gasket bolt)-5/16" 1984/	AR	D7HZ 4537-L	.268" thick
	4234	Shaft assy.	AR	D7HZ 4537-M	.275" thick
2	E3HZ 4234-C	1983/86-"Before 10/85"	AR	D7HZ 4537-N	.282" thick
1	E3HZ 4234-C	R.H.-1986-"From 10/85"	AR	D7HZ 4537-P	.289" thick
1	E6HZ 4234-E	L.H.-1986-"From 10/85"	AR	D7HZ 4537-R	.296" thick
	4236	Gear (differential side)-serviced only in kit-group 4237	12	D8HZ 4558-B	Bolt (gear to case)-5/8"-18 x 2"-also serviced in kit-group 4982
1	D7HZ 4237-A	Gear and pinion kit (differential)-	1	E5HZ 4614-A	Retainer assy. (drive pinion)-includes 7EQH 4616 inner cup #55437 and TBAA 4628-A outer cup #HM804810
Consists of					
2	C1TT 4228-D	Washer	4	2233-U-151	Pinion gear
4	C1TT 4230-D	Washer	2	2234-F-734	Side gear
1	D8HZ 4N282-B	Plug (drain)-magnetic-3/4"-14 x 1 5/16"	1	7EQH 4616	Inner-#55437
1	D7HZ 4320-A	Nut (drive pinion flange)-self-locking-1 1/2"-12 x 2 7/32" across flats-also serviced in kit-group 4209	1	TBAA 4628-A	Outer-#HM804810-also serviced in assy.-group 4621
12	D8HZ 4322-C	Nut (gear to case)-5/8"-18-also serviced in kit-group 4982	1	A8TZ 4621-A	Cone and roller (driving pinion)-Inner-#55200-C
	4A322	Bolt (housing plug gasket)-5/16"-18 x 1"	1	D7HZ 4621-A	Cone and roller assy. (driving pinion)-Outer-#HM804846-incl. cup TBAA 4628-A-#HM804810
2	D8HZ 4A322-C	1983	1	D8HZ 4625-A	Bearing assy. (driving pinion pilot)
4	D8HZ 4A322-C	1984/86	1	C6TZ 4627-A	Retainer (driving pinion pilot bearing) 1 7/32" I.D. x 1 15/32" O.D. x 1/16" thick
	4323	Bolt (housing)		4628	Refer to group 4616 within parts list
10	C8TZ 4323-A	Short-1/2"-13 x 1 3/8"	1	D7HZ 4637-A	Washer (driving pinion)-1 9/32" I.D. x 2 3/16" O.D. x 7/32" thick
4	C8TZ 4323-B	Long-1/2"-13 x 2"		4662	Shim (driving pinion bearing retainer)
12	C1TT 4326-B	Washer (gear to case)-21/32" I.D. x 1 1/16" O.D. x 3/32" thick-also serviced in kit-group 4982	AR	7EQ 4662-A	.003" thick
	4326	Washer-17/32" I.D. x 7/8" O.D. x 3/32" thick	AR	E7HZ 4662-T	.005" thick
14	D7HZ 4326-A	Housing stud		4676	Seal (drive pinion oil)
16	D7HZ 4326-A	Differential case bolt	1	D7HZ 4676-A	2 1/2" I.D. x 3 7/8" O.D.-1983/84
2	D8HZ 4424-A	Cone and roller (differential bearing)-#JLM-714149	1	E5HZ 4676-B	1985/86
	4537	Spacer (driving pinion bearing)-use in pairs as required		4851	Flange assy. (universal joint)-axle end
AR	D7HZ 4537-A	.234" thick	1	D7HZ 4851-A	1410 size-1983
AR	D7HZ 4537-B	.235" thick	1	E4HZ 4851-R	1410 size-1984/86
AR	D7HZ 4537-C	.236" thick	1	D7HZ 4851-D	1480 size-1983
AR	D7HZ 4537-D	.237" thick	1	E4HZ 4851-S	1480 size-1984/86
AR	D7HZ 4537-E	.238" thick	1	E0HZ 4851-E	1550 size-1983
AR	D7HZ 4537-F	.239" thick	1	E4HZ 4851-T	1550 size-1984/86
AR	D7HZ 4537-G	.240" thick	1	E1HZ 4851-A	1610 size
AR	E3HZ 4537-A	.242" thick	1	E6HZ 4851-E	1710 size
AR	E3HZ 4537-B	.244" thick	1	D7HZ 4859-A	Deflector (drive pinion oil seal)-4 13/16" O.D.
AR	E3HZ 4537-C	.246" thick			
AR	D7HZ 4537-H	.247" thick	1	D8HZ 4982-A	Bolt and nut kit (driving gear)
AR	D7HZ 4537-J	.254" thick	Consists of		
AR	D7HZ 4537-K	.261" thick	12	D8HZ 4322-C	Nut
			12	D8HZ 4558-B	Bolt
			12	C1TT 4326-B	Washer
ROCKWELL (TIMKEN) SL100 REAR AXLE SERVICE PARTS LIST NO. 249					
1	D6UZ 1243-A	Cup (power divider input shaft)-#JLM-710910		4A140	Bolt-1/2"-13 x 1 1/2"
1	★D6UZ 1244-A	Cone and roller (power divider input shaft)-#JLM-710949-r/b E8HZ 4424-A	7	D5TZ 4A140-A	Drive pinion bearing retainer
1	FOHZ 4N025-A	Plug (heat indicator)	12	D5TZ 4A140-A	Power divider cover
1	★B9TT 4062-A	Shift assy.-electric-r/b MAT 89011	1	E3HZ 4A140-A	Bolt (differential push rod)-1/2"-20 x 1 1/2"
2	D8HZ 4067-A	Adjuster (differential bearing)-5 1/4"-12		4A142	Nut (carrier to housing stud)-5/8"-18
			4	D8HZ 4A142-A	1983
			2	D8HZ 4A142-A	1984/88

1980/  
TRUCK SERIES 600/900

QTY.	PART NUMBER	DESCRIPTION	QTY.	PART NUMBER	DESCRIPTION
ROCKWELL (TIMKEN) SL100 REAR AXLE SERVICE PARTS LIST NO. 249 — Cont'd					
2	C2TZ 4143-A	Lock (differential bearing adjuster) 1983/88	2	D8HZ 4A322-C	Bolt (housing plug gasket)-5/16"-18 x 1"
2	E7HZ 4143-D	1989		4234	Shaft assy.
6	D8HZ 4A145-A	Bolt (input shaft bearing retainer)-7/16"-14 x 1 3/8"	1	E3HZ 4234-E	R.H.-#3202-R-8182
4	D1HZ 4A147-A	Washer (thru shaft retainer bolt)-13/32" I.D. x 3/4" O.D. x 3/32" thick	1	E3HZ 4234-D	L.H.-#3202-Q-8181
6	D7HZ 4A147-A	Washer (input shaft bearing retainer)-15/32" I.D. x 13/16" O.D. x 3/32" thick	1	E3HZ 4237-A	Gear and pinion kit (differential)-
16	D8HZ 4A147-A	Washer (power divider case bolt)-13/32" I.D. x 11/16" O.D.-1983/84-"Before 4/84"	Consists of		
16	356184-S(XX-113)	Washer (power divider case bolt)-21/64" I.D. x 5/8" O.D. x 1/16" thick-1984/88-"From 4/84"	2-	C1TT 4228-D	Washer-gear 4-2233-U-151 Pinion gear
1	C1TZ 4189-A	Screw (thrust adj.)-does not require thrust block-7/8"-14 x 3 5/8"	4-	C1TT 4230-D	Washer-pinion 2-2234-D-966 Side gear
1	E3HZ 4A192-A	Nut (power divider push rod stop bolt)-self-locking-1/2"-20	1	D8HZ 4N282-B	Plug (drain)-magnetic-3/4"-14 x 1 5/16"
	4204	Case assy. (differential)		4300	Differential assy.-refer to group in Section 40
1	D8HZ 4204-G	3.55 thru 3.90 ratios		4309	Ring gear and pinion kit
1	D8HZ 4204-H	4.10 thru 4.63 ratios	1	E6HZ 4309-A	3.55 ratio-includes nut
1	E0HZ 4204-F	4.88 thru 7.20 ratios	1	D8HZ 4309-G	3.70 ratio-includes nut
1	E1HZ 4211-A	Shaft (pinion)-#S-305	1	E4HZ 4309-A	3.73 ratio-includes nut, retainer
4	★D8HZ 4215-B	Pinion (power divider) #2233-J-192-use on old style carrier-1983/84-"Before 4/84"-r/b E4HZ 4R404-A	1	E3HZ 4309-AA	3.90 ratio-includes nut
4	D8HZ 4215-C	#2233-W-153-use on new style carrier-1984/88-"From 4/84"	1	E4HZ 4309-B	4.10 ratio-includes nut, retainer
	★4215	1989-Serviced in 4404 assy.	1	D8HZ 4309-H	4.11 ratio-includes nut
16	D7HZ 4216-C	Bolt (differential case)-1/2"-13 x 3 1/4" w/locking material	1	D7HZ 4309-B	4.33 ratio-includes nut
	4216	Bolt (power divider diff. case)	1	D7HZ 4309-C	4.63 ratio-includes nut
8	D8HZ 4216-C	3/8"-16 x 2 7/8"-1983/84-"Before 4/84"	1	D7HZ 4309-D	4.88 ratio-includes nut
8	E4HZ 4216-A	5/16"-18 x 3"-1984/88-"From 4/84"	1	D7HZ 4309-E	5.29 ratio-includes nut
2	B7A 4221-B	Cone and roller (thru shaft)-#LM-603049	1	E3HZ 4309-AB	5.83 ratio-includes nut
2	D8HZ 4221-A	Cone and roller assy. (differential bearing)-#JM-716649-incl. cup #JM-7166610	1	E4HZ 4309-J	5.86 ratio-includes nut, retainer
2	B7A 4222-B	Cup (thru shaft)-#LM-603011	1	E4HZ 4309-K	6.14 ratio-includes nut, retainer
1	D3TZ 4222-A	Cup (input shaft)-#JM-511910-also serviced in assy.-group 4423, 4431	1	E3HZ 4309-AC	6.17 ratio-includes nut
2	D8HZ 4222-A	Cup (differential bearing)-#JM-716610-also serviced in assy.-group 4221	1	E3HZ 4309-AD	6.83 ratio-includes nut
2	C1TT 4228-D	Washer (diff. side gear thrust)-4 holes-2 45/64" I.D. x 4 1/16" O.D.-3 11/32" bolt circle-also serviced in kit-group 4237	1	E4HZ 4309-L	7.17 ratio-includes nut, retainer
4	C1TT 4230-D	Washer (diff. pinion thrust)-1 1/16" I.D. x 2 13/32" O.D.-also serviced in kit-group 4237	1	E3HZ 4309-AE	7.20 ratio-includes nut
1	★D8HZ 4230-A	Washer (power divider diff. pinion thrust)-1" I.D. x 1 31/32" O.D. x 1/16" thick-use on old style carrier-1983/84-"Before 4/84" r/b E4HZ 4R404-A		4310	Housing assy.
1	E4HZ 4230-A	Use on new style carrier-1984/88-"From 4/84"	1	E3HZ 4310-K	#C-V-724-Hendrickson Suspension-1983
	★4230	1989-Serviced in 4404 assy.	1	E4HZ 4310-G	#C-S-981-Hendrickson Beam Suspension-1984/
2	C5TZ 4A230-A	Gasket (housing plug)-5/8" O.D. x 5/16" I.D.	1	E4HZ 4310-H	#C-T-982-Hendrickson 4 Spring Suspension-1984/88
2	356184-S(XX-13)	Washer (housing plug gasket bolt)-5/16"	1	E3HZ 4310-L	#C5-V-724-Reyco Suspension-1983
			1	B7T 7034-A	Breather (axle housing)
			1	D8HZ 4320-A	Nut (drive pinion)-self-locking-1 3/4"-12 x 2 19/32" across flats-also serviced in kit-group 4309
			1	D8HZ 4320-B	Nut (thru shaft output flange)-self-locking-1 1/4"-12 x 1 27/32" across flats
			1	D8HZ 4320-C	Nut (input shaft flange)-self-locking-1 1/2"-12 x 2 7/32" across flats
			8	E1HZ 4322-A	Nut (power divider diff. case)-3/8"-16 1983/84-"Before 4/84"
			8	D8HZ 4B322-A	Nut (power divider diff. case)-5/16"-18-1984/88-"From 4/84"
			12	D8HZ 4322-C	Nut (gear to case)-5/8"-18-also serviced in kit-group 4982
				4323	Bolt (carrier to housing)-5/8"-11 x 1 3/4" 1983
			10	D7HZ 4323-A	1983
			12	D7HZ 4323-A	1984/88
			14	D7HZ 4323-A	1989
				4323	Stud (carrier to housing)-5/8"-11 and 5/8"-18 x 2 5/8"
			4	D8HZ 4323-A	1983
			2	D8HZ 4323-A	1984/88

1980/  
TRUCK SERIES 600/900

QTY.	PART NUMBER	DESCRIPTION	QTY.	PART NUMBER	DESCRIPTION	
ROCKWELL (TIMKEN) SL100 REAR AXLE SERVICE PARTS LIST NO. 249 — Cont'd						
14	C1TT 4326	Washer-21/32" I.D. x 1 1/16" O.D. x 3/32" thick	1	★E3HZ 4428	Cover (power divider)	
12	C1TT 4326-B	Carrier to housing	1	E4HZ 4428-A	Air shift-1983-r/b E3HZ 4450-B	
7	D7HZ 4326	Washer-17/32" I.D. x 7/8" O.D. x 3/32" thick	1	E4HZ 4428-B	Air shift-1984/-also serviced in kit-group 4450	
12	D7HZ 4326-A	Pinion bearing retainer	1	E3HZ 4428-B	Electric shift	
16	D7HZ 4326-A	Power divider cover	1	D8HZ 4431-A	Retainer assy. (power divider input shaft bearing) incl. cage and cup D3TZ 4222-A #JM-511910	
1	★C1TT 4329-A	Differential case bolt	1	D8HZ 4434-F	Gear assy. (power divider input shaft diff. side)-front-incl. drive gear and key-#A1-N-846-2 piece design-use on old style carrier-1983/84-"Before 4/84"	
1	D8HZ 4341-C	Washer (thru shaft output flange)-1 9/32" I.D. x 2 3/16" O.D. x 7/32" thick-r/b D7HZ 4637-A	1	E4HZ 4434-A	Gear (power divider input shaft diff. side)-front-#3892-F-4738-one piece design-integral spur and bevel gear-use on new style carrier-1984/86-"From 4/84 to 1/86" also serviced in kit-group 4R404	
1	D8HZ 4341-C	Carrier assy. (diff.)-#A3-R-1032	1	E6HZ 4434-A	Gear (power divider input shaft diff. side)-front-#3892-M-4927-one piece design-integral spur and bevel gear-1986/-"From 1/86"	
1	353051-S(PP-32)	Plug (filler)-3/4"-14		4434	Gear (power divider input shaft diff. side)-rear	
1	4351	Flange assy. (universal joint)-power divider end input	1	D8HZ 4434-B	#778-S-use on old style carrier-1983/84-"Before 4/84"	
1	E3HZ 4351-E	1610 size-1983/86	1	E4HZ 4434-B	Use on new style carrier 1984/-"From 4/84"-also serviced in kit-group 4R404	
1	E7HZ 4351-G	1610 size-1987/		4436	Shim (drive pinion bearing retainer)-6 3/32" I.D.-7 13/16" O.D.	
1	E1HZ 4351-C	1710 size-1983/86		D8HZ 4436-A	.003" thick	
1	E7HZ 4351-H	1710 size-1987/88		D8HZ 4436-B	.005" thick	
1	E9HZ 4351-D	1710 size-1989		D8HZ 4436-C	.010" thick	
1	E3HZ 4351-F	1760 size-1983/87	1	D8HZ 4442-A	Gear (drive pinion transfer)-#3892-S-3945-31 teeth-41 splines	
1	E8HZ 4351-A	1760 size-1988		4446	Shaft assy. (power divider input)-incl. washer and locknut	
1	E1HZ 4351-D	1810 size-1983/87	1	E3HZ 4446-B	1983/86-"Before 1/86"	
1	E8HZ 4351-C	1810 size-1988	1	E6HZ 4446-A	1986/-"From 1/86"	
1	C1TT 4391-A	Nut (thrust adjusting screw)-7/8"-14 x 1 1/4"		4450	Fork assy. (power divider diff. lockout shift)	
	4399	Bolt (power divider thru shaft retainer)-3/8"-16 x 1"	1	D8HZ 4450-A	1983	
4	C3TZ 4399-B	1983/88	1	E4HZ 4450-A	1984/-also serviced in kit-group 4450	
4	E5HZ 4399-A	1989	1	E3HZ 4450-B	Shift fork kit (power divider diff. lockout)-retrofit-use to update old style assy. to new style-1983	
1	★D8HZ 4404	Case assy. (power divider diff.)-bolted Use on old style carrier-1983/84-"Before 4/84" r/b E4HZ 4R404-A	AR	D8HZ 4436-A		
1	E4HZ 4404-A	Use on new style carrier-1984/88-"From 4/84"	AR	D8HZ 4436-B		
1	E9HZ 4404-A	Case and nest assy. (power divider diff.)-welded-includes internal diff. parts-1989	AR	D8HZ 4436-C		
1	E4HZ 4R404-A	Differential kit (inter axle update)-1983/84	1	D8HZ 4442-A	Gear (drive pinion transfer)-#3892-S-3945-31 teeth-41 splines	
Consists of				4446	Shaft assy. (power divider input)-incl. washer and locknut	
1	E4HZ 4434-A	Gear-front	1	D8HZ 4450-A	1983	
1	E4HZ 4434-B	Gear-rear	1	E3HZ 4446-B	1983/86-"Before 1/86"	
		1-D8HZ 4454-D		1	E6HZ 4446-A	1986/-"From 1/86"
		1-A-3235-G-1801			4450	Fork assy. (power divider diff. lockout shift)
		Case and nest		1	D8HZ 4450-A	1983
1	★D8HZ 4411	Shaft (power divider diff.)-2 1/32" I.D. x 6 7/16" long-39 splines-use on old style carrier-1983/84-"Before 4/84" r/b E4HZ 4R404-A	1	E4HZ 4450-A	1984/-also serviced in kit-group 4450	
1	E4HZ 4411-A	Use on new style carrier-1984/86-"From 4/84 to 1/86"	1	E3HZ 4450-B	Shift fork kit (power divider diff. lockout)-retrofit-use to update old style assy. to new style-1983	
1	E6HZ 4411-A	Use on new style carrier 1986/88-"From 1/86"	Consists of			
	★4411	1989-Serviced in 4404 assy.	1	E4HZ 4428-B	Cover	
1	D8HZ 4414-A	Retainer assy. (drive pinion bearing)-incl. bearing cups B8QH 4616-A #72487	1	E4HZ 4450-A	Shift fork	
1	D8HZ 4423-A	Bearing assy. (power divider input shaft)-front-#JM-511946-incl. bearing cup D3TZ 4222-A #JM-511910	1	E4HZ 4565-A	Push rod	
1	E8HZ 4424-A	Cone and roller (power divider input shaft) rear-#JLM 710949C	1	D8HZ 4454-D	Washer (power divider input shaft)-2 1/4" I.D. x 3 1/4" O.D.-also serviced in kit-group 4R404-1983/86-"Before 1/86"	
			1	E6HZ 4454-A	Washer (power divider input shaft)-2 13/32" I.D. x 3 9/32" O.D.-1986/-"From 1/86"	
			1	D8HZ 4455-A	Gear (power divider sliding clutch)-3 3/8" I.D. x 5" O.D. x 7/8" wide-28 teeth	



1980/  
TRUCK SERIES 600/900

QTY.	PART NUMBER	DESCRIPTION	QTY.	PART NUMBER	DESCRIPTION
<b>ROCKWELL (TIMKEN) SL100 REAR AXLE SERVICE PARTS LIST NO. 249 — Cont'd</b>					
1	C1TT 4458-C	Spring (power divider diff. lockout shift lever return)-2 1/2" free length-1" I.D.-also serviced in kit-group 4450	1	4565	Push rod (diff. lockout shift)
			1	D8HZ 4565-A	Air shift-1" dia. x 6 29/32" long-1983
			1	E4HZ 4565-A	Air shift-1 1/4" dia. x 6 29/32" long-1984/-also serviced in kit-group 4450
1	E1HZ 4465	Flange assy. (universal joint)-output 1610 size	1	E3HZ 4565-A	Electric shift-1" dia. x 8 5/32" long
1	E1HZ 4465-B	1710 size		4567	Snap ring (axle thru shaft bearing rear)-3" O.D.
1	D8HZ 4477-A	Retainer assy. (power divider thru shaft rear bearing)-#A-X-596-S-incl. cup B7A 4222-B #LM-603011-3 1/16" I.D. x 5 3/4" O.D.-4 holes	AR	D4HZ 4567-A	.155" thick
			AR	D4HZ 4567-B	.158" thick
			AR	D4HZ 4567-C	.161" thick
1	E4HZ 4478-A	Seal assy. (power divider output shaft oil) 3 25/32" O.D.-53/64" wide	1	D4HZ 4567-L	.163" thick
			AR	D4HZ 4567-D	.164" thick
1	C1TT 4479-A	Gasket (power divider thru shaft rear bearing retainer)	AR	D4HZ 4567-E	.167" thick
			AR	D4HZ 4567-G	.173" thick
			AR	D4HZ 4567-H	.176" thick
1	★D8HZ 4497-A	Diaphragm assy. (power divider diff. lockout cylinder)-2 1/2" x 3 7/8"-r/b E4HZ 4497-A	AR	D4HZ 4567-J	.179" thick
			AR	D4HZ 4567-K	.182" thick
1	E4HZ 4497-A	Air chamber kit (power divider diff. lockout)-Consists of	1	E4HZ 4573-A	Seal assy. (input shaft oil)
	4-10X-1334 Screw	1-A1-3261-V-308 Chamber	1	D8HZ 4579-A	Shaft (power divider thru shaft)-15 1/8" long x 1 3/4" O.D.-34 teeth-1 11/16" O.D.-32 teeth-1 1/4" -12
	4536	Shim (power divider input bearing retainer)-5 3/16" I.D. x 6 7/8" O.D.	1	D8HZ 4586-A	Washer (drive pinion transfer gear)-1 25/32" I.D. x 3" O.D. x 3/16" thick
AR	D8HZ 4536-D	.003" thick	2	B8QH 4616-A	Cup (driving pinion bearing)-#72487
AR	D8HZ 4536-E	.005" thick	2	B8TZ 4621-C	Cone and roller (driving pinion)-#72212-C incl. cup B8QH 4616-A #72487
AR	D8HZ 4536-F	.010" thick		4537	Spacer (drive pinion bearing)-2 5/32" I.D.
AR	E1HZ 4537-A	.299" thick	1	D8HZ 4625-A	Bearing assy. (driving pinion pilot)
AR	E1HZ 4537-B	.300" thick	1	C6TZ 4627-A	Retainer (driving pinion pilot bearing)-1 7/32" I.D. x 1 15/32" O.D. x 1/16" thick-also serviced in kit-group 4309
AR	E1HZ 4537-C	.301" thick		4637-A	Washer (thru shaft output flange)-1 9/32" I.D. x 2 3/16" O.D. x 7/32" thick
AR	E1HZ 4537-D	.302" thick	1	D8HZ 4637-C	Washer (power divider input shaft)-1 17/32" I.D. x 2 3/8" O.D. x 1/8" thick
AR	E1HZ 4537-E	.303" thick		4982-A	Bolt and nut kit (driving gear)
AR	E1HZ 4537-F	.304" thick	12	D8HZ 4322-C	Nut
AR	E1HZ 4537-G	.310" thick		4558-B	Bolt
AR	E1HZ 4537-H	.316" thick	12	C1TT 4326-B	Washer
AR	E1HZ 4537-J	.322" thick			
AR	E1HZ 4537-K	.328" thick			
12	D8HZ 4558-B	Bolt (gear to case)-5/8"-18 x 2"-also serviced in kit-group 4982			
<b>ROCKWELL (TIMKEN) SL100 REAR AXLE SERVICE PARTS LIST NO. 250</b>					
	4010	Housing assy.		4204	Case assy. (differential)
1	E3HZ 4010-K	#C-Z-728-Hendrickson Suspension-1983	1	D8HZ 4204-G	3.70, 3.73, 3.90 ratio
1	E4HZ 4010-R	#C-R-980-Hendrickson Beam Suspension-1984/	1	D8HZ 4204-H	4.10 thru 4.63 ratios
1	E4HZ 4010-S	#C-Q-979-Hendrickson 4 Spring Suspension-1984/88	1	EOHZ 4204-F	4.88 thru 7.20 ratios
1	E3HZ 4010-L	#C5-Z-728-Reyco Suspension-1983		4209	Ring gear and pinion kit
1	FOHZ 4N025-A	Plug (hear indicator)	1	E3HZ 4209-AK	3.70 ratio-includes nut, washer
1	B7T 7034-A	Breather (axle housing)	1	E4HZ 4209-Z	3.73 ratio-includes nut, retainer, washer
2	D8HZ 4067-A	Adjuster (differential bearing)-5 1/4"-12	1	E3HZ 4209-AL	3.90 ratio-includes nut, washer
8	D5TZ 4A140-A	Bolt (drive pinion bearing retainer)-1/2"-13 x 1 1/2"	1	E4HZ 4209-AA	4.10 ratio-includes nut, retainer, washer
1	E3HZ 4141-B	Carrier assy. (differ.)-#A2-N-1314	1	E3HZ 4209-AM	4.11 ratio-includes nut, washer
1	353051-S(PP-32)	Plug (filler)-3/4"-14	1	E3HZ 4209-AN	4.33 ratio-includes nut, washer
	4A142	Nut (carrier to housing stud)-5/8"-18	1	E3HZ 4209-AP	4.63 ratio-includes nut, washer
4	D8HZ 4A142-A	1983	1	E3HZ 4209-AR	4.88 ratio-includes nut, washer
2	D8HZ 4A142-A	1984/88	1	E3HZ 4209-AS	5.29 ratio-includes nut, washer
	4143	Lock (differential bearing adjuster)	1	E3HZ 4209-AT	5.83 ratio-includes nut, washer
2	C2TZ 4143-A	1983/88	1	E4HZ 4209-W	5.86 ratio-includes nut, retainer, washer
2	E7HZ 4143-D	1989	1	E4HZ 4209-X	6.14 ratio-includes nut, retainer, washer
1	C1TZ 4189-A	Screw (thrust adj.)-does not require thrust block-7/8"-14 x 3 5/8"	1	★E3HZ 4209-AV	6.17 ratio-includes nut, washer r/b E4HZ 4209-X
	4200	Differential assy.-refer to group in Section 40	1	E3HZ 4209-AW	6.83 ratio-includes nut, washer
			1	E4HZ 4209-Y	7.17 ratio-includes nut, retainer, washer
			1	E3HZ 4209-AX	7.20 ratio-includes nut, washer

**1980/  
TRUCK SERIES 600/900**

QTY.	PART NUMBER	DESCRIPTION	QTY.	PART NUMBER	DESCRIPTION
<b>ROCKWELL (TIMKEN) SL100 REAR AXLE SERVICE PARTS LIST NO. 250 — Cont'd</b>					
1	E1HZ 4211-A	Shaft (pinion)-#S-305	1	C1TT 4391-A	Nut (thrust adjusting screw)- 7/8"-14 x 1 1/4"
16	D7HZ 4216-C	Bolt (differential case)-1/2"-13 x 3 1/4" w/locking material		4536	Shim (drive pinion bearing retainer)- 6 5/64" I.D. x 8 1/2" O.D.
2	D8HZ 4221-A	Cone and roller assy. (diff. bearing)-#716649- incl. cup D8HZ 4222-A #716610	AR	E2HZ 4536-A	.003" thick
2	D8HZ 4222-A	Cup (diff. bearing)-#716610-also serviced in assy.-group 4221	AR	E2HZ 4536-B	.005" thick
2	C1TT 4228-D	Washer (diff. side gear thrust)- 4 holes-2 45/64" I.D. x 4 1/16" O.D.- 3 11/32" bolt circle-also serviced in kit-group 4237	AR	E2HZ 4536-C	.010" thick
4	C1TT 4230-D	Washer (diff. pinion thrust)-1 1/16" I.D. x 2 13/32" O.D.-also serviced in kit- group 4237	AR	4537	Spacer (drive pinion bearing)-2 5/32" I.D.
2	C5TZ 4A230-A	Gasket (housing plug)-5/16" I.D. x 5/8" O.D.	AR	E1HZ 4537-A	.299" thick
2	D8HZ 4A322-C	Bolt (housing plug gasket)-5/16"-18 x 1" 4234 Shaft assy.	AR	E1HZ 4537-B	.300" thick
1	E3HZ 4234-D	R.H.-#3202-Q-8181	AR	E1HZ 4537-C	.301" thick
1	E3HZ 4234-E	L.H.-#3202-R-8182	AR	E1HZ 4537-D	.302" thick
1	E3HZ 4237-A	Gear and pinion kit (differential)	AR	E1HZ 4537-E	.303" thick
Consists of			AR	E1HZ 4537-F	.304" thick
2	C1TT 4228-D	Washer-gear 4-2233-U-151 Pinion gear	AR	E1HZ 4537-G	.310" thick
4	C1TT 4230-D	Washer-pinion 2-2234-D-966 Side gear	AR	E1HZ 4537-H	.316" thick
1	D8HZ 4N282-B	Plug (drain)-magnetic-3/4"-14 x 1 5/16"	AR	E1HZ 4537-J	.322" thick
1	D8HZ 4320-C	Nut (drive pinion flange)-self-locking- 1 1/2"-12 x 2 7/32" across flats- also serviced in kit-group 4209	AR	E1HZ 4537-K	.328" thick
12	D8HZ 4322-C	Nut (gear to case)-5/8"-18-also serviced in kit-group 4982	12	D8HZ 4558-B	Bolt (gear to case)-5/8"-18 x 2"- also serviced in kit-group 4982
	4323	Bolt (carrier to housing)-5/8"-11 x 1 3/4"	1	E3HZ 4614-A	Retainer assy. (driving pinion)-includes bearin cups B8QH 4616-A #72487
10	D7HZ 4323-A	1983	2	B8QH 4616-A	Cup (driving pinion bearing) #72487
12	D7HZ 4323-A	1984/88	2	B8TZ 4621-C	Cone and roller (driving pinion)-#72212-C
14	D7HZ 4323-A	1989	1	D8HZ 4625-A	Bearing assy. (driving pinion pilot)
	4323	Stud (carrier to housing)-5/8"-11 and 5/8"-18 x 2 5/8"	1	C6TZ 4627-A	Retainer (driving pinion pilot bearing)- 1 7/32" I.D. x 1 15/32" O.D. x 1/16" thick- also serviced in kit-group 4209
4	D8HZ 4323-A	1983	1	D8HZ 4637-C	Washer (driving pinion bearing thrust)- 1 17/32" I.D. x 2 3/8" O.D. x 1/8" thick- also serviced in kit-group 4209
2	D8HZ 4323-A	1984/88		4676	Seal assy. (drive pinion oil)
	4326	Washer-21/32" I.D. x 1 1/16" O.D. x 3/32" thick	1	E1HZ 4676-A	#A-1205-U-1685-1983
14	C1TT 4326-B	Carrier to housing	1	E4HZ 4676-A	#A-1205-Y-1897-1984/
12	C1TT 4326-B	Gear to case-also serviced in kit-group 4982		4851	Flange assy. (universal joint)-axle end
	4326	Washer-17/32" I.D. x 7/8" O.D. x 3/32" thick	1	E1HZ 4851-E	1610 size
8	D7HZ 4326-A	Drive pinion bearing retainer bolt	1	E3HZ 4851-A	1710 size
16	D7HZ 4326-A	Differential case bolt	1	D8HZ 4982-A	Bolt and nut kit (driving gear)
<b>ROCKWELL (TIMKEN) SQ100 REAR AXLE SERVICE PARTS LIST NO. 251</b>					
1	D6UZ 1243-A	Cup (power divider input shaft)- #JLM-710910	1	E3HZ 4A140-A	Bolt (differential push rod)-1/2"-20 x 1 1/2"
1	★D6UZ 1244-A	Cone and roller (power divider input shaft)- #JLM-710949-r/b E8HZ 4424-A		4A142	Nut (carrier to housing stud)-5/8"-18
1	FOHZ 4N025-A	Plug (heat indicator)	4	D8HZ 4A142-A	1983
2	D8HZ 4067-A	Adjuster (differential bearing)-5 1/4"-12	2	D8HZ 4A142-A	1984/88
	4A140	Bolt (drive pinion bearing retainer)		4143	Lock (differential bearing adjuster)
7	D5TZ 4A140-A	1/2"-13 x 1 1/2"-use on vehicles w/malleable carrier	2	C2TZ 4143-A	1983/88
8	E1HZ 4A140-E	1/2"-13 x 2 1/4"-use on vehicles w/aluminum carrier	2	E7HZ 4143-D	1989
	4A140	Bolt (power divider cover)	6	D8HZ 4A145-A	Bolt (input shaft bearing retainer)- 7/16"-14 x 1 3/8"
12	D5TZ 4A140-A	1/2"-13 x 1 1/2"-use on vehicles w/malleable carrier	4	D1HZ 4A147-A	Washer (thru shaft retainer bolt)- 13/32" F.D. x 3/4" O.D. x 3/32" thick
2	D5TZ 4A140-A	1/2"-13 x 1 1/2"-use on vehicles w/aluminum carrier	6	D7HZ 4A147-A	Washer (input shaft bearing retainer)- 15/32" I.D. x 13/16" O.D. x 3/32" thick
10	E1HZ 4A140-D	1/2"-13 x 2"-use on vehicles w/aluminum carrier	16	D8HZ 4A147-A	Washer (power divider case bolt)- 13/32" I.D. x 11/16" O.D.- 1983/84-"Before 4/84"
			16	356184-S(XX-113)	Washer (power divider case bolt)- 21/64" I.D. x 5/8" O.D. x 1/6" thick- 1984/88-"From 4/84"

**1980/  
TRUCK SERIES 600/900**

QTY.	PART NUMBER	DESCRIPTION	QTY.	PART NUMBER	DESCRIPTION
<b>ROCKWELL (TIMKEN) SQ100 REAR AXLE SERVICE PARTS LIST NO. 251 — Cont'd</b>					
1	C1TZ 4189-A	Screw (thrust adj.)—does not require thrust block—7/8"—14 x 3 5/8"		4309	Ring gear and pinion kit — Cont'd
1	E3HZ 4A192-A	Nut (power divider push rod stop bolt)—self-locking—1/2"—20	1	E4HZ 4309-A	3.73 ratio—includes nut, retainer
	4204	Case assy. (differential)	1	E3HZ 4309-AA	3.90 ratio—includes nut
1	D8HZ 4204-G	3.55 thru 3.90 ratios	1	E4HZ 4309-B	4.10 ratio—includes nut, retainer
1	D8HZ 4204-H	4.10 thru 4.63 ratios	1	D8HZ 4309-H	4.11 ratio—includes nut
1	E0HZ 4204-F	4.88 thru 7.20 ratios	1	D7HZ 4309-B	4.33 ratio—includes nut
1	E1HZ 4211-A	Shaft (pinion)—# S-305	1	D7HZ 4309-C	4.63 ratio—includes nut
	4215	Pinion (power divider)	1	D7HZ 4309-D	4.88 ratio—includes nut
4	★ D8HZ 4215-B	# 2233-J-192—use on old style carrier 1983/84—"Before 4/84"—r/b E4HZ 4R404-A	1	D7HZ 4309-E	5.29 ratio—includes nut
4	D8HZ 4215-C	# 2233-W-153—use on new style carrier 1984/88—"From 4/84"	1	E3HZ 4309-AB	5.83 ratio—includes nut
	★ 4215	1989—Serviced in 4404 assy.	1	E4HZ 4309-J	5.86 ratio—includes nut, retainer
16	D7HZ 4216-C	Bolt (differential case)—1/2"—13 x 3 1/4"—w/locking material	1	E4HZ 4309-K	6.14 ratio—includes nut, retainer
	4216	Bolt (power divider diff. case)	1	E3HZ 4309-AC	6.17 ratio—includes nut
8	D8HZ 4216-C	3/8"—16 x 2 7/8"—1983/84—"Before 4/84"	1	E3HZ 4309-AD	6.83 ratio—includes nut
8	E4HZ 4216-A	5/16"—18 x 3"—1984/88—"From 4/84"	1	E4HZ 4309-L	7.17 ratio—includes nut, retainer
2	B7A 4221-B	Cone and roller (thru shaft)—# LM-603049	1	E3HZ 4309-AE	7.20 ratio—includes nut
2	D8HZ 4221-A	Cone and roller assy. (differential bearing)—# JM-716649—incl. cup # JM-716610	1	4310	Housing assy.
2	B7A 4222-B	Cup (thru shaft)—# LM-603011	1	E3HZ 4310-M	# C-U-853—Hendrickson Beam Suspension—1983/
1	D3TZ 4222-A	Cup (input shaft)—# JM-511910—also serviced in assy.—group 4423, 4431	1	E4HZ 4310-E	# C1-U-853—Hendrickson 4 Spring Suspension—1984/88
2	D8HZ 4222-A	Cup (differential bearing)—# JM-716610—also serviced in assy.—group 4221	1	E3HZ 4310-N	# C2-Y-571—Reyco Suspension—1983
2	C1TT 4228-D	Washer (diff. side gear thrust)—4 holes—2 45/64" I.D. x 4 1/16" O.D.—3 11/32" bolt circle—also serviced in kit—group 4237	1	E3HZ 4310-P	# C-Y-857—Neway Suspension—1983/88
4	C1TT 4230-D	Washer (diff. pinion thrust)—1 1/16" I.D. x 2 13/32" O.D.—also serviced in kit—group 4237	1	D8HZ 4320-A	Nut (drive pinion)—self-locking—1 3/4"—12 x 2 19/32" across flats—also serviced in kit—group 4309
4	★ D8HZ 4230-A	Washer (power divider diff. pinion thrust)—1" I.D. x 1 31/32" O.D. x 1/16" thick—use on old style carrier—1983/84—"Before 4/84"—r/b E4HZ 4R404-A	1	D8HZ 4320-B	Nut (thru shaft output flange)—self-locking—1 1/4"—12 x 1 27/32" across flats
4	E4HZ 4230-A	Use on new style carrier—1984/88—"From 4/84"	1	D8HZ 4320-C	Nut (input shaft flange)—self-locking—1 1/2"—12 x 2 7/32" across flats
	★ 4230	1989—Serviced in 4404 assy.	8	E1HZ 4322-A	Nut (power divider diff. case)—3/8"—16—1983/84—"Before 4/84"
2	C5TZ 4A230-A	Gasket (housing plug)—5/16" I.D. x 5/8" O.D.	8	D8HZ 4B322-A	Nut (power divider diff. case)—5/16"—18—1984/88—"From 4/84"
2	356184-S (XX-113)	Washer (housing plug gasket bolt)—5/16"	12	D8HZ 4322-C	Nut (gear to case)—5/8"—18—also serviced in kit—group 4982
2	D8HZ 4A322-C	Bolt (housing plug gasket)—5/16"—18 x 1"		4323	Bolt (carrier to housing)—5/8"—11 x 1 3/4"—use on vehicles w/malleable carrier
	4234	Shaft assy.	10	D7HZ 4323-A	1983
1	D8HZ 4234-B	R.H.—# 3202-L-6356—1983/88	12	D7HZ 4323-A	1984/88
1	D8HZ 4234-C	L.H.—# 3202-N-6358—1983/88	14	D7HZ 4323-A	1989
1	E9HZ 4234-D	R.H.—# 3202-C-9519—1989		4323	Bolt (carrier to housing)—5/8"—11 x 2"—use on vehicles w/aluminum carrier
1	E9HZ 4234-C	L.H.—# 3202-Q-6361—1989	10	D8HZ 4323-C	1983
1	D8HZ 4237-A	Gear and pinion kit (differential)	12	D8HZ 4323-C	1984/88
Consists of				4323	Stud (carrier to housing)—5/8"—11 and 5/8"—18 x 2 5/8"
2	C1TT 4228-D	Washer—gear 4-2233-U-151 Pinion gear	4	D8HZ 4323-A	1983
4	C1TT 4230-D	Washer—pinion 2-2234-C-783 Side gear	2	D8HZ 4323-A	1984/88
1	D8HZ 4N282-B	Plug (drain)—magnetic—3/4"—14 x 1 5/16"	14	C1TT 4326-B	Washer (carrier to housing) 21/32" I.D. x 1 1/16" O.D. x 3/32" thick—use on vehicles w/malleable carrier
	4300	Differential assy.—refer to group in Section 40	14	E2HZ 4326-A	21/32" I.D. x 1 5/16" O.D. x 3/16" thick—use on vehicles w/aluminum carrier
	4309	Ring gear and pinion kit	12	C1TT 4326-B	Washer (gear to case)—21/32" I.D. x 1 11/16" O.D. x 3/32" thick also serviced in kit—group 4982
1	E6HZ 4309-A	3.55 ratio—includes nut		4326	Washer—17/32" I.D. x 7/8" O.D. x 3/32" thick
1	D8HZ 4309-G	3.70 ratio—includes nut	AR	D7HZ 4326-A	Pinion bearing retainer
			12	D7HZ 4326-A	Power divider cover
			16	D7HZ 4326-A	Differential case bolt

1980/  
TRUCK SERIES 600/900

QTY.	PART NUMBER	DESCRIPTION	QTY.	PART NUMBER	DESCRIPTION
ROCKWELL (TIMKEN) SQ100 REAR AXLE SERVICE PARTS LIST NO. 251 — Cont'd					
1	★C1TT 4329-A	Washer (thru shaft output flange)- 1 9/32" I.D. x 2 3/16" O.D. x 7/32" thick -r/b D7HZ 4637-A	1	D8HZ 4434-F	Gear assy. (power divider input shaft diff. side)-front-incl. drive gear and key-#A1-N-846-2 piece design-use on old style carrier-1983/84-"Before 4/84"
1	D8HZ 4341	Carrier assy. (diff.)	1	E4HZ 4434-A	Gear (power divider input shaft diff side)- front-#3892-F-4738-one piece design- integral spur and bevel gear-use on new style carrier 1984/86-"From 4/84 to 1/86" also serviced in kit-group 4R404
1	D8HZ 4341-C	#A3-R-1032-malleable carrier	1	E6HZ 4434-A	Gear (power divider input shaft diff. side)- front-#3892-M-4927-one piece design-integral spur and bevel gear-1986/-"From 1/86"
1	E1HZ 4341-B	#A3-L-1078-aluminum carrier	1	D8HZ 4434-B	#778-S-use on old style carrier- 1983/84-"Before 4/84"
1	353051-S(PP-32)	Plug (filler)-3/4"-14	1	E4HZ 4434-B	Use on new style carrier- 1984/-"From 4/84"-also serviced in kit-group 4R404
1	4351	Flange assy. (universal joint)-power divider	1	4434	Gear (power divider input shaft diff. side)-rear
1	E3HZ 4351-E	1610 size-1983/86	1	D8HZ 4434-B	#778-S-use on old style carrier- 1983/84-"Before 4/84"
1	E7HZ 4351-G	1610 size-1987/	1	E4HZ 4434-B	Use on new style carrier- 1984/-"From 4/84"-also serviced in kit-group 4R404
1	E1HZ 4351-C	1710 size 1983/86	AR	D8HZ 4436-A	Shim (drive pinion bearing retainer)- 6 3/32" I.D.-7 13/16" O.D. .003" thick
1	E7HZ 4351-H	1710 size-1987/88	AR	D8HZ 4436-B	.005" thick
1	E9HZ 4351-D	1710 size-1989	AR	D8HZ 4436-C	.010" thick
1	E3HZ 4351-F	1760 size-1983/87	1	D8HZ 4442-A	Gear (drive pinion transfer)- #3892-S-3945-31 teeth-41 splines
1	E8HZ 4351-A	1760 size-1988	1	4446	Shaft assy. (power divider input)- incl. washer and locknut
1	E1HZ 4351-D	1810 size-1983/87	1	E3HZ 4446-B	1983/86-"Before 1/86"
1	E8HZ 4351-C	1810 size-1988	1	E6HZ 4446-A	1986/-"From 1/86"
1	C1TT 4391-A	Nut (thrust adjusting screw)- 7/8"-14 x 1 1/4"	1	4450	Fork assy. (power divider diff. lockout shift)
1	4399	Bolt (power divider thru shaft retainer)- 3/8"-16 x 1"	1	D8HZ 4450-A	1983
4	C3TZ 4399-B	1983/88	1	E4HZ 4450-A	1984/-also serviced in kit-group 4450
4	E5HZ 4399-A	1989	1	E3HZ 4450-B	Shift fork kit (power divider diff. lockout)- retrofit-use to update old style assy. to new style-1983
1	★D8HZ 4404-D	Case assy. (power divider diff.)-bolted Use on old style carrier- 1983/84-"Before 4/84" r/b E4HZ 4R404-A	Consists of 1-E4HZ 4428-B Cover 1-C1TT 4458-C Spring 1-E4HZ 4450-A Shift fork 1-E4HZ 4565-A Push rod		
1	E4HZ 4404-A	Use on new style carrier- 1984/88-"From 4/84"	1	D8HZ 4454-D	Washer (power divider input shaft)- 2 1/4" I.D. x 3 1/4" O.D.-also serviced in kit-group 4R404-1983/86-"Before 1/86"
1	E9HZ 4404-A	Case and nest assy. (power divider diff.)-welded includes internal diff. parts-1989	1	E6HZ 4454-A	Washer (power divider input shaft)- 2 13/32" I.D. x 3 9/32" O.D.-1986/- "From 1/86"
1	E4HZ 4R404-A	Differential kit (inter axle update)-1983/84	1	D8HZ 4455-A	Gear (power divider sliding clutch)- 3 3/8" I.D. x 5" O.D. x 7/8" wide-28 teeth
Consists of 1-E4HZ 4434-A Gear-front 1-D8HZ 4454-D Washer 1-E4HZ 4434-B Gear-rear 1-A-3235-G-1801 Case and nest			Consists of 1-E4HZ 4428-B Cover 1-C1TT 4458-C Spring 1-E4HZ 4450-A Shift fork 1-E4HZ 4565-A Push rod		
1	★D8HZ 4411-A	Shaft (power divider diff.)- 2 1/32" I.D. x 6 7/16" long-39 splines- use on old style carrier- 1983/84-"Before 4/84" r/b E4HZ 4R404-A	1	C1TT 4458-C	Spring (power divider diff. lockout shift lever return)-2 1/2" free length-1" I.D.- also serviced in kit-group 4450
1	E4HZ 4411-A	Use on new style carrier- 1984/86-"From 4/84 to 1/86"	1	4465	Flange assy. (universal joint)-output
1	E6HZ 4411-A	Use on new style carrier-1986/88 "From 1/86"	1	E1HZ 4465-A	1610 size
1	★4411	1989-Serviced in 4404 assy.	1	E1HZ 4465-B	1710 size
1	4414	Retainer assy. (drive pinion bearing)- incl. bearing cups B8QH 4616-A #72487	1	D8HZ 4477-A	Retainer assy. (power divider thru shaft) rear bearing)-#A-X-596-S-incl. cup B7A 4222-B #LM-603011- 3 1/6" I.D. x 5 3/4" O.D.-4 holes
1	D8HZ 4414-A	Use on vehicles w/malleable carrier			
1	E1HZ 4414-A	Use on vehicles w/aluminum carrier			
1	D8HZ 4423-A	Bearing assy. (power divider input shaft)- front-#JM-511946-incl. bearing cup D3TZ 4222-A #JM-511910			
1	E8HZ 4424-A	Cone and roller (power divider input shaft) rear-#JLM710949C			
1	★E3HZ 4428-A	Cover (power divider) 1983-r/b E3HZ 4450-B			
1	E4HZ 4428-B	1984/-also serviced in kit-group 4450			
1	D8HZ 4431-A	Retainer assy. (power divider input shaft bearing)-incl. cage and cup D3TZ 4222-A #JM-511910			

1980/  
TRUCK SERIES 600/900

QTY.	PART NUMBER	DESCRIPTION	QTY.	PART NUMBER	DESCRIPTION
<b>ROCKWELL (TIMKEN) SQ100 REAR AXLE SERVICE PARTS LIST NO. 251 — Cont'd</b>					
1	E4HZ 4478-A	Seal assy. (power divider output shaft oil)- 3 25/32" O.D.-53/64" wide		4567	Snap ring (axle thru shaft bearing rear)-3" O.D.
1	C1TT 4479-A	Gasket (power divider thru shaft rear bearing retainer)	AR	D4HZ 4567-A	.155" thick
1	★D8HZ 4497-A	Diaphragm assy. (power divider diff. lockout cylinder)-2 1/2" x 3 7/8"- r/b E4HZ 4497-A	AR	D4HZ 4567-B	.158" thick
1	E4HZ 4497-A	Air chamber kit (power divider diff. lockout)	AR	D4HZ 4567-C	.161" thick
Consists of			AR	D4HZ 4567-L	.163" thick
4-10X-1334	Screw	1-A1-3261-V-308 Chamber	AR	D4HZ 4567-D	.164" thick
	4536	Shim (power divider input bearing retainer)-5 3/16" I.D. x 6 7/8" O.D.	AR	D4HZ 4567-E	.167" thick
AR	D8HZ 4536-D	.003" thick	AR	D4HZ 4567-F	.170" thick
AR	D8HZ 4536-E	.005" thick	AR	D4HZ 4567-G	.173" thick
AR	D8HZ 4536-F	.010" thick	AR	D4HZ 4567-H	.176" thick
	4537	Spacer (drive pinion bearing)-2 5/32" I.D.	AR	D4HZ 4567-J	.179" thick
AR	E1HZ 4537-A	.299" thick	AR	D4HZ 4567-K	.182" thick
AR	E1HZ 4537-B	.300" thick	1	E4HZ 4573-A	Seal assy. (input shaft oil)
AR	E1HZ 4537-C	.301" thick	1	D8HZ 4579-A	Shaft (power divider thru shaft)- 15 1/8" long x 1 3/4" O.D.-34 teeth-1 11/16" O.D.-32 teeth-1 1/4"-12
AR	E1HZ 4537-D	.302" thick	1	D8HZ 4586-A	Washer (drive pinion transfer gear)- 1 25/32" I.D. x 3" O.D. x 3/16" thick
AR	E1HZ 4537-E	.303" thick	2	B8QH 4616-A	Cup (driving pinion bearing)-#72487
AR	E1HZ 4537-F	.304" thick	2	B8TZ 4621-C	Cone and roller (driving pinion)-#72212-C- incl. cup B8QH 4616-A #72487
AR	E1HZ 4537-G	.310" thick	1	D8HZ 4625-A	Bearing assy. (driving pinion pilot)
AR	E1HZ 4537-H	.316" thick	1	C6TZ 4627-A	Retainer (driving pinion pilot bearing)- 1 7/32" I.D. x 1 15/32" O.D. x 1/16" thick- also serviced in kit-group 4309
AR	E1HZ 4537-J	.322" thick	1	D7HZ 4637-A	Washer (thru shaft output flange)- 1 9/32" I.D. x 2 3/16" O.D. x 7/32" thick
AR	E1HZ 4537-K	.328" thick	1	D8HZ 4637-C	Washer (power divider input shaft)- 1 17/32" I.D. x 2 3/8" O.D. x 1/8" thick
12	D8HZ 4558-B	Bolt (gear to case)-5/8"-18 x 2"- also serviced in kit-group 4982	1	D8HZ 4982-A	Bolt and nut kit (driving gear)
	4565	Push rod (diff. lockout shift)	Consists of		
1	D8HZ 4565-A	1" dia. x 6 29/32" long-1983	12-D8HZ 4322-C	Nut	12-D8HZ 4558-B Bolt
1	E4HZ 4565-A	1 1/4" dia. x 6 29/32" long-1984/- also serviced in kit-group 4450	12-C1TT 4326-B	Washer	
<b>ROCKWELL (TIMKEN) SQ100 REAR AXLE SERVICE PARTS LIST NO. 252</b>					
	4010	Housing assy.		4204	Case assy. (differential)
1	E3HZ 4010-M	#C-V-854-Hendrickson Beam Suspension- 1983/	1	D8HZ 4204-G	3.55 thru 3.90 ratio
1	E2HZ 4010-D	#C2-Z-572-Hendrickson 4 Spring Suspension-1984/88	1	D8HZ 4204-H	4.10 thru 4.63 ratios
1	E3HZ 4010-N	#C-B-808-Reyco Suspension-1983	1	E0HZ 4204-F	4.88 thru 7.20 ratios
1	E3HZ 4010-P	#C-Z-858-Neway Suspension-1983/88		4209	Ring gear and pinion kit
1	FOHZ 4N025-A	Plug (heat indicator)	1	E6HZ 4209-E	3.55 ratio-includes nut, washer
2	D8HZ 4067-A	Adjuster (differential bearing)-5 1/4"-12	1	E3HZ 4209-AK	3.70 ratio-includes nut, washer
	4A140	Bolt (drive pinion bearing retainer)	1	E4HZ 4209-Z	3.73 ratio-includes nut, retainer, washer
8	D5TZ 4A140-A	1/2"-13 x 1 1/2"-use on vehicles w/malleable carrier	1	E3HZ 4209-AL	3.90 ratio-includes nut, washer
8	E1HZ 4A140-E	1/2"-13 x 2 1/4"-use on vehicles w/aluminum carrier	1	E4HZ 4209-AA	4.10 ratio-includes nut, retainer, washer
	4141	Carrier assy. (differential)	1	E3HZ 4209-AM	4.11 ratio-includes nut, washer
1	E3HZ 4141-B	#A2-N-1314-malleable carrier	1	E3HZ 4209-AN	4.33 ratio-includes nut, washer
1	E3HZ 4141-C	#A2-T-1346-aluminum carrier	1	E3HZ 4209-AP	4.63 ratio-includes nut, washer
1	353051-S(PP-32)	Plug (filler)-3/4"-14	1	E3HZ 4209-AR	4.88 ratio-includes nut, washer
	4A142	Nut (carrier to housing stud)-5/8"-18	1	E3HZ 4209-AS	5.29 ratio-includes nut, washer
4	D8HZ 4A142-A	1983	1	E3HZ 4209-AT	5.83 ratio-includes nut, washer
2	D8HZ 4A142-A	1984/88	1	E4HZ 4209-W	5.86 ratio-includes nut, retainer, washer
	4143	Lock (differential bearing adjuster)	1	E4HZ 4209-X	6.14 ratio-includes nut, retainer, washer
2	C2TZ 4143-A	1983/88	1	★E3HZ 4209-AV	6.17 ratio-includes nut, washer r/b E4HZ 4209-X
2	E7HZ 4143-D	1989	1	E3HZ 4209-AW	6.83 ratio-includes nut, washer
1	C1TZ 4189-A	Screw (thrust adj)-does not require thrust block-7/8"-14 x 3 5/8"	1	E4HZ 4209-Y	7.17 ratio-includes nut, retainer, washer
	4200	Differential assy.-refer to group in Section 40	1	E3HZ 4209-AX	7.20 ratio-includes nut, washer
			1	E1HZ 4211-A	Shaft (pinion)-#S-305
			16	D7HZ 4216-C	Bolt (differential case)-1/2"-13 x 3 1/4" w/locking material
			2	D8HZ 4221-A	Cone and roller assy. (diff. bearing)-#716649- incl. cup D8HZ 4222-A #716610

1980/  
TRUCK SERIES 600/900

QTY.	PART NUMBER	DESCRIPTION	QTY.	PART NUMBER	DESCRIPTION
<b>ROCKWELL (TIMKEN) SQ100 REAR AXLE SERVICE PARTS LIST NO. 252 — Cont'd</b>					
2	D8HZ 4222-A	Cup (diff. bearing)-#716610-also serviced in assy.-group 4221	12	C1TT 4326-B	Washer (gear to case)-21/32" I.D. x 1 1/16" O.D. x 3/32" thick-also serviced in kit-group 4982
2	C1TT 4228-D	Washer (diff. side gear thrust)-4 holes-2 45/64" I.D. x 4 1/16" O.D.-3 11/32" bolt circle-also serviced in kit-group 4237	8	D7HZ 4326-A	Washer-17/32" I.D. x 7/8" O.D. x 3/32" thick
4	C1TT 4230-D	Washer (diff. pinion thrust)-1 1/16" I.D. x 2 13/32" O.D.-also serviced in kit-group 4237	16	D7HZ 4326-A	Drive pinion bearing retainer bolt
2	C5TZ 4A230-A	Gasket (housing plug)-5/16" I.D. x 5/8" O.D.	1	C1TT 4391-A	Differential case bolt
2	356184-S(XX-113)	Washer (housing plug gasket bolt)-5/16"	1		Nut (thrust adjusting screw)-7/8"-14 x 1 1/4"
2	D8HZ 4A322-C	Bolt (housing plug gasket)-5/16"-18 x 1"		4536	Shim (drive pinion bearing retainer)
	4234	Shaft assy.	AR	E2HZ 4536-A	.003" thick
1	D8HZ 4234-C	R.H.-#3202-N-6358-1983/88	AR	E2HZ 4536-B	.005" thick
1	D8HZ 4234-B	L.H.-#3202-L-6356-1983/88	AR	E2HZ 4536-C	.010" thick
1	E9HZ 4234-C	R.H.-1989		4537	Spacer (drive pinion bearing)-2 5/32" I.D.
1	E9HZ 4234-D	L.H.-1989	AR	E1HZ 4537-A	.299" thick
1	D8HZ 4237-A	Gear and pinion kit (differential)	AR	E1HZ 4537-B	.300" thick
Consists of			AR	E1HZ 4537-C	.301" thick
2	C1TT 4228-D	Washer-gear 4-2233-U-151 Pinion gear	AR	E1HZ 4537-D	.302" thick
4	C1TT 4230-D	Washer-pinion 2-2234-C-783 Side gear	AR	E1HZ 4537-E	.303" thick
1	D8HZ 4N282-B	Plug (drain)-magnetic-3/4"-14 x 1 5/16"	AR	E1HZ 4537-F	.304" thick
1	D8HZ 4320-C	Nut (drive pinion flange)-self-locking-1 1/2"-12 x 2 7/32" across flats-also serviced in kit-group 4209	AR	E1HZ 4537-G	.310" thick
12	D8HZ 4322-C	Nut (gear to case)-5/8"-18-also serviced in kit-group 4982	AR	E1HZ 4537-H	.316" thick
	4323	Bolt (carrier to housing)-5/8"-11 x 1 3/4"-use on vehicles w/malleable carrier	AR	E1HZ 4537-J	.322" thick
10	D7HZ 4323-A	1983	AR	E1HZ 4537-K	.328" thick
12	D7HZ 4323-A	1984/88	12	D8HZ 4558-B	Bolt (gear to case)-5/8"-18 x 2"-also serviced in kit-group 4982
14	D7HZ 4323-A	1989	1	E3HZ 4614-A	Retainer assy. (driving pinion)-includes bearing cups B8QH 4616-A #72487
	4323	Bolt (carrier to housing)-5/8"-11 x 2"-use on vehicles w/aluminum carrier	2	B8QH 4616-A	Cup (driving pinion bearing)-#72487
10	D8HZ 4323-C	1983	2	B8TZ 4621-C	Cone and roller (driving pinion)-#72212-C
12	D8HZ 4323-C	1984/88	1	D8HZ 4625-A	Bearing assy. (driving pinion pilot)
	4323	Stud (carrier to housing)-5/8"-11 and 5/8"-18 x 2 5/8"	1	C6TZ 4627-A	Retainer (driving pinion pilot bearing)-1 7/32" I.D. x 1 15/32" O.D. x 1/16" thick-also serviced in kit-group 4209
4	D8HZ 4323-A	1983	1	D8HZ 4637-C	Washer (driving pinion bearing thrust)-1 17/32" I.D. x 2 3/8" O.D. x 1/8" thick
2	D8HZ 4323-A	1984/88		4676	Seal assy. (drive pinion oil)
	4326	Washer (carrier to housing)	1	E1HZ 4676-A	#A-1205-U-1685-1983
14	C1TT 4326-B	21/32" I.D. x 1 1/16" O.D. x 3/32" thick-use on vehicles w/malleable carrier	1	E4HZ 4676-A	#A-1205-Y-1897-1984/
14	E2HZ 4326-A	21/32" I.D. x 1 5/16" O.D. x 3/16" thick-use on vehicles w/aluminum carrier		4851	Flange assy. (universal joint)-axle end
			1	E1HZ 4851-E	1610 size
			1	E3HZ 4851-A	1710 size
			1	D8HZ 4982-A	Bolt and nut kit (driving gear)
			Consists of		
			12	D8HZ 4322-C	Nut 12-D8HZ 4558-B Bolt
			12	C1TT 4326-B	Washer
<b>DANA (SPICER) M220-T REAR AXLE SERVICE PARTS LIST NO. 255</b>					
1	E4HZ 4010-K	Housing kit	1	E0HZ 4046-A	Plug (diff. carrier filler)-1"-11 1/2"-also serviced in kit-group 4010
Consists of			1	E0HZ 4055-B	Gear (differential sliding clutch)-3 35/64" O.D. x 7 31/64" long-16 teeth
1	E0HZ 4046-A	Plug 1-MJAKM100-X Kit wheel end hardware		4062	Shift assy.-electric
1	E0HZ 4N282-A	Plug 4-MJAHM102-1 Bolt	1	★B9TT 4062-A	#41059-use on vehicles w/rear shocks-1984/85 r/b MAT 89011
12	E1HZ 4323-B	Bolt 1-MJAHM104-1 Bolt	1	E5HZ 4062-A	#113770-use on vehicles w/o rear shocks-1984/85 #113770-1986
1	MJACH112	Housing 1-MJAHM115 Plug	1	E5HZ 4062-A	4067 Adjuster (differential bearing)-
4	E0HZ 4029-B	Shaft (differential planetary gear)-1 1/2" O.D. x 4 11/64" long	1	E0HZ 4067-C	R.H.-5 1/4"-16 thread-3 9/16" I.D.-18 holes
4	E0HZ 4K034-A	Bolt (diff. sliding clutch gear retainer)-5/8"-18 x 1 3/8"	1	E0HZ 4067-D	L.H.-6 5/8"-16 thread-4 59/64" I.D.-24 holes
1	E0HZ 4040-B	Plated (diff. sliding clutch gear)-3 5/32" I.D.-16 internal teeth	1	E4HZ 4072-A	Seal assy. (shift fork)-#119851-also serviced in kit-group 4141
1	E2HZ 4045-A	Fork assy. (differential shift)			

**1980/  
TRUCK SERIES 600/900**

QTY.	PART NUMBER	DESCRIPTION	QTY.	PART NUMBER	DESCRIPTION
<b>DANA (SPICER) M220-T REAR AXLE SERVICE PARTS LIST NO. 255 — Cont'd</b>					
1	E0HZ 4A105-B	Retainer kit (pinion shaft pilot bearing)— also serviced in kit-group 4141		4209	Ring gear and pinion kit — Cont'd
Consists of			1	E3HZ 4209-B	4.89/6.66 ratio
1	B8QH 4625-B	Bearing	4	MJAHM113-1	Bolt
1	MJAC104	Cap	1	131HG100	Silicone gasket
1	E0HZ 4127-B	Case kit (differential support)			
Consists of					
1	E0HZ 4147-B	Plate	1	MJAHC100-X	Bearing kit
1	E0HZ 4228-B	Washer	1	MJAHC101-X	Bearing kit
8	E0HZ 4558-B	Bolt	1	131HG100	Silicone gasket
1	MJADX100-X	Case			
1	E2HZ 4141-B	Carrier kit (differential)			
Consists of					
1	E0HZ 4072-A	Seal	2	E0HZ 4336-A	Stud
2	E4HZ 4B147-A	Washer	2	E0HZ 4571-A	Nut
12	E1HZ 4323-B	Bolt	1	MJACS102-X	Carrier
1	E2HZ 4332-A	Set screw	1	38615	Silicone gasket
2	E0HZ 4143-A	Lock (differential bearing adjuster)			
1	E0HZ 4147-B	Washer (diff. sliding clutch gear plate)— 4 3/32" I.D. x 7 7/8" O.D. x 1/8" thick— also serviced in kits-group 4127, 4204			
2	E4HZ 4B147-A	Washer (shift housing stud)— also serviced in kit-group 4141— 15/32" I.D. x 15/16" O.D. x 3/32" thick			
1	E2HZ 4149-A	Shaft (shift fork)—11/16" O.D. x 3 23/32" long			
	4200	Differential assy.—refer to group in Section 40			
1	E0HZ 4204-B	Case kit (differential)			
Consists of					
1	E0HZ 4147-B	Plate	1	MJADS100-X	Case
1	E0HZ 4228-B	Washer	1	131HG100	Silicone gasket
8	E0HZ 4558-B	Bolt			
				4209	Ring gear and pinion kit
1	E4HZ 4209-C	3.70/5.05 ratio			
Consists of					
1	E0HZ 4320-A	Nut	1	E6HZ 4676-D	Seal
1	E0HZ 4329-A	Washer	1	MJAGA003-X	Gear and pinion
8	E0HZ 4558-B	Bolt	1	MJAHC102-X	Bearing kit
1	B8QH 4625-B	Bearing	1	MJAHC103-X	Bearing kit
1	E4HZ 4209-D	3.90/5.32 ratio			
Consists of					
1	E0HZ 4320-A	Nut	1	E6HZ 4676-D	Seal
1	E0HZ 4329-A	Washer	1	MJAGA004-X	Gear and pinion
8	E0HZ 4558-B	Bolt	1	MJAHC102-X	Bearing kit
1	B8QH 4625-B	Bearing	1	MJAHC103-X	Bearing kit
1	E4HZ 4209-E	4.11/5.60 ratio			
Consists of					
1	E0HZ 4320-A	Nut	1	E6HZ 4676-D	Seal
1	E0HZ 4329-A	Washer	1	MJAGA005-X	Gear and pinion
8	E0HZ 4558-B	Bolt	1	MJAHC102-X	Bearing kit
1	B8QH 4625-B	Bearing	1	MJAHC103-X	Bearing kit
1	E6HZ 4209-P	4.56/6.22 ratio			
Consists of					
1	E0HZ 4320-A	Nut	1	E6HZ 4676-D	Seal
1	E0HZ 4329-A	Washer	1	MJAGA002-X	Gear and pinion
8	E0HZ 4558-B	Bolt	1	MJAHC102-X	Bearing kit
1	B8QH 4625-B	Bearing	1	MJAHC103-X	Bearing kit
				4209	Ring gear and pinion kit — Cont'd
				4209-B	4.89/6.66 ratio
Consists of					
1	E0HZ 4320-A	Nut	1	MJAGA104-1	Gear and pinion
1	E0HZ 4329-A	Washer	1	MJAHC102-X	Bearing kit
8	E0HZ 4558-B	Bolt	1	MJAHC103-X	Bearing kit
1	B8QH 4625-B	Bearing	1	38615	Silicone gasket
1	E6HZ 4676-D	Seal kit			
1	E6HZ 4209-R	5.29/7.21 ratio			
Consists of					
1	E0HZ 4320-A	Nut	1	E6HZ 4676-D	Seal
1	E0HZ 4329-A	Washer	1	MJAGA001-X	Gear and pinion
8	E0HZ 4558-B	Bolt	1	MJAHC102-X	Bearing kit
1	B8QH 4625-B	Bearing	1	MJAHC103-X	Bearing kit
1	E0HZ 4209-E	5.57/7.60 ratio			
Consists of					
1	E0HZ 4320-A	Nut	1	MJAGA103-X	Gear and pinion
1	E0HZ 4329-A	Washer	1	MJAHC102-X	Bearing kit
8	E0HZ 4558-B	Bolt	1	MJAHC103-X	Bearing kit
1	B8QH 4625-B	Bearing	1	38615	Silicone gasket
1	E6HZ 4676-D	Seal kit			
1	E0HZ 4209-F	6.14/8.38 ratio			
Consists of					
1	E0HZ 4320-A	Nut	1	MJAGA102-X	Gear and pinion
1	E0HZ 4329-A	Washer	1	MJAHC102-X	Bearing kit
8	E0HZ 4558-B	Bolt	1	MJAHC103-X	Bearing kit
1	B8QH 4625-B	Bearing	1	38615	Silicone gasket
1	E6HZ 4676-D	Seal kit			
8	E0HZ 4216-B	Bolt (differential case)—1/2"–13 x 3 1/8"— also serviced in kit-group 4204			
1	D8HZ 4221-A	Cone and roller assy. (differential bearing)—R.H.— #JM-716649—incl. cup #JM-716610— also serviced in kit-group 4127			
1	E0HZ 4221-A	Cone and roller (differential bearing)—L.H.— #JM-822049—also serviced in kit- group 4127			
				4222	Cup (differential bearing)— also serviced in kit-group 4127
1	D8HZ 4222-A	R.H.—#JM716610—also serviced in assy.— group 4221			
1	E0HZ 4222-A	L.H.—#822010			
1	E0HZ 4228-B	Washer (diff. support case thrust)— 2 11/16" I.D. x 4 13/32" O.D. x 1/16" thick— also serviced in kits-group 4127, 4204, 4237			
4	E0HZ 4229-B	Gear (differential planetary)— 1 1/2" I.D. x 3 3/32" O.D. x 2 5/8" long— 14 teeth			
2	E4HZ 4234-B	Shaft assy.			
1	E4HZ 4237-A	Gear and pinion kit (differential)			
Consists of					
2	E0HZ 4228-B	Washer gear	4	MJAGC102	Pinion gear
8	E0HZ 4558-B	Bolt	2	MJAGD103	Side gear
1	MJADP100	Pinion shaft	4	MJAHS106	Washer pinion
1	E0HZ 4N282-A	Plug (housing drain)—magnetic—3/4"–14 thread—also serviced in kit group 4010			
1	E0HZ 4N301-B	Retainer (differential sliding clutch gear)— 16 teeth—3 5/32" I.D. of teeth			

**1980/  
TRUCK SERIES 600/900**

QTY.	PART NUMBER	DESCRIPTION	QTY.	PART NUMBER	DESCRIPTION
<b>DANA (SPICER) M220-T REAR AXLE SERVICE PARTS LIST NO. 255 — Cont'd</b>					
1	E0HZ 4320-A	Nut (flange to pinion)-1 1/4"-12 x 1 5/8" across flats-also serviced in kit-group 4209		4537	Spacer (drive pinion bearing) — Cont'd selective-2 1/32" I.D. x 2 9/16" O.D.
2	E0HZ 4321-A	Bolt (differential bearing adjuster lock)-3/8"-16 x 1"	1	E0HZ 4537-X	.719" thick
	4322	Nut (shift housing stud)-7/16"-20-also serviced in kit-group 4141	1	E0HZ 4537-Y	.720" thick
2	B8TZ 4322-A	Use on vehicles w/o rear shocks	1	E0HZ 4537-Z	.721" thick
2	★E0HZ 4571-A	Use on vehicles w/rear shocks-r/b B8TZ 4322-A	1	E0HZ 4537-AA	.722" thick
	4323	Bolt (differential carrier to housing)-also serviced in kits-group 4010, 4141	1	E0HZ 4537-AB	.723" thick
12	E1HZ 4323-B	1984/85-5/8"-11 x 2"	1	E0HZ 4537-AC	.724" thick
12	E0HZ 4323-G	1986-5/8"-11 x 1 3/4"	1	E0HZ 4537-AD	.725" thick
2	E0HZ 4326-A	Washer (diff. bearing adjuster lock bolt)-13/32" I.D. x 13/16" O.D. x 1/16" thick	1	E0HZ 4537-AE	.726" thick
1	E0HZ 4329-A	Washer (drive pinion flange)-1 17/64" I.D. x 2 19/32" O.D. x 9/32" thick-also serviced in kit-group 4209	1	E0HZ 4537-AF	.727" thick
1	E2HZ 4332-A	Set screw (shift fork shaft)-3/4"-16 x 1/2"-also serviced in kit-group 4141	8	E0HZ 4558-B	Bolt (gear to case)-differential-9/16"-12 x 3 27/32"-also serviced in kits-group 4127, 4204, 4209, 4237
2	E0HZ 4336-A	Stud (shift motor)-7/16"-14 and 7/16"-20 x 1 19/32"-also serviced in kit-group 4141		4571	Refer to group 4322 within parts list
	4537	Spacer (drive pinion bearing)-selective- 2 1/32" I.D. x 2 9/16" O.D.		4616	Cup (driving pinion bearing)-also serviced in kit-group 4209
1	E0HZ 4537-A	.700" thick	1	7EQH 4616	Outer-#55437
1	E0HZ 4537-B	.701" thick	1	B8QH 4616-A	Inner-#72487
1	E0HZ 4537-C	.702" thick		4621	Cone and roller assy. (drive pinion bearing)-also serviced in kit-group 4209
1	E0HZ 4537-D	.703" thick	1	A8TZ 4621-A	Outer-#55200-C
1	E0HZ 4537-E	.704" thick	1	E0HZ 4621-A	Inner-#72225-C
1	E0HZ 4537-F	.705" thick	1	B8QH 4625-B	Bearing assy. (driving pinion pilot)-#MUS1308TM or UY1308TM-also serviced in kits-group 4A105, 4209
1	E0HZ 4537-G	.706" thick		4670	Slinger (driving pinion shaft oil)-selective-2 19/64" I.D. x 4 31/32" O.D.
1	E0HZ 4537-H	.707" thick	1	E0HZ 4670-V	.052" thick
1	E0HZ 4537-J	.708" thick	1	E0HZ 4670-W	.055" thick
1	E0HZ 4537-K	.709" thick	1	E0HZ 4670-X	.058" thick
1	E0HZ 4537-L	.710" thick	1	E0HZ 4670-G	.061" thick
1	E0HZ 4537-M	.711" thick	1	E0HZ 4670-H	.064" thick
1	E0HZ 4537-N	.712" thick	1	E0HZ 4670-J	.067" thick
1	E0HZ 4537-P	.713" thick	1	E0HZ 4670-K	.070" thick
1	E0HZ 4537-R	.714" thick	1	E0HZ 4670-L	.073" thick
1	E0HZ 4537-S	.715" thick	1	E0HZ 4670-M	.076" thick
1	E0HZ 4537-T	.716" thick	1	E0HZ 4670-Y	.079" thick
1	E0HZ 4537-V	.717" thick	1	E0HZ 4670-Z	.082" thick
1	E0HZ 4537-W	.718" thick	1	E0HZ 4A670-A	Seal (driving pinion shaft oil slinger)-4 3/8" I.D. x 5 37/64" O.D. x 5/16" thick
			1	E6HZ 4676-D	Seal (drive pinion oil)-also serviced in kit-group 4209
				4851	Flange assy. (universal joint) axle end
			1	E0HZ 4851-D	1610 size-1984/85
			1	E6HZ 4851-F	1610 size-1986
			1	E6HZ 4851-G	1710 size
<b>ROCKWELL (TIMKEN) H601 REAR AXLE SERVICE PARTS LIST NO. 262</b>					
1	E6HZ 4010-D	Housing assy.		4067	Adjuster (differential bearing)
	4027	Refer to group 4127 within parts list	1	E7HZ 4067-C	R.H.
4	E7HZ 4029-B	Shaft (differential planetary gear)	1	E7HZ 4067-G	L.H.
4	E6HZ 4K034-A	Stud (diff. sliding clutch gear retainer)	1	E7HZ 4072-A	Seal (shift fork)
4	E6HZ 4L034-A	Nut (diff. sliding clutch gear retainer stud)		4127	Case (differential gear support)
	★ 4035	Improvise-use liquid gasket	1	★E6HZ 4127-A	R.H.
1	★E6HZ 4045-A	Fork (differential shift)	1	★E6HZ 4027-A	L.H.-r/b E6HZ 4N301-C
1	★E7HZ 4055-B	Gear (differential sliding clutch)-r/b E6HZ 4N301-C	1	★E6HZ 4141-A	Carrier assy. (differential)
1	★E5HZ 4062-A	Shift assy.-electric-#113770	1	353051-S(PP-32)	Plug (filler)-3/4"-14
			4	D7HZ 4A142-A	Nut (carrier to housing stud)-1/2"-20
			1	C2TZ 4143-A	Lock (differential bearing adjuster)



1980/  
TRUCK SERIES 600/900

QTY.	PART NUMBER	DESCRIPTION	QTY.	PART NUMBER	DESCRIPTION
ROCKWELL (TIMKEN) H601 REAR AXLE SERVICE PARTS LIST NO. 262 — Cont'd					
4	E6HZ 4146-A	Dowel (diff. sliding clutch gear retainer)		4537	Spacer (drive pinion bearing)-selective — Cont'd
8	D7HZ 4A147-A	Washer (pinion bearing retainer bolt)- 15/32" I.D. x 13/16" O.D. x 3/32" thick	1	★E6HZ 4537-R	.475" thick
2	E4HZ 4B147-A	Washer (shift housing stud)- 15/32" I.D. x 15/16" O.D. x 3/32" thick	1	★E6HZ 4537-S	.476" thick
1	E6HZ 4149-A	Shaft kit (shift fork)	1	★E6HZ 4537-T	.477" thick
Consists of			1	★E6HZ 4537-V	.478" thick
1	1-003261-1	Snap ring	2-110058-0	Plug	
1	1-085077-2	Shaft			
	4200	Differential assy.-refer to group in Section 40	1	★E6HZ 4537-W	.479" thick
1	E6HZ 4204-A	Case assy. (differential)-includes 12 bolts	1	★E6HZ 4537-X	.480" thick
1	E6HZ 4209-A	Ring gear and pinion kit- 4.88/6.80 ratio-includes locknut	1	★E6HZ 4537-Y	.481" thick
1	7EQ 4211	Shaft (pinion)	1	★E6HZ 4537-Z	.482" thick
12	E6HZ 4216-A	Bolt (differential case)-also serviced in assy.-group 4204	1	★E6HZ 4537-AA	.483" thick
	4221	Cone and roller (differential bearing)	1	★E6HZ 4537-AB	.484" thick
1	D8HZ 4424-A	R.H.-#JLM 714149	1	★E6HZ 4537-AC	.485" thick
1	8Q 4221-A	L.H.-#42381	1	★E6HZ 4537-AD	.486" thick
	4222	Cup (differential bearing)	1	★E6HZ 4537-AE	.487" thick
1	D8HZ 4222-C	R.H.-#JLM714110	1	★E6HZ 4537-AF	.488" thick
1	8Q 4222-A	L.H.-#42584	1	★E6HZ 4537-AG	.489" thick
3	E7HZ 4228-B	Washer (diff. side gear thrust and diff. case)-also serviced in kit-group 4237	1	★E6HZ 4537-AH	.490" thick
4	E7HZ 4229-B	Gear (differential planetary)	1	★E6HZ 4537-AJ	.491" thick
4	E7HZ 4K229-B	Pin (differential planetary gear)	1	★E6HZ 4537-AK	.492" thick
1	E7HZ 4K229-C	Pin (diff. sliding clutch retainer)	1	★E6HZ 4537-AL	.493" thick
8	E7HZ 4L229-A	Washer (diff. planetary gear thrust)	1	★E6HZ 4537-AM	.494" thick
4	7EQ 4230	Washer (differential pinion thrust)-also serviced in kit-group 4237	1	★E6HZ 4537-AN	.495" thick
2	E6HZ 4234-A	Shaft assy.	1	★E6HZ 4537-AP	.496" thick
1	E7HZ 4237-D	Gear and pinion kit (differential)	1	★E6HZ 4537-AR	.497" thick
Consists of			1	★E6HZ 4537-AS	.498" thick
2	E7HZ 4228-B	Washer-gear	1-2234-S-1085	Side gear	
4	7EQ 4230	Washer-pinion	1-2234-T-1086	Side gear	
4	2233-M-1027	Pinion gear			
1	D8HZ 4N282-B	Plug (drain) magnetic-3/4"-14 x 1 5/16"	1	★E6HZ 4537-AT	.499" thick
1	★E6HZ 4N301-A	Retainer (differential sliding clutch gear)-r/b E6HZ 4N301-C	1	★E6HZ 4537-AV	.500" thick
1	E6HZ 4N301-C	Retainer kit (diff. sliding clutch gear update)	1	★E6HZ 4537-AW	.501" thick
Consists of			1	★E6HZ 4537-AX	.502" thick
1	1-023364-1	Support case L.H.	1-3892-J-4846-M	Gear	
1	1-093125-0	Retainer			
1	★E6HZ 4320-A	Nut (drive pinion flange)-also serviced in kit-group 4209	1	★E6HZ 4537-AY	.503" thick
2	B8TZ 4322-A	Nut (shift housing stud)-7/16"-20	1	★E6HZ 4537-AZ	.504" thick
2	D3HZ 4323-B	Stud (shift housing)- 7/16"-20-14 x 1 11/16"	1	★E6HZ 4537-BA	.505" thick
8	★E6HZ 4323-A	Bolt (carrier to housing)	1	★E6HZ 4537-BB	.506" thick
4	★E6HZ 4323-B	Stud (carrier to housing)	1	★E6HZ 4537-BC	.507" thick
8	D7HZ 4326-A	Washer (diff. carrier to housing bolt) 17/32" I.D. x 7/8" O.D. x 3/32" thick	1	★E6HZ 4537-BD	.508" thick
4	★E6HZ 4326-B	Washer (diff. carrier to housing stud)	1	★E6HZ 4537-BE	.509" thick
	4424	Refer to group 4221 within parts list	8	★E6HZ 4558-A	Bolt (gear to case)-differential
	4537	Spacer (drive pinion bearing)-selective	8	C8TZ 4560-A	Bolt (drive pinion bearing retainer)- 7/16"-14 x 1 5/8"
1	★E6HZ 4537-M	.472" thick	1	★E6HZ 4614-A	Retainer assy. (driving pinion)-includes bearing cups 7EQH 4616 #55437 and C7AZ 4628-A #M802011
1	★E6HZ 4537-N	.473" thick	1	7EQH 4616	Cup (driving pinion inner bearing)-#55437-also serviced in assy.-group 4614
1	★E6HZ 4537-P	.474" thick	1	A8TZ 4621-A	Cone and roller (driving pinion)-inner-#55200-C
			1	D8HZ 4625-A	Bearing assy. (driving pinion pilot)
			1	C6TZ 4627-A	Retainer (driving pinion pilot bearing)- 1 7/32" I.D. x 1 15/32" O.D. x 1/16" thick
			1	C7AZ 4628-A	Cup (driving pinion outer bearing)-#M802011-also serviced in assy.-group 4614
			1	C7AZ 4630-A	Cone and roller (driving pinion)-outer-#M802048
			1	2Q 4637-A	Washer (driving pinion)-1 1/32" I.D.
			AR	7EQ 4662-A	Shim (driving pinion bearing retainer) .003" thick
			AR	E7HZ 4662-T	.005" thick
			1	E6HZ 4676-A	Seal assy. (drive pinion oil)
			1	E6HZ 4851-A	Flange assy. (universal joint)-axle end 1550 size

1980/  
TRUCK SERIES 600/900

QTY.	PART NUMBER	DESCRIPTION	QTY.	PART NUMBER	DESCRIPTION
<b>ROCKWELL (TIMKEN) P601 REAR AXLE SERVICE PARTS LIST NO. 263</b>					
1	E6HZ 4010-E	Housing assy.	1	E7HZ 4237-F	Gear and pinion kit (differential)
	4027	Refer to group 4127 within parts list	Consists of		
4	E7HZ 4029-C	Shaft (differential planetary gear)	2-C1TT 4228-D	Washer-gear	1-2234-K-1077 Side gear
4	E6HZ 4K034-A	Stud (diff. sliding clutch gear retainer)	4-C1TT 4230-D	Washer-pinion	1-2234-M-1079 Side gear
4	E6HZ 4L034-A	Nut (diff. sliding clutch gear retainer stud)	4-2233-J-1024	Pinion gear	
*	4035	Improvise-use liquid gasket	1	D8HZ 4N282-B	Plug (drain) magnetic-3/4"-14 x 1 5/16"
1	E6HZ 4045-B	Fork (differential shift)	1	★E7HZ 4N301-C	Retainer (differential sliding clutch gear)-r/b E6HZ 4N301-D
1	★E7HZ 4055-C	Gear (differential sliding clutch)-r/b E6HZ 4N301-D	1	E6HZ 4N301-D	Retainer kit (diff. sliding clutch gear update)
1	E5HZ 4062-A	Shift assy.-electric-#113770	Consists of		
	4067	Adjuster (differential bearing)	1-023363-3	Support case L.H.	1-3892-K-4847-M Gear
1	E7HZ 4067-J	R.H.	1-3280-H-8328-M	Retainer	
1	E7HZ 4067-K	L.H.	1	D3HZ 4320-D	Nut (drive pinion flange)-1 1/4"-18 thread-1 19/32" across flats-also serviced in kit-group 4209
1	E7HZ 4072-A	Seal (shift fork)	2	B8TZ 4322-A	Nut (shift housing stud)-7/16"-20
	4127	Case (differential gear support)	2	D3HZ 4323-B	Stud (shift housing)-7/16"-20-14 x 1 11/16"
1	E6HZ 4127-B	R.H.	8	E6HZ 4323-C	Bolt (carrier to housing)
1	E6HZ 4027-B	L.H.	4	E6HZ 4323-D	Stud (carrier to housing)
1	E6HZ 4141-B	Carrier assy. (differential)	8	E6HZ 4326-C	Washer (diff. carrier to housing bolt)
1	353051-S(PP-32)	Plug (filler)-3/4"-14	4	E6HZ 4326-D	Washer (diff. carrier to housing stud)
4	E6HZ 4A142-A	Nut (carrier to housing stud)		4537	Spacer (drive pinion bearing)-use in pairs as required
1	C2TZ 4143-A	Lock (differential bearing adjuster)	AR	E7HZ 4537-J	.234" thick
4	E6HZ 4146-A	Dowel (diff. sliding clutch gear retainer)	AR	E7HZ 4537-K	.235" thick
8	D7HZ 4A147-A	Washer (pinion bearing retainer bolt)-15/32" I.D. x 13/16" O.D. x 3/32" thick	AR	E7HZ 4537-L	.236" thick
2	E4HZ 4B147-A	Washer (shift housing stud)-15/32" I.D. x 15/16" O.D. x 3/32" thick	AR	E7HZ 4537-M	.237" thick
1	E6HZ 4149-A	Shaft kit (shift fork)	AR	E7HZ 4537-N	.238" thick
Consists of			AR	E7HZ 4537-P	.239" thick
1-003261-1	Snap ring	2-110058-0 Plug	AR	E7HZ 4537-R	.244" thick
1-085077-2	Shaft		AR	E7HZ 4537-S	.250" thick
	4200	Differential assy.-refer to group in Section 40	AR	E7HZ 4537-T	.256" thick
1	E6HZ 4204-B	Case assy. (differential)-includes 12 bolts	AR	E7HZ 4537-V	.262" thick
1	E6HZ 4209-B	Ring gear and pinion kit-4.88/6.80 ratio-includes locknut	AR	E7HZ 4537-W	.268" thick
1	E1HZ 4211-A	Shaft (pinion)	8	E6HZ 4558-B	Bolt (gear to case)-differential
12	E6HZ 4216-B	Bolt (differential case)-also serviced in assy.-group 4204	8	C8TZ 4560-A	Bolt (drive pinion bearing retainer)-7/16"-14 x 1 5/8"
1	D8HZ 4221-A	Cone and roller assy. (diff. bearing)-R.H.-#JM716649-incl. cup D8HZ 4222-A #JM716610	1	E6HZ 4614-B	Retainer assy. (driving pinion)-includes bearing cups 7EQH 4616 #55437 and TBAA 4628-A #HM 804810
1	E7HZ 4221-D	Cone and roller (diff. bearing)-L.H.-#52400	1	7EQH 4616	Cup (driving pinion inner bearing)-#55437-also serviced in assy.-group 4614
1	D8HZ 4222-A	R.H.-#JM716610-also serviced in assy.-group 4221	1	A8TZ 4621-A	Cone and roller (driving pinion)-Inner-#55200-C
1	C3TZ 4222-C	L.H.-#52618	1	D7HZ 4621-A	Cone and roller assy. (driving pinion)-Outer-#804846 includes cup TBAA 4628-A-#HM804810
3	C1TT 4228-D	Washer (diff. side gear thrust and diff. case-also serviced in kit-group 4237)	1	E6HZ 4625-A	Bearing assy. (driving pinion pilot)
4	E7HZ 4229-C	Gear (differential planetary)	1	C6TZ 4627-A	Retainer (driving pinion pilot bearing)-1 7/32" I.D. x 1 15/32" O.D. x 1/16" thick
	4K229	Pin	1	TBAA 4628-A	Cup (driving pinion outer bearing)-#HM804810-also serviced in assy.-groups 4614 and 4621
4	E7HZ 4K229-B	Differential planetary gear		4662	Shim (driving pinion bearing retainer)
1	E7HZ 4K229-B	Differential sliding clutch retainer	AR	7EQ 4662-A	.003" thick
8	E7HZ 4L229-A	Washer (diff. planetary gear thrust)	AR	E7HZ 4662-T	.005" thick
4	C1TT 4230-D	Washer (differential pinion thrust)-1 1/16" I.D. x 2 13/32" O.D.-also serviced in kit-group 4237	1	E6HZ 4676-B	Seal assy. (drive pinion oil)
2	E7HZ 4234-J	Shaft assy.	1	E6HZ 4851-B	Flange assy. (universal joint)-axle end 1550 size

1980/  
TRUCK SERIES 600/900

QTY.	PART NUMBER	DESCRIPTION	QTY.	PART NUMBER	DESCRIPTION
<b>ROCKWELL (TIMKEN) P174 REAR AXLE SERVICE PARTS LIST NO. 264</b>					
1	E6HZ 4010-C	Housing assy.		4537	Spacer (driving pinion bearing)- use in pairs as required
1	D0HZ 4N025-A	Plug (heat indicator)			
1	B7T 7034-A	Breather (axle housing)	AR	D7HZ 4537-A	.234" thick
	★ 4035	Improvise-use liquid gasket	AR	D7HZ 4537-B	.235" thick
2	D7HZ 4067-A	Adjuster (differential bearing)	AR	D7HZ 4537-C	.236" thick
1	D7HZ 4141-A	Carrier assy. (differential)	AR	D7HZ 4537-D	.237" thick
2	D7HZ 4143-A	Lock (differential bearing adjuster)	AR	D7HZ 4537-E	.238" thick
8	D5TZ 4A146-A	Bolt (pinion bearing retainer to carrier)- 7/16"-14 x 1 1/2"	AR	D7HZ 4537-F	.239" thick
8	D7HZ 4A147-A	Washer (pinion bearing retainer bolt)- 15/32" I.D. x 13/16" O.D. x 3/32" thick	AR	D7HZ 4537-G	.240" thick
	4200	Differential assy.-refer to group in Section 40	AR	E3HZ 4537-A	.242" thick
			AR	E3HZ 4537-B	.244" thick
1	D7HZ 4204-A	Case assy. (differential)	AR	E3HZ 4537-C	.246" thick
1	E4HZ 4209-R	Ring gear and pinion kit-4.88 ratio- includes locknut	AR	D7HZ 4537-H	.247" thick
1	E1HZ 4211-A	Shaft (pinion)-#S-305	AR	D7HZ 4537-J	.254" thick
16	D7HZ 4216-C	Bolt (differential case)-1/2"-13 x 3 1/4" w/locking material-also serviced in assy.-group 4204	AR	D7HZ 4537-K	.261" thick
2	D8HZ 4222-C	Cup (differential bearing)-#JLM714110	AR	D7HZ 4537-L	.268" thick
2	C1TT 4228-D	Washer (diff. side gear thrust)- also serviced in kit-group 4237	AR	D7HZ 4537-M	.275" thick
4	C1TT 4230-D	Washer (pinion thrust)-also serviced in kit-group 4237	AR	D7HZ 4537-N	.282" thick
4	C5TZ 4A230-A	Gasket (housing plug)-5/16" I.D. x 5/8" O.D.	AR	D7HZ 4537-P	.289" thick
4	356184-S(XX-113)	Washer (housing plug gasket bolt)-5/16"	AR	D7HZ 4537-R	.296" thick
4	D8HZ 4A322-C	Bolt (housing plug gasket)-5/16"-18 x 1"			
	4234	Shaft assy.	12	D8HZ 4558-B	Bolt (gear to case)-5/8"-18 x 2"- also serviced in kit-group 4982
1	E6HZ 4234-C	R.H.	1	E5HZ 4614-A	Retainer assy. (drive pinion)-includes 7EQH 4616 inner cup #55437 and TBAA 4628-A outer cup #HM804810
1	E6HZ 4234-D	L.H.		4616	Cup (driving pinion bearing)-also serviced in assy.-group 4614
1	D8HZ 4237-A	Gear and pinion kit (differential)	1	7EQH 4616	Inner-#55437
Consists of			1	TBAA 4628-A	Outer-#HM804810-also serviced in assy.-group 4621
2	C1TT 4228-D	Washer-gear 4-2233-U-151 Pinion gear	1	A8TZ 4621-A	Cone and roller (driving pinion)-Inner- #55200-C
4	C1TT 4230-D	Washer-pinion 2-2234-C-783 Side gear	1	D7HZ 4621-A	Cone and roller assy. (driving pinion)-Outer- #HM804846-incl. cup TBAA 4628-A #HM804810
	4N282	Plug (magnetic)-3/4"-14 x 1 5/16"	1	D8HZ 4625-A	Bearing assy. (driving pinion pilot)
1	D8HZ 4N282-B	Drain	1	C6TZ 4627-A	Retainer (driving pinion pilot bearing)- 1 7/32" I.D. x 1 15/32" O.D. x 1/16" thick
1	D8HZ 4N282-B	Filler		4628	Refer to group 4616 within parts list
1	D7HZ 4320-A	Nut (drive pinion flange)-self-locking- 1 1/2"-12 x 2 7/32" across flats- also serviced in kit-group 4209	1	D7HZ 4637-A	Washer (driving pinion)- 1 9/32" I.D. x 2 3/16" O.D. x 7/32" thick
12	D8HZ 4322-C	Nut gear to case-5/8"-18- also serviced in kit-group 4982	AR	4662	Shim (driving pinion bearing retainer) .003" thick
	4323	Bolt (housing)	AR	E7HZ 4662-T	.005" thick
10	C8TZ 4323-A	Short-1/2"-13 x 1 3/8"	1	E5HZ 4676-B	Seal (drive pinion oil)
4	C8TZ 4323-B	Long-1/2"-13 x 2"	1	E4HZ 4851-T	Flange assy. (universal joint)-axle end- 1550 size
12	C1TT 4326-B	Washer (gear to case)- 21/32" I.D. x 1 1/16" O.D. x 3/32" thick- also serviced in kit-group 4982	1	D7HZ 4859-A	Deflector (drive pinion oil seal)- 4 13/16" O.D.
	4326	Washer-17/32" I.D. x 7/8" O.D. x 3/32" thick	1	D8HZ 4982-A	Bolt and nut kit (driving gear)
14	D7HZ 4326-A	Housing stud	Consists of		
16	D7HZ 4326-A	Differential case bolt-also serviced in assy.-group 4204	12	D8HZ 4322-C	Nut 12-D8HZ 4558-B Bolt
2	D8HZ 4424-A	Cone and roller (diff. bearing)-#JLM714149	12	C1TT 4326-B	Washer
<b>ROCKWELL (TIMKEN) SQ100P REAR AXLE SERVICE PARTS LIST NO. 265</b>					
1	D6UZ 1243-A	Cup (power divider input shaft)- #JLM-710910	2	D8HZ 4067-A	Adjuster (differential bearing)- 5 1/4"-12
1	★D6UZ 1244-A	Cone and roller (power divider input shaft)- #JLM-710949-r/b E8HZ 4424-A	1	D8HZ 4A090-A	Cover assy. (power divider relief valve pump) 1 1/4" x 3 3/16"-4 holes-incl. ball, spring, "O" ring and plug
1	F0HZ 4N025-A	Plug (heat indicator)	1	E3HZ 4A140-A	Bolt (diff. push rod)-1/2"-20 x 1 1/2"
	★ 4035	Improvise-use liquid gasket			

1980/  
TRUCK SERIES 600/900

QTY.	PART NUMBER	DESCRIPTION	QTY.	PART NUMBER	DESCRIPTION
<b>ROCKWELL (TIMKEN) SQ100P REAR AXLE SERVICE PARTS LIST NO. 265 — Cont'd</b>					
7	D5TZ 4A140-A	Bolt (drive pinion bearing retainer) 1/2"-13 x 1 1/2"-use on vehicles w/malleable carrier	2	C5TZ 4A230-A	Gasket (housing plug)-5/16" I.D. x 5/8" O.D.
8	E1HZ 4A140-E	1/2"-13 x 2 1/4"-use on vehicles w/aluminum carrier	2	356184-S (XX-13)	Washer (housing plug gasket bolt)-5/16"
12	D5TZ 4A140-A	Bolt (power divider cover) 1/2"-13 x 1 1/2"-use on vehicles w/malleable carrier	2	D8HZ 4A322-C	Bolt (housing plug gasket)-5/16"-18 x 1"
2	D5TZ 4A140-A	1/2"-13 x 1 1/2"-use on vehicles w/aluminum carrier		4234	Shaft assy.
10	E1HZ 4A140-D	1/2"-13 x 2"-use on vehicles w/aluminum carrier	1	D8HZ 4234-B	R.H.-#3202-L-6356-1986/88
2	D8HZ 4A142-A	Nut (carrier to housing stud)-5/8"-18-1986/88	1	D8HZ 4234-C	L.H.-#3202-N-6358-1986/88
	4143	Lock (diff. bearing adjuster)	1	E9HZ 4234-D	R.H.-#3202-C-9519-1989
2	C2TZ 4143-A	1986/88	1	E9HZ 4234-C	L.H.-#3202-Q-6361-1989
2	E7HZ 4143-D	1989	1	D8HZ 4237-A	Gear and pinion kit (differential)
6	D8HZ 4A145-A	Bolt (input shaft bearing retainer)-7/16"-14 x 1 3/8"	Consists of		
4	D1HZ 4A147-A	Washer (thru shaft retainer bolt)-13/32" I.D. x 3/4" O.D. x 3/32" thick	2	C1TT 4228-D	Washer-gear 4-2233-U-151 Pinion gear
6	D7HZ 4A147-A	Washer (input shaft bearing retainer)-15/32" I.D. x 13/16" O.D. x 3/32" thick	4	C1TT 4230-D	Washer-pinion 2-2234-C-783 Side gear
1	C1TZ 4189-A	Screw (thrust adj.)-does not require thrust block-7/8"-14 x 3 5/8"	1	D8HZ 4N282-B	Plug (drain) magnetic-3/4"-14 x 1 5/16"
1	E3HZ 4A192-A	Nut (power divider push rod stop bolt)-self-locking-1/2"-20		4300	Differential assy.-refer to group in Section 40
	4204	Case assy. (differential)		4309	Ring gear and pinion kit
1	D8HZ 4204-G	3.55 thru 3.90 ratios	1	E6HZ 4309-A	3.55 ratio-includes nut
1	D8HZ 4204-H	4.10 thru 4.63 ratios	1	E4HZ 4309-A	3.73 ratio-includes nut, retainer
1	E0HZ 4204-F	4.88 thru 6.14 ratios	1	E3HZ 4309-AA	3.90 ratio-includes nut
1	E1HZ 4211-A	Shaft (pinion)-#S-305	1	E4HZ 4309-B	4.10 ratio-includes nut, retainer
4	D8HZ 4215-C	Pinion (power divider)-#2233-W-153-1986/88	1	D7HZ 4309-B	4.33 ratio-includes nut
	★4215	1989-Serviced in 4404 assy.	1	D7HZ 4309-C	4.63 ratio-includes nut
16	D7HZ 4216-C	Bolt (differential case)-1/2"-13 x 3 1/4"-w/locking material	1	D7HZ 4309-D	4.88 ratio-includes nut
8	E4HZ 4216-A	Bolt (power divider diff. case)-5/16"-18 x 3"-1986/88	1	D7HZ 4309-E	5.29 ratio-includes nut
16	356184-S(XX-113)	Washer (power divider case bolt)-21/64" I.D. x 5/8" O.D. x 1/16" thick-1986/88	1	E4HZ 4309-J	5.86 ratio-includes nut, retainer
8	D8HZ 4B322-A	Nut (power divider diff. case)-5/16"-18-1986/88	1	E4HZ 4309-K	6.14 ratio-includes nut, retainer
2	B7A 4221-B	Cone and roller (thru shaft)-#LM-603049		4310	Housing assy.
2	D8HZ 4221-A	Cone and roller assy. (differential bearing)-#JM-716649-incl. cup #JM-716610	1	E3HZ 4310-M	#C-U-853-Hendrickson Beam Suspension
2	B7A 4222-B	Cup (thru shaft)-#LM603011	1	E4HZ 4310-E	#C1-U-853-Hendrickson 4 Spring Suspension
1	D3TZ 4222-A	Cup (input shaft)-#JM-511910-also serviced in assy.-groups 4423, 4431	1	E3HZ 4310-P	#C-Y-857-Neway Suspension
2	D8HZ 4222-A	Cup (differential bearing)-#JM-716610-also serviced in assy.-group 4221	1	D8HZ 4A318-A	Element assy (oil filter)-1" I.D. x 1 7/32" O.D. x 3 1/8"
2	C1TT 4228-D	Washer (diff. side gear thrust)-4 holes-2 45/64" I.D. x 4 1/16" O.D.-3 11/32" bolt circle-also serviced in kit-group 4237	1	D8HZ 4320-A	Nut (drive pinion)-self-locking-1 3/4"-12 x 2 19/32" across flats-also serviced in kit-group 4309
4	C1TT 4230-D	Washer (diff. pinion thrust)-1 1/16" I.D. x 2 13/32" O.D.-also serviced in kit-group 4237	1	D8HZ 4320-B	Nut (thru shaft output flange)-self-locking 1/4"-12 x 1 27/32" across flats
	4230	Washer (power divider diff. pinion thrust)	1	D8HZ 4320-C	Nut (input shaft flange)-self-locking-1 1/2"-12 x 2 7/32" across flats
4	E4HZ 4230-A	1986/88	12	D8HZ 4322-C	Nut (gear to case)-5/8"-18-also serviced in kit-group 4982
	★4230	1989-Serviced in 4404 assy.		4A322	Bolt (pump cover)
			2	D8HZ 4A322-C	5/16"-18 x 1"-1986/88
			2	D8HZ 4A322-B	5/16"-18 x 3/4"-1989
			2	D8HZ 4A322-E	Stud (power divider oil filter shield)-5/16"-18 and 5/16"-18 x 1 31/32"
			AR	356184-S(XX-113)	Washer (pump cover)-5/16"
			2	D8HZ 4A322-D	Bolt (oil filter adapter)-5/16"-18 x 1 1/4"
			2	D8HZ 4B322-A	Nut (power divider oil filter shield stud)-5/16"-18
				4323	Bolt (carrier to housing)
			AR	D7HZ 4323-A	5/8"-11 x 1 3/4"-use on vehicles w/malleable carrier
			12	D8HZ 4323-C	5/8"-11 x 2"-use on vehicles w/aluminum carrier
			2	D8HZ 4323-A	Stud (carrier to housing)-5/8"-11 and 5/8"-18 x 2 5/8"-1986/88
				4326	Washer (carrier to housing)
			14	C1TT 4326-B	21/32" I.D. x 1 1/16" O.D. x 3/32" thick-use on vehicles w/malleable carrier
			14	E2HZ 4326-A	21/32" I.D. x 1 5/16" O.D. x 3/16" thick-use on vehicles w/aluminum carrier

1980/  
TRUCK SERIES 600/900

QTY.	PART NUMBER	DESCRIPTION	QTY.	PART NUMBER	DESCRIPTION
ROCKWELL (TIMKEN) SQ100P REAR AXLE SERVICE PARTS LIST NO. 265 — Cont'd					
12	C1TT 4326-B	Washer (gear to case)- 2 1/32" I.D. x 1 1/16" O.D. x 3/32" thick- also serviced in kit-group 4982	1	E4HZ 4434-B	Gear (power divider input shaft diff. side)-rear
	4326	Washer-17/32" I.D. x 7/8" O.D. x 3/32" thick		4436	Shim (drive pinion bearing retainer)- 6 3/32" I.D.-7 13/16" O.D.
AR	D7HZ 4326-A	Pinion bearing retainer	AR	D8HZ 4436-A	.003" thick
12	D7HZ 4326-A	Power divider cover	AR	D8HZ 4436-B	.005" thick
16	D7HZ 4326-A	Differential case bolt	AR	D8HZ 4436-C	.010" thick
1	★C1TT 4329-A	Washer (thru shaft output flange)- 1 9/32" I.D. x 2 3/16" O.D. x 7/32" thick -r/b D7HZ 4637-A	1	D8HZ 4442-A	Gear (drive pinion transfer)- #3892-S-3945-31 teeth-41 splines
	4341	Carrier assy. (differential)	1	D8HZ 4442-E	Gear (power divider oil pump driven)- 3/4" x 17/32"-7 teeth-incl. ball and nut
1	D8HZ 4341-C	#A3-R-1032-malleable carrier		4446	Shaft assy. (power divider input)- incl. ball, washer and nut
1	E1HZ 4341-B	#A3-L-1078-aluminum carrier		D8HZ 4446-D	1986-"Before 1/86"
1	353051-S(PP-32)	Plug (filler)-3/4"-14	1	E6HZ 4446-B	1986/"From 1/86"
	4351	Flange assy. (universal joint)-power divider end-input	1	E4HZ 4450-A	Fork assy. (power divider diff. lockout shift)
1	E3HZ 4351-E	1610 size		4454	Washer (power divider input shaft)
1	E1HZ 4351-C	1710 size-1986/88	1	D8HZ 4454-D	2 1/4" I.D. x 3 1/4" O.D.-1986-"Before 1/86"
1	E9HZ 4351-D	1710 size-1989	1	E6HZ 4454-A	2 13/32" I.D. x 3 9/32" O.D.-1986/- "From 1/86"
1	E3HZ 4351-F	1760 size		D8HZ 4455-A	Gear (power divider sliding clutch)- 3 3/8" I.D. x 5" O.D.-7/8" wide-28 teeth
1	E1HZ 4351-D	1810 size-1986/87		C1TT 4458-C	Spring (power divider diff. lockout shift lever return)-2 1/2" free length-1" I.D.
1	E8HZ 4351-G	1810 size-1988		4465	Flange assy. (universal joint)-output
1	C1TT 4391-A	Nut (thrust adjusting screw)- 7/8"-14 x 1 1/4"	1	E1HZ 4465-A	1610 size
	4399	Bolt (power divider thru shaft retainer)- 3/8"-16 x 1"	1	E1HZ 4465-B	1710 size
4	C3TZ 4399-B	1986/88		D8HZ 4477-A	Retainer assy. (power divider thru shaft rear bearing)-#A-X-596-S-incl. cup B7A 4222-B #LM-603011- 3 1/16" I.D. x 5 3/4" O.D.-4 holes
4	E5HZ 4399-A	1989		E4HZ 4478-A	Seal assy. (power divider output shaft oil)- 3 25/32" O.D.-53/64" wide
1	E4HZ 4404-A	Case assy. (power divider diff.)-bolted-1986/88		C1TT 4479-A	Gasket (power divider thru shaft rear bearing retainer)
1	E9HZ 4404-A	Case and nest assy. (power divider diff.)-welded- includes internal diff. parts-1989	1	E4HZ 4497-A	Air chamber kit (power divider diff. lockout)
	4411	Shaft (power divider diff.)-	Consists of	4536	Shim (power divider input bearing retainer)-5 3/16" I.D. x 6 7/8" O.D.
1	E4HZ 4411-A	1986-"Before 1/86"	4-10X-1344	Screw	1-A1-3261-V-308 Chamber
1	E6HZ 4411-A	1986/88-"From 1/86"		D8HZ 4536-D	.003" thick
1	★4411	1989-Service in 4404 assy.		D8HZ 4536-E	.005" thick
	4414	Retainer assy. (drive pinion bearing)- incl. bearing cups B8QH 4616-A #72487		D8HZ 4536-F	.010" thick
1	D8HZ 4414-A	Use on vehicles w/malleable carrier		4537	Spacer (drive pinion bearing)-2 5/32" I.D.
1	E1HZ 4414-A	Use on vehicles w/aluminum carrier		E1HZ 4537-A	.299" thick
1	D8HZ 4A420-A	Filter assy. (power divider oil)- 3 3/4" O.D. x 4 1/4" long		E1HZ 4537-B	.300" thick
1	D8HZ 4A421-C	Shield (power divider oil filter)		E1HZ 4537-C	.301" thick
1	D8HZ 4423-A	Bearing assy. (power divider input shaft)- front-#JM-511946-incl. bearing cup D3TZ 4222-A #JM-511910		E1HZ 4537-D	.302" thick
1	E8HZ 4424-A	Cone and roller (power divider input shaft) rear-#JLM710949C		E1HZ 4537-E	.303" thick
1	★E4HZ 4428-A	Cover assy. (power divider)-incl. tube and Welch plug-1986/87-r/b E4HZ 4428-C		E1HZ 4537-F	.304" thick
1	E4HZ 4428-C	Cover (power divider)-1988/		E1HZ 4537-G	.310" thick
1	87710-S(P-16)	Plug (drain)-3/8"-18		E1HZ 4537-H	.316" thick
1	D8HZ 4428-B	Adapter (power divider oil filter)- 1 7/16" x 3"-2 holes		E1HZ 4537-J	.322" thick
2	356184-S(XX-113)	Washer (filter adapter)-5/16"		E1HZ 4537-K	.328" thick
1	D8HZ 4431-A	Retainer assy. (power divider input shaft bearing)-incl. cage and cup D3TZ 4222-A #JM-511910	12	D8HZ 4558-B	Bolt (gear to case)-5/8"-18 x 2"- also serviced in kit-group 4982
	4434	Gear (power divider input shaft diff. side)-front-one piece design- integral spur and bevel gear	1	E4HZ 4565-A	Push rod (diff. lockout shift)- 1 1/4" dia. x 6 29/32" long
1	E4HZ 4434-A	#3892-F-4738-1986-"Before 1/86"			
1	E6HZ 4434-A	#3892-M-4927-1986/"From 1/86"			

October, 1993

COPYRIGHT © 1993 - FORD MOTOR - DEARBORN, MICHIGAN  
COMPANY

Final Issue

1980/  
TRUCK SERIES 600/900

QTY.	PART NUMBER	DESCRIPTION	QTY.	PART NUMBER	DESCRIPTION
<b>ROCKWELL (TIMKEN) SQ100P REAR AXLE SERVICE PARTS LIST NO. 265 — Cont'd</b>					
	4567	Snap ring (axle thru shaft bearing rear)-3" O.D.	1	D8HZ 4586-A	Washer (drive pinion transfer gear)- 1 25/32" I.D. x 3" O.D. x 3/16" thick
AR	D4HZ 4567-A	.155" thick	1	D8HZ 4593-D	Snap ring (power divider idler pump shaft)
AR	D4HZ 4567-B	.158" thick	2	B8QH 4616-A	Cup (driving pinion bearing)-#72487
AR	D4HZ 4567-C	.161" thick	2	B8TZ 4621-C	Cone and roller (driving pinion)-#72212-C- incl. cup B8QH 4616-A-#72487
AR	D4HZ 4567-L	.163" thick	1	D8HZ 4625-A	Bearing assy. (driving pinion pilot)
AR	D4HZ 4567-D	.164" thick	1	C6TZ 4627-A	Retainer (driving pinion pilot bearing) 1 7/32" I.D. x 1 15/32" O.D. x 1/16" thick- also serviced in kit-group 4309
AR	D4HZ 4567-E	.167" thick	1	D7HZ 4637-A	Washer (thru shaft output flange)- 1 9/32" I.D. x 2 3/16" O.D. x 7/32" thick
AR	D4HZ 4567-F	.170" thick	1	D8HZ 4637-C	Washer (power divider input shaft)- 1 17/32" I.D. x 2 3/8" O.D. x 1/8" thick
AR	D4HZ 4567-G	.173" thick	1	D8HZ 4739-B	Gear (power divider oil pump drive)- 3/4" x 1 17/32"-7 teeth
AR	D4HZ 4567-H	.176" thick	1	D8HZ 4982-A	Bolt and nut kit (driving gear)
AR	D4HZ 4567-J	.179" thick	Consists of		
AR	D4HZ 4567-K	.182" thick	12	D8HZ 4322-C	Nut
1	E4HZ 4573-A	Seal assy. (input shaft oil)- also serviced in kit-group 4A573	12	C1TT 4326-B	Washer
1	D8HZ 4579-A	Shaft (power divider thru shaft)- 15 1/8" long x 1 3/4" O.D.-34 teeth-1 11/16" O.D.- 32 teeth-1 1/4"-12-1/2" dia. x 1 1/2" long	12	D8HZ 4558-B	Bolt
1	D8HZ 4581-A	Shaft (power divider idler pump gear)- 1/2" dia. x 1 1/2" long			
1	E3HZ 4581-A	Shaft and gear assy. (power divider idler pump)			
<b>DANA (SPICER) M220S REAR AXLE SERVICE PARTS LIST NO. 266</b>					
1	E4HZ 4010-K	Housing kit	1	4209	Ring gear and pinion kit — Cont'd
Consists of			1	E6HZ 4209-V	4.11 ratio
1	E0HZ 4046-A	Plug	Consists of		
		1-MJAKM100-X	1	E0HZ 4320-A	Nut
		Kit wheel end hardware	1	E6HZ 4676-D	Seal
1	E0HZ 4N282-A	Plug	16	E6HZ 4322-A	Nut
		4-MJAHM102-1	1	MJAGA138-X	Gear and pinion
12	E1HZ 4323-B	Bolt	1	E0HZ 4329-A	Washer
		1-MJAHM104-1	16	E6HZ 4558-C	Bolt
1	MJACH112	Housing	1	MJAHM115	Plug
		1-MJAHM115	1	MJAHC103-X	Bearing kit
1	E0HZ 4046-A	Plug (diff. carrier filler)-1"-11 1/2- also serviced in kit-group 4010	1	B8QH 4625-B	Bearing
	4067	Adjuster (differential bearing)	12	E6HZ 4216-C	Bolt (differential case)-9/16"-12 x 3 1/2"- also serviced in kit-group 4204
1	E0HZ 4067-C	R.H.-5 1/4"-16 thread-3 9/16" I.D.- 18 holes	1	D8HZ 4221-A	Cone and roller assy. (diff. bearing)-R.H.- #JM-716649-incl. cup #JM-716610-
1	E0HZ 4067-D	L.H.-6 5/8"-16 thread-4 59/64" I.D.- 24 holes	1	E0HZ 4221-A	Cone and roller (diff. bearing)-L.H.- #JM-822049
1	E0HZ 4A105-B	Retainer kit (pinion shaft pilot bearing) also serviced in kit-group 4141	1	4222	Cup (differential bearing)-
Consists of			1	D8HZ 4222-A	R.H.-#JM-716610-also serviced in- assy.-group 4221
1	B8QH 4625-B	Bearing	1	E0HZ 4222-A	L.H.-#822010
1	MJACP104	Cap	2	E0HZ 4228-B	Washer (differential case thrust)- 2 11/16" I.D. x 4 13/32" O.D. x 1/16" thick also serviced in kit-group 4237
1	E6HZ 4141-C	Carrier assy. (differential)	2	E4HZ 4234-B	Shaft assy.
2	E0HZ 4143-A	Lock (differential bearing adjuster)	1	E6HZ 4237-C	Gear and pinion kit (differential)
	4200	Differential assy.-refer to group in section 40	Consists of		
1	E6HZ 4204-D	Case kit (differential)	2	E0HZ 4228-B	Washer-gear
Consists of			1	MJADP100	Pinion shaft
1	MJADS101-X	Case sub assy.	4	MJAGC103	Pinion gear
	4209	Ring gear and pinion kit	1	E0HZ 4N282-A	Plug (housing drain)-magnetic-3/4"-14 thread-also serviced in kit-group 4010
1	E6HZ 4209-S	3.70 ratio	1	E0HZ 4320-A	Nut (flange to pinion)-1 1/4"-12 x 1 5/8" across flats-also serviced in kit-group 4209
Consists of			2	E0HZ 4321-A	Bolt (differential bearing adjuster lock)- 3/8"-16 x 1"
1	E0HZ 4320-A	Nut	16	E6HZ 4322-A	Nut (gear to case)-5/8"-11- also serviced in kit-group 4209
16	E6HZ 4322-A	Nut	12	E0HZ 4323-G	Bolt (differential carrier to housing)- 5/8"-11 x 1 3/4"-also serviced in kits-group 4010, 4141
1	E0HZ 4329-A	Washer			
16	E6HZ 4558-C	Bolt			
1	B8QH 4625-B	Bearing			
1	E6HZ 4209-T	3.90 ratio			
Consists of					
1	E0HZ 4320-A	Nut	1	E6HZ 4676-D	Seal
16	E6HZ 4322-A	Nut	1	MJAGA136-X	Gear and pinion
1	E0HZ 4329-A	Washer	1	MJAHM102-X	Bearing kit
16	E6HZ 4558-C	Bolt	1	MJAHM104-X	Bearing kit
1	B8QH 4625-B	Bearing	1	MJAHM115	Plug

**1980/  
TRUCK SERIES 600/900**

QTY.	PART NUMBER	DESCRIPTION	QTY.	PART NUMBER	DESCRIPTION	
<b>DANA (SPICER) M220S REAR AXLE SERVICE PARTS LIST NO. 266 -- Cont'd</b>						
2	E0HZ 4326-A	Washer (diff. bearing adjuster lock bolt)- 13/32" I.D. x 13/16" O.D. x 1/16" thick	16	E6HZ 4558-C	Bolt (gear to case)-differential- 5/8"-11 x 2"-also serviced in kit-group 4209	
1	E0HZ 4329-A	Washer (drive pinion flange)- 1 17/64" I.D. x 2 19/32" O.D. x 9/32" thick- also serviced in kit-group 4209		4616	Cup (driving pinion bearing)-also serviced in kit-group 4209	
	4537	Spacer (drive pinion bearing)- selective-2 1/32' I.D. x 2 9/16" O.D.	1	7EQH 4616	Outer-#55437	
1	E0HZ 4537-A	.700" thick	1	B8QH 4616-A	Inner-#72487	
1	E0HZ 4537-B	.701" thick		4621	Cone and roller assy. (drive pinion bearing)- also serviced in kit-group 4209	
1	E0HZ 4537-C	.702" thick	1	A8TZ 4621-A	Outer-#55200-C	
1	E0HZ 4537-D	.703" thick	1	E0HZ 4621-A	Inner-#72225-C	
1	E0HZ 4537-E	.704" thick	1	B8QH 4625-B	Bearing assy. (driving pinion pilot)- #MUS1308TM or UY1308TM-also serviced in kits-group 4A105, 4209	
1	E0HZ 4537-F	.705" thick		4670	Slinger (driving shaft oil)-selective- 2 19/64" I.D. x 4 31/32" O.D.	
1	E0HZ 4537-G	.706" thick	1	E0HZ 4670-V	.052" thick	
1	E0HZ 4537-H	.707" thick	1	E0HZ 4670-W	.055" thick	
1	E0HZ 4537-J	.708" thick	1	E0HZ 4670-X	.058" thick	
1	E0HZ 4537-K	.709" thick	1	E0HZ 4670-G	.061" thick	
1	E0HZ 4537-L	.710" thick	1	E0HZ 4670-H	.064" thick	
1	E0HZ 4537-M	.711" thick	1	E0HZ 4670-J	.067" thick	
1	E0HZ 4537-N	.712" thick	1	E0HZ 4670-K	.070" thick	
1	E0HZ 4537-P	.713" thick	1	E0HZ 4670-L	.073" thick	
1	E0HZ 4537-R	.714" thick	1	E0HZ 4670-M	.076" thick	
1	E0HZ 4537-S	.715" thick	1	E0HZ 4670-Y	.079" thick	
1	E0HZ 4537-T	.716" thick	1	E0HZ 4670-Z	.082" thick	
1	E0HZ 4537-V	.717" thick	1	E0HZ 4A670-A	Seal (driving pinion shaft oil slinger)- 4 3/8" I.D. x 5 37/64" O.D. x 5/16" thick	
1	E0HZ 4537-W	.718" thick	1	E6HZ 4676-D	Seal (drive pinion oil)-also serviced in kit-group 4209	
1	E0HZ 4537-X	.719" thick		4851	Flange assy. (universal joint)-axle end	
1	E0HZ 4537-Y	.720" thick	1	E6HZ 4851-F	1610 size	
1	E0HZ 4537-Z	.721" thick	1	E6HZ 4851-G	1710 size	
1	E0HZ 4537-AA	.722" thick				
1	E0HZ 4537-AB	.723" thick				
1	E0HZ 4537-AC	.724" thick				
1	E0HZ 4537-AD	.725" thick				
1	E0HZ 4537-AE	.726" thick				
1	E0HZ 4537-AF	.727" thick				
<b>ROCKWELL (TIMKEN) RS13120 REAR AXLE SERVICE PARTS LIST NO. 267 (NON-LOCKING)</b>						
	4010	Housing assy.		4209	Ring gear and pinion kit -- Cont'd	
1	★E7HZ 4010-A	#C-3121-X-960-r/b E8HZ 4010-C	1	E8HZ 4209-R	5.86 ratio	
1	E8HZ 4010-C	#C-3121-G-1281	1	E7HZ 4209-D	6.14 ratio	
	4067	Adjuster (differential bearing)	1	★E7HZ 4209-E	7.17 ratio-r/b E7HZ 4209-DH (3/93)	
1	E7HZ 4067-A	R.H.		4209	Ring gear and pinion kit- incl. locknut, retainer, washer	
1	E7HZ 4067-B	L.H.	1	E7HZ 4209-DH	7.17 ratio	
2	E7HZ 4N123-A	Washer (diff. bearing adjuster lock bolt)	1	E7HZ 4211-A	Shaft (pinion)	
2	E7HZ 4P123-A	Bolt (diff. bearing adjuster lock)	12	E7HZ 4216-A	Bolt (differential case)-also serviced in assy.-group 4204	
	4A140	Bolt (carrier to housing)		4221	Cone and roller (differential bearing)	
8	D5TZ 4A140-A	1/2"-13 x 1 1/2"	1	E7HZ 4221-A	R.H.-#34306	
4	D7HZ 4397-B	1/2"-13 x 2 3/4"	1	8TH 4221	L.H.-#3994	
1	E7HZ 4141-A	Carrier assy. (differential)	1	E7HZ 4222	Cup (differential bearing)	
	4143	Lock (differential bearing adjuster)	1	E7HZ 4222-A	R.H.-#34478	
1	E7HZ 4143-A	R.H.	1	D3TZ 4222-A	L.H.-#JM 511910	
1	E7HZ 4143-B	L.H.	2	E0HZ 4228-B	Washer (diff. side gear thrust)- also serviced in kit-group 4237	
	4200	Differential assy.-refer to group in Section 40	4	E0HZ 4230-B	Washer (differential pinion thrust)- also serviced in kit-group 4237	
	4204	Case assy. (differential)-includes 12 bolts		2	C5TZ 4A230-A	Gasket (housing plug)-5/16" I.D. x 5/8" O.D.
1	E7HZ 4204-A	All ratios except 4.30	2	356184-S (XX-113)	Washer (housing plug gasket bolt)-5/16"	
1	E7HZ 4204-B	4.30 ratio	2	D8HZ 4A322-C	Bolt (housing plug gasket)-5/16"-18 x 1"	
	4209	Ring gear and pinion kit-incl. locknut				
1	E7HZ 4209-A	4.30 ratio				
1	E7HZ 4209-C	4.88 ratio				

1980/  
TRUCK SERIES 600/900

QTY.	PART NUMBER	DESCRIPTION	QTY.	PART NUMBER	DESCRIPTION
ROCKWELL (TIMKEN) RS13120 REAR AXLE SERVICE PARTS LIST NO. 267 — Cont'd (NON-LOCKING)					
	4234	Shaft		4616	Cup (driving pinion bearing)
1	E7HZ 4234-B	R.H.	1	7EQH 4616	Inner-#55437
1	E7HZ 4234-A	L.H.	1	TBAA 4628-A	Outer-#HM804810-also serviced in assy.-group 4621
1	E7HZ 4237-A	Gear and pinion kit (differential)	1	A8TZ 4621-A	Cone and roller (driving pinion)-Inner #55200-C
Consists of			1	D7HZ 4621-A	Cone and roller assy. (driving pinion)-outer- #HM804846-incl. cup TBAA 4628-A #HM804810
2	E7HZ 4228-A	Washer-gear 4-2233-Q-1031	Pinion gear		
4	E0HZ 4230-B	Washer-pinion 2-2234-E-1097	Side gear		
	4N282	Plug (magnetic)			
1	E7HZ 4N282-B	Diff. carrier			
2	D8HZ 4N282-B	Axle housing-3/4"-14 x 1 5/16"			
1	E7HZ 4320-A	Nut (drive pinion flange)- self-locking- also serviced in kit-group 4209 r/b E7HZ 4320-F and D7HZ 4637-A			
1	E7HZ 4320-F	Nut (drive pinion flange)-self-locking also serviced in kit-group 4209-			
1	D7HZ 4637-A	Washer (drive pinion flange nut)- also serviced in kit-group 4209			
	4326	Washer			
12	D7HZ 4326-A	17/32" I.D. x 7/8" O.D. x 3/32" thick Carrier to housing	AR	E7HZ 4662-A	Shim (driving pinion bearing retainer) .004" thick
8	D7HZ 4326-A	Drive pinion bearing retainer bolt	AR	E7HZ 4662-B	.005" thick
	4397	Refer to group 4A140 within parts list	AR	E7HZ 4662-C	.006" thick
	4537	Spacer (driving pinion bearing)- use in pairs as required	AR	E7HZ 4662-D	.020" thick
AR	E7HZ 4537-A	.236" thick	1	E5HZ 4676-B	Seal (drive pinion oil)
AR	E7HZ 4537-B	.238" thick			
AR	E7HZ 4537-C	.239" thick	1	E4HZ 4851	Flange assy. (universal joint)-axle end
AR	E7HZ 4537-D	.242" thick	1	E4HZ 4851-S	1480 size
AR	E7HZ 4537-E	.243" thick	1	E4HZ 4851-T	1550 size
AR	E7HZ 4537-F	.246" thick	1	E7HZ 4851-J	1610 size
AR	E7HZ 4537-G	.247" thick	1	E7HZ 4851-K	1710 size
AR	E7HZ 4537-H	.248" thick	1	D7HZ 4859-A	Deflector (drive pinion oil Seal)- 4 13/16" O.D.
8	E7HZ 4560-A	Bolt (pinion bearing retainer to carrier)	1	E7HZ 4982-A	Bolt and nut kit (driving gear)- r/b F2HZ 4982-B (9/91)
1	E7HZ 4614-A	Retainer assy. (drive pinion)-includes 7EQH 4616 inner cup #55437 and TBAA 4628-A outer cup #HM804810	Consists of		
			12-40X1036	Nut	12-MS212045-1 Bolt
			1	F2HZ 4982-B	Bolt and nut kit (driving gear)
			Consists of		
			12-MWA512	Washer	12-41X1331 Bolt
			12-40X1234	Nut	
			1	B7T 7034-A	Breather (axle housing)
ROCKWELL (TIMKEN) RS15120 REAR AXLE SERVICE PARTS LIST NO. 268 (NON-LOCKING)					
	4010	Housing assy.		4209	Ring gear and pinion kit-incl. locknut
1	★E7HZ 4010-A	#C-3121-X-960-r/b E8HZ 4010-C	1	E9HZ 4209-V	3.73 ratio
1	E8HZ 4010-C	#C-3121-G-1281-	1	E9HZ 4209-W	4.10 ratio
	4067	Adjuster (differential bearing)	1	E7HZ 4209-A	4.30 ratio
1	E7HZ 4067-A	R.H.	1	E7HZ 4209-B	4.56 ratio
1	E7HZ 4067-B	L.H.	1	E7HZ 4209-C	4.88 ratio
2	E7HZ 4N123-A	Washer (diff. bearing adjuster lock bolt)	1	E7HZ 4209-CM	5.13 ratio
2	E7HZ 4P123-A	Bolt (diff. bearing adjuster lock)	1	E8HZ 4209-R	5.86 ratio
	4A140	Bolt (carrier to housing)	1	E7HZ 4209-D	6.14 ratio
8	D5TZ 4A140-A	1/2"-13 x 1 1/2"	1	★E7HZ 4209-E	7.17 ratio-r/b E7HZ 4209-DH (3/93)
4	D7HZ 4397-B	1/2"-13 x 2 3/4"			
1	E7HZ 4141-A	Carrier assy. (differential)			
	4143	Lock (differential bearing adjuster)			
1	E7HZ 4143-A	R.H.	1	E7HZ 4209-DH	7.17 ratio
1	E7HZ 4143-B	L.H.			
	4200	Differential assy.-refer to group in Section 40			
	4204	Case assy. (differential)-includes 12 bolts			
1	E7HZ 4204-B	3.73 thru 4.30 ratio	1	E7HZ 4209-CR	4.56 ratio
1	E7HZ 4204-A	4.56 thru 7.17 ratio	1	E7HZ 4211-A	Shaft (pinion)
			12	E7HZ 4216-A	Bolt (differential case)-also serviced in assy.-group 4204
			1	E7HZ 4221	Cone and roller (differential bearing)
			1	E7HZ 4221-A	R.H.-#34306
			1	8TH 4221	L.H.-#3994



1980/  
TRUCK SERIES 600/900

QTY.	PART NUMBER	DESCRIPTION	QTY.	PART NUMBER	DESCRIPTION
ROCKWELL (TIMKEN) RS15120 REAR AXLE SERVICE PARTS LIST NO. 268 — Cont'd (NON-LOCKING)					
	4222	Cup (differential bearing)	8	E7HZ 4560-A	Bolt (pinion bearing retainer to carrier)
1	E7HZ 4222-A	R.H.-#34478	1	E7HZ 4614-A	Retainer assy. (drive pinion)-includes
1	D3TZ 4222-A	L.H.-#JM511910			7EQH 4616 inner Cup #55437 and
2	E7HZ 4228-A	Washer (diff. side gear thrust)- also serviced in kit-group 4237			TBAA 4628-A outer cup #HM804810
4	E0HZ 4230-B	Washer (differential pinion thrust)- also serviced in kit-group 4237	1	4616	Cup (driving pinion bearing)
2	C5TZ 4A230-A	Gasket (housing plug)-5/16" I.D. x 5/8" O.D.	1	7EQH 4616	Inner-#55437
2	356184-S(XX-113)	Washer (housing plug gasket bolt)-5/16"	1	TBAA 4628-A	Outer-#HM804810-also serviced
2	D8HZ 4A322-C	Bolt (housing plug gasket)-5/16"-18 x 1"			in assy.-group 4621
	4234	Shaft	1	A8TZ 4621-A	Cone and roller (driving pinion)-Inner
1	E7HZ 4234-B	R.H.			#55200-C
1	E7HZ 4234-A	L.H.	1	D7HZ 4621-A	Cone and roller assy. (driving pinion)-Outer-
1	E7HZ 4237-A	Gear and pinion kit (differential)			#HM804846-incl. Cup TBAA 4628-A
					#HM804810
Consists of					
2	E7HZ 4228-A	Washer-gear	4	2233-Q-1031	Pinion gear
4	E0HZ 4230-B	Washer-pinion	2	2234-E-1097	Side gear
	4N282	Plug (magnetic)	AR	E7HZ 4662-A	.004" thick
1	E7HZ 4N282-B	Diff. carrier	AR	E7HZ 4662-B	.005" thick
2	D8HZ 4N282-B	Axle housing-3/4"-14 x 1 5/16"	AR	E7HZ 4662-C	.006" thick
1	★E7HZ 4320-A	Nut (drive pinion Flange)-self-locking also serviced in kit-group 4209 r/b E7HZ 4320-F and D7HZ 4637-A	AR	E7HZ 4662-D	.020" thick
1	E7HZ 4320-F	Nut (drive pinion flange)-self-locking also serviced in kit-group 4209	1	E5HZ 4676-B	Seal (drive pinion oil)
1	D7HZ 4637-A	Washer (drive pinion flange nut)- also serviced in kit-group 4209			4851 Flange assy. (universal joint)-axle end
	4326	Washer	1	E4HZ 4851-S	1480 size
12	D7HZ 4326-A	17/32" I.D. x 7/8" O.D. x 3/32" thick	1	E4HZ 4851-T	1550 size
8	D7HZ 4326-A	Carrier to housing	1	E7HZ 4851-J	1610 size
	4397	Refer to group 4A140 within parts list	1	E7HZ 4851-K	1710 size
	4537	Spacer (driving pinion bearing)- use in pairs as required	1	D7HZ 4859-A	Deflector (drive pinion oil seal)- 4 13/16" O.D.
AR	E7HZ 4537-A	.236" thick	1	E7HZ 4982-A	Bolt and nut kit (driving gear)- r/b F2HZ 4982-B (9/91)
AR	E7HZ 4537-B	.238" thick	Consists of		
AR	E7HZ 4537-C	.239" thick	12-40X1036	Nut	12-MS212045-1 Bolt
AR	E7HZ 4537-D	.242" thick	1	F2HZ 4982-B	Bolt and nut kit (driving gear)
AR	E7HZ 4537-E	.243" thick	Consists of		
AR	E7HZ 4537-F	.246" thick	12-MWA512	Washer	12-41X1331 Bolt
AR	E7HZ 4537-G	.247" thick	12-40X1234	Nut	
AR	E7HZ 4537-H	.248" thick	1	B7T 7034-A	Breather (axle housing)
ROCKWELL (TIMKEN) RS15210 REAR AXLE SERVICE PARTS LIST NO. 269 (NON-LOCKING)					
1	E7HZ 4010-B	Housing assy. #C-3121-J-1284	1	C2TZ 4143-A	Lock (differential bearing adjuster)
	4027	Refer to group 4127 within parts list	1	E7HZ 4149-A	Shaft kit (Shift Fork)
4	E7HZ 4029-A	Shaft (differential planetary gear)	Consists of		
4	E7HZ 4K034-A	Bolt (diff. sliding clutch gear retainer)	1	1246-L-1026	Pin
1	E7HZ 4045-A	Fork assy. (differential shift)			2-1250-J-1024 Plug
1	★E7HZ 4055-A	Gear (differential sliding clutch)- r/b E9HZ 4N301-C			4200 Differential assy.-refer to group in Section 40
	4067	Adjuster (differential bearing)	1	E7HZ 4204-C	Case assy. (differential)-includes 12 bolts
1	E7HZ 4067-C	R.H.			4209 Ring gear and pinion kit-includes locknut
1	E7HZ 4067-D	L.H.	1	E7HZ 4209-F	4.56/6.36 ratio
1	E7HZ 4072-A	Seal (Shift Fork)	1	E7HZ 4209-G	4.88/6.80 ratio
	4127	Case (differential gear support)	1	E7HZ 4209-H	5.38/7.50 ratio
1	E7HZ 4127-A	R.H.	1	E8HZ 4209-S	5.86/8.17 ratio
1	★E7HZ 4027-A	L.H.-r/b E9HZ 4N301-C	1	E7HZ 4209-J	6.14/8.57 ratio
12	C6TZ 4A140-B	Bolt (carrier to housing)-1/2"-13 x 1 3/4"	1	E7HZ 4209-K	6.83/9.53 ratio
1	E7HZ 4141-B	Carrier assy. (differential)	1	8TH 4211	Shaft (pinion)-6 1/2" long

**1980/  
TRUCK SERIES 600/900**

QTY.	PART NUMBER	DESCRIPTION	QTY.	PART NUMBER	DESCRIPTION
<b>ROCKWELL (TIMKEN) RS15210 REAR AXLE SERVICE PARTS LIST NO. 269 — Cont'd (NON-LOCKING)</b>					
8	E7HZ 4216-B	Bolt (differential case)—also serviced in assy.—group 4204		4326	Washer 17/32" I.D. x 7/8" O.D. x 3/32" thick
	4221	Cone and roller (differential bearing)	12	D7HZ 4326-A	Carrier to housing
1	D8HZ 4424-A	R.H.—#JLM 714149	8	D7HZ 4326-A	Drive pinion bearing retainer bolt
1	E7HZ 4221-B	L.H.—#JP 10049		4424	Refer to group 4221 within parts list
	4222	Cup (differential bearing)		4537	Spacer (driving pinion bearing)— use in pairs as required
1	D8HZ 4222-C	R.H.—#JLM 714110	AR	E7HZ 4537-J	.234" thick
1	E7HZ 4222-B	L.H.—#JP10010	AR	E7HZ 4537-K	.235" thick
3	E7HZ 4228-B	Washer (diff. side gear thrust and diff. case)—also serviced in kit-group 4237	AR	E7HZ 4537-L	.236" thick
4	E7HZ 4229-A	Gear (differential planetary)	AR	E7HZ 4537-M	.237" thick
	4K229	Pin	AR	E7HZ 4537-N	.238" thick
4	E7HZ 4K229-A	Differential planetary gear	AR	E7HZ 4537-P	.239" thick
1	E7HZ 4K229-C	Differential sliding clutch retainer	AR	E7HZ 4537-R	.244" thick
8	E7HZ 4L229-A	Washer (diff. planetary gear thrust)	AR	E7HZ 4537-S	.250" thick
4	EOHZ 4230-B	Washer (diff. pinion thrust)— 7/8" I.D. x 1 31/32" O.D.—also serviced in kit-group 4237	AR	E7HZ 4537-T	.256" thick
			AR	E7HZ 4537-V	.262" thick
			AR	E7HZ 4537-W	.268" thick
2	C5TZ 4A230-A	Gasket (housing plug)—5/16" I.D. x 5/8" O.D.	8	E7HZ 4558-A	Bolt (gear to case)—differential
2	356184-S(XX-113)	Washer (housing plug gasket bolt)—5/16"	8	E7HZ 4560-A	Bolt (pinion bearing retainer to carrier)
2	D8HZ 4A322-C	Bolt (housing plug gasket)—5/16"—18 x 1"	1	E7HZ 4614-B	Retainer assy. (drive pinion)—includes 7EQH 4616 inner cup #55437 and C8TZ 4616-A outer cup #M804010
	4234	Shaft		4616	Cup (driving pinion bearing)
1	E7HZ 4234-A	R.H.	1	7EQH 4616	Inner-#55437
1	E7HZ 4234-B	L.H.	1	C8TZ 4616-A	Outer-#M804010
1	E7HZ 4237-B	Gear and pinion kit (differential)		4621	Cone and roller (driving pinion)
Consists of			1	A8TZ 4621-A	Inner-#55200C
2	E7HZ 4228-A	Washer-gear 1-2234-L-1130 side gear	1	C8TZ 4621-A	Outer-#HM804049
4	EOHZ 4230-B	Washer-pinion 1-2234-M-1131 side gear		4625	Bearing assy. (driving pinion pilot)
4	2233-Q-1031	Pinion gear	1	C1TT 4625-B	#H715343-311 1 3/32" I.D. x 2 7/16" O.D.— 1987/88—"Before 11/87"
	4N282	Plug (magnetic)—3/4"—14 x 1 5/16"	1	E7HZ 4625-A	1988—"From 11/87"
1	D8HZ 4N282-B	Drain	1	C1TT 4627-C	Ring (driving pinion bearing retainer)
1	D8HZ 4N282-B	Filler		4637	Refer to group 4320 within parts list
1	★E7HZ 4N301-A	Retainer (differential sliding clutch gear)— r/b E9HZ 4N301-C		4662	Shim (driving pinion bearing retainer)
1	E9HZ 4N301-C	Retainer kit (diff. sliding clutch gear update)	AR	E7HZ 4662-S	.003" thick
Consists of			AR	E7HZ 4662-T	.005" thick
1	3280-R-8312-M	Support case L.H. 1-3892-H-4844-M Gear	AR	E7HZ 4662-V	.010" thick
1	3280-T-8314-M	Retainer	1	E5HZ 4676-B	Seal (drive pinion oil)
1	★E7HZ 4320-A	Nut (drive pinion Flange)—Self-locking— also serviced in kit-group 4209 r/b E7HZ 4320-F and D7HZ 4637-A		4851	Flange assy. (universal joint)—axle end
1	E7HZ 4320-F	Nut (drive pinion flange)—self-locking also serviced in kit group 4209	1	E4HZ 4851-S	1480 size
1	D7HZ 4637-A	Washer (drive pinion flange nut)— also serviced in kit-group 4209	1	E4HZ 4851-T	1550 size
			1	E7HZ 4851-J	1610 size
			1	E7HZ 4851-K	1710 size
2	E7HZ 4322-A	Nut (shift housing stud)	1	D7HZ 4859-A	Deflector (drive pinion oil seal)— 4 13/16" O.D.
2	34793-S2(X-67-A)	Lockwasher (shift housing stud)—7/16"	1	B7T 7034-A	Breather (axle housing)
2	E7HZ 4323-A	Stud (shift housing)			
<b>ROCKWELL (TIMKEN) RS17140 REAR AXLE SERVICE PARTS LIST NO. 270 (NON-LOCKING)</b>					
	4010	Housing assy.		4141	Carrier assy. (differential)
1	★E7HZ 4010-C	#C-3121-E-1279-1987/88 r/b E9HZ 4010-A	1	E7HZ 4141-C	1987/88
1	E9HZ 4010-A	#C3-3121-N-1600 or C5-3121-R-1734-1989	1	E9HZ 4141-A	1989
1	FOHZ 4N025-A	Plug (heat indicator)	2	E7HZ 4143-D	Lock (differential bearing adjuster)
	4067	Adjuster (differential bearing)		4200	Differential assy.—refer to group in Section 40
1	E7HZ 4067-E	R.H.—1987/88			
1	E7HZ 4067-F	L.H.—1987/88			
2	E7HZ 4067-F	1989			

1980/  
TRUCK SERIES 600/900

QTY.	PART NUMBER	DESCRIPTION	QTY.	PART NUMBER	DESCRIPTION
ROCKWELL (TIMKEN) RS17140 REAR AXLE SERVICE PARTS LIST NO. 270 — Cont'd (NON-LOCKING)					
	4204	Case assy. (differential)-includes 16 bolts and washers	1	E9HZ 4237-A	Gear and pinion kit (differential)-1989 Consists of
1	E7HZ 4204-D	Except 3.91 and 4.10 ratios-1987/88	2	E7HZ 4228-C	Washer-gear 4-2233-J-1024 Pinion gear
1	E7HZ 4204-E	3.91 and 4.10 ratios-1987/88	4	C1TT 4230-D	Washer-pinion 2-2234-P-1186 Side gear
1	E9HZ 4204-B	3.73 thru 4.10 ratios-1989		4N282	Plug (magnetic)-3/4"-14 x 1 5/16"
1	E9HZ 4204-C	4.30 thru 7.17 ratios-1989	1	D8HZ 4N282-B	Drain
	4209	Ring gear and pinion kit-includes locknut	1	D8HZ 4N282-B	Filler
1	E9HZ 4209-X	3.73 ratio	1	★E7HZ 4320-A	Nut (drive pinion flange)-self-locking- also serviced in kit-group 4209- r/b E7HZ 4320-F and D7HZ 4637-A
1	E7HZ 4209-L	3.91 ratio			
1	E7HZ 4209-M	4.10 ratio	1	E7HZ 4320-F	Nut (drive pinion flange)-self-locking also serviced in kit-group 4209
1	E8HZ 4209-T	4.30 ratio	1	D7HZ 4637-A	Washer (drive pinion flange nut)- also serviced in kit-group 4209
1	E7HZ 4209-N	4.56 ratio		4323	Refer to group 4216 within parts list
1	E7HZ 4209-P	4.88 ratio	12	C1TT 4326-B	Washer (carrier to housing)- 21/32" I.D. x 1 1/16" O.D. x 3/32" thick
1	E7HZ 4209-R	5.29 ratio		4326	Washer 17/32" I.D. x 7/8" O.D. x 3/32" thick
1	E7HZ 4209-S	5.86 ratio	8	D7HZ 4326-A	Drive pinion bearing retainer bolt
1	E7HZ 4209-T	6.43 ratio	16	D7HZ 4326-A	Differential case bolt-also serviced in assy.-group 4204
1	E7HZ 4209-V	6.83 ratio		4537	Spacer (driving pinion bearing)- use in pairs as required
1	E7HZ 4209-W	7.17 ratio		E7HZ 4537-X	.329" thick
	4211	Shaft (pinion)		E7HZ 4537-Y	.330" thick
1	7EQ 4211	1987/88		E7HZ 4537-Z	.331" thick
1	E1HZ 4211-A	1989		E7HZ 4537-AA	.332" thick
16	F1HZ 4216-A	Bolt (differential case)-also serviced in assy.-group 4204		E7HZ 4537-AB	.333" thick
	4216	Bolt (carrier to housing)		E7HZ 4537-AC	.338" thick
4	D3HZ 4216-D	5/8"-11 x 2 1/2"		E7HZ 4537-AD	.343" thick
8	D7HZ 4323-A	5/8"-11 x 1 3/4"		E7HZ 4537-AE	.344" thick
1	E7HZ 4221-B	Cone and roller (differential bearing)- R.H.-#JP10049-1987/88		E7HZ 4537-AF	.345" thick
1	D8HZ 4221-A	Cone and roller assy. (differential bearing)-L.H. #JM716649-incl. cup #JM716610- 1987/88		E7HZ 4537-AG	.346" thick
	4221	Cone and roller (differential bearing)-1989		E7HZ 4537-AH	.347" thick
2	D8HZ 4221-A	Cone and roller (differential bearing)-1989	8	E7HZ 4560-A	Bolt (pinion bearing retainer to carrier)
	4222	Cup (differential bearing)	1	E7HZ 4614-C	Retainer assy. (drive pinion)-includes 7EQH 4616 inner cup #55437 and C8TZ 4616-A outer cup #M804010
1	E7HZ 4222-B	R.H.-#JP10010-1987/88		4616	Cup (driving pinion bearing)
1	D8HZ 4222-A	L.H.-#JM716610-also serviced in assy.-group 4221-1987/88	1	7EQH 4616	Inner-#55437
2	D8HZ 4222-A	1989	1	C8TZ 4616-A	Outer-#M804010
	4228	Washer (diff. side gear thrust)- also serviced in kit-group 4237		4621	Cone and roller (driving pinion)
2	E7HZ 4228-B	1987/88	1	A8TZ 4621-A	Inner-#55200C
2	E7HZ 4228-C	1989	1	C8TZ 4621-A	Outer-#HM804049
	4230	Washer (differential pinion thrust)- also serviced in kit-group 4237	1	D8HZ 4625-A	Bearing assy. (driving pinion pilot)
4	7EQH 4230	1987/88	1	C6TZ 4627-A	Retainer (driving pinion pilot bearing)- 1 7/32" I.D. x 1 15/32" O.D. x 1/16" thick
4	C1TT 4230-D	1989		4637	Refer to group 4320 within parts list
4	C5TZ 4A230-A	Gasket (housing plug)-5/16" I.D. x 5/8" O.D.		4662	Shim (driving pinion bearing retainer)
4	356184-S(XX-113)	Washer (housing plug gasket bolt)-5/16"		E7HZ 4662-E	.003" thick
4	D8HZ 4A322-C	Bolt (housing plug gasket)-5/16"-18 x 1"		E7HZ 4662-F	.005" thick
	4234	Shaft		E7HZ 4662-G	.008" thick
1	E7HZ 4234-C	R.H.-1987/88		E7HZ 4662-H	.020" thick
1	E7HZ 4234-D	L.H.-1987/88	1	E5HZ 4676-B	Seal (drive pinion oil)
1	E9HZ 4234-E	R.H.-1989			
1	E9HZ 4234-F	L.H.-1989			
1	E7HZ 4237-C	Gear and pinion kit (differential)-1987/88 Consists of			
	2-E7HZ 4228-B	Washer-gear 4-2233-M-1027 Pinion gear			
	4-7EQH 4230	Washer-pinion 2-2234-T-1086 Side gear			

1980/  
TRUCK SERIES 600/900

QTY.	PART NUMBER	DESCRIPTION	QTY.	PART NUMBER	DESCRIPTION	
ROCKWELL (TIMKEN) RS17140 REAR AXLE SERVICE PARTS LIST NO. 270 — Cont'd						
(NON-LOCKING)						
	4851	Flange assy. (universal joint)-axle end	1	D7HZ 4859-A	Deflector (drive pinion oil seal)- 4 13/16" O.D.	
1	E4HZ 4851-S	1480 size				
1	E4HZ 4851-T	1550 size	1	E7HZ 4982-B	Bolt and nut kit (driving gear)	
1	E7HZ 4851-J	1610 size	Consists of			
1	E7HZ 4851-K	1710 size	12-MWA516	Washer	12-41X1216 Bolt	
			12-40X1150	Nut		
			1	B7T 7034-A	Breather (axle housing)	
ROCKWELL (TIMKEN) RS17220 REAR AXLE SERVICE PARTS LIST NO. 271						
(NON-LOCKING)						
	4010	Housing assy.	4	E7HZ 4229-B	Gear (differential planetary)-	
1	★E7HZ 4010-C	#C-3121-E-1279-1987/88 r/b E9HZ 4010-A		4K229	Pin	
1	E9HZ 4010-A	#C3-3121-N-1600 or C5-3121-R-1734-1989	4	E7HZ 4K229-B	Differential planetary gear	
1	F0HZ 4N025-A	Plug (heat indicator)	1	E7HZ 4K229-C	Differential sliding clutch retainer	
	4027	Refer to group 4127 within parts list	8	E7HZ 4L229-A	Washer (diff. planetary gear thrust)	
4	E7HZ 4029-B	Shaft (differential planetary gear)	4	7EQ 4230	Washer (diff. pinion thrust)-1 3/32" I.D. x 2 1/4" O.D.-also serviced in kit group 4237	
4	E7HZ 4K034-B	Bolt (diff. sliding clutch gear retainer)	4	C5TZ 4A230-A	Gasket (housing plug)-5/16" I.D. x 5/8" O.D.	
1	E7HZ 4045-B	Fork assy. (differential shift)	4	356184-S(XX-113)	Washer (housing plug gasket bolt)-5/16"	
1	★E7HZ 4055-B	Gear (differential sliding clutch)- r/b E9HZ 4N301-A	4	D8HZ 4A322-C	Bolt (housing plug gasket)-5/16"-18 x 1"	
	4067	Adjuster (differential bearing)		4234	Shaft	
1	E7HZ 4067-C	R.H.	1	E7HZ 4234-E	R.H.	
1	E7HZ 4067-G	L.H.	1	E7HZ 4234-F	L.H.	
1	E7HZ 4072-A	Seal (shift fork)	1	E7HZ 4237-D	Gear and pinion kit (differential)	
	4127	Case (differential gear support)	Consists of			
1	E7HZ 4127-B	R.H.	2-E7HZ 4228-B	Washer-gear	1-2234-S-1085 side gear	
1	★E7HZ 4027-B	L.H.-r/b E9HZ 4N301-A	4-7EQ 4230	Washer-pinion	1-2234-T-1086 side gear	
1	E7HZ 4141-D	Carrier assy. (differential)	4-2233-M-1027	Pinion gear		
1	C2TZ 4143-A	Lock (differential bearing adjuster)		4N282	Plug (magnetic)-3/4"-14 x 1 5/16"	
1	E7HZ 4149-A	Shaft kit (Shift fork)	1	D8HZ 4N282-B	Drain	
Consists of			1	D8HZ 4N282-B	Filler	
1-1246-L-1026	Pin	2-1250-J-1024	Plug	1	★E7HZ 4N301-B	Retainer (differential sliding clutch gear)- r/b E9HZ 4N301-A
	4200	Differential assy.-refer to group in Section 40	1	E9HZ 4B301-A	Retainer kit (diff. sliding clutch gear update)	
1	E7HZ 4204-F	Case assy. (differential)-includes 12 bolts	Consists of			
	4209	Ring gear and pinion kit-includes locknut	1-3280-W-8317-M	Support case L.H.	1-3892-J-4846-M Gear	
1	E7HZ 4209-X	3.91/5.45 ratio	1-3280-A-8321-M	Retainer		
1	E7HZ 4209-Y	4.10/5.72 ratio	1	★E7HZ 4320-A	Nut (drive pinion flange)-self-locking- also serviced in kit-group 4209- r/b E7HZ 4320-F and D7HZ 4637-A	
1	E8HZ 4209-V	4.30/6.00 ratio				
1	E7HZ 4209-Z	4.56/6.36 ratio	1	E7HZ 4320-F	Nut (drive pinion flange)-self-locking- also serviced in kit-group 4209	
1	E7HZ 4209-AA	4.88/6.80 ratio				
1	E7HZ 4209-AB	5.38/7.50 ratio	1	D7HZ 4637-A	Washer (drive pinion flange nut)- also serviced in kit-group 4209	
1	E8HZ 4209-W	5.86/8.17 ratio				
1	E8HZ 4209-X	6.14/8.57 ratio	2	E7HZ 4322-A	Nut (shift housing stud)	
1	E7HZ 4209-AC	6.50/9.07 ratio	2	34793-S2(X-67-A)	Lockwasher (shift housing stud)-7/16"	
1	E7HZ 4209-AD	6.83/9.53 ratio	2	E7HZ 4323-A	Stud (shift housing)	
1	E7HZ 4209-AE	7.17/10.0 ratio		4323	Bolt (carrier to housing)	
1	7EQ 4211	Shaft (pinion)	8	D7HZ 4323-A	5/8"-11 x 1 3/4"	
	4216	Refer to group 4323 within parts list	4	D3HZ 4216-D	5/8"-11 x 2 1/2"	
12	E7HZ 4216-B	Bolt (differential case)-also serviced in assy.-group 4204	12	C1TT 4326-B	Washer (Carrier to housing)- 21/32" I.D. x 1 1/16" O.D. x 3/32" thick	
	4221	Cone and roller (differential bearing)	8	D7HZ 4326-A	Washer (drive pinion bearing retainer bolt)- 17/32" I.D x 7/8" O.D. x 3/32" thick	
1	D8HZ 4424-A	R.H.-#JLM714149		4424	Refer to group 4221 within parts list	
1	8Q 4221-A	L.H.-# 42381		4537	Spacer (driving pinion bearing)- use in pairs as required	
	4222	Cup (differential bearing)				
1	D8HZ 4222-C	R.H.-#JLM714110	AR	E7HZ 4537-J	.234" thick	
1	8Q 4222-A	L.H.-#42584	AR	E7HZ 4537-K	.235" thick	
3	E7HZ 4228-B	Washer (diff. side gear thrust and diff. case)-also serviced in kit-group 4237	AR	E7HZ 4537-L	.236" thick	
			AR	E7HZ 4537-M	.237" thick	

1980/  
TRUCK SERIES 600/900

QTY.	PART NUMBER	DESCRIPTION	QTY.	PART NUMBER	DESCRIPTION	
<b>ROCKWELL (TIMKEN) RS17220 REAR AXLE SERVICE PARTS LIST NO. 271 — Cont'd</b>						
<b>(NON-LOCKING)</b>						
	4537	Spacer (driving pinion bearing)- use in pairs as required — Cont'd	1	D8HZ 4625-A	Bearing assy. (driving pinion pilot)	
AR	E7HZ 4537-N	.238" thick	1	C6TZ 4627-A	Retainer (driving pinion pilot bearing)- 1 7/32" I.D. x 1 15/32" O.D. x 1/16" thick	
AR	E7HZ 4537-P	.239" thick		4637	Refer to group 4320 within parts list	
AR	E7HZ 4537-R	.244" thick		4662	Shim (driving pinion bearing cage)	
AR	E7HZ 4537-S	.250" thick	AR	E7HZ 4662-S	.003" thick	
AR	E7HZ 4537-T	.256" thick	AR	E7HZ 4662-T	.005" thick	
AR	E7HZ 4537-V	.262" thick	AR	E7HZ 4662-V	.010" thick	
AR	E7HZ 4537-W	.268" thick	1	E5HZ 4676-B	Seal (drive pinion oil)	
8	E7HZ 4558-B	Bolt (gear to case)-differential		4851	Flange assy. (universal joint)-axle end	
8	E7HZ 4560-A	Bolt (pinion bearing retainer to carrier)	1	E4HZ 4851-S	1480 size	
1	E7HZ 4614-B	Retainer assy. (drive pinion)-includes 7EQH 4616 inner cup #55437 and C8TZ 4616-A Outer cup #M804010	1	E4HZ 4851-T	1550 size	
	4616	Cup (driving pinion bearing)	1	E7HZ 4851-J	1610 size	
1	7EQH 4616	Inner-#55437	1	E7HZ 4851-K	1710 size	
1	C8TZ 4616-A	Outer-#M804010	1	D7HZ 4859-A	Deflector (drive pinion oil seal)- 4 13/16" O.D.	
	4621	Cone and roller (driving pinion)	1	B7T 7034-A	Breather (axle housing)	
1	A8TZ 4621-A	Inner-#55200C				
1	C8TZ 4621-A	Outer-#HM804049				
<b>ROCKWELL (TIMKEN) RS21145 REAR AXLE SERVICE PARTS LIST NO. 272</b>						
<b>(NON-LOCKING)</b>						
1	E7HZ 4010-D	Housing assy.-#C-3121-C-1745 or C-3121-J-1336		4209	Ring gear and pinion kit-incl. locknut — Cont'd	
1	F0HZ 4N025-A	Plug (heat indicator)	1	E7HZ 4209-AL	5.86 ratio	
	4067	Adjuster (differential bearing)	1	E7HZ 4209-AM	6.43 ratio	
2	E7HZ 4067-H	1987	1	E7HZ 4209-AN	6.83 ratio	
1	E7HZ 4067-E	R.H.-1988	1	E7HZ 4209-AP	7.17 ratio	
1	E7HZ 4067-F	L.H.-1988		4211	Shaft (pinion)	
2	E7HZ 4067-F	1989	1	E7HZ 4211-C	1987	
2	E7HZ 4N123-A	Washer (diff. bearing adjuster lock bolt)- 1987	1	E1HZ 4211-A	1988/	
2	E7HZ 4P123-A	Bolt (diff. bearing adjuster lock)-1987	16	F1HZ 4216-A	Bolt (differential case)-also serviced in assy.-group 4204	
	4141	Carrier assy. (differential)		4216	Refer to group 4323 within parts list	
1	E7HZ 4141-E	1987	2	E7HZ 4221-C	Cone and roller (differential bearing)- #X32020X-1987	
1	E7HZ 4141-C	1988	1	E7HZ 4221-B	Cone and roller (differential bearing)- R.H.-#JP10049-1988	
1	E9HZ 4141-A	1989	1	D8HZ 4221-A	Cone and roller assy. (differential bearing)- L.H.-#JM716649-incl. cup #JM716610-1988	
	4143	Lock (differential bearing adjuster)	2	D8HZ 4221-A	Cone and roller assy. (differential bearing)- #JM-716649-incl. cup #JM-716610- 1989	
1	E7HZ 4143-A	R.H.-1987		4222	Cup (differential bearing)	
1	E7HZ 4143-B	L.H.-1987	2	E7HZ 4222-C	#Y32020X-1987	
2	E7HZ 4143-D	1988/	1	E7HZ 4222-B	R.H.-#JP10010-1988	
	4200	Differential assy.-refer to group in Section 40	1	D8HZ 4222-A	L.H.-#JM716610-1988-also serviced in assy.-group 4221	
	4204	Case assy. (differential)-includes 16 bolts and washers	2	D8HZ 4222-A	#JM-716610-1989-also serviced in assy.-group 4221	
1	E7HZ 4204-H	3.91 and 4.10 ratios-1987	2	E7HZ 4228-C	Washer (diff. side gear thrust)- also serviced in kit-group 4237	
1	E8HZ 4204-G	3.91 and 4.10 ratios-1988	4	E7HZ 4230-C	Washer (differential pinion thrust)- also serviced in kit-group 4237-1987/88	
1	E9HZ 4204-B	3.73 thru 4.10 ratios-1989	4	C1TT 4230-D	Washer (differential pinion thrust) 1 1/16" I.D. x 2 13/32" O.D.-also serviced in kit-group 4237-1989	
1	E7HZ 4204-G	4.56 thru 7.17 ratios-1987		4	C5TZ 4A230-A	Gasket (housing plug)-5/16" I.D. x 5/8" O.D.
1	E8HZ 4204-H	4.30 thru 7.17 ratios-1988	4	356184-S (XX-113)	Washer (housing plug gasket bolt)-5/16"	
1	E9HZ 4204-C	4.30 thru 7.17 ratios-1989				
	4209	Ring gear and pinion kit-incl. locknut				
1	E9HZ 4209-F	3.73 ratio				
1	E7HZ 4209-AF	3.91 ratio				
1	E7HZ 4209-AG	4.10 ratio				
1	E8HZ 4209-A	4.30 ratio				
1	E8HZ 4209-AS	4.33 ratio				
1	E7HZ 4209-AH	4.56 ratio				
1	E7HZ 4209-AJ	4.88 ratio				
1	E7HZ 4209-AK	5.29 ratio				

1980/  
TRUCK SERIES 600/900

QTY.	PART NUMBER	DESCRIPTION	QTY.	PART NUMBER	DESCRIPTION	
ROCKWELL (TIMKEN) RS21145 REAR AXLE SERVICE PARTS LIST NO. 272 — Cont'd (NON-LOCKING)						
4	D8HZ 4A322-C	Bolt (housing plug gasket)-5/16"-18 x 1"		4537	Spacer (driving pinion bearing)- use in pairs as required — Cont'd	
	4234	Shaft				
1	E7HZ 4234-G	R.H.-1987/88	AR	E7HZ 4537-AP	.354" thick	
1	E7HZ 4234-H	L.H.-1987/88	AR	E7HZ 4537-AR	.358" thick	
1	E9HZ 4234-J	R.H.-exc. cargo vehicles-1989	AR	E7HZ 4537-AS	.359" thick	
1	E9HZ 4234-K	L.H.-exc. cargo vehicles-1989	AR	E7HZ 4537-AT	.360" thick	
1	E7HZ 4234-G	R.H.-cargo vehicles-1989	AR	E7HZ 4537-AV	.361" thick	
1	E7HZ 4234-H	L.H.-cargo vehicles-1989	AR	E7HZ 4537-AW	.362" thick	
1	E7HZ 4237-E	Gear and pinion kit (differential)-1987/88	8	E7HZ 4560-A	Bolt (pinion bearing retainer to carrier)	
Consists of						
2	E7HZ 4228-C	Washer-gear 4-2233-J-1024	Pinion gear			
4	E7HZ 4230-C	Washer-pinion 2-2234-M-1183	Side gear			
1	E8HZ 4237-A	Gear and pinion kit (differential)-1989		4616	Cup (driving pinion bearing)	
Consists of						
2	E7HZ 4228-C	Washer-gear 4-2233-J-1024	Pinion gear	1	B8QH 4616-A	Inner-#72487
4	C1TT 4230-D	Washer-pinion 2-2234-M-1183	Side gear	1	7EQH 4616	Outer-#55437
2	D8HZ 4N282-B	Plug (Axle housing) magnetic-3/4"-14 x 1 5/16"		1	4621	Cone and roller (driving pinion)
1	E7HZ 4320-C	Nut (drive pinion flange)-self-locking- also serviced in kit-group 4209		1	B8TZ 4621-C	Inner-#72212C
	4323	Bolt (carrier to housing)		1	E7HZ 4621-A	Outer-#55206C
8	D7HZ 4323-A	5/8"-11 x 1 3/4"		1	D8HZ 4625-A	Bearing assy. (driving pinion pilot)
4	E7HZ 4323-B	1987		1	C6TZ 4627-A	Retainer (driving pinion pilot bearing)
4	D3HZ 4216-D	5/8"-11 x 2 1/2"-1988/			4662	Shim (driving pinion bearing retainer)
12	C1TT 4326-B	Washer (carrier to housing)- 2 1/32" I.D. x 1 1/16" O.D. x 3/32" thick		AR	E7HZ 4662-E	.003" thick
	4326	Washer		AR	E7HZ 4662-F	.005" thick
8	D7HZ 4326-A	17/32" I.D. x 7/8" O.D. x 3/32" thick		AR	E7HZ 4662-G	.008" thick
16	D7HZ 4326-A	Drive pinion bearing retainer bolt		AR	E7HZ 4662-H	.020" thick
		Differential case bolt-also serviced in assy.-group 4204		1	E4HZ 4676-A	Seal assy. (drive pinion oil)- 5 9/32" O.D. x 25/32" wide
	4537	Spacer (driving pinion bearing)- use in pairs as required			4851	Flange assy. (universal joint)-axle end
AR	E7HZ 4537-AJ	.345" thick		1	E7HZ 4851-M	1550 size
AR	E7HZ 4537-AK	.346" thick		1	E7HZ 4851-N	1610 size
AR	E7HZ 4537-AL	.347" thick		1	E9HZ 4851-C	1710 size
AR	E7HZ 4537-AM	.348" thick		1	E7HZ 4859-A	Deflector (drive pinion oil seal)
AR	E7HZ 4537-AN	.349" thick		1	E7HZ 4982-B	Bolt and nut kit (driving gear)
Consists of						
	12-MWA516	Washer	12-41X1216	Bolt		
	12-40X1150	Nut				
1	B7T 7034-A	Breather (axle housing)				
ROCKWELL (TIMKEN) RS21230 REAR AXLE SERVICE PARTS LIST NO. 273 (NON-LOCKING)						
1	E7HZ 4010-E	Housing assy.-#C-3121-V-1348	1	E7HZ 4149-A	Shaft kit (shift fork)	
1	FOHZ 4N025-A	Plug (heat indicator)	Consists of			
	4027	Refer to group 4127 within parts list	1-1246-L-1026	Pin	2-1250-J-1024 Plug	
4	E7HZ 4029-C	Shaft (differential planetary gear)		4200	Differential assy.-refer to group in Section 40	
4	E7HZ 4K034-C	Stud (diff. sliding clutch gear retainer)				
4	E7HZ 4L034-A	Nut (diff. sliding clutch gear retainer stud)	1	E7HZ 4204-J	Case assy. (differential)-includes 12 bolts	
1	E7HZ 4045-C	Fork assy. (differential shift)		4209	Ring gear and pinion kit-includes locknut	
1	E7HZ 4055-C	Gear (differential sliding clutch)- r/b E9HZ 4N301-B	1	E7HZ 4209-AR	3.91/5.45 ratio	
	4067	Adjuster (differential bearing)	1	E7HZ 4209-AS	4.10/5.72 ratio	
1	E7HZ 4067-J	R.H.	1	E8HZ 4209-Y	4.30/6.00 ratio	
1	E7HZ 4067-K	L.H.	1	E7HZ 4209-AT	4.56/6.36 ratio	
1	E7HZ 4072-A	Seal (shift fork)	1	E7HZ 4209-AV	4.88/6.80 ratio	
	4127	Case (differential gear support)	1	E7HZ 4209-AW	5.38/7.50 ratio	
1	E7HZ 4127-C	R.H.	1	E8HZ 4209-Z	5.86/8.17 ratio	
1	★E7HZ 4027-C	L.H.-r/b E9HZ 4N301-B	1	E7HZ 4209-AX	6.50/9.07 ratio	
1	E7HZ 4141-F	Carrier assy. (differential)	1	E7HZ 4209-AY	6.83/9.53 ratio	
1	C2TZ 4143-A	Lock (differential bearing adjuster)	1	E7HZ 4209-AZ	7.17/10.0 ratio	
4	E7HZ 4146-A	Dowel (diff. sliding clutch gear retainer)	1	E1HZ 4211-A	Shaft (pinion)-#S-305	
4	E7HZ 4K147-A	Washer (diff. sliding clutch gear retainer)	12	E7HZ 4216-B	Bolt (differential case)-also serviced in assy.-group 4204	

1980/  
TRUCK SERIES 600/900

QTY.	PART NUMBER	DESCRIPTION	QTY.	PART NUMBER	DESCRIPTION
ROCKWELL (TIMKEN) RS21230 REAR AXLE SERVICE PARTS LIST NO. 273 — Cont'd (NON-LOCKING)					
4	D3HZ 4216	Bolt (carrier to housing)	2	34793-S2(X-67-A)	Lockwasher (shift housing stud)-7/16"
8	D7HZ 4216-D	5/8"-11 x 2 1/2"		4323	Refer to group 4216 within parts list
8	D7HZ 4323-A	5/8"-11 x 1 3/4"	2	E7HZ 4323-A	Stud (shift housing)
1	D8HZ 4221-A	Cone and roller assy. (differential bearing)- R.H.-#JM716649-incl. cup #JM716610	12	C1TT 4326-B	Washer (carrier to housing)- 21/32" I.D. x 1 1/16" O.D. x 3/32" thick
1	E7HZ 4221-D	Cone and roller (differential bearing)- L.H.-#52400	8	D7HZ 4326-A	Washer (drive pinion bearing retainer bolt)- 17/32" I.D. x 7/8" O.D. x 3/32" thick
1	D8HZ 4222-A	Cup (differential bearing) R.H.-#JM716610-also serviced in assy.-group 4221		4537	Spacer (driving pinion bearing)- use in pairs as required
1	C3TZ 4222-C	L.H.-#52618	AR	E7HZ 4537-J	.234" thick
3	C1TT 4228-D	Washer (diff. side gear thrust and diff. case)-also serviced in kit-group 4237	AR	E7HZ 4537-K	.235" thick
4	E7HZ 4229-C	Gear (differential planetary)	AR	E7HZ 4537-L	.236" thick
	4K229	Pin (differential planetary gear)	AR	E7HZ 4537-M	.237" thick
4	E7HZ 4K229-B	Differential planetary gear	AR	E7HZ 4537-N	.238" thick
1	E7HZ 4K229-B	Retainer diff. sliding clutch gear	AR	E7HZ 4537-P	.239" thick
8	E7HZ 4L229-A	Washer (diff. planetary gear thrust)	AR	E7HZ 4537-R	.244" thick
4	C1TT 4230-D	Washer (diff. pinion thrust)-also serviced in kit-group 4237	AR	E7HZ 4537-S	.250" thick
4	C5TZ 4A230-A	Gasket (housing plug)-5/16" I.D. x 5/8" O.D.	AR	E7HZ 4537-T	.256" thick
4	356184-S(XX-113)	Washer (housing plug gasket bolt)-5/16"	AR	E7HZ 4537-U	.262" thick
4	D8HZ 4A322-C	Bolt (housing plug gasket)-5/16"-18 x 1"	AR	E7HZ 4537-V	.262" thick
	4234	Shaft	AR	E7HZ 4537-W	.268" thick
2	E7HZ 4234-J	1987/88	8	E7HZ 4558-C	Bolt (gear to case)-differential
2	E9HZ 4234-G	1989	8	E7HZ 4560-A	Bolt (pinion bearing retainer to carrier)
1	E7HZ 4237-F	Gear and pinion kit (differential)	1	E7HZ 4614-E	Retainer assy. (drive pinion)-includes 7EQH 4616 inner cup #55437 and TBAA 4628-A outer cup #M804010
Consists of				4616	Cup (driving pinion bearing)
2	C1TT 4228-D	Washer-gear 1-2234-K-1077 Side gear	1	7EQH 4616	Inner-#55437
4	C1TT 4230-D	Washer-pinion 1-2234-M-1079 Side gear	1	TBAA 4628-A	Outer-#HM804810
4	2-2233-J-1024	Pinion gear		4621	Cone and roller (driving pinion)
	4N282	Plug (magnetic)-3/4"-14 x 1 5/16"	1	A8TZ 4621-A	Inner-#55200C
1	D8HZ 4N282-B	Drain	1	D7HZ 4621-A	Outer-#HM804846
1	D8HZ 4N282-B	Filler	1	E7HZ 4625-B	Bearing assy. (driving pinion pilot)
1	★E7HZ 4N301-C	Retainer (differential sliding clutch gear)- r/b E9HZ 4N301-B	1	C6TZ 4627-A	Retainer (driving pinion pilot bearing)- 1 7/32" I.D. x 1 15/32" O.D. x 1/16" thick
1	E9HZ 4N301-B	Retainer kit (diff. sliding clutch gear update)		4628	Refer to group 4616 within parts list
Consists of				4637	Refer to group 4320 within parts list
1	3-280-Y-8319-M	Support case L.H. 1-3892-K-4847-M Gear	AR	4662	Shim (driving pinion bearing cage)
1	3-280-H-8328-M	Retainer	AR	E7HZ 4662-S	.003" thick
			AR	E7HZ 4662-T	.005" thick
			AR	E7HZ 4662-V	.010" thick
1	★E7HZ 4320-A	Nut (drive pinion Flange)-self-locking- also serviced in kit-group 4209- r/b E7HZ 4320-F and D7HZ 4637-A	1	E5HZ 4676-B	Seal (drive pinion oil)
1	E7HZ 4320-F	Nut (drive pinion flange)-self-locking- also serviced in kit-group 4209		4851	Flange assy. (universal joint)-axle end
1	D7HZ 4637-A	Washer (drive pinion flange nut)- also serviced in kit-group 4209	1	E4HZ 4851-S	1480 size
2	E7HZ 4322-A	Nut (shift housing stud)	1	E4HZ 4851-T	1550 size
			1	E7HZ 4851-J	1610 size
			1	E7HZ 4851-K	1710 size
			1	D7HZ 4859-A	Deflector (drive pinion oil seal)- 4 13/16" O.D.
			1	B7T 7034-A	Breather (axle housing)
ROCKWELL (TIMKEN) RS23160 REAR AXLE SERVICE PARTS LIST NO. 274 (NON-LOCKING)					
1	★E7HZ 4010-F	Housing assy. #C-3121-S-1345-1987/88 r/b E7HZ 4010-E	1	E7HZ 4141	Carrier assy. (differential)
1	E7HZ 4010-E	#C-3121-V-1348-1989	1	E8HZ 4141-G	Malleable carrier-#A2-Z-1560-1987/88
1	FOHZ 4N025-A	Plug (heat indicator)	1	E9HZ 4141-A	Aluminum carrier-#A2-C-1381-1987/88
2	E7HZ 4067-L	Adjuster (differential bearing)	1	E9HZ 4141-B	#A2-T-1658-1989
2	E7HZ 4N123-A	Washer (diff. bearing adjusting lock bolt)- 1987/88	1	4143	Lock (differential bearing adjuster)
2	E7HZ 4P123-A	Bolt (diff. bearing adjuster lock)-1987/88	1	E7HZ 4143-A	R.H.-1987/88
			1	E7HZ 4143-B	L.H.-1987/88
			2	E7HZ 4143-D	1989

1980/  
TRUCK SERIES 600/900

QTY.	PART NUMBER	DESCRIPTION	QTY.	PART NUMBER	DESCRIPTION
ROCKWELL (TIMKEN) RS23160 REAR AXLE SERVICE PARTS LIST NO. 274 — Cont'd (NON-LOCKING)					
	4200	Differential assy.—refer to group in Section 40	1	E7HZ 4237-G	Gear and pinion kit (differential)
	4204	Case assy. (differential)—includes 12 bolts	Consists of		
1	E7HZ 4204-K	Malleable carrier— 3.42 thru 4.56 ratios—1987	2	E7HZ 4228-D	Washer—gear 2-2234-C-1069 Side gear
1	E7HZ 4204-L	Malleable carrier— 4.89 thru 7.17 ratios—1987	4	E7HZ 4230-D	Washer—pinion 4-2233-M-1001 Pinion gear
1	E8HZ 4204-A	Malleable carrier— 3.42 thru 4.56 ratios—1988	2	D8HZ 4N282-B	Plug (housing)—magnetic—3/4"–14 x 1 5/16"
1	E8HZ 4204-B	Malleable carrier— 4.89 ratio—1988	1	E7HZ 4320-D	Nut (drive pinion flange)—self-locking— also serviced in kit—group 4209
1	E8HZ 4204-C	Aluminum carrier—1988		4323	Bolt (carrier to housing)
1	E9HZ 4204-D	3.42 thru 3.73 ratios—1989	4	D7HZ 4323-A	5/8"–11 x 1 3/4"–1987/88
1	E9HZ 4204-E	3.91 thru 4.56 ratios—1989	4	D8HZ 4323-C	5/8"–11 x 2"–1987/88
1	E9HZ 4204-F	4.89 thru 7.17 ratios—1989	8	D7HZ 4323-A	1989
	4209	Ring gear and pinion kit—incl. locknut	4	E7HZ 4323-C	
1	E9HZ 4209-H	3.42 ratio	12	C1TT 4326-B	Washer (carrier to housing)— 21/32" I.D. x 1 1/16" O.D. x 3/32" thick
1	E9HZ 4209-J	3.58 ratio	8	D7HZ 4326-A	Washer (drive pinion bearing retainer bolt)— 17/32" I.D. x 7/8" O.D. x 3/32" thick
1	E9HZ 4209-K	3.73 ratio		4537	Spacer (driving pinion bearing)— use in pairs as required
1	E8HZ 4209-E	3.91 ratio—1987/88	AR	E7HZ 4537-AX	.250" thick
1	E9HZ 4209-L	3.91 ratio—1989	AR	E7HZ 4537-AY	.251" thick
1	E8HZ 4209-F	4.10 ratio—1987/88	AR	E7HZ 4537-AZ	.252" thick
1	E9HZ 4209-M	4.10 ratio—1989	AR	E7HZ 4537-BA	.253" thick
1	E8HZ 4209-G	4.30 ratio—1987/88	AR	E7HZ 4537-BB	.254" thick
1	E9HZ 4209-N	4.30 ratio—1989	AR	E7HZ 4537-BC	.256" thick
1	E8HZ 4209-H	4.56 ratio—1987/88	AR	F0HZ 4537-G	.260" thick
1	E9HZ 4209-P	4.56 ratio—1989	AR	E7HZ 4537-BE	.261" thick
1	E9HZ 4209-R	4.89 ratio	AR	E7HZ 4537-BF	.262" thick
1	E7HZ 4209-BJ	5.38 ratio—1987/88	AR	E7HZ 4537-BG	.263" thick
1	E9HZ 4209-S	5.38 ratio—1989	12	E9HZ 4545-A	Washer (differential case bolt)—1989
1	E9HZ 4209-T	5.63 ratio		4560	Bolt (pinion bearing retainer to carrier)
1	E7HZ 4209-BL	6.14 ratio—1987/88	8	E7HZ 4560-B	Malleable carrier
1	E9HZ 4209-A	6.14 ratio—1989	8	E8HZ 4560-A	Aluminum carrier
1	E9HZ 4209-B	6.83 ratio	1	E7HZ 4614-F	Retainer assy. (drive pinion)—includes E7HZ 4616-A inner cup #9220 and C1TT 4628-A outer cup #HM813810
1	E7HZ 4209-BN	7.17 ratio—1987/88		4616	Cup (driving pinion bearing)
1	E9HZ 4209-C	7.17 ratio—1989	1	E7HZ 4616-A	Inner—#9220
1	E7HZ 4211-D	Shaft (pinion)	1	C1TT 4628-A	Outer—#HM813810
	4216	Bolt (differential case)—also serviced in assy.—group 4204		4621	Cone and roller (driving pinion)
12	E7HZ 4216-D	1987/88	1	E7HZ 4621-C	Inner—#9278
12	E9HZ 4216-A	1989	1	E7HZ 4621-B	Outer
2	E7HZ 4221-E	Cone and roller (differential bearing)— #X32021X		4625	Bearing assy. (driving pinion pilot)
2	E7HZ 4222-D	Cup (differential bearing)—#Y32021X	1	E9HZ 4625-C	Use on gear sets w/o snap ring retainer
2	E7HZ 4228-D	Washer (diff. side gear thrust)— also serviced in kit—group 4237	1	E9HZ 4625-B	Use on gear sets w/snap ring retainer
4	E7HZ 4230-D	Washer (differential pinion thrust)— also serviced in kit—group 4237	1	F0HZ 4627-A	Retainer (driving pinion pilot bearing)
4	C5TZ 4A230-A	Gasket (housing plug)—5/16" I.D. x 5/8" O.D.		4628	Refer to group 4616 within parts list
4	356184-S(XX-113)	Washer (housing plug gasket bolt)—5/16"		4662	Shim (driving pinion bearing retainer)
4	D8HZ 4A322-C	Bolt (housing plug gasket)—5/16"–18 x 1"	AR	E9HZ 4662-A	.003" thick
	4234	Shaft	AR	E7HZ 4662-K	.005" thick
1	E7HZ 4234-K	R.H.—1987/88	AR	E7HZ 4662-L	.008" thick
1	E7HZ 4234-L	L.H.—1987/88	AR	E7HZ 4662-M	.020" thick
1	E9HZ 4234-L	R.H.—exc. cargo vehicles—1989	1	E7HZ 4676-A	Seal assy. (drive pinion oil)
1	E9HZ 4234-M	L.H.—exc. cargo vehicles—1989		4851	Flange assy. (universal joint)—axle end
1	E7HZ 4234-K	R.H.—cargo vehicles—1989	1	E7HZ 4851-R	1610 size
1	E7HZ 4234-L	L.H.—cargo vehicles—1989	1	E7HZ 4851-S	1710 size
			1	E7HZ 4851-T	1760 size—1987
			1	E8HZ 4851-A	1760 size—1988/
			1	E7HZ 4851-V	1810 size—1987
			1	E8HZ 4851-B	1810 size—1988/



**1980/  
TRUCK SERIES 600/900**

QTY.	PART NUMBER	DESCRIPTION	QTY.	PART NUMBER	DESCRIPTION
<b>ROCKWELL (TIMKEN) RS23160 REAR AXLE SERVICE PARTS LIST NO. 274 — Cont'd</b>					
<b>(NON-LOCKING)</b>					
1	E7HZ 4859-B	Deflector (drive pinion oil seal)	1	E9HZ 4982-A	Bolt and nut kit (driving gear)-1989
1	E7HZ 4982-C	Bolt and nut kit (driving gear)-1987	Consists of		
	12-40X1042	Nut	12-MWA516	Washer	12-41X1276 Bolt
		12-41X1086 Bolt	12-40X1182	Nut	
1	E8HZ 4982-A	Bolt and nut kit (driving gear)-1988	1	B7T 7034-A	Breather (axle housing)
Consists of					
	12-MWA516	Washer	12-40X1150	Nut	
	12-41X1086	Bolt			
<b>ROCKWELL (TIMKEN) RS23180 REAR AXLE SERVICE PARTS LIST NO. 275</b>					
<b>(NON-LOCKING)</b>					
1	E7HZ 4010-G	Housing assy.-#C-3121-F-1332		4221	Cone and roller (differential bearing)
1	F0HZ 4N025-A	Plug (heat indicator)	1	E7HZ 4221-F	R.H.-#64450
	4067	Adjuster (differential bearing)	1	E7HZ 4221-G	L.H.-#JHM720249
1	E7HZ 4067-M	R.H.		4222	Cup (differential bearing)
1	E7HZ 4067-L	L.H.	1	E7HZ 4222-E	R.H.-#64700
2	E7HZ 4N123-A	Washer (diff. bearing adjusting lock bolt)	1	E7HZ 4222-F	L.H.-#JHM720210
2	E7HZ 4P123-A	Bolt (diff. bearing adjuster lock)	2	E7HZ 4228-D	Washer (diff. side gear thrust)- also serviced in kit-group 4237
	4141	Carrier assy. (differential)	4	E7HZ 4230-D	Washer (differential pinion thrust)- also serviced in kit-group 4237
1	E7HZ 4141-H	Malleable carrier	4	C5TZ 4A230-A	Gasket (housing plug)-5/16" I.D. x 5/8" O.D.
1	E8HZ 4141-B	Aluminum carrier	4	356184-S(XX-113)	Washer (housing plug gasket bolt)-5/16"
4	D8HZ 4A142-A	Nut (carrier to housing stud)- 5/8"-18-1988/	4	D8HZ 4A322-C	Bolt (housing plug gasket)-5/16"-18 x 1"
	4143	Lock (differential bearing adjuster)		4234	Shaft
1	E7HZ 4143-A	R.H.	1	E7HZ 4234-M	R.H.-1987/88
1	E7HZ 4143-B	L.H.	1	E7HZ 4234-N	L.H.-1987/88
1	E8HZ 4189-A	Screw (ring gear thrust)-use on vehicles w/aluminum carrier	1	E9HZ 4234-N	R.H.-1989
	4200	Differential assy.-refer to group in Section 40	1	E9HZ 4234-R	L.H.-1989
	4204	Case assy (differential)-includes 12 bolts	1	E7HZ 4237-G	Gear and pinion kit (differential)
1	E7HZ 4204-M	3.42 thru 4.56 ratios	Consists of		
1	E7HZ 4204-N	4.89 thru 6.14 ratios	2-E7HZ 4228-D	Washer-gear	2-2234-C-1069 Side gear
	4209	Ring gear and pinion kit-incl. locknut	4-E7HZ 4230-D	Washer-pinion	4-2233-M-1001 Pinion gear
1	E7HZ 4209-BP	3.42 ratio		4N282	Plug (magnetic)
1	E7HZ 4209-BR	3.58 ratio	1	E7HZ 4N282-A	Diff. Carrier-malleable carrier
1	E7HZ 4209-BS	3.73 ratio	1	E7HZ 4N282-B	Diff. Carrier-aluminum carrier
1	E7HZ 4209-BT	3.91 ratio	2	D8HZ 4N282-B	Axle housing-3/4"-14 x 1 5/16"
1	E7HZ 4209-BV	4.10 ratio	1	E7HZ 4320-D	Nut (drive pinion flange)-self-locking-use on vehicles w/original gear and pinion kit also serviced in kit-group 4209
1	E7HZ 4209-BW	4.30 ratio	1	F3HZ 4320-A	Nut kit (drive pinion flange)- use on vehicles w/gear and pinion update kit-also serviced in kit- group 4209
1	E7HZ 4209-BX	4.56 ratio	Consists of		
1	E7HZ 4209-BY	4.89 ratio	1-40X-1233	Locknut	1-1229-N-1730 Washer
1	E7HZ 4209-BZ	5.38 ratio		4323	Bolt (carrier to housing)
1	E7HZ 4209-CA	5.63 ratio	8	E7HZ 4323-D	1987
1	E7HZ 4209-CB	6.14 ratio	6	E7HZ 4323-E	1987
	4209	Ring gear and pinion kit-update incl. bearing, locknut, snap ring, washer	4	E7HZ 4323-D	1988/
1	E7HZ 4209-CT	3.42 ratio	6	E7HZ 4323-E	1988/
1	E7HZ 4209-CS	3.58 ratio	4	C6TZ 4323-A	Stud (carrier to housing)- 5/8"-11-5/8"-18 x 2 7/8"-1988/
1	E7HZ 4209-CP	3.73 ratio	14	C1TT 4326-B	Washer (carrier to housing)- 21/32" I.D. x 1 1/16" O.D. x 3/32" thick
1	E7HZ 4209-CV	3.91 ratio	8	D7HZ 4326-A	Washer (drive pinion bearing retainer bolt)- 17/32" I.D. x 7/8" O.D. x 3/32" thick
1	E7HZ 4209-CW	4.10 ratio	1	E8HZ 4391-A	Jam nut (ring gear thrust screw)- use on vehicles w/aluminum carrier
1	E7HZ 4209-CX	4.30 ratio			
1	E7HZ 4209-CY	4.56 ratio			
1	E7HZ 4209-CZ	4.89 ratio			
1	E7HZ 4209-DA	5.38 ratio			
1	E7HZ 4209-DB	5.63 ratio			
1	E7HZ 4209-DC	6.14 ratio			
1	E7HZ 4211-D	Shaft (pinion)			
12	E7HZ 4216-D	Bolt (differential case)-also serviced in assy.-group 4204			

1980/  
TRUCK SERIES 600/900

QTY.	PART NUMBER	DESCRIPTION	QTY.	PART NUMBER	DESCRIPTION
ROCKWELL (TIMKEN) RS23180 REAR AXLE SERVICE PARTS LIST NO. 275 — Cont'd (NON-LOCKING)					
	4537	Spacer (driving pinion bearing)— use in pairs as required	1	F2HZ 4625	Bearing assy. (driving pinion pilot) — Cont'd
AR	E7HZ 4537-AX	.250" thick		4625-A	Use on vehicles w/gear and pinion update kit—also serviced in kit— group 4209
AR	E7HZ 4537-AY	.251" thick		4662	Shim (driving pinion bearing retainer)
AR	E7HZ 4537-AZ	.252" thick		E9HZ 4662-A	.003" thick
AR	E7HZ 4537-BA	.253" thick	AR	E7HZ 4662-K	.005" thick
AR	E7HZ 4537-BB	.254" thick	AR	E7HZ 4662-L	.008" thick
AR	E7HZ 4537-BC	.256" thick	AR	E7HZ 4662-M	.020" thick
AR	F0HZ 4537-G	.260" thick	1	C3TZ 4668-A	Snap ring (drive pinion bearing)— 1 5/8" I.D. x 1 7/8" O.D. x 3/32" thick— use on vehicles w/gear and pinion update kit—also serviced in kit— group 4209
AR	E7HZ 4537-BE	.261" thick			
AR	E7HZ 4537-BF	.262" thick			
AR	E7HZ 4537-BG	.263" thick			
	4560	Bolt (pinion bearing retainer to carrier)			
8	E7HZ 4560-B	Malleable carrier	1	E7HZ 4676-A	Seal assy. (drive pinion oil)
8	E8HZ 4560-A	Aluminum carrier			
1	E7HZ 4614-G	Retainer assy. (drive pinion)—includes E7HZ 4616-A inner cup #9220 and B8QH 4616-B outer cup #H715311	1	4851	Flange assy. (universal joint)—axle end
	4616	Cup (driving pinion bearing)	1	E7HZ 4851-W	1610 size
1	E7HZ 4616-A	Inner—#9220	1	E7HZ 4851-X	1710 size
1	B8QH 4616-B	Outer—#H715311	1	E7HZ 4851-Y	1760 size—1987/88
	4621	Cone and roller (driving pinion)	1	E8HZ 4851-C	1760 size—1988/
1	E7HZ 4621-C	Inner—#9278	1	E7HZ 4851-Z	1810 size—1987/88
1	C1TT 4621-A	Outer—#H715334	1	E8HZ 4851-D	1810 size—1988/
	4625	Bearing assy. (driving pinion pilot)	1	E7HZ 4859-C	Deflector (drive pinion oil seal)
1	E7HZ 4625-D	Use on vehicles w/original gear and pinion kit	1	E7HZ 4982-D	Bolt and nut kit (driving gear)
					Consists of
			16-40X1042	Nut	16-41X1075 Bolt
			1	B7T 7034-A	Breather (axle housing)
ROCKWELL (TIMKEN) RS23240 REAR AXLE SERVICE PARTS LIST NO. 276 (NON-LOCKING)					
1	★E7HZ 4010	Housing assy.	1	E7HZ 4204-P	Case assy. (differential)—includes 12 bolts
	4010-F	#C-3121-S-1345-1987/88 r/b E7HZ 4010-E		4209	Ring gear and pinion kit—includes locknut
1	E7HZ 4010-E	#C-3121-V-1348-1989	1	E7HZ 4209-CC	4.10/5.59 ratio
1	F0HZ 4N025-A	Plug (heat indicator)	1	E7HZ 4209-CD	4.30/5.86 ratio
	4027	Refer to group 4127 within parts list	1	E7HZ 4209-CE	4.56/6.22 ratio
4	E7HZ 4029-D	Shaft (differential planetary gear)	1	E7HZ 4209-CF	4.88/6.65 ratio
4	E7HZ 4K034-C	Stud (diff. sliding clutch gear retainer)	1	E7HZ 4209-CG	5.38/7.33 ratio
4	E7HZ 4L034-A	Nut (diff. sliding clutch gear retainer stud)	1	E7HZ 4209-CH	5.57/7.60 ratio
1	E7HZ 4045-D	Fork assy. (differential shift)	1	E7HZ 4209-CJ	6.14/8.38 ratio
1	★E7HZ 4055-D	Gear (differential sliding clutch)— r/b E9HZ 4N301-D	1	E7HZ 4209-CK	6.50/8.86 ratio
	4067	Adjuster (differential bearing)	1	E7HZ 4209-CL	7.17/9.77 ratio
1	E7HZ 4067-J	R.H.	1	E7HZ 4211-E	Shaft (pinion)
1	E7HZ 4067-N	L.H.	12	E7HZ 4216-B	Bolt (differential case)—also serviced in assy.—group 4204
1	E7HZ 4072-A	Seal (shift fork)		4216	Bolt (carrier to housing)
	4127	Case (differential gear support)	4	D3HZ 4216-D	5/8" -11 x 2 1/2"
1	E7HZ 4127-D	R.H.	8	D7HZ 4323-A	5/8" -11 x 1 3/4"
1	E7HZ 4027-D	L.H.	1	D8HZ 4221-A	Cone and roller assy. (differential bearing)— R.H.—#JM716649—incl. cup #JM716610
1	E7HZ 4141-J	Carrier assy. (differential)	1	E7HZ 4221-H	Cone and roller (differential bearing)— L.H.—#JP12049
1	C2TZ 4143-A	Lock (differential bearing adjuster)		4222	Cup (differential bearing)
4	E7HZ 4146-A	Dowel (diff. sliding clutch gear retainer)	1	D8HZ 4222-A	R.H.—#JM716610—also serviced in assy.—group 4221
4	E7HZ 4K147-A	Washer (diff. sliding clutch gear retainer)	1	E7HZ 4222-G	L.H.—#JP12010
1	E7HZ 4149-A	Shaft kit (shift fork)			
		Consists of			
1-1246-L-1026	Pin	2-1250-J-1024	Plug		
	4189	Screw (ring gear thrust)			
1	E7HZ 4189-A	Except 4.10/5.59 thru 4.88/6.65 ratios	3	E7HZ 4228-E	Washer (diff. side gear thrust and diff. case)—also serviced in kit— group 4237
1	E7HZ 4189-B	4.10/5.59 thru 4.88/6.65 ratios			
	4200	Differential assy.—refer to group in Section 40	4	E7HZ 4229-D	Gear (differential planetary)

1980/  
TRUCK SERIES 600/900

QTY.	PART NUMBER	DESCRIPTION	QTY.	PART NUMBER	DESCRIPTION
<b>ROCKWELL (TIMKEN) RS23240 REAR AXLE SERVICE PARTS LIST NO. 276 — Cont'd</b>					
<b>(NON-LOCKING)</b>					
	4K229	Pin		4537	Spacer (driving pinion bearing)— use in pairs as required
4	E7HZ 4K229-B	Differential planetary gear			
1	E7HZ 4K229-B	Retainer diff. sliding clutch gear	AR	E7HZ 4537-BH	.360" thick
8	E7HZ 4L229-B	Washer (diff. planetary gear thrust)	AR	E7HZ 4537-BJ	.361" thick
4	E7HZ 4230-E	Washer (diff. pinion thrust)—also serviced in kit-group 4237	AR	E7HZ 4537-BK	.362" thick
4	C5TZ 4A230-A	Gasket (housing plug)—5/16" I.D. x 5/8" O.D.	AR	E7HZ 4537-BL	.363" thick
4	356184-S(XX-113)	Washer (housing plug gasket bolt)—5/16"	AR	E7HZ 4537-BM	.364" thick
4	D8HZ 4A322-C	Bolt (housing plug gasket)—5/16" x 1"	AR	E7HZ 4537-BN	.365" thick
	4234	Shaft	AR	E7HZ 4537-BP	.372" thick
2	E7HZ 4234-P	1987/88	AR	E7HZ 4537-BR	.378" thick
2	E9HZ 4234-H	1989	AR	E7HZ 4537-BS	.385" thick
1	E7HZ 4237-H	Gear and pinion kit (differential)	AR	E7HZ 4537-BT	.391" thick
Consists of					
2	E7HZ 4228-E	Washer-gear	1	E7HZ 4537-BV	.398" thick
4	E7HZ 4230-E	Washer-pinion	1	E7HZ 4558-D	Bolt (gear to case)—differential
4	2233-P-1030	Pinion gear	8	E7HZ 4560-A	Bolt (pinion bearing retainer to carrier)
	4N282	Plug (magnetic)—3/4" x 1 5/16"	1	E7HZ 4614-H	Retainer assy. (drive pinion)—includes B8QH 4616-D inner cup #78551 and 7EQH 4616 outer cup #55437
1	D8HZ 4N282-B	Drain		4616	Cup (driving pinion bearing)
1	D8HZ 4N282-B	Filler	1	B8QH 4616-D	Inner-#78551
1	E7HZ 4N301-D	Retainer (differential sliding clutch gear)	1	7EQH 4616	Outer-#55437
1	E9HZ 4N301-D	Retainer kit (diff. sliding clutch gear update)		4621	Cone and roller (driving pinion)
Consists of					
1	3280-L-8306-M	Retainer	1	E7HZ 4621-D	Inner-#78225C
1	3280-U-8315-M	Support case L.H.	1	E7HZ 4621-A	Outer-#55206C
1	*E7HZ 4320-A	Nut (drive pinion flange)—self-locking— also serviced in kit-group 4209— r/b E7HZ 4320-F and D7HZ 4637-A	1	E7HZ 4625-B	Bearing assy. (driving pinion pilot)
1	E7HZ 4320-F	Nut (drive pinion flange)—self-locking— also serviced in kit-group 4209	1	C6TZ 4627-A	Retainer (driving pinion pilot bearing)— 1 7/32" I.D. x 1 15/32" O.D. x 1/16" thick
1	D7HZ 4637-A	Washer (drive pinion flange nut)— also serviced in kit-group 4209		4637	Refer to group 4320 within parts list
2	E7HZ 4322-A	Nut (shift housing stud)		4662	Shim (driving pinion bearing cage)
2	34793-S2(X-67-A)	Lockwasher (shift housing stud)—7/16"	AR	E7HZ 4662-N	.003" thick
	4323	Refer to group 4216 within parts list	AR	E7HZ 4662-P	.005" thick
2	E7HZ 4323-A	Stud (shift housing)	AR	E7HZ 4662-R	.010" thick
12	C1TT 4326-B	Washer (carrier to housing)— 21/32" I.D. x 1 1/16" O.D. x 3/32" thick	1	E4HZ 4676-A	Seal assy. (drive pinion oil)— 5 9/32" O.D.—25/32" wide
8	D7HZ 4326-A	Washer (drive pinion bearing retainer bolt)— 17/32" I.D. x 7/8" O.D. x 3/32" thick	1	4851	Flange assy. (universal joint)—axle end
1	E7HZ 4391-A	Jam nut (ring gear thrust screw)	1	E7HZ 4851-M	1550 size
			1	E7HZ 4851-N	1610 size
			1	E9HZ 4851-C	1710 size
			1	E7HZ 4859-A	Deflector (drive pinion oil seal)
			1	B7T 7034-A	Breather (axle housing)
<b>ROCKWELL (TIMKEN) RS21145 REAR AXLE SERVICE PARTS LIST NO. 279</b>					
<b>(LOCKING)</b>					
1	E7HZ 4010-D	Housing assy.—#C-3121-C-1745 or C-3121-J-1336	2	E8HZ 4A095-A	Pin (differential shift fork)
1	F0HZ 4N025-A	Plug (heat indicator)	2	E7HZ 4N123-A	Washer (diff. bearing adjuster lock bolt)
1	E8HZ 4K046-A	Plug (differential cylinder cover)	2	E7HZ 4P123-A	Bolt (diff. bearing adjuster lock)
	4K052	Cover (differential cylinder)	1	E7HZ 4141-E	Carrier assy. (differential)
1	E8HZ 4K052-A	1988		4143	Lock (differential bearing adjuster)
1	E9HZ 4K052-A	1989	1	E7HZ 4143-A	R.H.
1	E8HZ 4L052-A	Adapter (diff. air cylinder cover)	1	E7HZ 4143-B	L.H.
2	E7HZ 4067-H	Adjuster (differential bearing)	1	E8HZ 4K198-A	Bolt (diff. cylinder cover manual adjustment)— also serviced in kit-group 4497
	4K073	Gasket (differential cylinder cover)		4200	Differential assy.—refer to group in section 40
1	E8HZ 4K073-A	1988	1	E8HZ 4K201-A	Nut (differential lockout Sensor Switch)
1	E9HZ 4K073-A	1989		4204	Case assy. (differential)—includes 16 bolts and washers
1	*E8HZ 4L073-A	Gasket (diff. air cylinder cover adapter)— r/b E9HZ 4K073-A	1	E7HZ 4204-H	3.73 thru 4.10 ratios
1	E8HZ 4K078-A	Switch (differential lockout sensor)	1	E7HZ 4204-G	4.30 thru 7.17 ratios

1980/  
TRUCK SERIES 600/900

QTY.	PART NUMBER	DESCRIPTION	QTY.	PART NUMBER	DESCRIPTION
ROCKWELL (TIMKEN) RS21145 REAR AXLE SERVICE PARTS LIST NO. 279 — Cont'd					
(LOCKING)					
	4209	Ring gear and pinion kit—incl. locknut	1	E8HZ 4455-A	Gear (differential clutch collar)
1	E9HZ 4209-F	3.73 ratio	1	E8HZ 4458-A	Spring (diff. lockout shift lever return)
1	E7HZ 4209-AF	3.91 ratio	1	E8HZ 4497-A	Shift kit (differential lockout)
1	E7HZ 4209-AG	4.10 ratio	Consists of		
1	E8HZ 4209-A	4.30 ratio	4-MWA506	Washer	1-2208-H-944 Gasket
1	E8HZ 4209-AS	4.33 ratio	1-5X888	"O" ring	1-2230-N-170 Piston
1	E7HZ 4209-AH	4.56 ratio	1-E8HZ 4K198-A	Bolt	1-3196-F-32 Tube
1	E7HZ 4209-AJ	4.88 ratio	4-MS206050-1	Bolt	
1	E7HZ 4209-AK	5.29 ratio		4537	Spacer (driving pinion bearing)—use in pairs as required
1	E7HZ 4209-AL	5.86 ratio	AR	E7HZ 4537-AJ	.345" thick
1	E7HZ 4209-AM	6.43 ratio	AR	E7HZ 4537-AK	.346" thick
1	E7HZ 4209-AN	6.83 ratio	AR	E7HZ 4537-AL	.347" thick
1	E7HZ 4209-AP	7.17 ratio	AR	E7HZ 4537-AM	.348" thick
	4211	Shaft (pinion)	AR	E7HZ 4537-AN	.349" thick
1	E7HZ 4211-C	1988	AR	E7HZ 4537-AP	.354" thick
1	E1HZ 4211-A	1989	AR	E7HZ 4537-AR	.358" thick
16	F1HZ 4216-A	Bolt (differential case)—also serviced in assy.—group 4204	AR	E7HZ 4537-AS	.359" thick
2	E7HZ 4221-C	Cone and roller (differential bearing)—#X32020X	AR	E7HZ 4537-AT	.360" thick
2	E7HZ 4222-C	Cup (differential bearing)—#Y32020X	AR	E7HZ 4537-AV	.361" thick
2	E7HZ 4228-C	Washer (diff. side gear thrust)—also serviced in kit—group 4237	AR	E7HZ 4537-AW	.362" thick
4	E7HZ 4230-C	Washer (differential pinion thrust)—also serviced in kit—group 4237	8	E7HZ 4560-A	Bolt (pinion bearing retainer to carrier)
4	C5TZ 4A230-A	Gasket (housing plug)—5/16" I.D. x 5/8" O.D.	1	E8HZ 4565-A	Push rod (diff. lockout shift)
4	356184-S(XX-113)	Washer (housing plug gasket bolt)—5/16"	1	E8HZ 4K565-A	Pin (diff. lockout shift push rod)
4	D8HZ 4A322-C	Bolt (housing plug gasket)—5/16"-18 x 1"	1	E7HZ 4614-D	Retainer assy. (drive pinion)—includes B8QH 4616-A inner cup #72487 and 7EQH 4616 outer Cup #55437
	4234	Shaft		4616	Cup (driving pinion bearing)
1	E8HZ 4234-A	R.H.—1988	1	B8QH 4616-A	Inner—#72487
1	E7HZ 4234-G	L.H.—1988	1	7EQH 4616	Outer—#55437
1	E9HZ 4234-A	R.H.—exc. cargo vehicles—1989		4621	Cone and roller (driving pinion)
1	E9HZ 4234-K	L.H.—exc. cargo vehicles—1989	1	B8TZ 4621-C	Inner—#72212C
1	E8HZ 4234-A	R.H.—cargo vehicles—1989	1	E7HZ 4621-A	Outer—#55206C
1	E7HZ 4234-G	L.H.—cargo vehicles—1989	1	D8HZ 4625-A	Bearing assy. (driving pinion pilot)
1	E7HZ 4237-E	Gear and pinion kit (differential)	1	C6TZ 4627-A	Retainer (driving pinion pilot bearing)
Consists of				4662	Shim (driving pinion bearing retainer)
2-E7HZ 4228-C	Washer—gear	4-2233-J-1024 Pinion gear	AR	E7HZ 4662-E	.003" thick
4-E7HZ 4230-C	washer—pinion	2-2234-M-1183 Side gear	AR	E7HZ 4662-F	.005" thick
2	D8HZ 4N282-B	Plug (axle housing)—magnetic—3/4"-14 x 1 5/16"	AR	E7HZ 4662-G	.008" thick
1	E7HZ 4320-C	Nut (drive pinion flange)—self-locking—also serviced in kit—group 4209	AR	E7HZ 4662-H	.020" thick
	4323	Bolt (carrier to housing)	1	E4HZ 4676-A	Seal assy. (drive pinion oil)—5 9/32" O.D. x 25/32" wide
8	D7HZ 4323-A	5/8"-11 x 1 3/4"	1	E7HZ 4851	Flange assy. (universal joint)—axle end
4	E7HZ 4323-B		1	E7HZ 4851-M	1550 size
12	C1TT 4326-B	Washer (carrier to housing)—21/32" I.D. x 1 1/16" O.D. x 3/32" thick	1	E7HZ 4851-N	1610 size
	4326	Washer	1	E9HZ 4851-C	1710 size
		17/32" I.D. x 7/8" O.D. x 3/32" thick	1	E7HZ 4859-A	Deflector (drive pinion oil seal)
8	D7HZ 4326-A	Drive pinion bearing retainer bolt	1	E7HZ 4982-B	Bolt and nut kit (driving gear)
16	D7HZ 4326-A	Differential case bolt—also serviced in assy.—group 4204	Consists of		
			12-MWA516	Washer	12-41X1216 Bolt
			12-40X1150	Nut	
1	E8HZ 4450-A	Fork (differential lockout shift)	1	B7T 7034-A	Breather (axle housing)
ROCKWELL (TIMKEN) RS23160 REAR AXLE SERVICE PARTS LIST NO. 280					
(LOCKING)					
	1243	Refer to group 4222 within parts list	1	FOHZ 4N025-A	Plug (heat indicator)
	1244	Refer to group 4221 within parts list	1	E8HZ 4K046-A	Plug (differential cylinder cover)
	4010	Housing assy.		4K052	Cover (differential cylinder)
1	E7HZ 4010-F	#C-3121-S-1345-1988	1	E8HZ 4K052-B	1988
1	E7HZ 4010-E	#C-3121-V-1348-1989	1	E9HZ 4K052-A	1989

**1980/  
TRUCK SERIES 600/900**

QTY.	PART NUMBER	DESCRIPTION	QTY.	PART NUMBER	DESCRIPTION
<b>ROCKWELL (TIMKEN) RS23160 REAR AXLE SERVICE PARTS LIST NO. 280 — Cont'd</b>					
<b>(LOCKING)</b>					
1	E8HZ 4L052-A	Adapter (diff. air cylinder cover)		4K198	Bolt (diff. cylinder cover manual adjustment) also serviced in kit-group 4497
	4067	Adjuster (differential bearing)			
2	E7HZ 4067-L	Use on carrier assy. #A2-C-1511, A2-V-1660, A2-Z-1560	1	E8HZ 4K198-A	Use on carrier assy.
1	F0HZ 4067-A	R.H.-use on carrier assy. #A2-C-1823-also serviced in kit-group 4141	1	F2HZ 4K198-A	#A2-C-1511, A2-V-1660, A2-Z-1560 Use on carrier assy.
1	F0HZ 4067-B	L.H.-use on carrier assy. #A2-C-1823-also serviced in kit-group 4141		4200	Differential assy.-refer to group in Section 40
	4K073	Gasket (differential cylinder cover)	1	E8HZ 4K201-A	Nut (differential lockout sensor switch)
1	E8HZ 4K073-A	1988		4204	Case assy. (differential)-includes 12 bolts
1	E9HZ 4K073-A	1989	1	E8HZ 4204-D	Malleable Carrier-3.42 thru 4.56 ratios-1988
1	★E8HZ 4L073-A	Gasket (diff. air cylinder cover adapter)-r/b E9HZ 4K073-A	1	E8HZ 4204-E	Malleable Carrier-4.89 thru 7.17 ratios-1988
1	E8HZ 4K078-A	Switch (differential lockout sensor)	1	E8HZ 4204-F	Aluminum Carrier-1988
2	E8HZ 4A095-A	Pin (differential shift fork)	1	E9HZ 4204-G	3.42 thru 3.73 ratios-use on carrier assy.-#A2-C-1511, A2-V-1660-1989
2	E7HZ 4N123-A	Washer (diff. bearing adjusting lock bolt)-1988	1	F0HZ 4204-F	3.42 thru 3.73 ratios-use on carrier assy. #A2-C-1823-also serviced in kit-group 4141-1989
2	E7HZ 4P123-A	Bolt (diff. bearing adjuster lock)-1988	1	E9HZ 4204-H	3.91 thru 4.56 ratios-use on carrier assy. #A2-C-1511, A2-V-1660-1989
	4141	Carrier assy. (differential)	1	F0HZ 4204-G	3.91 thru 4.56 ratios-use on carrier assy. #A2-C-1823-also serviced in kit-group 4141-1989
1	E7HZ 4141-G	Malleable carrier-#A2-Z-1560-1988	1	E9HZ 4204-J	4.89 thru 7.17 ratios-use on carrier assy.-#A2-C-1511, A2-C-1511, A2-V-1660-1989
1	E9HZ 4141-C	Malleable carrier-#A2-V-1660-1989	1	F0HZ 4204-H	4.89 thru 7.17 ratios-use on carrier assy. #A2-C-1823-also serviced in kit-group 4141-1989
1	F2HZ 4141-D	Malleable carrier-#A2-C-1823-also serviced in kit-group 4141-1989	1	E9HZ 4204-K	3.58 ratio
1	E8HZ 4141-A	Aluminum carrier-#A2-C-1511-1988/	1	E9HZ 4209-H	3.42 ratio
	4141	Carrier kit (diff.)-update	1	E9HZ 4209-J	3.73 ratio
1	E9HZ 4141-D	3.42 thru 3.73 ratios	1	E8HZ 4209-E	3.91 ratio-1988
Consists of			1	E9HZ 4209-L	3.91 ratio-1989
1-TUAA 1243-A	Cup-L.H.	1-E7HZ 4221-D Cone-R.H.	1	E8HZ 4209-F	4.10 ratio-1988
1-D7HZ 1244-A	Cone-L.H.	1-C3TZ 4222-C Cup-R.H.	1	E9HZ 4209-M	4.10 ratio-1989
1-F0HZ 4067-A	Adjuster-R.H.	1-F0HZ 4569-A Clutch	1	E8HZ 4209-G	4.30 ratio-1988
1-F0HZ 4067-B	Adjuster-L.H.	4-MWA506 Washer	1	E9HZ 4209-N	4.30 ratio-1989
1-F2HZ 4141-D	Carrier assy.	1-41X-1364 Bolt	1	E8HZ 4209-H	4.56 ratio-1988
1-F0HZ 4204-F	Case assy.		1	E9HZ 4209-P	4.56 ratio-1989
1	E9HZ 4141-E	3.91 thru 4.56 ratios	1	E9HZ 4209-R	4.89 ratio
Consists of			1	E9HZ 4209-S	5.38 ratio
1-TUAA 1243-A	Cup-L.H.	1-E7HZ 4221-D Cone-R.H.	1	E9HZ 4209-T	5.63 ratio
1-D7HZ 1244-A	Cone-L.H.	1-C3TZ 4222-C Cup-R.H.	1	E9HZ 4209-A	6.14 ratio
1-F0HZ 4067-A	Adjuster-R.H.	1-F0HZ 4569-A Clutch	1	E9HZ 4209-B	6.83 ratio
1-F0HZ 4067-B	Adjuster-L.H.	4-MWA506 Washer	1	E9HZ 4209-C	7.17 ratio
1-F2HZ 4141-D	Carrier assy.	1-41X-1364 Bolt	1	E7HZ 4211-D	Shaft (pinion)
1-F0HZ 4204-G	Case assy.			4216	Bolt (differential case)-also serviced in assy.-group 4204
1	E9HZ 4141-F	4.89 thru 7.17 ratios	12	E7HZ 4216-D	1988
Consists of			12	E9HZ 4216-A	1989
1-TUAA 1243-A	Cup-L.H.	1-E7HZ 4221-D Cone-R.H.		4221	Cone and roller (differential bearing)-#X32021X-use on carrier assy.
1-D7HZ 1244-A	Cone-L.H.	1-C3TZ 4222-C Cup-R.H.	2	E7HZ 4221-E	#A2-C-1511, A2-V-1660, A2-Z-1560-1988/89
1-F0HZ 4067-A	Adjuster-R.H.	1-F0HZ 4569-A Clutch	1	E7HZ 4221-D	R.H.-#52400-use on carrier assy. #A2-C-1823-also serviced in kit-group 4141-1989
1-F0HZ 4067-B	Adjuster-L.H.	4-MWA506 Washer			
1-F2HZ 4141-D	Carrier assy.	1-41X-1364 Bolt			
1-F0HZ 4204-H	Case assy.				
	4143	Lock (differential bearing adjuster)			
1	E7HZ 4143-A	R.H.-1988			
1	E7HZ 4143-B	L.H.-malleable carrier-1988			
1	E7HZ 4143-D	L.H.-aluminum carrier-1988			
2	E7HZ 4143-D	Use on carrier assy.-A2-C-1511, A2-V-1660-1989			
1	C2TZ 4143-A	R.H.-cotter pin-use on carrier assy. #A2-C-1823-1989			
1	E7HZ 4143-D	L.H.-spirol pin-use on carrier assy. #A2-C-1823-1989			

1980/  
TRUCK SERIES 600/900

QTY.	PART NUMBER	DESCRIPTION	QTY.	PART NUMBER	DESCRIPTION
ROCKWELL (TIMKEN) RS23160 REAR AXLE SERVICE PARTS LIST NO. 280 — Cont'd (LOCKING)					
1	D7HZ 1244-A	4221 Cone and roller (differential bearing) — Cont'd L.H.—#594A—use on carrier assy. #A2-C-1823—also serviced in kit—group 4141-1989	1	E8HZ 4497-B	Shift kit (differential lockout)—use on carrier assy. #A2-C-1511, A2-V-1660, A2-Z-1560
2	E7HZ 4222-D	4222 Cup (differential bearing) #Y32021X—use on carrier assy. #A2-C-1511, A2-V-1660, A2-Z-1560-1988/89	Consists of 4-MWA506-P Washer 4-41X1081 Bolt 1-5X888 "O" ring 1-2208-H-944 Gasket 1-E8HZ 4K198-A Bolt 1-2230-L-168 Piston 1-42X1027 Washer 1-3196-F-32 Tube		
1	C3TZ 4222-C	R.H.—#52618—use on carrier assy. #A2-C-1823—also serviced in kit—group 4141-1989	1	F2HZ 4497-A	Shift kit (differential lockout)—use on carrier assy. #A2-C-1823
1	TUAA 1243-A	L.H.—#592A—use on carrier assy. #A2-C-1823—also serviced in kit—group 4141-1989	Consists of 1-F2HZ 4K198-A Bolt 4-41X-1359 Bolt 4-MWA-506 Washer 1-2230-N-170 Piston 1-5X-888 "O" ring		
2	E7HZ 4228-D	Washer (diff. side gear thrust)—also serviced in kit—group 4237	4537 Spacer (driving pinion bearing) —use in pairs as required		
4	E7HZ 4230-D	Washer (differential pinion thrust)—also serviced in kit—group 4237	AR	E7HZ 4537-AX	.250" thick
4	C5TZ 4A230-A	Gasket (housing plug)—5/16" I.D. x 5/8" O.D.	AR	E7HZ 4537-AY	.251" thick
4	356184-S(XX-113)	Washer (housing plug gasket bolt)—5/16"	AR	E7HZ 4537-AZ	.252" thick
4	D8HZ 4A322-C	Bolt (housing plug gasket)—5/16"—18 x 1"	AR	E7HZ 4537-BA	.253" thick
1	E8HZ 4234-B	4234 Shaft R.H.—1988	AR	E7HZ 4537-BB	.254" thick
1	E7HZ 4234-L	L.H.—1988	AR	E7HZ 4537-BC	.256" thick
1	E9HZ 4234-B	R.H.—exc. cargo vehicles—1989	AR	F0HZ 4537-G	.260" thick
1	E9HZ 4234-M	L.H.—exc. cargo vehicles—1989	AR	E7HZ 4537-BE	.261" thick
1	E8HZ 4234-B	R.H.—cargo vehicle—1989	AR	E7HZ 4537-BF	.262" thick
1	E7HZ 4234-L	L.H.—cargo vehicles—1989	AR	E7HZ 4537-BG	.263" thick
1	E7HZ 4237-G	Gear and pinion kit (differential)	12	E9HZ 4545-A	Washer (differential case bolt)—1989
Consists of 2-E7HZ 4228-D Washer-gear 2-2234-C-1069 Side gear 4-E7HZ 4230-D Washer-pinion 4-2233-M-1001 Pinion gear			8	E7HZ 4560-B	Bolt (pinion bearing retainer to carrier)
2	D8HZ 4N282-B	Plug (housing)—magnetic—3/4"—14 x 1 5/16"	8	E8HZ 4560-A	Malleable Carrier
1	E7HZ 4320-D	Nut (drive pinion flange)—self-locking—also serviced in Kit—group 4209	8	E8HZ 4560-A	Aluminum Carrier
4	D7HZ 4323-A	4323 Bolt (carrier to housing) 5/8"—11 x 1 3/4"—1988	1	E8HZ 4565-B	Push rod (diff. lockout shift)
4	D8HZ 4323-C	5/8"—11 x 2"—1988	1	E8HZ 4K565-A	Pin (diff. lockout shift push rod)
8	D7HZ 4323-A	5/8"—11 x 1 3/4"—1989	4569 Refer to group 4455 within parts list		
4	E7HZ 4323-C	5/8"—11 x 1 3/4"—1989	1	E7HZ 4614-F	Retainer assy. (drive pinion)—includes E7HZ 4616-A inner cup #9220 and C1TT 4628-A outer cup #HM813810
12	C1TT 4326-B	Washer (carrier to housing)—21/32" I.D. x 1 1/16" O.D. x 3/32" thick	4616 Cup (driving pinion bearing)—also serviced in assy.—group 4614		
8	D7HZ 4326-A	Washer (drive pinion bearing retainer bolt)—17/32" I.D. x 7/8" O.D. x 3/32" thick	1	E7HZ 4616-A	Inner—#9220
1	E8HZ 4450-B	4450 Fork (differential lockout shift) 1988	1	C1TT 4628-A	Outer—#HM813810
1	E9HZ 4450-C	1989	4621 Cone and roller (driving pinion) Inner—#9278		
1	E8HZ 4455-B	4455 Gear (differential clutch collar) 1988	1	E7HZ 4621-C	Inner—#9278
1	E9HZ 4569-A	1989—use on carrier assy.—#A2-C-1511, A2-V-1660	1	E7HZ 4621-B	Outer
1	F0HZ 4569-A	1989—use on carrier assy. #A2-C-1823—also serviced in kit—group 4141	1	E9HZ 4625-C	Bearing assy. (driving pinion pilot) Use on gear sets w/o snap ring retainer
1	E8HZ 4458-A	Spring (diff. lockout shift lever return)	1	E9HZ 4625-B	Use on gear sets w/snap ring retainer
			1	F0HZ 4627-A	Retainer (driving pinion pilot bearing)
			4628 Refer to group 4616 within parts list		
			4662 Shim (driving pinion bearing retainer)		
			AR	E9HZ 4662-A	.003" thick
			AR	E7HZ 4662-K	.005" thick
			AR	E7HZ 4662-L	.008" thick
			AR	E7HZ 4662-M	.020" thick
			1	E7HZ 4676-A	Seal assy. (drive pinion oil)

1980/  
TRUCK SERIES 600/900

QTY.	PART NUMBER	DESCRIPTION	QTY.	PART NUMBER	DESCRIPTION
ROCKWELL (TIMKEN) RS23160 REAR AXLE SERVICE PARTS LIST NO. 280 — Cont'd (LOCKING)					
1	E7HZ 4851	Flange assy. (universal joint)-axle end	1	E8HZ 4982-A	Bolt and nut kit (driving gear)-1988
1	E7HZ 4851-R	1610 size	Consists of		
1	E7HZ 4851-S	1710 size	12-MWA516	Washer	12-40X1150 Nut
1	E8HZ 4851-A	1760 size	12-41X1086	Bolt	
1	E8HZ 4851-B	1810 size	1	E9HZ 4982-A	Bolt and nut kit (driving gear)-1989
1	E7HZ 4859-B	Deflector (drive pinion oil seal)	Consists of		
			12-MWA516	Washer	12-41X1276 Bolt
			12-40X1182	Nut	
			1	B7T 7034-A	Breather (axle housing)
ROCKWELL (TIMKEN) RS23180 REAR AXLE SERVICE PARTS LIST NO. 281 (LOCKING)					
1	E7HZ 4010-G	Housing assy.-#C-3121-F-1332		4209	Ring gear and pinion kit-update incl. bearing, locknut, snap ring, washer
1	FOHZ 4N025-A	Plug (heat indicator)			
1	E8HZ 4K046-A	Plug (differential cylinder cover)	1	E7HZ 4209-CT	3.42 ratio
	4K052	Cover (differential cylinder)	1	E7HZ 4209-CS	3.58 ratio
1	E8HZ 4K052-B	Malleable carrier-1988	1	E7HZ 4209-CP	3.73 ratio
1	E9HZ 4K052-A	Malleable carrier-1989	1	E7HZ 4209-CV	3.91 ratio
1	★E8HZ 4K052-C	Aluminum carrier-r/b E9HZ 4K052-A	1	E7HZ 4209-CW	4.10 ratio
1	E8HZ 4L052-A	Adapter (diff. air cylinder cover)	1	E7HZ 4209-CX	4.30 ratio
	4067	Adjuster (differential bearing)	1	E7HZ 4209-CY	4.56 ratio
1	E7HZ 4067-M	R.H.	1	E7HZ 4209-CZ	4.89 ratio
1	E7HZ 4067-L	L.H.	1	E7HZ 4209-DA	5.38 ratio
	4K073	Gasket (differential cylinder cover)	1	E7HZ 4209-DB	5.63 ratio
1	E8HZ 4K073-A	1988	1	E7HZ 4209-DC	6.14 ratio
1	E9HZ 4K073-A	1989	1	E7HZ 4211-D	Shaft (pinion)
1	★E8HZ 4L073-A	Gasket (diff. air cylinder cover adapter)- r/b E9HZ 4K073-A	12	E7HZ 4216-D	Bolt (differential case)-also serviced in assy. group 4204
1	E8HZ 4K078-A	Switch (differential lockout sensor)		4221	Cone and roller (differential bearing)
2	E8HZ 4A095-A	Pin (differential shift fork)	1	E7HZ 4221-F	R.H.-#64450
2	E7HZ 4N123-A	Washer (diff. bearing adjuster lock bolt)	1	E7HZ 4221-G	L.H.-#JHM720249
2	E7HZ 4P123-A	Bolt (diff. bearing adjuster lock)	1	4222	Cup (differential bearing)
	4141	Carrier assy. (differential)	1	E7HZ 4222-E	R.H.-#64700
1	E7HZ 4141-H	Malleable carrier	1	E7HZ 4222-F	L.H.-#JHM720210
1	E8HZ 4141-B	Aluminum carrier	2	E7HZ 4228-D	Washer (diff. side gear thrust)- also serviced in kit-group 4237
4	D8HZ 4A142-A	Nut (carrier to housing stud)- 5/8"-18-1989	4	E7HZ 4230-D	Washer (differential pinion thrust)- also serviced in kit-group 4237
	4143	Lock (differential bearing adjuster)	4	C5TZ 4A230-A	Gasket (housing plug)-5/16" I.D. x 5/8" O.D.
1	E7HZ 4143-A	R.H.	4	356184-S (XX-113)	Washer (housing plug gasket bolt)-5/16"
1	E7HZ 4143-B	L.H.	4	D8HZ 4A322-C	Bolt (housing plug gasket)-5/16"-18 x 1"
1	E8HZ 4189-A	Screw (ring gear thrust)-use on vehicles w/aluminum carrier		4234	Shaft
1	E8HZ 4K198-A	Bolt (diff. cylinder cover manual adjustment)- also serviced in kit-group 4497	1	E8HZ 4234-C	R.H.-1988
	4200	Differential assy.-refer to group in Section 40	1	E7HZ 4234-N	L.H.-1988
1	E8HZ 4K201-A	Nut (differential lockout sensor switch)	1	E9HZ 4234-P	R.H. 1989
	4204	Case assy. (differential)-includes 12 bolts	1	E9HZ 4234-R	L.H.-1989
1	E7HZ 4204-M	3.42 thru 4.30 ratios	1	E7HZ 4237-G	Gear and pinion kit (differential)
1	E7HZ 4204-N	4.56 thru 6.14 ratios	Consists of		
	4209	Ring gear and pinion kit-incl. locknut	2-E7HZ 4228-D	Washer-gear	2-2234-C-1069 Side gear
1	E7HZ 4209-BP	3.42 ratio	4-E7HZ 4230-D	Washer-pinion	4-2233-M-1001 Pinion gear
1	E7HZ 4209-BR	3.58 ratio		4N282	Plug (magnetic)
1	E7HZ 4209-BS	3.73 ratio	1	E7HZ 4N282-B	Diff. carrier
1	E7HZ 4209-BT	3.91 ratio	2	D8HZ 4N282-B	Axle housing-3/4"-14 x 1 5/16"
1	E7HZ 4209-BV	4.10 ratio	1	E7HZ 4320-D	Nut (drive pinion flange)-self-locking-use on vehicles w/original gear and pinion kit also serviced in kit-group 4209
1	E7HZ 4209-BW	4.30 ratio			
1	E7HZ 4209-BX	4.56 ratio	1	F3HZ 4320-A	Nut kit (drive pinion flange)- use on vehicles w/gear and pinion update kit-also serviced in kit- group 4209
1	E7HZ 4209-BY	4.89 ratio			
1	E7HZ 4209-BZ	5.38 ratio			
1	E7HZ 4209-CA	5.63 ratio			
1	E7HZ 4209-CB	6.14 ratio			

1980/  
TRUCK SERIES 600/900

QTY.	PART NUMBER	DESCRIPTION	QTY.	PART NUMBER	DESCRIPTION
ROCKWELL (TIMKEN) RS23180 REAR AXLE SERVICE PARTS LIST NO. 281 — Cont'd					
(LOCKING)					
	4323	Bolt (carrier to housing)	1	E8HZ 4K565-A	Pin (diff. lockout shift push rod)
8	E7HZ 4323-D	1988	1	E7HZ 4614-G	Retainer assy. (drive pinion)—includes E7HZ 4616-A inner cup #9220 and B8QH 4616-B outer cup #H715311
4	E7HZ 4323-D	1989			
6	E7HZ 4323-E				
4	C6TZ 4323-A	Stud (carrier to housing)— 5/8"-11-18 x 2 7/8"-1989		4616	Cup (driving pinion bearing)
14	C1TT 4326-B	Washer (carrier to housing)— 21/32" I.D. x 1 1/16" O.D. x 3/32" thick	1	E7HZ 4616-A	Inner-#9220
8	D7HZ 4326-A	Washer (drive pinion bearing retainer bolt)— 17/32" I.D. x 7/8" O.D. x 3/32" thick	1	B8QH 4616-B	Outer-#H715311
1	E8HZ 4391-A	Jam nut (ring gear thrust screw)— use on vehicles w/aluminum carrier	1	4621	Cone and roller (driving pinion)
1	E8HZ 4450-C	Fork (differential lockout shift)	1	E7HZ 4621-C	Inner-#9278
1	E8HZ 4455-C	Gear (differential clutch collar)	1	C1TT 4621-A	Outer-#H715334
1	E8HZ 4458-A	Spring (diff. lockout shift lever return)		4625	Bearing assy. (driving pinion pilot)
1	E8HZ 4497-B	Shift kit (differential lockout)	1	E7HZ 4625-D	Use on vehicles w/original gear and pinion kit
Consists of					
4	MWA506-P	Washer 4-41X1081 Bolt	AR	E9HZ 4662-A	Shim (driving pinion bearing retainer)
1	5X888	"0" ring 1-2208-H-944 Gasket	AR	E7HZ 4662-K	.003" thick
1	E8HZ 4K198-A	Bolt 1-2230-L-168 Piston	AR	E7HZ 4662-L	.005" thick
1	42X1027	Washer 1-3196-F-32 Tube	AR	E7HZ 4662-M	.008" thick
	4537	Spacer (driving pinion bearing)— use in pairs as required	1	C3TZ 4668-A	Snap ring (drive pinion bearing)— 1 5/8" I.D. x 1 7/8" O.D. x 3/32" thick use on vehicles w/gear and pinion update kit—also serviced in kit- group 4209
AR	E7HZ 4537-AX	.250" thick			
AR	E7HZ 4537-AY	.251" thick			
AR	E7HZ 4537-AZ	.252" thick			
AR	E7HZ 4537-BA	.253" thick			
AR	E7HZ 4537-BB	.254" thick			
AR	E7HZ 4537-BC	.256" thick			
AR	F0HZ 4537-G	.260" thick	1	E7HZ 4676-A	Seal assy. (drive pinion oil)
AR	E7HZ 4537-BE	.261" thick		4851	Flange assy. (universal joint)—axle end
AR	E7HZ 4537-BF	.262" thick	1	E7HZ 4851-W	1610 size
AR	E7HZ 4537-BG	.263" thick	1	E7HZ 4851-X	1710 size
	4560	Bolt (pinion bearing retainer to carrier)	1	E8HZ 4851-C	1760 size
8	E7HZ 4560-B	Malleable carrier	1	E8HZ 4851-D	1810 size
8	E8HZ 4560-A	Aluminum carrier	1	E7HZ 4859-C	Deflector (drive pinion oil seal)
1	E8HZ 4565-B	Push rod (diff. lockout shift)	1	E7HZ 4982-D	Bolt and nut kit (driving gear)
			Consists of		
			16	40X1042	Nut 16-41X1075 Bolt
			1	B7T 7034-A	Breather (axle housing)
ROCKWELL (TIMKEN) RD20145 REAR AXLE SERVICE PARTS LIST NO. 282					
(LOCKING)					
2	C7TZ 1240-A	Cone and roller (power divider thru shaft)— #LM104949	8	E7HZ 4N123-A	Washer (power divider case bolt)— also serviced in assy.—group 4404-1988
	1243	Refer to group 4222 within parts list	3	D8HZ 4A142-A	Nut (carrier to housing stud)— 5/8"-18 x 35/64" thick
1	F0HZ 4N025-A	Plug (heat indicator)	2	E7HZ 4143-D	Lock (differential bearing adjuster)
1	E8HZ 4K046-A	Plug (differential cylinder cover)	4	D1HZ 4A147-A	Washer (thru shaft retainer bolt)— 13/32" I.D. x 3/4" O.D. x 3/32" thick
	4K052	Cover (differential cylinder)	1	E8HZ 4K198-A	Bolt (diff. cylinder cover manual adjustment)— also serviced in kit—group 4497
1	E8HZ 4K052-A	1988			
1	E9HZ 4K052-A	1989	1	E8HZ 4K201-A	Nut (differential lockout sensor switch)
1	E8HZ 4L052-A	Adapter (diff. air cylinder cover)		4204	Case assy. (differential)—includes 16 bolts and washers
1	E7HZ 4067	Adjuster (differential bearing)	1	E9HZ 4204-A	3.42 thru 4.10 ratios
1	E7HZ 4067-F	R.H.	1	E8HZ 4204-J	4.30 thru 7.17 ratios
1	E7HZ 4067-E	L.H.	1	E1HZ 4211-A	Shaft (pinion)—#S-305
	4K073	Gasket (differential cylinder cover)	4	E8HZ 4215-A	Pinion (power divider)—1988
1	E8HZ 4K073-A	1988		★4215	1989—Serviced in 4404 assy.
1	E9HZ 4K073-A	1989	16	F1HZ 4216-A	Bolt (differential case)—also serviced in assy.—group 4204
1	★E8HZ 4L073-A	Gasket (diff. air cylinder cover adapter)— r/b E9HZ 4K073-A			
1	E8HZ 4K078-A	Switch (differential lockout sensor)			
2	E8HZ 4A095-A	Pin (differential shift fork)			



**1980/  
TRUCK SERIES 600/900**

QTY.	PART NUMBER	DESCRIPTION	QTY.	PART NUMBER	DESCRIPTION
<b>ROCKWELL (TIMKEN) RD20145 REAR AXLE SERVICE PARTS LIST NO. 282 — Cont'd</b>					
<b>(LOCKING)</b>					
8	E8HZ 4216-B	Bolt (power divider diff. case)-also serviced in assy.-group 4404-1988	1	4310	Housing assy. — Cont'd
1	D8HZ 4221-A	Cone and roller assy. (differential bearing)-R.H.-#JM-716649-incl. cup #JM-716610	1	E8HZ 4310-B	#C8-3121-G-1307-Hendrickson beam suspension-1988
1	E7HZ 4221-B	Cone and roller (differential bearing)-L.H.-#JP-10049	1	E9HZ 4310-C	#C9-3121-G-1307-Hendrickson beam suspension-w/o transverse torque rod-1989
	4222	Cup (differential bearing)	1	E9HZ 4310-C	#C9-3121-G-1307-Hendrickson RTE400 suspension-1989
1	D8HZ 4222-A	R.H.-#JM716610-also serviced in assy.-group 4221	1	E9HZ 4310-D	#C10-3121-G-1307-Hendrickson beam suspension-w/transverse torque rod-1989
1	E7HZ 4222-B	L.H.-#JP10010	1	★E9HZ 4310-E	#C12-3121-G-1307-Hendrickson air suspension-1989-"Before 2/89"-r/b E9HZ 4310-L
1	D3TZ 4222-A	Cup (power divider input shaft bearing) Front-#JM-511910-also serviced in assy.-groups 4423, 4431	1	★E9HZ 4310-L	#C14-3121-G-1307 or C4-3121-K-1727 Hendrickson air suspension-1989-"From 2/89"-r/b F2HZ 4310-A
1	D6UZ 1243-A	Rear-#JLM-710910	1	F2HZ 4310-A	#C8-3121-D-1746 Hendrickson air suspension 1989-"From 2/89"
2	E7HZ 4228-C	Washer (differential side gear thrust)-also serviced in kit-group 4237	1	E9HZ 4310-G	#C11-3121-G-1307-Neway air suspension-1989
4	C1TT 4230-D	Washer (differential pinion thrust)-1 1/16" I.D. x 2 13/32" O.D.-also serviced in kit-group 4237	1	4320	Nut
4	D8HZ 4230-B	Washer (power divider diff. pinion thrust)-1 5/64" I.D. x 2 1/4" O.D. x 1/16" thick 1988	1	E8HZ 4320-A	Drive pinion-also serviced in kit-group 4309
	★4230	1989-Serviced in 4404 assy.	1	E7HZ 4320-C	Input shaft flange-also serviced in assy.-group 4446
2	C5TZ 4A230-A	Gasket (housing plug)-5/16" I.D. x 5/8" O.D.	1	E7HZ 4320-C	Thru shaft flange
2	356184-S (XX-13)	Washer (housing plug gasket bolt)-5/16"	3	E8HZ 4323-A	Bolt (carrier to housing)
2	D8HZ 4A322-C	Bolt (housing plug gasket)-5/16"-18 x 1"	6	D7HZ 4323-A	5/8"-11 x 1 3/4"
	4234	Shaft	3	D8HZ 4323-E	5/8"-11 x 2 3/4"
1	E7HZ 4234-H	R.H.-1988	3	E8HZ 4323-A	Stud (carrier to housing)
1	E8HZ 4234-A	L.H.-1988	12	C1TT 4326-B	Washer (carrier to housing)-21/32" I.D. x 1 1/16" O.D. x 3/32" thick
1	E9HZ 4234-K	R.H.-exc. cargo vehicles-1989		4326	Washer
1	E9HZ 4234-A	L.H.-exc. cargo vehicles-1989			17/32" I.D. x 7/8" O.D. x 3/32" thick
1	E7HZ 4234-H	R.H.-cargo vehicles-1989	7	D7HZ 4326-A	Power divider input shaft bearing retainer
1	E8HZ 4234-A	L.H.-cargo vehicles-1989	16	D7HZ 4326-A	Differential case bolt-also serviced in assy.-group 4204
1	E8HZ 4237-A	Gear and pinion kit (differential)		4341	Carrier assy. (diff.)
Consists of					
2	E7HZ 4228-C	Washer-gear	4	2233-J-1024	Pinion gear
4	C1TT 4230-D	Washer-pinion	2	2234-M-1183	Side gear
	4N282	Plug (magnetic)-3/4"-14 x 1 5/16"	1	E8HZ 4341-A	#A2-R-1656-1988
1	D8HZ 4N282-B	Drain	1	E9HZ 4341-A	#A2-M-1677-1989
1	D8HZ 4N282-B	Filler		4351	Flange assy. (universal joint)-power divider end-input
	4300	Differential assy.-refer to group in Section 40	1	E9HZ 4351-A	1610 size
	4309	Ring gear and pinion kit	1	E9HZ 4351-D	1710 size
1	E9HZ 4309-A	3.42 ratio-incl. locking nut	1	E9HZ 4351-B	1760 size
1	E9HZ 4309-B	3.58 ratio-incl. locking nut	1	E9HZ 4351-C	1810 size
1	F1HZ 4309-G	3.73 ratio-incl. locking nut & washer	4	E5HZ 4399-A	Bolt (power divider thru shaft bearing retainer)-3/8"-16 x 1"
1	E9HZ 4309-D	3.91 ratio-incl. locking nut	4	E8HZ 4399-A	Bolt (diff. air chamber to carrier)
1	E9HZ 4309-E	4.10 ratio-incl. locking nut	1	E8HZ 4404-A	Case assy. (power divider diff.)-includes 8 bolts and washers-bolted-1988
1	F1HZ 4309-K	4.30 ratio-incl. locking nut & washer	1	E9HZ 4404-B	Case and nest assy. (power divider diff.)-welded-includes internal diff. parts-1989
1	F1HZ 4309-L	4.56 ratio-incl. locking nut & washer	1	E8HZ 4411-A	Shaft (power divider differential)-1988
1	E9HZ 4309-G	4.88 ratio-incl. locking nut		★4411	1989-Serviced in 4404 assy.
1	F1HZ 4309-N	5.29 ratio-incl. locking nut & washer	1	D8HZ 4423-A	Bearing assy. (power divider input shaft)-front-#JM-511946-includes bearing cup D3TZ 4222-A #JM-511910
1	E9HZ 4309-J	5.86 ratio-incl. locking nut	1	E8HZ 4424-A	Cone and roller (power divider input shaft) rear-#JLM-710949C
1	E9HZ 4309-K	6.14 ratio-incl. locking nut	1	E8HZ 4431-A	Retainer assy. (power divider input shaft bearing)-includes D3TZ 4222-A cup #JM511910
1	E9HZ 4309-L	6.43 ratio-incl. locking nut			
1	E9HZ 4309-M	7.17 ratio-incl. locking nut			
	4310	Housing assy.			
1	E8HZ 4310-A	#C-3121-G-1307-Hendrickson 4 spring suspension-1988			
1	E9HZ 4310-F	#C6-3121-G-1307 or C-3121-K-1727-Hendrickson 4 spring suspension-1989			

1980/  
TRUCK SERIES 600/900

QTY.	PART NUMBER	DESCRIPTION	QTY.	PART NUMBER	DESCRIPTION
ROCKWELL (TIMKEN) RD20145 REAR AXLE SERVICE PARTS LIST NO. 282 — Cont'd (LOCKING)					
2	E8HZ 4N431-A	"O" ring (power divider input shaft bearing retainer)		4537	Spacer (driving pinion bearing) use in pairs as required — Cont'd
	4434	Gear (power divider input shaft diff. side)	AR	E8HZ 4537-L	.236" thick
1	E8HZ 4434-A	Front	AR	E8HZ 4537-M	.240" thick
1	E8HZ 4434-B	Rear	AR	E8HZ 4537-N	.241" thick
	4436	Shim (drive pinion bearing retainer) 4 1/2" I.D. x 5 3/16" O.D.	AR	E8HZ 4537-P	.242" thick
AR	D8HZ 4436-D	.003" thick	AR	E8HZ 4537-R	.243" thick
AR	D8HZ 4436-E	.005" thick	AR	E8HZ 4537-S	.244" thick
AR	D8HZ 4436-F	.010" thick	5	E8HZ 4545-A	Washer (drive pinion bearing retainer bolt)
1	E8HZ 4442-A	Gear (drive pinion transfer)	7	E7HZ 4560-A	Bolt (power divider input shaft bearing retainer)
1	E8HZ 4446-A	Shaft assy. (power divider input)- includes locknut	5	E8HZ 4560-B	Bolt (drive pinion bearing retainer to carrier)
	4450	Fork (power divider diff. lockout shift)	3	E8HZ 4560-D	Bolt (power divider input shaft oil baffle)
1	E8HZ 4450-D	Front-locks axles front to rear-1988	3	356184-S(XX-113)	Washer (power divider input shaft oil baffle bolt)-5/16"-1988/89-"Before 2/89"
1	E9HZ 4450-A	Front-locks axles front to rear-1989	3	E9HZ 4P560-A	Washer (power divider input shaft oil baffle bolt)-1989-"From 2/89"
1	E8HZ 4450-E	Rear-locks axles wheel to wheel		4565	Push rod (inter axle)
1	E8HZ 4454-A	Washer (power divider input shaft thrust)	1	E8HZ 4565-C	Diff. lock shift-located on diff. lock side of carrier
	4455	Gear (power divider sliding clutch)	1	E8HZ 4565-D	Diff. shift-located on air chamber side of carrier
1	E8HZ 4455-D	1988			
1	E9HZ 4455-A	1989	1	E8HZ 4K565-A	Pin (diff. lockout shift push rod)
1	C1TT 4458-C	Spring (power divider diff. lockout shift lever return)-2 1/2" free length-1" I.D.-located on air chamber side of carrier		4567	Snap ring (thru shaft rear bearing) Selective
1	E8HZ 4458-A	Spring (diff. lockout shift lever return)- located on diff. lock side of carrier	1	D8HZ 4567-B	.155" thick
	4465	Flange assy. (universal joint)-output-	1	D8HZ 4567-C	.159" thick
1	E8HZ 4465-A	1610 size	1	D8HZ 4567-D	.161" thick
1	E9HZ 4465-A	1710 size	1	D8HZ 4567-E	.164" thick
1	E8HZ 4K470-A	Baffle (power divider input shaft oil)	1	D8HZ 4567-F	.167" thick
1	E8HZ 4477-A	Retainer assy. (power divider thru shaft rear bearing)-includes D3HZ 7169-A cup #JLM104910	1	D8HZ 4567-G	.170" thick
1	★F2HZ 4478-A	Seal assy. (power divider output shaft oil)- r/b F3HZ 4478-B (5/93)	1	D8HZ 4567-H	.173" thick
1	F3HZ 4478-B	Seal assy. (power divider output shaft oil)	1	D8HZ 4567-J	.176" thick
1	E8HZ 4497-C	Air chamber assy. (power divider diff. lockout)	1	D8HZ 4567-K	.179" thick
1	E8HZ 4497-A	Shift kit (differential lockout)	1	D8HZ 4567-L	.182" thick
Consists of					
4	MWA506	Washer	1	2208-H-944	Gasket
1	5X888	"O" ring	1	2230-N-170	Piston
1	E8HZ 4K198-A	Bolt	1	3196-F-32	Tube
4	MS206050-1	Bolt			
	4536	Shim (power divider input bearing retainer) Selective fit		4567	Snap ring
AR	E8HZ 4536-A	.003" thick	1	E8HZ 4567-A	Input shaft
AR	E8HZ 4536-B	.005" thick	1	E8HZ 4567-B	Thru shaft
AR	E8HZ 4536-C	.010" thick	1	E8HZ 4569-A	Clutch Collar (main diff. lock)
	4537	Spacer (driving pinion bearing)- use in pairs as required	1	E8HZ 4571-A	Jam nut (differential shift fork adjusting bolt)
AR	E8HZ 4537-A	.209" thick	1	E4HZ 4573-A	Seal assy. (input shaft oil)
AR	E8HZ 4537-B	.210" thick	1	E8HZ 4579-A	Shaft (power divider thru shaft)
AR	E8HZ 4537-C	.211" thick	1	E8HZ 4585-A	Bolt (differential shift fork adjusting)
AR	E8HZ 4537-D	.212" thick	1	E8HZ 4586-A	Washer (drive pinion nut)
AR	E8HZ 4537-E	.213" thick	1	E8HZ 4586-B	Spacer (drive pinion transfer gear)
AR	E8HZ 4537-F	.217" thick		4616	Cup (driving pinion bearing)
AR	E8HZ 4537-G	.220" thick	1	B8QH 4616-A	Outer-#72487
AR	E8HZ 4537-H	.224" thick	1	B8QH 4616-B	Inner-#H-715311
AR	E8HZ 4537-J	.228" thick	1	B8TZ 4621-C	Cone and roller (driving pinion)-outer #72212C-incl. cup B8QH 4616-A-#72487
AR	E8HZ 4537-K	.232" thick	1	C1TT 4621-A	Cone and roller (driving pinion)-inner- #H-715334
			1	E8HZ 4675-A	Retainer (drive pinion oil seal)
			1	E7HZ 4982-B	Bolt and nut kit (driving gear)
Consists of					
12	MWA516	Washer	12	41X1216	Bolt
12	40X1150	Nut			
2	D3HZ 7169-A	Cup (power divider thru shaft)- #JLM-104910-also serviced in assy.- group 4477			

1980/  
TRUCK SERIES 600/900

QTY.	PART NUMBER	DESCRIPTION	QTY.	PART NUMBER	DESCRIPTION
ROCKWELL (TIMKEN) RP20145 REAR AXLE SERVICE PARTS LIST NO. 283 (LOCKING)					
2	C7TZ 1240-A	Cone and roller (power divider thru shaft)- #LM104949	4	D8HZ 4230-B	Washer (power divider diff. pinion thrust)- 1 5/64" I.D. x 2 1/4" O.D. x 1/16" thick- 1988
	1243	Refer to group 4222 within parts list		4230	1989-Serviced in 4404 assy.
1	F0HZ 4N025-A	Plug (heat indicator)	2	C5TZ 4A230-A	Gasket (housing plug)-5/16" I.D. x 5/8" O.D.
1	E8HZ 4K046-A	Plug (differential cylinder cover)	2	356184-S(XX-13)	Washer (housing plug gasket bolt)-5/16"
	4K052	Cover (differential cylinder)	2	D8HZ 4A322-C	Bolt (housing plug gasket)-5/16"-18 x 1"
1	E8HZ 4K052-A	1988		4234	Shaft
1	E9HZ 4K052-A	1989	1	E7HZ 4234-H	R.H.-1988
1	E8HZ 4L052-A	Adapter (diff. air cylinder cover)	1	E8HZ 4234-A	L.H.-1988
	4067	Adjuster (differential bearing)	1	E9HZ 4234-K	R.H.-1989
1	E7HZ 4067-F	R.H.	1	E9HZ 4234-A	L.H.-1989
1	E7HZ 4067-E	L.H.	1	E8HZ 4237-A	Gear and pinion kit (differential)
	4K073	Gasket (differential cylinder cover)	Consists of		
1	E8HZ 4K073-A	1988	2-E7HZ 4228-C	Washer-gear	4-2233-J-1024 Pinion gear
1	E9HZ 4K073-A	1989	4-C1TT 4230-D	Washer-pinion	2-2234-M-1183 Side gear
1	★E8HZ 4L073-A	Gasket (diff. air cylinder cover adapter)- r/b E9HZ 4K073-A		4N282	Plug (magnetic)-3/4"-14 x 1 5/16"
1	E8HZ 4K078-A	Switch (differential lockout sensor)	1	D8HZ 4N282-B	Drain
2	E8HZ 4A095-A	Pin (differential shift fork)	1	D8HZ 4N282-B	Filler
8	E7HZ 4N123-A	Washer (power divider case bolt)- also serviced in assy.-group 4404-1988		4300	Differential assy.-refer to group in Section 40
3	D8HZ 4A142-A	Nut (carrier to housing stud)- 5/8"-18 x 35/64" thick		4309	Ring gear and pinion kit
2	E7HZ 4143-D	Lock (differential bearing adjuster)	1	E9HZ 4309-A	3.42 ratio-incl. locking nut
4	D1HZ 4A147-A	Washer (thru shaft retainer bolt)- 13/32" I.D. x 3/4" O.D. x 3/32" thick	1	E9HZ 4309-B	3.58 ratio-incl. locking nut
1	E8HZ 4K198-A	Bolt (diff. cylinder cover manual adjustment)- also serviced in kit-group 4497	1	F1HZ 4309-G	3.73 ratio-incl. locking nut & washer
1	E8HZ 4K201-A	Nut (differential lockout sensor switch)	1	E9HZ 4309-D	3.91 ratio-incl. locking nut
	4204	Case assy. (differential)-includes 16 bolts and washers	1	E9HZ 4309-E	4.10 ratio-incl. locking nut
1	E9HZ 4204-A	3.42 thru 4.10 ratios	1	F1HZ 4309-K	4.30 ratio-incl. locking nut & washer
1	E8HZ 4204-J	4.30 thru 6.14 ratios	1	F1HZ 4309-L	4.56 ratio-incl. locking nut & washer
1	E1HZ 4211-A	Shaft (pinion)-#S-305	1	E9HZ 4309-G	4.88 ratio-incl. locking nut
4	E8HZ 4215-A	Pinion (power divider)-1988	1	F1HZ 4309-N	5.29 ratio-incl. locking nut & washer
	★4215	1989-Serviced in 4404 assy.	1	E9HZ 4309-J	5.86 ratio-incl. locking nut
16	F1HZ 4216-A	Bolt (differential case)-also serviced in assy.-group 4204	1	E9HZ 4309-K	6.14 ratio-incl. locking nut
8	E8HZ 4216-B	Bolt (power divider diff. case)-also serviced in assy.-group 4404-1988		4310	Housing assy.
1	D8HZ 4221-A	Cone and roller assy. (differential bearing)- R.H.-#JM-716649-incl. cup #JM-716610	1	E8HZ 4310-A	#C-3121-G-1307-1988
1	E7HZ 4221-B	Cone and roller (differential bearing)-L.H.- #JP-10049	1	★E9HZ 4310-E	#C12-3121-G-1307-Hendrickson air suspension-1989-"Before 2/89"- r/b E9HZ 4310-L
	4222	Cup (differential bearing)	1	★E9HZ 4310-L	#C14-3121-G-1307 or C4-3121-K-1727- Hendrickson air suspension- 1989-"From 2/89"-r/b F2HZ 4310-A
1	D8HZ 4222-A	R.H.-#JM716610-also serviced in assy.-group 4221	1	F2HZ 4310-A	#C8-3121-D-1746 Hendrickson air suspension 1989-"From 2/89"
1	E7HZ 4222-B	L.H.-#JP10010	1	E9HZ 4310-C	#C9-3121-G-1307-Hendrickson beam suspension-w/o transverse torque rod-1989
1	D3TZ 4222-A	Cup (power divider input shaft bearing) Front-#JM-511910-also serviced in assy.-groups 4423, 4431	1	E9HZ 4310-D	#C10-3121-G-1307-Hendrickson beam suspension-w/transverse torque rod-1989
1	D6UZ 1243-A	Rear-#JLM-710910	1	E9HZ 4310-F	#C6-3121-G-1307 or C-3121-K-1727- Hendrickson 4 spring suspension-1989
2	E7HZ 4228-C	Washer (differential side gear thrust)- also serviced in kit-group 4237	1	E9HZ 4310-G	#C11-3121-G-1307-Neway air suspension-1989
4	C1TT 4230-D	Washer (differential pinion thrust)- 1 1/16" I.D. x 2 13/32" O.D.-also serviced in kit-group 4237	1	E8HZ 4A318-A	Element assy. (oil filter)
				4320	Nut
			1	E8HZ 4320-A	Drive pinion-also serviced in kit-group 4309
			1	E7HZ 4320-C	Input shaft flange-also serviced in assy.-group 4446
			1	E7HZ 4320-C	Thru shaft flange

1980/  
TRUCK SERIES 600/900

QTY.	PART NUMBER	DESCRIPTION	QTY.	PART NUMBER	DESCRIPTION
ROCKWELL (TIMKEN) RP20145 REAR AXLE SERVICE PARTS LIST NO. 283 — Cont'd (LOCKING)					
	4323	Bolt (carrier to housing)		4455	Gear (power divider sliding clutch)
6	D7HZ 4323-A	5/8"-11 x 1 3/4"	1	E8HZ 4455-D	1988
3	D8HZ 4323-E	5/8"-11 x 2 3/4"	1	E9HZ 4455-A	1989
3	E8HZ 4323-A	Stud (carrier to housing)	1	C1TT 4458-C	Spring (power divider diff. lockout shift lever return)-2 1/2" free length-1" I.D.-located on air chamber side of carrier
12	C1TT 4326-B	Washer (carrier to housing)-21/32" I.D. x 1 1/16" O.D. x 3/32" thick			
	4326	Washer	1	E8HZ 4458-A	Spring (diff. lockout shift lever return)-located on diff. lock side of carrier
7	D7HZ 4326-A	Power divider oil filter shield bolt		4465	Flange assy. (universal joint)-output-
16	D7HZ 4326-A	Differential case bolt-also serviced in assy.-group 4204	1	E8HZ 4465-A	1610 size
			1	E9HZ 4465-A	1710 size
1	E8HZ 4341-B	Carrier assy. (diff.)-#A2-L-1624	1	E8HZ 4477-A	Retainer assy. (power divider thru shaft rear bearing)-includes D3HZ 7169-A cup #JLM104910
	4351	Flange assy. (universal joint)-power divider end-input			
1	E9HZ 4351-A	1610 size	1	★F2HZ 4478-A	Seal assy. (power divider output shaft oil)-r/b F3HZ 4478-B (5/93)
1	E9HZ 4351-D	1710 size			
1	E9HZ 4351-B	1760 size	1	F3HZ 4478-B	Seal assy. (power divider output shaft oil)
1	E9HZ 4351-C	1810 size	1	E8HZ 4497-C	Air chamber assy. (power divider diff. lockout)
4	E5HZ 4399-A	Bolt (power divider thru shaft bearing retainer)-3/8"-16 x 1"	1	E8HZ 4497-A	Shift kit (differential lockout)
4	E8HZ 4399-A	Bolt (diff. air chamber to carrier)	Consists of		
1	E8HZ 4404-A	Case assy. (power divider diff.)-bolted-1988-includes 8 bolts and washers	4	MWA506	Washer 1-2208-H-944 Gasket
			1	5X888	"O" ring 1-2230-N-170 Piston
1	E9HZ 4404-B	Case and nest assy. (power divider diff.)-welded-includes internal diff. parts-1989	1	E8HZ 4K198-A	Bolt 1-3196-F-32 Tube
1	E8HZ 4411-A	Shaft (power divider differential)-1988	4	MS206050-1	Bolt
	★4411	1989-serviced in 4404 assy.		4536	Shim (power divider input bearing retainer) Selective fit
1	E8HZ 4A420-A	Filter assy. (power divider oil)	AR	E8HZ 4536-A	.003" thick
1	E8HZ 4A421-A	Shield (power divider oil filter)	AR	E8HZ 4536-B	.005" thick
1	D8HZ 4423-A	Bearing assy. (power divider input shaft)-front-#JM-511946-includes bearing cup D3TZ 4222-A #JM-511910	AR	E8HZ 4536-C	.010" thick
1	E8HZ 4424-A	Cone and roller (power divider input shaft)-rear-#JLM-710949C		4537	Spacer (driving pinion bearing)-use in pairs as required
1	E8HZ 4428-A	Adapter (power divider oil filter)	AR	E8HZ 4537-A	.209" thick
1	E8HZ 4431-B	Retainer assy. (power divider input shaft bearing)-includes D3TZ 4222-A cup #JM511910	AR	E8HZ 4537-B	.210" thick
1	E8HZ 4K431-A	Plug kit (power divider input shaft bearing retainer)	AR	E8HZ 4537-C	.211" thick
Consists of			AR	E8HZ 4537-D	.212" thick
1	1-1229-F-4062	Washer 1-2258-Z-1118 Spring	AR	E8HZ 4537-E	.213" thick
1	1-1250-N-1080	Plug 1-2297-U-5273 Valve	AR	E8HZ 4537-F	.217" thick
2	E8HZ 4N431-A	"O" ring (power divider input shaft bearing retainer)	AR	E8HZ 4537-G	.220" thick
	4434	Gear (power divider input shaft diff. side)	AR	E8HZ 4537-H	.224" thick
1	E8HZ 4434-A	Front	AR	E8HZ 4537-I	.228" thick
1	E8HZ 4434-B	Rear	AR	E8HZ 4537-J	.232" thick
	4436	Shim (drive pinion bearing retainer) 4 1/2" I.D. x 5 3/16" O.D.	AR	E8HZ 4537-K	.236" thick
AR	D8HZ 4436-D	.003" thick	AR	E8HZ 4537-L	.240" thick
AR	D8HZ 4436-E	.005" thick	AR	E8HZ 4537-M	.240" thick
AR	D8HZ 4436-F	.010" thick	AR	E8HZ 4537-N	.241" thick
1	E8HZ 4442-A	Gear (drive pinion transfer)	AR	E8HZ 4537-P	.242" thick
1	E8HZ 4446-B	Shaft assy. (power divider input)-includes pin, ball and locknut	AR	E8HZ 4537-R	.243" thick
	4450	Fork (power divider diff. lockout shift)	AR	E8HZ 4537-S	.244" thick
1	E8HZ 4450-D	Front-locks axles front to rear-1988	5	E8HZ 4545-A	Washer (drive pinion bearing retainer bolt)
1	E9HZ 4450-A	Front-locks axles front to rear-1989	7	E7HZ 4560-A	Bolt (power divider oil filter shield)
1	E8HZ 4450-E	Rear-locks axles wheel to wheel	5	E8HZ 4560-B	Bolt (drive pinion bearing retainer to carrier)
1	E8HZ 4454-A	Washer (power divider input shaft thrust)		4560	Bolt (power divider lube pump)
			1	E8HZ 4560-C	1988
			1	E9HZ 4560-A	1989
			2	E8HZ 4N560-A	Dowel (power divider lube pump locating)
			6	E9HZ 4P560-A	Washer (power divider lube pump bolt)
				4565	Push rod (inter axle)
			1	E8HZ 4565-C	Diff. lock shift-located on diff. lock side of carrier
			1	E8HZ 4565-D	Diff. shift-located on air chamber side of carrier

1980/  
TRUCK SERIES 600/900

QTY.	PART NUMBER	DESCRIPTION	QTY.	PART NUMBER	DESCRIPTION
<b>ROCKWELL (TIMKEN) RP20145 REAR AXLE SERVICE PARTS LIST NO. 283 — Cont'd</b>					
<b>(LOCKING)</b>					
1	E8HZ 4K565-A	Pin (diff. lockout shift push rod)		4A581	Pump assy. (power divider lube)
	4567	Snap ring (thru shaft rear bearing)	1	E8HZ 4A581-A	1988
		Selective	1	E9HZ 4A581-A	1989
1	D8HZ 4567-B	.155" thick	1	E8HZ 4585-A	Bolt (differential shift fork adjusting)
1	D8HZ 4567-C	.159" thick	1	E8HZ 4586-A	Washer (drive pinion nut)
1	D8HZ 4567-D	.161" thick	1	E8HZ 4586-B	Spacer (drive pinion transfer gear)
1	D8HZ 4567-E	.164" thick		4616	Cup (driving pinion bearing)
1	D8HZ 4567-F	.167" thick	1	B8QH 4616-A	Outer-#72487
1	D8HZ 4567-G	.170" thick	1	B8QH 4616-B	Inner-#H-715311
1	D8HZ 4567-H	.173" thick	1	B8TZ 4621-C	Cone and roller (driving pinion)-outer- #72212C-incl. cup B8QH 4616-A- #72487
1	D8HZ 4567-J	.176" thick			
1	D8HZ 4567-K	.179" thick	1	C1TT 4621-A	Cone and roller (driving pinion)-inner- #H-715334
1	D8HZ 4567-L	.182" thick			
	4567	Snap ring	1	E8HZ 4675-A	Retainer (drive pinion oil seal)
1	E8HZ 4567-A	Input shaft	1	E7HZ 4982-B	Bolt and nut kit (driving gear)
1	E8HZ 4567-B	Thru shaft	Consists of		
1	E8HZ 4569-A	Clutch collar (main diff. lock)	12-MWA516	Washer	12-41X1216 Bolt
1	E8HZ 4571-A	Jam nut (differential shift fork adjusting bolt)	12-40X1150	Nut	
1	E4HZ 4573-A	Seal assy. (input shaft oil)	2	D3HZ 7169-A	Cup (power divider thru shaft)- #JLM-104910-also serviced in assy.-group 4477
1	E8HZ 4579-A	Shaft (power divider thru shaft)			
<b>ROCKWELL (TIMKEN) RR20145 REAR AXLE SERVICE PARTS LIST NO. 284</b>					
<b>(LOCKING)</b>					
	4010	Housing assy.	1	E7HZ 4141-E	Carrier assy. (differential)
1	E8HZ 4010-A	#C4-3121-Z-1118-Hendrickson 4 spring suspension-1988		4143	Lock (differential bearing adjuster)
1	E9HZ 4010-G	#C-3121-J-1726 or C7-3121-Z-1118-Hendrickson 4 spring suspension	1	E7HZ 4143-A	R.H.
1	E8HZ 4010-B	#C9-3121-Z-1118-Hendrickson beam suspension-1988	1	E7HZ 4143-B	L.H.
1	E9HZ 4010-D	#C10-3121-Z-1118-Hendrickson beam suspension-w/o transverse torque rod-1989	1	E8HZ 4K198-A	Bolt (diff. cylinder cover manual adjustment)- also serviced in kit-group 4497
1	E9HZ 4010-D	#C10-3121-Z-1118-Hendrickson RTE400 suspension-1989		4200	Differential assy.-refer to group in Section 40
1	E9HZ 4010-E	#C11-3121-Z-1118-Hendrickson beam suspension-w/transverse torque rod or Neway air suspension-1989	1	E8HZ 4K201-A	Nut (differential lockout sensor switch)
1	E9HZ 4010-F	#C4-3121-J-1726 or C12-3121-Z-1118-Hendrickson air suspension-"Before 2/89"		4204	Case assy. (differential)-includes 16 bolts and washers
1	E9HZ 4010-K	#C14-3121-Z-1118-Hendrickson air suspension-1989-"From 2/89"	1	E7HZ 4204-H	3.42 thru 4.10 ratios
1	FOHZ 4N025-A	Plug (heat indicator)	1	E7HZ 4204-G	4.30 thru 7.17 ratios
1	E8HZ 4K046-A	Plug (differential cylinder cover)	1	E9HZ 4209	Ring gear and pinion kit-incl. locknut
	4K052	Cover (differential cylinder)	1	E9HZ 4209-D	3.42 ratio
1	E8HZ 4K052-A	1988	1	E9HZ 4209-E	3.58 ratio
1	E9HZ 4K052-A	1989	1	E9HZ 4209-F	3.73 ratio
1	E8HZ 4L052-A	Adapter (diff. air cylinder cover)	1	E7HZ 4209-AF	3.91 ratio
2	E7HZ 4067-H	Adjuster (differential bearing)	1	E7HZ 4209-AG	4.10 ratio
	4K073	Gasket (differential cylinder cover)	1	E8HZ 4209-A	4.30 ratio
1	E8HZ 4K073-A	1988	1	E7HZ 4209-AH	4.56 ratio
1	E9HZ 4K073-A	1989	1	E7HZ 4209-AJ	4.88 ratio
1	★E8HZ 4L073-A	Gasket (diff. air cylinder cover adapter)- r/b E9HZ 4K073-A	1	E7HZ 4209-AK	5.29 ratio
1	E8HZ 4K078-A	Switch (differential lockout sensor)	1	E7HZ 4209-AL	5.86 ratio
2	E8HZ 4A095-A	Pin (differential shift fork)	1	E9HZ 4209-G	6.14 ratio
2	E7HZ 4N123-A	Washer (diff. bearing adjuster lock bolt)	1	E7HZ 4209-AM	6.43 ratio
2	E7HZ 4P123-A	Bolt (diff. bearing adjuster lock)	1	E7HZ 4209-AP	7.17 ratio
			1	E1HZ 4211-A	Shaft (pinion)-#S-305
			16	F1HZ 4216-A	Bolt (differential case)-also serviced in assy.-group 4204
			2	E7HZ 4221-C	Cone and roller (differential bearing)- #X32020X
			2	E7HZ 4222-C	Cup (differential bearing)-#Y32020X

1980/  
TRUCK SERIES 600/900

QTY.	PART NUMBER	DESCRIPTION	QTY.	PART NUMBER	DESCRIPTION
ROCKWELL (TIMKEN) RR20145 REAR AXLE SERVICE PARTS LIST NO. 284 — Cont'd					
(LOCKING)					
2	E7HZ 4228-C	Washer (diff. side gear thrust)-also serviced in kit-group 4237		4537	Spacer (driving pinion bearing)-use in pairs as required
4	C1TT 4230-D	Washer (differential pinion thrust)-1 1/16" I.D. x 2 13/32" O.D.-also serviced in kit-group 4237	AR	E7HZ 4537-AJ	.345" thick
			AR	E7HZ 4537-AK	.346" thick
			AR	E7HZ 4537-AL	.347" thick
2	C5TZ 4A230-A	Gasket (housing plug)-5/16" I.D. x 5/8" O.D.	AR	E7HZ 4537-AM	.348" thick
2	356184-S(XX-113)	Washer (housing plug gasket bolt)-5/16"	AR	E7HZ 4537-AN	.349" thick
2	D8HZ 4A322-C	Bolt (housing plug gasket)-5/16"-18 x 1"	AR	E7HZ 4537-AP	.354" thick
	4234	Shaft	AR	E7HZ 4537-AR	.358" thick
1	E8HZ 4234-A	R.H.-1988	AR	E7HZ 4537-AS	.359" thick
1	E7HZ 4234-G	L.H.-1988	AR	E7HZ 4537-AT	.360" thick
1	E9HZ 4234-A	R.H.-exc. cargo vehicles-1989	AR	E7HZ 4537-AV	.361" thick
1	E9HZ 4234-K	L.H.-exc. cargo vehicles-1989	AR	E7HZ 4537-AW	.362" thick
1	E8HZ 4234-A	R.H.-cargo vehicles-1989	8	E7HZ 4560-A	Bolt (pinion bearing retainer to carrier)
1	E7HZ 4234-G	L.H.-cargo vehicles-1989	1	E8HZ 4565-A	Push rod (diff. lockout shift)
1	E8HZ 4237-A	Gear and pinion kit (differential)	1	E8HZ 4K565-A	Pin (diff. lockout shift push rod)
Consists of			1	E7HZ 4614-D	Retainer assy. (drive pinion)-includes B8QH 4616-A inner cup #72487 and 7EQH 4616 outer cup #55437
2	E7HZ 4228-C	Washer-gear 4-2233-J-1024			Pinion gear
4	C1TT 4230-D	Washer-pinion 2-2234-M-1183			Side gear
	4N282	Plug (magnetic)-3/4"-14 x 1 5/16"		4616	Cup (driving pinion bearing)
1	D8HZ 4N282-B	Drain	1	B8QH 4616-A	Inner-#72487
1	D8HZ 4N282-B	Filler	1	7EQH 4616	Outer-#55437
1	E7HZ 4320-C	Nut (drive pinion flange)-self-locking-also serviced in kit-group 4209		4621	Cone and roller (driving pinion)
	4323	Bolt (carrier to housing)	1	B8TZ 4621-C	Inner-#72212C
8	D7HZ 4323-A	5/8"-11 x 1 3/4"	1	E7HZ 4621-A	Outer-#55206C
4	E7HZ 4323-B		1	D8HZ 4625-A	Bearing assy. (driving pinion pilot)
12	C1TT 4326-B	Washer (carrier to housing)-21/32" I.D. x 1 1/16" O.D. x 3/32" thick	1	C6TZ 4627-A	Retainer (driving pinion pilot bearing)
	4326	Washer 17/32" I.D. x 7/8" O.D. x 3/32" thick	AR	4662	Shim (driving pinion bearing retainer)
8	D7HZ 4326-A	Drive pinion bearing retainer bolt	AR	E7HZ 4662-E	.003" thick
16	D7HZ 4326-A	Differential case bolt-also serviced in assy.-group 4204	AR	E7HZ 4662-F	.005" thick
			AR	E7HZ 4662-G	.008" thick
			AR	E7HZ 4662-H	.020" thick
1	E8HZ 4450-A	Fork (differential lockout shift)	1	E4HZ 4676-A	Seal assy. (drive pinion oil)-5 9/32" O.D. x 25/32" wide
1	E8HZ 4455-A	Gear (differential clutch collar)		4851	Flange assy. (universal joint)-axle end-
1	E8HZ 4458-A	Spring (diff. lockout shift lever return)	1	E1HZ 4851-E	1610 size
1	E8HZ 4497-A	Shift kit (differential lockout)	1	E1HZ 4851-F	1710 size
Consists of			1	E7HZ 4859-A	Deflector (drive pinion oil seal)
4	MWA506	washer 1-2208-H-944		4982-B	Bolt and nut kit (driving gear)
1	5X888	"O" ring 1-2230-N-170			
1	41X1024	Bolt 1-3196-F-32			
4	MS206050-1	Bolt			
			Consists of		
			12	MWA516	Washer 12-41X1216
			12	40X1150	Nut Bolt
ROCKWELL (TIMKEN) RD17145 REAR AXLE SERVICE PARTS LIST NO. 288					
(NON-LOCKING)					
2	C7TZ 1240-A	Cone and roller (power divider thru shaft) #LM104949	1	E1HZ 4211-A	Shaft (pinion)-#S-305
	1243	Refer to group 4222 within parts list		★4215	Serviced in 4404 assy.
1	F0HZ 4N025-A	Plug (heat indicator)	16	F1HZ 4216-A	Bolt (differential case)-also serviced in assy.-group 4204
2	E7HZ 4067-F	Adjuster (differential bearing)	2	D8HZ 4221-A	Cone and roller assy (differential bearing)-#JM-716649-incl. cup #JM-716610
3	D8HZ 4A142-A	Nut (carrier to housing stud)-5/8"-18 x 35/64" thick	2	D8HZ 4222-A	Cup (differential bearing)-#JM716610-also serviced in assy.-group 4221
2	E7HZ 4143-D	Lock (differential bearing adjuster)		4222	Cup (power divider input shaft bearing)
4	D1HZ 4A147-A	Washer (thru shaft retainer bolt)-13/32" I.D. x 3/4" O.D. x 3/32" thick	1	D3TZ 4222-A	Front-#JM-511910-also serviced in assy.-groups 4423, 4431
	4204	Case assy. (differential)-includes 16 bolts and washers	1	D6UZ 1243-A	Rear-#JLM-710910
1	E9HZ 4204-B	3.42 thru 4.10 ratios			
1	E9HZ 4204-C	4.30 thru 7.17 ratios			

**1980/  
TRUCK SERIES 600/900**

QTY.	PART NUMBER	DESCRIPTION	QTY.	PART NUMBER	DESCRIPTION
<b>ROCKWELL (TIMKEN) RD17145 REAR AXLE SERVICE PARTS LIST NO. 288 — Cont'd (NON-LOCKING)</b>					
2	E7HZ 4228-C	Washer (differential side gear thrust)-also serviced in kit-group 4237		4351	Flange assy. (universal joint)-power divider end-input
4	CITT 4230-D	Washer (differential pinion thrust)-1 1/16" I.D. x 2 13/32" O.D.-also serviced in kit-group 4237	1	E9HZ 4351-A	1610 size
	★4230	Serviced in 4404 assy.	1	E9HZ 4351-D	1710 size
2	C5TZ 4A230-A	Gasket (housing plug)-5/16" I.D. x 5/8" O.D.	1	E9HZ 4351-B	1760 size
2	356184-S(XX-113)	Washer (housing plug gasket bolt)-5/16"	1	E9HZ 4351-C	1810 size
2	D8HZ 4A322-C	Bolt (housing plug gasket)-5/16"-18 x 1"	4	E5HZ 4399-A	Bolt (power divider thru shaft bearing retainer)-3/8"-16 X 1"
	4234	Shaft	1	E8HZ 4399-A	Bolt (diff. air chamber to carrier)
1	E9HZ 4234-F	R.H.	1	E9HZ 4404-B	Case and nest assy. (power divider diff.)-welded-includes internal diff. parts
1	E9HZ 4234-E	L.H.		★4411	Serviced in 4404 assy.
1	E9HZ 4237-A	Gear and pinion kit (differential)	1	D8HZ 4423-A	Bearing assy. (power divider input shaft)-Front-#JM-511946-includes bearing Cup D3TZ 4222-A #JM-511910
Consists of					
2	E7HZ 4228-C	Washer-gear	2	2-2234-P-1186	Side gear
4	CITT 4230-D	Washer-pinion	4	4-2233-J-1024	Pinion gear
	4N282	Plug (magnetic)-3/4"- 14 x 1 5/16"			
1	D8HZ 4N282-B	Drain	1	E8HZ 4424-A	Cone and roller (power divider input shaft)-rear-#JLM-710949C
1	D8HZ 4N282-B	Filler	1	E8HZ 4431-A	Retainer assy. (power divider input shaft bearing) includes D3TZ 4222-A #JM511910
	4300	Differential assy.-refer to group in Section 40	1	E8HZ 4N431-A	"O" ring (power divider input shaft bearing retainer)
	4309	Ring gear and pinion kit		4434	Gear (power divider input shaft diff. side)
1	E9HZ 4309-A	3.42 ratio-incl. locking nut	1	E8HZ 4434-A	Front
1	E9HZ 4309-B	3.58 ratio-incl. locking nut	1	E8HZ 4434-B	Rear
1	F1HZ 4309-G	3.73 ratio-incl. locking nut & washer		4436	Shim (drive pinion bearing retainer)
1	E9HZ 4309-D	3.91 ratio-incl. locking nut			4 1/2" I.D. x 5 3/16" O.D.
1	E9HZ 4309-E	4.10 ratio-incl. locking nut	AR	D8HZ 4436-D	.003" thick
1	F1HZ 4309-K	4.30 ratio-incl. locking nut & washer	AR	D8HZ 4436-E	.005" thick
1	F1HZ 4309-L	4.56 ratio-incl. locking nut & washer	AR	D8HZ 4436-F	.010" thick
1	E9HZ 4309-G	4.88 ratio-incl. locking nut	1	E8HZ 4442-A	Gear (drive pinion transfer)
1	F1HZ 4309-N	5.29 ratio-incl. locking nut & washer	1	E8HZ 4446-A	Shaft assy. (power divider input)-includes locknut
1	E9HZ 4309-J	5.86 ratio-incl. locking nut	1	E9HZ 4450-A	Fork (power divider diff. lockout shift)
1	E9HZ 4309-K	6.14 ratio-incl. locking nut	1	E8HZ 4454-A	Washer (power divider input shaft thrust)
1	E9HZ 4309-L	6.43 ratio-incl. locking nut	1	E9HZ 4455-A	Gear (power divider sliding clutch)
1	E9HZ 4309-M	7.17 ratio-incl. locking nut	1	CITT 4458-C	Spring (power divider diff. lockout shift lever return)-2 1/2" Free length- 1" I.D.-located on air chamber side of carrier
1	E9HZ 4310-A	Housing assy. #C1-3121-Q-1603 or C1-3121-S-1735-Hendrickson beam suspension		4465	Flange assy. (universal joint)-output
1	E9HZ 4310-B	#C-3121-Q-1603 or C-3121-S-1735-Hendrickson 4 spring suspension	1	E8HZ 4465-A	1610 size
	4320	Nut	1	E9HZ 4465-A	1710 size
1	E8HZ 4320-A	Drive pinion-also serviced in kit-group 4309	1	E8HZ 4K470-A	Baffle (power divider input shaft oil)
1	E7HZ 4320-C	Input shaft flange-also serviced in assy.-group 4446	1	E8HZ 4477-A	Retainer assy. (power divider thru shaft rear bearing)-includes D3HZ 7169-A cup #JLM104910
1	E7HZ 4320-C	Thru shaft flange	1	★F2HZ 4478-A	Seal assy. (power divider output shaft oil) r/b F3HZ 4478-B (5/93)
	4323	Bolt (carrier to housing)	1	F3HZ 4478-B	Seal assy. (power divider output shaft oil)
6	D7HZ 4323-A	5/8"-11 x 1 3/4"	1	E8HZ 4497-C	Air chamber assy. (power divider diff. lockout)
3	D8HZ 4323-E	5/8"-11 x 2 3/4"		4536	Shim (power divider input bearing retainer)
3	E8HZ 4323-A	Stud (carrier to housing)	AR	E8HZ 4536-A	.003" thick
12	CITT 4326-B	Washer (carrier to housing)-21/32" I.D. x 1 1/16" O.D. x 3/32" thick	AR	E8HZ 4536-B	.005" thick
	4326	Washer	AR	E8HZ 4536-C	.010" thick
		17/32" I.D. x 7/8" O.D. x 3/32" thick		4537	Spacer (driving pinion bearing)-use in pairs as required
7	D7HZ 4326-A	Power divider input shaft bearing retainer	AR	E8HZ 4537-A	.209" thick
16	D7HZ 4326-A	Differential case bolt-also serviced in assy.-group 4204	AR	E8HZ 4537-B	.210" thick
1	E9HZ 4341-B	Carrier assy. (diff.)-#A2-G-1645	AR	E8HZ 4537-C	.211" thick

1980/  
TRUCK SERIES 600/900

QTY.	PART NUMBER	DESCRIPTION	QTY.	PART NUMBER	DESCRIPTION
ROCKWELL (TIMKEN) RD17145 REAR AXLE SERVICE PARTS LIST NO. 288 — Cont'd (NON-LOCKING)					
	4537	Spacer (driving pinion bearing)- use in pairs as required — Cont'd		4567	Snap ring (thru shaft rear bearing) — Cont'd Selective
AR	E8HZ 4537-D	.212" thick	1	D8HZ 4567-H	.173" thick
AR	E8HZ 4537-E	.213" thick	1	D8HZ 4567-J	.176" thick
AR	E8HZ 4537-F	.217" thick	1	D8HZ 4567-K	.179" thick
AR	E8HZ 4537-G	.220" thick	1	D8HZ 4567-L	.182" thick
AR	E8HZ 4537-H	.224" thick		4567	Snap ring
AR	E8HZ 4537-J	.228" thick	1	E8HZ 4567-A	Input shaft
AR	E8HZ 4537-K	.232" thick	1	E8HZ 4567-B	Thru shaft
AR	E8HZ 4537-L	.236" thick	1	E8HZ 4571-A	Jam nut (differential shift fork adjusting bolt)
AR	E8HZ 4537-M	.240" thick			
AR	E8HZ 4537-N	.241" thick	1	E4HZ 4573-A	Seal assy. (input shaft oil)
AR	E8HZ 4537-P	.242" thick	1	E8HZ 4579-A	Shaft (power divider thru shaft)
AR	E8HZ 4537-R	.243" thick	1	E8HZ 4585-A	Bolt (differential shift Fork adjusting)
AR	E8HZ 4537-S	.244" thick	1	E8HZ 4586-A	Washer (drive pinion nut)
5	E8HZ 4545-A	Washer (drive pinion bearing retainer bolt)	1	E8HZ 4586-B	Spacer (drive pinion transfer gear)
7	E7HZ 4560-A	Bolt (power divider input shaft bearing retainer)		4616	Cup (driving pinion bearing)
			1	B8QH 4616-A	Outer-#72487
5	E8HZ 4560-B	Bolt (drive pinion bearing retainer to carrier)	1	B8QH 4616-B	Inner-#H-715311
3	E8HZ 4560-D	Bolt (power divider input shaft oil baffle)	1	B8TZ 4621-C	Cone and roller (driving pinion)-outer- #72212C-incl. cup B8QH 4616-A #72487
3	356184-S(XX-113)	Washer (power divider input shaft oil baffle bolt)-5/16"			
1	E8HZ 4565-D	Push rod (inter axle diff. shift)	1	CITT 4621-A	Cone and roller (driving pinion)-inner- #H-715334
	4567	Snap ring (thru shaft rear bearing) Selective	1	E8HZ 4675-A	Retainer (drive pinion oil seal)
1	D8HZ 4567-B	.155" thick	1	E7HZ 4982-B	Bolt and nut kit (driving gear)
1	D8HZ 4567-C	.159" thick	Consists of		
1	D8HZ 4567-D	.161" thick	12-MWA516	Washer	12-41X1216 Bolt
1	D8HZ 4567-E	.164" thick	12-40X1150	Nut	
1	D8HZ 4567-F	.167" thick	2	D3HZ 7169-A	Cup (power divider thru shaft)- #JLM-104910-also serviced in assy.- group 4477
1	D8HZ 4567-G	.170" thick			
ROCKWELL (TIMKEN) RR17145 REAR AXLE SERVICE PARTS LIST NO. 289 (NON-LOCKING)					
	4010	Housing assy.		4209	Ring gear and pinion kit-incl. locknut — Cont'd
1	E9HZ 4010-B	#C1-3121-N-1600 or C1-3121-R-1734- Hendrickson beam suspension	1	E7HZ 4209-AK	5.29 ratio
1	E9HZ 4010-C	#C-3121-N-1600 or C-3121-R-1734- Hendrickson 4 spring suspension	1	E7HZ 4209-AL	5.86 ratio
1	F0HZ 4N025-A	Plug (heat indicator)	1	E9HZ 4209-G	6.14 ratio
2	E7HZ 4067-F	Adjuster (differential bearing)	1	E7HZ 4209-AM	6.43 ratio
1	E9HZ 4141-A	Carrier assy. (differential)-#A2-L-1676	1	E7HZ 4209-AP	7.17 ratio
2	E7HZ 4143-D	Lock (differential bearing adjuster)	16	E1HZ 4211-A	Shaft (pinion)-#S-305
	4200	Differential assy.-refer to group in Section 40		F1HZ 4216-A	Bolt (differential case)-also serviced in assy.-group 4204
	4204	Case assy. (differential)-includes 16 bolts and washers		4216	Refer to group 4323 within parts list
1	E9HZ 4204-B	3.42 thru 4.10 ratios	2	D8HZ 4221-A	Cone and roller (differential bearing)- #JM-716649-incl. cup #JM-716610
1	E9HZ 4204-C	4.30 thru 7.17 ratios	2	D8HZ 4222-A	Cup (differential bearing)-#JM-716610- also serviced in assy.-group 4221
	4209	Ring gear and pinion kit-incl. locknut	2	E7HZ 4228-C	Washer (diff. side gear thrust)- also serviced in kit-group 4237
1	E9HZ 4209-D	3.42 ratio	4	CITT 4230-D	Washer (differential pinion thrust)- 1 1/16" I.D. x 2 13/32" O.D.-also serviced in kit-group 4237
1	E9HZ 4209-E	3.58 ratio			
1	E9HZ 4209-F	3.73 ratio	2	C5TZ 4A230-A	Gasket (housing plug)-5/16" I.D. x 5/8" O.D.
1	E7HZ 4209-AF	3.91 ratio	2	356184-S(XX-113)	Washer (housing plug gasket bolt)-5/16"
1	E7HZ 4209-AG	4.10 ratio	2	D8HZ 4A322-C	Bolt (housing plug gasket)-5/16"-18 x 1"
1	E8HZ 4209-A	4.30 ratio			
1	E7HZ 4209-AH	4.56 ratio			
1	E7HZ 4209-AJ	4.88 ratio			



**1980/  
TRUCK SERIES 600/900**

QTY.	PART NUMBER	DESCRIPTION	QTY.	PART NUMBER	DESCRIPTION
<b>ROCKWELL (TIMKEN) RR17145 REAR AXLE SERVICE PARTS LIST NO. 289 — Cont'd</b>					
<b>(NON-LOCKING)</b>					
	4234	Shaft		4537	Spacer (driving pinion bearing)
1	E9HZ 4234-E	R.H.			use in pairs as required — Cont'd
1	E9HZ 4234-F	L.H.	AR	E7HZ 4537-AV	.361" thick
1	E9HZ 4237-A	Gear and pinion kit (differential)	AR	E7HZ 4537-AW	.362" thick
Consists of					
2	E7HZ4228-C	Washer-gear	2-2234-P-1186	Side gear	
4	CITT 4230-D	Washer-pinion	4-2233-J-1024	Pinion gear	
	4N282	Plug (magnetic)-3/4"-14 x 1 5/16"			
1	D8HZ 4N282-B	Drain			
1	D8HZ 4N282-B	Filler			
1	E7HZ 4320-C	Nut (drive pinion flange)-self-locking-also serviced in kit-group 4209			
	4323	Bolt (carrier to housing)			
8	D7HZ 4323-A	5/8"-11 x 1 3/4"			
4	D3HZ 4216-D	5/8"-11 x 2 1/2"			
12	CITT 4326-B	Washer (carrier to housing)			
	4326	Washer			
8	D7HZ 4326-A	17/32" I.D. x 7/8" O.D. x 3/32" thick	AR	E7HZ 4662-E	Shim (driving pinion bearing retainer)
16	D7HZ 4326-A	Drive pinion bearing retainer bolt	AR	E7HZ 4662-F	.003" thick
		Differential case bolt-also serviced in assy.-group 4204	AR	E7HZ 4662-G	.005" thick
			AR	E7HZ 4662-H	.008" thick
			AR	E7HZ 4662-H	.020" thick
	4537	Spacer (driving pinion bearing)	1	E4HZ 4676-A	Seal assy. (drive pinion oil)-
		use in pairs as required			5 9/32" O.D. X 25/32" wide
AR	E7HZ 4537-AJ	.345" thick			
AR	E7HZ 4537-AK	.346" thick			
AR	E7HZ 4537-AL	.347" thick	1	E1HZ 4851	Flange assy. (universal joint)-axle end.
AR	E7HZ 4537-AM	.348" thick	1	E1HZ 4851-E	1610 size
AR	E7HZ 4537-AN	.349" thick	1	E1HZ 4851-F	1710 size
AR	E7HZ 4537-AP	.354" thick	1	E7HZ 4859-A	Deflector (drive pinion oil seal)
AR	E7HZ 4537-AR	.358" thick	1	E7HZ 4982-B	Bolt and nut kit (driving gear)
AR	E7HZ 4537-AS	.359" thick			
AR	E7HZ 4537-AT	.360" thick			
Consists of					
	12-MWA516	Washer	12-41X1216	Bolt	
	12-40X1150	Nut			
<b>ROCKWELL (TIMKEN) RD20145 REAR AXLE SERVICE PARTS LIST NO. 290</b>					
<b>(NON-LOCKING)</b>					
2	C7TZ 1240-A	Cone and roller (power divider thru shaft)-#LM104949	1	4222	Cup (power divider input shaft bearing)
	1243	Refer to group 4222 within parts list	1	D3TZ 4222-A	Front- #JM-511910-also serviced in assy.-groups 4423, 4431
1	FOHZ 4N025-A	Plug (heat indicator)	1	D6UZ 1243-A	Rear- #JLM-710910
2	E7HZ 4067-F	Adjuster (differential bearing)	2	E7HZ 4228-C	Washer (differential side gear thrust)-also serviced in kit-group 4237
3	D8HZ 4A142-A	Nut (carrier to housing stud)-5/8"-18 x 35/64" thick	4	CITT 4230-D	Washer (differential pinion thrust)-1 1/16" I.D. x 2 13/32" O.D.-also serviced in kit-group 4237
2	E7HZ 4143-D	Lock (differential bearing adjuster)			
4	D1HZ 4A147-A	Washer (thru shaft retainer bolt)-13/32" I.D. x 3/4" O.D. x 3/32" thick			
	4204	Case assy. (differential)-includes 16 bolts and washers			
1	E9HZ 4204-B	3.42 thru 4.10 ratios	2	C5TZ 4A230-A	Gasket (housing plug)-5/16" I.D. x 5/8" O.D.
1	E9HZ 4204-C	4.30 thru 7.17 ratios	2	356184-S(XX-13)	Washer (housing plug gasket bolt)-5/16"
1	E1HZ 4211-A	Shaft (pinion)-#S-305	2	D8HZ 4A322-C	Bolt (housing plug gasket)-5/16"-18 x 1"
	*4215	Serviced in 4404 assy.			
16	F1HZ 4216-A	Bolt (differential case)-also serviced in assy.-group 4204	1	4234	Shaft
			1	E9HZ 4234-K	R.H.
2	D8HZ 4221-A	Cone and roller assy. (differential bearing) #JM-716649-incl. cup #JM-716610	1	E9HZ 4234-J	L.H.
2	D8HZ 4222-A	Cup (differential bearing)-#JM-716610-also serviced in assy.-group 4221	1	E8HZ 4237-A	Gear and pinion kit (differential)
			Consists of		
	2-E7HZ 4228-C	Washer-gear	4-2233-J-1024	Pinion gear	
	4-CITT 4230-D	Washer-pinion	2-2234-M-1183	Side gear	
	1	D8HZ 4N282	Plug (magnetic)-3/4"-14 x 1 5/16"		
	1	D8HZ 4N282-B	Drain		
	1	D8HZ 4N282-B	Filler		
			4300	Differential assy.-refer to group in Section 40	

1980/  
TRUCK SERIES 600/900

QTY.	PART NUMBER	DESCRIPTION	QTY.	PART NUMBER	DESCRIPTION
<b>ROCKWELL (TIMKEN) RD20145 REAR AXLE SERVICE PARTS LIST NO. 290 — Cont'd (NON-LOCKING)</b>					
	4309	Ring gear and pinion kit	1	D8HZ 4423-A	Bearing assy. (power divider input shaft)- front-#JM-511946-includes bearing cup D3TZ 4222-A #JM-511910
1	E9HZ 4309-A	3.42 ratio-incl. locking nut	1	E8HZ 4424-A	Cone and roller (power divider input shaft)- rear-#JLM-710949C
1	E9HZ 4309-B	3.58 ratio-incl. locking nut	1	E8HZ 4431-A	Retainer assy. (power divider input shaft bearing) -includes D3TZ 4222-A cup #JM-511910
1	F1HZ 4309-G	3.73 ratio-incl. locking nut & washer	1	E8HZ 4N431-A	"O" ring (power divider input shaft bearing retainer)
1	E9HZ 4309-D	3.91 ratio-incl. locking nut		4434	Gear (power divider input shaft diff. side)
1	E9HZ 4309-E	4.10 ratio-incl. locking nut	1	E8HZ 4434-A	Front
1	F1HZ 4309-K	4.30 ratio-incl. locking nut & washer	1	E8HZ 4434-B	Rear
1	F1HZ 4309-L	4.56 ratio-incl. locking nut & washer		4436	Shim (drive pinion bearing retainer) 4 1/2" I.D. x 5 3/16" O.D.
1	E9HZ 4309-G	4.88 ratio-incl. locking nut	AR	D8HZ 4436-D	.003" thick
1	F1HZ 4309-N	5.29 ratio-incl. locking nut & washer	AR	D8HZ 4436-E	.005" thick
1	E9HZ 4309-J	5.86 ratio-incl. locking nut	AR	D8HZ 4436-F	.010" thick
1	E9HZ 4309-K	6.14 ratio-incl. locking nut	1	E8HZ 4442-A	Gear (drive pinion transfer)
1	E9HZ 4309-L	6.43 ratio-incl. locking nut	1	E8HZ 4446-A	Shaft assy. (power divider input)- includes locknut
1	E9HZ 4309-M	7.17 ratio-incl. locking nut	1	E9HZ 4450-A	Fork (power divider diff. lockout shift)
1	E9HZ 4310	Housing assy.	1	E8HZ 4454-A	Washer (power divider input shaft thrust)
1	E9HZ 4310-C	#C9-3121-G-1307-Hendrickson beam suspension-w/o transverse torque rod	1	E9HZ 4455-A	Gear (power divider sliding clutch)
1	E9HZ 4310-D	#C10-3121-G-1307-Hendrickson beam suspension-w/transverse torque rod	1	CITT 4458-C	Spring (power divider diff. lockout shift lever return)-2 1/2" Free length- 1" I.D.-located on air chamber side of carrier
1	★E9HZ 4310-E	#C12-3121-G-1307-Hendrickson air suspension-1989-"Before 2/89"- r/b E9HZ 4310-L		4465	Flange assy. (universal joint)-output
1	★E9HZ 4310-L	#C14-3121-G-1307 or C4-3121-K-1727- Hendrickson air suspension-1989-"From 2/89" r/b F2HZ 4310-A	1	E8HZ 4465-A	1610 size
1	F2HZ 4310-A	#C8-3121-D-1746 Hendrickson air suspension 1989-"From 2/89"	1	E9HZ 4465-A	1710 size
1	E9HZ 4310-F	#C6-3121-G-1307 or C-3121-K-1727- Hendrickson 4 spring suspension	1	E8HZ 4K470-A	Baffle (power divider input shaft oil)
1	E9HZ 4310-G	#C11-3121-G-1307-Neway air suspension	1	E8HZ 4477-A	Retainer assy. (power divider thru shaft rear bearing)-includes D3HZ 7169-A Cup #JLM-104910
1	E8HZ 4320	Nut	1	★F2HZ 4478-A	Seal assy. (power divider output shaft oil)- r/b F3HZ 4478-B (5/93)
1	E7HZ 4320-A	Drive pinion-also serviced in kit-group 4309	1	F3HZ 4478-B	Seal assy. (power divider output shaft oil)
1	E7HZ 4320-C	Input shaft flange-also serviced in assy- group 4446	1	E8HZ 4497-C	Air chamber assy. (power divider diff. lockout)
1	E7HZ 4320-C	Thru shaft flange		4536	Shim (power divider input bearing retainer) Selective fit
6	D7HZ 4323-A	Bolt (carrier to housing) 5/8"-11 x 1 3/4"	AR	E8HZ 4536-A	.003" thick
3	D8HZ 4323-E	5/8"-11 x 2 3/4"	AR	E8HZ 4536-B	.005" thick
3	E8HZ 4323-A	Stud (carrier to housing)	AR	E8HZ 4536-C	.010" thick
12	CITT 4326-B	Washer (carrier to housing)- 21/32" I.D. x 1 1/16" O.D. x 3/32" thick		4537	Spacer (driving pinion bearing) use in pairs as required
	4326	Washer 17/32" I.D. x 7/8" O.D. x 3/32" thick	AR	E8HZ 4537-A	.209" thick
7	D7HZ 4326-A	Power divider input shaft bearing retainer	AR	E8HZ 4537-B	.210" thick
16	D7HZ 4326-A	Differential case bolt-also serviced in assy.-group 4204	AR	E8HZ 4537-C	.211" thick
1	E9HZ 4341-B	Carrier assy. (diff.)-#A2-G-1645	AR	E8HZ 4537-D	.212" thick
	4351	Flange assy. (universal joint)- power divider end-input	AR	E8HZ 4537-E	.213" thick
1	E9HZ 4351-A	1610 size	AR	E8HZ 4537-F	.217" thick
1	E9HZ 4351-D	1710 size	AR	E8HZ 4537-G	.220" thick
1	E9HZ 4351-B	1760 size	AR	E8HZ 4537-H	.224" thick
1	E9HZ 4351-C	1810 size	AR	E8HZ 4537-J	.228" thick
4	E5HZ 4399-A	Bolt (power divider thru shaft bearing retainer)-3/8"-16 x 1"	AR	E8HZ 4537-K	.232" thick
4	E8HZ 4399-A	Bolt (diff. air chamber to carrier)	AR	E8HZ 4537-L	.236" thick
1	E9HZ 4404-B	Case and nest assy. (power divider diff.)- welded-includes internal diff. parts	AR	E8HZ 4537-M	.240" thick
	★4411	Serviced in 4404 assy	AR	E8HZ 4537-N	.241" thick
			AR	E8HZ 4537-P	.242" thick
			AR	E8HZ 4537-R	.243" thick
			AR	E8HZ 4537-S	.244" thick
			5	E8HZ 4545-A	Washer (drive pinion bearing retainer bolt)

**1980/  
TRUCK SERIES 600/900**

QTY.	PART NUMBER	DESCRIPTION	QTY.	PART NUMBER	DESCRIPTION
<b>ROCKWELL (TIMKEN) RD20145 REAR AXLE SERVICE PARTS LIST NO. 290 — Cont'd</b>					
<b>(NON-LOCKING)</b>					
7	E7HZ 4560-A	Bolt (power divider input shaft bearing retainer)	1	E8HZ 4571-A	Jam nut (differential shift fork adjusting bolt)
5	E8HZ 4560-B	Bolt (drive pinion bearing retainer to carrier)			
3	E8HZ 4560-D	Bolt (power divider input shaft oil baffle)	1	E4HZ 4573-A	Seal assy. (input shaft oil)
3	356184-S(XX-113)	Washer (power divider input shaft oil baffle bolt)-5/16"-1989-"Before 2/89"	1	E8HZ 4579-A	Shaft (power divider thru shaft)
3	E9HZ 4P560-A	Washer (power divider input shaft oil baffle bolt)-1989-"From 2/89"	1	E8HZ 4585-A	Bolt (differential shift fork adjusting)
1	E8HZ 4565-D	Push rod (inter axle diff. shift)	1	E8HZ 4586-A	Washer (drive pinion nut)
	4567	Snap ring (thru shaft rear bearing) Selective	1	E8HZ 4586-B	Spacer (drive pinion transfer gear)
1	D8HZ 4567-B	.155" thick		4616	Cup (driving pinion bearing)
1	D8HZ 4567-C	.159" thick	1	B8QH 4616-A	Outer-#72487
1	D8HZ 4567-D	.161" thick	1	B8QH 4616-B	Inner-#H-715311
1	D8HZ 4567-E	.164" thick	1	B8TZ 4621-C	Cone and roller (driving pinion)-outer-#72212C-incl. cup B8QH 4616-A #72487
1	D8HZ 4567-F	.167" thick	1	CITT 4621-A	Cone and roller (driving pinion)-inner-#H-714334
1	D8HZ 4567-G	.170" thick	1	E8HZ 4675-A	Retainer (drive pinion oil seal)
1	D8HZ 4567-H	.173" thick	1	E7HZ 4982-B	Bolt and nut kit (driving gear)
1	D8HZ 4567-J	.176" thick			Consists of
1	D8HZ 4567-K	.179" thick			12-MWA516 Washer 12-41X1216 Bolt
1	D8HZ 4567-L	.182" thick			12-40X1150 Nut
	4567	Snap ring	2	D3HZ 7169-A	Cup (power divider thru shaft)-#JLM-104910-also serviced in assy.-group 4477
1	E8HZ 4567-A	Input shaft			
1	E8HZ 4567-B	Thru shaft			
<b>ROCKWELL (TIMKEN) RR20145 REAR AXLE SERVICE PARTS LIST NO. 291</b>					
<b>(NON-LOCKING)</b>					
1	E9HZ 4010-D	Housing assy #C10-3121-Z-1118-Hendrickson beam suspension-w/o transverse torque rod		4209	Ring gear and pinion kit-incl. locknut — Cont'd
1	E9HZ 4010-E	#C11-3121-Z-1118-Hendrickson beam suspension-w/transverse torque rod or Neway air suspension	1	E7HZ 4209-AK	5.29 ratio
1	E9HZ 4010-F	#C4-3121-J-1726 or C12-3121-Z-1118-Hendrickson air suspension-"Before 2/89"	1	E7HZ 4209-AL	5.86 ratio
1	E9HZ 4010-K	#C14-3121-Z-1118-Hendrickson air suspension-1989-"From 2/89"	1	E9HZ 4209-G	6.14 ratio
1	E9HZ 4010-G	#C-3121-J-1726 or C7-3121-Z-1118-Hendrickson 4 spring suspension	1	E7HZ 4209-AM	6.43 ratio
1	F0HZ 4N025-A	Plug (heat indicator)	1	E7HZ 4209-AP	7.17 ratio
2	E7HZ 4067-F	Adjuster (differential bearing)	1	E1HZ 4211-A	Shaft (pinion)-#S-305
1	E9HZ 4141-A	Carrier assy. (differential)-#A2-L-1676	16	F1HZ 4216-A	Bolt (differential case)-also serviced in assy.-group 4204
2	E7HZ 4143-D	Lock (differential bearing adjuster)		4216	Refer to group 4323 within parts list
	4200	Differential assy.-refer to group in Section 40	2	D8HZ 4221-A	Cone and roller assy. (differential bearing)-#JM-716649-incl. cup #JM-716610
	4204	Case assy. (differential)-includes 16 bolts and washers	2	D8HZ 4222-A	Cup (differential bearing)-#JM-716610-also serviced in assy.-group 4221
1	E9HZ 4204-B	3.42 thru 4.10 ratios	2	E7HZ 4228-C	Washer (diff. side gear thrust)-also serviced in kit-group 4237
1	E9HZ 4204-C	4.30 thru 7.17 ratios	4	CITT 4230-D	Washer (differential pinion thrust)-1 1/16" I.D. x 2 13/32" O.D.-also serviced in kit-group 4237
	4209	Ring gear and pinion kit-incl. locknut	2	C5TZ 4A230-A	Gasket (housing plug)-5/16" I.D. x 5/8" O.D.
1	E9HZ 4209-D	3.42 ratio	2	356184-S(XX-113)	Washer (housing plug gasket bolt)-5/16"
1	E9HZ 4209-E	3.58 ratio	2	D8HZ 4A322-C	Bolt (housing plug gasket)-5/16"-18 x 1"
1	E9HZ 4209-F	3.73 ratio		4234	Shaft
1	E7HZ 4209-AF	3.91 ratio	1	E9HZ 4234-J	R.H.
1	E7HZ 4209-AG	4.10 ratio	1	E9HZ 4234-K	L.H.
1	E8HZ 4209-A	4.30 ratio	1	E8HZ 4237-A	Gear and pinion kit (differential)
1	E7HZ 4209-AH	4.56 ratio			Consists of
1	E7HZ 4209-AJ	4.88 ratio			2-E7HZ 4228-C Washer-gear 4-2233-J-1024 Pinion gear
					4-CITT 4230-D Washer-pinion 2-2234-M-1183 Side gear

1980/  
TRUCK SERIES 600/900

QTY.	PART NUMBER	DESCRIPTION	QTY.	PART NUMBER	DESCRIPTION
ROCKWELL (TIMKEN) RR20145 REAR AXLE SERVICE PARTS LIST NO. 291 — Cont'd (NON-LOCKING)					
1	D8HZ 4N282	Plug (magnetic)-3/4"-14 x 1 5/16"	8	E7HZ 4560-A	Bolt (pinion bearing retainer to carrier)
1	D8HZ 4N282-B	Drain	1	E7HZ 4614-D	Retainer assy. (drive pinion)-includes inner cup B8QH 4616-A #72487 and outer cup 7EQH 4616 #55437
1	D8HZ 4N282-B	Filler		4616	Cup (driving pinion bearing)
1	E7HZ 4320-C	Nut (drive pinion flange)-self-locking-also serviced in kit-group 4209	1	B8QH 4616-A	Inner-#72487
	4323	Bolt (carrier to housing)	1	7EQH 4616	Outer-#55437
8	D7HZ 4323-A	5/8"-11 x 1 3/4"		4621	Cone and roller (driving pinion)
4	D3HZ 4216-D	5/8"-11 x 2 1/2"	1	B8TZ 4621-C	Inner-#72212C
12	CITT 4326-B	Washer (carrier to housing)-21/32" I.D. x 1 1/16" O.D. x 3/32" thick	1	E7HZ 4621-A	Outer-#55206C
	4326	Washer 17/32" I.D. x 7/8" O.D. x 3/32" thick	1	D8HZ 4625-A	Bearing assy. (driving pinion pilot)
8	D7HZ 4326-A	Drive pinion bearing retainer bolt	1	C6TZ 4627-A	Retainer (driving pinion pilot bearing)
16	D7HZ 4326-A	Differential case bolt-also serviced in assy.-group 4204		4662	Shim (driving pinion bearing retainer)
	4537	Spacer (driving pinion bearing) Use in pairs as required	AR	E7HZ 4662-E	.003" thick
AR	E7HZ 4537-AJ	.345" thick	AR	E7HZ 4662-F	.005" thick
AR	E7HZ 4537-AK	.346" thick	AR	E7HZ 4662-G	.008" thick
AR	E7HZ 4537-AL	.347" thick	AR	E7HZ 4662-H	.020" thick
AR	E7HZ 4537-AM	.348" thick	1	E4HZ 4676-A	Seal assy. (drive pinion oil)-5 9/32" O.D. x 25/32" wide
AR	E7HZ 4537-AN	.349" thick		4851	Flange assy. (universal joint)-axle end
AR	E7HZ 4537-AP	.354" thick	1	E1HZ 4851-E	1610 size
AR	E7HZ 4537-AR	.358" thick	1	E1HZ 4851-F	1710 size
AR	E7HZ 4537-AS	.359" thick	1	E7HZ 4859-A	Deflector (drive pinion oil seal)
AR	E7HZ 4537-AT	.360" thick	1	E7HZ 4982-B	Bolt and nut kit (driving gear)
AR	E7HZ 4537-AV	.361" thick	Consists of		
AR	E7HZ 4537-AW	.362" thick	12-MWA516	Washer	12-41X1216 Bolt
			12-40X1150	Nut	
ROCKWELL (TIMKEN) RP20145 REAR AXLE SERVICE PARTS LIST NO. 292 (NON-LOCKING)					
2	C7TZ 1240-A	Cone and roller (power divider thru shaft)-#LM-104949	4	CITT 4230-D	Washer (differential pinion thrust)-1 1/16" I.D. x 2 13/32" O.D.-also serviced in kit-group 4237
	1243	Refer to group 4222 within parts list		★4230	Serviced in 4404 assy.
1	F0HZ 4N025-A	Plug (heat indicator)	2	C5TZ 4A230-A	Gasket (housing plug)-5/16" I.D. x 5/8" O.D.
2	E7HZ 4067-F	Adjuster (differential bearing)	2	356184-S(XX-113)	Washer (housing plug gasket bolt)-5/16"
3	D8HZ 4A142-A	Nut (Carrier to housing stud)-5/8"-18 x 35/64" thick	2	D8HZ 4A322-C	Bolt (housing plug gasket)-5/16"-18 x 1"
2	E7HZ 4143-D	Lock (differential bearing adjuster)		4234	Shaft
4	D1HZ 4A147-A	Washer (thru shaft retainer bolt)-13/32" I.D. x 3/4" O.D. x 3/32" thick	1	E9HZ 4234-K	R.H.
	4204	Case assy. (differential)-includes 16 bolts and washers	1	E9HZ 4234-J	L.H.
1	E9HZ 4204-B	3.42 thru 4.10 ratios	1	E8HZ 4237-A	Gear and pinion kit (differential)
1	E9HZ 4204-C	4.30 thru 7.17 ratios	Consists of		
1	E1HZ 4211-A	Shaft (pinion)-#S-305	2-E7HZ 4228-C	Washer-gear	4-2233-J-1024 Pinion gear
	★4215	Serviced in 4404 assy.	4-CITT 4230-D	Washer-pinion	2-2234-M-1183 Side gear
16	F1HZ 4216-A	Bolt (differential case)-also serviced in assy.-group 4204		4N282	Plug (magnetic)-3/4"-14 x 1 5/16"
2	D8HZ 4221-A	Cone and roller assy. (differential bearing)-#JM-716649-incl. cup #JM-716610	1	D8HZ 4N282-B	Drain
2	D8HZ 4222-A	Cup (differential bearing)-#JM-716610-also serviced in assy.-group 4221	1	D8HZ 4N282-B	Filler
	4222	Cup (power divider input shaft bearing)		4300	Differential assy.-refer to group in Section 40
1	D3TZ 4222-A	Front-#JM-511910-also serviced in assy.-groups 4423, 4431	1	E9HZ 4309-A	3.42 ratio-incl. locking nut
		Rear-#JLM-710910	1	E9HZ 4309-B	3.58 ratio-incl. locking nut
1	D6UZ 1243-A	Washer (differential side gear thrust)-also serviced in kit-group 4237	1	F1HZ 4309-G	3.73 ratio-incl. locking nut & washer
2	E7HZ 4228-C		1	E9HZ 4309-D	3.91 ratio-incl. locking nut
			1	E9HZ 4309-E	4.10 ratio-incl. locking nut
			1	F1HZ 4309-K	4.30 ratio-incl. locking nut & washer
			1	F1HZ 4309-L	4.56 ratio-incl. locking nut & washer

1980/  
TRUCK SERIES 600/900

QTY.	PART NUMBER	DESCRIPTION	QTY.	PART NUMBER	DESCRIPTION
ROCKWELL (TIMKEN) RP20145 REAR AXLE SERVICE PARTS LIST NO. 292 — Cont'd (NON-LOCKING)					
1	E9HZ 4309	Ring gear and pinion kit — Cont'd	1	E8HZ 4424-A	Cone and roller (power divider input shaft)- rear-#JLM-710949C
1	F1HZ 4309-G	4.88 ratio-incl. locking nut	1	E8HZ 4428-A	Adapter (power divider oil filter)
1	E9HZ 4309-N	5.29 ratio-incl. locking nut & washer	1	E8HZ 4431-B	Retainer assy. (power divider input shaft bearing) includes D3TZ4222-A cup #JM-511910
1	E9HZ 4309-K	5.86 ratio-incl. locking nut	1	E8HZ 4K431-A	Plug kit (power divider input shaft bearing retainer)
1	E9HZ 4309-L	6.14 ratio-incl. locking nut	Consists of		
1	E9HZ 4309-M	6.43 ratio-incl. locking nut	1-1229-F-4062	Washer	1-2258-Z-1118 Spring
1	E9HZ 4310	Housing assy.	1-1250-N-1080	Plug	1-2297-U-5273 Valve
1	E9HZ 4310-C	#C9-3121-G-1307-Hendrickson beam suspension-w/o transverse torque rod	2	E8HZ 4N431-A	"O" ring (power divider input shaft bearing retainer)
1	E9HZ 4310-D	#C10-3121-G-1307-Hendrickson beam suspension-w/transverse torque rod	1	4434	Gear (power divider input shaft diff. side)
1	★E9HZ 4310-E	#C12-3121-G-1307-Hendrickson air suspension-1989-"Before 2/89"-r/b E9HZ 4310-L	1	E8HZ 4434-A	Front
1	★E9HZ 4310-L	#C14-3121-G-1307 or C4-3121-K-1727-Hendrickson air suspension-1989-"From 2/89"-r/b F2HZ 4310-A	1	E8HZ 4434-B	Rear
1	F2HZ 4310-A	#C8-3121-D-1746 Hendrickson air suspension 1989-"From 2/89"	AR	D8HZ 4436-D	.003" thick
1	E9HZ 4310-F	#C6-3121-G-1307 or C-3121-K-1727-Hendrickson 4 spring suspension	AR	D8HZ 4436-E	.005" thick
1	E9HZ 4310-G	#C11-3121-G-1307-Neway air suspension	AR	D8HZ 4436-F	.010" thick
1	E8HZ 4A318-A	Element assy. (oil filter)	1	E8HZ 4442-A	Gear (drive pinion transfer)
1	E8HZ 4320	Nut	1	E8HZ 4446-B	Shaft assy. (power divider input)- includes pin, ball and locknut
1	E8HZ 4320-A	Drive pinion-also serviced in kit-group 4309	1	E9HZ 4450-A	Fork (power divider diff. lockout shift)
1	E7HZ 4320-C	Input shaft-also serviced in assy.-group 4446	1	E8HZ 4454-A	Washer (power divider input shaft thrust)
1	E7HZ 4320-C	Thru shaft flange	1	E9HZ 4455-A	Gear (power divider sliding clutch)
6	D7HZ 4323-A	Bolt (carrier to housing) 5/8"-11 x 1 3/4"	1	CITT 4458-C	Spring (power divider diff. lockout shift lever return)-2 1/2" free length-1" I.D.-located on air chamberside of carrier
3	D8HZ 4323-E	5/8"-11 x 2 3/4"	1	4465	Flange assy. (universal joint)-output 1610 size
3	E8HZ 4323-A	Stud (carrier to housing)	1	E9HZ 4465-A	1710 size
12	CITT 4326-B	Washer (carrier to housing)- 21/32" I.D. x 1 1/16" O.D. x 3/32" thick	1	E8HZ 4477-A	Retainer assy. (power divider thru shaft rear bearing)-includes D3HZ 7169-A Cup #JLM-104910
7	D7HZ 4326-A	Power divider oil filter shield bolt	1	★F2HZ 4478-A	Seal assy. (power divider output shaft oil)- r/b F3HZ 4478-B (5/93)
16	D7HZ 4326-A	Differential case bolt-also serviced in assy.-group 4204	1	F3HZ 4478-B	Seal assy. (power divider output shaft oil)
1	E9HZ 4341-C	Carrier assy. (diff.)-#A2-X-1662	1	E8HZ 4497-C	Air Chamber assy. (power divider diff. lockout)
1	E9HZ 4351	Flange assy. (universal joint)-power divider end-input	1	4536	Shim (power divider input bearing retainer) Selective fit
1	E9HZ 4351-A	1610 size	AR	E8HZ 4536-A	.003" thick
1	E9HZ 4351-D	1710 size	AR	E8HZ 4536-B	.005" thick
1	E9HZ 4351-B	1760 size	AR	E8HZ 4536-C	.010" thick
1	E9HZ 4351-C	1810 size	1	4537	Spacer (driving pinion bearing) use in pairs as required
4	E5HZ 4399-A	Bolt (power divider thru shaft bearing retainer)-3/8"-16 x 1"	AR	E8HZ 4537-A	.209" thick
4	E8HZ 4399-A	Bolt (diff. air chamber to carrier)	AR	E8HZ 4537-B	.210" thick
1	E9HZ 4404-B	Case and nest assy. (power divider diff.)-welded-includes internal diff. parts	AR	E8HZ 4537-C	.211" thick
1	★4411	Serviced in 4404 assy.	AR	E8HZ 4537-D	.212" thick
1	E8HZ 4A420-A	Filter assy. (power divider oil)	AR	E8HZ 4537-E	.213" thick
1	E8HZ 4A421-A	Shield (power divider oil filter)	AR	E8HZ 4537-F	.217" thick
1	D8HZ 4423-A	Bearing assy. (power divider input shaft)- front-#JM-511946-includes bearing cup D3TZ4222-A #JM-511910	AR	E8HZ 4537-G	.220" thick
			AR	E8HZ 4537-H	.224" thick
			AR	E8HZ 4537-J	.228" thick
			AR	E8HZ 4537-K	.232" thick
			AR	E8HZ 4537-L	.236" thick
			AR	E8HZ 4537-M	.240" thick
			AR	E8HZ 4537-N	.241" thick
			AR	E8HZ 4537-P	.242" thick

1980/  
TRUCK SERIES 600/900

QTY.	PART NUMBER	DESCRIPTION	QTY.	PART NUMBER	DESCRIPTION
ROCKWELL (TIMKEN) RP20145 REAR AXLE SERVICE PARTS LIST NO. 292 — Cont'd (NON-LOCKING)					
	4537	Spacer (driving pinion bearing) use in pairs as required — Cont'd	1	E8HZ 4571-A	Jam nut (differential shift Fork adjusting bolt)
AR	E8HZ 4537-R	.243" thick	1	E4HZ 4573-A	Seal assy. (input shaft oil)
AR	E8HZ 4537-S	.244" thick	1	E8HZ 4579-A	Shaft (power divider thru shaft)
5	E8HZ 4545-A	Washer (drive pinion bearing retainer bolt)	1	E9HZ 4A581-A	Pump assy. (power divider lube)
7	E7HZ 4560-A	Bolt (power divider oil filter shield)	1	E8HZ 4585-A	Bolt (differential shift fork adjusting)
5	E8HZ 4560-B	Bolt (drive pinion bearing retainer to carrier)	1	E8HZ 4586-A	Washer (drive pinion nut)
6	E9HZ 4560-A	Bolt (power divider lube pump)	1	E8HZ 4586-B	Spacer (drive pinion transfer gear)
2	E8HZ 4N560-A	Dowel (power divider lube pump locating)	1	4616	Cup (driving pinion bearing)
6	E9HZ 4P560-A	Washer (power divider lube pump bolt)	1	B8QH 4616-A	Outer-#72487
1	E8HZ 4565-D	Push rod (inter axle diff. shift)	1	B8QH 4616-B	Inner-#H-715311
	4567	Snap ring (thru shaft rear bearing) Selective	1	B8TZ 4621-C	Cone and roller (driving pinion)-outer- #72212C-incl. cup B8QH 4616-A- #72487
1	D8HZ 4567-B	.155" thick	1	CITT 4621-A	Cone and roller (driving pinion)-inner- #H-715334
1	D8HZ 4567-C	.159" thick	1	E8HZ 4675-A	Retainer (drive pinion oil seal)
1	D8HZ 4567-D	.161" thick	1	E7HZ 4982-B	Bolt and nut kit (driving gear)
1	D8HZ 4567-E	.164" thick	Consists of		
1	D8HZ 4567-F	.167" thick	12-MWA516	Washer	12-41X1216 Bolt
1	D8HZ 4567-G	.170" thick	12-40X1150	Nut	
1	D8HZ 4567-H	.173" thick	2	D3HZ 7169-A	Cup (power divider thru shaft)- #JLM-104910-also serviced in assy.-group 4477
1	D8HZ 4567-J	.176" thick			
1	D8HZ 4567-K	.179" thick			
1	D8HZ 4567-L	.182" thick			
	4567	Snap ring			
1	E8HZ 4567-A	Input shaft			
1	E8HZ 4567-B	Thru shaft			
ROCKWELL (TIMKEN) RD23160 REAR AXLE SERVICE PARTS LIST NO. 293 (NON-LOCKING)					
2	C7TZ 1240-A	Cone and roller (power divider thru shaft)- #LM-104949	4	E9HZ 4230-A	Washer (power divider diff. pinion thrust)- 1 5/64" I.D. x 2 1/4" O.D. x 1/16" thick
1	F0HZ 4N025-A	Plug (heat indicator)	2	C5TZ 4A230-A	Gasket (housing plug)-5/16" I.D. x 5/8" O.D.
2	E7HZ 4067-L	Adjuster (differential bearing)	2	356184-S (XX-113)	Washer (housing plug gasket bolt)-5/16"
2	D8HZ 4A142-A	Nut (carrier to housing stud)- 5/8"-18 X 35/64" thick	2	D8HZ 4A322-C	Bolt (housing plug gasket)-5/16"-18 x 1"
2	E7HZ 4143-D	Lock (differential bearing adjuster)		4234	Shaft
4	D1HZ 4A147-A	Washer (thru shaft retainer bolt)- 13/32" I.D. x 3/4" O.D. x 3/32" thick	1	E9HZ 4234-M	R.H.
	4204	Case assy. (differential)-includes 12 bolts and washers	1	E9HZ 4234-L	L.H.
1	E9HZ 4204-D	3.42 thru 3.73 ratios	1	E7HZ 4237-G	Gear and pinion kit (differential)
1	E9HZ 4204-E	3.91 thru 4.56 ratios	Consists of		
1	E9HZ 4204-F	4.89 thru 5.63 ratios	2-E7HZ 4228-D	Washer-gear	2-2234-C-1069 Side gear
1	E7HZ 4211-D	Shaft (pinion)	4-E7HZ 4230-D	Washer-pinion	4-2233-M-1001 Pinion gear
4	E9HZ 4215-A	Pinion (power divider)		4N282	Plug (magnetic)-3/4"-14 x 1 5/16"
12	E9HZ 4216-A	Bolt (differential case)-also serviced in assy.-group 4204	1	D8HZ 4N282-B	Drain
8	E9HZ 4216-B	Bolt (power divider diff. case)-also serviced in assy.-group 4404	1	D8HZ 4N282-B	Filler
	4216	Refer to group 4323 within parts list		4300	Differential assy.-refer to group in Section 40
2	E7HZ 4221-E	Cone and roller (differential bearing)- #X32021X		4309	Ring gear and pinion kit- includes self-locking nut
2	E7HZ 4222-D	Cup (differential bearing)-#Y32021X	1	E9HZ 4309-N	3.42 ratio
1	D8HZ 4222-C	Cup (power divider input shaft rear)-#JLM-714110	1	E9HZ 4309-P	3.58 ratio
2	E7HZ 4228-D	Washer (diff. side gear thrust)- also serviced in kit-group 4237	1	E9HZ 4309-R	3.73 ratio
4	E7HZ 4230-D	Washer (differential pinion thrust)- also serviced in kit-group 4237	1	E9HZ 4309-S	3.91 ratio
			1	E9HZ 4309-T	4.10 ratio
			1	E9HZ 4309-V	4.30 ratio
			1	E9HZ 4309-W	4.56 ratio
			1	E9HZ 4309-X	4.89 ratio
			1	E9HZ 4309-Y	5.38 ratio
			1	E9HZ 4309-Z	5.63 ratio

1980/  
TRUCK SERIES 600/900

QTY.	PART NUMBER	DESCRIPTION	QTY.	PART NUMBER	DESCRIPTION
ROCKWELL (TIMKEN) RD23160 REAR AXLE SERVICE PARTS LIST NO. 293 — Cont'd (NON-LOCKING)					
1	E9HZ 4310	Housing assy.	1	4465	Flange assy. (universal joint)-output
1	E9HZ 4310-J	#C2-3121-S-1397-Hendrickson beam suspension-w/o transverse torque rod	1	E8HZ 4465-A	1610 size
1	E9HZ 4310-K	#C3-3121-S-1397-Hendrickson beam suspension-w/transverse torque rod	1	E9HZ 4465-A	1710 size
1	E9HZ 4310-H	#C4-3121-S-1397-Neway air suspension	1	E8HZ 4K470-A	Baffle (power divider input shaft oil)
	4320	Nut	1	E8HZ 4477-A	Retainer assy. (power divider thru shaft rear bearing)-includes D3HZ 7169-A cup #JLM-104910
1	E8HZ 4320-A	Drive pinion-also serviced in kit-group 4309	1	★F2HZ 4478-A	Seal assy. (power divider output shaft oil)-r/b F3HZ 4478-B (5/93)
1	E7HZ 4320-D	Input shaft flange-also serviced in assy.-group 4446	1	F3HZ 4478-B	Seal assy. (power divider output shaft oil)
1	E7HZ 4320-C	Thru shaft flange	1	E8HZ 4497-C	Air chamber assy. (power divider diff. lockout)
	4323	Bolt (carrier to housing)		4536	Shim (power divider input bearing retainer)
7	D7HZ 4323-A	5/8"-11 x 1 3/4"			Selective fit
3	D3HZ 4216-C	5/8"-11 x 3 1/2"	AR	E8HZ 4536-A	.003" thick
	4323	Stud (carrier to housing)	AR	E8HZ 4536-B	.005" thick
1	D8HZ 4323-H	5/8"-11 x 5/8"-11 x 2 1/2"	AR	E8HZ 4536-C	.010" thick
1	E9HZ 4323-A	5/8"-11 x 5/8"-18 x 3"		4537	Spacer (driving pinion bearing)
12	CITT 4326-B	Washer (carrier to housing)			Use in pairs as required
		21/32" I.D. x 1 1/16" O.D. x 3/32" thick	AR	E9HZ 4537-A	.451" thick
7	D7HZ 4326-A	Washer (power divider input shaft bearing retainer)-17/32" I.D. x 7/8" O.D. x 3/32" thick	AR	E9HZ 4537-B	.452" thick
			AR	E9HZ 4537-C	.453" thick
			AR	E9HZ 4537-D	.454" thick
1	E9HZ 4341-D	Carrier assy. (diff.)- #A2-J-1648	AR	E9HZ 4537-E	.455" thick
	4351	Flange assy. (universal joint)-power divider end-input	AR	E9HZ 4537-F	.459" thick
			AR	E9HZ 4537-G	.463" thick
1	E7HZ 4851-R	1610 size	AR	E9HZ 4537-H	.467" thick
1	E7HZ 4851-S	1710 size	AR	E9HZ 4537-J	.470" thick
1	E8HZ 4851-A	1760 size	AR	E9HZ 4537-K	.474" thick
1	E8HZ 4851-B	1810 size	AR	E9HZ 4537-L	.478" thick
4	E5HZ 4399-A	Bolt (power divider thru shaft bearing retainer)-3/8"-16 x 1"	AR	E9HZ 4537-M	.482" thick
			AR	E9HZ 4537-N	.483" thick
4	E8HZ 4399-A	Bolt (diff. air chamber to carrier)	AR	E9HZ 4537-P	.484" thick
1	E9HZ 4404-C	Case assy. (power divider diff.)- includes 8 bolts and washers	AR	E9HZ 4537-R	.485" thick
			AR	E9HZ 4537-S	.486" thick
1	E9HZ 4411-A	Shaft (power divider differential)	12	E9HZ 4545-A	Washer (differential case bolt) also serviced in assy-group 4204
1	D8HZ 4424-A	Cone and roller (power divider input shaft rear)-#JLM-714149- 2 61/64" I.D. x 4 17/32" O.D.		4545	Washer
1	E9HZ 4431-A	Retainer assy. (power divider input shaft bearing) includes CITT4628-A cup #HM-813810	5	E8HZ 4545-A	Drive pinion bearing retainer bolt
1	E8HZ 4N431-A	"O" ring (power divider input shaft bearing retainer)	8	E8HZ 4545-A	Power divider diff. case bolt
	4434	Gear (power divider input shaft diff. side)	7	E7HZ 4560-A	Bolt (power divider input shaft bearing retainer)
1	E9HZ 4434-A	Front	5	E8HZ 4560-B	Bolt (drive pinion bearing retainer to carrier)
1	E9HZ 4434-B	Rear	3	E8HZ 4560-D	Bolt (power divider input shaft oil baffle)
	4436	Shim (drive pinion bearing retainer) 4 1/2" I.D. x 5 3/16" O.D.	3	356184-S(XX-113)	Washer (power divider input shaft oil baffle bolt)-5/16"
AR	D8HZ 4436-D	.003" thick	1	E8HZ 4565-D	Push rod (inter axle diff. shift)
AR	D8HZ 4436-E	.005" thick		4567	Snap ring (thru shaft rear bearing)
AR	D8HZ 4436-F	.010" thick			Selective
1	E9HZ 4442-A	Gear (drive pinion transfer)	1	D8HZ 4567-B	.155" thick
1	E9HZ 4446-A	Shaft assy. (power divider input)- includes locknut	1	D8HZ 4567-C	.159" thick
1	E9HZ 4450-B	Fork (power divider diff. lockout shift)	1	D8HZ 4567-D	.161" thick
1	E8HZ 4454-A	Washer (power divider input shaft thrust)	1	D8HZ 4567-E	.164" thick
1	E9HZ 4455-B	Gear (power divider sliding clutch)	1	D8HZ 4567-F	.167" thick
1	CITT 4458-C	Spring (power divider diff. lockout shift lever return)-2 1/2" Free length- 1" I.D.-located on air chamber side of carrier	1	D8HZ 4567-G	.170" thick
			1	D8HZ 4567-H	.173" thick
			1	D8HZ 4567-J	.176" thick
			1	D8HZ 4567-K	.179" thick
			1	D8HZ 4567-L	.182" thick
				4567	Snap ring
			1	E9HZ 4567-A	Input shaft
			1	E8HZ 4567-B	Thru shaft

1980/  
TRUCK SERIES 600/900

QTY.	PART NUMBER	DESCRIPTION	QTY.	PART NUMBER	DESCRIPTION
ROCKWELL (TIMKEN) RD23160 REAR AXLE SERVICE PARTS LIST NO. 293 — Cont'd (NON-LOCKING)					
1	E8HZ 4571-A	Jam nut (differential shift fork adjusting bolt)		4628	Refer to group 4616 within parts list
1	E5HZ 4573-A	Seal assy. (input shaft oil)	1	CITT 4630-B	Cone & roller (driving pinion)
1	E9HZ 4579-A	Shaft (power divider thru shaft)	1	8Q 4630-A	Inner- #H-715343 Outer- #65237
1	E8HZ 4585-A	Bolt (differential shift fork adjusting)	1	E8HZ 4675-A	Retainer (drive pinion oil seal)
1	E8HZ 4586-A	Washer (drive pinion nut)		4851	Refer to group 4351 within parts list
1	E9HZ 4586-A	Spacer (drive pinion transfer gear)	1	E7HZ 4859-B	Deflector (drive pinion oil seal)
	4616	Cup (driving pinion bearing)	1	E9HZ 4982-A	Bolt and nut kit (driving gear)
1	B8QH 4616-B	Inner #H-715311	Consists of		
1	8Q 4628-A	Outer #65500	12-MWA516	Washer	12-41X1276 Bolt
1	E7HZ 4621-B	Cone and roller (power divider input shaft front)	12-40X1182	Nut	
1	CITT 4628-A	Cup (power divider input shaft bearing front)-#HM-813810	2	D3HZ 7169-A	Cup (power divider thru shaft)- #JLM-104910-also serviced in assy. - group 4477
ROCKWELL (TIMKEN) RR23160 REAR AXLE SERVICE PARTS LIST NO. 294 (NON-LOCKING)					
1	E9HZ 4010-H	Housing assy. #C3-3121-S-1345-Hendrickson beam suspension-w/o transverse torque rod	1	E7HZ 4237-G	Gear and pinion kit (differential)
1	E9HZ 4010-J	#C4-3121-S-1345-Hendrickson beam suspension-w/transverse torque rod	Consists of		
1	F0HZ 4N025-A	Plug (heat indicator)	2-E7HZ 4228-D	Washer-gear	2-2234-C-1069 Side gear
2	E7HZ 4067-L	Adjuster (differential bearing)	4-E7HZ 4230-D	Washer-pinion	4-2233-M-1001 Pinion gear
1	E9HZ 4141-B	Carrier assy. (differential)-#A2-T-1658		4N282	Plug (housing)-magnetic-3/4"-14 x 1 5/16"
2	E7HZ 4143-D	Lock (differential bearing adjuster)	1	D8HZ 4N282-B	Drain
	4200	Differential assy.-refer to group in Section 40	1	D8HZ 4N282-B	Filler
	4204	Case assy. (differential)-includes 12 bolts and washers	1	E7HZ 4320-D	Nut (drive pinion flange)-self-locking-also serviced in kit-group 4209
1	E9HZ 4204-D	3.42 thru 3.73 ratios		4323	Bolt (carrier to housing)
1	E9HZ 4204-E	3.91 thru 4.56 ratios	8	D7HZ 4323-A	5/8"-11 x 1 3/4"
1	E9HZ 4204-F	4.89 thru 5.63 ratios	4	E7HZ 4323-C	
	4209	Ring gear and pinion kit-incl. locknut	12	CITT 4326-B	Washer (carrier to housing)- 21/32" I.D. x 1 1/16" O.D. x 3/32" thick
1	E9HZ 4209-H	3.42 ratio	8	D7HZ 4326-A	Washer (drive pinion bearing retainer bolt)- 17/32" I.D. x 7/8" O.D. x 3/32" thick
1	E9HZ 4209-J	3.58 ratio		4537	Spacer (driving pinion bearing) Use in pairs as required
1	E9HZ 4209-K	3.73 ratio	AR	E7HZ 4537-AX	.250" thick
1	E9HZ 4209-L	3.91 ratio	AR	E7HZ 4537-AY	.251" thick
1	E9HZ 4209-M	3.91 ratio	AR	E7HZ 4537-AZ	.252" thick
1	E9HZ 4209-N	4.10 ratio	AR	E7HZ 4537-BA	.253" thick
1	E9HZ 4209-P	4.30 ratio	AR	E7HZ 4537-BB	.254" thick
1	E9HZ 4209-R	4.56 ratio	AR	E7HZ 4537-BC	.256" thick
1	E9HZ 4209-S	4.89 ratio	AR	F0HZ 4537-G	.260" thick
1	E9HZ 4209-T	5.38 ratio	AR	E7HZ 4537-BE	.261" thick
1	E9HZ 4209-T	5.63 ratio	AR	E7HZ 4537-BF	.262" thick
1	E7HZ 4211-D	Shaft (pinion)	AR	E7HZ 4537-BG	.263" thick
12	E9HZ 4216-A	Bolt (differential case)-also serviced in assy.-group 4204	12	E9HZ 4545-A	Washer (differential case bolt)- also serviced in assy.-group 4204
2	E7HZ 4221-E	Cone and roller (differential bearing)-#X32021X	8	E7HZ 4560-B	Bolt (pinion bearing retainer to carrier)
2	E7HZ 4222-D	Cup (differential bearing)-#Y32021X	1	E7HZ 4614-F	Retainer assy. (drive pinion)-includes E7HZ 4616-A inner cup #9220 and CITT 4628-A outer cup #HM-813810
2	E7HZ 4228-D	Washer (diff. side gear thrust)-also serviced in kit-group 4237		4616	Cup (driving pinion bearing)
4	E7HZ 4230-D	Washer (differential pinion thrust)-also serviced in kit-group 4237	1	E7HZ 4616-A	Inner-#9220
2	C5TZ 4A230-A	Gasket (housing plug)-5/16" I.D. x 5/8" O.D.	1	CITT 4628-A	Outer-#HM-813810
2	356184-S(XX-113)	Washer (housing plug gasket bolt)-5/16"		4621	Cone and roller (driving pinion)
2	D8HZ 4A322-C	Bolt (housing plug gasket)-5/16"-18 x 1"	1	E7HZ 4621-C	Inner-#9278
	4234	Shaft	1	E7HZ 4621-B	Outer
1	E9HZ 4234-L	R.H.			
1	E9HZ 4234-M	L.H.			



**1980/  
TRUCK SERIES 600/900**

QTY.	PART NUMBER	DESCRIPTION	QTY.	PART NUMBER	DESCRIPTION
<b>ROCKWELL (TIMKEN) RR23160 REAR AXLE SERVICE PARTS LIST NO. 294 — Cont'd</b>					
<b>(NON-LOCKING)</b>					
1	E9HZ 4625	Bearing assy. (driving pinion pilot)	1	E7HZ 4676-A	Seal assy. (drive pinion oil)
1	E9HZ 4625-C	Use on gear sets w/o snap ring retainer	1	4851	Flange assy. (universal joint)-axle end
1	E9HZ 4625-B	Use on gear sets w/snap ring retainer	1	E9HZ 4851-A	1610 size
1	F0HZ 4627-A	Retainer (driving pinion pilot bearing)	1	E9HZ 4851-B	1710 size
	4628	Refer to group 4616 within parts list	1	E7HZ 4859-B	Deflector (drive pinion oil seal)
	4662	Shim (driving pinion bearing retainer)	1	E9HZ 4982-A	Bolt and nut kit (driving gear)
AR	E9HZ 4662-A	.003" thick	Consists of		
AR	E7HZ 4662-K	.005" thick	12-MWA516	Washer	12-41X1276 Bolt
AR	E7HZ 4662-L	.008" thick	12-40X1182	Nut	
AR	E7HZ 4662-M	.020" thick			
<b>ROCKWELL (TIMKEN) RP23160 REAR AXLE SERVICE PARTS LIST NO. 295</b>					
<b>(LOCKING)</b>					
2	C7TZ 1240-A	Cone and roller (power divider thru shaft)-#LM-104949		4204	Case assy. (differential)-includes 12 bolts and washers — Cont'd
	1243	Refer to group 4222 within parts list	1	F0HZ 4204-H	4.89 thru 5.63 ratios-use on carrier assy. #A2-Z-1820-also serviced in kit-group 4341
	1244	Refer to group 4221 within parts list			
1	F0HZ 4N025-A	Plug (heat indicator)	1	E7HZ 4211-D	Shaft (pinion)
1	E8HZ 4K046-A	Plug (differential cylinder cover)	4	E9HZ 4215-A	Pinion (power divider)
1	E9HZ 4K052-A	Cover (differential cylinder)	12	E9HZ 4216-A	Bolt (differential case)-also serviced in assy.-group 4204
	4067	Adjuster (differential bearing)	8	E9HZ 4216-B	Bolt (power divider diff. case)-also serviced in assy.-group 4404
2	E7HZ 4067-L	Use on carrier assy. #A2-P-1628		4216	Refer to group 4323 within parts list
1	F0HZ 4067-B	R.H.-use on carrier assy. #A2-Z-1820-also serviced in kit-group 4341	2	E7HZ 4221	Cone and roller (differential bearing)
1	F0HZ 4067-A	L.H.-use on carrier assy. #A2-Z-1820-also serviced in kit-group 4341	1	E7HZ 4221-E	#X32021X-use on carrier assy. #A2-P-1628
1	E9HZ 4K073-A	Gasket (differential cylinder cover)	1	D7HZ 1244-A	R.H.-#594A-use on carrier assy. #A2-Z-1820-also serviced in kit-group 4341
1	E8HZ 4K078-A	Switch (differential lockout sensor)	1	E7HZ 4221-D	L.H.-#52400-Use on carrier assy. #A2-Z-1820-also serviced in kit-group 4341
1	E8HZ 4A095-A	Pin (differential shift fork)		4222	Cup (differential bearing)
2	D8HZ 4A142-A	Nut (carrier to housing stud)-5/8"-18 x 35/64" thick	2	E7HZ 4222-D	#Y32021-X-use on carrier assy. #A2-P-1628
	4143	Lock (differential bearing adjuster)	1	TUAA 1243-A	R.H.-#592A-use on carrier assy. #A2-Z-1820-also serviced in kit-group 4341
2	E7HZ 4143-D	Use on carrier assy. #A2-P-1628	1	C3TZ 4222-C	L.H.-#52618-use on carrier assy. #A2-Z-1820-also serviced in kit-group 4341
1	C2TZ 4143-A	R.H.-cotter pin-use on carrier assy. #A2-Z-1820	1	D8HZ 4222-C	Cup (power divider input shaft rear)-#JLM-714110
1	E7HZ 4143-D	L.H.-spirol pin-use on carrier assy. #A2-Z-1820	2	E7HZ 4228-D	Washer (diff. side gear thrust)-also serviced in kit-group 4237
4	D1HZ 4A147-A	Washer (thru shaft retainer bolt)-13/32" I.D. x 3/4" O.D. x 3/32" thick	4	E7HZ 4230-D	Washer (differential pinion thrust)-also serviced in kit-group 4237
	4K198	Bolt (diff. cylinder cover manual adjustment)-also serviced in kit-group 4497	4	E9HZ 4230-A	Washer (power divider diff. pinion thrust)
1	E8HZ 4K198-A	Use on carrier assy. #A2-P-1628	2	C5TZ 4A230-A	Gasket (housing plug)-5/16" I.D. x 5/8" O.D.
1	F2HZ 4K198-A	Use on carrier assy. #A2-Z-1820	2	356184-S(XX-113)	Washer (housing plug gasket bolt)-5/16"
1	E8HZ 4K201-A	Nut (differential lockout sensor switch)	2	D8HZ 4A322-C	Bolt (housing plug gasket)-5/16"-18 x 1"
1	E9HZ 4204-G	3.42 thru 3.73 ratios-use on carrier assy. #A2-P-1628		4234	Shaft
1	F0HZ 4204-F	3.42 thru 3.73 ratios-use on carrier assy. #A2-Z-1820-also serviced in kit-group 4341	1	E9HZ 4234-M	R.H.
1	E9HZ 4204-H	3.91 thru 4.56 ratios-use on carrier assy. #A2-P-1628	1	E9HZ 4234-B	L.H.
1	F0HZ 4204-G	3.91 thru 4.56 ratios-use on carrier assy. #A2-Z-1820-also serviced in kit-group 4341	1	E7HZ 4237-G	Gear and pinion kit (differential)
1	E9HZ 4204-J	4.89 thru 5.63 ratios-use on carrier assy. #A2-P-1628	Consists of		
			2-E7HZ 4228-D	Washer-gear	2-2234-C-1069 Side gear
			4-E7HZ 4230-D	Washer-pinion	4-2233-M-1001 Pinion gear

1980/  
TRUCK SERIES 600/900

QTY.	PART NUMBER	DESCRIPTION	QTY.	PART NUMBER	DESCRIPTION
ROCKWELL (TIMKEN) RR23160 REAR AXLE SERVICE PARTS LIST NO. 295 — Cont'd (NON-LOCKING)					
1	D8HZ 4N282	Plug (magnetic)-3/4"-14 x 1 5/16"	1	4341	Carrier kit (diff.)-update — Cont'd
1	D8HZ 4N282-B	Drain	1	E9HZ 4341-J	4.89 thru 5.63 ratios
1	D8HZ 4N282-B	Filler	Consists of		
	4300	Differential assy.-refer to group in Section 40	1-TUAA 1243-A	Cup-R.H.	1-C3TZ 4222-C Cup-L.H.
	4309	Ring gear and pinion kit- includes self-locking nut	1-D7HZ 1244-A	Cone-R.H.	1-F2HZ 4341-F Carrier assy.
1	E9HZ 4309-N	3.42 ratio	1-F0HZ 4067-A	Adjuster-L.H.	1-F2HZ 4497-B Air chamber
1	E9HZ 4309-P	3.58 ratio	1-F0HZ 4067-B	Adjuster-R.H.	1-F0HZ 4569-A Clutch
1	E9HZ 4309-R	3.73 ratio	1-F0HZ 4204-H	Case assy.	4-MWA506 Washer
1	E9HZ 4309-S	3.91 ratio	1-E7HZ 4221-D	Cone L.H.	4-MS206050-1 Bolt
1	E9HZ 4309-T	4.10 ratio	4351 Flange assy. (universal joint)-power divider end-input		
1	E9HZ 4309-V	4.30 ratio	1	E7HZ 4851-R	1610 size
1	E9HZ 4309-W	4.56 ratio	1	E7HZ 4851-S	1710 size
1	E9HZ 4309-X	4.89 ratio	1	E8HZ 4851-A	1760 size
1	E9HZ 4309-Y	5.38 ratio	1	E8HZ 4851-B	1810 size
1	E9HZ 4309-Z	5.63 ratio	4	E5HZ 4399-A	Bolt (power divider thru shaft bearing retainer)-3/8"-16 x 1"
	4310	Housing assy.	4	E8HZ 4399-A	Bolt (diff. air chamber to carrier)
1	E9HZ 4310-J	#C2-3121-S-1397-Hendrickson beam suspension-w/o transverse torque rod	1	E9HZ 4404-C	Case assy. (power divider diff.)- includes 8 bolts and washers
1	E9HZ 4310-K	#C3-3121-S-1397-Hendrickson beam suspension-w/transverse torque rod	1	E9HZ 4411-A	Shaft (power divider differential)
1	E9HZ 4310-H	#C4-3121-S-1397-Neway air suspension	1	E8HZ 4A420-A	Filter assy. (power divider oil)
1	E8HZ 4A318-A	Element assy. (oil filter)	1	E8HZ 4A421-A	Shield (power divider oil filter)
	4320	Nut	1	D8HZ 4424-A	Cone and roller (power divider input shaft rear)-#JLM-714149-2 61/64" I.D. x 4 17/32" O.D.
1	E8HZ 4320-A	Drive pinion-also serviced in kit-group 4309	1	E8HZ 4428-A	Adapter (power divider oil filter)
1	E7HZ 4320-D	Input shaft flange-also serviced in assy.-group 4446	1	E9HZ 4431-B	Retainer assy. (power divider input shaft bearing) includes CITT 4628-A cup #HM-813810
1	E7HZ 4320-C	Thru shaft flange	1	E8HZ 4K431-A	Plug kit (power divider input shaft bearing retainer)
	4323	Bolt (carrier to housing)	Consists of		
7	D7HZ 4323-A	5/8"-11 x 1 3/4"	1-1229-F-4062	Washer	1-2258-Z-1118 Spring
3	D3HZ 4216-C	5/8"-11 x 3 1/2"	1-1250-N-1080	Plug	1-2297-U-5273 Valve
1	D8HZ 4323-H	5/8"-11 x 5/8"-11 x 2 1/2"	2	E8HZ 4N431-A	"O" ring (power divider input shaft bearing retainer)
1	E9HZ 4323-A	5/8"-11 x 5/8"-18 x 3"		4434	Gear (power divider input shaft diff. side)
12	CITT 4326-B	Washer (carrier to housing)- 21/32" I.D. x 1 1/16" O.D. x 3/32" thick	1	E9HZ 4434-A	Front
7	D7HZ 4326-A	Washer (power divider oil filter shield bolt)- 17/32" I.D. x 7/8" O.D. x 3/32" thick	1	E9HZ 4434-B	Rear
	4341	Carrier assy. (diff.)	AR	D8HZ 4436-D	.003" thick
1	E9HZ 4341-E	#A2-P-1628	AR	D8HZ 4436-E	.005" thick
1	F2HZ 4341-F	#A2-Z-1820-also serviced in kit-group 4341	AR	D8HZ 4436-F	.010" thick
1	E9HZ 4341-G	Carrier kit (diff.)-update 3.42 thru 3.73 ratios	1	E9HZ 4442-A	Gear (drive pinion transfer)
Consists of			1	E9HZ 4446-B	Shaft assy. (power divider input)- includes locknut
1-TUAA 1243-A	Cup-R.H.	1-C3TZ 4222-C Cup-L.H.		4450	Fork (power divider diff. lockout shift)
1-D7HZ 1244-A	Cone-R.H.	1-F2HZ 4341-F Carrier assy.	1	E9HZ 4450-B	Front-locks axles front to rear
1-F0HZ 4067-A	Adjuster-L.H.	1-F2HZ 4497-B Air chamber	1	E9HZ 4450-C	Rear-locks axles wheel to wheel
1-F0HZ 4067-B	Adjuster-R.H.	1-F0HZ 4569-A Clutch	1	E8HZ 4454-A	Washer (power divider input shaft thrust)
1-F0HZ 4204-F	Case assy.	4-MWA506 Washer	1	E9HZ 4455-B	Gear (power divider sliding clutch)
1-E7HZ 4221-D	Cone-L.H.	4-MS206050-1 Bolt	1	CITT 4458-C	Spring (power divider diff. lockout shift lever return)-2 1/2" free length- 1" I.D.-located on air chamber side of carrier
1	E9HZ 4341-H	3.91 thru 4.56 ratios	1	E8HZ 4458-A	Spring (diff. lockout shift lever return)- located on diff. lock side of carrier
Consists of				4465	Flange assy. (universal joint)-output
1-TUAA 1243-A	Cup-R.H.	1-C3TZ 4222-C Cup-L.H.	1	E8HZ 4465-A	1610 size
1-D7HZ 1244-A	Cone-R.H.	1-F2HZ 4341-F Carrier assy.	1	E9HZ 4465-A	1710 size
1-F0HZ 4067-A	Adjuster-L.H.	1-F2HZ 4497-B Air chamber			
1-F0HZ 4067-B	Adjuster-R.H.	1-F0HZ 4569-A Clutch			
1-F0HZ 4204-G	Case assy.	4-MWA506 Washer			
1-E7HZ 4221-D	Cone-L.H.	4-MS206050-1 Bolt			

1980/  
TRUCK SERIES 600/900

QTY.	PART NUMBER	DESCRIPTION	QTY.	PART NUMBER	DESCRIPTION
ROCKWELL (TIMKEN) RP23160 REAR AXLE SERVICE PARTS LIST NO. 295 — Cont'd (LOCKING)					
1	E8HZ 4477-A	Retainer assy. (power divider thru shaft rear bearing)—includes D3HZ 7169-A cup #JLM-104910	6	E9HZ 4P560-A	Washer (power divider lube pump bolt)
1	★F2HZ 4478-A	Seal assy. (power divider output shaft oil) — r/b F3HZ 4478-B (5/93)	1	4565	Push rod (inter axle)
1	F3HZ 4478-B	Seal assy. (power divider output shaft oil)	1	E8HZ 4565-B	Diff. lock shift—located on diff lock side of carrier
1	E8HZ 4497-B	Shift kit (differential lockout)—use on carrier assy.—#A2-P-1628	1	E8HZ 4565-D	Diff. shift—located on air chamber side of carrier
Consists of			1	E8HZ 4K565-A	Pin (diff. lockout shift push rod)
4	MWA506-P	Washer	4	4567	Snap ring (thru shaft rear bearing) Selective
1	5X888	“O” ring	1	D8HZ 4567-B	.155” thick
1	E8HZ 4K198-A	Bolt	1	D8HZ 4567-C	.159” thick
1	42X1027	Washer	1	D8HZ 4567-D	.161” thick
			1	D8HZ 4567-E	.164” thick
			1	D8HZ 4567-F	.167” thick
			1	D8HZ 4567-G	.170” thick
			1	D8HZ 4567-H	.173” thick
			1	D8HZ 4567-J	.176” thick
			1	D8HZ 4567-K	.179” thick
			1	D8HZ 4567-L	.182” thick
1	F2HZ 4497-A	Shift kit (differential lockout)—use on carrier assy. #A2-Z-1820		4567	Snap ring
Consists of			1	E9HZ 4567-A	Input shaft
1	F2HZ 4K198-A	Bolt	1	E8HZ 4567-B	Thru shaft
4	MWA-506	Washer		4569	Clutch collar (main diff. lock)
1	5X-888	“O” ring	1	E9HZ 4569-A	Use on carrier assy. #A2-P-1628
			1	F0HZ 4569-A	Use on carrier assy. #A2-Z-1820—also serviced in kit—group 4341
1	E8HZ 4497-C	Air chamber assy. (power divider diff. lockout) Use on carrier assy. #A2-P-1628	1	E8HZ 4571-A	Jam nut (diff. shift fork adjusting bolt)
1	F2HZ 4497-B	Use on carrier assy. #A2-Z-1820—also serviced in kit—group 4341	1	E5HZ 4573-A	Seal assy. (input shaft oil)
			1	E9HZ 4579-A	Shaft (power divider thru shaft)
			1	E9HZ 4A581-A	Pump assy. (power divider lube)
			1	E8HZ 4585-A	Bolt (differential shift fork adjusting)
			1	E8HZ 4586-A	Washer (drive pinion nut)
			1	E9HZ 4586-A	Spacer (drive pinion transfer gear)
				4616	Cup (driving pinion bearing)
			1	B8QH 4616-B	Inner—#H-715311
			1	8Q 4628-A	Outer—#65500
			1	E7HZ 4621-B	Cone and roller (power divider input shaft front)
			1	CITT 4628-A	Cup (power divider input shaft bearing front)—#HM-813810
				4628	Refer to group 4616 within parts list
				4630	Cone and roller (driving pinion)
			1	CITT 4630-B	Inner—#H-715343
			1	8Q 4630-A	Outer—#65237
			1	E8HZ 4675-A	Retainer (drive pinion oil seal)
				4851	Refer to group 4351 within parts list
			1	E7HZ 4859-B	Deflector (drive pinion oil seal)
			1	E9HZ 4982-A	Bolt and nut kit (driving gear)
			Consists of		
			12	MWA516	Washer
			12	40X1182	Nut
				12-41X1276	Bolt
12	E9HZ 4545-A	Washer (differential case bolt)—also serviced in assy.—group 4204	2	D3HZ 7169-A	Cup (power divider thru shaft)—#JLM-104910—also serviced in assy.—group 4477
5	E8HZ 4545-A	Drive pinion bearing retainer bolt			
8	E8HZ 4545-A	Power divider diff. case bolt			
7	E7HZ 4560-A	Bolt (power divider oil filter shield)			
5	E8HZ 4560-B	Bolt (drive pinion bearing retainer to carrier)			
6	E9HZ 4560-A	Bolt (power divider lube pump)			
2	E8HZ 4N560-A	Dowel (power divider lube pump locating)			

1980/  
TRUCK SERIES 600/900

QTY.	PART NUMBER	DESCRIPTION	QTY.	PART NUMBER	DESCRIPTION
ROCKWELL (TIMKEN) RR23160 REAR AXLE SERVICE PARTS LIST NO. 296 (LOCKING)					
	1243	Refer to group 4222 within parts list	1	E8HZ 4K201-A	Nut (differential lockout sensor switch)
	1244	Refer to group 4221 within parts list		4204	Case Assy (differential)-includes 12 bolts and washers
	4010	Housing Assy.		E9HZ 4204-G	3.42 thru 3.73 ratios-use on carrier Assy.-#A2-V-1660
1	E9HZ 4010-H	#C3-3121-S-1345-Hendrickson beam suspension-w/o transverse torque rod	1	F0HZ 4204-F	3.42 thru 3.73 ratios-use on carrier Assy. #A2-C-1823-also serviced in kit-group 4141
1	E9HZ 4010-J	#C4-3121-S-1345-Hendrickson beam suspension-w/transverse torque rod	1	E9HZ 4204-H	3.91 thru 4.56 ratios-use on carrier Assy.-#A2-V-1660
1	F0HZ 4N025-A	Plug (heat indicator)	1	F0HZ 4204-G	3.91 thru 4.56 ratios-use on carrier Assy. #A2-C-1823-also serviced in kit-group 4141
1	E8HZ 4K046-A	Plug (differential cylinder cover)	1	E9HZ 4204-J	4.89 thru 5.63 ratios-use on carrier Assy.-#A2-V-1660
1	E9HZ 4K052-A	Cover (differential cylinder)	1	F0HZ 4204-H	4.89 thru 5.63 ratios-use on carrier Assy. #A2-C-1823-also serviced in kit-group 4141
	4067	Adjuster (differential bearing)		4209	Ring gear and pinion kit-incl. locknut
2	E7HZ 4067-L	Use on carrier Assy. #A2-V-1660	1	E9HZ 4209-H	3.42 ratio
1	F0HZ 4067-A	R.H.-use on carrier Assy. #A2-C-1823-also serviced in kit-group 4141	1	E9HZ 4209-J	3.58 ratio
1	F0HZ 4067-B	L.H.-use on carrier Assy. #A2-C-1823-also serviced in kit-group 4141	1	E9HZ 4209-K	3.73 ratio
1	E9HZ 4K073-A	Gasket (differential cylinder cover)	1	E9HZ 4209-L	3.91 ratio
1	E8HZ 4K078-A	Switch (differential lockout sensor)	1	E9HZ 4209-M	4.10 ratio
2	E8HZ 4A095-A	Pin (differential shift fork)	1	E9HZ 4209-N	4.30 ratio
	4141	Carrier Assy. (differential)	1	E9HZ 4209-P	4.56 ratio
1	E9HZ 4141-C	#A2-V-1660	1	E9HZ 4209-R	4.89 ratio
1	F2HZ 4141-D	#A2-C-1823-also serviced in kit-group 4141	1	E9HZ 4209-S	5.38 ratio
	4141	Carrier kit (diff.)-update	1	E9HZ 4209-T	5.63 ratio
1	E9HZ 4141-D	3.42 thru 3.73 ratios	1	E7HZ 4211-D	Shaft (pinion)
Consists of			12	E9HZ 4216-A	Bolt (differential case)-also serviced in Assy.-group 4204
1	TUAA 1243-A	Cup-L.H. 1-E7HZ 4221-D Cone-R.H.		4221	Cone and roller (differential bearing)
1	D7HZ 1244-A	Cone-L.H. 1-C3TZ 4222-C Cup-R.H.	2	E7HZ 4221-E	#X32021X-use on carrier Assy. #A2-V-1660
1	F0HZ 4067-A	Adjuster-R.H. 1-F0HZ 4569-A Clutch	1	E7HZ 4221-D	R.H.-#52400-use on carrier Assy. #A2-C-1823-also serviced in kit-group 4141
1	F0HZ 4067-B	Adjuster-L.H. 4-MWA506 Washer	1	D7HZ 1244-A	L.H.-#594A-use on carrier Assy. #A2-C-1823-also serviced in kit-group 4141
1	F2HZ 4141-D	Carrier Assy. 1-41X-1364 Bolt		4222	Cup (differential bearing)
1	F0HZ 4204-F	Case Assy.	2	E7HZ 4222-D	#Y32021X-use on carrier Assy. A2-V-1660
1	E9HZ 4141-E	3.91 thru 4.56 ratios	1	C3TZ 4222-C	R.H.-#52618-use on carrier Assy. #A2-C-1823-also serviced in kit-group 4141
Consists of			1	TUAA 1243-C	L.H.-#592A-use on carrier Assy. #A2-C-1823-also serviced in kit-group 4141
1	TUAA 1243-A	Cup-L.H. 1-E7HZ 4221-D Cone-R.H.	2	E7HZ 4228-D	Washer (diff. side gear thrust)-also serviced in kit-group 4237
1	D7HZ 1244-A	Cone-L.H. 1-C3TZ 4222-C Cup-R.H.	4	E7HZ 4230-D	Washer (differential pinion thrust)-also serviced in kit-group 4237
1	F0HZ 4067-A	Adjuster-R.H. 1-F0HZ 4569-A Clutch	2	C5TZ 4A230-A	Gasket (housing plug)-5/16" I.D. x 5/8" O.D.
1	F0HZ 4067-B	Adjuster-L.H. 4-MWA506 Washer	2	356184-S(XX-113)	Washer (housing plug gasket bolt)-5/16"
1	F2HZ 4141-D	Carrier Assy. 1-41X-1364 Bolt	2	D8HZ 4A322-C	Bolt (housing plug gasket)-5/16"-18 x 1"
1	F0HZ 4204-H	Case Assy.		4234	Shaft
	4143	Lock (differential bearing adjuster)	1	E9HZ 4234-B	R.H.
2	E7HZ 4143-D	Use on carrier Assy.-#A2-V-1660	1	E9HZ 4234-M	L.H.
1	C2TZ 4143-A	R.H.-cotter pin-use on carrier Assy. #A2-C-1823			
1	E7HZ 4143-D	L.H.-spiral pin-use on carrier Assy. #A2-C-1823			
	4K198	Bolt (diff. cylinder cover manual adjustment)-also serviced in kit group 4497			
1	E8HZ 4K198-A	Use on carrier Assy. #A2-V-1660			
1	F2HZ 4K198-A	Use on carrier Assy. #A2-C-1823			
	4200	Differential Assy.-refer to group in Section 40			

1980/  
TRUCK SERIES 600/900

QTY.	PART NUMBER	DESCRIPTION	QTY.	PART NUMBER	DESCRIPTION
<b>ROCKWELL (TIMKEN) RR23160 REAR AXLE SERVICE PARTS LIST NO. 296 — Cont'd</b>					
<b>(LOCKING)</b>					
1	E7HZ 4237-G	Gear and pinion kit (differential)	12	E9HZ 4545-A	Washer (differential case bolt)—also serviced in assy.—group 4204
Consists of			8	E7HZ 4560-B	Bolt (pinion bearing retainer to carrier)
2	E7HZ 4228-D	Washer—gear 2-2234-C-1069 Side gear	1	E8HZ 4565-B	Push rod (diff. lockout shift)
4	E7HZ 4230-D	Washer—pinion 4-2233-M-1001 Pinion gear	1	E8HZ 4K565-A	Pin (diff. lockout shift push rod)
	4N282	Plug (magnetic)—3/4"—14 x 1 5/16"		4569	Clutch collar (differential)
1	D8HZ 4N282-B	Drain	1	E9HZ 4569-A	Use on carrier assy.—#A2-V-1660
1	D8HZ 4N282-B	Filler	1	F0HZ 4569-A	Use on carrier assy.—#A2-C-1823—also serviced in kit—group 4141
1	E7HZ 4320-D	Nut (drive pinion flange)—self-locking—also serviced in kit—group 4209	1	E7HZ 4614-F	Retainer assy. (drive pinion)—includes E7HZ 4616-A inner cup #9220 and CITT 4628-A outer cup #HM813810
	4323	Bolt (carrier to housing)		4616	Cup (driving pinion bearing)—also serviced in assy.—group 4614
8	D7HZ 4323-A	5/8"—11 x 1 3/4"	1	E7HZ 4616-A	Inner #9220
4	E7HZ 4323-C		1	CITT 4628-A	Outer #HM813810
12	CITT 4326-B	Washer (carrier to housing)—2 1/32" I.D. x 1 1/16" O.D. x 3/32" thick		4621	Cone and roller (driving pinion)
8	D7HZ 4326-A	Washer (drive pinion bearing retainer bolt)—1 7/32" I.D. x 7/8" O.D. x 3/32" thick	1	E7HZ 4621-C	Inner—#9278
1	E9HZ 4450-C	Fork (differential lockout shift)	1	E7HZ 4621-B	Outer
1	E8HZ 4458-A	Spring (diff. lockout shift lever return)	1	E9HZ 4625-C	Bearing assy. (driving pinion pilot) Use on gear sets w/o snap ring retainer
1	E8HZ 4497-B	Shift Kit (differential lockout)—use on carrier assy. #A2-V-1660	1	E9HZ 4625-B	Use on gear sets w/snap ring retainer
Consists of			1	F0HZ 4627-A	Retainer (driving pinion pilot bearing)
4	MWA506P	Washer 4-41X1081 Bolt		4628	Refer to group 4616 within parts list
1	5X888	"0" ring 1-2208-H-944 Gasket	AR	E9HZ 4662	Shim (driving pinion bearing retainer)
1	E8HZ 4K198-A	Bolt 1-2230-L-168 Piston	AR	E7HZ 4662-A	.003" thick
1	42X1027	Washer 1-3196-F-32 Tube	AR	E7HZ 4662-K	.005" thick
1	F2HZ 4497-A	Shift kit (differential lockout)—use on carrier assy. #A2-C-1823	AR	E7HZ 4662-L	.008" thick
Consists of			AR	E7HZ 4662-M	.020" thick
1	F2HZ 4K198-A	Bolt 4-41X-1359 Bolt	1	E7HZ 4676-A	Seal assy. (drive pinion oil)
4	MWA-506	Washer 1-2230-N-170 Piston		4851	Flange assy. (universal joint)—axle end
1	5X-888	"0" ring	1	E9HZ 4851-A	1610 size
	4537	Spacer (driving pinion bearing) use in pairs as required	1	E9HZ 4851-B	1710 size
AR	E7HZ 4537-AX	.250" thick	1	E7HZ 4859-B	Deflector (drive pinion oil seal)
AR	E7HZ 4537-AY	.251" thick	1	E9HZ 4982-A	Bolt and nut kit (driving gear)
AR	E7HZ 4537-AZ	.252" thick	Consists of		
AR	E7HZ 4537-BA	.253" thick	12	MWA516	Washer 12-41X1276 Bolt
AR	E7HZ 4537-BB	.254" thick	12	40X1182	Nut
AR	E7HZ 4537-BC	.256" thick			
AR	F0HZ 4537-G	.260" thick			
AR	E7HZ 4537-BE	.261" thick			
AR	E7HZ 4537-BF	.262" thick			
AR	E7HZ 4537-BG	.263" thick			

**1980/  
TRUCK SERIES 600/900**

YEAR	MODEL/RESTRICTIONS	PART NUMBER	DESCRIPTION	QTY.
<b>4A002 SPACER (REAR AXLE TORQUE ARM BRACKET)-Unless listed improvise</b>				
80/	CLT-CT-FT-LNT-LT-LTA-LTS800/900 -- w/Hendrickson beam suspension	C4TZ 4A002-A		AR
84/89	CLT-LNT-LT-LTL900 -- w/Hendrickson 4 spring suspension	F0HZ 4A002-A		AR
		58731-S2	(B-144-C) Bolt (spacer and torque rod to hanger bracket)-5/8"-11 x 4 1/2"	8
		44881-S2	(X-40-G) Flatwasher (spacer and torque rod to hanger bracket)-5/8"	16
		34991-S2	(M-89-GH) Nut (spacer and torque rod to hanger bracket)-5/8"-11	8
4004-6	AXLE ASSY. (REAR) - Refer to Rear Axle Parts List Section 40, page 1			
4K007	Refer to group 4831			
4010	Refer to Rear Axle Parts List Section 40, page 1			
4K014	Refer to group 4831			
<b>4022 VENT (REAR AXLE HOUSING)</b>				
80/	All	B7T 7034-B	3/8"-18 x 1 7/16"-use w/Rockwell axles- exc. H601,P601	1
86	CF600/700	E6HZ 4022-A	Use with Rockwell axles H601,P601	1
80/	All	C0TT 4022-A	1/8" pipe thread -use w/Eaton axle	1
<b>4K022 SLEEVE (REAR AXLE HOUSING VENT EXTENSION)</b>				
86	CF600/700	★ E6HZ 4K022-B	Use with Rockwell axles H601,P601	1
4026-33	Refer to Rear Axle Parts List Section 40, page 1			
4035	Refer to Rear Axle Parts List Section 40, page 1			
4038	Refer to group 4062			
4040	Refer to Rear Axle Parts List Section 40, page 1			
4043	PIPE ASSY. (REAR AXLE CONTROL VALVE TO INTAKE MANIFOLD) - Improvise from bulk tubing (2269)			
4044-51	Refer to Rear Axle Parts List Section 40, page 1			
4052	Refer to group 4062			
4053-6	Refer to Rear Axle Parts List Section 40, page 1			
4W060	Refer to group 4612			
4061	Refer to group 17A259			

1980/  
TRUCK SERIES 600/900

YEAR	MODEL/RESTRICTIONS	PART NUMBER	DESCRIPTION	PARTS LIST NO.	QTY.
4062	SHIFT ASSY. (REAR AXLE TWO SPEED) - Also refer to Rear Axle Parts List Section 40, page 1				
Notes: $\Delta$ Parts Lists start at end of this Group					
$\oplus$ For electric shift unit repair kits-refer to group 4B062 within this Section					
80/85	B-C-F-L-LN600/900 - - w/rear shocks	$\star\oplus$ B9TT 4062-A r/bMat 89011	Electric-#41059-use w/Eaton 16244,17201,17221, 18221,22221, 23221 axle Use w/Dana G175-T, M185-T, M190-T, M220-T axle	$\Delta$ 1	1
80/85	B-F600/800 - - w/rear shocks				1
80/85	B-C-F-LN600 - - w/rear shocks	$\star\oplus$ B9TT 4062-C r/bMat 89012	Electric-#41058-use w/Eaton 15201 axle	$\Delta$ 2	1
84/85	B-C-F-L-LN600/900 - - w/o rear shocks	$\star$ E5HZ 4062-A r/bF0HZ 4062-A	Electric-#113770	$\Delta$ 7	1
86/	B-C-CF-F-L-LA LN-LS600/900	$\star$ E5HZ 4062-A r/bF0HZ 4062-A	Electric-#113770 use w/Dana, Eaton, Rockwell axles	$\Delta$ 7	1
84/85	B-C-F-L-LN600/900 - - w/o rear shocks	$\star$ F0HZ 4062-A r/bE4HZ 4R062-A	Electric-#127772	$\Delta$ 7	1
86/	B-C-CF-F-L-LA LN-LS600/900				
80/87	CT-LNT-LT-LTL-LTS800/900	C8HZ 4062-B	Air-piston type-use w/Eaton 34,38D,DT341 forward rear axle use w/Eaton 44R rear rear axle	$\Delta$ 3	1
80/81	CLT900				1
80/87	CT-LNT-LT-LTL-LTS800/900	C8HZ 4062-C	Air-piston type-use w/Eaton 34,38R,RT341-rear rear axle use w/Eaton 44D forward rear axle	$\Delta$ 4	1
80/81	CLT900				1
4062	SHIFT ASSY. KIT (REAR AXLE TWO SPEED)-Also refer to Rear Axle Parts List Section 40, page 1				
Notes: $\Delta$ Parts Lists start at end of this group					
$\oplus$ For electric shift unit repair kits-refer to group 4B062 within this Section					
80/85	B-C-F-L-LN600/900 - - w/o rear shocks	E4HZ 4062-B	Electric-use to convert from old design shift assy. to new design	$\Delta$ 7	1
CONSISTS OF					
1-E5HZ 4062-A	Shift assy.	1-113738	Wire harness	1-113747	Clip
1-E4HZ 4072-A	Seal	3-113739	Connector	1-113748	Nut
2-E4HZ 4B147-A	Washer	1-113740	Instruction sheet	2-113749	Nylon wrap
4062	SHIFT ASSY. REPAIR KIT (REAR AXLE TWO SPEED)				
80/85	B-C-F-L-LN600/900 - - w/rear shocks	E5HZ 4062-B	Electric-use to repair old design shift assy. B9TT 4062-A and B9TT 4062-C	1or2	1
CONSISTS OF					
1-B2Q 4052-A	Cover housing	1-E3HZ 4N332-A	Screw		
1-B2Q 4074-A	Cover bearing	1-E3HZ 4N571-A	Nut drive screw		
1-B2Q 4081-A	Spring kit	2-E3HZ 4N571-B	Nut terminal inner		
1-E5HZ 4A098-A	Repair kit	2-E3HZ 4N571-C	Nut terminal outer		
1-B2Q 4100-B	Motor	1-87708-S	Plug		
12-E3HZ 4A196-A	Bolt				
4062	SHIFT ASSY. (REAR AXLE POWER DIVIDER LOCKOUT) -				
Also refer to Rear Axle Parts List Section 40, page 1					
Notes: $\Delta$ Parts Lists start at end of this Group, $\blacksquare$ Also serviced in kit - group 4A098					
80/87	CT-LNT-LT-LTS-800/900/	C1TZ 4062-A	Air-use w/Eaton 34,38D, DT341,DP440P axles	$\Delta$ 5	1
83/87	FT800/900	E3HZ 4062-A	Electric-use w/Eaton DS341 axle	$\Delta$ 6	1
83/85	FT800/900	B9TT 4062-A	Electric-#41059-use w/Rockwell SL100 axle	$\Delta$ 1	1
QTY.	PART NUMBER	DESCRIPTION	QTY.	PART NUMBER	DESCRIPTION
PARTS LIST NO. 1 - B9TT 4062-A			PARTS LIST NO. 1-B9TT 4062-A -- Cont'd		
1	B2Q 4052-A	Cover (shift housing)	1	$\blacksquare$ B2Q 4094-A	Bearing (drive screw)
1	87708-S(P-14)	Plug (for oil level hole in housing cover)- 1/8"-27 x 9/32"-square socket	1	B2Q 4100-B	Motor (electric shift)
1	$\blacksquare$ E4HZ 4072-A	Seal assy. (shift fork)	1	$\blacksquare$ B9TZ 4104-B	Gasket (shift motor)
1	$\blacksquare$ B2Q 4073-A	Gasket (shift fork opening cover)	1	$\blacksquare$ B2Q 4107-A	*SW 1536-Switch (electric shift)-1980/84
1	B2Q 4074-A	Cover (drive screw bearing)	1	$\blacksquare$ E5HZ 4107-A	*SW 1536-A Switch (electric shift)-1985
1	B2Q 4081-A	Drive spring kit	1	$\blacksquare$ B2TZ 4108-A	Bushing (insulator)
Consists of			3	4A196	Bolt-3/16"-24 x 3/4"
1-Spring assy.	1-357188-S2	Shaft	6	E3HZ 4A196-A	Drive screw bearing cover
1	D4TZ 4082-A	Housing (shift assy.) incl. cover screws	3	E3HZ 4A196-A	Housing cover to shift housing
1	$\blacksquare$ B2Q 4086-A	Screw (shift drive)	1	E3HZ 4N332-A	Motor to housing
1	$\blacksquare$ B2Q 4092-A	Gasket (drive screw bearing cover)			Screw (shift motor switch to housing)- no. 6-32 x 5/8"-w/eslok patch

1980/  
TRUCK SERIES 600/900

QTY.	PART NUMBER	DESCRIPTION	QTY.	PART NUMBER	DESCRIPTION
PARTS LIST NO. 1-B9TT 4062-A — Cont'd			PARTS LIST NO. 4 - C8HZ 4062-C — Cont'd		
	4N571	Nut	4	C3TZ 4A201-A	Nut (shift housing cover)
1	E3HZ 4N571-A	Shift motor drive screw-5/16"-24 x 1/2" across flats	1	C3TZ 4A202-B	Plug (shift housing)
2	E3HZ 4N571-B	Shift motor switch terminal inner-no. 8-32 x 11/32" across flats	1	C1TT 4334-A	"O" ring (piston)
2	E3HZ 4N571-C	Shift motor switch terminal outer-no. 8-32 x 11/32" across flats	1	C1TT 4344-A	Grommet (piston to push rod)
1	356628-S(GG-175)	Clip (shift motor cable)	1	C1TT 4345-A	Washer (push rod)
PARTS LIST NO. 2 - B9TT 4062-C			2	D8HZ 4550-A	Oiler (piston)
1	B2Q 4052-A	Cover (shift housing)	PARTS LIST NO. 4 - C8HZ 4062-C		
1	87708-S(P-14)	Plug (for oil level hole in housing cover)-1/8"-27 x 9/32"-square socket	1	C8TZ 4038-A	Diaphragm (air shift)
1	■E4HZ 4072-A	Seal assy. (shift fork)	1	C8TZ 4052-A	Cover (shift housing)
1	■B2Q 4073-A	Gasket (shift fork opening cover)	1	C8TZ 4073-A	Gasket (shift housing cover)
1	B2Q 4074-A	Cover (drive screw bearing)	1	C8TZ 4081-A	Lever (actuating)-#73500-incl. pin and block
1	B3T 4081-A	Drive spring kit	1	C8TZ 4082-A	Housing (shift assy.)
Consists of			1	C8TZ 4085-A	Pin (shift fork lever)-7/16" dia.-1 9/16" long
1-Spring assy. 1-357188-S2 Shaft			1	C8TZ 4085-B	Pin (clevis)-3/4" x 5/16"
1	D4TZ 4082-A	Housing (shift assy.) incl. cover screws	1	C8TZ 4094-A	Bushing (shift fork)
1	■B2Q 4086-A	Screw (shift screw)	1	C8TZ 4101-A	Cover (housing)
1	■B2Q 4092-A	Gasket (drive screw bearing cover)	1	C8TZ 4104-A	"O" ring (housing cover)
1	■B2Q 4094-A	Bearing (drive screw)	1	C8TZ 4A130-A	Nut (piston to push rod stop)
1	B2Q 4100-B	Motor (electric shift)	1	C8TZ 4A190-A	Rod (air shift push)
1	■B9TZ 4104-B	Gasket (shift motor)	1	C8TZ 4A191-A	Spring (push rod compression)
1	■B2Q 4107-A	*SW 1536-Switch (electric motor)-1980/84	1	C8TZ 4A192-A	Stop (air shift push rod)
1	■E5HZ 4107-A	*SW 1536-A Switch (electric shift)-1985	4	C8TZ 4A196-A	Bolt (housing to cover)
1	■B2TZ 4108-A	Bushing (insulator)	7	C8TZ 4A198-A	Bolt (shift housing cover)
	4A196	Bolt-3/16"-24 x 3/4"	4	C3TZ 4A201-A	Nut (shift housing cover)
3	E3HZ 4A196-A	Drive screw bearing cover	1	C3TZ 4A202-B	Plug (shift housing)
6	E3HZ 4A196-A	Housing cover to shift housing	1	C1TT 4334-A	"O" ring (piston)
3	E3HZ 4A196-A	Motor to housing	1	C1TT 4344-A	Grommet (piston to push rod)
1	E3HZ 4N332-A	Screw (shift motor switch to housing)-no. 6-32 x 5/8"-w/eslok patch	1	C1TT 4345-A	Washer (push rod)
	4N571	Nut	2	D8HZ 4550-A	Oiler (piston)
1	E3HZ 4N571-A	Shift motor drive screw-5/16"-24 x 1/2" across flats	PARTS LIST NO. 5 - C1TZ 4062-A		
2	E3HZ 4N571-B	Shift motor switch terminal inner-no. 8-32 x 11/32" across flats	2	C1TT 4334-A	Seal (shift housing)
2	E3HZ 4N571-C	Shift motor switch terminal outer-no. 8-32 x 11/32" across flats	1	C1TT 4344-A	Grommet (shift fork push rod)
1	356628-S(GG-175)	Clip (shift motor cable)	1	C1TT 4345-A	Washer (shift fork push rod)
PARTS LIST NO. 3 - C8HZ 4062-B			1	★C1TT 4418-A	Strainer (shift cylinder)-improvise
1	C8TZ 4038-A	Diaphragm (air shift)	1	C1TT 4450-A	Fork (lockout shift)
1	C8TZ 4052-B	Cover (shift housing)	1	TWAA 4461-A	Gasket (shift cyl. to carrier)
1	C8TZ 4073-A	Gasket (shift housing cover)	1	C1TT 4623-A	Piston (shift cylinder)
1	C8TZ 4081-B	Lever (actuating)-#73499-incl. pin and block	1	C1TT 4727-A	Cover (shift cylinder)
1	C8TZ 4082-B	Housing (shift assy.)	1	D5HZ 4749-A	Body (shift cylinder)-#32828
1	C8TZ 4085-A	Pin (shift fork lever)-7/16" dia.-1 9/16" long	4	304646-S8	(B-42-A) Bolt (shift cylinder cover)-1/4"-20 x 3/4"
1	C8TZ 4085-B	Pin (clevis)-3/4" x 5/16"	PARTS LIST NO. 6 - E3HZ 4062-A		
1	C8TZ 4094-A	Bushing (shift fork)	1	E3HZ 4052-A	Cover and detent spring assy. (shift housing)
1	C8TZ 4101-A	Cover (housing)	1	87708-S(P-14)	Plug (for oil level hole in housing Cover)-1/8"-27 x 9/32"-square socket
1	C8TZ 4104-A	"O" ring (housing cover)	1	B8QH 4073-B	Gasket (housing cover)
1	C8TZ 4A130-A	Nut (piston to push rod stop)	1	B2Q 4074-A	Cover (drive screw bearing)
1	C8TZ 4A190-A	Rod (air shift push)	1	B8QH 4081-A	Lever (actuating)-incl. spring
1	C8TZ 4A191-A	Spring (push rod compression)	1	E3HZ 4082-A	Housing (shift assy.)-incl. insert and washer
1	C8TZ 4A192-A	Stop (air shift push rod)	1	B8QH 4085-A	Shaft (shift drive lever)
4	C8TZ 4A196-A	Bolt (housing to cover)	1	B2Q 4086-A	Screw (shift drive)
7	C8TZ 4A198-A	Bolt (shift housing cover)	1	B2Q 4092-A	Gasket (drive screw bearing cover)
			1	B2Q 4094-A	Bearing (drive screw)
			1	B2Q 4100-B	Motor (electric shift)
			1	B9TZ 4104-B	Gasket (shift motor cover)
			1	B2Q 4107-A	*SW 1536-Switch (electric motor)
			2	B2TZ 4108-A	Bushing (insulator)



**1980/  
TRUCK SERIES 600/900**

QTY.	PART NUMBER	DESCRIPTION	QTY.	PART NUMBER	DESCRIPTION	
<b>PARTS LIST NO. 6 - E3HZ 4062-A — Cont'd</b>			<b>PARTS LIST NO. 7-E5HZ 4062-A, F0HZ 4062-A — Cont'd</b>			
	4A196	Bolt-3/16"-24 x 3/4"	2	E4HZ 4085-A	Cam pin (drive gear)-also serviced in kit-group 4N094	
3	E3HZ 4A196-A	Drive screw bearing cover	1	E4HZ 4N094-A	Drive gear kit (shift assy.)	
5	E3HZ 4A196-A	Housing cover to shift housing	Consists of			
3	E3HZ 4A196-A	Motor to housing	2-E4HZ 4085-A	Cam pin	1-113756	Shaft
1	E3HZ 4N332-A	Screw (shift motor switch to housing)-no. 6-32 x 5/8"-w/eslok patch	1-113717	Gear assy.	1-113772	Locknut circuit board
1	E3HZ 4N345-A	Washer (torsion spring to shift housing cover)-25/64" I.D. x 1 3/8" O.D. x 3/64" thick	1-113729	Locknut shaft	1-113773	Washer circuit board
	4N571	Nut	1-113741	1/4 oz. lube	1-113774	Washer shaft
1	E3HZ 4N571-A	Shift motor drive screw-5/16"-24 x 1/2" across flats	1	E4HZ 4100-A	Shift motor kit (electric shift)	
2	E3HZ 4N571-B	Shift motor switch terminal inner-no. 8-32 x 11/32" across flats	Consists of			
2	E3HZ 4N571-C	Shift motor switch terminal outer-no. 8-32 x 11/32" across flats	1-113741	1/4 oz. lube	1-126184	Caution note
1	E3HZ 4596-A	Insulator (shift motor housing to terminal)-2-holes 3/16" dia.-1 9/16" center of holes-1/64" thick	1-113771	Rtv. gasket	1-126636	Motor
	<b>PARTS LIST NO. 7-E5HZ 4062-A, F0HZ 4062-A</b>		1	E5HZ 4N101-A	Cover kit (shift motor housing)	
1	E5HZ 4073-A	Gasket (shift motor housing cover)-also serviced in kit-group 4N101	Consists of			
1	E4HZ 4081-A	Plate (cam pin compression spring)-also serviced in kit-group 4N082	1-E5HZ 4073-A	Gasket	1-113786	Cover
1	E5HZ 4N081-A	Slide block and shaft assy. (shift assy.)	1-F0HZ 4N332-A	Screw	1-126184	Caution note
1	E4HZ 4082-A	Housing base (shift assy.)	1-113771 Rtv. gasket			
1	E4HZ 4N082-A	Motor housing kit (shift assy.)	1	E4HZ 4107-A	Circuit board kit (electric motor)	
Consists of			Consists of			
1-E4HZ 4081-A	Plate	1-113766	1-113703	Circuit board	1-113773	Washer
1-113702	Housing-motor		1-113772	Locknut		
3	E4HZ 4A196-A	Screw (shift motor to motor housing)-no. 10-24 x 3/4" long	4	E4HZ 4N332-A	Screw (base housing to motor housing)-1/4"-20 x 1 1/4" long	
4	E4HZ 4N332-A	Screw (base housing to motor housing)-1/4"-20 x 1 1/4" long	4	E4HZ 4N332-B	Screw (motor housing cover)-no. 10-24 x 15/16" long	
4	E4HZ 4N332-B	Screw (motor housing cover)-no. 10-24 x 15/16" long				
YEAR	MODEL/RESTRICTIONS	PART NUMBER	DESCRIPTION	QTY.		
<b>4B062 ELECTRIC SHIFT UNIT REPAIR KIT (REAR AXLE)-also refer to group 4A098</b>						
Select appropriate kit listed below as to the details required to make repair						
80/85	B-C-F-L-LN600/900 -- use w/Eaton 15201,16244,17221,18221,22221, 23221 rear axles	D3HZ 4B062-A	Use to repair shift assy. B9TT 4062-A and B9TT 4062-C	1		
80/85	B-F600/800 -- use w/Dana G175-T, M185-T,M190-T,M220-T rear axles			1		
Consists of						
	109492	Cover assy.	1-B2Q 4073-A	Gasket		
	1-85751	Cover	1-32369	Pin		
	1-109491	Spring	1-B2Q 4107-A	Switch		
80/85	B-C-F-L-LN600/900 -- use w/Eaton 15201,16244,17221,18221,22221, 23221 rear axles	D3HZ 4B062-B	Use to repair shift assy. B9TT 4062-A and B9TT 4062-C	1		
80/85	B-F600/800 -- use w/Dana G175-T, M185-T,M190-T,M220-T rear axles			1		
Consists of						
	B2Q 4086-A	Screw assy.	2-32370	Pin		
	1-32365	Screw	109492	Cover assy.		
	6-32366	Steel ball	1-85751	Cover		
	1-32367	Retainer	1-109491	Spring		
	1-32368	Nut	1-B2Q 4073-A	Gasket		
	1-32369	Pin	1-B2Q 4107-A	Switch		
<b>4R062 SHIFT ASSY. REPLACEMENT KIT (REAR AXLE TWO SPEED)</b>						
84/85	B-C-F-L-LN600/900	E4HZ 4R062-A	Electric	1		
86/	B-C-CF-F-L-LA-LN-LS600/900			1		
Consists of						
	1-F0HZ 4062-A	Shift assy.	2-B8TZ 4322-A	Locknut		
	1-E4HZ 4072-A	Seal	1-128039	Instr. card		
	2-E4HZ 4B147-A	Washer				

**1980/  
TRUCK SERIES 600/900**

YEAR	MODEL/RESTRICTIONS	PART NUMBER	DESCRIPTION	QTY.
<b>4W062 HOSE ASSY. REAR AXLE DIFFERENTIAL LOCK</b>				
89/	CFT800	E8HZ 4W062-A	32" long-1/4" (NPTF)-male fitting both ends-attaches to solenoid valve on cross member to rear axle	1
89/	CFT800		attaches to solenoid valve on side member to forward axle	1
89/	CFT800	E8HZ 4W062-B	40 9/16" long 3/4"-16 and 1/4"-18 one end female fitting-one end male fitting-attaches to solenoid valve on cross member to forward axle	1
89/	CFT800 - - Hendrickson 4 spring susp.	U350586-S101	(II-160-AA) elbow to connect hose to tee at crossmember	1
89/	CFT800 - - Hendrickson 4 spring and RTE susp.	U350551-S101	(II-273-E) tee attach hose to valve at crossmember	1
89/	CFT800 - - Hendrickson 4 spring and RTE susp.	U800990-S100	(AG-174-E) clip retain forward and rear hose at forward axle	1
4067-71 Refer to Rear Axle Parts List Section 40, page 1				
4072-4 Refer to group 4062				
<b>4077 BRACKET (REAR AXLE CONTROL VALVE MOUNTING)</b>				
80/	CT-LNT-LT-LTA-LTS800/900	59T 4077-M	Power divider	1
		31478-S7	(U-350)-screw -bracket-No. 14 x 5/8"	2
		20349-S7-8	(B-170)-Bolt-hex. head-3/8"-24 x 5/8"	1
<b>4078 SWITCH ASSY. (REAR AXLE SHIFT CONTROL)</b>				
80/	B-C-F-FT-L-LN600/900	8QH 4078	*SW 1535-Electric shift-on gearshift lever	1
80/	CT-LNT-LT-LTA-LTL-LTS800/900	C7TZ 4078-A	Air shift-valve assy.-2 speed shift control-gearshift knob	1
83/	FT800	★ 4078	Refer to group 15443	1
4081-2 Refer to group 4062				
4N081-2 Refer to group 4062				
4085-6 Refer to group 4062				
<b>4087 ELBOW (BRAKE BOOSTER 45°)</b>				
80/	B-F600/750,C600/900,CT800/900	59T 4087-M	Vacuum connection-3/8" pipe thread-1/2" hose	1
<b>4090 HOSE (REAR AXLE) - Also refer to group 2269</b>				
80/	All	C9PZ 4090-G	*KK7 -11/32" I.D. x 11/16" O.D.-50 ft. roll	AR
		D6HZ 4090-A	*KK8 - 3/8" I.D. x 13/16" O.D.-25 ft. roll	AR
		C9PZ 4090-F	*KK6 - 15/32" I.D. x 13/16" O.D. -50 ft. roll	AR
		C9PZ 4090-E	*KK5 - 1/2" I.D. x 15/16" O.D. - 50 ft. roll	AR
		C9PZ 4090-C	*KK3 - 3/4" I.D. x 29/32" O.D.-10 ft. roll	AR
		358236-S	(II-5)-nipple (manifold to check valve hose)-brass-3/8"-18 x 1 15/16"	1
		A8T 2328-A	Elbow (hose to reserve tank)-1/2" pipe thread	1
		353651-S	(II-20)-elbow (hose to manifold)-3/8" hose	1
			Elbow (hose to lockout cylinder)	1
		371323-S	(II-21)-elbow (hose to vacuum check valve)-3/8"-18 x 1/2" hose	1
		378426-S	(II-32-K)-elbow-90° hose to booster check valve	1
		374174-S	(II-146-K)-tee (booster hose to check valve)-3/8" x 1/8" x 1/2" tube	1
		373916-S	(II-146-C)-tee (booster hose to check valve)-3/4" x 3/4" x 1/2" tube	1
		358296-AS	(II-99)-tee-hose-3 way-1/2" hose	1
		358243-S	(II-48)-reducer (check valve to booster tube to booster)-1/2" to 3/8" pipe	1
<b>4091 BRACKET (REAR AXLE CONTROL SWITCH WIRING) - Unless listed improvise</b>				
80/	B-C-F-FT-L-LN600/900 - - with 2 speed axle	8QH 4091		1
		304720-S36	(B-55-B) Bolt (bracket to retainer)-5/16"-18 x 1 1/4"	1
		34661-S8	(M-107-F) Nut & washer assy. (bracket to retainer)-5/16"-18	1

October, 1993

COPYRIGHT © 1993 - FORD MOTOR - DEARBORN, MICHIGAN  
COMPANY

Final Issue

1980/  
TRUCK SERIES 600/900

YEAR	MODEL/RESTRICTIONS	PART NUMBER	DESCRIPTION	QTY.
4092-4	Refer to group 4062			
4N094	Refer to group 4062			
4A098	REAR AXLE TWO SPEED SHIFT REPAIR KIT-also refer to group 4B062			
80/85	All -- w/electric shift	E5HZ 4A098-A	Electric	1
	Consists of			
	1-E4HZ 4072-A	Seal & spring assy.	1-E5HZ 4107-A	Switch assy.
	1-B2Q 4073-A	Gasket-housing cover	2-B2TZ 4108-A	Bushing kit
	1-B2Q 4086-A	Screw assy.-drive	1-38315	Insulator
	1-B2Q 4092-A	Gasket-bearing cover	2-62255	Bushing
	1-B2Q 4094-A	Bearing assy.-drive screw	1-122247	Instr. sheet
	1-B9TZ 4104-B	Gasket-motor cover		
4K099	PLATE REAR AXLE BUMPER STRIKER			
80/82	LNT-LT-LTS900 -- w/top mount carrier axles and RT-444,RT-500 Suspension	D7HZ 4K099-A	#D7HT 4K099-AA-5 1/2" x 8 1/2"	2
4100-7	Refer to group 4062			
4107	REAR AXLE SHIFT SWITCH REPAIR KIT			
80/88	All-w/Eaton 2 speed or Tandem 2 speed w/straight air shift	C6TZ 4107-A	*SW 1537-Consists of "O" ring, spring, valves and lock valve	1
4108-4125	Refer to Rear Axle Parts List Section 40, page 1			
4126	SWITCH AND WIRE ASSY. (REAR AXLE SHIFT CONTROL)			
86/	CF600/800 -- M/T	E6HZ 4126-B	Use w/Rockwell 2 speed axles	1
86/	CF600/800 -- A/T	E7HZ 4126-A	Use w/Rockwell 2 speed axles	1
4126	SWITCH ASSY. CROSS AXLE DIFFERENTIAL LOCKOUT			
89	CFT800	E8HZ 4126-A	Dash panel mounted-locks axle wheel to wheel (right to left)	1
4126	SWITCH ASSY. INTER AXLE DIFFERENTIAL LOCKOUT			
89	CFT800	E8HZ 4126-B	Dash panel mounted locks axles front to rear	1
4A126	BUSHING (REAR AXLE TORQUE ARM ADJUSTMENT)			
80/	CLT900 -- w/tandem axle and Reyco suspension-field fix 996-HT	E1HZ 4A126-A	Aluminum bushing-used on center and forward hangers-1 1/2" O.D. x 3 1/4" long	4
4127-4129	Refer to Rear Axle Parts List Section 40, page 1			
4A130	Refer to group 4062			
4139-56	Refer to Rear Axle Parts List Section 40, page 1			
4A156	RELAY ASSY. (REAR AXLE SHIFT CONTROL)			
80/	FT-L-LN-LNT-LT-LTL600/900 -- w/two speed axle-electric shift	DOTZ 4A156-B		2
87/	CF600/800	E7HZ 4A156-A		1
4159-61	Refer to Rear Axle Parts List Section 40, page 1			
4A163	BRACKET (REAR AXLE SHIFT CONTROL VALVE) - Improve			
4166-8	Refer to Rear Axle Parts List Section 40, page 1			
4A190-2	Refer to group 4062			

1980/  
TRUCK SERIES 600/900

YEAR	MODEL/RESTRICTIONS	PART NUMBER	DESCRIPTION		QTY.	
4190-95	Refer to Rear Axle Parts List Section 40, page 1					
4A196-8	Refer to group 4062					
4200	DIFFERENTIAL ASSY. - Refer to Section 40, page 1					
4A201-2	Refer to group 4062					
GEAR STAMPED	PINION STAMPED	GEAR RATIO	NO. OF TEETH	PARTS LISTS	QTY.	PART NUMBER
4209-4309	RING GEAR and PINION KIT (REAR AXLE MATCHED SET) - LISTED NUMERICALLY BY STAMPED NUMBER ON RING GEAR - Also refer to Rear Axle Parts List Section 40, page 1					
	◆-Solid pinion					
	▲-Pinion and gear conversion kit-refer to appropriate parts list in Section 40.1					
	For kit details and vehicle restriction					
35136	37835	5.29	37-7	206	1	★E0HZ 4209-X r/bE8HZ 4209-AF
35156	35315	6.17	37-6	206	1	E2HZ 4209-D
35178	37843	4.11	37-9	206	1	★D8HZ 4209-J r/bE4HZ 4209-J
35208	37839	4.63	37-8	206	1	★D8HZ 4209-K r/bE8HZ 4209-AE
35344	37985	5.76	31-15	214	1	D7HZ 4209-M
35344	38013	5.76	31-15	213	1	★D7HZ 4309-J
35444	37831	6.14	43-7	206	1	E4HZ 4209-N
35470	37837	4.89	44-9	206	1	★E0HZ 4209-W r/bE8HZ 4209-AJ
35514	35515	5.83	35-6	191	1	B6T 4209-F
35710	35987	5.29	37-7	95	1	E0HZ 4209-T
35732	38219	6.17	37-6	202	1	★D7HZ 4209-S r/bE4HZ 4209-V
35732	38219	6.17	37-6	248	1	E3HZ 4209-AG
35768	37833	5.57	39-11	206	1	E0HZ 4209-Y
35774	38221	6.83	41-6	202	1	D7HZ 4209-T
35774	38221	6.83	41-6	248	1	E3HZ 4209-AH
35776	38187	5.29	37-7	202	1	E0HZ 4209-AD
35776	38187	5.29	37-7	248	1	★E3HZ 4209-AE r/bE0HZ 4209-AD
35778	38217	5.83	35-6	202	1	★D7HZ 4209-R r/bD7HZ 4209-W
35778	38217	5.83	35-6	248	1	★E3HZ 4209-AF r/bE4HZ 4209-T
35802	A36495	7.80	39-5	125	1	★C1TZ 4309-N
35802	A36513	7.80	39-5	126	1	C1TZ 4209-CB
35806	A36499	6.83	41-6	125,127	1	★C1TZ 4309-R r/bD3HZ 4309-M
35806	A36517	6.83	41-6	126,128	1	C1TZ 4209-CC
35806	39255	6.83	41-6	125,127	1	★▲D3HZ 4309-M
35808	36503	6.17	37-6	125,127	1	★C6TZ 4309-G
35808	36521	6.17	37-6	126,128	1	★C6TZ 4209-AF
35810	A36507	5.83	35-6	125,127	1	★C1TZ 4309-S
35810	36523	5.83	35-6	126,128	1	★C1TZ 4209-CD
35812	A36489	5.29	37-7	126,128	1	★C1TZ 4209-CE
35812	A36505	5.29	37-7	125,127	1	★C1TZ 4309-T
35814	A36509	4.63	37-8	127	1	★C1TZ 4309-U
35814	A36525	4.63	37-8	128	1	C1TZ 4209-CF
35816	A36511	4.44	40-9	125,127	1	★C4TZ 4309-E
35816	A36527	4.44	40-9	126,128	1	C4TZ 4209-T
35818	36481	4.11	37-9	125,127	1	★C4TZ 4309-F
35818	36529	4.11	37-9	126,128	1	C4TZ 4209-U
35838	35923	4.11	37-9	205	1	D8HZ 4309-L

1980/  
TRUCK SERIES 600/900

GEAR STAMPED	PINION STAMPED	GEAR RATIO	NO. OF TEETH	PARTS LISTS	QTY.	PART NUMBER
4209-4309	RING GEAR and PINION KIT (REAR AXLE MATCHED SET) - LISTED NUMERICALLY BY STAMPED - Cont'd NUMBER ON RING GEAR - Also refer to Rear Axle Parts List Section 40, page 1 ◆-Solid pinion ▲-Pinion and gear conversion kit-refer to appropriate parts list in Section 40.1 For kit details and vehicle restriction					
35910	35911	4.63	37-8	205	1	D8HZ 4309-M
35912	35913	5.29	37-7	205	1	E0HZ 4309-D
35914	35915	6.14	43-7	205	1	E4HZ 4309-H
35916	35917	6.17	37-6	205	1	★E2HZ 4309-D r/b E4HZ 4309-H
35932	37841	4.33	39-9	206	1	★E0HZ 4209-V r/b E4HZ 4209-K
35954	35955	3.70	37-10	189	1	D3HZ 4209-V
35968	35949	6.14	43-7	189	1	D3HZ 4209-AC
35970	35951	4.63	37-8	189	1	D3HZ 4209-Y
35972	35953	4.33	39-9	189	1	D3HZ 4209-X
35978	35979	4.11	37-9	189	1	D3HZ 4209-W
36036	36037	5.29	37-7	189	1	D3HZ 4209-AA
36054	36055	5.86	41-7	189	1	D3HZ 4209-AB
36100	36101	7.40	37-5	189	1	D9HZ 4209-E
36102	36103	6.83	41-6	189	1	D3HZ 4209-AD
36134	36135	4.88	39-8	189	1	D3HZ 4209-Z
36162	36163	5.83	35-6	95	1	E0HZ 4209-AG
36446	36479	4.88	39-8	125,127	1	C6TZ 4309-H
36446	36487	4.88	39-8	126,128	1	C6TZ 4209-AG
36446	39251	4.88	39-8	125,127	1	E3HZ 4309-AF
36612	38215	4.63	37-8	248	1	E3HZ 4209-AD
36684	37087	4.89	44-9	205	1	E0HZ 4309-B
37058	37995	5.96	33-17	212	1	D7HZ 4209-P
37164	37165	4.33	39-9	205	1	★E0HZ 4309-A r/b E4HZ 4309-E
37260	37413	7.20	36-5	249,251	1	E3HZ 4309-AE
37278	37419	3.55	39-11	265	1	E6HZ 4309-A
37308	38617	7.20	36-5	250,252	1	E3HZ 4209-AX
37326	38593	3.55	39-11	252	1	E6HZ 4209-E
37374	38611	5.83	35-6	250,252	1	E3HZ 4209-AT
37376	38609	5.29	37-7	250,252	1	E3HZ 4209-AS
37382	38601	4.33	39-11	250,252	1	E3HZ 4209-AN
37392	38607	4.88	39-8	250,252	1	E3HZ 4209-AR
37394	37395	5.83	35-6	249,251	1	E3HZ 4309-AB
37396	37579	5.29	37-7	203,249,251,265	1	D7HZ 4309-E
37398	37399	4.88	39-8	203,249,251,265	1	D7HZ 4309-D
37404	37405	4.33	39-9	203,249,251,265	1	D7HZ 4309-B
37494	37573	4.11	37-9	203	1	D8HZ 4309-H
37528	37529	4.11	37-9	204	1	D8HZ 4209-E
37528	38295	4.11	37-9	204	1	★E1HZ 4209-D r/b E4HZ 4209-G
37528	38295	4.11	37-9	204	1	▲D8HZ 4209-N
37528	38295	4.11	37-9	204	1	★▲D8HZ 4209-P r/b D8HZ 4209-AH
37530	37575	4.44	40-9	203	1	D8HZ 4309-J
37532	37533	4.44	40-9	204	1	★D8HZ 4209-F r/b Mat-80104
37532	38561	4.44	40-9	204	1	E1HZ 4209-E
37532	38561	4.44	40-9	204	1	▲D8HZ 4209-T
37532	38561	4.44	40-9	204	1	▲D8HZ 4209-V
37534	37535	4.63	37-8	204	1	★D7HZ 4209-C r/b Mat-80107
37534	38563	4.63	37-8	204	1	E1HZ 4209-F

1980/  
TRUCK SERIES 600/900

GEAR STAMPED	PINION STAMPED	GEAR RATIO	NO. OF TEETH	PARTS LISTS	QTY.	PART NUMBER
4209-4309 RING GEAR and PINION KIT (REAR AXLE MATCHED SET) - LISTED NUMERICALLY BY STAMPED — Cont'd						
NUMBER ON RING GEAR - Also refer to Rear Axle Parts List Section 40, page 1						
◆-Solid pinion						
▲-Pinion and gear conversion kit—refer to appropriate parts list in Section 40.1						
For kit details and vehicle restriction						
37534	38563	4.63	37-8	204	1	▲D8HZ 4209-W
37534	38563	4.63	37-8	204	1	▲D8HZ 4209-X
37536	37537	5.29	37-7	204	1	D7HZ 4209-E
37536	38565	5.29	37-7	204	1	E1HZ 4209-G
37536	38565	5.29	37-7	204	1	▲D8HZ 4209-AA
37536	38565	5.29	37-7	204	1	▲D8HZ 4209-AB
37540	37577	4.63	37-8	203,249,251,265	1	D7HZ 4309-C
37556	37557	5.57	39-7	205	1	E0HZ 4309-C
37562	38599	4.11	37-9	250,252	1	E3HZ 4209-AM
37566	38605	4.63	37-8	250,252	1	E3HZ 4209-AP
37588	37589	3.70	37-10	126,128	1	D7HZ 4209-A
37588	37591	3.70	37-10	125,127	1	★D7HZ 4309-A
37596	37597	3.70	37-10	203	1	D8HZ 4309-G
37598	37599	3.70	37-10	204	1	★D8HZ 4209-D
						r/b Mat-80102
37598	38575	3.70	37-10	204	1	E1HZ 4209-C
37598	38575	3.70	37-10	204	1	▲D8HZ 4209-L
37598	38575	3.70	37-10	204	1	▲D8HZ 4209-M
37888	38019	3.90	39-10	206	1	D8HZ 4209-H
37890	37891	3.90	39-10	205	1	★D8HZ 4309-K
						r/b E4HZ 4309-C
37944	38223	7.17	43-6	202	1	D7HZ 4209-V
37944	38223	7.17	43-6	248	1	E3HZ 4209-AJ
37960	38213	3.73	41-11	248	1	E6HZ 4209-C
38002	38003	3.90	39-10	249,251,265	1	E3HZ 4309-AA
38004	38005	3.90	39-10	189	1	E0HZ 4209-AF
38006	38007	3.90	39-10	126,128	1	E0HZ 4209-AH
38006	38009	3.90	39-10	125,127	1	★E0HZ 4309-H
38014	38015	5.96	31-16	211	1	★D7HZ 4309-H
38048	38233	4.10	41-10	248	1	E6HZ 4209-D
38124	38125	7.17	43-6	95	1	D9HZ 4209-C
38126	38127	6.83	41-6	95	1	D9HZ 4209-B
38128	38129	6.14	43-7	95	1	D9HZ 4209-A
38240	38241	6.83	41-6	249,251	1	E3HZ 4309-AD
38242	38243	6.17	37-6	249,251	1	E3HZ 4309-AC
38512	38595	3.70	37-10	250,252	1	E3HZ 4209-AK
38520	38597	3.90	39-10	250,252	1	E3HZ 4209-AL
38524	38613	6.17	37-6	250,252	1	★E3HZ 4209-AV
						r/b E4HZ 4209-X
38526	38615	6.83	41-6	250,252	1	E3HZ 4209-AW
38730	38731	4.10	41-10	250,252	1	E4HZ 4209-AA
38756	38757	6.14	43-7	202,248	1	E4HZ 4209-V
38758	38759	4.10	41-10	204	1	E4HZ 4209-G
38758	38759	4.10	41-10	204	1	▲D8HZ 4209-AH
38760	38761	3.91	43-11	206	1	E4HZ 4209-H
38774	38775	4.10	41-10	268	1	E9HZ 4209-W
38790	38791	5.86	41-7	202	1	D7HZ 4209-W
38790	38791	5.86	41-7	248	1	E4HZ 4209-T
38798	39191	4.56	41-9	205	1	E4HZ 4309-F
38800	38801	4.56	41-9	206	1	★E4HZ 4209-L
						r/b E8HZ 4209-AD
38806	38807	4.10	41-10	206	1	E4HZ 4209-J
38808	39189	4.10	41-10	205	1	E4HZ 4309-D
38810	38811	4.30	43-10	206	1	E4HZ 4209-K

**1980/  
TRUCK SERIES 600/900**

GEAR STAMPED	PINION STAMPED	GEAR RATIO	NO. OF TEETH	PARTS LISTS	QTY.	PART NUMBER
4209-4309	RING GEAR and PINION KIT (REAR AXLE MATCHED SET) - LISTED NUMERICALLY BY STAMPED - Cont'd NUMBER ON RING GEAR - Also refer to Rear Axle Parts List Section 40, page 1 ◆-Solid pinion ▲-Pinion and gear conversion kit-refer to appropriate parts list in Section 40.1 For kit details and vehicle restriction					
38812	39187	4.30	43-10	205	1	E4HZ 4309-E
38814	39183	3.91	43-11	205	1	E4HZ 4309-C
38816	38817	4.56	41-9	248	1	E4HZ 4209-P
38818	38819	5.38	43-8	248	1	E4HZ 4209-S
38822	38823	5.86	41-7	250,252	1	E4HZ 4209-W
38824	38825	5.86	41-7	249,251,265	1	E4HZ 4309-J
38828	38829	6.14	43-7	250,252	1	E4HZ 4209-X
38830	38831	6.14	43-7	249,251,265	1	E4HZ 4309-K
38832	38833	7.17	43-6	250,252	1	E4HZ 4209-Y
38834	38835	7.17	43-6	249,251	1	E4HZ 4309-L
38836	38837	4.10	41-10	203,249,251	1	E4HZ 4309-B
38838	39107	3.42	41-12	275	1	E7HZ 4209-BP
38840	39105	3.91	43-11	275	1	E7HZ 4209-BT
38842	39101	4.56	41-9	275	1	E7HZ 4209-BX
38862	38863	7.60	39-7	54,131	1	◆D6HZ 4209-H
38928	38927	5.86	41-7	267,268	1	E8HZ 4209-R
38954	39477	3.73	41-11	274	1	★E7HZ 4209-BC r/bE9HZ 4209-K
38954	40231	3.73	41-11	274,280	1	★E8HZ 4209-D r/bE9HZ 4209-K
38956	39479	4.30	43-10	274	1	★E7HZ 4209-BF r/bE9HZ 4209-N
38956	40233	4.30	43-10	274,280	1	★E8HZ 4209-G r/bE9HZ 4209-N
38988	38989	3.73	41-11	268	1	E9HZ 4209-V
38990	38991	4.56	41-9	268	1	E7HZ 4209-B
38992	38993	4.88	39-8	267,268	1	E7HZ 4209-C
38994	38995	5.13	41-8	268	1	E7HZ 4209-CM
39004	38889	5.38	43-8	206	1	E4HZ 4209-M
39016	39185	5.38	43-8	205	1	★E4HZ 4309-G r/bE8HZ 4309-L
39090	39103	4.30	43-10	275,281	1	E7HZ 4209-BW
39112	39111	3.73	41-11	275,281	1	E7HZ 4209-BS
39114	39113	4.10	41-10	275,281	1	E7HZ 4209-BV
39122	39485	3.91	43-11	274	1	★E7HZ 4209-BD r/bE8HZ 4209-E
39122	40245	3.91	43-11	274,280	1	E8HZ 4209-E
39124	39487	4.10	41-10	274	1	★E7HZ 4209-BE r/bE8HZ 4209-F
39124	40247	4.10	41-10	274,280	1	E8HZ 4209-F
39166	39167	3.73	41-11	204	1	E4HZ 4209-F
39168	39169	3.73	41-11	250,252	1	E4HZ 4209-Z
39170	39171	3.73	41-11	203,249,251,265	1	E4HZ 4309-A
39206	39207	4.88	39-8	248	1	E4HZ 4209-R
39380	39481	4.89	37-8	274	1	★E7HZ 4209-BH r/bE9HZ 4209-R
39380	40235	4.89	44-9	274,280	1	★E8HZ 4209-J r/bE9HZ 4209-R
39392	39489	5.63	45-8	274	1	★E7HZ 4209-BK r/bE9HZ 4209-T
39392	40239	5.63	45-8	280	1	★E8HZ 4209-L r/bE9HZ 4209-T
39398	39397	3.42	41-12	274	1	★E7HZ 4209-BA r/bE9HZ 4209-H
39398	40229	3.42	41-12	274,280	1	★E8HZ 4209-B r/bE9HZ 4209-H

1980/  
TRUCK SERIES 600/900

GEAR STAMPED	PINION STAMPED	GEAR RATIO	NO. OF TEETH	PARTS LISTS	QTY.	PART NUMBER
4209-4309 RING GEAR and PINION KIT (REAR AXLE MATCHED SET) - LISTED NUMERICALLY BY STAMPED — Cont'd NUMBER ON RING GEAR - Also refer to Rear Axle Parts List Section 40, page 1 ◆-Solid pinion ▲-Pinion and gear conversion kit—refer to appropriate parts list in Section 40.1 For kit details and vehicle restriction						
39402	39401	6.14	43-7	274	1	E7HZ 4209-BL
39402	39401	6.14	43-7	280	1	★E8HZ 4209-M r/bE9HZ 4209-A
39434	39435	5.38	43-8	275,281	1	E7HZ 4209-BZ
39436	39437	3.58	43-12	275,281	1	E7HZ 4209-BR
39464	39463	3.58	43-12	274	1	★E7HZ 4209-BB r/bE9HZ 4209-J
39464	40259	3.58	43-12	274,280	1	★E8HZ 4209-C r/bE9HZ 4209-J
39474	39473	6.83	41-6	274	1	★E7HZ 4209-BM r/bE8HZ 4209-N
39474	40243	6.83	41-6	280	1	★E8HZ 4209-N r/bE9HZ 4209-AK
39476	39475	7.17	43-6	274	1	E7HZ 4209-BN
39476	40251	7.17	43-6	280	1	★E8HZ 4209-P r/bE9HZ 4209-C
39490	39491	5.63	45-8	275,281	1	E7HZ 4209-CA
39492	39493	4.89	37-8	275,281	1	E7HZ 4209-BY
39496	39497	7.17	43-6	267,268	1	★E7HZ 4209-E r/bE7HZ 4209-DH
39498	39499	6.14	43-7	267,268	1	E7HZ 4209-D
39502	39503	4.30	43-10	267,268	1	E7HZ 4209-A
39526	39525	4.56	41-9	274	1	★E7HZ 4209-BG r/bE8HZ 4209-H
39526	40261	4.56	41-9	274,280	1	E8HZ 4209-H
39532	39531	5.38	43-8	274	1	E7HZ 4209-BJ
39532	40263	5.38	43-8	280	1	★E8HZ 4209-K r/bE9HZ 4209-AG
39634	39637	3.42	41-12	284,289,291	1	E9HZ 4209-D
39638	39645	3.73	41-11	284,289,291	1	E9HZ 4209-F
39638	39647	3.73	41-11	270	1	E9HZ 4209-X
39640	39649	4.10	41-10	272,279,284,289,291	1	E7HZ 4209-AG
39640	39651	4.10	41-10	270	1	E7HZ 4209-M
39646	39661	4.88	39-8	272,279,284,289,291	1	E7HZ 4209-AJ
39646	39663	4.88	39-8	270	1	E7HZ 4209-P
39648	39665	5.29	37-7	272,279,284,289,291	1	E7HZ 4209-AK
39648	39667	5.29	37-7	270	1	E7HZ 4209-R
39650	39669	6.14	43-7	284,289,291	1	E9HZ 4209-G
39652	39673	7.17	43-6	272,279,284,289,291	1	E7HZ 4209-AP
39652	39675	7.17	43-6	270	1	E7HZ 4209-W
39658	39875	3.42	41-12	293,295	1	E9HZ 4309-N
39660	39877	3.58	43-12	293,295	1	E9HZ 4309-P
39662	39879	3.73	41-11	293,295	1	E9HZ 4309-R
39664	39889	4.89	44-9	293,295	1	E9HZ 4309-X
39666	39893	5.38	43-8	293,295	1	E9HZ 4309-Y
39672	39895	5.63	45-8	293,295	1	E9HZ 4309-Z
39698	39755	4.56/6.36	41-9	269	1	E7HZ 4209-F
39700	39757	4.88/6.80	39-8	269	1	E7HZ 4209-G
39702	39759	5.38/7.50	43-8	269	1	E7HZ 4209-H
39704	39761	6.14/8.57	43-7	269	1	E7HZ 4209-J
39706	39763	6.83/9.53	41-6	269	1	E7HZ 4209-K
39726	39727	3.91/5.45	43-11	271	1	E7HZ 4209-X
39728	39681	4.10/5.72	41-10	271	1	E7HZ 4209-Y
39730	39683	4.56/6.36	41-9	271	1	E7HZ 4209-Z
39732	39685	4.88/6.80	39-8	271	1	E7HZ 4209-AA
39738	39693	5.86/8.17	41-7	271	1	E8HZ 4209-W
39734	39689	5.38/7.50	43-8	271	1	E7HZ 4209-AB



1980/  
TRUCK SERIES 600/900

GEAR STAMPED	PINION STAMPED	GEAR RATIO	NO. OF TEETH	PARTS LISTS	QTY.	PART NUMBER
4209-4309	RING GEAR and PINION KIT (REAR AXLE MATCHED SET) - LISTED NUMERICALLY BY STAMPED -- Cont'd NUMBER ON RING GEAR - Also refer to Rear Axle Parts List Section 40, page 1 ◆-Solid pinion ▲-Pinion and gear conversion kit-refer to appropriate parts list in Section 40.1 For kit details and vehicle restriction					
39740	39695	6.14/8.57	43-7	271	1	E8HZ 4209-X
39742	39697	6.50/9.07	39-6	271	1	E7HZ 4209-AC
39744	39935	6.83/9.53	41-6	271	1	E7HZ 4209-AD
39746	39937	7.17/10.0	43-6	271	1	E7HZ 4209-AE
39766	39939	3.91/5.45	43-11	273	1	E7HZ 4209-AR
39768	39699	4.10/5.72	41-10	273	1	E7HZ 4209-AS
39770	39701	4.56/6.36	41-10	273	1	E7HZ 4209-AT
39772	39703	4.88/6.80	39-8	273	1	E7HZ 4209-AV
39776	39707	5.38/7.50	43-8	273	1	E7HZ 4209-AW
39780	39711	5.86/8.17	41-7	273	1	E8HZ 4209-Z
39784	39785	6.14	43-7	275	1	E7HZ 4209-CB
39816	39815	3.42	41-12	282,283,288,290,292	1	E9HZ 4309-A
39820	39819	3.73	41-11	282,283,288,290,292	1	★E9HZ 4309-C r/bF1HZ 4309-G
39822	39821	4.10	41-10	282,283,288,290,292	1	E9HZ 4309-E
39828	39827	4.88	39-8	282,283,288,290,292	1	E9HZ 4309-G
39830	39829	5.29	37-7	282,283,288,290,292	1	★E9HZ 4309-H r/bF1HZ 4309-N
39832	39831	6.14	43-7	282,283,288,290,292	1	E9HZ 4309-K
39834	39833	7.17	43-6	282,283,288,290,292	1	E9HZ 4309-M
39876	39881	3.91	43-11	293,295	1	E9HZ 4309-S
39878	39883	4.10	41-10	293,295	1	E9HZ 4309-T
39880	39885	4.30	43-10	293,295	1	E9HZ 4309-V
39882	39887	4.56	41-9	293,295	1	E9HZ 4309-W
39884	40245	3.91	43-11	274,280,294,296	1	E9HZ 4209-L
39886	40247	4.10	41-10	274,280,294,296	1	E9HZ 4209-M
39888	40233	4.30	43-10	274,280,294,296	1	E9HZ 4209-N
39890	40261	4.56	41-9	274,280,294,296	1	E9HZ 4209-P
39902	40229	3.42	41-12	274,280,294,296	1	E9HZ 4209-H
39904	40259	3.58	43-12	274,280,294,296	1	E9HZ 4209-J
39906	40231	3.73	41-11	274,280,294,296	1	E9HZ 4209-K
39926	39715	6.50/9.07	39-6	273	1	E7HZ 4209-AX
39928	39717	6.83/9.53	41-6	273	1	E7HZ 4209-AY
39930	39719	7.17/10.0	43-6	273	1	E7HZ 4209-AZ
39952	39721	4.10/5.59	41-10	276	1	E7HZ 4209-CC
39954	39931	4.30/5.86	43-10	276	1	E7HZ 4209-CD
39956	39723	4.56/6.22	41-9	276	1	E7HZ 4209-CE
39958	39725	4.88/6.65	39-8	276	1	E7HZ 4209-CF
39962	39727	5.38/7.33	43-8	276	1	E7HZ 4209-CG
39964	39729	5.57/7.60	39-7	276	1	E7HZ 4209-CH
39968	39733	6.14/8.38	43-7	276	1	E7HZ 4209-CJ
39970	39735	6.50/8.86	39-6	276	1	E7HZ 4209-CK
39974	39739	7.17/9.77	43-6	276	1	E7HZ 4209-CL
40012	39999	4.30/6.00	43-10	271	1	E8HZ 4209-V
40014	40001	4.30/6.00	43-10	273	1	E8HZ 4209-Y
40016	40003	5.86/8.17	41-7	269	1	E8HZ 4209-S
40024	40235	4.89	44-9	274,280,294,296	1	E9HZ 4209-R
40030	40027	3.58	43-12	284,289,291	1	E9HZ 4209-E
40036	40791	4.56	41-9	205	1	E8HZ 4309-E
40046	40799	5.38	43-8	205	1	E8HZ 4309-L
40048	40043	3.91	43-11	2.70	1	E7HZ 4209-L
40048	40045	3.91	43-11	272,279,284,289,291	1	E7HZ 4209-AF
40066	40061	4.30	43-10	270	1	E8HZ 4209-T
40066	40063	4.30	43-10	272,279	1	E8HZ 4209-A
40074	40057	4.56	41-9	206	1	E8HZ 4209-AD
40084	40079	4.56	41-9	270	1	E7HZ 4209-N
40084	40081	4.56	41-9	272,279,284,289,291	1	E7HZ 4209-AH

**1980/  
TRUCK SERIES 600/900**

GEAR STAMPED	PINION STAMPED	GEAR RATIO	NO. OF TEETH	PARTS LISTS	QTY.	PART NUMBER
4209-4309 RING GEAR and PINION KIT (REAR AXLE MATCHED SET) - LISTED NUMERICALLY BY STAMPED - Cont'd						
NUMBER ON RING GEAR - Also refer to Rear Axle Parts List Section 40, page 1						
◆-Solid pinion						
▲-Pinion and gear conversion kit-refer to appropriate parts list in Section 40.1						
For kit details and vehicle restriction						
40088	40041	5.38	43-8	206	1	E8HZ 4209-AR
40104	40263	5.38	43-8	274,280,294,296	1	E9HZ 4209-S
40106	40239	5.63	45-8	274,280,294,296	1	E9HZ 4209-T
40110	40241	6.14	43-7	274,280	1	E9HZ 4209-A
40118	40243	6.83	41-6	274,280	1	E9HZ 4209-B
40122	40251	7.17	43-6	274,280	1	E9HZ 4209-C
40138	40133	5.86	41-7	270	1	E7HZ 4209-S
40138	40135	5.86	41-7	272,279,284,289,291	1	E7HZ 4209-AL
40156	40151	6.43	45-7	270	1	E7HZ 4209-T
40156	40153	6.43	45-7	272,279,284,289,291	1	E7HZ 4209-AM
40162	41043	3.90	39-10	205	1	E8HZ 4309-B
40164	41045	4.11	37-9	205	1	E8HZ 4309-C
40170	41047	4.33	39-9	205	1	E8HZ 4309-D
40172	41049	4.63	37-8	205	1	E8HZ 4309-F
40174	40169	6.83	41-6	270	1	E7HZ 4209-V
40174	40171	6.83	41-6	272,279	1	E7HZ 4209-AN
40176	41051	4.89	44-9	205	1	E8HZ 4309-K
40178	41053	5.29	37-7	205	1	E8HZ 4309-G
40180	41055	5.57	39-7	205	1	E8HZ 4309-H
40182	41057	6.17	37-6	205	1	E8HZ 4309-J
40284	104385	4.11	37-9	247	1	E3HZ 4209-E
40288	40287	3.58	43-12	282,283,288,290,292	1	E9HZ 4309-B
40290	40289	3.91	43-11	282,283,288,290,292	1	E9HZ 4309-D
40290	40291	4.30	43-10	282,283,288,290,292	1	★E9HZ 4309-F
						r/bF1HZ 4309-K
40294	40293	4.56	41-9	282,283,288,290,292	1	★E8HZ 4309-A
						r/bF1HZ 4309-L
40300	40299	5.86	41-7	282,283,288,290,292	1	E9HZ 4309-J
40302	40301	6.43	45-7	282,283,288,290,292	1	E9HZ 4309-L
40534	40991	3.90	39-10	206	1	E8HZ 4209-AA
40536	40993	4.11	37-9	206	1	E8HZ 4209-AB
40542	40995	4.33	39-9	206	1	E8HZ 4209-AC
40544	40997	4.63	37-8	206	1	E8HZ 4209-AE
40546	40999	4.89	44-9	206	1	E8HZ 4209-AJ
40674	41001	5.29	37-7	206	1	E8HZ 4209-AF
40676	41003	5.57	39-7	206	1	E8HZ 4209-AG
40678	41005	6.17	37-6	206	1	E8HZ 4209-AH
41004	41531	3.42	41-12	275,281	1	E7HZ 4209-CT
41006	41537	3.91	43-11	275,281	1	E7HZ 4209-CV
41008	41543	4.56	41-9	275,281	1	E7HZ 4209-CY
41014	41541	4.30	43-10	275,281	1	E7HZ 4209-CX
41016	41535	3.73	41-11	275,281	1	E7HZ 4209-CP
41018	41539	4.10	41-10	275,281	1	E7HZ 4209-CW
41028	41549	5.38	43-8	275,281	1	E7HZ 4209-DA
41030	41533	3.58	43-12	275,281	1	E7HZ 4209-CS
41032	41551	5.63	43-8	275,281	1	E7HZ 4209-DB
41034	41545	4.89	44-9	275,281	1	E7HZ 4209-CZ
41036	41555	6.14	43-7	275,281	1	E7HZ 4209-DC
46386	104387	4.33	39-9	247	1	E3HZ 4209-F
47242	46973	5.57/7.60	39-7	53,130	1	★◆D6HZ 4309-H
48436	48437	4.56/6.21	41-9	102	1	★◆D6HZ 4209-M
52814	52815	4.88/6.64	39-8	195	1	◆C4TZ 4209-V
52999	52813	4.33	39-9	194,197	1	◆D6HZ 4209-BF
53001	52815	4.88	39-8	194	1	◆D6HZ 4209-BH
53003	53170	5.43	38-7	194	1	◆D6HZ 4209-BJ
53005	53172	6.17	37-6	194	1	◆D6HZ 4209-BK

1980/  
TRUCK SERIES 600/900

GEAR STAMPED	PINION STAMPED	GEAR RATIO	NO. OF TEETH	PARTS LISTS	QTY.	PART NUMBER
4209-4309 RING GEAR and PINION KIT (REAR AXLE MATCHED SET) - LISTED NUMERICALLY BY STAMPED -- Cont'd						
NUMBER ON RING GEAR - Also refer to Rear Axle Parts List Section 40, page 1						
◆-Solid pinion						
▲-Pinion and gear conversion kit-refer to appropriate parts list in Section 40.1						
For kit details and vehicle restriction						
53007	53174	6.67	40-6	194	1	◆D6HZ 4209-BL
53165	53166	3.70/5.04	37-10	195	1	E6HZ 4209-F
53864	53863	3.70/5.05	37-10	53	1	★◆D6HZ 4309-T
53864	111140	3.70/5.05	37-10	242	1	E3HZ 4309-N
53867	53868	3.70/5.05	37-10	54	1	◆D6HZ 4209-AF
53867	111467	3.70/5.05	37-10	243	1	E3HZ 4209-S
53874	53875	4.11/5.61	37-9	102	1	C3TZ 4209-AR
62099	62094	5.29/7.21	37-7	130,147	1	★◆C6TZ 4309-J
62101	62102	5.29/7.21	37-7	131,148	1	◆C6TZ 4209-AR
66850	66839	6.14/8.38	43-7	25,102,148	1	◆D6HZ 4209-AM
66850	111475	6.14/8.38	43-7	241	1	E3HZ 4209-AA
66852	66842	6.50/8.87	39-6	25,102,148	1	◆D6HZ 4209-AN
66852	111476	6.50/8.86	39-6	241	1	E3HZ 4209-AB
66854	66845	7.17/9.77	43-6	25,102,148	1	◆D6HZ 4209-AP
66854	111477	7.17/9.77	43-6	241	1	E3HZ 4209-AC
73309	73310	4.56/6.21	41-9	195	1	C7TZ 4209-W
73312	73310	4.56	41-9	194	1	◆D6HZ 4209-BG
74008	74009	4.88/6.78	30-8	101	1	E3HZ 4209-C
74010	74011	5.57/7.75	39-7	101	1	◆D6HZ 4209-AR
74012	74013	6.14/8.54	43-7	101	1	E1HZ 4209-H
74014	74015	6.50/9.04	39-6	101	1	◆D6HZ 4209-AT
74016	74017	7.17/9.97	43-6	101	1	D9HZ 4209-D
74048	74049	5.83/8.12	35-6	164	1	◆D6TZ 4209-A
74050	74051	6.33/8.81	38-6	164	1	★◆D6TZ 4209-B r/b E2HZ 4209-F
75170	74795	6.14/8.38	43-7	147	1	★◆D6HZ 4309-V
75170	111148	6.14/8.38	43-7	240	1	E3HZ 4309-X
75172	74797	6.50/8.87	39-6	147	1	★◆D6HZ 4309-W
75172	111149	6.50/8.86	39-6	240	1	E3HZ 4309-Y
75174	74799	7.17/9.77	43-6	147	1	★◆D6HZ 4309-X
75174	111150	7.17/9.77	43-6	240	1	E3HZ 4309-Z
76560	76561	6.17/8.58	37-6	101	1	◆D6HZ 4209-AS
78856	78835	4.33	39-9	196	1	★D8HZ 4309-D
79196	79195	5.57/7.60	39-7	25,102	1	◆D6HZ 4209-AV
79196	111474	5.57/7.60	39-7	241	1	E3HZ 4209-Z
85110	111469	4.11/5.61	37-9	243,245	1	E3HZ 4209-T
85112	111470	4.33/5.91	39-9	245	1	E3HZ 4209-V
85114	111471	4.56/6.21	41-9	241,245	1	E3HZ 4209-W
85116	111472	4.88/6.65	39-8	241	1	E3HZ 4209-X
85118	111473	5.29/7.21	37-7	241	1	E3HZ 4209-Y
85390	111142	4.11/5.61	37-9	242,244	1	E3HZ 4309-P
85392	111143	4.33/5.91	39-9	244	1	E3HZ 4309-R
85394	111144	4.56/6.21	41-9	240,244	1	E3HZ 4309-S
85396	111145	4.88/6.65	39-8	240	1	E3HZ 4309-T
85398	111146	5.29/7.21	37-7	240	1	E3HZ 4309-V
85400	111147	5.57/7.60	39-7	240	1	E3HZ 4309-W
86356	85391	4.11	37-9	198,200	1	★D8HZ 4309-B
86356	111142	4.11	37-9	229,231	1	◆E2HZ 4309-B
86358	85393	4.33	39-9	198,200	1	★D8HZ 4309-C
86358	111143	4.33	39-9	229,231	1	◆E2HZ 4309-C
86360	111144	4.56	41-9	229,231	1	E3HZ 4309-F
86362	111145	4.88	39-8	229,231	1	E3HZ 4309-G
86364	111146	5.29	37-7	229,231	1	E3HZ 4309-H
86366	111147	5.57	39-7	229,231	1	E3HZ 4309-J
86372	85111	4.11	37-9	199,201	1	D8HZ 4209-B

1980/  
TRUCK SERIES 600/900

GEAR STAMPED	PINION STAMPED	GEAR RATIO	NO. OF TEETH	PARTS LISTS	QTY.	PART NUMBER
4209-4309 RING GEAR and PINION KIT (REAR AXLE MATCHED SET) - LISTED NUMERICALLY BY STAMPED - Cont'd						
NUMBER ON RING GEAR - Also refer to Rear Axle Parts List Section 40, page 1						
◆-Solid pinion						
▲-Pinion and gear conversion kit-refer to appropriate parts list in Section 40.1						
For kit details and vehicle restriction						
86372	111469	4.11	37-9	230,232	1	◆E2HZ 4209-B
86374	85113	4.33	39-9	199,201	1	D8HZ 4209-C
86374	111470	4.33	39-9	230,232	1	◆E2HZ 4209-C
86376	111471	4.56	41-9	230,232	1	E3HZ 4209-J
86378	111472	4.88	39-8	230,232	1	E3HZ 4209-K
86380	111473	5.29	37-7	230,232	1	E3HZ 4209-L
86877	74795	6.14	43-7	56,133	1	★◆D6HZ 4309-AE
86877	111148	6.14	43-7	229,231	1	E3HZ 4309-K
86878	74797	6.50	39-6	56,133	1	◆D6HZ 4309-AF
86878	111149	6.50	39-6	229,231	1	E3HZ 4309-L
86879	74799	7.17	43-9	133	1	★◆D6HZ 4309-AG
86879	111150	7.17	43-6	229,231	1	E3HZ 4309-M
86880	79195	5.57	39-7	97	1	E1HZ 4209-B
86880	111474	5.57	39-7	230,232	1	E3HZ 4209-M
86881	66839	6.14	43-7	58,97,134	1	◆D6HZ 4209-AZ
86881	111475	6.14	43-7	230,232	1	E3HZ 4209-N
86882	66842	6.50	39-6	58,97,134,167	1	◆D6HZ 4209-BA
86882	111476	6.50	39-6	230,232	1	E3HZ 4209-P
86883	66845	7.17	43-6	97,134,167	1	◆D6HZ 4209-BB
86883	111477	7.17	43-6	230,232	1	E3HZ 4209-R
88000	53863	3.70	37-10	198,200	1	★D8HZ 4309-A
88000	111140	3.70	37-10	229,231	1	◆E2HZ 4309-A
88013	111467	3.70	37-10	230,232	1	◆E2HZ 4209-A
88284	53863	3.70	37-10	56,133	1	★◆D6HZ 4309-A
88286	53870	4.11	37-9	56,133	1	★◆D6HZ 4309-B
88288	48234	4.33	39-9	56,133	1	★◆D6HZ 4309-C
88290	48406	4.56	41-9	56,133	1	★◆D6HZ 4309-D
88292	46972	4.88	39-8	56	1	★◆D6HZ 4309-E
88294	62094	5.29	37-7	56	1	★◆D6HZ 4309-F
88296	46973	5.57	39-7	56,133	1	★◆D6HZ 4309-G
88316	53868	3.70	37-10	58,134	1	◆D6HZ 4209-A
88318	53875	4.11	37-9	58,134	1	◆D6HZ 4209-B
88320	47347	4.33	39-9	58,134	1	◆D3HZ 4209-F
88320	94269	4.33	39-9	58	1	◆D6HZ 4209-C
88322	48437	4.56	41-9	58,134	1	◆D6HZ 4209-D
88324	38861	4.88	39-8	58	1	◆D6HZ 4209-E
88326	62102	5.29	37-7	58,134	1	◆D6HZ 4209-F
88328	38863	5.57	39-7	58,134	1	◆D6HZ 4209-G
88348	74801	7.60	38-5	133	1	★◆D6HZ 4309-AH
88354	66848	7.60	38-5	134	1	◆D6HZ 4209-BC
88500	53166	3.70	37-10	194,197	1	◆D6HZ 4209-BD
88502	53168	4.11	37-9	194,197	1	◆D6HZ 4209-BE
94381	78833	4.11	37-9	196	1	★D8HZ 4309-F
98160	78831	3.70	37-10	196	1	★D8HZ 4309-E
99742	111141	3.90	39-10	229,231	1	E3HZ 4309-E
99746	111468	3.90	39-10	230,232	1	E3HZ 4209-H
99896	99897	3.90	39-10	194	1	E0HZ 4209-AC
039378-9	040442-0	4.88/6.80	39.8	263	1	E6HZ 4209-B
039379-7	040443-8	4.88/6.80	39.8	262	1	E6HZ 4209-A
104370	104371	3.90	39-10	246	1	E3HZ 4309-A
104372	104373	4.11	39-9	246	1	E3HZ 4309-B
104374	104375	4.33	39-9	246	1	E3HZ 4309-C
104376	104377	4.62	37-8	246	1	E3HZ 4309-D
104382	104383	3.90	39-10	247	1	E3HZ 4209-D
104388	104389	4.62	37-8	247	1	E3HZ 4209-G

**1980/  
TRUCK SERIES 600/900**

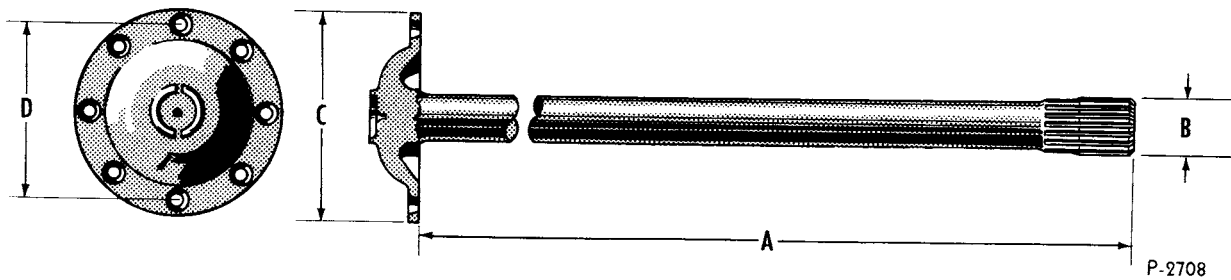
GEAR STAMPED	PINION STAMPED	GEAR RATIO	NO. OF TEETH	PARTS LISTS	QTY.	PART NUMBER
4209-4309	RING GEAR and PINION KIT (REAR AXLE MATCHED SET) - LISTED NUMERICALLY BY STAMPED - Cont'd NUMBER ON RING GEAR - Also refer to Rear Axle Parts List Section 40, page 1 ◆-Solid pinion ▲-Pinion and gear conversion kit-refer to appropriate parts list in Section 40.1 For kit details and vehicle restriction					
104394	104371	5.31	39-10	223	1	E0HZ 4309-E
104396	104375	5.90	39-9	223	1	E0HZ 4309-F
104398	104379	7.20	37-7	223	1	E0HZ 4309-G
104400	104383	5.31	39-10	224	1	E0HZ 4209-Z
104402	104387	5.90	39-9	224	1	E0HZ 4209-AA
104404	104391	7.20	37-7	224	1	E0HZ 4209-AB
107497	107517	3.90	39-10	221	1	E6HZ 4209-G
107498	107518	4.11	37-9	221	1	E6HZ 4209-H
107500	107520	4.62	37-8	221	1	E6HZ 4209-J
107501	107521	4.88	39-8	221	1	E2HZ 4209-M
107502	107522	5.29	37-7	221	1	E2HZ 4209-N
107503	107523	5.57	39-7	221	1	E0HZ 4209-J
107504	107524	6.17	37-6	221	1	E0HZ 4209-K
107505	107525	6.50	39-6	221	1	E0HZ 4209-L
107506	107526	7.17	43-6	221	1	E0HZ 4209-M
107507	107517	3.90/5.31	39-10	222	1	E6HZ 4209-K
107508	107518	4.11/5.61	37-9	222	1	E6HZ 4209-L
107510	107520	4.62/6.31	37-8	222	1	E6HZ 4209-M
107511	107521	4.88/6.65	39-8	222	1	E3HZ 4209-P
107512	107522	5.29/7.21	37-7	222	1	E2HZ 4209-R
107513	107523	5.57/7.60	39-7	222	1	E0HZ 4209-N
107514	107524	6.17/8.41	37-6	222	1	E0HZ 4209-P
107515	107525	6.50/8.86	39-6	222	1	E0HZ 4209-R
107516	107526	7.17/9.77	43-6	222	1	E0HZ 4209-S
110164	110165	5.57/7.75	39-7	164	1	E0HZ 4209-AE
113154	113141	3.90/5.31	39-10	240	1	E6HZ 4309-B
113444	113445	5.86/8.15	41-7	164	1	E2HZ 4209-E
113446	113447	6.29/8.74	44-7	164	1	E2HZ 4209-F
113452	113453	6.57/9.13	46-7	101	1	E2HZ 4209-G
113456	113457	6.57	46-7	97	1	E2HZ 4209-H
113458	113457	6.57/8.94	46-7	102	1	E2HZ 4209-K
113519	111468	3.90/5.31	39-10	241	1	E6HZ 4209-N
119026	119027	7.17/9.77	43-6	102	1	E4HZ 4209-B
119237	119027	7.17	43-6	97	1	E4HZ 4209-A
3889-L-272	37987	5.78	27-11	209	1	★D7HZ 4309-K
3889-L-272	37997	5.78	27-11	210	1	D7HZ 4209-N
GGAGR100	GGAGP100	7.17/9.97	43-6	219	1	E0HZ 4209-D
GGAGR102	GGAGP102	6.50/9.04	39-6	219	1	E0HZ 4209-C
GGAGR104	GGAGP104	6.17/8.58	37-6	219	1	E0HZ 4209-B
GGAGR106	GGAGP106	5.57/7.75	39-7	219	1	E0HZ 4209-A
GGAGR108	GGAGP108	4.89/6.79	44-9	219	1	★E3HZ 4209-A
MJAGR001	MJAGP001	5.29/7.21	37-7	220,255	1	E6HZ 4209-R
MJAGR002	MJAGP002	4.56/6.22	41-9	220,255	1	E6HZ 4209-P
MJAGR003	MJAGP003	3.70/5.05	37-10	255	1	E4HZ 4209-C
MJAGR004	MJAGP004	3.90/5.32	39-10	255	1	E4HZ 4209-D
MJAGR005	MJAGP005	4.11/5.60	37-9	255	1	E4HZ 4209-E
MJAGR100	MJAGP100	7.17/9.77	43-6	220	1	E0HZ 4209-H
MJAGR102	MJAGP102	6.50/8.86	39-6	220	1	E0HZ 4209-G
MJAGR104	MJAGP104	6.14/8.38	43-7	220	1	E0HZ 4209-F
MJAGR106	MJAGP106	5.57/7.60	39-7	220	1	E0HZ 4209-E
MJAGR108	MJAGP108	4.89/6.66	44-9	220	1	E3HZ 4209-B
MJAGR134	MJAGP134	3.70	37-10	266	1	E6HZ 4209-S
MJAGR136	MJAGP136	3.90	39-10	266	1	E6HZ 4209-T
MJAGR138	MJAGP138	4.11	41-10	266	1	E6HZ 4209-V

1980/  
TRUCK SERIES 600/900

4210-7	Refer to Rear Axle Parts List Section 40, Page 1
4221	Refer to Rear Axle Parts List Section 40, page 1 or group 1201
4222	Refer to Rear Axle Parts List Section 40, page 1 or groups 1202,1217,1239
4223-30	Refer to Rear Axle Parts List Section 40, page 1

4234-5 SHAFT ASSY. (REAR AXLE)-Listed by Dimension "A" -Also refer to Rear Axle Parts List Section 40, page 1

SIZE IDENTIFICATION CHART



A	B	S P L I N E S	C	D	S H O U L D E R	PART NUMBER	A	B	S P L I N E S	C	D	S H O U L D E R	PART NUMBER
34 7/8	2 11/32	46	8 3/8	7	8	D7HZ 4234-H	38 1/8	2	39	6 1/4	5 1/4	12	E3HZ 4234-E
36 1/16	1 49/64	19	5 37/64	4 3/4	8	D6TZ 4235-A	38 7/32	1 11/16	34	6 7/32	5 5/16	8	E4HZ 4234-A
36 5/32	1 3/4	34	5 19/32	4 3/4	8	E0HZ 4234-D	38 7/32	1 3/4	34	6 1/8	5 1/8	8	E1HZ 4234-F
36 37/64	2 23/64	46	8 3/8	7	8	E9HZ 4234-M	38 7/32	2 7/64	41	8 3/8	7	8	D8HZ 4234-B
37	2 11/32	46	8 3/8	7	8	D7HZ 4234-D	38 7/16	1 51/64	36	6 7/32	5 5/16	8	E1HZ 4234-B
37 3/16	2 7/64	41	8 3/8	7	8	E9HZ 4234-K	38 7/16	1 7/8	16	6 1/4	5 5/16	8	C3TZ 4234-S
37 9/32	1 3/4	34	6 1/4	5 5/16	8	E7HZ 4234-A	38 15/32	2 11/32	46	8 3/8	7	8	E7HZ 4234-N
37 3/8	2 7/64	41	8 3/8	7	8	E9HZ 4234-D	38 19/32	1 3/4	34	6 1/4	5 5/16	8	E7HZ 4234-B
37 3/8	2 35/64	50	8 3/8	7	8	D7HZ 4234-F	38 21/32	2	39	6 1/4	5 5/16	8	D7HZ 4234-C
37 5/8	2	39	6 1/4	5 1/4	12	E9HZ 4234-F	38 5/8	1 55/64	36	6 1/4	5 5/16	8	E0HZ 4234-A
37 13/16	2 25/64	24	8 3/8	7	8	D8HZ 4234-D	38 15/16	2 11/32	46	8 3/8	7	8	E7HZ 4234-L
37 25/32	2 23/64	46	8 3/8	7	8	E9HZ 4234-R	39 1/64	2 3/8	16	8 5/8	7	8	C1TT 4235-D
37 7/8	1 27/32	36	6 1/4	5 1/4	12	E7HZ 4234-D	39 23/32	2	39	6 1/4	5 1/4	12	E6HZ 4234-E
38 1/32	2 3/32	41	8 3/8	7	8	E7HZ 4234-H	40 5/32	2	39	8 3/8	7	8	E9HZ 4234-G
38 1/32	2 3/32	41	8 3/8	7	8	E8HZ 4234-A	40 5/16	1 27/32	36	6 1/4	5 1/4	12	E7HZ 4234-F
38 1/8	1 3/4	19	6 1/8	5 1/8	8	C4TZ 4234-D	40 7/16	2 7/64	41	8 3/8	7	8	E9HZ 4234-H
38 1/8	1 3/4	34	6 1/8	5 1/8	8	E0HZ 4234-C	40 9/16	1 51/64	36	6 1/8	5 1/4	12	E3HZ 4234-B
38 1/8	1 3/4	34	6 1/4	5 5/16	8	E0HZ 4234-E	40 19/32	1 55/64	36	6 3/16	5 1/4	12	E3HZ 4234-A

1980/  
TRUCK SERIES 600/900

A	B	S P L I N E S	C	D	S H T O U L D E	PART NUMBER	A	B	S P L I N E S	C	D	S H T O U L D E	PART NUMBER
40 29/32	2 7/64	41	8 1/2	7	8	E4HZ 4234-B	42 1/8	2	39	6 1/4	5 1/4	12	E3HZ 4234-D
40 29/32	2	39	6 3/16	5 1/4	12	E0HZ 4234-B	42 5/16	2 7/64	41	8 3/8	7	8	D8HZ 4234-C
						D4HZ 4234-A	42 29/32	2 11/32	46	8 3/8	7	8	E7HZ 4234-M
40 31/64	2 1/8	22	8 3/8	7	8	D7HZ 4235-A	42 29/32	2 11/32	46	8 3/8	7	8	E8HZ 4234-C
40 3/4	2	39	6 1/4	5 1/4	12	E3HZ 4234-C	42 29/32	2 23/64	46	8 3/8	7	8	E9HZ 4234-L
40 29/32	2	39	6 1/8	5 1/4	12	E1HZ 4234-C	43 1/16	2 23/64	46	8 3/8	7	8	E9HZ 4234-B
40 29/32	2	39	8 3/8	7	8	E7HZ 4234-J	43 1/8	2 7/64	41	8 3/8	7	8	E9HZ 4234-A
40 15/16	1 31/32	16	6 1/8	5 1/4	12	C3TZ 4234-N	43 1/8	2 7/64	41	8 3/8	7	8	E9HZ 4234-J
41 1/16	2 3/32	41	8 3/8	7	8	E7HZ 4234-P	43 5/16	2 3/8	24	8 3/8	7	8	D8HZ 4234-E
41 1/8	2 15/32	22	8 1/2	7	8	D8HZ 4234-A	43 35/64	2	39	6 1/4	5 1/4	12	E9HZ 4234-E
41 3/8	2 1/8	33	8 1/2	7	8	E1HZ 4234-A	43 29/32	1 27/32	36	6 1/4	5 1/4	12	E7HZ 4234-C
41 3/8	2 5/16	36	8 1/2	7	8	E1HZ 4234-E	44	2 3/32	41	8 3/8	7	8	E7HZ 4234-G
41 1/2	2 7/64	41	8 3/8	7	8	E9HZ 4234-C	44 15/16	2 19/64	46	8 3/8	7	8	★ D7HZ 4234-E
41 1/2	2 9/32	22	8 1/2	7	8	D7HZ 4234-B	45 9/32	2 11/32	46	8 3/8	7	8	E7HZ 4234-K
41 17/32	1 27/32	36	6 1/4	5 1/4	12	E7HZ 4234-E	45 9/32	2 11/32	46	8 3/8	7	8	E8HZ 4234-B
41 19/32	2 7/64	41	8 1/2	7	8	E1HZ 4234-D	45 5/8	2 35/64	50	8 3/8	7	8	D7HZ 4234-G
41 19/32	2 1/8	16	8 1/2	7	8	D7HZ 4234-A	46 1/8	2 11/32	46	8 3/8	7	8	D7HZ 4234-J
41 23/32	2 23/64	46	8 3/8	7	8	E9HZ 4234-N							D3HZ 4234-A
41 55/64	2 23/64	46	8 3/8	7	8	E9HZ 4234-P							

YEAR	MODEL/RESTRICTIONS	PART NUMBER	DESCRIPTION	QTY.
4236-42	Refer to Rear Axle Parts List Section 40, page 1			

4243 KEY (FRONT and REAR AXLE DRIVEN GEAR) - Also refer to Rear Axle Parts List Section 40, page 1

80	F600 (front axle)	B 4243	Spindle steering arm-2 55/64" long-cut to fit	2		
YEAR	MODEL	DESCRIPTION	QTY	INNER	QTY	OUTER

4252 NUT (REAR WHEEL BEARING)

80/	All -- w/13M axles	2 1/4"-16	2	D3HZ 4255-A		
		2 1/4"-16			2	BB 4254
80/	All -- w/15M axles	2 1/2"-16	2	B4T 4255-A		
		2 1/2"-16			2	C4TZ 4254-A
80/	All -- w/17.5M,19M axles	2 5/8"-12	2	D7HZ 4255-A		
		2 5/8"-12			2	D7HZ 4254-A
80/	All -- w/18.5M axles	2 5/8"-12	2	D7HZ 4255-A		
		2 5/8"-12			2	D7HZ 4254-A
80/86	All -- w/20M,22M,23M axles	3 1/4"-12	2	D5HZ 4255-A		
		3 1/4"-12			2	E7HZ 4254-A
87/	All -- w/20M,21M,22M,23M axles	3 1/4"-12	2	E7HZ 4254-A		
					2	E7HZ 4254-A
80/	All -- w/34M axles	2 5/8"-12	4	D7HZ 4255-A		
		2 5/8"-12			4	D7HZ 4254-A
80/86	All -- w/38M,40M axles	3 1/4"-12	4	D5HZ 4255-A		
		3 1/4"-12			4	E7HZ 4254-A
87/	All -- w/38M,40M axles	3 1/4"-12	4	E7HZ 4254-A		
					4	E7HZ 4254-A
80/86	All -- w/44M,46M axles	3 1/4"-12	4	D5HZ 4255-A		
		3 1/4"-12			4	E7HZ 4254-A
87/	All -- w/46M axles	3 1/4"-12	4	E7HZ 4254-A		
					4	E7HZ 4254-A
80/83	All -- w/58M,65M axles	3 3/8"-12	4	B8QH 4255-A		
		3 3/8"-12			4	B8QH 4252-B

YEAR	MODEL/RESTRICTIONS	PART NUMBER	DESCRIPTION	QTY.
4254-55	NUT (REAR WHEEL BEARING) - Refer to group 4252			

4A254 RETAINER (DRIVE SHAFT UNIVERSAL JOINT SPIDER)

80/83	B-F-L-LN600/800	C9TZ 4A254-B	Attach 4817 to trans. flange-3/4" wide x 2 11/16" long x 1 15/16" hole centers-1480 or 1550 size drive lines	2
-------	-----------------	--------------	--	---

1980/  
TRUCK SERIES 600/900

YEAR	MODEL/RESTRICTIONS	PART NUMBER	DESCRIPTION	QTY.
<b>4A254 RETAINER (DRIVE SHAFT UNIVERSAL JOINT SPIDER) — Cont'd</b>				
80/83	B-F-LN600/700	C6TZ 4A254-B	Attach 4817 or 4602 to trans. flange— 9/16" wide x 2 7/16" long x 1 7/8" hole centers— 055 or 1410 size drive lines	AR
84/	B-C-CF-F-L-LN600/800	E4HZ 4A254-A	Attach 4602 or 4817—7/8" wide x 2 7/8" long x 2 1/16" hole centers—1480 of 1550 size drive lines	AR
		390216-S2	Bolt 3/8"—16 x 1.75" 12 point flange grade 8 (BB-945-F)	4
		34987-S2	Nut 3/8"—16 hex p/t grade 8 (M-89-DG)	4
84/	B-C-F-L-LN600/800	E4HZ 4A254-B	Attach 4602 or 4817—3/4" wide x 2 25/64" long x 1 51/64" hole centers—1410 drive lines	AR
		390214-S2	Bolt 5/16"—18 x 1.50" 12 point flange grade 8 (BB-945-FC)	4
		379930-S2	Nut 5/16"—18 hex washer lock (MM-173-JF)	4
87/	B-C-CF-F-L-LN-LNT-LS-LT-LTL-LTS600/900	E7HZ 4A254-A	Attach 4602 or 4817—1" wide x 3 7/32" long x 1 1/4" hole centers— 1610 drive lines	AR
		★	Bolt attaching—refer to group 4N272	
87/	B-C-CF-F-L-LN-LNT-LS-LT-LTA-LTL-LTS600/900	E7HZ 4A254-B	Attach 4602 or 4817—1 1/16" wide x 3 23/32" long x 1 13/32" hole centers— 1710, 1710, 1760, 1760 H.D., 1810, 1810 H.D. drive lines	AR
		★	Bolt attaching—refer to group 4N272	
<b>4256 PIN (REAR WHEEL BEARING LOCK)</b>				
80/82	B-F-C600/750,CT-LNT-LT-LTL-LTS800/900	B4T 4256-A	7/16" long	2
<b>4257-82 Refer to Rear Axle Parts List Section 40, page 1</b>				
<b>4N272 BOLT (DRIVESHAFT ATTACHMENT)</b>				
87/	B-C-CF-F-L-LN-LNT-LS-LT-LTL-LTS600/900	F1HZ 4N272-A	Attaches driveline front and rear—3/8"—24 x 3/4"— 1610 drivelines	8
87/	B-C-CF-F-L-LN-LNT-LS-LT-LTA-LTL-LTS600/900	F1HZ 4N272-B	Attaches driveline front and rear— 1/2"—20 x 1"—1710, 1710 H.D., 1760, 1760 H.D. 1810, 1810 H.D. drive lines	8
<b>4A286 CONNECTOR ASSY. (REAR AXLE AIR SHIFT CONTROL)</b>				
80/	CT-FT-LNT-LT-LTA-LTS800/900	C6TZ 4A286-A	2 speed tandem w/air control—incl. 3/8"—24 knurled hex. nut	AR
<b>4A289 CLIP (REAR AXLE SHIFT CONTROL TUBE)</b>				
80/87	CT-LNT-LT-LTS800/900	C6TZ 4A289-A	2 speed tandem w/air shift—1 I.D. x 1 1/2 O.D. x 5/8" thick-neoprene on steel	AR
<b>4290-5 Refer to Rear Axle Parts List Section 40, page 1</b>				
<b>4A296 SLEEVE (REAR AXLE SHIFT CONTROL TUBE) — Improve from bulk hose (4090)</b>				
<b>4300 Refer to Section 40, page 1</b>				
<b>4301-8 Refer to Rear Axle Parts List Section 40, page 1</b>				
<b>4309 Refer to group 4209</b>				
<b>4A309-26 Refer to Rear Axle Parts List Section 40, page 1</b>				



1980/  
TRUCK SERIES 600/900

YEAR	MODEL/RESTRICTIONS	PART NUMBER	DESCRIPTION	QTY.
<b>4A310 CLIP (DRIVE SHAFT UNIVERSAL JOINT BEARING RETAINER LOCK)</b>				
80/	C-CF-CL-CLT-CT-L-LN-LNT-LT-LTL-LTS700/900	C8HZ 4A310-C	1610 size	2
80/	C-CL-CLT-CT L-LN-LNT-LT-LTL-LTS700/900	C8HZ 4A310-A	1710 size 1810 size 1760 size	2
4311-34 Refer to Rear Axle Parts List Section 40, page 1				
4N332-6 Refer to group 4062				
4341 Refer to Rear Axle Parts List Section 40, page 1				
4342 Refer to Chart in group 4841				
4A342 SPACER (REAR AXLE STABILIZER BAR LINK) - Improve				
4343 Refer to Chart in group 4841				
4344-5 Refer to group 4062				
4N345 Refer to group 4062				
4346-51 Refer to Rear Axle Parts List Section 40, page 1				
4351 For size information refer to group 4851				
<b>4357 WEDGE (REAR AXLE SPRING SEAT) - Also refer to group 5A313</b>				
80/	C600/900	C1TT 4357-B	#C1TT 4357-B-1°-6 1/4" long x 3" wide x 3/16" thick large end x 11/16" hole	2
80/	C600/900	C8HZ 4357-A	2° -21" taper-6 1/4" x 3"	2
4358-60 Refer to Rear Axle Parts List Section 40, page 1				
<b>4381 BUSHING (REAR AXLE TORQUE ARM)-Also refer to group 5781</b>				
80/81	CLT900 - - Reyco suspension	★ D8HZ 4381-A r/bE1HZ 5L781-A	Used on axle seat end- 7/8" I.D. x 1 15/16" O.D. x 3" long	2
		★ D8HZ 4381-B r/bE1HZ 5L781-A	Used on hanger end- 1 17/32" I.D. x 2 3/4" O.D. x 3 3/8" long	2

APPLICATION CHART

S P E E D	MAIN TRANS. MODEL	AUX. TRANS. MODEL	ENGINE		YEAR	T Y P E ▲	SIZE (INCHES)		NOTE	PART NUMBER	CODES		
			C O D E	C O Y E R			A	B			S Y L I K E	U-JOINT	
												F L O R E	R E A R

**4385 COUPLING SHAFT (INTER TRANSMISSION)**

If stamped identification is known, refer to Section 46.1 Page 6 for cross reference to service part number  
Components for complete shaft assemblies are also available for service. When the service part number for the complete shaft assembly is known, the part number of the shaft sub-assembly and related components may be found in the Drive and Coupling Shaft Component Parts List in Section 46.1A.

YEAR	MODEL/RESTRICTIONS	PART NUMBER	DESCRIPTION	QTY.
4390-4393 Refer to Rear Axle Parts List Section 40, page 1				
<b>4A393 SELECTO-TORQ CONVERTER KIT (REAR AXLE)</b>				
80/83	CT-LNT-LT-LTS800/900	D3HZ 4A393-A	This torque selector is designed to operate with- (1)-up to 250 H.P. engines (2)-up to 9.00:1 trans. low gear (3)-4.88:1 or faster axle ratio for diesel eng. 7.17:1 or faster axle for gas engine (4)-55M G.V.W. maximum -use w/Eaton 34,38D axles	1
4394-4399 Refer to Rear Axle Parts List Section 40, page 1				
4399 Bolt (REAR AXLE POWER DIVIDER SHIFT HOUSING) - Refer to Rear Axle Parts List Section 40, page 1				

1980/  
TRUCK SERIES 600/900

YEAR	MODEL/RESTRICTIONS	PART NUMBER	DESCRIPTION	QTY.
4399	SCREW (REAR BRAKE ANCHOR PIN)			
80/	LT-LNT900	D2HZ 4399-A	Used with 16 1/2" x 7"-Rockwell cam brake	1
4400-4406	Refer to Rear Axle Parts List Section 40, page 1			
4407	TUBE (REAR AXLE LOCKOUT HOSE TO CYLINDER) Improvise from bulk tubing (2269) - also use 1 piece 87945-S8 fitting			
4411-4	Refer to Rear Axle Parts List Section 40, page 1			
4415	TUBE (REAR AXLE POWER DIVIDER DIFFERENTIAL LOCKOUT CONTROL VALVE TO DIVIDER FRONT)- Improvise from bulk tubing (2269)			
4416	TUBE (REAR AXLE POWER DIVIDER DIFFERENTIAL LOCKOUT CONTROL VALVE TO DIVIDER REAR)- Improvise from bulk tubing (2269)			
4417-64	Refer to Rear Axle Parts List Section 40, page 1 or group 4062			
4465	For description see chart under group 4851			
4466	Refer to Rear Axle Parts List Section 40, page 1 or group 4062			
4467	CYLINDER ASSY. (REAR AXLE POWER DIVIDER DIFFERENTIAL LOCKOUT)			
80/	LNT-LT-LTA-LTS800/900	TVAA 4467-A	Vacuum-less bracket	1
4468-79	Refer to Rear Axle Parts List Section 40, page 1			
4482	Refer to group 4078			
4483	BRACKET (POWER DIVIDER DIFFERENTIAL LOCKOUT CONTROL)-Improvise			
4484	VALVE ASSY. (REAR AXLE POWER DIVIDER DIFFERENTIAL LOCKOUT CONTROL)- Also refer to Rear Axle Parts List Section 40, page 1			
80/82	CT800/900	B4Q 4484-A	Vacuum control	1
83/	FT800/900	E3HZ 4484-A	#E3HT 4484-BA-air control	1
80/	LNT800,LT-LTA-LTS800/900	DOHZ 4484-A	#D0HA 4484-B-vacuum control	1
80/	LNT-LT-LTA-LTL-LTS800/900	★ DOHZ 4484-B	#D0HA 4484-C-air control-single and two speed axes-r/b E3HZ 4484-A	1
80/82	LNT-LT-LTS800/900	DOHZ 4484-C	#D0HA 4484-D-air control-three speed axes	1
4486	TUBE (REAR AXLE POWER DIVIDER DIFFERENTIAL LOCKOUT CONTROL VALVE TO COUPLING HOSE)- Improvise from bulk tubing (2269)			
80/	LT-LTA-LTS800/900	357946-S8	(GG-152)-clip (tube to frame)-9/16"	1
80/	LT-LTA-LTS800/900		Clip (tube to dash panel)	1
80/	LT-LTA-LTS800/900		Clip (tube to brake pedal bracket)	1
80/	LT-LTA-LTS800/900		Clip (tube to valve mounting bracket)	1
80/	LT-LTA-LTS800/900		Clip (tube to cylinder hose bracket)	1
80/	LT-LTA-LTS800/900	20387-S7-8	(B-157)-bolt-clip-5/16"-24 x 7/8"	1
		20347-S8	(B-156)-bolt (clip)-5/16"-24 x 3/4"	1
		33798-S8	(M-62)-nut-5/16"-24	1
		34806-S7	(X-64)-lockwasher-5/16"	1
		353652-S	(II-4)-nipple (tube to valve)	1
		32940-S8	(U-351)-screw (clip to dash panel)-No.14-10 x 3/4"	1
80/	LT900	20387-S8	(B-157)-bolt (tube to hose bracket)-5/16"-24 x 1"	1
4487	BRACKET (REAR AXLE POWER DIVIDER DIFFERENTIAL LOCKOUT COUPLING HOSE TO CYLINDER HOSE TUBE)-Improvise			
4489	BRACKET-REAR AXLE POWER DIVIDER DIFFERENTIAL LOCKOUT CYLINDER			
80/83	LNT-LT-LTS800/900	TWAA 4489-B	34D,38D axes	1
		353608-S7(QQ-17)	Snap ring (bracket to cylinder)-1 1/2"	1
4492	Refer to Rear Axle Parts List Section 40, page 1			
4496	TUBE (REAR AXLE POWER DIVIDER DIFFERENTIAL LOCKOUT CONTROL VALVE TO DIVIDER CENTER)- Improvise from bulk tubing (2269)			
4497	DIAPHRAGM ASSY. (REAR AXLE POWER DIVIDER DIFFERENTIAL LOCKOUT CYLINDER)			
80/83	CT800/900,LNT-LT-LTL-LTS800/900	C1TT 4497-A	Use w/Rockwell SLHD and SQHD axes-vacuum shift	1
		C1TT 4497-B	Use w/Rockwell SLHD and SQHD axes-air shift	1
80/83	LNT-LT-LTS800/900	★ B4Q 4497-A	Use w/Eaton 34D,38D axes-r/b TVAA 4467-A	1

1980/  
TRUCK SERIES 600/900

YEAR	MODEL/RESTRICTIONS	PART NUMBER	DESCRIPTION	QTY.
4498-4502	Refer to Rear Axle Parts List Section 40, page 1			
<b>4503 KNOB (REAR AXLE POWER DIVIDER LOCKOUT CONTROL)</b>				
80/82	B-F600/750	DOHZ 4503-A		1
80/	C-CT600/900			1
80/	LNT-LT-LTA-LTL-LTS800/900			1
4505-17	Refer to Rear Axle Parts List Section 40, page 1			
4518	BRACKET (REAR AXLE AIR SHIFT SOLENOID MOUNTING) - Improve			
4519-22	Refer to Rear Axle Parts List Section 40 page 1			
4523	Refer to Parts List Section 48.1, page 1			
4525-7	Refer to Rear Axle Parts List Section 40, page 1			
<b>4529 BOLT (DRIVE SHAFT UNIVERSAL JOINT)-Also refer to basic 4A254</b>				
80/	B-C-F600/700 -- w/1410 u/joints	D8UZ 4529-E	"U" shaped-3/8"-16	AR
		33799-S2	(M-S2-Nut-3/8"-16	AR
		34807-S8	(X-66)-Washer-3/8" lock	AR
80/	B-C-F600/700 -- w/1480,1550or 055 U/joints	C1TT 4529-B	"U" shaped-7/16"-20	AR
<b>4531 HOSE ASSY. (REAR AXLE AIR SHIFT CONTROL)</b>				
80/	CT800/900	D1TZ 4531-A	34 1/4" long x 3/4" O.D. x 1/4"-18 fittings used rear rear tandem axle	1
80/	CT800/900	D3HZ 4531-A	45 1/4" long x 3/4" O.D. x 1/4" -18 fittings used forward rear tandem axle	1
80/	CT-LT-LTA-LTL-LTS800/900	C3TZ 4531-A	24" long-1/4" male fitting each end-Timken tandems	1
<b>4531 HOSE ASSY. (REAR AXLE POWER DIVIDER DIFFERENTIAL LOCKOUT CONTROL VALVE)-- Also refer to Group 2078</b>				
80/	CT800/900	C3TZ 4531-A	24" long-1/4" male fitting each end	1
<b>4533 BRACKET (REAR AXLE POWER DIVIDER DIFFERENTIAL LOCKOUT CONTROL VALVE)</b>				
80/	CT900 -- w/2 speed axle and air control	DOHZ 4533-A		1
89	CFT800 -- w/Hendrickson beam suspension	E8HZ 4533-A		1
4536-56	Refer to Rear Axle Parts List Section 40, page 1			
4550	Refer to group 4062			
4557	Refer to group 4964			
4558-67	Refer to Rear Axle Parts List Section 40, page 1			
4568	REINFORCEMENT (REAR AXLE TORQUE ARM) - Improve			
4569-88	Refer to Rear Axle Parts List Section 40, page 1			
4N571	Refer to group 4062			

1980/  
TRUCK SERIES 600/900

YEAR	MODEL/RESTRICTIONS	PART NUMBER	DESCRIPTION	QTY.
4589	VALVE ASSY. (REAR AXLE SHIFT CONTROL) - Also refer to group 4062			
80/	All - - w/2 speed axle and air shift and engine exhaust brake	C4TZ 4589-B	#C4TB 4741-A, C6TB 4741-A or B- 2 7/32" O.D. x 4 1/8" long-internal ground	1
		*58522-S2	Bolt (attach valve assy. to bracket)-5/16"-18 x 1"	3
		56522-S2	(B-319-KA) Bolt (attach valve assy. to bracket)-5/16"-18 x 1"	2
		33770-S2	(M-89-KA) Nut (attach valve assy. to bracket)-5/16"-18	3
		379930-S7	(MM-173-JF) Nut 5/16-18 washer lock (attach valve assy. to bracket)	2
		58635-S2	(B-82-A) Bolt (attach bracket to frame)-3/8"-16 x 1 1/4"	2
		58636-S2	(B-85-D) Bolt (attach bracket to frame)-3/8"-16 x 1 1/2"	2
		44877-S2	(X-24-B) Washer (attach bracket to frame)-3/8"	4
89	CF700/800 - - single speed axle w/diff. lock system	E9HZ 4589-A	(M-89-DA) Nut (attach bracket to frame)-3/8"-16	2
				1

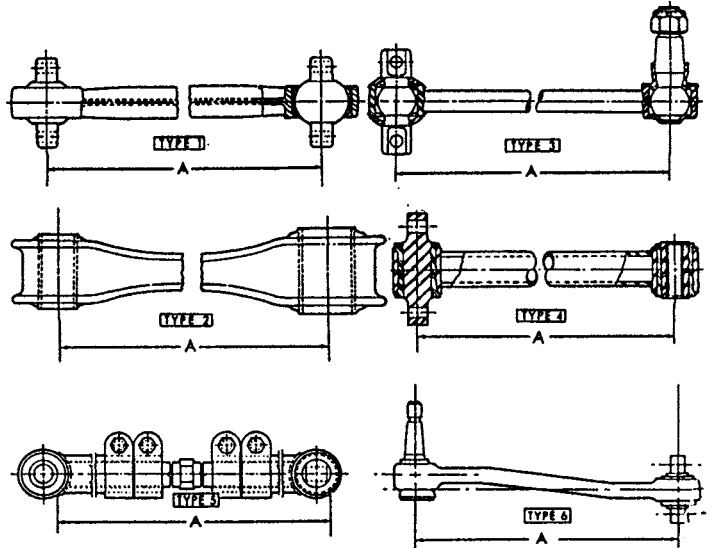
4590-8 Refer to Rear Axle Parts List Section 40, page 1

4596 Refer to group 4062

1980/  
TRUCK SERIES 600/900

YEAR	MODEL/RESTRICTIONS	PART NUMBER	DESCRIPTION	QTY.
4602	SHAFT ASSY. (DRIVE) - refer to Section 46.1, page 1.			
4A603	SHAFT ASSY. (DRIVE) - refer to Section 46.1, page 1			
4606	COUPLING SHAFT (INTER TRANSMISSION) - refer to group 4385			
4610	WASHER (REAR AXLE TORQUE ARM RETAINING)			
80/	All - - w/Hendrickson susp.	C3TZ 4610-A	1 5/16" I.D. x 2 1/4" O.D. x 1/4" thick	2
4611	NUT (REAR AXLE TORQUE ARM RETAINING)			
80/	All - - w/Hendrickson susp.	C3TZ 4611-A	1 1/4"-12	2
80/	All - - w/Hendrickson susp.	C3TZ 4611-B	1 1/8"-12	2

4612 ARM (REAR AXLE TORQUE) - For T.S.L. information refer to Section 40, page 1.



Type 1-"T" studs either end

Type 2-bushing both ends

Type 3-"T" stud one end, ball type other end

TORQUE ARM IDENTIFICATION CHART

STAMPING NO.	TYPE	PART NUMBER	STAMPING NO.	TYPE	PART NUMBER
88HU 4W060-AA	1	E8HZ 4612-B	D7HT 4962-AKA	3	D8HZ 4612-A
D2HA 4962-KA	1	D2HZ 4612-J	D7HT 4962-ANA	1	★D7HZ 4612-K
D2HA 4962-MA	3	D2HZ 4612-K	D7HT 4962-ARA	1	★D7HZ 4612-L
D2HA 4962-YA	3	D2HZ 4612-AE	D8HS 4962-BA	1	E3HZ 4612-L
D2HA 4962-ZA	3	D2HZ 4612-AF	D8HS 4962-CA	1	E3HZ 4612-N
D2HS 4962-FA	1	D7HZ 4612-B	D8HS 4962-JA	1	E8HZ 4612-C
D2HS 4962-ANA	1	D7HZ 4612-C	D8HT 4962-AA	2	E0HZ 4612-A
D2HS 4962-ARA	1	★D8HZ 4612-H	D8HT 4962-BA	2	E0HZ 4612-B
D2HS 4962-ASA	1	D7HZ 4612-D	D8HT 4962-CA	1	D9HZ 4612-A
D2HS 4962-ATA	1	D7HZ 4612-E	D9HT 4962-GA	2	E0HZ 4612-A
D2HS 4962-AUA	1	D7HZ 4612-F	D9HT 4962-FA	2	E0HZ 4612-B
D2HS 4962-AZA	1	D2HZ 4612-J	E0HS 4962-BA	1	E3HZ 4612-M
D3HA 4962-AA	3	D3HZ 4612-A	E1HT 4962-AA	2	E1HZ 4612-A
D3HS 4962-MA	1	D7HZ 4612-G	E1HT 4962-BA	2	E1HZ 4612-B
D3HS 4962-SA	1	D7HZ 4612-H	E3HS 4962-BA	1	E9HZ 4612-A
D3HS 4962-UA	1	D8HZ 4612-G	E3HT 4962-AA	1	E3HZ 4612-J
D3HS 4962-VA	1	E3HZ 4612-H	E3HT 4962-BA	1	E3HZ 4612-H
D3HS 4962-AAA	3	D3HZ 4612-A	E3HT 4962-JA	1	E3HZ 4612-B
D4HA 4962-AA	1	D2HZ 4612-AB	E3HT 4962-KA	1	E3HZ 4612-D
D4HA 4962-DA	3	D2HZ 4612-K	E3HT 4962-MA	1	E3HZ 4612-F
D4HA 4962-EA	3	D4HZ 4612-A	E3HT 4962-NA	1	E3HZ 4612-C
D4HS 4962-FA	1	E3HZ 4612-D	E3HT 4962-SA	1	E3HZ 4612-G
D7HD 4962-AA	1	E9HZ 4612-F	E3HT 4962-TA	1	E3HZ 4612-K
D7HT 4962-ABA	3	D7HZ 4612-J	E4HS 4962-KA	1	E9HZ 4612-G
D7HT 4962-ACA	1	D7HZ 4612-A	E4HT 4962-AB	4	E4HZ 4612-A

October, 1993

COPYRIGHT © 1993 - FORD MOTOR - DEARBORN, MICHIGAN  
COMPANY

Final Issue

1980/  
TRUCK SERIES 600/900

TORQUE ARM IDENTIFICATION CHART

STAMPING NO.	TYPE	PART NUMBER	STAMPING NO.	TYPE	PART NUMBER
E4HT 4962-BB	4	★E4HZ 4612-B r/b E4HZ 4612-F	E9HS 4962-DA	1	E9HZ 4612-J
E4HT 4962-CB	5	E4HZ 4612-C	E9HT 4962-CA	1	E9HZ 4612-D
E4HT 4962-DB	5	E4HZ 4612-D	E9HT 4962-LA	3	E9HZ 4612-E
E7HS 4962-AA	3	E8HZ 4612-D	D1E9HT 4962-BB	1	★D1E9HT 4962-BB r/b E9HZ 4612-H
E7HS 4962-BA	6	E8HZ 4612-E	EDE9HT 4962-BB	1	E9HZ 4612-H
E8HS 4962-YA	1	E9HZ 4612-B	87HU 4962-AA		E7HZ 4612-A
E9HT 4962-BB	1	E9HZ 4612-C	88HU 4962-AA	1	E8HZ 4612-A

YEAR	MODEL	AXLE	NOTE	LOCATION	TYPE	"A" (INCHES)	PART NUMBER	QTY.
------	-------	------	------	----------	------	-----------------	-------------	------

4612 ARM (REAR AXLE TORQUE)-For T.S.L. information refer to Section 40, page 1.

- |                                 |                                   |  |
|---------------------------------|-----------------------------------|--|
| Note 1-High saddle              | Note 7-W/50" walking beam         | Note 13-Use w/RTEA-380 suspension (alum. beam) |
| Note 2-Low saddle               | Note 8-W/54" walking beam         | Note 14-Use w/UEA-340 suspension (alum. beam)  |
| Note 3-Off-highway only         | Note 9-W/channel reinforcement    | Note 15-Use w/UA-340 suspension (alum. beam)   |
| Note 4-On-highway only          | Note 10-W/o channel reinforcement | Note 16-Use w/RTA-380 suspension (alum. beam)  |
| Note 5-Use w/RT type suspension | Note 11-W/60" walking beam        | F-Forward, R-Rear                              |
| Note 6-Use w/RU type suspension | Note 12-W/52" walking beam        |  |

HENDRICKSON EXTENDED LEAF SUSPENSION

YEAR	MODEL	AXLE	NOTE	LOCATION	TYPE	"A" (INCHES)	PART NUMBER	QTY.
80/81	CLT900	DS340	12,14	F	1	23 5/16	★D8HZ 4612-H	1
			12,14	R	1	23 3/4	D7HZ 4612-D	1
80/81	CLT900	DS380	12,13	F	1	23 1/8	D7HZ 4612-H	1
			12,13	R	1	24 1/4	D7HZ 4612-E	1
			12,14	F	1	23 5/16	★D8HZ 4612-H	1
			12,14	R	1	23 3/4	D7HZ 4612-D	1
80/81	CLT900	44D	12,13	F	1	23 1/8	D7HZ 4612-H	1
			12,13	R	1	24 3/8	D9HZ 4612-A	1
80/82	CLT900	SLHD,SSHD	12,13,14	F	1	22 3/4	D7HZ 4612-B	1
			12,13,14	R	1	23 3/4	D7HZ 4612-D	1
80/82	CLT900	SQHD	12,14	F	1	22 3/4	D7HZ 4612-B	1
				R	1	23 3/4	D7HZ 4612-D	1
80/82	CLT900	SQHP	12,13	F	1	23 1/8	D7HZ 4612-H	1
			12,13	R	1	22	D7HZ 4612-C	1
			12,14	F	1	22 3/4	D7HZ 4612-B	1
			12,14	R	1	21 1/2	D7HZ 4612-G	1
80/82	CT800/900	34D	6	F	1	22	D7HZ 4612-C	1
			6	R	1	23 1/8	D7HZ 4612-H	1
80/82	CT800/900	SLHD	6	F	1	22	D7HZ 4612-C	1
			6	R	1	22 1/2	D7HZ 4612-A	1
80/82	LNT-LT-LTS 800/900	34D,38D	6,7	F	1	22	D7HZ 4612-C	1
			6,7	R	1	22 3/4	D7HZ 4612-B	1
80/82	LNT-LT-LTS 800/900	SLHD,SQHD	6,7	F	1	21 1/2	D7HZ 4612-G	1
			6,7	R	1	22 3/4	D7HZ 4612-B	1
80/82	LNT-LT-LTS900	SQHP	2	F	1	22	D7HZ 4612-C	1
			2	R	1	22 3/4	D7HZ 4612-B	1
			6,12	F	1	21	D8HZ 4612-G	1
			6,12	R	1	23 3/4	D7HZ 4612-D	1

HENDRICKSON RUBBER SUSPENSION

YEAR	MODEL	AXLE	NOTE	LOCATION	TYPE	"A" (INCHES)	PART NUMBER	QTY.
80/82	CT800/900	34D,DS340		F	1	22	D7HZ 4612-C	1
				R	1	22 3/4	D7HZ 4612-B	1
80/82	CT 800/900	SLHD	1	F & R	3	22 5/8	D2HZ 4612-AE	2
			2	F	1	22	D7HZ 4612-C	1
80/82	LNT-LT-LTS800/900	34D,38D		R	1	22 3/4	D7HZ 4612-B	1
				F	1	22	D7HZ 4612-C	1
80/82	LNT-LT-LTS 800/900	SLHD,SQHD		R	3	22 3/4	D7HZ 4612-B	1
				F	1	22	D7HZ 4612-C	1
80/82	LNT-LT-LTS900	SQHP	12	F	1	20 1/4	E3HZ 4612-D	1
			12	R	1	25 1/4	D2HZ 4612-J	1

**1980/  
TRUCK SERIES 600/900**

YEAR	MODEL	AXLE	NOTE	LOCATION	TYPE	"A" (INCHES)	PART NUMBER	QTY.
<b>4612 ARM (REAR AXLE TORQUE)-For T.S.L. information refer to Section 40, page 1. — Cont'd</b>								
Note 1-High saddle			Note 7-W/50" walking beam			Note 13-Use w/RTEA-380 suspension (alum. beam)		
Note 2-Low saddle			Note 8-W/54" walking beam			Note 14-Use w/UEA-340 suspension (alum. beam)		
Note 3-Off-highway only			Note 9-W/channel reinforcement			Note 15-Use w/UA-340 suspension (alum. beam)		
Note 4-On-highway only			Note 10-W/o channel reinforcement			Note 16-Use w/RTA-380 suspension (alum. beam)		
Note 5-Use w/RT type suspension			Note 11-W/60" walking beam			F-Forward, R-Rear		
Note 6-Use w/RU type suspension			Note 12-W/52" walking beam					

**HENDRICKSON STEEL SUSPENSION**

80/81	CLT900	DS340,44D	12,15	F & R	1	23 1/8	D7HZ 4612-H	2
80/81	CLT900	DS380	12,15,16	F & R	1	23 1/8	D7HZ 4612-H	2
			5,11	F & R	1	24 3/4	D7HZ 4612-F	2
			5,11	F-F&R-R	3	23	D7HZ 4612-J	2
80/81	CLT900	44D	12,16	F & R	1	23 3/4	D7HZ 4612-D	2
			5,11	F & R	1	24 3/4	D7HZ 4612-F	2
			5,11	F-F&R-R	3	23	D7HZ 4612-J	2
80/82	CLT900	SLHD,SQHD,SSH D	12,15,16	F & R	1	23 1/8	D7HZ 4612-H	2
80/82	CLT900	SQHP	12,15,16	F	1	23 1/8	D7HZ 4612-H	1
			12,15,16	R	1	21	D8HZ 4612-G	1
80/82	CT 800/900	34D	1,3,4	F	3	22 5/8	D2HZ 4612-AE	1
			1,3,4	R	3	20 5/16	D2HZ 4612-AF	1
			2,6	F	1	22	D7HZ 4612-C	1
			2,6	R	1	22	D7HZ 4612-B	1
80/82	CT 800/900	SLHD	1,3,4	F & R	3	22 5/8	D2HZ 4612-AE	2
			6	F	1	22	D7HZ 4612-C	1
			6	R	1	22 1/2	D7HZ 4612-A	1
			2,6	F	1	22	D7HZ 4612-C	1
			2,6	R	1	22	D7HZ 4612-B	1
80/82	CT900	38D	5,7	F & R	1	22 3/4	D7HZ 4612-B	2
80/82	CT900	SQHD	5,7	F	1	22	D7HZ 4612-C	1
			5,7	R	1	22 3/4	D7HZ 4612-B	1
80/82	LNT-LT-LTS 800/900	34D	6	F	1	22	D7HZ 4612-C	1
			6	R	1	22 3/4	D7HZ 4612-B	1
80/82	LNT-LT-LTS 800/900	38D	5,7	F	1	22	D7HZ 4612-C	1
			5,7	R	1	22 3/4	D7HZ 4612-B	1
			5,8	F	1	24 1/4	D7HZ 4612-E	1
			5,8	R	1	24 3/4	D7HZ 4612-F	1
			5,9,11	F - R	1	25 1/4	D2HZ 4612-J	1
			5,9,11	F-F&R-R	3	23	D7HZ 4612-J	2
			5,9,11	R - F	1	24 3/4	D7HZ 4612-F	1
			6,9	F	1	22	D7HZ 4612-C	1
			6,9	R	1	22 3/4	D7HZ 4612-B	1
80/82	LNT-LT-LTS800/900	38D	7,10	F	1	25 1/4	D2HZ 4612-J	1
80	LNT-LT-LTS800/900	44D	5,8	F	3	24 15/32	D3HZ 4612-A	2
81	LNT-LT-LTS800/900	44D	5,8	F	1	24 1/4	D7HZ 4612-E	1
			5,8	R	1	24 3/4	D7HZ 4612-F	1
80/82	LNT-LT-LTS800/900	SSH D	5,8	F	1	23 3/4	D7HZ 4612-D	1
			5,8	R	1	24 3/4	D7HZ 4612-F	1
80/82	LNT-LT-LTS800/900	DP440	8	F	1	24 1/4	D7HZ 4612-E	1
			8	R	1	24 3/4	D7HZ 4612-F	1
80/82	LNT-LT-LTS800/900	DP440	5,7	F	1	22	D7HZ 4612-C	1
			5,7	R	1	22 3/4	D7HZ 4612-B	1
			8	F	1	24 1/4	D7HZ 4612-E	1
			8	R	1	24 3/4	D7HZ 4612-F	1
80/82	LNT-LT-LTS 800/900	SLHD	6,9	F	1	22	D7HZ 4612-C	1
			6,9	R	1	22 1/2	D7HZ 4612-A	1
80/82	LNT-LT-LTS800/900	SQHD	5,7	F	1	22	D7HZ 4612-C	1
			5,7	R	1	22 3/4	D7HZ 4612-B	1
			5,8	F	1	23 3/4	D7HZ 4612-D	1
			5,8	R	1	24 3/4	D7HZ 4612-F	1
			6,9	F	1	22	D7HZ 4612-C	1
			6,9	R	1	22 1/2	D7HZ 4612-A	1

**1980/  
TRUCK SERIES 600/900**

YEAR	MODEL	AXLE	NOTE	LOCATION	TYPE	"A" (INCHES)	PART NUMBER	QTY.	
<b>4612 ARM (REAR AXLE TORQUE)-For T.S.L. information refer to Section 40, page 1. — Cont'd</b>									
Note 1-High saddle			Note 7-W/50" walking beam			Note 13-Use w/RTEA-380 suspension (alum. beam)			
Note 2-Low saddle			Note 8-W/54" walking beam			Note 14-Use w/UEA-340 suspension (alum. beam)			
Note 3-Off-highway only			Note 9-W/channel reinforcement			Note 15-Use w/UA-340 suspension (alum. beam)			
Note 4-On-highway only			Note 10-W/o channel reinforcement			Note 16-Use w/RTA-380 suspension (alum. beam)			
Note 5-Use w/RT type suspension			Note 11-W/60" walking beam			F-Forward, R-Rear			
Note 6-Use w/RU type suspension			Note 12-W/52" walking beam						
<b>HENDRICKSON STEEL SUSPENSION</b>									
80/82	LNT-LT-LTS900	SQHP	5,12	F	1	21	D8HZ 4612-G	1	
			5,12	R	1	24 1/4	D7HZ 4612-E	1	
			6,12	F	1	21	D8HZ 4612-G	1	
			6,12	R	1	23 3/4	D7HZ 4612-D	1	
80/82	LNT-LT-LTS800/900	SSHD	5,7	F	1	22	D7HZ 4612-C	1	
			5,7	R	1	22 3/4	D7HZ 4612-B	1	
			5,8	F	1	23 3/4	D7HZ 4612-D	1	
			5,8	R	1	24 3/4	D7HZ 4612-F	1	
82	LNT-LT-LTS800/900-	SSHD	5,7	F	1	22	D7HZ 4612-C	1	
			5,7	R	1	22 3/4	D7HZ 4612-B	1	
			5,8	F&R	1	24 3/4	D7HZ 4612-F	2	
80/82	LNT-LT-LTS900	SFDD,SUDD	5	F & R	1	24	★D7HZ 4612-K	2	
80/82	LNT-LT-LTS900	SRDD	5	F & R	1	23 1/2	★D7HZ 4612-L	2	
82	LTL900	SQHD	5,12	F&R	1	23 1/8	D7HZ 4612-H	2	
82	LTL900	SQHP	5,12	F	1	21	D8HZ 4612-G	1	
			5,12	R	1	23 1/8	D7HZ 4612-H	1	
<b>REYCO SUSPENSION</b>									
80/81	CLT900	"Before 4/81"	All		F	2	14 5/16	★E0HZ 4612-A	2
					R	2	20 7/16	r/bE1HZ 4L612-A	2
81/82	CLT900 -- Field Fix 996-HT	"From 4/81"	ALL		F	2	14 5/16	★E0HZ 4612-B	2
					R	2	20 7/16	r/bE1HZ 4L612-A	2
<b>NEWAY SUSPENSION</b>									
80/82	CLT900	DS340,DS380,SLHD,SQHD		F	1	21 1/2	D7HZ 4612-G	1	
				R	1	22	D7HZ 4612-C	1	
				F - R	3	23	D7HZ 4612-J	1	
				R - R				1	
80/82	CLT900	SQHP		F	1	20 1/4	E3HZ 4612-D	1	
				R	1	21 1/2	D7HZ 4612-G	1	
				F - R	3	20	D8HZ 4612-A	1	
				R - R				1	
80/82	LNT-LT-LTL900	All		F	3	24 57/64	D4HZ 4612-A	1	
				R	3	24 15/16	D2HZ 4612-K	1	
				F-F	1	20 1/2	E3HZ 4612-H	1	
				R-F				1	
YEAR	MODEL/RESTRICTIONS	PART NUMBER	DESCRIPTION					QTY.	
80/82	CT-LNT-LT-LTL-LTS800/900 -- Hendrickson Suspension-- exc. LNT800 RT381 Suspension with 60" walking beam and LTS900 with 203" W/B	381708-S	(BB-278-JA) Bolt (attach torque arm to c/m or s/m)-5/8"-11 x 6 3/4"					4	
		44881-S2	(X-40-G) Washer (attach torque arm to c/m or s/m)-5/8"					8	
		34991-S2	(M-89-GH) Nut (attach torque arm to c/m or s/m)-5/8"-11					4	
		58728-S2	(B-144-AB) Bolt (attach torque arm to axle)-5/8"-11 x 3 3/4"					4	



**1980/  
TRUCK SERIES 600/900**

YEAR	MODEL/RESTRICTIONS	PART NUMBER	DESCRIPTION	QTY.
80/82	CT-LNT-LT-LTL-LTS800/900 -- Hendrickson Suspension-Cont'd exc. LNT800 RT381 Suspension with 60" walking beam and LTS900 with 203" W/B	44881-S2	(X-40-G) Washer (attach torque arm to axle)-5/8"	8
		34991-S2	(M-89-GH) Nut (attach torque arm to axle)- 5/8"-18	4
80/82	CLT900 -- Hendrickson Suspension	381708-S	(BB-278-JA) Bolt (attach torque arm to c/m)- 5/8"-11 x 6 3/4"	4
80/82	CLT900 -- Neway Suspension	388046-S2	(BB-278-JF) Bolt (attach torque arm to c/m)- 5/8"-11 x 8"	4
80/82	CLT900 -- Hendrickson and Neway Suspension	44881-S2	(X-40-G) Washer (attach torque arm to c/m)-5/8"	8
		34991-S2	(M-89-GH) Nut (attach torque arm to c/m)-5/8"-11	4
		58752-S2	(B-148-H) Bolt (attach torque arm to frame)- 3/4"-10 x 5"	4
		44882-S2	(X-34) Washer (attach torque arm to frame)- 3/4"	8
		34992-S2	(M-89-HF) Nut (attach torque arm to frame)- 3/4"-10	4
		58728-S2	(B-144-AB) Bolt (attach torque arm to axle)- 5/8"-11 x 3 3/4"	4
		44881-S2	(X-40-G) Washer (attach torque arm to axle)-5/8"	8
		34991-S2	(M-89-GH) Nut (attach torque arm to axle)- 5/8"-11	4
80/82	CLT900 -- Neway Suspension	★384701-S2	(MM-173-NM) Nut (attach torque arm to axle) 1 1/4"-12	2
80/82	CLT900 -- Reyco Suspension		Bolt (attach torque arm to spring bracket)- refer to group 5882	4
		359564-S	(XX-258) Washer (attach torque arm to spring bracket)-1"	4
		34994-S2	(M-89-HK) Nut (attach torque arm to spring bracket)-1"-8	4
			Bolt (attach torque arm to spring seat)- refer to group 5882	4
		384217-S2	(MM-173-NF) Nut (attach torque arm to spring seat)- 7/8"-9	4

1980/  
TRUCK SERIES 600/900

YEAR	MODEL/RESTRICTIONS	PART NUMBER	DESCRIPTION	QTY.				
80/82	LNT800 -- Hendrickson RT381 Suspension with 60" walking beam	384208-S	(BB-203-H) Bolt (attach torque arm to s/m)- 3/4"-10 x 7"	4				
		383430-S2	(XX-238-GB) Washer (attach torque arm to s/m outer)- 3/4"	4				
		44882-S2	(X-34) Washer (attach torque arm to s/m inner)- 3/4"	4				
		34992-S2	(M-89-HF) Nut (attach torque arm to s/m)-3/4"-10	4				
		★384701-S2	(MM-173-NM) Nut (attach torque arm to axle)- 1 1/4"-12	2				
80/82	LNT-LT900 -- Neway Suspension	381708-S	(BB-278-JA) Bolt (attach torque arm to c/m)- 5/8"-11 x 6 3/4"	4				
		373781-S	(XX-214-A) Washer (attach torque arm to c/m)-5/8	8				
		34991-S2	(M-89-GH) Nut (attach torque arm to c/m)- 5/8"-11	4				
		384208-S	(BB-203-H) Bolt (attach torque arm to frame)- 3/4"-10 x 7"	4				
		383053-S2	(XX-232-J) Washer (attach torque arm to frame)- 3/4"	8				
		34992-S2	(M-89-HF) Nut (attach torque arm to frame)-3/4"-10	4				
		★384701-S2	(MM-173-NM) Nut (attach torque arm to axle)- 1 1/4"-12	2				
80/82	LTS900 -- Hendrickson Suspension and 203" W/B	384208-S	(BB-203-H) Bolt (attach torque arm to c/m)-3/4"-10 x 7"	4				
		383430-S2	(XX-238-GB) Washer (attach torque arm to c/m)-3/4"	8				
		34992-S2	(M-89-HF) Nut (attach torque arm to c/m)-3/4"-10	4				
		★383262-S2	(BB-202-Y) Bolt (attach torque arm to axle)- 3/4"-10 x 4 1/4"	4				
		383053-S2	(XX-232-J) Washer (attach torque arm to axle)-3/4"	8				
		34992-S2	(M-89-HF) Nut (attach torque arm to axle)-3/4"-10	4				
YEAR	MODEL	AXLE	NOTE	LOCATION	TYPE	"A" (INCHES)	PART NUMBER	QTY.

4612 ARM (REAR AXLE TORQUE) For T.S.L. information refer to Section 40, page 1  
F-Forward R-Rear T-Transverse

E4-340,E4-380 Hendrickson 4 Spring Suspension w/Fixed Torque Arms								
84/88	CLT-LNT-LT-LTL900	All			F	4	15 55/64	E4HZ 4612-A 2
					R	4	21 59/64	E4HZ 4612-F 2
89	CFT800	All			F	1	15 7/8	E8HZ 4612-A 2
					R	1	21 15/16	E8HZ 4612-B 2
E4-340,E4-380 Hendrickson 4 Spring Suspension w/Adjustable Torque Arms								
84/88	CLT-LNT-LT-LTL900	All			F	4	15 55/64	E4HZ 4612-A 1
					R	4	21 59/64	E4HZ 4612-F 1
					F-RH	5	15 55/64	E4HZ 4612-C 1
					R-RH	5	21 59/64	E4HZ 4612-D 1
E4-360,E4-400 HENDRICKSON 4 SPRING SUSPENSION								
89	CLT-LNT-LT-LTL900	All			F	1	15 53/64	E9HZ 4612-B 2
					R	1	21 15/16	E9HZ 4612-D 2

**1980/  
TRUCK SERIES 600/900**

YEAR	MODEL	AXLE	NOTE	LOCATION	TYPE	"A" (INCHES)	PART NUMBER	QTY.							
4612 ARM (REAR AXLE TORQUE) Font. S.L. information refer to Section 40, page 1 F-Forward R-Rear T-Transverse															
<b>HA360-HA400 HENDRICKSON AIR SUSPENSION</b>															
89	All	"Before 10/88"	All		F&R	1	15 53/64	E9HZ 4612-B	4						
					F-T & R-T	1	21 1/4	E9HZ 4612-C	2						
	All	"From 10/88 to 3/89"	All	All	F&R	1	15 53/64	E9HZ 4612-B	4						
					F-T&R-T	1	24 1/64	E9HZ 4612-H	2						
	All	"From 3/89"	All	All	F&R	1	15 53/64	E9HZ 4612-B	4						
F-T&R-T					1	22 23/64	E9HZ 4612-J	2							
<b>RS380 HENDRICKSON RUBBER SUSPENSION</b>															
83/88	LNT-LT-LTA-LTL-LTS800/900	D381,DP402,DS402			F	1	21	D8HZ 4612-G	1						
					R	1	25 3/4	E3HZ 4612-C	1						
					SQHP		F	1	21	D8HZ 4612-G	1				
						R	1	23 3/4	D7HZ 4612-D	1					
					SQ100		F	1	21	D8HZ 4612-G	1				
						R	1	25 1/4	D2HZ 4612-J	1					
<b>RS400 HENDRICKSON RUBBER SUSPENSION</b>															
89	LNT-LT-LTL-LTS800/900	All			F	1	20 1/2	E3HZ 4612-H	1						
					R	1	26	E3HZ 4612-M	1						
					F-T	3	20 5/8	E9HZ 4612-E	1						
					R-T	3	19 21/32	E8HZ 4612-D	1						
<b>RSA400 HENDRICKSON RUBBER SUSPENSION</b>															
89	LNT-LT-LTL-LTS800/900	All			F	1	20 1/2	E3HZ 4612-H	1						
					R	1	26	E3HZ 4612-M	1						
<b>RS460 HENDRICKSON RUBBER SUSPENSION</b>															
89	LNT-LT-LTL-LTS800/900	All			F	1	21 1/2	D7HZ 4612-G	1						
					R	1	27	E3HZ 4612-N	1						
					F-T	3	20 5/8	E9HZ 4612-E	1						
					R-T	3	19 21/32	E8HZ 4612-D	1						
<b>RT380 HENDRICKSON STEEL SUSPENSION w/o 60" WALKING BEAM</b>															
83/86	CLT900	SSHD			F	1	21	D8HZ 4612-G	1						
					R	1	25 1/2	E3HZ 4612-B	1						
87	CLT900	DS402,SSHD			F	1	21	D8HZ 4612-G	1						
					R	1	25 1/2	E3HZ 4612-B	1						
		SQ100			F	1	21	D8HZ 4612-G	1						
					R	1	25 1/4	D2HZ 4612-J	1						
83/88	CLT-FT-LNT-LT-LTA-LTL-LTS800/900	DS381,DT401P,DP402,DS402			F	1	21	D8HZ 4612-G	1						
					R	1	25 1/2	E3HZ 4612-B	1						
		SQ100			F	1	21	D8HZ 4612-G	1						
					R	1	25 1/4	D2HZ 4612-J	1						
83/86	CLT-LNT-LT-LTL-LTS800/900	SQHP			F	1	21	D8HZ 4612-G	1						
					R	1	23 3/4	D7HZ 4612-D	1						
83/88	CT800	DS381			F	1	21	D8HZ 4612-G	1						
					R	1	26 1/4	E3HZ 4612-F	1						
		SQ100			F	1	21	D8HZ 4612-G	1						
					R	1	25 3/4	E3HZ 4612-C	1						
<b>RT380 HENDRICKSON STEEL SUSPENSION w/60" WALKING BEAM</b>															
83/87	CLT900	DS381,DS402			F	1	23 1/4	E3HZ 4612-G	1						
					R	1	27	E3HZ 4612-N	1						
					T	3	25 1/2	E3HZ 4612-K	2						
<b>RT380-HD HENDRICKSON STEEL SUSPENSION</b>															
83/88	LNT-LTA-LTL-LTS800/900	DS381,DT401P,DP402,DS402			F	1	21	D8HZ 4612-G	1						
					R	1	25 3/4	E3HZ 4612-C	1						
		SQHP			F	1	21	D8HZ 4612-G	1						
					R	1	23 3/4	D7HZ 4612-D	1						
		SQ100				F	1	21	D8HZ 4612-G	1					
						R	1	25 1/4	D2HZ 4612-J	1					
						83	LT800/900	DS381,DT401P			F	1	21	D8HZ 4612-G	1
											R	1	25 3/4	E3HZ 4612-C	1
84/87	LT800/900	DS381,DT401P,DP402,DS402			F	1	21	D8HZ 4612-G	1						
					R	1	25 1/2	E3HZ 4612-B	1						

**1980/  
TRUCK SERIES 600/900**

YEAR	MODEL	AXLE	NOTE	LOCATION	TYPE	"A" (INCHES)	PART NUMBER	QTY.
4612 ARM (REAR AXLE TORQUE) For T.S.L. information refer to Section 40, page 1 — Cont'd F-Forward R-Rear T-Transverse								
<b>RT440, RT440-HD HENDRICKSON STEEL SUSPENSION</b>								
83/87	LNT-LT-LTL-LTS800/900	DP440P,DP460P,DS440P,DS460P		F	1	22	D7HZ 4612-C	1
				R	1	27	E3HZ 4612-N	1
83/88	LNT-LT-LTL-LTS800/900	SSHD		F	1	22	D7HZ 4612-C	1
				R	1	26	E3HZ 4612-M	1
<b>RTE380 HENDRICKSON STEEL EXTENDED LEAF SUSPENSION</b>								
89	CFT800	All		F	1	20	E3HZ 4612-L	1
				R	1	26 1/2	E9HZ 4612-G	1
83/86	CLT-LNT-LT-LTL-LTS800/900	DS381,DT401P,DP440P,DP460P, DS440P,DS460P		F	1	20	E3HZ 4612-L	1
				R	1	26	E3HZ 4612-M	1
				F	1	20	E3HZ 4612-L	1
				R	1	23 3/4	D7HZ 4612-D	1
		SQHP		F	1	20	E3HZ 4612-L	1
				R	1	20	E3HZ 4612-L	1
87/88	CLT-LNT-LT-LTA-LTL-LTS800/900	DS402		F	1	20	E3HZ 4612-L	1
				R	1	26	E3HZ 4612-M	1
				F	1	20	E3HZ 4612-L	1
				R	1	25 1/2	E3HZ 4612-B	1
		SQ100		F	1	20	E3HZ 4612-L	1
				R	1	25 1/2	E3HZ 4612-B	1
<b>RT400 HENDRICKSON STEEL SUSPENSION W/52" WALKING BEAM</b>								
89	CLT-FT-LNT-LT-LTL-LTS800/900	All		F	1	20 1/2	E3HZ 4612-H	1
				R	1	26	E3HZ 4612-M	1
				F-T	3	20 5/8	E9HZ 4612-E	1
				R-T	3	19 21/32	E8HZ 4612-D	1
89	CT800	SQ100,SQ100P		F	1	21	D8HZ 4612-G	1
				R	1	25 3/4	E3HZ 4612-C	1
<b>RT400 HENDRICKSON STEEL SUSPENSION W/60" WALKING BEAM</b>								
89	LNT-LT-LTL-LTS800/900	All		F	1	24 1/4	D7HZ 4612-E	1
				R	1	29 1/2	E9HZ 4612-A	1
				F-T	3	20 5/8	E9HZ 4612-E	1
				R-T	3	19 21/32	E8HZ 4612-D	1
<b>RTA400 HENDRICKSON STEEL SUSPENSION</b>								
89	LNT-LT-LTL-LTS800/900	All		F	1	20 1/2	E3HZ 4612-H	1
				R	1	26	E3HZ 4612-M	1
<b>RTE400 HENDRICKSON STEEL EXTENDED LEAF SUSPENSION W/52" WALKING BEAM</b>								
89	CLT-FT-LNT-LT-LTL-LTS800/900	All		F	1	20 1/4	E3HZ 4612-D	1
				R	1	26	E3HZ 4612-M	1
				F-T	3	20 5/8	E9HZ 4612-E	1
				R-T	3	19 21/32	E8HZ 4612-D	1
<b>RTE400 HENDRICKSON STEEL EXTENDED LEAF SUSPENSION W/60" WALKING BEAM</b>								
89	LNT-LT-LTL-LTS800/900	All		F	1	24 1/4	D7HZ 4612-E	1
				R	1	29 1/2	E9HZ 4612-A	1
				F-T	3	20 5/8	E9HZ 4612-E	1
				R-T	3	19 21/32	E8HZ 4612-D	1
<b>RTEA400 HENDRICKSON STEEL EXTENDED LEAF SUSPENSION</b>								
89	LNT-LT-LTL-LTS800/900	All		F	1	20 1/4	E3HZ 4612-D	1
				R	1	26	E3HZ 4612-M	1
<b>RT460 HENDRICKSON STEEL SUSPENSION W/54" WALKING BEAM</b>								
89	LNT-LT-LTL-LTS800/900	All		F	1	21 1/2	D7HZ 4612-G	1
				R	1	27	E3HZ 4612-N	1
				F-T	3	20 5/8	E9HZ 4612-E	1
				R-T	3	19 21/32	E8HZ 4612-D	1
<b>RT460 HENDRICKSON STEEL SUSPENSION W/60" WALKING BEAM</b>								
89	LNT-LT-LTL-LTS800/900	All		F	1	24 1/4	D7HZ 4612-E	1
				R	1	29 1/2	E9HZ 4612-A	1
				F-T	3	20 5/8	E9HZ 4612-E	1
				R-T	3	19 21/32	E8HZ 4612-D	1

**1980/  
TRUCK SERIES 600/900**

YEAR	MODEL	AXLE	NOTE	LOCATION	TYPE	"A" (INCHES)	PART NUMBER	QTY.
<b>4612</b>								
<b>ARM (REAR AXLE TORQUE) For T.S.L. information refer to Section 40, page 1 -- Cont'd</b>								
<b>F-Forward R-Rear T-Transverse</b>								
<b>U340 HENDRICKSON STEEL SUSPENSION</b>								
83/87	CLT900	DS341,DS381		F	1	21	D8HZ 4612-G	1
				R	1	26	E3HZ 4612-M	1
		DS402		F	1	21	D8HZ 4612-G	1
				R	1	20 1/2	E3HZ 4612-H	1
83/86	CLT900	SQHP		F	1	21	D8HZ 4612-G	1
				R	1	23 3/4	D7HZ 4612-D	1
83/88	CLT900	SL100,SQ100		F	1	21	D8HZ 4612-G	1
				R	1	25 3/4	E3HZ 4612-C	1
83/87	CT800	DS341,DT341,DS381,DS402		F	1	21	D8HZ 4612-G	1
				R	1	26	E3HZ 4612-M	1
83/88	CT800	SL100,SQ100		F	1	21	D8HZ 4612-G	1
				R	1	25 3/4	E3HZ 4612-C	1
83/87	FT-LNT-LT-LTA-LTL-LTS800/900	DS341,DT341,DS381,DP402,DS402, DT341,DT401P,DP440P,DP460P, DS440P,DS460P		F	1	21	D8HZ 4612-G	1
				R	1	25 1/2	E3HZ 4612-B	1
83/88	FT-LNT-LT-LTA-LTL-LTS800/900	SL100,SQ100		F	1	21	D8HZ 4612-G	1
				R	1	25 1/4	D2HZ 4612-J	1
83/86	LNT-LT-LTL-LTS800/900	SQHP		F	1	21	D8HZ 4612-G	1
				R	1	23 3/4	D7HZ 4612-D	1
89	CT800	SL100		F	1	21	D8HZ 4612-G	1
				R	1	25 3/4	E3HZ 4612-C	1
89	FT-LNT-LT-LTL-LTS800/900	All		F	1	20 1/2	E3HZ 4612-H	1
				R	1	26	E3HZ 4612-M	1
<b>UE340 HENDRICKSON STEEL EXTENDED LEAF SUSPENSION</b>								
83/86	CLT-FT-LNT-LT-LTA-LTL-LTS800/900	DS341,DS381,DT341,DT401P, DP402,DS402		F	1	21	D8HZ 4612-G	1
				R	1	26	E3HZ 4612-M	1
83/88	CLT-FT-LNT-LT-LTA-LTL-LTS800/900	SL100,SQ100		F	1	20	E3HZ 4612-L	1
				R	1	25 1/2	E3HZ 4612-B	1
83/86	CLT-LNT-LT-LTL-LTS800/900	SQHP		F	1	21	D8HZ 4612-G	1
				R	1	23 3/4	D7HZ 4612-D	1
89	CLT-FT-LNT-LT-LTL-LTS800/900	All		F	1	20 1/4	E3HZ 4612-D	1
				R	1	26	E3HZ 4612-M	1
<b>NEWAY SUSPENSION</b>								
83/87	CLT900	DS341,DS381,DS402		F	1	21 1/2	D7HZ 4612-G	1
				R	1	22	D7HZ 4612-C	1
				T	3	23	D7HZ 4612-J	2
83/87	CLT900	SL100,SQ100		F	1	20	E3HZ 4612-L	1
				R	1	23 1/4	E3HZ 4612-G	1
				T	3	20	D8HZ 4612-A	2
83/85	CLT900 "Before 4/85"	SQHP		F	1	20 1/4	E3HZ 4612-D	1
				R	1	21 1/2	D7HZ 4612-G	1
				T	3	20	D8HZ 4612-A	2
85/86	CLT900 "From 4/85"	SQHP		F	1	20	E3HZ 4612-L	1
				R	1	21 1/2	D7HZ 4612-G	1
				T	3	20	D8HZ 4612-A	2
83/84	LNT-LT-LTL-LTS800/900	SQ100		F&R	1	20 1/2	E3HZ 4612-H	2
				F-T	3	24 57/64	D4HZ 4612-A	1
				R-T	3	24 15/16	D2HZ 4612-K	1
83/85	LNT-LT800/900 "Before 4/85"	DS381		F&R	1	20 1/2	E3HZ 4612-H	2
				F-T	3	24 57/64	D4HZ 4612-A	1
				R-T	3	24 15/16	D2HZ 4612-K	1
85/87	LNT-LT800/900 "From 4/85"	DS381,DS402		F&R	1	20 1/2	E3HZ 4612-H	2
				F-T	3	24 15/16	D2HZ 4612-K	1
				R-T	3	24 57/64	D4HZ 4612-A	1
<b>ARD-238 NEWAY SUSPENSION</b>								
88	LNT-LT-LTL-LTS900	SQ100,SQ100P		F	1	20	E3HZ 4612-L	1
				R	1	23 1/4	E3HZ 4612-G	1
				F-T	3	19 21/32	E8HZ 4612-D	1
				R-T	6	19 21/32	E8HZ 4612-E	1

October, 1993

COPYRIGHT © 1993 - FORD MOTOR - DEARBORN, MICHIGAN  
COMPANY

Final Issue

1980/  
TRUCK SERIES 600/900

YEAR	MODEL	AXLE	NOTE	LOCATION	TYPE	"A" (INCHES)	PART NUMBER	QTY.
4612	ARM (REAR AXLE TORQUE) For T.S.L. information refer to Section 40, page 1 — Cont'd F-Forward R-Rear T-Transverse							

ARD-244 NEWAY SUSPENSION								
88	LNT-LT-LTL-LTS900	SQ100,SQ100P		F	1	17 11/32	E8HZ 4612-C	1
				R	1	20 3/4	E3HZ 4612-J	1
				F-T	3	19 21/32	E8HZ 4612-D	1
				R-T	6	19 21/32	E8HZ 4612-E	1

ARD-244-6 NEWAY SUSPENSION								
89	LNT-LT-LTL-LTS900 -- "Before 1/89"	All		F	1	18	E9HZ 4612-F	1
				R	1	21	D8HZ 4612-G	1
				F-T	3	20 5/8	E9HZ 4612-E	1
				R-T	3	19 21/32	E8HZ 4612-D	1
	LNT-LT-LTL-LTS 900 -- "From 1/89"	All		F&R	1	20 1/2	E3HZ 4612-H	2
				F-T	3	20 5/8	E9HZ 4612-E	1
				R-T	3	19 21/32	E8HZ 4612-D	1

REYCO SUSPENSION								
83	CLT900	ALL		F	2	14 5/16	E1HZ 4612-A	2
				R	2	20 7/16	E1HZ 4612-B	2

YEAR	MODEL/RESTRICTIONS	PART NUMBER	DESCRIPTION	QTY.
------	--------------------	-------------	-------------	------

4612	ARM (REAR AXLE TORQUE) For T.S.L. information refer to Section 40, page 1 — Cont'd F-Forward, R-Rear, T-Transverse			
------	---	--	--	--

83/88	All -- except CLT900-- with 60" walking beam	381708-S2	(BB-278-JA) Bolt (attach torque arm to c/m) 5/8"-11 x 6 3/4"	4
		44881-S2	(X-40-G) washer (attach torque arm to c/m)-5/8"	8
		34991-S2	(MM-89-GH) Nut (attach torque arm to c/m)-5/8"-18	4
		58728-S2	(B-144-AB) Bolt (attach torque arm to axle)- 5/8"-11 x 3 3/4"	4
		44881-S2	(X-40-G) Washer (attach torque arm to axle)-5/8"	8
		34991-S2	(M-89-GH) Nut (attach torque arm to axle)-5/8"-18"	4
83/88	CLT900 -- RT380 Susp-- and 60" walking beam	*384701-S2	(MM-173-NM) Nut (attach torque arm to axle)- 1 1/4"-12"	2
		58752-S2	(B-148-H) Bolt (attach torque arm to frame)-3/4"-10 x 5"	4
		44882-S2	(X-34) Washer (attach torque arm to frame)-3/4"	8
		34992-S2	(M-89-HF) Nut (attach torque arm to frame)-3/4"-10	4
84/88	CLT-LNT-LT-LTL900 -- Hendrickson 4 spring Suspension-E4-340, E4-380	390305-S2	(BB-277-C) Bolt (attach torque arm to spring seat)-7/8"-14 x 5 1/2"	4
		44883-S2	(X-45-A) Washer (attach torque arm to spring seat)-7/8"	8
		390303-S35	(MM-173-NM) Nut (attach torque arm to spring seat)-7/8"-14	4
89	All -- Hendrickson 4 spring suspension	58731-S2	(B-144-C) Bolt (attach torque arm to hanger bracket)-5/8"-11 x 4 1/2"	8
		44881-S2	(X-40-G) washer (attach torque arm to hanger bracket)-5/8"	16
		34991-S2	(M-89-GH) Nut (attach torque arm to hanger bracket)-5/8"-11	8
89	All -- Hendrickson air suspension	58731-S2	(B-144-C) Bolt (attach torque arm to hanger bracket)-5/8"-11 x 4 1/2"	8
		44881-S2	(X-40-G) washer (attach torque arm to hanger bracket)-5/8"	16
		34991-S2	(M-89-GH) Nut (attach torque arm to hanger bracket)-5/8"-11	8
		*58753-S2	( ) Bolt (attach torque arm to side member)-3/4"-10 x 5 1/2"	4
		44882-S2	(X-34) washer (attach torque arm to side member)-3/4"	8
		34992-S2	(M-89-HF) Nut (attach torque arm to side member)-3/4"-10	4

1980/  
TRUCK SERIES 600/900

YEAR	MODEL/RESTRICTIONS	PART NUMBER	DESCRIPTION	QTY.
4612 ARM (REAR AXLE TORQUE) For T.S.L. information refer to Section 40, page 1 — Cont'd F-Forward, R-Rear, T-Transverse				
89	All -- Hendrickson air	★58752-S2	(B-148-H) Bolt (attach torque arm to axle bracket)-3/4"-10 x 5"	4
		44882-S2	(X-34) Washer (attach torque arm to axle bracket)-3/4"	8
		34992-S2	(M-89-HF) nut (attach torque arm to axle bracket)-3/4"-10	4
89	All -- Hendrickson rubber and steel suspension	381708-S2	(BB-278-JA) Bolt (attach torque arm to crossmember)-5/8"-11 x 6 3/4"	4
		44881-S2	(X-40-G) Washer (attach torque arm to crossmember)-5/8"	8
		34991-S2	(M-89-GH) Nut (attach torque arm to crossmember)-5/8"-11	4
		★58728-S2	(B-144-AB) Bolt (attach torque arm to axle bracket)-5/8"-11 x 3 3/4"	4
		44881-S2	(X-40-G) Washer (attach torque arm to axle bracket)-5/8"	8
		34991-S2	(M-89-GH) Nut (attach torque arm to axle bracket)-5/8"-11	4
		384848-S2	(BB-203-F) Bolt (attach transverse torque arm to sidemember)-3/4"-10 x 6 1/2"	4
		44882-S2	(X-34) Washer (attach transverse torque arm to sidemember)-3/4"	8
		34992-S2	(M-89-HF) Nut (attach transverse torque arm to sidemember)-3/4"-10	4
89	All -- Neway suspension	★388046-S2	(BB-278-JF) Bolt (attach torque arm to crossmember)-5/8"-11 x 8"	4
		44881-S2	(X-40-G) Washer (attach torque arm to crossmember)-5/8"	8
		34991-S2	(M-89-GH) Nut (attach torque arm to crossmember)-5/8"-11	4
		★58728-S2	(B-144-AB) Bolt (attach torque arm to axle bracket)-5/8"-11 x 3 3/4"	4
		44881-S2	(X-40-G) Washer (attach torque arm to crossmember)-5/8"	8
		34991-S2	(M-89-GH) Nut (attach torque arm to axle bracket)-5/8"-11	4
		★58753-S2	( ) Bolt (attach torque arm to side member)-3/4"-10 x 5 1/2"	4
		44882-S2	(X-34) Washer (attach torque arm to sidemember)-3/4"	8
		34992-S2	(M-89-HF) Nut (attach torque arm to sidemember)-3/4"-10	4
<b>4L612 TORQUE ROD KIT (REAR AXLE)</b>				
80/81	CLT900 -- Reyco suspension "Before 4/81"	E1HZ 4L612-A	Field fix 996-HT-use to replace E0HZ 4612-A and E0HZ 4612-B	1
Consists of 4-E1HZ 4A126-A Bushing 2-E1HZ 4612-A Arm 2-E1HZ 4612-B Arm				
81/83	CLT900 -- Reyco suspension "From 4/81"	4L612	Not required	
4614-22 Refer to Rear Axle Parts List Section 40, page 1.				
4623 Refer to group 4062				
4624-34 Refer to Rear Axle Parts List Section 40, page 1.				
<b>4635 UNIVERSAL JOINT KIT (DRIVE LINE)</b>				
Note : ⊕ Industry designation				
80/	All -- ⊕6C size U/joint	★ B4TZ 4635-N r/b9372-1146114	Consists of 10 pieces of B4TZ 4635-H joints	

October, 1993

COPYRIGHT © 1993 - FORD MOTOR - DEARBORN, MICHIGAN  
COMPANY

Final Issue

# 1980/ TRUCK SERIES 600/900

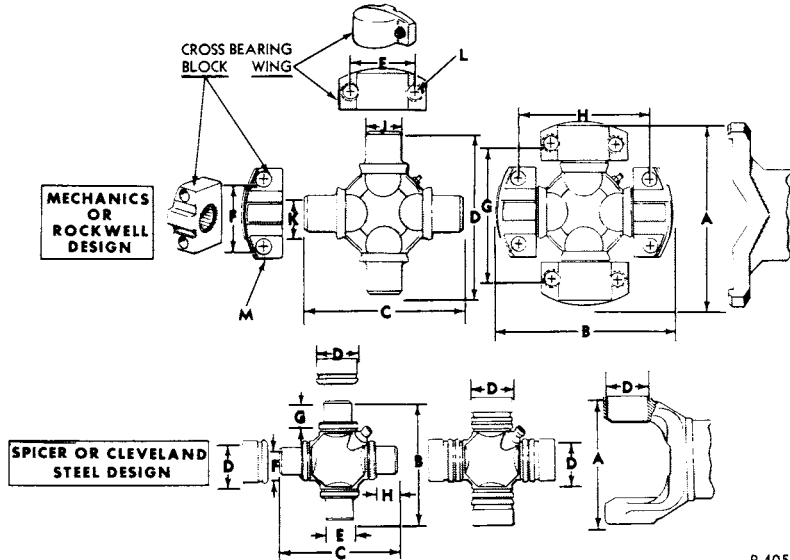
YEAR	MODEL/RESTRICTIONS	PART NUMBER	DESCRIPTION	QTY.
<b>4635 UNIVERSAL JOINT KIT (DRIVE LINE) — Cont'd</b>				
Note : $\oplus$ Industry designation				
80/	All -- $\oplus$ 6C/7C size U/joint	★ B4TZ 4635-M r/b9372-1146163	Consists of 10 pieces of B4TZ 4635-G joints	
80/	All -- $\oplus$ 1610 size U/joint	★ C6TZ 4635-L r/b9234-5-279X	Consists of 25 pieces of D3TZ 4635-A joints	
80/	All -- $\oplus$ 1650 size U/joint	★ C6TZ 4635-J r/b9234-5-165X	Consists of 25 pieces of C6TZ 4635-E joints	
80/	All -- $\oplus$ 1710 size U/joint	★ C6TZ 4635-K r/b9234-5-280X	Consists of 25 pieces of C6TZ 4635-F joints	

**4635 UNIVERSAL JOINT**

For driveshaft model application refer to Section 46.1, page 1. For coupling shaft model application refer to Section 48.1, page 1.

**SIZE IDENTIFICATION CHART**

For related seal, shield, lock ring and washer refer to the Universal Joint Related Parts Chart which follows:



P-4055

MECHANICS OR ROCKWELL														CROSS WING	BEARING BLOCK	U - O J D T. E	PART NUMBER
INDUSTRY DESIGNATION	A	B	C	D	E	F	G	H	J	K	L	M					
<b>4635 UNIVERSAL JOINT</b>																	
Notes: D = Delta wing bearing design																	
7C,72N	6 7/32	6 7/32					4 5/8	4 5/8						2D	2	47	D3HZ 4635-B
8C,82N	8 1/2	8 1/2					6 7/8	6 7/8						2D	2	49	D3HZ 4635-D
6C,7C	5 27/32	6 7/32	5 1/4	5 1/2	1 45/64	1 61/64	4 1/2	4 19/32	13/16	13/16	3/8"-24	17/32"	2(6C)	2(7C)	6	B4TZ 4635-G	
6C	5 27/32	5 27/32	5 1/4	5 1/4	1 45/64	1 45/64	4 1/2	4 1/2	13/16	13/16	3/8"-24	13/32	2	2	8	B4TZ 4635-H	
6C	5 11/16	6 1/32			1 11/16	1 15/16	4 1/2	4 5/8			3/8"-24	7/16"-20			42	D4HZ 4635-A	
8C,82N	8 1/2"	8 1/2"					6 7/8"	6 7/8"						4D		48	D3HZ 4635-C
72N	6 1/32	6 1/32	5 1/2	5 1/2	1 15/16	1 15/16		4 5/8		1"	5/16"-20	7/16"-10		4D		41	D3HZ 4635-A



**1980/  
TRUCK SERIES 600/900**

INDUSTRY DESIG- NATION	DIMENSIONS (INCHES)								U C - 0 J D T E	PART NUMBER	DESIGN
	A	B	C	D	E	F	G	H			
<b>4635 UNIVERSAL JOINT</b>											
<b>DANA (SPICER)</b>											
1310	3 1/4"	2 31/32"	2 31/32"	1 1/16"	21/32"	21/32"	11/16"	11/16"	12	B6TZ 4635-A	Dana (Spicer)
1410	4 1/4"	3 15/16"	3 15/16"	1 3/16"	49/64"	49/64"	25/32"	25/32"	3	B6TZ 4635-B	Dana (Spicer)
1480	4 1/4"	3 7/8"	3 7/8"	1 3/8"	57/64"	57/64"	13/16"	13/16"	5	C1TZ 4635-A	Dana (Spicer)
1550	5 1/4	4 21/32		1 3/8	57/64				51	D9HZ 4635-A	Dana (Spicer)
1610	5 5/16"	5"	5"	1 7/8"	1 5/16"	1 5/16"			39	D3TZ 4635-A	Dana (Spicer)
1710	6 3/32"	5 25/32"	5 25/32"	1 15/16"	1 3/64"	1 3/64"			40	D3TZ 4635-B	Dana (Spicer)
1760	7"	6 11/16"	1 15/16	1 19/64	1 19/64				52	D9HZ 4635-B	Dana (Spicer)
1810	7 15/16"	7 9/16"	7 1/4"	1 15/16"	1 19/64"	1 19/64"	1 7/32"	1 1/32"	38	D2HZ 4635-A	Dana (Spicer)
1710									53	E7HZ 4635-A	Dana (Spicer)
1610									54	E7HZ 4635-B	Dana (Spicer)
1810									55	E8HZ 4635-A	Dana (Spicer)
1760									56	E8HZ 4635-B	Dana (Spicer)
<b>CLEVELAND STEEL</b>											
055,146	4 7/16"	3 15/16"	3 31/32"	1 3/16"	49/64"	49/64"	25/32"	25/32"	32	C5TZ 4635-G	Rockwell

**UNIVERSAL JOINT RELATED PARTS CHART**

U-JT. CODE	PART NUMBER	INDUSTRY DESIGNATION	SEAL	SHIELD	LOCK RING	LOCK PLATE
<b>MECHANICS DESIGN</b>						
8	B4TZ 4635-C	6C	★B5QH 4706-B	★B5QH 4708-B		2Q 7128-A
<b>DANA (SPICER) DESIGN</b>						
3	B6TZ 4635-B	1410	★B9T 4706-A		★D3HZ 4647-A	
5	C1TZ 4635-A	1480	★C1TT 4706-A		★C1TZ 4891-A	
12	B6TZ 4635-A	1310	★B9T 4706-B		C3AZ 4891-A	
38	D2HZ 4635-A	1810				

**CLEVELAND STEEL DESIGN**

Note: † Use 377008-S2 Bolt (5/16"-24 x 11/16")

YEAR	MODEL/RESTRICTIONS	PART NUMBER	DESCRIPTION	QTY.
32	C5TZ 4635-G	055		†C6TZ 4A254-A

4637	Refer to Rear Axle Parts List Section 40, page 1 & Coupling Shaft Parts List Section 48.1, page 4
4638-46	Refer to Rear Axle Parts List Section 40, page 1.
4647	SNAP RING (UNIVERSAL JOINT SPIDER BEARING)-Refer to Universal Joint and Related Parts in group 4635
4648-76	Refer to Rear Axle Parts List Section 40, page 1
4690	GUARD (COUPLING SHAFT)-Improvise
4691	Refer to group 4831
4695	GUARD (DRIVE SHAFT)-Improvise
4706	Refer to Universal Joint Related Parts Chart group 4635
4708	Refer to Universal Joint Related Parts Chart group 4635
4710	Refer to Slip Yoke Related Parts Chart group 4841
4712	BEARING (UNIVERSAL JOINT) - Serviced only in assy. - refer to group 4635
4727	Refer to group 4062

**1980/  
TRUCK SERIES 600/900**

YEAR	MODEL/RESTRICTIONS	PART NUMBER	DESCRIPTION	QTY.
4728	TUBE (REAR AXLE POWER DIVIDER LOCKOUT INTERMEDIATE)-Improvise from bulk tubing (2269)			
		20347-S8	(B-156)-bolt-hex.-5/16"-24 x 3/4"	4
		20349-S8	(B-170)-bolt-hex.-3/8"-24 x 3/4"	1
		20467-S7	(B-160)-bolt-hex.-5/16"-24 x 1 1/2"	1
		33798-S8	(M-62)-nut-5/16"-24	5
		33800-S8	(M-63)-nut-3/8"-24	1
		357946-S8	(GG-152)-clip-rubberized-3/8"	7
		★372185-S	Clip-tube-3/8"	1

4729 Refer to Rear Axle Parts List Section 40, page 1.

YEAR	MODEL/RESTRICTIONS	AXLE MODEL	PART NUMBER	DESCRIPTION	QTY.
------	--------------------	------------	-------------	-------------	------

4730 BUMPER (REAR AXLE)-Also refer to groups 3019-20, 5783

SINGLE AXLES					
80/	B-CF-F-LN600/800	D140,F106, H172,H173, P174,H601, P601,16244, 17121,17221 RS17140, RS17220, RS21145, RS21230, RS23160, RS23240	E0HZ 4730-A	#E0HT 4002-AA	2
80/88	B-F-LN600/800	22121,22221	D8HZ 4730-B	#D7HT 4002-AA	2
80/	C600/750	ALL	7EQ 5783		2
80/	CL900	ALL	D8HZ 4730-B	#D7HT 4002-AA	2
80/	L-LN800/900	ALL	★DOTZ 4730-A	r/b D8HZ 4730-B	2
80/	B-CF-F-LN600/800	D140,F106, H172,16244, 17121,17221 RS17140, RS17220, RS21145, RS21230, RS23160, RS23240	58635-S2	(B-82-A)-bolt (attach bumper to sidemember)-3/8"-16 x 1 1/4"	4
			44877-S2	(X-24-B)-washer (attach bumper to sidemember)-3/8"	8
			34987-S4	(M-89-CF)-locknut (attach bumper to sidemember)-3/8"-16	4

**TANDEM AXLES**

HENDRICKSON EXTENDED LEAF SUSPENSION					
80/82	CLT900	ALL	D8HZ 4730-A	#D7HA 4730-AA	2
80/82	CT800/900	34D	DOHZ 4730-D		2
80/82	CT800/900	SLHD	★C6TZ 4730-E		2
80/82	LNT-LT-LTS800/900	34D,38D, SLHD,SQHD	DOHZ 4730-D		4

HENDRICKSON RUBBER SUSPENSION					
80/82	CT800/900	34D,SLHD	C6TZ 4730-G	High saddle	4
		SLHD	★C6TZ 4730-D	Low saddle	4
		34D	★C6TZ 4730-E	Low saddle-rectangular axle housing	4
80/82	LNT-LT-LTS800/900	34,38D,SLHD SQHD	★DOHZ 4730-C		4
80/82	LNT-LT-LTS900	SQHP	DOHZ 4730-D	High saddle	4
			★DOHZ 4730-C	Low saddle	4

HENDRICKSON STEEL SUSPENSION					
80/82	CLT900	ALL	D8HZ 4730-A	#D7HA 4730-AA	4
80/82	CT800/900	34D	DOHZ 4730-D		2
		38D	★C8HZ 4730-A		2
		SLHD	C6TZ 4730-D		4
		SQHD	★C1TZ 4730-B		2

**1980/  
TRUCK SERIES 600/900**

YEAR	MODEL/RESTRICTIONS	AXLE MODEL	PART NUMBER	DESCRIPTION	QTY.
<b>4730 BUMPER (REAR AXLE)-Also refer to groups 3019-20, 5783 - Cont'd</b>					
<b>TANDEM AXLES</b>					
<b>HENDRICKSON STEEL SUSPENSION</b>					
80/82	LNT-LT-LTS800/900	34D,38D	★ D0HZ 4730-C	Low Saddle-high rate	4
80/82	LNT-LT-LTS800/900	38D	D0HZ 4730-D	Rear-w/50" walking beam	2
			★ D0HZ 4730-H	Front right-w/outer channel reinforcement and 50" walking beam	1
			★ D0HZ 4730-G	Front left-w/outer channel reinforcement and 50" walking beam	1
			D0HZ 4730-D	w/o outer channel reinforcement w/54" walking beam	4
			D0HZ 4730-A	w/outer channel reinforcement and 54" walking beam	4
			D0HZ 4730-A	w/60" walking beam	4
80/82	LNT-LT-LTS800/900	DP440	D0HZ 4730-A		4
80/82	LNT-LT-LTS800/900	SLHD,SQHD, SQHP	D0HZ 4730-D	Front-low saddle	2
			D0HZ 4730-C	Rear-low saddle	2
			D0HZ 4730-A	w/60" walking beam	4
80/82	LNT-LT-LTS800/900	SQHD	D0HZ 4730-D	Front-w/o outer channel reinforcement w/50" walking beam	2
			D0HZ 4730-A	Rear-w/o outer channel reinforcement w/50" walking beam	2
			★ D0HZ 4730-H	Front right-w/outer channel reinforcement and 50" walking beam	1
			★ D0HZ 4730-G	Front left-w/outer channel reinforcement and 50" walking beam	1
			D0HZ 4730-A	Rear-w/outer channel reinforcement and 50" walking beam	1
			D0HZ 4730-D	Front-w/o outer channel reinforcement w/54" walking beam	2
			D0HZ 4730-A	Rear-w/o outer channel reinforcement w/54" walking beam	2
			D0HZ 4730-A	With outer channel reinforcement and 54" walking beam	4
			D0HZ 4730-A	w/60" walking beam	4
80/82	LNT-LT-LTS800/900	SSHD	D0HZ 4730-D	Front-w/o outer channel reinforcement w/50" walking beam	2
			D0HZ 4730-A	Rear-w/o outer channel reinforcement w/50" walking beam	2
			D0HZ 4730-D	Front-w/o outer channel reinforcement w/54" walking beam	2
			D0HZ 4730-A	Rear-w/o outer channel reinforcement w/54" walking beam	2
			D0HZ 4730-A	With outer channel reinforcement and 54" walking beam	4
			D0HZ 4730-A	w/60" walking beam	4
80/82	LNT-LT-LTS900	SFDD	D7HZ 4730-A	#D7HT 4730-DA,DB	4
		SRDD	D7HZ 4730-C	#D7HT 4730-FA	4
		SUDD	D7HZ 4730-B	#D7HT 4730-EA,EB	4
82	LTL900	38D,DP440, SQHD,SQHP	D0HZ 4730-D	With 50",54" walking beam and RT381,RT441, RT444 Suspension	4
		SQHD,SQHP	D0HZ 4730-A	Front-with 52" walking beam and RT380 Suspension	2
			★ D2HZ 4730-A	Rear-with 52" walking beam and RT380 Suspension	2

**1980/  
TRUCK SERIES 600/900**

YEAR	MODEL/RESTRICTIONS	AXLE MODEL	PART NUMBER	DESCRIPTION	QTY.
<b>4730 BUMPER (REAR AXLE)-Also refer to groups 3019-20, 5783 — Cont'd</b>					
<b>TANDEM AXLES</b>					
<b>REYCO SUSPENSION</b>					
80/83	LNT-LT900	34,38D, SLHD,SQHD	D1HZ 4730-A		4
80/83	CLT900	D340,D380, SLHD,SQHD, SQHP,SSHD			4
<b>RS400, RSA400, RS460 HENDRICKSON RUBBER SUSPENSION</b>					
89	All	All	E9HZ 4730-A	Front-≠E9HT 4730-DA-8 1/2" long	2
		All	E3HZ 4730-D	Rear-≠E3HT 4730-EA-7 1/2" long	2
<b>RT380 HENDRICKSON STEEL SUSPENSION w/o 60" WALKING BEAM</b>					
83/88	CLT900	SSHD	E3HZ 4730-B	Front and rear-≠E3HT 4730-CA-8 1/2" long	4
83/88	CLT-FT-LNT-LT-LTA-LTL-LTS800/900	D381,D401,SQ100	E3HZ 4730-C	Front and rear-≠E3HT 4730-DA-8" long	4
83/86	CLT-LNT-LT-LTL-LTS800/900	SQHP	E3HZ 4730-C	Front-≠E3HT 4730-DA-8" long	2
			E3HZ 4730-B	Rear-≠E3HT 4730-CA-8 1/2" long	2
83/88	CT800	D381	E3HZ 4730-C	Front-≠E3HT 4730-DA-8" long	2
			E3HZ 4730-D	Rear-≠E3HT 4730-EA-7 1/2" long	2
		SQ100	E3HZ 4730-D	Front-≠E3HT 4730-EA-7 1/2" long	2
			E3HZ 4730-C	Rear-≠E3HT 4730-DA-8" long	2
89	CFT800	All	E3HZ 4730-C	≠E3HT 4730-DA-8" long	2
<b>RT380 HENDRICKSON STEEL SUSPENSION w/60" WALKING BEAM</b>					
83/87	CLT900	D381	E3HZ 4730-C	Front-≠E3HT 4730-DA-8 long	2
			E3HZ 4730-D	Rear-≠E3HT 4730-EA-7 1/2" long	2
<b>RT380-HD HENDRICKSON STEEL SUSPENSION</b>					
83/88	LNT-LT-LTA-LTL-LTS800/900	D381,D401	E3HZ 4730-B	Front-≠E3HT 4730-CA-8 1/2" long	2
			E3HZ 4730-C	Rear-≠E3HT 4730-DA-8" long	2
		SQHP	E3HZ 4730-B	Front-≠E3HT 4730-CA-8 1/2" long	2
			E3HZ 4730-E	Rear-≠E3HT 4730-FA-9" long	2
			E3HZ 4730-B	Front and rear-≠E3HT 4730-CA-8 1/2" long	4
<b>RT400 HENDRICKSON STEEL SUSPENSION</b>					
89	CT800	SQ100,SQ100P	E3HZ 4730-D	Front-≠E3HT 4730-EA-7 1/2" long	2
			E3HZ 4730-C	Rear-≠E3HT 4730-DA-8" long	2
	CLT-FT-LNT-LT-LTL-LTS800/900	All	E9HZ 4730-A	Front-≠E9HT 4730-DA-8 1/2" long	2
			E3HZ 4730-C	Rear-≠E3HT 4730-DA-8" long	2
<b>RT440, RT440-HD HENDRICKSON STEEL SUSPENSION</b>					
83/88	LNT-LT-LTA-LTL-LTS800/900	D440,D460	E3HZ 4730-E	Front-≠E3HT 4730-FA-9 long	2
			E3HZ 4730-C	Rear-≠E3HT 4730-DA-8" long	2
		SSHD	E3HZ 4730-B	Front-≠E3HT 4730-CA-8 1/2" long	2
			E3HZ 4730-C	Rear-≠E3HT 4730-DA-8" long	2
<b>RT460 HENDRICKSON STEEL SUSPENSION</b>					
89	LNT-LT-LTL-LTS800/900	All	E9HZ 4730-A	Front-≠E9HT 4730-DA-8 1/2" long	2
			E3HZ 4730-C	Rear-≠E3HT 4730-DA-8" long	2
<b>RTE380 HENDRICKSON STEEL EXTENDED LEAF SUSPENSION</b>					
83/88	CLT-LNT-LT-LTA-LTL-LTS800/900	D381,D401, SQHP,SQ100	E3HZ 4730-C	Front-≠E3HT 4730-DA- 8" long	2
			★ 4730	Rear-refer to group 5875	
<b>RTE400 HENDRICKSON STEEL EXTENDED LEAF SUSPENSION</b>					
89	CLT-FT-LNT-LT-LTL-LTS800/900	All	E9HZ 4730-A	Front-≠E9HT 4730-DA-8 1/2" long	2
			★ 4730	Rear-refer to group 5875	
<b>U340 HENDRICKSON STEEL SUSPENSION</b>					
83/88	CLT900	SQHP	E3HZ 4730-D	Front-≠E3HT 4730-EA-7 1/2" long	2
			E3HZ 4730-C	Rear-≠E3HT 4730-DA-8" long	2
	CLT-CT800/900	D341,D381	E3HZ 4730-C	Front-≠E3HT 4730-DA-8" long	2
			E3HZ 4730-D	Rear-≠E3HT 4730-EA-7 1/2" long	2
	CLT-CT-FT-LNT-LT-LTA-LTL-LTS800-900	SL100,SQ100	E3HZ 4730-D	Front and rear-≠E3HT 4730-EA-7 1/2" long	4
	FT-LNT-LT-LTL-LTS800/900	D341,D381,D401	E3HZ 4730-C	Front-≠E3HT 4730-DA- 8" long	2
E3HZ 4730-D			Rear-≠E3HT 4730-EA-7 1/2" long	2	
LNT-LT-LTL-LTS800/900	SQHP	E3HZ 4730-C	Front and rear-≠E3HT 4730-DA- 8" long	4	

**1980/  
TRUCK SERIES 600/900**

YEAR	MODEL/RESTRICTIONS	AXLE MODEL	PART NUMBER	DESCRIPTION	QTY.
<b>4730 BUMPER (REAR AXLE)-Also refer to groups 3019-20, 5783 — Cont'd</b>					
<b>TANDEM AXLES</b>					
<b>U340 HENDRICKSON STEEL SUSPENSION</b>					
89	CT800	SL100,SQ100, SQ100P	E3HZ 4730-D	Front and rear-# E3HT 4730-EA-7 1/2" long	4
	FT-LNT-LT-LTL-LTS800/900	All	E9HZ 4730-A	Front-# E9HT 4730-DA-8 1/2" long	2
			E3HZ 4730-D	Rear-# E3HT 4730-EA-7 1/2" long	2
<b>UE340 HENDRICKSON STEEL EXTENDED LEAF SUSPENSION</b>					
83/88	CLT-FT-LNT-LT-LTA-LTL-LTS800/900	D341,D381,D401	E3HZ 4730-B	Front-# E3HT 4730-CA -8 1/2" long	2
			★ 4730	Rear-refer to group 5875	
		SL100,SQ100	E3HZ 4730-D	Front-# E3HT 4730-EA-7 1/2" long	2
			★ 4730	Rear-refer to group 5875	
	CLT-LNT-LT-LTL-LTS800/900	SQHP	E3HZ 4730-D	Front-# E3HT 4730-EA-7 1/2" long	2
			★ 4730	Rear-refer to group 5875	
89	CLT-FT-LNT-LT-LTL-LTS800/900	All	E9HZ 4730-A	Front-# E9HT 4730-DA-8 1/2" long	2
			★ 4730	Rear-refer to group 5875	
<b>E4-340, E4-380 HENDRICKSON 4 SPRING SUSPENSION</b>					
84/88	CLT-LNT-LT-LTL900	D341,D381, SL100,SQ100, SQHP	D1HZ 4730-A	Front and rear	4
89	CFT800	All	D1HZ 4730-A	Front and rear	4
<b>RS400, RSA400, RS460 HENDRICKSON RUBBER SUSPENSION</b>					
89	All -- non reinforced frame	All	58743-S2	(B-146-H) Bolt (attach bumper to frame)- 3/4"-10 x 2 1/2"	AR
	All -- reinforced frame	All	383449-S2	(BB-202-B) Bolt (attach bumper to frame)- 3/4"-10 x 2 3/4"	AR
	All	All	44882-S2	(X-34) Washer (attach bumper to frame)-3/4"	AR
	All	All	34992-S2	(M-89-HF) Nut (attach bumper to frame)- 3/4"-10	AR
<b>RT380, RT380-HD, RT440, RT440-HD, U340-HENDRICKSON STEEL SUSPENSION</b>					
83/88	CLT900 -- w/o 60" walking beam	All	58743-S2	(B-146-H) Bolt (attach bumper to frame)- 3/4"-10 x 2 1/2"	12
	CLT900 -- w/60" walking beam	All	389525-S2	(BB-202-BJ) Bolt (attach bumper to frame)- 3/4"-10 x 3"	12
	CLT-FT-LNT-LT-LTA-LTL-LTS800/900	All		3/4"-10 x 3"	12
	CLT-CT-FT-LNT-LT-LTA-LTL-LTS800/900	All	44882-S2	(X-34) Washer (attach bumper to frame)- 3/4"	24
	CLT-CT-FT-LNT-LT-LTA-LTL-LTS800/900	All	34992-S2	(M-89-HF) Nut (attach bumper to frame)- 3/4"-10	12
<b>RTE380, UE340 HENDRICKSON STEEL EXTENDED LEAF SUSPENSION</b>					
83/88	CLT900	All	58743-S2	(B-146-H) Bolt (attach bumper to frame)-3/4"-10 x 2 1/2"	6
	CT-FT-LNT-LT-LTA-LTL-LTS800/900	All	389525-S2	(BB-202-BJ) Bolt (attach bumper to frame)-3/4"-10 x 3"	6
	CLT-CT-FT-LNT-LT-LTA-LTL-LTS800/900	All	44882-S2	(X-34) Washer (attach bumper to frame)-3/4"	12
	CLT-CT-FT-LNT-LT-LTA-LTL-LTS800/900	All	34992-S2	(M-89-HF) Nut (attach bumper to frame)-3/4"-10	6
<b>RT400, RT460, U340 HENDRICKSON STEEL SUSPENSION</b>					
<b>RTE400, RTE460, UE340 HENDRICKSON STEEL EXTENDED LEAF SUSPENSION</b>					
89	CLT-FT-LNT-LT-LTL-LTS800/900 -- nonreinforced frame	All	58743-S2	(B-146-H) Bolt (attach bumper to frame)- 3/4"-10 x 2 1/2"	AR
	CT-FT-LNT-LT-LTL-LTS800/900 -- reinforced frame	All	383449-S2	(BB-202-B) Bolt (attach bumper to frame)- 3/4"-10 x 2 3/4"	AR
	CLT-CT-FT-LNT-LT-LTL-LTS800/900	All	44882-S2	(X-34) Washer (attach bumper to frame)-3/4"	AR
	CLT-CT-FT-LNT-LT-LTL-LTS800/900	All	34992-S2	(M-89-HF) Nut (attach bumper to frame)- 3/4"-10	AR



HOW TO LOCATE DRIVE LINE PART NUMBERS

1. USE THE DRIVE LINE T.S.L. or STAMPED IDENTIFICATION NUMBER CROSS REFERENCE GUIDE.

Refer to page 6 of this section for a cross reference from stamped numbers on shaft or Truck Specification List (T.S.L.) driveshaft numbers to service part numbers.

2. USE THE DRIVESHAFT APPLICATION CHART.

- a. 1980 B-F600 series only. Refer to the stamped identification on the shaft and/or to vehicles T.S.L. for all other models.
- b. Manufacturer codes used throughout the chart are cross referenced as follows:  

D-Dana	E - Eaton	R - Rockwell (Timken)
--------	-----------	-----------------------
- c. Universal joint, slip yoke and flange yoke codes used throughout the chart are cross referenced to service part numbers on the next page.
- d. The Driveshaft "Types" and the "A" and "B" designations are illustrated on page 5 of this section. Group 4602 is a shaft assy. and incl. the shaft, universal joints and the slip yoke. Group 4A603 is a shaft assy. with slip yoke only. Group 4605 applies to the driveshaft only as shown on page 5 of this section. Various shafts listed throughout the Drive Line Cross are coded with symbol ●. After selecting the part number shown in the Driveshaft Reference Guide refer to page 19 of this section for the appropriate service replacement shaft. The service replacement shaft (4A603) incl. a new slip yoke. Service replacement shafts (4A603) are listed in part number sequence on page 34 of this section. The shaft length and diameter and also the slip yoke are shown for each shaft.
- e. Typical drive line and universal joint illustrations for single and tandem axles are shown on pages 3 and 4 of this section.
- f. Refer to section 46.3 for CF-CFT600/800 usage.

3. USE THE DRIVE and COUPLING SHAFT COMPONENT PARTS LIST.

When the part number for the complete shaft assembly is known, the part number of the shaft sub-assembly and related components may be found in the Drive and Coupling Shaft Component Parts List in section 46.1A.

4. USE THE DRIVE LINE ILLUSTRATIONS.

- a. Refer to the "Typical" drive line illustrations on pages 3 and 4 of this section to obtain a basic group number.
- b. Refer to the group number in the catalog. Determine the part number needed from that group or follow cross references to other groups to determine the part number needed.

5. USE THE ALPHABETICAL INDEX.

- a. Refer to the alphabetical part name index at the beginning of the catalog to obtain a basic group number.
- b. Refer to the group number in the catalog. Determine the part number needed from that group or follow cross references to other groups to determine the part number needed.

---

---

---

---

---

---

---

---

1980/  
TRUCK SERIES 600/900

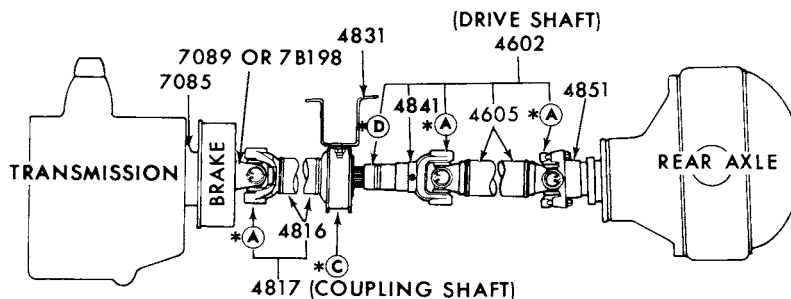
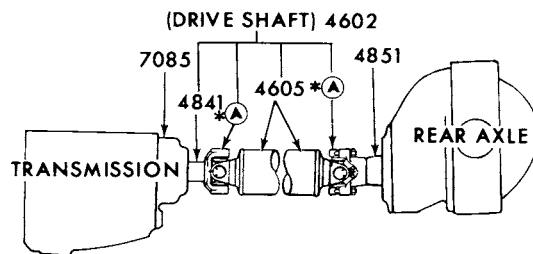
**UNIVERSAL JOINT CODES** Also refer to group 4635 for size identification and related parts

Code	Part Number	Code	Part Number
1	★ B4TZ 4635-K r/bD3HZ 4635-B	32	C5TZ 4635-G
2	★ B8QH 4635-D r/bD3HZ 4635-D	38	D2HZ 4635-A
3	B6TZ 4635-B	39	D3TZ 4635-A
4	★ B3TZ 4635-B r/bD4HZ 4635-B	40	D3TZ 4635-B
5	C1TZ 4635-A	41	D3HZ 4635-A
6	B4TZ 4635-G	42	D4HZ 4635-A
8	B4TZ 4635-H	43	D4HZ 4635-B
12	B6TZ 4635-A	47	D3HZ 4635-B
16	★ B8QH 4635-C r/bD3HZ 4635-C	48	D3HZ 4635-C
31	★ C6TZ 4635-F r/bD3TZ 4635-B	49	D3HZ 4635-D
		51	D9HZ 4635-A
		52	D9HZ 4635-B
		53	E7HZ 4635-A
		54	E7HZ 4635-B
		55	E8HZ 4635-A
		56	E8HZ 4635-B

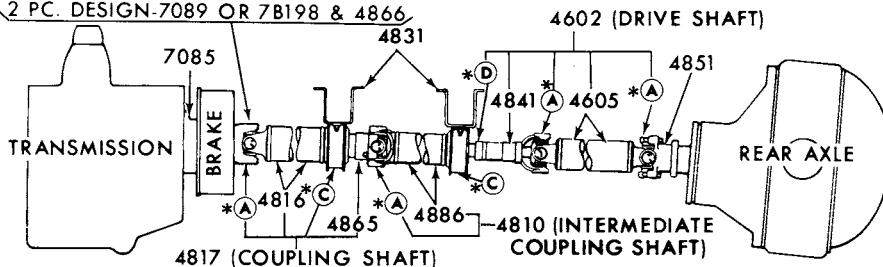
**SLIP YOKE CODES** Also refer to group 4841 for size identification and related parts

Code	Part Number	Code	Part Number
9	★ C5TZ 4841-G		r/bD4HZ 4841-B
14	C1TT 4841-F	86	D4HZ 4841-B
29	8MTH 4841	87	D4HZ 4841-C
30	TEAA 4841-A	90	D4HZ 4841-D
37	★ C5TZ 4841-A	91	D4HZ 4841-E
39	C5TZ 4841-C	97	D6HZ 4841-A
44	C5TZ 4841-J	102	★ D8HZ 4841-B
55	C6TZ 4841-P	106	★ D8HZ 4841-F
56	C6TZ 4841-M	107	D9HZ 4841-A
57	C6TZ 4841-N	108	D9HZ 4841-B
58	C6TZ 4841-P	109	D8HZ 4841-G
65	C8TZ 4841-A	110	D9HZ 4841-C
70	C8HZ 4841-C	111	D9HZ 4841-D
72	D1TZ 4841-A	112	E1HZ 4841-A
74	★ D0HZ 4841-A	113	E1HZ 4841-B
76	D1HZ 4841-B	114	★ E1HZ 4841-C
77	D1HZ 4841-C	115	E1HZ 4841-D
78	D1HZ 4841-D	116	E1HZ 4841-E
80	D2HZ 4841-A	117	★ E1HZ 4841-A
81	D2HZ 4841-B	118	★ E1HZ 4841-F
83	D2HZ 4841-C	119	E3HZ 4841-A
84	D3HZ 4841-A	120	E2HZ 4841-A
85	★ D4HZ 4841-A		

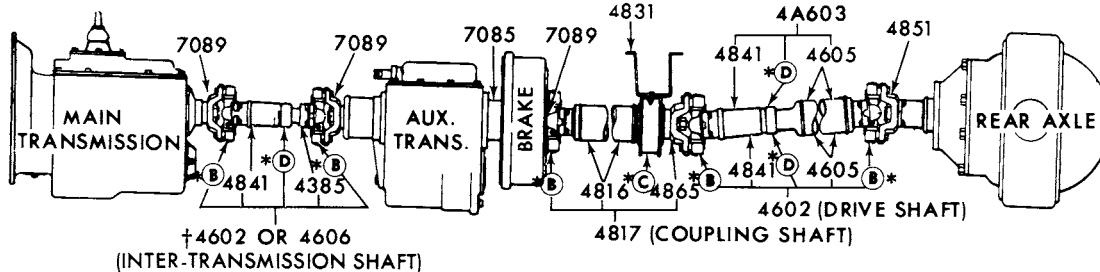
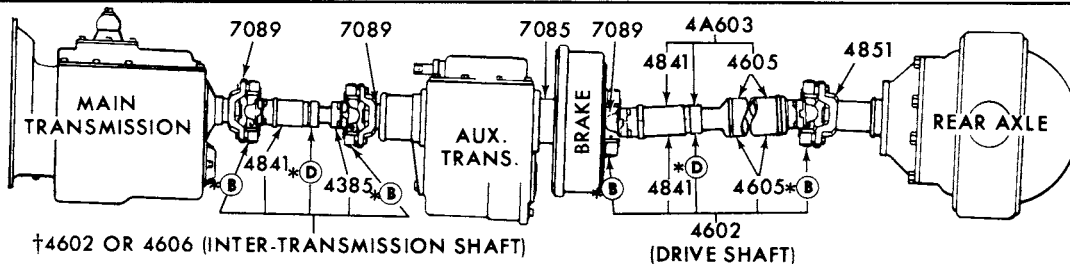




1 PC. DESIGN-7089 OR 7B198  
2 PC. DESIGN-7089 OR 7B198 & 4866



SINGLE REAR AXLE WITHOUT AUXILIARY TRANSMISSION



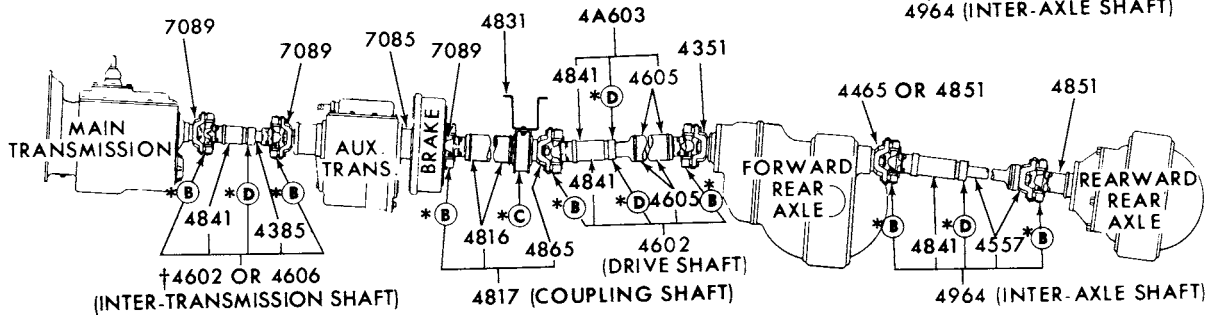
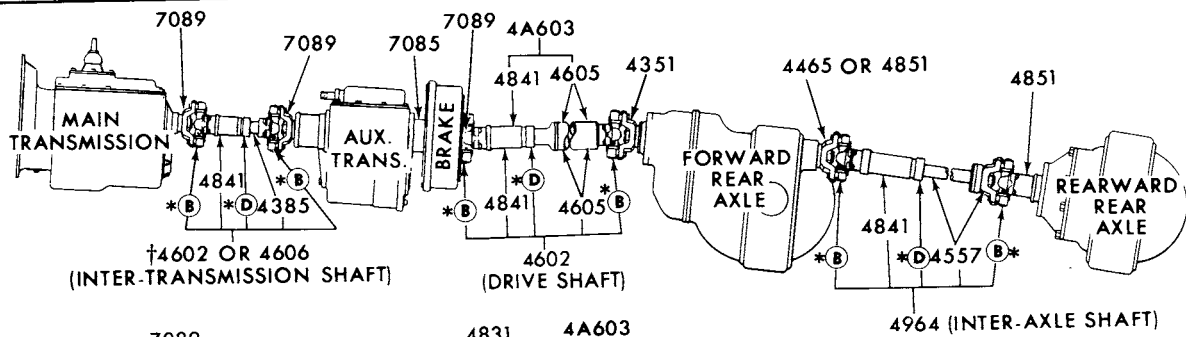
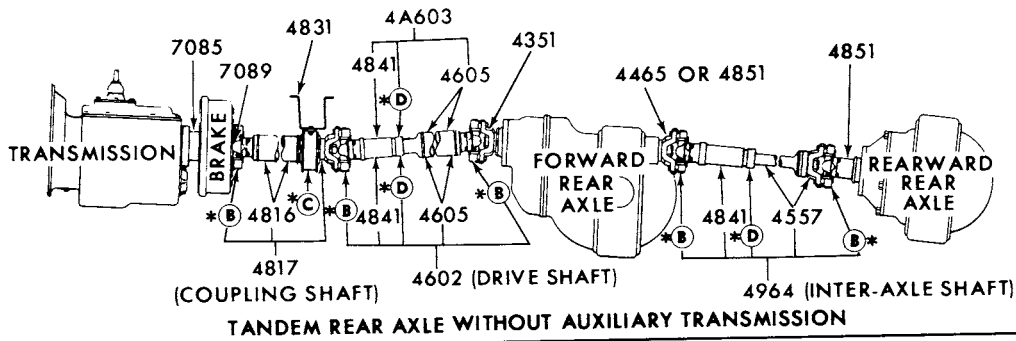
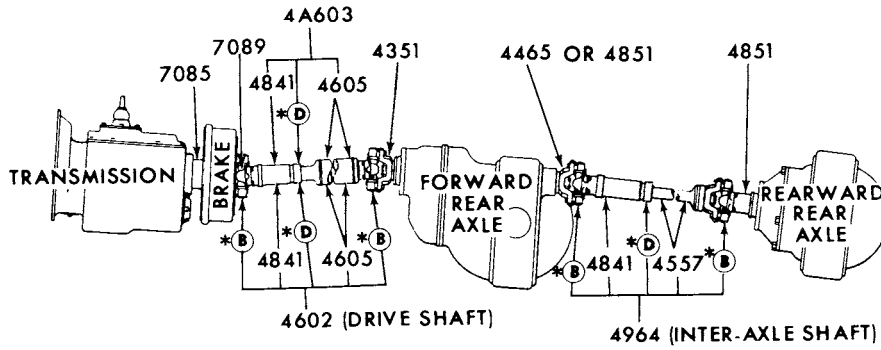
SINGLE REAR AXLE WITH AUXILIARY TRANSMISSION

\* REFER TO PAGE 7 FOR ENLARGED VIEWS OF (A) (B) (C) & (D)

† LISTED IN TEXT GROUP 4385

P-8884

1980/  
TRUCK SERIES 600/900



TANDEM REAR AXLE WITH AUXILIARY TRANSMISSION

\*REFER TO PAGE 4 FOR ENLARGED VIEWS OF A (A) (B) (C) & (D)

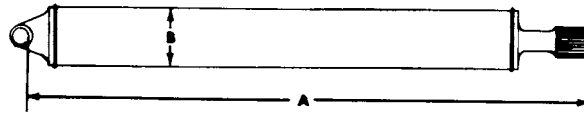
†LISTED IN TEXT GROUP 4385

P-8885

DRIVE LINE-TYPICAL

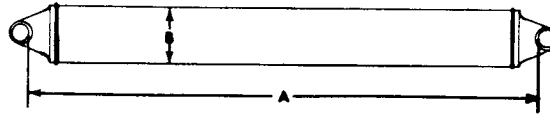
SHAFT "TYPE and SIZE" REFERENCE CHART

TYPE 4



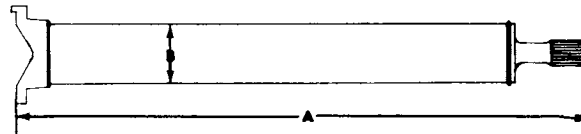
SPICER

TYPE 5



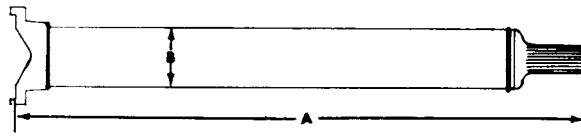
FORD OR SPICER OR ALBARUS

TYPE 22

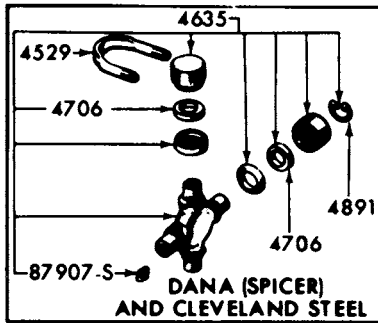


MECHANICS

TYPE 23

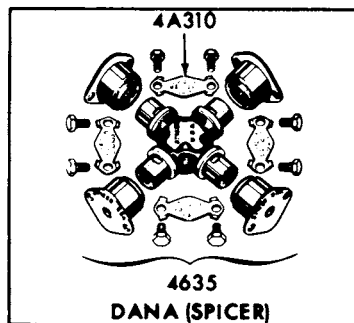


MECHANICS

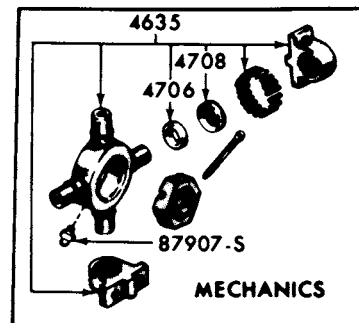


DANA (SPICER)  
AND CLEVELAND STEEL

(A)

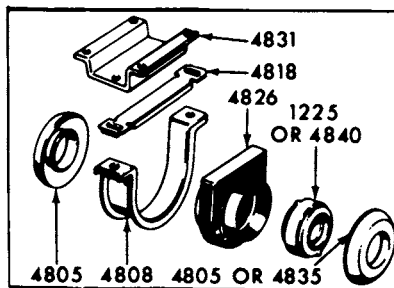


DANA (SPICER)



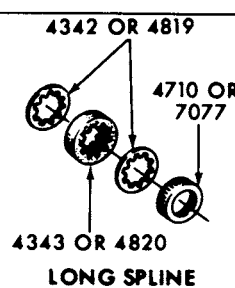
MECHANICS

(B)



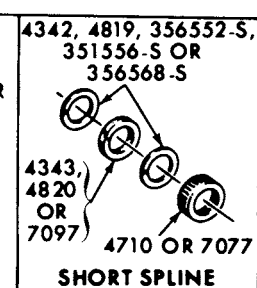
CENTER BEARING  
BRACKET 4808  
4840  
CENTER BEARING  
ASSEMBLY  
CLEVELAND STEEL

(C)



LONG SPLINE

(D)



SHORT SPLINE

P-8886









1980/  
TRUCK SERIES 600/900

DRIVE LINE CROSS REFERENCE GUIDE

IDENTIFICATION AND/OR T.S.L. NUMBER	▲ CODE						▲ DRIVE SHAFT				IDENTIFICATION AND/OR T.S.L. NUMBER	▲ CODE						▲ DRIVE SHAFT			
	YOKE		UNIV		JOINT		SIZE (INCHES)	PART NUMBER	YOKE			UNIV		JOINT		SIZE (INCHES)	PART NUMBER				
	F	S	L	R	F	R			L	R		F	R	L	R						
	L	L	F	R	T	Y	A	B	L	L		F	R	T	Y	A	B				

Notes:      ‡‡ Indicates Solid Shaft, ▲ Refer to page 1 of this section for explanation of the chart and the codes shown.  
 † Truck Specification List - incl. in Louisville-built trucks since August 13, 1967  
 ● For service shaft - refer to the Drive shaft Service Replacement Chart (4A603) on page 31 of this section.  
 % Install 90° out of phase

D5HA 4602-HA	37	8	4	23	38	5/16	3 1/2	★ D5HA 4602-HA	D5HA 4602-KVA	87	1	41	23	33	3/16	4	★ D5HA 4602-KVA
D5HA 4602-MA	37	8	4	23	42	5/16	3 1/2	★ D5HA 4602-MA	D5HA 4602-KYA	87	1	41	23	34	3/16	4	★ D5HA 4602-KYA
D5HA 4602-NA	37	8	4	23	43	13/16	3 1/2	★ D5HA 4602-NA	D5HA 4602-KZA	87	1	41	23	35	3/16	4	★ D5HA 4602-KZA
D5HA 4602-RA	37	8	4	23	45	5/16	3 1/2	★ D5HA 4602-RA	D5HA 4602-LAA	87	1	41	23	36	3/16	4	★ D5HA 4602-LAA
D5HA 4602-SA	37	8	4	23	46	13/16	3 1/2	★ D5HA 4602-SA	D5HA 4602-LBA	87	1	41	23	37	3/16	4	★ D5HA 4602-LBA
D5HA 4602-TA	37	8	4	23	48	5/16	3 1/2	★ D5HA 4602-TA	D5HA 4602-LCA	87	1	41	23	38	3/16	4	★ D5HA 4602-LCA
D5HA 4602-UA	37	8	43		47	13/16	3 1/2	★ D5HA 4602-UA	D5HA 4602-LDA	87	1	41	23	39	3/16	4	★ D5HA 4602-LDA
D5HA 4602-ABA	37	8	4	23	54	5/16	3 1/2	★ D5HA 4602-ABA	D5HA 4602-LEA	87	1	41	23	40	3/16	4	★ D5HA 4602-LEA
D5HA 4602-ACA	37	8	4	23	55	13/16	4	★ D5HA 4602-ACA	D5HA 4602-LFA	87	1	41	23	41	3/16	4	★ D5HA 4602-LFA
D5HA 4602-ADA	37	8	4	23	56	5/16	4	★ D5HA 4602-ADA	D5HA 4602-LGA	87	1	41	23	42	3/16	4	★ D5HA 4602-LGA
D5HA 4602-AFA	37	8	4	23	58	5/16	4	★ D5HA 4602-AFA	D5HA 4602-LHA	87	1	41	23	43	3/16	4	★ D5HA 4602-LHA
D5HA 4602-AGA	37	8	4	23	58	13/16	4	★ D5HA 4602-AGA	D5HA 4602-LJA	87	1	41	23	44	3/16	4	★ D5HA 4602-LJA
D5HA 4602-AHA	37	8	43	23	59	13/16	4	★ D5HA 4602-AHA	D5HA 4602-LKA	87	1	41	23	45	3/16	4	★ D5HA 4602-LKA
D5HA 4602-AKA	37	8	4	23	61	13/16	4	★ D5HA 4602-AKA	D5HA 4602-LLA	87	1	41	23	46	3/16	4	★ D5HA 4602-LLA
D5HA 4602-AMA	37	8	4	23	64	13/16	4	★ D5HA 4602-AMA	D5HA 4602-LMA	87	1	41	23	47	3/16	4	★ D5HA 4602-LMA
D5HA 4602-ANA	37	8	4	23	66	5/16	4	★ D5HA 4602-ANA	D5HA 4602-LNA	87	1	41	23	48	3/16	4	★ D5HA 4602-LNA
D5HA 4602-GYA	44	16	16	23	33	3/16	4	★ D5HA 4602-GYA	D5HA 4602-LRA	87	1	41	23	49	3/16	4	★ D5HA 4602-LRA
D5HA 4602-GZA	44	16	16	23	34	3/16	4	★ D5HA 4602-GZA	D5HA 4602-LSA	87	1	41	23	50	3/16	4	★ D5HA 4602-LSA
D5HA 4602-HAA	44	16	16	23	35	3/16	4	★ D5HA 4602-HAA	D5HA 4602-LTA	87	1	41	23	51	3/16	4	★ D5HA 4602-LTA
D5HA 4602-HBA	44	16	16	23	36	3/16	4	★ D5HA 4602-HBA	D5HA 4602-LUA	87	1	41	23	52	3/16	4	★ D5HA 4602-LUA
D5HA 4602-HCA	44	16	16	23	37	3/16	4	★ D5HA 4602-HCA	D5HA 4602-LVA	87	1	41	23	53	3/16	4	★ D5HA 4602-LVA
D5HA 4602-HDA	44	16	16	23	38	3/16	4	★ D5HA 4602-HDA	D5HA 4602-LYA	87	1	41	23	54	3/16	4	★ D5HA 4602-LYA
D5HA 4602-HEA	44	16	16	23	39	3/16	4	★ D5HA 4602-HEA	D5HA 4602-LZA	87	1	41	23	55	3/16	4	★ D5HA 4602-LZA
D5HA 4602-HFA	44	16	16	23	40	3/16	4	★ D5HA 4602-HFA	D5HA 4602-MAA	87	1	41	23	56	3/16	4	★ D5HA 4602-MAA
D5HA 4602-HGA	44	48	49	23	41	3/16	4	★ D5HA 4602-HGA	D5HA 4602-MBA	87	1	41	23	57	3/16	4	★ D5HA 4602-MBA
D5HA 4602-HHA	44	16	16	23	42	3/16	4	★ D5HA 4602-HHA	D5HA 4602-MCA	87	1	41	23	58	3/16	4	★ D5HA 4602-MCA
D5HA 4602-HJA	44	16	16	23	43	3/16	4	★ D5HA 4602-HJA	D5HA 4602-MDA	87	1	41	23	59	3/16	4	★ D5HA 4602-MDA
D5HA 4602-HKA	44	48	49	23	44	3/16	4	★ D5HA 4602-HKA	D5HA 4602-MEA	87	1	41	23	60	3/16	4	★ D5HA 4602-MEA
D5HA 4602-HRA	44	48	49	23	48	3/16	4	★ D5HA 4602-HRA	D5HA 4602-MFA	87	1	41	23	61	3/16	4	★ D5HA 4602-MFA
D5HA 4602-HSA	44	48	49	23	49	3/16	4	★ D5HA 4602-HSA	D5HA 4602-MGA	87	1	41	23	62	3/16	4	★ D5HA 4602-MGA
D5HA 4602-HUA	44	48	49	23	51	3/16	4	★ D5HA 4602-HUA	D5HA 4602-MHA	87	1	41	23	63	3/16	4	★ D5HA 4602-MHA
D5HA 4602-HYA	44	48	49	23	53	3/16	4	★ D5HA 4602-HYA	D5HA 4602-MJA	87	1	41	23	64	3/16	4	★ D5HA 4602-MJA
D5HA 4602-HZA	44	16	16	23	54	3/16	4	★ D5HA 4602-HZA	D5HA 4602-MKA	87	1	41	23	65	3/16	4	★ D5HA 4602-MKA
D5HA 4602-JAA	44	49	48	23	55	3/16	4	★ D5HA 4602-JAA	D5HA 4602-MLA	87	1	41	23	66	3/16	4	★ D5HA 4602-MLA
D5HA 4602-JBA	44	16	16	23	56	3/16	4	★ D5HA 4602-JBA	D5HA 4602-MMA	87	1	41	23	67	3/16	4	★ D5HA 4602-MMA
D5HA 4602-JCA	44	48	49	23	57	3/16	4	★ D5HA 4602-JCA	D5HA 4602-MNA	87	1	41	23	68	3/16	4	★ D5HA 4602-MNA
D5HA 4602-JDA	44	16	16	23	58	3/16	4	★ D5HA 4602-JDA	D6HA 4602-CA	14	5	5	4	26	13/16	3 1/2	★ D6HA 4602-CA
D5HA 4602-JEA	44	16	16	23	59	3/16	4	★ D5HA 4602-JEA	D6HA 4602-DA	14	5	5	4	37	13/16	3 1/2	★ D6HA 4602-DA
D5HA 4602-JFA	44	16	16	23	60	3/16	4	★ D5HA 4602-JFA	D6HA 4602-EA	72	5	5	4	59	13/16	4	★ D6HA 4602-EA
D5HA 4602-JGA	44	16	16	23	61	3/16	4	★ D5HA 4602-JGA	D6HA 4602-FA	72	5	5	4	60	13/16	4	★ D6HA 4602-FA
D5HA 4602-JHA	44	16	16	23	62	3/16	4	★ D5HA 4602-JHA	D6HA 4602-GA	14	5	5	4	59	13/16	4	★ D6HA 4602-GA
D5HA 4602-JJA	44	48	49	23	63	3/16	4	★ D5HA 4602-JJA	D7HT 4602-AVA	80	38	38	4	17	1/32	4 1/2	★ D7HT 4602-AVA
D5HA 4602-JKA	44	16	16	23	64	3/16	4	★ D5HA 4602-JKA	D7HT 4602-AYA	80	38	38	4	18	47/64	4 1/2	★ D7HT 4602-AYA
D5HA 4602-JLA	44	16	16	23	65	3/16	4	★ D5HA 4602-JLA	D7HT 4602-AZA	80	38	38	4	20	1/32	4 1/2	★ D7HT 4602-AZA
D5HA 4602-JMA	44	48	49	23	66	3/16	4	★ D5HA 4602-JMA	D7HT 4602-BAA	80	38	38	4	21	17/32	4 1/2	★ D7HT 4602-BAA
D5HA 4602-JNA	44	48	49		67	3/16	4	★ D5HA 4602-JNA	D7HT 4602-BBA	80	38	38	4	23	1/32	4 1/2	★ D7HT 4602-BBA
D5HA 4602-JRA	44	48	49	23	48	3/16	4	★ D5HA 4602-JRA	D7HT 4602-BCA	80	38	38	4	24	17/32	4 1/2	★ D7HT 4602-BCA
D5HA 4602-JSA	44	48	49	23	69	3/16	4	★ D5HA 4602-JSA	D7HT 4602-BDA	80	38	38	4	26	1/32	4 1/2	★ D7HT 4602-BDA



*1980/  
TRUCK SERIES 600/900*

DRIVE LINE CROSS REFERENCE GUIDE

IDENTIFICATION AND/OR T.S.L. NUMBER	▲ CODE						▲ DRIVE SHAFT			IDENTIFICATION AND/OR T.S.L. NUMBER	▲ CODE						▲ DRIVE SHAFT		
	YOKE		UNIV		JOINT		SIZE (INCHES)	PART NUMBER	YOKE		UNIV		JOINT		SIZE (INCHES)	PART NUMBER			
	F	S	F	R	F	R			F		S	F	R	F			R	F	S
	L	A	L	A	L	A			L		A	L	A	L			A	L	A

Notes:      †† Indicates Solid Shaft, ▲ Refer to page 1 of this section for explanation of the chart and the codes shown.  
 † Truck Specification List – incl. in Louisville-built trucks since August 13, 1967  
 ● For service shaft – refer to the Drive shaft Service Replacement Chart (4A603) on page 31 of this section.  
 % Install 90° out of phase

D7HT 4602-BEA	80	38	38	4	27	17/32	4 1/2	★ D7HT 4602-BEA	D9HT 4602-AA	107	51	51	5	18	5/8	3 1/2	★ D9HT 4602-AA
D7HT 4602-BFA	80	38	38	4	29	1/32	4 1/2	★ D7HT 4602-BFA	D9HT 4602-EA	107	51	51	5	22	5/8	3 1/2	★ D9HT 4602-EA
D7HT 4602-BGA	80	38	38	4	30	17/32	4 1/2	★ D7HT 4602-BGA	D9HT 4602-HA	107	51	51	5	25	5/8	3 1/2	★ D9HT 4602-HA
D7HT 4602-BHA	80	38	38	4	32	1/32	4 1/2	★ D7HT 4602-BHA	D9HT 4602-JA	107	51	51	5	26	5/8	3 1/2	★ D9HT 4602-JA
D7HT 4602-BJA	80	38	38	4	33	1/32	4 1/2	★ D7HT 4602-BJA	D9HT 4602-KA	107	51	51	5	27	5/8	3 1/2	★ D9HT 4602-KA
D7HT 4602-BKA	80	38	38	4	34	17/32	4 1/2	★ D7HT 4602-BKA	D9HT 4602-LA	107	51	51	5	28	5/8	3 1/2	★ D9HT 4602-LA
D7HT 4602-BLA	80	38	38	4	36	1/32	4 1/2	★ D7HT 4602-BLA	D9HT 4602-NA	107	51	51	5	30	5/8	3 1/2	★ D9HT 4602-NA
D7HT 4602-BMA	80	38	38	4	37	17/32	4 1/2	★ D7HT 4602-BMA	D9HT 4602-RA	107	51	51	5	31	5/8	3 1/2	★ D9HT 4602-RA
D7HT 4602-BNA	80	38	38	4	39	1/32	4 1/2	★ D7HT 4602-BNA	D9HT 4602-SA	107	51	51	5	32	5/8	3 1/2	★ D9HT 4602-SA
D7HT 4602-BRA	80	38	38	4	40	17/32	4 1/2	★ D7HT 4602-BRA	D9HT 4602-TA	107	51	51	5	33	5/8	3 1/2	★ D9HT 4602-TA
D7HT 4602-BSA	80	38	38	4	42	1/32	4 1/2	★ D7HT 4602-BSA	D9HT 4602-UA	107	51	51	5	34	5/8	3 1/2	★ D9HT 4602-UA
D7HT 4602-BTA	80	38	38	4	43	17/32	4 1/2	★ D7HT 4602-BTA	D9HT 4602-VA	107	51	51	5	35	5/8	3 1/2	★ D9HT 4602-VA
D7HT 4602-BUA	80	38	38	4	45	1/32	4 1/2	★ D7HT 4602-BUA	D9HT 4602-YA	107	51	51	5	36	5/8	3 1/2	★ D9HT 4602-YA
D7HT 4602-BVA	80	38	38	4	46	17/32	4 1/2	★ D7HT 4602-BVA	D9HT 4602-ZA	107	51	51	5	37	5/8	3 1/2	★ D9HT 4602-ZA
D7HT 4602-BYA	80	38	38	4	48	1/32	4 1/2	★ D7HT 4602-BYA	D9HT 4602-AAA	107	51	51	5	38	5/8	3 1/2	★ D9HT 4602-AAA
D7HT 4602-BZA	80	38	38	4	49	17/32	4 1/2	★ D7HT 4602-BZA	D9HT 4602-ABA	107	51	51	5	39	5/8	3 1/2	★ D9HT 4602-ABA
D7HT 4602-CAA	80	38	38	4	51	1/32	4 1/2	★ D7HT 4602-CAA	D9HT 4602-ACA	107	51	51	5	40	5/8	3 1/2	★ D9HT 4602-ACA
D7HT 4602-CBA	80	38	38	4	52	3/4	4 1/2	★ D7HT 4602-CBA	D9HT 4602-ADA	107	51	51	5	41	5/8	3 1/2	★ D9HT 4602-ADA
D7HT 4602-CCA	80	38	38	4	54	1/32	4 1/2	★ D7HT 4602-CCA	D9HT 4602-AEA	107	51	51	5	42	5/8	3 1/2	★ D9HT 4602-AEA
D7HT 4602-CDA	80	38	38	4	55	1/32	4 1/2	★ D7HT 4602-CDA	D9HT 4602-AFA	107	51	51	5	43	5/8	3 1/2	★ D9HT 4602-AFA
D7HT 4602-CEA	80	38	38	4	57	1/32	4 1/2	★ D7HT 4602-CEA	D9HT 4602-AGA	107	51	51	5	44	5/8	3 1/2	★ D9HT 4602-AGA
D7HT 4602-CFA	80	38	38	4	58	17/32	4 1/2	★ D7HT 4602-CFA	D9HT 4602-AHA	107	51	51	5	45	5/8	3 1/2	★ D9HT 4602-AHA
D7HT 4602-CGA	80	38	38	4	60	1/32	4 1/2	★ D7HT 4602-CGA	D9HT 4602-AJA	107	51	51	5	46	5/8	3 1/2	★ D9HT 4602-AJA
D7HT 4602-CHA	80	38	38	4	61	17/32	4 1/2	★ D7HT 4602-CHA	D9HT 4602-AKA	107	51	51	5	47	5/8	3 1/2	★ D9HT 4602-AKA
D7HT 4602-CJA	80	38	38	4	63	1/32	4 1/2	★ D7HT 4602-CJA	D9HT 4602-ALA	107	51	51	5	48	5/8	3 1/2	★ D9HT 4602-ALA
D7HT 4602-CKA	80	38	38	4	64	17/32	4 1/2	★ D7HT 4602-CKA	D9HT 4602-AMA	107	51	51	5	49	5/8	3 1/2	★ D9HT 4602-AMA
D7HT 4602-CLA	80	38	38	4	66	1/32	4 1/2	★ D7HT 4602-CLA	D9HT 4602-ANA	107	51	51	5	50	5/8	3 1/2	★ D9HT 4602-ANA
D7HT 4602-CMA	80	38	38	4	67	17/32	4 1/2	★ D7HT 4602-CMA	D9HT 4602-ARA	107	51	51	5	51	5/8	3 1/2	★ D9HT 4602-ARA
D7HT 4602-CNA	80	38	38	4	69	1/32	4 1/2	★ D7HT 4602-CNA	D9HT 4602-ASA	107	51	51	5	52	5/8	3 1/2	★ D9HT 4602-ASA
D7HT 4602-CRA	80	38	38	4	70	17/32	4 1/2	★ D7HT 4602-CRA	D9HT 4602-ATA	107	51	51	5	53	5/8	3 1/2	★ D9HT 4602-ATA
D7HT 4602-CSA	80	38	38	4	72	1/32	4 1/2	★ D7HT 4602-CSA	D9HT 4602-AUA	107	51	51	5	54	5/8	4	★ D9HT 4602-AUA
D7HT 4602-CYA	90	3	3	5	54	23/32	4	★ D7HT 4602-CYA	D9HT 4602-AVA	107	51	51	5	55	5/8	4	★ D9HT 4602-AVA
D7HT 4602-EDA	80	38	38	4	15	27/32	††	D8HZ 4602-E	D9HT 4602-AYA	107	51	51	5	56	5/8	4	★ D9HT 4602-AYA
D7HT 4602-EEA	56	40	40	4	11	5/16	††	★ D8HZ 4602-F	D9HT 4602-AZA	107	51	51	5	57	5/8	4	★ D9HT 4602-AZA
D7HT 4602-ELA	57	40	40	4	65	17/32	4	★ D7HT 4602-ELA	D9HT 4602-BAA	107	51	51	5	61	3/8	4	★ D9HT 4602-BAA
D7HT 4602-EMA	57	40	40	4	67	1/32	4	★ D7HT 4602-EMA	D9HT 4602-BBA	107	51	51	5	58	5/8	4	★ D9HT 4602-BBA
D7HT 4602-ERB	90	3	3	5	57	5/16	4	★ D7HT 4602-ERB	D9HT 4602-BCA	107	51	51	4	19	5/16	3 1/2	★ D9HT 4602-BCA
D7HT 4602-ESA	30	3	3	5	62	5/16	4	★ D7HT 4602-ESA	D9HT 4602-BEA	107	51	51	4	21	5/16	3 1/2	★ D9HT 4602-BEA
D7HT 4602-ESB	90	3	3	5	62	5/16	4	★ D7HT 4602-ESB	D9HT 4602-BFA	107	51	51	4	22	5/16	3 1/2	★ D9HT 4602-BFA
D7HT 4602-ETB	90	3	3	5	53	13/16	4	★ D7HT 4602-ETB	D9HT 4602-BGA	107	51	51	4	23	5/16	3 1/2	★ D9HT 4602-BGA
D7HT 4602-EUA	109	38	38	††	10	15/32	††	D8HZ 4602-H	D9HT 4602-BHA	107	51	51	4	24	5/16	3 1/2	★ D9HT 4602-BHA
D8HT 4602-AA	110	38	38	††	10	31/32	††	D9HZ 4602-A	D9HT 4602-BJA	107	51	51	4	25	5/16	3 1/2	★ D9HT 4602-BJA
D8HT 4602-BA	80	38	38	4	16	25/32	4 1/2	★ D8HT 4602-BA	D9HT 4602-BKA	107	51	51	4	26	5/16	3 1/2	★ D9HT 4602-BKA
D9HS 4602-BA	111	52	52	4	29	17/32	4 1/16	D9HZ 4602-BA	D9HT 4602-BLA	107	51	51	5	27	37/64	3 1/2	★ D9HT 4602-BLA
D9HS 4602-DA	111	52	52	4	25	1/32	4 3/32	★ D9HS 4602-DA	D9HT 4602-BMA	107	51	51	4	27	5/16	3 1/2	★ D9HT 4602-BMA
D9HS 4602-EA	111	52	52	4	31	1/32	4 1/16	★ D9HS 4602-EA	D9HT 4602-BNA	107	51	51	4	29	5/16	3 1/2	★ D9HT 4602-BNA
D9HS 4602-FA	111	52	52	4	28	1/32	4 1/16	★ D9HS 4602-FA	D9HT 4602-BRA	107	51	51	4	30	5/16	3 1/2	★ D9HT 4602-BRA
D9HS 4602-RA	111	52	52	4	23	17/32	4 1/16	★ D9HS 4602-RA	D9HT 4602-BSA	107	51	51	4	31	5/16	3 1/2	★ D9HT 4602-BSA

**1980/  
TRUCK SERIES 600/900**

**DRIVE LINE CROSS REFERENCE GUIDE**

IDENTIFICATION AND/OR T.S.L. NUMBER	▲ CODE							▲ DRIVE SHAFT			IDENTIFICATION AND/OR T.S.L. NUMBER	▲ CODE							▲ DRIVE SHAFT		
	YOKE		UNIV			SIZE (INCHES)	PART NUMBER	YOKE		UNIV			SIZE (INCHES)	PART NUMBER							
	F	S	L	R	T			F	S	L		R			T						
	JOINT	JOINT	JOINT	JOINT	JOINT	JOINT	JOINT	JOINT	JOINT	JOINT		JOINT	JOINT	JOINT							

Notes:      †† Indicates Solid Shaft, ▲ Refer to page 1 of this section for explanation of the chart and the codes shown.  
             † Truck Specification List - incl. in Louisville-built trucks since August 13, 1967  
             ● For service shaft - refer to the Drive shaft Service Replacement Chart  
             (4A603) on page 31 of this section.  
             % Install 90° out of phase

D9HT 4602-BTA	107	51	51	4	32	5/16	3 1/2	★ D9HT	4602-BTA	D9HT 4602-ELA	107	51	51	5	33	3/8	3 1/2	★ D9HT	4602-ELA
D9HT 4602-BUA	107	51	51	4	33	5/16	3 1/2	★ D9HT	4602-BUA	D9HT 4602-EMA	107	51	51	5	18	7/8	3 1/2	★ D9HT	4602-EMA
D9HT 4602-BVA	107	51	51	4	34	5/16	3 1/2	★ D9HT	4602-BVA	D9HT 4602-ENA	108	51	51	4	40	13/16	3 1/2	★ D9HT	4602-ENA
D9HT 4602-BYA	107	51	51	5	35	37/64	3 1/2	★ D9HT	4602-BYA	D9HT 4602-ERA	108	51	51	4	38	5/16	3 1/2	★ D9HT	4602-ERA
D9HT 4602-BZA	107	51	51	4	36	5/16	3 1/2	★ D9HT	4602-BZA	D9HT 4602-ESA	108	51	51	4	48	5/16	3 1/2	★ D9HT	4602-ESA
D9HT 4602-CAA	107	51	51	4	37	5/16	3 1/2	★ D9HT	4602-CAA	D9HT 4602-ETA	108	51	51	4	33	5/16	3 1/2	★ D9HT	4602-ETA
D9HT 4602-CBA	107	51	51	4	38	5/16	3 1/2	★ D9HT	4602-CBA	D9HT 4602-EUA	108	51	51	4	36	13/16	3 1/2	★ D9HT	4602-EUA
D9HT 4602-CCA	107	51	51	4	39	5/16	3 1/2	★ D9HT	4602-CCA	D9HT 4602-EVA	108	51	51	4	52	1/16	3 1/2	★ D9HT	4602-EVA
D9HT 4602-CDA	107	51	51	4	40	5/16	3 1/2	★ D9HT	4602-CDA	E0HS 4602-SA	111	52	52	4	35	17/32	4 3/32	★ E0HS	4602-SA
D9HT 4602-CEA	107	51	51	4	41	3/8	3 1/2	★ D9HT	4602-CEA	E0HT 4602-AA	107	51	51	5	59	5/8	4	★ E0HT	4602-AA
D9HT 4602-CFA	107	51	51	4	42	5/16	3 1/2	★ D9HT	4602-CFA	E0HT 4602-BA	107	51	51	5	60	5/8	4	★ E0HT	4602-BA
D9HT 4602-CGA	107	51	51	4	43	5/16	3 1/2	★ D9HT	4602-CGA	E0HT 4602-CA	14	5	5	5	60	5/8	4	★ E0HT	4602-CA
D9HT 4602-CKA	107	51	51	5	46	5/16	3 1/2	★ D9HT	4602-CKA	E0HT 4602-DA	90	3	3	5	56	5/16	4	★ E0HT	4602-DA
D9HT 4602-CSA	107	51	51	4	51	5/16	3 1/2	★ D9HT	4602-CSA	E0HT 4602-EA	14	5	5	5	51	39/64	4	★ E0HT	4602-EA
D9HT 4602-CTA	107	51	51	4	52	5/16	3 1/2	★ D9HT	4602-CTA	E0HT 4602-FA	90	3	3	5	49	13/16	4	★ E0HT	4602-FA
D9HT 4602-CUA	107	51	51	4	53	5/16	3 1/2	★ D9HT	4602-CUA	E0HT 4602-GA	90	3	3	5	50	13/16	4	★ E0HT	4602-GA
D9HT 4602-CVA	107	51	51	4	54	5/16	3 1/2	★ D9HT	4602-CVA	E0HT 4602-HA	90	3	3	5	51	13/16	4	★ E0HT	4602-HA
D9HT 4602-CYA	107	51	51	4	55	15/32	4	★ D9HT	4602-CYA	E0HT 4602-JA	90	3	3	5	52	13/16	4	★ E0HT	4602-JA
D9HT 4602-CZA	107	51	51	4	56	15/32	4	★ D9HT	4602-CZA	E0HT 4602-KA	14	5	5	5	61	5/8	4	★ E0HT	4602-KA
D9HT 4602-DAA	107	51	51	4	57	5/16	4	★ D9HT	4602-DAA	E0HT 4602-LA	90	3	3	5	63	13/16	4	★ E0HT	4602-LA
D9HT 4602-DBA	107	51	51	4	58	5/16	4	★ D9HT	4602-DBA	E0HT 4602-MA	90	3	3	5	51	13/16	3	★ E0HT	4602-MA
D9HT 4602-DCA	107	51	51	4	59	5/16	4	★ D9HT	4602-DCA	E0E0HT 4602-MA	90	3	3	5	30	13/16	3	★ E0E0HT	4602-MA
D9HT 4602-DDA	90	3	3	5	40	13/16	3	★ D9HT	4602-DDA	E0HT 4602-NA	90	3	3	5	64	13/16	4	★ E0HT	4602-NA
D9HT 4602-DEA	90	3	3	5	62	13/16	4	★ D9HT	4602-DEA	E0HT 4602-RA	90	3	3	5	32	13/16	3	★ E0HT	4602-RA
D9HT 4602-DFA	14	5	5	4	27	7/16	3 1/2	★ D9HT	4602-DFA	E0HT 4602-SA	91	39	39	4	50	1/16	4	★ E0HT	4602-SA
D9HT 4602-DGA	14	5	5	4	30	5/16	3 1/2	★ D9HT	4602-DGA	E0HT 4602-TA	91	39	39	4	32	37/64	4	★ E0HT	4602-TA
D9HT 4602-DHA	90	3	3	5	47	5/16	3	★ D9HT	4602-DHA	E0HT 4602-BYA	29	3	3	4	46	29/32	3	★ E0HT	4602-BYA
D9HT 4602-DJA	90	3	3	5	47	13/16	3	★ D9HT	4602-DJA	E0HT 4602-BYA	29	3	3	4	48	13/32	3	★ E0HT	4602-BYA
D9HT 4602-DKA	29	3	3	4	69	1/4	4	★ D9HT	4602-DKA	E0HT 4602-BZA	29	3	3	4	48	29/32	3	★ E0HT	4602-BZA
D9HT 4602-DLA	29	3	3	4	68	5/32	4	★ D9HT	4602-DLA	E0HT 4602-CAA	29	3	3	4	49	13/32	3	★ E0HT	4602-CAA
D9HT 4602-DMA	91	39	39	4	26	1/16	4	★ D9HT	4602-DMA	E0HT 4602-CBA	29	3	3	4	49	29/32	3	★ E0HT	4602-CBA
D9HT 4602-DNA	107	51	51	4	11	5/16	3 1/2	★ D9HT	4602-DNA	E0HT 4602-CFA	29	3	3	4	51	29/32	3	★ E0HT	4602-CFA
D9HT 4602-DRA	107	51	51	4	13	5/16	3 1/2	★ D9HT	4602-DRA	E0HT 4602-DDA	90	3	3	4	61	13/32	4	★ E0HT	4602-DDA
D9HT 4602-DSA	107	51	51	4	15	5/16	3 1/2	★ D9HT	4602-DSA	E0HT 4602-DKA	90	3	3	4	65	19/32	4	★ E0HT	4602-DKA
D9HT 4602-DTA	107	51	51	4	17	5/16	3 1/2	★ D9HT	4602-DTA	E0HT 4602-EUA	90	3	3	5	28	13/16	3	★ E0HT	4602-EUA
D9HT 4602-DUA	39	32	32	23	35	13/32	3	★ D9HT	4602-DUA	E0HT 4602-EYA	90	3	3	5	29	5/16	3	★ E0HT	4602-EYA
D9HT 4602-DYA	107	51	51	5	41	1/8	3 1/2	★ D9HT	4602-DYA	E0HT 4602-FAA	90	3	3	5	30	13/16	3	★ E0HT	4602-FAA
D9HT 4602-DZA	107	51	51	5	37	1/4	3 1/2	★ D9HT	4602-DZA	E0HT 4602-FDA	90	3	3	5	42	13/16	3	★ E0HT	4602-FDA
D9HT 4602-EAA	108	51	51	4	23	11/16	3 1/2	★ D9HT	4602-EAA	E0HT 4602-FLA	90	3	3	5	36	5/16	3	★ E0HT	4602-FLA
D9HT 4602-EBA	108	51	51	4	27	5/16	3 1/2	★ D9HT	4602-EBA	E0HT 4602-FMA	90	3	3	5	36	13/16	3	★ E0HT	4602-FMA
D9HT 4602-ECA	108	51	51	4	31	5/16	3 1/2	★ D9HT	4602-ECA	E0HT 4602-FNA	90	3	3	5	37	5/16	3	★ E0HT	4602-FNA
D9HT 4602-EDA	108	51	51	4	34	5/16	3 1/2	★ D9HT	4602-EDA	E0HT 4602-FRA	90	3	3	5	38	5/16	3	★ E0HT	4602-FRA
D9HT 4602-EEA	108	51	51	4	41	13/16	3 1/2	★ D9HT	4602-EEA	E0HT 4602-FSA	90	3	3	5	39	5/16	3	★ E0HT	4602-FSA
D9HT 4602-EFA	108	51	51	4	45	5/16	3 1/2	★ D9HT	4602-EFA	E0HT 4602-FTA	90	3	3	5	40	5/16	3	★ E0HT	4602-FTA
D9HT 4602-EGA	108	51	51	4	49	5/16	3 1/2	★ D9HT	4602-EGA	E0HT 4602-FUA	90	3	3	5	42	5/16	3	★ E0HT	4602-FUA
D9HT 4602-EHA	108	51	51	4	53	5/16	3 1/2	★ D9HT	4602-EHA	E0HT 4602-FYA	90	3	3	5	43	13/16	3	★ E0HT	4602-FYA
D9HT 4602-EJA	108	51	51	4	57	5/16	3 1/2	★ D9HT	4602-EJA	E0HT 4602-GAA	90	3	3	5	46	13/16	3	★ E0HT	4602-GAA
D9HT 4602-EKA	108	51	51	4	60	13/16	3 1/2	★ D9HT	4602-EKA	E0HT 4602-GBA	90	3	3	5	49	5/16	3	★ E0HT	4602-GBA

**1980/  
TRUCK SERIES 600/900**

**DRIVE LINE CROSS REFERENCE GUIDE**

IDENTIFICATION AND/OR T.S.L. NUMBER	▲ CODE						▲ DRIVE SHAFT			IDENTIFICATION AND/OR T.S.L. NUMBER	▲ CODE						▲ DRIVE SHAFT		
	YOKE		UNIV		JOINT		SIZE (INCHES)	PART NUMBER	YOKE		UNIV		JOINT		SIZE (INCHES)	PART NUMBER			
	F	S	F	R	F	R			F		S	F	R	F			R		
	L	A	L	A	L	A	L	A	L		A	L	A	L	A	L	A		

**Notes:**      †† Indicates Solid Shaft, ▲ Refer to page 1 of this section for explanation of the chart and the codes shown.  
 † Truck Specification List - incl. in Louisville-built trucks since August 13, 1967  
 ● For service shaft - refer to the Drive shaft Service Replacement Chart (4A603) on page 31 of this section.  
 % Install 90° out of phase

EOHT 4602-GCA	90	3	3	5	50 5/16	4	★EOHT 4602-GCA	EOHT 4602-MLA	14	5	5	5	31 5/8	3 1/2	★EOHT 4602-MLA
EOHT 4602-GDA	90	3	3	5	51 5/16	4	★EOHT 4602-GDA	EOHT 4602-MMA	14	5	5	5	32 1/8	3 1/2	★EOHT 4602-MMA
EOHT 4602-GEA	90	3	3	5	52 5/16	4	★EOHT 4602-GEA	EOHT 4602-MNA	14	5	5	5	32 5/8	3 1/2	★EOHT 4602-MNA
EOHT 4602-GFA	90	3	3	5	53 5/16	4	★EOHT 4602-GFA	EOHT 4602-MRA	14	5	5	5	33 1/8	3 1/2	★EOHT 4602-MRA
EOHT 4602-GGA	90	3	3	5	54 5/16	4	★EOHT 4602-GGA	EOHT 4602-MSA	14	5	5	5	33 5/8	3 1/2	★EOHT 4602-MSA
EOHT 4602-GHA	90	3	3	5	55 5/16	4	★EOHT 4602-GHA	EOHT 4602-MTA	14	5	5	5	34 1/8	3 1/2	★EOHT 4602-MTA
EOHT 4602-GJA	90	3	3	5	60 5/16	4	★EOHT 4602-GJA	EOHT 4602-MUA	14	5	5	5	34 5/8	3 1/2	★EOHT 4602-MUA
EOHT 4602-GKA	90	3	3	5	61 5/16	4	★EOHT 4602-GKA	EOHT 4602-MVA	14	5	5	5	35 5/8	3 1/2	★EOHT 4602-MVA
EOHT 4602-GLA	90	3	3	5	62 13/16	4	★EOHT 4602-GLA	EOHT 4602-MYA	14	5	5	5	36 1/8	3 1/2	★EOHT 4602-MYA
EOHT 4602-GMA	90	3	3	5	63 5/16	4	★EOHT 4602-GMA	EOHT 4602-MZA	14	5	5	5	36 5/8	3 1/2	★EOHT 4602-MZA
EOHT 4602-GNA	90	3	3	5	63 5/16	4	★EOHT 4602-GNA	EOHT 4602-NAA	14	5	5	5	37 1/8	3 1/2	★EOHT 4602-NAA
EOHT 4602-GRA	90	3	3	5	65 5/16	4	★EOHT 4602-GRA	EOHT 4602-NBA	14	5	5	5	37 5/8	3 1/2	★EOHT 4602-NBA
EOHT 4602-GSA	90	3	3	5	65 13/16	4	★EOHT 4602-GSA	EOHT 4602-NCA	14	5	5	5	38 1/8	3 1/2	★EOHT 4602-NCA
EOHT 4602-GTA	90	3	3	5	66 13/16	4	★EOHT 4602-GTA	EOHT 4602-NDA	14	5	5	5	39 1/8	3 1/2	★EOHT 4602-NDA
EOHT 4602-HJA	14	5	5	4	24 13/16	3 1/2	★EOHT 4602-HJA	EOHT 4602-NEA	14	5	5	5	40 1/8	3 1/2	★EOHT 4602-NEA
EOHT 4602-HLA	14	5	5	4	26 5/16	3 1/2	★EOHT 4602-HLA	EOHT 4602-NFA	14	5	5	5	40 5/8	3 1/2	★EOHT 4602-NFA
EOHT 4602-HMA	14	5	5	4	29 13/16	3 1/2	★EOHT 4602-HMA	EOHT 4602-NGA	14	5	5	5	41 1/8	3 1/2	★EOHT 4602-NGA
EOHT 4602-HNA	14	5	5	4	31 13/16	3 1/2	★EOHT 4602-HNA	EOHT 4602-NHA	14	5	5	5	41 5/8	3 1/2	★EOHT 4602-NHA
EOHT 4602-HRA	14	5	5	4	32 5/16	3 1/2	★EOHT 4602-HRA	EOHT 4602-NJA	14	5	5	5	42 1/8	3 1/2	★EOHT 4602-NJA
EOHT 4602-HZA	14	5	5	4	36 13/16	3 1/2	★EOHT 4602-HZA	EOHT 4602-NKA	14	5	5	5	42 5/8	3 1/2	★EOHT 4602-NKA
EOHT 4602-JAA	14	5	5	4	38 13/16	3 1/2	★EOHT 4602-JAA	EOHT 4602-NLA	14	5	5	5	43 1/8	3 1/2	★EOHT 4602-NLA
EOHT 4602-JBA	14	5	5	4	39 13/16	3 1/2	★EOHT 4602-JBA	EOHT 4602-NMA	14	5	5	5	43 5/8	3 1/2	★EOHT 4602-NMA
EOHT 4602-JCA	14	5	5	4	40 5/16	3 1/2	★EOHT 4602-JCA	EOHT 4602-NNA	14	5	5	5	44 5/8	3 1/2	★EOHT 4602-NNA
EOHT 4602-JDA	14	5	5	4	40 13/16	3 1/2	★EOHT 4602-JDA	EOHT 4602-NRA	14	5	5	5	45 5/8	3 1/2	★EOHT 4602-NRA
EOHT 4602-JEA	14	5	5	4	41 5/16	3 1/2	★EOHT 4602-JEA	EOHT 4602-NSA	14	5	5	5	47 1/2	3 1/2	★EOHT 4602-NSA
EOHT 4602-JFA	14	5	5	4	41 13/16	3 1/2	★EOHT 4602-JFA	EOHT 4602-NTA	14	5	5	5	48 1/8	3 1/2	★EOHT 4602-NTA
EOHT 4602-JGA	14	5	5	4	42 5/16	3 1/2	★EOHT 4602-JGA	EOHT 4602-NUA	14	5	5	5	49 1/8	3 1/2	★EOHT 4602-NUA
EOHT 4602-JHA	14	5	5	4	43 13/16	3 1/2	★EOHT 4602-JHA	EOHT 4602-NVA	14	5	5	5	49 5/8	3 1/2	★EOHT 4602-NVA
EOHT 4602-JJA	14	5	5	4	44 13/16	3 1/2	★EOHT 4602-JJA	EOHT 4602-NYA	14	5	5	5	51 1/8	3 1/2	★EOHT 4602-NYA
EOHT 4602-JLA	14	5	5	4	46 5/16	3 1/2	★EOHT 4602-JLA	EOHT 4602-NZA	14	5	5	5	52 1/8	3 1/2	★EOHT 4602-NZA
EOHT 4602-JNA	14	5	5	4	48 13/16	3 1/2	★EOHT 4602-JNA	EOHT 4602-RAA	14	5	5	5	53 5/8	4	★EOHT 4602-RAA
EOHT 4602-JSA	14	5	5	4	49 3/16	3 1/2	★EOHT 4602-JSA	EOHT 4602-RBA	14	5	5	5	55 1/8	4	★EOHT 4602-RBA
EOHT 4602-KGA	14	5	5	4	58 5/16	4	★EOHT 4602-KGA	EOHT 4602-RCA	14	5	5	5	56 1/8	4	★EOHT 4602-RCA
EOHT 4602-KHA	14	5	5	4	59 5/16	4	★EOHT 4602-KHA	EOHT 4602-RDA	14	5	5	5	57 1/8	4	★EOHT 4602-RDA
EOHT 4602-KJA	14	5	5	4	61 13/16	4	★EOHT 4602-KJA	EOHT 4602-REA	14	5	5	5	58 1/8	4	★EOHT 4602-REA
EOHT 4602-KKA	14	5	5	4	62 5/16	4	★EOHT 4602-KKA	EOHT 4602-RFA	14	5	5	5	59 1/8	4	★EOHT 4602-RFA
EOHT 4602-KLA	14	5	5	4	62 13/16	4	★EOHT 4602-KLA	EOHT 4602-RGA	14	5	5	5	60 1/8	4	★EOHT 4602-RGA
EOHT 4602-KMA	14	5	5	4	63 5/16	4	★EOHT 4602-KMA	EOHT 4602-RHA	14	5	5	5	61 1/8	4	★EOHT 4602-RHA
EOHT 4602-KNA	14	5	5	4	64 5/16	4	★EOHT 4602-KNA	EOHT 4602-RJA	14	5	5	5	62 1/8	4	★EOHT 4602-RJA
EOHT 4602-KRA	14	5	5	4	64 13/16	4	★EOHT 4602-KRA	EOHT 4602-RKA	14	5	5	5	56 1/8	4	★EOHT 4602-RKA
EOHT 4602-KSA	14	5	5	4	65 5/16	4	★EOHT 4602-KSA	EOHT 4602-SAA	14	5	5	5	37 5/16	3 1/2	★EOHT 4602-SAA
EOHT 4602-KTA	14	5	5	4	65 13/16	4	★EOHT 4602-KTA	EOHT 4602-SBA	14	5	5	5	57 13/16	4	★EOHT 4602-SBA
EOHT 4602-KUA	14	5	5	4	66 9/32	4	★EOHT 4602-KUA	EOHT 4602-SCA	14	5	5	5	58 13/16	4	★EOHT 4602-SCA
EOHT 4602-LYA	14	5	5	5	25 5/8	3 1/2	★EOHT 4602-LYA	EOHT 4602-SDA	14	5	5	5	59 13/16	4	★EOHT 4602-SDA
EOHT 4602-MAA	14	5	5	5	26 5/8	3 1/2	★EOHT 4602-MAA	E1HT 4602-AA	107	51	51	5	61 5/8	4	★E1HT 4602-AA
EOHT 4602-MDA	14	5	5	5	28 1/8	3 1/2	★EOHT 4602-MDA	E1HT 4602-BA	107	51	51	5	62 5/8	4	★E1HT 4602-BA
EOHT 4602-MEA	14	5	5	5	28 5/8	3 1/2	★EOHT 4602-MEA	E1HT 4602-CA	111	52	52	4	15 1/32	4 1/16	★E1HT 4602-CA
EOHT 4602-MFA	14	5	5	5	29 1/8	3 1/2	★EOHT 4602-MFA	E1HT 4602-DA	111	52	52	4	16 1/32	4 1/16	★E1HT 4602-DA

**1980/  
TRUCK SERIES 600/900**

**DRIVE LINE CROSS REFERENCE GUIDE**

IDENTIFICATION AND/OR T.S.L. NUMBER	▲ CODE						▲ DRIVE SHAFT			IDENTIFICATION AND/OR T.S.L. NUMBER	▲ CODE						▲ DRIVE SHAFT		
	YOKE		UNIV		TYPE	SIZE (INCHES)					PART NUMBER	YOKE		UNIV		TYPE			
	F	S	L	R				L	R			F	S	L	R		L	R	A

Notes:     ‡‡ Indicates Solid Shaft, ▲ Refer to page 1 of this section for explanation of the chart and the codes shown.  
 † Truck Specification List - incl. in Louisville-built trucks since August 13, 1967  
 ● For service shaft - refer to the Drive shaft Service Replacement Chart  
 (4A603) on page 31 of this section.  
 % Install 90° out of phase

E1HT 4602-EA	111	52	52	4	17	17/32	4 1/16	★E1HT 4602-EA	E1HT 4602-BNA	111	52	52	4	43	1/32	4 3/32	★E1HT 4602-BNA
E1HT 4602-FA	111	52	52	4	28	1/32	4 1/16	★E1HT 4602-FA	E1HT 4602-BRA	111	52	52	4	44	17/32	4 3/32	★E1HT 4602-BRA
E1HT 4602-GA	111	52	52	4	20	7/32	4 1/16	★E1HT 4602-GA	E1HT 4602-BSA	111	52	52	4	46	1/32	4 3/32	★E1HT 4602-BSA
E1HT 4602-HA	111	52	52	4	22	1/32	4 1/6	★E1HT 4602-HA	E1HT 4602-BTA	111	52	52	4	47	17/32	4 3/32	★E1HT 4602-BTA
E1HT 4602-JA	111	52	52	4	25	1/32	4 1/16	★E1HT 4602-JA	E1HT 4602-BUA	111	52	52	4	49	1/32	4 3/32	★E1HT 4602-BUA
E1HT 4602-KA	111	52	52	4	26	17/32	4 1/16	★E1HT 4602-KA	E1HT 4602-BVA	111	52	52	4	50	17/32	4 3/32	★E1HT 4602-BVA
E1HT 4602-LA	111	52	52	4	32	17/32	4 1/16	★E1HT 4602-LA	E1HT 4602-BYA	111	52	52	4	52	1/32	4 3/32	★E1HT 4602-BYA
E1HT 4602-MA	111	52	52	4	34	1/32	4 1/16	★E1HT 4602-MA	E1HT 4602-BZA	111	52	52	4	53	17/32	4 3/32	★E1HT 4602-BZA
E1HT 4602-NA	111	52	52	4	35	17/32	4 1/16	★E1HT 4602-NA	E1HT 4602-CAA	111	52	52	4	55	1/32	4 3/32	★E1HT 4602-CAA
E1HT 4602-RA	111	52	52	4	37	1/32	4 1/16	★E1HT 4602-RA	E1HT 4602-CBA	111	52	52	4	56	17/32	4 1/16	★E1HT 4602-CBA
E1HT 4602-SA	111	52	52	4	38	17/32	4 1/16	★E1HT 4602-SA	E1HT 4602-CCA	111	52	52	4	58	1/32	4 1/16	★E1HT 4602-CCA
E1HT 4602-TA	111	52	52	4	40	1/32	4 1/16	★E1HT 4602-TA	E1HT 4602-CDA	111	52	52	4	59	17/32	4 3/32	★E1HT 4602-CDA
E1HT 4602-UA	111	52	52	4	41	17/32	4 1/16	★E1HT 4602-UA	E1HT 4602-CEA	111	52	52	4	61	1/32	4 3/32	★E1HT 4602-CEA
E1HT 4602-VA	111	52	52	4	43	1/32	4 1/16	★E1HT 4602-VA	E1HT 4602-CFA	111	52	52	4	62	17/32	4 3/32	★E1HT 4602-CFA
E1HT 4602-YA	111	52	52	4	44	17/32	4 1/16	★E1HT 4602-YA	E1HT 4602-CGA	111	52	52	4	64	1/32	4 3/32	★E1HT 4602-CGA
E1HT 4602-ZA	111	52	52	4	46	1/32	4 1/16	★E1HT 4602-ZA	E1HT 4602-CHA	111	52	52	4	65	17/32	4 3/32	★E1HT 4602-CHA
E1HT 4602-AAA	111	52	52	4	47	17/32	4 1/16	★E1HT 4602-AAA	E1HT 4602-CJA	111	52	52	4	66	1/32	4 3/32	★E1HT 4602-CJA
E1HT 4602-ABA	111	52	52	4	49	1/32	4 1/16	★E1HT 4602-ABA	E1HT 4602-CKA	111	52	52	4	68	17/32	4 3/32	★E1HT 4602-CKA
E1HT 4602-ACA	111	52	52	4	50	17/32	4 1/16	★E1HT 4602-ACA	E1HT 4602-CLA	90	3	3	5	40	9/16	3	★E1HT 4602-CLA
E1HT 4602-ADA	111	52	52	4	52	1/32	4 1/16	★E1HT 4602-ADA	E1HT 4602-CMA	90	3	3	5	37	9/16	3	★E1HT 4602-CMA
E1HT 4602-AEA	111	52	52	4	53	17/32	4 1/16	★E1HT 4602-AEA	E1HT 4602-CNA	91	39	39	4	29	5/16	4	★E1HT 4602-CNA
E1HT 4602-AFA	111	52	52	4	55	1/32	4 1/16	★E1HT 4602-AFA	E1HT 4602-CRA	91	39	39	4	30	53/64	4	★E1HT 4602-CRA
E1HT 4602-AGA	111	52	52	4	56	17/32	4 1/16	★E1HT 4602-AGA	E1HT 4602-CSA	107	51	51	5	47	1/8	3 1/2	★E1HT 4602-CSA
E1HT 4602-AHA	111	52	52	4	58	1/32	4 1/16	★E1HT 4602-AHA	E1HT 4602-CTA	107	51	51	5	48	1/8	3 1/2	★E1HT 4602-CTA
E1HT 4602-AJA	111	52	52	4	59	17/32	4 1/16	★E1HT 4602-AJA	E1HT 4602-CUA	107	51	51	5	55	1/8	4	★E1HT 4602-CUA
E1HT 4602-AKA	111	52	52	4	61	1/32	4 1/16	★E1HT 4602-AKA	E1HT 4602-CVA	108	51	51	4	55	5/16	3 1/2	★E1HT 4602-CVA
E1HT 4602-ALA	111	52	52	4	62	17/32	4 1/16	★E1HT 4602-ALA	E1HT 4602-CYA	107	51	51	5	19	1/8	3 1/2	★E1HT 4602-CYA
E1HT 4602-AMA	111	52	52	4	64	1/32	4 1/16	★E1HT 4602-AMA	E1HT 4602-CZA	91	39	39	4	35	21/64	4	★E1HT 4602-CZA
E1HT 4602-ANA	111	52	52	4	65	17/32	4 1/16	★E1HT 4602-ANA	E1HT 4602-DAA	111	52	52		11	13/32	‡‡	E1HZ 4602-A
E1HT 4602-ARA	111	52	52	4	67	1/32	4 1/16	★E1HT 4602-ARA	E1HT 4602-DBA	111	52	52		12	29/32	‡‡	E1HZ 4602-B
E1HT 4602-ASA	111	52	52	4	68	17/32	4 1/16	★E1HT 4602-ASA	E1HT 4602-DCA	113	39	39	4	13	19/32	3 1/2	★E1HT 4602-DCA
E1HT 4602-ATA	111	52	52	4	15	1/32	4 3/32	★E1HT 4602-ATA	E1HT 4602-DDA	118	39	39		11	1/8	‡‡	★E1HZ 4602-C
E1HT 4602-AUA	111	52	52	4	16	1/32	4 3/32	★E1HT 4602-AUA	E1HT 4602-DEA	91	39	39	4	15	1/16	4	★E1HT 4602-DEA
E1HT 4602-AVA	111	52	52	4	17	17/32	4 3/32	★E1HT 4602-AVA	E1HT 4602-DFA	14	5	5	4	55	13/16	4	★E1HT 4602-DFA
E1HT 4602-AYA	111	52	52	4	19	1/32	4 3/32	★E1HT 4602-AYA	E1HT 4602-DGA	107	51	51	5	49	1/8	3 1/2	★E1HT 4602-DGA
E1HT 4602-AZA	111	52	52	4	20	17/32	4 3/32	★E1HT 4602-AZA	E1HT 4602-DHA	111	52	52	4	24	9/32	4	★E1HT 4602-DHA
E1HT 4602-BAA	111	52	52	4	22	1/32	4 3/32	★E1HT 4602-BAA	E1HT 4602-DJA	91	39	39	4	48	53/64	4	★E1HT 4602-DJA
E1HT 4602-BBA	111	52	52	4	23	17/32	4 3/32	★E1HT 4602-BBA	E1HT 4602-DKA	91	39	39	4	42	53/64	4	★E1HT 4602-DKA
E1HT 4602-BCA	111	52	52	4	26	17/32	4 3/32	★E1HT 4602-BCA	E1HT 4602-DLA	91	39	39	4	54	53/64	4	★E1HT 4602-DLA
E1HT 4602-BDA	111	52	52	4	28	1/32	4 3/32	★E1HT 4602-BDA	E1HT 4602-DMA	91	39	39	4	47	21/64	4	★E1HT 4602-DMA
E1HT 4602-BEA	111	52	52	4	29	17/32	4 3/32	★E1HT 4602-BEA	E1HT 4602-DNA	91	39	39	4	18	53/64	4	★E1HT 4602-DNA
E1HT 4602-BFA	111	52	52	4	31	1/32	4 3/32	★E1HT 4602-BFA	E1HT 4602-DRA	111	51	51	4	32	5/16	3 1/2	★E1HT 4602-DRA
E1HT 4602-BGA	111	52	52	4	32	17/32	4 3/32	★E1HT 4602-BGA	E1HT 4602-DTA	107	51	51	5	30	1/8	3 1/2	★E1HT 4602-DTA
E1HT 4602-BHA	111	52	52	4	34	1/32	4 3/32	★E1HT 4602-BHA	E1HT 4602-DUA	107	51	51	5	23	1/8	3 1/2	★E1HT 4602-DUA
E1HT 4602-BJA	111	52	52	4	37	1/32	4 3/32	★E1HT 4602-BJA	E1HT 4602-DVA	107	51	51	5	28	1/8	3 1/2	★E1HT 4602-DVA
E1HT 4602-BKA	111	52	52	4	38	17/32	4 3/32	★E1HT 4602-BKA	E1HT 4602-DYA	107	51	51	5	32	1/8	3 1/2	★E1HT 4602-DYA
E1HT 4602-BLA	111	52	52	4	40	1/32	4 3/32	★E1HT 4602-BLA	E1HT 4602-DZA	107	51	51	5	36	1/8	3 1/2	★E1HT 4602-DZA
E1HT 4602-BMA	111	52	52	4	41	17/32	4 3/32	★E1HT 4602-BMA	E1HT 4602-EAA	107	51	51	5	40	1/8	3 1/2	★E1HT 4602-EAA



**1980/  
TRUCK SERIES 600/900**

**DRIVE LINE CROSS REFERENCE GUIDE**

IDENTIFICATION AND/OR T.S.L. NUMBER	▲ CODE						▲ DRIVE SHAFT			IDENTIFICATION AND/OR T.S.L. NUMBER	▲ CODE						▲ DRIVE SHAFT		
	YOKE		UNIV		TYPE	SIZE (INCHES)		PART NUMBER	YOKE		UNIV		TYPE	SIZE (INCHES)		PART NUMBER			
	F	S	L	R		A	B		F		S	L		R	A		B		
	L	L	F	R			L	L	F		R								
A	I	R	E			A	I	R	E										
N	P	T	A			N	P	T	A										
G	T	A	R			G	T	A	R										
E	R	E	E			E	R	E	E										

Notes:     ‡‡ Indicates Solid Shaft, ▲ Refer to page 1 of this section for explanation of the chart and the codes shown.  
 † Truck Specification List - incl. in Louisville-built trucks since August 13, 1967  
 ● For service shaft - refer to the Drive shaft Service Replacement Chart  
 (4A603) on page 31 of this section.  
 % Install 90° out of phase

E7HT 4602-ABA	91	54	54	4	33	53/64	4	★E7HT 4602-ABA	E7HT 4602-CMA	57	53	53	4	29	17/32	4	★E7HT 4602-CMA
E7HT 4602-ACA	91	54	54	4	34	37/64	4	★E7HT 4602-ACA	E7HT 4602-CNA	57	53	53	4	30	1/32	4	★E7HT 4602-CNA
E7HT 4602-ADA	91	54	54	4	35	21/64	4	★E7HT 4602-ADA	E7HT 4602-CRA	57	53	53	4	31	1/32	4	★E7HT 4602-CRA
E7HT 4602-AEA	91	54	54	4	36	5/64	4	★E7HT 4602-AEA	E7HT 4602-CSA	57	53	53	4	31	43/64	4	★E7HT 4602-CSA
E7HT 4602-AFA	91	54	54	4	36	53/64	4	★E7HT 4602-AFA	E7HT 4602-CTA	57	53	53	4	32	17/32	4 9/16	★E7HT 4602-CTA
E7HT 4602-AGA	91	54	54	4	37	37/64	4	★E7HT 4602-AGA	E7HT 4602-CUA	57	53	53	4	34	1/32	4 9/16	★E7HT 4602-CUA
E7HT 4602-AHA	91	54	54	4	28	31/32	4	★E7HT 4602-AHA	E7HT 4602-CVA	57	53	53	4	34	43/64	4 9/16	★E7HT 4602-CVA
E7HT 4602-AJA	91	54	54	4	39	13/16	4	★E7HT 4602-AJA	E7HT 4602-CYA	57	53	53	4	35	17/32	4 9/16	★E7HT 4602-CYA
E7HT 4602-AKA	91	54	54	4	40	37/64	4	★E7HT 4602-AKA	E7HT 4602-CZA	57	53	53	4	35	53/64	4 9/16	★E7HT 4602-CZA
E7HT 4602-ALA	91	54	54	4	42	5/64	4	★E7HT 4602-ALA	E7HT 4602-DAA	57	53	53	4	37	1/32	4 9/16	★E7HT 4602-DAA
E7HT 4602-AMA	91	54	54	4	41	5/16	4	★E7HT 4602-AMA	E7HT 4602-DBA	57	53	53	4	37	43/64	4 9/16	★E7HT 4602-DBA
E7HT 4602-ANA	91	54	54	4	43	37/64	4	★E7HT 4602-ANA	E7HT 4602-DCA	57	53	53	4	38	17/32	4 9/16	★E7HT 4602-DCA
E7HT 4602-ARA	91	54	54	4	45	5/64	4	★E7HT 4602-ARA	E7HT 4602-DDA	57	53	53	4	38	53/64	4 9/16	★E7HT 4602-DDA
E7HT 4602-ASA	91	54	54	4	45	53/64	4	★E7HT 4602-ASA	E7HT 4602-DEA	57	53	53	4	40	1/32	4 9/16	★E7HT 4602-DEA
E7HT 4602-ATA	91	54	54	4	46	37/64	4	★E7HT 4602-ATA	E7HT 4602-DFA	57	53	53	4	41	17/32	4 9/16	★E7HT 4602-DFA
E7HT 4602-AUA	91	54	54	4	47	21/64	4	★E7HT 4602-AUA	E7HT 4602-DGA	57	53	53	4	43	1/32	4 9/16	★E7HT 4602-DGA
E7HT 4602-AVA	91	54	54	4	48	5/64	4	★E7HT 4602-AVA	E7HT 4602-DHA	57	53	53	4	43	43/64	4 9/16	★E7HT 4602-DHA
E7HT 4602-AYA	91	54	54	4	48	53/64	4	★E7HT 4602-AYA	E7HT 4602-DJA	57	53	53	4	44	7/32	4 9/16	★E7HT 4602-DJA
E7HT 4602-AZA	91	54	54	4	49	37/64	4	★E7HT 4602-AZA	E7HT 4602-DKA	57	53	53	4	44	53/64	4	★E7HT 4602-DKA
E7HT 4602-BAA	91	54	54	4	50	1/16	4	★E7HT 4602-BAA	E7HT 4602-DLA	57	53	53	4	46	1/32	4	★E7HT 4602-DLA
E7HT 4602-BBA	91	54	54	4	51	5/64	4	★E7HT 4602-BBA	E7HT 4602-DMA	57	53	53	4	46	43/64	4	★E7HT 4602-DMA
E7HT 4602-BCA	91	54	54	4	51	53/64	4	★E7HT 4602-BCA	E7HT 4602-DNA	57	53	53	4	47	17/32	4	★E7HT 4602-DNA
E7HT 4602-BDA	91	54	54	4	52	37/64	4	★E7HT 4602-BDA	E7HT 4602-DRA	57	53	53	4	47	53/64	4	★E7HT 4602-DRA
E7HT 4602-BEA	91	54	54	4	54	5/64	4	★E7HT 4602-BEA	E7HT 4602-DSA	57	53	53	4	49	1/32	4	★E7HT 4602-DSA
E7HT 4602-BFA	91	54	54	4	54	53/64	4	★E7HT 4602-BFA	E7HT 4602-DTA	57	53	53	4	47	43/64	4	★E7HT 4602-DTA
E7HT 4602-BGA	91	54	54	4	55	37/64	4	★E7HT 4602-BGA	E7HT 4602-DUA	57	53	53	4	50	17/32	4	★E7HT 4602-DUA
E7HT 4602-BHA	91	54	54	4	57	1/16	4	★E7HT 4602-BHA	E7HT 4602-DVA	57	53	53	4	50	53/64	4	★E7HT 4602-DVA
E7HT 4602-BJA	91	54	54	4	58	9/16	4	★E7HT 4602-BJA	E7HT 4602-DYA	57	53	53	4	52	1/32	4	★E7HT 4602-DYA
E7HT 4602-BKA	91	54	54	4	60	1/16	4	★E7HT 4602-BKA	E7HT 4602-DZA	57	53	53	4	53	17/32	4	★E7HT 4602-DZA
E7HT 4602-BLA	91	54	54	4	61	9/16	4	★E7HT 4602-BLA	E7HT 4602-EAA	57	53	53	4	55	1/32	4	★E7HT 4602-EAA
E7HT 4602-BMA	91	54	54	4	63	1/16	4	★E7HT 4602-BMA	E7HT 4602-EBA	57	53	53	4	55	43/64	4	★E7HT 4602-EBA
E7HT 4602-BNA	91	54	54	4	64	1/8	4	★E7HT 4602-BNA	E7HT 4602-ECA	57	53	53	4	56	17/32	4	★E7HT 4602-ECA
E7HT 4602-BRA	91	54	54	4	66	1/16	4	★E7HT 4602-BRA	E7HT 4602-EDA	57	53	53	4	56	53/64	4	★E7HT 4602-EDA
E7HT 4602-BUA	57	53	53	4	14	31/32	4	★E7HT 4602-BUA	E7HT 4602-EEA	57	53	53	4	58	1/32	4	★E7HT 4602-EEA
E7HT 4602-BVA	57	53	53	4	16	1/32	4	★E7HT 4602-BVA	E7HT 4602-EFA	57	53	53	4	59	17/32	4	★E7HT 4602-EFA
E7HT 4602-BYA	57	53	53	4	16	25/32	4	★E7HT 4602-BYA	E7HT 4602-EGA	57	53	53	4	59	9/16	4	★E7HT 4602-EGA
E7HT 4602-BZA	57	53	53	4	17	17/32	4	★E7HT 4602-BZA	E7HT 4602-EHA	57	53	53	4	61	1/32	4	★E7HT 4602-EHA
E7HT 4602-CAA	57	53	53	4	18	9/32	4	★E7HT 4602-CAA	E7HT 4602-EJA	57	53	53	4	62	17/32	4	★E7HT 4602-EJA
E7HT 4602-CBA	57	53	53	4	19	1/32	4	★E7HT 4602-CBA	E7HT 4602-EKA	57	53	53	4	62	53/64	4	★E7HT 4602-EKA
E7HT 4602-CCA	57	53	53	4	19	43/64	4	★E7HT 4602-CCA	E7HT 4602-ELA	57	53	53	4	64	1/32	4	★E7HT 4602-ELA
E7HT 4602-CDA	57	53	53	4	20	17/32	4	★E7HT 4602-CDA	E7HT 4602-EMA	57	53	53	4	65	17/32	4	★E7HT 4602-EMA
E7HT 4602-CEA	57	53	53	4	22	1/32	4	★E7HT 4602-CEA	E7HT 4602-ENA	57	53	53	4	67	1/32	4	★E7HT 4602-ENA
E7HT 4602-CFA	57	53	53	4	23	17/32	4	★E7HT 4602-CFA	E7HT 4602-ERA	57	53	53	4	69	3/32	4	★E7HT 4602-ERA
E7HT 4602-CGA	57	53	53	4	23	53/64	4	★E7HT 4602-CGA	E7HT 4602-ESA	57	53	53	4	69	3/4	4	★E7HT 4602-ESA
E7HT 4602-CHA	57	53	53	4	25	1/32	4	★E7HT 4602-CHA	E7HT 4602-ETA	57	53	53	4	70	29/32	4	★E7HT 4602-ETA
E7HT 4602-CJA	57	53	53	4	26	17/32	4	★E7HT 4602-CJA	E7HT 4602-EUA	57	53	53	4	15	1/32	4 9/16	★E7HT 4602-EUA
E7HT 4602-CKA	57	53	53	4	26	27/32	4	★E7HT 4602-CKA	E7HT 4602-EVA	57	53	53	4	16	1/32	4 9/16	★E7HT 4602-EVA
E7HT 4602-CLA	57	53	53	4	28	1/32	4	★E7HT 4602-CLA	E7HT 4602-FAA	57	53	53	4	18	9/32	4 9/16	★E7HT 4602-FAA

# 1980/ TRUCK SERIES 600/900

SECTION 46.1 17

## DRIVE LINE CROSS REFERENCE GUIDE

IDENTIFICATION AND/OR T.S.L. NUMBER	▲ CODE						▲ DRIVE SHAFT			IDENTIFICATION AND/OR T.S.L. NUMBER	▲ CODE						▲ DRIVE SHAFT		
	YOKE		UNIV		TYPE	SIZE (INCHES)			PART NUMBER		YOKE		UNIV		TYPE	SIZE (INCHES)			PART NUMBER
	F	S	F	R							F	S	F	R					
	L	L	F	R		A	B	P			A	B	L	L		F	R	A	

- Notes:**  
 ‡‡ Indicates Solid Shaft, ▲ Refer to page 1 of this section for explanation of the chart and the codes shown.  
 † Truck Specification List - incl. in Louisville-built trucks since August 13, 1967  
 • For service shaft - refer to the Drive shaft Service Replacement Chart (4A603) on page 31 of this section.  
 % Install 90° out of phase

E7HT 4602-FBA	57	53	53	4	19	1/32	4 9/16	★ E7HT 4602-FBA	E7HT 4602-HKA	57	53	53	4	68	17/32	4 9/16	★ E7HT 4602-HKA
E7HT 4602-FCA	57	53	53	4	19	15/32	4 9/16	★ E7HT 4602-FCA	E7HT 4602-HLA	57	53	53	4	69	9/32	4 9/16	★ E7HT 4602-HLA
E7HT 4602-FDA	57	53	53	4	20	17/32	4 9/16	★ E7HT 4602-FDA	E7HT 4602-HMA	57	53	53	4	70	3/32	4 9/16	★ E7HT 4602-HMA
E7HT 4602-FEA	57	53	53	4	22	1/32	4 9/16	★ E7HT 4602-FEA	E7HT 4602-HNA	57	53	53	4	71	17/32	4 9/16	★ E7HT 4602-HNA
E7HT 4602-FFA	57	53	53	4	23	17/32	4 9/16	★ E7HT 4602-FFA	E7HT 4602-HRA	57	53	53	4	73	1/32	4 9/16	★ E7HT 4602-HRA
E7HT 4602-FGA	57	53	53	4	25	1/32	4 9/16	★ E7HT 4602-FGA	E7HT 4602-HSA	81	53	53		9	5/8	‡‡	E8HZ 4602-R
E7HT 4602-FHA	57	53	53	4	26	3/16	4 9/16	★ E7HT 4602-FHA	E7HT 4602-HUA	56	53	53		10	9/16	‡‡	E8HZ 4602-S
E7HT 4602-FJA	57	53	53	4	28	1/32	4 9/16	★ E7HT 4602-FJA	E7HT 4602-HYA	56	53	53		11	11/16	‡‡	E8HZ 4602-Z
E7HT 4602-FKA	57	53	53	4	29	17/32	4 9/16	★ E7HT 4602-FKA	E7HT 4602-JAA	57	53	53		15	7/8	‡‡	E7HZ 4602-A
E7HT 4602-FLA	57	53	53	4	30	1/32	4 9/16	★ E7HT 4602-FLA	E7HT 4602-JBA	56	53	53		15	15/32	‡‡	E7HZ 4602-C
E7HT 4602-FMA	57	53	53	4	31	1/32	4 9/16	★ E7HT 4602-FMA	E7HT 4602-JCA	57	53	53		17		‡‡	E7HZ 4602-B
E7HT 4602-FNA	57	53	53	4	31	47/64	4 9/16	★ E7HT 4602-FNA	E7HT 4602-JDA	56	53	53	4	14	17/32	4	★ E7HT 4602-JDA
E7HT 4602-FRA	57	53	53	4	32	17/32	4 9/16	★ E7HT 4602-FRA	E7HT 4602-JEA	56	53	53	4	14	17/32	4	★ E7HT 4602-JEA
E7HT 4602-FSA	57	53	53	4	34	1/32	4 9/16	★ E7HT 4602-FSA	E7HT 4602-JHA	56	53	53	4	14	25/32	4 9/16	★ E7HT 4602-JHA
E7HT 4602-FTA	57	53	53	4	34	25/32	4 9/16	★ E7HT 4602-FTA	E7HT 4602-JNA	57	53	53	4	21	9/32	4	★ E7HT 4602-JNA
E7HT 4602-FUA	57	53	53	4	35	17/32	4 9/16	★ E7HT 4602-FUA	E7HT 4602-JUA	57	53	53	4	21	19/64	4 9/16	★ E7HT 4602-JUA
E7HT 4602-FVA	57	53	53	4	35	29/32	4 9/16	★ E7HT 4602-FVA	%E7HT 4602-LAA	91	54	54	4	31	3/4	4	★ E7HT 4602-LAA
E7HT 4602-FYA	57	53	53	4	37	1/32	4 9/16	★ E7HT 4602-FYA	%E7HT 4602-LBA	91	54	54	4	32	1/2	4	★ E7HT 4602-LBA
E7HT 4602-FZA	57	53	53	4	37	47/64	4 9/16	★ E7HT 4602-FZA	%E7HT 4602-LCA	91	54	54	4	33	1/2	4	★ E7HT 4602-LCA
E7HT 4602-GAA	57	53	53	4	38	17/32	4 9/16	★ E7HT 4602-GAA	%E7HT 4602-LDA	91	54	54	4	37	3/4	4	★ E7HT 4602-LDA
E7HT 4602-GBA	57	53	53	4	28	29/32	4 9/16	★ E7HT 4602-GBA	%E7HT 4602-LEA	91	54	54	4	38	1/2	4	★ E7HT 4602-LEA
E7HT 4602-GCA	57	53	53	4	40	1/32	4 9/16	★ E7HT 4602-GCA	%E7HT 4602-LFA	91	54	54	4	55	3/4	4	★ E7HT 4602-LFA
E7HT 4602-GDA	57	53	53	4	41	17/32	4 9/16	★ E7HT 4602-GDA	%E7HT 4602-LGA	91	54	54	4	56	1/2	4	★ E7HT 4602-LGA
E7HT 4602-GEA	57	53	53	4	43	1/32	4 9/16	★ E7HT 4602-GEA	%E7HT 4602-LHA	57	53	53	4	31		4 9/16	★ E7HT 4602-LHA
E7HT 4602-GFA	57	53	53	4	43	47/64	4 9/16	★ E7HT 4602-GFA	%E7HT 4602-LJA	57	53	53	4	32		4 9/16	★ E7HT 4602-LJA
E7HT 4602-GGA	57	53	53	4	44	17/32	4 9/16	★ E7HT 4602-GGA	%E7HT 4602-LKA	57	53	53	4	39	19/64	4 9/16	★ E7HT 4602-LKA
E7HT 4602-GHA	57	53	53	4	44	29/32	4 9/16	★ E7HT 4602-GHA	%E7HT 4602-LLA	57	53	53	4	40	7/32	4 9/16	★ E7HT 4602-LLA
E7HT 4602-GJA	57	53	53	4	46	1/32	4 9/16	★ E7HT 4602-GJA	%E7HT 4602-LMA	57	53	53	4	56	3/8	4 9/16	★ E7HT 4602-LMA
E7HT 4602-GKA	57	53	53	4	47	17/32	4 9/16	★ E7HT 4602-GKA	%E7HT 4602-LNA	57	53	53	4	58	7/32	4 9/16	★ E7HT 4602-LNA
E7HT 4602-GLA	57	53	53	4	47	29/32	4 9/16	★ E7HT 4602-GLA	%E7HT 4602-LRA	57	53	53	4	33	5/32	4	★ E7HT 4602-LRA
E7HT 4602-GMA	57	53	53	4	49	1/32	4 9/16	★ E7HT 4602-GMA	%E7HT 4602-LSA	57	53	53	4	34	5/32	4	★ E7HT 4602-LSA
E7HT 4602-GNA	57	53	53	4	49	47/64	4 9/16	★ E7HT 4602-GNA	%E7HT 4602-LTA	57	53	53	4	39	15/64	4	★ E7HT 4602-LTA
E7HT 4602-GRA	57	53	53	4	50	17/32	4 9/16	★ E7HT 4602-GRA	%E7HT 4602-LUA	57	53	53	4	40	5/32	4	★ E7HT 4602-LUA
E7HT 4602-GSA	57	53	53	4	50	29/32	4 9/16	★ E7HT 4602-GSA	%E7HT 4602-LVA	57	53	53	4	56	5/16	4	★ E7HT 4602-LVA
E7HT 4602-GTA	57	53	53	4	52	1/32	4 9/16	★ E7HT 4602-GTA	%E7HT 4602-LYA	57	53	53	4	58	5/32	4	★ E7HT 4602-LYA
E7HT 4602-GUA	57	53	53	4	53	17/32	4 9/16	★ E7HT 4602-GUA	E7HT 4602-MAA	57	53	53	4	26	3/4	4 9/16	★ E7HT 4602-MAA
E7HT 4602-GVA	57	53	53	4	55	1/32	4 9/16	★ E7HT 4602-GVA	E7HT 4602-MBA	57	53	53	4	28	1/4	4 9/16	★ E7HT 4602-MBA
E7HT 4602-GYA	57	53	53	4	55	47/64	4 9/16	★ E7HT 4602-GYA	E7HT 4602-MCA	57	53	53	4	34	1/4	4 9/16	★ E7HT 4602-MCA
E7HT 4602-GZA	57	53	53	4	56	17/32	4 9/16	★ E7HT 4602-GZA	E7HT 4602-MDA	57	53	53	4	43	1/4	4 9/16	★ E7HT 4602-MDA
E7HT 4602-HAA	57	53	53	4	58	1/32	4 9/16	★ E7HT 4602-HAA	E7HT 4602-MEA	91	54	54	4	45	1/4	4	★ E7HT 4602-MEA
E7HT 4602-HBA	57	53	53	4	59	17/32	4 9/16	★ E7HT 4602-HBA	E7HT 4602-MFA	91	54	54	4	60	1/4	4	★ E7HT 4602-MFA
E7HT 4602-HCA	57	53	53	4	61	25/32	4 9/16	★ E7HT 4602-HCA	E7HT 4602-MGA	91	54	54	4	69	1/4	4	★ E7HT 4602-MGA
E7HT 4602-HDA	57	53	53	4	61	1/32	4 9/16	★ E7HT 4602-HDA	E7HT 4602-MHA	91	54	54	4	67	3/4	4	★ E7HT 4602-MHA
E7HT 4602-HEA	57	53	53	3	62	17/32	4 9/16	★ E7HT 4602-HEA	E7HT 4602-NAA	57	53	53	4	22	43/64	4	★ E7HT 4602-NAA
E7HT 4602-HFA	57	53	53	4	64	25/32	4 9/16	★ E7HT 4602-HFA	E7HT 4602-NBA	57	53	53	4	25	43/64	4	★ E7HT 4602-NBA
E7HT 4602-HGA	57	53	53	4	65		4 9/16	★ E7HT 4602-HGA	E7HT 4602-NCA	57	53	53	4	23	3/4	4 9/16	★ E7HT 4602-NCA
E7HT 4602-HHA	57	53	53	4	65	17/32	4 9/16	★ E7HT 4602-HHA	E7HT 4602-NDA	57	53	53	4	25	1/4	4 9/16	★ E7HT 4602-NDA
E7HT 4602-HJA	57	53	53	4	67	1/32	4 9/16	★ E7HT 4602-HJA	E7HT 4602-NFA	111	52	52	4	19	43/64	4 3/32	★ E7HT 4602-NFA

October, 1993

COPYRIGHT © 1993 - FORD MOTOR - DEARBORN, MICHIGAN  
COMPANY

Final Issue





# 1980/ TRUCK SERIES 600/900

## DRIVE LINE CROSS REFERENCE GUIDE

IDENTIFICATION AND/OR T.S.L. NUMBER	▲ CODE							▲ DRIVE SHAFT				IDENTIFICATION AND/OR T.S.L. NUMBER	▲ CODE							▲ DRIVE SHAFT								
	YOKE		UNIV		JOINT								YOKE		UNIV		JOINT											
	F	S	F	S	L	R	T	F	S	F	S		L	R	T	A	B	PART NUMBER	F	S	F	S	L	R	T	A	B	PART NUMBER
	L	A	I	R	A	N	G	E	L	A	I		R	A	N	G	E											

**Notes:**  
 †† Indicates Solid Shaft, ▲ Refer to page 1 of this section for explanation of the chart and the codes shown.  
 † Truck Specification List - incl. in Louisville-built trucks since August 13, 1967  
 ● For service shaft - refer to the Drive shaft Service Replacement Chart (4A603) on page 31 of this section.  
 % Install 90° out of phase

E8HT 4602-DNA	111	56	56			15	9/32	††	E8HZ 4602-G	E8HT 4602-GEA	80	55	55	4	21	13/64	3	★E8HT 4602-GEA
E8HT 4602-DRA	111	56	56			12	59/64	††	E8HZ 4602-W	E8HT 4602-GFA	80	55	55	4	22	17/32	4 1/2	★E8HT 4602-GFA
E8HT 4602-DSA	111	56	56			13	27/64	††	E8HZ 4602-X	E8HT 4602-GGA	80	55	55	4	23	3/64	3	★E8HT 4602-GGA
E8HT 4602-DTA	111	56	56			16	25/32	††	E8HZ 4602-M	E8HT 4602-GHA	80	55	55	4	24	1/32	4 1/2	★E8HT 4602-GHA
E8HT 4602-DUA	111	56	56			14	27/64	††	E8HZ 4602-Y	E8HT 4602-GJA	80	55	55	4	25	1/8	3	★E8HT 4602-GJA
E8HT 4602-DVA	80	55	55	4		15	21/64	4 9/16	★E8HT 4602-DVA	E8HT 4602-GKA	80	55	55	4	26	31/32	3	★E8HT 4602-GKA
E8HT 4602-DYA	80	55	55	4		15	15/16	3	★E8HT 4602-DYA	E8HT 4602-GLA	80	55	55	4	28	1/8	3	★E8HT 4602-GLA
E8HT 4602-DZA	80	55	55	4		17	25/32	3	★E8HT 4602-DZA	E8HT 4602-GMA	80	55	55	4	29	31/32	3	★E8HT 4602-GMA
E8HT 4602-EAA	80	55	55	4		18	15/16	3	★E8HT 4602-EAA	E8HT 4602-GNA	80	55	55	4	31	1/8	3	★E8HT 4602-GNA
E8HT 4602-EBA	80	55	55	4		20	25/32	3	★E8HT 4602-EBA	E8HT 4602-GRA	80	55	55	4	32	31/32	3	★E8HT 4602-GRA
E8HT 4602-ECA	80	55	55	4		21	45/64	3	★E8HT 4602-ECA	E8HT 4602-GSA	80	55	55	4	34	1/8	3	★E8HT 4602-GSA
E8HT 4602-EDA	80	55	55	4		21	29/32	4 9/16	★E8HT 4602-EDA	E8HT 4602-GTA	80	55	55	4	35	3/64	4 1/2	★E8HT 4602-GTA
E8HT 4602-EEA	80	55	55	4		23	25/32	3	★E8HT 4602-EEA	E8HT 4602-GUA	80	55	55	4	35	31/32	3	★E8HT 4602-GUA
E8HT 4602-EFA	80	55	55	4		24	15/16	3	★E8HT 4602-EFA	E8HT 4602-GVA	80	55	55	4	37	1/8	3	★E8HT 4602-GVA
E8HT 4602-EGA	80	55	55	4		26	25/32	3	★E8HT 4602-EGA	E8HT 4602-GYA	80	55	55	4	38	31/32	3	★E8HT 4602-GYA
E8HT 4602-EHA	80	55	55	4		27	15/16	3	★E8HT 4602-EHA	E8HT 4602-GZA	80	55	55	4	40	1/8	4 1/2	★E8HT 4602-GZA
E8HT 4602-EJA	80	55	55	4		29	25/32	3	★E8HT 4602-EJA	E8HT 4602-HAA	80	55	55	4	41	31/32	4 1/2	★E8HT 4602-HAA
E8HT 4602-EKA	80	55	55	4		30	15/16	3	★E8HT 4602-EKA	E8HT 4602-HBA	80	55	55	4	43	1/8	4 1/2	★E8HT 4602-HBA
E8HT 4602-ELA	80	55	55	4		32	25/32	3	★E8HT 4602-ELA	E8HT 4602-HCA	80	55	55	4	44	31/32	4 1/2	★E8HT 4602-HCA
E8HT 4602-EMA	80	55	55	4		33	15/16	3	★E8HT 4602-EMA	E8HT 4602-HDA	80	55	55	4	46	1/8	4 1/2	★E8HT 4602-HDA
E8HT 4602-ENA	80	55	55	4		35	25/32	3	★E8HT 4602-ENA	E8HT 4602-HEA	80	55	55	4	47	31/32	4 1/2	★E8HT 4602-HEA
E8HT 4602-ERA	80	55	55	4		36	15/16	3	★E8HT 4602-ERA	E8HT 4602-HFA	80	55	55	4	49	1/8	4 1/2	★E8HT 4602-HFA
E8HT 4602-ESA	80	55	55	4		38	25/32	3	★E8HT 4602-ESA	E8HT 4602-HGA	80	55	55	4	50	31/32	4 1/2	★E8HT 4602-HGA
E8HT 4602-ETA	80	55	55	4		39	15/16	3	★E8HT 4602-ETA	E8HT 4602-HHA	80	55	55	4	52	1/8	4 1/2	★E8HT 4602-HHA
E8HT 4602-EUA	80	55	55	4		41	25/32	4 9/16	★E8HT 4602-EUA	E8HT 4602-HJA	80	55	55	4	53	31/32	4 1/2	★E8HT 4602-HJA
E8HT 4602-EVA	80	55	55	4		42	15/16	4 9/16	★E8HT 4602-EVA	E8HT 4602-HKA	80	55	55	4	55	1/8	4 1/2	★E8HT 4602-HKA
E8HT 4602-EYA	80	55	55	4		44	25/32	4 9/16	★E8HT 4602-EYA	E8HT 4602-HLA	80	55	55	4	56	31/32	4 1/2	★E8HT 4602-HLA
E8HT 4602-EZA	80	55	55	4		45	15/16	4 9/16	★E8HT 4602-EZA	E8HT 4602-HMA	80	55	55	4	58	1/8	4 1/2	★E8HT 4602-HMA
E8HT 4602-FAA	80	55	55	4		47	25/32	4 9/16	★E8HT 4602-FAA	E8HT 4602-HNA	80	55	55	4	59	31/32	4 1/2	★E8HT 4602-HNA
E8HT 4602-FBA	80	55	55	4		49	17/32	4 9/16	★E8HT 4602-FBA	E8HT 4602-HRA	80	55	55	4	61	1/8	4 1/2	★E8HT 4602-HRA
E8HT 4602-FCA	80	55	55	4		50	25/32	4 9/16	★E8HT 4602-FCA	E8HT 4602-HSA	80	55	55	4	63	1/32	4 1/2	★E8HT 4602-HSA
E8HT 4602-FDA	80	55	55	4		51	15/16	4 9/16	★E8HT 4602-FDA	E8HT 4602-HTA	80	55	55	4	64	17/32	4 1/2	★E8HT 4602-HTA
E8HT 4602-FEA	80	55	55	4		53	25/32	4 9/16	★E8HT 4602-FEA	E8HT 4602-HUA	80	55	55	4	66	1/32	4 1/2	★E8HT 4602-HUA
E8HT 4602-FFA	80	55	55	4		54	15/16	4 9/16	★E8HT 4602-FFA	E8HT 4602-HVA	80	55	55	4	67	17/32	4 1/2	★E8HT 4602-HVA
E8HT 4602-FGA	80	55	55	4		56	25/32	4 9/16	★E8HT 4602-FGA	E8HT 4602-HYA	80	55	55	4	69	1/32	4 1/2	★E8HT 4602-HYA
E8HT 4602-FHA	80	55	55	4		57	15/16	4 9/16	★E8HT 4602-FHA	E8HT 4602-JDA	109	55	55		13		††	E8HZ 4602-N
E8HT 4602-FJA	80	55	55	4		59	25/32	4 9/16	★E8HT 4602-FJA	E8HT 4602-JEA	110	55	55		14	5/16	††	E8HZ 4602-A
E8HT 4602-FKA	80	55	55	4		60	15/16	4 9/16	★E8HT 4602-FKA	E8HT 4602-JFA	97	55	55		11	27/32	††	E9HZ 4602-B
E8HT 4602-FLA	80	55	55	4		63	1/32	4 9/16	★E8HT 4602-FLA	E8HT 4602-JGA	83	55	55		15	7/16	††	E8HZ 4602-B
E8HT 4602-FMA	80	55	55	4		64	17/32	4 9/16	★E8HT 4602-FMA	E8HT 4602-JHA	80	55	55		16	3/16	††	E8HZ 4602-C
E8HT 4602-FNA	80	55	55	4		66	1/32	4 9/16	★E8HT 4602-FNA	E8HT 4602-JJA	80	55	55		16	13/16	††	E8HZ 4602-E
E8HT 4602-FRA	80	55	55	4		67	17/32	4 9/16	★E8HT 4602-FRA	E8HT 4602-JLA	80	55	55		14	3/32	††	E9HZ 4602-A
E8HT 4602-FYA	80	55	55	4		16	13/64	3	★E8HT 4602-FYA	E8HT 4602-JMA	80	55	55		18	1/16	††	E8HZ 4602-D
E8HT 4602-FZA	80	55	55	4		16	31/32	3	★E8HT 4602-FZA	E8HT 4602-JNA	80	55	55		18	11/16	††	E8HZ 4602-H
E8HT 4602-GAA	80	55	55	4		17	31/32	3	★E8HT 4602-GAA	E8HT 4602-JRA	80	55	55		19	3/16	††	E8HZ 4602-P
E8HT 4602-GBA	80	55	55	4		18	13/64	3	★E8HT 4602-GBA	E8HT 4602-JSA	80	55	55	4	24	25/32	4 9/16	★E8HT 4602-JSA
E8HT 4602-GCA	80	55	55	4		19	1/8	4 1/2	★E8HT 4602-GCA	E8HT 4602-JTA	80	55	55	4	59	25/32	4 9/16	★E8HT 4602-JTA
E8HT 4602-GDA	80	55	55	4		20	31/32	3	★E8HT 4602-GDA	E8HT 4602-JUA	57	53	53	4	20	57/64	4 9/16	★E8HT 4602-JUA

1980/  
TRUCK SERIES 600/900

DRIVE LINE CROSS REFERENCE GUIDE

IDENTIFICATION AND/OR T.S.L. NUMBER	▲ CODE					▲ DRIVE SHAFT			IDENTIFICATION AND/OR T.S.L. NUMBER	▲ CODE					▲ DRIVE SHAFT		
	YOKE		UNIV JOINT	T	Y	SIZE (INCHES)	PART NUMBER	YOKE		UNIV JOINT	T	Y	SIZE (INCHES)	PART NUMBER			
	F	S						F							S		
	L	L	R	R	A	B	P	A		B							

Notes:    †† Indicates Solid Shaft, ▲ Refer to page 1 of this section for explanation of the chart and the codes shown.  
 † Truck Specification List - incl. in Louisville-built trucks since August 13, 1967  
 ● For service shaft - refer to the Drive shaft Service Replacement Chart  
 (4A603) on page 31 of this section.  
 % Install 90° out of phase

E8HT 4602-JVA	80	55	55	4	20	9/32	4 1/2	★E8HT 4602-JVA	%E9HT 4602-SCA	57	53	53	4	59	17/32	4 1/2	★E9HT 4602-SCA
E8HT 4602-JYA	80	55	55	4	20	11/32	4 9/16	★E8HT 4602-JYA	%E9HT 4602-SDA	57	53	53	4	43	1/32	4 9/16	★E9HT 4602-SDA
E8HT 4602-JZA	80	55	55	4	36	25/32	4 1/2	★E8HT 4602-JZA	%E9HT 4602-SEA	80	55	55	4	28	17/32	4 1/2	★E9HT 4602-SEA
E8HT 4602-KAA	80	55	55	4	24	25/32	4 1/2	★E8HT 4602-KAA	%E9HT 4602-SFA	80	55	55	4	58	17/32	4 1/2	★E9HT 4602-SFA
E8HT 4602-KBA	80	55	55	4	33	25/32	4 1/2	★E8HT 4602-KBA	%E9HT 4602-SGA	57	53	53	4	65	17/32	4 1/2	★E9HT 4602-SGA
E8HT 4602-KCA	80	55	55	4	18	25/32	4 9/16	★E8HT 4602-KCA	%E9HT 4602-SHA	80	55	55	4	52	17/32	4 1/2	★E9HT 4602-SHA
E8HT 4602-KDA	80	55	55	4	36	25/32	4 9/16	★E8HT 4602-KDA	%E9HT 4602-SJA	111	56	56	4	36	1/32	4 3/32	★E9HT 4602-SJA
%E8HT 4602-KEA	57	53	53	4	31	25/32	4 9/16	★E8HT 4602-KEA	%E9HT 4602-SMA	80	55	55	4	37	17/32	4 1/2	★E9HT 4602-SMA
%E8HT 4602-KFA	57	53	53	4	34	1/32	4 9/16	★E8HT 4602-KFA	%E9HT 4602-SRA	80	55	55	4	67	17/32	4 1/2	★E9HT 4602-SRA
%E9HT 4602-NSA	91	54	54	4	56	5/16	4	★E9HT 4602-NSA	87HU 4602-CA	91	54	54	5	48	17/64	4	★87HU 4602-CA
%E9HT 4602-NTA	80	55	55	4	37	17/32	4 1/2	★E9HT 4602-NTA	87HU 4602-DA	91	54	54	5	30	17/64	4	★87HU 4602-DA
%E9HT 4602-NUA	80	55	55	4	61	17/32	4 1/2	★E9HT 4602-NUA	87HU 4602-EA	57	53	53	5	46	31/64	4 9/16	★87HU 4602-EA
%E9HT 4602-NVA	80	55	55	4	57	1/32	4 1/2	★E9HT 4602-NVA	87HU 4602-FA	57	53	53	5	49	31/64	4 9/16	★87HU 4602-FA
%E9HT 4602-NYA	80	55	55	4	60	1/32	4 1/2	★E9HT 4602-NYA	87HU 4602-HA	91	54	54	5	41	33/64	4	★87HU 4602-HA
%E9HT 4602-NZA	91	54	54	4	21	1/16	4	★E9HT 4602-NZA	D2HA 4606-CA	74	40	40	4	6	3/4	5	D1HZ 4606-A
%E9HT 4602-RAA	80	55	55	4	46	17/32	4 1/2	★E9HT 4602-RAA	D2HA 4606-DA	74	40	40	4	8	15/32	5	★D1HZ 4606-C
%E9HT 4602-RBA	80	55	55	4	55	17/32	4 1/2	★E9HT 4602-RBA	D2HA 4606-EA	78	40	40	4	9	11/16	5	D1HZ 4606-D
%E9HT 4602-RCA	80	55	55	4	33	1/32	4 1/2	★E9HT 4602-RCA	D2HA 4606-GA	85	41	41	22	13	7/16	3 1/2	★D4HZ 4606-J
%E9HT 4602-REA	80	55	55	4	58	17/32	4 1/2	★E9HT 4602-REA	D2HA 4606-HA	70	41	41	23	11	11/16	5	★D0HZ 4606-H
%E9HT 4602-RGA	80	55	55	4	30	1/32	4 1/2	★E9HT 4602-RGA	D2HA 4606-JA	70	41	41	23	12	3/16	5	★D0HZ 4606-J
E9HT 4602-RJA	107	51	51	4	64	15/32	4	★E9HT 4602-RJA	D2HA 4606-KA	86	41	41	22	12	7/16	3 1/2	★D4HZ 4606-H
E9HT 4602-RKA	107	51	51	4	65	15/32	4	★E9HT 4602-RKA	D2HA 4606-MA	86	41	41	22	14	15/16	3 1/2	★D4HZ 4606-A
%E9HT 4602-RLA	111	56	56	4	59	17/32	4 3/32	★E9HT 4602-RLA	D2HA 4606-NA	70	41	41		10	3/4		★C8HZ 4606-K
%E9HT 4602-RMA	80	55	55	4	54	1/32	4 1/2	★E9HT 4602-RMA	D2HA 4606-RA	70	41	41	22	8	1/2	††	C8HZ 4606-N
%E9HT 4602-RNA	80	55	55	4	43	17/32	4 1/2	★E9HT 4602-RNA	D2HA 4606-SA	70	41	41	22	11	1/16		★C8HZ 4606-T
%E9HT 4602-RRA	80	55	55	4	39	1/32	4 1/2	★E9HT 4602-RRA	D3HA 4606-DA	74	40	40	4	9	31/32	3 1/2	★D3HZ 4606-A
%E9HT 4602-RSA	80	55	55	4	36	1/32	4 1/2	★E9HT 4602-RSA	D3HA 4606-EA	74	40	40		7	7/8	††	D3HZ 4606-B
%E9HT 4602-RTA	80	55	55	4	22	17/32	4 1/2	★E9HT 4602-RTA	D3HA 4606-FA	74	40	40		6	1/8	††	D3HZ 4606-C
%E9HT 4602-RUA	111	56	56	4	38	17/32	4 3/32	★E9HT 4602-RUA	D4HA 4606-AA	86	41	41	22	14	3/16	3 1/2	★D4HA 4606-AA
%E9HT 4602-RVA	80	55	55	4	64	17/32	4 1/2	★E9HT 4602-RVA	E1HT 4606-AA	112	39	39	4	5	35/64	3 1/2	★E1HT 4606-AA
%E9HT 4602-RYA	80	55	55	4	66	1/32	4 1/2	★E9HT 4602-RYA	E1HT 4606-BA	116	39	39		6	15/16	††	E1HZ 4606-A
%E9HT 4602-RZA	91	54	54	4	39	1/16	4	★E9HT 4602-RZA	E1HT 4606-CA	115	39	39		6	15/16	††	★E1HZ 4606-B
%E9HT 4602-SAA	80	55	55	4	51	1/32	4 1/2	★E9HT 4602-SAA	E1HT 4606-DA	114	39	39		8	1/8	††	E1HZ 4606-C
%E9HT 4602-SBA	80	55	55	4	45	1/32	4 1/2	★E9HT 4602-SBA	E1HT 4606-EA	113	39	39		9	7/8	††	E1HZ 4606-D

DRIVE LINE CROSS REFERENCE

IDENTIFICATION AND/OR T.S.L. NUMBER	◆ PARTS LIST NO. E	◆ SHAFT					IDENTIFICATION AND/OR T.S.L. NUMBER	◆ PARTS LIST NO. E	◆ SHAFT				
		T	A	B	PART NUMBER	T			A	B	PART NUMBER		
		Y	(INCHES)	(INCHES)		Y			(INCHES)	(INCHES)			

Notes: ◆ REFER TO SECTION 48.1 PAGE 1 FOR EXPLANATION OF THE CHART AND THE CODES SHOWN  
 % Install 90° out of phase

C8HA 4817-ED	46	2	61	17/32	3 1/2	★C8HA 4817-ED	C8TA 4817-KD	62	20	61	35/64	4	★C8TA 4817-KD
C8HA 4817-FD	101	2	71	9/16	4	★C8HA 4817-FD	C9HA 4817-H	48	21	30	15/32	3	★C9HA 4817-H
C8TA 4817-FD	59	3	30	21/32	3 1/2	★C8TZ 4817-CZ	C9HA 4817-AJ	46	2	26	3/32	3 1/2	★C9HZ 4817-D
C8TA 4817-FG	108	1	22	19/64	3 1/2	★C8TA 4817-FG	C9HA 4817-AK	46	2	59	29/32	3 1/2	★C9HZ 4817-E
C8TA 4817-FK	108	3	58	61/64	3 1/2	★C8TA 4817-FK	C9HA 4817-AU	46	2	26	25/32	3 1/2	★C9HZ 4817-F
C8TA 4817-FM	59	3	51	9/16	3 1/2	★C8TA 4817-FM	C9TA 4817-J	48	2	47	63/64	3	★C9TZ 4817-BL

**1980/  
TRUCK SERIES 600/900**

**DRIVE LINE CROSS REFERENCE**

IDENTIFICATION AND/OR T.S.L. NUMBER	PARTS LIST NO.	SHAFT				IDENTIFICATION AND/OR T.S.L. NUMBER	PARTS LIST NO.	SHAFT			
		T Y P E	A (INCHES)	B (INCHES)	PART NUMBER			T Y P E	A (INCHES)	B (INCHES)	PART NUMBER

Notes: ♦ REFER TO SECTION 48.1 PAGE 1 FOR EXPLANATION OF THE CHART AND THE CODES SHOWN  
% Install 90° out of phase

C9TA 4817-AB	48	21	58 63/64	3 1/2	★C9TA 4817-AB	D2HA 4817-FJA	80	1	20 29/32	4	★D2HA 4817-FJA
C9TA 4817-AL	48	2	36 7/32	3	★C9TZ 4817-BW	D2HA 4817-FLA	80	1	22 31/32	4	★D2HA 4817-FLA
C9TA 4817-CE	46	2	26 7/8	3 1/2	★C9TZ 4817-T	D2HA 4817-FMA	80	1	19 1/32	4	★D2HA 4817-FMA
C9TA 4817-CL	46	2	63 17/32	3 1/2	★C9TZ 4817-Z	D2HA 4817-FNA	80	1	24 31/32	4	★D2HA 4817-FNA
C9TA 4817-CS	59	3	65 9/32	4	★C9TZ 4817-B	D2HA 4817-FRA	80	1	25 31/32	4	★D2HA 4817-FRA
DOHA 4817-CE	38	21	21 9/32	3 1/2	★DOHZ 4817-FC	D2HA 4817-GEA	80	1	17 1/32	4 1/2	★D2HA 4817-GEA
DOHA 4817-CL	38	21	19 9/32	3 1/2	★C8HZ 4817-DG	D2HA 4817-GFA	80	1	17 7/16	4 1/2	★D2HA 4817-GFA
DOHA 4817-FC	48	2	62 13/32	4	★DOHZ 4817-AB	D2HA 4817-GGA	80	1	19 1/32	4 1/2	★D2HA 4817-GGA
DOHA 4817-FE	48	21	58 13/32	3 1/2	★DOHA 4817-FE	D2HA 4817-GHA	80	1	20 1/32	4 1/2	★D2HA 4817-GHA
DOHA 4817-HB	46	2	46 25/32	3 1/2	★DOHZ 4817-EH	D2HA 4817-KDA	93	21	27 3/16	4	★D4HZ 4817-Y
DOHA 4817-HC	46	2	63 13/16	4	★DOHZ 4817-DE	D2HA 4817-KMA	97	21	16 7/16	4	★D4HZ 4817-A
DOHA 4817-HD	46	2	69 13/16	4	★DOHZ 4817-DK	D2HA 4817-KNA	97	21	17 15/16	4	★D4HZ 4817-B
DOHA 4817-JK	48	2	63 13/32	4	★DOHZ 4817-AD	D2HA 4817-KRA	97	21	18 7/16	4	★D4HZ 4817-C
DOHA 4817-KF	46	2	65 13/16	4	★DOHZ 4817-DH	D2HA 4817-KSA	97	21	23 1/4	4	D4HZ 4817-D
DOHA 4817-KG	46	2	71 25/32	4	★DOHZ 4817-DD	D2HA 4817-KTA	97	21	26 7/16	4	★D4HZ 4817-E
DOHA 4817-KH	59	1	67 17/64	4	★DOHZ 4817-AU	D2TA 4817-ABA	46	2	46 29/32	3 1/2	★D2TZ 4817-W
DOHA 4817-KM	46	2	58 43/64	3 1/2	★DOHZ 4817-ES	D2TA 4817-ACA	46	2	46 11/32	3 1/2	★D2TZ 4817-Y
DOHA 4817-KN	59	1	53 9/16	3 1/2	★DOHZ 4817-EB	D2TA 4817-ADA	59	3	60 31/32	3 1/2	★D2TZ 4817-R
DOHA 4817-KR	46	2	30 25/32	3 1/2	★DOHZ 4817-EV	D2TA 4817-AGA	46	2	55 5/16	4	★D2TZ 4817-N
DOHA 4817-LS	46	2	42 25/32	3 1/2	★DOHZ 4817-EG	D3HA 4817-ANA	55	1	26 31/32	4	★D3HA 4817-ANA
DOHA 4817-LT	46	2	59 25/32	3 1/2	★DOHZ 4817-ET	D3HA 4817-ARA	80	1	27 31/32	4	★D3HA 4817-ARA
DOHA 4817-LU	46	2	66 13/16	4	★DOHZ 4817-DJ	D3HA 4817-ASA	80	1	28 31/32	4	★D3HA 4817-ASA
DOHA 4817-LV	59	1	62 17/64	4	★DOHZ 4817-AT	D3HA 4817-ATA	80	1	25 1/32	4	★D3HA 4817-ATA
DOHA 4817-NJ	46	2	48 7/8	3 1/2	★DOHZ 4817-EK	D3HA 4817-AUA	80	1	30 31/32	4	★D3HA 4817-AUA
DOHA 4817-NK	46	2	31 25/32	3 1/2	★DOHZ 4817-EE	D3HA 4817-AVA	80	1	31 31/32	4	★D3HA 4817-AVA
DOHA 4817-NL	46	2	49 25/32	3 1/2	★DOHZ 4817-EL	D3HA 4817-AYA	55	1	33	4	★D3HA 4817-AYA
DOHA 4817-NM	46	2	64 13/16	4	★DOHZ 4817-DF	D3HA 4817-AZA	55	1	34	4	★D3HA 4817-AZA
DOHA 4817-NS	46	2	47 25/32	3 1/2	★DOHZ 4817-EJ	D3HA 4817-BAA	55	1	35	4	★D3HA 4817-BAA
DOHA 4817-NT	46	2	32 25/32	3 1/2	★DOHZ 4817-EF	D3HA 4817-BBA	80	1	31 1/32	4	★D3HA 4817-BBA
DOHA 4817-NU	59	1	55 9/32	3 1/2	★DOHZ 4817-EC	D3HA 4817-BCA	55	1	37	4	★D3HA 4817-BCA
DOHA 4817-SC	46	2	54 43/64	3 1/2	★DOHZ 4817-EM	D3HA 4817-BDA	55	1	38	4	★D3HA 4817-BDA
DOHA 4817-SE	59	1	50 3/16	3 1/2	★DOHZ 4817-EA	D3HA 4817-BEA	55	1	39	4	★D3HA 4817-BEA
DOHA 4817-SM	46	2	65 5/16	4	★DOHZ 4817-DG	D3HA 4817-BFA	80	1	39 31/32	4	★D3HA 4817-BFA
DOHA 4817-SV	48	2	29 39/64	3	★DOHZ 4817-K	D3HA 4817-BGA	55	1	41	4	★D3HA 4817-BGA
DOHA 4817-SY	62	1	56 1/16	3 1/2	★DOHZ 4817-D	D3HA 4817-BHA	55	1	42	4	★D3HA 4817-BHA
DOHA 4817-SZ	62	1	60 15/32	4	★DOHZ 4817-J	D3HA 4817-BJA	55	1	43	4	★D3HA 4817-BJA
DOTA 4817-T	46	2	56 25/32	3 1/2	★DOTZ 4817-Y	D3HA 4817-BKA	55	1	45	4	★D3HA 4817-BKA
DOTA 4817-AG	48	2	70 5/16	4	★DOTZ 4817-G	D3HA 4817-BLA	55	1	45	4	★D3HA 4817-BLA
D1HA 4817-VA	46	2	67 25/32	4	★D1HZ 4817-E	D3HA 4817-BMA	55	1	46	4	★D3HA 4817-BMA
D1TA 4817-CCA	62	1	56 21/32	4	★D1TZ 4817-H	D3HA 4817-BNA	80	1	46 31/32	4	★D3HA 4817-BNA
D1TA 4817-CKA	46	2	63 1/32	4	★D1TZ 4817-K	D3HA 4817-BRA	80	1	47 31/32	4	★D3HA 4817-BRA
D1TA 4817-CSA	46	2	59 9/32	3 1/2	★D1TZ 4817-Y	D3HA 4817-BSA	80	1	48 31/32	4	★D3HA 4817-BSA
D2HA 4817-UA	59	2	59 9/32	4	★D2HZ 4817-E	D3HA 4817-BTA	80	1	49 31/32	4	★D3HA 4817-BTA
D2HA 4817-BBA	73	1	22 1/32	4 1/2	★D2HZ 4817-L	D3HA 4817-BUA	80	1	50 31/32	4	★D3HA 4817-BUA
D2HA 4817-BCA	73	1	14 1/32	4 1/2	★D2HZ 4817-AH	D3HA 4817-BVA	80	1	51 31/32	4	★D3HA 4817-BVA
D2HA 4817-CMA	55	1	18 3/16	4	★D2HZ 4817-J	D3HA 4817-BYA	80	1	52 31/32	4	★D3HA 4817-BYA
D2HA 4817-DHA	81	1	20 7/16	4 1/2	★D2HA 4817-DHA	D3HA 4817-BZA	80	1	53 31/32	4	★D3HA 4817-BZA
D2HA 4817-DKA	81	1	22 7/16	4 1/2	★D2HA 4817-DKA	D3HA 4817-CAA	80	1	54 31/32	4	★D3HA 4817-CAA
D2HA 4817-DLA	81	1	24 31/32	4 1/2	★D2HA 4817-DLA	D3HA 4817-CBA	80	1	55 31/32	4	★D3HA 4817-CBA
D2HA 4817-DMA	81	1	25 31/32	4 1/2	★D2HA 4817-DMA	D3HA 4817-CCA	80	1	52 1/32	4	★D3HA 4817-CCA
D2HA 4817-DNA	81	1	25 31/32	4 1/2	★D2HA 4817-DNA	D3HA 4817-CDA	80	1	57 31/32	4	★D3HA 4817-CDA
D2HA 4817-DRA	81	1	27 31/32	4 1/2	★D2HA 4817-DRA	D3HA 4817-CEA	80	1	59 9/32	4	★D3HA 4817-CEA
D2HA 4817-FHA	80	1	14 1/32	4	★D2HA 4817-FHA	D3HA 4817-CFA	80	1	59 31/32	4	★D3HA 4817-CFA

1980/  
TRUCK SERIES 600/900

DRIVE LINE CROSS REFERENCE

IDENTIFICATION AND/OR T.S.L. NUMBER	PARTS LIST NO.	SHAFT				IDENTIFICATION AND/OR T.S.L. NUMBER	PARTS LIST NO.	SHAFT			
		TYP	A (INCHES)	B (INCHES)	PART NUMBER			TYP	A (INCHES)	B (INCHES)	PART NUMBER
Notes: ♦ REFER TO SECTION 48.1 PAGE 1 FOR EXPLANATION OF THE CHART AND THE CODES SHOWN											
% Install 90° out of phase											
D3HA 4817-CHA	80	1	61 31/32	4	★D3HA 4817-CHA	D3HA 4817-GCA	81	1	38 3/32	4 1/2	★D3HA 4817-GCA
D3HA 4817-CKA	80	1	63 31/32	4	★D3HA 4817-CKA	D3HA 4817-GDA	81	1	39 1/32	4 1/2	★D3HA 4817-GDA
D3HA 4817-CLA	80	1	64 31/32	4	★D3HA 4817-CLA	D3HA 4817-GEA	73	1	40	4 1/2	★D3HA 4817-GEA
D3HA 4817-CNA	55	1	67	4	★D3HA 4817-CNA	D3HA 4817-GFA	81	1	41 3/32	4 1/2	★D3HA 4817-GFA
D3HA 4817-CRA	80	1	67 31/32	4	★D3HA 4817-CRA	D3HA 4817-GGA	81	1	42 3/32	4 1/2	★D3HA 4817-GGA
D3HA 4817-CSA	55	1	68	4	★D3HA 4817-CSA	D3HA 4817-GHA	81	1	44 31/32	4 1/2	★D3HA 4817-GHA
D3HA 4817-CTA	80	1	65 1/32	4	★D3HA 4817-CTA	D3HA 4817-GJA	81	1	44 3/32	4 1/2	★D3HA 4817-GJA
D3HA 4817-CVA	80	1	71 31/32	4	★D3HA 4817-CVA	D3HA 4817-GKA	81	1	45 3/32	4 1/2	★D3HA 4817-GKA
D3HA 4817-CYA	81				★D3HA 4817-CYA	D3HA 4817-GLA	81	1	46 3/32	4 1/2	★D3HA 4817-GLA
D3HA 4817-CZA	80	1	33 35/64	4 1/2	★D3HA 4817-CZA	D3HA 4817-GMA	81	1	42 1/32	4 1/2	★D3HA 4817-GMA
D3HA 4817-DBA	80	1	28 51/64	4 1/2	★D3HA 4817-DBA	D3HA 4817-GNA	81	1	49 31/32	4 1/2	★D3HA 4817-GNA
D3HA 4817-DCA	80	1	31 1/4	4 1/2	★D3HA 4817-DCA	D3HA 4817-GRA	81	1	46 3/16	4 1/2	★D3HA 4817-GRA
D3HA 4817-DDA	80	1	30 51/64	4 1/2	★D3HA 4817-DDA	D3HA 4817-GSA	81	1	45 1/32	4 1/2	★D3HA 4817-GSA
D3HA 4817-DEA	80	1	31 51/64	4 1/2	★D3HA 4817-DEA	D3HA 4817-GTA	81	1	46 1/32	4 1/2	★D3HA 4817-GTA
D3HA 4817-DEA	55	1	29	4	★D0HZ 4817-AV	D3HA 4817-GUA	81	1	52 3/32	4 1/2	★D3HA 4817-GUA
D3HA 4817-DGA	80	1	35 1/4	4 1/2	★D3HA 4817-DGA	D3HA 4817-GVA	81	1	53 3/32	4 1/2	★D3HA 4817-GVA
D3HA 4817-DHA	80	1	31 1/32	4 1/2	★D3HA 4817-DHA	D3HA 4817-GYA	81	1	49 1/32	4 1/2	★D3HA 4817-GYA
D3HA 4817-DJA	80	1	32 1/32	4 1/2	★D3HA 4817-DJA	D3HA 4817-GZA	81	1	50 1/32	4 1/2	★D3HA 4817-GZA
D3HA 4817-DKA	80	1	33 1/32	4 1/2	★D3HA 4817-DKA	D3HA 4817-HAA	81	1	57 31/32	4 1/2	★D3HA 4817-HAA
D3HA 4817-DLA	80	1	38 31/32	4 1/2	★D3HA 4817-DLA	D3HA 4817-HBA	81	1	52 1/32	4 1/2	★D3HA 4817-HBA
D3HA 4817-DMA	80	1	40 1/4	4 1/2	★D3HA 4817-DMA	D3HA 4817-HCA	81	1	58 3/32	4 1/2	★D3HA 4817-HCA
D3HA 4817-DRA	80	1	47 17/32	4 1/2	★D3HA 4817-DRA	D3HA 4817-HDA	81	1	59 3/32	4 1/2	★D3HA 4817-HDA
D3HA 4817-DSA	80	1	42 31/32	4 1/2	★D3HA 4817-DSA	D3HA 4817-HEA	81	1	60 3/32	4 1/2	★D3HA 4817-HEA
D3HA 4817-DTA	80	1	39 1/32	4 1/2	★D3HA 4817-DTA	D3HA 4817-HFA	81	1	62 31/32	4 1/2	★D3HA 4817-HFA
D3HA 4817-DUA	80	1	45 1/4	4 1/2	★D3HA 4817-DUA	D3HA 4817-HGA	73	1	63 31/32	4 1/2	★D3HA 4817-HGA
D3HA 4817-DVA	80	1	51 17/32	4 1/2	★D3HA 4817-DVA	D3HA 4817-HHA	81	1	63 3/32	4 1/2	★D3HA 4817-HHA
D3HA 4817-DYA	80	1	42 1/32	4 1/2	★D3HA 4817-DYA	D3HA 4817-HJA	81	1	64 3/32	4 1/2	★D3HA 4817-HJA
D3HA 4817-DZA	80	1	43 1/32	4 1/2	★D3HA 4817-DZA	D3HA 4817-HKA	81	1	66 31/32	4 1/2	★D3HA 4817-HKA
D3HA 4817-EAA	80	1	49 1/4	4 1/2	★D3HA 4817-EAA	D3HA 4817-HLA	81	1	61 1/32	4 1/2	★D3HA 4817-HLA
D3HA 4817-EBA	80	1	45 1/32	4 1/2	★D3HA 4817-EBA	D3HA 4817-HMA	81	1	67 3/32	4 1/2	★D3HA 4817-HMA
D3HA 4817-ECA	80	1	50 1/32	4 1/2	★D3HA 4817-ECA	D3HA 4817-HNA	81	1	63 1/32	4 1/2	★D3HA 4817-HNA
D3HA 4817-EDA	80	1	51 31/32	4 1/2	★D3HA 4817-EDA	D3HA 4817-HRA	81	2	64 1/32	4 1/2	★D3HA 4817-HRA
D3HA 4817-EEA	80	1	52	4 1/2	★D3HA 4817-EEA	D3HA 4817-HSA	81	1	65 1/32	4 1/2	★D3HA 4817-HSA
D3HA 4817-EFA	80	1	49 1/32	4 1/2	★D3HA 4817-EFA	D3HA 4817-HUA	81	1	67 1/32	4 1/2	★D3HA 4817-HUA
D3HA 4817-EGA	80	1	54 31/32	4 1/2	★D3HA 4817-EGA	D3HA 4817-HZA	81	1	70 1/32	4 1/2	★D3HA 4817-HZA
D3HA 4817-EHA	80	1	51 1/32	4 1/2	★D3HA 4817-EHA	D3HA 4817-JAA	81	1	77 31/32	4 1/2	★D3HA 4817-JAA
D3HA 4817-EJA	80	1	52 1/32	4 1/2	★D3HA 4817-EJA	D3HA 4817-JDA	81	1	79 3/32	4 1/2	★D3HA 4817-JDA
D3HA 4817-EKA	80	1	57 31/32	4 1/2	★D3HA 4817-EKA	D3HA 4817-JEA	81	1	75 1/32	4 1/2	★D3HA 4817-JEA
D3HA 4817-EMA	80	1	59 31/32	4 1/2	★D3HA 4817-EMA	D3HA 4817-JFA	94	21	18 17/32	3 1/2	★D3HZ 4817-AE
D3HA 4817-EUA	80	1	65 1/4	4 1/2	★D3HA 4817-EUA	D3TA 4817-CGA	46	2	58 21/32	3 1/2	★D3TZ 4817-T
D3HA 4817-EZA	80	1	63 1/32	4 1/2	★D3HA 4817-EZA	D3TA 4817-CHA	46	2	52 9/16	3 1/2	★D3TZ 4817-U
D3HA 4817-FBA	80	1	65 1/32	4 1/2	★D3HA 4817-FBA	D3TA 4817-CUA	100	21	20 19/32	3 1/2	★D3TZ 4817-BT
D3HA 4817-FEA	80	1	72 31/32	4 1/2	★D3HA 4817-FEA	D3TA 4817-CYA	100	21	46 3/8	3 1/2	★D3TZ 4817-BU
D3HA 4817-FNA	81	1	23 1/32	4 1/2	★D3HA 4817-FNA	D4HA 4817-SA	59		53 3/32	4	★D4HA 4817-SA
D3HA 4817-FRA	81	1	29 3/32	4 1/2	★D3HA 4817-FRA	D4HA 4817-YA	90	2	28 11/32	3	★D4HA 4817-YA
D3HA 4817-FSA	81	1	30 3/32	4 1/2	★D3HA 4817-FSA	D4HA 4817-ZA	90	2	27 11/32	3	★D4HA 4817-ZA
D3HA 4817-FTA	81	1	31 3/32	4 1/2	★D3HA 4817-FTA	D4HA 4817-ACA	90	2	36 11/32	3	★D4HA 4817-ACA
D3HA 4817-FUA	81	1	27 1/32	4 1/2	★D3HA 4817-FUA	D4HA 4817-ADA	90	2	47 31/32	3	★D4HA 4817-ADA
D3HA 4817-FVA	81	1	33 3/32	4 1/2	★D3HA 4817-FVA	D4HA 4817-AFA	90	2	57 5/16	3 1/2	★D4HA 4817-AFA
D3HA 4817-FYA	81	1	34 3/32	4 1/2	★D3HA 4817-FYA	D4HA 4817-ARA	98	2	53 25/32	4	★D4HA 4817-ARA
D3HA 4817-FZA	81	1	36 31/32	4 1/2	★D3HA 4817-FZA	D4HA 4817-ASA	98	3	57 25/32	4	★D4HA 4817-ASA
D3HA 4817-GAA	81	1	31 1/32	4 1/2	★D3HA 4817-GAA	D4HA 4817-ATA	98	2	58 1/4	4	★D4HA 4817-ATA
D3HA 4817-GBA	81	1	37 3/32	4 1/2	★D3HA 4817-GBA	D4HA 4817-AUA	98	3	59 5/32	4	★D4HA 4817-AUA

1980/  
TRUCK SERIES 600/900

DRIVE LINE CROSS REFERENCE

IDENTIFICATION AND/OR T.S.L. NUMBER	PARTS LIST NO.	T Y P E	SHAFT			IDENTIFICATION AND/OR T.S.L. NUMBER	PARTS LIST NO.	T Y P E	SHAFT		
			A (INCHES)	B (INCHES)	PART NUMBER				A (INCHES)	B (INCHES)	PART NUMBER

Notes: ♦ REFER TO SECTION 48.1 PAGE 1 FOR EXPLANATION OF THE CHART AND THE CODES SHOWN  
% Install 90° out of phase

D4HA 4817-CFA	90	2	57 25/32	3 1/2	★D4HA 4817-CFA	D4HA 4817-FBA	95	1	65 13/16	4	★D4HA 4817-FBA
D4HA 4817-CHA	95	1	13 9/32	4	★D4HA 4817-CHA	D4HA 4817-FCA	95	1	66 13/16	4	★D4HA 4817-FCA
D4HA 4817-CJA	95	1	14 19/64	4	★D4HA 4817-CJA	D4HA 4817-FDA	95	1	69 19/64	4	★D4HA 4817-FDA
D4HA 4817-CKA	95	1	15 19/64	4	★D4HA 4817-CKA	D4HA 4817-FGA	95	1	51 7/16	4	★D4HA 4817-FGA
D4HA 4817-CLA	95	1	16 19/64	4	★D4HA 4817-CLA	D4HA 4817-FHA	95	1	54 15/16	4	★D4HA 4817-FHA
D4HA 4817-CMA	95	1	17 21/64	4	★D4HA 4817-CMA	D4HA 4817-FJA	95	1	52 11/16	4	★D4HA 4817-FJA
D4HA 4817-CNA	95	1	18 19/64	4	★D4HA 4817-CNA	D4HA 4817-FKA	95	1	58 7/16	4	★D4HA 4817-FKA
D4HA 4817-CRA	95	1	18 19/64	4	★D4HA 4817-CRA	D4HA 4817-FLA	95	1	17 11/16	4	★D4HA 4817-FLA
D4HA 4817-CSA	95	1	19 19/64	4	★D4HA 4817-CSA	D4HA 4817-FMA	95	1	18 15/16	4	★D4HA 4817-FMA
D4HA 4817-CTA	95	1	19 13/16	4	★D4HA 4817-CTA	D4HA 4817-FRA	95	1	24 11/16	4	★D4HA 4817-FRA
D4HA 4817-CUA	95	1	22 9/32	4	★D4HA 4817-CUA	D4TA 4817-BSA	90	2	29 27/32	3	★D4TA 4817-BSA
D4HA 4817-CVA	95	1	23 21/64	4	★D4HA 4817-CVA	D4TA 4817-CNA	90	2	65 31/32	4	★D4TA 4817-CNA
D4HA 4817-CYA	95	1	23 19/64	4	★D4HA 4817-CYA	D4TA 4817-DGA	98	1	53 25/32	3 1/2	★D4TA 4817-DGA
D4HA 4817-CZA	95	1	21 1/16	4	★D4HA 4817-CZA	D4TA 4817-DKA	98		67 5/32	4	★D4TA 4817-DKA
D4HA 4817-DA A	95	1	27 9/32	4	★D4HA 4817-DA A	D4TA 4817-DSA	59	4	50 31/32	3 1/2	★D4TA 4817-DSA
D4HA 4817-DBA	95	1	27 3/16	4	★D4HA 4817-DBA	D4TA 4817-DTA	59	4	61 17/32	3 1/2	★D4TA 4817-DTA
D4HA 4817-DCA	95	1	28 3/16	4	★D4HA 4817-DCA	D4TA 4817-DYA	46		52 13/32	3 1/2	★D4TA 4817-DYA
D4HA 4817-DDA	95	1	27 13/16	4	★D4HA 4817-DDA	D4TA 4817-EFA	100	21	18 1/32	3 1/2	★D4TA 4817-EFA
D4HA 4817-DEA	95	1	30 3/16	4	★D4HA 4817-DEA	D5HA 4817-AA	100	21	26 19/32	3 1/2	★D5HA 4817-AA
D4HA 4817-DFA	95	1	31 3/16	4	★D4HA 4817-DFA	D5HA 4817-BA	100	21	27 9/32	3 1/2	★D5HA 4817-BA
D4HA 4817-DGA	95	1	32 3/16	4	★D4HA 4817-DGA	D5HA 4817-EA	100	21	34 9/32	3 1/2	★D5HA 4817-EA
D4HA 4817-DHA	95	1	33 3/16	4	★D4HA 4817-DHA	D5HA 4817-SA	100	21	44 19/32	3 1/2	★D5HA 4817-SA
D4HA 4817-DJA	95	1	34 3/16	4	★D4HA 4817-DJA	D5HA 4817-UA	100	21	45 9/32	3 1/2	★D5HA 4817-UA
D4HA 4817-DKA	95	1	35 3/16	4	★D4HA 4817-DKA	D5HA 4817-VA	100	21	45 11/16	3 1/2	★D5HA 4817-VA
D4HA 4817-DLA	95	1	32 5/64	4	★D4HA 4817-DLA	D5HA 4817-ACA	100	21	48 1/32	3 1/2	★D5HA 4817-ACA
D4HA 4817-DMA	95	1	37 3/16	4	★D4HA 4817-DMA	D5HA 4817-AEA	100	20	48 25/32	3 1/2	★D5HA 4817-AEA
D4HA 4817-DNA	95	1	38 19/64	4	★D4HA 4817-DNA	D5HA 4817-AFA	100	21	49 9/32	3 1/2	★D5HA 4817-AFA
D4HA 4817-DRA	95	1	39 19/64	4	★D4HA 4817-DRA	D5HA 4817-AGA	100	21	50 9/32	3 1/2	★D5HA 4817-AGA
D4HA 4817-DSA	95	1	38 13/16	4	★D4HA 4817-DSA	D5HA 4817-AHA	100	20	51 9/32	3 1/2	★D5HA 4817-AHA
D4HA 4817-DTA	95	1	41 19/64	4	★D4HA 4817-DTA	D5HA 4817-AJA	100	21	52 9/32	3 1/2	★D5HA 4817-AJA
D4HA 4817-DUA	95	1	38 5/64	4	★D4HA 4817-DUA	D5HA 4817-ALA	100	21	53 9/32	3 1/2	★D5HA 4817-ALA
D4HA 4817-DVA	95	1	41 13/16	4	★D4HA 4817-DVA	D5HA 4817-AMA	100	21	54 9/32	3 1/2	★D5HA 4817-AMA
D4HA 4817-DYA	95	1	42 13/16	4	★D4HA 4817-DYA	D5HA 4817-ANA	100	20	55 5/64	3 1/2	★D5HA 4817-ANA
D4HA 4817-DZA	95	1	45 3/16	4	★D4HA 4817-DZA	D5HA 4817-BBA	100	21	16 1/4	3 1/2	★D5HA 4817-BBA
D4HA 4817-EAA	95	1	46 3/16	4	★D4HA 4817-EAA	D5HA 4817-BGA	100	21	60 9/32	4	★D5HA 4817-BGA
D4HA 4817-EBA	95	1	47 19/64	4	★D4HA 4817-EBA	D5HA 4817-BRA	97	21	58 7/16	4	★D5HA 4817-BRA
D4HA 4817-ECA	95	1	48 3/16	4	★D4HA 4817-ECA	D5HA 4817-KFA	93	21	36 3/16	4	★D5HA 4817-KFA
D4HA 4817-EDA	95	1	49 3/16	4	★D4HA 4817-EDA	D5HA 4817-KHA	93	21	41 3/16	4	★D5HA 4817-KHA
D4HA 4817-EEA	95	1	48 13/16	4	★D4HA 4817-EEA	D5HA 4817-KJA	93	21	46 3/16	4	★D5HA 4817-KJA
D4HA 4817-EFA	95	1	51 3/16	4	★D4HA 4817-EFA	D5HA 4817-KKA	93	21	46 3/16	4	★D5HA 4817-KKA
D4HA 4817-EGA	95	1	52 3/16	4	★D4HA 4817-EGA	D5HA 4817-KLA	93	21	50 3/16	4	★D5HA 4817-KLA
D4HA 4817-EHA	95	1	49 5/64	4	★D4HA 4817-EHA	D5HA 4817-KUA	97	21	27 7/16	4	★D5HA 4817-KUA
D4HA 4817-EJA	95	1	54 3/16	4	★D4HA 4817-EJA	D5HA 4817-KYA	97	21	30 7/16	4	★D5HA 4817-KYA
D4HA 4817-EKA	95	1	55 3/16	4	★D4HA 4817-EKA	D5HA 4817-KZA	97	21	31 7/16	4	★D5HA 4817-KZA
D4HA 4817-ELA	95	1	56 7/16	4	★D4HA 4817-ELA	D5HA 4817-LBA	97	21	33 7/16	4	★D5HA 4817-LBA
D4HA 4817-EMA	95	1	57 3/16	4	★D4HA 4817-EMA	D5HA 4817-LCA	97	21	34 7/16	4	★D5HA 4817-LCA
D4HA 4817-ENA	95	1	58 19/64	4	★D4HA 4817-ENA	D5HA 4817-LDA	97	21	35 7/16	4	★D5HA 4817-LDA
D4HA 4817-ERA	95	1	59 3/16	4	★D4HA 4817-ERA	D5HA 4817-LHA	97	21	44 7/16	4	★D5HA 4817-LHA
D4HA 4817-ESA	95	1	60 3/16	4	★D4HA 4817-ESA	D5HA 4817-LJA	97	21	45 7/16	4	★D5HA 4817-LJA
D4HA 4817-ETA	95	1	61 3/16	4	★D4HA 4817-ETA	D5HA 4817-LLA	97	21	47 7/16	4	★D5HA 4817-LLA
D4HA 4817-EUA	95	1	62 3/16	4	★D4HA 4817-EUA	D5HA 4817-LMA	97	21	48 7/16	4	★D5HA 4817-LMA
D4HA 4817-EVA	95	1	61 13/16	4	★D4HA 4817-EVA	D5HA 4817-LRA	97	21	50 11/32	4	★D5HA 4817-LRA
D4HA 4817-EYA	95	1	64 19/64	4	★D4HA 4817-EYA	D5HA 4817-LSA	97	21	50 7/16	4	★D5HA 4817-LSA
D4HA 4817-EZA	95	1	65 19/64	4	★D4HA 4817-EZA						

October, 1993

COPYRIGHT © 1993 - FORD MOTOR - DEARBORN, MICHIGAN  
COMPANY

Final Issue

1980/  
TRUCK SERIES 600/900

DRIVE LINE CROSS REFERENCE

IDENTIFICATION AND/OR T.S.L. NUMBER	PARTS LIST NO.	SHAFT				IDENTIFICATION AND/OR T.S.L. NUMBER	PARTS LIST NO.	SHAFT			
		T Y P E	A (INCHES)	B (INCHES)	PART NUMBER			T Y P E	A (INCHES)	B (INCHES)	PART NUMBER
Notes: ♦ REFER TO SECTION 48.1 PAGE 1 FOR EXPLANATION OF THE CHART AND THE CODES SHOWN											
% Install 90° out of phase											
D5HA 4817-LTA	97	21	51 7/16	4	★D5HA 4817-LTA	D7HT 4817-DFA	81	1	41 31/32	4 1/2	★D7HT 4817-DFA
D5HA 4817-LVA	97	21	52 11/32	4	★D5HA 4817-LVA	D7HT 4817-DGA	81	1	42 31/32	4 1/2	★D7HT 4817-DGA
D5HA 4817-LYA	97	21	52 7/16	4	★D5HA 4817-LYA	D7HT 4817-DHA	81	1	43 31/32	4	★D7HT 4817-DHA
D5HA 4817-LZA	97	21	53 7/16	4	★D5HA 4817-LZA	D7HT 4817-DJA	81	1	44 31/32	4 1/2	★D7HT 4817-DJA
D5HA 4817-MAA	97	21	54 7/16	4	★D5HA 4817-MAA	D7HT 4817-DKA	81	1	46 31/32	4 1/2	★D7HT 4817-DKA
D5HA 4817-MBA	97	21	55 3/64	4	★D5HA 4817-MBA	D7HT 4817-DLA	81	1	46 31/32	4 1/2	★D7HT 4817-DLA
D5HA 4817-MDA	97	21	56 7/16	4	★D5HA 4817-MDA	D7HT 4817-DMA	81	1	42 1/32	4 1/2	★D7HT 4817-DMA
D5HA 4817-MEA	93	21	62 3/16	4	★D5HA 4817-MEA	D7HT 4817-DNA	81	1	48 31/32	4 1/2	★D7HT 4817-DNA
D5HA 4817-MGA	97	21	57 7/16	4	★D5HA 4817-MGA	D7HT 4817-DRA	81	1	49 31/32	4 1/2	★D7HT 4817-DRA
D5HA 4817-MLA	100	21	32 27/32	3 1/2	★D5HA 4817-MLA	D7HT 4817-DSA	81	1	45 1/32	4 1/2	★D7HT 4817-DSA
D5TA 4817-CEA	98	3	40 5/32	3	★D5TA 4817-CEA	D7HT 4817-DTA	81	1	51 31/32	4 1/2	★D7HT 4817-DTA
D5TA 4817-CMA	108	3	61 9/32	4	★D5TA 4817-CMA	D7HT 4817-DUA	81	1	53 31/32	4 1/2	★D7HT 4817-DUA
D6HA 4817-AA	100	21	22 3/8	4	★D6HA 4817-AA	D7HT 4817-DVA	81	1	53 31/32	4 1/2	★D7HT 4817-DVA
D6HA 4817-EA	100	21	49 25/32	4	★D6HA 4817-EA	D7HT 4817-DYA	81	1	54 31/32	4 1/2	★D7HT 4817-DYA
D6HA 4817-KA	97	21	22 3/16	4	★D6HA 4817-KA	D7HT 4817-DZA	81	1	56 31/32	4 1/2	★D7HT 4817-DZA
D6HA 4817-LA	97	21	24 9/64	4	★D6HA 4817-LA	D7HT 4817-EAA	81	1	56 31/32	4 1/2	★D7HT 4817-EAA
D6HA 4817-NA	97	21	37 7/16	4	★D6HA 4817-NA	D7HT 4817-EBA	81	1	57 31/32	4 1/2	★D7HT 4817-EBA
D6HA 4817-RA	97	21	56 3/64	4	★D6HA 4817-RA	D7HT 4817-ECA	81	1	58 3/32	4 1/2	★D7HT 4817-ECA
D6HA 4817-SA	97	21	58 3/64	4	★D6HA 4817-SA	D7HT 4817-EDA	81	1	59 3/32	4 1/2	★D7HT 4817-EDA
D6HA 4817-TA	97	21	60 7/16	4	★D6HA 4817-TA	D7HT 4817-EEA	81	1	60 31/32	4 1/2	★D7HT 4817-EEA
D6HA 4817-UA	95	1	18 9/16	4	★D6HA 4817-UA	D7HT 4817-EFA	81	1	61 31/32	4 1/2	★D7HT 4817-EFA
D6HA 4817-VA	95	1	29 9/16	4	★D6HA 4817-VA	D7HT 4817-EGA	81	1	62 31/32	4 1/2	★D7HT 4817-EGA
D6HA 4817-YA	95	1	52 15/32	4	★D6HA 4817-YA	D7HT 4817-EHA	81	1	63 31/32	4 1/2	★D7HT 4817-EHA
D6HA 4817-ZA	95	1	58 11/16	4	★D6HA 4817-ZA	D7HT 4817-EJA	81	1	64 3/32	4 1/2	★D7HT 4817-EJA
D6HA 4817-ABA	101	3	25 53/64	3 1/2	★D6HA 4817-ABA	D7HT 4817-EKA	81	1	60 1/32	4 1/2	★D7HT 4817-EKA
D6HA 4817-ACA	101	2	29 13/16	3 1/2	★D6HA 4817-ACA	D7HT 4817-ELA	81	1	61 1/32	4 1/2	★D7HT 4817-ELA
D6HA 4817-AFA	108	3	48 49/64	3 1/2	★D6HA 4817-AFA	D7HT 4817-ENA	81	1	63 1/32	4 1/2	★D7HT 4817-ENA
D6HA 4817-AGA	101	3	58 17/64	3 1/2	★D6HA 4817-AGA	D7HT 4817-ETA	81	1	71 3/32	4 1/2	★D7HT 4817-ETA
D6HA 4817-AMA	93	21	45 3/16	4	★D6HA 4817-AMA	D7HT 4817-FBA	81	1	77 3/32	4 1/2	★D7HT 4817-FBA
D6TA 4817-FA	101	21	26 9/32	3 1/2	★D6TA 4817-FA	D7HT 4817-FEA	81	1	80 31/32	4 1/2	★D7HT 4817-FEA
D6TA 4817-GA	108	3	21 49/64	3 1/2	★D6TA 4817-GA	D7HT 4817-FFA	81	1	27 61/64	4 1/2	★D7HT 4817-FFA
D6TA 4817-LA	108	3	61 7/16	4	★D6TA 4817-LA	D7HT 4817-FGA	90	2	24 13/32	3	★D7HT 4817-FGA
D7HT 4817-CEA	81	1	19 3/32	4 1/2	★D7HT 4817-CEA	D7HT 4817-FHA	90	2	25 13/32	3	★D7HT 4817-FHA
D7HT 4817-CFA	81	1	20 3/32	4 1/2	★D7HT 4817-CFA	D7HT 4817-FKA	90	2	61 31/32	4	★D7HT 4817-FKA
D7HT 4817-CGA	81	1	21 3/32	4 1/2	★D7HT 4817-CGA	D7HT 4817-FUA	97	21	41 45/64	4	★D7HT 4817-FUA
D7HT 4817-CHA	81	1	16 29/32	4 1/2	★D7HT 4817-CHA	D7HT 4817-FVA	97	21	53 11/16	4	★D7HT 4817-FVA
D7HT 4817-CJA	81	1	23 31/32	4 1/2	★D7HT 4817-CJA	D7HT 4817-FYA	97	21	63 19/32	4	★D7HT 4817-FYA
D7HT 4817-CKA	81	1	24 3/32	4 1/2	★D7HT 4817-CKA	D7HT 4817-FZA	97	21	31 11/16	4	★D7HT 4817-FZA
D7HT 4817-CLA	81	2	25 61/64	4 1/2	★D7HT 4817-CLA	D7HT 4817-GBA	90	2	33 19/32	3	★D7HT 4817-GBA
D7HT 4817-CMA	81	1	26 31/32	4 1/2	★D7HT 4817-CMA	D7HT 4817-GEA	90	2	70 21/32	4	★D7HT 4817-GEA
D7HT 4817-CNA	81	1	29 7/8	4 1/2	★D7HT 4817-CNA	D7HT 4817-GJA	81	2	62 9/16	4 1/2	★D7HT 4817-GJA
D7HT 4817-CRA	81	1	30 7/8	4 1/2	★D7HT 4817-CRA	D7HT 4817-HBA	93	21	55 3/16	4	★D7HT 4817-HBA
D7HT 4817-CSA	81	1	30 31/32	4 1/2	★D7HT 4817-CSA	D7HT 4817-HCA	93	21	58 3/16	4	★D7HT 4817-HCA
D7HT 4817-CTA	81	1	31 31/32	4 1/2	★D7HT 4817-CTA	D7HT 4817-HDA	98	1	65 1/4	4	★D7HT 4817-HDA
D7HT 4817-CUA	81	1	32 31/32	4 1/2	★D7HT 4817-CUA	D7HT 4817-HEA	48	21	66 13/32	4	★D7HT 4817-HEA
D7HT 4817-CVA	81	1	33 31/32	4 1/2	★D7HT 4817-CVA	D7HT 4817-HFA	90	3	46 13/32	3	★D7HT 4817-HFA
D7HT 4817-CYA	81	1	29 7/32	4 1/2	★D7HT 4817-CYA	D7HT 4817-HJA	98	1	25 13/32	3	★D7HT 4817-HJA
D7HT 4817-CZA	81	1	35 31/32	4 1/2	★D7HT 4817-CZA	D7HT 4817-HMA	48	21	63 29/32	4	★D7HT 4817-HMA
D7HT 4817-DA	81	1	36 31/32	4 1/2	★D7HT 4817-DA	D7HT 4817-HVA	101	2	32 5/16	3 1/2	★D7HT 4817-HVA
D7HT 4817-DBA	81	1	32 1/32	4 1/2	★D7HT 4817-DBA	D7HT 4817-HYA	108	1	36 5/16	3 1/2	★D7HT 4817-HYA
D7HT 4817-DCA	81	1	38 3/32	4 1/2	★D7HT 4817-DCA	D7HT 4817-HZA	95	1	24 5/16	4	★D7HT 4817-HZA
D7HT 4817-DDA	81	1	39 31/32	4 1/2	★D7HT 4817-DDA	D7HT 4817-JAA	95	1	23 5/16	4	★D7HT 4817-JAA
D7HT 4817-DEA	81	1	40 3/32	4 1/2	★D7HT 4817-DEA	D7HT 4817-JBA	100	21	57 9/32	4	★D7HT 4817-JBA

1980/  
TRUCK SERIES 600/900

**DRIVE LINE CROSS REFERENCE**

IDENTIFICATION AND/OR T.S.L. NUMBER	PARTS LIST NO.	SHAFT				IDENTIFICATION AND/OR T.S.L. NUMBER	PARTS LIST NO.	SHAFT			
		T Y P E	A (INCHES)	B (INCHES)	PART NUMBER			T Y P E	A (INCHES)	B (INCHES)	PART NUMBER

Notes: ♦ REFER TO SECTION 48.1 PAGE 1 FOR EXPLANATION OF THE CHART AND THE CODES SHOWN  
% Install 90° out of phase

D7HT 4817-JDA	97	21	20 7/16	4	★D7HT 4817-JDA	D9HT 4817-CBA	130	2	53 25/32	3 1/2	★D9HT 4817-CBA
D7HT 4817-JJA	95	1	13 5/16	4	★D7HT 4817-JJA	D9HT 4817-CCA	130	2	54 17/64	3 1/2	★D9HT 4817-CCA
D8HT 4817-DA	100	21	45 1/32	3 1/2	★D8HT 4817-DA	D9HT 4817-CDA	130	2	54 49/64	3 1/2	★D9HT 4817-CDA
D8HT 4817-EA	97	21	51 3/16	4	★D8HT 4817-EA	D9HT 4817-CEA	130	2	55 9/32	3 1/2	★D9HT 4817-CEA
D9HS 4817-EA	132	1	28 63/64	4 1/16	★D9HS 4817-EA	D9HT 4817-CFA	130	2	55 25/32	3 1/2	★D9HT 4817-CFA
D9HS 4817-NA	132	1	32 63/64	4 1/16	★D9HS 4817-NA	D9HT 4817-CHA	130	2	56 25/32	3 1/2	★D9HT 4817-CHA
D9HT 4817-AA	130	2	23 9/32	3 1/2	★D9HT 4817-AA	D9HT 4817-CJA	130	2	49 13/16	3 1/2	★D9HT 4817-CJA
D9HT 4817-BA	130	2	23 25/32	3 1/2	★D9HT 4817-BA	D9HT 4817-CKA	130	2	57 49/64	3 1/2	★D9HT 4817-CKA
D9HT 4817-CA	130	2	24 9/32	3 1/2	★D9HT 4817-CA	D9HT 4817-CLA	130	2	58 9/32	3 1/2	★D9HT 4817-CLA
D9HT 4817-DA	130	2	24 25/32	3 1/2	★D9HT 4817-DA	D9HT 4817-CMA	130	2	58 25/32	3 1/2	★D9HT 4817-CMA
D9HT 4817-EA	130	2	25 9/32	3 1/2	★D9HT 4817-EA	D9HT 4817-CNA	130	2	59 9/32	3 1/2	★D9HT 4817-CNA
D9HT 4817-FA	130	2	25 25/32	3 1/2	★D9HT 4817-FA	D9HT 4817-CRA	130	2	59 25/32	3 1/2	★D9HT 4817-CRA
D9HT 4817-HA	130	2	26 49/64	3 1/2	★D9HT 4817-HA	D9HT 4817-CTA	130	2	60 25/32	3 1/2	★D9HT 4817-CTA
D9HT 4817-JA	130	2	27 9/32	3 1/2	★D9HT 4817-JA	D9HT 4817-CUA	130	2	61 9/32	4	★D9HT 4817-CUA
D9HT 4817-KA	130	2	27 25/32	3 1/2	★D9HT 4817-KA	D9HT 4817-CVA	130	2	61 25/32	4	★D9HT 4817-CVA
D9HT 4817-MA	130	2	28 25/32	3 1/2	★D9HT 4817-MA	D9HT 4817-CYA	130	2	62 9/32	4	★D9HT 4817-CYA
D9HT 4817-NA	130	2	29 9/32	3 1/2	★D9HT 4817-NA	D9HT 4817-CZA	130	2	62 25/32	4	★D9HT 4817-CZA
D9HT 4817-RA	130	2	29 25/32	3 1/2	★D9HT 4817-RA	D9HT 4817-DAA	130	2	63 9/32	4	★D9HT 4817-DAA
D9HT 4817-SA	130	2	30 9/32	3 1/2	★D9HT 4817-SA	D9HT 4817-DBA	130	2	63 25/32	4	★D9HT 4817-DBA
D9HT 4817-TA	130	2	30 25/32	3 1/2	★D9HT 4817-TA	D9HT 4817-DDA	130	2	64 25/32	4	★D9HT 4817-DDA
D9HT 4817-UA	130	2	31 9/32	3 1/2	★D9HT 4817-UA	D9HT 4817-DEA	130	2	65 9/32	4	★D9HT 4817-DEA
D9HT 4817-VA	130	2	31 25/32	3 1/2	★D9HT 4817-VA	D9HT 4817-DFA	130	2	65 25/32	4	★D9HT 4817-DFA
D9HT 4817-ZA	130	2	32 25/32	3 1/2	★D9HT 4817-ZA	D9HT 4817-DGA	130	2	66 9/32	4	★D9HT 4817-DGA
D9HT 4817-ABA	130	2	33 25/32	3 1/2	★D9HT 4817-ABA	D9HT 4817-DHA	130	2	66 25/32	4	★D9HT 4817-DHA
D9HT 4817-ADA	130	2	34 25/32	3 1/2	★D9HT 4817-ADA	D9HT 4817-DKA	130	2	67 25/32	4	★D9HT 4817-DKA
D9HT 4817-AFA	130	2	35 25/32	3 1/2	★D9HT 4817-AFA	D9HT 4817-DMA	130	2	68 25/32	4	★D9HT 4817-DMA
D9HT 4817-AHA	130	2	36 25/32	3 1/2	★D9HT 4817-AHA	D9HT 4817-DNA	130	2	69 9/32	4	★D9HT 4817-DNA
D9HT 4817-AJA	130	2	37 17/64	3 1/2	★D9HT 4817-AJA	D9HT 4817-DRA	130	2	69 25/32	4	★D9HT 4817-DRA
D9HT 4817-AKA	130	2	37 25/32	3 1/2	★D9HT 4817-AKA	D9HT 4817-DTA	130	2	70 25/32	4	★D9HT 4817-DTA
D9HT 4817-ALA	130	2	38 9/32	3 1/2	★D9HT 4817-ALA	D9HT 4817-DVA	130	2	71 25/32	4	★D9HT 4817-DVA
D9HT 4817-AMA	130	2	38 25/32	3 1/2	★D9HT 4817-AMA	D9HT 4817-DZA	131	1	20 7/32	3 1/2	★D9HT 4817-DZA
D9HT 4817-ANA	130	2	31 13/16	3 1/2	★D9HT 4817-ANA	D9HT 4817-EBA	129	1	21 7/32	3 1/2	★D9HT 4817-EBA
D9HT 4817-ARA	130	2	39 25/32	3 1/2	★D9HT 4817-ARA	D9HT 4817-ECA	129	3	20 25/32	3 1/2	★D9HT 4817-ECA
D9HT 4817-ATA	130	2	40 25/32	3 1/2	★D9HT 4817-ATA	D9HT 4817-EDA	129	1	22 7/32	3 1/2	★D9HT 4817-EDA
D9HT 4817-AUA	130	2	41 9/32	3 1/2	★D9HT 4817-AUA	D9HT 4817-EFA	129	1	22 9/32	3 1/2	★D9HT 4817-EFA
D9HT 4817-AVA	130	2	41 25/32	3 1/2	★D9HT 4817-AVA	D9HT 4817-EHA	129	1	23 9/32	3 1/2	★D9HT 4817-EHA
D9HT 4817-AYA	130	2	42 9/32	3 1/2	★D9HT 4817-AYA	D9HT 4817-EKA	131	1	25 7/32	3 1/2	★D9HT 4817-EKA
D9HT 4817-AZA	130	2	42 25/32	3 1/2	★D9HT 4817-AZA	D9HT 4817-EMA	129	1	26 7/32	3 1/2	★D9HT 4817-EMA
D9HT 4817-BBA	130	2	43 25/32	3 1/2	★D9HT 4817-BBA	D9HT 4817-ETA	131	1	28 7/32	3 1/2	★D9HT 4817-ETA
D9HT 4817-BDA	130	2	44 25/32	3 1/2	★D9HT 4817-BDA	D9HT 4817-FZA	129	1	39 9/32	3 1/2	★D9HT 4817-FZA
D9HT 4817-BFA	130	2	45 25/32	3 1/2	★D9HT 4817-BFA	D9HT 4817-GBA	131	1	40 9/32	3 1/2	★D9HT 4817-GBA
D9HT 4817-BGA	130	2	46 9/32	3 1/2	★D9HT 4817-BGA	D9HT 4817-GGA	129	1	42 25/32	3 1/2	★D9HT 4817-GGA
D9HT 4817-BHA	130	2	46 25/32	3 1/2	★D9HT 4817-BHA	D9HT 4817-GMA	131	1	46 7/32	3 1/2	★D9HT 4817-GMA
D9HT 4817-BJA	130	2	47 17/64	3 1/2	★D9HT 4817-BJA	D9HT 4817-GRA	131	1	47 7/32	3 1/2	★D9HT 4817-GRA
D9HT 4817-BKA	130	2	47 25/32	3 1/2	★D9HT 4817-BKA	D9HT 4817-GTA	131	3	53 17/64	3 1/2	★D9HT 4817-GTA
D9HT 4817-BMA	130	2	48 25/32	3 1/2	★D9HT 4817-BMA	D9HT 4817-GUA	131	3	52 49/64	3 1/2	★D9HT 4817-GUA
D9HT 4817-BNA	130	2	49 9/32	3 1/2	★D9HT 4817-BNA	D9HT 4817-GVA	131	3	48 9/32	3 1/2	★D9HT 4817-GVA
D9HT 4817-BRA	130	2	49 25/32	3 1/2	★D9HT 4817-BRA	D9HT 4817-GYA	131	3	53 49/64	3 1/2	★D9HT 4817-GYA
D9HT 4817-BTA	130	2	50 25/32	3 1/2	★D9HT 4817-BTA	D9HT 4817-GZA	131	2	50 7/32	3 1/2	★D9HT 4817-GZA
D9HT 4817-BVA	130	2	51 25/32	3 1/2	★D9HT 4817-BVA	D9HT 4817-HAA	95	1	50 15/16	4	★D9HT 4817-HAA
D9HT 4817-BYA	130	2	52 9/32	3 1/2	★D9HT 4817-BYA	D9HT 4817-HBA	95	1	49 15/16	4	★D9HT 4817-HBA
D9HT 4817-BZA	130	2	52 25/32	3 1/2	★D9HT 4817-BZA	D9HT 4817-HEA	101	3	24 49/64	3 1/2	★D9HT 4817-HEA
D9HT 4817-CAA	130	2	53 9/32	3 1/2	★D9HT 4817-CAA	D9HT 4817-HFA	101	3	29 33/64	3 1/2	★D9HT 4817-HFA

1980/  
TRUCK SERIES 600/900

**DRIVE LINE CROSS REFERENCE**

IDENTIFICATION AND/OR T.S.L. NUMBER	PARTS LIST NO.	SHAFT				IDENTIFICATION AND/OR T.S.L. NUMBER	PARTS LIST NO.	SHAFT			
		T Y P E	A (INCHES)	B (INCHES)	PART NUMBER			T Y P E	A (INCHES)	B (INCHES)	PART NUMBER
Notes: ♦ REFER TO SECTION 48.1 PAGE 1 FOR EXPLANATION OF THE CHART AND THE CODES SHOWN											
% Install 90° out of phase											
D9HT 4817-HJA	101	3	69 33/64	3 1/2	★D9HT 4817-HJA	D9HT 4817-RHA	131	3	54 1/2	3 1/2	★D9HT 4817-RHA
D9HT 4817-HKA	101	3	63 17/64	4	★D9HT 4817-HKA	D9HT 4817-RJA	131	2	59 23/32	3 1/2	★D9HT 4817-RJA
D9HT 4817-HUA	108	1	54 17/64	3 1/2	★D9HT 4817-HUA	D9HT 4817-RKA	131	3	54 9/32	3 1/2	★D9HT 4817-RKA
D9HT 4817-HVA	108	1	60 49/64	4	★D9HT 4817-HVA	D9HT 4817-RLA	131	2	53 1/2	3 1/2	★D9HT 4817-RLA
D9HT 4817-HZA	90	2	28 3/32	3	★D9HT 4817-HZA	D9HT 4817-RMA	131	1	56 13/32	3 1/2	★D9HT 4817-RMA
D9HT 4817-JAA	90	2	32 11/32	3	★D9HT 4817-JAA	D9HT 4817-RRR	129	1	56 9/32	3 1/2	★D9HT 4817-RRR
D9HT 4817-JHA	90	2	67 23/64	4	★D9HT 4817-JHA	D9HT 4817-RSA	129	1	56 45/64	4	★D9HT 4817-RSA
D9HT 4817-JSA	98	1	59 3/4	4	★D9HT 4817-JSA	D9HT 4817-RTA	129	1	57 13/64	4	★D9HT 4817-RTA
D9HT 4817-JTA	98	1	64	4	★D9HT 4817-JTA	D9HT 4817-RVA	131	3	58 9/32	4	★D9HT 4817-RVA
D9HT 4817-JZA	98	1	69 5/32	4	★D9HT 4817-JZA	D9HT 4817-RZA	131	3	59 9/32	4	★D9HT 4817-RZA
D9HT 4817-KAA	95	1	49 9/16	4	★D9HT 4817-KAA	D9HT 4817-SBA	129	1	60 9/32	4	★D9HT 4817-SBA
D9HT 4817-KCA	90	2	63 23/64	4	★D9HT 4817-KCA	D9HT 4817-SCA	129	1	60 25/32	4	★D9HT 4817-SCA
D9HT 4817-KHA	101	1	39 33/64	3 1/2	★D9HT 4817-KHA	D9HT 4817-SDA	129	1	61 17/64	4	★D9HT 4817-SDA
D9HT 4817-KSA	95	1	20 5/16	4	★D9HT 4817-KSA	D9HT 4817-SEA	129	1	61 25/32	4	★D9HT 4817-SEA
D9HT 4817-KTA	95	1	46 1/16	4	★D9HT 4817-KTA	D9HT 4817-SFA	131	3	63 7/32	4	★D9HT 4817-SFA
D9HT 4817-KUA	95	1	53 7/16	4	★D9HT 4817-KUA	D9HT 4817-SGA	131	1	59 13/16	4	★D9HT 4817-SGA
D9HT 4817-KVA	95	1	58 1/16	4	★D9HT 4817-KVA	D9HT 4817-SHA	131	3	64 7/32	4	★D9HT 4817-SHA
D9HT 4817-KYA	90	2	60 27/32	4	★D9HT 4817-KYA	D9HT 4817-SKA	131	1	61 3/16	4	★D9HT 4817-SKA
D9HT 4817-KZA	90	2	61 11/32	4	★D9HT 4817-KZA	D9HT 4817-SLA	129	1	64 25/32	4	★D9HT 4817-SLA
D9HT 4817-LAA	90	2	56 19/32	3 1/2	★D9HT 4817-LAA	D9HT 4817-SMA	131	3	65 9/32	4	★D9HT 4817-SMA
D9HT 4817-LBA	98	1	53 13/32	3 1/2	★D9HT 4817-LBA	D9HT 4817-SRA	131	3	66 9/32	4	★D9HT 4817-SRA
D9HT 4817-LCA	90	2	48 11/32	3	★D9HT 4817-LCA	D9HT 4817-STA	131	3	67 9/32	4	★D9HT 4817-STA
D9HT 4817-LDA	101	1	30 33/64	3 1/2	★D9HT 4817-LDA	D9HT 4817-SUA	93	21	45 11/16	4	★D9HT 4817-SUA
D9HT 4817-LEA	101	1	57 49/64	3 1/2	★D9HT 4817-LEA	D9HT 4817-SVA	108	3	55 7/32	3 1/2	★D9HT 4817-SVA
D9HT 4817-LFA	108	1	53 17/64	3 1/2	★D9HT 4817-LFA	EOHT 4817-EB	90	2	23 23/64	3	★EOHT 4817-EB
D9HT 4817-LGA	95	1	34 9/16	4	★D9HT 4817-LGA	EOHT 4817-FB	90	3	24 23/64	3	★EOHT 4817-FB
D9HT 4817-LHA	101	1	41 49/64	3 1/2	★D9HT 4817-LHA	EOHT 4817-GB	90	1	25 23/32	3	★EOHT 4817-GB
D9HT 4817-MFA	48	21	35 13/32	3	★D9HT 4817-MFA	EDEOHT 4817-JA	90	2	27 11/32	3	★EDEOHT 4817-JA
D9HT 4817-MGA	62	20	60 29/32	4	★D9HT 4817-MGA	EOHT 4817-JB	90	3	27 23/64	3	★EOHT 4817-JB
D9HT 4817-MHA	48	21	31 5/32	3	★D9HT 4817-MHA	EOHT 4817-SB	90	3	33 23/64	3	★EOHT 4817-SB
D9HT 4817-MJA	48	21	48 5/32	3	★D9HT 4817-MJA	EOHT 4817-TB	90	1	34 23/32	3	★EOHT 4817-TB
D9HT 4817-MKA	48	21	34 5/32	3	★D9HT 4817-MKA	EOHT 4817-UB	90	1	35 23/32	3	★EOHT 4817-UB
D9HT 4817-MLA	48	21	67 29/32	4	★D9HT 4817-MLA	EDEOHT 4817-ZA	90	2	38 11/32	3	★EDEOHT 4817-ZA
D9HT 4817-MRA	62	20	65 29/32	4	★D9HT 4817-MRA	EOHT 4817-ZB	90	2	38 23/64	3	★EOHT 4817-ZB
D9HT 4817-MSA	130	2	25 17/32	3 1/2	★D9HT 4817-MSA	EDEOHT 4817-ADA	90	2	42 11/32	3	★EDEOHT 4817-ADA
D9HT 4817-MUA	129	3	58 17/32	4	★D9HT 4817-MUA	EOHT 4817-ADB	90	2	42 23/32	3	★EOHT 4817-ADB
D9HT 4817-MVA	130	2	59 17/32	3 1/2	★D9HT 4817-MVA	EDEOHT 4817-AEA	90	2	43 11/32	3	★EDEOHT 4817-AEA
D9HT 4817-MYA	130	2	24 17/32	3 1/2	★D9HT 4817-MYA	EOHT 4817-AEB	90	2	43 23/32	3	★EOHT 4817-AEB
D9HT 4817-MZA	131	3	55 5/16	3 1/2	★D9HT 4817-MZA	EDEOHT 4817-AHA	90	2	46 11/32	3	★EDEOHT 4817-AHA
D9HT 4817-NAA	130	2	21 17/32	3 1/2	★D9HT 4817-NAA	EOHT 4817-AHB	90	2	46 23/32	3	★EOHT 4817-AHB
D9HT 4817-NDA	130	2	31 1/32	3 1/2	★D9HT 4817-NDA	EDEOHT 4817-AJA	90	2	47 11/32	3	★EDEOHT 4817-AJA
D9HT 4817-NFA	130	2	53 17/32	3 1/2	★D9HT 4817-NFA	EOHT 4817-AJB	90	2	47 23/32	3	★EOHT 4817-AJB
D9HT 4817-NJA	130	2	26 17/32	3 1/2	★D9HT 4817-NJA	EDEOHT 4817-ASA	90	2	53 11/32	3	★EDEOHT 4817-ASA
D9HT 4817-NLA	108	1	64 17/64	4	★D9HT 4817-NLA	EOHT 4817-ASB	90	2	53 23/32	3	★EOHT 4817-ASB
D9HT 4817-NMA	95	1	15 5/16	4	★D9HT 4817-NMA	EDEOHT 4817-AZA	90	2	58 23/64	4	★EDEOHT 4817-AZA
D9HT 4817-NSA	95	1	45 5/16	4	★D9HT 4817-NSA	EOHT 4817-AZB	90	2	58 11/32	3 1/2	★EOHT 4817-AZB
D9HT 4817-NTA	90	2	57 7/64	3 1/2	★D9HT 4817-NTA	EDEOHT 4817-BAA	90	2	59 23/64	4	★EDEOHT 4817-BAA
D9HT 4817-RAA	131	3	54 49/64	3 1/2	★D9HT 4817-RAA	EOHT 4817-BAB	90	2	59 11/32	3 1/2	★EOHT 4817-BAB
D9HT 4817-RBA	129	1	50 13/64	3 1/2	★D9HT 4817-RBA	EDEOHT 4817-BBA	90	2	60 23/64	4	★EDEOHT 4817-BBA
D9HT 4817-RCA	131	3	55 49/64	3 1/2	★D9HT 4817-RCA	EOHT 4817-BBB	90	2	60 11/32	3 1/2	★EOHT 4817-BBB
D9HT 4817-RDA	131	3	56 17/64	3 1/2	★D9HT 4817-RDA	EDEOHT 4817-BDA	90	2	62 23/64	4	★EDEOHT 4817-BDA
D9HT 4817-RFA	131	3	53 7/32	3 1/2	★D9HT 4817-RFA	EOHT 4817-BDB	90	2	62 23/64	4	★EOHT 4817-BDB
D9HT 4817-RGA	129	1	52 45/64	3 1/2	★D9HT 4817-RGA	EDEOHT 4817-BFA	90	2	64 23/64	4	★EDEOHT 4817-BFA



1980/  
TRUCK SERIES 600/900

**DRIVE LINE CROSS REFERENCE**

IDENTIFICATION AND/OR T.S.L. NUMBER	◆ PARTS LIST NO.	◆ SHAFT				IDENTIFICATION AND/OR T.S.L. NUMBER	◆ PARTS LIST NO.	◆ SHAFT			
		T Y P E	A (INCHES)	B (INCHES)	PART NUMBER			T Y P E	A (INCHES)	B (INCHES)	PART NUMBER

Notes: ◆ REFER TO SECTION 48.1 PAGE 1 FOR EXPLANATION OF THE CHART AND THE CODES SHOWN  
% Install 90° out of phase

EOHT 4817-BFB	90	2	64 23/64	4	★EOHT 4817-BFB	EDEOHT 4817-FRA	101	2	49 23/32	3 1/2	★EEOHT 4817-FRA
EDEOHT 4817-BGA	90	2	65 23/64	4	★EEOHT 4817-BGA	EDEOHT 4817-FVA	101	2	53 23/32	3 1/2	★EEOHT 4817-FVA
EOHT 4817-BGB	90	2	65 23/64	4	★EOHT 4817-BGB	EOHT 4817-FVB	101	2	53 25/32	3 1/2	★EOHT 4817-FVB
EDEOHT 4817-BHA	90	2	66 23/64	4	★EEOHT 4817-BHA	EDEOHT 4817-FYA	101	2	54 23/32	3 1/2	★EEOHT 4817-FYA
EOHT 4817-BHB	90	2	66 23/64	4	★EOHT 4817-BHB	EOHT 4817-FYB	101	2	54 25/32	3 1/2	★EOHT 4817-FYB
EOHT 4817-BJB	90	2	67 23/64	4	★EOHT 4817-BJB	EOHT 4817-FZB	101	3	55 25/32	3 1/2	★EOHT 4817-FZB
EOHT 4817-BLB	90	2	69 23/24	4	★EOHT 4817-BLB	EDEOHT 4817-GBA	101	2	57 23/32	3 1/2	★EEOHT 4817-GBA
EDEOHT 4817-BMA	90	2	70 23/64	4	★EEOHT 4817-BMA	EDEOHT 4817-GCA	101	2	58 23/32	3 1/2	★EEOHT 4817-GCA
EOHT 4817-BMB	90	2	70 23/64	4	★EOHT 4817-BMB	EOHT 4817-GCB	101	2	58 25/32	3 1/2	★EOHT 4817-GCB
EOHT 4817-CAB	98	1	25	3	★EOHT 4817-CAB	EDEOHT 4817-GDA	101	2	59 23/32	3 1/2	★EEOHT 4817-GDA
EDEOHT 4817-CBA	98	1	26	3	★EEOHT 4817-CBA	EOHT 4817-GEB	101	2	60 25/32	3 1/2	★EOHT 4817-GEB
EOHT 4817-CBB	98	1	26	3	★EOHT 4817-CBB	EDEOHT 4817-GFA	101	2	61 23/32	4	★EEOHT 4817-GFA
EOHT 4817-CCB	98	1	27	3	★EOHT 4817-CCB	EOHT 4817-GFB	101	3	61 25/32	4	★EOHT 4817-GFB
EDEOHT 4817-CDA	98	1	28	3	★EEOHT 4817-CDA	EDEOHT 4817-GGA	101	2	62 23/32	4	★EEOHT 4817-GGA
EOHT 4817-CDB	98	1	28	3	★EOHT 4817-CDB	EDEOHT 4817-GHA	101	2	63 23/32	4	★EEOHT 4817-GHA
EDEOHT 4817-CFA	98	1	30	3	★EEOHT 4817-CFA	EDEOHT 4817-GLA	101	2	66 23/32	4	★EEOHT 4817-GLA
EOHT 4817-CFB	98	1	30	3	★EOHT 4817-CFB	EDEOHT 4817-GMA	101	2	67 23/32	4	★EEOHT 4817-GMA
EOHT 4817-CGB	98	1	31	3	★EOHT 4817-CGB	EOHT 4817-GNB	101	3	68 25/32	4	★EOHT 4817-GNB
EOHT 4817-CZA	81	1	35 31/32	4 1/2	★EOHT 4817-CZA	EOHT 4817-GSB	101	2	70 51/64	4	★EOHT 4817-GSB
EOHT 4817-DMB	98	1	55 61/64	3 1/2	★EOHT 4817-DMB	EOHT 4817-HAB	108	1	22 9/32	3 1/2	★EOHT 4817-HAB
EOHT 4817-DNB	98	1	63	3 1/2	★EOHT 4817-DNB	EDEOHT 4817-HBA	108	1	22 1/4	3 1/2	★EEOHT 4817-HBA
EDEOHT 4817-DRA	98	1	58	4	★EEOHT 4817-DRA	EOHT 4817-HBB	108	1	23 9/32	3 1/2	★EOHT 4817-HBB
EOHT 4817-DRB	98	1	64	3 1/2	★EOHT 4817-DRB	EDEOHT 4817-HCA	108	1	23 1/4	3 1/2	★EEOHT 4817-HCA
EOHT 4817-DSB	98	3	58 5/32	4	★EOHT 4817-DSB	EOHT 4817-HCB	108	3	33 23/32	3 1/2	★EOHT 4817-HCB
EOHT 4817-DUB	98	1	61	4	★EOHT 4817-DUB	EOHT 4817-HEB	108	3	25 23/32	3 1/2	★EOHT 4817-HEB
EDEOHT 4817-DVA	98	1	62	4	★EEOHT 4817-DVA	EDEOHT 4817-HFA	108	1	26 1/4	3 1/2	★EEOHT 4817-HFA
EOHT 4817-DVB	98	1	62 19/32	4	★EOHT 4817-DVB	EOHT 4817-HFB	108	1	27 9/32	3 1/2	★EOHT 4817-HFB
EDEOHT 4817-DYA	98	1	63	4	★EEOHT 4817-DYA	EDEOHT 4817-HHA	108	1	28 1/4	3 1/2	★EEOHT 4817-HHA
EOHT 4817-DYB	98	1	62	4	★EOHT 4817-DYB	EOHT 4817-HHB	108	1	29 9/32	3 1/2	★EOHT 4817-HHB
EOHT 4817-EAB	98	1	65	4	★EOHT 4817-EAB	EDEOHT 4817-HKA	108	1	30 1/4	3 1/2	★EEOHT 4817-HKA
EOHT 4817-EEB	101	2	20 27/64	3 1/2	★EOHT 4817-EEB	EOHT 4817-HKB	108	1	31 9/32	3 1/2	★EOHT 4817-HKB
EOHT 4817-EFB	101	2	21 25/32	3 1/2	★EOHT 4817-EFB	EOHT 4817-HRB	108	3	34 23/32	3 1/2	★EOHT 4817-HRB
EOHT 4817-EHB	101	2	23 51/64	3 1/2	★EOHT 4817-EHB	EDEOHT 4817-HZA	108	1	40 1/4	3 1/2	★EEOHT 4817-HZA
EDEOHT 4817-EKA	101	2	25 23/32	3 1/2	★EEOHT 4817-EKA	EDEOHT 4817-JAA	108	1	41 1/4	3 1/2	★EEOHT 4817-JAA
EDEOHT 4817-ELA	101	2	26 23/32	3 1/2	★EEOHT 4817-ELA	EDEOHT 4817-JFA	108	1	46 1/4	3 1/2	★EEOHT 4817-JFA
EOHT 4817-EMB	101	2	27 25/32	3 1/2	★EOHT 4817-EMB	EOHT 4817-JFB	108	1	47 9/32	3 1/2	★EOHT 4817-JFB
EOHT 4817-ENB	101	2	28 25/32	3 1/2	★EOHT 4817-ENB	EDEOHT 4817-JGA	108	1	47 1/4	3 1/2	★EEOHT 4817-JGA
EDEOHT 4817-ERA	101	2	29 23/32	3 1/2	★EEOHT 4817-ERA	EOHT 4817-JKB	108	1	50 23/32	3 1/2	★EOHT 4817-JKB
EOHT 4817-ERB	101	2	29 25/32	3 1/2	★EOHT 4817-ERB	EOHT 4817-JLB	108	1	51 23/32	3 1/2	★EOHT 4817-JLB
EDEOHT 4817-ETA	101	2	31 23/32	3 1/2	★EEOHT 4817-ETA	EOHT 4817-JMB	108	1	53 13/32	3 1/2	★EOHT 4817-JMB
EDEOHT 4817-EVA	101	2	33 23/32	3 1/2	★EEOHT 4817-EVA	EOHT 4817-JNB	108	1	53 23/32	3 1/2	★EOHT 4817-JNB
EOHT 4817-EVB	101	2	33 25/32	3 1/2	★EOHT 4817-EVB	EDEOHT 4817-JRA	108	1	54 1/4	3 1/2	★EEOHT 4817-JRA
EOHT 4817-EYB	101	2	34 25/32	3 1/2	★EOHT 4817-EYB	EDEOHT 4817-JSA	108	1	55 1/4	3 1/2	★EEOHT 4817-JSA
EOHT 4817-FAB	101	3	36 25/32	3 1/2	★EOHT 4817-FAB	EOHT 4817-JUB	108	3	57 23/32	3 1/2	★EOHT 4817-JUB
EOHT 4817-FBB	101	2	37 25/32	3 1/2	★EOHT 4817-FBB	EDEOHT 4817-JVA	108	1	58 1/4	4	★EEOHT 4817-JVA
EDEOHT 4817-FCA	101	2	38 23/32	3 1/2	★EEOHT 4817-FCA	EOHT 4817-JVB	108	1	58 7/16	4	★EOHT 4817-JVB
EOHT 4817-FCB	101	2	38 25/32	3 1/2	★EOHT 4817-FCB	EOHT 4817-JYB	108	3	59 7/16	4	★EOHT 4817-JYB
EDEOHT 4817-FDA	101	2	39 23/32	3 1/2	★EEOHT 4817-FDA	EDEOHT 4817-JZA	108	1	60 1/4	4	★EEOHT 4817-JZA
EDEOHT 4817-FHA	101	2	43 23/32	3 1/2	★EEOHT 4817-FHA	EDEOHT 4817-KCA	108	1	63 1/4	4	★EEOHT 4817-KCA
EOHT 4817-FHB	101	2	43 25/32	3 1/2	★EOHT 4817-FHB	EDEOHT 4817-KDA	108	1	64 1/4	4	★EEOHT 4817-KDA
EDEOHT 4817-FJA	101	2	44 23/32	3 1/2	★EEOHT 4817-FJA	EOHT 4817-KDB	108	1	64 7/16	4	★EOHT 4817-KDB
EDEOHT 4817-FMA	101	2	47 23/32	3 1/2	★EEOHT 4817-FMA	EOHT 4817-KGB	108	3	67 7/16	4	★EOHT 4817-KGB
EOHT 4817-FNB	101	2	48 25/32	3 1/2	★EOHT 4817-FNB	EOHT 4817-KKA	95	1	25 9/16	4	★EOHT 4817-KKA

1980/  
TRUCK SERIES 600/900

**DRIVE LINE CROSS REFERENCE**

IDENTIFICATION AND/OR T.S.L. NUMBER	PARTS LIST NO.	SHAFT				IDENTIFICATION AND/OR T.S.L. NUMBER	PARTS LIST NO.	SHAFT			
		T Y P E	A (INCHES)	B (INCHES)	PART NUMBER			T Y P E	A (INCHES)	B (INCHES)	PART NUMBER
Notes: ♦ REFER TO SECTION 48.1 PAGE 1 FOR EXPLANATION OF THE CHART AND THE CODES SHOWN											
% Install 90° out of phase											
EOHT 4817-KLA	80	1	7 5/64	4	★EOHT 4817-KLA	E1HT 4817-CEA	132	1	27 3/64	4 3/32	★E1HT 4817-CEA
E1HT 4817-AA	132	1	19 1/16	4 1/16	★E1HT 4817-AA	E1HT 4817-CFA	132	1	28 3/64	4 1/16	★E1HT 4817-CFA
E1HT 4817-EA	132	1	23 1/16	4 1/16	★E1HT 4817-EA	E1HT 4817-CGA	132	1	29 3/64	4 1/16	★E1HT 4817-CGA
E1HT 4817-FA	132	1	24 1/16	4 1/16	★E1HT 4817-FA	E1HT 4817-CHA	132	1	30 3/64	4 1/16	★E1HT 4817-CHA
E1HT 4817-GA	132	1	25 1/16	4 1/16	★E1HT 4817-GA	E1HT 4817-CJA	132	1	31 3/64	4 1/16	★E1HT 4817-CJA
E1HT 4817-HA	132	1	26 1/16	4 1/16	★E1HT 4817-HA	E1HT 4817-CKA	132	1	32 3/64	4 1/16	★E1HT 4817-CKA
E1HT 4817-JA	132	1	27 1/16	4 1/16	★E1HT 4817-JA	E1HT 4817-CLA	132	1	33 3/64	4 1/16	★E1HT 4817-CLA
E1HT 4817-KA	132	1	27 63/64	4 1/16	★E1HT 4817-KA	E1HT 4817-CMA	132	1	34 3/64	4 1/16	★E1HT 4817-CMA
E1HT 4817-LA	132	1	29 63/64	4 1/16	★E1HT 4817-LA	E1HT 4817-CNA	132	1	35 3/64	4 1/16	★E1HT 4817-CNA
E1HT 4817-MA	132	1	30 63/64	4 1/16	★E1HT 4817-MA	E1HT 4817-CRA	132	1	36 3/64	4 1/16	★E1HT 4817-CRA
E1HT 4817-NA	132	1	31 63/64	4 1/16	★E1HT 4817-NA	E1HT 4817-CSA	132	1	37 3/64	4 1/16	★E1HT 4817-CSA
E1HT 4817-RA	132	1	33 63/64	4 1/16	★E1HT 4817-RA	E1HT 4817-CTA	132	1	38 3/64	4 1/16	★E1HT 4817-CTA
E1HT 4817-SA	132	1	34 63/64	4 1/16	★E1HT 4817-SA	E1HT 4817-CUA	132	1	39 3/64	4 3/32	★E1HT 4817-CUA
E1HT 4817-TA	132	1	35 63/64	4 1/16	★E1HT 4817-TA	E1HT 4817-CYA	132	1	41 3/32	4 3/32	★E1HT 4817-CYA
E1HT 4817-UA	132	1	36 63/64	4 1/16	★E1HT 4817-UA	E1HT 4817-CZA	132	1	42 3/64	4 3/32	★E1HT 4817-CZA
E1HT 4817-VA	132	1	37 63/64	4 1/16	★E1HT 4817-VA	E1HT 4817-DAA	132	1	43 3/64	4 3/32	★E1HT 4817-DAA
E1HT 4817-YA	132	1	38 63/64	4 1/16	★E1HT 4817-YA	E1HT 4817-DBA	132	1	44 3/64	4 3/32	★E1HT 4817-DBA
E1HT 4817-ZA	132	1	40 3/64	4 1/16	★E1HT 4817-ZA	E1HT 4817-DCA	132	1	45 3/64	4 3/32	★E1HT 4817-DCA
E1HT 4817-AAA	132	1	41 3/64	4 1/16	★E1HT 4817-AAA	E1HT 4817-DDA	132	1	46 31/64	4 3/32	★E1HT 4817-DDA
E1HT 4817-ABA	132	1	42 3/64	4 1/16	★E1HT 4817-ABA	E1HT 4817-DEA	132	1	47 3/64	4 3/32	★E1HT 4817-DEA
E1HT 4817-ACA	132	1	43 3/64	4 1/16	★E1HT 4817-ACA	E1HT 4817-DFA	132	1	50 3/64	4 3/32	★E1HT 4817-DFA
E1HT 4817-ADA	132	1	43 3/64	4 1/16	★E1HT 4817-ADA	E1HT 4817-DGA	132	1	51 3/64	4 3/32	★E1HT 4817-DGA
E1HT 4817-AEA	132	1	45 3/64	4 1/16	★E1HT 4817-AEA	E1HT 4817-DHA	132	1	52 3/64	4 3/32	★E1HT 4817-DHA
E1HT 4817-AFA	132	1	46 3/64	4 1/16	★E1HT 4817-AFA	E1HT 4817-DJA	132	1	53 3/64	4 3/32	★E1HT 4817-DJA
E1HT 4817-AGA	132	1	47 3/64	4 1/16	★E1HT 4817-AGA	E1HT 4817-DKA	132	1	54 3/64	4 3/32	★E1HT 4817-DKA
E1HT 4817-AHA	132	1	48 3/64	4 1/16	★E1HT 4817-AHA	E1HT 4817-DLA	132	1	56 3/64	4 3/32	★E1HT 4817-DLA
E1HT 4817-AJA	132	1	49 3/64	4 1/16	★E1HT 4817-AJA	E1HT 4817-DMA	132	1	56 3/64	4 3/32	★E1HT 4817-DMA
E1HT 4817-AKA	132	1	50 3/64	4 1/16	★E1HT 4817-AKA	E1HT 4817-DNA	132	1	58 3/64	4 3/32	★E1HT 4817-DNA
E1HT 4817-ALA	132	1	51 3/64	4 1/16	★E1HT 4817-ALA	E1HT 4817-DRA	132	1	59 3/64	4 3/32	★E1HT 4817-DRA
E1HT 4817-AMA	132	1	52 3/64	4 1/16	★E1HT 4817-AMA	E1HT 4817-DSA	132	1	60 3/64	4 3/32	★E1HT 4817-DSA
E1HT 4817-ANA	132	1	53 3/64	4 1/16	★E1HT 4817-ANA	E1HT 4817-DTA	132	1	61 3/64	4 3/32	★E1HT 4817-DTA
E1HT 4817-ARA	132	1	53 3/64	4 1/16	★E1HT 4817-ARA	E1HT 4817-DUA	132	1	59 3/32	4 3/32	★E1HT 4817-DUA
E1HT 4817-ASA	132	1	54 3/64	4 1/16	★E1HT 4817-ASA	E1HT 4817-DVA	132	1	60 3/32	4 3/32	★E1HT 4817-DVA
E1HT 4817-ATA	132	1	55 3/64	4 1/16	★E1HT 4817-ATA	E1HT 4817-DYA	132	1	64 3/64	4 3/32	★E1HT 4817-DYA
E1HT 4817-AUA	132	1	56 3/64	4 1/16	★E1HT 4817-AUA	E1HT 4817-DZA	132	1	65 3/64	4 3/32	★E1HT 4817-DZA
E1HT 4817-AVA	132	1	58 3/64	4 1/16	★E1HT 4817-AVA	E1HT 4817-EAA	132	1	66 3/64	4 3/32	★E1HT 4817-EAA
E1HT 4817-AYA	132	1	59 3/64	4 1/16	★E1HT 4817-AYA	E1HT 4817-EBA	132	1	64 3/32	4 3/32	★E1HT 4817-EBA
E1HT 4817-AZA	132	1	60 3/64	4 1/16	★E1HT 4817-AZA	E1HT 4817-ECA	132	1	68 3/64	4 3/32	★E1HT 4817-ECA
E1HT 4817-BAA	132	1	61 3/64	4 1/16	★E1HT 4817-BAA	E1HT 4817-EDA	132	1	69 3/64	4 3/32	★E1HT 4817-EDA
E1HT 4817-BBA	132	1	61 3/64	4 1/16	★E1HT 4817-BBA	E1HT 4817-EEA	132	1	67 3/32	4 3/32	★E1HT 4817-EEA
E1HT 4817-BDA	132	1	63 3/64	4 1/16	★E1HT 4817-BDA	E1HT 4817-EFA	132	1	71 3/64	4 3/32	★E1HT 4817-EFA
E1HT 4817-BEA	132	1	64 3/32	4 1/16	★E1HT 4817-BEA	E1HT 4817-EJA	132	1	71 3/64	4 3/32	★E1HT 4817-EJA
E1HT 4817-BFA	132	1	65 3/64	4 1/16	★E1HT 4817-BFA	E1HT 4817-ELA	132	1	73 3/32	4 3/32	★E1HT 4817-ELA
E1HT 4817-BHA	132	1	67 3/32	4 1/16	★E1HT 4817-BHA	E1HT 4817-EMA	132	1	74 3/32	4 3/32	★E1HT 4817-EMA
E1HT 4817-BJA	132	1	68 3/64	4 1/16	★E1HT 4817-BJA	E1HT 4817-ENA	131	2	16 25/32	3 1/2	★E1HT 4817-ENA
E1HT 4817-BKA	132	1	69 3/64	4 1/16	★E1HT 4817-BKA	E1HT 4817-ERA	131	2	20 25/32	3 1/2	★E1HT 4817-ERA
E1HT 4817-BNA	132	1	72 3/32	4 1/16	★E1HT 4817-BNA	E1HT 4817-ESA	131	2	19 25/32	3 1/2	★E1HT 4817-ESA
E1HT 4817-BSA	132	1	74 3/32	4 1/16	★E1HT 4817-BSA	E1HT 4817-ETA	131	2	22 25/32	3 1/2	★E1HT 4817-ETA
E1HT 4817-BZA	132	1	23 1/32	4 3/32	★E1HT 4817-BZA	E1HT 4817-EUA	95	1	12 19/64	4	★E1HT 4817-EUA
E1HT 4817-CAA	132	1	24 1/32	4 3/32	★E1HT 4817-CAA	E1HT 4817-EVA	46	3	17 25/32	3 1/2	★E1HT 4817-EVA
E1HT 4817-CBA	132	1	25 1/32	4 3/32	★E1HT 4817-CBA	E1HT 4817-EYA	132	1	15 1/16	4 1/16	★E1HT 4817-EYA
E1HT 4817-CCA	132	1	26 1/32	4 3/32	★E1HT 4817-CCA	E1HT 4817-EZA	95	1	10 19/64	4	★E1HT 4817-EZA
E1HT 4817-CDA	132	1	27 1/32	4 3/32	★E1HT 4817-CDA	E1HT 4817-FAA	132	1	13 1/16	4 1/16	★E1HT 4817-FAA

1980/  
TRUCK SERIES 600/900

**DRIVE LINE CROSS REFERENCE**

IDENTIFICATION AND/OR T.S.L. NUMBER	PARTS LIST NO.	SHAFT				IDENTIFICATION AND/OR T.S.L. NUMBER	PARTS LIST NO.	SHAFT			
		T Y P E	A (INCHES)	B (INCHES)	PART NUMBER			T Y P E	A (INCHES)	B (INCHES)	PART NUMBER

Notes: ♦ REFER TO SECTION 48.1 PAGE 1 FOR EXPLANATION OF THE CHART AND THE CODES SHOWN

% Install 90° out of phase

E2HT 4817-AA	132	1	17 1/16	4 1/16	★E2HT 4817-AA	E4HT 4817-FJA	134	2	59 47/64	3 1/2	★E4HT 4817-FJA
E2HT 4817-BA	130	2	21 25/32	3 1/2	★E2HT 4817-BA	E4HT 4817-FKA	134	2	60 47/64	3 1/2	★E4HT 4817-FKA
E2HT 4817-CA	130	2	18 25/32	3 1/2	★E2HT 4817-CA	E4HT 4817-FLA	134	2	61 47/64	4	★E4HT 4817-FLA
E3HT 4817-AA	132	1	16 1/16	4 1/16	★E3HT 4817-AA	E4HT 4817-FMA	134	2	62 47/64	4	★E4HT 4817-FMA
E3HT 4817-BA	132	1	14 1/16	4 1/16	★E3HT 4817-BA	E4HT 4817-FNA	134	2	63 47/64	4	★E4HT 4817-FNA
E3HT 4817-CA	131	1	18 7/32	3 1/2	★E3HT 4817-CA	E4HT 4817-FRA	134	2	64 47/64	4	★E4HT 4817-FRA
E3HT 4817-DA	131	1	19 7/32	3 1/2	★E3HT 4817-DA	E4HT 4817-FSA	134	2	65 47/64	4	★E4HT 4817-FSA
E3HT 4817-EA	132	1	75 3/64	4 1/16	★E3HT 4817-EA	E4HT 4817-FTA	134	2	66 47/64	4	★E4HT 4817-FTA
E3HT 4817-FA	132	1	75 3/64	4 3/32	★E3HT 4817-FA	E4HT 4817-FUA	134	2	67 47/64	4	★E4HT 4817-FUA
E3HT 4817-GA	132	1	12 1/16	4 1/16	★E3HT 4817-GA	E4HT 4817-FVA	134	2	68 5/32	4	★E4HT 4817-FVA
E3HT 4817-HA	108	3	70 7/16	4	★E3HT 4817-HA	E4HT 4817-FZA	134	2	70 47/64	4	★E4HT 4817-FZA
E4HT 4817-AAA	133	3	28	3	★E4HT 4817-AAA	E4HT 4817-GAA	134	2	71 47/64	4	★E4HT 4817-GAA
E4HT 4817-ABA	133	3	29	3	★E4HT 4817-ABA	E4HT 4817-GCA	134	2	73 23/32	4	★E4HT 4817-GCA
E4HT 4817-ACA	133	3	30	3	★E4HT 4817-ACA	E4HT 4817-HSA	135	3	23 5/32	3 1/2	★E4HT 4817-HSA
E4HT 4817-ADA	133	3	31	3	★E4HT 4817-ADA	E4HT 4817-HTA	135	3	24 5/32	3 1/2	★E4HT 4817-HTA
E4HT 4817-AEA	133	3	32	3	★E4HT 4817-AEA	E4HT 4817-HVA	135	3	26 5/32	3 1/2	★E4HT 4817-HVA
E4HT 4817-AFA	133	3	33	3	★E4HT 4817-AFA	E4HT 4817-HZA	135	3	28 5/32	3 1/2	★E4HT 4817-HZA
E4HT 4817-BLA	133	3	59	3 1/2	★E4HT 4817-BLA	E4HT 4817-JAA	135	3	28 5/32	3 1/2	★E4HT 4817-JAA
E4HT 4817-BNA	133	3	60	4	★E4HT 4817-BNA	E4HT 4817-JBA	135	2	61 5/32	3 1/2	★E4HT 4817-JBA
E4HT 4817-BRA	133	3	61	4	★E4HT 4817-BRA	E4HT 4817-JCA	135	3	30 5/32	3 1/2	★E4HT 4817-JCA
E4HT 4817-BSA	133	3	62	4	★E4HT 4817-BSA	E4HT 4817-JEA	135	3	32 5/32	3 1/2	★E4HT 4817-JEA
E4HT 4817-BTA	133	3	63	4	★E4HT 4817-BTA	E4HT 4817-JNA	135	3	40 5/32	3 1/2	★E4HT 4817-JNA
E4HT 4817-BUA	133	3	64	4	★E4HT 4817-BUA	E4HT 4817-JRA	135	3	41 5/32	3 1/2	★E4HT 4817-JRA
E4HT 4817-BVA	133	3	65	4	★E4HT 4817-BVA	E4HT 4817-JYA	135	3	46 5/32	3 1/2	★E4HT 4817-JYA
E4HT 4817-BZA	133	3	67	4	★E4HT 4817-BZA	E4HT 4817-JZA	135	1	47 5/64	3 1/2	★E4HT 4817-JZA
E4HT 4817-DKA	134	2	20 47/64	3 1/2	★E4HT 4817-DKA	E4HT 4817-KEA	135	3	52 5/32	3 1/2	★E4HT 4817-KEA
E4HT 4817-DLA	134	2	21 47/64	3 1/2	★E4HT 4817-DLA	E4HT 4817-KFA	135	3	53 5/32	3 1/2	★E4HT 4817-KFA
E4HT 4817-DMA	134	2	22 47/64	3 1/2	★E4HT 4817-DMA	E4HT 4817-KGA	135	3	54 5/32	3 1/2	★E4HT 4817-KGA
E4HT 4817-DSA	134	2	25 47/64	3 1/2	★E4HT 4817-DSA	E4HT 4817-KHA	135	3	55 5/32	3 1/2	★E4HT 4817-KHA
E4HT 4817-DTA	134	2	26 47/64	3 1/2	★E4HT 4817-DTA	E4HT 4817-KJA	135	3	56 5/32	3 1/2	★E4HT 4817-KJA
E4HT 4817-DUA	134	2	27 47/64	3 1/2	★E4HT 4817-DUA	E4HT 4817-KKA	135	3	57 5/32	3 1/2	★E4HT 4817-KKA
E4HT 4817-DVA	134	2	28 47/64	3 1/2	★E4HT 4817-DVA	E4HT 4817-KLA	135	3	58 11/64	4	★E4HT 4817-KLA
E4HT 4817-DYA	134	2	29 47/64	3 1/2	★E4HT 4817-DYA	E4HT 4817-KMA	135	3	58 11/64	4	★E4HT 4817-KMA
E4HT 4817-DZA	134	2	30 47/64	3 1/2	★E4HT 4817-DZA	E4HT 4817-KNA	135	3	60 11/64	4	★E4HT 4817-KNA
E4HT 4817-EAA	134	2	31 47/64	3 1/2	★E4HT 4817-EAA	E4HT 4817-KRA	135	3	61 11/64	4	★E4HT 4817-KRA
E4HT 4817-EBA	134	2	32 47/64	3 1/2	★E4HT 4817-EBA	E4HT 4817-KSA	135	3	62 11/64	4	★E4HT 4817-KSA
E4HT 4817-ECA	134	2	33 47/64	3 1/2	★E4HT 4817-ECA	E4HT 4817-KTA	135	3	63 11/64	4	★E4HT 4817-KTA
E4HT 4817-EEA	134	2	35 47/64	3 1/2	★E4HT 4817-EEA	E4HT 4817-KUA	135	3	64 11/64	4	★E4HT 4817-KUA
E4HT 4817-EFA	134	2	36 47/64	3 1/2	★E4HT 4817-EFA	E4HT 4817-KVA	135	3	65 11/64	4	★E4HT 4817-KVA
E4HT 4817-EGA	134	2	37 47/64	3 1/2	★E4HT 4817-EGA	E4HT 4817-KZA	135	3	67 11/64	4	★E4HT 4817-KZA
E4HT 4817-EHA	134	2	38 47/64	3 1/2	★E4HT 4817-EHA	E4HT 4817-LAA	135	3	68 11/64	4	★E4HT 4817-LAA
E4HT 4817-EJA	134	2	39 47/64	3 1/2	★E4HT 4817-EJA	E4HT 4817-LBA	135	3	69 11/64	4	★E4HT 4817-LBA
E4HT 4817-EMA	134	2	42 47/64	3 1/2	★E4HT 4817-EMA	E4HT 4817-LCA	135	3	70 11/64	4	★E4HT 4817-LCA
E4HT 4817-ENA	134	2	43 47/64	3 1/2	★E4HT 4817-ENA	E4HT 4817-LDA	135	1	71 5/64	4	★E4HT 4817-LDA
E4HT 4817-EUA	134	2	47 47/64	3 1/2	★E4HT 4817-EUA	E4HT 4817-LEA	135	3	72 11/64	4	★E4HT 4817-LEA
E4HT 4817-EVA	134	2	48 47/64	3 1/2	★E4HT 4817-EVA	E4HT 4817-MLA	136	1	18 9/32	3 1/2	★E4HT 4817-MLA
E4HT 4817-EYA	134	2	49 47/64	3 1/2	★E4HT 4817-EYA	E4HT 4817-MMA	136	3	19 7/32	3 1/2	★E4HT 4817-MMA
E4HT 4817-FBA	134	2	52 23/32	3 1/2	★E4HT 4817-FBA	E4HT 4817-MSA	136	3	22 1/8	3 1/2	★E4HT 4817-MSA
E4HT 4817-FCA	134	2	53 47/64	3 1/2	★E4HT 4817-FCA	E4HT 4817-MTA	136	3	23 7/32	3 1/2	★E4HT 4817-MTA
E4HT 4817-FEA	134	2	55 47/64	3 1/2	★E4HT 4817-FEA	E4HT 4817-MUA	136	3	24 7/32	3 1/2	★E4HT 4817-MUA
E4HT 4817-FFA	134	2	56 47/64	3 1/2	★E4HT 4817-FFA	E4HT 4817-MVA	136	3	25 1/8	3 1/2	★E4HT 4817-MVA
E4HT 4817-FGA	134	2	57 47/64	3 1/2	★E4HT 4817-FGA	E4HT 4817-MYA	136	1	26 31/64	3 1/2	★E4HT 4817-MYA
E4HT 4817-FHA	134	2	58 47/64	3 1/2	★E4HT 4817-FHA	E4HT 4817-MZA	136	3	27 1/8	3 1/2	★E4HT 4817-MZA

1980/  
TRUCK SERIES 600/900

DRIVE LINE CROSS REFERENCE

IDENTIFICATION AND/OR T.S.L. NUMBER	PARTS LIST NO.	SHAFT				IDENTIFICATION AND/OR T.S.L. NUMBER	PARTS LIST NO.	SHAFT			
		T Y P E	A (INCHES)	B (INCHES)	PART NUMBER			T Y P E	A (INCHES)	B (INCHES)	PART NUMBER

Notes: ♦ REFER TO SECTION 48.1 PAGE 1 FOR EXPLANATION OF THE CHART AND THE CODES SHOWN

% Install 90° out of phase

E4HT 4817-NAA	136	3	28 1/8	3 1/2	★E4HT 4817-NAA	E7HT 4817-AAA	137	1	31 9/32	4	★E7HT 4817-AAA
E4HT 4817-NDA	136	1	31 31/64	3 1/2	★E4HT 4817-NDA	E7HT 4817-ABA	137	1	33 9/16	4	★E7HT 4817-ABA
E4HT 4817-NNA	136	3	40 1/8	3 1/2	★E4HT 4817-NNA	E7HT 4817-ACA	137	1	34 9/16	4	★E7HT 4817-ACA
E4HT 4817-NRA	136	3	41 1/8	3 1/2	★E4HT 4817-NRA	E7HT 4817-ADA	137	1	34 3/16	4	★E7HT 4817-ADA
E4HT 4817-NSA	136	3	42 1/8	3 1/2	★E4HT 4817-NSA	E7HT 4817-AEA	137	1	35 3/16	4	★E7HT 4817-AEA
E4HT 4817-NTA	136	3	43 1/8	3 1/2	★E4HT 4817-NTA	E7HT 4817-AFA	137	1	36 9/32	4	★E7HT 4817-AFA
E4HT 4817-NUA	136	3	44 1/8	3 1/2	★E4HT 4817-NUA	E7HT 4817-AGA	137	1	37 3/16	4	★E7HT 4817-AGA
E4HT 4817-NYA	136	3	46 1/8	3 1/2	★E4HT 4817-NYA	E7HT 4817-AHA	137	1	39 9/16	4	★E7HT 4817-AHA
E4HT 4817-NZA	136	3	47 1/8	3 1/2	★E4HT 4817-NZA	E7HT 4817-AJA	137	1	40 9/16	4	★E7HT 4817-AJA
E4HT 4817-RAA	136	3	48 1/8	3 1/2	★E4HT 4817-RAA	E7HT 4817-AKA	137	1	38 13/16	4	★E7HT 4817-AKA
E4HT 4817-RBA	136	1	49 9/32	3 1/2	★E4HT 4817-RBA	E7HT 4817-ALA	137	1	41 19/64	4	★E7HT 4817-ALA
E4HT 4817-RCA	136	3	50 1/8	3 1/2	★E4HT 4817-RCA	E7HT 4817-AMA	137	1	42 9/32	4	★E7HT 4817-AMA
E4HT 4817-RDA	136	3	51 1/8	3 1/2	★E4HT 4817-RDA	E7HT 4817-ANA	137	1	41 13/16	4	★E7HT 4817-ANA
E4HT 4817-REA	136	3	52 1/8	3 1/2	★E4HT 4817-REA	E7HT 4817-ARA	137	1	42 13/16	4	★E7HT 4817-ARA
E4HT 4817-RFA	136	3	53 1/8	3 1/2	★E4HT 4817-RFA	E7HT 4817-ASA	137	1	45 3/16	4	★E7HT 4817-ASA
E4HT 4817-RGA	136	3	54 1/8	3 1/2	★E4HT 4817-RGA	E7HT 4817-ATA	137	1	46 3/16	4	★E7HT 4817-ATA
E4HT 4817-RHA	136	3	55 1/8	3 1/2	★E4HT 4817-RHA	E7HT 4817-AUA	137	1	47 19/64	4	★E7HT 4817-AUA
E4HT 4817-RJA	136	3	56 1/8	3 1/2	★E4HT 4817-RJA	E7HT 4817-AVA	137	1	48 3/16	4	★E7HT 4817-AVA
E4HT 4817-RKA	136	3	57 1/8	3 1/2	★E4HT 4817-RKA	E7HT 4817-AYA	137	1	49 3/16	4	★E7HT 4817-AYA
E4HT 4817-RLA	136	3	58 1/8	4	★E4HT 4817-RLA	E7HT 4817-AZA	137	1	47 13/16	4	★E7HT 4817-AZA
E4HT 4817-RMA	136	3	59 1/8	4	★E4HT 4817-RMA	E7HT 4817-BAA	137	1	51 3/16	4	★E7HT 4817-BAA
E4HT 4817-RNA	136	3	60 1/8	4	★E4HT 4817-RNA	E7HT 4817-BBA	137	1	52 3/16	4	★E7HT 4817-BBA
E4HT 4817-RRA	136	3	61 1/8	4	★E4HT 4817-RRA	E7HT 4817-BCA	137	1	49 5/64	4	★E7HT 4817-BCA
E4HT 4817-RSA	136	3	62 1/8	4	★E4HT 4817-RSA	E7HT 4817-BDA	137	1	54 3/16	4	★E7HT 4817-BDA
E4HT 4817-RTA	136	3	63 1/8	4	★E4HT 4817-RTA	E7HT 4817-BEA	137	1	55 3/16	4	★E7HT 4817-BEA
E4HT 4817-RUA	136	3	64 1/8	4	★E4HT 4817-RUA	E7HT 4817-BFA	137	1	56 7/16	4	★E7HT 4817-BFA
E4HT 4817-RVA	136	3	65 1/8	4	★E4HT 4817-RVA	E7HT 4817-BGA	137	1	57 3/16	4	★E7HT 4817-BGA
E4HT 4817-RYA	136	3	66 1/8	4	★E4HT 4817-RYA	E7HT 4817-BHA	137	1	58 19/64	4	★E7HT 4817-BHA
E4HT 4817-RZA	136	3	67 1/8	4	★E4HT 4817-RZA	E7HT 4817-BJA	137	1	59 3/16	4	★E7HT 4817-BJA
E4HT 4817-SAA	136	3	68 1/8	4	★E4HT 4817-SAA	E7HT 4817-BKA	137	1	60 9/32	4	★E7HT 4817-BKA
E4HT 4817-SBA	136	3	69 1/8	4	★E4HT 4817-SBA	E7HT 4817-BLA	137	1	61 9/32	4	★E7HT 4817-BLA
E4HT 4817-SCA	136	3	70 1/8	4	★E4HT 4817-SCA	E7HT 4817-BMA	137	1	60 3/16	4	★E7HT 4817-BMA
E4HT 4817-TBA	95		33 5/64	4	★E4HT 4817-TBA	E7HT 4817-BNA	137	1	61 13/16	4	★E7HT 4817-BNA
E5HT 4817-AA	80	1	13 29/32	4	★E5HT 4817-AA	E7HT 4817-BRA	137	1	64 19/64	4	★E7HT 4817-BRA
E5HT 4817-BA	80	1	14 59/64	4	★E5HT 4817-BA	E7HT 4817-BSA	137	1	65 19/64	4	★E7HT 4817-BSA
E5HT 4817-CA	80	1	15 29/32	4	★E5HT 4817-CA	E7HT 4817-BTA	137	1	66 9/32	4	★E7HT 4817-BTA
E5HT 4817-DA	80	1	16 29/32	4	★E5HT 4817-DA	E7HT 4817-CEA	138	1	15 19/32	4	★E7HT 4817-CEA
E5HT 4817-EA	80	1	17 29/32	4	★E5HT 4817-EA	E7HT 4817-CFA	138	1	16 19/32	4	★E7HT 4817-CFA
E5HT 4817-FA	80	1	13 29/32	4 1/2	★E5HT 4817-FA	E7HT 4817-CGA	138	1	17 19/32	4	★E7HT 4817-CJA
E5HT 4817-GA	80	1	14 29/32	4 1/2	★E5HT 4817-GA	E7HT 4817-CHA	138	1	12 1/32	4	★E7HT 4817-CHA
E7HT 4817-CA	137	1	14 9/16	4	★E7HT 4817-CA	E7HT 4817-CJA	138	1	19 19/32	4	★E7HT 4817-CJA
E7HT 4817-DA	137	1	15 9/16	4	★E7HT 4817-DA	E7HT 4817-CKA	138	1	14 1/32	4	★E7HT 4817-CKA
E7HT 4817-GA	137	1	17 21/64	4	★E7HT 4817-GA	E7HT 4817-CLA	138	1	21 19/32	4	★E7HT 4817-CLA
E7HT 4817-HA	137	1	19 9/16	4	★E7HT 4817-HA	E7HT 4817-CMA	138	1	20 29/32	4	★E7HT 4817-CMA
E7HT 4817-JA	137	1	18 19/64	4	★E7HT 4817-JA	E7HT 4817-CRA	138	1	22 31/32	4	★E7HT 4817-CRA
E7HT 4817-KA	137	1	19 19/64	4	★E7HT 4817-KA	E7HT 4817-CSA	138	1	23 31/32	4	★E7HT 4817-CSA
E7HT 4817-NA	137	1	23 21/64	4	★E7HT 4817-NA	E7HT 4817-CTA	138	1	24 31/32	4	★E7HT 4817-CTA
E7HT 4817-RA	137	1	23 19/64	4	★E7HT 4817-RA	E7HT 4817-CUA	138	1	25 31/32	4	★E7HT 4817-CUA
E7HT 4817-SA	137	1	21 1/16	4	★E7HT 4817-SA	E7HT 4817-CVA	138	1	27 7/64	4	★E7HT 4817-CVA
E7HT 4817-TA	137	1	27 9/32	4	★E7HT 4817-TA	E7HT 4817-CYA	138	1	27 31/32	4	★E7HT 4817-CYA
E7HT 4817-UA	137	1	28 9/32	4	★E7HT 4817-UA	E7HT 4817-CZA	138	1	29 7/64	4	★E7HT 4817-CZA
E7HT 4817-VA	137	1	29 9/32	4	★E7HT 4817-VA	E7HT 4817-DAA	138	1	30	4	★E7HT 4817-DAA
E7HT 4817-ZA	137	1	30 9/32	4	★E7HT 4817-ZA	E7HT 4817-DBA	138	1	31 7/64	4	★E7HT 4817-DBA

1980/  
TRUCK SERIES 600/900

**DRIVE LINE CROSS REFERENCE**

IDENTIFICATION AND/OR T.S.L. NUMBER	PARTS LIST NO.	SHAFT				IDENTIFICATION AND/OR T.S.L. NUMBER	PARTS LIST NO.	SHAFT			
		T Y P E	A (INCHES)	B (INCHES)	PART NUMBER			T Y P E	A (INCHES)	B (INCHES)	PART NUMBER

Notes: ♦ REFER TO SECTION 48.1 PAGE 1 FOR EXPLANATION OF THE CHART AND THE CODES SHOWN  
% Install 90° out of phase

E7HT 4817-DCA	138	1	33 19/32	4	★E7HT 4817-DCA	E7HT 4817-GHA	138	1	37 19/32	4 9/16	★E7HT 4817-GHA
E7HT 4817-DDA	138	1	33	4	★E7HT 4817-DDA	E7HT 4817-GJA	138	1	32 1/32	4 9/16	★E7HT 4817-GJA
E7HT 4817-DEA	138	1	35 19/32	4	★E7HT 4817-DEA	E7HT 4817-GKA	138	1	39 19/32	4 9/16	★E7HT 4817-GKA
E7HT 4817-DFA	138	1	35	4	★E7HT 4817-DFA	E7HT 4817-GLA	138	1	38 31/32	4 9/16	★E7HT 4817-GLA
E7HT 4817-DGA	138	1	36 7/64	4	★E7HT 4817-DGA	E7HT 4817-GMA	138	1	39 31/32	4 9/16	★E7HT 4817-GMA
E7HT 4817-DHA	138	1	37	4	★E7HT 4817-DHA	E7HT 4817-GNA	138	1	40 31/32	4 9/16	★E7HT 4817-GNA
E7HT 4817-DJA	138	1	38	4	★E7HT 4817-DJA	E7HT 4817-GRA	138	1	42 7/64	4 9/16	★E7HT 4817-GRA
E7HT 4817-DKA	138	1	39	4	★E7HT 4817-DKA	E7HT 4817-GSA	138	1	42 31/32	4 9/16	★E7HT 4817-GSA
E7HT 4817-DLA	138	1	39 31/32	4	★E7HT 4817-DLA	E7HT 4817-GTA	138	1	39 1/32	4 9/16	★E7HT 4817-GTA
E7HT 4817-DMA	138	1	41	4	★E7HT 4817-DMA	E7HT 4817-GUA	138	1	45 7/64	4 9/16	★E7HT 4817-GUA
E7HT 4817-DNA	138	1	42	4	★E7HT 4817-DNA	E7HT 4817-GVA	138	1	41 1/32	4 9/16	★E7HT 4817-GVA
E7HT 4817-DRA	138	1	43	4	★E7HT 4817-DRA	E7HT 4817-GYA	138	1	47 7/64	4 9/16	★E7HT 4817-GYA
E7HT 4817-DSA	138	1	45	4	★E7HT 4817-DSA	E7HT 4817-GZA	138	1	43 1/32	4 9/16	★E7HT 4817-GZA
E7HT 4817-DTA	138	1	45	4	★E7HT 4817-DTA	E7HT 4817-HAA	138	1	50 19/32	4 9/16	★E7HT 4817-HAA
E7HT 4817-DUA	138	1	46	4	★E7HT 4817-DUA	E7HT 4817-HBA	138	1	50 7/64	4 9/16	★E7HT 4817-HBA
E7HT 4817-DVA	138	1	46 31/32	4	★E7HT 4817-DVA	E7HT 4817-HCA	138	1	51 7/64	4 9/16	★E7HT 4817-HCA
E7HT 4817-DYA	138	1	47 31/32	4	★E7HT 4817-DYA	E7HT 4817-HDA	138	1	51 31/32	4 9/16	★E7HT 4817-HDA
E7HT 4817-DZA	138	1	48 31/32	4	★E7HT 4817-DZA	E7HT 4817-HEA	138	1	53 7/64	4 9/16	★E7HT 4817-HEA
E7HT 4817-EAA	138	1	49 31/32	4	★E7HT 4817-EAA	E7HT 4817-HGA	138	1	55 7/64	4 9/16	★E7HT 4817-HGA
E7HT 4817-EBA	138	1	50 31/32	4	★E7HT 4817-EBA	E7HT 4817-HHA	138	1	51 1/32	4 9/16	★E7HT 4817-HHA
E7HT 4817-ECA	138	1	51 31/32	4	★E7HT 4817-ECA	E7HT 4817-HLA	138	1	54 1/32	4 9/16	★E7HT 4817-HLA
E7HT 4817-EDA	138	1	52 31/32	4	★E7HT 4817-EDA	E7HT 4817-HMA	138	1	60 7/64	4 9/16	★E7HT 4817-HMA
E7HT 4817-EFA	138	1	53 31/32	4	★E7HT 4817-EFA	E7HT 4817-HNA	138	1	61 7/64	4 9/16	★E7HT 4817-HNA
E7HT 4817-EGA	138	1	54 31/32	4	★E7HT 4817-EGA	E7HT 4817-HSA	138	1	63 7/64	4 9/16	★E7HT 4817-HSA
E7HT 4817-EHA	138	1	55 31/32	4	★E7HT 4817-EHA	E7HT 4817-HTA	138	1	64 7/64	4 9/16	★E7HT 4817-HTA
E7HT 4817-EJA	138	1	57 7/64	4	★E7HT 4817-EJA	E7HT 4817-HUA	138	1	65 7/64	4 9/16	★E7HT 4817-HUA
E7HT 4817-EKA	138	1	57 31/32	4	★E7HT 4817-EKA	E7HT 4817-HZA	138	1	63 1/32	4 9/16	★E7HT 4817-HZA
E7HT 4817-ELA	138	1	59 9/32	4	★E7HT 4817-ELA	E7HT 4817-JDA	138	1	72 7/64	4 9/16	★E7HT 4817-JDA
E7HT 4817-EMA	138	1	60 7/64	4	★E7HT 4817-EMA	E8HT 4817-LA	140	1	22 3/32	4 1/16	★E8HT 4817-LA
E7HT 4817-ENA	138	1	61 7/64	4	★E7HT 4817-ENA	E8HT 4817-MA	140	1	23 3/32	4 1/16	★E8HT 4817-MA
E7HT 4817-ERA	138	1	61 31/32	4	★E7HT 4817-ERA	E8HT 4817-VA	140	1	29 3/32	4 1/16	★E8HT 4817-VA
E7HT 4817-ESA	138	1	57 7/16	4	★E7HT 4817-ESA	E8HT 4817-YA	140	1	30 3/32	4 1/16	★E8HT 4817-YA
E7HT 4817-ETA	138	1	63 31/32	4	★E7HT 4817-ETA	E8HT 4817-ZA	140	1	31 3/32	4 1/16	★E8HT 4817-ZA
E7HT 4817-EUA	138	1	65 7/64	4	★E7HT 4817-EUA	E8HT 4817-AAA	140	1	32 3/32	4 1/16	★E8HT 4817-AAA
E7HT 4817-EVA	138	1	66 7/64	4	★E7HT 4817-EVA	E8HT 4817-ABA	140	1	32 5/64	4 1/16	★E8HT 4817-ABA
E7HT 4817-EYA	138	1	67 7/64	4	★E7HT 4817-EYA	E8HT 4817-ACA	140	1	34 3/32	4 1/16	★E8HT 4817-ACA
E7HT 4817-EZA	138	1	67 31/32	4	★E7HT 4817-EZA	E8HT 4817-ADA	140	1	34 5/64	4 1/16	★E8HT 4817-ADA
E7HT 4817-FEA	138	1	13 7/64	4 9/16	★E7HT 4817-FEA	E8HT 4817-AFA	140	1	36 5/64	4 1/16	★E8HT 4817-AFA
E7HT 4817-FFA	138	1	8 7/16	4 9/16	★E7HT 4817-FFA	E8HT 4817-AGA	140	1	38 3/32	4 1/16	★E8HT 4817-AGA
E7HT 4817-FGA	138	1	16 19/32	4 9/16	★E7HT 4817-FGA	E8HT 4817-ALA	140	1	42 3/32	4 1/16	★E8HT 4817-ALA
E7HT 4817-FSA	138	1	17 7/16	4 9/16	★E7HT 4817-FSA	E8HT 4817-AMA	140	1	43 3/32	4 1/16	★E8HT 4817-AMA
E7HT 4817-FTA	138	1	19 1/32	4 9/16	★E7HT 4817-FTA	E8HT 4817-ANA	140	1	44 3/32	4 1/16	★E8HT 4817-ANA
E7HT 4817-FUA	138	1	25 7/64	4 9/16	★E7HT 4817-FUA	E8HT 4817-ARA	140	1	45 3/32	4 1/16	★E8HT 4817-ARA
E7HT 4817-FVA	138	1	21 1/32	4 9/16	★E7HT 4817-FVA	E8HT 4817-ASA	140	1	46 3/32	4 1/16	★E8HT 4817-ASA
E7HT 4817-FYA	138	1	21 7/16	4 9/16	★E7HT 4817-FYA	E8HT 4817-BBA	140	1	52 5/64	4 1/16	★E8HT 4817-BBA
E7HT 4817-FZA	138	1	23 1/32	4 9/16	★E7HT 4817-FZA	E8HT 4817-BCA	140	1	54 3/32	4 1/16	★E8HT 4817-BCA
E7HT 4817-GAA	138	1	27 51/64	4 9/16	★E7HT 4817-GAA	E8HT 4817-BDA	140	1	54 5/64	4 1/16	★E8HT 4817-BDA
E7HT 4817-GBA	138	1	28 51/64	4 9/16	★E7HT 4817-GBA	E8HT 4817-BEA	140	1	56 3/32	4 1/16	★E8HT 4817-BEA
E7HT 4817-GCA	138	1	25 7/16	4 9/16	★E7HT 4817-GCA	E8HT 4817-BFA	140	1	57 3/32	4 1/16	★E8HT 4817-BFA
E7HT 4817-GDA	138	1	30 51/64	4 9/16	★E7HT 4817-GDA	E8HT 4817-BGA	140	1	58 3/32	4 1/16	★E8HT 4817-BGA
E7HT 4817-GEA	138	1	31 51/64	4 9/16	★E7HT 4817-GEA	E8HT 4817-BHA	140	1	59 3/32	4 1/16	★E8HT 4817-BHA
E7HT 4817-GFA	138	1	35 19/32	4 9/16	★E7HT 4817-GFA	E8HT 4817-BJA	140	1	60 3/32	4 1/16	★E8HT 4817-BJA
E7HT 4817-GGA	138	1	36 19/32	4 9/16	★E7HT 4817-GGA	E8HT 4817-BMA	140	1	63 3/32	4 1/16	★E8HT 4817-BMA

1980/  
TRUCK SERIES 600/900

DRIVE LINE CROSS REFERENCE

IDENTIFICATION AND/OR T.S.L. NUMBER	PARTS LIST NO.	SHAFT				IDENTIFICATION AND/OR T.S.L. NUMBER	PARTS LIST NO.	SHAFT			
		TYP	A (INCHES)	B (INCHES)	PART NUMBER			TYP	A (INCHES)	B (INCHES)	PART NUMBER

Notes: ♦ REFER TO SECTION 48.1 PAGE 1 FOR EXPLANATION OF THE CHART AND THE CODES SHOWN

% Install 90° out of phase

E8HT 4817-BNA	140	1	64 3/32	4 1/16	★E8HT 4817-BNA	E8HT 4817-GEA	139	1	39 3/32	4 9/16	★E8HT 4817-GEA
E8HT 4817-BRA	140	1	65 3/32	4 1/16	★E8HT 4817-BRA	E8HT 4817-GHA	139	1	42 3/32	4 9/16	★E8HT 4817-GHA
E8HT 4817-BTA	140	1	67 3/32	4 1/16	★E8HT 4817-BTA	E8HT 4817-GJA	139	1	43 3/32	4 9/16	★E8HT 4817-GJA
E8HT 4817-BUA	140	1	68 3/32	4 1/16	★E8HT 4817-BUA	E8HT 4817-GLA	139	1	45 3/32	4 9/16	★E8HT 4817-GLA
E8HT 4817-CJA	140	1	21 5/64	4 3/32	★E8HT 4817-CJA	E8HT 4817-GMA	139	1	46 3/32	4 1/2	★E8HT 4817-GMA
E8HT 4817-CKA	140	1	23 3/32	4 3/32	★E8HT 4817-CKA	E8HT 4817-GNA	139	1	47 3/32	4 9/16	★E8HT 4817-GNA
E8HT 4817-CLA	140	1	24 3/32	4 3/32	★E8HT 4817-CLA	E8HT 4817-GRA	139	1	48 3/32	4 9/16	★E8HT 4817-GRA
E8HT 4817-CRA	140	1	27 3/32	4 3/32	★E8HT 4817-CRA	E8HT 4817-GUA	139	1	51 3/32	4 9/16	★E8HT 4817-GUA
E8HT 4817-CSA	140	1	27 5/64	4 3/32	★E8HT 4817-CSA	E8HT 4817-GVA	139	1	52 3/32	4 9/16	★E8HT 4817-GVA
E8HT 4817-CTA	140	1	29 3/32	4 3/32	★E8HT 4817-CTA	E8HT 4817-GYA	139	1	53 3/32	4 9/16	★E8HT 4817-GYA
E8HT 4817-CUA	140	1	29 5/64	4 3/32	★E8HT 4817-CUA	E8HT 4817-GZA	139	1	54 3/32	4 9/16	★E8HT 4817-GZA
E8HT 4817-CVA	140	1	30 5/64	4 3/32	★E8HT 4817-CVA	E8HT 4817-HAA	139	1	55 3/32	4 9/16	★E8HT 4817-HAA
E8HT 4817-CYA	140	1	32 3/32	4 3/32	★E8HT 4817-CYA	E8HT 4817-HBA	139	1	56 3/32	4 9/16	★E8HT 4817-HBA
E8HT 4817-CZA	140	1	32 5/64	4 3/32	★E8HT 4817-CZA	E8HT 4817-HCA	139	1	57 3/32	4 9/16	★E8HT 4817-HCA
E8HT 4817-DAA	140	1	33 5/64	4 3/32	★E8HT 4817-DAA	E8HT 4817-HJA	139	1	63 3/32	4 9/16	★E8HT 4817-HJA
E8HT 4817-DBA	140	1	34 5/64	4 3/32	★E8HT 4817-DBA	E8HT 4817-HKA	139	1	64 3/32	4 9/16	★E8HT 4817-HKA
E8HT 4817-DCA	140	1	36 3/32	4 3/32	★E8HT 4817-DCA	E8HT 4817-HLA	139	1	65 3/32	4 9/16	★E8HT 4817-HLA
E8HT 4817-DDA	140	1	36 5/64	4 3/32	★E8HT 4817-DDA	E8HT 4817-HRA	139	1	68 3/32	4 9/16	★E8HT 4817-HRA
E8HT 4817-DEA	140	1	38 3/32	4 3/32	★E8HT 4817-DEA	E8HT 4817-JLA	139	1	22 3/32	4 1/2	★E8HT 4817-JLA
E8HT 4817-DHA	140	1	41 3/32	4 3/32	★E8HT 4817-DHA	E8HT 4817-JMA	139	1	23 3/32	4 1/2	★E8HT 4817-JMA
E8HT 4817-DJA	140	1	42 3/32	4 3/32	★E8HT 4817-DJA	E8HT 4817-JRA	139	1	25 3/32	4 1/2	★E8HT 4817-JRA
E8HT 4817-DKA	140	1	43 3/32	4 3/32	★E8HT 4817-DKA	E8HT 4817-JSA	139	1	26 3/32	4 1/2	★E8HT 4817-JSA
E8HT 4817-DLA	140	1	44 3/32	4 3/32	★E8HT 4817-DLA	E8HT 4817-JTA	139	1	27 3/32	4 1/2	★E8HT 4817-JTA
E8HT 4817-DMA	140	1	45 3/32	4 3/32	★E8HT 4817-DMA	E8HT 4817-JUA	139	1	28 3/32	4 1/2	★E8HT 4817-JUA
E8HT 4817-DNA	140	1	46 3/32	4 3/32	★E8HT 4817-DNA	E8HT 4817-JVA	139	1	29 3/32	4 1/2	★E8HT 4817-JVA
E8HT 4817-DRA	140	1	47 3/32	4 3/32	★E8HT 4817-DRA	E8HT 4817-JYA	139	1	30 3/32	4 1/2	★E8HT 4817-JYA
E8HT 4817-DSA	140	1	48 3/32	4 3/32	★E8HT 4817-DSA	E8HT 4817-JZA	139	1	31 3/32	4 1/2	★E8HT 4817-JZA
E8HT 4817-DVA	140	1	51 3/32	4 3/32	★E8HT 4817-DVA	E8HT 4817-KAA	139	1	32 3/32	4 1/2	★E8HT 4817-KAA
E8HT 4817-DYA	140	1	51 5/64	4 3/32	★E8HT 4817-DYA	E8HT 4817-KBA	139	1	33 3/32	4 1/2	★E8HT 4817-KBA
E8HT 4817-DZA	140	1	52 5/64	4 3/32	★E8HT 4817-DZA	E8HT 4817-KCA	139	1	34 3/32	4 1/2	★E8HT 4817-KCA
E8HT 4817-EBA	140	1	54 5/64	4 3/32	★E8HT 4817-EBA	E8HT 4817-KDA	139	1	35 3/32	4 1/2	★E8HT 4817-KDA
E8HT 4817-ECA	140	1	56 3/32	4 3/32	★E8HT 4817-ECA	E8HT 4817-KEA	139	1	36 3/32	4 1/2	★E8HT 4817-KEA
E8HT 4817-EFA	140	1	58 3/32	4 3/32	★E8HT 4817-EFA	E8HT 4817-KFA	139	1	31 5/64	4 1/2	★E8HT 4817-KFA
E8HT 4817-EGA	140	1	59 3/32	4 3/32	★E8HT 4817-EGA	E8HT 4817-KGA	139	1	38 3/32	4 1/2	★E8HT 4817-KGA
E8HT 4817-EKA	140	1	62 3/32	4 3/32	★E8HT 4817-EKA	E8HT 4817-KHA	139	1	39 7/64	4 1/2	★E8HT 4817-KHA
E8HT 4817-EMA	140	1	64 3/32	4 3/32	★E8HT 4817-EMA	E8HT 4817-KKA	139	1	41 3/32	4 1/2	★E8HT 4817-KKA
E8HT 4817-ENA	140	1	65 3/32	4 3/32	★E8HT 4817-ENA	E8HT 4817-KLA	139	1	42 3/32	4 1/2	★E8HT 4817-KLA
E8HT 4817-ERA	140	1	66 3/32	4 3/32	★E8HT 4817-ERA	E8HT 4817-KMA	139	1	43 3/32	4 1/2	★E8HT 4817-KMA
E8HT 4817-ESA	140	1	67 3/32	4 3/32	★E8HT 4817-ESA	E8HT 4817-KNA	139	1	44 3/32	4 1/2	★E8HT 4817-KNA
E8HT 4817-ETA	140	1	68 3/32	4 3/32	★E8HT 4817-ETA	E8HT 4817-KRA	139	1	45 3/32	4 1/2	★E8HT 4817-KRA
E8HT 4817-FJA	139	1	23 3/32	4 9/16	★E8HT 4817-FJA	E8HT 4817-KSA	139	1	46 3/32	4 1/2	★E8HT 4817-KSA
E8HT 4817-FNA	139	1	27 3/32	4 9/16	★E8HT 4817-FNA	E8HT 4817-KTA	139	1	47 3/32	4 1/2	★E8HT 4817-KTA
E8HT 4817-FSA	139	1	29 3/32	4 9/16	★E8HT 4817-FSA	E8HT 4817-KUA	139	1	48 3/32	4 1/2	★E8HT 4817-KUA
E8HT 4817-FTA	139	1	30 3/32	4 9/16	★E8HT 4817-FTA	E8HT 4817-KVA	139	1	49 3/32	4 1/2	★E8HT 4817-KVA
E8HT 4817-FUA	139	1	31 3/32	4 9/16	★E8HT 4817-FUA	E8HT 4817-KYA	139	1	50 3/32	4 1/2	★E8HT 4817-KYA
E8HT 4817-FVA	139	1	32 3/32	4 9/16	★E8HT 4817-FVA	E8HT 4817-KZA	139	1	51 3/32	4 1/2	★E8HT 4817-KZA
E8HT 4817-FYA	139	1	33 3/32	4 9/16	★E8HT 4817-FYA	E8HT 4817-LAA	139	1	52 3/32	4 1/2	★E8HT 4817-LAA
E8HT 4817-FZA	139	1	34 3/32	4 9/16	★E8HT 4817-FZA	E8HT 4817-LBA	139	1	53 3/32	4 1/2	★E8HT 4817-LBA
E8HT 4817-GAA	139	1	35 3/32	4 9/16	★E8HT 4817-GAA	E8HT 4817-LCA	139	1	54 3/32	4 1/2	★E8HT 4817-LCA
E8HT 4817-GCA	139	1	37 3/32	4 9/16	★E8HT 4817-GCA	E8HT 4817-LDA	139	1	55 3/32	4 1/2	★E8HT 4817-LDA
E8HT 4817-GDA	139	1	38 3/32	4 9/16	★E8HT 4817-GDA	E8HT 4817-LEA	139	1	56 3/32	4 1/2	★E8HT 4817-LEA

1980/  
TRUCK SERIES 600/900

**DRIVE LINE CROSS REFERENCE**

IDENTIFICATION AND/OR T.S.L. NUMBER	PARTS LIST NO.	SHAFT				PART NUMBER	IDENTIFICATION AND/OR T.S.L. NUMBER	PARTS LIST NO.	SHAFT				PART NUMBER
		T Y P E	A (INCHES)	B (INCHES)					T Y P E	A (INCHES)	B (INCHES)		

Notes: ♦ REFER TO SECTION 48.1 PAGE 1 FOR EXPLANATION OF THE CHART AND THE CODES SHOWN  
% Install 90° out of phase

E8HT 4817-LFA	139	1	57 7/64	4 1/2	★E8HT 4817-LFA	E8HT 4817-LNA	139	1	64 3/32	4 1/2	★E8HT 4817-LNA
E8HT 4817-LHA	139	1	59 3/32	4 1/2	★E8HT 4817-LHA	E8HT 4817-LRA	139	1	65 3/32	4 1/2	★E8HT 4817-LRA
E8HT 4817-LJA	139	1	60 3/32	4 1/2	★E8HT 4817-LJA	E8HT 4817-LSA	139	1	66 3/32	4 1/2	★E8HT 4817-LSA
E8HT 4817-LKA	139	1	61 3/32	4 1/2	★E8HT 4817-LKA	%E8HT 4817-MLA	138	1	36 7/64	4 1/2	★E8HT 4817-MLA
E8HT 4817-LLA	139	1	62 3/32	4 1/2	★E8HT 4817-LLA	%E8HT 4817-MMA	138	1	40 7/64	4 1/2	★E8HT 4817-MMA
E8HT 4817-LMA	139	1	63 3/32	4 1/2	★E8HT 4817-LMA	%E8HT 4817-MNA	138	1	34 7/64	4 1/2	★E8HT 4817-MNA

**DRIVE LINE CROSS REFERENCE GUIDE**

IDENTIFICATION AND/OR T.S.L. NUMBER	▲ CODE		▲ DRIVE SHAFT				IDENTIFICATION AND/OR T.S.L. NUMBER	▲ CODE		▲ DRIVE SHAFT									
	F L A N G E	S I R T A P E	J O I N T	R E A R	T Y P E	S I Z E (INCHES)		A	B	P A R T N U M B E R	F L A N G E	S I R T A P E	J O I N T	R E A R	T Y P E	S I Z E (INCHES)	A	B	P A R T N U M B E R

Note: ▲ Refer to Page 1 of this section for explanation of the chart and the codes shown — Cont'd  
‡‡ - Solid Shaft.

D2HA 4964-DB	58	39	39	27 1/16	3 1/2	★D2HZ 4964-A	D7HA 4964-AA	106	39	39	13 1/8	‡‡	D8HZ 4964-A
D2HA 4964-EA	58	39	39	17 7/16	3 1/2	★C6TZ 4964-G	D7HA 4964-BA	102	40	40	12 1/8	‡‡	D8HZ 4964-B
D2HA 4964-FA	77	40	40	14 1/16	‡‡	D1HZ 4964-B	D7HT 4964-FA	77	40	40	16 17/32	‡‡	★D7HZ 4964-A
D2HA 4964-GA	58	39	39	17 7/16	‡‡	C6TZ 4964-H							%bE2HT 4964-BA
D2HA 4964-HA	76	40	40	13 25/32	‡‡	D1HZ 4964-A	D7HT 4964-GA	55	39	39	17 1/32	3 1/2	★D7HT 4964-GA
D2HA 4964-JA	58	39	39	16 3/16	3 1/2	★D0HZ 4964-K	D7HT 4964-HA	84	41	41	19 1/8	3 1/2	★D7HT 4964-HA
D2HA 4964-KA	58	40	40	15	‡‡	C6TZ 4964-F	D7HT 4964-KA	58	39	39	15 13/16	3 1/2	★D7HT 4964-KA
D2HA 4964-LA	58	39	39	14 1/16	‡‡	D2HZ 4964-D	D7HT 4964-LA	77	40	40	15 7/16	‡	D8HZ 4964-C
D2HA 4964-MA	77	40	40	20 17/32	4	★D2HZ 4964-C	D7HT 4964-MA	58	39	39	18 15/16	3 1/2	★D7HT 4964-MA
D2HA 4964-NA	77	40	40	15 23/32	‡‡	D1HZ 4964-C	D7HT 4964-NA	77	40	40	18 1/32	4	★D7HT 4964-NA
D2HA 4964-RA	77	40	40	16 13/32	‡‡	★D1HZ 4964-D	E0HS 4964-GA	119	39	39	18 7/16	‡‡	E3HZ 4964-C
D2HA 4964-SA	58	39	39	17 7/16	3 1/2	C6TZ 4964-J	E1HT 4964-AA	77	40	40	16 9/32	4	★E1HT 4964-AA
D2HA 4964-TA	84	41	41	29 3/16	3 1/2	★D4HZ 4964-D	E2HT 4964-AA	77	40	40	15 25/32	4	★E2HT 4964-AA
D2HA 4964-UA	84	41	41	22 3/4	3 1/2	★D3HZ 4964-E	E2HT 4964-BA	77	40	40	16 17/32	4	★E2HT 4964-BA
D2HA 4964-YA	84	41	41	20 3/16	‡‡	D3HZ 4964-G	E2HT 4964-CA	77	40	40	17 17/32	4	★E2HT 4964-CA
D2HA 4964-AAA	84	41	41	18 7/16	3 1/2	★D4HZ 4964-A	E2HT 4964-DA	77	40	40	18 1/32	4	★E2HT 4964-DA
D2HA 4964-ABA	84	41	41	16 25/64	3 1/2	★D4HZ 4964-B	E2HT 4964-EA	77	40	40	19 17/32	4	★E2HT 4964-EA
D2HA 4964-ACA	84	41	41	19 7/16	3 1/2	★D4HZ 4964-C	E3HT 4964-AA	77	40	40	16 25/32	4	★E3HT 4964-AA
D2HS 4964-AAA	58	39	39	17 3/4	3 1/2	★D2HS 4964-AAA	E3HT 4964-BA	58	39	39	13 11/32	‡‡	E3HZ 4964-A
D2HS 4964-JA	58	39	39	21 5/16	‡‡	E0HZ 4964-A	E3HT 4964-CA	77	40	40	13 1/32	‡‡	E3HZ 4964-B
D3HA 4964-AA	58	39	39	21 5/16	3 1/2	D3HZ 4964-H	E3HT 4964-DA	77	40	40	25 17/32	4	★E3HT 4964-DA
D3HA 4964-BA	77	40	40	17 17/32	‡‡	★D3HZ 4964-A	E3HT 4964-EA	58	39	39	26 1/16	3 1/2	★E3HT 4964-EA
D3HA 4964-CA	58	39	39	18 5/16	3 1/2	D3HZ 4964-C	E3HT 4964-FA	77	40	40	18 9/32	4	★E3HT 4964-FA
D3HA 4964-DA	77	40	40	19 17/32	4	★D3HZ 4964-B	E3HT 4964-GA	55	39	39	17 13/16	3 1/2	★E3HT 4964-GA
D3HA 4964-EA	58	39	39	20 1/4	3 1/2	★D3HZ 4964-D	E9HT 4964-AA	55	39	39	22 1/16	3 1/2	★E9HT 4964-AA

# 1980/ TRUCK SERIES 600/900

## DRIVESHAFT SERVICE REPLACEMENT CHART

This chart is to be used to select the appropriate service replacement shaft for those shafts coded with symbol (●) in the Drive line Cross Reference Guide in this Section and in Section 46.

See index on Page 1 of this Section.

### DRIVESHAFT SERVICE REPLACEMENT CHART

ORIGINAL SHAFT	SERVICE REPLACEMENT SHAFT	ORIGINAL SHAFT	SERVICE REPLACEMENT SHAFT
<b>4A603 SHAFT (DRIVE)-See Instructions on Page 1 of this Section.</b>			
D0HA 4602-AD	★ C5TZ 4A603-E	D2HA 4602-KEA	★ C5TZ 4A603-CC
D0HA 4602-AF	C5TZ 4A603-F	D2HA 4602-KFA	★ C5TZ 4A603-CC
D0HA 4602-AH	★ C5TZ 4A603-G	D2HA 4602-KHA	★ C5TZ 4A603-CE
D0HA 4602-HY	★ C5TZ 4A603-FN	D2HA 4602-KJA	★ C5TZ 4A603-CF
D0HA 4602-LZ	C5TZ 4A603-D	D2HA 4602-KKA	★ C5TZ 4A603-CG
D2HA 4602-GDA	★ C5TZ 4A603-EA	D2HA 4602-KLA	★ C5TZ 4A603-CG
D2HA 4602-GKA	C5TZ 4A603-EE	D2HA 4602-KMA	★ C5TZ 4A603-CH
D2HA 4602-GMA	C5TZ 4A603-EF	D2HA 4602-KNA	C5TZ 4A603-CJ
D2HA 4602-GRA	★ C5TZ 4A603-EH	D2HA 4602-KRA	C5TZ 4A603-CJ
D2HA 4602-GSA	★ C5TZ 4A603-EH	D2HA 4602-KSA	★ C5TZ 4A603-CK
D2HA 4602-GTA	★ C5TZ 4A603-EJ	D2HA 4602-KTA	★ C5TZ 4A603-CL
D2HA 4602-GUA	★ C5TZ 4A603-EK	D2HA 4602-KUA	★ C5TZ 4A603-CM
D2HA 4602-GVA	★ C5TZ 4A603-EK	D2HA 4602-KYA	C5TZ 4A603-CN
D2HA 4602-KCA	★ C5TZ 4A603-CB	D2HA 4602-KZA	C5TZ 4A603-CN
		C3TZ 4605-HM	C5TZ 4A603-EY

### SERVICE REPLACEMENT SHAFT SIZE IDENTIFICATION CHART

SHAFT ASSEMBLY PART NUMBER	▲ DIMENSIONS (INCHES)			4841 SLIP YOKE #CODE	SHAFT ASSEMBLY PART NUMBER	▲ DIMENSIONS (INCHES)			4841 SLIP YOKE #CODE
	A	B	LENGTH			A	B	LENGTH	
	DIAMETER					DIAMETER			

‡ SLIP YOKE IS INCL. IN 4A603 SHAFT ASSY., CODE 37 IS C5TZ 4841-A, CODE 43 IS C5TZ 4841-H AND CODE 44 IS C5TZ 4841-J

■ REFER TO GROUP 4841 IN SECTION 48 FOR 'C' DIMENSION OF SLIP YOKES. THIS DIMENSION IS USED BY INDUSTRY IN CLASSIFYING

DRIVE LINE PARTS BY 6C, 7C AND 8C, ETC. DESIGNATIONS. ▲ REFER TO SHAFT TYPE 23 SHOWN ON PAGE 5 OF THIS SECTION

4A603 SHAFT (DRIVE)-See instructions on Page 1 of this Section.

#### ■ 6C GROUP - 5 27/32" Swing Diameter

C5TZ 4A603-D	22 5/8	3 1/2	37	★C5TZ 4A603-G	27 1/8	3 1/2	37
★C5TZ 4A603-E	24 1/8	3 1/2	37	C5TZ 4A603-BD	57 1/8	4	37
C5TZ 4A603-F	25 5/8	3 1/2	37				

#### ■ 7C GROUP - 6 7/32" Swing Diameter

★C5TZ 4A603-CB	17 11/16	4	43	C5TZ 4A603-CJ	28 3/16	4	43
★C5TZ 4A603-CC	19 3/16	4	43	★C5TZ 4A603-CK	29 11/16	4	43
★C5TZ 4A603-CE	22 3/16	4	43	★C5TZ 4A603-CL	31 3/16	4	43
★C5TZ 4A603-CF	23 11/16	4	43	★C5TZ 4A603-CM	32 11/16	4	43
★C5TZ 4A603-CG	25 3/16	4	43	C5TZ 4A603-CN	34 3/16	4	43
★C5TZ 4A603-CH	26 11/16	4	43				

#### ■ 8C GROUP - 8 1/2" Swing Diameter

★C5TZ 4A603-EA	17 11/16	4	44	★C5TZ 4A603-EH	28 3/16	4	44
C5TZ 4A603-EE	23 11/16	4	44	★C5TZ 4A603-EJ	29 11/16	4	44
C5TZ 4A603-EF	25 3/16	4	44	★C5TZ 4A603-EK	31 3/16	4	44

### DRIVE SHAFT APPLICATION CHART INDEX

APPLICATION	SECTION	PAGE	APPLICATION	SECTION	PAGE
-------------	---------	------	-------------	---------	------

Components for complete shaft assemblies are also available for service. When the service part number for the complete shaft assembly is known, the part number of the shaft sub-assembly and related components may be found in the Drive and Coupling Shaft Component Parts List in Section 46.1A.

B SERIES				F SERIES			
B600	46.2	1	F600	- 2/W/D	46.2	5	



**1980/  
TRUCK SERIES 600/900**

This Section cross-references driveshaft, coupling shaft, intermediate coupling shaft and inter transmission coupling shaft assemblies to optional component parts. To locate optional component parts do the following:

1. Find the shaft assembly number as shown in the Driveline Cross-Reference Guide Section 46.1, page 6 or the appropriate Shaft Application Chart.
2. Refer to the known Complete Shaft Assembly number below for the appropriate Shaft Sub-assembly and related components.

**DRIVE and COUPLING SHAFT COMPONENT PARTS LISTS**

YEAR	COMPLETE SHAFT ASSEMBLY	SHAFT SUB-ASSEMBLY	OPTIONAL COMPONENTS FOR COMPLETE SHAFT ASSEMBLY								
			RELATED PARTS FOR USE WITH SHAFT SUB-ASSEMBLY								
80/81	★ C1TZ 4602-B	C1TZ 4605-B	1-C1TT 4342-B 1-C1TT 4710-A	Washer Cap	1-C1TT 4343-B 1-C1TT 4841-F	Seal Yoke	2-C1TZ 4635-A	U/Joint			
80/81	★ C1TZ 4602-P	C1TZ 4605-P	1-C1TT 4342-B 1-C1TT 4710-A	Washer Cap	1-C1TT 4343-B 1-C1TT 4841-F	Seal Yoke	2-C1TZ 4635-A	U/Joint			
80/81	★ C1TZ 4602-AH	C1TZ 4605-AH	1-C1TT 4342-B 1-C1TT 4710-A	Washer Cap	1-C1TT 4343-B 1-C1TT 4841-F	Seal Yoke	2-C1TZ 4635-A	U/Joint			
80/81	★ C1TZ 4602-AP	C1TZ 4605-AP	1-C1TT 4342-B 1-C1TT 4710-A	Washer Cap	1-C1TT 4343-B 1-C1TT 4841-F	Seal Yoke	2-C1TZ 4635-A	U/Joint			
80/81	★ C2TZ 4602-A	C2TZ 4605-A	2-C5TZ 4635-G 1-01T 7097	U/Joint Seal	1-8MTH 4841 1-351566-S	Yoke Washer	1-01T 7077	Cap			
80	★ C2TZ 4602-B	C2TZ 4605-B	2-C5TZ 4635-G 1-TEAA 4841-A	U/Joint Yoke	1-B3D 4819-A 1-01Y 7077	Washer Cap	1-B3D 4820-A	Seal			
80/81	★ C3TZ 4602-S	C3TZ 4605-S	1-C1TT 4342-B 1-C1TT 4710-A	Washer Cap	1-C1TT 4343-B 1-C1TT 4841-F	Seal Yoke	2-C1TZ 4635-A	U/Joint			
80/	★ C5TZ 4602-KD	C5TZ 4605-KD	1-C1TT 4342-B 1-C1TT 4710-A	Washer Cap	1-C1TT 4343-B 1-C1TT 4841-F	Seal Yoke	2-C1TZ 4635-A	U/Joint			
80/81	★ C5TZ 4602-KN	C5TZ 4605-KN	1-C1TT 4342-B 1-C1TT 4710-A	Washer Cap	1-C1TT 4343-B 1-C1TT 4841-F	Seal Yoke	2-C1TZ 4635-A	U/Joint			
80/	★ C5TZ 4602-KP	C5TZ 4605-KP	1-C1TT 4342-B 1-C1TT 4710-A	Washer Cap	1-C1TT 4343-B 1-C1TT 4841-F	Seal Yoke	2-C1TZ 4635-A	U/Joint			
80/81	★ C5TZ 4602-KS	C5TZ 4605-KS	1-C1TT 4342-B 1-C1TT 4710-A	Washer Cap	1-C1TT 4343-B 1-C1TT 4841-F	Seal Yoke	2-C1TZ 4635-A	U/Joint			
80/81	★ C5TZ 4602-KU	C5TZ 4605-KU	1-C1TT 4342-B 1-C1TT 4710-A	Washer Cap	1-C1TT 4343-B 1-C1TT 4841-F	Seal Yoke	2-C1TZ 4635-A	U/Joint			
80/81	★ C6TZ 4602-AK	C6TZ 4605-AK	2-C5TZ 4635-G 1-C5TZ 4841-C	U/Joint Yoke	1-C5TZ 4710-C 1-C5TZ 4866-B	Cap Yoke	1-C5TZ 4819-C	Washer			
80/81	★ C6TZ 4602-AL	C6TZ 4605-AL	2-C5TZ 4635-G 1-C5TZ 4841-C	U/Joint Yoke	1-C5TZ 4710-C 1-C5TZ 4866-B	Cap Yoke	1-C5TZ 4819-C	Washer			
80/81	★ C6TZ 4602-AN	C6TZ 4605-AN	2-C5TZ 4635-G 1-C5TZ 4841-C	U/Joint Yoke	1-C5TZ 4710-C 1-C5TZ 4866-B	Cap Yoke	1-C5TZ 4819-C	Washer			
80/82	★ C6TZ 4602-BC	C6TZ 4605-BC	1-D1HZ 4342-B 1-D1HZ 4710-B	Washer Cap	1-D1HZ 4343-B 1-C6TZ 4841-N	Seal Yoke	2-D3TZ 4635-B	U/Joint			
80/82	★ C6TZ 4602-BD	C6TZ 4605-BD	1-D1HZ 4342-B 1-D1HZ 4710-B	Washer Cap	1-D1HZ 4343-B 1-C6TZ 4841-N	Seal Yoke	2-D3TZ 4635-B	U/Joint			
80/82	★ C6TZ 4602-BE	C6TZ 4605-BE	1-D1HZ 4342-B 1-D1HZ 4710-B	Washer Cap	1-D1HZ 4343-B 1-C6TZ 4841-N	Seal Yoke	2-D3TZ 4635-B	U/Joint			
80/89	★ C6TZ 4602-BF	C6TZ 4605-BF	1-D1HZ 4342-B 1-D1HZ 4710-B	Washer Cap	1-D1HZ 4343-B 1-C6TZ 4841-N	Seal Yoke	2-D3TZ 4635-B	U/Joint			
80/83	★ C6TZ 4602-BJ	C6TZ 4605-BJ	1-D1HZ 4342-B 1-D1HZ 4710-B	Washer Cap	1-D1HZ 4343-B 1-C6TZ 4841-N	Seal Yoke	2-D3TZ 4635-B	U/Joint			
80/82	★ C6TZ 4602-BK	C6TZ 4605-BK	1-D1HZ 4342-B 1-D1HZ 4710-B	Washer Cap	1-D1HZ 4343-B 1-C6TZ 4841-N	Seal Yoke	2-D3TZ 4635-B	U/Joint			
80/83	★ C6TZ 4602-BL	C6TZ 4605-BL	1-D1HZ 4342-B 1-D1HZ 4710-B	Washer Cap	1-D1HZ 4343-B 1-C6TZ 4841-N	Seal Yoke	2-D3TZ 4635-B	U/Joint			
80/83	★ C6TZ 4602-BM	C6TZ 4605-BM	1-D1HZ 4342-B 1-D1HZ 4710-B	Washer Cap	1-D1HZ 4343-B 1-C6TZ 4841-N	Seal Yoke	2-D3TZ 4635-B	U/Joint			
80/89	★ C6TZ 4602-BN	C6TZ 4605-BN	1-D1HZ 4342-B 1-D1HZ 4710-B	Washer Cap	1-D1HZ 4343-B 1-C6TZ 4841-N	Seal Yoke	2-D3TZ 4635-B	U/Joint			

**1980/  
TRUCK SERIES 600/900**

**DRIVE and COUPLING SHAFT COMPONENT PARTS LISTS**

YEAR	COMPLETE SHAFT ASSEMBLY		OPTIONAL COMPONENTS FOR COMPLETE SHAFT ASSEMBLY										
			SHAFT SUB-ASSEMBLY		RELATED PARTS FOR USE WITH SHAFT SUB-ASSEMBLY								
80/89	★ C6TZ	4602-BP	C6TZ	4605-BP	1-D1HZ	4342-B	Washer	1-D1HZ	4343-B	Seal	2-D3TZ	4635-B	U/Joint
					1-D1HZ	4710-B	Cap	1-C6TZ	4841-N	Yoke			
80/82	★ C6TZ	4602-CA	C6TZ	4605-CA	1-D1HZ	4342-B	Washer	1-D1HZ	4343-B	Seal	2-D3TZ	4635-B	U/Joint
					1-D1HZ	4710-B	Cap	1-C6TZ	4841-N	Yoke			
80/82	★ C6TZ	4602-CC	C6TZ	4605-CC	1-D1HZ	4342-B	Washer	1-D1HZ	4343-B	Seal	2-D3TZ	4635-B	U/Joint
					1-D1HZ	4710-B	Cap	1-C6TZ	4841-N	Yoke			
81/82	★ C6TZ	4605-CP	C6TZ	4605-CP	1-D1HZ	4342-B	Washer	1-D1HZ	4343-B	Seal	2-D3TZ	4635-B	U/Joint
					1-D1HZ	4710-B	Cap	1-C6TZ	4841-N	Yoke			
80/89	★ C7TZ	4602-CL	C7TZ	4605-CL	1-C1TT	4342-B	Washer	1-C1TT	4343-B	Seal	2-C1TZ	4635-A	U/Joint
					1-C1TT	4710-A	Cap	1-C1TT	4841-F	Yoke			
80/81	★ C7TZ	4602-CC	C7TZ	4605-CC	1-C1TT	4342-B	Washer	1-C1TT	4343-B	Seal	2-C1TZ	4635-A	U/Joint
					1-C1TT	4710-A	Cap	1-C1TT	4841-F	Yoke			
80/81	★ C7TZ	4602-CN	C7TZ	4605-CN	1-C1TT	4342-B	Washer	1-C1TT	4343-B	Seal	2-C1TZ	4635-A	U/Joint
					1-C1TT	4710-A	Cap	1-C1TT	4841-F	Yoke			
80/89	★ C7TZ	4602-CT	C7TZ	4605-CT	1-D1HZ	4342-B	Washer	1-D1HZ	4343-B	Seal	2-D3TZ	4635-B	U/Joint
					1-D1HZ	4710-B	Cap	1-C6TZ	4841-N	Yoke			
80/82	★ C7TZ	4602-CU	C7TZ	4605-CU	1-D1HZ	4342-B	Washer	1-D1HZ	4343-B	Seal	2-D3TZ	4635-B	U/Joint
					1-D1HZ	4710-B	Cap	1-C6TZ	4841-N	Yoke			
80/82	★ C7TZ	4602-CV	C7TZ	4605-CV	1-D1HZ	4342-B	Washer	1-D1HZ	4343-B	Seal	2-D3TZ	4635-B	U/Joint
					1-D1HZ	4710-B	Cap	1-C6TZ	4841-N	Yoke			
81	★ C8HA	4602-BB	E1HZ	4605-AR	1-C1TT	4342-C	Washer	1-C1TT	4343-C	Seal	2-C1TZ	4635-A	U/Joint
					1-C1TT	4710-A	Cap	1-C1TT	4841-F	Yoke			
80/81	★ C8HA	4602-GN	D9HZ	4605-W	2-C5TZ	4635-G	U/Joint	1-C5TZ	4710-C	Cap	1-C5TZ	4819-C	Washer
					1-C5TZ	4841-C	Yoke						
80/81	★ C8HA	4602-GS	E0HZ	4605-T	1-C1TT	4342-B	Washer	1-C1TT	4343-B	Seal	2-C1TZ	4635-A	U/Joint
					1-C1TT	4710-A	Cap	1-C1TT	4841-F	Yoke			
80/81	★ C8HA	4602-GU	D8HZ	4605-CH	1-C1TT	4342-B	Washer	1-C1TT	4343-B	Seal	2-C1TZ	4635-A	U/Joint
					1-C1TT	4710-A	Cap	1-C1TT	4841-F	Yoke			
80/81	★ C8HA	4602-HA	D9HZ	4605-J	1-C1TT	4342-B	Washer	1-C1TT	4343-B	Seal	2-C1TZ	4635-A	U/Joint
					1-C1TT	4710-A	Cap	1-C1TT	4841-F	Yoke			
80/81	★ C8HA	4602-HZ	D7HZ	4605-F	2-B6TZ	4635-B	U/Joint	1-8MTH	4841	yoke	1-01T	7077	Cap
								1-01T	7097	Seal	1-351566-S		Washer
81/82	★ C8HA	4602-JR	E1HZ	4605-AB	1-C1TT	4342-B	Washer	1-C1TT	4343-B	Seal	2-C1TZ	4635-A	U/Joint
					1-C1TT	4710-A	Cap	1-C1TT	4841-F	Yoke			
81	★ C8HA	4602-JS	E1HZ	4605-AC	1-C1TT	4342-B	Washer	1-C1TT	4343-B	Seal	2-C1TZ	4635-A	U/Joint
					1-C1TT	4710-A	Cap	1-C1TT	4841-F	Yoke			
80/81	★ C8HZ	4602-AC	C8HZ	4605-AC	1-C1TT	4342-B	Washer	1-C1TT	4343-B	Seal	2-C1TZ	4635-A	U/Joint
					1-C1TT	4710-A	Cap	1-C1TT	4841-F	Yoke			
80/81	★ C8HZ	4602-AD	C8HZ	4605-AD	1-C1TT	4342-B	Washer	1-C1TT	4343-B	Seal	2-C1TZ	4635-A	U/Joint
					1-C1TT	4710-A	Cap	1-C1TT	4841-F	Yoke	1-C1TT	4866-A	Yoke
80/81	★ C8HZ	4602-AE	C8HZ	4605-AE	1-C1TT	4342-B	Washer	1-C1TT	4343-B	Seal	2-C1TZ	4635-A	U/Joint
					1-C1TT	4710-A	Cap	1-C1TT	4841-F	Yoke	1-C1TT	4866-A	Yoke
80/89	★ C8HZ	4602-AF	C8HZ	4605-AF	1-C1TT	4342-B	Washer	1-C1TT	4343-B	Seal	2-C1TZ	4635-A	U/Joint
					1-C1TT	4710-A	Cap	1-C1TT	4841-F	Yoke			
80/	★ C8HZ	4602-AG	C8HZ	4605-AG	1-C1TT	4342-B	Washer	1-C1TT	4343-B	Seal	2-C1TZ	4635-A	U/Joint
					1-C1TT	4710-A	Cap	1-C1TT	4841-F	Yoke			
80/	★ C8HZ	4602-AJ	C8HZ	4605-AJ	1-C1TT	4342-B	Washer	1-C1TT	4343-B	Seal	2-C1TZ	4635-A	U/Joint
					1-C1TT	4710-A	Cap	1-C1TT	4841-F	Yoke			
80/81	★ C8HZ	4602-AK	C8HZ	4605-AK	1-C1TT	4342-B	Washer	1-C1TT	4343-B	Seal	2-C1TZ	4635-A	U/Joint
					1-C1TT	4710-A	Cap	1-C1TT	4841-F	Yoke			
80/81	★ C8HZ	4602-AL	C8HZ	4605-AL	1-C1TT	4342-B	Washer	1-C1TT	4343-B	Seal	2-C1TZ	4635-A	U/Joint
					1-C1TT	4710-A	Cap	1-C1TT	4841-F	Yoke			
80/81	★ C8HZ	4602-AY	C8HZ	4605-AY	2-C5TZ	4635-G	U/Joint	1-C5TZ	4710-C	Cap	1-C5TZ	4819-C	Washer
					1-C5TZ	4841-C	Yoke	1-C5TZ	4866-B	Yoke			
80/81	★ C8HZ	4602-BB	C8HZ	4605-BB	1-C1TT	4342-B	Washer	1-C1TT	4343-B	Seal	2-C1TZ	4635-A	U/Joint
					1-C1TT	4710-A	Cap	1-C1TT	4841-F	Yoke			
80/81	★ C8HZ	4602-BC	C8HZ	4605-BC	1-C1TT	4342-B	Washer	1-C1TT	4343-B	Seal	2-C1TZ	4635-A	U/Joint
					1-C1TT	4710-A	Cap	1-C1TT	4841-F	Yoke			

**1980/  
TRUCK SERIES 600/900**

DRIVE and COUPLING SHAFT COMPONENT PARTS LISTS													
YEAR	COMPLETE SHAFT ASSEMBLY		OPTIONAL COMPONENTS FOR COMPLETE SHAFT ASSEMBLY										
			SHAFT SUB-ASSEMBLY		RELATED PARTS FOR USE WITH SHAFT SUB-ASSEMBLY								
80/81	★ C8HZ	4602-BD	C8HZ	4605-BD	2-C5TZ	4635-G	U/Joint	1-8MTH	4841	Yoke	1-01T	7077	Cap
					1-01T	7097	Seal	1-351566-S		Washer			
80/89	★ C8HZ	4602-BG	C8HZ	4605-BG	2-C5TZ	4635-G	U/Joint	1-8MTH	4841	Yoke	1-01T	7077	Cap
					1-01T	7097	Seal	1-351566-S		Washer			
80/81	★ C8HZ	4602-BL	C8HZ	4605-BL	2-C5TZ	4635-G	U/Joint	1-8MTH	4841	Yoke	1-01T	7077	Cap
					1-01T	7097	Seal	1-351566-S		Washer			
80/81	★ C8HZ	4602-DJ	C8HZ	4605-DJ	1-C1TT	4342-C	Washer	1-C1TT	4343-C	Seal	2-C5TZ	4635-G	U/Joint
					1-C1TT	4710-A	Cap	1-C8TZ	4841-B	Yoke			
80/81	★ C8HZ	4602-DV	C8HZ	4605-DV	1-C1TT	4342-B	Washer	1-C1TT	4343-B	Seal	2-C1TZ	4635-A	U/Joint
					1-C1TT	4710-A	Cap	1-C1TT	4841-F	Yoke			
80/81	★ C8HZ	4602-EE	C8HZ	4605-EE	1-C1TT	4342-B	Washer	1-C1TT	4343-B	Seal	2-C1TZ	4635-A	U/Joint
					1-C1TT	4710-A	Cap	1-C1TT	4841-F	Yoke			
80/89	★ C8HZ	4602-EK	C8HZ	4605-EK	1-C1TT	4342-B	Washer	1-C1TT	4343-B	Seal	2-C1TZ	4635-A	U/Joint
					1-C1TT	4710-A	Cap	1-C1TT	4841-F	Yoke			
80/81	★ C8HZ	4602-EN	C8HZ	4605-EN	1-C1TT	4342-B	Washer	1-C1TT	4343-B	Seal	2-C1TZ	4635-A	U/Joint
					1-C1TT	4710-A	Cap	1-C1TT	4841-F	Yoke			
80/81	★ C8HZ	4602-EY	C8HZ	4605-EY	2-C5TZ	4635-G	U/Joint	1-C5TZ	4710-C	Cap	1-C5TZ	4819-C	Washer
					1-C5TZ	4841-C	Yoke	1-C5TZ	4866-B	Yoke			
80/81	★ C8HZ	4602-FB	C8HZ	4605-FB	2-C5TZ	4635-G	U/Joint	1-C5TZ	4710-C	Cap	1-C5TZ	4819-C	Washer
					1-C5TZ	4841-C	Yoke	1-C5TZ	4866-B	Yoke			
80/81	★ C8HZ	4602-FG	C8HZ	4605-FG	2-C5TZ	4635-G	U/Joint	1-C5TZ	4710-C	Cap	1-C5TZ	4819-C	Washer
					1-C5TZ	4841-C	Yoke	1-C5TZ	4866-B	Yoke			
80/81	★ C8HZ	4602-FH	C8HZ	4605-FH	2-C5TZ	4635-G	U/Joint	1-C5TZ	4710-C	Cap	1-C5TZ	4819-C	Washer
					1-C5TZ	4841-C	Yoke	1-C5TZ	4866-B	Yoke			
80/81	★ C8HZ	4602-FJ	C8HZ	4605-FJ	2-C5TZ	4635-G	U/Joint	1-C5TZ	4710-C	Cap	1-C5TZ	4819-C	Washer
					1-C5TZ	4841-C	Yoke	1-C5TZ	4866-B	Yoke			
80/81	★ C8HZ	4602-FK	C8HZ	4605-FK	2-C5TZ	4635-G	U/Joint	1-C5TZ	4710-C	Cap	1-C5TZ	4819-C	Washer
					1-C5TZ	4841-C	Yoke	1-C5TZ	4866-B	Yoke			
80/81	★ C8HZ	4602-FT	C8HZ	4605-FT	2-C5TZ	4635-G	U/Joint	1-C5TZ	4710-C	Cap	1-C5TZ	4819-C	Washer
					1-C5TZ	4841-C	Yoke						
80/81	★ C8HZ	4602-FY	C8HZ	4605-FY	2-C5TZ	4635-G	U/Joint	1-C5TZ	4710-C	Cap	1-C5TZ	4819-C	Washer
					1-C5TZ	4841-C	Yoke						
80/81	★ C8HZ	4602-FZ	C8HZ	4605-FZ	2-C5TZ	4635-G	U/Joint	1-C5TZ	4710-C	Cap	1-C5TZ	4819-C	Washer
					1-C5TZ	4841-C	Yoke						
80/82	★ C8HZ	4602-GG	C8HZ	4605-GG	1-C6TZ	4342-B	Washer	1-C6TZ	4343-B	Seal	2-D3TZ	4635-B	U/Joint
					1-C6TZ	4710-E	Cap	1-C6TZ	4841-M	Yoke			
80/89	★ C8TZ	4602-Y	C8TZ	4605-Y	1-C1TT	4342-C	Washer	1-C1TT	4343-C	Seal	2-C1TZ	4635-A	U/Joint
					1-C1TT	4710-A	Cap	1-C1TT	4841-F	Yoke			
80/89	★ C8TZ	4602-AA	C8TZ	4605-AA	1-C1TT	4342-B	Washer	1-C1TT	4343-B	Seal	2-C1TZ	4635-A	U/Joint
					1-C1TT	4710-A	Cap	1-C1TT	4841-F	Yoke			
80/89	★ C8TZ	4602-AR	C8TZ	4605-AR	1-C1TT	4342-B	Washer	1-C1TT	4343-B	Seal	2-C1TZ	4635-A	U/Joint
					1-C1TT	4710-A	Cap	1-C1TT	4841-F	Yoke			
80/81	★ C8TZ	4602-CM	C8TZ	4605-CM	2-C5TZ	4635-G	U/Joint	1-C5TZ	4710-C	Cap	1-C5TZ	4819-C	Washer
					1-C5TZ	4841-C	Yoke						
80/81	★ C8TZ	4602-CU	C8TZ	4605-CU	1-C1TT	4342-B	Washer	1-C1TT	4343-B	Seal	2-C1TZ	4635-A	U/Joint
					1-C1TT	4710-A	Cap	1-C1TT	4841-F	Yoke			
80/89	★ C9HZ	4602-A	C9HZ	4605-A	1-C1TT	4342-B	Washer	1-C1TT	4343-B	Seal	2-C1TZ	4635-A	U/Joint
					1-C1TT	4710-A	Cap	1-C1TT	4841-F	Yoke			
80/89	★ C9HZ	4602-B	C9HZ	4605-B	1-C1TT	4342-B	Washer	1-C1TT	4343-B	Seal	2-C1TZ	4635-A	U/Joint
					1-C1TT	4710-A	Cap	1-C1TT	4841-F	Yoke			
80/82	★ C9HZ	4602-E	C9HZ	4605-E	1-C1TT	4342-B	Washer	1-C1TT	4343-B	Seal	2-C1TZ	4635-A	U/Joint
					1-C1TT	4710-A	Cap	1-C1TT	4841-F	Yoke			
80/81	★ C9HZ	4602-F	C9HZ	4605-F	1-C1TT	4342-B	Washer	1-C1TT	4343-B	Seal	2-C1TZ	4635-A	U/Joint
					1-C1TT	4710-A	Cap	1-C1TT	4841-F	Yoke			
80/82	★ C9HZ	4602-G	C9HZ	4605-BD	2-C5TZ	4635-G	U/Joint	1-C5TZ	4710-C	Cap	1-C5TZ	4819-C	Washer
					1-C5TZ	4841-C	Yoke						

**1980/  
TRUCK SERIES 600/900**

**DRIVE and COUPLING SHAFT COMPONENT PARTS LISTS**

YEAR	COMPLETE SHAFT ASSEMBLY		OPTIONAL COMPONENTS FOR COMPLETE SHAFT ASSEMBLY								
			SHAFT SUB-ASSEMBLY		RELATED PARTS FOR USE WITH SHAFT SUB-ASSEMBLY						
80/89	★ C9HZ	4602-H	C9HZ	4605-H	1-C1TT 4342-B	Washer	1-C1TT 4343-B	Seal	2-C1TZ 4635-A	U/Joint	
					1-C1TT 4710-A	Cap	1-C1TT 4841-F	Yoke			
80/81	★ C9HZ	4602-J	C9HZ	4605-J	1-C1TT 4342-B	Washer	1-C1TT 4343-B	Seal	2-C1TZ 4635-A	U/Joint	
					1-C1TT 4710-A	Cap	1-C1TT 4841-F	Yoke			
83/89	★ C9HZ	4602-M	C9HZ	4605-M	1-C1TT 4342-B	Washer	1-C1TT 4343-B	Seal	2-C1TZ 4635-A	U/Joint	
					1-C1TT 4710-A	Cap	1-C1TT 4841-F	Yoke			
82/89	★ C9HZ	4602-N	C9HZ	4605-N	1-C1TT 4342-B	Washer	1-C1TT 4343-B	Seal	2-C1TZ 4635-A	U/Joint	
					1-C1TT 4710-A	Cap	1-C1TT 4841-F	Yoke			
80/89	★ C9HZ	4602-R	C9HZ	4605-R	1-C1TT 4342-B	Washer	1-C1TT 4343-B	Seal	2-C1TZ 4635-A	U/Joint	
					1-C1TT 4710-A	Cap	1-C1TT 4841-F	Yoke			
80/81	★ C9HZ	4602-AA	C9HZ	4605-AA	2-C5TZ 4635-G	U/Joint	1-8MTH 4841	Yoke	1-01T 7077	Cap	
					1-01T 7097	Seal	1-351566-S	Washer			
80/81	★ C9HZ	4602-AB	C9HZ	4605-AB	2-C5TZ 4635-G	U/Joint	1-8MTH 4841	Yoke	1-01T 7077	Cap	
					1-01T 7097	Seal	1-351566-S	Washer			
80/81	★ C9HZ	4602-AH	C9HZ	4605-AH	2-C5TZ 4635-G	U/Joint	1-8MTH 4841	Yoke	1-01T 7077	Cap	
					1-01T 7097	Seal	1-351566-S	Washer			
80/81	★ C9HZ	4602-AK	C9HZ	4605-AK	2-C5TZ 4635-G	U/Joint	1-8MTH 4841	Yoke	1-01T 7077	Cap	
					1-01T 7097	Seal	1-351566-S	Washer			
80/81	★ C9HZ	4602-AL	C9HZ	4605-AL	2-C5TZ 4635-G	U/Joint	1-8MTH 4841	Yoke	1-01T 7077	Cap	
					1-01T 7097	Seal	1-351566-S	Washer			
80/81	★ C9HZ	4602-AV	C9HZ	4605-AV	2-C5TZ 4635-G	U/Joint	1-C5TZ 4710-C	Cap	1-C5TZ 4819-C	Washer	
					1-C5TZ 4841-C	Yoke					
80/81	★ C9HZ	4602-AW	C9HZ	4605-AW	2-C5TZ 4635-G	U/Joint	1-C5TZ 4710-C	Cap	1-C5TZ 4819-C	Washer	
					1-C5TZ 4841-C	Yoke					
80/81	★ C9HZ	4602-BC	C9HZ	4605-BC	2-C5TZ 4635-G	U/Joint	1-C5TZ 4710-C	Cap	1-C5TZ 4819-C	Washer	
					1-C5TZ 4841-C	Yoke					
80/89	★ C9HZ	4602-BT	C9HZ	4605-BT	1-C1TT 4342-B	Washer	1-C1TT 4343-B	Seal	2-C1TZ 4635-A	U/Joint	
					1-C1TT 4710-A	Cap	1-C1TT 4841-F	Yoke			
80	★ C9TZ	4602-A	C9TZ	4605-E	1-C1TT 4342-B	Washer	1-C1TT 4343-B	Seal	2-C1TZ 4635-A	U/Joint	
					1-C1TT 4710-A	Cap	1-C1TT 4841-F	Yoke			
80/81	★ C9TZ	4602-D	C9TZ	4605-D	2-C5TZ 4635-G	U/Joint	1-C5TZ 4710-C	Cap	1-C5TZ 4819-C	Washer	
					1-C5TZ 4841-C	Yoke					
80/81	★ C9TZ	4602-R	C9TZ	4605-R	2-C5TZ 4635-G	U/Joint	1-C5TZ 4710-C	Cap	1-C5TZ 4819-C	Washer	
					1-C5TZ 4841-C	Yoke					
80/81	★ C9TZ	4602-Y	C9TZ	4605-Y	2-C5TZ 4635-G	U/Joint	1-B3D 4819-A	Washer	1-B3D 4820-A	Seal	
					1-TEAA 4841-A	Yoke	1-01Y 7077	Cap			
81/	★ D0HA	4602-KZ	E1HZ	4605-V	1-C1TT 4342-B	Washer	1-C1TT 4343-B	Seal	2-C1TZ 4635-A	U/Joint	
					1-C1TT 4710-A	Cap	1-C1TT 4841-F	Yoke			
80/81	★ D0HZ	4602-B	D0HZ	4605-B	2-C5TZ 4635-G	U/Joint	1-C5TZ 4710-C	Cap	1-C5TZ 4819-C	Washer	
					1-C5TZ 4841-C	Yoke					
80/81	★ D0HZ	4602-E	D0HZ	4605-E	2-C5TZ 4635-G	U/Joint	1-C5TZ 4710-C	Cap	1-C5TZ 4819-C	Washer	
					1-C5TZ 4841-C	Yoke					
80/81	★ D0HZ	4602-G	D0HZ	4605-G	2-C5TZ 4635-G	U/Joint	1-C5TZ 4710-C	Cap	1-C5TZ 4819-C	Washer	
					1-C5TZ 4841-C	Yoke					
80/81	★ D0HZ	4602-K	D0HZ	4605-K	2-C5TZ 4635-G	U/Joint	1-C5TZ 4710-C	Cap	1-C5TZ 4819-C	Washer	
					1-C5TZ 4841-C	Yoke					
80/81	★ D0HZ	4602-L	D0HZ	4605-L	2-C5TZ 4635-G	U/Joint	1-C5TZ 4710-C	Cap	1-C5TZ 4819-C	Washer	
					1-C5TZ 4841-C	Yoke					
80/81	★ D0HZ	4602-R	D0HZ	4605-R	2-C5TZ 4635-G	U/Joint	1-C5TZ 4710-C	Cap	1-C5TZ 4819-C	Washer	
					1-C5TZ 4841-C	Yoke					
80/	★ D0HZ	4602-BU	D0HZ	4605-BU	1-C1TT 4342-B	Washer	1-C1TT 4343-B	Seal	2-C1TZ 4635-A	U/Joint	
					1-C1TT 4710-A	Cap	1-C1TT 4841-F	Yoke			
80/	★ D0HZ	4602-BV	D0HZ	4605-BV	1-C1TT 4342-B	Washer	1-C1TT 4343-B	Seal	2-C1TZ 4635-A	U/Joint	
					1-C1TT 4710-A	Cap	1-C1TT 4841-F	Yoke			
80/	★ D0HZ	4602-BW	D0HZ	4605-BW	1-C1TT 4342-B	Washer	1-C1TT 4343-B	Seal	2-C1TZ 4635-A	U/Joint	
					1-C1TT 4710-A	Cap	1-C1TT 4841-F	Yoke			
80/89	★ D0HZ	4602-BY	D0HZ	4605-BY	1-C1TT 4342-B	Washer	1-C1TT 4343-B	Seal	2-C1TZ 4635-A	U/Joint	
					1-C1TT 4710-A	Cap	1-C1TT 4841-F	Yoke			
80/81	★ D0HZ	4602-CB	D0HZ	4605-CB	2-C5TZ 4635-G	U/Joint	1-8MTH 4841	Yoke	1-01T 7077	Cap	
					1-01T 7097	Seal	1-351566-S	Washer			

**1980/  
TRUCK SERIES 600/900**

DRIVE and COUPLING SHAFT COMPONENT PARTS LISTS											
YEAR	COMPLETE SHAFT ASSEMBLY		OPTIONAL COMPONENTS FOR COMPLETE SHAFT ASSEMBLY								
			SHAFT SUB-ASSEMBLY		RELATED PARTS FOR USE WITH SHAFT SUB-ASSEMBLY						
80/89	★ DOHZ	4602-CD	DOHZ	4605-CD	2-C5TZ 4635-G	U/Joint	1-8MTH 4841	Yoke	1-01T 7077	Cap	
					1-01T 7097	Seal	1-351566-S	Washer			
80/81	★ DOHZ	4602-CJ	DOHZ	4605-CJ	2-C5TZ 4635-G	U/Joint	1-B3D 4819-A	Washer	1-B3D 4820-A	Seal	
					1-TEAA 4841-A	Yoke	1-01Y 7077	Cap			
80	★ DOHZ	4602-CK	DOHZ	4605-CK	2-C5TZ 4635-G	U/Joint	1-B3D 4819-A	Washer	1-B3D 4820-A	Seal	
					1-TEAA 4841-A	Yoke	1-01Y 7077	Cap			
80/81	★ DOHZ	4602-CM	DOHZ	4605-CM	2-C5TZ 4635-G	U/Joint	1-8MTH 4841	Yoke	1-01T 7077	Cap	
					1-01T 7097	Seal	1-351566-S	Washer			
80/81	★ DOHZ	4602-CR	DOHZ	4605-CR	2-C5TZ 4635-G	U/Joint	1-8MTH 4841	Yoke	1-01T 7077	Cap	
					1-01T 7097	Seal	1-351566-S	Washer			
80/81	★ DOHZ	4602-DA	DOHZ	4605-DA	2-C5TZ 4635-G	U/Joint	1-8MTH 4841	Yoke	1-01T 7077	Cap	
					1-01T 7097	Seal	1-351566-S	Washer			
80/81	★ DOHZ	4602-DD	DOHZ	4605-DD	2-C1TZ 4635-A	U/Joint	1-C1TT 4342-B	Washer	1-C1TT 4343-B	Seal	
					1-C1TT 4710-A	Cap	1-C1TT 4841-F	Yoke			
83/89	★ DOHZ	4602-DM	DOHZ	4605-DM	2-C5TZ 4635-G	U/Joint	1-C1TT 4342-C	Washer	1-C1TT 4343-B	Seal	
					1-C1TT 4710-A	Cap	1-C8TZ 4841-B	Yoke			
82	★ DOHZ	4602-DU	DOHZ	4605-DU	1-C1TT 4342-B	Washer	1-C1TT 4343-B	Seal	2-C1TZ 4635-A	U/Joint	
					1-C1TT 4710-A	Cap	1-C1TT 4841-F	Yoke			
82/89	★ DOHZ	4602-ED	DOHZ	4605-ED	1-C1TT 4342-B	Washer	1-C1TT 4343-B	Seal	2-C1TZ 4635-A	U/Joint	
					1-C1TT 4710-A	Cap	1-C1TT 4841-F	Yoke			
83/89	★ DOHZ	4602-EE	DOHZ	4605-EE	1-C1TT 4342-B	Washer	1-C1TT 4343-B	Seal	2-C1TZ 4635-A	U/Joint	
					1-C1TT 4710-A	Cap	1-C1TT 4841-F	Yoke			
80/81	★ DOTZ	4602-B	DOTZ	4605-B	2-C5TZ 4635-G	U/Joint	1-C5TZ 4710-C	Cap	1-C5TZ 4819-C	Washer	
					1-C5TZ 4841-C	Yoke					
80/82	★ DOTZ	4602-C	DOTZ	4605-C	2-C5TZ 4635-G	U/Joint	1-C5TZ 4710-C	Cap	1-C5TZ 4819-C	Washer	
					1-C5TZ 4841-C	Yoke					
80/	★ DOTZ	4602-G	DOTZ	4605-G	1-C1TT 4342-B	Washer	1-C1TT 4343-B	Seal	2-C1TZ 4635-A	U/Joint	
					1-C1TT 4710-A	Cap	1-C1TT 4841-F	Yoke			
80/	★ DOTZ	4602-H	DOTZ	4605-H	1-C1TT 4342-B	Washer	1-C1TT 4343-B	Seal	2-C1TZ 4635-A	U/Joint	
					1-C1TT 4710-A	Cap	1-C1TT 4841-F	Yoke			
80/	★ D1HZ	4602-E	D1HZ	4605-E	1-C1TT 4342-B	Washer	1-C1TT 4343-B	Seal	2-C1TZ 4635-A	U/Joint	
					1-C1TT 4710-A	Cap	1-C1TT 4841-F	Yoke			
80/	★ D1HZ	4602-F	D1HZ	4605-F	1-C1TT 4342-B	Washer	1-C1TT 4343-B	Seal	2-C1TZ 4635-A	U/Joint	
					1-C1TT 4710-A	Cap	1-C1TT 4841-F	Yoke			
80/	★ D1HZ	4602-G	D1HZ	4605-G	1-C1TT 4342-B	Washer	1-C1TT 4343-B	Seal	2-C1TZ 4635-A	U/Joint	
					1-C1TT 4710-A	Cap	1-C1TT 4841-F	Yoke			
83/	★ D1HZ	4602-H	D1HZ	4605-H	1-C1TT 4342-B	Washer	1-C1TT 4343-B	Seal	2-C1TZ 4635-A	U/Joint	
					1-C1TT 4710-A	Cap	1-C1TT 4841-F	Yoke			
80/89	★ D1HZ	4602-J	D1HZ	4605-J	1-C1TT 4342-B	Washer	1-C1TT 4343-B	Seal	2-C1TZ 4635-A	U/Joint	
					1-C1TT 4710-A	Cap	1-C1TT 4841-F	Yoke			
80/89	★ D1HZ	4602-L	D1HZ	4605-L	1-C1TT 4342-B	Washer	1-C1TT 4343-B	Seal	2-C1TZ 4635-A	U/Joint	
					1-C1TT 4710-A	Cap	1-C1TT 4841-F	Yoke			
80/89	★ D1HZ	4602-M	D1HZ	4605-M	1-C1TT 4342-B	Washer	1-C1TT 4343-B	Seal	2-C1TZ 4635-A	U/Joint	
					1-C1TT 4710-A	Cap	1-C1TT 4841-F	Yoke			
80/82	★ D2HA	4602-AVA	D5HZ	4605-AZ	1-D3HZ 4635-C	U/Joint	1-D3HZ 4635-D	U/Joint	1-B8QH 4710-A	Cap	
					1-B8QH 4819-C	Washer	1-B8QH 4820-B	Seal	1-C5TZ 4841-J	Yoke	
80/82	★ D2HA	4602-DZA	D2HZ	4605-CY	1-D1HZ 4342-A	Washer	1-D1HZ 4343-A	Seal	2-D3TZ 4635-B	U/Joint	
					1-D1HZ 4710-A	Cap	1-C6TZ 4841-N	Yoke			
80/82	★ D2HA	4602-EHA	D8HZ	4605-BF	1-D1HZ 4342-A	Washer	1-D1HZ 4343-A	Seal	2-D3TZ 4635-B	U/Joint	
					1-D1HZ 4710-A	Cap	1-C6TZ 4841-N	Yoke			
80/82	★ D2HA	4602-EJA	D7HZ	4605-A	1-D1HZ 4342-A	Washer	1-D1HZ 4343-A	Seal	2-D3TZ 4635-B	U/Joint	
					1-D1HZ 4710-A	Cap	1-C6TZ 4841-N	Yoke			
80/82	★ D2HA	4602-ENA	D7HZ	4605B	1-D1HZ 4342-A	Washer	1-D1HZ 4343-A	Seal	2-D3TZ 4635-A	U/Joint	
					1-D1HZ 4710-A	Cap	1-C6TZ 4841-N	Yoke			
80/81	★ D2HA	4602-GJA	D9HZ	4605-CG	1-D3HZ 4635-C	U/Joint	1-D3HZ 4635-D	U/Joint	1-B8QH 4710-A	Cap	
					1-B8QH 4819-C	Washer	1-B8QH 4820-B	Seal	1-C5TZ 4841-J	Yoke	
80/81	★ D2HA	4602-GLA	D8HZ	4605-BJ	1-D3HZ 4635-C	U/Joint	1-D3HZ 4635-D	U/Joint	1-B8QH 4710-A	Cap	
					1-B8QH 4819-C	Washer	1-B8QH 4820-B	Seal	1-C5TZ 4841-J	Yoke	

**1980/  
TRUCK SERIES 600/900**

DRIVE and COUPLING SHAFT COMPONENT PARTS LISTS													
YEAR	COMPLETE SHAFT ASSEMBLY		OPTIONAL COMPONENTS FOR COMPLETE SHAFT ASSEMBLY										
			SHAFT SUB-ASSEMBLY		RELATED PARTS FOR USE WITH SHAFT SUB-ASSEMBLY								
80/81	★ D2HA	4602-GNA	D8HZ	4605-BK	1-D3HZ	4635-C	U/Joint	1-D3HZ	4635-D	U/Joint	1-B8QH	4710-A	Cap
					1-B8QH	4819-C	Washer	1-B8QH	4820-B	Seal	1-C5TZ	4841-J	Yoke
80/81	★ D2HA	4602-KBA	D8HZ	4605-BN	1-D3HZ	4342-B	Washer	1-D3HZ	4343-B	Seal	1-D3HZ	4635-B	U/Joint
					1-D3HZ	4635-A	U/Joint	1-D4HZ	4710-A	Cap	1-D4HZ	4841-C	Yoke
80/81	★ D2HA	4602-KGA	D8HZ	4605-BH	1-D3HZ	4342-B	Washer	1-D3HZ	4343-B	Seal	1-D3HZ	4635-B	U/Joint
					1-D3HZ	4635-A	U/Joint	1-D4HZ	4710-A	Cap	1-D4HZ	4841-C	Yoke
80/81	D2HZ	4602-A	D2HZ	4605-A	1-C1TT	4342-B	Washer	1-C1TT	4343-B	Seal	2-C1TZ	4635-A	U/Joint
					1-C1TT	4710-A	Cap	1-C1TT	4841-F	Yoke			
80/82	★ D2HZ	4602-J	D2HZ	4605-J	1-D1HZ	4342-B	Washer	1-D1HZ	4343-B	Seal	2-D3TZ	4635-B	U/Joint
					1-D1HZ	4710-B	Cap	1-C6TZ	4841-N	Yoke			
80/82	★ D2HZ	4602-K	D2HZ	4605-K	1-D1HZ	4342-B	Washer	1-D1HZ	4343-B	Seal	2-D3TZ	4635-B	U/Joint
					1-D1HZ	4710-B	Cap	1-C6TZ	4841-N	Yoke			
80/82	★ D2HZ	4602-L	D2HZ	4605-L	1-D1HZ	4342-B	Washer	1-D1HZ	4343-B	Seal	2-D3TZ	4635-B	U/Joint
					1-D1HZ	4710-B	Cap	1-C6TZ	4841-N	Yoke			
80/82	★ D2HZ	4602-M	D2HZ	4605-M	1-D1HZ	4342-B	Washer	1-D1HZ	4343-B	Seal	2-D3TZ	4635-B	U/Joint
					1-D1HZ	4710-B	Cap	1-C6TZ	4841-N	Yoke			
80/82	★ D2HZ	4602-N	D2HZ	4605-N	1-D1HZ	4342-B	Washer	1-D1HZ	4343-B	Seal	2-D3TZ	4635-B	U/Joint
					1-D1HZ	4710-B	Cap	1-C6TZ	4841-N	Yoke			
80/82	★ D2HZ	4602-P	D2HZ	4605-P	1-D1HZ	4342-B	Washer	1-D1HZ	4343-B	Seal	2-D3TZ	4635-B	U/Joint
					1-D1HZ	4710-B	Cap	1-C6TZ	4841-N	Yoke			
80/82	★ D2HZ	4602-R	D2HZ	4605-R	1-D1HZ	4342-B	Washer	1-D1HZ	4343-B	Seal	2-D3TZ	4635-B	U/Joint
					1-D1HZ	4710-B	Cap	1-C6TZ	4841-N	Yoke			
80/82	★ D2HZ	4602-S	D2HZ	4605-S	1-D1HZ	4342-B	Washer	1-D1HZ	4343-B	Seal	2-D3TZ	4635-B	U/Joint
					1-D1HZ	4710-B	Cap	1-C6TZ	4841-N	Yoke			
80/82	★ D2HZ	4602-T	D2HZ	4605-T	1-D1HZ	4342-B	Washer	1-D1HZ	4343-B	Seal	2-D3TZ	4635-B	U/Joint
					1-D1HZ	4710-B	Cap	1-C6TZ	4841-N	Yoke			
80/89	★ D2HZ	4602-U	D2HZ	4605-U	1-D1HZ	4342-B	Washer	1-D1HZ	4343-B	Seal	2-D3TZ	4635-B	U/Joint
					1-D1HZ	4710-B	Cap	1-C6TZ	4841-N	Yoke			
80/89	★ D2HZ	4602-V	D2HZ	4605-V	1-D1HZ	4342-B	Washer	1-D1HZ	4343-B	Seal	2-D3TZ	4635-B	U/Joint
					1-D1HZ	4710-B	Cap	1-C6TZ	4841-N	Yoke			
80/89	★ D2HZ	4602-AV	D2HZ	4605-AV	1-C7TZ	4342-A	Washer	1-C7TZ	4343-A	Seal	2-D2HZ	4635-A	U/Joint
					1-C7TZ	4710-A	Cap	1-D2HZ	4841-A	Yoke			
80/89	★ D2HZ	4602-AW	D2HZ	4605-AW	1-C7TZ	4342-A	Washer	1-C7TZ	4343-A	Seal	2-D2HZ	4635-A	U/Joint
					1-C7TZ	4710-A	Cap	1-D2HZ	4841-A	Yoke			
80/89	★ D2HZ	4602-AY	D2HZ	4605-AY	1-C7TZ	4342-A	Washer	1-C7TZ	4343-A	Seal	2-D2HZ	4635-A	U/Joint
					1-C7TZ	4710-A	Cap	1-D2HZ	4841-A	Yoke			
80/89	★ D2HZ	4602-AZ	D2HZ	4605-AZ	1-C7TZ	4342-A	Washer	1-C7TZ	4343-A	Seal	2-D2HZ	4635-A	U/Joint
					1-C7TZ	4710-A	Cap	1-D2HZ	4841-A	Yoke			
80/89	★ D2HZ	4602-BA	D2HZ	4605-BA	1-C7TZ	4342-A	Washer	1-C7TZ	4343-A	Seal	2-D2HZ	4635-A	U/Joint
					1-C7TZ	4710-A	Cap	1-D2HZ	4841-A	Yoke			
80/89	★ D2HZ	4602-BB	D2HZ	4605-BB	1-C7TZ	4342-A	Washer	1-C7TZ	4343-A	Seal	2-D2HZ	4635-A	U/Joint
					1-C7TZ	4710-A	Cap	1-D2HZ	4841-A	Yoke			
80/89	★ D2HZ	4602-BC	D2HZ	4605-BC	1-C7TZ	4342-A	Washer	1-C7TZ	4343-A	Seal	2-D2HZ	4635-A	U/Joint
					1-C7TZ	4710-A	Cap	1-D2HZ	4841-A	Yoke			
80/89	★ D2HZ	4602-BD	D2HZ	4605-BD	1-C7TZ	4342-A	Washer	1-C7TZ	4343-A	Seal	2-D2HZ	4635-A	U/Joint
					1-C7TZ	4710-A	Cap	1-D2HZ	4841-A	Yoke			
80/89	★ D2HZ	4602-BE	D2HZ	4605-BE	1-C7TZ	4342-A	Washer	1-C7TZ	4343-A	Seal	2-D2HZ	4635-A	U/Joint
					1-C7TZ	4710-A	Cap	1-D2HZ	4841-A	Yoke			
80/89	★ D2HZ	4602-BF	D2HZ	4605-BF	1-C7TZ	4342-A	Washer	1-C7TZ	4343-A	Seal	2-D2HZ	4635-A	U/Joint
					1-C7TZ	4710-A	Cap	1-D2HZ	4841-A	Yoke			
81/82	★ D2HZ	4602-BG	D3HZ	4605-AD	1-C7TZ	4342-A	Washer	1-C7TZ	4343-A	Seal	2-D2HZ	4635-A	U/Joint
					1-C7TZ	4710-A	Cap	1-D2HZ	4841-A	Yoke			
80/82	★ D2HZ	4602-CM	D2HZ	4605-CM	1-C6TZ	4342-B	Washer	1-C6TZ	4343-B	Seal	2-D3TZ	4635-B	U/Joint
					1-C6TZ	4710-E	Cap	1-C6TZ	4841-M	Yoke			
80/82	★ D2HZ	4602-CN	D2HZ	4605-CN	1-C6TZ	4342-B	Washer	1-C6TZ	4343-B	Seal	2-D3TZ	4635-B	U/Joint
					1-C6TZ	4710-E	Cap	1-C6TZ	4841-M	Yoke			
80/89	D2TZ	4602-A	D2TZ	4605-A	1-C1TT	4342-B	Washer	1-C1TT	4343-B	Seal	2-C1TZ	4635-A	U/Joint
					1-C1TT	4710-A	Cap	1-C1TT	4841-F	Yoke			

**1980/  
TRUCK SERIES 600/900**

**DRIVE and COUPLING SHAFT COMPONENT PARTS LISTS**

YEAR	COMPLETE SHAFT ASSEMBLY		OPTIONAL COMPONENTS FOR COMPLETE SHAFT ASSEMBLY										
			SHAFT SUB-ASSEMBLY		RELATED PARTS FOR USE WITH SHAFT SUB-ASSEMBLY								
80/81	★ D2TZ	4602-E	D2TZ	4605-E	2-C5TZ	4635-G	U/Joint	1-C5TZ	4710-C	Cap	2-C5TZ	4819-C	Washer
					1-C5TZ	4841-C	Yoke						
80/89	★ D3HA	4602-VA	D4HZ	4605-BH	1-D1HZ	4342-A	Washer	1-D1HZ	4343-A	Seal	2-D3TZ	4635-B	U/Joint
					1-D1HZ	4710-A	Cap	1-C6TZ	4841-N	Yoke			
80/89	★ D3HA	4602-YA	D4HZ	4605-F	1-D1HZ	4342-A	Washer	1-D1HZ	4343-A	Seal	2-D3TZ	4635-B	U/Joint
					1-D1HZ	4710-A	Cap	1-C6TZ	4841-N	Yoke			
80/	★ D3HA	4602-ZA	D4HZ	4605-G	1-D1HZ	4342-A	Washer	1-D1HZ	4343-A	Seal	2-D3TZ	4635-B	U/Joint
					1-D1HZ	4710-A	Cap	1-C6TZ	4841-N	Yoke			
80/	★ D3HA	4602-AAA	D4HZ	4605-H	1-D1HZ	4342-A	Washer	1-D1HZ	4343-A	Seal	2-D3TZ	4635-B	U/Joint
					1-D1HZ	4710-A	Cap	1-C6TZ	4841-N	Yoke			
80/89	★ D3HA	4602-ABA	D4HZ	4605-J	1-D1HZ	4342-A	Washer	1-D1HZ	4343-A	Seal	2-D3TZ	4635-B	U/Joint
					1-D1HZ	4710-A	Cap	1-C6TZ	4841-N	Yoke			
80/89	★ D3HA	4602-ACA	D4HZ	4605-K	1-D1HZ	4342-A	Washer	1-D1HZ	4343-A	Seal	2-D3TZ	4635-B	U/Joint
					1-D1HZ	4710-A	Cap	1-C6TZ	4841-N	Yoke			
80/89	★ D3HA	4602-ADA	D4HZ	4605-L	1-D1HZ	4342-A	Washer	1-D1HZ	4343-A	Seal	2-D3TZ	4635-B	U/Joint
					1-D1HZ	4710-A	Cap	1-C6TZ	4841-N	Yoke			
80/89	★ D3HA	4602-AEA	D4HZ	4605-M	1-D1HZ	4342-A	Washer	1-D1HZ	4343-A	Seal	2-D3TZ	4635-B	U/Joint
					1-D1HZ	4710-A	Cap	1-C6TZ	4841-N	Yoke			
80/89	★ D3HA	4602-AFA	D4HZ	4605-N	1-D1HZ	4342-A	Washer	1-D1HZ	4343-A	Seal	2-D3TZ	4635-B	U/Joint
					1-D1HZ	4710-A	Cap	1-C6TZ	4841-N	Yoke			
80/89	★ D3HA	4602-AGA	D4HZ	4605-P	1-D1HZ	4342-A	Washer	1-D1HZ	4343-A	Seal	2-D3TZ	4635-B	U/Joint
					1-D1HZ	4710-A	Cap	1-C6TZ	4841-N	Yoke			
80/89	★ D3HA	4602-AHA	D4HZ	4605-Q	1-D1HZ	4342-A	Washer	1-D1HZ	4343-A	Seal	2-D3TZ	4635-B	U/Joint
					1-D1HZ	4710-A	Cap	1-C6TZ	4841-N	Yoke			
80/89	★ D3HA	4602-AJA	D4HZ	4605-R	1-D1HZ	4342-A	Washer	1-D1HZ	4343-A	Seal	2-D3TZ	4635-B	U/Joint
					1-D1HZ	4710-A	Cap	1-C6TZ	4841-N	Yoke			
80/89	★ D3HA	4602-AKA	D4HZ	4605-S	1-D1HZ	4342-A	Washer	1-D1HZ	4343-A	Seal	2-D3TZ	4635-B	U/Joint
					1-D1HZ	4710-A	Cap	1-C6TZ	4841-N	Yoke			
80/89	★ D3HA	4602-ALA	D4HZ	4605-T	1-D1HZ	4342-A	Washer	1-D1HZ	4343-A	Seal	2-D3TZ	4635-B	U/Joint
					1-D1HZ	4710-A	Cap	1-C6TZ	4841-N	Yoke			
80/89	★ D3HA	4602-AMA	D4HZ	4605-U	1-D1HZ	4342-A	Washer	1-D1HZ	4343-A	Seal	2-D3TZ	4635-B	U/Joint
					1-D1HZ	4710-A	Cap	1-C6TZ	4841-N	Yoke			
80/89	★ D3HA	4602-ANA	D4HZ	4605-V	1-D1HZ	4342-A	Washer	1-D1HZ	4343-A	Seal	2-D3TZ	4635-B	U/Joint
					1-D1HZ	4710-A	Cap	1-C6TZ	4841-N	Yoke			
80/89	★ D3HA	4602-ARA	D4HZ	4605-W	1-D1HZ	4342-A	Washer	1-D1HZ	4343-A	Seal	2-D3TZ	4635-B	U/Joint
					1-D1HZ	4710-A	Cap	1-C6TZ	4841-N	Yoke			
80/89	★ D3HA	4602-ASA	D4HZ	4605-X	1-D1HZ	4342-A	Washer	1-D1HZ	4343-A	Seal	2-D3TZ	4635-B	U/Joint
					1-D1HZ	4710-A	Cap	1-C6TZ	4841-N	Yoke			
80/89	★ D3HA	4602-ATA	D4HZ	4605-Y	1-D1HZ	4342-A	Washer	1-D1HZ	4343-A	Seal	2-D3TZ	4635-B	U/Joint
					1-D1HZ	4710-A	Cap	1-C6TZ	4841-N	Yoke			
80/89	★ D3HA	4602-AUA	D4HZ	4605-Z	1-D1HZ	4342-A	Washer	1-D1HZ	4343-A	Seal	2-D3TZ	4635-B	U/Joint
					1-D1HZ	4710-A	Cap	1-C6TZ	4841-N	Yoke			
80/89	★ D3HA	4602-AVA	D4HZ	4605-AA	1-D1HZ	4342-A	Washer	1-D1HZ	4343-A	Seal	2-D3TZ	4635-B	U/Joint
					1-D1HZ	4710-A	Cap	1-C6TZ	4841-N	Yoke			
80/89	★ D3HA	4602-AYA	D4HZ	4605-AB	1-D1HZ	4342-A	Washer	1-D1HZ	4343-A	Seal	2-D3TZ	4635-B	U/Joint
					1-D1HZ	4710-A	Cap	1-C6TZ	4841-N	Yoke			
80/89	★ D3HA	4602-AZA	D4HZ	4605-AC	1-D1HZ	4342-A	Washer	1-D1HZ	4343-A	Seal	2-D3TZ	4635-B	U/Joint
					1-D1HZ	4710-A	Cap	1-C6TZ	4841-N	Yoke			
80/89	★ D3HA	4602-BAA	D4HZ	4605-BK	1-D1HZ	4342-A	Washer	1-D1HZ	4343-A	Seal	2-D3TZ	4635-B	U/Joint
					1-D1HZ	4710-A	Cap	1-C6TZ	4841-N	Yoke			
80/89	★ D3HA	4602-BBA	D4HZ	4605-BL	1-D1HZ	4342-A	Washer	1-D1HZ	4343-A	Seal	2-D3TZ	4635-B	U/Joint
					1-D1HZ	4710-A	Cap	1-C6TZ	4841-N	Yoke			
80/89	★ D3HA	4602-BCA	D5HZ	4605-AAA	1-D1HZ	4342-A	Washer	1-D1HZ	4343-A	Seal	2-D3TZ	4635-B	U/Joint
					1-D1HZ	4710-A	Cap	1-C6TZ	4841-N	Yoke			
80/89	★ D3HA	4602-BDA	D4HZ	4605-BM	1-D1HZ	4342-A	Washer	1-D1HZ	4343-A	Seal	2-D3TZ	4635-B	U/Joint
					1-D1HZ	4710-A	Cap	1-C6TZ	4841-N	Yoke			
80/89	★ D3HA	4602-BEA	D8HZ	4605-AV	1-D1HZ	4342-A	Washer	1-D1HZ	4343-A	Seal	2-D3TZ	4635-B	U/Joint
					1-D1HZ	4710-A	Cap	1-C6TZ	4841-N	Yoke			

**1980/  
TRUCK SERIES 600/900**

**DRIVE and COUPLING SHAFT COMPONENT PARTS LISTS**

YEAR	COMPLETE SHAFT ASSEMBLY		OPTIONAL COMPONENTS FOR COMPLETE SHAFT ASSEMBLY										
			SHAFT SUB-ASSEMBLY		RELATED PARTS FOR USE WITH SHAFT SUB-ASSEMBLY								
80/89	★ D3HA	4602-BFA	D4HZ	4605-BJ	1-D1HZ	4342-A	Washer	1-D1HZ	4343-A	Seal	2-D3TZ	4635-B	U/Joint
					1-D1HZ	4710-A	Cap	1-C6TZ	4841-N	Yoke			
80/89	★ D3HA	4602-BGA	D4HZ	4605-BN	1-D1HZ	4342-A	Washer	1-D1HZ	4343-A	Seal	2-D3TZ	4635-B	U/Joint
					1-D1HZ	4710-A	Cap	1-C6TZ	4841-N	Yoke			
80/82	★ D3HA	4602-BHA	D5HZ	4605-AAB	1-D1HZ	4342-A	Washer	1-D1HZ	4343-A	Seal	2-D3TZ	4635-B	U/Joint
					1-D1HZ	4710-A	Cap	1-C6TZ	4841-N	Yoke			
80/89	★ D3HA	4602-BJA	D4HZ	4605-BP	1-D1HZ	4342-A	Washer	1-D1HZ	4343-A	Seal	2-D3TZ	4635-B	U/Joint
					1-D1HZ	4710-A	Cap	1-C6TZ	4841-N	Yoke			
80/82	★ D3HA	4602-BKA	D4HZ	4605-BQ	1-D1HZ	4342-A	Washer	1-D1HZ	4343-A	Seal	2-D3TZ	4635-B	U/Joint
					1-D1HZ	4710-A	Cap	1-C6TZ	4841-N	Yoke			
80/89	★ D3HA	4602-BLA	D5HZ	4605-AAC	1-D1HZ	4342-A	Washer	1-D1HZ	4343-A	Seal	2-D3TZ	4635-B	U/Joint
					1-D1HZ	4710-A	Cap	1-C6TZ	4841-N	Yoke			
80/89	★ D3HA	4602-BMA	D4HZ	4605-BR	1-D1HZ	4342-A	Washer	1-D1HZ	4343-A	Seal	2-D3TZ	4635-B	U/Joint
					1-D1HZ	4710-A	Cap	1-C6TZ	4841-N	Yoke			
80/	★ D3HA	4602-BNA	D7HZ	4605-C	1-D1HZ	4342-A	Washer	1-D1HZ	4343-A	Seal	2-D3TZ	4635-B	U/Joint
					1-D1HZ	4710-A	Cap	1-C6TZ	4841-N	Yoke			
80/	★ D3HA	4602-BRA	D4HZ	4605-BS	1-D1HZ	4342-A	Washer	1-D1HZ	4343-A	Seal	2-D3TZ	4635-B	U/Joint
					1-D1HZ	4710-A	Cap	1-C6TZ	4841-N	Yoke			
80/89	★ D3HA	4602-BSA	D4HZ	4605-BT	1-D1HZ	4342-A	Washer	1-D1HZ	4342-A	Seal	2-D3TZ	4635-B	U/Joint
					1-D1HZ	4710-A	Cap	1-C6TZ	4841-N	Yoke			
80/82	★ D3HA	4602-BTA	D4HZ	4605-BU	1-D1HZ	4342-A	Washer	1-D1HZ	4343-A	Seal	2-D3TZ	4635-B	U/Joint
					1-D1HZ	4710-A	Cap	1-C6TZ	4841-N	Yoke			
80/82	★ D3HA	4602-BUA	D4HZ	4605-BV	1-D1HZ	4342-A	Washer	1-D1HZ	4343-A	Seal	2-D3TZ	4635-B	U/Joint
					1-D1HZ	4710-A	Cap	1-C6TZ	4841-N	Yoke			
80/82	★ D3HA	4602-BVA	D4HZ	4605-BW	1-D1HZ	4342-A	Washer	1-D1HZ	4343-A	Seal	2-D3TZ	4635-B	U/Joint
					1-D1HZ	4710-A	Cap	1-C6TZ	4841-N	Yoke			
80/89	★ D3HA	4602-BYA	D4HZ	4605-BX	1-D1HZ	4342-A	Washer	1-D1HZ	4343-A	Seal	2-D3TZ	4635-B	U/Joint
					1-D1HZ	4710-A	Cap	1-C6TZ	4841-N	Yoke			
80/89	★ D3HA	4602-BZA	D4HZ	4605-BY	1-D1HZ	4342-A	Washer	1-D1HZ	4343-A	Seal	2-D3TZ	4635-B	U/Joint
					1-D1HZ	4710-A	Cap	1-C6TZ	4841-N	Yoke			
80/89	★ D3HA	4602-CAA	D4HZ	4605-BZ	1-D1HZ	4342-A	Washer	1-D1HZ	4343-A	Seal	2-D3TZ	4635-B	U/Joint
					1-D1HZ	4710-A	Cap	1-C6TZ	4841-N	Yoke			
80/82	★ D3HA	4602-CBA	D4HZ	4605-AD	1-D1HZ	4342-A	Washer	1-D1HZ	4343-A	Seal	2-D3TZ	4635-B	U/Joint
					1-D1HZ	4710-A	Cap	1-C6TZ	4841-N	Yoke			
86	★ D3HA	4602-CDA	E6HZ	4605-AL	1-D1HZ	4342-A	Washer	1-D1HZ	4343-A	Seal	2-D3TZ	4635-B	U/Joint
					1-D1HZ	4710-A	Cap	1-C6TZ	4841-N	Yoke			
86	★ D3HA	4602-CEA	D4HZ	4605-CB	1-D1HZ	4342-A	Washer	1-D1HZ	4343-A	Seal	2-D3TZ	4635-B	U/Joint
					1-D1HZ	4710-A	Cap	1-C6TZ	4841-N	Yoke			
80/89	★ D3HA	4602-CHA	D3HZ	4605-AD	1-C7TZ	4342-A	Washer	1-C7TZ	4343-A	Seal	2-D2HZ	4635-A	U/Joint
					1-C7TZ	4710-A	Cap	1-D2HZ	4841-A	Yoke			
80/89	★ D3HA	4602-CJA	D3HZ	4605-AE	1-C7TZ	4342-A	Washer	1-C7TZ	4343-A	Seal	2-D2HZ	4635-A	U/Joint
					1-C7TZ	4710-A	Cap	1-D2HZ	4841-A	Yoke			
80/89	★ D3HA	4602-CKA	D3HZ	4605-AF	1-C7TZ	4342-A	Washer	1-C7TZ	4343-A	Seal	2-D2HZ	4635-A	U/Joint
					1-C7TZ	4710-A	Cap	1-D2HZ	4841-A	Yoke			
80/89	★ D3HA	4602-CLA	D4HZ	4605-CC	1-C7TZ	4342-A	Washer	1-C7TZ	4343-A	Seal	2-D2HZ	4635-A	U/Joint
					1-C7TZ	4710-A	Cap	1-D2HZ	4841-A	Yoke			
80/89	★ D3HA	4602-CMA	D4HZ	4605-CD	1-C7TZ	4342-A	Washer	1-C7TZ	4343-A	Seal	2-D2HZ	4635-A	U/Joint
					1-C7TZ	4710-A	Cap	1-D2HZ	4841-A	Yoke			
80/89	★ D3HA	4602-CNA	D4HZ	4605-CE	1-C7TZ	4342-A	Washer	1-C7TZ	4343-A	Seal	2-D2HZ	4635-A	U/Joint
					1-C7TZ	4710-A	Cap	1-D2HZ	4841-A	Yoke			
80/89	★ D3HA	4602-CRA	D3HZ	4605-AG	1-C7TZ	4342-A	Washer	1-C7TZ	4343-A	Seal	2-D2HZ	4635-A	U/Joint
					1-C7TZ	4710-A	Cap	1-D2HZ	4841-A	Yoke			
80/89	★ D3HA	4602-CSA	D3HZ	4605-AH	1-C7TZ	4342-A	Washer	1-C7TZ	4343-A	Seal	2-D2HZ	4635-A	U/Joint
					1-C7TZ	4710-A	Cap	1-D2HZ	4841-A	Yoke			
80/	★ D3HA	4602-CTA	D4HZ	4605-CF	1-C7TZ	4342-A	Washer	1-C7TZ	4343-A	Seal	2-D2HZ	4635-A	U/Joint
					1-C7TZ	4710-A	Cap	1-D2HZ	4841-A	Yoke			
80/89	★ D3HA	4602-CUA	D3HZ	4605-AJ	1-C7TZ	4342-A	Washer	1-C7TZ	4343-A	Seal	2-D2HZ	4635-A	U/Joint
					1-C7TZ	4710-A	Cap	1-D2HZ	4841-A	Yoke			



1980/  
TRUCK SERIES 600/900

DRIVE and COUPLING SHAFT COMPONENT PARTS LISTS													
YEAR	COMPLETE SHAFT ASSEMBLY		OPTIONAL COMPONENTS FOR COMPLETE SHAFT ASSEMBLY										
			SHAFT SUB-ASSEMBLY		RELATED PARTS FOR USE WITH SHAFT SUB-ASSEMBLY								
80/89	★ D3HA	4602-CVA	D4HZ	4605-CG	1-C7TZ	4342-A	Washer	1-C7TZ	4343-A	Seal	2-D2HZ	4635-A	U/Joint
					1-C7TZ	4710-A	Cap	1-D2HZ	4841-A	Yoke			
80/89	★ D3HA	4602-CYA	D3HZ	4605-AK	1-C7TZ	4342-A	Washer	1-C7TZ	4343-A	Seal	2-D2HZ	4635-A	U/Joint
					1-C7TZ	4710-A	Cap	1-D2HZ	4841-A	Yoke			
80/89	★ D3HA	4602-CZA	D3HZ	4605-AL	1-C7TZ	4342-A	Washer	1-C7TZ	4343-A	Seal	2-D2HZ	4635-A	U/Joint
					1-C7TZ	4710-A	Cap	1-D2HZ	4841-A	Yoke			
80/89	★ D3HA	4602-DAA	D3HZ	4605-AM	1-C7TZ	4342-A	Washer	1-C7TZ	4343-A	Seal	2-D2HZ	4635-A	U/Joint
					1-C7TZ	4710-A	Cap	1-D2HZ	4841-A	Yoke			
80/89	★ D3HA	4602-DBA	D4HZ	4605-CH	1-C7TZ	4342-A	Washer	1-C7TZ	4343-A	Seal	2-D2HZ	4635-A	U/Joint
					1-C7TZ	4710-A	Cap	1-D2HZ	4841-A	Yoke			
80/89	★ D3HA	4602-DCA	D4HZ	4605-CJ	1-C7TZ	4342-A	Washer	1-C7TZ	4343-A	Seal	2-D2HZ	4635-A	U/Joint
					1-C7TZ	4710-A	Cap	1-D2HZ	4841-A	Yoke			
80/89	★ D3HA	4602-DDA	D4HZ	4605-CK	1-C7TZ	4342-A	Washer	1-C7TZ	4343-A	Seal	2-D2HZ	4635-A	U/Joint
					1-C7TZ	4710-A	Cap	1-D2HZ	4841-A	Yoke			
80/89	★ D3HA	4602-DEA	D4HZ	4605-CL	1-C7TZ	4342-A	Washer	1-C7TZ	4343-A	Seal	2-D2HZ	4635-A	U/Joint
					1-C7TZ	4710-A	Cap	1-D2HZ	4841-A	Yoke			
80/89	★ D3HA	4602-DFA	D3HZ	4605-AN	1-C7TZ	4342-A	Washer	1-C7TZ	4343-A	Seal	2-D2HZ	4635-A	U/Joint
					1-C7TZ	4710-A	Cap	1-D2HZ	4841-A	Yoke			
80/89	★ D3HA	4602-DGA	D3HZ	4605-AP	1-C7TZ	4342-A	Washer	1-C7TZ	4343-A	Seal	2-D2HZ	4635-A	U/Joint
					1-C7TZ	4710-A	Cap	1-D2HZ	4841-A	Yoke			
80/89	★ D3HA	4602-DHA	D4HZ	4605-CM	1-C7TZ	4342-A	Washer	1-C7TZ	4343-A	Seal	2-D2HZ	4635-A	U/Joint
					1-C7TZ	4710-A	Cap	1-D2HZ	4841-A	Yoke			
80/89	★ D3HA	4602-DJA	D4HZ	4605-CN	1-C7TZ	4342-A	Washer	1-C7TZ	4343-A	Seal	2-D2HZ	4635-A	U/Joint
					1-C7TZ	4710-A	Cap	1-D2HZ	4841-A	Yoke			
80/	★ D3HA	4602-DKA	D4HZ	4605-CP	1-C7TZ	4342-A	Washer	1-C7TZ	4343-A	Seal	2-D2HZ	4635-A	U/Joint
					1-C7TZ	4710-A	Cap	1-D2HZ	4841-A	Yoke			
80/	★ D3HA	4602-DLA	D4HZ	4605-CQ	1-C7TZ	4342-A	Washer	1-C7TZ	4343-A	Seal	2-D2HZ	4635-A	U/Joint
					1-C7TZ	4710-A	Cap	1-D2HZ	4841-A	Yoke			
81/89	★ D3HA	4602-DMA	D5HZ	4605-AAM	1-C7TZ	4342-A	Washer	1-C7TZ	4343-A	Seal	2-D2HZ	4635-A	U/Joint
					1-C7TZ	4710-A	Cap	1-D2HZ	4841-A	Yoke			
83/89	★ D3HA	4602-DNA	D4HZ	4605-CR	1-C7TZ	4342-A	Washer	1-C7TZ	4343-A	Seal	2-D2HZ	4635-A	U/Joint
					1-C7TZ	4710-A	Cap	1-D2HZ	4841-A	Yoke			
83/89	★ D3HA	4602-DRA	D4HZ	4605-CS	1-C7TZ	4342-A	Washer	1-C7TZ	4343-A	Seal	2-D2HZ	4635-A	U/Joint
					1-C7TZ	4710-A	Cap	1-D2HZ	4841-A	Yoke			
80/81	★ D3HZ	4602-Y	D4HZ	4605-AC	1-D1HZ	4342-A	Washer	1-D1HZ	4343-A	Seal	2-D3TZ	4635-B	U/Joint
					1-D1HZ	4710-A	Cap	1-C6TZ	4841-N	Yoke			
80/81	★ D3HZ	4602-AH	D3HZ	4605-AH	1-C7TZ	4342-A	Washer	1-C7TZ	4343-A	Seal	2-D2HZ	4635-A	U/Joint
					1-C7TZ	4710-A	Cap	1-D2HZ	4841-A	Yoke			
80/89	★ D3HZ	4602-AR	D3HZ	4605-AR	1-C7TZ	4342-A	Washer	1-C7TZ	4343-A	Seal	2-D2HZ	4635-A	U/Joint
					1-C7TZ	4710-A	Cap	1-D2HZ	4841-A	Yoke			
80/	★ D4HA	4602-AEA	D4HZ	4605-C	1-C1TT	4342-C	Washer	1-C1TT	4343-C	Seal	1-C1TZ	4635-A	U/Joint
					1-C1TT	4710-A	Cap	1-C1TT	4841-F	Yoke			
80/89	★ D4HA	4602-AVA	D4HZ	4605-AM	1-D4HZ	4342-A	Washer	1-D4HZ	4343-B	Seal	2-B6TZ	4635-B	U/Joint
					1-D4HZ	4841-D	Yoke	1-01T	7077	Cap			
80/89	★ D4HA	4602-AYA	D4HZ	4605-AL	1-D4HZ	4342-A	Washer	1-D4HZ	4343-B	Seal	2-B6TZ	4635-B	U/Joint
					1-D4HZ	4841-D	Yoke	1-01T	7077	Cap			
80/89	★ D4HA	4602-AZA	D4HZ	4605-AK	1-D4HZ	4342-A	Washer	1-D4HZ	4343-B	Seal	2-B6TZ	4635-B	U/Joint
					1-D4HZ	4841-D	Yoke	1-01T	7077	Cap			
80/81	★ D4HA	4602-BBA	D4HZ	4605-AW	1-D4HZ	4342-A	Washer	1-D4HZ	4343-B	Seal	2-B6TZ	4635-B	U/Joint
					1-D4HZ	4841-D	Yoke	1-01T	7077	Cap			
80/89	★ D4HA	4602-BCA	D4HZ	4605-AV	1-D4HZ	4342-A	Washer	1-D4HZ	4343-B	Seal	2-B6TZ	4635-B	U/Joint
					1-D4HZ	4841-D	Yoke	1-01T	7077	Cap			
80/89	★ D4HA	4602-BDA	D4HZ	4605-AU	1-D4HZ	4342-A	Washer	1-D4HZ	4343-B	Seal	2-B6TZ	4635-B	U/Joint
					1-D4HZ	4841-D	Yoke	1-01T	7077	Cap			
80/85	★ D4HA	4602-BEA	D4HZ	4605-AT	1-D4HZ	4342-A	Washer	1-D4HZ	4343-B	Seal	2-B6TZ	4635-B	U/Joint
					1-D4HZ	4841-D	Yoke	1-01T	7077	Cap			
80/89	★ D4HA	4602-BFA	D4HZ	4605-AS	1-D4HZ	4342-A	Washer	1-D4HZ	4343-B	Seal	2-B6TZ	4635-B	U/Joint
					1-D4HZ	4841-D	Yoke	1-01T	7077	Cap			

1980/  
TRUCK SERIES 600/900

DRIVE and COUPLING SHAFT COMPONENT PARTS LISTS

YEAR	COMPLETE SHAFT ASSEMBLY		OPTIONAL COMPONENTS FOR COMPLETE SHAFT ASSEMBLY										
			SHAFT SUB-ASSEMBLY		RELATED PARTS FOR USE WITH SHAFT SUB-ASSEMBLY								
80/89	★ D4HA	4602-BGA	D4HZ	4605-AR	1-D4HZ	4342-A	Washer	1-D4HZ	4343-B	Seal	2-B6TZ	4635-B	U/Joint
					1-D4HZ	4841-D	Yoke	1-01T	7077	Cap			
80/89	★ D4HA	4602-BHA	D4HZ	4605-AQ	1-D4HZ	4342-A	Washer	1-D4HZ	4343-B	Seal	2-B6TZ	4635-B	U/Joint
					1-D4HZ	4841-D	Yoke	1-01T	7077	Cap			
80/81	★ D4HA	4602-BJA	D4HZ	4605-AP	1-D4HZ	4342-A	Washer	1-D4HZ	4343-B	Seal	2-B6TZ	4635-B	U/Joint
					1-D4HZ	4841-D	Yoke	1-01T	7077	Cap			
80/89	★ D4HA	4602-BKA	D4HZ	4605-AN	1-D4HZ	4342-A	Washer	1-D4HZ	4343-B	Seal	2-B6TZ	4635-B	U/Joint
					1-D4HZ	4841-D	Yoke	1-01T	7077	Cap			
80/89	★ D4HA	4602-BLA	D9HZ	4605-N	1-C6TZ	4342-C	Washer	1-C6TZ	4343-C	Seal	2-D3TZ	4635-A	U/Joint
					1-C6TZ	4710-F	Cap	1-D4HZ	4841-E	Yoke			
80/89	★ D4HA	4602-BMA	D9HZ	4605-R	1-C6TZ	4342-C	Washer	1-C6TZ	4343-C	Seal	2-D3TZ	4635-A	U/Joint
					1-C6TZ	4710-F	Cap	1-D4HZ	4841-E	Yoke			
80/81	★ D4HA	4602-BNA	D9HZ	4605-S	1-C6TZ	4342-C	Washer	1-C6TZ	4343-C	Seal	2-D3TZ	4635-A	U/Joint
					1-C6TZ	4710-F	Cap	1-D4HZ	4841-E	Yoke			
80/89	★ D4HA	4602-BRA	D5HZ	4605-AE	1-C6TZ	4342-C	Washer	1-C6TZ	4343-C	Seal	2-D3TZ	4635-A	U/Joint
					1-C6TZ	4710-F	Cap	1-D4HZ	4841-E	Yoke			
80/89	★ D4HA	4602-BSA	D9HZ	4605-T	1-C6TZ	4342-C	Washer	1-C6TZ	4343-C	Seal	2-D3TZ	4635-A	U/Joint
					1-C6TZ	4710-F	Cap	1-D4HZ	4841-E	Yoke			
80/89	★ D4HA	4602-BTA	D5HZ	4605-AAD	1-C6TZ	4342-C	Washer	1-C6TZ	4343-C	Seal	2-D3TZ	4635-A	U/Joint
					1-C6TZ	4710-F	Cap	1-D4HZ	4841-E	Yoke			
80/89	★ D4HA	4602-BUA	D5HZ	4605-AAE	1-C6TZ	4342-C	Washer	1-C6TZ	4343-C	Seal	2-D3TZ	4635-A	U/Joint
					1-C6TZ	4710-F	Cap	1-D4HZ	4841-E	Yoke			
80/89	★ D4HA	4602-BVA	D5HZ	4605-AAF	1-C6TZ	4342-C	Washer	1-C6TZ	4343-C	Seal	2-D3TZ	4635-A	U/Joint
					1-C6TZ	4710-F	Cap	1-D4HZ	4841-E	Yoke			
80/89	★ D4HA	4602-BYA	D5HZ	4605-AAG	1-C6TZ	4342-C	Washer	1-C6TZ	4343-C	Seal	2-D3TZ	4635-A	U/Joint
					1-C6TZ	4710-F	Cap	1-D4HZ	4841-E	Yoke			
80/89	★ D4HA	4602-BZA	D5HZ	4605-AX	1-C6TZ	4342-C	Washer	1-C6TZ	4343-C	Seal	2-D3TZ	4635-A	U/Joint
					1-C6TZ	4710-F	Cap	1-D4HZ	4841-E	Yoke			
80/89	★ D4HA	4602-CAA	D5HZ	4605-AF	1-C6TZ	4342-C	Washer	1-C6TZ	4343-C	Seal	2-D3TZ	4635-A	U/Joint
					1-C6TZ	4710-F	Cap	1-D4HZ	4841-E	Yoke			
80/89	★ D4HA	4602-CBA	D5HZ	4605-AG	1-C6TZ	4342-C	Washer	1-C6TZ	4343-C	Seal	2-D3TZ	4635-A	U/Joint
					1-C6TZ	4710-F	Cap	1-D4HZ	4841-E	Yoke			
80/89	★ D4HA	4602-CCA	D5HZ	4605-AH	1-C6TZ	4342-C	Washer	1-C6TZ	4343-C	Seal	2-D3TZ	4635-A	U/Joint
					1-C6TZ	4710-F	Cap	1-D4HZ	4841-E	Yoke			
80/89	★ D4HA	4602-CDA	D5HZ	4605-AJ	1-C6TZ	4342-C	Washer	1-C6TZ	4343-C	Seal	2-D3TZ	4635-A	U/Joint
					1-C6TZ	4710-F	Cap	1-D4HZ	4841-E	Yoke			
80/89	★ D4HA	4602-CEA	D5HZ	4605-AK	1-C6TZ	4342-C	Washer	1-C6TZ	4343-C	Seal	2-D3TZ	4635-A	U/Joint
					1-C6TZ	4710-F	Cap	1-D4HZ	4841-E	Yoke			
80/89	★ D4HA	4602-CFA	D5HZ	4605-AL	1-C6TZ	4342-C	Washer	1-C6TZ	4343-C	Seal	2-D3TZ	4635-A	U/Joint
					1-C6TZ	4710-F	Cap	1-D4HZ	4841-E	Yoke			
80/89	★ D4HA	4602-CGA	D5HZ	4605-AM	1-C6TZ	4342-C	Washer	1-C6TZ	4343-C	Seal	2-D3TZ	4635-A	U/Joint
					1-C6TZ	4710-F	Cap	1-D4HZ	4841-E	Yoke			
80/89	★ D4HA	4602-CHA	D5HZ	4605-AY	1-C6TZ	4342-C	Washer	1-C6TZ	4343-C	Seal	2-D3TZ	4635-A	U/Joint
					1-C6TZ	4710-F	Cap	1-D4HZ	4841-E	Yoke			
80/89	★ D4HA	4602-CJA	D5HZ	4605-AN	1-C6TZ	4342-C	Washer	1-C6TZ	4343-C	Seal	2-D3TZ	4635-A	U/Joint
					1-C6TZ	4710-F	Cap	1-D4HZ	4841-E	Yoke			
80/89	★ D4HA	4602-CKA	D5HZ	4605-AAH	1-C6TZ	4342-C	Washer	1-C6TZ	4343-C	Seal	2-D3TZ	4635-A	U/Joint
					1-C6TZ	4710-F	Cap	1-D4HZ	4841-E	Yoke			
80/89	★ D4HA	4602-CLA	D5HZ	4605-AAJ	1-C6TZ	4342-C	Washer	1-C6TZ	4343-C	Seal	2-D3TZ	4635-A	U/Joint
					1-C6TZ	4710-F	Cap	1-D4HZ	4841-E	Yoke			
80/89	★ D4HA	4602-CMA	D5HZ	4605-AAK	1-C6TZ	4342-C	Washer	1-C6TZ	4343-C	Seal	2-D3TZ	4635-A	U/Joint
					1-C6TZ	4710-F	Cap	1-D4HZ	4841-E	Yoke			
80/89	★ D4HA	4602-CNA	D5HZ	4605-AP	1-C6TZ	4342-C	Washer	1-C6TZ	4343-C	Seal	2-D3TZ	4635-A	U/Joint
					1-C6TZ	4710-F	Cap	1-D4HZ	4841-E	Yoke			
80/89	★ D4HA	4602-CRA	D5HZ	4605-AR	1-C6TZ	4342-C	Washer	1-C6TZ	4343-C	Seal	2-D3TZ	4635-A	U/Joint
					1-C6TZ	4710-F	Cap	1-D4HZ	4841-E	Yoke			
80/89	★ D4HA	4602-CSA	D5HZ	4605-AS	1-C6TZ	4342-C	Washer	1-C6TZ	4343-C	Seal	2-D3TZ	4635-A	U/Joint
					1-C6TZ	4710-F	Cap	1-D4HZ	4841-E	Yoke			

1980/  
TRUCK SERIES 600/900

DRIVE and COUPLING SHAFT COMPONENT PARTS LISTS

YEAR	COMPLETE SHAFT ASSEMBLY		OPTIONAL COMPONENTS FOR COMPLETE SHAFT ASSEMBLY									
			SHAFT SUB-ASSEMBLY		RELATED PARTS FOR USE WITH SHAFT SUB-ASSEMBLY							
80/89	★ D4HA	4602-CTA	D5HZ	4605-AT	1-C6TZ 4342-C	Washer	1-C6TZ 4343-C	Seal	2-D3TZ 4635-A	U/Joint		
					1-C6TZ 4710-F	Cap	1-D4HZ 4841-E	Yoke				
80/89	★ D4HA	4602-CUA	D5HZ	4605-AV	1-C6TZ 4342-C	Washer	1-C6TZ 4343-C	Seal	2-D3TZ 4635-A	U/Joint		
					1-C6TZ 4710-F	Cap	1-D4HZ 4841-E	Yoke				
80/89	★ D4HA	4602-CVA	D5HZ	4605-AW	1-C6TZ 4342-C	Washer	1-C6TZ 4343-C	Seal	2-D3TZ 4635-A	U/Joint		
					1-C6TZ 4710-F	Cap	1-D4HZ 4841-E	Yoke				
80	★ D4HS	4602-BA	D8HZ	4605-BG	1-D4HZ 4342-A	Washer	1-D4HZ 4343-B	Seal	2-B6TZ 4635-B	U/Joint		
					1-D4HZ 4841-D	Yoke	1-01T 7077	Cap				
80/89	★ D4TA	4602-ATA	D4TZ	4605-E	1-D4HZ 4342-A	Washer	1-D4HZ 4343-B	Seal	2-B6TZ 4635-B	U/Joint		
					1-D4HZ 4841-D	Yoke	1-01T 7077	Cap				
80/89	★ D4TA	4602-AUA	D4TZ	4605-D	1-D4HZ 4342-A	Washer	1-D4HZ 4343-B	Seal	2-B6TZ 4635-B	U/Joint		
					1-D4HZ 4841-D	Yoke	1-01T 7077	Cap				
80/81	★ D4TA	4602-AYA	D4TZ	4605-B	1-D4HZ 4342-A	Washer	1-D4HZ 4343-B	Seal	2-B6TZ 4635-B	U/Joint		
					1-D4HZ 4841-D	Yoke	1-01T 7077	Cap				
80/81	★ D4TA	4602-AZA	D4TZ	4605-A	1-D4HZ 4342-A	Washer	1-D4HZ 4343-B	Seal	2-B6TZ 4635-B	U/Joint		
					1-D4HZ 4841-D	Yoke	1-01T 7077	Cap				
80/89	★ D4TA	4602-BAA	D4TZ	4605-M	1-D4HZ 4342-A	Washer	1-D4HZ 4343-B	Seal	2-B6TZ 4635-B	U/Joint		
					1-D4HZ 4841-D	Yoke	1-01T 7077	Cap				
80/89	★ D4TA	4602-BBA	D4TZ	4605-L	1-D4HZ 4342-A	Washer	1-D4HZ 4343-B	Seal	2-B6TZ 4635-B	U/Joint		
					1-D4HZ 4841-D	Yoke	1-01T 7077	Cap				
80/85	★ D4TA	4602-BCA	D4TZ	4605-K	1-D4HZ 4342-A	Washer	1-D4HZ 4343-B	Seal	2-B6TZ 4635-B	U/Joint		
					1-D4HZ 4841-D	Yoke	1-01T 7077	Cap				
80/89	★ D4TA	4602-BDA	D4TZ	4605-J	1-D4HZ 4342-A	Washer	1-D4HZ 4343-B	Seal	2-B6TZ 4635-B	U/Joint		
					1-D4HZ 4841-D	Yoke	1-01T 7077	Cap				
80/89	★ D4TA	4602-BEA	D4TZ	4605-H	1-D4HZ 4342-A	Washer	1-D4HZ 4343-B	Seal	2-B6TZ 4635-B	U/Joint		
					1-D4HZ 4841-D	Yoke	1-01T 7077	Cap				
83/89	★ D4TA	4602-BFA	D4TZ	4605-G	1-D4HZ 4342-A	Washer	1-D4HZ 4343-B	Seal	2-B6TZ 4635-B	U/Joint		
					1-D4HZ 4841-D	Yoke	1-01T 7077	Cap				
80/89	★ D4TA	4602-BGA	D4HZ	4605-E	1-D4HZ 4342-A	Washer	1-D4HZ 4343-B	Seal	2-B6TZ 4635-B	U/Joint		
					1-D4HZ 4841-D	Yoke	1-01T 7077	Cap				
80/89	★ D4TA	4602-BHA	D4HZ	4605-D	1-D4HZ 4342-A	Washer	1-D4HZ 4343-B	Seal	2-B6TZ 4635-B	U/Joint		
					1-D4HZ 4841-D	Yoke	1-01T 7077	Cap				
80/81	★ D4TA	4602-BKA	D4TZ	4605-S	1-C1TT 4342-B	Washer	1-C1TT 4343-B	Seal	2-C1TZ 4635-A	U/Joint		
					1-C1TT 4710-A	Cap	1-C1TT 4841-F	Yoke				
80/81	★ D4TA	4602-BLA	D4TZ	4605-N	1-C1TT 4342-B	Washer	1-C1TT 4343-B	Seal	2-C1TZ 4635-A	U/Joint		
					1-C1TT 4710-A	Cap	1-C1TT 4841-F	Yoke				
80/89	★ D4TA	4602-BMA	D4TZ	4605-R	1-C1TT 4342-B	Washer	1-C1TT 4343-B	Seal	2-C1TZ 4635-A	U/Joint		
					1-C1TT 4710-A	Cap	1-C1TT 4841-F	Yoke				
80/89	★ D4TA	4602-BRA	D4TZ	4605-F	1-D4HZ 4342-A	Washer	1-D4HZ 4343-B	Seal	2-B6TZ 4635-B	U/Joint		
					1-D4HZ 4841-D	Yoke	1-01T 7077	Cap				
80/81	★ D5HA	4602-CA	D5HZ	4605-B	1-D4HZ 4635-B	U/Joint	1-B4TZ 4635-H	U/Joint	1-B3TZ 4710-A	Cap		
					1-B4Q 4819-A	Washer	1-B4Q 4820-A	Seal	1-C5TZ 4841-A	Yoke		
80/81	★ D5HA	4602-DA	D5HZ	4605-C	1-D4HZ 4635-B	U/Joint	1-B4TZ 4635-H	U/Joint	1-B3TZ 4710-A	Cap		
					1-B4Q 4819-A	Washer	1-B4Q 4820-A	Seal	1-C5TZ 4841-A	Yoke		
80/81	★ D5HA	4602-EA	D5HZ	4605-D	1-D4HZ 4635-B	U/Joint	1-B4TZ 4635-H	U/Joint	1-B3TZ 4710-A	Cap		
					1-B4Q 4819-A	Washer	1-B4Q 4820-A	Seal	1-C5TZ 4841-A	Yoke		
80/81	★ D5HA	4602-FA	D6HZ	4605-C	1-B4TZ 4635-H	U/Joint	1-D4HZ 4635-B	U/Joint	1-B3TZ 4710-A	Cap		
					1-B4Q 4819-A	Washer	1-B4Q 4820-A	Seal	1-C5TZ 4841-A	Yoke		
80	★ D5HA	4602-GA	D5HZ	4605-E	1-D4HZ 4635-B	U/Joint	1-B4TZ 4635-H	U/Joint	1-B3TZ 4710-A	Cap		
					1-B4Q 4819-A	Washer	1-B4Q 4820-A	Seal	1-C5TZ 4841-A	Yoke		
80/81	★ D5HA	4602-HA	D5HZ	4605-F	1-D4HZ 4635-B	U/Joint	1-B4TZ 4635-H	U/Joint	1-B3TZ 4710-A	Cap		
					1-B4Q 4819-A	Washer	1-B4Q 4820-A	Seal	1-C5TZ 4841-A	Yoke		
80	★ D5HA	4602-MA	D5HZ	4605-K	1-D4HZ 4635-B	U/Joint	1-B4TZ 4635-H	U/Joint	1-B3TZ 4710-A	Cap		
					1-B4Q 4819-A	Washer	1-B4Q 4820-A	Seal	1-C5TZ 4841-A	Yoke		
80/81	★ D5HA	4602-NA	D5HZ	4605-L	1-D4HZ 4635-B	U/Joint	1-B4TZ 4635-H	U/Joint	1-B3TZ 4710-A	Cap		
					1-B4Q 4819-A	Washer	1-B4Q 4820-A	Seal	1-C5TZ 4841-A	Yoke		
80/81	★ D5HA	4602-RA	D5HZ	4605-M	1-D4HZ 4635-B	U/Joint	1-B4TZ 4635-H	U/Joint	1-B3TZ 4710-A	Cap		
					1-B4Q 4819-A	Washer	1-B4Q 4820-A	Seal	1-C5TZ 4841-A	Yoke		

**1980/  
TRUCK SERIES 600/900**

**DRIVE and COUPLING SHAFT COMPONENT PARTS LISTS**

YEAR	COMPLETE SHAFT ASSEMBLY		OPTIONAL COMPONENTS FOR COMPLETE SHAFT ASSEMBLY										
			SHAFT SUB-ASSEMBLY		RELATED PARTS FOR USE WITH SHAFT SUB-ASSEMBLY								
80/81	★ D5HA	4602-SA	D5HZ	4605-N	1-D4HZ	4635-B	U/Joint	1-B4TZ	4635-H	U/Joint	1-B3TZ	4710-A	Cap
					1-B4Q	4819-A	Washer	1-B4Q	4820-A	Seal	1-C5TZ	4841-A	Yoke
80/81	★ D5HA	4602-TA	D5HZ	4605-P	1-D4HZ	4635-B	U/Joint	1-B4TZ	4635-H	U/Joint	1-B3TZ	4710-A	Cap
					1-B4Q	4819-A	Washer	1-B4Q	4820-A	Seal	1-C5TZ	4841-A	Yoke
80/81	★ D5HA	4602-UA	D9HZ	4605-CT	1-D4HZ	4635-B	U/Joint	1-B4TZ	4635-H	U/Joint	1-B3TZ	4710-A	Cap
					1-B4Q	4819-A	Washer	1-B4Q	4820-A	Seal	1-C5TZ	4841-A	Yoke
80	★ D5HA	4602-AAA	D5HZ	4605-S	1-D4HZ	4635-B	U/Joint	1-B4TZ	4635-H	U/Joint	1-B3TZ	4710-A	Cap
					1-B4Q	4819-A	Washer	1-B4Q	4820-A	Seal	1-C5TZ	4841-A	Yoke
80/81	★ D5HA	4602-ABA	D5HZ	4605-T	1-D4HZ	4635-B	U/Joint	1-B4TZ	4635-H	U/Joint	1-B3TZ	4710-A	Cap
					1-B4Q	4819-A	Washer	1-B4Q	4820-A	Seal	1-C5TZ	4841-A	Yoke
80/81	★ D5HA	4602-ACA	D5HZ	4605-U	1-D4HZ	4635-B	U/Joint	1-B4TZ	4635-H	U/Joint	1-B3TZ	4710-A	Cap
					1-B4Q	4819-A	Washer	1-B4Q	4820-A	Seal	1-C5TZ	4841-A	Yoke
80/81	★ D5HA	4602-ADA	D5HZ	4605-V	1-D4HZ	4635-B	U/Joint	1-B4TZ	4635-H	U/Joint	1-B3TZ	4710-A	Cap
					1-B4Q	4819-A	Washer	1-B4Q	4820-A	Seal	1-C5TZ	4841-A	Yoke
80/81	★ D5HA	4602-AFA	D6HZ	4605-A	1-D4HZ	4635-B	U/Joint	1-B4TZ	4635-H	U/Joint	1-B3TZ	4710-A	Cap
					1-B4Q	4819-A	Washer	1-B4Q	4820-A	Seal	1-C5TZ	4841-A	Yoke
80/81	★ D5HA	4602-AGA	D5HZ	4605-X	1-D4HZ	4635-B	U/Joint	1-B4TZ	4635-H	U/Joint	1-B3TZ	4710-A	Cap
					1-B4Q	4819-A	Washer	1-B4Q	4820-A	Seal	1-C5TZ	4841-A	Yoke
80	★ D5HA	4602-AHA	D8HZ	4605-BL	1-D4HZ	4635-B	U/Joint	1-B4TZ	4635-H	U/Joint	1-B3TZ	4710-A	Cap
					1-B4Q	4819-A	Washer	1-B4Q	4820-A	Seal	1-C5TZ	4841-A	Yoke
80	★ D5HA	4602-AJA	D5HZ	4605-Y	1-D4HZ	4635-B	U/Joint	1-B4TZ	4635-H	U/Joint	1-B3TZ	4710-A	Cap
					1-B4Q	4819-A	Washer	1-B4Q	4820-A	Seal	1-C5TZ	4841-A	Yoke
80	★ D5HA	4602-AKA	D5HZ	4605-Z	1-D4HZ	4635-B	U/Joint	1-B4TZ	4635-H	U/Joint	1-B3TZ	4710-A	Cap
					1-B4Q	4819-A	Washer	1-B4Q	4820-A	Seal	1-C5TZ	4841-A	Yoke
80/81	★ D5HA	4602-AMA	D5HZ	4605-AB	1-D4HZ	4635-B	U/Joint	1-B4TZ	4635-H	U/Joint	1-B3TZ	4710-A	Cap
					1-B4Q	4819-A	Washer	1-B4Q	4820-A	Seal	1-C5TZ	4841-A	Yoke
80/81	★ D5HA	4602-ANA	D5HZ	4605-AC	1-D4HZ	4635-B	U/Joint	1-B4TZ	4635-H	U/Joint	1-B3TZ	4710-A	Cap
					1-B4Q	4819-A	Washer	1-B4Q	4820-A	Seal	1-C5TZ	4841-A	Yoke
80/81	★ D5HA	4602-GYA	D4HZ	4605-EL	2-D3HZ	4635-C	U/Joint	1-B8QH	4710-A	Cap	1-B8QH	4819-C	Washer
					1-B8QH	4820-B	Seal	1-C5TZ	4841-J	Yoke			
80/81	★ D5HA	4602-GZA	D4HZ	4605-EM	2-D3HZ	4635-C	U/Joint	1-B8QH	4710-A	Cap	1-B8QH	4819-C	Washer
					1-B8QH	4820-B	Seal	1-C5TZ	4841-J	Yoke			
80/81	★ D5HA	4602-HAA	D4HZ	4605-EN	2-D3HZ	4635-C	U/Joint	1-B8QH	4710-A	Cap	1-B8QH	4819-C	Washer
					1-B8QH	4820-B	Seal	1-C5TZ	4841-J	Yoke			
80/81	★ D5HA	4602-HBA	D4HZ	4605-EP	2-D3HZ	4635-C	U/Joint	1-B8QH	4710-A	Cap	1-B8QH	4819-C	Washer
					1-B8QH	4820-B	Seal	1-C5TZ	4841-J	Yoke			
80/81	★ D5HA	4602-HCA	D4HZ	4605-EQ	2-D3HZ	4635-C	U/Joint	1-B8QH	4710-A	Cap	1-B8QH	4819-C	Washer
					1-B8QH	4820-B	Seal	1-C5TZ	4841-J	Yoke			
80/81	★ D5HA	4602-HDA	D4HZ	4605-ER	2-D3HZ	4635-C	U/Joint	1-B8QH	4710-A	Cap	1-B8QH	4819-C	Washer
					1-B8QH	4820-B	Seal	1-C5TZ	4841-J	Yoke			
80/81	★ D5HA	4602-HEA	D4HZ	4605-ES	2-D3HZ	4635-C	U/Joint	1-B8QH	4710-A	Cap	1-B8QH	4819-C	Washer
					1-B8QH	4820-B	Seal	1-C5TZ	4841-J	Yoke			
80/81	★ D5HA	4602-HFA	D4HZ	4605-ET	2-D3HZ	4635-C	U/Joint	1-B8QH	4710-A	Cap	1-B8QH	4819-C	Washer
					1-B8QH	4820-B	Seal	1-C5TZ	4841-J	Yoke			
80/81	★ D5HA	4602-HGA	D6HZ	4605-H	1-D3HZ	4635-C	U/Joint	1-D3HZ	4635-D	U/Joint	1-B8QH	4710-A	Cap
					1-B8QH	4819-C	Washer	1-B8QH	4820-B	Seal	1-C5TZ	4841-J	Yoke
80/81	★ D5HA	4602-HHA	D4HZ	4605-EU	2-D3HZ	4635-C	U/Joint	1-B8QH	4710-A	Cap	1-B8QH	4819-C	Washer
					1-B8QH	4820-B	Seal	1-C5TZ	4841-J	Yoke			
80/81	★ D5HA	4602-HJA	D4HZ	4605-EV	2-D3HZ	4635-C	U/Joint	1-B8QH	4710-A	Cap	1-B8QH	4819-C	Washer
					1-B8QH	4820-B	Seal	1-C5TZ	4841-J	Yoke			
80/81	★ D5HA	4602-HKA	D7HZ	4605-D	1-D3HZ	4635-C	U/Joint	1-D3HZ	4635-D	U/Joint	1-B8QH	4710-A	Cap
					1-B8QH	4819-C	Washer	1-B8QH	4820-B	Seal	1-C5TZ	4841-J	Yoke
80/81	★ D5HA	4602-HRA	D6HZ	4605-J	1-D3HZ	4635-C	U/Joint	1-D3HZ	4635-D	U/Joint	1-B8QH	4710-A	Cap
					1-B8QH	4819-C	Washer	1-B8QH	4820-B	Seal	1-C5TZ	4841-J	Yoke
80/81	★ D5HA	4602-HSA	D6HZ	4605-K	1-D3HZ	4635-C	U/Joint	1-D3HZ	4635-D	U/Joint	1-B8QH	4710-A	Cap
					1-B8QH	4819-C	Washer	1-B8QH	4820-B	Seal	1-C5TZ	4841-J	Yoke
80/81	★ D5HA	4602-HUA	D8HZ	4605-BM	1-D3HZ	4635-C	U/Joint	1-D3HZ	4635-D	U/Joint	1-B8QH	4710-A	Cap
					1-B8QH	4819-C	Washer	1-B8QH	4820-B	Seal	1-C5TZ	4841-J	Yoke
80/81	★ D5HA	4602-HYA	D6HZ	4605-M	1-D3HZ	4635-C	U/Joint	1-D3HZ	4635-D	U/Joint	1-B8QH	4710-A	Cap
					1-B8QH	4819-C	Washer	1-B8QH	4820-B	Seal	1-C5TZ	4841-J	Yoke

**1980/  
TRUCK SERIES 600/900**

DRIVE and COUPLING SHAFT COMPONENT PARTS LISTS												
YEAR	COMPLETE SHAFT ASSEMBLY	OPTIONAL COMPONENTS FOR COMPLETE SHAFT ASSEMBLY										
		SHAFT SUB-ASSEMBLY		RELATED PARTS FOR USE WITH SHAFT SUB-ASSEMBLY								
80/81	★ D5HA 4602-HZA	D4HZ 4605-EW	2-D3HZ 4635-C 1-B8QH 4820-B	U/Joint Seal	1-D3HZ 4710-A 1-C5TZ 4841-J	Cap Yoke	1-B8QH 4819-C	Washer				
80/81	★ D5HA 4602-JAA	D6HZ 4605-B	1-D3HZ 4635-C 1-B8QH 4819-C	U/Joint Washer	1-D3HZ 4635-D 1-B8QH 4820-B	U/Joint Seal	1-B8QH 4710-A 1-C5TZ 4841-J	Cap Yoke	1-B8QH 4710-A	Cap		
80/81	★ D5HA 4602-JBA	D4HZ 4605-CT	2-D3QH 4635-C 1-B8QH 4820-B	U/Joint Seal	1-B8QH 4710-A 1-C5TZ 4841-J	Cap Yoke	1-B8QH 4819-C	Washer				
80/81	★ D5HA 4602-JCA	D6HZ 4605-N	1-D3HZ 4635-C 1-B8QH 4819-C	U/Joint Washer	1-D3HZ 4635-D 1-B8QH 4820-B	U/Joint Seal	1-B8QH 4710-A 1-C5TZ 4841-J	Cap Yoke	1-B8QH 4710-A	Cap		
80/81	★ D5HA 4602-JDA	D4HZ 4605-EX	2-D3HZ 4635-C 1-B8QH 4820-B	U/Joint Seal	1-B8QH 4710-A 1-C5TZ 4841-J	Cap Yoke	1-B8QH 4819-C	Washer				
80/81	★ D5HA 4602-JEA	D4HZ 4605-CU	2-D3HZ 4635-C 1-B8QH 4820-B	U/Joint Seal	1-B8QH 4710-A 1-C5TZ 4841-J	Cap Yoke	1-B8QH 4819-C	Washer				
80/81	★ D5HA 4602-JFA	D4HZ 4605-EY	2-D3HZ 4635-C 1-B8QH 4820-B	U/Joint Seal	1-B8QH 4710-A 1-C5TZ 4841-J	Cap Yoke	1-B8QH 4819-C	Washer				
80/81	★ D5HA 4602-JGA	D4HZ 4605-EZ	2-D3HZ 4635-C 1-B8QH 4820-B	U/Joint Seal	1-B8QH 4710-A 1-C5TZ 4841-J	Cap Yoke	1-B8QH 4819-C	Washer				
80/81	★ D5HA 4602-JHA	D4HZ 4605-FA	2-D3HZ 4635-C 1-B8QH 4820-B	U/Joint Seal	1-B8QH 4710-A 1-C5TZ 4841-J	Cap Yoke	1-B8QH 4819-C	Washer				
80/81	★ D5HA 4602-JJA	D9HZ 4605-Y	1-D3HZ 4635-C 1-B8QH 4819-C	U/Joint Washer	1-D3HZ 4635-D 1-B8QH 4820-B	U/Joint Seal	1-B8QH 4710-A 1-C5TZ 4841-J	Cap Yoke	1-B8QH 4710-A	Cap		
80/81	★ D5HA 4602-JKA	D4HZ 4605-FB	2-D3HZ 4635-C 1-B8QH 4820-B	U/Joint Seal	1-B8QH 4710-A 1-C5TZ 4841-J	Cap Yoke	1-B8QH 4819-C	Washer				
80/81	★ D5HA 4602-JLA	D4HZ 4605-FC	2-D3HZ 4635-C 1-B8QH 4820-B	U/Joint Seal	1-B8QH 4710-A 1-C5TZ 4841-J	Cap Yoke	1-B8QH 4819-C	Washer				
80/81	★ D5HA 4602-JMA	D6HZ 4605-P	1-D3HZ 4635-C 1-B8QH 4819-C	U/Joint Washer	1-D3HZ 4635-D 1-B8QH 4820-B	U/Joint Seal	1-B8QH 4710-A 1-C5TZ 4841-J	Cap Yoke	1-B8QH 4710-A	Cap		
80/81	★ D5HA 4602-JNA	D9HZ 4605-Z	1-D3HZ 4635-C 1-B8QH 4819-C	U/Joint Washer	1-D3HZ 4635-D 1-B8QH 4820-B	U/Joint Seal	1-B8QH 4710-A 1-C5TZ 4841-J	Cap Yoke	1-B8QH 4710-A	Cap		
80/81	★ D5HA 4602-JRA	D7HZ 4605-E	1-D3HZ 4635-C 1-B8QH 4819-C	U/Joint Washer	1-D3HZ 4635-D 1-B8QH 4810-B	U/Joint Seal	1-B8QH 4710-A 1-C5TZ 4841-J	Cap Yoke	1-B8QH 4710-A	Cap		
80/81	★ D5HA 4602-JSA	D6HZ 4605-R	1-D3HZ 4635-C 1-B8QH 4819-C	U/Joint Washer	1-D3HZ 4635-D 1-B8QH 4820-B	U/Joint Seal	1-B8QH 4710-A 1-C5TZ 4841-J	Cap Yoke	1-B8QH 4710-A	Cap		
80/81	★ D5HA 4602-KVA	D4HZ 4605-CV	1-D4HZ 4342-B 1-D3HZ 4635-A	Washer U/Joint	1-D4HZ 4343-C 1-D4HZ 4710-B	Seal Cap	1-D3HZ 4635-B 1-D4HZ 4841-C	U/Joint Yoke				
80/81	★ D5HA 4602-KYA	D4HZ 4605-CW	1-D4HZ 4342-B 1-D3HZ 4635-A	Washer U/Joint	1-D4HZ 4343-C 1-D4HZ 4710-B	Seal Cap	1-D3HZ 4635-B 1-D4HZ 4841-C	U/Joint Yoke				
80/81	★ D5HA 4602-KZA	D4HZ 4605-CX	1-D4HZ 4342-B 1-D3HZ 4635-A	Washer U/Joint	1-D4HZ 4343-C 1-D4HZ 4710-B	Seal Cap	1-D3HZ 4635-B 1-D4HZ 4841-C	U/Joint Yoke				
80/81	★ D5HA 4602-LAA	D4HZ 4605-CY	1-D4HZ 4342-B 1-D3HZ 4635-A	Washer U/Joint	1-D4HZ 4343-C 1-D4HZ 4710-B	Seal Cap	1-D3HZ 4635-B 1-D4HZ 4841-C	U/Joint Yoke				
80/81	★ D5HA 4602-LBA	D4HZ 4605-CZ	1-D4HZ 4342-B 1-D3HZ 4635-A	Washer U/Joint	1-D4HZ 4343-C 1-D4HZ 4710-B	Seal Cap	1-D3HZ 4635-B 1-D4HZ 4841-C	U/Joint Yoke				
80/81	★ D5HA 4602-LCA	D4HZ 4605-DA	1-D4HZ 4342-B 1-D3HZ 4635-A	Washer U/Joint	1-D4HZ 4343-C 1-D4HZ 4710-B	Seal Cap	1-D3HZ 4635-B 1-D4HZ 4841-C	U/Joint Yoke				
80/81	★ D5HA 4602-LDA	D4HZ 4605-DB	1-D4HZ 4342-B 1-D3HZ 4635-A	Washer U/Joint	1-D4HZ 4343-C 1-D4HZ 4710-B	Seal Cap	1-D3HZ 4635-B 1-D4HZ 4841-C	U/Joint Yoke				
80/81	★ D5HA 4602-LEA	D4HZ 4605-DC	1-D4HZ 4342-B 1-D3HZ 4635-A	Washer U/Joint	1-D4HZ 4343-C 1-D4HZ 4710-B	Seal Cap	1-D3HZ 4635-B 1-D4HZ 4841-C	U/Joint Yoke				
80/81	★ D5HA 4602-LFA	D4HZ 4605-DD	1-D4HZ 4342-B 1-D3HZ 4635-A	Washer U/Joint	1-D4HZ 4343-C 1-D4HZ 4710-B	Seal Cap	1-D3HZ 4635-B 1-D4HZ 4841-C	U/Joint Yoke				
80/81	★ D5HA 4602-LGA	D4HZ 4605-DE	1-D4HZ 4342-B 1-D3HZ 4635-A	Washer U/Joint	1-D4HZ 4343-C 1-D4HZ 4710-B	Seal Cap	1-D3HZ 4635-B 1-D4HZ 4841-C	U/Joint Yoke				
80/81	★ D5HA 4602-LHA	D4HZ 4605-DF	1-D4HZ 4342-B 1-D3HZ 4635-A	Washer U/Joint	1-D4HZ 4343-C 1-D4HZ 4710-A	Seal Cap	1-D3HZ 4635-B 1-D4HZ 4841-C	U/Joint Yoke				
80/81	★ D5HA 4602-LJA	D4HZ 4605-DG	1-D4HZ 4342-B 1-D3HZ 4635-A	Washer U/Joint	1-D4HZ 4343-C 1-D4HZ 4710-A	Seal Cap	1-D3HZ 4635-B 1-D4HZ 4841-C	U/Joint Yoke				
80/81	★ D5HA 4602-LKA	D4HZ 4605-DH	1-D4HZ 4342-B 1-D3HZ 4635-A	Washer U/Joint	1-D4HZ 4343-C 1-D4HZ 4710-A	Seal Cap	1-D3HZ 4635-B 1-D4HZ 4841-C	U/Joint Yoke				
80/81	★ D5HA 4602-LLA	D4HZ 4605-DJ	1-D4HZ 4342-B 1-D3HZ 4635-A	Washer U/Joint	1-D4HZ 4343-C 1-D4HZ 4710-A	Seal Cap	1-D3HZ 4635-B 1-D4HZ 4841-C	U/Joint Yoke				

**1980/  
TRUCK SERIES 600/900**

**DRIVE and COUPLING SHAFT COMPONENT PARTS LISTS**

YEAR	COMPLETE SHAFT ASSEMBLY		OPTIONAL COMPONENTS FOR COMPLETE SHAFT ASSEMBLY										
			SHAFT SUB-ASSEMBLY		RELATED PARTS FOR USE WITH SHAFT SUB-ASSEMBLY								
80/81	★ D5HA	4602-LMA	D4HZ	4605-DK	1-D4HZ	4342-B	Washer	1-D4HZ	4343-C	Seal	1-D3HZ	4635-B	U/Joint
					1-D3HZ	4635-A	U/Joint	1-D4HZ	4710-A	Cap	1-D4HZ	4841-C	Yoke
80/81	★ D5HA	4602-LNA	D4HZ	4605-DL	1-D4HZ	4342-B	Washer	1-D4HZ	4343-C	Seal	1-D3HZ	4635-B	U/Joint
					1-D3HZ	4635-A	U/Joint	1-D4HZ	4710-A	Cap	1-D4HZ	4841-C	Yoke
80/81	★ D5HA	4602-LRA	D4HZ	4605-DM	1-D4HZ	4342-B	Washer	1-D4HZ	4343-C	Seal	1-D3HZ	4635-B	U/Joint
					1-D3HZ	4635-A	U/Joint	1-D4HZ	4710-A	Cap	1-D4HZ	4841-C	Yoke
80/81	★ D5HA	4602-LSA	D4HZ	4605-DN	1-D4HZ	4342-B	Washer	1-D4HZ	4343-C	Seal	1-D3HZ	4635-B	U/Joint
					1-D3HZ	4635-A	U/Joint	1-D4HZ	4710-A	Cap	1-D4HZ	4841-C	Yoke
80/81	★ D5HA	4602-LTA	D4HZ	4605-DP	1-D4HZ	4342-B	Washer	1-D4HZ	4343-C	Seal	1-D3HZ	4635-B	U/Joint
					1-D3HZ	4635-A	U/Joint	1-D4HZ	4710-A	Cap	1-D4HZ	4841-C	Yoke
80/81	★ D5HA	4602-LUA	D4HZ	4605-DQ	1-D4HZ	4342-B	Washer	1-D4HZ	4343-C	Seal	1-D3HZ	4635-B	U/Joint
					1-D3HZ	4635-A	U/Joint	1-D4HZ	4710-A	Cap	1-D4HZ	4841-C	Yoke
80/81	★ D5HA	4602-LVA	D4HZ	4605-DR	1-D4HZ	4342-B	Washer	1-D4HZ	4343-C	Seal	1-D3HZ	4635-B	U/Joint
					1-D3HZ	4635-A	U/Joint	1-D4HZ	4710-A	Cap	1-D4HZ	4841-C	Yoke
80/81	★ D5HA	4602-LYA	D4HZ	4605-DS	1-D4HZ	4342-B	Washer	1-D4HZ	4343-C	Seal	1-D3HZ	4635-B	U/Joint
					1-D3HZ	4635-A	U/Joint	1-D4HZ	4710-A	Cap	1-D4HZ	4841-C	Yoke
80/81	★ D5HA	4602-LZA	D4HZ	4605-DT	1-D4HZ	4342-B	Washer	1-D4HZ	4343-C	Seal	1-D3HZ	4635-B	U/Joint
					1-D3HZ	4635-A	U/Joint	1-D4HZ	4710-A	Cap	1-D4HZ	4841-C	Yoke
80/81	★ D5HA	4602-MAA	D4HZ	4605-DU	1-D4HZ	4342-B	Washer	1-D4HZ	4343-C	Seal	1-D3HZ	4635-B	U/Joint
					1-D3HZ	4635-A	U/Joint	1-D4HZ	4710-A	Cap	1-D4HZ	4841-C	Yoke
80/81	★ D5HA	4602-MBA	D4HZ	4605-DV	1-D4HZ	4342-B	Washer	1-D4HZ	4343-C	Seal	1-D3HZ	4635-B	U/Joint
					1-D3HZ	4635-A	U/Joint	1-D4HZ	4710-A	Cap	1-D4HZ	4841-C	Yoke
80/81	★ D5HA	4602-MCA	D4HZ	4605-DW	1-D4HZ	4342-B	Washer	1-D4HZ	4343-C	Seal	1-D3HZ	4635-B	U/Joint
					1-D3HZ	4635-A	U/Joint	1-D4HZ	4710-A	Cap	1-D4HZ	4841-C	Yoke
80/81	★ D5HA	4602-MDA	D4HZ	4605-DX	1-D4HZ	4342-B	Washer	1-D4HZ	4343-C	Seal	1-D3HZ	4635-B	U/Joint
					1-D3HZ	4635-A	U/Joint	1-D4HZ	4710-A	Cap	1-D4HZ	4841-C	Yoke
80/81	★ D5HA	4602-MEA	D4HZ	4605-DY	1-D4HZ	4342-B	Washer	1-D4HZ	4343-C	Seal	1-D3HZ	4635-B	U/Joint
					1-D3HZ	4635-A	U/Joint	1-D4HZ	4710-B	Cap	1-D4HZ	4841-C	Yoke
80/81	★ D5HA	4602-MFA	D4HZ	4605-DZ	1-D4HZ	4342-B	Washer	1-D4HZ	4343-C	Seal	1-D3HZ	4635-B	U/Joint
					1-D3HZ	4635-A	U/Joint	1-D4HZ	4710-B	Cap	1-D4HZ	4841-C	Yoke
80/81	★ D5HA	4602-MGA	D4HZ	4605-EA	1-D4HZ	4342-B	Washer	1-D4HZ	4343-C	Seal	1-D3HZ	4635-B	U/Joint
					1-D3HZ	4635-A	U/Joint	1-D4HZ	4710-B	Cap	1-D4HZ	4841-C	Yoke
80/81	★ D5HA	4602-MHA	D4HZ	4605-EB	1-D4HZ	4342-B	Washer	1-D4HZ	4343-C	Seal	1-D3HZ	4635-B	U/Joint
					1-D3HZ	4635-A	U/Joint	1-D4HZ	4710-B	Cap	1-D4HZ	4841-C	Yoke
80/81	★ D5HA	4602-MJA	D4HZ	4605-EC	1-D4HZ	4342-B	Washer	1-D4HZ	4343-C	Seal	1-D3HZ	4635-B	U/Joint
					1-D3HZ	4635-A	U/Joint	1-D4HZ	4710-B	Cap	1-D4HZ	4841-C	Yoke
80/81	★ D5HA	4602-MKA	D4HZ	4605-ED	1-D4HZ	4342-B	Washer	1-D4HZ	4343-C	Seal	1-D3HZ	4635-B	U/Joint
					1-D3HZ	4635-A	U/Joint	1-D4HZ	4710-B	Cap	1-D4HZ	4841-C	Yoke
80/81	★ D5HA	4602-MLA	D4HZ	4605-EE	1-D4HZ	4342-B	Washer	1-D4HZ	4343-C	Seal	1-D3HZ	4635-B	U/Joint
					1-D3HZ	4635-A	U/Joint	1-D4HZ	4710-B	Cap	1-D4HZ	4841-C	Yoke
80/81	★ D5HA	4602-MMA	D4HZ	4605-EF	1-D4HZ	4342-B	Washer	1-D4HZ	4343-C	Seal	1-D3HZ	4635-B	U/Joint
					1-D3HZ	4635-A	U/Joint	1-D4HZ	4710-B	Cap	1-D4HZ	4841-C	Yoke
80/81	★ D5HA	4602-MNA	D4HZ	4605-EG	1-D4HZ	4342-B	Washer	1-D4HZ	4343-C	Seal	1-D3HZ	4635-B	U/Joint
					1-D3HZ	4635-A	U/Joint	1-D4HZ	4710-B	Cap	1-D4HZ	4841-C	Yoke
80/89	★ D6HA	4602-CA	D8HZ	4605-BP	1-C1TT	4342-B	Washer	1-C1TT	4343-B	Seal	2-C1TZ	4635-A	U/Joint
					1-C1TT	4710-A	Cap	1-C1TT	4841-F	Yoke			
81/89	★ D6HA	4602-DA	E1HZ	4605-AE	1-C1TT	4342-B	Washer	1-C1TT	4343-B	Seal	2-C1TZ	4635-A	U/Joint
					1-C1TT	4710-A	Cap	1-C1TT	4841-F	Yoke			
81/89	★ D6HA	4602-EA	E1HZ	4605-AL	1-C1TT	4342-B	Washer	1-C1TT	4343-B	Seal	2-C1TZ	4635-A	U/Joint
					1-C1TT	4710-A	Cap	1-D1TZ	4841-A	Yoke			
82/89	★ D6HA	4602-FA	E2HZ	4605-BA	1-C1TT	4342-B	Washer	1-C1TT	4343-B	Seal	2-C1TZ	4635-A	U/Joint
					1-C1TT	4710-A	Cap	1-D1TZ	4841-A	Yoke			
80/89	★ D6HA	4602-GA	D9HZ	4605-V	1-C1TT	4342-B	Washer	1-C1TT	4343-B	Seal	2-C1TZ	4635-A	U/Joint
					1-C1TT	4710-A	Cap	1-C1TT	4841-F	Yoke			
80/89	★ D7HT	4602-AVA	D8HZ	4605-AG	1-C7TZ	4342-A	Washer	1-C7TZ	4343-A	Seal	2-D8HZ	4635-A	U/Joint
					1-C7TZ	4710-A	Cap	1-D8HZ	4841-A	Yoke			
80/89	★ D7HT	4602-AYA	D8HZ	4605-AH	1-C7TZ	4342-A	Washer	1-C7TZ	4343-A	Seal	2-D2HZ	4635-A	U/Joint
					1-C7TZ	4710-A	Cap	1-D2HZ	4841-A	Yoke			

**1980/  
TRUCK SERIES 600/900**

**DRIVE and COUPLING SHAFT COMPONENT PARTS LISTS**

YEAR	COMPLETE SHAFT ASSEMBLY		OPTIONAL COMPONENTS FOR COMPLETE SHAFT ASSEMBLY										
			SHAFT SUB-ASSEMBLY		RELATED PARTS FOR USE WITH SHAFT SUB-ASSEMBLY								
80/89	★ D7HT	4602-AZA	D8HZ	4605-AJ	1-C7TZ	4342-A	Washer	1-C7TZ	4343-A	Seal	2-D2HZ	4635-A	U/Joint
					1-C7TZ	4710-A	Cap	1-D2HZ	4841-A	Yoke			
80/89	★ D7HT	4602-BAA	D8HZ	4605-AK	1-C7TZ	4342-A	Washer	1-C7TZ	4343-A	Seal	2-D2HZ	4635-A	U/Joint
					1-C7TZ	4710-A	Cap	1-D2HZ	4841-A	Yoke			
80/89	★ D7HT	4602-BBA	D8HZ	4605-AL	1-C7TZ	4342-A	Washer	1-C7TZ	4343-A	Seal	2-D2HZ	4635-A	U/Joint
					1-C7TZ	4710-A	Cap	1-D2HZ	4841-A	Yoke			
80/89	★ D7HT	4602-BCA	D8HZ	4605-AM	1-C7TZ	4342-A	Washer	1-C7TZ	4343-A	Seal	2-D2HZ	4635-A	U/Joint
					1-C7TZ	4710-A	Cap	1-D2HZ	4841-A	Yoke			
80/89	★ D7HT	4602-BDA	D8HZ	4605-AN	1-C7TZ	4342-A	Washer	1-C7TZ	4343-A	Seal	2-D2HZ	4635-A	U/Joint
					1-C7TZ	4710-A	Cap	1-D2HZ	4841-A	Yoke			
80/89	★ D7HT	4602-BEA	D8HZ	4605-AP	1-C7TZ	4342-A	Washer	1-C7TZ	4343-A	Seal	2-D2HZ	4635-A	U/Joint
					1-C7TZ	4710-A	Cap	1-D2HZ	4841-A	Yoke			
80/89	★ D7HT	4602-BFA	D8HZ	4605-AR	1-C7TZ	4342-A	Washer	1-C7TZ	4343-A	Seal	2-D2HZ	4635-A	U/Joint
					1-C7TZ	4710-A	Cap	1-D2HZ	4841-A	Yoke			
80/89	★ D7HT	4602-BGA	D8HZ	4605-AS	1-C7TZ	4342-A	Washer	1-C7TZ	4343-A	Seal	2-D2HZ	4635-A	U/Joint
					1-C7TZ	4710-A	Cap	1-D2HZ	4841-A	Yoke			
80/89	★ D7HT	4602-BHA	D8HZ	4605-AT	1-C7TZ	4342-A	Washer	1-C7TZ	4343-A	Seal	2-D2HZ	4635-A	U/Joint
					1-C7TZ	4710-A	Cap	1-D2HZ	4841-A	Yoke			
80/89	★ D7HT	4602-BJA	D8HZ	4605-A	1-C7TZ	4342-A	Washer	1-C7TZ	4343-A	Seal	2-D2HZ	4635-A	U/Joint
					1-C7TZ	4710-A	Cap	1-D2HZ	4841-A	Yoke			
80/89	★ D7HT	4602-BKA	E0HZ	4605-BW	1-C7TZ	4342-A	Washer	1-C7TZ	4343-A	Seal	2-D2HZ	4635-A	U/Joint
					1-C7TZ	4710-A	Cap	1-D2HZ	4841-A	Yoke			
80/89	★ D7HT	4602-BLA	D8HZ	4605-B	1-C7TZ	4342-A	Washer	1-C7TZ	4343-A	Seal	2-D2HZ	4635-A	U/Joint
					1-C7TZ	4710-A	Cap	1-D2HZ	4841-A	Yoke			
80/89	★ D7HT	4602-BMA	D8HZ	4605-BZ	1-C7TZ	4342-A	Washer	1-C7TZ	4343-A	Seal	2-D2HZ	4635-A	U/Joint
					1-C7TZ	4710-A	Cap	1-D2HZ	4841-A	Yoke			
80/89	★ D7HT	4602-BNA	D8HZ	4605-C	1-C7TZ	4342-A	Washer	1-C7TZ	4343-A	Seal	2-D2HZ	4635-A	U/Joint
					1-C7TZ	4710-A	Cap	1-D2HZ	4841-A	Yoke			
80/89	★ D7HT	4602-BRA	D8HZ	4605-CA	1-C7TZ	4342-A	Washer	1-C7TZ	4343-A	Seal	2-D2HZ	4635-A	U/Joint
					1-C7TZ	4710-A	Cap	1-D2HZ	4841-A	Yoke			
80/89	★ D7HT	4602-BSA	D8HZ	4605-D	1-C7TZ	4342-A	Washer	1-C7TZ	4343-A	Seal	2-D2HZ	4635-A	U/Joint
					1-C7TZ	4710-A	Cap	1-D2HZ	4841-A	Yoke			
80/89	★ D7HT	4602-BTA	D8HZ	4605-BR	1-C7TZ	4342-A	Washer	1-C7TZ	4343-A	Seal	2-D2HZ	4635-A	U/Joint
					1-C7TZ	4710-A	Cap	1-D2HZ	4841-A	Yoke			
80/89	★ D7HT	4602-BUA	D8HZ	4605-BU	1-C7TZ	4342-A	Washer	1-C7TZ	4343-A	Seal	2-D2HZ	4635-A	U/Joint
					1-C7TZ	4710-A	Cup	1-D2HZ	4841-A	Yoke			
80/89	★ D7HT	4602-BVA	D8HZ	4605-BV	1-C7TZ	4342-A	Washer	1-C7TZ	4343-A	Seal	2-D2HZ	4635-A	U/Joint
					1-C7TZ	4710-A	Cup	1-D2HZ	4841-A	Yoke			
80/89	★ D7HT	4602-BYA	D8HZ	4605-E	1-C7TZ	4342-A	Washer	1-C7TZ	4343-A	Seal	2-D2HZ	4635-A	U/Joint
					1-C7TZ	4710-A	Cap	1-D2HZ	4841-A	Yoke			
80/89	★ D7HT	4602-BZA	D8HZ	4605-BW	1-C7TZ	4342-A	Washer	1-C7TZ	4343-A	Seal	2-D2HZ	4635-A	U/Joint
					1-C7TZ	4710-A	Cup	1-D2HZ	4841-A	Yoke			
80/89	★ D7HT	4602-CAA	D8HZ	4605-F	1-C7TZ	4342-A	Washer	1-C7TZ	4343-A	Seal	2-D2HZ	4635-A	U/Joint
					1-C7TZ	4710-A	Cap	1-D2HZ	4841-A	Yoke			
80/89	★ D7HT	4602-CBA	D8HZ	4605-G	1-C7TZ	4342-A	Washer	1-C7TZ	4343-A	Seal	2-D2HZ	4635-A	U/Joint
					1-C7TZ	4710-A	Cap	1-D2HZ	4841-A	Yoke			
80/89	★ D7HT	4602-CCA	D8HZ	4605-H	1-C7TZ	4342-A	Washer	1-C7TZ	4343-A	Seal	2-D2HZ	4635-A	U/Joint
					1-C7TZ	4710-A	Cap	1-D2HZ	4841-A	Yoke			
80/89	★ D7HT	4602-CDA	D8HZ	4605-J	1-C7TZ	4342-A	Washer	1-C7TZ	4343-A	Seal	2-D2HZ	4635-A	U/Joint
					1-C7TZ	4710-A	Cap	1-D2HZ	4841-A	Yoke			
80/89	★ D7HT	4602-CEA	D8HZ	4605-BX	1-C7TZ	4342-A	Washer	1-C7TZ	4343-A	Seal	2-D2HZ	4635-A	U/Joint
					1-C7TZ	4710-A	Cup	1-D2HZ	4841-A	Yoke			
80/89	★ D7HT	4602-CFA	D8HZ	4605-BT	1-C7TZ	4342-A	Washer	1-C7TZ	4343-A	Seal	2-D2HZ	4635-A	U/Joint
					1-C7TZ	4710-A	Cup	1-D2HZ	4841-A	Yoke			
80/89	★ D7HT	4602-CGA	D9HZ	4605-DD	1-C7TZ	4342-A	Washer	1-C7TZ	4343-A	Seal	2-D2HZ	4635-A	U/Joint
					1-C7TZ	4710-A	Cup	1-D2HZ	4841-A	Yoke			
80/89	★ D7HT	4602-CHA	D8HZ	4605-CG	1-C7TZ	4342-A	Washer	1-C7TZ	4343-A	Seal	2-D2HZ	4635-A	U/Joint
					1-C7TZ	4710-A	Cup	1-D2HZ	4841-A	Yoke			

**1980/  
TRUCK SERIES 600/900**

**DRIVE and COUPLING SHAFT COMPONENT PARTS LISTS**

YEAR	COMPLETE SHAFT ASSEMBLY		OPTIONAL COMPONENTS FOR COMPLETE SHAFT ASSEMBLY										
			SHAFT SUB-ASSEMBLY		RELATED PARTS FOR USE WITH SHAFT SUB-ASSEMBLY								
80/89	★ D7HT	4602-CJA	D8HZ	4605-BY	1-C7TZ	4342-A	Washer	1-C7TZ	4343-A	Seal	2-D2HZ	4635-A	U/Joint
					1-C7TZ	4710-A	Cap	1-D2HZ	4841-A	Yoke			
81/	★ D7HT	4602-CKA	E1HZ	4605-EV	1-C7TZ	4342-A	Washer	1-C7TZ	4343-A	Seal	2-D2HZ	4635-A	U/Joint
					1-C7TZ	4710-A	Cap	1-D2HZ	4841-A	Yoke			
81/	★ D7HT	4602-CLA	E1HZ	4605-ES	1-C7TZ	4342-A	Washer	1-C7TZ	4343-A	Seal	2-D2HZ	4635-A	U/Joint
					1-C7TZ	4710-A	Cap	1-D2HZ	4841-A	Yoke			
81/89	★ D7HT	4602-CMA	E1HZ	4605-ET	1-C6TZ	4342-A	Washer	1-C7TZ	4343-A	Seal	2-D2HZ	4635-A	U/Joint
					1-C7TZ	4710-A	Cap	1-D2HZ	4841-A	Yoke			
82/89	★ D7HT	4602-CNA	E2HZ	4605-AV	1-C7TZ	4342-A	Washer	1-C7TZ	4343-A	Seal	2-D2HZ	4635-A	U/Joint
					1-C7TZ	4710-A	Cap	1-D2HZ	4841-A	Yoke			
82/89	★ D7HT	4602-CRA	E2HZ	4605-AW	1-C7TZ	4342-A	Washer	1-C7TZ	4343-A	Seal	2-D2HZ	4635-A	U/Joint
					1-C7TZ	4710-A	Cup	1-D2HZ	4841-A	Yoke			
83/89	★ D7HT	4602-CSA	E3HZ	4605-B	1-C7TZ	4342-A	Washer	1-C7TZ	4343-A	Seal	2-D2HZ	4635-A	U/Joint
					1-C7TZ	4710-A	Cap	1-D2HZ	4841-A	Yoke			
80/81	★ D7HT	4602-CYA	D9HZ	4605-A	1-D4HZ	4342-A	Washer	1-D4HZ	4343-B	Seal	2-B6TZ	4635-B	U/Joint
					1-D4HZ	4841-D	Yoke	1-01T	7077	Cap			
80/82	★ D7HT	4602-ELA	D8HZ	4605-BD	1-D1HZ	4342-A	Washer	1-D1HZ	4343-A	Seal	2-D3TZ	4635-B	U/Joint
					1-D1HZ	4710-A	Cap	1-C6TZ	4841-N	Yoke			
80/81	★ D7HT	4602-EMA	D8HZ	4605-BC	1-D1HZ	4342-A	Washer	1-D1HZ	4343-A	Seal	2-D3TZ	4635-B	U/Joint
					1-D1HZ	4710-A	Cap	1-C6TZ	4841-N	Yoke			
80/89	★ D7HT	4602-ERB	D9HZ	4605-B	1-D4HZ	4342-A	Washer	1-D4HZ	4343-B	Seal	2-B6TZ	4635-B	U/Joint
					1-D4HZ	4841-D	Yoke	1-01T	7077	Cap			
80	★ D7HT	4602-ESA	D8HZ	4605-CE	2-B6TZ	4635-B	Washer	1-B3D	4819-A	Washer	1-B3D	4820-A	Seal
					1-TEAA	4841-A	Yoke	1-01Y	7077	Cap			
80/89	★ D7HT	4602-ESB	D9HZ	4605-C	1-D4HZ	4342-A	Washer	1-D4HZ	4343-B	Seal	2-B6TZ	4635-B	U/Joint
					1-D4HZ	4841-D	Yoke	1-01T	7077	Cap			
80	★ D7HT	4602-ETA	D8HZ	4605-CF	2-B6TZ	4635-B	Washer	1-B3D	4819-A	Washer	1-B3D	4820-A	Seal
					1-TEAA	4841-A	Yoke	1-01Y	7077	Cap			
80/89	★ D7HT	4602-ETB	D9HZ	4605-D	1-D4HZ	4342-A	Washer	1-D4HZ	4343-B	Seal	2-B6TZ	4635-B	U/Joint
					1-D4HZ	4841-D	Yoke	1-01T	7077	Cap			
80/89	★ D8HT	4602-BA	E0HZ	4605-BX	1-C7TZ	4342-A	Washer	1-C7TZ	4343-A	Seal	1-D2HZ	4635-A	U/Joint
					1-C7TZ	4710-A	Cap	1-D2HZ	4841-A	Yoke			
80/89	★ D9HS	4602-BA	D9HZ	4605-DE	2-D9HZ	4635-B	U/Joint	1-D9HZ	4710-B	Cap	1-D9HZ	4841-D	Yoke
82/89	★ D9HS	4602-DA	E2HZ	4605-D	2-D9HZ	4635-B	U/Joint	1-D9HZ	4710-B	Cap	1-D9HZ	4841-D	Yoke
81/89	★ D9HS	4602-EA	E1HZ	4605-CS	2-D9HZ	4635-B	U/Joint	1-D9HZ	4710-B	Cap	1-D9HZ	4841-D	Yoke
81/89	★ D9HS	4602-FA	E1HZ	4605-CT	2-D9HZ	4635-B	U/Joint	1-D9HZ	4710-B	Cap	1-D9HZ	4841-D	Yoke
81/89	★ D9HS	4602-RA	E1HZ	4605-CU	2-D9HZ	4635-B	U/Joint	1-D9HZ	4710-B	Cap	1-D9HZ	4841-D	Yoke
80/89	★ D9HT	4602-AA	D9HZ	4605-AU	1-D9HZ	4342-B	Washer	1-D9HZ	4343-B	Seal	2-D9HZ	4635-A	U/Joint
					1-D9HZ	4710-A	Cap	1-D9HZ	4841-A	Yoke			
80/89	★ D9HT	4602-EA	D9HZ	4605-BH	1-D9HZ	4342-B	Washer	1-D9HZ	4343-B	Seal	2-D9HZ	4635-A	U/Joint
					1-D9HZ	4710-A	Cap	1-D9HZ	4841-A	Yoke			
80/	★ D9HT	4602-HA	E0HZ	4605-BT	1-D9HZ	4342-B	Washer	1-D9HZ	4343-B	Seal	2-D9HZ	4635-A	U/Joint
					1-D9HZ	4710-A	Cap	1-D9HZ	4841-A	Yoke			
80/	★ D9HT	4602-JA	D9HZ	4605-BJ	1-D9HZ	4342-B	Washer	1-D9HZ	4343-B	Seal	2-D9HZ	4635-A	U/Joint
					1-D9HZ	4710-A	Cap	1-D9HZ	4841-A	Yoke			
80/	★ D9HT	4602-KA	E0HZ	4605-X	1-D9HZ	4342-B	Washer	1-D9HZ	4343-B	Seal	2-D9HZ	4635-A	U/Joint
					1-D9HZ	4710-A	Cap	1-D9HZ	4841-A	Yoke			
80/	★ D9HT	4602-LA	D9HZ	4605-BK	1-D9HZ	4342-B	Washer	1-D9HZ	4343-B	Seal	2-D9HZ	4635-A	U/Joint
					1-D9HZ	4710-A	Cap	1-D9HZ	4841-A	Yoke			
80/89	★ D9HT	4602-NA	D9HZ	4605-CE	1-D9HZ	4342-B	Washer	1-D9HZ	4343-B	Seal	2-D9HZ	4635-A	U/Joint
					1-D9HZ	4710-A	Cap	1-D9HZ	4841-A	Yoke			
81/	★ D9HT	4602-RA	E1HZ	4605-CR	1-D9HZ	4342-B	Washer	1-D9HZ	4343-B	Seal	2-D9HZ	4635-A	U/Joint
					1-D9HZ	4710-A	Cap	1-D9HZ	4841-A	Yoke			
80/	★ D9HT	4602-SA	D9HZ	4605-BL	1-D9HZ	4342-B	Washer	1-D9HZ	4343-B	Seal	2-D9HZ	4635-A	U/Joint
					1-D9HZ	4710-A	Cap	1-D9HZ	4841-A	Yoke			
80/	★ D9HT	4602-TA	D9HZ	4605-AW	1-D9HZ	4342-B	Washer	1-D9HZ	4343-B	Seal	2-D9HZ	4635-A	U/Joint
					1-D9HZ	4710-A	Cap	1-D9HZ	4841-A	Yoke			



1980/  
TRUCK SERIES 600/900

DRIVE and COUPLING SHAFT COMPONENT PARTS LISTS													
YEAR	COMPLETE SHAFT ASSEMBLY		OPTIONAL COMPONENTS FOR COMPLETE SHAFT ASSEMBLY										
			SHAFT SUB-ASSEMBLY		RELATED PARTS FOR USE WITH SHAFT SUB-ASSEMBLY								
					1-D9HZ	4342-B	Washer	1-D9HZ	4343-B	Seal	2-D9HZ	4635-A	U/Joint
80/89	★ D9HT	4602-UA	D9HZ	4605-AX	1-D9HZ	4342-B	Washer	1-D9HZ	4343-B	Seal	2-D9HZ	4635-A	U/Joint
					1-D9HZ	4710-A	Cap	1-D9HZ	4841-A	Yoke			
80/	★ D9HT	4602-VA	D9HZ	4605-AY	1-D9HZ	4342-B	Washer	1-D9HZ	4343-B	Seal	2-D9HZ	4635-A	U/Joint
					1-D9HZ	4710-A	Cap	1-D9HZ	4841-A	Yoke			
80/	★ D9HT	4602-YA	D9HZ	4605-AZ	1-D9HZ	4342-B	Washer	1-D9HZ	4343-B	Seal	2-D9HZ	4635-A	U/Joint
					1-D9HZ	4710-A	Cap	1-D9HZ	4841-A	Yoke			
80/	★ D9HT	4602-ZA	D9HZ	4605-BA	1-D9HZ	4342-B	Washer	1-D9HZ	4343-B	Seal	2-D9HZ	4635-A	U/Joint
					1-D9HZ	4710-A	Cap	1-D9HZ	4841-A	Yoke			
80/	★ D9HT	4602-AAA	D9HZ	4605-BB	1-D9HZ	4342-B	Washer	1-D9HZ	4343-B	Seal	2-D9HZ	4635-A	U/Joint
					1-D9HZ	4710-A	Cap	1-D9HZ	4841-A	Yoke			
80/	★ D9HT	4602-ABA	E0HZ	4605-BS	1-D9HZ	4342-B	Washer	1-D9HZ	4343-B	Seal	2-D9HZ	4635-A	U/Joint
					1-D9HZ	4710-A	Cap	1-D9HZ	4841-A	Yoke			
80/89	★ D9HT	4602-ACA	D9HZ	4605-BC	1-D9HZ	4342-B	Washer	1-D9HZ	4343-B	Seal	2-D9HZ	4635-A	U/Joint
					1-D9HZ	4710-A	Cap	1-D9HZ	4841-A	Yoke			
81/	★ D9HT	4602-ADA	E1HZ	4605-R	1-D9HZ	4342-B	Washer	1-D9HZ	4343-B	Seal	2-D9HZ	4635-A	U/Joint
					1-D9HZ	4710-A	Cap	1-D9HZ	4841-A	Yoke			
81/	★ D9HT	4602-AEA	E1HZ	4605-S	1-D9HZ	4342-B	Washer	1-D9HZ	4343-B	Seal	2-D9HZ	4635-A	U/Joint
					1-D9HZ	4710-A	Cap	1-D9HZ	4841-A	Yoke			
80/89	★ D9HT	4602-AFA	D9HZ	4605-CH	1-D9HZ	4342-B	Washer	1-D9HZ	4343-B	Seal	2-D9HZ	4635-A	U/Joint
					1-D9HZ	4710-A	Cap	1-D9HZ	4841-A	Yoke			
80/	★ D9HT	4602-AGA	D9HZ	4605-CU	1-D9HZ	4342-B	Washer	1-D9HZ	4343-B	Seal	2-D9HZ	4635-A	U/Joint
					1-D9HZ	4710-A	Cap	1-D9HZ	4841-A	Yoke			
80/	★ D9HT	4602-AHA	D9HZ	4605-CV	1-D9HZ	4342-B	Washer	1-D9HZ	4343-B	Seal	2-D9HZ	4635-A	U/Joint
					1-D9HZ	4710-A	Cap	1-D9HZ	4841-A	Yoke			
80/	★ D9HT	4602-AJA	D9HZ	4605-CP	1-D9HZ	4342-B	Washer	1-D9HZ	4343-B	Seal	2-D9HZ	4635-A	U/Joint
					1-D9HZ	4710-A	Cap	1-D9HZ	4841-A	Yoke			
80/	★ D9HT	4602-AKA	D9HZ	4605-CX	1-D9HZ	4342-B	Washer	1-D9HZ	4343-B	Seal	2-D9HZ	4635-A	U/Joint
					1-D9HZ	4710-A	Cap	1-D9HZ	4841-A	Yoke			
80/	★ D9HT	4602-ALA	D9HZ	4605-CR	1-D9HZ	4342-B	Washer	1-D9HZ	4343-B	Seal	2-D9HZ	4635-A	U/Joint
					1-D9HZ	4710-A	Cap	1-D9HZ	4841-A	Yoke			
80/	★ D9HT	4602-AMA	D9HZ	4605-CF	1-D9HZ	4342-B	Washer	1-D9HZ	4343-B	Seal	2-D9HZ	4635-A	U/Joint
					1-D9HZ	4710-A	Cap	1-D9HZ	4841-A	Yoke			
80/	★ D9HT	4602-ANA	D9HZ	4605-BD	1-D9HZ	4342-B	Washer	1-D9HZ	4343-B	Seal	2-D9HZ	4635-A	U/Joint
					1-D9HZ	4710-A	Cap	1-D9HZ	4841-A	Yoke			
80/	★ D9HT	4602-ARA	D9HZ	4605-CS	1-D9HZ	4342-B	Washer	1-D9HZ	4343-B	Seal	2-D9HZ	4635-A	U/Joint
					1-D9HZ	4710-A	Cap	1-D9HZ	4841-A	Yoke			
80/	★ D9HT	4602-ASA	D9HZ	4605-BE	1-D9HZ	4342-B	Washer	1-D9HZ	4343-B	Seal	2-D9HZ	4635-A	U/Joint
					1-D9HZ	4710-A	Cap	1-D9HZ	4841-A	Yoke			
80/	★ D9HT	4602-ATA	D9HZ	4605-CM	1-D9HZ	4342-B	Washer	1-D9HZ	4343-B	Seal	2-D9HZ	4635-A	U/Joint
					1-D9HZ	4710-A	Cap	1-D9HZ	4841-A	Yoke			
80/	★ D9HT	4602-AUA	D9HZ	4605-CB	1-D9HZ	4342-B	Washer	1-D9HZ	4343-B	Seal	2-D9HZ	4635-A	U/Joint
					1-D9HZ	4710-A	Cap	1-D9HZ	4841-A	Yoke			
81/	★ D9HT	4602-AVA	E1HZ	4605-CL	1-D9HZ	4342-B	Washer	1-D9HZ	4343-B	Seal	2-D9HZ	4635-A	U/Joint
					1-D9HZ	4710-A	Cap	1-D9HZ	4841-A	Yoke			
80/89	★ D9HT	4602-AYA	D9HZ	4605-CC	1-D9HZ	4342-B	Washer	1-D9HZ	4343-B	Seal	2-D9HZ	4635-A	U/Joint
					1-D9HZ	4710-A	Cap	1-D9HZ	4841-A	Yoke			
80/	★ D9HT	4602-AZA	D9HZ	4605-DA	1-D9HZ	4342-B	Washer	1-D9HZ	4343-B	Seal	2-D9HZ	4635-A	U/Joint
					1-D9HZ	4710-A	Cap	1-D9HZ	4841-A	Yoke			
80/81	★ D9HT	4602-BAA	D9HZ	4605-CJ	1-D9HZ	4342-B	Washer	1-D9HZ	4343-B	Seal	2-D9HZ	4635-A	U/Joint
					1-D9HZ	4710-A	Cap	1-D9HZ	4841-A	Yoke			
80/	★ D9HT	4602-BBA	D9HZ	4605-CZ	1-D9HZ	4342-B	Washer	1-D9HZ	4343-B	Seal	2-D9HZ	4635-A	U/Joint
					1-D9HZ	4710-A	Cap	1-D9HZ	4841-A	Yoke			
80/83	★ D9HT	4602-BCA	D9HZ	4605-AG	1-D9HZ	4342-B	Washer	1-D9HZ	4343-A	Seal	2-D9HZ	4635-A	U/Joint
					1-D9HZ	4710-A	Cap	1-D9HZ	4841-A	Yoke			
80/83	★ D9HT	4602-BEA	D9HZ	4605-AH	1-D9HZ	4342-A	Washer	1-D9HZ	4343-A	Seal	2-D9HZ	4635-A	U/Joint
					1-D9HZ	4710-A	Cap	1-D9HZ	4841-A	Yoke			
82/83	★ D9HT	4602-BFA	E2HZ	4605-BB	1-D9HZ	4342-A	Washer	1-D9HZ	4343-A	Seal	2-D9HZ	4635-A	U/Joint
					1-D9HZ	4710-A	Cap	1-D9HZ	4841-A	Yoke			

1980/  
TRUCK SERIES 600/900

DRIVE and COUPLING SHAFT COMPONENT PARTS LISTS													
YEAR	COMPLETE SHAFT ASSEMBLY		OPTIONAL COMPONENTS FOR COMPLETE SHAFT ASSEMBLY										
			SHAFT SUB-ASSEMBLY		RELATED PARTS FOR USE WITH SHAFT SUB-ASSEMBLY								
81/89	★ D9HT	4602-BGA	E1HZ	4605-EA	1-D9HZ	4342-A	Washer	1-D9HZ	4343-A	Seal	2-D9HZ	4635-A	U/Joint
					1-D9HZ	4710-A	Cap	1-D9HZ	4841-A	Yoke			
80/	★ D9HT	4602-BHA	D9HZ	4605-AN	1-D9HZ	4342-A	Washer	1-D9HZ	4343-A	Seal	2-D9HZ	4635-A	U/Joint
					1-D9HZ	4710-A	Cap	1-D9HZ	4841-A	Yoke			
80/89	★ D9HT	4602-BJA	D9HZ	4605-AP	1-D9HZ	4342-A	Washer	1-D9HZ	4343-A	Seal	2-D9HZ	4635-A	U/Joint
					1-D9HZ	4710-A	Cap	1-D9HZ	4841-A	Yoke			
80/89	★ D9HT	4602-BKA	D9HZ	4605-AR	1-D9HZ	4342-A	Washer	1-D9HZ	4343-A	Seal	2-D9HZ	4635-A	U/Joint
					1-D9HZ	4710-A	Cap	1-D9HZ	4841-A	Yoke			
81/89	★ D9HT	4602-BLA	E1HZ	4605-T	1-D9HZ	4342-A	Washer	1-D9HZ	4343-A	Seal	2-D9HZ	4635-A	U/Joint
					1-D9HZ	4710-A	Cap	1-D9HZ	4841-A	Yoke			
81	★ D9HT	4602-BMA	E1HZ	4605-AS	1-D9HZ	4342-A	Washer	1-D9HZ	4343-A	Seal	2-D9HZ	4635-A	U/Joint
					1-D9HZ	4710-A	Cap	1-D9HZ	4841-A	Yoke			
80/89	★ D9HT	4602-BNA	D9HZ	4605-BW	1-D9HZ	4342-A	Washer	1-D9HZ	4343-A	Seal	2-D9HZ	4635-A	U/Joint
					1-D9HZ	4710-A	Cap	1-D9HZ	4841-A	Yoke			
81/89	★ D9HT	4602-BRA	E1HZ	4605-AT	1-D9HZ	4342-A	Washer	1-D9HZ	4343-A	Seal	2-D9HZ	4635-A	U/Joint
					1-D9HZ	4710-A	Cap	1-D9HZ	4841-A	Yoke			
81/	★ D9HT	4602-BSA	E1HZ	4605-AU	1-D9HZ	4342-A	Washer	1-D9HZ	4343-A	Seal	2-D9HZ	4635-A	U/Joint
					1-D9HZ	4710-A	Cap	1-D9HZ	4841-A	Yoke			
81/	★ D9HT	4602-BTA	E1HZ	4605-EG	1-D9HZ	4342-A	Washer	1-D9HZ	4343-A	Seal	2-D9HZ	4635-A	U/Joint
					1-D9HZ	4710-A	Cap	1-D9HZ	4841-A	Yoke			
80/89	★ D9HT	4602-BUA	D9HZ	4605-BX	1-D9HZ	4342-A	Washer	1-D9HZ	4343-A	Seal	2-D9HZ	4635-A	U/Joint
					1-D9HZ	4710-A	Cap	1-D9HZ	4841-A	Yoke			
81/89	★ D9HT	4602-BVA	E1HZ	4605-AV	1-D9HZ	4342-A	Washer	1-D9HZ	4343-A	Seal	2-D9HZ	4635-A	U/Joint
					1-D9HZ	4710-A	Cap	1-D9HZ	4841-A	Yoke			
81/	★ D9HT	4602-BYA	E1HZ	4605-U	1-D9HZ	4342-A	Washer	1-D9HZ	4342-A	Seal	2-D9HZ	4635-A	U/Joint
					1-D9HZ	4710-A	Cap	1-D9HZ	4841-A	Yoke			
80/	★ D9HT	4602-BZA	D9HZ	4605-BY	1-D9HZ	4342-A	Washer	1-D9HZ	4343-A	Seal	2-D9HZ	4635-A	U/Joint
					1-D9HZ	4710-A	Cap	1-D9HZ	4841-A	Yoke			
80/	★ D9HT	4602-CAA	D9HZ	4605-BZ	1-D9HZ	4342-A	Washer	1-D9HZ	4343-A	Seal	2-D9HZ	4635-A	U/Joint
					1-D9HZ	4710-A	Cap	1-D9HZ	4841-A	Yoke			
80/	★ D9HT	4602-CBA	D9HZ	4605-CA	1-D9HZ	4342-A	Washer	1-D9HZ	4343-A	Seal	2-D9HZ	4635-A	U/Joint
					1-D9HZ	4710-A	Cap	1-D9HZ	4841-A	Yoke			
81/89	★ D9HT	4602-CCA	E1HZ	4605-AW	1-D9HZ	4342-A	Washer	1-D9HZ	4343-A	Seal	2-D9HZ	4635-A	U/Joint
					1-D9HZ	4710-A	Cap	1-D9HZ	4841-A	Yoke			
84/89	★ D9HT	4602-CDA	E4HZ	4605-A	1-D9HZ	4342-A	Washer	1-D9HZ	4343-A	Seal	2-D9HZ	4635-A	U/Joint
					1-D9HZ	4710-A	Cap	1-D9HZ	4841-A	Yoke			
80/89	★ D9HT	4602-CEA	D9HZ	4605-CL	1-D9HZ	4342-A	Washer	1-D9HZ	4343-A	Seal	2-D9HZ	4635-A	U/Joint
					1-D9HZ	4710-A	Cap	1-D9HZ	4841-A	Yoke			
82/89	★ D9HT	4602-CFA	E2HZ	4605-BC	1-D9HZ	4342-A	Washer	1-D9HZ	4343-A	Seal	2-D9HZ	4635-A	U/Joint
					1-D9HZ	4710-A	Cap	1-D9HZ	4841-A	Yoke			
82/89	★ D9HT	4602-CGA	E2HZ	4605-BD	1-D9HZ	4342-A	Washer	1-D9HZ	4343-A	Seal	2-D9HZ	4635-A	U/Joint
					1-D9HZ	4710-A	Cap	1-D9HZ	4841-A	Yoke			
80/81	★ D9HT	4602-CKA	E0HZ	4605-V	1-D9HZ	4342-A	Washer	1-D9HZ	4343-A	Seal	2-D9HZ	4635-A	U/Joint
					1-D9HZ	4710-A	Cap	1-D9HZ	4841-A	Yoke			
89	★ D9HT	4602-CSA	E9HZ	4605-AH	1-D9HZ	4342-A	Washer	1-D9HZ	4343-A	Seal	2-D9HZ	4635-A	U/joint
					1-D9HZ	4710-A	Cap	1-D9HZ	4841-A	Yoke			
89	★ D9HT	4602-CTA	E9HZ	4605-AJ	1-D9HZ	4342-A	Washer	1-D9HZ	4343-A	Seal	2-D9HZ	4635-A	U/joint
					1-D9HZ	4710-A	Cap	1-D9HZ	4841-A	Yoke			
81/82	★ D9HT	4602-CUA	E1HZ	4605-AX	1-D9HZ	4342-A	Washer	1-D9HZ	4343-A	Seal	2-D9HZ	4635-A	U/Joint
					1-D9HZ	4710-A	Cap	1-D9HZ	4841-A	Yoke			
82/89	★ D9HT	4602-CVA	E2HZ	4605-BE	1-D9HZ	4342-A	Washer	1-D9HZ	4343-A	Seal	2-D9HZ	4635-A	U/Joint
					1-D9HZ	4710-A	Cap	1-D9HZ	4841-A	Yoke			
82/89	★ D9HT	4602-CYA	E2HZ	4605-BF	1-D9HZ	4342-A	Washer	1-D9HZ	4343-A	Seal	2-D9HZ	4635-A	U/Joint
					1-D9HZ	4710-A	Cap	1-D9HZ	4841-A	Yoke			
87/89	★ D9HT	4602-CZA	E7HZ	4605-DG	1-D9HZ	4342-A	Washer	1-D9HZ	4343-A	Seal	2-D9HZ	4635-A	U/Joint
					1-D9HZ	4710-A	Cap	1-D9HZ	4841-A	Yoke			
80/89	★ D9HT	4602-DAA	D9HZ	4605-CD	1-D9HZ	4342-A	Washer	1-D9HZ	4343-A	Seal	2-D9HZ	4635-A	U/Joint
					1-D9HZ	4710-A	Cap	1-D9HZ	4841-A	Yoke			
80/89	★ D9HT	4602-DBA	D9HZ	4605-CK	1-D9HZ	4342-A	Washer	1-D9HZ	4343-A	Seal	2-D9HZ	4635-A	U/Joint
					1-D9HZ	4710-A	Cap	1-D9HZ	4841-A	Yoke			

1980/  
TRUCK SERIES 600/900

DRIVE and COUPLING SHAFT COMPONENT PARTS LISTS

YEAR	COMPLETE SHAFT ASSEMBLY		OPTIONAL COMPONENTS FOR COMPLETE SHAFT ASSEMBLY										
			SHAFT SUB-ASSEMBLY		RELATED PARTS FOR USE WITH SHAFT SUB-ASSEMBLY								
81/89	★ D9HT	4602-DCA	E1HZ	4605-EM	1-D9HZ	4342-A	Washer	1-D9HZ	4343-A	Seal	2-D9HZ	4635-A	U/Joint
					1-D9HZ	4710-A	Cap	1-D9HZ	4841-A	Yoke			
80/89	★ D9HT	4602-DDA	D9HZ	4605-DC	1-D4HZ	4342-A	Washer	1-D4HZ	4343-B	Seal	2-B6TZ	4635-B	U/Joint
					1-D4HZ	4841-D	Yoke	1-01T	7077	Cap			
80	★ D9HT	4602-DEA	D9HZ	4605-DB	1-D4HZ	4342-A	Washer	1-D4HZ	4343-B	Seal	2-B6TZ	4635-B	U/Joint
					1-D4HZ	4841-D	Yoke	1-01T	7077	Cap			
80/81	★ D9HT	4602-DFA	D9HZ	4605-K	1-C1TT	4342-B	Washer	1-C1TT	4343-B	Seal	2-C1TZ	4635-A	U/Joint
					1-C1TT	4710-A	Cap	1-C1TT	4841-F	Yoke			
80/83	★ D9HT	4602-DGA	D9HZ	4605-L	1-C1TT	4342-B	Washer	1-C1TT	4343-B	Seal	2-C1TZ	4635-A	U/Joint
					1-C1TT	4710-A	Cap	1-C1TT	4841-F	Yoke			
80/89	★ D9HT	4602-DHA	D9HZ	4605-E	1-D4HZ	4342-A	Washer	1-D4HZ	4343-B	Seal	2-B6TZ	4635-B	U/Joint
					1-D4HZ	4841-D	Yoke	1-01T	7077	Cap			
80/83	★ D9HT	4602-DJA	D9HZ	4605-F	1-D4HZ	4342-A	Washer	1-D4HZ	4343-B	Seal	2-B6TZ	4635-B	U/Joint
					1-D4HZ	4841-D	Yoke	1-01T	7077	Cap			
80/83	★ D9HT	4602-DKA	D9HZ	4605-G	2-B6TZ	4635-B	U/Joint	1-8MTH	4841	Yoke	1-01T	7077	Cap
					1-01T	7097	Seal	1-351566-S		Washer			
80/83	★ D9HT	4602-DLA	D9HZ	4605-H	2-B6TZ	4635-B	U/Joint	1-8MTH	4841	Yoke	1-01T	7077	Cap
					1-01T	7097	Seal	1-351566-S		Washer			
80/89	★ D9HT	4602-DMA	D9HZ	4605-U	1-C6TZ	4342-C	Washer	1-C6TZ	4343-C	Seal	2-D3TZ	4635-A	U/Joint
					1-C6TZ	4710-F	Cap	1-D4HZ	4841-E	Yoke			
80/83	★ D9HT	4602-DNA	D9HZ	4605-AT	1-D9HZ	4342-A	Washer	1-D9HZ	4343-A	Seal	2-D9HZ	4635-A	U/Joint
					1-D9HZ	4710-A	Cap	1-D9HZ	4841-A	Yoke			
80/81	★ D9HT	4602-DRA	D9HZ	4605-AK	1-D9HZ	4342-A	Washer	1-D9HZ	4343-A	Seal	2-D9HZ	4635-A	U/Joint
					1-D9HZ	4710-A	Cap	1-D9HZ	4841-A	Yoke			
80/83	★ D9HT	4602-DSA	D9HZ	4605-AL	1-D9HZ	4342-A	Washer	1-D9HZ	4343-A	Seal	2-D9HZ	4635-A	U/Joint
					1-D9HZ	4710-A	Cap	1-D9HZ	4841-A	Yoke			
80/83	★ D9HT	4602-DTA	D9HZ	4605-AM	1-D9HZ	4342-A	Washer	1-D9HZ	4343-A	Seal	2-D9HZ	4635-A	U/Joint
					1-D9HZ	4710-A	Cap	1-D9HZ	4841-A	Yoke			
80/81	★ D9HT	4602-DUA	D9HZ	4605-X	2-C5TZ	4635-G	U/Joint	1-C5TZ	4710-C	Cap	1-C5TZ	4819-C	Washer
					1-C5TZ	4841-C	Yoke						
80/	★ D9HT	4602-DYA	D9HZ	4605-BF	1-D9HZ	4342-B	Washer	1-D9HZ	4343-B	Seal	2-D9HZ	4635-A	U/Joint
					1-D9HZ	4710-A	Cap	1-D9HZ	4841-A	Yoke			
80/	★ D9HT	4602-DZA	D9HZ	4605-BG	1-D9HZ	4342-B	Washer	1-D9HZ	4343-B	Seal	2-D9HZ	4635-A	U/Joint
					1-D9HZ	4710-A	Cap	1-D9HZ	4841-A	Yoke			
80/83	★ D9HT	4602-EAA	D9HZ	4605-AS	1-D9HZ	4342-A	Washer	1-D9HZ	4343-A	Seal	2-D9HZ	4635-A	U/Joint
					1-D9HZ	4710-A	Cap	1-D9HZ	4841-B	Yoke			
80/81	★ D9HT	4602-EBA	D9HZ	4605-AT	1-D9HZ	4342-A	Washer	1-D9HZ	4343-A	Seal	2-D9HZ	4635-A	U/Joint
					1-D9HZ	4710-A	Cap	1-D9HZ	4841-B	Yoke			
80/81	★ D9HT	4602-ECA	D9HZ	4605-AA	1-D9HZ	4342-A	Washer	1-D9HZ	4343-A	Seal	2-D9HZ	4635-A	U/Joint
					1-D9HZ	4710-A	Cap	1-D9HZ	4841-B	Yoke			
80/89	★ D9HT	4602-EDA	D9HZ	4605-AB	1-D9HZ	4342-A	Washer	1-D9HZ	4343-A	Seal	2-D9HZ	4635-A	U/Joint
					1-D9HZ	4710-A	Cap	1-D9HZ	4841-B	Yoke			
80/83	★ D9HT	4602-EEA	D9HZ	4605-BN	1-D9HZ	4342-A	Washer	1-D9HZ	4343-A	Seal	2-D9HZ	4635-A	U/Joint
					1-D9HZ	4710-A	Cap	1-D9HZ	4841-B	Yoke			
80/83	★ D9HT	4602-EFA	D9HZ	4605-BP	1-D9HZ	4342-A	Washer	1-D9HZ	4343-A	Seal	2-D9HZ	4635-A	U/Joint
					1-D9HZ	4710-A	Cap	1-D9HZ	4841-B	Yoke			
80/	★ D9HT	4602-EGA	D9HZ	4605-CN	1-D9HZ	4342-A	Washer	1-D9HZ	4343-A	Seal	2-D9HZ	4635-A	U/Joint
					1-D9HZ	4710-A	Cap	1-D9HZ	4841-B	Yoke			
80/	★ D9HT	4602-EHA	D9HZ	4605-BR	1-D9HZ	4342-A	Washer	1-D9HZ	4343-A	Seal	2-D9HZ	4635-A	U/Joint
					1-D9HZ	4710-A	Cap	1-D9HZ	4841-B	Yoke			
80/89	★ D9HT	4602-EJA	D9HZ	4605-BS	1-D9HZ	4342-A	Washer	1-D9HZ	4343-A	Seal	2-D9HZ	4635-A	U/Joint
					1-D9HZ	4710-A	Cap	1-D9HZ	4841-B	Yoke			
80/	★ D9HT	4602-EKA	D9HZ	4605-BT	1-D9HZ	4342-A	Washer	1-D9HZ	4343-A	Seal	2-D9HZ	4635-A	U/Joint
					1-D9HZ	4710-A	Cap	1-D9HZ	4841-B	Yoke			
80/81	★ D9HT	4602-ELA	D9HZ	4605-BM	1-D9HZ	4342-B	Washer	1-D9HZ	4343-B	Seal	2-D9HZ	4635-A	U/Joint
					1-D9HZ	4710-A	Cap	1-D9HZ	4841-A	Yoke			
80/82	★ D9HT	4602-EMA	D9HZ	4605-AV	1-D9HZ	4342-B	Washer	1-D9HZ	4343-B	Seal	2-D9HZ	4635-A	U/Joint
					1-D9HZ	4710-A	Cap	1-D9HZ	4841-A	Yoke			
80/83	★ D9HT	4602-ENA	D9HZ	4605-AF	1-D9HZ	4342-A	Washer	1-D9HZ	4343-A	Seal	2-D9HZ	4635-A	U/Joint
					1-D9HZ	4710-A	Cap	1-D9HZ	4841-B	Yoke			

October, 1993

COPYRIGHT © 1993 - FORD MOTOR - DEARBORN, MICHIGAN  
COMPANY

Final Issue

**1980/  
TRUCK SERIES 600/900**

**DRIVE and COUPLING SHAFT COMPONENT PARTS LISTS**

YEAR	COMPLETE SHAFT ASSEMBLY		OPTIONAL COMPONENTS FOR COMPLETE SHAFT ASSEMBLY										
			SHAFT SUB-ASSEMBLY		RELATED PARTS FOR USE WITH SHAFT SUB-ASSEMBLY								
80/83	★ D9HT	4602-ERA	D9HZ	4605-AE	1-D9HZ 4342-A	Washer	1-D9HZ 4343-A	Seal	2-D9HZ 4635-A	U/Joint			
					1-D9HZ 4710-A	Cap	1-D9HZ 4841-B	Yoke					
80/	★ D9HT	4602-ESA	D9HZ	4605-BU	1-D9HZ 4342-A	Washer	1-D9HZ 4343-A	Seal	2-D9HZ 4635-A	U/Joint			
					1-D9HZ 4710-A	Cap	1-D9HZ 4841-B	Yoke					
80/	★ D9HT	4602-ETA	D9HZ	4605-AC	1-D9HZ 4342-A	Washer	1-D9HZ 4343-A	Seal	2-D9HZ 4635-A	U/Joint			
					1-D9HZ 4710-A	Cap	1-D9HZ 4841-B	Yoke					
80/89	★ D9HT	4602-EUA	D9HZ	4605-AD	1-D9HZ 4342-A	Washer	1-D9HZ 4343-A	Seal	2-D9HZ 4635-A	U/Joint			
					1-D9HZ 4710-A	Cap	1-D9HZ 4841-B	Yoke					
80/	★ D9HT	4602-EVA	D9HZ	4605-BV	1-D9HZ 4342-A	Washer	1-D9HZ 4343-A	Seal	2-D9HZ 4635-A	U/Joint			
					1-D9HZ 4710-A	Cap	1-D9HZ 4841-B	Yoke					
82/89	★ E0HS	4602-SA	E2HZ	4605-V	2-D9HZ 4635-B	U/Joint	1-D9HZ 4710-B	Cap	1-D9HZ 4841-D	Yoke			
80/	★ E0HT	4602-AA	E0HZ	4605-C	1-D9HZ 4342-B	Washer	1-D9HZ 4343-B	Seal	2-D9HZ 4635-A	U/Joint			
					1-D9HZ 4710-A	Cap	1-D9HZ 4841-A	Yoke					
80/	★ E0HT	4602-BA	E0HZ	4605-D	1-D9HZ 4342-B	Washer	1-D9HZ 4343-B	Seal	2-D9HZ 4635-A	U/Joint			
					1-D9HZ 4710-A	Cap	1-D9HZ 4841-B	Yoke					
80/	★ E0HT	4602-CA	E0HZ	4605-N	1-C1TT 4342-C	Washer	1-C1TT 4343-C	Seal	2-C1TZ 4635-A	U/Joint			
					1-C1TT 4710-A	Cap	1-C1TT 4841-F	Yoke					
80/89	★ E0HT	4602-DA	E0HZ	4605-F	1-D4HZ 4342-A	Washer	1-D4HZ 4343-B	Seal	2-B6TZ 4635-B	U/Joint			
					1-D4HZ 4841-D	Yoke	1-01T 7077	Cap					
80/	★ E0HT	4602-EA	E0HZ	4605-M	1-C1TT 4342-C	Washer	1-C1TT 4343-C	Seal	1-C1TZ 4635-A	U/Joint			
					1-C1TT 4710-A	Cap	1-C1TT 4841-F	Yoke					
80/89	★ E0HT	4602-FA	E0HZ	4605-F	1-D4HZ 4342-A	Washer	1-D4HZ 4343-B	Seal	2-B6TZ 4635-B	U/Joint			
					1-D4HZ 4841-D	Yoke	1-01T 7077	Cap					
80/89	★ E0HT	4602-GA	E0HZ	4605-G	1-D4HZ 4342-A	Washer	1-D4HZ 4343-B	Seal	2-B6TZ 4635-B	U/Joint			
					1-D4HZ 4841-D	Yoke	1-01T 7077	Cap					
80/89	★ E0HT	4602-HA	E0HZ	4605-H	1-D4HZ 4342-A	Washer	1-D4HZ 4343-B	Seal	2-B6TZ 4635-B	U/Joint			
					1-D4HZ 4841-D	Yoke	1-01T 7077	Cap					
80/89	★ E0HT	4602-JA	E0HZ	4605-J	1-D4HZ 4342-A	Washer	1-D4HZ 4343-B	Seal	2-B6TZ 4635-B	U/Joint			
					1-D4HZ 4841-D	Yoke	1-01T 7077	Cap					
80/	★ E0HT	4602-KA	E0HZ	4605-P	1-C1TT 4342-C	Washer	1-C1TT 4343-C	Seal	2-C1TZ 4635-A	U/Joint			
					1-C1TT 4710-A	Cap	1-C1TT 4841-F	Yoke					
80/89	★ E0HT	4602-LA	E0HZ	4605-L	1-D4HZ 4342-A	Washer	1-D4HZ 4343-B	Seal	2-B6TZ 4635-B	U/Joint			
					1-D4HZ 4841-D	Yoke	1-01T 7077	Cap					
80/89	★ E0HT	4602-MA	E0HZ	4605-A	1-D4HZ 4342-A	Washer	1-D4HZ 4343-B	Seal	2-B6TZ 4635-B	U/Joint			
					1-D4HZ 4841-D	Yoke	1-01T 7077	Cap					
80	★ E0HT	4602-MA	E0HZ	4605-U	1-D4HZ 4342-A	Washer	1-D4HZ 4343-B	Seal	2-B6TZ 4635-B	U/Joint			
					1-D4HZ 4841-D	Yoke	1-01T 7077	Cap					
80/89	★ E0HT	4602-NA	E0HZ	4605-K	1-D4HZ 4342-A	Washer	1-D4HZ 4343-B	Seal	2-B6TZ 4635-B	U/Joint			
					1-D4HZ 4841-D	Yoke	1-01T 7077	Cap					
80	★ E0HT	4602-RA	E0HZ	4605-B	1-D4HZ 4342-A	Washer	1-D4HZ 4343-B	Seal	2-B6TZ 4635-B	U/Joint			
					1-D4HZ 4841-D	Yoke	1-01T 7077	Cap					
80/89	★ E0HT	4602-SA	E0HZ	4605-R	1-C6TZ 4342-C	Washer	1-C6TZ 4343-C	Seal	2-D3TZ 4635-A	U/Joint			
					1-C6TZ 4710-F	Cap	1-D4HZ 4841-E	Slip yoke					
80/89	★ E0HT	4602-TA	E0HZ	4605-S	1-C6TZ 4342-C	Washer	1-C6TZ 4343-C	Seal	2-D3TZ 4635-A	U/Joint			
					1-C6TZ 4710-F	Cap	1-D4HZ 4841-E	Slip Yoke					
81/89	★ E0HT	4602-BVA	E1HZ	4605-EB	2-B6TZ 4635-B	U/Joint	1-8MTH 4841	Yoke	1-01T 7077	Cap			
					1-01T 7097	Seal	1-351566-S	Washer					
81/89	★ E0HT	4602-BYA	E1HZ	4605-AY	2-B6TZ 4635-B	U/Joint	1-8MTH 4841	Yoke	1-01T 7077	Cap			
					1-01T 7097	Seal	1-351566-S	Washer					
84/89	★ E0HT	4602-BZA	E4HZ	4605-B	2-B6TZ 4635-B	U/Joint	1-8MTH 4841	Yoke	1-01T 7077	Cap			
					1-01T 7097	Seal	1-351566-S	Washer					
84/89	★ E0HT	4602-CAA	E4HZ	4605-C	2-B6TZ 4635-B	U/Joint	1-8MTH 4841	Yoke	1-01T 7077	Cap			
					1-01T 7097	Seal	1-351566-S	Washer					
84/89	★ E0HT	4602-CBA	E4HZ	4605-D	2-B6TZ 4635-B	U/Joint	1-8MTH 4841	Yoke	1-01T 7077	Cap			
					1-01T 7097	Seal	1-351566-S	Washer					
84/89	★ E0HT	4602-CFA	E4HZ	4605-E	2-B6TZ 4635-B	U/Joint	1-8MTH 4841	Yoke	1-01T 7077	Cap			
					1-01T 7097	Seal	1-351566-S	Washer					

1980/  
TRUCK SERIES 600/900

DRIVE and COUPLING SHAFT COMPONENT PARTS LISTS

YEAR	COMPLETE SHAFT ASSEMBLY		OPTIONAL COMPONENTS FOR COMPLETE SHAFT ASSEMBLY									
			SHAFT SUB-ASSEMBLY		RELATED PARTS FOR USE WITH SHAFT SUB-ASSEMBLY							
81/82	★ EOHT	4602-DDA	E1HZ	4605-AZ	1-D4HZ 4342-A	Washer	1-D4HZ 4343-B	Seal	2-B6TZ	4635-B	U/Joint	
					1-D4HZ 4841-D	Yoke	1-01T 7077	Cap				
80/89	★ EOHT	4602-DKA	EOHZ	4605-BV	1-D4HZ 4342-A	Washer	1-D4HZ 4343-B	Seal	2-B6TZ	4635-B	U/Joint	
					1-D4HZ 4841-D	Yoke	1-01T 7077	Cap				
80/89	★ EOHT	4602-EUA	EOHZ	4605-AB	1-D4HZ 4342-A	Washer	1-D4HZ 4343-B	Seal	2-B6TZ	4635-B	U/Joint	
					1-D4HZ 4841-D	Yoke	1-01T 7077	Cap				
80/89	★ EOHT	4602-EYA	EOHZ	4605-AC	1-D4HZ 4342-A	Washer	1-D4HZ 4343-B	Seal	2-B6TZ	4635-B	U/Joint	
					1-D4HZ 4841-D	Yoke	1-01T 7077	Cap				
80/89	★ EOHT	4602-FAA	EOHZ	4605-BR	1-D4HZ 4342-A	Washer	1-D4HZ 4343-B	Seal	2-B6TZ	4635-B	U/Joint	
					1-D4HZ 4841-D	Yoke	1-01T 7077	Cap				
80/89	★ EOHT	4602-FDA	EOHZ	4605-AD	1-D4HZ 4342-A	Washer	1-D4HZ 4343-B	Seal	2-B6TZ	4635-B	U/Joint	
					1-D4HZ 4841-D	Yoke	1-01T 7077	Cap				
81/89	★ EOHT	4602-FLA	E1HZ	4605-BA	1-D4HZ 4342-A	Washer	1-D4HZ 4343-B	Seal	2-B6TZ	4635-B	U/Joint	
					1-D4HZ 4841-D	Yoke	1-01T 7077	Cap				
81/89	★ EOHT	4602-FMA	E1HZ	4605-BB	1-D4HZ 4342-A	Washer	1-D4HZ 4343-B	Seal	2-B6TZ	4635-B	U/Joint	
					1-D4HZ 4841-D	Yoke	1-01T 7077	Yoke				
81/89	★ EOHT	4602-FNA	E1HZ	4605-BC	1-D4HZ 4342-A	Washer	1-D4HZ 4343-B	Seal	2-B6TZ	4635-B	U/Joint	
					1-D4HZ 4841-D	Yoke	1-01T 7077	Yoke				
81/89	★ EOHT	4602-FRA	E1HZ	4605-BD	1-D4HZ 4342-A	Washer	1-D4HZ 4343-B	Seal	2-B6TZ	4635-B	U/Joint	
					1-D4HZ 4841-D	Yoke	1-01T 7077	Yoke				
80/89	★ EOHT	4602-FSA	EOHZ	4605-AE	1-D4HZ 4342-A	Washer	1-D4HZ 4343-B	Seal	2-B6TZ	4635-B	U/Joint	
					1-D4HZ 4841-D	Yoke	1-01T 7077	Cap				
80/89	★ EOHT	4602-FTA	EOHZ	4605-Y	1-D4HZ 4342-A	Washer	1-D4HZ 4343-B	Seal	2-B6TZ	4635-B	U/Joint	
					1-D4HZ 4841-D	Yoke	1-01T 7077	Cap				
84/89	★ EOHT	4602-FUA	E4HZ	4605-F	1-D4HZ 4372-A	Washer	1-D4HZ 4343-B	Seal	2-B6TZ	4635-B	U/Joint	
					1-D4HZ 4841-D	Yoke	1-01T 7077	Yoke				
81/89	★ EOHT	4602-FYA	E1HZ	4605-BE	1-D4HZ 4342-A	Washer	1-D4HZ 4343-B	Seal	2-B6TZ	4635-B	U/Joint	
					1-D4HZ 4841-D	Yoke	1-01T 7077	Yoke				
81/89	★ EOHT	4602-GAA	E1HZ	4605-EK	1-D4HZ 4342-A	Washer	1-D4HZ 4343-B	Seal	2-B6TZ	4635-B	U/Joint	
					1-D4HZ 4841-D	Yoke	1-01T 7077	Yoke				
80/89	★ EOHT	4602-GBA	EOHZ	4605-AF	1-D4HZ 4342-A	Washer	1-D4HZ 4343-B	Seal	2-B6TZ	4635-B	U/Joint	
					1-D4HZ 4841-D	Yoke	1-01T 7077	Cap				
80/89	★ EOHT	4602-GCA	EOHZ	4605-AG	1-D4HZ 4342-A	Washer	1-D4HZ 4343-B	Seal	2-B6TZ	4635-B	U/Joint	
					1-D4HZ 4841-D	Yoke	1-01T 7077	Cap				
80/89	★ EOHT	4602-GDA	EOHZ	4605-AH	1-D4HZ 4342-A	Washer	1-D4HZ 4343-B	Seal	2-B6TZ	4635-B	U/Joint	
					1-D4HZ 4841-D	Yoke	1-01T 7077	Cap				
80/89	★ EOHT	4602-GEA	EOHZ	4605-AJ	1-D4HZ 4342-A	Washer	1-D4HZ 4343-B	Seal	2-B6TZ	4635-B	U/Joint	
					1-D4HZ 4841-D	Yoke	1-01T 7077	Cap				
80/89	★ EOHT	4602-GFA	EOHZ	4605-AK	1-D4HZ 4342-A	Washer	1-D4HZ 4343-B	Seal	2-B6TZ	4635-B	U/Joint	
					1-D4HZ 4841-D	Yoke	1-01T 7077	Cap				
84/89	★ EOHT	4602-GGA	E4HZ	4605-G	1-D4HZ 4342-A	Washer	1-D4HZ 4343-B	Seal	2-B6TZ	4635-B	U/Joint	
					1-D4HZ 4841-D	Yoke	1-01T 7077	Yoke				
80/89	★ EOHT	4602-GHA	EOHZ	4605-AL	1-D4HZ 4342-A	Washer	1-D4HZ 4343-B	Seal	2-B6TZ	4635-B	U/Joint	
					1-D4HZ 4841-D	Yoke	1-01T 7077	Cap				
81/89	★ EOHT	4602-GJA	E1HZ	4605-BG	1-D4HZ 4342-A	Washer	1-D4HZ 4343-B	Seal	2-B6TZ	4635-B	U/Joint	
					1-D4HZ 4841-D	Yoke	1-01T 7077	Cap				
84	★ EOHT	4602-GKA	E4HZ	4605-P	2-D4HZ 4342-A	Washer	1-D4HZ 4343-B	Seal	2-B6TZ	4635-B	U/Joint	
					1-D4HZ 4841-D	Yoke	1-01T 7077	Cap				
81/89	★ EOHT	4602-GLA	E1HZ	4605-BH	1-D4HZ 4342-A	Washer	1-D4HZ 4343-B	Seal	2-B6TZ	4635-B	U/Joint	
					1-D4HZ 4841-D	Yoke	1-01T 7077	Cap				
80/89	★ EOHT	4602-GMA	EOHZ	4605-AM	1-D4HZ 4342-A	Washer	1-D4HZ 4343-B	Seal	2-B6TZ	4635-B	U/Joint	
					1-D4HZ 4841-D	Yoke	1-01T 7077	Cap				
81/89	★ EOHT	4602-GNA	E1HZ	4605-BJ	1-D4HZ 4342-A	Washer	1-D4HZ 4343-B	Seal	2-B6TZ	4635-B	U/Joint	
					1-D4HZ 4841-D	Yoke	1-01T 7077	Cap				
80/89	★ EOHT	4602-GRA	EOHZ	4605-AN	1-D4HZ 4342-A	Washer	1-D4HZ 4343-B	Seal	2-B6TZ	4635-B	U/Joint	
					1-D4HZ 4841-D	Yoke	1-01T 7077	Cap				
80/89	★ EOHT	4602-GSA	EOHZ	4605-AP	1-D4HZ 4342-A	Washer	1-D4HZ 4343-B	Seal	2-B6TZ	4635-B	U/Joint	
					1-D4HZ 4841-D	Yoke	1-01T 7077	Cap				

1980/  
TRUCK SERIES 600/900

DRIVE and COUPLING SHAFT COMPONENT PARTS LISTS											
YEAR	COMPLETE SHAFT ASSEMBLY		OPTIONAL COMPONENTS FOR COMPLETE SHAFT ASSEMBLY								
			SHAFT SUB-ASSEMBLY			RELATED PARTS FOR USE WITH SHAFT SUB-ASSEMBLY					
80/81	★ EOHT	4602-GTA	E0HZ	4605-BU	1-D4HZ 4342-A	Washer	1-D4HZ 4343-B	Seal	2-B6TZ	4635-B	U/Joint
					1-D4HZ 4841-D	Yoke	1-01T 7077	Cap			
81/89	★ EOHT	4602-HJA	E1HZ	4605-AM	1-C1TT 4342-B	Washer	1-C1TT 4343-B	Seal	2-C1TZ	4635-A	U/Joint
					1-C1TT 4710-A	Cap	1-C1TT 4841-F	Yoke			
81/89	★ EOHT	4602-HLA	E1HZ	4605-AN	1-C1TT 4342-B	Washer	1-C1TT 4343-B	Seal	2-C1TZ	4635-A	U/Joint
					1-C1TT 4710-A	Cap	1-C1TT 4841-F	Yoke			
81/89	★ EOHT	4602-HMA	E1HZ	4605-AF	1-C1TT 4342-B	Washer	1-C1TT 4343-B	Seal	2-C1TZ	4635-A	U/Joint
					1-C1TT 4710-A	Cap	1-C1TT 4841-F	Yoke			
81/89	★ EOHT	4602-HNA	E1HZ	4605-BK	1-C1TT 4342-B	Washer	1-C1TT 4343-B	Seal	2-C1TZ	4635-A	U/Joint
					1-C1TT 4710-A	Cap	1-C1TT 4841-F	Yoke			
81/89	★ EOHT	4602-HRA	E1HZ	4605-BL	1-C1TT 4342-B	Washer	1-C1TT 4343-B	Seal	2-C1TZ	4635-A	U/Joint
					1-C1TT 4710-A	Cap	1-C1TT 4841-F	Yoke			
81/89	★ EOHT	4602-HZA	E1HZ	4605-AP	1-C1TT 4342-B	Washer	1-C1TT 4343-B	Seal	2-C1TZ	4635-A	U/Joint
					1-C1TT 4710-A	Cap	1-C1TT 4841-F	Yoke			
80/89	★ EOHT	4602-JAA	E1HZ	4605-AG	1-C1TT 4342-B	Washer	1-C1TT 4343-B	Seal	2-C1TZ	4635-A	U/Joint
					1-C1TT 4710-A	Cap	1-C1TT 4841-F	Yoke			
80/89	★ EOHT	4602-JBA	E1HZ	4605-AH	1-C1TT 4342-B	Washer	1-C1TT 4343-B	Seal	2-C1TZ	4635-A	U/Joint
					1-C1TT 4710-A	Cap	1-C1TT 4841-F	Yoke			
81/89	★ EOHT	4602-JCA	E1HZ	4605-BM	1-C1TT 4342-B	Washer	1-C1TT 4343-B	Seal	2-C1TZ	4635-A	U/Joint
					1-C1TT 4710-A	Cap	1-C1TT 4841-F	Yoke			
82/89	★ EOHT	4602-JDA	E2HZ	4605-BG	1-C1TT 4342-B	Washer	1-C1TT 4343-B	Seal	2-C1TZ	4635-A	U/Joint
					1-C1TT 4710-A	Cap	1-C1TT 4841-F	Yoke			
81/89	★ EOHT	4602-JEA	E1HZ	4605-EC	1-C1TT 4342-B	Washer	1-C1TT 4343-B	Seal	2-C1TZ	4635-A	U/Joint
					1-C1TT 4710-A	Cap	1-C1TT 4841-F	Yoke			
81/89	★ EOHT	4602-JFA	E1HZ	4605-BN	1-C1TT 4342-B	Washer	1-C1TT 4343-B	Seal	2-C1TZ	4635-A	U/Joint
					1-C1TT 4710-A	Cap	1-C1TT 4841-F	Yoke			
81/89	★ EOHT	4602-JGA	E1HZ	4605-ED	1-C1TT 4342-B	Washer	1-C1TT 4343-B	Seal	2-C1TZ	4635-A	U/Joint
					1-C1TT 4710-A	Cap	1-C1TT 4841-F	Yoke			
81/89	★ EOHT	4602-JHA	E1HZ	4605-BP	1-C1TT 4342-B	Washer	1-C1TT 4343-B	Seal	2-C1TZ	4635-A	U/Joint
					1-C1TT 4710-A	Cap	1-C1TT 4841-F	Yoke			
84/89	★ EOHT	4602-JJA	E4HZ	4605-H	1-C1TT 4342-B	Washer	1-C1TT 4343-B	Seal	2-C1TZ	4635-A	U/Joint
					1-C1TT 4710-A	Cap	1-C1TT 4841-F	Yoke			
81/89	★ EOHT	4602-JLA	E1HZ	4605-EE	1-C1TT 4342-B	Washer	1-C1TT 4343-B	Seal	2-C1TZ	4635-A	U/Joint
					1-C1TT 4710-A	Cap	1-C1TT 4841-F	Yoke			
84/89	★ EOHT	4602-JNA	E4HZ	4605-J	1-C1TT 4343-B	Washer	1-C1TT 4343-B	Seal	2-C1TZ	4635-A	U/Joint
					1-C1TT 4710-A	Cap	1-C1TT 4841-F	Yoke			
84/89	★ EOHT	4602-JSA	E4HZ	4605-K	1-C1TT 4342-B	Washer	1-C1TT 4343-B	Seal	2-C1TZ	4635-A	U/Joint
					1-C1TT 4710-A	Cap	1-C1TT 4841-F	Yoke			
80/89	★ EOHT	4602-KGA	E1HZ	4605-W	1-C1TT 4342-B	Washer	1-C1TT 4343-B	Seal	2-C1TZ	4635-A	U/Joint
					1-C1TT 4710-A	Cap	1-C1TT 4841-F	Yoke			
80/89	★ EOHT	4602-KHA	E1HZ	4605-X	1-C1TT 4342-B	Washer	1-C1TT 4343-B	Seal	2-C1TZ	4635-A	U/Joint
					1-C1TT 4710-A	Cap	1-C1TT 4841-F	Yoke			
82/89	★ EOHT	4602-KJA	E2HZ	4605-BH	1-C1TT 4342-B	Washer	1-C1TT 4343-B	Seal	2-C1TZ	4635-A	U/Joint
					1-C1TT 4710-A	CAp	1-C1TT 4841-F	Yoke			
82/89	★ EOHT	4602-KKA	E2HZ	4605-CC	1-C1TT 4342-B	Washer	1-C1TT 4343-B	Seal	2-C1TZ	4635-A	U/Joint
					1-C1TT 4710-A	Cap	1-C1TT 4841-F	Yoke			
80/89	★ EOHT	4602-KLA	E0HZ	4605-AR	1-C1TT 4342-B	Washer	1-C1TT 4343-B	Seal	2-C1TZ	4635-A	U/Joint
					1-C1TT 4710-A	Cap	1-C1TT 4841-F	Yoke			
80/	★ EOHT	4602-KMA	E0HZ	4605-AS	1-C1TT 4342-B	Washer	1-C1TT 4343-B	Seal	2-C1TZ	4635-A	U/Joint
					1-C1TT 4710-A	Cap	1-C1TT 4841-F	Yoke			
84/89	★ EOHT	4602-KNA	E4HZ	4605-L	1-C1TT 4342-B	Washer	1-C1TT 4343-B	Seal	1-C1TZ	4635-A	U/Joint
					1-C1TT 4710-A	Cap	1-C1TT 4841-F	Yoke			
82/89	★ EOHT	4602-KRA	E2HZ	4605-CD	1-C1TT 4342-B	Washer	1-C1TT 4343-B	Seal	2-C1TZ	4635-A	U/Joint
					1-C1TT 4710-A	Cap	1-C1TT 4841-F	Yoke			
82/89	★ EOHT	4602-KSA	E2HZ	4605-CE	1-C1TT 4342-B	Washer	1-C1TT 4343-B	Seal	2-C1TZ	4635-A	U/Joint
					1-C1TT 4710-A	Cap	1-C1TT 4841-F	Yoke			
84/89	★ EOHT	4602-KTA	E4HZ	4605-M	1-C1TT 4342-B	Washer	1-C1TT 4343-B	Seal	2-C1TZ	4635-A	U/Joint
					1-C1TT 4710-A	Cap	1-C1TT 4841-F	Yoke			
84/89	★ EOHT	4602-KUA	E4HZ	4605-N	1-C1TT 4342-B	Washer	1-C1TT 4343-B	Seal	2-C1TZ	4635-A	U/Joint
					1-C1TT 4710-A	Cap	1-C1TT 4841-F	Yoke			

1980/  
TRUCK SERIES 600/900

DRIVE and COUPLING SHAFT COMPONENT PARTS LISTS

YEAR	COMPLETE SHAFT ASSEMBLY		OPTIONAL COMPONENTS FOR COMPLETE SHAFT ASSEMBLY									
			SHAFT SUB-ASSEMBLY		RELATED PARTS FOR USE WITH SHAFT SUB-ASSEMBLY							
82/89	★ EOHT	4602-LYA	E2HZ	4605-CF	1-C1TT 4342-C	Washer	1-C1TT 4343-C	Seal	2-C1TZ	4635-A	U/Joint	
					1-C1TT 4710-A	Cap	1-C1TT 4841-F	Yoke				
81/89	★ EOHT	4602-MAA	E1HZ	4605-BR	1-C1TT 4342-C	Washer	1-C1TT 4343-C	Seal	2-C1TZ	4635-A	U/Joint	
					1-C1TT 4710-A	Cap	1-C1TT 4841-F	Yoke				
80/89	★ EOHT	4602-MDA	E0HZ	4605-W	1-C1TT 4342-C	Washer	1-C1TT 4343-C	Seal	2-C1TZ	4635-A	U/Joint	
					1-C1TT 4710-A	Cap	1-C1TT 4841-F	Yoke				
89	★ EOHT	4602-MEA	E9HZ	4605-E	1-C1TT 4342-C	Washer	1-C1TT 4343-C	Seal	2-C1TT	4635-A	U/Joint	
					1-C1TT 4710-A	Cap	1-C1TT 4841-F	Yoke				
80/	★ EOHT	4602-MFA	E0HZ	4605-Z	1-C1TT 4342-C	Washer	1-C1TT 4343-C	Seal	2-C1TZ	4635-A	U/Joint	
					1-C1TT 4710-A	Cap	1-C1TT 4841-F	Yoke				
82/89	★ EOHT	4602-MLA	E2HZ	4605-BK	1-C1TT 4342-C	Washer	1-C1TT 4343-C	Seal	2-C1TZ	4635-A	U/Joint	
					1-C1TT 4710-A	Cap	1-C1TT 4841-F	Yoke				
82/89	★ EOHT	4602-MMA	E2HZ	4605-BL	1-C1TT 4342-C	Washer	1-C1TT 4343-C	Seal	2-C1TZ	4635-A	U/Joint	
					1-C1TT 4710-A	Cap	1-C1TT 4841-F	Yoke				
81/89	★ EOHT	4602-MNA	E1HZ	4605-BS	1-C1TT 4342-C	Washer	1-C1TT 4343-C	Seal	2-C1TZ	4635-A	U/Joint	
					1-C1TT 4710-A	Cap	1-C1TT 4841-F	Yoke				
80/89	★ EOHT	4602-MRA	E1HZ	4605-C	1-C1TT 4342-C	Washer	1-C1TT 4343-C	Seal	2-C1TZ	4635-A	U/Joint	
					1-C1TT 4710-A	Cap	1-C1TT 4841-F	Yoke				
80/89	★ EOHT	4602-MSA	E1HZ	4605-D	1-C1TT 4342-C	Washer	1-C1TT 4343-C	Seal	2-C1TZ	4635-A	U/Joint	
					1-C1TT 4710-A	Cap	1-C1TT 4841-F	Yoke				
80/89	★ EOHT	4602-MTA	E1HZ	4605-E	1-C1TT 4342-C	Washer	1-C1TT 4343-C	Seal	2-C1TZ	4635-A	U/Joint	
					1-C1TT 4710-A	Cap	1-C1TT 4841-F	Yoke				
80/89	★ EOHT	4602-MUA	E1HZ	4605-F	1-C1TT 4342-C	Washer	1-C1TT 4343-C	Seal	2-C1TZ	4635-A	U/Joint	
					1-C1TT 4710-A	Cap	1-C1TT 4841-F	Yoke				
80/	★ EOHT	4602-MVA	E0HZ	4605-AT	1-C1TT 4342-C	Washer	1-C1TT 4343-C	Seal	2-C1TZ	4635-A	U/Joint	
					1-C1TT 4710-A	Cap	1-C1TT 4841-F	Yoke				
80/	★ EOHT	4602-MYA	E0HZ	4605-AU	1-C1TT 4342-C	Washer	1-C1TT 4343-C	Seal	2-C1TZ	4635-A	U/Joint	
					1-C1TT 4710-A	Cap	1-C1TT 4841-F	Yoke				
80/	★ EOHT	4602-MZA	E0HZ	4605-AV	1-C1TT 4342-C	Washer	1-C1TT 4343-C	Seal	2-C1TZ	4635-A	U/Joint	
					1-C1TT 4710-A	Cap	1-C1TT 4841-F	Yoke				
80/	★ EOHT	4602-NAA	E0HZ	4605-AW	1-C1TT 4342-C	Washer	1-C1TT 4343-C	Seal	2-C1TZ	4635-A	U/Joint	
					1-C1TT 4710-A	Cap	1-C1TT 4841-F	Yoke				
80/	★ EOHT	4602-NBA	E0HZ	4605-AX	1-C1TT 4342-C	Washer	1-C1TT 4343-C	Seal	2-C1TZ	4635-A	U/Joint	
					1-C1TT 4710-A	Cap	1-C1TT 4841-F	Yoke				
80/89	★ EOHT	4602-NCA	E0HZ	4605-AY	1-C1TT 4342-C	Washer	1-C1TT 4343-C	Seal	2-C1TZ	4635-A	U/Joint	
					1-C1TT 4710-A	Cap	1-C1TT 4841-F	Yoke				
82/89	★ EOHT	4602-NDA	E2HZ	4605-BM	1-C1TT 4342-C	Washer	1-C1TT 4343-C	Seal	2-C1TZ	4635-A	U/Joint	
					1-C1TT 4710-A	Cap	1-C1TT 4841-F	Yoke				
80/89	★ EOHT	4602-NEA	E1HZ	4605-G	1-C1TT 4342-C	Washer	1-C1TT 4343-C	Seal	2-C1TZ	4635-A	U/Joint	
					1-C1TT 4710-A	Cap	1-C1TT 4841-F	Yoke				
80/89	★ EOHT	4602-NFA	E1HZ	4605-H	1-C1TT 4342-C	Washer	1-C1TT 4343-C	Seal	2-C1TZ	4635-A	U/Joint	
					1-C1TT 4710-A	Cap	1-C1TT 4841-F	Yoke				
80/89	★ EOHT	4602-NGA	E1HZ	4605-J	1-C1TT 4342-C	Washer	1-C1TT 4343-C	Seal	2-C1TZ	4635-A	U/Joint	
					1-C1TT 4710-A	Cap	1-C1TT 4841-F	Yoke				
80/	★ EOHT	4602-NHA	E1HZ	4605-K	1-C1TT 4342-C	Washer	1-C1TT 4343-C	Seal	2-C1TZ	4635-A	U/Joint	
					1-C1TT 4710-A	Cap	1-C1TT 4841-F	Yoke				
80/89	★ EOHT	4602-NJA	E1HZ	4605-L	1-C1TT 4342-C	Washer	1-C1TT 4343-C	Seal	2-C1TZ	4635-A	U/Joint	
					1-C1TT 4710-A	Cap	1-C1TT 4841-F	Yoke				
80/89	★ EOHT	4602-NKA	E1HZ	4605-M	1-C1TT 4342-C	Washer	1-C1TT 4343-C	Seal	2-C1TZ	4635-A	U/Joint	
					1-C1TT 4710-A	Cap	1-C1TT 4841-F	Yoke				
80/89	★ EOHT	4602-NLA	E1HZ	4605-N	1-C1TT 4342-C	Washer	1-C1TT 4343-C	Seal	2-C1TZ	4635-A	U/Joint	
					1-C1TT 4710-A	Cap	1-C1TT 4841-F	Yoke				
80/89	★ EOHT	4602-NMA	E1HZ	4605-P	1-C1TT 4342-C	Washer	1-C1TT 4343-C	Seal	2-C1TZ	4635-A	U/Joint	
					1-C1TT 4710-A	Cap	1-C1TT 4841-F	Yoke				
80/89	★ EOHT	4602-NNA	E0HZ	4605-AZ	1-C1TT 4342-C	Washer	1-C1TT 4343-C	Seal	2-C1TZ	4635-A	U/Joint	
					1-C1TT 4710-A	Cap	1-C1TT 4841-F	Yoke				
80/	★ EOHT	4602-NRA	E0HZ	4605-BA	1-C1TT 4342-C	Washer	1-C1TT 4343-C	Seal	2-C1TZ	4635-A	U/Joint	
					1-C1TT 4710-A	Cap	1-C1TT 4841-F	Yoke				
80/	★ EOHT	4602-NSA	E0HZ	4605-BB	1-C1TT 4342-C	Washer	1-C1TT 4343-C	Seal	2-C1TZ	4635-A	U/Joint	
					1-C1TT 4710-A	Cap	1-C1TT 4841-F	Yoke				

October, 1993

COPYRIGHT © 1993 - FORD MOTOR - DEARBORN, MICHIGAN  
COMPANY

Final Issue

**1980/  
TRUCK SERIES 600/900**

**DRIVE and COUPLING SHAFT COMPONENT PARTS LISTS**

YEAR	COMPLETE SHAFT ASSEMBLY		OPTIONAL COMPONENTS FOR COMPLETE SHAFT ASSEMBLY								
			SHAFT SUB-ASSEMBLY		RELATED PARTS FOR USE WITH SHAFT SUB-ASSEMBLY						
80/	★ EOHT	4602-NTA	EOHZ	4605-BC	1-C1TT 4342-C	Washer	1-C1TT 4343-C	Seal	2-C1TZ	4635-A	U/Joint
					1-C1TT 4710-A	Cap	1-C1TT 4841-F	Yoke			
80/	★ EOHT	4602-NUA	EOHZ	4605-BD	1-C1TT 4342-C	Washer	1-C1TT 4343-C	Seal	2-C1TZ	4635-A	U/Joint
					1-C1TT 4710-A	Cap	1-C1TT 4841-F	Yoke			
80/	★ EOHT	4602-NVA	EOHZ	4605-BE	1-C1TT 4342-C	Washer	1-C1TT 4343-C	Seal	2-C1TZ	4635-A	U/Joint
					1-C1TT 4710-A	Cap	1-C1TT 4841-F	Yoke			
80/89	★ EOHT	4602-NYA	EOHZ	4605-BF	1-C1TT 4342-C	Washer	1-C1TT 4343-C	Seal	2-C1TZ	4635-A	U/Joint
					1-C1TT 4710-A	Cap	1-C1TT 4841-F	Yoke			
80/	★ EOHT	4602-NZA	EOHZ	4605-BG	1-C1TT 4342-C	Washer	1-C1TT 4343-C	Seal	2-C1TZ	4635-A	U/Joint
					1-C1TT 4710-A	Cap	1-C1TT 4841-F	Yoke			
80/	★ EOHT	4602-RAA	EOHZ	4605-AA	1-C1TT 4342-C	Washer	1-C1TT 4343-C	Seal	2-C1TZ	4635-A	U/Joint
					1-C1TT 4710-A	Cap	1-C1TT 4841-F	Yoke			
80/	★ EOHT	4602-RBA	EOHZ	4605-BH	1-C1TT 4342-C	Washer	1-C1TT 4343-C	Seal	2-C1TZ	4635-A	U/Joint
					1-C1TT 4710-A	Cap	1-C1TT 4841-F	Yoke			
80/	★ EOHT	4602-RCA	EOHZ	4605-BJ	1-C1TT 4342-C	Washer	1-C1TT 4343-C	Seal	2-C1TZ	4635-A	U/Joint
					1-C1TT 4710-A	Cap	1-C1TT 4841-F	Yoke			
80/89	★ EOHT	4602-RDA	EOHZ	4605-BK	1-C1TT 4342-C	Washer	1-C1TT 4343-C	Seal	2-C1TZ	4635-A	U/Joint
					1-C1TT 4710-A	Cap	1-C1TT 4841-F	Yoke			
80/	★ EOHT	4602-REA	EOHZ	4605-BL	1-C1TT 4342-C	Washer	1-C1TT 4343-C	Seal	2-C1TZ	4635-A	U/Joint
					1-C1TT 4710-A	Cap	1-C1TT 4841-F	Yoke			
80/	★ EOHT	4602-RFA	EOHZ	4605-BY	1-C1TT 4342-C	Washer	1-C1TT 4343-C	Seal	2-C1TZ	4635-A	U/Joint
					1-C1TT 4710-A	Cap	1-C1TT 4841-F	Yoke			
80/	★ EOHT	4602-RGA	EOHZ	4605-BM	1-C1TT 4342-C	Washer	1-C1TT 4343-C	Seal	2-C1TZ	4635-A	U/Joint
					1-C1TT 4710-A	Cap	1-C1TT 4841-F	Yoke			
80/	★ EOHT	4602-RHA	EOHZ	4605-BN	1-C1TT 4342-C	Washer	1-C1TT 4343-C	Seal	2-C1TZ	4635-A	U/Joint
					1-C1TT 4710-A	Cap	1-C1TT 4841-F	Yoke			
80/89	★ EOHT	4602-RJA	EOHZ	4605-BP	1-C1TT 4342-C	Washer	1-C1TT 4343-C	Seal	2-C1TZ	4635-A	U/Joint
					1-C1TT 4710-A	Cap	1-C1TT 4841-F	Yoke			
80/81	★ EOHT	4602-RKA	E1HZ	4605-AK	1-C1TT 4342-C	Washer	1-C1TT 4343-C	Seal	2-C1TZ	4635-A	U/Joint
					1-C1TT 4710-A	Cap	1-C1TT 4841-F	Yoke			
80/89	★ EOHT	4602-SAA	E1HZ	4605-AJ	1-C1TT 4342-B	Washer	1-C1TT 4343-B	Seal	2-C1TZ	4635-A	U/Joint
					1-C1TT 4710-A	Cap	1-C1TT 4841-F	Yoke			
80/89	★ EOHT	4602-SBA	E1HZ	4605-AA	1-C1TT 4342-B	Washer	1-C1TT 4343-B	Seal	2-C1TZ	4635-A	U/Joint
					1-C1TT 4710-A	Cap	1-C1TT 4841-F	Yoke			
80/89	★ EOHT	4602-SCA	EOHZ	4605-Y	1-C1TT 4342-B	Washer	1-C1TT 4343-B	Seal	2-C1TZ	4635-A	U/Joint
					1-C1TT 4710-A	Cap	1-C1TT 4841-F	Yoke			
80/89	★ EOHT	4602-SDA	E1HZ	4605-Z	1-C1TT 4342-B	Washer	1-C1TT 4343-B	Seal	2-C1TZ	4635-A	U/Joint
					1-C1TT 4710-A	Cap	1-C1TT 4841-F	Yoke			
80/	★ E1HT	4602-AA	E1HZ	4605-A	1-D9HZ 4342-B	Washer	1-D9HZ 4343-B	Seal	2-D9HZ	4635-A	U/Joint
					1-D9HZ 4710-A	Cap	1-D9HZ 4841-A	Yoke			
80/89	★ E1HT	4602-BA	E1HZ	4605-B	1-D9HZ 4342-B	Washer	1-D9HZ 4343-B	Seal	2-D9HZ	4635-A	U/Joint
					1-D9HZ 4710-A	Cap	1-D9HZ 4841-A	Yoke			
81/89	★ E1HT	4602-CA	E1HZ	4605-CV	2-D9HZ 4635-B	U/Joint	1-D9HZ 4710-B	Cap	1-D9HZ 4841-D	Yoke	
81/89	★ E1HT	4602-DA	E1HZ	4605-CW	2-D9HZ 4635-B	U/Joint	1-D9HZ 4710-B	Cap	1-D9HZ 4841-D	Yoke	
82/89	★ E1HT	4602-EA	E2HZ	4605-A	2-D9HZ 4635-B	U/Joint	1-D9HZ 4710-B	Cap	1-D9HZ 4841-D	Yoke	
82/89	★ E1HT	4602-FA	E2HZ	4605-B	2-D9HZ 4635-B	U/Joint	1-D9HZ 4710-B	Cap	1-D9HZ 4841-D	Yoke	
81/89	★ E1HT	4602-GA	E1HZ	4605-CX	2-D9HZ 4635-B	U/Joint	1-D9HZ 4710-B	Cap	1-D9HZ 4841-D	Yoke	
82/89	★ E1HT	4602-HA	E2HZ	4605-C	2-D9HZ 4635-B	U/Joint	1-D9HZ 4710-B	Cap	1-D9HZ 4841-D	Yoke	
81/89	★ E1HT	4602-JA	E1HZ	4605-CY	2-D9HZ 4635-B	U/Joint	1-D9HZ 4710-B	Cap	1-D9HZ 4841-D	Yoke	
81/89	★ E1HT	4602-KA	E1HZ	4605-CZ	2-D9HZ 4635-B	U/Joint	1-D9HZ 4710-B	Cap	1-D9HZ 4841-D	Yoke	
81/89	★ E1HT	4602-LA	E1HZ	4605-DB	2-D9HZ 4635-B	U/Joint	1-D9HZ 4710-B	Cap	1-D9HZ 4841-D	Yoke	
81/89	★ E1HT	4602-MA	E1HZ	4605-DC	2-D9HZ 4635-B	U/Joint	1-D9HZ 4710-B	Cap	1-D9HZ 4841-D	Yoke	
81/89	★ E1HT	4602-NA	E1HZ	4605-DD	2-D9HZ 4635-B	U/Joint	1-D9HZ 4710-B	Cap	1-D9HZ 4841-D	Yoke	
81/89	★ E1HT	4602-RA	E1HZ	4605-DE	2-D9HZ 4635-B	U/Joint	1-D9HZ 4710-B	Cap	1-D9HZ 4841-D	Yoke	
81/89	★ E1HT	4602-SA	E1HZ	4605-DF	2-D9HZ 4635-B	U/Joint	1-D9HZ 4710-B	Cap	1-D9HZ 4841-D	Yoke	
81/89	★ E1HT	4602-TA	E1HZ	4605-DG	2-D9HZ 4635-B	U/Joint	1-D9HZ 4710-B	Cap	1-D9HZ 4841-D	Yoke	
81/89	★ E1HT	4602-UA	E1HZ	4605-DH	2-D9HZ 4635-B	U/Joint	1-D9HZ 4710-B	Cap	1-D9HZ 4841-D	Yoke	
82/89	★ E1HT	4602-VA	E2HZ	4605-T	2-D9HZ 4635-B	U/Joint	1-D9HZ 4710-B	Cap	1-D9HZ 4841-D	Yoke	



1980/  
TRUCK SERIES 600/900

DRIVE and COUPLING SHAFT COMPONENT PARTS LISTS

YEAR	COMPLETE SHAFT ASSEMBLY	OPTIONAL COMPONENTS FOR COMPLETE SHAFT ASSEMBLY							
		SHAFT SUB-ASSEMBLY	RELATED PARTS FOR USE WITH SHAFT SUB-ASSEMBLY						
81/89	★ E1HT 4602-YA	E1HZ 4605-DJ	2-D9HZ 4635-B	U/Joint	1-D9HZ 4710-B	Cap	1-D9HZ 4841-D	Yoke	
81/89	★ E1HT 4602-ZA	E1HZ 4605-DK	2-D9HZ 4635-B	U/Joint	1-D9HZ 4710-B	Cap	1-D9HZ 4841-D	Yoke	
81/89	★ E1HT 4602-AAA	E1HZ 4605-DL	2-D9HZ 4635-B	U/Joint	1-D9HZ 4710-B	Cap	1-D9HZ 4841-D	Yoke	
81/89	★ E1HT 4602-ABA	E1HZ 4605-DM	2-D9HZ 4635-B	U/Joint	1-D9HZ 4710-B	Cap	1-D9HZ 4841-D	Yoke	
81/89	★ E1HT 4602-ACA	E1HZ 4605-DN	2-D9HZ 4635-B	U/Joint	1-D9HZ 4710-B	Cap	1-D9HZ 4841-D	Yoke	
81/89	★ E1HT 4602-ADA	E1HZ 4605-DP	2-D9HZ 4635-B	U/Joint	1-D9HZ 4710-B	Cap	1-D9HZ 4841-D	Yoke	
81/89	★ E1HT 4602-AEA	E1HZ 4605-DZ	2-D9HZ 4635-B	U/Joint	1-D9HZ 4710-B	Cap	1-D9HZ 4841-D	Yoke	
81/89	★ E1HT 4602-AFA	E1HZ 4605-DR	2-D9HZ 4635-B	U/Joint	1-D9HZ 4710-B	Cap	1-D9HZ 4841-D	Yoke	
81/89	★ E1HT 4602-AGA	E1HZ 4605-DS	2-D9HZ 4635-B	U/Joint	1-D9HZ 4710-B	Cap	1-D9HZ 4841-D	Yoke	
81/89	★ E1HT 4602-AHA	E1HZ 4605-DT	2-D9HZ 4635-B	U/Joint	1-D9HZ 4710-B	Cap	1-D9HZ 4841-D	Yoke	
81/89	★ E1HT 4602-AJA	E1HZ 4605-DU	2-D9HZ 4635-B	U/Joint	1-D9HZ 4710-B	Cap	1-D9HZ 4841-D	Yoke	
81/89	★ E1HT 4602-AKA	E1HZ 4605-DV	2-D9HZ 4635-B	U/Joint	1-D9HZ 4710-B	Cap	1-D9HZ 4841-D	Yoke	
81/89	★ E1HT 4602-ALA	E1HZ 4605-DW	2-D9HZ 4635-B	U/Joint	1-D9HZ 4710-B	Cap	1-D9HZ 4841-D	Yoke	
81/89	★ E1HT 4602-AMA	E1HZ 4605-DX	2-D9HZ 4635-B	U/Joint	1-D9HZ 4710-B	Cap	1-D9HZ 4841-D	Yoke	
82/89	★ E1HT 4602-ANA	E2HZ 4605-U	2-D9HZ 4635-B	U/Joint	1-D9HZ 4710-B	Cap	1-D9HZ 4841-D	Yoke	
82/	★ E1HT 4602-ARA	E2HZ 4605-AU	2-D9HZ 4635-B	U/Joint	1-D9HZ 4710-B	Cap	1-D9HZ 4841-D	Yoke	
83/89	★ E1HT 4602-ASA	E3HZ 4605-D	2-D9HZ 4635-B	U/Joint	1-D9HZ 4710-B	Cap	1-D9HZ 4841-D	Yoke	
82/89	★ E1HT 4602-ATA	E2HZ 4605-E	2-D9HZ 4635-B	U/Joint	1-D9HZ 4710-B	Cap	1-D9HZ 4841-D	Yoke	
82/89	★ E1HT 4602-AUA	E2HZ 4605-F	2-D9HZ 4635-B	U/Joint	1-D9HZ 4710-B	Cap	1-D9HZ 4841-D	Yoke	
82/89	★ E1HT 4602-AVA	E2HZ 4605-G	2-D9HZ 4635-B	U/Joint	1-D9HZ 4710-B	Cap	1-D9HZ 4841-D	Yoke	
82/89	★ E1HT 4602-AYA	E2HZ 4605-S	2-D9HZ 4635-B	U/Joint	1-D9HZ 4710-B	Cap	1-D9HZ 4841-D	Yoke	
82/89	★ E1HT 4602-AZA	E2HZ 4605-H	2-D9HZ 4635-B	U/Joint	1-D9HZ 4710-B	Cap	1-D9HZ 4841-D	Yoke	
82/89	★ E1HT 4602-BAA	E2HZ 4605-J	2-D9HZ 4635-B	U/Joint	1-D9HZ 4710-B	Cap	1-D9HZ 4841-D	Yoke	
82/89	★ E1HT 4602-BBA	E2HZ 4605-K	2-D9HZ 4635-B	U/Joint	1-D9HZ 4710-B	Cap	1-D9HZ 4841-D	Yoke	
82/89	★ E1HT 4602-BCA	E2HZ 4605-L	2-D9HZ 4635-B	U/Joint	1-D9HZ 4710-B	Cap	1-D9HZ 4841-D	Yoke	
82/89	★ E1HT 4602-BDA	E2HZ 4605-N	2-D9HZ 4635-B	U/Joint	1-D9HZ 4710-B	Cap	1-D9HZ 4841-D	Yoke	
82/89	★ E1HT 4602-BEA	E2HZ 4605-P	2-D9HZ 4635-B	U/Joint	1-D9HZ 4710-B	Cap	1-D9HZ 4841-D	Yoke	
82/89	★ E1HT 4602-BFA	E2HZ 4605-R	2-D9HZ 4635-B	U/Joint	1-D9HZ 4710-B	Cap	1-D9HZ 4841-D	Yoke	
82/89	★ E1HT 4602-BGA	E2HZ 4605-W	2-D9HZ 4635-B	U/Joint	1-D9HZ 4710-B	Cap	1-D9HZ 4841-D	Yoke	
82/89	★ E1HT 4602-BHA	E2HZ 4605-X	2-D9HZ 4635-B	U/Joint	1-D9HZ 4710-B	Cap	1-D9HZ 4841-D	Yoke	
82/89	★ E1HT 4602-BJA	E2HZ 4605-Y	2-D9HZ 4635-B	U/Joint	1-D9HZ 4710-B	Cap	1-D9HZ 4841-D	Yoke	
82/89	★ E1HT 4602-BKA	E2HZ 4605-Z	2-D9HZ 4635-B	U/Joint	1-D9HZ 4710-B	Cap	1-D9HZ 4841-D	Yoke	
82/89	★ E1HT 4602-BLA	E2HZ 4605-AA	2-D9HZ 4635-B	U/Joint	1-D9HZ 4710-B	Cap	1-D9HZ 4841-D	Yoke	
82/89	★ E1HT 4602-BMA	E2HZ 4605-AB	2-D9HZ 4635-B	U/Joint	1-D9HZ 4710-B	Cap	1-D9HZ 4841-D	Yoke	
82/89	★ E1HT 4602-BNA	E2HZ 4605-AC	2-D9HZ 4635-B	U/Joint	1-D9HZ 4710-B	Cap	1-D9HZ 4841-D	Yoke	
82/89	★ E1HT 4602-BRA	E2HZ 4605-AR	2-D9HZ 4635-B	U/Joint	1-D9HZ 4710-B	Cap	1-D9HZ 4841-D	Yoke	
82/89	★ E1HT 4602-BSA	E2HZ 4605-AD	2-D9HZ 4635-B	U/Joint	1-D9HZ 4710-B	Cap	1-D9HZ 4841-D	Yoke	
82/89	★ E1HT 4602-BTA	E2HZ 4605-AE	2-D9HZ 4635-B	U/Joint	1-D9HZ 4710-B	Cap	1-D9HZ 4841-D	Yoke	
82/89	★ E1HT 4602-BUA	E2HZ 4605-AF	2-D9HZ 4635-B	U/Joint	1-D9HZ 4710-B	Cap	1-D9HZ 4841-D	Yoke	
82/89	★ E1HT 4602-BVA	E2HZ 4605-AG	2-D9HZ 4635-B	U/Joint	1-D9HZ 4710-B	Cap	1-D9HZ 4841-D	Yoke	
82/89	★ E1HT 4602-BYA	E2HZ 4605-AS	2-D9HZ 4635-B	U/Joint	1-D9HZ 4710-B	Cap	1-D9HZ 4841-D	Yoke	
82/89	★ E1HT 4602-BZA	E2HZ 4605-AH	2-D9HZ 4635-B	U/Joint	1-D9HZ 4710-B	Cap	1-D9HZ 4841-D	Yoke	
82/89	★ E1HT 4602-CAA	E2HZ 4605-AJ	2-D9HZ 4635-B	U/Joint	1-D9HZ 4710-B	Cap	1-D9HZ 4841-D	Yoke	
81/89	★ E1HT 4602-CBA	E1HZ 4605-EL	2-D9HZ 4635-B	U/Joint	1-D9HZ 4710-B	Cap	1-D9HZ 4841-D	Yoke	
82/89	★ E1HT 4602-CCA	E2HZ 4605-AT	2-D9HZ 4635-B	U/Joint	1-D9HZ 4710-B	Cap	1-D9HZ 4841-D	Yoke	
82/89	★ E1HT 4602-CDA	E2HZ 4605-AK	2-D9HZ 4635-B	U/Joint	1-D9HZ 4710-B	Cap	1-D9HZ 4841-D	Yoke	
82/89	★ E1HT 4602-CEA	E2HZ 4605-AL	2-D9HZ 4635-B	U/Joint	1-D9HZ 4710-B	Cap	1-D9HZ 4841-D	Yoke	
82/89	★ E1HT 4602-CFA	E2HZ 4605-AM	2-D9HZ 4635-B	U/Joint	1-D9HZ 4710-B	Cap	1-D9HZ 4841-D	Yoke	
82/89	★ E1HT 4602-CGA	E2HZ 4605-AN	2-D9HZ 4635-B	U/Joint	1-D9HZ 4710-B	Cap	1-D9HZ 4841-D	Yoke	
82/89	★ E1HT 4602-CHA	E2HZ 4605-AP	2-D9HZ 4635-B	U/Joint	1-D9HZ 4710-B	Cap	1-D9HZ 4841-D	Yoke	
82/	★ E1HT 4602-CJA	E2HZ 4605-AX	2-D9HZ 4635-B	U/Joint	1-D9HZ 4710-B	Cap	1-D9HZ 4841-D	Yoke	
82/	★ E1HT 4602-CKA	E2HZ 4605-AY	2-D9HZ 4635-B	U/Joint	1-D9HZ 4710-B	Cap	1-D9HZ 4841-D	Yoke	
81/89	★ E1HT 4602-CLA	E1HZ 4605-BF	1-D4HZ 4342-A 1-D4HZ 4841-D	Washer Yoke	1-D4HZ 4343-B 1-01T 7077	Seal Cap	2-B6TZ 4635-B	U/Joint	
81/89	★ E1HT 4602-CMA	E1HZ 4605-EF	1-D4HZ 4342-A 1-D4HZ 4841-D	Washer Yoke	1-D4HZ 4343-B 1-01T 7077	Seal Cap	2-B6TZ 4635-B	U/Joint	
81/	★ E1HT 4602-CNA	E1HZ 4605-CM	1-C6TZ 4342-C 1-C6TZ 4710-F	Washer Cap	1-C6TZ 4343-C 1-D4HZ 4841-E	Seal Yoke	2-D3TZ 4635-A	U/Joint	

**1980/  
TRUCK SERIES 600/900**

DRIVE and COUPLING SHAFT COMPONENT PARTS LISTS											
YEAR	COMPLETE SHAFT ASSEMBLY	OPTIONAL COMPONENTS FOR COMPLETE SHAFT ASSEMBLY									
		SHAFT SUB-ASSEMBLY		RELATED PARTS FOR USE WITH SHAFT SUB-ASSEMBLY							
81/89	★ E1HT 4602-CRA	E1HZ 4605-DY	1-C6TZ 4342-C 1-C6TZ 4710-F	Washer Cap	1-C6TZ 4343-C 1-D4HZ 4841-E	Seal Yoke	2-D3TZ 4635-A	U/Joint			
81/	★ E1HT 4602-CSA	E1HZ 4605-EN	1-D9HZ 4342-B 1-D9HZ 4710-A	Washer Cap	1-D9HZ 4343-B 1-D9HZ 4841-A	Seal Yoke	2-D9HZ 4635-A	U/Joint			
81/	★ E1HT 4602-CTA	E1HZ 4605-BT	1-D9HZ 4342-B 1-D9HZ 4710-A	Washer Cap	1-D9HZ 4343-B 1-D9HZ 4841-A	Seal Yoke	2-D9HZ 4635-A	U/Joint			
81/	★ E1HT 4602-CUA	E1HZ 4605-BY	1-D9HZ 4342-B 1-D9HZ 4710-A	Washer Cap	1-D9HZ 4343-B 1-D9HZ 4841-A	Seal Yoke	2-D9HZ 4635-A	U/Joint			
81/	★ E1HT 4602-CVA	E1HZ 4605-CA	1-D9HZ 4342-B 1-D9HZ 4710-A	Washer Cap	1-D9HZ 4343-B 1-D9HZ 4841-A	Seal Yoke	2-D9HZ 4635-A	U/Joint			
82/89	★ E1HT 4602-CYA	E2HZ 4605-BN	1-D9HZ 4342-B 1-D9HZ 4710-A	Washer Cap	1-D9HZ 4343-B 1-D9HZ 4841-A	Seal Yoke	2-D9HZ 4635-A	U/Joint			
81/89	★ E1HT 4602-CZA	E1HZ 4605-CB	1-C6TZ 4342-C 1-C6TZ 4710-F	Washer Cap	1-C6TZ 4343-C 1-D4HZ 4841-E	Seal Yoke	2-D3TZ 4635-A	U/Joint			
81/89	★ E1HT 4602-DCA	E1HZ 4605-EX	2-D3TZ 4635-A	U/Joint	1-E1HZ 4710-B	Cap	1-E1HZ 4841-B	Yoke			
81/89	★ E1HT 4602-DEA	E1HZ 4605-EU	1-C6TZ 4342-C	Washer	1-C6TZ 4343-C	Seal	2-D3TZ 4635-A	U/Joint			
81/89	★ E1HT 4602-DFA	E1HZ 4605-CC	1-C1TT 4342-B 1-C1TT 4710-A	Washer Cap	1-C1TT 4343-B 1-C1TT 4841-F	Seal Yoke	2-C1TZ 4635-A	U/Joint			
81/	★ E1HT 4602-DGA	E1HZ 4605-BU	1-D9HZ 4342-B 1-D9HZ 4710-A	Washer Cap	1-D9HZ 4343-B 1-D9HZ 4841-A	Seal Yoke	2-D9HZ 4635-A	U/Joint			
81/89	★ E1HT 4602-DHA	E1HZ 4605-DA	2-D9HZ 4635-B	U/Joint	1-D9HZ 4710-B	Cap	1-D9HZ 4841-D	Yoke			
81/89	★ E1HT 4602-DJA	E1HZ 4605-CD	1-C6TZ 4342-C 1-C6TZ 4710-F	Washer Cap	1-C6TZ 4343-C 1-D4HZ 4841-E	Seal Yoke	2-D3TZ 4635-A	U/Joint			
81/89	★ E1HT 4602-DKA	E1HZ 4605-EP	1-C6TZ 4342-C 1-C6TZ 4710-F	Washer Cap	1-C6TZ 4343-C 1-D4HZ 4841-E	Seal Yoke	2-D3TZ 4635-A	U/Joint			
81/89	★ E1HT 4602-DLA	E1HZ 4605-ER	1-C6TZ 4342-C 1-C6TZ 4710-F	Washer Cap	1-C6TZ 4343-C 1-D4HZ 4841-E	Seal Yoke	2-D3TZ 4635-A	U/Joint			
81/89	★ E1HT 4602-DMA	E1HZ 4605-CE	1-C6TZ 4342-C 1-C6TZ 4710-F	Washer Cap	1-C6TZ 4343-C 1-D4HZ 4841-E	Seal Yoke	2-D3TZ 4635-A	U/Joint			
81/89	★ E1HT 4602-DNA	E1HZ 4605-EJ	1-C6TZ 4342-C 1-C6TZ 4710-F	Washer Cap	1-C6TZ 4343-C 1-D4HZ 4841-E	Seal Yoke	2-D3TZ 4635-A	U/Joint			
81/83	★ E1HT 4602-DRA	E1HZ 4605-EW	1-D9HZ 4342-A 1-D9HZ 4710-A	Washer Cap	1-D9HZ 4343-A 1-D9HZ 4841-B	Seal Yoke	2-D9HZ 4635-A	U/Joint			
81/83	★ E1HT 4602-DTA	E1HZ 4605-CF	1-D9HZ 4342-B 1-D9HZ 4710-A	Washer Cap	1-D9HZ 4343-B 1-D9HZ 4841-A	Seal Yoke	2-D9HZ 4635-A	U/Joint			
81/83	★ E1HT 4602-DUA	E1HZ 4605-CG	1-D9HZ 4342-B 1-D9HZ 4710-A	Washer Cap	1-D9HZ 4343-B 1-D9HZ 4841-A	Seal Yoke	2-D9HZ 4635-A	U/Joint			
81/	★ E1HT 4602-DVA	E1HZ 4605-CH	1-D9HZ 4342-B 1-D9HZ 4710-A	Washer Cap	1-D9HZ 4343-B 1-D9HZ 4841-A	Seal Yoke	2-D9HZ 4635-A	U/Joint			
81/	★ E1HT 4602-DYA	E1HZ 4605-CJ	1-D9HZ 4342-B 1-D9HZ 4710-A	Washer Cap	1-D9HZ 4343-B 1-D9HZ 4841-A	Seal Yoke	2-D9HZ 4635-A	U/Joint			
81/	★ E1HT 4602-DZA	E1HZ 4605-BV	1-D9HZ 4342-B 1-D9HZ 4710-A	Washer Cap	1-D9HZ 4343-B 1-D9HZ 4841-A	Seal Yoke	2-D9HZ 4635-A	U/Joint			
81/	★ E1HT 4602-EAA	E1HZ 4605-BW	1-D9HZ 4342-B 1-D9HZ 4710-A	Washer Cap	1-D9HZ 4343-B 1-D9HZ 4841-A	Seal Yoke	2-D9HZ 4635-A	U/Joint			
81/89	★ E1HT 4602-EBA	E1HZ 4605-EH	1-D9HZ 4342-B 1-D9HZ 4710-A	Washer Cap	1-D9HZ 4343-B 1-D9HZ 4841-A	Seal Yoke	2-D9HZ 4635-A	U/Joint			
81/	★ E1HT 4602-ECA	E1HZ 4605-BZ	1-D9HZ 4342-B 1-D9HZ 4710-A	Washer Cap	1-D9HZ 4343-B 1-D9HZ 4841-A	Seal Yoke	2-D9HZ 4635-A	U/Joint			
81/	★ E1HT 4602-EDA	E1HZ 4605-BX	1-D9HZ 4342-B 1-D9HZ 4710-A	Washer Cap	1-D9HZ 4343-B 1-D9HZ 4841-A	Seal Yoke	2-D9HZ 4635-A	U/Joint			
81/89	★ E1HT 4602-EEA	E1HZ 4605-CK	1-D9HZ 4342-B 1-D9HZ 4710-A	Washer Cap	1-D9HZ 4343-B 1-D9HZ 4841-A	Seal Yoke	2-D9HZ 4635-A	U/Joint			
81/	★ E1HT 4602-EFA	E1HZ 4605-CN	1-D9HZ 4342-B 1-D9HZ 4710-A	Washer Cap	1-D9HZ 4343-B 1-D9HZ 4841-A	Seal Yoke	2-D9HZ 4635-A	U/Joint			
81/	★ E1HT 4602-EGA	E1HZ 4605-CP	1-D9HZ 4342-B 1-D9HZ 4710-A	Washer Cap	1-D9HZ 4343-B 1-D9HZ 4841-A	Seal Yoke	2-D9HZ 4635-A	U/Joint			
84	★ E2HT 4602-KA	E4HZ 4605-R	1-C6TZ 4342-C 1-C6TZ 4710-F	Washer Cap	1-C6TZ 4343-C 1-D4HZ 4841-E	Seal Yoke	2-D3TZ 4635-A	U/Joint			

**1980/  
TRUCK SERIES 600/900**

DRIVE and COUPLING SHAFT COMPONENT PARTS LISTS												
YEAR	COMPLETE SHAFT ASSEMBLY	OPTIONAL COMPONENTS FOR COMPLETE SHAFT ASSEMBLY										
		SHAFT SUB-ASSEMBLY		RELATED PARTS FOR USE WITH SHAFT SUB-ASSEMBLY								
82/89	★ E2HT 4602-LA	E2HZ 4605-BT	1-C6TZ 4342-C 1-C6TZ 4710-F	Washer Cap	1-C6TZ 4343-C 1-D4HZ 4841-E	Seal Yoke	2-D3TZ 4635-A	U/Joint				
82/89	★ E2HT 4602-MA	E2HZ 4605-BU	2-D3TZ 4635-A	U/Joint	1-E1HZ 4710-B	Cap	1-D4HZ 4841-E	Yoke				
82/83	★ E2HT 4602-NA	E2HZ 4605-BV	1-D9HZ 4342-A 1-D9HZ 4710-A	Washer Cap	1-D9HZ 4343-A 1-D9HZ 4841-B	Seal Yoke	2-D9HZ 4635-A	U/Joint				
82/83	★ E2HT 4602-RA	E2HZ 4605-BW	1-D9HZ 4342-A 1-D9HZ 4710-A	Washer Cap	1-D9HZ 4343-A 1-D9HZ 4841-B	Seal Yoke	2-D9HZ 4635-A	U/Joint				
82/83	★ E2HT 4602-SA	E2HZ 4605-BX	1-D9HZ 4342-A 1-D9HZ 4710-A	Washer Cap	1-D9HZ 4343-A 1-D9HZ 4841-B	Seal Yoke	2-D9HZ 4635-A	U/Joint				
82/	★ E2HT 4602-TA	E2HZ 4605-BY	1-D9HZ 4342-A 1-D9HZ 4710-A	Washer Cap	1-D9HZ 4343-A 1-D9HZ 4841-B	Seal Yoke	2-D9HZ 4635-A	U/Joint				
82/	★ E2HT 4602-UA	E2HZ 4605-BZ	1-D9HZ 4342-B 1-D9HZ 4710-A	Washer Cap	1-D9HZ 4343-B 1-D9HZ 4841-A	Seal Yoke	2-D9HZ 4635-A	U/Joint				
82/	★ E2HT 4602-VA	E2HZ 4605-CA	1-D9HZ 4342-B 1-D9HZ 4710-A	Washer Cap	1-D9HZ 4343-B 1-D9HZ 4841-A	Seal Yoke	2-D9HZ 4635-A	U/Joint				
82/	★ E2HT 4602-YA	E2HZ 4605-AZ	2-D9HZ 4635-B	U/Joint	1-D9HZ 4710-B	Cap	1-D9HZ 4841-D	Yoke				
82/83	★ E2HT 4602-ZA	E2HZ 4605-CB	1-D9HZ 4342-A 1-D9HZ 4710-A	Washer Cap	1-D9HZ 4343-A 1-D9HZ 4841-B	Seal Yoke	2-D9HZ 4635-A	U/Joint				
82/83	★ E2HT 4602-AAA	E2HZ 4605-BP	1-D9HZ 4342-A 1-D9HZ 4710-A	Washer Cap	1-D9HZ 4343-A 1-D9HZ 4841-A	Seal Yoke	2-D9HZ 4635-A	U/Joint				
82/	★ E2HT 4602-ABA	E2HZ 4605-BR	1-D9HZ 4342-A 1-D9HZ 4710-A	Washer Cap	1-D9HZ 4343-A 1-D9HZ 4841-B	Seal Yoke	2-D9HZ 4635-A	U/Joint				
82/	★ E2HZ 4602-ACA	E2HZ 4605-BS	1-D9HZ 4342-A 1-D9HZ 4710-A	Washer Cap	1-D9HZ 4343-A 1-D9HZ 4841-B	Seal Yoke	2-D9HZ 4635-A	U/Joint				
83/89	★ E3HT 4602-AA	E3HZ 4605-A	2-D2HZ 4635-A	U/Joint	1-E3HZ 4710-A	Cap	1-D2HZ 4841-A	Yoke				
83/89	★ E3HT 4602-BA	E3HZ 4605-C	1-C7TZ 4342-A 1-C7TZ 4710-A	Washer Cap	1-C7TZ 4343-A 1-D2HZ 4841-A	Seal Yoke	2-D2HZ 4635-A	U/Joint				
83/89	★ E3HT 4602-CA	E3HZ 4605-H	1-C7TZ 4342-A 1-C7TZ 4710-A	Washer Cap	1-C7TZ 4343-A 1-D2HZ 4841-A	Seal Yoke	2-D2HZ 4635-A	U/Joint				
83/89	★ E3HT 4602-DA	E3HZ 4605-E	2-D9HZ 4635-B	U/Joint	1-D9HZ 4710-B	Cap	1-D9HZ 4841-D	Yoke				
83/89	★ E3HT 4602-EA	E3HZ 4605-J	2-D9HZ 4635-B	U/Joint	1-D9HZ 4710-B	Cap	1-D9HZ 4841-D	Yoke				
83/89	★ E3HT 4602-FA	E3HZ 4605-F	2-D9HZ 4635-B	U/Joint	1-D9HZ 4710-B	Cap	1-D9HZ 4841-D	Yoke				
83/	★ E3HT 4602-GA	E3HZ 4605-K	2-D9HZ 4635-B	U/Joint	1-D9HZ 4710-B	Cap	1-D9HZ 4841-D	Yoke				
83/89	★ E3HT 4602-HA	E3HZ 4605-G	2-D9HZ 4635-B	U/Joint	1-D9HZ 4710-B	Cap	1-D9HZ 4841-D	Yoke				
83/89	★ E3HT 4602-JA	E3HZ 4605-L	1-C6TZ 4342-C 1-C6TZ 4710-F	Washer Cap	1-C6TZ 4343-C 1-D4HZ 4841-E	Seal Yoke	2-D3TZ 4635-A	U/Joint				
83/89	★ E3HT 4602-KA	E3HZ 4605-M	1-C6TZ 4342-C 1-C6TZ 4710-F	Washer Cap	1-C6TZ 4343-C 1-D4HZ 4841-E	Seal Yoke	2-D3TZ 4635-A	U/Joint				
83/89	★ E3HT 4602-LA	E3HZ 4605-N	1-C6TZ 4342-C 1-C6TZ 4710-F	Washer Cap	1-C6TZ 4343-C 1-D4HZ 4841-E	Seal Yoke	2-D3TZ 4635-A	U/Joint				
83/89	★ E3HT 4602-MA	E3HZ 4605-P	2-D3TZ 4635-A	U/Joint	1-E1HZ 4710-B	Cap	1-D4HZ 4841-E	Yoke				
86/89	★ E5HT 4602-AA	E6HZ 4605-AU	1-C6TZ 4342-C 1-C6TZ 4710-F	Washer Cap	1-C6TZ 4343-C 1-D4HZ 4841-E	Seal Yoke	2-D3TZ 4635-A	U/Joint				
86/	★ E5HT 4602-BA	E6HZ 4605-B	1-D9HZ 4342-B 1-D9HZ 4710-A	Washer Cap	1-D9HZ 4343-B 1-D9HZ 4841-A	Seal Yoke	2-D9HZ 4635-A	U/joint				
86/	★ E5HT 4602-GA	E6HZ 4605-C	1-D9HZ 4342-B 1-D9HZ 4710-A	Washer Cap	1-D9HZ 4343-B 1-D9HZ 4841-A	Seal Yoke	2-D9HZ 4635-A	U/joint				
87/	★ E5HT 4602-HA	E7HZ 4605-AP	1-D9HZ 4342-B 1-D9HZ 4710-A	Washer Cap	1-D9HZ 4343-B 1-D9HZ 4841-A	Seal Yoke	2-D9HZ 4635-A	U/Joint				
86/89	★ E5HT 4602-KA	E6HZ 4605-AE	1-D1HZ 4342-A 1-D1HZ 4710-A	Washer Cap	1-D1HZ 4343-A 1-C6TZ 4841-N	Seal Yoke	2-D3TZ 4635-B	U/Joint				
86/89	★ E5HT 4602-LA	E6HZ 4605-AF	1-D1HZ 4342-A 1-D1HZ 4710-A	Washer Cap	1-D1HZ 4343-A 1-C6TZ 4841-N	Seal Yoke	2-D3TZ 4635-B	U/Joint				
86/89	★ E5HT 4602-MA	E6HZ 4605-AG	1-D1HZ 4342-A 1-D1HZ 4710-A	Washer Cap	1-D1HZ 4343-A 1-C6TZ 4841-N	Seal Yoke	2-D3TZ 4635-B	U/Joint				
86/89	★ E5HT 4602-NA	E6HZ 4605-U	1-D1HZ 4342-A 1-D1HZ 4710-A	Washer Cap	1-D1HZ 4343-A 1-C6TZ 4841-N	Seal Yoke	2-D3TZ 4635-B	U/joint				

## 1980/ TRUCK SERIES 600/900

DRIVE and COUPLING SHAFT COMPONENT PARTS LISTS													
YEAR	COMPLETE SHAFT ASSEMBLY		OPTIONAL COMPONENTS FOR COMPLETE SHAFT ASSEMBLY										
			SHAFT SUB-ASSEMBLY		RELATED PARTS FOR USE WITH SHAFT SUB-ASSEMBLY								
86/89	★ E5HT	4602-RA	E6HZ	4605-V	1-D1HZ	4342-A	Washer	1-D1HZ	4343-A	Seal	2-D3TZ	4635-B	U/Joint
					1-D1HZ	4710-A	Cap	1-C6TZ	4841-N	Yoke			
86/89	★ E5HT	4602-SA	E6HZ	4605-W	1-D1HZ	4342-A	Washer	1-D1HZ	4343-A	Seal	2-D3TZ	4635-B	U/Joint
					1-D1HZ	4710-A	Cap	1-C6TZ	4841-N	Yoke			
86/89	★ E5HT	4602-TA	E6HZ	4605-X	1-D1HZ	4342-A	Washer	1-D1HZ	4343-A	Seal	2-D3TZ	4635-B	U/Joint
					1-D1HZ	4710-A	Cap	1-C6TZ	4841-N	Yoke			
86/89	★ E5HT	4602-UA	E6HZ	4605-Y	1-D1HZ	4342-A	Washer	1-D1HZ	4343-A	Seal	2-D3TZ	4635-B	U/Joint
					1-D1HZ	4710-A	Cap	1-C6TZ	4841-N	Yoke			
86/89	★ E5HT	4602-VA	E6HZ	4605-Z	1-D1HZ	4342-A	Washer	1-D1HZ	4343-A	Seal	2-D3TZ	4635-B	U/Joint
					1-D1HZ	4710-A	Cap	1-C6TZ	4841-N	Yoke			
86/89	★ E5HT	4602-YA	E6HZ	4605-K	1-D1HZ	4342-A	Washer	1-D1HZ	4343-A	Seal	2-D3TZ	4635-B	U/Joint
					1-D1HZ	4710-A	Cap	1-C6TZ	4841-N	Yoke			
86/89	★ E5HT	4602-ZA	E6HZ	4605-L	1-D1HZ	4342-A	Washer	1-D1HZ	4343-A	Seal	2-D3TZ	4635-B	U/Joint
					1-D1HZ	4710-A	Cap	1-C6TZ	4841-N	Yoke			
86/89	★ E5HT	4602-AAA	E6HZ	4605-D	1-D1HZ	4342-A	Washer	1-D1HZ	4343-A	Seal	2-D3TZ	4635-B	U/Joint
					1-D1HZ	4710-A	Cap	1-C6TZ	4841-N	Yoke			
86/89	★ E5HT	4602-ABA	E6HZ	4605-E	1-D1HZ	4342-A	Washer	1-D1HZ	4343-A	Seal	2-D3TZ	4635-B	U/Joint
					1-D1HZ	4710-A	Cap	1-C6TZ	4841-N	Yoke			
86/89	★ E5HT	4602-ACA	E6HZ	4605-F	1-D1HZ	4342-A	Washer	1-D1HZ	4343-A	Seal	2-D3TZ	4635-B	U/Joint
					1-D1HZ	4710-A	Cap	1-C6TZ	4841-N	Yoke			
86/89	★ E5HT	4602-ADA	E6HZ	4605-G	1-D1HZ	4342-A	Washer	1-D1HZ	4343-A	Seal	2-D3TZ	4635-B	U/Joint
					1-D1HZ	4710-A	Cap	1-C6TZ	4841-N	Yoke			
86/89	★ E5HT	4602-AEA	E6HZ	4605-H	1-D1HZ	4342-A	Washer	1-D1HZ	4343-A	Seal	2-D3TZ	4635-B	U/Joint
					1-D1HZ	4710-A	Cap	1-C6TZ	4841-N	Yoke			
86/89	★ E5HT	4602-AFA	E6HZ	4605-AJ	1-D1HZ	4342-A	Washer	1-D1HZ	4343-A	Seal	2-D3TZ	4635-B	U/Joint
					1-D1HZ	4710-A	Cap	1-C6TZ	4841-N	Yoke			
86/89	★ E5HT	4602-AGA	E6HZ	4605-J	1-D1HZ	4342-A	Washer	1-D1HZ	4343-A	Seal	2-D3TZ	4635-B	U/Joint
					1-D1HZ	4710-A	Cap	1-C6TZ	4841-N	Yoke			
86/89	★ E5HT	4602-AHA	E6HZ	4605-AA	1-D1HZ	4342-A	Washer	1-D1HZ	4343-A	Seal	2-D3TZ	4635-B	U/Joint
					1-D1HZ	4710-A	Cap	1-C6TZ	4841-N	Yoke			
86/89	★ E5HT	4602-AJA	E6HZ	4605-AB	1-D1HZ	4342-A	Washer	1-D1HZ	4343-A	Seal	2-D3TZ	4635-B	U/Joint
					1-D1HZ	4710-A	Cap	1-C6TZ	4841-N	Yoke			
86/89	★ E5HT	4602-AKA	E6HZ	4605-M	1-D1HZ	4342-A	Washer	1-D1HZ	4343-A	Seal	2-D3TZ	4635-B	U/Joint
					1-D1HZ	4710-A	Cap	1-C6TZ	4841-N	Yoke			
86/89	★ E5HT	4602-ALA	E6HZ	4605-N	1-D1HZ	4342-A	Washer	1-D1HZ	4343-A	Seal	2-D3TZ	4635-B	U/Joint
					1-D1HZ	4710-A	Cap	1-C6TZ	4841-N	Yoke			
86/89	★ E5HT	4602-AMA	E6HZ	4605-P	1-D1HZ	4342-A	Washer	1-D1HZ	4343-A	Seal	2-D3TZ	4635-B	U/Joint
					1-D1HZ	4710-A	Cap	1-C6TZ	4841-N	Yoke			
86/89	★ E5HT	4602-ANA	E6HZ	4605-R	1-D1HZ	4342-A	Washer	1-D1HZ	4343-A	Seal	2-D3TZ	4635-B	U/Joint
					1-D1HZ	4710-A	Cap	1-C6TZ	4841-N	Yoke			

1980/  
TRUCK SERIES 600/900

DRIVE and COUPLING SHAFT COMPONENT PARTS LISTS													
YEAR	COMPLETE SHAFT ASSEMBLY		OPTIONAL COMPONENTS FOR COMPLETE SHAFT ASSEMBLY										
			SHAFT SUB-ASSEMBLY		RELATED PARTS FOR USE WITH SHAFT SUB-ASSEMBLY								
86/89	★ E5HT	4602-ARA	E6HZ	4605-AC	1-D1HZ	4342-A	Washer	1-D1HZ	4343-A	Seal	2-D3TZ	4635-B	U/Joint
					1-D1HZ	4710-A	Cap	1-C6TZ	4841-N	Yoke			
86/89	★ E5HT	4602-ASA	E6HZ	4605-AK	1-D1HZ	4342-A	Washer	1-D1HZ	4343-A	Seal	2-D3TZ	4635-B	U/Joint
					1-D1HZ	4710-A	Cap	1-C6TZ	4841-N	Yoke			
86/89	★ E5HT	4602-ATA	E6HZ	4605-S	1-D1HZ	4342-A	Washer	1-D1HZ	4343-A	Seal	2-D3TZ	4635-B	U/Joint
					1-D1HZ	4710-A	Cap	1-C6TZ	4841-N	Yoke			
86/89	★ E5HT	4602-AVA	E6HZ	4605-T	1-D1HZ	4342-A	Washer	1-D1HZ	4343-A	Seal	2-D3TZ	4635-B	U/Joint
					1-D1HZ	4710-A	Cap	1-C6TZ	4841-N	Yoke			
86/89	★ E5HT	4602-AYA	E6HZ	4605-AD	1-D1HZ	4342-A	Washer	1-D1HZ	4343-A	Seal	2-D3TZ	4635-B	U/Joint
					1-D1HZ	4710-A	Cap	1-C6TZ	4841-N	Yoke			
86/	★ E5HT	4602-AZA	E6HZ	4605-A	1-D9HZ	4342-B	Washer	1-D9HZ	4343-B	Seal	2-D9HZ	4635-A	U/Joint
					1-D9HZ	4710-A	Cap	1-D9HZ	4841-A	Yoke			
86/89	★ E5HT	4602-BAA	E6HZ	4605-AH	1-C7TZ	4342-A	Washer	1-C7TZ	4343-A	Seal	2-D2HZ	4635-A	U/Joint
					1-C7TZ	4710-A	Cap	1-D2HZ	4841-A	Slip yoke			
86/89	★ E6HT	4602-AA	E6HZ	4605-AM	1-D1HZ	4342-A	Washer	1-D1HZ	4343-A	Seal	2-D3TZ	4635-B	U/Joint
					1-D1HZ	4710-A	Cap	1-C6TZ	4841-N	Yoke			
86/89	★ E6HT	4602-BA	E6HZ	4605-AN	1-D1HZ	4342-A	Washer	1-D1HZ	4343-A	Seal	2-D3TZ	4635-B	U/Joint
					1-D1HZ	4710-A	Cap	1-C6TZ	4841-N	Yoke			
86/89	★ E6HT	4602-CA	E6HZ	4605-AP	1-D1HZ	4342-A	Washer	1-D1HZ	4343-A	Seal	2-D3TZ	4635-B	U/Joint
					1-D1HZ	4710-A	Cap	1-C6TZ	4841-N	Yoke			
86/89	★ E6HT	4602-DA	E6HZ	4605-AR	1-D1HZ	4342-A	Washer	1-D1HZ	4343-A	Seal	2-D3TZ	4635-B	U/Joint
					1-D1HZ	4710-A	Cap	1-C6TZ	4841-N	Yoke			
86/89	★ E6HT	4602-EA	E6HZ	4605-AS	1-D1HZ	4342-A	Washer	1-D1HZ	4343-A	Seal	2-D3TZ	4635-B	U/Joint
					1-D1HZ	4710-A	Cap	1-C6TZ	4841-N	Yoke			
86/89	★ E6HT	4602-FA	E6HZ	4605-AT	1-D1HZ	4342-A	Washer	1-D1HZ	4343-A	Seal	2-D3TZ	4635-B	U/Joint
					1-D1HZ	4710-A	Cap	1-C6TZ	4841-N	Yoke			
86/89	★ E6HT	4602-GA	E6HZ	4605-AV	2-D2HZ	4635-A	U/Joint	1-E3HZ	4710-A	Cap	1-D2HZ	4841-A	Yoke
89	★ E7HT	4602-EA	E9HZ	4605-F	2-E7HZ	4635-B	U/Joint	1-E1HZ	4710-B	Cap	1-D4HZ	4841-E	Yoke
89	★ E7HT	4602-KA	E9HZ	4605-A	2-E7HZ	4635-B	U/Joint	1-E1HZ	4710-B	Cap	1-D4HZ	4841-E	Yoke
89	★ E7HT	4602-LA	E9HZ	4605-B	2-E7HZ	4635-B	U/Joint	1-E1HZ	4710-B	Cap	1-D4HZ	4841-E	Yoke
87/	★ E7HT	4602-MA	D5HZ	4605-AAF	2-E7HZ	4635-B	U/Joint	1-E1HZ	4710-B	Cap	1-D4HZ	4841-E	Yoke
87/	★ E7HT	4602-NA	D5HZ	4605-AAG	2-E7HZ	4635-B	U/Joint	1-E1HZ	4710-B	Cap	1-D4HZ	4841-E	Yoke
87/	★ E7HT	4602-RA	E4HZ	4605-R	2-E7HZ	4635-B	U/Joint	1-E1HZ	4710-B	Cap	1-D4HZ	4841-E	Yoke
87/	★ E7HT	4602-SA	D5HZ	4605-AX	2-E7HZ	4635-B	U/Joint	1-E1HZ	4710-B	Cap	1-D4HZ	4841-E	Yoke
87/	★ E7HT	4602-TA	E1HZ	4605-CM	2-E7HZ	4635-B	U/Joint	1-E1HZ	4710-B	Cap	1-D4HZ	4841-E	Yoke
87/	★ E7HT	4602-UA	D5HZ	4605-AF	2-E7HZ	4635-B	U/Joint	1-E1HZ	4710-B	Cap	1-D4HZ	4841-E	Yoke
87/	★ E7HT	4602-VA	E1HZ	4605-DY	2-E7HZ	4635-B	U/Joint	1-E1HZ	4710-B	Cap	1-D4HZ	4841-E	Yoke
87/	★ E7HT	4602-YA	D5HZ	4605-AG	2-E7HZ	4635-B	U/Joint	1-E1HZ	4710-B	Cap	1-D4HZ	4841-E	Yoke
87/	★ E7HT	4602-ZA	E0HZ	4605-S	2-E7HZ	4635-B	U/Joint	1-E1HZ	4710-B	Cap	1-D4HZ	4841-E	Yoke
87/	★ E7HT	4602-AAA	D5HZ	4605-AH	2-E7HZ	4635-B	U/Joint	1-E1HZ	4710-B	Cap	1-D4HZ	4841-E	Yoke
87/	★ E7HT	4602-ABA	E3HZ	4605-N	2-E7HZ	4635-B	U/Joint	1-E1HZ	4710-B	Cap	1-D4HZ	4841-E	Yoke
87/	★ E7HT	4602-ACA	D5HZ	4605-AJ	2-E7HZ	4635-B	U/Joint	1-E1HZ	4710-B	Cap	1-D4HZ	4841-E	Yoke
87/	★ E7HT	4602-ADA	E1HZ	4605-CB	2-E7HZ	4635-B	U/Joint	1-E1HZ	4710-B	Cap	1-D4HZ	4841-E	Yoke
87/	★ E7HT	4602-AEA	D5HZ	4605-AK	2-E7HZ	4635-B	U/Joint	1-E1HZ	4710-B	Cap	1-D4HZ	4841-E	Yoke
87/	★ E7HT	4602-AFA	E3HZ	4605-M	2-E7HZ	4635-B	U/Joint	1-E1HZ	4710-B	Cap	1-D4HZ	4841-E	Yoke
87/	★ E7HT	4602-AGA	D5HZ	4605-AL	2-E7HZ	4635-B	U/Joint	1-E1HZ	4710-B	Cap	1-D4HZ	4841-E	Yoke
87/	★ E7HT	4602-AHA	D5HZ	4605-AM	2-E7HZ	4635-B	U/Joint	1-E1HZ	4710-B	Cap	1-D4HZ	4841-E	Yoke
87/	★ E7HT	4602-AJA	E7HZ	4605-A	2-E7HZ	4635-B	U/Joint	1-E1HZ	4710-B	Cap	1-D4HZ	4841-E	Yoke
87/	★ E7HT	4602-AKA	D5HZ	4605-AY	2-E7HZ	4635-B	U/Joint	1-E1HZ	4710-B	Cap	1-D4HZ	4841-E	Yoke
87/	★ E7HT	4602-ALA	D5HZ	4605-AN	2-E7HZ	4635-B	U/Joint	1-E1HZ	4710-B	Cap	1-D4HZ	4841-E	Yoke
87/	★ E7HT	4602-AMA	E1HZ	4605-EP	2-E7HZ	4635-B	U/Joint	1-E1HZ	4710-B	Cap	1-D4HZ	4841-E	Yoke
87/	★ E7HT	4602-ANA	D5HZ	4605-AAH	2-E7HZ	4635-B	U/Joint	1-E1HZ	4710-B	Cap	1-D4HZ	4841-E	Yoke
87/	★ E7HT	4602-ARA	D5HZ	4605-AAJ	2-E7HZ	4635-B	U/Joint	1-E1HZ	4710-B	Cap	1-D4HZ	4841-E	Yoke
87/	★ E7HT	4602-ASA	E3HZ	4605-P	2-E7HZ	4635-B	U/Joint	1-E1HZ	4710-B	Cap	1-D4HZ	4841-E	Yoke
87/	★ E7HT	4602-ATA	D5HZ	4605-AAK	2-E7HZ	4635-B	U/Joint	1-E1HZ	4710-B	Cap	1-D4HZ	4841-E	Yoke
87/	★ E7HT	4602-AUA	E1HZ	4605-CE	2-E7HZ	4635-B	U/Joint	1-E1HZ	4710-B	Cap	1-D4HZ	4841-E	Yoke

1980/  
TRUCK SERIES 600/900

DRIVE and COUPLING SHAFT COMPONENT PARTS LISTS

YEAR	COMPLETE SHAFT ASSEMBLY	OPTIONAL COMPONENTS FOR COMPLETE SHAFT ASSEMBLY								
		SHAFT SUB-ASSEMBLY	RELATED PARTS FOR USE WITH SHAFT SUB-ASSEMBLY							
87/	★ E7HT 4602-AVA	D5HZ 4605-AP	2-E7HZ 4635-B	U/Joint	1-E1HZ 4710-B	Cap	1-D4HZ 4841-E	Yoke		
87/	★ E7HT 4602-AYA	E1HZ 4605-CD	2-E7HZ 4635-B	U/Joint	1-E1HZ 4710-B	Cap	1-D4HZ 4841-E	Yoke		
87/	★ E7HT 4602-AZA	D5HZ 4605-AR	2-E7HZ 4635-B	U/Joint	1-E1HZ 4710-B	Cap	1-D4HZ 4841-E	Yoke		
87/	★ E7HT 4602-BAA	E0HZ 4605-R	2-E7HZ 4635-B	U/Joint	1-E1HZ 4710-B	Cap	1-D4HZ 4841-E	Yoke		
87/	★ E7HT 4602-BBA	D5HZ 4605-AS	2-E7HZ 4635-B	U/Joint	1-E1HZ 4710-B	Cap	1-D4HZ 4841-E	Yoke		
87/	★ E7HT 4602-BCA	E2HZ 4605-BU	2-E7HZ 4635-B	U/Joint	1-E1HZ 4710-B	Cap	1-D4HZ 4841-E	Yoke		
87/	★ E7HT 4602-BDA	D5HZ 4605-AT	2-E7HZ 4635-B	U/Joint	1-E1HZ 4710-B	Cap	1-D4HZ 4841-E	Yoke		
87/	★ E7HT 4602-BEA	D5HZ 4605-AV	2-E7HZ 4635-B	U/Joint	1-E1HZ 4710-B	Cap	1-D4HZ 4841-E	Yoke		
87/	★ E7HT 4602-BFA	E1HZ 4605-ER	2-E7HZ 4635-B	U/Joint	1-E1HZ 4710-B	Cap	1-D4HZ 4841-E	Yoke		
87/	★ E7HT 4602-BGA	E1HZ 4605-AW	2-E7HZ 4635-B	U/Joint	1-E1HZ 4710-B	Cap	1-D4HZ 4841-E	Yoke		
87/	★ E7HT 4602-BHA	E7HZ 4605-B	2-E7HZ 4635-B	U/Joint	1-E1HZ 4710-B	Cap	1-D4HZ 4841-E	Yoke		
87/	★ E7HT 4602-BJA	E7HZ 4605-C	2-E7HZ 4635-B	U/Joint	1-E1HZ 4710-B	Cap	1-D4HZ 4841-E	Yoke		
87/	★ E7HT 4602-BKA	E7HZ 4605-D	2-E7HZ 4635-B	U/Joint	1-E1HZ 4710-B	Cap	1-D4HZ 4841-E	Yoke		
87/	★ E7HT 4602-BLA	E7HZ 4605-AE	2-E7HZ 4635-B	U/Joint	1-E1HZ 4710-B	Cap	1-D4HZ 4841-E	Yoke		
87/	★ E7HT 4602-BMA	E7HZ 4605-AF	2-E7HZ 4635-B	U/Joint	1-E1HZ 4710-B	Cap	1-D4HZ 4841-E	Yoke		
87/	★ E7HT 4602-BNA	E7HZ 4605-DB	2-E7HZ 4635-B	U/Joint	1-E1HZ 4710-B	Cap	1-D4HZ 4841-E	Yoke		
87/	★ E7HT 4602-BRA	E7HZ 4605-BW	2-E7HZ 4635-B	U/Joint	1-E1HZ 4710-B	Cap	1-D4HZ 4841-E	Yoke		
87/	★ E7HT 4602-BUA	E7HZ 4605-DP	2-E7HZ 4635-A	U/Joint	1-D9HZ 4710-B	Cap	1-C6TZ 4841-N	Yoke		
89	★ E7HT 4602-BVA	E9HZ 4605-C	2-E7HZ 4635-A	U/Joint	1-D9HZ 4710-B	Cap	1-C6TZ 4841-N	Yoke		
87/	★ E7HT 4602-BYA	E7HZ 4605-DR	2-E7HZ 4635-A	U/Joint	1-D9HZ 4710-B	Cap	1-C6TZ 4841-N	Yoke		
87/	★ E7HT 4602-BZA	E7HZ 4605-DS	2-E7HZ 4635-A	U/Joint	1-D9HZ 4710-B	Cap	1-C6TZ 4841-N	Yoke		
87/	★ E7HT 4602-CAA	E7HZ 4605-DT	2-E7HZ 4635-A	U/Joint	1-D9HZ 4710-B	Cap	1-C6TZ 4841-N	Yoke		
87/	★ E7HT 4602-CBA	E7HZ 4605-DU	2-E7HZ 4635-A	U/Joint	1-D9HZ 4710-B	Cap	1-C6TZ 4841-N	Yoke		
87/	★ E7HT 4602-CCA	E6HZ 4605-AE	2-E7HZ 4635-A	U/Joint	1-D9HZ 4710-B	Cap	1-C6TZ 4841-N	Yoke		
87/	★ E7HT 4602-CDA	E7HZ 4605-DV	2-E7HZ 4635-A	U/Joint	1-D9HZ 4710-B	Cap	1-C6TZ 4841-N	Yoke		
88/	★ E7HT 4602-CEA	E8HZ 4605-A	2-E7HZ 4635-A	U/Joint	1-D9HZ 4710-B	Cap	1-C6TZ 4841-N	Yoke		
87/	★ E7HT 4602-CFA	C6TZ 4605-BL	2-E7HZ 4635-A	U/Joint	1-D9HZ 4710-B	Cap	1-C6TZ 4841-N	Yoke		
87/	★ E7HT 4602-CGA	E6HZ 4605-AF	2-E7HZ 4635-A	U/Joint	1-D9HZ 4710-B	Cap	1-C6TZ 4841-N	Yoke		
87/	★ E7HT 4602-CHA	C6TZ 4605-BE	2-E7HZ 4635-A	U/Joint	1-D9HZ 4710-B	Cap	1-C6TZ 4841-N	Yoke		
87/	★ E7HT 4602-CJA	C6TZ 4605-BM	2-E7HZ 4635-A	U/Joint	1-D9HZ 4710-B	Cap	1-C6TZ 4841-N	Yoke		
87/	★ E7HT 4602-CKA	E6HZ 4605-AG	2-E7HZ 4635-A	U/Joint	1-D9HZ 4710-B	Cap	1-C6TZ 4841-N	Yoke		
87/	★ E7HT 4602-CLA	C6TZ 4605-BN	2-E7HZ 4635-A	U/Joint	1-D9HZ 4710-B	Cap	1-C6TZ 4841-N	Yoke		
87/	★ E7HT 4602-CMA	C6TZ 4605-BF	2-E7HZ 4635-A	U/Joint	1-D9HZ 4710-B	Cap	1-C6TZ 4841-N	Yoke		
87/	★ E7HT 4602-CNA	C7TZ 4605-CT	2-E7HZ 4635-A	U/Joint	1-D9HZ 4710-B	Cap	1-C6TZ 4841-N	Yoke		
87/	★ E7HT 4602-CRA	E7HZ 4605-AG	2-E7HZ 4635-A	U/Joint	1-D9HZ 4710-B	Cap	1-C6TZ 4841-N	Yoke		
87/	★ E7HT 4602-CSA	E6HZ 4605-U	2-E7HZ 4635-A	U/Joint	1-D9HZ 4710-B	Cap	1-C6TZ 4841-N	Yoke		
87/	★ E7HT 4602-CTA	E7HZ 4605-AH	2-E7HZ 4635-A	U/Joint	1-D9HZ 4710-B	Cap	1-C6TZ 4841-N	Yoke		
87/	★ E7HT 4602-CUA	E7HZ 4605-E	2-E7HZ 4635-A	U/Joint	1-D9HZ 4710-B	Cap	1-C6TZ 4841-N	Yoke		
87/	★ E7HT 4602-CVA	E7HZ 4605-F	2-E7HZ 4635-A	U/Joint	1-D9HZ 4710-B	Cap	1-C6TZ 4841-N	Yoke		
87/	★ E7HT 4602-CYA	E7HZ 4605-AJ	2-E7HZ 4635-A	U/Joint	1-D9HZ 4710-B	Cap	1-C6TZ 4841-N	Yoke		
87/	★ E7HT 4602-CZA	E7HZ 4605-G	2-E7HZ 4635-A	U/Joint	1-D9HZ 4710-B	Cap	1-C6TZ 4841-N	Yoke		
87/	★ E7HT 4602-DAA	E7HZ 4605-H	2-E7HZ 4635-A	U/Joint	1-D9HZ 4710-B	Cap	1-C6TZ 4841-N	Yoke		
87/	★ E7HT 4602-DBA	E7HZ 4605-J	2-E7HZ 4635-A	U/Joint	1-D9HZ 4710-B	Cap	1-C6TZ 4841-N	Yoke		
87/	★ E7HT 4602-DCA	E7HZ 4605-K	2-E7HZ 4635-A	U/Joint	1-D9HZ 4710-B	Cap	1-C6TZ 4841-N	Yoke		
87/	★ E7HT 4602-DDA	E7HZ 4605-AK	2-E7HZ 4635-A	U/Joint	1-D9HZ 4710-B	Cap	1-C6TZ 4841-N	Yoke		
87/	★ E7HT 4602-DEA	E7HZ 4605-AL	2-E7HZ 4635-A	U/Joint	1-D9HZ 4710-B	Cap	1-C6TZ 4841-N	Yoke		
87/	★ E7HT 4602-DFA	E7HZ 4605-L	2-E7HZ 4635-A	U/Joint	1-D9HZ 4710-B	Cap	1-C6TZ 4841-N	Yoke		
87/	★ E7HT 4602-DGA	E7HZ 4605-AM	2-E7HZ 4635-A	U/Joint	1-D9HZ 4710-B	Cap	1-C6TZ 4841-N	Yoke		
87/	★ E7HT 4602-DHA	E7HZ 4605-M	2-E7HZ 4635-A	U/Joint	1-D9HZ 4710-B	Cap	1-C6TZ 4841-N	Yoke		
87/	★ E7HT 4602-DJA	E7HZ 4605-AN	2-E7HZ 4635-A	U/Joint	1-D9HZ 4710-B	Cap	1-C6TZ 4841-N	Yoke		
87/	★ E7HT 4602-DKA	E6HZ 4605-K	2-E7HZ 4635-A	U/Joint	1-D9HZ 4710-B	Cap	1-C6TZ 4841-N	Yoke		
87/	★ E7HT 4602-DLA	D4HZ 4605-P	2-E7HZ 4635-A	U/Joint	1-D9HZ 4710-B	Cap	1-C6TZ 4841-N	Yoke		
87/	★ E7HT 4602-DMA	E6HZ 4605-L	2-E7HZ 4635-A	U/Joint	1-D9HZ 4710-B	Cap	1-C6TZ 4841-N	Yoke		
87/	★ E7HT 4602-DNA	D4HZ 4605-Q	2-E7HZ 4635-A	U/Joint	1-D9HZ 4710-B	Cap	1-C6TZ 4841-N	Yoke		
87/	★ E7HT 4602-DRA	E6HZ 4605-D	2-E7HZ 4635-A	U/Joint	1-D9HZ 4710-B	Cap	1-C6TZ 4841-N	Yoke		
87/	★ E7HT 4602-DSA	D4HZ 4605-R	2-E7HZ 4635-A	U/Joint	1-D9HZ 4710-B	Cap	1-C6TZ 4841-N	Yoke		
87/	★ E7HT 4602-DTA	E6HZ 4605-E	2-E7HZ 4635-A	U/Joint	1-D9HZ 4710-B	Cap	1-C6TZ 4841-N	Yoke		
87/	★ E7HT 4602-DUA	D4HZ 4605-S	2-E7HZ 4635-A	U/Joint	1-D9HZ 4710-B	Cap	1-C6TZ 4841-N	Yoke		

**1980/  
TRUCK SERIES 600/900**

DRIVE and COUPLING SHAFT COMPONENT PARTS LISTS												
YEAR	COMPLETE SHAFT ASSEMBLY		OPTIONAL COMPONENTS FOR COMPLETE SHAFT ASSEMBLY									
			SHAFT SUB-ASSEMBLY		RELATED PARTS FOR USE WITH SHAFT SUB-ASSEMBLY							
87/	★	E7HT 4602-DVA	E6HZ 4605-F	2-E7HZ 4635-A	U/Joint	1-D9HZ 4710-B	Cap	1-C6TZ 4841-N	Yoke			
87/	★	E7HT 4602-DYA	D4HZ 4605-T	2-E7HZ 4635-A	U/Joint	1-D9HZ 4710-B	Cap	1-C6TZ 4841-N	Yoke			
87/	★	E7HT 4602-DZA	D4HZ 4605-U	2-E7HZ 4635-A	U/Joint	1-D9HZ 4710-B	Cap	1-C6TZ 4841-N	Yoke			
87/	★	E7HT 4602-EAA	D4HZ 4605-V	2-E7HZ 4635-A	U/Joint	1-D9HZ 4710-B	Cap	1-C6TZ 4841-N	Yoke			
87/	★	E7HT 4602-EBA	E6HZ 4605-G	2-E7HZ 4635-A	U/Joint	1-D9HZ 4710-B	Cap	1-C6TZ 4841-N	Yoke			
87/	★	E7HT 4602-ECA	D4HZ 4605-W	2-E7HZ 4635-A	U/Joint	1-D9HZ 4710-B	Cap	1-C6TZ 4841-N	Yoke			
87/	★	E7HT 4602-EEA	E6HZ 4605-H	2-E7HZ 4635-A	U/Joint	1-D9HZ 4710-B	Cap	1-C6TZ 4841-N	Yoke			
87/	★	E7HT 4602-EFA	D4HZ 4605-X	2-E7HZ 4635-A	U/Joint	1-D9HZ 4710-B	Cap	1-C6TZ 4841-N	Yoke			
87/	★	E7HT 4602-EFA	D4HZ 4605-Y	2-E7HZ 4635-A	U/Joint	1-D9HZ 4710-B	Cap	1-C6TZ 4841-N	Yoke			
87/	★	E7HT 4602-EGA	E6HZ 4605-AJ	2-E7HZ 4635-A	U/Joint	1-D9HZ 4710-B	Cap	1-C6TZ 4841-N	Yoke			
87/	★	E7HT 4602-EHA	D4HZ 4605-Z	2-E7HZ 4635-A	U/Joint	1-D9HZ 4710-B	Cap	1-C6TZ 4841-N	Yoke			
87/	★	E7HT 4602-EJA	D4HZ 4605-AA	2-E7HZ 4635-A	U/Joint	1-D9HZ 4710-B	Cap	1-C6TZ 4841-N	Yoke			
87/	★	E7HT 4602-EKA	E6HZ 4605-J	2-E7HZ 4635-A	U/Joint	1-D9HZ 4710-B	Cap	1-C6TZ 4841-N	Yoke			
87/	★	E7HT 4602-ELA	D4HZ 4605-AB	2-E7HZ 4635-A	U/Joint	1-D9HZ 4710-B	Cap	1-C6TZ 4841-N	Yoke			
87/	★	E7HT 4602-EMA	D8HZ 4605-BD	2-E7HZ 4635-A	U/Joint	1-D9HZ 4710-B	Cap	1-C6TZ 4841-N	Yoke			
89	★	E7HT 4602-ENA	E9HZ 4605-G	2-E7HZ 4635-A	U/Joint	1-D9HZ 4710-B	Cap	1-C6TZ 4841-N	Yoke			
89	★	E7HT 4602-ERA	E9HZ 4605-H	2-E7HZ 4635-A	U/Joint	1-D9HZ 4710-B	Cap	1-C6TZ 4841-N	Yoke			
87/	★	E7HT 4602-ESA	E6HZ 4605-AA	2-E7HZ 4635-A	U/Joint	1-D9HZ 4710-B	Cap	1-C6TZ 4841-N	Yoke			
87/	★	E7HT 4602-ETA	E6HZ 4605-AB	2-E7HZ 4635-A	U/Joint	1-D9HZ 4710-B	Cap	1-C6TZ 4841-N	Yoke			
87/	★	E7HT 4602-EUA	E7HZ 4605-DW	2-E7HZ 4635-A	U/Joint	1-D9HZ 4710-B	Cap	1-C6TZ 4841-N	Yoke			
87/	★	E7HT 4602-EVA	E7HZ 4605-DX	2-E7HZ 4635-A	U/Joint	1-D9HZ 4710-B	Cap	1-C6TZ 4841-N	Yoke			
87/	★	E7HT 4602-FAA	E7HZ 4605-DY	2-E7HZ 4635-A	U/Joint	1-D9HZ 4710-B	Cap	1-C6TZ 4841-N	Yoke			
87/	★	E7HT 4602-FBA	E7HZ 4605-N	2-E7HZ 4635-A	U/Joint	1-D9HZ 4710-B	Cap	1-C6TZ 4841-N	Yoke			
87/	★	E7HT 4602-FCA	E7HZ 4605-DZ	2-E7HZ 4635-A	U/Joint	1-D9HZ 4710-B	Cap	1-C6TZ 4841-N	Yoke			
87/	★	E7HT 4602-FDA	E7HZ 4605-P	2-E7HZ 4635-A	U/Joint	1-D9HZ 4710-B	Cap	1-C6TZ 4841-N	Yoke			
88/	★	E7HT 4602-FEA	E8HZ 4605-B	2-E7HZ 4635-A	U/Joint	1-D9HZ 4710-B	Cap	1-C6TZ 4841-N	Yoke			
87/	★	E7HT 4602-FFA	E7HZ 4605-R	2-E7HZ 4635-A	U/Joint	1-D9HZ 4710-B	Cap	1-C6TZ 4841-N	Yoke			
87/	★	E7HT 4602-FGA	E7HZ 4605-S	2-E7HZ 4635-A	U/Joint	1-D9HZ 4710-B	Cap	1-C6TZ 4841-N	Yoke			
87/	★	E7HT 4602-FHA	E7HZ 4605-DC	2-E7HZ 4635-A	U/Joint	1-D9HZ 4710-B	Cap	1-C6TZ 4841-N	Yoke			
87/	★	E7HT 4602-FJA	E7HZ 4605-AR	2-E7HZ 4635-A	U/Joint	1-D9HZ 4710-B	Cap	1-C6TZ 4841-N	Yoke			
87/	★	E7HT 4602-FKA	E7HZ 4605-AS	2-E7HZ 4635-A	U/Joint	1-D9HZ 4710-B	Cap	1-C6TZ 4841-N	Yoke			
87/	★	E7HT 4602-FLA	E7HZ 4605-AT	2-E7HZ 4635-A	U/Joint	1-D9HZ 4710-B	Cap	1-C6TZ 4841-N	Yoke			
87/	★	E7HT 4602-FMA	E7HZ 4605-AU	2-E7HZ 4635-A	U/Joint	1-D9HZ 4710-B	Cap	1-C6TZ 4841-N	Yoke			
87/	★	E7HT 4602-FNA	E7HZ 4605-BX	2-E7HZ 4635-A	U/Joint	1-D9HZ 4710-B	Cap	1-C6TZ 4841-N	Yoke			
87/	★	E7HT 4602-FRA	E7HZ 4605-AV	2-E7HZ 4635-A	U/Joint	1-D9HZ 4710-B	Cap	1-C6TZ 4841-N	Yoke			
87/	★	E7HT 4602-FSA	E7HZ 4605-DD	2-E7HZ 4635-A	U/Joint	1-D9HZ 4710-B	Cap	1-C6TZ 4841-N	Yoke			
87/	★	E7HT 4602-FTA	E7HZ 4605-T	2-E7HZ 4635-A	U/Joint	1-D9HZ 4710-B	Cap	1-C6TZ 4841-N	Yoke			
87/	★	E7HT 4602-FUA	E7HZ 4605-AW	2-E7HZ 4635-A	U/Joint	1-D9HZ 4710-B	Cap	1-C6TZ 4841-N	Yoke			
87/	★	E7HT 4602-FVA	E7HZ 4605-AX	2-E7HZ 4635-A	U/Joint	1-D9HZ 4710-B	Cap	1-C6TZ 4841-N	Yoke			
87/	★	E7HT 4602-FYA	E7HZ 4605-U	2-E7HZ 4635-A	U/Joint	1-D9HZ 4710-B	Cap	1-C6TZ 4841-N	Yoke			
87/	★	E7HT 4602-FZA	E7HZ 4605-AY	2-E7HZ 4635-A	U/Joint	1-D9HZ 4710-B	Cap	1-C6TZ 4841-N	Yoke			
87/	★	E7HT 4602-GAA	E7HZ 4605-V	2-E7HZ 4635-A	U/Joint	1-D9HZ 4710-B	Cap	1-C6TZ 4841-N	Yoke			
87/	★	E7HT 4602-GBA	E7HZ 4605-AZ	2-E7HZ 4635-A	U/Joint	1-D9HZ 4710-B	Cap	1-C6TZ 4841-N	Yoke			
87/	★	E7HT 4602-GCA	E7HZ 4605-BA	2-E7HZ 4635-A	U/Joint	1-D9HZ 4710-B	Cap	1-C6TZ 4841-N	Yoke			
87/	★	E7HT 4602-GDA	E7HZ 4605-BB	2-E7HZ 4635-A	U/Joint	1-D9HZ 4710-B	Cap	1-C6TZ 4841-N	Yoke			
87/	★	E7HT 4602-GEA	E7HZ 4605-BY	2-E7HZ 4635-A	U/Joint	1-D9HZ 4710-B	Cap	1-C6TZ 4841-N	Yoke			
87/	★	E7HT 4602-GFA	E7HZ 4605-BZ	2-E7HZ 4635-A	U/Joint	1-D9HZ 4710-B	Cap	1-C6TZ 4841-N	Yoke			
87/	★	E7HT 4602-GGA	E7HZ 4605-Y	2-E7HZ 4635-A	U/Joint	1-D9HZ 4710-B	Cap	1-C6TZ 4841-N	Yoke			
87/	★	E7HT 4602-GHA	E7HZ 4605-Z	2-E7HZ 4635-A	U/Joint	1-D9HZ 4710-B	Cap	1-C6TZ 4841-N	Yoke			
87/	★	E7HT 4602-GJA	E7HZ 4605-AA	2-E7HZ 4635-A	U/Joint	1-D9HZ 4710-B	Cap	1-C6TZ 4841-N	Yoke			
87/	★	E7HT 4602-GKA	E7HZ 4605-AB	2-E7HZ 4635-A	U/Joint	1-D9HZ 4710-B	Cap	1-C6TZ 4841-N	Yoke			
87/	★	E7HT 4602-GLA	E7HZ 4605-DE	2-E7HZ 4635-A	U/Joint	1-D9HZ 4710-B	Cap	1-C6TZ 4841-N	Yoke			
87/	★	E7HT 4602-GMA	E7HZ 4605-AC	2-E7HZ 4635-A	U/Joint	1-D9HZ 4710-B	Cap	1-C6TZ 4841-N	Yoke			
87/	★	E7HT 4602-GNA	E7HZ 4605-BC	2-E7HZ 4635-A	U/Joint	1-D9HZ 4710-B	Cap	1-C6TZ 4841-N	Yoke			
87/	★	E7HT 4602-GRA	E7HZ 4605-AD	2-E7HZ 4635-A	U/Joint	1-D9HZ 4710-B	Cap	1-C6TZ 4841-N	Yoke			
87/	★	E7HT 4602-GSA	E7HZ 4605-BD	2-E7HZ 4635-A	U/Joint	1-D9HZ 4710-B	Cap	1-C6TZ 4841-N	Yoke			
87/	★	E7HT 4602-GTA	E7HZ 4605-BE	2-E7HZ 4635-A	U/Joint	1-D9HZ 4710-B	Cap	1-C6TZ 4841-N	Yoke			
87/	★	E7HT 4602-GUA	E7HZ 4605-BF	2-E7HZ 4635-A	U/Joint	1-D9HZ 4710-B	Cap	1-C6TZ 4841-N	Yoke			

**1980/  
TRUCK SERIES 600/900**

**DRIVE and COUPLING SHAFT COMPONENT PARTS LISTS**

YEAR	COMPLETE SHAFT ASSEMBLY		OPTIONAL COMPONENTS FOR COMPLETE SHAFT ASSEMBLY										
			SHAFT SUB-ASSEMBLY	RELATED PARTS FOR USE WITH SHAFT SUB-ASSEMBLY									
87/	★ E7HT	4602-GVA	E7HZ	4605-CA	2-E7HZ	4635-A	U/Joint	1-D9HZ	4710-B	Cap	1-C6TZ	4841-N	Yoke
87/	★ E7HT	4602-GYA	E7HZ	4605-CB	2-E7HZ	4635-A	U/Joint	1-D9HZ	4710-B	Cap	1-C6TZ	4841-N	Yoke
87/	★ E7HT	4602-GZA	E7HZ	4605-CC	2-E7HZ	4635-A	U/Joint	1-D9HZ	4710-B	Cap	1-C6TZ	4841-N	Yoke
87/	★ E7HT	4602-HAA	E7HZ	4605-CD	2-E7HZ	4635-A	U/Joint	1-D9HZ	4710-B	Cap	1-C6TZ	4841-N	Yoke
87/	★ E7HT	4602-HBA	E7HZ	4605-BG	2-E7HZ	4635-A	U/Joint	1-D9HZ	4710-B	Cap	1-C6TZ	4841-N	Yoke
87/	★ E7HT	4602-HCA	E7HZ	4605-DF	2-E7HZ	4635-A	U/Joint	1-D9HZ	4710-B	Cap	1-C6TZ	4841-N	Yoke
87/	★ E7HT	4602-HDA	E7HZ	4605-BH	2-E7HZ	4635-A	U/Joint	1-D9HZ	4710-B	Cap	1-C6TZ	4841-N	Yoke
87/	★ E7HT	4602-HEA	E7HZ	4605-BJ	2-E7HZ	4635-A	U/Joint	1-D9HZ	4710-B	Cap	1-C6TZ	4841-N	Yoke
87/	★ E7HT	4602-HEF	E7HZ	4605-BK	2-E7HZ	4635-A	U/Joint	1-D9HZ	4710-B	Cap	1-C6TZ	4841-N	Yoke
87/	★ E7HT	4602-HGA	E7HZ	4605-BL	2-E7HZ	4635-A	U/Joint	1-D9HZ	4710-B	Cap	1-C6TZ	4841-N	Yoke
89	★ E7HT	4602-HHA	E9HZ	4605-J	2-E7HZ	4635-A	U/Joint	1-D9HZ	4710-B	Cap	1-C6TZ	4841-N	Yoke
89	★ E7HT	4602-HJA	E9HZ	4605-K	2-E7HZ	4635-A	U/Joint	1-D9HZ	4710-B	Cap	1-C6TZ	4841-N	Yoke
89	★ E7HT	4602-HKA	E9HZ	4605-L	2-E7HZ	4635-A	U/Joint	1-D9HZ	4710-B	Cap	1-C6TZ	4841-N	Yoke
89	★ E7HT	4602-HLA	E9HZ	4605-M	2-E7HZ	4635-A	U/Joint	1-D9HZ	4710-B	Cap	1-C6TZ	4841-N	Yoke
87/	★ E7HT	4602-HMA	E7HZ	4605-CE	2-E7HZ	4635-A	U/Joint	1-D9HZ	4710-B	Cap	1-C6TZ	4841-N	Yoke
89	★ E7HT	4602-HNA	E9HZ	4605-N	2-E7HZ	4635-A	U/Joint	1-D9HZ	4710-B	Cap	1-C6TZ	4841-N	Yoke
89	★ E7HT	4602-HRA	E9HZ	4605-P	2-E7HZ	4635-A	U/Joint	1-D9HZ	4710-B	Cap	1-C6TZ	4841-N	Yoke
88/	★ E7HT	4602-JDA	E8HZ	4605-FB	2-E7HZ	4635-A	U/Joint	1-D9HZ	4710-B	Cap	1-C6TZ	4841-M	Yoke
87/	★ E7HT	4602-JEA	E7HZ	4605-EJ	2-E7HZ	4635-A	U/Joint	1-D9HZ	4710-B	Cap	1-C6TZ	4841-M	Yoke
87/	★ E7HT	4602-JHA	E7HZ	4605-EK	2-E7HZ	4635-A	U/Joint	1-D9HZ	4710-B	Cap	1-C6TZ	4841-M	Yoke
88/	★ E7HT	4602-JNA	E8HZ	4605-FC	2-E7HZ	4635-A	U/Joint	1-D9HZ	4710-B	Cap	1-C6TZ	4841-N	Yoke
88/	★ E7HT	4602-JUA	E8HZ	4605-FD	2-E7HZ	4635-A	U/Joint	1-D9HZ	4710-B	Cap	1-C6TZ	4841-N	Yoke
87/	★ E7HT	4602-LAA	E7HZ	4605-CF	2-E7HZ	4635-A	U/Joint	1-E1HZ	4710-B	Cap	1-D4HZ	4841-E	Yoke
87/	★ E7HT	4602-LBA	E7HZ	4605-CG	2-E7HZ	4635-B	U/Joint	1-E1HZ	4710-B	Cap	1-D4HZ	4841-E	Yoke
87/	★ E7HT	4602-LCA	E7HZ	4605-CH	2-E7HZ	4635-B	U/Joint	1-E1HZ	4710-B	Cap	1-D4HZ	4841-E	Yoke
87/	★ E7HT	4602-LDA	E7HZ	4605-CU	2-E7HZ	4635-B	U/Joint	1-E1HZ	4710-B	Cap	1-D4HZ	4841-E	Yoke
87/	★ E7HT	4602-LEA	E7HZ	4605-CK	2-E7HZ	4635-B	U/Joint	1-E1HZ	4710-B	Cap	1-D4HZ	4841-E	Yoke
87/	★ E7HT	4602-LFA	E7HZ	4605-CL	2-E7HZ	4635-B	U/Joint	1-E1HZ	4710-B	Cap	1-D4HZ	4841-E	Yoke
87/	★ E7HT	4602-LGA	E7HZ	4605-CM	2-E7HZ	4635-B	U/Joint	1-E1HZ	4710-B	Cap	1-D4HZ	4841-E	Yoke
87/	★ E7HT	4602-LHA	E7HZ	4605-CN	2-E7HZ	4635-A	U/Joint	1-D9HZ	4710-B	Cap	1-C6TZ	4841-N	Yoke
87/	★ E7HT	4602-LJA	E7HZ	4605-CP	2-E7HZ	4635-A	U/Joint	1-D9HZ	4710-B	Cap	1-C6TZ	4841-N	Yoke
87/	★ E7HT	4602-LKA	E7HZ	4605-CR	2-E7HZ	4635-A	U/Joint	1-D9HZ	4710-B	Cap	1-C6TZ	4841-N	Yoke
87/	★ E7HT	4602-LLA	E7HZ	4605-CS	2-E7HZ	4635-A	U/Joint	1-D9HZ	4710-B	Cap	1-C6TZ	4841-N	Yoke
87/	★ E7HT	4602-LMA	E7HZ	4605-CT	2-E7HZ	3635-A	U/Joint	1-D9HZ	4710-B	Cap	1-C6TZ	4841-N	Yoke
87/	★ E7HT	4602-LNA	E7HZ	4605-CU	2-E7HZ	3635-A	U/Joint	1-D9HZ	4710-B	Cap	1-C6TZ	4841-N	Yoke
87/	★ E7HT	4602-LRA	E7HZ	4605-CV	2-E7HZ	4635-A	U/Joint	1-D9HZ	4710-B	Cap	1-C6TZ	4841-N	Yoke
87/	★ E7HT	4602-LSA	E7HZ	4605-CW	2-E7HZ	4635-A	U/Joint	1-D9HZ	4710-B	Cap	1-C6TZ	4841-N	Yoke
87/	★ E7HT	4602-LTA	E7HZ	4605-CX	2-E7HZ	4635-A	U/Joint	1-D9HZ	4710-B	Cap	1-C6TZ	4841-N	Yoke
87/	★ E7HT	4602-LUA	E7HZ	4605-CY	2-E7HZ	4635-A	U/Joint	1-D9HZ	4710-B	Cap	1-C6TZ	4841-N	Yoke
87/	★ E7HT	4602-LVA	E7HZ	4605-CZ	2-E7HZ	4635-A	U/Joint	1-D9HZ	4710-B	Cap	1-C6TZ	4841-N	Yoke
87/	★ E7HT	4602-LYA	E7HZ	4605-DA	2-E7HZ	4635-A	U/Joint	1-D9HZ	4710-B	Cap	1-C6TZ	4841-N	Yoke
87/	★ E7HT	4602-MAA	E7HZ	4605-BM	2-E7HZ	4635-A	U/Joint	1-D9HZ	4710-B	Cap	1-C6TZ	4841-N	Yoke
87/	★ E7HT	4602-MBA	E7HZ	4605-BN	2-E7HZ	4635-A	U/Joint	1-D9HZ	4710-B	Cap	1-C6TZ	4841-N	Yoke
87/	★ E7HT	4602-MCA	E7HZ	4605-BP	2-E7HZ	4635-A	U/Joint	1-D9HZ	4710-B	Cap	1-C6TZ	4841-N	Yoke
87/	★ E7HT	4602-MDA	E7HZ	4605-BR	2-E7HZ	4635-A	U/Joint	1-D9HZ	4710-B	Cap	1-C6TZ	4841-N	Yoke
87/	★ E7HT	4602-MEA	E7HZ	4605-BS	2-E7HZ	4635-A	U/Joint	1-E1HZ	4710-B	Cap	1-D4HZ	4841-E	Yoke
87/	★ E7HT	4602-MFA	E7HZ	4605-BT	2-E7HZ	4635-A	U/Joint	1-E1HZ	4710-B	Cap	1-D4HZ	4841-E	Yoke
87/	★ E7HT	4602-MGA	E7HZ	4605-BU	2-E7HZ	4635-A	U/Joint	1-E1HZ	4710-B	Cap	1-D4HZ	4841-E	Yoke
87/	★ E7HT	4602-MHA	E7HZ	4605-BV	2-E7HZ	4635-A	U/Joint	1-E1HZ	4710-B	Cap	1-D4HZ	4841-E	Yoke
87/	★ E7HT	4602-NAA	E7HZ	4605-DK	2-E7HZ	4635-A	U/Joint	1-D9HZ	4710-B	Cap	1-C6TZ	4841-N	Yoke
87/	★ E7HT	4602-NBA	E7HZ	4605-DL	2-E7HZ	4635-A	U/Joint	1-D9HZ	4710-B	Cap	1-C6TZ	4841-N	Yoke
87/	★ E7HT	4602-NCA	E7HZ	4605-DH	2-E7HZ	4635-A	U/Joint	1-D9HZ	4710-B	Cap	1-C6TZ	4841-N	Yoke
87/	★ E7HT	4602-NDA	E7HZ	4605-DJ	2-E7HZ	4635-A	U/Joint	1-D9HZ	4710-B	Cap	1-C6TZ	4841-N	Yoke
87/89	★ E7HT	4602-NFA	E7HZ	4605-DN	2-D9HZ	4635-B	U/Joint	1-D9HZ	4710-B	Cap	1-D9HZ	4841-D	Yoke
87/89	★ E7HT	4602-NGA	E7HZ	4605-EG	2-D9HZ	4635-B	U/Joint	1-D9HZ	4710-B	Cap	1-D9HZ	4841-D	Yoke
87/89	★ E7HT	4602-NHA	E7HZ	4605-ED	2-D9HZ	4635-B	U/Joint	1-D9HZ	4710-B	Cap	1-D9HZ	4841-D	Yoke
87/89	★ E7HT	4602-NJA	E7HZ	4605-EF	1-C7TZ	4342-A	Washer	1-C7TZ	4343-A	Seal	2-D2HZ	4635-A	U/Joint
					1-C7TZ	4710-A	Cap	1-D2HZ	4841-A	Yoke			



1980/  
TRUCK SERIES 600/900

DRIVE and COUPLING SHAFT COMPONENT PARTS LISTS											
YEAR	COMPLETE SHAFT ASSEMBLY	OPTIONAL COMPONENTS FOR COMPLETE SHAFT ASSEMBLY									
		SHAFT SUB-ASSEMBLY		RELATED PARTS FOR USE WITH SHAFT SUB-ASSEMBLY							
87/89	★ E7HT 4602-NKA	E7HZ 4605-EG	1-C7TZ 4342-A 1-C7TZ 4710-A	Washer Cap	1-C7TZ 4343-A 1-D2HZ 4841-A	Seal Yoke	2-D2HZ 4635-A	U/Joint			
87/89	★ E7HT 4602-NLA	E7HZ 4605-EH	1-C7TZ 4342-A 1-C7TZ 4710-A	Washer Cap	1-C7TZ 4343-A 1-D2HZ 4841-A	Seal Yoke	2-D2HZ 4635-A	U/Joint			
87/89	★ E7HT 4602-NMA	E7HZ 4605-EE	1-C7TZ 4342-A 1-C7TZ 4710-A	Washer Cap	1-C7TZ 4343-A 1-D2HZ 4841-A	Seal Yoke	2-D2HZ 4635-A	U/Joint			
87/89	★ E7HT 4602-NNA	E7HZ 4605-EB	2-D9HZ 4635-B	U/Joint	1-D9HZ 4710-B	Cap	1-D9HZ 4841-D	Yoke			
89	★ E8HS 4602-AA	E9HZ 4605-AK	2-E8HZ 4635-A	U/Joint	1-E3HZ 4710-A	Cap	1-D2HZ 4841-A	Yoke			
89	★ E8HS 4602-CA	E9HZ 4605-AL	2-E8HZ 4635-A	U/Joint	1-E3HZ 4710-A	Cap	1-D2HZ 4841-A	Yoke			
88/	★ E8HT 4602-AA	E8HZ 4605-CP	2-E8HZ 4635-B	U/Joint	1-D9HZ 4710-B	Cap	1-D9HZ 4841-D	Yoke			
88/	★ E8HT 4602-BA	E8HZ 4605-AK	2-E8HZ 4635-B	U/Joint	1-D9HZ 4710-B	Cap	1-D9HZ 4841-D	Yoke			
88/	★ E8HT 4602-CA	E8HZ 4605-AL	2-E8HZ 4635-B	U/Joint	1-D9HZ 4710-B	Cap	1-D9HZ 4841-D	Yoke			
88/	★ E8HT 4602-DA	E8HZ 4605-AM	2-E8HZ 4635-B	U/Joint	1-D9HZ 4710-B	Cap	1-D9HZ 4841-D	Yoke			
88/	★ E8HT 4602-EA	E8HZ 4605-CT	2-E8HZ 4635-B	U/Joint	1-D9HZ 4710-B	Cap	1-D9HZ 4841-D	Yoke			
88/	★ E8HT 4602-FA	E8HZ 4605-AN	2-E8HZ 4635-B	U/Joint	1-D9HZ 4710-B	Cap	1-D9HZ 4841-D	Yoke			
88/	★ E8HT 4602-GA	E8HZ 4605-AP	2-E8HZ 4635-B	U/Joint	1-D9HZ 4710-B	Cap	1-D9HZ 4841-D	Yoke			
88/	★ E8HT 4602-HA	E8HZ 4605-AR	2-E8HZ 4635-B	U/Joint	1-D9HZ 4710-B	Cap	1-D9HZ 4841-D	Yoke			
88/	★ E8HT 4602-JA	E8HZ 4605-AS	2-E8HZ 4635-B	U/Joint	1-D9HZ 4710-B	Cap	1-D9HZ 4841-D	Yoke			
88/	★ E8HT 4602-KA	E8HZ 4605-KX	2-E8HZ 4635-B	U/Joint	1-D9HZ 4710-B	Cap	1-D9HZ 4841-D	Yoke			
88/	★ E8HT 4602-LA	E8HZ 4605-CN	2-E8HZ 4635-B	U/Joint	1-D9HZ 4710-B	Cap	1-D9HZ 4841-D	Yoke			
88/	★ E8HT 4602-MA	E8HZ 4605-AT	2-E8HZ 4635-B	U/Joint	1-D9HZ 4710-B	Cap	1-D9HZ 4841-D	Yoke			
88/	★ E8HT 4602-NA	E8HZ 4605-AU	2-E8HZ 4635-B	U/Joint	1-D9HZ 4710-B	Cap	1-D9HZ 4841-D	Yoke			
88/	★ E8HT 4602-RA	E8HZ 4605-AV	2-E8HZ 4635-B	U/Joint	1-D9HZ 4710-B	Cap	1-D9HZ 4841-D	Yoke			
88/	★ E8HT 4602-SA	E8HZ 4605-AB	2-E8HZ 4635-B	U/Joint	1-D9HZ 4710-B	Cap	1-D9HZ 4841-D	Yoke			
88/	★ E8HT 4602-TA	E8HZ 4605-FA	2-E8HZ 4635-B	U/Joint	1-D9HZ 4710-B	Cap	1-D9HZ 4841-D	Yoke			
88/	★ E8HT 4602-UA	E8HZ 4605-AC	2-E8HZ 4635-B	U/Joint	1-D9HZ 4710-B	Cap	1-D9HZ 4841-D	Yoke			
88/	★ E8HT 4602-VA	E8HZ 4605-AD	2-E8HZ 4635-B	U/Joint	1-D9HZ 4710-B	Cap	1-D9HZ 4841-D	Yoke			
88/	★ E8HT 4602-YA	E8HZ 4605-AE	2-E8HZ 4635-B	U/Joint	1-D9HZ 4710-B	Cap	1-D9HZ 4841-D	Yoke			
88/	★ E8HT 4602-ZA	E8HZ 4605-AF	2-E8HZ 4635-B	U/Joint	1-D9HZ 4710-B	Cap	1-D9HZ 4841-D	Yoke			
88/	★ E8HT 4602-AAA	E8HZ 4605-FE	2-E8HZ 4635-B	U/Joint	1-D9HZ 4710-B	Cap	1-D9HZ 4841-D	Yoke			
88/	★ E8HT 4602-ABA	E8HZ 4605-AG	2-E8HZ 4635-B	U/Joint	1-D9HZ 4710-B	Cap	1-D9HZ 4841-D	Yoke			
88/	★ E8HT 4602-ACA	E8HZ 4605-AH	2-E8HZ 4635-B	U/Joint	1-D9HZ 4710-B	Cap	1-D9HZ 4841-D	Yoke			
88/	★ E8HT 4602-ADA	E8HZ 4605-AJ	2-E8HZ 4635-B	U/Joint	1-D9HZ 4710-B	Cap	1-D9HZ 4841-D	Yoke			
88/	★ E8HT 4602-AEA	E8HZ 4605-CY	2-E8HZ 4635-B	U/Joint	1-D9HZ 4710-B	Cap	1-D9HZ 4841-D	Yoke			
88/	★ E8HT 4602-AFA	E8HZ 4605-CZ	2-E8HZ 4635-B	U/Joint	1-D9HZ 4710-B	Cap	1-D9HZ 4841-D	Yoke			
88/	★ E8HT 4602-AGA	E8HZ 4605-FG	2-E8HZ 4635-B	U/Joint	1-D9HZ 4710-B	Cap	1-D9HZ 4841-D	Yoke			
88/	★ E8HT 4602-AHA	E8HZ 4605-DA	2-E8HZ 4635-B	U/Joint	1-D9HZ 4710-B	Cap	1-D9HZ 4841-D	Yoke			
88/	★ E8HT 4602-AJA	E8HZ 4605-CF	2-E8HZ 4635-B	U/Joint	1-D9HZ 4710-B	Cap	1-D9HZ 4841-D	Yoke			
88/	★ E8HT 4602-AKA	E8HZ 4605-DB	2-E8HZ 4635-B	U/Joint	1-D9HZ 4710-B	Cap	1-D9HZ 4841-D	Yoke			
88/	★ E8HT 4602-ALA	E8HZ 4605-DC	2-E8HZ 4635-B	U/Joint	1-D9HZ 4710-B	Cap	1-D9HZ 4841-D	Yoke			
88/	★ E8HT 4602-AMA	E8HZ 4605-DD	2-E8HZ 4635-B	U/Joint	1-D9HZ 4710-B	Cap	1-D9HZ 4841-D	Yoke			
88/	★ E8HT 4602-ANA	E8HZ 4605-DE	2-E8HZ 4635-B	U/Joint	1-D9HZ 4710-B	Cap	1-D9HZ 4841-D	Yoke			
88/	★ E8HT 4602-ARA	E8HZ 4605-DF	2-E8HZ 4635-B	U/Joint	1-D9HZ 4710-B	Cap	1-D9HZ 4841-D	Yoke			
88/	★ E8HT 4602-ASA	E8HZ 4605-DG	2-E8HZ 4635-B	U/Joint	1-D9HZ 4710-B	Cap	1-D9HZ 4841-D	Yoke			
88/	★ E8HT 4602-ATA	E8HZ 4605-FH	2-E8HZ 4635-B	U/Joint	1-D9HZ 4710-B	Cap	1-D9HZ 4841-D	Yoke			
88/	★ E8HT 4602-AUA	E8HZ 4605-FJ	2-E8HZ 4635-B	U/Joint	1-D9HZ 4710-B	Cap	1-D9HZ 4841-D	Yoke			
89	★ E8HT 4602-AVA	E9HZ 4605-AM	2-E8HZ 4635-B	U/Joint	1-D9HZ 4710-B	Cap	1-D9HZ 4841-D	Yoke			
89	★ E8HT 4602-AYA	E9HZ 4605-AN	2-E8HZ 4635-B	U/Joint	1-D9HZ 4710-B	Cap	1-D9HZ 4841-D	Yoke			
88/	★ E8HT 4602-BCA	E8HZ 4605-CR	2-E8HZ 4635-B	U/Joint	1-D9HZ 4710-B	Cap	1-D9HZ 4841-D	Yoke			
88/	★ E8HT 4602-BDA	E8HZ 4605-AW	2-E8HZ 4635-B	U/Joint	1-D9HZ 4710-B	Cap	1-D9HZ 4841-D	Yoke			
88/	★ E8HT 4602-BEA	E8HZ 4605-AX	2-E8HZ 4635-B	U/Joint	1-D9HZ 4710-B	Cap	1-D9HZ 4841-D	Yoke			
88/	★ E8HT 4602-BFA	E8HZ 4605-AY	2-E8HZ 4635-B	U/Joint	1-D9HZ 4710-B	Cap	1-D9HZ 4841-D	Yoke			
88/	★ E8HT 4602-BGA	E8HZ 4605-AZ	2-E8HZ 4635-B	U/Joint	1-D9HZ 4710-B	Cap	1-D9HZ 4841-D	Yoke			
88/	★ E8HT 4602-BHA	E8HZ 4605-CG	2-E8HZ 4635-B	U/Joint	1-D9HZ 4710-B	Cap	1-D9HZ 4841-D	Yoke			
88/	★ E8HT 4602-BJA	E8HZ 4605-BA	2-E8HZ 4635-B	U/Joint	1-D9HZ 4710-B	Cap	1-D9HZ 4841-D	Yoke			
88/	★ E8HT 4602-BKA	E8HZ 4605-BB	2-E8HZ 4635-B	U/Joint	1-D9HZ 4710-B	Cap	1-D9HZ 4841-D	Yoke			
88/	★ E8HT 4602-BLA	E8HZ 4605-BC	2-E8HZ 4635-B	U/Joint	1-D9HZ 4710-B	Cap	1-D9HZ 4841-D	Yoke			
88/	★ E8HT 4602-BMA	E8HZ 4605-BD	2-E8HZ 4635-B	U/Joint	1-D9HZ 4710-B	Cap	1-D9HZ 4841-D	Yoke			





1980/  
TRUCK SERIES 600/900

DRIVE and COUPLING SHAFT COMPONENT PARTS LISTS

YEAR	COMPLETE SHAFT ASSEMBLY	OPTIONAL COMPONENTS FOR COMPLETE SHAFT ASSEMBLY									
		SHAFT SUB-ASSEMBLY		RELATED PARTS FOR USE WITH SHAFT SUB-ASSEMBLY							
88/	★ E8HT 4602-KAA	E8HZ 4605-GA	2-E8HZ 4635-A	U/Joint	1-E3HZ 4710-A	Cap	1-D2HZ 4841-A	Yoke			
88/	★ E8HT 4602-KBA	E8HZ 4605-GB	2-E8HZ 4635-A	U/Joint	1-E3HZ 4710-A	Cap	1-D2HZ 4841-A	Yoke			
88/	★ E8HT 4602-KCA	E8HZ 4605-GC	2-E8HZ 4635-A	U/Joint	1-E3HZ 4710-A	Cap	1-D2HZ 4841-A	Yoke			
88/	★ E8HT 4602-KDA	E8HZ 4605-GD	2-E8HZ 4635-A	U/Joint	1-E3HZ 4710-A	Cap	1-D2HZ 4841-A	Yoke			
89	★ E8HT 4602-KEA	E9HZ 4605-X	2-E7HZ 4635-A	U/Joint	1-D9HZ 4710-B	Cap	1-C6TZ 4841-N	Yoke			
89	★ E8HT 4602-KFA	E9HZ 4605-Y	2-E7HZ 4635-A	U/Joint	1-D9HZ 4710-B	Cap	1-C6TZ 4841-N	Yoke			
89	★ E9HT 4602-NSA	E9HZ 4605-Z	2-E7HZ 4635-B	U/Joint	1-E1HZ 4710-B	Cap	1-D4HZ 4841-E	Yoke			
89	★ E9HT 4602-NTA	E9HZ 4605-AA	2-E8HZ 4635-A	U/Joint	1-E3HZ 4710-A	Cap	1-D2HZ 4841-A	Yoke			
89	★ E9HT 4602-NUA	E9HZ 4605-AB	2-E8HZ 4635-A	U/Joint	1-E3HZ 4710-A	Cap	1-D2HZ 4841-A	Yoke			
89	★ E9HT 4602-NVA	E9HZ 4605-AC	2-E8HZ 4635-A	U/Joint	1-E3HZ 4710-A	Cap	1-D2HZ 4841-A	Yoke			
89	★ E9HT 4602-NYA	E9HZ 4605-AD	2-E8HZ 4635-A	U/Joint	1-E3HZ 4710-A	Cap	1-D2HZ 4841-A	Yoke			
89	★ E9HT 4602-NZA	E9HZ 4605-AE	2-E7HZ 4635-B	U/Joint	1-E1HZ 4710-B	Cap	1-D4HZ 4841-E	Yoke			
89	★ E9HT 4602-RAA	E9HZ 4605-AF	2-E8HZ 4635-A	U/Joint	1-E3HZ 4710-A	Cap	1-D2HZ 4841-A	Yoke			
89	★ E9HT 4602-RBA	E9HZ 4605-AT	2-E8HZ 4635-A	U/Joint	1-E3HZ 4710-A	Cap	1-D2HZ 4841-A	Yoke			
89	★ E9HT 4602-RCA	E9HZ 4605-AV	2-E8HZ 4635-A	U/Joint	1-E3HZ 4710-A	Cap	1-D2HZ 4841-A	Yoke			
89	★ E9HT 4602-REA	E9HZ 4605-AW	2-E8HZ 4635-A	U/Joint	1-E3HZ 4710-A	Cap	1-D2HZ 4841-A	Yoke			
89	★ E9HT 4602-RGA	E9HZ 4605-AG	2-E8HZ 4635-A	U/Joint	1-E3HZ 4710-A	Cap	1-D2HZ 4841-A	Yoke			
89	★ E9HT 4602-RJA	E9HZ 4605-AX	1-D9HZ 4342-A 1-D9HZ 4710-A	Washer Cap	1-D9HZ 4343-A 1-D9HZ 4841-A	Seal Yoke	2-D9HZ 4635-A	U/Joint			
89	★ E9HT 4602-RKA	E9HZ 4605-AY	1-D9HZ 4342-A 1-D9HZ 4710-A	Washer Cap	1-D9HZ 4343-A 1-D9HZ 4841-A	Seal Yoke	2-D9HZ 4635-A	U/Joint			
89	★ E9HT 4602-RLA	E9HZ 4605-AZ	2-E8HZ 4635-B	U/Joint	1-D9HZ 4710-B	Cap	1-D9HZ 4841-D	Yoke			
89	★ E9HT 4602-RMA	E9HZ 4605-BA	2-E8HZ 4635-A	U/Joint	1-E3HZ 4710-A	Cap	1-D2HZ 4841-A	Yoke			
89	★ E9HT 4602-RNA	E9HZ 4605-BB	2-E8HZ 4635-A	U/Joint	1-E3HZ 4710-A	Cap	1-D2HZ 4841-A	Yoke			
89	★ E9HT 4602-RRA	E9HZ 4605-BC	2-E8HZ 4635-A	U/Joint	1-E3HZ 4710-A	Cap	1-D2HZ 4841-A	Yoke			
89	★ E9HT 4602-RSA	E9HZ 4605-BD	2-E8HZ 4635-A	U/Joint	1-E3HZ 4710-A	Cap	1-D2HZ 4841-A	Yoke			
89	★ E9HT 4602-RTA	E9HZ 4605-BE	2-E8HZ 4635-A	U/Joint	1-E3HZ 4710-A	Cap	1-D2HZ 4841-A	Yoke			
89	★ E9HT 4602-RUA	E9HZ 4605-BF	2-E8HZ 4635-B	U/Joint	1-D9HZ 4710-B	Cap	1-D9HZ 4841-D	Yoke			
89	★ E9HT 4602-RVA	E9HZ 4605-BG	2-E8HZ 4635-A	U/Joint	1-E3HZ 4710-A	Cap	1-D2HZ 4841-A	Yoke			
89	★ E9HT 4602-RYA	E9HZ 4605-BH	2-E8HZ 4635-A	U/Joint	1-E3HZ 4710-A	Cap	1-D2HZ 4841-A	Yoke			
89	★ E9HT 4602-RZA	E9HZ 4605-BJ	2-E7HZ 4635-B	U/Joint	1-E1HZ 4710-B	Cap	1-D4HZ 4841-E	Yoke			
89	★ E9HT 4602-SAA	E9HZ 4605-BK	2-E8HZ 4635-A	U/Joint	1-E3HZ 4710-A	Cap	1-D2HZ 4841-A	Yoke			
89	★ E9HT 4602-SBA	E9HZ 4605-BL	2-E8HZ 4635-A	U/Joint	1-E3HZ 4710-A	Cap	1-D2HZ 4841-A	Yoke			
89	★ E9HT 4602-SCA	E9HZ 4605-BM	2-E7HZ 4635-A	U/Joint	1-D9HZ 4710-B	Cap	1-C6TZ 4841-N	Yoke			
89	★ E9HT 4602-SDA	E9HZ 4605-BN	2-E7HZ 4635-A	U/Joint	1-D9HZ 4710-B	Cap	1-C6TZ 4841-N	Yoke			
89	★ E9HT 4602-SEA	E9HZ 4605-BP	2-E8HZ 4635-A	U/Joint	1-E3HZ 4710-A	Cap	1-D2HZ 4841-N	Yoke			
89	★ E9HT 4602-SFA	E9HZ 4605-BR	2-E8HZ 4635-A	U/Joint	1-E3HZ 4710-A	Cap	1-D2HZ 4841-A	Yoke			
89	★ E9HT 4602-SGA	E9HZ 4605-BS	2-E7HZ 4635-A	U/Joint	1-D9HZ 4710-B	Cap	1-C6TZ 4841-N	Yoke			
89	★ E9HT 4602-SHA	E9HZ 4605-BT	2-E8HZ 4635-A	U/Joint	1-E3HZ 4710-A	Cap	1-D2HZ 4841-A	Yoke			
89	★ E9HT 4602-SJA	E9HZ 4605-BV	2-E8HZ 4635-B	U/Joint	1-D9HZ 4710-B	Cap	1-D9HZ 4841-D	Yoke			
89	★ E9HT 4602-SMA	E9HZ 4605-BW	2-E8HZ 4635-A	U/Joint	1-E3HZ 4710-A	Cap	1-D2HZ 4841-A	Yoke			
89	★ E9HT 4602-SRA	E9HZ 4605-BX	2-E8HZ 4635-A	U/Joint	1-E3HZ 4710-A	Cap	1-D2HZ 4841-A	Yoke			
87/	★ 87HU 4602-CA	E7HZ 4605-EP	2-E7HZ 4635-B	U/Joint	1-D4HZ 4841-E	Yoke					
87/	★ 87HU 4602-DA	E7HZ 4605-EM	2-E7HZ 4635-B	U/Joint	1-D4HZ 4841-E	Yoke					
87/	★ 87HU 4602-EA	E7HZ 4605-EL	2-E7HZ 4635-A	U/Joint	1-C6TZ 4841-N	Yoke					
87/	★ 87HU 4602-FA	E7HZ 4605-ER	2-E7HZ 4635-A	U/Joint	1-C6TZ 4841-N	Yoke					
87/	★ 87HU 4602-HA	E7HZ 4605-EN	2-E7HZ 4635-B	U/Joint	1-D4HZ 4681-E	Yoke					
80/81	★ C8HZ 4606-K	C8HZ 4385-K	1-D3HZ 4342-A 1-D3HZ 4710-A	Washer Cap	1-D3HZ 4343-A 1-C8HZ 4841-C	Seal Yoke	2-D3HZ 4635-A	U/Joint			
80/81	★ C8HZ 4606-T	C8HZ 4385-T	2-D3HZ 4635-A	U/Joint							
80/81	★ D0HZ 4606-H	D0HZ 4385-H	2-D3HZ 4635-A 1-B4QH 4820-B	U/Joint Seal	1-B4TZ 4710-A 1-C1TT 4841-E	Cap Yoke	1-B4QH 4819-B	Washer			
80/81	★ D0HZ 4606-J	D0HZ 4385-J	2-D3HZ 4635-A 1-B4QH 4820-B	U/Joint Seal	1-B4TZ 4710-A 1-C1TT 4841-E	Cap Yoke	1-B4QH 4819-B	Washer			
80	★ D0HZ 4606-K	D0HZ 4385-K	2-D3HZ 4635-A 1-B4QH 4820-B	U/Joint Seal	1-B4TZ 4710-A 1-C1TT 4841-E	Cap Yoke	1-B4QH 4819-B	Washer			

1980/  
TRUCK SERIES 600/900

DRIVE and COUPLING SHAFT COMPONENT PARTS LISTS												
YEAR	COMPLETE SHAFT ASSEMBLY	OPTIONAL COMPONENTS FOR COMPLETE SHAFT ASSEMBLY										
		SHAFT SUB-ASSEMBLY	RELATED PARTS FOR USE WITH SHAFT SUB-ASSEMBLY									
80/81	★ D1HZ 4606-C	D1HZ 4385-C	1-D1HZ 4342-B	Washer	1-D1HZ 4343-B	Seal	2-D3TZ 4635-B	U/Joint	1-D1HZ 4710-B	Cap	1-D0HZ 4841-A	Yoke
80/81	★ D3HZ 4606-A	D3HZ 4385-A	1-D1HZ 4342-B	Washer	1-D1HZ 4343-B	Seal	2-D3TZ 4635-B	U/Joint	1-D1HZ 4710-B	Cap	1-D0HZ 4841-A	Yoke
80/81	★ D4HA 4606-AA	D5HZ 4385-A	1-D4HZ 4342-B	Washer	1-D4HZ 4343-C	Seal	2-D3HZ 4635-A	U/Joint	1-D4HZ 4710-A	Cap	1-D4HZ 4841-B	Yoke
80/81	★ D4HZ 4606-A	D4HZ 4385-E	1-D4HZ 4342-B	Washer	1-D4HZ 4343-C	Seal	2-D3HZ 4635-A	U/Joint	1-D4HZ 4710-A	Cap	1-D4HZ 4841-B	Yoke
80	★ D4HZ 4606-H	D4HZ 4385-B	1-D4HZ 4342-B	Washer	1-D4HZ 4343-C	Seal	2-D3HZ 4635-A	U/Joint	1-D4HZ 4710-A	Cap	1-D4HZ 4841-B	Yoke
80	★ D4HZ 4606-J	D4HZ 4385-C	1-D4HZ 4342-B	Washer	1-D4HZ 4343-C	Seal	2-D3HZ 4635-A	U/Joint	1-D4HZ 4710-A	Cap	1-D4HZ 4841-B	Yoke
81	★ E1HT 4606-AA	E1HZ 4385-A	1-E1HZ 4342-A	Washer	1-E1HZ 4343-A	Seal	2-D3TZ 4635-A	U/Joint	1-E1HZ 4710-A	Cap	1-E1HZ 4841-A	Yoke

DRIVE and COUPLING SHAFT COMPONENT PARTS LISTS												
YEAR	COMPLETE SHAFT ASSEMBLY	OPTIONAL COMPONENTS FOR COMPLETE SHAFT ASSEMBLY										
		SHAFT SUB-ASSEMBLY	RELATED PARTS FOR USE WITH SHAFT SUB-ASSEMBLY									

COUPLING SHAFT and INTERMEDIATE COUPLING SHAFT PARTS LISTS

Notes: \$ Not included in 4817 assy. @ Use 383952-S bolt (7/8"-14 x 1 1/2")  
 † Use 383951-S2 bolt (3/4"-16-1 1/2") and 34797-S2 lockwasher △ Includes bearing, retainer and sleeve  
 % Use 304771-S2 bolt (3/4"-16-1 1/2") and 34797-S2 lock washer  
 ⊕ Use 383951-S2 bolt (3/4"-16-1 1/2")

NOTE 1- Coupling shaft does not require support bearing collar-(discard)  
 NOTE 2- Coupling shaft requires one of the two bearing baffles-(discard one only)

80/81	★ C8HA 4817-ED	E0HZ 4816-FM	1-C1TZ 4635-A	U/Joint	1-D4TZ 4800-C	Support assy. (center bearing)
80/81	★ C8HA 4817-FD	D5HZ 4816-BH	1-C1TZ 4635-A	U/Joint	1-D4TZ 4800-C	Support assy. (center bearing)
80/81	★ C8HZ 4817-DG	C8HZ 4816-DG	1-B4TZ 4635-G	U/Joint	1-\$B5Q 4865-B	Flange
80/81	★ C8TA 4817-FG	E0HZ 4816-FC	1-C1TZ 4635-A	U/Joint	1-D4TZ 4800-C	Support assy. (center bearing)
80	★ C8TA 4817-FK	D9TZ 4816-C	1-C1TZ 4635-A	U/Joint	1-D4TZ 4800-C	Support assy. (center bearing)
80/81	★ C8TA 4817-FM	E0TZ 4816-A	1-C1TZ 4635-A	U/Joint	1-C1TT 4865-B	Flange
80/81	★ C8TA 4817-KD	D9HZ 4816-EE	1-C5TZ 4635-G	U/Joint	1-△D0TZ 4840-A	Bearing (coupling shaft support)
			1-C5TZ 4805-A	Bearing baffle	1-C8HZ 4865-A	Flange
			1-D0TZ 4808-A	Center support		
80	★ C8TZ 4817-CZ	C8TZ 4816-CZ	1-C1TZ 4635-A	U/Joint	1-C1TT 4865-B	Flange
80/81	★ C9HA 4817-H	D9HZ 4816-DA	1-C5TZ 4635-G	U/Joint	1-D0TZ 4808-A	Center support
			1-C5TZ 4805-A	Bearing baffle	1-△D0TZ 4840-A	Bearing (coupling shaft support)
80/89	★ C9HZ 4817-F	C9HZ 4816-F	1-C1TZ 4635-A	U/Joint	1-D4TZ 4800-C	Support assy. (center bearing)
80/81	★ C9HZ 4817-D	C9HZ 4816-D	1-C1TZ 4635-A	U/Joint	1-D4TZ 4800-C	Support assy. (center bearing)
80/81	★ C9TA 4817-AB	D9HZ 4816-DM	1-C5TZ 4635-G	U/Joint	1-D0TZ 4808-A	Center support
			1-C5TZ 4805-A	Bearing baffle	1-△D0TZ 4840-A	Bearing (coupling shaft support)
80/83	★ C9TZ 4817-B	C9TZ 4816-B	1-C1TZ 4635-A	U/Joint	1-C1TT 4865-B	Flange
			1-D4TZ 4800-C	Support assy. (center bearing)		
80/81	★ C9TZ 4817-T	C9TZ 4816-T	1-C1TZ 4635-A	U/Joint	1-D4TZ 4800-C	Support assy. (center bearing)
80/81	★ C9TZ 4817-Z	C9TZ 4816-Z	1-C1TZ 4635-A	U/Joint	1-D4TZ 4800-C	Support assy. (center bearing)
80/81	★ C9TZ 4817-BL	C9TZ 4816-BU	1-C5TZ 4635-G	U/Joint	1-D0TZ 4808-A	Center support
			1-C5TZ 4805-A	Bearing baffle	1-△D0TZ 4840-A	Bearing (coupling shaft support)
80/81	★ C9TZ 4817-BW	C9TZ 4816-BW	1-C5TZ 4635-G	U/Joint	1-D0TZ 4808-A	Center support
			1-C5TZ 4805-A	Bearing baffle	1-△D0TZ 4840-A	Bearing (coupling shaft support)
80/81	★ D0HA 4817-FE	D9HZ 4816-DP	1-C5TZ 4635-G	U/Joint	1-D0TZ 4808-A	Center support
			1-C5TZ 4805-A	Bearing baffle	1-△D0TZ 4840-A	Bearing (coupling shaft support)
80/81	★ D0HZ 4817-D	D0HZ 4816-D	1-C5TZ 4635-G	U/Joint	1-△D0TZ 4840-A	Bearing (coupling shaft support)
			1-C5TZ 4805-A	Bearing baffle	1-C8HZ 4865-A	Flange
			1-D0TZ 4808-A	Center support		

**1980/  
TRUCK SERIES 600/900**

DRIVE and COUPLING SHAFT COMPONENT PARTS LISTS										
YEAR	COMPLETE SHAFT ASSEMBLY	OPTIONAL COMPONENTS FOR COMPLETE SHAFT ASSEMBLY								
		SHAFT SUB-ASSEMBLY		RELATED PARTS FOR USE WITH SHAFT SUB-ASSEMBLY						
<b>COUPLING SHAFT and INTERMEDIATE COUPLING SHAFT PARTS LISTS — Cont'd</b>										
Notes:      \$ Not included in 4817 Assy. @ Use 383952-S bolt (7/8"-14 x 1 1/2")										
† Use 383951-S2 bolt (3/4"-16-1 1/2") and 34797-S2 lockwasher △ Includes bearing, retainer and sleeve										
% Use 304771-S2 bolt (3/4"-16-1 1/2") and 34797-S2 lock washer										
⊕ Use 383951-S2 bolt (3/4"-16-1 1/2")										
NOTE 1-      Coupling shaft does not require support bearing collar-(discard)										
NOTE 2-      Coupling shaft requires one of the two bearing baffles-(discard one only)										
80/81	★ DOHZ	4817-J	DOHZ	4816-J	1-C5TZ	4635-G	U/Joint	1-ΔD0TZ	4840-A	Bearing (coupling shaft support)
					1-C5TZ	4805-A	Bearing baffle	1-C8HZ	4865-A	Flange
					1-D0TZ	4808-A	Center support			
80/81	★ DOHZ	4817-K	DOHZ	4816-K	1-C5TZ	4635-G	U/Joint	1-D0TZ	4808-A	Center support
					1-C5TZ	4805-A	Bearing baffle	1-ΔD0TZ	4840-A	Bearing (coupling shaft support)
80/81	★ DOHZ	4817-AB	DOHZ	4816-AB	1-C5TZ	4635-G	U/Joint	1-D0TZ	4808-A	Center support
					1-C5TZ	4805-A	Bearing baffle	1-ΔD0TZ	4840-A	Bearing (coupling shaft support)
80/81	★ DOHZ	4817-AD	DOHZ	4816-AD	1-C5TZ	4635-G	U/Joint	1-D0TZ	4808-A	Center support
					1-C5TZ	4805-A	Bearing baffle	1-ΔD0TZ	4840-A	Bearing (coupling shaft support)
80/89	★ DOHZ	4817-AT	DOHZ	4816-AT	1-C1TZ	4635-A	U/Joint	1-C1TT	4865-B	Flange
					1-D4TZ	4800-C	Support Assy. (center bearing)			
82/89	★ DOHZ	4817-AU	DOHZ	4816-AU	1-C1TZ	4635-A	U/Joint	1-C1TT	4865-B	Flange
					1-D4TZ	4800-C	Support Assy. (center bearing)			
86		DOHZ	DOHZ	4816-AV	1-D3TZ	4635-B	U/Joint	1-C6TZ	4865-B	Flange
					1-D4TZ	4800-G	Support Assy. (center bearing)			
80/89	★ DOHZ	4817-DD	DOHZ	4816-DD	1-C1TZ	4635-A	U/Joint	1-D4TZ	4800-C	Support Assy. (center bearing)
80/89	★ DOHZ	4817-DE	DOHZ	4816-DE	1-C1TZ	4635-A	U/Joint	1-D4TZ	4800-C	Support Assy. (center bearing)
80/89	★ DOHZ	4817-DF	DOHZ	4816-DF	1-C1TZ	4635-A	U/Joint	1-D4TZ	4800-C	Support Assy. (center bearing)
80/89	★ DOHZ	4817-DG	DOHZ	4816-DG	1-C1TZ	4635-A	U/Joint	1-D4TZ	4800-C	Support Assy. (center bearing)
80/89	★ DOHZ	4817-DH	DOHZ	4816-DH	1-C1TZ	4635-A	U/Joint	1-D4TZ	4800-C	Support Assy. (center bearing)
80/89	★ DOHZ	4817-DJ	DOHZ	4816-DJ	1-C1TZ	4635-A	U/Joint	1-D4TZ	4800-C	Support Assy. (center bearing)
80/89	★ DOHZ	4817-DK	DOHZ	4816-DK	1-C1TZ	4635-A	U/Joint	1-D4TZ	4800-C	Support Assy. (center bearing)
80/81	★ DOHZ	4817-EA	DOHZ	4816-EA	1-C1TZ	4635-A	U/Joint	1-C1TT	4865-B	Flange
					1-D4TZ	4800-C	Support Assy. (center bearing)			
80/81	★ DOHZ	4817-EB	DOHZ	4816-EB	1-C1TZ	4635-A	U/Joint	1-C1TT	4865-B	Flange
					1-D4TZ	4800-C	Support Assy. (center bearing)			
80/89	★ DOHZ	4817-EC	DOHZ	4816-EC	1-C1TZ	4635-A	U/Joint	1-C1TT	4865-B	Flange
					1-D4TZ	4800-C	Support Assy. (center bearing)			
80/89	★ DOHZ	4817-EE	DOHZ	4816-EE	1-C1TZ	4635-A	U/Joint	1-D4TZ	4800-C	Support Assy. (center bearing)
82/89	★ DOHZ	4817-EF	DOHZ	4816-EF	1-C1TZ	4635-A	U/Joint	1-D4TZ	4800-C	Support Assy. (center bearing)
80/89	★ DOHZ	4817-EG	DOHZ	4816-EG	1-C1TZ	4635-A	U/Joint	1-D4TZ	4800-C	Support Assy. (center bearing)
80/89	★ DOHZ	4817-EH	DOHZ	4816-EH	1-C1TZ	4635-A	U/Joint	1-D4TZ	4800-C	Support Assy. (center bearing)
80/89	★ DOHZ	4817-EJ	DOHZ	4816-EJ	1-C1TZ	4635-A	U/Joint	1-D4TZ	4800-C	Support Assy. (center bearing)
80/81	★ DOHZ	4817-EK	DOHZ	4816-EK	1-C1TZ	4635-A	U/Joint	1-D4TZ	4800-C	Support Assy. (center bearing)
80/89	★ DOHZ	4817-EL	DOHZ	4816-EL	1-C1TZ	4635-A	U/Joint	1-D4TZ	4800-C	Support Assy. (center bearing)
80/81	★ DOHZ	4817-EM	DOHZ	4816-EM	1-C1TZ	4635-A	U/Joint	1-D4TZ	4800-C	Support Assy. (center bearing)
80/81	★ DOHZ	4817-ES	DOHZ	4816-ES	1-C1TZ	4635-A	U/Joint	1-D4TZ	4800-C	Support Assy. (center bearing)
80/89	★ DOHZ	4817-ET	DOHZ	4816-ET	1-C1TZ	4635-A	U/Joint	1-D4TZ	4800-C	Support Assy. (center bearing)
80/89	★ DOHZ	4817-EV	DOHZ	4816-EV	1-C1TZ	4635-A	U/Joint	1-D4TZ	4800-C	Support Assy. (center bearing)
80/81	★ DOHZ	4817-FC	DOHZ	4816-FC	1-B4TZ	4635-G	U/Joint	1-\$B5Q	4865-B	Flange
					1-D4TZ	4800-C	Support Assy. (center bearing)			
80/81	★ D0TZ	4817-G	D0TZ	4816-G	1-C5TZ	4635-G	U/Joint	1-D0TZ	4808-A	Center support
					1-C5TZ	4805-A	Bearing baffle	1-ΔD0TZ	4840-A	Bearing (coupling shaft support)
80/89	★ D0TZ	4817-Y	D0TZ	4816-Y	1-C1TZ	4635-A	U/Joint	1-D4TZ	4800-C	Support Assy. (center bearing)
80/89	★ D1HZ	4817-E	D1HZ	4816-E	1-C1TZ	4635-A	U/Joint	1-D4TZ	4800-C	Support Assy. (center bearing)
80/81	★ D1TZ	4817-H	D1TZ	4816-H	1-C5TZ	4635-G	U/Joint	1-ΔD0TZ	4840-A	Bearing (coupling shaft support)
					1-C5TZ	4805-A	Bearing baffle	1-C8HZ	4865-A	Flange
					1-D0TZ	4808-A	Center support			
80/81	★ D1TZ	4817-K	D1TZ	4816-K	1-C1TZ	4635-A	U/Joint	1-D4TZ	4800-C	Support Assy. (center bearing)
80/81	★ D1TZ	4817-Y	D1TZ	4816-Y	1-C1TZ	4635-A	U/Joint	1-D4TZ	4800-C	Support Assy. (center bearing)

**1980/  
TRUCK SERIES 600/900**

DRIVE and COUPLING SHAFT COMPONENT PARTS LISTS			
YEAR	COMPLETE SHAFT ASSEMBLY	OPTIONAL COMPONENTS FOR COMPLETE SHAFT ASSEMBLY	
		SHAFT SUB-ASSEMBLY	RELATED PARTS FOR USE WITH SHAFT SUB-ASSEMBLY

**COUPLING SHAFT and INTERMEDIATE COUPLING SHAFT PARTS LISTS — Cont'd**

**Notes:**      \$ Not included in 4817 assy. @ Use 383952-S bolt (7/8"-14 x 1 1/2")  
                  † Use 383951-S2 bolt (3/4"-16-1 1/2") and 34797-S2 lockwasher △ Includes bearing, retainer and sleeve  
                  % Use 304771-S2 bolt (3/4"-16-1 1/2") and 34797-S2 lock washer  
                  ⊕ Use 383951-S2 bolt (3/4"-16-1 1/2")

**NOTE 1-**      Coupling shaft does not require support bearing collar-(discard)  
**NOTE 2-**      Coupling shaft requires one of the two bearing baffles-(discard one only)

80/89	★ D2HA	4817-DHA	D8HZ	4816-DJ	1-D2HZ	4635-A	U/Joint	1-D4TZ	4800-J	Support assy. (center bearing)
					1-D3HZ	4637-A	Washer	1-D2HZ	4865-A	Flange
80/89	★ D2HA	4817-DKA	D8HZ	4816-DK	1-D2HZ	4635-A	U/Joint	1-D4TZ	4800-J	Support assy. (center bearing)
					1-D3HZ	4637-A	Washer	1-D2HZ	4865-A	Flange
80/89	★ D2HA	4817-DLA	D5HZ	4816-ABB	1-D2HZ	4635-A	U/Joint	1-D4TZ	4800-J	Support assy. (center bearing)
					1-D3HZ	4637-A	Washer	1-D2HZ	4865-A	Flange
80/83	★ D2HA	4817-DMA	D8HZ	4816-AE	1-D2HZ	4635-A	U/Joint	1-D4TZ	4800-J	Support assy. (center bearing)
					1-D3HZ	4637-A	Washer	1-D2HZ	4865-A	Flange
80/89	★ D2HA	4817-DNA	E0HZ	4816-ER	1-D2HZ	4635-A	U/Joint	1-D4TZ	4800-J	Support assy. (center bearing)
					1-D3HZ	4637-A	Washer	1-D2HZ	4865-A	Flange
80/	★ D2HA	4817-DRA	D5HZ	4816-ABA	1-D2HZ	4635-A	U/Joint	1-D4TZ	4800-J	Support assy. (center bearing)
					1-D3HZ	4637-A	Washer	1-D2HZ	4865-A	Flange
86/89	D2HA	4817-FHA	D8HZ	4816-AB	1-D3TZ	4635-B	U/Joint	1-C6TZ	4865-B	Flange
					1-D4TZ	4800-G	Support assy. (center bearing)			
86/89	★ D2HA	4817-FJA	E6HZ	4816-F	1-D3TZ	4635-B	U/Joint	1-C6TZ	4865-B	Flange
					1-D4TZ	4800-G	Support assy. (center bearing)			
80/81	★ D2HA	4817-FLA	E0HZ	4816-EU	1-D3TZ	4635-B	U/Joint	1-C6TZ	4865-B	Flange
					1-D4TZ	4800-G	Support assy. (center bearing)			
80/89	★ D2HA	4817-FMA	D8HZ	4816-AC	1-D3TZ	4635-B	U/Joint	1-C6TZ	4865-B	Flange
					1-D4TZ	4800-G	Support assy. (center bearing)			
86/89	D2HA	4817-FNA	D6HZ	4816-AG	1-D3TZ	4635-B	U/Joint	1-C6TZ	4865-B	Flange
					1-D4TZ	4800-G	Support assy. (center bearing)			
80/82	★ D2HA	4817-FRA	D6HZ	4816-AH	1-D3TZ	4635-B	U/Joint	1-C6TZ	4865-B	Flange
					1-D4TZ	4800-G	Support assy. (center bearing)			
80/83	★ D2HA	4817-GEA	D8HZ	4816-CJ	1-D3TZ	4635-B	U/Joint	1-C6TZ	4865-B	Flange
					1-D4TZ	4800-G	Support assy. (center bearing)			
86/89	★ D2HA	4817-GFA	E6HZ	4816-N	1-D3TZ	4635-B	U/Joint	1-C6TZ	4865-B	Flange
					1-D4TZ	4800-G	Support assy. (center bearing)			
80/89	★ D2HA	4817-GGA	D8HZ	4816-CK	1-D3TZ	4635-B	U/Joint	1-C6TZ	4865-B	Flange
					1-D4TZ	4800-G	Support assy. (center bearing)			
86/89	★ D2HA	4817-GHA	E6HZ	4816-H	1-D3TZ	4635-B	U/Joint	1-C6TZ	4865-B	Flange
					1-D4TZ	4800-G	Support assy. (center bearing)			
80/89	★ D2HZ	4817-E	D2HZ	4816-E	1-C1TZ	4635-A	U/Joint	1-C1TT	4865-B	Flange
					1-D4TZ	4800-C	Support assy. (center bearing)			
80	★ D2HZ	4817-J	D2HZ	4816-J	1-D3TZ	4635-B	U/Joint	1-C6TZ	4865-B	Flange
					1-D4TZ	4800-G	Support assy. (center bearing)			
80/89	★ D2HZ	4817-L	D2HZ	4816-L	1-D2HZ	4635-A	U/Joint	1-D4TZ	4800-J	Support assy. (center bearing)
					1-D3HZ	4637-A	Washer	1-D2HZ	4865-A	Flange
80	★ D2HZ	4817-AH	D2HZ	4816-AH	1-C1TZ	4635-A	U/Joint	1-D4TZ	4800-C	Support assy. (center bearing)
82/82	★ D2TZ	4817-N	D2TZ	4816-N	1-C1TZ	4635-A	U/Joint	1-C1TT	4865-B	Flange
					1-D4TZ	4800-C	Support assy. (center bearing)			
80/81	★ D2TZ	4817-R	D2TZ	4816-R	1-C1TZ	4635-A	U/Joint	1-D4TZ	4800-C	Support assy. (center bearing)
80/81	★ D2TZ	4817-W	D2TZ	4816-W	1-C1TZ	4635-A	U/Joint	1-D4TZ	4800-C	Support assy. (center bearing)
80/81	★ D2TZ	4817-Y	D2TZ	4816-Y	1-D3TZ	4635-B	U/Joint	1-C6TZ	4865-B	Flange
					1-D4TZ	4800-G	Support assy. (center bearing)			
80/82	★ D3HA	4817-ANA	D4HZ	4816-J	1-D3TZ	4635-B	U/Joint	1-C6TZ	4865-B	Flange
					1-D4TZ	4800-G	Support assy. (center bearing)			
80/89	★ D3HA	4817-ARA	D4HZ	4816-CK	1-D3TZ	4635-B	U/Joint	1-C6TZ	4865-B	Flange
					1-D4TZ	4800-G	Support assy. (center bearing)			

1980/  
TRUCK SERIES 600/900

DRIVE and COUPLING SHAFT COMPONENT PARTS LISTS						
YEAR	COMPLETE SHAFT ASSEMBLY	OPTIONAL COMPONENTS FOR COMPLETE SHAFT ASSEMBLY				
		SHAFT SUB-ASSEMBLY	RELATED PARTS FOR USE WITH SHAFT SUB-ASSEMBLY			

COUPLING SHAFT and INTERMEDIATE COUPLING SHAFT PARTS LISTS — Cont'd

Notes: \$ Not included in 4817 assy. @ Use 383952-S bolt (7/8"-14 x 1 1/2")  
 † Use 383951-S2 bolt (3/4"-16-1 1/2") and 34797-S2 lockwasher Δ Includes bearing, retainer and sleeve  
 % Use 304771-S2 bolt (3/4"-16-1 1/2") and 34797-S2 lock washer  
 ⊕ Use 383951-S2 bolt (3/4"-16-1 1/2")

NOTE 1- Coupling shaft does not require support bearing collar-(discard)  
 NOTE 2- Coupling shaft requires one of the two bearing baffles-(discard one only)

80/82	★ D3HA	4817-ASA	D4HZ	4816-CL	1-D3TZ	4635-B	U/Joint	1-C6TZ	4865-B	Flange
					1-D4TZ	4800-G	Support assy. (center bearing)			
80/81	★ D3HA	4817-ATA	D8HZ	4816-AG	1-D3TZ	4635-B	U/Joint	1-C6TZ	4865-B	Flange
					1-D4TZ	4800-G	Support assy. (center bearing)			
80/82	★ D3HA	4817-AUA	D4HZ	4816-CM	1-D3TZ	4635-B	U/Joint	1-C6TZ	4865-B	Flange
					1-D4TZ	4800-G	Support assy. (center bearing)			
80/89	★ D3HA	4817-AVA	D4HZ	4816-CN	1-D3TZ	4635-B	U/Joint	1-C6TZ	4865-B	Flange
					1-D4TZ	4800-G	Support assy. (center bearing)			
80/89	★ D3HA	4817-AYA	D3HZ	4816-C	1-D3TZ	4635-B	U/Joint	1-C6TZ	4865-B	Flange
					1-D4TZ	4800-G	Support assy. (center bearing)			
80/89	★ D3HA	4817-AZA	D3HZ	4816-D	1-D3TZ	4635-B	U/Joint	1-C6TZ	4865-B	Flange
					1-D4TZ	4800-G	Support assy. (center bearing)			
80/82	★ D3HA	4817-BAA	D3HZ	4816-E	1-D3TZ	4635-B	U/Joint	1-C6TZ	4865-B	Flange
					1-D4TZ	4800-G	Support assy. (center bearing)			
80	★ D3HA	4817-BBA	D8HZ	4816-AF	1-D3TZ	4635-B	U/Joint	1-C6TZ	4865-B	Flange
					1-D4TZ	4800-G	Support assy. (center bearing)			
80/82	★ D3HA	4817-BCA	D3HZ	4816-F	1-D3TZ	4635-B	U/Joint	1-C6TZ	4865-B	Flange
					1-D4TZ	4800-G	Support assy. (center bearing)			
80/82	★ D3HA	4817-BDA	D3HZ	4816-G	1-D3TZ	4635-B	U/Joint	1-C6TZ	4865-B	Flange
					1-D4TZ	4800-G	Support assy. (center bearing)			
80/82	★ D3HA	4817-BEA	D3HZ	4816-H	1-D3TZ	4635-B	U/Joint	1-C6TZ	4865-B	Flange
					1-D4TZ	4800-G	Support assy. (center bearing)			
80/89	★ D3HA	4817-BFA	D4HZ	4816-CP	1-D3TZ	4635-B	U/Joint	1-C6TZ	4865-B	Flange
					1-D4TZ	4800-G	Support assy. (center bearing)			
80/82	★ D3HA	4817-BGA	D4HZ	4816-J	1-D3TZ	4635-B	U/Joint	1-C6TZ	4865-B	Flange
					1-D4TZ	4800-G	Support assy. (center bearing)			
80/82	★ D3HA	4817-BHA	D4HZ	4816-K	1-D3TZ	4635-B	U/Joint	1-C6TZ	4865-B	Flange
					1-D4TZ	4800-G	Support assy. (center bearing)			
80/89	★ D3HA	4817-BJA	D4HZ	4816-L	1-D3TZ	4635-B	U/Joint	1-C6TZ	4865-B	Flange
					1-D4TZ	4800-G	Support assy. (center bearing)			
80/82	★ D3HA	4817-BKA	D4HZ	4816-M	1-D3TZ	4635-B	U/Joint	1-C6TZ	4865-B	Flange
					1-D4TZ	4800-G	Support assy. (center bearing)			
80/82	★ D3HA	4817-BLA	D4HZ	4816-N	1-D3TZ	4635-B	U/Joint	1-C6TZ	4865-B	Flange
					1-D4TZ	4800-G	Support assy. (center bearing)			
80/89	★ D3HA	4817-BMA	D4HZ	4816-P	1-D3TZ	4635-B	U/Joint	1-C6TZ	4865-B	Flange
					1-D4TZ	4800-G	Support assy. (center bearing)			
80/89	★ D3HA	4817-BNA	D4HZ	4816-CS	1-D3TZ	4635-B	U/Joint	1-C6TZ	4865-B	Flange
					1-D4TZ	4800-G	Support assy. (center bearing)			
80/89	★ D3HA	4817-BRA	D4HZ	4816-CT	1-D3TZ	4635-B	U/Joint	1-C6TZ	4865-B	Flange
					1-D4TZ	4800-G	Support assy. (center bearing)			
80/89	★ D3HA	4817-BSA	D4HZ	4816-CU	1-D3TZ	4635-B	U/Joint	1-C6TZ	4865-B	Flange
					1-D4TZ	4800-G	Support assy. (center bearing)			
80/89	★ D3HA	4817-BTA	D4HZ	4816-CV	1-D3TZ	4635-B	U/Joint	1-C6TZ	4865-B	Flange
					1-D4TZ	4800-G	Support assy. (center bearing)			
80/89	★ D3HA	4817-BUA	D4HZ	4816-CW	1-D3TZ	4635-B	U/Joint	1-C6TZ	4865-B	Flange
					1-D4TZ	4800-G	Support assy. (center bearing)			
80/89	★ D3HA	4817-BVA	D4HZ	4816-CX	1-D3TZ	4635-B	U/Joint	1-C6TZ	4865-B	Flange
					1-D4TZ	4800-G	Support assy. (center bearing)			
80/89	★ D3HA	4817-BYA	D4HZ	4816-CY	1-D3TZ	4635-B	U/Joint	1-C6TZ	4865-B	Flange
					1-D4TZ	4800-G	Support assy. (center bearing)			



1980/  
TRUCK SERIES 600/900

DRIVE and COUPLING SHAFT COMPONENT PARTS LISTS									
YEAR	COMPLETE SHAFT ASSEMBLY	OPTIONAL COMPONENTS FOR COMPLETE SHAFT ASSEMBLY							
		SHAFT SUB-ASSEMBLY	RELATED PARTS FOR USE WITH SHAFT SUB-ASSEMBLY						

COUPLING SHAFT and INTERMEDIATE COUPLING SHAFT PARTS LISTS — Cont'd

Notes:      \$ Not included in 4817 assy. @ Use 383952-S bolt (7/8"-14 x 1 1/2")  
              † Use 383951-S2 bolt (3/4"-16-1 1/2") and 34797-S2 lockwasher △ Includes bearing, retainer and sleeve  
              % Use 304771-S2 bolt (3/4"-16-1 1/2") and 34797-S2 lock washer  
              ⊕ Use 383951-S2 bolt (3/4"-16-1 1/2")

NOTE 1-      Coupling shaft does not require support bearing collar-(discard)  
 NOTE 2-      Coupling shaft requires one of the two bearing baffles-(discard one only)

80/89	★ D3HA	4817-BZA	D4HZ	4816-CZ	1-D3TZ	4635-B	U/Joint	1-C6TZ	4865-B	Flange
					1-D4TZ	4800-G	Support assy. (center bearing)			
80/89	★ D3HA	4817-CAA	D4HZ	4816-DA	1-D3TZ	4635-B	U/Joint	1-C6TZ	4865-B	Flange
					1-D4TZ	4800-G	Support assy. (center bearing)			
80/89	★ D3HA	4817-CBA	D4HZ	4816-DB	1-D3TZ	4635-B	U/Joint	1-C6TZ	4865-B	Flange
					1-D4TZ	4800-G	Support assy. (center bearing)			
80/85	★ D3HA	4817-CCA	D8HZ	4816-L	1-D3TZ	4635-B	U/Joint	1-C6TZ	4865-B	Flange
					1-D4TZ	4800-G	Support assy. (center bearing)			
80/89	★ D3HA	4817-CDA	D4HZ	4816-DC	1-D3TZ	4635-B	U/Joint	1-C6TZ	4865-B	Flange
					1-D4TZ	4800-G	Support assy. (center bearing)			
80/82	★ D3HA	4817-CEA	D9HZ	4816-HH	1-D3TZ	4635-B	U/Joint	1-C6TZ	4865-B	Flange
					1-D4TZ	4800-G	Support assy. (center bearing)			
80/82	★ D3HA	4817-CFA	D4HZ	4816-DD	1-D3TZ	4635-B	U/Joint	1-C6TZ	4865-B	Flange
					1-D4TZ	4800-G	Support assy. (center bearing)			
80/82	★ D3HA	4817-CHA	D4HZ	4816-DF	1-D3TZ	4635-B	U/Joint	1-C6TZ	4865-B	Flange
					1-D4TZ	4800-G	Support assy. (center bearing)			
80/82	★ D3HA	4817-CLA	D4HZ	4816-DH	1-D3TZ	4635-B	U/Joint	1-C6TZ	4865-B	Flange
					1-D4TZ	4800-G	Support assy. (center bearing)			
80	★ D3HA	4817-CMA	D8HZ	4816-AU	1-D3TZ	4635-B	U/Joint	1-C6TZ	4865-B	Flange
					1-D4TZ	4800-G	Support assy. (center bearing)			
80	★ D3HA	4817-CNA	D4HZ	4816-Q	1-D3TZ	4635-B	U/Joint	1-C6TZ	4865-B	Flange
					1-D4TZ	4800-G	Support assy. (center bearing)			
80/82	★ D3HA	4817-CRA	D5HZ	4816-BG	1-D3TZ	4635-B	U/Joint	1-C6TZ	4865-B	Flange
					1-D4TZ	4800-G	Support assy. (center bearing)			
80	★ D3HA	4817-CSA	D4HZ	4816-R	1-D3TZ	4635-B	U/Joint	1-C6TZ	4865-B	Flange
					1-D4TZ	4800-G	Support assy. (center bearing)			
80/82	★ D3HA	4817-CTA	D8HZ	4816-M	1-D3TZ	4635-B	U/Joint	1-C6TZ	4865-B	Flange
					1-D4TZ	4800-G	Support assy. (center bearing)			
80/82	★ D3HA	4817-CVA	D4HZ	4816-DJ	1-D3TZ	4635-B	U/Joint	1-C6TZ	4865-B	Flange
					1-D4TZ	4800-G	Support assy. (center bearing)			
80/82	★ D3HA	4817-CZA	D4HZ	4816-DK	1-D3TZ	4635-B	U/Joint	1-C6TZ	4865-B	Flange
					1-D4TZ	4800-G	Support assy. (center bearing)			
80/82	★ D3HA	4817-DBA	D8HZ	4816-DL	1-D3TZ	4635-B	U/Joint	1-C6TZ	4865-B	Flange
					1-D4TZ	4800-G	Support assy. (center bearing)			
80/82	★ D3HA	4817-DCA	E0HZ	4816-CS	1-D3TZ	4635-B	U/Joint	1-C6TZ	4865-B	Flange
					1-D4TZ	4800-G	Support assy. (center bearing)			
81	★ D3HA	4817-DDA	E1HZ	4816-HM	1-D3TZ	4635-B	U/Joint	1-C6TZ	4865-B	Flange
					1-D4TZ	4800-G	Support assy. (center bearing)			
80/82	★ D3HA	4817-DGA	E0HZ	4816-HN	1-D3TZ	4635-B	U/Joint	1-C6TZ	4865-B	Flange
					1-D4TZ	4800-G	Support assy. (center bearing)			
80/82	★ D3HA	4817-DHA	D8HZ	4816-CL	1-D3TZ	4635-B	U/Joint	1-C6TZ	4865-B	Flange
					1-D4TZ	4800-G	Support assy. (center bearing)			
80/82	★ D3HA	4817-DJA	D8HZ	4816-CM	1-D3TZ	4635-B	U/Joint	1-C6TZ	4865-B	Flange
					1-D4TZ	4800-G	Support assy. (center bearing)			
80/82	★ D3HA	4817-DKA	D7HZ	4816-AL	1-D3TZ	4635-B	U/Joint	1-C6TZ	4865-B	Flange
					1-D4TZ	4800-G	Support assy. (center bearing)			

**1980/  
TRUCK SERIES 600/900**

**DRIVE and COUPLING SHAFT COMPONENT PARTS LISTS**

YEAR	COMPLETE SHAFT ASSEMBLY	OPTIONAL COMPONENTS FOR COMPLETE SHAFT ASSEMBLY					
		SHAFT SUB-ASSEMBLY		RELATED PARTS FOR USE WITH SHAFT SUB-ASSEMBLY			

**COUPLING SHAFT and INTERMEDIATE COUPLING SHAFT PARTS LISTS — Cont'd**

**Notes:**      \$ Not included in 4817 assy. @ Use 383952-S bolt (7/8"-14 x 1 1/2")  
                  † Use 383951-S2 bolt (3/4"-16-1 1/2") and 34797-S2 lockwasher △ Includes bearing, retainer and sleeve  
                  % Use 304771-S2 bolt (3/4"-16-1 1/2") and 34797-S2 lock washer  
                  ⊕ Use 383951-S2 bolt (3/4"-16-1 1/2")

**NOTE 1-**      Coupling shaft does not require support bearing collar-(discard)

**NOTE 2-**      Coupling shaft requires one of the two bearing baffles-(discard one only)

80/82	★ D3HA	4817-DLA	D8HZ	4816-DH	1-D3TZ	4635-B	U/Joint	1-C6TZ	4865-B	Flange
					1-D4TZ	4800-G	Support assy. (center bearing)			
80/82	★ D3HA	4817-DMA	E0HZ	4816-HP	1-D3TZ	4635-B	U/Joint	1-C6TZ	4865-B	Flange
					1-D4TZ	4800-G	Support assy. (center bearing)			
80/82	★ D3HA	4817-DRA	D4HZ	4816-CQ	1-D3TZ	4635-B	U/Joint	1-C6TZ	4865-B	Flange
					1-D4TZ	4800-G	Support assy. (center bearing)			
80/89	★ D3HA	4817-DSA	D7HZ	4816-A	1-D3TZ	4635-B	U/Joint	1-C6TZ	4865-B	Flange
					1-D4TZ	4800-G	Support assy. (center bearing)			
80/82	★ D3HA	4817-DTA	D8HZ	4816-CN	1-D3TZ	4635-B	U/Joint	1-C6TZ	4865-B	Flange
					1-D4TZ	4800-G	Support assy. (center bearing)			
80/82	★ D3HA	4817-DUA	E0HZ	4816-HR	1-D3TZ	4635-B	U/Joint	1-C6TZ	4865-B	Flange
					1-D4TZ	4800-G	Support assy. (center bearing)			
80/82	★ D3HA	4817-DVA	D4HZ	4816-CR	1-D3TZ	4635-B	U/Joint	1-C6TZ	4865-B	Flange
					1-D4TZ	4800-G	Support assy. (center bearing)			
86/89	★ D3HA	4817-DYA	E6HZ	4816-J	1-D3TZ	4635-B	U/Joint	1-C6TZ	4865-B	Flange
					1-D4TZ	4800-G	Support assy. (center bearing)			
80/89	★ D3HA	4817-DZA	D7HZ	4816-AJ	1-D3TZ	4635-B	U/Joint	1-C6TZ	4865-B	Flange
					1-D4TZ	4800-G	Support assy. (center bearing)			
80/89	★ D3HA	4817-EAA	E0HZ	4816-HS	1-D3TZ	4635-B	U/Joint	1-C6TZ	4865-B	Flange
					1-D4TZ	4800-G	Support assy. (center bearing)			
80/82	★ D3HA	4817-EBA	D8HZ	4816-CP	1-D3TZ	4635-B	U/Joint	1-C6TZ	4865-B	Flange
					1-D4TZ	4800-G	Support assy. (center bearing)			
86/89	★ D3HA	4817-ECA	E6HZ	4816-G	1-D3TZ	4635-B	U/Joint	1-C6TZ	4865-B	Flange
					1-D4TZ	4800-G	Support assy. (center bearing)			
80/89	★ D3HA	4817-EDA	D7HZ	4816-B	1-D3TZ	4635-B	U/Joint	1-C6TZ	4865-B	Flange
					1-D4TZ	4800-G	Support assy. (center bearing)			
81/82	★ D3HA	4817-EEA	E1HZ	4816-DG	1-D3TZ	4635-B	U/Joint	1-C6TZ	4865-B	Flange
					1-D4TZ	4800-G	Support assy. (center bearing)			
80/82	★ D3HA	4817-EFA	D8HZ	4816-N	1-D3TZ	4635-B	U/Joint	1-C6TZ	4865-B	Flange
					1-D4TZ	4800-G	Support assy. (center bearing)			
81/82	★ D3HA	4817-EGA	E1HZ	4816-CP	1-D3TZ	4635-B	U/Joint	1-C6TZ	4865-B	Flange
					1-D4TZ	4800-G	Support assy. (center bearing)			
80/82	★ D3HA	4817-EHA	D8HZ	4816-P	1-D3TZ	4635-B	U/Joint	1-C6TZ	4865-B	Flange
					1-D4TZ	4800-G	Support assy. (center bearing)			
80/82	★ D3HA	4817-EJA	D8HZ	4816-R	1-D3TZ	4635-B	U/Joint	1-C6TZ	4865-B	Flange
					1-D4TZ	4800-G	Support assy. (center bearing)			
89	★ D3HA	4817-EKA	E9HZ	4816-AE	1-D3TZ	4635-B	U/Joint	1-C6TZ	4865-B	Flange
					1-D4TZ	4800-G	Support assy. (center bearing)			
80/82	★ D3HA	4817-EMA	E0HZ	4816-FB	1-D3TZ	4635-B	U/Joint	1-C6TZ	4865-B	Flange
					1-D4TZ	4800-G	Support assy. (center bearing)			
80/82	★ D3HA	4817-EUA	E0HZ	4816-HT	1-D3TZ	4635-B	U/Joint	1-C6TZ	4865-B	Flange
					1-D4TZ	4800-G	Support assy. (center bearing)			
80/82	★ D3HA	4817-EZA	D7HZ	4816-AM	1-D3TZ	4635-B	U/Joint	1-C6TZ	4865-B	Flange
					1-D4TZ	4800-G	Support assy. (center bearing)			
80/82	★ D3HA	4817-FBA	D8HZ	4816-T	1-D3TZ	4635-B	U/Joint	1-C6TZ	4865-B	Flange
					1-D4TZ	4800-G	Support assy. (center bearing)			
81/82	★ D3HA	4817-FEA	E1HZ	4816-CR	1-D3TZ	4635-B	U/Joint	1-C6TZ	4865-B	Flange
					1-D4TZ	4800-G	Support assy. (center bearing)			

1980/  
TRUCK SERIES 600/900

DRIVE and COUPLING SHAFT COMPONENT PARTS LISTS									
YEAR	COMPLETE SHAFT ASSEMBLY	OPTIONAL COMPONENTS FOR COMPLETE SHAFT ASSEMBLY							
		SHAFT SUB-ASSEMBLY		RELATED PARTS FOR USE WITH SHAFT SUB-ASSEMBLY					

COUPLING SHAFT and INTERMEDIATE COUPLING SHAFT PARTS LISTS — Cont'd

Notes:      \$ Not included in 4817 assy. @ Use 383952-S bolt (7/8"-14 x 1 1/2")  
              † Use 383951-S2 bolt (3/4"-16-1 1/2") and 34797-S2 lockwasher △ Includes bearing, retainer and sleeve  
              % Use 304771-S2 bolt (3/4"-16-1 1/2") and 34797-S2 lock washer  
              ⊕ Use 383951-S2 bolt (3/4"-16-1 1/2")

NOTE 1-      Coupling shaft does not require support bearing collar-(discard)  
 NOTE 2-      Coupling shaft requires one of the two bearing baffles-(discard one only)

80/	★ D3HA	4817-FNA	D7HZ	4816-AN	1-D2HZ	4635-A	U/Joint	1-D4TZ	4800-J	Support assy. (center bearing)
					1-D3HZ	4637-A	Washer	1-D2HZ	4865-A	Flange
80/89	★ D3HA	4817-FRA	D4HZ	4816-DL	1-D2HZ	4635-A	U/Joint	1-D4TZ	4800-J	Support assy. (center bearing)
					1-D3HZ	4637-A	Washer	1-D2HZ	4865-A	Flange
80/89	★ D3HA	4817-FSA	D4HZ	4816-DM	1-D2HZ	4635-A	U/Joint	1-D4TZ	4800-J	Support assy. (center bearing)
					1-D3HZ	4637-A	Washer	1-D2HZ	4865-A	Flange
80/89	★ D3HA	4817-FTA	D4HZ	4816-DN	1-D2HZ	4635-A	U/Joint	1-D4TZ	4800-J	Support assy. (center bearing)
					1-D3HZ	4637-A	Washer	1-D2HZ	4865-A	Flange
80/89	★ D3HA	4817-FUA	D8HZ	4816-BW	1-D2HZ	4635-A	U/Joint	1-D4TZ	4800-J	Support assy. (center bearing)
					1-D3HZ	4637-A	Washer	1-D2HZ	4865-A	Flange
80/89	★ D3HA	4817-FVA	D4HZ	4816-DP	1-D2HZ	4635-A	U/Joint	1-D4TZ	4800-J	Support assy. (center bearing)
					1-D3HZ	4637-A	Washer	1-D2HZ	4865-A	Flange
80/	★ D3HA	4817-FYA	D4HZ	4816-DQ	1-D2HZ	4635-A	U/Joint	1-D4TZ	4800-J	Support assy. (center bearing)
					1-D3HZ	4637-A	Washer	1-D2HZ	4865-A	Flange
80/89	★ D3HA	4817-FZA	D6HZ	4816-AK	1-D2HZ	4635-A	U/Joint	1-D4TZ	4800-J	Support assy. (center bearing)
					1-D3HZ	4637-A	Washer	1-D2HZ	4865-A	Flange
80/89	★ D3HA	4817-GAA	D8HZ	4816-AH	1-D2HZ	4635-A	U/Joint	1-D4TZ	4800-J	Support assy. (center bearing)
					1-D3HZ	4637-A	Washer	1-D2HZ	4865-A	Flange
80/89	★ D3HA	4817-GBA	D4HZ	4816-DR	1-D2HZ	4635-A	U/Joint	1-D4TZ	4800-J	Support assy. (center bearing)
					1-D3HZ	4637-A	Washer	1-D2HZ	4865-A	Flange
80	★ D3HA	4817-GCA	D4HZ	4816-DS	1-D2HZ	4635-A	U/Joint	1-D4TZ	4800-J	Support assy. (center bearing)
					1-D3HZ	4637-A	Washer	1-D2HZ	4865-A	Flange
80/89	★ D3HA	4817-GDA	D4HZ	4816-DT	1-D2HZ	4635-A	U/Joint	1-D4TZ	4800-J	Support assy. (center bearing)
					1-D3HZ	4637-A	Washer	1-D2HZ	4865-A	Flange
80/	★ D3HA	4817-GEA	D3HZ	4816-S	1-D2HZ	4635-A	U/Joint	1-D4TZ	4800-J	Support assy. (center bearing)
					1-D3HZ	4637-A	Washer	1-D2HZ	4865-A	Flange
89	★ D3HA	4817-GFA	E9HZ	4816-AF	1-D2HZ	4635-A	U/Joint	1-D4TZ	4800-J	Support assy. (center bearing)
					1-D3HZ	4637-A	Washer	1-D2HZ	4865-A	Flange
80/89	★ D3HA	4817-GGA	D4HZ	4816-DU	1-D2HZ	4635-A	U/Joint	1-D4TZ	4800-J	Support assy. (center bearing)
					1-D3HZ	4637-A	Washer	1-D2HZ	4865-A	Flange
80/89	★ D3HA	4817-GHA	D5HZ	4816-BD	1-D2HZ	4635-A	U/Joint	1-D4TZ	4800-J	Support assy. (center bearing)
					1-D3HZ	4637-A	Washer	1-D2HZ	4865-A	Flange
80/89	★ D3HA	4817-GJA	D4HZ	4816-DV	1-D2HZ	4635-A	U/Joint	1-D4TZ	4800-J	Support assy. (center bearing)
					1-D3HZ	4637-A	Washer	1-D2HZ	4865-A	Flange
80/89	★ D3HA	4817-GKA	D4HZ	4816-DW	1-D2HZ	4635-A	U/Joint	1-D4TZ	4800-J	Support assy. (center bearing)
					1-D3HZ	4637-A	Washer	1-D2HZ	4865-A	Flange
80/	★ D3HA	4817-GLA	D4HZ	4816-DX	1-D2HZ	4635-A	U/Joint	1-D4TZ	4800-J	Support assy. (center bearing)
					1-D3HZ	4637-A	Washer	1-D2HZ	4865-A	Flange
80/	★ D3HA	4817-GMA	D8HZ	4816-S	1-D2HZ	4635-A	U/Joint	1-D4TZ	4800-J	Support assy. (center bearing)
					1-D3HZ	4637-A	Washer	1-D2HZ	4865-A	Flange
80/	★ D3HA	4817-GNA	D5HZ	4816-BE	1-D2HZ	4635-A	U/Joint	1-D4TZ	4800-J	Support assy. (center bearing)
					1-D3HZ	4637-A	Washer	1-D2HZ	4865-A	Flange
80/89	★ D3HA	4817-GRA	D7HZ	4816-C	1-D2HZ	4635-A	U/Joint	1-D4TZ	4800-J	Support assy. (center bearing)
					1-D3HZ	4637-A	Washer	1-D2HZ	4865-A	Flange
80/89	★ D3HA	4817-GSA	D8HZ	4816-Z	1-D2HZ	4635-A	U/Joint	1-D4TZ	4800-J	Support assy. (center bearing)
					1-D3HZ	4637-A	Washer	1-D2HZ	4865-A	Flange

1980/  
TRUCK SERIES 600/900

DRIVE and COUPLING SHAFT COMPONENT PARTS LISTS

YEAR	COMPLETE SHAFT ASSEMBLY	OPTIONAL COMPONENTS FOR COMPLETE SHAFT ASSEMBLY			
		SHAFT SUB-ASSEMBLY	RELATED PARTS FOR USE WITH SHAFT SUB-ASSEMBLY		

COUPLING SHAFT and INTERMEDIATE COUPLING SHAFT PARTS LISTS — Cont'd

Notes: \$ Not included in 4817 assy. @ Use 383952-S bolt (7/8"-14 x 1 1/2")  
 † Use 383951-S2 bolt (3/4"-16-1 1/2") and 34797-S2 lockwasher Δ Includes bearing, retainer and sleeve  
 % Use 304771-S2 bolt (3/4"-16-1 1/2") and 34797-S2 lock washer  
 ⊕ Use 383951-S2 bolt (3/4"-16-1 1/2")

NOTE 1- Coupling shaft does not require support bearing collar-(discard)  
 NOTE 2- Coupling shaft requires one of the two bearing baffles-(discard one only)

80/89	★ D3HA	4817-GTA	D8HZ	4816-AA	1-D2HZ 4635-A U/Joint	1-D4TZ 4800-J	Support assy. (center bearing)
					1-D3HZ 4637-A Washer	1-D2HZ 4865-A	Flange
80/	★ D3HA	4817-GUA	D4HZ	4816-DY	1-D2HZ 4635-A U/Joint	1-D4TZ 4800-J	Support assy. (center bearing)
					1-D3HZ 4637-A Washer	1-D2HZ 4865-A	Flange
81/89	★ D3HA	4817-GVA	D4HZ	4816-DZ	1-D2HZ 4635-A U/Joint	1-D4TZ 4800-J	Support assy. (center bearing)
					1-D3HZ 4637-A Washer	1-D2HZ 4865-A	Flange
80/89	★ D3HA	4817-GYA	D8HZ	4816-U	1-D2HZ 4635-A U/Joint	1-D4TZ 4800-J	Support assy. (center bearing)
					1-D3HZ 4637-A Washer	1-D2HZ 4865-A	Flange
80/89	★ D3HA	4817-GZA	D8HZ	4816-V	1-D2HZ 4635-A U/Joint	1-D4TZ 4800-J	Support assy. (center bearing)
					1-D3HZ 4637-A Washer	1-D2HZ 4865-A	Flange
80/82	★ D3HA	4817-HAA	E0HZ	4816-EY	1-D2HZ 4635-A U/Joint	1-D4TZ 4800-J	Support assy. (center bearing)
					1-D3HZ 4637-A Washer	1-D2HZ 4865-A	Flange
80/89	★ D3HA	4817-HBA	D8HZ	4816-W	1-D2HZ 4635-A U/Joint	1-D4TZ 4800-J	Support assy. (center bearing)
					1-D3HZ 4637-A Washer	1-D2HZ 4865-A	Flange
89	★ D3HA	4817-HCA	E9HZ	4816-AG	1-D2HZ 4635-A U/Joint	1-D4TZ 4800-J	Support assy. (center bearing)
					1-D3HZ 4637-A Washer	1-D2HZ 4865-A	Flange
89	★ D3HA	4817-HDA	E9HZ	4816-AH	1-D2HZ 4635-A U/Joint	1-D4TZ 4800-J	Support assy. (center bearing)
					1-D3HZ 4637-A Washer	1-D2HZ 4865-A	Flange
80/	★ D3HA	4817-HEA	D4HZ	4816-EA	1-D2HZ 4635-A U/Joint	1-D4TZ 4800-J	Support assy. (center bearing)
					1-D3HZ 4637-A Washer	1-D2HZ 4865-A	Flange
80/89	★ D3HA	4817-HFA	D5HZ	4816-BB	1-D2HZ 4635-A U/Joint	1-D4TZ 4800-J	Support assy. (center bearing)
					1-D3HZ 4637-A Washer	1-D2HZ 4865-A	Flange
80/89	★ D3HA	4817-HGA	D8HZ	4816-DF	1-D2HZ 4635-A U/Joint	1-D4TZ 4800-J	Support assy. (center bearing)
					1-D3HZ 4637-A Washer	1-D2HZ 4865-A	Flange
80/89	★ D3HA	4817-HHA	D4HZ	4816-EB	1-D2HZ 4635-A U/Joint	1-D4TZ 4800-J	Support assy. (center bearing)
					1-D3HZ 4637-A Washer	1-D2HZ 4865-A	Flange
89	★ D3HA	4817-HJA	E9HZ	4816-AJ	1-D2HZ 4635-A U/Joint	1-D4TZ 4800-J	Support assy. (center bearing)
					1-D3HZ 4637-A Washer	1-D2HZ 4865-A	Flange
80/89	★ D3HA	4817-HKA	D6HZ	4816-AL	1-D2HZ 4635-A U/Joint	1-D4TZ 4800-J	Support assy. (center bearing)
					1-D3HZ 4637-A Washer	1-D2HZ 4865-A	Flange
80/89	★ D3HA	4817-HLA	D8HZ	4816-X	1-D2HZ 4635-A U/Joint	1-D4TZ 4800-J	Support assy. (center bearing)
					1-D3HZ 4637-A Washer	1-D2HZ 4865-A	Flange
80/	★ D3HA	4817-HMA	D4HZ	4816-EC	1-D2HZ 4635-A U/Joint	1-D4TZ 4800-J	Support assy. (center bearing)
					1-D3HZ 4637-A Washer	1-D2HZ 4865-A	Flange
80/	★ D3HA	4817-HNA	D8HZ	4816-Y	1-D2HZ 4635-A U/Joint	1-D4TZ 4800-J	Support assy. (center bearing)
					1-D3HZ 4637-A Washer	1-D2HZ 4865-A	Flange
80/89	★ D3HA	4817-HRA	D8HZ	4816-BT	1-D2HZ 4635-A U/Joint	1-D4TZ 4800-J	Support assy. (center bearing)
					1-D3HZ 4637-A Washer	1-D2HZ 4865-A	Flange
80/89	★ D3HA	4817-HSA	D8HZ	4816-AJ	1-D2HZ 4635-A U/Joint	1-D4TZ 4800-J	Support assy. (center bearing)
					1-D3HZ 4637-A Washer	1-D2HZ 4865-A	Flange
80/89	★ D3HA	4817-HUA	D8HZ	4816-AK	1-D2HZ 4635-A U/Joint	1-D4TZ 4800-J	Support assy. (center bearing)
					1-D3HZ 4637-A Washer	1-D2HZ 4865-A	Flange
81/89	★ D3HA	4817-HZA	D8HZ	4816-AM	1-D2HZ 4635-A U/Joint	1-D4TZ 4800-J	Support assy. (center bearing)
					1-D3HZ 4637-A Washer	1-D2HZ 4865-A	Flange
80/89	★ D3HA	4817-JAA	D8HZ	4816-DG	1-D2HZ 4635-A U/Joint	1-D4TZ 4800-J	Support assy. (center bearing)
					1-D3HZ 4637-A Washer	1-D2HZ 4865-A	Flange
80/89	★ D3HA	4817-JDA	D4HZ	4816-EE	1-D2HZ 4635-A U/Joint	1-D4TZ 4800-J	Support assy. (center bearing)
					1-D3HZ 4637-A Washer	1-D2HZ 4865-A	Flange
80/89	★ D3HA	4817-JEA	D8HZ	4816-BY	1-D2HZ 4635-A U/Joint	1-D4TZ 4800-J	Support assy. (center bearing)
					1-D3HZ 4637-A Washer	1-D2HZ 4865-A	Flange

1980/  
TRUCK SERIES 600/900

DRIVE and COUPLING SHAFT COMPONENT PARTS LISTS									
YEAR	COMPLETE SHAFT ASSEMBLY	OPTIONAL COMPONENTS FOR COMPLETE SHAFT ASSEMBLY							
		SHAFT SUB-ASSEMBLY		RELATED PARTS FOR USE WITH SHAFT SUB-ASSEMBLY					

COUPLING SHAFT and INTERMEDIATE COUPLING SHAFT PARTS LISTS — Cont'd

Notes:      \$ Not included in 4817 assy. @ Use 383952-S bolt (7/8"-14 x 1 1/2")  
              † Use 383951-S2 bolt (3/4"-16-1 1/2") and 34797-S2 lockwasher Δ Includes bearing, retainer and sleeve  
              % Use 304771-S2 bolt (3/4"-16-1 1/2") and 34797-S2 lock washer  
              ⊕ Use 383951-S2 bolt (3/4"-16-1 1/2")

NOTE 1-      Coupling shaft does not require support bearing collar-(discard)  
 NOTE 2-      Coupling shaft requires one of the two bearing baffles-(discard one only)

80/81	★ D3TZ	4817-T	D3TZ	4816-T	1-C1TZ	4635-A	U/Joint	1-D4TZ	4800-C	Support assy. (center bearing)
80/81	D3TZ	4817-U	D3TZ	4816-U	1-C1TZ	4635-A	U/Joint	1-D4TZ	4800-C	Support assy. (center bearing)
80/81	★ D3TZ	4817-BT	D4TZ	4816-A	1-B4TZ	4635-H	U/Joint	1-\$@D0HZ	4865-A	Flange
					1-D4TZ	4800-C	Support assy. (center bearing)			
80/81	★ D3TZ	4817-BU	D4TZ	4816-B	1-B4TZ	4635-H	U/Joint	1-\$@D0HZ	4865-A	Flange
					1-D4TZ	4800-C	Support assy. (center bearing)			
80/81	★ D4HA	4817-SA	★ D4HZ	4816-CH	1-C1TZ	4635-A	U/Joint	1-C1TT	4865-B	Flange
					1-D4TZ	4800-C	Support assy. (center bearing)			
80/89	★ D4HA	4817-YA	D4HZ	4816-BW	1-B6TZ	4635-B	U/Joint	1-D4HZ	4805-A	Bearing baffle-also serviced in 4800 assy.
					1-D5TZ	4800-A	Support assy. (center bearing)-NOTE 2	1-D4HZ	4805-B	Bearing baffle (collar)-also serviced in 4800 assy.
80/89	★ D4HA	4817-ZA	D4HZ	4816-BX	1-B6TZ	4635-B	U/Joint	1-D4HZ	4805-A	Bearing baffle-also serviced in 4800 assy.
					1-D5TZ	4800-A	Support assy. (center bearing)-NOTE 2	1-D4HZ	4805-B	Bearing baffle (collar)-also serviced in 4800 assy.
80/89	★ D4HA	4817-ACA	D4HZ	4816-BY	1-B6TZ	4635-B	U/Joint	1-D4HZ	4805-A	Bearing baffle-also serviced in 4800 assy.
					1-D5TZ	4800-A	Support assy. (center bearing)-NOTE 2	1-D4HZ	4805-B	Bearing baffle (collar)-also serviced in 4800 assy.
80/81	★ D4HA	4817-ADA	D4HZ	4816-BZ	1-B6TZ	4635-B	U/Joint	1-D4HZ	4805-A	Bearing baffle-also serviced in 4800 assy.
					1-D5TZ	4800-A	Support assy. (center bearing)-NOTE 2	1-D4HZ	4805-B	Bearing baffle (collar)-also serviced in 4800 assy.
80/81	★ D4HA	4817-AFA	D4HZ	4816-CB	1-B6TZ	4635-B	U/Joint	1-D4HZ	4805-A	Bearing baffle-also serviced in 4800 assy.
					1-D5TZ	4800-A	Support assy. (center bearing)-NOTE 2	1-D4HZ	4805-B	Bearing baffle (collar)-also serviced in 4800 assy.
80/81	★ D4HA	4817-ARA	D4HZ	4816-G	1-B6TZ	4635-B	U/Joint	2-D4HZ	4805-A	Bearing baffle-also serviced in 4800 assy.
					1-B5QH	4637-A	Washer	1-†D4TZ	4865-A	Flange
					1-D5TZ	4800-A	Support assy. (center bearing)-NOTE 1			
80/81	★ D4HA	4817-ASA	D5HZ	4816-FA	1-B6TZ	4635-B	U/Joint	2-D4HZ	4805-A	Bearing baffle-also serviced in 4800 assy.
					1-B5QH	4637-A	Washer	1-†D4TZ	4865-A	Flange
					1-D5TZ	4800-A	Support assy. (center bearing)-NOTE 1			
80/81	★ D4HA	4817-ATA	D4HZ	4816-F	1-B6TZ	4635-B	U/Joint	2-D4HZ	4805-A	Bearing baffle-also serviced in 4800 assy.
					1-B5QH	4637-A	Washer	1-†D4TZ	4865-A	Flange
					1-D5TZ	4800-A	Support assy. (center bearing)-NOTE 1			
80/89	★ D4HA	4817-AUA	D4HZ	4816-CD	1-B6TZ	4635-B	U/Joint	2-D4HZ	4805-A	Bearing baffle-also serviced in 4800 assy.
					1-B5QH	4637-A	Washer	1-†D4TZ	4865-A	Flange
					1-D5TZ	4800-A	Support assy. (center bearing)-NOTE 1			

1980/  
TRUCK SERIES 600/900

DRIVE and COUPLING SHAFT COMPONENT PARTS LISTS

YEAR	COMPLETE SHAFT ASSEMBLY	OPTIONAL COMPONENTS FOR COMPLETE SHAFT ASSEMBLY			
		SHAFT SUB-ASSEMBLY	RELATED PARTS FOR USE WITH SHAFT SUB-ASSEMBLY		

COUPLING SHAFT and INTERMEDIATE COUPLING SHAFT PARTS LISTS — Cont'd

Notes: \$ Not included in 4817 assy. @ Use 383952-S bolt (7/8"-14 x 1 1/2")  
 † Use 383951-S2 bolt (3/4"-16-1 1/2") and 34797-S2 lockwasher △ Includes bearing, retainer and sleeve  
 % Use 304771-S2 bolt (3/4"-16-1 1/2") and 34797-S2 lock washer  
 ⊕ Use 383951-S2 bolt (3/4"-16-1 1/2")

NOTE 1- Coupling shaft does not require support bearing collar-(discard)  
 NOTE 2- Coupling shaft requires one of the two bearing baffles-(discard one only)

80/89	★ D4HA	4817-CFA	D9HZ	4816-HG	1-B6TZ 1-D5TZ	4635-B 4800-A	U/Joint Support assy. (center bearing)-NOTE 2	1-D4HZ 1-D4HZ	4805-A 4805-B	Bearing baffle-also serviced in 4800 assy. Bearing baffle (collar)-also serviced in 4800 assy.
80/89	★ D4HA	4817-CHA	D9HZ	4816-JA	1-D3TZ 1-D6HZ	4635-A 4637-A	U/Joint Washer	1-D9HZ 1-D5HZ	4800-A 4865-A	Support assy. (center bearing) Flange
80	★ ED D4HA	4817-CHA	D9HZ	4816-KW	1-D3TZ 1-D6HZ	4635-A 4637-A	U/Joint Washer	1-D9HZ 1-D5HZ	4800-A 4865-A	Support assy. (center bearing) Flange
81/89	★ D4HA	4817-CJA	E1HZ	4816-AC	1-D3TZ 1-D6HZ	4635-A 4637-A	U/Joint Washer	1-D9HZ 1-D5HZ	4800-A 4865-A	Support assy. (center bearing) Flange
83/89	★ D4HA	4817-CKA	E3HZ	4816-A	1-D3TZ 1-D6HZ	4635-A 4637-A	U/Joint Washer	1-D9HZ 1-D5HZ	4800-A 4865-A	Support assy. (center bearing) Flange
83	★ D4HA	4817-CLA	E3HZ	4816-N	1-D3TZ 1-D6HZ	4635-A 4637-A	U/Joint Washer	1-D9HZ 1-D5HZ	4800-A 4865-A	Support assy. (center bearing) Flange
80/89	★ D4HA	4817-CMA	E0HZ	4816-EN	1-D3TZ 1-D6HZ	4635-A 4637-A	U/Joint Washer	1-D9HZ 1-D5HZ	4800-A 4865-A	Support assy. (center bearing) Flange
81/89	★ D4HA	4817-CNA	E1HZ	4816-AG	1-D3TZ 1-D6HZ	4635-A 4637-A	U/Joint Washer	1-D9HZ 1-D5HZ	4800-A 4865-A	Support assy. (center bearing) Flange
81/89	★ D4HA	4817-CRA	E1HZ	4816-DH	1-D3TZ 1-D6HZ	4635-A 4637-A	U/Joint Washer	1-D9HZ 1-D5HZ	4800-A 4865-A	Support assy. (center bearing) Flange
81/89	★ D4HA	4817-CSA	E1HZ	4816-AD	1-D3TZ 1-D6HZ	4635-A 4637-A	U/Joint Washer	1-D9HZ 1-D5HZ	4800-A 4865-A	Support assy. (center bearing) Flange
80/89	★ D4HA	4817-CTA	D8HZ	4816-BZ	1-D3TZ 1-D6HZ	4635-A 4637-A	U/Joint Washer	1-D9HZ 1-D5HZ	4800-A 4865-A	Support assy. (center bearing) Flange
80/89	★ D4HA	4817-CUA	E0HZ	4816-EV	1-D3TZ 1-D6HZ	4635-A 4637-A	U/Joint Washer	1-D9HZ 1-D5HZ	4800-A 4865-A	Support assy. (center bearing) Flange
80/89	★ D4HA	4817-CVA	E0HZ	4816-EP	1-D3TZ 1-D6HZ	4635-A 4637-A	U/Joint Washer	1-D9HZ 1-D5HZ	4800-A 4865-A	Support assy. (center bearing) Flange
81/89	★ D4HA	4817-CYA	E1HZ	4816-AF	1-D3TZ 1-D6HZ	4635-A 4637-A	U/Joint Washer	1-D9HZ 1-D5HZ	4800-A 4865-A	Support assy. (center bearing) Flange
80/89	★ D4HA	4817-CZA	D8HZ	4816-BC	1-D3TZ 1-D6HZ	4635-A 4637-A	U/Joint Washer	1-D9HZ 1-D5HZ	4800-A 4865-A	Support assy. (center bearing) Flange
80/89	★ D4HA	4817-DAA	D9HZ	4816-JZ	1-D3TZ 1-D6HZ	4635-A 4637-A	U/Joint Washer	1-D9HZ 1-D5HZ	4800-A 4865-A	Support assy. (center bearing) Flange
80/89	★ D4HA	4817-DBA	D5HZ	4816-AAJ	1-D3TZ 1-D6HZ	4635-A 4637-A	U/Joint Washer	1-D9HZ 1-D5HZ	4800-A 4865-A	Support assy. (center bearing) Flange
80/89	★ D4HA	4817-DCA	D5HZ	4816-KA	1-D3TZ 1-D6HZ	4635-A 4637-A	U/Joint Washer	1-D9HZ 1-D5HZ	4800-A 4865-A	Support assy. (center bearing) Flange
80/89	★ D4HA	4817-DDA	D9HZ	4816-BS	1-D3TZ 1-D6HZ	4635-A 4637-A	U/Joint Washer	1-D9HZ 1-D5HZ	4800-A 4865-A	Support assy. (center bearing) Flange
80/89	★ D4HA	4817-DEA	D5HZ	4816-LA	1-D3TZ 1-D6HZ	4635-A 4637-A	U/Joint Washer	1-D9HZ 1-D5HZ	4800-A 4865-A	Support assy. (center bearing) Flange
80/89	★ D4HA	4817-DFA	D5HZ	4816-MA	1-D3TZ 1-D6HZ	4635-A 4637-A	U/Joint Washer	1-D9HZ 1-D5HZ	4800-A 4865-A	Support assy. (center bearing) Flange
80/89	★ D4HA	4817-DGA	D5HZ	4816-AAK	1-D3TZ 1-D6HZ	4635-A 4637-A	U/Joint Washer	1-D9HZ 1-D5HZ	4800-A 4865-A	Support assy. (center bearing) Flange
80/89	★ D4HA	4817-DHA	D5HZ	4816-AAL	1-D3TZ 1-D6HZ	4635-A 4637-A	U/Joint Washer	1-D9HZ 1-D5HZ	4800-A 4865-A	Support assy. (center bearing) Flange

1980/  
TRUCK SERIES 600/900

DRIVE and COUPLING SHAFT COMPONENT PARTS LISTS

YEAR	COMPLETE SHAFT ASSEMBLY	OPTIONAL COMPONENTS FOR COMPLETE SHAFT ASSEMBLY			
		SHAFT SUB-ASSEMBLY	RELATED PARTS FOR USE WITH SHAFT SUB-ASSEMBLY		

COUPLING SHAFT and INTERMEDIATE COUPLING SHAFT PARTS LISTS — Cont'd

Notes:      \$ Not included in 4817 assy. @ Use 383952-S bolt (7/8"-14 x 1 1/2")  
              † Use 383951-S2 bolt (3/4"-16-1 1/2") and 34797-S2 lockwasher Δ Includes bearing, retainer and sleeve  
              % Use 304771-S2 bolt (3/4"-16-1 1/2") and 34797-S2 lock washer  
              ⊕ Use 383951-S2 bolt (3/4"-16-1 1/2")

NOTE 1-      Coupling shaft does not require support bearing collar—(discard)  
 NOTE 2-      Coupling shaft requires one of the two bearing baffles—(discard one only)

80/89	★ D4HA	4817-DJA	D5HZ	4816-NA	1-D3TZ	4635-A	U/Joint	1-D9HZ	4800-A	Support assy. (center bearing)
					1-D6HZ	4637-A	Washer	1-D5HZ	4865-A	Flange
80/89	★ D4HA	4817-DKA	D5HZ	4816-AAM	1-D3TZ	4635-A	U/Joint	1-D9HZ	4800-A	Support assy. (center bearing)
					1-D6HZ	4637-A	Washer	1-D5HZ	4865-A	Flange
80/89	★ D4HA	4817-DLA	D6HZ	4816-B	1-D3TZ	4635-A	U/Joint	1-D9HZ	4800-A	Support assy. (center bearing)
					1-D6HZ	4637-A	Washer	1-D5HZ	4865-A	Flange
80/89	★ D4HA	4817-DMA	D5HZ	4816-AAN	1-D3TZ	4635-A	U/Joint	1-D9HZ	4800-A	Support assy. (center bearing)
					1-D6HZ	4637-A	Washer	1-D5HZ	4865-A	Flange
83/89	★ D4HA	4817-DNA	E3HZ	4816-D	1-D3TZ	4635-A	U/Joint	1-D9HZ	4800-A	Support assy. (center bearing)
					1-D6HZ	4637-A	Washer	1-D5HZ	4865-A	Flange
80/89	★ D4HA	4817-DRA	D9HZ	4816-KK	1-D3TZ	4635-A	U/Joint	1-D9HZ	4800-A	Support assy. (center bearing)
					1-D6HZ	4637-A	Washer	1-D5HZ	4865-A	Flange
80/89	★ D4HA	4817-DSA	D9HZ	4816-AY	1-D3TZ	4635-A	U/Joint	1-D9HZ	4800-A	Support assy. (center bearing)
					1-D6HZ	4637-A	Washer	1-D5HZ	4865-A	Flange
81/89	★ D4HA	4817-DTA	E1HZ	4816-X	1-D3TZ	4635-A	U/Joint	1-D9HZ	4800-A	Support assy. (center bearing)
					1-D6HZ	4637-A	Washer	1-D5HZ	4865-A	Flange
80/89	★ D4HA	4817-DUA	D8HZ	4816-AV	1-D3TZ	4635-A	U/Joint	1-D9HZ	4800-A	Support assy. (center bearing)
					1-D6HZ	4637-A	Washer	1-D5HZ	4865-A	Flange
80/89	★ D4HA	4817-DVA	D9HZ	4816-AZ	1-D3TZ	4635-A	U/Joint	1-D9HZ	4800-A	Support assy. (center bearing)
					1-D6HZ	4637-A	Washer	1-D5HZ	4865-A	Flange
80/89	★ D4HA	4817-DYA	D9HZ	4816-BA	1-D3TZ	4635-A	U/Joint	1-D9HZ	4800-A	Support assy. (center bearing)
					1-D6HZ	4637-A	Washer	1-D5HZ	4865-A	Flange
80/89	★ D4HA	4817-DZA	D5HZ	4816-AAP	1-D3TZ	4635-A	U/Joint	1-D9HZ	4800-A	Support assy. (center bearing)
					1-D6HZ	4637-A	Washer	1-D5HZ	4865-A	Flange
80/89	★ D4HA	4817-EAA	D5HZ	4816-PA	1-D3TZ	4635-A	U/Joint	1-D9HZ	4800-A	Support assy. (center bearing)
					1-D6HZ	4637-A	Washer	1-D5HZ	4865-A	Flange
81/89	★ D4HA	4817-EBA	E1HZ	4816-G	1-D3TZ	4635-A	U/Joint	1-D9HZ	4800-A	Support assy. (center bearing)
					1-D6HZ	4637-A	Washer	1-D5HZ	4865-A	Flange
80/89	★ D4HA	4817-ECA	D5HZ	4816-RA	1-D3TZ	4635-A	U/Joint	1-D9HZ	4800-A	Support assy. (center bearing)
					1-D6HZ	4637-A	Washer	1-D5HZ	4865-A	Flange
80/89	★ D4HA	4817-EDA	D5HZ	4816-AAR	1-D3TZ	4635-A	U/Joint	1-D9HZ	4800-A	Support assy. (center bearing)
					1-D6HZ	4637-A	Washer	1-D5HZ	4865-A	Flange
80/89	★ D4HA	4817-EEA	D8HZ	4816-CG	1-D3TZ	4635-A	U/Joint	1-D9HZ	4800-A	Support assy. (center bearing)
					1-D6HZ	4637-A	Washer	1-D5HZ	4865-A	Flange
80/89	★ D4HA	4817-EFA	D5HZ	4816-SA	1-D3TZ	4635-A	U/Joint	1-D9HZ	4800-A	Support assy. (center bearing)
					1-D6HZ	4637-A	Washer	1-D5HZ	4865-A	Flange
80/89	★ D4HA	4817-EGA	D5HZ	4816-TA	1-D3TZ	4635-A	U/Joint	1-D9HZ	4800-A	Support assy. (center bearing)
					1-D6HZ	4637-A	Washer	1-D5HZ	4865-A	Flange
80/89	★ D4HA	4817-EHA	D6HZ	4816-C	1-D3TZ	4635-A	U/Joint	1-D9HZ	4800-A	Support assy. (center bearing)
					1-D6HZ	4637-A	Washer	1-D5HZ	4865-A	Flange
80/89	★ D4HA	4817-EJA	D5HZ	4816-AAS	1-D3TZ	4635-A	U/Joint	1-D9HZ	4800-A	Support assy. (center bearing)
					1-D6HZ	4637-A	Washer	1-D5HZ	4865-A	Flange
80/89	★ D4HA	4817-EKA	D5HZ	4816-VA	1-D3TZ	4635-A	U/Joint	1-D9HZ	4800-A	Support assy. (center bearing)
					1-D6HZ	4637-A	Washer	1-D5HZ	4865-A	Flange
80/89	★ D4HA	4817-ELA	D5HZ	4816-AAT	1-D3TZ	4635-A	U/Joint	1-D9HZ	4800-A	Support assy. (center bearing)
					1-D6HZ	4637-A	Washer	1-D5HZ	4865-A	Flange
80/89	★ D4HA	4817-EMA	D5HZ	4816-WA	1-D3TZ	4635-A	U/Joint	1-D9HZ	4800-A	Support assy. (center bearing)
					1-D6HZ	4637-A	Washer	1-D5HZ	4865-A	Flange

**1980/  
TRUCK SERIES 600/900**

**DRIVE and COUPLING SHAFT COMPONENT PARTS LISTS**

YEAR	COMPLETE SHAFT ASSEMBLY	OPTIONAL COMPONENTS FOR COMPLETE SHAFT ASSEMBLY			
		SHAFT SUB-ASSEMBLY	RELATED PARTS FOR USE WITH SHAFT SUB-ASSEMBLY		

**COUPLING SHAFT and INTERMEDIATE COUPLING SHAFT PARTS LISTS — Cont'd**

Notes:      \$ Not included in 4817 assy. @ Use 383952-S bolt (7/8"-14 x 1 1/2")  
              † Use 383951-S2 bolt (3/4"-16-1 1/2") and 34797-S2 lockwasher △ Includes bearing, retainer and sleeve  
              % Use 304771-S2 bolt (3/4"-16-1 1/2") and 34797-S2 lock washer  
              ⊕ Use 383951-S2 bolt (3/4"-16-1 1/2")

NOTE 1-      Coupling shaft does not require support bearing collar-(discard)

NOTE 2-      Coupling shaft requires one of the two bearing baffles-(discard one only)

80/89	★ D4HA	4817-ENA	D9HZ	4816-KL	1-D3TZ 1-D6HZ	4635-A 4637-A	U/Joint Washer	1-D9HZ 1-D5HZ	4800-A 4865-A	Support assy. (center bearing) Flange
80/89	★ D4HA	4817-ERA	D5HZ	4816-YA	1-D3TZ 1-D6HZ	4635-A 4637-A	U/Joint Washer	1-D9HZ 1-D5HZ	4800-A 4865-A	Support assy. (center bearing) Flange
80/89	★ D4HA	4817-ESA	D5HZ	4816-AAV	1-D3TZ 1-D6HZ	4635-A 4637-A	U/Joint Washer	1-D9HZ 1-D5HZ	4800-A 4865-A	Support assy. (center bearing) Flange
80/89	★ D4HA	4817-ETA	D5HZ	4816-AAW	1-D3TZ 1-D6HZ	4635-A 4637-A	U/Joint Washer	1-D9HZ 1-D5HZ	4800-A 4865-A	Support assy. (center bearing) Flange
80/89	★ D4HA	4817-EUA	D9HZ	4816-HD	1-D3TZ 1-D6HZ	4635-A 4637-A	U/Joint Washer	1-D9HZ 1-D5HZ	4800-A 4865-A	Support assy. (center bearing) Flange
80/89	★ D4HA	4817-EVA	D9HZ	4816-AV	1-D3TZ 1-D6HZ	4635-A 4637-A	U/Joint Washer	1-D9HZ 1-D5HZ	4800-A 4865-A	Support assy. (center bearing) Flange
81/89	★ D4HA	4817-EYA	E1HZ	4816-Z	1-D3TZ 1-D6HZ	4635-A 4637-A	U/Joint Washer	1-D9HZ 1-D5HZ	4800-A 4865-A	Support assy. (center bearing) Flange
81/89	★ D4HA	4817-EZA	E1HZ	4816-AA	1-D3TZ 1-D6HZ	4635-A 4637-A	U/Joint Washer	1-D9HZ 1-D5HZ	4800-A 4865-A	Support assy. (center bearing) Flange
80/89	★ D4HA	4817-FBA	D9HZ	4816-AW	1-D3TZ 1-D6HZ	4635-A 4637-A	U/Joint Washer	1-D9HZ 1-D5HZ	4800-A 4865-A	Support assy. (center bearing) Flange
80/89	★ D4HA	4817-FCA	D9HZ	4816-BC	1-D3TZ 1-D6HZ	4635-A 4637-A	U/Joint Washer	1-D9HZ 1-D5HZ	4800-A 4865-A	Support assy. (center bearing) Flange
81/89	★ D4HA	4817-FDA	E1HZ	4816-AB	1-D3TZ 1-D6HZ	4635-A 4637-A	U/Joint Washer	1-D9HZ 1-D5HZ	4800-A 4865-A	Support assy. (center bearing) Flange
80/82	★ D4HA	4817-FGA	D5HZ	4816-ZA	1-D3TZ 1-D6HZ	4635-A 4637-A	U/Joint Washer	1-D9HZ 1-D5HZ	4800-A 4865-A	Support assy. (center bearing) Flange
80/81	★ D4HA	4817-FHA	D5HZ	4816-AAZ	1-D3TZ 1-D6HZ	4635-A 4637-A	U/Joint Washer	1-D9HZ 1-D5HZ	4800-A 4865-A	Support assy. (center bearing) Flange
80/81	★ D4HA	4817-FJA	D5HZ	4816-AAA	1-D3TZ 1-D6HZ	4635-A 4637-A	U/Joint Washer	1-D9HZ 1-D5HZ	4800-A 4865-A	Support assy. (center bearing) Flange
80/81	★ D4HA	4817-FKA	D5HZ	4816-AAZ	1-D3TZ 1-D6HZ	4635-A 4637-A	U/Joint Washer	1-D9HZ 1-D5HZ	4800-A 4865-A	Support assy. (center bearing) Flange
80/81	★ D4HA	4817-FLA	D5HZ	4816-AAB	1-D3TZ 1-D6HZ	4635-A 4637-A	U/Joint Washer	1-D9HZ 1-D5HZ	4800-A 4865-A	Support assy. (center bearing) Flange
80/81	★ D4HA	4817-FMA	D5HZ	4816-AAC	1-D3TZ 1-D6HZ	4635-A 4637-A	U/Joint Washer	1-D9HZ 1-D5HZ	4800-A 4865-A	Support assy. (center bearing) Flange
80	★ D4HA	4817-FNA	D5HZ	4816-AAZ	1-D3TZ 1-D6HZ	4635-A 4637-A	U/Joint Washer	1-D9HZ 1-D5HZ	4800-A 4865-A	Support assy. (center bearing) Flange
80/81	★ D4HA	4817-FRA	D5HZ	4816-BC	1-D3TZ 1-D6HZ	4635-A 4637-A	U/Joint Washer	1-D9HZ 1-D5HZ	4800-A 4865-A	Support assy. (center bearing) Flange
80/81	★ D4HZ	4817-A	D4HZ	4816-AW	1-D3HZ 1-D9HZ	4635-B 4800-A	U/Joint Support assy. (center bearing)	1-\$@DOHZ	4865-B	Flange
80/81	★ D4HZ	4817-B	D4HZ	4816-AX	1-D3HZ 1-D9HZ	4635-B 4800-A	U/Joint Support assy. (center bearing)	1-\$@DOHZ	4865-B	Flange
80/81	★ D4HZ	4817-C	D4HZ	4816-AY	1-D3HZ 1-D9HZ	4635-B 4800-A	U/Joint Support assy. (center bearing)	1-\$@DOHZ	4865-B	Flange
80/81	D4HZ	4817-D	D4HZ	4816-AZ	1-D3HZ 1-D9HZ	4635-B 4800-A	U/Joint Support assy. (center bearing)	1-\$@DOHZ	4865-B	Flange
80/81	★ D4HZ	4817-E	D4HZ	4816-BA	1-D3HZ 1-D9HZ	4635-B 4800-A	U/Joint Support assy. (center bearing)	1-\$@DOHZ	4865-B	Flange



# 1980/ TRUCK SERIES 600/900

DRIVE and COUPLING SHAFT COMPONENT PARTS LISTS			
YEAR	COMPLETE SHAFT ASSEMBLY	OPTIONAL COMPONENTS FOR COMPLETE SHAFT ASSEMBLY	
		SHAFT SUB-ASSEMBLY	RELATED PARTS FOR USE WITH SHAFT SUB-ASSEMBLY

COUPLING SHAFT and INTERMEDIATE COUPLING SHAFT PARTS LISTS — Cont'd

Notes: \$ Not included in 4817 assy. @ Use 383952-S bolt (7/8"-14 x 1 1/2")  
 † Use 383951-S2 bolt (3/4"-16-1 1/2") and 34797-S2 lockwasher Δ Includes bearing, retainer and sleeve  
 % Use 304771-S2 bolt (3/4"-16-1 1/2") and 34797-S2 lock washer  
 ⊕ Use 383951-S2 bolt (3/4"-16-1 1/2")

NOTE 1- Coupling shaft does not require support bearing collar—(discard)  
 NOTE 2- Coupling shaft requires one of the two bearing baffles—(discard one only)

80/81	★ D4HZ	4817-Y	D4HZ	4816-BS	1-D3HZ 1-D4TZ	4635-D 4800-G	U/Joint Support assy. (center bearing)	1-D0HZ	4865-C	Flange
80/81	★ D4TA	4817-BSA	D4TZ	4816-F	1-B6TZ 1-D5TZ	4635-B 4800-A	U/Joint Support assy. (center bearing)—NOTE 2	1-D4HZ	4805-A	Bearing baffle—also serviced in 4800 assy.
80/81	★ D4TA	4817-CNA	D5TZ	4816-N	1-B6TZ 1-D5TZ	4635-B 4800-A	U/Joint Support assy. (center bearing)—NOTE 2	1-D4HZ	4805-A	Bearing baffle (collar)—also serviced in 4800 assy.
80/81	★ D4TA	4817-DGA	D5TZ	4816-K	1-B6TZ 1-B5QH 1-D5TZ	4635-B 4637-A 4800-A	U/Joint Washer Support assy. (center bearing)—NOTE 1	2-D4HZ	4805-A	Bearing baffle—also serviced in 4800 assy.
80/81	★ D4TA	4817-DKA	D4HZ	4816-C	1-B6TZ 1-B5QH 1-D5TZ	4635-B 4637-A 4800-A	U/Joint Washer Support assy. (center bearing)—NOTE 1	1-†D4TZ	4865-A	Flange
80/81	★ D4TA	4817-DSA	D4TZ	4816-Y	1-C1TZ 1-D4TZ	4635-A 4800-C	U/Joint Support assy. (center bearing)	1-C1TT	4865-B	Flange
80/81	★ D4TA	4817-DTA	D4TZ	4816-CA	1-C1TZ 1-D4TZ	4635-A 4800-C	U/Joint Support assy. (center bearing)	1-C1TT	4865-B	Flange
80/81	★ D4TA	4817-EFA	D5HZ	4816-AAD	1-B4TZ 1-D4TZ	4635-H 4800-C	U/Joint Support assy. (center bearing)	1-\$@D0HZ	4865-A	Flange
80/81	★ D5HA	4817-AA	D5HZ	4816-A	1-B4TZ 1-D4TZ	4635-H 4800-C	U/Joint Support assy. (center bearing)	1-\$@D0HZ	4865-A	Flange
80/81	★ D5HA	4817-BA	D5HZ	4816-B	1-B4TZ 1-D4TZ	4635-H 4800-C	U/Joint Support assy. (center bearing)	1-\$@D0HZ	4865-A	Flange
80	★ D5HA	4817-EA	D8HZ	4816-BS	1-B4TZ 1-D4TZ	4635-H 4800-C	U/Joint Support assy. (center bearing)	1-\$@D0HZ	4865-A	Flange
80/81	★ D5HA	4817-SA	D5HZ	4816-F	1-B4TZ 1-D4TZ	4635-H 4800-C	U/Joint Support assy. (center bearing)	1-\$@D0HZ	4865-A	Flange
80/81	★ D5HA	4817-UA	D5HZ	4816-G	1-B4TZ 1-D4TZ	4635-H 4800-C	U/Joint Support assy. (center bearing)	1-\$@D0HZ	4865-A	Flange
80/81	★ D5HA	4817-ACA	D5HZ	4816-K	1-B4TZ 1-D4TZ	4635-H 4800-C	U/Joint Support assy. (center bearing)	1-\$@D0HZ	4865-A	Flange
80/81	★ D5HA	4817-AEA	D7HZ	4816-AH	1-B4TZ 1-D4TZ	4635-H 4800-C	U/Joint Support assy. (center bearing)	1-\$@D0HZ	4865-A	Flange
80/81	★ D5HA	4817-AFA	D5HZ	4816-L	1-B4TZ 1-D4TZ	4635-H 4800-C	U/Joint Support assy. (center bearing)	1-\$@D0HZ	4865-A	Flange
80/81	★ D5HA	4817-AGA	D5HZ	4816-AAF	1-B4TZ 1-D4TZ	4635-H 4800-C	U/Joint Support assy. (center bearing)	1-\$@D0HZ	4865-A	Flange
80	★ D5HA	4817-AHA	D8HZ	4816-AS	1-B4TZ 1-D4TZ	4635-H 4800-C	U/Joint Support assy. (center bearing)	1-\$@D0HZ	4865-A	Flange
80	★ D5HA	4817-AJA	D5HZ	4816-M	1-B4TZ 1-D4TZ	4635-H 4800-C	U/Joint Support assy. (center bearing)	1-\$@D0HZ	4865-A	Flange
80/81	★ D5HA	4817-ALA	D5HZ	4816-N	1-B4TZ 1-D4TZ	4635-H 4800-C	U/Joint Support assy. (center bearing)	1-\$@D0HZ	4865-A	Flange

1980/  
TRUCK SERIES 600/900

DRIVE and COUPLING SHAFT COMPONENT PARTS LISTS			
YEAR	COMPLETE SHAFT ASSEMBLY	OPTIONAL COMPONENTS FOR COMPLETE SHAFT ASSEMBLY	
		SHAFT SUB-ASSEMBLY	RELATED PARTS FOR USE WITH SHAFT SUB-ASSEMBLY

COUPLING SHAFT and INTERMEDIATE COUPLING SHAFT PARTS LISTS — Cont'd

Notes: \$ Not included in 4817 assy. @ Use 383952-S bolt (7/8"-14 x 1 1/2")  
 † Use 383951-S2 bolt (3/4"-16-1 1/2") and 34797-S2 lockwasher Δ Includes bearing, retainer and sleeve  
 % Use 304771-S2 bolt (3/4"-16-1 1/2") and 34797-S2 lock washer  
 ⊕ Use 383951-S2 bolt (3/4"-16-1 1/2")

NOTE 1- Coupling shaft does not require support bearing collar-(discard)  
 NOTE 2- Coupling shaft requires one of the two bearing baffles-(discard one only)

80/81	★ D5HA	4817-AMA	D5HZ	4816-P	1-B4TZ 1-D4TZ	4635-H 4800-C	U/Joint Support assy. (center bearing)	1-\$@D0HZ	4865-A	Flange
80	★ D5HA	4817-ANA	D7HZ	4816-AD	1-B4TZ 1-D4TZ	4635-H 4800-C	U/Joint Support assy. (center bearing)	1-\$@D0HZ	4865-A	Flange
80/81	★ D5HA	4817-BBA	D5HZ	4816-Y	1-B4TZ 1-D4TZ	4635-H 4800-C	U/Joint Support assy. (center bearing)	1-\$@D0HZ	4865-A	Flange
80/81	★ D5HA	4817-BGA	D8HZ	4816-DM	1-B4TZ 1-D4TZ	4635-H 4800-C	U/Joint Support assy. (center bearing)	1-\$@D0HZ	4865-A	Flange
80/81	★ D5HA	4817-BRA	D4HZ	4816-FE	1-D3HZ 1-D9HZ	4635-B 4800-A	U/Joint Support assy. (center bearing)	1-\$@D0HZ	4865-B	Flange
80/81	★ D5HA	4817-KFA	D4HZ	4816-FF	1-D3HZ 1-D4TZ	4635-D 4800-G	U/Joint Support assy. (center bearing)	1-D0HZ	4865-C	Flange
80/81	★ D5HA	4817-KHA	D4HZ	4816-FH	1-D3HZ 1-D4TZ	4635-D 4800-G	U/Joint Support assy. (center bearing)	1-D0HZ	4865-C	Flange
80/81	★ D5HA	4817-KJA	D6HZ	4816-AZ	1-D3HZ 1-D4TZ	4635-D 4800-G	U/Joint Support assy. (center bearing)	1-D0HZ	4865-C	Flange
80/81	★ D5HA	4817-KKA	D4HZ	4816-FJ	1-D3HZ 1-D4TZ	4635-D 4800-G	U/Joint Support assy. (center bearing)	1-D0HZ	4865-C	Flange
80/81	★ D5HA	4817-KLA	D4HZ	4816-FK	1-D3HZ 1-D4TZ	4635-D 4800-G	U/Joint Support assy. (center bearing)	1-D0HZ	4865-C	Flange
80/81	★ D5HA	4817-KUA	D4HZ	4816-EF	1-D3HZ 1-D9HZ	4635-B 4800-A	U/Joint Support assy. (center bearing)	1-\$@D0HZ	4865-B	Flange
80/81	★ D5HA	4817-KYA	D4HZ	4816-EH	1-D3HZ 1-D9HZ	4635-B 4800-A	U/Joint Support assy. (center bearing)	1-\$@D0HZ	4865-B	Flange
80/81	★ D5HA	4817-KZA	D4HZ	4816-EJ	1-D3HZ 1-D9HZ	4635-B 4800-A	U/Joint Support assy. (center bearing)	1-\$@D0HZ	4865-B	Flange
80/81	★ D5HA	4817-LBA	D4HZ	4816-EL	1-D3HZ 1-D9HZ	4635-B 4800-A	U/Joint Support assy. (center bearing)	1-\$@D0HZ	4865-B	Flange
80/81	★ D5HA	4817-LCA	D6HZ	4816-A	1-D3HZ 1-D9HZ	4635-B 4800-A	U/Joint Support assy. (center bearing)	1-\$@D0HZ	4865-B	Flange
80	★ D5HA	4817-LDA	D4HZ	4816-EM	1-D3HZ 1-D9HZ	4635-B 4800-A	U/Joint Support assy. (center bearing)	1-\$@D0HZ	4865-B	Flange
80/81	★ D5HA	4817-LHA	D4HZ	4816-EP	1-D3HZ 1-D9HZ	4635-B 4800-A	U/Joint Support assy. (center bearing)	1-\$@D0HZ	4865-B	Flange
80/81	★ D5HA	4817-LJA	D4HZ	4816-EQ	1-D3HZ 1-D9HZ	4635-B 4800-A	U/Joint Support assy. (center bearing)	1-\$@D0HZ	4865-B	Flange
80/81	★ D5HA	4817-LLA	D4HZ	4816-ES	1-D3HZ 1-D9HZ	4635-B 4800-A	U/Joint Support assy. (center bearing)	1-\$@D0HZ	4865-B	Flange
80/81	★ D5HA	4817-LMA	D4HZ	4816-ET	1-D3HZ 1-D9HZ	4635-B 4800-A	U/Joint Support assy. (center bearing)	1-\$@D0HZ	4865-B	Flange
80/81	★ D5HA	4817-LRA	D4HZ	4816-EV	1-D3HZ 1-D9HZ	4635-B 4800-A	U/Joint Support assy. (center bearing)	1-\$@D0HZ	4865-B	Flange
80/81	★ D5HA	4817-LSA	D4HZ	4816-EW	1-D3HZ 1-D9HZ	4635-B 4800-A	U/Joint Support assy. (center bearing)	1-\$@D0HZ	4865-B	Flange
80/81	★ D5HA	4817-LTA	D4HZ	4816-EX	1-D3HZ 1-D9HZ	4635-B 4800-A	U/Joint Support assy. (center bearing)	1-\$@D0HZ	4865-B	Flange
80/81	★ D5HA	4817-LVA	D7HZ	4816-L	1-D3HZ 1-D9HZ	4635-B 4800-A	U/Joint Support assy. (center bearing)	1-\$@D0HZ	4865-B	Flange

**1980/  
TRUCK SERIES 600/900**

DRIVE and COUPLING SHAFT COMPONENT PARTS LISTS			
YEAR	COMPLETE SHAFT ASSEMBLY	OPTIONAL COMPONENTS FOR COMPLETE SHAFT ASSEMBLY	
		SHAFT SUB-ASSEMBLY	RELATED PARTS FOR USE WITH SHAFT SUB-ASSEMBLY

**COUPLING SHAFT and INTERMEDIATE COUPLING SHAFT PARTS LISTS — Cont'd**

Notes: \$ Not included in 4817 assy. @ Use 383952-S bolt (7/8"-14 x 1 1/2")  
 † Use 383951-S2 bolt (3/4"-16-1 1/2") and 34797-S2 lockwasher Δ Includes bearing, retainer and sleeve  
 % Use 304771-S2 bolt (3/4"-16-1 1/2") and 34797-S2 lock washer  
 ⊕ Use 383951-S2 bolt (3/4"-16-1 1/2")

NOTE 1- Coupling shaft does not require support bearing collar--(discard)  
 NOTE 2- Coupling shaft requires one of the two bearing baffles--(discard one only)

80/81	★ D5HA	4817-LYA	D4HZ	4816-EZ	1-D3HZ	4635-B	U/Joint	1-\$@D0HZ	4865-B	Flange
					1-D9HZ	4800-A	Support assy. (center bearing)			
80/81	★ D5HA	4817-LZA	D4HZ	4816-FA	1-D3HZ	4635-B	U/Joint	1-\$@D0HZ	4865-B	Flange
					1-D9HZ	4800-A	Support assy. (center bearing)			
80/81	★ D5HA	4817-MAA	D4HZ	4816-FB	1-D3HZ	4635-B	U/Joint	1-\$@D0HZ	4865-B	Flange
					1-D9HZ	4800-A	Support assy. (center bearing)			
80/81	★ D5HA	4817-MBA	D6HZ	4816-AF	1-D3HZ	4635-B	U/Joint	1-\$@D0HZ	4865-B	Flange
					1-D9HZ	4800-A	Support assy. (center bearing)			
80/81	★ D5HA	4817-MDA	D4HZ	4816-FD	1-D3HZ	4635-B	U/Joint	1-\$@D0HZ	4865-B	Flange
					1-D9HZ	4800-A	Support assy. (center bearing)			
80/81	★ D5HA	4817-MEA	D9HZ	4816-HA	1-D3HZ	4635-D	U/Joint	1-D0HZ	4865-C	Flange
					1-D4TZ	4800-G	Support assy. (center bearing)			
80/81	★ D5HA	4817-MGA	D7HZ	4816-M	1-D3HZ	4635-B	U/Joint	1-\$@D0HZ	4865-B	Flange
					1-D9HZ	4800-A	Support assy. (center bearing)			
80/81	★ D5HA	4817-MLA	D5HZ	4816-AAH	1-B4TZ	4635-H	U/Joint	1-\$@D0HZ	4865-A	Flange
					1-D4TZ	4800-C	Support assy. (center bearing)			
80/81	★ D5TA	4817-CEA	D6HZ	4816-AP	1-B6TZ	4635-B	U/Joint	2-D4HZ	4805-A	Bearing baffle--also serviced in 4800 assy.
					1-B5QH	4637-A	Washer			Flange
					1-D5TZ	4800-A	Support assy. (center bearing)	1-†D4TZ	4865-A	
80/89	★ D5TA	4817-CMA	D6HZ	4816-AW	1-C1TZ	4635-A	U/Joint	1-D4TZ	4800-C	Support assy. (center bearing)
					1-B5QH	4637-A	Washer			
80/81	★ D6HA	4817-AA	D6HZ	4816-V	1-B4TZ	4635-H	U/Joint	1-\$@D0HZ	4865-A	Flange
					1-D4TZ	4800-C	Support assy. (center bearing)			
80/81	★ D6HA	4817-EA	D6HZ	4816-AC	1-B4TZ	4635-H	U/Joint	1-\$@D0HZ	4865-A	Flange
					1-D4TZ	4800-C	Support assy. (center bearing)			
80/81	★ D6HA	4817-KA	D6HZ	4816-D	1-D3HZ	4635-B	U/Joint	1-\$@D0HZ	4865-B	Flange
					1-D9HZ	4800-A	Support assy. (center bearing)			
80/81	★ D6HA	4817-LA	D6HZ	4816-E	1-D3HZ	4635-B	U/Joint	1-\$@D0HZ	4865-B	Flange
					1-D9HZ	4800-A	Support assy. (center bearing)			
80/81	★ D6HA	4817-NA	D8HZ	4816-BA	1-D3HZ	4635-B	U/Joint	1-\$@D0HZ	4865-B	Flange
					1-D9HZ	4800-A	Support assy. (center bearing)			
80/81	★ D6HA	4817-RA	D6HZ	4816-F	1-D3HZ	4635-B	U/Joint	1-\$@D0HZ	4865-B	Flange
					1-D9HZ	4800-A	Support assy. (center bearing)			
80/81	★ D6HA	4817-SA	D6HZ	4816-J	1-D3HZ	4635-B	U/Joint	1-\$@D0HZ	4865-B	Flange
					1-D9HZ	4800-A	Support assy. (center bearing)			
80/81	★ D6HA	4817-TA	D6HZ	4816-G	1-D3HZ	4635-B	U/Joint	1-\$@D0HZ	4865-B	Flange
					1-D9HZ	4800-A	Support assy. (center bearing)			
80/81	★ D6HA	4817-UA	D6HZ	4816-L	1-D3TZ	4635-A	U/Joint	1-D9HZ	4800-A	Support assy. (center bearing)
					1-D6HZ	4637-A	Washer	1-D5HZ	4865-A	Flange
80/81	★ D6HA	4817-VA	D6HZ	4816-M	1-D3TZ	4635-A	U/Joint	1-D9HZ	4800-A	Support assy. (center bearing)
					1-D6HZ	4637-A	Washer	1-D5HZ	4865-A	Flange
80/81	★ D6HA	4817-YA	D6HZ	4816-N	1-D3TZ	4635-A	U/Joint	1-D9HZ	4800-A	Support assy. (center bearing)
					1-D6HZ	4637-A	Washer	1-D5HZ	4865-A	Flange
80/81	★ D6HA	4817-ZA	D6HZ	4816-K	1-D3TZ	4635-A	U/Joint	1-D9HZ	4800-A	Support assy. (center bearing)
					1-D6HZ	4637-A	Washer	1-D5HZ	4865-A	Flange
80/89	★ D6HA	4817-ABA	D9HZ	4816-BU	1-C1TZ	4635-A	U/Joint	1-D4TZ	4800-C	Support assy. (center bearing)
80/81	★ D6HA	4817-ACA	D8HZ	4816-BE	1-C1TZ	4635-A	U/Joint	1-D4TZ	4800-C	Support assy. (center bearing)

1980/  
TRUCK SERIES 600/900

DRIVE and COUPLING SHAFT COMPONENT PARTS LISTS										
YEAR	COMPLETE SHAFT ASSEMBLY	OPTIONAL COMPONENTS FOR COMPLETE SHAFT ASSEMBLY								
		SHAFT SUB-ASSEMBLY			RELATED PARTS FOR USE WITH SHAFT SUB-ASSEMBLY					
COUPLING SHAFT and INTERMEDIATE COUPLING SHAFT PARTS LISTS — Cont'd										
Notes:      \$ Not included in 4817 assy. @ Use 383952-S bolt (7/8"-14 x 1 1/2")										
† Use 383951-S2 bolt (3/4"-16-1 1/2") and 34797-S2 lockwasher Δ Includes bearing, retainer and sleeve										
% Use 304771-S2 bolt (3/4"-16-1 1/2") and 34797-S2 lock washer										
⊕ Use 383951-S2 bolt (3/4"-16-1 1/2")										
NOTE 1-      Coupling shaft does not require support bearing collar-(discard)										
NOTE 2-      Coupling shaft requires one of the two bearing baffles-(discard one only)										
80/81	★ D6HA	4817-AFA	D9HZ	4816-CM	1-C1TZ 1-B5QH	4635-A 4637-A	U/Joint Washer	1-D4TZ	4800-C	Support assy. (center bearing)
80/81	★ D6HA	4817-AGA	D9HZ	4816-BW	1-C1TZ	4635-A	U/Joint	1-D4TZ	4800-C	Support assy. (center bearing)
80/81	★ D6HA	4817-AMA	D8HZ	4816-AT	1-D3HZ 1-D4TZ	4635-D 4800-G	U/Joint Support assy. (center bearing)	1-D0HZ	4865-C	Flange
80/81	★ D6TA	4817-FA	E0HZ	4816-FN	1-C1TZ	4635-A	U/Joint	1-D4TZ	4800-C	Support assy. (center bearing)
80/81	★ D6TA	4817-GA	D9TZ	4816-A	1-C1TZ 1-B5QH	4635-A 4637-A	U/Joint Washer	1-D4TZ	4800-C	Support assy. (center bearing)
81/89	★ D6TA	4817-LA	E1HZ	4816-AE	1-C1TZ 1-B5QH	4635-A 4637-A	U/Joint Washer	1-D4TZ	4800-C	Support assy. (center bearing)
89	★ D7HT	4817-CEA	E9HZ	4816-AK	1-D2HZ 1-D3HZ	4635-A 4637-A	U/Joint Washer	1-D4TZ 1-D2HZ	4800-J 4865-A	Support assy. (center bearing) Flange
89	★ D7HT	4817-CFA	E9HZ	4816-AL	1-D2HZ 1-D3HZ	4635-A 4637-A	U/Joint Washer	1-D4TZ 1-D2HZ	4800-J 4865-A	Support assy. (center bearing) Flange
89	★ D7HT	4817-CGA	E9HZ	4816-AM	1-D2HZ 1-D3HZ	4635-A 4637-A	U/Joint Washer	1-D4TZ 1-D2HZ	4800-J 4865-A	Support assy. (center bearing) Flange
80/89	★ D7HT	4817-CHA	D8HZ	4816-CH	1-D2HZ 1-D3HZ	4635-A 4637-A	U/Joint Washer	1-D4TZ 1-D2HZ	4800-J 4865-A	Support assy. (center bearing) Flange
83/89	★ D7HT	4817-CJA	E3HZ	4816-E	1-D2HZ 1-D3HZ	4635-A 4637-A	U/Joint Washer	1-D4TZ 1-D2HZ	4800-J 4865-A	Support assy. (center bearing) Flange
89	★ D7HT	4817-CKA	E9HZ	4816-AN	1-D2HZ 1-D3HZ	4635-A 4637-A	U/Joint Washer	1-D4TZ 1-D2HZ	4800-J 4865-A	Support assy. (center bearing) Flange
80/89	★ D7HT	4817-CLA	E1HZ	4816-A	1-D2HZ 1-D3HZ	4635-A 4637-A	U/Joint Washer	1-D4TZ 1-D2HZ	4800-J 4865-A	Support assy. (center bearing) Flange
81/89	★ D7HT	4817-CMA	E1HZ	4816-DB	1-D2HZ 1-D3HZ	4635-A 4637-A	U/Joint Washer	1-D4TZ 1-D2HZ	4800-J 4865-A	Support assy. (center bearing) Flange
83/89	★ D7HT	4817-CNA	E3HZ	4816-F	1-D2HZ 1-D3HZ	4635-A 4637-A	U/Joint Washer	1-D4TZ 1-D2HZ	4800-J 4865-A	Support assy. (center bearing) Flange
80/89	★ D7HT	4817-CRA	E0HZ	4816-EZ	1-D2HZ 1-D3HZ	4635-A 4637-A	U/Joint Washer	1-D4TZ 1-D2HZ	4800-J 4865-A	Support assy. (center bearing) Flange
81/89	★ D7HT	4817-CSA	E1HZ	4816-CZ	1-D2HZ 1-D3HZ	4635-A 4637-A	U/Joint Washer	1-D4TZ 1-D2HZ	4800-J 4865-A	Support assy. (center bearing) Flange
80/89	★ D7HT	4817-CTA	E0HZ	4816-HH	1-D2HZ 1-D3HZ	4635-A 4637-A	U/Joint Washer	1-D4TZ 1-D2HZ	4800-J 4865-A	Support assy. (center bearing) Flange
84/89	★ D7HT	4817-CUA	E4HZ	4816-DS	1-D2HZ 1-D3HZ	4635-A 4637-A	U/Joint Washer	1-D4TZ 1-D2HZ	4800-J 4865-A	Support assy. (center bearing) Flange
81/89	★ D7HT	4817-CVA	E1HZ	4816-DA	1-D2HZ 1-D3HZ	4635-A 4637-A	U/Joint Washer	1-D4TZ 1-D2HZ	4800-J 4865-A	Support assy. (center bearing) Flange
80/89	★ D7HT	4816-CYA	D8HZ	4816-D	1-D2HZ 1-D3HZ	4635-A 4637-A	U/Joint Washer	1-D4TZ 1-D2HZ	4800-J 4865-A	Support assy. (center bearing) Flange
81/89	★ D7HT	4817-CZA	E1HZ	4816-CN	1-D2HZ 1-D3HZ	4635-A 4637-A	U/Joint Washer	1-D4TZ 1-D2HZ	4800-J 4865-A	Support assy. (center bearing) Flange
84/89	★ D7HT	4817-DAA	E4HZ	4816-DT	1-D2HZ 1-D3HZ	4635-A 4637-A	U/Joint Washer	1-D4TZ 1-D2HZ	4800-J 4865-A	Support assy. (center bearing) Flange
80/89	★ D7HT	4817-DBA	D8HZ	4816-CU	1-D2HZ 1-D3HZ	4635-A 4637-A	U/Joint Washer	1-D4TZ 1-D2HZ	4800-J 4865-A	Support assy. (center bearing) Flange
89	★ D7HT	4817-DCA	E9HZ	4816-AP	1-D2HZ 1-D3HZ	4635-A 4637-A	U/Joint Washer	1-D4TZ 1-D2HZ	4800-J 4865-A	Support assy. (center bearing) Flange
80/89	★ D7HT	4817-DDA	E0HZ	4816-HK	1-D2HZ 1-D3HZ	4635-A 4637-A	U/Joint Washer	1-D4TZ 1-D2HZ	4800-J 4865-A	Support assy. (center bearing) Flange

1980/  
TRUCK SERIES 600/900

DRIVE and COUPLING SHAFT COMPONENT PARTS LISTS									
YEAR	COMPLETE SHAFT ASSEMBLY	OPTIONAL COMPONENTS FOR COMPLETE SHAFT ASSEMBLY							
		SHAFT SUB-ASSEMBLY		RELATED PARTS FOR USE WITH SHAFT SUB-ASSEMBLY					

COUPLING SHAFT and INTERMEDIATE COUPLING SHAFT PARTS LISTS — Cont'd

Notes:      \$ Not included in 4817 assy. @ Use 383952-S bolt (7/8"-14 x 1 1/2")  
              † Use 383951-S2 bolt (3/4"-16-1 1/2") and 34797-S2 lockwasher Δ Includes bearing, retainer and sleeve  
              % Use 304771-S2 bolt (3/4"-16-1 1/2") and 34797-S2 lock washer  
              ⊕ Use 383951-S2 bolt (3/4"-16-1 1/2")

NOTE 1-      Coupling shaft does not require support bearing collar-(discard)  
 NOTE 2-      Coupling shaft requires one of the two bearing baffles-(discard one only)

89	★ D7HT	4817-DEA	E9HZ	4816-AR	1-D2HZ	4635-A	U/Joint	1-D4TZ	4800-J	Support assy. (center bearing)
					1-D3HZ	4637-A	Washer	1-D2HZ	4865-A	Flange
81/	★ D7HT	4817-DFA	E1HZ	4816-DC	1-D2HZ	4635-A	U/Joint	1-D4TZ	4800-J	Support assy. (center bearing)
					1-D3HZ	4637-A	Washer	1-D2HZ	4865-A	Flange
87	★ D7HT	4817-DGA	E7HZ	4816-EA	1-D2HZ	4635-A	U/Joint	1-D4TZ	4800-J	Support assy. (center bearing)
					1-D3HZ	4637-A	Washer	1-D2HZ	4865-A	Flange
80/89	★ D7HT	4817-DHA	E0HZ	4816-ES	1-D2HZ	4635-A	U/Joint	1-D4TZ	4800-J	Support assy. (center bearing)
					1-D3HZ	4637-A	Washer	1-D2HZ	4865-A	Flange
82/	★ D7HT	4817-DJA	E2HZ	4816-BT	1-D2HZ	4635-A	U/Joint	1-D4TZ	4800-J	Support assy. (center bearing)
					1-D3HZ	4637-A	Washer	1-D2HZ	4865-A	Flange
81/89	★ D7HT	4817-DKA	D8HZ	4816-C	1-D2HZ	4635-A	U/Joint	1-D4TZ	4800-J	Support assy. (center bearing)
					1-D3HZ	4637-A	Washer	1-D2HZ	4865-A	Flange
87	★ D7HT	4817-DLA	E7HZ	4816-EB	1-D2HZ	4635-A	U/Joint	1-D4TZ	4800-J	Support assy. (center bearing)
					1-D3HZ	4637-A	Washer	1-D2HZ	4865-A	Flange
80/89	★ D7HT	4817-DMA	D8HZ	4816-CV	1-D2HZ	4635-A	U/Joint	1-D4TZ	4800-J	Support assy. (center bearing)
					1-D3HZ	4637-A	Washer	1-D2HZ	4865-A	Flange
81/89	★ D7HT	4817-DNA	E1HZ	4816-DD	1-D2HZ	4635-A	U/Joint	1-D4TZ	4800-J	Support assy. (center bearing)
					1-D3HZ	4637-A	Washer	1-D2HZ	4865-A	Flange
82/	★ D7HT	4817-DRA	E2HZ	4816-BE	1-D2HZ	4635-A	U/Joint	1-D4TZ	4800-J	Support assy. (center bearing)
					1-D3HZ	4637-A	Washer	1-D2HZ	4865-A	Flange
80/89	★ D7HT	4817-DSA	D8HZ	4816-CW	1-D2HZ	4635-A	U/Joint	1-D4TZ	4800-J	Support assy. (center bearing)
					1-D3HZ	4637-A	Washer	1-D2HZ	4865-A	Flange
81/89	★ D7HT	4817-DTA	E1HZ	4816-DE	1-D2HZ	4635-A	U/Joint	1-D4TZ	4800-J	Support assy. (center bearing)
					1-D3HZ	4637-A	Washer	1-D2HZ	4865-A	Flange
80/89	★ D7HT	4817-DUA	D8HZ	4816-A	1-D2HZ	4635-A	U/Joint	1-D4TZ	4800-J	Support assy. (center bearing)
					1-D3HZ	4637-A	Washer	1-D2HZ	4865-A	Flange
84/89	★ D7HT	4817-DVA	E4HZ	4816-DU	1-D2HZ	4635-A	U/Joint	1-D4TZ	4800-J	Support assy. (center bearing)
					1-D3HZ	4637-A	Washer	1-D2HZ	4865-A	Flange
84/89	★ D7HT	4817-DYA	E4HZ	4816-DV	1-D2HZ	4635-A	U/Joint	1-D4TZ	4800-J	Support assy. (center bearing)
					1-D3HZ	4637-A	Washer	1-D2HZ	4865-A	Flange
80/89	★ D7HT	4817-DZA	D8HZ	4816-B	1-D2HZ	4635-A	U/Joint	1-D4TZ	4800-J	Support assy. (center bearing)
					1-D3HZ	4637-A	Washer	1-D2HZ	4865-A	Flange
87	★ D7HT	4817-EAA	E7HZ	4816-EC	1-D2HZ	4635-A	U/Joint	1-D4TZ	4800-J	Support assy. (center bearing)
					1-D3HZ	4637-A	Washer	1-D2HZ	4865-A	Flange
80/89	★ D7HT	4817-EBA	E0HZ	4816-HL	1-D2HZ	4635-A	U/Joint	1-D4TZ	4800-J	Support assy. (center bearing)
					1-D3HZ	4637-A	Washer	1-D2HZ	4865-A	Flange
89	★ D7HT	4817-ECA	E9HZ	4816-AS	1-D2HZ	4635-A	U/Joint	1-D4TZ	4800-J	Support assy. (center bearing)
					1-D3HZ	4637-A	Washer	1-D2HZ	4865-A	Flange
89	★ D7HT	4817-EDA	E9HZ	4816-AT	1-D2HZ	4635-A	U/Joint	1-D4TZ	4800-J	Support assy. (center bearing)
					1-D3HZ	4637-A	Washer	1-D2HZ	4865-A	Flange
87	★ D7HT	4817-EEA	E7HZ	4816-ED	1-D2HZ	4635-A	U/Joint	1-D4TZ	4800-J	Support assy. (center bearing)
					1-D3HZ	4637-A	Washer	1-D2HZ	4865-A	Flange
86/89	★ D7HT	4817-EFA	E6HZ	4816-R	1-D2HZ	4635-A	U/Joint	1-D4TZ	4800-J	Support assy. (center bearing)
					1-D3HZ	4637-A	Washer	1-D2HZ	4865-A	Flange
84/89	★ D7HT	4817-EGA	E4HZ	4816-DW	1-D2HZ	4635-A	U/Joint	1-D4TZ	4800-J	Support assy. (center bearing)
					1-D3HZ	4637-A	Washer	1-D2HZ	4865-A	Flange
81/89	★ D7HT	4817-EHA	E1HZ	4816-DF	1-D2HZ	4635-A	U/Joint	1-D4TZ	4800-J	Support assy. (center bearing)
					1-D3HZ	4637-A	Washer	1-D2HZ	4865-A	Flange
89	★ D7HT	4817-EJA	E9HZ	4816-AV	1-D2HZ	4635-A	U/Joint	1-D4TZ	4800-J	Support assy. (center bearing)
					1-D3HZ	4637-A	Washer	1-D2HZ	4865-A	Flange

1980/  
TRUCK SERIES 600/900

DRIVE and COUPLING SHAFT COMPONENT PARTS LISTS

YEAR	COMPLETE SHAFT ASSEMBLY	OPTIONAL COMPONENTS FOR COMPLETE SHAFT ASSEMBLY			
		SHAFT SUB-ASSEMBLY	RELATED PARTS FOR USE WITH SHAFT SUB-ASSEMBLY		

COUPLING SHAFT and INTERMEDIATE COUPLING SHAFT PARTS LISTS — Cont'd

Notes: \$ Not included in 4817 assy. @ Use 383952-S bolt (7/8"-14 x 1 1/2")  
 † Use 383951-S2 bolt (3/4"-16-1 1/2") and 34797-S2 lockwasher △ Includes bearing, retainer and sleeve  
 % Use 304771-S2 bolt (3/4"-16-1 1/2") and 34797-S2 lock washer  
 ⊕ Use 383951-S2 bolt (3/4"-16-1 1/2")

NOTE 1- Coupling shaft does not require support bearing collar-(discard)  
 NOTE 2- Coupling shaft requires one of the two bearing baffles-(discard one only)

80/89	★ D7HT	4817-EKA	D8HZ	4816-G	1-D2HZ	4635-A	U/Joint	1-D4TZ	4800-J	Support assy. (center bearing)
					1-D3HZ	4637-A	Washer	1-D2HZ	4865-A	Flange
82/	★ D7HT	4817-ELA	E2HZ	4816-BH	1-D2HZ	4635-A	U/Joint	1-D4TZ	4800-J	Support assy. (center bearing)
					1-D3HZ	4637-A	Washer	1-D2HZ	4865-A	Flange
82/89	★ D7HT	4817-ENA	D8HZ	4816-E	1-D2HZ	4635-A	U/Joint	1-D4TZ	4800-J	Support assy. (center bearing)
					1-D3HZ	4637-A	Washer	1-D2HZ	4865-A	Flange
89	★ D7HT	4817-ETA	E9HZ	4816-AW	1-D2HZ	4635-A	U/Joint	1-D4TZ	4800-J	Support assy. (center bearing)
					1-D3HZ	4637-A	Washer	1-D2HZ	4865-A	Flange
89	★ D7HT	4817-FBA	E9HZ	4816-AX	1-D2HZ	4635-A	U/Joint	1-D4TZ	4800-J	Support assy. (center bearing)
					1-D3HZ	4637-A	Washer	1-D2HZ	4865-A	Flange
84/89	★ D7HT	4817-FEA	E4HZ	4816-DX	1-D2HZ	4635-A	U/Joint	1-D4TZ	4800-J	Support assy. (center bearing)
					1-D3HZ	4637-A	Washer	1-D2HZ	4865-A	Flange
82/89	★ D7HT	4817-FFA	E2HZ	4816-BS	1-D2HZ	4635-A	U/Joint	1-D4TZ	4800-J	Support assy. (center bearing)
					1-D3HZ	4637-A	Washer	1-D2HZ	4865-A	Flange
80/89	★ D7HT	4817-FGA	D7HZ	4816-AP	1-B6TZ	4635-B	U/Joint	1-D4HZ	4805-A	Bearing baffle-also serviced in 4800 assy.
					1-D5TZ	4800-A	Support assy. (center bearing)-NOTE 2	1-D4HZ	4805-B	Bearing baffle (collar)-also serviced in 4800 assy.
80/89	★ D7HT	4817-FHA	D7HZ	4816-AR	1-B6TZ	4635-B	U/Joint	1-D4HZ	4805-A	Bearing baffle-also serviced in 4800 assy.
					1-D5TZ	4800-A	Support assy. (center bearing)-NOTE 2	1-D4HZ	4805-B	Bearing baffle (collar)-also serviced in 4800 assy.
80/81	★ D7HT	4817-FKA	D9HZ	4816-A	1-B6TZ	4635-B	U/Joint	1-D4HZ	4805-A	Bearing baffle-also serviced in 4800 assy.
					1-D5TZ	4800-A	Support assy. (center bearing)-NOTE 2	1-D4HZ	4805-B	Bearing baffle (collar)-also serviced in 4800 assy.
80/81	★ D7HT	4817-FUA	D7HZ	4816-S	1-D3HZ	4635-B	U/Joint	1-\$@D0HZ	4865-B	Flange
					1-D9HZ	4800-A	Support assy. (center bearing)			
80/81	★ D7HT	4817-FZA	D7HZ	4816-W	1-D3HZ	4635-B	U/Joint	1-\$@D0HZ	4865-B	Flange
					1-D9HZ	4800-A	Support assy. (center bearing)			
80/81	★ D7HT	4817-GBA	D8HZ	4816-BN	1-B6TZ	4635-B	U/Joint	1-D4HZ	4805-A	Bearing baffle-also serviced in 4800 assy.
					1-D5TZ	4800-A	Support assy. (center bearing)-NOTE 2	1-D4HZ	4805-B	Bearing baffle (collar)-also serviced in 4800 assy.
80/81	★ D7HT	4817-GEA	D9HZ	4816-B	1-B6TZ	4635-B	U/Joint	1-D4HZ	4805-A	Bearing baffle-also serviced in 4800 assy.
					1-D5TZ	4800-A	Support assy. (center bearing)-NOTE 2	1-D4HZ	4805-B	Bearing baffle (collar)-also serviced in 4800 assy.
80/82	★ D7HT	4817-GJA	D8HZ	4816-BU	1-D2HZ	4635-A	U/Joint	1-D4TZ	4800-J	Support assy. (center bearing)
					1-D3HZ	4637-A	Washer	1-D2HZ	4865-A	Flange
80/81	★ D7HT	4817-HBA	D8HZ	4816-J	1-D3HZ	4635-D	U/Joint	1-D0HZ	4865-C	Flange
					1-D4TZ	4800-G	Support assy. (center bearing)			
80/81	★ D7HT	4817-HCA	D8HZ	4816-AP	1-D3HZ	4635-D	U/Joint	1-D0HZ	4865-C	Flange
					1-D4TZ	4800-G	Support assy. (center bearing)			
80	★ D7HT	4817-HDA	D8HZ	4816-BL	1-B6TZ	4635-B	U/Joint	2-D4HZ	4805-A	Bearing baffle-also serviced in 4800 assy.
					1-B5QH	4637-A	Washer			
					1-D5TZ	4800-A	Support assy. (center bearing)-NOTE 1	1-†D4TZ	4865-A	Flange
80	★ D7HT	4817-HEA	D9HZ	4816-DT	1-C5TZ	4635-G	U/Joint	1-D0TZ	4808-A	Center support
					1-C5TZ	4805-A	Bearing baffle	1-△D0TZ	4840-A	Bearing (coupling shaft support)

1980/  
TRUCK SERIES 600/900

DRIVE and COUPLING SHAFT COMPONENT PARTS LISTS			
YEAR	COMPLETE SHAFT ASSEMBLY	OPTIONAL COMPONENTS FOR COMPLETE SHAFT ASSEMBLY	
		SHAFT SUB-ASSEMBLY	RELATED PARTS FOR USE WITH SHAFT SUB-ASSEMBLY

COUPLING SHAFT and INTERMEDIATE COUPLING SHAFT PARTS LISTS — Cont'd

Notes: \$ Not included in 4817 assy. @ Use 383952-S bolt (7/8"-14 x 1 1/2")  
 † Use 383951-S2 bolt (3/4"-16-1 1/2") and 34797-S2 lockwasher Δ Includes bearing, retainer and sleeve  
 % Use 304771-S2 bolt (3/4"-16-1 1/2") and 34797-S2 lock washer  
 ⊕ Use 383951-S2 bolt (3/4"-16-1 1/2")

NOTE 1- Coupling shaft does not require support bearing collar-(discard)  
 NOTE 2- Coupling shaft requires one of the two bearing baffles-(discard one only)

80/89	★ D7HT	4817-HFA	D8HZ	4816-BR	1-B6TZ 1-D5TZ	4635-B 4800-A	U/Joint Support assy. (center bearing)-NOTE 2	1-D4HZ 1-D4HZ	4805-A 4805-B	Bearing baffle-also serviced in 4800 assy. Bearing baffle (collar)-also serviced in 4800 assy.
80/89	★ D7HT	4817-HJA	D8HZ	4816-BJ	1-B6TZ 1-B5QH 1-D5TZ	4635-B 4637-A 4800-A	U/Joint Washer Support assy. (center bearing)-NOTE 1	2-D4HZ 1-†D4TZ	4805-A 4865-A	Bearing baffle-also serviced in 4800 assy. Flange
80/81	★ D7HT	4817-HMA	D9HZ	4816-DU	1-C5TZ 1-C5TZ	4635-G 4805-A	U/Joint Bearing baffle	1-D0TZ 1-ΔD0TZ	4808-A 4840-A	Center support Bearing (coupling shaft support)
80/89	★ D7HT	4817-HVA	D8HZ	4816-BG	1-C1TZ	4635-A	U/Joint	1-D4TZ	4800-C	Support assy. (center bearing)
80/89	★ D7HT	4817-HYA	D8HZ	4816-BK	1-C1TZ 1-B5QH	4635-A 4637-A	U/Joint Washer	1-D4TZ	4800-C	Support assy. (center bearing)
80/82	★ D7HT	4817-HZA	D8HZ	4816-CC	1-D3TZ 1-D6HZ	4635-A 4637-A	U/Joint Washer	1-D9HZ 1-D5HZ	4800-A 4865-A	Support assy. (center bearing) Flange
80/82	★ D7HT	4817-JAA	D8HZ	4816-CD	1-D3TZ 1-D6HZ	4635-A 4637-A	U/Joint Washer	1-D9HZ 1-D5HZ	4800-A 4865-A	Support assy. (center bearing) Flange
80	★ D7HT	4817-JBA	D8HZ	4816-AX	1-B4TZ 1-D4TZ	4635-H 4800-C	U/Joint Support assy. (center bearing)	1-@D0HZ	4865-A	Flange
80/81	★ D7HT	4817-JDA	D8HZ	4816-AZ	1-D3HZ 1-D9HZ	4635-B 4800-A	U/Joint Support assy. (center bearing)	1-@D0HZ	4865-B	Flange
80/81	★ D7HT	4817-JJA	D8HZ	4816-CB	1-D3TZ 1-D6HZ	4635-A 4637-A	U/Joint Washer	1-D9HZ 1-D5HZ	4800-A 4865-A	Support assy. (center bearing) Flange
80/81	★ D8HT	4817-DA	D9HZ	4816-EY	1-B4TZ 1-D4TZ	4635-H 4800-C	U/Joint Support assy. (center bearing)	1-@D0HZ	4865-A	Flange
80	★ D8HT	4817-EA	D9HZ	4816-EX	1-D3HZ 1-D9HZ	4635-B 4800-A	U/Joint Support assy. (center bearing)	1-@D0HZ	4865-B	Flange
82/89	★ D9HS	4817-EA	E2HZ	4816-D	1-D9HZ 1-D3HZ	4635-B 4637-A	U/Joint Washer	1-D4TZ 1-E1HZ	4800-J 4865-A	Support assy. (center bearing) Flange
82/89	★ D9HS	4817-NA	E2HZ	4816-E	1-D9HZ 1-D3HZ	4635-B 4637-A	U/Joint Washer	1-D4TZ 1-E1HZ	4800-J 4865-A	Support assy. (center bearing) Flange
80/81	★ D9HT	4817-AA	D9HZ	4816-FA	1-D9HZ	4635-A	U/Joint	1-D9HZ	4800-A	Support assy. (center bearing)
81/	★ D9HT	4817-BA	E1HZ	4816-AH	1-D9HZ	4635-A	U/Joint	1-D9HZ	4800-A	Support assy. (center bearing)
80/81	★ D9HT	4817-CA	E1HZ	4816-B	1-D9HZ	4635-A	U/Joint	1-D9HZ	4800-A	Support assy. (center bearing)
80/	★ D9HT	4817-DA	D9HZ	4816-KH	1-D9HZ	4635-A	U/Joint	1-D9HZ	4800-A	Support assy. (center bearing)
80/81	★ D9HT	4817-EA	D9HZ	4816-HP	1-D9HZ	4635-A	U/Joint	1-D9HZ	4800-A	Support assy. (center bearing)
80/	★ D9HT	4817-FA	D9HZ	4816-FB	1-D9HZ	4635-A	U/Joint	1-D9HZ	4800-A	Support assy. (center bearing)
80/	★ D9HT	4817-HA	D9HZ	4816-HR	1-D9HZ	4635-A	U/Joint	1-D9HZ	4800-A	Support assy. (center bearing)
80/89	★ D9HT	4817-JA	D9HZ	4816-FC	1-D9HZ	4635-A	U/Joint	1-D9HZ	4800-A	Support assy. (center bearing)
80/	★ D9HT	4817-KA	D9HZ	4816-FD	1-D9HZ	4635-A	U/Joint	1-D9HZ	4800-A	Support assy. (center bearing)
80/	★ D9HT	4817-MA	D9HZ	4816-KJ	1-D9HZ	4635-A	U/Joint	1-D9HZ	4800-A	Support assy. (center bearing)
80/89	★ D9HT	4817-NA	D9HZ	4816-FH	1-D9HZ	4635-A	U/Joint	1-D9HZ	4800-A	Support assy. (center bearing)
80/	★ D9HT	4817-RA	D9HZ	4816-HY	1-D9HZ	4635-A	U/Joint	1-D9HZ	4800-A	Support assy. (center bearing)
80/81	★ D9HT	4817-SA	D9HZ	4816-HZ	1-D9HZ	4635-A	U/Joint	1-D9HZ	4800-A	Support assy. (center bearing)
81/	★ D9HT	4817-TA	E1HZ	4816-U	1-D9HZ	4635-A	U/Joint	1-D9HZ	4800-A	Support assy. (center bearing)
80/81	★ D9HT	4817-UA	E1HZ	4816-C	1-D9HZ	4635-A	U/Joint	1-D9HZ	4800-A	Support assy. (center bearing)
80/	★ D9HT	4817-VA	D9HZ	4816-FJ	1-D9HZ	4635-A	U/Joint	1-D9HZ	4800-A	Support assy. (center bearing)
81/	★ D9HT	4817-ZA	E1HZ	4816-AM	1-D9HZ	4635-A	U/Joint	1-D9HZ	4800-A	Support assy. (center bearing)
89	★ D9HT	4817-ABA	E9HZ	4816-A	1-D9HZ	4635-A	U/Joint	1-D9HZ	4800-A	Support assy. (center bearing)
81	★ D9HT	4817-ADA	E1HZ	4816-AN	1-D9HZ	4635-A	U/Joint	1-D9HZ	4800-A	Support assy. (center bearing)

1980/  
TRUCK SERIES 600/900

DRIVE and COUPLING SHAFT COMPONENT PARTS LISTS

YEAR	COMPLETE SHAFT ASSEMBLY	OPTIONAL COMPONENTS FOR COMPLETE SHAFT ASSEMBLY			
		SHAFT SUB-ASSEMBLY	RELATED PARTS FOR USE WITH SHAFT SUB-ASSEMBLY		

COUPLING SHAFT and INTERMEDIATE COUPLING SHAFT PARTS LISTS — Cont'd

Notes:      \$ Not included in 4817 assy. @ Use 383952-S bolt (7/8"-14 x 1 1/2")  
              † Use 383951-S2 bolt (3/4"-16-1 1/2") and 34797-S2 lockwasher △ Includes bearing, retainer and sleeve  
              % Use 304771-S2 bolt (3/4"-16-1 1/2") and 34797-S2 lock washer  
              ⊕ Use 383951-S2 bolt (3/4"-16-1 1/2")

NOTE 1-      Coupling shaft does not require support bearing collar-(discard)

NOTE 2-      Coupling shaft requires one of the two bearing baffles-(discard one only)

81/	★ D9HT	4817-AFA	E1HZ	4816-AP	1-D9HZ	4635-A	U/Joint	1-D9HZ	4800-A	Support assy. (center bearing)
81/89	★ D9HT	4817-AHA	E1HZ	4816-J	1-D9HZ	4635-A	U/Joint	1-D9HZ	4800-A	Support assy. (center bearing)
80/81	★ D9HT	4817-AJA	D9HZ	4816-HF	1-D9HZ	4635-A	U/Joint	1-D9HZ	4800-A	Support assy. (center bearing)
80/89	★ D9HT	4817-AKA	D9HZ	4816-FK	1-D9HZ	4635-A	U/Joint	1-D9HZ	4800-A	Support assy. (center bearing)
80/81	★ D9HT	4817-ALA	D9HZ	4816-FL	1-D9HZ	4635-A	U/Joint	1-D9HZ	4800-A	Support assy. (center bearing)
81/	★ D9HT	4817-AMA	E1HZ	4816-AR	1-D9HZ	4635-A	U/Joint	1-D9HZ	4800-A	Support assy. (center bearing)
80/89	★ D9HT	4817-ANA	E0HZ	4816-FF	1-D9HZ	4635-A	U/Joint	1-D9HZ	4800-A	Support assy. (center bearing)
82/	★ D9HT	4817-ARA	D9HZ	4816-FM	1-D9HZ	4635-A	U/Joint	1-D9HZ	4800-A	Support assy. (center bearing)
81/89	★ D9HT	4817-ATA	E1HZ	4816-AS	1-D9HZ	4635-A	U/Joint	1-D9HZ	4800-A	Support assy. (center bearing)
80/82	★ D9HT	4817-AUA	D9HZ	4816-FP	1-D9HZ	4635-A	U/Joint	1-D9HZ	4800-A	Support assy. (center bearing)
80/83	★ D9HT	4817-AVA	D9HZ	4816-FR	1-D9HZ	4635-A	U/Joint	1-D9HZ	4800-A	Support assy. (center bearing)
80/81	★ D9HT	4817-AYA	D9HZ	4816-FS	1-D9HZ	4635-A	U/Joint	1-D9HZ	4800-A	Support assy. (center bearing)
80/89	★ D9HT	4817-AZA	D9HZ	4816-FT	1-D9HZ	4635-A	U/Joint	1-D9HZ	4800-A	Support assy. (center bearing)
80/	★ D9HT	4817-BBA	D9HZ	4816-KE	1-D9HZ	4635-A	U/Joint	1-D9HZ	4800-A	Support assy. (center bearing)
89	★ D9HT	4817-BDA	E9HZ	4816-AY	1-D9HZ	4635-A	U/Joint	1-D9HZ	4800-A	Support assy. (center bearing)
80/	★ D9HT	4817-BFA	D9HZ	4816-FU	1-D9HZ	4635-A	U/Joint	1-D9HZ	4800-A	Support assy. (center bearing)
80/81	★ D9HT	4817-BGA	D9HZ	4816-FV	1-D9HZ	4635-A	U/Joint	1-D9HZ	4800-A	Support assy. (center bearing)
89	★ D9HT	4817-BHA	E9HZ	4816-B	1-D9HZ	4635-A	U/Joint	1-D9HZ	4800-A	Support assy. (center bearing)
80	★ D9HT	4817-BJA	D9HZ	4816-HK	1-D9HZ	4635-A	U/Joint	1-D9HZ	4800-A	Support assy. (center bearing)
80/	★ D9HT	4817-BKA	D9HZ	4816-KF	1-D9HZ	4635-A	U/Joint	1-D9HZ	4800-A	Support assy. (center bearing)
80/	★ D9HT	4817-BMA	D9HZ	4816-KU	1-D9HZ	4635-A	U/Joint	1-D9HZ	4800-A	Support assy. (center bearing)
80/81	★ D9HT	4817-BNA	D9HZ	4816-FW	1-D9HZ	4635-A	U/Joint	1-D9HZ	4800-A	Support assy. (center bearing)
80/	★ D9HT	4817-BRA	D9HZ	4816-FX	1-D9HZ	4635-A	U/Joint	1-D9HZ	4800-A	Support assy. (center bearing)
81/	★ D9HT	4817-BTA	E1HZ	4816-AT	1-D9HZ	4635-A	U/Joint	1-D9HZ	4800-A	Support assy. (center bearing)
80/	★ D9HT	4817-BVA	D9HZ	4816-FY	1-D9HZ	4635-A	U/Joint	1-D9HZ	4800-A	Support assy. (center bearing)
80/81	★ D9HT	4817-BYA	D9HZ	4816-FZ	1-D9HZ	4635-A	U/Joint	1-D9HZ	4800-A	Support assy. (center bearing)
81/	★ D9HT	4817-BZA	E1HZ	4816-AU	1-D9HZ	4635-A	U/Joint	1-D9HZ	4800-A	Support assy. (center bearing)
80/81	★ D9HT	4817-CAA	D9HZ	4816-GA	1-D9HZ	4635-A	U/Joint	1-D9HZ	4800-A	Support assy. (center bearing)
80/	★ D9HT	4817-CBA	D9HZ	4816-KG	1-D9HZ	4635-A	U/Joint	1-D9HZ	4800-A	Support assy. (center bearing)
80/82	★ D9HT	4817-CCA	D9HZ	4816-HL	1-D9HZ	4635-A	U/Joint	1-D9HZ	4800-A	Support assy. (center bearing)
80/	★ D9HT	4817-CDA	D9HZ	4816-HM	1-D9HZ	4635-A	U/Joint	1-D9HZ	4800-A	Support assy. (center bearing)
80/81	★ D9HT	4817-CEA	D9HZ	4816-GB	1-D9HZ	4635-A	U/Joint	1-D9HZ	4800-A	Support assy. (center bearing)
80/	★ D9HT	4817-CFA	D9HZ	4816-GZ	1-D9HZ	4635-A	U/Joint	1-D9HZ	4800-A	Support assy. (center bearing)
80/	★ D9HT	4817-GHA	D9HZ	4816-GC	1-D9HZ	4635-A	U/Joint	1-D9HZ	4800-A	Support assy. (center bearing)
80/82	★ D9HT	4817-CJA	E0HZ	4816-FG	1-D9HZ	4635-A	U/Joint	1-D9HZ	4800-A	Support assy. (center bearing)
80/	★ D9HT	4817-CKA	D9HZ	4816-HN	1-D9HZ	4635-A	U/Joint	1-D9HZ	4800-A	Support assy. (center bearing)
80/81	★ D9HT	4817-CLA	D9HZ	4816-GD	1-D9HZ	4635-A	U/Joint	1-D9HZ	4800-A	Support assy. (center bearing)
80/	★ D9HT	4817-CMA	D9HZ	4816-GE	1-D9HZ	4635-A	U/Joint	1-D9HZ	4800-A	Support assy. (center bearing)
80/81	★ D9HT	4817-CNA	D9HZ	4816-JC	1-D9HZ	4635-A	U/Joint	1-D9HZ	4800-A	Support assy. (center bearing)
80/	★ D9HT	4817-CRA	D9HZ	4816-GF	1-D9HZ	4635-A	U/Joint	1-D9HZ	4800-A	Support assy. (center bearing)
81/89	★ D9HT	4817-CTA	E1HZ	4816-AV	1-D9HZ	4635-A	U/Joint	1-D9HZ	4800-A	Support assy. (center bearing)
80/82	★ D9HT	4817-CUA	D9HZ	4816-GJ	1-D9HZ	4635-A	U/Joint	1-D9HZ	4800-A	Support assy. (center bearing)
80/	★ D9HT	4817-CVA	D9HZ	4816-GK	1-D9HZ	4635-A	U/Joint	1-D9HZ	4800-A	Support assy. (center bearing)
81/82	★ D9HT	4817-CYA	E1HZ	4816-AW	1-D9HZ	4635-A	U/Joint	1-D9HZ	4800-A	Support assy. (center bearing)
80/	★ D9HT	4817-CZA	D9HZ	4816-GL	1-D9HZ	4635-A	U/Joint	1-D9HZ	4800-A	Support assy. (center bearing)
80/81	★ D9HT	4817-DAA	D9HZ	4816-GM	1-D9HZ	4635-A	U/Joint	1-D9HZ	4800-A	Support assy. (center bearing)
81/	★ D9HT	4817-DBA	E1HZ	4816-AX	1-D9HZ	4635-A	U/Joint	1-D9HZ	4800-A	Support assy. (center bearing)
80/	★ D9HT	4817-DDA	D9HZ	4816-GP	1-D9HZ	4635-A	U/Joint	1-D9HZ	4800-A	Support assy. (center bearing)
80/81	★ D9HT	4817-DEA	D9HZ	4816-GR	1-D9HZ	4635-A	U/Joint	1-D9HZ	4800-A	Support assy. (center bearing)



1980/  
TRUCK SERIES 600/900

YEAR	COMPLETE SHAFT ASSEMBLY	DRIVE and COUPLING SHAFT COMPONENT PARTS LISTS			
		OPTIONAL COMPONENTS FOR COMPLETE SHAFT ASSEMBLY			
		SHAFT SUB-ASSEMBLY	RELATED PARTS FOR USE WITH SHAFT SUB-ASSEMBLY		

COUPLING SHAFT and INTERMEDIATE COUPLING SHAFT PARTS LISTS — Cont'd

Notes:           \$ Not included in 4817 assy. @ Use 383952-S bolt (7/8"-14 x 1 1/2")  
                   † Use 383951-S2 bolt (3/4"-16-1 1/2") and 34797-S2 lockwasher Δ Includes bearing, retainer and sleeve  
                   % Use 304771-S2 bolt (3/4"-16-1 1/2") and 34797-S2 lock washer  
                   ⊕ Use 383951-S2 bolt (3/4"-16-1 1/2")

NOTE 1-           Coupling shaft does not require support bearing collar-(discard)  
 NOTE 2-         Coupling shaft requires one of the two bearing baffles-(discard one only)

80/	★ D9HT	4817-DFA	D9HZ	4816-GS	1-D9HZ	4635-A	U/Joint	1-D9HZ	4800-A	Support assy. (center bearing)	
80/81	★ D9HT	4817-DGA	D9HZ	4816-GT	1-D9HZ	4635-A	U/Joint	1-D9HZ	4800-A	Support assy. (center bearing)	
82/	★ D9HT	4817-DHA	E2HZ	4816-BU	1-D9HZ	4635-A	U/Joint	1-D9HZ	4800-A	Support assy. (center bearing)	
80/	★ D9HT	4817-DKA	D9HZ	4816-KD	1-D9HZ	4635-A	U/Joint	1-D9HZ	4800-A	Support assy. (center bearing)	
80/	★ D9HT	4817-DMA	D9HZ	4816-GU	1-D9HZ	4635-A	U/Joint	1-D9HZ	4800-A	Support assy. (center bearing)	
80/81	★ D9HT	4817-DNA	D9HZ	4816-GV	1-D9HZ	4635-A	U/Joint	1-D9HZ	4800-A	Support assy. (center bearing)	
80/	★ D9HT	4817-DRA	D9HZ	4816-GW	1-D9HZ	4635-A	U/Joint	1-D9HZ	4800-A	Support assy. (center bearing)	
89	★ D9HT	4817-DTA	E9HZ	4816-AZ	1-D9HZ	4635-A	U/Joint	1-D9HZ	4800-A	Support assy. (center bearing)	
80/89	★ D9HT	4817-DVA	D9HZ	4816-GX	1-D9HZ	4635-A	U/Joint	1-D9HZ	4800-A	Support assy. (center bearing)	
83	★ D9HT	4817-DZA	E3HZ	4816-B	1-D9HZ	4635-A	U/Joint	1-D9HZ	4800-A	Support assy. (center bearing)	
						1-B5QH	4637-A	Washer	1-⊕D9HZ	4865-A	Flange
80/89	★ D9HT	4817-EBA	D9HZ	4816-KB	1-D9HZ	4635-A	U/Joint	1-D9HZ	4800-A	Support assy. (center bearing)	
						1-B5QH	4637-A	Washer	1-⊕D9HZ	4865-A	Flange
80/82	★ D9HT	4817-ECA	E0HZ	4816-HF	1-D9HZ	4635-A	U/Joint	1-D9HZ	4800-A	Support assy. (center bearing)	
						1-B5QH	4637-A	Washer	1-⊕D9HZ	4865-A	Flange
80/89	★ D9HT	4817-EDA	D9HZ	4816-KC	1-D9HZ	4635-A	U/Joint	1-D9HZ	4800-A	Support assy. (center bearing)	
						1-B5QH	4637-A	Washer	1-⊕D9HZ	4865-A	Flange
80/83	★ D9HT	4817-EFA	D9HZ	4816-AR	1-D9HZ	4635-A	U/Joint	1-D9HZ	4800-A	Support assy. (center bearing)	
						1-B5QH	4637-A	Washer	1-⊕D9HZ	4865-A	Flange
80/83	★ D9HT	4817-EHA	D9HZ	4816-AT	1-D9HZ	4635-A	U/Joint	1-D9HZ	4800-A	Support assy. (center bearing)	
						1-B5QH	4637-A	Washer	1-⊕D9HZ	4865-A	Flange
82/83	★ D9HT	4817-EKA	E2HZ	4816-CD	1-D9HZ	4635-A	U/Joint	1-D9HZ	4800-A	Support assy. (center bearing)	
						1-B5QH	4637-A	Washer	1-⊕D9HZ	4865-A	Flange
80/83	★ D9HT	4817-EMA	D9HZ	4816-KA	1-D9HZ	4635-A	U/Joint	1-D9HZ	4800-A	Support assy. (center bearing)	
						1-B5QH	4637-A	Washer	1-⊕D9HZ	4865-A	Flange
82/89	★ D9HT	4817-ETA	E2HZ	4816-CE	1-D9HZ	4635-A	U/Joint	1-D9HZ	4800-A	Support assy. (center bearing)	
						1-B5QH	4637-A	Washer	1-⊕D9HZ	4865-A	Flange
80/89	★ D9HT	4817-FZA	D9HZ	4816-AE	1-D9HZ	4635-A	U/Joint	1-D9HZ	4800-A	Support assy. (center bearing)	
						1-B5QH	4637-A	Washer	1-⊕D9HZ	4865-A	Flange
83	★ D9HT	4817-GBA	E3HZ	4816-C	1-D9HZ	4635-A	U/Joint	1-D9HZ	4800-A	Support assy. (center bearing)	
						1-B5QH	4637-A	Washer	1-⊕D9HZ	4865-A	Flange
80/81	★ D9HT	4817-GGA	D9HZ	4816-AF	1-D9HZ	4635-A	U/Joint	1-D9HZ	4800-A	Support assy. (center bearing)	
						1-B5QH	4637-A	Washer	1-⊕D9HZ	4865-A	Flange
80/83	★ D9HT	4817-GMA	D9HZ	4816-JW	1-D9HZ	4635-A	U/Joint	1-D9HZ	4800-A	Support assy. (center bearing)	
						1-B5QH	4637-A	Washer	1-⊕D9HZ	4865-A	Flange
80/89	★ D9HT	4817-GRA	D9HZ	4816-JX	1-D9HZ	4635-A	U/Joint	1-D9HZ	4800-A	Support assy. (center bearing)	
						1-B5QH	4637-A	Washer	1-⊕D9HZ	4865-A	Flange
81/89	★ D9HT	4817-GTA	E1HZ	4816-CL	1-D9HZ	4635-A	U/Joint	1-D9HZ	4800-A	Support assy. (center bearing)	
						1-B5QH	4637-A	Washer	1-⊕D9HZ	4865-A	Flange
80/81	★ D9HT	4817-GUA	D9HZ	4816-KV	1-D9HZ	4635-A	U/Joint	1-D9HZ	4800-A	Support assy. (center bearing)	
						1-B5QH	4637-A	Washer	1-⊕D9HZ	4865-A	Flange
81	★ D9HT	4817-GVA	E1HZ	4816-AY	1-D9HZ	4635-A	U/Joint	1-D9HZ	4800-A	Support assy. (center bearing)	
						1-B5QH	4637-A	Washer	1-⊕D9HZ	4865-A	Flange
80/81	★ D9HT	4817-GYA	D9HZ	4816-HS	1-D9HZ	4635-A	U/Joint	1-D9HZ	4800-A	Support assy. (center bearing)	
						1-B5QH	4637-A	Washer	1-⊕D9HZ	4865-A	Flange
80/83	★ D9HT	4817-GZA	D9HZ	4816-D	1-D9HZ	4635-A	U/Joint	1-D9HZ	4800-A	Support assy. (center bearing)	
						1-B5QH	4637-A	Washer	1-⊕D9HZ	4865-A	Flange

1980/  
TRUCK SERIES 600/900

DRIVE and COUPLING SHAFT COMPONENT PARTS LISTS

YEAR	COMPLETE SHAFT ASSEMBLY	OPTIONAL COMPONENTS FOR COMPLETE SHAFT ASSEMBLY			
		SHAFT SUB-ASSEMBLY	RELATED PARTS FOR USE WITH SHAFT SUB-ASSEMBLY		

COUPLING SHAFT and INTERMEDIATE COUPLING SHAFT PARTS LISTS — Cont'd

Notes: \$ Not included in 4817 assy. @ Use 383952-S bolt (7/8"-14 x 1 1/2")  
 † Use 383951-S2 bolt (3/4"-16-1 1/2") and 34797-S2 lockwasher △ Includes bearing, retainer and sleeve  
 % Use 304771-S2 bolt (3/4"-16-1 1/2") and 34797-S2 lock washer  
 ⊕ Use 383951-S2 bolt (3/4"-16-1 1/2")

NOTE 1- Coupling shaft does not require support bearing collar-(discard)  
 NOTE 2- Coupling shaft requires one of the two bearing baffles-(discard one only)

80/83	★ D9HT	4817-HAA	E0HZ	4816-EW	1-D3TZ	4635-A	U/Joint	1-D9HZ	4800-A	Support assy. (center bearing)
					1-D6HZ	4637-A	Washer	1-D5HZ	4865-A	Flange
80	★ D9HT	4817-HBA	D9HZ	4816-BD	1-D3TZ	4635-A	U/Joint	1-D9HZ	4800-A	Support assy. (center bearing)
					1-D6HZ	4637-A	Washer	1-D5HZ	4865-A	Flange
80/89	★ D9HT	4817-HEA	D9HZ	4816-CA	1-C1TZ	4635-A	U/Joint	1-D4TZ	4800-C	Support assy. (center bearing)
80/83	★ D9HT	4817-HFA	D9HZ	4816-CB	1-C1TZ	4635-A	U/Joint	1-D4TZ	4800-C	Support assy. (center bearing)
80/81	★ D9HT	4817-HJA	D9HZ	4816-CC	1-C1TZ	4635-A	U/Joint	1-D4TZ	4800-C	Support assy. (center bearing)
80	★ D9HT	4817-HKA	D9HZ	4816-CV	1-C1TZ	4635-A	U/Joint	1-D4TZ	4800-C	Support assy. (center bearing)
80/89	★ D9HT	4817-HUA	D9HZ	4816-CP	1-C1TZ	4635-A	U/Joint	1-D4TZ	4800-C	Support assy. (center bearing)
					1-B5QH	4637-A	Washer			
80/81	★ D9HT	4817-HVA	D9HZ	4816-CS	1-C1TZ	4635-A	U/Joint	1-D4TZ	4800-C	Support assy. (center bearing)
					1-B5QH	4637-A	Washer			
80/81	★ D9HT	4817-HZA	D9HZ	4816-JG	1-B6TZ	4635-B	U/Joint	1-D4HZ	4805-A	Bearing baffle-also serviced in 4800 assy.
					1-D5TZ	4800-A	Support assy. (center bearing)-NOTE 2	1-D4HZ	4805-B	Bearing baffle (collar)-also serviced in 4800 assy.
80/89	★ D9HT	4817-JAA	D9HZ	4816-JH	1-B6TZ	4635-B	U/Joint	1-D4HZ	4805-A	Bearing baffle-also serviced in 4800 assy.
					1-D5TZ	4800-A	Support assy. (center bearing)-NOTE 2	1-D4HZ	4805-B	Bearing baffle (collar)-also serviced in 4800 assy.
80	★ D9HT	4817-JHA	D9HZ	4816-JS	1-B6TZ	4635-B	U/Joint	1-D4HZ	4805-A	Bearing baffle-also serviced in 4800 assy.
					1-D5TZ	4800-A	Support assy. (center bearing)-NOTE 2	1-D4HZ	4805-B	Bearing baffle (collar)-also serviced in 4800 assy.
80/81	★ D9HT	4817-JSA	D9HZ	4816-JM	1-B6TZ	4635-B	U/Joint	2-D4HZ	4805-A	Bearing baffle-also serviced in 4800 assy.
					1-B5QH	4637-A	Washer	1-†D4TZ	4865-A	Flange
					1-D5TZ	4800-A	Support assy. (center bearing)-NOTE 1			
80/81	★ D9HT	4817-JTA	D9HZ	4816-U	1-B6TZ	4635-B	U/Joint	2-D4HZ	4805-A	Bearing baffle-also serviced in 4800 assy.
					1-B5QH	4637-A	Washer	1-†D4TZ	4865-A	Flange
					1-D5TZ	4800-A	Support assy. (center bearing)-NOTE 1			
80/81	★ D9HT	4817-JZA	D9HZ	4816-Y	1-B6TZ	4635-B	U/Joint	2-D4HZ	4805-A	Bearing baffle-also serviced in 4800 assy.
					1-B5QH	4637-A	Washer	1-†D4TZ	4865-A	Flange
					1-D5TZ	4800-A	Support assy. (center bearing)-NOTE 1			
80/81	★ D9HT	4817-KAA	D9HZ	4816-BE	1-D3TZ	4635-A	U/Joint	1-D9HZ	4800-A	Support assy. (center bearing)
					1-D6HZ	4637-A	Washer	1-D5HZ	4865-A	Flange
80/89	★ D9HT	4817-KCA	D9HZ	4816-Z	1-B6TZ	4635-B	U/Joint	1-D4HZ	4805-A	Bearing baffle-also serviced in 4800 assy.
					1-D5TZ	4800-A	Support assy. (center bearing)-NOTE 2	1-D4HZ	4805-B	Bearing baffle (collar)-also serviced in 4800 assy.
80/81	★ D9HT	4817-KHA	D9HZ	4816-DZ	1-C1TZ	4635-A	U/Joint	1-D4TZ	4800-C	Support assy. (center bearing)
80	★ D9HT	4817-KSA	D9HZ	4816-BM	1-D3TZ	4635-A	U/Joint	1-D9HZ	4800-A	Support assy. (center bearing)
					1-D6HZ	4637-A	Washer	1-D5HZ	4865-A	Flange
80/81	★ D9HT	4817-KTA	D9HZ	4816-BJ	1-D3TZ	4635-A	U/Joint	1-D9HZ	4800-A	Support assy. (center bearing)
					1-D6HZ	4637-A	Washer	1-D5HZ	4865-A	Flange
80/81	★ D9HT	4817-KUA	E0HZ	4816-EX	1-D3TZ	4635-A	U/Joint	1-D9HZ	4800-A	Support assy. (center bearing)
					1-D6HZ	4637-A	Washer	1-D5HZ	4865-A	Flange

**1980/  
TRUCK SERIES 600/900**

YEAR	COMPLETE SHAFT ASSEMBLY	DRIVE and COUPLING SHAFT COMPONENT PARTS LISTS							
		OPTIONAL COMPONENTS FOR COMPLETE SHAFT ASSEMBLY							
		SHAFT SUB-ASSEMBLY	RELATED PARTS FOR USE WITH SHAFT SUB-ASSEMBLY						

**COUPLING SHAFT and INTERMEDIATE COUPLING SHAFT PARTS LISTS — Cont'd**

Notes: \$ Not included in 4817 assy. @ Use 383952-S bolt (7/8"-14 x 1 1/2")  
 † Use 383951-S2 bolt (3/4"-16-1 1/2") and 34797-S2 lockwasher Δ Includes bearing, retainer and sleeve  
 % Use 304771-S2 bolt (3/4"-16-1 1/2") and 34797-S2 lock washer  
 ⊕ Use 383951-S2 bolt (3/4"-16-1 1/2")

NOTE 1- Coupling shaft does not require support bearing collar-(discard)  
 NOTE 2- Coupling shaft requires one of the two bearing baffles-(discard one only)

80/81	★ D9HT	4817-KVA	D9HZ	4816-HJ	1-D3TZ 1-D6HZ	4635-A 4637-A	U/Joint Washer	1-D9HZ 1-D5HZ	4800-A 4865-A	Support assy. (center bearing) Flange
80/81	★ D9HT	4817-KYA	D9HZ	4816-C	1-B6TZ 1-D5TZ	4635-B 4800-A	U/Joint Support assy. (center bearing)-NOTE 2	1-D4HZ 1-D4HZ	4805-A 4805-B	Bearing baffle-also serviced in 4800 assy. Bearing baffle (collar)-also serviced in 4800 assy.
80/89	★ D9HT	4817-KZA	D9HZ	4816-D	1-B6TZ 1-D5TZ	4635-B 4800-A	U/Joint Support assy. (center bearing)-NOTE 2	1-D4HZ 1-D4HZ	4805-A 4805-B	Bearing baffle-also serviced in 4800 assy. Bearing baffle (collar)-also serviced in 4800 assy.
80/81	★ D9HT	4817-LAA	D9HZ	4816-AB	1-B6TZ 1-D5TZ	4635-B 4800-A	U/Joint Support assy. (center bearing)-NOTE 2	1-D4HZ 1-D4HZ	4805-A 4805-B	Bearing baffle-also serviced in 4800 assy. Bearing baffle (collar)-also serviced in 4800 assy.
80/81	★ D9HT	4817-LBA	D9HZ	4816-AC	1-B6TZ 1-B5QH 1-D5TZ	4635-B 4637-A 4800-A	U/Joint Washer Support assy. (center bearing)-NOTE 1	2-D4HZ 1-†D4TZ	4805-A 4865-A	Bearing baffle-also serviced in 4800 assy. Flange
80/89	★ D9HT	4817-LCA	D9HZ	4816-AD	1-B6TZ 1-D5TZ	4635-B 4800-A	U/Joint Support assy. (center bearing)-NOTE 2	1-D4HZ 1-D4HZ	4805-A 4805-B	Bearing baffle-also serviced in 4800 assy. Bearing baffle (collar)-also serviced in 4800 assy.
80/81	★ D9HT	4817-LDA	D9HZ	4816-CD	1-B6TZ 1-D5TZ	4635-B 4800-A	U/Joint Support assy. (center bearing)-NOTE 2	1-D4HZ 1-D4HZ	4805-A 4805-B	Bearing baffle-also serviced in 4800 assy. Bearing baffle (collar)-also serviced in 4800 assy.
80/89	★ D9HT	4817-LEA	D9HZ	4816-CE	1-C1TZ	4635-A	U/Joint	1-D4TZ	4800-C	Support assy. (center bearing)
80/89	★ D9HT	4817-LFA	D9HZ	4816-CR	1-C1TZ 1-B5QH	4635-A 4637-A	U/Joint Washer	1-D4TZ	4800-C	Support assy. (center bearing)
80/83	★ D9HT	4817-LGA	D9HZ	4816-BT	1-C1TZ 1-B5QH	4635-A 4637-A	U/Joint Washer	1-D4TZ	4800-C	Support assy. (center bearing)
80/83	★ D9HT	4817-LHA	D9HT	4816-CF	1-C1TZ	4635-A	U/Joint	1-D4TZ	4800-C	Support assy. (center bearing)
80/81	★ D9HT	4817-MFA	D9HZ	4816-DH	1-C5TZ 1-C5TZ	4635-G 4805-A	U/Joint Bearing baffle	1-D0TZ 1-ΔD0TZ	4808-A 4840-A	Center support Bearing (coupling shaft support)
80/81	★ D9HT	4817-MGA	D9HZ	4816-EF	1-C5TZ 1-C5TZ 1-D0TZ	4635-G 4805-A 4808-A	U/Joint Bearing baffle Center support	1-ΔD0TZ 1-ΔD0TZ 1-C8HZ	4840-A 4840-A 4865-A	Bearing (coupling shaft support) Bearing (coupling shaft support) Flange
80/81	★ D9HT	4817-MHA	D9HZ	4816-DD	1-C5TZ 1-C5TZ	4635-G 4805-A	U/Joint Bearing baffle	1-D0TZ 1-ΔD0TZ	4808-A 4840-A	Center support Bearing (coupling shaft support)
80/81	★ D9HT	4817-MJA	D9HZ	4816-DK	1-C5TZ 1-C5TZ	4635-G 4805-A	U/Joint Bearing baffle	1-D0TZ 1-ΔD0TZ	4808-A 4840-A	Center support Bearing (coupling shaft support)
80/81	★ D9HT	4817-MKA	D9HZ	4816-DF	1-C5TZ 1-C5TZ	4635-G 4805-A	U/Joint Bearing baffle	1-D0TZ 1-ΔD0TZ	4808-A 4840-A	Center support Bearing (coupling shaft support)
80/81	★ D9HT	4817-MLA	D9HZ	4816-DV	1-C5TZ 1-C5TZ	4635-G 4805-A	U/Joint Bearing baffle	1-D0TZ 1-ΔD0TZ	4808-A 4840-A	Center support Bearing (coupling shaft support)
80/81	★ D9HT	4817-MRA	D9HZ	4816-EG	1-C5TZ 1-C5TZ 1-D0TZ	4635-G 4805-A 4808-A	U/Joint Bearing baffle Center support	1-ΔD0TZ 1-ΔD0TZ 1-C8HZ	4840-A 4840-A 4865-A	Bearing (coupling shaft support) Bearing (coupling shaft support) Flange
80/81	★ D9HT	4817-MSA	D9HZ	4816-FE	1-D9HZ	4635-A	U/Joint	1-D9HZ	4800-A	Support assy. (center bearing)

## 1980/ TRUCK SERIES 600/900

### DRIVE and COUPLING SHAFT COMPONENT PARTS LISTS

YEAR	COMPLETE SHAFT ASSEMBLY	OPTIONAL COMPONENTS FOR COMPLETE SHAFT ASSEMBLY						
		SHAFT SUB-ASSEMBLY		RELATED PARTS FOR USE WITH SHAFT SUB-ASSEMBLY				
COUPLING SHAFT and INTERMEDIATE COUPLING SHAFT PARTS LISTS — Cont'd								
Notes:		\$ Not included in 4817 assy. @ Use 383952-S bolt (7/8"-14 x 1 1/2") † Use 383951-S2 bolt (3/4"-16-1 1/2") and 34797-S2 lockwasher △ Includes bearing, retainer and sleeve % Use 304771-S2 bolt (3/4"-16-1 1/2") and 34797-S2 lock washer ⊕ Use 383951-S2 bolt (3/4"-16-1 1/2")						
NOTE 1-		Coupling shaft does not require support bearing collar-(discard)						
NOTE 2-		Coupling shaft requires one of the two bearing baffles-(discard one only)						
80/81	★ D9HT 4817-MUA	D9HZ 4816-HE	1-D9HZ 1-B5QH	4635-A 4637-A	U/Joint Washer	1-D9HZ 1-⊕D9HZ	4800-A 4865-A	Support assy. (center bearing) Flange
80/82	★ D9HT 4817-MVA	D9HZ 4816-GG	1-D9HZ	4635-A	U/Joint	1-D9HZ	4800-A	Support assy. (center bearing)
80/81	★ D9HT 4817-MYA	D9HZ 4816-FF	1-D9HZ	4635-A	U/Joint	1-D9HZ	4800-A	Support assy. (center bearing)
80/81	★ D9HT 4817-MZA	D9HZ 4816-EL	1-D9HZ 1-B5QH	4635-A 4637-A	U/Joint Washer	1-D9HZ 1-⊕D9HZ	4800-A 4865-A	Support assy. (center bearing) Flange
80/81	★ D9HT 4817-NAA	D9HZ 4816-JD	1-D9HZ	4635-A	U/Joint	1-D9HZ	4800-A	Support assy. (center bearing)
80/81	★ D9HT 4817-NDA	D9HZ 4816-FN	1-D9HZ	4635-A	U/Joint	1-D9HZ	4800-A	Support assy. (center bearing)
80/81	★ D9HT 4817-NFA	D9HZ 4816-GH	1-D9HZ	4635-A	U/Joint	1-D9HZ	4800-A	Support assy. (center bearing)
80/81	★ D9HT 4817-NJA	D9HZ 4816-FG	1-D9HZ	4635-A	U/Joint	1-D9HZ	4800-A	Support assy. (center bearing)
80/89	★ D9HT 4817-NLA	D9HZ 4816-CU	1-C1TZ 1-B5QH	4635-A 4637-A	U/Joint Washer	1-D4TZ	4800-C	Support assy. (center bearing)
80/81	★ D9HT 4817-NMA	D9HZ 4816-BN	1-D3TZ 1-D6HZ	4635-A 4637-A	U/Joint Washer	1-D9HZ 1-D5HZ	4800-A 4865-A	Support assy. (center bearing) Flange
80/81	★ D9HT 4817-NSA	D9HZ 4816-BL	1-D3TZ 1-D6HZ	4635-A 4637-A	U/Joint Washer	1-D9HZ 1-D5HZ	4800-A 4865-A	Support assy. (center bearing) Flange
80/81	★ D9HT 4817-NTA	D9HZ 4816-JE	1-B6TZ 1-D5TZ	4635-B 4800-A	U/Joint Support assy. (center bearing)-NOTE 2	1-D4HZ 1-D4HZ	4805-A 4805-B	Bearing baffle-also serviced in 4800 assy. Bearing baffle (collar)-also serviced in 4800 assy.
80/81	★ D9HT 4817-RAA	D9HZ 4816-HT	1-D9HZ 1-B5QH	4635-A 4637-A	U/Joint Washer	1-D9HZ 1-⊕D9HZ	4800-A 4865-A	Support assy. (center bearing) Flange
80/89	★ D9HT 4817-RBA	D9HZ 4816-ET	1-D9HZ 1-B5QH	4635-A 4637-A	U/Joint Washer	1-D9HZ 1-⊕D9HZ	4800-A 4865-A	Support assy. (center bearing) Flange
80/81	★ D9HT 4817-RCA	D9HZ 4816-HU	1-D9HZ 1-B5QH	4635-A 4637-A	U/Joint Washer	1-D9HZ 1-⊕D9HZ	4800-A 4865-A	Support assy. (center bearing) Flange
80/89	★ D9HT 4817-RDA	D9HZ 4816-HV	1-D9HZ 1-B5QH	4635-A 4637-A	U/Joint Washer	1-D9HZ 1-⊕D9HZ	4800-A 4865-A	Support assy. (center bearing) Flange
80/89	★ D9HT 4817-RFA	D9HZ 4816-JY	1-D9HZ 1-B5QH	4635-A 4637-A	U/Joint Washer	1-D9HZ 1-⊕D9HZ	4800-A 4865-A	Support assy. (center bearing) Flange
80/82	★ D9HT 4817-RGA	D9HZ 4816-ES	1-D9HZ 1-B5QH	4635-A 4637-A	U/Joint Washer	1-D9HZ 1-⊕D9HZ	4800-A 4865-A	Support assy. (center bearing) Flange
80/89	★ D9HT 4817-RHA	D9HZ 4816-HW	1-D9HZ 1-B5QH	4635-A 4637-A	U/Joint Washer	1-D9HZ 1-⊕D9HZ	4800-A 4865-A	Support assy. (center bearing) Flange
80/81	★ D9HT 4817-RJA	E1HZ 4816-E	1-D9HZ 1-B5QH	4635-A 4637-A	U/Joint Washer	1-D9HZ 1-⊕D9HZ	4800-A 4865-A	Support assy. (center bearing) Flange
80/83	★ D9HT 4817-RKA	D9HZ 4816-HX	1-D9HZ 1-B5QH	4635-A 4637-A	U/Joint Washer	1-D9HZ 1-⊕D9HZ	4800-A 4865-A	Support assy. (center bearing) Flange
80/81	★ D9HT 4817-RLA	E1HZ 4816-F	1-D9HZ 1-B5QH	4635-A 4637-A	U/Joint Washer	1-D9HZ 1-⊕D9HZ	4800-A 4865-A	Support assy. (center bearing) Flange
81/89	★ D9HT 4817-RMA	E1HZ 4816-K	1-D9HZ 1-B5QH	4635-A 4637-A	U/Joint Washer	1-D9HZ 1-⊕D9HZ	4800-A 4865-A	Support assy. (center bearing) Flange
80/89	★ D9HT 4817-RRR	D9HZ 4816-EU	1-D9HZ 1-B5QH	4635-A 4637-A	U/Joint Washer	1-D9HZ 1-⊕D9HZ	4800-A 4865-A	Support assy. (center bearing) Flange
80/81	★ D9HT 4817-RSA	D9HZ 4816-EP	1-D9HZ 1-B5QH	4635-A 4637-A	U/Joint Washer	1-D9HZ 1-⊕D9HZ	4800-A 4865-A	Support assy. (center bearing) Flange
80/83	★ D9HT 4817-RTA	D9HZ 4816-ER	1-D9HZ 1-B5QH	4635-A 4637-A	U/Joint Washer	1-D9HZ 1-⊕D9HZ	4800-A 4865-A	Support assy. (center bearing) Flange

1980/  
TRUCK SERIES 600/900

DRIVE and COUPLING SHAFT COMPONENT PARTS LISTS			
YEAR	COMPLETE SHAFT ASSEMBLY	OPTIONAL COMPONENTS FOR COMPLETE SHAFT ASSEMBLY	
		SHAFT SUB-ASSEMBLY	RELATED PARTS FOR USE WITH SHAFT SUB-ASSEMBLY

COUPLING SHAFT and INTERMEDIATE COUPLING SHAFT PARTS LISTS — Cont'd

Notes:      \$ Not included in 4817 assy. @ Use 383952-S bolt (7/8"-14 x 1 1/2")  
              † Use 383951-S2 bolt (3/4"-16-1 1/2") and 34797-S2 lockwasher Δ Includes bearing, retainer and sleeve  
              % Use 304771-S2 bolt (3/4"-16-1 1/2") and 34797-S2 lock washer  
              ⊕ Use 383951-S2 bolt (3/4"-16-1 1/2")

NOTE 1-      Coupling shaft does not require support bearing collar-(discard)  
 NOTE 2-      Coupling shaft requires one of the two bearing baffles-(discard one only)

81/89	★ D9HT	4817-RVA	E1HZ	4816-AZ	1-D9HZ	4635-A	U/Joint	1-D9HZ	4800-A	Support assy. (center bearing)
					1-B5QH	4637-A	Washer	1-⊕D9HZ	4865-A	Flange
82/89	★ D9HT	4817-RZA	E2HZ	4816-BV	1-D9HZ	4635-A	U/Joint	1-D9HZ	4800-A	Support assy. (center bearing)
					1-B5QH	4637-A	Washer	1-⊕D9HZ	4865-A	Flange
80/89	★ D9HT	4817-SBA	D9HZ	4816-EV	1-D9HZ	4635-A	U/Joint	1-D9HZ	4800-A	Support assy. (center bearing)
					1-B5QH	4637-A	Washer	1-⊕D9HZ	4865-A	Flange
80/81	★ D9HT	4817-SCA	D9HZ	4816-EW	1-D9HZ	4635-A	U/Joint	1-D9HZ	4800-A	Support assy. (center bearing)
					1-B5QH	4637-A	Washer	1-⊕D9HZ	4865-A	Flange
80/89	★ D9HT	4817-SDA	D9HZ	4816-G	1-D9HZ	4635-A	U/Joint	1-D9HZ	4800-A	Support assy. (center bearing)
					1-B5QH	4637-A	Washer	1-⊕D9HZ	4865-A	Flange
80/81	★ D9HT	4817-SEA	D9HZ	4816-H	1-D9HZ	4635-A	U/Joint	1-D9HZ	4800-A	Support assy. (center bearing)
					1-B5QH	4637-A	Washer	1-⊕D9HZ	4865-A	Flange
80/89	★ D9HT	4817-SFA	D9HZ	4816-JU	1-D9HZ	4635-A	U/Joint	1-D9HZ	4800-A	Support assy. (center bearing)
					1-B5QH	4637-A	Washer	1-⊕D9HZ	4865-A	Flange
80/82	★ D9HT	4817-SGA	E0HZ	4816-FN	1-D9HZ	4635-A	U/Joint	1-D9HZ	4800-A	Support assy. (center bearing)
					1-B5QH	4637-A	Washer	1-⊕D9HZ	4865-A	Flange
80/89	★ D9HT	4817-SHA	D9HZ	4816-JV	1-D9HZ	4635-A	U/Joint	1-D9HZ	4800-A	Support assy. (center bearing)
					1-B5QH	4637-A	Washer	1-⊕D9HZ	4865-A	Flange
80/89	★ D9HT	4817-SKA	E0HZ	4816-FJ	1-D9HZ	4635-A	U/Joint	1-D9HZ	4800-A	Support assy. (center bearing)
					1-B5QH	4637-A	Washer	1-⊕D9HZ	4865-A	Flange
80/81	★ D9HT	4817-SLA	D9HZ	4816-P	1-D9HZ	4635-A	U/Joint	1-D9HZ	4800-A	Support assy. (center bearing)
					1-B5QH	4637-A	Washer	1-⊕D9HZ	4865-A	Flange
81/89	★ D9HT	4817-SMA	E1HZ	4816-BA	1-D9HZ	4635-A	U/Joint	1-D9HZ	4800-A	Support assy. (center bearing)
					1-B5QH	4637-A	Washer	1-⊕D9HZ	4865-A	Flange
82/89	★ D9HT	4817-SRA	E2HZ	4816-CG	1-D9HZ	4635-A	U/Joint	1-D9HZ	4800-A	Support assy. (center bearing)
					1-B5QH	4637-A	Washer	1-⊕D9HZ	4865-A	Flange
82/89	★ D9HT	4817-STA	E2HZ	4816-BW	1-D9HZ	4635-A	U/Joint	1-D9HZ	4800-A	Support assy. (center bearing)
					1-B5QH	4637-A	Washer	1-⊕D9HZ	4865-A	Flange
80/81	★ D9HT	4817-SUA	D9HZ	4816-EZ	1-D3HZ	4635-D	U/Joint	1-D0HZ	4865-C	Flange
					1-D4TZ	4800-G	Support assy. (center bearing)			
80/81	★ D9HT	4817-SVA	D9HZ	4816-KX	1-C1TZ	4635-A	U/Joint	1-D4TZ	4800-C	Support assy. (center bearing)
					1-B5QH	4637-A	Washer			
81/89	★ E0HT	4817-EB	E1HZ	4816-CY	1-B6TZ	4635-B	U/Joint	1-D4HZ	4805-A	Bearing baffle-also serviced in 4800 assy.
					1-D5TZ	4800-A	Support assy. (center bearing)-NOTE 2	1-D4HZ	4805-B	Bearing baffle (collar)-also serviced in 4800 assy.
81/89	★ E0HT	4817-FB	E1HZ	4816-BB	1-B6TZ	4635-B	U/Joint	1-D4HZ	4805-A	Bearing baffle-also serviced in 4800 assy.
					1-D5TZ	4800-A	Support assy. (center bearing)-NOTE 2	1-D4HZ	4805-B	Bearing baffle (collar)-also serviced in 4800 assy.
84/89	★ E0HT	4817-GB	E4HZ	4816-B	1-B6TZ	4635-B	U/Joint	1-D4HZ	4805-A	Bearing baffle-also serviced in 4800 assy.
					1-D5TZ	4800-A	Support assy. (center bearing)-NOTE 2	1-D4HZ	4805-B	Bearing baffle (collar)-also serviced in 4800 assy.

1980/  
TRUCK SERIES 600/900

DRIVE and COUPLING SHAFT COMPONENT PARTS LISTS

YEAR	COMPLETE SHAFT ASSEMBLY	OPTIONAL COMPONENTS FOR COMPLETE SHAFT ASSEMBLY	
		SHAFT SUB-ASSEMBLY	RELATED PARTS FOR USE WITH SHAFT SUB-ASSEMBLY

COUPLING SHAFT and INTERMEDIATE COUPLING SHAFT PARTS LISTS — Cont'd

Notes: \$ Not included in 4817 assy. @ Use 383952-S bolt (7/8"-14 x 1 1/2")  
 † Use 383951-S2 bolt (3/4"-16-1 1/2") and 34797-S2 lockwasher Δ Includes bearing, retainer and sleeve  
 % Use 304771-S2 bolt (3/4"-16-1 1/2") and 34797-S2 lock washer  
 ⊕ Use 383951-S2 bolt (3/4"-16-1 1/2")

NOTE 1- Coupling shaft does not require support bearing collar-(discard)  
 NOTE 2- Coupling shaft requires one of the two bearing baffles-(discard one only)

80	★ ED EOHT 4817-JA	E0HZ 4816-BZ	1-B6TZ 1-D5HT	4635-B 4800-A	U/Joint Support assy. (center bearing)-NOTE 2	1-D4HZ 1-D4HZ	4805-A 4805-B	Bearing baffle-also serviced in 4800 assy. Bearing baffle (collar)-also serviced in 4800 assy.
81/89	★ EOHT 4817-JB	E1HZ 4816-BC	1-B6TZ 1-D5TZ	4635-B 4800-A	U/Joint Support assy. (center bearing)-NOTE 2	1-D4HZ 1-D4HZ	4805-A 4805-B	Bearing baffle-also serviced in 4800 assy. Bearing baffle (collar)-also serviced in 4800 assy.
81/85	★ EOHT 4817-SB	E1HZ 4816-BD	1-B6TZ 1-D5TZ	4635-B 4800-A	U/Joint Support assy. (center bearing)-NOTE 2	1-D4HZ 1-D4HZ	4805-A 4805-B	Bearing baffle-also serviced in 4800 assy. Bearing baffle (collar)-also serviced in 4800 assy.
84/89	★ EOHT 4817-TB	E4HZ 4816-C	1-B6TZ 1-D5TZ	4635-B 4800-A	U/Joint Support assy. (center bearing)-NOTE 2	1-D4HZ 1-D4HZ	4805-A 4805-B	Bearing baffle-also serviced in 4800 assy. Bearing baffle (collar)-also serviced in 4800 assy.
84/89	★ EOHT 4817-UB	E4HZ 4816-D	1-B6TZ 1-D5TZ	4635-B 4800-A	U/Joint Support assy. (center bearing)-NOTE 2	1-D4HZ 1-D4HZ	4805-A 4805-B	Bearing baffle-also serviced in 4800 assy. Bearing baffle (collar)-also serviced in 4800 assy.
80	★ ED EOHT 4817-ZA	E0HZ 4816-CA	1-B6TZ 1-D5HT	4635-B 4800-A	U/Joint Support assy. (center bearing)-NOTE 2	1-D4HZ 1-D4HZ	4805-A 4805-B	Bearing baffle-also serviced in 4800 assy. Bearing baffle (collar)-also serviced in 4800 assy.
80/89	★ EOHT 4817-ZB	E0HZ 4816-HD	1-B6TZ 1-D5TZ	4635-B 4800-A	U/Joint Support assy. (center bearing)-NOTE 2	1-D4HZ 1-D4HZ	4805-A 4805-B	Bearing baffle-also serviced in 4800 assy. Bearing baffle (collar)-also serviced in 4800 assy.
80	★ ED EOHT 4817-ADA	E0HZ 4816-CB	1-B6TZ 1-D5HT	4635-B 4800-A	U/Joint Support assy. (center bearing)-NOTE 2	1-D4HZ 1-D4HZ	4805-A 4805-B	Bearing baffle-also serviced in 4800 assy. Bearing baffle (collar)-also serviced in 4800 assy.
80/89	★ EOHT 4817-ADB	E0HZ 4816-FY	1-B6TZ 1-D5TZ	4635-B 4800-A	U/Joint Support assy. (center bearing)-NOTE 2	1-D4HZ 1-D4HZ	4805-A 4805-B	Bearing baffle-also serviced in 4800 assy. Bearing baffle (collar)-also serviced in 4800 assy.
80	★ ED EOHT 4817-AEA	E0HZ 4816-EK	1-B6TZ 1-D5HT	4635-B 4800-A	U/Joint Support assy. (center bearing)-NOTE 2	1-D4HZ 1-D4HZ	4805-A 4805-B	Bearing baffle-also serviced in 4800 assy. Bearing baffle (collar)-also serviced in 4800 assy.
80/89	★ EOHT 4817-AEB	E0HZ 4816-FZ	1-B6TZ 1-D5TZ	4635-B 4800-A	U/Joint Support assy. (center bearing)-NOTE 2	1-D4HZ 1-D4HZ	4805-A 4805-B	Bearing baffle-also serviced in 4800 assy. Bearing baffle (collar)-also serviced in 4800 assy.

# 1980/ TRUCK SERIES 600/900

DRIVE and COUPLING SHAFT COMPONENT PARTS LISTS			
YEAR	COMPLETE SHAFT ASSEMBLY	OPTIONAL COMPONENTS FOR COMPLETE SHAFT ASSEMBLY	
		SHAFT SUB-ASSEMBLY	RELATED PARTS FOR USE WITH SHAFT SUB-ASSEMBLY

**COUPLING SHAFT and INTERMEDIATE COUPLING SHAFT PARTS LISTS — Cont'd**

Notes:            § Not included in 4817 assy. @ Use 383952-S bolt (7/8"-14 x 1 1/2")  
                      † Use 383951-S2 bolt (3/4"-16-1 1/2") and 34797-S2 lockwasher Δ Includes bearing, retainer and sleeve  
                      % Use 304771-S2 bolt (3/4"-16-1 1/2") and 34797-S2 lock washer  
                      ⊕ Use 383951-S2 bolt (3/4"-16-1 1/2")

NOTE 1-            Coupling shaft does not require support bearing collar-(discard)  
 NOTE 2-            Coupling shaft requires one of the two bearing baffles-(discard one only)

80	★ ED EOHT 4817-AHA	EOHZ 4816-CC	1-B6TZ 1-D5HT	4635-B 4800-A	U/Joint Support assy. (center bearing)-NOTE 2	1-D4HZ 1-D4HZ	4805-A 4805-B	Bearing baffle-also serviced in 4800 assy. Bearing baffle (collar)-also serviced in 4800 assy.
80/89	★ EOHT 4817-AHB	EOHZ 4816-GA	1-B6TZ 1-D5TZ	4635-B 4800-A	U/Joint Support assy. (center bearing)-NOTE 2	1-D4HZ 1-D4HZ	4805-A 4805-B	Bearing baffle-also serviced in 4800 assy. Bearing baffle (collar)-also serviced in 4800 assy.
80	★ ED EOHT 4817-AJA	EOHZ 4816-CD	1-B6TZ 1-D5HT	4635-B 4800-A	U/Joint Support assy. (center bearing)-NOTE 2	1-D4HZ 1-D4HZ	4805-A 4805-B	Bearing baffle-also serviced in 4800 assy. Bearing baffle (collar)-also serviced in 4800 assy.
80/89	★ EOHT 4817-AJB	EOHZ 4816-GB	1-B6TZ 1-D5TZ	4635-B 4800-A	U/Joint Support assy. (center bearing)-NOTE 2	1-D4HZ 1-D4HZ	4805-A 4805-B	Bearing baffle-also serviced in 4800 assy. Bearing baffle (collar)-also serviced in 4800 assy.
80	★ ED EOHT 4817-ASA	EOHZ 4816-CE	1-B6TZ 1-D5HT	4635-B 4800-A	U/Joint Support assy. (center bearing)-NOTE 2	1-D4HZ 1-D4HZ	4805-A 4805-B	Bearing baffle-also serviced in 4800 assy. Bearing baffle (collar)-also serviced in 4800 assy.
80/89	★ EOHT 4817-ASB	EOHZ 4816-GC	1-B6TZ 1-D5TZ	4635-B 4800-A	U/Joint Support assy. (center bearing)-NOTE 2	1-D4HZ 1-D4HZ	4805-A 4805-B	Bearing baffle-also serviced in 4800 assy. Bearing baffle (collar)-also serviced in 4800 assy.
80	★ ED EOHT 4817-AZA	EOHZ 4816-CF	1-B6TZ 1-D5HT	4635-B 4800-A	U/Joint Support assy. (center bearing)-NOTE 2	1-D4HZ 1-D4HZ	4805-A 4805-B	Bearing baffle-also serviced in 4800 assy. Bearing baffle (collar)-also serviced in 4800 assy.
80/89	★ EOHT 4817-AZB	EOHZ 4816-GD	1-B6TZ 1-D5TZ	4635-B 4800-A	U/Joint Support assy. (center bearing)-NOTE 2	1-D4HZ 1-D4HZ	4805-A 4805-B	Bearing baffle-also serviced in 4800 assy. Bearing baffle (collar)-also serviced in 4800 assy.
80	★ ED EOHT 4817-BAA	EOHZ 4816-CG	1-B6TZ 1-D5HT	4635-B 4800-A	U/Joint Support assy. (center bearing)-NOTE 2	1-D4HZ 1-D4HZ	4805-A 4805-B	Bearing baffle-also serviced in 4800 assy. Bearing baffle (collar)-also serviced in 4800 assy.
80/89	★ EOHT 4817-BAB	EOHZ 4816-GE	1-B6TZ 1-D5TZ	4635-B 4800-A	U/Joint Support assy. (center bearing)-NOTE 2	1-D4HZ 1-D4HZ	4805-A 4805-B	Bearing baffle-also serviced in 4800 assy. Bearing baffle (collar)-also serviced in 4800 assy.
80	★ ED EOHT 4817-BBA	EOHZ 4816-CH	1-B6TZ 1-D5HT	4635-B 4800-A	U/Joint Support assy. (center bearing)-NOTE 2	1-D4HZ 1-D4HZ	4805-A 4805-B	Bearing baffle-also serviced in 4800 assy. Bearing baffle (collar)-also serviced in 4800 assy.

**1980/  
TRUCK SERIES 600/900**

**DRIVE and COUPLING SHAFT COMPONENT PARTS LISTS**

YEAR	COMPLETE SHAFT ASSEMBLY	OPTIONAL COMPONENTS FOR COMPLETE SHAFT ASSEMBLY			
		SHAFT SUB-ASSEMBLY	RELATED PARTS FOR USE WITH SHAFT SUB-ASSEMBLY		

**COUPLING SHAFT and INTERMEDIATE COUPLING SHAFT PARTS LISTS — Cont'd**

**Notes:**      \$ Not included in 4817 assy. @ Use 383952-S bolt (7/8"-14 x 1 1/2")  
                  † Use 383951-S2 bolt (3/4"-16-1 1/2") and 34797-S2 lockwasher △ Includes bearing, retainer and sleeve  
                  % Use 304771-S2 bolt (3/4"-16-1 1/2") and 34797-S2 lock washer  
                  ⊕ Use 383951-S2 bolt (3/4"-16-1 1/2")

**NOTE 1-**      Coupling shaft does not require support bearing collar-(discard)  
**NOTE 2-**      Coupling shaft requires one of the two bearing baffles-(discard one only)

80/89	★ EOHT 4817-BBB	EOHZ 4816-GF	1-B6TZ 1-D5TZ	4635-B 4800-A	U/Joint Support assy. (center bearing)-NOTE 2	1-D4HZ 1-D4HZ	4805-A 4805-B	Bearing baffle-also serviced in 4800 assy. Bearing baffle (collar)-also serviced in 4800 assy.
80	★ ED EOHT 4817-BDA	EOHZ 4816-CJ	1-B6TZ 1-D5HT	4635-B 4800-A	U/Joint Support assy. (center bearing)-NOTE 2	1-D4HZ 1-D4HZ	4805-A 4805-B	Bearing baffle-also serviced in 4800 assy. Bearing baffle (collar)-also serviced in 4800 assy.
80/89	★ EOHT 4817-BDB	EOHZ 4816-GG	1-B6TZ 1-D5TZ	4635-B 4800-A	U/Joint Support assy. (center bearing)-NOTE 2	1-D4HZ 1-D4HZ	4805-A 4805-B	Bearing baffle-also serviced in 4800 assy. Bearing baffle (collar)-also serviced in 4800 assy.
80	★ ED EOHT 4817-BFA	EOHZ 4816-CK	1-B6TZ 1-D5HT	4635-B 4800-A	U/Joint Support assy. (center bearing)-NOTE 2	1-D4HZ 1-D4HZ	4805-A 4805-B	Bearing baffle-also serviced in 4800 assy. Bearing baffle (collar)-also serviced in 4800 assy.
80/89	★ EOHT 4817-BFB	EOHZ 4816-GH	1-B6TZ 1-D5TZ	4635-B 4800-A	U/Joint Support assy. (center bearing)-NOTE 2	1-D4HZ 1-D4HZ	4805-A 4805-B	Bearing baffle-also serviced in 4800 assy. Bearing baffle (collar)-also serviced in 4800 assy.
80	★ ED EOHT 4817-BGA	EOHZ 4816-CL	1-B6TZ 1-D5HT	4635-B 4800-A	U/Joint Support assy. (center bearing)-NOTE 2	1-D4HZ 1-D4HZ	4805-A 4805-B	Bearing baffle-also serviced in 4800 assy. Bearing baffle (collar)-also serviced in 4800 assy.
80/89	★ EOHT 4817-BGB	EOHZ 4816-GJ	1-B6TZ 1-D5TZ	4635-B 4800-A	U/Joint Support assy. (center bearing)-NOTE 2	1-D4HZ 1-D4HZ	4805-A 4805-B	Bearing baffle-also serviced in 4800 assy. Bearing baffle (collar)-also serviced in 4800 assy.
80	★ ED EOHT 4817-BHA	EOHZ 4816-CM	1-B6TZ 1-D5HT	4635-B 4800-A	U/Joint Support assy. (center bearing)-NOTE 2	1-D4HZ 1-D4HZ	4805-A 4805-B	Bearing baffle-also serviced in 4800 assy. Bearing baffle (collar)-also serviced in 4800 assy.
80/85	★ EOHT 4817-BHB	EOHZ 4816-GK	1-B6TZ 1-D5TZ	4635-B 4800-A	U/Joint Support assy. (center bearing)-NOTE 2	1-D4HZ 1-D4HZ	4805-A 4805-B	Bearing baffle-also serviced in 4800 assy. Bearing baffle (collar)-also serviced in 4800 assy.
80/89	★ EOHT 4817-BJB	EOHZ 4816-GL	1-B6TZ 1-D5TZ	4635-B 4800-A	U/Joint Support assy. (center bearing)-NOTE 2	1-D4HZ 1-D4HZ	4805-A 4805-B	Bearing baffle-also serviced in 4800 assy. Bearing baffle (collar)-also serviced in 4800 assy.
84/89	★ EOHT 4817-BLB	E4HZ 4816-A	1-B6TZ 1-D5TZ	4635-B 4800-A	U/Joint Support assy. (center bearing)-NOTE 2	1-D4HZ 1-D4HZ	4805-A 4805-B	Bearing baffle-also serviced in 4800 assy. Bearing baffle (collar)-also serviced in 4800 assy.



1980/  
TRUCK SERIES 600/900

DRIVE and COUPLING SHAFT COMPONENT PARTS LISTS									
YEAR	COMPLETE SHAFT ASSEMBLY	OPTIONAL COMPONENTS FOR COMPLETE SHAFT ASSEMBLY							
		SHAFT SUB-ASSEMBLY	RELATED PARTS FOR USE WITH SHAFT SUB-ASSEMBLY						

COUPLING SHAFT and INTERMEDIATE COUPLING SHAFT PARTS LISTS — Cont'd

Notes:      \$ Not included in 4817 assy. @ Use 383952-S bolt (7/8"-14 x 1 1/2")  
              † Use 383951-S2 bolt (3/4"-16-1 1/2") and 34797-S2 lockwasher Δ Includes bearing, retainer and sleeve  
              % Use 304771-S2 bolt (3/4"-16-1 1/2") and 34797-S2 lock washer  
              ⊕ Use 383951-S2 bolt (3/4"-16-1 1/2")

NOTE 1-      Coupling shaft does not require support bearing collar-(discard)  
 NOTE 2-      Coupling shaft requires one of the two bearing baffles-(discard one only)

80	★ ED EOHT 4817-BMA	EOHZ 4816-CN	1-B6TZ 1-D5HT	4635-B 4800-A	U/Joint Support assy. (center bearing)-NOTE 2	1-D4HZ 1-D4HZ	4805-A 4805-B	Bearing baffle-also serviced in 4800 assy. Bearing baffle (collar)-also serviced in 4800 assy.
81/89	★ EOHT 4817-BMB	E1HZ 4816-BE	1-B6TZ 1-D5TZ	4635-B 4800-A	U/Joint Support assy. (center bearing)-NOTE 2	1-D4HZ 1-D4HZ	4805-A 4805-B	Bearing baffle-also serviced in 4800 assy. Bearing baffle (collar)-also serviced in 4800 assy.
80/83	★ EOHT 4817-CAB	EOHZ 4816-GM	1-B6TZ 1-B5QH 1-D5TZ	4635-B 4637-A 4800-A	U/Joint Washer Support assy. (center bearing)-NOTE 1	2-D4HZ 1-†D4TZ	4805-A 4865-A	Bearing baffle-also serviced in 4800 assy. Flange
80	★ ED EOHT 4817-CBA	EOHZ 4816-CP	1-B6TZ 1-B5QH 1-D5TZ	4635-B 4637-A 4800-A	U/Joint Washer Support assy. (center bearing)-NOTE 1	2-D4HZ 1-†D4TZ	4805-A 4865-A	Bearing baffle-also serviced in 4800 assy. Flange
80/89	★ EOHT 4817-CBB	EOHZ 4816-GN	1-B6TZ 1-B5QH 1-D5TZ	4635-B 4637-A 4800-A	U/Joint Washer Support assy. (center bearing)-NOTE 1	2-D4HZ 1-†D4TZ	4805-A 4865-A	Bearing baffle-also serviced in 4800 assy. Flange
80/89	★ EOHT 4817-CCB	EOHZ 4816-GT	1-B6TZ 1-B5QH 1-D5TZ	4635-B 4637-A 4800-A	U/Joint Washer Support assy. (center bearing)-NOTE 1	2-D4HZ 1-†D4TZ	4805-A 4865-A	Bearing baffle-also serviced in 4800 assy. Flange
80	★ ED EOHT 4817-CDA	EOHZ 4816-CR	1-B6TZ 1-B5QH 1-D5TZ	4635-B 4637-A 4800-A	U/Joint Washer Support assy. (center bearing)-NOTE 1	2-D4HZ 1-†D4TZ	4805-A 4865-A	Bearing baffle-also serviced in 4800 assy. Flange
80/89	★ EOHT 4817-CDB	EOHZ 4816-GP	1-B6TZ 1-B5QH 1-D5TZ	4635-B 4637-A 4800-A	U/Joint Washer Support assy. (center bearing)-NOTE 1	2-D4HZ 1-†D4TZ	4805-A 4865-A	Bearing baffle-also serviced in 4800 assy. Flange
80	★ ED EOHT 4817-CFA	EOHZ 4816-CS	1-B6TZ 1-B5QH 1-D5TZ	4635-B 4637-A 4800-A	U/Joint Washer Support assy. (center bearing)-NOTE 1	2-D4HZ 1-†D4TZ	4805-A 4865-A	Bearing baffle-also serviced in 4800 assy. Flange
80/89	★ EOHT 4817-CFB	EOHZ 4816-GR	1-B6TZ 1-B5QH 1-D5TZ	4635-B 4637-A 4800-A	U/Joint Washer Support assy. (center bearing)-NOTE 1	2-D4HZ 1-†D4TZ	4805-A 4865-A	Bearing baffle-also serviced in 4800 assy. Flange
80/89	★ EOHT 4817-CGB	EOHZ 4816-GS	1-B6TZ 1-B5QH 1-D5TZ	4635-B 4637-A 4800-A	U/Joint Washer Support assy. (center bearing)-NOTE 1	2-D4HZ 1-†D4TZ	4805-A 4865-A	Bearing baffle-also serviced in 4800 assy. Flange
80/81	★ EOHT 4817-CZA	EOHZ 4816-HJ	1-D2HZ 1-D3HZ	4635-A 4637-A	U/Joint Washer	1-D4TZ 1-D2HZ	4800-J 4865-A	Support assy. (center bearing) Flange

**1980/  
TRUCK SERIES 600/900**

**DRIVE and COUPLING SHAFT COMPONENT PARTS LISTS**

YEAR	COMPLETE SHAFT ASSEMBLY	OPTIONAL COMPONENTS FOR COMPLETE SHAFT ASSEMBLY			
		SHAFT SUB-ASSEMBLY	RELATED PARTS FOR USE WITH SHAFT SUB-ASSEMBLY		

**COUPLING SHAFT and INTERMEDIATE COUPLING SHAFT PARTS LISTS — Cont'd**

Notes:      \$ Not included in 4817 assy. @ Use 383952-S bolt (7/8"-14 x 1 1/2")  
              † Use 383951-S2 bolt (3/4"-16-1 1/2") and 34797-S2 lockwasher △ Includes bearing, retainer and sleeve  
              % Use 304771-S2 bolt (3/4"-16-1 1/2") and 34797-S2 lock washer  
              ⊕ Use 383951-S2 bolt (3/4"-16-1 1/2")

NOTE 1-      Coupling shaft does not require support bearing collar-(discard)  
 NOTE 2-      Coupling shaft requires one of the two bearing baffles-(discard one only)

81/89	★ EOHT	4817-DMB	E1HZ	4816-CT	1-B6TZ 1-B5QH 1-D5TZ	4635-B 4637-A 4800-A	U/Joint Washer Support assy. (center bearing)-NOTE 1	2-D4HZ 1-†D4TZ	4805-A 4865-A	Bearing baffle-also serviced in 4800 assy. Flange
81/83	★ EOHT	4817-DNB	E1HZ	4816-CK	1-B6TZ 1-B5QH 1-D5TZ	4635-B 4637-A 4800-A	U/Joint Washer Support assy. (center bearing)-NOTE 1	2-D4HZ 1-†D4TZ	4805-A 4865-A	Bearing baffle-also serviced in 4800 assy. Flange
80	★ ED EOHT	4817-DRA	EOHZ	4816-CT	1-B6TZ 1-B5QH 1-D5TZ	4635-B 4637-A 4800-A	U/Joint Washer Support assy. (center bearing)-NOTE 1	2-D4HZ 1-†D4TZ	4805-A 4865-A	Bearing baffle-also serviced in 4800 assy. Flange
80/89	★ EOHT	4817-DRB	EOHZ	4816-GU	1-B6TZ 1-B5QH 1-D5TZ	4635-B 4637-A 4800-A	U/Joint Washer Support assy. (center bearing)-NOTE 1	2-D4HZ 1-†D4TZ	4805-A 4865-A	Bearing baffle-also serviced in 4800 assy. Flange
80/89	★ EOHT	4817-DSB	EOHZ	4816-HE	1-B6TZ 1-B5QH 1-D5TZ	4635-B 4637-A 4800-A	U/Joint Washer Support assy. (center bearing)-NOTE 1	2-D4HZ 1-†D4TZ	4805-A 4865-A	Bearing baffle-also serviced in 4800 assy. Flange
81/89	★ EOHT	4817-DUB	E1HZ	4816-BN	1-B6TZ 1-B5QH 1-D5TZ	4635-B 4637-A 4800-A	U/Joint Washer Support assy. (center bearing)-NOTE 1	2-D4HZ 1-†D4TZ	4805-A 4865-A	Bearing baffle-also serviced in 4800 assy. Flange
80	★ ED EOHT	4817-DVA	EOHZ	4816-CU	1-B6TZ 1-B5QH 1-D5TZ	4635-B 4637-A 4800-A	U/Joint Washer Support assy. (center bearing)-NOTE 1	2-D4HZ 1-†D4TZ	4805-A 4865-A	Bearing baffle-also serviced in 4800 assy. Flange
80/89	★ EOHT	4817-DVB	EOHZ	4816-FA	1-B6TZ 1-B5QH 1-D5TZ	4635-B 4637-A 4800-A	U/Joint Washer Support assy. (center bearing)-NOTE 1	2-D4HZ 1-†D4TZ	4805-A 4865-A	Bearing baffle-also serviced in 4800 assy. Flange
80	★ ED EOHT	4817-DYA	EOHZ	4816-CV	1-B6TZ 1-B5QH 1-D5TZ	4635-B 4637-A 4800-A	U/Joint Washer Support assy. (center bearing)-NOTE 1	2-D4HZ 1-†D4TZ	4805-A 4865-A	Bearing baffle-also serviced in 4800 assy. Flange
80/89	★ EOHT	4817-DYB	EOHZ	4816-GV	1-B6TZ 1-B5QH 1-D5TZ	4635-B 4637-A 4800-A	U/Joint Washer Support assy. (center bearing)-NOTE 1	2-D4HZ 1-†D4TZ	4805-A 4865-A	Bearing baffle-also serviced in 4800 assy. Flange
81/89	★ EOHT	4817-EAB	E1HZ	4816-BP	1-B6TZ 1-B5QH 1-D5TZ	4635-B 4637-A 4800-A	U/Joint Washer Support assy. (center bearing)-NOTE 1	2-D4HZ 1-†D4TZ	4805-A 4865-A	Bearing baffle-also serviced in 4800 assy. Flange
81/89	★ EOHT	4817-EEB	E1HZ	4816-CM	1-C1TZ	4635-A	U/Joint	1-D4TZ	4800-C	Support assy. (center bearing)
81/83	★ EOHT	4817-EFB	E1HZ	4816-BJ	1-C1TZ	4635-A	U/Joint	1-D4TZ	4800-C	Support assy. (center bearing)

**1980/  
TRUCK SERIES 600/900**

YEAR	COMPLETE SHAFT ASSEMBLY	DRIVE and COUPLING SHAFT COMPONENT PARTS LISTS						
		OPTIONAL COMPONENTS FOR COMPLETE SHAFT ASSEMBLY						
		SHAFT SUB-ASSEMBLY	RELATED PARTS FOR USE WITH SHAFT SUB-ASSEMBLY					

**COUPLING SHAFT and INTERMEDIATE COUPLING SHAFT PARTS LISTS — Cont'd**

Notes:           \$ Not included in 4817 assy. @ Use 383952-S bolt (7/8"-14 x 1 1/2")  
                   † Use 383951-S2 bolt (3/4"-16-1 1/2") and 34797-S2 lockwasher Δ Includes bearing, retainer and sleeve  
                   % Use 304771-S2 bolt (3/4"-16-1 1/2") and 34797-S2 lock washer  
                   ⊕ Use 383951-S2 bolt (3/4"-16-1 1/2")

NOTE 1-           Coupling shaft does not require support bearing collar-(discard)  
 NOTE 2-           Coupling shaft requires one of the two bearing baffles-(discard one only)

82/83	★ EOHT 4817-EHB	E2HZ 4816-BX	1-C1TZ 4635-A	U/Joint	1-D4TZ 4800-C	Support assy. (center bearing)
80	★ ED EOHT 4817-EKA	EOHZ 4816-CW	1-C1TZ 4635-A	U/Joint	1-D4TZ 4800-C	Support assy. (center bearing)
80	★ ED EOHT 4817-ELA	EOHZ 4816-CX	1-C1TZ 4635-A	U/Joint	1-D4TZ 4800-C	Support assy. (center bearing)
81/83	★ EOHT 4817-EMB	E1HZ 4816-BK	1-C1TZ 4635-A	U/Joint	1-D4TZ 4800-C	Support assy. (center bearing)
80/89	★ EOHT 4817-ENB	EOHZ 4816-FP	1-C1TZ 4635-A	U/Joint	1-D4TZ 4800-C	Support assy. (center bearing)
80	★ ED EOHT 4817-ERA	EOHZ 4816-CY	1-C1TZ 4635-A	U/Joint	1-D4TZ 4800-C	Support assy. (center bearing)
80/89	★ EOHT 4817-ERB	EOHZ 4816-FR	1-C1TZ 4635-A	U/Joint	1-D4TZ 4800-C	Support assy. (center bearing)
81	★ EOHT 4817-ESB	E1HZ 4816-CM	1-C1TZ 4635-A	U/Joint	1-D4TZ 4800-C	Support assy. (center bearing)
80	★ ED EOHT 4817-ETA	EOHZ 4816-CZ	1-C1TZ 4635-A	U/Joint	1-D4TZ 4800-C	Support assy. (center bearing)
80	★ ED EOHT 4817-EVA	EOHZ 4816-DA	1-C1TZ 4635-A	U/Joint	1-D4TZ 4800-C	Support assy. (center bearing)
80/89	★ EOHT 4817-EVB	EOHZ 4816-FS	1-C1TZ 4635-A	U/Joint	1-D4TZ 4800-C	Support assy. (center bearing)
81/89	★ EOHT 4817-EYB	E1HZ 4816-BL	1-C1TZ 4635-A	U/Joint	1-D4TZ 4800-C	Support assy. (center bearing)
81/89	★ EOHT 4817-FAB	E1HZ 4816-L	1-C1TZ 4635-A	U/Joint	1-D4TZ 4800-C	Support assy. (center bearing)
81/89	★ EOHT 4817-FBB	E1HZ 4816-J	1-C1TZ 4635-A	U/Joint	1-D4TZ 4800-C	Support assy. (center bearing)
80	★ ED EOHT 4817-FCA	EOHZ 4816-DB	1-C1TZ 4635-A	U/Joint	1-D4TZ 4800-C	Support assy. (center bearing)
80/89	★ EOHT 4817-FCB	EOHZ 4816-FT	1-C1TZ 4635-A	U/Joint	1-D4TZ 4800-C	Support assy. (center bearing)
80	★ ED EOHT 4817-FDA	EOHZ 4816-DC	1-C1TZ 4635-A	U/Joint	1-D4TZ 4800-C	Support assy. (center bearing)
80	★ ED EOHT 4817-FHA	EOHZ 4816-DD	1-C1TZ 4635-A	U/Joint	1-D4TZ 4800-C	Support assy. (center bearing)
80/89	★ EOHT 4817-FHB	EOHZ 4816-FU	1-C1TZ 4635-A	U/Joint	1-D4TZ 4800-C	Support assy. (center bearing)
80	★ ED EOHT 4817-FJA	EOHZ 4816-DE	1-C1TZ 4635-A	U/Joint	1-D4TZ 4800-C	Support assy. (center bearing)
80	★ ED EOHT 4817-FMA	EOHZ 4816-DF	1-C1TZ 4635-A	U/Joint	1-D4TZ 4800-C	Support assy. (center bearing)
80/89	★ EOHT 4817-FNB	EOHZ 4816-FV	1-C1TZ 4635-A	U/Joint	1-D4TZ 4800-C	Support assy. (center bearing)
80	★ ED EOHT 4817-FRA	EOHZ 4816-DG	1-C1TZ 4635-A	U/Joint	1-D4TZ 4800-C	Support assy. (center bearing)
80	★ ED EOHT 4817-FVA	EOHZ 4816-DH	1-C1TZ 4635-A	U/Joint	1-D4TZ 4800-C	Support assy. (center bearing)
80/89	★ EOHT 4817-FVB	EOHZ 4816-FW	1-C1TZ 4635-A	U/Joint	1-D4TZ 4800-C	Support assy. (center bearing)
80	★ ED EOHT 4817-FYA	EOHZ 4816-DJ	1-C1TZ 4635-A	U/Joint	1-D4TZ 4800-C	Support assy. (center bearing)
81/89	★ EOHT 4817-FYB	E1HZ 4816-K	1-C1TZ 4635-A	U/Joint	1-D4TZ 4800-C	Support assy. (center bearing)
81/89	★ EOHT 4817-FZB	E1HZ 4816-M	1-C1TZ 4635-A	U/Joint	1-D4TZ 4800-C	Support assy. (center bearing)
80	★ ED EOHT 4817-GBA	EOHZ 4816-DK	1-C1TZ 4635-A	U/Joint	1-D4TZ 4800-C	Support assy. (center bearing)
80	★ ED EOHT 4817-GCA	EOHZ 4816-DL	1-C1TZ 4635-A	U/Joint	1-D4TZ 4800-C	Support assy. (center bearing)
80/89	★ EOHT 4817-GCB	EOHZ 4816-FX	1-C1TZ 4635-A	U/Joint	1-D4TZ 4800-C	Support assy. (center bearing)

**1980/  
TRUCK SERIES 600/900**

**DRIVE and COUPLING SHAFT COMPONENT PARTS LISTS**

YEAR	COMPLETE SHAFT ASSEMBLY	OPTIONAL COMPONENTS FOR COMPLETE SHAFT ASSEMBLY			
		SHAFT SUB-ASSEMBLY	RELATED PARTS FOR USE WITH SHAFT SUB-ASSEMBLY		

**COUPLING SHAFT and INTERMEDIATE COUPLING SHAFT PARTS LISTS — Cont'd**

Notes:      \$ Not included in 4817 assy. @ Use 383952-S bolt (7/8"-14 x 1 1/2")  
              † Use 383951-S2 bolt (3/4"-16-1 1/2") and 34797-S2 lockwasher Δ Includes bearing, retainer and sleeve  
              % Use 304771-S2 bolt (3/4"-16-1 1/2") and 34797-S2 lock washer  
              ⊕ Use 383951-S2 bolt (3/4"-16-1 1/2")

NOTE 1-      Coupling shaft does not require support bearing collar—(discard)  
 NOTE 2-      Coupling shaft requires one of the two bearing baffles—(discard one only)

80	★ ED EOHT 4817-GDA	EOHZ 4816-DM	1-C1TZ 4635-A	U/Joint	1-D4TZ 4800-C	Support assy. (center bearing)
81/89	★ EOHT 4817-GEA	E1HZ 4816-BM	1-C1TZ 4635-A	U/Joint	1-D4TZ 4800-C	Support assy. (center bearing)
80	★ ED EOHT 4817-GFA	EOHZ 4816-DN	1-C1TZ 4635-A	U/Joint	1-D4TZ 4800-C	Support assy. (center bearing)
80/89	★ EOHT 4817-GFB	EOHZ 4816-HU	1-C1TZ 4635-A	U/Joint	1-D4TZ 4800-C	Support assy. (center bearing)
80	★ ED EOHT 4817-GGA	EOHZ 4816-DP	1-C1TZ 4635-A	U/Joint	1-D4TZ 4800-C	Support assy. (center bearing)
80	★ ED EOHT 4817-GHA	EOHZ 4816-DR	1-C1TZ 4635-A	U/Joint	1-D4TZ 4800-C	Support assy. (center bearing)
80	★ ED EOHT 4817-GLA	EOHZ 4816-DS	1-C1TZ 4635-A	U/Joint	1-D4TZ 4800-C	Support assy. (center bearing)
80	★ ED EOHT 4817-GMA	EOHZ 4816-DT	1-C1TZ 4635-A	U/Joint	1-D4TZ 4800-C	Support assy. (center bearing)
81/89	★ EOHT 4817-GNB	E1HZ 4816-BH	1-C1TZ 4635-A	U/Joint	1-D4TZ 4800-C	Support assy. (center bearing)
82/83	★ EOHT 4817-GSB	E2HZ 4816-BY	1-C1TZ 4635-A	U/Joint	1-D4TZ 4800-C	Support assy. (center bearing)
80/89	★ EOHT 4817-HAB	EOHZ 4816-HB	1-C1TZ 4635-A 1-B5QH 4637-A	U/Joint Washer	1-D4TZ 4800-C	Support assy. (center bearing)
80	★ ED EOHT 4817-HBA	EOHZ 4816-DU	1-C1TZ 4635-A 1-B5QH 4637-A	U/Joint Washer	1-D4TZ 4800-C	Support assy. (center bearing)
80/89	★ EOHT 4817-HBB	EOHZ 4816-GW	1-C1TZ 4635-A 1-B5QH 4637-A	U/Joint Washer	1-D4TZ 4800-C	Support assy. (center bearing)
80	★ ED EOHT 4817-HCA	EOHZ 4816-DV	1-C1TZ 4635-A 1-B5QH 4637-A	U/Joint Washer	1-D4TZ 4800-C	Support assy. (center bearing)
80/89	★ EOHT 4817-HCB	EOHZ 4816-HG	1-C1TZ 4635-A 1-B5QH 4637-A	U/Joint Washer	1-D4TZ 4800-C	Support assy. (center bearing)
82/89	★ EOHT 4817-HEB	E2HZ 4816-CH	1-C1TZ 4635-A 1-B5QH 4637-A	U/Joint Washer	1-D4TZ 4800-C	Support assy. (center bearing)
80	★ ED EOHT 4817-HFA	EOHZ 4816-DW	1-C1TZ 4635-A 1-B5QH 4637-A	U/Joint Washer	1-D4TZ 4800-C	Support assy. (center bearing)
80/83	★ EOHT 4817-HFB	EOHZ 4816-GX	1-C1TZ 4635-A 1-B5QH 4637-A	U/Joint Washer	1-D4TZ 4800-C	Support assy. (center bearing)
80	★ ED EOHT 4817-HHA	EOHZ 4816-DX	1-C1TZ 4635-A 1-B5QH 4637-A	U/Joint Washer	1-D4TZ 4800-C	Support assy. (center bearing)
80/89	★ EOHT 4817-HHB	EOHZ 4816-GY	1-C1TZ 4635-A 1-B5QH 4637-A	U/Joint Washer	1-D4TZ 4800-C	Support assy. (center bearing)
80	★ ED EOHT 4817-HKA	EOHZ 4816-DY	1-C1TZ 4635-A	U/Joint	1-D4TZ 4800-C	Support assy. (center bearing)
80/89	★ EOHT 4817-HKB	EOHZ 4816-GZ	1-C1TZ 4635-A 1-B5QH 4637-A	U/Joint Washer	1-D4TZ 4800-C	Support assy. (center bearing)
81	★ EOHT 4817-HRB	E1HZ 4816-BE	1-C1TZ 4635-A 1-B5QH 4637-A	U/Joint Washer	1-D4TZ 4800-C	Support assy. (center bearing)
80	★ ED EOHT 4817-HZA	EOHZ 4816-DZ	1-C1TZ 4635-A 1-B5QH 4637-A	U/Joint Washer	1-D4TZ 4800-C	Support assy. (center bearing)
80	★ ED EOHT 4817-JAA	EOHZ 4816-EA	1-C1TZ 4635-A 1-B5QH 4637-A	U/Joint Washer	1-D4TZ 4800-C	Support assy. (center bearing)

1980/  
TRUCK SERIES 600/900

DRIVE and COUPLING SHAFT COMPONENT PARTS LISTS									
YEAR	COMPLETE SHAFT ASSEMBLY	OPTIONAL COMPONENTS FOR COMPLETE SHAFT ASSEMBLY							
		SHAFT SUB-ASSEMBLY	RELATED PARTS FOR USE WITH SHAFT SUB-ASSEMBLY						

COUPLING SHAFT and INTERMEDIATE COUPLING SHAFT PARTS LISTS — Cont'd

Notes:        \$ Not included in 4817 assy. @ Use 383952-S bolt (7/8"-14 x 1 1/2")  
                  † Use 383951-S2 bolt (3/4"-16-1 1/2") and 34797-S2 lockwasher Δ Includes bearing, retainer and sleeve  
                  % Use 304771-S2 bolt (3/4"-16-1 1/2") and 34797-S2 lock washer  
                  ⊕ Use 383951-S2 bolt (3/4"-16-1 1/2")

NOTE 1-        Coupling shaft does not require support bearing collar-(discard)  
 NOTE 2-        Coupling shaft requires one of the two bearing baffles-(discard one only)

80	★ ED EOHT 4817-JFA	EOHT 4816-EB	1-C1TZ 1-B5QH	4635-A 4637-A	U/Joint Washer	1-D4TZ	4800-C	Support assy. (center bearing)
80/89	★ EOHT 4817-JFB	EOHZ 4816-HA	1-C1TZ 1-B5QH	4635-A 4637-A	U/Joint Washer	1-D4TZ	4800-C	Support assy. (center bearing)
80	★ ED EOHT 4817-JGA	EOHZ 4816-EC	1-C1TZ 1-B5QH	4635-A 4637-A	U/Joint Washer	1-D4TZ	4800-C	Support assy. (center bearing)
81	★ EOHT 4817-JKA	E1HZ 4816-G	1-C1TZ 1-B5QH	4635-A 4637-A	U/Joint Washer	1-D4TZ	4800-C	Support assy. (center bearing)
81/89	★ EOHT 4817-JLB	E1HZ 4816-H	1-C1TZ 1-B5QH	4635-A 4637-A	U/Joint Washer	1-D4TZ	4800-C	Support assy. (center bearing)
81/89	★ EOHT 4817-JMB	E1HZ 4816-P	1-C1TZ 1-B5QH	4635-A 4637-A	U/Joint Washer	1-D4TZ	4800-C	Support assy. (center bearing)
80/89	★ EOHT 4817-JNB	EOHZ 4816-FK	1-C1TZ 1-B5QH	4635-A 4637-A	U/Joint Washer	1-D4TZ	4800-C	Support assy. (center bearing)
80	★ ED EOHT 4817-JRA	EOHZ 4816-ED	1-C1TZ 1-B5QH	4635-A 4637-A	U/Joint Washer	1-D4TZ	4800-C	Support assy. (center bearing)
80	★ ED EOHT 4817-JSA	EOHZ 4816-EE	1-C1TZ 1-B5QH	4635-A 4637-A	U/Joint Washer	1-D4TZ	4800-C	Support assy. (center bearing)
81/89	★ EOHT 4817-JUB	E1HZ 4816-BG	1-C1TZ 1-B5QH	4635-A 4637-A	U/Joint Washer	1-D4TZ	4800-C	Support assy. (center bearing)
80	★ ED EOHT 4817-JVA	EOHZ 4816-EF	1-C1TZ 1-B5QH	4635-A 4637-A	U/Joint Washer	1-D4TZ	4800-C	Support assy. (center bearing)
80/83	★ EOHT 4817-JVB	EOHZ 4816-FL	1-C1TZ 1-B5QH	4635-A 4637-A	U/Joint Washer	1-D4TZ	4800-C	Support assy. (center bearing)
82/83	★ EOHT 4817-JYB	E2HZ 4816-BZ	1-C1TZ 1-B5QH	4635-A 4637-A	U/Joint Washer	1-D4TZ	4800-C	Support assy. (center bearing)
80	★ ED EOHT 4817-JZA	EOHZ 4816-EG	1-C1TZ 1-B5QH	4635-A 4637-A	U/Joint Washer	1-D4TZ	4800-C	Support assy. (center bearing)
80	★ ED EOHT 4817-KCA	EOHZ 4816-EH	1-C1TZ 1-B5QH	4635-A 4637-A	U/Joint Washer	1-D4TZ	4800-C	Support assy. (center bearing)
80	★ ED EOHT 4817-KDA	EOHZ 4816-EJ	1-C1TZ 1-B5QH	4635-A 4637-A	U/Joint Washer	1-D4TZ	4800-C	Support assy. (center bearing)
80/89	★ EOHT 4817-KDB	EOHZ 4816-HC	1-C1TZ 1-B5QH	4635-A 4637-A	U/Joint Washer	1-D4TZ	4800-C	Support assy. (center bearing)
82/83	★ EOHT 4817-KGB	E2HZ 4816-CJ	1-C1TZ 1-B5QH	4635-A 4637-A	U/Joint Washer	1-D4TZ	4800-C	Support assy. (center bearing)
80	★ EOHT 4817-KKA	EOHZ 4816-EM	1-D3TZ 1-D6HZ	4635-A 4637-A	U/Joint Washer	1-D9HZ 1-D5HZ	4800-A 4865-A	Support assy. (center bearing) Flange
80	★ EOHT 4817-KLA	EOHZ 4816-EL	1-D3TZ 1-D4TZ	4635-B 4800-G	U/Joint Support assy. (center bearing)	1-C6TZ	4865-B	Flange
80	★ EOHT 4817-KJA	EOHZ 4816-ET	1-D9HZ 1-D3HZ	4635-B 4637-A	U/Joint Washer	1-D4TZ 1-E1HZ	4800-J 4865-A	Support assy. (center bearing) Flange
82/89	★ E1HT 4817-AA	E2HZ 4816-CK	1-D9HZ 1-D3HZ	4635-B 4637-A	U/Joint Washer	1-D4TZ 1-E1HZ	4800-J 4865-A	Support assy. (center bearing) Flange
82/89	★ E1HT 4817-EA	E2HZ 4816-A	1-D9HZ 1-D3HZ	4635-B 4637-A	U/Joint Washer	1-D4TZ 1-E1HZ	4800-J 4865-A	Support assy. (center bearing) Flange

**1980/  
TRUCK SERIES 600/900**

**DRIVE and COUPLING SHAFT COMPONENT PARTS LISTS**

YEAR	COMPLETE SHAFT ASSEMBLY	OPTIONAL COMPONENTS FOR COMPLETE SHAFT ASSEMBLY					
		SHAFT SUB-ASSEMBLY	RELATED PARTS FOR USE WITH SHAFT SUB-ASSEMBLY				

**COUPLING SHAFT and INTERMEDIATE COUPLING SHAFT PARTS LISTS — Cont'd**

Notes:      \$ Not included in 4817 assy. @ Use 383952-S bolt (7/8"-14 x 1 1/2")  
              † Use 383951-S2 bolt (3/4"-16-1 1/2") and 34797-S2 lockwasher △ Includes bearing, retainer and sleeve  
              % Use 304771-S2 bolt (3/4"-16-1 1/2") and 34797-S2 lock washer  
              ⊕ Use 383951-S2 bolt (3/4"-16-1 1/2")

NOTE 1-      Coupling shaft does not require support bearing collar-(discard)

NOTE 2-      Coupling shaft requires one of the two bearing baffles-(discard one only)

82/89	★ E1HT	4817-FA	E2HZ	4816-B	1-D9HZ	4635-B	U/Joint	1-D4TZ	4800-J	Support assy. (center bearing)
					1-D3HZ	4637-A	Washer	1-E1HZ	4865-A	Flange
81/	★ E1HT	4817-GA	E1HZ	4816-BR	1-D9HZ	4635-B	U/Joint	1-D4TZ	4800-J	Support assy. (center bearing)
					1-D3HZ	4637-A	Washer	1-E1HZ	4865-A	Flange
82/89	★ E1HT	4817-HA	E2HZ	4816-C	1-D9HZ	4635-B	U/Joint	1-D4TZ	4800-J	Support assy. (center bearing)
					1-D3HZ	4637-A	Washer	1-E1HZ	4865-A	Flange
81/	★ E1HT	4817-JA	E1HZ	4816-BS	1-D9HZ	4635-B	U/Joint	1-D4TZ	4800-J	Support assy. (center bearing)
					1-D3HZ	4637-A	Washer	1-E1HZ	4865-A	Flange
81/89	★ E1HT	4817-KA	E1HZ	4816-CJ	1-D9HZ	4635-B	U/Joint	1-D4TZ	4800-J	Support assy. (center bearing)
					1-D3HZ	4637-A	Washer	1-E1HZ	4865-A	Flange
82/89	★ E1HT	4817-LA	E2HZ	4816-F	1-D9HZ	4635-B	U/Joint	1-D4TZ	4800-J	Support assy. (center bearing)
					1-D3HZ	4637-A	Washer	1-E1HZ	4865-A	Flange
82/89	★ E1HT	4817-MA	E2HZ	4816-G	1-D9HZ	4635-B	U/Joint	1-D4TZ	4800-J	Support assy. (center bearing)
					1-D3HZ	4637-A	Washer	1-E1HZ	4865-A	Flange
82/89	★ E1HT	4817-NA	E2HZ	4816-H	1-D9HZ	4635-B	U/Joint	1-D4TZ	4800-J	Support assy. (center bearing)
					1-D3HZ	4637-A	Washer	1-E1HZ	4865-A	Flange
82/89	★ E1HT	4817-RA	E2HZ	4816-J	1-D9HZ	4635-B	U/Joint	1-D4TZ	4800-J	Support assy. (center bearing)
					1-D3HZ	4637-A	Washer	1-E1HZ	4865-A	Flange
82/89	★ E1HT	4817-SA	E2HZ	4816-K	1-D9HZ	4635-B	U/Joint	1-D4TZ	4800-J	Support assy. (center bearing)
					1-D3HZ	4637-A	Washer	1-E1HZ	4865-A	Flange
82/89	★ E1HT	4817-TA	E2HZ	4816-L	1-D9HZ	4635-B	U/Joint	1-D4TZ	4800-J	Support assy. (center bearing)
					1-D3HZ	4637-A	Washer	1-E1HZ	4865-A	Flange
82/	★ E1HT	4817-UA	E2HZ	4816-M	1-D9HZ	4635-B	U/Joint	1-D4TZ	4800-J	Support assy. (center bearing)
					1-D3HZ	4637-A	Washer	1-E1HZ	4865-A	Flange
82/89	★ E1HT	4817-VA	E2HZ	4816-N	1-D9HZ	4635-B	U/Joint	1-D4TZ	4800-J	Support assy. (center bearing)
					1-D3HZ	4637-A	Washer	1-E1HZ	4865-A	Flange
87	★ E1HT	4817-YA	E7HZ	4816-EJ	1-D9HZ	4635-B	U/Joint	1-D4TZ	4800-J	Support assy. (center bearing)
					1-D3HZ	4637-A	Washer	1-E1HZ	4865-A	Flange
82/89	★ E1HT	4817-ZA	E2HZ	4816-P	1-D9HZ	4635-B	U/Joint	1-D4TZ	4800-J	Support assy. (center bearing)
					1-D3HZ	4637-A	Washer	1-E1HZ	4865-A	Flange
81/	★ E1HT	4817-AAA	E1HZ	4816-BW	1-D9HZ	4635-B	U/Joint	1-D4TZ	4800-J	Support assy. (center bearing)
					1-D3HZ	4637-A	Washer	1-E1HZ	4865-A	Flange
81/89	★ E1HT	4817-ABA	E1HZ	4816-BX	1-D9HZ	4635-B	U/Joint	1-D4TZ	4800-J	Support assy. (center bearing)
					1-D3HZ	4637-A	Washer	1-E1HZ	4865-A	Flange
81/89	★ E1HT	4817-ACA	E1HZ	4816-CU	1-D9HZ	4635-B	U/Joint	1-D4TZ	4800-J	Support assy. (center bearing)
					1-D3HZ	4637-A	Washer	1-E1HZ	4865-A	Flange
82/89	★ E1HT	4817-ADA	E2HZ	4816-R	1-D9HZ	4635-B	U/Joint	1-D4TZ	4800-J	Support assy. (center bearing)
					1-D3HZ	4637-A	Washer	1-E1HZ	4865-A	Flange
81/	★ E1HT	4817-AEA	E1HZ	4816-BY	1-D9HZ	4635-B	U/Joint	1-D4TZ	4800-J	Support assy. (center bearing)
					1-D3HZ	4637-A	Washer	1-E1HZ	4865-A	Flange
81/89	★ E1HT	4817-AFA	E1HZ	4816-BZ	1-D9HZ	4635-B	U/Joint	1-D4TZ	4800-J	Support assy. (center bearing)
					1-D3HZ	4637-A	Washer	1-E1HZ	4865-A	Flange
81/89	★ E1HT	4817-AGA	E1HZ	4816-CA	1-D9HZ	4635-B	U/Joint	1-D4TZ	4800-J	Support assy. (center bearing)
					1-D3HZ	4637-A	Washer	1-E1HZ	4865-A	Flange
81/	★ E1HT	4817-AHA	E1HZ	4816-CB	1-D9HZ	4635-B	U/Joint	1-D4TZ	4800-J	Support assy. (center bearing)
					1-D3HZ	4637-A	Washer	1-E1HZ	4865-A	Flange
81/	★ E1HT	4817-AJA	E1HZ	4816-CC	1-D9HZ	4635-B	U/Joint	1-D4TZ	4800-J	Support assy. (center bearing)
					1-D3HZ	4637-A	Washer	1-E1HZ	4865-A	Flange

1980/  
TRUCK SERIES 600/900

DRIVE and COUPLING SHAFT COMPONENT PARTS LISTS									
YEAR	COMPLETE SHAFT ASSEMBLY	OPTIONAL COMPONENTS FOR COMPLETE SHAFT ASSEMBLY							
		SHAFT SUB-ASSEMBLY		RELATED PARTS FOR USE WITH SHAFT SUB-ASSEMBLY					
COUPLING SHAFT and INTERMEDIATE COUPLING SHAFT PARTS LISTS — Cont'd									
Notes:      \$ Not included in 4817 assy. @ Use 383952-S bolt (7/8"-14 x 1 1/2")									
† Use 383951-S2 bolt (3/4"-16-1 1/2") and 34797-S2 lockwasher Δ Includes bearing, retainer and sleeve									
% Use 304771-S2 bolt (3/4"-16-1 1/2") and 34797-S2 lock washer									
⊕ Use 383951-S2 bolt (3/4"-16-1 1/2")									
NOTE 1-      Coupling shaft does not require support bearing collar-(discard)									
NOTE 2-      Coupling shaft requires one of the two bearing baffles-(discard one only)									
81/89	★ E1HT 4817-AKA	E1HZ 4816-CD	1-D9HZ 4635-B U/Joint	1-D4TZ 4800-J Support assy. (center bearing)					
			1-D3HZ 4637-A Washer	1-E1HZ 4865-A Flange					
81/89	★ E1HT 4817-ALA	E1HZ 4816-CE	1-D9HZ 4635-B U/Joint	1-D4TZ 4800-J Support assy. (center bearing)					
			1-D3HZ 4637-A Washer	1-E1HZ 4865-A Flange					
81/89	★ E1HT 4817-AMA	E1HZ 4816-CF	1-D9HZ 4635-B U/Joint	1-D4TZ 4800-J Support assy. (center bearing)					
			1-D3HZ 4637-A Washer	1-E1HZ 4865-A Flange					
81/	★ E1HT 4817-ANA	E1HZ 4816-CV	1-D9HZ 4635-B U/Joint	1-D4TZ 4800-J Support assy. (center bearing)					
			1-D3HZ 4637-A Washer	1-E1HZ 4865-A Flange					
82/89	★ E1HT 4817-ARA	E2HZ 4816-S	1-D9HZ 4635-B U/Joint	1-D4TZ 4800-J Support assy. (center bearing)					
			1-D3HZ 4637-A Washer	1-E1HZ 4865-A Flange					
82	★ E1HT 4817-ASA	E2HZ 4816-T	1-D9HZ 4635-B U/Joint	1-D4TZ 4800-J Support assy. (center bearing)					
			1-D3HZ 4637-A Washer	1-E1HZ 4865-A Flange					
82/89	★ E1HT 4817-ATA	E2HZ 4816-U	1-D9HZ 4635-B U/Joint	1-D4TZ 4800-J Support assy. (center bearing)					
			1-D3HZ 4637-A Washer	1-E1HZ 4865-A Flange					
82/89	★ E1HT 4817-AUA	E2HZ 4816-V	1-D9HZ 4635-B U/Joint	1-D4TZ 4800-J Support assy. (center bearing)					
			1-D3HZ 4637-A Washer	1-E1HZ 4865-A Flange					
81/89	★ E1HT 4817-AVA	E1HZ 4816-CG	1-D9HZ 4635-B U/Joint	1-D4TZ 4800-J Support assy. (center bearing)					
			1-D3HZ 4637-A Washer	1-E1HZ 4865-A Flange					
81	★ E1HT 4817-AYA	E1HZ 4816-CW	1-D9HZ 4635-B U/Joint	1-D4TZ 4800-J Support assy. (center bearing)					
			1-D3HZ 4637-A Washer	1-E1HZ 4865-A Flange					
81/	★ E1HT 4817-AZA	E1HZ 4816-CH	1-D9HZ 4635-B U/Joint	1-D4TZ 4800-J Support assy. (center bearing)					
			1-D3HZ 4637-A Washer	1-E1HZ 4865-A Flange					
81/83	★ E1HT 4817-BAA	E1HZ 4816-CX	1-D9HZ 4635-B U/Joint	1-D4TZ 4800-J Support assy. (center bearing)					
			1-D3HZ 4637-A Washer	1-E1HZ 4865-A Flange					
82/83	★ E1HT 4817-BBA	E2HZ 4816-W	1-D9HZ 4635-B U/Joint	1-D4TZ 4800-J Support assy. (center bearing)					
			1-D3HZ 4637-A Washer	1-E1HZ 4865-A Flange					
82/83	★ E1HT 4817-BDA	E2HZ 4816-X	1-D9HZ 4635-B U/Joint	1-D4TZ 4800-J Support assy. (center bearing)					
			1-D3HZ 4637-A Washer	1-E1HZ 4865-A Flange					
89	★ E1HT 4817-BEA	E9HZ 4816-BA	1-D9HZ 4635-B U/Joint	1-D4TZ 4800-J Support assy. (center bearing)					
			1-D3HZ 4637-A Washer	1-E1HZ 4865-A Flange					
82/89	★ E1HT 4817-BFA	E2HZ 4816-Y	1-D9HZ 4635-B U/Joint	1-D4TZ 4800-J Support assy. (center bearing)					
			1-D3HZ 4637-A Washer	1-E1HZ 4865-A Flange					
89	★ E1HT 4817-BHA	E9HZ 4816-BB	1-D9HZ 4635-B U/Joint	1-D4TZ 4800-J Support assy. (center bearing)					
			1-D3HZ 4637-A Washer	1-E1HZ 4865-A Flange					
87	★ E1HT 4817-BJA	E7HZ 4816-EE	1-D9HZ 4635-B U/Joint	1-D4TZ 4800-J Support assy. (center bearing)					
			1-D3HZ 4637-A Washer	1-E1HZ 4865-A Flange					
83/89	★ E1HT 4817-BKA	E3HZ 4816-G	1-D9HZ 4635-B U/Joint	1-D4TZ 4800-J Support assy. (center bearing)					
			1-D3HZ 4637-A Washer	1-E1HZ 4865-A Flange					
89	★ E1HT 4817-BNA	E9HZ 4816-BC	1-D9HZ 4635-B U/Joint	1-D4TZ 4800-J Support assy. (center bearing)					
			1-D3HZ 4637-A Washer	1-E1HZ 4865-A Flange					
89	★ E1HT 4817-BSA	E9HZ 4816-BD	1-D9HZ 4635-B U/Joint	1-D4TZ 4800-J Support assy. (center bearing)					
			1-D3HZ 4637-A Washer	1-E1HZ 4865-A Flange					
82/89	★ E1HT 4817-BZA	E2HZ 4816-BC	1-D9HZ 4635-B U/Joint	1-D4TZ 4800-J Support assy. (center bearing)					
			1-D3HZ 4637-A Washer	1-E1HZ 4865-A Flange					
82/89	★ E1HT 4817-CAA	E2HZ 4816-BD	1-D9HZ 4635-B U/Joint	1-D4TZ 4800-J Support assy. (center bearing)					
			1-D3HZ 4637-A Washer	1-E1HZ 4865-A Flange					
82/83	★ E1HT 4817-CBA	E2HZ 4816-BF	1-D9HZ 4635-B U/Joint	1-D4TZ 4800-J Support assy. (center bearing)					
			1-D3HZ 4637-A Washer	1-E1HZ 4865-A Flange					
82/89	★ E1HT 4817-CCA	E2HZ 4816-BG	1-D9HZ 4635-B U/Joint	1-D4TZ 4800-J Support assy. (center bearing)					
			1-D3HZ 4637-A Washer	1-E1HZ 4865-A Flange					

**1980/  
TRUCK SERIES 600/900**

**DRIVE and COUPLING SHAFT COMPONENT PARTS LISTS**

YEAR	COMPLETE SHAFT ASSEMBLY	OPTIONAL COMPONENTS FOR COMPLETE SHAFT ASSEMBLY			
		SHAFT SUB-ASSEMBLY	RELATED PARTS FOR USE WITH SHAFT SUB-ASSEMBLY		

**COUPLING SHAFT and INTERMEDIATE COUPLING SHAFT PARTS LISTS — Cont'd**

Notes:      \$ Not included in 4817 assy. @ Use 383952-S bolt (7/8"-14 x 1 1/2")  
              † Use 383951-S2 bolt (3/4"-16-1 1/2") and 34797-S2 lockwasher △ Includes bearing, retainer and sleeve  
              % Use 304771-S2 bolt (3/4"-16-1 1/2") and 34797-S2 lock washer  
              ⊕ Use 383951-S2 bolt (3/4"-16-1 1/2")

NOTE 1-      Coupling shaft does not require support bearing collar-(discard)

NOTE 2-      Coupling shaft requires one of the two bearing baffles-(discard one only)

82/83	★ E1HT	4817-CDA	E2HZ	4816-BJ	1-D9HZ	4635-B	U/Joint	1-D4TZ	4800-J	Support assy. (center bearing)
					1-D3HZ	4637-A	Washer	1-E1HZ	4865-A	Flange
82/89	★ E1HT	4817-CEA	E2HZ	4816-Z	1-D9HZ	4635-B	U/Joint	1-D4TZ	4800-J	Support assy. (center bearing)
					1-D3HZ	4637-A	Washer	1-E1HZ	4865-A	Flange
82/89	★ E1HT	4817-CFA	E2HZ	4816-AA	1-D9HZ	4635-B	U/Joint	1-D4TZ	4800-J	Support assy. (center bearing)
					1-D3HZ	4637-A	Washer	1-E1HZ	4865-A	Flange
82/89	★ E1HT	4817-CGA	E2HZ	4816-AB	1-D9HZ	4635-B	U/Joint	1-D4TZ	4800-J	Support assy. (center bearing)
					1-D3HZ	4637-A	Washer	1-E1HZ	4865-A	Flange
82/89	★ E1HT	4817-CHA	E2HZ	4816-AC	1-D9HZ	4635-B	U/Joint	1-D4TZ	4800-J	Support assy. (center bearing)
					1-D3HZ	4637-A	Washer	1-E1HZ	4865-A	Flange
82/89	★ E1HT	4817-CJA	E2HZ	4816-AD	1-D9HZ	4635-B	U/Joint	1-D4TZ	4800-J	Support assy. (center bearing)
					1-D3HZ	4637-A	Washer	1-E1HZ	4865-A	Flange
82/89	★ E1HT	4817-CKA	E2HZ	4816-BR	1-D9HZ	4635-B	U/Joint	1-D4TZ	4800-J	Support assy. (center bearing)
					1-D3HZ	4637-A	Washer	1-E1HZ	4865-A	Flange
82/89	★ E1HT	4817-CLA	E2HZ	4816-AE	1-D9HZ	4635-B	U/Joint	1-D4TZ	4800-J	Support assy. (center bearing)
					1-D3HZ	4637-A	Washer	1-E1HZ	4865-A	Flange
82/89	★ E1HT	4817-CMA	E2HZ	4816-AF	1-D9HZ	4635-B	U/Joint	1-D4TZ	4800-J	Support assy. (center bearing)
					1-D3HZ	4637-A	Washer	1-E1HZ	4865-A	Flange
82/89	★ E1HT	4817-CNA	E2HZ	4816-AG	1-D9HZ	4635-B	U/Joint	1-D4TZ	4800-J	Support assy. (center bearing)
					1-D3HZ	4637-A	Washer	1-E1HZ	4865-A	Flange
87	★ E1HT	4817-CRA	E7HZ	4816-EN	1-D9HZ	4635-B	U/Joint	1-D4TZ	4800-J	Support assy. (center bearing)
					1-D3HZ	4637-A	Washer	1-E1HZ	4865-A	Flange
82/89	★ E1HT	4817-CSA	E2HZ	4816-AH	1-D9HZ	4635-B	U/Joint	1-D4TZ	4800-J	Support assy. (center bearing)
					1-D3HZ	4637-A	Washer	1-E1HZ	4865-A	Flange
87	★ E1HT	4817-CTA	E7HZ	4816-EF	1-D9HZ	4635-B	U/Joint	1-D4TZ	4800-J	Support assy. (center bearing)
					1-D3HZ	4637-A	Washer	1-E1HZ	4865-A	Flange
82/89	★ E1HT	4817-CUA	E2HZ	4816-AJ	1-D9HZ	4635-B	U/Joint	1-D4TZ	4800-J	Support assy. (center bearing)
					1-D3HZ	4637-A	Washer	1-E1HZ	4865-A	Flange
89	★ E1HT	4817-CYA	E9HZ	4816-BE	1-D9HZ	4635-B	U/Joint	1-D4TZ	4800-J	Support assy. (center bearing)
					1-D3HZ	4637-A	Washer	1-E1HZ	4865-A	Flange
86/89	★ E1HT	4817-CZA	E6HZ	4816-L	1-D9HZ	4635-B	U/Joint	1-D4TZ	4800-J	Support assy. (center bearing)
					1-D3HZ	4637-A	Washer	1-E1HZ	4865-A	Flange
82/83	★ E1HT	4817-DAA	E2HZ	4816-AK	1-D9HZ	4635-B	U/Joint	1-D4TZ	4800-J	Support assy. (center bearing)
					1-D3HZ	4637-A	Washer	1-E1HZ	4865-A	Flange
82/	★ E1HT	4817-DBA	E2HZ	4816-AM	1-D9HZ	4635-B	U/Joint	1-D4TZ	4800-J	Support assy. (center bearing)
					1-D3HZ	4637-A	Washer	1-E1HZ	4865-A	Flange
82/89	★ E1HT	4817-DCA	E2HZ	4816-AN	1-D9HZ	4635-B	U/Joint	1-D4TZ	4800-J	Support assy. (center bearing)
					1-D3HZ	4637-A	Washer	1-E1HZ	4865-A	Flange
86/89	★ E1HT	4817-DDA	E6HZ	4816-P	1-D9HZ	4635-B	U/Joint	1-D4TZ	4800-J	Support assy. (center bearing)
					1-D3HZ	4637-A	Washer	1-E1HZ	4865-A	Flange
82/83	★ E1HT	4817-DEA	E2HZ	4816-AP	1-D9HZ	4635-B	U/Joint	1-D4TZ	4800-J	Support assy. (center bearing)
					1-D3HZ	4637-A	Washer	1-E1HZ	4865-A	Flange
82/	★ E1HT	4817-DFA	E2HZ	4816-AR	1-D9HZ	4635-B	U/Joint	1-D4TZ	4800-J	Support assy. (center bearing)
					1-D3HZ	4637-A	Washer	1-E1HZ	4865-A	Flange
82/	★ E1HT	4817-DGA	E2HZ	4816-BK	1-D9HZ	4635-B	U/Joint	1-D4TZ	4800-J	Support assy. (center bearing)
					1-D3HZ	4637-A	Washer	1-E1HZ	4865-A	Flange
82/89	★ E1HT	4817-DHA	E2HZ	4816-AS	1-D9HZ	4635-B	U/Joint	1-D4TZ	4800-J	Support assy. (center bearing)
					1-D3HZ	4637-A	Washer	1-E1HZ	4865-A	Flange



1980/  
TRUCK SERIES 600/900

DRIVE and COUPLING SHAFT COMPONENT PARTS LISTS									
YEAR	COMPLETE SHAFT ASSEMBLY	OPTIONAL COMPONENTS FOR COMPLETE SHAFT ASSEMBLY							
		SHAFT SUB-ASSEMBLY	RELATED PARTS FOR USE WITH SHAFT SUB-ASSEMBLY						

COUPLING SHAFT and INTERMEDIATE COUPLING SHAFT PARTS LISTS — Cont'd

Notes:      \$ Not included in 4817 assy. @ Use 383952-S bolt (7/8"-14 x 1 1/2")  
              † Use 383951-S2 bolt (3/4"-16-1 1/2") and 34797-S2 lockwasher Δ Includes bearing, retainer and sleeve  
              % Use 304771-S2 bolt (3/4"-16-1 1/2") and 34797-S2 lock washer  
              ⊕ Use 383951-S2 bolt (3/4"-16-1 1/2")

NOTE 1-      Coupling shaft does not require support bearing collar--(discard)  
 NOTE 2-      Coupling shaft requires one of the two bearing baffles--(discard one only)

82/	★ E1HT	4817-DJA	E2HZ	4816-AT	1-D9HZ	4635-B	U/Joint	1-D4TZ	4800-J	Support assy. (center bearing)
					1-D3HZ	4637-A	Washer	1-E1HZ	4865-A	Flange
82/89	★ E1HT	4817-DKA	E2HZ	4816-AU	1-D9HZ	4635-B	U/Joint	1-D4TZ	4800-J	Support assy. (center bearing)
					1-D3HZ	4637-A	Washer	1-E1HZ	4865-A	Flange
82/89	★ E1HT	4817-DLA	E2HZ	4816-AV	1-D9HZ	4635-B	U/Joint	1-D4TZ	4800-J	Support assy. (center bearing)
					1-D3HZ	4637-A	Washer	1-E1HZ	4865-A	Flange
82/83	★ E1HT	4817-DMA	E2HZ	4816-BL	1-D9HZ	4635-B	U/Joint	1-D4TZ	4800-J	Support assy. (center bearing)
					1-D3HZ	4637-A	Washer	1-E1HZ	4865-A	Flange
82/89	★ E1HT	4817-DNA	E2HZ	4816-AW	1-D9HZ	4635-B	U/Joint	1-D4TZ	4800-J	Support assy. (center bearing)
					1-D3HZ	4637-A	Washer	1-E1HZ	4865-A	Flange
87	★ E1HT	4817-DRA	E7HZ	4816-EG	1-D9HZ	4635-B	U/Joint	1-D4TZ	4800-J	Support assy. (center bearing)
					1-D3HZ	4637-A	Washer	1-E1HZ	4865-A	Flange
82/89	★ E1HT	4817-DSA	E2HZ	4816-AX	1-D9HZ	4635-B	U/Joint	1-D4TZ	4800-J	Support assy. (center bearing)
					1-D3HZ	4637-A	Washer	1-E1HZ	4865-A	Flange
87	★ E1HT	4817-DTA	E7HZ	4816-EH	1-D9HZ	4635-B	U/Joint	1-D4TZ	4800-J	Support assy. (center bearing)
					1-D3HZ	4637-A	Washer	1-E1HZ	4865-A	Flange
89	★ E1HT	4817-DUA	E9HZ	4816-BF	1-D9HZ	4635-B	U/Joint	1-D4TZ	4800-J	Support assy. (center bearing)
					1-D3HZ	4637-A	Washer	1-E1HZ	4865-A	Flange
89	★ E1HT	4817-DVA	E9HZ	4816-BG	1-D9HZ	4635-B	U/Joint	1-D4TZ	4800-J	Support assy. (center bearing)
					1-D3HZ	4637-A	Washer	1-E1HZ	4865-A	Flange
82/83	★ E1HT	4817-DYA	E2HZ	4816-AY	1-D9HZ	4635-B	U/Joint	1-D4TZ	4800-J	Support assy. (center bearing)
					1-D3HZ	4637-A	Washer	1-E1HZ	4865-A	Flange
82/	★ E1HT	4817-DZA	E2HZ	4816-BM	1-D9HZ	4635-B	U/Joint	1-D4TZ	4800-J	Support assy. (center bearing)
					1-D3HZ	4637-A	Washer	1-E1HZ	4865-A	Flange
82/	★ E1HT	4817-EAA	E2HZ	4816-AZ	1-D9HZ	4635-B	U/Joint	1-D4TZ	4800-J	Support assy. (center bearing)
					1-D3HZ	4637-A	Washer	1-E1HZ	4865-A	Flange
89	★ E1HT	4817-EBA	E9HZ	4816-BH	1-D9HZ	4635-B	U/Joint	1-D4TZ	4800-J	Support assy. (center bearing)
					1-D3HZ	4637-A	Washer	1-E1HZ	4865-A	Flange
82/89	★ E1HT	4817-ECA	E2HZ	4816-BA	1-D9HZ	4635-B	U/Joint	1-D4TZ	4800-J	Support assy. (center bearing)
					1-D3HZ	4637-A	Washer	1-E1HZ	4865-A	Flange
82/89	★ E1HT	4817-EDA	E2HZ	4816-BN	1-D9HZ	4635-B	U/Joint	1-D4TZ	4800-J	Support assy. (center bearing)
					1-D3HZ	4637-A	Washer	1-E1HZ	4865-A	Flange
89	★ E1HT	4817-EEA	E9HZ	4816-BJ	1-D9HZ	4635-B	U/Joint	1-D4TZ	4800-J	Support assy. (center bearing)
					1-D3HZ	4637-A	Washer	1-E1HZ	4865-A	Flange
82/	★ E1HT	4817-EFA	E2HZ	4816-BP	1-D9HZ	4635-B	U/Joint	1-D4TZ	4800-J	Support assy. (center bearing)
					1-D3HZ	4637-A	Washer	1-E1HZ	4865-A	Flange
83/	★ E1HT	4817-EJA	E3HZ	4816-J	1-D9HZ	4635-B	U/Joint	1-D4TZ	4800-J	Support assy. (center bearing)
					1-D3HZ	4637-A	Washer	1-E1HZ	4865-A	Flange
89	★ E1HT	4817-ELA	E9HZ	4816-BK	1-D9HZ	4635-B	U/Joint	1-D4TZ	4800-J	Support assy. (center bearing)
					1-D3HZ	4637-A	Washer	1-E1HZ	4865-A	Flange
89	★ E1HT	4817-EMA	E9HZ	4816-BL	1-D9HZ	4635-B	U/Joint	1-D4TZ	4800-J	Support assy. (center bearing)
					1-D3HZ	4637-A	Washer	1-E1HZ	4865-A	Flange
81/89	★ E1HT	4817-ENA	E1HZ	4816-AJ	1-D9HZ	4635-A	U/Joint	1-D9HZ	4800-A	Support assy. (center bearing)
					1-B5QH	4637-A	Washer	1-⊕D9HZ	4865-A	Flange
81/89	★ E1HT	4817-ERA	E1HZ	4816-AK	1-D9HZ	4635-A	U/Joint	1-D9HZ	4800-A	Support assy. (center bearing)
					1-B5QH	4637-A	Washer	1-⊕D9HZ	4865-A	Flange
81/	★ E1HT	4817-ESA	E1HZ	4816-R	1-D9HZ	4635-A	U/Joint	1-D9HZ	4800-A	Support assy. (center bearing)
					1-B5QH	4637-A	Washer	1-⊕D9HZ	4865-A	Flange
81/89	★ E1HT	4817-ETA	E1HZ	4816-AL	1-D9HZ	4635-A	U/Joint	1-D9HZ	4800-A	Support assy. (center bearing)
					1-B5QH	4637-A	Washer	1-⊕D9HZ	4865-A	Flange

**1980/  
TRUCK SERIES 600/900**

**DRIVE and COUPLING SHAFT COMPONENT PARTS LISTS**

YEAR	COMPLETE SHAFT ASSEMBLY	OPTIONAL COMPONENTS FOR COMPLETE SHAFT ASSEMBLY			
		SHAFT SUB-ASSEMBLY	RELATED PARTS FOR USE WITH SHAFT SUB-ASSEMBLY		

**COUPLING SHAFT and INTERMEDIATE COUPLING SHAFT PARTS LISTS — Cont'd**

Notes:     \$ Not included in 4817 assy. @ Use 383952-S bolt (7/8"-14 x 1 1/2")  
               † Use 383951-S2 bolt (3/4"-16-1 1/2") and 34797-S2 lockwasher Δ Includes bearing, retainer and sleeve  
               % Use 304771-S2 bolt (3/4"-16-1 1/2") and 34797-S2 lock washer  
               ⊕ Use 383951-S2 bolt (3/4"-16-1 1/2")

NOTE 1-     Coupling shaft does not require support bearing collar--(discard)  
 NOTE 2-     Coupling shaft requires one of the two bearing baffles--(discard one only)

81/89	★ E1HT	4817-EUA	E1HZ	4816-S	1-D3TZ	4635-A	U/Joint	1-D9HZ	4800-A	Support assy. (center bearing)
					1-D6HZ	4637-A	Washer	1-D5HZ	4865-A	Flange
81/89	★ E1HT	4817-EVA	E1HZ	4816-N	1-C1TZ	4635-A	U/Joint	1-D4TZ	4800-C	Support assy. (center bearing)
81/89	★ E1HT	4817-EYA	E1HZ	4816-BT	1-D9HZ	4635-B	U/Joint	1-D4TZ	4800-J	Support assy. (center bearing)
					1-D3HZ	4637-A	Washer	1-E1HZ	4865-A	Flange
81/89	★ E1HT	4817-EZA	E1HZ	4816-DJ	1-D3TZ	4635-A	U/Joint	1-D9HZ	4800-A	Support assy. (center bearing)
					1-D6HZ	4637-A	Washer	1-D5HZ	4865-A	Flange
81/89	★ E1HT	4817-FAA	E1HZ	4816-BV	1-D9HZ	4635-B	U/Joint	1-D4TZ	4800-J	Support assy. (center bearing)
					1-D3HZ	4637-A	Washer	1-E1HZ	4865-A	Flange
82/89	★ E2HT	4817-AA	E2HZ	4816-CA	1-D9HZ	4635-B	U/Joint	1-D4TZ	4800-J	Support assy. (center bearing)
					1-D3HZ	4637-A	Washer	1-E1HZ	4865-A	Flange
82/	★ E2HT	4817-BA	E2HZ	4816-CB	1-D9HZ	4635-A	U/Joint	1-D9HZ	4800-A	Support assy. (center bearing)
82/89	★ E2HT	4817-CA	E2HZ	4816-CC	1-D9HZ	4635-A	U/Joint	1-D9HZ	4800-A	Support assy. (center bearing)
83/89	★ E3HT	4817-AA	E3HZ	4816-L	1-D9HZ	4635-B	U/Joint	1-D4TZ	4800-J	Support assy. (center bearing)
					1-D3HZ	4637-A	Washer	1-E1HZ	4865-A	Flange
83/89	★ E3HT	4817-BA	E3HZ	4816-T	1-D9HZ	4635-B	U/Joint	1-D4TZ	4800-J	Support assy. (center bearing)
					1-D3HZ	4637-A	Washer	1-E1HZ	4865-A	Flange
83/89	★ E3HT	4817-EA	E3HZ	4816-H	1-D9HZ	4635-B	U/Joint	1-D4TZ	4800-J	Support assy. (center bearing)
					1-D3HZ	4637-A	Washer	1-E1HZ	4865-A	Flange
83/89	★ E3HT	4817-FA	E3HZ	4816-K	1-D9HZ	4635-B	U/Joint	1-D4TZ	4800-J	Support assy. (center bearing)
					1-D3HZ	4637-A	Washer	1-E1HZ	4865-A	Flange
83	★ E3HT	4817-GA	E3HZ	4816-M	1-D9HZ	4635-B	U/Joint	1-D4TZ	4800-J	Support assy. (center bearing)
					1-D3HZ	4637-A	Washer	1-E1HZ	4865-A	Flange
83	★ E3HT	4817-HA	E3HZ	4816-S	1-C1TZ	4635-A	U/Joint	1-D4TZ	4800-C	Support assy. (center bearing)
					1-B5QH	4637-A	Washer			
84/89	★ E4HT	4817-AAA	E4HZ	4816-CA	1-B6TZ	4635-B	U/Joint	1-D5TZ	4800-A	Support assy. (center bearing)
					1-B5QH	4637-A	Washer	1-%E4HZ	4865-A	Flange
34	★ E4HT	4817-ABA	E4HZ	4816-ED	1-B6TZ	4635-B	U/Joint	1-D5TZ	4800-A	Support assy. (center bearing)
					1-B5QH	4637-A	Washer	1-%E4HZ	4865-A	Flange
84/89	★ E4HT	4817-ACA	E4HZ	4816-BZ	1-B6TZ	4635-B	U/Joint	1-D5TZ	4800-A	Support assy. (center bearing)
					1-B5QH	4637-A	Washer	1-%E4HZ	4865-A	Flange
84/85	★ E4HT	4817-ADA	E4HZ	4816-BY	1-B6TZ	4635-B	U/Joint	1-D5TZ	4800-A	Support assy. (center bearing)
					1-B5QH	4637-A	Washer	1-%E4HZ	4865-A	Flange
84/89	★ E4HT	4817-AEA	E4HZ	4816-BX	1-B6TZ	4635-B	U/Joint	1-D5TZ	4800-A	Support assy. (center bearing)
					1-B5QH	4637-A	Washer	1-%E4HZ	4865-A	Flange
84/89	★ E4HT	4817-AFA	E4HZ	4816-EC	1-B6TZ	4635-B	U/Joint	1-D5TZ	4800-A	Support assy. (center bearing)
					1-B5QH	4637-A	Washer	1-%E4HZ	4865-A	Flange
84/89	★ E4HT	4817-BLA	E4HZ	4816-BW	1-B6TZ	4635-B	U/Joint	1-D5TZ	4800-A	Support assy. (center bearing)
					1-B5QH	4637-A	Washer	1-%E4HZ	4865-A	Flange
84/89	★ E4HT	4817-BNA	E4HZ	4816-BV	1-B6TZ	4635-B	U/Joint	1-D5TZ	4800-A	Support assy. (center bearing)
					1-B5QH	4637-A	Washer	1-%E4HZ	4865-A	Flange
84/89	★ E4HT	4817-BRA	E4HZ	4816-BU	1-B6TZ	4635-B	U/Joint	1-D5TZ	4800-A	Support assy. (center bearing)
					1-B5QH	4637-A	Washer	1-%E4HZ	4865-A	Flange
84/89	★ E4HT	4817-BSA	E4HZ	4816-BT	1-B6TZ	4635-B	U/Joint	1-D5TZ	4800-A	Support assy. (center bearing)
					1-B5QH	4637-A	Washer	1-%E4HZ	4865-A	Flange
84/89	★ E4HT	4817-BTA	E4HZ	4816-BS	1-B6TZ	4635-B	U/Joint	1-D5TZ	4800-A	Support assy. (center bearing)
					1-B5QH	4637-A	Washer	1-%E4HZ	4865-A	Flange
84/85	★ E4HT	4817-BUA	E4HZ	4816-BR	1-B6TZ	4635-B	U/Joint	1-D5TZ	4800-A	Support assy. (center bearing)
					1-B5QH	4637-A	Washer	1-%E4HZ	4865-A	Flange

1980/  
TRUCK SERIES 600/900

DRIVE and COUPLING SHAFT COMPONENT PARTS LISTS										
YEAR	COMPLETE SHAFT ASSEMBLY	OPTIONAL COMPONENTS FOR COMPLETE SHAFT ASSEMBLY								
		SHAFT SUB-ASSEMBLY		RELATED PARTS FOR USE WITH SHAFT SUB-ASSEMBLY						
<b>COUPLING SHAFT and INTERMEDIATE COUPLING SHAFT PARTS LISTS — Cont'd</b>										
Notes:      \$ Not included in 4817 assy. @ Use 383952-S bolt (7/8"-14 x 1 1/2") † Use 383951-S2 bolt (3/4"-16-1 1/2") and 34797-S2 lockwasher Δ Includes bearing, retainer and sleeve % Use 304771-S2 bolt (3/4"-16-1 1/2") and 34797-S2 lock washer ⊕ Use 383951-S2 bolt (3/4"-16-1 1/2")										
NOTE 1-      Coupling shaft does not require support bearing collar-(discard)										
NOTE 2-      Coupling shaft requires one of the two bearing baffles-(discard one only)										
84/89	★ E4HT	4817-BVA	E4HZ	4816-BP	1-B6TZ	4635-B	U/Joint	1-D5TZ	4800-A	Support assy. (center bearing)
					1-B5QH	4637-A	Washer	1-%E4HZ	4865-A	Flange
84/89	★ E4HT	4817-BZA	E4HZ	4816-BN	1-B6TZ	4635-B	U/Joint	1-D5TZ	4800-A	Support assy. (center bearing)
					1-B5QH	4637-A	Washer	1-%E4HZ	4865-A	Flange
84/89	★ E4HT	4817-DKA	E4HZ	4816-BL	1-C1TZ	4635-A	U/Joint	1-D5TZ	4800-A	Support assy. (center bearing)
84/89	★ E4HT	4817-DLA	E4HZ	4816-BK	1-C1TZ	4635-A	U/Joint	1-D5TZ	4800-A	Support assy. (center bearing)
84/89	★ E4HT	4817-DMA	E4HZ	4816-BJ	1-C1TZ	4635-A	U/Joint	1-D5TZ	4800-A	Support assy. (center bearing)
84/89	★ E4HT	4817-DSA	E4HZ	4816-BH	1-C1TZ	4635-A	U/Joint	1-D5TZ	4800-A	Support assy. (center bearing)
84/	★ E4HT	4817-DTA	E4HZ	4816-BG	1-C1TZ	4635-A	U/Joint	1-D5TZ	4800-A	Support assy. (center bearing)
84/89	★ E4HT	4817-DUA	E4HZ	4816-BF	1-C1TZ	4635-A	U/Joint	1-D5TZ	4800-A	Support assy. (center bearing)
84/	★ E4HT	4817-DVA	E4HZ	4816-BE	1-C1TZ	4635-A	U/Joint	1-D5TZ	4800-A	Support assy. (center bearing)
84/	★ E4HT	4817-DYA	E4HZ	4816-BD	1-C1TZ	4635-A	U/Joint	1-D5TZ	4800-A	Support assy. (center bearing)
84/	★ E4HT	4817-DZA	E4HZ	4816-BC	1-C1TZ	4635-A	U/Joint	1-D5TZ	4800-A	Support assy. (center bearing)
84/89	★ E4HT	4817-EAA	E4HZ	4816-BB	1-C1TZ	4635-A	U/Joint	1-D5TZ	4800-A	Support assy. (center bearing)
84/	★ E4HT	4817-EBA	E4HZ	4816-BA	1-C1TZ	4635-A	U/Joint	1-D5TZ	4800-A	Support assy. (center bearing)
84/89	★ E4HT	4817-ECA	E4HZ	4816-AZ	1-C1TZ	4635-A	U/Joint	1-D5TZ	4800-A	Support assy. (center bearing)
84/89	★ E4HT	4817-EEA	E4HZ	4816-AY	1-C1TZ	4635-A	U/Joint	1-D5TZ	4800-A	Support assy. (center bearing)
84/89	★ E4HT	4817-EFA	E4HZ	4816-AX	1-C1TZ	4635-A	U/Joint	1-D5TZ	4800-A	Support assy. (center bearing)
84/89	★ E4HT	4817-EGA	E4HZ	4816-AW	1-C1TZ	4635-A	U/Joint	1-D5TZ	4800-A	Support assy. (center bearing)
84/	★ E4HT	4817-EHA	E4HZ	4816-AV	1-C1TZ	4635-A	U/Joint	1-D5TZ	4800-A	Support assy. (center bearing)
84/	★ E4HT	4817-EJA	E4HZ	4816-AU	1-C1TZ	4635-A	U/Joint	1-D5TZ	4800-A	Support assy. (center bearing)
84/89	★ E4HT	4817-EMA	E4HZ	4816-AT	1-C1TZ	4635-A	U/Joint	1-D5TZ	4800-A	Support assy. (center bearing)
84/	★ E4HT	4817-ENA	E4HZ	4816-AS	1-C1TZ	4635-A	U/Joint	1-D5TZ	4800-A	Support assy. (center bearing)
84/	★ E4HT	4817-EUA	E4HZ	4816-AR	1-C1TZ	4635-A	U/Joint	1-D5TZ	4800-A	Support assy. (center bearing)
84/	★ E4HT	4817-EVA	E4HZ	4816-AP	1-C1TZ	4635-A	U/Joint	1-D5TZ	4800-A	Support assy. (center bearing)
84/	★ E4HT	4817-EYA	E4HZ	4816-AN	1-C1TZ	4635-A	U/Joint	1-D5TZ	4800-A	Support assy. (center bearing)
89	★ E4HT	4817-FBA	E9HZ	4816-BM	1-C1TZ	4635-A	U/Joint	1-D5TZ	4800-A	Support assy. (center bearing)
84/	★ E4HT	4817-FCA	E4HZ	4816-AM	1-C1TZ	4635-A	U/Joint	1-D5TZ	4800-A	Support assy. (center bearing)
84/89	★ E4HT	4817-FEA	E4HZ	4816-AL	1-C1TZ	4635-A	U/Joint	1-D5TZ	4800-A	Support assy. (center bearing)
84/89	★ E4HT	4817-FFA	E4HZ	4816-AK	1-C1TZ	4635-A	U/Joint	1-D5TZ	4800-A	Support assy. (center bearing)
84/89	★ E4HT	4817-FGA	E4HZ	4816-AJ	1-C1TZ	4635-A	U/Joint	1-D5TZ	4800-A	Support assy. (center bearing)
84/	★ E4HT	4817-FHA	E4HZ	4816-AH	1-C1TZ	4635-A	U/Joint	1-D5TZ	4800-A	Support assy. (center bearing)
84/	★ E4HT	4817-FJA	E4HZ	4816-AG	1-C1TZ	4635-A	U/Joint	1-D5TZ	4800-A	Support assy. (center bearing)
84	★ E4HT	4817-FKA	E4HZ	4816-AF	1-C1TZ	4635-A	U/Joint	1-D5TZ	4800-A	Support assy. (center bearing)
84/89	★ E4HT	4817-FLA	E4HZ	4816-CJ	1-C1TZ	4635-A	U/Joint	1-D5TZ	4800-A	Support assy. (center bearing)
84/	★ E4HT	4817-FMA	E4HZ	4816-CH	1-C1TZ	4635-A	U/Joint	1-D5TZ	4800-A	Support assy. (center bearing)
84/	★ E4HT	4817-FNA	E4HZ	4816-CG	1-C1TZ	4635-A	U/Joint	1-D5TZ	4800-A	Support assy. (center bearing)
87/	★ E4HT	4817-FRA	E7HZ	4816-ER	1-C1TZ	4635-A	U/Joint	1-D5TZ	4800-A	Support assy. (center bearing)
84/89	★ E4HT	4817-FSA	E4HZ	4816-CF	1-C1TZ	4635-A	U/Joint	1-D5TZ	4800-A	Support assy. (center bearing)
84/89	★ E4HT	4817-FTA	E4HZ	4816-CE	1-C1TZ	4635-A	U/Joint	1-D5TZ	4800-A	Support assy. (center bearing)
84/	★ E4HT	4817-FUA	E4HZ	4816-CD	1-C1TZ	4635-A	U/Joint	1-D5TZ	4800-A	Support assy. (center bearing)
87/	★ E4HT	4817-FVA	E7HZ	4816-EP	1-C1TZ	4635-A	U/Joint	1-D5TZ	4800-A	Support assy. (center bearing)
84/89	★ E4HT	4817-FZA	E4HZ	4816-CC	1-C1TZ	4635-A	U/Joint	1-D5TZ	4800-A	Support assy. (center bearing)
84/89	★ E4HT	4817-GAA	E4HZ	4816-CB	1-C1TZ	4635-A	U/Joint	1-D5TZ	4800-A	Support assy. (center bearing)
89	★ E4HT	4817-GCA	E9HZ	4816-BN	1-C1TZ	4635-A	U/Joint	1-D5TZ	4800-A	Support assy. (center bearing)
84/89	★ E4HT	4817-HSA	E4HZ	4816-U	1-C1TZ	4635-A	U/Joint	1-D5TZ	4800-A	Support assy. (center bearing)
					1-B5QH	4637-A	Washer	1-%E4HZ	4865-B	Flange
84/	★ E4HT	4817-HTA	E4HZ	4816-T	1-C1TZ	4635-A	U/Joint	1-D5TZ	4800-A	Support assy. (center bearing)
					1-B5QH	4637-A	Washer	1-%E4HZ	4865-B	Flange

1980/  
TRUCK SERIES 600/900

DRIVE and COUPLING SHAFT COMPONENT PARTS LISTS

YEAR	COMPLETE SHAFT ASSEMBLY	OPTIONAL COMPONENTS FOR COMPLETE SHAFT ASSEMBLY					
		SHAFT SUB-ASSEMBLY		RELATED PARTS FOR USE WITH SHAFT SUB-ASSEMBLY			

COUPLING SHAFT and INTERMEDIATE COUPLING SHAFT PARTS LISTS — Cont'd

Notes:      \$ Not included in 4817 assy. @ Use 383952-S bolt (7/8"-14 x 1 1/2")  
              † Use 383951-S2 bolt (3/4"-16-1 1/2") and 34797-S2 lockwasher △ Includes bearing, retainer and sleeve  
              % Use 304771-S2 bolt (3/4"-16-1 1/2") and 34797-S2 lock washer  
              ⊕ Use 383951-S2 bolt (3/4"-16-1 1/2")

NOTE 1-      Coupling shaft does not require support bearing collar-(discard)  
 NOTE 2-      Coupling shaft requires one of the two bearing baffles-(discard one only)

84	★ E4HT	4817-HVA	E4HZ	4816-S	1-C1TZ 1-B5QH	4635-A 4637-A	U/Joint Washer	1-D5TZ 1-%E4HZ	4800-A 4865-B	Support assy. (center bearing) Flange
84/	★ E4HT	4817-HZA	E4HZ	4816-DY	1-C1TZ 1-B5QH	4635-A 4637-A	U/Joint Washer	1-D5TZ 1-%E4HZ	4800-A 4865-B	Support assy. (center bearing) Flange
84/	★ E4HT	4817-JAA	E4HZ	4816-R	1-C1TZ 1-B5QH	4635-A 4637-A	U/Joint Washer	1-D5TZ 1-%E4HZ	4800-A 4865-B	Support assy. (center bearing) Flange
87/	★ E4HT	4817-JBA	E7HZ	4816-ES	1-C1TZ 1-B5QH	4635-A 4637-A	U/Joint Washer	1-D5TZ 1-%E4HZ	4800-A 4865-B	Support assy. (center bearing) Flange
84/89	★ E4HT	4817-JCA	E4HZ	4816-P	1-C1TZ 1-B5QH	4635-A 4637-A	U/Joint Washer	1-D5TZ 1-%E4HZ	4800-A 4865-B	Support assy. (center bearing) Flange
84/89	★ E4HT	4817-JEA	E4HZ	4816-N	1-C1TZ 1-B5QH	4635-A 4637-A	U/Joint Washer	1-D5TZ 1-%E4HZ	4800-A 4865-B	Support assy. (center bearing) Flange
84/	★ E4HT	4817-JNA	E4HZ	4816-M	1-C1TZ 1-B5QH	4635-A 4637-A	U/Joint Washer	1-D5TZ 1-%E4HZ	4800-A 4865-B	Support assy. (center bearing) Flange
87	★ E4HT	4817-JRA	E7HZ	4816-DR	1-C1TZ 1-B5QH	4635-A 4637-A	U/Joint Washer	1-D5TZ 1-%E4HZ	4800-A 4865-B	Support assy. (center bearing) Flange
84/	★ E4HT	4817-JYA	E4HZ	4816-L	1-C1TZ 1-B5QH	4635-A 4637-A	U/Joint Washer	1-D5TZ 1-%E4HZ	4800-A 4865-B	Support assy. (center bearing) Flange
89	★ E4HT	4817-JZA	E9HZ	4816-DN	1-C1TZ 1-B5QH	4635-A 4637-A	U/Joint Washer	1-D5TZ 1-%E4HZ	4800-A 4865-B	Support assy. (center bearing) Flange
84/89	★ E4HT	4817-KEA	E4HZ	4816-K	1-C1TZ 1-B5QH	4635-A 4637-A	U/Joint Washer	1-D5TZ 1-%E4HZ	4800-A 4865-B	Support assy. (center bearing) Flange
84/89	★ E4HT	4817-KFA	E4HZ	4816-J	1-C1TZ 1-B5QH	4635-A 4637-A	U/Joint Washer	1-D5TZ 1-%E4HZ	4800-A 4865-B	Support assy. (center bearing) Flange
84/89	★ E4HT	4817-KGA	E4HZ	4816-H	1-C1TZ 1-B5QH	4635-A 4637-A	U/Joint Washer	1-D5TZ 1-%E4HZ	4800-A 4865-B	Support assy. (center bearing) Flange
84/	★ E4HT	4817-KHA	E4HZ	4816-G	1-C1TZ 1-B5QH	4635-A 4637-A	U/Joint Washer	1-D5TZ 1-%E4HZ	4800-A 4865-B	Support assy. (center bearing) Flange
84/	★ E4HT	4817-KJA	E4HZ	4816-F	1-C1TZ 1-B5QH	4635-A 4637-A	U/Joint Washer	1-D5TZ 1-%E4HZ	4800-A 4865-B	Support assy. (center bearing) Flange
84/89	★ E4HT	4817-KKA	E4HZ	4816-E	1-C1TZ 1-B5QH	4635-A 4637-A	U/Joint Washer	1-D5TZ 1-%E4HZ	4800-A 4865-B	Support assy. (center bearing) Flange
84/89	★ E4HT	4817-KLA	E4HZ	4816-AE	1-C1TZ 1-B5QH	4635-A 4637-A	U/Joint Washer	1-D5TZ 1-%E4HZ	4800-A 4865-B	Support assy. (center bearing) Flange
84/	★ E4HT	4817-KMA	E4HZ	4816-AD	1-C1TZ 1-B5QH	4635-A 4637-A	U/Joint Washer	1-D5TZ 1-%E4HZ	4800-A 4865-B	Support assy. (center bearing) Flange
84/89	★ E4HT	4817-KNA	E4HZ	4816-AC	1-C1TZ 1-B5QH	4635-A 4637-A	U/Joint Washer	1-D5TZ 1-%E4HZ	4800-A 4865-B	Support assy. (center bearing) Flange
87/	★ E4HT	4817-KRA	E7HZ	4816-ET	1-C1TZ 1-B5QH	4635-A 4637-A	U/Joint Washer	1-D5TZ 1-%E4HZ	4800-A 4865-B	Support assy. (center bearing) Flange
84/89	★ E4HT	4817-KSA	E4HZ	4816-AB	1-C1TZ 1-B5QH	4635-A 4637-A	U/Joint Washer	1-D5TZ 1-%E4HZ	4800-A 4865-B	Support assy. (center bearing) Flange
84/89	★ E4HT	4817-KTA	E4HZ	4816-AA	1-C1TZ 1-B5QH	4635-A 4637-A	U/Joint Washer	1-D5TZ 1-%E4HZ	4800-A 4865-B	Support assy. (center bearing) Flange
84/	★ E4HT	4817-KUA	E4HZ	4816-Z	1-C1TZ 1-B5QH	4635-A 4637-A	U/Joint Washer	1-D5TZ 1-%E4HZ	4800-A 4865-B	Support assy. (center bearing) Flange
84/	★ E4HT	4817-KVA	E4HZ	4816-Y	1-C1TZ 1-B5QH	4635-A 4637-A	U/Joint Washer	1-D5TZ 1-%E4HZ	4800-A 4865-B	Support assy. (center bearing) Flange
84/89	★ E4HT	4817-KZA	E4HZ	4816-X	1-C1TZ 1-B5QH	4635-A 4637-A	U/Joint Washer	1-D5TZ 1-%E4HZ	4800-A 4865-B	Support assy. (center bearing) Flange
84	★ E4HT	4817-LAA	E4HZ	4816-W	1-C1TZ 1-B5QH	4635-A 4637-A	U/Joint Washer	1-D5TZ 1-%E4HZ	4800-A 4865-B	Support assy. (center bearing) Flange

1980/  
TRUCK SERIES 600/900

DRIVE and COUPLING SHAFT COMPONENT PARTS LISTS									
YEAR	COMPLETE SHAFT ASSEMBLY	OPTIONAL COMPONENTS FOR COMPLETE SHAFT ASSEMBLY							
		SHAFT SUB-ASSEMBLY		RELATED PARTS FOR USE WITH SHAFT SUB-ASSEMBLY					

COUPLING SHAFT and INTERMEDIATE COUPLING SHAFT PARTS LISTS — Cont'd

Notes:      \$ Not included in 4817 assy. @ Use 383952-S bolt (7/8"-14 x 1 1/2")  
              † Use 383951-S2 bolt (3/4"-16-1 1/2") and 34797-S2 lockwasher Δ Includes bearing, retainer and sleeve  
              % Use 304771-S2 bolt (3/4"-16-1 1/2") and 34797-S2 lock washer  
              ⊕ Use 383951-S2 bolt (3/4"-16-1 1/2")

NOTE 1-      Coupling shaft does not require support bearing collar-(discard)  
 NOTE 2-      Coupling shaft requires one of the two bearing baffles-(discard one only)

84/	★ E4HT	4817-LBA	E4HZ	4816-DZ	1-C1TZ	4635-A	U/Joint	1-D5TZ	4800-A	Support assy. (center bearing)
					1-B5QH	4637-A	Washer	1-%E4HZ	4865-B	Flange
84/	★ E4HT	4817-LCA	E4HZ	4816-V	1-C1TZ	4635-A	U/Joint	1-D5TZ	4800-A	Support assy. (center bearing)
					1-B5QH	4637-A	Washer	1-%E4HZ	4865-B	Flange
89	★ E4HT	4817-LDA	E9HZ	4816-DP	1-C1TZ	4635-A	U/Joint	1-D5TZ	4800-A	Support assy. (center bearing)
					1-B5QH	4637-A	Washer	1-%E4HZ	4865-B	Flange
87	★ E4HT	4817-LEA	E7HZ	4816-U	1-C1TZ	4635-A	U/Joint	1-D5TZ	4800-A	Support assy. (center bearing)
					1-B5QH	4637-A	Washer	1-%E4HZ	4865-C	Flange
88/89	★ E4HT	4817-MLA	E8HZ	4816-DJ	1-D9HZ	4635-A	U/Joint	1-D9HZ	4800-A	Support assy. (center bearing)
					1-B5QH	4637-A	Washer	1-%E4HZ	4865-C	Flange
84/89	★ E4HT	4817-MMA	E4HZ	4816-CK	1-D9HZ	4635-A	U/Joint	1-D9HZ	4800-A	Support assy. (center bearing)
					1-B5QH	4637-A	Washer	1-%E4HZ	4865-C	Flange
84/89	★ E4HT	4817-MSA	E4HZ	4816-CN	1-D9HZ	4635-A	U/Joint	1-D9HZ	4800-A	Support assy. (center bearing)
					1-B5QH	4637-A	Washer	1-%E4HZ	4865-C	Flange
84/	★ E4HT	4817-MTA	E4HZ	4816-CM	1-D9HZ	4635-A	U/Joint	1-D9HZ	4800-A	Support assy. (center bearing)
					1-B5QH	4637-A	Washer	1-%E4HZ	4865-C	Flange
84/	★ E4HT	4817-MUA	E4HZ	4816-CL	1-D9HZ	4635-A	U/Joint	1-D9HZ	4800-A	Support assy. (center bearing)
					1-B5QH	4637-A	Washer	1-%E4HZ	4865-C	Flange
84	★ E4HT	4817-MVA	E4HZ	4816-DR	1-D9HZ	4635-A	U/Joint	1-D9HZ	4800-A	Support assy. (center bearing)
					1-B5QH	4637-A	Washer	1-%E4HZ	4865-C	Flange
89	★ E4HT	4817-MYA	E9HZ	4816-BP	1-D9HZ	4635-A	U/Joint	1-D9HZ	4800-A	Support assy. (center bearing)
					1-B5QH	4637-A	Washer	1-%E4HZ	4865-C	Flange
84/	★ E4HT	4817-MZA	E4HZ	4816-EA	1-D9HZ	4635-A	U/Joint	1-D9HZ	4800-A	Support assy. (center bearing)
					1-B5QH	4637-A	Washer	1-E4HZ	4865-C	Flange
84	★ E4HT	4817-NAA	E4HZ	4816-DP	1-D9HZ	4635-A	U/Joint	1-D9HZ	4800-A	Support assy. (center bearing)
					1-B5QH	4637-A	Washer	1-%E4HZ	4865-C	Flange
89	★ E4HT	4817-NDA	E9HZ	4816-BR	1-D9HZ	4635-A	U/Joint	1-D9HZ	4800-A	Support assy. (center bearing)
					1-B5QH	4637-A	Washer	1-%E4HZ	4865-C	Flange
84/	★ E4HT	4817-NNA	E4HZ	4816-DB	1-D9HZ	4635-A	U/Joint	1-D9HZ	4800-A	Support assy. (center bearing)
					1-B5QH	4637-A	Washer	1-%E4HZ	4865-C	Flange
87/	★ E4HT	4817-NRA	E7HZ	4816-V	1-D9HZ	4635-A	U/Joint	1-D9TZ	4800-A	Support assy. (center bearing)
					1-B5QH	4637-A	Washer	1-%E4HZ	4865-C	Flange
87/	★ E4HT	4817-NSA	E7HZ	4816-AY	1-D9HZ	4635-A	U/Joint	1-D9TZ	4800-A	Support assy. (center bearing)
					1-B5QH	4637-A	Washer	1-%E4HZ	4865-C	Flange
87/	★ E4HT	4817-NTA	E7HZ	4816-W	1-D9HZ	4635-A	U/Joint	1-D9TZ	4800-A	Support assy. (center bearing)
					1-B5QH	4637-A	Washer	1-%E4HZ	4865-C	Flange
87/	★ E4HT	4817-NUA	E7HZ	4816-AZ	1-D9HZ	4635-A	U/Joint	1-D9TZ	4800-A	Support assy. (center bearing)
					1-B5QH	4637-A	Washer	1-%E4HZ	4865-C	Flange
84/	★ E4HT	4817-NYA	E4HZ	4816-DA	1-D9HZ	4635-A	U/Joint	1-D9HZ	4800-A	Support assy. (center bearing)
					1-B5QH	4637-A	Washer	1-%E4HZ	4865-C	Flange
84/	★ E4HT	4817-NZA	E4HZ	4816-CZ	1-D9HZ	4635-A	U/Joint	1-D9HZ	4800-A	Support assy. (center bearing)
					1-B5QH	4637-A	Washer	1-%E4HZ	4865-C	Flange
84/	★ E4HT	4817-RAA	E4HZ	4816-CY	1-D9HZ	4635-A	U/Joint	1-D9HZ	4800-A	Support assy. (center bearing)
					1-B5QH	4637-A	Washer	1-%E4HZ	4865-C	Flange
89	★ E4HT	4817-RBA	E9HZ	4816-C	1-D9HZ	4635-A	U/Joint	1-D9HZ	4800-A	Support assy. (center bearing)
					1-B5QH	4637-A	Washer	1-%E4HZ	4865-C	Flange
84/	★ E4HT	4817-RCA	E4HZ	4816-CX	1-D9HZ	4635-A	U/Joint	1-D9HZ	4800-A	Support assy. (center bearing)
					1-B5QH	4637-A	Washer	1-%E4HZ	4865-C	Flange
84/	★ E4HT	4817-RDA	E4HZ	4816-CW	1-D9HZ	4635-A	U/Joint	1-D9HZ	4800-A	Support assy. (center bearing)
					1-B5QH	4637-A	Washer	1-%E4HZ	4865-C	Flange
84/	★ E4HT	4817-REA	E4HZ	4816-CV	1-D9HZ	4635-A	U/Joint	1-D9HZ	4800-A	Support assy. (center bearing)
					1-B5QH	4637-A	Washer	1-%E4HZ	4865-C	Flange

1980/  
TRUCK SERIES 600/900

DRIVE and COUPLING SHAFT COMPONENT PARTS LISTS										
YEAR	COMPLETE SHAFT ASSEMBLY	OPTIONAL COMPONENTS FOR COMPLETE SHAFT ASSEMBLY								
		SHAFT SUB-ASSEMBLY		RELATED PARTS FOR USE WITH SHAFT SUB-ASSEMBLY						
COUPLING SHAFT and INTERMEDIATE COUPLING SHAFT PARTS LISTS — Cont'd										
Notes:      \$ Not included in 4817 assy. @ Use 383952-S bolt (7/8"-14 x 1 1/2")										
† Use 383951-S2 bolt (3/4"-16-1 1/2") and 34797-S2 lockwasher Δ Includes bearing, retainer and sleeve										
% Use 304771-S2 bolt (3/4"-16-1 1/2") and 34797-S2 lock washer										
⊕ Use 383951-S2 bolt (3/4"-16-1 1/2")										
NOTE 1-      Coupling shaft does not require support bearing collar-(discard)										
NOTE 2-      Coupling shaft requires one of the two bearing baffles-(discard one only)										
84/	★ E4HT	4817-RFA	E4HZ	4816-CU	1-D9HZ	4635-A	U/Joint	1-D9HZ	4800-A	Support assy. (center bearing)
					1-B5QH	4637-A	Washer	1-%E4HZ	4865-C	Flange
84/	★ E4HT	4817-RGA	E4HZ	4816-CT	1-D9HZ	4635-A	U/Joint	1-D9HZ	4800-A	Support assy. (center bearing)
					1-B5QH	4637-A	Washer	1-%E4HZ	4865-C	Flange
84/	★ E4HT	4817-RHA	E4HZ	4816-CS	1-D9HZ	4635-A	U/Joint	1-D9HZ	4800-A	Support assy. (center bearing)
					1-B5QH	4637-A	Washer	1-%E4HZ	4865-C	Flange
84/	★ E4HT	4817-RJA	E4HZ	4816-CR	1-D9HZ	4635-A	U/Joint	1-D9HZ	4800-A	Support assy. (center bearing)
					1-B5QH	4637-A	Washer	1-%E4HZ	4865-C	Flange
84/89	★ E4HT	4817-RKA	E4HZ	4816-CP	1-D9HZ	4635-A	U/Joint	1-D9HZ	4800-A	Support assy. (center bearing)
					1-B5QH	4637-A	Washer	1-%E4HZ	4865-C	Flange
84/89	★ E4HT	4817-RLA	E4HZ	4816-DN	1-D9HZ	4635-A	U/Joint	1-D9HZ	4800-A	Support assy. (center bearing)
					1-B5QH	4637-A	Washer	1-%E4HZ	4865-C	Flange
84/	★ E4HT	4817-RMA	E4HZ	4816-DM	1-D9HZ	4635-A	U/Joint	1-D9HZ	4800-A	Support assy. (center bearing)
					1-B5QH	4637-A	Washer	1-%E4HZ	4865-C	Flange
84/	★ E4HT	4817-RNA	E4HZ	4816-DL	1-D9HZ	4635-A	U/Joint	1-D9HZ	4800-A	Support assy. (center bearing)
					1-B5QH	4637-A	Washer	1-%E4HZ	4865-C	Flange
84/	★ E4HT	4817-RRA	E4HZ	4816-DK	1-D9HZ	4635-A	U/Joint	1-D9HZ	4800-A	Support assy. (center bearing)
					1-B5QH	4637-A	Washer	1-%E4HZ	4865-C	Flange
84/89	★ E4HT	4817-RSA	E4HZ	4816-DJ	1-D9HZ	4635-A	U/Joint	1-D9HZ	4800-A	Support assy. (center bearing)
					1-B5QH	4637-A	Washer	1-%E4HZ	4865-C	Flange
84/	★ E4HT	4817-RTA	E4HZ	4816-DH	1-D9HZ	4635-A	U/Joint	1-D9HZ	4800-A	Support assy. (center bearing)
					1-B5QH	4637-A	Washer	1-%E4HZ	4865-C	Flange
84/	★ E4HT	4817-RUA	E4HZ	4816-DG	1-D9HZ	4635-A	U/Joint	1-D9HZ	4800-A	Support assy. (center bearing)
					1-B5QH	4637-A	Washer	1-%E4HZ	4865-C	Flange
84/	★ E4HT	4817-RVA	E4HZ	4816-DF	1-D9HZ	4635-A	U/Joint	1-D9HZ	4800-A	Support assy. (center bearing)
					1-B5QH	4637-A	Washer	1-%E4HZ	4865-C	Flange
87/	★ E4HT	4817-RYA	E7HZ	4816-X	1-D9HZ	4635-A	U/Joint	1-D9TZ	4800-A	Support assy. (center bearing)
					1-B5QH	4637-A	Washer	1-%E4HZ	4865-C	Flange
84/89	★ E4HT	4817-RZA	E4HZ	4816-DE	1-D9HZ	4635-A	U/Joint	1-D9HZ	4800-A	Support assy. (center bearing)
					1-B5QH	4637-A	Washer	1-%E4HZ	4865-C	Flange
84	★ E4HT	4817-SAA	E4HZ	4816-DD	1-D9HZ	4635-A	U/Joint	1-D9HZ	4800-A	Support assy. (center bearing)
					1-B5QH	4637-A	Washer	1-%E4HZ	4865-C	Flange
84/	★ E4HT	4817-SBA	E4HZ	4816-EB	1-D9HZ	4635-A	U/Joint	1-D9HZ	4800-A	Support assy.
					1-B5QH	4637-A	Washer	1-%E4HZ	4865-C	Flange
84/	★ E4HT	4817-SCA	E4HZ	4816-DC	1-D9HZ	4635-A	U/Joint	1-D9HZ	4800-A	Support assy. (center bearing)
					1-B5QH	4637-A	Washer	1-%E4HZ	4865-C	Flange
84	★ E4HT	4817-TBA	E4HZ	4816-EE	1-D3TZ	4635-A	U/Joint	1-D9HZ	4800-A	Support assy. (center bearing)
					1-B5QH	4637-A	Washer	1-D5HZ	4865-C	Flange
86/89	★ E5HT	4817-AA	E6HZ	4816-A	1-D3TZ	4635-B	U/Joint	1-C6TZ	4865-B	Flange
					1-D4TZ	4800-G	Support assy. (center bearing)			
86/89	★ E5HT	4817-BA	E6HZ	4816-D	1-D3TZ	4635-B	U/Joint	1-C6TZ	4865-B	Flange
					1-D4TZ	4800-G	Support assy. (center bearing)			
86/89	★ E5HT	4817-CA	E6HZ	4816-E	1-D3TZ	4635-B	U/Joint	1-C6TZ	4865-B	Flange
					1-D4TZ	4800-G	Support assy. (center bearing)			
86/89	★ E5HT	4817-DA	E6HZ	4816-M	1-D3TZ	4635-B	U/Joint	1-C6TZ	4865-B	Flange
					1-D4TZ	4800-G	Support assy. (center bearing)			
86/89	★ E5HT	4817-EA	E6HZ	4816-B	1-D3TZ	4635-B	U/Joint	1-C6TZ	4865-B	Flange
					1-D4TZ	4800-G	Support assy. (center bearing)			
86/89	★ E5HT	4817-FA	E6HZ	4816-K	1-D3TZ	4635-B	U/Joint	1-C6TZ	4865-B	Flange
					1-D4TZ	4800-G	Support assy. (center bearing)			

**1980/  
TRUCK SERIES 600/900**

DRIVE and COUPLING SHAFT COMPONENT PARTS LISTS			
YEAR	COMPLETE SHAFT ASSEMBLY	OPTIONAL COMPONENTS FOR COMPLETE SHAFT ASSEMBLY	
		SHAFT SUB-ASSEMBLY	RELATED PARTS FOR USE WITH SHAFT SUB-ASSEMBLY

**COUPLING SHAFT and INTERMEDIATE COUPLING SHAFT PARTS LISTS — Cont'd**

Notes:           \$ Not included in 4817 assy. @ Use 383952-S bolt (7/8"-14 x 1 1/2")  
                   † Use 383951-S2 bolt (3/4"-16-1 1/2") and 34797-S2 lockwasher Δ Includes bearing, retainer and sleeve  
                   % Use 304771-S2 bolt (3/4"-16-1 1/2") and 34797-S2 lock washer  
                   ⊕ Use 383951-S2 bolt (3/4"-16-1 1/2")

NOTE 1-           Coupling shaft does not require support bearing collar--(discard)  
 NOTE 2-           Coupling shaft requires one of the two bearing baffles--(discard one only)

86/89	★ E5HT	4817-GA	E6HZ	4816-C	1-D3TZ 1-D4TZ	4635-B 4800-G	U/Joint Support assy. (center bearing)	1-E7HZ	4865-B	Flange
87/	★ E7HT	4817-CA	E7HZ	4816-CM	1-E7HZ 1-D9HZ	4635-B 4800-A	U/Joint Support assy. (center bearing)	1-E7HZ	4865-A	Flange
87/	★ E7HT	4817-DA	E7HZ	4816-CN	1-E7HZ 1-D9HZ	4635-A 4800-A	U/Joint Support assy. (center bearing)	1-E7HZ	4865-A	Flange
87/	★ E7HT	4817-GA	E7HZ	4816-A	1-E7HZ 1-D9HZ	4635-B 4800-A	U/Joint Support assy. (center bearing)	1-E7HZ	4865-B	Flange
87/	★ E7HT	4817-HA	E7HZ	4816-CP	1-E7HZ 1-D9HZ	4635-B 4800-A	U/Joint Support assy. (center bearing)	1-E7HZ	4865-A	Flange
87/	★ E7HT	4817-JA	E7HZ	4816-B	1-E7HZ 1-D9HZ	4635-B 4800-A	U/Joint Support assy. (center bearing)	1-E7HZ	4865-A	Flange
87/	★ E7HT	4817-KA	E7HZ	4816-C	1-E7HZ 1-D9HZ	4635-B 4800-A	U/Joint Support assy. (center bearing)	1-E7HZ	4865-A	Flange
87/	★ E7HT	4817-NA	E7HZ	4816-BA	1-E7HZ 1-D9HZ	4635-B 4800-A	U/Joint Support assy. (center bearing)	1-E7HZ	4865-A	Flange
87/	★ E7HT	4817-RA	E7HZ	4816-D	1-E7HZ 1-D9HZ	4635-B 4800-A	U/Joint Support assy. (center bearing)	1-E7HZ	4865-A	Flange
87/	★ E7HT	4817-SA	E7HZ	4816-DM	1-E7HZ 1-D9HZ	4635-B 4800-A	U/Joint Support assy. (center bearing)	1-E7HZ	4865-A	Flange
87/	★ E7HT	4817-TA	E7HZ	4816-DN	1-E7HZ 1-D9HZ	4635-B 4800-A	U/Joint Support assy. (center bearing)	1-E7HZ	4865-A	Flange
87/	★ E7HT	4817-UA	E7HZ	4816-DP	1-E7HZ 1-D9HZ	4635-B 4800-A	U/Joint Support assy. (center bearing)	1-E7HZ	4865-A	Flange
87/	★ E7HT	4817-VA	E7HZ	4816-DZ	1-E7HZ 1-D9HZ	4635-B 4800-A	U/Joint Support assy. (center bearing)	1-E7HZ	4865-A	Flange
89	★ E7HT	4817-ZA	E9HZ	4816-BS	1-E7HZ 1-D9HZ	4635-B 4800-A	U/Joint Support assy. (center bearing)	1-E7HZ	4865-A	Flange
89	★ E7HT	4817-AAA	E9HZ	4816-D	1-E7HZ 1-D9HZ	4635-B 4800-A	U/Joint Support assy. (center bearing)	1-E7HZ	4865-A	Flange
87/	★ E7HT	4817-ABA	E7HZ	4816-CJ	1-E7HZ 1-D9HZ	4635-B 4800-A	U/Joint Support assy. (center bearing)	1-E7HZ	4865-A	Flange
87/	★ E7HT	4817-ACA	E7HZ	4816-CK	1-E7HZ 1-D9HZ	4635-B 4800-A	U/Joint Support assy. (center bearing)	1-E7HZ	4865-A	Flange
87/	★ E7HT	4817-ADA	E7HZ	4816-BB	1-E7HZ 1-D9HZ	4635-B 4800-A	U/Joint Support assy. (center bearing)	1-E7HZ	4865-A	Flange
87/	★ E7HT	4817-AEA	E7HZ	4816-BC	1-E7HZ 1-D9HZ	4635-B 4800-A	U/Joint Support assy. (center bearing)	1-E7HZ	4865-A	Flange
89	★ E7HT	4817-AFA	E9HZ	4816-BT	1-E7HZ 1-D9HZ	4635-B 4800-A	U/Joint Support assy. (center bearing)	1-E7HZ	4865-A	Flange
87/	★ E7HT	4817-AGA	E7HZ	4816-Y	1-E7HZ 1-D9HZ	4635-B 4800-A	U/Joint Support assy. (center bearing)	1-E7HZ	4865-A	Flange
87/	★ E7HT	4817-AHA	E7HZ	4816-DV	1-E7HZ 1-D9HZ	4635-B 4800-A	U/Joint Support assy. (center bearing)	1-E7HZ	4865-A	Flange
87/	★ E7HT	4817-AJA	E7HZ	4816-CL	1-E7HZ 1-D9HZ	4635-B 4800-A	U/Joint Support assy. (center bearing)	1-E7HZ	4865-A	Flange
87/	★ E7HT	4817-AKA	E7HZ	4816-BD	1-E7HZ 1-D9HZ	4635-B 4800-A	U/Joint Support assy. (center bearing)	1-E7HZ	4865-A	Flange

**1980/  
TRUCK SERIES 600/900**

**DRIVE and COUPLING SHAFT COMPONENT PARTS LISTS**

YEAR	COMPLETE SHAFT ASSEMBLY	OPTIONAL COMPONENTS FOR COMPLETE SHAFT ASSEMBLY			
		SHAFT SUB-ASSEMBLY	RELATED PARTS FOR USE WITH SHAFT SUB-ASSEMBLY		

**COUPLING SHAFT and INTERMEDIATE COUPLING SHAFT PARTS LISTS — Cont'd**

Notes: \$ Not included in 4817 assy. @ Use 383952-S bolt (7/8"-14 x 1 1/2")  
 † Use 383951-S2 bolt (3/4"-16-1 1/2") and 34797-S2 lockwasher Δ Includes bearing, retainer and sleeve  
 % Use 304771-S2 bolt (3/4"-16-1 1/2") and 34797-S2 lock washer  
 ⊕ Use 383951-S2 bolt (3/4"-16-1 1/2")

NOTE 1- Coupling shaft does not require support bearing collar-(discard)  
 NOTE 2- Coupling shaft requires one of the two bearing baffles-(discard one only)

87/	★ E7HT	4817-ALA	E7HZ	4816-BE	1-E7HZ 1-D9HZ	4635-B 4800-A	U/Joint Support assy. (center bearing)	1-E7HZ	4865-A	Flange
89	★ E7HT	4817-AMA	E9HZ	4816-BV	1-E7HZ 1-D9HZ	4635-B 4800-A	U/Joint Support assy. (center bearing)	1-E7HZ	4865-A	Flange
87/	★ E7HT	4817-ANA	E7HZ	4816-Z	1-E7HZ 1-D9HZ	4635-B 4800-A	U/Joint Support assy. (center bearing)	1-E7HZ	4865-A	Flange
87/	★ E7HT	4817-ARA	E7HZ	4816-AA	1-E7HZ 1-D9HZ	4635-B 4800-A	U/Joint Support assy. (center bearing)	1-E7HZ	4865-A	Flange
87/	★ E7HT	4817-ASA	E7HZ	4816-AB	1-E7HZ 1-D9HZ	4635-B 4800-A	U/Joint Support assy. (center bearing)	1-E7HZ	4865-A	Flange
87/	★ E7HT	4817-ATA	E7HZ	4816-AB	1-E7HZ 1-D9HZ	4635-B 4800-A	U/Joint Support assy. (center bearing)	1-E7HZ	4865-A	Flange
87/	★ E7HT	4817-AUA	E7HZ	4816-AD	1-E7HZ 1-D9HZ	4635-B 4800-A	U/Joint Support assy. (center bearing)	1-E7HZ	4865-A	Flange
87/	★ E7HT	4817-AVA	E7HZ	4816-BF	1-E7HZ 1-D9HZ	4635-B 4800-A	U/Joint Support assy. (center bearing)	1-E7HZ	4865-A	Flange
87/	★ E7HT	4817-AYA	E7HZ	4816-AE	1-E7HZ 1-D9HZ	4635-B 4800-A	U/Joint Support assy. (center bearing)	1-E7HZ	4865-A	Flange
87/	★ E7HT	4817-AZA	E7HZ	4816-BG	1-E7HZ 1-D9HZ	4635-B 4800-A	U/Joint Support assy. (center bearing)	1-E7HZ	4865-A	Flange
87/	★ E7HT	4817-BAA	E7HZ	4816-BH	1-E7HZ 1-D9HZ	4635-B 4800-A	U/Joint Support assy. (center bearing)	1-E7HZ	4865-A	Flange
87/	★ E7HT	4817-BBA	E7HZ	4816-E	1-E7HZ 1-D9HZ	4635-B 4800-A	U/Joint Support assy. (center bearing)	1-E7HZ	4865-A	Flange
87/	★ E7HT	4817-BCA	E7HZ	4816-F	1-E7HZ 1-D9HZ	4635-B 4800-A	U/Joint Support assy. (center bearing)	1-E7HZ	4865-A	Flange
87/	★ E7HT	4817-BDA	E7HZ	4816-G	1-E7HZ 1-D9HZ	4635-B 4800-A	U/Joint Support assy. (center bearing)	1-E7HZ	4865-A	Flange
87/	★ E7HT	4817-BEA	E7HZ	4816-AF	1-E7HZ 1-D9HZ	4635-B 4800-A	U/Joint Support assy. (center bearing)	1-E7HZ	4865-A	Flange
87/	★ E7HT	4817-BFA	E7HZ	4816-DD	1-E7HZ 1-D9HZ	4635-B 4800-A	U/Joint Support assy. (center bearing)	1-E7HZ	4865-A	Flange
87/	★ E7HT	4817-BGA	E7HZ	4816-BJ	1-E7HZ 1-D9HZ	4635-B 4800-A	U/Joint Support assy. (center bearing)	1-E7HZ	4865-A	Flange
87/	★ E7HT	4817-BHA	E7HZ	4816-H	1-E7HZ 1-D9HZ	4635-B 4800-A	U/Joint Support assy. (center bearing)	1-E7HZ	4865-A	Flange
87/	★ E7HT	4817-BJA	E7HZ	4816-AG	1-E7HZ 1-D9HZ	4635-B 4800-A	U/Joint Support assy. (center bearing)	1-E7HZ	4865-A	Flange
89	★ E7HT	4817-BKA	E9HZ	4816-BW	1-E7HZ 1-D9HZ	4635-B 4800-A	U/Joint Support assy. (center bearing)	1-E7HZ	4865-A	Flange
89	★ E7HT	4817-BLA	E9HZ	4816-E	1-E7HZ 1-D9HZ	4635-B 4800-A	U/Joint Support assy. (center bearing)	1-E7HZ	4865-A	Flange
87/	★ E7HT	4817-BMA	E7HZ	4816-AH	1-E7HZ 1-D9HZ	4635-B 4800-A	U/Joint Support assy. (center bearing)	1-E7HZ	4865-A	Flange
87/	★ E7HT	4817-BNA	E7HZ	4816-AJ	1-E7HZ 1-D9HZ	4635-B 4800-A	U/Joint Support assy. (center bearing)	1-E7HZ	4865-A	Flange
87/	★ E7HT	4817-BRA	E7HZ	4816-AK	1-E7HZ 1-D9HZ	4635-B 4800-A	U/Joint Support assy. (center bearing)	1-E7HZ	4865-A	Flange



1980/  
TRUCK SERIES 600/900

DRIVE and COUPLING SHAFT COMPONENT PARTS LISTS			
YEAR	COMPLETE SHAFT ASSEMBLY	OPTIONAL COMPONENTS FOR COMPLETE SHAFT ASSEMBLY	
		SHAFT SUB-ASSEMBLY	RELATED PARTS FOR USE WITH SHAFT SUB-ASSEMBLY

COUPLING SHAFT and INTERMEDIATE COUPLING SHAFT PARTS LISTS — Cont'd

Notes:      \$ Not included in 4817 assy. @ Use 383952-S bolt (7/8"-14 x 1 1/2")  
              † Use 383951-S2 bolt (3/4"-16-1 1/2") and 34797-S2 lockwasher Δ Includes bearing, retainer and sleeve  
              % Use 304771-S2 bolt (3/4"-16-1 1/2") and 34797-S2 lock washer  
              ⊕ Use 383951-S2 bolt (3/4"-16-1 1/2")

NOTE 1-      Coupling shaft does not require support bearing collar--(discard)  
 NOTE 2-      Coupling shaft requires one of the two bearing baffles--(discard one only)

87/	★ E7HT	4817-BSA	E7HZ	4816-AL	1-E7HZ 1-D9HZ	4635-B 4800-A	U/Joint Support assy. (center bearing)	1-E7HZ	4865-A	Flange
89	★ E7HT	4817-BTA	E9HZ	4816-BX	1-E7HZ 1-D9HZ	4635-B 4800-A	U/Joint Support assy. (center bearing)	1-E7HZ	4865-A	Flange
87/	★ E7HT	4817-CEA	E7HZ	4816-CR	1-E7HZ 1-D4TZ	4635-A 4800-G	U/Joint Support assy. (center bearing)	1-E7HZ	4865-B	Flange
87/	★ E7HT	4817-CFA	E7HZ	4816-CU	1-E7HZ 1-D4TZ	4635-A 4800-G	U/Joint Support assy. (center bearing)	1-E7HZ	4865-B	Flange
87/	★ E7HT	4817-CGA	E7HZ	4816-CS	1-E7HZ 1-D4TZ	4635-A 4800-G	U/Joint Support assy. (center bearing)	1-E7HZ	4865-B	Flange
87/	★ E7HT	4817-CHA	E7HZ	4816-J	1-E7HZ 1-D4TZ	4635-A 4800-G	U/Joint Support assy. (center bearing)	1-E7HZ	4865-B	Flange
87/	★ E7HT	4817-CJA	E7HZ	4816-CT	1-E7HZ 1-D4TZ	4635-A 4800-G	U/Joint Support assy. (center bearing)	1-E7HZ	4865-B	Flange
87/	★ E7HT	4817-CKA	E7HZ	4816-K	1-E7HZ 1-D4TZ	4635-B 4800-G	U/Joint Support assy. (center bearing)	1-E7HZ	4865-A	Flange
87/	★ E7HT	4817-CLA	E7HZ	4816-CV	1-E7HZ 1-D4TZ	4635-A 4800-G	U/Joint Support assy. (center bearing)	1-E7HZ	4865-B	Flange
87/	★ E7HT	4817-CMA	E7HZ	4816-L	1-E7HZ 1-D4TZ	4635-B 4800-G	U/Joint Support assy. (center bearing)	1-E7HZ	4865-A	Flange
87/	★ E7HT	4817-CRA	E7HZ	4816-BK	1-E7HZ 1-D4TZ	4635-B 4800-G	U/Joint Support assy. (center bearing)	1-E7HZ	4865-A	Flange
87/	★ E7HT	4817-CSA	E7HZ	4816-BL	1-E7HZ 1-D4TZ	4635-B 4800-G	U/Joint Support assy. (center bearing)	1-E7HZ	4865-A	Flange
87/	★ E7HT	4817-CTA	E7HZ	4816-DE	1-E7HZ 1-D4TZ	4635-A 4800-G	U/Joint Support assy. (center bearing)	1-E7HZ	4865-B	Flange
87/	★ E7HT	4817-CUA	E7HZ	4816-DF	1-E7HZ 1-D4TZ	4635-A 4800-G	U/Joint Support assy. (center bearing)	1-E7HZ	4865-B	Flange
89	★ E7HT	4817-CVA	E9HZ	4816-F	1-E7HZ 1-D4TZ	4635-A 4800-G	U/Joint Support assy. (center bearing)	1-E7HZ	4865-B	Flange
87/	★ E7HT	4817-CYA	E7HZ	4816-DW	1-E7HZ 1-D4TZ	4635-A 4800-G	U/Joint Support assy. (center bearing)	1-E7HZ	4865-B	Flange
89	★ E7HT	4817-CZA	E9HZ	4816-DR	1-E7HZ 1-D4TZ	4635-A 4800-G	U/Joint Support assy. (center bearing)	1-E7HZ	4865-B	Flange
87/	★ E7HT	4817-DAA	E7HZ	4816-DS	1-E7HZ 1-D4TZ	4635-A 4800-G	U/Joint Support assy. (center bearing)	1-E7HZ	4865-B	Flange
89	★ E7HT	4817-DBA	E9HZ	4816-BY	1-E7HZ 1-D4TZ	4635-A 4800-G	U/Joint Support assy. (center bearing)	1-E7HZ	4865-B	Flange
87/	★ E7HT	4817-DCA	E7HZ	4816-CW	1-E7HZ 1-D4TZ	4635-A 4800-G	U/Joint Support assy. (center bearing)	1-E7HZ	4865-B	Flange
87/	★ E7HT	4817-DDA	E7HZ	4816-BM	1-E7HZ 1-D4TZ	4635-B 4800-G	U/Joint Support assy. (center bearing)	1-E7HZ	4865-A	Flange
87/	★ E7HT	4817-DEA	E7HZ	4816-CX	1-E7HZ 1-D4TZ	4635-A 4800-G	U/Joint Support assy. (center bearing)	1-E7HZ	4865-B	Flange
87/	★ E7HT	4817-DFA	E7HZ	4816-BN	1-E7HZ 1-D4TZ	4635-B 4800-G	U/Joint Support assy. (center bearing)	1-E7HZ	4865-A	Flange
89	★ E7HT	4817-DGA	E9HZ	4816-DS	1-E7HZ 1-D4TZ	4635-A 4800-G	U/Joint Support assy. (center bearing)	1-E7HZ	4865-B	Flange
87/	★ E7HT	4817-DHA	E7HZ	4816-BP	1-E7HZ 1-D4TZ	4635-B 4800-G	U/Joint Support assy. (center bearing)	1-E7HZ	4865-A	Flange

1980/  
TRUCK SERIES 600/900

DRIVE and COUPLING SHAFT COMPONENT PARTS LISTS

YEAR	COMPLETE SHAFT ASSEMBLY	OPTIONAL COMPONENTS FOR COMPLETE SHAFT ASSEMBLY	
		SHAFT SUB-ASSEMBLY	RELATED PARTS FOR USE WITH SHAFT SUB-ASSEMBLY

COUPLING SHAFT and INTERMEDIATE COUPLING SHAFT PARTS LISTS — Cont'd

Notes: \$ Not included in 4817 assy. @ Use 383952-S bolt (7/8"-14 x 1 1/2")  
 † Use 383951-S2 bolt (3/4"-16-1 1/2") and 34797-S2 lockwasher △ Includes bearing, retainer and sleeve  
 % Use 304771-S2 bolt (3/4"-16-1 1/2") and 34797-S2 lock washer  
 ⊕ Use 383951-S2 bolt (3/4"-16-1 1/2")

NOTE 1- Coupling shaft does not require support bearing collar-(discard)  
 NOTE 2- Coupling shaft requires one of the two bearing baffles-(discard one only)

87/	★ E7HT	4817-DJA	E7HZ	4816-AM	1-E7HZ	4635-A	U/Joint	1-E7HZ	4865-B	Flange
					1-D4TZ	4800-G	Support assy. (center bearing)			
87/	★ E7HT	4817-DKA	E7HZ	4816-DG	1-E7HZ	4635-A	U/Joint	1-E7HZ	4865-B	Flange
					1-D4TZ	4800-G	Support assy. (center bearing)			
87/	★ E7HT	4817-DLA	E7HZ	4816-AN	1-E7HZ	4635-A	U/Joint	1-E7HZ	4865-B	Flange
					1-D4TZ	4800-G	Support assy. (center bearing)			
87/	★ E7HT	4817-DMA	E7HZ	4816-BR	1-E7HZ	4635-A	U/Joint	1-E7HZ	4865-B	Flange
					1-D4TZ	4800-G	Support assy. (center bearing)			
87/	★ E7HT	4817-DNA	E7HZ	4816-BS	1-E7HZ	4635-A	U/Joint	1-E7HZ	4865-B	Flange
					1-D4TZ	4800-G	Support assy. (center bearing)			
87/	★ E7HT	4817-DRA	E7HZ	4816-BT	1-E7HZ	4635-A	U/Joint	1-E7HZ	4865-B	Flange
					1-D4TZ	4800-G	Support assy. (center bearing)			
87/	★ E7HT	4817-DSA	E7HZ	4816-DH	1-E7HZ	4635-A	U/Joint	1-E7HZ	4865-B	Flange
					1-D4TZ	4800-G	Support assy. (center bearing)			
87/	★ E7HT	4817-DTA	E7HZ	4816-AP	1-E7HZ	4635-A	U/Joint	1-E7HZ	4865-B	Flange
					1-D4TZ	4800-G	Support assy. (center bearing)			
87/	★ E7HT	4817-DUA	E7HZ	4816-AR	1-E7HZ	4635-A	U/Joint	1-E7HZ	4865-B	Flange
					1-D4TZ	4800-G	Support assy. (center bearing)			
87/	★ E7HT	4817-DVA	E7HZ	4816-BU	1-E7HZ	4635-A	U/Joint	1-E7HZ	4865-B	Flange
					1-D4TZ	4800-G	Support assy. (center bearing)			
87/	★ E7HT	4817-DYA	E7HZ	4816-AS	1-E7HZ	4635-A	U/Joint	1-E7HZ	4865-B	Flange
					1-D4TZ	4800-G	Support assy. (center bearing)			
87/	★ E7HT	4817-DZA	E7HZ	4816-AT	1-E7HZ	4635-A	U/Joint	1-E7HZ	4865-B	Flange
					1-D4TZ	4800-G	Support assy. (center bearing)			
87/	★ E7HT	4817-EAA	E7HZ	4816-AV	1-E7HZ	4635-A	U/Joint	1-E7HZ	4865-B	Flange
					1-D4TZ	4800-G	Support assy. (center bearing)			
87/	★ E7HT	4817-EBA	E7HZ	4816-M	1-E7HZ	4635-A	U/Joint	1-E7HZ	4865-B	Flange
					1-D4TZ	4800-G	Support assy. (center bearing)			
87/	★ E7HT	4817-ECA	E7HZ	4816-BV	1-E7HZ	4635-A	U/Joint	1-E7HZ	4865-B	Flange
					1-D4TZ	4800-G	Support assy. (center bearing)			
87/	★ E7HT	4817-EDA	E7HZ	4816-N	1-E7HZ	4635-A	U/Joint	1-E7HZ	4865-B	Flange
					1-D4TZ	4800-G	Support assy. (center bearing)			
87/	★ E7HT	4817-EFA	E7HZ	4816-BW	1-E7HZ	4635-A	U/Joint	1-E7HZ	4865-B	Flange
					1-D4TZ	4800-G	Support assy. (center bearing)			
87/	★ E7HT	4817-EGA	E7HZ	4816-P	1-E7HZ	4635-A	U/Joint	1-E7HZ	4865-B	Flange
					1-D4TZ	4800-G	Support assy. (center bearing)			
87/	★ E7HT	4817-EHA	E7HZ	4816-BX	1-E7HZ	4635-A	U/Joint	1-E7HZ	4865-B	Flange
					1-D4TZ	4800-G	Support assy. (center bearing)			
89	★ E7HT	4817-EJA	E9HZ	4816-BZ	1-E7HZ	4635-A	U/Joint	1-E7HZ	4865-B	Flange
					1-D4TZ	4800-G	Support assy. (center bearing)			
87/	★ E7HT	4817-EKA	E7HZ	4816-BY	1-E7HZ	4635-A	U/Joint	1-E7HZ	4865-B	Flange
					1-D4TZ	4800-G	Support assy. (center bearing)			
87/	★ E7HT	4817-ELA	E7HZ	4816-AV	1-E7HZ	4635-A	U/Joint	1-E7HZ	4865-B	Flange
					1-D4TZ	4800-G	Support assy. (center bearing)			
89	★ E7HT	4817-EMA	E9HZ	4816-CA	1-E7HZ	4635-A	U/Joint	1-E7HZ	4865-B	Flange
					1-D4TZ	4800-G	Support assy. (center bearing)			
89	★ E7HT	4817-ENA	E9HZ	4816-CB	1-E7HZ	4635-A	U/Joint	1-E7HZ	4865-B	Flange
					1-D4TZ	4800-G	Support assy. (center bearing)			
87/	★ E7HT	4817-ERA	E7HZ	4816-AW	1-E7HZ	4635-A	U/Joint	1-E7HZ	4865-B	Flange
					1-D4TZ	4800-G	Support assy. (center bearing)			

1980/  
TRUCK SERIES 600/900

DRIVE and COUPLING SHAFT COMPONENT PARTS LISTS			
YEAR	COMPLETE SHAFT ASSEMBLY	OPTIONAL COMPONENTS FOR COMPLETE SHAFT ASSEMBLY	
		SHAFT SUB-ASSEMBLY	RELATED PARTS FOR USE WITH SHAFT SUB-ASSEMBLY

COUPLING SHAFT and INTERMEDIATE COUPLING SHAFT PARTS LISTS — Cont'd

Notes:      \$ Not included in 4817 assy. @ Use 383952-S bolt (7/8"-14 x 1 1/2")  
              † Use 383951-S2 bolt (3/4"-16-1 1/2") and 34797-S2 lockwasher Δ Includes bearing, retainer and sleeve  
              % Use 304771-S2 bolt (3/4"-16-1 1/2") and 34797-S2 lock washer  
              ⊕ Use 383951-S2 bolt (3/4"-16-1 1/2")

NOTE 1-      Coupling shaft does not require support bearing collar--(discard)  
 NOTE 2-      Coupling shaft requires one of the two bearing baffles--(discard one only)

88/	★ E7HT	4817-ESA	E8HZ	4816-C	1-E7HZ	4635-A	U/Joint	1-E7HZ	4865-B	Flange
					1-D4TZ	4800-G	Support assy. (center bearing)			
87/	★ E7HT	4817-ETA	E7HZ	4816-AX	1-E7HZ	4635-A	U/Joint	1-E7HZ	4865-B	Flange
					1-D4TZ	4800-G	Support assy. (center bearing)			
89	★ E7HT	4817-EUA	E9HZ	4816-CC	1-E7HZ	4635-A	U/Joint	1-E7HZ	4865-B	Flange
					1-D4TZ	4800-G	Support assy. (center bearing)			
89	★ E7HT	4817-EVA	E9HZ	4816-DT	1-E7HZ	4635-A	U/Joint	1-E7HZ	4865-B	Flange
					1-D4TZ	4800-G	Support assy. (center bearing)			
89	★ E7HT	4817-EYA	E9HZ	4816-DV	1-E7HZ	4635-A	U/Joint	1-E7HZ	4865-B	Flange
					1-D4TZ	4800-G	Support assy. (center bearing)			
87/	★ E7HT	4817-EZA	E7HZ	4816-EK	1-E7HZ	4635-A	U/Joint	1-E7HZ	4865-B	Flange
					1-D4TZ	4800-G	Support assy. (center bearing)			
89	★ E7HT	4817-FEA	E9HZ	4816-CD	1-E7HZ	4635-A	U/Joint	1-E7HZ	4865-B	Flange
					1-D4TZ	4800-G	Support assy. (center bearing)			
87/	★ E7HT	4817-FFA	E7HZ	4816-R	1-E7HZ	4635-A	U/Joint	1-E7HZ	4865-B	Flange
					1-D4TZ	4800-G	Support assy. (center bearing)			
87/	★ E7HT	4817-FGA	E7HZ	4816-CY	1-E7HZ	4635-A	U/Joint	1-E7HZ	4865-B	Flange
					1-D4TZ	4800-G	Support assy. (center bearing)			
87/	★ E7HT	4817-FSA	E7HZ	4816-BZ	1-E7HZ	4635-A	U/Joint	1-E7HZ	4865-B	Flange
					1-D4TZ	4800-G	Support assy. (center bearing)			
87/	★ E7HT	4817-FTA	E7HZ	4816-CA	1-E7HZ	4635-A	U/Joint	1-E7HZ	4865-B	Flange
					1-D4TZ	4800-G	Support assy. (center bearing)			
89	★ E7HT	4817-FUA	E9HZ	4816-CE	1-E7HZ	4635-A	U/Joint	1-E7HZ	4865-B	Flange
					1-D4TZ	4800-G	Support assy. (center bearing)			
87/	★ E7HT	4817-FVA	E7HZ	4816-DJ	1-E7HZ	4635-A	U/Joint	1-E7HZ	4865-B	Flange
					1-D4TZ	4800-G	Support assy. (center bearing)			
88/	★ E7HT	4817-FYA	E8HZ	4816-D	1-E7HZ	4635-A	U/Joint	1-E7HZ	4865-B	Flange
					1-D4TZ	4800-G	Support assy. (center bearing)			
87/	★ E7HT	4817-FZA	E7HZ	4816-DZ	1-E7HZ	4635-A	U/Joint	1-E7HZ	4865-B	Flange
					1-D4TZ	4800-G	Support assy. (center bearing)			
87/	★ E7HT	4817-GAA	E7HZ	4816-DT	1-E7HZ	4635-A	U/Joint	1-E7HZ	4865-A	Flange
					1-D4TZ	4800-G	Support assy. (center bearing)			
87/	★ E7HT	4817-GBA	E7HZ	4816-DU	1-E7HZ	4635-A	U/Joint	1-E7HZ	4865-B	Flange
					1-D4TZ	4800-G	Support assy. (center bearing)			
88/	★ E7HT	4817-GCA	E8HZ	4816-E	1-E7HZ	4635-A	U/Joint	1-E7HZ	4865-B	Flange
					1-D4TZ	4800-G	Support assy. (center bearing)			
87/	★ E7HT	4817-GDA	E7HZ	4816-CB	1-E7HZ	4635-A	U/Joint	1-E7HZ	4865-B	Flange
					1-D4TZ	4800-G	Support assy. (center bearing)			
87/	★ E7HT	4817-GEA	E7HZ	4816-CC	1-E7HZ	4635-A	U/Joint	1-E7HZ	4865-B	Flange
					1-D4TZ	4800-G	Support assy. (center bearing)			
87/	★ E7HT	4817-GFA	E7HZ	4816-CZ	1-E7HZ	4635-A	U/Joint	1-E7HZ	4865-B	Flange
					1-D4TZ	4800-G	Support assy. (center bearing)			
87/	★ E7HT	4817-GGA	E7HZ	4816-EU	1-E7HZ	4635-A	U/Joint	1-E7HZ	4865-B	Flange
					1-D4TZ	4800-G	Support assy. (center bearing)			
87/	★ E7HT	4817-GHA	E7HZ	4816-DA	1-E7HZ	4635-A	U/Joint	1-E7HZ	4865-B	Flange
					1-D4TZ	4800-G	Support assy. (center bearing)			
87/	★ E7HT	4817-GJA	E7HZ	4816-CD	1-E7HZ	4635-A	U/Joint	1-E7HZ	4865-B	Flange
					1-D4TZ	4800-G	Support assy. (center bearing)			

1980/  
TRUCK SERIES 600/900

DRIVE and COUPLING SHAFT COMPONENT PARTS LISTS			
YEAR	COMPLETE SHAFT ASSEMBLY	OPTIONAL COMPONENTS FOR COMPLETE SHAFT ASSEMBLY	
		SHAFT SUB-ASSEMBLY	RELATED PARTS FOR USE WITH SHAFT SUB-ASSEMBLY

COUPLING SHAFT and INTERMEDIATE COUPLING SHAFT PARTS LISTS — Cont'd

Notes: \$ Not included in 4817 assy. @ Use 383952-S bolt (7/8"-14 x 1 1/2")  
 † Use 383951-S2 bolt (3/4"-16-1 1/2") and 34797-S2 lockwasher △ Includes bearing, retainer and sleeve  
 % Use 304771-S2 bolt (3/4"-16-1 1/2") and 34797-S2 lock washer  
 ⊕ Use 383951-S2 bolt (3/4"-16-1 1/2")

NOTE 1- Coupling shaft does not require support bearing collar-(discard)  
 NOTE 2- Coupling shaft requires one of the two bearing baffles-(discard one only)

87/	★ E7HT	4817-GKA	E7HZ	4816-DB	1-E7HZ 1-D4TZ	4635-A 4800-G	U/Joint Support assy. (center bearing)	1-E7HZ	4865-B	Flange
87/	★ E7HT	4817-GLA	E7HZ	4816-CE	1-E7HZ 1-D4TZ	4635-A 4800-G	U/Joint Support assy. (center bearing)	1-E7HZ	4865-B	Flange
88/	★ E7HT	4817-GMA	E8HZ	4816-A	1-E7HZ 1-D4TZ	4635-A 4800-G	U/Joint Support assy. (center bearing)	1-E7HZ	4865-B	Flange
87/	★ E7HT	4817-GNA	E7HZ	4816-CF	1-E7HZ 1-D4TZ	4635-A 4800-G	U/Joint Support assy. (center bearing)	1-E7HZ	4865-B	Flange
89	★ E7HT	4817-GRA	E9HZ	4816-CF	1-E7HZ 1-D4TZ	4635-A 4800-G	U/Joint Support assy. (center bearing)	1-E7HZ	4865-B	Flange
87/	★ E7HT	4817-GSA	E7HZ	4816-CG	1-E7HZ 1-D4TZ	4635-A 4800-G	U/Joint Support assy. (center bearing)	1-E7HZ	4865-B	Flange
87/	★ E7HT	4817-GTA	E7HZ	4816-DK	1-E7HZ 1-D4TZ	4635-A 4800-G	U/Joint Support assy. (center bearing)	1-E7HZ	4865-B	Flange
89	★ E7HT	4817-GUA	E9HZ	4816-G	1-E7HZ 1-D4TZ	4635-A 4800-G	U/Joint Support assy. (center bearing)	1-E7HZ	4865-B	Flange
87/	★ E7HT	4817-GVA	E7HZ	4816-DY	1-E7HZ 1-D4TZ	4635-A 4800-G	U/Joint Support assy. (center bearing)	1-E7HZ	4865-B	Flange
89	★ E7HT	4817-GYA	E9HZ	4816-CG	1-E7HZ 1-D4TZ	4635-A 4800-G	U/Joint Support assy. (center bearing)	1-E7HZ	4865-B	Flange
87/	★ E7HT	4817-GZA	E7HZ	4816-S	1-E7HZ 1-D4TZ	4635-A 4800-G	U/Joint Support assy. (center bearing)	1-E7HZ	4865-B	Flange
87/	★ E7HT	4817-HAA	E7HZ	4816-DC	1-E7HZ 1-D4TZ	4635-A 4800-G	U/Joint Support assy. (center bearing)	1-E7HZ	4865-B	Flange
89	★ E7HT	4817-HBA	E9HZ	4816-CH	1-E7HZ 1-D4TZ	4635-A 4800-G	U/Joint Support assy. (center bearing)	1-E7HZ	4865-B	Flange
89	★ E7HT	4817-HCA	E9HZ	4816-CJ	1-E7HZ 1-D4TZ	4635-A 4800-G	U/Joint Support assy. (center bearing)	1-E7HZ	4865-B	Flange
87/	★ E7HT	4817-HDA	E7HZ	4816-CH	1-E7HZ 1-D4TZ	4635-A 4800-G	U/Joint Support assy. (center bearing)	1-E7HZ	4865-B	Flange
89	★ E7HT	4817-HEA	E9HZ	4816-CK	1-E7HZ 1-D4TZ	4635-A 4800-G	U/Joint Support assy. (center bearing)	1-E7HZ	4865-B	Flange
89	★ E7HT	4817-HGA	E9HZ	4816-CL	1-E7HZ 1-D4TZ	4635-A 4800-G	U/Joint Support assy. (center bearing)	1-E7HZ	4865-B	Flange
87/	★ E7HT	4817-HHA	E7HZ	4816-DL	1-E7HZ 1-D4TZ	4635-A 4800-G	U/Joint Support assy. (center bearing)	1-E7HZ	4865-B	Flange
87/	★ E7HT	4817-HLA	E7HZ	4816-EL	1-E7HZ 1-D4TZ	4635-A 4800-G	U/Joint Support assy. (center bearing)	1-E7HZ	4865-B	Flange
89	★ E7HT	4817-HMA	E9HZ	4816-CM	1-E7HZ 1-D4TZ	4635-A 4800-G	U/Joint Support assy. (center bearing)	1-E7HZ	4865-B	Flange
89	★ E7HT	4817-HNA	E9HZ	4816-CN	1-E7HZ 1-D4TZ	4635-A 4800-G	U/Joint Support assy. (center bearing)	1-E7HZ	4865-B	Flange
89	★ E7HT	4817-HSA	E9HZ	4816-H	1-E7HZ 1-D4TZ	4635-A 4800-G	U/Joint Support assy. (center bearing)	1-E7HZ	4865-B	Flange
89	★ E7HT	4817-HTA	E9HZ	4816-CP	1-E7HZ 1-D4TZ	4635-A 4800-G	U/Joint Support assy. (center bearing)	1-E7HZ	4865-B	Flange
89	★ E7HT	4817-HUA	E9HZ	4816-CR	1-E7HZ 1-D4TZ	4635-A 4800-G	U/Joint Support assy. (center bearing)	1-E7HZ	4865-B	Flange

1980/  
TRUCK SERIES 600/900

YEAR	COMPLETE SHAFT ASSEMBLY	DRIVE and COUPLING SHAFT COMPONENT PARTS LISTS			
		OPTIONAL COMPONENTS FOR COMPLETE SHAFT ASSEMBLY			
		SHAFT SUB-ASSEMBLY	RELATED PARTS FOR USE WITH SHAFT SUB-ASSEMBLY		

COUPLING SHAFT and INTERMEDIATE COUPLING SHAFT PARTS LISTS — Cont'd

Notes: \$ Not included in 4817 assy. @ Use 383952-S bolt (7/8"-14 x 1 1/2")  
 † Use 383951-S2 bolt (3/4"-16-1 1/2") and 34797-S2 lockwasher Δ Includes bearing, retainer and sleeve  
 % Use 304771-S2 bolt (3/4"-16-1 1/2") and 34797-S2 lock washer  
 ⊕ Use 383951-S2 bolt (3/4"-16-1 1/2")

NOTE 1- Coupling shaft does not require support bearing collar-(discard)  
 NOTE 2- Coupling shaft requires one of the two bearing baffles-(discard one only)

87/	★ E7HT	4817-HZA	E7HZ	4816-EM	1-E7HZ 4635-A U/Joint	1-E7HZ 4865-B Flange
				1-D4TZ 4800-G Support assy. (center bearing)		
89	★ E7HT	4817-JDA	E9HZ	4816-DW	1-E7HZ 4635-A U/Joint	1-E7HZ 4865-B Flange
				1-D4TZ 4800-G Support assy. (center bearing)		
88/	★ E8HT	4817-LA	E8HZ	4816-Y	1-E8HZ 4635-B U/Joint	1-D4TZ 4800-J Support assy. (center bearing)
				1-D3HZ 4637-A Washer	1-E8HZ 4865-B Flange	
89	★ E8HT	4817-MA	E9HZ	4816-J	1-E8HZ 4635-B U/Joint	1-D4TZ 4800-J Support assy. (center bearing)
				1-D3HZ 4637-A Washer	1-E8HZ 4865-B Flange	
88/	★ E8HT	4817-VA	E8HZ	4816-Z	1-E8HZ 4635-B U/Joint	1-D4TZ 4800-J Support assy. (center bearing)
				1-D3HZ 4637-A Washer	1-E8HZ 4865-B Flange	
88/	★ E8HT	4817-YA	E8HZ	4816-AA	1-E8HZ 4635-B U/Joint	1-D4TZ 4800-J Support assy. (center bearing)
				1-D3HZ 4637-A Washer	1-E8HZ 4865-B Flange	
88/	★ E8HT	4817-ZA	E8HZ	4816-AB	1-E8HZ 4635-B U/Joint	1-D4TZ 4800-J Support assy. (center bearing)
				1-D3HZ 4637-A Washer	1-E8HZ 4865-B Flange	
88/	★ E8HT	4817-AAA	E8HZ	4816-BB	1-E8HZ 4635-B U/Joint	1-D4TZ 4800-J Support assy. (center bearing)
				1-D3HZ 4637-A Washer	1-E8HZ 4865-B Flange	
88/	★ E8HT	4817-ABA	E8HZ	4816-F	1-E8HZ 4635-B U/Joint	1-D4TZ 4800-J Support assy. (center bearing)
				1-D3HZ 4637-A Washer	1-E8HZ 4865-B Flange	
89	★ E8HT	4817-ACA	E9HZ	4816-K	1-E8HZ 4635-B U/Joint	1-D4TZ 4800-J Support assy. (center bearing)
				1-D3HZ 4637-A Washer	1-E8HZ 4865-B Flange	
88/	★ E8HT	4817-ADA	E8HZ	4816-G	1-E8HZ 4635-B U/Joint	1-D4TZ 4800-J Support assy. (center bearing)
				1-D3HZ 4637-A Washer	1-E8HZ 4865-B Flange	
88/	★ E8HT	4817-AFA	E8HZ	4816-H	1-E8HZ 4635-B U/Joint	1-D4TZ 4800-J Support assy. (center bearing)
				1-D3HZ 4637-A Washer	1-E8HZ 4865-B Flange	
88/	★ E8HT	4817-AGA	E8HZ	4816-BC	1-E8HZ 4635-B U/Joint	1-D4TZ 4800-J Support assy. (center bearing)
				1-D3HZ 4637-A Washer	1-E8HZ 4865-B Flange	
88/	★ E8HT	4817-ALA	E8HZ	4816-BD	1-E8HZ 4635-B U/Joint	1-D4TZ 4800-J Support assy. (center bearing)
				1-D3HZ 4637-A Washer	1-E8HZ 4865-B Flange	
88/89	★ E8HT	4817-AMA	E8HZ	4816-BE	1-E8HZ 4635-B U/Joint	1-D4TZ 4800-J Support assy. (center bearing)
				1-D3HZ 4637-A Washer	1-E8HZ 4865-B Flange	
89	★ E8HT	4817-ANA	E9HZ	4816-L	1-E8HZ 4635-B U/Joint	1-D4TZ 4800-J Support assy. (center bearing)
				1-D3HZ 4637-A Washer	1-E8HZ 4865-B Flange	
88/	★ E8HT	4817-ARA	E8HZ	4816-BF	1-E8HZ 4635-B U/Joint	1-D4TZ 4800-J Support assy. (center bearing)
				1-D3HZ 4637-A Washer	1-E8HZ 4865-B Flange	
88/	★ E8HT	4817-ASA	E8HZ	4816-BG	1-E8HZ 4635-B U/Joint	1-D4TZ 4800-J Support assy. (center bearing)
				1-D3HZ 4637-A Washer	1-E8HZ 4865-B Flange	
88/	★ E8HT	4817-BBA	E8HZ	4816-J	1-E8HZ 4635-B U/Joint	1-D4TZ 4800-J Support assy. (center bearing)
				1-D3HZ 4637-A Washer	1-E8HZ 4865-B Flange	
89	★ E8HT	4817-BCA	E9HZ	4816-DX	1-E8HZ 4635-B U/Joint	1-D4TZ 4800-J Support assy. (center bearing)
				1-D3HZ 4637-A Washer	1-E8HZ 4865-B Flange	
88/	★ E8HT	4817-BDA	E8HZ	4816-K	1-E8HZ 4635-B U/Joint	1-D4TZ 4800-J Support assy. (center bearing)
				1-D3HZ 4637-A Washer	1-E8HZ 4865-B Flange	
88/	★ E8HT	4817-BEA	E8HZ	4816-BH	1-E8HZ 4635-B U/Joint	1-D4TZ 4800-J Support assy. (center bearing)
				1-D3HZ 4637-A Washer	1-E8HZ 4865-B Flange	
89	★ E8HT	4817-BFA	E9HZ	4816-M	1-E8HZ 4635-B U/Joint	1-D4TZ 4800-J Support assy. (center bearing)
				1-D3HZ 4637-A Washer	1-E8HZ 4865-B Flange	
88/	★ E8HT	4817-BGA	E8HZ	4816-BJ	1-E8HZ 4635-B U/Joint	1-D4TZ 4800-J Support assy. (center bearing)
				1-D3HZ 4637-A Washer	1-E8HZ 4865-B Flange	

1980/  
TRUCK SERIES 600/900

DRIVE and COUPLING SHAFT COMPONENT PARTS LISTS			
YEAR	COMPLETE SHAFT ASSEMBLY	OPTIONAL COMPONENTS FOR COMPLETE SHAFT ASSEMBLY	
		SHAFT SUB-ASSEMBLY	RELATED PARTS FOR USE WITH SHAFT SUB-ASSEMBLY

COUPLING SHAFT and INTERMEDIATE COUPLING SHAFT PARTS LISTS — Cont'd

Notes: \$ Not included in 4817 assy. @ Use 383952-S bolt (7/8"-14 x 1 1/2")  
 † Use 383951-S2 bolt (3/4"-16-1 1/2") and 34797-S2 lockwasher △ Includes bearing, retainer and sleeve  
 % Use 304771-S2 bolt (3/4"-16-1 1/2") and 34797-S2 lock washer  
 ⊕ Use 383951-S2 bolt (3/4"-16-1 1/2")

NOTE 1- Coupling shaft does not require support bearing collar-(discard)  
 NOTE 2- Coupling shaft requires one of the two bearing baffles-(discard one only)

89	★ E8HT	4817-BHA	E9HZ	4816-DY	1-E8HZ 1-D3HZ	4635-B 4637-A	U/Joint Washer	1-D4TZ 1-E8HZ	4800-J 4865-B	Support assy. (center bearing) Flange
89	★ E8HT	4817-BJA	E9HZ	4816-DZ	1-E8HZ 1-D3HZ	4635-B 4637-A	U/Joint Washer	1-D4TZ 1-E8HZ	4800-J 4865-B	Support assy. (center bearing) Flange
89	★ E8HT	4817-BMA	E9HZ	4816-N	1-E8HZ 1-D3HZ	4635-B 4637-A	U/Joint Washer	1-D4TZ 1-E8HZ	4800-J 4865-B	Support assy. (center bearing) Flange
89	★ E8HT	4817-BNA	E9HZ	4816-EA	1-E8HZ 1-D3HZ	4635-B 4637-A	U/Joint Washer	1-D4TZ 1-E8HZ	4800-J 4865-B	Support assy. (center bearing) Flange
88/	★ E8HT	4817-BRA	E8HZ	4816-BK	1-E8HZ 1-D3HZ	4635-B 4637-A	U/Joint Washer	1-D4TZ 1-E8HZ	4800-J 4865-B	Support assy. (center bearing) Flange
89	★ E8HT	4817-BTA	E9HZ	4816-EB	1-E8HZ 1-D3HZ	4635-B 4637-A	U/Joint Washer	1-D4TZ 1-E8HZ	4800-J 4865-B	Support assy. (center bearing) Flange
88/	★ E8HT	4817-BUA	E8HZ	4816-BL	1-E8HZ 1-D3HZ	4635-B 4637-A	U/Joint Washer	1-D4TZ 1-E8HZ	4800-J 4865-B	Support assy. (center bearing) Flange
88/	★ E8HT	4817-CJA	E8HZ	4816-L	1-E8HZ 1-D3HZ	4635-B 4637-A	U/Joint Washer	1-D4TZ 1-E8HZ	4800-J 4865-B	Support assy. (center bearing) Flange
88/	★ E8HT	4817-CKA	E8HZ	4816-DE	1-E8HZ 1-D3HZ	4635-B 4637-A	U/Joint Washer	1-D4TZ 1-E8HZ	4800-J 4865-B	Support assy. (center bearing) Flange
89	★ E8HT	4817-CLA	E9HZ	4816-CS	1-E8HZ 1-D3HZ	4635-B 4637-A	U/Joint Washer	1-D4TZ 1-E8HZ	4800-J 4865-B	Support assy. (center bearing) Flange
88/	★ E8HT	4817-CRA	E8HZ	4816-BM	1-E8HZ 1-D3HZ	4635-B 4637-A	U/Joint Washer	1-D4TZ 1-E8HZ	4800-J 4865-B	Support assy. (center bearing) Flange
88/	★ E8HT	4817-CSA	E8HZ	4816-M	1-E8HZ 1-D3HZ	4635-B 4637-A	U/Joint Washer	1-D4TZ 1-E8HZ	4800-J 4865-B	Support assy. (center bearing) Flange
88/	★ E8HT	4817-CTA	E8HZ	4816-BN	1-E8HZ 1-D3HZ	4635-B 4637-A	U/Joint Washer	1-D4TZ 1-E8HZ	4800-J 4865-B	Support assy. (center bearing) Flange
88/	★ E8HT	4817-CUA	E8HZ	4816-N	1-E8HZ 1-D3HZ	4635-B 4637-A	U/Joint Washer	1-D4TZ 1-E8HZ	4800-J 4865-B	Support assy. (center bearing) Flange
88/	★ E8HT	4817-CVA	E8HZ	4816-P	1-E8HZ 1-D3HZ	4635-B 4637-A	U/Joint Washer	1-D4TZ 1-E8HZ	4800-J 4865-B	Support assy. (center bearing) Flange
89	★ E8HT	4817-CYA	E9HZ	4816-EC	1-E8HZ 1-D3HZ	4635-B 4637-A	U/Joint Washer	1-D4TZ 1-E8HZ	4800-J 4865-B	Support assy. (center bearing) Flange
88/	★ E8HT	4817-CZA	E8HZ	4816-R	1-E8HZ 1-D3HZ	4635-B 4637-A	U/Joint Washer	1-D4TZ 1-E8HZ	4800-J 4865-B	Support assy. (center bearing) Flange
88/	★ E8HT	4817-DAA	E8HZ	4816-S	1-E8HZ 1-D3HZ	4635-B 4637-A	U/Joint Washer	1-D4TZ 1-E8HZ	4800-J 4865-B	Support assy. (center bearing) Flange
88/	★ E8HT	4817-DBA	E8HZ	4816-T	1-E8HZ 1-D3HZ	4635-B 4637-A	U/Joint Washer	1-D4TZ 1-E8HZ	4800-J 4865-B	Support assy. (center bearing) Flange
89	★ E8HT	4817-DCA	E9HZ	4816-P	1-E8HZ 1-D3HZ	4635-B 4637-A	U/Joint Washer	1-D4TZ 1-E8HZ	4800-J 4865-B	Support assy. (center bearing) Flange
88/	★ E8HT	4817-DDA	E8HZ	4816-U	1-E8HZ 1-D3HZ	4635-B 4637-A	U/Joint Washer	1-D4TZ 1-E8HZ	4800-J 4865-B	Support assy. (center bearing) Flange
88/	★ E8HT	4817-DEA	E8HZ	4816-BP	1-E8HZ 1-D3HZ	4635-B 4637-A	U/Joint Washer	1-D4TZ 1-E8HZ	4800-J 4865-B	Support assy. (center bearing) Flange
89	★ E8HT	4817-DHA	E9HZ	4816-R	1-E8HZ 1-D3HZ	4635-B 4637-A	U/Joint Washer	1-D4TZ 1-E8HZ	4800-J 4865-B	Support assy. (center bearing) Flange

1980/  
TRUCK SERIES 600/900

DRIVE and COUPLING SHAFT COMPONENT PARTS LISTS

YEAR	COMPLETE SHAFT ASSEMBLY	OPTIONAL COMPONENTS FOR COMPLETE SHAFT ASSEMBLY			
		SHAFT SUB-ASSEMBLY	RELATED PARTS FOR USE WITH SHAFT SUB-ASSEMBLY		

COUPLING SHAFT and INTERMEDIATE COUPLING SHAFT PARTS LISTS — Cont'd

Notes:      \$ Not included in 4817 assy. @ Use 383952-S bolt (7/8"-14 x 1 1/2")  
              † Use 383951-S2 bolt (3/4"-16-1 1/2") and 34797-S2 lockwasher Δ Includes bearing, retainer and sleeve  
              % Use 304771-S2 bolt (3/4"-16-1 1/2") and 34797-S2 lock washer  
              ⊕ Use 383951-S2 bolt (3/4"-16-1 1/2")

NOTE 1-      Coupling shaft does not require support bearing collar--(discard)  
 NOTE 2-      Coupling shaft requires one of the two bearing baffles--(discard one only)

88/	★ E8HT	4817-DJA	E8HZ	4816-BR	1-E8HZ	4635-B	U/Joint	1-D4TZ	4800-J	Support assy. (center bearing)
					1-D3HZ	4637-A	Washer	1-E8HZ	4865-B	Flange
88/	★ E8HT	4817-DKA	E8HZ	4816-BS	1-E8HZ	4635-B	U/Joint	1-D4TZ	4800-J	Support assy. (center bearing)
					1-D3HZ	4637-A	Washer	1-E8HZ	4865-B	Flange
89	★ E8HT	4817-DLA	E9HZ	4816-S	1-E8HZ	4635-B	U/Joint	1-D4TZ	4800-J	Support assy. (center bearing)
					1-D3HZ	4637-A	Washer	1-E8HZ	4865-B	Flange
88/	★ E8HT	4817-DMA	E8HZ	4816-BT	1-E8HZ	4635-B	U/Joint	1-D4TZ	4800-J	Support assy. (center bearing)
					1-D3HZ	4637-A	Washer	1-E8HZ	4865-B	Flange
88/	★ E8HT	4817-DNA	E8HZ	4816-BV	1-E8HZ	4635-B	U/Joint	1-D4TZ	4800-J	Support assy. (center bearing)
					1-D3HZ	4637-A	Washer	1-E8HZ	4865-B	Flange
89	★ E8HT	4817-DRA	E9HZ	4816-CT	1-E8HZ	4635-B	U/Joint	1-D4TZ	4800-J	Support assy. (center bearing)
					1-D3HZ	4637-A	Washer	1-E8HZ	4865-B	Flange
89	★ E8HT	4817-DSA	E9HZ	4816-T	1-E8HZ	4635-B	U/Joint	1-D4TZ	4800-J	Support assy. (center bearing)
					1-D3HZ	4637-A	Washer	1-E8HZ	4865-B	Flange
89	★ E8HT	4817-DVA	E9HZ	4816-CV	1-E8HZ	4635-B	U/Joint	1-D4TZ	4800-J	Support assy. (center bearing)
					1-D3HZ	4637-A	Washer	1-E8HZ	4865-B	Flange
88/	★ E8HT	4817-DYA	E8HZ	4816-V	1-E8HZ	4635-B	U/Joint	1-D4TZ	4800-J	Support assy. (center bearing)
					1-D3HZ	4637-A	Washer	1-E8HZ	4865-B	Flange
88/	★ E8HT	4817-DZA	E8HZ	4816-W	1-E8HZ	4635-B	U/Joint	1-D4TZ	4800-J	Support assy. (center bearing)
					1-D3HZ	4637-A	Washer	1-E8HZ	4865-B	Flange
88/	★ E8HT	4817-EBA	E8HZ	4816-X	1-E8HZ	4635-B	U/Joint	1-D4TZ	4800-J	Support assy. (center bearing)
					1-D3HZ	4637-A	Washer	1-E8HZ	4865-B	Flange
88/	★ E8HT	4817-ECA	E8HZ	4816-BW	1-E8HZ	4635-B	U/Joint	1-D4TZ	4800-J	Support assy. (center bearing)
					1-D3HZ	4637-A	Washer	1-E8HZ	4865-B	Flange
88/	★ E8HT	4817-EFA	E8HZ	4816-BX	1-E8HZ	4635-B	U/Joint	1-D4TZ	4800-J	Support assy. (center bearing)
					1-D3HZ	4637-A	Washer	1-E8HZ	4865-B	Flange
89	★ E8HT	4817-EGA	E9HZ	4816-CW	1-E8HZ	4635-B	U/Joint	1-D4TZ	4800-J	Support assy. (center bearing)
					1-D3HZ	4637-A	Washer	1-E8HZ	4865-B	Flange
89	★ E8HT	4817-EKA	E9HZ	4816-V	1-E8HZ	4635-B	U/Joint	1-D4TZ	4800-J	Support assy. (center bearing)
					1-D3HZ	4637-A	Washer	1-E8HZ	4865-B	Flange
89	★ E8HT	4817-EMA	E9HZ	4816-CX	1-E8HZ	4635-B	U/Joint	1-D4TZ	4800-J	Support assy. (center bearing)
					1-D3HZ	4637-A	Washer	1-E8HZ	4865-B	Flange
88/	★ E8HT	4817-ENA	E8HZ	4816-BY	1-E8HZ	4635-B	U/Joint	1-D4TZ	4800-J	Support assy. (center bearing)
					1-D3HZ	4637-A	Washer	1-E8HZ	4865-B	Flange
89	★ E8HT	4817-ERA	E9HZ	4816-ED	1-E8HZ	4635-B	U/Joint	1-D4TZ	4800-J	Support assy. (center bearing)
					1-D3HZ	4637-A	Washer	1-E8HZ	4865-B	Flange
89	★ E8HT	4817-ESA	E9HZ	4816-CY	1-E8HZ	4635-B	U/Joint	1-D4TZ	4800-J	Support assy. (center bearing)
					1-D3HZ	4637-A	Washer	1-E8HZ	4865-B	Flange
89	★ E8HT	4817-ETA	E9HZ	4816-EE	1-E8HZ	4635-B	U/Joint	1-D4TZ	4800-J	Support assy. (center bearing)
					1-D3HZ	4637-A	Washer	1-E8HZ	4865-B	Flange
88/	★ E8HT	4817-FJA	E8HZ	4816-CV	1-E8HZ	4635-A	U/Joint	1-D4TZ	4800-J	Support assy. (center bearing)
					1-D3HZ	4637-A	Washer	1-E8HZ	4865-A	Flange
88/	★ E8HT	4817-FNA	E8HZ	4816-CW	1-E8HZ	4635-A	U/Joint	1-D4TZ	4800-J	Support assy. (center bearing)
					1-D3HZ	4637-A	Washer	1-E8HZ	4865-A	Flange
88/	★ E8HT	4817-FSA	E8HZ	4816-CX	1-E8HZ	4635-A	U/Joint	1-D4TZ	4800-J	Support assy. (center bearing)
					1-D3HZ	4637-A	Washer	1-E8HZ	4865-A	Flange
88/	★ E8HT	4817-FTA	E8HZ	4816-CY	1-E8HZ	4635-A	U/Joint	1-D4TZ	4800-J	Support assy. (center bearing)
					1-D3HZ	4637-A	Washer	1-E8HZ	4865-A	Flange

1980/  
TRUCK SERIES 600/900

DRIVE and COUPLING SHAFT COMPONENT PARTS LISTS

YEAR	COMPLETE SHAFT ASSEMBLY	OPTIONAL COMPONENTS FOR COMPLETE SHAFT ASSEMBLY			
		SHAFT SUB-ASSEMBLY	RELATED PARTS FOR USE WITH SHAFT SUB ASSEMBLY		

COUPLING SHAFT and INTERMEDIATE COUPLING SHAFT PARTS LISTS — Cont'd

Notes: \$ Not included in 4817 assy. @ Use 383952-S bolt (7/8"-14 x 1 1/2")  
 † Use 383951-S2 bolt (3/4"-16-1 1/2") and 34797-S2 lockwasher △ Includes bearing, retainer and sleeve  
 % Use 304771-S2 bolt (3/4"-16-1 1/2") and 34797-S2 lock washer  
 ⊕ Use 383951-S2 bolt (3/4"-16-1 1/2")

NOTE 1- Coupling shaft does not require support bearing collar-(discard)  
 NOTE 2- Coupling shaft requires one of the two bearing baffles-(discard one only)

88/	★ E8HT	4817-FUA	E8HZ	4816-CZ	1-E8HZ	4635-A	U/Joint	1-D4TZ	4800-J	Support assy. (center bearing)
					1-D3HZ	4637-A	Washer	1-E8HZ	4865-A	Flange
88/	★ E8HT	4817-FVA	E8HZ	4816-DA	1-E8HZ	4635-A	U/Joint	1-D4TZ	4800-J	Support assy. (center bearing)
					1-D3HZ	4637-A	Washer	1-E8HZ	4865-A	Flange
88/	★ E8HT	4817-FYA	E8HZ	4816-DB	1-E8HZ	4635-A	U/Joint	1-D4TZ	4800-J	Support assy. (center bearing)
					1-D3HZ	4637-A	Washer	1-E8HZ	4865-A	Flange
88/	★ E8HT	4817-FZA	E8HZ	4816-DF	1-E8HZ	4635-A	U/Joint	1-D4TZ	4800-J	Support assy. (center bearing)
					1-D3HZ	4637-A	Washer	1-E8HZ	4865-A	Flange
88/	★ E8HT	4817-GAA	E8HZ	4816-DC	1-E8HZ	4635-A	U/Joint	1-D4TZ	4800-J	Support assy. (center bearing)
					1-D3HZ	4637-A	Washer	1-E8HZ	4865-A	Flange
89	★ E8HT	4817-GCA	E9HZ	4816-W	1-E8HZ	4635-A	U/Joint	1-D4TZ	4800-J	Support assy. (center bearing)
					1-D3HZ	4637-A	Washer	1-E8HZ	4865-A	Flange
88/	★ E8HT	4817-GDA	E8HZ	4816-DD	1-E8HZ	4635-A	U/Joint	1-D4TZ	4800-J	Support assy. (center bearing)
					1-D3HZ	4637-A	Washer	1-E8HZ	4865-A	Flange
89	★ E8HT	4817-GEA	E9HZ	4816-X	1-E8HZ	4635-A	U/Joint	1-D4TZ	4800-J	Support assy. (center bearing)
					1-D3HZ	4637-A	Washer	1-E8HZ	4865-A	Flange
88/	★ E8HT	4817-GHA	E8HZ	4816-BZ	1-E8HZ	4635-A	U/Joint	1-D4TZ	4800-J	Support assy. (center bearing)
					1-D3HZ	4637-A	Washer	1-E8HZ	4865-A	Flange
88/	★ E8HT	4817-GJA	E8HZ	4816-CA	1-E8HZ	4635-A	U/Joint	1-D4TZ	4800-J	Support assy. (center bearing)
					1-D3HZ	4637-A	Washer	1-E8HZ	4865-A	Flange
88/	★ E8HT	4817-GLA	E8HZ	4816-CB	1-E8HZ	4635-A	U/Joint	1-D4TZ	4800-J	Support assy. (center bearing)
					1-D3HZ	4637-A	Washer	1-E8HZ	4865-A	Flange
89	★ E8HT	4817-GMA	E9HZ	4816-EF	1-E8HZ	4635-A	U/Joint	1-D4TZ	4800-J	Support assy. (center bearing)
					1-D3HZ	4637-A	Washer	1-E8HZ	4865-A	Flange
89	★ E8HT	4817-GNA	E9HZ	4816-CZ	1-E8HZ	4635-A	U/Joint	1-D4TZ	4800-J	Support assy. (center bearing)
					1-D3HZ	4637-A	Washer	1-E8HZ	4865-A	Flange
89	★ E8HT	4817-GRA	E9HZ	4816-DA	1-E8HZ	4635-A	U/Joint	1-D4TZ	4800-J	Support assy. (center bearing)
					1-D3HZ	4637-A	Washer	1-E8HZ	4865-A	Flange
88/	★ E8HT	4817-GUA	E8HZ	4816-AC	1-E8HZ	4635-A	U/Joint	1-D4TZ	4800-J	Support assy. (center bearing)
					1-D3HZ	4637-A	Washer	1-E8HZ	4865-A	Flange
89	★ E8HT	4817-GVA	E9HZ	4816-DB	1-E8HZ	4635-A	U/Joint	1-D4TZ	4800-J	Support assy. (center bearing)
					1-D3HZ	4637-A	Washer	1-E8HZ	4865-A	Flange
88/	★ E8HT	4817-GYA	E8HZ	4816-AD	1-E8HZ	4635-A	U/Joint	1-D4TZ	4800-J	Support assy. (center bearing)
					1-D3HZ	4637-A	Washer	1-E8HZ	4865-A	Flange
88/	★ E8HT	4817-GZA	E8HZ	4816-CC	1-E8HZ	4635-A	U/Joint	1-D4TZ	4800-J	Support assy. (center bearing)
					1-D3HZ	4637-A	Washer	1-E8HZ	4865-A	Flange
89	★ E8HT	4817-HAA	E9HZ	4816-Y	1-E8HZ	4635-A	U/Joint	1-D4TZ	4800-J	Support assy. (center bearing)
					1-D3HZ	4637-A	Washer	1-E8HZ	4865-A	Flange
88/	★ E8HT	4817-HBA	E8HZ	4816-CD	1-E8HZ	4635-A	U/Joint	1-D4TZ	4800-J	Support assy. (center bearing)
					1-D3HZ	4637-A	Washer	1-E8HZ	4865-A	Flange
89	★ E8HT	4817-HCA	E9HZ	4816-Z	1-E8HZ	4635-A	U/Joint	1-D4TZ	4800-J	Support assy. (center bearing)
					1-D3HZ	4637-A	Washer	1-E8HZ	4865-A	Flange
88/	★ E8HT	4817-HJA	E8HZ	4816-CE	1-E8HZ	4635-A	U/Joint	1-D4TZ	4800-J	Support assy. (center bearing)
					1-D3HZ	4637-A	Washer	1-E8HZ	4865-A	Flange
89	★ E8HT	4817-HKA	E9HZ	4816-DC	1-E8HZ	4635-A	U/Joint	1-D4TZ	4800-J	Support assy. (center bearing)
					1-D3HZ	4637-A	Washer	1-E8HZ	4865-A	Flange
88/	★ E8HT	4817-HLA	E8HZ	4816-CF	1-E8HZ	4635-A	U/Joint	1-D4TZ	4800-J	Support assy. (center bearing)
					1-D3HZ	4637-A	Washer	1-E8HZ	4865-A	Flange



1980/  
TRUCK SERIES 600/900

DRIVE and COUPLING SHAFT COMPONENT PARTS LISTS			
YEAR	COMPLETE SHAFT ASSEMBLY	OPTIONAL COMPONENTS FOR COMPLETE SHAFT ASSEMBLY	
		SHAFT SUB-ASSEMBLY	RELATED PARTS FOR USE WITH SHAFT SUB-ASSEMBLY

COUPLING SHAFT and INTERMEDIATE COUPLING SHAFT PARTS LISTS — Cont'd

Notes: \$ Not included in 4817 assy. @ Use 383952-S bolt (7/8"-14 x 1 1/2")  
 † Use 383951-S2 bolt (3/4"-16-1 1/2") and 34797-S2 lockwasher Δ Includes bearing, retainer and sleeve  
 % Use 304771-S2 bolt (3/4"-16-1 1/2") and 34797-S2 lock washer  
 ⊕ Use 383951-S2 bolt (3/4"-16-1 1/2")

NOTE 1- Coupling shaft does not require support bearing collar-(discard)  
 NOTE 2- Coupling shaft requires one of the two bearing baffles-(discard one only)

88/	★ E8HT	4817-HRA	E8HZ	4816-DG	1-E8HZ	4635-A	U/Joint	1-D4TZ	4800-J	Support assy. (center bearing)
					1-D3HZ	4637-A	Washer	1-E8HZ	4865-A	Flange
88/	★ E8HT	4817-JLA	E8HZ	4816-AE	1-E8HZ	4635-A	U/Joint	1-D4TZ	4800-J	Support assy. (center bearing)
					1-D3HZ	4637-A	Washer	1-E8HZ	4865-A	Flange
88/	★ E8HT	4817-JMA	E8HZ	4816-AF	1-E8HZ	4635-A	U/Joint	1-D4TZ	4800-J	Support assy. (center bearing)
					1-D3HZ	4637-A	Washer	1-E8HZ	4865-A	Flange
89	★ E8HT	4817-JRA	E9HZ	4816-AA	1-E8HZ	4635-A	U/Joint	1-D4TZ	4800-J	Support assy. (center bearing)
					1-D3HZ	4637-A	Washer	1-E8HZ	4865-A	Flange
89	★ E8HT	4817-JSA	E9HZ	4816-AB	1-E8HZ	4635-A	U/Joint	1-D4TZ	4800-J	Support assy. (center bearing)
					1-D3HZ	4637-A	Washer	1-E8HZ	4865-A	Flange
88/	★ E8HT	4817-JTA	E8HZ	4816-DH	1-E8HZ	4635-A	U/Joint	1-D4TZ	4800-J	Support assy. (center bearing)
					1-D3HZ	4637-A	Washer	1-E8HZ	4865-A	Flange
88/	★ E8HT	4817-JUA	E8HZ	4816-AG	1-E8HZ	4635-A	U/Joint	1-D4TZ	4800-J	Support assy. (center bearing)
					1-D3HZ	4637-A	Washer	1-E8HZ	4865-A	Flange
88/	★ E8HT	4817-JVA	E8HZ	4816-AH	1-E8HZ	4635-A	U/Joint	1-D4TZ	4800-J	Support assy. (center bearing)
					1-D3HZ	4637-A	Washer	1-E8HZ	4865-A	Flange
88/	★ E8HT	4817-JYA	E8HZ	4816-AJ	1-E8HZ	4635-A	U/Joint	1-D4TZ	4800-J	Support assy. (center bearing)
					1-D3HZ	4637-A	Washer	1-E8HZ	4865-A	Flange
88/	★ E8HT	4817-JZA	E8HZ	4816-AK	1-E8HZ	4635-A	U/Joint	1-D4TZ	4800-J	Support assy. (center bearing)
					1-D3HZ	4637-A	Washer	1-E8HZ	4865-A	Flange
88/	★ E8HT	4817-KAA	E8HZ	4816-AL	1-E8HZ	4635-A	U/Joint	1-D4TZ	4800-J	Support assy. (center bearing)
					1-D3HZ	4637-A	Washer	1-E8HZ	4865-A	Flange
88/	★ E8HT	4817-KBA	E8HZ	4816-AM	1-E8HZ	4635-A	U/Joint	1-D4TZ	4800-J	Support assy. (center bearing)
					1-D3HZ	4637-A	Washer	1-E8HZ	4865-A	Flange
88/	★ E8HT	4817-KCA	E8HZ	4816-AN	1-E8HZ	4635-A	U/Joint	1-D4TZ	4800-J	Support assy. (center bearing)
					1-D3HZ	4637-A	Washer	1-E8HZ	4865-A	Flange
88/	★ E8HT	4817-KDA	E8HZ	4816-AP	1-E8HZ	4635-A	U/Joint	1-D4TZ	4800-J	Support assy. (center bearing)
					1-D3HZ	4637-A	Washer	1-E8HZ	4865-A	Flange
88/	★ E8HT	4817-KEA	E8HZ	4816-AR	1-E8HZ	4635-A	U/Joint	1-D4TZ	4800-J	Support assy. (center bearing)
					1-D3HZ	4637-A	Washer	1-E8HZ	4865-A	Flange
88/	★ E8HT	4817-KFA	E8HZ	4816-B	1-E8HZ	4635-A	U/Joint	1-D4TZ	4800-J	Support assy. (center bearing)
					1-D3HZ	4637-A	Washer	1-E8HZ	4865-A	Flange
88/	★ E8HT	4817-KGA	E8HZ	4816-CG	1-E8HZ	4635-A	U/Joint	1-D4TZ	4800-J	Support assy. (center bearing)
					1-D3HZ	4637-A	Washer	1-E8HZ	4865-A	Flange
89	★ E8HT	4817-KHA	E9HZ	4816-AC	1-E8HZ	4635-A	U/Joint	1-D4TZ	4800-J	Support assy. (center bearing)
					1-D3HZ	4637-A	Washer	1-E8HZ	4865-A	Flange
89	★ E8HT	4817-KKA	E9HZ	4816-DD	1-E8HZ	4635-A	U/Joint	1-D4TZ	4800-J	Support assy. (center bearing)
					1-D3HZ	4637-A	Washer	1-E8HZ	4865-A	Flange
88/	★ E8HT	4817-KLA	E8HZ	4816-CH	1-E8HZ	4635-A	U/Joint	1-D4TZ	4800-J	Support assy. (center bearing)
					1-D3HZ	4637-A	Washer	1-E8HZ	4865-A	Flange
88/	★ E8HT	4817-KMA	E8HZ	4816-CJ	1-E8HZ	4635-A	U/Joint	1-D4TZ	4800-J	Support assy. (center bearing)
					1-D3HZ	4637-A	Washer	1-E8HZ	4865-A	Flange
89	★ E8HT	4817-KNA	E9HZ	4816-DE	1-E8HZ	4635-A	U/Joint	1-D4TZ	4800-J	Support assy. (center bearing)
					1-D3HZ	4637-A	Washer	1-E8HZ	4865-A	Flange
88/	★ E8HT	4817-KRA	E8HZ	4816-CK	1-E8HZ	4635-A	U/Joint	1-D4TZ	4800-J	Support assy. (center bearing)
					1-D3HZ	4637-A	Washer	1-E8HZ	4865-A	Flange
88/	★ E8HT	4817-KSA	E8HZ	4816-CL	1-E8HZ	4635-A	U/Joint	1-D4TZ	4800-J	Support assy. (center bearing)
					1-D3HZ	4637-A	Washer	1-E8HZ	4865-A	Flange

1980/  
TRUCK SERIES 600/900

DRIVE and COUPLING SHAFT COMPONENT PARTS LISTS									
YEAR	COMPLETE SHAFT ASSEMBLY	OPTIONAL COMPONENTS FOR COMPLETE SHAFT ASSEMBLY							
		SHAFT SUB-ASSEMBLY		RELATED PARTS FOR USE WITH SHAFT SUB-ASSEMBLY					

COUPLING SHAFT and INTERMEDIATE COUPLING SHAFT PARTS LISTS — Cont'd

Notes: \$ Not included in 4817 assy. @ Use 383952-S bolt (7/8"-14 x 1 1/2")  
 † Use 383951-S2 bolt (3/4"-16-1 1/2") and 34797-S2 lockwasher Δ Includes bearing, retainer and sleeve  
 % Use 304771-S2 bolt (3/4"-16-1 1/2") and 34797-S2 lock washer  
 ⊕ Use 383951-S2 bolt (3/4"-16-1 1/2")

NOTE 1- Coupling shaft does not require support bearing collar-(discard)  
 NOTE 2- Coupling shaft requires one of the two bearing baffles-(discard one only)

88/	★ E8HT	4817-KTA	E8HZ	4816-AS	1-E8HZ	4635-A	U/Joint	1-D4TZ	4800-J	Support assy. (center bearing)
					1-D3HZ	4637-A	Washer	1-E8HZ	4865-A	Flange
88/	★ E8HT	4817-KUA	E8HZ	4816-AT	1-E8HZ	4635-A	U/Joint	1-D4TZ	4800-J	Support assy. (center bearing)
					1-D3HZ	4637-A	Washer	1-E8HZ	4865-A	Flange
89	★ E8HT	4817-KVA	E9HZ	4816-DF	1-E8HZ	4635-A	U/Joint	1-D4TZ	4800-J	Support assy. (center bearing)
					1-D3HZ	4637-A	Washer	1-E8HZ	4865-A	Flange
88/	★ E8HT	4817-KYA	E8HZ	4816-AV	1-E8HZ	4635-A	U/Joint	1-D4TZ	4800-J	Support assy. (center bearing)
					1-D3HZ	4637-A	Washer	1-E8HZ	4865-A	Flange
88/	★ E8HT	4817-KZA	E8HZ	4816-AW	1-E8HZ	4635-A	U/Joint	1-D4TZ	4800-J	Support assy. (center bearing)
					1-D3HZ	4637-A	Washer	1-E8HZ	4865-A	Flange
88/	★ E8HT	4817-LAA	E8HZ	4816-AX	1-E8HZ	4635-A	U/Joint	1-D4TZ	4800-J	Support assy. (center bearing)
					1-D3HZ	4637-A	Washer	1-E8HZ	4865-A	Flange
88/	★ E8HT	4817-LBA	E8HZ	4816-AY	1-E8HZ	4635-A	U/Joint	1-D4TZ	4800-J	Support assy. (center bearing)
					1-D3HZ	4637-A	Washer	1-E8HZ	4865-A	Flange
88/	★ E8HT	4817-LCA	E8HZ	4816-AZ	1-E8HZ	4635-A	U/Joint	1-D4TZ	4800-J	Support assy. (center bearing)
					1-D3HZ	4637-A	Washer	1-E8HZ	4865-A	Flange
88/	★ E8HT	4817-LDA	E8HZ	4816-BA	1-E8HZ	4635-A	U/Joint	1-D4TZ	4800-J	Support assy. (center bearing)
					1-D3HZ	4637-A	Washer	1-E8HZ	4865-A	Flange
88/	★ E8HT	4817-LEA	E8HZ	4816-CM	1-E8HZ	4635-A	U/Joint	1-D4TZ	4800-J	Support assy. (center bearing)
					1-D3HZ	4637-A	Washer	1-E8HZ	4865-A	Flange
89	★ E8HT	4817-LFA	E9HZ	4816-AD	1-E8HZ	4635-A	U/Joint	1-D4TZ	4800-J	Support assy. (center bearing)
					1-D3HZ	4637-A	Washer	1-E8HZ	4865-A	Flange
89	★ E8HT	4817-LHA	E9HZ	4816-DG	1-E8HZ	4635-A	U/Joint	1-D4TZ	4800-J	Support assy. (center bearing)
					1-D3HZ	4637-A	Washer	1-E8HZ	4865-A	Flange
88/	★ E8HT	4817-LJA	E8HZ	4816-CN	1-E8HZ	4635-A	U/Joint	1-D4TZ	4800-J	Support assy. (center bearing)
					1-D3HZ	4637-A	Washer	1-E8HZ	4865-A	Flange
88/	★ E8HT	4817-LKA	E8HZ	4816-CP	1-E8HZ	4635-A	U/Joint	1-D4TZ	4800-J	Support assy. (center bearing)
					1-D3HZ	4637-A	Washer	1-E8HZ	4865-A	Flange
88/	★ E8HT	4817-LLA	E8HZ	4816-CR	1-E8HZ	4635-A	U/Joint	1-D4TZ	4800-J	Support assy. (center bearing)
					1-D3HZ	4637-A	Washer	1-E8HZ	4865-A	Flange
88/	★ E8HT	4817-LMA	E8HZ	4816-CS	1-E8HZ	4635-A	U/Joint	1-D4TZ	4800-J	Support assy. (center bearing)
					1-D3HZ	4637-A	Washer	1-E8HZ	4865-A	Flange
89	★ E8HT	4817-LNA	E9HZ	4816-DH	1-E8HZ	4635-A	U/Joint	1-D4TZ	4800-J	Support assy. (center bearing)
					1-D3HZ	4637-A	Washer	1-E8HZ	4865-A	Flange
88/	★ E8HT	4817-LRA	E8HZ	4816-CT	1-E8HZ	4635-A	U/Joint	1-D4TZ	4800-J	Support assy. (center bearing)
					1-D3HZ	4637-A	Washer	1-E8HZ	4865-A	Flange
89	★ E8HT	4817-LSA	E9HZ	4816-DJ	1-E8HZ	4635-A	U/Joint	1-D4TZ	4800-J	Support assy. (center bearing)
					1-D3HZ	4637-A	Washer	1-E8HZ	4865-A	Flange
89	★ E8HT	4817-MLA	E9HZ	4816-DK	1-E7HZ	4635-A	U/Joint	1-E7HZ	4865-B	Flange
					1-D4TZ	4800-G	Support assy. (center bearing)			
89	★ E8HT	4817-MMA	E9HZ	4816-DL	1-E7HZ	4635-A	U/Joint	1-E7HZ	4865-B	Flange
					1-D4TZ	4800-G	Support assy. (center bearing)			
89	★ E8HT	4817-MNA	E9HZ	4816-DM	1-E7HZ	4635-A	U/Joint	1-E7HZ	4865-B	Flange
					1-D4TZ	4800-G	Support assy. (center bearing)			
81/	★ C6TZ	4964-G	C6TZ	4557-G	1-C6TZ	4342-C	Washer	1-D3TZ	4635-A	U/Joint
					1-C6TZ	4343-C	Seal	1-C6TZ	4710-F	Cap
								1-C6TZ	4841-P	Yoke

1980/  
TRUCK SERIES 600/900

DRIVE and COUPLING SHAFT COMPONENT PARTS LISTS											
YEAR	COMPLETE SHAFT ASSEMBLY	OPTIONAL COMPONENTS FOR COMPLETE SHAFT ASSEMBLY									
		SHAFT SUB-ASSEMBLY	RELATED PARTS FOR USE WITH SHAFT SUB-ASSEMBLY								

COUPLING SHAFT and INTERMEDIATE COUPLING SHAFT PARTS LISTS — Cont'd

Notes:      \$ Not included in 4817 assy. @ Use 383952-S bolt (7/8"-14 x 1 1/2")  
              † Use 383951-S2 bolt (3/4"-16-1 1/2") and 34797-S2 lockwasher △ Includes bearing, retainer and sleeve  
              % Use 304771-S2 bolt (3/4"-16-1 1/2") and 34797-S2 lock washer  
              ⊕ Use 383951-S2 bolt (3/4"-16-1 1/2")

NOTE 1-      Coupling shaft does not require support bearing collar-(discard)  
 NOTE 2-      Coupling shaft requires one of the two bearing baffles-(discard one only)

80/89	★ D0HZ	4964-K	D0HZ	4557-K	1-C6TZ	4342-C	Washer	1-D3TZ	4635-A	U/Joint	1-C6TZ	4841-P	Yoke
					1-C6TZ	4343-C	Seal	1-C6TZ	4710-F	Cap			
83	★ D1HZ	4964-C	E2HZ	4557-A	2-D3TZ	4635-B	U/Joint	1-D9HZ	4710-B	Cap	1-D1HZ	4841-C	Yoke
89	★ D2HS	4964-AAA	E9HZ	4557-B	1-C6TZ	4342-C	Washer	2-D3TZ	4635-A	U/Joint	1-C6TZ	4841-P	Yoke
					1-C6TZ	4343-C	Seal	1-C6TZ	4710-F	Cap			
80/83	★ D2HZ	4964-A	D2HZ	4557-A	1-C6TZ	4342-C	Washer	2-D3TZ	4635-A	U/Joint	1-C6TZ	4841-P	Yoke
					1-C6TZ	4343-C	Seal	1-C6TZ	4710-F	Cap			
80/82	★ D2HZ	4964-C	D2HZ	4557-C	1-D1HZ	4342-A	Washer	1-D1HZ	4343-A	Seal	2-D3TZ	4635-B	U/Joint
80	★ D2HZ	4964-ZA	D9HZ	4557-A	1-D3HZ	4342-B	Washer	2-D3HZ	4635-A	U/Joint	1-D3HZ	4841-A	Yoke
					1-D3HZ	4343-B	Seal	1-D4HZ	4710-A	Cap			
80/81	★ D3HZ	4964-E	D3HZ	4557-A	1-D3HZ	4342-B	Washer	2-D3HZ	4635-A	U/Joint	1-D3HZ	4841-A	Yoke
					1-D3HZ	4343-B	Seal	1-D4HZ	4710-A	Cap			
80/81	★ D4HZ	4964-A	D4HZ	4557-C	1-D3HZ	4342-A	Washer	2-D3HZ	4635-A	U/Joint	1-D1HZ	4841-C	Yoke
					1-D3HZ	4343-A	Seal	1-D1HZ	4710-A	Cap			
80/81	★ D4HZ	4964-B	D4HZ	4557-D	1-D3HZ	4342-A	Washer	2-D3HZ	4635-A	U/Joint	1-D3HZ	4841-A	Yoke
					1-D3HZ	4343-A	Seal	1-D3HZ	4710-A	Cap			
80/81	★ D4HZ	4964-C	D4HZ	4557-E	1-D3HZ	4342-B	Washer	2-D3HZ	4635-A	U/Joint	1-D3HZ	4841-A	Yoke
					1-D3HZ	4343-B	Seal	1-D4HZ	4710-A	Cap			
80/81	★ D4HZ	4964-D	D4HZ	4557-F	1-D3HZ	4342-A	Washer	2-D3HZ	4635-A	U/Joint	1-D3HZ	4841-A	Yoke
					1-D3HZ	4343-A	Seal	1-D3HZ	4710-A	Cap			
80/	★ D7HT	4964-GA	D7HZ	4557-A	1-C6TZ	4342-C	Washer	2-D3TZ	4635-A	U/Joint	1-C6TZ	4841-P	Yoke
					1-C6TZ	4343-C	Seal	1-C6TZ	4710-F	Cap			
80/81	★ D7HT	4964-HA	D7HZ	4557-B	1-D3HZ	4342-B	Washer	2-D3HZ	4635-A	U/Joint	1-D3HZ	4841-A	Yoke
					1-D3HZ	4343-B	Seal	1-D4HZ	4710-A	Cap			
80	★ D7HT	4964-JA	D7HZ	4557-C	1-D1HZ	4342-A	Washer	2-D3TZ	4635-B	U/Joint	1-D1HZ	4841-C	Yoke
					1-D1HZ	4343-A	Seal	1-D1HZ	4710-A	Cap			
84/	★ D7HT	4964-KA	D8HZ	4557-A	1-D6TZ	4342-C	Washer	2-D3TZ	4635-A	U/Joint	1-C6TZ	4841-P	Yoke
					1-C6TZ	4343-C	Seal	1-C6TZ	4710-F	Cap			
80/87	★ D7HT	4964-MA	D8HZ	4557-C	1-D1HZ	4342-A	Washer	2-D3TZ	4635-B	U/Joint	1-D1HZ	4841-C	Yoke
					1-D1HZ	4343-A	Seal	1-D1HZ	4710-A	Cap			
80/81	★ D7HT	4964-NA	D8HZ	4557-B	1-D1HZ	4342-A	Washer	2-D3TZ	4635-B	U/Joint	1-D1HZ	4841-C	Yoke
					1-D1HZ	4343-A	Seal	1-D1HZ	4710-A	Cap			
80/81	★ D7HZ	4964-A	E2HZ	4557-B	2-D3TZ	4635-B	U/Joint	1-D9HZ	4710-B	Cap	1-D1HZ	4841-C	Yoke
81/89	★ E1HT	4964-AA	E1HZ	4557-A	2-D3TZ	4635-B	U/Joint	1-D9HZ	4710-B	Cap	1-D9HZ	4841-C	Yoke
82/87	★ E2HT	4964-AA	E2HZ	4557-A	2-D3TZ	4635-B	U/Joint	1-D9HZ	4710-B	Cap	1-D1HZ	4841-C	Yoke
82/87	★ E2HT	4964-BA	E2HZ	4557-B	2-D3TZ	4635-B	U/Joint	1-D9HZ	4710-B	Cap	1-D1HZ	4841-C	Yoke
82/	★ E2HT	4964-CA	E2HZ	4557-C	2-D3TZ	4635-B	U/Joint	1-D9HZ	4710-B	Cap	1-D1HZ	4841-C	Yoke
82/87	★ E2HT	4964-DA	E2HZ	4557-D	2-D3TZ	4635-B	U/Joint	1-D9HZ	4710-B	Cap	1-D1HZ	4841-C	Yoke
82	★ E2HT	4964-EA	E2HZ	4557-E	2-D3TZ	4635-B	U/Joint	1-D9HZ	4710-B	Cap	1-D1HZ	4841-C	Yoke
83/	★ E3HT	4964-AA	E3HZ	4557-A	2-D3TZ	4635-B	U/Joint	1-D9HZ	4710-B	Cap	1-D1HZ	4841-C	Yoke
83/87	★ E3HT	4964-DA	E3HZ	4557-B	2-D3TZ	4635-B	U/Joint	1-D9HZ	4710-B	Cap	1-D1HZ	4841-C	Yoke
83/87	★ E3HT	4964-EA	E3HZ	4557-C	1-C6TZ	4342-C	Washer	2-D3TZ	4635-A	U/Joint	1-C6TZ	4841-P	Yoke
					1-C6TZ	4343-C	Seal	1-C6TZ	4710-F	Cap			
83/87	★ E3HT	4964-FA	E3HZ	4557-D	2-D3TZ	4635-B	U/Joint	1-D9HZ	4710-B	Cap	1-D1HZ	4841-C	Yoke
84/89	★ E3HT	4964-GA	E4HZ	4557-A	1-C6TZ	4342-C	Washer	1-D3TZ	4635-A	U/Joint	1-C6TZ	4841-P	Yoke
					1-C6TZ	4343-C	Seal	1-C6TZ	4710-C	Cap			
89	★ E9HT	4964-AA	E9HZ	4557-A	1-C6TZ	4342-C	Washer	2-D3TZ	4635-A	U/Joint	1-C6TZ	4841-P	Yoke
					1-C6TZ	4343-C	Seal	1-C6TZ	4710-F	Cap			

# 1980/ TRUCK SERIES 600/900

4602 SHAFT ASSY.-DRIVE

### APPLICATION CHART

S P E E D	TRANSMISSION		ENGINE		REAR AXLE		WHEEL-BASE (INCHES)	YEAR	SIZE (INCHES)		N O T E	PART NUMBER ▲	▲ CODE		
	MODEL	T Y P E	C Y L.	C.I.D. OR MODEL	M F R.	MODEL			A	B			Y	O F F R E A R	J - J O I N T

NOTE: ▲ REFER TO PAGE 1 OF SECTION 46.1 FOR AN EXPLANATION OF THE CHART AND THE CODES SHOWN.

#### B600 SERIES

4	Allison AT 540/545	D	8	8.2L	R	F106	151	80	5	59 21/32	3 1/2	3	★ C8TZ 4602-CU	14	5	5			
							192		5	49 13/16	3 1/2		★ C8HZ 4602-AD	14	5	5			
							216,237		5	55 5/8	4		★ DOHZ 4602-BW	14	5	5			
							151	80	5	58 15/16	3 1/2	3	C1TT 4605-VT	14	5	5			
							192		5	48 5/8	4		★ C5TZ 4602-KP	14	5	5			
					216,237		5	54 5/8	4		★ DOHZ 4602-BV	14	5	5					
					G	8	370	R	F106	151	80	5	58 5/8	4	3,8	★ DOTZ 4602-H	14	5	5
										151		5	60 1/8	4	9	★ EOHT 4602-RGA	14	5	5
										192		5	48 5/8	4	8	★ C5TZ 4602-KP	14	5	5
										192		5	49 5/8	3 1/2	9	★ EOHT 4602-NVA	14	5	5
		216,237		5						54 5/8	4	8	★ DOHZ 4602-BV	14	5	5			
		216,237		5				55 5/8	4	9	★ DOHZ 4602-BW	14	5	5					
		R	H172	151				80	5	58 5/8	4	2,3,8	★ DOTZ 4602-H	14	5	5			
				151					5	58 5/8	4	3,4	★ D9HT 4602-BBA	107	51	51			
				151					5	59 1/8	4	2	★ EOHT 4602-RFA	14	5	5			
				192					5	48 5/8	4	2	★ C5TZ 4602-KP	14	5	5			
				192		5	48 5/8	3 1/2	4	★ D9HT 4602-ALA	107	51	51						
		216,237		5	54 1/8	4	2,8	★ DOHZ 4602-BU	14	5	5								
		237		5	53 5/8	3 1/2	4	★ D9HT 4602-ATA	107	51	51								
		216,237		5	54 5/8	4	2,9	★ DOHZ 4620-BV	14	5	5								
4	New Process 435	G	8	370	D	G175-T	151	80	5	58 5/8	4	3	★ DOTZ 4602-H	14	5	5			
							192		5	41 5/16	3 1/2		★ D1HZ 4602-E	14	5	5			
							192		5	48 1/8	3 1/2		★ EOHT 4602-NTA	14	5	5			
							216,237		5	54 1/8	4	3,8	★ DOHZ 4602-BU	14	5	5			
							216,237		5	54 1/8	4	9	★ DOHZ 4602-BU	14	5	5			
						E	15201	151	80	5	58 5/8	4	2	★ DOTZ 4602-H	14	5	5		
								151		5	61 19/32	4	7	★ D4TA 4602-BHA	90	3	3		
								151		5	28 13/16	3	7,9	★ EOHT 4602-EUA	90	3	3		
								151		5	59 1/8	4	2,9	★ EOHT 4602-RFA	14	5	5		
								192		5	48 5/8	4	2	★ C5TZ 4602-KP	14	5	5		
					192				5	49 13/16	4	7,8	★ EOHT 4602-FA	90	3	3			
					192				5	51 5/16	4	7,9	★ EOHT 4602-GDA	90	3	3			
					216,237				5	54 5/8	4	2	★ DOHZ 4602-BV	14	5	5			
					216,237				5	57 5/16	4	7	★ D7HT 4602-ERB	90	3	3			
					E			16244	151	80	5	58 5/8	4	8	★ DOTZ 4602-H	14	5	5	
						151			5	59 1/8	4	9	★ EOHT 4602-RFA	14	5	5			
						192			5	47 5/16	3 1/2	8	★ D1HZ 4602-E	14	5	5			
						192			5	48 5/8	4	9	★ C5TZ 4602-KP	14	5	5			
						216			5	54 1/8	4	8	★ DOHZ 4602-BU	14	5	5			
						216			5	54 5/8	4	9	★ DOHZ 4602-BV	14	5	5			
						237			5	54 5/8	4		★ DOHZ 4602-BV	14	5	5			
						R	D140		151	80	5	63 13/16	4	3,8	★ EOHT 4602-LA	90	3	3	
									151		5	30 13/16	3	9	★ EOHT 4602-FAA	90	3	3	
									192		5	52 13/16	4		★ EOHT 4602-JA	90	3	3	
					216,237				5	58 13/64	4		★ D4TA 4602-BDA	90	3	3			

NOTE 2 - Shaft assy. incl. 1480 size joint.

NOTE 3 - 2-C8TZ 5A313-A axle wedges required.

NOTE 4 - Shaft assy. incl. 1550 size joint.

NOTE 7 - Shaft assy. incl. 1410 size joint.

NOTE 8 - "Before Ser. HG0,001"

NOTE 9 - "From Ser. HG0,001"

# 1980/ TRUCK SERIES 600/900

4602		SHAFT ASSY.-DRIVE		APPLICATION CHART										▲ CODE	
S P E E D	TRANSMISSION	ENGINE			REAR AXLE		WHEEL- BASE (INCHES)	YEAR	SIZE (INCHES)			N O T E	PART NUMBER ▲	Y O K E	U-JOINT R E F E R E N C E
		T Y P E	C Y L.	C.I.D. OR MODEL	M F R.	MODEL			A	B					

NOTE: ▲ REFER TO PAGE 1 OF SECTION 46.1 FOR AN EXPLANATION OF THE CHART AND THE CODES SHOWN.

**600 SERIES — Cont'd**

4	New Process 435	G	8	370	R	F106	151	80	5	59 5/8	4	2,3,8	★ D4HA 4602-AEA	14	5	5		
							151		5	62 5/16	4	7,8	★ D7HT 4602-ESB	90	3	3		
							151		5	60 1/8	4	2,9	★ E0HT 4602-RGA	14	5	5		
							151		5	29 5/16	3	7,9	★ E0HT 4602-EYA	90	3	3		
							192		5	48 5/8	4	2,8	★ C5TZ 4602-KP	14	5	5		
							192		5	49 5/8	3 1/2	2,9	★ E0HT 4602-NVA	14	5	5		
							192		5	51 13/16	4	7	★ E0HT 4602-HA	90	3	3		
							216,237		5	54 5/8	4	2,8	★ DOHZ 4602-BV	14	5	5		
							216,237		5	58 5/16	4	7,8	★ D4HA 4602-BHA	90	3	3		
							216,237		5	57 13/16	4	7,9	★ D4HA 4602-BGA	90	3	3		
							216,237		5	55 5/8	4	2,9	★ DOHZ 4602-BW	14	5	5		
							R	H172	151	80	5	58 5/8	4	3,8	★ DOTZ 4602-H	14	5	5
					151				5	59 1/8	4	9	★ E0HT 4602-RFA	14	5	5		
					192				5	47 5/16	3 1/2	3,8	★ D1HZ 4602-E	14	5	5		
					192				5	48 5/8	4	9	★ C5TZ 4602-KP	14	5	5		
					216				5	54 1/8	4	3,8	★ DOHZ 4602-BU	14	5	5		
					216				5	54 5/8	4	9	★ DOHZ 4602-BV	14	5	5		
					4	Warner T-19	D	8	8.2L	E	15201	151	80	5	61 19/32	4	3	★ D4TA 4602-BHA
192		5	50 13/16	4									★ E0HT 4602-GA	90	3	3		
216,237		5	56 13/16	4									★ D4TA 4602-BCA	90	3	3		
R	F106	151	80	5								62 5/16	4	3	★ D7HT 4602-ESB	90	3	3
		192		5								51 13/16	4		★ E0HT 4602-HA	90	3	3
		216,237		5								57 13/16	4		★ D4HA 4602-BGA	90	3	3
E	15201	151	80	5						58 1/8	4	2	★ E0HT 4602-REA	14	5	5		
		151		5						57 5/8	4	3,4	★ D9HT 4602-AZA	107	51	51		
		192		5						47 5/16	3 1/2	2	★ D1HA 4602-HA	14	5	5		
		192		5						47 5/8	3 1/2	4	★ D9HT 4602-AKA	107	51	51		
		216,237		5						53 25/32	3 1/2	2	★ C1TT 4605-YR	14	5	5		
		216,237		5						53 5/8	3 1/2	4	★ D9HT 4602-ATA	107	51	51		
E	15201	151	80	5	58 15/16	3 1/2		C1TT 4605-VT	14	5	5							
		192		5	48 5/8	4		★ C5TZ 4602-KP	14	5	5							
		216,237		5	54 5/8	4		★ DOHZ 4602-BV	14	5	5							
		E	16244	151	80	5	58 5/8	4	2	★ DOTZ 4602-H	14	5	5					
				151		5	58 5/8	4	3,4	★ D9HT 4602-BBA	107	51	51					
				192		5	48 1/8	3 1/2	2	★ E0HT 4602-NTA	14	5	5					
192		5	47 5/8	3 1/2	4	★ D9HT 4602-AKA	107	51	51									
216,237		5	54 1/8	4	2	★ DOHZ 4602-BU	14	5	5									
216,237		5	53 5/8	3 1/2	4	★ D9HT 4602-ATA	107	51	51									
R	F106	151	80	5	59 21/32	3 1/2		★ C3TA 4602-CEE	14	5	5							
		192		5	48 5/8	4		★ C5TA 4602-ADH	14	5	5							
		216,237		5	54 5/8	4		★ DOHZ 4602-BV	14	5	5							
		R	H-172	151	80	5	58 5/8	4	2	★ DOTZ 4602-H	14	5	5					
				151		5	58 5/8	4	2,3	★ D9HT 4602-BBA	107	51	51					
				192		5	48 5/8	4	2	★ C5TA 4602-ADH	14	5	5					
192		5	47 5/8	3 1/2	4	★ D9HT 4602-AKA	107	51	51									
216,237		5	54 1/8	4	2	★ DOHZ 4602-BU	14	5	5									
216,237		5	54 5/8	4	4	★ D9HT 4602-AUA	107	51	51									

NOTE 2 - Shaft assy. incl. 1480 size joint.

NOTE 3 - 2-C8TZ 5A313-A axle wedges required.

NOTE 4 - Shaft assy. incl. 1550 size joint.

NOTE 7 - Shaft assy. incl. 1410 size joint.

NOTE 8 - "Before Ser. HG0,001"

NOTE 9 - "From Ser. HG0,001"

**1980/  
TRUCK SERIES 600/900**

4602		SHAFT ASSY.-DRIVE										APPLICATION CHART							
S P E E D	TRANSMISSION	ENGINE			REAR AXLE		WHEEL-BASE (INCHES)	YEAR	SIZE (INCHES)			PART NUMBER	▲ CODE						
		T Y P E	C Y L.	C.I.D. OR MODEL	M F R.	MODEL			A	B	N O T E		Y O K E T.	U-JOINT F R E N A R					
NOTE: ▲ REFER TO PAGE 1 OF SECTION 46.1 FOR AN EXPLANATION OF THE CHART AND THE CODES SHOWN.																			
<b>B600 SERIES — Cont'd</b>																			
5	Clark 280 Series	G	8	370	D	G175-T	151	80	5	57 5/8	4	2,3,8	★ D0TZ	4602-G	14	5	5		
							151		5	58 5/8	4	2,9	★ D0TZ	4602-H	14	5	5		
							151		5	57 5/8	4	3,4	★ D9HT	4602-AZA	107	51	51		
							192		5	48 5/8	4	2,8	★ C5TZ	4602-KP	14	5	5		
							192		5	48 1/8	3 1/2	2,9	★ E0HT	4602-NTA	14	5	5		
							192		5	47 5/8	3 1/2	4	★ D9HT	4602-AKA	107	51	51		
							216		5	54 1/8	4	2,3	★ D0HZ	4602-BU	14	5	5		
							216		5	53 5/8	3 1/2	4	★ D9HT	4602-ATA	107	51	51		
							237		5	54 1/8	4	2	★ D0HZ	4602-BU	14	5	5		
							237		5	53 5/8	3 1/2	4	★ D9HT	4602-ATA	107	51	51		
							E	15201	151	80	5	58 5/8	4	3,8	★ D0TZ	4602-H	14	5	5
							151			5	59 1/8	4	3,9	★ E0HT	4602-BFA	14	5	5	
					192		5		48 5/8	4		★ C5TZ	4602-KP	14	5	5			
					216,237		5		55 5/8	4	8	★ D0HZ	4602-BW	14	5	5			
					216,237		5	54 5/8	4	9	★ E0HZ	4602-BY	14	5	5				
					E	16244	151	80	5	58 5/8	4	2,3,8	★ D0TZ	4602-H	14	5	5		
					151			5	58 5/8	4	2,9	★ D0TZ	4602-H	14	5	5			
					151			5	57 5/8	4	3,4	★ D9HT	4602-AZA	107	51	51			
					192			5	48 5/8	4	2,8	★ C5TZ	4602-KP	14	5	5			
					192			5	48 1/8	3 1/2	2,9	★ E0HZ	4602-NTA	14	5	5			
					192			5	47 5/8	3 1/2	4	★ D9HT	4602-AKA	107	51	51			
					216,237			5	54 1/8	4	2	★ D0HZ	4602-BU	14	5	5			
					216,237			5	53 5/8	3 1/2	4	★ D9HT	4602-ATA	107	51	51			
					R	H172	151	80	5	58 5/8	4	2,3,8	★ D0TZ	4602-H	14	5	5		
					151			5	58 5/8	4	2,9	★ D0TZ	4602-H	14	5	5			
					151			5	58 5/8	4	3,4	★ D9HT	4602-BBA	107	51	51			
					192			5	48 5/8	4	2,8	★ C5TZ	4602-KP	14	5	5			
					192			5	48 1/8	3 1/2	2,9	★ E0HT	4602-NTA	14	5	5			
					192			5	47 5/8	3 1/2	4	★ D9HT	4602-AKA	107	51	51			
					216,237			5	54 1/8	4	2	★ D0HZ	4602-BU	14	5	5			
					216,237			5	53 5/8	3 1/2	4	★ D9HT	4602-ATA	107	51	51			
					R	F106	151	80	5	59 5/8	4	3	★ D4HA	4602-AEA	14	5	5		
192		5	48 5/8	4	8		★ C5TZ	4602-KP	14	5	5								
192		5	49 1/8	3 1/2	9		★ E0HT	4602-NUA	14	5	5								
216,237		5	55 5/8	4	8		★ D0HZ	4602-BW	14	5	5								
216,237		5	55 1/8	4	9		★ E0HT	4602-RBA	14	5	5								
R	D140	151	80	5	62 13/16	4	8	★ D9HT	4602-DEA	90	3	3							
151			5	63 13/16	4	9	★ E0HT	4602-LA	90	3	3								
192			5	52 13/16	4		★ E0HT	4602-JA	90	3	3								
216			5	59 13/16	4	8	★ D4TA	4602-BFA	90	3	3								
216			5	59 5/16	4	9	★ D4TZ	4602-BEA	90	3	3								
237			5	58 13/16	4		★ D4TA	4602-BDA	90	3	3								
151		80	5	57 5/8	4	3,8	★ D0TZ	4602-G	14	5	5								
151			5	58 1/8	4	9	★ E0HT	4602-REA	14	5	5								
192		5	47 5/16	3 1/2		★ D1HZ	4602-E	14	5	5									
216		5	54 1/8	4	3,8	★ D0HZ	4602-BU	14	5	5									
216		5	53 5/8	4	9	★ E0HT	4602-RAA	14	5	5									
237		5	53 1/8	3 1/2	8	★ C8HZ	4602-AG	14	5	5									
237		5	53 5/8	4	9	★ E0HT	4602-RAA	14	5	5									

NOTE 2 - Shaft assy. incl. 1480 size joint.  
 NOTE 3 - 2-C8TZ 5A313-A axle wedges required.  
 NOTE 4 - Shaft assy. incl. 1550 size joint.  
 NOTE 8 - "Before Ser. HG0,001"  
 NOTE 9 - "From Ser. HG0,001"

# 1980/ TRUCK SERIES 600/900

4602 SHAFT ASSY.-DRIVE

### APPLICATION CHART

SPECIFICATION	TRANSMISSION		ENGINE		REAR AXLE		WHEEL-BASE (INCHES)	YEAR	SIZE (INCHES)		N O T E	PART NUMBER ▲	▲ CODE		
	MODEL	T Y P E	C Y L	C.I.D. OR MODEL	M F R.	MODEL			A	B			Y U-JOINT	O F R	K R E

NOTE: ▲ REFER TO PAGE 1 OF SECTION 46.1 FOR AN EXPLANATION OF THE CHART AND THE CODES SHOWN.

#### B600 SERIES — Cont'd

5	New Process 542	G	8	370	E	15201	151	80	5	58 5/8	4		★ DOTZ 4602-H	14	5	5		
							192		5	48 5/8	4	8	★ C5TZ 4602-KP	14	5	5		
							192		5	48 1/8	3 1/2	9	★ EOHT 4602-NTA	14	5	5		
							216		5	54 1/8	4		★ DOHZ 4602-BU	14	5	5		
							237		5	54 5/8	4	8	★ DOHZ 4602-BV	14	5	5		
							237		5	53 5/8	4	9	★ EOHT 4602-RAA	14	5	5		
					R	D140	151	80	5	31 13/16	3	8	★ EOHT 4602-MA	90	3	3		
							151		5	63 5/16	4	9	★ EOHT 4602-GMA	90	3	3		
							192		5	52 13/16	4	8	★ EOHT 4602-JA	90	3	3		
							192		5	53 5/16	4	9	★ EOHT 4602-GFA	90	3	3		
					E	16244	216,237		5	59 5/16	4		★ D4TA 4602-BEA	90	3	3		
							151		5	58 5/8	4		★ DOTZ 4602-H	14	5	5		
							192		5	47 5/16	3 1/2	8	★ D1HZ 4602-E	14	5	5		
							151		5	48 1/8	3 1/2	9	★ EOHT 4602-NTA	14	5	5		
							216		5	54 1/8	4		★ DOHZ 4602-BU	14	5	5		
							237		5	54 5/8	4	8	★ DOHZ 4602-BV	14	5	5		
					R	R172	216		5	54 1/8	4	9	★ DOHZ 4602-BU	14	5	5		
							151	80	5	58 5/8	4	3,8	★ DOTZ 4602-H	14	5	5		
							151		5	58 5/8	4	9	★ DOTZ 4602-H	14	5	5		
							192		5	47 5/16	3 1/2	8	★ D1HZ 4602-E	14	5	5		
							192		5	48 1/8	3 1/2	9	★ EOHT 4602-NTA	14	5	5		
							216		5	54 1/8	4	3,8	★ DOHZ 4602-BU	14	5	5		
					R	F106	216		5	54 1/8	4	9	★ DOHZ 4602-BU	14	5	5		
							237		5	54 5/8	4		★ DOHZ 4602-BV	14	5	5		
							237		5	54 1/8	4	9	★ DOHZ 4602-BU	14	5	5		
							151	80	5	59 5/8	4	3,8	★ D4HA 4602-AEA	14	5	5		
							151		5	59 5/8	4	9	★ D4HA 4602-AEA	14	5	5		
							192		5	48 5/8	4	8	★ C5TZ 4602-KP	14	5	5		
							192		5	49 1/2	3 1/2	9	★ EOHT 4602-NUA	14	5	5		
							216,237		5	54 5/8	4	8	★ DOHZ 4602-BV	14	5	5		
216,237		5	55 1/8	4			9	★ EOHT 4602-RBA	14	5	5							
5	Spicer CM-50 Series	D	8	8.2L			D	G-175T	151	80	5	56 5/8	3 1/2	2,3	★ C7TZ 4602-CC	14	5	5
					151				5	58 5/8	4	3,4	★ D9HT 4602-BBA	107	51	51		
					192				5	47 5/16	3 1/2	2	★ D1HZ 4602-E	14	5	5		
					192				5	47 5/8	3 1/2	4	★ D9HT 4602-AKA	107	51	51		
					216				5	54 1/8	4	2	★ DOHZ 4602-BU	14	5	5		
					216				5	53 5/8	3 1/2	4	★ D9HT 4602-ATA	107	51	51		
					237				5	53 1/2	3 1/2	2	★ C1TZ 4602-B	14	5	5		
					237				5	53 5/8	3 1/2	4	★ D9HT 4602-ATA	107	51	51		
					E	15201			151	80	5	58 1/8	4	3	★ EOHT 4602-REA	14	5	5
									192		5	48 5/8	4		★ C5TZ 4602-KP	14	5	5
									216,237		5	54 5/8	4		★ DOHZ 4602-BV	14	5	5
							E	16244	151	80	5	56 5/8	3 1/2	2,3	★ C7TZ 4602-CC	14	5	5
									151		5	57 5/8	4	3,4	★ D9HT 4602-AZA	107	51	51
									192		5	47 5/16	3 1/2	2	★ D1HZ 4602-E	14	5	5
					192				5	47 5/8	3 1/2	4	★ D9HT 4602-AKA	107	51	51		
					216				5	54 5/8	4	2	★ DOHZ 4602-BV	14	5	5		
					216				5	53 5/8	3 1/2	4	★ D9HT 4602-ATA	107	51	51		
					237		5	53 25/32	3 1/2	2	★ C1TT 4605-YR	14	5	5				
					237		5	53 5/8	3 1/2	4	★ D9HT 4602-ATA	107	51	51				

NOTE 2 - Shaft assy. incl. 1480 size joint.

NOTE 3 - 2-C8TZ 5A313-A axle wedges required.

NOTE 4 - Shaft assy. incl. 1550 size joint.

NOTE 8 - "Before Ser. HG0,001"

NOTE 9 - "From Ser. HG0,001"

# 1980/ TRUCK SERIES 600/900

4602 SHAFT ASSY.-DRIVE

### APPLICATION CHART

SPECIFIED	TRANSMISSION		ENGINE		REAR AXLE		WHEEL-BASE (INCHES)	YEAR	SIZE (INCHES)		N O T E	PART NUMBER ▲	▲ CODE		
	MODEL	T Y P E	C Y L.	C.I.D. OR MODEL	M F R.	MODEL			A	B			U-JOINT	O F F R E A R	K R E A R

NOTE: ▲ REFER TO PAGE 1 OF SECTION 46.1 FOR AN EXPLANATION OF THE CHART AND THE CODES SHOWN.

#### B600 SERIES — Cont'd

5	Spicer CM-50 Series	D	8	8.2L	R	F106	151	80	5	38 1/8	4	3	★ D4HA 4602-AEA	14	5	5	
							192		5	48 5/8	4		★ C5TZ 4602-KP	14	5	5	
							216,237		5	54 5/8	4		★ DOHZ 4602-BV	14	5	5	
							H-172	151	80	5	58 1/8	4	2,3	★ EOHT 4602-REA	14	5	5
								151		5	58 5/8	4	3,4	★ D9HT 4602-BBA	107	51	51
								192		5	47 5/16	3 1/2	2	★ D1HZ 4602-E	14	5	5
						192			5	48 5/8	3 1/2	4	★ D9HT 4602-ALA	107	51	51	
						216		5	54 5/8	4	2	★ DOHZ 4602-BV	14	5	5		
						216		5	54 5/8	4	4	★ D9HT 4602-AUA	107	51	51		
						237		5	53 25/32	3 1/2	2	★ C1TT 4605-YR	14	5	5		
						237		5	53 5/8	3 1/2	4	★ D9HT 4602-ATA	107	51	51		

#### F600 -- 2/W/D SERIES

4	Allison AT540/545	D	8	8.2L	R	F106	129	80	5	38 1/16	4	2,3	★ C5TZ 4602-KS	14	5	5	
							129		5	38 1/8	3 1/2	3,4	★ EOHT 4602-NCA	14	5	5	
							140		5	49 13/16	3 1/2	2	★ C8HZ 4602-AD	14	5	5	
							140		5	49 5/8	3 1/2	3,4	★ EOHT 4602-NVA	14	5	5	
							153		5	61 5/8	4	2	★ EOHT 4602-KA	14	5	5	
							153		5	61 1/8	4	4	★ EOHT 4602-RHA	14	5	5	
							170		5	46 5/16	3 1/2	2	★ D1HZ 4602-F	14	5	5	
							170		5	46 5/16	3 1/2	4	★ D1HZ 4602-F	14	5	5	
							177		5	53 1/8	3 1/2	2	★ C8HZ 4602-AG	14	5	5	
							177		5	52 5/8	4	4	★ C5TZ 4602-KD	14	5	5	
							189,207, 225,237		5	55 5/8	4	2	★ DOHZ 4602-BW	14	5	5	
							H172	129	80	5	36 7/8	3 1/2	2,3	★ C8HZ 4602-BB	14	5	5
								129		5	36 5/8	3 1/2	3,4	★ D9HT 4602-YA	107	51	51
								140		5	48 5/8	4	2,3	★ C5TZ 4602-KP	14	5	5
								140		5	48 5/8	4	3,4,5	★ D9HT 4602-ALA	107	51	51
								140		5	47 5/8	3 1/2	3,4,6	★ D9HT 4602-AKA	107	51	51
								153		5	60 5/8	4	2	★ EOHT 4602-CA	14	5	5
								153		5	60 5/8	4	4,5	★ EOHT 4602-BA	107	51	51
						153			5	60 5/8	4	3,4,5	★ EOHT 4602-BA	107	51	51	
						170			5	45 25/32	4	2,5	★ C5TA 4602-ADS	14	5	5	
						170			5	45 25/32	4	2,3,6	★ C5TA 4602-ADS	14	5	5	
						170			5	45 5/8	3 1/2	4	★ D9HT 4602-AHA	107	51	51	
						177			5	51 7/8	3 1/2	2,5	★ C8HZ 4602-AE	14	5	5	
						177			5	51 7/8	3 1/2	2,3,6	★ C8HZ 4602-AE	14	5	5	
						177			5	52 5/8	3 1/2	4	★ D9HT 4602-ASA	107	51	51	
						189,207			5	54 5/8	4	2	★ DOHZ 4602-BV	14	5	5	
						189,207			5	53 5/8	3 1/2	4	★ D9HT 4602-ATA	107	51	51	
						225		5	54 5/8	4	2	★ DOHZ 4602-BV	14	5	5		
						225		5	54 5/8	4	4,5	★ D9HT 4602-AUA	107	51	51		
						225		5	53 5/8	3 1/2	4,6	★ D9HT 4602-ATA	107	51	51		
						237		5	54 5/8	4	2	★ DOHZ 4602-BV	14	5	5		
						237		5	53 5/8	3 1/2	4	★ D9HT 4602-ATA	107	51	51		

NOTE 2 - Shaft assy. incl. 1480 size joint.

NOTE 3 - 2-C8TZ 5A313-A axle wedges required.

NOTE 4 - Shaft assy. incl. 1550 size joint.

NOTE 5 - With 8.5 frame.

NOTE 6 - With 9.5 frame.

NOTE 8 - "Before Ser. HG0,001"

NOTE 9 - "From Ser. HG0,001"



# 1980/ TRUCK SERIES 600/900

4602		SHAFT ASSY.-DRIVE		APPLICATION CHART										▲ CODE	
S P E E D	TRANSMISSION	ENGINE			REAR AXLE		WHEEL-BASE (INCHES)	YEAR	SIZE (INCHES)		N O T E	PART NUMBER ▲	Y O K E	U-JOINT	
		T Y P E	C Y L.	C.I.D. OR MODEL	M F R.	MODEL			A	B				F R E A R	R E A R

NOTE: ▲ REFER TO PAGE 1 OF SECTION 46.1 FOR AN EXPLANATION OF THE CHART AND THE CODES SHOWN.

**F600 -- 2/W/D SERIES -- Cont'd**

4	Allison AT540	G	8	370	R	106	129	80	5	38 1/16	4	3,8	★ C5TZ	4602-KS	14	5	5							
							129		5	38 1/8	3 1/2	3,9	★ EOHT	4602-NCA	14	5	5							
							140		5	48 5/8	4	3,8	★ C5TZ	4602-KP	14	5	5							
							140		5	50 1/8	3 1/2	3,5,9	★ C8TZ	4602-AA	14	5	5							
							140		5	51 1/8	3 1/2	3,6,9	★ EOHT	4602-NYA	14	5	5							
							153		5	60 5/8	4	3,8	★ EOHT	4602-CA	14	5	5							
							153		5	62 1/8	4	5,9	★ EOHT	4602-RJA	14	5	5							
							153		5	62 1/8	4	3,6,9	★ EOHT	4602-RJA	14	5	5							
							170		5	46 1/8	3 1/2	8	★ D1HZ	4602-G	14	5	5							
							170		5	46 5/16	3 1/2	5,9	★ D1HZ	4602-F	14	5	5							
							170		5	46 5/16	3 1/2	3,5,9	★ D1HZ	4602-F	14	5	5							
							177		5	52 5/8	4	8	★ C5TZ	4602-KD	14	5	5							
							177		5	53 1/8	3 1/2	9	★ C8HZ	4602-AG	14	5	5							
							180,207		5	54 5/8	4	8	★ DOHZ	4602-BV	14	5	5							
							180,207		5	55 5/8	4	9	★ DOHZ	4602-BW	14	5	5							
							225		5	54 5/8	4	8	★ DOHZ	4602-BV	14	5	5							
							225		5	54 5/8	4	5,9	★ DOHZ	4602-BV	14	5	5							
							225		5	53 5/8	4	6,9	★ EOHT	4602-RAA	14	5	5							
							237		5	54 5/8	4	8	★ DOHZ	4602-BV	14	5	5							
							237		5	55 5/8	4	5,9	★ DOHZ	4602-BW	14	5	5							
							237		5	55 5/8	4	6,9	★ DOHZ	4602-BW	14	5	5							
												R	H172	129	80	5	35 19/32	3 1/2	2,3,8	CITT	4605-YF	14	5	5
														129		5	36 5/8	3 1/2	3,4	★ D9HT	4602-YA	107	51	51
														129		5	37 1/8	3 1/2	2,3,9	★ EOHT	4602-NAA	14	5	5
														140		5	48 5/8	4	2,3,5,8	★ C5TZ	4602-KP	14	5	5
														140		5	47 5/16	3 1/2	2,3,6,8	★ D1HZ	4602-E	14	5	5
														140		5	48 5/8	3 1/2	3,4,5	★ D9HT	4602-ALA	107	51	51
												140		5	49 1/8	3 1/2	2,3,5,9	★ EOHT	4602-NUA	14	5	5		
												140		5	48 5/8	4	2,3,6,9	★ C5TZ	4602-P	14	5	5		
												153		5	60 5/8	4	2,3,5,8	★ EOHT	4602-CA	14	5	5		
												153		5	59 5/8	4	2,3,6,8	★ D4HA	4602-AEA	14	5	5		
												153		5	60 5/8	4	3,4	★ EOHT	4602-BA	107	51	51		
												153		5	61 1/8	4	2,5,9	★ EOHT	4602-RHA	14	5	5		
												153		5	61 1/8	4	2,3,6,9	★ EOHT	4602-RHA	14	5	5		
												170		5	46 1/8	3 1/2	2,3,5,8	★ D1HZ	4602-G	14	5	5		
												170		5	46 5/16	3 1/2	2,6,8	★ D1HZ	4602-F	14	5	5		
												170		5	46 5/8	3 1/2	4,5,8	★ D9HT	4602-AJA	107	51	51		
												170		5	47 5/8	3 1/2	3,4,6	★ D9HT	4602-AHA	107	51	51		
												170		5	45 5/8	3 1/2	2,5,9	★ EOHT	4602-NRA	14	5	5		
												170		5	45 5/8	3 1/2	2,3,6,9	★ EOHT	4602-NRA	14	5	5		
												170		5	45 5/8	3 1/2	4,5,9	★ D9HT	4602-AHA	107	51	51		
												177		5	52 5/8	4	2,8	★ C5TZ	4602-KD	14	5	5		
												177		5	51 5/8	3 1/2	4,5,8	★ D9HT	4602-ARA	107	51	51		
												177		5	52 5/8	3 1/2	4,6,8	★ D9HT	4602-ASA	107	51	51		
												177		5	52 1/8	3 1/2	2	★ EOHT	4602-NZA	14	5	5		
												177		5	52 5/8	3 1/2	4	★ D9HT	4602-ASA	107	51	51		

- NOTE 2 - Shaft assy. incl. 1480 size joint.
- NOTE 3 - 2-C8TZ 5A313-A axle wedges required.
- NOTE 4 - Shaft assy. incl. 1550 size joint.
- NOTE 5 - With 8.5 frame.
- NOTE 6 - With 9.5 frame.
- NOTE 8 - "Before Ser. HG0,001"
- NOTE 9 - "From Ser. HG0,001"

# 1980/ TRUCK SERIES 600/900

4602 SHAFT ASSY.-DRIVE

### APPLICATION CHART

S P E C I F I C A T I O N	TRANSMISSION		ENGINE		REAR AXLE		WHEEL-BASE (INCHES)	YEAR	T Y P E	SIZE (INCHES)		N O T E	PART NUMBER ▲	▲ CODE		
	MODEL	T Y P E	C Y L.	C.I.D. OR MODEL	M F R.	MODEL				A	B			Y O K E	U-JOINT	R E F E R E N C E

NOTE: ▲ REFER TO PAGE 1 OF SECTION 46.1 FOR AN EXPLANATION OF THE CHART AND THE CODES SHOWN.

### F600 -- 2/W/D SERIES -- Cont'd

4	Allison AT-540	G	8	370	R	H172	189,207		5	54 5/8	4	2	★ D0HZ 4602-BV	14	5	5
							189,207		5	53 5/8	3 1/2	4	★ D9HT 4602-ATA	107	51	51
							225		5	54 5/8	4	2,8	★ D0HZ 4602-BV	14	5	5
							225		5	54 5/8	4	4	★ D9HT 4602-AUA	107	51	51
							225		5	53 5/8	4	2,9	★ E0HT 4602-RAA	14	5	5
							237		5	54 1/8	4	2,5,8	★ D0HZ 4602-BU	14	5	5
							237		5	54 5/8	4	2,6,8	★ D0HZ 4602-BV	14	5	5
							237		5	54 5/8	4	2	★ D0HZ 4602-BV	14	5	5
							237		5	53 5/8	3 1/2	4	★ D9HT 4602-ATA	107	51	51
							4	New Process 435	G	8	370	D	G175-T	129	80	5
129		5	36 7/8	3 1/2	6,8	★ C8HZ 4602-BB								14	5	5
129		5	36 5/8	3 1/2		★ E0HT 4602-MZA								14	5	5
140		5	48 5/8	4	3,5	★ C5TZ 4602-KP								14	5	5
140		5	48 5/8	4	6	★ C5TZ 4602-KP								14	5	5
153		5	60 5/8	4	3,5	★ E0HT 4602-CA								14	5	5
153		5	60 5/8	4	6	★ E0HT 4602-CA								14	5	5
170		5	46 1/8	3 1/2	3,5,8	★ D1HZ 4602-G								14	5	5
170		5	45 1/8	3 1/2	6,8	★ C8HZ 4602-AJ								14	5	5
170		5	45 1/8	3 1/2	9	★ E0HT 4602-NRA								14	5	5
177		5	52 5/8	4	3,5,8	★ C5TZ 4602-KD								14	5	5
177		5	52 5/8	4	6,8	★ C5TZ 4602-KD								14	5	5
177		5	51 39/64	4	9	★ E0HT 4602-EA								14	5	5
189		5	54 5/8	4	3,5	★ D0HZ 4602-BV								14	5	5
189		5	54 1/8	4	6	★ D0HZ 4602-BU								14	5	5
207		5	54 1/8	4		★ D0HZ 4602-BU								14	5	5
225		5	54 5/8	4	5,8	★ D0HZ 4602-BV								14	5	5
225		5	54 1/8	4	6,8	★ D0HZ 4602-BU								14	5	5
225		5	54 5/8	4	9	★ D0HZ 4602-BV								14	5	5
237		5	54 1/8	4	3,5	★ D0HZ 4602-BU								14	5	5
237		5	53 1/8	3 1/2	6,8	★ C8HZ 4602-AG						14	5	5		
237		5	53 5/8	4	6,9	★ E0HT 4602-RAA						14	5	5		
E	15201	129	80	5	38 5/8	3 1/2						2,3,8	★ C7TZ 4602-CL	14	5	5
		129		5	39 13/16	3						7,8	★ D4HA 4602-AZA	90	3	3
		129		5	39 5/16	3						3,5,7,9	★ E0HT 4602-FSA	90	3	3
		129		5	37 5/8	3 1/2						2,3,5,9	★ E0HT 4602-NBA	14	5	5
		129		5	37 1/8	3 1/2						2,3,6,9	★ E0HT 4602-NAA	14	5	5
		129		5	39 13/16	3						3,6,7,9	★ D4HA 4602-AZA	90	3	3
		140		5	48 5/8	4						2,3,8	★ C5TZ 4602-KP	14	5	5
		140		5	51 13/16	4						7,8	★ E0HT 4602-HA	90	3	3
		140		5	51 5/16	4	3,5,7,9	★ E0HT 4602-GDA	90	3	3					
		140		5	49 1/8	3 1/2	2,3,5,9	★ E0HT 4602-NUA	14	5	5					
140		5	49 1/8	3 1/2	2,3,6,9	★ E0HT 4602-NUA	14	5	5							
140		5	51 13/16	4	3,6,7,9	★ E0HT 4602-HA	90	3	3							
153		5	60 5/8	4	2,8	★ E0HT 4602-CA	14	5	5							
153		5	31 13/16	3	7,8	★ E0HT 4602-MA	90	3	3							
153		5	30 13/16	3	5,7,9	★ E0HT 4602-FAA	90	3	3							
153		5	61 1/8	4	2,3,9	★ E0HT 4602-RHA	14	5	5							
153		5	63 13/16	4	5,6,7,9	★ E0HT 4602-LA	90	3	3							

- NOTE 2 - Shaft assy. incl. 1480 size joint.
- NOTE 3 - 2-C8TZ 5A313-A axle wedges required.
- NOTE 5 - With 8.5 frame.
- NOTE 6 - With 9.5 frame.
- NOTE 7 - Shaft assy. incl. 1410 size joint.
- NOTE 8 - "Before Ser. HG0,001"
- NOTE 9 - "From Ser. HG0,001"

# 1980/ TRUCK SERIES 600/900

4602 SHAFT ASSY.-DRIVE

### APPLICATION CHART

S P E E D	TRANSMISSION		ENGINE		REAR AXLE		WHEEL- BASE (INCHES)	YEAR	SIZE (INCHES)		N O T E	PART NUMBER ▲	▲ CODE		
	MODEL	T Y P E	C Y L. L.	C.I.D. OR MODEL	M F R.	MODEL			A	B			Y O K E T.	U- J O I N T.	R E F R E N C E

NOTE: ▲ REFER TO PAGE 1 OF SECTION 46.1 FOR AN EXPLANATION OF THE CHART AND THE CODES SHOWN.

### F600 -- 2/W/D SERIES -- Cont'd

4	New Process 435	G	8	370	E	15201	170		5	46 5/16	3 1/2	2,8	★ D1HZ 4602-F	14	5	5		
							170		5	46 5/16	3 1/2	2,5,9	★ D1HZ 4602-F	14	5	5		
							170		5	46 1/8	3 1/2	2,6,9	★ D1HZ 4602-G	14	5	5		
							170		5	48 5/16	3	7	★ D4HA 4602-BFA	90	3	3		
							177		5	51 39/64	4	2,8	★ E0HT 4602-EA	14	5	5		
							177		5	54 13/16	4	7,8	★ D4TA 4602-BAA	90	3	3		
							177		5	54 13/16	4	5,7,9	★ D4TA 4602-BAA	90	3	3		
							177		5	52 1/8	3 1/2	2,9	★ E0HT 4602-NZA	14	5	5		
							177		5	55 5/16	4	6,7,9	★ E0HT 4602-GHA	90	3	3		
							189		5	55 5/8	4	2,8	★ DOHZ 4602-BW	14	5	5		
							189		5	55 1/8	4	2,9	★ E0HT 4602-RBA	14	5	5		
							189		5	57 5/16	4	7	★ D7HT 4602-ERB	90	3	3		
							207		5	54 1/8	4	2,8	★ DOHZ 4602-BU	14	5	5		
							207		5	55 1/8	4	2,9	★ E0HT 4602-RBA	14	5	5		
							207		5	57 5/16	4	7	★ D7HT 4602-ERB	90	3	3		
							225,237		5	54 5/8	4	2	★ DOHZ 4602-BV	14	5	5		
							225,237		5	57 5/16	4	7	★ D7HT 4602-ERB	90	3	3		
							E	16244	129	80	5	36 7/8	3 1/2	3,8	★ C8HZ 4602-BB	14	5	5
									129		5	37 1/8	3 1/2	3,9	★ E0HT 4602-NAA	14	5	5
									140		5	48 5/8	4	3	★ C5TZ 4602-KP	14	5	5
									153		5	61 5/8	4	3,5,8	★ E0HT 4602-KA	14	5	5
						153				5	60 5/8	4	3,6,8	★ E0HT 4602-CA	14	5	5	
						153				5	61 1/8	4	3,9	★ E0HT 4602-RHA	14	5	5	
						170				5	46 5/16	3 1/2	5,8	★ D1HZ 4602-F	14	5	5	
						170				5	45 1/8	3 1/2	6,8	★ C8HZ 4602-AJ	14	5	5	
						170				5	45 5/8	3 1/2	9	★ E0HT 4602-NRA	14	5	5	
						177				5	52 5/8	4	8	★ C5TZ 4602-KD	14	5	5	
						177				5	52 1/8	3 1/2	9	★ E0HT 4602-NZA	14	5	5	
						189				5	54 5/8	4	9	★ DOHZ 4602-BV	14	5	5	
						207				5	54 5/8	4	9	★ DOHZ 4602-BV	14	5	5	
						225				5	54 5/8	4	9	★ DOHZ 4602-BV	14	5	5	
						237				5	54 5/8	4	9	★ DOHZ 4602-BV	14	5	5	
						189				5	55 5/8	4	5,8	★ DOHZ 4602-BW	14	5	5	
						189				5	54 1/8	4	6,8	★ DOHZ 4602-BU	14	5	5	
						207				5	54 1/8	4	3,5,8	★ DOHZ 4602-BU	14	5	5	
						207				5	54 1/8	4	6,8	★ DOHZ 4602-BU	14	5	5	
						225				5	54 5/8	4	5,8	★ DOHZ 4602-BV	14	5	5	
						225				5	54 1/8	4	6,8	★ DOHZ 4602-BU	14	5	5	
						237		5	54 5/8	4	5,8	★ DOHZ 4602-BV	14	5	5			
						237		5	53 1/8	3 1/2	6,8	★ C8HZ 4602-AG	14	5	5			
						R	D140	129	80	5	41 13/16	3	3,8	★ D4TA 4602-ATA	90	3	3	
								129		5	40 13/16	3	3,9	★ D9HT 4602-DDA	90	3	3	
140		5	57 5/16	4	3,8			★ D7HT 4602-ERB	90	3	3							
140		5	53 13/16	4	3,9			★ D7HT 4602-ETB	90	3	3							
153		5	32 13/16	3	3,8			★ E0HT 4602-RA	90	3	3							
153		5	42 13/16	3	9			★ E0HT 4602-FDA	90	3	3							

NOTE 2 - Shaft assy. incl. 1480 size joint.

NOTE 3 - 2-C8TZ 5A313-A axle wedges required.

NOTE 5 - With 8.5 frame.

NOTE 6 - With 9.5 frame.

NOTE 7 - Shaft assy. incl. 1410 size joint.

NOTE 8 - "Before Ser. HG0,001"

NOTE 9 - "From Ser. HG0,001"

# 1980/ TRUCK SERIES 600/900

4602 SHAFT ASSY.-DRIVE

### APPLICATION CHART

S P E E D	TRANSMISSION		ENGINE		REAR AXLE		WHEEL-BASE (INCHES)	YEAR	SIZE (INCHES)		N O T E	PART NUMBER ▲	▲ CODE			
	MODEL	T Y P E	C Y L.	C.I.D. OR MODEL	M F R.	MODEL			A	B			Y O K E T.	U-JOINT	F R E A R	R E A R

NOTE: ▲ REFER TO PAGE 1 OF SECTION 46.1 FOR AN EXPLANATION OF THE CHART AND THE CODES SHOWN.

### F600 -- 2/W/D SERIES -- Cont'd

R	New Process 435	G	8	370	R	D140	170		5	50 13/16	4	8	★ E0HT 4602-GA	90	3	3					
							170		5	50 5/16	4	9	★ E0HT 4602-GCA	90	3	3					
							177		5	59 3/16	4	8	★ D4TA 4602-BLA	90	3	3					
							177		5	56 13/16		9	★ D4TA 4602-BCA	90	3	3					
							189,207 225,237		5	58 13/16	4		★ D4TA 4602-BDA	90	3	3					
									R		F106	129	80	5	38 5/8	3 1/2	2,3,8	★ C7TZ 4602-CL	14	5	5
												129		5	40 13/16	3	3,7,8	★ D9HT 4602-DDA	90	3	3
												129		5	39 13/16	3	3,5,7,9	★ D4HA 4602-AZA	90	3	3
												129		5	40 13/16	3	3,6,7,9	★ D9HT 4602-DDA	90	3	3
												129		5	62 1/8	4	2,3,5,9	★ E0HT 4602-RJA	14	5	5
												129		5	38 1/8	3 1/2	2,3,6,9	★ E0HT 4602-NCA	14	5	5
												140		5	50 1/8	3 1/2	2,3,8	★ C8TZ 4602-AA	14	5	5
												140		5	51 13/16	4	3,7,8	★ E0HT 4602-HA	90	3	3
												140		5	46 5/16	3 1/2	3,5,7,9	★ E0HT 4602-GDA	90	3	3
												140		5	46 5/16	3 1/2	2,3,5,9	★ D1HZ 4602-F	14	5	5
												140		5	49 5/8	3 1/2	2,3,6,9	★ E0HT 4602-NVA	14	5	5
												140		5	52 5/16	4	3,6,7,9	★ E0HT 4602-GEA	90	3	3
												153		5	61 5/8	4	2,3,6,9	★ E0HT 4602-KA	14	5	5
												153		5	31 13/16	3	3,5,7	★ E0HT 4602-MA	90	3	3
												153		5	46 5/16	3 1/2	2,3,5,9	★ D1HZ 4602-F	14	5	5
												153		5	64 13/16	4	3,6,7,9	★ E0HT 4602-NA	90	3	3
												170		5	46 5/16	3 1/2	2,3,6,9	★ D1HZ 4602-F	14	5	5
												170		5	49 13/16	4	7,8	★ E0HT 4602-FA	90	3	3
												170		5	49 5/16	3	3,5,7,9	★ E0HT 4602-GBA	90	3	3
												170		5	55 5/8	4	2,3,5,9	★ D0HZ 4602-BW	14	5	5
												170		5	49 5/16	3	3,6,7,9	★ E0HT 4602-GBA	90	3	3
												177		5	52 5/8	4	2,8	★ C5TZ 4602-KD	14	5	5
												177		5	59 13/16	4	7	★ D4TA 4602-BFA	90	3	3
												177		55	39 13/16	3	3,5,7,9	★ D4HA 4602-AZA	90	3	3
												177		5	55 5/8	4	2,3,5,9	★ D0HZ 4602-BW	14	5	5
												177		5	55 1/8	3 1/2	2,3,6,9	★ C8HZ 4602-AG	14	5	5
												177		5	55 5/8	4	3,6,7,9	★ D4TA 4602-BBA	90	3	3
												189		5	55 5/8	4	2	★ D0HZ 4602-BW	14	5	5
												189		5	58 5/16	4	7	★ D4HA 4602-BHA	90	3	3
												189		5	57 13/16	4	5,7,9	★ D4HA 4602-BGA	90	3	3
												189		5	60 19/32	4	6,7,9	★ D4TA 4602-BGA	90	3	3
												207		5	54 1/8	4	2,8	★ D0HZ 4602-BU	14	5	5
												207		5	58 5/16	4	7,8	★ D4HA 4602-BHA	90	3	3
												207		5	57 13/16	4	7,9	★ D4HA 4602-BGA	90	3	3
												207		5	55 5/8	4	2,9	★ D0HZ 4602-BW	14	5	5
												225,237		5	54 5/8	4	2,8	★ D0HZ 4602-BV	14	5	5
												225,237		5	58 5/16	4	7,8	★ D4HA 4602-BHA	90	3	3
												225,237		5	57 13/16	4	7,9	★ D4HA 4602-BGA	90	3	3
												225,237		5	55 5/8	4	2,9	★ D0HZ 4602-BW	14	5	5

- NOTE 2 - Shaft assy. incl. 1480 size joint.
- NOTE 3 - 2-C8TZ 5A313-A axle wedges required.
- NOTE 5 - With 8.5 frame.
- NOTE 6 - With 9.5 frame.
- NOTE 7 - Shaft assy. incl. 1410 size joint.
- NOTE 8 - "Before Ser. HG0,001"
- NOTE 9 - "From Ser. HG0,001"

# 1980/ TRUCK SERIES 600/900

4602		SHAFT ASSY.-DRIVE										APPLICATION CHART			
S P E E D	TRANSMISSION	ENGINE			REAR AXLE		WHEEL-BASE (INCHES)	YEAR	SIZE (INCHES)			PART NUMBER ▲	▲ CODE		
		T Y P E	C Y L.	C.I.D. OR MODEL	M F R.	MODEL			A	B	N O T E		Y O K E	U-JOINT	F R E N A R

NOTE: ▲ REFER TO PAGE 1 OF SECTION 46.1 FOR AN EXPLANATION OF THE CHART AND THE CODES SHOWN.

**F600 -- 2/W/D SERIES -- Cont'd**

4	New Process 435	G	8	370	R	H172	129	80	5	36 7/8	3 1/2	3,9	★ C8HZ 4602-BB	14	5	5
							129		5	37 1/8	3 1/2	3,9	★ EOHT 4602-NAA	14	5	5
							140		5	48 5/8	4	3	★ CSTZ 4602-KP	14	5	5
							153		5	60 5/8	4	3,8	★ EOHT 4602-CA	14	5	5
							153		5	61 1/8	4	3,9	★ EOHT 4602-RHA	14	5	5
							170		5	46 5/16	3 1/2	3,5,8	★ D1HZ 4602-F	14	5	5
							170		5	45 1/8	3 1/2	3,6,8	★ C8HZ 4602-AJ	14	5	5
							170		5	45 5/8	3 1/2	9	★ EOHT 4602-NRA	14	5	5
							177		5	52 5/8	4	3,5,8	★ CSTZ 4602-KD	14	5	5
							177		5	52 5/8	4	6,8	★ CSTZ 4602-KD	14	5	5
							177		5	52 1/8	3 1/2	9	★ EOHT 4602-NZA	14	5	5
							189		5	55 5/8	4	3,5,8	★ DOHZ 4602-BW	14	5	5
							189		5	54 1/8	4	6,8	★ DOHZ 4602-BU	14	5	5
							189		5	54 5/8	4	9	★ DOHZ 4602-BV	14	5	5
							207		5	54 1/8	4	8	★ DOHZ 4602-BU	14	5	5
							207		5	54 5/8	4	9	★ DOHZ 4602-BV	14	5	5
							225		5	54 5/8	4	3,5,8	★ DOHZ 4602-BV	14	5	5
							225		5	54 1/8	4	6,8	★ DOHZ 4602-BU	14	5	5
							225		5	54 5/8	4	9	★ DOHZ 4602-BV	14	5	5
							237		5	54 5/8	4	5,8	★ DOHZ 4602-BV	14	5	5
237		5	53 1/8	3 1/2	6,8	★ C8HZ 4602-AG	14	5	5							
237		5	54 5/8	4	9	★ DOHZ 4602-BV	14	5	5							
4	Warner T-19	D	8	8.2L	E	15201	129	80	5	39 13/16	3	3	★ D4HA 4602-AZA	90	3	3
							140		5	51 13/16	4	3,5	★ EOHT 4602-HA	90	3	3
							140		5	51 5/16	4	6	★ EOHT 4602-GDA	90	3	3
							153		5	63 13/16	4	3,5	★ EOHT 4602-LA	90	3	3
							153		5	30 13/16	3	6	★ EOHT 4602-FAA	90	3	3
							170		5	47 13/16	3	5	★ D4HA 4602-BEA	90	3	3
							170		5	48 5/16	3	6	★ D4HA 4602-BFA	90	3	3
							177		5	54 13/16	4		★ D4TA 4602-BAA	90	3	3
							189		5	56 13/16	4	5	★ D4TA 4602-BCA	90	3	3
							189		5	57 5/16	4	6	★ D7HT 4602-ERB	90	3	3
					207		5	57 5/16	4		★ D7HT 4602-ERB	90	3	3		
					225		5	57 5/16	4	5	★ D7HT 4602-ERB	90	3	3		
					225		5	56 13/16	4	6	★ D4TA 4602-BCA	90	3	3		
					237		5	56 13/16	4		★ D4TA 4602-BCA	90	3	3		
					R	F106	129	80	5	40 13/16	3	3,5	★ D9HT 4602-DDA	90	3	3
							129		5	40 5/16	3	3,6	★ EOHT 4602-FTA	90	3	3
							140		5	52 13/16	4	3,5	★ EOHT 4602-JA	90	3	3
							140		5	51 13/16	4	3,6	★ EOHT 4602-HA	90	3	3
							153		5	64 13/16	4	3,5	★ EOHT 4602-NA	90	3	3
							153		5	30 13/16	3	3,6	★ EOHT 4602-FAA	90	3	3
170		5	48 5/16	3				★ D4HA 4602-BFA	90	3	3					
177		5	55 13/16	4				★ D4TA 4602-BBA	90	3	3					
184,207, 225		5	57 13/16	4				★ D4HA 4602-BGA	90	3	3					
237		5	57 13/16	4			5	★ D4HA 4602-BGA	90	3	3					
237		5	57 5/16	4	6	★ D7HT 4602-ERB	90	3	3							

NOTE 3 - 2-C8TZ 5A313-A axle wedges required.

NOTE 5 - With 8.5 frame.

NOTE 6 - With 9.5 frame.

NOTE 8 - "Before Ser. HG0,001"

NOTE 9 - "From Ser. HG0,001"

# 1980/ TRUCK SERIES 600/900

4602 SHAFT ASSY.-DRIVE

### APPLICATION CHART

S P E E D	TRANSMISSION		ENGINE		REAR AXLE		SIZE (INCHES)			N O T E	PART NUMBER ▲	▲ CODE		
	MODEL	T Y P E	C Y L.	C.I.D. OR MODEL	M F R.	MODEL	WHEEL- BASE (INCHES)	YEAR	T Y P E			A	B	Y O K E

NOTE: ▲ REFER TO PAGE 1 OF SECTION 46.1 FOR AN EXPLANATION OF THE CHART AND THE CODES SHOWN.

### F600 -- 2/W/D SERIES -- Cont'd

4	Warner T19	G	8	370	D	G175-T	129	80	5	38 13/16	3	3	★ D4HA	4602-AYA	90	3	3						
							140		5	50 13/16	4	3	★ EOHT	4602-GA	90	3	3						
							153		5	62 13/16	4	5	★ D9HT	4602-DEA	90	3	3						
							153		5	62 13/16	4	3,6	★ D9HT	4602-DEA	90	3	3						
							170			47 13/16	3	5	★ D9HT	4602-DJA	90	3	3						
							170		5	47 13/16	3	3,6	★ D9HT	4602-DJA	90	3	3						
							177		5	54 13/16	4	5	★ D4TA	4602-BAA	90	3	3						
							177		5	53 13/16	4	6	★ D7HT	4602-ETB	90	3	3						
							189		5	56 13/16	4	5	★ D4TA	4602-BCA	90	3	3						
							189		5	55 13/16	4	3,6	★ D4TA	4602-BBA	90	3	3						
							207		5	56 13/16	4	5	★ D4TA	4602-BCA	90	3	3						
							207		5	56 5/16	4	6	★ EOHT	4602-DA	90	3	3						
							225		5	56 13/16	4	5	★ D4TA	4602-BCA	90	3	3						
							225		5	56 5/16	4	6	★ EOHT	4602-DA	90	3	3						
							237		5	56 5/16	4	5	★ EOHT	4602-DA	90	3	3						
							237		5	55 13/16	4	6	★ D4TA	4602-BBA	90	3	3						
							E	15201	E	80	129	80	5	39 13/16	3	3	★ D4HA	4602-AZA	90	3	3		
											140		5	51 13/16	4	8	★ EOHT	4602-HA	90	3	3		
											140		5	52 5/16	4	3,5,9	★ EOHT	4602-GEA	90	3	3		
											140		5	51 13/16	4	3,6,9	★ EOHT	4602-HA	90	3	3		
					153						5	63 13/16	4		★ EOHT	4602-LA	90	3	3				
					170						5	48 5/16	3		★ D4HA	4602-BFA	90	3	3				
					177						5	54 13/16	4		★ D4TA	4602-BAA	90	3	3				
					177						5	55 5/16	4	5,9	★ EOHT	4602-GHA	90	3	3				
					177						5	54 13/16	4	6,9	★ D4TA	4602-BAA	90	3	3				
					189						5	56 13/16	4	8	★ D4TA	4602-BCA	90	3	3				
					189						5	56 13/16		9	★ D7HT	4602-ERB	90	3	3				
					207, 225,237						5	57 5/16	4		★ D7HT	4602-ERB	90	3	3				
					E	16244					E	80	129	80	5	39 13/16	3	3	★ D4HA	4602-AZA	90	3	3
													140		5	50 13/16	4	3,5	★ EOHT	4602-GA	90	3	3
							140		5	51 13/16			4	3,6	★ EOHT	4602-HA	90	3	3				
							153		5	62 13/16			4	3,6	★ D9HT	4602-DEA	90	3	3				
							170		5	47 13/16			3		★ D9HT	4602-DJA	90	3	3				
							177		5	54 13/16			4		★ D4TA	4602-BAA	90	3	3				
							189		5	56 13/16			4		★ D4TA	4602-BCA	90	3	3				
							207,225		5	57 5/16			4	5	★ D7HT	4602-ERB	90	3	3				
							207,225		5	56 13/16			4	6	★ D4TA	4602-BCA	90	3	3				
							237		5	56 13/16			4		★ D4TA	4602-BCA	90	3	3				
							R	H172	R	80			129	80	5	39 13/16	3	3	★ D4HA	4602-AZA	90	3	3
													140		5	51 13/16	4	3	★ EOHT	4602-HA	90	3	3
153		5	62 13/16	4	5	★ D9HT					4602-DEA	90	3	3									
153		5	62 13/16	4	3,6	★ D9HT					4602-DEA	90	3	3									
170		5	47 13/16	3	5	★ D4HA					4602-BEA	90	3	3									
170		5	47 13/16	3	3,6	★ D4HA					4602-BEA	90	3	3									
177		5	54 13/16	4		★ D4TA					4602-BAA	90	3	3									
189		5	56 13/16	4		★ D4TA					4602-BCA	90	3	3									
207		5	57 5/16	4	5	★ D7HT					4602-EBB	90	3	3									
207		5	56 13/16	4	6	★ D4TA					4602-BCA	90	3	3									
225,237		5	56 13/16	4		★ D4TA					4602-BCA	90	3	3									

NOTE 3 - 2-C8TZ 5A313-A axle wedges required.

NOTE 5 - With 8.5 frame.

NOTE 6 - With 9.5 frame.

NOTE 8 - "Before Ser. HG0,001"

NOTE 9 - "From Ser. HG0,001"

# 1980/ TRUCK SERIES 600/900

4602 SHAFT ASSY.-DRIVE

### APPLICATION CHART

S P E E D	TRANSMISSION MODEL	ENGINE		M F R.	REAR AXLE MODEL	WHEEL- BASE (INCHES)	YEAR	SIZE (INCHES)		N O T E	PART NUMBER ▲	▲ CODE		
		T Y P E	C Y L. C.I.D. OR MODEL					A	B			Y	U-JOINT	R

NOTE: ▲ REFER TO PAGE 1 OF SECTION 46.1 FOR AN EXPLANATION OF THE CHART AND THE CODES SHOWN.

#### F600 -- 2/W/D SERIES -- Cont'd

4	Warner T19	G	8	370	R	D140	129	80	5	41 13/16	3	3	★ D4TA 4602-ATA	90	3	3		
							140		5	53 13/16	4	3,8	★ D7HT 4602-ETB	90	3	3		
							140		5	53 5/16	4	3,9	★ E0HT 4602-GFA	90	3	3		
							153		5	65 9/16	4	8	★ D4HA 4602-BJA	90	3	3		
							153		5	65 13/16	4	9	★ E0HT 4602-GSA	90	3	3		
							170		5	50 13/16	4	8	★ E0HT 4602-GA	90	3	3		
							170		5	50 5/16	4	9	★ E0HT 4602-GCA	90	3	3		
							177		5	56 13/16	4		★ D4TA 4602-BCA	90	3	3		
							189,207, 225,237		5	58 13/16	4		★ D4TA 4602-BDA	90	3	3		
					R	F106	129	80	5	40 13/16	3	3	★ D9HT 4602-DDA	90	3	3		
							140		5	52 13/16	4	3,8	★ E0HT 4602-JA	90	3	3		
							140		5	52 5/16	4	3,9	★ E0HT 4602-GEA	90	3	3		
							153		5	64 13/16	4		★ E0HT 4602-NA	90	3	3		
							170		5	49 13/16	4	8	★ E0HT 4602-FA	90	3	3		
							170		5	49 5/16	3	9	★ E0HT 4602-GBA	90	3	3		
							177		5	55 13/16	4		★ D4TA 4602-BBA	90	3	3		
							177		5	55 5/16	4	9	★ E0HT 4602-GHA	90	3	3		
							189,207, 225,237		5	57 13/16	4		★ D4HA 4602-BGA	90	3	3		
5	Clark 280 Series	D	8	8.2L	D	G175-T	129	80	4	60 13/16	3 1/2	6	★ D9HT 4602-EKA	108	51	51		
							129		5	36 5/8	3 1/2	3,5	★ D9HT 4602-YA	107	51	51		
							140		5	47 5/8	3 1/2	3	★ D9HT 4602-AKA	107	51	51		
							153		5	27 5/8	3 1/2	3	★ D9HT 4602-KA	107	51	51		
							170		5	45 5/8	3 1/2		★ D9HT 4602-AHA	107	51	51		
							177		5	51 5/8	3 1/2		★ D9HT 4602-ARA	107	51	51		
							189,207, 225,237		5	53 5/8	3 1/2		★ D9HT 4602-ATA	107	51	51		
							E	15201	129	80	5	36 7/8	3 1/2	3,5	★ C8HZ 4602-BB	14	5	5
									129		5	37 1/8	3 1/2	3,6	★ E0HT 4602-NAA	14	5	5
									140		5	48 5/8	4	5	★ C5TZ 4602-KP	14	5	5
									140		5	49 1/8	3 1/2	3,6	★ E0HT 4602-NUA	14	5	5
									153		5	60 5/8	4	5	★ E0HT 4602-CA	14	5	5
					153				5	61 1/8	4	6	★ E0HT 4602-RHA	14	5	5		
					170				5	46 5/16	3 1/2	5	★ D1HZ 4602-F	14	5	5		
					170				5	47 1/2	3 1/2	6	★ E0HT 4602-NSA	14	5	5		
					177				5	52 5/8	4	5	★ C5TZ 4602-KD	14	5	5		
					177				5	53 1/8	3 1/2	6	★ C8HA 4602-AZ	14	5	5		
					189,207, 225,237				5	54 5/8	4		★ D0HZ 4602-BV	14	5	5		
					E	16244			129	80	4	60 13/16	3 1/2	6	★ D9HT 4602-EKA	108	51	51
							129		5	36 5/8	3 1/2	3,5	★ D9HT 4602-YA	107	51	51		
							140		5	47 5/8	3 1/2	3	★ D9HT 4602-AKA	107	51	51		
							153		5	27 5/8	3 1/2	3,6	★ D9HT 4602-KA	107	51	51		
							153		5	27 5/8	3 1/2	5	★ D9HT 4602-KA	107	51	51		
							170		5	45 5/8	3 1/2		★ D9HT 4602-AHA	107	51	51		
							177		5	51 5/8	3 1/2		★ D9HT 4602-ARA	107	51	51		
							189,207, 225,237		5	53 5/8	3 1/2		★ D9HT 4602-ATA	107	51	51		

NOTE 3 - 2-C8TZ 5A313-A axle wedges required.

NOTE 5 - With 8.5 frame.

NOTE 6 - With 9.5 frame.

NOTE 8 - "Before Ser. HG0,001"

NOTE 9 - "From Ser. HG0,001"

# 1980/ TRUCK SERIES 600/900

4602		SHAFT ASSY.-DRIVE		APPLICATION CHART												
S P E E D	TRANSMISSION		ENGINE		REAR AXLE		WHEEL-BASE (INCHES)	YEAR	T Y P E	SIZE (INCHES)		N O T E	PART NUMBER ▲	▲ CODE		
	MODEL	T Y P E	C Y L.	C.I.D. OR MODEL	M F R.	MODEL				A	B			Y	U-JOINT	O F R E A R

NOTE: ▲ REFER TO PAGE 1 OF SECTION 46.1 FOR AN EXPLANATION OF THE CHART AND THE CODES SHOWN.

**F600 -- 2/W/D SERIES -- Cont'd**

5	CLARK 280 Series	D	8	8.2L	R	F106	129	80	5	38 1/16	4	3,5	★ C5TZ 4602-KS	14	5	5							
							129		5	37 1/8	3 1/2	3,6	★ EOHT 4602-NAA	14	5	5							
							140		5	49 13/16	3 1/2	5	★ C8HA 4602-AV	14	5	5							
							140		5	49 1/8	3 1/2	3,6	★ EOHT 4602-NUA	14	5	5							
							153		5	61 5/8	4	5	★ EOHT 4602-KA	14	5	5							
							153		5	61 1/8	4	6	★ EOHT 4602-RHA	14	5	5							
							170		5	47 5/16	3 1/2	5	★ D1HZ 4602-E	14	5	5							
							170		5	47 1/2	3 1/2	6	★ EOHT 4602-NSA	14	5	5							
							177		5	53 25/32	3 1/2	5	★ C1TT 4602-AAB	14	5	5							
							177		5	53 1/8	3 1/2	6	★ C8HZ 4602-AG	14	5	5							
							189,207, 225,237		5	54 5/8	4		★ DOHA 4602-KU	14	5	5							
							R	H172						129	80	4	60 13/16	3 1/2	6	★ D9HT 4602-EKA	108	51	51
														129		5	36 5/8	3 1/2	3,5	★ D9HT 4602-YA	107	51	51
														140		5	48 5/8	3 1/2	3,6	★ D9HT 4602-ALA	107	51	51
						140									5	47 5/8	3 1/2	3,5	★ D9HT 4602-AKA	107	51	51	
						153									5	27 5/8	3 1/2	3,6	★ D9HT 4602-KA	107	51	51	
						153									5	28 5/8	3 1/2	3,5	★ D9HT 4602-LA	107	51	51	
						170									5	45 5/8	3 1/2		★ D9HT 4602-AHA	107	51	51	
						177									5	51 5/8	3 1/2		★ D9HT 4602-ARA	107	51	51	
						189,207, 225,237									5	53 5/8	3 1/2		★ D9HT 4602-ATA	107	51	51	
						D								8	522, 573 Cat. V-150, V-175	E	16244			134	80	5	40 5/16
		146		5	52 5/8		4		★ C5TZ 4602-KD	14	5	5											
		158		5	38 5/8		3 1/2		★ C7TZ 4602-CL	14	5	5											
		176,182, 188,194		5	56 5/8		4		★ D0HZ 4602-BY	14	5	5											
		G	8	370	D		G175-T			140	80	5	47 5/16							3 1/2	2,3,5,8	★ D1HZ 4602-E	14
						140					5	48 5/8	4	2,6,8	★ C5TZ 4602-KP	14	5	5					
						140					5	48 1/8	3 1/2	2,3,9	★ EOHT 4602-NTA	14	5	5					
						140					5	47 5/8	3 1/2	3,4	★ D9HT 4602-AKA	107	51	51					
						153					5	59 5/8	4	2,3,5,8	★ D4HA 4602-AEA	14	5	5					
						153					5	55 1/8	4	2,5,9	★ EOHT 4602-BBA	14	5	5					
						153					5	60 5/8	4	2,6	★ EOHT 4602-CA	14	5	5					
						153					5	59 5/8	4	3,4	★ EOHT 4602-AA	107	51	51					
						170					5	46 1/8	3 1/2	2	★ D1HZ 4602-G	14	5	5					
						170					5	45 5/8	3 1/2	3,4	★ D9HT 4602-AHA	107	51	51					
						177					5	53 1/8	3 1/2	2,5,8	★ C8HZ 4602-AG	14	5	5					
						177					5	52 5/8	4	2,6,8	★ C5TZ 4602-KD	14	5	5					
											5	52 5/8	4	2,9	★ C5TZ 4602-KD	14	5	5					
						177					5	51 5/8	3 1/2	4,5	★ D9HT 4602-ARA	107	51	51					
						177					5	51 5/8	3 1/2	3,4,6	★ D9HT 4602-ARA	107	51	51					
						189					5	54 5/8	4	2,3,5,8	★ D0HZ 4602-BV	14	5	5					
						189					5	54 1/8	4	2,6,8	★ D0HZ 4602-BU	14	5	5					
						159					5	54 1/8	4		★ D0HZ 4602-BU	14	5	5					
						189					5	53 5/8	3 1/2	4,5	★ D9HT 4602-ATA	107	51	51					

- NOTE 2 - Shaft assy. incl. 1480 size joint.
- NOTE 3 - 2-C8TZ 5A313-A axle wedges required.
- NOTE 4 - Shaft assy. incl. 1550 size joint.
- NOTE 5 - With 8.5 frame.
- NOTE 6 - With 9.5 frame.
- NOTE 8 - "Before Ser. HG0,001"



# 1980/ TRUCK SERIES 600/900

4602 SHAFT ASSY.-DRIVE

## APPLICATION CHART

S P E E D	TRANSMISSION		ENGINE			REAR AXLE		WHEEL- BASE (INCHES)	YEAR	T Y P E	SIZE (INCHES)			N O T E	PART NUMBER ▲	▲ CODE		
	MODEL	T Y P E	C Y L.	C.I.D. OR MODEL	M F R.	MODEL	A				B		Y			U-JOINT	O F R	K E N A R

NOTE: ▲ REFER TO PAGE 1 OF SECTION 46.1 FOR AN EXPLANATION OF THE CHART AND THE CODES SHOWN.

### F600 -- 2/W/D SERIES -- Cont'd

5	Clark 280 Clark	G	8	370	D	G175-T	189		5	53 5/8	3 1/2	3,4,6	★ D9HT	4602-ATA	107	51	51		
							207		5	54 1/8	4	2,5,8	★ D0HZ	4602-BU	14	5	5		
							207		5	54 5/8	4	2,6,8	★ D0HZ	4602-BV	14	5	5		
							207		5	54 1/8	4	2,9	★ D0HZ	4602-BU	14	5	5		
							207		5	53 5/8	3 1/2	3,4,5	★ D9HT	4602-ATA	107	51	51		
							207		5	53 5/8	3 1/2	4,6	★ D9HT	4602-ATA	107	51	51		
							225,237		5	54 1/8	4	2	★ D0HZ	4602-BU	14	5	5		
							225,237		5	53 5/8	3 1/2	4	★ D9HT	4602-ATA	107	51	51		
							E	15201	129	80	5	36 7/8	3 1/2	3,9	★ C8HZ	4602-BB	14	5	5
									129		5	37 1/8	3 1/2	3,9	★ E0HT	4602-NAA	14	5	5
									140		5	48 5/8	4	3,8	★ C5TZ	4602-KP	14	5	5
									140		5	49 1/8	3 1/2	3,5,9	★ E0HT	4602-NUA	14	5	5
									140		5	48 5/8	4	6,9	★ C5TZ	4602-KP	14	5	5
									153		5	61 1/8	4	9	★ E0HT	4602-RHA	14	5	5
									170,177		5	54 5/8	4	9	★ D0HZ	4602-BV	14	5	5
									225		5	54 5/8	4	5,9	★ D0HZ	4602-BV	14	5	5
									225		5	55 1/8	4	6,9	★ E0HT	4602-RBA	14	5	5
									237		5	54 5/8	4	9	★ D0HZ	4602-BV	14	5	5
									153		5	60 5/8	4	3,8	★ E0HT	4602-CA	14	5	5
									140		5	48 1/8	3 1/2	2,3,9	★ E0HT	4602-NTA	14	5	5
					170				5	46 5/16	3 1/2		★ D1HZ	4602-F	14	5	5		
					177				5	53 1/8	3 1/2		★ C8HZ	4602-AG	14	5	5		
					189,207 225,239				5	55 5/8	4	8	★ D0HZ	4602-BW	14	5	5		
					153				5	55 1/8	4	2,5,9	★ E0HT	4602-RBA	14	5	5		
					E	16244			129	80	5	36 7/8	3 1/2	2,3,8	★ C8HZ	4602-BB	14	5	5
									129		5	36 5/8	3 1/2	3,9	★ E0HT	4602-MZA	14	5	5
									129		5	35 5/8	3 1/2	3,4	★ D9HT	4602-VA	107	51	51
									140		5	48 5/8	4	2,3	★ C5TZ	4602-KP	14	5	5
							140		5	47 5/8	3 1/2	3,4	★ D9HT	4602-AKA	107	51	51		
							153		5	60 5/8	4	2,3,8	★ E0HT	4602-CA	14	5	5		
							153		5	60 5/8	4	2,9	★ E0HT	4602-CA	14	5	5		
							153		5	59 5/8	4	3,4,5	★ E0HT	4602-AA	107	51	51		
							153		5	59 5/8	4	4,6	★ E0HT	4602-AA	107	51	51		
							170		5	46 5/16	3 1/2	2,5,8	★ D1HZ	4602-F	14	5	5		
							170		5	46 1/8	3 1/2	2,6,8	★ D1HZ	4602-G	14	5	5		
							170		5	46 1/8	3 1/2	2,5	★ D1HZ	4602-G	14	5	5		
							170		5	46 5/16	3 1/2	2,6	★ D1HZ	4602-E	14	5	5		
							170		5	45 5/8	3 1/2	4	★ D9HT	4602-AHA	107	51	51		
							177		5	53 1/8	3 1/2	2,5,8	★ C8HZ	4602-AG	14	5	5		
							177		5	52 5/8	4	2,6,8	★ C5TZ	4602-KD	14	5	5		
							177		5	52 5/8	4	2,9	★ C5TZ	4602-KD	14	5	5		
							177		5	51 5/8	3 1/2	4	★ D9HT	4602-ARA	107	51	51		
							189		5	54 5/8	4	2,5,8	★ D0HZ	4602-BV	14	5	5		
							189		5	54 1/8	4	2,6,8	★ D0HZ	4602-BU	14	5	5		
					189		5	54 1/8	4	2,5	★ D0HZ	4602-BU	14	5	5				
					189		5	54 5/6	4	2,6	★ D0HZ	4602-BV	14	5	5				

NOTE 2 - Shaft assy. incl. 1480 size joint.

NOTE 3 - 2-C8TZ 5A313-A axle wedges required.

NOTE 4 - Shaft assy. incl. 1550 size joint.

NOTE 5 - With 8.5 frame.

NOTE 6 - With 9.5 frame.

NOTE 8 - "Before Ser. HG0,001"

NOTE 9 - "From Ser. HG0,001"

# 1980/ TRUCK SERIES 600/900

4602 SHAFT ASSY.-DRIVE

### APPLICATION CHART

S P E E D	TRANSMISSION		ENGINE		REAR AXLE		WHEEL-BASE (INCHES)	YEAR	TYPE	SIZE (INCHES)		N O T E	PART NUMBER ▲	▲ CODE		
	MODEL	T Y P E	C Y L.	C.I.D. OR MODEL	M F R.	MODEL				A	B			U-JOINT	O F F S E T	R E A R

NOTE: ▲ REFER TO PAGE 1 OF SECTION 46.1 FOR AN EXPLANATION OF THE CHART AND THE CODES SHOWN.

#### F600 -- 2/W/D SERIES -- Cont'd

5	Clark 280 Series	G	8	370	E	16244	189		5	53 5/8	3 1/2	4	★ D9HT 4602-ATA	107	51	51		
							207		5	54 1/8	4	2,5,8	★ DOHZ 4602-BU	14	5	5		
							207		5	54 5/8	4	2,6,8	★ DOHZ 4602-BV	14	5	5		
							207		5	54 5/8	4	2,9	★ DOHZ 4602-BV	14	5	5		
							207		5	53 5/8	3 1/2	4	★ D9HT 4602-ATA	107	51	51		
							225,237		5	54 1/8	4	2,8	★ DOHZ 4602-BU	14	5	5		
							225		5	54 5/8	4	2,9	★ DOHZ 4602-BV	14	5	5		
							237		5	54 1/8	4	2,9	★ DOHZ 4602-BU	14	5	5		
							225,237		5	53 5/8	3 1/2	4	★ D9HT 4602-ATA	107	51	51		
							R	F106	129	80	5	38 5/8	3 1/2	3,8	★ C7TZ 4602-CL	14	5	5
									129		5	37 5/8	3 1/2	3,9	★ E0HT 4602-NBA	14	5	5
									140		5	50 1/8	3 1/2	3,8	★ C8TZ 4602-AA	14	5	5
									140		5	49 5/8	3 1/2	3,9	★ E0HT 4602-NVA	14	5	5
									153		5	61 5/8	4		★ E0HT 4602-KA	14	5	5
					170				5	46 5/16	3 1/2	8	★ D1HZ 4602-F	14	5	5		
					170				5	47 5/16	3 1/2	9	★ D1HZ 4602-E	14	5	5		
					177				5	53 1/8	3 1/2		★ C8HZ 4602-AG	14	5	5		
					177				5	53 5/8	4	9	★ E0HT 4602-RAA	14	5	5		
					189,207, 225,237				5	55 5/8	4		★ DOHZ 4602-BW	14	5	5		
					R	D140			129	80	5	41 13/16	3	3	★ D4TA 4602-ATA	90	3	3
									140		5	57 5/16	4	3,8	★ D7HT 4602-ERB	90	3	3
									140		5	53 5/16	4	3,9	★ E0HT 4602-GFA	90	3	3
									153		5	65 9/16	4	8	★ D4HA 4602-BJA	90	3	3
							153		5	50 5/16	4	9	★ E0HT 4602-GCA	90	3	3		
							170		5	50 13/16	4	8	★ E0HT 4602-GA	90	3	3		
							170		5	50 5/16	4	9	★ E0HT 4602-GCA	90	3	3		
							177		5	60 19/32	4	8	★ D4TA 4602-BGA	90	3	3		
							177		5	56 5/16	4	9	★ E0HT 4602-DA	90	3	3		
							189,207, 225,237		5	58 15/16	4	8	★ D4TA 4602-BDA	90	3	3		
							189		5	55 1/8	4	5,9	★ E0HT 4602-RBA	14	5	5		
							189		5	55 5/8	4	6,9	★ DOHZ 4602-RW	14	5	5		
							207,225		5	55 5/8	4	9	★ DOHZ 4602-BW	14	5	5		
							237		5	55 1/8	4	9	★ E0HT 4602-RBA	14	5	5		
					R	H172	140	80	5	48 5/8	4	2,3	★ C5TZ 4602-KP	14	5	5		
							140		5	47 5/8	3 1/2	3,4	★ D9HT 4602-AKA	107	51	51		
							153		5	60 5/8	4	2,3	★ E0HT 4602-CA	14	5	5		
							153		5	60 5/8	4	2,3,8	★ E0HT 4602-CA	14	5	5		
							153		5	60 5/8	4		★ E0HT 4602-CA	14	5	5		
							153		5	59 5/8	4	3,4	★ E0HT 4602-AA	107	51	51		
							170		5	46 5/16	3 1/2	2,5,8	★ D1HZ 4602-F	14	5	5		
							170		5	46 1/8	3 1/2	2,3,6,8	★ D1HZ 4602-G	14	5	5		
							170		5	46 5/16	3 1/2	2,9	★ D1HZ 4602-F	14	5	5		
							170		5	45 5/8	3 1/2	3,4	★ D9HT 4602-AHA	107	51	51		
							177		5	53 1/8	3 1/2	2,5,8	★ C8HZ 4602-AG	14	5	5		
							177		5	52 5/8	4	2,6,8	★ C5TZ 4602-KD	14	5	5		
							177		5	52 5/8	4	2,9	★ C5TZ 4602-KD	14	5	5		
							177		5	51 5/8	3 1/2	4,5	★ D9HT 4602-ARA	107	51	51		

NOTE 2 - Shaft assy. incl. 1480 size joint.

NOTE 3 - 2-C8TZ 5A313-A axle wedges required.

NOTE 4 - Shaft assy. incl. 1550 size joint.

NOTE 5 - With 8.5 frame.

NOTE 6 - With 9.5 frame.

NOTE 8 - "Before Ser. HG0,001"

NOTE 9 - "From Ser. HG0,001"

1980/  
TRUCK SERIES 600/900

4602 SHAFT ASSY.-DRIVE

APPLICATION CHART

S P E E D	TRANSMISSION		ENGINE		REAR AXLE		WHEEL-BASE (INCHES)	YEAR	SIZE (INCHES)		N O T E	PART NUMBER ▲	▲ CODE		
	MODEL	T Y P E	C Y L. P L.	C.I.D. OR MODEL	M F R.	MODEL			A	B			Y O K E	U-JOINT F R E N T.	R E A R

NOTE: ▲ REFER TO PAGE 1 OF SECTION 46.1 FOR AN EXPLANATION OF THE CHART AND THE CODES SHOWN.

F600 -- 2/W/D SERIES -- Cont'd

5	Clark 280 Series	G	8	370	R	H172	177		5	51 5/8	3 1/2	2,3,6	★ D9HT 4602-ARA	107	51	51							
							189		5	54 5/8	4	2,5,8	★ DOHZ 4602-BV	14	5	5							
							189		5	54 1/8	4	2,6,8	★ DOHZ 4602-BU	14	5	5							
							189		5	54 5/8	4	2,9	★ DOHZ 4602-BV	14	5	5							
							189		5	53 5/8	3 1/2	4	★ D9HT 4602-ATA	107	51	51							
							207		5	54 1/8	4	2,5,8	★ DOHZ 4602-BU	14	5	5							
							207		5	54 5/8	4	2,6,8	★ DOHZ 4602-BV	14	5	5							
							207		5	54 5/8	4	2,9	★ DOHZ 4602-BV	14	5	5							
							225		5	54 5/8	4	2,9	★ D9HZ 4602-BV	14	5	5							
							207		5	53 5/8	3 1/2	4	★ D9HT 4602-ATA	107	51	51							
							225,237		5	54 1/8	4	2,8	★ DOHZ 4602-BU	14	5	5							
							237		5	54 1/8	4	2,9	★ DOHZ 4602-BU	14	5	5							
							225,237		5	53 5/8	3 1/2	4	★ D9HT 4602-ATA	107	51	51							
							5	New Process 542	G	8	370	D	G175-T	129	80	5	36 7/8	3 1/2	3,8	★ C8HZ 4602-BB	14	5	5
														129		5	36 5/8	3 1/2	3,9	★ EOHT 4602-MZA	14	5	5
140		5	48 5/8	4	3,8	★ C5TZ 4602-KP								14	5	5							
140		5	48 1/8	3 1/2	3,5,9	★ EOHT 4602-NTA								14	5	5							
140		5	48 1/8	3 1/2	6,9	★ EOHT 4602-NTA								14	5	5							
153		5	59 5/8	4	3,5,8	★ D4HA 4602-AEA								14	5	5							
153		5	59 5/8	4	6,8	★ D4HA 4602-AEA								14	5	5							
153		5	60 1/8	4	9	★ EOHT 4602-RGA								14	5	5							
170		5	46 5/16	3 1/2	3,5,8	★ D1HZ 4602-F								14	5	5							
170		5	45 5/8	3 1/2	5,9	★ EOHT 4602-NRA								14	5	5							
170		5	45 1/8	3 1/2	6,8	★ C8HZ 4602-AJ								14	5	5							
170		5	46 1/8	3 1/2	6,9	★ D1HZ 4602-G								14	5	5							
177		5	52 5/8	4	3,5,8	★ C5TZ 4602-KD								14	5	5							
177		5	52 5/8	4	6,8	★ C5TZ 4602-KD								14	5	5							
177		5	52 1/8	3 1/2	9	★ EOHT 4602-NZA								14	5	5							
189		5	54 5/8	4	5	★ DOHZ 4602-BV								14	5	5							
189		5	54 1/8	4	6	★ DOHZ 4602-BU								14	5	5							
189		5	53 5/8	4	9	★ EOHT 4602-RAA								14	5	5							
207,225		5	54 5/8	4	3,5,8	★ DOHZ 4602-BV						14	5	5									
207,225		5	54 1/8	4	6,8	★ DOHZ 4602-BU						14	5	5									
207		5	53 5/8	4	5,9	★ EOHT 4602-RAA						14	5	5									
207		5	54 1/8	4	6,9	★ DOHZ 4602-BU						14	5	5									
225		5	54 1/8	4	9	★ DOHZ 4602-BU						14	5	5									
237		5	53 1/8	3 1/2	5,8	★ C8HZ 4602-AG						14	5	5									
237		5	54 1/8	4	6,8	★ DOHZ 4602-BU						14	5	5									
237		5	53 5/8	4	9	★ EOHT 4602-RAA						14	5	5									
E	15201											129	80	5	36 7/8	3 1/2	3	★ C8HZ 4602-BB	14	5	5		
							129		5	37 1/8	3 1/2	3,5,9	★ EOHT 4602-NAA	14	5	5							
							129		5	36 5/8	3 1/2	3,6,9	★ EOHT 4602-MZA	14	5	5							
							140		5	48 5/8	4	3	★ C5TZ 4602-KP	14	5	5							
							153		5	60 5/8	4		★ EOHT 4602-CA	14	5	5							
							170		5	46 5/16	3 1/2		★ D7HZ 4602-F	14	5	5							
177		5	52 5/8	4		★ C5TZ 4602-KD	14	5	5														

NOTE 2 - Shaft assy. incl. 1480 size joint.

NOTE 3 - 2-C8TZ 5A313-A axle wedges required.

NOTE 4 - Shaft assy. incl. 1550 size joint.

NOTE 5 - With 8.5 frame.

NOTE 6 - With 9.5 frame.

NOTE 8 - "Before Ser. HG0,001"

NOTE 9 - "From Ser. HG0,001"

# 1980/ TRUCK SERIES 600/900

4602 SHAFT ASSY.-DRIVE

### APPLICATION CHART

S P E E D	TRANSMISSION		ENGINE			REAR AXLE		SIZE (INCHES)			N O T E	PART NUMBER ▲	▲ CODE		
	MODEL	T Y P E	C Y L.	C.I.D. OR MODEL	M F R. ▲	MODEL	WHEEL- BASE (INCHES)	YEAR	T Y P E ▲	A			B	Y O K E T	U- J O I N T

NOTE: ▲ REFER TO PAGE 1 OF SECTION 46.1 FOR AN EXPLANATION OF THE CHART AND THE CODES SHOWN.

### F600 -- 2/W/D SERIES -- Cont'd

5	New Process 542	G	8	370	E	15201	189		5	55 5/8	4	8	★ DOHZ 4602-BW	14	5	5		
							189		5	54 5/8	4	9	★ DOHZ 4602-BV	14	5	5		
							207,225		5	55 5/8	4		★ DOHZ 4602-BW	14	5	5		
							207,225		5	54 5/8	4	9	★ DOHZ 4602-BV	14	5	5		
							237		5	54 5/8	4	8	★ DOHZ 4602-BV	14	5	5		
							R	D140	129	80	5	41 13/16	3	3,8	★ D4TA 4602-ATA	90	3	3
									129		5	41 1/8	3	3,9	★ D4TA 4602-BRA	90	3	3
									140		5	57 5/16	4	3,8	★ D7HT 4602-ERB	90	3	3
									140		5	53 5/16	4	3,9	★ EOHT 4602-GFA	90	3	3
									153		5	65 9/16	4	3,8	★ D4HA 4602-BJA	90	3	3
									153		5	49 5/16	3	9	★ EOHT 4602-GBA	90	3	3
									170		5	49 13/16	4		★ EOHT 4602-FA	90	3	3
									170		5	51 5/16	4	9	★ EOHT 4602-GDA	90	3	3
									177		5	56 13/16	4		★ D4TA 4602-BCA	90	3	3
									177		5	57 5/16	4	9	★ D7HT 4602-ERB	90	3	3
					189,207				5	59 5/16	4		★ D4TA 4602-BEA	90	3	3		
					225				5	58 13/16	4		★ D4TA 4602-BDA	90	3	3		
					237				5	59 5/16	4		★ D4TA 4602-BEA	90	3	3		
					E	16244			129	80	5	36 7/8	3 1/2	3,5,8	★ C8HZ 4602-BB	14	5	5
									129		5	36 7/8	3 1/2	6,8	★ C8HZ 4602-BB	14	5	5
							129		5	36 5/8	3 1/2	9	★ EOHT 4602-MZA	14	5	5		
							140		5	48 5/8	4	3,8	★ C5TZ 4602-KP	14	5	5		
							140		5	48 1/8	3 1/2	3,9	★ EOHT 4602-NTA	14	5	5		
							153		5	59 5/8	4	5,8	★ D4HA 4602-AEA	14	5	5		
							153		5	59 5/8	4	3,6,8	★ D4HA 4602-AEA	14	5	5		
							153		5	60 5/8	4	5,9	★ EOHT 4602-CA	14	5	5		
							153		5	60 1/8	4	6,9	★ EOHT 4602-RGA	14	5	5		
							170		5	46 5/16	3 1/2	8	★ D1HZ 4602-F	14	5	5		
							170		5	46 1/8	3 1/2	9	★ D1HZ 4602-G	14	5	5		
							177		5	52 5/8	4		★ C5TZ 4602-KD	14	5	5		
							189		5	54 5/8	4		★ DOHZ 4602-BV	14	5	5		
							207, 225,237		5	54 5/8	4	5,8	★ DOHZ 4602-BV	14	5	5		
							207, 225,237		5	54 1/8	4	6,8	★ DOHZ 4602-BU	14	5	5		
					207,225, 237		5	54 1/8	4	9	★ DOHZ 4602-BU	14	5	5				
					R	H172	129	80	5	36 7/8	3 1/2	3,8	★ C8HZ 4602-BB	14	5	5		
							129		5	36 5/8	3 1/2	3,9	★ EOHT 4602-MZA	14	5	5		
							140		5	48 5/8	4	3,8	★ C5TZ 4602-KP	14	5	5		
							140		5	48 1/8	3 1/2	3,9	★ EOHT 4602-NTA	14	5	5		
							153		5	60 5/8	4	3,8	★ EOHT 4602-CA	14	5	5		
							153		5	60 5/8	4	3,5,9	★ EOHT 4602-CA	14	5	5		
							153		5	60 5/8	4	6,9	★ EOHT 4602-CA	14	5	5		
							170		5	46 5/16	3 1/2	3,8	★ D1HZ 4602-F	14	5	5		
							170		5	46 1/8	3 1/2	9	★ D1HZ 4602-G	14	5	5		
							177		5	52 5/8	4	3,5,8	★ C5TZ 4602-KD	14	5	5		
							177		5	52 5/8	4	5,9	★ C5TZ 4602-KD	14	5	5		
177		5	52 5/8	4			6	★ C5TZ 4602-KD	14	5	5							

- NOTE 3 - 2-C8TZ 5A313-A axle wedges required.
- NOTE 5 - With 8.5 frame.
- NOTE 6 - With 9.5 frame.
- NOTE 8 - "Before Ser. HG0,001"
- NOTE 9 - "From Ser. HG0,001"

# 1980/ TRUCK SERIES 600/900

4602 SHAFT ASSY.-DRIVE

### APPLICATION CHART

S P E E D	TRANSMISSION		ENGINE		REAR AXLE		WHEEL-BASE (INCHES)	YEAR	SIZE (INCHES)		N O T E	PART NUMBER ▲	▲ CODE		
	MODEL	T Y P E	C Y L.	C.I.D. OR MODEL	M F R.	MODEL			A	B			Y	U-JOINT	O F R E A R

NOTE: ▲ REFER TO PAGE 1 OF SECTION 46.1 FOR AN EXPLANATION OF THE CHART AND THE CODES SHOWN.

#### F600 -- 2/W/D SERIES -- Cont'd

5	New Process 542	G	8	370	R	H172	189		5	54 5/8	4	8	★ DOHZ 4602-BV	14	5	5					
							189		5	54 1/8	4	9	★ DOHZ 4602-BU	14	5	5					
							207, 225,237		5	54 5/8	4	5,8	★ DOHZ 4602-BV	14	5	5					
							207,255, 237		5	54 1/8	4	5,9	★ DOHZ 4602-BU	14	5	5					
							207, 225,237		5	54 1/8	4	6	★ DOHZ 4602-BU	14	5	5					
							R	F106	129	80	5	38 5/8	3 1/2	3,8	★ C5TZ 4602-CL	14	5	5			
									129		5	40 1/8	3 1/2	3,5,9	★ EOHT 4602-NEA	14	5	5			
									129		5	37 5/8	3 1/2	3,6,9	★ EOHT 4602-NBA	14	5	5			
									140		5	48 5/8	4	3,8	★ C5TZ 4602-KP	14	5	5			
									140		5	49 1/8	3 1/2	3,9	★ EOHT 4602-NUA	14	5	5			
					153				5	61 5/8	4		★ EOHT 4602-KA	14	5	5					
					170				5	46 5/16	3 1/2	8	★ D1HZ 4602-F	14	5	5					
					170				5	47 1/2	3 1/2	9	★ EOHT 4602-NSA	14	5	5					
					177				5	52 5/8	4	8	★ C5TZ 4602-KD	14	5	5					
					177				5	53 5/8	4	9	★ EOHT 4602-RAA	14	5	5					
					189, 207,225		5	55 5/8	4	8	★ DOHZ 4602-BW	14	5	5							
					237		5	54 5/8	4	8	★ DOHZ 4602-BV	14	5	5							
					189,207, 225,237		5	55 1/8	4	9	★ EOHT 4602-RBA	14	5	5							
					5	Spicer CM-50 Series	D	8	8.2L	D	G-175T	140	80	5	47 5/8	3 1/2	3,5	★ D9HT 4602-AKA	107	51	51
												140		5	48 5/8	3 1/2	3,6	★ D9HT 4602-ALA	107	51	51
153		5	27 5/8	3 1/2								3,5	★ D9HT 4602-KA	107	51	51					
153		5	59 5/8	4								6	★ EOHT 4602-AA	107	51	51					
170		5	45 5/8	3 1/2									★ D9HT 4602-AHA	107	51	51					
177		5	51 5/8	3 1/2									★ D9HT 4602-ARA	107	51	51					
189		5	53 5/8	3 1/2									★ D9HT 4602-ATA	107	51	51					
207		5	54 5/8	4								5	★ D9HT 4602-AUA	107	51	51					
207		5	53 5/8	3 1/2								6	★ D9HT 4602-ATA	107	51	51					
225,237		5	53 5/8	3 1/2									★ D9HT 4602-ATA	107	51	51					
E	16244	129	80	5						36 5/8	3 1/2	3	★ D9HT 4602-YA	107	51	51					
		140		5						47 5/8	3 1/2	3,5	★ D9HT 4602-AKA	107	51	51					
		140		5						54 5/8	4	3,6	★ D9HT 4602-AUA	107	51	51					
		153		5						27 5/8	3 1/2	5	★ D9HT 4602-KA	107	51	51					
		153		5						60 5/8	4	6	★ EOHT 4602-BA	107	51	51					
		170		5						45 5/8	3 1/2		★ D9HT 4602-AHA	107	51	51					
		177		5						51 5/8	3 1/2		★ D9HT 4602-ARA	107	51	51					
		189		5						53 5/8	3 1/2	5	★ D9HT 4602-ATA	107	51	51					
		189		5						54 5/8	4	6	★ D9HT 4602-AUA	107	51	51					
		207		5						54 5/8	4	5	★ D9HT 4602-AUA	107	51	51					
207		5	53 5/8	3 1/2	6	★ D9HT 4602-ATA	107	51	51												
225,237		5	53 5/8	3 1/2		★ D9HT 4602-ATA	107	51	51												

NOTE 3 - 2-C8TZ 5A313-A axle wedges required.

NOTE 5 - With 8.5 frame.

NOTE 6 - With 9.5 frame.

NOTE 8 - "Before Ser. HG0,001"

NOTE 9 - "From Ser. HG0,001"

1980/  
TRUCK SERIES 600/900

4602 SHAFT ASSY.-DRIVE

APPLICATION CHART

S P E C I F I C A T I O N	TRANSMISSION		ENGINE			REAR AXLE		WHEEL- BASE (INCHES)	YEAR	T Y P E	SIZE (INCHES)		N O T E	PART NUMBER ▲	▲ CODE		
	MODEL	T Y P E	C Y L.	C.I.D. OR MODEL	M F R.	MODEL	A				B	Y			U-JOINT	O F R E A R	

NOTE: ▲ REFER TO PAGE 1 OF SECTION 46.1 FOR AN EXPLANATION OF THE CHART AND THE CODES SHOWN.

F600 - - 2/W/D SERIES - - Cont'd

5	Spicer CM-50 Series	D	8	8.2L	R	H172	129	80	5	37 1/4	3 1/2	3	★ D9HT	4602-DZA	107	51	51
							140		5	48 5/8	3 1/2	3	★ D9HT	4602-ALA	107	51	51
							153		5	28 5/8	3 1/2	3,5	★ D9HT	4602-LA	107	51	51
							153		5	32 13/16	3	6	★ E0HT	4602-RA	90	3	3
							170		5	45 5/8	3 1/2		★ D9HT	4602-AHA	107	51	51
							177		5	51 5/8	3 1/2	5	★ D9HT	4602-ARA	107	51	51
							177		5	52 5/8	3 1/2	6	★ D9HT	4602-ASA	107	51	51
							189		5	54 5/8	4		★ D9HT	4602-AUA	107	51	51
							207		5	54 5/8	4	5	★ D9HT	4602-AUA	107	51	51
							207		5	53 5/8	3 1/2	6	★ D9HT	4602-ATA	107	51	51
							225,237		5	53 5/8	3 1/2		★ D9HT	4602-ATA	107	51	51

NOTE 3 - 2-C8TZ 5A313-A axle wedges required.

NOTE 5 - With 8.5 frame.

NOTE 6 - With 9.5 frame.

**1980/  
TRUCK SERIES 600/900**

4602		SHAFT ASSY.-DRIVE										APPLICATION CHART								
S P E E D	TRANSMISSION MODEL	ENGINE			REAR AXLE		WHEEL- BASE (INCHES)	YEAR	SIZE (INCHES)		N O T E	PART NUMBER ▲	▲ CODE							
		T Y P E	C Y L.	C.I.D. OR MODEL	M F R.	MODEL			A	B			Y	U-JOINT	O F R E A R					
<b>NOTE: ▲ REFER TO PAGE 1 OF SECTION 46.1 FOR AN EXPLANATION OF THE CHART AND THE CODES SHOWN.</b>																				
<b>1986/ CF600 (1550 JOINT SIZE)</b>																				
5	CL,CM 50 series			6.6L(170)	R	H173	153					★ E1HT 4602-EFA	107	51	51					
							171					★ D9HT 4602-AJA	107	51	51					
							189					★ E5HT 4602-AZA	107	51	51					
					R	H601	153					★ E1HT 4602-EFA	107	51	51					
							171					★ D9HT 4602-AJA	107	51	51					
							189					★ E5HT 4602-AZA	107	51	51					
					R	RS17140	153					★ E1HT 4602-EFA	107	51	51					
							171					★ D9HT 4602-AJA	107	51	51					
							207					★ D9HT 4602-AHA	107	51	51					
					R	RS17220	225					★ D9HT 4602-AHA	107	51	51					
							153					★ E1HT 4602-EFA	107	51	51					
							171					★ D9HT 4602-AJA	107	51	51					
4	Allison AT545			6.6L(170)	R	H173	153					★ E1HT 4602-EFA	107	51	51					
							171					★ D9HT 4602-AJA	107	51	51					
							189					★ E5HT 4602-AZA	107	51	51					
					R	RS17140	153					★ E1HT 4602-EFA	107	51	51					
							171					★ D9HT 4602-AJA	107	51	51					
							189					★ E5HT 4602-AZA	107	51	51					
					R	RS17220	207					★ D9HT 4602-AHA	107	51	51					
							225					★ D9HT 4602-AHA	107	51	51					
							153					★ E1HT 4602-EFA	107	51	51					
					5	CL,CM- 50 series			6.6L(170)	R	H173	153					★ E1HT 4602-EFA	107	51	51
												171					★ D9HT 4602-AJA	107	51	51
												189					★ E5HT 4602-AZA	107	51	51
R	H601	153										★ E1HT 4602-EFA	107	51	51					
		171										★ D9HT 4602-AJA	107	51	51					
		189										★ E5HT 4602-AZA	107	51	51					
R	RS17140	153					★ D9HT 4602-LA	107	51	51										
		171					★ E5HT 4602-BA	107	51	51										
		153					★ D9HT 4602-LA	107	51	51										
R	RS17220	171					★ E5HT 4602-BA	107	51	51										
		207					★ E5HT 4602-HA	107	51	51										
		225					★ E5HT 4602-HA	107	51	51										
4	Allison AT545			6.6L(170)	R	P174	153					★ E1HT 4602-EFA	107	51	51					
							171					★ D9HT 4602-AJA	107	51	51					
							189					★ E5HT 4602-AZA	107	51	51					
					R	RS17140	189					★ E5HT 4602-GA	107	51	51					
							R	RS17220												
<b>1987/ CF700 (1610 JOINT SIZE)-EXC. TRACTOR TRAILER</b>																				
5	FS-5005-A			7.8L(185)	R	RS21145	153					★ E7HT 4602-SA	91	54	54					
5	FS-5005-B			7.8L(210)	R	RS21230	171					★ E7HT 4602-ATA	91	54	54					
6	FS-5106						189					★ E7HT 4602-BEA	91	54	54					
5	FS-6105-A						207					★ E7HT 4602-ATA	91	54	54					
5	FS-6105-B						225					★ E7HT 4602-BEA	91	54	54					
A/T	MT-643																			

1980/  
TRUCK SERIES 600/900

4602		SHAFT ASSY.-DRIVE													
APPLICATION CHART															
S P E E D	TRANSMISSION	ENGINE			REAR AXLE		WHEEL-BASE (INCHES)	YEAR	SIZE (INCHES)			PART NUMBER ▲	▲ CODE		
		T Y P E	C Y L.	C.I.D. OR MODEL	M F R.	MODEL			A	B	N O T E		Y	U-JOINT	O F R E A R
NOTE: ▲ REFER TO PAGE 1 OF SECTION 46.1 FOR AN EXPLANATION OF THE CHART AND THE CODES SHOWN.															
1987/ CF800 (1610 JOINT SIZE)-EXC. TRACTOR TRAILER															
5	FS 5005-A			7.8L(210)	R	RS23160	153					★ 87HU 4602-DA	91	54	54
6	FS-5106			7.8L(240)			171					★ E7HT 4602-MEA	91	54	54
5	FS 6105-A						189					★ E7HT 4602-BDA	91	54	54
A/T	MT-643						207					★ E7HT 4602-MEA	91	54	54
							225					★ E7HT 4602-BDA	91	54	54
5	FS-5005-B			7.8L(210)	R	RS23240	153					★ E7HT 4602-NA	91	54	54
5	FS-6105-B			7.8L(240)			171					★ E7HT 4602-MEA	91	54	54
A/T	MT-643						189					★ E7HT 4602-BEA	91	54	54
							207					★ E7HT 4602-MEA	91	54	54
							225					★ E7HT 4602-BEA	91	54	54
1987/ CF700 (1710 JOINT SIZE)-EXC. TRACTOR TRAILER															
6	FS 6106			7.8L(210)	R	RS21145	153					★ E7HT 4602-MBA	57	53	53
A/T	MT-643				R	RS21230	171					★ E7HT 4602-GGA	57	53	53
							189					★ E7HT 4620-GUA	57	53	53
							207					★ E7HT 4602-GGA	57	53	53
							225					★ E7HT 4602-GUA	57	53	53
A/T	MT-653			7.8L(210)	R	RS21145	153					★ E7HT 4602-FJA	57	53	53
							171					★ E7HT 4602-GHA	57	53	53
							189					★ E7HT 4602-GUA	57	53	53
							207					★ E7HT 4602-GHA	57	53	53
							225					★ E7HT 4602-GUA	57	53	53
1987 CF800 (1710 JOINT SIZE)-EXC. TRACTOR TRAILER															
A/T	MT-643			7.8L(210)	R	RS23240	153					★ E7HT 4602-MBA	57	53	53
A/T	MT-653						171					★ E7HT 4602-GGA	57	53	53
							189					★ E7HT 4602-GTA	57	53	53
							207					★ E7HT 4602-GGA	57	53	53
							225					★ E7HT 4602-GTA	57	53	53
6	FS-6106			7.8L(210)	R	RS23160	153					★ E7HT 4602-FGA	57	53	53
A/T	MT-643			7.8L(240)			171					★ 87HU 4602-EA	57	53	53
A/T	MT-653						189					★ E7HT 4602-GRA	57	53	53
							207					★ 87HU 4602-EA	57	53	53
							225					★ E7HT 4602-GRA	57	53	53
1988/ CF800 (1710 JOINT SIZE)-EXC. TRACTOR TRAILER															
6	FS-6106			7.8L(210)	R	RS23160	153					★ E7HT 4602-FGA	57	53	53
A/T	MT-643			7.8L(240)			171					★ 87HU 4602-EA	57	53	53
A/T	MT-653						189					★ E7HT 4602-GRA	57	53	53
							207					★ 87HU 4602-EA	57	53	53
							225					★ E7HT 4602-GRA	57	53	53
A/T	MT-643			7.8L(210)	R	RS23240	171					★ E7HT 4602-GGA	57	53	53
							189					★ E7HT 4602-GTA	57	53	53
							207					★ E7HT 4602-GGA	57	53	53
							225					★ E7HT 4602-GTA	57	53	53
				7.8L(240)	R	RS23240	153					★ E7HT 4602-FHA	57	53	53
							171					★ E7HT 4602-GFA	57	53	53
							189					★ E7HT 4602-GTA	57	53	53
							207					★ E7HT 4602-GFA	57	53	53
							225					★ E7HT 4602-GTA	57	53	53
A/T	MT-653			7.8L(210)	R	RS23240	153					★ E7HT 4602-MBA	57	53	53
							171					★ E7HT 4602-GGA	57	53	53
							189					★ E7HT 4602-GTA	57	53	53
							207					★ E7HT 4602-GGA	57	53	53
							225					★ E7HT 4602-GTA	57	53	53



**1980/  
TRUCK SERIES 600/900**

4602 SHAFT ASSY.-DRIVE

**APPLICATION CHART**

S P E E D	TRANSMISSION		ENGINE		REAR AXLE		WHEEL- BASE (INCHES)	YEAR	SIZE (INCHES)		N O T E	PART NUMBER ▲	▲ CODE		
	MODEL	T Y P E	C Y L.	C.I.D. OR MODEL	M F R.	MODEL			A	B			Y O K E	U-JOINT F R E N T	R E A R

**NOTE: ▲ REFER TO PAGE 1 OF SECTION 46.1 FOR AN EXPLANATION OF THE CHART AND THE CODES SHOWN.**

**1987/ CF700 (1610 JOINT SIZE)-TRACTOR TRAILER**

5	FS-5005-B			7.8L(185)	R	RS21230	117						★ E7HT 4602-AHA	91	54	54
---	-----------	--	--	-----------	---	---------	-----	--	--	--	--	--	-----------------	----	----	----

**1987/ CF700/800 (1610 JOINT SIZE)-TRACTOR TRAILER**

6	FS-5106			7.8L(185)	R	RS21145	117						★ E7HT 4602-AGA	91	54	54
5	FS-6105-B			7.8L(210)	R	RS21230										
6	FS-5106			7.8L(210)	R	RS23160	117						★ E7HT 4602-ADA	91	54	54
5	FS-6105-B			7.8L(240)	R	RS23240										
A/T	MT-643			7.8L(185)	R	RS21145	117						★ E7HT 4602-YA	91	54	54
				7.8L(210)	R	RS21230										
A/T	MT-643			7.8L(210)	R	RS23160	117						★ E7HT 4602-UA	91	54	54
				7.8L(240)	R	RS23240										

**1987/ CF700/800 (1710 JOINT SIZE)-TRACTOR TRAILER**

6	FS-6106			7.8L(210)	R	RS21145	117						★ E7HT 4602-FRA	57	53	53
10	RT-6610			7.8L(210)	R	RS23160	117						★ E7HT 4602-FMA	57	53	53
				7.8L(240)	R	RS23160										
A/T	MT-643			7.8L(210)	R	RS21145	117						★ E7HT 4602-FMA	57	53	53
				7.8L(210)	R	RS23160	117						★ E7HT 4602-FKA	57	53	53
				7.8L(240)	R	RS23160										
A/T	MT-653			7.8L(210)	R	RS21145	117						★ E7HT 4602-FJA	57	53	53
				7.8L(210)	R	RS23160	117						★ E7HT 4602-FGA	57	53	53
				7.8L(240)	R	RS23160										

**1989 CFT800 WITH E4-380 SUSPENSION**

Note 1-"Before 12/01/88"

Note 2-"From 12/01/88"

6	FS-6106			7.8L(210)	R	RT40145	153						★ E7HT 4602-GAA	57	53	53
							171						★ E7HT 4602-GYA	57	53	53
							189						★ E7HT 4602-FNA	57	53	53
							207						★ E7HT 4602-GNA	57	53	53
							225				1		★ E7HT 4602-FNA	57	53	53
							225				2		★ E8HT 4602-KEA	57	53	53
A/T	MT-643			7.8L(240)	R	RT40145	153						★ E7HT 4602-FYA	57	53	53
							171						★ E7HT 4602-GUA	57	53	53
							189						★ E7HT 4602-FRA	57	53	53
							207						★ E7HT 4602-GRA	57	53	53
							225						★ E7HT 4602-FRA	57	53	53
A/T	MT-653			7.8L(210)	R	RT40145	153						★ E7HT 4602-FRA	57	53	53
							171						★ E7HT 4602-GRA	57	53	53
							189						★ E7HT 4602-FNA	57	53	53
							207						★ E7HT 4602-GNA	57	53	53
							225				1		★ E7HT 4602-FNA	57	53	53
							225				2		★ E8HT 4602-KEA	57	53	53
13	RT-6613			7.8L(210)	R	RT40145	153						★ E7HT 4602-FSA	57	53	53
							171						★ E7HT 4602-GTA	57	53	53
							189						★ E7HT 4602-FNA	57	53	53
							207						★ E7HT 4602-GNA	57	53	53
							225				1		★ E7HT 4602-FNA	57	53	53
							225				2		★ E8HT 4602-KEA	57	53	53

1980/  
TRUCK SERIES 600/900

4602 SHAFT ASSY.-DRIVE

APPLICATION CHART

S P E E D	TRANSMISSION		ENGINE		REAR AXLE		WHEEL- BASE (INCHES)	YEAR	T Y P E	SIZE (INCHES)		N O T E	PART NUMBER ▲	▲ CODE		
	MODEL	T Y P E	C Y L.	C.I.D. OR MODEL	M F R.	MODEL				A	B			Y	U-JOINT	O F R E A R

NOTE: ▲ REFER TO PAGE 1 OF SECTION 46.1 FOR AN EXPLANATION OF THE CHART AND THE CODES SHOWN.

1989 CFT800 WITH RTE-380 SUSPENSION

Note 1-"Before 12/01/88"

Note 2-"From 12/01/88"

6	FS-6106			7.8L(210)	R	RT40145	153						★ E7HT 4602-GCA	57	53	53
				7.8L(240)			171					★ E7HT 4602-GZA	57	53	53	
							189					★ E7HT 4602-FSA	57	53	53	
							207					★ E7HT 4602-GTA	57	53	53	
							225			1		★ E7HT 4602-FSA	57	53	53	
							225			2		★ E8HT 4602-KFA	57	53	53	
A/T	MT-643			7.8L(240)	R	RT40145	153						★ E7HT 4602-GAA	57	53	53
							171					★ E7HT 4602-GYA	57	53	53	
							189					★ E7HT 4602-FSA	57	53	53	
							207					★ E7HT 4602-GTA	57	53	53	
							225					★ E7HT 4602-FSA	57	53	53	
							225					★ E7HT 4602-FSA	57	53	53	
A/T	MT-653			7.8L(210)	R	RT40145	153						★ E7HT 4602-FSA	57	53	53
				7.8L(240)			171					★ E7HT 4602-GTA	57	53	53	
							189					★ E7HT 4602-FSA	57	53	53	
							207					★ E7HT 4602-GTA	57	53	53	
							225			1		★ E7HT 4602-FSA	57	53	53	
							225			2		★ E8HT 4602-KFA	57	53	53	
13	RT-6613			7.8L(210)	R	RT40145	153						★ E7HT 4602-FUA	57	53	53
				7.8L(240)			171					★ E7HT 4602-GUA	57	53	53	
							189					★ E7HT 4602-FSA	57	53	53	
							207					★ E7HT 4602-GTA	57	53	53	
							225			1		★ E7HT 4602-FSA	57	53	53	
							225			2		★ E8HT 4602-KFA	57	53	53	

1989 CFT800 WITH E4-400 SUSPENSION

6	FS-6106			7.8L(210)	R	RT40145	225						★ E8HT 4602-KEA	57	53	53
				7.8L(240)								★ E8HT 4602-KEA	57	53	53	
A/T	MT-653			7.8L(210)	R	RT40145	225						★ E8HT 4602-KEA	57	53	53
				7.8L(240)								★ E8HT 4602-KEA	57	53	53	
13	RT-6613			7.8L(210)	R	RT40145	225						★ E8HT 4602-KEA	57	53	53
				7.8L(240)								★ E8HT 4602-KEA	57	53	53	

1989 CFT800 WITH RTE-400 SUSPENSION

6	FS-6106			7.8L(210)	R	RT40145	225						★ E8HT 4602-KFA	57	53	53
				7.8L(240)								★ E8HT 4602-KFA	57	53	53	
A/T	MT-653			7.8L(210)	R	RT40145	225						★ E8HT 4602-KFA	57	53	53
				7.8L(240)								★ E8HT 4602-KFA	57	53	53	
13	RT 6613			7.8L(210)	R	RT40145	225						★ E8HT 4602-KFA	57	53	53
				7.8L(240)								★ E8HT 4602-KFA	57	53	53	

**1980/  
TRUCK SERIES 600/900**

YEAR	MODEL/RESTRICTIONS	PART NUMBER	DESCRIPTION	QTY.
4800	SUPPORT ASSY. (COUPLING SHAFT CENTER BEARING) - FOR MODEL APPLICATION REFER TO COUPLING SHAFT PARTS LIST SECTION 48.1 PAGE 1			
80/		D4TZ 4800-C	1.57" I.D. -3.14" O.D. Center bearing	1
80/		D5TZ 4800-A	1.57" I.D. -2.83" O.D. Center bearing	1
80/		D4TZ 4800-G	1.96" I.D. -3.54" O.D. Center bearing	1
80/		D4TZ 4800-J	2.36" I.D. -4.33" O.D. Center bearing	1
80/		D8HZ 4800-A	2.75" I.D. - 4.33" O.D. Center bearing	1
80/		D9HZ 4800-A	1.77" I.D.-3.34" O.D. Center bearing	1
4805-12	Refer to Coupling Shaft and Intermediate Coupling Shaft Parts List Section 48.1, page 1			
4808	Refer to Coupling Shaft and Intermediate Coupling Shaft Parts List Section 48.1, page 1			
4810	SHAFT ASSY. (INTERMEDIATE COUPLING)-Refer to Section 48.1, page 1			
4813	Refer to Transmission Parts List in Section 70 and A70, page 1			
4816-17	SHAFT ASSY. (COUPLING)- Refer to Coupling Shaft Parts List Section 48.1, page 1			
4818	Refer to Coupling Shaft Part List Section 48.1, page 1			
4819	Refer to Slip Yoke related parts group 4841			
4A819	NUT (COUPLING SHAFT FLANGE RETAINING)			
80/	All - - w/1610 and 1710 non-h/duty series shafts	E8HZ 4A819-A	1 1/4"-18 x 5/8" thick x 1 5/8" across flats	1
80/	All - - w/1710 hd, 1760, 1760 hd, 1810, 1810 hd. series-shafts	E0HZ 4A819-A	1 1/4"-18 x 5/8" thick x 1 5/8" across flats	1
80/89	All - - w/1880 series shafts	D8HZ 4A819-A	1 1/2"-18 x 5/8" thick x 2 3/8" across flats	1
4820	Refer to Slip Yoke related parts group 4841			
4826	Refer to Coupling Shaft Parts List Section 48.1, Page 1			
4831	Refer to Coupling Shaft Section 48.1, Page 1			
80/	B-CF600/800 - - w/1410,1480,1550, 1610 Series coupling shafts L-LN-LNT-LT-LTS700/900 - - w/1550,1610 series coupling shafts "From Ser. HA5,001" All - - w/8C,1710,1810 series coupling shafts	58674-S100	(B-121-A) Bolt (support plate to center support assy.- 1/2"-13 x 1 1/4" hex.	2
		34989-S2	(M-89-FA) nut (support plate to center support assy.- 1/2"-13 hex. lock	2
		44879-S2	(X31-G) Upper washer (support plate center support assy.)-1/2"-flat	2
		372407-S2	(XX-186-A) Lower washer (support plate to center support assy.)-1/2"	2
80/	All(except B-CF-F600/800) - - w/1410, 1480 series coupling shafts All(except B-CF-F600/800 & L-LN-LNT-LT-LTS700/900) - - w/1550,1610 series coupling shafts L-LN-LNT-LT-LTS700/900 - - w/1550, 1610 series coupling shafts "Before Ser. HA5,001" All - - w/055,6C,72N series coupling shafts	58654-S2	(B104-A) Bolt (support plate to center support assy.)-7/16"-14 x 1 1/4' hex.	2
		34988-S2	(M89-EA) Nut (support plate to center support assy.)-7/16"-14 Hex. lock	2
		380079-S2	(XX173-C) Upper washer (support plate to center support assy.)-7/16" flat	2
		375277-S	(XX165-F) Lower washer (support plate to center support assy.)-7/16" flat	2
4835	Refer to Coupling Shaft Parts Lists Section 48.1, page 1			
	PART NUMBER	IDENTIFICATION	O.D.	I.D.
4840	BEARING (COUPLING and INTERMEDIATE SHAFT SUPPORT)- For Model Application - refer to Coupling Shaft Parts List Section 48.1, Page 1			
	B5TZ 4840-A		3 11/32"	1 25/32"
	★B5TZ 4840-B	#88508	3 5/32"	1 9/16"
	r/bD4TZ 4800-C			
	★B9TZ 4840-A	#88107A	2 27/32"	1 3/8"
	r/bD4TZ 4800-A			
	★C1TT 4840-A		3 17/32"	1 31/32"
	r/bD4TZ 4800-G			
	C8TZ 4840-A		4 5/16"	2 3/8"

October, 1993

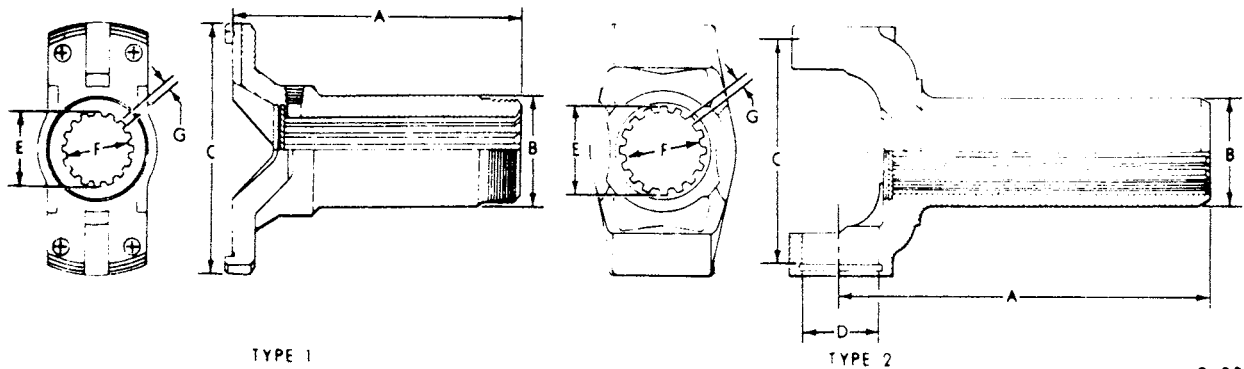
COPYRIGHT © 1993 - FORD MOTOR - DEARBORN, MICHIGAN  
COMPANY

Final Issue

# 1980/ TRUCK SERIES 600/900

4841

SLIP YOKE (UNIVERSAL JOINT)-For Driveshaft Application refer to Section 46.1, page 1  
For Coupling Shaft Application refer to Section 48.1, page 1



P. 2918

For related cap, seal and washer see related parts chart which follows

## SIZE IDENTIFICATION CHART

INDUSTRY DESIG.	DIMENSIONS (INCHES)							DRIVE- SHAFT CODE	TYPE	PART NUMBER	SPLINES
	A	B	C	D	E	F	G				
6C	7 1/8	2 3/8	5 27/32		1 13/16	1 7/16	9/32	37	1	★ C5TZ 4841-A	10
8C	9 7/16	3 1/4	8 1/2		2 1/2	2	25/64	44	1	C5TZ 4841-J	10
055	5 11/16	2 1/8	3 7/8	1 7/32	1 1/2	1 3/8	1/16	39	2	C5TZ 4841-C	32
72N	3 5/8	3 11/32	6 7/32		2 1/2	29/64	1/4	70	1	C8HZ 4841-C	16
72N	7 1/16	2 1/2	6 7/32		2	1 5/8	5/16	85	1	★ D4HZ 4841-A r/bD4HZ 4841-B	
72N	7 1/16	2 1/2	6 7/32		2	1 5/8	5/16	86	1	D4HZ 4841-B	
72N	9 9/16	2 1/2	6 7/32		1 5/16	1 5/8		87	1	D4HZ 4841-C	
1410	6 1/2	1 25/32	4 7/16	1 3/16	1 1/2	1 19/64	9/64	29	2	8MTH 4841	16
1410	5 1/4	1 45/64	4 7/16	1 3/16	1 3/8	1 3/16	1/8	30	2	TEAA 4841-A	16
1410	5 1/4	2	4 7/16	1 3/16	1 1/2	1 5/16	5/32	90	2	D4HZ 4841-D	16
1480	6 13/16	2	4 7/16	1 3/8	1 37/64	1 23/64	5/32	14	2	C1TT 4841-F	16
1550	6 7/8	2 1/4	5 5/64	1 3/8	1 3/4	1 1/2	11/64	107	2	D9HZ 4841-A	16
1550	10 1/16	2 1/4	5 5/64	1 3/8	1 3/4	1 1/2	11/64	108	2	D9HZ 4841-B	16
1600/ 1610	11 15/16	2 15/32	5 5/16	1 7/8	2	1 47/64	3/16	58	2	C6TZ 4841-P	16
1610								91		D4HZ 4841-E	
1610	9 5/16	2 3/8	5 5/16	1 7/8	2	1 47/64	13/64	118	2	★ E1HZ 4841-F	16
1650	11 1/8	2 19/32	5 25/32	1 41/64	2	1 3/4	13/64	55	2	C6TZ 4841-L	16
1700	9 19/32	2 15/16	6 3/32	2 9/32	2 1/2	2 9/64	1/4	56	2	C6TZ 4841-M	16
1700/ 1710	11 11/64	2 15/16	6 3/32	2 9/32	2 1/2	2 9/64	1/4	57	2	C6TZ 4841-N	16
1700	4 7/8	3 5/8	6 3/32	1 15/16	3 1/4	3	17/64	74	2	★ D0HZ 4841-A	18
1700	6 3/32			1 15/16				77	2	D1HZ 4841-C	
1710	7 15/32	3	6 3/32	1 15/16	2 1/2	2 9/64	1/4	78	2	D1HZ 4841-D	16
1710	9 11/32	3	6 3/32	1 15/16	2 1/2	2 9/64	1/4	81	2	D2HZ 4841-B	16
1810	11 7/8		7 35/64	1 15/16	3	2 19/32	19/64	80	2	D2HZ 4841-A	16
1760	11 5/32	2 31/32	7	1 15/16	2 1/2	2 9/64	1/4	111	2	D9HZ 4841-D	
1760	9 1/4	2 31/32	7	1 15/16	2 1/2	2 9/64	1/4	117	2	★ E1HZ 4841-A	16
1760	9 1/4	2 31/32	7	1 15/16	2 1/2	2 9/64	1/4	120		★ E2HZ 4841-A	16
1810								110		D9HZ 4841-C	
1810	8 15/16	3 5/8	7 35/64	1 5/16	3	2 19/32	19/64	109	2	★ D8HZ 4841-G	
1810	10 7/8				3	2 19/32	19/64	97	2	★ D6HZ 4841-A	16
1810	11 1/8	3 5/8	7 9/16	2	3	2 19/32	19/64	83	3	D2HZ 4841-C	

1980/  
TRUCK SERIES 600/900

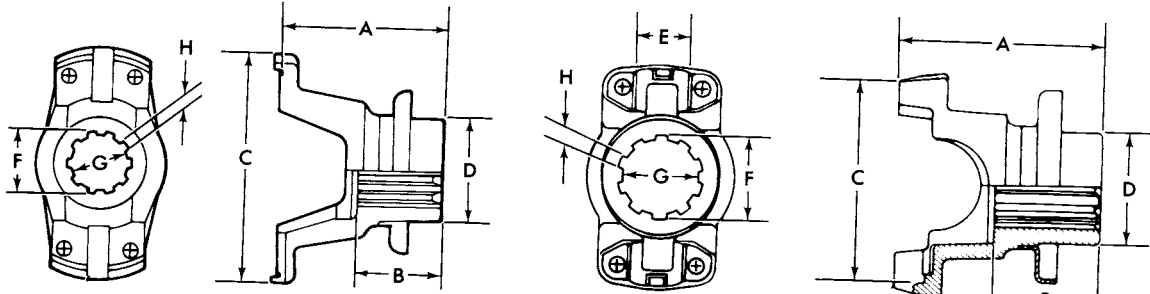
SLIP YOKE RELATED PARTS CHART

DRIVE SHAFT CODE	SLIP YOKE	INDUSTRY DESIG.	SPLINES	CAP	SEAL	WASHER
4841 SLIP YOKE (UNIVERSAL JOINT) - Cont'd						
Notes: $\Delta$ Used with type 5 shaft, † Extra long spline, \$ Long spline, $\diamond$ Short spline, X Used with type 4 shaft						
14	$\diamond$ C1TT 4841-F	1480	16	C1TT 4710-A	C1TT 4343-B	C1TT 4342-B
14	$\Delta$ C1TT 4841-F	1480	16	C1TT 4710-A	C1TT 4343-C	C1TT 4342-C
17	*C1TZ 4841-C	7C	10	B8QH 4710-B	B8QH 4820-A	B8QH 4819-A
29	8MTH 4841	1410	16	01T 7077	01T 7097	*351566-S
30	TEAA 4841-A	1410	16	01Y 7077	B3D 4820-A	B3D 4819-A
36	C3TZ 4841-F	7C	16	B4TZ 4710-A	*B8QH 4820-C	B8QH 4819-D
37	*†C5TZ 4841-A	6C	10	*B3TZ 4710-A	*B4Q 4820-A	*B4Q 4819-A
39	C5TZ 4841-C	055	32	*C5TZ 4710-C		*C5TZ 4819-C
44	C5TZ 4841-J	8C	10	B8QH 4710-A	B8QH 4820-B	B8QH 4819-C
55	C6TZ 4841-P	1610	16	C6TZ 4710-F	C6TZ 4343-C	C6TZ 4342-C
56	C6TZ 4841-M	1700	16	D1HZ 4710-A	D1HZ 4343-A	D1HZ 4342-A
57	C6TZ 4841-N	1710	16	D1HZ 4710-A	D1HZ 4343-A	D1HZ 4342-A
58	C6TZ 4841-P	1610	16	C6TZ 4710-F	C6TZ 4343-C	C6TZ 4342-C
70	C8HZ 4841-C	72N	16	*D3HZ 4710-A	*D3HZ 4343-A	*D3HZ 4342-A
74	*D0HZ 4841-A	1710	18	D1HZ 4710-B	D1HZ 4343-B	D1HZ 4342-B
76	D1HZ 4841-B	1710		D1HZ 4710-A	D1HZ 4343-A	D1HZ 4342-A
77	D1HZ 4841-C	1710		D1HZ 4710-A	D1HZ 4343-A	D1HZ 4342-A
78	D1HZ 4841-D	1710		D1HZ 4710-A	D1HZ 4343-A	D1HZ 4342-A
80	D2HZ 4841-A	1810		C7TZ 4710-A	C7TZ 4343-A	C7TZ 4342-A
80	D2HZ 4841-A	1810		E3HZ 4710-A 1 PC DESIGN		
81	D2HZ 4841-B	1710		D1HZ 4710-A	D1HZ 4343-A	D1HZ 4342-A
83	D2HZ 4841-C	1810				
84	D3HZ 4841-A	72N	16	*D4HZ 4710-A	D3HZ 4343-B	D3HZ 4342-B
86	D4HZ 4841-B	72N		*D4HZ 4710-A	*D4HZ 4343-C	*D4HZ 4342-B
87	D4HZ 4841-C	72N		*D4HZ 4710-A	*D4HZ 4343-C	*D4HZ 4342-B
90	D4HZ 4841-D	1410		01T 7077	D4HZ 4343-B	D4HZ 4342-A
91	D4HZ 4841-E	1610		C6TZ 4710-F	C6TZ 4343-C	C6TZ 4342-C
97	D6HZ 4841-A	1810	16	C7TZ 4710-A	C7TZ 4343-A	C7TZ 4342-A
102	D8HZ 4841-B	1710	16	D1HZ 4710-A	D1HZ 4343-A	D1HZ 4342-A
106	D8HZ 4841-F	1610	16	C6TZ 4710-F	C6TZ 4343-C	C6TZ 4342-C
107	$\Delta$ D9HZ 4841-A	1550		D9HZ 4710-A	D9HZ 4343-B	D9HZ 4342-B
107	XD9HZ 4841-A	1550		D9HZ 4710-A	D9HZ 4343-A	D9HZ 4342-A
108	D9HZ 4841-B	1550	16	D9HZ 4710-A	D9HZ 4343-A	D9HZ 4342-A
109	D8HZ 4841-G	1810	16	E3HZ 4710-A 1 PC DESIGN		
110	D9HZ 4841-C	1810	16	E3HZ 4710-A 1 PC DESIGN		
111	D9HZ 4841-D	1760		D9HZ 4710-B	NONE	NONE
112	E1HZ 4841-A	1610		E1HZ 4710-A	E1HZ 4343-A	E1HZ 4342-A
113	E1HZ 4841-B	1610		E1HZ 4710-B	NONE	NONE
114	E1HZ 4841-C	1610		C6TZ 4710-F	C6TZ 4343-C	C6TZ 4342-C
115	E1HZ 4841-D	1610		E1HZ 4710-B	NONE	NONE
116	E1HZ 4841-E	1610		E1HZ 4710-B	NONE	NONE
117	*E1HZ 4841-A	1760	16	D9HZ 4710-B	NONE	NONE
118	*E1HZ 4841-F	1610	16	C6TZ 4710-F	C6TZ 4343-C	C6TZ 4342-C
119	E3HZ 4841-A	1610	16			
120	E2HZ 4841-A	1760	16	D9HZ 4710-B	None	None

1980/  
TRUCK SERIES 600/900

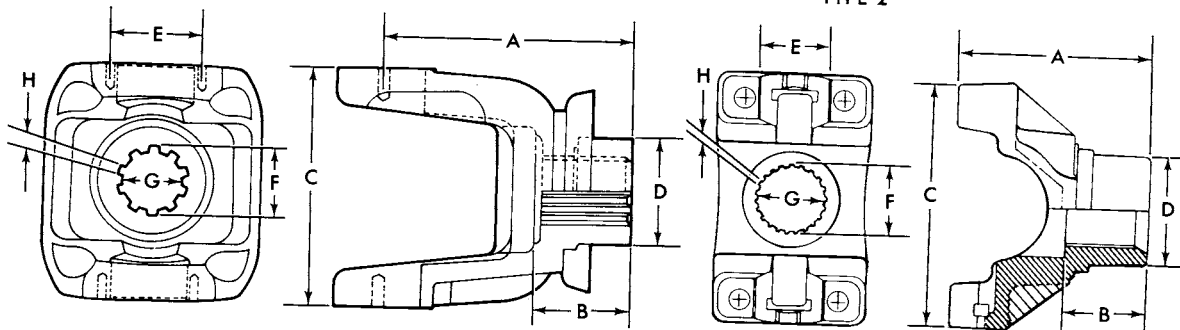
4851

FLANGE ASSY. (UNIVERSAL JOINT AXLE END)-For Rear Axle Application refer to Parts List Section 40,  
page 1



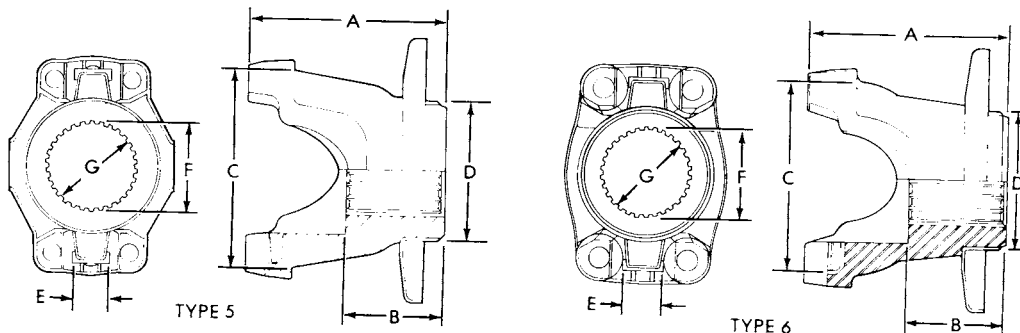
TYPE 1

TYPE 2



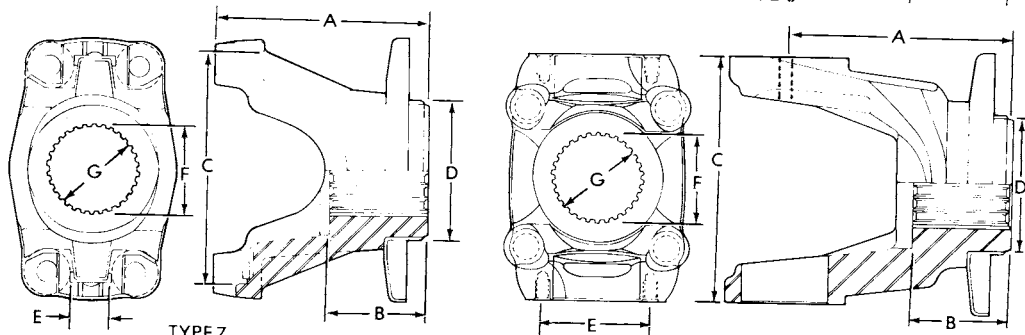
TYPE 3

TYPE 4



TYPE 5

TYPE 6



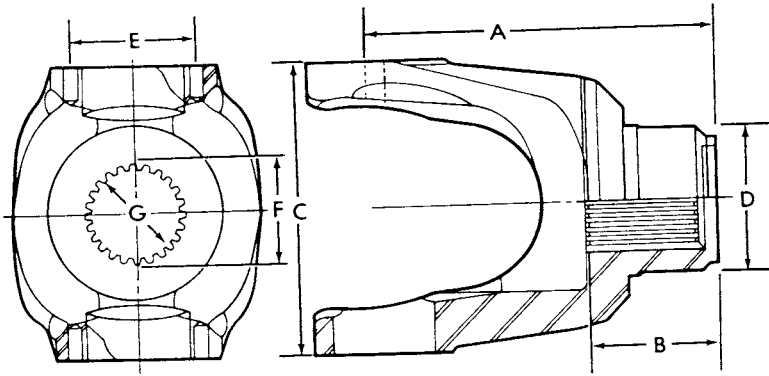
TYPE 7

TYPE 8

P-16279

4851

FLANGE ASSY. (UNIVERSAL JOINT AXLE END)-For Rear Axle Application refer to Parts List Section 40,  
page 1



TYPE 9

P-16999

1980/  
TRUCK SERIES 600/900

**SIZE IDENTIFICATION CHART**

T Y P E	DIMENSIONS (INCHES)								IDENTIFICATION	N S U P P L I E R S	IND. DESIG.	PART NUMBER
	A	B	C	D	E	F	G	H				
<b>4851 FLANGE ASSY. (UNIVERSAL JOINT AXLE END)</b>												
1	3 5/16	2 1/4	5 27/32	2 5/8		1 3/4	1 17/32	9/32		10	6C	TGAA 4851-B
1	3 3/8	2 1/8	6 7/32	2 3/8		1 5/8	1 21/32	1/4	M2275	10	7C	D0HZ 4851-A
1	3 1/2		6 7/32	2 5/8		1 31/32			64430- 11621033-J	10	7C	B8QH 4351-A
1	3 1/2	2 1/4	6 7/32	2 5/8		1 3/4	1 17/32	9/32		10	7C	B8QH 4851-B
1	3 13/16		8 1/2	2 15/16		2			H2166 110X 10013J	10	8C	C1TT 4351-A
1	3 7/8		8 1/2	2 5/8		1 31/32			8081-J	10	8C	B8QH 4351-C
1	3 15/16	2 9/16	5 27/32	2 15/16		2	1 53/64	5/16	R2358	10	6C	D0HZ 4851-E
1	3 15/16	2 9/16	6 7/32	2 11/16		2 1/16		5/16	J2168	10	7C	★C1TT 4351-B
1	4 3/16	2 3/16	5 27/32	2 5/8		1 3/4	1 17/32	9/32		10	6C	B7T 4851-C
1	4 1/4	3	6 7/32	3		2 1/4	1 15/16	11/32	W1687	10	7C	C3TZ 4851-B
1	4 1/4	3	8 1/2	2 15/16		2 5/32	1 59/64	13/64	43667	16	8C	C4TZ 4851-B
1	4 1/4	2 1/2	6 7/32	2 15/16		2 5/32	1 59/64	13/64	64061	16	7C	C4TZ 4851-C
1	4 1/4	2 1/4		2 1/2		1 25/32				34	1550	E0HZ 4851-E
1	4 3/8	2 1/4	6 7/32	2 5/8		1 3/4	1 17/32	9/32		10	7C	B8QH 4851-C
1	4 3/8	2	6 7/32	2 5/8		1 31/32	1 49/64	19/64	56818	10	7C	C4TZ 4851-D
1	4 3/8		6 7/32	2 5/3		1 3/4				10	7C	B8QH 4465-B
1	4 1/2	2 1/4	6 7/32	2 3/4		1 3/4	1 9/16	17/64	X2546	10	7C	★C1TT 4851-D r/bC1TZ 4851-A
1	4 1/2	2 1/4	6 7/32	2 3/4		1 3/4	1 9/16	17/64		10	7C	C1TZ 4851-A
1	4 1/2	2 1/4	6 7/32	2 3/4		1 3/4	1 9/16	17/64	X2546	10	7C	C1TT 4851-E
									72NYS36-84A		72N	D7HZ 4851-C
									82NYS28-29A		82N	D7HZ 4851-B
1	4 3/4	2 3/4	8 1/2	3		2 1/4	1 15/16	11/32	U1815	10	8C	C3TZ 4351-F
2	3 1/32	2 1/8	4 3/16	2 3/8		1 5/8	1 31/64	1/4	J2298	10	1410	C3TZ 4851-K
2	3 1/2	1 3/4	4 3/16	2 13/64	1 3/16	1 3/8	1 3/16			10	1410	E4HZ 4851-P
2	3 1/2	2 3/16	4 3/16	2 1/4	1 3/8	1 1/2	1 19/64			10	1480	E4HZ 4851-M
2	3 7/8	2 3/16	4 3/16	2 3/8	1 3/16	1 1/2	1 19/64			10	1410	E4HZ 4851-L
2	4	1 3/4	4 7/16	2 3/8	1 3/16	1 1/2	1 9/32	15/64	AB-1848	10	1410	8TH 4851
2	4	1 3/4	4 7/16	2 3/8	1 3/16	1 1/2	1 9/32	15/64	A4B-1848	10	1410	D5TZ 4851-C
2	4	2 3/16	4 31/32	2 1/2	1 3/8	1 1/2	1 19/64			10	1550	E4HZ 4851-N
2	4	2 1/4	4	2 3/8	1 29/32	1 1/2	1 9/32	19/64		10	1550	E3HZ 4851-D
2	4 1/32	2 3/16	4 3/16	2 5/8	1 3/16	1 3/4	1 17/32	9/32		10	1410	B6Q 4851-A
2	4 3/16	2 3/16	4 3/16	2 1/4	1 9/32	1 1/2	1 9/64	15/64	AX2468	10	1480	C7TZ 4851-G
2	4 3/16	2 3/16	4 3/16	2 1/4	1 9/32	1 1/2	1 9/64	15/64	A2X-2468	10	1480	D5HZ 4851-A
2	4 3/16	2 3/16	4 3/16	2 1/4	1 9/32	1 1/2	1 19/64		57451	10	1480	C8TZ 4851-B
2	4 3/16	2 1/4	4 3/16	2 17/32	1 3/16	1 3/4	1 21/32			34	1410	E4HZ 4851-R
2	4 7/32	1 5/8	4 3/16	2 13/32	1 9/32	1 5/8	1 15/32		V2206	10	1480	C1TT 4851-H
2	4 5/16	2 1/4	4 3/16	2 5/8	1 3/8	1 3/4	1 17/32	17/64	42200	10	1480	C1TT 4851-J
2	4 15/32	2 1/4	4 3/16	2 17/32	1 1/64	1 3/4	1 21/32			34	1480	E4HZ 4851-S
2	4 11/16	2 1/4	4 31/32	2 17/32	1 1/64	1 49/64	1 21/32			34	1440	E4HZ 4851-T
2	4 25/32	2 5/16	4 31/32	3	1 3/8	2 1/32	1 29/32	3/32	F318	39	1550	E7HZ 4851-M
2	5 3/16	2 1/4	6 3/16	2 1/2	1 15/16	1 25/32	1 21/32	3/32	N1236	34	1710	E7HZ 4851-K
2	5 1/4	2 1/4	5 5/16	2 1/2	1 7/8	1 25/32	1 21/32	3/32	J1232	34	1610	E7HZ 4851-J
2	5 1/4	2 5/16	5 5/16	3	1 7/8	2 1/32	1 29/32	3/32	K1233	39	1610	E7HZ 4851-N
2	5 5/16	2 21/64	5 5/16	3 1/4	1 7/8	2 3/8	2 1/4	3/32	L1234	46	1610	E7HZ 4851-R
2	5 3/8	2 5/16	7 3/32	3 1/4	1 15/16	2 3/8	2 1/4	3/32	P1264	46	1760	E8HZ 4851-A



1980/  
TRUCK SERIES 600/900

SIZE IDENTIFICATION CHART

T Y P E	DIMENSIONS (INCHES)								IDENTIFICATION	N S U P P L I E R S	IND. DESIG.	PART NUMBER
	A	B	C	D	E	F	G	H				
4851 FLANGE ASSY. (UNIVERSAL JOINT AXLE END) — Cont'd												
2	5 15/32	2 5/16	7 21/32	3 1/4	1 15/16	2 3/8	2 1/4	3/32	L1260	46	1810	E8HZ 4851-B
2	5 11/16	2 21/64	6 3/16	3 1/4	1 15/16	2 3/8	2 1/4	3/32	G1229	46	1710	E7HZ 4851-S
2	5 7/8	2 7/8	5 5/16	3 1/4	1 7/8	2 3/8	2 1/4	3/32	M1235	46	1610	E7HZ 4851-W
2	5 15/16	2 7/8	7 3/32	3 1/4	1 15/16	2 3/8	2 1/4	3/32	Q1265	46	1760	E8HZ 4851-C
2	6	2 1/4	5 5/16	2 5/8	2 5/16	1 3/4	1 17/32	17/64	5-3901	10	1610	C6TZ 4851-T
2	6	2 1/4	5 5/16	2 5/8	2 5/16	1 31/32	1 49/64		5-3911	10	1610	C6TZ 4851-U
2	6	2 7/8	7 21/32	3 1/4	1 15/16	2 3/8	2 1/4	3/32	K1259	46	1810	E8HZ 4851-D
2	6 1/4	2 7/8	6 3/16	3 1/4	1 15/16	2 3/8	2 1/4	3/32	H1230	46	1710	E7HZ 4851-X
3	3 1/8	2 7/16	5 5/16	2 3/4		2 1/64	1 29/32			39	1610	D8HZ 4465-C
	3 3/4	2 1/4	6 7/32	2 1/2		1 25/32				34	7C	D7HZ 4851-F
3	4	2 3/16	4 31/32	2 1/4	1 29/32					10	1550	E3HZ 4851-E
	4 1/4	2 1/4	5 27/32	2 1/2		1 25/32				34	6C	D7HZ 4851-E
	4 15/32	2 1/4		2 1/2		1 25/32				34	1480	D7HZ 4851-D
3	4 1/2	2 1/4	6 3/32	2 5/8	2 7/16	1 31/32	1 49/64	5/16	6-3371	10	1710	C6TZ 4351-A
3	4 7/8	2 5/8	5 5/16	2 1/2	2 5/16	1 3/4	1 21/32			34	1610	E1HZ 4851-A
3	5	2 1/2	8 3/32	3 1/2	2 13/16	2 5/32	1 29/32	13/64	8-571	16	1880	★D8HZ 4351-A
3	5 1/16	2 21/64	7	3 1/4	1 15/16	2 3/8	2 1/4	3/32	V360	46	1760	E7HZ 4851-T
3	5 5/32	2 21/64	7 9/16	3 1/4	1 15/16	2 3/8	2 1/4	3/32	C1147	46	1810	E7HZ 4851-V
3	5 3/16	2 9/16	6 3/32	2 15/16	2 7/16	2	1 13/16	5/16	6-3241-L1000	10	1710	C6TZ 4351-B
3	5 3/16	2 1/2	6 3/32	2 15/16					6-6031	44	1710	E6HZ 4351-A
3	5 3/16	2 1/2	6 3/32	3	2 7/16	2 5/32	1 29/32	7/32		16	1710	D8HZ 4351-K
3	5 3/16	2 7/16	6 3/32	3 5/32	2 7/16	2 1/32	1 29/32	3/32		39	1710	D8HZ 4351-L
3	5 3/16	2 7/16	7 9/16	3	2 7/16	2 1/32	1 29/32	3/32		39	1810	D8HZ 4351-M
3	5 1/4	2 1/2	7 9/16	3	2 7/16	2 25/32	1 29/32	7/32		16	1810	D8HZ 4351-P
3	5 5/16	2 5/8	5 5/16	3 1/4	2 5/16	2 3/8	2 1/4	3/32		46	1610	E2HZ 4351-E
3	5 7/16	2 5/8	7	3 1/4	2 7/16	2 3/8	2 17/64	5/64		46	1760	E2HZ 4351-D
3	5 7/16	2 5/8	7 9/16	3 13/32	2 7/16	2 3/8	2 17/64	3/32	6 1/2-4-2701	46	1810	D8HZ 4351-E
3	5 5/8	2 1/4	7 17/32	2 5/8	1 7/32	1 31/32	1 3/4	5/16	6 1/2-4-2001	10	1810	D1HZ 4351-C
3	5 5/8	2 7/8	7	3 1/4	1 15/16	2 3/8	2 1/4	3/32	R356	46	1760	E7HZ 4851-Y
3	5 11/16	2 5/8	6 3/32	3 13/32	2 7/16	2 3/8	2 17/64	3/32	6-5451	46	1710	D8HZ 4351-F
3	5 11/16	2 7/8	7 9/16	3 1/4	1 15/16	2 3/8	2 1/4	3/32	U73	46	1810	E7HZ 4851-Z
3	5 13/16	3	6 3/32	3 7/16	2 7/16	2 13/32	2 1/8	3/16	6-4581	18	1710	D8HZ 4351-C
3	5 13/16	3	7 9/16	3 7/16	2 7/16	2 13/32	2 1/8	3/16		18	1810	D8HZ 4351-J
3	5 31/32	2 1/4	6 3/32	2 31/32	2 7/16	1 25/32	1 21/32	3/32		34	1710	D8HZ 4851-F
3	5 31/32	2 1/4	6 3/32	2 31/32	2 7/16	1 25/32	1 21/32	3/32		34	1710	D8HZ 4465-B
3	6	2 1/4	5 5/16	2 3/4	2 5/16	1 3/4	1 35/64	17/64	5-3861	10	1610	C6TZ 4851-AA
3	6	2 1/4	5 5/16	2 5/8	2 5/16	1 3/4	1 17/32	17/64	5-3901	10	1610	C6TZ 4465-A
3	6	2 1/4	5 5/16	2 5/8	2 5/16	2 1/32	1 29/32		5-5961	39	1610	E2HZ 4851-A
3	6	2 1/4	5 5/16	2 3/4	2 5/16	1 3/4	1 9/16	14/64	5-3861	10	1610	C6TZ 4465-B
3	6 1/32	2 1/4	5 5/16	2 31/32	2 5/16	1 25/32	1 21/32	3/32		34	1610	D8HZ 4465-A
3	6 1/32	2 1/4	5 5/16	2 31/32	2 5/16	1 25/32	1 21/32	3/32		34	1610	D8HZ 4851-E
3	6 1/32	2 1/4	6 3/32	2 3/4	2 7/16	1 3/4	1 9/16	9/32		10	1710	D1HZ 4465-A
3	6 1/16	3	3			2 1/4	1 15/16	11/32	17NYS36-A2	10	1710	E6HZ 4851-D
3	6 1/8	2 1/4	6 3/32	2 5/8	2 7/16	1 31/32	1 49/64	5/16	6-4151	10	1710	C7TZ 4851-E
3	6 1/8	2 1/4	6 3/32	2 5/8	2 7/16	2 1/32	1 29/32		6-6011	39	1710	E2HZ 4851-B
3	6 1/4	2 1/4	6 3/32	2 3/4	2 7/16	1 3/4	1 17/32	17/64	6-4091	10	1710	C7TZ 4851-B
3	6 1/4	2 1/4	6 3/32	2 5/8	2 7/16	1 3/4	1 17/32	17/64	6-4141	10	1710	C7TZ 4851-D
3	6 1/4	2 1/4	6 3/32	2 5/8	2 7/16	1 3/4	1 17/32	9/32	6-4141	10	1710	C7TZ 4465-B
3	6 1/4	2 5/16	6 3/32	3 5/32	2 7/16	2 1/64	1 29/32	3/32	6-6371	39	1710	E3HZ 4851-A

1980/  
TRUCK SERIES 600/900

SIZE IDENTIFICATION CHART

TYPE	DIMENSIONS (INCHES)								IDENTIFICATION	N S U P M L B I E N R E S	IND. DESIG.	PART NUMBER
	A	B	C	D	E	F	G	H				
4851 FLANGE ASSY. (UNIVERSAL JOINT AXLE END) — Cont'd												
3	6 1/4	2 7/16	5 5/16	2 3/4		2 1/64	1 29/32			39	1610	D8HZ 4851-G
3	6 1/2	1 5/8	6 3/32	2 3/4	2 7/16					39	1710	D7HZ 4851-H
3	6 1/2	2 7/16	6 3/32	2 3/4		2 1/64	1 29/32			39	1710	D8HZ 4465-D
3	6 1/2	2 7/16	6 3/32	2 3/4		2 1/64	1 29/32			39	1710	D8HZ 4851-H
3	6 5/8	3	6	2 13/16	2 7/16	2 9/64	1 29/32	13/64	6-4591	16	1710	D8HZ 4851-A
3	6 5/8	3	6 3/32	2 13/16	2 7/16	2 9/64	1 29/32	13/64	6-4591	16	1710	D8HZ 4465-F
3	6 23/32	3	5 3/16	2 13/16	2 5/16	2 9/64	1 29/32	13/64	5-5501	16	1610	D8HZ 4465-E
3	6 23/32	3	5 5/16	3	2 5/16	2 9/64	1 29/32	13/64	5-5501	16	1610	D8HZ 4851-B
3	5 13/16	2 7/8	7 9/16	2 15/16	2 7/16	2 1/4	1 15/16	13/64	6 1/2-4-2291	16	1810	D2HZ 4851-B
4	4 9/32	2 1/4	4 31/32	2 5/8	1 3/8	1 31/32	1 49/64	5/16	4-4-2431	10	1550	D9HZ 4351-A
4	4 19/32	2 9/16	4 31/32	2 31/32	1 3/8	2	1 13/16	5/16	4-4-2441	10	1550	★D9HZ 4351-B
4	4 21/32	2 1/4	4 31/32	2 5/8	1 3/8	1 3/4	1 17/32	9/32	4-4-1901	10	1550	D9HZ 4851-A
4	4 3/4	2 5/16	5 9/16	3	1 3/8	2 1/32	1 29/32	3/32	4-4561	39	1550	E3HZ 4351-A
4	4 13/16	2 1/4	7 1/2	3 1/2	1 1/16	1 31/32	1 25/32	5/16		10	1710	E7HZ 4851-D
4	5 1/8	2 1/4	6 3/4	2 11/16	1	1 3/4	1 17/32	9/32		10	1610	E7HZ 4851-A
4	5 3/32	2 1/4	6 3/4	2 11/16	1	1 31/32	1 3/4	5/16		10	1610	E7HZ 4851-B
4	5 1/4	2 5/16	6 3/4	3 5/32	1	2 1/32	1 29/32			39	1610	E7HZ 4351-G
4	5 3/8	2 1/2	6 3/4	3	1	2 9/32	2 5/32			44	1610	E7HZ 4351-C
4	5 15/32	2 5/16	7 1/2	3 5/32	1 1/16	2 1/32	1 29/32			39	1710	E7HZ 4351-H
4	5 1/2	2 1/2	7 1/2	3	1 1/16	2 9/32	2 5/32			44	1710	E7HZ 4351-D
4	5 1/2	2 5/8	6 3/4	3 13/32	1	2 3/8	2 1/4			46	1610	E7HZ 4351-E
4	5 9/16	2 1/4	7 1/2	2 5/8	1 1/16	1 3/4	1 17/32	9/32	10		1710	E7HZ 4851-C
4	5 13/16	3	7 1/2	3	1 1/16	2 5/32	1 29/32	7/32		16	1710	E7HZ 4851-F
4	5 27/32	3	7 9/16	2 15/16	2 7/16	2 1/4	1 15/16	5/32	6 1/2-4-1911	16	1810	D1HZ 4851-A
	5 1/2	3	6 3/32	2 15/16	2 7/16	2 9/64	1 29/32	13/64	6-2181	16	1710	C6TZ 4851-R
4	6	2 5/8	7 1/2	3 13/32	1 1/16	2 3/8	2 1/4			46	1710	E7HZ 4351-F
4	6	3	6 3/4	3 5/32	1	2 1/4	1 15/16	11/32		10	1610	E7HZ 4851-G
4	6 1/8	3	7 1/2	3 7/16	1 1/16	2 13/32	2 1/8			18	1710	E7HZ 4351-B
4	6 3/8	3	7 1/2	3 5/32	1 1/16	2 1/4	1 15/16	11/32		10	1710	E7HZ 4851-H
4	6 1/2	3	6 3/4	3 7/16	1	2 13/32	2 1/8			18	1610	E7HZ 4351-A
4	6 5/8	3	6 3/4	3	1	2 5/32	1 29/32	7/32		16	1610	E7HZ 4851-E
5	4 7/32	2 1/8	4 3/16	2 7/8	13/16	1 63/64	1 7/8			38	1410	E0HZ 4851-A
6	4 9/32	2 1/8	4 3/16	2 7/8	57/64	1 63/64	1 7/8			38	1480	E0HZ 4851-B
7	3 7/8	2 3/16	4 3/16	2 3/8	13/16	1 1/2	1 9/32			10	1410	E4HZ 4851-A
7	3 31/32	2 3/16	4 31/32	2 3/8	57/64	1 1/2	1 9/32			10	1550	E4HZ 4851-E
7	4	2 3/16	4 3/16	2 5/8	13/16	1 3/4	1 17/32			10	1410	E4HZ 4851-B
7	4 3/16	2 3/16	4 3/16	2 3/8	57/64	1 1/2	1 9/32			10	1480	E4HZ 4851-C
7	4 7/32	2 1/16	4 3/16	3 1/32	13/16	2	1 7/8			38	1410	E4HZ 4851-G
7	4 9/32	2 1/8	4 3/16	3 1/32	57/64	2	1 7/8			38	1480	E4HZ 4851-H
7	4 9/32	2 1/4	4 3/16	2 5/8	57/64	1 3/4	1 17/32			10	1480	E4HZ 4851-D
7	4 9/32	2 1/4	4 31/32	2 11/16	57/64	1 31/32	1 25/32			10	1550	E4HZ 4851-K
7	4 9/16	2 1/8	4 31/32	2 7/8	57/64	1 63/64	1 7/8			38	1550	E0HZ 4851-C
7	4 9/16	2 1/8	4 31/32	3 1/32	57/64	2	1 7/8			38	1550	E4HZ 4851-J
7	4 21/32	2 1/4	4 31/32	2 5/8	57/64	1 3/4	1 17/32			10	1550	E4HZ 4851-F
8	4 3/4	1 5/8	5 5/16	2 11/16	2 5/16	1 3/4	1 9/16		50568	10	1610	E3HZ 4851-C
8	4 27/32	2 1/8	5 5/16	2 7/8	2 5/16	1 63/64	1 7/8			38	1610	E0HZ 4851-D
8	4 27/32	2 1/8	5 5/16	3 1/32	2 5/16	2	1 7/8			38	1610	E6HZ 4851-F
8	4 27/32	2 1/8	6 3/32	3 1/32	2 7/16	2	1 7/8			38	1710	E6HZ 4851-G
8	4 7/8	2 1/4	6 3/32	2 17/32	2 7/16	1 49/64	1 21/32		3260-H-8	34	1710	E6HZ 4851-E
8	4 7/8	2 5/16	5 5/16	3	2 5/16	2 1/64	1 29/32		5-6421	39	1610	E3HZ 4351-E

1980/  
TRUCK SERIES 600/900

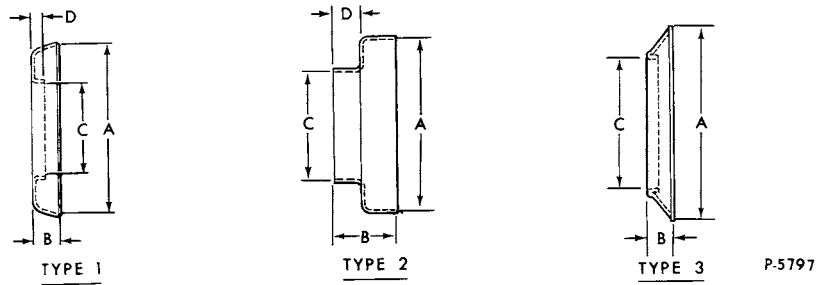
SIZE IDENTIFICATION CHART

TYPE	DIMENSIONS (INCHES)								IDENTIFICATION	NS U P M L B I D E N E S	IND. DESIG.	PART NUMBER
	A	B	C	D	E	F	G	H				
4851 FLANGE ASSY. (UNIVERSAL JOINT AXLE END) — Cont'd												
8	5	2 1/2	5 5/16	2 15/16	2 5/16	2 17/64	2 5/32		5-6371	44	1610	E3HZ 4351-B
8	5 5/32	2 5/16	6 3/32	3	2 7/16	2	1 29/32		3260-Q-121	39	1710	E1HZ 4351-C
8	5 3/16	2 5/16	7	3	2 7/16	2 1/64	1 29/32		6.3-531	39	1760	E3HZ 4351-F
8	5 3/16	2 5/16	7 9/16	3	2 7/16	2	1 29/32		3260-L-116	39	1810	E1HZ 4351-D
8	5 1/4	2 1/4	6 3/32	2 5/8		1 3/4	1 17/32		6-3391	10	1710	E6HZ 4851-C
8	5 1/4	2 1/2	7	2 15/16	2 7/16	2 9/32	2 5/32		6.3-321	44	1760	E2HZ 4351-A
8	5 1/4	2 1/2	7 17/32	2 15/16	2 7/16	2 9/32	2 5/32		6.5-3271	44	1810	E2HZ 4351-B
8	5 5/16	2 5/8	5 5/16	3 1/4	2 5/16	2 3/8	2 1/4		5-5401	46	1610	E3HZ 4351-C
8	5 3/8	2 9/16	7	2 21/32	2 7/16	2	1 13/16	5/16	6.3-71	10	1760	E1HZ 4351-A
8	5 5/8	2 1/4	7	2 5/8	2 7/16	1 3/4	1 17/32	17/64	6.3-561	10	1760	E1HZ 4851-D
8	5 5/8	2 1/4	7	2 5/8	2 7/16	1 31/32	1 49/64	5/16	6.3-111	10	1760	E1HZ 4851-C
8	5 5/8	3	5 5/16	3 5/32	1 7/8	2 1/4	1 15/16			10	1610	E4HZ 4851-V
8	5 11/16	2 5/8	6 3/32	3 1/4	2 7/16	2 3/8	2 17/64		A-3280-U-6729	46	1710	E1HZ 4351-E
8	5 13/16	3	7	2 15/16	2 7/16	2 9/64	1 29/32	13/64	6.3-141	16	1760	D9HZ 4851-B
8	5 27/32	3	7	3	2 7/16	2 1/4	1 15/16	11/32	6.3-91	10	1760	E1HZ 4851-B
8	5 27/32	3	7	3 5/32	1 15/16	2 1/4	1 15/16			10	1760	E4HZ 4851-W
8	5 27/32	3	7 17/32	3 5/32	1 15/16	2 1/4	1 15/16			10	1810	E4HZ 4851-X
8	5 31/32	2 1/4	6 3/32	2 31/32	2 7/16	1 3/4	1 21/32		3260-W-127	34	1710	E1HZ 4465-B
8	6	3	7	3 7/16	2 7/16	2 13/32	2 1/8	3/16	6.3-131	18	1760	E1HZ 4351-B
8	6 1/32	2 1/4	5 5/16	2 1/2	2 7/32	1 3/4	1 21/32		3260-U-125	34	1610	E1HZ 4465-A
8	6 7/32	2 5/16	5 5/16	3	2 7/32	2	1 29/32		3260-H-112	39	1610	E1HZ 4851-E
8	6 1/4	2 5/16	6 3/32	3 5/32	2 7/16	2	1 29/32		A-3260-P-120	39	1710	E1HZ 4851-F
8	6 1/4	2 7/16	5 5/16	2 3/4	2 5/16	2 1/32	1 13/16		3260-E-135	39	1610	E1HZ 4465-C
8	6 1/4	2 7/16	5 5/16	2 3/4	2 5/16	2 1/32	1 13/16		A-3260-E-135	39	1610	E1HZ 4851-G
8	6 1/4	2 7/16	5 5/16	2 3/4						39	1610	E5HZ 4851-A
8	6 1/2	2 5/16	7	3	2 7/16	2 1/32	1 29/32			39	1760	E2HZ 4351-C
8	6 1/2	2 7/16	6 3/32	2 1/32	2 7/16	2 1/32	1 13/16		3280-X-6758	39	1710	E1HZ 4465-D
8	6 1/2	2 7/16	6 3/32	2 3/4						39	1710	E5HZ 4851-B
9	6 3/16	2 7/16	5 5/16	2 5/8	2 5/16	1 25/32	1 21/32		5-6351	34	1610	E2HZ 4465-A
9	6 5/16	2 7/16	6 3/32	2 5/8	2 5/16	1 25/32	1 21/32		6-6451	34	1710	E2HZ 4465-B
									47999		1550	E0HZ 4851-F
									5-4-5111X		1610	D4HZ 4851-C
									5-4-5121X		1610	D5HZ 4851-D
									5-4-5131X		1610	D5HZ 4851-C
									5-4-5141X		1610	D4HZ 4851-A
									5-4-5161X		1610	D4HZ 4851-B
											1610	E8HZ 4465-A

4852 Refer to group 7089

1980/  
TRUCK SERIES 600/900

4859 DEFLECTOR (REAR AXLE DRIVE PINION OIL SEAL)-For Rear Axle Application refer to Parts List Section 40, page 1

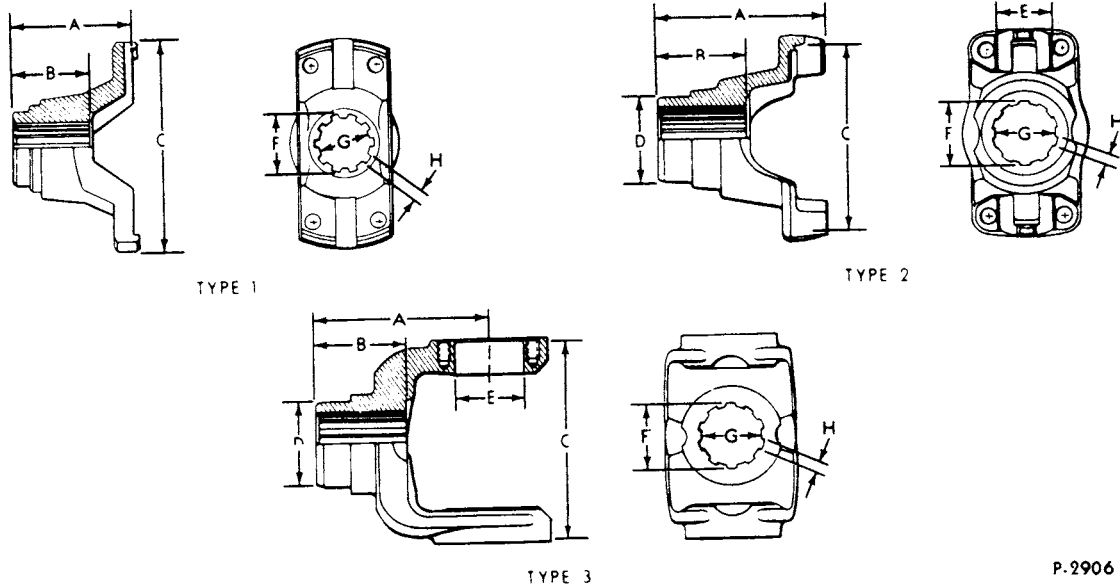


SIZE IDENTIFICATION CHART

TYPE	DIMENSION (INCHES)				S-SPICER	F-FORD	T-TIMKEN	PART NUMBER
	A	B	C	D	VENDOR PART NUMBER			
4859	DEFLECTOR (REAR AXLE DRIVE PINION OIL SEAL)-For Rear Axle Application refer to Parts List — Cont'd Section 40, page 1							
1	4 13/16	1				2297-D-3410		D7HZ 4859-A
1	5	11/16	3	7/16	E	85418		D2HZ 4859-A
1	5 1/8	11/16	2 15/16	3/8	T	2297-C-627		★C1TT 4859-C
1	5 3/8	7/8	3 1/8	3/8	T	2847-P-328		C3TZ 4859-A
1	5 3/4	15/16	3 3/8	3/8		2297-D-2708-S		D7HZ 4859-B
2	4	19/32	2 11/16	11/16	E	30948		★B8QH 4859-A
2	4 5/16	13/16	3	7/16	E	27583		C4TZ 4859-A
2	4 3/4	5/16	2 15/16		T	2847-H-528		C1TT 4859-D
					T	2297-N-3888		E7HZ 4859-A
					T	3264-E-1045		E7HZ 4859-B
					T	3264-P-172		E7HZ 4859-C

YEAR	MODEL/RESTRICTIONS	PART NUMBER	DESCRIPTION	QTY.
4861	Refer to group 5783 or 4730			

4865 FLANGE (COUPLING SHAFT UNIVERSAL JOINT)-For Application refer to Coupling Shaft Parts List Section 48.1, page 1

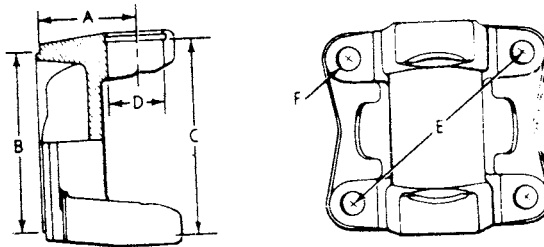


1980/  
TRUCK SERIES 600/900

SIZE IDENTIFICATION CHART

TYPE	DIMENSIONS (INCHES)								SPLINES	INDUSTRY DESIG.	PART NUMBER
	A	B	C	D	E	F	G	H			
4865	FLANGE (COUPLING SHAFT UNIVERSAL JOINT)										
Note:	@ Use 383952-S bolt (7/8"-14 x 1 1/2") and 354449-S flatwasher 7/8" "Before 4/10/78" and 383952-S101 bolt (7/8"-14 X 1 1/2") and 354449-S flatwasher 7/8" "From 4/10/78" attach to shaft Δ Use 383951-S100 bolt (3/4"-16 x 1 3/8") and 383953-S2 washer † Use 383951-S100 bolt (3/4"-16 x 1 3/8") and 34797-S2 lock washer % Use 304771-S2 bolt (3/4"-16-1 1/2") and 34797-S2 lock washer										
1	3 1/2	2 1/4	6 7/32			1 3/4	1 17/32	9/32	10	7C	@ B5Q 4865-A
1	3 1/16	2	5 27/32			1 1/2	1 3/8	15/64	10	6C	@ B5Q 4865-B
1	4 1/8	2 7/8	8 1/2			1 31/32	1 3/4	5/16	10	8C	@ D0HZ 4865-C
1	4 1/8	2 7/8	8 1/2			1 31/32	1 3/4	5/16	10	8C	★ @ C1TT 4865-A
2	4 1/16	2	4 3/16	1 15/16	1 3/8	1 1/2	1 3/8	15/64	10	1480	Δ C1TT 4865-B
3	4 1/8	2 1/4	5 5/16			1 3/4	1 1/2	9/32	10	1610	D5HZ 4865-A
3	5	3	6 3/32	2 7/16	1 15/16	1 31/32	1 23/32	5/16	10	1700	C6TZ 4865-B
3	5 1/2	2 3/4	7 9/16	2 7/8	1 15/16	2 23/64		15/64	16	1810	D2HZ 4865-A
										1410	† D4TZ 4865-A
1	3 1/16	2	5 27/32			1 1/2	1 3/8	15/64	10	6C	@ D0HZ 4865-A
1	3 1/2	2 1/4	6 7/32			1 3/4	1 17/32	9/32	10	7C	@ D0HZ 4865-B
3	5 13/16	3 5/16	8 3/32	3 5/16	2 13/16	2 43/64	2 3/8	7/32		1880	★ D8HZ 4865-A
2	3 51/64	2	4 31/32	2 3/16	1 7/16	1 1/2	1 23/64	15/64	10	1550	Δ D9HZ 4865-A
3	5 1/2	2 3/4	7	2 7/16	1 15/16	2 23/64	2 9/64	15/64		1760	E1HZ 4865-A
2	3 45/64	2	4 3/16	1 13/16	1 17/64	1 1/2	1 23/64	15/64	10	1410	⊕ E4HZ 4865-A
2	4 1/32	2	4 3/16	1 13/16	1 27/32	1 1/2	1 23/64	15/64	10	1480	⊕ E4HZ 4865-B
2	3 13/16	2	4 61/64	2 3/16	1 29/64	1 1/2	1 23/64	15/64	10	1550	⊕ E4HZ 4865-C
3										1610	E7HZ 4865-A
3										1710	E7HZ 4865-B
										1810	E8HZ 4865-A
										1760	E8HZ 4865-B

4866 YOKE (COUPLING SHAFT FLANGE)- For Driveshaft Application refer to Section 46.1, page 1. For Coupling Shaft and Intermediate Shaft Application refer to Section 48.1, page 1



SIZE IDENTIFICATION CHART

TYPE	DIMENSIONS (INCHES)								DRIVE SHAFT CODE	INDUSTRY DESIG.	PART NUMBER
	A	B	C	D	E	F	G	H			
◆	-BEARING CAP HOLES UNTAPPED										
@	-BEARING CAP HOLES TAPPED 3/8-24										
1	1 3/8	2 3/4	3 15/32	1 5/64	3 3/4	7/16			4	1270/1310	★ B9T 4866-A
1	1 9/16	2 3/4	3 3/4	1 1/16	3 3/4	7/16			13	1330	★ C8TZ 4866-A
1	1 9/16	2 3/4	3 5/8	1 13/64	3 3/4	7/16			7	1350	01T 4866
1	1 11/16	2 3/4	4 7/16	1 3/16	3 3/4	7/16			1	1410	★ A9TZ 4866-A
1	1 1/2	3 3/4	4 7/16	1 13/64	4 3/4	1/2			2	1410	★ B7T 4866-A
1	1 3/4	3 3/4	4 7/16	1 13/64	4 3/4	1/2			3	1410	★ B7T 4866-B
1	2	3 3/4	4 7/16	1 13/64	4 3/4	1/2			8	1410	★ 2Q 4866-B
1	1 11/16	3 3/4	4 5/16	1 3/8	4 3/4	1/2			5	1480	★ C1TT 4866-A

1980/  
TRUCK SERIES 600/900

SIZE IDENTIFICATION CHART

TYPE	DIMENSIONS (INCHES)								DRIVE SHAFT CODE	INDUSTRY DESIG.	PART NUMBER
	A	B	C	D	E	F	G	H			
--- BEARING CAP HOLES UNTAPPED											
@ BEARING CAP HOLES TAPPED 3/8-24											
1	1 13/16	3 3/4	3 7/8	1 7/32	4 3/4	1/2			10	Q55	★C5TZ 4866-B
1	1 9/16	2 3/4	3 15/32	1 7/32	3 3/4	7/16			9	R55	★C5TZ 4866-A
2	1 3/8	3 3/4	5 27/32	2 1/2	4 3/4	1/2			14	6C	★@D0HZ 4866-A
2	1 7/16	3 3/4	6 7/32	3	4 3/4	1/2			12	7C	C5TZ 4866-D

YEAR	MODEL/RESTRICTIONS	PART NUMBER	DESCRIPTION	QTY.
4881			HOSE (REAR AXLE POWER DIVIDER DIFFERENTIAL LOCKOUT CYLINDER)- Improve from bulk tubing	
4882			TUBE (REAR AXLE DIFFERENTIAL LOCKOUT CONTROL VALVE TO MANIFOLD HOSE)-Improvise from bulk tubing	
80	LT800/900 w/transistorized ignition	378163-S	(11-176-p)-elbow (attach tube to axle)-3/4"-18	1
4885	Refer to Parts List Section 40, page 1			

4891	SNAP RING (UNIVERSAL JOINT SPIDER BEARING)-Refer to Universal Joint and related parts in group 4635			
4945-7	Refer to Rear Axle Parts List Section 40, page 1			

4962	ARM (REAR AXLE TORQUE)-Refer to group 4612			
------	--	--	--	--

4964	SHAFT ASSY. (INTER AXLE DRIVE)-Determine part number by stamp identification or T.S.L. and refer to Section 46.1 page 6 for cross reference to service part number For CFT800 usage refer to application chart listed below COMPONENTS FOR COMPLETE SHAFT ASSEMBLIES ARE ALSO AVAILABLE FOR SERVICE. WHEN THE SERVICE PART NUMBER FOR THE COMPLETE SHAFT ASSEMBLY IS KNOWN, THE PART NUMBER OF THE SHAFT SUB-ASSEMBLY AND RELATED COMPONENTS MAY BE FOUND IN THE DRIVE AND COUPLING SHAFT COMPONENT PARTS LIST IN SECTION 46.1A			
4964	SHAFT ASSY.-DRIVE			

APPLICATION CHART

TRANSMISSION	ENGINE			REAR AXLE		SIZE (INCHES)		N O T E	PART NUMBER	▲ CODE	
	T Y P E	C Y L.	C.I.D. OR MODEL	M F R.	MODEL	WHEEL-BASE (INCHES)	YEAR			T Y P E	A

NOTE: ▲ REFER TO PAGE 1 OF SECTION 46.1 FOR AN EXPLANATION OF THE CHART AND THE CODES SHOWN.

1989 CFT800 WITH E4-380 SUSPENSION

6	FS-6106		7.8L(210)	R	RT40145	153						★ D7HT 4964-KA	58	39	39
A/T	MT-643		7.8L(240)			171						★ D7HT 4964-KA	58	39	39
A/T	MT-653					189						★ D7HT 4964-KA	58	39	39
13	RT-6613					207						★ D7HT 4964-KA	58	39	39
						225						★ D7HT 4964-KA	58	39	39

1989 CFT800 WITH RTE-380 SUSPENSION

6	FS-6106		7.8L(210)	R	RT40145	153						★ D7HT 4964-GA	55	39	39
A/T	MT-643		7.8L(240)			171						★ D7HT 4964-GA	55	39	39
A/T	MT-653					189						★ D7HT 4964-GA	55	39	39
13	RT-6613					207						★ D7HT 4964-GA	55	39	39
						225						★ D7HT 4964-GA	55	39	39

YEAR	MODEL/RESTRICTIONS	PART NUMBER	DESCRIPTION	QTY.
4982	Refer to Rear Axle Parts List Section 40, page 1			

**1980/  
TRUCK SERIES 600/900**

YEAR	MODEL/RESTRICTIONS	PART NUMBER	DESCRIPTION	QTY.
<b>4996 WIRING ASSY. (REAR AXLE ELECTRIC SHIFT) - Also refer to group 14667-8</b>				
80/86	C600/800 -- 99" W/B and 2 speed axle	E5HZ 4996-A	= E4HT 4996-FA-255 1/2" long	1
87/	C800 -- 99" W/B and 2 speed axle	E7HZ 4996-A	= E7HT 4996-EA-181 1/2" long	1
80/86	C600/900 -- 111" W/B and 2 speed axle	E5HZ 4996-B	= E4HT 4996-EA-266 1/2" long	1
87/	C800 -- 111" W/B and 2 speed axle	E7HZ 4996-B	= E7HT 4996-DA-192 1/2" long	1
80/86	C600/800 -- 135" W/B and 2 speed axle	E5HZ 4996-C	= E4HT 4996-DA-291 1/2" long	1
87/	C800 -- 135" W/B and 2 speed axle	E7HZ 4996-C	= E7HT 4996-FA-217 1/2" long	1
80/86	C600/900 -- 153" W/B and 2 speed axle	E5HZ 4996-D	= E4HT 4996-CA-309 1/2" long	1
87/	C800 -- 153" W/B and 2 speed axle	E7HZ 4996-D	= E7HT 4996-BA-235 1/2" long	1
80/86	C600/900 -- 175" W/B and 2 speed axle	E5HZ 4996-E	= E4HT 4996-BA-330 1/2" long	1
87/	C800 -- 175" W/B and 2 speed axle	E7HZ 4996-E	= E7HT 4996-CA-256 1/2" long	1
80/86	C700 -- 206" W/B and 2 speed axle	E5HZ 4996-F	= E4HT 4996-AA-361 1/2" long	1

**4999 Refer to group 10B846**

4816-7      SHAFT ASSY. (COUPLING)

**HOW TO LOCATE COUPLING SHAFT and INTERMEDIATE COUPLING SHAFT PART NUMBERS**

1. USE THE DRIVE LINE T.S.L. OR SHAFT STAMPED NUMBER IDENTIFICATION CROSS-REFERENCE GUIDE
  - a. Refer to Section 46.1, page 6 for a Cross-Reference from stamped numbers on shaft or truck specification (T.S.L.) to service part numbers.
  
2. USE THE COUPLING SHAFT AND INTERMEDIATE COUPLING SHAFT APPLICATION CHART
  - a. B-F600 series only
  - b. Refer to vehicles T.S.L. and stamped identification on shaft for all other models:
  - c. Manufactures codes used in the rear axle column are Cross-Referenced as follows:

D-Dana	E-Eaton	R-Rockwell (Timken)
--------	---------	---------------------
  - d. Refer to section 48.3 and 48.7 for CF-CFT600/800 usage
  
3. USE THE DRIVE AND COUPLING SHAFT COMPONENTS PARTS LIST
  - a. When the service part number for the complete shaft assembly is known, the part number of the shaft sub-assembly and related components may be found in the Drive and Coupling Shaft Components Parts List in Section 46.1A.
  
4. COUPLING SHAFT AND INTERMEDIATE COUPLING SHAFT RELATED PARTS
  - a. Coupling Shaft and Intermediate Coupling Shaft Related Parts are shown in Parts List Form starting on page 5 of this section. Refer to steps 1 and 2 to determine the appropriate parts list number.
  - b. Coupling Shaft and Intermediate Coupling Parts Lists include the following items;

4635	Universal joint	4841	Slip yoke	4865	Flange rear u joint
------	-----------------	------	-----------	------	---------------------

Universal joints (4635), slip yokes (4841), and flanges rear u-joint (4865) are also listed under their respective group numbers by type and size.
  - c. Coupling shaft support plates (4831) are listed on the T.S.L. Code Section B21 and/or C01, obtain complete support plate number and use the Master Cross-Reference to cross support plate number to a service part number. The (4831) are also listed by code number with the related part number. For code to service number cross-reference refer to the Cross-Reference chart on page 2. To determine the appropriate part number of a support plate, refer to the Coupling Shaft and Intermediate Coupling Shaft Application Chart. Refer to page 6 of this section for the Application Chart Index.
  - d. Coupling Shaft and Intermediate Coupling Shaft "Types", and the "A" and "B" designations are illustrated on page 4 of this section. Group 4816 applies to the Coupling Shaft only as shown on page 4 of this section.
  
5. USE THE DRIVE LINE ILLUSTRATIONS
  - a. Refer to the "Typical" drive line illustrations on page 4 of Section 46.1 to obtain a group number.
  - b. Refer to the group number in the catalog. Determine the part numbers needed from that group or follow cross-references to other groups to determine the part numbers needed.
  
6. USE THE ALPHABETICAL INDEX
  - a. Refer to the alphabetical part name index at the beginning of this catalog to obtain a group number.
  - b. Refer to the group number in the catalog. Determine the part number needed from that group or follow cross-references to other groups to determine the part numbers needed.

---

---

---

---

---

---

---

---

---

---

---

---

---

---

---

---

---

---

---

---

---

---

---

---

---



1980/  
TRUCK SERIES 600/900

**SUPPORT PLATE CODE CROSS-REFERENCE**

CODE	PART NUMBER	CODE	PART NUMBER
Also refer to support plate identification cross-reference guide listed below			
13	★ B7T 4831-A	157	DOHZ 4831-AV
16	★ B7T 4831-D	158	DOHZ 4831-BA
21	B8QH 4831-D	159	DOHZ 4831-BB
26	C1TT 4831-B	160	DOHZ 4831-BC
27	C1TT 4831-C	161	DOHZ 4831-BD
29	C1TT 4831-E	162	D2HZ 4831-A
30	★ C1TT 4831-F	163	D2HZ 4831-B
39	C1TT 4831-Y	164	D2HZ 4831-C
77	C1TT 4845-A	165	D2HZ 4831-D
78	C1TT 4845-B	181	D8HZ 4831-A
99	C8TZ 4831-C	182	D8HZ 4831-B
101	C7TZ 4831-A	183	D8HZ 4831-C
116	DOHZ 4831-A	184	D8HZ 4831-D
117	★ DOHZ 4831-B	185	D8HZ 4831-E
118	DOHZ 4831-C	186	D8HZ 4831-F
119	★ DOHZ 4831-D	187	D8HZ 4831-G
120	★ DOHZ 4831-E	188	D8HZ 4831-H
121	★ DOHZ 4831-F	189	D8HZ 4831-J
125	DOHZ 4831-K	190	D8HZ 4831-K
138	DOHZ 4831-AB	191	D8HZ 4831-L
139	DOHZ 4831-AC	194	D8HZ 4831-M
140	DOHZ 4831-AD	200	D8HZ 4831-N
141	DOHZ 4831-AE	203	D8HZ 4831-P
142	DOHZ 4831-AF	204	D8HZ 4831-R
143	DOHZ 4831-AG	205	D8HZ 4831-S
144	DOHZ 4831-AH	207	E0HZ 4831-A
146	DOHZ 4831-AR	208	E0HZ 4831-B
147	DOHZ 4831-AL	209	E0HZ 4831-C
148	DOHZ 4831-AZ	210	E0HZ 4831-D
149	DOHZ 4831-AY	220	E0HZ 4831-E
150	DOHZ 4831-AN	221	E0HZ 4831-F
151	DOHZ 4831-AW	222	E1HZ 4831-A
152	DOHZ 4831-AK	223	E1HZ 4831-B
153	DOHZ 4831-AM	224	E6HZ 4831-A
154	DOHZ 4831-AS	225	E7HZ 4831-A
155	DOHZ 4831-AT	226	E7HZ 4831-B
156	DOHZ 4831-AU	227	★ E8HZ 4831-A
		228	★ E8HZ 4831-B

**SUPPORT PLATE IDENTIFICATION CROSS-REFERENCE GUIDE**

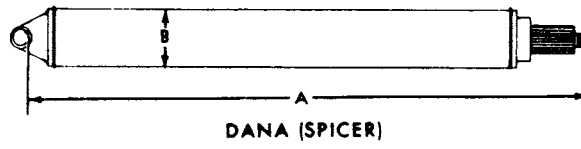
IDENTIFICATION	PART NUMBER	IDENTIFICATION	PART NUMBER
C7TA 4831-F	C7TZ 4831-A	DOHA 4831-BC	★ DOHZ 4831-K
C8TA 4831-C	C8TZ 4831-C	DOHA 4831-BD	DOHZ 4831-AC
DOHA 4831-L	DOHZ 4831-K	DOHA 4831-BE	DOHZ 4831-AD
DOHA 4831-AA	DOHZ 4831-A	DOHA 4831-BF	DOHZ 4831-AE
DOHA 4831-AB	★ DOHZ 4831-B	DOHA 4831-BG	DOHZ 4831-AF
DOHA 4831-AM	DOHZ 4831-AB	DOHA 4831-BH	DOHZ 4831-AG
DOHA 4831-AN	DOHZ 4831-AC	DOHA 4831-BJ	DOHZ 4831-AH
DOHA 4831-AR	DOHZ 4831-AD	DOHA 4831-BK	DOHZ 4831-AB
DOHA 4831-AS	DOHZ 4831-AE	DOHA 4831-BL	DOHZ 4831-AR
DOHA 4831-AT	DOHZ 4831-AF	DOHA 4831-BM	DOHZ 4831-AL
DOHA 4831-AU	DOHZ 4831-AG	DOHA 4831-BN	DOHZ 4831-AZ
DOHA 4831-AV	DOHZ 4831-AH	DOHA 4831-BR	DOHZ 4831-AY
DOHA 4831-AY	DOHZ 4831-C	DOHA 4831-BS	DOHZ 4831-AN
DOHA 4831-AZ	★ DOHZ 4831-D	DOHA 4831-BT	DOHZ 4831-AW
DOHA 4831-BA	★ DOHZ 4831-E	DOHA 4831-BU	DOHZ 4831-AK
DOHA 4831-BB	★ DOHZ 4831-F	DOHA 4831-BV	DOHZ 4831-AM

**SUPPORT PLATE IDENTIFICATION CROSS-REFERENCE GUIDE**

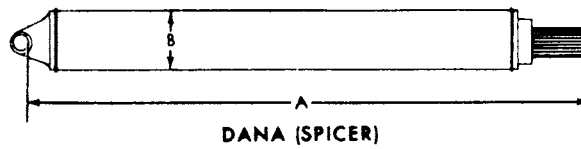
IDENTIFICATION	PART NUMBER	IDENTIFICATION	PART NUMBER
D0HA 4831-BY	D0HZ 4831-AS	D7HT 4831-RA	D8HZ 4831-L
D0HA 4831-BZ	D0HZ 4831-AT	D7HT 4831-SA	D8HZ 4831-R
D0HA 4831-CA	D0HZ 4831-AU	D7HT 4831-TA	D8HZ 4831-S
D0HA 4831-CB	D0HZ 4831-AV	E0HT 4831-AA	E0HZ 4831-A
D0HA 4831-CC	D0HZ 4831-BA	E0HT 4831-BA	E0HZ 4831-B
D0HA 4831-CD	D0HZ 4831-BB	E0HT 4831-CA	E0HZ 4831-E
D0HA 4831-CE	D0HZ 4831-BC	E0HT 4831-DA	E0HZ 4831-F
D0HA 4831-CF	D0HZ 4831-BD	ED-E0HT 4831-AA	E0HZ 4831-C
D2HA 4831-GA	D2HZ 4831-A	ED-E0HT 4831-BA	E0HZ 4831-D
D2HA 4831-HA	D2HZ 4831-B	E1HT 4831-AA	E1HZ 4831-A
D2HA 4831-JA	D2HZ 4831-C	E1HT 4831-BA	E1HZ 4831-B
D2HA 4831-KA	D2HZ 4831-D	E5HT 4831-KA	E6HZ 4831-A
D7HA 4831-AA	D8HZ 4831-A	E7HS 4831-AA	E0HZ 4831-A
D7HA 4831-BA	D8HZ 4831-B	E7HS 4831-BA	E0HZ 4831-B
D7HA 4831-CA	D8HZ 4831-C	E7HT 4831-AA	E7HZ 4831-A
D7HA 4831-DA	D8HZ 4831-D	E8HS 4831-AA	E9HZ 4831-A
D7HA 4831-EA	D8HZ 4831-E	E9HS 4831-AA	E9HZ 4831-E
D7HA 4831-FA	D8HZ 4831-F	E9HS 4831-BA	E9HZ 4831-B
D7HA 4831-GA	D8HZ 4831-P	E9HS 4831-CA	E9HZ 4831-C
D7HA 4831-HA	D8HZ 4831-G	E9HS 4831-DA	E9HZ 4831-D
D7HT 4831-JA	D8HZ 4831-H	E9HS 4831-EA	E9HZ 4831-F
D7HT 4831-KA	D8HZ 4831-J	E9HS 4831-FA	E9HZ 4831-G
D7HT 4831-LA	D8HZ 4831-N	87HU 4831-AA	E7HZ 4831-B
D7HT 4831-MA	D8HZ 4831-M	87HU 4831-BA	★ E8HZ 4831-A
D7HT 4831-NA	D8HZ 4831-K	87HU 4831-CA	★ E8HZ 4831-B



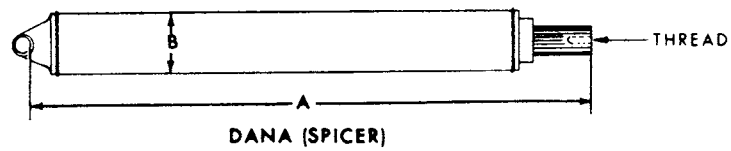
TYPE 1



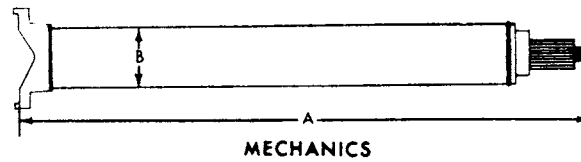
TYPE 2



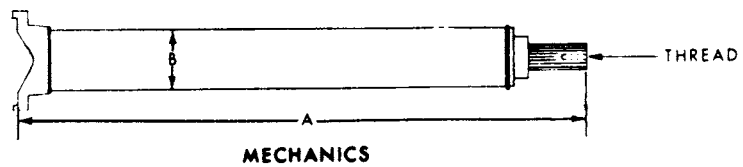
TYPE 3



TYPE 20



TYPE 21



**1980/  
TRUCK SERIES 600/900**

Components for complete shaft assemblies are also available for service when the service part number for the complete shaft assembly is known. The part number of the shaft sub-assembly and related components may be found in the Drive and Coupling Shaft Component Parts List in Section 46.1A

COUPLING SHAFT AND INTERMEDIATE COUPLING SHAFT APPLICATION CHART INDEX							
MODEL	SHAFT	SECTION	PAGE	MODEL	SHAFT	SECTION	PAGE
B600	Coupling shaft	48.2	1	F600	Coupling shaft	48.2	2
	Intermediate shaft	48.6	1		Intermediate shaft	48.6	2

**COUPLING SHAFT and INTERMEDIATE COUPLING SHAFT PARTS LISTS**

- Notes:     \$ Not included in 4817 assy. @ Use 383952-S bolt (7/8"-14 x 1 1/2")  
               † Use 383951-S2 bolt (3/4"-16-1 1/2") and 34797-S2 lockwasher Δ Includes bearing, retainer and sleeve  
               % Use 304771-S2 bolt (3/4"-16-1 1/2") and 34797-S2 lock washer  
               ⊕ Use 383951-S2 bolt (3/4"-16-1 1/2")
- NOTE 1 -   Coupling shaft does not require support bearing collar - (discard)  
 NOTE 2 -   Coupling shaft requires one of the two bearing baffles - (discard one only)

QTY.	PART NUMBER	DESCRIPTION	QTY.	PART NUMBER	DESCRIPTION
PARTS LIST NO. 38			PARTS LIST NO. 80		
1	B4TZ 4635-G	Universal joint	1	D3TZ 4635-B	Universal joint
1	D4TZ 4800-C	Support Assy. (Center Bearing)	1	D4TZ 4800-G	Support Assy. (Center Bearing)
1	\$B5Q 4865-B	Universal joint flange (rear)	1	C6TZ 4865-B	Flange yoke
PARTS LIST NO. 46			PARTS LIST NO. 81		
1	C1TZ 4635-A	Universal joint	1	D2HZ 4635-A	Universal joint
1	D4TZ 4800-C	Support Assy. (Center Bearing)	1	D3HZ 4637-A	Washer
PARTS LIST NO. 48			PARTS LIST NO. 81		
1	C5TZ 4635-G	Universal joint	1	D4TZ 4800-J	Support Assy. (Center Bearing)
1	C5TZ 4805-A	Bearing baffle	1	D2HZ 4865-A	Flange yoke
1	D0TZ 4808-A	Center support	PARTS LIST NO. 90		
1	ΔD0TZ 4840-A	Bearing (coupling shaft support)	1	B6TZ 4635-B	Universal joint
PARTS LIST NO. 55			1	D5TZ 4800-A	Support Assy. (Center Bearing)-NOTE 2
1	★C1TT 4523-A	Retainer	1	D4HZ 4805-A	Bearing Baffle-Also Serviced In 4800 Assy.
	r/b D4TZ 4800-G		1	D4HZ 4805-B	Bearing Baffle (Collar)-Also Serviced in 4800 assy.
1	D3TZ 4635-B	Universal joint	PARTS LIST NO. 93		
1	D4TZ 4800-G	Support Assy. (Center Bearing)	1	D3HZ 4635-D	Universal joint
1	C6TZ 4865-B	Universal joint flange (rear)	1	D4TZ 4800-G	Support Assy. (Center Bearing)
PARTS LIST NO. 59			1	D0HZ 4865-C	Flange yoke
1	C1TZ 4635-A	Universal joint	PARTS LIST NO. 95		
1	D4TZ 4800-C	Support Assy. (Center Bearing)	1	D3TZ 4635-A	Universal joint
1	C1TT 4865-B	Universal joint flange (rear)	1	★D4TZ 4800-E	Support assy. (center bearing)
PARTS LIST NO. 62				r/b D9HZ 4800-A	
1	C5TZ 4635-G	Universal joint	1	D5HZ 4865-A	Flange yoke
1	C5TZ 4805-A	Bearing baffle	1	D6HZ 4637-A	Washer
1	D0TZ 4808-A	Center support	PARTS LIST NO. 97		
1	ΔD0TZ 4840-A	Bearing (coupling shaft support)	1	D3HZ 4635-B	Universal joint
1	C8HZ 4865-A	Flange yoke	1	★D4TZ 4800-E	Support assy. (center bearing)
PARTS LIST NO. 72				r/b D9HZ 4800-A	
1	D3HZ 4635-D	Universal joint	1	\$@D0HZ 4865-B	Universal joint flange (rear)
1	D4TZ 4800-G	Support assy. (center bearing)	PART LIST NO. 98		
PARTS LIST NO. 73			1	B6TZ 4635-B	Universal joint
1	D2HZ 4635-A	Universal joint	1	B5QH 4637-A	Washer
1	D3HZ 4637-A	Washer	1	D5TZ 4800-A	Support assy. (center bearing)-NOTE 1
1	D4TZ 4800-J	Support Assy. (Center Bearing)	2	D4HZ 4805-A	Bearing baffle-also serviced in 4800 assy.
2	★C8TZ 4805-A	Bearing baffle- r/b D4TZ 4800-J	1	†D4TZ 4865-A	Flange yoke
1	★C8TZ 4808-A	Center support-r/b D4TZ 4800-J	PARTS LIST NO. 99		
1	★C8TZ 4826-A	Support sleeve - r/b D4TZ 4800-J	1	B4TZ 4635-H	Universal joint
1	★C8TZ 4840-A	Bearing (coupling shaft support)- r/b D4TZ 4800-J	1	D4TZ 4800-C	Support assy. (center bearing)
1	D2HZ 4865-A	Flange yoke			

# 1980/ TRUCK SERIES 600/900

QTY.	PART NUMBER	DESCRIPTION	QTY.	PART NUMBER	DESCRIPTION
PARTS LIST NO. 100			PARTS LIST NO. 134		
1	B4TZ 4635-H	Universal joint	1	C1TZ 4635-A	Universal joint
1	D4TZ 4800-C	Support assy. (center bearing)	1	D5TZ 4800-A	Support assy. (center bearing)
1	\$@ D0HZ 4865-A	Universal joint flange (rear)	PARTS LIST NO. 135		
PARTS LIST NO. 101			PARTS LIST NO. 135		
1	C1TZ 4635-A	Universal joint	1	C1TZ 4635-A	Universal joint
1	D4TZ 4800-C	Support assy. (center bearing)	1	B5QH 4637-A	Washer
PARTS LIST NO. 108			PARTS LIST NO. 136		
1	C1TZ 4635-A	Universal joint	1	D9HZ 4635-A	Universal joint
1	B5QH 4637-A	Washer	1	B5QH 4637-A	Washer
1	D4TZ 4800-C	Support assy. (center bearing)	1	D9HZ 4800-A	Support assy. (center bearing)
1	⊕ C1TT 4865-B	Flange	1	% E4HZ 4865-B	Flange
PARTS LIST NO. 129			PARTS LIST NO. 137		
1	D9HZ 4635-A	Universal joint	1	% E4HZ 4865-C	Flange
1	B5QH 4637-A	Washer	PARTS LIST NO. 137		
1	★ D4TZ 4800-E	Support assy. (center bearing)	1	E7HZ 4635-B	Universal joint
1	r/b D9HZ 4800-A	Support assy. (center bearing)	1	D9HZ 4800-A	Support assy. (center bearing)
1	⊕ D9HZ 4865-A	Flange	1	E7HZ 4865-A	Flange
PARTS LIST NO. 130			PARTS LIST NO. 138		
1	D9HZ 4635-A	Universal joint	1	E7HZ 4635-A	Universal joint
1	D9HZ 4800-A	Support assy. (center bearing)	1	D4TZ 4800-G	Support assy. (center bearing)
PARTS LIST NO. 131			PARTS LIST NO. 139		
1	D9HZ 4635-A	Universal joint	1	E8HZ 4635-A	Universal joint
1	B5QH 4637-A	Washer	1	D3HZ 4637-A	Washer
1	D9HZ 4800-A	Support assy. (center bearing)	1	D4TZ 4800-J	Support assy. (center bearing)
1	⊕ D9HZ 4865-A	Flange	1	E8HZ 4865-A	Flange
PARTS LIST NO. 132			PARTS LIST NO. 140		
1	D9HZ 4635-B	Universal joint	1	E8HZ 4635-B	Universal joint
1	D3HZ 4637-A	Washer	1	D3HZ 4637-A	Washer
1	D4TZ 4800-J	Support assy. (center bearing)	1	D4TZ 4800-J	Support assy. (center bearing)
1	E1HZ 4865-A	Flange	1	E8HZ 4865-B	Flange
PARTS LIST NO. 133					
1	B6TZ 4635-B	Universal joint			
1	B5QH 4637-A	Washer			
1	D5TZ 4800-A	Support assy. (center bearing)			
1	% E4HZ 4865-A	Flange			

**1980/  
TRUCK SERIES 600/900**

4817 SHAFT ASSY.-COUPLING

**APPLICATION CHART**

S P E C I F I C A T I O N	TRANSMISSION		ENGINE			REAR AXLE		WHEEL-BASE (INCHES)		YEAR		SIZE(INCHES)		PART NUMBER ▲	▲ CODE PL AI RS TT S
	MODEL	T Y P E	C Y L.	C.I.D. OR MODEL	M F R. ▲	MODEL	WHEEL	YEAR	T Y P E ▲	A	B	N O T E			

NOTE: ▲ REFER TO PAGE 1 OF SECTION 48.1 FOR AN EXPLANATION OF THE CHART AND THE CODES SHOWN.

**B600 SERIES**

4	Allison 540	D	8	8.2L	R	F106, H172	151	80	2	26 23/32	3 1/2	1,7	★ ED EOHT 4817-ELA	101	209
							151		21	26 9/32	3 1/2	1,8	★ D6TA 4817-FA	101	2220
							151		2	25 25/32	3 1/2	2	★ D9HT 4817-FA	130	209
							192		1	23 1/4	3 1/2	1,7	★ ED EOHT 4817-HCA	108	209
							192		3	21 49/64	3 1/2	1,8	★ D6TA 4817-GA	108	220
							192		1	22 7/32	3 1/2	2	★ D9HT 4817-EDA	129	209
							216,237		1	55 1/4	3 1/2	1,7	★ ED EOHT 4817-JSA	108	209
							216,237			53 3/32	4	1,8	★ D4HA 4817-SA	59	220
							216,237		3	58 17/64	3 1/2	2	★ D9HT 4817-RHA	131	209
							4	New Process 435	G	8	370	D E R R	G175-T 15201,16244 F106,H172 D140	151	80
151		2	32 11/32	3	7,9	★ D9HT 4817-JAA	90							209	
151		2	65 23/64	4	8,9	★ EOHT 4817-BGB	90							221	
151		2	33 25/32	3 1/2	1,8	★ EOHT 4817-EVB	101							2220	
192		1	30 1/4	3 1/2	1,7	★ ED EOHT 4817-HKA	108							209	
192		1	30	3	7,9	★ ED EOHT 4817-CFA	98							209	
192		1	31 9/32	3 1/2	1,8	★ EOHT 4817-HKB	108							220	
192		1	30	3	8,9	★ EOHT 4817-CFB	98							220	
216		1	63	4	7,9	★ ED EOHT 4817-DYA	98							209	
216		1	62	4	8,9	★ EOHT 4817-DYB	98							220	
216		1	62 17/64	4	1,8	★ DOHA 4817-LV	59							220	
237		1	63	4	7,9	★ ED EOHT 4817-DYA	98							209	
237		1	62	4	8,9	★ EOHT 4817-DYB	98							220	
237		3	61 9/32	4	1,8	★ D5TA 4817-CMA	108							220	
216,237		1	63 1/4	4	1,7	★ ED EOHT 4817-KCA	108	209							
4	Warner T-19	D	8	8.2L	E R	15201 F106	151	80	2	28 11/32	3		★ D4HA 4817-YA	90	220
							192		1	26	3		★ EOHT 4817-CBB	98	220
							216,237		3	58 5/32	4		★ EOHT 4817-DSB	98	220
5	Clark 280 Series	D	8	8.2L	D E R	G175T 15201,16244 F106,H172	151	80	2	26 25/32	3 1/2	1	★ C9HA 4817-AU	46	220
							151		2	29 9/32	3 1/2	2	★ D9HT 4817-NA	130	207
							192		3	23 23/32	3 1/2	1	★ EOHT 4817-HCB	108	220
							192		1	22 9/32	3 1/2	2	★ D9HT 4817-EFA	129	207
							216,237		1	54 17/64	3 1/2	1	★ D9HT 4817-HUA	108	220
216,237		3	54 9/32	3 1/2	2	★ D9HT 4817-RKA	131	207							

NOTE 1 - Shaft assy. incl. 1480 size joint.  
 NOTE 2 - Shaft assy. incl. 1550 size joint.  
 NOTE 7 - "Before Ser. HG0,001"  
 NOTE 8 - "From Ser. HG0,001"  
 NOTE 9 - Shaft assy. incl. 1410 size joint.

**1980/  
TRUCK SERIES 600/900**

4817 SHAFT ASSY.-COUPLING

**APPLICATION CHART**

TRANSMISSION	ENGINE			REAR AXLE		WHEEL-BASE (INCHES)	YEAR	SIZE(INCHES)			PART NUMBER ▲	▲ CODE	
	MODEL	T Y P E	C Y L. OR MODEL	M F R. ▲	MODEL			A	B	N O T E		PL AI RS TT S	4831 PLATE

**NOTE: ▲ REFER TO PAGE 1 OF SECTION 48.1 FOR AN EXPLANATION OF THE CHART AND THE CODES SHOWN.**

**B600 SERIES — Cont'd**

5	Clark 280 Series	G	6,8	370	D E R	G175-T 15021,16244 F106,H172	151	80	2	29 23/32	3 1/2	1,7	★ ED EOHT 4817-ERA	101	209		
							151		2	29 25/32	3 1/2	2,7	★ D9HT 4817-RA	130	207		
							151		2	29 25/32	3 1/2	1,8	★ EOHT 4817-ERB	101	220		
							151		2	29 25/32	3 1/2	2,8	★ D9HT 4817-RA	130	207		
							192		1	26 1/4	3 1/2	1,7	★ ED EOHT 4817-HFA	108	209		
							192		1	26 7/32	3 1/2	2,7	★ D9HT 4817-EMA	129	207		
							192		1	27 9/32	3 1/2	1,8	★ EOHT 4817-HFB	108	220		
							192		1	26 7/32	3 1/2	2,8	★ D9HT 4817-EMA	129	207		
							216,237		1	58 1/4	4	1,7	★ ED EOHT 4817-JVA	108	209		
							216,237		1	57 13/64	4	2,7	★ D9HT 4817-RTA	129	207		
							216,237		1	58 7/16	4	1,8	★ EOHT 4817-JVB	108	220		
							216,237		1	57 13/64	4	2,8	★ D9HT 4817-RTA	129	207		
							R	D140	151	80	2	70 23/64	4	7	★ ED EOHT 4817-BMA	90	209
									151		2	28 11/32	3	8	★ D4HA 4817-YA	90	221
192		1	26	3	7	★ ED EOHT 4817-CBA			98	209							
192		1	26	3	8	★ EOHT 4817-CBB			98	221							
216,237		1	58	4	7	★ ED EOHT 4817-DRA			98	209							
216,237		1	64	3 1/2	8	★ EOHT 4817-DRB			98	221							
5	New Process 542	G	8	370	D E R	G175-T 15201,16244 F106,H172			151	80	2	31 23/32	3 1/2	7	★ ED EOHT 4817-ETA	101	209
									151		2	31 25/32	3 1/2	8	★ D0HA 4817-NK	46	220
									192		1	28 1/4	3 1/2	7	★ ED EOHT 4817-HHA	108	209
									192		1	29 9/32	3 1/2	8	★ EOHT 4817-HHB	108	220
							216,237		1	60 1/4	4	7	★ ED EOHT 4817-JZA	108	209		
							216,237		2	59 9/32	4	8	★ D2HA 4817-UA	59	220		
							R	D140	151		2	62 23/64	4	7	★ ED EOHT 4817-BDA	90	210
									151		2	24 13/32	3	8	★ D7HT 4817-FGA	90	220
									192		1	28	3	7	★ ED EOHT 4817-CDA	98	209
									192		1	28	3	8	★ EOHT 4817-CDB	98	220
216,237		3	59 5/32	4	7	★ D4HA 4817-AUA			98	209							
216,237		3	59 5/32	4	8	★ D4HA 4817-AUA			98	220							
5	Spicer CM-50	D	8	8.2L	D E R	G175T 15201,16244 F106,H172	151	80	3	25 53/64	3 1/2	1	★ D6HA 4817-ABA	101	220		
							151		2	24 25/32	3 1/2	2	★ D9HT 4817-DA	130	207		
							192		1	23 9/32	3 1/2	1	★ EOHT 4817-HBB	108	220		
							192		1	21 7/32	3 1/2	2	★ D9HT 4817-EBA	129	207		
							216,237		1	53 17/64	3 1/2	1	★ D9HT 4817-LFA	108	220		
							216,237		3	53 7/32	3 1/2	2	★ D9HT 4817-SGA	131	207		

NOTE 1 - Shaft assy. incl. 1480 size joint.

NOTE 2 - Shaft assy. incl. 1550 size joint.

NOTE 7 - "Before Ser. HG0,001"

NOTE 8 - "From Ser. HG0,001"



**1980/  
TRUCK SERIES 600/900**

4817 SHAFT ASSY.-COUPLING

**APPLICATION CHART**

TRANSMISSION	ENGINE			REAR AXLE		SIZE(INCHES)			PART NUMBER	▲ CODE
	MODEL	T Y P E	C Y L. C.I.D. OR MODEL	M F R. ▲	MODEL	WHEEL- BASE (INCHES)	YEAR	T Y P E ▲		

NOTE: ▲ REFER TO PAGE 1 OF SECTION 48.1 FOR AN EXPLANATION OF THE CHART AND THE CODES SHOWN.

**F600 -- 2/W/D SERIES**

4	Allison 540	D	8	8.2L	R	F106,H172	129,140	80	3	24 49/64	3 1/2	1,3	★ D9HT 4817-HEA	101	220							
							129,140		2	24 49/64	3 1/2	1,4	★ D9HT 4817-HEA	101	208							
							129,140		2	24 25/32	3 1/2	2,3	★ D9HT 4817-DA	130	208							
							140		2	24 25/32	3 1/2	2,3	★ D9HT 4817-DA	130	207							
							140		2	24 25/32	3 1/2	2,4	★ D9HT 4817-DA	130	207							
							153		3	24 49/64	3 1/2	1,3	★ D9HT 4817-HEA	101	220							
							153		3	24 49/64	3 1/2	1,4	★ D9HT 4817-HEA	101	207							
							153		2	24 25/32	3 1/2	2,3	★ D9HT 4817-DA	130	207							
							153		2	56 25/32	3 1/2	2,4	★ D9HT 4817-CHA	130	148							
							170,177		1	57 49/64	3 1/2	1,3	★ D9HT 4817-LEA	101	221							
							170,177		1	57 49/64	3 1/2	1,4	★ D9HT 4817-LEA	101	154							
							170,177		2	56 25/32	3 1/2	2,3	★ D9HT 4817-CHA	130	208							
							170		2	56 25/32	3 1/2	2,4	★ D9HT 4817-CHA	130	148							
							177		2	56 25/32	3 1/2	2,4	★ D9HT 4817-CHA	130	149							
							189,207		1	22 9/32	3 1/2	1,3	★ E0HT 4817-HAB	102	220							
							189,207		1	22 9/32	3 1/2	1,4	★ E0HT 4817-HAB	108	207							
							189		1	21 7/32	3 1/2	2	★ D9HT 4817-EBA	129	207							
							207		3	53 7/32	3 1/2	2,3	★ D9HT 4817-RFA	131	207							
							207		3	53 7/32	3 1/2	2,4	★ D9HT 4817-RFA	131	157							
							225						1,3	★ E0HT 4817-LNB		220						
							225		1	53 17/64	3 1/2	1,4	★ D9HT 4817-LFA	108	152							
							225		3	53 7/32	3 1/2	2,3	★ D9HT 4817-RFA	131	207							
							225		3	53 7/32	3 1/2	2,4	★ D9HT 4817-RFA	131	157							
							237		1	53 17/64	3 1/2	1,3	★ D9HT 4817-LFA	108	220							
							237		1	53 17/64	3 1/2	1,4	★ D9HT 4817-LFA	108	152							
							237		3	53 7/32	3 1/2	2,3	★ D9HT 4817-RFA	131	207							
							237		3	53 7/32	3 1/2	2,4	★ D9HT 4817-RFA	131	157							
									G	8	370	E R	17121 F106,H172	129	80	2	26 23/32	3 1/2	1,3, 7	★ ED E0HT 4817-ELA	101	210
							129							3	25 53/64	3 1/2	1,3,8	★ D6HA 4817-ABA	101	220		
							129							2	26 23/32	3 1/2	1,4, 7	★ ED E0HT 4817-ELA	101	209		
							129							3	25 53/64	3 1/2	1,4,8	★ D6HA 4817-ABA	101	221		
							129							2	25 25/32	3 1/2	2,3	★ D9HT 4817-FA	130	210		
							140							2	26 23/32	3 1/2	1,3, 7	★ ED E0HT 4817-ELA	101	208		
							140							3	25 53/64	3 1/2	1,3,8	★ D6HA 4817-ABA	101	220		
140		2	26 23/32	3 1/2	1,4, 7	★ ED E0HT 4817-ELA	101	210														
140		3	25 53/64	3 1/2	1,4,8	★ D6HA 4817-ABA	101	221														
140		2	25 25/32	3 1/2	2,3	★ D9HT 4817-FA	130	207														
153		2	26 23/32	3 1/2	1,3, 7	★ ED E0HT 4817-ELA	101	209														
153		3	25 53/64	3 1/2	1,3,8	★ D6HA 4817-ABA	101	220														
153		2	26 23/32	3 1/2	1,4, 7	★ ED E0HT 4817-ELA	101	209														
153		3	25 53/64	3 1/2	1,4,8	★ D6HA 4817-ABA	101	221														
153		2	25 25/32	3 1/2	2,3	★ D9HT 4817-FA	130	207														
153		2	25 25/32	3 1/2	2,4	★ D9HT 4817-FA	130	207														

- NOTE 1 - Shaft assy. incl. 1480 size joint.
- NOTE 2 - Shaft assy. incl. 1550 size joint.
- NOTE 3 - With 8.5 frame.
- NOTE 4 - With 9.5 frame.
- NOTE 7 - "Before Ser. HG0,001"
- NOTE 8 - "From Ser. HG0,001"

1980/  
TRUCK SERIES 600/900

4817 SHAFT ASSY.-COUPLING

APPLICATION CHART

S P E E D	TRANSMISSION		ENGINE			REAR AXLE		SIZE(INCHES)			N O T E	PART NUMBER ▲	▲ CODE	
	MODEL	T Y P E	C Y L.	C.I.D. OR MODEL	M F R. ▲	MODEL	WHEEL- BASE (INCHES)	YEAR	T Y P E ▲	A			B	P L A I R S T T S

NOTE: ▲ REFER TO PAGE 1 OF SECTION 48.1 FOR AN EXPLANATION OF THE CHART AND THE CODES SHOWN.

F600 -- 2/W/D SERIES -- Cont'd

4	Allison AT540	G	8	370	R	F106,H172	170	80	2	58 23/32	3 1/2	1,3,7	★ ED EOHT 4817-GCA	101	210
							170		2	58 25/32	3 1/2	1,3,8	★ EOHT 4817-GCB	101	221
							170		2	58 23/32	3 1/2	1,4,7	★ ED EOHT 4817-GCA	101	154
							170		2	58 25/32	3 1/2	1,4,8	★ EOHT 4817-GCB	101	154
							170		2	57 49/64	3 1/2	2,3	★ D9HT 4817-CKA	130	208
							170		2	57 49/64	3 1/2	2,4	★ D9HT 4817-CKA	130	158
							177		2	58 23/32	3 1/2	1,3,7	★ ED EOHT 4817-GCA	101	210
							177		2	58 25/32	3 1/2	1,3,8	★ EOHT 4817-GCB	101	220
							177		2	58 23/32	3 1/2	1,4,7	★ ED EOHT 4817-GCA	101	146
							177		2	58 25/32	3 1/2	1,4,8	★ EOHT 4817-GCB	101	153
							177		2	57 49/64	3 1/2	2,3	★ D9HT 4817-CKA	130	208
							177		2	57 49/64	3 1/2	2,4	★ D9HT 4817-CKA	130	148
							189		1	22 1/4	3 1/2	1,3,7	★ ED EOHT 4817-HBA	108	209
							189		1	23 9/32	3 1/2	1,3,8	★ EOHT 4817-HBB	108	220
							189		1	23 1/4	3 1/2	1,4,7	★ ED EOHT 4817-HCA	108	209
							189		1	23 9/32	3 1/2	1,4,8	★ EOHT 4817-HBB	108	220
							189		1	22 7/32	3 1/2	2,3	★ D9HT 4817-EDA	129	207
							189		1	22 7/32	3 1/2	2,4	★ D9HT 4817-EDA	129	207
							207		1	55 1/4	3 1/2	1,3	★ ED EOHT 4817-JSA	108	209
							207		1	53 17/64	3 1/2	1,3,8	★ D9HT 4817-LFA		220
							207		1	23 1/4	3 1/2	1,4	★ ED EOHT 4817-HCA	108	209
							207		1	23 9/32	3 1/2	1,4,8	★ EOHT 4817-HBB	108	220
							207		1	22 7/32	3 1/2	2,3	★ D9HT 4817-EDA	129	207
							207		3	58 17/64	3 1/2	2,4	★ D9HT 4817-RHA	131	157
							225		1	55 1/4	3 1/2	1,3,7	★ ED EOHT 4817-JSA	108	209
							225		1	54 17/64	3 1/2	1,3,8	★ D9HT 4817-HUA	108	220
							225		1	55 1/4	3 1/2	1,4,7	★ ED EOHT 4817-JSA	108	152
							225		1	54 17/64	3 1/2	1,4,8	★ D9HT 4817-HUA	108	220
							225		3	58 17/64	3 1/2	2,3	★ D9HT 4817-RHA	131	207
							225		3	58 17/64	3 1/2	2,4	★ D9HT 4817-RHA	131	157
							237		1	55 1/4	3 1/2	1,3,7	★ ED EOHT 4817-JSA	108	209
							237		1	54 17/64	3 1/2	1,3,8	★ D9HT 4817-HUA	108	152
							237		1	55 1/4	3 1/2	1,4,7	★ ED EOHT 4817-JSA	108	152
							237		1	54 17/64	3 1/2	1,3,8	★ D9HT 4817-HUA	108	152
							237		3	58 17/64	3 1/2	2,3	★ D9HT 4817-RHA	131	207
							237		3	58 17/64	3 1/2	2,4	★ D9HT 4817-RHA	131	157

NOTE 1 - Shaft assy. incl. 1480 size joint.

NOTE 2 - Shaft assy. incl. 1550 size joint.

NOTE 3 - With 8.5 frame.

NOTE 4 - With 9.5 frame.

NOTE 7 - "Before Ser. HG0,001"

NOTE 8 - "From Ser. HG0,001"

**1980/  
TRUCK SERIES 600/900**

4817 SHAFT ASSY.-COUPLING

**APPLICATION CHART**

S P E E D	TRANSMISSION		ENGINE		REAR AXLE		WHEEL-BASE (INCHES)	YEAR	T Y P E	SIZE(INCHES)		N O T E	PART NUMBER ▲	▲ CODE	
	MODEL	T Y P E	C Y L.	C.I.D. OR MODEL	M F R. ▲	MODEL				A	B			P L A I N P L A T E	4831

NOTE: ▲ REFER TO PAGE 1 OF SECTION 48.1 FOR AN EXPLANATION OF THE CHART AND THE CODES SHOWN.

**F600 - - 2/W/D SERIES - - Cont'd**

4	New Process NP 435	G	8	370	D E R R	G175-T 15201,16244 D140 F106,H172	129	80	2	33 23/32	3 1/2	1,3,7	★ ED EOHT 4817-EVA	101	210
							129		2	33 23/32	3 1/2	1,4,7	★ ED EOHT 4817-EVA	101	146
							129		2	32 11/32	3	9	★ D9HT 4817-JAA	90	221
							129		2	33 25/32	3 1/2	1,3,8	★ EOHT 4817-EVB	101	221
							129		2	33 25/32	3 1/2	1,4,8	★ EOHT 4817-EVB	101	221
							140		2	33 23/32	3 1/2	1,7	★ ED EOHT 4817-EVA	101	210
							140		2	32 11/32	3	9	★ D9HT 4817-JAA	90	221
							140		2	33 25/32	3 1/2	1,3,8	★ EOHT 4817-EVB	101	220
							140		2	33 25/32	3 1/2	1,4,8	★ EOHT 4817-EVB	101	221
							153		2	33 23/32	3 1/2	1,7	★ ED EOHT 4817-EVA	101	209
							153		2	65 23/64	4	3,9	★ EOHT 4817-BGB	90	221
							153		2	32 11/32	3	4,9	★ D9HT 4817-JAA	90	220
							153		2	33 25/32	3 1/2	1,3,8	★ EOHT 4817-EVB	101	220
							153		2	33 25/32		1,4,8	★ EOHT 4817-EVB	101	221
							170		2	66 23/64	4	1,3,7	★ ED EOHT 4817-GLA	101	210
							170		2	66 23/32	4	1,4,7	★ ED EOHT 4817-GLA	101	146
							170		2	65 23/64	4	3,9	★ EOHT 4817-BGB	90	221
							170		2	65 23/64	4	4,9	★ EOHT 4817-BGB	90	154
							170		2	65 23/64	4	1,3,8	★ DOHA 4817-LU	90	221
							170		2	65 23/64	4	1,4,8	★ DOHA 4817-LU		146
							177		2	66 23/32	4	1,3,7	★ ED EOHT 4817-GLA	101	210
							177		2	66 23/32	4	1,4,7	★ ED EOHT 4817-GLA	101	150
							177		2	65 23/64	4	3,9	★ EOHT 4817-BGB	90	221
							177		2	65 23/64	4	4,9	★ EOHT 4817-BGB	90	154
							177		2	66 13/16	4	1,3,8	★ DOHA 4817-LU	46	221
							177		2	66 13/16	4	1,4,8	★ DOHA 4817-LU	46	146
							189		1	30	3	3,9	★ EOHT 4817-CFB	98	220
									1	31	3	4,9	★ EOHT 4817-CGB	98	220
207		1	62 19/32	4	3,9	★ EOHT 4817-DVB	98	220							
		1	62	4	4,9	★ EOHT 4817-DYB	98	152							
189,207		1	31 9/32	3 1/2	1,8	★ EOHT 4817-HKB	108	220							
189,207		1	30 1/4	3 1/2	1,7	★ ED EOHT 4817-HKA	108	209							
225		1	63 1/4	4	1,3,7	★ ED EOHT 4817-KCA	108	209							

NOTE 1 - Shaft assy. incl. 1480 size joint.

NOTE 3 - With 8.5 frame.

NOTE 4 - With 9.5 frame.

NOTE 7 - "Before Ser. HG0,001"

NOTE 8 - "From Ser. HG0,001"

NOTE 9 - Shaft assy. incl. 1410 size joint.

1980/  
TRUCK SERIES 600/900

4817 SHAFT ASSY.-COUPLING

APPLICATION CHART

S P E E D	TRANSMISSION	ENGINE			REAR AXLE		WHEEL- BASE (INCHES)	YEAR	SIZE(INCHES)		N O T E	PART NUMBER ▲	▲ CODE	
		T Y P E	C Y L.	C.I.D. OR MODEL	M F R. ▲	MODEL			A	B			P L A T E	4831 R S T S

NOTE: ▲ REFER TO PAGE 1 OF SECTION 48.1 FOR AN EXPLANATION OF THE CHART AND THE CODES SHOWN.

F600 -- 2/W/D SERIES -- Cont'd

4	New Process NP 435	G	8	370	D E R R	G175-T 15201,16244 D140 F106,H172	225	80	1	63 1/4	4	1,4,7	★ ED EOHT 4817-KCA	108	147							
							225		1	62 19/32	4	3,9	★ EOHT 4817-DVB	98	220							
									1	62	4	4,9	★ EOHT 4817-DYB	98	152							
							225		3	61 9/32	4	1,3,8	★ D5TA 4817-CMA	108	220							
							225		3	61 9/32	4	1,4,8	★ D5TA 4817-CMA	108	152							
							237		1	62 19/32	4	3,9	★ EOHT 4817-DVB	98	220							
									1	62	4	4,9	★ EOHT 4817-DYB	98	152							
							237		3	61 9/32	4	1,3,8	★ D5TA 4817-CMA	108	220							
							237		3	61 9/32	4	1,4,8	★ D5TA 4817-CMA	108	152							
							237		1	63 1/4	4	1,3,7	★ ED EOHT 4817-KCA	108	209							
							237		1	63 1/4	4	1,4,7	★ ED EOHT 4817-KCA	108	152							
									1	31	3	4,9	★ EOHT 4817-CGB	98	220							
							4	Warner T-19	D	8	8.2L	E R	15201 F106	129	80	2	28 11/32	3	3	★ D4HA 4817-YA	90	221
														129		2	28 11/32	3	4	★ D4HA 4817-YA	90	208
140		2	28 11/32	3	3	★ D4HA 4817-YA								90	220							
140		2	28 11/32	3	4	★ D4HA 4817-YA								90	208							
153		2	28 11/32	3	3	★ D4HA 4817-YA								90	220							
153		2	61 11/32	4	4	★ D9HT 4817-KZA								90	154							
170,177		2	61 11/32	4	3	★ D9HT 4817-KZA								90	221							
170,177		2	61 11/32	4	4	★ D9HT 4817-KZA								90	154							
184		1	27	3	3	★ EOHT 4817-CCB								98	220							
184		1	26	3	4	★ EOHT 4817-CBB								98	207							
207,225, 237		3	58 5/32	4	3	★ EOHT 4817-DSB								98	220							
207,225, 237		3	58 5/32	4	4	★ EOHT 4817-DSB								98	220							
G	8	370	D E R R	G175-T 15201,16244 F106,D140 H172	129,140	80								2	25 13/32	3	3,7	★ D7HT 4817-FHA	90	209		
					129,140									2	25 13/32	3	4,7	★ D7HT 4817-FHA	90	210		
					129				2	25 13/32	3	8	★ D7HT 4817-FHA	90	221							
					140				2	25 13/32	3	3,8	★ D7HT 4817-FHA	90	220							
					140				2	25 13/32	3	4,8	★ D7HT 4817-FHA	90	221							
					153				2	25 13/32	3	7	★ D7HT 4817-FHA	90	209							
					153				2	25 13/32	3	3,8	★ D7HT 4817-FHA	90	220							
					153				2	25 13/32	3	4,8	★ D7HT 4817-FHA	90	221							
					170,177				2	64 23/64	4	3,7	★ ED EOHT 4817-BFA	90	210							
					170,177				2	64 23/64	4	4,7	★ ED EOHT 4817-BFA	4	146							
					170,177				2	64 23/64	4	3,8	★ EOHT 4817-BFB	90	221							
					170							4,8	★ EOHT 4817-BDB	90	150							
					177				2	64 23/64	4	4,8	★ EOHT 4817-BFB	90	153							
					189				1	25 13/32	3	7	★ D7HT 4817-HJA	98	209							
189		1	25 13/32	3	8	★ D7HT 4817-HJA			98	220												
207		1	25 13/32	3	3,7	★ D7HT 4817-HJA			98	209												
207		1	62	4	4,7	★ ED EOHT 4817-DVA	98	152														

- NOTE 1 - Shaft assy. incl. 1480 size joint.
- NOTE 3 - With 8.5 frame.
- NOTE 4 - With 9.5 frame.
- NOTE 7 - "Before Ser. HG0,001"
- NOTE 8 - "From Ser. HG0,001"
- NOTE 9 - Shaft assy. incl. 1410 size joint.

**1980/  
TRUCK SERIES 600/900**

4817 SHAFT ASSY.-COUPLING

**APPLICATION CHART**

S P E E D	TRANSMISSION		ENGINE			REAR AXLE		SIZE(INCHES)		N O T E	PART NUMBER ▲	▲ CODE	
	MODEL	T Y P E	C Y L.	C.I.D. OR MODEL	M F R. ▲	MODEL	WHEEL- BASE (INCHES)	YEAR	T Y P E ▲			A	B

**NOTE: ▲ REFER TO PAGE 1 OF SECTION 48.1 FOR AN EXPLANATION OF THE CHART AND THE CODES SHOWN.**

**F600 -- 2/W/D SERIES -- Cont'd**

4	Warner T-19	G	8	370	D E R R	G175-T 15201,16244 F106,D140 H172	207	80	1	25 13/32	3	3,8	★ D7HT 4817-HJA	98	220							
							207		1	62 19/32	4	4,8	★ EOHT 4817-DVB	98	152							
							225		1	62	4	3,7	★ ED EOHT 4817-DVA	98	209							
							225		1	62	4	4,7	★ ED EOHT 4817-DVA	98	152							
							225		1	62 19/32	4	3,8	★ EOHT 4817-DVB	98	220							
							225		1	62 19/32	4	4,8	★ EOHT 4817-DVB	98	152							
							237		1	62	4	3,7	★ ED EOHT 4817-DVA	98	209							
							237		1	62	4	4,7	★ ED EOHT 4817-DVA	98	147							
							237		1	62 19/32	4	3,8	★ EOHT 4817-DVB	98	220							
							237		1	62 19/32	4	4,8	★ EOHT 4817-DVB	98	152							
							5	Clark 280 Series	D	8	8.2L	D E R	G175-T 15201,16244 F106,H172	129	80	2	26 25/32	3 1/2	1,3	★ C9HA 4817-AU	46	220
														129		2	26 25/32	3 1/2	1,4	★ C9HA 4817-AU	46	146
														129		2	26 49/64	3 1/2	2,3	★ D9HT 4817-HA	130	208
140		2	26 25/32	3 1/2	1,3	★ C9HA 4817-AU								46	220							
140		2	26 49/64	3 1/2	2,4	★ D9HT 4817-HA								130	208							
140		2	26 25/32	3 1/2	1,4	★ C9HA 4817-AU								46	150							
140		2	26 49/64	3 1/2	2,3	★ D9HT 4817-HA								130	208							
153		2	26 25/32	3 1/2	1,3	★ C9HA 4817-AU								46	220							
153		2	58 25/32	3 1/2	2,4	★ D9HT 4817-CMA								130	158							
153		2	26 25/32	3 1/2	1,4	★ C9HA 4817-AU								46	150							
153		2	58 25/32	3 1/2	2,3	★ D9HT 4817-CMA								130	208							
170		2	58 25/32	3 1/2	1,3	★ EOHT 4817-GCB								101	221							
170		2	58 25/32	3 1/2	2,4	★ D9HT 4817-CMA								130	158							
170		2	58 25/32	3 1/2	1,4	★ EOHT 4817-GCB								101	146							
170		2	58 25/32	3 1/2	2,3	★ D9HT 4817-CMA								130	208							
177		2	58 25/32	3 1/2	1,3	★ EOHT 4817-GCB								101	221							
177		2	58 25/32	3 1/2	2,4	★ D9HT 4817-CMA								130	148							
177		2	58 25/32	3 1/2	1,4	★ EOHT 4817-GCB								101	153							
177		2	58 25/32	3 1/2	2,3	★ D9HT 4817-CMA								130	207							
189		3	23 23/32	3 1/2	1,3	★ EOHT 4817-HCB								108	220							
189		1	22 9/32	3 1/2	2,4	★ D9HT 4817-EFA								129	207							
189		3	23 23/32	3 1/2	1,4	★ EOHT 4817-HCB								108	207							
189		1	22 9/32	3 1/2	2,3	★ D9HT 4817-EFA								129	207							
207		1	54 17/64	3 1/2	1,3	★ D9HT 4817-HUA								108	220							
207		1	22 9/32	3 1/2	2,4	★ D9HT 4817-EFA								129	207							
207		3	23 23/64	3 1/2	1,4	★ EOHT 4817-HCB								108	207							
207		1	22 9/32	3 1/2	2,3	★ D9HT 4817-EFA								129	207							
225,237		1	54 17/64	3 1/2	1,3	★ D9HT 4817-HUA	108	152														
225,237		3	54 9/32	3 1/2	2,3	★ D9HT 4817-RKA	131	207														

- NOTE 1 - Shaft assy. incl. 1480 size joint.
- NOTE 2 - Shaft assy. incl. 1550 size joint.
- NOTE 3 - With 8.5 frame.
- NOTE 4 - With 9.5 frame.
- NOTE 7 - "Before Ser. HG0,001"
- NOTE 8 - "From Ser. HG0,001"

**1980/  
TRUCK SERIES 600/900**

4817 SHAFT ASSY.-COUPLING

**APPLICATION CHART**

TRANSMISSION	ENGINE			REAR AXLE		WHEEL-BASE (INCHES)	YEAR	TYPE	SIZE(INCHES)		NOTE	PART NUMBER	▲ CODE	
	MODEL	TYP	CYL	C.I.D. OR MODEL	MFR. ▲				MODEL	A			B	PL

NOTE: ▲ REFER TO PAGE 1 OF SECTION 48.1 FOR AN EXPLANATION OF THE CHART AND THE CODES SHOWN.

**F600 -- 2/W/D SERIES -- Cont'd**

5	Clark 280 Series	G	8	370	D E R	G175-T 15201,16244 F106,H172	129,140	80	2	29 23/32	3 1/2	1,7	★ ED EOHT 4817-ERA	101	209
							129,140		2	29 25/36	3 1/2	1,3,8	★ EOHT 4817-ERB	101	220
							129,140		2	29 25/32	3 1/2	1,4,8	★ EOHT 4817-ERB	101	221
							129,140		2	29 25/32	3 1/2	2,3	★ D9HT 4817-RA	130	207
							129,140		2	29 25/32	3 1/2	2,4	★ D9HT 4817-RA	130	208
							153		2	29 23/32	3 1/2	1,7	★ ED EOHT 4817-ERA	101	209
							153		2	29 25/32	3 1/2	1,8	★ EOHT 4817-ERB	101	220
							153		2	29 25/32	3 1/2	2	★ D9HT 4817-RA	130	207
							170		1	58 1/4	4	1,3,7	★ ED EOHT 4817-JVA	108	210
							170		2	61 23/32	4	1,4,7	★ ED EOHT 4817-GFA	101	150
							170		3	61 23/32	4	1,3,8	★ EOHT 4817-GFB	101	221
							170		3	61 25/62	4	1,4,8	★ EOHT 4817-GFB	101	146
							170		2	61 25/32	4	2,3	★ D9HT 4817-CVA	130	208
							170		2	61 25/32	4	2,4	★ D9HT 4817-CVA	130	158
							177		1	58 1/4	4	1,3,7	★ ED EOHT 4817-JVA	108	210
							177		2	61 23/32	4	1,4,7	★ ED EOHT 4817-GFA	101	146
							177		3	61 25/32	4	1,3,8	★ EOHT 4817-GFB	101	221
							177		3	61 25/32	4	1,4,8	★ EOHT 4817-GFB	101	146
							177		2	61 25/32	4	2,3	★ D9HT 4817-CVA	130	208
							177		2	61 25/32	4	2,4	★ D9HT 4817-CVA	130	148
							189		1	26 1/4	3 1/2	1,7	★ ED EOHT 4817-HFA	108	209
							189		1	27 9/32	3 1/2	1,8	★ EOHT 4817-HFB	108	220
							189		1	26 7/32	3 1/2	2	★ D9HT 4817-EMA	129	207
							207		1	58 1/4	4	1,3,7	★ ED EOHT 4817-JVA	108	209
							207		1	26 1/4	3 1/2	1,4,7	★ ED EOHT 4817-HFA	108	209
							207		1	58 7/16	4	1,3,8	★ EOHT 4817-JVB	108	220
							207		1	27 9/32	3 1/2	1,4,8	★ EOHT 4817-HFB	108	220
							207		1	57 13/64	4	2,3,7	★ D9HT 4817-RTA	129	207
							207		1	57 13/64	4	2,4,7	★ D9HT 4817-RTA	129	157
							207		1	57 13/64	4	2,3,8	★ D9HT 4817-RTA	129	207
							207		1	57 13/64	4	2,4,8	★ D9HT 4817-RTA	129	157
							225		1	58 1/4	4	1,3,7	★ ED EOHT 4817-JVA	108	209
225		1	58 1/4	4	1,4,7	★ ED EOHT 4817-JVA	108	152							
225		1	58 7/16	4	1,3,8	★ EOHT 4817-JVB	108	220							
225		1	58 7/16	4	1,4,8	★ E9HT 4817-JVB	108	152							

NOTE 1 - Shaft assy. incl. 1480 size joint.

NOTE 2 - Shaft assy. incl. 1550 size joint.

NOTE 3 - With 8.5 frame.

NOTE 4 - With 9.5 frame.

NOTE 5 - With G175-T axle.

NOTE 6 - Exc. G175-T axle.

NOTE 7 - "Before Ser. HG0,001"

**1980/  
TRUCK SERIES 600/900**

4817 SHAFT ASSY.-COUPLING

**APPLICATION CHART**

S P E C I F I C A T I O N	TRANSMISSION		ENGINE			REAR AXLE		WHEEL BASE (INCHES)	YEAR	SIZE(INCHES)		N O T E	PART NUMBER ▲	▲ CODE	
	MODEL	T Y P E	C Y L.	C.I.D. OR MODEL	M F R. ▲	MODEL	A			B	P L A I N P L A T E			4831	

**NOTE: ▲ REFER TO PAGE 1 OF SECTION 48.1 FOR AN EXPLANATION OF THE CHART AND THE CODES SHOWN.**

**F600 -- 2/W/D SERIES -- Cont'd**

5	Clark 280 Series	G	8	370	D	G175-T	225		1	57 13/64	4	2,3,7	★ D9HT 4817-RTA	129	207
							225		1	57 13/64		2,4,7	★ D9HT 4817-RTA	129	157
							225		1	57 13/64	4	2,3,8	★ D9HT 4817-RTA	129	207
							225		1	57 13/64	4	2,3,8	★ D9HT 4817-RTA	129	157
							237		1	58 1/4	4	1,3,7	★ ED EOHT 4817-JVA	108	209
							237		1	58 1/4	4	1,4,7	★ ED EOHT 4817-JVA	108	152
							237		1	58 7/16	4	1,3,8	★ EOHT 4817-JVB	108	220
							237		1	58 7/16	4	1,4,8	★ EOHT 4817-JVB	108	152
							237		1	57 13/64	4	2,3,7	★ D9HT 4817-RTA	129	207
							237		1	57 13/64	4	2,4, 6,7	★ D9HT 4817-RTA	129	151
							237		1	42 25/32	3 1/2	2,4, 5,7	★ D9HT 4817-GGA	129	151
							237		1	57 13/64	4	2,4,6,8	★ D9HT 4817-RTA	129	157
							237		1	42 25/32	3 1/2	2,4,5,8	★ D9HT 4817-GGA	129	151
							237		1	57 13/64	4	2,3,8	★ D9HT 4817-RTA	129	207
							129	80	2	28 11/32	3	7	★ D4HA 4817-YA	90	210
							129		2	28 11/32	3	8	★ D4HZ 4817-YA	90	221
							140,153		2	28 11/32	3	7	★ D4HA 4817-YA	90	209
							140,153		2	28 11/32	3	8	★ D4HZ 4817-YA	90	220
							170,177		2	60 23/64	4	7	★ ED EOHT 4817-BBA	90	210
							170,177		2	60 11/32	3 1/2	8	★ EOHT 4817-BBB	90	221
							189		1	26	3	7	★ ED EOHT 4817-CBA	98	209
							189		1	25	3	8	★ EOHT 4817-CAB	98	220
							207,225		1	58	4	7	★ ED EOHT 4817-DRA	98	209
237															
207,225,237		1	64	3 1/2	8	★ EOHT 4817-DRB	98	220							
5	New Process NP 542	G	8	370	E R R	15201,16244 F106,H172 D140	129	80	2	31 23/64	3 1/2	7	★ ED EOHT 4817-ETA	101	210
							129		2	24 13/32	3	7,9	★ D7HT 4817-FGA	90	209
							129		2	24 13/32	3	8,9	★ D7HT 4817-FGA	90	221
							129					1,8	★ D0HA 4817-NK		220
							140		2	31 23/64	3 1/2	3,7	★ ED EOHT 4817-ETA	101	209
							140		2	31 23/64	3 1/2	4,7	★ ED EOHT 4817-ETA	101	210
							140		2	24 13/32	3	7,9	★ D7HT 4817-FGA	90	209
							140		2	24 13/32	3	8,9	★ D7HT 4817-FGA	90	220
							140		2	31 25/32	3 1/2	1,3,8	★ D0HA 4817-EE	46	220
							140		2	31 25/32	3 1/2	1,4,8	★ D0HA 4817-EE	46	220

- NOTE 1 - Shaft assy. incl. 1480 size joint.
- NOTE 2 - Shaft assy. incl. 1550 size joint.
- NOTE 3 - With 8.5 frame.
- NOTE 4 - With 9.5 frame.
- NOTE 7 - "Before Ser. HG0,001"
- NOTE 8 - "From Ser. HG0,001"
- NOTE 9 - Shaft assy. incl. 1410 size joint.

1980/  
TRUCK SERIES 600/900

4817 SHAFT ASSY.-COUPLING

APPLICATION CHART

TRANSMISSION	ENGINE			REAR AXLE		WHEEL-BASE (INCHES)	YEAR	SIZE(INCHES)		NOTE	PART NUMBER ▲	▲ CODE	
	MODEL	TYP E	C.Y.L. OR MODEL	M.F.R. ▲	MODEL			A	B			PL	RS

NOTE: ▲ REFER TO PAGE 1 OF SECTION 48.1 FOR AN EXPLANATION OF THE CHART AND THE CODES SHOWN.

F600 -- 2/W/D SERIES -- Cont'd

5	New Process NP542	G	8	370	E R R	15201,16244 F106,H172 D140	153	80	2	31 23/64	3 1/2	1,7	★ ED EOHT 4817-ETA	101	209
							153		2	24 13/32	3	7,9	★ D7HT 4817-FGA	90	209
							153		2	24 13/32	3	8,9	★ D7HT 4817-FGA	90	220
							153					1,8	★ DOHA 4817-NK		220
							170		2	63 23/32	4	1,3,7	★ ED EOHT 4817-GHA	101	210
							170		2	63 23/32	4	1,4,7	★ ED EOHT 4817-GHA	101	146
							170		2	62 23/64	4	7,9	★ ED EOHT 4817-BDA	90	210
							170		2	62 23/64	4	8,9	★ EOHT 4817-BDB	90	221
							170		2	63 13/16	4	1,3,8	★ DOHA 4817-HC	46	221
							170		2	63 13/16	4	1,4,8	★ DOHA 4817-HC	46	150
							177		2	63 23/32	4	1,3,7	★ ED EOHT 4817-GHA	101	210
							177		2	63 23/32	4	1,4,7	★ ED EOHT 4817-GHA	101	146
							177		2	62 23/64	4	7,9	★ ED EOHT 4817-BDA	90	210
							177		2	62 23/64	4	8,9	★ EOHT 4817-BDB	90	221
							177		2	63 13/16	4	1,3,8	★ DOHA 4817-HC	46	221
							177		2	63 13/16	4	1,4,8	★ DOHA 4817-HC	46	153
							189		1	28 1/4	3 1/2	1,7	★ ED EOHT 4817-HHA	108	209
							189		1	28	3	7,9	★ ED EOHT 4817-CDA	98	209
							189		1	28	3	8,9	★ EOHT 4817-CDB	98	220
							189		1	29 9/32	3 1/2	1,8	★ EOHT 4817-HHB	108	220
							207		1	28	3	7,9	★ ED EOHT 4817-CDA	98	209
							207		1	28	3	8,9	★ EOHT 4817-CDB	98	220
							207		1	60 1/4	4	1,3,7	★ ED EOHT 4817-JZA	108	209
							207		2	59 9/32	4	1,3,8	★ D2HA 4817-UA	59	220
							207		1	60 1/4	4	1,4,7	★ ED EOHT 4817-JZA	108	152
							207		1	29 9/32	3 1/2	1,4,8	★ EOHT 4817-HHB	108	220
							225		1	60 1/4	4	1,3,7	★ ED EOHT 4817-JZA	108	209
							225		2	59 9/32	4	1,3,8	★ D2HA 4817-UA	59	220
225		1	60 1/4	4	1,4,7	★ ED EOHT 4817-JZA	108	152							
225		2	59 9/32	4	1,4,8	★ D2HA 4817-UA	59	152							
225		3	59 5/32	4	7,9	★ D4HA 4817-AUA	98	209							
225		3	59 5/32	4	8,9	★ D4HA 4817-AUA	98	220							

NOTE 1 - Shaft assy. incl. 1480 size joint.

NOTE 3 - With 8.5 frame.

NOTE 4 - With 9.5 frame.

NOTE 7 - "Before Ser. HG0,001"

NOTE 8 - "From Ser. HG0,001"

NOTE 9 - Shaft assy. incl. 1410 size joint.



**1980/  
TRUCK SERIES 600/900**

4817 SHAFT ASSY.-COUPLING

**APPLICATION CHART**

S P E E D	TRANSMISSION		ENGINE		REAR AXLE		WHEEL- BASE (INCHES)	YEAR	SIZE(INCHES)		N O T E	PART NUMBER ▲	▲ CODE	
	MODEL	T Y P E	C Y L.	C.I.D. OR MODEL	M F R. ▲	MODEL			A	B			P L A I N P L A T E	R S T T S

**NOTE: ▲ REFER TO PAGE 1 OF SECTION 48.1 FOR AN EXPLANATION OF THE CHART AND THE CODES SHOWN.**

**B600 SERIES — Cont'd**

5	New Process NP542	G	8	370	E R R	15201,16244 F106,H172 D140	237	80	3	59 5/32	4	7,9	★ D4HA 4817-AUA	98	209							
							237		3	59 5/32	4	8,9	★ D4HA 4817-AUA	98	220							
							237		1	60 1/4	4	1,3,7	★ ED EOHT 4817-JZA	108	209							
							237		2	59 9/32	4	1,3,8	★ D2HA 4817-UA	59	220							
							237		1	60 1/4	3	1,4,7	★ ED EOHT 4817-JZA	108	152							
							237		2	59 9/32	4		★ D2HA 4817-UA	59	152							
							237		1	60 1/4	4	4	★ ED EOHT 4817-JZA	108	152							
							225,237		3	59 5/32	4		★ D4HA 4817-AUA	98	209							
							5	Spicer CM-50	D	8	8.2L	D E R	G175-T 15201,16244 F106,H172	129	80	3	25 53/64	3 1/2	1,3	★ D6HA 4817-ABA	101	220
														129		3	24 49/64	3 1/2	1,4	★ D9HT 4817-HEA	101	208
129		2	24 25/32	3 1/2	2,3	★ D9HT 4817-DA								130	208							
129		2	24 25/32	3 1/2	2,4	★ D9HT 4817-DA								130	207							
140		3	25 53/64	3 1/2	1,3	★ D6HA 4817-ABA								101	220							
140		3	24 49/64	3 1/2	1,4	★ D9HT 4817-HEA								101	207							
140		2	24 25/32	3 1/2	2,3	★ D9HT 4817-DA								130	207							
140		2	24 25/32	3 1/2	2,4	★ D9HT 4817-DA								130	208							
153		3	25 53/64	3 1/2	1,3	★ D6HA 4817-ABA								101	220							
153		1	57 49/64	3 1/2	1,4	★ D9HT 4817-LEA								101	154							
153		2	49 13/16	3 1/2	2,3	★ D9HT 4817-CJA								130	208							
153		2	24 25/32	3 1/2	2,4	★ D9HT 4817-DA								130	207							
170		1	57 49/64	3 1/2	1,3	★ D9HT 4817-LEA								101	221							
170		1	57 49/64	3 1/2	1,4	★ D9HT 4817-LEA								101	150							
170		2	49 13/16	3 1/2	2,3	★ D9HT 4817-CJA								130	208							
170		2	49 13/16	3 1/2	2,4	★ D9HT 4817-CJA								130	158							
177		1	47 49/64	3 1/2	1,3	★ D9HT 4817-LEA								101	221							
177		1	57 49/64	3 1/2	1,4	★ D9HT 4817-LEA								101	150							
177		2	49 13/16	3 1/2	2,3	★ D9HT 4817-CJA								130	208							
177		2	49 13/16	3 1/2	2,4	★ D9HT 4817-CJA								130	148							
189		1	22 9/32	3 1/2	1,3	★ EOHT 4817-HAB								108	220							
189		1	22 9/32	3 1/2	1,4	★ EOHT 4817-HAB								108	207							
189		3	20 25/32	3 1/2	2,7	★ D9HT 4817-ECA								129	207							
189		1	21 7/32	3 1/2	2,4	★ D9HT 4817-EBA								129	207							
207		1	53 17/64	3 1/2	1,3	★ D9HT 4817-LFA								108	220							
207		1	22 19/64	3 1/2	1,4	★ C8TA 4817-FG								207	207							
207		1	21 7/32	3 1/2	2,3	★ D9HT 4817-EBA								129	207							
207					2,4	★ D9HT 4817-ECA								129	207							
225,237		1	53 17/64	3 1/2	1,3	★ D9HT 4817-LFA	108	220														
225,237		1	53 17/64	3 1/2	1,4	★ D9HT 4817-LFA	108	152														
225,237		3	53 7/32	3 1/2	2,3	★ D9HT 4817-RFA	131	207														
225,237		1	52 45/64	3 1/2	2,4	★ D9HT 4817-RGA	129	157														

- NOTE 1 - Shaft assy. incl. 1480 size joint.
- NOTE 2 - Shaft assy. incl. 1550 size joint.
- NOTE 3 - With 8.5 frame.
- NOTE 4 - With 9.5 frame.
- NOTE 7 - "Before Ser. HG0,001"
- NOTE 8 - "From Ser. HG0,001"
- NOTE 9 - Shaft assy. incl. 1410 size joint.

**1980/  
TRUCK SERIES 600/900**

4817 SHAFT ASSY.-COUPLING

**APPLICATION CHART**

SPECIFIED	TRANSMISSION		ENGINE			REAR AXLE		WHEEL-BASE (INCHES)	YEAR	TYPE	SIZE(INCHES)		NOTE	PART NUMBER ▲	▲ CODE	
	MODEL	TYPE	CYL.	C.I.D. OR MODEL	MFR.	MODEL	A				B	PLATE			RS	

**NOTE:** ▲ REFER TO PAGE 1 OF SECTION 48.1 FOR AN EXPLANATION OF THE CHART AND THE CODES SHOWN.  
 % Refer to section 48.1 for stamping number  
 Note 1--"Before 12/01/88"                      Note 3--Except California  
 Note 2--"From 12/01/88"                      Note 4--California

**1986/CF600 (1550 JOINT SIZE)**

5	CL,CM 50 series		6.6L	R	All	153								★ D9HT 4817-BRA	130	%
						171								★ D9HT 4817-BRA	130	%
						189								★ D9HT 4817-BVA	130	%
						207						3		★ E4HT 4817-NYA	136	%
						207						4		★ E4HT 4817-NUA	136	%
						225						3		★ E4HT 4817-RAA	136	%
						225						4		★ E4HT 4817-NYA	136	%
4	Allison AT 545		6.6L	R	All	153								★ D9HT 4817-BFA	130	%
						171								★ D9HT 4817-BFA	130	%
						189								★ D9HT 4817-BKA	130	%
						207								★ E4HT 4817-NSA	136	%
						225								★ E4HT 4817-NUA	136	%

**1986/-CF700 (1550 JOINT SIZE)**

5	CL,CM- 50 series		6.6L	R	All	153								★ D9HT 4817-BRA	130	%
						171								★ D9HT 4817-BRA	130	%
						189								★ D9HT 4817-BVA	130	%
						207						3		★ E4HT 4817-NYA	136	%
						207						4		★ E4HT 4817-NUA	136	%
						225						3		★ E4HT 4817-RAA	136	%
						225						4		★ E4HT 4817-NYA	136	%
4	Allison AT 545		6.6L	R	All	153								★ D9HT 4817-BFA	130	%
						171								★ D9HT 4817-BFA	130	%
						189								★ D9HT 4817-BKA	130	%
						207								★ E4HT 4817-NSA	136	%
						225								★ E4HT 4817-NUA	136	%

**1987/ CF700/800 (1610 JOINT SIZE)**

5	FS-5005-A		7.8L(185)	R	RS21145	153								★ E7HT 4817-ARA	137	%
						171								★ E7HT 4817-ARA	137	%
						189								★ E7HT 4817-BDA	137	%
						207								★ E7HT 4817-ARA	137	%
						225								★ E7HT 4817-BDA	137	%
5	FS-5005-B		7.8L(210)	R	RS21230	153								★ E7HT 4817-ANA	137	%
						171								★ E7HT 4817-ANA	137	%
						189								★ E7HT 4817-ANA	137	%
						207								★ E7HT 4817-BBA	137	%
						225								★ E7HT 4817-BBA	137	%
6	FS-5106		7.8L(185)	R	RS21145	153								★ E7HT 4817-AGA	137	%
						171								★ E7HT 4817-AGA	137	%
						189								★ E7HT 4817-AUA	137	%
						207								★ E7HT 4817-AGA	137	%
						225								★ E7HT 4817-AUA	137	%
5	FS-6105-A		7.8L(210)	R	RS21230	153								★ E7HT 4817-AGA	137	%
						171								★ E7HT 4817-ANA	137	%
						189								★ E7HT 4817-ANA	137	%
						207								★ E7HT 4817-BBA	137	%
						225								★ E7HT 4817-BBA	137	%
5	FS-6105-B		7.8L(240)	R	RS23160	153								★ E7HT 4817-AGA	137	%
						171								★ E7HT 4817-AGA	137	%
						189								★ E7HT 4817-AUA	137	%
						207								★ E7HT 4817-AGA	137	%
						225								★ E7HT 4817-AUA	137	%
A/T	MT-643		7.8L(185)	R	RS21145	153								★ E7HT 4817-AGA	137	%
						171								★ E7HT 4817-AGA	137	%
						189								★ E7HT 4817-AUA	137	%
						207								★ E7HT 4817-AGA	137	%
						225								★ E7HT 4817-AUA	137	%

**1987/ CF700/800 (1710 JOINT SIZE)**

6	FS-6106		7.8L(210)	R	RS21145	153								★ E7HT 4817-GMA	138	%
						171								★ E7HT 4817-GMA	138	%
						189								★ E7HT 4817-HAA	138	%
						207								★ E7HT 4817-GMA	138	%
						225								★ E7HT 4817-HAA	138	%
R	RS23160		7.8L(240)	R	RS23160	153								★ E7HT 4817-GMA	138	%
						171								★ E7HT 4817-GMA	138	%
						189								★ E7HT 4817-HAA	138	%
						207								★ E7HT 4817-GMA	138	%
						225								★ E7HT 4817-HAA	138	%



# 1980/ TRUCK SERIES 600/900

4886 SHAFT ASSY.-INTERMEDIATE COUPLING

## APPLICATION CHART

SPECIFIED	TRANSMISSION		ENGINE			REAR AXLE		WHEEL-BASE (INCHES)	YEAR	TYPE	SIZE(INCHES)		NOTE	PART NUMBER ▲	▲ CODE	
	MODEL	TYPE	CYL.	C.I.D. OR MODEL	MFR. ▲	MODEL	A				B	PLATE			4831	

NOTE: ▲ REFER TO PAGE 1 OF SECTION 48.1 FOR AN EXPLANATION OF THE CHART AND THE CODES SHOWN.

### B600 SERIES

4	Allison 540/545	D	8	8.2L	R	F106,H172	192	80	2	53 25/32	3 1/2	1	★ EOHT 4817-FVB	101	221							
							192		2	53 25/32	3 1/2	2	★ D9HT 4817-CBA	130	208							
							216		2	38 25/32	3 1/2	1	★ EOHT 4817-FCB	101	221							
							216		2	31 13/16	3 1/2	2	★ D9HT 4817-ANA	130	208							
							237		2	58 25/32		1	★ EOHT 4817-GCB	101	221							
							237		2	59 17/32	3 1/2	2	★ D9HT 4817-MVA	130	208							
							237		2	53 23/32	3 1/2	1,7	★ ED EOHT 4817-FVA	101	210							
		G	8	370	R	F106,H172	192		2	46 11/32	3 1/2	1,8	★ D2TA 4817-ACA	46	221							
							192		2	53 25/32	3 1/2	2	★ D9HT 4817-CBA	130	208							
							216		2	39 23/32	3 1/2	1,7	★ ED EOHT 4817-FDA	101	210							
							216		3	54 9/32	3 1/2	1,8	★ D9HT 4817-RKA	131	221							
							216		2	39 25/32	3 1/2	2	★ D9HT 4817-ARA	130	208							
							237		2	59 25/32	3 1/2	1,7	★ ED EOHT 4817-GDA	101	210							
							237		1	60 49/64	4	1,8	★ D9HT 4817-HVA	108	221							
4	New Process 435	G	8	370	D E R R	G175-T 15201,16244 D140 F106,H172	192	80	2	54 23/32	3 1/2	1,7	★ ED EOHT 4817-FYA	101	210							
							192		2	53 11/32	3	7,9	★ ED EOHT 4817-ASA	90	210							
							192		2	53 23/32	3	8,9	★ EOHT 4817-ASB	90	221							
							192		2	53 25/32	3 1/2	1,8	★ EOHT 4817-FVB	101	221							
							216		2	38 23/32	3 1/2	1,7	★ ED EOHT 4817-FCA	101	210							
							216		2	38 11/32	3	7,9	★ ED EOHT 4817-ZA	90	210							
							216		2	38 23/64	3	8,9	★ EOHT 4817-ZB	90	221							
							216		2	38 25/32	3 1/2	1,8	★ EOHT 4817-FCB	101	221							
							237		2	59 23/32	3 1/2	1,7	★ ED EOHT 4817-GDA	101	210							
							237		2	58 23/64	4	7,9	★ ED EOHT 4817-AZA	90	210							
							237		2	58 11/32	3 1/2	8,9	★ EOHT 4817-AZB	90	221							
							237		2	59 25/32	3 1/2	1,8	★ D0HA 4817-LT	46	221							
							4	Warner T-19	D	8	8.2L	D E R	G175-T 15201,16244 F-106,D-140	192	80	2	53 23/32	3		★ EOHT 4817-ASB	90	221
														216		2	38 23/64	3		★ EOHT 4817-ZB	90	221
							237		2	58 11/32	3 1/2		★ EOHT 4817-AZB	90	155							

- NOTE 1 - Shaft assy. incl. 1480 size joint.
- NOTE 2 - Shaft assy. incl. 1550 size joint.
- NOTE 7 - "Before Ser. HG0,001"
- NOTE 8 - "From Ser. HG0,001"
- NOTE 9 - Shaft assy. incl. 1410 size joint.

**1980/  
TRUCK SERIES 600/900**

4886 SHAFT ASSY.-INTERMEDIATE COUPLING

**APPLICATION CHART**

S P E E D	TRANSMISSION	ENGINE			REAR AXLE		WHEEL- BASE (INCHES)	YEAR	SIZE(INCHES)		N O T E	PART NUMBER ▲	▲ CODE	
		T Y P E	C Y L.	C.I.D. OR MODEL	M F R. ▲	MODEL			A	B			P L A I N S P L A T E	4831

**NOTE: ▲ REFER TO PAGE 1 OF SECTION 48.1 FOR AN EXPLANATION OF THE CHART AND THE CODES SHOWN.**

**B600 SERIES — Cont'd**

5	Clark 280 Series	D	8	8.2L	D E R	G175-T 15201,16244 F106,H172	192	80	2	53 25/32	3 1/2	1	★ E0HT 4817-FVB	101	221							
							192		2	54 17/64	3 1/2		★ D9HT 4817-CCA	130	208							
							216		2	32 5/16	3 1/2	1	★ D7HT 4817-HVA	101	221							
							216		2	31 13/16	3 1/2	2	★ D9HT 4817-ANA	130	208							
							237		2	59 25/32	3 1/2	1	★ DOHZ 4817-ET	46	221							
							237		2	59 17/32	3 1/2	2	★ D9HT 4817-MVA	130	208							
									2	53 23/32	3 1/2	1,7	★ ED E0HT 4817-FVA	101	210							
							192		2	53 25/32	3 1/2	2,7	★ D9HT 4817-CBA	130	208							
							192		2	53 23/32	3	9	★ E0HT 4817-ASB	90	221							
							192		2	53 25/32	3 1/2	1,8	★ E0HT 4817-FVB	101	221							
		192		2	53 25/32	3 1/2	2,8	★ D9HT 4817-CBA	130	208												
		216		2	39 23/32	3 1/2	1,7	★ ED E0HT 4817-FDA	101	210												
		216		2	39 25/32	3 1/2	2,7	★ D9HT 4817-ARA	130	208												
		216		2	38 23/64	3	9	★ E0HT 4817-ZB	90	221												
		216		1	60 49/64	4	1,8	★ D9HT 4817-HVA	108	221												
		216		2	53 25/32	3 1/2	2,9	★ D9HT 4817-CBA	130	208												
		237		2	59 23/32	3 1/2	1,7	★ ED E0HT 4817-BDA	101	210												
		237		2	59 25/32	3 1/2	2,7	★ D9HT 4817-CRA	130	208												
		237		2	59 11/32	3 1/2	9	★ E0HT 4817-BAB	90	221												
		237		2	59 25/32	3 1/2	1,8	★ DOHZ 4817-ET	46	221												
237		2	39 25/32	3 1/2	2,8	★ D9HT 4817-ARA	130	208														
5	New Process 542	G	8	370	D E R	G175-T 15201,16244 F106,H172	192	80	2	53 23/32	3 1/2	7	★ ED E0HT 4817-FVA	101	210							
							192		2	53 25/32	3 1/2		★ E0HT 4817-FVB	101	221							
							216		2	39 23/32	3 1/2	7	★ ED E0HT 4817-FDA	101	210							
							216		1	60 49/64	4		★ D9HT 4817-HVA	108	221							
							237		2	59 23/32	3 1/2	7	★ ED E0HT 4817-GDA	101	210							
							237		2	59 25/32	3 1/2		★ DOHZ 4817-ET	46	221							
									3	46 13/32	3	7	★ D7HT 4817-HFA	90	210							
							192		3	46 13/32	3	8	★ D7HT 4817-HFA	90	221							
							216		2	38 1/32	3	7	★ ED E0HT 4817-ZA	90	210							
							216		2	38 23/64	3	8	★ E0HT 4817-ZB	90	221							
							237		2	58 22/64	4	7	★ ED E0HT 4817-AZA	90	210							
							237		2	58 11/32	3 1/2	8	★ E0HT 4817-AZB	90	221							
							5	Spicer CM-50	D	8	8.2L	D E R	G175-T 15201,16244 F106,H172	192	80	2	53 25/32	3 1/2		★ E0HT 4817-FVB	101	221
														192		2	53 25/32	3 1/2		★ D9HT 4817-CBA	130	208
216		2	38 25/32	3 1/2		★ E0HT 4817-FCB								101	221							
216		2	31 13/16	3 1/2		★ D9HT 4817-ANA								130	208							
237		2	59 25/32	3 1/2		★ DOHZ 4817-ET								46	221							
237		2	59 17/32	3 1/2		★ D9HT 4817-MVA								130	208							

- NOTE 1 - Shaft assy. incl. 1480 size joint.
- NOTE 2 - Shaft assy. incl. 1550 size joint.
- NOTE 7 - "Before Ser. HG0,001"
- NOTE 8 - "From Ser. HG0,001"
- NOTE 9 - Shaft assy. incl. 1410 size joint.

**1980/  
TRUCK SERIES 600/900**

4886		SHAFT ASSY.-INTERMEDIATE COUPLING												
<b>APPLICATION CHART</b>														
S P E E D	TRANSMISSION		ENGINE			REAR AXLE		SIZE(INCHES)			N O T E	PART NUMBER ▲	▲ CODE	
	MODEL	T Y P E	C Y L.	C.I.D. OR MODEL	M F R. ▲	MODEL	WHEEL- BASE (INCHES)	YEAR	T Y P E ▲	A			B	P L A I R S P L A T E

**NOTE: ▲ REFER TO PAGE 1 OF SECTION 48.1 FOR AN EXPLANATION OF THE CHART AND THE CODES SHOWN.**

**F600 SERIES**

4	Allison 540/545	D	8	8.2L	R	F106,H172	189	80	2	43 25/32	3 1/2	1,3	★ EOHT 4817-FHB	101	221					
							189		2	43 25/32	3 1/2	1,4	★ EOHT 4817-FHB	101	150					
							189		2	43 25/32	3 1/2	2,3	★ D9HT 4817-BBA	130	208					
							189		2	43 25/32	3 1/2	2,4	★ D9HT 4817-BBA	130	159					
							207		3	61 25/32	4	1,3	★ EOHT 4817-GFB	101	221					
							207		3	61 25/32	4	1,4	★ EOHT 4817-GFB	101	150					
							207		2	29 25/32	3 1/2	2,3	★ D9HT 4817-RA	130	208					
							207		2	29 25/32	3 1/2	2,4	★ D9HT 4817-RA	130	158					
							225		2	46 25/32	3 1/2	1,3	★ DOHZ 4817-EH	46	221					
							225		2	46 25/32	3 1/2	1,4	★ DOHZ 4817-EH	46	155					
							225		2	47 25/32	3 1/2	2,3	★ D9HT 4817-BKA	130	208					
							225		2	47 25/32	3 1/2	2,4	★ D9HT 4817-BKA	130	158					
							237		2	58 25/32	3 1/2	1,3	★ EOHT 4817-GCB	101	221					
							237		2	58 25/32	3 1/2	1,4	★ EOHT 4817-GCB	101	155					
							237		2	59 25/32	3 1/2	2,3	★ D9HT 4817-CRA	130	208					
							237		2	59 25/32	3 1/2	2,4	★ D9HT 4817-CRA	130	159					
							G	8	370	R	F106,H172	189	80	2	44 23/32	3 1/2	1,3	★ ED EOHT 4817-FJA	101	210
												189		2	43 25/32	3 1/2	1,3,8	★ EOHT 4817-FHB	101	221
												189		2	43 23/32	3 1/2	1,4	★ ED EOHT 4817-FHA	101	154
												189		2	43 25/32	3 1/2	1,4,8	★ EOHT 4817-FHB	101	154
		189		2	43 25/32	3 1/2						2,3	★ D9HT 4817-BBA	130	208					
		189		2	43 25/32	3 1/2						2,4	★ D9HT 4817-BBA	130	148					
		207		2	29 23/32	3 1/2						1,3,7	★ ED EOHT 4817-ERA	101	210					
		207		2	29 25/32	3 1/2						1,3,8	★ EOHT 4817-ERB	101	221					
		207		2	61 23/32	4						1,4,7	★ ED EOHT 4817-GFA	101	158					
		207		3	61 25/32	4						1,4,8	★ EOHT 4817-GFB	101	154					
		207		2	61 9/32	4						2,3	★ D9HT 4817-CUA	130	208					
		207		2	29 25/32	3 1/2						2,4	★ D9HT 4817-RA	130	158					
		225		2	47 23/32	3 1/2						1,3,7	★ ED EOHT 4817-FMA	101	210					
		225		2	47 25/32	3 1/2						1,3,8	★ DOHA 4817-NS	46	221					
		225		2	47 23/32	3 1/2						1,4,7	★ ED EOHT 4817-FMA	101	160					
		225		2	47 25/32	3 1/2						1,4,8	★ EOHA 4817-NS	46	156					
		225		2	47 25/32	3 1/2						2,3	★ D9HT 4817-BKA	130	208					
		225		2	47 25/32	3 1/2						2,4	★ D9HT 4817-BKA	130	160					
		237		2	59 23/32	3 1/2						1,3	★ ED EOHT 4817-GDA	101	210					
		237		2	58 25/32	3 1/2						1,3,8	★ EOHT 4817-GCB	101	221					
		237		2	59 23/32	3 1/2	1,4	★ ED EOHT 4817-GDA	101	161										
		237		2	58 25/32	3 1/2	1,4,8	★ EOHT 4817-GCB	101	154										
		237		2	59 25/32	3 1/2	2,3	★ D9HT 4817-CRA	130	208										
		237		2	59 25/32	3 1/2	2,4	★ D9HT 4817-CRA	130	161										

NOTE 1 - Shaft assy. incl. 1480 size joint.

NOTE 2 - Shaft assy. incl. 1550 size joint.

NOTE 3 - With 8.5 frame.

NOTE 4 - With 9.5 frame.

NOTE 7 - "Before Ser. HG0,001"

NOTE 8 - "From Ser. HG0,001"

1980/  
TRUCK SERIES 600/900

4886

SHAFT ASSY.-INTERMEDIATE COUPLING

APPLICATION CHART

S P E E D	TRANSMISSION	ENGINE		REAR AXLE		WHEEL- BASE (INCHES)	YEAR	T Y P E	SIZE(INCHES)		N O T E	PART NUMBER ▲	▲ CODE	
		T Y P E	C Y L.	C.I.D. OR MODEL	M F R. ▲				MODEL	A			B	P L A T E

NOTE: ▲ REFER TO PAGE 1 OF SECTION 48.1 FOR AN EXPLANATION OF THE CHART AND THE CODES SHOWN.

F600 SERIES — Cont'd

4	New Process 435	G	8	370	D E R R	G175-T 15201,16244 D140 F106,H172	189	80	2	43 23/32	1,3,7 1/2	1,3,7	★ ED EOHT 4817-FHA	101	210
							189		2	43 23/32	3 1/2	1,4,7	★ ED EOHT 4817-FHA	101	146
							189		2	43 11/32	3	3,7,9	★ ED EOHT 4817-AEA	90	210
							189		2	43 23/32	3	3,8,9	★ EOHT 4817-AEB	90	221
							189		2	43 23/32	3	4,9	★ EOHT 4817-ADB	90	153
							189		2	43 25/32	3 1/2	1,3,8	★ EOHT 4817-FHB	101	221
							189		2	43 25/32	3 1/2	1,4,8	★ EOHT 4817-FHB	101	150
							207		2	62 23/32	4	1,3,7	★ ED EOHT 4817-GGA	101	210
							207		2	62 23/32	4	1,4,7	★ ED EOHT 4817-GGA	101	146
							207		2	61 11/32	4	3,7,9	★ D9HT 4817-KZA	90	210
							207		2	28 11/32	3	3,8,9	★ D4HA 4817-YA	90	221
							207		2	28 11/32	3	4,9	★ D4HA 4817-YA	90	146
							207		3	61 25/32	4	1,3,8	★ EOHT 4817-GFB	101	221
							207		3	61 25/32	4	1,4,8	★ EOHT 4817-GFB	101	154
							225		2	47 23/32	3 1/2	1,3,7	★ ED EOHT 4817-FMA	101	210
							225		2	47 23/32	3 1/2	1,4,7	★ ED EOHT 4817-FMA	101	155
							225		2	46 11/32	3	3,7,9	★ ED EOHT 4817-AHA	90	210
							225		2	46 23/32	3	3,8,9	★ EOHT 4817-AHB	90	221
							225		2	47 25/32	3 1/2	1,3,8	★ DOHA 4817-NS	46	221
							225		2	47 25/32	3 1/2	1,4,8	★ DOHA 4817-NS	46	155
237		2	59 23/32	3 1/2	1,3,7	★ ED EOHT 4817-GDA	101	210							
237		2	59 23/32	3 1/2	1,4,7	★ ED EOHT 4817-GDA	101	156							
237		2	58 23/64	4	3,7,9	★ ED EOHT 4817-AZA	90	210							
237		2	58 11/32	3 1/2	3,8,9	★ EOHT 4817-AZB	90	221							
237		2	58 11/32	3 1/2	4,9	★ EOHT 4817-AZB	90	154							
237		2	59 25/32	3 1/2	1,3,8	★ DOHZ 4817-ET	46	221							
237		2	59 25/32	3 1/2	1,4,8	★ DOHZ 4817-ET	46	156							
4	Warner T-19	D	8	8.2L	D E R	G175-T 15201,16244 F106,H172	184	80	2	42 23/32	3	3	★ EOHT 4817-ADB	90	221
							184		2	43 23/32	3	4	★ EOHT 4817-AEB	90	150
							207		2	28 11/32	3	3	★ D4HA 4817-YA	90	221
							207		2	28 11/32	3	4	★ D4HA 4817-YA	90	146
							225		2	46 23/32	3	3	★ EOHT 4817-AHB	90	221
							225		2	46 23/32	3	4	★ EOHT 4817-AHB	90	155
							237		2	58 11/32	3 1/2	3	★ EOHT 4817-AZB	90	221
							237		2	58 11/32	3 1/2	4	★ EOHT 4817-AZB	90	155

- NOTE 1 - Shaft assy. incl. 1480 size joint.
- NOTE 3 - With 8.5 frame.
- NOTE 4 - With 9.5 frame.
- NOTE 7 - "Before Ser. HG0,001"
- NOTE 8 - "From Ser. HG0,001"
- NOTE 9 - Shaft assy. incl. 1410 size joint.

# 1980/ TRUCK SERIES 600/900

4886 SHAFT ASSY.-INTERMEDIATE COUPLING

## APPLICATION CHART

TRANSMISSION		ENGINE			REAR AXLE				SIZE(INCHES)		N O T E	PART NUMBER ▲	▲ CODE	
S P E E D	MODEL	T Y P E	C Y L.	C.I.D. OR MODEL	M F R. ▲	MODEL	WHEEL- BASE (INCHES)	YEAR	T Y P E ▲	A			B	PL A I R S T T S

NOTE: ▲ REFER TO PAGE 1 OF SECTION 48.1 FOR AN EXPLANATION OF THE CHART AND THE CODES SHOWN.

### F600 SERIES — Cont'd

4	Warner T-19	G	8	370	D	G175-T 15201,16244 F106,H172 D140	189	80	2	43 11/32	3	3,7	★ ED EOHT 4817-AEA	90	210
							189		2	43 11/32	3	4,7	★ ED EOHT 4817-AEA	90	146
							189		2	43 13/32	3	3,8	★ EOHT 4817-AEB	90	221
							189		2	43 13/32	3	4,8	★ EOHT 4817-AEB	90	153
							207		2	61 11/32	4	3,7	★ D9HT 4817-KZA	90	210
							207		2	27 11/32	3	4,7	★ ED EOHT 4817-JA	90	146
							207		2	61 11/32	4	3,8	★ D9HT 4817-KZA	90	221
							207		2	28 11/32	3	4,8	★ D4HA 4817-YA	90	146
							225		2	46 11/32	3	3,7	★ ED EOHT 4817-AHA	90	210
							225		2	46 11/32	3	4,7	★ ED EOHT 4817-AHA	90	155
							225		2	46 23/32	3	3,8	★ EOHT 4817-AHB	90	221
							225		2	46 23/32	3	4,8	★ EOHT 4817-AHB	90	155
							237		2	58 23/64	4	3,7	★ ED EOHT 4817-AZA	90	210
							237		2	58 23/64	4	4,7	★ ED EOHT 4817-AZA	90	156
							237		2	58 11/32	3 1/2	3,8	★ EOHT 4817-AZB	90	221
							237		2	58 11/32	3 1/2	4,8	★ EOHT 4817-AZB	90	156
5	Clark 280 Series	D	8	8.2L	D	G175-T	189	80	2	43 25/32	3 1/2	1,3	★ EOHT 4817-FHB	101	221
							189		2	43 25/32	3 1/2	2,4	★ D9HT 4817-BBA	130	148
							189		2	43 25/32	3 1/2	1,4	★ EOHT 4817-FHB	101	146
							189		2	43 25/32	3 1/2	2,3	★ D9HT 4817-BBA	130	207
							207		2	29 25/32	3 1/2	1,3	★ EOHT 4817-ERB	101	221
							207		2	61 25/32	4	2,4	★ D9HT 4817-CVA	130	158
							207		3	61 25/32	4	1,4	★ EOHT 4817-GFB	101	146
							207		2	43 25/32	3 1/2	2,3	★ D9HT 4817-CVA	130	208
							225		2	47 25/32	3 1/2	1,3	★ D0HZ 4817-EJ	46	221
							225		2	47 25/32	3 1/2	2,4	★ D9HT 4817-BKA	130	159
							225		2	47 25/32	3 1/2	1,4	★ D0HZ 4817-EJ	46	155
							225		2	47 25/32	3 1/2	2,3	★ D9HT 4817-BKA	130	208
							237		2	59 9/32	3 1/2	1,3	★ D1TZ 4817-Y	46	221
							237		2	59 17/32	3 1/2	2,4	★ D9HT 4817-MVA	130	159
							237		2	59 25/32	3 1/2	1,4	★ D0HZ 4817-ET	46	154
							237		2	59 25/32	3 1/2	2,3	★ D9HT 4817-CRA	130	208

- NOTE 1 - Shaft assy. incl. 1480 size joint.
- NOTE 2 - Shaft assy. incl. 1550 size joint.
- NOTE 3 - With 8.5 frame.
- NOTE 4 - With 9.5 frame.
- NOTE 5 - With G175-T axle.
- NOTE 6 - Exc. G175-T axle.
- NOTE 7 - "Before Ser. HG0,001"
- NOTE 8 - "From Ser. HG0,001"



# 1980/ TRUCK SERIES 600/900

4886 SHAFT ASSY.-INTERMEDIATE COUPLING **APPLICATION CHART**

S P E C I F I C A T I O N	TRANSMISSION MODEL	ENGINE			REAR AXLE		WHEEL-BASE (INCHES)	YEAR	T Y P E	SIZE(INCHES)		N O T E	PART NUMBER ▲	▲ CODE	
		T Y P E	C Y L.	C.I.D. OR MODEL	M F R. ▲	MODEL				A	B			P L A T E	4831

NOTE: ▲ REFER TO PAGE 1 OF SECTION 48.1 FOR AN EXPLANATION OF THE CHART AND THE CODES SHOWN.

**F600 SERIES — Cont'd**

5	Clark 280 Series	G	8	370	D E	G175-T 15201,16244	189	80	2	43 23/32	3 1/2	1,3,7	★ ED EOHT 4817-FHA	101	210
							189		2	43 23/32	3 1/2	1,4,7	★ ED EOHT 4817-FHA	80	146
							189		2	43 23/32	3	9	★ EOHT 4817-AEB	90	221
							189		2	43 25/32	3 1/2	1,8	★ EOHT 4817-FHB	101	221
							189		2	43 25/32	3 1/2	2,3	★ D9HT 4817-BBA	130	208
							189		2	43 25/32	3 1/2	2,4	★ D9HT 4817-BBA	130	148
							207		2	29 23/32	3 1/2	1,3,7	★ ED EOHT 4817-ERA	101	210
							207		2	27 11/32	3	9	★ D4HA 4817-ZA	90	221
							207		2	61 23/32	4	1,4,7	★ ED EOHT 4817-GFA	101	154
							207		2	29 25/32	3 1/2	1,3,8	★ EOHT 4817-ERB	101	221
							207		3	61 25/32	4	1,4,8	★ EOHT 4817-GFB	101	146
							207		2	29 25/32	3 1/2	2,3	★ D9HT 4817-RA	130	208
							207		2	29 25/32	3 1/2	2,4	★ D9HT 4817-RA	130	158
							225		2	47 23/32	3 1/2	1,3,7	★ ED EOHT 4817-FMA	101	210
							225		2	47 23/32	3 1/2	1,4,7	★ ED EOHT 4817-FMA	101	154
							225		2	47 23/32	3	9	★ EOHT 4817-AJB	90	221
							225		2	47 25/32	3 1/2	1,3,8	★ DOHZ 4817-EJ	46	221
							225		2	47 25/32	3 1/2	1,4,8	★ DOHZ 4817-EJ	46	146
							225		2	47 25/32	3 1/2	2,3	★ D9HT 4817-BKA	130	208
							225		2	47 25/32	3 1/2	2,4	★ D9HT 4817-BKA	130	160
							237		2	59 23/32	3 1/2	1,3,7	★ ED EOHT 4817-GDA	101	210
							237		2	59 23/32	3 1/2	1,4,7	★ ED EOHT 4817-GDA	101	156
							237		2	59 25/32	3 1/2	2,3,7	★ D9HT 4817-CRA	130	208
							237		2	59 25/32	3 1/2	1,4,6,7	★ D9HT 4817-CRA	130	158
237		2	59 17/32	3 1/2	1,4,5,7	★ D9HT 4817-MVA	130	159							
237		2	59 11/32	3 1/2	9	★ EOHT 4817-BAB	90	221							
237		2	59 25/32	3 1/2	1,3,8	★ DOHZ 4817-ET	46	221							
237		2	59 25/32	3 1/2	1,4,8	★ DOHZ 4817-ET	46	155							
237		2	59 25/32	3 1/2	2,3,8	★ D9HT 4817-LRA	130	208							
237		2	59 25/32	3 1/2	2,4,5,8	★ D9HT 4817-LRA	130	158							
237		2	59 25/32	3 1/2	2,4,6,8	★ D9HT 4817-MVA	130	159							

NOTE 1 - Shaft assy. incl. 1480 size joint.

NOTE 2 - Shaft assy. incl. 1550 size joint.

NOTE 3 - With 8.5 frame.

NOTE 4 - With 9.5 frame.

NOTE 5 - With G175-T axle.

NOTE 6 - Exc. G175-T axle.

NOTE 7 - "Before Ser. HG0,001"

NOTE 8 - "From Ser. HG0,001"

NOTE 9 - Shaft assy. incl. 1410 size joint.

**1980/  
TRUCK SERIES 600/900**

4886 SHAFT ASSY.-INTERMEDIATE COUPLING

**APPLICATION CHART**

TRANSMISSION		ENGINE			REAR AXLE		WHEEL-BASE (INCHES)		YEAR		SIZE(INCHES)		PART NUMBER ▲	▲ CODE	
S P E E D	MODEL	T Y P E	C Y L. P L.	C.I.D. OR MODEL	M F R. ▲	MODEL	WHEEL- BASE (INCHES)	YEAR	T Y P E	A	B	N O T E		P L A I N P L A T E	4831

**NOTE: ▲ REFER TO PAGE 1 OF SECTION 48.1 FOR AN EXPLANATION OF THE CHART AND THE CODES SHOWN.**

**F600 SERIES — Cont'd**

5	New Process 542	G	8	370	D E R R	G175-T 15201,16244 D140 F106,H172	189	80	2	43	23/32	3 1/2	1,3,7	★ ED EOHT 4817-FHA	101	210
							189		2	43	23/32	3 1/2	1,4,7	★ ED EOHT 4817-FHA	101	154
							189		2	42	11/32	3	7,9	★ ED EOHT 4817-ADA	90	210
							189		2	42	23/32	3	8,9	★ EOHT 4817-ADB	90	221
							189		2	43	25/32	3 1/2	1,3,8	★ EOHT 4817-FHB	101	221
							189		2	43	25/32	3 1/2	1,4,8	★ ED EOHT 4817-FHB	101	153
							207		2	29	23/32	3 1/2	1,3,7	★ ED EOHT 4817-ERA	101	210
							207		2	29	23/32	3 1/2	1,4,7	★ ED EOHT 4817-ERA	101	146
							207		2	60	23/64	4	7,9	★ ED EOHT 4817-BBA	90	210
							207		2	60	11/32	3 1/2	8,9	★ EOHT 4817-BBB	90	221
							207		2	29	25/32	3 1/2	1,3,8	★ EOHT 4817-ERB	101	221
							207		3	61	25/32	4	1,4,8	★ EOHT 4817-GFB	101	146
							225		2	47	23/32	3 1/2	1,3,7	★ ED EOHT 4817-FMA	101	210
							225		2	47	23/32	3 1/2	1,4,7	★ ED EOHT 4817-FMA	101	155
							225		2	47	11/32	3	7,9	★ ED EOHT 4817-AJA	90	210
							225		2	47	23/32	3	8,9	★ EOHT 4817-AJB	90	221
							225		2	47	25/32	3 1/2	1,3,8	★ DOHZ 4817-EJ	46	221
							225		2	47	25/32	3 1/2	1,4,8	★ DOHZ 4817-EJ	46	156
							237		2	59	23/32	3 1/2	1,3,7	★ ED EOHT 4817-GDA	101	210
							237		2	59	25/32	3 1/2	1,3,8	★ DOHZ 4817-ET		221
							237		2	59	25/32	3 1/2	1,4,8	★ DOHZ 4817-ET		154
							237		2	59	23/32	3 1/2	1,4,7	★ ED EOHT 4817-GDA	101	155
							237		2	58	23/64	4	7,9	★ ED EOHT 4817-AZA	90	210
							237		2	58	11/32	3 1/2	8,9	★ EOHT 4817-AZB	90	221
							237		2	58	23/64	4		★ ED EOHT 4817-AZA	90	210

- NOTE 1 - Shaft assy. incl. 1480 size joint.
- NOTE 2 - Shaft assy. incl. 1550 size joint.
- NOTE 3 - With 8.5 frame.
- NOTE 4 - With 9.5 frame.
- NOTE 5 - With G175-T axle.
- NOTE 6 - Exc. G175-T axle.
- NOTE 7 - "Before Ser. HG0,001"
- NOTE 8 - "From Ser. HG0,001"
- NOTE 9 - Shaft assy. incl. 1410 size joint.

**1980/  
TRUCK SERIES 600/900**

4886 SHAFT ASSY.-INTERMEDIATE COUPLING

**APPLICATION CHART**

TRANSMISSION		ENGINE			REAR AXLE		WHEEL-BASE (INCHES)	YEAR	SIZE(INCHES)			PART NUMBER ▲	▲ CODE
S P E E D	MODEL	T Y P E	C Y L.	C.I.D. OR MODEL	M F R. ▲	MODEL			A	B	N O T E		PL A I R S T T S

NOTE: ▲ REFER TO PAGE 1 OF SECTION 48.1 FOR AN EXPLANATION OF THE CHART AND THE CODES SHOWN.

**F600 SERIES — Cont'd**

5	Spicer CM-50	D	8	8.2L	D	G1756	189	80	2	43 25/32	3 1/2	1,3	★E0HT	4817-FHB	101	221		
							E	15201,16244	189		1	36 5/16	3 1/2	1,4	★D7HT	4817-HYA	108	153
							R	F106,H172	189		2	43 25/32	3 1/2	2,3	★D9HT	4817-BBA	130	208
							189		2	43 25/32	3 1/2	2,4	★D9HT	4817-BBA	130	148		
							207		3	29 33/64	3 1/2	1,3	★D9HT	4817-HFA	101	221		
							207		2	61 17/32	3 1/2	1,4	★C8HA	4817-ED	46	146		
							207		2	61 25/32	4	2,3	★D9HT	4817-CVA	130	208		
							207		2	61 25/32	4	2,4	★D9HT	4817-CVA	130	158		
							225		2	47 25/32	3 1/2	1,3	★D0HA	4817-NS	46	221		
							225		2	47 25/32	3 1/2	1,4	★D0HA	4817-NS	46	156		
							225		2	47 25/32	3 1/2	2,3	★D9HT	4817-BKA	130	208		
							225		2	47 25/32	3 1/2	5,4	★D9HT	4817-BKA	130	160		
							237		2	59 25/32	3 1/2	2,3	★D9HT	4817-CRA	130	208		
							237		2	59 25/32	3 1/2	2,4	★D9HT	4817-CRA	130	159		

- NOTE 1 - Shaft assy. incl. 1480 size joint.
- NOTE 2 - Shaft assy. incl. 1550 size joint.
- NOTE 3 - With 8.5 frame.
- NOTE 4 - With 9.5 frame.
- NOTE 5 - With G175-T axle.
- NOTE 7 - "Before Ser. HG0,001"
- NOTE 8 - "From Ser. HG0,001"
- NOTE 9 - Shaft assy. incl. 1410 size joint.

**1980/  
TRUCK SERIES 600/900**

TRANSMISSION		ENGINE			REAR AXLE		SIZE(INCHES)		N O T E	PART NUMBER ▲	▲ CODE		
S P E E D	MODEL	T Y P E	C Y L.	C.I.D. OR MODEL	M F R. ▲	MODEL	WHEEL- BASE (INCHES)	YEAR			T Y P E ▲	A	B

**NOTE:** ▲ REFER TO PAGE 1 OF SECTION 48.1 FOR AN EXPLANATION OF THE CHART AND THE CODES SHOWN.  
%Refer to Section 48.1 for Stamping number

1986/ CF600/700 (1550 JOINT SIZE)															
	All			All		All	207						★ D9HT 4817-AMA	130	%
							225						★ D9HT 4817-CDA	130	%
1987/ CF700/800 (1610 JOINT SIZE)															
5	FS-5005-A			7.8L(185)	R	RS21145	207						★ E7HT 4817-ADA	137	%
5	FS-5005-B			7.8L(210)	R	RS21230	225						★ E7HT 4817-ADA	137	%
6	FS-5106			7.8L(240)	R	RS23160									
5	FS-6105-A				R	RS23240									
5	FS-6105-B														
A/T	MT-643														
1987/ CF700/800 (1710 JOINT SIZE)															
6	FS-6106			7.8L(210)	R	RS21145	207						★ E7HT 4817-GFA	138	%
A/T	MT-643			7.8L(240)	R	RS21230	225						★ E7HT 4817-GFA	138	%
A/T	MT-653				R	RS23160									
					R	RS23240									
1989 CFT800 WITH E4-380 OR RTE-380 SUSPENSION															
6	FS-6106			7.8L(210)	R	RT40145	225						★ E7HT 4817-GFA	138	%
A/T	MT-643			7.8L(240)											
A/T	MT-653														
13	RT-6613														

**1980/  
TRUCK SERIES 600/900**

YEAR	MODEL/RESTRICTIONS	PART NUMBER	DESCRIPTION	QTY.
5003 CAP (CAB HINGE)				
80/	CL-CLT900	EOHZ 5003-A		2
5K003 GUSSET (FRAME CROSSMEMBER INTERMEDIATE)				
80/	CL9000	(RH) D8HZ 5K003-B	(LH) D8HZ 5K003-C	1
80/	CLT9000	(RH) D8HZ 5K003-D	(LH) D8HZ 5K003-A	1
5004 SPRING (CAB LOCK HOOK RETURN)				
86/	CF600/700	E6HZ 5004-A		1
80/82	C-CT600/900 - -	B7T 5004-C		2
	"Before 4/5/82"			
82/	C-CT600/900 - -	E2HZ 5004-A		2
	"From 4/5/82"			

5005 FRAME ASSY.

**HOW TO FIND FRAME NUMBERS**

1. USE MODEL APPLICATION CHART

Truck models are listed alphabetically beginning on page 2.

2. USE SECTION MODULUS●

a. Frames can be identified by the section modulus and P.S.I. which are shown in the Truck Data Book.

b. Section modulus is also shown in the Model Application Chart beginning on page 2 to aid in frame selection.

● "Frame section modulus" is the engineering term that indicates, for comparative purposes, the relative strength of two or more frames of the same supported length, shape and material. All other things being equal, the frame with the largest section modulus will have the greatest strength and stiffness, i.e., the ability to more effectively resist sagging under full loads. It takes into account frame depth, flange width and material thickness. "P.S.I." designates pounds of yield strength per square inch.

**EXPLANATIONS OF NOTES AND ABBREVIATIONS APPEARING IN THE FRAME MODEL APPLICATION CHART**

SERVICE NOTE:

- 1-long overhang without reinforcement
- 2-long overhang with reinforcement
- 3-short overhang
- 93 - frames must be ordered through special order department with vehicle serial number - - side rails prior to 1984 are not drilled

# 1980/ TRUCK SERIES 600/900

## MODEL APPLICATION CHART

REFER TO PAGE 1 OF THIS SECTION FOR "HOW TO FIND FRAME NUMBERS"

Remarks: Note 3 "Before 12/85"-Note 4 "From 12/85"

YEAR	WHEEL-BASE	P.S.I.	SECTION-MODULUS	REM	ENGINE	SERVICE-NOTE	PART NUMBER	YEAR	WHEEL-BASE	P.S.I.	SECTION-MODULUS	REM	ENGINE	SERVICE-NOTE	PART NUMBER		
<b>5005 FRAME ASSY.</b>																	
<b>NOTE 5 E4 HENDRICKSON SUSP. NOTE 6-RTE-380 SUSP.</b>																	
B600700								CF800									
80/						93		87/	171						E7HZ 5005-N		
CF600								CF800									
86/	117						E8HZ 5005-E	87/	189						E7HZ 5005-S		
	153			3		2	E6HZ 5005-B		88	207						E7HZ 5005-M	
	153					1	E6HZ 5005-M			CFT800	225						E7HZ 5005-L
	171					1	E6HZ 5005-T				86	207			5		
189					1	E6HZ 5005-U	CF700	189						6			E8HZ 5005-C
86	153			3		2		E6HZ 5005-B	80/			207			6		
	153					1		E6HZ 5005-M		CL-CLT900		225			6		
	171					1		E6HZ 5005-N			C-CT600/900						
	189					1	E6HZ 5005-R	F600/700									
87/	171						E7HZ 5005-D	F-FT800									
	189						E7HZ 5005-C	80/						93			
	207						E7HZ 5005-B	L SERIES									
	225						E7HZ 5005-A	80/						93			

YEAR	MODEL/RESTRICTIONS	PART NUMBER	DESCRIPTION	QTY.
5007	Refer to group 5A158			

5009 LATCH (CAB LOCK HOOK RELEASE)					
80	C-CT600/900	B8T	5009-A	Auxiliary	1
		C3TZ	5009-A	Main	1
81/82	C-CT600/900	"Before 4/5/82"	E1HZ	5009-A	
82/	C-CT600/900	"From 4/5/82"	E2HZ	5009-A	1
80/	C-CT600/900		73904-S7-8	(N-12)-clevis pin (cab lock main hook return spring)-5/16" x 1"	1
		★74039-S8		Clevis pin (latch to frame rear support)-5/8" x 2 1/8"	1
		351503-S40		(XX-204)-washer-flat-5/8"	1
		★74092-S8		Clevis pin (latch to frame rear support)-1/2" x 2 7/8"	1
		351453-S8		(XX-186)-washer-flat-1/2"	
		72035-S7-8		(N-51)-cotter pin-1/8" x 1"	

5K009 BRACKET (CAB PIVOT)-LOWER					
86/	CF600/700		E6HZ	5K009-A	1

5010 LOCK ASSY. (CAB RETAINING ARM)					
80/	C-CT600/900		B7T	5010-A	1
80/	C-CT600/900		73966-S7-8	(N-31-D)-clevis pin (lock to arm)-1/2" x 1 1/2"	1
			356460-S8	(XX-369)-washer-spring-1/2"	AR
			44735-S8	(X-32)-washer-flat-1/2"	AR
			72035-S7-8	(N-51)-cotter pin-1/8" x 1"	AR

**1980/  
TRUCK SERIES 600/900**

YEAR	MODEL/RESTRICTIONS	PART NUMBER	DESCRIPTION	QTY.
<b>5B010 EXTENSION (FRAME SIDEMEMBER)-LEFT HAND</b>				
86	CF600/700 -- 153 W/B	E6HZ 5B010-B		1
87/	CF600/800	E7HZ 5B010-A		1
5019 Refer to group 5025-36				
<b>5L020 SPACER (FRAME CROSSMEMBER)</b>				
82/	CLT900	E2HZ 5L020-A		4
<b>5023 EXTENSION (FRAME SIDEMEMBER)-RIGHT HAND</b>				
86	CF600/700 -- 153 W/B	E6HZ 5023-B		1
87/	CF600/800	E7HZ 5023-A		1

**5025-36 CROSSMEMBER (FRAME)**

◆Crossmember locations are determined from front to rear. "F" designates front (No. 1) crossmember. "R" designates rear crossmember. One crossmember required for each application shown, unless otherwise noted.

(PARTS are LISTED from Front to Rear)

**5025-36 CROSSMEMBER (FRAME) — Cont'd**

CROSSMEMBER APPLICATION

How to find the Part Number of a Crossmember for a 1990/ frame

1. Find the truck model in the (alphabetical) Model Application Chart which starts below.
2. Find the Crossmember Parts Lists Number which pertains to your unit.
3. Turn to the Parts List (following Application Chart) and find the Crossmember needed.

YEAR	MODEL	REMARKS	PARTS LIST NO.
<b>B-SERIES</b>			
80/	B600 -- DIESEL	10.80 SECT. MOD.	20
80/	B600 -- DIESEL	EXC.10.80 SECT. MOD.	21
80/	B600 -- GAS	10.80 SECT. MOD.	22
80/	B600 -- GAS	EXC. 10.80 SECT. MOD.	23
80/	B700 -- DIESEL	10.80 SECT. MOD.	20
80/	B700 -- DIESEL	EXC. 10.80 SECT. MOD.	21
80/	B700 -- GAS	10.80 SECT. MOD.	22
80/	B700 -- GAS	EXC. 10.80 SECT. MOD.	23
<b>C-SERIES</b>			
80/86	C600-GAS		16
80/86	C600-DIESEL		16
80/86	C700-GAS		17
80/86	C700-DIESEL		17
80/	C800-GAS		18
80/	C800-DIESEL		18
80/86	C900		18
<b>CF-SERIES</b>			
86	CF600-700		42
88/	CF600-117" W/B		53
87/	CF600/800-153" W/B		54
87/	CF600/800-171", 189" W/B		55
87/	CF600/800-207", 225" W/B		56
<b>CFT-SERIES</b>			
88/	CFT800	189" W/B-E4 Susp.	49
88/	CFT800	207" W/B-E4 Susp.	50
88/	CFT800	189", 207" W/B-exc. E4 Susp.	51
88/	CFT800	225" W/B-exc. E4 Susp.	52
<b>CL-SERIES</b>			
80/88	CL900-DIESEL	HENDRICKSON SUSP.	6
89	CL900	HENDRICKSON SUSP.	68
80/87	CL900-DIESEL	NEWAY SUSP.	7
<b>CLT-SERIES</b>			
80/	CLT900-DIESEL	HENDRICKSON 60" BEAM	8
80/88	CLT900-DIESEL	HENDRICKSON 52" BEAM	9
89	CLT900	HENDRICKSON 52" BEAM	69
84/88	CLT900	HENDRICKSON E4 SUSP.	71

**1980/  
TRUCK SERIES 600/900**

5025-36 CROSSMEMBER (FRAME) — Cont'd

## CROSSMEMBER APPLICATION

How to find the Part Number of a Crossmember for a 1990/ frame

1. Find the truck model in the (alphabetical) Model Application Chart which starts below.
2. Find the Crossmember Parts Lists Number which pertains to your unit.
3. Turn to the Parts List (following Application Chart) and find the Crossmember needed.

YEAR	MODEL	REMARKS	PARTS LIST NO.
	<b>CLT-SERIES</b>		
89	CLT900	HENDRICKSON AIR SUSP.	70
89	CLT900	HENDRICKSON E4 SUSP.	70
80/83	CLT900-DIESEL	REYCO SUSP.	10
80/87	CLT900-DIESEL	NEWAY SUSP.	7
	<b>CT-SERIES</b>		
80/	CT800-GAS		19
80/	CT800-DIESEL		19
80/86	CT900		19
	<b>F-SERIES</b>		
80/83	F600 -- DIESEL	10.80 SECT. MOD	24
80/83	F600 -- DIESEL	EXC. 10.80 SECT. MOD	25
84/	F600 -- DIESEL	10.80 SECT. MOD.	37
84/88	F600 -- DIESEL	EXC. 10.80 SECT. MOD.	38
89/	F600 -- DIESEL	EXC. 10.80 SECT. MOD.	72
80/83	F600 -- GAS	10.80 SECT. MOD	26
80/83	F600 -- GAS	EXC. 10.80 SECT. MOD.	27
84/	F600 -- GAS	10.80 SECT. MOD.	39
84/88	F600 -- GAS	EXC. 10.80 SECT. MOD. EXC. 10.80 SECT. MOD.	40
89/	F600 -- GAS	EXC. 10.80 SECT. MOD.	73
80/83	F700 -- DIESEL	10.80 SECT. MOD	24
80/83	F700 -- DIESEL	EXC. 10.80 SECT. MOD.	25
84/	F700 -- DIESEL	10.80 SECT. MOD.	37
84/88	F700 -- DIESEL	EXC. 10.80 SECT. MOD.	38
89/	F700 -- DIESEL	EXC. 10.80 SECT. MOD.	72
80/83	F700 -- GAS	10.80 SECT. MOD	26
80/83	F700 -- GAS	EXC. 10.80 SECT. MOD.	27
84/	F700 -- GAS	10.80 SECT. MOD.	39
84/88	F700 -- GAS	EXC. 10.80 SECT. MOD.	40
89/	F700 -- GAS	EXC. 10.80 SECT. MOD.	73
80/83	F800 -- DIESEL	10.80 SECT. MOD.	24
80/83	F800 -- DIESEL	EXC. 10.80 SECT. MOD.	25
84/	F800 -- DIESEL	10.80 SECT. MOD.	37
84/88	F800 -- DIESEL	EXC. 10.80 SECT. MOD.	38
89/	F800 -- DIESEL	EXC. 10.80 SECT. MOD.	72
80/83	F800 -- GAS	10.80 SECT. MOD.	26
80/83	F800 -- GAS	EXC. 10.80 SECT. MOD.	27
84/	F800 -- GAS	10.80 SECT. MOD.	39
84/88	F800 -- GAS	EXC. 10.80 SECT. MOD.	40
89/	F800 -- GAS	EXC. 10.80 SECT. MOD.	73
	<b>FT-SERIES</b>		
83	FT800/900 -- DIESEL		25
84/88	FT800/900 -- DIESEL		38
89/	FT800/900 -- DIESEL		74
83	FT800/900 -- GAS		27
84/88	FT800/900 -- GAS		40
89/	FT800/900 -- GAS		75
	<b>L-SERIES</b>		
80/87	L800		1
88/	L800		46
80/87	L900		2
88/	L900		47



**1980/  
TRUCK SERIES 600/900**

5025-36 CROSSMEMBER (FRAME) — Cont'd

CROSSMEMBER APPLICATION

How to find the Part Number of a Crossmember for a 1990/ frame

1. Find the truck model in the (alphabetical) Model Application Chart which starts below.
2. Find the Crossmember Parts Lists Number which pertains to your unit.
3. Turn to the Parts List (following Application Chart) and find the Crossmember needed.

YEAR	MODEL	REMARKS	PARTS LIST NO.
	<b>LN-SERIES</b>		
80/86	LN600 -- Gas -- exc. 250" W/B		15
80/86	LN600 -- Gas -- 250" W/B		33
80/86	LN600 -- Diesel -- exc. 250" W/B		32
80/86	LN600 -- Diesel -- 250" W/B		34
80/87	LN700 -- Gas -- exc. 250" W/B		15
80/87	LN700 -- Gas -- 250" W/B		33
80/87	LN700 -- Diesel -- exc. 250" W/B		32
80/87	LN700 -- Diesel -- 250" W/B		34
88/	LN700		45
80/87	LN800		4
88/	LN800		45
80/87	LN900		5
88/	LN900		47
	<b>LNT-SERIES</b>		
80/82	LNT800		11
83/87	LNT800		35
88	LNT800	HENDRICKSON SUSP.	59
80/82	LNT900	HENDRICKSON SUSP.	12
83/87	LNT900	HENDRICKSON SUSP.	35
88/	LNT900	HENDRICKSON STEEL & RUBBER SUSP.	59
88/	LNT900	E4 SUSP.	60
80/87	LNT900	NEWAY SUSP.	13
88/	LNT900	NEWAY ARD-238 SUSP.	61
88/	LNT900	NEWAY ARD-244 SUSP.	62
80/83	LNT900	REYCO SUSP.	14
	<b>LS SERIES</b>		
87	LS800		4
88/	LS800		57
87	LS900		5
88/	LS900		57
	<b>LT-SERIES</b>		
80/82	LT800		11
83/87	LT800		35
88	LNT800	HENDRICKSON SUSP.	59
80/82	LT900	HENDRICKSON SUSP.	12
83	LT900	HENDRICKSON SUSP.	35
84/87	LT900	HENDRICKSON SUSP.	41
88/	LT900	HENDRICKSON STEEL & RUBBER SUSP.	59
88/	LT900	E4 SUSP.	60
80/87	LT900	NEWAY SUSP.	13
88/	LT900	NEWAY ARD-238 SUSP.	61
88/	LT900	NEWAY ARD-244 SUSP.	62
80/83	LT900	REYCO SUSP.	14

## 1980/ TRUCK SERIES 600/900

5025-36 CROSSMEMBER (FRAME) — Cont'd

## CROSSMEMBER APPLICATION

How to find the Part Number of a Crossmember for a 1990/ frame

1. Find the truck model in the (alphabetical) Model Application Chart which starts below.
2. Find the Crossmember Parts Lists Number which pertains to your unit.
3. Turn to the Parts List (following Application Chart) and find the Crossmember needed.

YEAR	MODEL	REMARKS	PARTS LIST NO.
	<b>LL-LTL-SERIES</b>		
87/88	LL900	HENDRICKSON SUSP.	41
89	LL900	HENDRICKSON SUSP.	63
89	LL900	NEWAY SUSP.	64
82/87	LTL900	NEWAY SUSP.	28
88	LTL900	NEWAY SUSP.	48
89	LTL900	NEWAY SUSP.	64
82/83	LTL900	HENDRICKSON SUSP.	29
84/87	LTL900	HENDRICKSON SUSP.	41
88	LTL900	HENDRICKSON SUSP.	48
89	LTL900	HENDRICKSON E4 SUSP.	65
89	LTL900	HENDRICKSON AIR SUSP.	66
89	LTL900	HENDRICKSON STEEL & RUBBER SUSP.	67
81/83	LTL900	REYCO SUSP.	14
	<b>LTS-SERIES</b>		
80/82	LTS800		12
83/87	LTS800		36
88/	LTS800	HENDRICKSON SUSP.	58
80/82	LTS900	HENDRICKSON SUSP.	12
83	LTS900	HENDRICKSON SUSP.	36
84/87	LTS900	HENDRICKSON SUSP.	41
88/	LTS900	HENDRICKSON STEEL & RUBBER SUSP.	58
88/	LTS900	E4 SUSP.	60
88/	LTS900	NEWAY ARD-238 SUSP.	61
88/	LTS900	NEWAY ARD-244 SUSP.	62

### CROSSMEMBER PARTS LISTS

◆	REMARKS	PART NUMBER
◆	Crossmember locations are determined from front to rear. "F" designates front (No. 1) crossmember. "R" designates rear crossmember. One crossmember required for each application shown, unless otherwise noted.	

5025-36 CROSSMEMBER (FRAME)		
	PARTS LIST NO. 1	
F	Exc 7.8 dsl.	E8HZ 5019-C
F	7.8 dsl.	E8HZ 5019-A
2	Diesel	DOHZ 5025-E
3	Gas	DOHZ 5025-E
3	138", 150" W/B-Diesel	DOHZ 5030-A
3	162", 174", 186", 204", 222" W/B-Diesel	DOHZ 5028-A
4	162", 174", 186", 204", 222" W/B-Gas	DOHZ 5028-A
4	162", 174", 186" W/B Diesel	DOHZ 5030-A
4	204", 222" W/B-Diesel	DOHZ 5028-A
5	162", 174", 186" W/B-Gas	DOHZ 5030-A
5	204", 222" W/B-Gas	DOHZ 5028-A
5	204", 222" W/B-Diesel	DOHZ 5030-A
6	204", 222" W/B-Gas	DOHZ 5030-A
6	204", 222" W/B-Diesel	DOHZ 5035-A
7	204", 222" W/B-Gas	DIHZ 5035-C
R	204", 222" W/B	DOHZ 5035-B
R	138", 150", 162", 174", 186" W/B	DOHZ 5035-A
PARTS LIST NO. 2		
F	401, 475, 477, 534 Gas, Detroit and Cumm. Diesel	FOHZ 5019-B
2	Diesel	DOHZ 5025-E
3	150" W/B	DOHZ 5030-A
3	162", 174", 186", 204", 222" W/B	DOHZ 5028-A

1980/  
TRUCK SERIES 600/900

**CROSSMEMBER PARTS LISTS**

	REMARKS	PART NUMBER
◆	Crossmember locations are determined from front to rear. "F" designates front (No. 1) crossmember. "R" designates rear crossmember. One crossmember required for each application shown, unless otherwise noted.	
<b>5025-36 CROSSMEMBER (FRAME) — Cont'd</b>		
<b>PARTS LIST NO. 4 — Cont'd</b>		
4	162", 174", 186" W/B	D0HZ 5030-A
4	204", 222" W/B	D0HZ 5028-A
4	204", 220" W/B	C3TZ 5027-A
5	204", 222" W/B	D0HZ 5030-A
6	204", 222" W/B	D0HZ 5035-A
R	150", 162", 174", 186" W/B	D0HZ 5035-A
R	204", 222" W/B	D0HZ 5035-B
<b>PARTS LIST NO. 4</b>		
F	477,534 Gas & Cat. 3208 dsl.	E8HZ 5019-C
F	Cat. 3406, Detroit & Cumm. dsl.	F0HZ 5019-B
F	370-429 Gas	E0HZ 5019-C
F	7.8 dsl.	E7HZ 5019-B
2	Diesel	D0HZ 5025-E
3	Gas	D0HZ 5025-E
3	138", 150" W/B-Diesel	D0HZ 5028-A
3	162", 174", 186", 204", 222" W/B-Diesel	D0HZ 5030-A
4	138", 150" W/B-Gas	D0HZ 5030-A
4	162", 174", 186", 204", 222" W/B-Gas	D0HZ 5028-A
4	162", 174", 186" W/B-Diesel	D0HZ 5030-A
4	204", 222" W/B-Diesel	D0HZ 5028-A
5	162", 174", 186" W/B-Gas	D0HZ 5030-A
5	204", 222" W/B-Gas	D0HZ 5028-A
5	204", 222" W/B-Diesel	D0HZ 5030-A
6	204", 222" W/B-Gas	D0HZ 5030-A
6	204", 222" W/B-Diesel	D0HZ 5035-A
7	204", 222" W/B-Gas	D1HZ 5035-C
R	204", 222" W/B	D0HZ 5035-B
R	138", 150", 162", 174", 186" W/B	D0HZ 5035-A
<b>PARTS LIST NO. 5</b>		
F		F0HZ 5019-B
2	Diesel	D0HZ 5025-E
3	138", 150" W/B	D0HZ 5030-A
3	162", 222" W/B	D0HZ 5028-A
4	162" W/B	D0HZ 5030-A
4	222" W/B	D0HZ 5028-A
5	222" W/B	D0HZ 5030-A
6	222" W/B	D0HZ 5035-A
7	222" W/B	D1HZ 5035-C
R	138", 150" W/B	D0HZ 5035-A
R	222" W/B	D0HZ 5035-B
<b>PARTS LIST NO. 6</b>		
F	Aluminum Frame	D8HZ 5C107-A
F	Steel frame	D8HZ 5035-C
2	Aluminum frame	D8HZ 5C107-A
2	Steel frame	F0HZ 5036-A
R	Aluminum frame	D8HZ 5035-H
R	Steel frame	F0HZ 5036-A
<b>PARTS LIST NO. 7</b>		
F	intermediate	D8HZ 5036-B
2		D8HZ 5035-J
R		F0HZ 5036-A
<b>PARTS LIST NO. 8</b>		
F	Intermediate	D8HZ 5036-B
2		D8HZ 5035-M

1980/  
TRUCK SERIES 600/900

**CROSSMEMBER PARTS LISTS**

	REMARKS	PART NUMBER
◆	Crossmember locations are determined from front to rear. "F" designates front (No. 1) crossmember. "R" designates rear crossmember. One crossmember required for each application shown, unless otherwise noted.	
<b>5025-36 CROSSMEMBER (FRAME) — Cont'd</b>		
<b>PARTS LIST NO. 9</b>		
F	Intermediate	D8HZ 5036-B
2		D8HZ 5035-L
R		F0HZ 5036-A
<b>PARTS LIST NO. 10</b>		
F	Steel frame	D8HZ 5035-C
F	Alum. frame	D8HZ 5C107-A
2	Alum. frame	★ D8HZ 5C108-B
2	Steel frame	D8HZ 5035-C
3	Steel frame—"Before 10/1/81"	D8HZ 5035-C
3	Steel frame—"From 10/1/81"	E2HZ 5035-B
3	Alum. frame—"Before 10/1/81"	D8HZ 5C107-A
3	Alum. frame—"From 10/1/81"	★ E2HZ 5C107-A
4	Steel frame—"Before 10/1/81"	D8HZ 5035-C
4	Steel frame—"From 10/1/81"	E9HZ 5K707-A
4	Alum. frame	D8HZ 5C107-A
R	Steel frame	D8HZ 5035-A
R	Alum. frame—"Before 10/1/81"	D8HZ 5035-H
R	Alum. frame—"From 10/1/81"	E2HZ 5035-C
<b>PARTS LIST NO. 11</b>		
F	477,534 Gas & Cat. 3208 dsl.	E8HZ 5019-C
F	Cat. 3406, Detroit & Cum. dsl.	F0HZ 5019-B
F	370,429 Gas	E8HZ 5019-C
2		D0HZ 5025-E
3		D0HZ 5028-A
4	186", 204", 222", 236" W/B	D0HZ 5028-A
4	138", 144", 150", 162", 174", W/B	D2HZ 5035-A
5	186" W/B	D2HZ 5035-A
5	204", 222", 236", W/B	D0HZ 5028-A
6	204", 222", 236", W/B	D2HZ 5035-A
R		D0HZ 5035-B
<b>PARTS LIST NO. 12</b>		
F	477,534 Gas & Cat. 3208 dsl.	E8HZ 5019-C
F	Cat. 3406, Detroit & Cum. dsl.	F0HZ 5019-B
F	370-429 Gas	E8HZ 5019-C
2		D0HZ 5035-E
3		D0HZ 5028-A
4	186", 204", 222", 236" W/B	D0HZ 5028-A
4	138", 144", 150", 162", 174" W/B (exc. top mount carrier) -w/reinf. frame.	D2HZ 5035-A
4	138", 144", 150", 162", 174" W/B (exc. top mount carrier) -w/o reinf. frame.	D1HZ 5035-C
4	138", 144", 150", 162", 174" W/B (top mount carrier)	D7HZ 5035-A
5	186" W/B	D2HZ 5035-A
5	204", 222", 236" W/B	D0HZ 5028-A
6	204", 222", 236" W/B	D2HZ 5035-A
R		D0HZ 5035-B
<b>PARTS LIST NO. 13</b>		
F		F0HZ 5019-B
2		D0HZ 5025-E
3		D3HZ 5035-B
4	"Before 11/85"	D3HZ 5035-B
4	"From 11/85"	E5HZ 5035-A
R		E7HZ 5036-A

1980/  
TRUCK SERIES 600/900

**CROSSMEMBER PARTS LISTS**

	REMARKS	PART NUMBER
◆	Crossmember locations are determined from front to rear. "F" designates front (No. 1) crossmember. "R" designates rear crossmember. One crossmember required for each application shown, unless otherwise noted.	
5025-36 CROSSMEMBER (FRAME) — Cont'd		
PARTS LIST NO. 14		
F		F0HZ 5019-B
2		D0HZ 5025-E
3		D1HZ 5028-A
4		D1HZ 5028-A
R		D1HZ 5035-D
PARTS LIST NO. 15		
F		D9HZ 5019-A
2		D9HZ 5025-A
3		D5HZ 5028-A
4	166", 184", 202", 220" W/B	C3TZ 5027-A
4	124", 136", 148" W/B	C3TZ 5028-A
5	184", 202", 220" W/B	C3TZ 5027-A
5	166", W/B	C3TZ 5028-A
6	184", 202", 220" W/B	C3TZ 5028-A
7	184", 202", 220" W/B	C2TZ 5036-A
R	124", 136", 148" W/B	C2TZ 5036-A
R	184", 202", 220" W/B	★ C3TZ 5035-A
PARTS LIST NO. 16		
F		D9HZ 5019-B
2	GAS	D9HZ 5025-C
2	DIESEL-MT-643, at 540 auto. trans.	D9HZ 5025-C
2	DIESEL-man. trans.	C8HZ 5025-B
3		B7Q 5028-B
4	135", 153" WB	B7Q 5028-B
R		C3TZ 5035-C
PARTS LIST NO. 17		
F		D9HZ 5019-B
2	GAS	D9HZ 5025-C
2	DIESEL-MT-643, at 540 auto. trans.	D9HZ 5025-C
2	DIESEL-man. trans.	C8HZ 5025-B
3	Exc. 111" WB	B7Q 5028-B
4	175", 206" WB	B7Q 5028-B
5	206" WB	B7Q 5028-B
5	175" WB	C3TZ 5035-C
6	206" WB	B7Q 5028-B
7	206" WB	C3TZ 5035-C
R		C3TZ 5035-C
PARTS LIST NO. 18		
F		D9HZ 5019-B
2	GAS	D9HZ 5025-C
2	8.2 DIESEL-MT-643, MT-653, AT540 auto. trans.	D9HZ 5025-C
2	DIESEL -- man. trans.	C8HZ 5025-B
2	MT-653 auto. trans. -- all diesel exc. 8.2	D7HZ 5025-A
4	135", 153", 175" WB-9 3/4" frame	B7Q 5028-B
4	135", 153" WB-9 1/2" frame	B7Q 5028-B
5	175" WB-9 3/4" frame	B7Q 5028-B
6	175" WB-9 3/4" frame	C3TZ 5035-E
R	9 3/4" frame	C3TZ 5035-E
R	9 1/2" frame	C3TZ 5035-C
PARTS LIST NO. 19		
F		D9HZ 5019-B
2	GAS	D9HZ 5025-C
2	8.2 DIESEL-MT 643, MT-653, AT540 auto. trans.	D9HZ 5025-C
2	DIESEL -- man. trans.	C8HZ 5025-B

1980/  
TRUCK SERIES 600/900

### CROSSMEMBER PARTS LISTS

	REMARKS	PART NUMBER
◆	Crossmember locations are determined from front to rear. "F" designates front (No. 1) crossmember. "R" designates rear crossmember. One crossmember required for each application shown, unless otherwise noted.	
<b>5025-36 CROSSMEMBER (FRAME) — Cont'd</b>		
<b>PARTS LIST NO. 19 — Cont'd</b>		
2	MT-653 auto. trans. — all diesel exc. 8.2	D7HZ 5025-A
2	DIESEL-MT-653 auto. trans.	D7HZ 5025-A
2	diesel	C8HZ 5025-B
3	135" WB	B7Q 5028-B
3	153", 161" WB	C2TZ 5028-B
4		C2TZ 5029-A
5		C3TZ 5036-B
R		C2TZ 5035-A
<b>PARTS LIST NO. 20</b>		
F	Exc. 6.6 & 7.8 dsl.	E4HZ 5019-B
F	6.6 & 7.8 dsl.-H/D frames	E7HZ 5019-B
F	6.6 & 7.8 dsl. exc.-H/D frames	E7HZ 5019-C
2	151,216,237,255,275 W/B	E0HZ 5028-D
2	192 W/B	D0HZ 5030-A
3	151,216,237,255,275 W/B	E0HZ 5028-E
3	192 W/B	D0HZ 5035-A
4	151,216,237,255 W/B	D0HZ 5030-A
4	275 W/B	E0HZ 5028-E
5	151,216,237,255 W/B	D0HZ 5035-A
5	275 W/B	D0HZ 5030-A
6	275 W/B	D0HZ 5035-A
R		D0HZ 5035-B
<b>PARTS LIST NO. 21</b>		
F	Exc. 6.6 & 7.8 dsl	E4HZ 5019-B
F	6.6&7.8DSL.-H/D Frames	E7HZ 5019-B
F	6.6&7.8DSL.EXC.-H/D Frames	E7HZ 5019-C
2	151,216,237,255,275 W/B	E0HZ 5028-C
2	192 W/B	E0HZ 5028-E
3	151,216,237,255,275 W/B	E0HZ 5028-E
3	192 W/B	E0HZ 5028-B
4	151,216,237,255 W/B	E0HZ 5028-B
4	192 W/B	E0HZ 5028-E
5	151,216,237,255 W/B	E0HZ 5028-E
R		E0HZ 5028-E
<b>PARTS LIST NO. 22</b>		
F		E4HZ 5019-B
2	Exc. MT-643 trans.	E0HZ 5025-A
3	151,216,237,255,275 W/B	E0HZ 5028-D
3	192 W/B	D0HZ 5030-A
4	151,216,237,255,275 W/B	E0HZ 5028-E
4	192 W/B	D0HZ 5035-A
5	151,216,237,255 W/B	D0HZ 5030-A
5	275 W/B	E0HZ 5028-E
6	151,216,237,255 W/B	D0HZ 5035-A
6	175 W/B	D0HZ 5030-A
7	275 W/B	D0HZ 5035-A
R		D0HZ 5035-B
<b>PARTS LIST NO. 23</b>		
F		E4HZ 5019-B
2	Exc. MT-643 trans.	E0HZ 5025-A
3		E0HZ 5028-C
4		E0HZ 5028-E
5	151,192,216,237,255 W/B	E0HZ 5035-B
6	151,192,216,237,255 W/B	E0HZ 5028-E
R		E0HZ 5028-E

1980/  
TRUCK SERIES 600/900

**CROSSMEMBER PARTS LISTS**

	REMARKS	PART NUMBER
◆	Crossmember locations are determined from front to rear. "F" designates front (No. 1) crossmember. "R" designates rear crossmember. One crossmember required for each application shown, unless otherwise noted.	

**5025-36 CROSSMEMBER (FRAME) — Cont'd**

	REMARKS	PART NUMBER
	<b>PARTS LIST NO. 24</b>	
F	8.2L DIESEL	E3HZ 5019-B
F	3208 DIESEL	E3HZ 5019-A
2		E0HZ 5028-B
3		D0HZ 5028-A
4	188,194,207,212,255,237 W/B	D0HZ 5030-A
5	188,194,207,212,255,237 W/B	D0HZ 5035-A
R		D1HZ 5028-A
	<b>PARTS LIST NO. 25</b>	
F	8.2L DIESEL	E3HZ 5019-B
F	3208 DIESEL	E3HZ 5019-A
2		E0HZ 5028-A
3		E0HZ 5028-E
4		E0HZ 5035-B
5		E0HZ 5028-E
6		E9HZ 5036-B
R		E0HZ 5028-E
	<b>PARTS LIST NO. 26</b>	
F		E4HZ 5019-B
2	Exc. MT-643 trans.	E0HZ 5025-A
3		E0HZ 5028-B
4		D0HZ 5028-A
5	188,194,207,212,225,237 W/B	D0HZ 5030-A
6	188,194,207,212,225,237 W/B	D0HZ 5035-A
R		D0HZ 5035-B
	<b>PARTS LIST NO. 27</b>	
F		E4HZ 5019-B
2	Exc. MT-643 trans.	E0HZ 5025-A
3		E0HZ 5028-A
4		E0HZ 5028-E
5	188,207,225,235 W/B	E0HZ 5035-B
6	188,207,225,235 W/B	E0HZ 5028-E
7		E9HZ 5036-B
R		E0HZ 5028-E
	<b>PARTS LIST NO. 28</b>	
F		F0HZ 5019-B
2		D0HZ 5025-E
3		D1HZ 5028-A
4		D1HZ 5028-A
R		E7HZ 5036-A
	<b>PARTS LIST NO. 29</b>	
F		F0HZ 5019-B
2		D0HZ 5025-E
3		D0HZ 5028-A
4		D8HZ 5035-H
R		D1HZ 5035-D
	<b>PARTS LIST NO. 32</b>	
F		E2HZ 5019-A
2		C8TZ 5025-A
3		D5HZ 5028-A
4	166", 184", 202", 220" W/B	C3TZ 5027-A
4	124", 136", 148" W/B	D1TZ 5028-B
5	184", 202", 220" W/B	C3TZ 5027-A
5	166" W/B	D1TZ 5028-B
6	184", 202", 220" W/B	D1TZ 5028-B
7	184", 202", 220" W/B	C2TZ 5036-A

OCTOBER, 1993

COPYRIGHT ©1993

FORD MOTOR  
COMPANY

—DEARBORN, MICHIGAN

FINAL ISSUE

1980/  
TRUCK SERIES 600/900

**CROSSMEMBER PARTS LISTS**

	REMARKS	PART NUMBER
◆	Crossmember locations are determined from front to rear. "F" designates front (No. 1) crossmember. "R" designates rear crossmember. One crossmember required for each application shown, unless otherwise noted.	
<b>5025-36 CROSSMEMBER (FRAME) — Cont'd</b>		
<b>PARTS LIST NO. 32 — Cont'd</b>		
R	124", 136", 148", 166" W/B	C2TZ 5036-A
R	184", 202", 220" W/B	C3TZ 5035-C
<b>PARTS LIST NO. 33</b>		
F		D9HZ 5019-A
2		D9HZ 5025-A
3		D4HZ 5028-A
4		E0HZ 5028-C
5		E0HZ 5028-C
6		E0HZ 5028-C
7		D1TZ 5028-B
8		C3TZ 5036-B
R		C3TZ 5035-C
<b>PARTS LIST NO. 34</b>		
F		D9HZ 5019-A
2		D4HZ 5028-A
3		E0HZ 5028-C
4		E0HZ 5028-C
5		E0HZ 5028-C
6		C3TZ 5028-A
7		C3TZ 5036-B
R		C3TZ 5035-C
<b>PARTS LIST NO. 35</b>		
F	477,534 Gas & Cat. 3208 dsl.	E8HZ 5019-C
F	Cat. 3406, Detroit & Cum. dsl.	F0HZ 5019-B
F	370-429 Eng.	E8HZ 5019-C
F	7.8 dsl.	E8HZ 5019-A
2		D0HZ 5025-E
3		D0HZ 5028-A
4	150", 162", 174" W/B	E9HZ 5036-B
4	186", 204", 222" W/B	D0HZ 5028-A
5	186" W/B	E9HZ 5036-B
5	204", 222" W/B	D0HZ 5028-A
6	204", 222" W/B	E9HZ 5036-B
R		D0HZ 5035-B
<b>PARTS LIST NO. 36</b>		
F	477,534 Gas & Cat. 3208 dsl.	E8HZ 5019-C
F	Cat. 3406, Detroit & Cum. dsl.	F0HZ 5019-B
F	370-429 Gas	E8HZ 5019-C
F	7.8 dsl.	E8HZ 5019-A
2		D0HZ 5025-E
3		D0HZ 5028-A
4	143", 155" W/B	E9HZ 5036-B
4	167", 185", 203" W/B	D0HZ 5028-A
5	167", 185" W/B	E9HZ 5036-B
5	203" W/B	D0HZ 5028-A
6	203" W/B	E9HZ 5036-B
R		D0HZ 5035-B
<b>PARTS LIST NO. 37</b>		
F	8.2L Diesel	E4HZ 5019-B
F	3208 Diesel	E4HZ 5019-A
F	6.6 & 7.8 dsl.-H/D frames	E7HZ 5019-B
F	6.6 & 7.8 dsl.-exc. H/D frames	E7HZ 5019-C
2		E0HZ 5028-B
3		D0HZ 5028-A
4	151,194,207,212,237,255 W/B	D0HZ 5030-A



1980/  
TRUCK SERIES 600/900

**CROSSMEMBER PARTS LISTS**

	REMARKS	PART NUMBER
◆	Crossmember locations are determined from front to rear. "F" designates front (No. 1) crossmember. "R" designates rear crossmember. One crossmember required for each application shown, unless otherwise noted.	
<b>5025-36 CROSSMEMBER (FRAME) — Cont'd</b>		
<b>PARTS LIST NO. 37 — Cont'd</b>		
2		E0HZ 5028-B
3		D0HZ 5028-A
4	151,194,207,212,237,255 W/B	D0HZ 5030-A
5	188,194,207,212,237,255 W/B	D0HZ 5035-A
R		D1HZ 5028-A
<b>PARTS LIST NO. 38</b>		
F	8.2L Diesel	E4HZ 5019-B
F	3208 Diesel	E4HZ 5019-A
F	6.6 & 7.8 dsl.-H/D frames	E7HZ 5019-B
F	6.6 & 7.8 dsl.-exc. H/D frames	E7HZ 5019-C
2		E0HZ 5028-A
3		E0HZ 5028-E
4	188,207,225,237 W/B	E0HZ 5035-B
5	188,207,225,237 W/B	E0HZ 5028-E
6		E9HZ 5036-B
R		E0HZ 5028-E
<b>PARTS LIST NO. 39</b>		
F		E4HZ 5019-B
2	Exc.-M/T-643 Trans.	E0HZ 5025-A
3		E0HZ 5028-B
4		D0HZ 5028-A
5	188,194,207,212,225,237 W/B	D0HZ 5030-A
6	188,194,207,212,225,237 W/B	D0HZ 5035-A
R		D0HZ 5035-B
<b>PARTS LIST NO. 40</b>		
F		E4HZ 5019-B
2	Exc. M/T-643 Trans.	E0HZ 5025-A
3		E0HZ 5028-A
4		E0HZ 5028-E
5	188,207,225,235 W/B	E0HZ 5035-B
6	188,207,225,235 W/B	E0HZ 5028-E
7		E9HZ 5036-B
R		E0HZ 5028-E
<b>PARTS LIST NO. 41</b>		
F		F0HZ 5019-B
2		D0HZ 5025-E
3		E2HZ 5035-B
4	LTL	E2HZ 5035-B
4	LL	D8HZ 5030-A
5		E9HZ 5036-B
R	E4 Susp.	E2HZ 5035-E
R	Exc. E4 Susp.	D0HZ 5035-B
<b>PARTS LIST NO. 42</b>		
F		E6HZ 5019-A
2		E0HZ 5035-B
3		E0HZ 5028-E
4		E0HZ 5035-B
S		E0HZ 5028-E
R		E0HZ 5028-E
<b>PARTS LIST NO. 45</b>		
F	Cat. eng.	E8HZ 5019-C
F	6.6L,7.8L eng.	E8HZ 5019-A
2		D0HZ 5025-E
3		D0HZ 5028-A
4		D0HZ 5028-A

1980/  
TRUCK SERIES 600/900

**CROSSMEMBER PARTS LISTS**

	REMARKS	PART NUMBER
◆	Crossmember locations are determined from front to rear. "F" designates front (No. 1) crossmember. "R" designates rear crossmember. One crossmember required for each application shown, unless otherwise noted.	
◆		
<b>5025-36 CROSSMEMBER (FRAME) — Cont'd</b>		
	<b>PARTS LIST NO. 45 — Cont'd</b>	
5		DOHZ 5030-A
R		DOHZ 5035-A
	<b>PARTS LIST NO. 46</b>	
F	Cat. dsl.	E8HZ 5019-C
F	6.6L & 7.8L dsl.	E8HZ 5019-A
2		DOHZ 5025-E
3		DOHZ 5028-A
4		DOHZ 5028-A
5		DOHZ 5030-A
R		DOHZ 5035-A
	<b>PARTS LIST NO. 47</b>	
F		E8HZ 5019-B
2		DOHZ 5025-E
3		DOHZ 5028-A
4		DOHZ 5028-A
5		DOHZ 5030-A
R		DOHZ 5035-A
	<b>PARTS LIST NO. 48</b>	
F	900 Series	F1HZ 5019-B
F	800 Series with Cat. eng.	E8HZ 5019-A
F	800 Series w/o Cat. eng.	E8HZ 5019-C
2		DOHZ 5025-E
3		DOHZ 5028-A
4		E8HZ 5036-A
5		E8HZ 5036-A
R		D3HZ 5035-A
	<b>PARTS LIST NO. 49</b>	
F		E6HZ 5019-A
2		E7HZ 5K001-C
3		E7HZ 5C075-B
4		E7HZ 5K001-A
5		E7HZ 5K001-A
R		E2HZ 5035-A
	<b>PARTS LIST NO. 50</b>	
F		E6HZ 5019-A
2		E7HZ 5K001-C
3		E7HZ 5C075-B
4		E7HZ 5C075-B
5		E7HZ 5K001-A
6		E7HZ 5K001-A
R		E2HZ 5035-A
	<b>PARTS LIST NO. 51</b>	
F		E6HZ 5019-A
2		E7HZ 5K001-C
3		E7HZ 5C075-B
4		E7HZ 5C075-B
5		E8HZ 5C107-A
R		E7HZ 5035-A
	<b>PARTS LIST NO. 52</b>	
F		E6HZ 5019-A
2		E7HZ 5K001-C
3		E7HZ 5C075-B
4		E7HZ 5C075-B
5		E7HZ 5C075-B
6		E8HZ 5C107-A
R		E7HZ 5035-A

1980/  
TRUCK SERIES 600/900

CROSSMEMBER PARTS LISTS

◆	REMARKS	PART NUMBER
◆	Crossmember locations are determined from front to rear. "F" designates front (No. 1) crossmember. "R" designates rear crossmember. One crossmember required for each application shown, unless otherwise noted.	
5025-36 CROSSMEMBER (FRAME) — Cont'd		
PARTS LIST NO. 53		
F		E6HZ 5019-A
2		E7HZ 5C075-B
3		E7HZ 5K001-B
R		E8HZ 5035-A
PARTS LIST NO. 54		
F		E6HZ 5019-A
2		E7HZ 5K001-C
3		E7HZ 5C075-A
4		E7HZ 5K001-B
5		D0HZ 5035-A
R		E7HZ 5035-A
PARTS LIST NO. 55		
F		E6HZ 5019-A
2		E7HZ 5K001-C
3		E7HZ 5C075-B
4		E7HZ 5K001-B
5		D0HZ 5035-A
R		E7HZ 5035-A
PARTS LIST NO. 56		
F		E6HZ 5019-A
2		E7HZ 5K001-C
3		E7HZ 5C075-B
4		E7HZ 5C075-B
5		E7HZ 5K001-B
6		D0HZ 5035-A
R		E7HZ 5035-A
PARTS LIST NO. 57		
F	Cat. dsl.	E8HZ 5019-C
F	6.6L,7.8L eng.	E8HZ 5019-A
2		D0HZ 5028-A
3		D0HZ 5028-A
4	185,203" WB	D0HZ 5028-A
4	143,155,167" WB	D0HZ 5030-A
5	185,203" WB	D0HZ 5030-A
R		D0HZ 5035-A
PARTS LIST NO. 58		
F	900 Series	F0HZ 5019-B
F	800 Series-Cat. eng.	E8HZ 5019-C
F	800 Series-6.6L,7.8L eng.	E8HZ 5019-A
2		D0HZ 5028-A
3		E9HZ 5036-B
4	167,185,203" WB	E9HZ 5036-B
5	203" WB	E9HZ 5036-B
R		D0HZ 5035-B
PARTS LIST NO. 59		
F	900 Series	F0HZ 5019-B
F	800 Series-Cat. dsl.	E8HZ 5019-C
F	800 Series-6.6L,7.8L eng.	E8HZ 5019-A
2		D0HZ 5028-A
3		E9HZ 5036-B
4	186,204,222" WB	E9HZ 5036-B
5	222" WB	E9HZ 5036-B
R		D0HZ 5035-B

1980/  
TRUCK SERIES 600/900

### CROSSMEMBER PARTS LISTS

REMARKS		PART NUMBER
◆ Crossmember locations are determined from front to rear. "F" designates front (No. 1) crossmember. "R" designates rear crossmember. One crossmember required for each application shown, unless otherwise noted.		
5025-36 CROSSMEMBER (FRAME) — Cont'd		
PARTS LIST NO. 60		
F		F0HZ 5019-B
2		E9HZ 5K707-A
3		E9HZ 5K707-A
R		E2HZ 5035-E
PARTS LIST NO. 61		
F		F0HZ 5019-B
2		D0HZ 5028-A
3		E9HZ 5036-C
4		E9HZ 5036-C
R		E9HZ 5036-C
PARTS LIST NO. 62		
F		F0HZ 5019-B
2		D0HZ 5028-A
3		E8HZ 5036-A
4		E8HZ 5036-A
R		E9HZ 5036-C
PARTS LIST NO. 63		
F		F0HZ 5019-B
2		D0HZ 5025-E
3		D0HZ 5028-A
4		D0HZ 5028-A
5	204,222,234,246,258 WB	D0HZ 5028-A
5	174,186 WB	D0HZ 5028-A
6	258" WB	D0HZ 5030-A
6	174,186" WB	D0HZ 5028-A
6	204,222,234,246" WB	D0HZ 5035-A
7	258" WB	D0HZ 5030-A
7	204,222,234,246" WB	D0HZ 5035-A
8	258" WB	D0HZ 5035-A
R		D0HZ 5035-B
PARTS LIST NO. 64		
F		F0HZ 5019-B
2		D0HZ 5025-E
3		D0HZ 5028-A
4		D0HZ 5028-A
5	204",222" W/B	E8HZ 5036-A
5	234",246",258" WB	D0HZ 5028-A
6		E8HZ 5036-A
7	234",246",258" WB	E8HZ 5036-A
R	204",222" WB	E9HZ 5036-C
R	234",246",258" WB	D0HZ 5035-B
PARTS LIST NO. 65		
F		F0HZ 5019-B
2		D0HZ 5025-E
3		D0HZ 5028-A
4		D0HZ 5028-A
5	234",246",258" WB	D0HZ 5028-A
5	222" WB	E9HZ 5K707-A
6		E9HZ 5K707-A
7	222" WB	E2HZ 5035-A
7	234",246",258" WB	E9HZ 5K707-A
8	234",246",258" WB	E2HZ 5035-A
R		D0HZ 5035-B

1980/  
TRUCK SERIES 600/900

CROSSMEMBER PARTS LISTS

REMARKS		PART NUMBER
<p>◆ Crossmember locations are determined from front to rear. "F" designates front (No. 1) crossmember. "R" designates rear crossmember. One crossmember required for each application shown, unless otherwise noted.</p>		
5025-36 CROSSMEMBER (FRAME) — Cont'd		
PARTS LIST NO. 66		
F		F0HZ 5019-B
2		D0HZ 5025-E
3		D0HZ 5028-A
4		D0HZ 5028-A
5	222" WB	E9HZ 5K707-A
5	234",246",258" WB	D0HZ 5028-A
6		E9HZ 5K707-A
7	222" WB	E9HZ 5036-C
7	234",246",258" WB	E9HZ 5K707-A
8	234",246",258" WB	E9HZ 5036-C
R		D0HZ 5035-B
PARTS LIST NO. 67		
F		F0HZ 5019-B
2		D0HZ 5025-E
3		D0HZ 5028-A
4		D0HZ 5028-A
5	174",186",204",222" WB	E9HZ 5036-B
5	234",246",258" WB	D0HZ 5028-A
6	174",186",204",222" WB	E9HZ 5036-A
6	234",246",258" WB	E9HZ 5036-B
7	234",246",258" WB	E9HZ 5036-A
R		D0HZ 5035-B
PARTS LIST NO. 68		
F		D8HZ 5035-C
R		E9HZ 5036-D
PARTS LIST NO. 69		
F		E9HZ 5036-B
R		E9HZ 5036-D
PARTS LIST NO. 70		
F		E9HZ 5K707-A
2		E9HZ 5K707-A
3		E9HZ 5K707-A
R		E9HZ 5036-D
PARTS LIST NO. 71		
F	Steel frame	E9HZ 5K707-A
F	Alum. frame	E8HZ 5C107-A
2	Steel frame	E9HZ 5K707-A
2	Alum. frame	E2HZ 5C107-A
R	Steel frame	D8HZ 5035-A
R	Alum. frame	D8HZ 5035-A
PARTS LIST NO. 72		
F		E9HZ 5019-B
2	13.3 sect. mod.	E9HZ 5027-A
2	Exc. 13.3 sect. mod.	E0HZ 5028-B
3		D0HZ 5028-A
4		D0HZ 5030-A
5		D0HZ 5035-A
R		D0HZ 5035-B

1980/  
TRUCK SERIES 600/900

CROSSMEMBER PARTS LISTS

◆	REMARKS	PART NUMBER
◆	Crossmember locations are determined from front to rear. "F" designates front (No. 1) crossmember. "R" designates rear crossmember. One crossmember required for each application shown, unless otherwise noted.	

5025-36 CROSSMEMBER (FRAME) — Cont'd		
PARTS LIST NO. 73		
F		E9HZ 5019-A
2	Not reqd. w/MT-643 trans.	E9HZ 5025-A
3	13.3 sect. mod.	E9HZ 5027-A
3	Exc. 13.3 sect. mod.	E0HZ 5028-B
4		D0HZ 5028-A
5		D0HZ 5030-A
6		D0HZ 5035-A
R		D0HZ 5035-B
PARTS LIST NO. 74		
F		E9HZ 5019-B
2	13.3 sect. mod.	E9HZ 5027-A
2	Exc. 13.3 sect. mod.	E0HZ 5028-B
3		D0HZ 5028-A
4		E9HZ 5036-B
R		D0HZ 5035-B
PARTS LIST NO. 75		
F		E9HZ 5019-A
2	Not reqd. w/MT-643 trans.	E9HZ 5025-A
3	13.3 sect. mod.	E9HZ 5027-A
3	Exc. 13.3 sect. mod.	E0HZ 5028-B
4		D0HZ 5028-A
5		E9HZ 5036-B
R		D0HZ 5035-B

YEAR	MODEL/RESTRICTIONS	PART NUMBER	DESCRIPTION	QTY.
5A028 REINFORCEMENT (FRAME SIDEMEMBER FRONT BUMPER)				
80/	B-F-FT600/900 - - Exc. 10.80 section mod.	(RH) E3HZ 5A028-A	(LH) E3HZ 5A028-B	1
80/	B-F-FT600/800 - - 10.80 section mod.	(RH) E0HZ 5A028-C	(LH) E0HZ 5A028-D	1
5031-2 GUSSET (FRAME CROSSMEMBER)				
80/	C700/900-exc. 175" W/B	(RH) C3TZ 5031-F	(LH) C3TZ 5031-C	Rear 1
80/	C700/900-175" W/B	C3TZ 5031-F	Rear	2
80/87	C800/900-exc. 99", 111" W/B	(RH) C3TZ 5031-E	(LH) C3TZ 5031-D	Rear 1
80/	C800/900-99", 111" W/B	C3TZ 5031-G	Rear	2or4
80/	C-CT800/900	C3TZ 5031-B	No. 6	2
83/	CT800	E3HZ 5031-D	R.H.-#5 C/M	1
		E3HZ 5031-C	L.H.	1
80/	CL-CLT900 - - Steel frames	E4HZ 5031-A	R.H.-rear c/m	1
		E4HZ 5031-B	L.H.	1
80/	CL-CLT900 - - Alum. frames	E4HZ 5031-C	R.H.-rear c/m	1
		E4HZ 5031-D	L.H.	1
80/88	CLT900 - - Hendrickson	D3HZ 5031-B	Upper	2
88/89	CLT900 - - Hendrickson 52" stl. susp.	E9HZ 5031-L	#5 C/M-R.H. & L.H.-upper	2
		E9HZ 5031-M	R.H.	1
		E9HZ 5031-N	L.H.	1
85/	CLT900 - - Neway susp.	E5HZ 5031-B	#5 C/M-Lower	2
89	FT800/900	E9HZ 5031-G	R.H.	1
		E9HZ 5031-H	L.H.	1
80	LNT-LT-LTL-LTS800/900-w/double channel frame & 50" or 54" long walking beam "Before Ser. HD5,001"	D0HZ 5031-N	Steel-R.H. - 71" long	1
		D0HZ 5031-R	Steel-71' long	1
80	LNT-LT-LTS9000 - - 58M,65M Top mount "Before Ser. HD5,001"	★ D7HZ 5031-A		4

**1980/  
TRUCK SERIES 600/900**

YEAR	MODEL/RESTRICTIONS	PART NUMBER	DESCRIPTION	QTY.
<b>5031-2 GUSSET (FRAME CROSSMEMBER) — Cont'd</b>				
80	LNT-LT800-w/double channel frame & 60" long walking beam "Before Ser. HD5,001"	★ D2HZ 5031-D	R.H.	1
		★ D2HZ 5031-C	L.H.	1
80/87	LN-LT-LTL900 -- NEWAY SUSP. "From 11/85"	D2HZ 5031-A	Upper-#5 CM	4
		E5HZ 5031-A	Lower	2
88	LN-LT-LTL900 -- NEWAY ARD-244 SUSP.	E8HZ 5031-A	R.H.-#5 C/M	1
		E8HZ 5031-B	L.H.	1
89	LL-LTL900 -- Neway 244 susp.	E9HZ 5031-A	R.H.-#5 C/M	1
		E9HZ 5031-B	L.H.	1
88/	LN-LT-LTL900 -- NEWAY ARD-238 SUSP.	E8HZ 5031-D	R.H. & L.H.-upper-#5 C/M	4
		E8HZ 5031-C	R.H. & L.H.-lower	2
88	L Series with Neway Susp.	★ E8HZ 5031-G	R.H.-Rear C/M-r/b E2HZ 5035-E	1
		★ E8HZ 5031-H	L.H.	1
80/82	LNT-LTL900 -- Hend. steel Susp.-dropped frame- "From Ser. HD5,001"	★ E0HZ 5031-C	R.H.-#5 C/M	1
		★ E0HZ 5031-D	L.H.	1
83/88	LL-LNT-LT-LTL-LTS800/900 -- Hendrickson steel susp	E3HZ 5031-A	R.H.-#5 C/M	1
		E3HZ 5031-B	L.H.	1
80/88	LNT-LT-LTL-LTS900 -- 44M Top Mount	E0HZ 5031-H	#5 C/M	2
80/88	LNT-LT-LTL-LTS900 -- 58M,65M Top mount "From Ser. HD5,001"	E0HZ 5031-H	#5 C/M	2
80/82	LNT-LT-LTL-LTS800/900 -- rubber Susp. "From Ser. HD5,001"	★ E0HZ 5031-A	R.H.-#5 C/M	1
		E0HZ 5031-B	L.H.	1
89	LL-LNT-LT-LTL-LTS800/900 -- Hend. 52", 54" steel susp.	E9HZ 5031-C	R.H.-#5 C/M	1
		E9HZ 5031-D	L.H.	1
89	LL-LNT-LT-LTL-LTS800/900 -- Hend. 60" steel susp.	E9HZ 5031-J	R.H.-#5 C/M	1
		E9HZ 5031-K	L.H.	1
83/88	LL-LNT-LT-LTL-LTS800/900 -- rubber susp.	E3HZ 5031-E	R.H.-#5 C/M	1
		E3HZ 5031-F	L.H.	1
89	LL-LNT-LT-LTL-LTS800/900 -- Hend. rubber susp.	E9HZ 5031-E	R.H.-#5 C/M	1
		E9HZ 5031-F	L.H.	1
80	LNT-LT-LTL-800/900 -- 60" walking "From Ser. HD5,001"	E0HZ 5031-J	R.H.-#5 C/M	1
		E0HZ 5031-K	L.H.	1
80/82	LNT-LT-LTL-LTS800/900 -- Hend. susp.- Straight & variable frame "From Ser. HD5,001"	★ E0HZ 5031-E	R.H.-#5 C/M	1
		★ E0HZ 5031-F	L.H.	1

5035-6 Refer to group 5025-36

<b>5A036 SUPPORT (CAB TO FRAME REAR)</b>				
80/88	C-CT600/900 "Before 11/87"	D9HZ 5A036-A		1
88/	C-CT800 "From 11/87"	E8HZ 5A036-A		1
80/	L-LN-LNT-LT-LTL-LTS700/900	(RH) D0HZ 5A036-B	(LH) D0HZ 5A036-A	1
87/	LL-LS800/900			1
80/	C-CT600/900, LN-LNT880/900	33846-S8	(M-69)-nut (support to support extension or s/member)-1/2"-20	AR
		34809-S7	(X-68)-lockwasher-1/2"	AR
80/	C600/700-diesel	20549-S8	(B-205)-bolt (support to s/member)- 1/2"-20 x 2 1/2"	4
80/	C-CT700/900, LN-LNT880/900	20433-S8	(B-199)-bolt (support to s/member or extension)- 1/2"-20 x 2 1/2"	8

<b>5A041 BRACKET (FRAME TO BODY)</b>				
80/86	LN-LNT900	(RH) D3HZ 5A041-A	(LH) D3HZ 5A041-B	1
<b>5044-5 REINFORCEMENT (FRAME SIDEMEMBER)</b>				
88/	CLT900	(RH) E8HZ 5045-B	(LH) E8HZ 5044-B	1
80	CL-CLT900 -- cat. 3406 engine	(RH) E0HZ 5045-A	(LH) ★ E0HZ 5044-B	1
80	CL-CLT900 -- exc. cat. 3406 eng.	(RH) E0HZ 5045-A	(LH) E0HZ 5044-A	1

1980/  
TRUCK SERIES 600/900

YEAR	MODEL/RESTRICTIONS	PART NUMBER	DESCRIPTION	QTY.
<b>5044-5 REINFORCEMENT (FRAME SIDEMEMBER) — Cont'd</b>				
82/87	CLT900 -- alum. frame	(RH) E2HZ 5044-A	(LH) E2HZ 5045-A	1
88/	CL900 -- L10 eng.	(RH) E8HZ 5045-A	(LH) E8HZ 5044-A	1
82/	CL900 -- NTC eng.	(RH) E2HZ 5045-B	(LH) E2HZ 5044-B	
82/	CL900 -- 6V-92 eng.	(RH) E2HZ 5045-C	(LH) E2HZ 5044-C	
82/	CL900 -- 8V-71 eng.	(RH) E2HZ 5045-C	(LH) E2HZ 5044-C	
82/	CL900 -- 3406 eng.	(RH) E2HZ 5045-B	(LH) E2HZ 5044-D	
<b>5L049 BEARING (CAB FORWARD HINGE)</b>				
80	CL-CLT900 -- "Before Ser. GG5.001"	D8HZ 5L049-A	easy ride	2
80/	CL-CLT900 -- "From Ser. GG5.001"	E0HZ 5L049-A	easy ride	2
80/	CL-CLT900	D8HZ 5L049-B	exc. easy ride	2
82/	CL-CLT900	E2HZ 5L049-A	.062" thick-field fix	AR
82/	CL-CLT900	E2HZ 5L049-B	.125" thick-field fix	AR
<b>5050-1 REINFORCEMENT (FRAME CROSSMEMBER NO. 2)</b>				
80/	CLT900 -- steel frame	(RH) E0HZ 5050-D	(LH) E0HZ 5050-C	1
80/86	LN600/700 (Exc. 250" W/B)	(RH) D9HZ 5050-A	(LH) D9HZ 5050-E	1
80/86	LN600/700 (250" WB)	(RH) D9HZ 5050-F	(LH) D9HZ 5050-G	1
80/	B-F600/800 (260" W/B)	(RH) D9HZ 5050-F	(LH) D9HZ 5050-C	1
80/	B-F600/800 (exc. 260" W/B)	(RH) D9HZ 5050-A	(LH) D9HZ 5050-B	1
80/	B-F600/800 -- 10.80 section mod.	(RH) E0HZ 5050-A	(LH) E0HZ 5051-A	1
80/	B-F600/800 -- Exc. 10.80 section mod.	(RH) E0HZ 5050-B	(LH) E0HZ 5051-B	1
80/	L-LN-LNT-LT800	(RH) D9HZ 5050-D	(LH) D9HZ 5050-H	1
<b>5057-58 BRACKET (ENGINE FRONT SUPPORT)—Also refer to group 6A023, 6028 or 6A057</b>				
80/	LN600/700	D9HZ 5057-A		1
<b>5C062 SPRING ASSY. (CAB SUPPORT TO FRAME AIR-FRONT)</b>				
80/	CL-CLT900 (with sleeper cab)	E0HZ 5C062-A	L.H. side	1
80/	CL-CLT900 (with sleeper cab)	E0HZ 5C062-B	R.H. side	1
80/	CL-CLT900 (w/o sleeper cab)		R.H. & L.H. side	1
<b>5C063 SPRING ASSY. (CAB SUPPORT TO FRAME AIR-REAR)</b>				
80/	CL-CLT900	E0HZ 5C063-A		2
<b>5C064 ARM ASSY. (CAB TO FRAME SUSPENSION-REAR)</b>				
80/	CL-CLT900	E0HZ 5C064-A		2
<b>5C065 VALVE (CAB SUSPENSION POSITION CONTROL)</b>				
80/	CL-CLT900	D9HZ 5C065-C		3
<b>5C070 ROD (CAB SUSPENSION POSITION VALVE)</b>				
80/	CL-CLT900	D8HZ 5C070-A		2
<b>5071 Refer to group 8A316</b>				
<b>5A074 Refer to group 5026</b>				
<b>5C075 Refer to group 5026-36</b>				
<b>5077-8 BRACKET (FRAME TO BODY)—Refer to group 5A113</b>				
<b>5C080 BRACKET (FRONT FRAME EXTENSION)</b>				
80/	CL-CLT900	D8HZ 5C080-G	R.H.—exc. easy ride	1
80/	CL-CLT900	D8HZ 5C096-E	L.H. exc. easy ride	1
80/	CL-CLT900	D8HZ 5C080-L	R.H.—easy ride-iron	1
80/	CL-CLT900	D8HZ 5C080-S	L.H.—easy ride-iron	1
<b>5C087 BRACKET (CAB SUSPENSION POSITION VALVE)</b>				
80/	CL-CLT900	D8HZ 5C087-B		2
<b>5C088 SUPPORT (CAB SUSPENSION POSITION VALVE)</b>				
80/	CL-CLT900	D8HZ 5C088-A	R.H.	1
80/	CL-CLT900	D8HZ 5C088-B	L.H.	1
80/	CL-CLT900	D8HZ 5C088-C	Rear	1
<b>5C091 BRACKET (CAB SUSPENSION POSITION VALVE)</b>				
80/	CL-CLT900	D8HZ 5C091-A	REAR	2
<b>5C092 BRACKET (CAB SUSPENSION CONTROL ARM RETAINER)</b>				
80/	CL-CLT900	D8HZ 5C092-A	R.H.	1
80/	CL-CLT900	D8HZ 5C092-C	L.H.	1



1980/  
TRUCK SERIES 600/900

YEAR	MODEL/RESTRICTIONS	PART NUMBER	DESCRIPTION	QTY.
<b>5A095 BRACE ASSY. (FRAME FRONT CROSSMEMBER)</b>				
81/86	LN600/700 -- Auto. Trans.	E1HZ 5A095-A		1
81/86	LN600/700 -- Manual Trans.	E1HZ 5A095-B		1
<b>5C096 BRACKET ASSY. (FRONT FRAME EXTENSION)-refer to group 5C080</b>				
80/	CL-CLT900	D8HZ 5C096-E	L.H.-exc. Easy rider	1
<b>5097-8 REINFORCEMENT (FRAME CROSSMEMBER)</b>				
80/83	B600/700-diesel	★ COTT 5097-A	No. 2	2
80/83	B600/700-gas		No. 3	2
80/83	LN600/700	★ B9TT 5097-A	No. 3, 4 and 5	6
80/83	C600-135", 153" W/B	(RH) COTT 5097-B	(LH) COTT 5098-A	No. 4
80/83	C600		No. 3	1
80/83	C700/900	B7Q 5097-B	No. 3	2
80/83	C700-175" W/B		No. 3 and 4	4
80/83	C600/700-135", 153" W/B	★ B7Q 5097-C	No. 3	2
80/83	CT800/900-153", 161" W/B	B8QH 5098-A	No. 3 crossmember-front	2
		★ B8QH 5097-A	No. 3 crossmember-rear	2
80/83	F600/700-diesel	★ C7TZ 5097-C	No. 2	2
80/83	F600/700-gas	★ C7TZ 5097-C	No. 3	2
<b>5C098 BAR (FRONT STABILIZER)</b>				
80/	CL-CLT900	D8HZ 5C098-A		1
<b>5C099 LEVER (CAB SUSPENSION POSITION VALVE)</b>				
80/	CL-CLT900	D8HZ 5C099-A		1
<b>5C101 TUBE ASSY. (CAB SUSPENSION SPRING CONTROL VALVE)</b>				
80/	CL-CLT900	D8HZ 5C101-A		1
<b>5A103 INSULATOR (FRAME TO BODY BRACKET)</b>				
80/	LN-LNT900-Cum. V-903 diesel	D3HZ 5A103-A		1
<b>5C107 CROSSMEMBER (FRAME) - refer to group 5025-36</b>				
<b>5108 ARM (CAB LOCK CAMSHAFT CONTROL)</b>				
80/	C-CT600/900	B7T 5108-A		1
		73914-S7-8	(N-28-A)-clevis pin (arm to yoke)-1/2" x 1/16"	1
<b>5C108 CROSSMEMBER (FRAME) - refer to group 5025-36</b>				
<b>5110 BRACKET (CAB TO FRAME)</b>				
80/	C-CT600/900-diesel	B7T 5110-A		1
80/	C-CT600/900-gas	D9HZ 5110-A		2
80/	C-CT600/900	20429-S8	(B-172)-bolt (bracket to frame) -3/8"-24 x 1 1/4"	2
		33800-S8	(M-63)-nut-3/8"-24	AR
		34807-S8	(X-66)-lockwasher-3/8"	AR
		74002-S7-8	(N-32-B)-clevis pin (arm to frame)- 1/2" x 1 13/16"	1
<b>5A112-3 BRACKET ASSY. (FRAME TO BODY)</b>				
80/	B-F-FT600/900	E1HZ 5A113-E		2
80	LN600/700	(RH) DOHZ 5A113-B	(LH) DOHZ 5A113-A	1
81/86	LN600/700	(RH) E1HZ 5A113-A	(LH) DOHZ 5078-B	1
81/	LL-LTL900 -- w/o reinf.	(RH) E2HZ 5A113-B	(LH) E2HZ 5A113-A	1
81/	LTL900 -- with reinf.	(RH) E2HZ 5A113-D	(LH) E2HZ 5A113-C	1
80/82	L800/900 "Before 11/1/81"	(RH) DOHZ 5A113-B	(LH) DOHZ 5A113-A	1
80/82	LT-LTS800/900-w/o outer channel reinforcement			1
	"Before 11/1/81"			
82/	L-LS800/900 -- "From 11/1/81"	(RH) DOHZ 5A113-B	(LH) DOHZ 5A113-A	1
82/	LT-LTS800/900 -- w/o outer channel reinf. -- "From 11/1/81"	(RH) E2HZ 5A113-J	(LH) E2HZ 5A113-K	1
80/	LT-LTS800/900-with outer channel reinf.	(RH) E2HZ 5A113-G	(LH) E2HZ 5A113-H	1
80/	LN-LNT800/900	(RH) DOHZ 5077-A	(LH) DOHZ 5078-A	1
80/	L-LT-LTS800/900	357451-S	(BB-195)-bolt (bracket to frame)-1/2"-13 x 1 3/4"	AR
		58678-S2	(B-125-A)-bolt (bracket to frame)-1/2"-13 x 2 1/4"	AR
		379027-S2	(BB-194-M)-bolt (bracket to frame)- 1/2"-13 x 1 1/2"	AR
		44735-S8	(X-32)-flat washer 1/2"	AR
		55697-S8	(M-89-F)-nut-self backing-1/2"-13	AR
<b>5116 CAMSHAFT (CAB LOCK MAIN HOOK)</b>				
80/	C-CT600/900	B7T 5116-A		1

1980/  
TRUCK SERIES 600/900

YEAR	MODEL/RESTRICTIONS	PART NUMBER	DESCRIPTION	QTY.
<b>5117 YOKE (CAB LOCK MAIN HOOK CAMSHAFT PIVOT)</b>				
80/	C-CT600/900	B7T 5117-A		1
		351561-S	(XX-243)-washer (yoke to camshaft)-flat 13/16"	1
		72072-S	(N-62)-cotter pin-5/32" x 1 1/2"	AR
<b>5A118 BRACKET (CAB FORWARD HINGE)</b>				
86/	CF600/700	(RH) E6HZ 5A118-A	(LH) E6HZ 5A118-B	1
80/	C-CT600/900	D0HZ 5A118-A	R.H.	1
		D0HZ 5A118-B	L.H.	1
80/	CL-CLT900 -- fixed cab	(RH) E0HZ 5A118-C	(LH) D8HZ 5A118-A	1
80/	CL-CLT900 -- EZ Ride -- "Before Ser. GG5,001"	(RH) D8HZ 5A118-F	(LH) E0HZ 5A118-B	1
80/	CL-CLT900 -- EZ ride -- "From Ser. GG5,001"	(RH) E0HZ 5A118-A	(LH) E0HZ 5A118-B	1
80/	C600/900, CT800/900	★24510-S34	Bolt (cap to bracket)-1/2"-13 x 1 3/4"	4
<b>5A119 BRACKET (CAB PIVOT UPPER)</b>				
86/	CF600/700	(RH) E7HZ 5A119-A	(LH) E7HZ 5A119-B	1
<b>5B122 SPRING (CAB LATCH HANDLE)</b>				
86/	CF600/700	E6HZ 5B122-A		1
80/82	C-CT600/900 -- "Before 4/5/82"	D6HZ 5B122-A		1
82/	C-CT600/900 -- "From 4/5/82"	E2HZ 5B122-A		1
<b>5125 REINFORCEMENT (CAB MOUNTING FRAME REAR SIDE MEMBER)</b>				
80/	C600/900, CT800/900	(RH) B7T 5125-A	(LH) B7T 5125-B	1
<b>5A130-1 BAR (CAB CONTROL BALANCE)</b>				
86/	CF600/700 -- R.H.	E6HZ 5A130-A	STANDARD	1
86/	CF600/700 -- R.H.	E6HZ 5A130-B	HEAVY DUTY	1
86/	CF600/700 -- L.H.	E6HZ 5A131-A	STANDARD	1
86/	CF600/700 -- L.H.	E6HZ 5A131-B	HEAVY DUTY	1
<b>5135-6 REINFORCEMENT (FRAME CROSSMEMBER)</b>				
80/	B600-242" W/B, B700	(RH) ★ DOTZ 5135-B	(LH) ★ DOTZ 5136-B	No. 4 1
80/	F-LN600/700 -- 250", 260" W/B			No. 7 1
80/	F600/800	(RH) DOTZ 5135-A	(LH) DOTZ 5136-A	No. 4 1
80/	B600-198", 222" W/B			No. 4 1
80/86	LN600/700			No. 4 1
<b>5A141 BRACKET ASSY. (CAB STAY TO FRAME)</b>				
86/	CF600/700	E6HZ 5A141-A		1
<b>5146 GUSSET (FRAME SIDEMEMBER TO REAR CROSSMEMBER R.H.)-Refer to group 5031-2</b>				
<b>5A158 HOOK (CAB LOCK AUXILIARY)</b>				
86/	CF600/700	E6HZ 5A158-A		1
80/	C-CT600/900	C1TT 5A158-B	Main	1
80/	C-CT600/900	C1TT 5A158-A	Auxiliary	1
80/	C-CT600/900	73904-S7-8	(N-12)-clevis pin (return spring to cab lock main hook)-5/16" x 1"	1
<b>5A159 BRACKET (CAB LOCK CAM STRIKER)</b>				
80/	C-CT600/900	C1TT 5A159-A		1
		20349-S7-8	(B-170)-bolt (bracket to cab sill)-3/8"-24 x 3/4"	2
<b>5A160 BUMPER ASSY. (CAB MOUNTING REAR)</b>				
80/	C-CT600/900	C1TT 5A160-A		2
86/	CF600/800	E6HZ 5A160-A		2
<b>5A161 BRACKET (CAB LOCK HOOK)</b>				
86/	CF600/700	E6HZ 5A161-A		1
80/82	C-CT600/900 "Before 4/5/82"	C1TT 5A161-A		1
82/	C-CT600/900 -- "From 4/5/82"	E2HZ 5A161-A		1
<b>5A173 HANGER (BRACKET)-CENTER</b>				
89	L series-w/reinf. frame	E9HZ 5A173-A		2
89	L series-w/o reinf. frame	E9HZ 5A173-B		2
<b>5N180 HOOK ASSY. (REAR TOW)</b>				
80/82	CL-CLT900	★ D8HZ 5N180-A		1

**1980/  
TRUCK SERIES 600/900**

YEAR	MODEL/RESTRICTIONS	PART NUMBER	DESCRIPTION	QTY.
5C203	Refer to Outlet Pipe Cross Reference Chart in group 5255			
5A204-5A206	Refer to Bracket Exhaust System Cross Reference Chart in Group 5277			
5C207	Refer to Outlet Pipe Cross Reference Chart in group 5255			
5C208	Refer to Exhaust System Model Application Chart in Section 52.1			
5A212	PIPE (MUFFLER INLET EXTENSION)- Refer to Exhaust System Model Application Chart in Section 52.1 for Model Application			

**CROSS REFERENCE CHART**

IDENTIFICATION	PART NUMBER	IDENTIFICATION	PART NUMBER
D7HT 5E207-AB	D8HZ 5A212-J	D7HT 5D209-DCD	D8HZ 5A212-AS
D7HT 5E207-BA	D8HZ 5A212-CL	D7HT 5D209-DKB	D8HZ 5A212-AW
D7HT 5E207-CB	D8HZ 5A212-A	D7HT 5D209-DLC	D8HZ 5A212-AY
D7HT 5E207-DB	D8HZ 5A212-B	D7HT 5D209-DTB	D8HZ 5A212-DA
D7HT 5E207-EB	D8HZ 5A212-C	D7HT 5D209-DUB	D8HZ 5A212-BU
D7HT 5E207-LC	D8HZ 5A212-BN	D7HT 5D209-DYB	D8HZ 5A212-CY
D8HT 5E207-AA	D8HZ 5A212-DR	D7HT 5D209-DZB	D8HZ 5A212-CZ
D8HT 5E207-BA	D8HZ 5A212-DK	D7HT 5D209-EAA	D8HZ 5A212-CW
D8HT 5E207-CA	D8HZ 5A212-DL	D8HT 5D209-AA	D8HZ 5A212-DF
D8HT 5E207-DA	D8HZ 5A212-DM	D8HT 5D209-BA	D8HZ 5A212-DJ
D8HT 5E207-EA	D8HZ 5A212-DN	D8HT 5D209-EA	D8HZ 5A212-DV
E1HT 5E207-AA	E1HZ 5A212-A	D8HT 5D209-FA	D8HZ 5A212-DU
E1HT 5E207-AB	E1HZ 5A212-A	D8HT 5D209-GA	D8HZ 5A212-DH
E1HT 5E207-BA	E1HZ 5A212-F	D8HT 5D209-HA	D8HZ 5A212-DT
E1HT 5E207-BB	E1HZ 5A212-F	D8HT 5D209-JA	D8HZ 5A212-DG
ED E1HT 5E207-BB	E1HZ 5A212-R	D8HT 5D209-LA	D8HZ 5A212-DZ
E2HT 5E207-AA	E1HZ 5A212-L	D8HT 5D209-MA	D9HZ 5A212-B
E2HT 5E207-BA	E1HZ 5A212-M	D8HT 5D209-NA	D9HZ 5A212-A
D7HA 5D209-JB	D8HZ 5A212-D	D9HS 5D209-NA	E0HZ 5A212-A
D7HA 5D209-ADA	D8HZ 5A212-CR	D9HT 5D209-BKA	D9HZ 5A212-D
D7HA 5D209-AEA	D8HZ 5A212-CK	D9HT 5D209-BLA	D9HZ 5A212-C
D7HA 5D209-AHB	D8HZ 5A212-E	E0HT 5D209-DA	E0HZ 5A212-C
D7HT 5D209-AJD	D8HZ 5A212-BJ	E0HT 5D209-BEA	E0HZ 5A212-B
D7HT 5D209-ALD	D8HZ 5A212-Z	E0HT 5D209-BFA	E0HZ 5A212-E
D7HT 5D209-ARD	D8HZ 5A212-BR	E0HT 5D209-BGA	E0HZ 5A212-D
D7HT 5D209-ASA	D8HZ 5A212-CJ	E0HT 5D209-BKA	E0HZ 5A212-F
D7HT 5D209-ATA	D8HZ 5A212-CU	E0HT 5D209-BMA	E0HZ 5A212-G
D7HT 5D209-ATB	D8HZ 5A212-DE	E1HT 5D209-BA	E1HZ 5A212-D
D7HT 5D209-AUA	D8HZ 5A212-CT	E1HT 5D209-CA	E1HZ 5A212-B
D7HT 5D209-AZA	D8HZ 5A212-CV	E1HT 5D209-CB	E1HZ 5A212-B
D7HT 5D209-BAB	D8HZ 5A212-S	E1HT 5D209-CC	E1HZ 5A212-B
D7HT 5D209-BBB	D8HZ 5A212-BH	E1HT 5D209-DA	E1HZ 5A212-C
D7HT 5D209-BCB	D8HZ 5A212-F	E1HT 5D209-EA	E1HZ 5A212-E
D7HT 5D209-BED	D8HZ 5A212-M	E1HT 5D209-EB	E1HZ 5A212-E
D7HT 5D209-BGB	D8HZ 5A212-H	E2HT 5D209-ADA	E2HZ 5A212-D
D7HT 5D209-BMC	D8HZ 5A212-BZ	E2HT 5D209-BGA	E2HZ 5A212-F
D7HT 5D209-BNE	D8HZ 5A212-BL	E2HT 5D209-BHA	E2HZ 5A212-C
D7HT 5D209-BRE	D8HZ 5A212-AA	E2HT 5D209-BKA	E3HZ 5A212-B
D7HT 5D209-BVC	D8HZ 5A212-W	E3HT 5D209-BLA	E3HZ 5A212-A
D7HT 5D209-BYC	D8HZ 5A212-AZ	E2HT 5D209-BMA	E2HZ 5A212-B
D7HT 5D209-CAE	D8HZ 5A212-AH	E2HT 5D209-BNA	E2HZ 5A212-A
D7HT 5D209-CBD	D8HZ 5A212-N	ED E1HT 5D209-EB	E1HZ 5A212-N
D7HT 5D209-CCC	D8HZ 5A212-L	E1HT 5D209-JA	E1HZ 5A212-K
D7HT 5D209-CFD	D8HZ 5A212-AJ	E1HT 5D209-KA	E1HZ 5A212-G
D7HT 5D209-CGE	D8HZ 5A212-AK	D7HT 5A212-AA	D8HZ 5A212-CG
D7HT 5D209-CJC	D8HZ 5A212-AC	D7HT 5A212-BA	D8HZ 5A212-CH
D7HT 5D209-CKC	D8HZ 5A212-AD	D7HT 5A212-CB	D8HZ 5A212-BY
D7HT 5D209-CTB	D8HZ 5A212-CC	E2HT 5A212-AA	E2HZ 5A212-E
D7HT 5D209-CUD	D8HZ 5A212-BT	E2HT 5A212-BA	E3HZ 5A212-C

**1980/  
TRUCK SERIES 600/900**

5A215 STRAP (MUFFLER SUPPORT)-  
Refer to Exhaust System Model Application Chart in Section 52.1 for Model Application

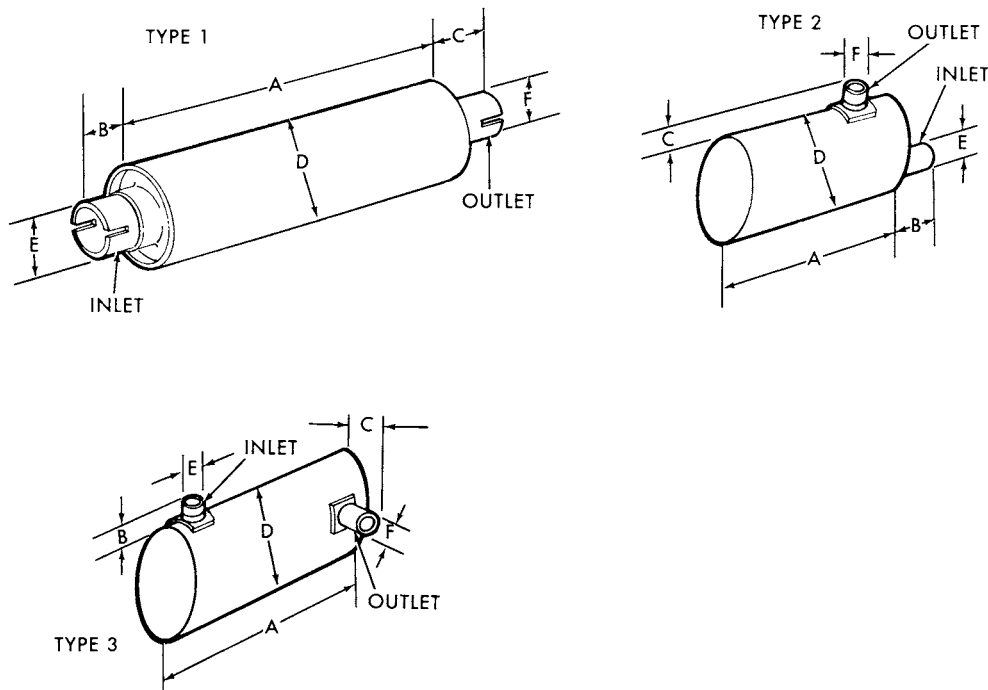
5C219 Refer to Outlet Pipe Cross Reference Chart in group 5255

5225 Refer to Muffler Cross Reference Chart below

**CROSS REFERENCE CHART**

Use the chart below to translate the Number Stamped on the Muffler to a Service Part Number

IDENTIFICATION	PART NUMBER	IDENTIFICATION	PART NUMBER
D0HA 5225-L	D0HZ 5230-J	E2HT 5225-BFA	D8HZ 5230-AB
D3HA 5225-CC	D3HZ 5230-C	E2HT 5225-BGA	D8HZ 5230-AF
D5HA 5225-VA	D5HZ 5230-H	E2HT 5225-BHA	D8HZ 5230-AE
D5HA 5225-ADA	D5HZ 5230-L	E2HT 5225-BJA	D8HZ 5230-AA
D5HA 5225-AEA	D5HZ 5230-J	E2HT 5225-BKA	D8HZ 5230-AV
D5HA 5225-AFB	D5HZ 5230-K	E2HT 5225-BLA	D8HZ 5230-AT
D5HA 5225-AKA	D6HZ 5230-A	E2HT 5225-BMA	E2HZ 5230-L
D7HT 5225-BTA	D8HZ 5230-AC	E2HT 5225-BNA	E3HZ 5230-J
E0HT 5225-AB	E0HZ 5230-A	E3HT 5225-FA	E3HZ 5230-A
E0HT 5225-CA	E0HZ 5230-B	E3HT 5225-JA	E1HZ 5230-AJ
E0HT 5225-DB	D8HZ 5230-U	E3HT 5225-LA	E3HZ 5230-D
E0HT 5225-FA	D8HZ 5230-T	D2HA 5230-AA	E2HZ 5230-A
E0HT 5225-MA	D5TZ 5230-AH	D7HT 5230-FMA	D8HZ 5230-AJ
E1HT 5225-BA	E1HZ 5230-A	D7HT 5230-FNA	D8HZ 5230-AK
E1HT 5225-DA	E1HZ 5230-B	D9HT 5230-AFC	D9HZ 5230-A
E1HT 5225-EA	E1HZ 5230-C	E0HS 5230-DA	E2HZ 5230-M
E1HT 5225-FA	E1HZ 5230-D	E0HT 5230-JA	D8HZ 5230-AW
E2HT 5225-KB	E2HZ 5230-N	E0HT 5230-KA	D8HZ 5230-AU
E2HT 5225-RB	E2HZ 5230-W	E0HT 5230-LA	D8HZ 5230-AL
E2HT 5225-SB	E2HZ 5230-Y	E1HT 5230-CA	E1HZ 5230-E
E2HT 5225-AFB	E2HZ 5230-Z	E2HT 5230-BA	E2HZ 5230-G
E2HT 5225-AGA	E3HZ 5230-B	E2HT 5230-ANA	E2HZ 5230-S
E2HT 5225-BBB	E2HZ 5230-AA	ED E2HT 5230-ANA	E2HZ 5230-R
E2HT 5225-BEA	E3HZ 5230-C		



P-18372

**SIZE CHART**

PART NUMBER	SIZE (INCHES)							
	TYPE	A	B	C	D	E	F	G
5230	MUFFLER - Refer to Exhaust System Model Application Chart in Section 52.1 for Model Application							
D0HZ 5230-J	1	22	3	3	8 1/4 x 11 1/2	4	3 1/2	
D2HZ 5230-A	1	44 1/2	3	3	9	4	4	
D5TZ 5230-AH	1	26	3	3	8 1/4 x 11 1/2	4	3 1/2	
D8HZ 5230-AA	1	44 1/2	3	3	10 3/8	3 1/2	4	
★ D8HZ 5230-AB	1	44 1/2	3	3	10	5	5	
D8HZ 5230-AC	1	27	3	3	8 1/4 x 11 1/2	4	3 1/2	
D8HZ 5230-AE	1	44 1/2	3	3	10 3/8	4	4	
★ D8HZ 5230-AF	1	44 1/2	3	3	10	5	5	
★ D8HZ 5230-AJ	1	45	3	3	10	5	5	
D8HZ 5230-AK	1	45	3	3	10	5	5	
★ D8HZ 5230-AL	1	44 1/2	3	3	10 3/8	5	5	
D8HZ 5230-AT	1	44 1/2	3	3	10	5	5	
★ D8HZ 5230-AU	1	44 1/2	3	3	10 3/8	5	5	
D8HZ 5230-AV	1	60	3	3	10	5	5	
D8HZ 5230-AW	1	60	3	3	10 3/8	5	5	
★ D9HZ 5230-A	1	30	3	3	8 1/2	2 1/2	2 3/4	
E0HZ 5230-A	1	26	3	3	8 1/4 x 11 1/2	4	4	
E0HZ 5230-B	1	26	3	3	8 1/4 x 11 1/2	4	4	
E1HZ 5230-C	1	50	3	3	10 1/8	5	5	
E1HZ 5230-D	1	60	3	3	10 1/8	5	5	
★ E1HZ 5230-E	1	30	3	4 3/4	8 1/2	2 1/2	3	
★ E1HZ 5230-AJ	1	44	3	3	10 1/8	5	5	
E2HZ 5230-G	1	30	3	8	8 1/2	2 1/2	3	
E2HZ 5230-L	1	44 1/2	3	3	10 1/8	5	5	
★ E2HZ 5230-M	1	44 1/2	3	3	10 3/8	5	5	

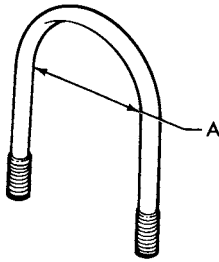
1980/  
TRUCK SERIES 600/900

SIZE CHART

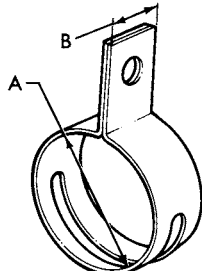
PART NUMBER	SIZE (INCHES)						
	A	B	C	D	E	F	G
5230	MUFFLER—Refer to Exhaust System Model Application Chart in Section 52.1 for Model Application — Cont'd						
E2HZ 5230-R	1	30	3	8 1/2	8 3/8	2 1/2	3
★ E2HZ 5230-S	1	30	3	6 1/2	8 3/8	2 1/2	2 3/4
E2HZ 5230-Y	1	44 1/2	3	3	10	4	4
E2HZ 5230-Z	1	30	3	3	11	4	4
E2HZ 5230-AA	1	26	3	6	11	4	4
E3HZ 5230-B	1	30	3	3	11	4	4
E3HZ 5230-D	1	45	3	3	10 3/8	5	5
D3HZ 5230-C	2	35 5/8	3	3	8 1/4 x 11 1/2	4	5
D5HZ 5230-H	2	34	3	3	10 x 15	4	4
D8HZ 5230-T	2	43	3	3	10 x 15	5	5
D8HZ 5230-U	2	43	3	3	10 x 15	4	4
E1HZ 5230-A	2	46	3	3	11	5	5
E1HZ 5230-B	2	36	3	3	11	5	5
E2HZ 5230-N	2	36	3	3	10 x 15	4	4
E2HZ 5230-W	2	30	3	3	10 x 15	4	4
E3HZ 5230-C	2	30	3	3	11	4	4
E3HZ 5230-J	2	36	3	3	10 x 15	5	5
D5HZ 5230-J	3	32	3	3	10 x 15	5	5
D5HZ 5230-K	3	32	5	3	10 x 15	4	4
D5HZ 5230-L	3	32	3	3	10 x 15	4	4
D6HZ 5230-A	3	31 1/2	3	3	10 x 15	5	5

5A231

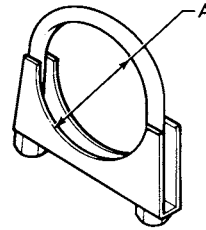
EXHAUST CLAMPS—Refer to Section 52.1 for Application



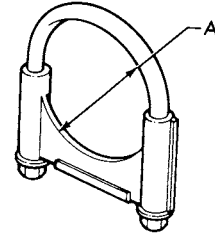
TYPE 1



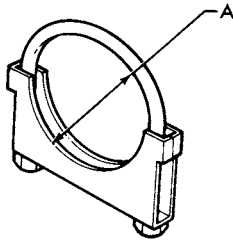
TYPE 2



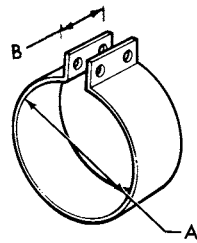
TYPE 3



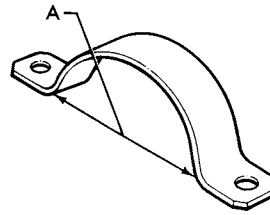
TYPE 4



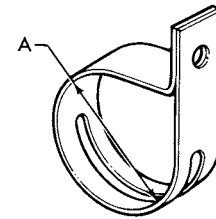
TYPE 5



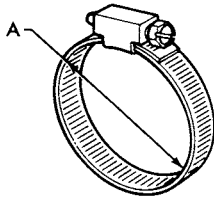
TYPE 6



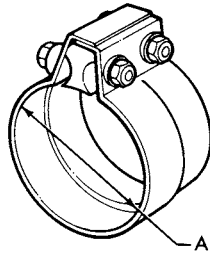
TYPE 7



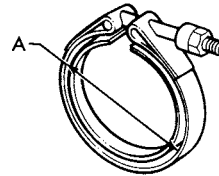
TYPE 8



TYPE 9



TYPE 10



TYPE 11

P-18032

1980/  
TRUCK SERIES 600/900

SIZE CHART

TYPE	DIMENSIONS (INCHES)					PART NUMBER	TYPE	DIMENSIONS (INCHES)					PART NUMBER
	A	B	C	D	E			A	B	C	D	E	
1	1 35/64					D0HZ 5A231-D	7	5				D8HZ 5A231-C	
1	1 27/32					D5HZ 5A231-A	8	4				D0HZ 5A231-F	
1	2 3/32					D3HZ 5A231-A	8	5				D0HZ 5A231-G	
1	2 1/8					D3HZ 5A231-F	9	8 1/8				D9HZ 5A231-H	
1	2 19/32					D3HZ 5A231-B	10	2 1/2				E1HZ 5A231-E	
1	2 11/16					D3HZ 5A231-E	10	2 3/4				E1HZ 5A231-A	
2	2 3/4	1 3/4				E0HZ 5A231-A	10	3 1/4				D9HZ 5A231-E	
2	3 1/2	1 3/4				D3HZ 5A231-D	10	3 1/2				E1HZ 5A231-G	
2	3 1/2	1 3/4				D8HZ 5A231-K	10	4				E1HZ 5A231-C	
2	4	1 3/4				D0HZ 5A231-H	10	5				E1HZ 5A231-B	
2	5	1 3/4				D0HZ 5A231-J						Stainless Steel (Dull Finish)	
3	2 1/4					D1AZ 5A231-A						E1HZ 5A231-F	
3	2 1/2					D1AZ 5A231-D	10	5				Stainless Steel (Bright Finish)	
4	4 1/8					D8HZ 5A231-R						E1HZ 5A231-D	
5	2 15/16					C8TZ 5A231-A						Aluminized	
5	3 3/4					C6TZ 5A231-B	10	5				D2HZ 5A231-B	
5	4 1/8					C1TZ 5A231-A						D9HZ 5A231-J	
5	4 7/16					C2TZ 5A231-B	11	3 7/8				E0HZ 5A231-B	
5	5 5/32					D0HZ 5A231-A	11	3 7/8				E2HZ 5A231-B	
5	5 31/64					D0HZ 5A231-C	11	4 1/16				E2HZ 5A231-A	
6	1 3/4	3 1/2				D8HZ 5A231-F	11	4 5/32				D8HZ 5A231-L	
6	2	3 1/2				D8HZ 5A231-G	11	4 3/16				D5HZ 5A231-E	
6	2 1/2	3 17/32				E0HZ 5A231-E	11	4 1/4				E0HZ 5A231-C	
6	2 1/2	3 17/32				D8HZ 5A231-H	11	4 1/2				D2HZ 5A231-A	
6	3 1/2	3 1/2				D8HZ 5A231-D	11	4 3/4				C7TZ 5A231-B	
6	5	3 17/32				D8HZ 5A231-A (Zinc plates)	11	4 3/4				E1HZ 5A231-H	
6	5	3 17/32				D8HZ 5A231-B (Chrome plated)	11	5 7/32					



**1980/  
TRUCK SERIES 600/900**

5A235	Refer to Outlet Pipe Cross Reference Chart in group 5255
5A239	Refer to Exhaust System Model Application Chart in Section 52.1
5245	Refer to Inlet Pipe Cross Reference Chart in group 5246

**CROSS REFERENCE CHART**

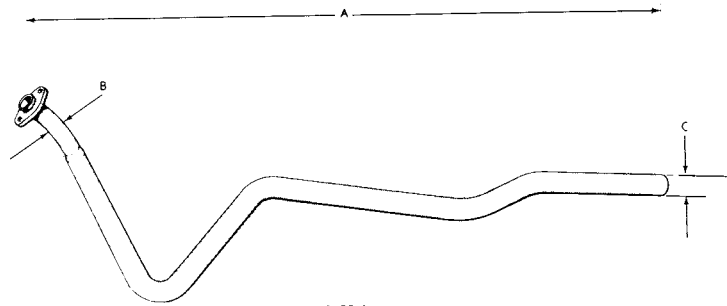
IDENTIFICATION	PART NUMBER	IDENTIFICATION	PART NUMBER
5246	PIPE ASSY. (MUFFLER INLET)- Refer to Exhaust System Model Application in Section 52.1 for Model Application Use the chart below to translate the Number Stamped on the Inlet Pipe to a Service Part Number		
D7HT 5245-RA	D8HZ 5246-AH	D7HT 5246-LHA	D8HZ 5246-R
D7HT 5245-YA	D8HZ 5246-AC	D7HT 5246-LKB	D8HZ 5246-BC
D7HT 5245-AKA	D8HZ 5246-BD	D7HT 5246-LSA	D8HZ 5246-BB
D8HT 5245-BA	D9HZ 5246-M	D8HS 5246-RA	E0HZ 5246-R
D8HT 5245-CA	D9HZ 5246-N	D9HT 5246-LC	D9HZ 5246-AA
D8HT 5245-DA	D9HZ 5246-R	D9HT 5246-AEA	E0HZ 5246-E
D8HT 5245-EA	D9HZ 5246-K	E0HT 5246-AB	E0HZ 5246-B
D8HT 5245-FA	D9HZ 5246-S	E0HT 5246-TA	E0HZ 5246-C
D9HS 5245-AA	E0HZ 5246-S	E0HT 5246-UA	E0HZ 5246-L
E0HT 5245-BA	E0HZ 5246-K	E0HT 5246-VA	E0HZ 5246-M
E0HT 5245-CA	E0HZ 5246-G	E0HT 5246-AEA	E0HZ 5246-N
E1HT 5245-BA	E1HZ 5246-B	E1HT 5246-LA	E1HZ 5246-F
E1HT 5245-CA	E1HZ 5246-A	E2HT 5246-YA	E2HZ 5246-D
ED E1HT 5245-CB	E1HZ 5246-H	E2HT 5246-AAA	E2HZ 5246-A
D5HA 5246-AEA	D5HZ 5246-AC	E2HT 5246-ACA	E2HZ 5246-H
D5HA 5246-AKA	D5HZ 5246-AJ	D8HT 5248-AA	D9HZ 5246-V
E2HT 5245-SA	E2HZ 5246-B	D8HT 5248-BA	D9HZ 5246-W
D7HT 5246-KUA	D8HZ 5246-N	E0HT 5248-AB	E0HZ 5246-A
D7HT 5246-KYA	D8HZ 5246-U	E0HT 5248-LA	E0HZ 5246-J
D7HT 5246-KZA	D8HZ 5246-W	E0HT 5248-MA	E0HZ 5246-D
D7HT 5246-LAA	D8HZ 5246-T	E2HT 5248-JA	E2HZ 5246-G
D7HT 5246-LBA	D8HZ 5246-Z	E2HT 5248-KA	E2HZ 5246-F
D7HT 5246-LCA	D8HZ 5246-M	E2HT 5248-BA	E2HZ 5246-C
D7HT 5246-LDA	D8HZ 5246-AA	D7HT 5254-EA	D8HZ 5246-AG
D7HT 5246-LFA	D8HZ 5246-Y	D7HT 5254-FB	D8HZ 5246-AD
D7HT 5246-LGA	D8HZ 5246-S	D9HT 5267-MA	E0HZ 5246-F

1980/  
TRUCK SERIES 600/900

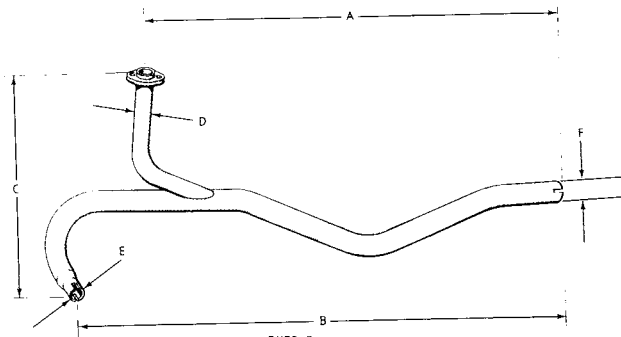
5246

PIPE ASSY. (MUFFLER INLET)-

Refer to Exhaust System Model Application in Section 52.1 for Model Application



TYPE 1



TYPE 2

P-2919

THIS ILLUSTRATION IS TO BE USED WITH THE SIZE CHART FOLLOWING

SIZE CHART

PART NUMBER	SIZE (INCHES)						
	A	B	C	D	E	F	G
5246	PIPE ASSY. (MUFFLER INLET) Refer to Exhaust System Model Application Chart in Section 52.1 for Model Application						
D5HZ 5246-AB	26	28 1/2	21 1/8	2 3/4	2 3/4	4	
D5HZ 5246-AC	15 7/8	2 3/4	2 3/4				
D5HZ 5246-AJ	35 1/2	40 5/8	11 13/32	3 1/4	3 1/4	5	
D6HZ 5246-B	39 1/2	4	4				
D8HZ 5246-M	6 3/4	5	5				
D8HZ 5246-N	15 1/8	5	5				
D8HZ 5246-R	19 7/8	5	5				
D8HZ 5246-S	33	5	5				
D8HZ 5246-T	33 1/8			5	5	5	
D8HZ 5246-U	33 1/8			5	5	5	
D8HZ 5246-W	25 3/8			5	5	5	
★ D8HZ 5246-Y	13 3/16	5	5				
★ D8HZ 5246-Z	13 1/8	5	5				
★ D8HZ 5246-AA	6 1/4	5	5				
D8HZ 5246-AC	20	3 1/2	3 1/2				
D8HZ 5246-AD	61 1/2	3 1/2	3 1/2				
D8HZ 5246-AG	26 3/16	3 1/4	3 1/4				
D8HZ 5246-AH	56 7/8	4	4				
D8HZ 5246-BB	6 1/8	5	5				
★ D8HZ 5246-BC	14 13/16	5	5				
D8HZ 5246-BD	28 5/16	4	4				
D9HZ 5246-K	23 3/8	5	5				
D9HZ 5246-L	12 11/16	5	5				
D9HZ 5246-M	24 1/16	5	5				
D9HZ 5246-N	18 11/16	5	5				
D9HZ 5246-R	15 1/2	5	5				
D9HZ 5246-S	31 1/8	5	5				

**1980/  
TRUCK SERIES 600/900**

**SIZE CHART**

PART NUMBER	SIZE (INCHES)						
	A	B	C	D	E	F	G
5246	PIPE ASSY. (MUFFLER INLET) — Cont'd						
	Refer to Exhaust System Model Application Chart in Section 52.1 for Model Application						
★D9HZ 5246-U	31 3/16	52 1/4	11 27/32	4	2 3/4	4	
D9HZ 5246-V	15	2 3/4	2 3/4				
D9HZ 5246-W	11 3/8	2 3/4	2 3/4				
★D9HZ 5246-AE	48 1/4	2 1/2	2 1/2				
E0HZ 5246-A	51	2 1/2	2 1/2				
E0HZ 5246-B	49	2 1/2	2 1/2				
E0HZ 5246-C	14 1/8	2 3/4	2 3/4				
E0HZ 5246-D	34	54 5/8	11 1/2	2 3/4	2 3/4	2 3/4	
E0HZ 5246-E	34 1/2	2 1/2	2 1/2				
★E0HZ 5246-F	36 3/8	2 1/2	2 1/2				
E0HZ 5246-G	32 3/4	4	4				
★E0HZ 5246-H	32 1/2	40 3/8	13	4	4	2 3/4	
E0HZ 5246-J	21 1/2	2 3/4	2 3/4				
E0HZ 5246-K	31 1/8	4	4				
E0HZ 5246-L	32 3/16	53 1/4	16 11/16	4	2 3/4	4	
E0HZ 5246-M	42 1/2	5	5				
E0HZ 5246-N	48 1/2	2 1/2	2 1/2				
★E1HZ 5246-A	32 5/8	4	4				
★E1HZ 5246-B	21 1/8	5	5				
E1HZ 5246-C							
E1HZ 5246-D							
E1HZ 5246-E							
E1HZ 5246-F	32	5	5				
★E1HZ 5246-G	31 1/8	5	5				
E1HZ 5246-H	24 5/8	4	4				
E2HZ 5246-A	40	5	5				
E2HZ 5246-B	28 7/8	5	5				
E2HZ 5246-C	30 1/2	4	4				
E2HZ 5246-D	25 3/8	4	4				
E2HZ 5246-F	15	2 3/4	2 3/4				
E2HZ 5246-G	13 1/2	2 3/4	2 3/4				
E2HZ 5246-H	32 1/8	53 1/4	16 1/2	2 3/4	2 3/4	4	
5248	Refer to Inlet Pipe Cross Reference Chart in group 5246						
5D252	Refer to Bracket Exhaust System Cross Reference Chart in Group 5277						
5254	Refer to Inlet Pipe Cross Reference Chart in Group 5246						

**CROSS REFERENCE CHART**

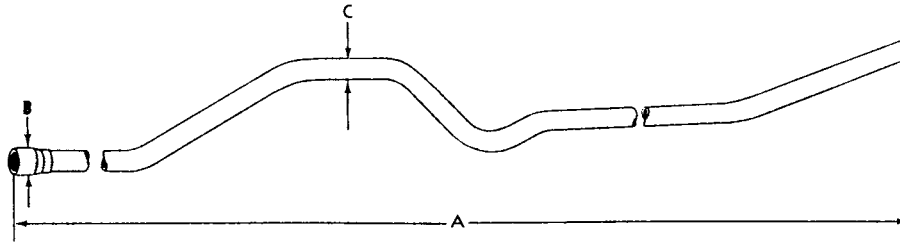
(Arranged according to Identification Number)

IDENTIFICATION	PART NUMBER	IDENTIFICATION	PART NUMBER
5255	PIPE (MUFFLER OUTLET) —		
	Refer to Exhaust System Model Application Chart in Section 52.1 for Model Application		
	Use the chart below to translate the Number Stamped on the Outlet Pipe to a Service Part Number		
D5HA 5C207-LA	D6HZ 5255-A	D7HT 5255-BEA	D8HZ 5255-T
E1HT 5C207-BB	E1HZ 5255-E	D7HT 5255-BUA	D8HZ 5255-AG
E1HT 5C207-CB	E1HZ 5255-F	D7HT 5255-BVA	D8HZ 5255-AH
E2HT 5C207-AA	E2HZ 5255-C	D9HT 5255-BAA	E0HZ 5255-AE
E1HT 5E207-AA	E1HZ 5255-D	D9HT 5255-BBA	E0HZ 5255-AF
E0HT 5C219-DA	E0HZ 5255-A	D9HT 5255-BCA	E0HZ 5255-AG
D0HA 5A235-K	D0HZ 5255-K	D9HT 5255-BDA	E0HZ 5255-AH
D0HA 5255-AK	D0HZ 5255-AC	E0HT 5255-BGB	E0HZ 5255-B
D3TA 5255-AJA	D3TZ 5255-Y	E0HT 5255-BHB	E0HZ 5255-C
D7HT 5255-CA	D8HZ 5255-A	E0HT 5255-BJB	E0HZ 5255-D
D7HT 5255-BAA	D8HZ 5255-B	E0HT 5255-BKB	E0HZ 5255-E
D7HT 5255-BCA	D8HZ 5255-S	E0HT 5255-BLB	E0HZ 5255-F
D7HT 5255-BDA	D8HZ 5255-W	E0HT 5255-BMA	E0HZ 5255-G
D7HT 5255-BHB	D8HZ 5255-AB	E0HT 5255-BNA	E0HZ 5255-H
D7HT 5255-BKB	D8HZ 5255-AA	E0HT 5255-BRA	E0HZ 5255-J
D7HT 5255-BTA	D8HZ 5255-AF	E0HT 5255-BSA	E0HZ 5255-K

1980/  
TRUCK SERIES 600/900

**CROSS REFERENCE CHART**

IDENTIFICATION	PART NUMBER	IDENTIFICATION	PART NUMBER
5255	PIPE (MUFFLER OUTLET)- Refer to Exhaust System Model Application Chart in Section 52.1 for Model Application Use the chart below to translate the Number Stamped on the Outlet Pipe to a Service Part Number		
E0HT 5255-BTA	E0HZ 5255-L	E1HT 5255-EB	E1HZ 5255-B
E0HT 5255-BUA	E0HZ 5255-M	E1HT 5255-FB	E1HZ 5255-A
E0HT 5255-CDA	E0HZ 5255-N	E1HT 5255-GA	E1HZ 5255-H
E0HT 5255-CEA	E0HZ 5255-R	E2HT 5255-BA	E2HZ 5255-E
E0HT 5255-CFA	E0HZ 5255-S	E2HT 5255-GA	E2HZ 5255-D
E0HT 5255-CGA	E0HZ 5255-T	D7HT 5C262-AFA	D8HZ 5255-V
E0HT 5255-CHA	E0HZ 5255-U	D7HT 5C262-AHA	D8HZ 5255-U
E1HT 5255-CB	E1HZ 5255-C	E2HT 5C262-AA	E2HZ 5255-F
E1HT 5255-DB	E1HZ 5255-G		



P - 2920

**SIZE CHART**

PART NUMBER	SIZE (INCHES)			PART NUMBER	SIZE (INCHES)		
	A	B	C		A	B	C
5255	PIPE (MUFFLER OUTLET) Refer to Exhaust System Model Application Chart in Section 52.1 for Model Application						
D0HZ 5255-AC	46 3/8	4		E0HZ 5255-N	15 11/32	4	4
D3TZ 5255-Y	21 7/8	3 1/2	3 1/2	E0HZ 5255-R	27 1/2	4	4
D8HZ 5255-A	37 13/32	5	5	E0HZ 5255-S	39 11/32	4	4
D8HZ 5255-B	37 13/32	5	5	E0HZ 5255-T	57 1/2	4	4
D8HZ 5255-S	35 1/2	4	4	E0HZ 5255-U	75 1/2	4	4
D8HZ 5255-U	10 5/8	5	5	E0HZ 5255-V	81 3/4	4	4
D8HZ 5255-V	10 1/2	4	4	E0HZ 5255-Y	23 13/16	2 3/4	2 3/4
D8HZ 5255-W	35 1/2	4	4	E0HZ 5255-Z	35 5/8	2 3/4	2 3/4
D8HZ 5255-AA	63 1/2	5	5	E0HZ 5255-AA	47 13/16	2 3/4	2 3/4
D8HZ 5255-AB	63 5/8	4	4	E0HZ 5255-AB	65 9/16	2 3/4	2 3/4
D8HZ 5255-AF	35 1/2	4	4	E0HZ 5255-AC	83 21/32	2 3/4	2 3/4
D9HZ 5255-J	168 3/4	2 3/4	2 3/4	E0HZ 5255-AD	45 7/8	2 3/4	2 3/4
D9HZ 5255-K	63 3/8	5	5	E0HZ 5255-AE	63 3/8	5	5
D9HZ 5255-L	63 3/8	5	5	E0HZ 5255-AF	64 3/8	5	5
D9HZ 5255-M	64 3/8	5	5	E0HZ 5255-AG	63 3/8	5	5
D9HZ 5255-N	64 3/8	5	5	E0HZ 5255-AH	64 3/8	5	5
E0HZ 5255-A	77 3/4	2 3/4	2 3/4	E1HZ 5255-A	85 3/8	5	5
E0HZ 5255-B	91 1/2	2 3/4	2 3/4	E1HZ 5255-B	85 3/8	5	5
E0HZ 5255-C	115 1/2	2 3/4	2 3/4	E1HZ 5255-C	85 3/8	5	5
E0HZ 5255-D	136 5/8	2 3/4	2 3/4	E1HZ 5255-D	12 1/8	5	5
E0HZ 5255-E	153 3/4	2 3/4	2 3/4	E1HZ 5255-E	16 3/4	5	5
E0HZ 5255-F	173 13/16	2 3/4	2 3/4	E1HZ 5255-F	16 3/4	5	5
E0HZ 5255-G	161 11/32	4	4	E1HZ 5255-G	101	5	5
E0HZ 5255-H	141 11/32	4	4	★E1HZ 5255-H	5	4	4
E0HZ 5255-J	123 1/2	4	4	E2HZ 5255-C	11 1/4	4	4
E0HZ 5255-K	103 1/2	4	4	E2HZ 5255-D	100 3/4	4	4
E0HZ 5255-L	79 1/2	4	4	E2HZ 5255-E	98	4	4
E0HZ 5255-M	37 11/32	4	4	E2HZ 5255-F	14 3/4	4	4

5B255 thru Refer to Exhaust System Model Application Chart in Section 52.1  
5B295

EXHAUST SYSTEMS MODEL APPLICATION CHART

How to find the part number for a component part of an exhaust system:

1. Find the truck model in the alphabetical Model Application Chart which starts below.
2. Find the Parts List Number for your unit.
3. Turn to the Parts List which follows the Application Chart and find the component needed.

(PARTS are LISTED from FRONT to REAR  
. . .OR. . .  
BOTTOM to TOP of the EXHAUST SYSTEM)

EXAMPLE: To find a muffler for a 1980 B600 with 370 gas engine, look first in the Model Application Chart for B600. Next, find "G" for "gas engine", "370" for 370 C.I.D. under model B600. Parts List 68 shows exhaust system parts for the model. Turn to Parts List 68 and find part number D9HZ 5230-A for the muffler.

EXHAUST SYSTEMS MODEL APPLICATION CHART							
◆	ENGINE		W/B (INCHES)	TYPE ◆	REMARKS	YEAR	PARTS LIST NO.
	CYL.	C.I.D.					
◆ D-DIESEL,G-GAS,S-SINGLE,DR-DUAL(RIGHT SIDE),DL-DUAL (LEFT SIDE),D-DUAL							
B600							
D	6	(6.6L),(7.8)	All	S		87/	130
D	8	501 (8.2N)	All	S	"Before 2/1/83"	80/83	74
					"From 2/1/83"	83/87	117
D	8	501 (8.2T)	All	S	"Before 2/1/83"	80/83	74
					"From 2/1/83"	83/87	118
D	8	636 (3208N)	All	S	"Before 2/1/83"	83	103
					"From 2/1/83"	83/87	119
D	8	636 (3208T)	All	S	"Before 2/1/83"	83	103
					"From 2/1/83"	83/87	120
G	8	370(6.1), 429(7.0)	All	S		80/	68
B700							
D	6	(6.6L),(7.8)	All	S		87/	130
D	8	501 (8.2N)	All	S	"Before 2/1/83"	80/83	74
					"From 2/1/83"	83/87	117
D	8	501 (8.2T)	All	S	"Before 2/1/83"	80/83	74
					"From 2/1/83"	83/87	118
D	8	636 (3208N)	All	S	"Before 2/1/83"	83	103
					"From 2/1/83"	83/87	119
D	8	636 (3208T)	All	S	"Before 2/1/83"	83	103
					"From 2/1/83"	83/87	120
G	8	370(6.1), 429(7.0)	All	S		80/	68
C600							
D	8	501 (8.2L)	All	S		81/86	79
G	8	370(6.1), 429(7.0)	All	S		80/86	73
C700							
D	8	501 (8.2L)	All	S		81/86	79
D	8	636(3208N)	All	S		80/86	46
D	8	636(3208T)	All	S		82/86	93
G	8	370(6.1), 429(7.0)	All	S		80/86	73

1980/  
TRUCK SERIES 600/900

EXHAUST SYSTEMS MODEL APPLICATION CHART							
◆	ENGINE		W B (INCHES)	TYPE ◆	REMARKS	YEAR	PARTS LIST NO.
	CYL.	C.I.D.					
◆ D-DIESEL,G-GAS,S-SINGLE,DR-DUAL(RIGHT SIDE),DL-DUAL (LEFT SIDE),D-DUAL C800							
D	8	501 8.2L	All	S		81	79
D	8	636/3208N	All	S		80	46
D	8	636/3208T	All	S		82 87	93
				S		88	159
G	8	370/6.1 429/7.0	All	S		80 86	73
C900							
G	8	477/7.8 534/8.8	All			80, 86	44

EXHAUST SYSTEMS MODEL APPLICATION CHART									
◆	ENGINE		W B (INCHES)	TYPE	MUF	OUTLET	REMARKS	YEAR	PARTS LIST NO.
	CYL.	C.I.D.			FLER	PIPE			
◆D-DIESEL,G-GAS,S-SINGLE, DR-DUAL (RIGHT SIDE),DL-DUAL,(LEFT SIDE) ▲H-HORIZONTAL, V-VERTICAL									
CF600-700-800									
D	6	6.6L	All	S	H	H		86 87	128
							W o exhaust brake	88	180
							With exhaust brake	88	181
			All	S	H	V	W o exhaust brake	86	151
				S	H	V	With exhaust brake	86	152
D	6	7.8L	All	S	H	H	W o exhaust brake	87	148
							With exhaust brake	88	180
				S	H	H	With exhaust brake	87	140
							With exhaust brake	88	181
			All	S	H	V	W o exhaust brake	87	141
				S	H	V	With exhaust brake	87	142
CFT800									
D	6	7.8L	All	S	V	V	W o exhaust brake	88	153
					V	V	With exhaust brake	88	154

EXHAUST SYSTEMS MODEL APPLICATION CHART							
◆	ENGINE		W B (INCHES)	TYPE ◆	REMARKS	YEAR	PARTS LIST NO.
	CYL.	C.I.D.					
◆ D-DIESEL,G-GAS,S-SINGLE,DR-DUAL(RIGHT SIDE),DL-DUAL (LEFT SIDE),D-DUAL CL-CLT900							
D	6&8	552/6V 92 568/8V 71 736/8V 92	All	D	64 B.B.C. Plain finish	80 86	13
					64 B.B.C. Bright finish	80 86	14
					76 B.B.C. Plain finish	80 86	15
					76 B.B.C. Bright finish	80 86	16
					88 B.B.C. Plain finish	80 86	15
					88 B.B.C. Bright finish	80 86	16
					110 B.B.C. Bright finish	80 86	16
D	8	522/6V 92 568/8V 71	All	S	54 B.B.C. Plain finish	80 86	57
					54 B.B.C. Bright finish	80 86	58
					64 B.B.C. Plain finish	80 86	59
					64 B.B.C. Bright finish	80 86	60
					76 B.B.C. Plain finish	80 86	61
					76 B.B.C. Bright finish	80 86	62
					88 B.B.C. Plain finish	80 86	63
					88 B.B.C. Bright finish	80 86	64

1980/  
TRUCK SERIES 600/900

EXHAUST SYSTEMS MODEL APPLICATION CHART							
◆	ENGINE		W/B (INCHES)	TYPE	REMARKS	YEAR	PARTS LIST NO.
	CYL.	C.I.D.					
◆ D-DIESEL,G-GAS,S-SINGLE,DR-DUAL(RIGHT SIDE),DL-DUAL (LEFT SIDE),D-DUAL							
CL-CLT900 — Cont'd							
D	6	893 (3406)	All	D	64" B.B.C.—Plain finish	80/87	21
					64" B.B.C.—Bright finish	80/87	22
					64" B.B.C.	88/	169
					76" B.B.C.—Plain finish	80/87	23
					76" B.B.C.—Bright finish	80/87	24
					88" B.B.C.—Plain finish	80/87	25
					88" B.B.C.—Bright finish	80/87	26
					88" B.B.C.	88/	171
					110" B.B.C.	86/87	149
					110" B.B.C.	88/	171
D	6	893 (3406)	All	S	64" B.B.C.—Plain finish	80/87	38
					64" B.B.C.—Bright finish	80/87	39
					64" B.B.C.	88/	175
					76" B.B.C.—Plain finish	80/87	40
					76" B.B.C.—Bright finish	80/87	41
					88" B.B.C.—Plain finish	80/87	42
					88" B.B.C.—Bright finish	80/87	43
					88" B.B.C.	88/	176
					110" B.B.C.	86/87	150
					110" B.B.C.	88/	176
D	8	1150 (KT-KTA)	All	D	64" B.B.C.—Plain finish	80/86	29
					64" B.B.C.—Bright finish	80/86	30
					88" B.B.C.—Plain finish	80/86	27
					88" B.B.C.—Bright finish	80/86	28
					110" B.B.C.—Bright finish	80/86	28
D	6	855 (NTC)	All	D	64" B.B.C.—Plain finish	80/87	17
					64" B.B.C.—Bright finish	80/87	18
					64" B.B.C.	88/	170
					76" B.B.C.—Plain finish	80/87	19
					76" B.B.C.—Bright finish	80/87	20
					88" B.B.C.—Plain finish	80/87	19
					88" B.B.C.—Bright finish	80/87	20
					88" B.B.C.	88/	172
					110" B.B.C.—Bright finish	80/87	20
					110" B.B.C.	88/	172
D	6	855 (NTC)	All	S	64" B.B.C.—Plain finish	80/87	31
					64" B.B.C.—Bright finish	80/87	32
					64" B.B.C.	88/	177
					76" B.B.C.—Plain finish	80/87	33
					76" B.B.C.—Bright finish	80/87	34
					88" B.B.C.—Plain finish	80/87	35
					88" B.B.C.—Bright finish	80/87	36
					88" B.B.C.	88/	178
					110" B.B.C.—Bright finish	80/87	37
					110" B.B.C.	88/	178
D	6	L10	All	S	64" B.B.C.	88/	173
					88" B.B.C.	88/	174
CT800							
D	8	501 (8.2L)	All	S		81/	79
D	8	636(3208N)	All	S		80/	46
D	8	636(3208T)	All	S		82/87	93
G	8	370(6.1), 429(7.0)	All	S		88/	160
						80/86	73
CT900							
G	8	477(7.8), 534(8.8)	All	S		80/86	44

October, 1993

COPYRIGHT © 1993 - FORD MOTOR - DEARBORN, MICHIGAN  
COMPANY

Final Issue

1980/  
TRUCK SERIES 600/900

EXHAUST SYSTEMS MODEL APPLICATION CHART

◆	ENGINE		W/B (INCHES)	TYPE	MUF- FLER ▲	OUTLET PIPE ▲	REMARKS	YEAR	PARTS LIST NO.
	CYL.	C.I.D.							
◆D-DIESEL,G-GAS,S-SINGLE, DR-DUAL (RIGHT SIDE),DL-DUAL,(LEFT SIDE)									
▲H-HORIZONTAL, V-VERTICAL									
F600-2/W/D									
D	8	(6.6),(7.8)	All	S	H	H	RIGHT SIDE	87/	129
							LEFT SIDE	87	135
								88/	157
				S	H	V	RIGHT SIDE	87/	131
							LEFT SIDE	87	139
								88/	158
D	8	501(8.2N)	All	S	H	H	Model 81-(Cab) "Before 2/1/83"	80/83	76
								"From 2/1/83"	83/87
				S	H	H	Model 84-(Cowl) "Before 2/1/83"	80/83	75
								"From 2/1/83"	83/87
				S	H	V	LEFT SIDE	84/87	137
							RIGHT SIDE	84/87	123
D	8	501(8.2T)	All	S	H	H	Model 81-(Cab) "Before 2/1/83"	80/83	99
								"From 2/1/83"	83/87
				S	H	H	Model 84-(Cowl) "Before 2/1/83"	80/83	75
								"From 2/1/83"	83/87
				S	H	V	Model 81-(Cab)-LEFT SIDE	83/87	112
							RIGHT SIDE	84/87	122
D	8	636(3208N)	All	S	H	H	Model 81-(Cab)	83/87	101
								Model 84-(Cowl) "Before 2/1/83"	83
				S	H	V	LEFT SIDE	84/87	138
							RIGHT SIDE	84/87	123
				S	H	H	Model 81-(Cab)	83/87	109
								Model 84-(Cowl) "Before 2/1/83"	83
				"From 2/1/83"	83/87	116			
D	8	636(3208T)	All	S	H	H	Model 81-(Cab)-LEFT SIDE	83/87	108
								RIGHT SIDE	84/87
				S	H	V	Model 81-(Cab)-LEFT SIDE	83/87	108
								RIGHT SIDE	84/87
				S	H	H	Model 81-(Cab)	80/82	69
								Model 84-(Cowl)	83/89
				80/	70				
F700									
D	8	(6.6),(7.8)	All	S	H	H	RIGHT SIDE	87/	129
							LEFT SIDE	87	135
								88/	157
				S	H	V	RIGHT SIDE	87/	131
							LEFT SIDE	87	139
								88/	158
D	8	501(8.2N)	All	S	H	H	Model 81-(Cab) "Before 2/1/83"	80/83	76
								"From 2/1/83"	83/87
				S	H	H	Model 84-(Cowl) "Before 2/1/83"	80/83	75
								"From 2/1/83"	83/87
				S	H	V	LEFT SIDE	84/87	137
							RIGHT SIDE	84/87	123
D	8	501(8.2T)	All	S	H	H	Model 81-(Cab) "Before 2/1/83"	80/83	99
								"From 2/1/83"	83/87
				S	H	H	Model 84-(Cowl) "Before 2/1/83"	80/83	75
								"From 2/1/83"	83/87
				S	H	V	Model 81-(Cab)-LEFT SIDE	83/87	112
								RIGHT SIDE	84/87
D	8	636(3208N)	All	S	H	H	Model 81-(Cab)	83/87	101
								Model 84-(Cowl) "Before 2/1/83"	83
				S	H	V	LEFT SIDE	84/87	138
							RIGHT SIDE	84/87	123



1980/  
TRUCK SERIES 600/900

EXHAUST SYSTEMS MODEL APPLICATION CHART									
◆	ENGINE		W/B (INCHES)	TYPE	MUF- FLER ▲	OUTLET PIPE ▲	REMARKS	YEAR	PARTS LIST NO.
	CYL.	C.I.D.							
◆D-DIESEL,G-GAS,S-SINGLE, DR-DUAL (RIGHT SIDE),DL-DUAL,(LEFT SIDE) ▲H-HORIZONTAL, V-VERTICAL									
F700 — Cont'd									
D	8	636(3208T)	All	S	H	H	Model 81-(Cab)	83/87	109
				S	H	H	Model 84-(Cowl)	"Before 2/1/83" 83	104
								"From 2/1/83" 83/87	116
				S	H	V	Model 81-(Cab)-LEFT SIDE	83/87	108
G	8	370(6.1), 429(7.0)	All	S	H	H	Model 81-(Cab)	80/82	69
								83/89	100
				S	H	H	Model 84-(Cowl)	80/	70
F800									
D	8	(6.6),(7.8)	All	S	H	H	RIGHT SIDE	87/	129
							LEFT SIDE	87	135
								88/	157
				S	H	V	RIGHT SIDE	87/	131
D	8	501(8.2N)	All	S	H	H	Model 81-(Cab)	"Before 2/1/83" 80/83	76
								"From 2/1/83" 83/87	111
				S	H	H	Model 84-(Cowl)	"Before 2/1/83" 80/83	75
								"From 2/1/83" 83/87	114
D	8	501(8.2T)	All	S	H	V	LEFT SIDE	84/87	137
							RIGHT SIDE	84/87	123
				S	H	H	Model 81-(Cab)	"Before 2/1/83" 80/83	99
								"From 2/1/83" 83/87	110
D	8	636(3208N)	All	S	H	H	Model 84-(Cowl)	"Before 2/1/83" 83	104
								"From 2/1/83" 83/87	113
				S	H	V	LEFT SIDE	84/87	138
							RIGHT SIDE	84/87	123
D	8	636(3208T)	All	S	H	H	Model 81-(Cab)	83/87	109
				S	H	H	Model 84-(Cowl)	"Before 2/1/83" 83	104
								"From 2/1/83" 83/87	116
				S	H	V	Model 81-(Cab)-LEFT SIDE	83/87	108
G	8	370(6.1), 429(7.0)	All	S	H	H	Model 81-(Cab)	80/82	69
								83/89	100
				S	H	H	Model 84-(Cowl)	80/	70
FT800/900									
D	6	(6.6),(7.8)	All	S	H	H	RIGHT SIDE	87/	129
							LEFT SIDE	87	135
								88/	157
				S	H	V	RIGHT SIDE	87/	131
D	8	501(8.2N)	All	S	H	H	Model 81-(Cab)	"Before 2/1/83" 83	98
								"From 2/1/83" 83/87	111
				S	H	H	Model 84-(Cowl)	"Before 2/1/83" 83	98
								"From 2/1/83" 83/87	114
D	8	501(8.2N)	All	S	H	V	LEFT SIDE	84/87	137
							RIGHT SIDE	84/87	123
				S	H	H	Model 81-(Cab)	80/82	69
								83/89	100

**1980/  
TRUCK SERIES 600/900**

EXHAUST SYSTEMS MODEL APPLICATION CHART										
◆	ENGINE		W/B (INCHES)	TYPE	MUF- FLER ▲	OUTLET PIPE ▲	REMARKS	YEAR	PARTS LIST NO.	
	CYL.	C.I.D.								
◆D-DIESEL,G-GAS,S-SINGLE, DR-DUAL (RIGHT SIDE),DL-DUAL,(LEFT SIDE) ▲H-HORIZONTAL, V-VERTICAL										
FT800/900 — Cont'd										
D	8	501(8.2T)	All	S	H	H	Model 81-(Cab)	"Before 2/1/83"	83	99
								"From 2/1/83"	83/87	110
				S	H	H	Model 84-(Cowl)	"Before 2/1/83"	83	99
								"From 2/1/83"	83/87	115
S	H	V	Model 81-(Cab)-LEFT SIDE		83/87	112				
			RIGHT SIDE		84/87	122				
D	8	636(3208N)	All	S	H	H	Model 81-(Cab)		83/87	101
							Model 84-(Cowl)	"Before 2/1/83"	83	104
				S	H	V	LEFT SIDE		84/87	138
							RIGHT SIDE		84/87	123
D	8	636(3208T)	All	S	H	H	Model 81-(Cab)		83/87	109
							Model 84-(Cowl)	"Before 2/1/83"	83	104
				S	H	V	Model 81-(Cab)-LEFT SIDE		83/87	108
							RIGHT SIDE		84/87	122
G	8	370(6.1), 429(7.0)	All	S	H	H			83/89	100
L800										
D	6	426(6.71)	All	S	H	V			85	124
				S	V	V			85	125
D	6	(6.6),(7.8)	All	S	H	H			87	132
									88	167
						89	184			
						87	134			
			All	S	H	V			88	166
									89	185
				S	V	V			87	136
									88	163
		89	186							
D	8	636(3208N)	All	S	H	H	Muffler parallel to frame		80/86	67
							Muffler transverse to frame		80/83	5
									87	145
									80/81	6
				S	H	V	Muffler transverse to frame		80/82	53
							Muffler parallel to frame	"Before 4/82"	82/	121
				S	V	V		"Before 10/1/81"	80/82	52
								"From 10/1/81 to 4/5/82"	82	87
								"From 4/5/82"	82/86	96
									87/	147
D	8	636(3208T)	All	S	H	H			82/86	94
									87	146
									88/	168
									82/86	95
				S	H	V			87	179
									88/	166
				S	V	V			82/87	97
									88/	163
G	8	370(6.1), 429(7.0)	All	S	H	H			80/86	72
G	8	477(7.8), 534(8.8)	All	S	H	H			80/81	47
L900										
D	6	L10	All	S	H	V			87	133
									88/	165
				S	V	V			87	126
									88/	162

1980/  
TRUCK SERIES 600/900

EXHAUST SYSTEMS MODEL APPLICATION CHART

◆	ENGINE		W/B (INCHES)	TYPE	MUF- FLER ▲	OUTLET PIPE ▲	REMARKS	YEAR	PARTS LIST NO.
	CYL.	C.I.D.							

◆D-DIESEL,G-GAS,S-SINGLE, DR-DUAL (RIGHT SIDE),DL-DUAL,(LEFT SIDE)

▲H-HORIZONTAL, V-VERTICAL

L900 — Cont'd

D	6	426(6-71)	All	S	H	V	Muffler transverse to frame	80/83	8	
							Muffler parallel to frame	80/84	54	
				S	V	V		85/86	124	
							"Before 10/1/81"	80/82	49	
							"From 10/1/81"	82/84	88	
D	6	855(NH,NHC)	All	S	H	V	Muffler transverse to frame	85/86	125	
							Muffler parallel to frame - 50 gal. fuel tanks	80/	8	
							Muffler parallel to frame - 75 gal. fuel tanks	80/	55	
				S	V	V		80/	56	
D	6	855(NTC)	All	S	H	V	Muffler transverse to frame	80/	3	
							Muffler parallel to frame - 50 gal. fuel tanks	80/	9	
							"Before 10/4/82"	80/83	55	
							Muffler parallel to frame - 75 gal. fuel tanks	"Before 10/4/82"	80/83	56
							Muffler parallel to frame	"From 10/4/82"	83/87	105
								88/	161	
				S	V	V		"Before 10/1/81"	80/82	48
								"From 10/1/81 to 10/4/82"	82/83	92
								"From 10/4/82"	83/87	106
								88/	164	
D	6	927(SUPER-250)	All	S	H	V	Muffler transverse to frame	80/	8	
D	6	3306	All	S	H	V		89/	188	
				S	V	V		89/	189	
D	6	893 (Cat. 3406)	All	S	H	V		83/87	105	
								88/	161	
				S	V	V		"Before 10/1/81"	80/82	48
								"From 10/1/81 to 10/4/82"	82/83	92
								"From 10/4/82"	83/87	106
								88/	164	
D	8	568(8V-71N)	All	DR	V	V		"Before 10/1/81"	80/82	50
				DL	V	V		"Before 10/1/81"	80/82	51
				DR	V	V		"From 10/1/81"	82/84	85
				DL	V	V		"From 10/1/81"	82/84	86
D	8	568 (8V-71T)	All	S	H	V	Muffler transverse to frame	80/86	10	
				S	V	V		"Before 10/1/81"	80/82	65
							"From 10/1/81"	82/	90	
G	8	477(7.8), 534(8.8)	All	S	H	H		80/81	47	

LL900

D	6	L10	All	S	H	V		87	143
								88/	155
				S	V	V		87	144
								88/	156
				D	H	V		89/	190
				D	V	V		88/	182
D	6	855(NTC)	All	S	H	V		87	80
								88/	155
				S	V	V		87	81
								88	156
								89/	164
				D	V	V		88/	182
D	6	3176		D	H	V		89/	190
				D	V	V		89/	182

1980/  
TRUCK SERIES 600/900

EXHAUST SYSTEMS MODEL APPLICATION CHART									
◆	ENGINE		W B (INCHES)	TYPE	MUF FLER ▲	OUTLET PIPE ▲	REMARKS	YEAR	PARTS LIST NO.
	CYL.	C.I.D.							

◆D DIESEL,G-GAS,S-SINGLE, DR-DUAL (RIGHT SIDE),DL-DUAL,(LEFT SIDE)  
▲H HORIZONTAL, V VERTICAL

LL900 — Cont'd									
D	6	3306	All	S	H	V		89	188
				S	V	V		89	189
D	6	893 3406	All	S	H	V		87	143
								88	155
				S	V	V		87	81
								88	156
				D	H	V		89	190
D	V	V		88	182				

EXHAUST SYSTEMS MODEL APPLICATION CHART									
◆	ENGINE		W B (INCHES)	TYPE	REMARKS	YEAR	PARTS LIST NO.		
	CYL.	C.I.D.							

◆D-DIESEL,G-GAS,S-SINGLE,DR-DUAL(RIGHT SIDE),DL-DUAL (LEFT SIDE),D-DUAL  
LN600

D	8	501 18.2L	All	S				81 86	84
D	6	522 6V 92	All	S				80 86	4
G	8	370 6.1 429 7.0	All	S				80 86	71

LN700									
D	6	6.6 7.8		S				87	132
D	8	501 18.2L	All	S				81	84
D	8	636 3208	All	S				80	46
G	8	370 6.1 429 7.0	All	S				80 86	71

EXHAUST SYSTEMS MODEL APPLICATION CHART									
◆	ENGINE		W B (INCHES)	TYPE	MUF FLER ▲	OUTLET PIPE ▲	REMARKS	YEAR	PARTS LIST NO.
	CYL.	C.I.D.							

◆D-DIESEL,G-GAS,S-SINGLE, DR-DUAL (RIGHT SIDE),DL-DUAL,(LEFT SIDE)  
▲H-HORIZONTAL, V-VERTICAL

LN 800												
D	6	426 6 71	All	S	H	V		85, 86	124			
				S	V	V		85 86	125			
D	6	6.6 7.8	All	S	H	H		87	132			
								88	167			
								89	184			
								87	134			
						All	S	H	V		88	166
											89	185
						All	S	V	V		87	136
											88	163
D	8	636 3208N	All	S	H	H	Muffler parallel to frame	80 86	67			
								87	145			
				S	H	V	Muffler transverse to frame	80 83	6			
							Muffler parallel to frame	Before 12 82	80, 83	53		
								From 12 82	83	121		
								Before 10 1 81	80, 82	52		
								From 10 1 81 to 4 5 82	82	87		
				From 4 5 82	82, 86	96						
					87	147						

1980/  
TRUCK SERIES 600/900

EXHAUST SYSTEMS MODEL APPLICATION CHART									
◆	ENGINE		W B (INCHES)	TYPE	MUF FLER ▲	OUTLET PIPE ▲	REMARKS	YEAR	PARTS LIST NO.
	CYL.	C.I.D.							

◆D-DIESEL,G-GAS,S-SINGLE, DR-DUAL (RIGHT SIDE),DL-DUAL,(LEFT SIDE)  
▲H-HORIZONTAL, V-VERTICAL

LN800 -- Cont'd

D	8	636(3208T)	All	S	H	H		82 86	94
								87	146
								88	168
				S	H	V		82 86	95
								87	179
								88	166
S	V	V		82 87	97				
				88	163				
G	8	370(6.1) 429(7.0)	All	S	H	H		80 86	72
G	8	477(7.8) 534(8.8)	All	S	H	H		80 81	47

LN 900

D	6	L10	All	S	H	V		87	133	
								88	165	
								85 87	126	
D	6	426(6 71)	All	S	H	V	Muffler Transverse to frame	80 83	8	
							Muffler parallel to frame	80 84	54	
								85 86	124	
				S	V	V		Before 10 1 81	80 82	49
								From 10 1 81	82 84	88
									85	125
D	6	552(6V 92T)	All	S	V	V		Before 4 1 80	80	77
								From 4 1 80 to 10 4 82	80 83	78
								From 10 4 82	83 84	107
									85 86	127
D	6	855(NH NHC)	All	S	H	V	Muffler transverse to frame	80 83	8	
							Muffler parallel to frame 50 gal. fuel tanks	80	55	
							Muffler parallel to frame 75 gal. fuel tanks	80	56	
				S	V	V			80	3
D	6	855-NTC	All	S	H	V	Muffler transverse to frame	80	9	
							Muffler parallel to frame	80 83	55	
							50 gal. fuel tanks	Before 10 4 82		
							Muffler parallel to frame	80 83	56	
				S	V	V	75 gal. fuel tanks	Before 10 4 82		
							Muffler parallel to frame	From 10 4 82	83 87	105
									88	161
								Before 10 1 81	80 82	48
			From 10 1 81 to 10 4 82	82 83	92					
			From 10 4 82	83 86	106					
D	6	3306	All	S	H	V		89	188	
				S	V	V		89	189	
D	6	893 (Cat. 3406)	All	S	H	V		83 87	105	
									88	161
								Before 10 1 82	80 82	48
				S	V	V		From 10 1 81 to 10 4 82	82 83	92
								From 10 4 82	83 84	106
D	8	568(8V 71N)	All	DR	V	V		Before 10 1 81	80 82	50
				DL	V	V		Before 10 1 81	80 82	51
				DR	V	V		From 10 1 81	82 84	85
				DL	V	V		From 10 1 81	82 84	86
				S	H	V	Muffler parallel to frame		80 84	7
								Before 10 1 81	80 82	66
D	8	568(8V 71T)	All	S	V	V		From 10 1 81	82 86	91
G	8	477(7.8) 544(8.8)	All	S	H	H		80 81	47	

1980/  
TRUCK SERIES 600/900

EXHAUST SYSTEMS MODEL APPLICATION CHART										
◆	ENGINE		W B (INCHES)	TYPE	MUF FLER ▲	OUTLET PIPE ▲	REMARKS	YEAR	PARTS LIST NO.	
	CYL	C.I.D.								
◆D DIESEL,G GAS,S-SINGLE, DR-DUAL (RIGHT SIDE),DL-DUAL,(LEFT SIDE) ▲H-HORIZONTAL, V-VERTICAL										
LNT 800										
D	6	426'6 71'	All	S	H	V		85 86	124	
				S	V	V		85 86	125	
D	6	466'7 8'	All	S	H	H		87	132	
								88	167	
								89	184	
			All	S	H	V		87	134	
								88	166	
								89	185	
			All	S	V	V		87	135	
								88	163	
								89	186	
D	8	636'3 208N'	All	S	H	H	Muffler parallel to frame	80 86	67	
								87	145	
				S	H	V	Muffler transverse to frame	80 83	6	
							Muffler parallel to frame Before 12 82	80 83	53	
							From 12 82	83	121	
							Before 10 1 81	80 82	52	
							From 10 1 81 to 4 5 82	82	87	
							From 4 5 82	82 86	96	
								87	147	
								82 86	94	
D	8	636'3 208T'	All	S	H	H		87	146	
								88	168	
				S	H	V		82 86	95	
								87	179	
								88	166	
				S	V	V		82 87	97	
								88	163	
G	8	370'6 1' 429'7 0'	All	S	H	H		80 86	72	
G	8	477'7 8' 534'8 8'	All	S	H	H		80 81	47	
LNT 900										
D	6	L10	All	S	H	V		87	133	
				S	V	V		88	165	
								85 87	126	
								88	162	
D	6	426'6 71'	All	S	H	V	Muffler transverse to frame	80 83	8	
							Muffler parallel to frame	80 84	54	
								85 86	124	
				S	V	V		Before 10 1 81	80 82	49
								From 10 1 81	82 84	88
								85 86	125	
								Before 4 1 80	80	77
D	6	552'6 V 92T'	All	S	V	V		From 4 1 80 to 10 4 82	80 83	78
								From 10 4 82	83 84	107
								85 86	127	
D	6	855'NH NHC'	All	S	H	V	Muffler transverse to frame	80 83	8	
							Muffler parallel to frame 50 gal. fuel tanks	80	55	
							Muffler parallel to frame 75 gal. fuel tanks	80	56	
				S	V	V		80	3	

1980/  
TRUCK SERIES 600/900

EXHAUST SYSTEMS MODEL APPLICATION CHART

◆	ENGINE		W/B (INCHES)	TYPE	MUF- FLER ▲	OUTLET PIPE ▲	REMARKS	YEAR	PARTS LIST NO.	
	CYL.	C.I.D.								
◆D-DIESEL,G-GAS,S-SINGLE, DR-DUAL (RIGHT SIDE),DL-DUAL,(LEFT SIDE)										
▲H-HORIZONTAL, V-VERTICAL										
LNT 900 — Cont'd										
D	6	855(NTC)	All	S	H	V	Muffler transverse to frame	80/	9	
							Muffler parallel to frame -50 gal. fuel tanks	"Before 10/4/82"	80/83	55
							Muffler parallel to frame -75 gal. fuel tanks	"Before 10/4/82"	80/83	56
				S	V	V	Muffler parallel to frame	"From 10/4/82"	83/	105
								"Before 10/1/81"	80/82	48
								"From 10/1/81 to 10/4/82"	82/83	92
								"From 10/4/82"	83/87	106
D	6	3306	All	S	H	V		88/	164	
				S	V	V		89/	188	
D	6	893 (Cat. 3406)	All	S	H	V		89/	189	
								83/87	105	
				S	V	V		88/	161	
								"Before 10/1/81"	80/82	48
								"From 10/1/81 to 10/4/82"	82/83	92
		"From 10/4/82"	83/87	106						
D	8	568(8V-71N)	All	DR	V	V		88/	164	
				DL	V	V	"Before 10/1/81"	80/82	50	
				DR	V	V	"Before 10/1/81"	80/82	51	
				DL	V	V	"From 10/1/81"	82/84	85	
D	8	568(8V-71T)	All	S	V	V		"From 10/1/81"	82/84	86
								"Before 10/1/81"	80/82	66
G	8	477(7.8), 534(8.8)	All	S	H	H		"From 10/1/81"	82/86	91
								80/81	47	
LS800										
D	6	(7.8)	All	S	H	H		87	132	
								88/	167	
				S	H	V		87	134	
								88	167	
								89	184	
D	8	636(3208N)	All	S	H	H		87/	136	
								87	145	
					H	V		87/	121	
D	8	636(3208T)	All	S	H	H		87/	147	
								87	146	
				S	H	V		88/	168	
								87	179	
	V	V		88/	166					
				87	97					
				88/	163					
LS900										
D	6	L10	All	S	H	V		88/	165	
D	6	855(NTC)	All	S	H	V		88/	162	
								88/	161	
D	6	3306	All	S	H	V		88/	164	
								89/	188	
D	6	893(Cat. 3406)	All	S	H	V		89/	189	
								88/	161	
					V	V		88/	164	
LT 800										
D	6	426(6-71)	All	S	H	V		85/86	124	
				S	V	V		85/86	125	

1980/  
TRUCK SERIES 600/900

EXHAUST SYSTEMS MODEL APPLICATION CHART

◆	ENGINE		W/B (INCHES)	TYPE	MUF- FLER ▲	OUTLET PIPE ▲	REMARKS	YEAR	PARTS LIST NO.
	CYL.	C.I.D.							

◆D-DIESEL,G-GAS,S-SINGLE, DR-DUAL (RIGHT SIDE),DL-DUAL,(LEFT SIDE)

▲H-HORIZONTAL, V-VERTICAL

LT 800 — Cont'd

D	6	(6.6),(7.8)	All	S	H	H		87	132			
								88	167			
								89	184			
				S	H	V		87	134			
								88	166			
								89	185			
							S	V	V		87	135
											88	163
											89	186
D	8	636(3208N)	All	S	H	H	Muffler parallel to frame	80/86	67			
								87	145			
							S	H	V	Muffler transverse to frame	80/83	6
				Muffler parallel to frame	"Before 12/82"	80/83				53		
					"From 12/82"	83/				121		
				S	V	V		"Before 10/1/81"	80/82	52		
								"From 10/1/81 to 4/5/82"	82	87		
								"From 4/5/82"	82/86	96		
								87/	147			
	82/86	94										
	87	146										
D	8	636(3208T)	All	S	H	H		88/	168			
								82/86	95			
								87	179			
				S	H	V		88/	166			
								82/87	97			
								88/	163			
				S	V	V		80/86	72			
								80/81	47			

LT 900

D	6	L10	All	S	H	V		87	133	
								88/	165	
							S	V	V	
D	6	426(6-71)	All	S	H	V	Muffler transverse to frame	80/83	8	
							Muffler parallel to frame	80/84	54	
								85/86	124	
				S	V	V		"Before 10/1/81"	80/82	49
								"From 10/1/81"	82/84	88
								85/86	125	
D	6	855(NH,NHC)	All	S	H	V	Muffler transverse to frame	80/83	8	
							Muffler parallel to frame - 50 gal. fuel tanks	80/	55	
							Muffler parallel to frame - 75 gal. fuel tanks	80/	56	
				S	V	V		80/	3	
				D	6	855(NTC)	All	S	H	V
Muffler parallel to frame - 50 gal. fuel tanks	"Before 10/4/82"	80/83	55							
Muffler parallel to frame - 75 gal. fuel tanks	"Before 10/4/82"	80/83	56							
	Muffler parallel to frame	"From 10/4/82"	83/87					105		
		88/	161							
S	V	V						"Before 10/1/81"	80/82	48
				"From 10/1/81 to 10/4/82"	82/83	92				
				"From 10/4/82"	83/87	106				
		88/	164							
D	6	927(SUPER-250)	All	S	H	V	Muffler transverse to frame	80/83	8	



1980/  
TRUCK SERIES 600/900

EXHAUST SYSTEMS MODEL APPLICATION CHART									
◆	ENGINE		W/B (INCHES)	TYPE	MUF- FLER ▲	OUTLET PIPE ▲	REMARKS	YEAR	PARTS LIST NO.
	CYL.	C.I.D.							
◆D-DIESEL,G-GAS,S-SINGLE, DR-DUAL (RIGHT SIDE),DL-DUAL,(LEFT SIDE)									
▲H-HORIZONTAL, V-VERTICAL									
LT 900 — Cont'd									
D	6	3306	All	S	H	V		88/	188
				S	V	V		89/	189
D	6	893 (Cat. 3406)	All	S	H	V		83/87	105
				S	V	V		88/	161
							"Before 10/1/81"	80/82	48
							"From 10/1/81 to 10/4/82"	82/83	92
							"From 10/4/82"	83/87	106
								88/	164
D	8	568(8V-71N)	All	DR	V	V		"Before 10/1/81"	80/82
				DL	V	V		"Before 10/1/81"	80/82
				DR	V	V		"From 10/1/81"	82/84
				DL	V	V		"From 10/1/81"	82/84
D	8	568(8V-71T)	All	S	H	V	Muffler transverse to frame	80/86	10
				S	V	V		"Before 10/1/81"	80/82
								"From 10/1/81"	82/86
G	8	477(7.8), 534(8.8)	All	S	H	H		80/81	47
LTL 900									
D	6	L10	All	S	H	V		87	143
				S	V	V		88/	155
				D	H	V		87	144
				D	V	V		88/	156
				D	V	V		89/	190
D	6	(855)NTC	All	S	H	V		88/	182
				S	V	V		82/87	80
								88/	155
								82/87	81
								88	156
								89/	164
D	6	3176		D	V	V		88/	182
				D	H	V		89/	190
				D	V	V		89/	182
D	6	3306	All	S	H	V		89/	188
				S	V	V		89/	189
D	6	(893)3406	All	S	H	V		82/87	143
				S	V	V		88/	155
								82/87	81
								88/	156
				D	H	V		89/	190
D	8	(736)8V-92	All	D	V	V		88/	182
				D	H	V		82/86	82
				D	V	V		82/86	83
LTS 800									
D	6	426(6-71)	All	S	H	V		85/86	125
				S	V	V		85/86	125
D	6	(6.6),(7.8)	All	S	H	H		87	132
								88	167
								89	184
			All	S	H	V		87	134
								88	166
								89	185
			All	S	V	V		87	136
								88	163
								89	186

1980/  
TRUCK SERIES 600/900

EXHAUST SYSTEMS MODEL APPLICATION CHART											
◆	ENGINE		W B (INCHES)	TYPE	MUF FLER ▲	OUTLET PIPE ▲	REMARKS	YEAR	PARTS LIST NO.		
	CYL.	C.I.D.									
◆D-DIESEL,G-GAS,S-SINGLE, DR-DUAL (RIGHT SIDE),DL-DUAL,(LEFT SIDE)											
▲H-HORIZONTAL, V-VERTICAL											
LTS 800 — Cont'd											
D	8	636-3208N	All	S	H	H	Muffler parallel to frame	80 86	67		
								87	145		
								80 83	6		
				S	H	V	Muffler transverse to frame	80 83	6		
							Muffler parallel to frame	Before 12 82	80 83	53	
								From 12 82	83	121	
				S	V	V		Before 10 1 81	80 82	52	
	From 10 1 81 to 4 5 82	82	87								
	From 4 5 82	82 86	96								
					87	147					
D	8	636-3208T	All	S	H	H		82 86	94		
								87	146		
								88	168		
				S	H	V		82 86	95		
								87	179		
				S	V	V		88	166		
								82 87	97		
				88	163						
G	8	370-6.1 429-7.0	All	S	H	H		80 81	72		
								80 81	47		
G	8	477-7.8 534-8.8	All	S	H	H					
LTS 900											
D	6	L10	All	S	H	V		87	133		
								88	165		
							S	V	V		87
								88	162		
D	6	426-6-71	All	S	H	V	Muffler transverse to frame	80 83	8		
								80 84	54		
								85 86	124		
				S	V	V		Before 10 1 81	80 82	49	
								From 10 1 81	82 84	88	
					85 86	125					
D	6	855-NH-NHC	All	S	H	V	Muffler transverse to frame	80 83	8		
								80	56		
				S	V	V		80	3		
D	6	855-NTC	All	S	H	V	Muffler transverse to frame	80	9		
								Before 10 4 82	80 83	56	
								From 10 4 82	83 87	105	
								88	161		
				S	V	V		Before 10 1 81	80 82	48	
								From 10 1 81 to 10 4 82	82 83	92	
								From 10 4 82	83 87	106	
					88	164					
D	6	927-SUPER-250	All	S	H	V	Muffler transverse to frame	80 83	8		
								89	188		
								89	189		
D	6	3306	All	S	H	V		83 87	105		
								88	161		
D	6	893 (at 3406)	All	S	H	V		Before 10 1 81	80 82	48	
								From 10 1 81 to 10 4 82	82 83	92	
								From 10 4 82	83 87	106	
				S	V	V				88	164
G	8	477-7.8 534-8.8	All	S	H	H		80 81	47		

EXHAUST PARTS LISTS

Q T Y	PART NUMBER	DESCRIPTION	Q T Y	PART NUMBER	DESCRIPTION
● Not used in noise restriction areas ▲ Use in noise restriction areas					
PARTS LIST NO. 3			PARTS LIST NO. 4 — Cont'd		
1	C7TZ 5A231-B	Clamp (inlet pipe to engine)	1	D3TZ 5255-Y	Pipe (outlet)-F600/700 (81)-Cab models
1	D3HZ 5246-A	Pipe (inlet)	1	D5TZ 5255-AK	Pipe (muffler outlet extension)-F600/700 (84)-cowl models-134" W/B-cut 25" -146" W/B-cut 37" -158" W/B-cut 49" -176" W/B-cut 67" -188" W/B-cut 79" -194" W/B-full length 85"
1	★D3HA 5291-HA	Bracket (inlet pipe to frame)	1	D5TZ 5255-AL	Pipe (muffler outlet extension)-F600/700(84)-cowl models-212" W/B-cut 103" B700-242" W/B-cut 133" -260" W/B-full length 151 1/2"
1	D1AZ 5A231-A	U-bolt (inlet pipe to bracket)	1	D5TZ 5255-AJ	Pipe (outlet)-B700,F600/700(84)-Cowl models
1	C2TZ 5A231-B	Clamp (inlet pipe to connector)	1	D5TZ 5255-AK	Pipe (used as outlet pipe extension) B700-242" W/B-cut 73 1/2" -260" W/B-cut 82 1/2"
1	D3HZ 5B286-C	Connector (inlet pipe to extension) L-LT-LTS models	1	D6TZ 5255-B	Pipe (outlet)-280"W/B-B7000
1	C1TZ 5B286-A	Connector (inlet pipe to extension) LN-LNT models	AR	D3HZ 5A231-D	Clamp (extension or outlet pipe to hanger)-3 1/2" dia.-B,F600/700(84)-Cowl models
1	C2TZ 5A231-B	Clamp (connector to inlet pipe extension)	AR	★D5TA 5A290-MA	Hanger (outlet pipe)-improvise
1	D3HZ 5A212-R	Extension (inlet pipe)-L-LT-LTS models	AR	D5TZ 5277-C	Support (outlet pipe)-inside frame
1	D3HZ 5A212-T	Extension (inlet pipe)-LN-LNT models	AR	B9TT 5A291-A	Spring (outlet pipe bracket to frame)
1	D3HZ 5260-C	Bracket (frame to inlet pipe extension)	1	D5TZ 5260-S	Support (outlet pipe)-outside frame
1	D0HZ 5A231-H	Clamp (bracket to inlet pipe extension)	2	D5TZ 5277-D	Support (outlet pipe)-B700-outside frame
1	D5HZ 5277-U	Bracket (muffler to cab)-lower	1	C6TZ 5A231-B	Clamp (extension to outlet pipe)
1	D3HZ 5277-AB	Support (muffler and extension pipe to cab bracket)-lower	1	★D5TA 5271-AA	Support (outlet pipe)-improvise
2	D5HZ 5281-A	Insulator (support to bracket)-lower	1	D5HZ 5A231-A	Clamp (outlet pipe to support)
8	D3HZ 5281-A	Insulator (muffler to cab bracket)-lower	PARTS LIST NO. 5		
1	D3HZ 5A231-F	Clamp (bracket to muffler)	2	D0HZ 9450-A	Gasket (inlet pipe to manifold)
1	D2HZ 5230-A	Muffler	1	●D0HZ 5246-R	Pipe (inlet) - R.H. -- Cat. diesel
1	E4HZ 5290-A	Shield (muffler)-heat	1	●D5HZ 5246-AA	Pipe (inlet) - L.H. -- Cat. diesel
1	E1HZ 5C264-A	Clamp (shield)-upper	1	▲D5HZ 5246-AB	Pipe (inlet) - R.H. -- Cat. diesel exc. Calif.
1	E1HZ 5C264-C	Clamp (shield)-lower	1	▲D7HZ 5246-B	Pipe (inlet)-R.H.-Calif.
1	D3HZ 5277-AA	Support (muffler and extension pipe to cab bracket)-upper	1	▲D5HZ 5246-AC	Pipe (inlet) - L.H. -- Cat. diesel
1	D8HZ 5277-U	Bracket (bracket to cab)-at cab-upper	1	D5HZ 5246-V	Pipe (inlet) - R.H. -- V555 diesel
1	D5HZ 5281-A	Insulator (bracket to bracket)-upper	1	D3HZ 5246-L	Pipe (inlet) - L.H. -- V555 diesel
1	D3HZ 5A231-E	Clamp (outlet pipe)	2	D2HZ 5A231-B	Clamp (inlet pipe to manifold) -- V555 diesel
1	D0HZ 5255-AC	Pipe (outlet)-exc. Aero pkg.	1	C8TZ 5A231-A	Clamp (R.H. to L.H. inlet pipe) -- Cat. diesel
1	E5HZ 5255-B	Pipe (muffler outlet)-Aero pkg.	1	C1TZ 5A231-A	Clamp (R.H. to L.H. pipe) -- Cat diesel
PARTS LIST NO. 4			1	D3HZ 5277-S	Bracket (R.H. inlet pipe) -- V555 diesel
2	D0HZ 9450-A	Gasket (inlet pipe to manifold)	1	D0HZ 5A231-D	U-bolt (R.H. pipe to bracket) -- V555 diesel
1	●D5TZ 5246-AS	Pipe (inlet)-R.H.	1	C1TZ 5B286-A	Connector (inlet pipe)
1	▲D7HZ 5246-C	Pipe (inlet)-R.H.-	2	C2TZ 5A231-B	Clamp (connector to inlet pipe & extension)
1	▲D7HZ 5246-D	Pipe (inlet)-L.H.- M/T 650 trans.	1	D5HZ 5A212-H	Extension (inlet pipe)
1	●D5TZ 5246-AR	Pipe (inlet)-L.H.	1	C1TZ 5A231-A	Clamp (extension to muffler)
1	▲D7HZ 5246-A	Pipe (inlet)-L.H.exc. M/T 650 trans.	1	D5HZ 5230-K	Muffler
1	C8TZ 5A231-A	Clamp (crossover pipe to inlet)-3"	2	D5HZ 5A215-C	Strap (muffler support)
1	C1TZ 5A231-A	Clamp (inlet pipe to muffler)-4 1/2"	4	B9TT 5A291-A	Spring (muffler strap)
2	D5HZ 5A215-B	Strap (muffler support)	2	★C3TA 5A290-A	Hanger (muffler strap) - improvise
2	★ 5A290	Hanger (muffler strap)-improvise	2	D5HZ 5277-F	Bracket (muffler strap)
1	●D0HZ 5230-J	Muffler	1	C1TZ 5A231-A	Clamp (outlet pipe to muffler)
1	▲D5TZ 5230-AH	Muffler	1	D0HZ 5255-L	Pipe (outlet)
1	D8HZ 5290-A	Shield (muffler heat)			
2	★D3HA 5A204-DB	Bracket (muffler support)-improvise			
1	C6TZ 5A231-B	Clamp (outlet pipe to muffler)			
1	D0HZ 5255-K	Pipe (outlet)-C,CT,LN-Series			

## EXHAUST PARTS LISTS

Q T Y	PART NUMBER	DESCRIPTION	Q T Y	PART NUMBER	DESCRIPTION
● Not used in noise restriction areas ▲ Use in noise restriction areas					
PARTS LIST NO. 6			PARTS LIST NO. 8		
2	D0HZ 9450-A	Gasket (inlet pipe to manifold)	1	D5HZ 5246-AL	Pipe (inlet) - - Cummins diesel
1	●D0HZ 5246-R	Pipe (inlet) - R.H. - - Cat. diesel	1	D5HZ 5246-T	Pipe (inlet) - - Detroit diesel
1	●D5HZ 5246-AA	Pipe (inlet) - L.H. - - Cat. diesel	1	D2HZ 5A231-A	Clamp (inlet pipe to manifold) - - Cummins diesel
1	▲D5HZ 5246-AB	Pipe (inlet) - R.H. - - Cat. diesel exc. Calif.	1	C7TZ 5A231-B	Clamp (inlet pipe to manifold) - - Det. dsl.
1	▲D7HZ 5246-B	Pipe (inlet) - R.H. - Calif.	1	★D0HA 5291-B	Bracket (inlet pipe) - improvise - - Detroit diesel
1	▲D5HZ 5246-AC	Pipe (inlet) - L.H. - - Cat. diesel	1	C1TZ 5A231-A	Clamp (inlet pipe to bracket) - - Det. dsl.
1	D5HZ 5246-V	Pipe (inlet) - R.H. - - V555 diesel	1	C1TZ 5B286-A	Connector (inlet pipe)
1	D3HZ 5246-L	Pipe (inlet) - L.H. - - V555 diesel	2	C2TZ 5A231-B	Clamp (connector to pipes)
2	D2HZ 5A231-B	Clamp (inlet pipe to manifold) - - V555 diesel	1	D5HZ 5A212-N	Extension (inlet pipe)
1	C8TZ 5A231-A	Clamp (R.H. to L.H. inlet pipe) - - Cat. diesel	2	381738-S(EE-13)	Clamp (heat shield to pipe)
1	C1TZ 5A231-A	Clamp (R.H. to L.H. pipe) - - Cat diesel	1	D0HZ 5A231-F	Clamp (extension to bracket)
1	D3HZ 5277-S	Bracket (R.H. inlet pipe) - - V555 diesel	1	C1TZ 5A231-A	Clamp (extension to muffler)
1	D0HZ 5A231-D	U-bolt (R.H. pipe to bracket) - - V555 diesel	1	D5HZ 5230-L	Muffler
1	C1TZ 5B286-A	Connector (inlet pipe)	2	D5HZ 5A215-C	Strap (muffler)
2	C2TZ 5A231-B	Clamp (connector to inlet pipe & extension)	2	D5HZ 5277-E	Bracket (strap)
1	D5HZ 5A212-H	Extension (inlet pipe)	1	D5HZ 5260-A	Bracket (extension pipe)
1	C1TZ 5A231-A	Clamp (extension to muffler)	4	B9TT 5A291-A	Spring (muffler strap)
1	D5HZ 5230-K	Muffler	1	D5HZ 5255-A	Pipe (lower outlet) - LN-LNT Models
2	D5HZ 5A215-C	Strap (muffler support)	1	D5HZ 5255-C	Pipe (lower outlet)-L-LT-LTS Models
4	B9TT 5A291-A	Spring (muffler strap)	1	C1TZ 5A231-A	Clamp (outlet pipe to muffler)
2	★C3TA 5A290-A	Hanger (muffler strap) - improvise	1	D0HZ 5A231-F	Clamp (outlet pipe to frame)
2	D5HZ 5277-F	Bracket (muffler strap)	1	D5HZ 5277-D	Bracket (outlet pipe to frame)
1	C1TZ 5A231-A	Clamp (outlet pipe to muffler)	1	D5HZ 5B286-A	Connector (outlet pipes)
1	D5HZ 5255-G	Pipe (lower outlet) - L-LT-LTS Models	2	C2TZ 5A231-B	Clamp (outlet pipe connector)
1	D5HZ 5255-B	Pipe (lower outlet) -LN-LNT Models	1	D5HZ 5255-F	Pipe (outlet) - upper
1	D5HZ 5277-D	Bracket (lower outlet pipe to frame)	1	D3HZ 5277-D	Bracket (upper outlet pipe)
1	D0HZ 5A231-F	Clamp (lower outlet pipe to bracket)	2	D3HZ 5A231-A	U-bolt (upper outlet pipe)
1	D5HZ 5B286-A	Connector (lower toupper outlet pipe)	1	D3HZ 5A273-C	Shield (heat)
2	C2TZ 5A231-B	Clamp (connector to lower & upper pipe)	1	C1TZ 5A231-A	Clamp (outlet pipe to muffler)
1	D5HZ 5255-F	Pipe (upper outlet)	PARTS LIST NO. 9		
1	D3HZ 5277-D	Bracket (upper outlet pipe to cab) - lower	1	D6HZ 5246-D	Pipe (inlet)-Cat. diesel
2	D3HZ 5A231-A	U-bolt (upper outlet pipe to bracket)	1	D5HZ 5246-AH	Pipe (inlet)-Cummins diesel
1	D3HZ 5A273-C	Shield (outlet pipe heat)	1	D4HZ 5A231-A	Clamp (inlet pipe to manifold) - - Cat. diesel
2	381738-A (EE-13)	Clamp (heat shield to pipe)	1	★5A231	Clamp (inlet pipe to manifold) - - Cumm. diesel - procure from Cumm. dealer
PARTS LIST NO. 7			1	D4HZ 5277-H	Bracket (inlet pipe to engine) - - Cat. diesel
2	D0HZ 9450-A	Gasket (inlet pipe to manifold)	1	★D0HA 5A239-F	U-bolt (inlet pipe to bracket)
1	D5HZ 5246-AL	Pipe (inlet) - - Cummins diesel	1	D5HZ 5A212-K	Extension (inlet pipe) - R.H. elbow
1	D5HZ 5246-T	Pipe (inlet) - - Detroit diesel	1	D0HZ 5B286-B	Connector (inlet pipe) - - between R.H. L.H. extension
1	D2HZ 5A231-A	Clamp (inlet pipe to manifold) - - Cummins diesel	1	D5HZ 5A212-R	Extension (inlet pipe) - - L.H. elbow
1	C7TZ 5A231-B	Clamp (inlet pipe to manifold) - Detroit diesel	1	C1TZ 5A231-A	Clamp (inlet pipe to R.H. extension pipe)
1	★D0HA 5291-B	Bracket (inlet pipe) - improvise - - Detroit diesel	2	D0HZ 5A231-C	Clamp (connector to extension pipes)
1	C1TZ 5A231-A	Clamp (inlet pipe to bracket) - - Detroit diesel	1	D0HZ 5A231-A	Clamp (L.H. extension pipe to muffler)
1	C1TZ 5B286-A	Connector (inlet pipe to extension)	1	D5HZ 5230-J	Muffler
1	D5HZ 5A212-G	Extension (inlet pipe)	2	D5HZ 5A215-C	Strap (muffler)
2	C2TZ 5A231-B	Clamp (inlet pipe connector)	2	★C3TA 5A290-A	Hanger (strap to bracket) - improvise
1	D5HZ 5230-H	Muffler	2	D5HZ 5277-E	Bracket (muffler strap)
2	D5HZ 5A215-D	Strap (muffler)	4	B9TT 5A291-A	Spring (muffler strap)
2	★D5HZ 5277-G	Bracket (muffler strap)	1	D5HZ 5255-H	Pipe (lower outlet) -LN-LNT Models
2	B9TT 5A291-A	Spring (strap)	1	D5HZ 5255-D	Pipe (lower outlet)-L-LT-LTS Models
1	D0HZ 5255-L	Pipe (outlet)			
1	C1TZ 5A231-A	Clamp (outlet pipe)			

**EXHAUST PARTS LISTS**

QTY	PART NUMBER	DESCRIPTION	QTY	PART NUMBER	DESCRIPTION
● Not used in noise restriction areas ▲ Use in noise restriction areas					
PARTS LIST NO. 9 — Cont'd			PARTS LIST NO. 11 — Cont'd		
1	DOHZ 5A231-A	Clamp (outlet pipe to muffler)	1	DOHZ 5A231-C	Clamp (muffler to outlet pipe)
1	D5HZ 5277-D	Bracket (lower outlet pipe to frame)	1	D3HZ 5255-B	Pipe (outlet)-lower
1	DOHZ 5A231-G	Clamp (outlet pipe to bracket)	1	C2TZ 5A231-B	Clamp (outlet pipe to connector)
1	DOHZ 5B286-B	Connector (lower to upper outlet pipe)	1	C1TZ 5B286-A	Connector
2	DOHZ 5A231-C	Clamp (connector to pipes)	1	C2TZ 5A231-B	Clamp (connector to upper outlet pipe)
1	D5HZ 5255-E	Pipe (upper outlet)	1	D6HZ 5255-G	Pipe (outlet)-upper-L-LT-LTS models
1	D3HZ 5277-E	Bracket (upper outlet pipe)	1	D6HZ 5255-F	Pipe (outlet)-upper-LN-LNT models
1	E3HZ 5277-A	Bracket (support)-1983	1	D3HZ 5277-D	Bracket (outlet pipe to cab)-lower
2	D3HZ 5A231-B	Clamp (upper outlet pipe to bracket)	2	D3HZ 5A231-A	Clamp (outlet pipe to cab)-lower
1	D3HZ 5A273-C	Shield (outlet pipe heat)	1	D3HZ 5A273-D	Shield (outlet pipe)
2	B7AZ 8287-D	Clamp (heat shield to pipe)	2	B7AZ 8287-D	Clamp (shield to outlet pipe)
PARTS LIST NO. 10			PARTS LIST NO. 12		
1	D5HZ 5246-W	Pipe (inlet) - upper elbow -- 8V-71T	1	D6HZ 5246-D	Pipe (inlet)
1	D5HZ 5246-AE	Pipe (inlet) - lower elbow -- 8V-71T	1	D4HZ 5277-H	Bracket (inlet pipe to clutch hsg)
1	C1TZ 5A231-A	Clamp (upper to lower inlet pipe)	1	★D0HA 5A239-F	Clamp (inlet pipe to clutch hsg)
1	D5HZ 5277-T	Bracket (inlet pipe)	1	C2TZ 5A231-B	Clamp (inlet pipe to connector)
1	C1TZ 5A231-A	Clamp (inlet pipe to bracket)	1	C1TZ 5B286-A	Connector
1	D5HZ 5A212-K	Extension (muffler inlet) - L.H. elbow	1	C2TZ 5A231-B	Clamp (connector to extension)
1	DOHZ 5B286-B	Connector (inlet pipe)	1	D6HZ 5A212-E	Extension
1	D5HZ 5A212-R	Extension (muffler inlet) - R.H. elbow	1	D5HZ 5260-A	Bracket (extension to frame)
1	C1TZ 5A231-A	Clamp (R.H. extension pipe to inlet pipe)	1	D0HZ 5A231-F	Clamp (extension to frame)
2	D0HZ 5A231-C	Clamp (connector to extension pipes)	1	C1TZ 5A231-A	Clamp (extension to muffler)
1	D0HZ 5A231-A	Clamp (L.H. extension pipe to muffler)	1	D3HZ 5230-C	Muffler
1	D6HZ 5230-A	Muffler	2	D3HZ 5277-AE	Bracket (muffler to frame)
2	D5HZ 5A215-C	Strap (muffler)	2	D3HZ 5A215-B	Strap (muffler to frame)
2	★C3TA 5A290-A	Hanger (muffler strap) - improvise	1	D3HZ 5A273-E	Shield (muffler)
2	D5HZ 5277-E	Bracket (muffler strap)	1	D0HZ 5A231-C	Clamp (muffler to outlet pipe)
4	B9TT 5A291-A	Spring (muffler strap)	1	D3HZ 5255-B	Pipe (outlet)-lower
1	D5HZ 5255-H	Pipe (lower outlet) -LN-LNT Models	1	C2TZ 5A231-B	Clamp (outlet pipe connector)
1	D5HZ 5255-D	Pipe (lower outlet) -L-LT-LTS Model	1	C1TZ 5B286-A	Connector
1	D0HZ 5A231-A	Clamp (outlet pipe to muffler)	1	C2TZ 5A231-B	Clamp (connector to outlet pipe)-upper
1	D5HZ 5277-D	Bracket (lowr outlet pipe to frame)	1	D6HZ 5255-G	Pipe (outlet)-upper-L-LT-LTS models
1	D0HZ 5A231-G	Clamp (outlet pipe to bracket)	1	D6HZ 5255-F	Pipe (outlet)-upper-LN-LNT models
1	D0HZ 5B286-B	Connector (lower to upper outlet pipe)	1	D3HZ 5277-D	Bracket (outlet pipe to cab)
2	D0HZ 5A231-C	Clamp (connector to pipes)	2	D3HZ 5A231-A	Clamp (outlet pipe to cab)
1	D5HZ 5255-E	Pipe (upper outlet)	1	D3HZ 5A273-D	Shield (outlet pipe)
1	D3HZ 5277-E	Bracket (upper outlet pipe)	2	B7AZ 8287-D	Clamp (shield to outlet pipe)
2	D3HZ 5A231-B	Clamp (upper outlet pipe to bracket)	PARTS LIST NO. 13		
1	D3HZ 5A273-C	Shield (outlet pipe heat)	1	D5HZ 5A231-F	Clamp (inlet pipe to engine)
2	B7AZ 8287-D	Clamp (heat shield to pipe)	1	E5HZ 5246-B	Pipe (inlet)-1980/84
PARTS LIST NO. 11			1	E5HZ 5246-B	Pipe (inlet)-1985/
1	D2HZ 5A231-A	Clamp (inlet pipe to engine)	1	E1HZ 5A231-B	Clamp (inlet pipe to connector)
1	D5HZ 5246-AL	Pipe (inlet)	1	E1HZ 5B286-C	Connector
1	C2TZ 5A231-B	Clamp (inlet pipe to connector)	1	E1HZ 5A231-B	Clamp (connector to extension)
1	C1TZ 5B286-A	Connector	1	D8HZ 5A212-BH	Extension-Y type-Before 1/83
1	C2TZ 5A231-B	Clamp (connector to extension)	1	E6HZ 5A212-K	Extension - Y type-From 1/83
1	D6HZ 5A212-E	Extension	Left hand side		
1	D5HZ 5260-A	Bracket (extension to frame)	1	E1HZ 5A231-B	Clamp (extension to connector)
1	D0HZ 5A231-F	Clamp (extension to frame)	1	D3HZ 5B286-C	Connector
1	C1TZ 5A231-A	Clamp (extension to muffler)	1	E1HZ 5A231-B	Clamp (connector to extension)
1	D3HZ 5230-C	Muffler	1	D8HZ 5A212-A	Extension-Before 1/3/83
2	D3HZ 5277-AE	Bracket (muffler to frame)	1	E3HZ 5A212-H	Extension-From 1/3/83
2	D3HZ 5A215-B	Strap (muffler to frame)	1	D3HZ 5A231-A	Clamp (extension to muffler)
1	D3HZ 5A273-E	Shield (muffler)	1	D8HZ 5230-AK	Muffler

1980/  
TRUCK SERIES 600/900

Refer to SECTION 52.1, Page 1  
for PARTS LIST INSTRUCTIONS

### EXHAUST PARTS LISTS

Q T Y	PART NUMBER	DESCRIPTION	Q T Y	PART NUMBER	DESCRIPTION
● Not used in noise restriction areas ▲ Use in noise restriction areas					
PARTS LIST NO. 13 — Cont'd			PARTS LIST NO. 14 — Cont'd		
1	D3HZ 5A231-A	Clamp (muffler to bracket)	1	★D7HT 5A290-DB	Hanger (extension to bracket)
1	D8HZ 5277-L	Bracket (muffler support)-Before 1/5/81	2	D8HZ 5A231-C	Clamp (extension to bracket)
1	E1HZ 5277-N	Bracket (muffler support)-From 1/5/81 to 1/3/83	1	D8HZ 5277-G	Bracket (bracket to frame)
1	E3HZ 5277-N	Bracket (muffler support)-From 1/3/83	1	D8HZ 5F230-B	Cap (bracket to frame)
1	★D7HT 5A290-DB	Hanger (extension to bracket)	1	D8HZ 5A273-A	Shield (muffler)
1	D8HZ 5277-G	Bracket (bracket to frame)	1	F1HZ 5C264-C	Clamp (shield to muffler)-upper
1	D8HZ 5F230-B	Cap (bracket to frame)	1	D8HZ 5C264-A	Clamp (shield to muffler)-lower
1	D8HZ 5A273-A	Shield (muffler)	1	D3HZ 5A231-A	Clamp (muffler & outlet pipe to bracket)
1	F1HZ 5C264-C	Clamp (shield to muffler)-upper	1	D8HZ 5255-B	Pipe (outlet)
1	D8HZ 5C264-A	Clamp (shield to muffler)-lower	1	D8HZ 5C208-A	Cap (outlet pipe)
1	D3HZ 5A231-A	Clamp (muffler & outlet pipe to bracket)	Right hand side		
1	D8HZ 5255-A	Pipe (outlet)	1	E1HZ 5A231-F	Clamp (extension to muffler)
1	D8HZ 5C208-B	Cap (outlet pipe)	1	E3HZ 5230-D	Muffler
Right hand side			1	D3HZ 5A231-A	Clamp (muffler to bracket)
1	E1HZ 5A231-B	Clamp (extension to muffler)	1	D8HZ 5277-L	Bracket (muffler support)-Before 1/5/81
1	D8HZ 5230-AK	Muffler	1	E1HZ 5277-N	Bracket (muffler support)-From 1/5/81 to 1/3/83
1	D3HZ 5A231-A	Clamp (muffler to bracket)	1	E3HZ 5277-J	Bracket (muffler support)-From 1/3/83
1	D8HZ 5277-L	Bracket (muffler support)-Before 1/5/81	1	D8HZ 5277-G	Bracket (bracket to frame)
1	E1HZ 5277-N	Bracket (muffler support)-From 1/5/81 to 1/3/83	1	D8HZ 5F230-B	Cap (bracket to frame)
1	E3HZ 5277-J	Bracket (muffler support)-From 1/83	1	★D7HT 5A290-DB	Hanger (extension to bracket)
1	D8HZ 5277-G	Bracket (bracket to frame)	2	D8HZ 5A231-C	Clamp (extension to bracket)
1	D8HZ 5F230-B	Cap (bracket to frame)	1	D8HZ 5A273-A	Shield (muffler)
1	★D7HT 5A290-DB	Hanger (extension to bracket)	1	F1HZ 5C264-C	Clamp (shield to muffler)-upper
1	D8HZ 5A273-A	Shield (muffler)	1	D8HZ 5C264-A	Clamp (shield to muffler)-lower
1	F1HZ 5C264-C	Clamp (shield to muffler)-upper	1	D0HZ 5A231-A	Clamp (muffler & outlet pipe to bracket)
1	D8HZ 5C264-A	Clamp (shield to muffler)-lower	1	D8HZ 5255-B	Pipe (outlet)
1	D3HZ 5A231-A	Clamp (muffler & outlet pipe to bracket)	1	D8HZ 5C208-A	Cap (outlet pipe)
1	D8HZ 5255-A	Pipe (outlet)	PARTS LIST NO. 15		
1	D8HZ 5C208-B	Cap (outlet pipe)	1	D5HZ 5A231-F	Clamp (inlet pipe to engine)
PARTS LIST NO. 14			1	E5HZ 5246-B	Pipe (inlet)
1	D5HZ 5A231-F	Clamp (inlet pipe to engine)	1	E1HZ 5A231-B	Clamp (inlet pipe to connector)
1	E5HZ 5246-B	Pipe (inlet)-1980/84	1	E1HZ 5B286-C	Connector-76", 88" B.B.C.
1	E5HZ 5246-B	Pipe (inlet)-1985/	1	E1HZ 5A231-B	Clamp (connector to extension)
1	E1HZ 5A231-F	Clamp (inlet pipe to connector)	1	D8HZ 5A212-AJ	Extension-88" B.B.C.-Y type-1980/85
1	E1HZ 5B286-C	Connector	1	E6HZ 5A212-C	Extension-88" B.B.C.-Y type-1986
1	E1HZ 5A231-F	Clamp (connector to extension)	1	D9HZ 5A212-C	Extension-76" B.B.C.-Y type
1	D8HZ 5A212-W	Extension-Y type-Before 1/83	Right hand side		
1	E6HZ 5A212-J	Extension-Y type-From 1/83	1	E1HZ 5A231-B	Clamp (extension to muffler)
Left hand side			1	D8HZ 5230-AK	Muffler
1	E1HZ 5A231-F	Clamp (extension to connector)	1	D8HZ 5277-M	Bracket (muffler support)-88" B.B.C. Before 1/5/81
1	D0HZ 5B286-C	Connector	1	E3HZ 5277-K	Bracket (muffler support)-88" B.B.C.-From 1/5/81
1	E1HZ 5A231-F	Clamp (connector to extension)	1	D8HZ 5277-L	Bracket (muffler support)-76" B.B.C.-fuel tank at 64"-Before 1/5/81
1	D8HZ 5A212-DK	Extension-Before 1/3/83	1	E1HZ 5277-N	Bracket (muffler support)-76" B.B.C.-fuel tank at 64"-From 1/5/81 to 1/3/83
1	E3HZ 5A212-J	Extension-From 1/3/83	1	D8HZ 5277-H	Bracket (muffler support)-76" B.B.C.-fuel tank at 57"-Before 1/5/81
1	D3HZ 5A231-A	Clamp (extension to muffler)	1	E1HZ 5277-N	Bracket (muffler support)-76" B.B.C.-fuel tank at 57"-From 1/5/81 to 1/3/83
1	D8HZ 5230-AJ	Muffler-Before 8/2/82	1	E3HZ 5277-J	Bracket (muffler support)-From 1/3/83
1	E3HZ 5230-D	Muffler-From 8/2/82	1	D8HZ 5277-G	Bracket (bracket to frame)
1	D3HZ 5A231-A	Clamp (muffler to bracket)	1	D8HZ 5F230-B	Cap (bracket to frame)
1	D8HZ 5277-L	Bracket (muffler support)-Before 1/5/81-1980/81			
1	E1HZ 5277-N	Bracket (muffler support)-From 1/5/81 to 1/3/83			
1	E3HZ 5277-N	Bracket (muffler support)-From 1/3/83			

EXHAUST PARTS LISTS

QTY	PART NUMBER	DESCRIPTION	QTY	PART NUMBER	DESCRIPTION
● Not used in noise restriction areas ▲ Use in noise restriction areas					
PARTS LIST NO. 15 — Cont'd			PARTS LIST NO. 16 — Cont'd		
1	D3HZ 5A231-A	Clamp (muffler to bracket)			Right hand side
1	★D7HT 5A290-DB	Hanger (extension to bracket)	1	E1HZ 5A231-F	Clamp (extension to muffler)
1	D8HZ 5A273-A	Shield (muffler)	1	E3HZ 5230-D	Muffler
1	F1HZ 5C264-C	Clamp (shield to muffler)-upper	1	D8HZ 5277-M	Bracket (muffler support)-88" B.B.C. Before 1/5/81
1	D8HZ 5C264-A	Clamp (shield to muffler)-lower	1	E3HZ 5277-K	Bracket (muffler support)-88" B.B.C.-From 1/5/81
1	D3HZ 5A231-A	Clamp (muffler & outlet pipe to bracket)	1	D8HZ 5277-L	Bracket (muffler support)-76" B.B.C.-fuel tank at 64" tank at 64"-Before 1/5/81
1	D8HZ 5255-A	Pipe (outlet)	1	E1HZ 5277-N	Bracket (muffler support)-76" B.B.C.-fuel tank at 64"-From 1/5/81 to 1/3/83
1	D8HZ 5C208-B	Cap (outlet pipe)	1	D8HZ 5277-H	Bracket (muffler support)-76" B.B.C.-fuel tank at 57"-Before 1/5/81
Left hand side			1	E1HZ 5277-N	Bracket (muffler support)-76" B.B.C.-fuel tank at 57"-From 1/5/81
1	E1HZ 5A231-B	Clamp (extension to connector)	1	D8HZ 5277-H	Bracket (muffler support)-110" B.B.C. Before 1/5/81
1	D3HZ 5B286-C	Connector	1	E1HZ 5277-N	Bracket (muffler support)-110" B.B.C. From 1/5/81 to 1/5/83
1	E1HZ 5A231-B	Clamp (connector to extension)	1	E3HZ 5277-M	Bracket (muffler support)-110" B.B.C. From 1/3/83"
1	D9HZ 5A212-C	Extension-76" B.B.C.	1	D8HZ 5277-G	Bracket (bracket to frame)
1	D8HZ 5A212-BN	Extension-88" B.B.C.	1	D8HZ 5F230-B	Cap (bracket to frame)
1	D8HZ 5A231-A	Clamp (extension to muffler)	1	D3HZ 5A231-A	Clamp (muffler to bracket)
1	D8HZ 5230-AK	Muffler	1	★D7HT 5A290-AB	Hanger (extension to bracket)
1	D3HZ 5A231-A	Clamp (muffler to extension)	1	D8HZ 5A273-A	Shield (muffler)
1	D8HZ 5277-K	Bracket (muffler support)-88" B.B.C.-Before 1/5/81-1980/81	1	F1HZ 5C264-C	Clamp (shield to muffler)-upper
1	E1HZ 5277-J	Bracket (muffler support)-88" B.B.C.-From 1/5/82 to 1/3/83	1	D8HZ 5C264-A	Clamp (shield to muffler)-lower
1	E3HZ 5277-R	Bracket (muffler support)-From 1/3/83	1	D3HZ 5A231-A	Clamp (muffler & outlet pipe to bracket)
1	D8HZ 5277-L	Bracket (muffler support)-76" B.B.C.-fuel tank at 64"-Before 1/5/81-1980/81	1	D8HZ 5255-B	Pipe (outlet)
1	E1HZ 5277-N	Bracket (muffler support)-76" B.B.C.-fuel tank at 64"-From 1/5/81-1981/82	1	D8HZ 5C208-A	Cap (outlet pipe)
1	D8HZ 5277-J	Bracket (muffler support)-76" B.B.C.-fuel tank at 57"-Before 1/5/81-1980/81	Left hand side		
1	E1HZ 5277-N	Bracket (muffler support)-76" B.B.C.-fuel tank at 57"-From 1/5/81 to 1/3/83	1	E1HZ 5A231-F	Clamp (extension to connector)
1	E3HZ 5277-N	Bracket (muffler support)-76" B.B.C.-1983-From 1/3/83	1	E1HZ 5B286-B	Connector
1	E3HZ 5277-N	Bracket (muffler support)-From 1/3/83	1	E1HZ 5A231-F	Clamp (connector to extension)
1	D8HZ 5277-G	Bracket (muffler bracket to frame)	1	D8HZ 5A212-DN	Extension-88" B.B.C.
1	D8HZ 5F230-B	Cap (bracket to frame)	1	D8HZ 5A212-BG	Extension-76" B.B.C. - "Before 1/5/81"
1	★D7HT 5A290-DB	Hanger (extension to bracket)	1	E1HZ 5A212-M	Extension-110" B.B.C. - "Before 1/5/81"
1	D8HZ 5A273-A	Shield (muffler)	1	E1HZ 5A212-M	Extension-76", 110" B.B.C. - "From 1/5/81"
1	F1HZ 5C264-C	Clamp (shield to muffler)-upper	1	D8HZ 5A231-B	Clamp (extension to muffler)
1	D8HZ 5C264-A	Clamp (shield to muffler)-lower	1	E3HZ 5230-D	Muffler
1	D3HZ 5A231-A	Clamp (muffler & outlet pipe to bracket)	1	D3HZ 5A231-A	Clamp (muffler to bracket)
1	D8HZ 5255-A	Pipe (outlet)	1	D8HZ 5277-K	Bracket (muffler support)-88" B.B.C.-Before 1/5/81-1980/81
1	D8HZ 5C208-B	Cap (outlet pipe)	1	E1HZ 5277-J	Bracket (muffler support)-88" B.B.C.-From 1/5/81-1981/82
PARTS LIST NO. 16			1	E3HZ 5277-R	Bracket (muffler support)-88" B.B.C.-1983/
1	D5HZ 5A231-F	Clamp (inlet pipe to engine)	1	D8HZ 5277-L	Bracket (muffler support)-76" B.B.C.-fuel tank at 64"-Before 1/5/81-1980/81
1	E5HZ 5246-B	Pipe (inlet)	1	E3HZ 5277-J	Bracket (muffler support)-76" B.B.C.-fuel tank at 64"-From 1/5/81-1981/82
1	E1HZ 5A231-F	Clamp (inlet pipe to connector)			
1	D0HZ 5B286-A	Connector-110" B.B.C.			
1	E1HZ 5B286-C	Connector-76", 88" B.B.C.			
1	E1HZ 5A231-F	Clamp (connector to extension)			
1	E6HZ 5A212-G	Extension-Y type-110" B.B.C.			
1	D8HZ 5A212-AK	Extension-Y type-88" B.B.C.-1980/85			
1	E6HZ 5A212-D	Extension-Y type-88" B.B.C.-1986			
1	D9HZ 5A212-D	Extension-Y type-76" B.B.C.			
1	D8HZ 5260-A	Bracket (extension to frame)-110" B.B.C.			
1	D3HZ 5A231-A	Clamp (extension to frame)-110" B.B.C.			
2	B9TT 5A291-A	Spring (extension to frame)-110" B.B.C.			

1980/  
TRUCK SERIES 600/900

Refer to SECTION 52.1, Page 1  
for PARTS LIST INSTRUCTION

**EXHAUST PARTS LISTS**

Q T Y	PART NUMBER	DESCRIPTION	Q T Y	PART NUMBER	DESCRIPTION
● Not used in noise restriction areas ▲ Use in noise restriction areas					
PARTS LIST NO. 16 — Cont'd			PARTS LIST NO. 17— Cont'd		
1	D8HZ 5277-J	Bracket (muffler support)-76" B.B.C.-fuel tank at 57"-Before 1/5/81-1980/81	1	E3HZ 5277-A	Bracket (muffler support)-1983- Before 1/3/83
1	E3HZ 5277-J	Bracket (muffler support)-76" B.B.C.-fuel tank at 57"-From 1/5/81-1981/82	1	E3HZ 5277-N	Bracket (muffler support)-1983 From 1/3/83
1	E3HZ 5277-N	Bracket (muffler support)- From 1/3/83	1	D8HZ 5277-G	Bracket (bracket to frame)
1	D8HZ 5277-J	Bracket (muffler support)-110" B.B.C.- Before 1/5/81-1980/81	1	D8HZ 5F230-B	Cap (bracket to frame)
1	E3HZ 5277-S	Bracket (muffler support)-110" B.B.C.-1983/	1	D3HZ 5A231-E	Clamp (muffler to bracket)
1	E3HZ 5277-J	Bracket (muffler support)-110" B.B.C.- From 1/5/81-1981/82	1	D8HZ 5A273-A	Shield (muffler)
1	D8HZ 5277-G	Bracket (bracket to frame)	1	F1HZ 5C264-C	Clamp (shield to muffler)-upper
1	D8HZ 5F230-B	Cap (bracket to frame)	1	D8HZ 5C264-A	Clamp (shield to muffler)-lower
1	★D7HT 5F230-DB	Hanger (extension to bracket)	1	D3HZ 5A231-E	Clamp (muffler & outlet pipe to bracket)
1	D8HZ 5A273-A	Shield (muffler)	1	D8HZ 5255-A	Pipe (outlet)
1	F1HZ 5C264-C	Clamp (shield to muffler)-upper	1	D8HZ 5C208-B	Cap (outlet pipe)
1	D8HZ 5C264-A	Clamp (shield to muffler)-lower	PARTS LIST NO. 18		
1	D3HZ 5A231-A	Clamp (muffler & outlet pipe to bracket)	1	E1HZ 5246-D	Pipe (inlet)
1	D8HZ 5255-B	Pipe (outlet)	1	E1HZ 5A231-F	Clamp (inlet pipe to extension)
1	D8HZ 5C208-A	Cap (outlet pipe)	1	D8HZ 5A212-AZ	Extension-Y type-1980/85
PARTS LIST NO. 17			1	E6HZ 5A212-M	Extension-Y type-1985
1	E1HZ 5246-D	Pipe (inlet)	Right hand side		
1	E1HZ 5A231-B	Clamp (inlet pipe to extension)	1	D8HZ 5A231-B	Clamp (extension to muffler)
1	E6HZ 5A212-L	Extension-Y type	1	★D7HT 5A290-DB	Hanger (extension to bracket)
Right hand side			2	D8HZ 5A231-C	Clamp (extension to bracket)
1	D8HZ 5A231-A	Clamp (extension to muffler)	1	D8HZ 5277-G	Bracket (bracket to frame)
1	★D7HT 5A290-DB	Hanger (extension to bracket)	1	D8HZ 5F230-B	Cap (bracket to frame)
1	D8HZ 5277-G	Bracket (bracket to frame)	1	D8HZ 5277-L	Bracket (muffler support)Before 1/5/81
1	D8HZ 5F230-B	Cap (bracket to frame)	1	E3HZ 5277-J	Bracket (muffler support)-From 1/5/81
1	D8HZ 5277-L	Bracket (muffler support)Before 1/5/81	1	D3HZ 5A231-E	Clamp (muffler to bracket)
1	E3HZ 5277-J	Bracket (muffler support)-From 1/5/81 to 1/3/83	1	E3HZ 5230-D	Muffler
1	E3HZ 5277-J	Bracket (muffler support)-From 1/3/83	1	D8HZ 5A273-A	Shield (muffler)
1	D3HZ 5A231-E	Clamp (muffler to bracket)	1	F1HZ 5C264-C	Clamp (shield to muffler)-upper
1	D8HZ 5230-AK	Muffler	1	D8HZ 5C264-A	Clamp (shield to muffler)-lower
1	D8HZ 5A273-A	Shield (muffler)	1	D3HZ 5A231-E	Clamp (muffler & outlet pipe to bracket)
1	F1HZ 5C264-C	Clamp (shield to muffler)-upper	1	D8HZ 5255-B	Pipe (outlet)
1	D8HZ 5C264-A	Clamp (shield to muffler)-lower	1	D8HZ 5C208-A	Cap (outlet pipe)
1	D3HZ 5A231-E	Clamp (muffler & outlet pipe to bracket)	Left hand side		
1	D8HZ 5255-A	Pipe (outlet)	1	E1HZ 5A231-F	Clamp (extension to connector)
1	D8HZ 5C208-B	Cap (outlet pipe)	1	E1HZ 5B286-B	Connector
Left hand side			1	E1HZ 5A231-F	Clamp (connector to extension)
1	E1HZ 5A231-B	Clamp (extension to connector)	1	E3HZ 5A212-D	Extension
1	E1HZ 5B286-B	Connector	1	D8HZ 5A231-B	Clamp (extension to muffler)
1	E1HZ 5A231-B	Clamp (connector to extension)	1	E3HZ 5230-D	Muffler
1	D8HZ 5A212-B	Extension-Before 1/3/83	1	★D7HT 5A290-DB	Hanger (extension to bracket)
1	E3HZ 5A212-E	Extension-From 1/3/83	2	D8HZ 5A231-C	Clamp (extension to bracket)
1	D8HZ 5A231-A	Clamp (extension to muffler)	1	D8HZ 5277-L	Bracket (muffler support)Before 1/5/81- 1980/81
1	D8HZ 5230-AK	Muffler	1	E3HZ 5277-J	Bracket (muffler support)-From 1/5/81- 1981/82
1	★D7HT 5A290-BD	Hanger (extension to bracket)	1	E3HZ 5277-N	Bracket (muffler support)-From 1/3/83
1	D8HZ 5277-L	Bracket (muffler support)-Before 1/5/81- 1980/81	1	D8HZ 5277-G	Bracket (bracket to frame)
1	E3HZ 5277-J	Bracket (muffler support)-From 1/5/81- 1981/82	1	D8HZ 5F230-B	Cap (bracket to frame)
1	E3HZ 5277-N	Bracket (muffler support)-From 1/3/83	1	D3HZ 5A231-E	Clamp (muffler to bracket)
1	D8HZ 5277-G	Bracket (bracket to frame)	1	D8HZ 5A273-A	Shield (muffler)
1	D8HZ 5F230-B	Cap (bracket to frame)	1	F1HZ 5C264-C	Clamp (shield to muffler)-upper
1	D3HZ 5A231-E	Clamp (muffler to bracket)	1	D8HZ 5C264-A	Clamp (shield to muffler)-lower
1	D8HZ 5A273-A	Shield (muffler)			
1	F1HZ 5C264-C	Clamp (shield to muffler)-upper			
1	D8HZ 5C264-A	Clamp (shield to muffler)-lower			



**EXHAUST PARTS LISTS**

QTY	PART NUMBER	DESCRIPTION	QTY	PART NUMBER	DESCRIPTION
● Not used in noise restriction areas ▲ Use in noise restriction areas					
PARTS LIST NO. 18— Cont'd			PARTS LIST NO. 19— Cont'd		
1	D8HZ 5255-B	Pipe (outlet)	1	E3HZ 5277-B	Bracket (muffler support)-88" B.B.C.-1983-Before 1/3/83
1	D8HZ 5C208-A	Cap (outlet pipe)	1	E3HZ 5277-R	Bracket (muffler support)-88" B.B.C.-From 1/3/83
1	D3HZ 5A231-E	Clamp (muffler & outlet pipe to bracket)	1	D8HZ 5277-L	Bracket-(muffler support)-76" B.B.C.-fuel tank at 64"-Before 1/5/81-1980/81
PARTS LIST NO. 19			PARTS LIST NO. 19— Cont'd		
1	D5HZ 5A231-F	Clamp (inlet pipe to engine)	1	E3HZ 5277-J	Bracket-(muffler support)-76" B.B.C.-fuel tank at 64"-From 1/5/81-1981/82
1	D8HZ 5246-L	Pipe (inlet)	1	D8HZ 5277-J	Bracket-(muffler support)-76" B.B.C.-fuel tank at 57"-Before 1/5/80-1980/81
1	E1HZ 5A231-B	Clamp (inlet pipe to connector)	1	E3HZ 5277-J	Bracket-(muffler support)-76" B.B.C.-fuel tank at 57"-From 1/5/81-1981/82
1	E1HZ 5B286-C	Connector-76", 88" B.B.C.	1	E3HZ 5277-N	Bracket (muffler support)-76" B.B.C.-1983-Before 1/3/83
1	E1HZ 5A231-B	Clamp (connector to extension)	1	E3HZ 5277-N	Bracket (muffler support)-From 1/3/83
1	D8HZ 5A212-BJ	Extension-Y type-88" B.B.C.-1980/85	1	D3HZ 5A231-E	Clamp (muffler to bracket)
1	E6HZ 5A212-E	Extension-Y type-88" B.B.C.-1986	1	D8HZ 5277-G	Bracket (bracket to frame)
1	D8HZ 5A212-AW	Extension-Y type-76" B.B.C.	1	D8HZ 5F230-B	Cap (bracket to frame)
Right hand side			1	★D7HT 5A290-DB	Hanger (extension to bracket)
1	D8HZ 5A231-A	Clamp (extension to muffler)	1	D8HZ 5A273-A	Shield (muffler)
1	D8HZ 5230-AK	Muffler	1	F1HZ 5C264-C	Clamp (shield to muffler)-upper
1	D3HZ 5A231-E	Clamp (muffler to bracket)	1	D8HZ 5C264-A	Clamp (shield to muffler)-lower
1	D8HZ 5277-M	Bracket (support)-88" B.B.C. Before 1/5/81	1	D3HZ 5A231-E	Clamp (muffler & outlet pipe to bracket)
1	E3HZ 5277-K	Bracket (muffler support)-88" B.B.C.-From 1/5/81 to 1/3/83	1	D8HZ 5255-A	Pipe (outlet)
1	E3HZ 5277-K	Bracket (muffler support)-88" B.B.C.-From 1/3/83	1	D8HZ 5C208-B	Cap (outlet pipe)
1	D8HZ 5277-L	Bracket (muffler support)-76" B.B.C.-fuel tank at 64"-Before 1/5/81	PARTS LIST NO. 20		
1	E3HZ 5277-J	Bracket (muffler support)-76" B.B.C.-fuel tank at 64"-From 1/5/81 to 1/3/83	1	D5HZ 5A231-F	Clamp (inlet pipe to engine)
1	E3HZ 5277-J	Bracket (muffler support)-From 1/3/83-76" B.B.C.	1	D8HZ 5246-L	Pipe (inlet)
1	D8HZ 5277-H	Bracket (muffler support)-76" B.B.C.-fuel tank at 57"-Before 1/5/81	1	D8HZ 5246-L	Pipe (inlet)
1	E3HZ 5277-J	Bracket (muffler support)-76" B.B.C.-fuel tank at 57"-From 1/5/81 to 1/3/83	1	E1HZ 5A231-F	Clamp (inlet pipe to connector)
1	D8HZ 5277-G	Bracket (bracket to frame)	1	D0HZ 5B286-A	Connector-110" B.B.C.
1	D8HZ 5F230-B	Cap (bracket to frame)	1	E1HZ 5B286-C	Connector-76", 88" B.B.C.
1	★D7HT 5A290-DB	Hanger (extension to bracket)	1	E1HZ 5A231-F	Clamp (connector to extension)
1	D8HZ 5A273-A	Shield (muffler)	1	D8HZ 5A212-BL	Extension-88" B.B.C.-1980/85
1	F1HZ 5C264-C	Clamp (shield to muffler)-upper	1	E6HZ 5A212-F	Extension-88" B.B.C.-1986
1	D8HZ 5C264-A	Clamp (shield to muffler)-lower	1	D8HZ 5A212-AY	Extension-76" B.B.C.
1	D3HZ 5A231-E	Clamp (muffler & outlet pipe to bracket)	1	D8HZ 5A212-AD	Extension-110" B.B.C.-1980/85
1	D8HZ 5255-A	Pipe (outlet)	1	E6HZ 5A212-H	Extension-110" B.B.C.-1986
1	D8HZ 5C208-B	Cap (outlet pipe)	1	D8HZ 5260-A	Bracket (extension to frame)-110" B.B.C.
Left hand side			1	D3HZ 5A231-E	Clamp (extension to frame)-110" B.B.C.
1	E1HZ 5A231-B	Clamp (extension to connector)	1	B9TT 5A291-A	Spring (extension to frame)-110" B.B.C.
1	E1HZ 5B286-B	Connector	Right hand side		
1	E1HZ 5A231-B	Clamp (connector to extension)	1	D8HZ 5A231-B	Clamp (extension to muffler)
1	D8HZ 5A212-DR	Extension-76" B.B.C. "Before 1/5/81"	1	E3HZ 5230-D	Muffler
1	D8HZ 5A212-BN	Extension-88" B.B.C.	1	D3HZ 5A231-E	Clamp (muffler to bracket)
1	E1HZ 5A212-L	Extension - 76" B.B.C.-"From 1/5/81"	1	D8HZ 5277-M	Bracket (muffler support)-88" B.B.C. Before 1/5/81
1	D8HZ 5A231-A	Clamp (extension to muffler)	1	E3HZ 5277-K	Bracket (muffler support)-88" B.B.C.-From 1/5/81
1	D8HZ 5230-AK	Muffler	1	D8HZ 5277-L	Bracket (muffler support)-76" B.B.C.-fuel tank at 64"-Before 1/5/81
1	D8HZ 5277-K	Bracket-88" B.B.C.-Before 1/5/81-1980/81	1	E3HZ 5277-J	Bracket-(muffler support)-76" B.B.C.-fuel tank at 64"-From 1/5/81 to 1/3/83
1	E3HZ 5277-M	Bracket (muffler support)-88" B.B.C.-From 1/5/81-1981/82			

1980/  
TRUCK SERIES 600/900

Refer to SECTION 52.1, Page 1  
for PARTS LIST INSTRUCTION

**EXHAUST PARTS LISTS**

Q T Y	PART NUMBER	DESCRIPTION	Q T Y	PART NUMBER	DESCRIPTION
● Not used in noise restriction areas ▲ Use in noise restriction areas					
PARTS LIST NO. 20— Cont'd			PARTS LIST NO. 20— Cont'd		
1	D8HZ 5277-H	Bracket (muffler support)-76" B.B.C.-fuel tank at 57"-Before 1/5/81	1	E1HZ 5277-M	Bracket (muffler support)-110" B.B.C.-From 1/5/81-1981/82
1	E3HZ 5277-J	Bracket (muffler support)-76" B.B.C.-fuel tank at 57" From 1/5/81 to 1/3/83	1	E3HZ 5277-C	Bracket (muffler support)-110" B.B.C.-1983-Before 1/3/83
1	E3HZ 5277-J	Bracket (support)-From 1/3/83 76" B.B.C.	1	E3HZ 5277-S	Bracket (muffler support)-110" B.B.C.-From 1/3/83
1	D8HZ 5277-H	Bracket (muffler support)-110" B.B.C.-Before 1/5/81	1	D3HZ 5A231-E	Clamp (muffler to bracket)
1	E3HZ 5277-M	Bracket (muffler support)-110" B.B.C.-From 1/5/81 to 8/2/82	1	D8HZ 5277-G	Bracket (bracket to frame)
1	E3HZ 5277-C	Bracket (muffler support)-110" B.B.C.-From 8/2/82 to 1/3/83	1	D8HZ 5F230-B	Cap (bracket to frame)
1	E3HZ 5277-M	Bracket (muffler support)-110" B.B.C.-From 1/3/83	1	★D7HT 5A290-DB	Hanger (extension to bracket)
1	D8HZ 5277-G	Bracket (bracket to frame)	2	D8HZ 5A231-C	Clamp (extension to bracket)
1	D8HZ 5F230-B	Cap (bracket to frame)	1	D8HZ 5A273-A	Shield (muffler)
1	★D7HT 5A290-DB	Hanger (extension to bracket)	1	F1HZ 5C264-C	Clamp (shield to muffler)-upper
2	D8HZ 5A231-C	Clamp (extension to bracket)	1	D8HZ 5C264-A	Clamp (shield to muffler)-lower
1	D8HZ 5A273-A	Shield (muffler)	1	D3HZ 5A231-E	Clamp (muffler & outlet pipe to bracket)
1	F1HZ 5C264-C	Clamp (shield to muffler)-upper	1	D8HZ 5255-B	Pipe (outlet)
1	D8HZ 5C264-A	Clamp (shield to muffler)-lower	1	D8HZ 5C208-A	Cap (outlet pipe)
1	D3HZ 5A231-E	Clamp (muffler & outlet pipe to bracket)	PARTS LIST NO. 21		
1	D8HZ 5255-B	Pipe (outlet)	1	D5HZ 5A231-F	Clamp (inlet pipe to engine)
1	D8HZ 5C208-A	Cap (outlet pipe)	1	D8HZ 5246-M	Pipe (inlet)-Y type
Left hand side			Right hand side		
1	E1HZ 5A231-F	Clamp (extension to connector)	1	E1HZ 5A231-B	Clamp (inlet pipe to connector)
1	E1HZ 5B286-B	Connector	1	E1HZ 5B286-C	Connector
1	E1HZ 5A231-F	Clamp (connector to extension)	1	E1HZ 5A231-B	Clamp (connector to extension)
1	D8HZ 5A212-DN	Extension-88" B.B.C.	1	D8HZ 5A212-E	Extension
1	E1HZ 5A212-M	Extension - 76", 110" B.B.C.	1	E1HZ 5A231-B	Clamp (extension to muffler)
1	D8HZ 5A231-B	Clamp (extension to muffler)	1	D8HZ 5230-AK	Muffler
1	E3HZ 5230-D	Muffler	1	D3HZ 5A231-A	Clamp (muffler to bracket)
1	D8HZ 5277-K	Bracket (muffler support)-88" B.B.C.-Before 1/5/81	1	D8HZ 5277-L	Bracket (muffler support)Before 1/5/81
1	E1HZ 5277-J	Bracket (muffler support)-88" B.B.C.-From 1/5/81 to 8/2/82	1	E1HZ 5277-N	Bracket (muffler support)-From 1/5/81 to 1/3/83
1	E3HZ 5277-R	Bracket (muffler support)-88" B.B.C.-From 8/2/82 to 1/3/83	1	E3HZ 5277-J	Bracket (support)-From 1/3/83
1	E3HZ 5277-R	Bracket (muffler support)-88" B.B.C.-From 1/3/83	1	D8HZ 5277-G	Bracket (bracket to frame)
1	D8HZ 5277-L	Bracket (muffler support)-76" B.B.C.-fuel tank at 64"-Before 1/5/81-1980/81	1	D8HZ 5F230-B	Cap (bracket to frame)
1	E3HZ 5277-J	Bracket (muffler support)-76" B.B.C.-fuel tank at 64"-From 1/5/81-1981/82	1	★D7HT 5A290-DB	Hanger (extension to bracket)
1	D8HZ 5277-J	Bracket (muffler support)-76" B.B.C.-fuel tank at 57"-Before 1/5/81-1980/81	1	D8HZ 5A273-A	Shield (muffler)
1	E3HZ 5277-J	Bracket (muffler support)-76" B.B.C.-fuel tank at 57"-From 1/5/81-1981/82	1	F1HZ 5C264-C	Clamp (shield to muffler)-upper
1	E3HZ 5277-N	Bracket (muffler support)-76" B.B.C.-1983-Before 1/3/83	1	D8HZ 5C264-A	Clamp (shield to muffler)-lower
1	E3HZ 5277-N	Bracket (muffler support)-From 1/3/83	1	D3HZ 5A231-E	Clamp (muffler & outlet pipe to bracket)
1	D8HZ 5277-J	Bracket (muffler support)-110" B.B.C.-Before 1/5/81-1980/81	1	D8HZ 5255-A	Pipe (outlet)
1	E1HZ 5277-N	Bracket (muffler support)-From 1/5/81-1981/82	1	D8HZ 5C208-B	Cap (outlet pipe)
1	D8HZ 5277-J	Bracket (muffler support)-110" B.B.C.-Before 1/5/81-1980/81	Left hand side		
			1	E1HZ 5A231-B	Clamp (inlet pipe to connector)
			1	E1HZ 5B286-B	Connector
			1	E1HZ 5A231-B	Clamp (connector to extension)
			1	D8HZ 5A212-A	Extension-Before 1/3/83
			1	E3HZ 5A212-H	Extension-From 1/3/83
			1	D8HZ 5A231-A	Clamp (extension to muffler)
			1	D8HZ 5230-AK	Muffler
			1	D3HZ 5A231-E	Clamp (muffler to bracket)
			1	D8HZ 5277-L	Bracket (muffler support)Before 1/5/81-1980/81
			1	E1HZ 5277-N	Bracket (muffler support)-From 1/5/81-1981/82

EXHAUST PARTS LISTS

Q T Y	PART NUMBER	DESCRIPTION	Q T Y	PART NUMBER	DESCRIPTION
● Not used in noise restriction areas ▲ Use in noise restriction areas					
PARTS LIST NO. 21— Cont'd			PARTS LIST NO. 22 — Cont'd		
1	E3HZ 5277-A	Bracket (muffler support)-1983- Before 1/3/83	2	D8HZ 5A231-C	Clamp (extension to bracket)
1	E3HZ 5277-N	Bracket (muffler support)-From 1/3/83	1	D8HZ 5277-G	Bracket (bracket to frame)
1	★D7HT 5A290-DB	Hanger (extension to bracket)	1	D8HZ 5F230-B	Cap (bracket to frame)
1	D8HZ 5277-G	Bracket (bracket to frame)	1	D8HZ 5A273-A	Shield (muffler)
1	D8HZ 5F230-B	Cap (bracket to frame)	1	F1HZ 5C264-C	Clamp (shield to muffler)-upper
1	D8HZ 5A273-A	Shield (muffler)	1	D8HZ 5C264-A	Clamp (shield to muffler)-lower
1	F1HZ 5C264-C	Clamp (shield to muffler)-upper	1	D3HZ 5A231-E	Clamp (muffler & outlet pipe to bracket)
1	D8HZ 5C264-A	Clamp (shield to muffler)-lower	1	D8HZ 5255-B	Pipe (outlet)
1	D3HZ 5A231-E	Clamp (muffler & outlet pipe to bracket)	1	D8HZ 5C208-A	Cap (outlet pipe)
1	D8HZ 5255-A	Pipe (outlet)	PARTS LIST NO. 23		
1	D8HZ 5C208-B	Cap (outlet pipe)	1	D5HZ 5A231-F	Clamp (inlet pipe to engine)
PARTS LIST NO. 22			1	D8HZ 5246-M	Pipe (inlet)
1	D8HZ 5246-T	Pipe (inlet)-Y type Right hand side	1	E1HZ 5A231-B	Clamp (inlet pipe to connector)
1	E1HZ 5A231-F	Clamp (inlet pipe to connector)	1	E1HZ 5B286-C	Connector
1	E1HZ 5B286-C	Connector	1	E1HZ 5A231-B	Clamp (connector to inlet pipe)
1	E1HZ 5A231-F	Clamp (connector to extension)	1	D8HZ 5246-W	Pipe (inlet)-Y type Left hand side
1	D8HZ 5A212-BZ	Extension	1	E1HZ 5A231-B	Clamp (connector to inlet pipe)
1	E1HZ 5A231-F	Clamp (extension to muffler)	1	E1HZ 5B286-B	Connector
1	D8HZ 5230-AJ	Muffler-Before 8/2/82	1	E1HZ 5A231-B	Clamp (connector to extension)
1	E3HZ 5230-D	Muffler-From 8/2/82	1	D8HZ 5A212-E	Extension
1	D3HZ 5A231-E	Clamp (muffler to bracket)	1	E1HZ 5A231-B	Clamp (extension to muffler)
1	D8HZ 5277-L	Bracket (muffler support)-Before 1/5/81	1	D8HZ 5C208-B	Cap (outlet pipe)
1	E1HZ 5277-N	Bracket (muffler support)-From 1/5/81 to 1/3/83	1	D8HZ 5230-AK	Muffler
1	E3HZ 5277-J	Bracket (support)-From 1/3/83-	1	D8HZ 5277-L	Bracket (muffler support)-fuel tank at 64" Before 1/5/81-1980/81
1	D8HZ 5277-G	Bracket (bracket to frame)	1	E3HZ 5277-J	Bracket (muffler support)-fuel tank at 64"-From 1/5/81-1980/82
1	D8HZ 5F230-B	Cap (bracket to frame)	1	E3HZ 5277-N	Bracket (muffler support)-1983/ Bracket (muffler support)-fuel tank at 57"-Before 1/5/81-1980/81
1	★D7HT 5A290-DB	Hanger (extension to bracket)	1	D8HZ 5277-H	Bracket (muffler support)-fuel tank at 57"-From 1/5/81-1980/82
2	D8HZ 5A231-C	Clamp (extension to bracket)	1	E3HZ 5277-J	Bracket (muffler support)-fuel tank at 57"-From 1/5/81-1980/82
1	D8HZ 5A273-A	Shield (muffler)	1	D3HZ 5A231-E	Clamp (muffler to bracket)
1	F1HZ 5C264-C	Clamp (shield to muffler)-upper	1	D8HZ 5277-G	Bracket (bracket to frame)
1	D8HZ 5C264-A	Clamp (shield to muffler)-lower	1	D8HZ 5F230-B	Cap (bracket to frame)
1	D3HZ 5A231-E	Clamp (muffler & outlet pipe to bracket)	1	★D7HT 5A290-DB	Hanger (extension to bracket)
1	D8HZ 5255-B	Pipe (outlet)	1	D8HZ 5A273-A	Shield (muffler)
1	D8HZ 5C208-A	Cap (outlet pipe) Left hand side	1	F1HZ 5C264-C	Clamp (shield to muffler)-upper
1	E1HZ 5A231-F	Clamp (inlet pipe to connector)	1	D8HZ 5C264-A	Clamp (shield to muffler)-lower
1	E1HZ 5B286-B	Connector	1	D3HZ 5A231-E	Clamp (muffler & outlet pipe to bracket)
1	E1HZ 5A231-F	Clamp (connector to extension)	1	D8HZ 5255-A	Pipe (outlet)-Before 1/5/81
1	E3HZ 5A212-D	Extension	1	E1HZ 5277-L	Bracket (muffler support)-From 1/5/81
1	D8HZ 5A231-B	Clamp (extension to muffler)	Right hand side		
1	D8HZ 5230-AJ	Muffler-Before 8/2/82	1	D8HZ 5A231-A	Clamp (inlet pipe to muffler)
1	E3HZ 5230-D	Muffler-From 8/2/82	1	D8HZ 5230-AK	Muffler
1	D3HZ 5A231-E	Clamp (muffler to bracket)	1	D8HZ 5277-L	Bracket (muffler support)-fuel tank at 64" Before 1/5/81
1	D8HZ 5277-L	Bracket (muffler support) Before 1/5/81-1980/81	1	E3HZ 5277-J	Bracket (muffler support)-fuel tank at 64"-From 1/5/81 to 1/3/83
1	E1HZ 5277-N	Bracket (muffler support)- From 1/5/81-1981/82	1	E3HZ 5277-J	Bracket (muffler support)-From 1/3/83
1	E3HZ 5277-A	Bracket (support)-1983-Before 1/3/83	1	D8HZ 5277-J	Bracket (muffler support)-fuel Before 1/5/81
1	E3HZ 5277-N	Bracket (muffler support)-From 1/3/83			
1	★D7HT 5F230-DB	Hanger (extension to bracket)			

1980/  
TRUCK SERIES 600/900

Refer to SECTION 52.1, Page 1  
for PARTS LIST INSTRUCTION

### EXHAUST PARTS LISTS

Q T Y	PART NUMBER	DESCRIPTION	Q T Y	PART NUMBER	DESCRIPTION
● Not used in noise restriction areas ▲ Use in noise restriction areas					
PARTS LIST NO. 23 — Cont'd			PARTS LIST NO. 24 — Cont'd		
1	E3HZ 5277-J	Bracket (muffler support)-fuel tank at 57"-From 1/5/81 to 1/3/83	1	D8HZ 5277-L	Bracket (muffler support)-fuel tank at 64"-Before 1/5/81-1980/81
1	E3HZ 5277-J	Bracket (muffler support)-From 1/3/83	1	E3HZ 5277-J	Bracket (muffler support)-fuel tank at 64"-From 1/5/81-1981/82
1	D3HZ 5A231-E	Clamp (muffler to bracket)	1	D8HZ 5277-J	Bracket (muffler support)-fuel tank at 57"-Before 1/5/81-1980/81
1	D8HZ 5277-G	Bracket (bracket to frame)	1	E3HZ 5277-L	Bracket (muffler support)-fuel tank at 57"-From 1/5/81-1981/82
1	D8HZ 5F230-B	Cap (bracket to frame)	1	E3HZ 5277-A	Bracket (muffler support)-Before 1/3/83
1	★D7HT 5A290-DB	Hanger (inlet pipe to bracket)	1	E3HZ 5277-N	Bracket (muffler support)-From 1/3/83
1	D8HZ 5A273-A	Shield (muffler)	1	D3HZ 5A231-E	Clamp (muffler to bracket)
1	F1HZ 5C264-C	Clamp (shield to muffler)-upper	1	D8HZ 5277-G	Bracket (bracket to frame)
1	D8HZ 5C264-A	Clamp (shield to muffler)-lower	1	D8HZ 5F230-B	Cap (bracket to frame)
1	D3HZ 5A231-E	Clamp (muffler & outlet pipe to bracket)	1	D8HZ 5A273-A	Shield (muffler)
1	D8HZ 5255-A	Pipe (outlet)	1	F1HZ 5C264-C	Clamp (shield to muffler)-upper
1	D8HZ 5C208-B	Cap (outlet pipe)	1	D8HZ 5C264-A	Clamp (shield to muffler)-lower
PARTS LIST NO. 24			1	D3HZ 5A231-E	Clamp (muffler & outlet pipe to bracket)
1	D5HZ 5A231-F	Clamp (inlet pipe to engine)	1	D8HZ 5255-B	Pipe (outlet)
1	D8HZ 5246-M	Pipe (inlet)	1	D8HZ 5C208-A	Cap (outlet pipe)
1	E1HZ 5A231-F	Clamp (inlet pipe to connector)	PARTS LIST NO. 25		
1	E1HZ 5B286-C	Connector	1	E4HZ 5A231-A	Clamp (inlet pipe to engine)
1	E1HZ 5A231-F	Clamp (connector to inlet pipe)	1	D8HZ 5246-M	Pipe (inlet)-1980/83
1	D8HZ 5246-W	Pipe (inlet)-Y type	1	E5HZ 5246-E	Pipe (inlet) 1984/
Left hand side			1	E1HZ 5A231-B	Clamp (inlet pipe to connector)
1	E1HZ 5A231-F	Clamp (connector to inlet pipe)	1	E1HZ 5B286-C	Connector
1	E1HZ 5B286-B	Connector	1	E1HZ 5A231-B	Clamp (connector to extension)
1	E1HZ 5A231-F	Clamp (connector to extension)	1	D8HZ 5A212-Z	Extension-Y type-1980/85
1	D8HZ 5A212-BZ	Extension	1	E6HZ 5A212-A	Extension-Y type-1986
1	E1HZ 5A231-F	Clamp (extension to muffler)	Right hand side		
1	★D7HT 5A290-DB	Hanger (inlet pipe to bracket)	1	E1HZ 5A231-B	Clamp (extension to muffler)
2	D8HZ 5A231-C	Clamp (extension to bracket)	1	★D7HT 5A290-DB	Hanger (extension to bracket)
1	E3HZ 5230-D	Muffler	1	D8HZ 5230-AK	Muffler
1	D8HZ 5277-L	Bracket (muffler support)-fuel tank at 64" tank at 64"-Before 1/5/81-1980/82	1	D8HZ 5277-M	Bracket (muffler support)Before 1/5/81
1	E3HZ 5277-J	Bracket (muffler support)-fuel tank at 64"-From 1/5/81-1980/82	1	E1HZ 5277-K	Bracket (muffler support)-From 1/5/81 to 1/3/83
1	D8HZ 5277-H	Bracket (muffler support)-fuel tank at 57"-Before 1/5/81-1980/82	1	E3HZ 5277-K	Bracket (muffler support)-From 1/3/83-1983/87
1	E3HZ 5277-J	Bracket (muffler support)-fuel tank at 57"-From 1/5/81-1980/82	1	E8HZ 5277-B	Support (muffler)-1988
1	E3HZ 5277-N	Bracket (muffler support)-1983/	1	D3HZ 5A231-E	Clamp (muffler to support)
1	D3HZ 5A231-A	Clamp (muffler to bracket)	1	D8HZ 5277-G	Bracket (bracket to frame)
1	D8HZ 5277-G	Bracket (bracket to frame)	1	D8HZ 5F230-B	Cap (bracket to frame)
1	D8HZ 5F230-B	Cap (bracket to frame)	1	D8HZ 5A273-A	Shield (muffler)
1	D8HZ 5A273-A	Shield (muffler)	1	F1HZ 5C264-C	Clamp (shield to muffler)-upper
1	F1HZ 5C264-C	Clamp (shield to muffler)-upper	1	D8HZ 5C264-A	Clamp (shield to muffler)-lower
1	D8HZ 5C264-A	Clamp (shield to muffler)-lower	1	D3HZ 5A231-E	Clamp (muffler & outlet pipe to bracket)
1	D3HZ 5A231-E	Clamp (muffler & outlet pipe to bracket)	1	D8HZ 5255-A	Pipe (outlet)
1	D8HZ 5255-B	Pipe (outlet)	1	D8HZ 5C208-B	Cap (outlet pipe)
1	D8HZ 5C208-A	Cap (outlet pipe)	Left hand side		
Right hand side			1	E1HZ 5A231-B	Clamp (extension to connector)
1	D8HZ 5A231-B	Clamp (inlet pipe to muffler)	1	E1HZ 5B286-B	Connector
1	★D7HT 5A240-DB	Hanger (inlet pipe to frame)	1	E1HZ 5A231-B	Clamp (connector to extension)
2	D8HZ 5A231-C	Clamp (extension to bracket)	1	D8HZ 5A212-BN	Extension
1	E3HZ 5230-D	Muffler			

EXHAUST PARTS LISTS

QTY	PART NUMBER	DESCRIPTION	QTY	PART NUMBER	DESCRIPTION
● Not used in noise restriction areas ▲ Use in noise restriction areas					
PARTS LIST NO. 25 — Cont'd			PARTS LIST NO. 26 — Cont'd		
1	D8HZ 5A231-A	Clamp (extension to muffler)	2	D8HZ 5A231-C	Clamp (extension to bracket)
1	D8HZ 5230-AK	Muffler	1	E3HZ 5230-D	Muffler
1	★D7HT 5A290-DB	Hanger (extension to bracket)	1	D8HZ 5277-K	Support (muffler support)-Before 1/5/81-1980/81
1	D8HZ 5277-K	Bracket (muffler support)-Before 1/5/81-1980/81	1	E1HZ 5277-J	Support (muffler support)-From 1/5/81-1981/82
1	E1HZ 5277-J	Bracket (muffler support)-From 1/5/81-1981/82	1	E3HZ 5277-R	Support (muffler support)-1983-Before 1/3/83
1	E3HZ 5277-R	Bracket (muffler support)-1983-Before 1/3/83	1	E3HZ 5277-R	Support (muffler support)-From 1/3/83
1	D3HZ 5A231-E	Clamp (muffler to bracket)	1	D3HZ 5A231-E	Clamp (muffler to bracket)
1	D8HZ 5277-G	Bracket (bracket to frame)	1	D8HZ 5277-G	Bracket (support to frame)
1	D8HZ 5F230-B	Cap (bracket to frame)	1	D8HZ 5F230-B	Cap (support to frame)
1	D8HZ 5A273-A	Shield (muffler)	1	D8HZ 5A273-A	Shield (muffler)
1	F1HZ 5C264-C	Clamp (shield to muffler)-upper	1	F1HZ 5C264-C	Clamp (shield to muffler)-upper
1	D8HZ 5C264-A	Clamp (shield to muffler)-lower	1	D8HZ 5C264-A	Clamp (shield to muffler)-lower
1	D3HZ 5A231-E	Clamp (muffler & outlet pipe to bracket)	1	D3HZ 5A231-E	Clamp (muffler & outlet pipe to bracket)
1	D8HZ 5255-A	Pipe (outlet)	1	D8HZ 5255-B	Pipe (outlet)
1	D8HZ 5C208-B	Cap (outlet pipe)	1	D8HZ 5C208-A	Cap (outlet pipe)
PARTS LIST NO. 26			PARTS LIST NO. 27		
1	E4HZ 5A231-A	Clamp (inlet pipe to engine)	1	D5HZ 5A231-F	Clamp (inlet pipe to engine)
1	D8HZ 5246-M	Pipe (inlet)-1980/83	1	D8HZ 5246-BB	Pipe (inlet)
1	E5HZ 5246-E	Pipe (inlet)-1984/	1	E1HZ 5A231-B	Clamp (inlet pipe to connector)
1	E1HZ 5A231-F	Clamp (inlet pipe to connector)	1	E1HZ 5B286-C	Connector
1	E1HZ 5B286-C	Connector	1	E1HZ 5A231-B	Clamp (connector to extension)
1	E1HZ 5A231-F	Clamp (connector to extension)	1	D8HZ 5A212-M	Extension-Y type
1	D8HZ 5260-A	Support (Y pipe to frame)	Right hand side		
1	D3HZ 5A231-E	Clamp (pipe to support)	1	E1HZ 5A231-B	Clamp (extension to muffler)
1	D8HZ 5A212-AA	Extension-Y type-1980/85	1	★D7HT 5A290-DB	Hanger (extension to bracket)
1	E6HZ 5A212-B	Extension-Y type-1986/	1	D8HZ 5230-AK	Muffler
Right hand side			1	D8HZ 5277-M	Bracket (muffler support)-Before 1/5/81
1	E1HZ 5A231-F	Clamp (extension to muffler)	1	E3HZ 5277-K	Bracket (muffler support)-From 1/5/81
1	★D7HT 5A290-DB	Hanger (extension to bracket)	1	D3HZ 5A231-A	Clamp (muffler to bracket)
2	D8HZ 5A231-C	Clamp (extension to bracket)	1	D8HZ 5277-G	Bracket (bracket to frame)
1	E3HZ 5230-D	Muffler	1	D8HZ 5F230-B	Cap (bracket to frame)
1	D8HZ 5277-M	Support (muffler support)-Before 1/5/81	1	D8HZ 5A273-A	Shield (muffler)
1	E3HZ 5277-K	Support (muffler support)-From 1/5/81-1983/87	1	F1HZ 5C264-C	Clamp (shield to muffler)-upper
1	E8HZ 5277-B	Support (muffler)-1988	1	D8HZ 5C264-A	Clamp (shield to muffler)-lower
1	D3HZ 5A231-E	Clamp (muffler to bracket)	1	D3HZ 5A231-E	Clamp (muffler & outlet pipe to bracket)
1	D8HZ 5277-G	Bracket (bracket to frame)	1	D8HZ 5255-A	Pipe (outlet)
1	D8HZ 5F230-B	Cap (support to frame)	1	D8HZ 5C208-B	Cap (outlet pipe)
1	D8HZ 5A273-A	Shield (muffler)	Left hand side		
1	F1HZ 5C264-C	Clamp (shield to muffler)-upper	1	E1HZ 5A231-B	Clamp (extension to connector)
1	D8HZ 5C264-A	Clamp (shield to muffler)-lower	1	E1HZ 5B286-B	Connector
1	D3HZ 5A231-E	Clamp (muffler & outlet pipe to bracket)	1	E1HZ 5A231-B	Clamp (connector to extension)
1	D8HZ 5255-B	Pipe (outlet)	1	D8HZ 5A212-BN	Extension
1	D8HZ 5C208-A	Cap (outlet pipe)	1	D8HZ 5A231-A	Clamp (extension to muffler)
Left hand side			1	★D7HT 5A290-DB	Hanger (extension to bracket)
1	E1HZ 5A231-F	Clamp (extension to connector)	1	D8HZ 5230-AK	Muffler
1	E1HZ 5B286-B	Connector	1	D8HZ 5277-K	Bracket (muffler support)-Before 1/5/81-1980/81
1	E1HZ 5A231-F	Clamp (connector to extension)	1	E1HZ 5277-J	Bracket (muffler support)-From 1/5/81-1981/82
1	D8HZ 5A212-DN	Extension	1	E3HZ 5277-R	Bracket (muffler support)-1983-Before 1/3/83
1	D8HZ 5A231-B	Clamp (extension to muffler)			
1	★D7HT 5A290-DB	Hanger (extension to bracket)			

1980/  
TRUCK SERIES 600/900

Refer to SECTION 52.1, Page 1  
for PARTS LIST INSTRUCTION

### EXHAUST PARTS LISTS

QTY	PART NUMBER	DESCRIPTION	QTY	PART NUMBER	DESCRIPTION
● Not used in noise restriction areas ▲ Use in noise restriction areas					
PARTS LIST NO. 28 — Cont'd			PARTS LIST NO. 28 — Cont'd		
1	E3HZ 5277-R	Bracket (muffler support)-From 1/3/83	1	E3HZ 5230-D	Muffler
1	D3HZ 5A231-E	Clamp (muffler to bracket)	1	D8HZ 5277-K	Bracket (muffler support)-88" B.B.C. Before 1/5/81-1980/81
1	D8HZ 5277-G	Bracket (bracket to frame)	1	E1HZ 5277-J	Bracket (muffler support)-88" B.B.C.--From 1/5/81-1981/82
1	D8HZ 5F230-B	Cap (bracket to frame)	1	E3HZ 5277-R	Bracket (muffler support)-88" B.B.C.-1983-Before 1/3/83
1	D8HZ 5A273-A	Shield (muffler)	1	E3HZ 5277-R	Bracket (muffler support)-From 1/3/83
1	F1HZ 5C264-C	Clamp (shield to muffler)-upper	1	D8HZ 5277-J	Bracket (muffler support)-110" B.B.C. Before 1/5/81-1980/81
1	D8HZ 5C264-A	Clamp (shield to muffler)-lower	1	E3HZ 5277-L	Bracket (muffler support)-110" B.B.C.--From 1/5/81-1981/82
1	D3HZ 5A231-E	Clamp (muffler & outlet pipe to bracket)	1	E3HZ 5277-S	Bracket (muffler support)-110" B.B.C.-1983-Before 1/3/83
1	D8HZ 5255-A	Pipe (outlet)	1	E3HZ 5277-S	Bracket (muffler support)-From 1/3/83
1	D8HZ 5C208-B	Cap (outlet pipe)	1	D3HZ 5A231-E	Clamp (muffler to bracket)
PARTS LIST NO. 28			1	D8HZ 5277-G	Bracket (bracket to frame)
1	D5HZ 5A231-F	Clamp (inlet pipe to engine)	1	D8HZ 5F230-B	Cap (bracket to frame)
1	D8HZ 5246-BB	Pipe (inlet)	1	D8HZ 5A273-A	Shield (muffler)
1	E1HZ 5A231-F	Clamp (inlet pipe to connector)	1	F1HZ 5C264-C	Clamp (shield to muffler)-upper
1	DOHZ 5B286-A	Connector-110" B.B.C.	1	D8HZ 5C264-A	Clamp (shield to muffler)-lower
1	E1HZ 5B286-C	Connector-88" B.B.C.	1	D3HZ 5A231-A	Clamp (muffler & outlet pipe to bracket)
1	E1HZ 5A231-F	Clamp (connector to extension)	1	D8HZ 5255-B	Pipe (outlet)
1	D8HZ 5A212-AH	Extension-Y type-88" B.B.C.	1	D8HZ 5C208-A	Cap (outlet pipe)
1	★D8HZ 5A212-N	Extension-Y type-110" B.B.C.	PARTS LIST NO. 29		
1	D8HZ 5260-A	Bracket (extension to frame)-110" B.B.C.	1	D8HZ 5246-Z	Pipe (inlet) Before 11/3/80
1	D3HZ 5A231-E	Clamp (extension to frame)-110" B.B.C.	1	E1HZ 5246-E	Pipe (in let)-From 11/3/80
2	B9TT 5A291-A	Spring (extension to frame)-110" B.B.C.	1	E1HZ 5A231-B	Clamp (inlet pipe to extension)
Right hand side			1	D8HZ 5A212-H	Extension-Y type-Before 1/3/83
1	E1HZ 5A231-F	Clamp (extension to muffler)	1	E3HZ 5A212-K	Extension-Y type-From 1/3/83
1	★D7HT 5A290-DB	Hanger (extension to bracket)	Right hand side		
2	D8HZ 5A231-C	Clamp (extension to bracket)	1	E1HZ 5A231-B	Clamp (extension to muffler)
1	E3HZ 5230-D	Muffler	1	D8HZ 5230-AK	Muffler
1	D8HZ 5277-M	Bracket (muffler support)-88" B.B.C. Before 1/5/81	1	D3HZ 5A231-A	Clamp
1	E3HZ 5277-K	Bracket (muffler support)-88" B.B.C.-From 1/5/81	1	★D7HT 5A290-DB	Hanger (extension to bracket)
1	D8HZ 5277-H	Bracket (muffler support)-110" B.B.C. Before 1/5/81	1	D8HZ 5277-L	Bracket (muffler support) Before 1/5/81
1	E3HZ 5277-M	Bracket (muffler support)-110" B.B.C.-From 1/5/81 to 1/3/83	1	E3HZ 5277-J	Bracket (muffler support)-From 1/5/81
1	E3HZ 5277-M	Bracket (muffler support)-From 1/3/83	1	D8HZ 5277-G	Bracket (bracket to frame)
1	D3HZ 5A231-E	Clamp (muffler to bracket)	1	D8HZ 5F230-B	Cap (bracket to frame)
1	D8HZ 5277-G	Bracket (bracket to frame)	1	D8HZ 5A273-A	Shield (muffler)
1	D8HZ 5F230-B	Cap (bracket to frame)	1	F1HZ 5C264-C	Clamp (shield to muffler)-upper
1	D8HZ 5A273-A	Shield (muffler)	1	D8HZ 5C264-A	Clamp (shield to muffler)-lower
1	F1HZ 5C264-C	Clamp (shield to muffler)-upper	1	D3HZ 5A231-E	Clamp (muffler & outlet pipe to bracket)
1	D8HZ 5C264-A	Clamp (shield to muffler)-lower	1	D8HZ 5255-B	Pipe (outlet)
1	D3HZ 5A231-E	Clamp (muffler & outlet pipe to bracket)	1	D8HZ 5C208-A	Cap (outlet pipe)
1	D8HZ 5255-B	Pipe (outlet)	Left hand side		
1	D8HZ 5C208-A	Cap (outlet pipe)	1	E1HZ 5A231-B	Clamp (extension to connector)
Left hand side			1	E1HZ 5B286-B	Connector
1	E1HZ 5A231-F	Clamp (connector to engine)	1	E1HZ 5A231-B	Clamp (connector to extension)
1	E1HZ 5B286-B	Connector	1	D8HZ 5A212-C	Extension-Before 1/3/83
1	E1HZ 5A231-F	Clamp (connector to extension)	1	E3HZ 5A212-G	Extension-From 1/3/83
1	D8HZ 5A212-DN	Extension-88" B.B.C.	1	D8HZ 5A231-A	Clamp (extension to muffler)
1	E1HZ 5A212-M	Extension - 110" B.B.C.	1	★D7HT 5A290-DB	Hanger (extension to bracket)
1	E1HZ 5A231-F	Clamp (extension to muffler)	1	D8HZ 5230-AK	Muffler-Before 8/82
1	★D7HT 5A290-DB	Hanger (extension to bracket)			
2	D8HZ 5A231-C	Clamp (extension to bracket)			

EXHAUST PARTS LISTS

QTY	PART NUMBER	DESCRIPTION	QTY	PART NUMBER	DESCRIPTION
● Not used in noise restriction areas ▲ Use in noise restriction areas					
PARTS LIST NO. 29 — Cont'd			PARTS LIST NO. 30— Cont'd		
1	E3HZ 5230-D	Muffler-From 8/2/82	1	D8HZ 5A273-A	Shield (muffler)
1	D3HZ 5A231-E	Clamp (muffler to bracket)	1	F1HZ 5C264-C	Clamp (shield to muffler)-upper
1	D8HZ 5277-L	Bracket (muffler support)Before 1/5/81-1980/81	1	D8HZ 5C264-A	Clamp (shield to muffler)-lower
1	E3HZ 5277-J	Bracket (muffler support)-From 1/5/81-1981/82	1	D3HZ 5A231-E	Clamp (muffler & outlet pipe to bracket)
1	E3HZ 5277-N	Bracket (muffler support)-1983/	1	D8HZ 5255-B	Pipe (outlet)
1	D8HZ 5277-G	Bracket (bracket to frame)	1	D8HZ 5C208-A	Cap (outlet pipe)
1	D8HZ 5F230-B	Cap (bracket to frame)	PARTS LIST NO. 31		
1	D8HZ 5A273-A	Shield (muffler)	1	E7HZ 5A231-E	Clamp (inlet pipe to engine)
1	F1HZ 5C264-C	Clamp (shield to muffler)-upper	1	E1HZ 5246-D	Pipe (inlet)
1	D8HZ 5C264-A	Clamp (shield to muffler)-lower	1	E1HZ 5A231-B	Clamp (inlet pipe to extension)
1	D3HZ 5A231-E	Clamp (muffler & outlet pipe to bracket)	1	D8HZ 5A212-D	Extension-exc. aero pkg.
1	D8HZ 5255-A	Pipe (outlet)	1	E7HZ 5A212-F	Extension-aero pkg.
1	D8HZ 5C208-B	Cap (outlet pipe)	1	E1HZ 5A231-B	Clamp (extension to muffler)
PARTS LIST NO. 30			1	★D7HT 5A290-DB	Hanger (extension to bracket)
1	E1HZ 5246-E	Pipe (inlet)	1	D8HZ 5277-G	Bracket (bracket to frame)
1	E1HZ 5A231-F	Clamp (inlet pipe to extension)	1	D8HZ 5F230-B	Cap (bracket to frame)
1	D8HZ 5A212-L	Extension-Y type-Before 1/3/83	1	D8HZ 5277-L	Bracket (muffler support)Before 1/5/81
1	E3HZ 5A212-L	Extension-From 1/3/83	1	E3HZ 5277-J	Bracket (muffler support)-From 1/5/81
Right hand side			1	D3HZ 5A231-A	Clamp (muffler to bracket)
1	E1HZ 5A231-F	Clamp (extension to muffler)	1	E2HZ 5230-L	Muffler
1	E3HZ 5230-D	Muffler	1	D8HZ 5A273-A	Shield (muffler)
1	D3HZ 5A231-A	Clamp (muffler to bracket)	1	F1HZ 5C264-C	Clamp (shield to muffler)-upper
1	★D7HT 5A290-DB	Hanger (extension to bracket)	1	D8HZ 5C264-A	Clamp (shield to muffler)-lower
2	D8HZ 5A231-C	Clamp (extension to bracket)	1	D3HZ 5A231-E	Clamp (outlet pipe & muffler to bracket)
1	D8HZ 5277-L	Bracket (muffler support)Before 1/5/81	1	D8HZ 5255-A	Pipe (outlet)
1	E3HZ 5277-J	Bracket (muffler support)-From 1/5/81	1	D8HZ 5C208-B	Cap (outlet pipe)
1	D8HZ 5277-G	Bracket (bracket to frame)	PARTS LIST NO. 32		
1	D8HZ 5F230-B	Cap (bracket to frame)	1	E7HZ 5A231-E	Clamp (inlet pipe to engine)
1	D8HZ 5A273-A	Shield (muffler)	1	E1HZ 5246-D	Pipe (inlet)
1	F1HZ 5C264-C	Clamp (shield to muffler)-upper	1	E1HZ 5A231-F	Clamp (inlet pipe to extension)
1	D8HZ 5C264-A	Clamp (shield to muffler)-lower	1	D8HZ 5A212-DJ	Extension
1	D3HZ 5A231-E	Clamp (muffler & outlet pipe to bracket)	1	E1HZ 5A231-F	Clamp (extension to muffler)
1	D8HZ 5255-B	Pipe (outlet)	1	★D7HT 5A290-DB	Hanger (extension to bracket)
1	D8HZ 5C208-A	Cap (outlet pipe)	1	D8HZ 5277-G	Bracket (bracket to frame)
Left hand side			1	D8HZ 5F230-B	Cap (bracket to frame)
1	E1HZ 5A231-F	Clamp (extension to connector)	1	D8HZ 5277-L	Bracket (muffler support)Before 1/5/81
1	E1HZ 5B286-B	Connector	1	E3HZ 5277-J	Bracket (muffler support)-From 1/5/81
1	E1HZ 5A231-F	Clamp (connector to extension)	1	D3HZ 5A231-E	Clamp (muffler to bracket)
1	D8HZ 5A212-DM	Extension-Before 1/3/83	1	E3HZ 5230-D	Muffler
1	E3HZ 5A212-F	Extension-From 1/3/83	1	D8HZ 5A273-A	Shield (muffler)
1	D8HZ 5A231-B	Clamp (extension to muffler)	1	F1HZ 5C264-C	Clamp (shield to muffler)-upper
1	★D7HT 5A290-DB	Hanger (extension to bracket)	1	D8HZ 5C264-A	Clamp (shield to muffler)-lower
2	D8HZ 5A231-C	Clamp (extension to bracket)	1	D3HZ 5A231-E	Clamp (outlet pipe & muffler to bracket)
1	E3HZ 5230-D	Muffler	1	D8HZ 5255-B	Pipe (outlet)
1	D3HZ 5A231-E	Clamp (muffler to bracket)	1	D8HZ 5C208-A	Cap (outlet pipe)
1	D8HZ 5277-L	Bracket (muffler support)Before 1/5/81-1980/81	PARTS LIST NO. 33		
1	E3HZ 5277-J	Bracket (muffler support)-From 1/5/81-1981/82	1	E7HZ 5A231-E	Clamp (inlet pipe to engine)
1	E3HZ 5277-N	Bracket (muffler support)-1983/	1	E1HZ 5246-D	Pipe (inlet)
1	D8HZ 5277-G	Bracket (bracket to frame)	1	E1HZ 5A231-B	Clamp (inlet pipe to extension)
1	D8HZ 5F230-B	Cap (bracket to frame)	1	D8HZ 5A212-D	Extension
			1	D8HZ 5277-G	Bracket (bracket to frame)
			1	E1HZ 5A231-B	Clamp (extension to muffler)
			1	★D7HT 5A290-DB	Hanger (extension to bracket)
			1	D8HZ 5F230-B	Cap (bracket to frame)

1980/  
TRUCK SERIES 600/900

### EXHAUST PARTS LISTS

QTY	PART NUMBER	DESCRIPTION	QTY	PART NUMBER	DESCRIPTION
● Not used in noise restriction areas ▲ Use in noise restriction areas					
PARTS LIST NO. 33 — Cont'd			PARTS LIST NO. 35 — Cont'd		
1	D8HZ 5277-H	Bracket (muffler support)-Before 1/5/81	1	D8HZ 5C264-A	Clamp (shield to muffler)-lower
1	E3HZ 5277-J	Bracket (muffler support)-From 1/5/81 to 8/2/82	1	D3HZ 5A231-E	Clamp (outlet pipe & muffler to bracket)
1	E3HZ 5277-N	Bracket (muffler support)-From 8/2/82	1	D8HZ 5255-A	Pipe (outlet)
1	D3HZ 5A231-E	Clamp (muffler to bracket)	1	D8HZ 5C208-B	Cap (outlet pipe)
1	E2HZ 5230-L	Muffler-NTC 400	PARTS LIST NO. 36		
1	D8HZ 5230-AF	Muffler-NTC 250-300	1	E7HZ 5A231-G	Clamp (inlet pipe to engine)
1	D8HZ 5A273-A	Shield (muffler)	1	D8HZ 5246-L	Pipe (inlet)
1	F1HZ 5C264-C	Clamp (shield to muffler)-upper	1	E1HZ 5A231-F	Clamp (inlet pipe to connector)
1	D8HZ 5C264-A	Clamp (shield to muffler)-lower	1	E1HZ 5B286-C	Connector
1	D3HZ 5A231-E	Clamp (outlet pipe & muffler to bracket)	1	E1HZ 5A231-F	Clamp (connector to extension)
1	D8HZ 5255-A	Pipe (outlet)	1	D8HZ 5A212-DH	Extension
1	D8HZ 5C208-B	Cap (outlet pipe)	1	E1HZ 5A231-F	Clamp (extension to muffler)
PARTS LIST NO. 34			1	★D7HT 5A290-DB	Hanger (extension to bracket)
1	E7HZ 5A231-E	Clamp (inlet pipe to engine)	1	D8HZ 5277-G	Bracket (bracket to frame)
1	E1HZ 5246-D	Pipe (inlet)	1	D8HZ 5F230-B	Cap (bracket to frame)
1	E1HZ 5A231-F	Clamp (inlet pipe to extension)	1	D8HZ 5277-M	Bracket (muffler support)Before 1/5/81
1	D8HZ 5A212-DJ	Extension	1	E3HZ 5277-K	Bracket (muffler support)-From 1/5/81 to 8/2/82
1	E1HZ 5A231-F	Clamp (extension to muffler)	1	E3HZ 5277-R	Bracket (muffler support)-From 8/2/82 to 1/3/83
1	★D7HT 5A290-DB	Hanger (extension to bracket)	1	E3HZ 5277-R	Bracket (muffler support)-From 1/3/83
1	D8HZ 5277-G	Bracket (bracket to frame)	1	D3HZ 5A231-E	Clamp (muffler to bracket)
1	D8HZ 5F230-B	Cap (bracket to frame)	1	E3HZ 5230-D	Muffler
1	D8HZ 5277-H	Bracket (muffler support)-Before 1/5/81	1	D8HZ 5A273-A	Shield (muffler)
1	E3HZ 5277-J	Bracket (muffler support)-From 1/5/81 to 8/2/82	1	F1HZ 5C264-C	Clamp (shield to muffler)-upper
1	E3HZ 5277-N	Bracket (muffler support)-From 8/2/82	1	D8HZ 5C264-A	Clamp (shield to muffler)-lower
1	D3HZ 5A231-E	Clamp (muffler to bracket)	1	D3HZ 5A231-E	Clamp (outlet pipe & muffler to bracket)
1	D8HZ 5230-AL	Muffler-NTC 250-350-Before 8/2/82	1	D8HZ 5255-B	Pipe (outlet)
1	E3HZ 5230-D	Muffler-NTC 400-Before 8/2/82	1	D8HZ 5C208-A	Cap (outlet pipe)
1	E3HZ 5230-D	Muffler-From 8/2/82	PARTS LIST NO. 37		
1	D8HZ 5A273-A	Shield (muffler)	1	E7HZ 5A231-G	Clamp (inlet pipe to engine)
1	F1HZ 5C264-C	Clamp (shield to muffler)-upper	1	D8HZ 5246-L	Pipe (inlet)
1	D8HZ 5C264-A	Clamp (shield to muffler)-lower	1	E1HZ 5A231-F	Clamp (inlet pipe to connector)
1	D3HZ 5A231-E	Clamp (outlet pipe & muffler to bracket)	1	E1HZ 5B286-C	Connector
1	D8HZ 5255-B	Pipe (outlet)	1	E1HZ 5A231-F	Clamp (connector to extension)
1	D8HZ 5C208-A	Cap (outlet pipe)	1	D8HZ 5A212-DT	Extension
PARTS LIST NO. 35			1	D8HZ 5260-A	Bracket (extension to frame)
1	E7HZ 5A231-E	Clamp (inlet pipe to engine)	1	D3HZ 5A231-E	Clamp (extension to frame)
1	D8HZ 5246-L	Pipe (inlet)	1	E1HZ 5A231-F	Clamp (extension to muffler)
1	E1HZ 5A231-B	Clamp (inlet pipe to connector)	1	★D7HT 5A290-DB	Hanger (extension to bracket)
1	E1HZ 5B286-C	Connector	1	D8HZ 5277-G	Bracket (bracket to frame)
1	E1HZ 5A231-B	Clamp (connector to extension)	1	D8HZ 5F230-B	Cap (bracket to frame)
1	D8HZ 5A212-BT	Extension	1	D8HZ 5277-H	Bracket (muffler support)Before 1/5/81
1	E1HZ 5A231-B	Clamp (extension to muffler)	1	E1HZ 5277-L	Bracket (muffler support)-From 1/5/81 to 8/2/82
1	★D7HT 5A290-DB	Hanger (extension to bracket)	1	E3HZ 5277-C	Bracket (muffler support)-From 8/2/82 to 1/3/83
1	D8HZ 5277-G	Bracket (bracket to frame)	1	E3HZ 5277-S	Bracket (muffler support)-From 1/3/83
1	D8HZ 5F230-B	Cap (bracket to frame)	1	D3HZ 5A231-E	Clamp (muffler to bracket)
1	D8HZ 5277-M	Bracket (muffler support)Before 1/5/81	1	E3HZ 5230-D	Muffler-NTC 290-350-Before 8/2/82
1	E3HZ 5277-K	Bracket (muffler support)-From 1/5/81 to 8/2/82	1	E3HZ 5230-D	Muffler-NTC 400-Before 8/2/82
1	E3HZ 5277-R	Bracket (muffler support)-From 8/2/82	1	E3HZ 5230-A	Muffler-From 8/2/82
1	D3HZ 5A231-E	Clamp (muffler to bracket)	1	D8HZ 5A273-A	Shield (muffler)
1	E2HZ 5230-L	Muffler	1	F1HZ 5C264-C	Clamp (shield to muffler)-upper
1	D8HZ 5A273-A	Shield (muffler)	1	D8HZ 5C264-A	Clamp (shield to muffler)-lower
1	F1HZ 5C264-C	Clamp (shield to muffler)-upper	1	D3HZ 5A231-E	Clamp (outlet pipe & muffler to bracket)
			1	D8HZ 5255-B	Pipe (outlet)
			1	D8HZ 5C208-A	Cap (outlet pipe)



EXHAUST PARTS LISTS

QTY	PART NUMBER	DESCRIPTION	QTY	PART NUMBER	DESCRIPTION
● Not used in noise restriction areas ▲ Use in noise restriction areas					
PARTS LIST NO. 38			PARTS LIST NO. 40 — Cont'd		
1	D8HZ 5246-R	Pipe (inlet)-1980/83	1	D8HZ 5A212-E	Extension
1	E4HZ 5A231-A	Clamp (inlet pipe to engine)-1984/	1	E1HZ 5A231-B	Clamp (extension to muffler)
1	E5HZ 5246-D	Pipe (inlet)-1984/-exc. aero pkg.	1	★D7HT 5A290-DB	Hanger (extension to bracket)
1	E7HZ 5246-X	Pipe (inlet)-aero pkg.	1	D8HZ 5277-H	Bracket (muffler support)-Before 1/5/81
1	E1HZ 5A231-B	Clamp (inlet pipe to connector)	1	E3HZ 5277-J	Bracket (muffler support)-From 1/5/81 to 8/2/82
1	E1HZ 5B286-C	Connector	1	E3HZ 5277-N	Bracket (muffler support)-From 8/2/82
1	E1HZ 5A231-B	Clamp (connector to extension)	1	D8HZ 5277-G	Bracket (bracket to frame)
1	D8HZ 5A212-E	Extension	1	D8HZ 5F230-B	Cap (bracket to frame)
1	E1HZ 5A231-B	Clamp (extension to muffler)	1	D8HZ 5230-AF	Muffler-Before 10/5/81
1	★D7HT 5A290-DB	Hanger (extension to bracket)	1	E2HZ 5230-L	Muffler-From 10/5/81
1	D8HZ 5277-L	Bracket (muffler support)Before 1/5/81	1	D3HZ 5A231-E	Clamp (muffler to bracket)
1	E3HZ 5277-J	Bracket (muffler support)-From 1/5/81-1981/87	1	D8HZ 5A273-A	Shield (muffler)
1	E8HZ 5277-A	Support (muffler)-1988	1	F1HZ 5C264-C	Clamp (shield to muffler)-upper
1	D8HZ 5277-G	Bracket (bracket to frame)	1	D8HZ 5C264-A	Clamp (shield to muffler)-lower
1	D8HZ 5F230-B	Cap (bracket to frame)	1	D8HZ 5255-A	Pipe (outlet)
1	D8HZ 5230-AF	Muffler-Before 10/5/81	1	D3HZ 5A231-E	Clamp (outlet pipe & muffler to bracket)
1	E2HZ 5230-L	Muffler-From 10/5/81	1	D8HZ 5C208-B	Cap (outlet pipe)
1	D3HZ 5A231-E	Clamp (muffler to bracket)	PARTS LIST NO. 41		
1	D8HZ 5A273-A	Shield (muffler)	1	D8HZ 5246-S	Pipe (inlet)
1	F1HZ 5C264-C	Clamp (shield to muffler)-upper	1	E1HZ 5A231-F	Clamp (inlet pipe to connector)
1	D8HZ 5C264-A	Clamp (shield to muffler)-lower	1	E1HZ 5B286-C	Connector
1	D8HZ 5255-A	Pipe (outlet)	1	E1HZ 5A231-F	Clamp (connector to extension)
1	D3HZ 5A231-E	Clamp (outlet pipe & muffler to bracket)	1	D8HZ 5A212-BZ	Extension
1	D8HZ 5C208-B	Cap (outlet pipe)	1	E1HZ 5A231-F	Clamp (extension to muffler)
PARTS LIST NO. 39			1	★D7HT 5A290-DB	Hanger (extension to bracket)
1	D8HZ 5246-R	Pipe (inlet)-1980/83	1	D8HZ 5277-H	Bracket (muffler support)-Before 1/5/81
1	E4HZ 5A231-A	Clamp (inlet pipe to engine)-1984/	1	E3HZ 5277-J	Bracket (muffler support)-From 1/5/81 to 8/2/82
1	E5HZ 5246-D	Pipe (inlet)-1984/	1	E3HZ 5277-N	Bracket (muffler support)-From 8/2/82
1	E1HZ 5A231-F	Clamp (inlet pipe to connector)	1	D8HZ 5277-G	Bracket (bracket to frame)
1	E1HZ 5B286-C	Connector	1	D8HZ 5F230-B	Cap (bracket to frame)
1	E1HZ 5A231-F	Clamp (connector to extension)	1	E3HZ 5230-D	Muffler
1	D8HZ 5A212-BZ	Extension	1	D3HZ 5A231-E	Clamp (muffler to bracket)
1	E1HZ 5A231-F	Clamp (extension to muffler)	1	D8HZ 5A273-A	Shield (muffler)
1	★D7HT 5A290-DB	Hanger (extension to bracket)	1	F1HZ 5C264-C	Clamp (shield to muffler)-upper
1	D8HZ 5277-L	Bracket (muffler support)Before 1/5/81	1	D8HZ 5C264-A	Clamp (shield to muffler)-lower
1	E3HZ 5277-J	Bracket (muffler support)-From 1/5/81-1981/87	1	D8HZ 5255-B	Pipe (outlet)
1	E8HZ 5277-A	Support (muffler)-1988	1	D3HZ 5A231-E	Clamp (outlet pipe & muffler to bracket)
1	D8HZ 5277-G	Bracket (bracket to frame)	1	D8HZ 5C208-A	Cap (outlet pipe)
1	D8HZ 5F230-B	Cap (bracket to frame)	PARTS LIST NO. 42		
1	E3HZ 5230-D	Muffler	1	E4HZ 5A231-A	Clamp (inlet pipe to engine)-1984/
1	D3HZ 5A231-E	Clamp (muffler to bracket)	1	E4HZ 5246-B	Pipe (inlet)-1984/
1	D8HZ 5A273-A	Shield (muffler)	1	D8HZ 5246-M	Pipe (inlet)-1980/83
1	F1HZ 5C264-C	Clamp (shield to muffler)-upper	1	E1HZ 5A231-B	Clamp (inlet pipe to connector)
1	D8HZ 5C264-A	Clamp (shield to muffler)-lower	1	E1HZ 5B286-C	Connector
1	D8HZ 5255-B	Pipe (outlet)	1	E1HZ 5A231-B	Clamp (connector to extension)
1	D3HZ 5A231-E	Clamp (outlet pipe & muffler to bracket)	1	D8HZ 5A212-AS	Extension
1	D8HZ 5C208-A	Cap (outlet pipe)	1	E1HZ 5A231-B	Clamp (extension to muffler)
PARTS LIST NO. 40			1	★D7HT 5A290-DB	Hanger (extension to bracket)
1	D8HZ 5246-S	Pipe (inlet)	1	D8HZ 5277-G	Bracket (bracket to frame)
1	E1HZ 5A231-B	Clamp (inlet pipe to connector)	1	D8HZ 5F230-B	Cap (bracket to frame)
1	E1HZ 5B286-C	Connector	1	D8HZ 5277-M	Bracket (muffler support)Before 1/5/81
1	E1HZ 5A231-B	Clamp (connector to extension)	1	E1HZ 5277-K	Bracket (muffler support)-From 1/5/81 to 8/2/82

1980/  
TRUCK SERIES 600/900

**EXHAUST PARTS LISTS**

QTY	PART NUMBER	DESCRIPTION	QTY	PART NUMBER	DESCRIPTION
● Not used in noise restriction areas ▲ Use in noise restriction areas					
PARTS LIST NO. 42 — Cont'd			PARTS LIST NO. 46		
1	E3HZ 5277-R	Bracket (muffler support)-From 8/2/82-1982/87	2	D0HZ 9450-A	Gasket (inlet pipe to engine)
1	E8HZ 5277-B	Support (muffler)-1988	1	D9HZ 5246-V	Pipe (inlet)-L.H.-exc. Calif. "Before 12/1/81"
1	D3HZ 5A231-E	Clamp (muffler to bracket)	1	D9HZ 5246-W	Pipe (inlet)-L.H.-Calif. "Before 12/1/81"
1	D8HZ 5230-AF	Muffler-Before 10/5/81	1	E0HZ 5246-L	Pipe (inlet)-R.H.-"Before 12/1/81"
1	E2HZ 5230-L	Muffler-From 10/5/81	1	E2HZ 5246-F	Pipe (inlet)-L.H.-exc. Calif.-"From 12/1/81"
1	D8HZ 5A273-A	Shield (muffler)	1	E2HZ 5246-G	Pipe (inlet)-L.H.-Calif.-"From 12/1/81"
1	F1HZ 5C264-C	Clamp (shield to muffler)-upper	1	E2HZ 5246-H	Pipe (inlet)-R.H.-"From 12/1/81"
1	D8HZ 5C264-A	Clamp (shield to muffler)-lower	1	E1HZ 5A231-A	Clamp (inlet pipe to inlet pipe)
1	D3HZ 5A231-E	Clamp (outlet pipe & muffler to bracket)	1	E1HZ 5A231-C	Clamp (inlet pipe to muffler)
1	D8HZ 5255-A	Pipe (outlet)	1	D8HZ 5230-AC	Muffler
1	D8HZ 5C208-B	Cap (outlet pipe)	1	E0HZ 5290-C	Shield (muffler heat)
PARTS LIST NO. 43			1	D5HZ 5A215-B	Strap (muffler to frame)
1	E4HZ 5A231-A	Clamp (inlet pipe to engine)-1984/	2	★5A290	Hanger (muffler to frame)
1	E4HZ 5246-B	Pipe (inlet)-1984/	2	★5A204	Bracket (muffler to frame)
1	D8HZ 5246-M	Pipe (inlet)-1980/83	4	B9TT 5A291-A	Spring (muffler to frame)
1	E1HZ 5A231-F	Clamp (inlet pipe to connector)	1	C6TZ 5A231-B	Clamp (outlet pipe to muffler)
1	E1HZ 5B286-C	Connector	1	D0HZ 5255-K	Pipe (outlet)-C700-800-CT800-LN700-Cab
1	E1HZ 5A231-F	Clamp (connector to extension)	1	D3TZ 5255-Y	Pipe (outlet)-F700-Cab
1	D8HZ 5A212-DG	Extension	1	D5TZ 5255-AK	Pipe (muffler outlet extension)-F600/700(84)- cowl models-134" W/B-cut 25" -146" W/B-cut 37" -158" W/B-cut 49" -176" W/B-cut 67" -188" W/B-cut 79" -194" W/B-full length 85"
1	E1HZ 5A231-F	Clamp (extension to muffler)	1	D5TZ 5255-AL	Pipe (muffler outlet extension)-F600/700(84)- cowl models-212" W/B-cut 103" B700-242" W/B-cut 133" -260" W/B-full length 151 1/2"
1	★D7HT 5A290-DB	Hanger (extension to bracket)	1	D5TZ 5255-AJ	Pipe (outlet)-B700,F600/700(84)-cowl models
1	D8HZ 5277-G	Bracket (bracket to frame)	1	D5TZ 5255-AK	Pipe (used as outlet pipe extension) B700 242" W/B-cut 73 1/2" -260" W/B-cut 82 1/2"
1	D8HZ 5F230-B	Cap (bracket to frame)	1	D6TZ 5255-B	Pipe (outlet)-280" W/B
1	D8HZ 5277-M	Support (muffler support)-Before 1/5/81	AR	D3HZ 5A231-D	Clamp (extension or outlet pipe to hanger)-cowl models
1	E3HZ 5277-K	Support (muffler support)-From 1/5/81 to 8/2/82	AR	★D5TA 5A290-MA	Hanger (outlet pipe)
1	E3HZ 5277-R	Support (muffler support)-From 8/2/82- 1982/87	AR	D5TZ 5277-C	Bracket (outlet pipe)
1	E8HZ 5277-B	Support (muffler)-1988	AR	B9TT 5A291-A	Spring (outlet pipe to frame)
1	D3HZ 5A231-E	Clamp (muffler to bracket)	2	D5TZ 5277-D	Support (outlet pipe)-rear
1	E3HZ 5230-D	Muffler	1	C6TZ 5A231-B	Clamp (extension to outlet pipe)
1	D8HZ 5A273-A	Shield (muffler)	1	★D5TA 5271-AA	Support (outlet pipe)
1	F1HZ 5C264-C	Clamp (shield to muffler)-upper	1	D3HZ 5A231-D	Clamp (outlet pipe)-rear
1	D8HZ 5C264-A	Clamp (shield to muffler)-lower	PARTS LIST NO. 47		
1	D3HZ 5A231-E	Clamp (outlet pipe & muffler to bracket)	2	D8HZ 5A231-L	Clamp (inlet pipe to engine)
1	D8HZ 5255-B	Pipe (outlet)	1	D8HZ 5246-AG	Pipe (inlet)-L.H.
1	D8HZ 5C208-A	Cap (outlet pipe)	1	D8HZ 5246-AH	Pipe (inlet)R.H.
PARTS LIST NO. 44			1	D9HZ 5A231-E	Clamp (inlet pipe to inlet pipe)
2	D8HZ 5A231-L	Clamp (inlet pipes to engine)	1	E1HZ 5A231-C	Clamp (inlet pipe to muffler)
1	D8HZ 5A212-CJ	Extension-R.H.	1	D5TZ 5230-AH	Muffler
1	D9HZ 5A231-E	Clamp (extension to inlet pipe)	2	D0HZ 5A215-H	Strap (muffler to frame)
1	D8HZ 5246-AG	Pipe (inlet)-L.H.	2	★D3HA 5A290-AA	Hanger (muffler to frame)
1	D9HZ 5A231-E	Clamp (L.H. inlet pipe to Y type inlet pipe)	2	★D3HA 5A204-DB	Bracket (muffler to frame)
1	D5HZ 5246-AJ	Pipe (inlet)-Y type	2	B9TT 5A291-A	Spring (muffler to frame)
1	D5HZ 5290-A	Shield (heat)	1	C6TZ 5A231-B	Clamp (outlet pipe to muffler)
1	C6TZ 5A231-B	Clamp (shield to inlet pipe)	1	D0HZ 5255-K	Pipe (outlet)
1	D9HZ 5A231-E	Clamp (inlet pipe to muffler)	2	D5HA 5A290-TA	Hanger (muffler to frame)-with aux. trans.
1	D5TZ 5230-AH	Muffler	2	D5HZ 5277-B	Bracket (muffler to frame)-with aux. trans.
2	D0HZ 5A215-H	Strap (muffler to frame)	4	B9TT 5A291-A	Spring (muffler to frame)-with aux. trans.
2	★D3HA 5A290-AA	Hanger (muffler to frame)			
2	★D3HA 5A204-DB	Bracket (muffler to frame)			
2	B9TT 5A291-A	Spring (muffler to frame)			
1	C6TZ 5A231-B	Clamp (outlet pipe to muffler)			
1	D0HZ 5255-K	Pipe (outlet)			

EXHAUST PARTS LISTS

QTY	PART NUMBER	DESCRIPTION	QTY	PART NUMBER	DESCRIPTION
● Not used in noise restriction areas ▲ Use in noise restriction areas					
PARTS LIST NO. 47 — Cont'd			PARTS LIST NO. 49 — Cont'd		
2	D5HZ 5A215-E	Strap (muffler to frame) w o aux. trans.	1	E0HZ 5A212-D	Extension LN LNT From Ser. JD5 001
2	★D5HA 5A290-VA	Hanger (muffler to frame) w o aux. trans.	1	E0HZ 5A212-E	Extension L LT LTS From Ser. JD5 001
2	D5HZ 5277-C	Bracket (muffler to frame) w o aux. trans.	1	D8HZ 5277-S	Bracket (extension & muffler to cab) Before Ser. JG5 001
1	C6TZ 5A231-B	Clamp (outlet pipe to muffler)	1	E0HZ 5277-U	Bracket (extension & muffler to cab) From Ser. JG5 001
1	D0HZ 5255-K	Pipe (outlet)	1	D8HZ 5A231-G	Clamp (extension & muffler to cab)
PARTS LIST NO. 48			1	D5HZ 5277-U	Bracket (extension & muffler to cab) at cab
1	D8HZ 5246-AJ	Pipe (inlet) Cat. engine	2	D5HZ 5281-A	Insulator (extension & muffler to cab)
1	D4HZ 5277-H	Bracket (inlet pipe to engine) Cat. engine	1	D8HZ 5230-AE	Muffler
1	D0HZ 5A231-A	Clamp (inlet pipe to engine) Cat. engine	1	D3HZ 5A231-F	Clamp (muffler & outlet pipe to cab)
1	D8HZ 5246-AK	Pipe (inlet) Cumm. engine	1	D3HZ 5277-AA	Bracket (muffler & outlet pipe to cab)
1	★ 5291	Bracket (inlet pipe to engine) Cumm. engine	1	D5HZ 5281-A	Insulator (muffler & outlet pipe to cab)
1	D0HZ 5A231-A	Clamp (inlet pipe to engine) Cumm. engine	1	D8HZ 5277-U	Bracket (muffler & outlet pipe to cab) at cab
1	D8HZ 5A231-A	Clamp (inlet pipe to connector)	1	D8HZ 5255-S	Pipe (outlet)
1	D0HZ 5B286-B	Connector	PARTS LIST NO. 50		
1	D8HZ 5A231-A	Clamp (connector to extension)	1	D5HZ 5A231-E	Clamp (inlet pipe to engine)
1	E0HZ 5A212-G	Extension Before Ser. JD5 001	1	D8HZ 5246-AC	Pipe (inlet)
1	F2HZ 5A212-B	Extension LN LNT From Ser. JD5 001	1	E1HZ 5A231-G	Clamp (inlet pipe to extension)
1	E0HZ 5A212-G	Extension L LT LTS From Ser. JD5 001	1	D8HZ 5A212-BY	Extension
1	D0HZ 5A231-G	Clamp (extension to frame)	1	C1TZ 5A231-A	Clamp (extension to clutch housing)
1	D4HZ 5A246-A	Bracket (extension to frame)	1	D5HZ 5277-T	Bracket (extension to clutch housing)
1	D5HZ 5277-U	Bracket (extension & muffler to body) at cab	1	D0HZ 5B286-A	Connector (att. L.H. to R.H. inlet pipes)
2	E0HZ 5A231-E	Clamp (extension & muffler to body)	1	E1HZ 5A231-G	Clamp (extension to connector) center
1	D8HZ 5277-T	Support (extension & muffler to body) Before Ser. JG5 001	1	E1HZ 5A231-G	Clamp (extension to connector)
1	E0HZ 5277-R	Support (extension & muffler to body) Before Ser. JG5 001	1	D8HZ 5A212-CH	Connector L LT
2	D5HZ 5281-A	Insulator (extension & muffler to body)	1	D8HZ 5A212-CG	Connector LN LNT
1	D8HZ 5230-AF	Muffler (Cat. engines)	1	E1HZ 5A231-G	Clamp (connector to extension)
1	E2HZ 5230-L	Muffler (NTC engines)	1	D8HZ 5A212-CV	Extension
1	D8HZ 5277-U	Bracket (muffler & outlet pipe to body) at cab	1	D3HZ 5260-E	Bracket (extension to frame)
1	D5HZ 5281-A	Insulator (muffler & outlet pipe to body)	1	D3HZ 5A231-D	Clamp (extension to frame)
1	D3HZ 5277-AA	Support (muffler & outlet pipe to body)	1	D8HZ 5277-R	Bracket (extension & muffler to cab) lower Before Ser. JG5 001
1	D3HZ 5A231-E	Clamp (muffler & outlet pipe to body)	1	E0HZ 5277-S	Bracket (extension & muffler to cab) lower From Ser. JG5 001
1	D8HZ 5255-T	Pipe (outlet) NTC engine	1	D8HZ 5A231-F	Clamp (extension & muffler to cab) lower
1	D0HZ 5255-AA	Pipe (outlet) Cat. diesel	1	D5HZ 5277-U	Bracket (extension & muffler to cab) lower at cab
PARTS LIST NO. 49			2	D3HZ 5281-B	Insulator (extension & muffler to cab) lower
1	C7TZ 5A231-B	Clamp (inlet pipe to engine)	1	D8HZ 5230-AA	Muffler
1	D8HZ 5246-BD	Pipe (inlet)	1	D8HZ 5277-U	Bracket (muffler & outlet pipe to cab) upper at cab
1	★D7HT 5291-LA	Bracket (inlet pipe to engine)	1	D3HZ 5281-B	Insulator (muffler & outlet pipe to cab) upper
1	C1TZ 5A231-A	Clamp (inlet pipe to engine)	1	D3HZ 5277-AA	Bracket (muffler & outlet pipe to cab) upper
1	D8HZ 5A231-R	Clamp (inlet pipe to resonator)	1	D3HZ 5A231-F	Clamp (muffler & outlet pipe to cab) upper
1	D8HZ 5A289-B	Resonator	1	D8HZ 5255-AF	Pipe (outlet)
1	D8HZ 5A231-R	Clamp (resonator & connector to frame)	PARTS LIST NO. 51		
1	★D8HT 5266-AA	Bracket (resonator & connector to frame)	1	D5HZ 5A231-E	Clamp (inlet pipe to engine)
1	★D8HT 5A290-AA	Hanger (resonator & connector to frame)	1	D8HZ 5246-AD	Pipe (inlet)
1	D8HZ 5277-AM	Bracket (resonator & connector to frame)	1	D0HZ 5277-A	Bracket (inlet pipe to clutch housing)
1	D8HZ 5B286-C	Connector	1	C1TZ 5A231-A	Clamp (inlet pipe to clutch housing)
1	D8HZ 5A231-R	Clamp (connector & extension to frame)	1	D8HZ 5A231-U	Clamp (connector to inlet pipe)
1	★D8HT 5266-AA	Bracket (connector & extension to frame)	1	D0HZ 5B286-A	Connector (att. R.H. to L.H. inlet pipe)
1	★D3TA 5A296-AB	Hanger (connector & extension to frame)			
1	E0HZ 5A212-D	Extension LN LNT Before Ser. JD5 001			
1	D8HZ 5A212-DE	Extension L LT LTS Before Ser. JD5 001			

EXHAUST PARTS LISTS

QTY	PART NUMBER	DESCRIPTION	QTY	PART NUMBER	DESCRIPTION
● Not used in noise restriction areas ▲ Use in noise restriction areas					
PARTS LIST NO. 51 — Cont'd			PARTS LIST NO. 53		
1	E1HZ 5A231-G	Clamp (inlet pipe to connector)	2	D0HZ 9450-A	Gasket (inlet pipe to engine)
1	D8HZ 5A212-CH	Connector-L-LT	1	D5HZ 5246-AC	Pipe (inlet)-R.H.
1	D8HZ 5A212-CG	Connector-LN-LNT	1	E1HZ 5A231-A	Clamp (inlet pipe to inlet pipe)
1	E1HZ 5A231-G	Clamp (connector to extension)	1	D5HZ 5246-AB	Pipe (inlet)-L.H.-exc. Calif.
1	D8HZ 5A212-CL	Extension	1	D7HZ 5246-B	Pipe (inlet)-L.H.-Calif.
1	★D3HZ 5260-F	Bracket (extension to frame)	1	D9HZ 5A231-E	Clamp (inlet pipe to connector)
1	D8HZ 5A231-K	Clamp (extension to frame)	1	D0HZ 5B286-G	Connector
1	D5HZ 5277-V	Bracket (extension & muffler to cab)-lower-at cab	1	D9HZ 5A231-G	Clamp (connector to extension)
2	D5HZ 5281-A	Insulator (extension & muffler to cab)-lower	1	D8HZ 5A212-CZ	Extension
1	D8HZ 5277-R	Bracket (extension & muffler to cab)-lower "Before Ser. JG5,001"	1	D8HZ 5277-AJ	Support (extension to frame)
1	E0HZ 5277-S	Bracket (extension & muffler to cab)-lower- "From Ser. JG5,001"	1	★D7HT 5A290-GA	Hanger (extension to frame)
1	D8HZ 5A231-F	Clamp (extension & muffler to cab)-lower	1	D0HZ 5A231-F	Clamp (extension to frame)
1	D8HZ 5230-AA	Muffler	1	D9HZ 5A231-E	Clamp (extension to muffler)
1	D3HZ 5A231-F	Clamp (muffler & outlet pipe to cab)-upper	1	D8HZ 5230-U	Muffler
1	D3HZ 5277-AA	Bracket (muffler & outlet pipe to cab)-upper	2	D8HZ 5A215-A	Strap (muffler to frame)
1	D3HZ 5281-B	Insulator (muffler & outlet pipe to cab)-upper	1	D8HZ 5255-V	Pipe (outlet)-lower
1	D8HZ 5277-V	Bracket (muffler & outlet pipe to cab)-upper-at cab	1	C1TZ 5A231-A	Clamp (outlet pipe to muffler)
1	D8HZ 5255-AF	Pipe (outlet)	1	D9HZ 5A231-E	Clamp (outlet pipe to connector)
PARTS LIST NO. 52			1	C1TZ 5B286-A	Connector
2	D0HZ 9450-A	Gasket (inlet pipe to engine)	1	D9HZ 5A231-E	Clamp (connector to outlet pipe)
1	D5HZ 5246-AC	Pipe (inlet)-R.H.	1	D9HZ 5A231-E	Clamp (connector to extension)
1	E1HZ 5A231-A	Clamp (inlet pipe to inlet pipe)	1	D8HZ 5255-AC	Pipe (outlet)-middle-LN-LNT-75 gal. tank. "Before Ser. HA5,001"
1	D5HZ 5246-AB	Pipe (inlet)-L.H.-exc. Calif.	1	D9HZ 5255-K	Pipe (outlet)-middle-L-162" W/B-50 gal. tank. "Before Ser. HA5,001"
1	D7HZ 5246-B	Pipe (inlet)-L.H.-Calif.	1	D8HZ 5255-AB	Pipe (outlet)-middle-LN-LNT-50 gal. tank "Before Ser. HA5,001"
1	D9HZ 5A231-E	Clamp (inlet pipe to connector)	1		-LTS-50 gal. tank
1	C1TZ 5B286-A	Connector	1		-L-LT-75 gal. tank "Before Ser. HA5,001"
1	D9HZ 5A231-E	Clamp (connector to extension)	1	E0HZ 5255-AE	Pipe (outlet)-middle-L-LT- "From Ser. HA5,001"
1	D8HZ 5A212-CU	Extension-L-LT-LTS "Before Ser. JD5,001"	1	E0HZ 5255-AF	Pipe (outlet)-middle-LN-LNT- "From Ser. HA5,001"
1	D8HZ 5A212-CT	Extension-LN-LNT "Before Ser. JD5,001"	2	D3HZ 5A231-A	Clamp (middle outlet pipe to cab)
1	E0HZ 5A212-B	Extension-L-LT-LTS-"From Ser. JD5,001"	1	D8HZ 5277-AB	Bracket (middle outlet pipe to cab)
1	E0HZ 5A212-C	Extension-LN-LNT-"From Ser. JD5,001"	1	D3HZ 5A273-D	Shield
1	D0HZ 5A231-F	Clamp (extension to frame)	2	B7AZ 8287-D	Clamp (shield to outlet pipe)
1	★D7HT 5A204-ABA	Bracket (extension to frame)	AR	D3HZ 5281-A	Insulator (bracket)
1	★D7HT 5A290-GA	Support (extension to frame)	1	C1TZ 5A231-A	Clamp (outlet pipes to cab)
1	D8HZ 5277-S	Bracket (extension & muffler to cab) "Before Ser. JG5,001"	1	D8HZ 5277-Z	Bracket (outlet pipes to cab)
1	E0HZ 5277-U	Bracket (extension & muffler to cab)- "From Ser. JG5,001"	1	D8HZ 5277-Y	Bracket (outlet pipes to cab)-larger "Before 10/1/81"
1	D8HZ 5A231-G	Clamp (extension & muffler to cab)	1	E1HZ 5277-G	Bracket (outlet pipe to cab)-larger "From 10/1/81"
1	D5HZ 5277-U	Bracket (extension & muffler to cab)-at cab	1	D8HZ 5255-W	Pipe (outlet)-upper
2	D5HZ 5281-A	Insulator (extension & muffler to cab)	PARTS LIST NO. 54		
1	D8HZ 5230-AE	Muffler	1	C7TZ 5A231-B	Clamp (inlet pipe to engine)
1	D8HZ 5277-U	Bracket (muffler & outlet pipe to cab)-at cab	1	D8HZ 5246-BD	Pipe (inlet)
2	D5HZ 5281-A	Insulator (muffler & outlet pipe to cab)	1	★ 5291	Bracket (inlet pipe to engine)
1	D3HZ 5277-AA	Bracket (muffler & outlet pipe to cab)	1	C1TZ 5A231-A	Clamp (inlet pipe to engine)
1	D3HZ 5A231-F	Clamp (muffler & outlet pipe to cab)	7	D9HZ 5A231-E	Clamp (inlet pipe to connector)
1	D0HZ 5255-AC	Pipe (outlet)	1	D0HZ 5B286-G	Connector
			1	D9HZ 5A231-E	Clamp (connector to extension)
			1	D8HZ 5A212-CZ	Extension
			1	D8HZ 5277-AJ	Support (extension to frame)

EXHAUST PARTS LISTS

QTY	PART NUMBER	DESCRIPTION	QTY	PART NUMBER	DESCRIPTION
● Not used in noise restriction areas ▲ Use in noise restriction areas					
PARTS LIST NO. 54 — Cont'd			PARTS LIST NO. 55 — Cont'd		
1	★ D7HT 5A290-GA	Hanger (extension to frame)	AR	D3HZ 5281-A	Insulator (bracket)
1	D0HZ 5A231-F	Clamp (extension to frame)	1	D3HZ 5A273-C	Shield
1	D9HZ 5A231-E	Clamp (extension to muffler)	2	B7AZ 8287-D	Clamp (shield to outlet pipe)
1	D8HZ 5230-U	Muffler	1	D3HZ 5A231-E	Clamp (outlet pipes to cab)-upper
2	D8HZ 5A215-A	Strap (muffler to frame)	1	D8HZ 5277-Z	Bracket (outlet pipes to cab)-upper
1	D8HZ 5255-V	Pipe (outlet)-lower	1	D8HZ 5277-Y	Bracket (outlet pipes to cab)-larger-upper
1	C1TZ 5A231-A	Clamp (outlet pipe to muffler)	1	D8HZ 5255-T	Pipe (outlet)-upper
1	D9HZ 5A231-E	Clamp (outlet pipe to connector)	PARTS LIST NO. 56		
1	C1TZ 5B286-A	Connector	1	E0HZ 5246-M	Pipe (inlet)
1	D9HZ 5A231-E	Clamp (connector to outlet pipe)	1	★ D0HA 5A239-F	Clamp (inlet pipe to engine)
1	D9HZ 5255-M	Pipe (outlet)-middle- LN-75 gal. tank "Before Ser. HA5,001"	1	★ D3HA 5291-CA	Bracket (inlet pipe to engine)
1	D9HZ 5255-K	Pipe (outlet)-middle-L-162" W/B -50 gal. tank "Before Ser. HA5,001"	1	D8HZ 5A231-A	Clamp (inlet pipe to connector)-Before 10/15/80
1	D8HZ 5255-AB	Pipe (outlet)-middle- LN-LNT-50 gal. tank "Before Ser. HA5,001" -LTS-50 gal. tank -L-LT-75 gal. tank "Before Ser. HA5,001"	1	E1HZ 5A231-D	Clamp (inlet pipe to connector)-From 10/15/80
1	E0HZ 5255-AE	Pipe (outlet)-middle-L-LT "From Ser. HA5,001"	1	D3HZ 5B286-A	Connector
1	E0HZ 5255-AF	Pipe (outlet)-middle-LN-LNT "From Ser. HA5,001"	1	D8HZ 5A231-A	Clamp (connector to extension)
2	D3HZ 5A231-A	Clamp (middle outlet pipe to cab)	1	D8HZ 5A212-CW	Extension
1	D8HZ 5277-AB	Bracket (middle outlet pipe to cab)	1	D0HZ 5A231-G	Clamp (extension to frame)
1	D3HZ 5A273-D	Shield	1	★ D7HT 5A290-GA	Bracket (extension to frame)
2	B7AZ 8287-D	Clamp (shield to outlet pipe)	1	D8HZ 5A231-A	Clamp (extension to muffler)
AR	D3HZ 5281-A	Insulator (bracket)	1	D8HZ 5230-T	Muffler
1	C1TZ 5A231-A	Clamp (outlet pipes to cab)	2	D8HZ 5A215-A	Strap (muffler to frame)
1	D8HZ 5277-Z	Bracket (outlet pipes to cab)	1	D0HZ 5A231-A	Clamp (outlet pipe to muffler)
1	D8HZ 5277-Y	Bracket (outlet pipes to cab)-larger	1	D8HZ 5255-U	Pipe (outlet)-lower
1	D8HZ 5255-S	Pipe (outlet)-upper	1	D8HZ 5A231-A	Clamp (outlet pipe to connector)
PARTS LIST NO. 55			1	D0HZ 5B286-B	Connector
1	E0HZ 5246-M	Pipe (inlet)	1	D8HZ 5A231-A	Clamp (connector to outlet pipe)
1	★ D0HA 5A239-F	Clamp (inlet pipe to engine)	1	D8HZ 5255-AA	Pipe (outlet)-middle- LTS9000-50 gal. tank -L-LT9000-75 gal. tank "Before Ser. HA5,001"
1	★ D3HA 5291-CA	Bracket (inlet pipe to engine)	1	D9HZ 5255-N	Pipe (outlet)-middle-LN-LNT9000-75 gal. tank "Before Ser. HA5,001"
1	D8HZ 5A231-A	Clamp (inlet pipe to connector)-Before 10/15/80	1	E0HZ 5255-AG	Pipe (outlet)-middle-L-LT900 "From Ser. HA5,001"
1	E1HZ 5A231-D	Clamp (inlet pipe to connector)-From 10/15/80	1	E0HZ 5255-AH	Pipe (outlet)-middle-LN-LNT900 "From Ser. HA5,001"
1	D3HZ 5B286-A	Connector	2	D3HZ 5A231-B	Clamp (middle outlet pipe to cab)
1	D8HZ 5A231-A	Clamp (connector to muffler)	1	D8HZ 5277-AA	Bracket (middle outlet pipe to cab)
1	D8HZ 5230-T	Muffler	AR	D3HZ 5281-A	Insulator (bracket)
2	D8HZ 5A215-A	Strap (muffler to frame)	1	D3HZ 5A273-C	Shield
1	D0HZ 5A231-A	Clamp (outlet pipe to muffler)	2	B7AZ 8287-D	Clamp (shield to outlet pipe)
1	D8HZ 5255-U	Pipe (outlet)-lower	1	D3HZ 5A231-E	Clamp (outlet pipes to cab)-upper
1	D8HZ 5A231-A	Clamp (outlet pipe to connector)	1	D8HZ 5277-Z	Bracket (outlet pipes to cab)-upper
1	D0HZ 5B286-B	Connector	1	D8HZ 5277-Y	Bracket (outlet pipes to cab)-larger-upper
1	D8HZ 5A231-A	Clamp (connector to outlet pipe)	1	D8HZ 5255-T	Pipe (outlet)-upper
1	D9HZ 5255-L	Pipe (outlet)-middle- L-LT9000-50 gal. tank "Before Ser. HA5,001"	PARTS LIST NO. 57		
1	D8HZ 5255-AA	Pipe (outlet)-middle- LN-LNT9000-50 gal. tank "Before Ser. HA5,001"	1	D5HZ 5A231-F	Clamp (inlet pipe to engine)
1	E0HZ 5255-AG	Pipe (outlet)-middle-L-LT900 "From Ser. HA5,001"	1	E1HZ 5246-C	Pipe (inlet)
1	E0HZ 5255-AH	Pipe (outlet)-middle-LN-LNT900 "From Ser. HA5,001"	1	E1HZ 5A231-B	Clamp (inlet pipe to inlet pipe)
2	D3HZ 5A231-B	Clamp (middle outlet pipe to cab)	1	D8HZ 5246-BC	Pipe (inlet)
1	D8HZ 5277-AA	Bracket (middle outlet pipe to cab)	1	E1HZ 5A231-B	Clamp (inlet pipe to extension)
1	D8HZ 5277-AA	Bracket (middle outlet pipe to cab)	1	D8HZ 5A212-BU	Extension
			1	E1HZ 5A231-B	Clamp (extension to muffler)
			1	D8HZ 5277-G	Bracket (bracket to frame)
			1	D8HZ 5F230-B	Cap (bracket to frame)
			1	D8HZ 5277-AR	Bracket (muffler support)-Before 1/5/81

## EXHAUST PARTS LISTS

Q T Y	PART NUMBER	DESCRIPTION	Q T Y	PART NUMBER	DESCRIPTION
● Not used in noise restriction areas ▲ Use in noise restriction areas					
PARTS LIST NO. 57 — Cont'd			PARTS LIST NO. 59 — Cont'd		
1	E1HZ 5277-M	Bracket (muffler support)-From 1/5/81 to 1/3/83	1	D8HZ 5A273-A	Shield (muffler)
1	E3HZ 5277-L	Bracket (muffler support)-1/3/83	2	D8HZ 5C264-A	Clamp (shield to muffler)
1	D8HZ 5230-AV	Muffler-Before 12/83	1	E5HZ 5C264-B	Clamp (muffler to bracket)-upper
1	E2HZ 5230-L	Muffler-From 12/83	1	D3HZ 5A231-E	Clamp (outlet pipe to muffler)
1	D3HZ 5A231-E	Clamp (muffler to bracket)-lower	1	D8HZ 5255-AH	Pipe (outlet)-Before 12/83
1	★D7HT 5A290-DB	Hanger (extension to bracket)	1	D8HZ 5255-A	Pipe (outlet)-From 12/83
1	D8HZ 5A273-A	Shield (muffler)	1	D8HZ 5C208-B	Cap (outlet pipe)
2	D8HZ 5C264-A	Clamp (shield to muffler)	PARTS LIST NO. 60		
1	E5HZ 5C264-B	Clamp (muffler to bracket)-upper	1	D5HZ 5A231-F	Clamp (inlet pipe to engine)
1	D3HZ 5A231-E	Clamp (outlet pipe to muffler)	1	D8HZ 5246-N	Pipe (inlet)
1	D8HZ 5255-AH	Pipe (outlet)-Before 12/83	1	E1HZ 5A231-F	Clamp (inlet pipe to connector)
1	D8HZ 5255-A	Pipe (outlet)-From 12/83	1	D0HZ 5B286-A	Connector
1	D8HZ 5C208-B	Cap (outlet pipe)	1	E1HZ 5A231-F	Clamp (connector to extension)
PARTS LIST NO. 58			1	D8HZ 5A212-DV	Extension
1	D5HZ 5A231-F	Clamp (inlet pipe to engine)	1	E1HZ 5A231-F	Clamp (extension to muffler)
1	D8HZ 5246-N	Pipe (inlet)	1	★D7HT 5A290-DB	Hanger (extension to bracket)
1	E1HZ 5A231-F	Clamp (inlet pipe to inlet pipe)	1	D8HZ 5277-G	Bracket (bracket to frame)
1	E1HZ 5246-C	Pipe (inlet)	1	D8HZ 5F230-B	Cap (bracket to frame)
1	E1HZ 5A231-F	Clamp (inlet pipe to extension)	1	D8HZ 5277-AS	Bracket (muffler support)-Before 1/5/81
1	D8HZ 5A212-DZ	Extension	1	E3HZ 5277-N	Bracket (muffler support)-From 1/5/81
1	D8HZ 5277-G	Bracket (bracket to frame)	1	D8HZ 5230-AW	Muffler-Before 12/83
1	D8HZ 5F230-B	Cap (bracket to frame)	1	E3HZ 5230-D	Muffler-From 12/83
1	D8HZ 5277-AR	Bracket (muffler support)-Before 1/5/81	1	D3HZ 5A231-E	Clamp (muffler to bracket)-lower
1	E1HZ 5277-M	Bracket (muffler support)-From 1/5/81 to 1/3/83	1	D8HZ 5A273-A	Shield (muffler)
1	E3HZ 5277-L	Bracket (muffler support)-1/3/83	2	D8HZ 5C264-A	Clamp (shield to muffler)
1	E1HZ 5A231-F	Clamp (extension to muffler)	1	D3HZ 5A231-E	Clamp (outlet pipe to muffler)
1	★D7HT 5A290-DB	Hanger (extension to bracket)	1	E5HZ 5C264-B	Clamp (muffler to bracket)-upper
1	D8HZ 5230-AW	Muffler-Before 12/83	1	D8HZ 5255-AG	Pipe (outlet)-Before 12/83
1	E3HZ 5230-D	Muffler-From 12/83	1	D8HZ 5255-B	Pipe (outlet)-From 12/83
1	D3HZ 5A231-E	Clamp (muffler to bracket)-lower	1	D8HZ 5C208-A	Cap (outlet pipe)
1	D8HZ 5A231-A	Shield (muffler)	PARTS LIST NO. 61		
1	F1HZ 5C264-C	Clamp (shield to muffler)-upper	1	D5HZ 5A231-F	Clamp (inlet pipe to engine)
1	D8HZ 5C264-A	Clamp (shield to muffler)-lower	1	D8HZ 5246-N	Pipe (inlet)
1	D3HZ 5A231-E	Clamp (outlet pipe to muffler)	1	E1HZ 5A231-B	Clamp (inlet pipe to connector)
1	D8HZ 5C264-B	Clamp (muffler to bracket)-upper	1	D0HZ 5B286-A	Connector
1	E5HZ 5255-AG	Pipe (outlet)-Before 12/83	1	E1HZ 5A231-B	Clamp (connector to extension)
1	D8HZ 5255-B	Pipe (outlet)-From 12/83	1	D9HZ 5A212-A	Extension
1	D8HZ 5C208-A	Cap (outlet pipe)	1	E1HZ 5A231-B	Clamp (extension to muffler)
PARTS LIST NO. 59			1	D8HZ 5277-G	Bracket (bracket to frame)
1	D5HZ 5A231-F	Clamp (inlet pipe to extension)	1	D8HZ 5F230-B	Cap (bracket to frame)
1	D8HZ 5246-N	Pipe (inlet)	1	D8HZ 5277-AN	Bracket (muffler support)-Before 1/5/81
1	E1HZ 5A231-B	Clamp (inlet pipe to connector)	1	E3HZ 5277-N	Bracket (muffler support)-From 1/5/81
1	E1HZ 5B286-C	Connector	1	D8HZ 5230-AV	Muffler-Before 12/83
1	E1HZ 5A231-B	Clamp (connector to extension)	1	E2HZ 5230-L	Muffler-From 12/83
1	D8HZ 5A212-S	Extension	1	★D7HT 5A290-DB	Hanger (extension to bracket)
1	E1HZ 5A231-B	Clamp (extension to muffler)	1	D3HZ 5A231-E	Clamp (muffler to bracket)-lower
1	★D7HT 5A290-DB	Hanger (extension to bracket)	1	D8HZ 5A273-A	Shield (muffler)
1	D8HZ 5277-G	Bracket (bracket to frame)	2	D8HZ 5C264-A	Clamp (shield to muffler)
1	D8HZ 5F230-B	Cap (bracket to frame)	1	E5HZ 5C264-B	Clamp (muffler to bracket)
1	D8HZ 5277-AS	Bracket (muffler support)-Before 1/5/81	1	D8HZ 5255-AH	Pipe (outlet)-Before 12/83
1	E3HZ 5277-N	Bracket (muffler support)-From 1/5/81	1	D8HZ 5255-A	Pipe (outlet)-From 12/83
1	D8HZ 5230-AV	Muffler-Before 12/83	1	D3HZ 5A231-E	Clamp (outlet pipe to muffler)
1	E2HZ 5230-L	Muffler-From 12/83	1	D8HZ 5C208-B	Cap (outlet pipe)
1	D3HZ 5A231-E	Clamp (muffler to bracket)-lower			

EXHAUST PARTS LISTS

QTY	PART NUMBER	DESCRIPTION	QTY	PART NUMBER	DESCRIPTION
● Not used in noise restriction areas ▲ Use in noise restriction areas					
PARTS LIST NO. 62			PARTS LIST NO. 64 — Cont'd		
1	D5HZ 5A231-F	Clamp (inlet pipe to engine)	1	D8HZ 5F230-B	Cap (bracket to frame)
1	D8HZ 5246-N	Pipe (inlet)	1	D8HZ 5277-AT	Bracket (muffler support)—Before 1/5/81
1	E1HZ 5A231-F	Clamp (inlet pipe to connector)	1	E3HZ 5277-B	Bracket (muffler support)—From 1/5/81 to 1/3/83
1	D0HZ 5B286-A	Connector	1	E3HZ 5277-R	Bracket (muffler support)—From 1/3/83
1	E1HZ 5A231-F	Clamp (connector to extension)	1	D8HZ 5230-AW	Muffler—Before 12/83
1	D9HZ 5A212-B	Extension	1	E3HZ 5230-D	Muffler—From 12/83
1	E1HZ 5A231-F	Clamp (extension to muffler)	1	D3HZ 5A231-E	Clamp (muffler to bracket)—lower
1	★ D7HT 5A290-DB	Hanger (extension to bracket)	1	E5HZ 5C264-B	Clamp (muffler to bracket)—upper
1	D8HZ 5277-G	Bracket (bracket to frame)	1	D8HZ 5A273-A	Shield (muffler)
1	D8HZ 5F230-B	Cap (bracket to frame)	2	D8HZ 5C264-A	Clamp (shield to muffler)
1	D8HZ 5277-AN	Bracket (muffler support)—Before 1/5/81	1	D8HZ 5255-AG	Pipe (outlet)—Before 12/83
1	E3HZ 5277-N	Bracket (muffler support)—From 1/5/81	1	D8HZ 5255-B	Pipe (outlet)—From 12/83
1	D8HZ 5230-AW	Muffler—Before 12/83	1	D3HZ 5A231-E	Clamp (outlet pipe to muffler)
1	E3HZ 5230-D	Muffler—From 12/83	1	D8HZ 5C208-A	Cap (outlet pipe)
1	D3HZ 5A231-E	Clamp (muffler to bracket)—lower	PARTS LIST NO. 65		
1	E5HZ 5C264-B	Clamp (muffler to bracket)—upper	1	D5HZ 5A231-F	Clamp (inlet pipe to engine)
1	D8HZ 5A273-A	Shield (muffler)	1	D9HZ 5246-L	Pipe (inlet)—front
2	D8HZ 5C264-A	Clamp (shield to muffler)	1	E1HZ 5A231-B	Clamp (front inlet pipe to center inlet pipe)
1	D8HZ 5255-AG	Pipe (outlet)—Before 12/83	1	D9HZ 5246-N	Pipe (inlet)—center
1	D8HZ 5255-B	Pipe (outlet)—From 12/83	1	D0HZ 5A231-J	Clamp (center inlet pipe to flywheel hsg.)
1	D3HZ 5A231-E	Clamp (outlet pipe to muffler)	1	★ D3TA 5A296-AA	Hanger (center inlet pipe to flywheel hsg.)
1	D8HZ 5C208-A	Cap (outlet pipe)	1	D9HZ 5277-G	Bracket (center inlet pipe to flywheel hsg.)
PARTS LIST NO. 63			1	E1HZ 5A231-B	Clamp (center inlet pipe to rear inlet pipe)
1	D8HZ 5A231-F	Clamp (inlet pipe to engine)	1	D9HZ 5246-K	Pipe (inlet)—rear
1	D8HZ 5246-N	Pipe (inlet)	1	D8HZ 5A231-A	Clamp (inlet pipe to connector)
1	E1HZ 5A231-B	Clamp (inlet pipe to connector)	1	D0HZ 5B286-B	Connector
1	D0HZ 5B286-A	Connector	1	D8HZ 5A231-A	Clamp (connector to extension)
1	E1HZ 5A231-B	Clamp (connector to extension)	1	D8HZ 5A212-CK	Pipe (extension) "Before Ser. JD5,001"
1	D8HZ 5A212-BR	Extension	1	E0HZ 5A212-G	Extension—"From Ser. JD5,001"
1	D8HZ 5A231-A	Clamp (extension to muffler)	1	D0HZ 5A231-G	Clamp (extension to frame)
1	★ D7HT 5A290-DB	Hanger (extension to bracket)	1	D4HZ 5A246-A	Bracket (extension to frame)
1	D8HZ 5277-G	Bracket (bracket to frame)	1	D5HZ 5277-U	Bracket (extension & muffler to body)—at cab
1	D8HZ 5F230-B	Cap (bracket to frame)	1	D8HZ 5A231-H	Clamp (extension & muffler to body) "Before Ser. JG5,001"
1	D8HZ 5277-AT	Bracket (muffler support)—Before 1/5/81	1	D8HZ 5277-T	Support (extension & muffler to body) "Before Ser. JG5,001"
1	E3HZ 5277-R	Bracket (muffler support)—From 1/5/81 to 1/3/83	1	E0HZ 5A231-E	Clamp (extension & muffler to body)—at cab— "From Ser. JG5,001"
1	E3HZ 5277-R	Bracket (muffler support)—From 1/3/83	1	E0HZ 5277-R	Support (extension & muffler to body)—at cab— "From Ser. JG5,001"
1	D8HZ 5230-AV	Muffler—Before 12/83	2	D5HZ 5281-A	Insulator (extension & muffler to body)
1	E2HZ 5230-L	Muffler—From 12/83	1	D8HZ 5230-AB	Muffler
1	D3HZ 5A231-E	Clamp (muffler to bracket)—lower	1	D8HZ 5277-U	Bracket (muffler & outlet pipe to body)—at cab
1	E5HZ 5C264-B	Clamp (muffler to bracket)—upper	1	D5HZ 5281-A	Insulator (muffler & outlet pipe to body)
1	D8HZ 5A273-A	Shield (muffler)	1	D3HZ 5277-AA	Support (muffler & outlet pipe to body)
2	D8HZ 5C264-A	Clamp (shield to muffler)	1	D3HZ 5A231-E	Clamp (muffler & outlet pipe to body)
1	D8HZ 5255-AH	Pipe (outlet)—Before 12/83	1	D8HZ 5255-T	Pipe (outlet)
1	D8HZ 5255-A	Pipe (outlet)—From 12/83	PARTS LIST NO. 66		
1	D3HZ 5A231-E	Clamp (outlet pipe to muffler)	1	D5HZ 5A231-F	Clamp (inlet pipe to engine)
1	D8HZ 5C208-B	Cap (outlet pipe)	1	D9HZ 5246-L	Pipe (inlet)—front
PARTS LIST NO. 64			1	E1HZ 5A231-B	Clamp (front inlet pipe to center inlet pipe)
1	D5HZ 5A231-F	Clamp (inlet pipe to engine)	1	D9HZ 5246-M	Pipe (inlet)—center
1	D8HZ 5246-N	Pipe (inlet)	1	D0HZ 5A231-J	Clamp (center inlet pipe to flywheel hsg.)
1	E1HZ 5A231-F	Clamp (inlet pipe to connector)	1	D9HZ 5277-F	Bracket (center inlet pipe to flywheel hsg.)
1	D0HZ 5B286-A	Connector			
1	E1HZ 5A231-F	Clamp (connector to extension)			
1	D8HZ 5A212-DY	Extension			
1	E1HZ 5A231-F	Clamp (extension to muffler)			
1	★ D7HT 5A290-DB	Hanger (extension to bracket)			
1	D8HZ 5277-G	Bracket (bracket to frame)			

October, 1993

COPYRIGHT © 1993 - FORD MOTOR - DEARBORN, MICHIGAN  
COMPANY

Final Issue

## EXHAUST PARTS LISTS

Q T Y	PART NUMBER	DESCRIPTION	Q T Y	PART NUMBER	DESCRIPTION
● Not used in noise restriction areas ▲ Use in noise restriction areas					
PARTS LIST NO. 66 — Cont'd			PARTS LIST NO. 68 — Cont'd		
1	E1HZ 5A231-B	Clamp (center inlet pipe to rear inlet pipe)	2	D9HZ 5A231-H	Clamp (shield to muffler)
1	D9HZ 5246-R	Pipe (inlet)-rear	1	E5HZ 5A275-A	Bracket (shield to frame)-straight
1	★383735-S	Clamp (rear inlet pipe to center inlet pipe)	1	E5HZ 5A275-B	Bracket (shield to frame)-"L" shape
1	D9HZ 5C288-A	Bracket (rear inlet pipe to center inlet pipe)	1	F1HZ 5A204-A	Bracket (muffler to frame)-rear
1	D8HZ 5A231-A	Clamp (rear inlet pipe to connector)	1	E4HZ 5277-F	Bracket (muffler to frame)-front
1	D0HZ 5B286-B	Connector	2	★E0HT 5A290-CA	Hanger (muffler to frame)
1	D8HZ 5A231-A	Clamp (connector to extension)	4	B9TT 5A291-A	Spring (muffler to frame)
1	D8HZ 5A212-CR	Pipe (extension) "Before Ser. JD5,001"	2	E2HZ 5A215-F	Clamp (muffler to frame)
1	E0HZ 5A212-F	Extension-"From Ser. JD5,001"	1	E0HZ 5277-F	Bracket (front outlet pipe to frame)
1	D0HZ 5A231-G	Clamp (extension to frame)	1	★E0HT 5A290-CA	Hanger (front outlet pipe to frame)
1	D4HZ 5A246-A	Bracket (extension to frame)	1	E0HZ 5A231-A	Clamp (front outlet pipe to frame)
1	D5HZ 5277-U	Bracket (extension & muffler to body)-at cab	2	B9TT 5A291-A	Spring (front outlet pipe to frame)
2	E0HZ 5A231-E	Clamp (extension & muffler to body)	1	E5HZ 5277-A	Support (front outlet pipe to frame)
1	D8HZ 5277-T	Support (extension & muffler to body)	1	E0HZ 5255-AD	Pipe (outlet)-front-151" W/B
2	D5HZ 5281-A	Insulator (extension & muffler to body)	1	E0HZ 5255-B	Pipe (outlet)-front-192" W/B
1	D8HZ 5230-AB	Muffler	1	E0HZ 5255-C	Pipe (outlet)-front-216" W/B
1	D8HZ 5277-U	Bracket (muffler & outlet pipe to body)-at cab	1	E0HZ 5255-D	Pipe (outlet)-front-237" W/B
1	D5HZ 5281-A	Insulator (muffler & outlet pipe to body)	1	E0HZ 5255-E	Pipe (outlet)-front-255" W/B
1	D3HZ 5277-AA	Support (muffler & outlet pipe to body)	1	E0HZ 5255-F	Pipe (outlet)-front-275" W/B
1	D3HZ 5A231-E	Clamp (muffler & outlet pipe to body)	1	E1HZ 5A231-A	Clamp (outlet pipe to outlet pipe)
1	D8HZ 5255-T	Pipe (outlet)	1	E6HZ 5255-B	Pipe (outlet)-rear
PARTS LIST NO. 67			1	E5HZ 5C229-A	Shield (outlet pipe)
1	E6HZ 5246-F	Pipe (inlet)-L.H.-exc. Calif.-exc. construction	2	C8TZ 5A231-A	Clamp (shield to outlet pipe)
1	E6HZ 5246-E	Pipe (inlet)-L.H.-Calif.-exc. construction	1	E0HZ 5277-F	Bracket (rear outlet pipe to frame)-#1
1	D5HZ 5246-AC	Pipe (inlet)-R.H.-exc. construction	1	★E0HT 5A290-CA	Hanger (rear outlet pipe to frame)-#1
1	E6HZ 5246-C	Pipe (inlet)-L.H.-Calif.-construction	1	E0HZ 5A231-A	Clamp (rear outlet pipe to frame)-#1
1	E6HZ 5246-D	Pipe (inlet)-L.H.-Exc. Calif.-construction	2	B9TT 5A291-A	Spring (rear outlet pipe to frame)-#1
1	E3HZ 5246-AA	Pipe (inlet)-R.H.-construction	1	E4HZ 5260-A	Bracket (rear outlet pipe to frame)-#2
1	E1HZ 5A231-A	Clamp (inlet pipe to inlet pipe)	1	D0HZ 5A231-D	Clamp (rear outlet pipe to frame)-#2
1	D8HZ 5A212-DA	Extension	1	E0HZ 5277-B	Bracket (rear outlet pipe to frame)-#3
1	E1HZ 5A231-C	Clamp (inlet pipe to extension)	1	★E0HT 5A290-DA	Hanger (rear outlet pipe to frame)-#3-8.5 frame
1	E1HZ 5A231-C	Clamp (extension to muffler)	1	★E0HT 5A290-EA	Hanger (rear outlet pipe to frame)-#3-9.5 frame
1	D8HZ 5230-AC	Muffler	1	E0HZ 5A231-A	Clamp (rear outlet pipe to frame)-#3
2	D5HZ 5A215-B	Strap (muffler to frame)	1	E1HZ 5A231-A	Clamp (rear outlet pipe to extension)
2	★5A290	Hanger (muffler to frame)	1	E0HZ 5263-A	Extension-151" W/B
2	★5A204	Bracket (muffler to frame)	1	E0HZ 5263-B	Extension-192" W/B
4	B9TT 5A291-A	Spring (muffler to frame)	1	E0HZ 5263-C	Extension-216" W/B
1	C6TZ 5A231-B	Clamp (outlet pipe to muffler)	1	E0HZ 5263-D	Extension-237" W/B
1	D3TZ 5255-Y	Pipe (outlet)	1	E0HZ 5263-E	Extension-255" W/B
PARTS LIST NO. 68			1	E0HZ 5263-F	Extension-275" W/B
1	D9HZ 5A231-J	Clamp (inlet pipes to engine)-1980/84	PARTS LIST NO. 69		
1	E5HZ 5A231-B	Clamp (inlet pipe to engine)-1985/	2	D9HZ 5A231-J	Clamp (inlet pipes to engine)-1980/84
1	E5HZ 5246-L	Pipe (inlet)-R.H.	2	E5HZ 5A231-B	Clamp (inlet pipes to engine)-1985/
1	E5HZ 5246-M	Pipe (inlet)-L.H.	1	E0HZ 5246-B	Pipe (inlet)-R.H.
2	D1AZ 5A231-D	Clamp (inlet pipes to muffler)-exc. Calif.	1	E0HZ 5246-A	Pipe (inlet)-L.H.
2	E4HZ 5A231-B	Clamp (inlet pipes to muffler)-Calif.	2	D1AZ 5A231-D	Clamp (inlet pipes to muffler)
1	E4HZ 5230-E	Muffler-exc. Calif.	1	E2HZ 5230-G	Muffler assy.-without moisture ejector
1	E4HZ 5230-B	Muffler-Calif.-1980/88	1	E2HZ 5230-R	Muffler assy.-1982/-with moisture ejector
1	E9HZ 5230-A	Muffler-Calif.-1989/	1	E0HZ 5277-B	Bracket (muffler to frame)
1	E1HZ 5A231-A	Clamp (muffler to outlet pipe)	1	★E0HT 5A290-AB	Hanger (muffler to frame)
1	D9HZ 5290-A	Shield (muffler)	2	B9TT 5A291-A	Spring (muffler to frame)
			1	E2HZ 5A215-F	Clamp (muffler to frame)
			1	E0HZ 5290-B	Shield (muffler heat)
			1	E0HZ 5A275-A	Bracket (shield to muffler)-front
			1	E0HZ 5A276-A	Bracket (shield to muffler)-rear
			1	★5255	Pipe (outlet)-serviced in muffler assy. only



EXHAUST PARTS LISTS

Q T Y	PART NUMBER	DESCRIPTION	Q T Y	PART NUMBER	DESCRIPTION
● Not used in noise restriction areas ▲ Use in noise restriction areas					
PARTS LIST NO. 70			PARTS LIST NO. 72		
2	D9HZ 5A231-J	Clamp (inlet pipes to engine)-1980/84	2	D9HZ 5A231-J	Clamp (inlet pipes to engine)-1980/84
2	E5HZ 5A231-B	Clamp (inlet pipes to engine)-1985/	2	E5HZ 5A231-B	Clamp (inlet pipes to engine)-1985/
1	E5HZ 5246-L	Pipe (inlet)-R.H.	1	D9HZ 5246-AD	Pipe (inlet)-R.H.-L-LT-LN-LNT
1	E5HZ 5246-M	Pipe (inlet)-L.H.	1	E0HZ 5246-N	Pipe (inlet)-R.H.-LTS
2	D1AZ 5A231-D	Clamp (inlet pipes to muffler)-exc. Calif.	1	D9HZ 5246-AG	Pipe (inlet)-L.H.-L-LT-LN-LNT
2	E4HZ 5A231-B	Clamp (inlet pipes to muffler)-Calif.	1	D9HZ 5246-AC	Pipe (inlet)-L.H.-LTS
1	D9HZ 5230-A	Muffler-1980/81	2	D1AZ 5A231-D	Clamp (inlet pipes to muffler)
1	E4HZ 5230-E	Muffler-1982/-exc. Calif.	1	E2HZ 5230-G	Muffler assy.-1980/84
1	E4HZ 5230-B	Muffler-Calif.	1	E4HZ 5230-A	Muffler assy.-1985/
1	E0HZ 5277-F	Bracket (muffler to frame)	1	D9HZ 5290-A	Shield (muffler)
1	E2HZ 5A215-F	Clamp (muffler to frame)	2	D9HZ 5A231-H	Clamp (shield to muffler)
2	B9TT 5A291-A	Spring (muffler to frame)	1	D9HZ 5277-D	Bracket (muffler to frame)
1	★E0HT 5A290-CA	Hanger (muffler to frame)	1	★E0HT 5A290-AB	Hanger (muffler to frame)
2	D9HZ 5A231-H	Clamp (shield to muffler)	1	E2HZ 5A215-F	Clamp (muffler to frame)
1	E0HZ 5290-A	Shield (muffler)	2	B9TT 5A291-A	Spring (muffler to frame)
1	E1HZ 5A231-A	Clamp (muffler to outlet pipe)	1	★5255	Pipe (outlet)-serviced in muffler assy. only
1	E0HZ 5255-Y	Pipe (outlet)-front-129" W/B	PARTS LIST NO. 73		
1	E0HZ 5255-Z	Pipe (outlet)-front-140" W/B	2	D9HZ 5A231-J	Clamp (inlet pipes to engine)-1980/84
1	E0HZ 5255-AA	Pipe (outlet)-front-153" W/B	2	E5HZ 5A231-B	Clamp (inlet pipes to engine)-1985/
1	E0HZ 5255-AB	Pipe (outlet)-front-170" W/B	1	E5HZ 5246-L	Pipe (inlet)-R.H.
1	E0HZ 5255-AC	Pipe (outlet)-front-188" W/B	1	E5HZ 5246-M	Pipe (inlet)-L.H.
1	E0HZ 5277-F	Bracket (front outlet pipe to frame)	1	D1AZ 5A231-D	Clamp (inlet pipes to muffler)
1	★E0HT 5A290-CA	Hanger (front outlet pipe to frame)	1	E2HZ 5230-G	Muffler assy.-1980/84
1	E0HZ 5A231-A	Clamp (front outlet pipe to frame)	1	E4HZ 5230-A	Muffler assy.-1985/
2	B9TT 5A291-A	Spring (front outlet pipe to frame)	1	D9HZ 5290-A	Shield (muffler)
1	E1HZ 5A231-A	Clamp (front outlet pipe to rear outlet pipe)	1	E2HZ 5A215-F	Clamp (shield to muffler)
1	E6HZ 5255-B	Pipe (outlet)-rear	1	E4HZ 5277-E	Bracket (muffler to frame)-front
1	E5HZ 5C229-A	Shield (outlet pipe)	1	★ 5A290	Hange (muffler to frame)-front
2	C8TZ 5A231-A	Clamp (shield to outlet pipe)	1	E2HZ 5A215-F	Clamp (muffler to frame)-front
1	E0HZ 5277-F	Bracket (rear outlet pipe to frame)-#1	2	B9TT 5A291-A	Spring (muffler to frame)-front
1	★E0HT 5A290-CA	Hanger (rear outlet pipe to frame)-#1	1	E0HZ 5277-G	Bracket (muffler to frame)-C600/800-rear
1	E0HZ 5A231-A	Clamp (rear outlet pipe to frame)-#1	1	E0HZ 5277-H	Bracket (muffler to frame)-CT800
2	B9TT 5A291-A	Spring (rear outlet pipe to frame)-#1	2	B9TT 5A291-A	Spring (muffler to frame)-rear
1	E0HZ 5277-B	Bracket (rear outlet pipe to frame)-#2	1	★D9HT 5A290-RA	Hanger (muffler to frame)-rear
1	D0HZ 5A231-D	Clamp (rear outlet pipe to frame)-#2	1	E2HZ 5A215-F	Clamp (muffler to frame)-rear
1	E0HZ 5277-B	Support (rear outlet pipe to frame)-#3	1	★5255	Pipe (outlet)-serviced in muffler assy. only
1	★E0HT 5A290-DA	Hanger (rear outlet pipe to frame)-#3-8.5 frame	PARTS LIST NO. 74		
1	★E0HT 5A290-EA	Hanger (rear outlet pipe to frame)-#3-9.5 frame	2	E0HZ 5A231-B	Clamp (inlet pipes to engine)-exc. turbo.
1	E0HZ 5A231-A	Clamp (rear outlet pipe to frame)-#3	1	E0HZ 5246-J	Pipe (inlet)-L.H.-exc. turbo.
PARTS LIST NO. 71			1	E2HZ 5246-J	Pipe (inlet)-R.H.-exc. turbo.
2	D9HZ 5A231-J	Clamp (inlet pipes to engine)-1980/84	1	D9HZ 5A231-D	Clamp (inlet pipes to inlet pipe)-exc. turbo.
2	E5HZ 5A231-B	Clamp (inlet pipes to engine)-1985/	1	E0HZ 5A231-C	Clamp (inlet pipe to turbo.)-turbo.
1	E5HZ 5246-L	Pipe (inlet)-R.H.	1	E0HZ 5246-K	Pipe (inlet)-turbo.
1	E5HZ 5246-M	Pipe (inlet)-L.H.	1	E1HZ 5A231-C	Clamp (inlet pipe to muffler)
2	D1AZ 5A231-D	Clamp (inlet pipes to muffler)	1	E0HZ 5230-A	Muffler-exc. Turbo
1	E2HZ 5230-G	Muffler assy.-1980/84	1	E0HZ 5230-B	Muffler-turbo
1	E4HZ 5230-A	Muffler assy.-1985/	1	E0HZ 5290-C	Shield (muffler heat)
1	E0HZ 5277-F	Bracket (muffler to frame)	2	D5HZ 5A215-B	Strap (muffler to frame)
1	★C8TA 5A290-F	Hanger (muffler to frame)	2	★5A290	Hanger (muffler to frame)
2	B9TT 5A291-A	Spring (muffler to frame)	4	B9TT 5A291-A	Spring (muffler to frame)
1	D9HZ 5A215-A	Clamp (muffler to frame)-"Before 2/1/82"	2	E0HZ 5277-J	Bracket (muffler to frame)
1	E2HZ 5A215-F	Clamp (muffler to frame)-"From 2/1/82"	1	C1TZ 5A231-A	Clamp (muffler to outlet pipe)
1	★5255	Pipe (outlet)-serviced in muffler assy. only	1	★E0HZ 5255-M	Pipe (outlet)-151" W/B-Front
			1	★E0HZ 5255-L	Pipe (outlet)-192" W/B-Front

1980/  
TRUCK SERIES 600/900

**EXHAUST PARTS LISTS**

Q T Y	PART NUMBER	DESCRIPTION	Q T Y	PART NUMBER	DESCRIPTION
● Not used in noise restriction areas ▲ Use in noise restriction areas					
PARTS LIST NO. 74 — Cont'd			PARTS LIST NO. 75 — Cont'd		
1	★E0HZ 5255-K	Pipe (outlet)-216" W/B-Front	1	E2HZ 5277-S	Support (front outlet pipe to frame)
1	★E0HZ 5255-J	Pipe (outlet)-237" W/B-Front	2	B9TT 5A291-A	Spring (front outlet pipe to frame)
1	E0HZ 5255-H	Pipe (outlet)-255" W/B-Front	1	C1TZ 5A231-A	Clamp (front outlet pipe to rear outlet pipe)
1	E0HZ 5255-G	Pipe (outlet)-275" W/B-Front	1	E0HZ 5255-V	Pipe (outlet)-rear
1	★5A290	Hanger (front outlet pipe to frame)	1	★5A290	Hanger (rear outlet pipe to frame)-front
1	E2HZ 5277-S	Bracket (front outlet pipe to frame)	1	E2HZ 5277-S	Support (rear outlet pipe to frame)-front
2	B9TT 5A291-A	Spring (front outlet pipe to frame)	2	B9TT 5A291-A	Spring (rear outlet pipe to frame)-front
1	C1TZ 5A231-A	Clamp (front outlet pipe to rear outlet pipe)	1	E0HZ 5277-K	Bracket (rear outlet pipe to frame)-center
1	E0HZ 5255-V	Pipe (outlet)-rear	1	C1TZ 5A231-A	Clamp (rear outlet pipe to frame)-center
1	★5A290	Hanger (rear outlet pipe to frame)-front	1	D0HZ 5A231-H	Clamp (rear outlet pipe to frame)-rear
1	E2HZ 5277-S	Bracket (rear outlet pipe to frame)-front	1	★5A290	Hanger (rear outlet pipe to frame)-rear
2	B9TT 5A291-A	Spring (rear outlet pipe to frame)-front	2	B9TT 5A291-A	Spring (rear outlet pipe to frame)-rear
1	E4HZ 5260-B	Bracket (rear outlet pipe to frame)-center	1	E0HZ 5277-B	Bracket (rear outlet pipe to frame)-rear
1	C1TZ 5A231-A	Clamp (rear outlet pipe to frame)-center	PARTS LIST NO. 76		
1	D0HZ 5A231-H	Clamp (rear outlet pipe to frame)-rear	2	E0HZ 5A231-B	Clamp (inlet pipes to engine)-Exc. turbo
1	★5A290	Hanger (rear outlet pipe to frame)-rear	1	E0HZ 5246-C	Pipe (inlet)-R.H.-exc. turbo
2	B9TT 5A291-A	Spring (rear outlet pipe to frame)-rear	1	E0HZ 5246-D	Pipe (inlet)-L.H.-exc. turbo
1	E0HZ 5277-B	Bracket (rear outlet pipe to frame)-rear	1	D9HZ 5A231-D	Clamp (inlet pipe to inlet pipe)-exc. turbo
1	C1TZ 5A231-A	Clamp (outlet pipe to extension)	1	E0HZ 5A231-C	Clamp (inlet pipe to engine)-turbo
1	E0HZ 5263-G	Extension-151" W/B	1	E0HZ 5246-K	Pipe (inlet)-turbo
1	E0HZ 5263-H	Extension-192" W/B	1	E1HZ 5A231-C	Clamp (inlet pipe to muffler)
1	E0HZ 5263-J	Extension-216" W/B	1	E0HZ 5230-A	Muffler-exc. turbo
1	E0HZ 5263-K	Extension-237" W/B	1	E0HZ 5230-B	Muffler-turbo
1	E0HZ 5263-L	Extension-255" W/B	1	E0HZ 5290-C	Shield (muffler heat)-1980/82
1	E0HZ 5263-M	Extension-275" W/B	1	E3HZ 5290-B	Shield (muffler heat)-1983/
1	D0HZ 5A231-H	Clamp (extension to frame)	2	D5HZ 5A215-B	Strap (muffler to frame)
1	★5A290	Hanger (extension to frame)	2	★5A290	Hanger (muffler to frame)
2	B9TT 5A291-A	Spring (extension to frame)	1	E0HZ 5277-E	Bracket (muffler to frame)-exc. turbo
1	E0HZ 5277-B	Bracket (extension to frame)	"Before 4/13/81"		
PARTS LIST NO. 75			1	E0HZ 5277-J	Bracket (muffler to frame)-turbo
2	E0HZ 5A231-B	Clamp (inlet pipes to engine)-exc. turbo.	"Before 4/13/81"		
1	E0HZ 5246-J	Pipe (inlet)-L.H.-exc. turbo.	1	F1HZ 5A204-A	Bracket (muffler to frame) "From 4/13/81"
1	E2HZ 5246-J	Pipe (inlet)-R.H.-exc. turbo.	4	B9TT 5A291-A	Spring (muffler to frame)
1	D9HZ 5A231-D	Clamp (inlet pipe to inlet pipe)-exc. turbo.	1	C1TZ 5A231-A	Clamp (outlet pipe to muffler)
1	E0HZ 5A231-C	Clamp (inlet pipe to turbo.)-turbo.	1	D0HZ 5255-L	Pipe (outlet)
1	E0HZ 5246-K	Pipe (inlet)-turbo.	PARTS LIST NO. 77		
1	E1HZ 5A231-C	Clamp (inlet pipe to muffler)	1	C7TZ 5A231-B	Clamp (inlet pipe to engine)
1	E0HZ 5230-A	Muffler-exc. turbo	1	E0HZ 5246-R	Pipe (inlet)-front
1	E0HZ 5230-B	Muffler-turbo	1	E0HZ 5277-M	Bracket (inlet pipe to frame)
1	E0HZ 5290-C	Shield (muffler heat)-1980/82	1	D3HZ 5A231-E	Clamp (inlet pipe to frame)
1	E3HZ 5290-B	Shield (muffler heat)-1983/	1	E1HZ 5A231-B	Clamp (inlet pipe to connector)
2	D5HZ 5A215-B	Strap (muffler to frame)	1	D0HZ 5B286-B	Connector
2	★5A290	Hanger (muffler to frame)	1	E1HZ 5A231-B	Clamp (connector to inlet pipe)-#2
4	B9TT 5A291-A	Spring (muffler to frame)	1	E0HZ 5246-S	Pipe (inlet)-#2
2	E0HZ 5277-J	Bracket (muffler to frame)	1	★5A290	Hanger (#2 inlet pipe to crossmember)
"Before 4/13/81"			1	E0HZ 5277-N	Bracket (#2 inlet pipe to crossmember)
1	F1HZ 5A204-A	Bracket (muffler to frame) "From 4/13/81"	2	B9TT 5A291-A	Spring (#2 inlet pipe to crossmember)
1	C1TZ 5A231-A	Clamp (muffler to outlet pipe)	1	E1HZ 5A231-B	Clamp (#2 inlet pipe to extension)
1	E0HZ 5255-N	Pipe (outlet)-129" W/B-Front	1	E0HZ 5A212-A	Extension
1	★E0HZ 5255-R	Pipe (outlet)-140" W/B-Front	1	D5HZ 5277-U	Bracket (extension & muffler to cab)-at cab
1	★E0HZ 5255-S	Pipe (outlet)-153" W/B-Front	4	D3HZ 5281-A	Insulator (extension & muffler to cab)
1	★E0HZ 5255-T	Pipe (outlet)-170" W/B-Front	1	E0HZ 5277-R	Bracket (extension & muffler to cab)
1	E0HZ 5255-U	Pipe (outlet)-188" W/B-Front	1	E0HZ 5A231-E	Clamp (extension & muffler to cab)
1	★5A290	Hanger (front outlet pipe to frame)	2	D5HZ 5281-A	Insulator (extension & muffler to cab)

EXHAUST PARTS LISTS

Q T Y	PART NUMBER	DESCRIPTION	Q T Y	PART NUMBER	DESCRIPTION
● Not used in noise restriction areas ▲ Use in noise restriction areas					
PARTS LIST NO. 77 — Cont'd			PARTS LIST NO. 80		
1	D8HZ 5230-AB	Muffler	1	E5HZ 5A231-A	Clamp (inlet pipe to engine)
1	D8HZ 5277-U	Bracket (muffler & outlet pipe to cab) at cab	1	E0HZ 5246-M	Pipe (inlet) "Before 10 5/81"
1	D5HZ 5281-A	Insulator (muffler & outlet pipe to cab)	1	E7HZ 5246-J	Pipe (inlet) "From 10 5/81"
1	D3HZ 5277-AA	Bracket (muffler & outlet pipe to cab)	1	E2HZ 5277-H	Bracket (inlet pipe to clutch housing) 3406
1	D3HZ 5A231-E	Clamp (muffler & outlet pipe to cab)	1	★5A239	U Bolt (inlet pipe to clutch housing)
1	D8HZ 5255-T	Pipe (outlet)	1	★5291	Bracket (inlet pipe to clutch housing) NTC
PARTS LIST NO. 78			PARTS LIST NO. 80		
1	D5HZ 5A231-F	Clamp (inlet pipe to engine)	1	E1HZ 5A231-B	Clamp (inlet pipe to connector)
1	D9HZ 5246-L	Pipe (inlet) front	1	E1HZ 5B286-A	Connector
1	E1HZ 5A231-B	Clamp (inlet pipe to inlet pipe)	1	E1HZ 5A231-B	Clamp (connector to extension)
1	D9HZ 5246-M	Pipe (inlet) middle	1	E1HZ 5A212-G	Extension "Before 10 5/81"
1	D0HZ 5A231-J	Clamp (inlet pipe to flywheel housing)	1	E2HZ 5A212-A	Extension "From 10 5/81"
1	D9HZ 5277-F	Bracket (inlet pipe to flywheel housing)	1	E1HZ 5A231-B	Clamp (extension to muffler)
2	381738-S	Clamp (heat shield to pipe)	2	E1HZ 5230-A	Muffler
1	D9HZ 5C288-A	Shield	2	E1HZ 5A215-A	Strap (muffler to frame) exc. variable frame construction
1	E1HZ 5A231-B	Clamp (inlet pipe to inlet pipe)	2	E2HZ 5A215-B	Strap (muffler to frame) variable frame construction
1	D9HZ 5246-R	Pipe (inlet) rear	2	E1HZ 5277-D	Bracket (muffler to frame)
1	E1HZ 5A231-B	Clamp (inlet pipe to connector)	1	E1HZ 5A231-F	Clamp (outlet pipe to muffler) lower plain
1	D0HZ 5B286-B	Connector	1	E1HZ 5A231-B	Clamp (outlet pipe to muffler) lower bright
1	E1HZ 5A231-B	Clamp (connector to extension)	1	E1HZ 5255-F	Pipe (outlet) lower bright exc. construction
1	E0HZ 5A212-F	Extension	1	E1HZ 5255-E	Pipe (outlet) lower plain exc. construction
1	D0HZ 5A231-G	Clamp (extension to frame)	1	E1HZ 5A231-F	Clamp (lower outlet pipe to connector) plain exc. construction
1	D4HZ 5A246-A	Bracket (extension to frame)	1	E1HZ 5A231-B	Clamp (lower outlet pipe to connector) bright exc. construction
1	D5HZ 5277-U	Bracket (extension & muffler to cab)	1	E1HZ 5B286-B	Connector exc. construction
1	D5HZ 5281-A	Insulator (extension & muffler to cab)	1	E1HZ 5A231-F	Clamp (connector to upper outlet pipe) plain exc. construction
1	E0HZ 5A231-E	Clamp (extension & muffler to cab)	1	E1HZ 5A231-B	Clamp (connector to upper outlet pipe) bright exc. construction
1	E0HZ 5277-R	Bracket (extension & muffler to cab)	1	E1HZ 5255-C	Pipe (outlet) upper plain exc. construction
1	D8HZ 5230-AB	Muffler	1	E1HZ 5255-B	Pipe (outlet) upper bright exc. construction
1	D8HZ 5277-U	Bracket (muffler to bracket)	1	E1HZ 5255-D	Pipe (outlet) lower construction
1	D5HZ 5281-A	Insulator (muffler & outlet pipe to cab)	1	E1HZ 5A231-F	Clamp (lower outlet pipe to connector) plain-construction exc. construction
1	D3HZ 5277-AA	Bracket (muffler & outlet pipe to cab) at cab	1	E1HZ 5A231-B	Clamp (lower outlet pipe to connector) bright-construction exc. construction
1	D3HZ 5A231-E	Clamp (muffler & outlet pipe to cab)	1	E1HZ 5B286-B	Connector construction
1	D8HZ 5255-A	Pipe (outlet)	1	E1HZ 5A231-F	Clamp (connector to upper outlet pipe) plain-construction exc. construction
PARTS LIST NO. 79			1	E1HZ 5A231-B	Clamp (connector to upper outlet pipe) bright-construction exc. construction
1	E0HZ 5A231-C	Clamp (inlet pipe to engine) turbo	1	E1HZ 5A231-B	Clamp (connector to upper outlet pipe) bright-construction exc. construction
1	E0HZ 5246-G	Pipe (inlet) turbo exc. RT 610 trans.	1	E1HZ 5255-G	Pipe (outlet) upper construction "Before 10 5 81"
1	E0HZ 5246-G	Pipe (inlet) turbo C800 exc. RT 610 trans.	1	E2HZ 5255-A	Pipe (outlet) upper construction bright "From 10 5 81"
1	E1HZ 5246-H	Pipe (inlet) turbo CT800 exc. RF 610 trans.	1	E1HZ 5260-C	Bracket (outlet pipe to cab) lower
1	E1HZ 5246-A	Pipe (inlet) turbo RT 610 trans.	AR	D3HZ 5281-A	Insulator
2	E0HZ 5A231-B	Clamp (inlet pipe to engine) exc. turbo	1	E3HZ 5C264-B	Clamp (outlet pipe and shield to cab) exc. construction
1	E0HZ 5246-D	Pipe (inlet) LH "Y" type exc. turbo	1	E2HZ 5C264-A	Clamp (outlet pipe and shield to cab) construction
1	E0HZ 5246-C	Pipe (inlet) RH exc. turbo	1	E1HZ 5A273-A	Shield (outlet pipe) exc. construction
1	E1HZ 5A231-E	Clamp (inlet pipe to inlet pipe) exc. turbo			
1	E1HZ 5A231-C	Clamp (inlet pipe to muffler)			
2	D5HZ 5A215-B	Strap (muffler to frame)			
1	E0HZ 5230-A	Muffler exc. turbo			
1	E0HZ 5230-B	Muffler turbo			
2	★5A290	Hanger (muffler to frame)			
2	E1HZ 5277-G	Bracket (muffler to frame)			
4	B9TT 5A291-A	Spring (muffler to frame)			
1	C1TZ 5A231-A	Clamp (outlet pipe to muffler)			
1	D0HZ 5255-L	Pipe (outlet)			
1	D9HZ 5246-S	Pipe (inlet) 3406 cat. "Before 10 5 81"			

1980/  
TRUCK SERIES 600/900

Refer to SECTION 52.1, Page 1  
for PARTS LIST INSTRUCTION

### EXHAUST PARTS LISTS

QTY	PART NUMBER	DESCRIPTION	QTY	PART NUMBER	DESCRIPTION
● Not used in noise restriction areas ▲ Use in noise restriction areas					
PARTS LIST NO. 80 — Cont'd			PARTS LIST NO. 82 — Cont'd		
1	E1HZ 5A273-C	Shield (outlet pipe) construction	1	E1HZ 5A231-B	Clamp (muffler to lower outlet pipe)
1	E3HZ 5277-T	Bracket (outlet pipe to bracket) upper	1	E1HZ 5255-F	Pipe (outlet) lower
1	D3HZ 5281-A	Insulator (bracket to bracket) upper	1	E1HZ 5A231-F	Clamp (lower outlet pipe to connector)
1	D8HZ 5277-Y	Bracket (bracket to cab) upper	1	E1HZ 5B286-B	Connector
		"Before 10/5/81"	1	E1HZ 5A231-F	Clamp (connector to upper outlet pipe)
1	E2HZ 5277 G	Bracket (bracket to cab) upper	1	E1HZ 5255-B	Pipe (outlet) upper
		"From 10/5/81"	1	E1HZ 5A273-A	Shield (outlet pipe)
PARTS LIST NO. 81			1	E1HZ 5C264-B	Clamp (shield to upper outlet pipe) lower
1	E5HZ 5A231 A	Clamp (inlet pipe to engine) 3406 dsl.	1	E2HZ 5C264-A	Clamp (shield to upper outlet pipe) upper
1	E7HZ 5246-H	Pipe (inlet) 3406 dsl. 1984	1	E1HZ 5260-C	Bracket (outlet pipe to cab) lower
1	D9HZ 5246-S	Pipe (inlet) 3406 dsl. 1980 83	1	E2HZ 5277-G	Bracket (outlet pipe to cab) upper
1	E4HZ 5277 C	Bracket (inlet pipe to frame) 3406 exc. LTL	1	E1HZ 5277-H	Bracket (outlet pipe to bracket) upper
1	E2HZ 5277 H	Bracket (inlet pipe to frame) 3406 LTL			"Before 3/83"
1	E0HZ 5246-M	Pipe (inlet) NTC exc. LTL 1984/86	1	E3HZ 5277-T	Bracket (outlet pipe to bracket) upper
1	E7HZ 5246-J	Pipe (inlet) LTL NTC 1984/86			"From 3/83"
1	E7HZ 5246-J	Pipe (inlet) NTC 1987/	2	D3HZ 5281-A	Insulator (outlet pipe to cab) upper
1	★D0HA 5A239 F	U Bolt (inlet pipe to clutch housing)			Left hand side
1	★D3HZ 5291-GA	Bracket (inlet pipe to clutch housing)	1	E1HZ 5A231-B	Clamp (pipe to connector)
1	E1HZ 5A231-B	Clamp (inlet pipe to connector)	1	E1HZ 5B286-B	Connector
1	E1HZ 5B286-A	Connector	1	E1HZ 5A231-B	Clamp (connector to extension)
1	E1HZ 5A231-B	Clamp (connector to extension)	1	E1HZ 5A212-R	Extension
1	E1HZ 5A212-K	Extension			"Before 10/5/81"
1	E2HZ 5A212-B	Extension	1	E1HZ 5A212-R	Extension
		"From 10/5/81"	1	E1HZ 5A231-B	Clamp (extension to muffler)
1	D0HZ 5A231 G	Clamp (extension to frame)	1	E1HZ 5230-B	Muffler
1	E1HZ 5A246-A	Bracket (extension to frame)	2	E1HZ 5A215-A	Strap (muffler to frame)
1	E1HZ 5A231-F	Clamp (extension to muffler)	2	B9TT 5A291-A	Spring (muffler to frame)
1	E1HZ 5230-D	Muffler	2	E1HZ 5277-D	Bracket (muffler to frame)
1	D8HZ 5A273-A	Shield (muffler)	1	E1HZ 5A231-B	Clamp (muffler to outlet pipe)
1	F1HZ 5C264-B	Clamp (shield to muffler) lower	1	E1HZ 5255-F	Pipe (outlet) lower
1	E1HZ 5C264-A	Clamp (shield to muffler) upper	1	E1HZ 5A231-F	Clamp (lower outlet pipe to connector)
2	D0HZ 5A239-A	Clamp (muffler to support)	1	E1HZ 5B286-B	Connector
2	D8HZ 5A231-C	Clamp (extension to hanger)	1	E1HZ 5A231-F	Clamp (connector to upper outlet pipe)
1	★D7HT 5A290-DB	Hanger (extension to bracket)	1	E1HZ 5255-A	Pipe (outlet) upper
1	E2HZ 5277-T	Support (muffler)	1	E1HZ 5A273-B	Shield (outlet pipe)
1	D8HZ 5277-G	Bracket (muffler to support)	1	E3HZ 5C264-B	Clamp (shield to outlet pipe) lower
1	D8HZ 5F230-B	Cap (muffler support)	1	E2HZ 5C264-A	Clamp (shield to outlet pipe) upper
1	E1HZ 5A231-H	Clamp (outlet pipe to muffler)	1	E1HZ 5260-B	Bracket (outlet pipe to cab) lower
1	D8HZ 5255-B	Pipe (outlet)	1	E2HZ 5277-F	Bracket (outlet pipe to cab) upper
PARTS LIST NO. 82			1	E3HZ 5277-T	Bracket (outlet pipe to bracket) upper
1	D5HZ 5A231-F	Clamp (inlet pipe to engine)	2	D3HZ 5281-A	Insulator (outlet pipe to cab) upper
1	E1HZ 5246-F	Pipe (inlet)	PARTS LIST NO. 83		
1	D0HZ 5A231-G	Clamp (inlet pipe to clutch housing)	1	D5HZ 5A231-F	Clamp (inlet pipe to engine)
1	E1HZ 5277-E	Bracket (inlet pipe to clutch housing)	1	E1HZ 5246-F	Pipe (inlet)
1	E1HZ 5A231-B	Clamp (inlet pipe to frame)	1	D0HZ 5A231-G	Clamp (inlet pipe to clutch housing)
1	E1HZ 5260-A	Support (inlet pipe to frame)	1	E1HZ 5277-E	Bracket (inlet pipe to clutch housing)
1	D0HZ 5A231-G	Clamp (inlet pipe to connector)	1	E1HZ 5A231-B	Clamp (inlet pipe to connector)
1	E1HZ 5B286-C	Connector	1	E1HZ 5B286-C	Connector
1	D0HZ 5A231-G	Clamp (connector pipe to "Y" pipe)	1	E1HZ 5A231-B	Clamp (connector to extension)
1	E1HZ 5A212-N	Extension	1	E1HZ 5A212-B	Extension "Y" type
Right hand side			Right hand side		
1	E1HZ 5A231-B	Clamp ("Y" pipe to muffler)	1	E1HZ 5A231-B	Clamp (extension to muffler)
1	E1HZ 5230-B	Muffler	1	E1HZ 5230-C	Muffler
2	E1HZ 5A215-A	Strap (muffler to frame)	1	E1HZ 5260-A	Support (extension to frame)
2	B9TT 5A291-A	Spring (muffler to frame)	1	D0HZ 5A231-G	Clamp (extension to frame)
2	E1HZ 5277-D	Bracket (muffler to frame)			

EXHAUST PARTS LISTS

QTY	PART NUMBER	DESCRIPTION	QTY	PART NUMBER	DESCRIPTION
● Not used in noise restriction areas ▲ Use in noise restriction areas					
PARTS LIST NO. 83 -- Cont'd			PARTS LIST NO. 85 -- Cont'd		
1	D8HZ 5A273-A	Shield	1	D3HZ 5A231-D	Clamp (extension to frame)
1	F1HZ 5C264-B	Clamp (shield to muffler) lower	1	D5HZ 5277-U	Bracket (extension to muffler to cab) lower at cab
1	F1HZ 5C264-C	Clamp (shield to muffler) upper	1	E0HZ 5277-S	Bracket (extension to muffler to cab) lower
1	D0HZ 5A239-A	Clamp (muffler to bracket)	1	D8HZ 5A231-F	Clamp (extension & muffler to cab) lower
1	D8HZ 5A231-C	Clamp (extension to bracket)	8	D3HZ 5281-A	Insulator (extension & muffler to cab) lower small
1	E2HZ 5277-T	Support (muffler)	2	D5HZ 5281-A	Insulator (extension & muffler to cab) lower large
1	E1HZ 5A231-H	Clamp (outlet pipe to muffler)	1	D8HZ 5230-AA	Muffler
1	D8HZ 5255-B	Pipe (outlet)	1	E2HZ 5277-B	Bracket (muffler to cab) upper
	Left hand side		1	D8HZ 5C264-B	Clamp (muffler to cab) upper
1	E1HZ 5A231-F	Clamp (extension to connector)	1	E3HZ 5277-F	Bracket (muffler to cab) at cab
1	E1HZ 5B286-B	Connector	1	E2HZ 5281-A	Insulator (muffler to cab) upper
1	E1HZ 5A231-F	Clamp (connector to extension)	1	E2HZ 5A231-B	Clamp (muffler to outlet pipe)
1	E1HZ 5A212-A	Extension	1	D0HZ 5255-AA	Pipe (outlet)
1	E1HZ 5A231-F	Clamp (extension to muffler)	PARTS LIST NO. 86		
1	E1HZ 5230-C	Muffler	1	D5HZ 5A231-E	Clamp (inlet pipe to engine)
1	D8HZ 5A273-A	Shield	1	D8HZ 5246-AD	Pipe (inlet)
1	F1HZ 5C264-B	Clamp (shield to muffler) lower	2	D0HZ 5B286-A	Connector (att. R.H. to L.H. inlet pipes)
1	F1HZ 5C264-C	Clamp (shield to muffler) upper	1	E1HZ 5A231-G	Clamp (connector to inlet pipe)
1	E2HZ 5277-T	Support (muffler)	1	C1TZ 5A231-A	Clamp (inlet pipe to clutch hsg.)
1	E2HZ 5277-U	Bracket (muffler support) use with E2HZ 5277-T -- "From 3/15/82"	1	D0HZ 5277-A	Bracket (inlet pipe to clutch hsg.)
2	D0HZ 5A239-A	Clamp (muffler to support)	1	E1HZ 5A231-G	Clamp (inlet pipe to connector)
1	D8HZ 5A231-C	Clamp (extension to support)	1	D8HZ 5A212-CH	Connector L LT
1	D8HZ 5255-B	Pipe (outlet)	1	D8HZ 5A212-CG	Connector LN LNT
1	E1HZ 5A231-H	Clamp (outlet pipe to muffler)	1	E1HZ 5A231-G	Clamp (connector to extension)
PARTS LIST NO. 84			1	D8HZ 5A212-CL	Extension
2	E0HZ 5A231-B	Clamp (inlet pipes to engine) exc. turbo	1	D3HZ 5260-F	Bracket (extension to frame)
1	E0HZ 5246-C	Pipe (inlet) R.H. exc. turbo	1	D8HZ 5A231-K	Clamp (extension to frame)
1	E0HZ 5246-D	Pipe (inlet) L.H. exc. turbo	1	D5HZ 5277-V	Bracket (extension & muffler to cab) lower att cab "Before 11 2 81"
1	E0HZ 5A231-E	Clamp (inlet pipe to inlet pipe) exc. turbo	1	E2HZ 5277-J	Bracket (extension & muffler to cab) lower att cab "From 11 2 81"
1	E0HZ 5A231-C	Clamp (inlet pipe to muffler) exc. turbo	1	D8HZ 5A231-F	Clamp (extension & muffler to cab) lower
1	E0HZ 5A231-C	Clamp (inlet pipe to engine) turbo	2	D5HZ 5281-A	Insulator (extension & muffler to cab) lower large
1	E3HZ 5246-Y	Pipe (inlet) turbo auto. trans.	8	D3HZ 5281-A	Insulator (extension & muffler to cab) lower small
1	E3HZ 5246-Z	Pipe (inlet) turbo manual trans.	1	E0HZ 5277-S	Bracket (extension & muffler to cab) lower
1	E1HZ 5A231-C	Clamp (inlet pipe to muffler) turbo	1	D8HZ 5230-AA	Muffler
1	E0HZ 5230-A	Muffler exc. turbo	1	E2HZ 5277-B	Bracket (muffler to cab) upper
1	E0HZ 5230-B	Muffler turbo	1	D8HZ 5C264-B	Clamp (muffler to cab) upper
2	D5HZ 5A215-B	Strap (muffler to frame)	1	E3HZ 5277-G	Bracket (muffler to cab) at cab
4	B9TT 5A291-A	Spring (muffler to frame)	1	E2HZ 5281-A	Insulator (muffler to cab) upper
2	★ 5A290	Hanger (muffler to frame)	1	E2HZ 5A231-B	Clamp (muffler to outlet pipe)
2	E1HZ 5277-B	Bracket (muffler to frame)	1	D0HZ 5255-AC	Pipe (outlet)
1	C1TZ 5A231-A	Clamp (outlet pipe to muffler)	PARTS LIST NO. 87		
1	D0HZ 5255-L	Pipe (outlet)	1	D0HZ 9450-A	Gasket (inlet pipe to engine)
PARTS LIST NO. 85			1	D5HZ 5246-AC	Pipe (inlet) R.H.
1	D5HZ 5A231-E	Clamp (inlet pipe to engine)	1	E1HZ 5A231-A	Clamp (inlet pipe to inlet pipe)
1	D8HZ 5246-AC	Pipe (inlet)	1	D5HZ 5246-AB	Pipe (inlet) L.H. exc. Calif.
1	E1HZ 5A231-G	Clamp (inlet pipe to extension)	1	D7HZ 5246-B	Pipe (inlet) L.H. Calif.
1	D8HZ 5A212-BY	Extension	1	D9HZ 5A231-E	Clamp (inlet pipe to connector)
1	C1TZ 5A231-A	Clamp (extension to clutch hsg.)	1	C1TZ 5B286-A	Connector
1	D5HZ 5277-T	Bracket (extension to clutch hsg.)	1	D9HZ 5A231-E	Clamp (connector to extension)
1	E1HZ 5A231-G	Clamp (extension to connector)	1	E0HZ 5A212-B	Extension L LT LTS
1	D8HZ 5A212-CH	Connector L LT	1	E0HZ 5A212-C	Extension LN LNT
1	D8HZ 5A212-CG	Connector LN LNT	1	D0HZ 5A231-F	Clamp (extension to frame)
1	E1HZ 5A231-G	Clamp (connector to extension)	1	★D7HT 5A204-ABA	Bracket (extension to frame)
1	D8HZ 5A212-CV	Extension			
1	D3HZ 5260-E	Bracket (extension to frame)			

October, 1993

COPYRIGHT © 1993 - FORD MOTOR - DEARBORN, MICHIGAN  
COMPANY

Final Issue

## EXHAUST PARTS LISTS

QTY	PART NUMBER	DESCRIPTION	QTY	PART NUMBER	DESCRIPTION
● Not used in noise restriction areas ▲ Use in noise restriction areas					
PARTS LIST NO. 87 — Cont'd			PARTS LIST NO. 90 — Cont'd		
1	★ 5A290	Support (extension to frame)	1	D9HZ 5246-K	Pipe (inlet)-rear
1	E1HZ 5A231-C	Clamp (extension to muffler)	1	E1HZ 5A231-D	Clamp (inlet pipe to connector)
1	D3HZ 5A231-F	Clamp (extension to muffler to cab)	1	D0HZ 5B286-B	Connector
1	E2HZ 5277-E	Bracket (extension to muffler to cab)	1	E1HZ 5A231-D	Clamp (clamp connector to extension)
4	E2HZ 5281-A	Insulator (extension to muffler to cab)	1	E0HZ 5A212-G	Extension
1	D8HZ 5230-AE	Muffler	1	D0HZ 5A231-G	Clamp (extension to frame)
1	D8HZ 5C264-B	Clamp (muffler to cab)-upper	1	D4HZ 5A246-A	Bracket (extension to frame)
1	E2HZ 5277-B	Bracket (muffler to cab)-upper	1	E1HZ 5A231-D	Clamp (extension to muffler)
1	E3HZ 5277-F	Bracket (muffler to cab)-at cab	1	E2HZ 5230-L	Muffler
1	E2HZ 5281-A	Insulator (muffler to cab)-upper	1	E4HZ 5290-A	Shield (muffler)-heat
1	E2HZ 5A231-B	Clamp (muffler to outlet pipe)	1	F1HZ 5C264-C	Clamp (shield)-upper-exc. Aero pkg.
1	D0HZ 5255-AC	Pipe (outlet)	1	E5HZ 5C264-A	Clamp (shield)-upper-Aero pkg.
PARTS LIST NO. 88			1	F1HZ 5C264-B	Clamp (shield)-lower
1	C7TZ 5A231-B	Clamp (inlet pipe to engine)	1	D3HZ 5A231-E	Clamp (extension & muffler to cab)
1	D8HZ 5246-BD	Pipe (inlet)	1	E2HZ 5277-E	Bracket (extension & muffler to cab)
1	★D7HT 5291-LA	Bracket (inlet pipe to engine)	4	E2HZ 5281-A	Insulator (extension & muffler to cab)
1	C1TZ 5A231-A	Clamp (inlet pipe to engine)	1	D8HZ 5C264-B	Clamp (muffler to cab)
1	D8HZ 5A231-R	Clamp (inlet pipe to resonator)	1	E2HZ 5277-B	Bracket (muffler to cab)
1	D8HZ 5A289-B	Resonator	1	E3HZ 5277-F	Bracket (muffler to cab)-at cab
1	D8HZ 5A231-R	Clamp (resonator & connector to frame)	1	E2HZ 5281-A	Insulator (muffler to cab)
1	★D8HT 5266-AA	Bracket (resonator & connector to frame)	1	E1HZ 5A231-H	Clamp (muffler to outlet pipe)
1	★ 5A290	Hanger (resonator & connector to frame)	1	D8HZ 5255-A	Pipe (outlet)-exc. Aero pkg.
1	D8HZ 5277-AM	Bracket (resonator & connector to frame)	1	E5HZ 5255-A	Pipe (outlet)-Aero pkg.
1	D8HZ 5B286-C	Connector	PARTS LIST NO. 91		
1	D8HZ 5A231-R	Clamp (connector & extension to frame)	1	D5HZ 5A231-F	Clamp (inlet pipe to engine)
1	★D8HT 5266-AA	Bracket (connector & extension to frame)	1	D9HZ 5246-L	Pipe (inlet)-front
1	★D3HT 5A296-AB	Hanger (connector & extension to frame)	1	E1HZ 5A231-B	Clamp (front inlet pipes to center inlet pipe)
1	E0HZ 5A212-D	Extension-LN-LNT	1	D9HZ 5246-M	Pipe (inlet)-center
1	E0HZ 5A212-E	Extension-L-LT-LTS	1	D0HZ 5A231-J	Clamp (center inlet pipe to flywheel hsg.)
1	E1HZ 5A231-C	Clamp (extension to muffler)	1	D9HZ 5277-F	Bracket (center inlet pipe to flywheel hsg.)
1	D8HZ 5230-AE	Muffler	1	E1HZ 5A231-B	Clamp (center inlet pipe to rear inlet pipe)
1	E4HZ 5290-A	Shield (muffler)-heat	1	D9HZ 5246-R	Pipe (inlet)-rear
1	F1HZ 5C264-C	Clamp (shield)-upper	1	★ 383735-S	Clamp (rear inlet pipe to center inlet pipe)
1	F1HZ 5C264-B	Clamp (shield)-lower	1	D9HZ 5C288-A	Bracket (rear inlet pipe to center inlet pipe)
1	D3HZ 5A231-F	Clamp (muffler & extension to cab)-lower	1	E1HZ 5A231-D	Clamp (rear inlet pipe to connector)
1	E2HZ 5277-E	Bracket (muffler & extension to cab)-lower	1	D0HZ 5B286-B	Connector
4	E2HZ 5281-A	Insulator (muffler & extension to cab)-lower	1	E1HZ 5A231-D	Clamp (connector to extension)
1	D8HZ 5C264-B	Clamp (muffler to cab)-upper	1	E0HZ 5A212-F	Extension
1	E2HZ 5277-B	Bracket (muffler to cab)-upper	1	D0HZ 5A231-G	Clamp (extension to frame)
1	E3HZ 5277-F	Bracket (muffler to cab)-at cab-1983/	1	D4HZ 5A246-A	Bracket (extension to frame)
1	E2HZ 5281-A	Insulator (muffler to cab)-upper	1	E1HZ 5A231-D	Clamp (extension to muffler)
1	E2HZ 5A231-B	Clamp (muffler to outlet pipe)	1	D8HZ 5230-AB	Muffler
1	D8HZ 5255-S	Pipe (outlet)	1	E4HZ 5290-A	Shield (muffler)-heat
PARTS LIST NO. 90			1	F1HZ 5C264-C	Clamp (shield)-upper-exc. Aero pkg.
1	D5HZ 5A231-F	Clamp (inlet pipe to engine)	1	E5HZ 5C264-A	Clamp (shield)-upper-Aero pkg.
1	D9HZ 5246-L	Pipe (inlet)-front	1	F1HZ 5C264-B	Clamp (shield)-lower
1	E1HZ 5A231-B	Clamp (front inlet pipe to center inlet pipe)	1	D3HZ 5A231-E	Clamp (muffler & extension to cab)
1	D9HZ 5246-N	Pipe (inlet)-center	1	E2HZ 5277-E	Bracket (muffler & extension to cab)
1	D0HZ 5A231-J	Clamp (center inlet pipe to flywheel hsg.)	4	E2HZ 5281-A	Insulator (muffler & extension to cab)
1	★D3TA 5A296-AA	Hanger (center inlet pipe to flywheel hsg.)	1	D8HZ 5C264-B	Clamp to cab)-upper
1	D9HZ 5277-G	Bracket (center inlet pipe to flywheel hsg.)	1	E2HZ 5277-B	Bracket (muffler to cab)-upper
1	E1HZ 5A231-B	Clamp (center inlet pipe to rear inlet pipe)			

EXHAUST PARTS LISTS

Q T Y	PART NUMBER	DESCRIPTION	Q T Y	PART NUMBER	DESCRIPTION
-------------	-------------	-------------	-------------	-------------	-------------

● Not used in noise restriction areas ▲ Use in noise restriction areas

PARTS LIST NO. 91 -- Cont'd			PARTS LIST NO. 94		
1	E3HZ 5277-F	Bracket (muffler to cab) at cab	1	E2HZ 5A231-A	Clamp (inlet pipe to engine)
1	E2HZ 5281-A	Insulator (muffler to cab)	1	E2HZ 5246-E	Pipe (inlet) manual trans.
1	E1HZ 5A231-H	Clamp (muffler to outlet pipe)	1	E2HZ 5246-D	Pipe (inlet) automatic trans.
1	D8HZ 5255-A	Pipe (outlet) exc. Aero pkg.	1	E1HZ 5A231-C	Clamp (inlet pipe to extension)
1	E5HZ 5255-A	Pipe (outlet) Aero pkg.	1	E2HZ 5A212-D	Extension
PARTS LIST NO. 92			PARTS LIST NO. 95		
1	D9HZ 5246-S	Pipe (inlet) cat. engine	1	E1HZ 5A231-C	Clamp (extension to muffler)
1	D4HZ 5277-H	Bracket (inlet pipe to engine) Cat. engine	1	E2HZ 5230-Z	Muffler
1	DOHZ 5A231-A	Clamp (inlet pipe to engine) cat. engine	1	E2HZ 5A215-C	Strap (muffler to frame)
1	EOHZ 5246-M	Pipe (inlet) Cumm. engine	2	B9TT 5A291-A	Spring (muffler to frame)
1	★ 5291	Bracket (inlet pipe to engine) Cumm. engine	1	★ 5A290	Hanger (muffler to frame)
1	DOHZ 5A231-A	Clamp (inlet pipe to engine) Cumm. engine	1	E2HZ 5277-M	Bracket (muffler to frame)
1	E1HZ 5A231-D	Clamp (inlet pipe to connector)	1	E2HZ 5A231-B	Clamp (outlet pipe to muffler)
1	DOHZ 5B286-B	Connector	1	E2HZ 5255-B	Pipe (outlet)
1	E1HZ 5A231-D	Clamp (connector to extension)	PARTS LIST NO. 95		
1	F2HZ 5A212-B	Extension LN LNT	1	E2HZ 5A231-A	Clamp (inlet pipe to engine)
1	EOHZ 5A212-G	Extension L LT LTS	1	E2HZ 5246-D	Pipe (inlet) auto. trans.
1	DOHZ 5A231-G	Clamp (extension to frame)	1	E2HZ 5246-E	Pipe (inlet) manual trans.
1	D4HZ 5A246-A	Bracket (extension to frame)	1	E1HZ 5A231-C	Clamp (inlet pipe to extension)
1	E1HZ 5A231-D	Clamp (extension to muffler)	1	E2HZ 5A212-E	Extension "Before 7/85"
1	D8HZ 5230-AF	Muffler Cat. engine	1	E5HZ 5A212-A	Extension w/o 21.60 & 26.0 Section mod. frame "From 7/85"
1	E1HZ 5230-AJ	Muffler NTC engine	1	E5HZ 5A212-B	Extension with 21.60 & 26.0 Section mod. frame "From 7/85"
1	D3HZ 5A231-E	Clamp (muffler & extension to cab)	1	E1HZ 5A231-C	Clamp (extension to muffler)
1	E2HZ 5277-E	Bracket (muffler & extension to cab)	1	E2HZ 5230-W	Muffler turbo
4	E2HZ 5281-A	Insulator (muffler & extension to cab)	4	B9TT 5A291-A	Spring (muffler to frame)
1	D8HZ 5C264-B	Clamp (muffler to cab)	1	E2HZ 5A215-D	Strap (muffler to frame) straight frame
1	E2HZ 5277-B	Bracket (muffler to cab)	1	E2HZ 5A215-E	Strap (muffler to frame) variable frame
1	E3HZ 5277-F	Bracket (muffler to cab) at cab	1	E1HZ 5A231-C	Clamp (muffler to pipe)
1	E2HZ 5281-A	Insulator (muffler to cab)	1	E2HZ 5255-C	Pipe (outlet) lower LN LNT
1	E1HZ 5A231-H	Clamp (muffler to outlet pipe)	1	E1HZ 5A231-C	Clamp (lower outlet pipe to connector) LN LNT
1	D8HZ 5255-T	Pipe (outlet) NTC engine	1	D5HZ 5B286-A	Connector LN LNT
1	DOHZ 5255-AA	Pipe (outlet) Cat. engine	1	E1HZ 5A231-C	Clamp (connector to upper outlet pipe) LN LNT
PARTS LIST NO. 93			1	E2HZ 5255-E	Pipe (outlet) upper
1	E2HZ 5A231-A	Clamp (inlet pipe to engine)	1	E2HZ 5255-F	Pipe (outlet) lower L LT LTS
1	E2HZ 5246-C	Pipe (inlet)	1	E1HZ 5A231-C	Clamp (lower outlet pipe to upper outlet pipe)-L-LT-LTS
1	E1HZ 5A231-C	Clamp (inlet pipe to muffler)	1	E2HZ 5255-D	Pipe (outlet) upper L LT LTS
1	E2HZ 5230-Z	Muffler assy. exc. 135" W/B	1	E2HZ 5C229-A	Shield (outlet pipe)
1	E2HZ 5230-AA	Muffler assy. 135" W/B	2	E2HZ 5C264-B	Clamp (shield to outlet pipe)
1	★ 5A290	Hanger (muffler to frame) front	1	E2HZ 5260-A	Bracket (outlet pipe to cab) lower
2	B9TT 5A291-A	Spring (muffler to frame) front	1	D3HZ 5281-A	Insulator (outlet pipe to cab) lower
1	E3HZ 5277-H	Bracket (muffler to frame) front	1	E2HZ 5277-G	Bracket (outlet pipe to cab) upper at cab
1	E2HZ 5A215-C	Strap (muffler to frame) front	1	E2HZ 5277-N	Bracket (outlet pipe to cab) upper at pipe
1	E2HZ 5277-L	Bracket (muffler to frame) rear 135" W/B	AR	D3HZ 5281-A	Insulator (outlet pipe to cab) upper
1	★ 5A290	Hanger (muffler to frame) rear 135" W/B	PARTS LIST NO. 96		
2	B9TT 5A291-A	Spring (muffler to frame) rear 135" W/B	1	D5HZ 5246-AB	Pipe (inlet) L.H. exc. construction exc. Calif.
1	E2HZ 5A215-C	Strap (muffler to frame) rear 135" W/B	1	D7HZ 5246-B	Pipe (inlet) L.H. Calif. exc. construction
1	E2HZ 5277-R	Bracket (muffler to frame) rear exc. 135" W/B	1	D5HZ 5246-AC	Pipe (inlet) R.H. exc. construction
1	★ 5A290	Hanger (muffler to frame) rear exc. 135" W/B	1	E1HZ 5A231-A	Clamp (inlet pipe to inlet pipe)
2	B9TT 5A291-A	Spring (muffler to frame) rear exc. 135" W/B	1	E1HZ 5A231-C	Clamp (inlet pipe to connector)
1	E2HZ 5A215-C	Strap (muffler to frame) rear exc. 135" W/B	1	C1TZ 5B286-A	Connector
1	E2HZ 5A231-B	Clamp (outlet pipe to muffler)	1	E1HZ 5A231-C	Clamp (connector to extension)
1	E2HZ 5255-B	Pipe (outlet)	1	EOHZ 5A212-B	Extension L LT LTL LTS
			1	EOHZ 5A212-C	Extension LN LNT
			1	★D7HT 5A204-ABA	Bracket (extension to frame)
			1	★ 5A290	Hanger (extension to frame)
			1	DOHZ 5A231-F	Clamp (extension to frame)

1980/  
TRUCK SERIES 600/900

**EXHAUST PARTS LISTS**

Q T Y	PART NUMBER	DESCRIPTION	Q T Y	PART NUMBER	DESCRIPTION
● Not used in noise restriction areas ▲ Use in noise restriction areas					
PARTS LIST NO. 96 — Cont'd			PARTS LIST NO. 99		
1	E1HZ 5A231-C	Clamp (extension to muffler)	2	E0HZ 5A231-B	Clamp (inlet pipes to engine)-exc. Turbo
1	D8HZ 5230-AE	Muffler	1	E0HZ 5246-J	Pipe (inlet) -- L.H.-exc. Turbo
1	E4HZ 5290-A	Shield (muffler heat)	1	E2HZ 5246-J	Pipe (inlet) -- R.H.-exc. Turbo
1	E1HZ 5C264-A	Clamp (shield)-upper-exc. Aero pkg.	1	E1HZ 5A231-C	Clamp (inlet pipe to inlet pipe)-exc. Turbo
1	E5HZ 5255-B	Pipe (outlet)-Aero pkg.	1	E0HZ 5A231-C	Clamp (inlet pipe to engine)-turbo
1	F1HZ 5C264-B	Clamp (shield)-lower	1	E0HZ 5246-K	Pipe (inlet)-turbo
1	E2HZ 5277-E	Bracket (muffler to cab)-lower	1	E1HZ 5A231-C	Clamp (inlet pipe to muffler)
1	D3HZ 5A231-F	Clamp (muffler to cab)-lower	1	E2HZ 5230-Z	Muffler
4	E2HZ 5281-A	Insulator (muffler to cab)-lower	2	D5HZ 5A215-B	Strap (muffler to frame)
1	E2HZ 5A231-B	Clamp (outlet pipe to muffler)	2	★ 5A290	Hanger (muffler to frame)
1	D0HZ 5255-AC	Pipe (outlet)-exc. Aero pkg.	1	E1HZ 5277-R	Bracket (muffler to frame)
1	E5HZ 5C264-A	Clamp (shield)-upper-Aero pkg.	4	B9TT 5A291-A	Spring (muffler to frame)
1	D8HZ 5C264-B	Clamp (muffler to cab)-upper	1	C1TZ 5A231-A	Clamp (muffler to outer pipe)
1	E3HZ 5277-F	Bracket (muffler to cab)-at cab	1	E1HZ 5255-H	Pipe (outlet)
1	E2HZ 5281-A	Insulator (muffler to cab)-upper	PARTS LIST NO. 100		
PARTS LIST NO. 97			2	D9HZ 5A231-J	Clamp (inlet pipes to engine)-1980/84
1	E2HZ 5A231-A	Clamp (input pipe to engine)	2	E5HZ 5A231-B	Clamp (inlet pipes to engine)-1985/
1	E2HZ 5246-D	Pipe (inlet)-auto. trans.	1	E3HZ 5246-G	Pipe (inlet) -- L.H. -- hyd. brakes w/o CM5510 & MT653 trans. -- all air brakes-exc. Calif.-1980/84
1	E2HZ 5246-E	Pipe (inlet)-exc. auto. trans.	1	E5HZ 5246-J	Pipe (inlet) -- R.H. -- hyd. brakes w/o CM5510 & MT653 trans. -- all air brakes-exc. Calif.-1980/84
1	E1HZ 5A231-C	Clamp (inlet pipe to connector)	1	E5HZ 5246-K	Pipe (inlet)-L.H. -- hyd. brakes w/o CM5510 & MT653 trans. -- all air brakes-exc.-Calif.-1985/
1	C1TZ 5B286-A	Connector	1	E5HZ 5246-J	Pipe (inlet)-R.H. -- hyd. brakes w/o CM5510 & MT653 trans. -- all air brakes-exc. Calif.1985/
1	E1HZ 5A231-C	Clamp (connector to extension)	1	E3HZ 5246-H	Pipe (inlet) -- L.H. -- hyd. brakes with CM5510 & MT653 trans.-exc. Calif.
1	E2HZ 5A212-G	Extension-LN-LNT	1	E3HZ 5246-K	Pipe (inlet) -- R.H. -- hyd. brakes with CM5510 & MT653 trans.-exc. Calif.
1	E2HZ 5A212-F	Extension-L-LT-LTS-LTL	1	E4HZ 5246-G	Pipe (inlet)-R.H.-Calif.
1	E2HZ 5A246-A	Bracket (extension to frame)	1	E5HZ 5246-K	Pipe (inlet)-L.H.-Calif.
1	★ 5A290	Hanger (extension to frame)	2	E1HZ 5A231-E	Clamp (inlet pipes to muffler)-exc. Calif.
1	D0HZ 5A231-F	Clamp (extension to frame)	2	E4HZ 5A231-B	Clamp (inlet pipes to muffler)-Calif.
1	E1HZ 5A231-C	Clamp (extension to muffler)	1	E2HZ 5230-G	Muffler-1983/84
1	E2HZ 5230-Y	Muffler	1	E4HZ 5230-A	Muffler-1985/
1	E4HZ 5290-A	Shield (muffler heat)	1	E3HZ 5290-A	Shield (muffler)-1983/85
1	E1HZ 5C264-A	Clamp (shield)-upper-exc. Aero pkg.	1	E6HZ 5290-A	Shield (muffler)-1986/89
1	E5HZ 5255-B	Pipe (outlet)-Aero pkg.	2	E6HZ 5D262-A	Clamp (shield to muffler)-1986/89
1	F1HZ 5C264-B	Clamp (shield)-lower	1	E2HZ 5A215-F	Strap (muffler to frame)
1	E2HZ 5277-E	Bracket (muffler to cab)-lower	1	★ 5A290	Hanger (muffler to frame)
1	D3HZ 5A231-F	Clamp (muffler to cab)-lower	1	E1HZ 5277-R	Bracket (muffler to frame)
4	E2HZ 5281-A	Insulator muffler to cab-(lower)	2	B9TT 5A291-A	Spring (muffler to frame)
1	E1HZ 5A231-H	Clamp (outlet pipe to muffler)	2	E3HZ 5A275-A	Bracket (shield to frame)
1	D0HZ 5255-AC	Pipe (outlet)-exc. Aero pkg.	1	★ 5255	Pipe (outlet)-serviced in muffler assy. only
1	E5HZ 5C264-A	Clamp (shield)-upper-Aero pkg.	PARTS LIST NO. 101		
1	D8HZ 5C264-B	Clamp (muffler to cab)-upper	1	E3HZ 5246-C	Pipe (inlet) -- R.H.
1	E3HZ 5277-F	Bracket (muffler to cab)-at cab	1	E3HZ 5246-D	Pipe (inlet) -- L.H. -- exc. Calif
1	E2HZ 5281-A	Insulator (muffler to cab)-upper	1	E3HZ 5246-E	Pipe (inlet) -- L.H.-Calif
PARTS LIST NO. 98			1	E1HZ 5A231-A	Clamp (inlet pipe to inlet pipe)
2	E0HZ 5A231-B	Clamp (inlet pipes to engine)	1	E1HZ 5A231-C	Clamp (inlet pipe to muffler)
1	E0HZ 5246-D	Pipe (inlet) -- L.H.	1	E0HZ 5230-A	Muffler
1	E0HZ 5246-C	Pipe (inlet) -- R.H.	2	D5HZ 5A215-B	Strap (muffler to frame)
1	E1HZ 5A231-C	Clamp (inlet pipe to inlet pipe)	2	★ 5A290	Hanger (muffler to frame)
1	E1HZ 5A231-C	Clamp (inlet pipe to muffler)	4	B9TT 5A291-A	Spring (muffler to frame)
1	E0HZ 5230-A	Muffler	1	E1HZ 5277-R	Bracket (muffler to frame)
2	D5HZ 5A215-B	Strap (muffler to frame)	1	C1TZ 5A231-A	Clamp (muffler to outlet pipe)
1	★ 5A290	Hanger (muffler to frame)	1	D0HZ 5255-L	Pipe (outlet)
4	B9TT 5A291-A	Spring (muffler to frame)	2	★ 5A290	Hanger (muffler to frame)
1	E1HZ 5277-R	Bracket (muffler to frame)	4	B9TT 5A291-A	Spring (muffler to frame)
1	C1TZ 5A231-A	Clamp (muffler to outlet pipe)			
1	D0HZ 5255-L	Pipe (outlet)			



EXHAUST PARTS LISTS

QTY	PART NUMBER	DESCRIPTION	QTY	PART NUMBER	DESCRIPTION
● Not used in noise restriction areas ▲ Use in noise restriction areas					
PARTS LIST NO. 101 — Cont'd			PARTS LIST NO. 103 — Cont'd		
1	F1HZ 5A204-A	Bracket (muffler to frame)	1	★ 5A290	Hanger (outlet pipe to frame)#2 rear
1	E2HZ 5A231-B	Clamp (muffler to outlet pipe)	2	B9TT 5A291-A	Spring (outlet pipe to frame)#2 rear
1	E2HZ 5255-B	Pipe (outlet)	1	E1HZ 5A231-C	Clamp (outlet pipe to extension)
PARTS LIST NO. 102			PARTS LIST NO. 104		
1	E3HZ 5246-C	Pipe (inlet) R.H.	1	E3HZ 5246-L	Pipe (inlet) L.H. exc. Calif
1	E3HZ 5246-D	Pipe (inlet) L.H. exc. Calif	1	E3HZ 5246-M	Pipe (inlet) L.H. Calif
1	E3HZ 5246-E	Pipe (inlet) L.H. Calif	1	E3HZ 5246-N	Pipe (inlet) R.H.
1	E1HZ 5A231-A	Clamp (inlet pipe to inlet pipe)	1	E1HZ 5A231-C	Clamp (inlet pipe to inlet pipe)
1	E1HZ 5A231-C	Clamp (inlet pipe to muffler)	1	E1HZ 5A231-C	Clamp (inlet pipe to muffler)
1	E3HZ 5230-A	Muffler exc. turbo	1	E3HZ 5230-B	Muffler exc. turbo
1	E3HZ 5230-C	Muffler turbo	1	E2HZ 5230-Z	Muffler turbo
2	E2HZ 5A215-C	Strap (muffler to frame)	1	E3HZ 5290-B	Shield (muffler heat)
2	★ 5A290	Hanger (muffler to frame)	2	E2HZ 5A215-C	Strap (muffler to frame)
4	B9TT 5A291-A	Spring (muffler to frame)	2	★ 5A290	Hanger (muffler to frame)
1	F1HZ 5A204-A	Bracket (muffler to frame)	1	F1HZ 5A204-A	Bracket (muffler to frame)
1	E1HZ 5A231-C	Clamp (muffler to outlet pipe) lower	1	E1HZ 5A231-C	Clamp (muffler to outlet pipe)
1	E3HZ 5255-A	Pipe (outlet) lower	2	D0HZ 5A231-H	Clamp (outlet pipe to frame) #1
1	E1HZ 5A231-C	Clamp (outlet pipe to connector)	2	★ 5A290	Hanger (outlet pipe to frame) #1
1	C1TZ 5B286-A	Connector	2	E3HZ 5277-D	Bracket (outlet pipe to frame) #1
1	E1HZ 5A231-C	Clamp (connector to outlet pipe) upper	1	E3HZ 5255-L	Pipe (outlet) front 129" W/B
1	E3HZ 5255-Y	Pipe (outlet) middle	1	E3HZ 5255-M	Pipe (outlet) front 140" W/B
1	E3HZ 5A273-A	Shield	1	E3HZ 5255-K	Pipe (outlet) front 153" W/B
1	E2HZ 5C264-B	Clamp (shield to cab) lower	1	E3HZ 5255-J	Pipe (outlet) front 170" W/B
1	E3HZ 5277-E	Bracket (shield to cab) lower	1	E3HZ 5255-H	Pipe (outlet) front 189" W/B
1	E2HZ 5C264-B	Clamp (middle outlet pipe to cab)	1	E3HZ 5255-S	Pipe (outlet) front 195" W/B
1	E3HZ 5K229-A	Bracket (middle outlet pipe to cab)	1	E3HZ 5255-R	Pipe (outlet) front 213" W/B
6	E3HZ 5281-A	Insulator (bracket to cab) lower	1	E1HZ 5A231-C	Clamp (outlet pipe to outlet pipe)
1	D0HZ 5255-AC	Pipe (outlet) upper	1	E3HZ 5255-D	Pipe (outlet) rear
1	E3HZ 5C264-A	Clamp (middle & upper outlet pipe to shield)	1	E0HZ 5277-K	Bracket (outlet pipe to frame) #2 front
PARTS LIST NO. 103			PARTS LIST NO. 105		
1	E3HZ 5246-L	Pipe (inlet) L.H. exc. Calif	1	E5HZ 5A231-A	Clamp (inlet pipe to engine) 3406 DSL.
1	E3HZ 5246-M	Pipe (inlet) L.H. Calif	1	E5HZ 5246-C	Pipe (inlet) 3406 DSL. 1984/86
1	E3HZ 5246-N	Pipe (inlet) R.H.	1	E7HZ 5246-H	Pipe (inlet) 1987/ 3406 DSL.
1	E1HZ 5A231-C	Clamp (inlet pipe to inlet pipe)	1	D9HZ 5246-S	Pipe (inlet) 3406 eng. 1980/1983
1	E1HZ 5A231-C	Clamp (inlet pipe to muffler)	1	E4HZ 5277-C	Bracket (inlet pipe to frame) 3406 exc. LTL
1	E3HZ 5230-B	Muffler exc. turbo	1	E2HZ 5277-H	Bracket (inlet pipe to frame) LTL 3406
1	E2HZ 5230-Z	Muffler turbo	1	E0HZ 5246-M	Pipe (inlet) NTC exc. LTL 1984 86
2	E2HZ 5A215-C	Strap (muffler to frame)	1	E7HZ 5246-J	Pipe (inlet) LTL NTC 1984 86
2	★ 5A290	Hanger (muffler to frame)	1	E7HZ 5246-J	Pipe (inlet) 1987. NTC
2	F1HZ 5A204-A	Bracket (muffler to frame)	1	★ 5291	Bracket (inlet pipe to frame) NTC
1	E1HZ 5A231-C	Clamp (muffler to outlet pipe)	1	★ D0HA 5A239-F	U Bolt (inlet pipe to frame)
1	E3HZ 5255-G	Pipe (outlet) front 151" W/B	1	E1HZ 5A231-B	Clamp (inlet pipe to extension)
1	E3HZ 5255-F	Pipe (outlet) front 192" W/B			
1	E3HZ 5255-E	Pipe (outlet) front 216" W/B			
1	E3HZ 5255-D	Pipe (outlet) front 237" W/B			
1	E3HZ 5255-C	Pipe (outlet) front 255" W/B			
1	E3HZ 5255-B	Pipe (outlet) front 275" W/B			
3 4	D0HZ 5A231 H	Clamp (outlet pipe to frame)#1			
3 4	★ 5A290	Hanger (outlet pipe to frame)#1			
3 4	E3HZ 5277 D	Bracket (outlet pipe to frame)#1			
6 8	B9TT 5A291-A	Spring (outlet pipe to frame)#1			
1	E1HZ 5A231-C	Clamp (outlet pipe to outlet pipe)			
1	E3HZ 5255-N	Pipe (outlet) rear			
1	E0HZ 5277-K	Bracket (outlet pipe to frame)#2 front			
1	C1TZ 5A231-A	Clamp (outlet pipe to frame)#2 front			
1	D0HZ 5A231-H	Clamp (outlet pipe to frame)#2 rear			

1980/  
TRUCK SERIES 600/900

Refer to SECTION 52.1, Page 1  
for PARTS LIST INSTRUCTION

**EXHAUST PARTS LISTS**

Q T Y	PART NUMBER	DESCRIPTION	Q T Y	PART NUMBER	DESCRIPTION
● Not used in noise restriction areas ▲ Use in noise restriction areas					
PARTS LIST NO. 105 — Cont'd			PARTS LIST NO. 106 — Cont'd		
1	E3HZ 5A212-C	Extension—"Before 7/85"	1	F1HZ 5C264-B	Clamp (shield)-lower
1	E5HZ 5A212-C	Extension-w/o 21.60 & 26.0 Section mod. frame—"From 7/85"	1	D3HZ 5A231-E	Clamp (muffler & extension to cab)
1	E5HZ 5A212-D	Extension-with 21.60 & 26.0 Section mod. frame—"From 7/85"	1	E2HZ 5277-E	Bracket (muffler & extension to cab)
1	E1HZ 5A231-B	Clamp (extension to muffler)	4	E2HZ 5281-A	Insulator (muffler & extension to cab)
1	E3HZ 5230-J	Muffler	1	D8HZ 5C264-B	Clamp (muffler to cab)
1	E2HZ 5A215-E	Strap (muffler to frame)-front straight frame	1	E2HZ 5277-B	Bracket (muffler to cab)
1	E2HZ 5A215-D	Strap (muffler to frame)-front variable frame	1	E3HZ 5277-F	Bracket (muffler to cab)-at cab
1	E2HZ 5A215-E	Strap (muffler to frame)-rear	1	E2HZ 5281-A	Insulator (muffler to cab)-exc. Cam II
4	B9TT 5A291-A	Spring (muffler to frame)	1	E2HZ 5281-B	Insulator (muffler & extension to cab)-Cam II
1	E1HZ 5A231-H	Clamp (lower outlet pipe to muffler)-L-LT-LTL-LTS	1	E1HZ 5A231-H	Clamp (muffler to outlet pipe)
1	E3HZ 5255-T	Pipe (outlet)-lower-L-LT-LTL-LTS	1	D8HZ 5255-A	Pipe (outlet)-exc. Aero pkg.
1	E1HZ 5A231-B	Clamp (lower outlet pipe to upper outlet pipe)	1	E5HZ 5255-A	Pipe (outlet)-Aero pkg.
1	E1HZ 5A231-H	Clamp (lower outlet pipe to muffler)-LN-LNT	PARTS LIST NO. 107		
1	E3HZ 5255-U	Pipe (outlet)-lower-LN-LNT	1	D5HZ 5A231-F	Clamp (inlet pipe to engine)
1	E1HZ 5A231-B	Clamp (lower outlet pipe to connector)-LN-LNT	1	D9HZ 5246-L	Pipe (inlet)-front
1	D0HZ 5B286-C	Connector-LN-LNT	1	E1HZ 5A231-B	Clamp (inlet pipe to inlet pipe)
1	E1HZ 5A231-B	Clamp (connector to upper outlet pipe)-LN-LNT	1	C7TZ 5A231-B	Clamp (inlet pipe to frame)
1	E3HZ 5255-W	Pipe (outlet)-upper-L-LT-LTL-LTS	1	D9HZ 5246-M	Pipe (inlet)-middle
1	E3HZ 5255-V	Pipe (outlet)-upper-LN-LNT	1	E1HZ 5A231-D	Clamp (inlet pipe to inlet pipe)
1	E3HZ 5A273-B	Shield (muffler)	1	D9HZ 5246-R	Pipe (inlet)-rear
1	E3HZ 5C264-D	Clamp (upper outlet pipe to cab)-upper	1	E0HZ 5277-M	Bracket (inlet pipe to frame)
1	E3HZ 5C264-B	Clamp (upper outlet pipe to cab)-lower	1	D3HZ 5A231-E	Clamp (inlet pipe to frame)
1	E1HZ 5260-C	Bracket (upper outlet pipe to cab)-lower	1	E1HZ 5A231-D	Clamp (inlet pipe to connector)
AR	D3HZ 5281-A	Insulator	1	D0HZ 5B286-B	Connector
1	E1HZ 5277-H	Bracket (outlet pipe to bracket)-upper	1	E1HZ 5A231-D	Clamp (connector to extension)
1	E2HZ 5277-G	Bracket (bracket to cab)-upper	1	E0HZ 5A212-F	Extension
PARTS LIST NO. 106			1	D0HZ 5A231-G	Clamp (extension to frame)
1	E5HZ 5A231-A	Clamp (inlet pipe to engine)-3406 DSL.	1	D4HZ 5A246-A	Bracket (extension to frame)
1	D0HZ 5A231-A	Clamp (inlet pipe to engine)-NTC engine	1	E1HZ 5A231-D	Clamp (extension to muffler)
1	E4HZ 5246-D	Pipe (inlet)-3406 DSL.-1984/85 "Before 5/85"	1	D3HZ 5A231-E	Clamp (muffler to cab)-lower
1	E5HZ 5246-C	Pipe (inlet)-3406 DSL. 1985/86 "From 5/85"	1	E2HZ 5277-E	Bracket (muffler to cab)-lower
1	E7HZ 5246-H	Pipe (inlet) - - 1987/- 3406 DSL.	4	E2HZ 5281-A	Insulator (muffler to cab)-lower
1	D9HZ 5246-S	Pipe (inlet)-cat. engine-1980/83	1	E2HZ 5230-L	Muffler
1	E4HZ 5277-C	Bracket (inlet pipe to engine)-Cat. eng.	1	E4HZ 5290-A	Shield (muffler)
1	D0HZ 5A231-A	Clamp (inlet pipe to engine)-cat. engine	1	F1HZ 5C264-C	Clamp (shield)-upper-exc. Aero pkg.
1	E0HZ 5246-M	Pipe (inlet)-NTC engine-exc. LTL-1984/86	1	E5HZ 5C264-A	Clamp (shield)-upper-Aero pkg.
1	E7HZ 5246-J	Pipe (inlet) - - 1987/ - - NTC	1	F1HZ 5C264-B	Clamp (shield)-lower
1	★ 5291	Bracket (inlet pipe to engine)-NTC engine	1	D8HZ 5C264-B	Clamp (muffler to cab)-upper
1	E1HZ 5A231-D	Clamp (inlet pipe to connector)	1	E2HZ 5277-B	Bracket (muffler to cab)-upper
1	D0HZ 5B286-B	Connector	1	E3HZ 5277-F	Bracket (muffler to cab)-at cab
1	E1HZ 5A231-D	Clamp (connector to extension)	1	E2HZ 5281-A	Insulator (muffler to cab)
1	F2HZ 5A212-B	Extension-LN-LNT	1	E1HZ 5A231-H	Clamp (outlet pipe to muffler)
1	E0HZ 5A212-G	Extension-L-LT-LTS	1	D8HZ 5255-A	Pipe (outlet)-exc. Aero pkg.
1	D0HZ 5A231-G	Clamp (extension to frame)	1	E5HZ 5255-A	Pipe (outlet)-Aero pkg.
1	D4HZ 5A246-A	Bracket (extension to frame)	PARTS LIST NO. 108		
1	E1HZ 5A231-D	Clamp (extension to muffler)	1	E3HZ 5246-S	Pipe (inlet)-manual trans.
1	E2HZ 5230-L	Muffler	1	E3HZ 5246-T	Pipe (inlet)-automatic trans.
1	E4HZ 5290-A	Shield (muffler)	1	E1HZ 5A231-C	Clamp (inlet pipe to muffler)
1	F1HZ 5C264-C	Clamp (shield)-upper-exc. Aero pkg.	1	E3HZ 5230-C	Muffler
1	E5HZ 5C264-A	Clamp (shield)-upper-Aero pkg.	2	E2HZ 5A215-C	Strap (muffler to frame)
1	E5HZ 5C264-B	Clamp (muffler to cab)-upper	2	B9TT 5A291-A	Spring (muffler to frame)

EXHAUST PARTS LISTS

Q T Y	PART NUMBER	DESCRIPTION	Q T Y	PART NUMBER	DESCRIPTION
● Not used in noise restriction areas ▲ Use in noise restriction areas					
PARTS LIST NO. 108 — Cont'd			PARTS LIST NO. 112		
2	★ 5A290	Hanger (muffler to frame)	1	E0HZ 5A231-C	Clamp (inlet pipe to engine)
1	E1HZ 5277-R	Bracket (muffler to frame)	1	E3HZ 5246-Y	Pipe (inlet)-manual trans.
1	E2HZ 5A231-B	Clamp (muffler to lower outlet pipe)	1	E3HZ 5246-Z	Pipe (inlet)-automatic trans.
1	E3HZ 5255-A	Pipe (outlet)-lower	1	E1HZ 5A231-C	Clamp (inlet pipe to muffler)
1	E1HZ 5A231-C	Clamp (lower outlet pipe to connector)	1	E3HZ 5230-C	Muffler
1	D5HZ 5B286-A	Connector	2	E2HZ 5A215-C	Strap (muffler to frame)
1	E1HZ 5A231-C	Clamp (connector to middle outlet pipe)	4	B9TT 5A291-A	Spring (muffler to frame)
1	E3HZ 5255-Y	Pipe (outlet)-middle	2	★ 5A290	Hanger (muffler to frame)
6	E3HZ 5281-A	Insulator	1	F1HZ 5A204-R	Bracket (muffler to frame)
1	E3HZ 5277-E	Bracket (shield to cab)-lower	1	E2HZ 5A231-B	Clamp (muffler to outlet pipe)
1	E2HZ 5C264-B	Clamp (shield to cab)-lower	1	E3HZ 5255-A	Pipe (outlet)-lower
1	E3HZ 5A273-A	Shield	1	E1HZ 5A231-C	Clamp (outlet pipe to connector)
1	E3HZ 5K229-A	Bracket (outlet pipe to cab)	1	D5HZ 5B286-A	Connector
1	E2HZ 5C264-B	Clamp (outlet pipe to cab)	1	E1HZ 5A231-C	Clamp (connector to middle outlet pipe)
1	E3HZ 5C264-A	Clamp (outlet pipes to shield)-upper	1	E3HZ 5255-Y	Pipe (outlet)-middle
1	D0HZ 5255-AC	Pipe (outlet)-upper	6	E3HZ 5281-A	Insulator
PARTS LIST NO. 109			PARTS LIST NO. 113		
1	E3HZ 5246-S	Pipe (inlet)-manual trans.	1	E3HZ 5277-E	Bracket (shield to frame)-lower
1	E3HZ 5246-T	Pipe (inlet)-automatic trans.	1	E2HZ 5C264-B	Clamp (shield to frame)-lower
1	E1HZ 5A231-C	Clamp (inlet pipe to muffler)	1	E3HZ 5A273-A	Shield
1	E2HZ 5230-Z	Muffler	1	E3HZ 5K229-A	Bracket (outlet pipe to cab)
2	E2HZ 5A215-C	Strap (muffler to frame)	1	E2HZ 5C264-B	Clamp (outlet pipe to cab)
2	★ 5A290	Hanger (muffler to frame)	1	E3HZ 5C264-A	Clamp (outlet pipes to shield)
4	B9TT 5A291-A	Spring (muffler to frame)	1	D0HZ 5255-AC	Pipe (outlet)-upper
1	E1HZ 5277-R	Bracket (muffler to frame)	PARTS LIST NO. 113		
1	E2HZ 5A231-B	Clamp (outlet pipe to muffler)	1	E3HZ 5246-L	Pipe (inlet)-L.H.-exc. Calif.
1	E2HZ 5255-B	Pipe (outlet)	1	E3HZ 5246-M	Pipe (inlet)-L.H.-Calif.
PARTS LIST NO. 110			1	E1HZ 5A231-C	Clamp (inlet pipe to inlet pipe)
1	E0HZ 5A231-C	Clamp (inlet pipe to engine)	1	E3HZ 5246-N	Pipe (inlet)-R.H.
1	E3HZ 5246-Y	Pipe (inlet)-manual trans.	1	E1HZ 5A231-C	Clamp (inlet pipe to muffler)
1	E3HZ 5246-Z	Pipe (inlet)-automatic trans.	1	E3HZ 5230-B	Muffler
1	E1HZ 5A231-C	Clamp (inlet pipe to muffler)	2	E2HZ 5A215-C	Strap (muffler to frame)
1	E2HZ 5230-Z	Muffler	2	★ 5A290	Hanger (muffler to frame)
1	E3HZ 5290-C	Shield (muffler)	4	B9TT 5A291-A	Spring (muffler to frame)
2	E2HZ 5A215-C	Strap (muffler to frame)	1	F1HZ 5A204-R	Bracket (muffler to frame)
2	★ 5A290	Hanger (muffler to frame)	1	E1HZ 5A231-C	Clamp (muffler to outlet pipe)
4	B9TT 5A291-A	Spring (muffler to frame)	1	E3HZ 5255-L	Pipe (outlet)-129" W/B
1	E1HZ 5277-R	Bracket (muffler to frame)	1	E3HZ 5255-M	Pipe (outlet)-140" W/B
1	E2HZ 5A231-B	Clamp (outlet pipe to muffler)	1	E3HZ 5255-K	Pipe (outlet)-153" W/B
1	E2HZ 5255-B	Pipe (outlet)	1	E3HZ 5255-J	Pipe (outlet)-170" W/B
PARTS LIST NO. 111			1	E3HZ 5255-H	Pipe (outlet)-189" W/B
2	E0HZ 5A231-B	Clamp (inlet pipes to engine)	1	E3HZ 5255-S	Pipe (outlet)-195" W/B
1	E0HZ 5246-C	Pipe (inlet)-R.H.	1	E3HZ 5255-R	Pipe (outlet)-213" W/B
1	E1HZ 5A231-A	Clamp (inlet pipe to inlet pipe)	2	D0HZ 5A231-H	Clamp (outlet pipe to frame)-front
1	E3HZ 5246-W	Pipe (inlet)-L.H.	2	★ 5A296	Hanger (outlet pipe to frame)-front
1	E1HZ 5A231-C	Clamp (inlet pipe to muffler)	2	E3HZ 5277-D	Bracket (outlet pipe to frame)-front
2	E2HZ 5A215-C	Strap (muffler to frame)	AR	B9TT 5A291-A	Spring (outlet pipe to frame)-front
2	★ 5A290	Hanger (muffler to frame)	1	E1HZ 5A231-C	Clamp (outlet pipe to outlet pipe)
4	B9TT 5A291-A	Spring (muffler to frame)	1	E3HZ 5255-N	Pipe (outlet)-extension
1	F1HZ 5A204-A	Bracket (muffler to frame)	1	C1TZ 5A231-A	Clamp (outlet pipe extension to frame)-front
1	E3HZ 5230-B	Muffler	1	E0HZ 5277-K	Bracket (outlet pipe extension to frame)-front
1	E2HZ 5A231-B	Clamp (outlet pipe to muffler)	1	D0HZ 5A231-H	Clamp (outlet pipe extension to frame)-rear
1	E2HZ 5255-B	Pipe (outlet)	1	★ 5A296	Hanger (outlet pipe extension to frame)-rear
			AR	B9TT 5A291-A	Spring (outlet pipe extension to frame)-rear
			1	D0HZ 5277-B	Bracket (outlet pipe extension to frame)-rear

## EXHAUST PARTS LISTS

Q T Y	PART NUMBER	DESCRIPTION	Q T Y	PART NUMBER	DESCRIPTION
● Not used in noise restriction areas ▲ Use in noise restriction areas					
PARTS LIST NO. 114			PARTS LIST NO. 115 — Cont'd		
1	E0HZ 5246-J	Pipe (inlet)-L.H.	1	E0HZ 5277-K	Bracket (outlet pipe extension to frame)-front
1	E1HZ 5A231-A	Clamp (inlet pipe to inlet pipe)	1	D0HZ 5A231-H	Clamp (outlet pipe extension to frame)-rear
1	E3HZ 5246-U	Pipe (inlet)-R.H.	1	★ 5A296	Hanger (outlet pipe extension to frame)-rear
1	E1HZ 5A231-C	Clamp (inlet pipe to muffler)	AR	B9TT 5A291-A	Spring (outlet pipe extension to frame)-rear
1	E3HZ 5230-B	Muffler	1	★D0HZ 5277-B	Bracket (outlet pipe extension to frame)-rear
2	E2HZ 5A215-C	Strap (muffler to frame)	PARTS LIST NO. 116		
2	★ 5A290	Hanger (muffler to frame)	1	E2HZ 5A231-A	Clamp (inlet pipe to engine)
2	B9TT 5A291-A	Spring (muffler to frame)	1	E3HZ 5246-V	Pipe (inlet)
1	F1HZ 5A204-A	Bracket (muffler to frame)	1	E1HZ 5A231-C	Clamp (inlet pipe to muffler)
1	E1HZ 5A231-C	Clamp (muffler to outlet pipe)	1	E2HZ 5230-Z	Muffler
1	E3HZ 5255-L	Pipe (outlet)-129" W/B	2	E2HZ 5A215-C	Strap (muffler to frame)
1	E3HZ 5255-M	Pipe (outlet)-140" W/B	2	★ 5A290	Hanger (muffler to frame)
1	E3HZ 5255-K	Pipe (outlet)-153" W/B	4	B9TT 5A291-A	Spring (muffler to frame)
1	E3HZ 5255-J	Pipe (outlet)-170" W/B	1	F1HZ 5A204-A	Bracket (muffler to frame)
1	E3HZ 5255-H	Pipe (outlet)-189" W/B	1	E1HZ 5A231-C	Clamp (muffler to outlet pipe)
1	E3HZ 5255-S	Pipe (outlet)-195" W/B	1	E3HZ 5255-L	Pipe (outlet)-129" W/B
1	E3HZ 5255-R	Pipe (outlet)-213" W/B	1	E3HZ 5255-M	Pipe (outlet)-140" W/B
2	D0HZ 5A231-H	Clamp (outlet pipe to frame)-front	1	E3HZ 5255-K	Pipe (outlet)-153" W/B
2	★ 5A296	Hanger (outlet pipe to frame)-front	1	E3HZ 5255-J	Pipe (outlet)-170" W/B
2	E3HZ 5277-D	Bracket (outlet pipe to frame)-front	1	E3HZ 5255-H	Pipe (outlet)-189" W/B
AR	B9TT 5A291-A	Spring (outlet pipe to frame)-front	1	E3HZ 5255-S	Pipe (outlet)-195" W/B
1	E1HZ 5A231-C	Clamp (outlet pipe to outlet pipe)	1	E3HZ 5255-R	Pipe (outlet)-213" W/B
1	E3HZ 5255-N	Pipe (outlet)-extension	2	D0HZ 5A231-H	Clamp (outlet pipe to frame)-front
1	C1TZ 5A231-A	Clamp (outlet pipe extension to frame)-front	2	★ 5A296	Hanger (outlet pipe to frame)-front
1	E0HZ 5277-K	Bracket (outlet pipe extension to frame)-front	2	E3HZ 5277-D	Bracket (outlet pipe to frame)-front
1	D0HZ 5A231-H	Clamp (outlet pipe extension to frame)-rear	AR	B9TT 5A291-A	Spring (outlet pipe to frame)-front
1	★ 5A296	Hanger (outlet pipe extension to frame)-rear	1	E1HZ 5A231-C	Clamp (outlet pipe to outlet pipe)
AR	B9TT 5A291-A	Spring (outlet pipe extension to frame)-rear	1	E3HZ 5255-N	Pipe (outlet)-extension-1980/85
1	D0HZ 5277-B	Bracket (outlet pipe extension to frame)-rear	1	E6HZ 5255-A	Pipe (outlet)-extension-1986
PARTS LIST NO. 115			1	C1TZ 5A231-A	Clamp (outlet pipe extension to frame)-front
1	E0HZ 5A231-C	Clamp (inlet pipe to engine)	1	E0HZ 5277-K	Bracket (outlet pipe extension to frame)-front
1	E3HZ 5246-R	Pipe (inlet)	1	D0HZ 5A231-H	Clamp (outlet pipe extension to frame)-rear
1	E1HZ 5A231-C	Clamp (inlet pipe to muffler)	1	★ 5A296	Hanger (outlet pipe extension to frame)-rear
1	E2HZ 5230-Z	Muffler	AR	B9TT 5A291-A	Spring (outlet pipe extension to frame)-rear
1	E3HZ 5290-C	Shield (muffler)	1	D0HZ 5277-B	Bracket (outlet pipe extension to frame)-rear
2	E2HZ 5A215-C	Strap (muffler to frame)	PARTS LIST NO. 117		
2	★ 5A290	Hanger (muffler to frame)	1	E0HZ 5246-J	Pipe (inlet)-L.H.
2	B9TT 5A291-A	Spring (muffler to frame)	1	E1HZ 5A231-A	Clamp (inlet pipe to inlet pipe)
1	F1HZ 5A204-A	Bracket (muffler to frame)	1	E3HZ 5246-U	Pipe (inlet)-R.H.
1	E1HZ 5A231-C	Clamp (muffler to outlet pipe)	1	E1HZ 5A231-C	Clamp (inlet pipe to muffler)
1	E3HZ 5255-L	Pipe (outlet)-129" W/B	1	E3HZ 5230-B	Muffler
1	E3HZ 5255-M	Pipe (outlet)-140" W/B	2	E2HZ 5A215-C	Strap (muffler to frame)
1	E3HZ 5255-K	Pipe (outlet)-153" W/B	2	★ 5A290	Hanger (muffler to frame)
1	E3HZ 5255-J	Pipe (outlet)-170" W/B	2	B9TT 5A291-A	Spring (muffler to frame)
1	E3HZ 5255-H	Pipe (outlet)-189" W/B	1	F1HZ 5A204-A	Bracket (muffler to frame)
1	E3HZ 5255-S	Pipe (outlet)-195" W/B	1	E1HZ 5A231-C	Clamp (muffler to outlet pipe)
1	E3HZ 5255-R	Pipe (outlet)-213" W/B	1	E3HZ 5255-G	Pipe (outlet)-151" W/B
2	D0HZ 5A231-H	Clamp (outlet pipe to frame)-front	1	E3HZ 5255-F	Pipe (outlet)-192" W/B
2	★ 5A296	Hanger (outlet pipe to frame)-front	1	E3HZ 5255-E	Pipe (outlet)-216" W/B
2	E3HZ 5277-D	Bracket (outlet pipe to frame)-front	1	E3HZ 5255-D	Pipe (outlet)-237" W/B
AR	B9TT 5A291-A	Spring (outlet pipe to frame)-front	1	E3HZ 5255-C	Pipe (outlet)-255" W/B
1	E1HZ 5A231-C	Clamp (outlet pipe to outlet pipe)	1	E3HZ 5255-B	Pipe (outlet)-275" W/B
1	E3HZ 5255-N	Pipe (outlet)-extension	2	D0HZ 5A231-H	Clamp (outlet pipe to frame)-front
1	C1TZ 5A231-A	Clamp (outlet pipe extension to frame)-front	2	★ 5A290	Hanger (outlet pipe to frame)-front
			2	E3HZ 5277-D	Bracket (outlet pipe to frame)-front

EXHAUST PARTS LISTS

QTY	PART NUMBER	DESCRIPTION	QTY	PART NUMBER	DESCRIPTION
● Not used in noise restriction areas ▲ Use in noise restriction areas					
PARTS LIST NO. 117 — Cont'd			PARTS LIST NO. 118 — Cont'd		
AR	B9TT 5A291-A	Spring (outlet pipe to frame)-front	1	E0HZ 5263-K	Extension-237" W/B
1	E1HZ 5A231-C	Clamp (outlet pipe to outlet pipe)	1	E0HZ 5263-L	Extension-255" W/B
1	E3HZ 5255-N	Pipe (outlet)-extension-1983/85	1	E0HZ 5263-M	Extension-275" W/B
1	E6HZ 5255-A	Pipe (outlet)-extension-1986	1	D0HZ 5A231-H	Clamp (extension to frame)
1	E7HZ 5255-B	Pipe (outlet)-extension-1987/	2	B9TT 5A291-A	Spring (extension to frame)
1	C1TZ 5A231-A	Clamp (outlet pipe extension to frame)-front	1	★ 5A290	Hanger (extension to frame)
1	E4HZ 5260-B	Bracket (outlet pipe extension to frame)-front	1	D0HZ 5277-B	Bracket (extension to frame)
1	D0HZ 5A231-H	Clamp (outlet pipe extension to frame)-rear	PARTS LIST NO. 119		
1	★ 5A290	Hanger (outlet pipe extension to frame)-rear	1	E3HZ 5246-L	Pipe (inlet)-L.H.-exc. Calif.
AR	B9TT 5A291-A	Spring (outlet pipe extension to frame)-rear	1	E3HZ 5246-M	Pipe (inlet)-L.H.-Calif.
1	D0HZ 5277-B	Bracket (outlet pipe extension to frame)-rear	1	E1HZ 5A231-C	Clamp (inlet pipe to inlet pipe)
1	E1HZ 5A231-C	Clamp (outlet pipe to extension)	1	E3HZ 5246-N	Pipe (inlet)-R.H.
1	E0HZ 5263-G	Extension-151" W/B	1	E1HZ 5A231-C	Clamp (inlet pipe to muffler)
1	E0HZ 5263-H	Extension-192" W/B	1	E3HZ 5230-B	Muffler
1	E0HZ 5263-J	Extension-216" W/B	2	E2HZ 5A215-C	Strap (muffler to frame)
1	E0HZ 5263-K	Extension-237" W/B	2	★ 5A290	Hanger (muffler to frame)
1	E0HZ 5263-L	Extension-255" W/B	4	B9TT 5A291-A	Spring (muffler to frame)
1	E0HZ 5263-M	Extension-275" W/B	1	F1HZ 5A204-A	Bracket (muffler to frame)
1	D0HZ 5A231-H	Clamp (extension to frame)	1	E1HZ 5A231-C	Clamp (muffler to outlet pipe)
2	B9TT 5A291-A	Spring (extension to frame)	1	E3HZ 5255-G	Pipe (outlet)-151" W/B
2	★ 5A290	Hanger (extension to frame)	1	E3HZ 5255-F	Pipe (outlet)-192" W/B
1	D0HZ 5277-B	Bracket (extension to frame)	1	E3HZ 5255-E	Pipe (outlet)-216" W/B
PARTS LIST NO. 118			1	E3HZ 5255-D	Pipe (outlet)-237" W/B
1	E0HZ 5A231-C	Clamp (inlet pipe to engine)	1	E3HZ 5255-C	Pipe (outlet)-255" W/B
1	E3HZ 5246-R	Pipe (inlet)	1	E3HZ 5255-B	Pipe (outlet)-275" W/B
1	E1HZ 5A231-C	Clamp (inlet pipe to muffler)	2	D0HZ 5A231-H	Clamp (outlet pipe to frame)-front
1	E2HZ 5230-Z	Muffler	2	★ 5A290	Hanger (outlet pipe to frame)-front
2	E2HZ 5A215-C	Strap (muffler to frame)	2	E3HZ 5277-D	Bracket (outlet pipe to frame)-front
2	★ 5A290	Hanger (muffler to frame)	AR	B9TT 5A291-A	Spring (outlet pipe to frame)-front
2	B9TT 5A291-A	Spring (muffler to frame)	1	E1HZ 5A231-C	Clamp (outlet pipe to outlet pipe)
1	F1HZ 5A204-A	Bracket (muffler to frame)	1	E3HZ 5255-N	Pipe (outlet)-extension-1983/85
1	E1HZ 5A231-C	Clamp (muffler to outlet pipe)	1	E6HZ 5255-A	Pipe (outlet)-extension-1986
1	E3HZ 5255-G	Pipe (outlet)-151" W/B	1	E7HZ 5255-B	Pipe (outlet)-extension-1987/
1	E3HZ 5255-F	Pipe (outlet)-192" W/B	1	C1TZ 5A231-A	Clamp (outlet pipe extension to frame)-front
1	E3HZ 5255-E	Pipe (outlet)-216" W/B	1	E0HZ 5277-K	Bracket (outlet pipe extension to frame)-rear
1	E3HZ 5255-D	Pipe (outlet)-237" W/B	1	D0HZ 5A231-H	Clamp (outlet pipe extension to frame)-rear
1	E3HZ 5255-C	Pipe (outlet)-255" W/B	1	★ 5A290	Hanger (outlet pipe extension to frame)-rear
1	E3HZ 5255-B	Pipe (outlet)-275" W/B	AR	B9TT 5A291-A	Spring (outlet pipe extension to frame)-rear
2	D0HZ 5A231-H	Clamp (outlet pipe to frame)-front	1	D0HZ 5277-B	Bracket (outlet pipe extension to frame)-rear
2	★ 5A290	Hanger (outlet pipe to frame)-front	1	E1HZ 5A231-C	Clamp (outlet pipe to extension)
2	E3HZ 5277-D	Bracket (outlet pipe to frame)-front	1	E0HZ 5263-G	Extension-151" W/B
AR	B9TT 5A291-A	Spring (outlet pipe to frame)-front	1	E0HZ 5263-H	Extension-192" W/B
1	E1HZ 5A231-C	Clamp (outlet pipe to outlet pipe)	1	E0HZ 5263-J	Extension-216" W/B
1	E3HZ 5255-N	Pipe (outlet)-extension-1983/85	1	E0HZ 5263-K	Extension-237" W/B
1	E6HZ 5255-A	Pipe (outlet)-extension-1986	1	E0HZ 5263-L	Extension-255" W/B
1	E7HZ 5255-B	Pipe (outlet)-extension-1987/	1	E0HZ 5263-M	Extension-275" W/B
1	C1TZ 5A231-A	Clamp (outlet pipe extension to frame)-front	1	D0HZ 5A231-H	Clamp (extension to frame)
1	E4HZ 5260-B	Bracket (outlet pipe extension to frame)-front	2	B9TT 5A291-A	Spring (extension to frame)
1	D0HZ 5A231-H	Clamp (outlet pipe extension to frame)-rear	1	★ 5A290	Hanger (extension to frame)
1	★ 5A290	Hanger (outlet pipe extension to frame)-rear	1	★D0HZ 5277-B	Bracket (extension to frame)
AR	B9TT 5A291-A	Spring (outlet pipe extension to frame)-rear	PARTS LIST NO. 120		
1	D0HZ 5277-B	Bracket (outlet pipe extension to frame)-rear	1	E2HZ 5A231-A	Clamp (inlet pipe to engine)
1	E1HZ 5A231-C	Clamp (outlet pipe to extension)	1	E3HZ 5246-V	Pipe (inlet)
1	E0HZ 5263-G	Extension-151" W/B	1	E1HZ 5A231-C	Clamp (inlet pipe to muffler)
1	E0HZ 5263-H	Extension-192" W/B	1	E2HZ 5230-Z	Muffler
1	E0HZ 5263-J	Extension-216" W/B	2	E2HZ 5A215-C	Strap (muffler to frame)

October, 1993

COPYRIGHT © 1993 - FORD MOTOR - DEARBORN, MICHIGAN  
COMPANY

Final Issue

1980/  
TRUCK SERIES 600/900

**EXHAUST PARTS LISTS**

Q T Y	PART NUMBER	DESCRIPTION	Q T Y	PART NUMBER	DESCRIPTION
● Not used in noise restriction areas ▲ Use in noise restriction areas					
PARTS LIST NO. 120 — Cont'd			PARTS LIST NO. 121 — Cont'd		
2	★ 5A290	Hanger (muffler to frame)	1	E1HZ 5A231-C	Clamp (extension to muffler)
4	B9TT 5A291-A	Spring (muffler to frame)	1	E2HZ 5230-N	Muffler
1	F1HZ 5A204-A	Bracket (muffler to frame)	2	E2HZ 5A215-D	Strap (muffler to frame)-variable frame
1	E1HZ 5A231-C	Clamp (muffler to outlet pipe)	2	E2HZ 5A215-E	Strap (muffler to frame)-straight frame
1	E3HZ 5255-G	Pipe (outlet)-151" W/B	AR	B9TT 5A291-A	Spring (muffler to frame)
1	E3HZ 5255-F	Pipe (outlet)-192" W/B	1	E2HZ 5A231-B	Clamp (muffler to outlet pipe)-lower
1	E3HZ 5255-E	Pipe (outlet)-216" W/B	1	E2HZ 5255-F	Pipe (outlet)-L-LT-LTS-lower
1	E3HZ 5255-D	Pipe (outlet)-237" W/B	1	E2HZ 5255-C	Pipe (outlet)-LN-LNT-lower
1	E3HZ 5255-C	Pipe (outlet)-255" W/B	1	E1HZ 5A231-C	Clamp (outlet pipe to connector)-LN-LNT
1	E3HZ 5255-B	Pipe (outlet)-275" W/B	1	D5HZ 5B286-A	Connector-LN-LNT
2	D0HZ 5A231-H	Clamp (outlet pipe to frame)-front	1	E1HZ 5A231-C	Clamp (connector to outlet pipe)-LN-LNT
2	★ 5A290	Hanger (outlet pipe to frame)-front	1	E1HZ 5A231-C	Clamp (lower outlet pipe to upper outlet pipe)-L-LT-LTS
2	E3HZ 5277-D	Bracket (outlet pipe to frame)-front	1	E2HZ 5255-E	Pipe (outlet)-L-LT-LTS-upper
AR	B9TT 5A291-A	Spring (outlet pipe to frame)-front	1	E2HZ 5255-D	Pipe (outlet)-LN-LNT
1	E1HZ 5A231-C	Clamp (outlet pipe to outlet pipe)	1	E2HZ 5260-A	Bracket (outlet pipe to cab)-lower
1	E3HZ 5255-N	Pipe (outlet)-extension-1983/85	AR	D3HZ 5281-A	Insulator (outlet pipe to cab)-lower
1	E6HZ 5255-A	Pipe (outlet)-extension-1986	1	E2HZ 5C229-A	Shield (heat)
1	E7HZ 5255-B	Pipe (outlet)-extension-1987/	2	E2HZ 5C264-B	Clamp (heat shield to pipe)
1	C1TZ 5A231-A	Clamp (outlet pipe extension to frame)-front	1	E2HZ 5277-G	Bracket (outlet pipe to cab)-at cab.
1	E0HZ 5277-K	Bracket (outlet pipe extension to frame)-front	1	E1HZ 5277-H	Bracket (outlet pipe to cab)-at pipe
1	D0HZ 5A231-H	Clamp (outlet pipe extension to frame)-rear	PARTS LIST NO. 122		
1	★ 5A290	Hanger (outlet pipe extension to frame)-rear	1	E2HZ 5A231-A	Clamp (inlet pipe to engine)-3208 dsl.
AR	B9TT 5A291-A	Spring (outlet pipe extension to frame)-rear	1	E3HZ 5246-V	Pipe (inlet)-3208 dsl.
1	D0HZ 5277-B	Bracket (outlet pipe extension to frame)-rear	1	E0HZ 5A231-C	Clamp (inlet pipe to engine)-8.2 DSL.
1	E1HZ 5A231-C	Clamp (outlet pipe to extension)	1	E3HZ 5246-R	Pipe (inlet)-8.2 DSL.
1	E0HZ 5263-G	Extension-151" W/B	1	E1HZ 5A231-C	Clamp (inlet pipe to muffler)
1	E0HZ 5263-H	Extension-192" W/B	1	E4HZ 5230-D	Muffler
1	E0HZ 5263-J	Extension-216" W/B	1	F1HZ 5A204-A	Bracket (muffler to frame)
1	E0HZ 5263-K	Extension-237" W/B	2	★ 5A290	Hanger (muffler to frame)
1	E0HZ 5263-L	Extension-255" W/B	2	E2HZ 5A215-C	Strap (muffler to frame)
1	E0HZ 5263-M	Extension-275" W/B	4	B9TT 5A291-A	Spring (muffler to frame)
1	D0HZ 5A231-H	Clamp (extension to frame)	1	E1HZ 5A231-C	Clamp (muffler to connector)
2	B9TT 5A291-A	Spring (extension to frame)	1	D5HZ 5B286-A	Connector
1	★ 5A290	Hanger (extension to frame)	1	E1HZ 5A231-C	Clamp (connector to outlet pipe)
1	D0HZ 5277-B	Bracket (extension to frame)	1	E4HZ 5C027-A	Pipe (outlet)-lower
PARTS LIST NO. 121			1	E1HZ 5A231-A	Clamp (lower outlet)
1	D5HZ 5246-AB	Pipe (inlet)-L.H.-exc. Calif.-exc. construction- "Before 9/85"	1	E3HZ 5255-Y	Pipe (outlet)-middle
1	E6HZ 5246-F	Pipe (inlet)-L.H.-exc. Calif.-exc. construction- "From 9/85"	1	E4HZ 5C229-A	Shield (outlet pipe)
1	D7HZ 5246-B	Pipe (inlet)-L.H.-Calif.-exc. construction- "Before 9/85"	2	E2HZ 5C264-B	Clamp (shield to cab)
1	E6HZ 5246-E	Pipe (inlet)-L.H.-Calif. exc. construction- "From 9/85"	2	E3HZ 5K229-A	Bracket (shield to cab)
1	D5HZ 5246-AC	Pipe (inlet)-R.H.-exc. construction	6	E3HZ 5281-A	Insulator (shield to cab)
1	E6HZ 5246-D	Pipe (inlet)-L.H.-Exc. Calif.-construction-	1	E3HZ 5C264-A	Clamp (middle outlet pipe to upper outlet pipe)
1	E6HZ 5246-C	Pipe (inlet)-L.H.-Calif.-construction-	1	D0HZ 5255-AC	Pipe (outlet)-upper
1	E3HZ 5246-AA	Pipe (inlet)-R.H.-construction	PARTS LIST NO. 123		
1	E1HZ 5A231-A	Clamp (inlet pipe to inlet pipe)	1	E0HZ 5A231-B	Clamp (outlet pipe to engine)-8.2 DSL.
1	E1HZ 5A231-C	Clamp (inlet pipe to extension)	1	E3HZ 5246-U	Pipe (inlet)-R.H.-8.2 DSL.
1	E2HZ 5A212-E	Extension	1	E1HZ 5A231-A	Clamp (inlet pipe to inlet pipe)-8.2 DSL.
			1	E0HZ 5246-J	Pipe (inlet)-L.H.-8.2 DSL.
			1	E3HZ 5246-N	Pipe (inlet)-R.H. 3208 DSL.
			1	E1HZ 5A231-C	Clamp (inlet pipe to inlet pipe)-3208 DSL.
			1	E3HZ 5246-L	Pipe (inlet)-L.H.-3208 DSL.-Exc.-Calif.

EXHAUST PARTS LISTS

QTY	PART NUMBER	DESCRIPTION	QTY	PART NUMBER	DESCRIPTION
● Not used in noise restriction areas ▲ Use in noise restriction areas					
PARTS LIST NO. 123 — Cont'd			PARTS LIST NO. 124 — Cont'd		
1	E3HZ 5246-M	Pipe (inlet)-L.H.-3208 DSL.-Calif.	1	E3HZ 5C264-C	Clamp (upper outlet pipe to cab)-upper
1	E1HZ 5A231-C	Clamp (inlet pipe to muffler)	2	E3HZ 5281-A	Insulator (upper outlet pipe to cab)-upper
1	E4HZ 5230-C	Muffler	PARTS LIST NO. 125		
1	F1HZ 5A204-A	Bracket (muffler to frame)	1	C7TZ 5A231-B	Clamp (inlet pipe to engine)
4	B9TT 5A291-A	Spring (muffler to frame)	1	E5HZ 5246-A	Pipe (inlet)
2	★ 5A290	Hanger (muffler to frame)	1	★ 5291	Bracket (inlet pipe to frame)
2	E2HZ 5A215-C	Strap (muffler to frame)	1	C1TZ 5A231-A	Clamp (inlet pipe to frame)
1	E1HZ 5A231-C	Clamp (muffler to outlet pipe)	1	E1HZ 5A231-C	Clamp (inlet pipe to connector)
1	E4HZ 5C027-A	Pipe (outlet)-lower	1	C1TZ 5B286-A	Connector
1	E1HZ 5A231-A	Clamp (lower outlet pipe to connector)	1	E1HZ 5A231-C	Clamp (connector to extension)
1	D5HZ 5B286-A	Connector	1	E2HZ 5A246-A	Bracket (extension to frame)
1	E1HZ 5A231-C	Clamp (connector to outlet pipe)	1	D0HZ 5A231-F	Clamp (extension to frame)
1	E3HZ 5255-Y	Pipe (outlet)-middle	1	E2HZ 5A212-C	Extension-LN Series
1	E4HZ 5C229-A	Shield (outlet pipe)	1	E2HZ 5A212-F	Extension-L Series
1	E3HZ 5C264-A	Clamp (middle outlet pipe to upper outlet pipe)	1	E1HZ 5A231-C	Clamp (extension to muffler)
1	D0HZ 5255-AC	Pipe (outlet)-upper	1	E5HZ 5230-A	Muffler
2	E2HZ 5C264-B	Clamp (outlet pipe to cab)	1	D3HZ 5A231-F	Clamp (muffler to cab)-lower
2	E3HZ 5K229-A	Bracket (outlet pipe to cab)	1	E2HZ 5277-E	Bracket (muffler to cab)-lower
6	E3HZ 5281-A	Insulator (outlet pipe to cab)	6	E2HZ 5281-A	Insulator (muffler to cab)-lower
PARTS LIST NO. 124			PARTS LIST NO. 126		
1	C7TZ 5A231-B	Clamp (inlet pipe to engine)	1	E7HZ 5246-E	Pipe (inlet)-#1
1	E5HZ 5246-A	Pipe (inlet)	1	E1HZ 5A231-G	Clamp (inlet pipe to inlet pipe)
1	★ 5291	Bracket (inlet pipe to frame)	1	E4HZ 5246-A	Pipe (inlet)-#2
1	C1TZ 5A231-A	Clamp (inlet pipe to frame)	1	E7HZ 5277-A	Bracket (inlet pipe to frame)
1	E1HZ 5A231-C	Clamp (inlet pipe to extension)	1	C1TZ 5A231-A	Clamp (inlet pipe to frame)
1	E2HZ 5A212-E	Extension-"Before 7/85"	1	E1AZ 5A231-C	Clamp (inlet pipe to connector)
1	E5HZ 5A212-A	Extension-w/o 21.60 & 26.0 Section mod. frame-"From 7/85"	1	C1TZ 5B286-A	Connector
1	E5HZ 5A212-B	Extension-with 21.60 & 26.0 Section mod. frame-"From 7/85"	1	E1HZ 5A231-C	Clamp (connector to extension)
1	E1HZ 5A231-C	Clamp (extension to muffler)	1	E2HZ 5A212-C	Extension-LN Series
1	E5HZ 5230-B	Muffler	1	E2HZ 5A212-F	Extension-L Series
2	E2HZ 5A215-B	Strap (muffler to frame)-variable frame	1	D4HZ 5A246-A	Bracket (extension to frame)
2	E2HZ 5A215-E	Strap (muffler to frame)-straight frame	1	D0HZ 5A231-H	Clamp (extension to frame)
2	B9TT 5A291-A	Spring (muffler to frame)	1	E1HZ 5A231-C	Clamp (extension to muffler)
1	E2HZ 5A231-B	Clamp (muffler to outlet pipe)	1	E2HZ 5230-Y	Muffler
1	E2HZ 5255-F	Pipe (outlet)-L Series	1	D3HZ 5A231-F	Clamp (muffler to cab)-lower
1	E7HZ 5255-C	Pipe (outlet)-LN Series	1	E2HZ 5277-E	Bracket (muffler to cab)-lower
1	E1HZ 5A231-C	Clamp (outlet pipe to connector)-LN Series	6	E2HZ 5281-A	Insulator (muffler to cab)-lower
1	D5HZ 5B286-A	Connector-LN Series	1	E4HZ 5290-A	Shield
1	E1HZ 5A231-C	Clamp (connector to upper outlet pipe)-LN Series	1	F1HZ 5C264-B	Clamp (shield to muffler)-lower
1	E1HZ 5A231-C	Clamp (lower outlet pipe to upper outlet pipe)	1	D8HZ 5C264-B	Clamp (muffler to cab)-upper
1	E2HZ 5255-D	Pipe (outlet)-upper-LN Series	1	E3HZ 5277-F	Bracket (muffler to cab)-upper
1	E2HZ 5255-E	Pipe (outlet)-upper-L Series	6	E2HZ 5281-A	Insulator (muffler to cab)-upper
1	E2HZ 5C229-A	Shield			
1	E2HZ 5260-A	Bracket (upper outlet pipe to cab)-lower			
8	E3HZ 5281-A	Insulator (upper outlet pipe to cab)-lower			
1	E3HZ 5C264-C	Clamp (upper outlet pipe to cab)-lower			
1	E2HZ 5277-G	Bracket (upper outlet pipe to cab)-upper			

## EXHAUST PARTS LISTS

Q T Y	PART NUMBER	DESCRIPTION	Q T Y	PART NUMBER	DESCRIPTION
● Not used in noise restriction areas ▲ Use in noise restriction areas					
PARTS LIST NO. 126 — Cont'd			PARTS LIST NO. 129 — Cont'd		
1	E2HZ 5A231-B	Clamp (outlet pipe to muffler)	1	E7HZ 5291-A	Bracket (inlet pipe to flywheel housing)
1	D0HZ 5255-AC	Pipe (outlet)-exc. Aero pkg.	1	E7HZ 5C264-A	Strap (inlet pipe to flywheel hsg.)
1	E5HZ 5255-B	Pipe (outlet)-Aero pkg.	1	6438	Plate
PARTS LIST NO. 127			PARTS LIST NO. 129 — Cont'd		
1	D5HZ 5A231-F	Clamp (inlet pipe to engine)	1	E7HZ 5246-N	Pipe (inlet)-rear
1	E5HZ 5246-F	Pipe (inlet)-front	1	E1HZ 5A231-C	Clamp (inlet pipe to muffler)
1	E1HZ 5A231-D	Clamp (inlet pipe to inlet pipe)	1	E7HZ 5230-A	Muffler-1987
1	E5HZ 5246-G	Pipe (inlet)-center	1	E8HZ 5230-W	Muffler-1988/
1	E1HZ 5A231-D	Clamp (inlet pipe to inlet pipe)	1	E2HZ 5A215-C	Strap (muffler to frame)-front
1	D9HZ 5246-R	Pipe (inlet)-rear	1	★ 5A290	Hanger (muffler to frame)-front
2	381738-S	Clamp (shield to inlet pipe)	2	B9TT 5A291-A	Spring (muffler to frame)-front
1	D9HZ 5C288-A	Shield (inlet pipe)	1	F1HZ 5A204-A	Bracket (muffler to frame)-front
1	D0HZ 5A231-G	Clamp (inlet pipe to flywheel housing)	1	E2HZ 5A215-C	Strap (muffler to frame)-rear
1	E5HZ 5277-A	Bracket (inlet pipe to flywheel housing)	2	B9TT 5A291-A	Spring (muffler to frame)-rear
1	E1HZ 5A231-D	Clamp (inlet pipe to connector)	1	★ 5A290	Hinges (muffler to frame)-rear
1	D0HZ 5B286-B	Connector	1	E7HZ 5A204-B	Bracket (muffler to frame)-rear
1	E1HZ 5A231-D	Clamp (connector to extension)	1	E1HZ 5A231-C	Clamp (muffler to outlet pipe)
1	E0HZ 5A212-F	Extension	1	E7HZ 5255-E	Pipe (outlet)-129" WB-front
1	D0HZ 5A231-G	Clamp (extension to frame)	1	E7HZ 5255-F	Pipe (outlet)-140" WB-front
1	D4HZ 5A246-A	Bracket (extension to frame)	1	E7HZ 5255-H	Pipe (outlet)-153" WB-front
1	E1HZ 5A231-D	Clamp (extension to muffler)	1	E7HZ 5255-J	Pipe (outlet)-170" WB-front
1	D3HZ 5A231-E	Clamp (muffler to cab)-lower	1	E7HZ 5255-K	Pipe (outlet)-188" WB-front
1	E2HZ 5277-E	Bracket (muffler to cab)-lower	1	D0HZ 5A231-H	Clamp (outlet pipe to frame)-front
4	E2HZ 5281-A	Insulator (muffler to cab)-lower	1	★ 5A296	Hanger (outlet pipe to frame)-front
1	E2HZ 5230-L	Muffler	2	B9TT 5A291-A	Spring (outlet pipe to frame)-front
1	E4HZ 5290-A	Shield (muffler)	1	E3HZ 5277-D	Bracket (outlet pipe to frame)-front
1	E1HZ 5C264-A	Clamp (shield)-upper-exc. Aero pkg.	1	E1HZ 5A231-C	Clamp (outlet pipe to outlet pipe)
1	E5HZ 5C264-A	Clamp (shield)-upper-exc. Aero pkg.	1	E7HZ 5255-A	Pipe (outlet)-rear-exc. 129" W/B
1	F1HZ 5C264-B	Clamp (shield)-lower	1	E7HZ 5255-S	Pipe (outlet)-rear-129" W/B
1	D8HZ 5C264-B	Clamp (muffler to cab)-upper	1	E6HZ 5260-A	Bracket (outlet pipe to frame)-middle of rear
1	E2HZ 5277-B	Bracket (muffler to cab)-upper	1	C1TZ 5A231-A	Clamp (outlet pipe to frame)-middle of rear
1	E3HZ 5277-F	Bracket (muffler to cab)-at cab	1	D0HZ 5A231-A	Clamp (outlet pipe to frame)-rear
1	E2HZ 5281-A	Insulator (muffler to cab)	2	B9TT 5A291-A	Spring (outlet pipe to frame)-rear
1	E1HZ 5A231-H	Clamp (outlet pipe to muffler)	1	★ 5A290	Hanger (outlet pipe to frame)-rear
1	D8HZ 5255-A	Pipe (outlet)-exc. Aero pkg.	1	E0HZ 5277-B	Bracket (outlet pipe to frame)-rear
1	E5HZ 5255-A	Pipe (outlet)-Aero pkg.	PARTS LIST NO. 130		
PARTS LIST NO. 128			1	E2HZ 5A231-A	Clamp (inlet pipe to engine)
1	E2HZ 5A231-A	Clamp (inlet pipe to engine)	1	E7HZ 5246-K	Pipe (inlet)-front-7.8L engine
1	E6HZ 5246-A	Pipe (inlet)	1	E7HZ 5246-G	Pipe (inlet)-front-6.6L engine
1	E6HZ 5C250-A	Gasket (inlet pipe to muffler)	1	E1HZ 5A231-C	Clamp (inlet pipe to inlet pipe)
1	E8HZ 5230-R	Muffler assy.	1	E7HZ 5291-A	Bracket (inlet pipe to flywheel housing)
2	E6HZ 5A215-A	Strap (muffler to frame)	1	E7HZ 5C264-A	Strap (inlet pipe to flywheel hsg.)
2	★85HU 5A290-A	Hanger (muffler to frame)	1	6438	Plate
4	B9TT 5A291-A	Spring (muffler to frame)	1	E7HZ 5246-N	Pipe (inlet)-rear
2	E6HZ 5255	Bracket (muffler to frame)	1	E1HZ 5A231-C	Clamp (inlet pipe to muffler)
1	5255	Pipe (outlet)-serviced in muffler assy. only	1	E7HZ 5230-A	Muffler-1987
1	E1HZ 5A231-G	Clamp (outlet pipe to muffler)	1	E8HZ 5230-W	Muffler-1988/
PARTS LIST NO. 129			1	★ 5A290	Hanger (muffler to frame)-front
1	E2HZ 5A231-A	Clamp (inlet pipe to engine)	1	E2HZ 5A215-C	Strap (muffler to frame)-front
1	E7HZ 5246-K	Pipe (inlet)-front-7.8L engine	2	B9TT 5A291-A	Spring (muffler to frame)-front
1	E7HZ 5246-G	Pipe (inlet)-front-6.6L engine	1	E1HZ 5277-R	Bracket (muffler to frame)-front
1	E1HZ 5A231-C	Clamp (inlet pipe to outlet pipe)	1	E2HZ 5A215-C	Strap (muffler to frame)-rear
			2	B9TT 5A291-A	Spring (muffler to frame)-rear
			1	★ 5A290	Hanger (muffler to frame)-rear



EXHAUST PARTS LISTS

QTY	PART NUMBER	DESCRIPTION	QTY	PART NUMBER	DESCRIPTION
● Not used in noise restriction areas ▲ Use in noise restriction areas					
PARTS LIST NO. 130 — Cont'd			PARTS LIST NO. 131 — Cont'd		
1	E7HZ 5A204-B	Bracket (muffler to frame) rear	1	D5HZ 5B286-A	Connector
1	E1HZ 5A231-C	Clamp (muffler to outlet pipe)	1	E1HZ 5A231-C	Clamp (connector to upper outlet pipe)
1	E7HZ 5255-G	Pipe (outlet) 151" WB	1	E3HZ 5255-Y	Pipe (outlet) upper
1	E7HZ 5255-L	Pipe (outlet) 192" WB	1	E3HZ 5A273-A	Shield (outlet pipe)
1	E7HZ 5255-M	Pipe (outlet) 216" WB	2	E3HZ 5C264-C	Clamp (shield to outlet pipe)
1	E7HZ 5255-N	Pipe (outlet) 237" WB	1	E3HZ 5K229-A	Bracket (outlet pipe to cab) upper
1	E7HZ 5255-P	Pipe (outlet) 255" WB	6	E3HZ 5281-A	Insulator (shield to outlet pipe)
1	E7HZ 5255-R	Pipe (outlet) 275" WB	1	E3HZ 5C264-A	Clamp (outlet pipe extension to outlet pipe)
1	D0HZ 5A231-H	Clamp (outlet pipe to frame) front	1	E0HZ 5255-AC	Pipe (outlet) extension
1	★ 5A296	Hanger (outlet pipe to frame) front	PARTS LIST NO. 132		
2	B9TT 5A291-A	Spring (outlet pipe to frame) front	1	E2HZ 5A231-A	Clamp (inlet pipe to eng.)
1	E3HZ 5277-D	Bracket (outlet pipe to frame) front	1	E7HZ 5246-K	Pipe (inlet)
1	E1HZ 5A231-C	Clamp (outlet pipe to outlet pipe)	1	E1HZ 5A231-C	Clamp (inlet pipe to inlet pipe)
1	E7HZ 5255-A	Pipe (outlet) rear	1	E7HZ 5246-B	Pipe (inlet)
1	E6HZ 5260-A	Bracket (outlet pipe to frame) middle of rear	1	E7HZ 5291-A	Bracket (inlet to engine)
1	C1TZ 5A231-A	Clamp (outlet pipe to frame) middle of rear	1	E7HZ 5C264-A	Strap (inlet pipe to engine)
1	D0HZ 5A231-A	Clamp (outlet pipe to frame) rear	1	E1HZ 5A231-C	Clamp (inlet pipe to extension)
2	B9TT 5A291-A	Spring (outlet pipe to frame) rear	1	E7HZ 5A212-B	Extension
1	★ 5A290	Hanger (outlet pipe to frame) rear	1	E1HZ 5A231-C	Clamp (extension to muffler)
1	E0HZ 5277-B	Bracket (outlet pipe to frame) rear	1	E2HZ 5230-Z	Muffler
1	E7HZ 5C229-A	Shield (outlet pipe)	2	E2HZ 5A215-C	Strap (muffler to frame)
2	E7HZ 5C264-B	Clamp (shield to outlet pipe)	2	★ 5A290	Hanger (muffler to frame)
1	E1HZ 5A231-C	Clamp (outlet pipe to extension)	3	E2HZ 5277-M	Bracket (muffler to frame)
1	E0HZ 5263-G	Extension 151" WB	4	B9TT 5A291-A	Spring (muffler to frame)
1	E0HZ 5263-H	Extension 192" WB	1	E2HZ 5A231-B	Clamp (outlet pipe to muffler)
1	E0HZ 5263-J	Extension 216" WB	1	E2HZ 5255-B	Pipe (outlet) Exc. 150 WB
1	E0HZ 5263-K	Extension 237" WB	1	E7HZ 5255-T	Pipe (outlet) 150 WB
1	E0HZ 5263-L	Extension 255" WB	PARTS LIST NO. 133		
1	E0HZ 5263-M	Extension 275" WB	1	E4HZ 5246-B	Pipe (inlet) front
1	D0HZ 5A231-H	Clamp (extension to frame)	1	E1HZ 5A231-G	Clamp (inlet pipe to inlet pipe)
1	★ 5A290	Hanger (extension to frame)	1	E4HZ 5246-A	Pipe (inlet) rear
2	B9TT 5A291-A	Spring (extension to frame)	1	C1TZ 5A231-A	Clamp (inlet pipe to engine)
PARTS LIST NO. 131			1	E4HZ 5277-A	Bracket (inlet pipe to engine)
1	E2HZ 5A231-A	Clamp (inlet pipe to engine)	1	E1HZ 5A231-A	Clamp (inlet pipe to extension)
1	E7HZ 5246-K	Pipe (inlet) front 7.8L engine	1	E5HZ 5A212-A	Extension straight frame
1	E7HZ 5246-G	Pipe (inlet) front 6.6L engine	1	E5HZ 5A212-B	Extension variable frame
1	E7HZ 5291-A	Bracket (inlet pipe to housing)	1	E1HZ 5A231-C	Clamp (extension to muffler)
1	E7HZ 5C264-A	Strap (inlet pipe to flywheel hsg.)	1	E7HZ 5230-E	Muffler
1	E1HZ 5A231-C	Clamp (inlet pipe to inlet pipe)	2	E7HZ 5A215-A	Strap (muffler to frame)
1	E7HZ 5246-N	Pipe (inlet) rear	4	B9TT 5A291-A	Spring (muffler to frame)
1	E1HZ 5A231-C	Clamp (inlet pipe to muffler)	1	E1HZ 5A231-C	Clamp (outlet pipe to muffler)
1	E7HZ 5230-C	Muffler 1987	1	E7HZ 5255-C	Pipe (outlet) lower LN LNT
1	E8HZ 5230-F	Muffler 1988	L LT w/R.H. fuel tank		
1	E2HZ 5A215-C	Strap (muffler to frame) front	1	E1HZ 5A231-C	Clamp (outlet pipe to connector)
1	★ 5A290	Hanger (muffler to frame) front	1	C1TZ 5B286-A	Connector LN LNT
2	B9TT 5A291-A	Spring (muffler to frame) front	L LT w/R.H. fuel tank		
1	F1HZ 5A204-A	Bracket (muffler to frame) front	1	E1HZ 5A231-C	Clamp (lower outlet to upper outlet pipe)
1	E2HZ 5A215-C	Strap (muffler to frame) rear	1	E7HZ 5255-D	Pipe (outlet) lower L series w o R.H. fuel tank
1	★ 5A290	Hanger (muffler to frame) rear	1	E1HZ 5A231-C	Clamp (lower outlet to upper outlet size)
2	B9TT 5A291-A	Spring (muffler to frame) rear	1	E2HZ 5255-E	Pipe (outlet) upper L series w o R.H. fuel tank
1	E7HZ 5A204-B	Bracket (muffler to frame) rear	1	E2HZ 5255-D	Pipe (outlet) upper LN LNT
1	E2HZ 5A231-B	Clamp (muffler to outlet pipe)	1	E7HZ 5255-U	Pipe (outlet) upper L LT w R.H. fuel tank
1	E4HZ 5C027-A	Pipe (outlet) lower	1	E2HZ 5C229-A	Shield (outlet pipe)
1	E3HZ 5277-E	Bracket (outlet pipe to cab) lower	1	E2HZ 5260-A	Bracket (shield and outlet pipe to cab) lower
1	E1HZ 5A231-C	Clamp (lower outlet pipe to connector)	1	E3HZ 5C264-C	Clamp (shield and outlet pipe to cab) lower
			4	D3HZ 5281-A	Insulator (shield and outlet pipe to cab) lower

1980/  
TRUCK SERIES 600/900

EXHAUST PARTS LISTS

Q T Y	PART NUMBER	DESCRIPTION	Q T Y	PART NUMBER	DESCRIPTION
● Not used in noise restriction areas ▲ Use in noise restriction areas					
PARTS LIST NO. 133 — Cont'd			PARTS LIST NO. 136		
1	E3HZ 5C264-C	Clamp (shield and outlet pipe to cab) upper	1	E2HZ 5A231-A	Clamp (inlet pipe to eng.)
1	E2HZ 5277-G	Bracket (outlet pipe to cab) upper	1	E7HZ 5246-K	Pipe (inlet)
4	D3HZ 5281-A	Insulator (shield and outlet pipe to cab) upper	1	E1HZ 5A231-C	Clamp (inlet pipe to inlet pipe)
1	E2HZ 5277-N	Bracket shield and outlet pipe to cab) upper	1	E7HZ 5246-B	Pipe (inlet)
PARTS LIST NO. 134			PARTS LIST NO. 137		
1	E2HZ 5A231-A	Clamp (inlet pipe to eng.)	1	E1HZ 5A231-C	Clamp (inlet pipe to engine)
1	E7HZ 5246-K	Pipe (inlet) front	1	E1HZ 5A231-C	Clamp (inlet pipe to connector)
1	E1HZ 5A231-C	Clamp (inlet pipe to inlet pipe)	1	C1TZ 5B286-A	Connector
1	E7HZ 5246-B	Pipe (inlet) rear	1	E1HZ 5A231-C	Clamp (connector to extension)
1	E7HZ 5291-A	Bracket (inlet pipe to engine)	1	E2HZ 5A212-C	Extension LN LNT
1	E7HZ 5C264-A	Strap (inlet pipe to engine)	1	E2HZ 5A212-F	Extension L LT LTS
1	E1HZ 5A231-C	Clamp (inlet pipe to extension)	1	E2HZ 5A246-A	Bracket (extension to frame)
1	E5HZ 5A212-A	Extension straight frame	1	D0HZ 5A231-F	Clamp (extension to frame)
1	E5HZ 5A212-B	Extension variable frame	1	B9TT 5A291-A	Spring (extension to frame)
1	E1HZ 5A231-C	Clamp (extension to muffler)	1	E1HZ 5A231-C	Clamp (extension to muffler)
1	E7HZ 5230-E	Muffler	1	E2HZ 5230-Y	Muffler
2	E7HZ 5A215-A	Strap (muffler to frame)	1	E4HZ 5290-A	Shield (muffler)
4	B9TT 5A291-A	Spring (muffler to frame)	1	E6HZ 5277-C	Bracket (muffler to cab) lower
1	E1HZ 5A231-C	Clamp (muffler to outlet pipe)	3	E2HZ 5281-AA	Insulator (muffler to cab) lower
1	E7HZ 5255-C	Pipe (outlet) lower LN LNT L LT w R.H. fuel tank	1	D3HZ 5A231-F	Clamp (muffler to cab) lower
1	E1HZ 5A231-C	Clamp (outlet pipe to connector)	1	F1HZ 5C264-C	Clamp (muffler to cab) upper w o aero pkg.
1	C1TZ 5B286-A	Connector LN LNT L LT w R.H. fuel tank	1	E5HZ 5C264-A	Clamp (muffler to cab) upper aero pkg.
1	E1HZ 5A231-C	Clamp (connector to outlet pipe)	1	E3HZ 5277-F	Bracket (muffler to cab) upper
1	E7HZ 5255-D	Pipe (outlet) lower L series w o R.H. fuel tank	1	E2HZ 5281-A	Insulator (muffler to cab) upper
1	E1HZ 5A231-C	Clamp (outlet pipe to outlet pipe)	1	E2HZ 5A231-B	Clamp (outlet pipe to muffler)
1	E2HZ 5255-E	Pipe (outlet) upper L series w o R.H. fuel tank	1	D0HZ 5255-AC	Pipe (outlet)
1	E2HZ 5255-D	Pipe (outlet) upper LN LNT	PARTS LIST NO. 137		
1	E7HZ 5255-U	Pipe (outlet) upper L LT w R.H. fuel tank	2	E0HZ 5A231-B	Clamp (inlet pipe to engine)
1	E2HZ 5C229-A	Shield (outlet pipe)	1	E0HZ 5246-C	Pipe (inlet) R.H.
1	E2HZ 5260-A	Bracket (shield and outlet pipe to cab) lower	1	E1HZ 5A231-A	Clamp (inlet pipe to inlet pipe)
1	E3HZ 5C264-C	Clamp (shield and outlet pipe to cab) lower	1	E3HZ 5246-W	Pipe (inlet) L.H.
4	D3HZ 5281-A	Insulator (shield and outlet pipe to cab) upper	1	E1HZ 5A231-C	Clamp (inlet pipe to muffler)
1	E3HZ 5C264-C	Clamp (shield and outlet pipe to cab) upper	1	E3HZ 5230-A	Muffler
1	E2HZ 5277-G	Bracket (outlet pipe to cab) upper	1	E2HZ 5A215-C	Strap (muffler to frame) front
4	D3HZ 5281-A	Insulator (shield and outlet pipe to cb) upper	2	B9TT 5A291-A	Spring (muffler to frame) front
1	E2HZ 5277-N	Bracket (shield and outlet pipe to cab) upper	1	★ 5A290	Hanger (muffler to frame) front
PARTS LIST NO. 135			1	E1HZ 5277-R	Bracket (muffler to frame)
1	E2HZ 5A231-A	Clamp (inlet pipe to engine)	1	E2HZ 5A215-C	Strap (muffler to frame) rear
1	E7HZ 5246-A	Pipe (inlet)	1	B9TT 5A291-A	Spring (muffler to frame) rear
1	E1HZ 5A231-B	Clamp (inlet pipe to muffler)	1	★ 5A290	Hanger (muffler to frame) rear
1	E7HZ 5230-A	Muffler	1	E2HZ 5A231-B	Clamp (muffler to outlet pipe)
1	E7HZ 5A204-G	Bracket (muffler to frame) front	1	E3HZ 5255-A	Pipe (outlet) lower
2	B9TT 5A291-A	Spring (muffler to frame) front	1	E1HZ 5A231-C	Clamp (outlet pipe to connector)
1	★ 5A290	Hanger (muffler to frame) front	1	D5HZ 5B286-A	Connector
1	E2HZ 5A215-C	Strap (muffler to frame) front	1	E1HZ 5A231-C	Clamp (connector to outlet pipe)
1	E7HZ 5A204-A	Bracket (muffler to frame) rear	1	E3HZ 5255-Y	Pipe (outlet) middle
2	B9TT 5A291-A	Spring (muffler to frame) rear	1	E3HZ 5A273-A	Shield
1	★ 5A290	Hanger (muffler to frame) rear	1	E2HZ 5C264-B	Clamp (shield to cab) lower
1	E2HZ 5A215-C	Strap (muffler to frame) rear	1	E3HZ 5277-E	Bracket (shield to cab) lower
1	E2HZ 5A231-B	Clamp (outlet to pipe to muffler)	1	E2HZ 5C264-B	Clamp (shield to cab) upper
1	E7HZ 5255-T	Pipe (outlet) 153 W B	1	E3HZ 5K229-A	Bracket (shield to cab) upper
1	E2HZ 5255-B	Pipe (outlet) exc. 153 W B	1	E3HZ 5C264-A	Clamp (outlet pipe to outlet pipe)
			1	D0HZ 5255-AC	Pipe (outlet) upper

1980/  
TRUCK SERIES 600/900

EXHAUST PARTS LISTS

Q T Y	PART NUMBER	DESCRIPTION	Q T Y	PART NUMBER	DESCRIPTION
● Not used in noise restriction areas ▲ Used in noise restriction areas					
PARTS LIST NO. 138			PARTS LIST NO. 140		
1	E3HZ 5246-C	Pipe (inlet)-R.H.	1	E7HZ 5A231-C	Clamp (inlet pipe to engine)
1	E1HZ 5A231-A	Clamp (inlet pipe to inlet pipe)	1	E7HZ 5A231-D	Clamp (inlet pipe to frame)
1	E3HZ 5246-D	Pipe (inlet)-L.H.-exc. Calif.	1	E8HZ 5246-L	Pipe (inlet)
1	E3HZ 5246-E	Pipe (inlet)-L.H.-Calif.	1	E7HZ 5C250-A	Gasket (inlet pipe to extension)
1	E1HZ 5A231-C	Clamp (inlet pipe to muffler)	1	E7HZ 5A212-C	Extension
1	E3HZ 5230-A	Muffler	1	E1HZ 5A231-G	Clamp (extension to muffler)
1	E2HZ 5A215-C	Strap (muffler to frame)-front	1	E8HZ 5230-R	Muffler assy.
2	B9TT 5A291-A	Spring (muffler to frame)-front	2	E6HZ 5A215-A	Strap (muffler to frame)
1	★ 5A290	Hanger (muffler to frame)-front	4	B9TT 5A291-A	Spring (muffler to frame)
1	F1HZ 5A204-A	Bracket (muffler to frame)	2	★ 5A290	Hanger (muffler to frame)
1	E2HZ 5A215-C	Strap (muffler to frame)-rear	2	E7HZ 5A204-F	Bracket (muffler to frame)-front
2	B9TT 5A291-A	Spring (muffler to frame)-rear	1	E6HZ 5277-B	Bracket (muffler to frame)-rear
1	★ 5A290	Hanger (muffler to frame)-rear	1	★ 5255	Pipe (outlet)-serviced in muffler assy. only
1	E2HZ 5A231-B	Clamp (outlet pipe to muffler)	PARTS LIST NO. 141		
1	E3HZ 5255-A	Pipe (outlet)-lower	1	E7HZ 5A231-C	Clamp (inlet pipe to engine)
1	E1HZ 5A231-C	Clamp (outlet pipe to connector)	1	E7HZ 5246-L	Pipe (inlet)
1	D5HZ 5B286-A	Connector	1	E7HZ 5K200-A	Shield (inlet pipe)
1	E1HZ 5A231-C	Clamp (connector to outlet pipe)	2	E8HZ 5B245-A	Clamp (shield to inlet pipe)
1	E3HZ 5255-Y	Pipe (outlet)-middle	1	E1HZ 5A231-G	Clamp (inlet pipe to muffler)
1	E3HZ 5A273-A	Shield	1	E7HZ 5230-G	Muffler
1	E2HZ 5C264-B	Clamp (shield to cab)-lower	2	E2HZ 5A215-C	Strap (muffler to frame)
1	E3HZ 5277-E	Bracket (shield to cab)-lower	2	★ 5A290	Hanger (muffler to frame)
1	E2HZ 5C264-B	Clamp (shield to cab)-upper	4	B9TT 5A291-A	Spring (muffler to frame)
1	E3HZ 5K229-A	Bracket (shield to cab)-upper	1	E7HZ 5A204-F	Bracket (muffler to frame)-front
1	E3HZ 5C264-A	Clamp (outlet pipe to outlet pipe)	1	E6HZ 5277-A	Bracket (muffler to frame)-rear
1	D0HZ 5255-AC	Pipe (outlet)-upper	1	E1HZ 5A231-G	Clamp (muffler to outlet pipe)
PARTS LIST NO. 139			1	E7HZ 5N204-A	Pipe (outlet)
1	E2HZ 5A231-A	Clamp (inlet pipe to engine)	1	E1HZ 5A231-G	Clamp (outlet pipe to connector)
1	E7HZ 5246-A	Pipe (inlet)	1	E6HZ 5C204-A	Connector
1	E1HZ 5A231-B	Clamp (inlet pipe to muffler)	1	E1HZ 5A231-G	Clamp (connector to outlet pipe)
1	E7HZ 5230-B	Muffler	1	E6HZ 5255-E	Pipe (outlet)
1	E7HZ 5A204-G	Bracket (muffler to frame)-front	1	E8HZ 5C273-A	Clamp (bracket to frame)
2	B9TT 5A291-A	Spring (muffler to frame)-front	1	E6HZ 5B213-A	Bracket (outlet pipe to frame)
1	★ 5A290	Hanger (muffler to frame)-front	1	E8HZ 5C273-A	Clamp (outlet pipe to engine)
1	E2HZ 5A215-C	Strap (muffler to frame)-front	1	E6HZ 5C229-B	Shield
1	E7HZ 5A204-A	Bracket (muffler to frame)-rear	2	E6HZ 5A231-C	Clamp (sheild to outlet pipe)
2	B9TT 5A291-A	Spring (muffler to frame)-rear	1	E6HZ 5A231-B	Clamp (outlet pipe to outlet pipe)
1	★ 5A290	Hanger (muffler to frame)-rear	1	E6HZ 5255-C	Pipe (outlet)
1	E2HZ 5A215-C	Strap (muffler to frame)-rear	1	E8HZ 5W266-A	Cap
1	E2HZ 5A231-B	Clamp (muffler to lower outlet pipe)	PARTS LIST NO. 142		
1	E4HZ 5C027-A	Pipe (outlet)-lower	1	E7HZ 5A231-C	Clamp (inlet pipe to engine)
1	E1HZ 5A231-B	Clamp (lower outlet pipe to connector)	1	E7HZ 5246-M	Pipe (inlet)
1	D5HZ 5B286-A	Connector	1	E7HZ 5K200-A	Shield (inlet pipe)
1	E1HZ 5A231-B	Clamp (connector to upper outlet pipe)	2	E8HZ 5B245-A	Clamp (shield to inlet pipe)
1	E3HZ 5255-Y	Pipe (outlet)-middle	1	E7HZ 5C250-A	Gasket (inlet pipe to extension)
1	E3HZ 5277-E	Bracket (outlet pipe to cab)-lower	1	E7HZ 5A212-E	Extension
1	E3HZ 5C264-C	Clamp (outlet pipe to cab)-lower	1	E1HZ 5A231-G	Clamp (extension to muffler)
3	E3HZ 5281-A	Insulator (outlet pipe to cab)-lower	1	E7HZ 5230-G	Muffler
1	E3HZ 5C264-A	Clamp (outlet pipe to outlet pipe)	2	E2HZ 5A215-C	Strap (muffler to frame)
1	E3HZ 5K229-A	Bracket (outlet pipe to cab)-upper	2	★ 5A290	Hanger (muffler to frame)
1	E3HZ 5C264-C	Clamp (outlet pipe to cab)-upper	4	B9TT 5A291-A	Spring (muffler to frame)
2	E3HZ 5281-A	Insulator (outlet pipe to cab)-upper	1	E7HZ 5A204-F	Bracket (muffler to frame)-front
1	E3HZ 5A273-A	Shield (outlet pipe)			
1	D0HZ 5255-AC	Pipe (outlet)-upper			

1980/  
TRUCK SERIES 600/900

EXHAUST PARTS LISTS

Q T Y	PART NUMBER	DESCRIPTION	Q T Y	PART NUMBER	DESCRIPTION
● Not used in noise restriction areas ▲ Used in noise restriction areas					
PARTS LIST NO. 142 — Cont'd			PARTS LIST NO. 143 — Cont'd		
1	E6HZ 5277-A	Bracket (muffler to frame)-rear	2	D3HZ 5281-A	Insulator (shield to cab)-upper
1	E1HZ 5A231-G	Clamp (muffler to outlet pipe)	1	D8HZ 5C208-B	Cap-plain
1	E7HZ 5N204-A	Pipe (outlet)	1	D8HZ 5C208-A	Cap-bright
1	E1HZ 5A231-G	Clamp (outlet pipe to extension)	PARTS LIST NO. 144		
1	E6HZ 5C204-A	Connector	1	E7HZ 5246-E	Pipe (inlet)-#1
1	E1HZ 5A231-G	Clamp (connector to outlet pipe)	1	E1HZ 5A231-G	Clamp (inlet pipe to inlet pipe)
1	E6HZ 5255-E	Pipe (outlet)	1	E7HZ 5246-F	Pipe (inlet)-#2
1	E8HZ 5C273-A	Clamp (outlet pipe to bracket)	1	C1TZ 5A231-A	Clamp (inlet pipe to clutch housing)
1	E6HZ 5259-B	Bracket (outlet pipe to frame)	1	E4HZ 5277-A	Bracket (inlet pipe to clutch housing)
1	E6HZ 5B213-A	Bracket (outlet pipe to frame)	1	E1HZ 5A231-B	Clamp (inlet pipe to connector)
1	E8HZ 5C273-A	Clamp (outlet pipe to engine)	1	E1HZ 5B286-C	Connector
1	E6HZ 5C229-B	Shield	1	E1HZ 5A231-B	Clamp (connector to extension)
2	E6HZ 5A231-C	Clamp (shield to outlet pipe)	1	E2HZ 5A212-B	Extension
1	E6HZ 5A231-B	Clamp (outlet pipe to outlet pipe)	1	D0HZ 5A231-J	Clamp (extension to frame)
1	E6HZ 5255-C	Pipe (outlet)	1	E1HZ 5A246-A	Support (extension to frame)
1	E8HZ 5W266-A	Cap	1	D8HZ 5A231-C	Clamp (extension to support)
PARTS LIST NO. 143			1	★ 5A290	Hanger (extension to support)
1	E7HZ 5246-E	Pipe (inlet)-#1	1	E1HZ 5A231-F	Clamp (extension to muffler)
1	E1HZ 5A231-G	Clamp (inlet pipe to inlet pipe)	1	E7HZ 5230-K	Muffler
1	E7HZ 5246-F	Pipe (inlet)-#2	1	D3HZ 5A231-E	Clamp (muffler to support)
1	C1TZ 5A231-A	Clamp (inlet pipe to clutch housing)	1	E2HZ 5277-T	Support
1	E4HZ 5277-A	Bracket (inlet pipe to clutch housing)	1	D8HZ 5277-G	Bracket (support to frame)-at frame
1	E1HZ 5A231-B	Clamp (inlet pipe to connector)	1	D8HZ 5F230-B	Cap (support to frame)
1	D0HZ 5B286-B	Connector	1	E1HZ 5C264-C	Clamp (shield to muffler)
1	E1HZ 5A231-B	Clamp (connector to extension)	1	D8HZ 5A273-A	Shield
1	E2HZ 5A212-A	Extension	1	F1HZ 5C264-B	Clamp (shield to muffler)-lower
1	E1HZ 5A231-B	Clamp (extension to muffler)	1	F1HZ 5C264-C	Clamp (shield to muffler)-upper
1	E1HZ 5230-A	Muffler	1	E1HZ 5A231-H	Clamp (outlet pipe to muffler)
2	E1HZ 5A215-A	Strap (muffler to frame)	1	D8HZ 5255-B	Pipe (outlet)
2	E1HZ 5277-D	Bracket (muffler to frame)	PARTS LIST NO. 145		
2	B9TT 5A291-A	Spring (muffler to frame)	1	E3HZ 5246-AA	Pipe (inlet)-L.H.
1	E1HZ 5A231-B	Clamp (muffler to outlet pipe)-lower-plain	1	E1HZ 5A231-B	Clamp (inlet pipe to inlet pipe)
1	E1HZ 5A231-F	Clamp (muffler to outlet pipe)-lower-bright	1	E6HZ 5246-F	Pipe (inlet)-R.H.-exc. Calif.
1	E1HZ 5255-E	Pipe (outlet)-lower-plain-exc. construction	1	E6HZ 5246-F	Pipe (inlet)-R.H.-Calif.
1	E1HZ 5255-F	Pipe (outlet)-lower-bright-exc. construction	1	E1HZ 5A231-C	Clamp (inlet pipe to extension)
1	E1HZ 5255-D	Pipe (outlet)-lower-bright construction truck	1	D8HZ 5A212-DA	Extension
1	E1HZ 5A231-B	Clamp (outlet pipe to connector)-plain	1	E1HZ 5A231-C	Clamp (extension to muffler)
1	E1HZ 5A231-F	Clamp (outlet pipe to connector)-bright	1	D8HZ 5230-AC	Muffler
1	D0HZ 5B286-C	Connector	2	D8HZ 5A215-B	Strap (muffler to frame)
1	E1HZ 5A231-B	Clamp (connector to outlet pipe)-upper-plain	2	★ 5A290	Hanger (muffler to frame)
1	E1HZ 5A231-F	Clamp (connector to outlet pipe)-upper-bright	2	D3HZ 5277-AE	Bracket (muffler to frame)
1	E1HZ 5255-C	Pipe (outlet)-upper-plain	2	B9TT 5A291-A	Spring (muffler to frame)
1	E1HZ 5255-B	Pipe (outlet)-upper-bright	1	C1TZ 5A231-A	Clamp (outlet pipe to muffler)
1	E1HZ 5A273-A	Shield	1	D0HZ 5255-K	Pipe (outlet)
1	E3HZ 5C264-B	Clamp (shield to cab)-lower	PARTS LIST NO. 146		
1	E1HZ 5260-C	Bracket (shield to cab)-lower	1	E2HZ 5A231-A	Clamp (inlet pipe to engine)
8	D3HZ 5281-A	Insulator (shield to cab)-lower	1	E2HZ 5246-D	Pipe (inlet)-auto. trans.
1	E3HZ 5C264-D	Clamp (shield to cab)-upper	1	E2HZ 5246-E	Pipe (inlet)-man. trans.
1	E3HZ 5277-T	Bracket (shield to cab)-upper	1	E1HZ 5A231-C	Clamp (inlet pipe to extension)
1	E2HZ 5277-G	Bracket (shield to cab)-upper-at cab	1	E2HZ 5A212-D	Extension

EXHAUST PARTS LISTS

Q T Y	PART NUMBER	DESCRIPTION	Q T Y	PART NUMBER	DESCRIPTION
● Not used in noise restrictions areas ▲ Used in noise restrictions areas					
PARTS LIST NO. 146 — Cont'd			PARTS LIST NO. 149 — Cont'd		
1	E1HZ 5A231-C	Clamp (extension to muffler)	1	E1HZ 5B286-C	Connector
1	E2HZ 5230-Z	Muffler	1	D8HZ 5260-A	Support ("Y" pipe to frame)
2	E2HZ 5A215-C	Strap (muffler to frame)	1	D3HZ 5A231-E	Clamp (pipe to support)
2	★ 5A290	Hanger (muffler to frame)	1	E1HZ 5A231-F	Clamp (connector to extension)
2	E2HZ 5277-M	Bracket (muffler to frame)	1	E6HZ 5A212-N	Extension—"Y" type
2	B9TT 5A291-A	Spring (muffler to frame)			Right hand side
1	E2HZ 5A231-B	Clamp (outlet pipe to muffler)	1	E1HZ 5A231-F	Clamp (extension to muffler)
1	E2HZ 5255-B	Pipe (outlet)	1	★ 5A290	Hanger (extension to bracket)
PARTS LIST NO. 147			2	D8HZ 5A231-C	Clamp (extension to bracket)
1	E3HZ 5246-AA	Pipe (inlet)-L.H.	1	E3HZ 5230-D	Muffler
1	E1HZ 5A231-B	Clamp (inlet pipe to inlet pipe)	1	E3HZ 5277-M	Support (muffler)-1986/87
1	E6HZ 5246-D	Pipe (inlet)-R.H.-exc. Calif.	1	E8HZ 5277-C	Support (muffler)-1988
1	E6HZ 5246-C	Pipe (inlet)-R.H.-Calif.	1	D3HZ 5A231-E	Clamp (muffler to bracket)
1	E1HZ 5A231-C	Clamp (inlet pipe to connector)	1	D8HZ 5277-G	Bracket (support to frame)
1	C1TZ 5B286-A	Connector	1	D8HZ 5F230-B	Cap (bracket to frame)
1	E1HZ 5A231-C	Clamp (connector to extension)	1	D8HZ 5A273-A	Shield (muffler)
1	E0HZ 5A212-B	Extension	1	F1HZ 5C264-C	Clamp (shield to muffler)-upper
1	D0HZ 5A231-F	Clamp (extension to frame)	1	D8HZ 5C264-A	Clamp (shield to muffler)-lower
1	E2HZ 5A246-A	Bracket (extension to frame)	1	D3HZ 5A231-E	Clamp (muffler & outlet pipe to bracket)
2	B9TT 5A291-A	Spring (extension to frame)	1	D8HZ 5255-B	Pipe (outlet)
1	E1HZ 5A231-C	Clamp (extension to muffler)	1	D8HZ 5C208-A	Cap (outlet pipe)
1	D8HZ 5230-AE	Muffler			Left hand side
1	E4HZ 5290-A	Shield (muffler)	1	E1HZ 5A231-F	Clamp (extension to connector)
1	E5HZ 5C264-A	Clamp (shield to muffler)-lower-aero pkg.	1	E1HZ 5B286-B	Connector
1	F1HZ 5C264-B	Clamp (shield to muffler)-lower-exc. aero pkg.	1	E1HZ 5A231-F	Clamp (connector to extension)
1	D3HZ 5A231-F	Clamp (muffler to cab)-lower	1	E1HZ 5A212-M	Extension
1	E6HZ 5277-C	Bracket (muffler to cab)-lower	1	D8HZ 5A231-B	Clamp (extension to muffler)
3	E2HZ 5281-A	Insulator (muffler to cab)-lower	1	★ 5A290	Hanger (extension to bracket)
1	F1HZ 5C264-C	Clamp (shield to muffler)-upper-exc. aero pkg.	2	D8HZ 5A231-C	Clamp (extension to bracket)
1	E5HZ 5C264-A	Clamp (shield to muffler)-upper-aero pkg.	1	E3HZ 5230-D	Muffler
1	E3HZ 5277-F	Bracket (shield to cab)-upper	1	E3HZ 5277-S	Support
1	E2HZ 5281-A	Insulator (shield to cab)-upper	1	D3HZ 5A231-E	Clamp (muffler to bracket)
1	E2HZ 5A231-B	Clamp (outlet pipe to muffler)	1	D8HZ 5277-G	Bracket (support to frame)
1	D0HZ 5255-AC	Pipe (outlet)	1	D8HZ 5F230-B	Cap (support to frame)
PARTS LIST NO. 148			1	D8HZ 5A273-A	Shield (muffler)
1	E7HZ 5A231-C	Clamp (inlet pipe to engine)	1	F1HZ 5C264-C	Clamp (shield to muffler)-upper
1	E7HZ 5A231-D	Clamp (inlet pipe to frame)	1	D8HZ 5C264-A	Clamp (shield to muffler)-lower
1	E8HZ 5246-L	Pipe (inlet)	1	D3HZ 5A231-E	Clamp (muffler & outlet pipe to bracket)
1	E1HZ 5A231-G	Clamp (inlet pipe to muffler)	1	D8HZ 5255-B	Pipe (outlet)
1	E8HZ 5230-R	Muffler assy.	1	D8HZ 5C208-A	Cap (outlet pipe)
2	E6HZ 5A215-A	Strap (muffler to frame)	PARTS LIST NO. 150		
4	B9TT 5A291-A	Spring (muffler to frame)	1	E5HZ 5A231-A	Clamp (outlet pipe to engine)
2	★ 5A290	Hanger (muffler to frame)	1	E5HZ 5246-E	Pipe (inlet)
1	E7HZ 5A204-F	Bracket (muffler to frame)-front	1	E1HZ 5A231-F	Clamp (inlet pipe to connector)
1	E6HZ 5277-B	Bracket (muffler to frame)-rear	1	E1HZ 5B286-C	Connector
1	★ 5255	Pipe (outlet)-serviced in muffler assy. only	1	E1HZ 5A231-F	Clamp (connector to extension)
PARTS LIST NO. 149			1	E6HZ 5A212-R	Extension
1	E5HZ 5A231-A	Clamp (inlet pipe to engine)	1	D8HZ 5260-A	Support (pipe to frame)
1	E5HZ 5246-M	Pipe (inlet)	1	D3HZ 5A231-E	Clamp (pipe to support)
1	E1HZ 5A231-F	Clamp (inlet pipe to connector)	1	E1HZ 5A231-F	Clamp (extension to muffler)
			1	★ 5A290	Hanger (extension to bracket)

1980/  
TRUCK SERIES 600/900

**EXHAUST PARTS LISTS**

Q T Y	PART NUMBER	DESCRIPTION	Q T Y	PART NUMBER	DESCRIPTION
● Not used in noise restrictions areas ▲ Used in noise restrictions areas					
PARTS LIST NO. 150 — Cont'd			PARTS LIST NO. 152 — Cont'd		
1	D8HZ 5277-G	Bracket (support to frame)	1	E6HZ 5255-E	Pipe (outlet)
1	D8HZ 5F230-B	Cap (bracket to frame)	1	E7HZ 5K222-A	Bracket (outlet pipe to frame)
1	E3HZ 5277-M	Support (muffler)-1986/87	1	E6HZ 5B213-A	Bracket (outlet pipe to frame)
1	E8HZ 5277-C	Support (muffler)-1988	1	★E8HZ 5C273-A	Clamp (outlet pipe to frame)
1	D3HZ 5A231-E	Clamp (muffler to bracket)	1	★E6HZ 5C229-B	Shield (outlet pipe)
1	E3HZ 5230-D	Muffler	2	E6HZ 5A231-C	Clamp (shield to outlet pipe)
1	D8HZ 5A273-A	Shield (muffler)	1	E6HZ 5A231-B	Clamp (outlet pipe to outlet pipe)
1	F1HZ 5C264-C	Clamp (shield to muffler)-upper	1	E6HZ 5255-C	Pipe (outlet)
1	D8HZ 5C264-A	Clamp (shield to muffler)-lower	PARTS LIST NO. 153		
1	D3HZ 5A231-E	Clamp (outlet pipe to muffler)	1	E8HZ 5A231-E	Clamp (inlet pipe to engine)
1	D8HZ 5255-B	Pipe (outlet)	1	E7HZ 5246-S	Pipe (inlet)
1	D8HZ 5C208-A	Cap (outlet pipe)	1	E7HZ 5291-B	Bracket (inlet pipe to frame)
PARTS LIST NO. 151			1	★E8HZ 5A231-C	Clamp (inlet pipe to frame)
1	E7HZ 5A231-C	Clamp (inlet pipe to engine)	1	E1HZ 5A231-G	Clamp (inlet pipe to connector)
1	E7HZ 5K200-A	Shield (inlet pipe)	1	E6HZ 5C204-A	Connector
2	E8HZ 5B245-A	Clamp (shield to inlet pipe)	1	E1HZ 5A231-G	Clamp (connector to extension)
1	E7HZ 5246-K	Pipe (inlet)	1	E7HZ 5A212-D	Extension
1	E1HZ 5A231-G	Clamp (inlet pipe to muffler)	1	E6HZ 5C273-A	Clamp (extension to support)
1	★E6HZ 5230-C	Muffler	1	E7HZ 5A204-E	Support (extension to frame)
2	E6HZ 5A215-A	Strap (muffler to frame)	1	E7HZ 5K222-A	Bracket (extension to frame)
2	★ 5A290	Hanger (muffler to frame)	1	E8HZ 5A204-A	Bracket (extension to frame)
2	E6HZ 5277-A	Bracket (muffler to frame)	1	E1HZ 5A231-G	Clamp (extension to muffler)
4	B9TT 5A291-A	Spring (muffler to frame)	1	E7HZ 5230-H	Muffler
1	E1HZ 5A231-G	Clamp (muffler to outlet pipe)	1	E7HZ 5D223-B	Strap (muffler to bracket)-lower
1	E7HZ 5N204-A	Pipe (outlet)	1	E7HZ 5290-A	Shield (muffler)
1	E1HZ 5A231-G	Clamp (outlet pipe to connector)	1	E7HZ 5D223-A	Strap (muffler to bracket)-upper
1	E8HZ 5C204-A	Connector	1	E7HZ 5A231-B	Clamp (muffler to outlet pipe)
1	E1HZ 5A231-G	Clamp (connector to outlet pipe)	1	E7HZ 5255-V	Pipe (outlet)
1	E6HZ 5255-E	Pipe (outlet)	1	E7HZ 5W266-A	Cap
1	E7HZ 5K222-A	Bracket (outlet pipe to frame)	PARTS LIST NO. 154		
1	E6HZ 5B213-A	Bracket (outlet pipe to frame)	1	E8HZ 5A231-E	Clamp (inlet pipe to engine)
1	★E8HZ 5C273-A	Clamp (outlet pipe to frame)	1	E7HZ 5246-R	Pipe (inlet)
1	★E6HZ 5C229-B	Shield (outlet pipe)	1	E8HZ 5C250-A	Gasket (inlet pipe to valve assy.)
2	E6HZ 5A231-C	Clamp (shield to outlet pipe)	1	E8HZ 5C250-A	Gasket (valve assy. to extension)
1	E6HZ 5A231-B	Clamp (outlet pipe to outlet pipe)	1	E7HZ 5A212-A	Extension
1	E6HZ 5255-C	Pipe (outlet)	1	★E7HZ 5291-B	Bracket (extension to frame)
PARTS LIST NO. 152			1	★E8HZ 5A231-C	Clamp (extension to frame)
1	E7HZ 5A231-C	Clamp (inlet pipe to engine)	1	E1HZ 5A231-G	Clamp (extension to connector)
1	E7HZ 5K200-A	Shield (inlet pipe)	1	E6HZ 5C204-A	Connector
2	E8HZ 5B245-A	Clamp (shield to inlet pipe)	1	E1HZ 5A231-G	Clamp (connector to extension)
1	E8HZ 5246-J	Pipe (inlet)	1	E7HZ 5A212-D	Extension
1	E7HZ 5C250-A	Gasket (inlet pipe to extension)	1	E6HZ 5C273-A	Clamp (extension to support)
1	E7HZ 5A212-E	Extension	1	E7HZ 5A204-E	Support (extension to frame)
1	E1HZ 5A231-G	Clamp (extension to muffler)	1	E7HZ 5K222-A	Bracket (extension to frame)
1	★E6HZ 5230-C	Muffler	1	E8HZ 5A204-A	Bracket (extension to frame)
2	E6HZ 5A215-A	Strap (muffler to frame)	1	E1HZ 5A231-G	Clamp (extension to muffler)
2	★ 5A290	Flange (muffler to frame)	1	E7HZ 5230-H	Muffler
2	E6HZ 5277-A	Bracket (muffler to frame)	1	E7HZ 5D223-B	Strap (muffler to support)-lower
4	B9TT 5A291-A	Spring (muffler to frame)	1	E7HZ 5290-A	Shield (muffler)
1	E1HZ 5A231-G	Clamp (muffler to outlet pipe)	1	E7HZ 5D223-A	Strap (muffler to support)-upper
1	E7HZ 5N204-A	Pipe (outlet)	1	E7HZ 5A231-B	Clamp (muffler to outlet pipe)
1	E1HZ 5A231-G	Clamp (outlet pipe to connector)	1	E7HZ 5255-V	Pipe (outlet)
1	E8HZ 5C204-A	Connector	1	E7HZ 5W266-A	Cap
1	E1HZ 5A231-G	Clamp (connector to outlet pipe)			

EXHAUST PARTS LISTS

QTY	PART NUMBER	DESCRIPTION	QTY	PART NUMBER	DESCRIPTION
● Not used in noise restrictions areas ▲ Used in noise restrictions areas					
PARTS LIST NO. 155			PARTS LIST NO. 155 — Cont'd		
1	E5HZ 5A231-A	Clamp (inlet pipe to engine) 3406	4	D3HZ 5281-A	Insulator lower
1	E8HZ 5246-Y	Pipe (inlet) 3406	1	E3HZ 5C264-D	Clamp (bracket & shield to cab) upper
1	E4HZ 5277-C	Bracket (inlet pipe to engine) 3406	1	E3HZ 5277-T	Bracket (clamp to bracket) upper
1	★ 5A239	U Bolt (inlet pipe to engine) 3406	1	E2HZ 5277-G	Bracket (bracket to cab) upper
1	E7HZ 5A231-E	Clamp (inlet pipe to engine) NTC	4	D3HZ 5281-A	insulator upper
1	E8HZ 5246-Z	Pipe (inlet) NTC	1	E1HZ 5A231-H	Clamp (outlet pipe to extension)
1	★ 5A239	U Bolt (inlet pipe to engine) NTC	1	F0HZ 5255-A	Pipe (outlet) extension bright
1	★ 5291	Bracket (inlet pipe to engine) NTC	1	F0HZ 5255-B	Pipe (outlet) extension plain
1	E8HZ 5246-X	Pipe (inlet) L10	1	D8HZ 5C208-B	Cap.
1	E1HZ 5A231-G	Clamp (inlet pipe to inlet pipe) L10	PARTS LIST NO 156		
1	E8HZ 5246-W	Pipe (inlet) L10	1	E2HZ 5A231-A	Clamp (inlet pipe to engine) 3406
1	★ 5A239	U Bolt (inlet pipe to engine) L10	1	E8HZ 5246-Y	Pipe (inlet) 3406
1	E7HZ 5277-A	Bracket (inlet pipe to engine) L10	1	E4HZ 5277-C	Bracket (inlet pipe to engine) 3406
1	E1HZ 5A231-B	Clamp (inlet pipe to connector)	1	★ 5A239	U Bolt (inlet pipe to engine) 3406
1	DOHZ 5B286-B	Connector	1	E7HZ 5A231-E	Clamp (inlet pipe to engine) NTC
1	E1HZ 5A231-B	Clamp (connector to extension)	1	E8HZ 5246-Z	Pipe (inlet) NTC
1	E2HZ 5A212-A	Extension	1	★ 5A239	U Bolt (inlet pipe to engine) NTC
1	E1HZ 5A231-B	Clamp (extension to muffler)	1	★ 5291	Bracket (inlet pipe to engine) NTC
1	E8HZ 5230-C	Muffler NTC thru 350 HP	1	E8HZ 5246-X	Pipe (inlet) L10 FRONT
1	E8HZ 5230-AB	Muffler 3406. NTC 360 HP & Up	1	E1HZ 5A231-G	Clamp (inlet pipe to inlet pipe) L10
1	E8HZ 5230-AG	Muffler L10	1	E8HZ 5246-W	Pipe (inlet) L10 rear
2	E1HZ 5A215-A	Strap (muffler to frame)	1	★ 5A239	U Bolt (inlet pipe to engine) L10
2	B9TT 5A291-A	Spring (muffler to frame)	1	E7HZ 5277-A	Bracket (inlet pipe to engine) L10
2	E1HZ 5277-D	Bracket (muffler to frame)	1	E1HZ 5A231-B	Clamp (inlet pipe to connector)
1	E1HZ 5A231-F	Clamp (outlet pipe to muffler) bright exc. construction	1	E1HZ 5B286-C	Connector
1	E1HZ 5A231-B	Clamp (outlet pipe to muffler) plain exc. construction	1	E1HZ 5A231-B	Clamp (connector to extension)
1	E1HZ 5255-E	Pipe (outlet) lower plain exc construction	1	D4HZ 5A246-A	Bracket (extension to frame)
1	E1HZ 5255-F	Pipe (outlet) lower bright exc construction	1	DOHZ 5A231-G	Clamp (extension to frame)
1	E1HZ 5A231-B	Clamp (outlet pipe to connector) plain exc. construction	1	E2HZ 5A212-B	Extension
1	E1HZ 5A231-F	Clamp (outlet pipe to connector) bright exc. construction	1	E1HZ 5A231-F	Clamp (extension to muffler)
1	DOHZ 5B286-C	Connector exc construction	2	D8HZ 5A231-C	Clamp (extension to Support)
1	E1HZ 5A231-B	Clamp (connector to outlet pipe) upper plain exc construction	1	★ 5A290	Hanger (extension to support)
1	E1HZ 5A231-F	Clamp (connector to outlet pipe) upper bright exc construction	1	E2HZ 5277-T	Support
1	E8HZ 5255-S	Pipe (outlet) plain L10 & formula exc construction	1	E8HZ 5230-G	Muffler NTC thru 350 HP
1	E8HZ 5255-R	Pipe (outlet) bright L10 & formula exc construction	1	E8HZ 5230-AD	Muffler L10
1	E1HZ 5255-C	Pipe (outlet) plain NTC 3406 exc construction	1	E8HZ 5230-AF	Muffler NTC 365 HP & above
1	E1HZ 5255-B	Pipe (outlet) bright NTC 3406 exc construction	1	E8HZ 5230-AE	Muffler 3406 dsl.
1	E1HZ 5A231-F	Clamp (muffler to outlet pipe) bright construction	1	D3HZ 5A231-E	Clamp (muffler to support)
1	E1HZ 5A231-B	Clamp (muffler to outlet pipe) plain construction	1	D8HZ 5F230-B	Cap (support)
1	E1HZ 5A231-F	Clamp (outlet pipe to connector) bright construction	1	D8HZ 5277-G	Bracket (cap to support)
1	E1HZ 5A231-B	Clamp (outlet pipe to connector) plain construction	1	E8HZ 5290-B	Shield (muffler)
1	DOHZ 5B286-C	Connector construction	2	E1HZ 5C264-C	Clamp (shield to muffler)
1	E1HZ 5A231-F	Clamp (connector to outlet pipe) bright construction	1	E1HZ 5A231-H	Clamp (outlet pipe to outlet pipe) upper
1	E1HZ 5A231-B	Clamp (connector to outlet pipe) plain construction	1	D8HZ 5255-B	Pipe (outlet) L10
1	E8HZ 5255-T	Pipe (outlet) upper construction L10	1	D8HZ 5255-AH	Pipe (outlet) NTC, 3406
1	E2HZ 5255-A	Pipe (outlet) upper construction NTC 3406	PARTS LIST NO. 157		
1	E3HZ 5C264-B	Clamp (bracket and shield to cab) lower	1	E2HZ 5A231-A	Clamp (inlet pipe to engine)
1	E1HZ 5260-C	Bracket (clamp to cab) lower	1	E7HZ 5246-A	Pipe (inlet)
1	E1HZ 5A273-A	Shield (muffler) exc construction lower	1	E1HZ 5A231-B	Clamp (inlet pipe to muffler)
1	E1HZ 5A273-C	Shield construction lower	1	E8HZ 5230-W	Muffler
			1	E2HZ 5A215-C	Clamp (muffler to frame) front
			1	E7HZ 5A204-G	Bracket (muffler to frame) front
			1	★ 5A290	Hanger (muffler to frame) front
			2	B9TT 5A291-A	Spring (muffler to frame) front
			1	E2HZ 5A215-C	Clamp (muffler to frame) rear
			2	B9TT 5A291-A	Spring (muffler to frame) rear
			1	★ 5A290	Hanger (muffler to frame) rear

1980/  
TRUCK SERIES 600/900

Refer to SECTION 52.1, Page 1  
for PARTS LIST INSTRUCTION

**EXHAUST PARTS LISTS**

QTY	PART NUMBER	DESCRIPTION	QTY	PART NUMBER	DESCRIPTION
● Not used in noise restrictions areas, ▲ Used in noise restrictions areas					
PARTS LIST NO. 157 — Cont'd			PARTS LIST NO. 160 — Cont'd		
1	E7HZ 5A204-A	Bracket (muffler to frame)-rear	1	E2HZ 5A215-C	Strap (muffler to frame)-front
1	E2HZ 5A231-B	Clamp (outlet pipe to muffler)	1	★ 5A290	Hanger (muffler to frame)-front
1	E7HZ 5255-T	Pipe (outlet)-exc FT w/154" WB -exc F600/800 w/129, 140" WB	2	B9TT 5A291-A	Spring (muffler to frame)-front
1	E2HZ 5255-B	Pipe (outlet)-FT w/154" WB -F600/800 w/129, 140" WB	1	E3HZ 5277-H	Bracket (muffler to frame)-front
PARTS LIST NO. 158			1	E2HZ 5A215-C	Strap (muffler to frame)-rear
1	E7HZ 5A231-A	Clamp (inlet pipe to engine)	1	★ 5A290	Hanger (muffler to frame)-rear
1	E7HZ 5246-A	Pipe (inlet)	2	B9TT 5A291-A	Spring (muffler to frame)-rear
1	E1HZ 5A231-B	Clamp (inlet pipe to muffler)	1	E2HZ 5277-L	Bracket (muffler to frame)-rear
1	E8HZ 5230-E	Muffler	1	E2HZ 5A231-B	Clamp (outlet pipe to muffler)
1	E2HZ 5A215-C	Strap (muffler to frame)-front	1	E2HZ 5255-B	Pipe (outlet)
1	★ 5A290	Hanger (muffler to frame)-front	PARTS LIST NO. 161		
2	B9TT 5A291-A	Spring (muffler to frame)-front	1	E2HZ 5A231-A	Clamp (inlet pipe to engine)-3406
1	E7HZ 5A204-G	Bracket (muffler to frame)-front	1	E8HZ 5246-Y	Pipe (inlet)-3406
1	E2HZ 5A215-C	Strap (muffler to frame)-rear	1	E4HZ 5277-C	Bracket (inlet pipe to engine)-3406
2	B9TT 5A291-A	Spring (muffler to frame)-rear	1	★ 5A239	U-Bolt (inlet pipe to engine)-3406
1	★ 5A290	Hanger (muffler to frame)-rear	1	E7HZ 5A231-E	Clamp (inlet pipe to inlet pipe)-NTC
1	E7HZ 5A204-A	Bracket (muffler to frame)-rear	1	E8HZ 5246-Z	Pipe (inlet)-NTC
1	E2HZ 5A231-B	Clamp (outlet pipe to muffler)	1	★ 5A239	U-Bolt (inlet pipe to engine)-NTC
1	E4HZ 5C027-A	Pipe (outlet)-lower	1	★ 5291	Bracket (inlet pipe to engine)-NTC
1	E1HZ 5A231-B	Clamp (outlet pipe to connector)	1	E1HZ 5A231-D	Clamp (inlet pipe to extension)
1	D5HZ 5B286-A	Connector	1	E5HZ 5A212-C	Extension-straight frame
1	E1HZ 5A231-B	Clamp (connector to outlet pipe)-upper	1	E5HZ 5A212-D	Extension-variable frames
1	E3HZ 5255-Y	Pipe (outlet)-upper	1	E1HZ 5A231-D	Clamp (extension to muffler)
1	E3HZ 5C264-C	Clamp shield to bracket)-lower	1	E8HZ 5230-D	Muffler
1	E3HZ 5A273-A	Shield	2	E2HZ 5A215-E	Strap (muffler to frame)-straight frame
1	E3HZ 5277-E	Bracket (clamp to cab)-lower	2	E2HZ 5A215-D	Strap (muffler to frame)-variable frame
3	E3HZ 5281-A	Insulator-lower	4	B9TT 5A291-A	Spring (muffler to frame)
1	E3HZ 5C264-C	Clamp (shield to bracket)-upper	1	E1HZ 5A231-H	Clamp (muffler to outlet pipe)
1	E3HZ 5K229-A	Bracket (clamp to cab)-upper	1	E3HZ 5255-U	Pipe (outlet)-LN-LNT-All, L-LS-LT RH fuel tank
3	E3HZ 5281-A	Insulator-upper	1	E3HZ 5255-T	Pipe (outlet)-L-LT-LS-LTS w/o R.H. fuel tank
1	E3HZ 5C264-A	Clamp (outlet pipe to outlet pipe)	1	D0HZ 5B286-C	Connector-(outlet pipe to outlet pipe)-lower- LN-LNT All, L-LS-LT RH fuel tank
1	D0HZ 5255-AC	Pipe (outlet pipe)-extension	1	E1HZ 5A231-D	Clamp (outlet pipe to outlet pipe or outlet pipe to connector)
PARTS LIST NO. 159			1	E8HZ 5255-N	Pipe (outlet)-upper-L-LT R.H. fuel tank
1	E2HZ 5A231-A	Clamp (inlet pipe to engine)	1	E8HZ 5255-B	Pipe (outlet)-upper-L-LT-LS-LTS w/o R.H. fuel tank
1	E2HZ 5246-C	Pipe (inlet)	1	E8HZ 5255-A	Pipe (outlet)-upper-LN-LNT
1	E1HZ 5A231-C	Clamp (inlet pipe to muffler)	1	E3HZ 5A273-B	Shield (muffler)
1	E8HZ 5230-W	Muffler	2	E3HZ 5C264-B	Clamp (shield to muffler)
1	E8HZ 5B267-A	Bracket (support)	1	E1HZ 5260-B	Bracket (outlet pipe to cab)-lower
1	E2HZ 5A215-C	Strap (muffler to frame)-front	1	D3HZ 5281-A	Insulator (outlet pipe to cab)-lower
1	★ 5A290	Hanger (muffler to frame)-front	1	E1HZ 5277-H	Bracket (outlet pipe to bracket)-upper
2	B9TT 5A291-A	Spring (muffler to frame)-front	1	E2HZ 5277-G	Bracket (bracket to cab)-upper
1	E3HZ 5277-H	Bracket (muffler to frame)-front	1	E1HZ 5A231-H	Clamp (outlet pipe to outlet pipe)
1	E2HZ 5A215-C	Strap (muffler to frame)-rear	1	F0HZ 5255-B	Pipe (outlet)-upper-NTC
1	★ 5A290	Hanger (muffler to frame)-rear	1	D8HZ 5255-A	Pipe (outlet)-upper-3406
2	B9TT 5A291-A	Spring (muffler to frame)-rear	PARTS LIST NO. 162		
1	E2HZ 5277-R	Bracket (muffler to frame)-rear	1	E2HZ 5A231-A	Clamp (inlet pipe to engine)
1	E2HZ 5A231-B	Clamp (outlet pipe to muffler)	1	E8HZ 5246-X	Pipe (inlet)-front
1	E8HZ 5255-H	Pipe (outlet)	1	E1HZ 5A231-G	Clamp (inlet pipe to inlet pipe)
PARTS LIST NO. 160			1	E8HZ 5246-W	Pipe (inlet)-rear-LL-LTL
1	E2HZ 5A231-A	Clamp (inlet pipe to engine)	1	E8HZ 5246-V	Pipe (inlet)-rear-exc LL-LTL
1	E2HZ 5246-C	Pipe (inlet)	1	★ 5A239	U-Bolt (inlet pipe to engine)
1	E1HZ 5A231-C	Clamp (inlet pipe to muffler)	1	E7HZ 5277-A	Bracket (inlet pipe to engine)
1	E8HZ 5230-V	Muffler-CT w/111", 135" WB	1	E1HZ 5A231-C	Clamp (connector to inlet pipe)
1	E8HZ 5230-W	Muffler-exc 111", 135" WB	1	C1TZ 5B286-A	Connector
			1	E1HZ 5A231-C	Clamp (connector to extension)
			1	E0HZ 5A212-B	Extension-L-LT-LS-LTS



**EXHAUST PARTS LISTS**

QTY	PART NUMBER	DESCRIPTION	QTY	PART NUMBER	DESCRIPTION
● Not used in noise restrictions areas, ▲ Used in noise restrictions areas					
PARTS LIST NO. 162 — Cont'd			PARTS LIST NO. 164		
1	E0HZ 5A212-C	Extension-LN-LNT	1	E2HZ 5A231-A	Clamp (inlet pipe to engine)-3406
1	E8HZ 5A212-C	Extension-LL-LTL	1	E8HZ 5246-Y	Pipe (inlet)-3406
1	D0HZ 5A231-F	Clamp (extension to muffler)-exc LL-LTL	1	E4HZ 5277-C	Bracket (inlet pipe to engine)-3406
1	D0HZ 5A231-G	Clamp (extension to muffler)-LL-LTL	1	★ 5A239	U-Bolt (inlet pipe to engine)-3406
1	D4HZ 5A246-A	Support (extension to frame)	1	E7HZ 5A231-E	Clamp (inlet pipe to engine)-NTC
1	E1HZ 5A231-C	Clamp (extension to frame)	1	E8HZ 5246-Z	Pipe (inlet)-NTC
1	E1HZ 5A231-D	Clamp (extension to muffler)	1	★ 5A239	U-Bolt (inlet pipe to engine)-NTC
1	E8HZ 5230-AA	Muffler	1	★ 5299	Bracket (inlet pipe to engine)-NTC
1	D3HZ 5A231-F	Clamp (muffler to cab)-lower	1	E1HZ 5A231-D	Clamp (inlet pipe to connector)
1	E6HZ 5277-C	Bracket (muffler to cab)-lower	1	D0HZ 5B286-B	Connector
3	E2HZ 5281-A	Insulator (muffler to cab)-lower	1	E1HZ 5A231-D	Clamp (connector to extension)
1	E4HZ 5290-A	Shield (muffler)	1	F2HZ 5A212-B	Extension-LN-LNT
1	E5HZ 5C264-A	Clamp (shield to muffler)-lower-aero. pkg.	1	E0HZ 5A212-G	Extension-L-LT-LS-LTS
1	F1HZ 5C264-B	Clamp (shield to muffler)-lower-exc aero. pkg.	1	E8HZ 5A212-C	Extension-LL-LTL
1	F1HZ 5C264-C	Clamp (shield to muffler)-upper-w/o aero. pkg.	1	D0HZ 5A231-G	Clamp (extension to frame)
1	E5HZ 5C264-A	Clamp (shield to muffler)-upper-aero. pkg.	1	D4HZ 5A246-A	Support (extension to frame)
1	E2HZ 5277-B	Bracket (shield to cab)-upper	1	E1HZ 5A231-D	Clamp (extension to muffler)
1	E3HZ 5277-F	Bracket (bracket to cab)-upper	1	D3HZ 5A231-E	Clamp (muffler to cab)-lower
1	E2HZ 5281-A	Insulator (bracket to cab)-upper	1	E8HZ 5230-AE	Muffler-NTC-365 and above, 3406
1	E2HZ 5A231-B	Clamp (outlet pipe to muffler)	1	E8HZ 5230-H	Muffler-NTC-350 and below
1	E8HZ 5255-U	Pipe (outlet)	1	E6HZ 5277-C	Bracket (muffler to cab)-lower
1	E1HZ 5A231-H	Clamp (outlet pipe to outlet)	3	E2HZ 5281-A	Insulator (muffler to cab)-lower
1	E8HZ 5255-V	Pipe (outlet)-extension	1	E8HZ 5290-A	Shield (muffler)
PARTS LIST NO. 163			PARTS LIST NO. 165		
1	E2HZ 5A231-A	Clamp (inlet pipe to engine)-6.6, 7.8	1	E5HZ 5C264-A	Clamp (shield to muffler)-lower-aero. pkg.
1	E7HZ 5246-G	Pipe (inlet)-front-6.6	1	F1HZ 5C264-B	Clamp (shield to muffler)-lower-exc. aero. pkg.
1	E7HZ 5246-K	Pipe (inlet)-front-7.8	1	F1HZ 5C264-C	Clamp (shield to muffler)-upper-exc. aero. pkg.
1	E7HZ 5291-A	Bracket (inlet pipe to engine)-6.6, 7.8	1	E5HZ 5C264-A	Clamp (shield to muffler)-upper-aero. pkg.
1	E7HZ 5C264-A	Clamp (inlet pipe to engine)-6.6, 7.8	1	E2HZ 5277-B	Bracket (shield to cab)-upper
1	E1HZ 5A231-C	Clamp (inlet pipe to inlet pipe)-6.6, 7.8	1	E3HZ 5277-F	Bracket (bracket to cab)-upper
1	E7HZ 5246-B	Pipe (inlet)-rear-6.6, 7.8	1	E2HZ 5281-A	Insulator (bracket to cab)-upper
1	E2HZ 5A231-A	Clamp (inlet pipe to engine)-3208	1	E1HZ 5A231-H	Clamp (outlet pipe to muffler)
1	E2HZ 5246-D	Pipe (inlet)-3208 eng.-auto. trans.	1	D8HZ 5255-AG	Pipe (outlet)-exc. aero. pkg.
1	E2HZ 5246-E	Pipe (inlet)-3208 eng.-man. trans.	1	D8HZ 5255-A	Pipe (outlet)-aero. pkg.
1	E1HZ 5A231-C	Clamp (inlet pipe to connector)	PARTS LIST NO. 165		
1	C1TZ 5B286-A	Connector	1	D2HZ 5A231-A	Clamp (inlet pipe to engine)
1	E1HZ 5A231-C	Clamp (connector to extension)	1	E8HZ 5246-X	Pipe (inlet)
1	E2HZ 5A212-C	Extension-3208 & 6.6, 7.8 LN-LNT	1	E1HZ 5A231-G	Clamp (inlet pipe to inlet pipe)
1	E2HZ 5A212-F	Extension-6.6 & 7.8 L-LT-LS-LTS	1	E8HZ 5246-V	Pipe (inlet)
1	D0HZ 5A231-F	Clamp (extension to frame)	1	E7HZ 5277-A	Bracket (inlet pipe to engine)
1	E4HZ 5A246-A	Support (extension to frame)	1	★ 5A239	U-Bolt (inlet pipe to engine)
1	E1HZ 5A231-C	Clamp (extension to muffler)	1	E1HZ 5A231-C	Clamp (inlet pipe to extension)
1	E8HZ 5230-J	Muffler	1	E5HZ 5A212-A	Extension-straight frame
1	D3HZ 5A231-F	Clamp (muffler to cab)-lower	1	E5HZ 5A212-B	Extension-variable frame
1	E6HZ 5277-C	Bracket (muffler to cab)-lower	1	E1HZ 5A231-C	Clamp (extension to muffler)
3	E2HZ 5281-A	Insulator (muffler to cab)-lower	1	E8HZ 5230-L	Muffler
1	E4HZ 5290-A	Shield (muffler)	2	E7HZ 5A215-A	Strap (muffler to frame)
1	E5HZ 5C264-A	Clamp (shield to muffler)-lower-aero. pkg.	4	B9TT 5A291-A	Spring (muffler to frame)
1	F1HZ 5C264-B	Clamp (shield to muffler)-lower-exc. aero. pkg.	1	E1HZ 5A231-C	Clamp (muffler to outlet pipe)
1	F1HZ 5C264-C	Clamp (shield to muffler)-upper-exc. aero. pkg.	1	E7HZ 5255-C	Pipe (outlet)-L-LT w/RH. FUEL TANK, LN-LNT
1	E5HZ 5C264-A	Clamp (shield to muffler)-upper-aero. pkg.	1	E1HZ 5A231-C	Clamp (outlet pipe to connector) L-LT w/RH fuel tank, LN-LNT
1	E2HZ 5277-B	Bracket (muffler to cab)-upper	1	D5HZ 5B286-A	Connector-L-LT w/RH fuel tank, LN-LNT
1	E3HZ 5277-F	Bracket (bracket to cab)-upper	1	E7HZ 5255-D	Pipe (outlet)-L-LS-LT-LTS w/o RH. fuel tank
1	E2HZ 5281-A	Insulator (bracket to cab)-upper	1	E1HZ 5A231-C	Clamp (outlet pipe to outlet pipe)-L-LS-LT-LTS w/o RH fuel tank
1	E2HZ 5A231-B	Clamp (outlet pipe to muffler)	1	E1HZ 5A231-C	Clamp (outlet or connector to outlet pipe) "Before 1/89"
1	D0HZ 5255-AC	Pipe (outlet)-exc. aero. pkg.			
1	E5HZ 5255-B	Pipe (outlet)-aero. pkg.			

1980/  
TRUCK SERIES 600/900

**EXHAUST PARTS LISTS**

Q T Y	PART NUMBER	DESCRIPTION	Q T Y	PART NUMBER	DESCRIPTION
● Not used in noise restrictions areas, ▲ Used in noise restrictions areas					
PARTS LIST NO. 165 -- Cont'd			PARTS LIST No. 166 -- Cont'd		
1	E7HZ 5255-U	Pipe (outlet) L LT w RH fuel tank "Before 1/89"	1	E2HZ 5260-A	Bracket (outlet pipe to cab) lower
1	E2HZ 5255-E	Pipe (outlet) L LS LT LTS w o RH fuel tank "Before 1/89"	8	D3HZ 5281-A	Insulator (outlet pipe to cab) lower
1	E2HZ 5255-D	Pipe (outlet) LN LNT "Before 1/89"	1	E2HZ 5277-N	Bracket (outlet pipe to cab) upper
1	E8HZ 5255-E	Pipe (outlet) L LT w RH fuel tank "From 1/89"	1	E2HZ 5277-G	Bracket (bracket to cab) upper
1	E8HZ 5255-G	Pipe (outlet) L LS LT LTS w o RH fuel tank "From 1/89"	2	D3HZ 5281-A	Insulator (bracket to cab) upper
1	E8HZ 5255-F	Pipe (outlet) LN LNT "From 1/89"	PARTS LIST NO. 167		
1	E1HZ 5A231-C	Clamp (outlet or connector to outlet pipe)	1	E2HZ 5A231-A	Clamp (inlet pipe to engine)
2	E3HZ 5C264-C	Clamp (shield to muffler)	1	E7HZ 5246-G	Pipe (inlet) 6.6 front
1	E2HZ 5C229-A	Shield	1	E7HZ 5246-K	Pipe (outlet) 7.8 front
1	E2HZ 5260-A	Bracket (outlet pipe to cab) lower	1	E7HZ 5291-A	Bracket (inlet pipe to engine)
8	D3HZ 5281-A	Insulator (outlet pipe to cab) lower	1	E7HZ 5C264-A	Clamp (inlet pipe to engine)
1	E2HZ 5277-N	Bracket (outlet pipe to cab) upper	1	E1HZ 5A231-C	Clamp (inlet pipe to inlet pipe)
1	E2HZ 5277-G	Bracket (bracket to cab) upper	1	E7HZ 5246-B	Pipe (inlet) rear
2	D3HZ 5281-A	Insulator (outlet pipe to cab) upper	1	E1HZ 5A231-C	Clamp (inlet pipe to extension)
PARTS LIST NO. 166			1	E7HZ 5A212-B	Extension
1	E2HZ 5A231-A	Clamp (inlet pipe to engine) 3208	1	E1HZ 5A231-C	Clamp (extension to muffler)
1	E2HZ 5246-D	Pipe (inlet) auto. trans. 3208	1	E8HZ 5230-W	Muffler
1	E2HZ 5246-E	Pipe (inlet) man. trans. 3208	2	E2HZ 5A215-C	Strap (muffler to frame)
1	E2HZ 5A231-A	Clamp (inlet pipe to engine) 6.6 7.8	1	★ 5A290	Hanger (muffler to frame)
1	E7HZ 5246-G	Pipe (inlet) 6.6 front	2	E2HZ 5277-M	Bracket (muffler to frame)
1	E7HZ 5246-K	Pipe (inlet) 7.8 front	4	B9TT 5A291-A	Spring (muffler to frame)
1	E7HZ 5291-A	Bracket (inlet pipe to engine) 6.6 7.8	1	E2HZ 5A231-B	Clamp (muffler to outlet pipe)
1	E7HZ 5C264-A	Clamp (inlet pipe to frame) 6.6 7.8	1	E2HZ 5255-B	Pipe (outlet)
1	E1HZ 5A231-C	Clamp (inlet pipe to inlet pipe) 6.6 7.8	PARTS LIST NO. 168		
1	E7HZ 5246-B	Pipe (inlet) 6.6 7.8 rear	1	E2HZ 5A231-A	Clamp (inlet pipe to engine)
1	E1HZ 5A231-C	Clamp (inlet pipe to extension)	1	E2HZ 5246-D	Pipe (inlet) auto. trans.
1	E5HZ 5A212-A	Extension straight frame	1	E2HZ 5246-E	Pipe (inlet) man. trans.
1	E5HZ 5A212-B	Extension variable frame	1	E1HZ 5A231-C	Clamp (inlet pipe to extension)
1	E1HZ 5A231-C	Clamp (extension to muffler)	1	E2HZ 5A212-D	Extension
1	E8HZ 5230-L	Muffler	1	E1HZ 5A231-C	Clamp (extension to muffler)
2	E7HZ 5A215-A	Strap (muffler to frame)	1	E8HZ 5230-W	Muffler
4	B9TT 5A291-A	Spring (muffler to frame)	2	E2HZ 5A215-C	Strap (muffler to frame)
1	E1HZ 5A231-C	Clamp (muffler to outlet pipe)	2	★ 5A290	Hanger (muffler to frame)
1	E7HZ 5255-C	Pipe (outlet) L LT w RH fuel tank LN LNT	2	E2HZ 5277-M	Bracket (muffler to frame)
1	E1HZ 5A231-C	Clamp (outlet pipe to connector) L LT w RH fuel tank LN LNT	4	B9TT 5A291-A	Spring (muffler to frame)
1	D5HZ 5B286-A	Connector L LT w RH fuel tank LN LNT	1	E2HZ 5A231-B	Clamp (muffler to outlet pipe)
1	E7HZ 5255-D	Pipe (outlet) L LS LT LTS w o RH fuel tank	1	E2HZ 5255-B	Pipe (outlet)
1	E1HZ 5A231-C	Clamp (outlet pipe to outlet pipe) L LS LT LTS w o RH fuel tank	PARTS LIST NO. 169		
1	E7HZ 5255-U	Pipe (outlet) L LT w RH fuel tank "Before 1/89"	1	E5HZ 5A231-A	Clamp (inlet pipe to engine)
1	E2HZ 5255-E	Pipe (outlet) L LS LT LTS w o RH fuel tank "Before 1/89"	1	E8HZ 5246-Y	Pipe (inlet)
1	E2HZ 5255-D	Pipe (outlet) LN LNT "Before 1/89"	1	E4HZ 5277-C	Bracket (inlet pipe to engine)
1	E8HZ 5255-E	Pipe (outlet) L LT w RH fuel tank "From 1/89"	1	★ 5A239	U Bolt (inlet pipe to engine)
1	E8HZ 5255-G	Pipe (outlet) L LS LT LTS w o RH fuel tank "From 1/89"	1	E2HZ 5A231-A	Clamp (inlet pipe to inlet pipe)
1	E8HZ 5255-F	Pipe (outlet) LN LNT "From 1/89"	1	E8HZ 5246-S	Pipe (inlet)
2	E3HZ 5C264-C	Clamp (shield to muffler)	1	E1HZ 5A231-B	Clamp (inlet pipe to extension)
1	E2HZ 5C229-A	Shield (muffler)	1	E8HZ 5A212-H	Extension Bright Y Pipe
			1	E8HZ 5A212-J	Extension plain Y Pipe
			RIGHT HAND SIDE		
			1	E1HZ 5A231-F	Clamp (extension to muffler)
			1	E8HZ 5230-B	Muffler plain
			1	E8HZ 5230-A	Muffler bright
			1	E8HZ 5277-A	Support
			1	D8HZ 5F230-B	Cap (support)
			1	D8HZ 5277-G	Bracket (support to frame)
			2	★ 5A290	Hanger (support)

EXHAUST PARTS LISTS

Q T Y	PART NUMBER	DESCRIPTION	Q T Y	PART NUMBER	DESCRIPTION
● Not used in noise restrictions areas, ▲ Used in noise restrictions areas					
PARTS LIST NO. 169 — Cont'd			PARTS LIST NO. 170 — Cont'd		
1	D3HZ 5A231-E	Clamp (muffler to support)	1	E1HZ 5A231-H	Clamp (outlet pipe to muffler)
1	D8HZ 5A273-A	Shield (muffler)-w/guards	1	D8HZ 5255-B	Pipe (outlet)-bright
1	E5HZ 5C264-B	Clamp (shield to muffler)-lower-w/o guards	1	D8HZ 5255-A	Pipe (outlet)-plain
1	F1HZ 5C264-C	Clamp (shield to muffler)-lower-w/guards	1	D8HZ 5C208-A	Cap-bright
1	E5HZ 5C264-B	Clamp (shield to muffler)-upper-w/o guards	1	D8HZ 5C208-B	Cap-plain
1	E1HZ 5C264-C	Clamp (shield to muffler)-upper-w/guards	LEFT HAND SIDE		
1	E1HZ 5A231-H	Clamp (outlet pipe to muffler)	1	E1HZ 5A231-F	Clamp (inlet pipe to connector)
1	D8HZ 5255-B	Pipe (outlet)-bright	1	E1HZ 5B286-B	Connector
1	D8HZ 5255-A	Pipe (outlet)-plain	1	E1HZ 5A231-F	Clamp (connector to extension)
1	D8HZ 5C208-A	Cap-plain	1	E3HZ 5A212-E	Extension-plain
1	D8HZ 5C208-B	Cap-bright	1	E3HZ 5A212-D	Extension-bright
LEFT HAND SIDE			1	E1HZ 5A231-F	Clamp (extension to muffler)
1	E1HZ 5A231-F	Clamp (extension to connector)	1	E8HZ 5230-B	Muffler-plain
1	D0HZ 5B286-B	Connector	1	E8HZ 5230-A	Muffler-bright
1	E1HZ 5A231-F	Clamp (connector to extension)	1	D8HZ 5277-G	Bracket (support to frame)
1	E8HZ 5A212-N	Extension-plain	1	E3HZ 5277-N	Support
1	E8HZ 5A212-R	Extension-bright	1	D8HZ 5F230-B	Cap (support)
1	E1HZ 5A231-F	Clamp (extension to muffler)	2	★ 5A290	Hanger (support)
1	E8HZ 5230-B	Muffler-plain	1	D3HZ 5A231-E	Clamp (muffler to support)
1	E8HZ 5230-A	Muffler-bright	1	E5HZ 5C264-B	Clamp (shield to muffler)-lower-w/o guards
1	D8HZ 5277-G	Bracket (muffler to frame)	1	F1HZ 5C264-B	Clamp (shield to muffler)-lower-w/guards
1	E8HZ 5277-D	Support	1	E5HZ 5C264-B	Clamp (shield to muffler)-upper-w/o guards
1	D8HZ 5F230-B	Cap (support)	1	F1HZ 5C264-C	Clamp (shield to muffler)-upper w/guards
2	★ 5A290	Hanger (support)	1	D8HZ 5A273-A	Shield (muffler)
1	D3HZ 5A231-E	Clamp (muffler to support)	1	E1HZ 5A231-H	Clamp (outlet pipe to muffler)
1	D8HZ 5A273-A	Shield (muffler)	1	D8HZ 5255-B	Pipe (outlet)-bright
1	E5HZ 5C264-B	Clamp (shield to muffler)-lower-w/o guards	1	D8HZ 5255-A	Pipe (outlet)-plain
1	F1HZ 5C264-B	Clamp (shield to muffler)-lower-w/guards	1	D8HZ 5C208-B	Cap-plain
1	E5HZ 5C264-B	Clamp (shield to muffler)-upper-w/o guards	1	D8HZ 5C208-A	Cap-bright
1	F1HZ 5C264-C	Clamp (shield to muffler)-upper-w/guards	PARTS LIST NO. 171		
1	E1HZ 5A231-H	Clamp (outlet pipe to muffler)	1	E7HZ 5A231-A	Clamp (inlet pipe to engine)
1	D8HZ 5255-B	Pipe (outlet)-bright	1	E8HZ 5246-R	Pipe (inlet)
1	D8HZ 5255-A	Pipe (outlet)-plain	1	E1HZ 5A231-F	Clamp (inlet pipe to connector)
1	D8HZ 5C208-B	Cap-plain	1	★ 5B286	Connector
1	D8HZ 5C208-A	Cap-bright	1	E1HZ 5A231-B	Clamp (connector to extension)
PARTS LIST NO. 170			1	E8HZ 5A212-E	Extension-88" B.B.C.-plain-Y pipe
1	E7HZ 5A231-E	Clamp (inlet pipe to engine)	1	E8HZ 5A212-D	Extension-88" B.B.C.-bright-Y pipe
1	E1HZ 5246-D	Pipe (inlet)	1	E8HZ 5A212-G	Extension-110" B.B.C.-plain-Y pipe
1	E1HZ 5A231-B	Clamp (inlet pipe to extension)	1	E8HZ 5A212-F	Extension-110" B.B.C.-bright-Y pipe
1	E6HZ 5A212-L	Extension-plain-Y pipe	1	D3HZ 5A231-E	Clamp (bracket to frame)-110" B.B.C
1	E6HZ 5A212-M	Extension-bright-Y pipe	1	E8HZ 5260-A	Bracket (extension to frame)-110" B.B.C.
RIGHT HAND SIDE			RIGHT HAND SIDE		
1	E1HZ 5A231-B	Clamp (extension to muffler)	1	E1HZ 5A231-F	Clamp (extension to muffler)
1	E8HZ 5230-B	Muffler-plain	1	E8HZ 5277-B	Support-88" B.B.C.
1	E8HZ 5230-A	Muffler-bright	1	E8HZ 5277-C	Support-110" B.B.C.
1	E3HZ 5277-J	Support-exaero pkg.	1	E8HZ 5230-B	Muffler-plain
1	E7HZ 5277-B	Support-aero pkg.	1	E8HZ 5230-A	Muffler-bright
1	D8HZ 5F230-B	Cap (support)	1	D8HZ 5F230-B	Cap (Support)
1	D8HZ 5277-G	Bracket (support to frame)	1	D8HZ 5277-G	Bracket (support to frame)
2	★ 5A290	Hanger (support)	2	★ 5A290	Hanger (support to frame)
1	D3HZ 5A231-E	Clamp (muffler to support)	1	D3HZ 5A231-E	Clamp (muffler to support)
1	D8HZ 5A273-A	Shield (muffler)	1	D8HZ 5A273-A	Shield (muffler)-w/guards
1	E5HZ 5C264-B	Clamp (shield to muffler)-lower-w/o guards	1	F1HZ 5C264-C	Clamp (shield to muffler)-w/guards-upper
1	F1HZ 5C264-B	Clamp (shield to muffler)-lower-w/guards	1	E5HZ 5C264-B	Clamp (shield to muffler)-w/o guards-upper
1	E5HZ 5C264-B	Clamp (shield to muffler)-upper-w/o guards	1	F1HZ 5C264-B	Clamp (shield to muffler)-w/guards-lower
1	F1HZ 5C264-C	Clamp (shield to muffler)-upper-w/guards	1	E5HZ 5C264-B	Clamp (shield to muffler)-w/o guards-lower

## EXHAUST PARTS LISTS

Q T Y	PART NUMBER	DESCRIPTION	Q T Y	PART NUMBER	DESCRIPTION
● Not used in noise restrictions areas, ▲ Used in noise restrictions areas					
PARTS LIST NO. 171 — Cont'd			PARTS LIST NO. 172 — Cont'd		
1	E1HZ 5A231-H	Clamp (muffler to outlet pipe)	1	F1HZ 5C264-B	Clamp (shield to muffler)-lower-w/guards
1	D8HZ 5255-B	Pipe (outlet)-bright	1	E5HZ 5C264-B	Clamp (shield to muffler)-lower-w/o guards
1	D8HZ 5255-A	Pipe (outlet)-plain	1	F1HZ 5C264-C	Clamp (shield to muffler)-upper-w/guards
1	D8HZ 5C208-A	Cap-bright	1	E5HZ 5C264-B	Clamp (shield to muffler)-upper-w/o guards
1	D8HZ 5C208-B	Cap-plain	1	E1HZ 5A231-H	Clamp (muffler to outlet pipe)
LEFT HAND SIDE			1	D8HZ 5255-B	Pipe (outlet)-bright
1	E1HZ 5A231-F	Clamp (connector to extension)	1	D8HZ 5255-A	Pipe (outlet)-plain
1	D0HZ 5B286-B	Connector	1	D8HZ 5C208-A	Cap-bright
1	E1HZ 5A231-F	Clamp (connector to extension)	1	D8HZ 5C208-B	Cap-plain
1	E8HZ 5A212-L	Extension-plain	LEFT HAND SIDE		
1	E8HZ 5A212-K	Extension-bright	1	E1HZ 5A231-F	Clamp (connector to extension)
1	E1HZ 5A231-F	Clamp (extension to muffler)	1	E1HZ 5B286-B	Connector
1	E8HZ 5230-B	Muffler-plain	1	E1HZ 5A231-F	Clamp (connector to extension)
1	E8HZ 5230-A	Muffler-bright	1	D8HZ 5A212-BN	Extension-88" B.B.C.-plain
1	D8HZ 5F230-B	Cap (support)	1	D8HZ 5A212-DN	Extension-88" B.B.C.-bright
1	E8HZ 5277-E	Support-88" B.B.C.	1	E1HZ 5A212-M	Extension-110" B.B.C.-bright
1	E8HZ 5D220-A	Support-110" B.B.C.	1	E8HZ 5A212-V	Extension-110" B.B.C.-plain
1	D8HZ 5277-G	Bracket (support to frame)	1	E1HZ 5A231-F	Clamp (extension to muffler)
2	★ 5A290	Hanger (support)	1	E8HZ 5230-B	Muffler-plain
1	D3HZ 5A231-E	Clamp (muffler to support)	1	E8HZ 5230-A	Muffler-bright
1	D8HZ 5A273-A	Shield (muffler)	1	D8HZ 5F230-B	Cap (support)
1	E5HZ 5C264-B	Clamp (shield to muffler)-w/o guards-lower	1	D8HZ 5277-G	Bracket (support to frame)
1	F1HZ 5C264-B	Clamp (shield to muffler)-w/guards-lower	2	★ 5A290	Hanger (support)
1	F1HZ 5C264-C	Clamp (shield to muffler)-w/guards-upper	1	E3HZ 5277-S	Support-110" B.B.C.-exc aero. pkg.
1	E5HZ 5C264-B	Clamp (shield to muffler)-w/o guards-upper	1	E8HZ 5D220-A	Support-110" B.B.C.-aero pkg.
1	E1HZ 5A231-H	Clamp (outlet pipe to muffler)	1	E3HZ 5277-R	Support-88" B.B.C.
1	D8HZ 5255-B	Pipe (outlet)-bright	1	D3HZ 5A231-E	Clamp (muffler to support)
1	D8HZ 5255-A	Pipe (outlet)-plain	1	D8HZ 5A273-A	Shield (muffler)
1	D8HZ 5C208-A	Cap-bright	1	E5HZ 5C264-B	Clamp (shield to muffler)-lower-w/o guards
1	D8HZ 5C208-B	Cap-plain	1	F1HZ 5C264-C	Clamp (shield to muffler)-lower-w/guards
PARTS LIST NO. 172			1	E5HZ 5C264-B	Clamp (shield to muffler)-upper-w/o guards
1	E7HZ 5A231-A	Clamp (inlet pipe to engine)	1	F1HZ 5C264-B	Clamp (shield to muffler)-upper-w/guards
1	D8HZ 5246-L	Pipe (inlet)	1	E1HZ 5A231-H	Clamp (muffler to outlet pipe)
1	E1HZ 5A231-F	Clamp (inlet pipe to connector)	1	D8HZ 5255-B	Pipe (outlet)-bright
1	E1HZ 5B286-A	Connector	1	D8HZ 5255-A	Pipe (outlet)-plain
1	E1HZ 5A231-F	Clamp (connector to extension)	1	D8HZ 5C208-A	Cap-bright
1	E6HZ 5A212-H	Extension-110" B.B.C.-bright-4 type	1	D8HZ 5C208-B	Cap-plain
1	E6HZ 5A212-E	Extension-88" B.B.C.-plain-4 type	PARTS LIST NO. 173		
1	E6HZ 5A212-F	Extension-88" B.B.C.-bright-4 type	1	D2HZ 5A231-A	Clamp (inlet pipe to engine)
1	E8HZ 5A212-U	Extension-110" B.B.C.-plain-4 type	1	E8HZ 5246-B	Pipe (inlet)-w/o aero. pkg.
1	D3HZ 5A231-E	Clamp (extension to frame)-110" B.B.C.	1	E8HZ 5246-A	Pipe (inlet)-aero. pkg.
1	D8HZ 5260-A	Bracket (extension to frame)-110" B.B.C.	1	E1HZ 5A231-B	Clamp (inlet pipe to connector)
RIGHT HAND SIDE			1	E1HZ 5B286-C	Connector
1	E1HZ 5A231-F	Clamp (extension to muffler)	1	E1HZ 5A231-B	Clamp (connector to extension)
1	E3HZ 5277-K	Support-88" B.B.C.-exc aero. pkg.	1	D8HZ 5A212-BZ	Extension-bright-w/o aero. pkg.
1	E7HZ 5D220-A	Support-88" B.B.C.-aero. pkg.	1	D8HZ 5A212-AS	Extension-plain-w/o aero. pkg.
1	E3HZ 5277-M	Support-110" B.B.C.-exc aero. pkg.	1	E7HZ 5A212-G	Extension-aero. pkg.
1	E7HZ 5D220-B	Support-110" B.B.C.-aero. pkg.	1	E1HZ 5A231-B	Clamp (extension to muffler)
1	E8HZ 5230-B	Muffler-plain	1	E8HZ 5230-AH	Muffler-plain
1	E8HZ 5230-A	Muffler-bright	1	E8HZ 5230-AJ	Muffler-bright
1	D8HZ 5F230-B	Cap (support)	1	D8HZ 5F230-B	Cap (support)
1	D8HZ 5277-G	Bracket (support to frame)	1	D8HZ 5277-G	Bracket (support to frame)
2	★ 5A290	Hanger (support)	1	E3HZ 5277-J	Support (muffler)-w/o aero. pkg.
1	D8HZ 5A273-A	Shield (muffler)	1	E7HZ 5277-B	Support (muffler)-aero. pkg.

EXHAUST PARTS LISTS

Q T Y	PART NUMBER	DESCRIPTION	Q T Y	PART NUMBER	DESCRIPTION
● Not used in noise restrictions areas, ▲ Used in noise restrictions areas					
PARTS LIST NO. 173			PARTS LIST NO. 175 — Cont'd		
2	★ 5A290	Hanger (support to muffler)	1	D8HZ 5F230-B	Cap (support)
2	D8HZ 5A231-C	Clamp (extension to support)-aero. pkg.-bright	1	D8HZ 5277-G	Bracket (support to frame)
1	D3HZ 5A231-E	Clamp (muffler to support)-lower	1	E8HZ 5277-A	Support-(muffler)-aero. pkg.
1	E5HZ 5C264-B	Clamp (muffler to support)-center-w/o shield	1	E7HZ 5277-B	Support-(muffler)-w/o aero pkg.
1	E8HZ 5290-B	Shield (muffler)	2	★ 5A290	Hanger (support)
1	D8HZ 5C264-A	Clamp (shield to muffler)-lower	2	D8HZ 5A231-C	Clamp (extension to support)-bright
1	F1HZ 5C264-C	Clamp (shield to muffler)-center	1	D3HZ 5A231-E	Clamp (muffler to support)-lower
1	D8HZ 5C264-A	Clamp (shield to muffler)-upper	1	E5HZ 5C264-B	Clamp (muffler to support)-center-w/o heat shield
1	E1HZ 5A231-H	Clamp (outlet pipe to muffler)	1	E8HZ 5290-B	Shield (muffler)
1	D8HZ 5255-B	Pipe (outlet)-bright	1	D8HZ 5C264-A	Clamp (shield to muffler)-lower
1	E7HZ 5255-Y	Pipe (outlet)-plain	1	F1HZ 5C264-C	Clamp (shield to muffler)-center
1	D8HZ 5C208-A	Cap-bright	1	D8HZ 5C264-A	Clamp (shield to muffler)-upper
1	D8HZ 5C208-B	Cap-plain	1	E1HZ 5A231-H	Clamp (muffler to outlet pipe)
PARTS LIST NO. 174			PARTS LIST NO. 176		
1	D2HZ 5A231-A	Clamp (inlet pipe to engine)	1	D8HZ 5255-AG	Pipe (outlet)-plain
1	E8HZ 5246-C	Pipe (inlet)	1	D8HZ 5255-AH	Pipe (outlet)-bright
1	E1HZ 5A231-F	Clamp (inlet pipe to connector)	1	D8HZ 5C208-A	Cap-bright
1	E1HZ 5B286-C	Connector	1	D8HZ 5C208-B	Cap-plain
1	E1HZ 5A231-F	Clamp (connector to extension)	1	E4HZ 5A231-A	Clamp (inlet pipe to engine)
1	D8HZ 5A212-AS	Extension-Plain-w/o aero.	1	E5HZ 5246-E	Pipe (inlet)
1	D8HZ 5A212-DG	Extension-bright-w/o aero.	1	E1HZ 5A231-F	Clamp (inlet pipe to connector)
1	E7HZ 5A212-H	Extension-aero pkg.	1	E1HZ 5B286-C	Connector
1	E1HZ 5A231-B	Clamp (extension to muffler)	1	E1HZ 5A231-F	Clamp (connector to extension)
1	E8HZ 5230-AH	Muffler-plain	1	E7HZ 5A212-H	Extension-88" B.B.C.-plain
1	E8HZ 5230-AJ	Muffler-bright	1	E7HZ 5A212-K	Extension-110" B.B.C.-plain
1	D8HZ 5F230-B	Cap (support)	1	E8HZ 5A212-S	Extension-110" B.B.C.-bright
1	D8HZ 5277-G	Bracket (support to frame)	1	E8HZ 5A212-T	Extension-88" B.B.C.-bright
1	E7HZ 5D220-A	Support (muffler)-aero pkg.	1	E1HZ 5A231-B	Clamp (extension to muffler)
1	E3HZ 5277-K	Support-w/o aero. pkg.	1	E8HZ 5230-H	Muffler-plain
2	★ 5A290	Hanger (support to muffler)	1	E8HZ 5230-G	Muffler-bright
2	D8HZ 5A231-C	Clamp (extension to support)-aero pkg.-bright	1	D8HZ 5F230-B	Cap (support)
1	D3HZ 5A231-E	Clamp (muffler to support)-lower	1	D8HZ 5277-G	Bracket (support to frame)
1	E5HZ 5C264-B	Clamp (muffler to support)-center-w/o shield	1	E3HZ 5277-M	Support (muffler)-110" B.B.C.-w/o aero. pkg.
1	E8HZ 5290-B	Shield (muffler)	1	E8HZ 5277-B	Support (muffler)-88" B.B.C.
1	D8HZ 5C264-A	Clamp (shield to muffler)-lower	1	E8HZ 5277-C	Support (muffler)-110" B.B.C.
1	F1HZ 5C264-C	Clamp (shield to muffler)-center	2	★ 5A290	Hanger (support)
1	D8HZ 5C264-A	Clamp (shield to muffler)-upper	2	D8HZ 5A231-C	Clamp (extension to support)-bright
1	E1HZ 5A231-H	Clamp (outlet pipe to muffler)	1	D3HZ 5A231-E	Clamp (muffler to support)-lower
1	D8HZ 5255-B	Pipe (outlet)-bright	1	E5HZ 5C264-B	Clamp (muffler to support)-center-w/o heat shield
1	E7HZ 5255-Y	Pipe (outlet)-plain	1	E8HZ 5290-B	Shield (muffler)
1	D8HZ 5C208-A	Cap-bright	1	D8HZ 5C264-A	Clamp-(shield to muffler)-lower
1	D8HZ 5C208-B	Cap-plain	1	F1HZ 5C264-C	Clamp-(shield to muffler)-center
PARTS LIST NO. 175			PARTS LIST NO. 177		
1	E4HZ 5A231-A	Clamp (inlet pipe to engine)	1	D8HZ 5C264-A	Clamp (shield to muffler)-upper
1	E7HZ 5246-X	Pipe (inlet)-w/aero pkg.	1	E1HZ 5A231-H	Clamp (muffler to outlet pipe)
1	E5HZ 5246-D	Pipe (inlet)-w/o aero. pkg.	1	D8HZ 5255-AG	Pipe (outlet)-plain
1	E1HZ 5A231-B	Clamp (inlet pipe to connector)	1	D8HZ 5255-AH	Pipe (outlet)-bright
1	E1HZ 5B286-C	Connector	1	D8HZ 5C208-A	Cap-bright
1	E1HZ 5A231-B	Clamp (connector to extension)	1	D8HZ 5C208-B	Cap-plain
1	E7HZ 5A212-G	Extension-plain	PARTS LIST NO. 177		
1	E8HZ 5A212-M	Extension-bright	1	E7HZ 5A231-E	Clamp (inlet pipe to engine)
1	E1HZ 5A231-B	Clamp (extension to muffler)	1	E1HZ 5246-D	Pipe (inlet)
1	E8HZ 5230-H	Muffler-plain	1	E1HZ 5A231-F	Clamp (inlet pipe to extension)
1	E8HZ 5230-G	Muffler-bright	1	E7HZ 5A212-F	Extension-plain-aero. pkg.

## EXHAUST PARTS LISTS

QTY	PART NUMBER	DESCRIPTION	QTY	PART NUMBER	DESCRIPTION
● Not used in noise restrictions areas, ▲ Used in noise restrictions areas					
PARTS LIST NO. 177 — Cont'd			PARTS LIST NO. 178 — Cont'd		
1	D8HZ 5A212-D	Extension-plain-w/o aero. pkg.	1	F1HZ 5C264-C	Clamp (shield to muffler)-center-
1	D8HZ 5A212-DJ	Extension-bright-w/o aero. pkg.	1	D8HZ 5C264-A	Clamp (shield to muffler)-upper-
1	E1HZ 5A231-F	Clamp-(extension to muffler)	1	E1HZ 5A231-H	Clamp (outlet pipe to muffler)
1	E8HZ 5230-H	Muffler-NTC thru 350-plain	1	D8HZ 5255-AG	Pipe (outlet)-plain
1	E8HZ 5230-G	Muffler-NTC thru 350-bright	1	D8HZ 5255-AH	Pipe (outlet)-bright
1	E8HZ 5230-AE	Muffler-NTC 360 up-plain	1	D8HZ 5C208-A	Cap-bright
1	E8HZ 5230-AF	Muffler-NTC 360 up-bright	1	D8HZ 5C208-B	Cap-plain
1	D8HZ 5F230-B	Cap (support)	PARTS LIST NO. 179		
1	D8HZ 5277-G	Bracket (support to frame)	1	E2HZ 5A231-A	Clamp (inlet pipe to engine)
1	E3HZ 5277-J	Support (muffler)-w/o aero. pkg.	1	E2HZ 5246-D	Pipe (inlet)-auto. trans.
1	E7HZ 5277-B	Support (muffler)-w/aero. pkg.	1	E2HZ 5246-E	Pipe (inlet)-manual trans.
2	★ 5A290	Hanger (muffler to support)	1	E1HZ 5A231-C	Clamp (inlet pipe to extension)
2	D8HZ 5A231-C	Clamp (extension to support)-bright	1	E5HZ 5A212-A	Extension-straight frame
1	D3HZ 5A231-E	Clamp (muffler to support)-lower	1	E5HZ 5A212-B	Extension-variable frame
1	E5HZ 5C264-B	Clamp (muffler to support)-center-w/o shield	1	E1HZ 5A231-C	Clamp (extension to muffler)
1	E8HZ 5290-B	Shield (muffler)	1	E7HZ 5230-E	Muffler
1	D8HZ 5C264-A	Clamp-(shield to muffler)-lower	2	E7HZ 5A215-B	Strap (muffler to frame)-variable frame
1	F1HZ 5C264-C	Clamp-(shield to muffler)-center	2	E7HZ 5A215-A	Strap (muffler to frame)-straight frame
1	D8HZ 5C264-A	Clamp-(shield to muffler)-upper	4	B9TT 5A291-A	Spring (muffler to frame)
1	E1HZ 5A231-H	Clamp (outlet pipe to muffler)	1	E1HZ 5A231-C	Clamp (muffler to lower outlet pipe)-LN-LNT, L-LT R.H. fuel tank
1	D8HZ 5255-AG	Pipe (outlet)-plain	1	E1HZ 5A231-C	Clamp (muffler to lower outlet pipe)-L-LS-LT-LTS w/o R.H. fuel tank
1	D8HZ 5255-AH	Pipe (outlet)-bright	1	E1HZ 5A231-C	Clamp (muffler to connector)-LN-LNT, L-LT R.H. fuel tank
1	D8HZ 5C208-A	Cap-bright	1	E7HZ 5255-C	Pipe (outlet)-lower-LN-LNT, L-LT R.H. fuel tank
1	D8HZ 5C208-B	Cap-plain	1	E7HZ 5255-D	Pipe (outlet)-lower-L-LS-LT-LTS w/o R.H. fuel tank
PARTS LIST NO. 178			1	D5HZ 5B286-A	Connector-LN-LNT, L-LT R.H. fuel tank
1	E7HZ 5A231-E	Clamp (inlet pipe to engine)	1	E1HZ 5A231-C	Clamp (lower outlet pipe to connector)-LN-LNT, L-LT R.H. fuel tank
1	D8HZ 5246-L	Pipe (inlet)	1	E1HZ 5A231-C	Clamp (lower outlet pipe to upper outlet pipe)-L-LS-LT-LTS w/o R.H. fuel tank
1	E1HZ 5A231-F	Clamp (inlet pipe to connector)	1	E1HZ 5A231-C	Clamp (connector to upper outlet pipe)-L-LS-LT-LTS w/o R.H. fuel tank
1	E1HZ 5B286-C	Connector	1	E1HZ 5A231-C	Clamp (connector to upper outlet pipe)-L-LT R.H. fuel tank
1	E1HZ 5A231-F	Clamp (connector to extension)	1	E2HZ 5255-D	Pipe (outlet)-upper-LN-LNT
1	E7HZ 5A212-J	Extension-88" B.B.C.-plain-aero	1	E7HZ 5255-U	Pipe (outlet)-upper-L-LT w/R.H. fuel tank
1	E7HZ 5A212-L	Extension-110" B.B.C.-plain-aero.	1	E2HZ 5255-E	Pipe (outlet)-upper-L-LS-LT-LTS w/o R.H. fuel tank
1	D8HZ 5A212-CV	Extension-110" B.B.C.-plain-w/o aero pkg.	1	E2HZ 5C229-A	Shield (muffler)
1	D8HZ 5A212-DT	Extension-110" B.B.C.-bright-w/o aero. pkg.	1	E2HZ 5260-A	Bracket (outlet pipe to cab)-lower
1	D8HZ 5A212-BT	Extension-88" B.B.C.-plain-w/o aero. pkg.	8	D3HZ 5281-A	Insulator (outlet pipe to cab)-lower
1	D8HZ 5A212-DH	Extension-88" B.B.C.-bright-w/o aero pkg.	1	E3HZ 5C264-C	Clamp (outlet pipe to cab)-lower
1	E1HZ 5A231-B	Clamp (extension to muffler)	1	E2HZ 5277-G	Bracket (bracket to cab)-upper
1	E8HZ 5230-H	Muffler-NTC thru 350-plain	1	E3HZ 5C264-C	Clamp (outlet pipe to cab)-lower
1	E8HZ 5230-G	Muffler-NTC thru 350-bright	1	E2HZ 5277-N	Bracket (outlet pipe to bracket)-upper
1	E8HZ 5230-AE	Muffler-NTC 360 up-plain	2	D3HZ 5281-A	Insulator (outlet pipe to cab)-upper
1	E8HZ 5230-AF	Muffler-NTC 360 up-bright	PARTS LIST NO. 180		
1	D8HZ 5F230-B	Cap (support)	1	E8HZ 5A231-E	Clamp (inlet pipe to engine)
1	D8HZ 5277-G	Bracket (support to frame)	1	E8HZ 5246-L	Pipe (inlet)-7.8L eng.
1	E7HZ 5D220-A	Support-88" B.B.C.-aero. pkg.	1	E8HZ 5246-J	Pipe (inlet)-6.6L eng.
1	E7HZ 5D220-B	Support-110" B.B.C.-aero. pkg.			
1	E3HZ 5277-K	Support-88" B.B.C.-w/o aero. pkg.			
1	E3HZ 5277-M	Support-110" B.B.C.-w/o aero. pkg.			
2	★ 5A290	Hanger (support)			
2	D8HZ 5A231-C	Clamp (support to extension)-bright			
1	D3HZ 5A231-E	Clamp (muffler to support)-lower			
1	E5HZ 5C264-B	Clamp (muffler to support)-center-w/o heat shield			
1	E8HZ 5290-B	Shield (muffler)			
1	D8HZ 5C264-A	Clamp-(shield to muffler)-lower			

**EXHAUST PARTS LISTS**

Q T Y	PART NUMBER	DESCRIPTION	Q T Y	PART NUMBER	DESCRIPTION
● Not used in noise restrictions areas, ▲ Used in noise restrictions areas					
PARTS LIST NO. 180 — Cont'd			PARTS LIST NO. 182 — Cont'd		
1	E7HZ 5K200-A	Shield (inlet pipe)	1	D8HZ 5277-G	Bracket (support to frame)
1	E8HZ 5A231-C	Clamp (shield to inlet pipe)	1	D3HZ 5A231-E	Clamp (extension to support)
1	E8HZ 5C250-A	Gasket (inlet pipe to extension)	1	E1HZ 5A231-F	Clamp (extension to muffler)
1	E8HZ 5A212-B	Extension	1	E8HZ 5230-A	Muffler
1	E1HZ 5A231-C	Clamp (extension to muffler)	1	F1HZ 5C264-B	Clamp (shield to muffler)-lower
1	E8HZ 5230-R	Muffler-170/190/210 HP eng.	1	F1HZ 5C264-C	Clamp (shield to muffler)-upper
1	★E8HZ 5230-T	Muffler-240 HD eng.	1	D8HZ 5A273-A	Shield
2	★ 5A290	Hanger (muffler to frame)	1	E1HZ 5A231-H	Clamp (muffler to outlet pipe)
2	E6HZ 5A215-A	Strap (muffler to frame)	1	D8HZ 5255-B	Pipe (outlet)
4	B9TT 5A291-A	Spring (muffler to frame)	1	D8HZ 5C208-A	Cap
2	E6HZ 5277-A	Bracket (muffler to frame)	1	E1HZ 5C264-C	Clamp (outlet pipe to muffler)
1	★ 5255	Pipe (outlet)	LEFT HAND SIDE		
PARTS LIST NO. 181			1	E1HZ 5A231-F	Clamp (extension to connector)
1	E8HZ 5A231-E	Clamp (inlet pipe to engine)	1	E1HZ 5B286-B	Connector
1	E8HZ 5246-L	Pipe (inlet)-7.8L eng.	1	E1HZ 5A231-F	Clamp (connector to extension)
1	E8HZ 5246-J	Pipe (inlet)-6.6L eng.	1	E1HZ 5A212-A	Extension
1	E7HZ 5K200-A	Shield (inlet pipe)	2	D8HZ 5A231-C	Clamp (extension to hanger)
1	E8HZ 5A231-C	Clamp (shield to inlet pipe)	1	★ 5A290	Hanger
2	E8HZ 5C250-A	Gasket (exhaust brake to extension)	1	★F0HZ 5D220-A	Support
1	E7HZ 5A212-C	Extension	1	D8HZ 5F230-B	Cap (support)
1	E1HZ 5A231-C	Clamp (extension to muffler)	1	D8HZ 5277-G	Bracket (support to frame)
1	E8HZ 5230-R	Muffler-170/190/210 HP eng.	1	D3HZ 5A231-E	Clamp (extension to support)
1	★E8HZ 5230-T	Muffler-240 eng.	1	E1HZ 5A231-F	Clamp (extension to muffler)
2	★ 5A290	Hanger (muffler to frame)	1	F1HZ 5C264-B	Clamp (shield to muffler)-lower
2	E6HZ 5277-B	Bracket (muffler to frame)	1	F1HZ 5C264-C	Clamp (shield to muffler)-upper
2	E6HZ 5A215-A	Strap (muffler to frame)	1	D8HZ 5A273-A	Shield
4	B9TT 5A291-A	Spring (muffler to frame)	1	E8HZ 5230-A	Muffler
1	★ 5255	Pipe (outlet)	1	E1HZ 5A231-H	Clamp (shield to outlet pipe)
PARTS LIST NO. 182			1	D8HZ 5255-B	Pipe (outlet)
1	E2HZ 5A231-A	Clamp (inlet pipe to engine)-3406	1	D8HZ 5C208-A	Cap
1	E8HZ 5246-Y	Pipe (inlet)-3406	PARTS LIST NO. 184		
1	E4HZ 5277-C	Bracket (inlet pipe to engine)-3406	1	E2HZ 5A231-A	Clamp (inlet pipe to engine)
1	★ 5A239	U-Bolt (inlet pipe to engine)-3406	1	E7HZ 5246-G	Pipe (inlet)-6.6L eng.
1	E7HZ 5A231-E	Clamp (inlet pipe to engine)-NTC	1	E7HZ 5246-K	Pipe (inlet)-7.8L eng.
1	E8HZ 5246-Z	Pipe (inlet)-NTC	1	E7HZ 5291-A	Bracket (inlet pipe to engine)
1	★ 5A239	U-Bolt (inlet pipe to engine)-NTC	1	E7HZ 5C264-A	Clamp (inlet pipe to engine)
1	★ 5291	Bracket (inlet pipe to engine)-NTC	2	E1HZ 5A231-C	Clamp (inlet pipe to inlet pipe)
1	E8HZ 5246-X	Pipe (inlet)-L10-Front	1	E7HZ 5246-B	Pipe (inlet)-rear-w/o exhaust brake
1	E1HZ 5A231-G	Clamp (inlet pipe to inlet pipe)-L10	1	E9HZ 5246-E	Pipe (inlet)-rear-w/exhaust brake
1	E8HZ 5246-W	Pipe (inlet)-L10-rear	1	E9HZ 5A231-A	Clamp (inlet pipe to valve)-w/exhaust brake
1	★ 5A239	U-Bolt (inlet pipe to engine)-L10	1	2W068	Valve
1	E7HZ 5277-A	Bracket (inlet pipe to engine)-L10	1	E9HZ 5A231-A	Clamp (valve to extension)-w/exhaust brake
RIGHT HAND SIDE			1	E9HZ 5A212-A	Extension-w/exhaust brake
1	E1HZ 5A231-B	Clamp (inlet pipe to connector)	1	E1HZ 5A231-C	Clamp (extension to extension)
1	E1HZ 5B286-C	Connector	1	E7HZ 5A212-B	Extension
1	E1HZ 5A231-B	Clamp (connector to extension)	1	E1HZ 5A231-C	Clamp (extension to muffler)
1	F0HZ 5A212-A	Extension	1	E8HZ 5230-W	Muffler
1	D0HZ 5A231-G	Clamp (extension to frame)	2	E2HZ 5A215-C	Strap (muffler to frame)
1	D4HZ 5A246-A	Support (extension to frame)	1	★ 5A290	Hanger (muffler to frame)
2	D8HZ 5A231-C	Clamp (extension to hanger)	2	E2HZ 5277-M	Bracket (muffler to frame)
1	★ 5A290	Hanger (bracket to support)	4	B9TT 5A291-A	Spring (muffler to frame)
1	★F0HZ 5D220-A	Support	1	E2HZ 5A231-B	Clamp (muffler to outlet pipe)
1	D8HZ 5F230-B	Cap (support to frame)	1	E2HZ 5255-B	Pipe (outlet)

1980/  
TRUCK SERIES 600/900

**EXHAUST PARTS LISTS**

Q T Y	PART NUMBER	DESCRIPTION	Q T Y	PART NUMBER	DESCRIPTION
● Not used in noise restrictions areas, ▲ Used in noise restrictions areas					
<b>PARTS LIST NO. 185</b>			<b>PARTS LIST NO. 186 — Cont'd</b>		
1	E2HZ 5A231-A	Clamp (inlet pipe to engine)	1	E1HZ 5A231-C	Clamp (connector to extension)
1	E7HZ 5246-G	Pipe (inlet)-6.6L eng.	1	E2HZ 5A212-C	Extension-6.6L, 7.8L-LN-LNT
1	E7HZ 5246-K	Pipe (inlet)-7.8L eng.	1	E2HZ 5A212-F	Extension-6.6, 7.8-L-LT-LS-LTS
1	E7HZ 5291-A	Bracket (inlet pipe to engine)	1	D0HZ 5A231-F	Clamp (extension to frame)
1	E7HZ 5C264-A	Clamp (inlet pipe to engine)	1	E1HZ 5A231-C	Clamp (extension to muffler)
2	E1HZ 5A231-C	Clamp (inlet pipe to inlet pipe)	1	E4HZ 5A246-A	Support (extension to frame)
1	E7HZ 5246-B	Pipe (inlet)-rear-w/o exhaust brake	1	E8HZ 5230-AA	Muffler
1	E9HZ 5246-E	Pipe (inlet)-rear-w/exhaust brake	1	D3HZ 5A231-F	Clamp (muffler to cab)-lower
1	E9HZ 5A231-A	Clamp (inlet pipe to valve)-w/exhaust brake	1	E6HZ 5277-C	Bracket (muffler to cab)-lower
1	2W068	Valve	3	E2HZ 5281-A	Insulator (muffler to cab)-lower
1	E9HZ 5A231-A	Clamp (valve to extension)-w/exhaust brake	1	E4HZ 5290-A	Shield (muffler)
1	E9HZ 5A212-A	Extension-w/exhaust brake	1	E5HZ 5C264-A	Clamp (shield to muffler)-lower-aero pkg.
1	E1HZ 5A231-C	Clamp (extension to muffler)	1	F1HZ 5C264-B	Clamp (shield to muffler)-lower-exc. aero pkg.
1	E8HZ 5230-L	Muffler	1	F1HZ 5C264-C	Clamp (shield to muffler)-upper-exc. aero pkg.
2	E7HZ 5A215-A	Strap (muffler to frame)	1	E5HZ 5C264-A	Clamp (shield to muffler)-upper-aero pkg.
4	B9TT 5A291-A	Spring (muffler to frame)	1	E2HZ 5277-B	Bracket (muffler to cab)-upper
1	E1HZ 5A231-C	Clamp (muffler to outlet pipe)	1	E3HZ 5277-F	Bracket (bracket to cab)-upper
1	E7HZ 5255-C	Pipe (outlet)-L-LT w/RH fuel tanks, LN-LNT	1	E2HZ 5281-A	Insulator (bracket to cab)-upper
1	E1HZ 5A231-C	Clamp (outlet pipe to connector)-L-LT w/RH fuel tanks-LN-LNT	1	E2HZ 5A231-B	Clamp (outlet pipe to muffler)
1	D5HZ 5B286-A	Connector-L-LT w/RH fuel tanks, LN-LNT	1	D0HZ 5255-AC	Pipe (outlet)-exc. aero pkg.
1	E7HZ 5255-D	Pipe (outlet)-L-LS-LT-LTS w/o RH fuel tank	1	E5HZ 5255-B	Pipe (outlet)-aero pkg.
1	E1HZ 5A231-C	Clamp (outlet pipe to outlet pipe) L-LS-LT-LTS w/o RH fuel tank	<b>PARTS LIST NO. 188</b>		
1	E7HZ 5255-U	Pipe (outlet) L-LT w/RH fuel tank- "Before 1/89"	1	E8HZ 5A231-D	Clamp (inlet pipe to engine)
1	E2HZ 5255-E	Pipe (outlet) L-LS-LT-LTS w/o RH fuel tank-"Before 1/89"	1	E8HZ 5246-T	Pipe (inlet)
1	E2HZ 5255-D	Pipe (outlet) LN-LNT-"Before 1/89"	2	E8HZ 5C264-A	Clamp (shield to inlet pipe)
1	E8HZ 5255-E	Pipe (outlet)-L-CT w/RH fuel tank- "From 1/89"	1	E9HZ 5C229-D	Shield
1	E8HZ 5255-G	Pipe (outlet)-L-LS-LT-LTS w/o RH fuel tank-"From 1/89"	1	F0HZ 5C264-A	Clamp (shield)
1	E8HZ 5255-F	Pipe (outlet)-LN-LNT-"From 1/89"	1	E1HZ 5A231-G	Clamp (inlet pipe to inlet pipe)
2	E3HZ 5C264-C	Clamp (shield to muffler)	1	E8HZ 5246-U	Pipe (inlet)
1	E2HZ 5C229-A	Shield (muffler)	1	★ 5A239	U-Bolt (inlet pipe to frame)
1	E2HZ 5260-A	Bracket (outlet pipe to cab)-lower	1	E7HZ 5277-A	Bracket (inlet pipe to frame)
8	D3HZ 5281-A	Insulator (outlet pipe to cab)-lower	1	E1HZ 5A231-C	Clamp (inlet pipe to extension)
1	E2HZ 5277-N	Bracket (outlet pipe to cab)-upper	1	E5HZ 5A212-A	Extension-straight frame
1	E2HZ 5277-G	Bracket (bracket to cab)-upper	1	E5HZ 5A212-B	Extension-variable frame
1	D3HZ 5281-A	Insulator (bracket to cab)-upper	1	E1HZ 5A231-C	Clamp (extension to muffler)
<b>PARTS LIST NO. 186</b>			1	E8HZ 5230-L	Muffler
1	E2HZ 5A231-A	Clamp (inlet pipe to engine)	1	E7HZ 5A215-B	Strap-(muffler to frame)-variable frame
1	E7HZ 5246-G	Pipe (inlet)-6.6L eng.	1	E7HZ 5A215-A	Strap (muffler to frame)-straight frame
1	E7HZ 5246-K	Pipe (inlet)-7.8L eng.	4	B9TT 5A291-A	Spring
1	E7HZ 5291-A	Bracket (inlet pipe to engine)	1	E1HZ 5A231-C	Clamp (muffler to outlet pipe)
1	E7HZ 5C264-A	Clamp (inlet pipe to engine)	1	E7HZ 5255-D	Pipe (outlet)-L-LT-LT-LTS w/o R.H. fuel tank
2	E1HZ 5A231-C	Clamp (inlet pipe to inlet pipe)	1	E7HZ 5255-C	Pipe (outlet)-LN-LNT-L-LT w/R.H. fuel tank
1	E7HZ 5246-B	Pipe (inlet)-rear-w/o exhaust brake	1	E1HZ 5A231-C	Clamp (outlet pipe to connector)
1	E9HZ 5246-E	Pipe (inlet)-rear-w/exhaust brake	1	D5HZ 5B286-A	Connector
1	E9HZ 5A231-A	Clamp (inlet pipe to valve)-w/exhaust brake	1	E1HZ 5A231-C	Clamp (connector to outlet pipe)
1	2W068	Valve	1	E2HZ 5255-D	Pipe (outlet)-LN-LNT
1	E9HZ 5A231-A	Clamp (valve to extension)-w/exhaust brake	1	E7HZ 5255-U	Pipe (outlet)-L-LT Models-R.H. fuel tank
1	E9HZ 5A212-A	Extension-w/exhaust brake	1	E1HZ 5A231-C	Clamp (outlet pipe to outlet pipe)
1	E1HZ 5A231-C	Clamp (extension to connector)	1	E2HZ 5255-E	Pipe (outlet)-L-LT-LS-LTS w/o R.H. fuel tank
1	C1TZ 5B286-A	Connector	1	E2HZ 5C229-A	Shield
			1	E2HZ 5260-A	Bracket (outlet pipe to cab)-lower
			8	D3HZ 5281-A	Insulator (outlet pipe to cab)-lower
			2	E3HZ 5C264-C	Clamp (shield to outlet pipe)
			1	E2HZ 5277-N	Bracket (clamp to bracket)-upper
			1	E2HZ 5277-G	Bracket (bracket to cab)-upper
			2	D3HZ 5281-A	Insulator (bracket to cab)-upper



EXHAUST PARTS LISTS

Q T Y	PART NUMBER	DESCRIPTION	Q T Y	PART NUMBER	DESCRIPTION
● Not used in noise restrictions areas, ▲ Used in noise restrictions areas					
PARTS LIST NO. 189			PARTS LIST NO. 190 — Cont'd		
1	E8HZ 5A231-D	Clamp (inlet pipe to engine)	1	E8HZ 5246-Y	Pipe (inlet)-3406
1	E8HZ 5246-T	Pipe (inlet)	1	E4HZ 5277-C	Bracket (inlet pipe to engine)-3406
2	E8HZ 5C264-A	Clamp (shield to inlet pipe)	1	★5A239	U-Bolt (inlet pipe to engine)-3406
1	E9HZ 5C229-D	Shield	1	E1HZ 5A231-B	Clamp (connector to inlet pipe)
1	F0HZ 5C264-A	Clamp (shield)	1	D0HZ 5B286-B	Connector
1	E1HZ 5A231-G	Clamp (inlet pipe to inlet pipe)	1	E1HZ 5A231-B	Clamp (connector to extension)
1	E8HZ 5246-U	Pipe (inlet)	1	E2HZ 5A212-A	Extension
1	★ 5A239	U-Bolt (inlet pipe to frame)	1	E1HZ 5A231-B	Clamp (extension to muffler)
1	E7HZ 5277-A	Bracket (inlet pipe to frame)	1	E8HZ 5230-AB	Muffler 3406
1	E1HZ 5A231-C	Clamp (inlet pipe to connector)	1	E8HZ 5230-AG	Muffler-L10, 3176
1	C1TZ 5B286-A	Connector	2	E1HZ 5A215-A	Strap (Muffler to frame)
1	E1HZ 5A231-C	Clamp (connector to extension)	2	E1HZ 5277-D	Bracket (muffler to frame)
1	E2HZ 5A212-C	Extension-LN-LNT	1	E1HZ 5A231-F	Clamp (muffler to outlet pipe)
1	E2HZ 5A212-F	Extension-L-LT-LS-LTS	1	E9HZ 5255-A	Pipe (outlet)-"Y" type
1	D0HZ 5A231-F	Clamp (extension to frame)	LEFT HAND SIDE		
1	E4HZ 5A246-A	Support (extension to frame)	1	E1HZ 5A231-F	Clamp (inlet pipe to connector)
1	E1HZ 5A231-D	Clamp (extension to muffler)	1	D0HZ 5B286-D	Connector
1	E8HZ 5230-AA	Muffler	1	E1HZ 5A231-F	Clamp (connector to outlet pipe)
3	E2HZ 5281-A	Insulator (muffler to cab)-lower	1	E9HZ 5255-B	Pipe (outlet)-upper
1	E6HZ 5277-C	Bracket (muffler to cab)-lower	1	E1HZ 5260-B	Bracket (clamp to cab)-lower
1	D3HZ 5A231-F	Clamp (muffler to cab)-lower	1	E3HZ 5C264-B	Clamp (bracket to outlet pipe)-lower
1	C1TZ 5A231-A	Clamp	1	E9HZ 5C229-C	Shield (muffler)
1	E4HZ 5290-A	Shield	1	E2HZ 5277-F	Bracket (bracket to cab)-upper
1	F1HZ 5C264-B	Clamp (shield to muffler)-lower-w/o aero pkg.	1	E3HZ 5277-T	Bracket (bracket to clamp)-upper
1	E5HZ 5C264-A	Clamp (shield to muffler)-lower-w/aero pkg.	1	E3HZ 5C264-D	Clamp (bracket to outlet pipe)-upper
1	E5HZ 5C264-A	Clamp (shield to muffler)-upper	1	D8HZ 5C208-A	Cap
1	E2HZ 5281-A	Insulator (muffler to cab)-upper	RIGHT HAND SIDE		
1	E2HZ 5277-B	Bracket (bracket to clamp)-upper	1	E1HZ 5A231-F	Clamp (outlet pipe to connector)
1	E3HZ 5277-F	Bracket (bracket to cab)-upper	1	D0HZ 5B286-D	Connector
1	E1HZ 5A231-H	Clamp (outlet pipe to muffler)	1	E1HZ 5A231-F	Clamp (connector to outlet pipe)
1	D8HZ 5255-A	Pipe (outlet)-w/o aero pkg.	1	E9HZ 5255-C	Pipe (outlet)-upper
1	E5HZ 5255-A	Pipe (outlet)-w/aero pkg.	1	E1HZ 5260-C	Bracket (clamp to cab)-lower
PARTS LIST NO. 190			1	E3HZ 5C264-B	Clamp (bracket to outlet pipe)-lower
1	E8HZ 5246-X	Pipe (inlet)-L10, 3176	1	E9HZ 5C229-B	Shield (muffler)
1	E1HZ 5A231-G	Clamp (inlet pipe to inlet pipe)-L10, 3176	1	E2HZ 5277-G	Bracket (bracket to cab)-upper
1	E8HZ 5246-W	Pipe (inlet)-L10	1	E3HZ 5277-T	Bracket (bracket to clamp)-upper
1	E7HZ 5277-A	Bracket (inlet pipe to engine)-L10, 3176	1	E3HZ 5C264-D	Clamp (bracket to outlet pipe)-upper
1	C1TZ 5A231-A	Clamp (inlet pipe to engine)-L10, 3176	1	D8HZ 5C208-A	Cap
1	E2HZ 5A231-A	Clamp (inlet pipe to engine)-3406			

1980/  
TRUCK SERIES 600/900

YEAR	MODEL/RESTRICTIONS	PART NUMBER	DESCRIPTION	QTY.
<b>5A300 SPACER (FRONT SPRING TO AXLE)</b>				
86/	CF600	E6HZ 5A300-A		2
86/	CF700	E6HZ 5A300-B		2
<b>5W302 BOLT (FRONT SPRING CLAMP)</b>				
86/	CF600/700	E6HZ 5W302-A		4
<b>5304 SHACKLE KIT (FRONT SPRING)-Also refer to group 5630</b>				
86/	CF-CFT600/900	FOHZ 5304-A		2
Consists of				
	2-E5HZ 5780-A	Pin	4-34987-S2	Nut
	4-58640-S2	Bolt	1-D0HA 5A311-A	Shackle
	4-44877-S2	Washer		
80/	C-CT600/900	C6TZ 5304-B	Front spring-rear	2
Consists of				
	1-D0HA 5K316-B	Shackle assy.	1-C6TA 5468-B	Bar 2-72080-S Cotter pin
	2-C7TZ 5348-D	Bushing	2-45315-S2	Nut
80/	F-FT600/800	"From 6/85"	E5HZ 5304-A	Front spring-rear
80/	L-LN-LNT-LT-LTL-LTS800/900	"From 6/85"		2
Consists of				
	1-D0HA 5B311-A	Shackle	4-58640-S2	Bolt 1-C7TZ 5348-C Bushing
	4-E5HZ 5348-A	Bushing	4-34987-S2	Nut 1-I.S.-5533
	2-E5HZ 5780-A	Pin	4-44877-S2	Washer
<b>5K307 SPACER (FRONT SPRING SHACKLE)</b>				
83/	LS-LTS900	E3HZ 5K307-A		2
<b>5B309 SPACER (FRONT SPRING BRACKET)</b>				
80/	L-LN-LNT-LT800/900 -- with 5/16" frame	(RH) D0HZ 5B309-A	(LH) D0HZ 5B309-B	1/16" thick 1
80/	L-LN-LNT-LT800/900 -- with 1/4" frame exc. 236" W/B	(RH) D0HZ 5B309-C	(LH) D0HZ 5B309-D	1/8" thick 1
87/	LS800	E8HZ 5B309-A		1
80/	LT800 -- 236" W/B	D4HZ 5B309-A		2
<b>5310 SPRING ASSY. (FRONT)</b>				

**HOW TO FIND A FRONT SPRING PART NUMBER**

1. USE THE TRUCK SPECIFICATION LIST (T.S.L.)
  - a. Find the Front Spring Number which appears on the T.S.L.
  - b. Refer to the Front Spring T.S.L. Cross-Reference Guide on page 2 to determine the service part number which corresponds to the T.S.L. number.
  - c. After locating a service part number, refer to group 5313 for available leaves.
2. USE THE SPRING IDENTIFICATION MARKING
  - a. Find the stamped number which appears on the spring.
  - b. Refer to the Front Spring T.S.L. Cross-Reference Guide on page 2 to determine the correct service part number.
  - c. After locating a service part number, refer to group 5313 for available leaves.
  - d. The identification marking also appears in the Model Application Chart (on page 3).
3. USE THE MODEL APPLICATION CHART
  - a. Determine the year and model of the truck. (In addition, it may be necessary to know the number of leaves or the spring identification marking).
  - b. Refer to the Model Application Chart (starting on page 3 of this section) to determine the correct service part number.
  - c. After locating a service part number, refer to group 5313 for available leaves.
  - d. SPRING RATING
 

There are two methods of describing spring ratings currently used in the trucking industry. They are (1) rating at the pad, and (2) rating at the ground. Both ratings are expressed in pounds. (Rating at Pad:) This figure represents the amount of weight above the pad which can actually be supported by the springs. This incl. the springs, chassis, body, and payload weights. (Rating at Ground:) This figure incl. the rating at pad plus the weight of components between the spring pad and ground. These components incl. axle, brakes, tires and wheels.
4. USE THE FRONT SPRING SIZE CHART
 

Refer to the Chart on page 2 and determine the correct service part number by using the spring "type" and dimension shown.

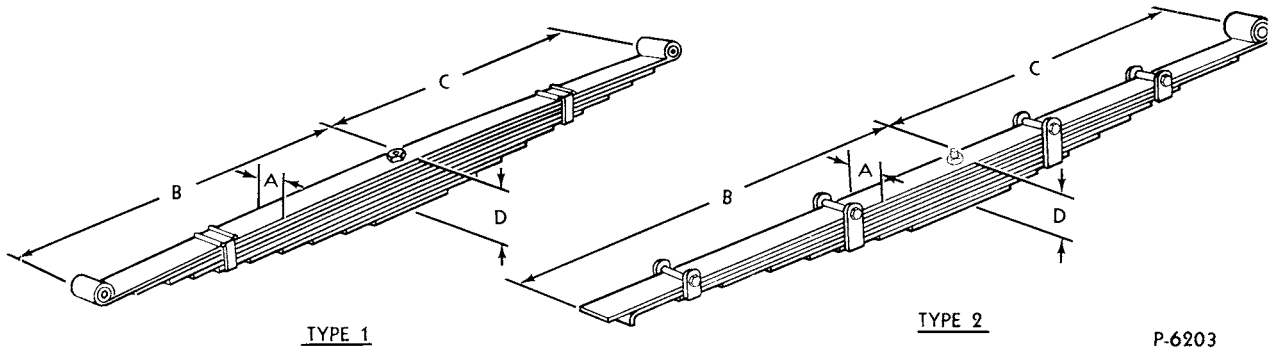
1980/  
TRUCK SERIES 600/900

5310

SPRING ASSY. (FRONT) — Cont'd

T.S.L. CROSS-REFERENCE GUIDE

Ident. or T.S.L. Number	Service Part Number	Ident. or T.S.L. Number	Service Part Number
C7TA 5310-AB	C7TZ 5310-F	D7HT 5310-AM	D8HZ 5310-C
C7TA 5310-AE	C7TZ 5310-H	D7HT 5310-AHA	D8HZ 5310-D
D0HA 5310-B	D0HZ 5310-G	D9HT 5310-AA	D9HZ 5310-A
D0HA 5310-C	D0HZ 5310-H	D9HT 5310-BA	D9HZ 5310-B
D0HA 5310-D	D0HZ 5310-A	E0HT 5310-AA	E0HZ 5310-A
D0HA 5310-H	D0HZ 5310-K	E0HT 5310-BA	E0HZ 5310-B
D0HA 5310-J	D0HZ 5310-D	E0HT 5310-CA	E0HZ 5310-C
D0HA 5310-Y	D0HZ 5310-J	E0HT 5310-EA	E0HZ 5310-D
D2HA 5310-AA	D2HZ 5310-A	E1HT 5310-AA	D0HZ 5310-A
D3HA 5310-EA	D5HZ 5310-D	E3HT 5310-AA	E3HZ 5310-A
D3HA 5310-FA	D5HZ 5310-E	E3HT 5310-BA	E3HZ 5310-B
D3HA 5310-GA	D5HZ 5310-F	E4HT 5310-AA	E4HZ 5310-A
D5TA 5310-BBA	D5TZ 5310-C	TLBC 5310-A	B7QH 5310-E
D5TA 5310-BCA	D5TZ 5310-D	TQAS 5310-A	B7Q 5310-C
		TTBE 5310-A	B8QH 5310-B



SIZE CHART

TYPE	DIMENSIONS (INCHES)				NO. LVS.	LEAF THICKNESS	CAP.	IDENTIFICATION NOTE 5	PART NUMBER
	A	B	C	D					
5310 SPRING ASSY. (FRONT)									
NOTE 5 Refer to T.S.L. Cross Reference Guide for stamping or identification numbers to service numbers.									
1	3	28	28	2 23/32	7	(2) 3/8" (5) 13/32"	3100		B7Q 5310-C
1	3	28	28	3 17/32	9	(2) 3/8" (7) 13/32"	4040		B7QH 5310-E
1	3	28 1/2	28 1/2	6	14	(5) 13/32, (9) 7/16	7200		D8HZ 5310-D
1	3	28 1/2	28 1/2	5 19/32	13	(5) 13/32" (8) 7/16"	6800		B8QH 5310-B
1	3	28 1/2	28 1/2	4 13/32	11	(11) 13/32"	5400		D2HZ 5310-A
1	4	23 3/4	28 1/4	2 21/32	8	(4) 11/32", (4) 5/16"	4000		D0HZ 5310-K
1	4	23 3/4	28 1/4	2 7/8	8	(8) 3/8"	4000		D0HZ 5310-G
1	4	23 3/4	28 1/4	3 1/16	9	(9) 11/32"	5000		D0HZ 5310-D
1	4	23 3/4	28 1/4	3 11/32	9	(9) 3/8"	5400		D0HZ 5310-H
1	4	23 3/4	28 1/4	3 19/32	10	(10) 3/8"	6000		D0HZ 5310-A
1	4	23 3/4	28 1/4	4 3/16	10	(4) 7/16", (6) 13/32"	7200		D5HZ 5310-D
1	4	23 3/4	28 1/4	5	11	(2) 1/2", (9) 7/16"	8200		D5HZ 5310-E
1	4	23 3/4	28 1/4	5 9/16	12	(4) 1/2", (8) 7/16"	9200		D5HZ 5310-F
1	4	25	29	3	9		5400		D9HZ 5310-A
1	4	25	29	3 1/4"	9	(2) 3/8", (7) 11/32"	4500		E3HZ 5310-A
1	4	25	29	3 3/4"	10	(3) 11/32", (7) 3/8"	6000		E3HZ 5310-B
1	4	25	29	3 3/8	9		6000		D9HZ 5310-B

**1980/  
TRUCK SERIES 600/900**

**SIZE CHART**

TYPE	DIMENSIONS (INCHES)				NO. LVS.	LEAF THICKNESS	CAP.	IDENTIFICATION NOTE 5	PART NUMBER
	A	B	C	D					
5310 SPRING ASSY. (FRONT) — Cont'd									
NOTE 5— Refer to T.S.L. Cross reference Guide for stamping or identification numbers to service number.									
1	4	25	29	6	3		5400		D8HZ 5310-C
2	2 1/2	27 5/16	24	2 7/8	9	(1) 9/32", (8) 5/16"	3400		C7TZ 5310-F
2	2 1/2	27 5/16	24	3 3/16	10	(1) 9/32", (9) 5/16"	3300		C7TZ 5310-H
2	2 1/2	27 5/16	24	4 3/32	12	(10) 5/16", (2) 3/8"	4040		D0HZ 5310-J
2	2 1/2	25 11/16	24	3 15/16	10	(2) 3/8", (8) 13/32"	4040		D5HZ 5310-C
2	2 1/2	26	26	2 7/8	7	(6) 11/32, (1) 1/4	2475		E0HZ 5310-C
2	2 1/2	26	26	2 13/16	7	(4) 7/16, (2) 13/32, (1) 7/32	3300		E0HZ 5310-D
2	2 1/2	26	26	3 3/16	8	(3) 7/16, (4) 13/32, (1) 7/32	3300		E0HZ 5310-A
2	2 1/2	26	26	3 3/4	9	(7) 7/16, (1) 13/32, (1) 7/32	3000		E0HZ 5310-B

**MODEL APPLICATION CHART**

YEAR	MODEL / RESTRICTIONS	SPRING				FRONT AXLE CAP. (M)	U-BOLT		QTY.
		L V S.	IDENT. NOTE 5	AVG. CAP. AT PAD	PART NUMBER QTY. PER VEHICLE IS TWO		PART NUMBER		
5310 SPRING ASSY. (FRONT) — Cont'd									
NOTE 5— Refer to T.S.L. Cross Reference Guide for stamping or identification numbers to service numbers. (see page 2)									
80/82	B600/700 -- Hyd. Brakes	7		2475	E0HZ 5310-C	5.5	D2TZ 5455-A	4	
		7		3000	E0HZ 5310-D	5.5,6	D2TZ 5455-A	4	
		8		3300	E0HZ 5310-A	7	D2TZ 5455-A	4	
		9		4040	E0HZ 5310-B	7	D4TZ 5455-A	4	
		9		4040	E0HZ 5310-B	9	E1HZ 5455-A	4	
80/82	B600/700 -- Air Brakes	8		3300	E0HZ 5310-A	7	D5TZ 5455-A	4	
		9		4040	E0HZ 5310-B	7,9	E1HZ 5455-A	4	
83/86	B600/700 -- Hyd. Brakes	7		3000	E0HZ 5310-D	6	D5TZ 5455-A	4	
		9		4040	E0HZ 5310-B	9	E1HZ 5455-A	4	
		9		4040	E0HZ 5310-B	8	E1HZ 5455-A	4	
83/86	B600/700 -- Air Brakes	9		4040	E0HZ 5310-B	8	E1HZ 5455-A	4	
		9		4040	E0HZ 5310-B	9	E1HZ 5455-A	4	
87/	B600/700	7		3000	E0HZ 5310-D	6M	E1HZ 5455-A	4	
		9		4040	E0HZ 5310-B	8M	E1HZ 5455-A	4	
		9		4040	E0HZ 5310-B	9M	E1HZ 5455-A	4	
86/	CF600				E6HZ 5310-A		E6HZ 5455-C	4	
86/	CF700 -- 6.6L				E6HZ 5310-B		E6HZ 5455-B	4	
87/	CF700/800				E7HZ 5310-A		E7HZ 5455-B	4	
80/	C-CT600/900	7		3100	B7Q 5310-C	7	D0HZ 5455-K	4	
		9		4040	B7QH 5310-E	7,9	D3HZ 5455-A	4	
						12	D5HZ 5455-B	4	
		11	22m Rear axle	5400	D2HZ 5310-A	9	D0HZ 5455-K	2	
			23m Rear axle				D3HZ 5455-A	2	
							D3HZ 5455-A	4	
						12	E0HZ 5455-C	4	
		13		7200	B8QH 5310-B	16	D8HZ 5455-A	4	
		14		7200	D8HZ 5310-D	18	D8HZ 5455-A	4	
80/	CL900	3		5400	D8HZ 5310-C	12	D0HZ 5455-D	4	
		9		5400	D9HZ 5310-A	12	D0HZ 5455-D	4	
		9		6000	D9HZ 5310-B	12	D0HZ 5455-D	4	
80/	CLT900	3		5400	D8HZ 5310-C	12	E0HZ 5455-B	4	
		9		5400	D9HZ 5310-A	12	E0HZ 5455-B	4	
		9		6000	D9HZ 5310-B	12	E0HZ 5455-B	4	

1980/  
TRUCK SERIES 600/900

MODEL APPLICATION CHART									
YEAR	MODEL / RESTRICTIONS	SPRING				FRONT AXLE CAP. (M)	U-BOLT		QTY.
		L V S.	IDENT. NOTE 5	AVG. CAP. AT PAD	PART NUMBER QTY. PER VEHICLE IS TWO		PART NUMBER		
5310 SPRING ASSY. (FRONT) — Cont'd									
NOTE 5- Refer to T.S.L. Cross Reference Guide for stamping or identification numbers to service numbers. (see page 2)									
80/82	F600/800 -- Hyd. Brakes	7		2475	E0HZ 5310-C	5.5	D2TZ	5455-A	4
		7		3000	E0HZ 5310-D	5.5,6	D2TZ	5455-A	4
		8		3300	E0HZ 5310-A	7	D2TZ	5455-A	4
		9		4040	E0HZ 5310-B	7	D4TZ	5455-A	4
		9		4040	E0HZ 5310-B	9	E1HZ	5455-A	4
80/82	F600/800 -- Air Brakes	8		3300	E0HZ 5310-A	7	D5TZ	5455-A	4
		9		4040	E0HZ 5310-B	7,9	E1HZ	5455-A	4
83/84	F-FT600/900 -- Hyd. Brakes	7		2475	E0HZ 5310-C	5.5, 6	D2TZ	5455-A	4
		7		3000	E0HZ 5310-D	5.5, 6	D5TZ	5455-A	4
		8		3300	E0HZ 5310-A	7	D5TZ	5455-A	4
		9		4040	E0HZ 5310-B	7	D8HZ	5455-C	4
		9		4040	E0HZ 5310-B	9	E1HZ	5455-A	4
		9		4500	E3HZ 5310-A	9	D0HZ	5455-C	4
83/84	F-FT600/900 -- Air Brakes	8		3300	E0HZ 5310-A	7	D5TZ	5455-A	4
		9		4040	E0HZ 5310-B	7,9	E1HZ	5455-A	4
		8		4040	E0HZ 5310-A	9	E1HZ	5455-A	4
		9		4500	E3HZ 5310-A	9	D0HZ	5455-C	4
		10		6000	E5HZ 5310-B	12	D0HZ	5455-C	4
85/86	F-FT600/900	7		3000	E0HZ 5310-D	6	D5TZ	5455-A	4
		8		3300	E0HZ 5310-A	7	D5TZ	5455-A	4
		9		4040	E0HZ 5310-B	7	E1HZ	5455-A	4
		9		4040	E0HZ 5310-B	9	E1HZ	5455-A	4
		9		4500	E3HZ 5310-A	10	D0HZ	5455-C	4
		10		5000	E5HZ 5310-A	11	D0HZ	5455-C	4
87/88	F-FT600/900 "Before 4/88"	7		3000	E0HZ 5310-D	6	E1HZ	5455-A	4
		8		3300	E0HZ 5310-A	7	E7HZ	5455-A	4
		9		4040	E0HZ 5310-B	7	E7HZ	5455-A	4
		9		4040	E0HZ 5310-B	9	E7HZ	5455-A	4
		9		4500	E3HZ 5310-A	10	D0HZ	5455-C	4
		10		5000	E5HZ 5310-A	11	D0HZ	5455-C	4
88/	F-FT600/900 "From 4/88"	7		3000	E0HZ 5310-D	6	E1HZ	5455-A	4
		8		3300	E0HZ 5310-A	7	E7HZ	5455-A	4
		9		4040	E0HZ 5310-B	7	E7HZ	5455-A	4
		9		4040	E0HZ 5310-B	9	E7HZ	5455-A	4
		9		4500	E3HZ 5310-A				
						10	D0HZ	5455-C	4
						10	D0HZ	5455-C	2
						10	E8HZ	5455-A	2
				5000	E5HZ 5310-A				
						11	D0HZ	5455-C	4
				11	D0HZ	5455-C	2		
				11	E8HZ	5455-A	2		
		6000	E5HZ 5310-B						
				12	D0HZ	5455-C	4		
				12	D0HZ	5455-C	2		
				12	E8HZ	5455-A	2		
80/83	LN600/700-Hyd. brakes	9		3000	C7TZ 5310-F	5, 5.5, 6	D5TZ	5455-A	4
		10		3300	C7TZ 5310-H	7	D5TZ	5455-A	4
		12		4040	D0HZ 5310-J	7, 9	D5TZ	5455-A	4
	Air brakes	8		3300	D5HZ 5310-B	7	D5TZ	5455-A	4
		10		4040	D5HZ 5310-C	7,9	D5TZ	5455-A	4

1980/  
TRUCK SERIES 600/900

MODEL APPLICATION CHART											
YEAR	MODEL / RESTRICTIONS	SPRING				FRONT AXLE CAP. (M)	U-BOLT				
		L V S.	IDENT. NOTE 5	AVG. CAP. AT PAD	PART NUMBER QTY. PER VEHICLE IS TWO		PART NUMBER	QTY.			
5310 SPRING ASSY. (FRONT) — Cont'd											
NOTE 5— Refer to T.S.L. Cross Reference Guide for stamping or identification numbers to service numbers. (see page 2)											
84	LN600/700 — Hyd. Brakes	9		3000	E4HZ 5310-A	6	D5TZ	5455-A	4		
		8		3300	D5HZ 5310-B	7	D5TZ	5455-A	4		
		10		4040	D5HZ 5310-C	7,9	E1HZ	5455-A	4		
	Air brakes	8		3300	D5HZ 5310-B	7	D5TZ	5455-A	4		
		10		4040	D5HZ 5310-C	7,9	E1HZ	5455-A	4		
		8/84	L800/900	8		4000	D0HZ 5310-G	7, 9	D0HZ	5455-B	4
		8		4000	D0HZ 5310-K	7, 9	D0HZ	5455-B	4		
		9		5000	D0HZ 5310-D	9	D0HZ	5455-B	4		
						12	D0HZ	5455-C	4		
		9		5400	★ D0HZ 5310-H /bE5HZ 5310-E	9	C3TZ	5455-C	4		
						12	D0HZ	5455-C	4		
		10		6000	D0HZ 5310-A	12	D0HZ	5455-C	4		
80/84	LNT-LT-LTL-LTS800/900  -- M/S -- P/S -- M/S -- PS	8		4000	D0HZ 5310-G	9	D0HZ	5455-B	4		
		8		4000	D0HZ 5310-K	9	D0HZ	5455-B	4		
		9		5000	D0HZ 5310-D	9	D0HZ	5455-B	4		
						12	D0HZ	5455-C	4		
		9		5400	★ D0HZ 5310-H /bE5HZ 5310-E	9	D0HZ	5455-A	4		
						12	D0HZ	5455-S	4		
						12	D0HZ	5455-C	4		
		10		6000	D0HZ 5310-A	12	D0HZ	5455-S	4		
						12	D0HZ	5455-C	4		
		10		7200	D5HZ 5310-D	16	D0HZ	5455-H	4		
		11		8200	D5HZ 5310-E	18, 20	D0HZ	5455-G	4		
		12		9200	D5HZ 5310-F	18,20	D0HZ	5455-G	4		
85/86	L-LN-LNT-LT-LTL-LTS600/900	8		4000	D0HZ 5310-G	7,9	D0HZ	5455-A	4		
		8		4000	D0HZ 5310-K	7,9	D0HZ	5455-A	4		
		10		4500	E5HZ 5310-C	9,10,12	D0HZ	5455-A	4		
		10		5000	E5HZ 5310-D	9,11,12	D0HZ	5455-F	4		
		9		5400	E5HZ 5310-E	9,12	D0HZ	5455-C	4		
		10		6000	D0HZ 5310-A	12	D0HZ	5455-C	4		
		10		7200	D5HZ 5310-D	16	D0HZ	5455-H	4		
		11		8200	D5HZ 5310-E	18	D0HZ	5455-G	4		
		12		9200	D5HZ 5310-F	18	D0HZ	5455-G	4		
		87/	L Series  Exc. 3406 eng. 3406 eng.  w/shocks w/o shocks LS9000 exc. LS9000 w/shocks w/o shocks LS9000 exc. LS9000 LS9000 exc. LS9000	8		4000	D0HZ 5310-G	9	D0HZ	5455-B	4
				8		4000	D0HZ 5310-K	7,9	D0HZ	5455-B	4
				10		4500	E8HZ 5310-A	9	D0HZ	5455-A	4
						9	D0HZ	5455-B	4		
						10	E0HZ	5455-B	4		
10				5000	E5HZ 5310-D	9	C3TZ	5455-C	2		
						9	D0HZ	5455-B	2		
						10,11,12	D0HZ	5455-C	4		
						10,11,12	D0HZ	5455-S	4		
9				5400	E5HZ 5310-E	9	C3TZ	5455-C	2		
						9	D0HZ	5455-B	2		
						10,11,12	D0HZ	5455-C	4		
				10,11,12	D0HZ	5455-S	4				
10		6000	D0HZ 5310-A	10,11,12	D0HZ	5455-C	4				
				10,11,12	D0HZ	5455-S	4				
10		7200	D5HZ 5310-D	16	D0HZ	5455-G	4				
11		8200	D5HZ 5310-E	18	D0HZ	5455-G	4				
11		9200	D5HZ 5310-F	20	D0HZ	5455-G	4				

1980/  
TRUCK SERIES 600/900

YEAR	MODEL/RESTRICTIONS	PART NUMBER		DESCRIPTION	QTY.	
<b>5B310 SPACER (FRONT SPRING)</b>						
83/	F-FT600/900	E3HZ	5B310-A	Front	2	
		E3HZ	5B310-B	Rear	2	
86/	CF600/700 -- long overhang frame	E6HZ	5B310-A		2	
86/	CF600/700 -- exc. long overhang frame	E6HZ	5B310-B		2	
87/	LS-LTS800/900	E7HZ	5B310-A	Front	2	
<b>5B311 SHACKLE (FRONT SPRING)</b>						
80/	CL-CLT900	D8HZ	5B311-A		2	
86/	CF600/700	E6HZ	5B311-A		2	
SPRING ASSY.		LEAF NO.	LEAVES	SPRING ASSY.	LEAF NO.	LEAVES
5313 NO. 1 LEAF (FRONT SPRING)-Refer to group 5310 for Model Application. Determine applicable spring assy. part number. Find spring assy. part number below and read across to find part number of leaf desired.						
C7TZ	5310-F	1	C4TZ 5313-C	D5HZ 5310-D	1	D5HZ 5313-B
		2	C4TZ 5315-C		2	D5HZ 5315-B
C7TZ	5310-H	1	C6TZ 5313-B	D5HZ 5310-E	1	D5HZ 5313-C
		2	C6TZ 5315-B		2	D5HZ 5315-C
D0HZ	5310-A	1	D0HZ 5313-A	D5HZ 5310-F	1	D5HZ 5313-C
		2	D0HZ 5315-A		2	D5HZ 5315-C
D0HZ	5310-D	1	D0HZ 5313-D	D8HZ 5310-C	1	Not avail.
		2	D0HZ 5315-D		2	Not avail.
D0HZ	5310-G	1	D0HZ 5313-F	D8HZ 5310-D	1	D8HZ 5313-C
		2	D0HZ 5315-F		2	D8HZ 5315-C
D0HZ	5310-H	1	D0HZ 5313-G	D9HZ 5310-A	1	D8HZ 5313-B
		2	D0HZ 5315-G		2	D8HZ 5315-B
D0HZ	5310-J	1	C3TZ 5313-E	D9HZ 5310-B	1	D8HZ 5313-A
		2	C3TZ 5315-E		2	D8HZ 5315-A
D0HZ	5310-K	1	D0HZ 5313-H	E0HZ 5310-A	1	Not avail.
		2	D0HZ 5315-H		2	Not avail.
D2HZ	5310-A	1	D2HZ 5313-A	E0HZ 5310-B	1	Not avail.
		2	D2HZ 5315-A		2	Not avail.
D5HZ	5310-C	1	D5HZ 5313-A	E0HZ 5310-C	1	Not avail.
		2	D5HZ 5315-A		2	Not avail.
		10	D5HZ 5320-A	E0HZ 5310-D	1	Not avail.
					2	Not avail.
YEAR	MODEL/RESTRICTIONS	PART NUMBER		DESCRIPTION	QTY.	
<b>5A313 SPACER (FRONT SPRING TO AXLE)</b>						
80/81	B-600/700 -- "Before 3/2/81"	D7TZ	5A313-A		2	
81/	B-600/700 -- "From 3/2/81"			With 11 x 22.5 or 10 x 20 tires	AR	
81/	B-600/700 -- "From 3/2/81"	E1HZ	5A313-A	W/o 11 x 22.5 or 10 x 20 tires	1	
89	B600/700 -- RH 60 gal. fuel tank	E9HZ	5A313-B	W/o 10 x 20 or 11 x 22.5 tires	1	
80/	C-CT600/900	C6TZ	5A313-B		2	
80/	CLT900	E0HZ	5A313-A	1" thick	2	
80/81	F600/800 -- "Before 3/2/81"	D7TZ	5A313-A		2	
81/	F-FT600/900 -- Exc. 9 H/D, 12M frt. axle -- "From 3/2/81"			with 11 x 22.5 or 10 x 20 tires	2	
81/	F-FT600/900 -- Exc. 9 H/D, 12M frt. axle -- "From 3/2/81"	E1HZ	5A313-A	w/o 11 x 22.5 or 10 x 20 tires	1	
89	F-FT600/900 -- LH 50 gal. fuel tank	E9HZ	5A313-B	W/o 10 x 20 or 11 x 22.5 tires	1	
83/	F-FT600/900 -- 9 H/D, 12M front axles	D8HZ	5A313-A	2" thick	2	
80/86	L-LN-LNT-LT-LTL-LTS800/900	D8HZ	5A313-A	2" thick	2	
87/	L-LN-LNT-LT-LTL800/900				2	
87/	LTS800/900 -- 9M frt. axle				2	
87/	LTS800/900 -- 12M frt. axle w/5400 & 6000 frt. spg.				4	
87/	LS-LTS800/900 -- 16M frt. axle w/7200 frt. spg.	E7HZ	5A313-A	1/2" thick	2	
80/	LTS900 -- 9M frt. axle	E0HZ	5A313-A	1" thick	2	

1980/  
TRUCK SERIES 600/900

YEAR	MODEL/RESTRICTIONS	PART NUMBER	DESCRIPTION	QTY.
<b>5A313 WEDGE ASSY. (FRONT AXLE SPRING SEAT)</b>				
80/	CLT900	C7TZ 5A313-A	#C7TA 3012-B	2
80/	LN600/700 - - P/S	C3TZ 5A313-E		2
80/	L-LN-LNT-LS-LT-LTS800/900 (18M front axle)	C7TZ 5A313-A		2
80/	LT-LTL-LNT800/900 - - 12M Front axle	D1HZ 5A313-A	1°	1
80/	LT-LTL-LNT800/900 - - 12M Front axle	D1HZ 5A313-B	2°	1
<b>5A313 WEDGE ASSY. (REAR AXLE SPRING SEAT)-Also refer to group 4357</b>				
80/	C600/700 - - 175" W/B with 15M Eaton axle and 175", 206" W/B with 17.5M Eaton axle	C8TZ 5A313-A		2
80/	C700/900-18.5M, 22M Eaton and Rockwell axle	C2TZ 5A313-F	#C2TA 4356-C-7 5/16" long x 3" wide x 25/64"	2
84/	CLT900 - - Hendrickson E4-340-380 Susp.	E4HZ 5A313-A		2
80/88	B-F600/800 - - 17.5 Eaton or 18.5 Rockwell axles	C8TZ 5A313-A	#C8TA 4357-A	2
89	B-F600/800	E9HZ 5A313-A		2
80/86	LN600/700	C8TZ 5A313-A		2
80/	L-LN800/900 - - 17.5M, 18.5M Eaton rear axles	C3TZ 5A313-C	#C2TA 4356-F-7 3/4" long x 3" wide x 1/2" thick	2
80/	L-LN800/900 - - 22M, 23M axles	C3TZ 5A313-D	#C3TA 4357-G-1°-13/16" hole x 6 1/4" long x 3" wide x 11/64" thick	2
80/83	LNT-LT-LTL800/900 - - Reyco susp.	D0HZ 5A313-B	#D0HS 4357-A forward rear axle-1 degree	4
84/	LNT-LT-LTL 900 - - Hendrickson E4-340-380 Susp.	E4HZ 5A313-A		2
<b>5315 Refer to group 5310 for model application. Determine applicable spring assy. part number. Find spring assy part number in group 5313 and read across to find part number of leaf desired.</b>				
<b>5B317 PIN ASSY. (FRONT SPRING BRACKET)-refer to group 5335</b>				
<b>5320 Refer to group 5310 for Model Application. Determine applicable spring assy. part number. Find spring assy. part number in group 5313 and read across to find part number of leaf desired.</b>				
<b>5330 CLAMP (FRONT SPRING)</b>				
86/	CF600	E6HZ 5330-A		4
86/	CF700	E6HZ 5330-B		2
86/	CF700	E6HZ 5330-C		2
<b>5A331 WASHER (FRONT SPRING ADJUSTMENT)-refer to group 5335</b>				
<b>5335-41 BRACKET (FRONT SPRING SHACKLE)</b>				
Spring shackle brackets and related parts are arranged below in parts list form. The parts lists are in order by truck model.				
80/86	B600/700	E0HZ 5340-A	Bracket-spring front	2
		385288-S2	(BB-321-G)-Bolt-spring bracket front	2
		E7HZ 5340-A	Bracket-spring rear	2
		C7TZ 5348-B	Bushing-spring rear	2
87/	B600/700	385288-S2	(BB-321-G)-Bolt-spring bracket rear	2
		E0HZ 5340-A	Bracket-spring front	2
		385288-S2	(BB-321-G) Bolt-spring bracket front	2
		E7HZ 5340-A	Bracket-spring rear	2
80/	C600/900 - - with 9 1/2" frame	C7TZ 5348-B	Bushing-spring rear	2
		385288-S2	(BB-321-G) Bolt-spring bracket rear	2
		C6TZ 5340-A	Bracket-spring front	2
		C7TZ 5348-D	Bushing-spring front	2
		D5HZ 5465-A	Stud-bracket-spring front	2
		B7Q 5335-A	Bracket-spring rear	2
86/	CF600/700	C7TZ 5348-D	Bushing-spring rear	2
		C6TZ 5304-B	Shackle kit-rear	2
		E6HZ 5340-A	Bracket-spring front	2
		E6HZ 5340-B	Bracket-shackle	2
		E5HZ 5780-A	Pin-bracket-rear	4
		E5HZ 5780-B	Pin-bracket-front	2



1980/  
TRUCK SERIES 600/900

YEAR	MODEL/RESTRICTIONS	PART NUMBER	DESCRIPTION	QTY.
5335-41	BRACKET (FRONT SPRING SHACKLE) — Cont'd			
Spring shackle brackets and related parts are arranged below in parts list form. The parts lists are in order by truck model.				
80/	C-CT800/900 -- exc. 9 1/2" frame	B7Q 5340-A	Bracket-spring front	2
		C7TZ 5348-D	Bushing-spring front	2
		D5HZ 5465-A	Stud-bracket-spring front	2
		B7Q 5335-A	Bracket-spring rear	2
		C7TZ 5348-D	Bushing-spring rear	2
		C6TZ 5304-B	Shackle kit-rear	2
80/	CL-CLT900	D8HZ 5B317-A	Pin-bracket front	4
		D8HZ 5A331-A	Washer-front spring adjustment	4
		D8HZ 5348-A	Bushing-spring front	2
		D8HZ 5B317-A	Pin-bracket rear	8
		D8HZ 5B311-A	Shackle-rear	2
		D8HZ 5A331-B	Washer-spring adjustment rear	8
		D8HZ 5340-B	Bracket-spring rear	2
		D8HZ 5348-A	Bushing-spring rear	2
80/86	F600/800 -- exc. 10M,11M,12M, frt. axle	E0HZ 5340-A	Bracket-spring front	2
		C7TZ 5348-B	Bushing-spring front	2
		385288-S2	(BB-321-G)-Bolt-spring bracket front	2
		E7HZ 5340-A	Bracket-spring rear	2
		385288-S2	(BB-321-G)-Bolt-spring bracket rear	2
87/	F600/800 -- 7M,9M front axle frt. axle	E0HZ 5340-A	Bracket-spring front	2
		C7TZ 5348-B	Bushing-spring front	2
		385288-S2	(BB-321-G) Bolt-spring bracket front	2
		E7HZ 5340-A	Bracket-spring rear	2
		385288-S2	(BB-321-G) Bolt-spring bracket rear	2
80/85	F-FT600/900 -- 10M,11M,12M frt. axle "Before 6/85"	E3HZ 5340-B	Bracket-spring front	2
		C7TZ 5348-C	Bushing-spring front	2
		E5HZ 5780-B	Pin-spring front	2
		E5HZ 5340-C	Bracket-spring rear	2
		C7TZ 5348-C	Bushing-spring rear	2
		D0HZ 5780-F	Pin-bracket rear	4
		D0HZ 5304-B	Shackle kit-rear	2
85/	F-FT600/900 -- 10M,11M,12M Frt. axle "From 6/85"	E3HZ 5340-B	Bracket-spring front	2
		C7TZ 5348-C	Bushing-spring front	2
		E5HZ 5780-B	Pin-spring front	2
		E5HZ 5340-C	Bracket-spring rear	2
		E5HZ 5348-A	Bushing-spring front bracket	4
		C7TZ 5348-C	Bushing-spring rear	2
		E5HZ 5780-A	Pin-bracket rear	2
		E5HZ 5304-A	Shackle kit-rear	
80/86	LN600/700	D0HZ 5340-F	R.H.-bracket-spring front	1
		D0HZ 5340-G	L.H.-bracket-spring front	1
		C1TT 5348-D	Bushing-spring frt.	2
		C1TT 5465-E	Pin-bracket front	2
		D0HZ 5340-J	Bracket-spring rear	2
		C6TZ 5A341-A	Pin-bracket rear	2
80/85	L-LN-LNT-LT-LTL800/900 -- 6M, 7M, 9M, 12M axle "Before 6/85"	D0HZ 5340-D	R.H.-bracket-spring front	1
		D0HZ 5340-E	L.H.-bracket-spring front	1
		C7TZ 5348-C	Bushing-spring front	2
		D0HZ 5780-F	Pin-bracket front	2
		E5HZ 5340-A	Bracket-spring rear	2
		C7TZ 5348-C	Bushing-spring rear	2
		D0HZ 5780-F	Pin-bracket rear	4
		D0HZ 5304-B	Shackle kit-rear	2

1980/  
TRUCK SERIES 600/900

YEAR	MODEL/RESTRICTIONS	PART NUMBER	DESCRIPTION	QTY.		
5335-41	BRACKET (FRONT SPRING SHACKLE) — Cont'd					
Spring shackle brackets and related parts are arranged below in parts list form. The parts lists are in order by truck model.						
85/	L-LN-LNT-LT-LTL700/900 -- 6M, 7M, 9M, 12M axle  "From 6/85"	D0HZ 5340-D	R.H.-bracket-spring front-1985/87	1		
		D0HZ 5340-E	L.H.-bracket-spring front-1985/87	1		
		E8HZ 5340-A	R.H.-bracket-spring front-1988/	1		
		E8HZ 5340-B	L.H.-Bracket-spring front-1988/	1		
		C7TZ 5348-C	Bushing-spring front	2		
		E5HZ 5780-A	Pin-bracket front	2		
		E5HZ 5340-A	Bracket-spring rear	2		
		E5HZ 5348-A	Bushing-spring rear bracket	4		
		C7TZ 5348-C	Bushing-spring rear	2		
		E5HZ 5780-A	Pin-bracket rear	2		
		E5HZ 5304-A	Shackle kit-rear	2		
		80/85	LNT-LT-LTL800/900 -- 16M, 18M axle  "Before 6/85"	D2HZ 5340-A	R.H.-bracket-spring front	1
				D2HZ 5340-B	L.H.-bracket-spring front	1
C7TZ 5348-C	Bushing-spring front			2		
E5HZ 5780-B	Pin-bracket front			2		
E5HZ 5340-D	Bracket-spring rear-w/16M axle			2		
E5HZ 5340-B	Bracket-spring rear-w/18M axle			2		
E5HZ 5348-A	Bushing-spring rear bracket			4		
C7TZ 5348-C	Bushing-spring rear			2		
D0HZ 5780-F	Pin-bracket rear			4		
D0HZ 5304-B	Shackle kit-rear			2		
85/	LNT-LT-LTL800/900 -- 16M, 18M axle  "From 6/85"			D2HZ 5340-A	R.H.-bracket-spring front-1985/87	1
				D2HZ 5340-B	L.H.-bracket-spring front-1985/87	1
				E8HZ 5340-C	R.H.-Bracket-spring front-1988/	1
		E8HZ 5340-D	L.H.-Bracket-spring front-1988/	1		
		C7TZ 5348-C	Bushing-spring front	2		
		E5HZ 5780-B	Pin-bracket front	2		
		E5HZ 5340-D	Bracket-spring rear w/16M axle	2		
		E5HZ 5348-A	Bushing-spring rear bracket	4		
		E5HZ 5340-B	Bracket-spring rear w/18M axle	2		
		C7TZ 5348-C	Bushing-spring rear	2		
		E5HZ 5780-B	Pin-bracket rear	2		
		E5HZ 5304-A	Shackle kit-rear	2		
		80/85	LTS800/900 -- 9M, 12M axles and straight or kickup type frame  "Before 6/85"	D0HZ 5340-N	R.H.-bracket-spring front	1
D0HZ 5340-R	L.H.-bracket-spring front			1		
C7TZ 5348-C	Bushing-spring front			2		
E5HZ 5780-B	Pin-bracket front			2		
D0HZ 5340-A	Bracket-spring rear			2		
C7TZ 5348-C	Bushing-spring rear			2		
D0HZ 5780-F	Pin-bracket rear			4		
D0HZ 5304-B	Shackle kit-rear			2		
85/	LTS800/900 -- 9M, 12M axle and straight or kickup type frame  "From 6/85"			D0HZ 5340-N	R.H.-bracket-spring front	1
				D0HZ 5340-R	L.H.-bracket-spring front	1
		C7TZ 5348-C	Bushing-spring front	2		
		E5HZ 5780-B	Pin-bracket front	2		
		E5HZ 5348-A	Bushing-spring rear bracket	4		
		E5HZ 5340-A	Bracket-spring rear	2		
		C7TZ 5348-C	Bushing-spring rear	2		
		E5HZ 5780-A	Pin-bracket rear	2		
80/85	LTS800/900 -- 9M, 12M, 16M, 18M, 20M axles and variable type frame  "Before 6/85"	E5HZ 5304-A	Shackle kit-rear	2		
		D0HZ 5340-N	R.H.-bracket-spring front	1		
		D0HZ 5340-R	L.H.-bracket-spring front	1		
		C7TZ 5348-C	Bushing-spring front	2		
		E5HZ 5780-B	Pin-bracket front	2		
		E5HZ 5340-B	Bracket-spring rear (w/o reinf.)	2		
		E5HZ 5340-D	Bracket-spring rear (w/reinf.)	2		
		C7TZ 5348-C	Bushing-spring rear	2		
D0HZ 5780-F	Pin-bracket rear	4				
D0HZ 5304-B	Shackle kit-rear	2				

**1980/  
TRUCK SERIES 600/900**

YEAR	MODEL/RESTRICTIONS	PART NUMBER	DESCRIPTION	QTY.
5335-41	<b>BRACKET (FRONT SPRING SHACKLE) — Cont'd</b>			
Spring shackle brackets and related parts are arranged below in parts list form. The parts lists are in order by truck model.				
85/	LS-LTS800/900 -- 9M, 12M, 16M, 18M, 20M axles and variable type frame "From 6/85"	D0HZ 5340-N	R.H.-bracket-spring front	1
		D0HZ 5340-R	L.H.-bracket-spring front	1
		C7TZ 5348-C	Bushing-spring front	2
		E5HZ 5780-B	Pin-bracket front	2
		F2HZ 5340-E	R.H.-bracket-spring rear	1
		E5HZ 5340-F	L.H.-bracket-spring rear	1
		E5HZ 5348-A	Bushing-spring rear bracket	4
		C7TZ 5348-C	Bushing-spring rear	2
		E5HZ 5780-A	Pin-spring rear	2
		E5HZ 5304-A	Shackle kit-rear	2
80/85	LTS800/900 -- 16M, 18M 20M and straight type frame "Before 6/85"	D0HZ 5340-N	R.H.-bracket-spring front	1
		D0HZ 5340-R	L.H.-bracket-spring front	1
		C7TZ 5348-C	Bushing-spring front	2
		E5HZ 5780-B	Pin-bracket front	2
		E5HZ 5340-D	Bracket-spring rear (w/o outer channel reinforcement)	2
		E5HZ 5340-B	Bracket-spring rear (w/outer channel reinforcement)	2
		E5HZ 5348-A	Bushing-spring rear bracket	4
		C7TZ 5348-C	Bushing-spring rear	2
		E5HZ 5780-A	Pin-bracket rear	4
		D0HZ 5304-B	Shackle kit-rear	2
85/	LS-LTS800/900 -- 16M, 18M, 20M and straight type frame "From 6/85"	D0HZ 5340-N	R.H.-bracket-spring front	1
		D0HZ 5340-R	L.H.-bracket-spring front	1
		C7TZ 5348-C	Bushing-spring front	2
		E5HZ 5780-B	Pin-bracket front	2
		E5HZ 5340-D	Bracket-spring rear (w/o reinforcement)	2
		E5HZ 5340-B	Bracket-spring rear (w/reinforcement)	2
		E5HZ 5348-A	Bushing-spring rear bracket	4
		C7TZ 5348-C	Bushing-spring rear	2
		E5HZ 5780-A	Pin-spring rear	2
		E5HZ 5304-A	Shackle kit-rear	2
<b>5A336 INSERT (FRONT SPRING)</b>				
86/	CF600/700	E6HZ 5A336-A		10
86/	CF600/700	E6HZ 5A336-B		10
87/	CF600/800	E7HZ 5A336-A		18
<b>5A341 PIN (FRONT SPRING BRACKET REBOUND)</b>				
80/	B-F-FT-LN600/900	C6TZ 5A341-B		2
<b>5A342 INSULATOR ASSY. (FRONT SPRING BRACKET)</b>				
80/	B-F-FT-LN600/900	E6HZ 5A342-B	Insulator assy.	2
80/	B-F-FT-LN600/900	E6HZ 5A342-A	Insulator only-fits inside assy.	2
<b>5345 BOLT (FRONT SPRING TIE)</b>				
86/	CF600	E6HZ 5345-A		2
86/	CF700	E6HZ 5345-B		2
<b>5348 BUSHING (FRONT SPRING)</b>				
	For model application refer to groups 5335-41	C1TT 5348-A	1" O.D., 3/4" I.D., 2 1/2" Length	
		C7TZ 5348-D	1 1/4" O.D., 1" I.D., 2 31/32" Length	
		C7TZ 5348-C	1 1/4" O.D., 1" I.D., 3 31/32" Length	
		D8HZ 5348-A	1 1/4" O.D. x 1 1/32" I.D. x 3 1/2" long	
<b>5A349 RETAINER (FRONT SPRING MOUNTING)</b>				
80/	B700 (7M Axle)	★ D8HZ 5A349-A	R/b D5HZ 3K011-B	4
<b>5C351 PLATE (CAB MOUNTING REAR SPRING SPACER)</b>				
80/	CL-CLT900	D8HZ 5C351-A		4
<b>5W351 SPACER (CAB MOUNTING SIDEMEMBER)</b>				
86/	CF600/700	E6HZ 5W351-A		2
<b>5W352 BRACKET ASSY. (CAB MOUNTING SIDE)-RIGHT HAND</b>				
86/	CF600/700	E6HZ 5W352-A		1
<b>5C353 ADAPTER (TILT CAB BLEEDER PORT)</b>				
80/	CL-CLT900	D8HZ 5C353-A		AR

1980/  
TRUCK SERIES 600/900

YEAR	MODEL/RESTRICTIONS	PART NUMBER	DESCRIPTION	QTY.
<b>5K353 BUSHING (TORSION BAR)</b>				
86/	CF600/700	E6HZ 5K353-A		4
<b>5W353 (BRACKET ASSY. (CAB MOUNTING SIDE)-L.H.</b>				
86/	CF600/700	E6HZ 5W353-B		1
<b>5C354 SHIELD (CAB SUSPENSION AIR SPRING)</b>				
80/83	CL900	★ D8HZ 5C354-A		2
<b>5K354 PAD (TORSION BAR PRESSURE)</b>				
86/	CF600/800	E6HZ 5K354-A		2
<b>5W354 CYLINDER ASSY. (CAB LOCKING)</b>				
86/	CF600/700	E6HZ 5W354-A		2
<b>5C355 SUPPORT (TILT CAB PUMP BRACKET)</b>				
80/	CL-CLT900	E1HZ 5C355-A	Upper	1
80/	CL-CLT900	E1HZ 5C355-B	Lower	1
<b>5W355 PLATE ASSY. (CAB MOUNTING SIDEMEMBER)</b>				
86/	CF600/700	E6HZ 5W355-A		1
<b>5K356 HOOK ASSY. (CAB LOCK)</b>				
86/	CF600/700	E6HZ 5K356-A		1
<b>5358 ARM (CAB RETAINING)</b>				
80/	C-CT600/900-diesel	B7TZ 5358-A	Upper	1
		B7TZ 5358-B	Lower	1
80/	C600/900-Gas	D5HZ 5358-B	Upper	1
		D5HZ 5358-A	Lower	1
80	CL-CLT900 "Before Ser. DG5,001"	★ D8HZ 5358-A		1
80/	CL-CLT900 "From Ser. DG5,001"	E0HZ 5358-A	Fixed mount	1
80/	CL-CLT900 "From Ser. DG5,001"	E0HZ 5358-B	EZ ride	1
80/	C-CT600/900	359863-S8	(NN-9)-clevis pin (upper arm to body bracket)- 1/2" x 5 13/64"	1
		74016-S7-8	(N-32-F)-pin (lower arm to frame bracket)- 1/2" x 1 15/16"	1
		356460-S8	(XX-369)-washer-spring-1/2"	
		72035-S7-8	(N-51)-cotter pin-1/8" x 1"	
		351453-S8	(XX-186)-washer-flat-1/2"	2
<b>5K358 ARM (CAB LOCK)</b>				
80	CL-CLT900 "Before Ser. DG5,001"	★ D8HZ 5K358-A	EZ ride	1
80	CL-CLT900 "Before Ser. DG5,001"	D8HZ 5K358-B	Fixed mount	1
80/	CL-CLT900 "From Ser. DG5,001"	E0HZ 5K358-A	Fixed mount	1
80/	CL-CLT900 "From Ser. DG5,001"	E0HZ 5K358-B	EZ ride	1
<b>5359 HOUSING (CAB LOCK)</b>				
86/	CF600/700	E6HZ 5359-A		2
<b>5K360 ARM ASSY. (CAB LOCK MAIN)</b>				
86/	CF600/700	E6HZ 5K360-B		1
<b>5A361 LIFT ASSY. (CAB TO FRAME)</b>				
80/	CL-CLT900	D9HZ 5A361-A	Fixed mount	2
80/	CL-CLT900 "From Ser. DG5,001"	E0HZ 5A361-A	EZ ride	2
80	CL-CLT900 "Before Ser. DG5,001"	D8HZ 5A361-B	EZ ride	2
<b>5A362 PUMP ASSY. (CAB TO FRAME LIFT)</b>				
80/85	CL-CLT900	E5HZ 5A362-B	Air assist.	1
80	CL-CLT900 "Before Ser. HJ5,001"	D0HZ 5A362-A	Manual assist.	1
80/	CL-CLT900 "From Ser. HJ5,001"	E5HZ 5A362-A	Manual assist.	1
<b>5B362 BRACKET (CAB REAR SUPPORT)</b>				
80/86	LN600/700	D0HZ 5B362-A		1
80/	CL-CLT900	D8HZ 5B362-B		2
<b>5C362 BRACKET (BODY LIFT PUMP)</b>				
80	CL-CLT900 "Before Ser. HJ5,001"	D8HZ 5C362-A		1
80	CL-CLT900 "Before Ser. HJ5,001"	★ D8HZ 5C362-B		1
80/	CL-CLT900 "From Ser. HJ5,001"	E3HZ 5C362-A		1
<b>5A363 CYLINDER REPAIR KIT (CAB LIFT)</b>				
80/	CL-CLT900	D8HZ 5A363-C	For Fixed mount	AR
80/	CL-CLT900	D8HZ 5A363-B	For EZ ride	AR

1980/  
TRUCK SERIES 600/900

YEAR	MODEL/RESTRICTIONS	PART NUMBER	DESCRIPTION	QTY.
<b>5A365 RESERVOIR (CAB LIFT PUMP)</b>				
80	CL-CLT900 "Before Ser. HJ5,001"	D1HZ 5A365-A	Manual assist.	1
<b>5L365 BRACKET</b>				
86/	CF600/700	E6HZ 5L365-A		1
<b>5A366 PUMP REPAIR KIT (CAB LIFT SOFT PARTS)</b>				
80	CL-CLT900 "Before Ser. HJ5,001"	D0HZ 5A366-A	Manual assist.	AR
80/	CL-CLT900 "From Ser. HJ5,001"	E0HZ 5A366-A	Manual assist.	1
80	CL-CLT900 "Before Ser. HJ5,001"	D8HZ 5A366-A	Air assist.	AR
80/	CL-CLT900 "From Ser. HJ5,001"	E0HZ 5A366-B	Air assist.	1
<b>5B366 SPOOL REPAIR KIT (CAB LIFT PUMP)</b>				
80	CL-CLT900 -- "Before Ser. HJ5,001"	★ D0HZ 5B366-A	Manual assist.	AR
84/	CL900	E4HZ 5B366-A		1
<b>5A367 BOLT (CAB LIFT CYLINDER LOWER ANCHOR)</b>				
80/	CL-CLT900	D8HZ 5A367-A		AR
<b>5L368 BUSHING</b>				
86/	CF600/700	E6HZ 5L368-A		1
<b>5A369 RETAINER ASSY. (CAB TILTING SPRING)</b>				
80/	C-CT600/900	C1TT 5A369-C		2
		33850-S7-8	(M-72)-nut (retainer to spring seat)-5/8"-18 Nut (retainer to No. 1 cross member)	2 2
		34811-S2	(X-71)-lockwasher-5/8"	
		45222-S	(M-175)-nut (retainer to front spring bar or cab counter balance plate or bracket)-5/8"-18	2
<b>5L369 SHAFT</b>				
86/	CF600/700	E6HZ 5L369-B		2
<b>5B370 BRACKET ASSY. (CAB TO CAB)</b>				
80/	CL-CLT900 "From 7/85"	E5HZ 5B370-A	R.H.	1
80/	CL-CLT900	E5HZ 5B370-B	L.H.	1
89	CF600/800	E9HZ 5B370-A	Outer	1
		E9HZ 5B370-B	Inner	1
<b>5K371 INSULATOR (CAB MOUNTING)-FRONT</b>				
86/	CF600/800	E7HZ 5K371-A		1
<b>5A372 PIN-CAB FORWARD HINGE</b>				
80/	CL-CLT900	D8HZ 5A372-A		2
<b>5A374 MEMBER and STRAINER ASSY. (CAB MOUNTING FRAME REAR)</b>				
80	C-CT600/900	★ C1TB 5A374-C		1
81/	C-CT600/800 -- diesel	E1HZ 5A374-A		1
81/	C-CT600/900 -- gas	E1HZ 5A374-B	Sleeper cab	1
81/	C-CT600/900 -- gas	E1HZ 5A374-C	Exc. Sleeper cab	1
<b>5L374 CONTROL ASSY. (CAB LOCK)</b>				
86/	CF600/700	E6HZ 5L374-A		1
<b>5A375 KIT (BODY PUMP AIR VALVE-REPAIR)</b>				
80	CL-CLT900 -- "Before Ser. HJ5,001"	D8HZ 5A375-B		AR
80/	CL-CLT900 -- "From Ser. HJ5,001"	E0HZ 5A375-A		1
<b>5A376 BEAM KIT (CAB LIFT PUMP)</b>				
80	CL-CLT900 -- "Before Ser. HJ5,001"	D0HZ 5A376-A	Manual assist.	AR
80	CL-CLT900 -- "Before Ser. HJ5,001"	D8HZ 5A376-B	Air assist.	AR
80/	CL-CLT900 -- "From Ser. HJ5,001"	E0HZ 5A376-A	Air assist.	1
<b>5K376 POST (CAB MOUNTING)</b>				
86/	CF600/800 -- R.H.	E6HZ 5K376-A		1
<b>5A377 HANDLE (CAB LOCK HOOK RELEASE)</b>				
86/	CF600/700	E6HZ 5A377-A		1
86	CF600/700	E7HZ 5L384-A		1
87/	CF600/800	E7HZ 5L384-A		1
80	C-CT600/900	B8TZ 5A377-B	Main-w/main and auxiliary handle type	1
		C1TT 5A377-C	Auxiliary	1
81/82	C-CT600/900 -- "Before 4/5/82"	E1HZ 5L384-A	Main	1
		C1TT 5A377-C	Auxiliary	1
82/	C-CT600/900 -- "From 4/5/82"	E2HZ 5L384-A	Main	1
		C1TT 5A377-C	Auxiliary	1

1980/  
TRUCK SERIES 600/900

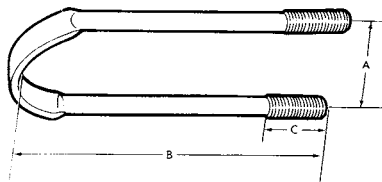
YEAR	MODEL/RESTRICTIONS	PART NUMBER	DESCRIPTION	QTY.
	5K377 POST (CAB MOUNTING)			
86/	CF600/800 - - L.H.	E6HZ 5K377-A		1
	5A378 HANDLE ASSY. (CAB LOCK CAMSHAFT CONTROL ARM)			
80/	C-CT600/900	E2HZ 5A378-A		1
80/	CL-CLT900	D8HZ 5A378-A		1
	5379 MEMBER ASSY. (CAB MOUNTING FRAME REAR CENTER)			
80	C600/700 - - diesel	★ C2TZ 5379-A		1
	5A379 MEMBER ASSY. (CAB MOUNTING FRAME CENTER)			
80	C-CT600/900	C1TZ 5A379-A		1
	5A380 MEMBER ASSY. (CAB MOUNTING FRAME FRONT)			
80	C-CT600/900	★ C1TZ 5A380-A		1
	5K380 BRACKET (ROD ASSY. SUPPORT)			
86/	CF600/700 - - L.H.	E6HZ 5K380-A		2
86/	CF600/700 - - R.H.	E6HZ 5K380-B		2
	5A381 REINFORCEMENT (CAB MOUNTING FRAME REAR CENTER MEMBER OUTER)			
80	C-CT600/900	★ C1TZ 5A381-B	Sleeper cab	1
	5L382 LOCK ASSY. (CAB SAFETY)			
86/	CF600/700	E6HZ 5L382-A		2
	5B383 SPRING (CAB MOUNTING COMPRESSING)			
80/	CL900	D8HZ 5B383-A		4
	5A384 HOUSING ASSY. (CAB LOCK)			
80/	C600/700 - - diesel	C2TZ 5A384-A		1
80/	CL-CLT900	D8HZ 5A384-C	L.H.	1
80/	CL-CLT900	D8HZ 5A384-D	R.H.	1
	5B384 BUSHING ASSY. (CAB FORWARD CONTROL ARM)			
80/	CL-CLT900	D8HZ 5B384-A		1
	5L384 HANDLE (CAB LOCK HOOK RELEASE)-Refer to group 5A377			
	5387 BUSHING (CAB TO FRAME SUSPENSION ARM)			
80/	CL-CLT900	D8HZ 5387-A		2
	5A388 VALVE ASSY. (CAB SAFETY TILT)			
80	CL-CLT900	★ C6TZ 5A388-A		1
	5K388 REINFORCEMENT (CAB MOUNTING REAR-INNER)			
80/	CL-CLT900	D8HZ 5K388-A		2
	5A389 SPACER (CAB MOUNTING FRAME REAR MEMBER TO FRAME SIDE MEMBER)			
80/86	C600/700 - - diesel	★ C2TZ 5A389-A		4
	5K389 REINFORCEMENT (CAB MOUNTING REAR-OUTER)			
80/	CL-CLT900	D8HZ 5K389-AA		2
	5A390 BRACKET ASSY. (CAB LOCK CAMSHAFT CONTROL ARM HANDLE PIVOT)			
80/87	C600/700 - - diesel	C2TZ 5A390-B		1
	5K390 REINFORCEMENT (CAB MOUNTING FRONT)			
80/	LN-LNT-LT-LTL-LTS900	D7HZ 5K390-A	W/o dual air horns	1
80/	LN-LNT-LT-LTL-LTS900	D7HZ 5K390-B	With dual air horns	1
80/	CL-CLT900	D8HZ 5K390-A		2
	5A391 PISTON (BODY LIFT PUMP)			
80/	CL-CLT900	D0HZ 5A391-A		1
	5L391 BUSHING			
86/	CF600/700	E6HZ 5L391-A		1
	5B392 KIT (CAB LIFT PUMP HARD PARTS)			
80	CL-CLT900 "Before Ser. HJ5.001"	D1HZ 5B392-AE		1
	5L392 LEVER			
86/	CF600/700	E6HZ 5L392-A		1
	5A393 CONNECTOR (CAB SAFETY TILT VALVE)			
80	CL-CLT900 - - "Before Ser. HJ5.001"	C6TZ 5A393-A		1
	5L393 PLUNGER (CAB LOCK)			
86/	CF600/700	E6HZ 5L393-A		1
	5A397 PLATE (CAB LOCK)			
86/	CF600/700	E6HZ 5A397-A		2
87/	LNT-LT800/900	E7HZ 5A397-A		2
	5B399 BRACKET ASSY. (CAB MOUNTING LATCH)			
80/	CL-CLT900	D8HZ 5B399-A		2

1980/  
TRUCK SERIES 600/900

YEAR	MODEL/RESTRICTIONS	PART NUMBER	DESCRIPTION	QTY.
<b>5B400 ADAPTER (CAB SUSPENSION CONTROL ARM)</b>				
80/	CL-CLT900	D8HZ 5B400-A	R.H.	1
80/	CL-CLT900	D8HZ 5B400-B	L.H.	1
<b>5402 ARM ASSY. (CAB TO FRAME SUSPENSION FRONT)</b>				
80	CL-CLT900 -- "Before Ser. GG5,001"	D8HZ 5402-B		2
80/	CL-CLT900 -- "From Ser. GG5,001"	E0HZ 5402-A		2
<b>5B402 BRACKET (CAB SUSPENSION SHOCK ABSORBER TO FRAME)</b>				
80/	CL-CLT900	D8HZ 5B402-A	R.H.	1
80/	CL-CLT900	D8HZ 5B402-B	L.H.	1
<b>5B404 BRACKET ASSY. (CAB MOUNTING TO SPRING)</b>				
80/	CL-CLT900	D8HZ 5B404-A		2
<b>5B406 GUSSET (CAB MOUNTING SPRING BRACKET)</b>				
80/	CL-CLT900	D8HZ 5B406-A		2
<b>5K407 SHOCK ABSORBER ASSY. (CAB MOUNTING)</b>				
86/	CF600/700	E6HZ 5K407-A		1
<b>5408 BRACKET ASSY. (CAB TO FRAME SUSPENSION)</b>				
80/	CL-CLT900	D8HZ 5408-B	L.H.	1
80/	CL-CLT900	D8HZ 5408-C	R.H.	1
<b>5A408 SLEEVE (CAB LOCK)</b>				
86/	CF600/700	E6HZ 5A408-A		2
<b>5B410 CONTROL ASSY. (CAB LOCK)</b>				
80/	CL-CLT900	D8HZ 5B410-E	Upper	1
80/	CL-CLT900	D8HZ 5B410-D	Lower	1
<b>5B410 CONTROL ASSY. (CAB LOCK)</b>				
86/	CF600/700	E6HZ 5B410-A		1
<b>5411 BRACKET (CAB TO FRAME SUSPENSION ARM)</b>				
80/	CL-CLT900	D8HZ 5411-B		4
<b>5C411 CONTROL ASSY. KIT (CAB LOCK)</b>				
80/	CL-CLT900	E1HZ 5C411-A	Used to repair D8HZ 5B410-D Control assy.	1
<b>5B413 RETAINER (CAB SUSPENSION AIR SPRING)</b>				
80/	CL-CLT900	D8HZ 5B413-A	Small-front & rear	4
80/	CL-CLT900	D8HZ 5B413-B	Large-rear only	2
<b>5B414 SHIELD (CAB SUSPENSION AIR SPRING HEAT)</b>				
80/	CL-CLT900	D8HZ 5B414-A		1
80/	CL-CLT900	381738-S	(EE-13) Clamp (shield to pipe)	AR
80/	CL-CLT900	D8HZ 5B414-B	Mount flat	1
<b>5B415 SHIELD (CAB SUSPENSION TILT CYLINDER HEAT)</b>				
80/	CL-CLT900	D8HZ 5B415-A	Fits around pipe	1
<b>5B416 SPACER (CAB SUSPENSION AIR SPRING RETAINER)</b>				
80	CL-CLT900 -- "Before Ser. JD5,001"	D8HZ 5B416-A	-3.18" inner diam.	4
80/	CL-CLT900 -- "From Ser. JD5,001"	E0HZ 5B416-A	-3.68" inner diam.	4

5455

U-BOLT (FRONT SPRING)-Refer to group 5310 for model application



P-16524

**SIZE CHART**

DIMENSIONS (INCHES)			THREAD SIZE	PART NUMBER	DIMENSIONS (INCHES)			THREAD SIZE	PART NUMBER
A	B	C			A	B	C		
2 5/8	7 1/4	3	5/8"-18	E0HZ 5455-A	4 1/16	7	3 3/16	5/8"-18	DOHZ 5455-A
2 5/8	7 3/4	3 1/2	5/8"-18	E1HZ 5455-A	4 1/16	8	3 19/32	3/4"-16	DOHZ 5455-D
2 35/64	5 7/16	2 19/32	9/16"-18	D2TZ 5455-A	4 1/16	8	3 3/16	5/8"-18	DOHZ 5455-F
2 9/16	6	3 3/32	5/8"-18	D5TZ 5455-A	4 1/16	9	3 19/32	7/8"-14	DOHZ 5455-H
2 9/16	7 13/16	3	9/16"-18	D2TZ 5455-B	4 1/16	9	3 19/32	3/4"-16	E0HZ 5455-B
3 1/16	9 1/2	3 5/8	3/4"-16	D5HZ 5455-B	4 1/16	10		5/8"-18	C3TZ 5455-C
3 3/64	7 3/4	3 5/16	5/8"-18	DOHZ 5455-K	4 3/32	9	3 3/16	5/8"-18	DOHZ 5455-B
3 3/64	9	3 5/16	5/8"-18	D3HZ 5455-A	4 13/16	12	3 19/32	3/4"-16	DOHZ 5455-S
4 1/32	9 5/8	3 19/32	3/4"-16	DOHZ 5455-C	4 15/16	10	3 19/32	7/8"-14	DOHZ 5455-G

1980/  
TRUCK SERIES 600/900

YEAR	MODEL/RESTRICTIONS	PART NUMBER	DESCRIPTION	QTY.
<b>5458 PLATE (FRONT SPRING U-BOLT)</b>				
80/	B600/700	D2TZ 5458-A	Hyd. brakes	2
		D5TZ 5458-A	Air-brakes	2
80/	C600/900 -- with 9 1/2" frame	D5HZ 5458-C		2
86/	CF600/800	D5HZ 5458-A		2
80/	CL-CLT900	D8HZ 5458-A		2
80/	C-CT600-900 -- with 9 3/4" frame	D5HZ 5458-D		2
80/	F-FT600/900	D2TZ 5458-A	Hyd. brakes -- exc. 9M H/D, 12M frt. axle	2
		D5TZ 5458-A	Air brakes -- exc. 9M H/D, 12M frt. axle	2
		D5HZ 5458-A	9M H/D, 12M frt. axle	2
80/	LN600/700	D2TZ 5458-A	Hyd. brakes	
		D5TZ 5458-A	Air brakes	
80/	L-LN-LNT-LS-LT-LTL-LTS800/900	D5HZ 5458-A		2
<b>5460 BUMPER (FRONT SPRING)</b>				
80/	LN600/750	B3TZ 5460-A		2
<b>5471 SPRING (CAB COUNTER BALANCE)</b>				
80/	C-CT600/900 -- w/o sleeper	D5HZ 5471-B	21 1/2" long	2
80/	C-CT600/900 -- with sleeper	D5HZ 5471-A	22 1/2" long	2
<b>5472 RETAINER (CAB TILT SPRING)</b>				
80/81	CL-CLT900	★ D8HZ 5472-B	E-Z ride	1
80/	CL-CLT900	D8HZ 5472-C	Exc. E-Z ride	1
<b>5482 BAR (FRONT STABILIZER)</b>				
86/	CF600/700	E6HZ 5482-A		1
<b>5W482 BRACKET (STABILIZER BAR LINK TO FRAME)</b>				
86/	CF600/800	E6HZ 5W482-A	Rear	1
86/	CF600/800	E6HZ 5W482-B	Front	1
<b>5B484 CLAMP (REAR STABILIZER BAR MOUNTING)</b>				
86/	CF600/800	E6HZ 5B484-A		4
<b>5486 BRACKET (STABILIZER BAR)-FRONT</b>				
86/	CF600	E6HZ 5486-A		2
86/	CF800	E6HZ 5486-B		2
<b>5C486 LINK ASSY. (REAR STABILIZER BAR)</b>				
86/	CF600/800	E6HZ 5C486-A		2
<b>5K487 CLAMP (STABILIZER BAR BRACKET)</b>				
86/	CF600/800	E6HZ 5K487-A	Rear	1
86/	CF600/800	E6HZ 5K487-B	Front	1
<b>5489 LINK ASSY. (FRONT STABILIZER BAR)</b>				
86/	CF600/800	E6HZ 5489-A		2
<b>5493 INSULATOR (STABILIZER BAR)</b>				
86/	CF600/800	E6HZ 5493-A	Front	1
86/	CF600/800	E6HZ 5493-B	Rear	1
<b>5L494 U-BOLT (STABILIZER BAR)</b>				
86/	CF600/800	E6HZ 5L494-A		4
<b>5M494 BAR (FRONT STABILIZER KIT)</b>				
86/	CF600 "From 6/86"	E6HZ 5M494-D		1
86/	CF700/800 "From 6/86"	E6HZ 5M494-E		1
<b>5M495 BAR (REAR STABILIZER KIT)</b>				
87	CF600/800 -- Hyd. brakes	E7HZ 5M495-A		1
87	CF600/800 -- Air brakes	E7HZ 5M495-B		1



1980/  
TRUCK SERIES 600/900

YEAR	MODEL/RESTRICTIONS	PART NUMBER	DESCRIPTION	QTY.
<b>5B498 BRACKET ASSY. (REAR STABILIZER BAR)</b>				
87/	CF700 -- 7.8L-w/stab. bar & air brakes	E7HZ 5B498-B	L.H.	1
		E7HZ 5B498-A	R.H.	1
87/	CF600	E7HZ 5B498-D	L.H.	1
		E7HZ 5B498-C	R.H.	1
87/	CF700 -- 6.6L-w/stab. bar			1
87/	CF700 -- 7.8L-w/stab. bar & hyd. brakes			1
<b>5C499 BRACKET ASSY. (STABILIZER BAR)</b>				
86/	CF600	E6HZ 5C499-A		2
86/	CF700/800	E6HZ 5C499-B		2
<b>5L499 BRACKET (STABILIZER BAR LINK TO FRAME)-L.H.</b>				
86/	CF600/800	E6HZ 5L499-A	Rear	1
86/	CF600/800	E6HZ 5L499-B	Front	1

1980/  
TRUCK SERIES 600/900

YEAR	MODEL/RESTRICTIONS	PART NUMBER	DESCRIPTION	QTY.
5A516 Refer to group 5775				
5W539 SPACER (FORWARD REAR SPRING)				
88/	CFT800	E8HZ 5W539-A		4
5A547 TANDEM SUSPENSION ASSY.-Refer to group 5888				
5A552 WASHER (REAR SUSPENSION SUPPORT ARM)-also refer to group 5775				
80/83	All - - with Hendrickson susp.	D0HZ 5A552-B		4
84/	All - - with Hendrickson suspension	E4HZ 5A552-A		4
80/83	LT-LNT900 - - Reyco susp.	D0HZ 5A552-A		4
80/83	CLT900 - - Reyco susp.	D8HZ 5A552-A	1" O.D.	8
5A553 SLEEVE (REAR SUSPENSION SUPPORT BEAM)				
80/	All - - with Hendrickson susp.	D0HZ 5A553-A		2
5555 SUPPORT ASSY. (REAR SUSPENSION ARM)				
80/	LNT-LT-LTL LTS900	D7HZ 5555-A	44000, 65000 rear axle front & rear	2
			58000 rear axle-rear	1
		D7HZ 5555-B	58000 rear axle-front	1
5A555 INSERT (REAR SPRING FRONT HANGER)				
80/82	L800/900 - 146", 158" W/B	★ C3TZ 5A555-A	For H/D with tractor equipment-use w/aluminum	2
80/82	LN800/900 - 134", 146" W/B		rear spring brackets	2
5A556 INSERT (REAR SPRING BRACKET)				
87/	CF600/800	E8HZ 5A556-A		2
5A558 SEAL (REAR SPRING SEAT OIL)				
80/	LNT-LT-LTS800 - - diesel, LNT-LT-LTL-LTS900	★ D0HZ 5A558-A r/bD0HZ 5K670-B	With Hendrickson RT-441, 444 or T-500 susp.	8
5A559 SPRING (REAR SUSPENSION BEAM GREASE RETAINER)				
80/	LNT-LT-LTS800 - - diesel, LNT-LT-LTL-LTS900	★ D0HZ 5A559-A r/bD0HZ 5K670-B	With Hendrickson RT-441, 444 or T-500 susp.	8

5560 SPRING ASSY. (REAR)

HOW TO FIND A REAR SPRING PART NUMBER

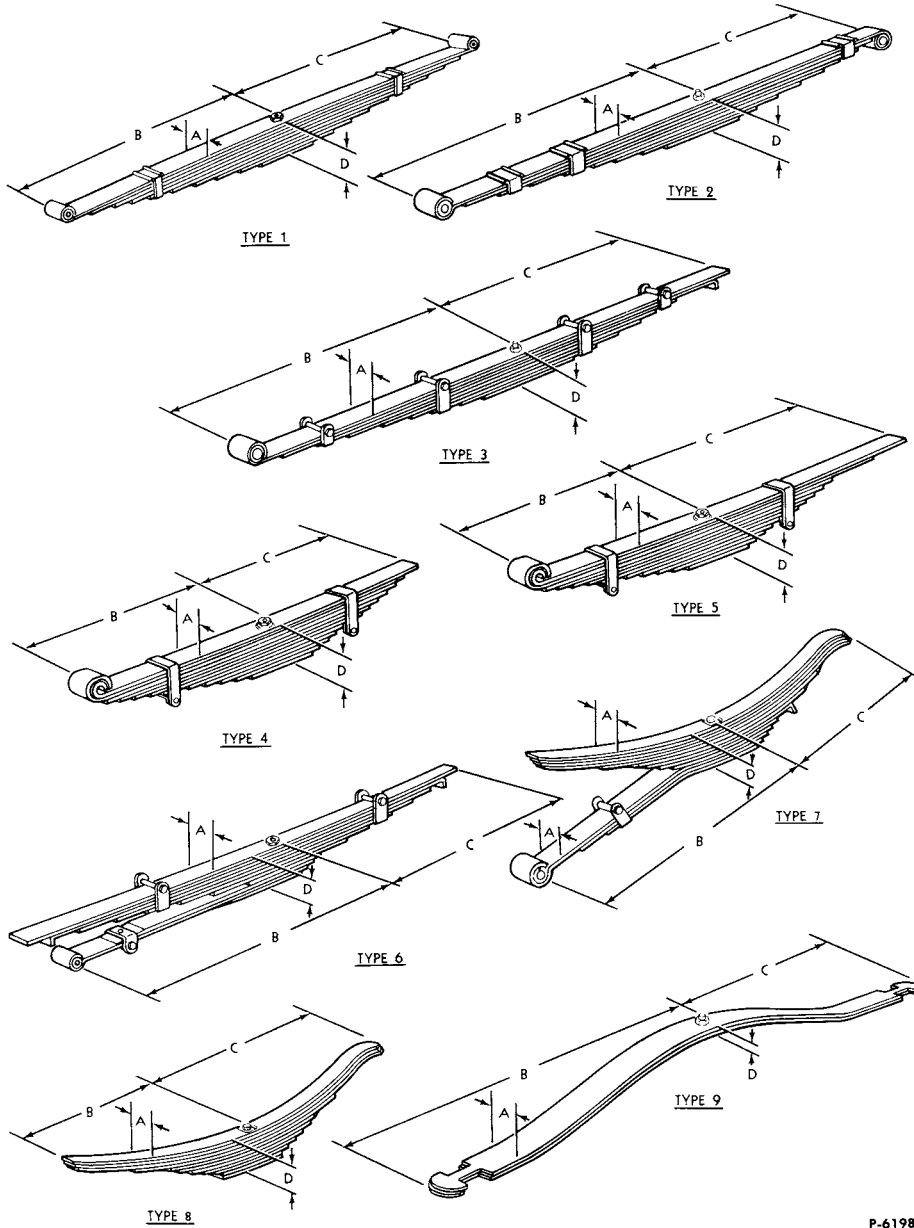
1. USE THE TRUCK SPECIFICATION LIST (T.S.L.)
  - a. Find the rear spring number which appears on the T.S.L.
  - b. Refer to the Rear Spring T.S.L. Cross-Reference Guide (below) to determine the service part number which corresponds to the T.S.L. number.
  - c. For Tandem models, the spring is a part of the Tandem Suspension Assembly. Find the number shown on the T.S. for Tandem Suspension Assembly (R.H. and L.H.), then refer to that Parts List in group 5888 to find a spring service number.
  - d. After locating a service part number, refer to group 5563 for available leaves.
2. USE THE SPRING STAMPING NUMBER
  - a. Find the stamped number which appears on the spring.
  - b. Refer to the Rear Spring T.S.L. Cross-Reference Guide (page 2) to determine the correct service part number.
  - c. After locating a service part number, refer to 5563 for available leaves.
3. USE THE REAR SPRING MODEL APPLICATION CHART
  - a. Determine the year and model of the truck.  
(In addition, it may be necessary to know the number of leaves, axle capacity, and rear axle type.)
  - b. Refer to the Rear Spring Model Application Chart (starting on page 3 of this section) to determine correct service part number.
  - c. After locating a service part number, refer to group 5563 for available leaves.
  - d. Spring Rating  
There are two methods of describing spring ratings currently used in the trucking industry. They are (1) rating at the pad, and (2) rating at the ground. Both ratings are expressed in pounds.  
(RATING AT PAD): This figure represents the amount of weight above the pad which can actually be supported by the springs. This incl. the chassis, body and payload weight.  
(RATING AT GROUND): This figure incl. the rating at pad plus the weight of components between the spring pad and ground. These components incl. axle, brakes, tires and wheels.
4. USE THE REAR SPRING SIZE CHART  
Refer to the Chart on page 3 and determine the correct service part number by using the spring "type" and dimensions shown.

1980/  
TRUCK SERIES 600/900

5560 SPRING ASSY. (REAR) cont'd.

T.S.L. †CROSS REFERENCE GUIDE

IDENT. AND T.S.L. NUMBER	SERVICE PART NUMBER	IDENT. AND T.S.L. NUMBER	SERVICE PART NUMBER
† Truck Specification List—included in Louisville-built trucks			
C2TA 5560-C	C2TZ 5560-A	D7HT 5560-AUA	C3TZ 5560-V
C3TA 5560-L	C3TZ 5560-D	D7HT 5560-AVA	C3TZ 5560-U
C3TA 5560-AC	C3TZ 5560-T	D7HT 5560-AZA	C2TZ 5560-E
C3TA 5560-AD	C3TZ 5560-U	D9HT 5560-AA	D9HZ 5560-A
C3TA 5560-AE	C3TZ 5560-V	D9HT 5560-BA	E0HZ 5560-F
C5TA 5560-K	C5TZ 5560-M	D9HT 5560-CA	D9HZ 5560-B
C9HS 5560-D	D8HZ 5560-J	E0HT 5560-BA	E0HZ 5560-B
D1HZ 5560-AA	D1HZ 5560-A	E0HT 5560-DA	E0HZ 5560-C
D3HA 5560-AA	D3HZ 5560-A	E0HT 5560-EA	E0HZ 5560-D
D3TA 5560-CA	D3TZ 5560-K	E0HT 5560-FA	E0HZ 5560-E
D7HT 5560-ANA	C3TZ 5560-T	TGBV 5560-A	B7QH 5560-A
		TUBV 5560-B	B7QH 5560-C



P-6198

REAR SPRING TYPES—See Chart Following

# 1980/ TRUCK SERIES 600/900

## SIZE CHART

TYPE	DIMENSIONS (INCHES)				NO. LVS.	LEAF THICKNESS	CAP.	IDENTIFICATION NOTE 1	PART NUMBER
	A	B	C	D					
<b>5560 SPRING ASSY. (REAR) — Cont'd</b> <b>NOTE 1</b> Refer to page 2 for stamped or identification number to service number.									
1	3	18 1/2	23	2 5/8	4	(3) .788 (1) .499	7500		E1HZ 5560-B
1	3	24	28	4 15/32	10	(10) 7/16"	5750		B7QH 5560-A
1	3	28	27	5 3/8	11	(2) 15/32", (9) 1/2"	7400		B7QH 5560-C
4	4	17	20	6 5/32	10	(10) 9/16"	16700		C6TZ 5560-V
4	4	17	20 1/2	5 23/32	12	(5) 7/16", (7) 1/2"	15500		C5TZ 5560-M
4	4	16 1/2	17 1/2	8 1/4	12		16700		D5HZ 5560-A
4	4	18 3/4	19 1/4	8 3/4	12		27000		D2HZ 5560-A
5	3	18 1/8	23 3/8	3 1/2	7	(7) 1/2	7500		★E0HZ 5560-F
5	4	16 11/16	17 5/16	7	12		16700		D0HZ 5560-A
5	4	17	27	5 11/32	12		15500		C6TZ 5560-D
6	3	20	21 1/8	15 15/16	14	(3) 1/2", (11) 3/8"	8000		★D8HZ 5560-J
6	3	20 1/2	21 1/2	5 5/8	14	(11) 13/32", (2) 3/8", (1) 1/2"	9000		D9HZ 5560-A
6	3	23	23	4 27/32	10/2	(6) 3/8" (6) 7/16"	6700		C2TZ 5560-A
6	3	23	23	4 27/32	12	(6) 11/32", (6) 7/16"	6760		E0HZ 5560-B
6	3	23	23	5 5/32	10/2	(1) 3/8" (6) 13/32" (2) 7/16" (3) 1/2"	8100		C3TZ 5560-T
6	3	23	23	5 5/32	12	(6) 13/32", (3) 1/2", (1) 11/32", (2) 7/16"	8100		E0HZ 5560-C
6	3	23	23	5 9/16	11/2	(1) 3/8" (7) 13/32" (2) 7/16" (3) 1/2"	9300		C3TZ 5560-U
6	3	23	23	5 15/16	12/2	(1) 3/8" (8) 13/32" (2) 7/16" (3) 1/2"	10400		C3TZ 5560-V
6	3	23	23	5 15/16	14	(8) 13/32", (3) 1/2", (1) 11/32", (2) 7/16"	10400		E0HZ 5560-E
6	3	23	23	5 17/32	13	(7) 13/32", (3) 1/2", (1) 11/32", (2) 7/16"	9300		E0HZ 5560-D
6	3	23	23	6 5/32	13/2	(15) 7/16"	13000		C3TZ 5560-D
6	3	25	21 1/8	5 31/32	16	(13) 5/16", (2) 3/8", (1) 1/2"	15000		D1HZ 5560-A
6	3	25 1/2	27 1/4	9 5/8	13	(1) 3/8" (6) 9/16" (4) 1/2" (2) 7/16"	10500		D3HZ 5560-A

### MODEL APPLICATION CHART

Refer to group 5563 for available leaves

YEAR	MODEL	SPRING				S H O C K S	U-BOLT			
		L V S.	IDENTIFICATION ▲	Average Capacity At Pad	PART NUMBER MAIN(5560) AUX.(5588)		Axle Cap.	FRONT	Q T Y.	REAR

**5560 SPRING ASSY. (REAR)**

**Notes:**

▲ Where two different springs have the same number of leaves, check the stamped number or dimensions (see page 2 or 3) to pick the correct service number.

● -- w/4040 front spring ○ -- w/o 4040 front spring

### B SERIES

80/	B600/700 -- w/cast spg. brackets	12		6760	C2TZ 5560-A	13, 15	w/o w/o w/ w/	○ B3Q 5705-A ● C6TZ 5705-E ○ C6TZ 5705-E ● D8HZ 5705-E	2 2 2 2	○ B3Q 5705-A ● C6TZ 5705-E ○ B3Q 5705-A ● C6TZ 5705-E	2 2 2 2
-----	----------------------------------	----	--	------	-------------	-----------	------------------------	---	------------------	--	------------------

# 1980/ TRUCK SERIES 600/900

## MODEL APPLICATION CHART

Refer to group 5563 for available leaves

YEAR	MODEL	SPRING				S H O C K S	U-BOLT			
		L V S.	IDENTIFICATION ▲	Average Capacity At Pad	PART NUMBER MAIN(5560) AUX.(5588)		Axle Cap.	FRONT	Q T Y.	REAR

5560 SPRING ASSY. (REAR) — Cont'd

Notes: ▲ Where two different springs have the same number of leaves, check the stamped number or dimensions (see page 2 or 3) to pick the correct service number.

● — w/4040 front spring ○ — w/o 4040 front spring

### B SERIES

80/	B600/700 — w/cast spg. brackets — Cont'd	12		8100	C3TZ 5560-T	15	w/o	○ C6TZ 5705-E	2	○ C6TZ 5705-E	2							
							w/o	● D8HZ 5705-E	2	● D8HZ 5705-E	2							
							w/	○ D8HZ 5705-E	2	○ C6TZ 5705-E	2							
							w/	● D8HZ 5705-E	2	● D8HZ 5705-E	2							
							17.5	w/o	D5TZ 5705-C	2	D5TZ 5705-C	2						
							w/	D1HZ 5705-G	2	D5TZ 5705-C	2							
							18.5	w/o	D1HZ 5705-A	2	D1HZ 5705-A	2						
							w/	D1HZ 5705-B	2	D1HZ 5705-A	2							
							80/	B600/700 — w/cast spg. brackets exc. Dana axle  Dana axle  exc. Dana axle  Dana axle	13		9300	C3TZ 5560-U	15	w/o	C6TZ 5705-E	2	C6TZ 5705-E	2
														w/	D8HZ 5705-E	2	C6TZ 5705-E	2
17.5	w/o	D5TZ 5705-C	2	D5TZ 5705-C	2													
w/	D1HZ 5705-G	2	D5TZ 5705-C	2														
w/o	D5TZ 5705-C	2	D5TZ 5705-C	2														
18.5	w/	D5TZ 5705-D	2	D5TZ 5705-C	2													
w/o	D1HZ 5705-A	2	D1HZ 5705-A	2														
w/	D1HZ 5705-B	2	D1HZ 5705-A	2														
14		10400	C3TZ 5560-V	17.5	w/o	D5TZ 5705-C			2	D5TZ 5705-C	2							
					w/	D5TZ 5705-D			2	D5TZ 5705-C	2							
					w/o	D1HZ 5705-G	2	D1HZ 5705-G	2									
					w/	D5TZ 5705-D	2	D1HZ 5705-G	2									
					18.5	w/o	D1HZ 5705-A	2	D1HZ 5705-A	2								
80/	B600/700 — w/stamped spg. brackets	12		6750	E0HZ 5560-B	13,	w/o	○ B3Q 5705-A	2	○ B3Q 5705-A	2							
							15	w/	● C6TZ 5705-E	2	● C6TZ 5705-E	2						
							w/	○ C6TZ 5705-E	2	○ B3Q 5705-A	2							
							w/	● D8HZ 5705-E	2	● C6TZ 5705-E	2							
							12	w/o	○ C6TZ 5705-E	2	○ C6TZ 5705-E	2						
		w/o	● D8HZ 5705-E	2	● D8HZ 5705-E	2												
		w/	○ D8HZ 5705-E	2	○ C6TZ 5705-E	2												
		w/	● D8HZ 5705-E	2	● D8HZ 5705-E	2												
		17.5	w/o	D5TZ 5705-C	2	D5TZ 5705-C	2											
		w/	D1HZ 5705-G	2	D5TZ 5705-C	2												
		18.5	w/o	D1HZ 5705-A	2	D1HZ 5705-A	2											
		w/	D1HZ 5705-B	2	D1HZ 5705-A	2												
		13		9300	E0HZ 5560-D	15	w/o	C6TZ 5705-E	2	C6TZ 5705-E	2							
							w/	D8HZ 5705-E	2	C6TZ 5705-E	2							
							17.5	w/o	D5TZ 5705-C	2	D5TZ 5705-C	2						
							w/	D1HZ 5705-G	2	D5TZ 5705-C	2							
							w/o	D5TZ 5705-C	2	D5TZ 5705-C	2							
		18.5	w/	D5TZ 5705-D	2	D5TZ 5705-C	2											
		w/o	D1HZ 5705-A	2	D1HZ 5705-A	2												
		w/	D1HZ 5705-B	2	D1HZ 5705-A	2												
14		10400	E0HZ 5560-E	17.5	w/o	D5TZ 5705-C	2	D5TZ 5705-C	2									
					w/	D5TZ 5705-D	2	D5TZ 5705-C	2									
					w/o	D1HZ 5705-G	2	D1HZ 5705-G	2									
					w/	D5TZ 5705-D	2	D1HZ 5705-G	2									
					18.5	w/o	D1HZ 5705-A	2	D1HZ 5705-A	2								

1980/  
TRUCK SERIES 600/900

MODEL APPLICATION CHART

Refer to group 5563 for available leaves

YEAR	MODEL	SPRING				Axle Cap.	S H O C K S	U-BOLT			
		L V S.	IDENTIFICATION ▲	Average Capacity At Pad	PART NUMBER MAIN(5560) AUX.(5588)			PART NUMBER FOR EATON AXLE	Q T Y.	PART NUMBER FOR ROCKWELL AXLE	Q T Y.

5560 SPRING ASSY. (REAR)

Notes: ▲ Where two different springs have the same number of leaves, check the stamped number or dimensions (see page 2 or 3) to pick the correct service number. □ exc. low deflection, ■ low deflection  
● -- w/4040 front spring ○ -- w/o 4040 front spring

Note 1- Use D8HZ 5705-B front and D8HZ 5705-A rear †"Before Ser. EJ5,001" ‡"From Ser. EJ5,001"

C SERIES

80/	C600/900	10 7		5750	B7QH 5560-A	15	w/o	See next line	4	See next line	4
				2050	B4Q 5588-A			DOHZ 5705-AK		DOHZ 5705-A	
								DOHZ 5705-AA		DOHZ 5705-AA	
		11 7		7400	B7QH 5560-C	18.5	w/o	See next line	4	See next line	4
				2050	B4Q 5588-A			D1HZ 5705-C		Axle not avail.	
								D1HZ 5705-D		DOHZ 5705-AD	
11 7		7400	2600	B7QH 5560-C	15	w/o	See next line	4	See next line	4	
				B4QH 5588-A			D8HZ 5705-A		DOHZ 5705-F		
							D8HZ 5705-A		DOHZ 5705-AB		
							D1HZ 5705-E		Axle not avail.		
11 9		7400	3000	B7QH 5560-C	22	w/o	D1HZ 5705-D	4	DOHZ 5705-AE	4	
				B8QH 5588-A			D1HZ 5705-F		See next line		
86	CF600	7 9		E6HZ 5560-A		w/	See next line	2	See next line	2	
				E6HZ 5588-C			E6HZ 5705-H		E6HZ 5705-G		
86	CF700 -- 6.6L	10 8		E6HZ 5560-B		w/	See next line	2	See next line	2	
				E6HZ 5588-A			E6HZ 5705-H		E6HZ 5705-G		
86	CF700 -- 6.6L	13 12		E6HZ 5560-C		w/	See next line	4	E6HZ 5705-B	4	
				E6HZ 5588-B			E6HZ 5705-H		E6HZ 5705-C		
87/	CF600 -- stabilizer bar	7 9		E6HZ 5560-A			E6HZ 5705-H	2	E6HZ 5705-H	2	
				E6HZ 5588-C			★ E6HZ 5705-F		E6HZ 5705-H		
87/	CF700 -- 6.6L-w/stab. bar	10 8		E6HZ 5560-B			E6HZ 5705-A	2	E6HZ 5705-B	2	
				E6HZ 5588-A			E7HZ 5705-A		E7HZ 5705-A		
87/	CF700 -- 7.8L-w/stab. bar & hyd. brks.	10 6		E7HZ 5560-A			E6HZ 5705-B	2	E6HZ 5705-C	2	
				E7HZ 5588-A			E6HZ 5705-B		E6HZ 5705-B		

**1980/  
TRUCK SERIES 600/900**

**MODEL APPLICATION CHART**

Refer to group 5563 for available leaves

YEAR	MODEL	L V S.	IDENTIFICATION ▲	SPRING			Axle Cap.	S H O C K S	U-BOLT			
				Average Capacity At Pad	PART NUMBER MAIN(5560) AUX.(5588)	PART NUMBER FOR EATON AXLE			Q T Y.	PART NUMBER FOR ROCKWELL AXLE	Q T Y.	

5560 SPRING ASSY. (REAR) — Cont'd

Notes: ▲ Where two different springs have the same number of leaves, check the stamped number or dimensions (see page 2 or 3) to pick the correct service number.

● -- w/4040 front spring ○ -- w/o 4040 front spring

Note 1- Use D8HZ 5705-B front and D8HZ 5705-A rear †"Before Ser. EJ5,001" ‡"From Ser. EJ5,001"

**C SERIES**

87/	CF700 -- 7.8L-w/o stab. bar	10 6			E7HZ 5560-A E7HZ 5588-A			E6HZ 5705-B E6HZ 5705-B	2 2		
87/	CF800	10 6			E7HZ 5560-A E7HZ 5588-C			E7HZ 5705-A E7HZ 5705-B	2 2		
88	CFT800	8			E4HZ 5560-B			E8HZ 5705-B	4	E8HZ 5705-B	4
80/	CL-900	13 13		10500 10500 2250	□ D3TZ 5560-K ■ D3HZ 5560-A D1TZ 5588-A	23 23 23		D1HZ 5705-C D1HZ 5705-C D1HZ 5705-E	4 4 4	D1HZ 5705-C D1HZ 5705-C D1HZ 5705-B	4 4 4
80/	CLT900 -- Hendrickson steel susp.	9 10 12 13		16700 15,500 17,500	D8HZ 5560-D D8HZ 5560-C D8HZ 5560-G D8HZ 5560-H			D8HZ 5705-C C5TZ 5705-A	8 2	D8HZ 5705-C C5TZ 5705-A	8 2
80/82	CLT900-- Reyco Susp.	4 7		7500	† E1HZ 5560-B ‡ E1HZ 5560-A			Note 1 E0HZ 5705-C	4 4	Note 1 E0HZ 5705-C	4 4
83	CLT900 -- -- Reyco susp.	7 7		7500 8500	E1HZ 5560-A ★ E3HZ 5560-E			E0HZ 5705-C E0HZ 5705-C	4 4	E0HZ 5705-C E0HZ 5705-C	4 4
84/88	CLT900 -- Hendrickson E4-340 susp. Hendrickson E4-380 susp.	8 8		7500 8100	E4HZ 5560-A E4HZ 5560-B			E6HZ 5705-K E6HZ 5705-K	8 8	E6HZ 5705-K E6HZ 5705-K	8 8
89	CLT900 -- Hendrickson E4-360 Hendrickson E4-400	8 8		7500 8100	E4HZ 5560-A E4HZ 5560-B			E9HZ 5705-A E9HZ 5705-A	8 8	E9HZ 5705-A E9HZ 5705-A	8 8
89/	CLT900 -- Hendrickson air susp.							E9HZ 5705-B	8	E9HZ 5705-B	8

**CT SERIES**

80/	CT800/900 -- steel susp.	12 12 10 10		15500 15500 16700 16700	C5TZ 5560-M C5TZ 5560-M C6TZ 5560-V D5HZ 5560-A	32 34 38 38		C5TZ 5705-A C5TZ 5705-A 353834-S (BB-279) 353834-S BB-279	4 4 8 8	Axle not avail. C5TZ 5705-A 353834-S (BB-279) 353834-S BB-279	4 4 8 8
	-- extended leaf susp.	12 12		15500 15500	C6TZ 5560-D C6TZ 5560-D	32 34		C5TZ 5705-A C5TZ 5705-A	4 4	Axle not avail. C5TZ 5705-A	4 4



# 1980/ TRUCK SERIES 600/900

## MODEL APPLICATION CHART

Refer to group 5563 for available leaves

YEAR	MODEL	SPRING				Axle Cap.	S H O C K S	U-BOLT			
		L V S.	IDENTIFICATION ▲	Average Capacity At Pad	PART NUMBER MAIN(5560) AUX.(5588)			FRONT	Q T Y.	REAR	Q T Y.

5560 SPRING ASSY. (REAR)

Notes: ▲ Where two different springs have the same number of leaves, check the stamped number or dimensions (see page 2 or 3) to pick the correct service number.

● -- w/4040 front spring ○ -- w/o 4040 front spring

### F SERIES

80/ F-FT600/900 -- w/o aux. spg. -- w/cast spg. brackets	12		6760	C2TZ 5560-A	13,	w/o	○ B3Q 5705-A	2	○ B3Q 5705-A	2
					15	w/o	● C6TZ 5705-E	2	● C6TZ 5705-E	2
						w/	○ C6TZ 5705-E	2	○ B3Q 5705-A	2
						w/	● D8HZ 5705-E	2	● C6TZ 5705-E	2
						w/o	○ C6TZ 5705-E	2	○ C6TZ 5705-E	2
						w/o	● D8HZ 5705-E	2	● D8HZ 5705-E	2
	12		8100	C3TZ 5560-T	15	w/o	○ C6TZ 5705-E	2	○ C6TZ 5705-E	2
						w/o	● D8HZ 5705-E	2	● D8HZ 5705-E	2
						w/	○ D8HZ 5705-E	2	○ C6TZ 5705-E	2
						w/	● D8HZ 5705-E	2	● D8HZ 5705-E	2
					17.5	w/o	D5TZ 5705-C	2	D5TZ 5705-C	2
						w/	D1HZ 5705-G	2	D5TZ 5705-C	2
13		9300	C3TZ 5560-U	15	w/o	C6TZ 5705-E	2	C6TZ 5705-E	2	
					w/	D8HZ 5705-E	2	C6TZ 5705-E	2	
				17.5	w/o	D5TZ 5705-C	2	D5TZ 5705-C	2	
					w/	D1HZ 5705-G	2	D5TZ 5705-C	2	
					w/o	D5TZ 5705-C	2	D5TZ 5705-C	2	
					w/	D5TZ 5705-D	2	D5TZ 5705-C	2	
14		10400	C3TZ 5560-V	17.5	w/o	D5TZ 5705-C	2	D5TZ 5705-C	2	
					w/	D5TZ 5705-D	2	D5TZ 5705-C	2	
					w/o	D1HZ 5705-G	2	D1HZ 5705-G	2	
					w/	D5TZ 5705-D	2	D1HZ 5705-G	2	
				18.5	w/o	D1HZ 5705-A	2	D1HZ 5705-A	2	
					w/o	D1HZ 5705-A	2	D1HZ 5705-A	2	
13		10500	D3HZ 5560-A	22	w/o	D1HZ 5705-B	2	D1HZ 5705-B	2	
				23	w/o	D1HZ 5705-C	2	D1HZ 5705-C	2	
					w/	D1HZ 5705-F	2	D1HZ 5705-F	2	
					w/o	D1HZ 5705-B	2	D1HZ 5705-B	2	
					w/o	D1HZ 5705-C	2	D1HZ 5705-C	2	
					w/	D1HZ 5705-F	2	D1HZ 5705-F	2	
80/ F600/800 -- w/o aux. spg -- w/stamped spg. brackets	12		6760	E0HZ 5560-B	13,	w/o	○ B3Q 5705-A	2	○ B3Q 5705-A	2
					15	w/o	● C6TZ 5705-E	2	● C6TZ 5705-E	2
						w/	○ C6TZ 5705-E	2	○ B3Q 5705-A	2
						w/	● D8HZ 5705-E	2	● C6TZ 5705-E	2
						w/o	○ C6TZ 5705-E	2	○ C6TZ 5705-E	2
						w/o	● D8HZ 5705-E	2	● D8HZ 5705-E	2
	12		8100	E0HZ 5560-C	15	w/o	○ C6TZ 5705-E	2	○ C6TZ 5705-E	2
						w/o	● D8HZ 5705-E	2	● D8HZ 5705-E	2
						w/	○ D8HZ 5705-E	2	○ C6TZ 5705-E	2
						w/	● D8HZ 5705-E	2	● D8HZ 5705-E	2
					17.5	w/o	D5TZ 5705-C	2	D5TZ 5705-C	2
						w/	D1HZ 5705-G	2	D5TZ 5705-C	2
18.5					w/o	D1HZ 5705-A	2	D1HZ 5705-A	2	
						w/	D1HZ 5705-A	2	D1HZ 5705-A	2
						w/o	D1HZ 5705-A	2	D1HZ 5705-A	2
						w/	D1HZ 5705-B	2	D1HZ 5705-A	2
						w/o	D1HZ 5705-B	2	D1HZ 5705-A	2
						w/	D1HZ 5705-B	2	D1HZ 5705-A	2

# 1980/ TRUCK SERIES 600/900

## MODEL APPLICATION CHART

Refer to group 5563 for available leaves

YEAR	MODEL	L V S.	SPRING			Axle Cap.	S H O C K S	U-BOLT		
			IDENTIFICATION ▲	Average Capacity At Pad	PART NUMBER MAIN(5560) AUX.(5588)			FRONT	Q T Y.	REAR

5560 SPRING ASSY. (REAR) — Cont'd

Notes: ▲ Where two different springs have the same number of leaves, check the stamped number or dimensions (see page 2 or 3) to pick the correct service number.

● — w/4040 front spring ○ — w/o 4040 front spring

### F SERIES

80/ F600/800 -- w/o aux. spg. -- w/stamped spg. brkts. exc. Dana axle  Dana axle	13		9300	E0HZ 5560-D	15	w/o	C6TZ 5705-E	2	C6TZ 5705-E	2					
					17.5	w/	D8HZ 5705-E	2	C6TZ 5705-E	2					
						w/o	D5TZ 5705-C	2	D5TZ 5705-C	2					
						w/	D1HZ 5705-G	2	D5TZ 5705-C	2					
						w/o	D5TZ 5705-C	2	D5TZ 5705-C	2					
						w/	D5TZ 5705-D	2	D5TZ 5705-C	2					
						w/o	D1HZ 5705-A	2	D1HZ 5705-A	2					
						w/	D1HZ 5705-B	2	D1HZ 5705-A	2					
						14		10400	E0HZ 5560-E	17.5	w/o	D5TZ 5705-C	2	D5TZ 5705-C	2
						w/	D5TZ 5705-D	2	D5TZ 5705-C	2					
						w/o	D1HZ 5705-G	2	D1HZ 5705-G	2					
						w/	D5TZ 5705-D	2	D1HZ 5705-G	2					
						w/o	D1HZ 5705-A	2	D1HZ 5705-A	2					
80/ F-FT600/900 -- w/Aux. spg. & cast spg. brackets	12	1	6760	C2TZ 5560-A	13,	w/o	See next line		See next line						
					15	w/o	○ D8HZ 5705-E	2	○ D8HZ 5705-E	2					
				2250	D1TZ 5588-A		w/	○ E0HZ 5705-A	2	○ D8HZ 5705-E	2				
							w/o	● E0HZ 5705-A	2	● E0HZ 5705-A	2				
							w/	● E0HZ 5705-B	2	● E0HZ 5705-A	2				
	12	1		8100	C3TZ 5560-T	13,	w/o	See next line		See next line					
						15	w/o	○ D8HZ 5705-E	2	○ D8HZ 5705-E	2				
							w/	○ E0HZ 5705-A	2	○ D8HZ 5705-E	2				
							w/o	● E0HZ 5705-A	2	● E0HZ 5705-A	2				
							w/	● E0HZ 5705-B	2	● E0HZ 5705-A	2				
							w/o	D1HZ 5705-G	2	D1HZ 5705-G	2				
				2250	D1TZ 5588-A		w/	D5TZ 5705-B	2	D1HZ 5705-G	2				
							w/o	D1HZ 5705-B	2	D1HZ 5705-B	2				
	13	1		9300	C3TZ 5560-U	15	w/o	See next line		See next line					
							w/	D8HZ 5705-E	2	E0HZ 5705-A	2				
							w/	B3Q 5705-B	2	E0HZ 5705-A	2				
							w/o	D5TZ 5705-D	2	D5TZ 5705-D	2				
							w/	D5TZ 5705-B	2	D5TZ 5705-D	2				
							w/	D5TZ 5705-B	2	D5TZ 5705-D	2				
							w/o	D1HZ 5705-B	2	D1HZ 5705-B	2				
						w/	D1HZ 5705-B	2	D1HZ 5705-B	2					
						w/o	D1HZ 5705-B	2	D1HZ 5705-B	2					
								2250	D1TZ 5588-A		w/o	D5TZ 5705-D	2	D5TZ 5705-D	2
											w/	D5TZ 5705-B	2	D5TZ 5705-D	2
											w/o	D5TZ 5705-E	2	D5TZ 5705-D	2
14	1		10400	C3TZ 5560-V	17.5	w/o	See next line		See next line						
						w/	D5TZ 5705-D	2	D5TZ 5705-D	2					
						w/	D5TZ 5705-B	2	D5TZ 5705-D	2					
						w/o	D5TZ 5705-E	2	D5TZ 5705-D	2					
			2250	D1TZ 5588-A		w/o	D1HZ 5705-C	2	D1HZ 5705-C	2					
						w/o	D1HZ 5705-C	2	D1HZ 5705-C	2					
13	1		10500	D3HZ 5560-A	22	w/o	See next line		See next line						
						w/o	D1HZ 5705-C	2	D1HZ 5705-C	2					
						w/	D1HZ 5705-C	2	D1HZ 5705-C	2					
			2250	D1TZ 5588-A		w/	D1HZ 5705-F	2	D1HZ 5705-F	2					

# 1980/ TRUCK SERIES 600/900

## MODEL APPLICATION CHART

Refer to group 5563 for available leaves

YEAR	MODEL	SPRING				Axle Cap.	S H O C K S	U-BOLT			
		L V S.	IDENTIFICATION ▲	Average Capacity At Pad	PART NUMBER MAIN(5560) AUX.(5588)			FRONT	Q T Y.	REAR	Q T Y.
5560	SPRING ASSY. (REAR) — Cont'd										
Notes:	▲ Where two different springs have the same number of leaves, check the stamped number or dimensions (see page 2 or 3) to pick the correct service number. ● -- w/4040 front spring ○ -- w/o 4040 front spring										

### F SERIES

80/	F-FT600/900 -- w/Aux. spg. & stamped spg. brackets	12 1		6750	E0HZ 5560-B	13, 15	w/o w/ w/o w/	See next line	See next line	2 2 2 2	2 2 2 2
				2250	D1TZ 5588-A			○ D8HZ 5705-E	○ D8HZ 5705-E		
								○ E0HZ 5705-A	○ D8HZ 5705-E		
								● E0HZ 5705-A	● E0HZ 5705-A		
								● E0HZ 5705-B	● E0HZ 5705-A		
	exc. Dana axle Dana axle	12 1		8100	E0HZ 5560-C	13, 15	w/o w/ w/o w/	See next line	See next line	2 2 2 2	2 2 2 2
				2150	D1TZ 5588-A			○ D8HZ 5705-E	○ D8HZ 5705-E		
								○ E0HZ 5705-A	○ D8HZ 5705-E		
								● E0HZ 5705-A	● E0HZ 5705-A		
								● E0HZ 5705-B	● E0HZ 5705-A		
exc. Dana axle Dana axle	13 1		9300	E0HZ 5560-D	15	w/o w/ w/o w/	See next line	See next line	2 2 2 2	2 2 2 2	
			2250	D1TZ 5588-A			D8HZ 5705-E	E0HZ 5705-A			
							B3Q 5705-B	E0HZ 5705-A			
							D5TZ 5705-D	D5TZ 5705-D			
							D5TZ 5705-B	D5TZ 5705-D			
							D5TZ 5705-B	D5TZ 5705-D			
exc. Dana axle Dana axle	14 1		10400	E0HZ 5560-E	17.5	w/o w/ w/	D1HZ 5705-G	D1HZ 5705-G	2 2 2 2	2 2 2 2	
			2250	D1TZ 5588-A			D1HZ 5705-G	D1HZ 5705-G			
							D5TZ 5705-B	D1HZ 5705-G			
							D1HZ 5705-B	D1HZ 5705-B			
							D1HZ 5705-B	D1HZ 5705-B			
							D1HZ 5705-B	D1HZ 5705-B			

## MODEL APPLICATION CHART

Refer to group 5563 for available leaves

YEAR	MODEL	SPRING				Axle Cap.	S H O C K S	U-BOLT			
		L V S.	IDENTIFICATION ▲	Average Capacity At Pad	PART NUMBER MAIN(5560) AUX.(5588)			PART NUMBER FOR EATON AXLE	Q T Y.	PART NUMBER FOR ROCKWELL AXLE	Q T Y.
5560	SPRING ASSY. (REAR)										
Notes:	▲ Where two different springs have the same number of leaves, check the stamped number or dimensions (see page 2 or 3) to pick the correct service number. ● -- w/4040 front spring ○ -- w/o 4040 front spring										

### L-LL-LN-LS SERIES

80/	L-LL-LN-LS800/900 -- w/o aux. spring	12		8100	C3TZ 5560-T	17.5 18.5		D0HZ 5705-S	4	D5TZ 5705-A	4			
								D1HZ 5705-A	4	Axle not avail.				
				13	9300			C3TZ 5560-U	17.5 18.5		D0HZ 5705-S	4	D5TZ 5705-A	4
											D1HZ 5705-A	4	Axle not avail.	
			22		D1HZ 5705-B	4	D0HZ 5705-T	4						
			23		D1HZ 5705-C	4	D1HZ 5705-A	4						

**1980/  
TRUCK SERIES 600/900**

**MODEL APPLICATION CHART**

Refer to group 5563 for available leaves

YEAR	MODEL	SPRING				Axle Cap.	S H O C K S	U-BOLT			
		L V S.	IDENTIFICATION ▲	Average Capacity At Pad	PART NUMBER MAIN(5560) AUX.(5588)			PART NUMBER FOR EATON AXLE	Q T Y.	PART NUMBER FOR ROCKWELL AXLE	Q T Y.

5560 SPRING ASSY. (REAR) — Cont'd

Notes: ▲ Where two different springs have the same number of leaves, check the stamped number or dimensions (see page 2 or 3) to pick the correct service number.

● -- w/4040 front spring ○ -- w/o 4040 front spring

**L-LL-LN-LS SERIES**

80/	L-LL-LN-LS800/900  -- w/aux. spring	13	▲	10500	D3HZ 5560-A	18.5		D1HZ 5705-A	4	Axle not avail.	
						22		D1HZ 5705-C	4	D1HZ 5705-B	4
						23		D1HZ 5705-E	4	D1HZ 5705-B	4
		14	▲	10400	C3TZ 5560-V	17.5		DOHZ 5705-S	4	D5TZ 5705-A	4
						18.5		D1HZ 5705-A	4	Axle not avail.	
						22		D1HZ 5705-C	4	DOHZ 5705-T	4
		15	▲	13000	C3TZ 5560-D	22		D1HZ 5705-E	4	DOHZ 5705-L	4
						23		D1HZ 5705-E	4	D1HZ 5705-B	4
		12	1	8100 2250	C3TZ 5560-T D1TZ 5588-A	17.5		See next line	4	See next line	
						18.5		D5TZ 5705-C	4	D5TZ 5705-C	4
								D1HZ 5705-B	4	Axle not avail.	
13	1	9300 2250	C3TZ 5560-U D1TZ 5588-A	17.5		See next line	4	See next line			
				18.5		D5TZ 5705-C	4	D5TZ 5705-C	4		
				22		D1HZ 5705-B	4	Axle not avail.			
13	1	10500 2250	D3HZ 5560-A D1TZ 5588-A	18.5		See next line	4	See next line			
				22		D1HZ 5705-C	4	Axle not avail.			
				23		D1HZ 5705-E	4	D1HZ 5705-C	4		
14	1	10400	C3TZ 5560-V D1TZ 5588-A	17.5		See next line	4	See next line			
				18.5		D1HZ 5705-G	4	D5TZ 5705-D	4		
				22		D1HZ 5705-B	4	Axle not avail.			
15	1	13000 2250	C3TZ 5560-D D1TZ 5588-A	22		See next line	4	See next line			
				23		D1HZ 5705-F	4	DOHZ 5705-M	4		
						D1HZ 5705-F	4	D1HZ 5705-C	4		
80/86	LN600/700  -- w/o aux. spring	12	▲	6760	C2TZ 5560-A	15	w/o	C8TZ 5705-D	4	B3Q 5705-A	4
							w/	C8TZ 5705-D,	2	B3Q 5705-A,	2
							w/	B3Q 5705-A	2	D5TZ 5705-A	2
		12	▲	8100	C3TZ 5560-T	15	w/o	B3Q 5705-A	4	B3Q 5705-A	4
							w/	B3Q 5705-A,	2	D5TZ 5705-A	2
							w/	D5TZ 5705-A	2	C6TZ 5705-E	2
						17.5	w/o	D5TZ 5705-A	4	★ C6TZ 5705-A	4
								D5TZ 5705-A	2	D5TZ 5705-A	2
								D5TZ 5705-C	2	D5TZ 5705-C	2
		13	▲	9300	C3TZ 5560-U	15	w/o	D1HZ 5705-A	4	Axle not avail.	
							w/	B3Q 5705-A	4	C6TZ 5705-E	4
								B3Q 5705-A,	2	C6TZ 5705-E,	2
13	▲	9300	C3TZ 5560-U	17.5	w/o	D5TZ 5705-A	2	D5TZ 5705-C	2		
					w/	D5TZ 5705-A	4	D5TZ 5705-C	4		
						D5TZ 5705-A	2	D5TZ 5705-C	2		
					w/	D5TZ 5705-A	2	D5TZ 5705-C	2		
					w/	D5TZ 5705-C	2	D1HZ 5705-G	2		
				18.5	w/o	D1HZ 5705-A	4	Axle not avail.			

1980/  
TRUCK SERIES 600/900

MODEL APPLICATION CHART

Refer to group 5563 for available leaves

YEAR	MODEL	SPRING				Axle Cap.	S H O C K S	U-BOLT			
		L V S.	IDENTIFICATION ▲	Average Capacity At Pad	PART NUMBER MAIN(5560) AUX.(5588)			PART NUMBER FOR EATON AXLE	Q T Y.	PART NUMBER FOR ROCKWELL AXLE	Q T Y.

5560

SPRING ASSY. (REAR) — Cont'd

Notes:

▲ Where two different springs have the same number of leaves, check the stamped number or dimensions (see page 2 or 3) to pick the correct service number.

● -- w/4040 front spring ○ -- w/o 4040 front spring

L-LL-LN-LS SERIES

80/86	LN600/700	14		10400	C3TZ 5560-V	17.5	w/o	D5TZ 5705-A	4	D5TZ 5705-C	4
							w/	D5TZ 5705-A	2	D5TZ 5705-C	2
							w/	D5TZ 5705-C	2	D1HZ 5705-G	2
						18.5	w/o	D1HZ 5705-A	4	Axle not avail.	
80/86	LN600/700 -- w/aux. spring	12		6760	C2TZ 5560-A	15	w/o	See next line		See next line	
		1		2250	D1TZ 5588-A		w/	D5TZ 5705-A	4	D5TZ 5705-A	4
							w/	D5TZ 5705-A	2	D5TZ 5705-A	2
							w/	D5TZ 5705-C	2	D5TZ 5705-C	2
		12		8100	C3TZ 5560-T	15	w/o	See next line		See next line	
		1		2250	D1TZ 5588-A		w/	D5TZ 5705-A	4	D5TZ 5705-C	4
							w/	D5TZ 5705-A	2	D5TZ 5705-C	2
							w/	D5TZ 5705-C	2	D1HZ 5705-G	2
						17.5	w/o	D5TZ 5705-C	4	D1HZ 5705-G	4
							w/	D5TZ 5705-C	2	D1HZ 5705-G	2
							w/	D5TZ 5705-C	2	D5TZ 5705-D	2
						18.5	w/	D1HZ 5705-G	2		
							w/o	D1HZ 5705-B	4	Axle not avail.	
		13		9300	C3TZ 5560-U	15	w/o	See next line		See next line	
		1		2250	D1TZ 5588-A		w/	D5TZ 5705-A	4	D5TZ 5705-C	4
							w/	D5TZ 5705-A	2	D5TZ 5705-C	2
							w/	D1HZ 5705-G	2	D1HZ 5705-G	2
						17.5	w/o	D5TZ 5705-C	4	D5TZ 5705-C	4
							w/	D5TZ 5705-C	2	D5TZ 5705-C	2
							w/	D1HZ 5705-G	2	D1HZ 5705-G	2
						18.5	w/o	D1HZ 5705-B	4	Axle not avail.	
		14		10400	C3TZ 5560-V	17.5	w/o	See next line		See next line	
		1		2250	D1TZ 5588-A		w/	D1HZ 5705-G	4	D5TZ 5705-D	4
							w/	D1HZ 5705-G	2	D5TZ 5705-D	2
							w/	D5TZ 5705-D	2	D5TZ 5705-B	2
						18.5	w/o	D1HZ 5705-B	4	Axle not avail.	

LNT-LT-LTL-LTS SERIES

80/	LNT-LT-LTL-LTS800/900 -- steel susp.	12		15500	C5TZ 5560-M	32		C5TZ 5705-A	4	Axle not avail.	
		12		15500	C5TZ 5560-M	34		C5TZ 5705-A	4	C5TZ 5705-A	4
		12		16700	D0HZ 5560-A	38		D0HZ 5887-A	8	D0HZ 5887-A	8
		12		16700	D0HZ 5560-A	44		D0HZ 5887-A	8	D0HZ 5887-A	8
		12		19600	D2HZ 5560-A	50		D2HZ 5887-A	8		
	-- extended leaf susp.	12		15500	C6TZ 5560-D	32		C5TZ 5705-A	4	Axle not avail.	
		12		15500	C6TZ 5560-D	34		C5TZ 5705-A	4	C5TZ 5705-A	4
		12		15500	C6TZ 5560-D	38		C5TZ 5705-A	4	C5TZ 5705-A	4

**1980/  
TRUCK SERIES 600/900**

**MODEL APPLICATION CHART**

Refer to group 5563 for available leaves

YEAR	MODEL	SPRING				Axle Cap.	S H O C K S	U-BOLT		
		L V S.	IDENTIFICATION ▲	Average Capacity At Pad	PART NUMBER MAIN(5560) AUX.(5588)			PART NUMBER FOR EATON AXLE	Q T Y.	PART NUMBER FOR ROCKWELL AXLE

5560 SPRING ASSY. (REAR) — Cont'd

Notes: ▲ Where two different springs have the same number of leaves, check the stamped number or dimensions (see page 2 or 3) to pick the correct service number.  
● -- w/4040 front spring ○ -- w/o 4040 front spring

**LNT-LT-LTL-LTS SERIES**

80/83	LNT-LT-LTL-LTS800/900 -- Reyco susp.	14		★ D8HZ 5560-J	34		D1HZ 5705-G	4	D1HZ 5705-G	4
					38		D1HZ 5705-G	4	D1HZ 5705-G	4
		14	9000	D9HZ 5560-A	34		D1HZ 5705-G	4	D1HZ 5705-G	4
		16	15500	D1HZ 5560-A	34		D1HZ 5705-G	4	D1HZ 5705-G	4
					38		D1HZ 5705-G	4	D1HZ 5705-G	4
84/88	LNT-LT-LTL900 Hendrickson E4-340 susp. Hendrickson E4-380 susp.	8	7500	E4HZ 5560-A			E6HZ 5705-K	8	E6HZ 5705-K	8
		8	8100	E4HZ 5560-B			E6HZ 5705-K	8	E6HZ 5705-K	8
89	LNT-LT-LTL-LTS900 Hendrickson E4-360 Hendrickson E4-400	8	7500	E4HZ 5560-A			E9HZ 5705-A	8	E9HZ 5705-A	8
		8	8100	E4HZ 5560-B			E9HZ 5705-A	8	E9HZ 5705-A	8
89/	LNT-LT-LTL-LTS900 -- Hendrickson air susp.						E9HZ 5705-B	8	E9HZ 5705-B	8

SPRING ASSY.	LEAF NO.	LEAVES	SPRING ASSY.	LEAF NO.	LEAVES
--------------	----------	--------	--------------	----------	--------

5563 NO. 1 LEAF ASSY. (REAR)—Refer to group 5560 for Model Application. Determine applicable Spring Assy. part number. Find Spring Assy. part number below and read across to find part number of leaf desired.

● Radius eye leaves and bushing assy.

B7QH 5560-A	1	★B7Q 5563-A	D2HZ 5560-A	All	Not avail.
	2	B7Q 5565-A	D3TZ 5560-K	1	D3TZ 5563-K
B7QH 5560-C	1	B7QH 5563-A		2	C3TZ 5565-B
	2	★B7QH 5565-A		12	●C2TZ 5930-A
C2TZ 5560-A	1	C2TZ 5563-A	D3HZ 5560-A	1	D3HZ 5563-A
	2	C2TZ 5565-A		2	D3HZ 5565-A
	11	●C2TZ 5930-A		12	●C2TZ 5930-A
★C2TZ 5560-E	1	★C2TZ 5563-E	D7HZ 5560-B	All	Not avail.
	2	★C2TZ 5565-E	D8HZ 5560-G	All	Not avail.
	11	C2TZ 5930-A	★D8HZ 5560-J	All	Not avail.
C3TZ 5560-T	1	C3TZ 5563-F	D9HZ 5560-A	All	Not avail.
	2	C3TZ 5565-C	★D9HZ 5560-B	All	Not avail.
	11	●C2TZ 5930-A	E0HZ 5560-B	All	Not avail.
C3TZ 5560 U	1	C3TZ 5563-G	E0HZ 5560-C	All	Not avail.
	2	C3TZ 5565-D	E0HZ 5560-D	All	Not avail.
	3	C3TZ 5566-B	E0HZ 5560-E	All	Not avail.
	12	●C2TZ 5930-A	★E0HZ 5560-F	All	Not avail.
C3TZ 5560-V	1	C3TZ 5563-H	★E3HZ 5560-A	1	★E3HZ 5564-B
	2	C3TZ 5565-E		2	★E3HZ 5565-B
	3	C3TZ 5566-A		3	★E3HZ 5566-B
	13	●C2TZ 5930-A		4	★E3HZ 5567-B
C5TZ 5560-M	1	C5TZ 5563-N		5	★E3HZ 5568-B
	2	C5TZ 5565-M		6	★E3HZ 5569-B
C6TZ 5560-D	1	C6TZ 5563-C		7	★E3HZ 5570-B
	2	C6TZ 5565-C	E3HZ 5560-B	1	Not avail.
C6TZ 5560-V	1	★C6TZ 5563-U		2	Not avail.
	2	★C6TZ 5565-M	E3HZ 5560-C	1	Not avail.
D0HZ 5560-A	1	D0HZ 5563-A		2	Not avail.
	2	D0HZ 5565-A	E3HZ 5560-D	1	Not avail.
D1HZ 5560-A	1	D3TZ 5563-K		2	Not avail.
	3	C3TZ 5565-B			
	15	●C2TZ 5930-A			

1980/  
TRUCK SERIES 600/900

SPRING ASSY.	LEAF NO.	LEAVES	SPRING ASSY.	LEAF NO.	LEAVES
5563	NO. 1 LEAF ASSY. (REAR)-Refer to group 5560 for Model Application. Determine applicable Spring Assy. part number. Find Spring Assy. part number below and read across to find part number of leaf desired.				

• Radius eye leaves and bushing assy.

E3HZ 5560-E	1	★E3HZ 5564-A	E4HZ 5560-B	1	★E4HZ 5564-B
	2	★E3HZ 5565-A		2	★E4HZ 5565-B
	3	★E3HZ 5566-A		3	★E4HZ 5566-B
	4	★E3HZ 5567-A		4	★E4HZ 5567-B
	5	★E3HZ 5568-A		5	★E4HZ 5568-B
	6	★E3HZ 5569-A		6	★E4HZ 5569-B
	7	★E3HZ 5570-A		7	★E4HZ 5570-B
E4HZ 5560-A	1	★E4HZ 5564-A	8	★E4HZ 5571-B	
	2	★E4HZ 5565-A	9	★E4HZ 5572-B	
	3	E4HZ 5566-A			
	4	★E4HZ 5567-A			
	5	★E4HZ 5568-A			
	6	★E4HZ 5569-A			
	7	★E4HZ 5570-A			
	8	★E4HZ 5571-A			
	9	★E4HZ 5572-A			

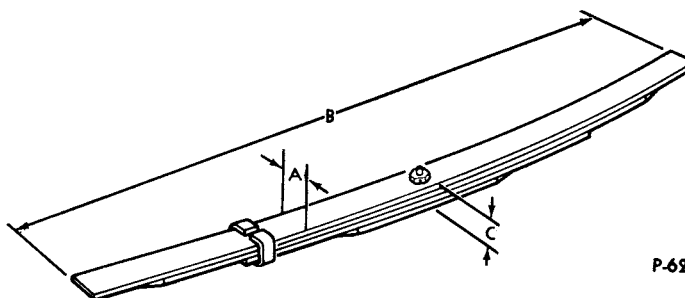
YEAR	MODEL/RESTRICTIONS	PART NUMBER	DESCRIPTION	QTY.
5565-6	Refer to group 5560 for Model Application. Determine applicable spring assy. part number. Find spring assy. part number in group 5563 and read across to find part number of leaf desired.			
<b>5A565 SPACER (REAR SUSP.)</b>				
88/	CFT800	E8HZ 5A565-A		2
<b>5A567 PLATE (REAR SPRING SEAT END)</b>				
80/	CL-LNT-LT-LTL-LTS800/900	C5TZ 5A567-A	Aluminum	2
<b>5A570 WASHER (REAR SPRING "U" BOLT)</b>				
80/	CLT900 exc. E4 & air susp.	D8HZ 5A570-A		4
89	CLT-LNT-LT-LTL-LTS900 -- w/Hendrickson E4 & air susp.	E9HZ 5A570-A		4
<b>5A574 SPACER (SUSPENSION BRACKET)</b>				
80	CL-CLT900-Reyco susp.	★D8HZ 5A574-B r/bE1HZ 5781-B	3 1/8" long-1 1/8" O.D.-3/4" I.D.-Fits inside D8HZ 5A574-D	8
80	CL-CLT900-Reyco susp.	D8HZ 5A574-C	3 3/8" long-2" O.D.-1" I.D.	2
80	CL-CLT900-Reyco susp.	★D8HZ 5A574-D r/bE1HZ 5781-B	3" long-1 1/2" O.D.-1 1/8" I.D.	8
89	CLT-LT-LNT-LTL-LTS900 -- w/Hendrickson E4 & air susp.	E9HZ 5A570-A		16
83/	All-with Hendrickson susp.-exc. E4 & air susp.	E3HZ 5A574-A		2
84/	All-with Hendrickson susp. E4 & air susp.	E4HZ 5A574-A	Spacer	4
89	CLT-LNT-LT-LTL-LTS900 -- w/Hendrickson E4 & air susp.	E9HZ 5A574-A		4
<b>5580 SPRING ASSY. (REAR SUSPENSION AIR)-Also refer to group 5888</b>				
80/87	LNT-LT-LTL900 -- Newway susp.	D2HZ 5580-A		4
88/	LNT-LT-LTL-LTS900 -- Newway susp.	E8HZ 5580-A		4
80/87	CLT900-Newway	D8HZ 5580-A		4
89	CLT-LNT-LT-LTL-LTS Series w/Hendrickson air susp.	E9HZ 5580-A		4

5588

SPRING ASSY. (AUXILIARY)—For model application refer to group 5560

**HOW TO FIND A SERVICE PART NUMBER FOR AN AUXILIARY SPRING**

1. USE THE PHYSICAL DIMENSIONS
  - a. Refer to the chart (below) and the illustration (below) to find a service part number with dimensions which match those desired.
  - b. After locating a spring service number, refer to group 5589 for available leaves.
2. USE THE STAMPING NUMBER
  - a. Find a stamping number on the spring.
  - b. Refer to the chart (below) to find a service part number which corresponds to the stamping number.
  - c. After locating a spring service number, refer to group 5589 for available leaves.
3. USE THE MODEL and YEAR OF THE TRUCK
  - a. Determine the year and model of the truck. (It may also be necessary to know the rear axle capacity and manufacturer.
  - b. Refer to the Model Application Chart in group 5560 to find the service part number.
  - c. After locating a spring service number, refer to group 5589 for available leaves.



P-6204

**AUXILIARY SPRING IDENTIFICATION CHART**

DIMENSION (INCHES)			NO. OF LEAVES	LEAF THICKNESS	CAPACITY AT PAD	IDENTIFICATION		PART NUMBER	
A	B	C							
3	39	43/64	1	(1) 43/64"	2500	D1TA	5588-AA	D1TZ	5588-A
3	40	3 5/32	9	(2) 5/16", (7) 3/8"	3000	TAJAA	5588-A	B8QH	5588-A
3	40 1/2	2 1/64	7	(4) 7/16", (3) 21/64"	2050	7EQ	5588-B	B4Q	5588-A
3	41	2 33/64	7	(7) 23/64"	2600	TUAA	5588-B	B4QH	5588-A

SPRING ASSY.	LEAF NO.	LEAVES	SPRING ASSY.	LEAF NO.	LEAVES
5589-90					

LEAF (AUXILIARY SPRING)—Refer to group 5560 for Model Application. Determine applicable Spring Assy. part number. Find Spring Assy. part number below and read across to find part number of leaf desired.

D1TZ	5588-A	1	Order Assy.		
YEAR	MODEL/RESTRICTIONS		PART NUMBER		DESCRIPTION

5A593	Refer to group 5889				
-------	---------------------	--	--	--	--

5594		SPACER (AUXILIARY SPRING TO REAR SPRING)			
86/	CF600/800	E6HZ	5594-A		1
80/	C600/900	C7TZ	5594-C		2
80/87	B-F600/800	E0HZ	5594-A	Main	2
87/	LS9000				2
88/	B-F600/800	E8HZ	5594-B		2
88/	CL900 -- w/23M Rockwell & aux. spg.	E8HZ	5594-A		2
80/	CL-CLT900	D8HZ	5594-A	Auxiliary	2
80/	L-LN800/900				2
87/	LS9000				2

5A597		PIN-REAR TORQUE ARM END			
80/	LNT-LT-LTS900	D7HZ	5A597-B		2

5A598-9	Refer to group 5888				
---------	---------------------	--	--	--	--



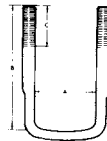
1980/  
TRUCK SERIES 600/900

YEAR	MODEL/RESTRICTIONS	PART NUMBER	DESCRIPTION	QTY.
<b>5A602</b> Refer to Group 5775				
<b>5A606</b> BOLT (REAR SUSPENSION SUPPORT BEAM BAR)-also refer to group 5775				
80/83	LNT-LT-LTL900 - Reyco suspension	DOHZ 5A606-D	1 1/4"-12 x 8 3/4" long-rear spring center equalizer to bracket	2
80/	CL-CLT900	D8HZ 5A606-B		2
84/	CL-LNT-LT-LTL900 - - use with E4 susp.	E4HZ 5A606-A		2
<b>5A608</b> NUT ASSY. (REAR SUSPENSION SUPPORT BEAM)				
80/	LNT-LT-LTL900 - Reyco suspension	DOHZ 5A608-A		2
80/	CL-CLT900	★ D8HZ 5A608-B	R/b DOHZ 5886-A	2
<b>5A611</b> BOLT (REAR SUSPENSION BAR CLAMP)				
80/	CLT900	D8HZ 5A611-C		8
<b>5A612</b> STUD (REAR SUSPENSION SUPPORT BEAM) - Refer to group 5888				
<b>5A615</b> NUT (REAR SUSPENSION BAR CLAMP BOLT)-Also refer to group 5A879				
80/	LNT-LT-LTS800 - - diesel, LNT, LT-LTS900-Hendrickson RT-441, 444, T-500 susp.	DOHZ 5A615-A	1 3/8"-18	8
<b>5A646</b> ADAPTER ASSY. (REAR SUPPORT BEAM END BUSHING)-Also refer to group 5889				
80/86	LNT LT LTL900 - - Newway susp. "Before 5/86"	D8HZ 5873-B	Front	4
		D2HZ 5A646-A	Rear	4
86/	LNT-LT-LTL-LTS900 - - Newway susp. "From 5/86"	E6HZ 5A646-A	Front	4
		D2HZ 5A646-A	Rear	4
80/82	CLT900-Newway "Before 10/1/81"	D2HZ 5A646-B	Front	4
		D2HZ 5A646-A	Rear	4
		D5TZ 5A646-A	Center	2
82/86	CLT900 Newway "From 10/1/81 to 5/86"	D8HZ 5873-B	Front	4
		D2HZ 5A646-A	Rear	4
		D5TZ 5A646-A	Center	2
86/87	CLT900 - - Newway susp. "From 5/86"	E6HZ 5A646-A	Front	4
		D8HZ 5873-A	Rear	4
80/	LNT-LT-LTS800/900	D8HZ 5A646-C		4
<b>5A664</b> ROD ASSY. (REAR SPRING LEVELING VALVE ARM)				
89	All - - w/Hendrickson air susp.	E9HZ 5A664-A		1
<b>5K670</b> RETAINER (REAR SUSPENSION REAR BRACKET GREASE)				
80/	LNT-LT-LTS800 - - diesel, LNT-LT-LTL-LTS900 - - Hendrickson RT-441, 444 or T-500 susp.	DOHZ 5K670-B		8
<b>5K672</b> BRACKET (REAR SPRING CLIP)-Refer to group 5775				
<b>5L672</b> BRACKET KIT (CENTER HANGER)				
81	CL-CLT900-Reyco susp.	E1HZ 5L672-A	Field fix 996-HT	1
<b>5K678</b> BLOCK (REAR SUSP. ALIGNMENT)				
86/	CLT-LT-LNT-LTL-LTS900 - - Newway susp.	E6HZ 5K678-A		4
<b>5A690</b> LINK ASSY. (REAR SUSPENSION LEVELER VALVE ACTUATOR)				
80/86	LN-LNT-LTL900 - - Newway susp.	E8HZ 5A690-C		2
87	LN-LNT-LTL900 - - Newway susp.	E8HZ 5A690-C		2
88/	LN-LNT-LTL900 - - Newway susp.	E8HZ 5A690-B		2
80/86	CL-CLT900 - - Newway susp.	E8HZ 5A690-D		2
87	CL-CLT900 - - Newway susp.	E8HZ 5A690-D		2
<b>5A691</b> BRACKET (REAR SUSPENSION LEVELER VALVE ACTUATOR)				
80/	LN-LNT-LTL900 - - Newway susp.	D4HZ 5A691-A		1
80/87	CL-CLT900 - - Newway susp.	D8HZ 5A691-A		1
<b>5A697</b> SPACER (REAR SUSPENSION CENTER BUSHING)				
80/	LNT-LT-LTL900 - - Newway susp.	★ D2HZ 5A697-A	#D4HA 5A697-AA	8
<b>5700</b> BRACKET (AUXILIARY SPRING)				
80/	C600/900	B8QH 5700-A	21.75 sect. mod. frame	4

**1980/  
TRUCK SERIES 600/900**

YEAR	MODEL/RESTRICTIONS	PART NUMBER	DESCRIPTION	QTY.
<b>5700 BRACKET (AUXILIARY SPRING) — Cont'd</b>				
80/85	C600/900	E0HZ 5700-A	Exc. 21.75 sect. mod frame	4
86/	C600/900		Exc. 21.75 sect. mode frame-rear	2
86/	C600/900	E6HZ 5700-A	Exc. 21.75 sect. mode frame-front	2
86/	CF600/800	E7HZ 5700-A		4
80/	CL900	D8HZ 5700-A		4
87/	LL-LS9000			4
80/	B-LN600/700	E0HZ 5700-A		4
80/	F600/800 (exc. 23M rear axle)			4
80/	L-LN800/900	D8HZ 5700-A		4
83	F-FT600/800 -- (23M rear axle)			4
<b>5702 BOLT (AUXILIARY SPRING TIE)</b>				
86/	CF700	E7HZ 5702-A	Use with E6HZ 5588-A	2
87	CF600	E6HZ 5702-B	Use with E6HZ 5588-C	2
87	CF700	E7HZ 5702-B	Use with E7HZ 5588-A	2
87	CF800	E7HZ 5702-D	Use with E7HZ 5588-C	2
<b>5703 CLAMP (AUXILIARY SPRING)</b>				
86/	CF600/800	E6HZ 5703-A		1
86/	CF600	E6HZ 5703-B		1
86/	CF700/800	E6HZ 5703-C		1
86	CF700	E6HZ 5703-F	Use with E6HZ 5588-A	2
87	CF600	E7HZ 5703-B	Use with E6HZ 5588-C	2
87	CF700/800	E7HZ 5703-A	Use with E7HZ 5588-A	2
80/82	F600/700	★ TUAA 5703-A		2
<b>5A704</b>	<b>Refer to group 5889</b>			

**5705 U BOLT (REAR SPRING)**—For model application refer to group 5560 Rear Spring and U-Bolt chart



A			B			C			THREAD SIZE	PART NUMBER	A			B			C			THREAD SIZE	PART NUMBER
3 1/32"	14 3/16"	3 9/16"	3/4"-16	C6TZ 5705-E	3 1/32"	18 1/2"	3 3/4"	3/4"-16	D5TZ 5705-B												
3 1/32"	14 1/2"	4 3/4"	3/4"-16	D5TZ 5705-A	3 1/32"	19 1/2"	3 3/4"	3/4"-16	D5TZ 5705-E												
3 1/32"	15"	3 13/16"	3/4"-16	D8HZ 5705-B	3 1/16	16	3 3/4	7/8-14	D1HZ 5705-A												
3 1/32	15 3/16	3 9/16	3/4-16	D8HZ 5705-E	3 1/16	16 1/2	4 3/4	3/4-16	D1HZ 5705-G												
3 1/32"	15 1/2"	3 3/4"	3/4"-16	D5TZ 5705-C	3 1/16	17	3 3/4	7/8-14	D1HZ 5705-B												
3 1/32	16	3 13/16	3/4-16	E0HZ 5705-C	3 1/16	17	3 9/16	3/4-16	★D0HZ 5705-D												
3 1/32	16 3/16	3 9/16	3/4-16	E0HZ 5705-A	3 1/16	18	3 3/4	7/8-14	D1HZ 5705-C												
3 1/32"	16 1/2"	3 13/16"	3/4-16	D8HZ 5705-A	3 1/16"	18 1/2"	3 1/2"	3/4-16	D0HZ 5705-F												
3 1/32	17 3/16	3 9/16	3/4-16	E0HZ 5705-B	3 1/16	20	3 3/4	7/8-14	D1HZ 5705-F												
3 1/32"	17 1/2"	3 3/4"	3/4"-16	D5TZ 5705-D	3 1/16	19	3 3/4	7/8-14	D1HZ 5705-E												

YEAR	MODEL/RESTRICTIONS	PART NUMBER	DESCRIPTION	QTY.
<b>5708 PLATE (REAR SPRING U-BOLT)—Also refer to group 5888-9</b>				
<b>B SERIES</b>				
80/	B600/700 -- 13M, 15M axles	D2TZ 5708-A	6 9/64" long x 7 1/16" thick x 3" wide	2
80/	B600/700 -- 17.5M axles	D5TZ 5708-A	5 3/4" long x 5/8" thick x 2 3/4" wide	2
80/	B700/800 -- 18.5M, 22M axles	D8HZ 5708-B	7 1/8" long x 53/64" thick x 3" wide	2
<b>CF SERIES</b>				
87/	CFT800	E4HZ 5708-A		4
<b>CL-CLT SERIES</b>				
80/	CL-CLT900	D8HZ 5708-A	Reyco susp.	4
80/	CL-CLT900	D8HZ 5708-B	Hendrickson susp.—exc. E4 & air susp.	2
84/88	CLT900 -- Hendrickson E4-340-380 susp.	E4HZ 5708-A		4
89	CL Series -- w/Hendrickson E4 & air susp.	E9HZ 5708-A		4

1980/  
TRUCK SERIES 600/900

YEAR	MODEL/RESTRICTIONS	PART NUMBER	DESCRIPTION	QTY.
<b>5708 PLATE (REAR SPRING U-BOLT)-Also refer to group 5888-9 - Cont'd</b>				
<b>C-CT SERIES</b>				
80/	C600/700 -- 15M, 17.5M axles	7EQ 5708-A		2
80/	C700/900 -- Eaton 18.5M, 22M, 23M axles	D8HZ 5708-B	7 1/8" long x 53/64" thick x 3" wide	2
80/	CT800/900	C3TZ 5708-D	Spacer-rear spring-"U" bolt-8 11/16" long x 2" thick x 3 7/8" wide	2
<b>F SERIES</b>				
80/	F600/800 -- 13M, 15M axles	D2TZ 5708-A	6 9/64" long x 7/16" thick x 3" wide	2
80/	F600/800 -- 17.5M axles	D5TZ 5708-A	5 3/4" long x 5/8" thick x 2 3/4" wide	2
80/	F700 -- 18.5M, 22M axles	D8HZ 5708-B	7 1/8" long x 53/64" thick x 3" wide	2
<b>L-LN-LNT-LT-LTS SERIES</b>				
80/86	LN600/700 -- 13M, 15M axles	D2TZ 5708-A	6 9/64" long x 7/16" thick x 3" wide	2
80/86	LN600/700 -- 17.5M axles	D5TZ 5708-A	5 3/4" long x 5/8" thick x 2 3/4" wide	2
80/86	LN700 -- 18.5M, 22M axless	D8HZ 5708-B	7 1/8" long x 53/64" thick x 3" wide	2
80/86	L-LN800/900 -- Rockwell (Timken)-22M axle	C3TZ 5708-A	7 5/8" long x 53/64" thick x 3" wide	2
80/86	L-LN800/900 -- 17.5M axle	D5TZ 5708-A	5 3/4" long x 5/8" thick x 2 3/4" wide	2
80/86	L-LN800/900 -- Rockwell (Timken)-23M and Eaton 18.5M, 22M, 23M axles	D8HZ 5708-B	7 1/8" long x 53/64" thick x 3" wide	2
87/	L-LL-LN-LS800/900			2
80/	LNT-LT-LTL-LTS800/900 -- Hendrickson RU & RUE-340 susp.	C5TZ 5708-A	Spacer-rear spring-"U" bolt-8 1/4" long x 1" thick x 4 1/8" wide	1
80/	LNT-LTLTL-LTS800/900 -- Hendrickson RT-381-441-444 susp.	D3HZ 5708-A		4
80/88	LNT-LT-LTL-LTS900 -- w/Hendrickson RT500 susp.	D7HZ 5708-A	11 1/4"	2
84/88	LN-LT-LTL900 -- Hendrickson E4-340-380 susp.	E4HZ 5708-A		4
89	L-LN series w/Hendrickson E4 & air susp.	E9HZ 5708-A		4
80/83	LNT-LT-LTL900 -- Reyco suspension	E2HZ 5708-A	8 1/2" x 3"	2
<b>5A712 VALVE ASSY. (REAR SUSPENSION LEVEL)</b>				
80/87	LNT-LT-LTL900 -- Neway susp.	E8HZ 5A712-B	#D4HA 5A687-AA	1
80/86	CL-CLT900-Neway	D8HZ 5A712-B		1
87	CL-CLT900 -- Neway	E8HZ 5A712-C		1
88/	LNT-LT-LTL900 -- Neway	E8HZ 5A712-D		1
89	CL-L-LN series w/Hendrickson air susp.	F0HZ 5A712-A		1
<b>5L712 VALVE ASSY. (REAR SUSPENSION LEVELER)</b>				
80/87	LN-LNT-LTL-LT-LTS900 -- Neway susp.	E8HZ 5L712-A		2
88/	LN-LNT-LTL-LT-LTS900 -- Neway susp.	E8HZ 5L712-A		2
80/86	CL-CLT900 -- Neway susp.	D8HZ 5L712-A		2
87	CL-CLT900 -- Neway	E8HZ 5L712-B		2
<b>5721 BOLT (REAR SPRING TIE) - Also refer to 5888 group</b>				
86/	CF600	E7HZ 5721-B	Use with E6HZ 5560-A	2
86	CF700 -- use w/E6HZ 5560-B	C2TZ 5721-C		2
87	CF700 -- use w/E6HZ 5560-B	E7HZ 5721-D		2
86	CF700 -- use w/E6HZ 5560-C	E6HZ 5721-B		2
87/	CF600/700 -- 6.6L eng.	E7HZ 5721-C	Use with E7HZ 5560-A	2
87/	CF700/800 -- 7.8L eng.	E7HZ 5721-D		2
80/	CT900	D5HZ 5721-A	7 7/8" long 1/2" diam.	AR
80/	CL-CLT900-RT-RTA-380	D8HZ 5721-A	1/2"-20 x 6 3/4"	2
80/	CL-CLT900-UA-340	D8HZ 5721-B	1/2"-20 x 6 1/8"	2
80/	CLT900 -- UEA-340	C6TZ 5721-F	1/2"-20 x 6 7/8"	2
80/	CLT9000-RTEA-380	D8HZ 5721-C	1/2"-20 x 7"	2

1980/  
TRUCK SERIES 600/900

YEAR	MODEL/RESTRICTIONS	PART NUMBER	DESCRIPTION	QTY.
<b>5721 BOLT (REAR SPRING TIE)-Also refer to 5888 group -- Cont'd</b>				
84/	CLT900 -- Hendrickson E4-380 susp.	E4HZ 5721-B		2
84/	CLT900 -- Hendrickson E4-340 susp.	E4HZ 5721-A		2
80/	B-F600	C2TZ 5721-C	1/2"-20 x 5 13/32"	2
80/82	LT-LTL-LTS-LNT900-RT-500	D7HZ 5721-A	8 1/2" long x 1/2" Diam.	2
80/	LT-LTS-LNT800/900- RT381/444	E0HZ 5721-A	1/2"-20 x 8"	2
84/	LNT-LT-LTL900 -- Hendrickson E4-380 susp.	E4HZ 5721-B		2
84/	LNT-LT-LTL900 -- Hendrickson E4-340 susp.	E4HZ 5721-A		2
82/	LTL900	E1HZ 5721-A		2
<b>5722 NUT (REAR SPRING CENTER BOLT HEX)</b>				
80/	All	D7HZ 5722-A		2
<b>5723 BOLT (SPRING CLAMP)</b>				
87/	CF600/800	C0TT 5723-A		4
<b>5724 CLAMP (REAR SPRING)</b>				
86	CF600	E6HZ 5724-A	Use with E6HZ 5560-B	4
86	CF700	E6HZ 5724-B	Use with E6HZ 5560-C	2
86	CF600	E7HZ 5724-B	Use with E6HZ 5560-A	
87/	CF600/700	E7HZ 5724-C	Use with E7HZ 5560-A	4
<b>5724 CLAMP KIT (REAR SPRING)</b>				
80/	All -- with 2 1/4" wide spring Consists of 1-378810-S	C6TZ 5724-D	Clamp 1-378811-S Retainer	AR
80/	All -- with 2 1/2" wide springs Consists of 1-378804-S	C6TZ 5724-E	Clamp 1-378805-S Retainer	AR
<b>5729 Refer to group 5793</b>				
<b>5731 SPACER (SPRING CLAMP)-If application not shown, procure locally</b>				
80/	B-F-L-LN600/900	C0TT 5731-B		2
87/	CF600/800			4
86	CF600/700	E6HZ 5731-A		1
<b>5732 INSULATOR (REAR SPRING)</b>				
89	LT-LNT-LTS-LTL- w/rubber susp.	E9HZ 5732-A		2
<b>5A743 VALVE (REAR SUSPENSION LEVELER)</b>				
80/	LN-LNT-LTL900 -- Neway susp.	★ D4HZ 5A743-A	R/b E8HZ 5A744-A	1
<b>5A744 ARM (REAR SUSPENSION LEVELER VALVE)</b>				
88/	LNT-LT-LTL-LTS900	E8HZ 5A744-A		1
<b>5753 SPACER (REAR SPRING HANGER)</b>				
86/	CF600/800	E6HZ 5753-A		2
80/82	CT800/900 -- Hendrickson rubber RS-340 susp.	★ C4TZ 5753-A	9/32" thick x 21/32" dia. axle	AR
80/	CT800/900 Hendrickson steel RUE-340 susp.	C9TZ 5753-D		AR
80/	LNT-LT-LTS800/900 -- Hendrickson susp.	E0HZ 5753-A		8
80/	LNT-LT-LTL-LTS900 -- Neway susp.	E5HZ 5753-A		2
<b>5K758 PLATE ASSY. (REAR SPRING RETAINER)</b>				
80/	CL-CLT900	D8HZ 5K758-A		4
<b>5A772 BAR (STABILIZER) REAR</b>				
86/	CF600/700	E6HZ 5A772-A		1

1980/  
TRUCK SERIES 600/900

YEAR	MODEL/RESTRICTIONS	PART NUMBER	DESCRIPTION	QTY.
<b>5775 BRACKET (REAR SUSPENSION SUPPORT BEAM)</b>				
80/84	LNT-LT-LTL900 - - Neway susp.	D2HZ 5775-B	R.H.	2
		D2HZ 5775-D	L.H.	2
85/	LNT-LT-LTL900-Neway	E5HZ 5775-D	R.H.	2
		D2HZ 5775-D	L.H.	2
80/84	CL900-Neway	D2HZ 5775-B	Bracket-R.H.	1
		D2HZ 5775-D	Bracket-L.H.	1
		D2HZ 5775-C	Outside of frame	2
80/84	CLT900-Neway	D8HZ 5775-C	Bracket-R.H. and L.H.	4
		E6HZ 5775-L	Spring-upper	4
85/87	CL900-Neway	E5HZ 5775-D	R.H.	1
		D2HZ 5775-D	L.H.	1
85/87	CLT900-Neway	E5HZ 5775-B	R.H. & L.H.	4
		D8HZ 5775-F	Spring-upper	4

**5775 BRACKET (REAR SPRING SHACKLE)**

Spring shackle brackets and related parts are arranged below in parts list form. The parts lists are in order by truck model.

**B SERIES**

80/	B600/700 (cast brackets) - - with frames w/reinf.	E0HZ 5775-G	Bracket-R.H. spring front	1
		E0HZ 5775-H	Bracket-L.H. spring front	1
		E0HZ 5775-F	Bracket-R.H. spring rear	1
		E0HZ 5775-E	Bracket-L.H. spring rear	1
		D0HZ 5780-B	Pin-spring front bracket	2
		C2TZ 5781-A	Bushing-spring front	2
		C2TZ 5969-A	Pin-spring bracket front & rear-rebound	4
80/	B600/700 (cast brackets) - - with frames w/o reinf.	D0HZ 5775-A	Bracket-R.H. spring front	1
		D0HZ 5775-B	Bracket-L.H. spring front	1
		D8HZ 5775-T	Bracket-R.H. spring rear	1
		D8HZ 5775-U	Bracket-L.H. spring rear	1
		D0HZ 5780-B	Pin-spring front bracket	2
		C2TZ 5781-A	Bushing-spring front	2
		C2TZ 5969-A	Pin-spring bracket front & rear-rebound	4
80/	B600/700 (stamped brackets)	E0HZ 5775-A	Bracket-R.H. spring front	1
		E0HZ 5775-B	Bracket-L.H. spring front	1
		E0HZ 5775-C	Bracket-R.H. spring rear	1
		E0HZ 5775-D	Bracket-L.H. spring rear	1
		E0HZ 5781-A	Bushing-spring front	2

**C SERIES**

80/	C600/900	C1TT 5775-G	Bracket-R.H. and L.H. spring front and rear - - 15M, 17.5M, 18.5M, 22M axle w/hyd. brakes Bracket-R.H. and L.H.-spring rear-22m, 23m axle with air brakes	2/4 2
		D5HZ 5775-A	Bracket-R.H. and L.H. spring front-22m, 23m axles with air brakes	2
		C0TT 5776-A	Shackle-spring rear	2
		B7Q 5780-A	Pin-spring bracket and shackle	6
		7EQ 5781-A	Bushing-spring front and rear	4
		★ C0TT 5791-A	Bushing-spring rear shackle	4

**CF SERIES**

86	CF600/700	E0HZ 5775-G	Bracket-R.H. spring front	1
		E0HZ 5775-H	Bracket-L.H. spring front	1
		E0HZ 5775-F	Bracket-R.H. spring rear	1
		E0HZ 5775-E	Bracket-L.H. spring rear	1
		D0HZ 5780-B	Pin-spring front bracket	2
		C2TZ 5781-A	Bushing-spring front	2
		C2TZ 5969-A	Pin-spring bracket front & rear-rebound	4

1980/  
TRUCK SERIES 600/900

YEAR	MODEL/RESTRICTIONS	PART NUMBER	DESCRIPTION	QTY.
5775	BRACKET (REAR SPRING SHACKLE) — Cont'd			
	Spring shackle brackets and related parts are arranged below in parts list form. The parts lists are in order by truck model.			
CF SERIES				
87/	CF600/700 -- 6.6L	E0HZ 5775-G	Bracket-R.H. spring front	1
		E0HZ 5775-H	Bracket-L.H. spring front	1
		E0HZ 5775-F	Bracket-R.H. spring rear	1
		E0HZ 5775-E	Bracket-L.H. spring rear	1
		D0HZ 5780-B	Pin-spring front bracket	2
		C2TZ 5781-A	Bushing-spring front	2
		C2TZ 5969-A	Pin-spring bracket-rebound	4
87/	CF700 -- 7.8L	D0HZ 5775-A	Bracket-R.H. spring front	1
		D0HZ 5775-B	Bracket-L.H. spring front	1
		E0HZ 5775-G	Bracket-R.H. spring rear	1
		E0HZ 5775-H	Bracket-L.H. spring rear	1
		D0HZ 5780-B	Pin-spring front bracket	2
		C2TZ 5781-A	Bushing-spring front	2
		C2TZ 5969-A	Pin-spring bracket-rebound	4
87/	CF800	E7HZ 5775-A	Bracket-spring front	2
		E7HZ 5775-B	Bracket-spring rear	2
		D0HZ 5780-B	Pin-spring front bracket	2
		C2TZ 5781-A	Bushing-spring front	2
		C2TZ 5969-A	Pin-spring bracket-rebound	4
88/	CFT800	E9HZ 5775-B	Bracket-front	2
		E8HZ 5K672-A	Bracket-center	2
		E5HZ 5775-A	Bracket-rear	2
		E4HZ 5776-A	Shackle-L.H. frt., R.H. rr.	2
		E4HZ 5776-B	Shackle-R.H. frt., L.H. rr.	2
CL-CLT SERIES				
80/82	CL900-Hendrickson	D0HZ 5775-A	Bracket-R.H. spring front-steel	1
		D0HZ 5775-B	Bracket-L.H. spring front-steel	1
		D8HZ 5775-T	Bracket-R.H. spring rear-steel	1
		D8HZ 5775-U	Bracket-L.H.-spring rear-steel	1
		D8HZ 5969-A	Pin-rear spring bracket	4
		D0HZ 5780-B	Pin-rear spring	2
83/	CL-CLT900 -- Hendrickson susp. -- w/o rein. frame-exc. E4-340-380 susp.	E3HZ 5775-C	Bracket-spring front-steel	2
		E3HZ 5775-E	Bracket-spring rear-steel	2
		E3HZ 5775-A	Bracket-spring rear #3	2
		E3HZ 5780-A	Pin-spring front	2
83/	CL-CLT900-Hendrickson susp. -- with reinf. frame-exc. E4-340-380 susp.	E3HZ 5775-D	Bracket-spring front-steel	2
		E3HZ 5775-B	Bracket-spring rear-steel	2
		E3HZ 5775-A	Bracket-spring rear #3	2
		E3HZ 5780-A	Pin-spring front	2
84/88	CLT900 -- Hendrickson E4-340-380 susp.	E9HZ 5775-B	Bracket-front	2
		E4HZ 5A516-A	Bracket-middle	2
		E4HZ 5A552-A	Washer	4
		E4HZ 5A606-A	Bolt	2
		E5HZ 5775-A	Bracket-rear	2
		D3HZ 5859-A	Washer	4
		E4HZ 5776-A	Shackle -- L.H. frt. & R.H.-rear	2
		E4HZ 5776-B	Shackle -- L.H. rear & R.H.-front	2
		E4HZ 5872-A	Bushing-center	2
		E4HZ 5873-A	Bushing-end	4
		E4HZ 5889-A	Beam assy.	2

1980/  
TRUCK SERIES 600/900

YEAR	MODEL/RESTRICTIONS	PART NUMBER	DESCRIPTION	QTY.
5775	<b>BRACKET (REAR SPRING SHACKLE) — Cont'd</b>			
Spring shackle brackets and related parts are arranged below in parts list form. The parts lists are in order by truck model.				
<b>CL-CLT SERIES</b>				
89	CLT900 -- Hendrickson E4 susp.	E9HZ 5775-B	Bracket-front	2
		E8HZ 5K672-A	Bracket-center-E4-360	2
		E9HZ 5K672-A	Bracket-center-E4-400	2
		E5HZ 5775-A	Bracket-rear	2
		E4HZ 5776-A	Shackle-L.H. front & R.H. rear	2
		E4HZ 5776-B	Shackle-L.H. rear & R.H. front	2
		E4HZ 5A552-A	Washer	4
		E4HZ 5A606-A	Bolt	2
		D3HZ 5859-A	Washer	4
		E4HZ 5872-A	Bushing-center	2
E4HZ 5873-A	Bushing-end	4		
E4HZ 5889-A	Beam assy.	2		
89	CLT900 -- Hendrickson air susp.	E9HZ 5775-B		4
80/82	CL900-Neway -- "Before 10/1/81"	D2HZ 5775-D	Bracket-L.H.-front	2
		D8HZ 5775-V	Bracket-R.H.-front	2
		D2HZ 5775-F	Bracket-R.H. & L.H.-Rear	4
82/84	CL900-Neway susp. -- "From 10/1/81"	E2HZ 5775-A	R.H.-front	2
		E2HZ 5775-B	L.H.-front	2
		D2HZ 5775-F	Rear	4
85/87	CL900 -- Neway	E5HZ 5775-C	R.H.-front	2
		E5HZ 5775-D	L.H.-front	2
		D2HZ 5775-F	Rear	4
80/83	CLT900-Reyco	E1HZ 5775-A	Bracket-rear spring front	2
		E1HZ 5K672-A	Bracket-rear spring center	2
		D8HZ 5775-E	Bracket-rear spring rear	2
		E0HZ 5776-A	Shackle-right front & left rear	2
		E0HZ 5776-B	Shackle-left front & right rear	2
80/88	CLT900 -- Hendrickson	D8HZ 5775-B	Bracket-rear spring-front	2
		E3HZ 5775-E	Bracket-rear spring-rear	2
		D9HZ 5775-A	Bracket-R.H. & L.H. spring rear-bumper- RA-340 susp.	2
		D9HZ 5775-B	Bracket-R.H. & L.H. spring rear-bumper- RTA-340 susp.	2
		D0HZ 5780-C	Pin	2
		D8HZ 5781-B	Bushing-spring rear	2
		D8HZ 5775-C	Bracket-rear spring-front	4
80/84	CLT900-Neway	D8HZ 5775-B	Bracket-rear spring-rear	4
85/86	CLT900-Neway "Before 5/86"	E5HZ 5775-B	Bracket-rear spring-front	4
86/87	CLT900 -- Neway susp. "From 5/86"	E5HZ 5775-B	R.H.-front	2
		E6HZ 5775-K	L.H.-front	2
E6HZ 5775-L	Rear	4		
<b>CT SERIES</b>				
80/82	CT800/900 -- Hendrickson RS-340 rubber susp. with reinforced frame -- w/o reinforced frame	C4TZ 5775-K	L.H. front and R.H. rear	2
		★ C4TZ 5775-L	L.H. rear and R.H. front	2
		C4TZ 5775-H	L.H. front and R.H. rear	2
		★ C4TZ 5775-J	L.H. rear and R.H. front	2
	CT800/900			
80/82	CT800/900 -- Hendrickson RU-340 steel susp.	C6TZ 5775-K	Bracket-R.H. spring front	1
		C6TZ 5775-J	Bracket-L.H. spring front	1
		★ C8HZ 5775-B	Bracket-R.H. and L.H. spring rear	2
		D0HZ 5780-D	Pin-spring front bracket	2
		TVAA 5782-A	Pin-spring bracket front lock	2
		56891-S	(B-129-KE)-Bolt-1/2"-13 x 6 1/2" grade 8-rear spring bracket	2

1980/  
TRUCK SERIES 600/900

YEAR	MODEL/RESTRICTIONS	PART NUMBER	DESCRIPTION	QTY.
5775	BRACKET (REAR SPRING SHACKLE) — Cont'd			
Spring shackle brackets and related parts are arranged below in parts list form. The parts lists are in order by truck model.				
F SERIES				
80/82	CT800/900 -- Hendrickson RUE-340 extended leaf steel susp.	C6TZ 5775-K	Bracket-R.H. spring front	1
		C6TZ 5775-J	Bracket-L.H. spring front	1
		★ C6TZ 5775-C	Bracket-R.H. spring rear hanger	1
		★ C6TZ 5775-D	Bracket-L.H. spring rear hanger	1
		DOHZ 5775-G	Bracket-R.H. and L.H. spring rear bumper	2
		DOHZ 5780-D	Pin-spring front bracket	2
		56891-S	(B-129-KE)-Bolt-1/2"-13 x 6 1/2" grade 8-rear spring bracket	2
80/82	CT800/900 -- Hendrickson RT-380, 381 steel susp.	C8HZ 5775-A	Bracket-R.H. and L.H. spring front	2
		C5TZ 5775-K	Bracket-R.H. and L.H. spring rear	2
		DOHZ 5780-C	Pin-spring front bracket	2
		TVAA 5782-A	Pin-spring front bracket lock	2
		58691-S	(B-129-KE)-Bolt-1/2"-13 x 6 1/2" grade 8-rear spring bracket	2
83/	CT800/900 -- Hendrickson susp. -- with reinf. frame	E3HZ 5775-D	Bracket-spring front-steel	2
		E3HZ 5775-B	Bracket-spring rear-steel	2
		E3HZ 5775-A	Bracket-spring rear #3	2
		E3HZ 5780-A	Pin-spring front	2
83/	CT800/900 -- Hendrickson susp. -- w/o reinf. frame	E3HZ 5775-C	Bracket-spring front-steel	2
		E3HZ 5775-E	Bracket-spring rear-steel	2
		E3HZ 5775-A	Bracket-spring rear #3	2
		E3HZ 5780-A	Pin-spring front	2
		E3HZ 5775-A	Bracket-spring rear #3	2
F SERIES				
80/	F600/800 (cast brackets) -- with frames w/reinf.	E0HZ 5775-G	Bracket-R.H. spring front	1
		E0HZ 5775-H	Bracket-L.H. spring front	1
		E0HZ 5775-F	Bracket-R.H. spring rear	1
		E0HZ 5775-E	Bracket-L.H. spring rear	1
		DOHZ 5780-B	Pin-spring front bracket	2
		C2TZ 5781-A	Bushing-spring front	2
		C2TZ 5969-A	Pin-spring bracket front & rear-rebound	4
80/	F600/800 (cast brackets) -- with frames w/o reinf.	DOHZ 5775-A	Bracket-R.H. spring front	1
		DOHZ 5775-B	Bracket-L.H. spring front	1
		D8HZ 5775-T	Bracket-R.H. spring rear	1
		D8HZ 5775-U	Bracket-L.H. spring rear	1
		DOHZ 5780-B	Pin-spring front bracket	2
		C2TZ 5781-A	Bushing-spring front	2
		C2TZ 5969-A	Pin-spring bracket front & rear-rebound	4
80/	F600/800 (stamped brackets)	E0HZ 5775-A	Bracket-R.H. spring front	1
		E0HZ 5775-B	Bracket-L.H. spring front	1
		E0HZ 5775-C	Bracket-R.H. spring rear	1
		E0HZ 5775-D	Bracket-L.H. spring rear	1
		E0HZ 5781-A	Bushing-spring front	2
		388730-S2	(BB-301-E)-Bolt	2
		388801-S2	(NN-11-AF)-Pin-rebound	4
83/	FT800/900 -- with Hendrickson susp. -- w/o reinf-frame	E3HZ 5775-C	Bracket-spring front-steel	2
		E3HZ 5775-E	Bracket-spring rear-steel	2
		E3HZ 5775-A	Bracket-spring rear #3-52"	2
		E9HZ 5775-A	Bracket-spring rear #3-60"	2
		E3HZ 5780-A	Pin-spring front	2
83/	FT800/900 -- with Hendrickson susp. -- with reinf-frame	E3HZ 5775-D	Bracket-spring front-steel	2
		E3HZ 5775-B	Bracket-spring rear-steel	2
		E3HZ 5775-A	Bracket-spring rear #3-52"	2
		E9HZ 5775-A	Bracket-spring rear #3-60"	2
		E3HZ 5780-A	Pin-spring front	2



1980/  
TRUCK SERIES 600/900

YEAR	MODEL/RESTRICTIONS	PART NUMBER	DESCRIPTION	QTY.
5775	BRACKET (REAR SPRING SHACKLE) — Cont'd Spring shackle brackets and related parts are arranged below in parts list form. The parts lists are in order by truck model.			
L SERIES				
80/	L800/900	D0HZ 5775-A	Bracket-R.H. spring front	1
		D0HZ 5775-B	Bracket-L.H. spring front	1
		D8HZ 5775-T	Bracket-R.H. spring rear	1
		D8HZ 5775-U	Bracket-L.H. spring rear	1
		D0HZ 5780-B	Pin spring front bracket	2
		C2TZ 5781-A	Bushing-radius eye spring	2
		C2TZ 5969-A	Pin-spring bracket front and rear-3/4" dia. x 5" long	4
LL SERIES				
87/	LL9000	D0HZ 5775-A	Bracket-R.H. spring front	1
		D0HZ 5775-B	Bracket-L.H. spring front	1
		D8HZ 5775-T	Bracket-R.H. spring rear	1
		D8HZ 5775-U	Bracket-L.H. spring rear	1
		D0HZ 5780-B	Pin-spring front bracket	2
		C2TZ 5781-A	Bushing-radius eye spring	2
		C2TZ 5796-A	Pin-spring bracket front & rear	4
LN SERIES				
80/86	LN600/700	D5TZ 5775-D	Bracket-R.H. spring front (used on frames w/o reinf.)	1
		D5TZ 5775-C	Bracket-L.H. spring front (used on frames w/o reinf.)	1
		D5TZ 5775-B	Bracket-R.H. spring front (used on frames w/reinf.)	1
		D5TZ 5775-A	Bracket-L.H. spring front (used on frames w/reinf.)	1
		C4TZ 5775-U	Bracket-R.H. spring rear	1
		C4TZ 5775-T	Bracket-L.H. spring rear	1
		D0HZ 5780-B	Pin-spring front bracket	2
		C2TZ 5781-A	Bushing-radius eye spring	2
80/86	LN600/700	C2TZ 5969-A	Pin-spring bracket front and rear-3/4" dia. x 5" long	4
80/	LN700/900	D0HZ 5775-A	Bracket-R.H. spring front	1
		D0HZ 5775-B	Bracket-L.H. spring front	1
		D8HZ 5775-T	Bracket-R.H. spring rear	1
		D8HZ 5775-U	Bracket-L.H. spring rear	1
		D0HZ 5780-B	Pin-spring front bracket	2
		C2TZ 5781-A	Bushing-radius eye spring	2
		C2TZ 5969-A	Pin-spring bracket front and rear-3/4" dia. x 5" long	4
LS SERIES				
87/	LS9000	D0HZ 5775-A	Bracket-R.H. spring front	1
		D0HZ 5775-B	Bracket-L.H. spring front	1
		D8HZ 5775-T	Bracket-R.H. spring rear	1
		D8HZ 5775-U	Bracket-L.H. spring rear	1
		D0HZ 5780-B	Pin-spring front bracket	2
		C2TZ 5781-A	Bushing-radius eye spring	2
		C2TZ 5969-A	Pin-spring bracket front & rear	4
LNT-LT-LTL-LTS SERIES				
80/82	LNT-LT-LTL-LTS800/900 -- Hendrickson RU-340 steel susp.	C9HZ 5775-D	Bracket-R.H. and L.H. spring front (used on frames w/o reinf.)	2
		D1HZ 5775-G	Bracket-R.H. and L.H. spring front (used on frames w/reinf.)	2
		C9HZ 5775-E	Bracket-R.H. and L.H. spring rear (used on frames w/o reinf.)	2

1980/  
TRUCK SERIES 600/900

YEAR	MODEL/RESTRICTIONS	PART NUMBER	DESCRIPTION	QTY.
5775	BRACKET (REAR SPRING SHACKLE) — Cont'd Spring shackle brackets and related parts are arranged below in parts list form. The parts lists are in order by truck model.			
LNT-LT-LTL-LTS SERIES				
80/82	LNT-LT-LTL-LTS800/900	D1HZ 5775-E	Bracket-R.H. and L.H. spring rear (used on frames w/reinf.)-exc. SQHP axles	2
		★ E0HZ 5775-L	Bracket-R.H. and L.H. spring rear (used on frames w/reinf.)-SQHP axles	2
		D0HZ 5780-D	Pin spring front bracket	2
		TVAA 5782-A	Pin-spring front bracket lock	2
		58691-S	(B-129-KE)-Bolt-1/2"-13 x 6 1/2" grade 8-rear spring bracket	2
80/82	LNT-LT-LTL-LTS800/900 -- Hendrickson RUE-340 extended leaf steel susp.	C9HZ 5775-D	Bracket-R.H. and L.H. spring front	2
		C9HZ 5775-B	Bracket-R.H. spring rear (large)	1
		D0HZ 5775-G	Bracket-R.H. and L.H. spring rear (small)	2
		C9HZ 5775-A	Bracket-L.H. spring rear (large)	1
		D0HZ 5780-D	Pin-spring front bracket	2
		TVAA 5782-A	Pin-spring front bracket lock	2
		58691-S	(B-129-KE)-Bolt-1/2"-13 x 6 1/2" grade 8-rear spring bracket	2
80/82	LNT-LT-LTL-LTS800/900 -- Hendrickson RT-381, 441, 444 steel susp.	D0HZ 5775-E	Bracket-R.H. and L.H. spring front (used on frames w/o reinf.)	2
		D1HZ 5775-F	Bracket-R.H. and L.H. spring front (used on frames w/reinf.)	2
		D0HZ 5775-F	Bracket-R.H. and L.H. spring rear (used on frames w/o reinf.)	2
		D1HZ 5775-E	Bracket-R.H. and L.H. spring rear (used on frames w/reinf.)	2
		D0HZ 5780-C	Pin-spring front bracket-1 3/8" dia. x 7 1/4" long- #32277	2
		TVAA 5782-A	Pin-spring front bracket lock	2
80/81	LNT-LT-LTL-LTS800/900 -- Hendrickson T500 steel susp. exc. 58M,65M axles	E5HZ 5775-C	Bracket-R.H. and L.H. spring front-outside of frame	2
		E5HZ 5775-D	Bracket-R.H. and L.H. spring front-inside of frame	2
		D2HZ 5775-C	Bracket-R.H. and L.H. spring rear-outside of frame	2
		E5HZ 5775-D	Bracket-R.H. and L.H. spring rear-inside of frame	2
		D2HZ 5780-A	Pin-spring front bracket-1 1/2" dia. x 7 1/2" long-#5	2
		D2HZ 5782-A	Pin-spring front bracket lock-5/8" dia. x 3 11/16" long with 1/2"-13 thread	2
80	LNT-LT-LTS800/900 -- Hendrickson RS-340 rubber susp.- "Before Ser. HD5,001"	D0HZ 5775-H	Bracket-R.H. spring front and L.H. spring rear	2
		E2HZ 5775-C	Bracket-L.H. spring front and R.H. spring rear	2
80/82	LNT-LT-LTL-LTS800/900 -- Hendrickson RS-340 rubber susp. -- exc. SQHP rear axle -- "From Ser. HD5,001"	D0HZ 5775-H	Bracket-R.H. spring front & L.H. spring rear	2
		E2HZ 5775-C	Bracket-L.H. spring front & R.H. spring rear	2
80/82	LNT-LT-LTL-LTS900 -- Hendrickson RS-340 rubber susp. -- w/SQHP rear axle- "From Ser. HD5,001"	E2HZ 5775-D	Bracket-R.H. spring front and L.H. rear w/reinf. frame	2
		E0HZ 5775-J	Bracket-R.H. spring front and L.H. rear w/o reinf. frame	2
80/82	LNT-LT-LTL-LTS900 -- Hendrickson RS-340 rubber susp. -- w/SQHP rear axle "From Ser. H05,001"	D0HZ 5775-J	Bracket-L.H. spring front and R.H. rear w/reinf. frame	2
		E0HZ 5775-K	Bracket-L.H. spring front and R.H. rear w/o reinf. frame	2

1980/  
TRUCK SERIES 600/900

YEAR	MODEL/RESTRICTIONS	PART NUMBER	DESCRIPTION	QTY.
5775	BRACKET (REAR SPRING SHACKLE) — Cont'd			
	Spring shackle brackets and related parts are arranged below in parts list form. The parts lists are in order by truck model.			
LNT-LT-LTL-LTS SERIES				
80/81	LNT-LT-LTL-LTS900 -- w/Hendrickson RT500 susp.-58M, 65M Rear axles	D7HZ 5775-A	Bracket-R.H. and L.H. spring rear	2
		D7HZ 5775-C	Bracket-R.H. and L.H. spring front	2
		D2HZ 5780-A	Pin-spring bracket	4
		D2HZ 5782-A	Pin-spg. frt. brkt. lock	2
83/	LNT-LT-LTL-LTS800/900 -- Hendrickson steel susp. -- w/o reinf. frame exc. E4-340-380 susp.	E3HZ 5775-C	Bracket-spring front-steel	2
		E3HZ 5775-E	Bracket-spring rear-steel	2
		E3HZ 5775-A	Bracket-spring rear #3	2
		E3HZ 5780-A	Pin-spring front	2
83/	LNT-LT-LTL-LTS800/900 -- Hendrickson steel susp. -- with reinf. frame-exc. E4-340-380 susp.	E3HZ 5775-D	Bracket-spring front-steel	2
		E3HZ 5775-B	Bracket-spring rear-steel	2
		E3HZ 5775-A	Bracket-spring rear #3	2
		E3HZ 5780-A	Pin-spring front	2
84/88	LNT-LT-LTL 900 -- Hendrickson E4-340-380 susp.	E9HZ 5775-B	Bracket-front	2
		E4HZ 5A516-A	Bracket-middle	2
		E4HZ 5A552-A	Washer	4
		E4HZ 5A606-A	Bolt	2
		E5HZ 5775-A	Bracket-rear	2
		D3HZ 5859-A	Washer	4
		E4HZ 5776-A	Shackle -- L.H. front & R.H.-rear	2
		E4HZ 5776-B	Shackle -- L.H. rear & R.H.-front	2
		E4HZ 5872-A	Bushing-center	2
		E4HZ 5873-A	Bushing-end	4
		E4HZ 5889-A	Beam assy.	2
		89	LNT-LT-LTS-LTL900 -- Hendrickson E4 susp.	E9HZ 5775-B
E8HZ 5K672-A	Bracket-center-E4-360			2
E9HZ 5K672-A	Bracket-center-E4-400			2
E5HZ 5775-A	Bracket-rear			2
E4HZ 5776-A	Shackle-L.H. front & R.H. rear			2
E4HZ 5776-B	Shackle-L.H. rear & R.H. front			2
E4HZ 5A552-A	Washer			4
E4HZ 5A606-A	Bolt			2
E3HZ 5859-A	Washer			4
E4HZ 5872-A	Bushing-center			2
E4HZ 5873-A	Bushing-end			4
E9HZ 5889-A	Beam assy.			2
90	LNT-LT-LTS-LTL900 -- Hendrickson air susp.	E9HZ 5775-B		4
83/	LNT-LT-LTL-LTS800/900 -- Hendrickson rubber susp. -- nonreinforced frame	E3HZ 5775-F	L.H.-front	1
			R.H.-rear	1
		E3HZ 5775-H	L.H.-rear	1
			R.H.-front	1
83/	-- reinforced frame	E3HZ 5775-G	L.H.-front	1
			R.H.-rear	1
		E3HZ 5775-J	L.H.-rear	1
			R.H.-front	1
80/83	LNT-LTL-LT900 -- Reyco susp.	D1HZ 5A516-A	Bracket-rear spring center equalizer beam	2
		★ C6TS 5A574-F	Spacer-front spring front and rear -rear spring front and rear-improvise from 5/8" I.D. pipe x 3 5/16" long	AR AR
		D0HZ 5A602-A	Washer-front spring front -rear spring rear	4 4
		★ D1HZ 5775-A	Bracket-front spring-front R.H.	1
		★ D1HZ 5775-B	Bracket-front spring-front L.H.	1
		★ D1HZ 5775-C	Bracket-rear spring-rear R.H.	1
		★ D1HZ 5775-D	Bracket-rear spring-rear L.H.	1
		D0HZ 5781-C	Bushing-front spring front -rear spring front	4 4
		D0HZ 5781-B	Bushing-rear spring rear	2

1980/  
TRUCK SERIES 600/900

SECTION 55 27

YEAR	MODEL/RESTRICTIONS	PART NUMBER	DESCRIPTION	QTY.
5775	<b>BRACKET (REAR SPRING SHACKLE) — Cont'd</b>			
	Spring shackle brackets and related parts are arranged below in parts list form. The parts lists are in order by truck model.			

**LNT-LT-LTL-LTS SERIES**

80/83	LNT-LTL-LT900 -- Reyco susp.	D0HZ 5882-B	Bolt-front spring front to bracket-1"-8 x 7 3/16" -rear spring front to bracket	2 2		
		D0HZ 5854-A	Bushing-rear spring center equalizer	2		
		D0HZ 5885-A	#69022 or 69047-equalizer-rear spring center	2		
		D0HZ 5886-A	Nut-spring bracket bolt-1"-8 x 7 3/16"	AR		
		34809-S2	(X-68)-lockwasher-1/2"	AR		
		34992-S2	(M-89-HF)-nut-3/4"-10 (grade 8 steel)	AR		
		★44879-S	Flatwasher-1/2"	AR		
		44882-S2	(X-31-G)-washer-3/4" flat	AR		
		55697-S8	(M-89-F)-nut (spacer bolt)-1/2"-13	AR		
		58688-S2	(B-129-J)-bolt (front spring front spacer to bracket)-1/2"-13 x 5"	2		
		58689-S2	(B-129-JE)-bolt (rear spring rear spacer to bracket)-1/2"-13 x 5 1/2"	2		
		384792-S2	(BB-202-A)-bolt (front spring front bracket to frame)-3/4" 10 x 2" (rear spring center equalizer beam bracket to frame) (rear spring rear bracket to frame)	12 12 8		
		80/82	LNT-LTL-LT900 -- Neway susp. "Before 10/1/81"	D8HZ 5775-V	R.H.-front	2
				D2HZ 5775-D	L.H.-front	2
D2HZ 5775-B	Reinforcement			4		
D2HZ 5775-F	Rear			4		
82/86	LNT-LT-LTL900 -- Neway susp. "From 10/1/81 to 5/86"	E5HZ 5775-C	R.H.-front	2		
		E5HZ 5775-D	L.H.-front	2		
		D2HZ 5775-B	Reinforcement	4		
		D2HZ 5775-F	Rear	4		
86/87	LNT-LT-LTL900 -- Neway susp. "From 5/86"	E5HZ 5775-C	R.H.-front	2		
		E6HZ 5775-J	L.H.-rear	2		
		D2HZ 5775-F	Rear	4		
88/	LNT-LT-LTL-LTS900 -- Neway ARD-238 susp.	E5HZ 5775-B	Front-R.H.	2		
		E6HZ 5775-K	Front-L.H.	2		
		E6HZ 5775-L	Rear	4		
88/	LNT-LT-LTL-LTS900 -- Neway ARD-244 susp.	E5HZ 5775-C	Front-R.H.	2		
		E6HZ 5775-J	Front-L.H.	2		
		E6HZ 5775-L	Rear	4		
80/	B600/700, C-F-L700/900	358032-S8	(I1-205)-fitting (shackle lubricator)-front	2		
80/	B600/700, C-F-L700/900	351078-S8	(BB-365)-bolt (pin to bracket)-7/16" 20 x 2 1/2"	4		
80/	B600/700, C-F-L700/900		Bolt (pin to shackle)	2		
		72107-S	(N-56)-cotter pin-1/8" x 2"	2		
80/	B600/700, C-F-L700/900	87901-S8	(I-1)-fitting (shackle lubricator) rear	4		
80/	LT-LTS800/900		Fitting (shackle lubricator)-rear	2		
80/	B-F-LN600/700	72109-S7-8	(N-70-A)-cotter pin (pin to shackle bracket)- 3/16" x 2"	1		
80/	B-F-LN600/700	354580-S	(BB-167) bolt (pin to shackle) 3/8"-16 x 3 1/4"	2		

5776 Refer to group 5775

**5780 PIN (REAR SPRING SHACKLE)-For model application refer to group 5335 (front) or 5775 (rear)**

		B7Q 5780-A	1 1/8" O.D. x 5" long	
		D0HZ 5780-B	1 1/4" O.D. x 5" long	
		D0HZ 5780-C	#32277 1 3/8" O.D. x 7 1/4" long	
		D0HZ 5780-D	1 1/4" O.D. x 7 5/16" long	
		★ D0HZ 5780-E	1" O.D. x 6 27/64" long	
		D0HZ 5780-F	#D0HA 5A314-D or D1HA 5A314-AA-1" O.D. x 5 25/32" long	

1980/  
TRUCK SERIES 600/900

YEAR	MODEL/RESTRICTIONS	PART NUMBER	DESCRIPTION	QTY.
5781	BUSHING (SPRING)-For model application refer to groups 5775 or 5888			
		C2TZ 5781-A	1 1/4" I.D. x 1 1/2" O.D. x 3" long	
		C7TZ 5781-A	1" I.D. x 1 13/16" O.D. x 3 3/16" long	
		E0HZ 5781-A	1" I.D. x 1 13/16" O.D. x 3 1/4" long	
5L781	BUSHING KIT (TORQUE ROD)			
80/81	CL-CLT900-Reyco susp. (torque rod)	E1HZ 5L781-A	Field fix 996-HT	1
80/81	CL-CLT900-Reyco susp. (beam)	E1HZ 5L781-B	Field fix 996-HT	1
80/81	CL-CLT900-Reyco susp. (spring eye)	E1HZ 5L781-C	Field fix 996-HT	1
5782	PIN (REAR SPRING SHACKLE PIN LOCKING)-For model application refer to group 5775			
		D2HZ 5782-A	1/2"-13 x 3 11/16"	2
		33845-S8	(M-57)-nut-1/2"-13	
		33800-S8	(M-63)-nut-3/8"-24	
		34847-S8	(X-74)-lockwasher-3/8"	
5783	BUMPER (REAR AXLE)-Also refer to groups 3019-20, 4730			
80/	C700/900	7EQ 5783	Rear	2
80/	C600 - - 175" W/B			2
80/	B-C-F700/700, L800/900	23468-S7-8	(B-5)-R.H.-bolt (bumper to frame)-5/16"-18 x 1 1/2"	4
80/	B-F600/700	20427-S8	(B-158)-R.H. and L.H.-bolt (bumper to frame side member)-5/16"-24 x 1 1/4"	4
80/	B-F600	20467-S7	(B-160)-bolt (bumper to frame)-5/16"-24 x 1 1/2"	4
		33797-S7	Bolt (bumper to R.H. and L.H. side member)	
		33798-S8	(M-50)-nut-5/16"-18	
		34806-S7	(M-62)-nut-5/16"-24	
80/	C600	20387-S8	(X-64)-lockwasher-5/16"	
80/	C-CT700/900	23439-S7-8	(B-157)-R.H. and L.H.-bolt (bumper to frame side member)	4
5789	Refer to group 5793			

YEAR	MODEL / RESTRICTIONS	SEAT			CAP.		
		LOC.	PART NUMBER	QTY.	LOC.	PART NUMBER	QTY.
5793	SEAT (REAR SPRING)-*WEAR PADS						
	B SERIES						
80/86	B600/700 - - 13M, 15M Axle	R.H.	C2TZ 5793-B	1	R.H.	E4HZ 5796-L	1
		L.H.	C2TZ 5793-B	1	L.H.	E4HZ 5796-L	1
	- - 17.5M Axle	R.H.	E4HZ 5793-E	1	R.H.	E4HZ 5796-K	2
		L.H.	E3HZ 5793-E	1	L.H.	E4HZ 5796-K	2
	- - 18.5M, 22M Axle	R.H.	E4HZ 5793-H	1	R.H.	E4HZ 5796-M	1
		L.H.	E4HZ 5793-H	1	L.H.	E4HZ 5796-M	1
	- - Eaton 23M axle	R.H.	E4HZ 5793-K	1	R.H.	E4HZ 5796-N	1
		L.H.	E4HZ 5793-K	1	L.H.	E4HZ 5796-N	1
	- - Rockwell 23M axle	R.H.	E4HZ 5793-H	1	R.H.	E4HZ 5796-M	1
		L.H.	E4HZ 5793-H	1	L.H.	E4HZ 5796-M	1
87/	B600/700 - - 13M,15M axle	R.H.	E7HZ 5793-A	1	R.H.	E7HZ 5796-A	1
		L.H.	E7HZ 5793-A	1	L.H.	E7HZ 5796-A	1
	- - 17.5M,20M,23M axle	R.H.	E7HZ 5793-B	1	R.H.	E7HZ 5796-B	1
		L.H.	E7HZ 5793-B	1	L.H.	E7HZ 5796-B	1
	C SERIES						
80/86	C600/900 - - Eaton 15M axle-	R.H.	C2TZ 5793-B	1	R.H.	E4HZ 5796-L	1
		L.H.	C2TZ 5793-B	1	L.H.	E4HZ 5796-L	1
	- - Eaton 17.5 axle	R.H.	E4HZ 5793-L	1	R.H.	E4HZ 5796-K	1
		L.H.	E4HZ 5793-L	1	L.H.	E4HZ 5796-K	1
	- - Eaton 18.5M axle	R.H.	E4HZ 5793-G	1	R.H.	E4HZ 5796-M	1
		L.H.	E4HZ 5793-G	1	L.H.	E4HZ 5796-M	1

1980/  
TRUCK SERIES 600/900

YEAR	MODEL / RESTRICTIONS	SEAT			CAP.		
		LOC.	PART NUMBER	QTY.	LOC.	PART NUMBER	QTY.
5793	SEAT (REAR SPRING)-*WEAR PADS — Cont'd						
	C SERIES						
80/88	C600/900 -- Eaton 22M axle	R.H.	E4HZ 5793-G	1	R.H.	B8QH 5796-B	1
	-- Eaton 23M axle	L.H.	E4HZ 5793-G	1	L.H.	B8QH 5796-B	1
	-- Rockwell 15M axle	R.H.	E4HZ 5793-K	1	R.H.	D7HZ 5796-B	1
	"Before 2/84"	L.H.	E4HZ 5793-K	1	L.H.	E4HZ 5796-N	1
	-- Rockwell 15M axle	R.H.	TYBJ 5789-A	1	R.H.	B7TZ 5796-B	1
	"From 2/84"	L.H.	TYBJ 5789-A	1	L.H.	B7TZ 5796-B	1
	-- Rockwell 17.5M axle	R.H.	E4HZ 5793-F	1	R.H.	B7TZ 5796-B	1
	-- Rockwell 22M axle	L.H.	E4HZ 5793-F	1	L.H.	B7TZ 5796-B	1
	-- Rockwell 23M axle	R.H.	E4HZ 5793-L	1	R.H.	E4HZ 5796-K	1
		L.H.	E4HZ 5793-L	1	L.H.	E4HZ 5796-K	1
		R.H.	C1TT 5789-M	1	R.H.	C1TT 5796-T	1
		L.H.	C1TT 5789-M	1	L.H.	C1TT 5796-T	1
		R.H.	E4HZ 5793-G	1	R.H.	E4HZ 5796-M	1
		L.H.	E4HZ 5793-G	1	L.H.	E4HZ 5796-M	1
89	C800	All	E9HZ 5793-F	2	All	E7HZ 5796-B	2
86	CF600 -- w/o rear stab. bar	R.H.	*E6HZ 5793-C	2	R.H.	E4HZ 5796-K	1
		L.H.	*E6HZ 5793-C	2	L.H.	E4HZ 5796-K	1
			E7HZ 5793-D	2			
86	CF600 -- w/rear stab. bar	R.H.	*E6HZ 5793-C	2	R.H.	E7HZ 5796-B	1
		L.H.	*E6HZ 5793-C	2	L.H.	E7HZ 58498-D	1
			E7HZ 5793-D	2			
86	CF700 -- w/4.88 rear axle- w/o rear stab. bar	R.H.	*E6HZ 5793-C	2	R.H.	E6HZ 5796-A	1
		L.H.	*E6HZ 5793-C	2	L.H.	E6HZ 5796-A	1
			E7HZ 5793-D	2			
86	CF700 -- w/o 4.88 rear axle- w/o rear stab. bar	R.H.	*E6HZ 5793-C	2	R.H.	E4HZ 5796-M	1
		L.H.	*E6HZ 5793-C	2	L.H.	E4HZ 5796-M	1
			E7HZ 5793-D	2			
86	CF700 -- w/rear stab. bar	R.H.	*E6HZ 5793-C	2	R.H.	E6HZ 5796-C	1
		L.H.	*E6HZ 5793-C	2	L.H.	E6HZ 5796-E	1
			E7HZ 5793-D	2			
87/	CF600 -- w/o stab. bar	R.H.	*E6HZ 5793-C	2	R.H.	E7HZ 5796-B	1
		L.H.	*E6HZ 5793-C	2	L.H.	E7HZ 5796-B	1
			E7HZ 5793-D	2			
87/	CF600 -- w/stab. bar	R.H.	*E6HZ 5793-C	2			
		L.H.	*E6HZ 5793-C	2			
			E7HZ 5793-D	2			
87/	CF700 -- 6.6L-w/o stab. bar	R.H.	*E6HZ 5793-C	2	R.H.	E7HZ 5796-B	1
		L.H.	*E6HZ 5793-C	2	L.H.	E7HZ 5796-B	1
			E7HZ 5793-D	2			
87/	CF700 -- 6.6L-w/stab. bar	R.H.	*E6HZ 5793-C	2			
		L.H.	*E6HZ 5793-C	2			
			E7HZ 5793-D	2			
87/	CF700/800 -- 7.8L-w/o stab. bar	FRT	*E7HZ 5793-E	2	R.H.	E7HZ 5796-B	1
		RR	*E6HZ 5793-D	2	L.H.	E7HZ 5796-B	1
			E7HZ 5793-D	2			
88/	CFT800	R.H.	E8HZ 5793-B	2	R.H.	E8HZ 5796-A	2
		L.H.	E8HZ 5793-C	2	L.H.	E8HZ 5796-A	2
80	CLT900-Reyco-susp. "Before Ser. GG5,001"						
	-- Rockwell 34M axle-front	R.H.	*D8HZ 5793-U	1	R.H.	*D8HZ 5796-T	1
		L.H.	*D8HZ 5793-U	1	L.H.	*D8HZ 5796-T	1
	-- Rockwell 38M axle-front	R.H.	*D8HZ 5793-AA	1	R.H.	*D8HZ 5796-D	1
		L.H.	*D8HZ 5793-AB	1	L.H.	D8HZ 5796-H	1
	-- Eaton axles-front	R.H.	*D8HZ 5793-W	1	R.H.	*D8HZ 5796-D	1
		L.H.	*D8HZ 5793-T	1	L.H.	*D8HZ 5796-H	1
	-- Rockwell 34M axle-rear	R.H.	*D8HZ 5793-V	1	R.H.	DOHZ 5796-A	1
		L.H.	*D8HZ 5793-V	1	L.H.	DOHZ 5796-A	1
	-- Rockwell 38M axles-rear	R.H.	D8HZ 5793-Z	1	R.H.	*D8HZ 5796-H	1
		L.H.	*D8HZ 5793-Y	1	L.H.	*D8HZ 5796-F	1
	-- Eaton axles-rear	R.H.	D8HZ 5793-F	1	R.H.	D8HZ 5796-E	1
		L.H.	*D8HZ 5793-B	1	L.H.	D8HZ 5796-B	1

October, 1993

COPYRIGHT © 1993 - FORD MOTOR - DEARBORN, MICHIGAN  
COMPANY

Final Issue

1980/  
TRUCK SERIES 600/900

YEAR	MODEL / RESTRICTIONS	SEAT			CAP.		
		LOC.	PART NUMBER	QTY.	LOC.	PART NUMBER	QTY.
5793 SEAT (REAR SPRING)-WEAR PADS — Cont'd							
C SERIES							
80/83	CLT900-Reyco susp.— "From Sev. GG5,001" -- Rockwell 34M axle-front	R.H.	D8HZ 5793-U	1	R.H.	★D8HZ 5796-T	1
		L.H.	D8HZ 5793-U	1	L.H.	★D8HZ 5796-T	1
		R.H.	D8HZ 5793-U	1	R.H.	★D8HZ 5796-T	1
		L.H.	D8HZ 5793-U	1	L.H.	★D8HZ 5796-T	1
		R.H.	E0HZ 5793-B	1	R.H.	E0HZ 5796-F	1
		L.H.	E0HZ 5793-B	1	L.H.	★E0HZ 5796-D	1
80/83	CLT900-Reyco susp.— "From Sev. GG5,001" -- Rockwell (SQHD) 38M axle-front -- Rockwell (SQHP) 38M axle-front -- Eaton axles-front	R.H.	E0HZ 5793-B	1	R.H.	★E0HZ 5796-F	1
		L.H.	E0HZ 5793-B	1	L.H.	★E0HZ 5796-D	1
		R.H.	E0HZ 5793-B	1	R.H.	★E0HZ 5796-F	1
		L.H.	E0HZ 5793-B	1	L.H.	★E0HZ 5796-D	1
		R.H.	E0HZ 5793-B	1	R.H.	★E0HZ 5796-F	1
		L.H.	E0HZ 5793-B	1	L.H.	★E0HZ 5796-D	1
80/	CL900-Hendrickson susp. -- Rockwell 34M axle-rear -- Rockwell (SQHD) 38M axle-rear -- Rockwell (SQHP) 38M axle-rear -- Eaton axles-rear	R.H.	★E0HZ 5793-A	1	R.H.	★D0HZ 5796-A	1
		L.H.	★E0HZ 5793-A	1	L.H.	★D0HZ 5796-A	1
		R.H.	★E0HZ 5793-A	1	R.H.	★D0HZ 5796-A	1
		L.H.	★E0HZ 5793-A	1	L.H.	★D0HZ 5796-A	1
		R.H.	E0HZ 5793-B	1	R.H.	★E0HZ 5796-D	1
		L.H.	E0HZ 5793-B	1	L.H.	★E0HZ 5796-C	1
		R.H.	★E0HZ 5793-C	1	R.H.	★E0HZ 5796-E	1
		L.H.	★E0HZ 5793-C	1	L.H.	★E0HZ 5796-B	1
		L.H.	E4HZ 5793-J	1	L.H.	E4HZ 5796-M	1
		L.H.	E4HZ 5793-J	1	L.H.	E4HZ 5796-M	1
		R.H.	E4HZ 5793-J	1	R.H.	E4HZ 5796-J	1
		L.H.	E4HZ 5793-J	1	L.H.	E4HZ 5796-J	1
84/88	CLT900 -- Hendrickson susp. -- -- 34M,38M -- forward rear -- rear rear -- 40M axles -- forward rear -- rear rear	R.H.	E4HZ 5793-C	1	R.H.	E6HZ 5796-G	1
		L.H.	E4HZ 5793-C	1	L.H.	E8HZ 5796-A	1
		R.H.	E4HZ 5793-D	1	R.H.	E6HZ 5796-H	1
		L.H.	E4HZ 5793-D	1	L.H.	E6HZ 5796-J	1
		R.H.	E4HZ 5793-C	1	R.H.	E6HZ 5796-G	1
		L.H.	E4HZ 5793-C	1	L.H.	E8HZ 5796-A	1
		R.H.	E4HZ 5793-D	1	R.H.	E4HZ 5796-E	1
		L.H.	E4HZ 5796-D	1	L.H.	E8HZ 5796-A	1
		FRT	E9HZ 5793-D	2	Frt	E9HZ 5796-A	2
		RR	E9HZ 5793-A	2	RR	E9HZ 5796-A	2
		FRT	E9HZ 5793-B	2	FRT	E9HZ 5796-A	2
		RR	E9HZ 5793-A	2	RR	E9HZ 5796-A	2
CT SERIES							
80/	CT800/900 -- Eaton and Rockwell axles w/steel suspension	Not used			Refer groups 5874 and 5875		
F SERIES							
80/86	F-FT600/900 -- 13M, 15M Axle -- 13M,15M axle -- 17.5M axle -- 18.5M, 22M Axle -- Eaton 23M axle -- Rockwell 23M axle	R.H.	C2TZ 5793-B	1	R.H.	E0HZ 5796-A	1
		L.H.	C2TZ 5793-B	1	L.H.	E0HZ 5796-A	1
		R.H.	C2TZ 5793-B	1	R.H.	E4HZ 5796-L	1
		L.H.	C2TZ 5793-B	1	L.H.	E4HZ 5796-L	1
		R.H.	E4HZ 5793-E	1	R.H.	E4HZ 5796-K	1
		L.H.	E4HZ 5793-E	1	L.H.	E4HZ 5796-K	1
		R.H.	E4HZ 5793-H	1	R.H.	E4HZ 5796-M	1
		L.H.	E4HZ 5793-H	1	L.H.	E4HZ 5796-M	1
		R.H.	E4HZ 5793-K	1	R.H.	E4HZ 5796-N	1
		L.H.	E4HZ 5793-K	1	L.H.	E4HZ 5796-N	1
		R.H.	E4HZ 5793-H	1	R.H.	E4HZ 5796-M	1
		L.H.	E4HZ 5793-H	1	L.H.	E4HZ 5796-M	1

1980/  
TRUCK SERIES 600/900

YEAR	MODEL / RESTRICTIONS	SEAT			CAP.			
		LOC.	PART NUMBER	QTY.	LOC.	PART NUMBER	QTY.	
5793 SEAT (REAR SPRING) — Cont'd								
F SERIES								
87/	F-FT600/900 -- 13M,15M axle	R.H.	E7HZ 5793-A	1	R.H.	E7HZ 5796-A	1	
		L.H.	E7HZ 5793-A	1	L.H.	E7HZ 5796-A	1	
	-- 17.5M,20M,21M,23M axle	R.H.	E7HZ 5793-D	1	R.H.	E7HZ 5796-B	1	
		L.H.	E7HZ 5793-D	1	L.H.	E7HZ 5796-B	1	
L SERIES								
80/86	L800/900 -- Eaton, Spicer 17.5M axle	R.H.	E4HZ 5793-E	1	R.H.	E4HZ 5796-K	1	
		L.H.	E4HZ 5793-E	1	L.H.	E4HZ 5796-K	1	
	-- Eaton, Spicer 18/19M axle	R.H.	E4HZ 5793-H	1	R.H.	E4HZ 5796-M	1	
		L.H.	E4HZ 5793-H	1	L.H.	E4HZ 5796-M	1	
80/86	L800/900 -- Eaton 23M axle	R.H.	E4HZ 5793-K	1	R.H.	E4HZ 5796-M	1	
		L.H.	E4HZ 5793-K	1	L.H.	E4HZ 5796-M	1	
	-- Eaton 23M axle -- "Before 2/84"	R.H.	E4HZ 5793-K	1	R.H.	E4HZ 5796-N	1	
		L.H.	E4HZ 5793-K	1	L.H.	E4HZ 5796-N	1	
87/	L800/900 -- Eaton 23M axle	R.H.	E4HZ 5793-B	1	R.H.	E4HZ 5796-N	1	
		L.H.	E4HZ 5793-B	1	L.H.	E4HZ 5796-N	1	
	-- Rockwell 17.5M axle	R.H.	E7HZ 5793-D	1	R.H.	E7HZ 5796-B	1	
		L.H.	E7HZ 5793-D	1	L.H.	E7HZ 5796-B	1	
80/86	-- Rockwell 20M axle	R.H.	E7HZ 5793-D	1	R.H.	E7HZ 5796-B	1	
		L.H.	E7HZ 5793-D	1	L.H.	E7HZ 5796-B	1	
	-- Rockwell 23M axle (RS-23-180)	R.H.	E7HZ 5793-D	1	R.H.	E4HZ 5796-M	1	
		L.H.	E7HZ 5793-D	1	L.H.	E4HZ 5796-M	1	
LN SERIES	LN600/700 -- Eaton 15M axle	R.H.	C2TZ 5793-B	1	R.H.	E4HZ 5796-L	1	
		L.H.	C2TZ 5793-B	1	L.H.	E4HZ 5796-L	1	
	-- Eaton 17.5M axle	R.H.	E4HZ 5793-E	1	R.H.	E4HZ 5796-K	1	
		L.H.	E4HZ 5793-E	1	L.H.	E4HZ 5796-K	1	
80/86	LN800/900 -- Eaton 17.5M axle	R.H.	E4HZ 5793-E	1	R.H.	E4HZ 5796-K	1	
		L.H.	E4HZ 5793-E	1	L.H.	E4HZ 5796-K	1	
	-- Eaton 18.5M axle	R.H.	E4HZ 5793-H	1	R.H.	E4HZ 5796-M	1	
		L.H.	E4HZ 5793-H	1	L.H.	E4HZ 5796-M	1	
80/86	-- Eaton 22M axle	R.H.	E4HZ 5793-H	1	R.H.	B8QH 5796-B	1	
		L.H.	E4HZ 5793-H	1	L.H.	B8QH 5796-B	1	
	-- Eaton 23M axle	R.H.	E4HZ 5793-K	1	R.H.	E4HZ 5796-N	1	
		L.H.	E4HZ 5793-K	1	L.H.	E4HZ 5796-N	1	
80/86	-- Rockwell 17.5M axle	R.H.	E4HZ 5793-E	1	R.H.	E4HZ 5796-K	1	
		L.H.	E4HZ 5793-E	1	L.H.	E4HZ 5796-K	1	
	-- Rockwell 22M axle	R.H.	E4HZ 5793-E	1	R.H.	E4HZ 5796-M	1	
		L.H.	E4HZ 5793-E	1	L.H.	E4HZ 5796-M	1	
-- Rockwell 23M axle	R.H.	E4HZ 5793-H	1	R.H.	E4HZ 5796-M	1		
	L.H.	E4HZ 5793-H	1	L.H.	E4HZ 5796-M	1		



1980/  
TRUCK SERIES 600/900

YEAR	MODEL / RESTRICTIONS	SEAT			CAP.		
		LOC.	PART NUMBER	QTY.	LOC.	PART NUMBER	QTY.
<b>5793 SEAT (REAR SPRING) — Cont'd</b>							
<b>LL-LN-LS SERIES</b>							
87/	LL-LN-LS800/900 -- Eaton 23M axle	R.H.	E7HZ 5793-D	1	R.H.	E4HZ 5796-N	1
		L.H.	E7HZ 5793-D	1	L.H.	E4HZ 5796-N	1
	-- Rockwell 17.5M axle	R.H.	E7HZ 5793-D	1	R.H.	E7HZ 5796-B	1
		L.H.	E7HZ 5793-D	1	L.H.	E7HZ 5796-B	1
	-- Rockwell 20M axle	R.H.	E7HZ 5793-D	1	R.H.	E7HZ 5796-B	1
		L.H.	E7HZ 5793-D	1	L.H.	E7HZ 5796-B	1
	-- Rockwell 23M axle (RS-23-180)	R.H.	E7HZ 5793-D	1	R.H.	E4HZ 5796-M	1
		L.H.	E7HZ 5793-D	1	L.H.	E4HZ 5796-M	1
	-- Rockwell 23M axle (RS-23-160,240)	R.H.	E7HZ 5793-D	1	R.H.	E7HZ 5796-B	1
		L.H.	E7HZ 5793-D	1	L.H.	E7HZ 5796-B	1
<b>LNT-LT-LTL-LTS SERIES</b>							
80/83	LNT-LT-LTL-LTS800 -- Eaton & Rockwell axles w/Hendrickson steel suspension	Not used			Refer groups 5874 and 5875		
	LNT-LT-LTL-LTS900 -- Rockwell axles w/Hendrickson steel susp.	Not used			Refer groups 5874 and 5875		
80/83	LNT-LT-LTL-LTS900 -- Eaton axles w/Hendrickson steel susp. -Forward rear  -Rear rear	R.H.	D7HZ 5793-A	1	R.H.	★D7HZ 5796-A	1
		L.H.	★D7HZ 5793-B	1	L.H.	★D7HZ 5796-C	1
		R.H.	★D7HZ 5793-C	1	R.H.	★D7HZ 5796-C	1
		L.H.	★D7HZ 5793-D	1	L.H.	D7HZ 5796-B	1
80/83	LNT-LT-LTL-LTS800/900 -- w/Reyco suspension -forward rear  -rear rear	R.H.	D0HZ 5793-A	1	R.H.	D0HZ 5796-B	1
		L.H.	D0HZ 5793-A	1	L.H.	D0HZ 5796-B	1
		R.H.	D0HZ 5793-B	1	R.H.	D0HZ 5796-A	1
		L.H.	D0HZ 5793-B	1	L.H.	D0HZ 5796-A	1
84/88	LNT-LT-LTL900 -- Hendrickson susp. -- 34M,38M axle -- forward rear	R.H.	E4HZ 5793-C	1	R.H.	E4HZ 5796-F	1
		L.H.	E4HZ 5793-C	1	L.H.	E6HZ 5796-F	1
	-- rear rear --	R.H.	E4HZ 5793-D	1	R.H.	E6HZ 5796-H	1
		L.H.	E4HZ 5793-D	1	L.H.	E6HZ 5796-J	1
	-- 40M axle -- forward rear	R.H.	E4HZ 5793-C	1	R.H.	E4HZ 5796-F	1
		L.H.	E4HZ 5793-C	1	L.H.	E6HZ 5796-F	1
	-- rear rear --	R.H.	E4HZ 5793-D	1	R.H.	E4HZ 5796-E	1
		L.H.	E4HZ 5793-D	1	L.H.	E6HZ 5796-F	1
89	LNT-LT-LTS-LTL900 -- Hendrickson E4 susp.	FRT	E9HZ 5793-D	2	FRT	E9HZ 5796-A	2
		RR	E9HZ 5793-A	2	RR	E9HZ 5796-A	2
89	LNT-LT-LTS-LTL900 -- Hendrickson air ride susp.	FRT	E9HZ 5793-B	2	FRT	E9HZ 5796-A	2
		RR	E9HZ 5793-A	2	RR	E9HZ 5796-A	2
<b>YEAR MODEL/RESTRICTIONS PART NUMBER DESCRIPTION QTY.</b>							
<b>5L793 AIR SUSPENSION (IMPROVEMENT KIT)</b>							
89	L Series -- Hendrickson air susp.--52 in.	F2HZ	5L793-A				1
89	L Series -- Hendrickson air susp.--60 in.	F2HZ	5L793-B				1
<b>5796 Refer to group 5793</b>							
<b>5A822 BRACKET (REAR SUSPENSION MOUNTING REINFORCEMENT)</b>							
80/87	LNT-LT-LTL800/900 -- Neway susp.	D2HZ	5A822-A	#D4HA	5A822-AA		4
88/	LNT-LT-LTS-LTL900	E5HZ	5A822-A	R.H.			2
		E5HZ	5A822-B	L.H.			2
80/82	LN-LT-LTL-LTS 900 -- Hendrickson RT-441 steel susp.	★ D7HZ	5A822-A	R.H.	-54"Beam		2
		★ D7HZ	5A822-D	L.H.			2

**1980/  
TRUCK SERIES 600/900**

YEAR	MODEL/RESTRICTIONS	PART NUMBER	DESCRIPTION	QTY.
<b>5A822 BRACKET (REAR SUSPENSION MOUNTING REINFORCEMENT) -- Cont'd</b>				
80/82	LNT-LT-LTL-LTS 900 -- W/Hendrickson/RT 500 Steel susp.	★ D7HZ 5A822-B	R.H. -- 56" beam	2
		★ D7HZ 5A822-C	L.H.	2
80/	CL-CLT900	D8HZ 5A822-A		4
<b>5K834 ROLLER (REAR SUSPENSION REBOUND)</b>				
80/	LT-LTS-LNT 900	D7HZ 5K834-A		1
<b>5K851 BRACKET (REAR SUSP. AIR SPRING TO FRAME)</b>				
89	All	FOHZ 5K851-A	R.H.	2
		FOHZ 5K852-B	L.H.	
5K852 Refer to group 5K851				
5854 Refer to group 5775				
5859-69 Refer to group 5889				
<b>5870 KIT (REAR SUSPENSION)</b>				
88/	CF700/800	E8HZ 5870-A		1
5871-73 Refer to group 5889				
5874 SADDLE (REAR SUSPENSION SUPPORT BEAM)-refer to group 5888 & 5884				
5875 Refer to group 5888				
5878 Refer to group 5889				
<b>5A879 RETAINER (REAR SUSPENSION SHACKLE BOLT)</b>				
80/83	CLT900	D8HZ 5A879-A		4
84/88	CLT-LNT-LT-LTL900 Hendrickson E4 susp.	E4HZ 5A879-A		4
88	CFT800			2
89	CLT-LT-LTL-LNT-LTS900	E9HZ 5A879-A		AR
<b>5L879 FASTENER KIT (SHACKLE)</b>				
80/81	CT-CLT900 -- Reyco susp. "Before Ser. AJ5,000"	E1HZ 5L879-B	Field fix 996-HT	1
80/81	CL-CLT900 -- Reyco susp. "From Ser. AJ5,000"	E1HZ 5L879-A	Field fix 996-HT	1
<b>5880 WASHER (REAR SUSPENSION HANGER PIN)</b>				
80/	CT-LNT-LT-LTS800/900 -- Hendrickson RS-340 rubber susp.	C3TZ 5880-A		4
5882 BOLT or SHAFT (REAR SUSPENSION SUPPORT BEAM TO AXLE HOUSING)-Refer to group 5889				
<b>5882 BOLT (SPRING MOUNTING BRACKET)-Also refer to group 5775</b>				
80/83	LNT-LT900 -- Reyco susp.	DOHZ 5882-B	Bolt	2
		DOHZ 5886-A	Nut	2
80/	CL-CLT900	D8HZ 5882-B	Used with spring bracket	4
80/	CL-CLT900	D8HZ 5882-C	Used with torque rod	4
<b>5L882 FASTENER KIT (TORQUE ROD)</b>				
80/81	CL-CLT900-Reyco susp.	E1HZ 5L882-A	Field fix 996-HT	1
<b>5883 BRACKET (REAR AXLE TORQUE ARM TO FRAME)</b>				
80/82	CT-LNT-LT-LTL LTS800/900 Hendrickson susp. exc. T500 and RT-381 w/60" beam	C3TZ 5883-A	Torque arms to c/member	2
80/82	LT800 -- Hendrickson RT-381 susp. and 60" beam		Front-torque arm to c/member	1
80/82	LNT800 -- Hendrickson RT-381 susp. and 60" beam		Forward and rear torque arm to c/member	2
83/	CT-FT-LNT LT-LTL-LTS 800/900 -- with Hendrickson susp.			2

1980/  
TRUCK SERIES 600/900

YEAR	MODEL/RESTRICTIONS	PART NUMBER	DESCRIPTION	QTY.
<b>5883 BRACKET (REAR AXLE TORQUE ARM TO FRAME) -- Cont'd</b>				
80/87	CL-CLT900-Neway	D8HZ 5883-B	Torque arm parallel to frame	2
80/	LNT-LT-LTL-LTS900 Neway susp.			2
80/	CL-CLT900-Hendrickson & Neway	D8HZ 5883-A	Torque arm transverse to frame	2
80/	CLT900-Hendrickson	C3TZ 5883-A	Torque arm to c/member	2
80/82	LT800 -- Hendrickson RT-381 susp. and 60" beam	D8HZ 5883-A	Rear across-torque arm to frame	1
80/82	LTS900 -- Hendrickson T500 susp.		Front & rear	2
80/82	LNT800 -- Hendrickson RT-381 susp. & 60" beam		Front & rear across torque arm to side rail	2
80/	LNT-LT-LTL-LTS900 -- Neway susp.		Rear-torque arm	2
80/82	LNT-LT-LTL-LTS 900 -- Hendrickson RT-500 susp.	★ D7HZ 5883-A	Torque Rod to Frame	2
<b>5884 BAR (REAR SUSPENSION SUPPORT BEAM)</b>				
80/82	CT-LNT-LT-LTL-LTS800/900 -- Hendrickson RS-340 rubber susp.	E3HZ 5884-A	1 1/16" I.D. x 1 15/16" O.D. x 44 7/8" long	1
80/82	CT-LNT-LT-LTL-LTS800/900 -- Hendrickson 340 steel susp.			1
80/87	CL-CLT900-Neway	D8HZ 5884-A		2
89	All -- Hendrickson air susp.	E9HZ 5884-A		2
80/82	CT900 -- w/Hendrickson RT380 steel susp.	E3HZ 5884-B		1
80/82	LNT-LT-LTL-LTS800/900 -- w/Hendrickson RT381, 441, 444 steel susp.			1
80/82	CLT900 -- w/Hendrickson susp.	E3HZ 5884-B		1
80/82	LNT-LT-LTL-LTS900 -- w/Hendrickson RT500 steel susp.	D7HZ 5884-A		1
80/82	CT900 -- w/Hendrickson RT380 steel susp.	E3HZ 5884-B	1 7/16" I.D. x 2 7/16" O.D. x 46" long	1
80/82	LNT-LT-LTL-LTS800/900 -- w/Hendrickson RT-381, 441, 444 steel susp.			1
80/82	CLT900-Hendrickson	E3HZ 5884-B		1
80/82	LNT-LT-LTL-LTS 900 -- W/Hendrickson RT-500 steel susp.	D7HZ 5884-A		1
83/	All -- with Hendrickson U-UE340 susp.	E3HZ 5884-A		1
83/	All -- Hendrickson susp. except U-UE 340.	E3HZ 5884-B		1
89	All -- w/Hendrickson air susp.	E9HZ 5884-A		2
80/87	LNT-LT-LTL900 -- Neway susp.	D2HZ 5874-A		2
88/	LNT-LT-LTL-LTS900 -- Neway ARD-238 susp.	E8HZ 5884-A		2
88/	LNT-LT-LTL-LTS900 -- Neway ARD-244 susp.	E8HZ 5884-B		2
<b>5885 BEAM (REAR SUSPENSION)-Refer to group 5775</b>				
<b>5886 NUT (REAR SUSPENSION SUPPORT BEAM TO AXLE HOUSING)-Refer to group 5882</b>				
<b>5887 BOLT (REAR SUSPENSION SUPPORT BEAM SADDLE CAP) - Refer to group 5888</b>				
<b>5A887 SOCKET SET SCREW KIT (SPRING SADDLE PAD-HEX) - Refer to group 5888</b>				

**1980/  
TRUCK SERIES 600/900**

**5888 TANDEM SUSPENSION ASSY.**

- 1-A Truck Specification List (T.S.L.) is included with Louisville-built trucks.
- 2-Use the Cross-Reference below to find the Parts List number which shows the service details of the suspension assembly.
- 3-Parts are arranged in numerical order within the list.

**T.S.L. TANDEM SUSPENSION CROSS-REFERENCE GUIDE**

T.S.L. NO.	MANUFACTURER	MFR. MODEL	PARTS LIST NO.	T.S.L. NO.	MANUFACTURER	MFR. MODEL	PARTS LIST NO.
D0HA 5888-E	Hendrickson	RT381/444	1	E3HT 5888-BA	Hendrickson	U340	14
D0HS 5888-G	Hendrickson	RS-RU340	6	E3HT 5888-EA	Hendrickson	RT380/440	15
D1HS 5888-CA	Hendrickson	RT-380	12	E3HT 5888-FA	Hendrickson	RT440 HD	16
D3HA 5888-AA	Hendrickson	RT-441	11	E3HT 5888-GA	Hendrickson	RT/RTA380	17
D4HS 5888-AA	Hendrickson	RU-340	2	D0HA 5890-A	Hendrickson	RT381/444	1
D7HA 5888-AA	Hendrickson	RT-RTA-380	7	D1HS 5890-CA	Hendrickson	RT-380	12
D7HA 5888-BA	Hendrickson	UA-340	8	D3HA 5890-AA	Hendrickson	RT-441	11
D7HT 5888-DA	Hendrickson	RT-500	3	D7HT 5890-CA	Hendrickson	RT-500	3
D7HT 5888-EA	Hendrickson	UEA-340	9	D7HT 5890-FA	Hendrickson	RTEA-380	10
D7HT 5888-FA	Hendrickson	RTEA-380	10	E0HT 5890-AA	Hendrickson	RT381/444	5
E0HT 5888-AA	Hendrickson	RT381/444	5	E3HT 5890-CA	Hendrickson	RT380/440	15
E3HT 5888-AA	Hendrickson	U340	13	E3HT 5890-DA	Hendrickson	RT440HD	16
				E3HT 5890-GA	Hendrickson	RT/RTA380	17

QTY.	PART NUMBER	DESCRIPTION	QTY.	PART NUMBER	DESCRIPTION
------	-------------	-------------	------	-------------	-------------

**5888 TANDEM SUSPENSION ASSY. — Cont'd**

PARTS LIST NO. 1 D0HA 5888-E, D0HA 5890-A			PARTS LIST NO. 3 D7HT 5888-DA, D7HT 5890-CA — Cont'd		
1	D0HZ 5560-A	Spring assy. (rear)-incl. bushing	1	D7HZ 5781-A	Bushing (rear spring)
4	D3HZ 5708-A	Plate (spring U-bolt)	2	D3HZ 5859-A	Washer
1	E0HZ 5721-A	Bolt (rear spring)-center	1	D7HZ 5874-A	Saddle assy. (rear suspension)
1	D7HZ 5722-A	Nut (rear spring)-center bolt	1	D7HZ 5875-A	Cap (rear suspension supt. beam saddle)
1	D0HZ 5781-D	Bushing (rear spring)	4	D7HZ 5887-A	Bolt (rear susp. saddle top pad)
8	D3HZ 5859-A	Washer	1	D8HZ 5A887-A	Set screw kit (spring saddle pad hex-socket)
1	E0HZ 5874-A	Saddle assy. (rear susp.)	AR	353835-S	(MM-164)-nut
2	E9HZ 5875-A	Cap (rear suspension support beam saddle)	<b>PARTS LIST NO. 5 E0HT 5888-AA, E0HT 5890-AA</b>		
4	D3HZ 5887-A	Bolt (rear susp. saddle top pad)	1	D0HZ 5560-A	Spring assy. (rear susp.)
2	D8HZ 5A887-A	Screw (spring saddle pad)	1	D3HZ 5708-A	Pad (rear spring bolt)
4	44750-S8	(X-45)-washer	1	E0HZ 5721-A	Bolt (rear spring center)
3	353705-S8	(MM-162)-nut	1	D7HZ 5722-A	Nut (rear spring)-center bolt
4	353835-S	(MM-164)-nut	1	D0HZ 5781-D	Bushing (rear spring)
4	370686-S	(WW-71)-stud	8	D3HZ 5859-A	Washer
<b>PARTS LIST NO. 2 D4HS 5888-AA</b>			1	E0HZ 5874-A	Saddle assy. (rear susp.)
1	C5TZ 5560-M	Spring assy. (rear susp.)	1	E9HZ 5875-A	Cap (rear susp. supt. beam saddle)
4	D5HZ 5A612-A	Stud (saddle to cap)	4	D3HZ 5887-A	Bolt (rear susp. saddle top pad)
2	C5TZ 5705-A	U-bolt (rear spring)	2	34674-S	(M-60)-nut
1	C5TZ 5708-A	Plate (spring u-bolt)	2	34813-S	(X-71-A)-lockwasher
1	C6TZ 5721-F	Bolt (rear spring)-center	4	44750-S8	(X-45)-washer
1	D7HZ 5722-A	Nut (rear spring)-center bolt	2	★91978-S	Set screw
1	C6TZ 5781-A	Bushing (rear spring)	4	353705-S8	(MM-162)-nut
1	D8HZ 5874-A	Saddle assy. (rear susp. supt. beam)	4	353835-S	(MM-164)-nut
2	C5TZ 5875-A	Cap (rear susp. supt. beam saddle)	4	370686-S	(WW-71)-stud
4	D5HZ 5886-A	Nut (saddle to cap)	<b>PARTS LIST NO. 6 D0HS 5888-G</b>		
4	44750-S8	(X-45)-washer	2	C3TZ 5A598-A	Bushing (end)
4	351561-S	(XX-243)-washer	2	C3TZ 5A599-A	Retainer (saddle hanger pin bushing)
4	352495-S	(MM-30)-locknut	4	★C3TZ 5A612-A	Stud (rear susp. saddle hanger pin retainer)
<b>PARTS LIST NO. 3 D7HT 5888-DA, D7HT 5890-CA</b>			4	E0HZ 5A612-A	Stud (saddle to cap)
1	D7HZ 5560-B	Spring assy. (rear suspension)	2	E9HZ 5875-A	Cap (rear susp. support beam saddle)
1	D7HZ 5A612-A	Stud (rear susp. supt. beam saddle cap)	4	44750-S8	(X-45)-washer
1	D7HZ 5708-A	Pad (rear spring bolt)	4	★55833-S	Locknut
1	D7HZ 5721-A	Bolt (rear spring)-center	4	353705-S8	(MM-162)-nut
1	D7HZ 5722-A	Nut (rear spring)-center bolt			

1980/  
TRUCK SERIES 600/900

QTY.	PART NUMBER	DESCRIPTION	QTY.	PART NUMBER	DESCRIPTION
5888 TANDDEM SUSPENSION ASSY. — Cont'd					
PARTS LIST NO. 7 D7HA 5888-AA, D7HA 5890-AA			PARTS LIST NO. 11 D3HA 5888-AA, D3HA 5890-AA		
1	D8HZ 5560-C	Spring assy. (rear susp.)	1	D0HZ 5560-A	Spring assy. (rear)-incl. bushing
1	D3HZ 5708-A	Plate (spring U-bolt)	4	D3HZ 5708-A	Plate (spring U-bolt)
1	E1HZ 5721-A	Bolt (rear spring)-center	1	E0HZ 5721-A	Bolt (rear spring)-center
1	D7HZ 5722-A	Nut (rear spring)-center bolt	1	D7HZ 5722-A	Nut (rear spring)-center bolt
1	D0HZ 5781-D	Bushing (rear spring)	1	D0HZ 5781-D	Bushing (rear spring)
8	D3HZ 5859-A	Washer (cap stud)	8	D3HZ 5859-A	Washer (cap bolt)-1 1/16" I.D.
1	B8QH 5874-A	Saddle assy. (rear susp.)	2	E3HZ 5874-A	Saddle (rear susp. support beam)
1	E9HZ 5875-A	Cap (rear susp. supt. beam saddle)	2	D3HZ 5875-A	Cap (rear susp. support beam saddle)
4	D8HZ 5887-A	Bolt (rear susp. saddle top pad)	4	D3HZ 5887-A	Bolt (rear susp. support beam saddle cap)-1" x 1 1/4" x 10 1/2"
1	D8HZ 5A887-A	Screw assy. (spring saddle pad)	2	D8HZ 5A887-A	Screw (spring saddle pad)
4	353705-S	(MM-162)-nut	4	353705-S	(MM-162)-nut
4	353835-S	(MM-164)-nut	4	353835-S	(MM-164)-nut
4	370686-S	(WW-71)-stud	4	370686-S	(WW-71)-stud
4	44750-S8	(X-45)-washer	AR	44750-S8	(X-45)-washer-7/8" x 1 3/4" x 1/8" flat
PARTS LIST NO. 8 D7HA 5888-BA			PARTS LIST NO. 12 D1HS 5888-CA, D1HS 5890-CA		
2	D8HZ 5560-D	Spring assy. (rear susp.)	1	C6TZ 5560-V	Spring assy. (rear susp.)
4	D5HZ 5A612-A	Stud (rear susp. supt. beam saddle cap)	1	D3HZ 5708-A	Plate (spring U-bolt)
2	D8HZ 5705-C	U-bolt (rear spring)	1	E1HZ 5721-A	Bolt (rear spring)-center
1	C5TZ 5708-A	Plate (spring U-bolt)	1	D7HZ 5722-A	Nut (rear spring)-center bolt
1	D8HZ 5721-B	Bolt (rear spring)-center	1	D0HZ 5781-D	Bushing (rear spring)
1	D7HZ 5722-A	Nut (rear spring)-center bolt	8	D3HZ 5859-A	Washer (cap stud)
1	D0HZ 5781-D	Bushing (rear spring)	1	D8HZ 5874-C	Saddle assy. (rear susp.)
1	D8HZ 5874-A	Saddle assy. (rear susp.)	2	E9HZ 5875-A	Cap (rear susp. supt. beam saddle)
1	C5TZ 5875-A	Cap (rear susp. supt. beam saddle)	4	E1HZ 5887-A	Bolt (rear susp. saddle top pad)
4	D5HZ 5886-A	Nut (saddle cap)	4	353705-S	(MM-162)-nut
4	44750-S8	(X-45)-washer-U-bolt	4	353835-S	(MM-164)-nut
4	351561-S	(XX-243) washer-cap stud	4	370686-S	(WW-71)-stud
4	352495-S	(MM-30) locknut-U-bolt	PARTS LIST NO. 13 E3HT 5888-AA		
PARTS LIST NO. 9 D7HT 5888-EA			1	E3HZ 5560-C	Spring assy. (rear susp.)
1	D8HZ 5560-G	Spring assy. (rear susp.)	4	D5HZ 5A612-A	Stud (saddle cap)
4	D5HZ 5A612-A	Stud (saddle cap)	2	C5TZ 5705-A	U-bolt (rear spring)
2	C5TZ 5705-A	U-bolt (rear spring)	1	C5TZ 5708-A	Plate (spring U-bolt)
1	C5TZ 5708-A	Plate (spring U-bolt)	1	C6TZ 5721-F	Bolt (rear spring)-center
1	C6TZ 5721-F	Bolt (rear spring)-center	1	D7HZ 5722-A	Nut (rear spring)-center bolt
1	D7HZ 5722-A	Nut (rear spring)-center bolt	1	D0HZ 5781-D	Bushing (rear spring)
1	D0HZ 5781-D	Bushing (rear spring)	1	D8HZ 5874-A	Saddle assy. (rear susp.)
1	D8HZ 5874-B	Saddle assy. (rear susp.)	2	C5TZ 5875-A	Cap (rear susp. supt. beam saddle)
1	C5TZ 5875-A	Cap. (rear susp. supt. beam saddle)	4	D5HZ 5886-A	Nut (saddle cap)
4	D5HZ 5886-A	Nut (saddle cap)	4	44750-S8	(X-45)-Washer-U-bolt
4	44750-S8	(X-45)-washer-U-bolt	4	351561-S	(XX-243)-Washer-cap stud
4	351561-S	(XX-243)-washer-cap stud	4	352495-S	(MM-30)-locknut-U-bolt
4	352495-S	(MM-30)-locknut-U-bolt	PARTS LIST NO. 14 E3HT 5888-BA		
PARTS LIST NO. 10 D7HT 5888-FA, D7HT 5890-FA			1	E3HZ 5560-B	Spring assy. (rear susp.)
1	D8HZ 5560-H	Spring assy. (rear susp.)	4	D5HZ 5A612-A	Stud (saddle cap)
1	D3HZ 5708-A	Plate (spring U-bolt)	2	D8HZ 5705-C	U-bolt (rear spring)
1	D8HZ 5721-C	Bolt (rear spring)-center	1	C5TZ 5708-A	Plate (spring U-bolt)
1	D7HZ 5722-A	Nut (rear spring)-center bolt	1	D8HZ 5721-B	Bolt (rear spring)-center
1	D0HZ 5781-D	Bushing (rear spring)	1	D7HZ 5722-A	Nut (rear spring)-center bolt
8	D3HZ 5859-A	Washer (cap stud)	1	D0HZ 5781-D	Bushing (rear spring)
1	D8HZ 5874-C	Saddle assy. (rear susp.)	1	D8HZ 5874-B	Saddle assy. (rear susp.)
2	E9HZ 5875-A	Cap (rear susp. supt. beam saddle)	2	C5TZ 5875-A	Cap (rear susp. supt. beam saddle)
4	D8HZ 5887-B	Bolt (rear susp. saddle top pad)	4	D5HZ 5886-A	Nut (saddle cap)
2	D8HZ 5A887-A	Screw (spring saddle pad)	4	44750-S8	(X-45)-Washer-U-bolt
4	44750-S8	(X-45)-washer	4	351561-S	(XX-243)-Washer-cap stud
4	353705-S	(MM-162)-nut	4	352495-S	(MM-30)-locknut-U-bolt
4	353835-S	(MM-164) nut			
4	370686-S	(WW-71)-stud			

1980/  
TRUCK SERIES 600/900

QTY.	PART NUMBER	DESCRIPTION	QTY.	PART NUMBER	DESCRIPTION
5888 TANDEM SUSPENSION ASSY. -- Cont'd					
PARTS LIST NO. 15 E3HT 5888-EA, E3HT 5890-CA			PARTS LIST NO. 16 E3HT 5889-FA, E3HT 5890-DA -- Cont'd		
1	E3HZ 5560-D	Spring assy (rear susp.)	2	D3HZ 5875-A	Cap (rear susp. supt. beam saddle)
1	D3HZ 5708-A	Plate (spring U-bolt)	4	D3HZ 5887-A	Bolt (rear susp. saddle top pad)
1	E0HZ 5721-A	Bolt (rear spring)-center	2	D8HZ 5A887-A	Screw assy. (spring saddle pad)
1	D7HZ 5722-A	Nut (rear spring)-center bolt	4	44750-S8	(X-45)-washer
1	D0HZ 5781-D	Bushing (rear Spring)	4	353705-S	(MM 162)-nut
8	D3HZ 5859-A	Washer	4	353835-S	(MM 164)-nut
1	E0HZ 5874-A	Saddle assy. (rear susp.)	4	370686-S	(WW-71)-stud
2	E9HZ 5875-A	Cap (rear susp. supt. beam saddle)	PARTS LIST NO. 17 E3HT 5888-GA, E3HT 5890-GA		
4	D3HZ 5887-A	Bolt (rear susp. saddle top pad)	1	D8HZ 5560-C	Spring assy. (rear susp.)
2	D8HZ 5A887-A	Screw assy. (spring saddle pad)	1	D3HZ 5708-A	Plate (spring U-bolt)
4	44750-S8	(X-45)-washer	1	E1HZ 5721-A	Bolt (rear spring)-center
4	353705-S	(MM-162)-nut	1	D7HZ 5722-A	Nut (rear spring)-center bolt
4	353835-S	(MM-164)-nut	1	D0HZ 5781-D	Bushing (rear spring)
4	370686-S	(WW-71)-stud	8	D3HZ 5859-A	Washer (cap stud)
PARTS LIST NO. 16 E3HT 5889-FA, E3HT 5890-DA			1	D8HZ 5874-C	Saddle assy. (rear susp.)
1	E3HZ 5560-D	Spring assy. (rear susp.)	2	E9HZ 5875-A	Cap (rear susp. supt. beam saddle)
1	D3HZ 5708-A	Plate (spring U-bolt)	4	D8HZ 5887-A	Bolt (rear susp. saddle top pad)
1	E0HZ 5721-A	Bolt (rear spring)-center	2	D8HZ 5A887-A	Screw (spring saddle pad)
1	D7HZ 5722-A	Nut (rear spring)-center bolt	4	44750-S8	(X-45)-washer
1	D0HZ 5781-D	Bushing (rear spring)	4	353705-S	(MM-162)-nut
8	D3HZ 5859-A	Washer	4	343835-S	(MM-164)-nut
1	E3HZ 5874-A	Saddle assy (rear susp.)	4	370686-S	(WW-71)-stud

YEAR	MODEL/RESTRICTIONS	PART NUMBER	DESCRIPTION	QTY.
5889 BEAM ASSY. (REAR SUSPENSION SUPPORT)-Includes bushings-Also refer to group 5888				
Parts are arranged in order of beam and its related parts from center to the ends				
88/	CFT800	E4HZ 5889-A	Bushing-center	2
		E4HZ 5872-A	Bracket-center	2
		E4HZ 5A516-A	Bracket-center	2
		D3HZ 5859-A	Washer	2
		E4HZ 5A552-A	Washer	4
80	CL-CLT900-Reyco -- "Before Ser. GG5,001"	E1HZ 5889-B	12" long	2
		E1HZ 5781-A	Bushing-center	2
		E1HZ 5781-B	Bushing-ends	4
80/81	CL-CLT900-Reyco -- "From Ser. GG5,001 to 4/15/81"	E1HZ 5L889-B	14" long	2
		E1HZ 5781-A	Bushing-center	2
		E1HZ 5781-B	Bushing-ends	4
81/83	CL-CLT900-Reyco -- "From 4/15/81"	E1HZ 5889-A	14" long	2
		E1HZ 5781-A	Bushing-center	2
		E1HZ 5781-B	Bushing-ends	4
80/86	CLT900-Neway "Before 5/86"	D8HZ 5889-A		4
		D8HZ 5872-B	Bushing kit (beam center)	2
		D8HZ 5873-B	Bushing kit (beam ends)-front	4
		D8HZ 5873-A	Bushing kit (beam ends)-rear	4
86/87	CLT900 -- Neway susp. "From 5/86"	E6HZ 5889-B		4
		E6HZ 5A646-A	Adapter assy. (rear susp. beam end bushing) front	4
		D8HZ 5873-B	Bushing kit (beam end)-center	4
		E6HZ 5873-B	Bushing kit (beam ends)	4
80/82	All -- with Hendrickson RS-340 rubber susp.	D0HZ 5889-F	50" aluminum	2
		D0HZ 5889-E	50" steel	2
		TWAA 5872-A	Bushing (beam center)	2
		B8QH 5873-A	Bushing (beam ends)	4
		D5HZ 5882-B	Bolt (beam ends bushing adapter)	4
		D5HZ 5886-A	Nut (adapter bolt)	4
		351561-S	(XX-243)-Washer	8
80/82	All -- with Hendrickson U/UE 340 susp.	D8HZ 5889-B	52"-Aluminum	2
		E3HZ 5889-G	52"-Steel	2
		TWAA 5872-A	Bushing (beam center)	2
		B8QH 5873-A	Bushing (beam ends)	4
		C3TZ 5889-A	50" Long	2

1980/  
TRUCK SERIES 600/900

YEAR	MODEL/RESTRICTIONS	PART NUMBER	DESCRIPTION	QTY.
5889 BEAM ASSY. (REAR SUSPENSION SUPPORT)-Includes bushings-Also refer to group 5888 - Cont'd				
80/82	All -- with Hendrickson RT/RTE380/381 susp.	D8HZ 5889-D	52"-Aluminum	2
		E0HZ 5889-B	52"-Steel	2
		D3HZ 5889-C	54" Long	2
		D2HZ 5889-A	60"-Steel	2
		D5TZ 5A646-A	Adapter	4
		B8QH 5872-A	Bushing (beam Center)	2
		B8QH 5873-A	Bushing (beam ends)	4
80/82	All -- with Hendrickson RT 440/441/444 susp.	D3HZ 5889-B	54"	2
		D0HZ 5872-A	Bushing (beam center)	2
		D3HZ 5873-B	Socket & Ball assy (beam ends)- incl. nuts & bolts	4
		D0HZ 5878-A	Seal assy. (beam center)	4
		D0HZ 5882-A	Shaft (beam ends bushing)	4
80/86	LNT-LT-LTL900 -- Newway susp. "Before 5/86"	D8HZ 5889-E		4
		D2HZ 5872-A	Bushing (center)	4
		D2HZ 5873-A	Bushing (end)-front	4
		D8HZ 5872-B	Adapter assy (rear susp. beam end bushing)-center	4
		D2HZ 5A646-A	Adapter assy (rear susp. beam end bushing)-rear	4
		D8HZ 5873-B	Adapter assy (front susp. beam end bushing)-front	4
86/87	LNT-LT-LTL900 -- Newway susp. "From 5/86"	★ E6HZ 5889-A r/bE9HZ 5889-K		4
		E6HZ 5A646-A	Adapter assy. (rear susp. beam end) front	4
		D2HZ 5A646-A	Adapter assy. (rear susp. beam end) rear	4
		D8HZ 5872-B	Adapter assy (rear susp. beam end bushing)-center	4
		E6HZ 5873-A	Bushing kit (beam end)	4
88/	LNT-LT-LTL-LTS900 -- Newway ARD-238 susp.	E8HZ 5889-A		4
		E6HZ 5873-B	Bushing-front	4
		D8HZ 5872-B	Bushing-rear	4
88/	LNT-LT-LTL-LTS900 -- Newway ARD-244 susp.	E6HZ 5889-A		4
		E6HZ 5A646-A	Adapter assy. (rear susp. beam end)-front	4
		E2HZ 5A646-A	Adapter assy. (rear susp. beam end)-rear	4
		D8HZ 5872-B	Adapter assy. (rear susp. beam end bushing)- center	4
		E6HZ 5873-A	Bushing kit (beams end)	4
84/	All -- w/Hendrickson E4 susp.	E4HZ 5889-A		2
83/88	All -- w/Hendrickson UA/UEA340 susp.	E3HZ 5889-A		2
		D5TZ 5A646-A	Adapter assy.	4
		TWAA 5872-A	Bushing (beam center)	2
		B8QH 5873-A	Bushing (beam end)	4
83/86	All -- w/Hendrickson U340 susp.	E3HZ 5889-C	"Before 1/86"	2
		E3HZ 5889-G	"From 1/86"	2
		D5TZ 5A646-A	Adapter assy.	4
		TWAA 5872-A	Bushing (beam center)	2
		B8QH 5873-A	Bushing (beam end)	4
89	All -- w/Hendrickson U/UE 340 Susp.	E9HZ 5889-B		2
		D5TZ 5A646-A	Adapter assy.	4
		TWAA 5872-A	Bushing (center)	2
		B8QH 5873-A	Bushing (ends)	4
83/88	CLT900 -- w/Hendrickson RTA/RTEA380 susp.	E3HZ 5889-B		2
		D5TZ 5A646-A	Adapter assy.	4
		B8QH 5872-A	Bushing (beam center)	2
		B8QH 5873-A	Bushing (beam end)	4
83/88	CLT900 -- w/Hendrickson RT380 susp.	D2HZ 5889-A	Cast steel	2
		E7HZ 5889-A	Forged steel	2
		D5TZ 5A646-A	Adapter assy.	4
		B8QH 5872-A	Bushing (beam center)	2
		B8QH 5873-A	Bushing (beam end)	4
83/88	All exc. CLT900- w/Hendrickson RT380 susp.	E3HZ 5889-D		2
		D5TZ 5A646-A	Adapter assy.	4
		B8QH 5872-A	Bushing (beam center)	2
		B8QH 5873-A	Bushing (beam end)	4

1980/  
TRUCK SERIES 600/900

YEAR	MODEL/RESTRICTIONS	PART NUMBER	DESCRIPTION	QTY.
<b>5889 BEAM ASSY. (REAR SUSPENSION SUPPORT)-Includes bushings-Also refer to group 5888 -- Cont'd</b>				
83/88	All exc. CLT900 -- w/Hendrickson RS380 susp.	E3HZ 5889-B	"Before 2/90"	2
		E9HZ 5889-M	"From 2/90"	2
		D5TZ 5A646-A	Adapter assy.	4
		B8QH 5872-A	Bushing (beam center)	2
		B8QH 5873-A	Bushing (beam end)	4
89	All -- w/Hendrickson RS/RT/RTE400 Susp. alum. beams	E9HZ 5889-G	60"	2
		E9HZ 5889-D	52"	2
		D5TZ 5A646-A	Adapter assy.	4
		E9HZ 5872-B	Bushing (center)	2
		B8QH 5873-A	Bushing (ends)	4
89	All -- w/Hendrickson RT/RTE 400 susp.- steel beams	E9HZ 5889-C	60"	2
		D5TZ 5A646-A	Adapter	4
		B8QH 5872-A	Bushing (center)	2
		B8QH 5873-A	Bushing (ends)	4
89	All -- w/Hendrickson RS/RT/RTE 400 Susp.- steel beams	E9HZ 5889-A	52"	2
		D5TZ 5A646-A	Adapter assy.	4
		DOHZ 5872-A	Bushing (center)	2
		DOHZ 5878-A	Seal assy. (center)	2
		DOHZ 5A553-A	Sleeve	2
		DOHZ 5A552-B	Washer	2
		B8QH 5873-A	Bushing (ends)	4
83/	All -- w/Hendrickson RT440 std. susp.	E3HZ 5889-E		2
		DOHZ 5A552-B	Washer	4
		DOHZ 5A553-A	Sleeve	2
		D5TZ 5A646-A	Adapter assy.	4
		DOHZ 5872-A	Bushing (beam center)	2
		B8QH 5873-A	Bushing (beam end)	4
		DOHZ 5878-A	Seal assy (beam center)	4
83/88	All -- w/Hendrickson RT440H/D susp.	E3HZ 5889-F		2
		DOHZ 5A552-B	Washer	4
		DOHZ 5A553-A	Sleeve	2
		E3HZ 5A646-A	Adapter assy.	4
		DOHZ 5872-A	Bushing (beam center)	2
		E3HZ 5873-A	Bushing (beam end)	4
		DOHZ 5878-A	Seal assy. (beam center)	4
89	All -- w/Hendrickson RS/RT 460 Susp.- bronze center bushings	E9HZ 5889-H	54"	2
		E9HZ 5889-F	60"	2
		E3HZ 5A646-A	Adapter assy.	2
		E9HZ 5872-A	Bushing (center)	2
		B8QH 5873-A	Bushing (end)	4
89	All -- w/Hendrickson RS/RT 460-rubber center bushings	E9HZ 5889-E		2
		E3HZ 5A646-A	Adapter assy.	4
		DOHZ 5872-A	Bushing (center)	2
		DOHZ 5878-A	Seal assy.	4
		DOHZ 5A553-A	Sleeve	2
		DOHZ 5A552-B	Washer	4
		B8QH 5873-A	Bushing (ends)	4
80/81	LNT-LT-LTS900-- w/Hendrickson T500 susp.	D2HZ 5889-C		2
		D2HZ 5A593-A	Sleeve	2
		★ D2HZ 5A704-A	Seal	4
		D2HZ 5859-A	Washer	4
		D3HZ 5873-B	Socket and ball assy.	4
		DOHZ 5882-A	Shaft-	4
89	All -- w/Hendrickson RS460 susp.	E9HZ 5889-A	54"-ends	4
		E9HZ 5889-B	52"-ends	4
		E9HZ 5889-C	54"-center	2
89	All -- w/Hendrickson HA400 air susp.	E9HZ 5889-J		4
89	All -- w/Hendrickson HA-360 air susp.	E9HZ 5889-L		4



1980/  
TRUCK SERIES 600/900

YEAR	MODEL/RESTRICTIONS	PART NUMBER	DESCRIPTION	QTY.
<b>5L889 BEAM KIT (EQUALIZER)</b>				
80/81	CL-CLT900-Reyco Susp. "Before Ser. GE9,999"	E1HZ 5L889-A	Field fix 996-HT	1
80/81	CL-CLT900-Reyco susp. "From Ser. GG5,000"	E1HZ 5L889-B	Field fix 996-HT	1
<b>5890 Refer to group 5888</b>				
<b>5899 INSULATOR ASSY. (REAR SUSPENSION LOAD)</b>				
80/88	CT-LNT-LT-LTL-LTS800/900 - - Hendrickson RS-340 rubber susp.	C3TZ 5899-A	Rear	2
		E9HZ 5899-B	Front	2
<b>5930 Refer to group 5560 for Model Application. Determine applicable spring assy. part number. Find spring assy. part number in group 5563</b>				
<b>5969 Refer to group 5775</b>				
<b>5970 INSULATOR (REAR SPRING BRACKET REBOUND PIN)</b>				
80/	LNT-LT-LTL-LTS800/900 Hendrickson RUE-340 susp.	C2TZ 5970-B		4
<b>5980 REINFORCEMENT (REAR SPRING REAR BRACKET)</b>				
80/88	LNT-LT-LTL-LTS800/900	E0HZ 5980-A	Front	2
		E0HZ 5980-B	Rear	
89	LNT-LT-LTL-LTS800/900	E9HZ 5980-A	Front	2
		E9HZ 5980-B	Rear	2
<b>5990 BRACKET (AIR SPRING HANGER)</b>				
89	All - - w/Hendrickson air susp.	E9HZ 5990-A		4

## HOW TO FIND ENGINE PARTS

### 1. IF THE ENGINE HAS AN ENGINE IDENTIFICATION TAG:

- a. See the explanation on page 1 & 2 as to where the tag is located and the use of "Change Level".
- b. Locate the engine code shown on the engine tag.
- c. Use the engine code and the Engine Identification chart (on page 3) to find the engine parts list required.

EXAMPLE: If the Engine Identification Tag shows engine code to be 715 then the Engine Parts List Index shows that parts for that engine are listed in Parts List Section 60.1.

### 2. IF THE VEHICLE SERIAL NUMBER IS KNOWN:

- a. Determine the engine cubic inch displacement (C.I.D.) from the General Information Section of this catalog, using the fourth character of the vehicle serial number.
- b. Use the engine C.I.D. and the Engine Parts List Index (on page 2) to find the engine parts list required.

EXAMPLE: A 1980 L900 gas model with serial prefix F90MV has a 477 C.I.D. engine, as shown for engine code "M" in the General Information Section. The Engine Parts List Index (section 60 page 2) shows parts for this engine are listed in Parts List Section 60.2.

### 3. IF THE ENGINE CUBIC INCH DISPLACEMENT (C.I.D.) IS KNOWN, USE THE ENGINE PARTS LIST INDEX (SEC. 60, PAGE 2) TO FIND THE CORRECT ENGINE PARTS LIST SECTION.

### 4. IF THE TRUCK HAS A TRUCK SPECIFICATION LIST (T.S.L.):

- a. Locate the engine code number shown on the T.S.L.
- b. Use the Engine T.S.L. Cross-Reference Guide beginning on page 3 to find the correct Parts List Section.

EXAMPLE: The Engine T.S.L. Cross-Reference Guide shows that engine code 825 on the T.S.L. represents an 8 cylinder 7.8L engine, for which parts are listed in Parts List Section 60.2.

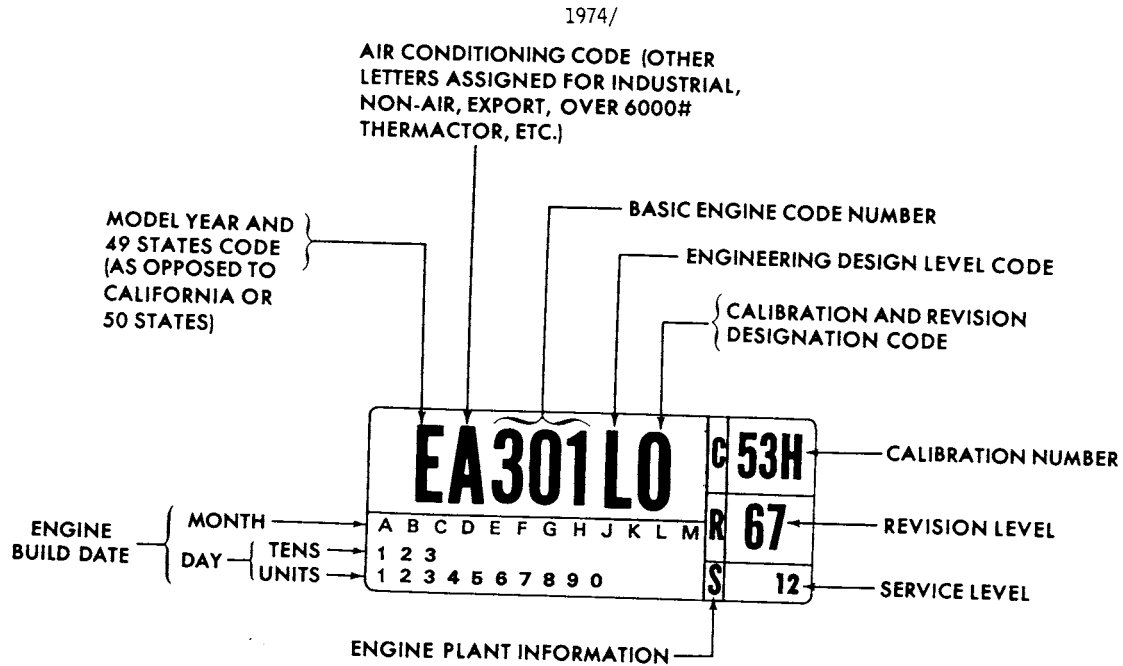
## ENGINE IDENTIFICATION TAG

IN ALL INQUIRIES ALWAYS FURNISH THE COMPLETE TAG IDENTIFICATION INFORMATION

All Ford engines for 1973/ include an engine identification tag. This tag describes C.I.D., model year, year and month of production, change level number & engine calibration information. All engine code numbers consists of a basic number, a suffix, and a prefix. Generally the basic number is adequate for engine identification, if additional information is needed the prefix or suffix is included.

The catalog uses the change level number in the same manner as date restriction information is presently used. The change level number is advanced only when a replacing part or assembly being introduced and the old part or assembly it replaced are not completely interchangeable.

1980/  
TRUCK SERIES 600/900



ENGINE LABEL LOCATION-NOTE 1

P-10886

New label (decal) installations will be made as follows:

ENGINE TYPE	LOCATION
8 Cylinder 370,401,429,475,477,534	Front of the Right Hand Rocker Cover

ENGINE PARTS LISTS INDEX

Engine parts are cataloged in separate sections for each related family or group of engines as follows.

	ENGINE GROUP	PARTS LIST SECTION
8 CYLINDER GASOLINE	6.1L (370 C.I.D.), 7.0L (429 C.I.D.)	60.1
	7.8L (475,477 C.I.D.)	60.2
	8.8L (534 C.I.D.)	60.2
CATERPILLAR DIESEL	6 cyl. 10.5L (638 C.I.D.)	60.7
	6 cyl. 14.6L (893 C.I.D.)	60.7
	8 cyl. 10.4L (636 C.I.D.)	60.5
CUMMINS DIESEL	6 cyl. 10.0L (611 C.I.D.)	60.3
	6 cyl. 14.0L (855 C.I.D.)	60.3
	6 cyl. 18.8L (1150 C.I.D.)	60.6
DETROIT DIESEL	6 cyl. 6.9L (426 C.I.D.), 9.0L (552 C.I.D.)	60.4
	8 cyl. 9.3L (568 C.I.D.), 12.0L (736 C.I.D.)	60.4
	8 cyl. 8.2L (501 C.I.D.)	60.8
FORD DIESEL	6 cyl. 6.6L (403 C.I.D.)	60.9
	6 cyl. 7.8L (476 C.I.D.)	60.9



# 1980/ TRUCK SERIES 600/900

## ENGINE IDENTIFICATION CHART & ENGINE T.S.L. CROSS-REFERENCE GUIDE

See explanation under "How to Find Engine Parts" on page 1 of this section.

T.S.L. ENGINE NO.	MANUFACTURER'S INFORMATION	TYPE FUEL	NO. CYL.	DISP.	PARTS LIST NO.	ENGINE ASSY. NO.
<p>Note:      Δ Parts information in this catalog for the diesel engines manufactured by Cummins Engine Co., Caterpillar Tractor Co., and Detroit Diesel Engine Division is generally restricted to engine accessories and engine related parts furnished by Ford Motor Company. Engine assemblies (basic 6007), when offered, will be shown on their respective parts lists.  Other parts peculiar to these diesel eng. may be ordered from the appropriate eng. manufacturer's distributor or dealer.</p>						
D9HT 6007-AYC	Detroit Diesel-8V-71TTA	Diesel	8	568	60.4	Δ
D9HT 6007-AVB	Detroit Diesel-8V-71N	Diesel	8	568	60.4	Δ
D9HT 6007-AZA	Detroit Diesel-8V-71TT	Diesel	8	568	60.4	Δ
D9HT 6007-BAA	Detroit Diesel-8V-71TTAE	Diesel	8	568	60.4	Δ
D9HT 6007-BBA	Detroit Diesel-8V-71TTAC	Diesel	8	568	60.4	Δ
D9HT 6007-BBB	Detroit Diesel-8V-71TTAC	Diesel	8	568	60.4	Δ
D9HT 6007-BCA	Detroit Diesel-8V-71	Diesel	8	568	60.4	Δ
D9HT 6007-BDA	Detroit Diesel-8V-71T	Diesel	8	568	60.4	Δ
D9HT 6007-BEA	Detroit Diesel-8V-71TAE	Diesel	8	568	60.4	Δ
D9HT 6007-BFA	Detroit Diesel-8V-71T	Diesel	8	568	60.4	Δ
D9HT 6007-BGA	Detroit Diesel-8V-71T	Diesel	8	568	60.4	Δ
D9HT 6007-BHA	Detroit Diesel-8V-71TAE	Diesel	8	568	60.4	Δ
D9HT 6007-BJA	Detroit Diesel-8V-71T	Diesel	8	568	60.4	Δ
D9HT 6007-BKA	Detroit Diesel-8V-71TAC	Diesel	8	568	60.4	Δ
D9HT 6007-BKB	Detroit Diesel-8V-72TAC	Diesel	8	568	60.4	Δ
D9HT 6007-BLA	Detroit Diesel-8V-92TTA	Diesel	8	736	60.4	Δ
D9HT 6007-BLB	Detroit Diesel-8V-92TTA	Diesel	8	736	60.4	Δ
D9HT 6007-AGA	Detroit Diesel-6V-92TTAC	Diesel	6	552	60.4	Δ
D9HT 6007-AGB	Detroit Diesel-6V-92TTAC	Diesel	6	552	60.4	Δ
D9HT 6007-AHA	Detroit Diesel-6V-92TA	Diesel	6	552	60.4	Δ
D9HT 6007-AJA	Detroit Diesel-6V-92T	Diesel	6	552	60.4	Δ
D9HT 6007-AKA	Detroit Diesel-6V-92TA	Diesel	6	552	60.4	Δ
D9HT 6007-ALA	Detroit Diesel-6V-92T	Diesel	6	552	60.4	Δ
D9HT 6007-AMA	Detroit Diesel-6V-92TAC	Diesel	6	552	60.4	Δ
D9HT 6007-AMB	Detroit Diesel-6V-92TAC	Diesel	6	552	60.4	Δ
D9HT 6007-ANA	Detroit Diesel-6V-92TA	Diesel	6	552	60.4	Δ
D9HT 6007-ANB	Detroit Diesel-6V-92TA	Diesel	6	552	60.4	Δ
D9HT 6007-ARA	Detroit Diesel-8V-71N	Diesel	8	568	60.4	Δ
D9HT 6007-ASA	Detroit Diesel-8V-71N	Diesel	8	568	60.4	Δ
D9HT 6007-ATA	Detroit Diesel-8V-71N	Diesel	8	568	60.4	Δ
D9HT 6007-AUA	Detroit Diesel-8V-71N	Diesel	8	568	60.4	Δ
D9HT 6007-AYA	Detroit Diesel-8V-71TTA	Diesel	8	568	60.4	Δ
D9HT 6007-AYB	Detroit Diesel-8V-71TTA	Diesel	8	568	60.4	Δ
D9HT 6007-BMA	Detroit Diesel-8V92TTAC	Diesel	8	736	60.4	Δ
D9HT 6007-BMB	Detroit Diesel-8V-92TTAC	Diesel	8	736	60.4	Δ
D9HT 6007-BNA	Detroit Diesel-8V-92TA	Diesel	8	736	60.4	Δ
D9HT 6007-BRA	Detroit Diesel-8V-92T	Diesel	8	736	60.4	Δ
D9HT 6007-BSA	Detroit Diesel-8V-92T	Diesel	8	736	60.4	Δ
D9HT 6007-BTA	Detroit Diesel-8V-92TA	Diesel	8	736	60.4	Δ
D9HT 6007-BUA	Detroit Diesel-8V-92TAC	Diesel	8	736	60.4	Δ
D9HT 6007-BUB	Detroit Diesel-8V-92TAC	Diesel	8	736	60.4	Δ
D9HT 6007-BVA	Detroit Diesel-8V-92TA	Diesel	8	736	60.4	Δ
D9HT 6007-BVB	Detroit Diesel-8V-92TA	Diesel	8	736	60.4	Δ
D9HT 6007-BYA	Cum.-NTC230	Diesel	6	855	60.3	Δ
D9HT 6007-BYB	Cum.-NTC230	Diesel	6	855	60.3	Δ
D9HT 6007-BZA	Cum.-NTC230	Diesel	6	855	60.3	Δ
D9HT 6007-BZB	Cum.-NTC230	Diesel	6	855	60.3	Δ
D9HT 6007-CCA	Cum.-NTC230	Diesel	6	855	60.3	Δ
D9HT 6007-CCB	Cum.-NTC230	Diesel	6	855	60.3	Δ
D9HT 6007-CDA	Cum.-Form.230	Diesel	6	855	60.3	Δ
D9HT 6007-CDB	Cum.-Form.230	Diesel	6	855	60.3	Δ
D9HT 6007-CEA	Cum.-NTC230	Diesel	6	855	60.3	Δ

1980/  
TRUCK SERIES 600/900

ENGINE IDENTIFICATION CHART &  
ENGINE T.S.L. CROSS-REFERENCE GUIDE

See explanation under "How to Find Engine Parts" on page 1 of this section.

T.S.L. ENGINE NO.	MANUFACTURER'S INFORMATION	TYPE FUEL	NO. CYL.	DISP.	PARTS LIST NO.	ENGINE ASSY. NO.
<b>Note:</b> Δ Parts information in this catalog for the diesel engines manufactured by Cummins Engine Co., Caterpillar Tractor Co., and Detroit Diesel Engine Division is generally restricted to engine accessories and engine related parts furnished by Ford Motor Company. Engine assemblies (basic 6007), when offered, will be shown on their respective parts lists. Other parts peculiar to these diesel eng. may be ordered from the appropriate eng. manufacturer's distributor or dealer.						
D9HT 6007-CEB	Cum.-NTC230	Diesel	6	855	60.3	Δ
D9HT 6007-CFA	Cum.-NTC230	Diesel	6	855	60.3	Δ
D9HT 6007-CFB	Cum.-NTC230	Diesel	6	855	60.3	Δ
D9HT 6007-CGA	Cum.-NTC250	Diesel	6	855	60.3	Δ
D9HT 6007-CGB	Cum.-NTC250	Diesel	6	855	60.3	Δ
D9HT 6007-CLA	Cum.-NTC290	Diesel	6	855	60.3	Δ
D9HT 6007-CLB	Cum.-NTC290	Diesel	6	855	60.3	Δ
D9HT 6007-CMA	Cum.-NTC290	Diesel	6	855	60.3	Δ
D9HT 6007-CMB	Cum.-NTC290	Diesel	6	855	60.3	Δ
D9HT 6007-CNA	Cum.-NTC290	Diesel	6	855	60.3	Δ
D9HT 6007-CNB	Cum.-NTC290	Diesel	6	855	60.3	Δ
D9HT 6007-CRA	Cum.-NTC290	Diesel	6	855	60.3	Δ
D9HT 6007-CRB	Cum.-NTC290	Diesel	6	855	60.3	Δ
D9HT 6007-CSA	Cum.-NTC290	Diesel	6	855	60.3	Δ
D9HT 6007-CSB	Cum.-NTC290	Diesel	6	855	60.3	Δ
D9HT 6007-CTA	Cum.-NTC290	Diesel	6	855	60.3	Δ
D9HT 6007-CTB	Cum.-NTC290	Diesel	6	855	60.3	Δ
D9HT 6007-CUA	Cum.-NTC290	Diesel	6	855	60.3	Δ
D9HT 6007-DDA	Cum.-NTC290	Diesel	6	855	60.3	Δ
D9HT 6007-DDB	Cum.-NTC290	Diesel	6	855	60.3	Δ
D9HT 6007-DEA	Cum.-NTC290	Diesel	6	855	60.3	Δ
D9HT 6007-DEB	Cum.-NTC290	Diesel	6	855	60.3	Δ
D9HT 6007-DFA	Cum.-NTC290	Diesel	6	855	60.3	Δ
D9HT 6007-DFB	Cum.-NTC290	Diesel	6	855	60.3	Δ
D9HT 6007-DSA	Cum.-NTC350	Diesel	6	855	60.3	Δ
D9HT 6007-DSB	Cum.-NTC350	Diesel	6	855	60.3	Δ
D9HT 6007-DSC	Cum.-NTC350	Diesel	6	855	60.3	Δ
D9HT 6007-DTA	Cum.-NTC350	Diesel	6	855	60.3	Δ
D9HT 6007-DTB	Cum.-NTC350	Diesel	6	855	60.3	Δ
D9HT 6007-DTC	Cum.-NTC350	Diesel	6	855	60.3	Δ
D9HT 6007-DUA	Cum.-NTC350	Diesel	6	855	60.3	Δ
D9HT 6007-DUB	Cum.-NTC350	Diesel	6	855	60.3	Δ
D9HT 6007-DUC	Cum.-NTC350	Diesel	6	855	60.3	Δ
D9HT 6007-DVA	Cum.-NTC350	Diesel	6	855	60.3	Δ
D9HT 6007-DVB	Cum.-NTC350	Diesel	6	855	60.3	Δ
D9HT 6007-DVC	Cum.-NTC350	Diesel	6	855	60.3	Δ
D9HT 6007-EEC	Cum.-NTC350	Diesel	6	855	60.3	Δ
E0HT 6007-AA	Detroit Diesel-8.2NA	Diesel	8	8.2L	60.8	Δ
E0HT 6007-BA	Detroit Diesel-8.2T	Diesel	8	8.2L	60.8	Δ
E0HT 6007-CA	Detroit Diesel-8.2NA	Diesel	8	8.2L	60.8	Δ
E0HT 6007-DA	Detroit Diesel-8.2T	Diesel	8	8.2L	60.8	Δ
E0HT 6007-EA	Detroit Diesel-8.2NA	Diesel	8	8.2L	60.8	Δ
E0HT 6007-FA	Detroit Diesel-8.2T	Diesel	8	8.2L	60.8	Δ
E0HT 6007-GA	Detroit Diesel-8.2NA	Diesel	8	8.2L	60.8	Δ
E0HT 6007-HA	Detroit Diesel-8.2NA	Diesel	8	8.2L	60.8	Δ
E0HT 6007-JA	Detroit Diesel-8.2NA	Diesel	8	8.2L	60.8	Δ
E0HT 6007-KA	Cum.-KT450	Diesel	6	18.8L	60.6	Δ
E0HT 6007-LA	Cum.-KT450	Diesel	6	18.8L	60.6	Δ
E0HT 6007-MB	Cum.-Formula 230	Diesel	6	14.0L	60.3	Δ
E0HT 6007-NB	Cum.-Formula 250	Diesel	6	14.0L	60.3	Δ
E0HT 6007-RB	Cum.-Formula 290	Diesel	6	14.0L	60.3	Δ
E0HT 6007-SB	Cum.-Formula 290	Diesel	6	14.0L	60.3	Δ
E0HT 6007-TA	Cum.-Formula 290	Diesel	6	14.0L	60.3	Δ

## 1980/ TRUCK SERIES 600/900

### ENGINE IDENTIFICATION CHART & ENGINE T.S.L. CROSS-REFERENCE GUIDE

See explanation under "How to Find Engine Parts" on page 1 of this section.

T.S.L. ENGINE NO.	MANUFACTURER'S INFORMATION	TYPE FUEL	NO. CYL.	DISP.	PARTS LIST NO.	ENGINE ASSY. NO.
<b>Note:</b> △ Parts information in this catalog for the diesel engines manufactured by Cummins Engine Co., Caterpillar Tractor Co., and Detroit Diesel Engine Division is generally restricted to engine accessories and engine related parts furnished by Ford Motor Company. Engine assemblies (basic 6007), when offered, will be shown on their respective parts lists. Other parts peculiar to these diesel eng. may be ordered from the appropriate eng. manufacturer's distributor or dealer.						
EOHT 6007-UA	Cum.-Formula 290	Diesel	6	14.0L	60.3	△
EOHT 6007-VA	Cum.-Formula 350	Diesel	6	14.0L	60.3	△
EOHT 6007-YA	Cum.-Formula 350	Diesel	6	14.0L	60.3	△
EOHT 6007-ZA	Cum.-Formula 350	Diesel	6	14.0L	60.3	△
EOHT 6007-AAA	Cum.-Formula 350	Diesel	6	14.0L	60.3	△
EOHT 6007-ABA	Cum.-NTC230	Diesel	6	14.0L	60.3	△
EOHT 6007-ACA	Cum.-NTCC230	Diesel	6	14.0L	60.3	△
EOHT 6007-ADA	Cum.-NTCC230	Diesel	6	14.0L	60.3	△
EOHT 6007-AEA	Cum.-NTC250	Diesel	6	14.0L	60.3	△
EOHT 6007-AFA	Cum.-NTC250	Diesel	6	14.0L	60.3	△
EOHT 6007-AGA	Cum.-NTC250	Diesel	6	14.0L	60.3	△
EOHT 6007-AHA	Cum.-NTC290	Diesel	6	14.0L	60.3	△
EOHT 6007-AJA	Cum.-NTC290	Diesel	6	14.0L	60.3	△
EOHT 6007-AKA	Cum.-NTC290	Diesel	6	14.0L	60.3	△
EOHT 6007-ALA	Cum.-NTC290	Diesel	6	14.0L	60.3	△
EOHT 6007-AMA	Cum.-NTC290	Diesel	6	14.0L	60.3	△
EOHT 6007-ANA	Cum.-Formula 290	Diesel	6	14.0L	60.3	△
EOHT 6007-ARA	Cum.-Formula 290	Diesel	6	14.0L	60.3	△
EOHT 6007-ASA	Cum.-NTC230	Diesel	6	14.0L	60.3	△
EOHT 6007-ATA	Cum.-NTC230	Diesel	6	14.0L	60.3	△
EOHT 6007-AYA	Cat.-3406	Diesel	6	14.6L	60.7	△
EOHT 6007-AYB	Cat.-3406	Diesel	6	14.6L	60.7	△
EOHT 6007-AZA	Cat.-3406	Diesel	6	14.6L	60.7	△
EOHT 6007-AZB	Cat.-3406	Diesel	6	14.6L	60.7	△
EOHT 6007-BAA	Cat.-3406	Diesel	6	14.6L	60.7	△
EOHT 6007-BAB	Cat.-3406	Diesel	6	14.6L	60.7	△
EOHT 6007-BBA	Cat.-3406	Diesel	6	14.6L	60.7	△
EOHT 6007-BCA	Cat.-3406	Diesel	6	14.6L	60.7	△
EOHT 6007-BDA	Cat.-3208	Diesel	8	10.4L	60.5	△
EOHT 6007-BEA	Cat.-3208	Diesel	8	10.4L	60.5	△
EOHT 6007-BFA	Cat.-3208	Diesel	8	10.4L	60.5	△
EOHT 6007-BGA	Cat.-3208	Diesel	8	10.4L	60.5	△
EOHT 6007-BHA	Cat.-3208	Diesel	8	10.4L	60.5	△
EOHT 6007-BJA	Cat.-3406	Diesel	6	14.6L	60.7	△
EOHT 6007-BKA	Cat.-3406	Diesel	6	14.6L	60.7	△
EOHT 6007-BLA	Cat.-3406	Diesel	6	14.6L	60.7	△
EOHT 6007-BMA	Cat.-3208	Diesel	8	10.4L	60.5	△
EOHT 6007-BNA	Cat.-3208	Diesel	8	10.4L	60.5	△
EOHT 6007-BRA	Cat.-3208	Diesel	8	10.4L	60.5	△
EOHT 6007-BSA	Cat.-3208	Diesel	8	10.4L	60.5	△
EOHT 6007-BTA	Cat.-3406	Diesel	6	14.6L	60.7	△
EOHT 6007-BUA	Cat.-3406	Diesel	6	14.6L	60.7	△
EOHT 6007-BVA	Cat.-3406	Diesel	6	14.6L	60.7	△
EOHT 6007-BYA	Cat.-3406	Diesel	6	14.6L	60.7	△
EOHT 6007-BZA	Cat.-3406	Diesel	6	14.6L	60.7	△
EOHT 6007-CAA	Detroit Diesel-6V-92TA	Diesel	6	9.0L	60.4	△
EOHT 6007-CAB	Detroit Diesel-6V-92TA	Diesel	6	9.0L	60.4	△
EOHT 6007-CBA	Detroit Diesel-6V-92TAC	Diesel	6	9.0L	60.4	△
EOHT 6007-CBB	Detroit Diesel-6V-92TAC	Diesel	6	9.0L	60.4	△

# 1980/ TRUCK SERIES 600/900

## ENGINE IDENTIFICATION CHART & ENGINE T.S.L. CROSS-REFERENCE GUIDE

See explanation under "How to Find Engine Parts" on page 1 of this section.

T.S.L. ENGINE NO.	MANUFACTURER'S INFORMATION	TYPE	NO. CYL.	DISP.	PARTS LIST NO.	ENGINE ASSY. NO.
<p><b>Note:</b>      Δ Parts information in this catalog for the diesel engines manufactured by Cummins Engine Co., Caterpillar Tractor Co., and Detroit Diesel Engine Division is generally restricted to engine accessories and engine related parts furnished by Ford Motor Company. Engine assemblies (basic 6007), when offered, will be shown on their respective parts lists.                      Other parts peculiar to these diesel eng. may be ordered from the appropriate eng. manufacturer's distributor or dealer.</p>						
EOHT 6007-CCA	Detroit Diesel-6V-92TTA	Diesel	6	9.0L	60.4	Δ
EOHT 6007-CCB	Detroit Diesel-6V-92TTA	Diesel	6	9.0L	60.4	Δ
EOHT 6007-CDA	Detroit Diesel-6V-92TTAC	Diesel	6	9.0L	60.4	Δ
EOHT 6007-CDB	Detroit Diesel-6V-92TTAC	Diesel	6	9.0L	60.4	Δ
EOHT 6007-CEA	Detroit Diesel-6V-92TTA	Diesel	6	9.0L	60.4	Δ
EOHT 6007-CFA	Detroit Diesel-6V-92TTA	Diesel	6	9.0L	60.4	Δ
EOHT 6007-CGA	Detroit Diesel-6V-92TTAC	Diesel	6	9.0L	60.4	Δ
EOHT 6007-CHA	Detroit Diesel-8V-71TA	Diesel	8	9.3L	60.4	Δ
EOHT 6007-CJA	Detroit Diesel-8V-71TTA	Diesel	8	9.3L	60.4	Δ
EOHT 6007-CKA	Detroit Diesel-8V-71TAC	Diesel	8	9.3L	60.4	Δ
EOHT 6007-CLA	Detroit Diesel-8V-71TTAC	Diesel	8	9.3L	60.4	Δ
EOHT 6007-CMA	Detroit Diesel-8V-92TTAC	Diesel	8	12.0L	60.4	Δ
EOHT 6007-CNA	Detroit Diesel-8V-92TTA	Diesel	8	12.0L	60.4	Δ
EOHT 6007-CRA	Detroit Diesel-8V-92TAC	Diesel	8	12.0L	60.4	Δ
EOHT 6007-CSA	Detroit Diesel-8V-92TTAC	Diesel	8	12.0L	60.4	Δ
EOHT 6007-CTA	Cum.-Form. 300	Diesel	6	14.0L	60.3	Δ
EOHT 6007-CUA	Cum.-Form. 300	Diesel	6	14.0L	60.3	Δ
EOHT 6007-CVA	Cum.-NTC300	Diesel	6	14.0L	60.3	Δ
EOHT 6007-CYA	Cum.-NTC300	Diesel	6	14.0L	60.3	Δ
EOHT 6007-CZA	Cum.-Form. 300	Diesel	6	14.0L	60.3	Δ
EOHT 6007-DAA	Cum.-Form. 300	Diesel	6	14.0L	60.3	Δ
EOHT 6007-DBA	Cum.-NTC300	Diesel	6	14.0L	60.3	Δ
EOHT 6007-DCA	Cum.-NTC300	Diesel	6	14.0L	60.3	Δ
EOHT 6007-DDA	Cum.-NTC300	Diesel	6	14.0L	60.3	Δ
EOHT 6007-DEA	Cum.-NTC300	Diesel	6	14.0L	60.3	Δ
EOHT 6007-DFA	Cum.-NTC300	Diesel	6	14.0L	60.3	Δ
EOHT 6007-DGA	Cum.-Form. 300	Diesel	6	14.0L	60.3	Δ
EOHT 6007-DHA	Cum.-Form. 300	Diesel	6	14.0L	60.3	Δ
E1HT 6007-EB	Cum.-NTC400	Diesel	6	14.0L	60.3	Δ
E1HT 6007-FB	Cum.-NTC400	Diesel	6	14.0L	60.3	Δ
E1HT 6007-GB	Cum.-NTCC400	Diesel	6	14.0L	60.3	Δ
E1HT 6007-HB	Cum.-NTCC400	Diesel	6	14.0L	60.3	Δ
E1HT 6007-JA	Detroit Diesel-8V-92TA	Diesel	8	12.0L	60.4	Δ
E1HT 6007-KA	Detroit Diesel-8V-92TTA	Diesel	8	12.0L	60.4	Δ
E1HT 6007-LA	Detroit Diesel-8V-92TAC	Diesel	8	12.0L	60.4	Δ
E1HT 6007-MA	Detroit Diesel-8V-92TTAC	Diesel	8	12.0L	60.4	Δ
E1HT 6007-NA	Cat.-3406	Diesel	6	14.6L	60.7	Δ
E1HT 6007-NB	Cat.-3406	Diesel	6	14.6L	60.7	Δ
E1HT 6007-RA	Cat.-3406	Diesel	6	14.6L	60.7	Δ
E1HT 6007-RB	Cat.-3406	Diesel	6	14.6L	60.7	Δ
E1HT 6007-ZB	Cum.-Formula 270	Diesel	6	14.0L	60.3	Δ
E1HT 6007-AAC	Cum.-NTC270	Diesel	6	14.0L	60.3	Δ
E1HT 6007-ABC	Cum.-NTC270	Diesel	6	14.0L	60.3	Δ
E1HT 6007-ACC	Cum.-NTC270	Diesel	6	14.0L	60.3	Δ
E1HT 6007-ADA	Cat.-3406	Diesel	6	14.6L	60.7	Δ
E1HT 6007-ADB	Cat.-3406	Diesel	6	14.6L	60.7	Δ
E1HT 6007-AEC	Detroit Diesel-8.2LN	Diesel	8	8.2L	60.8	Δ
E1HT 6007-AFC	Detroit Diesel-8.2LT	Diesel	8	8.2L	60.8	Δ
E1HT 6007-AGD	Detroit Diesel-8.2LN	Diesel	8	8.2L	60.8	Δ
E1HT 6007-AHC	Detroit Diesel-8.2LN	Diesel	8	8.2L	60.8	Δ
E1HT 6007-AJC	Detroit Diesel-8.2LT	Diesel	8	8.2L	60.8	Δ



## 1980/ TRUCK SERIES 600/900

### ENGINE IDENTIFICATION CHART & ENGINE T.S.L. CROSS-REFERENCE GUIDE

See explanation under "How to Find Engine Parts" on page 1 of this section.

T.S.L. ENGINE NO.	MANUFACTURER'S INFORMATION	TYPE FUEL	NO. CYL.	DISP.	PARTS LIST NO.	ENGINE ASSY. NO.
<p>Note:     △ Parts information in this catalog for the diesel engines manufactured by Cummins Engine Co., Caterpillar Tractor Co., and Detroit Diesel Engine Division is generally restricted to engine accessories and engine related parts furnished by Ford Motor Company. Engine assemblies (basic 6007), when offered, will be shown on their respective parts lists.  Other parts peculiar to these diesel eng. may be ordered from the appropriate eng. manufacturer's distributor or dealer.</p>						
E1HT 6007-AKC	Detroit Diesel-8.2LN	Diesel	8	8.2L	60.8	△
E1HT 6007-ALD	Detroit Diesel-8.2LN	Diesel	8	8.2L	60.8	△
E1HT 6007-AMC	Detroit Diesel-8.2LN	Diesel	8	8.2L	60.8	△
E1HT 6007-ANB	Detroit Diesel-8.2LT	Diesel	8	8.2L	60.8	△
E1HT 6007-ARB	Detroit Diesel-8.2LT	Diesel	8	8.2L	60.8	△
E1HT 6007-BAB	Cum.-NTC300	Diesel	6	14.0L	60.3	△
E1HT 6007-BBB	Cum.-NTC300	Diesel	6	14.0L	60.3	△
E1HT 6007-BCB	Cum.-NTC300	Diesel	6	14.0L	60.3	△
E1HT 6007-BDB	Cum.-NTC300	Diesel	6	14.0L	60.3	△
E1HT 6007-BEB	Cum.-NTC300	Diesel	6	14.0L	60.3	△
E1HT 6007-BFB	Cum.-NTCC300	Diesel	6	14.0L	60.3	△
E1HT 6007-BGB	Cum.-NTCC300	Diesel	6	14.0L	60.3	△
E1HT 6007-BHB	Cum.-NTCC300	Diesel	6	14.0L	60.3	△
E1HT 6007-BJB	Cum.-NTCC300	Diesel	6	14.0L	60.3	△
E1HT 6007-BKB	Cum.-NTC350	Diesel	6	14.0L	60.3	△
E1HT 6007-BLB	Cum.-NTC350	Diesel	6	14.0L	60.3	△
E1HT 6007-BMB	Cum.-NTC350	Diesel	6	14.0L	60.3	△
E1HT 6007-BNB	Cum.-NTC350	Diesel	6	14.0L	60.3	△
E1HT 6007-BRB	Cum.-NTC350	Diesel	6	14.0L	60.3	△
E1HT 6007-BSB	Cum.-NTCC350	Diesel	6	14.0L	60.3	△
E1HT 6007-BTB	Cum.-NTCC350	Diesel	6	14.0L	60.3	△
E1HT 6007-BUB	Cum.-NTCC350	Diesel	6	14.0L	60.3	△
E1HT 6007-BVB	Cum.-NTCC350	Diesel	6	14.0L	60.3	△
E1HT 6007-BYA	Cat.-3208	Diesel	8	10.4L	60.5	△
E1HT 6007-BYB	Cat.-3208	Diesel	8	10.4L	60.5	△
E1HT 6007-BZA	Cat.-3208	Diesel	8	10.4L	60.5	△
E1HT 6007-BZB	Cat.-3208	Diesel	8	10.4L	60.5	△
E1HT 6007-CAA	Cat.-3208	Diesel	8	10.4L	60.5	△
E1HT 6007-CAB	Cat.-3208	Diesel	8	10.4L	60.5	△
E1HT 6007-CBA	Cat.-3208	Diesel	8	10.4L	60.5	△
E1HT 6007-CBB	Cat.-3208	Diesel	8	10.4L	60.5	△
E1HT 6007-CCA	Cat.-3208	Diesel	8	10.4L	60.5	△
E1HT 6007-CCB	Cat.-3208	Diesel	8	10.4L	60.5	△
E1HT 6007-CDA	Cat.-3208	Diesel	8	10.4L	60.5	△
E1HT 6007-CDB	Cat.-3208	Diesel	8	10.4L	60.5	△
E1HT 6007-CEA	Cat.-3208	Diesel	8	10.4L	60.5	△
E1HT 6007-CEB	Cat.-3208	Diesel	8	10.4L	60.5	△
E1HT 6007-CFA	Cat.-3208	Diesel	8	10.4L	60.5	△
E1HT 6007-CFB	Cat.-3208	Diesel	8	10.4L	60.5	△
E1HT 6007-CGA	Cat.-3208	Diesel	8	10.4L	60.5	△
E1HT 6007-CGB	Cat.-3208	Diesel	8	10.4L	60.5	△
E1HT 6007-CHA	Detroit Diesel-6-71N	Diesel	6	6.9L	60.4	△
E1HT 6007-CJA	Detroit Diesel-6-71N	Diesel	6	6.9L	60.4	△
E1HT 6007-CKA	Detroit Diesel-8V-71N	Diesel	8	9.3L	60.4	△
E1HT 6007-CLA	Detroit Diesel-8V-71N	Diesel	8	9.3L	60.4	△
E1HT 6007-CMA	Detroit Diesel-8V-71TTA	Diesel	8	9.3L	60.4	△
E1HT 6007-CRA	Detroit Diesel-6V-92TTA	Diesel	6	9.0L	60.4	△
E1HT 6007-CSA	Detroit Diesel-6V-92TTAC	Diesel	6	9.0L	60.4	△
E1HT 6007-CTA	Detroit Diesel-6V-92TTA	Diesel	6	9.0L	60.4	△
E1HT 6007-CUA	Detroit Diesel-6V-92TTA	Diesel	6	9.0L	60.4	△
E1HT 6007-CVA	Detroit Diesel-6V-92TTAC	Diesel	6	9.0L	60.4	△

# 1980/ TRUCK SERIES 600/900

## ENGINE IDENTIFICATION CHART & ENGINE T.S.L. CROSS-REFERENCE GUIDE

See explanation under "How to Find Engine Parts" on page 1 of this section.

T.S.L. ENGINE NO.	MANUFACTURER'S INFORMATION	TYPE FUEL	NO. CYL.	DISP.	PARTS LIST NO.	ENGINE ASSY. NO.
<p><b>Note:</b>     Δ Parts information in this catalog for the diesel engines manufactured by Cummins Engine Co., Caterpillar Tractor Co., and Detroit Diesel Engine Division is generally restricted to engine accessories and engine related parts furnished by Ford Motor Company. Engine assemblies (basic 6007), when offered, will be shown on their respective parts lists.            Other parts peculiar to these diesel eng. may be ordered from the appropriate eng. manufacturer's distributor or dealer.</p>						
E1HT 6007-CYA	Detroit Diesel-6V-92TTA	Diesel	6	9.0L	60.4	Δ
E1HT 6007-CZA	Detroit Diesel-8V-71TA	Diesel	8	9.3L	60.4	Δ
E1HT 6007-DAA	Detroit Diesel-8V-71TTA	Diesel	8	9.3L	60.4	Δ
E1HT 6007-DBA	Detroit Diesel-8V-92TA	Diesel	8	12.0L	60.4	Δ
E1HT 6007-DCA	Detroit Diesel-8V-92TTA	Diesel	8	12.0L	60.4	Δ
E1HT 6007-DDA	Detroit Diesel-8V-92TAC	Diesel	8	12.0L	60.4	Δ
E1HT 6007-DEA	Detroit Diesel-8V-92TTAC	Diesel	8	12.0L	60.4	Δ
E1HT 6007-DFB	Cum.-Form. 240	Diesel	6	14.0L	60.3	Δ
E1HT 6007-DGB	Cum.-NTCC240	Diesel	6	14.0L	60.3	Δ
E1HT 6007-DHB	Cum.-NTCC240	Diesel	6	14.0L	60.3	Δ
E1HT 6007-DJB	Cum.-NTC240	Diesel	6	14.0L	60.3	Δ
E1HT 6007-DKB	Cum.-NTC240	Diesel	6	14.0L	60.3	Δ
E1HT 6007-DLB	Cum.-NTC240	Diesel	6	14.0L	60.3	Δ
E1HT 6007-DMB	Cum.-Form. 300	Diesel	6	14.0L	60.3	Δ
E1HT 6007-DNB	Cum.-Form. 300	Diesel	6	14.0L	60.3	Δ
E1HT 6007-DRB	Cum.-Form. 300	Diesel	6	14.0L	60.3	Δ
E1HT 6007-DSB	Cum.-Form. 300	Diesel	6	14.0L	60.3	Δ
E1HT 6007-DTB	Cum.-Form. 350	Diesel	6	14.0L	60.3	Δ
E1HT 6007-DUB	Cum.-Form. 350	Diesel	6	14.0L	60.3	Δ
E1HT 6007-DVB	Cum.-Form. 350	Diesel	6	14.0L	60.3	Δ
E1HT 6007-DYB	Cum.-Form. 350	Diesel	6	14.0L	60.3	Δ
E1HT 6007-DZA	Cum.-KT450	Diesel	6	18.8L	60.6	Δ
E1HT 6007-EAA	Cum.-KT450	Diesel	6	18.8L	60.6	Δ
E1HT 6007-EBA	Cum.-NTC300	Diesel	6	14.0L	60.3	Δ
E1HT 6007-ECA	Cum.-NTC300	Diesel	6	14.0L	60.3	Δ
E1HT 6007-EDA	Cum.-NTCC300	Diesel	6	14.0L	60.3	Δ
E1HT 6007-EEA	Cum.-NTC300	Diesel	6	14.0L	60.3	Δ
E1HT 6007-EFA	Cum.-NTCC350	Diesel	6	14.0L	60.3	Δ
E1HT 6007-EGA	Cum.-NTCC350	Diesel	6	14.0L	60.3	Δ
E1HT 6007-EHA	Cum.-NTCC400	Diesel	6	14.0L	60.3	Δ
E1HT 6007-EJA	Cum.-NTCC400	Diesel	6	14.0L	60.3	Δ
E1HT 6007-EKA	Cum.-NTC350	Diesel	6	14.0L	60.3	Δ
E1HT 6007-ELA	Cum.-NTC350	Diesel	6	14.0L	60.3	Δ
E1HT 6007-EMA	Cum.-NTC400	Diesel	6	14.0L	60.3	Δ
E1HT 6007-ENA	Cum.-NTC400	Diesel	6	14.0L	60.3	Δ
E1HT 6007-ERA	Cum.-KTA525	Diesel	6	18.8L	60.6	Δ
E1HT 6007-ESA	Cum.-KTA525	Diesel	6	18.8L	60.6	Δ
E1HT 6007-ETA	Cum.-KTA600	Diesel	6	18.8L	60.6	Δ
E1HT 6007-EUA	Cum.-KTA600	Diesel	6	18.8L	60.6	Δ
E1HT 6007-EVA	Cum.-Form. 300	Diesel	6	14.0L	60.3	Δ
E1HT 6007-EYA	Cum.-Form. 300	Diesel	6	14.0L	60.3	Δ
E1HT 6007-EZA	Cum.-Form. 300	Diesel	6	14.0L	60.3	Δ
E1HT 6007-FAA	Cum.-Form. 300	Diesel	6	14.0L	60.3	Δ
E1HT 6007-FBA	Cum.-Form. 300	Diesel	6	14.0L	60.3	Δ
E1HT 6007-FCA	Cum.-Form. 300	Diesel	6	14.0L	60.3	Δ
E1HT 6007-FDA	Cum.-Form. 350	Diesel	6	14.0L	60.3	Δ
E1HT 6007-FEA	Cum.-Form. 350	Diesel	6	14.0L	60.3	Δ
E1HT 6007-FFA	Cum.-Form. 350	Diesel	6	14.0L	60.3	Δ
E1HT 6007-FGA	Cum.-Form. 350	Diesel	6	14.0L	60.3	Δ
E1HT 6007-FHA	Cat.-3406	Diesel	6	14.6L	60.7	Δ
E1HT 6007-FHB	Cat.-3406	Diesel	6	14.6L	60.7	Δ

1980/  
TRUCK SERIES 600/900

ENGINE IDENTIFICATION CHART &  
ENGINE T.S.L. CROSS-REFERENCE GUIDE

See explanation under "How to Find Engine Parts" on page 1 of this section.

T.S.L. ENGINE NO.	MANUFACTURER'S INFORMATION	TYPE FUEL	NO. CYL.	DISP.	PARTS LIST NO.	ENGINE ASSY. NO.
<b>Note:</b> Δ Parts information in this catalog for the diesel engines manufactured by Cummins Engine Co., Caterpillar Tractor Co., and Detroit Diesel Engine Division is generally restricted to engine accessories and engine related parts furnished by Ford Motor Company. Engine assemblies (basic 6007), when offered, will be shown on their respective parts lists. Other parts peculiar to these diesel eng. may be ordered from the appropriate eng. manufacturer's distributor or dealer.						
E1HT 6007-FJA	Cat.-3406	Diesel	6	14.6L	60.7	Δ
E1HT 6007-FJB	Cat.-3406	Diesel	6	14.6L	60.7	Δ
E1HT 6007-FKA	Cat.-3406	Diesel	6	14.6L	60.7	Δ
E1HT 6007-FKB	Cat.-3406	Diesel	6	14.6L	60.7	Δ
E1HT 6007-FLA	Cat.-3406	Diesel	6	14.6L	60.7	Δ
E1HT 6007-FLB	Cat.-3406	Diesel	6	14.6L	60.7	Δ
E1HT 6007-FMA	Cat.-3406	Diesel	6	14.6L	60.7	Δ
E1HT 6007-FMB	Cat.-3406	Diesel	6	14.6L	60.7	Δ
E1HT 6007-FNA	Cat.-3406	Diesel	6	14.6L	60.7	Δ
E1HT 6007-FNB	Cat.-3406	Diesel	6	14.6L	60.7	Δ
E1HT 6007-FRA	Cat.-3406	Diesel	6	14.6L	60.7	Δ
E1HT 6007-FRB	Cat.-3406	Diesel	6	14.6L	60.7	Δ
E1HT 6007-FSA	Cat.-3406	Diesel	6	14.6L	60.7	Δ
E1HT 6007-FSB	Cat.-3406	Diesel	6	14.6L	60.7	Δ
E1HT 6007-FTA	Cat.-3406	Diesel	6	14.6L	60.7	Δ
E1HT 6007-FTB	Cat.-3406	Diesel	6	14.6L	60.7	Δ
E1HT 6007-FUA	Cat.-3406	Diesel	6	14.6L	60.7	Δ
E1HT 6007-FUB	Cat.-3406	Diesel	6	14.6L	60.7	Δ
E1HT 6007-FVA	Cat.-3406	Diesel	6	14.6L	60.7	Δ
E1HT 6007-FVB	Cat.-3406	Diesel	6	14.6L	60.7	Δ
E1HT 6007-FYA	Cat.-3406	Diesel	6	14.6L	60.7	Δ
E1HT 6007-FYB	Cat.-3406	Diesel	6	14.6L	60.7	Δ
E1HT 6007-FZA	Cat.-3406	Diesel	6	14.6L	60.7	Δ
E1HT 6007-FZB	Cat.-3406	Diesel	6	14.6L	60.7	Δ
E1HT 6007-GAA	Cat.-3406	Diesel	8	14.6L	60.7	Δ
E1HT 6007-GBB	Detroit Diesel-8.2L	Diesel	8	8.2L	60.8	Δ
E1HT 6007-GCB	Detroit Diesel-8.2L	Diesel	8	8.2L	60.8	Δ
E2HT 6007-EA	Cum.-NTC240	Diesel	6	14.0L	60.3	Δ
E2HT 6007-FA	Cum.-NTC240	Diesel	6	14.0L	60.3	Δ
E2HT 6007-GA	Cum.-Form. 240	Diesel	6	14.0L	60.3	Δ
E2HT 6007-HA	Cum.-NTCC240	Diesel	6	14.0L	60.3	Δ
E2HT 6007-JA	Cum.-NTCC240	Diesel	6	14.0L	60.3	Δ
E2HT 6007-KA	Cum.-NTC270	Diesel	6	14.0L	60.3	Δ
E2HT 6007-LA	Cum.-NTC270	Diesel	6	14.0L	60.3	Δ
E2HT 6007-MA	Cum.-Form. 270	Diesel	6	14.0L	60.3	Δ
E2HT 6007-NB	Cum.-NTC300	Diesel	6	14.0L	60.3	Δ
E2HT 6007-RB	Cum.-NTC300	Diesel	6	14.0L	60.3	Δ
E2HT 6007-SB	Cum.-Form. 300	Diesel	6	14.0L	60.3	Δ
E2HT 6007-TB	Cum.-Form. 300	Diesel	6	14.0L	60.3	Δ
E2HT 6007-UB	Cum.-NTC300	Diesel	6	14.0L	60.3	Δ
E2HT 6007-VB	Cum.-NTC300	Diesel	6	14.0L	60.3	Δ
E2HT 6007-YB	Cum.-Form. 300	Diesel	6	14.0L	60.3	Δ
E2HT 6007-ZB	Cum.-Form. 300	Diesel	6	14.0L	60.3	Δ
E2HT 6007-AAA	Cum.-NTCC300	Diesel	6	14.0L	60.3	Δ
E2HT 6007-ABA	Cum.-NTCC300	Diesel	6	14.0L	60.3	Δ
E2HT 6007-ACA	Cum.-Form. 300	Diesel	6	14.0L	60.3	Δ
E2HT 6007-ADA	Cum.-NTCC300	Diesel	6	14.0L	60.3	Δ
E2HT 6007-AEA	Cum.-NTCC300	Diesel	6	14.0L	60.3	Δ
E2HT 6007-AFA	Cum.-Form. 300	Diesel	6	14.0L	60.3	Δ
E2HT 6007-AGB	Cum.-NTC350	Diesel	6	14.0L	60.3	Δ
E2HT 6007-AHB	Cum.-NTC350	Diesel	6	14.0L	60.3	Δ

# 1980/ TRUCK SERIES 600/900

## ENGINE IDENTIFICATION CHART & ENGINE T.S.L. CROSS-REFERENCE GUIDE

See explanation under "How to Find Engine Parts" on page 1 of this section.

T.S.L. ENGINE NO.	MANUFACTURER'S INFORMATION	TYPE FUEL	NO. CYL.	DISP.	PARTS LIST NO.	ENGINE ASSY. NO.
<p><b>Note:</b>      Δ Parts information in this catalog for the diesel engines manufactured by Cummins Engine Co., Caterpillar Tractor Co., and Detroit Diesel Engine Division is generally restricted to engine accessories and engine related parts furnished by Ford Motor Company. Engine assemblies (basic 6007), when offered, will be shown on their respective parts lists.  <u>Other parts peculiar to these diesel eng. may be ordered from the appropriate eng. manufacturer's distributor or dealer.</u></p>						
E2HT 6007-AJB	Cum.-Form. 350	Diesel	6	14.0L	60.3	Δ
E2HT 6007-AKB	Cum.-NTC350	Diesel	6	14.0L	60.3	Δ
E2HT 6007-ALB	Cum.-Form. 350	Diesel	6	14.0L	60.3	Δ
E2HT 6007-AMB	Cum.-Form. 350	Diesel	6	14.0L	60.3	Δ
E2HT 6007-ANA	Cum.-NTCC350	Diesel	6	14.0L	60.3	Δ
E2HT 6007-ARA	Cum.-NTCC350	Diesel	6	14.0L	60.3	Δ
E2HT 6007-ASA	Cum.-NTCC350	Diesel	6	14.0L	60.3	Δ
E2HT 6007-ATB	Cum.-NTC400	Diesel	6	14.0L	60.3	Δ
E2HT 6007-AUB	Cum.-NTC400	Diesel	6	14.0L	60.3	Δ
E2HT 6007-AVA	Cum.-NTCC400	Diesel	6	14.0L	60.3	Δ
E2HT 6007-AYA	Cum.-NTCC400	Diesel	6	14.0L	60.3	Δ
E2HT 6007-AZA	Cum.-Form. 400	Diesel	6	14.0L	60.3	Δ
E2HT 6007-BAA	Cum.-Form. 400	Diesel	6	14.0L	60.3	Δ
E2HT 6007-BBA	Cum.-NTC300	Diesel	6	14.0L	60.3	Δ
E2HT 6007-BCA	Cum.-NTC350	Diesel	6	14.0L	60.3	Δ
E2HT 6007-BDB	Cum.-Form. 350	Diesel	6	14.0L	60.3	Δ
E2HT 6007-BEB	Cum.-NTC350	Diesel	6	14.0L	60.3	Δ
E2HT 6007-BFA	Cum.-NTC350	Diesel	6	14.0L	60.3	Δ
E2HT 6007-BGA	Cum.-NTCC350	Diesel	6	14.0L	60.3	Δ
E2HT 6007-BHA	Cum.-NTC300	Diesel	6	14.0L	60.3	Δ
E2HT 6007-BJA	Cum.-Form. 300	Diesel	6	14.0L	60.3	Δ
E2HT 6007-BKA	Cum.-Form. 300	Diesel	6	14.0L	60.3	Δ
E2HT 6007-BSA	Cum.-NTC350	Diesel	6	14.0L	60.3	Δ
E2HT 6007-BTA	Cum.-NTC350	Diesel	6	14.0L	60.3	Δ
E2HT 6007-BUA	Cum.-Form. 350	Diesel	6	14.0L	60.3	Δ
E2HT 6007-BVA	Cum.-Form. 350	Diesel	6	14.0L	60.3	Δ
E2HT 6007-CCA	Cum.-NTC400	Diesel	6	14.0L	60.3	Δ
E2HT 6007-CDA	Cum.-NTC400	Diesel	6	14.0L	60.3	Δ
E2HT 6007-CEA	Cum.-Form. 400	Diesel	6	14.0L	60.3	Δ
E2HT 6007-CFA	Cum.-Form. 400	Diesel	6	14.0L	60.3	Δ
E2HT 6007-CGB	Detroit Diesel-8.2L	Diesel	8	8.2L	60.8	Δ
E2HT 6007-CHB	Detroit Diesel-8.2L	Diesel	8	8.2L	60.8	Δ
E2HT 6007-CJB	Detroit Diesel-8.2L	Diesel	8	8.2L	60.8	Δ
E2HT 6007-CKB	Detroit Diesel-8.2L	Diesel	8	8.2L	60.8	Δ
E2HT 6007-CLB	Detroit Diesel-8.2L	Diesel	8	8.2L	60.8	Δ
E2HT 6007-CMB	Detroit Diesel-8.2L	Diesel	8	8.2L	60.8	Δ
E2HT 6007-CNB	Detroit Diesel-8.2L	Diesel	8	8.2L	60.8	Δ
E2HT 6007-CRB	Detroit Diesel-8.2L	Diesel	8	8.2L	60.8	Δ
E2HT 6007-CSB	Detroit Diesel-8.2L	Diesel	8	8.2L	60.8	Δ
E2HT 6007-CTB	Detroit Diesel-8.2L	Diesel	8	8.2L	60.8	Δ
E2HT 6007-CUB	Detroit Diesel-8.2L	Diesel	8	8.2L	60.8	Δ
E2HT 6007-CVB	Detroit Diesel-8.2L	Diesel	8	8.2L	60.8	Δ
E2HT 6007-CYA	Cat.-3406	Diesel	6	14.6L	60.7	Δ
E2HT 6007-CZA	Cat.-3406	Diesel	6	14.6L	60.7	Δ
E2HT 6007-DAA	Cat.-3406	Diesel	6	14.6L	60.7	Δ
E2HT 6007-DBA	Cat.-3406	Diesel	6	14.6L	60.7	Δ
E2HT 6007-DCA	Cat.-3208T	Diesel	8	10.4L	60.5	Δ
E2HT 6007-DDA	Cat.-3208T	Diesel	8	10.4L	60.5	Δ
E2HT 6007-DEA	Cat.-3208T	Diesel	8	10.4L	60.5	Δ
E2HT 6007-DFA	Cat.-3406	Diesel	6	14.6L	60.7	Δ
E2HT 6007-DGA	Cat.-3406	Diesel	6	14.6L	60.7	Δ

## 1980/ TRUCK SERIES 600/900

### ENGINE IDENTIFICATION CHART & ENGINE T.S.L. CROSS-REFERENCE GUIDE

See explanation under "How to Find Engine Parts" on page 1 of this section.

T.S.L. ENGINE NO.	MANUFACTURER'S INFORMATION	TYPE FUEL	NO. CYL.	DISP.	PARTS LIST NO.	ENGINE ASSY. NO.
<b>Note:</b> Δ Parts information in this catalog for the diesel engines manufactured by Cummins Engine Co., Caterpillar Tractor Co., and Detroit Diesel Engine Division is generally restricted to engine accessories and engine related parts furnished by Ford Motor Company. Engine assemblies (basic 6007), when offered, will be shown on their respective parts lists. Other parts peculiar to these diesel eng. may be ordered from the appropriate eng. manufacturer's distributor or dealer.						
E2HT 6007-DHA	Cat.-3406	Diesel	6	14.6L	60.7	Δ
E2HT 6007-DJA	Cat.-3406	Diesel	6	14.6L	60.7	Δ
E2HT 6007-DKA	Cat.-3406	Diesel	6	14.6L	60.7	Δ
E2HT 6007-DLA	Detroit Diesel-6V-92TTA	Diesel	6	9.0L	60.4	Δ
E2HT 6007-DMA	Detroit Diesel-6V-92TA	Diesel	6	9.0L	60.4	Δ
E2HT 6007-DNA	Detroit Diesel-6V-92TAC	Diesel	6	9.0L	60.4	Δ
E2HT 6007-DRA	Detroit Diesel-6V-92TTA	Diesel	6	9.0L	60.4	Δ
E2HT 6007-DTA	Detroit Diesel-6V-92TA	Diesel	6	9.0L	60.4	Δ
E2HT 6007-DSA	Detroit Diesel-6V-92TAC	Diesel	6	9.0L	60.4	Δ
E2HT 6007-DUA	Detroit Diesel-8V-92TA	Diesel	8	12.0L	60.4	Δ
E2HT 6007-DYA	Detroit Diesel-8V-92TTA	Diesel	8	12.0L	60.4	Δ
E2HT 6007-DVA	Detroit Diesel-8V-92TAC	Diesel	8	12.0L	60.4	Δ
E2HT 6007-DZA	Detroit Diesel-8V-92TA	Diesel	8	12.0L	60.4	Δ
E2HT 6007-EAA	Detroit Diesel-8V-92TAC	Diesel	8	12.0L	60.4	Δ
E2HT 6007-EBA	Detroit Diesel-8V-92TA	Diesel	8	12.0L	60.4	Δ
E2HT 6007-ECA	Detroit Diesel-8V-92TAC	Diesel	8	12.0L	60.4	Δ
E2HT 6007-EDA	Detroit Diesel-8V-92TAC	Diesel	8	12.0L	60.4	Δ
E2HT 6007-EEA	Detroit Diesel-8V-92TAC	Diesel	8	12.0L	60.4	Δ
E2HT 6007-EFA	Cat.-3406	Diesel	6	14.6L	60.7	Δ
E2HT 6007-EGA	Cat.-3406	Diesel	6	14.6L	60.7	Δ
E2HT 6007-EHA	Cat.-3406	Diesel	6	14.6L	60.7	Δ
E2HT 6007-EJA	Cat.-3406	Diesel	6	14.6L	60.7	Δ
E2HT 6007-EKA	Cat.-3406	Diesel	6	14.6L	60.7	Δ
E2HT 6007-ELA	Cat.-3208NA	Diesel	8	10.4L	60.5	Δ
E2HT 6007-EMA	Cat.-3208NA	Diesel	8	10.4L	60.5	Δ
E2HT 6007-ENA	Cat.-3208NA	Diesel	8	10.4L	60.5	Δ
E2HT 6007-ERA	Cat.-3208NA	Diesel	8	10.4L	60.5	Δ
E3HT 6007-AA	Cat.-3208NA	Diesel	8	10.4L	60.5	Δ
E3HT 6007-CA	Cat.-3208NA	Diesel	8	10.4L	60.5	Δ
E3HT 6007-EA	Cat.-3208T	Diesel	8	10.4L	60.5	Δ
E3HT 6007-FA	Cat.-3208T	Diesel	8	10.4L	60.5	Δ
E3HT 6007-GA	Cat.-3208NA	Diesel	8	10.4L	60.5	Δ
E3HT 6007-HA	Cat.-3208NA	Diesel	8	10.4L	60.5	Δ
E3HT 6007-JB	Cat.-3208NA	Diesel	8	10.4L	60.5	Δ
E3HT 6007-KA	Cat.-3208NA	Diesel	8	10.4L	60.5	Δ
E3HT 6007-LA	Cat.-3208NA	Diesel	8	10.4L	60.5	Δ
E3HT 6007-NB	Cat.-3208NA	Diesel	8	10.4L	60.5	Δ
E3HT 6007-RA	Cat.-3208NA	Diesel	8	10.4L	60.5	Δ
E3HT 6007-MA	Cat.-3208T	Diesel	8	10.4L	60.5	Δ
E3HT 6007-SA	Cat.-3208T	Diesel	8	10.4L	60.5	Δ
E3HT 6007-TA	Cum.-NTC240	Diesel	6	14.0L	60.3	Δ
E3HT 6007-UA	Cum.-NTC240	Diesel	6	14.0L	60.3	Δ
E3HT 6007-VA	Cum.-Form. 240	Diesel	6	14.0L	60.3	Δ
E3HT 6007-YA	Cum.-NTCC240	Diesel	6	14.0L	60.3	Δ
E3HT 6007-ZA	Cum.-NTCC240	Diesel	6	14.0L	60.3	Δ
E3HT 6007-ADA	Cum.-NTCC300	Diesel	6	14.0L	60.3	Δ
E3HT 6007-AEA	Cum.-NTCC300	Diesel	6	14.0L	60.3	Δ
E3HT 6007-AFA	Cum.-Form. 300	Diesel	6	14.0L	60.3	Δ
E3HT 6007-AGA	Cum.-NTCC300	Diesel	6	14.0L	60.3	Δ
E3HT 6007-AHA	Cum.-NTCC300	Diesel	6	14.0L	60.3	Δ
E3HT 6007-AJA	Cum.-Form. 300	Diesel	6	14.0L	60.3	Δ

# 1980/ TRUCK SERIES 600/900

## ENGINE IDENTIFICATION CHART & ENGINE T.S.L. CROSS-REFERENCE GUIDE

See explanation under "How to Find Engine Parts" on page 1 of this section.

T.S.L. ENGINE NO.	MANUFACTURER'S INFORMATION	TYPE FUEL	NO. CYL.	DISP.	PARTS LIST NO.	ENGINE ASSY. NO.
<p><b>Note:</b>      Δ Parts information in this catalog for the diesel engines manufactured by Cummins Engine Co., Caterpillar Tractor Co., and Detroit Diesel Engine Division is generally restricted to engine accessories and engine related parts furnished by Ford Motor Company. Engine assemblies (basic 6007), when offered, will be shown on their respective parts lists.  Other parts peculiar to these diesel eng. may be ordered from the appropriate eng. manufacturer's distributor or dealer.</p>						
E3HT 6007-AKA	Cum.-NTCC350	Diesel	6	14.0L	60.3	Δ
E3HT 6007-ALA	Cum.-NTCC350	Diesel	6	14.0L	60.3	Δ
E3HT 6007-AMA	Cum.-NTCC350	Diesel	6	14.0L	60.3	Δ
E3HT 6007-ANA	Cum.-NTCC350	Diesel	6	14.0L	60.3	Δ
E3HT 6007-ARA	Cum.-NTCC400	Diesel	6	14.0L	60.3	Δ
E3HT 6007-ASA	Cum.-NTCC400	Diesel	6	14.0L	60.3	Δ
E3HT 6007-ATA	Cum.-NTC240	Diesel	6	14.0L	60.3	Δ
E3HT 6007-BHA	Cat.-3208NA	Diesel	8	10.4L	60.5	Δ
E3HT 6007-BKB	Detroit Diesel-8V-92TA	Diesel	8	12.0L	60.4	Δ
E3HT 6007-BLB	Detroit Diesel-8V-92TTA	Diesel	8	12.0L	60.4	Δ
E3HT 6007-BMC	Detroit Diesel-8V-92TAC	Diesel	8	12.0L	60.4	Δ
E3HT 6007-BNC	Detroit Diesel-8V-92TAC	Diesel	8	12.0L	60.4	Δ
E3HT 6007-BRB	Detroit Diesel-6V-92TTA	Diesel	6	9.0L	60.4	Δ
E3HT 6007-BSB	Detroit Diesel-6V-92TA	Diesel	6	9.0L	60.4	Δ
E3HT 6007-BTB	Detroit Diesel-6V-92TAC	Diesel	6	9.0L	60.4	Δ
E3HT 6007-CGA	Cat.-3406	Diesel	6	14.6L	60.7	Δ
E3HT 6007-CHA	Cat.-3406	Diesel	6	14.6L	60.7	Δ
E3HT 6007-CJA	Detroit Diesel-8.2L	Diesel	8	8.2L	60.8	Δ
E3HT 6007-CKA	Detroit Diesel-8.2L	Diesel	8	8.2L	60.8	Δ
E3HT 6007-CRA	Detroit Diesel-8V-92TA	Diesel	8	12.0L	60.4	Δ
E3HT 6007-CSA	Detroit Diesel-8V-92TTA	Diesel	8	12.0L	60.4	Δ
E3HT 6007-CUA	Detroit Diesel-8.2LNA	Diesel	8	8.2L	60.8	Δ
E3HT 6007-CVA	Detroit Diesel-8.2LT	Diesel	8	8.2L	60.8	Δ
E3HT 6007-CYA	Detroit Diesel-8.2LNA	Diesel	8	8.2L	60.8	Δ
E3HT 6007-CZA	Detroit Diesel-8.2LNA	Diesel	8	8.2L	60.8	Δ
E3HT 6007-DAA	Detroit Diesel-8.2LT	Diesel	8	8.2L	60.8	Δ
E3HT 6007-DBA	Detroit Diesel-8.2LNA	Diesel	8	8.2L	60.8	Δ
E3HT 6007-DCA	Detroit Diesel-8.2LNA	Diesel	8	8.2L	60.8	Δ
E3HT 6007-DDA	Detroit Diesel-8.2LNA	Diesel	8	8.2L	60.8	Δ
E3HT 6007-DEA	Detroit Diesel-8.2LT	Diesel	8	8.2L	60.8	Δ
E3HT 6007-DFA	Detroit Diesel-8.2LT	Diesel	8	8.2L	60.8	Δ
E3HT 6007-DGA	Detroit Diesel-8.2LT	Diesel	8	8.2L	60.8	Δ
E3HT 6007-DHA	Detroit Diesel-8.2LT	Diesel	8	8.2L	60.8	Δ
E4HT 6007-NA	Cum.-L10-270	Diesel	6	10.1	60.3	Δ
E4HT 6007-RA	Cum.-L10-270	Diesel	6	10.1	60.3	Δ
E4HT 6007-YA	Cat.-3406	Diesel	6	14.6L	60.7	Δ
E4HT 6007-ZA	Cat.-3406	Diesel	6	14.6L	60.7	Δ
E4HT 6007-AAA	Cat.-3406	Diesel	6	14.6L	60.7	Δ
E4HT 6007-ACA	Cum.-NTC400	Diesel	6	14.0L	60.3	Δ
E4HT 6007-ADA	Cum.-NTC400	Diesel	6	14.0L	60.3	Δ
E4HT 6007-ADB	Cum.-NTC400	Diesel	6	14.0L	60.3	Δ
E4HT 6007-AEA	Cum.-Form. 400	Diesel	6	14.0L	60.3	Δ
E4HT 6007-AEB	Cum.-Form. 400	Diesel	6	14.0L	60.3	Δ
E4HT 6007-AFA	Cum.-Form. 400	Diesel	6	14.0L	60.3	Δ
E4HT 6007-AFB	Cum.-Form. 400	Diesel	6	14.0L	60.3	Δ
E4HT 6007-AGA	Cum.-NTCC400	Diesel	6	14.0L	60.3	Δ
E4HT 6007-AGB	Cum.-NTCC400	Diesel	6	14.0L	60.3	Δ
E4HT 6007-AGC	Cum.-NTCC400	Diesel	6	14.0L	60.3	Δ
E4HT 6007-AHA	Cum.-NTCC400	Diesel	6	14.0L	60.3	Δ
E4HT 6007-AHB	Cum.-NTCC400	Diesel	6	14.0L	60.3	Δ
E4HT 6007-AHC	Cum.-NTCC400	Diesel	6	14.0L	60.3	Δ
E4HT 6007-AJA	Cum.-NTC300	Diesel	6	14.0L	60.3	Δ
E4HT 6007-AJB	Cum.-NTC300	Diesel	6	14.0L	60.3	Δ
E4HT 6007-AKA	Cum.-NTC300	Diesel	6	14.0L	60.3	Δ
E4HT 6007-AKB	Cum.-NTC300	Diesel	6	14.0L	60.3	Δ
E4HT 6007-ALA	Cum.-Form. 300	Diesel	6	14.0L	60.3	Δ
E4HT 6007-ALB	Cum.-Form. 300	Diesel	6	14.0L	60.3	Δ

## 1980/ TRUCK SERIES 600/900

### ENGINE IDENTIFICATION CHART & ENGINE T.S.L. CROSS-REFERENCE GUIDE

See explanation under "How to Find Engine Parts" on page 1 of this section.

T.S.L. ENGINE NO.	MANUFACTURER'S INFORMATION	TYPE FUEL	NO. CYL.	DISP.	PARTS LIST NO.	ENGINE ASSY. NO.
<p><b>Note:</b>     △ Parts information in this catalog for the diesel engines manufactured by Cummins Engine Co., Caterpillar Tractor Co., and Detroit Diesel Engine Division is generally restricted to engine accessories and engine related parts furnished by Ford Motor Company. Engine assemblies (basic 6007), when offered, will be shown on their respective parts lists.  Other parts peculiar to these diesel eng. may be ordered from the appropriate eng. manufacturer's distributor or dealer.</p>						
E4HT 6007-AMA	Cum.-Form. 300	Diesel	6	14.0L	60.3	△
E4HT 6007-AMB	Cum.-Form. 300	Diesel	6	14.0L	60.3	△
E4HT 6007-ANA	Cum.-NTCC-300	Diesel	6	14.0L	60.3	△
E4HT 6007-ANB	Cum.-NTCC300	Diesel	6	14.0L	60.3	△
E4HT 6007-ANC	Cum.-NTCC300	Diesel	6	14.0L	60.3	△
E4HT 6007-ARA	Cum.-NTCC-300	Diesel	6	14.0L	60.3	△
E4HT 6007-ARB	Cum.-NTCC300	Diesel	6	14.0L	60.3	△
E4HT 6007-ARC	Cum.-NTCC300	Diesel	6	14.0L	60.3	△
E4HT 6007-ASA	Cum.-Form. 300	Diesel	6	14.0L	60.3	△
E4HT 6007-ASB	Cum.-Form. 300	Diesel	6	14.0L	60.3	△
E4HT 6007-ASC	Cum.-Form. 300	Diesel	6	14.0L	60.3	△
E4HT 6007-ATA	Cum.-Form. 300	Diesel	6	14.0L	60.3	△
E4HT 6007-ATB	Cum.-Form. 300	Diesel	6	14.0L	60.3	△
E4HT 6007-ATC	Cum.-Form. 300	Diesel	6	14.0L	60.3	△
E4HT 6007-AUA	Cum.-NTC350	Diesel	6	14.0L	60.3	△
E4HT 6007-AUB	Cum.-NTC350	Diesel	6	14.0L	60.3	△
E4HT 6007-AVA	Cum.-NTC350	Diesel	6	14.0L	60.3	△
E4HT 6007-AVB	Cum.-NTC350	Diesel	6	14.0L	60.3	△
E4HT 6007-AYA	Cum.-Form. 350	Diesel	6	14.0L	60.3	△
E4HT 6007-AYB	Cum.-Form. 350	Diesel	6	14.0L	60.3	△
E4HT 6007-AZA	Cum.-Form. 350	Diesel	6	14.0L	60.3	△
E4HT 6007-BAA	Cum.-NTCC350	Diesel	6	14.0L	60.3	△
E4HT 6007-BAB	Cum.-NTCC 350	Diesel	6	14.0L	60.3	△
E4HT 6007-BBA	Cum.-NTCC350	Diesel	6	14.0L	60.3	△
E4HT 6007-BBB	Cum.-NTCC350	Diesel	6	14.0L	60.3	△
E4HT 6007-BCA	Cum.-Form. 350	Diesel	6	14.0L	60.3	△
E4HT 6007-BCB	Cum.-Form. 350	Diesel	6	14.0L	60.3	△
E4HT 6007-BDA	Cum.-Form. 350	Diesel	6	14.0L	60.3	△
E4HT 6007-BDB	Cum.-Form. 350	Diesel	6	14.0L	60.3	△
E4HT 6007-BEA	Cum.-NTC400	Diesel	6	14.0L	60.3	△
E4HT 6007-BFA	Cum.-NTC400	Diesel	6	14.0L	60.3	△
E4HT 6007-BGA	Cum.-Form. 400	Diesel	6	14.0L	60.3	△
E4HT 6007-BHA	Cum.-Form. 400	Diesel	6	14.0L	60.3	△
E4HT 6007-BJA	Cum.-NTCC400	Diesel	6	14.0L	60.3	△
E4HT 6007-BJB	Cum.-NTCC400	Diesel	6	14.0L	60.3	△
E4HT 6007-BKA	Cum.-NTCC400	Diesel	6	14.0L	60.3	△
E4HT 6007-BKB	Cum.-NTCC400	Diesel	6	14.0L	60.3	△
E4HT 6007-BLA	Cum.-NTC240	Diesel	6	14.0L	60.3	△
E4HT 6007-BLB	Cum.-NTC240	Diesel	6	14.0L	60.3	△
E4HT 6007-BMA	Cum.-NTC240	Diesel	6	14.0L	60.3	△
E4HT 6007-BMB	Cum.-NTC240	Diesel	6	14.0L	60.3	△
E4HT 6007-BNA	Cum.-Form. 240	Diesel	6	14.0L	60.3	△
E4HT 6007-BNB	Cum.-Form. 240	Diesel	6	14.0L	60.3	△
E4HT 6007-BRA	Cum.-NTC240	Diesel	6	14.0L	60.3	△
E4HT 6007-BRB	Cum.-NTC240	Diesel	6	14.0L	60.3	△
E4HT 6007-BSA	Cum.-NTCC240	Diesel	6	14.0L	60.3	△
E4HT 6007-BSB	Cum.-NTCC240	Diesel	6	14.0L	60.3	△
E4HT 6007-BSC	Cum.-NTCC240	Diesel	6	14.0L	60.3	△
E4HT 6007-BTA	Cum.-NTCC240	Diesel	6	14.0L	60.3	△
E4HT 6007-BTB	Cum.-NTCC240	Diesel	6	14.0L	60.3	△
E4HT 6007-BTC	Cum.-NTCC270	Diesel	6	14.0L	60.3	△
E4HT 6007-BUA	Cum.-NTC270	Diesel	6	14.0L	60.3	△
E4HT 6007-BUB	Cum.-NTC270	Diesel	6	14.0L	60.3	△

# 1980/ TRUCK SERIES 600/900

## ENGINE IDENTIFICATION CHART & ENGINE T.S.L. CROSS-REFERENCE GUIDE

See explanation under "How to Find Engine Parts" on page 1 of this section.

T.S.L. ENGINE NO.	MANUFACTURER'S INFORMATION	TYPE FUEL	NO. CYL.	DISP.	PARTS LIST NO.	ENGINE ASSY. NO.
<b>Note:</b> Δ Parts information in this catalog for the diesel engines manufactured by Cummins Engine Co., Caterpillar Tractor Co., and Detroit Diesel Engine Division is generally restricted to engine accessories and engine related parts furnished by Ford Motor Company. Engine assemblies (basic 6007), when offered, will be shown on their respective parts lists. Other parts peculiar to these diesel eng. may be ordered from the appropriate eng. manufacturer's distributor or dealer.						
E4HT 6007-BVA	Cum.-NTC270	Diesel	6	14.0L	60.3	Δ
E4HT 6007-BVB	Cum.-NTC270	Diesel	6	14.0L	60.3	Δ
E4HT 6007-BYA	Cum.-Form. 270	Diesel	6	14.0L	60.3	Δ
E4HT 6007-BYB	Cum.-Form. 270	Diesel	6	14.0L	60.3	Δ
E4HT 6007-BZA	Cum.-NTC270	Diesel	6	14.0L	60.3	Δ
E4HT 6007-BZB	Cum.-NTC270	Diesel	6	14.0L	60.3	Δ
E4HT 6007-CAA	Cum.-NTC300	Diesel	6	14.0L	60.3	Δ
E4HT 6007-CAB	Cum.-NTC300	Diesel	6	14.0L	60.3	Δ
E4HT 6007-CBA	Cum.-NTC300	Diesel	6	14.0L	60.3	Δ
E4HT 6007-CBB	Cum.-NTC300	Diesel	6	14.0L	60.3	Δ
E4HT 6007-CCA	Cum.-Form. 300	Diesel	6	14.0L	60.3	Δ
E4HT 6007-CCB	Cum.-Form. 300	Diesel	6	14.0L	60.3	Δ
E4HT 6007-CDA	Cum.-Form. 300	Diesel	6	14.0L	60.3	Δ
E4HT 6007-CDB	Cum.-Form. 300	Diesel	6	14.0L	60.3	Δ
E4HT 6007-CEA	Cum.-NTC300	Diesel	6	14.0L	60.3	Δ
E4HT 6007-CEB	Cum.-NTC300	Diesel	6	14.0L	60.3	Δ
E4HT 6007-CFA	Cum.-NTC300	Diesel	6	14.0L	60.3	Δ
E4HT 6007-CFB	Cum.-NTC300	Diesel	6	14.0L	60.3	Δ
E4HT 6007-CGA	Cum.-Form. 300	Diesel	6	14.0L	60.3	Δ
E4HT 6007-CGB	Cum.-Form. 300	Diesel	6	14.0L	60.3	Δ
E4HT 6007-CHA	Cum.-Form. 300	Diesel	6	14.0L	60.3	Δ
E4HT 6007-CHB	Cum.-Form. 300	Diesel	6	14.0L	60.3	Δ
E4HT 6007-CJA	Cum.-NTC300	Diesel	6	14.0L	60.3	Δ
E4HT 6007-CJB	Cum.-NTC300	Diesel	6	14.0L	60.3	Δ
E4HT 6007-CKA	Cum.-NTCC300	Diesel	6	14.0L	60.3	Δ
E4HT 6007-CKB	Cum.-NTCC300	Diesel	6	14.0L	60.3	Δ
E4HT 6007-CKC	Cum.-NTCC300	Diesel	6	14.0L	60.3	Δ
E4HT 6007-CLA	Cum.-NTCC300	Diesel	6	14.0L	60.3	Δ
E4HT 6007-CLB	Cum.-NTCC300	Diesel	6	14.0L	60.3	Δ
E4HT 6007-CLC	Cum.-NTC300	Diesel	6	14.0L	60.3	Δ
E4HT 6007-CMA	Cum.-Form. 300	Diesel	6	14.0L	60.3	Δ
E4HT 6007-CMB	Cum.-Form. 300	Diesel	6	14.0L	60.3	Δ
E4HT 6007-CMC	Cum.-Form. 300	Diesel	6	14.0L	60.3	Δ
E4HT 6007-CNA	Cum.-NTCC300	Diesel	6	14.0L	60.3	Δ
E4HT 6007-CNB	Cum.-NTCC300	Diesel	6	14.0L	60.3	Δ
E4HT 6007-CNC	Cum.-NTCC300	Diesel	6	14.0L	60.3	Δ
E4HT 6007-CRA	Cum.-NTCC300	Diesel	6	14.0L	60.3	Δ
E4HT 6007-CRB	Cum.-NTCC300	Diesel	6	14.0L	60.3	Δ
E4HT 6007-CRC	Cum.-NTCC300	Diesel	6	14.0L	60.3	Δ
E4HT 6007-CSA	Cum.-Form. 300	Diesel	6	14.0L	60.3	Δ
E4HT 6007-CSB	Cum.-Form. 300	Diesel	6	14.0L	60.3	Δ
E4HT 6007-CSC	Cum.-Form. 300	Diesel	6	14.0L	60.3	Δ
E4HT 6007-CTA	Cum.-NTC350	Diesel	6	14.0L	60.3	Δ
E4HT 6007-CTB	Cum.-NTC350	Diesel	6	14.0L	60.3	Δ
E4HT 6007-CUA	Cum.-NTC350	Diesel	6	14.0L	60.3	Δ
E4HT 6007-CUB	Cum.-NTC350	Diesel	6	14.0L	60.3	Δ
E4HT 6007-CVA	Cum.-Form. 350	Diesel	6	14.0L	60.3	Δ
E4HT 6007-CVB	Cum.-Form. 350	Diesel	6	14.0L	60.3	Δ
E4HT 6007-CYA	Cum.-Form. 350	Diesel	6	14.0L	60.3	Δ
E4HT 6007-CYB	Cum.-Form. 350	Diesel	6	14.0L	60.3	Δ
E4HT 6007-CZA	Cum.-NTC350	Diesel	6	14.0L	60.3	Δ
E4HT 6007-CZB	Cum.-NTC350	Diesel	6	14.0L	60.3	Δ
E4HT 6007-DAA	Cum.-NTC350	Diesel	6	14.0L	60.3	Δ
E4HT 6007-DAB	Cum.-NTC350	Diesel	6	14.0L	60.3	Δ



## 1980/ TRUCK SERIES 600/900

### ENGINE IDENTIFICATION CHART & ENGINE T.S.L. CROSS-REFERENCE GUIDE

See explanation under "How to Find Engine Parts" on page 1 of this section.

T.S.L. ENGINE NO.	MANUFACTURER'S INFORMATION	TYPE FUEL	NO. CYL.	DISP.	PARTS LIST NO.	ENGINE ASSY. NO.
<b>Note:</b> △ Parts information in this catalog for the diesel engines manufactured by Cummins Engine Co., Caterpillar Tractor Co., and Detroit Diesel Engine Division is generally restricted to engine accessories and engine related parts furnished by Ford Motor Company. Engine assemblies (basic 6007), when offered, will be shown on their respective parts lists. Other parts peculiar to these diesel eng. may be ordered from the appropriate eng. manufacturer's distributor or dealer.						
E4HT 6007-DBA	Cum.-Form. 350	Diesel	6	14.0L	60.3	△
E4HT 6007-DBB	Cum.-Form. 350	Diesel	6	14.0L	60.3	△
E4HT 6007-DCA	Cum.-Form. 350	Diesel	6	14.0L	60.3	△
E4HT 6007-DCB	Cum.-Form. 350	Diesel	6	14.0L	60.3	△
E4HT 6007-DDA	Cum.-NTC350	Diesel	6	14.0L	60.3	△
E4HT 6007-DEA	Cum.-NTCC350	Diesel	6	14.0L	60.3	△
E4HT 6007-DEB	Cum.-NTCC350	Diesel	6	14.0L	60.3	△
E4HT 6007-DEC	Cum.-NTCC350	Diesel	6	14.0L	60.3	△
E4HT 6007-DFA	Cum.-NTCC350	Diesel	6	14.0L	60.3	△
E4HT 6007-DFB	Cum.-NTCC350	Diesel	6	14.0L	60.3	△
E4HT 6007-DFC	Cum.-NTCC350	Diesel	6	14.0L	60.3	△
E4HT 6007-DGA	Cum.-NTCC350	Diesel	6	14.0L	60.3	△
E4HT 6007-DGB	Cum.-NTCC350	Diesel	6	14.0L	60.3	△
E4HT 6007-DGC	Cum.-NTCC350	Diesel	6	14.0L	60.3	△
E4HT 6007-DHA	Cum.-NTCC350	Diesel	6	14.0L	60.3	△
E4HT 6007-DHB	Cum.-NTCC350	Diesel	6	14.0L	60.3	△
E4HT 6007-DHC	Cum.-NTCC350	Diesel	6	14.0L	60.3	△
E4HT 6007-DUA	Detroit Diesel-8.2L	Diesel	8	8.2L	60.8	△
E4HT 6007-DVA	Detroit Diesel-8.2L	Diesel	8	8.2L	60.8	△
E4HT 6007-DYA	Detroit Diesel-8.2L	Diesel	8	8.2L	60.8	△
E4HT 6007-DZA	Detroit Diesel-8.2L	Diesel	8	8.2L	60.8	△
E4HT 6007-EAA	Cat.-3406	Diesel	6	14.6L	60.7	△
E4HT 6007-EBA	Cat.-3406	Diesel	6	14.6L	60.7	△
E4HT 6007-ECA	Cat.-3406	Diesel	6	14.6L	60.7	△
E4HT 6007-EDA	Cat.-3406	Diesel	6	14.6L	60.7	△
E4HT 6007-EEA	Cat.-3406	Diesel	6	14.6L	60.7	△
E4HT 6007-EFA	Cat.-3406	Diesel	6	14.6L	60.7	△
E4HT 6007-EGA	Cat.-3208T	Diesel	8	10.4L	60.5	△
E4HT 6007-EHA	Cat.-3208NA	Diesel	8	10.4L	60.5	△
E4HT 6007-EJA	Cat.-3208NA	Diesel	8	10.4L	60.5	△
E4HT 6007-EKA	Cat.-3208NA	Diesel	8	10.4L	60.5	△
E4HT 6007-ELA	Cat.-3208NA	Diesel	8	10.4L	60.5	△
E4HT 6007-EMA	Cat.-3208NA	Diesel	8	10.4L	60.5	△
E4HT 6007-ERA	Detroit Diesel-8V-92TA	Diesel	8	12.0L	60.4	△
E4HT 6007-ESA	Detroit Diesel-8V-92TTA	Diesel	8	12.0L	60.4	△
E4HT 6007-ETA	Detroit Diesel-8V-92TAC	Diesel	8	12.0L	60.4	△
E4HT 6007-EUA	Detroit Diesel-8V-92TAC	Diesel	8	12.0L	60.4	△
E4HT 6007-EVA	Detroit Diesel-6V-92TTA	Diesel	6	9.0L	60.4	△
E4HT 6007-EYA	Detroit Diesel-6V-92TA	Diesel	6	9.0L	60.4	△
E4HT 6007-EZA	Detroit Diesel-6V-92TAC	Diesel	6	9.0L	60.4	△
E4HT 6007-FAA	Detroit Diesel-8V-92TA	Diesel	8	12.0L	60.4	△
E4HT 6007-FBA	Detroit Diesel-8V-92TTA	Diesel	8	12.0L	60.4	△
E4HT 6007-FCA	Detroit Diesel-8V-92TA	Diesel	8	12.0L	60.4	△
E4HT 6007-FDA	Detroit Diesel-8V-92TTA	Diesel	8	12.0L	60.4	△
E4HT 6007-FEA	Detroit Diesel-8V-92TAC	Diesel	8	12.0L	60.4	△
E4HT 6007-FFA	Detroit Diesel-8V-92TAC	Diesel	8	12.0L	60.4	△
E4HT 6007-FGA	Detroit Diesel-8V-92TA	Diesel	8	12.0L	60.4	△
E4HT 6007-FHA	Detroit Diesel-8V-92TA	Diesel	8	12.0L	60.4	△
E4HT 6007-FJA	Detroit Diesel-8V-92TTA	Diesel	8	12.0L	60.4	△
E4HT 6007-FKA	Detroit Diesel-8V-92TA	Diesel	8	12.0L	60.4	△
E4HT 6007-FLA	Detroit Diesel-8V-71-TA	Diesel	8	9.3L	60.4	△
E4HT 6007-FMA	Detroit Diesel-6V-92TTA	Diesel	6	9.0L	60.4	△

**1980/  
TRUCK SERIES 600/900**

**ENGINE IDENTIFICATION CHART &  
ENGINE T.S.L. CROSS-REFERENCE GUIDE**

See explanation under "How to Find Engine Parts" on page 1 of this section.

T.S.L. ENGINE NO.	MANUFACTURER'S INFORMATION	TYPE FUEL	NO. CYL.	DISP.	PARTS LIST NO.	ENGINE ASSY. NO.
<b>Note:</b> Δ Parts information in this catalog for the diesel engines manufactured by Cummins Engine Co., Caterpillar Tractor Co., and Detroit Diesel Engine Division is generally restricted to engine accessories and engine related parts furnished by Ford Motor Company. Engine assemblies (basic 6007), when offered, will be shown on their respective parts lists. Other parts peculiar to these diesel eng. may be ordered from the appropriate eng. manufacturer's distributor or dealer.						
E4HT 6007-FNA	Detroit Diesel-6V-92TAC	Diesel	6	9.0L	60.4	Δ
E4HT 6007-FRA	Detroit Diesel-6V-92TA	Diesel	6	9.0L	60.4	Δ
E4HT 6007-FSA	Detroit Diesel-8.2L	Diesel	8	8.2L	60.8	Δ
E4HT 6007-FTA	Detroit Diesel-8.2L	Diesel	8	8.2L	60.8	Δ
E4HT 6007-FUA	Detroit Diesel-8.2L	Diesel	8	8.2L	60.8	Δ

**ENGINE IDENTIFICATION CHART**

YEAR	NO. OF CYL.	CUBIC INCH DISP.	MODELS/RESTRICTIONS	WARRANTY PLATE CODE	MANUFACTURER		PARTS LIST SEC.	REMARKS
					NAME	MODEL		

**6 CYL. & 8 CYL. DIESEL ENGINES**

**Note:** Parts information in this catalog for diesel engines manufactured by Cummins Engine Co., Caterpillar Tractor Co., and Detroit Diesel Engine Division is generally restricted to engine accessories and engine related parts furnished by Ford Motor Company. Engine assemblies (basic 6007), when offered, will be shown on their respective parts lists. Other parts peculiar to these diesel engines may be ordered from the appropriate engine manufacturer's distributor or dealer.

80/	8	636	C-CT700/800, L-LN-LNT-LT-LTS700/800	U	Caterpillar	3208 (175)	60.5	Δ
80/	8	636	C-CT700/800,L-LN-LNT-LT-LTS800	D	Caterpillar	3208(210)	60.5	Δ
83/	8	636	B-F-F700/800		Caterpillar	3208(175)	60.5	Δ
83/	8	636	B-C-CT-F-FT-L-LN-LNT-LT-LTS800		Caterpillar	3208(200)	60.5	Δ
82/	8	636	B-C-CT-F-FT-L-LN-LNT-LT-LTS800		Caterpillar	3208T	60.5	Δ
80/	6	893	L-LT900,LTL900	C,H,M,X	Caterpillar	3406	60.7	Δ
80/	6	893	LN-LNT900	X	Caterpillar	3406	60.7	Δ
80/	6	893	CL-CLT900	1,E,J, H,M,Q	Caterpillar	3406	60.7	Δ
80/	6	855	L-LN-LNT-LT-LTS900	W	Cummins	NTC230,Form230	60.3	Δ
80/	6	855	L-LN-LNT-LT-LTS900	L,W	Cummins	NTC350, Form 350	60.3	Δ
82/	6	855	L-LN-LNT-LT-LTS900		Cummins	PT240,Form240	60.3	Δ
82/	6	855	L-LN-LNT-LT-LTS900		Cummins	PT270,Form270	60.3	Δ
80/	6	855	CL-CLT900	3,8,L,P,W	Cummins	NTC350,Form350	60.3	Δ
80/	6	855	L-LN-LNT-LT900	5,W,V,U	Cummins	NTC 290, Form 290	60.3	Δ
80/	6	855	CL-CLT900	2,5,V,W	Cummins	NTC290,Form290	60.3	Δ

**6 CYL. & 8 CYL. DIESEL ENGINES**

**Note:** Parts information in this catalog for diesel engines manufactured by Cummins Engine Co., Caterpillar Tractor Co., and Detroit Diesel Engine Division is generally restricted to engine accessories and engine related parts furnished by Ford Motor Company. Engine assemblies (basic 6007), when offered, will be shown on their respective parts lists. Other parts peculiar to these diesel engines may be ordered from the appropriate engine manufacturer's distributor or dealer.

80	6	855	L-LN-LNT-LT-LTS900	F,5,W	Cummins	NTC250	60.3	Δ
80/	6	855	CLT900,LTL900	6,7,W	Cummins	NTC400	60.3	Δ
80/83	6	1150	CLT900	D	Cummins	KT450	60.6	Δ
80/83	6	1150	CLT900	F	Cummins	KTA525	60.6	Δ
80/83	6	1150	CLT900	B	Cummins	KTA600	60.6	Δ
80/84	6	426	L-LN-LNT-LT-LTS900	2,A,J	Detroit Diesel	6-71-N	60.4	Δ
80/87	8	501	B-F600/700		Detroit Diesel	8.2L	60.8	Δ
81/87	8	501	C-CT-LN600/800		Detroit Diesel	8.2L	60.8	Δ
80/86	8	568	L-LN-LNT-LT900	6,7,T	Detroit Diesel	8V-71-N	60.4	Δ
80	8	568	CL-CLT900	N				
80/86	8	568	L-LN-LNT-LT-CL-CLT900	Y,T	Detroit Diesel	8V-71TA	60.4	Δ
80/86	8	568	L-LN-LNT-LT-LTS900, CL-CLT900	4	Detroit Diesel	8V-71TTA	60.4	Δ
80/86	6	552	CL-CLT900	G,I,O,K	Detroit Diesel	6V-92	60.4	Δ
80/86	6	552	LN-LNT900					
80/86	8	736	CLT900,LTL900	T,U,W,X	Detroit Diesel	8V-92	60.4	Δ



YEAR	MODEL/RESTRICTIONS	QUANTITY				PART NUMBER	DESCRIPTION
		370	429				
						6D000 GASKET KIT (TIMING COVER)	
80/87		1	1			E2TZ 6D000-C	
	Consists of						
	1-D9HZ 6020-A					Gasket frt. cvr.	1-C3AZ 9417-C Gasket fuel pump
	1-D9HZ 6700-A					Seal crankshaft	1-E2TJ 6710-AA Gasket oil pan R.H.
	1-D5VE 6722-AA					Seal oil pan	1-E2TJ 6711-AA Gasket oil pan L.H.
	1-C8SZ 8513-A					Gasket water pump	1-IS 5169 Inst. sheet
						▲6007 ENGINE ASSY.	
	▲ Current production engine assemblies may be ordered from the local parts distribution center by furnishing the engine code from the vehicle certification label or the identification tag number that is attached to the exterior of the engine assembly.						
80/		4	4			B9AE 6A008-A	DOWEL (CYLINDER HEAD to CYLINDER BLOCK) -5/8" I.D. x 3/4" O.D. x 7/16" long-split
						6D008 HEATER KIT (CYLINDER BLOCK)	
80/		1	1			D6AZ 6D008-A	
	Consists of						
	1-D6AJ 6B018-AA					Wire assy.	4-D6AJ 14197-AA clip
	1-D6AZ 6A051-A					Heater assy.	1-IS-4559 Inst. sheet
	1-D4AB 6A056-AA					Cap	
						6009	CYLINDER ASSY.-incl. cylinder block w/all internal parts of the engine but does not include cylinder heads, tappets, oil pan or cylinder front cover unless indicated
80/87		1				D9HZ 6009-E	
88/89	All 2/B "Before 3/28/89"	1				E8HZ 6009-D	
89	"From 3/28/89"	1				E9HZ 6009-B	
88	All 4/B	1				E8HZ 6009-E	
80/89	"Before 3/28/89"		1			D9HZ 6009-C	
89	"From 3/28/89"		1			E9HZ 6009-A	
						6010 ▲BLOCK ASSY. (CYLINDER)	
	▲ 6015 is a casting number and generally cannot be cross referenced to a service number. It will be used as a means of identification only when casting number is unique to only one 6010 assembly.						
80/87		1				D9HZ 6010-B	
88/89	"Before 3/28/89"	1				E8HZ 6010-B	
89	"From 3/28/89"	1				E9HZ 6010-C	
80/87			1			D9TZ 6010-A	
88/89	"Before 3/28/89"		1			★ E8HZ 6010-A	R/b E8TZ 6010-C (6/90)
89	"From 3/28/89"		1			E9HZ 6010-B	
80/		AR	AR			D7TZ 6B018-A	WIRING ASSY. (BLOCK HEATER)
						6019 COVER ASSY. (CYLINDER FRONT)	
80/89	"Before 11/15/88"	1	1			D9HZ 6019-A	
89	"From 11/15/88"	1	1			E9HZ 6019-A	
87/	B600/700 -- w/dual block heaters	1	1			E7HZ 6B019-A	EXTENSION WIRE ASSY. (BLOCK HEATER)
						6020 GASKET (CYLINDER FRONT COVER)	
80/		1	1			E6HZ 6020-C	
80/		1	1			D9HZ 6023-A	POINTER (TIMING)
80/		6	6			D7AZ 6026-A	PLUG (ENGINE) - (core holes in block)- 1.50" O.D.
		AR	AR			C8AZ 6026-D	.060" O/S
80/		2	2			C8SZ 6026-A	(Oil gallery in block)-5/16"-18
80/		2	2			D0ZZ 6026-B	(plug T/E holes in head)-.66" O.D.
80/		4	4			87837-S	(P-15)-plug (oil passage in block)- pipe 1/4"-18 x 27/64"
80/		6	6			371485-S	(PP-48-A)-plug (core holes in cyl. head)- hex. countersunk head-3/4"-14

1980/  
TRUCK SERIES 600/900

YEAR	MODEL/RESTRICTIONS	QUANTITY				PART NUMBER	DESCRIPTION
		370	429				
						6A027	SPACER (SUPPORT INSULATOR)
80/86	C-CT600/800	2	2			D9HZ 6A027-B	Front-hex.-2" long-1/2"-13 & 7/16"-14
80/86	L-LN-LNT-LT-LTS800	2	2				
80/	B-F600/800 -- 8.5" frame	2	2				
80/86	LN600/700	2	2				
						6A027	SPACER (SUPPORT INSULATOR) — Cont'd
80/86	C-CT600/800	2	2			D9HZ 6A027-A	Rear
80/86	L-LN-LNT-LT-LTS800	2	2				
80/86	LN600/700	2	2				
83/	B-F-FT700/800-M/T & AT-540	2	2				
80/	B-F600/800 -- 9.5" frame	2				E0HZ 6A027-A	Front-hex. 2.94" long 7/16"-14 & 1/2"-13
83/	FT800 -- 9.5" frame	2	2				
80	B-F600/800 -- 8.5" frame "Before Ser. HJ5,001"	2				DOTZ 6A066-C	Front-hex
80/87	B-F600/800 -- 8.5" frame "From Ser. HJ5,001"	2				E0HZ 6A027-C	Front-hex. 1.94" long 1/2"-13
83/87	FT800 -- 8.5" frame	2	2				
88/	B-F600/800 -- exc. 10K,12K lb. frt. axle	2					
88/	FT800 -- exc. 10K,12K lb. frt. axle	2	2				
88/	F-FT800 -- 10K,12K, lb. frt. axle	1	1			E8HZ 6A027-A	Front
						6028	BRACKET (FRONT SUPPORT)
80/		1	1			E0HZ 6028-A	#E0HT-AA, E4HT-BA
80/84		4	4			56529-S2	(B-319-P)-bolt (attach bracket 6028 to eng.)-5/16"-18 x 2 3/4" hex. wshr. hd.
85/		4	4			388059-S100	(BB-545-BD)-bolt (attach bracket (6028) to front cvr.)-5/16"-18 x 2" hex. wshr. hd.
85/		2	2			386198-S101	(BB-551-AP)-bolt (attach bracket (6028) to front cvr.)-7/16"-14 x 3 hex. wshr. hd.
						6038	INSULATOR ASSY. (FRONT SUPPORT)
80/		2	2			E1HZ 6038-A	#E1HT-ABE1HT-BA
						6049	ΔHEAD (CYLINDER)
<p>Δ6090 is a casting number and cannot be cross referenced to a service number. It will be used as a means of identification only when casting number is unique to only one 6049 assembly.</p>							
80/85	All 2/B "Before 4/1/85"	2				★ D9HZ 6049-C	Without valves-r/b E6HZ 6049-D
80/85	All 4/B "Before 4/1/85"	2				E6HZ 6049-D	Without valves-kit incl. head, bolts, wshrs. & instr. sheet
80/85	All 2/B "Before 4/1/85"	2				D9HZ 6049-H	Complete with valves
80/85	All 4/B "Before 4/1/85"	2				D9HZ 6049-G	Complete with valves
80/85	"Before 4/1/85"		2			★ D9HZ 6049-B	Without valves-r/b E6HZ 6049-E (1/89)
80/85	"Before 4/1/85"		2			D9HZ 6049-F	complete with valves
85/	"From 4/1/85"	2				E6HZ 6049-D	Kit incl. head, bolts, wshrs. & inst. sheet without valves
86/			2			E5HZ 6049-K	Complete with valves
85/	"From 4/1/85"		2			E6HZ 6049-E	Kit incl. head, bolts, wshrs. & inst. sheet without valves
86/			2			E5HZ 6049-M	Complete with valves

YEAR	MODEL/RESTRICTIONS	QUANTITY				PART NUMBER	DESCRIPTION
		370	429				
80/		2				★ E3HZ 6051-A	GASKET (CYLINDER HEAD)-#D9TE-D5B, E3HE-BA-R/b FOHZ 6051-B (6/90)
80/			2			★ E3HZ 6051-B	#E3HE-AA-r/b FOHZ 6051-A (6/90)
80/		AR	AR			E0AZ 6A051-A	HEATER ASSY. (BLOCK)
						6A056	CAP (BLOCK HEATER)
80/		AR	AR			CEH-117	Unique Motorcraft number
						6057	INSERT (VALVE SEAT)
80/	All 4/B	8				D9HZ 6057-C	Exhaust-std.
		AR				D9HZ 6057-D	.020" O/S
80/		8				D9HZ 6057-A	Exhaust-std.
		AR				D9HZ 6057-B	.020" O/S
80/81	C-CT600/800 "Before 10/6/80"	1	1			D9HZ 6A057-A	SUPPORT (FRONT SUPPORT)
81/86	C-CT600/800 "From 10/6/80"	1	1			E4HZ 6A057-B	
80/	B-F600/700	1	1			D9HZ 6A057-B	
80/		2	2			D9HZ 6A061-A	INSULATOR (REAR SUPPORT)
						6065	BOLT (CYLINDER HEAD)
80/87	"Before 2/2/87"	10	10			C8SZ 6065-A	9/16"-12 x 5 1/8"
80/		10	10			C8SZ 6065-B	9/16"-12 x 4 3/8"
87	"From 2/2/87"	10	10			E7TZ 6065-B	9/16"-12 x 5 1/8"
80/		2	2			D0HZ 6A065-E	CAP (SUPPORT)
						6A066	SPACER (FRONT SUPPORT)
80/	B-F700/800	1	1			★ E0HZ 6A066-B	Steel-r/b E8HZ 6A027-A
80/	B-F-FT600/800 -- MT640 T/M	2	2			E0HZ 6A067-A	BRACKET (SUPPORT TO FRAME)
80/86	L-LN-LNT-LT-LTS800 -- w/ MT650,RT610,613 trans.	2	2			D9HZ 6A067-A	
						6068	INSULATOR ASSY. (REAR SUPPORT)
80/	B-C-CT-F-FT600/800 -- M/T,AT540	2	2			D9HZ 6068-B	
80/86	L-LN-LNT-LT-LTS800 -- exc. trans. MT650,RT610,613 trans.	2	2				
80/	B-F-FT600/800 -- MT640 trans.	2	2			D0HZ 6068-B	
80/86	L-LN-LNT-LT-LTS800 -- MT650,RT610,613 trans.	2	2				
80/		AR	AR			D6AZ 6E072-A	LABEL (BUILD CODE & INFORMATION) -Also refer to Service Bulletin #155
80/89		1	1			E1HZ 6E078-A	GASKET SET (LOWER)
	Consists of						
	1-E6HZ 6020-C	Gasket (front cover)	1-D5VE 6722-A	Seal (oil pan)			
	1-D9HZ 6700-A	Seal (cyl. front cover)	1-E0TE 6722-A	Seal (oil pan drain)			
	2-C9AZ 6701-A	Seal (crankshaft rear)	1-C2OZ 6734-A	Gasket (oil pan drain)			
	1-E3TE 6710-A	Gasket (oil pan)	1-C8SZ 8513-A	Gasket (water pump)			
	1-E3TE 6711-A	Gasket (oil pan)	1-C3AZ 9417-A	Gasket (fuel pump)			
			1-87147-S91	Gasket (oil filter adapter)			
			6079	GASKET SET (VALVE GRIND)			
80/		1				E3HZ 6079-A	
	Consists of						
	2-FOHZ 6051-B	Gasket (cyl. head)	1-D4TZ 8255-A	Gasket (thermo hsg.)			
	16-F0HZ 6571-B	W/Steel retaining ring	1-C8SZ 8255-A	Gasket (thermo hsg.)			
	New Style		▲2-E7HE 9A425-AA	Seal (intake manifold)			
	16-D9HZ 6571-A	Seal (valve stem)	2-D4VY 9448-A	Gasket (exhaust manifold)			
	Old Style-rubber		▲1-E9HE 9C484-AA,	Gasket (intake manifold)			
	2-E3TZ 6584-E	Gasket (rocker arm cover)	▲Also serviced in D5AZ 9433-C,				
80/			1			E3HZ 6079-B	
	Consists of						
	2-FOHZ 6051-A	Gasket (cyl. head)	1-D4TZ 8255-A	Gasket (thermo hsg.)			
	16-F0HZ 6571-B	W/Steel retaining ring	1-C8SZ 8255-A	Gasket (thermo hsg.)			
	New Style		▲2-E7HE 9A425-AA	Seal (intake manifold)			
	16-D9HZ 6571-A	Seal (valve stem)	2-D4VY 9448-A	Gasket (exhaust manifold)			
	Old Style-rubber		▲1-E9HE 9C484-AA	Gasket (intake manifold)			
	2-E3TZ 6584-E	Gasket (rocker arm cover)	▲Also serviced in D5AZ 9433-C				

1980/  
TRUCK SERIES 600/900

8 CYL. 6.1L (370 C.I.D.),  
7.0L (429 C.I.D.)

YEAR	MODEL/RESTRICTIONS	QUANTITY				PART NUMBER	DESCRIPTION
		370	429				
82/		1	1			E0AY 6095-A	COVER (FUEL PUMP OPENING)
						6096	BRACKET (REAR SUPPORT)
80/86	C-CT800 -- MT650 T/M	1				D9HZ 6096-A	R.H.-#D9HT-HA,HB
80/86	C-CT800 -- RT610 M/T	1				D9HZ 6096-B	L.H.-#D9HT 6A070-CA,CB
80/86	LN600/700 -- MT650,RT610 trans.	2	2				
80/	B-C-CT-F-FT-LN600/800 -AT540 T/M	1	1			D9HZ 6096-C	R.H.-#D9HT-CA,CB
		1	1			D9HZ 6096-D	L.H.-#D9HT 6A070-BA,BB
80/86	L-LN-LNT-LT800	1				D9HZ 6096-F	Cross member type-#D9HT-GB
80/86	LTS800	1				D9HZ 6096-E	Cross member type-#D9HT-FC
80/86	L-LN-LNT-LT-LTS800 -- MT650, RT610 & RT613	1	1			D3HZ 6096-B	R.H.
		1	1			D0HZ 6096-AA	L.H.
80/	B-F-FT600/800 -- MT640 T/M, M/T	1	1			E0HZ 6096-A	R.H.-#E0HT-AA
		1	1			E0HZ 6096-B	L.H.-#E0HT 6A070-AA
						6108	PISTON ASSY. (INCL. PIN & RETAINER)
80/		8				D9HZ 6108-G	Std. red
		AR				D9HZ 6108-H	Std. blue
		AR				D9HZ 6108-J	.003" O/S
		AR				D9HZ 6108-K	.020" O/S
		AR				D9HZ 6108-L	.030" O/S
		AR				D9HZ 6108-M	.040" O/S
80/			8			D9HZ 6108-A	Std. red
			AR			D9HZ 6108-B	Std. blue
			AR			D9HZ 6108-C	.003" O/S
			AR			D9HZ 6108-D	.020" O/S
			AR			D9HZ 6108-E	.030" O/S
			AR			D9HZ 6108-F	.040" O/S
80/		8	8			C8SZ 6135-A	PIN (PISTON)
		AR	AR			C8SZ 6135-B	.001" O/S
						6148	RING SET (PISTON PARTIAL) consists of the necessary rings to re-ring (2) pistons
80/	2V carb.	4				D9HZ 6148-J	Standard
		AR				D9HZ 6148-K	.020" O/S
		AR				D9HZ 6148-L	.030" O/S
		AR				D9HZ 6148-M	.040" O/S
80/88	4V carb.	4				D9HZ 6148-T	Standard
		AR				D9HZ 6148-U	.020" O/S
		AR				D9HZ 6148-V	.030" O/S
		AR				D9HZ 6148-W	.040" O/S
80/	All liquid propane gas	4				★ D9HZ 6148-X	Std.-r/b D9HZ 6148-T (2/91)
		AR				★ D9HZ 6148-Y	.020" O/S-r/b D9HZ 6148-U (2/91)
		AR				D9HZ 6148-Z	.030" O/S
		AR				D9HZ 6148-W	.040" O/S
80/84			4			D9HZ 6148-E	Standard
			AR			D9HZ 6148-F	.020" O/S
			AR			D9HZ 6148-G	.030" O/S
			AR			D9HZ 6148-H	.040" O/S
80/84	Refer T.S.B. 82-26		4			D9HZ 6148-N	Standard
85/	All -- exc. propane gas		AR			D9HZ 6148-P	.020" O/S
			AR			D9HZ 6148-R	.030" O/S
			AR			D9HZ 6148-S	.040" O/S
80/	All liquid propane gas		4			★ D9HZ 6148-AB	Std.-r/b D9HZ 6148-N (2/91)
			AR			D9HZ 6148-P	.020" O/S
			AR			D9HZ 6148-AD	.030" O/S
			AR			D9HZ 6148-AE	.040" O/S
80/		8	8			D9HZ 6200-A	ROD ASSY. (CONNECTING)

YEAR	MODEL/RESTRICTIONS	QUANTITY				PART NUMBER	DESCRIPTION
		370	429				
						6211	BEARING (CONNECTING ROD)
80/		16	16			D9HZ 6211-A	Std. red-upper and lower
		AR	AR			D9HZ 6211-B	Std. blue
		AR	AR			D9HZ 6211-C	.002" U/S
		AR	AR			D9HZ 6211-D	.010" U/S
		AR	AR			D9HZ 6211-E	.020" U/S
		AR	AR			D9HZ 6211-F	.030" U/S
		AR	AR			D9HZ 6211-G	.040" U/S
80/		16	16			C9AZ 6212-B	NUT (CONNECTING ROD)-3/8"-24
80/86		16	16			C9AZ 6214-B	BOLT (CONNECTING ROD)
87/		16	16			E6TZ 6214-A	
80/		1	1			D9HZ 6250-A	CAMSHAFT
80/		1	1			D9HZ 6256-A	SPROCKET (CAMSHAFT)
80/		1	1			73328-S	(N-87-B)-Dowel (align cam. sprocket to camshaft)
80/		1	1			43001-S2	(B-253-C)-bolt (eccentric and camshaft sprocket to camshaft)-3/8"-16 x 1 3/8"
						6261	BEARING (CAMSHAFT FRONT)
80/		1	1			D9HZ 6261-A	Std. I.D.
		AR	AR			D9HZ 6261-B	.015" U/S
						6261	BEARING (CAMSHAFT FRONT INTERMEDIATE)
80/		1	1			D9HZ 6261-A	Std. I.D.
		AR	AR			D9HZ 6261-B	.015" U/S
						6261	BEARING (CAMSHAFT CENTER)
80/		1	1			D9HZ 6261-A	Std. I.D.
		AR	AR			D9HZ 6261-B	.015" U/S
						6261	BEARING (CAMSHAFT REAR INTERMEDIATE)
80/		1	1			D9HZ 6261-A	Std. I.D.
		AR	AR			D9HZ 6261-B	.015" U/S
						6261	BEARING (CAMSHAFT REAR)
80/		1	1			D9HZ 6261-A	Std. I.D.
		AR	AR			D9HZ 6261-B	.015" U/S
80/		1	1			C8SZ 6266-A	PLUG (CAMSHAFT BEARING)-Std.-2.51" dia.
		AR	AR			C8SZ 6266-B	.060" O/S
80/		1	1			D4TZ 6268-A	CHAIN (TIMING)
80/		1	1			C8SZ 6269-A	PLATE (CAMSHAFT THRUST)
80/		2	2			42910-S	(B-40-A)-Bolt (thrust plate to block) 1/4"-20 x 1/2 hex. self locking
80/		1	1			C20Z 6278-A	WASHER (CAMSHAFT SPROCKET)
80/		1	1			D1AZ 6287-A	ECCENTRIC (CAMSHAFT FUEL PUMP DRIVE)-inner
		1	1			D0AZ 6287-A	outer
						6303	CRANKSHAFT ASSY.
80/		1				D9HZ 6303-C	
80/			1			D9HZ 6303-B	
80/		1	1			D9HZ 6306-A	SPROCKET (CRANKSHAFT)
80/		1	1			359054-S	(XX-318)Washer (crankshaft damper to crankshaft)-3/8" flat
80/		1	1			378538-S	(LL-9-H)-Key (sprocket to crankshaft)- 3/8" x 3 3/4"
						6312	PULLEY ASSY. (CRANKSHAFT)-Also refer to pulley I.D. chart, section 60, page 18.
80/	All exc. P.T.O.	1	1			D9HZ 6312-B	#D9TE 6316-AB
80/	All with P.T.O.		1			D9HZ 6312-A	#D9TE 6316-CC



1980/  
TRUCK SERIES 600/900

YEAR	MODEL/RESTRICTIONS	QUANTITY				PART NUMBER	DESCRIPTION
		370	429				
						6A312	PULLEY ASSY. (CRANKSHAFT-OUTER)- also refer to pulley I.D. chart, section 60, page 18.
80/86	C-CT600/800	1				D9HZ 6A312-C	#D9TE 6A312-CA-single sheave
80/	B-F-LN600/700 -- P/S or Air brakes without A/C or P.T.O.	1	1			D9HZ 6A312-B	#D9TE 6A312-BA-single sheave
80/84	L-LN-LNT-LT-LTS800 -- 4/B carb. without P.T.O.	1	1			D9HZ 6A312-A	#D9TE 6A312-AB-triple sheaves
80/	B-F-LN600/700-A/C without P.T.O.	1	1				

**ENGINE BEARING APPLICATION CHART**

YEAR	C.I.D.	SIZE I.D.	U P P E R	L O W E R	PART NUMBER				
					FRONT	FRONT INTERMEDIATE	CENTER	REAR INTERMEDIATE	REAR
<b>Note: RED and BLUE size are optional for selective fit</b>									
80/	370,429	Std.	X		D7AZ 6333-N	D7AZ 6333-N	D7AZ 6337-G	D7AZ 6333-N	D7AZ 6333-N
		.001" U/S	X		D7AZ 6333-P	D7AZ 6333-P	D7AZ 6337-H	D7AZ 6333-P	D7AZ 6333-P
		.002" U/S	X		D7AZ 6333-R	D7AZ 6333-R	D7AZ 6337-J	D7AZ 6333-R	D7AZ 6333-R
		.010" U/S	X		D7AZ 6333-S	D7AZ 6333-S	D7AZ 6337-K	D7AZ 6333-S	D7AZ 6333-S
		.020" U/S	X		D7AZ 6333-T	D7AZ 6333-T	D7AZ 6337-L	D7AZ 6333-T	D7AZ 6333-T
		.030" U/S	X		D7AZ 6333-U	D7AZ 6333-U	D7AZ 6337-M	D7AZ 6333-U	D7AZ 6333-U
80/	370,429	Std.	X		D7AZ 6333-AA	D7AZ 6333-AA	D7AZ 6337-N	D7AZ 6333-AA	D7AZ 6333-AA
		.001"	X		D7AZ 6333-AB	D7AZ 6333-AB	D7AZ 6337-P	D7AZ 6333-AB	D7AZ 6333-AB
		.002"	X		D7AZ 6333-AC	D7AZ 6333-AC	D7AZ 6337-R	D7AZ 6333-AC	D7AZ 6333-AC
		.010"	X		D7AZ 6333-AD	D7AZ 6333-AD	D7AZ 6337-S	D7AZ 6333-AD	D7AZ 6333-AD
		.020"	X		D7AZ 6333-AE	D7AZ 6333-AE	D7AZ 6337-T	D7AZ 6333-AE	D7AZ 6333-AE
		.030"	X		D7AZ 6333-AF	D7AZ 6333-AF	D7AZ 6337-U	D7AZ 6333-AF	D7AZ 6333-AF

YEAR	MODEL/RESTRICTIONS	QUANTITY				PART NUMBER	DESCRIPTION
		370	429				
80/		9	9			D5AZ 6345-A	BOLT (CRANKSHAFT MAIN BEARING CAP)
80/		1	1			D9HZ 6345-A	Stud 3/8"-16-1/2"-13 x 4.95" hex. shldr.
80/	AT540 T/M	1	1			B9AZ 6A366-B	PLATE (FLYWHEEL REINFORCING)
80/	MT643 T/M	1	1				
						6A369	ADAPTER (FLYWHEEL TO TRANSMISSION)
80/	AT540 T/M	1	1			D2TZ 6A369-A	
80/	MT650 T/M	1	1			D9HZ 6A369-A	
80/	MT643 T/M	1	1				
						6375	FLYWHEEL ASSY.
80/	Single clutch disc.	1	1			E5TZ 6375-J	
80/	Dual clutch disc.	1	1			D9HZ 6375-A	#D9TE-AA,AB
80/	MT650 T/M	1	1			D9HZ 6375-G	#D9HT-BC
80/	MT643 T/M	1	1				
80/	AT540 T/M	1	1			E5HZ 6375-A	#E5HT-AA
80/		6	6			D2AZ 6379-A	BOLT (FLYWHEEL TO CRANKSHAFT)- 7/16"-20 x 1.04"
80/	MT643,MT650	6	6			★ 383685-S2	(BB-395-F)-bolt (flywheel to crankshaft) -7/16"-20 x 1.38"
80/	M/T	1	1			D7TZ 6384-A	GEAR (FLYWHEEL RING)-180 teeth
						6392	HOUSING ASSY. (FLYWHEEL)
80/	AT540 T/M	1	1			D9HZ 6392-A	
80/	MT650 Series T/M	1	1			D9HZ 6392-B	#D9HT 6394-BB, E3HT 6394-AA
80/	MT643 T/M	1	1				
80/	M/T	1	1				

YEAR	MODEL/RESTRICTIONS	QUANTITY				PART NUMBER	DESCRIPTION
		370	429				
80/		2	2			EAD 6397-B	DOWEL (CYLINDER BLOCK)-to flywheel housing
80/	A/T	1	1			B7T 6411-A	SEAL (CONVERTER HSG. COVER)
80/		16	16			D9HZ 6500-A	TAPPET ASSY. (VALVE) HYDRAULIC
						6505	VALVE (EXHAUST)
80/85	All 2/B carb.	8				D9HZ 6505-G	Std. stem dia.-.3705"
		AR				D9HZ 6505-H	.015" O/S stem dia.
		AR				D9HZ 6505-J	.030" O/S stem dia.
80/85	All 4/B carb.	8				D9HZ 6505-D	Std. stem dia.-.3708"
86/	All	AR				D9HZ 6505-E	.015" O/S stem dia.
		AR				D9HZ 6505-F	.030" O/S stem dia.
80/			8			D9HZ 6505-A	Std. stem dia.-.3708"
			AR			D9HZ 6505-B	.015" O/S stem dia.
			AR			D9HZ 6505-C	.030" O/S stem dia.
						6507	VALVE (INTAKE)
80/85	2/B carb.	8				D9HZ 6507-D	Std. stem dia.-.3715"
		AR				D9HZ 6507-E	.015" O/S stem dia.
		AR				D9HZ 6507-F	.030" O/S stem dia.
80/85	4/B carb.	8				D9HZ 6507-G	Std. stem dia.-.3715"
86/	All	AR				D9HZ 6507-H	.015" O/S stem dia.
		AR				D9HZ 6507-J	.030" O/S stem dia.
80/			8			D9HZ 6507-A	Std. stem dia.-.3715"
			AR			D9HZ 6507-B	.015" O/S stem dia.
			AR			D9HZ 6507-C	.030" O/S stem dia.
80/87	2/B carb.	AR				D9HZ 6510-A	BUSHING (VALVE GUIDE)-INTAKE
88/		AR					
						6513	SPRING (VALVE)
80/85	2/B carb.	8				D9HZ 6513-A	Exhaust
		8				D9HZ 6513-B	Intake
80/85	4/B carb.	16	16			D9HZ 6513-B	Intake & exhaust
86/	All						
						6514	RETAINER (VALVE SPRING)
80/85	2/B carb.	16				D9HZ 6514-A	Intake & exhaust
80/85	4/B carb.	8	8			D9HZ 6514-A	Intake
86/	All	8	8			D9HZ 6514-B	Exhaust
80/		32	32			B8A 6518-A	KEY (VALVE SPRING RETAINER)- intake and exhaust
80/		16	16			D1AZ 6524-A	BAFFLE (VALVE ROCKER ARM OIL)
80/		16	16			D3AZ 6A527-A	BOLT (VALVE ROCKER ARM SUPPORT) 5/16"-18 x 1 3/8"
80/83		16	16			E43Z 6A528-B	SEAT (VALVE ROCKER ARM FULCRUM)
84/		16	16			E53Z 6A528-A	
80/		16	16			D8AZ 6564-B	ARM (VALVE ROCKER)
80/		16	16			D9HZ 6565-A	ROD (VALVE PUSH)-std.
		AR	AR			C9VZ 6565-C	.030" O/S
80/86		16	16			D9HZ 6571-B	SEAL (VALVE STEM)-Nylon-std.
80/86		AR	AR			D9HZ 6571-A	Rubber-O/S
87/		8	8			E7HZ 6571-B	Nylon-std.-intake
87/		8	8			★ E7HZ 6571-E	Nylon-std.-exhaust-r/b FOHZ 6571-B (2/91)
80/		2	2			D9HZ 6582-B	COVER ASSY. (VALVE ROCKER ARM)
80/		12	12			387549-S	(BB-541-HC) screw & wshr. assy. (cover to head) 1/4"-20 x .62"
80/		2	2			387883-S2	(WW-160-E) stud (cover to head) 1/4"-20 x 1.82" hex shid.
80/83	"Before 11/3/82"	2	2			D0SZ 6584-A	GASKET (VALVE ROCKER ARM COVER)
83/87	"From 11/3/82"	2	2			E3TZ 6584-E	
88/		2	2			E8HZ 6584-A	
80/		1	1			D9TZ 6600-B	PUMP ASSY. (OIL)-Less screen and cover
80/		2	2			42999-S	(B-253)-Screw & washer (pump to block) -3/8-16 x 1 1/4"

1980/  
TRUCK SERIES 600/900

YEAR	MODEL/RESTRICTIONS	QUANTITY				PART NUMBER	DESCRIPTION
		370	429				
80/		1	1			C8SZ 6A618-A	SHAFT ASSY. (OIL PUMP INTERMEDIATE)- adjust retainer as required
						6622	SCREEN, TUBE and COVER ASSY. (OIL PUMP)
80/		1	1			E4HZ 6622-A	#D9TE-AB, E4HE-AA
80/		1	1			382802-S2	(MM-173-JB)-Nut (screen & cover to block) -3/8"-16 flange lock
80/		1	1			D5UZ 6626-A	GASKET (OIL PUMP INLET TUBE)
80/		1	1			C4TZ 6629-A	RING (OIL PUMP INTERMEDIATE SHAFT RETAINER)
80/	C-CT900	1	1			D9HZ 6A642-A	Cooler Assy. (CRANKCASE OIL)
						★ 6A662	BRACKET (CABLE and TUBE MOUNTING) -Improvise
						6A664	HOSE (CRANKCASE VENTILATION)
80/85		1	1			★ D9TE 6A664-BA	Cut from C9PZ 4090-G bulk hose
86/		1	1			E6HZ 6A664-A	
80/86	C-CT600/800	1	1			D9HZ 6A665-A	ADAPTER ASSY. (CRANKCASE VENTILATION)
80/	Exc. High Altitude	1	1			D90Z 6A666-A	VALVE (POSITIVE CRANKCASE VENTILATION)- (P.C.V.)-*EV-68-C
80/	High Altitude	1	1			D7AZ 6A666-A	*EV-93
						6675	PAN ASSY. (OIL)
80/85	"Before 4/5/85"	1	1			D9HZ 6675-B	
85/89	"From 4/5/85 to 3/28/89"	1	1			E7HZ 6675-B	
89	"From 3/28/89"	1	1			E9HZ 6675-A	
80/		19	19			387549-S	(BB-541-HC)-Screw & washer (oil pan to blk.)-1/4"-20 x .62"
80/		4	4			42789-S8	(U-10)-Screw & washer (oil pan to front cvr. & rear of blk.)-5/16"-18 x .75"
80/		1	1			E7HZ 6700-B	SEAL (CYLINDER FRONT COVER OIL)-#E6TE-AA
80/		2	2			E6TZ 6701-A	SEAL (CRANKSHAFT REAR)
80/	B-F600/800	1	1			388970-S100	(II-220-L)-Elbow (hose to radiator) -90°-5/8"-37° x 1/2" pipe
89	"From 3/28/89"	1	1			E9TZ 6710-A	GASKET (OIL PAN)-one piece design-"Before 3/28/89" refer to 6781
						6A715	HOSE ASSY. (OIL COOLER)
80/86	C-CT600/800 -- w/oil cooler	2	2			D9HZ 6A715-B	Inlet & outlet
80/	B-F600/800 -- w/oil cooler	2	2			D9HZ 6A715-B	Inlet & outlet
80/86	LN600/700 -- w/oil cooler	2	2			D9HZ 6A715-B	Inlet & outlet
80/86	L-LN-LNT-LT-LTS800 -- w/oil cooler	2	2			D9HZ 6A715-B	Inlet & outlet
89	"From 3/28/89"	1	1			E9TZ 6N728-A	REINFORCEMENT (OIL PAN FLANGE)-R.H.
		1	1			E9TZ 6N728-B	L.H.
80/85	"Before 4/5/85"	1	1			D8TZ 6730-A	PLUG (OIL PAN DRAIN) Incl. C20Z 6734-A gasket-Magnet type
85/	"From 4/5/85"	1	1			E5AZ 6730-A	Incl. E0FZ 6734-A gasket
80/		1	1			D3HZ 6731-B	ELEMENT ASSY. (OIL FILTER)-*FL-299 "-spin-on"
80/85	"Before 4/5/85"	1	1			C20Z 6734-A	GASKET (OIL PAN DRAIN PLUG)
85/	"From 4/5/85"	1	1			E0FZ 6734-A	
80/86	C-CT800 -- large radiator	2	2			D9HZ 6K743-C	BRACKET (OIL COOLER MOUNTING)-#D9HT-CB-29.58" long- upper & lower
80/86	C-CT800 -- small radiator	2	2			D9HZ 6K743-E	#D7HT-HA- 28.54" long-horizontal- upper & lower
80/86	C-CT800	2	2			D9HZ 6K743-G	16.52" long-vertical

YEAR	MODEL/RESTRICTIONS	QUANTITY				PART NUMBER	DESCRIPTION
		370	429				
80/		1	1			EAA 6749-A	GASKET (OIL FILTER CENTER BOLT TO COVER) use on oil filter adapter bolt
						6750	INDICATOR (OIL LEVEL)
80/85	C-CT600/800 "Before 12/3/84"	1	1			E3HZ 6750-B	#D9TE-BA, E2HE-BA, E3HE-BA
80/85	L-LN-LNT-LT-LTS600/800	1	1				
80/85	B-F600/800 "Before 12/3/84"	1	1			E7HZ 6750-G	#E4HE-AA
85/87	B-C-CT-F600/800 "From 12/3/84"	1	1			E7HZ 6750-G	#E5TE-DA
88/	B-F600/900	1	1			E8HZ 6750-J	#E8HE-BA
80/86	L-LN-LNT-LT-LTS800	1	1			D9HZ 6B751-A	BRACKET (OIL COOLER TUBE SUPPORT)
						6754	TUBE ASSY. (OIL LEVEL INDICATOR)
80/87	B-F600/800	1	1			E5HZ 6754-E	
80/85	C-CT600/800 "Before 12/3/84"	1	1			D9HZ 6754-A	
80/86	L-LN-LNT-LT-LTS600/800	1	1				
85/86	C-CT600/800 "From 12/3/84"	1	1			E5HZ 6754-D	
88/	B-F600/800	1	1			E8HZ 6754-G	
						r/bF0HZ 6754-D	
80/	B-F600/800	1	1			★ 6K759	BRACKET (OIL COOLER HOSE)-Improvise
80/86	L-LN-LNT-LT-LTS800	1	1				
80/87	exc. C-CT600/800	AR	AR			E5UZ 6766-A	CAP ASSY. (OIL FILLER and BREATHER)-*EC-713
88/		2	2			E8TZ 6766-A	*EC-713-C
80/86	C-CT600/800	1	1			E3HZ 6766-A	*EC-681-used as oil filler cap-fits on 6784 neck and bracket assy.
80/		1	1			C8AZ 6767-B	ELBOW (CRANKCASE VENTILATION HOSE) -90°-5/8 x 5/8" O.D.
80/	"Before 3/28/89"	1	1			E6TZ 6781-A	GASKET SET (OIL PAN)-"From 3/28/89"-refer to 6710
	Consists of						
	1-E3TE 6710-DA	Gasket (R.H.)		2-D5VE 6722-AA		Seal	
	1-E3TE 6711-DA	Gasket (L.H.)		1-C20Z 6734-A		Gasket-drain	
80/86	C-CT600/800	1	1			C4TZ 6784-A	NECK and BRACKET ASSY. (OIL FILLER HOSE)
80/86	C-CT600/800	1	1			B7T 6786-A	BRACKET (OIL FILLER SUPPORT)
80/86	C-CT600/800	1	1			D9HZ 6793-A	HOSE (OIL FILLER PIPE)
						6B850-1	HOSE ASSY. (OIL COOLER)
80/		1	1			E0TZ 6B850-A	Outlet
		1	1			E0TZ 6B851-A	Inlet
85/87	F600/800	1	1			★ E5TZ 6A868-B	ADAPTER ASSY. (OIL FILLER CAP)-r/b E8TZ 6A868-B (11/90)
88/	F600/800	1	1			E8TZ 6A868-B	
80/	W/o oil cooler	1	1			E7HZ 6881-B	ADAPTER (OIL FILTER)
80	W/oil cooler	1	1			D9HZ 6881-C	
	"Before Ser. GA5,001"						
80/87	W/oil cooler	1	1			E0HZ 6881-A	
	"From Ser. GA5,001"						
88/	W/oil cooler	1	1			E8HZ 6881-A	Incl. seal-87147-S (T-38)
80/		1	1			87147-S91	(T-38)-Gasket (oil filter adapter to block)
80/		1	1			C9AZ 6890-A	INSERT (OIL FILTER MOUNTING BOLT) -Used in oil filter adapter to block
80/87	"Before 8/13/86"	1	1			D0AZ 6A892-C	RETAINER (CRANKCASE VENTILATION)-grommet
87/	"From 8/13/86"	1	1			E6TZ 6A892-C	Oil fill & closure cap to rocker cover
80/		1	1			C8AZ 6A892-A	Used in oil filter cap
80/87	W/o oil cooler	1	1			★ D8TZ 6894-A	BOLT (OIL FILTER ADAPTER MOUNTING)-r/b E8TZ 6894-A (2/90)
88/	W/o oil cooler	1	1			E8TZ 6894-A	
80	W/oil cooler	1	1			C4GY 6894-A	
	"Before Ser. GA5,001"						
80/	W/oil cooler"From Ser. GA5,001"	1	1			E0HZ 6894-A	
80/	B-F-FT600/800-w/oil cooler	1	1			E6HZ 6A898-A	BRACKET (OIL COOLER HOSE) #E6HT-AA

YEAR	MODEL/RESTRICTIONS	QUANTITY				PART NUMBER	DESCRIPTION
		477	534				
<b>▲6007 ENGINE ASSY.</b>							
▲ Current production engine assemblies may be ordered from the local parts distribution center by furnishing the engine code from the vehicle certification label or the identification tag number that is attached to the exterior of the engine assembly.							
80/81			4	4		B8TZ 6A008-A	DOWEL (CYLINDER HEAD TO BLOCK)
80/81			1	1		D6BZ 6D008-A	HEATER KIT (CYLINDER BLOCK)
Consists of							
1-D6AJ 6B018-AA		Wire assy.		4-D6AJ 14197-AA		Clip	
1-D6AZ 6A051-B		Heater assy.					
1-D4AB 6A056-AA		Cap					
<b>6009 CYLINDER ASSY.-Incl. cylinder and block w/all internal parts of the engine but does not include cylinder heads, tappets, oil pan or cylinder front cover unless indicated</b>							
80/81			1			★ D6HZ 6009-A	R/b details (4/84)
80/81				1		★ D6HZ 6009-B	R/b details (11/84)
<b>6010 ΔBLOCK ASSY. (CYLINDER)</b>							
Note: Δ 6015 is a casting number and generally cannot be cross referenced to a service number. It will be used as a means of identification only when casting number is unique to only one 6010 assembly.							
80/81			1	1		★ D4HZ 6010-A	4 1/2" bore-not replaced
80/81			2	2		★ 73279-S	Dowel (cyl. block to front cover)-3/8" x 3/4"
<b>6017 COVER (COMPRESSOR MOUNTING SURFACE)</b>							
80/81			1	1		B8QH 6017-A	
80/81			1	1		B8QH 2946-A	Gasket (cover to cyl. block)
80/81			5	5		375527-S2	(BB-429-B)-bolt (cover to cyl block)-7/16" -14 x 7/8" hex. head
80/81			AR	AR		D7TZ 6B018-A	WIRING ASSY. (BLOCK HEATER)
80/81			1	1		D3HZ 6019-A	COVER ASSY. (CYLINDER FRONT)
80/81			4	4		372305-S	(BB-429-A)-bolt (cover to block)-3/8"-16 x 1 3/4"
80/81			6	6		383896-S2	(BB-195-E)-bolt (cover to block)-hex. head-1/2"-13 x 2"
80/81			1	1		D3HZ 6020-A	GASKET (CYLINDER FRONT COVER)
80/81			2	2		★ B8QH 6021-A	PIPE (CYLINDER BLOCK MAIN OIL LINE)-not replaced
80/81			1	1		B8QH 6023-A	POINTER (TIMING)
<b>6026 PLUG (ENGINE)</b>							
80/81			2	2		★ B8TZ 6026-A	Cylinder block main oil line-socket hd.-1/2"-14-not replaced
80/81			AR	AR		D7AZ 6026-B	Standard (core holes in cyl. block, cyl. head and intake manifold)-cup-1.75" O.D.
			AR	AR		C8AZ 6026-B	.060" O/S
80/81			AR	AR		354942-S	(PP-81)-(cyl. block side)-cup type-1 47/64" O.D.
80/81			AR	AR		87710-S	(P-16)-(oil cooler to oil gallery & oil pump to oil cooler)-pipe-3/8"
80/81			12	12		371485-S	(PP-48-A)-plug (used in cyl. head)-pipe-socket head-3/4"
<b>6A027 SPACER (SUPPORT INSULATOR)</b>							
80/81	L-LN-LNT-LT-LTS800/900		2	2		D0HZ 6A027-E	Front-cut to fit
80/81	C-CT800/900		2	2			
80/81	C-CT900		1	1		B8TZ 6A027-A	Rear
<b>6028 BRACKET (FRONT SUPPORT)</b>							
80/81	C-CT900		1	1		★ D4TZ 6028-C	Not replaced
80/81	L-LN-LNT-LT-LTS880/900		1	1			
80/81			6	6		58680-S2	(B-126-E)-Bolt (Brkt. to Eng.)-1/2" - 13 x 2 3/4"

**1980/  
TRUCK SERIES 600/900**

YEAR	MODEL/RESTRICTIONS	QUANTITY				PART NUMBER	DESCRIPTION
		477	534				
<b>6038 INSULATOR ASSY. (FRONT SUPPORT)</b>							
80/81	L-LN-LNT-LT-LTS 880/900		2	2		★ D4HZ 6038-A	Upper & lower-r/b E1HZ 6038-A, E0HZ 6A027-C, (2) 389190-S2 and (4) 58674-S100
80/81	C-CT900		2	2			
80/81	C-CT900		2	2		353524-S8	(BB-312)-Bolt (6038-9 insulator to 6028 bracket)-hex. head-1/2"-20 x 1 3/8"
						372408-S2	(X-32)-washer- flat-1/2"
						370116-S8	(MM-6)-nut-castle-1/2"-20
<b>6049 HEAD (CYLINDER)</b>							
80/81			2	2		★ D7HZ 6049-A	Without valves-Incl. 6052 T/E hole plugs-not replaced (10/86)
80/81			20	20		378682-S	(XX-211)-washer (cyl. head to block)-flat-5/8" x 1/8" thick
80/81			2	2		C3TZ 6051-F	GASKET (CYLINDER HEAD)
80/81		AR	AR	AR		D6AZ 6A051-B	HEATER ASSY. (BLOCK)-600 Watt
<b>6057 INSERT (VALVE SEAT)</b>							
80/81			8	8		B8TZ 6057-C	Intake
			8	8		B8QH 6057-A	Exhaust
<b>6A057 SUPPORT (FRONT INSULATOR)-Also refer to 6A067</b>							
80/81	C-CT900			1		E4HZ 6A057-A	
80/81	L-LN-LNT-LT-LTS 880/900		2	2		384234-S2	(BB-546-C)-Bolt (support to spacer)-hex. wshr. hd.-1/2"-13 x 1 1/4"
80/81	C-CT900		2	2		B8TZ 6A061-B	INSULATOR (REAR SUPPORT)
80/81	L-LN-LNT-LT-LTS800 - - M/T		2			B7TZ 6A061-A	
<b>6065 BOLT (CYLINDER HEAD)</b>							
80/81			10	10		B8QH 6065-A	5/8"-11 x 4 1/2"
80/81			10	10		B8TZ 6065-A	5/8"-11 x 7 5/16"
80/81			20	20		378682-S	(XX-211)-washer-flat-5/8" x 1/64" thick
<b>6A065 CAP (SUPPORT)</b>							
80/81	L-LN-LNT-LT-LTS800/900 "Before 11/24/80"		2	2		D0HZ 6A065-E	-Rear
81	L-LN-LNT-LT-LTS800/900 "From 11/24/80"		2	2		E1HZ 6A065-B	#E1HT-AA
80/81	L-LN-LNT-LT-LTS880/900		AR	AR		44735-S8	(X-32)-washer-flat-1/2"
			AR	AR		★ 34989-S2	nut hex.-1/2"-13
			AR	AR		58679-S2	(B-126-B)-BOLT (cap to brkt.)-hex. h.d.-1/2"-13 x 2 1/2"
			AR	AR		384132-S2	(BB-546-E)-BOLT (cap tp brkt.)-hex. wshr. hd.-1/2"-13 x 1 3/4"
80/81			2	2		★ D0TZ 6A066-C	SPACER (FRONT SUPPORT INSULATOR)cut from D0HZ 6A027-E
<b>6A067 BRACKET (REAR SUPPORT TO FRAME)</b>							
80/81	L-LN-LNT-LT-LTS 800/900 - - without 10/M/T or MT650T/M		1	1		★ D0HZ 6A067-A	R.H.-not replaced
			1	1		★ D0HZ 6A067-B	L.H.-not replaced
80/81	L-LN-LNT-LT-LTS 880/900 - - with 10/M/T-without S.A.E. hsg.		1	1		★ D0HZ 6A067-A	R.H.-not replaced
			1	1		★ D0HZ 6A067-B	L.H.-not replaced
80/81	L-LN-LNT-LT-LTS 800/900- with 10/M/T & S.A.E. HSG.-		1	1		★ D3HZ 6A067-B	R.H.-not replaced
			1	1		D0HZ 6A067-J	L.H.
80/81	LT-LTS 900 - - MT 650 T/M		1	1		★ D3HZ 6A067-B	R.H.-not replaced
			1	1		D0HZ 6A067-J	L.H.
80/81	L-LN-LNT-LT-LTS 880/900 - - with S.A.E. housing		AR	AR		★ 34989-S2	Nut-1/2"-13
			AR	AR		★ 34991-S2	Nut-5/8"-11
			AR	AR		44735-S8	(X-32)-washer-flat-1/2"
			AR	AR		58679-S2	(B-126-B)-bolt (brkt. to frame)-hex.hd.-1/2"-13 x 2 1/2"
			AR	AR		★ 58723-S2	Bolt (brkt. to frame)-hex.hd.-5/8"-11 x 2 1/2"
			AR	AR		58725-S2	(B-142-A)-Bolt (brkt. to frame)-hex.hd.-5/8"-11 x 3"
			AR	AR		373781-S	(XX-214-A)-washer-flat-5/8"

YEAR	MODEL/RESTRICTIONS	QUANTITY			PART NUMBER	DESCRIPTION
		477	534			
80/81	C-CT900	1	1		D3HZ 6A067-E	PLATE (FRONT INSULATOR)
80/81	L-LN-LNT-LT-LTS800/900	1	1			
					6068	INSULATOR ASSY. (REAR SUPPORT)
80/81	C-CT900	2	2		C2TZ 6068-A	
80/81	L-LN-LNT-LT-LTS 800/900	2	2		DOHZ 6068-B	
80/81		AR	AR		D6AZ 6E072-A	LABEL (BUILD CODE & INFORMATION) -Also refer to Service Bulletin #155
80/81		1	1		D9HZ 6E078-B	GASKET SET (LOWER)
	Consists of					
	1-B8QH 2946-A	Gasket (comp. mounting cvr.)		1-B8TZ 6659-A	Gasket (oil pump)	
	1-D3HZ 6020-A	Gasket (front cover)		1-8EL 6669	Gasket (oil relief valve plug)	
	2-C1TE 6336-A	Seal (crankshaft rear)		1-C4TZ 6700-A	Seal (front cover)	
	1-B8QH 6436-A	Seal (starter to hsg.)		2-D8HZ 6701-A	Seal (crankshaft rear)	
	1-B8TZ 6626-A	Gasket (oil pump inlet)		1-D0TZ 6710-A	Gasket (oil pan)	
	1-B8TZ 6A632-A	Gasket (oil cooler cvr.)		1-B9T 6769-A	Seal (crankcase vent)	
	1-B8TZ 6A636-A	Gasket (oil filter adapter)		1-B8Q 8507-A	Gasket (water pump)R.H.	
	1-D8HZ 6A636-A	Gasket (oil filter adapter)		1-B8Q 8507-B	Gasket (water pump)L.H.	
	1-B8TZ 6A646-A	Gasket (oil cooler to blk.)		1-B8TZ 12495-A	Gasket (gov'r. mounting)	
80/81		1	1		D9HZ 6079-C	GASKET SET (VALVE GRIND)-less valve seals
	Consists of					
	2-C3TZ 6051-F	Gasket (cyl. hd.)		2-B8TZ 8563-A	Gasket (water by-pass)	
	1-C1TE 6521-A	Gasket (push rod cvr.)		2-B9TE 9448-A	Gasket (exhaust manifold)	
	16-D6HZ 6571-A	Seal (valve stem)		2-D6HZ 9441-A	Gasket (intake manifold)	
	2-D2HZ 6584-A	Gasket (rocker arm cvr.)		1-D9HZ 9447-B	Gasket (carb. spacer)	
	1-B9T 6870-A	Gasket (ventilation cvr.)		1-D9HZ 9C447-B	Gasket (carb. spacer)	
	1-D6HZ 8255-A	Gasket (water outlet)				
80/81	C-CT800/900	2	2		★ TAMAA 66083-A 6096	PLATE (REAR SUPPORT INSULATOR SPACER)-improvise BRACKET (REAR SUPPORT)
80/81	C-CT800/900 -- without S.A.E hsg. or MT 640 T/M	2	2		★ C2TZ 6096-A	R.H.&L.H.-not replaced
80/81	C-CT800/900 -- with S.A.E. hsg- without MT 640 T/M	1	1		★ DOHZ 6096-AF	R.H.-not replaced
		1	1		★ D3HZ 6096-E	L.H.-not replaced
80/81	C-CT800/900 -- MT 640 T/M	1	1		★ D3HZ 6096-C	R.H.-not replaced
		1	1		★ D3HZ 6096-D	L.H.-not replaced
80/81	L-LN-LNT-LT-LTS 800/900 -- without S.A.E. hsg., 10/M/T or MT 650 T/M	2	2		★ DOHZ 6096-N	R.H. & L.H.-not replaced
80/81	L-LN-LNT-LT-LTS900 -- with 10/M/T-without S.A.E. hsg. or MT 650 T/M	2	2		★ DOHZ 6096-N	R.H. & L.H.-not replaced
80/81	L-LN-LNT-LT-LTS900 -- with S.A.E. HSG. and 10/M/T, 13/M/T	1	1		D3HZ 6096-B	R.H.
		1	1		DOHZ 6096-AA	L.H.
80/81	LT-LTS900 -- MT650 T/M	1	1		D3HZ 6096-B	R.H.
80/81	LT-LNT880 -- MT650 T/M	1	1		DOHZ 6096-AA	L.H.
80/81	L-LN-LNT-LT-LTS800 -- M/T	1			★ DOHZ 6096-AE	Not replaced
80/81	C-CT800/900 -- without MT 640 T/M	2	2		384003-S	(BB-328-C)-bolt (brkt. & insulator to crossmember) -hex. hd.-5/8"-18 x 4 3/4"
		2	2		72072-S	(N-62)-Pin-Cotter
80/81	C900 -- with MT 640 T/M	2	2		384895-S2	(BB-327-H) Bolt (Brkt. & insulator to crossmember)-hex.hd.- 5/8"-18 x 3 3/4"
		2	2		72071-S	(N-54)-Pin-Cotter
80/81	C-CT900	2	2		★ 383750-S	Nut-castle-5/8"-18
		4	4		373781-S2	(XX-214-A)-washer-flat-5/8"

1980/  
TRUCK SERIES 600/900

8 CYL.,-7.8L (477 C.I.D.),  
8.8L (534 C.I.D.)

YEAR	MODEL/RESTRICTIONS	QUANTITY		PART NUMBER	DESCRIPTION
		477	534		
				6096	<b>BRACKET (REAR SUPPORT) — Cont'd</b>
80/81	C-CT900 -- without S.A.E. hsg. OR MT 640 T/M	8	8	★ 58675-S	Bolt (brkt. to clutch hsg.)-hex.hd.-1/2"-13 x 1 1/2"
		8	8	372408-S2	(X-32)-washer-flat-1/2"
80/81	C-CT900 -- with S.A.E. hsg.- without MT640T/M	8	8	384136-S100	(BB-546-K)-Bolt(brkt to clutch hsg.)-hex. wshr.hd.-5/8"-11 x 1 7/8"
80/81	C900 -- with MT 640T/M	8	8	★ 58729-S	Bolt (brkt. to transmission)-hex.hd.-5/8"-11 x 4"
		8	8	373781-S	(XX-214-A)-washer-flat-5/8"
80/81	L-LN-LNT-LT-LTS 880/900 -- without S.A.E. HSG.	8	8	384132-S2	(BB-546-E)-Bolt(brkt. to clutch hsg.)-hex. wshr. hd.- 1/2"-13 x 1 3/4"
80/81	L-LN-LNT-LT-LTS 880/900 -- with S.A.E. hsg.	8	8	384136-S2	(BB-546-K)-Bolt(brkt to clutch hsg.)-hex. wshr. hd.- 5/8"-11 x 1 7/8"
				6A096	<b>SPACER (CROSS MEMBER)-Improvise</b>
				6108	<b>PISTON ASSY. (incl. pin)</b>
80/81		8		★ D6HZ 6108-A	Standard-r/b D6HZ 6108-AB
		AR		D6HZ 6108-CB	.003" O/S
		AR		D6HZ 6108-DB	.020" O/S
		AR		★ D6HZ 6108-E	.030" O/S-not replaced (10/87)
		AR		D6HZ 6108-F	.040" O/S
		AR		D6HZ 6108-GB	.060" O/S
80/81		8		D6HZ 6108-HB	Standard
		AR		D6HZ 6108-KB	.003" O/S
		AR		D6HZ 6108-LB	.020" O/S
		AR		D6HZ 6108-MB	.030" O/S
		AR		D6HZ 6108-NB	.040" O/S
		AR		D6HZ 6108-PB	.060" O/S
				6135	<b>PIN (PISTON)</b>
80/81		8	8	★ B8QH 6135-BA	Standard-1.2200" O.D.-not replaced
		8	8	B8QH 6135-BC	.002" O/S-#Yellow
80/81		16	16	C3TZ 6140-A	RETAINER (PISTON PIN)
				6148	<b>RING SET (PISTON PARTIAL)-consists of the necessary rings to re-ring (2) pistons</b>
80/81		4	4	D6HZ 6148-A	Standard
		AR	AR	D6HZ 6148-B	.020" O/S
		AR	AR	D6HZ 6148-C	.030" O/S
		AR	AR	D6HZ 6148-D	.040" O/S
		AR	AR	D6HZ 6148-E	.060" O/S
80/81		8	8	B9TE 6200-A	ROD ASSY. (CONNECTING)
80/81		16	16	370664-S	(MM-140)-nut hex. lock-7/16"-20
80/81		8	8	B8QH 6207-A	BUSHING (CONNECTING ROD)-split type-1.311" O.D.-.052" wall thickness-1.53" long
				6211	<b>BEARING (CONNECTING ROD)</b>
80/81		16	16	C1TZ 6211-G	Standard
		AR	AR	C1TZ 6211-H	.001" U/S
		AR	AR	C1TZ 6211-J	.002" U/S
		AR	AR	C1TZ 6211-K	.010" U/S
		AR	AR	C1TZ 6211-L	.020" U/S
		AR	AR	C1TZ 6211-M	.030" U/S
		AR	AR	C1TZ 6211-N	.040" U/S



YEAR	MODEL/RESTRICTIONS	QUANTITY		PART NUMBER	DESCRIPTION
		477	534		
80/81		16	16	B8QH 6214-A	BOLT (CONNECTING ROD)-special head- 7/16"-20 x 2 59/64"
80/81		1	1	C0TZ 6250-D	CAMSHAFT-#EDLX
80/81		1	1	C2TZ 6A251-B	BEARING KIT (CAMSHAFT)-standard size
Consists of					
	1-B8QH 6261-AA	(front)		4-B8QH 6263-AA	(front intermediate, center
	1-B8QH 6266-A	Plug			rear intermediate & rear)
80/81		1	1	B8QH 6256-A	GEAR (CAMSHAFT)-cast iron-110 tooth
80/81		3	3	359162-S	(BB-286)-bolt (camshaft gear to camshaft)-5/16"- 18 x 1 3/8"
80/81		1	1	B6Q 6258-A	RING (CAMSHAFT GEAR LOCKING)
6261 BEARING (CAMSHAFT FRONT)					
80/81		1	1	B8QH 6261-AA	STD. I.D. & O.D.
		AR	AR	B8QH 6261-AB	.015" U/S I.D.-STD. O.D.
6263 BEARING (CAMSHAFT FRONT INTERMEDIATE)					
80/81		1	1	B8QH 6263-AA	STD. I.D. & O.D.
		AR	AR	B8QH 6263-AB	.015" U/S I.D.-STD. O.D.
6263 BEARING (CAMSHAFT CENTER)					
80/81		1	1	B8QH 6263-AA	STD. I.D. & O.D.
		AR	AR	B8QH 6263-AB	.015" U/S I.D.-STD. O.D.
6263 BEARING (CAMSHAFT REAR INTERMEDIATE)					
80/81		1	1	B8QH 6263-AA	STD. I.D. & O.D.
		AR	AR	B8QH 6263-AB	.015" U/S I.D.-STD. O.D.
6263 BEARING (CAMSHAFT REAR)					
80/81		1	1	B8QH 6263-AA	STD. I.D. & O.D.
		AR	AR	B8QH 6263-AB	.015" U/S I.D.-STD. O.D.
80/81		1	1	B8QH 6265-A	SPACER (CAMSHAFT GEAR or SPROCKET)
6266 PLUG (CAMSHAFT REAR BEARING)					
80/81		1	1	B8QH 6266-A	2.51" O. D.-cup shaped
		1	1	B8TZ 6266-A	.030" O/S
80/81		1	1	B8QH 6269-A	PLATE (CAMSHAFT THRUST)
80/81		2	2	371098-S	(BB-285)-bolt (camshaft thrust plate to cyl. block)- hex. head lock-5/16"-18 x 3/4"
		2	2	34806-S7	(X-64)-lockwasher-5/16"
6303 CRANKSHAFT ASSY.					
80/81		1		C2TZ 6303-A	Incl. (1) C2TZ 7600-B clutch pilot bearing
80/81			1	★ C2TZ 6303-B	Incl. (1) C2TZ 7600-B clutch pilot bearing- not replaced (10/85)
80/81		1	1	B8QH 6306-A	GEAR (CRANKSHAFT)-55 L.H. helical teeth
80/81		1	1	74178-S	(L-10)-key (crankshaft gear)-woodruff-3/16" x 3/4"
80/81		1	1	★ B8QH 6310-A	SLINGER (CRANKSHAFT OIL)-1 3/4" I. D. x 4 1/16" O. D.-not replaced
6312 PULLEY ASSY. (CRANKSHAFT)-also refer to pulley I.D. chart, section 60, page 33.					
80/81	Exc. P.T.O.	1	1	D8HZ 6312-A	#D8HE 6316-AA-4 sheaves-incl. damper
80/81	L-LN-LNT-LT-LTS900 - - with P.T.O.	1	1	★ D5HZ 6312-A	6 sheaves-not replaced
80/81		1	1	377852-S	(BB-278-K)-bolt (damper to crankshaft)-3/4"- 16 x 1 3/4"
80/81		1	1	359054-S	(XX-318)-washer (damper to crankshaft bolt)-flat- 3/4" x 2 21/64" x 5/16"
80/81		1	1	378538-S	(LL-9-H)-key-1/4" x 3/8" x 3 3/4"

1980/  
TRUCK SERIES 600/900

YEAR	MODEL/RESTRICTIONS	QUANTITY			PART NUMBER	DESCRIPTION
		477	534			
6312					PULLEY ASSY. (CRANKSHAFT)-also refer — Cont'd to pulley I.D. chart, section 60, page 33.	
80/81	L-LN-LNT-LT-LTS900 -- P/S	4	4		20522-S8	(B-89)-bolt (pulley to damper) -3/8"-16 x 2" hex. hd.
80/81	L-LN-LNT-LT-LTS900 -- P/S	4	4		42998-S8	(B-252-A)-bolt (pulley to damper) -3/8-16 x 1"
6A312					PULLEY ASSY. (CRANKSHAFT OUTER)-also refer to pulley I.D. chart, section 60, page 33.	
80/81	L-LN-LNT-LT-LTS880/900 -- with P/S without P.T.O.	1	1		D8HZ 6A312-B	2 sheaves-7 5/8" O.D.
80/81	L-LN-LNT-LT-LTS880/900 -- with P/S	4	4		42998-S8	(B-252-A)-bolt (pulley to damper)-hex. slotted head - 3/8" - 16 x 1"
80/81		1	1		★ C1TZ 6A321-B	SEAL KIT (CRANKSHAFT REAR MAIN BEARING)-not replaced
Consists of		Seal		2-C90Z 6701-A		Packing
2-C1TE 6336-A						

ENGINE BEARING APPLICATION CHART

YEAR	C.I.D.	SIZE I.D.	U P W E R	L	PART NUMBER				
					FRONT	FRONT INTERMEDIATE	CENTER	REAR INTERMEDIATE	REAR
<b>6333-37 BEARING (CRANKSHAFT MAIN)</b>									
80/81	477, 534	Std., .0953"	x	x	B8TZ 6333-A	B8TZ 6333-A	★ B8TZ 6337-A Not replaced	B8TZ 6333-A	B8TZ 6333-A
		.001"	x	x	B8TZ 6333-H	B8TZ 6333-H	B8TZ 6337-H	B8TZ 6333-H	B8TZ 6333-H
		.002"	X	X	B8TZ 6333-B	B8TZ 6333-B	B8TZ 6337-B	B8TZ 6333-B	B8TZ 6333-B
		.010"	X	X	B8TZ 6333-C	B8TZ 6333-C	B8TZ 6337-C	B8TZ 6333-C	B8TZ 6333-C
		.020"	X	X	B8TZ 6333-D	B8TZ 6333-D	B8TZ 6337-D	B8TZ 6333-D	B8TZ 6333-D
		.030"	X	X	B8TZ 6333-E	B8TZ 6333-E	B8TZ 6337-E	B8TZ 6333-E	B8TZ 6333-E
		.040"	X	X	B8TZ 6333-F	B8TZ 6333-F	B8TZ 6337-F	B8TZ 6333-F	B8TZ 6333-F
YEAR	MODEL/RESTRICTIONS	QUANTITY			PART NUMBER	DESCRIPTION			
		477	534						
80/81		2	2		C1TE 6336-A	SEAL (CRANKSHAFT REAR MAIN BEARING CAP) #Yellow			
6337					Refer to Main Bearing Chart Group 6333				
80/81		10	10		C1TE 6345-C	BOLT (CRANKSHAFT MAIN BEARING CAP)-5/8"-11 x 4"			
6366					COVER ASSY. (FLYWHEEL HOUSING)				
80/81	F800	1			C2TZ 6366-A	(4) 11/32" holes-6 3/8" overall height			
80/81	C-CT900 -- 10/M/T	1	1		C2TZ 6366-B	(5) 13/32" holes-6 3/16" overall height-17 15/32" overall length-used with S.A.E. No. 2 housing			
80/81	C-CT900 -- MT640/650	1	1						
80/81	L-LN-LNT-LT-LTS880/900 -- 10/M/T	1	1						
80/81	L-LT-LTS900 -- MT640/650	1	1						
80/81	10/M/T	5	5		43265-S8	(U-16)-screw and washer (cover to hsg.)-			
80/81	T/M	5	5			3/8"-16 x 3/4"			

YEAR	MODEL/RESTRICTIONS	QUANTITY		PART NUMBER	DESCRIPTION
		477	534		
				6A366	PLATE (FLYWHEEL REINFORCING)
80/81	MT 640,650 T/M	1	1	D3HZ 6A366-A	#D3HA-AA
80/81	MT640,MT650	1	1	E0HZ 6A369-A	ADAPTER (FLYWHEEL to TRANSMISSION)
				6375	FLYWHEEL ASSY.
80/81	M/T	1	1	B8QH 6375-B	140 tooth ring gear
80/81	L-LT-LTS900 -- MT640/650	1	1	D3HZ 6375-B	#D3HA 6375-AA-140 tooth ring gear
80/81	C-CT900 -- MT640/650	1	1	D3HZ 6375-D	#D3HA-CA-140 tooth ring gear
80/81		6	6	359055-S	(BB-397)-bolt (flywheel to crankshaft)-hex. head-self locking-1/2"-20 x 1.14"
80/81	M/T	1	1	B8QH 6384-A	GEAR (FLYWHEEL RING)-140 tooth
				6392	HOUSING ASSY. (FLYWHEEL)
80/81	L-LT-LTS900 -- MT650 T/M	1	1	D3HZ 6392-A	#D3HA 6394-AA
80/81	C-CT900-MT640/650	1	1		
80/81	10/M/T	1	1		
80/81	T/M	AR	AR	379027-S2	(BB-194-M)-bolt (housing to cyl. block)-1/2"- 13 x 1 9/16"
80/81	M/T	AR	AR	34809-S8	(X-68)-lockwasher-1/2"
80/81	T/M	2	2	383657-S2	(BB-199-EB)-bolt (housing to block)-1/2"-13 x 4 3/4" hex. hd.
80/81	10/M/T	2	2	58687-S2	(B-129-H)-bolt (hsg. to block)-hex. hd.-1/2"-13 x 4 1/2"
80/81	M/T	6	6	★ 304918-S2	Bolt (hsg. to block)-1/2"-13 x 3"
80/81		2	2	EAD 6397-A	DOWEL (CYLINDER BLOCK)-to flywheel housing-1/2" x 1"
80/81	5/M/T	1	1	★ B8QH 6411-A	SEAL (FLYWHEEL HOUSING COVER PLATE)-Cut to fit - Not used with units using S.A.E. No. 2 housing-not replaced
80/81		1	1	B8QH 6436-A	SEAL ASSY. (STARTER to FLYWHEEL HOUSING)
80/81		16	16	C4AZ 6500-B	TAPPET ASSY. (VALVE)-mechanical
				6505	VALVE (EXHAUST)
80/81		8	8	E0HZ 6505-A	std. stem dia.-.4339"
		AR	AR	E0HZ 6505-B	.015" o/s stem dia.
				6507	VALVE (INTAKE)
80/81		8	8	B8QH 6507-AA	std. stem dia.-.4350"
80/81		16	16	B8TZ 6513-A	SPRING (VALVE)-#Red
80/81		16	16	B8QH 6514-A	RETAINER and ROTATOR (VALVE SPRING)
80/81		AR	AR	B8QH 6515-A	SPACER (VALVE SPRING)-1 1/16" I.D. x 1 1/2" O.D. - .030" thick
80/81		32	32	B8QH 6518-A	KEY (VALVE SPRING RETAINER)
80/81		1	1	C1TZ 6519-A	COVER (VALVE PUSH ROD)
80/81		10	10	370790-S	(BB-428)-bolt (cover to cyl. head)-hex. washer head locking-5/16"-18 x 5/8"
		2	2		(Cover to cyl. block)
80/81		12	12	373994-S	(XX-348-E)-washer-spring and sealer-type-1/4"

**1980/  
TRUCK SERIES 600/900**

8 CYL.,-7.8L (477 C.I.D.),  
8.8L (534 C.I.D.)

YEAR	MODEL/RESTRICTIONS	QUANTITY		PART NUMBER	DESCRIPTION
		477	534		
80/81		1	1	C1TE 6521-A	GASKET (VALVE PUSH ROD COVER)
80/81		2	2	B8TZ 6A523-A	PLATE (VALVE PUSH ROD COVER REINFORCEMENT)-diamond shape
80/81		2	2	B8QH 6524-A	BAFFLE (VALVE SPRING OIL)
				6531	SUPPORT (VALVE ROCKER ARM SHAFT)
80/81		2	2	B8QH 6531-A	Front
		2	2	B8TZ 6531-A	Rear
		6	6	B8TZ 6531-B	Center
80/81		16	16	B6A 6549-A	SCREW (VALVE ROCKER ARM ADJUSTING)-7/16"-20
80/81		16	16	EAA 6552-A	LOCK NUT (VALVE ROCKER ARM ADJUSTING SCREW)-7/16"-20
80/81		2	2	B8QH 6563-A	SHAFT (VALVE ROCKER ARM)-incl. (2) EAA 6572-A plugs
80/81		4	4	72071-S	(N-54)-cotter pin-1/8" x 1 1/2"
80/81		16	16	C0TZ 6564-A	ARM (VALVE ROCKER)-incl. screw
80/81		16	16	B8TZ 6565-A	ROD (VALVE PUSH)
80/81		16	16	C2TZ 6571-B	SEAL (VALVE STEM)-cup type O/S-use D6HZ 6571-A for std. size valves
80/81		16	16	D6HZ 6571-A	Std.-use C2TZ 6571-B for O/S valves
80/81		4	4	EAA 6572-A	PLUG (VALVE ROCKER ARM SHAFT)-cup type
				6582	COVER ASSY. (VALVE ROCKER ARM)
80/81		1	1	D5HZ 6582-A	R.H.
		1	1	C0TZ 6582-C	L.H.
80/81		16	16	42789-S8	(U-10)-screw and washer (cover to head)-hex. washer head lock - 5/16" - 18 x 3/4"
80/81		2	2	D2HZ 6584-A	GASKET (VALVE ROCKER ARM COVER)
80/81		8	8	B8QH 6587-A	SPRING (VALVE ROCKER ARM to SHAFT LOCATING)
80/81		1	1	B8QH 6600-C	PUMP ASSY. (OIL)-Rotor type-incl. (1) each B8TZ 6626-A and B8TZ 6659-A Gaskets
80/81		2	2	371186-S	(BB-441)-bolt (pump to block)-3/8"-16 x 1 1/8"
		4	4	34847-S8	(X-74)-lockwasher-3/8"
				6B609	SUPPORT (OIL LEVEL INDICATOR TUBE)
80/81	C-CT900	1	1	★ D0HA 6B609-E	Improvise
80/81		1	1	B8QH 6616-A	PLATE (OIL PUMP BODY)
80/81		4	4	20324-S8	(B-41)-bolt (cover plate to body)-hex. head-1/4"-20 x 5/8"
		4	4	34805-S8	(X-62)-lockwasher-1/4"
80/81		1	1	C2TZ 6A618-A	SHAFT ASSY. (OIL PUMP INTERMEDIATE)
80/81		1	1	C1TE 6622-F	SCREEN, TUBE and COVER ASSY. (OIL PUMP)
80/81		2	2	42789-S8	(U-10)-screw and washer (tube assy. to block)-hex. washer head lock - 5/16" - 18 x 3/4"

YEAR	MODEL/RESTRICTIONS	QUANTITY		PART NUMBER	DESCRIPTION
		477	534		
				6623	SCREEN ASSY. (OIL PUMP)
80/81		1	1	D6TZ 6623-A	
80/81		1	1	E0AZ 6626-A	GASKET (OIL PUMP INLET TUBE)
80/81		1	1	EAD 6628-A	RETAINER (OIL PUMP SCREEN)-straight design
80/81		1	1	B8TZ 6A632-A	GASKET (CRANKCASE OIL COOLER COVER)
80/81		1	1	D8HZ 6A636-A	GASKET (OIL FILTER ADAPTER to CYLINDER BLOCK)
80/81		1	1	B8TZ 6A638-A	COVER (CRANKCASE OIL COOLER)
80/81		1	1	359071-S	(PP-41)-plug (oil cooler relief valve spring retainer)-hex. head-5/8"-18
80/81		8	8	352464-S8	(BB-139)-bolt (cover to block)-5/16"-18 x 1 1/8"
		8	8	34806-S7	(X-64)-lockwasher-5/16"
80/81		1	1	D6HZ 6A642-A	
80/81		1	1	B8TZ 6A646-A	GASKET (CRANKCASE OIL COOLER to CYLINDER BLOCK)
80/81		1	1	B8TZ 6659-A	GASKET (OIL PUMP TO BLOCK)
				★ 6A662	BRACKET (CABLE and TUBE MOUNTING)- Improvise
				6A664	HOSE (CRANKCASE VENTILATION)-Also refer to groups 6758 & 6853 - cut to fit from C9PZ 6A664-A
80/81		AR	AR	C9PZ 6A664-A	*KCV-1-bulk hose-15/32" I.D. x 25 ft. long - cut to fit
80/81		AR	AR	D3PZ 6A664-A	*KCV-2-bulk hose-3/8" I.D. x 25 ft. long- cut to fit
80/81		1	1	D7HZ 6A664-A	#D7HE 6A886-AA-Lower
80/81		1	1	B8QH 6666-A	PLUG (OIL PUMP RELIEF VALVE)
80/81		1	1	C7TZ 6666-B	PLUG (OIL FILTER BY-PASS VALVE)
				6A666	VALVE (POSITIVE CRANKCASE VENTILATION) - (P.C.V.)
80/81	Exc. High Altitude	1	1	D90Z 6A666-A	*EV-68-C
80/81	High Altitude	1	1	D7AZ 6A666-A	*EV-93
80/81		1	1	8EL 6669	GASKET (OIL RELIEF VALVE PLUG)-in crankcase oil cooler cover
80/81		1	1	B8QH 6670-A	SPRING (OIL PUMP RELIEF VALVE)
80/81		1	1	B8QH 6674-B	PLUNGER (OIL PUMP RELIEF VALVE)
80/81		1	1	D9HZ 6675-C	PAN ASSY. (OIL)-incl.-magnetic drain plug
80/81		2	2	370790-S	(BB-428)-bolt (oil pan to rear main bearing cap)- hex. washer head locking-5/16"-18 x 3/4" Bolt (oil pan to cyl. front cover) Bolt (oil pan to cyl. block)
80/81		4	4		
		20	20		
80/81		1	1	C4TZ 6700-A	SEAL (CYLINDER FRONT COVER OIL)
80/81		2	2	D8HZ 6701-A	PACKING (CRANKSHAFT REAR)-#D8HE 6701-AA- when used to serv. past model application remove old 6701 seal, 6336 baffle and 6A302 pin.

1980/  
TRUCK SERIES 600/900

8 CYL.,-7.8L (477 C.I.D.),  
8.8L (534 C.I.D.)

YEAR	MODEL/RESTRICTIONS	QUANTITY			PART NUMBER	DESCRIPTION
		477	534			
					6710	GASKET (OIL PAN)
80/81			1	1	D0TZ 6710-A	
80/81			1	1	D9HZ 6730-B	PLUG (OIL FILTER BY-PASS MOUNTING)-Magnetic type
					6731	ELEMENT ASSY. (OIL FILTER)
80/81			1	1	D3HZ 6731-B	*FL-299
80/81			1	1	86H 6734	GASKET (OIL PAN DRAIN PLUG)
80/81			1	1	D8HZ 6750-K	INDICATOR (OIL LEVEL)-#D8HE-AA
					6754	TUBE ASSY. (OIL LEVEL INDICATOR)
80/81			1	1	B8QH 6754-B	-Incl. bracket
80/81			1	1	D7HZ 6759-B	TUBE and BRACKET ASSY. (CRANKCASE VENTILATION INNER)
80/81			1	1	B8QH 6762-A	HOSE (CRANKCASE VENTILATION OIL RETURN)
					6766	CAP ASSY. OIL FILLER and BREATHER
80/81			2	2	E3HZ 6766-A	*EC-681
80/81			1	1	B9T 6769-A	SEAL (CRANKCASE VENTILATION TUBE)
80/81	C-CT800/900		1	1	C4TZ 6784-A	NECK and BRACKET ASSY. (OIL FILLER HOSE)
80/81	C-CT800/900		1	1	B7T 6786-A	BRACKET (OIL FILLER SUPPORT)
80/81	LT-LTS900 - - MT650 T/M without A/C		2	2	★ D3HZ 6786-A	BRACKET (OIL COOLER TUBE SUPPORT)- not replaced
80/81	LT-LTS900 - - MT650 T/M with A/C		1	1		
80/81	L-LN-LNT-LT-LTS800 - - A/T Without A/C		1			
80/81	C-CT800/900		1	1	★ B8QH 6793-A	HOSE (OIL FILLER PIPE)-not replaced
80/81			1	1	C7TZ 6837-A	SPRING (OIL FILTER BY-PASS VALVE)
					6853	HOSE (CRANKCASE VENTILATION)- cut to fit from 6A664
80/81			1	1	B8QH 6854-A	SPRING (CRANKCASE OIL COOLER RELIEF VALVE)
80/81			1	1	B9T 6870-A	GASKET (CRANKCASE VENTILATION COVER)
80/81			1	1	B8QH 6874-A	PLUNGER (CRANKCASE OIL COOLER COVER RELIEF VALVE)
80/81	C900		1		★ C4TA 6879-A	SLEEVE (BREATHER PIPE)-rubber hose-9/16" I. D. x 1 1/4" long-improvise
					6881	ADAPTER (OIL FILTER)
80/81			1	1	D8HZ 6881-A	
80/81			4	4	371023-S7	Bolt (adapter to block)-hex. head self locking- 5/16"-28 x 7/8"

YEAR	MODEL/RESTRICTIONS	QUANTITY			PART NUMBER	DESCRIPTION
		611	855			
84/	LNT900 "Before 2/4/85"	2			E4HZ 6E002-A	RETAINER ASSY. (REAR MOUNTING BOLT)
85	LNT900 "From 2/4/85 to 4/6/86"	2			E5HZ 6E002-A	
87/	L-LN-LNT-LT900 -- Spicer trans. w/o reinforced frame	2				
86	LN-LNT900 "From 4/6/85"	2			E6HZ 6E002-A	
87/	L-LN-LNT-LT900 -- Spicer trans. w/reinforced frame	2				
87/	L-LN-LNT-LT900 -- Fuller trans. w/o reinforced frame	2			E7HZ 6E002-B	
87/	L-LN-LNT-LT900 -- Fuller trans. w/reinforced frame	2			E7HZ 6E002-A	
80/	L-LN-LNT-LT-LTS900		4		★ D5HA 6M006-KA	BRACKET (OIL PAN SHIELD) - Secure from Cummins source vendor No. 214096
80/	L-LN-LNT-LT-LTS900		2		★ D5HA 6M006-LA	Secure from Cummins source-vendor No.215094
87/	L-LN-LNT-LT-LTS900	1			E7HZ 6B018-C	WIRING ASSY. (BLOCK HEATER)
					6A027	SPACER (SUPPORT INSULATOR)
80/81	L-LN-LNT-LT-LTS900 "Before 10/6/80"		2		D3HZ 6A027-A	Front
82/	LTL		2			
84/	LNT900	2				
81/	L-LN-LNT-LT-LTS900- "From 10/6/80"		2		E0HZ 6A027-C	
85/	LN-LNT900 -- 6 cyl. Cum. NTC 300, 350 "From 2/4/85"		1		E5HZ 6A027-A	Rear R.H.-#E4HT 6K017-AA
					6028	BRACKET (FRONT SUPPORT)
80/87	L-LN-LNT-LT-LTS900 -- with NTC/Form 230 eng.		1		E1HZ 6028-F	#E1HT-FA
80/87	L-LN-LNT-LT-LTS900 -- NTC240, 250, 270, 290, 300, 350, PT270		1		E1HZ 6028-G	#E1HT-GA
80/85	LN-LNT900 -- NTC350		1		E5HZ 6028-A	
80/85	LN-LNT900 -- NTCC290, Form 290,300 w/drop frame "Before 12/17/84"		1			
85/86	LN-LNT900 -- w/drop frame "From 12/17/84"		1			
88	L-LN-LNT-LT-LTS900 -- "Before 5/23/88"		1		★ E8HZ 6028-B	#E8HT-CA-r/b E8HZ 6028-D
88/	L-LN-LNT-LT-LTS900 -- "From 5/23/88"		1		E8HZ 6028-D	
80/	CL-CLT900		1		D8HZ 6028-B	
88/	CL-CLT900	1			E8HZ 6028-A	
84/	LNT900	1			E4HZ 6028-A	
80/	L-LN-LNT-LT-LTS900 -- 6 CYL. 855 Cum. NTC		2		53731-S2	(B-144-C)-bolt (6028 bracket)-hex. hd.-5/8"-11-x 4 1/2"
			2		373781-S2	(XX-214-A)-washer-flat-5/8"
80/	L-LN-LNT-LT-LTS900		1		★ D5HA 6E031-GA	BRACKET (OIL PAN SHIELD) - Secure from Cummins Source-vendor No. 215516
					6038	INSULATOR ASSY. (FRONT SUPPORT)
80/87	L-LN-LNT-LT-LTS900		2		D3HZ 6038-A	upper & lower
82/	LTL900		2			
84/	LNT900	2				
88	L-LN-LNT-LT-LTS900		2		★ E8HZ 6038-A	R/b E8HZ 6038-B
89	L-LN-LNT-LT-LTS900		2		E8HZ 6038-B	
80/	CL-CLT900		2		E3HZ 6038-A	#D7HA-EA, E4HT-BA
					6046	SUPPORT (FRONT BRACKET)
80/	CL-CLT900		1		D8HZ 6046-A	R.H. - #D7HT 6B008-AC
			1		D8HZ 6046-B	L.H. - #D7HT 6B009-AD
80/	L-LN-LNT-LT-LTS900		2		D3HZ 6047-A	BOLT & NUT ASSY. (REAR SUPPORT) 5/8"-11 x 5"
			4		44881-S2	(X-40-G)-washer-flat-5/8"
			2		385511-S2	(MM-69)-nut-hex. slotted - 5/8"-11
			2		72035-S	(N-51)-pin-cotter

**1980/  
TRUCK SERIES 600/900**

YEAR	MODEL/RESTRICTIONS	QUANTITY		PART NUMBER	DESCRIPTION
		611	855		
87/	L-LN-LNT-LT-LTS900	1		E7HZ 6A051-A	HEATER ASSY. (BLOCK)
				6E055	BRACKET ASSY. (NOISE SHIELD)
80/81	L-LN-LNT-LT-LTS900		3	D8HZ 6E055-AK	Rear-#D8HT 6E054-BA
			1	D8HZ 6E055-AL	Rear-#D8HT 6E054-CA
82/	LTL900	1	1	E1HZ 6E055-C	Upper rear R.H.-#E1HT 6M004-AA
82/		1	1	E1HZ 6E055-D	Upper rear L.H.-#E1HT 6M005-AA
82/86		2	2	D7HZ 6E055-A	Upper front R.H. & L.H.-#D7HT 6M004-FA
87	LTL900	2		E7HZ 6E055-A	
88/	LS-LTS900	1	1	E8HZ 6E055-AA	Lower-#E8HT 6E077-VB
88/	LL-LTL900	1	1	E8HZ 6E055-AC	L.H. upper-#E8HT 6M005-BA
88/	LL-LTL800	1	1	E8HZ 6E055-AN	L.H.-E8HT 6E055-DA
88/	LL-LTL900	1	1	E8HZ 6E055-AM	R.H. & L.H.
88/	L-LN-LNT-LT900	4	4	E8HZ 6E055-P	R.H.-#E8HT 6E077-HB
		4	4	E8HZ 6E055-N	L.H.-#E8HT 6E077-GA
88/	L-LT900	4	4	E8HZ 6E055-R	Lower-#E8HT 6E077-EB
88/	L-LN-LNT-LT-LTS900	2	2	E8HZ 6E055-S	Lower side front-#E8HT 6E077-LB
88/	L-LN-LNT-LT-LTS900	2		E8HZ 6E055-AR	L.H.-#E8HT 6E055-AB
88/	CL-CLT900 - - Cum. 400/444 H.P.		4	E8HZ 6E055-G	Lower-#E7HT 6E077-KA
88/	CL-CLT900		2	E8HZ 6E055-H	Lower-#E8HT 6E077-NA
88/	CL-CLT900 - - exc. Cum. 400/444 H.P.	2	2	E8HZ 6E055-K	R.H.-upper-#E8HT 6M004-DA
88/	CL-CLT900	2	2	E8HZ 6E055-V	R.H. upper-#E8HT 6M004-CB
88/	CL-CLT900	2	2	E8HZ 6E055-AE	L.H. upper-#E8HT 6M005-AB
88/	CL-CLT900	2	2	E8HZ 6E055-AG	R.H. upper-#E8HT 6M004-BA
88/	CL-CLT900	2	2	E8HZ 6E055-AF	L.H. upper rear-#E8HT 6E023-AB
88/	CL-CLT900	4	4	E8HZ 6E055-AP	L.H. upper-#E8HT 6E055-CB
				6A057	SUPPORT (FRONT INSULATOR)
80/	CL-CLT900		1	D8HZ 6A057-A	#D7HA 6A057-AA,AC, D8HT 6A057-AA
80/	L-LN-LNT-LT-LTS900		1	★ D5HA 6E062-CA	BRACKET (OIL PAN SHIELD) - Secure from Cummins source - vendor No. 215539
80/81	L-LN-LNT-LT-LTS900- "Before 11/24/80"		2	D0HZ 6A065-E	CAP (SUPPORT)-REAR
83/86	LN-LNT900 - - Drop frame with NTC300,350- "From 1/24/83"	2	2		
84/	LNT900	2			
84/	L-LT-LTS900 - - drop frame "From 11/28/83"		1		R.H.
81/83	L-LN-LNT-LT-LTS900- "From 11/24/80 to 1/24/83"		2	E1HZ 6A065-B	#E1HT-AA
82/	LTL900		2		
83/	L-LT-LTS900- "From 1/24/83 to 11/28/83"		2		
83/	LN-LNT900 - - exc. Drop frame with NTC 300,350 "From 1/24/83"		2		
84/	L-LT-LTS900 - - exc. drop frame "From 11/28/83"		2		
84/	L-LT-LTS900 - - drop frame "From 11/28/83"		1		L.H.
80	CL-CLT900 "Before Ser. GJ5,001"		2	D8HZ 6A065-A	#D7HA 6E071-AA
80/	CL-CLT900 "From Ser. GJ5,001"		2	D9HZ 6A065-A	#EDD7HT 6E071-AB, E0HT 6E071-AA
				6A066	SPACER (FRONT SUPPORT INSULATOR)
80/	CL-CLT900		1	D8HZ 6A066-A	
80/	L-LN-LNT-LT-LTS900		1	D3HZ 6A067-E	BRACKET (FRONT SUPPORT)-LOWER
80/	CL-CLT900		1		
82/	LTL900		1		
84/	LNT900	1			



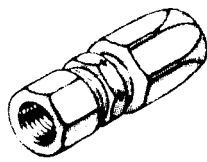
YEAR	MODEL/RESTRICTIONS	QUANTITY		PART NUMBER	DESCRIPTION
		611	855		
				6A067	BRACKET (REAR SUPPORT TO FRAME)
80/	CL-CLT900 -- w/steel frame		2	E0HZ 6A067-E	#E0HT 5086-JA
80	CL-CLT900 -- w/alum. frame- "Before Ser. GJ5,001"		2	D8HZ 6A067-E	#D7HT 5086-EB
80/87	CL-CLT900 -- w/alum. frame- "From Ser. GJ5,001"		2	E0HZ 6A067-F	#EDD7HT 5086-EB, E0HT 5086-HA
88/	CL900	2		E8HZ 6A067-B	
88/	CLT900	1		E8HZ 6A067-C	R.H.
		1		E8HZ 6A067-D	L.H.
80/	L-LN-LNT-LT-LTS900 exc. NTC350		1	D0HZ 6A067-E	R.H.
82/	LTL900		1	D0HZ 6A067-K	L.H.
80/	L-LT-LTS900 -- NTC350		1	D0HZ 6A067-E	R.H.
			1	D0HZ 6A067-K	L.H.
80/	LN-LNT900 -- NTC350, NTCC290,FORM 290 w/drop frame		2	D5HZ 6A067-B	R.H. & L.H.
84/	LNT900	1		E4HZ 6A067-A	R.H.
		1		E4HZ 6A067-B	L.H.
87/	LTL900	1		E7HZ 6A067-A	R.H.
		1		E7HZ 6A067-B	L.H.
87	LN-LNT900 -- w/Fuller trans.	1		E7HZ 6A067-C	R.H.
		1		E7HZ 6A067-D	L.H.
87	L-LT900 -- w/Fuller trans.	1		E7HZ 6A067-H	R.H.
		1		E7HZ 6A067-J	L.H.
80/	CL-CLT900		8	★ 58724-S	Bolt (6A067 bracket to frame)-hex. hd. -5/8"-11 x 2 3/4"
			16	44881-S2	(X-40-G)-washer 5/8"
			8	34991-S2	(M-89-GH)-nut 5/8"-18-locking
80/	CL-CLT900-"From Ser. JD5,001"  reinforcements		8	50680-S2	(B-126-E) Bolt (attach 6A065 cap to 6A067 brkt.)-1/2" 13 x 2.75"
			8	44879-S2	(X-31-G) Washer
80/	L-LN-LNT-LT900		8	★ 58722-S2	Bolt (6A067 bracket to frame)-hex. hd.-5/8"-11 x 2 1/4"
			16	373781-S2	(XX-214-A)-washer flat-5/8"
			8	★ 34991-S2	Nut-5/8"-11
80/	L-LT900 -- w/R.H. or L.H. gas tank or dual fuel tank- w/o outer frame		4	★ 58724-S2	Bolt (6A067 bracket to frame)-hex. hd.-5/8"-11 x 2 3/4"
			8	373781-S2	(XX-214-A)-washer-flat-5/8"
			4	34991-S2	(M-89-GH) Nut 5/8" 11
80/	LN-LNT900 -- w/R.H. or L.H. fuel tank		4	★ 58723-S2	Bolt (6A067 bracket to frame)-hex. head- 5/8"-11 x 2 1/2"
			8	373781-S2	(XX-214-A)-washer-flat-5/8"
			4	34991-S2	(M-89-GH) Nut-5/8"-11
80/	LTS900 -- R.H. side-w/o outer frame reinforcement		2	★ 58722-S2	Bolt (6A067 bracket to frame)-hex. hd. 5/8"-11 x 2 1/4"
			2	★ 58723-S2	Bolt (6A067 bracket to frame)-hex. hd.-5/8"-11 x 2 1/2"
			8	373781-S2	(XX-214-A)-washer-flat-5/8"
			4	34991-S2	(M-89-GH) Nut-5/8"-11
80/	LTS900 -- L.H. side-w/o outer frame reinforcement		3	★ 58722-S2	Bolt (6A067 bracket to frame)-hex. hd.-5/8"-11 x 2 1/4"
			1	★ 58723-S2	Bolt (6A067 bracket to frame)-hex. hd.-5/8"-11 x 2 1/2"
			8	373781-S2	(XX-214-A)-washer-flat-5/8"
			4	34991-S2	(M-89-GH) Nut-5/8"-11

1980/  
TRUCK SERIES 600/900

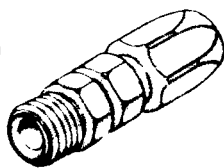
YEAR	MODEL/RESTRICTIONS	QUANTITY				PART NUMBER	DESCRIPTION
		611	855				
80/	LT900 -- R.H. and L.H. side w/outer frame reinforcement		4			★ 58724-S2	Bolt (6A067 bracket to frame)-hex. hd.-5/8"-11 x 2 3/4"
			4			★ 58726-S2	Bolt (6A067 bracket to frame)-hex. hd.-5/8"-11 x 3 1/4"
			16			373781-S2	(XX-214-A)-washer-flat-5/8"
			8			34991-S2	(M-89-GH) Nut-5/8"-11 5/8"-11 x 5"
80/	LTS900 -- R.H. and L.H. side w/outer frame reinforcement		5			★ 58724-S2	Bolt (6A067 bracket to frame)-hex. hd.-5/8"-11 x 2 3/4"
			10			373781-S2	(XX-214-A)-washer-flat-5/8"
			5			34991-S2	(M-89-GH) Nut-5/8"-11
			3			58725-S2	(B-142-A)-bolt (6A067 bracket to frame)-hex. hd.-5/8"-11 x 5"
<b>6068</b>						<b>INSULATOR (REAR SUPPORT)</b>	
80/	L-LN-LNT-LT-LTS900		2	2		D0HZ 6068-B	R.H. & L.H.
80/	CL-CLT900			2			
82/	LTL900			2			
84/	LNT900		2				
<b>6096</b>						<b>BRACKET (REAR SUPPORT)</b>	
80/	CL-CLT900			2		D8HZ 6096-B	#D7HA 6096-AA
80/86	L-LN-LNT-LT-LTS900 -- exc. NTC-350		1			D8HZ 6096-D	R.H.
			1			D8HZ 6096-C	L.H.
80/86	L-LT-LTS900 -- NTC350		1			D8HZ 6096-D	R.H.
			1			D8HZ 6096-C	L.H.
80/86	LN-LNT900-NTC290, FORM 290,300 w/drop frame		1			D8HZ 6096-E	R.H.
			1			D8HZ 6096-C	L.H.
87/	L-LN-LS-LT-LNT-LTS900 -- NTC/FORM.		1			D8HZ 6096-D	R.H.
			1			D8HZ 6096-C	L.H.
82/	LTL900		2			D8HZ 6096-D	R.H. & L.H.
84/	LN-LNT900		1			E4HZ 6096-D	R.H.
			1			E4HZ 6096-C	L.H.
80/	L-LN-LNT-LT-LTS900			8		384136-S100	Bolt (6096 bracket to eng.)-hex. hd.-5/8"-11 x 1 7/8"
80/	L-LN-LNT-LT-LTS900			8		387540-S100	Bolt (6096 bracket to eng.)-hex. locking-3/4-10 x 2 15/16"
80/	L-LN-LNT-LT-LTS900		4			★ 58680-S2	Bolt (6A065 cap to 6096 bracket)-hex. hd.-1/2"-13 x 2 3/4"
			8			37240-S2	(X-32)-washer-flat-1/2"
			4			★ 34989-S2	Nut-1/2"-13
84/	LNT900 -- without low temp. aftercooler		1			E5HZ 6B209-A	TENSIONER ASSY. (BELT IDLER)
80/83	L-LN-LT900 -- P/S			1		★ D0HA 6A359-D	PULLEY ASSY. (CRANKSHAFT)-Secure from Cummins-vendor part No. 200455
84/	L-LN-LNT-LT-LTS900 "Before 11/30/87"			1		E4HZ 6A359-A	3 sheaves
88/	L-LN-LNT-LT-LTS900 -- "From 11/30/87"			1		E8HZ 6A359-A	4 sheaves
84/86	LTL900			1		E4HZ 6A359-B	3 sheaves
84/	CL-CLT900			1		E4HZ 6A359-C	3 sheaves
88/	LTL900 -- NTC 444			1		E8HZ 6A359-A	4 sheaves
88/	CLT900 -- NTC 444			1		E8HZ 6A359-B	3 sheaves
88/	L-LN-LNT-LT-LTS900 -- Cum. L10 A/T		1			★ E8HT 6A369-AA	ADAPTER (FLYWHEEL HOUSING)-Secure from Detroit Diesel Allison-vendor #6881378

YEAR	MODEL/RESTRICTIONS	QUANTITY			PART NUMBER	DESCRIPTION
		611	855			
80/ 80/ 82/	L-LN-LNT-LT900 CL-CLT900 LTL900		1 1 1		★ D0HA 6375-C	FLYWHEEL ASSY.-Secure from Cummins source-vendor No. 129594
80/ 84/	L-LN-LT-LTS900 LNT900			1	★ D0HA 6B609-D	SUPPORT (OIL LEVEL INDICATOR TUBE)- Dealer improvise "L" shaped-1/8" thick steel
80/	CL-CLT900			2	★ D0HA 6B609-F	Improvise
80/ 82/	CL-CLT900 LTL900			2 2	D8HZ 6A612-A	PLATE (OIL FILTER MOUNTING) by-pass type #D7HT-BA
80/86	L-LN-LNT-LT-LTS900			1	D8HZ 6618-A	BELL (OIL PUMP INLET PIPE WARNING SYSTEM)-incl. wires
					6A631-A	FILTER ASSY. (CRANKCASE VENTILATION OIL) SEPARATOR)
80/	Exc. Turbo charger			1	C6RZ 6A631-A	*FA-501
					6B631	COVER (OIL LEVEL INDICATOR OPENING)
80/	L-LN-LNT-LT900 - - NH and NHC engine			1	★ D0HA 6B631-A	Secure from Cummins source-vendor No. 44808
80/	L-LN-LNT-LT900 - - NTC engine			1	★ D0HA 6B631-B	Secure from Cummins source-vendor No. 178074

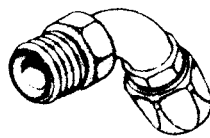
6A651-2 HOSE and FITTING (OIL FILTER BYPASS)



DOHZ 6748-E

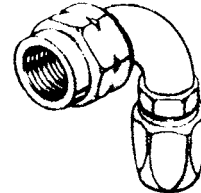


DOHZ 6748-A



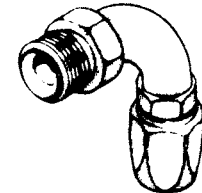
DOHZ 6748-B

45°



DOHZ 6748-D

90°



DOHZ 6748-C

90°

P-7448

IMPROVISE FROM DOHZ 6745-A BULK HOSE  
 and UTILIZE FITTINGS ILLUSTRATED ABOVE AS REQUIRED

YEAR	MODEL/RESTRICTIONS	QUANTITY			PART NUMBER	DESCRIPTION
		611	855			
80/				1	87302-S	(I-32)-elbow-90°-1/4"-18 and 5/8"-18 external threads
80/	L-LN-LNT-LT900			1	384734-S100	(II-176 XJ) elbow (hose to engine) 90° 3/8" tube-3/4" pipe
80/	CL-CLT900			1	384959-S	(II-187 A) Elbow (6A651-2 hose to 2A155 bracket) 90° swivel 3/8" hose
				1	385122-S	(II-39-G)-Connector (6A651-2 hose to 2A155 bracket) 1/4 pipe x 5/8"-18
80/	L-LN900			1	386682-S100	(II-146-E)-TEE (attach oil filter hose) 3 way 1/4 pipe
80/	CL-CLT900 - - NTC engine			1	375906-S100	(II-176-LB)-Elbow (attach oil filter hose to block)-5/8"-18 x 90°
80/	L-LN-LNT-LT-LTS900 - - NTC engine			1		
80/	CL-CLT900 - - NTC engine			1	372210-S100	(II-40 D) Adapter (attach oil filter hose)- 1/8" x 1/4"
80/	L-LN-LNT-LT-LTS900 NTC engine			1		

**1980/  
TRUCK SERIES 600/900**

6 CYL-10.0L (611 C.I.D.), 14.0L (855 C.I.D.)  
CUMMINS DIESEL

YEAR	MODEL/RESTRICTIONS	QUANTITY				PART NUMBER	DESCRIPTION
		611	855				
80/	L-LN900 -- w/Luber finer oil filter		1	1		D0HZ 6B655-A	SUPPORT ASSY. (OIL FILTER MOUNTING OUTER)
80/	L-LN-LNT-LT-LTS900 -- w/Luber finer oil filter			1		D0HZ 6B656-B	SUPPORT ASSY. (OIL FILTER MOUNTING INNER)
80/						6A662	BRACKET (OIL FILTER HOSE SUPPORT)- Improvise locally
80/						6A662	BRACKET (CABLE and TUBE MOUNTING)- Improvise locally
						6B667	TUBE and INDICATOR ASSY. (OIL LEVEL)- also refer to 6750
80/	L-LN-LNT-LT-LTS900 -- NH engine			1		★ D0HA 6B667-A	Secure from Cummins source-vendor No. 203689
80/	L-LN-LNT-LT-LTS900 -- NTC engine-			1		★ D7HT 6B667-AA	Secure from Cummins source-vendor No. 3014728
						6A683	DEFLECTOR (HEAT)
80/81	LN-LNT900 "Before 6/15/81"			1		D0EZ 6A683-A	
80/81	LN-LNT900 -- with A/C "Before 6/15/81"			1			
81/87	LN-LNT900 -- exc. NTC/Form 240,270 "From 6/15/81"			1			
81/87	LN-LNT900 -- NTC/Form 240,270 "From 6/15/81"	1	1			E0HZ 6A683-A	
88/	LN-LNT900		1			E8HZ 6A683-A	
						6A690	BOLT (OIL FILTER CLAMP)
80/	L-LN-LNT-LT-LTS900 -- NTC 335 engine			4		D0HZ 6A690-A	
80/	L-LN-LNT-LT-LTS900 -- NTC 270-CT engine			4			
						6714	FILTER ASSY. (OIL) - Also refer to group 6731
80/	L-LN-LNT-LT-LTS900			1		D9HZ 6714-A	By-pass bracket mounted type-#D9HT
80/	CL-CLT900			1			6A650-CA-steel
80/	CL-CLT900			1		D9HZ 6714-B	By-pass bracket mounted type-#D9HT
81/	L-LN-LNT-LT900			1			6A650-DA-Aluminum
80/	CL-CLT900 -- NTC engine			1		384213-S	(YY-7)-Strap (oil filter hose to eng. tube)-14.8" long
80/	L-LN-LNT-LT-LTS900 -- NTC engine			1			
						6728	BRACKET (OIL FILTER BY-PASS MOUNTING)
80/	L-LN-LNT-LT-LTS900 -- with (1) 12V battery each side			1		D0HZ 6728-F	14-1/4" long-2 1/2" wide-channel iron
80/	L-LN-LNT-LT-LTS900 -- with (4) 6 volt batteries			1		D0HZ 6728-B	
80/	L-LN-LNT-LT-LTS800/900, W-WT900 -- with (2) 12 volt batteries one side			1		D0HZ 6728-A	25-1/4" long
80/	L-LN-LNT-LT-LTS900 -- w/cab mounted filter			1		D0HZ 6728-G	Upper-8 5/16" long x 3" wide
82/	LTL900 -- w/cab mounted filter			1		D0HZ 6728-H	Lower-8 3/32" long x 3" wide
80/89	L-LN-LNT-LT-LTS900 -- w/tilt mounted filter "Before 4/17/89"			1		D4HZ 6728-A	
82/89	LTL900 -- w/tilt mounted filter "Before 4/17/89"			1			
89	L-LN-LNT-LT-LTS900 -- w/tilt mounted filter "From 4/17/89"			1		F0HZ 6728-C	
89	LL-LTL900 -- w/tilt mounted filter "From 4/17/89"			1			

YEAR	MODEL/RESTRICTIONS	QUANTITY			PART NUMBER	DESCRIPTION
		611	855			
					6728	BRACKET (OIL FILTER BY-PASS MOUNTING) — Cont'd
80/	CL-CLT900 -- vertical mount -- w/o air brake -- w/air brake			1 2	D8HZ 6728-A	
82/	CL-CLT900 -- w/battery mounted filter			1	E3HZ 6728-B	Outside
				1	E3HZ 6728-C	Inside
82/86	LTL900 -- w/battery mounted filter			2	E1HZ 6728-A	
87	LTL900 -- w/battery mounted filter		1	1	E7HZ 6728-A	
					6731	ELEMENT ASSY. (OIL FILTER) -also refer to group 6714
80/85				1	C6TZ 6731-A	*FL-170-cartridge type-engine mounted full flow filter
80/82				1	D5PZ 6731-A	*FL-750-Standard-by-pass type
80/82				1	D5PZ 6731-B	*FL-751-Premium-by-pass type
83/	All with large capacity oil systems			1	E3HZ 6731-A	*FL-797-A-Spin-on type by-pass filter
84/			1			
84/			1		E4HZ 6731-B	*FL-319-A-engine mounted filter
80/				AR	D0HZ 6745-A	HOSE (OIL FILTER BULK)-5/16" I.D. x 5/8" O.D. x 25' roll
					6748	FITTING (OIL FILTER HOSE)
80/				AR	D0HZ 6748-A	Straight-5/8"-18 male x 2 5/16" long
				AR	D0HZ 6748-E	Straight-5/8"-18 female x 2 5/64" long
				AR	D0HZ 6748-B	45°-5/8"-18 male x 2 21/32" long
				AR	D0HZ 6748-C	90°-5/8"-18 male x 2 9/64" long
				AR	D0HZ 6748-D	90°-5/8"-18 female x 1 29/32" long
80/				AR	D8HZ 6748-A	90°-5/8"-18 female-2.69" long to bend
				AR	D8HZ 6748-B	90°-5/8"-18 female-2.69" long to bend
				AR	D8HZ 6748-C	45°-7/16"-20 female-2.45" long to bend
				AR	D8HZ 6748-D	90°-7/16"-20 female-2.35" long to bend
					6750	INDICATOR (OIL LEVEL)-also refer to 6B667
80	CL-CLT900 -- "Before Ser. HJ5,001"			1	D8HZ 6750-N	#D8HT-CB
80	CL-CLT900 -- "From Ser. HJ5,001"			1	E1HZ 6750-D	#E1HT-AB
81	CL-CLT900-- "Before 1/1/81"			1		
81/82	CL-CLT900 "From 1/1/81 to 5/3/82"			1	E1HZ 6750-F	#E0HT-CA
82/87	CL-CLT900 -- Calif. "From 5/3/82"			1		
82/87	CL-CLT900 -- exc. Calif. "From 5/3/82"			1	E3HZ 6750-C	#E2HT-CA, E3HT-BA-Long
82/87	CL-CLT900 -- exc. Calif. "From 5/3/82"			1	★ E2HZ 6750-D	#E2HT-BA-Short-serviced by Cummins diesel
88	CL-CLT900 "Before 5/9/88"			1	★ E8HZ 6750-F	#E8HT-MA-r/b E8HZ 6750-T (2/91)
88/	CL-CLT900 "From 5/9/88 to 6/19/89"			1	E8HZ 6750-T	#E8HT-MB
89	CL-CLT900 "From 6/19/89"			1	E9HZ 6750-E	#E9HT-BA
88/	CL-CLT900		1		E8HZ 6750-R	#E8HT-BD
85/88	LTL900 "Before 11/30/87"			1	E5HZ 6750-A	#E5HT-AA
88/	L-LL-LN-LNT-LT-LTL900 "From 11/30/87"			1	E8HZ 6750-S	#E8HT-AB,AC

1980/  
TRUCK SERIES 600/900

6 CYL-10.0L (611 C.I.D.), 14.0L (855 C.I.D.)  
CUMMINS DIESEL

YEAR	MODEL/RESTRICTIONS	QUANTITY			PART NUMBER	DESCRIPTION
		611	855			
6750					INDICATOR (OIL LEVEL)-Also refer to 6B667 — Cont'd	
85/88	L-LN-LNT-LT-LTS900 "Before 11/30/87"		1		E5HZ 6750-B	#E5HT-BA
87/88	LS-LTS900 "Before 11/30/87"		1		E7HZ 6750-D	#E7HT-DA
88/	LS-LTS900 "From 11/30/87"		1		E8HZ 6750-H	#E8HT-DA
89	LS-LTS900	1			F0HZ 6750-C	#F0HT-CB
80	CL-CLT900 -- "Before Ser. HJ5,001"		1		D8HZ 6754-C	TUBE ASSY. (OIL LEVEL INDICATOR) - #D7HT-RB,RC
80	CL-CLT -- "From Ser. HJ5,001"		1		E1HZ 6754-D	#E0HT-CA, E0HT-CB-incl. oil level indicator E1HZ 6750-F
81/82	CL-CLT900- "Before 5/3/82"		1			
82/87	CL-CLT900 -- Calif.- "From 5/3/82"		1			
82/87	CL-CLT900 -- exc. Calif. "From 5/3/82"		1		E3HZ 6754-A	Incl. oil level indicator E3HZ 6750-C
88	CL-CLT900	1			E8HZ 6754-B	
89	CL-CLT900	1			E9HZ 6754-F	
88/89	CL-CLT900 "Before 6/19/89"		1		E8HZ 6754-D	
89	CL-CLT900 "From 6/19/89"		1		E9HZ 6754-E	
85/88	LL-LTL900 "Before 11/30/87"		1		E5HZ 6754-A	
88/	LL-LTL900 "From 11/30/87"		1		E8HZ 6754-C	
85/88	L-LN-LNT-LT-LTS900 "Before 11/30/87"		1		E5HZ 6754-B	
87/88	LS-LTS900 "Before 11/30/87"		1			
88/	L-LN-LNT-LS-LT-LTS900 "From 11/30/87"		1		E8HZ 6754-E	
6A759					CLAMP (OIL FILLER PIPE)	
80/85	CL-CLT900		1		D8HZ 6A759-A	
80	CL-CLT900 -- "Before Ser. HJ5,001"		1		D8HZ 6763-A	PIPE ASSY. (OIL FILLER)-Incl. cap #D7HT-KB-Upper
80/88	CL-CLT900 -- "From Ser. HJ5,001"		1		E0HZ 6763-A	#E0HT-AA-Incl. cap-upper
80/82	CL-CLT900 "Before 5/3/82"		1		D8HZ 6763-G	Lower
82/	CL-CLT900 -- Calif.- "From 5/3/82"		1			
82/88	CL-CLT900 -- exc. Calif. "From 5/3/82"		1		E2HZ 6763-A	#E2HT 6765-AA,AB-Lower
89	CL-CLT900	1			E9HZ 6763-C	
80	CL-CLT900 "Before Ser. HJ5,001"		1		D8HZ 6766-A	CAP (OIL FILLER) *EC-674
80/	CL-CLT900 -- "From Ser. HJ5,001"		1		E0HZ 6766-A	*EC-676-Incl. chain
6B771					DEFLECTOR ASSY. (OIL PAN NOISE)	
80/81	L-LN-LNT-LT900		1		★ D3HA 6B771-BA	Secure from Cummins source-vendor
80/81	LTS900 -- NTC350		1			No. AR-10940
80/81	CL-CLT900		1			
80/81	LTS900 -- exc. NTC350		1		★ D3HA 6B771-AA	Secure from Cummins source-vendor
						No. AR-10939
6775-6					SHIELD (NOISE INSULATOR)	
88/	CL-CLT900		1		E8HZ 6775-V	Lower R.H.-#E8HT 6E027-KD
			1		E8HZ 6776-D	Lower L.H.-#E8HT 6E027-JC
88	CL-CLT900 -- NTC/Form 365,400,444, L10	1	1		E8HZ 6775-F	Upper R.H.-#E8HT 6M002-GB
		1	1		E8HZ 6776-E	Upper L.H.-#E8HT 6M003-FB
89	CL-CLT900	1	1		E8HZ 6775-F	Upper R.H.-#E8HT 6M002-GB
		1	1		E9HZ 6776-A	Upper L.H.-#E8HT 6M003-FC
80/81	L-LT-LTS900		1		E9HZ 6775-A	R.H.-side-#E8HT 6M002-DE
			1		E9HZ 6776-A	L.H.-side

YEAR	MODEL/RESTRICTIONS	QUANTITY			PART NUMBER	DESCRIPTION
		611	855			
					6775-6	SHIELD (NOISE INSULATOR) -- Cont'd
82/86	LTL900 "Before 5/14/86"		1		★ E3HZ 6775-A	R.H.-#E1HT 6M002-EB-r/b E7HZ 6775-A & E7HZ 6E055-A
			1		E6HZ 6776-D	L.H.-#E1HT 6M003-DB,DC,DD
86	LTL900 "From 5/14/86"		1		★ E6HZ 6775-D	R.H.-#E6HT 6M002-RA-r/b E7HZ 6775-A & E7HZ 6E055-A (12/86)
			1		★ E6HZ 6776-D	L.H.-#E6HT 6M003-RA-r/b E7HZ 6776-A & E7HZ 6E055-A (12/86)
88/	LL-LTL900	1	1		E8HZ 6775-B	R.H.-#E8HT 6M002-FB
		1	1		E8HZ 6776-B	L.H.-#E8HT 6M003-EC
88/	L-LN-LNT-LT-LTS900	1	1		★ E8HZ 6775-E	R.H.-#E8HT 6E027-HC-not replaced
		1	1		★ E8HZ 6776-C	L.H.-#E8HT 6E027-GC-not replaced
88/	LTS800/900	1	1		★ E8HZ 6775-U	Lower R.H.-#E8HT 6E027-FB-not replaced
		1	1		★ E8HZ 6776-S	Lower L.H.-#E8HT 6E027-EB-not replaced
88/89	L-LT-LS-LTS900	1	1		E9HZ 6775-A	Upper R.H.
	"Before 11/14/88"	1	1		E9HZ 6776-A	Upper L.H.
89	L-LT-LS-LTS900	1	1		E9HZ 6775-C	Upper R.H.
	"From 11/14/88"	1	1		E9HZ 6776-C	Upper L.H.
88/89	LN-LNT900	1	1		E8HZ 6775-P	Upper R.H.-#E8HT 6M002-ED
	"Before 11/14/88"	1	1		E9HZ 6776-B	Upper L.H.-#E8HT 6M003-DB
89	LN-LNT900 - -	1	1		E9HZ 6775-A	Upper R.H.
	"From 11/14/88"	1	1		F0HZ 6776-A	Upper L.H.
80/86	L-LN-LNT-LT-LTS900			AR	386859-S2	(MM-119-G)-rivet nut (noise shield to frame)-3/8"-16 x 5/16" long
80/86	L-LN-LNT-LT-LTS900			AR	388271-S100	(HH-52-E)-Fastener (wing type) quick open (attach 6E055 brkt. to shield) -3/8"
80/86	L-LN-LNT-LT-LTS900			AR	388270-S100	(HH-53-E)-Pin quick open (attach 6E055 brkt. to shield)3/8" x 3/4"
80/86	L-LN-LNT-LT-LTS900			AR	388268-S100	(WW-1-E)-Retainer (washer type) (use between shield and brkt.) -3/8" I.D. 1 3/4" O.D.
80	CL-CLT900 - -		1		D8HZ 6786-A	BRACKET (OIL FILLER SUPPORT)-#D7HT 6B621-AD -upper
	"Before Ser. HJ5,001"					
80/89	CL-CLT900 - -	1	1		E0HZ 6786-A	#E0HT 6B621-AA-upper
	"From Ser. HJ5,001"					
	"Before 6/19/89"					
89	CL-CLT900 "From 6/19/89"	1				
89	CL-CLT900 "From 6/19/89"		1		E9HZ 6786-A	#E9HT 6B621-BA
80/	CL-CLT900		1		D8HZ 6786-C	#D7HT 6B621-CE
80/	CL-CLT900		1		★ 6A787	HOSE (OIL FILLER PIPE)-Cut From D1PZ 8333-A bulk hose

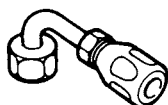
1980/  
TRUCK SERIES 600/900

6 CYL-10.0L (611 C.I.D.), 14.0L (855 C.I.D.)  
CUMMINS DIESEL

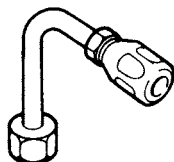
6B850-1 HOSE and FITTING (OIL)



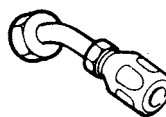
D5TZ-2B323-A  
(7/16"-20)  
D5TZ-2B323-B  
(5/8"-18)



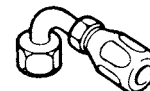
90°  
D8HZ-6748-A



90°  
D8HZ-6748-B



45°  
D8HZ-6748-C



90°  
D8HZ-6748-D

P-16202

IMPROVISE FROM 2269 BULK HOSE  
and UTILIZE FITTINGS ILLUSTRATED ABOVE AS REQUIRED IF NOT LISTED BELOW

YEAR	MODEL/RESTRICTIONS	QUANTITY			PART NUMBER	DESCRIPTION
		611	855			
81/	CL-CLT900 -- "From 11/2/81"		1		E1HZ 6B850-D	Outlet-#E1HT-GA
			1		E1HZ 6B851-E	Inlet-#E1HT-HA
82/	L-LN-LNT-LT-LTS900 -- NTC350-with Rockford clutch		1		E2HZ 6B850-A	Outlet-#E1HT-AB
			1		E2HZ 6B851-A	Inlet-#E1HT-AB
80/			1		CLTZ 6885-A	GASKET (OIL FILTER COVER)-8 1/2" I.D. cross section diamond shape
82/	CL-CLT900 -- exc. Calif. "5/3/82"		1		★ E2HZ 6A868-A	ADAPTOR (OIL FILLER TUBE)-serviced by Cummins diesel
85/	L-LN-LNT-LT-LTS900		1		E5HZ 6A868-A	ADAPTOR ASSY. (OIL TUBE EXTENSION)
87/	LS,LTS900		1			
82/	CL-CLT900 -- exc. Calif. "5/3/82"		1		★ E2HZ 6K899-A	GASKET (OIL FILLER TUBE ADAPTOR)-serviced by Cummins diesel
80/81	L-LN-LNT-LT-LTS900 -- NTC350			AR	D6HZ 6K945-A	KIT (NOISE INSULATOR) wing screw & washer
88/	All			AR	E8HZ 6N945-A	RECEPTACLE (NOISE SHIELD STUD)



YEAR	MODEL/RESTRICTIONS	QUANTITY				PART NUMBER	DESCRIPTION
		426	552	568	736		
						6A027	SPACER (SUPPORT INSULATOR)
80/86	L-LN-LNT-LT-LTL900	2		2		D3HZ 6A027-A	Front
						6028	BRACKET (FRONT SUPPORT)-upper
80/86	L-LN-LNT-LT-LTS900	1				E1HZ 6028-D	#E1HT-DA,DB
80/81	L-LN-LNT-LT900-			1		E1HZ 6028-F	
	"Before 7/1/81"						
80/81	LN-LNT900		1				
	"Before 7/1/81"						
81/84	L-LN-LNT-LT900-			1		E1HZ 6028-D	#E1HT-FA,DA,DB
	"From 7/1/81"						
81/86	LN-LNT900		1				
	"From 7/1/81"						
82/86	LTL900				1	★ E1HZ 6028-C	#E1HT-BB-not replaced
80/86	CL-CLT900				1	E1HZ 6028-E	#E1HT-EA
80/86	CL-CLT900		1	1		E1HZ 6028-F	#E1HT-FA
80/86	L-LN-LNT-LT-LTS900	1				58731-S2	(B-144-C)-bolt (6028 cap to bracket)-hex. hd.-5/8"-11 x 4 1/2"
82/86	LTL900				2		(XX-214-A)-washer-flat-5/8
80/86	L-LN-LNT-LT-LTS900	1				373781-S2	(XX-214-A)-washer-flat-5/8
82/86	LTL900				2	389076-S	(XX-340-AG)-washer-lock-5/8"
80/86	L-LT900			2		384656-S2	(BB-815-DD)-bolt (6028 cap to bracket)-hex. hd.-5/8"-11 x 4 1/2"
80/86	L-LN-LNT-LT900	4		4		44881-S2	(X-40-G)-washer-flat-5/8"
		2		2		385511-S2	(MM-69)-nut-hex. slotted-5/8"-11
		2		2		72035-S7-8	(N-51)-pin-cotter
						6038	INSULATOR ASSY. (FRONT SUPPORT)
80/86	L-LN-LNT-LT900	2	2	2		D3HZ 6038-A	Upper & Lower
82/86	LTL900				2		
80/86	CL-CLT900		2	2	2	E3HZ 6038-A	#E4HT-BA
						6046	SUPPORT (FRONT BRACKET)
80/86	CL-CLT900		1	1	1	D8HZ 6046-C	R.H.-#D7HT 6B008-BA,BB
			1	1	1	D8HZ 6046-D	L.H.-#D7HT 6B009-BA,BB
80/86	L-LN-LNT-LT900	2				D3HZ 6047-B	BOLT and NUT ASSY. (FRONT SUPPORT)- Bolt only (6028 bracket to frame)-5/8"-11 x 4 5/8"
80/86	L-LT900			2		D3HZ 6047-A	Bolt only (6028 bracket to frame)-5/8"-11 x 5"
						6E055	BRACKET ASSY. (NOISE SHIELD)
80/82	CL-CLT900 - - Susp. cab -upper shield-		1	1		E2HZ 6E055-B	R.H. front-#E2HT 6E054-BA
	"Before 1/1/82"		1	1		D9HZ 6E055-P	R.H. center-#EDD8HT 6N030-AA
			1	1		D9HZ 6E055-V	R.H. rear-#D8HT 6A023-AA
82/86	CL-CLT900 - - Susp. cab -upper shield		1	1		E2HZ 6E055-B	R.H. front-#E2HT 6E054-BA
	"From 1/1/82"		1	1		D9HZ 6E055-P	R.H. center-#EDD8HT 6N030-AA
			1	1		★ E2HZ 6E055-A	R.H. rear-#E2HT 6A023-AA-Not replaced
80/86	CL-CLT900 - - fixed cab -upper shield		1	1		D8HZ 6E055-AC	R.H. front-#ED1D7HT 6E054-DC
			1	1		D9HZ 6E055-P	R.H. center-#EDD8HT 6N030-AA
			1	1		D9HZ 6E055-U	R.H. rear-#D8HT 6A023-BA
80/86	CL-CLT900 - - upper shield		1	1		D9HZ 6E055-S	L.H. front-#D8HT 6A022-AA
			1	1		D9HZ 6E055-T	L.H. rear-#D8HT 6N031-AA
80	CL-CLT900 - - Lower shield		1	1		★ D9HZ 6E055-D	R.H. center-#D8HT 6E084-AA-not replaced
	"Before 5/28/80"		1	1		D9HZ 6E055-E	L.H. center-#D8HT 6E085-AA
80/86	CL-CLT900 - - lower shield		1	1		E0HZ 6E055-B	R.H. center-#E1HT 6E084-AA
	"From 5/28/80"		1	1		E0HZ 6E055-A	L.H. center-#E1HT 6E085-AA
80/86	CL-CLT900 - - Lower shield		1			D9HZ 6E055-A	Front-#D8HT 6E077-FA

1980/  
TRUCK SERIES 600/900

6 CYL.-6.9L (426 C.I.D.), 9.0L (552 C.I.D.)  
8 CYL.-9.3L (568 C.I.D.), 12.0L (736 C.I.D.)

YEAR	MODEL/RESTRICTIONS	QUANTITY				PART NUMBER	DESCRIPTION
		426	552	568	736		
<b>6E055 BRACKET ASSY. (NOISE SHIELD) — Cont'd</b>							
80/86	CL-CLT900 -- Lower shield		1	1		D9HZ 6E055-C	R.H. Lower front-# D8HT 6E078-BA
			1	1		D9HZ 6E055-B	L.H. Lower front-# D8HT 6E083-BA
80/86	CLT900 -- Lower shield		1	1		D8HZ 6E055-N	R.H. Lower rear-# ED3D7HT 6E082-AB
			1	1		D9HZ 6E055-G	L.H. Lower rear-# D8HT 6E079-AB
80	CL900 -- Lower shield		1			D9HZ 6E055-F	R.H. Lower rear-# D8HT 6E082-AB
	"Before 5/28/80"		1			D9HZ 6E055-G	L.H. Lower rear-# D8HT 6E079-AB
80/86	CL900 -- Lower shield		1			E0HZ 6E055-C	R.H. lower rear-# E1HT 6E079-AA
	"From 5/28/80"		1			E0HZ 6E055-D	L.H. lower rear-# E1HT 6E082-AA
80/86	L-LN-LNT-LT900- exc. drop frame	2		2		D9HZ 6E055-J	Lower front-# D8HT 6E077-GA
		2		2		D9HZ 6E055-H	Lower center-# D8HT 6E077-AB
		1	1	1		D9HZ 6E055-M	Lower R.H. rear-# D8HT 6E077-DB
		1	1	1		D9HZ 6E055-N	Lower L.H. rear-# D8HT 6E077-EB
80	LN-LNT900-drop frame- "Before Ser. GJ5,001"	2		2		D8HZ 6E055-U	Lower front-# D7HT 6E077-DA
		2		2		D9HZ 6E055-L	Lower center-# D8HT 6E077-BA,BB
		1		1		D8HZ 6E055-AD	Lower R.H. rear-# D8HT 6E077-DA
		1		1		D9HZ 6E055-N	Lower L.H. rear-# D8HT 6E077-EA
80/86	LN-LNT900-drop frame- "From Ser. GJ5,001"	2		2		D9HZ 6E055-J	Lower front-# D8HT 6E077-GA
		2		2		D9HZ 6E055-L	Lower center-# D8HT 6E077-BB
		1		1		D9HZ 6E055-M	Lower R.H. rear-# D8HT 6E077-DB
		1		1		D9HZ 6E055-N	Lower L.H. rear-# D8HT 6E077-EB
80	LTS900- "Before Ser. GJ5,001"	2				D9HZ 6E055-K	Lower front-# D8HT 6E077-CA,CB
		2				D8HZ 6E055-U	Lower rear-# D7HT 6E077-DA
80/86	LTS900- "From Ser. GJ5,001"	2				D9HZ 6E055-K	Lower front-# D8HT 6E077-CB
		2				D9HZ 6E055-J	Lower rear-# D8HT 6E077-GA
80/86	L-LN-LNT-LT-LTS900 -- Rear shield	2		2		D8HZ 6E055-AK	L.H.-# D8HT 6E054-BA
		1		1		D8HZ 6E055-AM	L.H.-# D8HT 6E054-DA
80/86	L-LN-LNT-LT-LTS900 -- Rear shield	1		1		D8HZ 6E055-AL	R.H.-# D8HT 6E054-CA
82/86	LTL900				1	E1HZ 6E055-C	Upper rear R.H.-# E1HT 6M004-AA
					1	E1HZ 6E055-D	Upper rear L.H.-# E1HT 6M005-AA
					2	D7HZ 6E055-A	Upper front R.H. & L.H.-# D7HT 6M004-FA
<b>6A057 SUPPORT (FRONT INSULATOR)</b>							
80/86	CL-CLT900		1	1	1	D8HZ 6A057-A	# D7HA 6A057-AA,AC,D8HT 6A057-AA
80/86	CL-CLT900		1	1	1	58721-S2	(B-139-D)-bolt (support to 6046 support) -5/8"-11 X 2" hex. hd.
			1	1	1	44881-S2	(X-40-G)-Washer-5/8"
			1	1	1	34991-S2	(M-89-GH)-nut-5/8"-11-lock
80/81	L-LN-LNT-LT900- "Before 11/24/80"	1		1		D0HZ 6A065-E	CAP (SUPPORT)-rear
81/86	L-LN-LNT-LT900- "From 11/24/80"	1		1		E1HZ 6A065-B	# E1HT-AA
80	CL-CLT900 -- "Before Ser. GJ5,001"		2	2	2	D8HZ 6A065-A	# D7HA 6E071-AA
80/86	CL-CLT900 -- "From Ser. GJ5,001"		2	2	2	D9HZ 6A065-A	# EDD7HT 6E071-AB, E0HT 6E071-AA
80/86	LN-LNT900		2			E4HZ 6A065-A	# D6HS 6E071-AA, E4HT 6E071-AA
82/86	LTL900				2	E1HZ 6A065-B	
82/83	LTL900				1	★ E1HZ 6A065-A	CAP (SUPPORT)-FRONT-Not replaced
80/86	CL-CLT900- "From Ser. JD5,001"			8	8	50680-S2	(B-126-E) Bolt (attach 6A065 cap to 6A067 brkt.)-1/2"-13 x 2.75"
				8	8	44879-S2	(X-31-G) Washer
80/86	L-LN-LNT-LT900	4		4		★ 58680-S2	Bolt (cap to brkt.)-hex. hd.-1/2"-13 x 2 3/4"
		8		8		44735-S8	(X-32)-washer-flat-1/2"
		4		4		★ 34989-S2	Nut-1/2"-13
<b>6A066 SPACER (FRONT SUPPORT INSULATOR)</b>							
80/86	CL-CLT900		2	2	2	D8HZ 6A066-A	

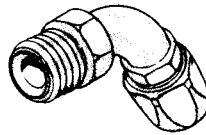
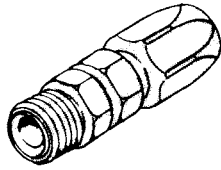
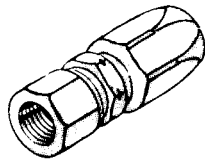
YEAR	MODEL/RESTRICTIONS	QUANTITY				PART NUMBER	DESCRIPTION
		426	552	568	736		
80/86	L-LN-LNT-LT900	1	1	1		D3HZ 6A067-E	BRACKET (FRONT SUPPORT)-lower
80/86	CL-CLT900		1	1	1		
						6A067	BRACKET (REAR SUPPORT)
80	CL-CLT900 -- w/steel frame- "Before JD5,001"			1	1	★ D9HZ 6A067-B	#EDD7HT 5086-AB-r/b E0HZ 6A067-E and (4) 385123-S2
80/86	CL-CLT900 -- w/steel frame "From Ser. JD5,001"			1	1	E0HZ 6A067-E	#E0HT 5086-JA
80	CL-CLT900 -- w/alum. frame- "Before Ser. GJ5,001"			1	1	D8HZ 6A067-E	#D7HT 5086-EB
80/86	CL-CLT900 -- w/alum. frame- "From Ser. GJ5,001"			1	1	E0HZ 6A067-F	#EDD7HT 5086-EB, E0HT 5086-HA
80	CL-CLT900 w/steel frame- "Before Ser. GJ5,001"		1			D8HZ 6A067-G	#D7HT 5086-GA,GB-R.H.
80/86	CL-CLT900 -- w/steel frame- "From Ser. GJ5,001"		1			E0HZ 6A067-H	R.H.-#EDD7HT 5086-GB, E0HT 5086-GA
80	CL-CLT900 -- w/alum. frame- "Before Ser. GJ5,001"		1			E0HZ 6A067-J	L.H.-#EDD7HT 5087-FB, E0HT 5087-DA
80/86	CL-CLT900 -- w/alum. frame- "From Ser. GJ5,001"		1			D8HZ 6A067-F	#D7HT 5086-FA,FB-R.H.
80/86	CL-CLT900 -- w/alum. frame- "From Ser. GJ5,001"		1			D8HZ 6A067-H	#D7HT 5087-EA,EB-L.H.
80/86	L-LN-LNT-LT-LTS900	1				D0HZ 6A067-L	R.H.
80/86	L-LT900			2		D1HZ 6A067-A	R.H. & L.H.
80/86	LN-LNT900			2		D3HZ 6A067-C	R.H. & L.H.
80/86	LTL900		1			E0HZ 6A067-C	R.H.
82/86	LTL900		1			E0HZ 6A067-D	L.H.
80/86	CL-CLT900			1		E1HZ 6A067-A	R.H.
80/86	CL-CLT900		8	8	8	★ 58724-S	Bolt (6A067 bracket to frame)-hex. hd. -5/8"-11 x 2 3/4"
80/86	L-LN-LNT-LT-LTS900 -- without outer frame reinforcement	AR				★ 58726-S2	Bolt (brkt to frame)-hex. hd.-5/8"-11 x 3 1/4"
80/86	L-LN-LNT-LT-LTS900 -- with outer frame reinforcement	AR				★ 58727-S2	Bolt (brkt to frame)-hex. hd.-5/8"-11 x 3 1/2"
80/86	L-LN-LNT-LT-LTS900	AR				★ 34991-S2	Nut 5/8"-11
80/86	L-LT900 -- without outer frame reinforcement			8		★ 58726-S2	Bolt (brkt to frame)-hex. hd.-5/8"-11 x 3 1/4"
80/86	L-LT900 -- with outer frame reinforcement			6		★ 58728-S2	Bolt (brkt. to frame)-hex. hd.-5/8"-11 x 3 3/4"
80/86	L-LT900			2		★ 58726-S2	Bolt (brkt to frame)-hex. hd.-5/8"-11 x 3 1/4"
80/86	L-LT900		16			373781-S2	(XX-214-A)-washer-flat-5/8"
80/86	L-LT900		6or8			34991-S2	(M-89-GH) Nut-5/8"-11
						6068	INSULATOR ASSY. (REAR SUPPORT)
80/86	L-LN-LNT-LT900	2		2		D0HZ 6068-B	R.H. & L.H.
80/86	CL-CLT900		2	2	2		
82/86	LTL900				2		
						6L080	COVER ASSY. (NOISE SHIELD)
80/86	L-LN-LNT-LT900	1		1		D8HZ 6L080-B	Rear-#D7HT 6L080-BA
80/86	LTS900	1		1		D8HZ 6L080-C	Front-#D8HT 6C086-AA
80/86	L-LN-LNT-LT900	2		2		D8HZ 6L080-A	Rear-#D7HT 6L080-AA
80/86	L-LN-LNT-LT900	2		2		388245-S100	(HH-17 AD)-Pin assy. quick open (attach cover to noise shield)-3/8"

1980/  
TRUCK SERIES 600/900

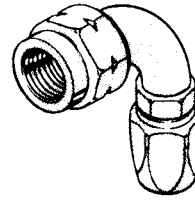
6 CYL.-6.9L (426 C.I.D.), 9.0L (552 C.I.D.)  
8 CYL.-9.3L (568 C.I.D.), 12.0L (736 C.I.D.)

YEAR	MODEL/RESTRICTIONS	QUANTITY				PART NUMBER	DESCRIPTION
		426	552	568	736		
						6096	BRACKET (REAR SUPPORT)
80/86	CL-CLT900		2	2	2	D8HZ 6096-B	#D7HA 6096-AA
80/86	L-LN-LNT-LT-LTS900	2				D0HZ 6096-AD	R.H. & L.H.
80/84	L-LN-LNT-LT-LTS900			2		D0HZ 6096-Y	R.H. & L.H.
80/86	LN-LNT900		2			D8HZ 6096-B	
82/86	LTL900				1	E1HZ 6096-A	#E1HT-AA-R.H.-use with E0HZ 6A065-A cap
82/86	LTL900				1	E1HZ 6096-B	#E1HT 6A070-AA-L.H.-use with E0HZ 6A065-A cap
80/86	L-LN-LNT-LT900	8				384132-S100	(BB-546-E)-Bolt (brkt to eng.)-hex. hd.-1/2"-13 x 1 3/4"
80/86	L-LN-LNT-LT900			6		384136-S100	(BB-546-K)-Bolt & wshr. (brkt, to eng)-hex. hd. -5/8"-11 x 1 7/8"
84/86	L-LN-LNT-LT-LTS900	1				E4HZ 6B209-A	TENSIONER ASSY. (BELT IDLER)
84/86	L-LT-LTS900				1	E4HZ 6B209-C	
84/86	LN-LNT900		1				
80/86	L-LN-LNT-LT900 -- P/S	1				★ D0HA 6B250-A	SPACER (ACCESSORY DRIVE SHAFT)-Secure from Detroit Diesel source-vendor No. 5131131
80/86	L-LN-LNT-LT900 -- P/S	1				★ D0HA 6A283-A	SHAFT ASSY. (ACCESSORY DRIVE)-Secure from Detroit Diesel source-vendor No. 5131130
80/86	L-LN-LNT-LT900 -- P/S	1				★ D0HA 6A299-A	RETAINER ASSY. (ACCESSORY DRIVE SHAFT) Secure from Detroit Diesel source-vendor No. 5131402
80/86	L-LN-LT900 -- P/S	1				★ D0HA 6A359-C	PULLEY (ACCESSORY DRIVE)-double sheave secure from Detroit Diesel source-vendor No. 5177236
						6375	FLYWHEEL ASSY.
80/81	CL-CLT900- "Before 1/1/81"			1		★ D7HT 6375-AA	Secure from Detroit Diesel source-vendor No. 5129650
81/86	CL-CLT900- "From 1/1/81"			1		★ E1HT 6375-AA	Secure from Detroit Diesel source-vendor No. 5138863
80/81	CL-CLT- "Before 1/1/81"		1			★ D8HT 6375-CA	Secure from Detroit Diesel source-vendor No. 5101799
81/86	CL-CLT900- "From 1/1/81"		1			★ E1HT 6375-BA	Secure from Detroit Diesel source-vendor No. 5100534
81/86	LN-LNT900			1			
81/86	L-LN-LNT-LT-LTS900	1		1		★ E1HT 6375-CA	Secure from Detroit Diesel source-vendor No. 5138257
						★6B609	SUPPORT (OIL TUBE) - Improvise from strap steel
80/86	CL-CLT900		1	1	1	★ D8HT 6B610-AA	GASKET (AIR COMPRESSOR ADAPTER)-Secure from Detroit Diesel source-vendor NO. 5104506
80/86	L-LN-LNT-LT-LTS900	1		1			
82/86	LTL900				1		
80/86	CL-CLT900		2	2	2	D8HZ 6A612-A	PLATE (OIL FILTER MOUNTING)-by-pass type-#D7HT-BA
82/86	LTL900				2		
80/86	CL-CLT900 -- 110" W/B		2			D8HZ 6A612-A	PLATE (FUEL FILTER MOUNTING)-#D7HT 6A612-BA
80/84	LN-LNT900		1			E0HZ 6B612-B	PIPE & CAP ASSY (OIL FILLER)
85/86	LN-LNT900		1			E5HZ 6B612-A	
85/86	CL-CLT900		1	1	1		
80/86	L-LN-LNT-LT900	1	1	1		D8HZ 6618-A	BELL (OIL PUMP INLET PIPE WARNING SYSTEM) -incl. wires
82/86	LTL900				1		
80/86	L-LT900			1		★ D0HA 6B644-A	HOSE (RADIATOR CROSSOVER VENT)-cut to fit from bulk hose (18412)

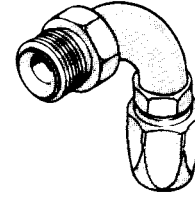
6A651-2 HOSE and FITTING (OIL FILTER BY-PASS)



45°



90°



90°

DOHZ 6748-E

DOHZ 6748-A

DOHZ 6748-B

DOHZ 6748-D

DOHZ 6748-C

IMPROVISE FROM DOHZ 6745-A BULK HOSE  
 AND UTILIZE FITTINGS ILLUSTRATED ABOVE AS REQUIRED

P.7448

YEAR	MODEL/RESTRICTIONS	QUANTITY				PART NUMBER	DESCRIPTION
		426	552	568	736		
80/86	CL-CLT900			1	1	385122-S	(II-39-G) connector (attach hose to 2A155 brake hose bracket) -5/8"-18 x 1/4"
80/86	CL-CLT900			1	1	384959-S	(II-187-AM) Elbow (attach hose to 2A155 brake hose bracket) -90° swivel-3/8" hose
80/86	L-LN900 -- w/luber finer oil filter	1		1		DOHZ 6B655-A	SUPPORT ASSY. (OIL FILTER MOUNTING) OUTER)
80/84	L-LT900			1			
80/86	L-LN900 -- w/luber finer oil filter	1		1		DOHZ 6B656-B	SUPPORT ASSY. (OIL FILTER MOUNTING) INNER)
80/84	L-LT900			1			
						6A662	BRACKET (OIL FILTER HOSE SUPPORT)- Improvise
						6A662	BRACKET (CABLE and TUBE MOUNTING)- Improvise
						6B663	HOSE (AIR HANDLING LINE)-Cut to fit from bulk hose (18472)
80/86	L-LT900			1		DOHZ 6A664-A	HOSE (CRANKCASE VENTILATION)-31" long-1 1/4" I.D.
80/86	L-LT900			1		★ 6B664	HOSE (RADIATOR CROSS OVER VENT)-13 1/2" long-cut to fit from bulk hose (4090)
80/86	L-LN-LNT-LT900	4		4		DOHZ 6A690-A	BOLT (OIL FILTER CLAMP)
						6714	FILTER ASSY. (OIL) - Also refer to group 6731
80/86	L-LN-LNT-LT-LTS900	1	1	1	1	D9HZ 6714-A	By-pass bracket mounted type-# D9HT
80/86	CL-CLT900			1	1		6A650-CA-steel
82/86	LTL900				1		
80/86	CL-CLT900			1	1	D9HZ 6714-B	By-pass bracket mounted type-# D9HT
81/86	L-LN-LNT-LT-LTS900	1	1	1			6A650-DA-Aluminum
						6728	BRACKET (OIL FILTER BY-PASS MOUNTING)
80/86	CL-CLT900 -- w/o air brakes -w/air brakes		1	1	1	D8HZ 6728-A	
82/86	LTL900		2	2	2		
82/86	CL-CLT900 -- w/battery mounted filter		1	1	1	E3HZ 6728-B	Outside
			1	1	1	E3HZ 6728-C	Inside
80/86	L-LN-LNT-LT900 -- with (1) 12V battery	1		1		DOHZ 6728-F	14 1/4" long-2 1/2" wide channel iron
80/86	L-LN-LT900 -- with (4) 6V batteries	1		1		DOHZ 6728-B	17 1/8" long
80/86	L-LN-LNT-LT900 -- with (2) 12V batteries	1				DOHZ 6728-A	

YEAR	MODEL/RESTRICTIONS	QUANTITY				PART NUMBER	DESCRIPTION
		426	552	568	736		
						6728	BRACKET COIL FILTER BY-PASS MOUNTING) — Cont'd
80/86	L-LN-LNT-LT-LTS900 -- exc. w/cab mtd. filter w/dual exhaust pipes	1		1		D0HZ 6728-G	8 5/16" long-3" wide
82/86	LTL900 -- w/cab mounted filter				1		
80/86	L-LN-LNT-LT-LTS900 -- exc. w/cab mtd. w/dual exhaust pipes	1		1		D0HZ 6728-H	8 3/32" long-3" wide
82/86	LTL900 -- w/cab mounted filter				1		
80/86	L-LN-LNT-LT-LTS900 -- w/tilt mounted filter	1		1		D4HZ 6728-A	
82/86	LTL900 -- w/tilt mounted filter				1		
82/86	LTL900 -- w/battery mounted filter				2	E1HZ 6728-A	#E1HT-AA
						6731	ELEMENT ASSY.(OIL FILTER)
80/86		1		1	1	D5PZ 6731-A	*FL-750-Standard-by-pass type
80/86		1		1	1	D5PZ 6731-B	*FL-751-Premium-by-pass type
80/86		AR		AR	AR	★ D5PZ 6731-C	*FL-750-FP-Std.-consists of 4 filters in package- r/b D5PZ 6731-A (2/91)
80/86	Exc. Canada	AR		AR	AR	★ D5PZ 6731-D	*FL-751-FP-Premium-consists of 4 filters in package- r/b D5PZ 6731-B (2/91)
80/86		AR		AR	AR	D0HZ 6745-A	HOSE (OIL FILTER)-Bulk-5/16" I.D. x 5/8" O.D.-25' roll
						6748	FITTING (OIL FILTER) - Hose
80/86		AR	AR	AR	AR	D0HZ 6748-A	Straight-5/8"-18 male-2 5/16" long
		AR	AR	AR	AR	D0HZ 6748-E	Straight-5/8"-18 female-2 5/64" long
		AR	AR	AR	AR	D0HZ 6748-B	45°-5/8"-18 male-2 21/32" long
		AR	AR	AR	AR	D0HZ 6748-C	90°-5/8"-18 male-2 9/64" long
		AR	AR	AR	AR	D0HZ 6748-D	90°-5/8"-18 female-1 29/32" long
		AR	AR	AR	AR	D8HZ 6748-A	90°-5/8"-18 female-2.69" long to bend
		AR	AR	AR	AR	D8HZ 6748-B	90°-5/8"-18 female-2.69" long to bend
		AR	AR	AR	AR	D8HZ 6748-C	45°-7/16"-20 female-2.45" long to bend
80/86	L-LN-LNT-LT-LTS900 -- w/Rockford fan clutch			1		D8HZ 6748-D	90°-7/16"-20 female-2.35" long to bend
80/86				1		D8HZ 6748-E	Tee type-7/16"-20 & 5/8"-18 male ends -7/16"-20 female swivel
						6750	INDICATOR (OIL LEVEL)
80	CL-CLT900 "From Ser. EA5,001 to HJ5,001"			1	1	D8HZ 6750-P	#D8HT-DB
80	CL-CLT900 -- "From Ser. HJ5,001"			1	1	E1HZ 6750-F	#E0HT-CA
81	CL-CLT900-- "Before 1/1/81"			1	1		
81/84	CL-CLT900-- "From 1/1/81 to 1/1/84"				1	★ E1HZ 6750-H	#E0HT-DA-not replaced
84/86	CL-CLT900 -- "From 1/1/84"				1	E4HZ 6750-D	#E4HT-DA
81/86	CL-CLT900 -- "From 1/1/81"			1		E1HZ 6750-K	#E2HT-AA
80	CL-CLT900 "From Ser. EA5,001 to HJ5,001"		1			D8HZ 6750-R	#D8HT-EB
80	CL-CLT900 -- "From Ser. HJ5,001"		1			E1HZ 6750-E	#E0HT-AA
81	CL-CLT900-- "Before 9/1/80"		1				
81	CL-CLT900-- "From 9/1/80 to 1/1/81"		1			E1HZ 6750-C	#ED1D9HT-EA
81/86	CL-CLT900-- "From 1/1/81"		1			E1HZ 6750-G	#E0HT-EA
80/86	L-LN-LNT-LT-LTS900	1				★ D0HA 6750-Z	36 1/4" from end to bottom of cap-secure from Detroit Diesel source-vendor No. 5145888
80/84	L-LTS900			1		★ D0HA 6750-Y	42 1/4" from end to bottom of cap-secure from Detroit Diesel source-vendor No. 5136221
82/86	LTL900				1		

YEAR	MODEL/RESTRICTIONS	QUANTITY				PART NUMBER	DESCRIPTION
		426	552	568	736		
<b>6750 INDICATOR (OIL LEVEL)</b>							
80/81	LN-LNT900 "Before 9/1/80"		1			★ E0HZ 6750-H	26.81" long-r/b E1HZ 6750-B (2/91)
81/83	LN-LNT900- "From 9/1/80 to 4/1/83"		1			E1HZ 6750-B	#EDD8HS-CA
83/86	LN-LNT900 "From 4/1/83"		1			E3HZ 6750-D	#E3HT-AA
<b>6754 TUBE (OIL LEVEL INDICATOR)</b>							
80	CL-CLT900 -- "Before Ser. HJ5,001"				1	★ D8HZ 6754-A	#D7HT 6754-MA,VA,VB-not replaced
80	CL-CLT900 -- "From Ser. HJ5,001"				1	E1HZ 6754-F	#E0HT-DB-Incl. oil level indicator E1HZ 6750-H
81/84	CL-CLT900 -- "Before 1/1/84"				1		
84/86	CL-CLT900 -- "From 1/1/84"				1	E4HZ 6754-D	#E4HT-DA-Incl. oil level indicator E4HZ 6750-D
80	CL-CLT900 -- "Before Ser. HJ5,001"		1	1		★ D8HZ 6754-F	#D7HT 6754-MB,MC-not replaced
80	CL-CLT900 -- "From Ser. HJ5,001"		1	1		E1HZ 6754-E	#E0HT-AA, E0HT-AB-Incl. oil level indicator E1HZ 6750-G
81	CL-CLT900- "Before 1/1/81"		1				
81	CL-CLT900 "Before 3/16/81"			1			
81/86	CL-CLT900- "From 1/1/81"		1				
81/86	CL-CLT900 "From 3/16/81"			1		E1HZ 6754-J	#E2HT 6754-AA-Incl. oil level indicator E1HZ 6750-K
80/86	L-LN-LNT-LT-LTS900	1				★ D1HA 6754-AA	Secure from Detroit Diesel source-vendor No. 5145787
80/84	L-LN-LNT-LT900			1		★ D0HA 6754-S	Secure from Detroit Diesel source-vendor No. 5145891
82/86	LTL900				1		
80/86	LN-LNT900		1			E0HZ 6754-H	
<b>6758 TUBE (CRANKCASE VENTILATION)</b>							
80/85	CL-CLT900		1	1	1	D8HZ 6A759-A	CLAMP (OIL FILLER PIPE)
<b>6763 PIPE (OIL FILLER) -Also refer to group 6B612</b>							
80/86	CL-CLT900			1	1	D8HZ 6763-B	#D7HT-MB-Lower
80	CL-CLT900 -- "Before Ser. HJ5,001"		1	1		D8HZ 6763-A	#D7HT-KB-Upper
80	CL-CLT900 -- "Before Ser. HJ5,001"				1	D8HZ 6763-C	#D7HT-NA-Upper
80/86	CL-CLT900 -- "From Ser. HJ5,001"		1	1	1	E0HZ 6763-A	#E0HT-AA-upper
80/86	CL-CLT900		1			D8HZ 6763-E	#D7HT-RA-lower
80	CL-CLT900 "Before Ser. HJ5,001"		1	1	1	D8HZ 6766-A	CAP (OIL FILLER) *EC-674
80/86	CL-CLT900 -- "From Ser. HJ5,001"		1	1	1	E0HZ 6766-A	*EC-676-Incl. chain
80/86	LN-LNT900		1			★ C6TA 6766-B	CAP (OIL FILLER)-Secure from Detroit Diesel source-vendor No. 5117362
<b>6775-6 SHIELD (NOISE INSULATOR)</b>							
80/81	CL-CLT900- "Before 6/15/81"		1	1		D8HZ 6775-AD	R.H. Upper-#ED2D7HT 6M002-AE, D8HT 6M002-GA
			1	1		E1HZ 6776-E	L.H. Upper-#D8HT 6M003-HA, E1HT 6M002-EB
81/86	CL-CLT900- "From 6/15/81"		1	1		D8HZ 6775-AD	R.H. Upper-#ED2D8HT 6M002-AE, D8HT 6M002-GA
			1	1		E1HZ 6776-E	L.H. Upper-EDD8HT 6M003-HA
80/86	CL-CLT900		1	1		D9HZ 6775-B	Lower front-#D8HT 6E027-CA
			1	1		D9HZ 6775-C	Lower rear-#D8HT 6E075-BA
80/86	CL-CLT900		1	1		D9HZ 6775-A	R.H. Lower side-#D8HT 6M002-LA
			1	1		D9HZ 6776-A	L.H. Lower side-#D8HT 6M003-KA
80/82	LN-LNT900			1		★ D8HZ 6775-AK	R.H.-Rear-not replaced (3/89)
				1		D8HZ 6776-AG	L.H.-Rear

1980/  
TRUCK SERIES 600/900

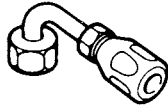
YEAR	MODEL/RESTRICTIONS	QUANTITY				PART NUMBER	DESCRIPTION
		426	552	568	736		
<b>6775-6 SHIELD (NOISE INSULATOR) — Cont'd</b>							
80/81	LN-LNT900-	1				★ D8HZ 6775-AJ	R.H.-Rear-not req."From 10/1/81"-not replaced
	"Before 10/1/81"	1				★ D8HZ 6776-AF	L.H.-Rear-not req."From 10/1/81"-not replaced
80/81	L-LT-LTS900-	1				D8HZ 6775-AL	R.H.-Rear-not req."From 10/1/81"
	"Before 10/1/81"	1				D8HZ 6776-AE	L.H.-Rear-not req."From 10/1/81"
80/82	L-LT900			1		D8HZ 6775-AL	R.H.-Rear
				1		★ D8HZ 6776-AH	L.H.-Rear-not replaced (3/89)
80/86	LN-LNT900 -- stgt. frame	1				D9HZ 6775-J	R.H.-side-#D8HT 6M002-HA
		1				D8HZ 6776-S	L.H.-side-#D7HT 6M003-AAA,AAB,AAC,D8HT 6M003-MA
80/86	LN-LNT900 -- drop frame			1		D8HZ 6775-Z	R.H.-side-#D7HT 6M002-AAD
				1		D9HZ 6776-C	L.H.-side-#D8HT 6M003-LA
80/86	L-LT-LTS900	1	1			E9HZ 6775-C	R.H.-side
		1	1			E9HZ 6776-C	L.H.-side
80/86	LTS900	1				D8HZ 6775-AF	Lower R.H.-#D8HT 6M001-AA
		1				D8HZ 6776-AA	Lower L.H.-#D8HT 6M001-FA
80/86	L-LN-LNT-LT900 -- Stgt. frame	1	1			D8HZ 6775-AE	Lower R.H.-#D8HT 6M001-EA
		1	1			D8HZ 6776-Z	Lower L.H.-#D8HT 6M001-DA
80/86	LN-LNT900 -- drop frame			1		★ D8HZ 6775-AG	Lower R.H.-#D8HT 6M001-CA-not replaced
				1		D8HZ 6776-Y	Lower L.H.-#D8HT 6M001-BA
82/83	LTL900 "Before 10/6/82"			1		E1HZ 6775-E	R.H.-#E1HT 6M002-EB
				1		E1HZ 6776-C	L.H.-#E1HT 6M003-DB,DC,DD
83/86	LTL900 "From 10/6/82 to 5/14/86"			1		★ E3HZ 6775-A	R.H.-#E3HT 6M002-CA-r/b E7HZ 6775-A & E7HZ 6E055-A (2/88)
				1		E1HZ 6776-C	L.H.-#E1HT 6M003-DB,DC,DD
86	LTL900 "From 5/14/86"			1		★ E6HZ 6775-D	R.H.-#E6HT 6M002-RA-r/b E7HZ 6775-A & E7HZ 6E055-A (12/86)
				1		★ E6HZ 6776-D	L.H.-#E6HT 6M003-RA-r/b E7HZ 6776-A & E7HZ 6E055-A (12/86)
80/86	L-LN-LNT-LT-LTS900	AR		AR		386859-S2	(MM-119-G)rivet nut (noise shield to frame)-3/8"-16 x 5/16" long
80/86	L-LN-LNT-LT-LTS900	AR		AR		388271-S100	(HH-52-E)-Fastener (wing type) quick open (attach 6E055 brkt. to shield)-3/8"
80/86	L-LN-LNT-LT-LTS900	AR		AR		388270-S100	(HH-53-E)-Pin quick open (attach 6E055 brkt. to shield)3/8" x 3/4"
80/86	L-LN-LNT-LT-LTS900	AR		AR		388268-S100	(WW-1-E)-Retainer (washer type) (use between shield and brkt.) -3/8" I.D. 1 3/4" O.D.
80/86	CL-CLT900 -- lower rear		AR	AR		388278-S100	(HH-50-F)- Pin (noise shield to bracket) -3/8" x .81" quick open
80/86	CL-CLT900 -- lower rear		AR	AR		388280-S100	(HH-50-E)-Pin (noise shield to bracket) -3/8" x .57" quick open
80/86	CL-CLT900 -- upper shield		AR	AR		387853-S7	(HH-50-EC) -Pin (noise shield to bracket) -3/8" x .50" quick open
80/86	L-LN-LNT-LT-LTS900	AR		AR		372820-S36	(SS-45-M) Rivet-pop (noise shield to floor pan)-1/4" dia.
<b>6786 BRACKET (OIL FILLER SUPPORT)</b>							
80	CL-CLT900 -- "Before Ser. HJ5,001"		1	1	1	★ D8HZ 6786-A	#D7HT 6B621-AD-Upper-not replaced (10/87)
80/86	CL-CLT900 -- "From Ser. HJ5,001"		1	1	1	E0HZ 6786-A	#E0HT 6B621 AA-upper
80/86	CL-CLT900		1	1	1	D8HZ 6786-C	#D7HT 6B621 CE- Lower
80/86	CL-CLT900		1	1	1	★ D7HT 6A787-KA	HOSE (OIL FILTER PIPE)-7.75" long-cut to fit from C9PZ 18472-D bulk hose
80/86		1		1		DOHZ 6838-A	SEAL (OIL FILTER COVER)*FM-172-Also refer to basic 6885-8" I.D.-cross section square shaped



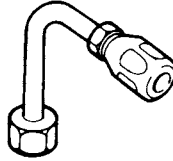
6B850-1 HOSE and FITTING (OIL)



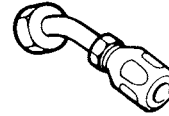
D5TZ-2B323-A  
 (7/16"-20)  
 D5TZ-2B323-B  
 (5/8"-18)



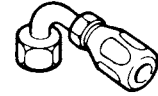
90°  
 D8HZ-6748-A



90°  
 D8HZ-6748-B



45°  
 D8HZ-6748-C



90°  
 D8HZ-6748-D

IMPROVISE FROM 2269 BULK HOSE  
 and UTILIZE FITTINGS ILLUSTRATED ABOVE AS REQUIRED IF NOT LISTED BELOW

YEAR	MODEL/RESTRICTIONS	QUANTITY				PART NUMBER	DESCRIPTION
		426	552	568	736		
81/86	CL-CLT900 --		1	1	1	E1HZ 6B850-E	Outlet-# E1HT-HA
	"From 11/2/81"		1	1	1	E1HZ 6B851-D	Inlet-# E1HT-GA
81/86	L-LT-LTS900 --			1		E1HZ 6B850-A	Outlet-# E1HT-EA
	"From 6/15/81"			1		E1HZ 6B851-A	Inlet-# E1HT-CA
81/86	LN-LNT900 --			1		E1HZ 6B850-B	Outlet-# E1HT-DA
	"From 6/15/81"			1		E1HZ 6B851-B	Inlet-# E1HT-DA
82/83	LTL900				1	E1HZ 6B850-F	Outlet-# E1HT-KA
					1	E1HZ 6B851-A	Inlet-# E1HT-CA
84/86	LN-LNT900		1			E4HZ 6B850-A	Outlet-# E4HT-AA
			1			E4HZ 6B851-B	Inlet-# E4HT-AA
84/86	LTL900				1	E4HZ 6B850-A	Outlet-# E4HT-AA
					1	E4HZ 6B851-A	Inlet-# E4HT-BA
80/86		1		1	C1TZ 6885-A	GASKET (OIL FILTER COVER)-Also refer to basic 6838-8 1/2" I.D. cross section diamond shaped	
					6A867	BRACKET (OIL FILLER SUPPORT)-improvise	
80/86	L-LN-LNT-LT-LTS900	AR		AR		D6HZ 6K945-A	KIT (NOISE INSULATOR)-wing screw & washer

1980/  
TRUCK SERIES 600/900

YEAR	MODEL/RESTRICTIONS	QUANTITY			PART NUMBER	DESCRIPTION
				636		
87/	C-CT800			1	E1HZ 6B018-A	WIRING ASSY. (BLOCK HEATER)
87/	B-F700/800			1		
					6A027	SPACER (SUPPORT INSULATOR)
80/81	L-LN-LNT-LT-LTS800 "Before 10/6/80"			2	D0HZ 6A027-E	
80	B-F-LN700			2		
80/81	C-CT800 "Before 10/6/80"			2		
81/	L-LN-LNT-LT-LTS800 "From 10/6/80"			2	E0HZ 6A027-C	
81/	C-CT700/800- "From 10/6/80"			2		
83/87	B-F-FT700/800 -- w/8.5" frame			2		
83	B-F-FT700/800 -- w/9.5" frame			2	E0HZ 6A027-B	
80/	LN600/750			2	C8TZ 6A027-A	Rear
86/	C-CT800 -- M/T			2		
80/	C-CT700/800, LN700 - T/M			2	★ B8TZ 6A027-A	Rear-r/b B8TZ 6A027-B (1/85)
					6028	BRACKET (FRONT SUPPORT)
80/	C-CT800, LN700, L LN-LNT LT-LTS800			1	D0HZ 6028-L	
					6038-9	INSULATOR (FRONT SUPPORT)
80/81	B-F600/700, LN600/700, L-LN-LNT-LT-LTS800 "Before 10/6/80"			2	★ D4HZ 6038-A	Upper and lower-r/b E1HZ 6038-A, E0HZ 6A027-C, (2) 389190-S2 and (4) 58674-S100
80/81	C-CT L-LN-LT700/800 "Before 10/6/80"			2		
81/	B-F600/700, LN600/700, L-LN-LNT-LT-LTS800 "From 10/6/80"			2	E1HZ 6038-A	
81/	C-CT700/800 "From 10/6/80"			2		
83/87	B-F-FT700/800			2		
					6A051	HEATER ASSY. (BLOCK)
87/	B-F700/800			1	E1HZ 6A051-A	
					6E055	BRACKET ASSY. (NOISE SHIELD)
80/	L-LN-LNT-LT-LTS800			1	D8HZ 6E055-T	R.H. #D7HT 6M004-HA
80/81	L-LT-LTS800 -- rear shield			2	D8HZ 6E055-AK	L.H. #D8HT 6E054-BA
80/81	LN-LNT800 -- rear shield			3		L.H.
80/81	L-LN-LNT-LT-LTS800 -rear shield			1	D8HZ 6E055-AL	R.H. #D8HT 6E054-CA
80/81	L-LT-LTS800 rear shield			1	D8HZ 6E055-AM	L.H. #D8HT 6E054-DA
86/	LN-LNT800 -- 210 H.P. 2600 RPM			1	D7HZ 6E055-A	L.H. upper
				1	E6HZ 6E055-A	R.H. upper
88/	LTS800			4	E8HZ 6E055-T	Lower #E8HT 6E055-FB
88/	LTS800			1	E8HZ 6E055-AA	Lower #E8HT 6E077-VB
					6A057	SUPPORT (FRONT INSULATOR)
80/	C-CT700/800			1	E4HZ 6A057-A	Crossmember type
80/	L-LN-LT700/800			1		
80/	L-LN-LNT-LT-LTS800			2	384234-S100	(BB-546-C)-bolt (6A057 support to insulator) -hex. washer hd.-1/2"-13 x 1 1/4"

1980/  
TRUCK SERIES 600/900

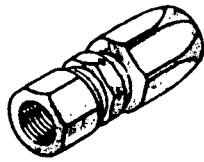
YEAR	MODEL/RESTRICTIONS	QUANTITY			PART NUMBER	DESCRIPTION
			636			
					6A061	INSULATOR (REAR SUPPORT)
80/	C-CT600/800 -- Cat. 3208N-M/T		2		C8TZ 6A061-A	
80/	C-CT700/800 -- Cat. 3208N-M/T		2			
80/	L-LT800		2			
80/87	B-F-LN700		2			
80/	C-CT700/800 -- T/M		2		B8TZ 6A061-B	
80/81	L-LN-LNT-LT-LTS800- "Before 11/24/80"		2		D0HZ 6A065-E	CAP (SUPPORT) - REAR
80/81	C-CT800, LN700- "Before 11/24/80"		2			
83/87	F700/800 -- 3208T		2			
83/87	B-F-FT700/800		2			
81/	L-LN-LNT-LT-LTS800- "From 11/24/80"		2		E1HZ 6A065-B	# E1HT-AA
81/	C-CT800, LN700- "From 11/24/80"		2			
80/	L-LN-LNT-LT-LTS800		4		★ 58680-S2	Bolt (6A065 cap to 6096 bracket)-- hex. hd.-1/2"-13
			8		44735-S8	(X-32)-washer-flat-1/2"
			4		★ 34989-S2	Nut-1/2"-13
80/83	B-F-FT700/800		1		E0HZ 6A066-A	SPACER (FRONT SUPPORT INSULATOR)
83/87	B-F-FT700/800		1		E0HZ 6A066-B	Steel
80/	C-CT700/800 -- Cat. 3208N		1		D3HZ 6A067-E	BRACKET (FRONT SUPPORT)
80/	L-LN-LNT-LT-LTS700/800		1			
82/	C-CT800 -- Cat. 3208T		1		E1HZ 6A067-C	R.H.-# E1HT 5086-DA
			1		E1HZ 6A067-D	L.H.-# E1HT 5087-BA
					6A067	BRACKET (REAR SUPPORT)
80/	L-LN-LNT-LT-LTS800		2		D0HZ 6A067-D	
80/	C-CT800, LN700		2			
83/87	B-F-FT700/800		2		E2HZ 6A067-A	
80/	L-LN-LNT-LT-LTS800 -- w/outer frame reinforcement		8		58678-S2	(B-125-A)-bolt (6A067 bracket to frame) hex. hd.-1/2"-13 x 2 1/4"
80/	L-LN-LNT-LT-LTS800 -- w/o outer frame reinforcement		4			
			16		44735-S8	(X-32)-washer-flat-1/2"
			AR		★ 34989-S2	Nut-1/2"-13
					6068	INSULATOR ASSY. (REAR SUPPORT)
80/	C-CT700/800, LN700 -- M/T		2		C8TZ 6068-B	
80/	C-CT700/800 -- T/M		2		C2TZ 6068-A	
80/	L-LN-LNT-LT-LTS800		2		D0HZ 6068-B	
83/87	B-F-FT700/800		2			
					6096	BRACKET (REAR SUPPORT)
80/	C-CT800 -- 3208N, MT653		1		D6HZ 6096-B	R.H.
			1		D6HZ 6096-A	L.H.
82/	C-CT800 -- 3208T		1		E2HZ 6096-B	R.H.
			1		E2HZ 6096-C	L.H.
80/82	L-LN-LNT-LT-LTS800- "Before 4/5/82"		2		D0HZ 6096-M	R.H. & L.H.
82/	L-LN-LNT-LT-LTS800 -- M/T- "From 4/5/82"		1			R.H.
82/	L-LN-LNT-LT-LTS800 -- A/T- "From 4/5/82"		2			R.H. & L.H.
82/	L-LN-LNT-LT-LTS800 -- M/T "From 4/5/82"		1		E4HZ 6096-E	L.H.
83/87	B-F-FT700/800		1		E3HZ 6096-A	R.H.
			1		E3HZ 6096-C	L.H.
80/	L-LN-LNT-LT-LTS800		8		384132-S2	(BB-546-E)-bolt (6096 bracket to engine) -1/2"-13 X 1 3/4"
			8		44735-S	(X-32)-washer-flat-1/2"

YEAR	MODEL/RESTRICTIONS	QUANTITY				PART NUMBER	DESCRIPTION
				636			
80/	C-CT800 -- T/M			2		384895-S2	(BB-327-H)-bolt (6096 brkt. to crossmember)- 5/8"-18 x 3.75"
						6A096	SPACER (GROSS MEMBER) - Improve
						6A312	PULLEY ASSY. (CRANKSHAFT OUTER)
80/	C-CT700/800 -- without fan clutch			1		D6HZ 6A312-A	#D5HA-AA-7 5/16" dia.
80/	C-CT700/800 -- w/fan clutch			1		D8HZ 6A312-A	#D7HT-AB-3 sheaves-7 5/16" O.D.
80/82	L-LN-LNT-LT-LTS800 -- with P/S or front P.T.O.			1		D9HZ 6A312-D	#D9HT-AA-2 sheaves-6.73" dia.
83/	L-LN-LNT-LT-LTS800 -- with front P.T.O.			1			
83/85	B-F-FT700/800 -- 3208N "Before 6/7/85"			1		E3HZ 6A312-A	#E3HT-AB
83/85	L-LN-LNT-LT-LTS800 -- with P/S-3208N "Before 6/7/85"			1			
85/87	B-F-FT700/800 -- 3208N (2800 R.P.M. rated) "From 6/7/85"			1			
85/	L-LN-LNT-LT-LTS800 -- 3208N (2800 R.P.M. rated) "From 6/7/85"			1			
83/87	B-F-FT700/800 -- 3208T			1		E3HZ 6A312-B	#E3HT-BA
83/	L-LN-LNT-LT-LTS800 -- 3208T			1			
85/87	B-F-FT700/800 -- 3208N (2600 R.P.M. rated or below) "From 6/7/85"			1			
85/	L-LN-LNT-LT-LTS800 -- 3208N (2600 R.P.M. rated or below) "From 6/7/85"			1			
80/	L-LN-LNT-LT-LTS 800 -- P/S			6		58639-S2	(B-90-D)-bolt (pulley to crankshaft)- 3/8"-16 x 2.25"
87	C-CT-L-LN-LNT-LT-LTS900 -- w/"MT" A/T			1		B9AZ 6A366-B	PLATE (FLYWHEEL REINFORCING)
80/	C-CT800 -- A/T			1		E0HZ 6A369-A	ADAPTER (FLYWHEEL TO TRANSMISSION)
80/	L-LN-LNT-LT-LTS800 -- A/T			1			
						6A370	PLATE ASSY. (FLYWHEEL TO TRANSMISSION ADAPTER)
80/	A/T			1		★ D5HZ 6A370-A	Secure from Cat. dealer-Vendor #9L7871
80/	A/T			1		D3HZ 6A370-B	#D3HA 6447-AA-17" O.D.-steel
						6375	FLYWHEEL ASSY.
80/82	L-LN-LNT-LT-LTS800- "Before 1/4/82"			1		★ D5TA 6375-AA	Use with 14" single plate clutch- secure from Caterpillar source-vendor No. 9L8111
80/82	C-CT700/800 -- M/T,175 H.P. eng. "Before 1/4/82"			1			
82/89	L-LN-LNT-LT-LTS800- "From 1/4/82 to 3/1/89"			1		★ E2HT 6375-BA	Use with 14" single plate clutch- secure from Caterpillar source-vendor No. 1W7785
82/89	C-CT700/800 -- M/T, 175 H.P. eng. "From 1/4/82 to 3/1/89"			1			
80/	L-LN-LNT-LT-LTS700/800 -- M/T			1		★ D5HA 6375-BA	Use with 13" double plate clutch- secure from Caterpillar source - vendor No. 9L6394 or CL6394
80/	C-CT700/800 -- M/T,200 & 210 H.P. eng.			1			
80/82	C-CT700/800,L-LN-LNT-LT-LTS800 -- M/T "Before 1/4/82"			1		★ D5TA 6375-BA	Use with 14" double plate clutch- secure from Caterpillar source-vendor No. 9L6397

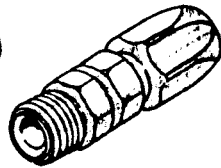
1980/  
TRUCK SERIES 600/900

YEAR	MODEL/RESTRICTIONS	QUANTITY			PART NUMBER	DESCRIPTION
			636			
					6375	FLYWHEEL ASSY. — Cont'd
82/	L-LN-LNT-LT-LTS800 -- -- M/T Clark "From 1/4/82"		1		★ E2HT 6375-CA	Use with 14" double plate clutch— secure from Caterpillar source-vendor No. 1W7787
82/	C-CT800 -- 3208N, M/T		1			
82/89	L-LN-LNT-LT-LTS800 -- M/T exc. clark trans. "Before 3/1/89"		1		★ E2HT 6375-AA	Use with 14" double plate clutch— secure from Caterpillar source-vendor No. 1W7786
82/89	C-CT800-3208T, M/T "Before 3/1/89"		1			
89	C-CT-L-LN-LNT-LT-LTS 800-M/T "From 3/1/89"		1		★ E9HT 6375-BA	Use with 14" double plate clutch— Secure from Caterpillar source-vendor No. 9Y9310
89	C-CT-L-LN-LNT-LT-LTS800 -M/T "From 3/1/89"		1		★ E9HT 6375-AA	Use with 14" single plate clutch—secure from Caterpillar source-vendor No. 9Y9311
80/				AR	384752-S2	(BB-838-YF)—Bolt (flywheel to crankshaft)—7/16"-20 x 3 1/4" hex. hd.
80/	L-LN-LNT-LT-LTS800 -- MT650 T/M		1		E4HZ 6376-A	SPACER (FLYWHEEL REINFORCING PLATE)
80/	C-CT800 -- A/T		1			
80/	C-CT700/800,L-LN-LNT-LT- LTS800		1		★ C8TA 6431-A	PLATE (FLYWHEEL TO CRANKSHAFT LOCKING) secure from Caterpillar source-vendor No. 9L8011
80/					★ D0HA 6B609-D	BRACKET (HOSE)—Improvise
80/86	L-LN-LNT-LT-LTS800		1		D8HZ 6618-A	BELL (OIL PUMP INLET PIPE WARNING SYSTEM) -incl. wires

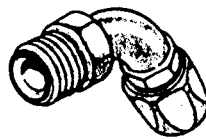
6A651-2 HOSE and FITTING (OIL FILTER BY-PASS)



DOHZ 6748-E

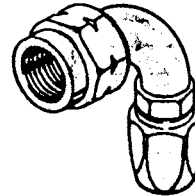


DOHZ 6748-A



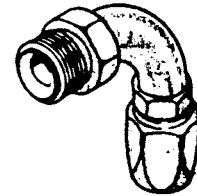
DOHZ 6748-B

45°



DOHZ 6748-D

90°



DOHZ 6748-C

90°

IMPROVISE FROM D0HZ 6745-A BULK HOSE  
and UTILIZE FITTINGS ILLUSTRATED ABOVE AS REQUIRED

P.7448

80/	L-LN800 -- w/"Luberfiner" OIL FILTER		1		D0HZ 6B655-A	SUPPORT ASSY. (OIL FILTER MOUNTING- OUTER)
80/	L-LN800 -- w/"Luberfiner" OIL FILTER		1		D0HZ 6B656-B	SUPPORT ASSY. (OIL FILTER MOUNTING- INNER)
80/	C-CT600/800		1		6A662	BRACKET (OIL FILTER HOSE SUPPORT)- Improvise
80/	L-LN-LNT-LT-LTS800 -- w/back of cab oil filter		1		D9HZ 6A662-A	
					6A662	BRACKET (CABLE and TUBE MOUNTING)- Improvise
80/	L-LN-LT-LNT-LTS800		4		D0HZ 6A690-A	BOLT (OIL FILTER CLAMP)
					6714	FILTER ASSY. (OIL)—Also refer to group 6731
80/	L-LN-LNT-LT-LTS800		1		D9HZ 6714-A	By-pass bracket mounted type # D9HT 6A650-CA-steel
81/	L-LN-LNT-LT-LTS800		1		D9HZ 6714-B	By-pass bracket mounted type # D9HT 6A650-DA-aluminum
					6728	BRACKET (OIL FILTER BY-PASS MOUNTING)
80/	L-LN-LNT-LT-LTS800 -- with (4) 6V batteries		1		D0HZ 6728-B	

YEAR	MODEL/RESTRICTIONS	QUANTITY			PART NUMBER	DESCRIPTION
			636			
					6728	BRACKET (OIL FILTER BY-PASS MOUNTING) — Cont'd
80/	L-LN-LNT-LT-LTS800 -- WITH (2) 12V batteries		1		D0HZ 6728-A	20 1/4" long
80/	L-LN-LNT-LT-LTS800 -- with (1) 12V battery		1		D0HZ 6728-F	14 1/4" long-2 1/2" wedge-channel iron
80/	L-LN-LNT-LT-LTS800 -- w/cab mounted filter		1		D0HZ 6728-G	Upper-8 5/16" long-3" wide
			1		D0HZ 6728-H	Lower-8 3/32" long-3" wide
80/89	L-LN-LNT-LT-LTS800 -- tilt mounted filter "Before 4/17/89"		1		D4HZ 6728-A	
89	L-LN-LNT-LT-LTS900 -- tilt mounted filter "From 4/17/89"		1		F0HZ 6728-C	
83/86	B-F-FT700/800		1		E3HZ 6728-A	#E3HT-AC
87/	B700/800		1			
87/	F700/800		1		E7HZ 6728-B	#E7HT-CA
					6731	ELEMENT ASSY. (OIL FILTER)-Also refer to GROUP 6714
80/	B-C-CT-F-L-LN-LNT-LT-LTS 700/800 -- 3208N		2		D9HZ 6731-A	*FL-337-eng. mount type
80/	C-CT600/800,L-LN-LNT-LT-LTS600/800		1		D5PZ 6731-A	*FL-750-standard-by-pass type
80/			1		D5PZ 6731-B	*FL-751-Premium-by-pass type
80/			AR		★ D5PZ 6731-C	*FL-750-FP-Std.-consists of 4 filters in package- r/b D5PZ 6731-A (2/91)
80/	Exc. Canada		AR		★ D5PZ 6731-D	*FL-751-FP-Premium-consists of 4 filters in package r/b D5PZ 6731-B (2/91)
80/			AR		D0HZ 6745-A	HOSE (OIL FILTER BULK)-5/16" I.D. x 5/8" O.D.-25' roll
					6748	FITTING (OIL FILTER HOSE)
80/			AR		D0HZ 6748-A	Straight-5/8"-18 male-2 5/16" long
			AR		D0HZ 6748-E	Straight-5/8"-18 female-2 5/64" long
			AR		D0HZ 6748-B	45°-5/8"-18 male-2 21/32" long
			AR		D0HZ 6748-C	90°-5/8"-18 male-2 9/64" long
			AR		D0HZ 6748-D	90°-5/8"-18 female-1 29/32" long
83/87	B-F-FT700/800		2		389334-S100	(II-176-LD)-Elbow (attach oil lines to oil by-pass filter)-5/8-18, 1/2-14 45° flare 90° pipe
80/			1		★ C8TA 6750-E	INDICATOR (OIL LEVEL)-Secure from Caterpillar source-vendor No. 9L8948
					6K759	BRACKET (OIL COOLING TUBE) - Improve
83/87	B-F-FT700/800 -- 3208T		1		E3HZ 6765-A	PIPE (OIL FILLER)
80/	C-CT600/800		1		E3HZ 6766-A	CAP (OIL FILLER) *EC-681
80/87	C-CT700/800 -- Calif. emission		1		D7HZ 6774-A	SHIELD (NOISE INSULATOR)-rear
80/87	C-CT 700/800 -- exc. Calif. emission		1		D9HZ 6774-A	rear-#D8HT 6M040-KC
					6775-6	SHIELD (NOISE INSULATOR)
80/86	C-CT700/800 "Before 1/1/86"		1		D9HZ 6775-D	R.H.-side-#D9HT 6M002-AA
86	C-CT700/800 -- exc. 210 H.P. "From 1/1/86"		1		F0HZ 6776-A	L.H.-side-#D9HT 6M003-AA, F0HT 6M003-DA
86	C-CT700/800 -- 210 H.P. "From 1/1/86"		1		E6HZ 6775-A	R.H.-side #E6HT 6L088-AA
			1		E6HZ 6776-A	L.H.-side #E6HT 6L014-AA
80/	LN700		1		★ D8HZ 6775-AH	R.H.-#D8HT 6M002-CA,CB,EDD8HT 6M002-CA-not replaced (3/89)
			1		E1HZ 6776-D	L.H.-#D8HT 6M003-CA,CB,EDD8HT 6M003-CA
80/81	LN-LNT800		1		★ D8HZ 6775-AM	R.H.-rear-#D8HT 6N015-MB-not replaced (3/89)
			1		★ D8HZ 6776-AM	L.H.-rear-#D8HT 6N015-RA-not replaced (3/89)

1980/  
TRUCK SERIES 600/900

YEAR	MODEL/RESTRICTIONS	QUANTITY			PART NUMBER	DESCRIPTION
			636			
6775-6 SHIELD (NOISE INSULATOR) — Cont'd						
80/81	L-LT-LTS800		1		★ D8HZ 6775-AP	R.H.-rear-#D8HT 6N015-JA-not replaced (4/88)
			1		★ D8HZ 6776-AN	L.H.-rear-#D8HT 6N015-NA-not replaced (10/88)
80/82	L-LT-LTS800 -- M/T		1		E6HZ 6775-C	R.H. side-#D8HT 6M002-NA
			1		★ D9HZ 6776-F	L.H. side-#D8HT 6M003 GB-not replaced (4/88)
80/82	LN-LNT800 -- M/T		1		★ D9HZ 6775-F	R.H. side-#D8HT 6M002-MA-r/b E6HZ 6775-B & E6HZ 6E055-A
			1		D9HZ 6776-E	L.H. side-#D8HT 6M003-NA
80/82	L-LT-LTS800 -- A/T		1		D9HZ 6775-G	R.H. side-#D8HT 6M002-NA
			1		★ D9HZ 6776-G	L.H. side-#D8HT 6M003-FB-not replaced
80/82	LN-LNT800 -- A/T		1		★ D9HZ 6775-F	R.H. side-#D8HT 6M002-MA-r/b E6HZ 6775-B & E6HZ 6E055-A
			1		★ D9HZ 6776-D	L.H. side-#D8HT 6M003-RA-not replaced
86	L-LT-LTS800 -- 210 H.P.		1		E6HZ 6775-C	R.H.
			1		E6HZ 6776-C	L.H.
86/	LN-LNT800 -- 210 H.P.		1		E6HZ 6775-B	R.H.
			1		E6HZ 6776-B	L.H.
80/	L-LN-LNT-LT-LTS800		4		388271-S100	(HH-52-E)-Fastener (wing type) quick open (attach 6E055 to shield)-3/8"
80/	L-LN-LNT-LT-LTS800		4		388270-S100	(HH-53-E)-Pin quick open (attach 6E055 brkt. to shield) 3/8" x 3/4"
80/	C-CT700/800		2			
80/	L-LN-LNT-LT-LTS800		4		388268-S100	(WW-1-E)-Retainer (washer type)
80/	C-CT700/800		2			(use between shield and brkt.)-3/8"-I.D. 1 3/4" O.D.
80/	L-LN-LNT-LT-LTS800		AR		37820-S36	(SS-45-M)-Rivet-pop (noise shield) to floor pan)-1/4" dia.
80/	C-CT600/800		1		C4TZ 6784-A	NECK and BRACKET ASSY. (OIL FILLER HOSE)
80/85	C-CT600/800 -- 3208N		1		B7T 6786-A	BRACKET (OIL FILLER SUPPORT)
82/85	C-CT800 -- 3208T		1		E2HZ 6786-A	#E2HZ 6A867-AA
86	C-CT700/800		1			
80/	C-CT600/800		2		56320-S4	(B-318-GD)-Bolt (Bracket to tank mounting bracket)-hex hd.-5/16"-18 x 3/4" (bracket to filler neck assy.)
			1			
			3		33770-S4	(M-89-K)-nut-5/16"-18
83/87	B-F-FT700/800 -- 3208T		1		★ E3HT 6A787-A	HOSE (OIL FILLER PIPE LOWER)-cut from DIPZ 8333-A bulk hose
80/	C-CT600/800		1		C8TZ 6793-C	HOSE (OIL FILLER PIPE)-7" long
80/			1		DOHZ 6838-A	SEAL (OIL FILTER COVER)-*FM-172-8" I.D.-cross section square shaped
80/			1		C1TZ 6885-A	GASKET (OIL FILTER COVER)-8 1/2" I.D.-cross section diamond shaped
80/	C-CT700/800 -- 3208N		1		E6HZ 6A867-A	BRACKET (OIL FILLER SUPPORT)
80/87	LN700		AR		D6HZ 6K945-A	KIT (NOISE INSULATOR)-wing screw & washer

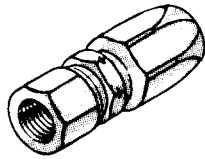
1980/  
TRUCK SERIES 600/900

YEAR	MODEL/RESTRICTIONS	QUANTITY			PART NUMBER	DESCRIPTION
				1150		
					6028	BRACKET (FRONT SUPPORT)
80/83	CL-CLT900			1	★ D8HZ 6028-C	Not replaced
					6038	INSULATOR ASSY. (FRONT SUPPORT)
80/83	CL-CLT900			2	★ D8HZ 6038-A	#D7HA-EA-replaced by E3HZ 6038-A (4/84)
					6046	SUPPORT (FRONT BRACKET)
80/83	CL-CLT900			1	D8HZ 6046-A	R.H.-#D7HT 6B008-AC
				1	D8HZ 6046-B	L.H.-#D7HT 6B009-AD
					6A057	SUPPORT (FRONT INSULATOR)
80/83	CL-CLT900			1	D8HZ 6A057-A	#D7HA 6A057-AA,AC,D8HT 6A057-AA
					6A065	CAP (SUPPORT)
80	CL-CLT900 -- "Before Ser. GJ5,001"			1	D8HZ 6A065-A	#D7HA 6E071-AA
80/83	CL-CLT900 -- "From Ser. GJ5,001"			1	D9HZ 6A065-A	#EDD7HT 6E071-AB
80/83	CL-CLT900 "From Ser. GJ5,001"			8	50680-S2	(B-126-E) Bolt (attach 6A065 cap to 6A067 brkt.)-1/2"-13 x 2.75"
				8	44879-S2	(X-31-G) Washer-1/2"
					6A066	SPACER (FRONT SUPPORT INSULATOR)
80/83	CL-CLT900			1	D8HZ 6A066-A	
					6A067	BRACKET (FRONT SUPPORT)
80/83	CL-CLT900			1	D3HZ 6A067-E	
					6A067	BRACKET (REAR SUPPORT TO FRAME)
80	CL-CLT900 -- w/steel frame- "Before Ser. GJ5,001"			2	D8HZ 6A067-A	#D7HT 5086-AB
80	CL-CLT900 -- w/steel frame- "From Ser. GJ5,001 to JD5,001"			2	★ D9HZ 6A067-B	#EDD7HT 5086-AB-r/b E0HZ 6A067-E and (4) 385123-S2
80/83	CL-CLT900 -- w/steel frame "From Ser. JD5,001"			2	E0HZ 6A067-E	#E0HT 5086-JA
80	CL-CLT900 -- w/alum. frame- "Before Ser. GJ5,001"			2	D8HZ 6A067-E	#D7HT 5086-EB
80/83	CL-CLT900 -- w/alum. frame- "From Ser. GJ5,001"			2	E0HZ 6A067-F	#EDD7HT 5086-EB, E0HT 5086-HA
80/83	CL-CLT900			8	★ 58724-S	Bolt (6A067 bracket to frame)-hex. hd.-5/8"-11 x 2 3/4"
				16	44881-S2	(X-40-G)-washer-5/8
				8	34991-S2	(M-89-GH)-nut-5/8"-18-locking

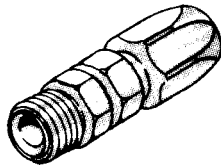


YEAR	MODEL/RESTRICTIONS	QUANTITY			PART NUMBER	DESCRIPTION
				1150		
					6068	INSULATOR ASSY. (REAR SUPPORT)
80/83	CL-CLT900			2	D0HZ 6068-B	
					6096	BRACKET (REAR SUPPORT)
80/83	CL-CLT900			2	D8HZ 6096-B	#D7HA 6096-AA
80/83	CL-CLT900			2	D8HZ 6A612-A	PLATE (OIL FILTER MOUNTING)-by-pass type-#D7HT-BA

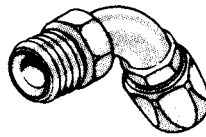
6A651-2 HOSE and FITTING (OIL FILTER BY-PASS)



DOHZ 6748-E

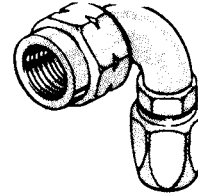


DOHZ 6748-A



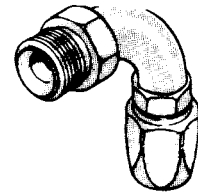
45°

DOHZ 6748-B



90°

DOHZ 6748-D



90°

DOHZ 6748-C

IMPROVISE FROM DOHZ 6745-A BULK HOSE  
and UTILIZE FITTINGS ILLUSTRATED ABOVE AS REQUIRED

YEAR	MODEL/RESTRICTIONS	QUANTITY			PART NUMBER	DESCRIPTION
				1150		
80/83	CL-CLT900			1	385122-S	(II-39-G) Connector (6A651-2 hose to 2A155 bracket)-1/4 pipe x 5/8"-18
80/83	CL-CLT900			1	384959-S	(II-187-A) Elbow (6A651-2 hose to 2A155 bracket)-90° swivel-3/8" hose
					*6A662	BRACKET (OIL FILTER HOSE SUPPORT)- Improvise
					*6A662	BRACKET (CABLE and TUBE MOUNTING)- Improvise
					6714	FILTER ASSY. (OIL) - Also refer to group 6731
80/83	CL-CLT900			1	D9HZ 6714-A	By-pass bracket mounted- #D9HT 6A650-CA-steel
80/83	CL-CLT900			1	D9HZ 6714-B	By-pass bracket mounted- #D9HT 6A650-DA-aluminum
					6728	BRACKET (OIL FILTER BY-PASS MOUNTING)
80/83	CL-CLT900 - - vertical mounted filter - - w/o air brakes - - w/air brakes			1 2	D8HZ 6728-A	
82/83	CL-CLT900 - - w/battery mounted filter			1 1	E3HZ 6728-B E3HZ 6728-C	outside inside
					6731	ELEMENT ASSY. (OIL FILTER)-Also refer to group 6714
80/83				1	D5PZ 6731-A	*FL-750-Standard-by-pass type
80/83				1	D5PZ 6731-B	*FL-751-Premium-by-pass type
80/83				AR	* D5PZ 6731-C	*FL-750-FP-Std.-consists of 4 filters in package-r/b D5PZ 6731-A (2/91)
80/83	Exc. Canada			AR	* D5PZ 6731-D	*FL-751-FP-Premium-consists of 4 filters in package-r/b D5PZ 6731-B (2/91)
					6748	FITTING (OIL FILTER HOSE)
80/83				AR	D0HZ 6748-A	Straight-5/8"-18 male x 2 5/16" long
				AR	D0HZ 6748-E	Straight-5/8"-18 female-2 5/64" long
				AR	D0HZ 6748-B	45°-5/8"-18 male-2 21/32" long
				AR	D0HZ 6748-D	90°-5/8"-18 female-1 29/32" long
				AR	D0HZ 6748-C	90°-5/8"-18 male-2 9/64" long

1980/  
TRUCK SERIES 600/900

YEAR	MODEL/RESTRICTIONS	QUANTITY				PART NUMBER	DESCRIPTION
				1150			
6750 INDICATOR (OIL LEVEL)							
80	CL-CLT900 "Before Ser. HJ5,001"			1		★ D8HZ 6750-M	#D8HT-BB-not replaced
80	CL-CLT900 "From Ser. HJ5,001"			1		E1HZ 6750-G	#D9HT-BA,EDD9HT-BA
81	CL-CLT900 "Before 1/1/81"			1			
81/83	CL-CLT900 "From 1/1/81"			1		E1HZ 6750-J	#E0HT-BA
6754 TUBE ASSY. (OIL LEVEL INDICATOR)							
80	CL-CLT900 "Before Ser. HJ5,001"			1		★ D8HZ 6754-E	#D7HT-SA,SB-not replaced (4/85)
80/83	CL-CLT900 "From Ser. HJ5,001"			1		E1HZ 6754-G	#E0HT-EB-Incl. oil level indicator E1HZ 6750-J
6A759 CLAMP (OIL FILLER PIPE)							
80/83	CL-CLT900			1		D8HZ 6A759-A	
80	CL-CLT900 "Before Ser. HJ5,001"			1		D8HZ 6763-A	PIPE ASSY. (OIL FILLER)-Incl. cap #D7HT-KB-upper
80/83	CL-CLT900 "From Ser. HJ5,001"			1		E0HZ 6763-A	Incl. cap-#E0HT-AA-upper
80/83	CL-CLT900			1		★ D8HZ 6763-H	Lower-not replaced
80	CL-CLT900 "Before Ser. HJ5,001"			1		D8HZ 6766-A	CAP ASSY. (OIL FILL)-Incl. chain
80/83	CL-CLT900 "From Ser. HJ5,001"			1		E0HZ 6766-A	*EC-676-Incl. chain
80	CL-CLT900 "Before Ser. HJ5,001"			1		D8HZ 6786-A	BRACKET (OIL FILLER SUPPORT)- #D7HT 6B621-AD-Upper
80/83	CL-CLT900 "From Ser. HJ5,001"			1		E0HZ 6786-A	#E0HT 6B621-AA-upper
80/83	CL-CLT900			1		D8HZ 6786-C	#D7HT 6B621-CE-Lower
80/83	CLT900			1		★ D8HZ 6786-D	#D7HT 6B621-EA-used on one piece oil pan-not used on three piece oil pan-not replaced
80/83	CL-CLT900			1		★ D7HT 6A787-LA	HOSE (OIL FILLER PIPE)-Lower- cut from D1PZ 8333-A bulk hose
80/83	CL-CLT900			1		★ D7HT 6A787-KA	Upper-cut from D1PZ 8333-A bulk hose
80/83	CL-CLT900			1		D8HZ 6K899-A	GASKET (OIL FILLER TUBE ADAPTER)

6 CYL.-10.5L (638 C.I.D.)  
6 CYL.-14.6L (893 C.I.D.)

1980/  
TRUCK SERIES 600/900

SECTION 60.7 1  
CATERPILLAR DIESEL

YEAR	MODEL/RESTRICTIONS	QUANTITY				PART NUMBER	DESCRIPTION
		638	893				
						6E002	RETAINER (REAR MOUNTING BOLT)
89	L-LN-LNT-LT900 reinforced frame	2				E7HZ 6E002-A	
89	L-LN-LNT-LT900 w/o reinforced frame	2				E7HZ 6E002-B	
						6026	PLUG (ENGINE)
84/	CL-CLT900		1			87741-S101	(P 23) plug (used in engine oil cooler)
84/	L-LN-LNT-LT-LTS900		1				
						6A027	SPACER (FRONT SUPPORT)
80/	L-LN-LNT-LT-LTL900		2			D3HZ 6A027-A	
						6028	BRACKET (FRONT SUPPORT)
80/84	L-LN-LNT-LT900		1			D4HZ 6028-A	
82/84	LTL900		1				
85/	L-LN-LNT-LT900		1			E5HZ 6028-B	
85/	LTL900		1				
80/	CL-CLT900		1			D8HZ 6028-D	
89	L-LN-LNT-LS-LT-LTS900	1				E9HZ 6028-A	#E8HT DA
80/			8			58689-S2	(B-129-JE) Bolt (bracket to eng.) 1/2" 13 x 5 1/2"
			8			44879-S2	(X-31-G)-flatwasher-1/2"
						6038	INSULATOR (FRONT SUPPORT)
80/	L-LN-LNT-LT900		1			D3HZ 6038-A	
82/	LTL900		1				
80/83	CL-CLT900 "Before 12/1/83"		2			★ D8HZ 6038-A	#D7HA-EA-replaced by E3HZ 6038-A (4/84)
83/	CL-CLT900 "From 12/1/83"		2			E3HZ 6038-A	#E3HT-BA
89	L-LN-LNT-LS-LT-LTS900	2					
						6046	SUPPORT (FRONT BRACKET)
80/	CL-CLT900		1			D8HZ 6046-C	R.H.-#D7HT 6B008-BA,BB
			1			D8HZ 6046-D	L.H.-#D7HT 6B009-BB,BC
89	L-LN-LNT-LS-LT-LTS900	1				E9HZ 6046-A	R.H.
		1				E9HZ 6046-B	L.H.
						6E055	BRACKET ASSY. (NOISE SHIELD)
80	CL-CLT900 Lower shield- "Before 5/28/80"		1			D9HZ 6E055-D	R.H. Upper front-#D8HT 6E084-AA
			1			D9HZ 6E055-E	L.H. Upper front-#D8HT 6E085-AA
80/81	CL-CLT900 Lower shield "From 5/28/80"		1			D9HZ 6E055-B	R.H. lower front-#E1HT 6E084-AA
			1			D9HZ 6E055-E	L.H. lower front-#E1HT 6E085-AA
80	CL-CLT900 Lower shield- "Before 5/28/80"		1			D8HZ 6E055-F	R.H. Lower rear-#D8HT 6E082-AB
			1			D9HZ 6E055-G	L.H. Lower rear-#D8HT 6E079-AB, E0HT 6E079-AA
80/81	CL-CLT900 Lower shield "From 5/28/80"		1			E0HZ 6E055-D	R.H. lower rear #E1HT 6E082-AA
			1			E0HZ 6E055-C	L.H. lower rear #E1HT 6E079-AA
80/81	CL-CLT900 Center lower shield		1			D9HZ 6E055-A	Front-#D8HT 6E077-FA
80/81	CL-CLT900 Center lower shield front		1			D9HZ 6E055-C	R.H. Lower rear-#D8HT 6E078-BA
			1			D9HZ 6E055-B	L.H. Lower rear-#D8HT 6E083-BA
80/81	CL-CLT900 Susp. cab- upper shield		1			E2HZ 6E055-B	R.H.-Front-#E2HT 6E054-BA
			1			D9HZ 6E055-P	R.H.-center-#EDD8HT 6N030-AA
			1			D9HZ 6E055-V	R.H.-rear-#D8HT 6A023-AA
80/81	CL-CLT900 fixed cab upper shield		1			D8HZ 6E055-AC	R.H.-Front-#ED1D7HT 6E054-DC, D8HT 6E054-FA
			1			D9HZ 6E055-P	R.H. center-#EDD8HT 6N030-AA
			1			D9HZ 6E055-U	R.H. Rear-#D8HT 6A023-BA
80/81	CL-CLT900		1			D9HZ 6E055-S	L.H.-Front-#D8HT 6A022-AA
			1			D9HZ 6E055-T	L.H.-Rear-#D8HT 6N031-AA
88/	CL-CLT900		4			E8HZ 6E055-G	Lower-#E8HT 6E077-KA
88/	CL-CLT900		2			E8HZ 6E055-H	Lower-#E8HT 6E077-NA
88/	CL-CLT900		2			E8HZ 6E055-K	R.H. upper-#E8HT 6M004-DA
88/	CL-CLT900		2			E8HZ 6E055-V	R.H.-#E8HT 6M004-CB
88/	CL-CLT900		2			E8HZ 6E055-AE	L.H. upper-#E8HT 6M005-AB
88/	CL-CLT900		2			E8HZ 6E055-AF	L.H. upper rear-#E8HT 6E023-AB

October, 1993

COPYRIGHT © 1993 - FORD MOTOR - DEARBORN, MICHIGAN  
COMPANY

Final Issue

YEAR	MODEL/RESTRICTIONS	QUANTITY				PART NUMBER	DESCRIPTION
		638	893				
						6E055	BRACKET ASSY. (NOISE SHIELD) — Cont'd
88/	CL-CLT900		2			E8HZ 6E055-AG	R.H. upper-#E8HZ 6E055-BA
88/	CL-CLT900		4			E8HZ 6E055-AK	Lower-#E8HT 6E077-KC
88/	CL-CLT900		4			E8HZ 6E055-AP	L.H. upper-#E8HT 6E055-CB
80	L-LT900 -- Fuller trans. noise shield- "Before Ser. GJ5,001"		1			D8HZ 6E055-AD	R.H. Front
			1			D8HZ 6E055-AH	L.H. Front
80/82	L-LT900 -- Fuller trans. noise shield- "From Ser. GJ5,001"		1			D9HZ 6E055-M	R.H. Front
			1			D9HZ 6E055-N	L.H. Front
80/82	LN-LNT900						
80/81	L-LN-LNT-LT900 -- Rear shield		3			D8HZ 6E055-AK	L.H.-#D8HT 6E054-BA
80/81	LN-LNT900		1			D8HZ 6E055-AK	#D8HT 6E054-BA
82/	LTL900		1			E1HZ 6E055-C	Upper rear R.H.-#E1HT 6M004-AA
			1			E1HZ 6E055-D	Upper rear L.H.-#E1HT 6M005-AA
			2			D7HZ 6E055-A	Upper front R.H. & L.H.-#D7HT 6M004-FA
88/	L-LN-LNT-LT900		4			E8HZ 6E055-P	R.H.-#E8HT 6E077-HB
			4			E8HZ 6E055-N	L.H.-#E8HT 6E077-GA
88/	L-LT900		4			E8HZ 6E055-R	Lower-#E8HT 6E077-EB
88/	L-LN-LNT-LT-LTS900		2			E8HZ 6E055-S	Lower side front-#E8HT 6E077-LB
88/	LS-LTS900		1			E8HZ 6E055-AA	Lower-#E8HT 6E077-VB
88/	LL-LTL900		1			E8HZ 6E055-AD	L.H. upper-#E8HT 6M005-BA
88/	LL-LTL900		1			E8HZ 6E055-AN	L.H.-#E8HT 6C055-DA
88/	LL-LTL900		1			E8HZ 6E055-AM	R.H. & L.H.-#E8HT 6E054-FA
						6A057	SUPPORT (FRONT INSULATOR)
80/	CL-CLT900		1			D8HZ 6A057-A	#D7HA 6A057-AA,AC,D8HT 6A057-AA
89	L-LN-LNT-LS-LT-LTS900	1					
						6A065	CAP (SUPPORT)
80/	L-LN-LNT-LT900- "Before 11/24/80"		2			D0HZ 6A065-E	Rear
89	L-LN-LNT-LS-LT-LTS900	2					
81/	L-LN-LNT-LT900- "From 11/24/80 to 3/1/89"		2			E1HZ 6A065-B	#E1HT-AA
82/	LTL900		2				
89	L-LN-LNT-LT900 -- "From 3/1/89"		2			E9HZ 6A065-B	#E9HT-AB
80	CL-CLT900 -- "Before Ser. GJ5,001"		1			D8HZ 6A065-A	#D7HA 6E071-AA
80/	CL-CLT -- "From Ser. GJ5,001"		1			D9HZ 6A065-A	#EDD7HT 6E071-AB, E0HT 6E071-AA
80/	L-LT900		4			58680-S2	(B126-E)-Bolt (cap to bracket) -1/2"-13 x 2 3/4"
			8			44879-S2	(X-31-G)-flatwasher-1/2"
			4			★ 34989-S2	Nut-1/2"-13
80/	CL-CLT900 -- "From Ser. JD5,001"		8			50680-S2	(B-126-E)-Bolt (cap to bracket) -1/2"-13 x 2.75"
			8			44879-S2	(X-31-G) Washer
						6A066	SPACER (FRONT SUPPORT INSULATOR)
80/	CL-CLT900		2			D8HZ 6A066-A	
						6A067	BRACKET (FRONT SUPPORT)
80/	L-LT900		1			D3HZ 6A067-E	
80/	CL-CLT900		1				
82/	LTL900		1				
89	L-LN-LNT-LS-LT-LTS900	1					
80/	L-LT900		2			★ 385514-S2	Bolt (Bracket to insulator)-5/8"-11 x 5"
			4			44881-S2	(X-40-G)-flatwasher-5/8"
			2			385511	(MM-69)-Nut-5/8"-11
			2			72054-S	(N-61)-cotter pin

6 CYL.-10.5L (638 C.I.D.)  
6 CYL.-14.6L (893 C.I.D.)

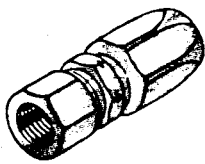
1980/  
TRUCK SERIES 600/900

SECTION 60.7 3  
CATERPILLAR DIESEL

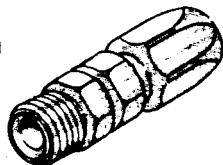
YEAR	MODEL/RESTRICTIONS	QUANTITY			PART NUMBER	DESCRIPTION
		638	893			
					6A067	BRACKET (REAR SUPPORT TO FRAME)
80/	CL-CLT900 -- w/steel frame		2		E0HZ 6A067-E	#D7HT 5086-AB, E0HT 5086-JA
80	CL-CLT900 -- w/alum. frame "Before Ser. GJ5,001"		2		D8HZ 6A067-E	#D7HT 5086-EB
80/	CL-CLT900 -- w/alum. frame- "From Ser. GJ5,001"		2		E0HZ 6A067-F	#EDD7HT 5086-EB, E0HT 5086-HA
80/	L-LN-LNT-LT900		1		D4HZ 6A067-B	R.H.
82/	LTL900		1		D0HZ 6A067-K	L.H.
80/	CL-CLT900		8		★ 58724-S	Bolt (6A067 bracket to frame)-hex. hd. -5/8"-11 x 2 3/4"
			16		44881-S2	(X-40-G)-washer-5/8"
			8		34991-S2	(M-89-GH)-nut-5/8"-18-locking
80/	LTS900 -- w/o outer frame reinforcement		2or3		★ 58722-S2	Bolt-(Bracket to frame)-5/8"-11 x 2 1/4"
80/	LTS900 -- w/o outer frame reinforcement		1or2		★ 58723-S2	Bolt (Bracket to frame)- 5/8"-11 x 2 1/2"
80/	LT900 -- w/outer frame reinforcement		4		★ 58724-S2	Bolt (Bracket to frame)- 5/8"-11 x 2 3/4"
80/	LTS900 -- w/outer frame reinforcement		2or3			
80/	LTS900 -- w/outer frame reinforcement		1or2		58725-S2	(B-142-A) Bolt (Bracket to frame)-5/8"-11 x 3"
80/			8		44881-S2	(X-40-G)-flatwasher-5/8"
80/			4		34991-S2	(M-89-GH)-nut-5/8"-11
					6068	INSULATOR (REAR SUPPORT)
80/		2	2		D0HZ 6068-B	
					6096	BRACKET (REAR SUPPORT)
80/	L-LN-LNT-LT900		1		D4HZ 6096-A	R.H.
82/	LTL900		1		D4HZ 6096-B	L.H.
80/	CL-CLT900		2		D8HZ 6096-B	#D7HA 6096-AA
89	LN-LNT900	1			E8HZ 6096-E	R.H.
		1			E8HZ 6096-D	L.H.
80/			1		58725-S2	(B-142-A)-Bolt (Bracket to eng.)-5/8"-11 x 3"
80/			9		★ 58722-S2	Bolt (Bracket to eng.)-5/8"-11 x 2 1/4"
88/	L-LN-LNT-LT-LTS900 -- 310,350 H.P. & below		2		E8HZ 6228-A	SEAL (POWER TURBO NOZZLE) 3.19" I.D.
88/	L-LN-LNT-LT-LTS900 -- 400, 425 H.P. & up		2		E8HZ 6228-B	3.72" I.D.
80/			1		★ D4HA 6375-AA	FLYWHEEL ASSY. - secure from CATERPILLAR source-vendor No. 9N675
80/	CL-CLT900		2		D8HZ 6A612-A	PLATE (OIL FILTER MOUNTING)-by- pass type-#D7HT-BA
82/	LTL900		2			
80/	L-LT-LTS900		1		D4HZ 6B612-A	PIPE and CAP ASSY. (OIL FILLER)- Incl. (1) D4HZ 6766-A CAP
82/	LTL900		1			
80/84	LN-LNT900		1		E0HZ 6B612-A	#D8HS 6B612-AA-incl. D4HZ 6766-A cap
88/89	All exc. 400, 425 H.P. "Before 5/28/89"		1		E8HZ 6A640-A	CONNECTION (CHARGER AIR COOLER TO ENG. CHARGER)
88/	All 400, 425 H.P.		1		E8HZ 6A640-B	
89	L-LN-LNT-LS-LT-LTS900	1			E9HZ 6A640-A	
89	L-LN-LNT-LS-LT-LTS900 -- w/310, 350 H.P. "From 5/28/89"		1		E9HZ 6A640-B	#E9HT 6K853-BA
89	L-LN-LNT-LS-LT-LTS900 -- w/400, 425 H.P.		1		E9HZ 6A640-C	#E9HT 6K853-AA

YEAR	MODEL/RESTRICTIONS	QUANTITY				PART NUMBER	DESCRIPTION
		638	893				
88/		1	1			E8HZ 6C640-A	CONNECTION (CHARGER AIR COOLER DUCT)-tapered hose-4" I.D. x 4.5" I.D. x 3.5" long-cooler to manifold
88/		1	1			E8HZ 6C640-B	Compressed center section-3.5" long-cooler to pipe
88/			1			E8HZ 6C640-C	4.5" I.D. x 4.5" I.D. x 3.5" long-pipe to charger pipe
88/		1	1			E8HZ 6C640-D	4.5" I.D. x 4.5" I.D. x 3.46" long-cooler to pipe R.H.
88/	L-LN-LNT-LT-LTS900	1	1			E8HZ 6C640-G	Straight hose 4.5" I.D. x 3.5" long-eng. end
88/	LL-LTL900	1	1				
80/	CL-CLT900		1			D8HZ 6N642-A	ELBOW (OIL TUBE)-90° - used to attach filler tube to oil pan

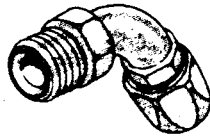
6A651-2 HOSE and FITTING (OIL FILTER BY-PASS)



DOHZ 6748-E

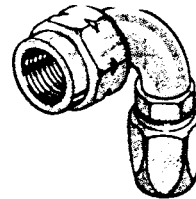


DOHZ 6748-A



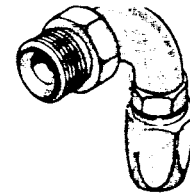
45°

DOHZ 6748-B



90°

DOHZ 6748-D



90°

DOHZ 6748-C

IMPROVISE FROM DOHZ 6748-A BULK HOSE  
AND UTILIZE FITTINGS ILLUSTRATED ABOVE AS REQUIRED

80/	CL-CLT900		1			385122-S	(II-39-G)Connector (6A651-2 hose to 2A155 bracket)-1/4 pipe x 5/8"-18
			1			384959-S	(II-187-A)Elbow (6A651-2 hose to 2A155 bracket)-90° swivel-3/8" hose
80/	CL-CLT900		1			374410-S100	(II-201-BA)-TEE (6A651 hose & oil temp. switch to block) 1/2-3/8 pipe-1/2 ext. pipe
80/	CL-CLT900		1			373336-S100	(II-187-AR)-Elbow (oil by-pass hose to tee)-3/8"-5/8"-18
80/	L-LN-LNT-LT900 -- w/ "Luberfiner" oil filter		1			DOHZ 6B655-A	SUPPORT ASSY. (OIL FILTER MOUNTING) outer
						6A662	BRACKET (CABLE AND TUBE MOUNTING) -Improvise
						6A662	BRACKET (OIL FILTER HOSE SUPPORT) -Improvise
80/	L-LT-LTS900		1			D9HZ 6A662-A	
88/			1			★ E8HZ 6N665-A	RETAINER (TURBO CHARGER)-not replaced (10/87) secure from cat. diesel
80/	LN-LNT-LTS900		1			E0HZ 6A683-A	DEFLECTOR ASSY. (HEAT)-#D8HS 6A683-A
88/	LN-LNT900		1				
88/	LTS900		1			E8HZ 6A683-A	

6 CYL.-10.5L (638 C.I.D.)  
6 CYL.-14.6L (893 C.I.D.)

1980/  
TRUCK SERIES 600/900

SECTION 60.7 5  
CATERPILLAR DIESEL

YEAR	MODEL/RESTRICTIONS	QUANTITY				PART NUMBER	DESCRIPTION
		638	893				
						6714	FILTER ASSY. (OIL)
80/	CL-CLT900		1			D9HZ 6714-A	By-pass bracket mounted-#D9HT
80/	L-LT900		1				6A650-CA-steel
80/83	LN-LNT900		1				
80/	CL-CLT900		1			D9HZ 6714-B	By-pass bracket mounted-
81/	L-LN-LNT-LT900		1				#D9HT 6A650-DA-aluminum
						6728	BRACKET (OIL FILTER BY-PASS MOUNTING)
80/	L-LT900 -- w/cab mounted filter		1			D0HZ 6728-G	Upper
80/83	LN-LNT900 -- w/cab mounted filter		1				
82/	LTL900 -- w/cab mounted filter		1				
80/	L-LT900 -- w/cab mounted filter		1			D0HZ 6728-H	Lower
80/83	LN-LNT900 -- w/cab mounted filter		1				
82/	LTL900 -- w/cab mounted filter		1				
80/89	L-LT900 -- w/tilt mounted filter		1			D4HZ 6728-A	
	"Before 4/17/89"						
80/89	LN-LNT900 -- w/tilt mounted filter		1				
	"Before 4/17/89"						
82/89	LTL900 -- w/tilt mounted filter		1				
	"Before 4/17/89"						
89	L-LN-LNT-LT-LTS900 -- w/tilt mounted filter		1			F0HZ 6728-C	
	"From 4/17/89"						
80/	CL-CLT900 -- vertical mounted filter					D8HZ 6728-A	
	-- w/o air brakes		1				
	-- w/air brakes		2				
82/	CL-CLT900 -- w/battery mounted filter		1			E3HZ 6728-B	outside
			1			E3HZ 6728-C	inside
82/86	LTL900 -- w/batter box mounted filter		2			E1HZ 6728-A	#E1HT-AA
87/	LTL900 -- w/battery mounted filter		1			E7HZ 6728-A	
						6731	ELEMENT ASSY. (OIL FILTER)
80/			1			D5PZ 6731-A	*FL-750-Standard-by-pass type
80/			1			D5PZ 6731-B	*FL-751-Premium-by-pass type
80/		AR				★ D5PZ 6731-C	*FL-750-FP-Std.-consists of 4 filters in package-r/b D5PZ 6731-A (2/91)
80/	Exc. Canada	AR				★ D5PZ 6731-D	*FL-751-FP-Premium-consists of 4 filters in package-r/b D5PZ 6731-B (2/91)
80/		AR				D0HZ 6748-A	HOSE (OIL FILTER BULK)-5/16" I.D. x 5/8" O.D. - 25' roll
						6748	FITTING (OIL FILTER HOSE)
80/		AR				D0HZ 6748-A	Straight-5/8"-18 male-2 5/16" long
		AR				D0HZ 6748-E	Straight-5/8"-18 female-2 5/64" long
		AR				D0HZ 6748-B	45°-5/8"-18 male-2 21/32" long
		AR				D0HZ 6748-C	90°-5/8"-18 male-2 9/64" long
		AR				D0HZ 6748-D	90°-5/8"-18 female-1 29/32" long
80/		AR				D8HZ 6748-A	90°-5/8"-18 female-2.69" long to bend
		AR				D8HZ 6748-B	90°-5/8"-18 female-2.69" long to bend
		AR				D8HZ 6748-C	45°-7/16"-20 female-2.45" long to bend
		AR				D8HZ 6748-D	90°-7/16"-20 female-2.35" long to bend
80	CL-CLT900		1			D8HZ 6750-S	INDICATOR (OIL LEVEL)-2009.5 MM long-#D8HT-AC
	"Before Ser. HJ5,001"						
80	CL-CLT900		1			E0HZ 6750-B	#D9HT-AA,EDD9HT-AA
	"From Ser. HJ5,001"						
81	CL-CLT900-		1				
	"Before 1/1/81"						

1980/  
TRUCK SERIES 600/900

YEAR	MODEL/RESTRICTIONS	QUANTITY				PART NUMBER	DESCRIPTION
		638	893				
81/ 84/	CL-CLT900- "From 1/1/81 to 12/1/83" CL CLT900 exc. new scroll fuel system "From 12/1/83"		1 1			E1HZ 6750-E	INDICATOR (OIL LEVEL)-contd.-#E0HT-AA
84/87	CL CLT900 new scroll fuel system "From 12/1/83"		1			E4HZ 6750-G	#E4HT-CA, E5HT-EA
88/	CL-CLT900 exc. AAAC dsl.		1			E8HZ 6750-D	#E8HT-FA
88/	CL-CLT900 AAAC dsl.		1			E8HZ 6750-E	#E8HT-KA
80/87	LN-LNT900		1			E0HZ 6750-G	#D7HS 6750-EA
80/85	LTS900 "Before 12/3/84"		1			E0HZ 6750-J	
85/87	LTS900 "From 12/3/84 to 11/30/87"		1			E5HZ 6750-C	#E5HT-DA
88/	LS LTS900 "From 11/30/87"		1			F1HZ 6750-C	#E8HT-TA
84/	L LT LTL900 "From 12/1/83"		1			E4HZ 6750-A	#E4HT-BA
88/	LTS900		1			E8HZ 6750-A	#E8HT-HA
88/	L LN LNT LT LTS900		1			E8HZ 6750-K	#E8HT-GB
89	LS LTS900	1				E9HZ 6750-C	#EDE9HT-AA
89	L LN LNT LT900	1				★ E9HZ 6750-B	#EDE8HT-NA, E9HT-CA-r/b E9HZ 6750-D & F0HZ 6754-C
89	LA LTA LS-LTS900	1				E9HZ 6753-A	GASKET (OIL LEVEL INDICATOR BOSS)
80	CL CLT900 "Before Ser. HJ5.001"		1			D8HZ 6754-B	TUBE ASSY. (OIL LEVEL INDICATOR) #D7HT-NB,NC,ND
80/84	CL CLT900 "From Ser. HJ5.001 to 12/1/83"		1			★ E1HZ 6754-C	#E0HT-BB Incl. oil level indicator E1HZ 6750-E r/b E4HZ 6754-E & E4HZ 6786-A
84/	CL-CLT900 "From 12/1/83"		1			E4HZ 6754-E	#E4HT-EA-Incl. oil level indicator E1HZ 6750-E
88/	CL CLT900 new scroll fuel system		1			E8HZ 6754-H	#E8HT-FA incl. oil level indicator E8HZ 6750-E
80/87	LN LNT900		1			E0HZ 6754-G	#D7HS 6754-CA
80/85	LTS900 "Before 12/3/84"		1			E0HZ 6754-J	
85/87	LTS900 "From 12/3/84"		1			E5HZ 6754-F	
88	LS-LTS900		1				
84/87	L LT LTL900 "From 12/1/83"		1			E4HZ 6754-B	
88/	L LN-LNT-LT900 "From 10/1/87"		1			E8HZ 6754-F	
89	LA LTA-LS-LTS900	1				E9HZ 6754-C	
89	L LN-LNT LT900 "Before 6/12/89"	1				E9HZ 6754-B	
89	L LN-LNT-LT900 "From 6/12/89"	1				F0HZ 6754-C	
						6A759	CLAMP (OIL FILLER PIPE)
80/85	CL CLT900		1			D8HZ 6A759-A	
80	CL-CLT900 "Before Ser. HJ5.001"		1			D8HZ 6763-A	PIPE ASSY. (OIL FILLER)-Incl. cap #D7HT-KB-Upper
80/	CL-CLT900 "From Ser. HJ5.001"		1			E0HZ 6763-A	#E0HT-AA-Incl. cap
80	CL CLT900 "Before Ser. HJ5.001"		1			D8HZ 6763-D	#D7HT-LA,LB-Lower



6 CYL.-10.5L (638 C.I.D.)  
6 CYL.-14.6L (893 C.I.D.)

1980/  
TRUCK SERIES 600/900

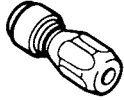
SECTION 60.7 7  
CATERPILLAR DIESEL

YEAR	MODEL/RESTRICTIONS	QUANTITY			PART NUMBER	DESCRIPTION
		638	893			
					6763	PIPE ASSY. (OIL FILLER)-Incl. cup — Cont'd
80/87	CL-CLT900 "From Ser. HJ5,001"		1		E0HZ 6763-B	#E0HT-BA-Lower
89	LN-LNT900 -- w/A/C "Before 6/12/89"	1			E9HZ 6763-A	
89	LN-LNT900 -- w/o A/C "Before 6/12/89"	1			E9HZ 6763-B	
89	L-LN-LNT-LT-LTS900 "From 6/12/89"	1			F0HZ 6763-C	
80/ 82/ 80	L-LN-LNT-LT-LTS900 LTL900 CL-CLT900 "Before Ser. HJ5,001"		1		D4HZ 6766-A	CAP ASSY. (OIL FILLER)-*EC-671-incl. chain
80/	CL-CLT900 "From Ser. HJ5,001"		1		D8HZ 6766-A	*EC-674
80/	CL-CLT900 "From Ser. HJ5,001"		1		E0HZ 6766-A	*EC-676
88/ 88/89	LL-LTL900 L-LN-LNT-LT-LTS900 "Before 5/22/89"		1		E8HZ 6K769-N	DUCT (CHARGER AIR COOLER TO ENG. CHARGER)-#E8HT-CB,CC
89	L-LN-LNT-LT-LTS900 "From 5/22/89"		1		E8HZ 6K769-R	#ED E8HT-EC
89	L-LN-LNT-LT-LTS900 "From 5/22/89"		1		E9HZ 6K769-F	#E8HT-ED
88/ 88/89	CL900 CLT900 "Before 5/22/89"		1		E8HZ 6K769-M	#E8HT-BA,BB-air cleaner to eng. charger
89	CLT900 "From 5/22/89"		1		E8HZ 6K769-P	#E8HT-DA,DB
89	CLT900 "From 5/22/89"		1		E9HZ 6K769-G	#E8HT-DC
89	L-LN-LNT-LT-LTS900 -- Air to air	1			E9HZ 6K769-B	#E9HT-FA
					6K770	DUCT (CHARGER AIR COOLER TO INT. MANIFOLD)
88/ 88/ 88/ 88/ 89 89	L-LN-LNT-LT-LTS900 -- cat. diesel LL-LTL900 CL900 -- exc. 425 H.P. CL900 -- 425 H.P. CLT900 LN-LNT900 "Before 10/1/88" LN-LNT900 "From 10/1/88"		1		E8HZ 6K770-P	#E8HT-KC
			1		E8HZ 6K770-L	#E8HT-AC
			1		★ E8HZ 6K770-C	#E8HT-GA-r/b E8HZ 6K770-N (6/90)
			1		E8HZ 6K770-N	#E8HT-FA,FB
			1		E8HZ 6K770-M	#E8HT-DA,DB
			1		E8HZ 6K770-H	
			1		E9HZ 6K770-A	
					6775-6	SHIELD (NOISE INSULATOR)
80/81	CL-CLT900		1		D8HZ 6775-AD	R.H.-Upper-#D8HT 6M002-GA
			1		E1HZ 6776-E	L.H.-Upper-#D8HT 6M003-HA, E1HT 6M002-EC
80/81	CL-CLT900		1		D9HZ 6775-B	Lower front-#D8HT 6E027-CA
			1		D9HZ 6775-C	Lower rear-#D8HT 6E075-BA,BB
80/81	CL-CLT900		1		D9HZ 6775-A	R.H. Lower side-#D8HT 6M002-LA
			1		D9HZ 6776-A	L.H. Lower side-#D8HT 6M003-KA
88/ 80/81	CL-CLT900 L-LT900		1		E8HZ 6775-F	Upper R.H.-#E8HT 6M002-GB
			1		E9HZ 6776-A	Upper L.H.-#E8HT 6M003-FC
			1		D8HZ 6775-AP	R.H.-rear-#D8HT 6N015-JA
			1		★ D8HZ 6776-AK	L.H.-rear-#D8HT 6N015-KA-not replaced (4/88)
80/81	LN-LNT900		1		D9HZ 6775-J	R.H.
80/81	LN-LNT900		1		★ E0HZ 6776-B	L.H.-not replaced
82/86	LTL900 "Before 5/14/86"		1		★ E3HZ 6775-A	R.H.-#E1HT 6M002-EB-r/b E7HZ 6775-A & E7HZ 6E055-A (2/88)
			1		E6HZ 6776-D	L.H.-#E1HT 6M003-DB,DC,DD-r/b E7HZ 6776-A & E7HZ 6E055-A

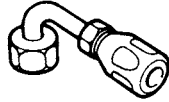
1980/  
TRUCK SERIES 600/900

YEAR	MODEL/RESTRICTIONS	QUANTITY				PART NUMBER	DESCRIPTION
		638	893				
						6775-6	SHIELD (NOISE INSULATOR) -- Cont'd
86	LTL900 "From 5/14/86"		1			★ E6HZ 6775-D	R.H.-#E6HT 6M002-RA-r/b E7HZ 6775-A & E7HZ 6E055-A (12/86)
			1			★ E6HZ 6776-D	L.H.-#E6HT 6M003-RA-r/b E7HZ 6776-A & E7HZ 6E055-A (12/86)
87/	LL-LTL900		1			E8HZ 6775-B	R.H.-#E8HT 6M002-FB
			1			E8HZ 6776-B	L.H.-#E8HT 6M003-FB
88/	L-LN-LNT-LT-LTS900		1			★ E8HZ 6775-E	Lower R.H.-#E8HT 6E027-HC-not replaced
			1			E8HZ 6776-C	Lower L.H.-#E8HT 6E027 GC
88/	LTS900		1			★ E8HZ 6775-U	Lower R.H. #E8HT 6E027-FB-not replaced
			1			★ E8HZ 6776-S	Lower L.H.-#E8HT 6E027 EB-not replaced
88/89	L-LT-LTS900		1			E9HZ 6775-C	Upper R.H.
	"Before 11/14/88"		1			E9HZ 6776-C	Upper L.H.
89	L-LT-LTS900		1			E9HZ 6775-C	Upper R.H.
	"From 11/14/88"		1			E9HZ 6776-C	Upper L.H.
88/89	LN-LNT900		1			E9HZ 6775-B	Upper R.H.
	"From 11/14/88"		1			F0HZ 6776-A	Upper L.H.
80/86	L-LT-LTS900		AR			386859-S2	(MM-119-G)-Rivet nut (noise shield to frame)3/8"-16 x 5/16" long
80/86	L-LT-LTS900		AR			388271-S100	(HH-52-E)-Fastener (wing type) quick open (attach 6E055 brkt. to shield)-3/8"
80/86	L-LT-LTS900		AR			388270-S100	(HH-53-E)-Pin quick open (attach 6E055 brkt. to shield) 3/8" x 3/4"
80/86	L-LT-LTS900		AR			388268-S100	(WW-1-E)-Retainer (washer type) (use between shield and brkt.) -3/8" I.D. 1 3/4" O.D.
80/81	CL-CLT900 - - lower rear		AR			388278-S100	(HH-50-F) Pin (noise shield to bracket) -3/8" x .81" quick open
80/81	CL-CLT900 - - lower front		AR			388280-S100	(HH-50-E)-Pin (noise shield to bracket) -3/8" x .57" quick open
80/81	CL-CLT900 - - upper shield		AR			387853-S7	(HH-50-EC)-Pin (noise shield to bracket) -3/8" x .50" quick open
80/86	L-LT900		6			372820-S36	(SS-45-M)-Rivet-pop (noise shield to floor pan)-1/4" dia.
						6K775	COOLER ASSY. (CHARGER AIR)
88/	L-LN-LNT-LT-LTS900		1			F0HZ 6K775-A	
88/	LL-LTL900		1				
88/	CL-CLT900		1			★ E8HZ 6K775-D	R/b F0HZ 6K775-B (7/91)
89/	L-LN-LNT-LS-LT-LTS900	1				F0HZ 6K775-C	
84/	CL-CLT900 - - exc. new scroll fuel system- "From 12/1/83"		1			E4HZ 6786-A	BRACKET (OIL LEVEL INDICATOR TUBE) #E4HT 6A840-AA
80	CL-CLT900 "Before Ser. HJ5.001"		1			D8HZ 6786-A	BRACKET (OIL FILLER SUPPORT)-#D7HT 6B621-AD -upper
80/87	CL-CLT900 "From Ser. HJ5.001"		1			E0HZ 6786-A	#E0HT 6B621-AA-upper
80/	CL-CLT900		1			D8HZ 6786-C	#D7HT 6B621-CE- Lower
88/	CL-CLT900		1			E8HZ 6786-A	Upper
88/			4			F0HZ 6K786-M	CLAMP ASSY. (CHARGER AIR COOLING)-R.H. side
88/			4			F0HZ 6K786-C	L.H. side
89	LN-LNT900	1				F0HZ 6K786-A	
80/	CL-CLT900		1			★ D7HT 6A787-KA	HOSE (OIL FILLER PIPE) - cut from D1PZ 8333-A bulk hose
80/			1			D0HZ 6838-A	SEAL (OIL FILTER COVER)-Also refer to 6885 8" I.D.-cross section square shaped

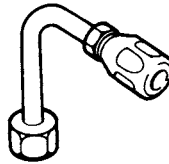
6B850-1 HOSE and FITTING (OIL)



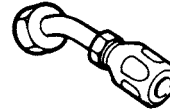
D5TZ-2B323-A  
(7/16"-20)  
D5TZ-2B323-B  
(5/8"-18)



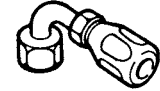
90°  
D8HZ-6748-A



90°  
D8HZ-6748-B



45°  
D8HZ-6748-C



90°  
D8HZ-6748-D

IMPROVISE FROM 2269 BULK HOSE  
and UTILIZE FITTINGS ILLUSTRATED ABOVE AS REQUIRED IF NOT LISTED BELOW

YEAR	MODEL/RESTRICTIONS	QUANTITY			PART NUMBER	DESCRIPTION
		638	893			
81/	CL-CLT900 - - "From 11/2/81"		1		E1HZ 6B850-A	Outlet-#E1HT-EA
			1		E1HZ 6B851-C	Inlet-#E1HT-FA
82/	LTL900		1		E1HZ 6B850-C	Outlet-#E1HT-FA
			1		E1HZ 6B851-C	Inlet-#E1HT-FA
81/	L-LN-LNT-LT-LTS900		1		E2HZ 6B850-B	Outlet-#E2HT-AA
			1		E1HZ 6B851-C	Inlet-#E1HT-FA
80/			AR		★ 6B850-1	HOSE ASSY. (OIL COOLER TO ENGINE) -Serviced in 8B647 hose kit
80/	CL-CLT900		1		388741-S100	(II-39-C)-connector (hose & fitting to eng.) 7/16" X 45° flex
80/	CL-CLT900		1		388736-S	(II-257-E)-Tee (hose & oil pressure switch to eng.) 1/4" X 7/16" pipe
			1		388700-S100	(II-177-DG)-connector (hose to eng.) 3/8" X 5/8"
80/	L-LT900		1		388494-S100	(II-29-CG)-Connector (attach oil cooling hose to eng.)-1/8 pipe internal & external
88/	CL-CLT900		1		E8HZ 6K854-B	ADAPTER (CHARGER AIR)
88/	L-LN-LNT-LT-LTS900		1		E8HZ 6K854-C	#E8HT-CB
88/	LL-LTL900		1			
89	L-LN-LNT-LT-LTS900	1			E9HZ 6K854-A	
88/	CL-CLT900 - - exc. 425 H.P.		1		E8HZ 6K864-A	BRACKET (CHARGE AIR COOL ADAPTOR)
88/	L-LN-LNT-LS-LT-LTS900 exc. 425 H.P.		1			
88/	LL-LTL900		1			
80/			1		C1TZ 6885-A	GASKET (OIL FILTER COVER)-Also refer to 6838 8 1/2" I.D.-cross section diamond shaped
					6B888	GASKET (OIL FILLER PIPE)
89	LN-LNT900	1			E9HZ 6B888-A	
88/	All		AR		E8HZ 6N945-A	RECEPTACLE (NOISE SHIELD STUD)

YEAR	MODEL/RESTRICTIONS	QUANTITY				PART NUMBER	DESCRIPTION
		501					
81/87	B-C-F-LN600/800	1				E1HZ 6B018-A	WIRING ASSY. (BLOCK HEATER)
						6A027	SPACER (SUPPORT INSULATOR)
80/87	B-F-FT600/900 -- 8.5" frame	2				E0HZ 6A027-C	Front
80/87	B-F-FT600/900 -- 9.5" frame	2				E0HZ 6A027-B	Front
80/87	LN-600/700-M/T	2				E0HZ 6A027-C	Front
81/86	LN600/700	2				C8TZ 6A027-A	Rear
81/87	C-CT700/800	2					
						6028	BRACKET (FRONT SUPPORT)
81/87	LN600/700	1				DOHZ 6028-L	
						6038	INSULATOR ASSY. (FRONT SUPPORT)
80	B-F600/800 -- 8.5" frame	2				E1HZ 6038-A	
80	B-F600/800 -- 9.5" frame	2					
81/87	B-C-F-FT-LN600/900	2					
80/87	B-F600/800	4				58674-S100	(B-121-A)-Bolt (insulator to frame)- 1/2-13 x 1.25 hex.
81/87	B-C-F-LN600/800	1				E1HZ 6A051-A	HEATER ASSY. (BLOCK)
						6A056	CAP (BLOCK HEATER)
81/87		AR				CEH-117	Unique Motorcraft number
80/87	C-CT600/800	1				E4HZ 6A057-A	SUPPORT (FRONT INSULATOR)
81/86	LN600/700	2				C8TZ 6A061-A	INSULATOR (REAR SUPPORT)
81/87	C-CT600/800	2					
80/81	B-F600/800-	2				E0HZ 6A065-A	CAP (SUPPORT)-rear R.H. & L.H.
81	"Before 11/24/80" C-CT700/800 -- A/T-	2					
81	"Before 12/24/80" LN600/700 -- A/T-	2					
81/87	"From 11/24/80" B-F-FT600/900	2				E1HZ 6A065-B	#E1HT-AA
81/87	"From 11/24/80" C-CT700/800 -- A/T-	2					
81/86	"From 11/24/80" LN600/700 -- A/T-	2					
81/87	"From 11/24/80" B-F600/800 -- 9.5" frame	1				★ E0HZ 6A066-A	SPACER (FRONT SUPPORT INSULATOR)
80/87	B-F-FT600/900	2				E2HZ 6A067-A	BRACKET (REAR SUPPORT)-R.H. & L.H.-#E2HT 5086-AA
81/87	LN600/700 -- A/T	2				E1HZ 6A067-E	#E1HT 5086-EA
81/87	C-CT600/800	1				E1HZ 6A067-C	R.H.-#E1HT 5086-DA
		1				E1HZ 6A067-D	L.H.-#E1HT 5087-BA
80/87	B-F-FT600/900	2				DOHZ 6068-B	INSULATOR ASSY. (REAR SUPPORT)-R.H. & L.H.
81/87	C-CT700/800 -- A/T	2					
80/87	LN600/800	2				DOHZ 6068-B	R.H. & L.H. (rear support)
81/87	LN600/700 -- M/T	2				C8TZ 6068-B	
81/87	C-CT600/800 -- M/T	2					
80/87	B-F-FT600/900	2				E0HZ 6096-C	BRACKET (REAR SUPPORT)-R.H. & L.H.
81/87	C-CT700/800	2					
81/86	LN600/700 -- A/T	2					
80/87	B-F600/800	8				N601808-S2	(AB-19-E) Bolt (attach bracket to trans) -M14 x 40 hex. lock
80/87	C-CT-LN600/800 -- A/T	8				N630090-S2	(AX-14-F) Washer M14 flat
80/87	B-C-CT-F-LN600/800	1				E0HZ 6B209-A	TENSIONER ASSY. (BELT DRIVE)-#E0HT-AA
80/87	B-F600/800	1				58682-S2	(B-129-B) Bolt (tensioner to 8680 bracket) 1/2"-13 x 3.25" Hex. hd.
80/87	B-F600/800	1				44879-S	(X-31-G) Washer-1/2"-flat
80/87	B-F-LN600/800	1				E0HZ 6A312-A	PULLEY ASSY. (CRANKSHAFT-OUTER)-also refer to pulley I.D. chart, section 60, page 8.- single sheave
81/87	C-CT600/800	1				E1HZ 6A312-A	#E1HT-BA-single sheave
81/87	C-CT700/800 -- MT 640,650 T/M	1				E0HZ 6A369-A	ADAPTOR (FLYWHEEL TO TRANSMISSION)

1980/  
TRUCK SERIES 600/900

DETROIT DIESEL  
8 CYL.-8.2L (501 C.I.D.)

YEAR	MODEL/RESTRICTIONS	QUANTITY				PART NUMBER	DESCRIPTION
		501					
						6A370	PLATE ASSY. (FLYWHEEL TO TRANSMISSION ADAPTOR)
80/87	B-C-CT-F600/800 -- with AT540 trans.	1				★ EOHZ 6A370-A	Not replaced (2/88)-Secure from Detroit diesel source
80/87	F600/800 -- with MT643	1				★ EOHZ 6A370-B	Not replaced (2/88)-Secure from Detroit diesel source
81/87	C-CT700/800, LN600/700 -- MT640,650 T/M	1					
81/87	C-CT700/800, LN600/700 -- MT 640,650 T/M	1				★ D5HZ 6A370-A	Secure from Cat. dealer-vendor #9L7871
80/87	B-F600/800	6				N800546-S100	(AB-119-A) Bolt (adaptor to flywheel) M10 x 15 hex. flange hd.
81/87	C-CT700/800, LN600/700 -- MT 640,650 T/M	1				★ 6375	Secure from Detroit diesel source
81/87	C-CT-LN700/800	1				★ D0HA 6B609-F	BRACKET (HOSE) Improvise
81/85	C-CT700/800 "Before 12/1/84"	1				E1HZ 6A665-B	ADAPTOR ASSY. (OIL FILLER CAP)-#E1HT-AA
85/87	C-CT700/800- "From 12/1/84"	1				E5HZ 6A665-A	Also refer to 6A789 & 6793
80/87	B-C-CT-F-FT-LN600/900	2				E0HZ 6731-A	ELEMENT ASSY. (OIL FILTER)-*FL-12
81	C-CT700/800- "Before 10/27/80"	1				★ E1HZ 6750-A	INDICATOR ASSY. (OIL LEVEL)-#E1HT-AA- R/B E1HZ 6750-D & E1HZ 6754-B
81/83	C-CT700/800-"From 10/27/80"	1				E1HZ 6750-D	#E1HT-AB
81/84	B-F600/800	1					
81/84	LN600/700	1					
84/87	C-CT700/800	1				E4HZ 6750-C	#E1HT-AB, E5HT-GA
85/87	B-F500/800	1				E5HZ 6750-D	#E5HT-FA
85/86	LN600/700	1					
						6754	TUBE ASSY. (OIL LEVEL INDICATOR)
81/83	C-CT700/800	1				E1HZ 6754-B	#E1HT-AC
81/84	B-F600/800	1					
81/84	LN600/700	1					
84/87	C-CT700/800	1				E4HZ 6754-C	
85/87	B-F600/800	1				E5HZ 6754-G	
85/86	LN600/700	1					
						6775-6	SHIELD (NOISE INSULATOR)
80/81	B-F600/800	1				★ EOHZ 6775-A	R.H.-#E0HT 6M002-AA,AB-not replaced
		1				★ EOHZ 6776-A	L.H.-#E0HT 6M003-AA,AB-not replaced
81/86	LN600/700-	1				E1HZ 6775-G	R.H.-#E1HT 6M002-DC
		1				E1HZ 6776-D	L.H.-#E1HT 6M003-CB
81/87	C-CT800	1				B7T 6786-A	BRACKET (OIL FILLER SUPPORT)
80/87	B-F600/800	1				★ 6B873	TUBE ASSY. (OIL SEPERATOR DRAIN) -Improvise from 8QH 2269-B Bulk tube
80/87	B-F600/800	1				387511-S100	(II-29-D) Elbow (attach tube assy. to engine) 45°-1/2" x 1/2" pipe
81/83	C-CT700/800	1				E1HZ 6A789-A	NECK & BRACKET ASSY. (OIL FILLER HOSE)- #E1HT-AA
85/87	C-CT700/800- "From 12/1/84"	1				E5HZ 6A789-A	#E5HT-AA-"Before 12/1/84" refer to 6A665
81/83	C-CT700/800	1				E1HZ 6793-A	HOSE (OIL FILLER PIPE)-#E1HT 6A787-AA
85/87	C-CT700/800- "From 12/1/84"	1				E5HZ 6793-A	E5HT 6A787-BA-"Before 12/1/84" refer to 6A665

YEAR	MODEL/RESTRICTIONS	QUANTITY				PART NUMBER	DESCRIPTION
		6.6L	7.8L				
						6007 ENGINE ASSY.	
87/	CF600/700 (170 H.P.)-exc. Calif.	1				E8HZ 6007-H	170 H.P.
87	B-F-LN700 (170 H.P.)-exc. Calif.	1					
87/88	B700,F700/800,FT900- (210 H.P.)- "Before 11/30/87"		1			★ E7HZ 6007-E	210 H.P.-r/b E8HZ 6007-L (6/90)
87/88	L-LN-LNT-LT-LTS800 (210 H.P.)- "Before 11/30/87"		1				
87	B700,F800,FT900 (225 H.P.)		1			★ E7HZ 6007-G	225 H.P.-r/b E7HZ 6007-M (6/90)
87	L-LN-LNT-LT-LTS800 (225 H.P.)		1				
88/	CF700(185 H.P.)		1			E8HZ 6007-D	
88/	CF600/700(170 H.P.)		1			E8HZ 6007-C	
88/	CF700/800(210 H.P.)		1			★ E8HZ 6007-B	R/b E7HZ 6007-A (6/90)
88/	CF700/800(240 H.P.) "From 3/28/88"		1			E8HZ 6007-A	
88/	CF600/700(170 H.P.)-Calif. "From 11/30/87"	1				E8HZ 6007-H	
88/	B-F-LN700(170 H.P.)-Calif. "From 11/30/87"	1					
88/	B-F600(160 H.P.) "From 11/30/87"	1				E8HZ 6007-J	
88/	CF700/800(210 H.P.) "From 11/30/87"		1			E8HZ 6007-L	
88/	B700,F700/800,FT900 (210 H.P.) "From 11/30/87"		1				
88/	L-LN-LNT-LT-LTS800(210 H.P.) "From 11/30/87"		1				
88/	B-F-FT-L-LN-LNT-LT-LTS700/900 (215 H.P.) exc. Calif. "From 11/30/87"		1			E8HZ 6007-M	
88/	B-F-FT-L-LN-LNT-LT-LTS700/900 (215 H.P.) Calif.		1			E8HZ 6007-N	
88/	F800,FT900(240 H.P.) "From 11/30/87"		1			E8HZ 6007-P	
88/	L-LN-LNT-LT-LTS800 (240 H.P.) "From 11/30/87"		1				
89	B-F700 - - (165 H.P.) Calif. "From 6/1/88"	1				E8HZ 6007-R	
89	B-F-FT600/900 - - (185 H.P.) "From 3/1/88"	1				E9HZ 6007-B	
89	L-LN-LNT-LT-LTS800 - - (270 H.P.) ATA cool- "From 3/1/89"		1			E9HZ 6007-C	
87/	170 H.P. reman.	1				E8HZ 6007-HRM	
87/88	210 H.P. reman. "Before 11/30/87"		1			E7HZ 6007-PRM	
88/	210 H.P. reman. "From 11/30/87"		1			E8HZ 6007-LRM	
87/88	240 H.P. reman. "Before 11/30/87"		1			E7HZ 6007-FRM	
88/	240 H.P. reman. "From 11/30/87"		1			E8HZ 6007-PRM	
86	CF700/800	1				E6HZ 6K007-B	STUD KIT (FRONT MOUNTING)-Used when installing E6HZ 6009-A or E6HZ 6010-D

1980/  
TRUCK SERIES 600/900

YEAR	MODEL/RESTRICTIONS	QUANTITY				PART NUMBER	DESCRIPTION
		6.6L	7.8L				
87		1				E7HZ 6008-A	KIT (COMPLETE OVERHAUL)
	Consists of						
	1-E7HZ 6020-A	Gasket (front cvr.)	12-E6HZ 6571-A	Seal (vlv. stem)	1-E6HZ 6701-A	Seal (cr. shft.)	
	1-E7HZ 6020-B	Gasket (front cvr.)	12-E7HZ 6571-A	Seal (vlv. stem)	1-E6HZ 6710-A	Gasket (oil pan)	
	1-E7HZ 6051-A	Gasket (cyl. head)	1-E7HZ 6584-A	Gasket (rkr. cvr.)	1-E6HZ 6734-A	Gasket (drain plug)	
	6-E6HZ 6207-A	Bushing (conn. rod)	1-E6HZ 6A628-A	Gasket (hyd. pump. flng. cvr.)	1-E6HZ 8255-A	Gasket (thrm. hsg.)	
	12-E7HZ 6212-A	Nut (conn. rod)	1-E6HZ 6B652-A	"O"-ring	1-E7HZ 9439-A	Gskt. (intake mfd.)	
	12-E6HZ 6214-B	Bolt (conn. rod)	1-E6HZ 6N652-A	Gasket (t/chrgr.)	1-E7HZ 9448-A	Gskt. (exh. mfd.)	
	7-E6HZ 6261-B	Bearing (cam)	1-E6HZ 6N653-A	Gskt. (t/chrgr.)	1-E6HZ 9F598-A	Gasket (timing cvr.)	
	6-D9HZ 6514-B	Retainer (vlv. spring-exh.)	1-E7HZ 6700-A	Seal (cr. shft.)	6-E8HZ 9F596-A	"O"-ring	
88/		1				E8HZ 6008-B	
	Consists of						
	1-E7HZ 6020-A	Gasket (frt. cvr.)	12-E7HZ 6571-A	Seal (vlv. strn.)	1-E7HZ 9439-A	Gasket (I/M)	
	1-E7HZ 6020-B	Gasket (frt. cvr.)	1-E6HZ 6A628-A	Gasket (hyd. pmp. flng. cvr.)	2-E7HZ 9448-A	Gasket (E/M)	
	1-F0HZ 6051-C	Gasket (cyl. hd.)	1-E6HZ 6N652-A	"O" ring	1-E6HZ 9F598-A	Gasket (timing cvr.)	
	6-E7HZ 6207-C	Bushing (conn. rod)	1-E6HZ 6N653-B	Gasket (t/chrgr.)	6-E8HZ 9F596-A	"O" ring	
	12-E6HZ 6214-B	Bolt (conn. rod)	1-E7HZ 6700-A	Seal (cr. shaft.)	1-E7HZ 6N789-A	Gasket (oil cooler tube)	
	12-E7HZ 6510-A	Insert (vlv. guide)	1-E6HZ 6701-A	Seal (cr. shft.)	12-87001-S96	"O" ring (P.J.)	
	6-E6HZ 6514-A	Retainer (vlv. spring-exhaust)	1-E8HZ 6710-A	Gasket (oil pan)	1-379275-S94	"O" ring (P.S.)	
	6-E7HZ 6514-A	Retainer (vlv. spring-intake)	1-E6HZ 6734-A	Gasket (oil plug)	1-390155-S95	"O" ring (I.P.)	
	7-E6HZ 6261-B	Bearing (cam)	1-E6HZ 8255-A	Gasket (thrm. hsg.)	1-87140-S95	"O" ring (S.H.)	
	1-E8HZ 6N305-A	Gasket (rr. oil seal)	1-E7HZ 8507-A	Gasket (wtr. pump)	3-87051-S96	"O" ring (O.C.)	
	1-E7HZ 6584-B	Gasket (vlv. cvr.)	1-E7HZ 8513-A	Gasket (wtr. pump)	2-87058-S96	"O" ring (O.C.)	
					3-87054-S96	"O" ring (O.C.)	
					1-87061-S96	"O" ring (O.C.)	
87		1				E7HZ 6008-B	
	Consists of						
	1-E7HZ 6020-A	Gasket (front cvr.)	12-E7HZ 6571-A	Seal (vlv. stem)	1-E7HZ 8507-A	Gasket (wtr. pmp.)	
	1-E7HZ 6020-B	Gasket (front cvr.)	1-E6HZ 6A628-A	Gasket (hyd. pmp. flng. cvr.)	1-E7HZ 8512-A	Impeller	
	1-E7HZ 6051-A	Gasket (cyl. hd.)	1-E6HZ 6B652-A	"O"-ring	1-E7HZ 8513-A	Seal (wtr. pmp.)	
	6-E7HZ 6207-A	Bushing (conn. rod)	1-E6HZ 6N652-A	Gasket (t/chrgr.)	1-E7HZ 8530-A	Bearing (wtr. pmp.)	
	12-E7HZ 6214-A	Bolt (conn. rod)	1-E6HZ 6N653-A	Gasket (t/chrgr.)	1-E7HZ 8564-A	Seal (wtr. pmp.)	
	12-E7HZ 6510-A	Insert (vlv. guide)	1-E7HZ 6700-A	Seal (cr/shft.)	1-E6HZ 8575-A	Thermostat	
	6-D9HZ 6514-B	Retainer (vlv. stem-exh.)	1-E6HZ 6701-A	Seal (cr/shft.)	1-E7HZ 9439-A	Gasket (intake mfd.)	
	7-E6HZ 6261-B	Bearing (cam)	1-E6HZ 6710-A	Gasket (oil pan)	1-E7HZ 9448-A	Gasket (ex. mfd.)	
	1-E7HZ 6584-A	Gasket (rkr. cvr.)	1-E6HZ 6734-A	Gasket (drain plug)	1-E6HZ 9F598-A	Gasket (timing cvr.)	
	12-E6HZ 6571-A	Seal (vlv. stem)	1-E6HZ 8255-A	Gasket (thrm. hsg.)	6-87018-S96	"O"-ring	
88/		1				E8HZ 6008-A	
	Consists of						
	1-E7HZ 6020-A	Gasket (front cvr.)	1-E7HZ 6B652-A	Seal (cr/slngr)	1-E7HZ 9439-A	Gasket (intake mfd.)	
	1-E7HZ 6020-B	Gasket (front cvr.)	1-E7HZ 6N652-A	Gasket (t/chrgr.)	2-E7HZ 9448-A	Gasket (exhaust mfd.)	
	1-F0HZ 6051-C	Gasket (cyl. hd.)	1-E6HZ 6N653-A	Gasket (t/chrgr.)	1-E6HZ 9F598-A	Gasket (timing cvr.)	
	6-E7HZ 6207-A	Bushing (conn. rod)	1-E7HZ 6700-A	Seal (cr./shft.f)	6-E8HZ 9F596-A	"O" ring	
	12-E7HZ 6214-A	Bolt (conn. rod)	1-E6HZ 6701-A	Seal (cr./shft.r)	1-E7HZ 6N789-A	Gasket (oil cooler tube)	
	12-E7HZ 6510-A	Insert (vlv. guide)	1-E8HZ 6710-A	Gasket (oil pan)	12-87001-S96	"O" ring	
	6-C6AZ 6514-A	Retainer (vlv. stem-exh.)	1-E6HZ 6734-A	Gasket (oil plug)	1-379275-S94	"O" ring	
	6-E7HZ 6514-A	Retainer (vlv. stem-int)	1-E6HZ 8255-A	Gasket (thrm. hsg.)	1-390155-S95	"O" ring	
	7-E6HZ 6261-B	Bearing (cam)	1-E7HZ 8507-A	Gasket (wtr. pump)	1-87140-S95	"O" ring	
	1-E8HZ 6N305-A	Gasket (rear oil seal)	1-E7HZ 8512-A	Impeller	3-87051-S96	"O" ring	
	1-E7HZ 6584-B	Gasket (vlv. cvr.)	1-E7HZ 8513-A	Seal (wtr. pump)			
	12-E7HZ 6571-A	Seal (vlv. stem)	1-E7HZ 8530-A	Bearing (wtr. pump)	2-87058-S96	"O" ring	
	1-E6HZ 6A628-A	Gasket (hyd. pmp. flng. cvr.)	1-E7HZ 8564-B	Seal (wtr. pump)	3-87054-S96	"O" ring	
	1-E6HZ 6B652-A	"O" ring	1-E6HZ 8575-A	Thermostat	1-87061-S96	"O" ring	

YEAR	MODEL/RESTRICTIONS	QUANTITY				PART NUMBER	DESCRIPTION
		6.6L	7.8L				
86/	CF600/700	2				B9AE 6A008-A	DOWEL (CYLINDER HEAD TO CYLINDER BLOCK)
86/88		1	1			E6HZ 6D008-A	HEATER KIT (BLOCK)
86	CF600/700	1				E6HZ 6009-A	CYLINDER ASSY.-incl. cylinder block w/all internal parts of the engine but does not include cylinder heads, tappets, oil pan or cylinder front cover unless indicated
87		1				★ E7HZ 6009-B	R/b E8HZ 6009-C (6/90)
88/	CF600/700	1				E8HZ 6009-C	
88/	B-F-LN600/700	1					
87			1			E8HZ 6009-A	
88/	CF700/800		1				
88/	B-F-FT700/900		1				
88/	L-LN-LNT-LT-LS-LTS700/800		1				
89	B-F700 - - (165 H.P.) Calif. "From 6/1/88"	1				E8HZ 6009-F	
89	B-F-LN700 - - (185 H.P.)	1				E9HZ 6009-C	
89/	L-LN (270 H.P.)		1			E9HZ 6009-D	E7HZ 6009-EA
86	CF600/700	1				E6HZ 6010-D	BLOCK ASSY. (CYLINDER)
87/		1				F0HZ 6010-B	
87/88			1			★ E7HZ 6010-B	R/b E9HZ 6010-D, E9HZ 6A255-A & E9HZ 6N252-A
89			1			★ E9HZ 6010-A	R/b E9HZ 6010-D
86	CF600/700	1				E6HZ 6B015-A	PLATE (FRONT INSULATOR SUPPORT REINFORCEMENT)
86/		1	1			E6HZ 6017-A	COVER (CAMSHAFT GEAR)-cover for hydraulic pump drive gear
86/88		2	2			E7HZ 6B018-A	WIRING ASSY. (BLOCK HEATER) Use with E7HZ 6A051-B heater
86/88		2	2			E7HZ 6B018-B	Use with E7HZ 6A051-C heater
89		1	1			E7HZ 6B018-C	Use with F0HZ 6A051-A heater
86	CF600/700	1				E6HZ 6019-A	COVER ASSY. (CYLINDER FRONT)
87/		1	1			E7HZ 6019-A	
87/	B600/700 - - w/dual block heaters	1	1			E7HZ 6B019-A	EXTENSION WIRE ASSY. (BLOCK HEATER)
87/		10	10			57651-S	(U-17-B) Screw & washer (attach cover (6019) to block (6010)) 3/8"- 16 x 2 1/4"
86	CF600/700	1				E6HZ 6020-A	GASKET (CYLINDER FRONT COVER)-Inner
		1				E6HZ 6020-B	Outer
87/		1	1			E7HZ 6020-A	Inner
		1	1			E7HZ 6020-B	Outer
86	CF600/700	1				E6HZ 6023-A	POINTER (TIMING)
87/		5	5			E7HZ 6026-A	PLUG (ENGINE)-1.56" O.D. Core holes
		1	1			E7HZ 6026-B	1.75" O.D.-used in rear of block & in cyl. head
87/		AR	AR			E7HZ 6026-C	1.81" O.D.
		5	5			E7HZ 6026-D	1.50" O.D. Drain holes in block
		1	1			E7HZ 6026-E	.81" O.D.-used in front of block
		3	3			E7HZ 6026-F	1/4"-18 x .56" hex hd.-used in L.H. side of block
		1	1			E7HZ 6026-G	3/4"-14 x .75" hex hd.-used in lower L.H. side of block
		1	1			E7HZ 6026-H	1/2"-14 x .42" socket hex hd.-used in rear of block under hyd. pump gear cover
		6	6			E7HZ 6026-L	1.13" std.-used in top of head
		AR	AR			E7HZ 6026-M	1.18" O/S-used in top of head
86		1				378336-S	Cup-.636" O.D.-used in front of block
87/		1	1			E6HZ 6A616-A	Used in block-also used in oil pump



**1980/  
TRUCK SERIES 600/900**

YEAR	MODEL/RESTRICTIONS	QUANTITY				PART NUMBER	DESCRIPTION
		6.6L	7.8L				
86/	CF600/700	2	2			E6HZ 6A027-A	SPACER (SUPPORT INSULATOR)-Front
87	B-F-FT600/900 -- w/9.5" frame	2	2			E0HZ 6A027-B	
88/	B-F-FT600/900 -- exc. 10K, 12K lb. frt. axle	2	2				
88/	F-FT800/900 -- 10K,12K lb. frt. axle	2	2			E8HZ 6A027-A	
87/	B-F-FT600/900,L-LN-LNT- LT800 -- w/8.5" frame		2			E7HZ 6A027-A	
86/		1	1			E7HZ 6028-B	BRACKET (FRONT SUPPORT)
86/	CF600/700	2				E6HZ 6038-A	INSULATOR ASSY. (FRONT SUPPORT)
87/	L-LN-LNT-LT-LTS800		2			E1HZ 6038-A	
87/	B-F-FT600/900	2	2				
86	CF600/700	1				E6HZ 6049-A	HEAD (CYLINDER)-without valves
87			1			★ E7HZ 6049-A	Without valves-r/b Mat #88062
87		1				★ E7HZ 6049-B	Without valves-r/b E8HZ 6049-B & (6) C6AZ 6514-A (2/91)
88/		1				E8HZ 6049-B	Without valves
88/			1			E8HZ 6049-A	Without valves
86	CF600/700	1				E6HZ 6051-A	GASKET (CYLINDER HEAD)
87/		1	1			E8HZ 6051-A	
86/88		2	2			E7HZ 6A051-B	HEATER ASSY. (BLOCK) #E7HT-AA has (4) alignment lugs on outer circumference use with E7HZ 6B018-A wire assy.
86/88		2	2			E7HZ 6A051-C	#E7HT-AA-has an alignment surface that extends around the entire circumference-use with E7HZ 6B018-B wire assy.
89		1	1			F0HZ 6A051-A	1250 Watt-has (2) tabs to screw heater to block-use with E7HZ 6B018-C wire assy.
86/		AR				E6HZ 6055-A	SLEEVE (CYLINDER BLOCK)
87/			AR			E7HZ 6055-A	
88/		6	6			E8HZ 6E055-C	BRACKET (NOISE SHIELD)-"T" shaped
88/	L-LN-LNT-LT900	4	4			E8HZ 6E055-P	R.H.-#E8HT 6E077-HB
		4	4			E8HZ 6E055-N	L.H.-#E8HT 6E077-GA
88/	L-LT900	4	4			E8HZ 6E055-R	Lower-#E8HT 6E055-EB
88/	LS-LTS800	4	4			E8HZ 6E055-T	Lower-#E8HT 6E077-FB
88/	LS-LTS800/900	1	1			E8HZ 6E055-AA	Lower-#E8HT 6E077-VB
87/	L-LN-LNT-LT900	6	6			E7HZ 6E055-B	"L" shaped w/nut-#E6HN 6M018-AA- attach oil pan shroud to eng.
86	CF600/700	6				E6HZ 6057-A	INSERT (VALVE SEAT)-Exhaust std.
		AR				E6HZ 6057-B	.010" O/S
		AR				E6HZ 6057-C	.020" O/S
		AR				E6HZ 6057-R	.030" O/S
86	CF600/700	6				E6HZ 6057-D	Intake-std.
		AR				E6HZ 6057-E	.010" O/S
		AR				E6HZ 6057-F	.020" O/S
		AR				★ E6HZ 6057-S	.030" O/S-not replaced
87/		6	6			E7HZ 6057-A	Intake-1.96" O.D. std.
		AR	AR			E7HZ 6057-B	.010" O/S
		AR	AR			E7HZ 6057-C	.020" O/S
		AR	AR			E7HZ 6057-D	.030" O/S
87/		6	6			E7HZ 6057-E	Exhaust-1.73" O.D. std.
		AR	AR			E7HZ 6057-F	.010" O/S
		AR	AR			E7HZ 6057-G	.020" O/S
		AR	AR			E7HZ 6057-H	.030" O/S
86	CF600/700	19				E6HZ 6065-A	BOLT (CYLINDER HEAD)-9/16-12 x 5.00"
		7				E6HZ 6065-B	9/16"-12 x 7.96"
87/		7	7			E7HZ 6065-A	9/16"-12 x 8.32"
		19	19			E7HZ 6065-B	9/16"-12 x 5.43"

YEAR	MODEL/RESTRICTIONS	QUANTITY				PART NUMBER	DESCRIPTION
		6.6L	7.8L				
86	CF600/700	2				E1HZ 6A065-B	CAP (SUPPORT)
87/	B-F-FT600/900	2	2				
87/	L-LN-LNT-LT-LTS800		2				
87/	CF600/800	2	2			E7HZ 6A065-A	
87/	B-F-FT600/900 -- w/9.5" frame	1	1			E0HZ 6A066-B	SPACER (FRONT SUPPORT)
86	CF600/700	2				E6HZ 6A067-A	BRACKET (SUPPORT TO FRAME)
87	CF600/800 "Before 12/1/87"	2	2			E7HZ 6A067-K	
87/	CF600/800 "From 12/1/87"	2	2			E7HZ 6A067-L	
87/	L-LN-LNT-LT-LTS800		2			E7HZ 6A067-G	
87/	B-F-FT600/900 -- w/8.5" frame	2	2			E7HZ 6A067-F	
87/	B-F-FT600/900 -- w/9.5" frame	2	2			E7HZ 6A067-E	
86	CF600/700	2				E6HZ 6068-B	INSULATOR ASSY. (SUPPORT)-rear
87/	CF600/800	2	2			E7HZ 6068-A	
87/	L-LN-LNT-LT-LTS800		2			D0HZ 6068-B	R.H. & L.H.
87/	B-F-FT600/900	2	2				
86	CF600/700	1				E6HZ 6B070-A	PLATE (CYLINDER FRONT COVER)
87/		1	1			E7HZ 6B070-A	
86/	CF600/700	1				E6HZ 6N072-B	BRACKET (CYLINDER BLOCK TO INJECTION PUMP)
87/	exc. 160 H.P.	1	1				
87	All -- w/160 H.P.	1				E7HZ 6N072-B	
86	CF600/700 -- exc. Calif.	1				E6HZ 6N076-A	BRACKET (TIMING TRANSDUCER)
86	CF600/700 -- Calif.	1				E6HZ 6N076-B	
87		1	1			E7HZ 6N076-A	
88/		1					
88/	All 215 H.P.-exc. Calif.		1			E8HZ 6N076-A	
88/	All 215 H.P.-Calif.		1			E8HZ 6N076-B	
88/	All 210, 240 H.P.		1				
87/		4	4			302163-S36	(U-402) screw (attach timing transducer brkt. to front cover) 1/4"-20 x .62" socket hd.
87/		1	1			E7HZ 6N077-A	TUBE (CYLINDER FRONT COVER WATER)
86	CF600/700	1				E6HZ 6E078-A	GASKET SET (LOWER)

Consists of

1-E6HZ 6020-A	Gasket (front cover)	1-E6HZ 6734-A	Gasket (oil drain plug)
1-E6HZ 6020-B	Gasket (front cover)	1-E6HZ 6700-A	Seal (crankshaft)
2-E6HZ 6336-A	Seal (main bearing cap)	1-E6HZ 6701-A	Seal (crankshaft)
1-E6HZ 6A636-A	Gasket (oil filter)	1-E6HZ 8507-A	Gasket (water pump)
1-E6HZ 6659-A	Gasket (oil pump)	1-E6HZ 9F598-A	Gasket (timing cover)
1-E6HZ 6B652-A	O-Ring (oil pump)	1-E6HZ 6A628-A	Gasket (hydraulic oil pump cvr.)
1-E6HZ 6710-A	Gasket (oil pan)		

87		1	1			★ E7HZ 6E078-A	R/b E7HZ 6E078-B (2/91)
----	--	---	---	--	--	----------------	-------------------------

Consists of

1-E7HZ 6020-A	Gasket (front cover)	1-E7HZ 6700-A	Seal (crankshaft)
1-E7HZ 6020-B	Gasket (front cover)	1-E6HZ 6701-A	Seal (crankshaft)
1-E6HZ 6B652-A	"O"-Ring (oil pump)	1-E7HZ 8507-A	Gasket (water pump)
1-E8HZ 6710-A	Gasket (oil pan)	1-E6HZ 9F598-A	Gasket (timing cover)
1-E6HZ 6734-A	Gasket (oil drain plug)	1-E6HZ 6A628-A	Gasket (hydraulic oil pump cover)
1-E7HZ 6N305-B	Gasket (rr. oil seal/plate)		

1980/  
TRUCK SERIES 600/900

YEAR	MODEL/RESTRICTIONS	QUANTITY				PART NUMBER	DESCRIPTION
		6.6L	7.8L				
88/		1	1			E7HZ 6E078-B	
	Consists of						
	1-E7HZ 6020 A					1-E7HZ 6N789-A	Gasket (oil cooler tube)
	1-E7HZ 6020-B					1-E7HZ 8507-A	Gasket (water pump)
	1-E6HZ 6B652-A					1-E6HZ 9F598-A	Gasket (timing cover)
	1-E8HZ 6710-A					3-87051-S96	"O" ring
	1-E6HZ 6734-A					3-87054-S96	"O" ring
	1-E7HZ 6700 A					1-87058-S96	"O" ring
	1-E6HZ 6701-A					3-87061-S96	"O" ring
	1-E6HZ 6A628-A					1-379275-S94	"O" ring
	1-E7HZ 6N305-B					1-390155-S95	"O" ring
86	CF600/700	1				E6HZ 6079-A	GASKET SET (VALVE GUIDE)
	Consists of						
	1-E6HZ 6051-A					1-E6HZ 8255-A	Gasket (water outlet)
	12-E6HZ 6571-A					1-E6HZ 9439-A	Gasket (intake mnfld.)
	1-E6HZ 6584-A					2-E6HZ 9448-A	Gasket (exhaust mnfld.)
	1-E6HZ 6N640-A					1-87140-S95	Seal (thermostat hsg)
	1-E6HZ 6N652-A					6-87018-S96	O-Ring (fuel injector)
	1-E6HZ 6N653 A						
87/		1	1			E7HZ 6079-A	
	Consists of						
	1-F0HZ 6051-C					1-E6HZ 6N653-A	Gasket (turbo charger)
	12-E7HZ 6571-A					1-E6HZ 8255-A	Gasket (water outlet)
	1-E7HZ 6584-A					1-E7HZ 9439-A	Gasket (intake manifold)
	1-E7HZ 6N640-A					2-E7HZ 9448-A	Gasket (exhaust manifold)
	1-E6HZ 6N652-A					6-87018-S96	"O" Ring (fuel injector)
87/		1	1			E9HZ 6B080-A	"O" RING (BLOCK HEATER)-use with E7HZ 6A051-A heater
87/		1	1			E9HZ 6B080-B	Use with E7HZ 6A051-B heater
86	CF600/700	2				E6HZ 6096-A	BRACKET (REAR SUPPORT)
87	CF600/800	1	1			E7HZ 6096-A	R.H.
87/	CF600/800	1	1			E6HZ 6096-A	L.H.
88/	CF600/800 - - A/T	2	2			E6HZ 6096-A	R.H.
88/	CF600/800 - - 5/6/M/T	1	1			E8HZ 6096-B	#E8HT 6096-AA-R.H.
88/	CF600/800 - - 10/13/M/T	1	1			E8HZ 6096-C	#88HU 6096-BA-R.H.
87/	A/T	2	2			E7HZ 6096-A	
87/	B-F-FT600/800 - - M/T	1	1				R.H.
87/	L-LN-LNT-LT-LTS800						
87	B-F-FT600/800 - - M/T	1	1			E7HZ 6096-B	L.H.
88/	B-F-FT600/900 - - M/T					E8HZ 6096-A	#E8HT 6E036-AA-L.H.
						6108	PISTON ASSY. (INCL. PIN & RETAINER)
86	CF600/700	6				E6HZ 6108-A	Std.
		AR				E6HZ 6108-B	.004" O/S
		AR				E6HZ 6108-C	.020" O/S
		AR				E6HZ 6108-D	.030" O/S
		AR				E6HZ 6108-E	.040" O/S
87/	Exc. 165 H.P.-Calif. and 185 H.P.	6				★ E7HZ 6108-A	Std.-r/b E9HZ 6108-A
		AR				E7HZ 6108-B	.004" O/S
		AR				★ E7HZ 6108-C	.020" O/S-r/b E9HZ 6108-C (3/92)
		AR				★ E7HZ 6108-D	.030" O/S-r/b E9HZ 6108-D (3/92)
		AR				E7HZ 6108-E	.040" O/S

YEAR	MODEL/RESTRICTIONS	QUANTITY				PART NUMBER	DESCRIPTION
		6.6L	7.8L				
<b>6108 PISTON ASSY. (INCL. PIN &amp; RETAINER) — Cont'd</b>							
87/88	All -- exc. 270 H.P.		6			E7HZ 6108-L	Std.
89		AR				E7HZ 6108-M	.004" O/S
		AR				E7HZ 6108-N	.020" O/S
		AR				E7HZ 6108-P	.030" O/S
		AR				E7HZ 6108-R	.040" O/S
88/	B-F700 (165 H.P.) Calif.	6				E8HZ 6108-A	Std.
		AR				E8HZ 6108-B	.004" O/S
		AR				E8HZ 6108-C	.020" O/S
		AR				E8HZ 6108-D	.030" O/S
		AR				E8HZ 6108-E	.040" O/S
89	B-F-L600/900(185 H.P.) CF600/700(185 H.P.)	6				E9HZ 6108-A	Std.
89		AR				E9HZ 6108-B	.004" O/S
		AR				E9HZ 6108-C	.020" O/S
		AR				E9HZ 6108-D	.030" O/S
		AR				E9HZ 6108-E	.040" O/S
89	B-F-L600/900(270 H.P.) CF600/800(270 H.P.)	6				E9HZ 6108-F	Std.
89		AR				★ E9HZ 6108-G	.004" O/S-r/b FOHZ 6108-B (7/91)
		AR				FOHZ 6108-C	.020" O/S
		AR				FOHZ 6108-D	.030" O/S
		AR				FOHZ 6108-E	.040" O/S
86	CF600/700	6				E6HZ 6135-A	PIN (PISTON)
87/88	Exc. B-F700 (165,170 H.P.) "Before 6/1/88"	6				★ E7HZ 6135-B	R/b E8HZ 6135-A (7/91)
89		6					
87/88	All -- exc. 270 H.P.		6			E7HZ 6135-A	
89		6					
89	B-F700 (165, 170 H.P.) "From 6/1/88"	6				E8HZ 6135-A	
89	270 H.P.		6			E9HZ 6135-A	
86/		12				E6HZ 6140-A	RETAINER (PISTON PIN)
87/			12			E7HZ 6140-A	
<b>6148 RING SET (PISTON PARTIAL) consists of the necessary rings to re-ring (2) pistons</b>							
86/88		3	3			★ E6HZ 6148-A	Std. & .004" O/S-r/b E7HZ 6148-A (6/90)
		AR	AR			E6HZ 6148-B	.020" O/S
		AR	AR			★ E6HZ 6148-C	.030" O/S-r/b E7HZ 6148-C (6/90)
		AR	AR			★ E6HZ 6148-D	.040" O/S-r/b E7HZ 6148-D (6/90)
88/		6	6			E7HZ 6148-A	Std. & .004" O/S consists of the necessary
		3	3			r/bE7HZ 6148-E	rings to re-ring (2) piston
		AR	AR			E7HZ 6148-B	.020" O/S
		AR	AR			E7HZ 6148-C	.030" O/S
		AR	AR			E7HZ 6148-D	.040" O/S
86	CF600/700	6				E6HZ 6200-A	ROD (CONNECTING)-Note 1. Old style with stud and nut-use E4HN 6211-HA,JA bearing
86	CF600/700	6				E6HZ 6200-B	Rod-Note: use bearing F0NN 6211-BAB,AZB,AYB,AXB,AVB,AUB,ATB Note 2. New style with tapped rod has listed use F0NN 6211-BAB,AZB,AYB,AXB,AVB,AUB,ATB
87/		6				E7HZ 6200-C	
87/88	All exc. 270 H.P.		6			E7HZ 6200-A	
89		6					
89		All (270 H.P.)		6			E9HZ 6200-A
87/			6			390498-S	(NN-70-B) Pin (used in conn. rod bolt hole) .615" x 1.53" dowel split
86		6				★ E6HZ 6207-A	BUSHING (CONNECTING ROD)-r/b E7HZ 6207-B (6/90)
87/		6				E7HZ 6207-C	
87/			6			E7HZ 6207-A	

1980/  
TRUCK SERIES 600/900

YEAR	MODEL/RESTRICTIONS	QUANTITY				PART NUMBER	DESCRIPTION
		6.6L	7.8L				
86	CF600/700	12				E6HZ 6211-A	BEARING (CONNECTING ROD) std. red
		AR				E6HZ 6211-B	Std. blue
		AR				E6HZ 6211-C	.002" U/S
		AR				E6HZ 6211-D	.010" U/S
		AR				E6HZ 6211-E	.020" U/S
		AR				E6HZ 6211-F	.030" U/S
		AR				E6HZ 6211-G	.040" U/S
86	CF600/700	12				E6HZ 6211-H	Bearing (connector rod) std. red
		AR				E6HZ 6211-J	Std. blue
		AR				E6HZ 6211-K	.002 U/S
		AR				E6HZ 6211-L	.010 U/S
		AR				E6HZ 6211-R	.020 U/S
		AR				E6HZ 6211-S	.030 U/S
		AR				E6HZ 6211-P	.040 U/S
87/		12				E7HZ 6211-A	Std. red
		AR				E7HZ 6211-B	Std. blue
		AR				E7HZ 6211-C	.002" U/S
		AR				E7HZ 6211-D	.010" U/S
		AR				E7HZ 6211-E	.020" U/S
		AR				E7HZ 6211-F	.030" U/S
		AR				E7HZ 6211-G	.040" U/S
87/			12			E7HZ 6211-H	Std. red
			AR			E7HZ 6211-J	Std. blue
			AR			E7HZ 6211-K	.002" U/S
			AR			E7HZ 6211-L	.010" U/S
			AR			E7HZ 6211-M	.020" U/S
			AR			E7HZ 6211-N	.030" U/S
			AR			E7HZ 6211-P	.040" U/S
86/		12			E7HZ 6212-A	NUT (CONNECTING ROD)	
86/		12			E6HZ 6214-B	BOLT (CONNECTING ROD)	
87/			12		E7HZ 6214-A		
86/		1	1		E7HZ 6250-B	CAMSHAFT	
86	CF600/700	1			E6HZ 6N250-A	KEY (TIMING GEAR)	
89			1		E9HZ 6N252-A	PLATE (CAMSHAFT DRIVE GEAR WEAR)	
86	CF600/700	1			E6HZ 6A253-A	GEAR ASSY. (CAMSHAFT DRIVE)	
87/		1	1		E7HZ 6A253-A		
86/		1	1		E6HZ 6A254-A	BUSHING (CAMSHAFT DRIVE GEAR)	
86/87		1	1		E6HZ 6A255-A	ADAPTOR (CAMSHAFT DRIVE GEAR)	
88/		1	1		E9HZ 6A255-A		
86		1	1		E6HZ 6256-A	GEAR (CAMSHAFT)	
87		1	1		★ E7HZ 6256-A	R/b E7HZ 6256 B (6/90)	
88/		1	1		E7HZ 6256-B		
86	CF600/700	7			E6HZ 6261-B	BEARING (CAMSHAFT) Std.	
87/89		7	7				
86/		1	1		E6HZ 6265-A	SPACER (CAMSHAFT GEAR)	
86	CF600/700	1			E6HZ 6269-A	PLATE (CAMSHAFT THRUST)	
87/		1	1		E7HZ 6269-A		
86/		1	1		E6HZ 6278-A	WASHER (CAM GEAR)	
87/88	"Before 8/1/88"	1	1		E7HZ 6K301-A	SEAL & RETAINER ASSY. (CRANKSHAFT REAR OIL) Incl. E6HZ 6701 A seal	
88/	"From 8/1/88"	1	1		E8HZ 6K301-A		
86	CF600/700	1			E6HZ 6303-C	CRANKSHAFT ASSY.	
87		1			★ E7HZ 6303-B	R/b E7HZ 6303-D (6/90)	
88/		1			E7HZ 6303-D		
87	"Before 1/2/87"		1		★ E7HZ 6303-A	R/b E7HZ 6303-C (6/90)	
87/	"From 1/2/87"		1		E7HZ 6303-C		
87/			1		390508-S	(NN-80 D) Pin (align crankshaft gear to crankshaft) 5/32" x .40"	

YEAR	MODEL/RESTRICTIONS	QUANTITY				PART NUMBER	DESCRIPTION
		6.6L	7.8L				
86	CF600/700 -- exc. Calif.	1				E6HZ 6N304-A	COVER (CRANKSHAFT VIBRATION DAMPER)
86	CF600/700 -- Calif.	1				E6HZ 6N304-D	
86		6				304648-S36	(BB-136-B) Bolt (cover to damper assy. 6312)
87/88	"Before 8/1/88"	1	1			E7HZ 6N305-B	GASKET (CRANKSHAFT REAR OIL SEAL RETAINER PLATE)
88/	"From 8/1/88"	1	1			E8HZ 6N305-A	
86/		1				E6HZ 6306-A	GEAR (CRANKSHAFT)
87/			1			E7HZ 6306-A	
86	CF600/700	1				E6HZ 6B306-A	SPACER (CRANKSHAFT PULLEY)
87/		1				E7HZ 6B306-B	
87/			1			E7HZ 6B306-A	
86	CF600/700	1				E6HZ 6310-A	SLINGER (CRANKSHAFT OIL)
87/		1				E7HZ 6310-A	
87/			1			E7HZ 6310-B	
86/	CF600/700	1				E6HZ 6W310-A	ROD ASSY. (DRIVE BELT IDLER PULLEY ADJUSTING)
86/	CF600/700	1				E6HZ 6W311-A	BLOCK (DRIVE BELT IDLER PULLEY ADJUSTING)
						6312	PULLEY ASSY. (CRANKSHAFT)-Also refer to pulley I.D. chart, section 60, page 18.
86	CF600/700	1				E7HZ 6312-C	#E4HN 6316-AA
87		1				★ E7HZ 6312-A	#E5HN 6316-EA-r/b E7HZ 6312-C (6/90)
87			1			E7HZ 6312-B	#E5HN 6316-CB
88/		1				E7HZ 6312-C	#E5HN 6316-EC
88/			1			E8HZ 6312-A	#E6HN 6316-BC-4 sheaves
87			1			E7HZ 6316-A	DAMPER ASSY. (CRANKSHAFT VIBRATION)
88/			1			E8HZ 6316-A	
87/			6			43043-S2	(B-263-C) Bolt (damper to pulley) 7/16"-14 x 1 3/8" hex. locking
87/		1	1			390507-S	(LL-9-A) Key (align damper to crankshaft) 3/8" x 5/16 x 1.91"
87		1				E7HZ 6B316-A	KEY (CRANKSHAFT GEAR TO CRANKSHAFT) 3/8" x 9/32" x 1"
86	CF600/700	1				E6HZ 6A318-A	PLATE (REAR SEAL RETAINER)
87/		12				E7HZ 6C327-B	TUBE ASSY. (PISTON OIL)
87			12			E7HZ 6C327-A	
88/			12			E8HZ 6C327-A	
87/		12	12			87001-S96	(T-1-AK) Seal (seal tube assy. to block) 5/32" x .07" "O"-Ring

**ENGINE BEARING APPLICATION CHART**

YEAR	C.I.D	SIZE I.D.	U P O P W E R R	PART NUMBER				
				FRONT	FRONT INTERMEDIATE	THRUST	REAR INTERMEDIATE	REAR

NOTE: RED size and BLUE size are optional for selective fit.

◆ Also used in third and fourth front intermediate position.

86/	6.6L, 7.8L	Std.	X	E7HZ 6333-A	◆ E7HZ 6333-A	E7HZ 6337-A	E7HZ 6333-A	E7HZ 6333-A
		.002" U/S	X	E7HZ 6333-C	◆ E7HZ 6333-C	E7HZ 6337-C	E7HZ 6333-C	E7HZ 6333-C
		.010" U/S	X	E7HZ 6333-D	◆ E7HZ 6333-D	E7HZ 6337-D	E7HZ 6333-D	E7HZ 6333-D
		.020" U/S	X	E7HZ 6333-E	◆ E7HZ 6333-E	E7HZ 6337-E	E7HZ 6333-E	E7HZ 6333-E
		.030" U/S	X	E7HZ 6333-F	◆ E7HZ 6333-F	E7HZ 6337-F	E7HZ 6333-F	E7HZ 6333-F
		.040" U/S	X	E7HZ 6333-G	◆ E7HZ 6333-G	E7HZ 6337-P	E7HZ 6333-G	E7HZ 6333-G

1980/  
TRUCK SERIES 600/900

ENGINE BEARING APPLICATION CHART

YEAR	C.I.D.	SIZE I.D.	U P P W E R	L O W E R	PART NUMBER				
					FRONT	FRONT INTERMEDIATE	THRUST	REAR INTERMEDIATE	REAR

NOTE: RED size and BLUE size are optional for selective fit.  
◆ Also used in third and fourth front intermediate position.

86/	6.6L, 7.8L	Std.	X	E7HZ 6333-H	◆ E7HZ 6333-H	E7HZ 6337-G	E7HZ 6333-H	E7HZ 6333-H
		.002" U/S	X	E7HZ 6333-K	◆ E7HZ 6333-K	E7HZ 6337-J	E7HZ 6333-K	E7HZ 6333-K
		.010" U/S	X	E7HZ 6333-L	◆ E7HZ 6333-L	E7HZ 6337-K	E7HZ 6333-L	E7HZ 6333-L
		.020" U/S	X	E7HZ 6333-M	◆ E7HZ 6333-M	E7HZ 6337-L	E7HZ 6333-M	E7HZ 6333-M
		.030" U/S	X	E7HZ 6333-N	◆ E7HZ 6333-N	E7HZ 6337-M	E7HZ 6333-N	E7HZ 6333-N
		.040" U/S	X	E7HZ 6333-P	◆ E7HZ 6333-P	E7HZ 6337-N	E7HZ 6333-P	E7HZ 6333-P

YEAR	MODEL/RESTRICTIONS	QUANTITY				PART NUMBER	DESCRIPTION
		6.6L	7.8L				
86	CF600/700	2				E6HZ 6336-A	SEAL (CRANKSHAFT REAR MAIN BEARING CAP)
86/		14	14			E6HZ 6345-A	BOLT (CRANKSHAFT MAIN BEARING CAP) 9/16"-12 x 4.56"
87/			1			E7HZ 6A349-A	PLATE (CRANKSHAFT DAMPER STOP)
86/	A/T	1				★ E6HZ 6A366-A	PLATE (FLYWHEEL TO TRANSMISSION) secure from Detroit Diesel vendor #23018997
86/	A/T	1				★ E6HZ 6A369-A	ADAPTER (FLYWHEEL TO TRANSMISSION) secure from DET. DSL. #23018996
86/	CF600/700 - - A/T	1				★ E6HZ 6A370-A	PLATE (FLYWHEEL TO TRANSMISSION ADAPTER)-secure from Detroit Diesel vendor #23045170
87/	B-F-LN600/800	1				★ E7HT 6A370-BA	Secure from Detroit Diesel vendor #23045786
87/			1				
86	CF600/700	1				E6HZ 6375-A	FLYWHEEL ASSY.
87/		1	1			E7HZ 6375-A	
87/	B-F-FT-L-LN-LNT-LT600/900	8	8			43173-S2	(B-236) bolt (Flywheel to crankshaft) 9/16"-18 x 2.75"
87/	MT643 A/T		1			★ E7HT 6376-BA	PLATE (FLYWHEEL BOLT) secure from Detroit Diesel vendor #23045790
						6379	BOLT (FLYWHEEL TO CRANKSHAFT)
86/		8	8			43173-S2	(B-236) 9/16"-18 X 2 3/4"
86/		1				E6HZ 6384-A	GEAR (FLYWHEEL RING)
87/			1				
86	CF600/700	1				E6HZ 6392-A	HOUSING ASSY. (FLYWHEEL)
87/		1	1			E7HZ 6392-A	
87/	B-F-FT-L-LN-LNT-LT600/800	4	4			58722-S2	(B-139-E) bolt (Flywheel hsg. to eng.) 5/8"-18 x 2.25"
87/	B-F-FT-L-LN-LNT-LT600/900	2	2			58743-S2	(B-146-H) bolt (Flywheel hsg. to eng.) 3/4"-10 x 2.50"
87/			8			43173-S2	B-236 Bolt 9/16"-18 x 2 3/4" (ATTACH flywheel hsg. to engine) hex self-lock
89	A/T		3			391102-S2	(WW 151-E) stud (flywheel hsg. to trans. adptr.)-3/8"-16-16 x 5.5"
87		2	2			E7HZ 6397-A	DOWEL (CYLINDER BLOCK TO FLYWHEEL HOUSING) 1" x 1/2"
86/	CF600/700 - - A/T	1				★ E6HZ 6431-A	PLATE (FLYWHEEL TO CRANKSHAFT)-Secure from vendor Detroit diesel #23045246
86/		2	2			E6HZ 6438-A	COVER (FLYWHEEL ACCESS)
87/	B-F-FT-L LN-LNT-LT-LTS 600/800	8	8			304626-S2	(BB-136-C) Bolt (cover to flywheel housing) 5/16"-18 x 1/2" hex. hd.
87/	All - - M/T, A/T	1	1			★ E7HT 6447-AA	RING ASSY. (FLYWHEEL TO TRANSMISSION ADAPTER)-Secure from Detroit Diesel vendor #23045171

YEAR	MODEL/RESTRICTIONS	QUANTITY				PART NUMBER	DESCRIPTION
		6.6L	7.8L				
86/		12	12			E6HZ 6500-A	TAPPET (VALVE)
						6505	VALVE (EXHAUST)
86	CF600/700	6				E6HZ 6505-A	Std. stem dia. .3708"
		AR				E6HZ 6505-B	.003" O/S stem dia.
		AR				E6HZ 6505-C	.015" O/S stem dia.
		AR				N/R E6HZ 6505-D	.030" O/S stem dia.
87/		6	6			E7HZ 6505-A	Std. stem dia. .3704"
		AR	AR			E7HZ 6505-B	.003" O/S
		AR	AR			E7HZ 6505-C	.015" O/S
		AR	AR			E7HZ 6505-D	.030" O/S
						6507	VALVE (INTAKE)
86	CF600/700	6				E6HZ 6507-A	Std. stem dia. .3718"
		AR				E6HZ 6507-B	.003" O/S stem dia.
		AR				E6HZ 6507-C	.015" O/S stem dia.
		AR				E6HZ 6507-D	.030" O/S stem dia.
87/	Exc. 89 (185 H.P.)	6	6			E7HZ 6507-A	Std. stem dia. .3714"
		AR	AR			E7HZ 6507-B	.003" O/S
		AR	AR			E7HZ 6507-C	.015" O/S
		AR	AR			E7HZ 6507-D	.030" O/S
89	All -- 185 H.P.	6				E9HZ 6507-A	Std. stem dia. .3714"
		AR				E9HZ 6507-B	.003" O/S
		AR				E9HZ 6507-C	.015" O/S-to be avail.
		AR				E9HZ 6507-D	.030" O/S-to be avail.
						6510	BUSHING (VALVE GUIDE)
86		6				E6HZ 6510-A	Std.
		AR				E6HZ 6510-B	.010" O/S
87/		12	12			E7HZ 6510-A	Std. .6267" O.D. .3720" I.D.
		AR	AR			E7HZ 6510-B	.010" O/S
		AR	AR			E7HZ 6510-C	.020" O/S
86		12				E6HZ 6513-C	SPRING (VALVE)
87/		12	12			★ E7HZ 6513-A	R/b FOHZ 6513-A (3/92)
86	CF600/700	6				E6HZ 6514-A	RETAINER (VALVE SPRING)-Intake
		6				C6AZ 6514-A	Exhaust
87		6	6			E7HZ 6514-A	Intake
		6	6			D9HZ 6514-B	Exhaust
88/		6	6			E7HZ 6514-A	Intake
		6	6			C6AZ 6514-A	Exhaust
86/		6	6			B8A 6517-B	RETAINER (VALVE)
86/		24	24			B8A 6518-A	KEY (VALVE SPRING RETAINER)-Intake and exhaust
86/		AR	AR			E6HZ 6A526-A	SPACER (VALVE SPRING)
86	CF600/700	7				E6HZ 6531-A	SUPPORT (VALVE ROCKER ARM SHAFT)
87/		7	7			E7HZ 6531-A	
86	CF600/700	6				E6HZ 6A536-A	SEAT (VALVE SPRING)
86/88	"Before 3/21/88"	12	12			B6A 6549-C	SCREW (VALVE ROCKER ARM ADJUSTING)
		AR	AR			E6HZ 6549-A	.0023" O/S
88/	"From 3/21/88"	12	12			E8HZ 6549-A	
		AR	AR			E6HZ 6549-A	.0023" O/S
86/		1	1			E6HZ 6563-A	SHAFT (VALVE ROCKER ARM)
86	CF600/700	12				E6HZ 6564-A	ARM ASSY. (VALVE ROCKER)-Incl. screw
87/		6	6			E7HZ 6564-A	Intake
		6	6			E7HZ 6564-B	Exhaust
86	CF600/700	12				E6HZ 6565-A	ROD (VALVE PUSH)
87/		12				E7HZ 6565-B	
87/			12			E7HZ 6565-A	
86/		12				E6HZ 6571-A	SEAL (VALVE STEM)
87/			12			E7HZ 6571-A	



**1980/  
TRUCK SERIES 600/900**

YEAR	MODEL/RESTRICTIONS	QUANTITY			PART NUMBER	DESCRIPTION
		6.6L	7.8L			
86	CF600/700	1			E6HZ 6582-A r/bE6HZ 6582-C	COVER ASSY. (VALVE ROCKER ARM)- "Assembly has been remanufactured to a like new condition"
87		1	1		★ E7HZ 6582-A	R/b E7HZ 6582-B & E7HZ 6A892-A (2/91)
88/		1	1		E7HZ 6582-B	
86/		14	14		56518-S100	(B-319-H) Bolt (rocker cover to head) 5/16"-18 x 1/2"
86	CF600/700	1			E6HZ 6584-A	GASKET (VALVE ROCKER ARM COVER)
87		1	1		★ E7HZ 6584-A	R/b E7HZ 6584-B (6/90)
88/		1	1		E7HZ 6584-B	
86/		14	14		56518-S36	(B-319-A) Bolt (rocker cover to cyl. head) 5/16"-18 x .50"
86/		6	6		E6HZ 6587-A	SPRING (VALVE ROCKER ARM LOCATING)
86	CF600/700	6			E6HZ 6590-A	SPACER (VALVE ROCKER ARM)
86	CF600/700	1			E6HZ 6600-A	PUMP ASSY. (OIL)-Incl. 6659 gasket
87/		1	1		★ E7HZ 6600-A	R/b F1HZ 6600-A (3/92)
86	CF600/700	1			E6HZ 6603-A	BODY ASSY. (OIL PUMP)
87/88	"Before 5/2/88"	1	1		F1HZ 6603-A	
88/	"From 5/2/88"	1	1		E8HZ 6603-A	
86	CF600/700	1			E6HZ 6608-A	ROTOR & SHAFT ASSY. (OIL PUMP)
87/		1	1		E7HZ 6608-A	
86/	CF600/700	1			E6HZ 6B609-A	SUPPORT (OIL LEVEL INDICATOR)
86	CF600/700	1			E6HZ 6B612-A	PIPE & CAP ASSY. (OIL FILLER)
87/	CF600/700	1	1		E7HZ 6B612-A	
86/		1	1		E6HZ 6A616-A	PLUG (OIL PUMP RELIEF VALVE)-also used in cyl. block
86/		1	1		E6HZ 6622-A	SCREEN, TUBE & COVER ASSY. (OIL PUMP)
86	CF600/700	1			E6HZ 6N626-A	TUBE ASSY. (TURBO CHARGER OIL RETURN)
87/	Exc. 89 (185 H.P.)	1			E7HZ 6N626-B	
87/			1		E7HZ 6N626-A	
89	All 185 H.P.	1			E9HZ 6N626-A	
87/		1	1		390515-S	(II-247-B) connector (6N626 tube turbocharger to block) 3/4 flareless tube 3/4"-14
86/		1	1		EAD 6628-A	SPRING (OIL PUMP INLET TUBE SCREEN RETAINING)
86/		1	1		E6HZ 6A628-A	GASKET (HYDRAULIC PUMP FLANGE COVER)
86	CF600/700	1			E6HZ 6A636-A	GASKET (OIL FILTER MOUNTING)
87/		1	1		E7HZ 6637-A	COVER ASSY. (OIL PUMP)
86	CF600/700	1			E6HZ 6N639-A	TUBE ASSY. (TURBO CHARGER OIL SUPPLY)
87		1			★ E7HZ 6N639-B	R/b E8HZ 6N639-B (6/90)
87			1		E7HZ 6N639-A	
88/	Exc. 270 H.P.		1		E7HZ 6N639-C	
88/	Exc. 89 (185 H.P.)	1			E8HZ 6N639-B	
89	All 185 H.P.	1			E9HZ 6N639-A	
89	270 H.P.		1		E9HZ 6N639-A	
87		1	1		390514-S	(II-247-A) Connector (6N639 tube turbocharger to block) 1/2 flareless tube-1 1/16-12 "O" ring
87	All 210 & 235 H.P.		1		E7HZ 6A640-C	CONNECTION (CHARGER AIR COOLER DUCT)-also refer to 6C640
			1		E7HZ 6A640-B	#E7HT 6C640-CB-also refer to 6C640
88/	All 210, 235 & 240 H.P.		1		E8HZ 6C640-E	CONNECTION (CHARGER AIR COOLER DUCT)- 2.5" x 3.38" O.D. x 3.5" long
88	B-F-FT-L-LN-LNT-LT600/900 "Before 7/11/88"	1			★ E8HZ 6C640-F	3" x 3.38" O.D. x 3.5" long-r/b E8HZ 6C640-J (6/90)
88/	B-F-FT-L-LN-LNT-LT600/900 "From 7/11/88"		1		E8HZ 6C640-J	3" x 3.38" x 4.5" long
88/	CF700/800 -- ATACC "From 4/1/88"		1		E8HZ 6C640-H	2.44", 3.15" I.D. x 4.29" long

YEAR	MODEL/RESTRICTIONS	QUANTITY				PART NUMBER	DESCRIPTION
		6.6L	7.8L				
86	CF600/700	1				E6HZ 6N640-A	GASKET (TURBO CHARGER EXHAUST MANIFOLD)
87/		1	1			E7HZ 6N640-A	
87/		1	1			E7HZ 6A642-A	COOLER ASSY. (CRANKCASE OIL)
87/		1	1			87051-S96	(T-1-EG) Seal (oil cooler to block, lower front) "O" ring .875" I.D.
87/		1	1			87054-S96	(T-2-CC) Seal (oil cooler to block, upper) "O" ring 1.062" I.D.
87/		1	1			87061-S96	(T-2-DP) Seal (oil cooler to block, lower front) "O" ring 1.5" I.D.
87/		2	2			E7HZ 6K649-A	"O" RING (OIL COOLER SEAL)
86/	CF600/700	1				E6HZ 6N650-B	HOSE (TURBO CHARGER AIR TUBE TO INTAKE MANIFOLD)
88/	CF700/800		1			F1HZ 6N650-B	
87/	CF600/700 -- 240 H.P.		1			E7HZ 6W650-A	HOSE (TURBO CHARGER AIR TUBE TO CHARGER)
86/	CF600/700	1				E7HZ 6N651-A	HOSE (TURBO CHARGER AIR TUBE TO OUTLET)
87/	All 185 & 210 H.P.		1				
87	CF600/700 -- 240 H.P.		1			E7HZ 6W651-A	HOSE (ENG. CHARGER AIR TUBE TO COOLER)
88/	CF600/700 -- 240 H.P.		1			E8HZ 6W651-A	
86/		1	1			E6HZ 6B652-A	"O" RING (OIL PUMP INLET TUBE)
87/88			1			E7HZ 6B652-A	Used as seal between crankshaft slinger & front cover
86/		1	1			E6HZ 6N652-A	GASKET (TURBO CHARGER CYLINDER BLOCK OIL RETURN PLATE)
86/		1	1			★ E6HZ 6N653-A	GASKET (TURBO CHARGER CYLINDER BLOCK OIL SUPPLY PLATE)-r/b E6HZ 6N653-B (6/90)
86/	CF600/700	1				E6HZ 6N654-A	SHIELD (TURBO CHARGER VALVE COVER HEAT)
86/		1	1			F1HZ 6655-A	GEAR ASSY. (OIL PUMP IDLER DRIVE)
86/		1				390542-S100	(BB-194-B) Bolt (gear to oil pump) 1/2"-13 x 1 1/2" hex hd. L.H. thread
90/		1	1			E6HZ 6657-A	BUSHING (OIL PUMP IDLER DRIVE GEAR)- Also serviced in 6655 gear assy.
86	CF600/700	1				E6HZ 6659-A	GASKET (OIL PUMP TO BLOCK)
86	CF600/700	1				E6HZ 6N661-A	COVER (TURBO CHARGER COMPRESSOR)
87/	All 225 & 240 H.P.		1			E7HZ 6N661-A	
87/	All 185 & 210 H.P.		1			E7HZ 6N661-B	
87/	All w/210 H.P.		2			390648-S	(TT-40-EE) Seal (cover to charger .94" x 1.50" x .77" round
87/	All w/210 H.P.		2			390730-S	(TT-40-EF) Seal (cover to charger) .63" x 1.50" x .77" round
87/	L-LN-LNT-LT-LTS800		1			★ D9HZ 6A662-A	BRACKET (STAND-OFF)-secure A/C discharge line to rear of eng. at R.H. top of flywheel hsg.-not replaced
86	CF600/700	1				★ E6HZ 6N669-A	PLATE (TURBO CHARGER COVER CLAMP) 2 hole & 2 cutouts-not replaced
		1				E6HZ 6N669-B	3 holes
87/		1	1			E7HZ 6N669-A	
86	CF600/700	1				E6HZ 6670-A	SPRING (OIL PUMP RELIEF VALVE)
87/		1	1			E7HZ 6670-A	
86/		1	1			E6HZ 6674-B	PLUNGER KIT (OIL PUMP RELIEF VALVE)
86	CF600/700	1				E6HZ 6675-A	PAN ASSY. (OIL)
87		1	1			E7HZ 6675-A	"Assembly has been remanufactured to a like new condition"
		1	1			r/bE7HZ 6675-C	
88/		1	1			E8HZ 6675-A	
86	CF600/700	1				E6HZ 6N677-A	HOUSING (TURBO CHARGER TURBINE)
87/	All exc. 160 H.P.	1				E7HZ 6N677-A	
87	All 160 H.P.	1				E7HZ 6N677-C	
87/			1			E7HZ 6N677-B	

1980/  
TRUCK SERIES 600/900

YEAR	MODEL/RESTRICTIONS	QUANTITY				PART NUMBER	DESCRIPTION
		6.6L	7.8L				
86	CF600/700	1				E6HZ 6K682-A	TURBO CHARGER (EXHAUST DRIVE)
87	All 160 H.P.	1				★ E7HZ 6K682-D	R/b E8HZ 6K682-A (6/90)
87	All 170 H.P.	1				★ E7HZ 6K682-C	R/b E8HZ 6K682-A (6/90)
87	All 185 & 210 H.P.		1			E7HZ 6K682-B	
87	All 225 & 240 H.P.		1			E7HZ 6K682-A	
88/	B-F-L600/800(165,170 H.P.)	1				E8HZ 6K682-A	
88/	CF600/700 (165, 170 H.P.)	1					
88	All 185 H.P.		1			E7HZ 6K682-E	
88/	All 210 H.P.		1			E8HZ 6K682-D	
88	CF700/800(240 H.P.)		1			E8HZ 6K682-B	
89	CF700/800(240 H.P.)		1			E9HZ 6K682-D	
89	CF700/800(185 H.P.)	1				E9HZ 6K682-C	
88/	B-F-L-LN-LNT-LTS700/800 (215,240 H.P.)		1			E8HZ 6K682-C	TURBO CHARGER (EXHAUST DRIVE)
89	L-LN-LNT-LT-LTS800(270 H.P.) with ATA		1			E9HZ 6K682-A	
89	All (185 H.P.) ATA	1				E9HZ 6K682-B	
87/		1	1			390738-S100	(BB-211-E) Bolt (turbocharger to manifold) 3/8"-24 x 1.25"
87/		1	1			390737-S100	(WW-91-D) Stud (turbocharger to manifold) 3/8"-16-24 x 1.44"
87/		1	1			33799-S36	(M-52-A) Nut (turbocharger to exhaust manifold) 3/8"-16 hex.
87/		3	3			88407-S36	(W-14-A) Stud (turbocharger to exhaust manifold 3/8"-24-16 x 1.68"
86/		1				E6HZ 6N684-A	CORE ASSY. (TURBO CHARGER TURBINE)- use w/E8HZ 6K682-A
87/			1			E7HZ 6N684-B	Use w/E7HZ 6K682-E, E8HZ 6K682-B,C,D E9HZ 6K682-D
87/			1			E7HZ 6N684-A	Use w/E7HZ 6K682-A
86	CF600/700	1				E6HZ 6N696-A	TUBE ASSY. (TURBO CHARGER TO INTAKE MANIFOLD)
87		1				E7HZ 6N696-A	
87	B-F-FT-L-LN-LNT-LTS 700/900 (185 H.P.)		1				
87	B-F-FT-L-LN-LNT-LTS 700/900 (210 H.P.)		1			E7HZ 6N696-B	
87	CF700/800 (185 H.P.)		1			E7HZ 6N696-D	
88/	All	1					
88/	All 185 H.P.		1				
87	CF700/800 (210 H.P.)		1			E7HZ 6N696-C	
88/	All 210 H.P.		1				
86	CF600/700	1				E6HZ 6700-A	SEAL (CYLINDER FRONT COVER OIL)
87/			1			E7HZ 6700-A	
86/		1	1			E6HZ 6701-A	SEAL (CRANKSHAFT REAR OIL)
86/		1	1			E6HZ 6K705-A	HUB (OIL PUMP IDLER GEAR)
86/		1	1			E8HZ 6710-A	GASKET (OIL PAN)
87/	F-FT-L-LN-LNT-LT-LTS800/900	1	1			E7HZ 6714-A	FILTER ASSY. (OIL BY-PASS)
87/	F-FT600/900	1	1			E7HZ 6728-B	BRACKET (BY-PASS OIL FILTER MOUNTING)- #E7HT-CA
86/		1	1			E6HZ 6N728-A	PLATE (OIL PAN SIDE)
86/87		1	1			E6HZ 6730-A	PLUG (OIL PAN DRAIN)-Incl. E6HZ 6734-A gasket
87/		1	1			E7HZ 6730-A	Magnetic-Incl. E6HZ 6734-A gasket
86	CF600/700					E6HZ 6731-A	FILTER ASSY. (OIL)-*FL-781
87/		2	2			★ E7HZ 6731-A	R/b F0HZ 6731-B (2/91)
87/	By-pass filter element	1	1			D5PZ 6731-A	*FL-750-standard by-pass type
		1	1			D5PZ 6731-B	*FL-751-Premium by-pass type
86/		1	1			E6HZ 6734-A	GASKET (OIL PAN DRAIN PLUG)

YEAR	MODEL/RESTRICTIONS	QUANTITY				PART NUMBER	DESCRIPTION
		6.6L	7.8L				
86/87	CF600/700 "Before 8/18/86"	1				E6HZ 6750-C	INDICATOR (OIL LEVEL)
87/	CF600/800 "From 8/18/86"	1	1			E7HZ 6750-F	
87	B-F600/800,FT900	1	1			E7HZ 6750-A	
87	L-LN-LNT-LT700/800	1	1			★ E7HZ 6750-B	R/b E8HZ 6750-M (6/90)
88/	B-F600/800,FT900	1	1			★ E8HZ 6750-L	#E8HT-SA-r/b F1HZ 6B667-A (7/91)
88/	L-LN-LNT-LT700/800	1	1			E8HZ 6750-M	#E8HT-RA
87/		1	1			E7HZ 6N753-A	HOSE (OIL COOLER)
86	CF600/700	1				E6HZ 6754-A	TUBE ASSY. (OIL LVL INDICATOR)
87/	B-F600/800	1	1			★ E7HZ 6754-A	R/b F1HZ 6B667-A (3/92)
87/	L-LN-LNT-LT-LTS800	1	1			E7HZ 6754-B	All w/air cleaner mounted over flow tanks
87/	B-F-L600/800	1	1			87043-S95	(T-2-CD) "O" ring (use on bottom of tube (6754))
87/	B-F-LN600/800 -- w/air/hyd. brakes		1			E7HZ 6B754-A	BRACKET (AIR COMPRESSOR)
86	CF600/700	1				E6HZ 6758-B	TUBE ASSY. (CRANKCASE VENTILATION)
87/	"Before 8/18/86"	1	1			E7HZ 6758-A	
87/		1	1			56558-S36	(B-320-D) Bolt (crankcase vent tube to block)-7/16"-14 x .75" hex. flange hd.
87/	B-F-L-LN-LS-LT-LNT-LTS600/900	1	1			E7HZ 6A759-A	CLAMP (OIL FILLER PIPE)
86/	CF600/700	1	1			E6HZ 6766-B	CAP ASSY. (OIL FILLER)-Used on oil filler tube
86/	CF600/700	1				E6HZ 6N766-A	CONNECTOR (OIL LEVEL INDICATOR TUBE)
87	F600/800,FT900		1			E7HZ 6K769-D	DUCT (CHARGED AIR COOLER TO CHARGER)
87/	L-LN-LNT-LT-LTS800 w/210 H.P. "Before 11/30/87"		1			E7HZ 6K769-E	
88/89	CF600/800 "Before 1/3/89"	1	1			E8HZ 6K769-G	#87HU-AA
89	CF600/800 "From 1/3/89"	1	1			E9HZ 6K769-C	#88HU-AA
88/	B-F600/800,FT900		1			E8HZ 6K769-K	#E8HT-HA
88	L-LN-LNT-LT-LTS800 w/210 H.P. "From 11/30/87 to 3/1/88"		1			E8HZ 6K769-L	#E8HT-JA
88/	L-LN-LNT-LT-LTS800 w/210 H.P. "From 3/1/88"		1			E8HZ 6K769-S	#E8HT-KA,KB,KC
89	L-LN-LNT-LT-LTS700/800 (185 H.P.)	1				E9HZ 6K769-A	
89	L-LN-LNT-LT-LTS900 -- (270 H.P.) "From 12/5/88"		1			E9HZ 6K769-D	
87/89	B-F700/800,FT900		1			E7HZ 6K770-B	HOSE (CHARGED AIR COOLER TO MANIFOLD)
87	L-LN-LNT-LT-LTS800		1			E7HZ 6K770-A	
88/	CF600/800	1	1			E8HZ 6K770-G	#87HU-AA
88/	L-LN-LNT-LT-LTS800 -- exc. 270 H.P.		1			E8HZ 6K770-R	#E8HT-JB
89	L-LN-LNT-LT-LTS800 -- (270 H.P.)		1			F0HZ 6K770-E	#E9HT-AB
						6775-6	SHIELD (NOISE INSULATOR)
88/89	L-LN-LNT-LT800		1			★ E8HZ 6775-E	R.H.-#E8HT 6E027-HC-not replaced
88/	LTS800		1			★ E8HZ 6775-U	Lower R.H.-#E8HT 6E027-FB-not replaced
			1			★ E8HZ 6776-S	Lower L.H.-#E8HT 6E027-EB-not replaced
87/	B-F-FT-L-LN-LNT-LT-LTS700/900		1			★ E7HZ 6775-B	Oil pan noise shield-r/b F0HZ 6775-B & (6) 56720-S2 bolts
87/88	B-F700/800,FT900 -- air to air	1				E9HZ 6K775-D	COOLER ASSY. (CHARGED AIR)
87/	CF600/800 -- air to water		1			E7HZ 6K775-C	
87/	F600/700 -- air to water		1			E7HZ 6K775-C	
88/	CF600/800 -- air to air	1	1			E8HZ 6K775-F	
87/88	L-LN-LNT-LT-LTS800 -- air to air "Before 10/1/87"		1			E7HZ 6K775-E	Use with sheet metal rad.
88	L-LN-LNT-LTS800 -- air to air "From 10/1/87"		1			E7HZ 6K775-D	Use with ad tech. rad.
89	B-F-FT700/900	1	1			E9HZ 6K775-D	
89	L-LN-LNT-LT-LTS800		1			F0HZ 6K775-D	
87	L-LN-LNT-LT-LTS800		4			56702-S2	(B-318-GA) Bolt (cooler assy. to rad.) 1/4"-20 x 5/8" hex. wshr. head

**1980/  
TRUCK SERIES 600/900**

YEAR	MODEL/RESTRICTIONS	QUANTITY				PART NUMBER	DESCRIPTION
		6.6L	7.8L				
86	CF600/700	1				E6HZ 6N778-A	TUBE ASSY. (OIL PUMP OULET)
87/		1	1			E7HZ 6N778-A	
87/		1	1			E7HZ 6N781-A	HOUSING (OIL COOLER)
87/		1	1			E7HZ 6N783-A	CORE (OIL COOLER)
87/	Exc. CF600/700	1	1			E7HZ 6784-A	TUBE (OIL LEVEL INDICATOR)-mounted in block
87/	CF600/700	1	1			E7HZ 6784-C	Mounted inside tubes 6E612, 6784 & 6793
87/	CF600/800	1	1			E7HZ 6784-D	Mounted inside cyl. block
87/		1	1			E7HZ 6N785-A	CAP (OIL COOLER CORE)-Front
86/		1	1			E6HZ 6786-A	BRACKET & COVER (OIL FILLER TUBE)
87/			3			E7HZ 6K786-A	CLAMP (CHARGED AIR COOLING)
88/	B-F-LN600/800		1			F0HZ 6K786-J	3.31"-3.62" dia.
88/	B-F-LN600/800		2			E8HZ 6K786-C	3.56-3.87" dia.
88/	L-LN-LNT-LT-LTS800 w/210 H.P. "From 3/1/88"		1			E8HZ 6K769-H	#E8HT-KA
87/		1	1			E7HZ 6N786-A	CAP (OIL COOLER HOUSING)-Rear
87/		1	1			E7HZ 6N789-A	GASKET (OIL COOLER TUBE)
87/		1	1			E7HZ 6N792-A	TUBE ASSY. (OIL COOLER WATER OUTLET)
87/		2	2			304684-S36	(BB-155-C) Bolt (oil cooler outlet tube to block) 3/8"-16 x 1" hex. hd.
87/		1	1			56558-S36	(B-320-D) Bolt (oil cooler outlet tube to block) 7/16"-14 x .75"
86	CF600/700 "Before 4/1/86"	1				E6HZ 6793-A	HOSE (OIL FILLER PIPE)
86/87	CF600/700 - - "From 4/1/86 to 8/18/86"	1				E6HZ 6793-B	
87/	"From 8/18/86"	1	1			E7HZ 6793-A	
86/		1	1			E7HZ 6A811-A	FILTER (CRANKCASE VENTILATION)- use in valve rocker cover
86/		1	1			E7HZ 6K827-A	HOSE (OIL COOLER TO CYLINDER BLOCK WATER OUTLET)
87/	All with by-pass filter	1	1			D0HZ 6838-A	SEAL (OIL FILTER COVER)-Also refer to group 6885- square shaped design
87/	B-F600/800,FT900	1	1			E7HZ 6B843-A	SUPPORT ASSY. (OIL COOLER MOUNTING)
87		1	1			87058-S96	(T-2-DA) "O" ring (oil cooler support to block)
86/		1	1			E6HZ 6W846-A	GEAR (OIL PUMP DRIVE)
86/	CF700/800	1	1			E6HZ 6N847-A	SLEEVE (CHARGER OIL SUPPLY ELBOW)- come w/6N639
87/	B-F-FT-L-LN-LS-LT-LNT- LTS600/900	1	1				
86/	CF700/800	1	1			E6HZ 6N848-A	SLEEVE (CHARGER OIL RETURN ELBOW)- come w/6N626
87/	B-F-FT-L-LN-LS-LT-LNT- LTS600/900	1	1				
86/	CF600/700	1				E6HZ 6B850-A	HOSE ASSY. (OIL COOLER)-outlet
		1				E6HZ 6B851-A	Inlet
86/		1	1			E6HZ 6N857-B	NUT (OIL PUMP OUTLET TUBE)
87/	All 210 H.P.		1			E7HZ 6N862-B	GASKET (CHARGER INTAKE MANIFOLD COVER TUBE)
86	CF600/700	AR				E6HZ 6N864-A	BOLT (TURBO CHARGER COMPRESSOR COVER) 5/16"-18 self locking
86	CF600/700	AR				E6HZ 6N865-A	BOLT (TURBO CHARGER TURBINE HOUSING) 5/16"-18
86	CF600/700	1				E6HZ 6881-A	ADAPTER (OIL FILTER)
87/	All with by-pass filter	1	1			C1TZ 6885-A	GASKET (OIL FILTER COVER)-Also refer to group 6838 oval shaped design
86	CF600/700	1				E6HZ 6890-A	INSERT (OIL FILTER MOUNTING BOLT)
87/		2	2			E7HZ 6890-A	
86/		1	1			E6HZ 6A892-A	RETAINER (CRANKCASE VENTILATION)-GROMMET
88/	All		AR			E8HZ 6N945-A	RECEPTICAL (NOISE SHIELD STUD)

HOW TO IDENTIFY TRANSMISSION PARTS

1. USE THE WARRANTY PLATE CODE:

- a. The transmissions (main & auxiliary) are identified by a code on the vehicle Warranty Plate.
- b. Refer to the General Information Section (under Warranty Plate Transmission Codes) to identify the transmission type and model.
- c. Refer to the Model Application Chart (starting on page 8 ) to find the Parts List number, or Illustration Section and Page number.
- d. Turn to the Parts List and select the component part desired.

2. USE THE TRANSMISSION CASE MARKINGS:

- a. Find a painted marking on the transmission case.
- b. Refer to the Transmission Identification Chart (starting on page 5) to find the Parts List number, or Illustration Section and Page number.
- c. Turn to the Parts List and select the component part desired.

3. USE THE TRANSMISSION IDENTIFICATION TAG:

- a. Find an identification tag or plate on the transmission case. (see pages 3 and 4 for illustrations showing locations).
- b. Refer to the Transmission Identification Chart (starting on page 5) to find the Parts List number, or Illustration Section and Page number.
- c. Turn to the Parts List and select the component part desired. (If the transmission case is replaced, transfer the tag to the new case so that identification will not be lost.)

4. USE THE MANUFACTURER'S NAME and MODEL NUMBER:

- a. Refer to the Model Application Chart (starting on page 10) to find the Parts List number for the model – example. A 1980 B600 truck with New Process Model 435 identified 10911 uses Parts List number 70.4.

5. USE THE TRUCK YEAR and MODEL:

- a. Refer to the Model Application Chart (starting on page 8 ) to find the Parts List number, or Illustration Section and Page number for the truck model (The chart is arranged by model year, within each model year, it is arranged by Truck Series.)
- b. Turn to the Parts List and select the component part desired.

6. USE THE THE TRUCK SPECIFICATION LIST (T.S.L.):

- a. Kentucky-built trucks contain a T.S.L.
- b. Locate the "Transmission Assy." number or "Auxiliary Transmission" number on the T.S.L.
- c. Use the Transmission Identification Chart (Page 5) to find the Parts List number.
- d. Turn to the Parts List and select the component part desired.

---

---

---

---

---

---

---

---

---

---

---

---

**1980/  
TRUCK SERIES 600/900**

---

**TRANSMISSION PARTS LIST INDEX**

Parts lists are grouped by type and number of speeds and each group of related transmission parts lists is shown in a separate section. The section number can readily be identified with the transmission parts list numbers as shown in the following example:

TRANSMISSION TYPE	NUMBER OF SPEEDS	PARTS LIST NUMBER	TRANSMISSION SECTION NO.
Clark	5	5	70.5
Dana (Spicer) aux.	3 & 4	3	70.3
Dana (Spicer) (5000,6000 series)	5	5	70.5
Dana (Spicer) (SST 1062 Series)	6	6	70.6
Dana (Spicer)	7	7	70.7
Fuller	5	5	70.5
Fuller	6	6	70.6
Fuller	7	7	70.7
Fuller	8	8	70.8
Fuller	10	10	70.10
Fuller	9	9	70.9
Fuller	13	13	70.13
Fuller	15	15	70.15
New Process	4	4	70.4
New Process	5	5	70.5
Warner	4	4	70.4

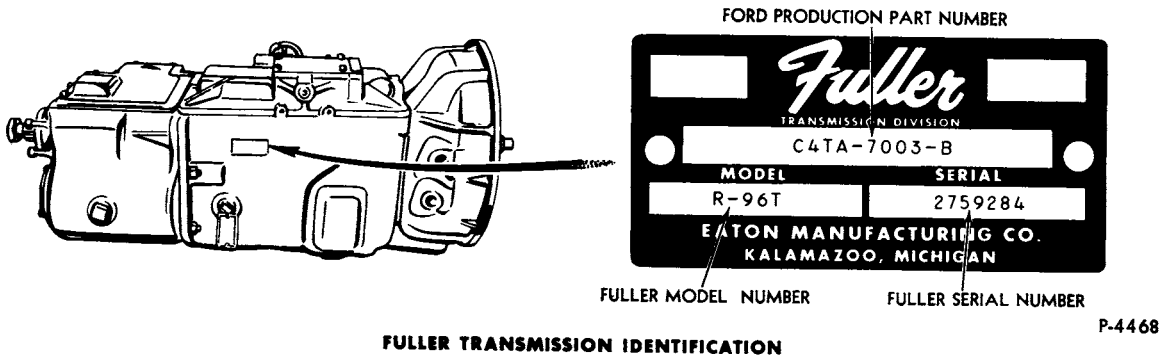
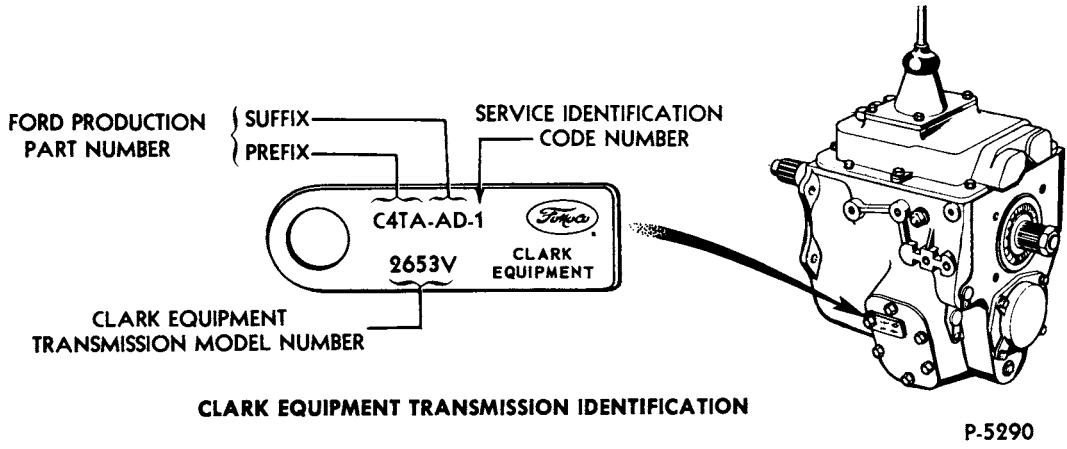
Kit part numbers are shown in their respective parts lists. A listing of the components for each kit is shown in Section 70A.

Bearing and gasket overhaul not serviced. Refer to Federal Moguel catalog #502T  
Order catalog on form #FPM 1310B, Heavy Truck Literature Order Form

Sections 70.1 thru 70.15 and 70A follow Section 70. Immediately following Section 70A, the Ford basic groups are continued in Section 71.

Parts lists are also provided for Auxiliary transmissions. Data for identifying Auxiliary transmissions is included in the Transmission Identification Chart following the main transmission listing for the affected model year.

---




---

---

---

---

---

---

---

---

---

---

---

---

---

---

---

---

---

---

---

---

---

---

---

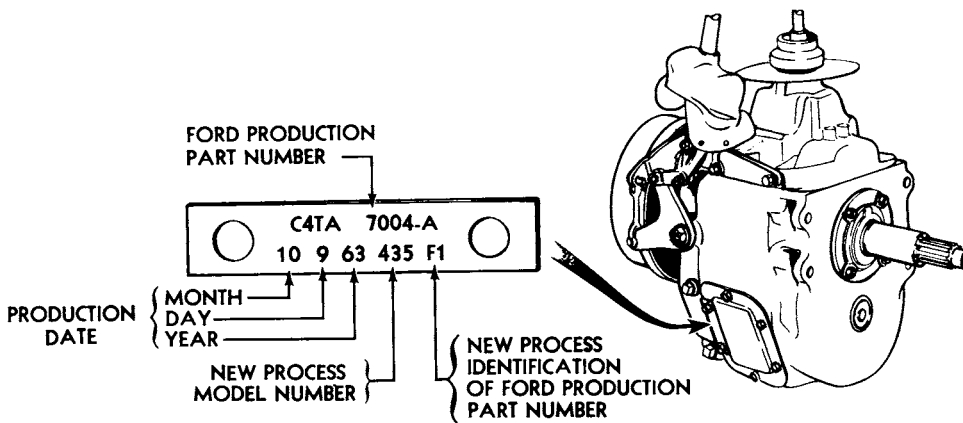
---

---

---

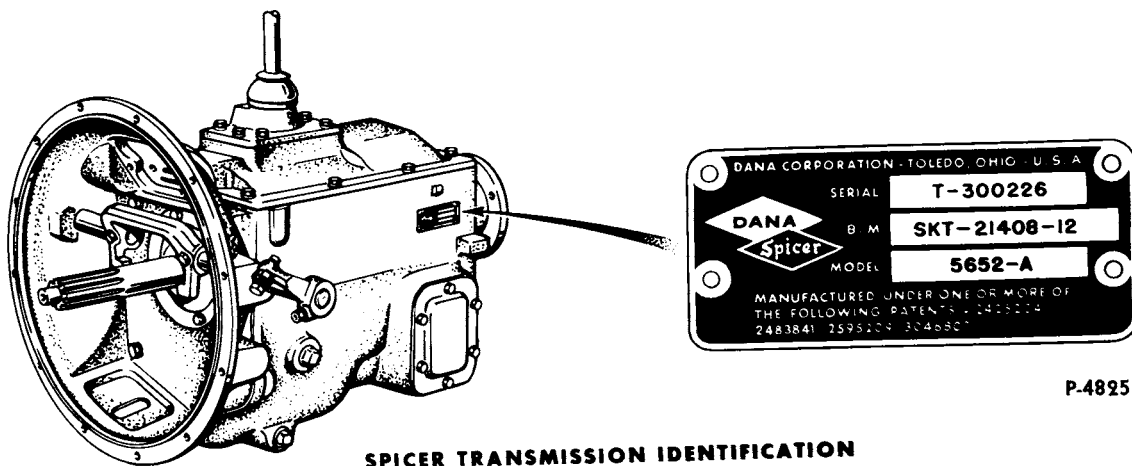


# 1980/ TRUCK SERIES 600/900



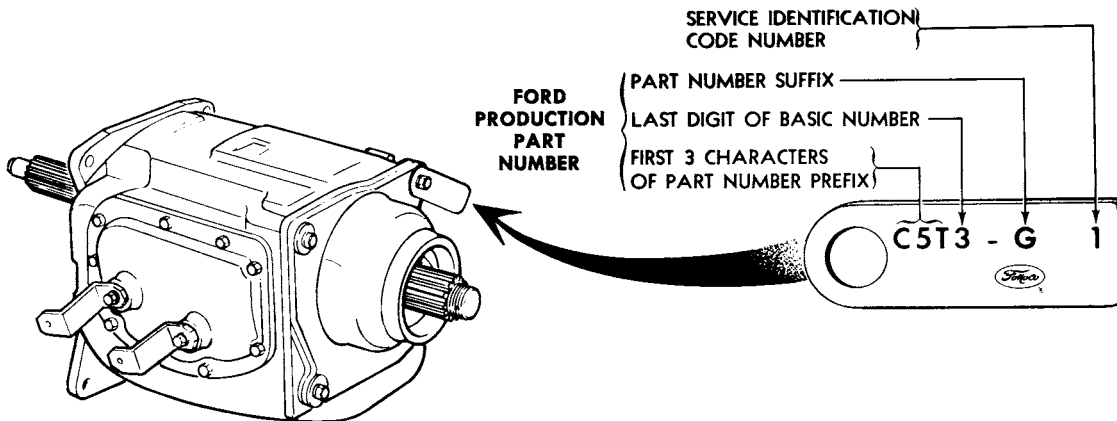
**NEW PROCESS TRANSMISSION IDENTIFICATION**

P-4473



**SPICER TRANSMISSION IDENTIFICATION**

P-4825



**WARNER GEAR TRANSMISSION IDENTIFICATION**

P-4918

---



---



---



---



---



---

# 1980/ TRUCK SERIES 600/900

## TRANSMISSION IDENTIFICATION CHART

IDENTIFICATION NUMBER	MANUFACTURER		S P E E D	CODE Δ	PART NUMBER	PARTS LIST 70.	ILLUSTRATIONS	
	NAME ▲	MODEL					SECTION	PAGE

Δ-WARRANTY CODE, ▲-C- CLARK, F-FULLER, NP-NEW PROCESS, R-ROCKWELL, S-SPICER, W-WARNER

The identification number represents the Ford T.S.L. Number, Ford Tag Identification Number, Manufacturer

Tag Serial Number or the Transmission Case Marking.

NOTES ★ Obsolete

AS7-T19,T9W4G ★	W	T19	4	WA/P	C9TA	7004-G	4BA	70.4	3
D6TA 7003-DA,T6C3DA ★	C	390V-3	5	CF	D6TA	7003-DA	5BD	70.5	4
D6TA 7003-ACA,T6C3ACA ★	C	397V-5	5	CG	D6TA	7003-ACA	5BE	70.5	4
D6HA 7004-EA,H6C4EA ★	C	397V-2	5	CG	D6HA	7004-EA	5BB	70.5	4
D6HA 7004-FA,H6C4FA ★	C	390V-2	5	CF	D6HA	7004-FA	5BC	70.5	4
D6HT 7004-LA,H6C4LA ★	C	280V0	5	CA	D3TZ	7004-C	5BA	70.5	1
D6HT 7004-MA,H6C4MA ★	C	282V	5	CB/W	D3TZ	7004-B	5BA	70.5	1
D6HT 7004-NA,H6C4NA ★	C	285V	5	CD/X	D3TZ	7004-A	5BA	70.5	1
D7HT 7003-ASA,H7D3ASA ★	S	SST 1062-C	6	SH	D7HT	7003-ASA	6AA	70.6	1,2
D7HT 7003-BDA,H7F3BDA ★	F	RT-906	6	FE	D7HT	7003-BDA	6A	70.6	3,4
D7HT 7003-BEA,H73BEA ★	F	RTF-910	10	FF	D7HT	7003-BEA	10F	70.10	4
D7HT 7003-BFA,H7F3BFA ★	F	RTOF-910	10	FG	D7HT	7003-BFA	10D	70.10	4
D7HT 7003-BGA,H73BGA ★	F	RTF-910	10	FF	D7HT	7003-BGA	10E	70.10	4
D7HT 7003-BHA,H7F3BHA ★	F	RTOF-910	10	FG	D7HT	7003-BHA	10D	70.10	4
D7HT 7003-BKA,H7F3BKA ★	F	RT-910-A	10	FF	D7HT	7003-BKA	10E	70.10	4
D7HT 7003-BLA,H7F3BLA ★	F	RTF-9509	9	FJ	D7HT	7003-BLA	9A	70.9	1,2,3
D7HT 7003-BMA,H7F3BMA ★	F	RT-9509	9	FJ	D7HT	7003-BMA	9B	70.9	1,2,3
D7HT 7003-BNA,H7F3BNA ★	F	RTF-9509	9	FJ	D7HT	7003-BNA	9A	70.9	1,2,3
D7HT 7003-BRA,H7F3BRA ★	F	RTF-1110	10	FI	D7HT	7003-BRA	10H	70.10	1,2,5
D7HT 7003-BSA,H7F3BSA ★	F	RT-1110	10	FI	D7HT	7003-BSA	10H	70.10	1,2,5
D7HT 7003-BTA,H7F3BTA ★	F	RTF-1110	10	FI	D7HT	7003-BTA	10M	70.10	1,2,5
D7HT 7003-BUA,H7F3BUA ★	F	RTF-12510	10	FM	D7HT	7003-BUA	10K	70.10	1,2,5
D7HT 7003-BVA,H7F3BVA ★	F	RTF-12510	10	FM	D7HT	7003-BVA	10K	70.10	1,2,5
D7HT 7003-BYA,H7F3BYA ★	F	RT0-958LL	8	FH	D7HT	7003-BYA	8A	70.8	1,2
D7HT 7003-BZA,H7F3BZA ★	F	RTOF-9513	13	FL	D7HT	7003-BZA	13D	70.13	1,2
D7HT 7003-CAA,H7F3CAA ★	F	RT0-9513	13	FL	D7HT	7003-CAA	13G	70.13	1,2
D7HT 7003-CBA,H7F3CBA ★	F	RTF-9513	13	FK	D7HT	7003-CBA	13E	70.13	1,2
D7HT 7003-CCA,H7F3CCA ★	F	RT-9513	13	FK	D7HT	7003-CCA	13H	70.13	1,2
D7HT 7003-CDA,H7F3CDA ★	F	RTF-9513	13	FK	D7HT	7003-CDA	13E	70.13	1,2
D7HT 7003-CEA,H7F3CEA ★	F	RTOF-9513	13	FL	D7HT	7003-CEA	13D	70.13	1,2
D7HT 7003-CFA,H7F3CFA ★	F	RTOF-12513	13	FN	D7HT	7003-CFA	13B	70.13	3
D7HT 7003-CGA,H7F3CGA ★	F	RTOF-12513	13	FN	D7HT	7003-CGA	13B	70.13	3
D7HT 7003-CHA,H7F3CHA ★	F	RT-910	10	FF	D7HT	7003-CHA	10C	70.10	4
D7HT 7003-CJA,H7F3CJA ★	F	RT0-910	10	FF	D7HT	7003-CJA	10G	70.10	4
D7HT 7003-CKA,H7F3CKA ★	F	RT-9513	13	FK	D7HT	7003-CKA	13C	70.13	1,2
D7HT 7003-CLA,H7F3CLA ★	F	RT0-9513	13	FL	D7HT	7003-CLA	13C	70.13	1,2
D7HT 7003-CMA,H7F3CMA ★	F	RT-12510	10	FM	D7HT	7003-CMA	10L	70.10	1,2,5
D7HT 7003-CNA,H7F3CNA ★	F	RT0-12513	13	FN	D7HT	7003-CNA	13F	70.13	3
D7HT 7003-CRA,H7F3CRA ★	F	RT-9509	9	FJ	D7HT	7003-CRA	9C	70.9	1,2,3
D7HT 7003-CSA,H7F3CSA ★	F	RT-1110	10	FI	D7HT	7003-CSA	10J	70.10	1,2,5
D7HT 7003-CTA,H7F3CTA ★	F	RT-12509	9	FP	D7HT	7003-CTA	9D	70.9	1,2
D7HT 7003-CUA,H7F3CUA ★	F	RT-910	10	FF	D7HT	7003-CUA	10C	70.10	4
D7HT 7003-CVA,H7F3CVA ★	F	T-905-A	5	FC	D7HT	7003-CVA	5CA	70.5	7
D7HT 7003-CZA,H7F3CZA ★	F	RT-610	10	FA	D7HT	7003-CZA	10A	70.10	6
D7HT 7003-DAA,H7F3DAA ★	F	RT-610	10	FA	D7HT	7003-DAA	10B	70.10	6
D7HT 7003-DBA,H7F3DBA ★	F	RT-613	13	FB	D7HT	7003-DBA	13A	70.13	1,2
D7HT 7003-DCA,H7F3DCA ★	F	RT-613	13	FB	D7HT	7003-DCA	13A	70.13	1,2
D9HS 7003-ASA,H9D3ASA ★	S	SST1007-3A	7	SA	D9HS	7003-ASA	7B	70.7	1
D9HT 7003-MA,H9D3MA ★	S	SST1007-3A	7	SA	D9HT	7003-MA	7A	70.7	1
E0HT 7003-DA,H0C3DA ★	C	282VHD-2	5	CC/W	E0HT	7003-DA	5BG	70.5	1
E0HT 7003-EA,H0C3EA ★	C	285-VHD-2	5	CE/X	E0HT	7003-EA	5BG	70.5	1

1980/  
TRUCK SERIES 600/900

TRANSMISSION IDENTIFICATION CHART

IDENTIFICATION NUMBER	MANUFACTURER		S P E E D	CODE Δ	PART NUMBER	PARTS LIST 70.	ILLUSTRATIONS	
	NAME ▲	MODEL					SECTION	PAGE
Δ-WARRANTY CODE, ▲-C- CLARK, F-FULLER, NP-NEW PROCESS, R-ROCKWELL, S-SPICER, W-WARNER								
NOTES ★ Obsolete								
EOHT 7003-MA,H0F3MA ★	F	RT0F-9509-B	9	FJ	EOHT 7003-MA	9E	70.9	1,2,3
EOHT 7003-NA,H0F3NA ★	F	RT0F-9509-B	9	FJ	EOHT 7003-NA	9E	70.9	1,2,3
EOHT 7003-RA,H0W3RA ★	W	T-19A	4	WA/P	EOHT 7003-RA	4BB	70.4	3
EOHT 7003-SA,H0D3SA ★	S	CM5052-A	5	SB/D	EOHT 7003-SA	5DA	70.5	3
EOHT 7003-TA,H0D3TA ★	S	CM5252-A	5	SC/E	EOHT 7003-TA	5DA	70.5	3
EOHT 7003-UA,H0D3UA ★	S	CM6052-C	5	SF	EOHT 7003-UA	5DB	70.5	2
EOHT 7003-VA,H0D3VA ★	S	CM6052-B	5	SE	EOHT 7003-VA	5DB	70.5	2
EOHT 7003-YA,H0D3YA ★	S	CM6052-A	5	SD	EOHT 7003-YA	5DB	70.5	2
EOHT 7003-ZA,H0D3ZA ★	S	CM6052-A	5	SD	EOHT 7003-ZA	5DB	70.5	2
EOHT 7003-AAA,H0D3AAA ★	S	CM6052-C	5	SF	EOHT 7003-AAA	5DB	70.5	2
EOHT 7003-ABA,H0C3ABA ★	C	282V-75	5	CB/2	EOHT 7003-ABA	5BH	70.5	1
EOHT 7003-ACA,H0C3ACA ★	C	285V-73	5	CD/M	EOHT 7003-ACA	5BH	70.5	1
EOHT 7003-ADA,H0C3ADA ★	C	282V-75	5	CB/2	EOHT 7003-ADA	5BH	70.5	1
EOHT 7003-AEA,H0C3AEA ★	C	285V-73	5	CD/M	EOHT 7003-AEA	5BH	70.5	1
EOHT 7003-AMA,H0F3AMA ★	F	RT-11509	9	FQ	EOHT 7003-AMA	9F	70.9	3,4
EOHT 7003-ANA,H0F3ANA ★	F	RT-11509	9	FQ	EOHT 7003-ANA	9F	70.9	3,4
EOHT 7003-ARA,H0F3ARA ★	F	RTF-11509	9	FQ	EOHT 7003-ARA	9F	70.9	3,4
EOHT 7003-ASA,H0F3ASA ★	F	RTF-11509	9	FQ	EOHT 7003-ASA	9F	70.9	3,4
E1HT 7003-AA,H1F3AA ★	F	RT0-12515	15	FV	E1HT 7003-AA	15A	70.15	1,2
E1HT 7003-CA,H1F3CA ★	F	RT-9509-A	9	FJ	E1HT 7003-CA	9G	70.9	1,2,3
E1HT 7003-DA,H1F3DA ★	F	RT0-9513	13	FL	E1HT 7003-DA	13J	70.13	3,4,5
E1HT 7003-EA,H1F3EA ★	F	RT-1110	10	FI	E1HT 7003-EA	10N	70.10	1,2,5
E1HT 7003-FA,H1F3FA ★	F	RT0-12513	13	FN	E1HT 7003-FA	13K	70.13	1,2,3
E1HT 7003-GA,H1F3GA ★	F	RT0-12513	13	FN	E1HT 7003-GA	13K	70.13	1,2,3
E1HT 7003-HA,H1F3HA ★	F	RT-12510	10	FM	E1HT 7003-HA	10P	70.10	2,5
E1HT 7003-JA,H1F3JA ★	F	RT-12510	10	FM	E1HT 7003-JA	10P	70.10	2,5
E1HT 7003-MA,E1HT3MA ★	S	SST 1107-2A	7	SJ	E1HT 7003-MA	7C	70.7	3,4
E1HT 7003-NA,E1HT3NA ★	S	SST 1107-2A	7	SJ	E1HT 7003-NA	7C	70.7	3,4
E1HT 7003-RA,E1HT3RA ★	S	SST 1107-2A	7	SJ	E1HT 7003-RA	7C	70.7	3,4
E1HT 7003-SA,E1HT3SA ★	S	SST 1107-2A	7	SJ	E1HT 7003-SA	7C	70.7	3,4
E1HT 7003-TA,H1F3TA ★	F	RT6610	10	FS	E1HT 7003-TA	10Q	70.10	7,8
E1HT 7003-UA,H1F3UA ★	F	RT6610	10	FS	E1HT 7003-UA	10Q	70.10	7,8
E1HT 7003-VA,H1F3VA ★	F	RT6613	13	FT	E1HT 7003-VA	13L	70.13	1,2
E1HT 7003-YA,H1F3YA ★	F	RT6613	13	FT	E1HT 7003-YA	13L	70.13	1,2
E1HT 7003-ZA,H1F3ZA ★	F	RT6610	10	FS	E1HT 7003-ZA	10Q	70.10	7,8
E1HT 7003-AAA,H1F3AAA ★	F	RT6613	13	FT	E1HT 7003-AAA	13L	70.13	1,2
E1HT 7003-ABA,H1F3ABA ★	F	T-11605-A	5	FU	E1HT 7003-ABA	5CB	70.5	6,7
E1HT 7003-ACA,H1F3ACA ★	F	RT9508	8	FW	E1HT 7003-ACA	8B	70.8	1,2
E1HT 7003-ADA,H1F3ADA ★	F	RTF9508	8	FW	E1HT 7003-ADA	8B	70.8	1,2
E1HT 7003-AEA,H1F3AEA ★	F	RTF9508	8	FW	E1HT 7003-AEA	8B	70.8	1,2
E1HT 7003-AFA,H1F3AFA ★	W	T-19-D	4	WA/P	E1HT 7003-AFA	4BB	70.4	3
E1HT 7003-ALA,E1HT3ALA ★	S	CM5052-A	5	SB/D	E1HT 7003-ALA	5DA	70.5	3
E1HT 7003-AMA,E1HT3AMA ★	S	CM5052-A	5	SB/D	E1HT 7003-AMA	5DA	70.5	3
E1HT 7003-ANA,E1HT3ANA ★	S	CM5052-A	5	SB/D	E1HT 7003-ANA	5DA	70.5	3
E1HT 7003-ARA,E1HT3ARA ★	S	CM5252-A	5	SC/E	E1HT 7003-ARA	5DA	70.5	3
E1HT 7003-ASA,E1HT3ASA ★	S	CM5252-A	5	SC/E	E1HT 7003-ASA	5DA	70.5	3
E1HT 7003-ATA,E1HT3ATA ★	S	CM5252-A	5	SC/E	E1HT 7003-ATA	5DA	70.5	3
E1HT 7003-AUA,E1HT3AUA ★	S	CM6052-C	5	SF	E1HT 7003-AUA	5DB	70.5	2
E1HT 7003-AVA,E1HT3AVA ★	S	CM6052-C	5	SF	E1HT 7003-AVA	5DB	70.5	2
E1HT 7003-AYA,E1HT3AYA ★	S	CM6052-B	5	SE	E1HT 7003-AYA	5DB	70.5	2
E1HT 7003-AZA,E1HT3AZA ★	S	CM6052-A	5	SD	E1HT 7003-AZA	5DB	70.5	2
E1HT 7003-BEA,E1HT3BEA ★	S	CM6052-A	5	SD	E1HT 7003-BEA	5DB	70.5	2

1980/  
TRUCK SERIES 600/900

TRANSMISSION IDENTIFICATION CHART										
IDENTIFICATION NUMBER	MANUFACTURER		S P E E D	CODE Δ	PART NUMBER	PARTS LIST 70.	ILLUSTRATIONS			
	NAME ▲	MODEL					SECTION	PAGE		
Δ-WARRANTY CODE, ▲-C- CLARK, F-FULLER, NP-NEW PROCESS, R-ROCKWELL, S-SPICER, W-WARNER										
NOTES ★ Obsolete										
E1HT 7003-BMA,H1F3BMA	★	F	RT0F1157-DL	7	FY	E1HT 7003-BMA	7AA	70.7	5,6	
E1HT 7003-BNA,H1F3BNA	★	F	RT0F1157-DL	7	FY	E1HT 7003-BNA	7AA	70.7	5,6	
E1HT 7003-BRA,H1F3BRA	★	F	RT0F1157-DLL	7	FX	E1HT 7003-BRA	7AB	70.7	5,6	
E1HT 7003-BSA,H1F3BSA	★	F	RT0F1157-DLL	7	FX	E1HT 7003-BSA	7AB	70.7	5,6	
E1HT 7003-BZA,E1HT3BZA	★	C	390V-16	5	CF	E1HT 7003-BZA	5BJ	70.5	4	
E1HT 7003-CAA,E1HT3CAA	★	C	397V-15	5	CG	E1HT 7003-CAA	5BJ	70.5	4	
E2HT 7003-AA,E2HT3AA	★	F	RT11610	10	EB	E2HT 7003-AA	10R	70.10	1,2,5	
E2HT 7003-BA,E2HT3BA	★	F	RT11609-A	9	FE	E2HT 7003-BA	9K	70.9	3,4	
E2HT 7003-DA,E2HT3DA	★	F	RT14609-A	9	EG	E2HT 7003-DA	9L	70.9	1,2	
E2HT 7003-FA,E2HT3FA	★	F	RT14610	10	EH	E2HT 7003-FA	10U	70.10	1,2	
E2HT 7003-GA,E2HT3GA	★	S	SST1207-3A	7	SA	E2HT 7003-GA	7D	70.7	1,2	
E2HT 7003-JA,E2HT3JA	★	F	RT014613	13	EJ	E2HT 7003-JA	13M	70.13	1,3	
E2HT 7003-KA,E2HT3KA	★	F	RT011613	13	EC	E2HT 7003-KA	13N	70.13	4,5	
E2HT 7003-KB,E2HT3KB	★	F	RT0F11613	13	EC	E2HT 7003-KB	13N	70.13	4,5	
E2HT 7003-LA,E2HT3LA	★	S	SST1372-2A	7	SJ	E2HT 7003-LA	7E	70.7	3,4	
E2HT 7003-NA,E2HT3NA	★	F	RT11610	10	EB	E2HT 7003-NA	10S	70.10	1,2,5	
E2HT 7003-RA,E2HT3RA	★	F	RT11610	10	EB	E2HT 7003-RA	10S	70.10	1,2,5	
E2HT 7003-SA,E2HT3SA	★	F	RTF11610	10	EB	E2HT 7003-SA	10R	70.10	1,2,5	
E2HT 7003-SB,E2HT3SB	★	F	RTF11610	10	EB	E2HT 7003-SB	10R	70.10	1,2,5	
E2HT 7003-UA,E2HT3UA	★	F	RT011608-LL	8	FA	E2HT 7003-UA	8G	70.8	1,2	
E2HT 7003-VA,E2HT3VA	★	F	RT11608	8	EA	E2HT 7003-VA	8C	70.8	1,2	
E2HT 7003-YA,E2HT3YA	★	F	RTF11608	8	EA	E2HT 7003-YA	8D	70.8	1,2	
E2HT 7003-YB,E2HT3YB	★	F	RTF11608	8	EA	E2HT 7003-YB	8D	70.8	1,2	
E2HT 7003-ZA,E2HT3ZA	★	F	RTF11608	8	EA	E2HT 7003-ZA	8D	70.8	1,2	
E2HT 7003-ABA,E2HT3ABA	★	F	RT0F11607-L	7	FB	E2HT 7003-ABA	7AC	70.7	5,6	
E2HT 7003-ACA,E2HT3ABA	★	F	RT0F11607-LL	7	FD	E2HT 7003-ACA	7AD	70.7	5,6	
E2HT 7003-ADA,E2HT3ADA	★	F	RT0F11607-LL	7	FD	E2HT 7003-ADA	7AD	70.7	5,6	
E2HT 7003-AEA,E2HT3AEA	★	S	SST1207-3A	7	SA	E2HT 7003-AEA	7D	70.7	1,2	
E2HT 7003-AFA,E2HT3AFA	★	S	SST1372-2A	7	SJ	E2HT 7003-AFA	7E	70.7	3,4	
E2HT 7003-AGA,E2HT3AGA	★	S	SST1372-2A	7	SJ	E2HT 7003-AGA	7E	70.7	3,4	
E2HT 7003-AJA,E2HT3AJA	★	F	RT14608	8	EE	E2HT 7003-AJA	8E	70.8	1,2	
E2HT 7003-AKA,E2HT3AKA	★	F	RT011615	15	ED	E2HT 7003-AKA	15C	70.15	1,2	
E2HT 7003-ALA,E2HT3ALA	★	F	RT0F11608-LL	8	FA	E2HT 7003-ALA	8G	70.8	1,2	
E2HT 7003-ALB,E2HT3ALB	★	F	RT0F11608-LL	8	FA	E2HT 7003-ALB	8G	70.8	1,2	
E2HT 7003-AMA,E2HT3AMA	★	F	RT11608	8	EA	E2HT 7003-AMA	8C	70.8	1,2	
E2HT 7003-BAA,E2HT3BAA	★	F	RT11609-A	9	FG	E2HT 7003-BAA	9N	70.9	3,4	
E2HT 7003-BGA,E2HT3BGA	★	F	RT14608	8	EE	E2HT 7003-BGA	8E	70.8	1,2	
E2HT 7003-BJA,E2HT3BJA	★	F	RT14608	8	EE	E2HT 7003-BJA	8E	70.8	1,2	
E2HT 7003-BKA,E2HT3BKA	★	F	RT14609	9	EG	E2HT 7003-BKA	9L	70.9	1,2	
E2HT 7003-BMA,E2HT3BMA	★	F	RT14610A	10	EH	E2HT 7003-BMA	10T	70.10	1,2	
E2HT 7003-BRA,E2HT3BRA	★	F	RT14613	13	EJ	E2HT 7003-BRA	13M	70.13	1,3	
E2HT 7003-BTA,E2HT3BTA	★	F	RT014608LL	8	EF	E2HT 7003-BTA	8F	70.8	1,3	
E2HT 7003-BUA,E2HT3BUA	★	F	RT014609B	9	EL	E2HT 7003-BUA	9M	70.9	1,2	
E2HT 7003-CAA,E2HT3CAA	★	F	RTF11609-A	9	FE	E2HT 7003-CAA	9N	70.9	3,4	
E2HT 7003-CBA,E2HT3CBA	★	S	CM5052-A	5	D/SB	E2HT 7003-CBA	5DC	70.5	3	
E2HT 7003-CCA,E2HT3CCA	★	S	CM5252-A	5	E/SC	E2HT 7003-CCA	5DC	70.5	3	
E2HT 7003-CDA,E2HT3CDA	★	S	CM5052-A	5	D/SB	E2HT 7003-CDA	5DC	70.5	3	
E2HT 7003-CEA,E2HT3CEA	★	S	CM5252-A	5	E/SC	E2HT 7003-CEA	5DC	70.5	3	
E2HT 7003-CFA,E2HT3CFA	★	S	CM5052-A	5	D/SB	E2HT 7003-CFA	5DC	70.5	3	
E2HT 7003-CGA,E2HT3CGA	★	S	CM5252-A	5	E/SC	E2HT 7003-CGA	5DC	70.5	3	
E2HT 7003-CHA,E2HT3CHA	★	S	CM6052-A	5	SD	E2HT 7003-CHA	5DD	70.5	2	
E2HT 7003-CJA,E2HT3CJA	★	S	CM6052-B	5	SE	E2HT 7003-CJA	5DD	70.5	2	
E2HT 7003-CKA,E2HT3CKA	★	S	CM6052-C	5	SF	E2HT 7003-CKA	5DD	70.5	2	
E2HT 7003-CLA,E2HT3CLA	★	S	CM6052-A	5	SD	E2HT 7003-CLA	5DD	70.5	2	

1980/  
TRUCK SERIES 600/900

TRANSMISSION IDENTIFICATION CHART

IDENTIFICATION NUMBER	MANUFACTURER		S P E E D	CODE Δ	PART NUMBER	PARTS LIST 70.	ILLUSTRATIONS		
	NAME ▲	MODEL					SECTION	PAGE	
Δ-WARRANTY CODE, ▲-C- CLARK, F-FULLER, NP-NEW PROCESS, R-ROCKWELL, S-SPICER, W-WARNER									
NOTES ★ Obsolete									
E2HT 7003-CMA,E2HT3CMA	★	S	CM6052-C	5	SF	E2HT 7003-CMA	5DD	70.5	2
E2HT 7003-CTA,E2HT3CTA	★	F	RTOF11609-B	9	FG	E2HT 7003-CTA	9J	70.9	3,4
E2HT 7003-CUA,E2HT3CUA	★	F	RTF14609-A	9	EG	E2HT 7003-CUA	9L	70.9	1,2
E2HT 7003-CVA,E2HT3CVA	★	F	RT14609-A	9	EG	E2HT 7003-CVA	9L	70.9	1,2
E2HT 7003-CYA,E2HT3CYA	★	F	RT14609-A	9	EG	E2HT 7003-CYA	9L	70.9	1,2
E2HT 7003-DAA,E2HT3DAA	★	F	RTF11609-A	9	FE	E2HT 7003-DAA	9K	70.9	3,4
E2HT 7003-DAB,E2HT3DAB	★	F	RTF11609-A	9	FE	E2HT 7003-DAB	9K	70.9	3,4
E2HT 7003-DDA,E2HT3DAB	★	F	RTOF11609-B	9	FG	E2HT 7003-DDA	9H	70.9	3,4
E2HT 7003-DEA,E2HT3DEA	★	F	RTF11609	9	FE	E2HT 7003-DEA	9P	70.9	3,4
E2HT 7003-DFA,E2HT3DFA	★	F	RT11609-A	9	FG	E2HT 7003-DFA	9P	70.9	3,4
E2HT 7003-DGA,E2HT3DGA	★	F	RTOF11613	13	EC	E2HT 7003-DGA	13N	70.13	4,5
E2HT 7003-DHA,E2HT3DHA	★	F	RT011613	13	EC	E2HT 7003-DHA	13N	70.13	4,5
E2HT 7003-EAA,E2HT3EAA	★	F	RTOF11609-B	9	FG	E2HT 7003-EAA	9J	70.9	3,4
E2HT 7003-FAA,E2HT3FAA	★	F	RTOF11609-B	9	FG	E2HT 7003-FAA	9J	70.9	3,4
E2HT 7003-FAB,E2HT3FAB	★	F	RTOF11609-B	9	FG	E2HT 7003-FAB	9J	70.9	3,4
E2HT 7003-GAA,E2HT3GAA	★	F	RT011613	13	EC	E2HT 7003-GAA	13N	70.13	4,5
E2HT 7003-HAA,E2HT3HAA	★	F	RT011613	13	EC	E2HT 7003-HAA	13N	70.13	4,5
E2HT 7003-KAA,E2HT3KAA	★	F	RTOF11613	13	EC	E2HT 7003-KAA	13N	70.13	4,5
E2HT 7003-MAA,E2HT3MAA	★	F	RTF14610	10	EH	E2HT 7003-MAA	10U	70.10	1,2
E2HT 7003-NAA,E2HT3NAA	★	F	RT14610	10	EH	E2HT 7003-NAA	10U	70.10	1,2
E2HT 7003-RAA,E2HT3RAA	★	F	RT14610	10	EH	E2HT 7003-RAA	10U	70.10	1,2
E2HT 7003-SAA,E2HT3SAA	★	F	RTOF14613	13	EJ	E2HT 7003-SAA	13P	70.13	1,3
E2HT 7003-UAA,E2HT3UAA	★	F	RT014613	13	EJ	E2HT 7003-UAA	13M	70.13	1,3
E2HT 7003-VAA,E2HT3VAA	★	F	RT014613	13	EJ	E2HT 7003-VAA	13M	70.13	1,3
E2HT 7003-YAA,E2HT3YAA	★	F	RT14615	15	EK	E2HT 7003-YAA	15B	70.15	1,2
E2HT 7003-ZAA,E2HT3ZAA	★	F	RTOF11607-L	7	FB	E2HT 7003-ZAA	7AC	70.7	5,6
E3HT 7003-AA,E3HT3AA	★	S	CM5510	5	SM	E3HT 7003-AA	5DG	70.5	10,11
E3HT 7003-JA,E3HT3JA	★	S	CM5510	5	SM	E3HT 7003-JA	5DG	70.5	10,11
E3HT 7003-KA,E3HT3KA	★	S	CM5510	5	SM	E3HT 7003-KA	5DG	70.5	10,11
E3HT 7003-LA,E3HT3LA	★	S	CM5510	5	SM	E3HT 7003-LA	5DG	70.5	10,11
E3HT 7003-SA,E3HT3SA	★	C	282V-86	5	2	E3HT 7003-SA	5BH	70.5	1
E3HT 7003-TA,E3HT3TA	★	C	285V-93	5	M	E3HT 7003-TA	5BH	70.5	1
E3HT 7003-UA,E3HT3UA	★	C	282VHD-13	5	CC	E3HT 7003-UA	5BG	70.5	1
E3HT 7003-VA,E3HT3VA	★	C	285VHD-13	5	CE	E3HT 7003-VA	5BG	70.5	1
E3HT 7003-AAA,E3HT3AAA	★	S	CM5552-A	5	SK	E3HT 7003-AAA	5DE	70.5	3
E3HT 7003-ABA,E3HT3ABA	★	S	CM5852-A	5	SL	E3HT 7003-ABA	5DF	70.5	3
E3HT 7003-ACA,E3HT3ACA	★	S	CM5552-A	5	SK	E3HT 7003-ACA	5DE	70.5	3
E3HT 7003-ADA,E3HT3ADA	★	S	CM5852-A	5	SL	E3HT 7003-ADA	5DF	70.5	3
E3HT 7003-AEA,E3HT3AEA	★	S	CM5552-A	5	SK	E3HT 7003-AEA	5DE	70.5	3
E3HT 7003-AFA,E3HT3AFA	★	S	CM5852-A	5	SL	E3HT 7003-AFA	5DF	70.5	3
E3HT 7003-AGA,E3HT3AGA	★	S	CM5552-A	5	SK	E3HT 7003-AGA	5DE	70.5	3
E3HT 7003-AHA,E3HT3AHA	★	S	CM5852-A	5	SL	E3HT 7003-AHA	5DF	70.5	3
E3HT 7003-AJA,E3HT3AJA	★	S	CM5552-A	5	SK	E3HT 7003-AJA	5DE	70.5	3
E3HT 7003-AKA,E3HT3AKA	★	S	CM5852-A	5	SL	E3HT 7003-AKA	5DF	70.5	3
E3HT 7003-ALA,E3HT3ALA	★	S	CM5552-A	5	SK	E3HT 7003-ALA	5DE	70.5	3
E3HT 7003-AMA,E3HT3AMA	★	S	CM5852-A	5	SL	E3HT 7003-AMA	5DE	70.5	3
E3HT 7003-ANA,E3HT3ANA	★	F	RT6613	13	FT	E3HT 7003-ANA	13Q	70.13	1,2
E3HT 7003-ARA,E3HT3ARA	★	F	RT6613	13	FT	E3HT 7003-ARA	13Q	70.13	1,2
E3HT 7003-ASA,E3HT3ASA	★	F	RT6613	13	FT	E3HT 7003-ASA	13Q	70.13	1,2
E3HT 7003-BLA,E3HT3BLA	★	F	RT6610	10	FS	E3HT 7003-BLA	10V	70.10	7,8
E3HT 7003-BMA,E3HT3BMA	★	F	RT6610	10	FS	E3HT 7003-BMA	10V	70.10	7,8
E3HT 7003-BNA,E3HT3BNA	★	F	RT6610	10	FS	E3HT 7003-BNA	10V	70.10	7,8
E3HT 7003-BRA,E3HT3BRA	★	F	T11605-A	5	FU	E3HT 7003-BRA	5CC	70.5	6,7
E3HT 7003-BSA,E3HT3BSA	★	C	282V-204	5	2	E3HT 7003-BSA	5BL	70.5	1
E3HT 7003-BTA,E3HT3BTA	★	C	282V-206	5	2	E3HT 7003-BTA	5BL	70.5	1
E3HT 7003-BUA,E3HT3BUA	★	C	285V-206	5	M	E3HT 7003-BUA	5BL	70.5	1
E3HT 7003-BVA,E3HT3BVA	★	C	285V-208	5	M	E3HT 7003-BVA	5BL	70.5	1

1980/  
TRUCK SERIES 600/900

TRANSMISSION IDENTIFICATION CHART									
IDENTIFICATION NUMBER	MANUFACTURER		S P E E D	CODE Δ	PART NUMBER	PARTS LIST 70.	ILLUSTRATIONS		
	NAME ▲	MODEL					SECTION	PAGE	
▲-WARRANTY CODE, ▲-CLARK, F-FULLER, NP-NEW PROCESS, R-ROCKWELL, S-SPICER, W-WARNER									
NOTES ★ Obsolete									
E3HT 7003-BYAE3HT3BYA ★	C	282VHD-202	5	CC	E3HT 7003-BYA	5BM	70.5	1	
E3HT 7003-BZA,E3HT3BZA ★	C	282VHD-204	5	CC	E3HT 7003-BZA	5BM	70.5	1	
E3HT 7003-CAA,E3HT3CAA ★	C	285VHD-202	5	CE	E3HT 7003-CAA	5BM	70.5	1	
E3HT 7003-CBA,E3HT3CBA ★	C	285VHD-204	5	CE	E3HT 7003-CBA	5BM	70.5	1	
E3HT 7003-CCA,E3HT3CCA ★	C	CL551-7	5	CJ	E3HT 7003-CCA	5BN	70.5	4	
E3HT 7003-CDA,E3HT3CDA ★	C	CL551-8	5	CJ	E3HT 7003-CDA	5BN	70.5	4	
E3HT 7003-CEA,E3HT3CEA ★	C	CL557-6	5	CK	E3HT 7003-CEA	5BN	70.5	4	
E3HT 7003-CFA,E3HT3CFA ★	C	CL557-7	5	CK	E3HT 7003-CFA	5BN	70.5	4	
E3HT 7003-CHA,E3HT3CHA ★	F	RT14608	8	EE	E3HT 7003-CHA	8H	70.8	1,2	
E3HT 7003-CJA,E3HT3CJA ★	F	RTF14608	8	EE	E3HT 7003-CJA	8H	70.8	1,2	
E3HT 7003-CKA,E3HT3CKA ★	F	RTOF11607-LL	7	FD	E3HT 7003-CKA	7AD	70.7	5,6	
E3HT 7003-CLA,E3HT3CLA ★	F	RTOF11607-LL	7	FD	E3HT 7003-CLA	7AD	70.7	5,6	
E3HT 7003-CMA,E3HT3CMA ★	F	RTOF11608-LL	8	FA	E3HT 7003-CMA	8G	70.8	1,2	
E3HT 7003-CNA,E3HT3CNA ★	F	RTOF11608-LL	8	FA	E3HT 7003-CNA	8G	70.8	1,2	
E3HT 7003-CRA,E3HT3CRA ★	F	RT11615	15	ED	E3HT 7003-CRA	15E	70.15	1,2	
E3HT 7003-CSA,E3HT3CSA ★	F	RT14615	15	EK	E3HT 7003-CSA	15D	70.15	1,2	
E3HT 7003-CTA,E3HT3CTA ★	F	RTOF14608-LL	8	EF	E3HT 7003-CTA	8F	70.8	1,3	
E4HT 7003-BA,E4HT3BA ★	S	CM40	5	SN	E4HT 7003-BA	5DH	70.5	8,9	
E4HT 7003-ALA,E4HT3ALA ★	W	T19-D	4	WA/P	E4HT 7003-ALA	4BD	70.4	3	
E4HT 7003-AMA,E4HT3AMA ★	W	T19-D	4	WA/P	E4HT 7003-AMA	4BD	70.4	3	
E4HT 7003-ANA,E4HT3ANA ★	C	CL551	5	CJ	E4HT 7003-ANA	5BN	70.5	4	
E4HT 7003-ARA,E4HT3ARA ★	C	CL557	5	CK	E4HT 7003-ARA	5BN	70.5	4	
E4HT 7003-ASA,E4HT3ASA ★	C	CL551	5	CJ	E4HT 7003-ASA	5BN	70.5	4	
E4HT 7003-ATA,E4HT3ATA ★	S	CM40	5	SN	E4HT 7003-ATA	5DH	70.5	8,9	
E4HT 7003-BAA,E4HT3BAA ★	F	RT11608	8	EA	E4HT 7003-BAA	8C	70.8	1,2	
E4HT 7003-BBA,E4HT3BBA ★	F	RT11609-A	9	FG	E4HT 7003-BBA	9P	70.9	3,4	
E4HT 7003-BCA,E4HT3BCA ★	F	RT11610	10	EB	E4HT 7003-BCA	10R	70.10	1,2,5	
E4HT 7003-BEA,E4HT3BEA ★	F	RT011613	13	EC	E4HT 7003-BEA	13N	70.13	4,5	
E4HT 7003-BFA,E4HT3BFA ★	F	RTF14608	8	EE	E4HT 7003-BFA	8H	70.8	1,2	
E4HT 7003-BJA,E4HT3BJA ★	F	RT14615	15	EK	E4HT 7003-BJA	15D	70.15	1,2	
E4HT 7003-BLA,E4HT3BLA ★	C	CL557-15	5	CK	E4HT 7003-BLA	5BN	70.5	4	
E4HT 7003-BMA,E4HT3BMA ★	S	CM4054-D	5	SP	E4HT 7003-BMA	5DH	70.5	8,9	
E4HT 7003-BNA,E4HT3BNA ★	S	CM4054-D	5	SP	E4HT 7003-BNA	5DH	70.5	8,9	
E5HT 7003-HA,E5HT3HA ★	S	CM4054-A	5	SN	E5HT 7003-HA	5DH	70.5	8,9	
E5HT 7003-JA,E5HT3JA ★	S	CM4054-A	5	SN	E5HT 7003-JA	5DH	70.5	8,9	
E5HT 7003-KA,E5HT3KA ★	S	CM4054-D	5	SP	E5HT 7003-KA	5DH	70.5	8,9	
E5HT 7003-LA,E5HT3LA ★	S	CM4054-D	5	SP	E5HT 7003-LA	5DH	70.5	8,9	
E5HT 7003-MA,E5HT3MA ★	S	CM5552-D	5	SK	E5HT 7003-MA	5DK	70.5	3	
E5HT 7003-NA,E5HT3NA ★	S	CM5552-A	5	SK	E5HT 7003-NA	5DK	70.5	3	
E5HT 7003-RA,E5HT3RA ★	S	CM5852-A	5	SL	E5HT 7003-RA	5DL	70.5	3	
E5HT 7003-SA,E5HT3SA ★	S	CM5852-A	5	SL	E5HT 7003-SA	5DL	70.5	3	
E5HT 7003-TA,E5HT3TA ★	S	CM5510	5	SM	E5HT 7003-TA	5DJ	70.5	10,11	
E5HT 7003-UA,E5HT3UA ★	S	CM5510	5	SM	E5HT 7003-UA	5DJ	70.5	10,11	
E6HS 7003-FAB,E6HS3FAB	F	RT011609-B	9	FG	E6HS 7003-FAB	9AA	70.9	3,4	
E6HS 7003-FCB,E6HS3FCB	F	RT011609-B	9	FG	E6HS 7003-FCB	9AA	70.9	3,4	
E6HS 7003-FGF,E6HS3FGF	F	RTX11609-B	9	FN	E6HS 7003-FGF	9Y	70.9	3,4	
E6HT 7003-HA,E6HT3HA ★	F	RT11615	15	ED	E6HT 7003-HA	15G	70.15	1,2	
E6HT 7003-JA,E6HT3JA	F	RT11610	10	EB	E6HT 7003-JA	10Y	70.10	1,2,5	
E6HT 7003-KA,E6HT3KA	F	RT14610	10	EH	E6HT 7003-KA	10Z	70.10	1,2	
E6HT 7003-LA,E6HT3LA ★	F	RT11608	8	EA	E6HT 7003-LA	8J	70.8	1,2	
E6HT 7003-MA,E6HT3MA	F	RT11609-A	9	FG	E6HT 7003-MA	9T	70.9	3,4	
E6HT 7003-NA,E6HT3NA	F	RT14609-A	9	EG	E6HT 7003-NA	9Q	70.9	1,2	
E6HT 7003-RA,E6HT3RA ★	F	RT14608	8	EE	E6HT 7003-RA	8K	70.8	1,2	
E6HT 7003-SA,E6HT3SA	F	RT011613	13	EC	E6HT 7003-SA	13W	70.13	4,5	
E6HT 7003-TA,E6HT3TA	F	RT014613	13	EJ	E6HT 7003-TA	13U	70.13	1,3	

October, 1993

COPYRIGHT © 1993 - FORD MOTOR - DEARBORN, MICHIGAN

COMPANY

Final Issue

1980/  
TRUCK SERIES 600/900

TRANSMISSION IDENTIFICATION CHART

IDENTIFICATION NUMBER	MANUFACTURER		S P E E D	CODE Δ	PART NUMBER	PARTS LIST 70.	ILLUSTRATIONS		
	NAME ▲	MODEL					SECTION	PAGE	
▲-WARRANTY CODE, ▲-C- CLARK, F-FULLER, NP-NEW PROCESS, R-ROCKWELL, S-SPICER, W-WARNER									
NOTES      ★ Obsolete									
E6HT 7003-VA,E6HT3VA ★	F	RT0F11609-B	9	FE	E6HT 7003-VA	9U	70.9	3.4	
E6HT 7003-YA,E6HT3YA ★	F	RT0F11609-B	9	FE	E6HT 7003-YA	9U	70.9	3.4	
E6HT 7003-ZA,E6HT3ZA ★	F	RT11608	8	EA	E6HT 7003-ZA	8J	70.8	1.2	
E6HT 7003-AAA,E6HT3AAA	F	RTF14609-A	9	EG	E6HT 7003-AAA	9R	70.9	1.2	
E6HT 7003-ABA,E6HT3ABA	F	RT14609-A	9	EG	E6HT 7003-ABA	9Q	70.9	1.2	
E6HT 7003-ACA,E6HT3ACA	F	RT14609-A	9	EG	E6HT 7003-ACA	9Q	70.9	1.2	
E6HT 7003-ADA,E6HT3ADA	F	RTF11610	10	EB	E6HT 7003-ADA	10Y	70.10	1.2,5	
E6HT 7003-AEA,E6HT3AEA	F	RTF11610	10	EB	E6HT 7003-AEA	10Y	70.10	1.2,5	
E6HT 7003-AFA,E6HT3AFA	F	RT11610	10	EB	E6HT 7003-AFA	10Y	70.10	1.2,5	
E6HT 7003-AHA,E6HT3AHA	F	RTF14610	10	EH	E6HT 7003-AHA	10Z	70.10	1.2	
E6HT 7003-AJA,E6HT3AJA	F	RT14610	10	EH	E6HT 7003-AJA	10Z	70.10	1.2	
E6HT 7003-AKA,E6HT3AKA	F	RT14610	10	EH	E6HT 7003-AKA	10Z	70.10	1.2	
E6HT 7003-ALA,E6HT3ALA ★	F	RT14608	8	EE	E6HT 7003-ALA	8M	70.8	1.2	
E6HT 7003-AMA,E6HT3AMA ★	F	RT14608	8	EE	E6HT 7003-AMA	8K	70.8	1.2	
E6HT 7003-ANA,E6HT3ANA	F	RTF14609-A	9	EG	E6HT 7003-ANA	9R	70.9	1.2	
E6HT 7003-ARA,E6HT3ARA	F	RTF14610	10	EH	E6HT 7003-ARA	10Z	70.10	1.2	
E6HT 7003-ASA,E6HT3ASA ★	F	RT0F14609-B	9	EL	E6HT 7003-ASA	9S	70.9	1.2	
E6HT 7003-ATA,E6HT3ATA	F	RTF11609-A	9	FG	E6HT 7003-ATA	9V	70.9	3.4	
E6HT 7003-AUA,E6HT3AUA	F	RT11609-A	9	FE	E6HT 7003-AUA	9T	70.9	3.4	
E6HT 7003-AVA,E6HT3AVA	F	RT0F14613	13	EJ	E6HT 7003-AVA	13T	70.13	1.3	
E6HT 7003-AYA,E6HT3AYA	F	RT014613	13	EJ	E6HT 7003-AYA	13U	70.13	1.3	
E6HT 7003-AZA,E6HT3AZA	F	RT014613	13	EJ	E6HT 7003-AZA	13U	70.13	1.3	
E6HT 7003-BAA,E6HT3BAA ★	S	SST1372-A	7	SJ	E6HT 7003-BAA	7F	70.7	3.4	
E6HT 7003-BBA,E6HT3BBA	S	SST1207-3A	7	SA	E6HT 7003-BBA	7G	70.7	1.2	
E6HT 7003-BDA,E6HT3BDA ★	S	SST1372-2A	7	SJ	E6HT 7003-BDA	7F	70.7	3.4	
E6HT 7003-BEA,E6HT3BEA ★	F	RT0F14608-LL	8	EF	E6HT 7003-BEA	8L	70.8	1.3	
E6HT 7003-BFA,E6HT3BFA ★	F	RT0F11608-LL	8	FA	E6HT 7003-BFA	8J	70.8	1.2	
E6HT 7003-BGA,E6HT3BGA ★	F	RT0F11608-LL	8	FA	E6HT 7003-BGA	8J	70.8	1.2	
E6HT 7003-BHA,E6HT3BHA	F	RT0F11613	13	EC	E6HT 7003-BHA	13V	70.13	4.5	
E6HT 7003-BJA,E6HT3BJA	F	RT0F14613	13	EJ	E6HT 7003-BJA	13T	70.13	1.3	
E6HT 7003-BKA,E6HT3BKA	F	RT0F11613	13	EC	E6HT 7003-BKA	13V	70.13	4.5	
E6HT 7003-BLA,E6HT3BLA	F	RT011613	13	EC	E6HT 7003-BLA	13W	70.13	4.5	
E6HT 7003-BMA,E6HT3BMA	F	RT0F11613	13	EC	E6HT 7003-BMA	13V	70.13	4.5	
E6HT 7003-BNA,E6HT3BNA	F	RT011613	13	EC	E6HT 7003-BNA	13W	70.13	4.5	
E6HT 7003-BRA,E6HT3BRA ★	F	RT14615	15	EK	E6HT 7003-BRA	15H	70.15	1.2	
E6HT 7003-BSA,E6HT3BSA ★	F	RT0F11607-LL	7	FD	E6HT 7003-BSA	7AF	70.7	5.6	
E6HT 7003-BTA,E6HT3BTA ★	F	RT0F11607-LL	7	FD	E6HT 7003-BTA	7AF	70.7	5.6	
E6HT 7003-BUA,E6HT3BUA	F	RT0F11607-L	7	FB	E6HT 7003-BUA	7AE	70.7	5.6	
E6HT 7003-BVA,E6HT3BVA	F	RT0F11607-L	7	FB	E6HT 7003-BVA	7AE	70.7	5.6	
E6HT 7003-BYA,E6HT3BYA ★	F	RTF11608	8	EA	E6HT 7003-BYA	8J	70.8	1.2	
E6HT 7003-BZA,E6HT3BZA ★	F	RTF11608	8	EA	E6HT 7003-BZA	8J	70.8	1.2	
E6HT 7003-CCA,E6HT3CCA	F	RTF11609-A	9	FG	E6HT 7003-CCA	9V	70.9	3.4	
E6HT 7003-CDA,E6HT3CDA	F	RT11609-A	9	FG	E6HT 7003-CDA	9T	70.9	3.4	
E6HT 7003-CEA,E6HT3CEA	F	RTF11609-A	9	FG	E6HT 7003-CEA	9V	70.9	3.4	
E6HT 7003-CFA,E6HT3CFA ★	F	RT11608-A	8	EA	E6HT 7003-CFA	8J	70.8	1.2	
E6HT 7003-CGA,E6HT3CGA	F	RT11609-A	9	FG	E6HT 7003-CGA	9T	70.9	3.4	
E6HT 7003-CHA,E6HT3CHA	F	RT11610	10	EB	E6HT 7003-CHA	10Y	70.10	1.2,5	
E6HT 7003-CJA,E6HT3CJA	F	RT011613	13	EC	E6HT 7003-CJA	13W	70.13	4.5	
E6HT 7003-CKA,E6HT3CKA ★	F	RTF14608	8	EE	E6HT 7003-CKA	8M	70.8	1.2	
E6HT 7003-CLA,E6HT3CLA ★	F	RT14615	15	EK	E6HT 7003-CLA	15H	70.15	1.2	
E6HT 7003-CMA,E6HT3CMA ★	S	SST1372-2A	7	SJ	E6HT 7003-CMA	7F	70.7	3.4	
E6HT 7003-CNA,E6HT3CNA ★	F	RT14608	8	EE	E6HT 7003-CNA	8K	70.8	1.2	
E7HS 7003-FAE,E7HS3FAE	F	RTX14609-B	9	EL	E7HS 7003-FAE	9AC	70.9	1.2	
E7HS 7003-FAH,E7HS3FAH	F	RTX14609-B	9	EL	E7HS 7003-FAH	9Z	70.9	1.2	
E7HS 7003-FBN,E7HS3FBN	F	RTX14609-B	9	EL	E7HS 7003-FBN	9Z	70.9	1.2	
E7HS 7003-FCU,E7HS3FCU	F	RTX11609-B	9	FN	E7HS 7003-FCU	9Y	70.9	3.4	

1980/  
TRUCK SERIES 600/900

TRANSMISSION IDENTIFICATION CHART									
IDENTIFICATION NUMBER	MANUFACTURER		S P E E D	CODE Δ	PART NUMBER	PARTS LIST 70.	ILLUSTRATIONS		
	NAME ▲	MODEL					SECTION	PAGE	
Δ-WARRANTY CODE, ▲-C- CLARK, F-FULLER, NP-NEW PROCESS, R-ROCKWELL, S-SPICER, W-WARNER									
NOTES      ★ Obsolete									
E7HT 7003-BA, E7HT3BA	C	6105-B	5	CS	E7HT 7003-BA	5BR	70.5	13,14	
E7HT 7003-CA, E7HT3CA	C	5106	6	CT	E7HT 7003-CA	6B	70.6	7,8	
E7HT 7003-DA, E7HT3DA ★	C	6106	6	CU	E7HT 7003-DA	6C	70.6	5,6	
E7HT 7003-EA, E7HT3EA ★	C	CL450	5	CL	E7HT 7003-EA	5BU	70.5	12	
E7HT 7003-FA, E7HT3FA	C	6105-A	5	CR	E7HT 7003-FA	5BR	70.5	13,14	
E7HT 7003-GA, E7HT3GA ★	C	CL455	5	CM	E7HT 7003-GA	5BU	70.5	12	
E7HT 7003-HA, E7HT3HA ★	C	CL558	5	CH	E7HT 7003-HA	5BT	70.5	4	
E7HT 7003-JA, E7HT3JA	F	RT6610	10	FS	E7HT 7003-JA	10W	70.10	7,8	
E7HT 7003-KA, E7HT3KA ★	F	RT6613	13	FT	E7HT 7003-KA	13S	70.13	1,2	
E7HT 7003-LA, E7HT3LA ★	C	CL551	5	CJ	E7HT 7003-LA	5BT	70.5	4	
E7HT 7003-MA, E7HT3MA ★	C	CL551	5	CJ	E7HT 7003-MA	5BS	70.5	4	
E7HT 7003-NA, E7HT3NA ★	C	CL558	5	CH	E7HT 7003-NA	5BS	70.5	4	
E7HT 7003-RA, E7HT3RA ★	C	FS6106	6	CU	E7HT 7003-RA	6D	70.6	5,6	
E7HT 7003-TA, E7HT3TA	F	RT6610	10	FS	E7HT 7003-TA	10X	70.10	7,8	
E7HT 7003-UA, E7HT3UA	F	RT6610	10	FS	E7HT 7003-UA	10X	70.10	7,8	
E7HT 7003-ZA, E7HT3ZA ★	F	RT6613	13	FT	E7HT 7003-ZA	13R	70.13	1,2	
E7HT 7003-AAA, E7HT3AAA ★	F	RT6613	13	FT	E7HT 7003-AAA	13R	70.13	1,2	
E7HT 7003-ABA, E7HT3ABA "Before trans. Ser. No. J871114001"	★	S	CM4054-A	5	SN	E7HT 7003-ABA	5DP	70.5	8,9
E7HT 7003-ABA, E7HT3ABA- "From trans. Ser. No. J871114001"	★	S	ES42-5A	5		E7HT 7003-ABA	5DT	70.5	
E7HT 7003-AEA, E7HT3AEA "Before trans. Ser. No. J871114001"	★	S	CM4054-D	5	SP	E7HT 7003-AEA	5DP	70.5	8,9
E7HT 7003-AEA, E7HT3AEA "From trans. Ser. No. J871114001"	★	S	ES42-5D	5		E7HT 7003-AEA	5DT	70.5	
E7HT 7003-AHA, E7HT3AHA	S	CM5552-A	5	SK	E7HT 7003-AHA	5DR	70.5	3	
E7HT 7003-AJA, E7HT3AJA ★	S	CM5852-A	5	SL	E7HT 7003-AJA	5DS	70.5	3	
E7HT 7003-AKA, E7HT3AKA	S	CM5852-A	5	SL	E7HT 7003-AKA	5DN	70.5	3	
E7HT 7003-ALA, E7HT3ALA	S	CM5852-A	5	SL	E7HT 7003-ALA	5DM	70.5	3	
E7HT 7003-AMA, E7HT3AMA ★	S	CM6052-C	5	SF	E7HT 7003-AMA	5DQ	70.5	2	
E7HT 7003-AMB, E7HT3AMB	S	CM6052-C	5	SF	E7HT 7003-AMB	5DQ	70.5	2	
E7HT 7003-ANA, E7HT3ANA	S	CM6052-A	5	SF	E7HT 7003-ANA	5DQ	70.5	2	
E7HT 7003-ANB, E7HT3ANB	S	CM6052-A	5	SF	E7HT 7003-ANB	5DQ	70.5	2	
E7HT 7003-ARA, E7HT3ARA	S	CM6052-C	5	SF	E7HT 7003-ARA	5DQ	70.5	2	
E7HT 7003-ATA, E7HT3ATA	S	CM6052-A	5	SF	E7HT 7003-ATA	5DQ	70.5	2	
E7HT 7003-AYA, E7HT3AYA	F	T8607-A	7	FH	E7HT 7003-AYA	7AG	70.7	7,8	
E7HT 7003-AZA, E7HT3AZA	F	T8609-A	9	FJ	E7HT 7003-AZA	9W	70.9	6,7	
E7HT 7003-BBA, E7HT3BBA ★	★	F	RT6610	10	FS	E7HT 7003-BBA	10W	70.10	7,8
E7HT 7003-BCA, E7HT3BCA "Before trans. Ser. No. J871114001"	★	S	CM4054-A	5	SN	E7HT 7003-BCA	5DP	70.5	8,9
E7HT 7003-BCA, E7HT3BCA "From trans. Ser. No. J871114001"	★	S	ES42-5A	5		E7HT 7003-BCA	5DT	70.5	
E7HT 7003-BDA, E7HT3BDA "Before trans. Ser. No. J871114001"	★	S	CM4054-D	5	SP	E7HT 7003-BDA	5DP	70.5	8,9
E7HT 7003-BDA, E7HT3BDA "From trans. Ser. No. J871114001"	★	S	ES42-5D	5		E7HT 7003-BDA	5DT	70.5	
E7HT 7003-BEA, E7HT3BEA	S	CM5552-A	5	SK	E7HT 7003-BEA	5DN	70.5	3	
E7HT 7003-BFA, E7HT3BFA	S	CM5852-A	5	SL	E7HT 7003-BFA	5DM	70.5	3	
E7HT 7003-BGA, E7HT3BGA ★	★	S	CM6052-C	5	SF	E7HT 7003-BGA	5DQ	70.5	2
E7HT 7003-BGB, E7HT3BGB	S	CM6052-C	5	SF	E7HT 7003-BGB	5DQ	70.5	2	
E7HT 7003-BJA, E7HT3BJA	S	CM6052-A	5	SF	E7HT 7003-BJA	5DQ	70.5	2	
E7HT 7003-BRA, E7HT3BRA ★	★	C	CL551	5	CJ	E7HT 7003-BRA	5BS	70.5	4
E7HT 7003-BSA, E7HT3BSA ★	★	C	CL558	5	CH	E7HT 7003-BSA	5BS	70.5	4
E7HT 7003-CEA, E7HT3CEA	F	RTOF11607-L	7	FB	E7HT 7003-CEA	7AH	70.7	5,6	



1980/  
TRUCK SERIES 600/900

TRANSMISSION IDENTIFICATION CHART

IDENTIFICATION NUMBER	MANUFACTURER		S P E E D	CODE Δ	PART NUMBER	PARTS LIST 70.	ILLUSTRATIONS		
	NAME ▲	MODEL					SECTION	PAGE	
▲-WARRANTY CODE, ▲-C- CLARK, F-FULLER, NP-NEW PROCESS, R-ROCKWELL, S-SPICER, W-WARNER									
NOTES      ★ Obsolete									
E7HT 7003-CFA, E7HT3CFA	F	RTOF11607-LL	7	FB	E7HT 7003-CFA	7AJ	70.7	5,6	
E7HT 7003-CGA, E7HT3CGA	★ F	RTF11608	8	FA	E7HT 7003-CGA	8P	70.8	1,2	
E7HT 7003-CHA, E7HT3CHA	F	RTOF11608-LL	8	FA	E7HT 7003-CHA	8N	70.8	1,2	
E7HT 7003-CJA, E7HT3CJA	F	RTF11609-A	9	FG	E7HT 7003-CJA	9V	70.9	3,4	
E7HT 7003-CKA, E7HT3CKA	F	RTOF11609-B	9	FG	E7HT 7003-CKA	9U	70.9	3,4	
E7HT 7003-CLA, E7HT3CLA	F	RTF11610	10	EB	E7HT 7003-CLA	10Y	70.10	1,2,5	
E7HT 7003-CMA, E7HT3CMA	F	RTOF11613	13	EC	E7HT 7003-CMA	13V	70.13	4,5	
E7HT 7003-CUA, E7HT3CUA	★ F	RT6610	10	FS	E7HT 7003-CUA	10W	70.10	7,8	
E7HT 7003-CVA, E7HT3CVA	★ F	RT6613	13	FT	E7HT 7003-CVA	13S	70.13	1,2	
E7HT 7003-DJA, E7HT3DJA	★ F	RTF11615	15	ED	E7HT 7003-DJA	15F	70.15	1,2	
E7HT 7003-DRA, E7HT3DRA	S	SST1372-2A	7	SJ	E7HT 7003-DRA	7H	70.7	3,4	
E7HT 7003-DSA, E7HT3DSA	S	SST1372-2A	7	SJ	E7HT 7003-DSA	7H	70.7	3,4	
E7HT 7003-DTA, E7HT3DTA	S	SST1372-2A	7	SJ	E7HT 7003-DTA	7H	70.7	3,4	
E8HS 7003-FAS, E8HS3FAS	F	RTX14609-B	9	EL	E8HS 7003-FAS	9AD	70.9	1,2	
E8HT 7003-AA, E8HT3AA	F	RTOF14613	13	EJ	E8HT 7003-AA	13X	70.13	1,3	
E8HT 7003-BA, E8HT3BA	F	RT014613	13	EJ	E8HT 7003-BA	13X	70.13	1,3	
E8HT 7003-DA, E8HT3DA	F	RT014613	13	EJ	E8HT 7003-DA	13X	70.13	1,3	
E8HT 7003-FA, E8HT3FA	F	RT14609A	9	EG	E8HT 7003-FA	9X	70.9	1,2	
E8HT 7003-GA, E8HT3GA	F	RT14610	10	EH	E8HT 7003-GA	10AA	70.10	1,2	
E8HT 7003-HA, E8HT3HA	F	RT014613	13	EJ	E8HT 7003-HA	13X	70.13	1,3	
E8HT 7003-JA, E8HT3JA	★ F	RT14615	15	EK	E8HT 7003-JA	15K	70.15	1,2	
E8HT 7003-LA, E8HT3LA	F	RT14609A	9	EG	E8HT 7003-LA	9X	70.9	1,2	
E8HT 7003-MA, E8HT3MA	F	RT14610	10	EH	E8HT 7003-MA	10AA	70.10	1,2	
E8HT 7003-NA, E8HT3NA	F	RT014613	13	EJ	E8HT 7003-NA	13X	70.13	1,3	
E8HT 7003-RA, E8HT3RA	F	T-8607	7	FH	E8HT 7003-RA	7AG	70.7	7,8	
E8HT 7003-SA, E8HT3SA	F	RT8609	9	FJ	E8HT 7003-SA	9W	70.9	6,7	
E8HT 7003-YA, E8HT3YA	★ F	RT014608LL	8	EF	E8HT 7003-YA	8Q	70.8	1,3	
E8HT 7003-ZA, E8HT3ZA	★ F	RTF14615	15	EK	E8HT 7003-ZA	15K	70.15	1,2	
E8HT 7003-AAA, E8HT3AAA	★ F	RTF14615	15	EK	E8HT 7003-AAA	15K	70.15	1,2	
E8HT 7003-ABA, E8HT3ABA	F	RT014608LL	8	EA	E8HT 7003-ABA	8Q	70.8	1,2	
E8HT 7003-ACA, E8HT3ACA	★ F	RT014608LL	8	EA	E8HT 7003-ACA	8Q	70.8	1,2	
E8HT 7003-ADA, E8HT3ADA	★ F	RT014615	15	EK	E8HT 7003-ADA	15J	70.15	1,2	
E8HT 7003-AEA, E8HT3AEA	★ F	RT014615	15	EK	E8HT 7003-AEA	15J	70.15	1,2	
E8HT 7003-AHA, E8HT3AHA	F-C	FS4005A	5	CW	E8HT 7003-AHA	5BU	70.5	12	
E8HT 7003-AJA, E8HT3AJA	F-C	FS4005A	5	CW	E8HT 7003-AJA	5BZ	70.5	12	
E8HT 7003-AKA, E8HT3AKA	F-C	FS4005B	5	CX	E8HT 7003-AKA	5BU	70.5	12	
E8HT 7003-ALA, E8HT3ALA	F-C	FS4005B	5	CX	E8HT 7003-ALA	5BZ	70.5	12	
E8HT 7003-AMA, E8HT3AMA	F-C	FS5005A	5	CY	E8HT 7003-AMA	5BAA	70.5	4	
E8HT 7003-ANA, E8HT3ANA	F-C	FS5005B	5	CV	E8HT 7003-ANA	5BAA	70.5	4	
E8HT 7003-ARA, E8HT3ARA	F	FS6106-A	6	CU	E8HT 7003-ARA	6F	70.7	5,6	
E8HT 7003-ASA, E8HT3ASA	C	CL551	5	CJ	E8HT 7003-ASA	5BAA	70.5	4	
E8HT 7003-ATA, E8HT3ATA	★ C	CL558	5	CH	E8HT 7003-ATA	5BAA	70.5	4	
E8HT 7003-BEA, E8HT3BEA	F	RTOF11707LL	7	FK	E8HT 7003-BEA	7AK	70.7		
E8HT 7003-BFA, E8HT3BFA	F	RTOF11707LL	7	FK	E8HT 7003-BFA	7AK	70.7		
E8HT 7003-BGA, E8HT3BGA	F	RTOF11708LL	8	FL	E8HT 7003-BGA	8R	70.8		
E8HT 7003-BHA, E8HT3BHA	F	RTOF11708LL	8	FL	E8HT 7003-BHA	8R	70.8		
E8HT 7003-BJA, E8HT3BJA	F	RTF11715	15	FM	E8HT 7003-BJA	15L	70.15	1,2	
E8HT 7003-BKA, E8HT3BKA	F	RT11715	15	FM	E8HT 7003-BKA	15L	70.15	1,2	
E8HT 7003-BLA, E8HT3BLA	F	RT014708LL	8	EN	E8HT 7003-BLA	8T	70.8	1,3	
E8HT 7003-BMA, E8HT3BMA	F	RTOF14708LL	8	EN	E8HT 7003-BMA	8T	70.8	1,3	
E8HT 7003-BNA, E8HT3BNA	F	RT014708LL	8	EN	E8HT 7003-BNA	8T	70.8	1,3	
E8HT 7003-BRA, E8HT3BRA	F	RT014708LL	8	EN	E8HT 7003-BRA	8T	70.8	1,3	
E8HT 7003-BSA, E8HT3BSA	F	RTF14715	15	EP	E8HT 7003-BSA	15P	70.15	1,2	
E8HT 7003-BTA, E8HT3BTA	F	RTF14715	15	EP	E8HT 7003-BTA	15P	70.15	1,2	

1980/  
TRUCK SERIES 600/900

TRANSMISSION IDENTIFICATION CHART									
IDENTIFICATION NUMBER	MANUFACTURER		S P E E D	CODE Δ	PART NUMBER	PARTS LIST 70.	ILLUSTRATIONS		
	NAME ▲	MODEL					SECTION	PAGE	
Δ-WARRANTY CODE, ▲-CLARK, F-FULLER, NP-NEW PROCESS, R-ROCKWELL, S-SPICER, W-WARNER									
NOTES ★ Obsolete									
E8HT 7003-BUA, E8HT3BUA	F	RT14715	15	EP	E8HT 7003-BUA	15P	70.15	1,2	
E8HT 7003-BVA, E8HT3BVA	F	RT14715	15	EP	E8HT 7003-BVA	15P	70.15	1,2	
E8HT 7003-BYA, E8HT3BYA	F	RT14715	15	EP	E8HT 7003-BYA	15Q	70.15	1,2	
E8HT 7003-BZA, E8HT3BZA	F	RT014715	15	ER	E8HT 7003-BZA	15N	70.15	1,2	
E8HT 7003-CAA, E8HT3CAA	F	RT014715	15	ER	E8HT 7003-CAA	15N	70.15	1,2	
E8HT 7003-CCA, E8HT3CCA	F	RT6613	13	FT	E8HT 7003-CCA	13Y	70.13	1,2	
E8HT 7003-CDA, E8HT3CDA	F	RT6613	13	FT	E8HT 7003-CDA	13Y	70.13	1,2	
E8HT 7003-CEA, E8HT3CEA	F	RT6613	13	FT	E8HT 7003-CEA	13Y	70.13	1,2	
E8HT 7003-CFA, E8HT3CFA	F	RT0F11708LL	8	FL	E8HT 7003-CFA	8R	70.8		
E8HT 7003-DBA, E8HT3DBA	F	RT6613	13	FT	E8HT 7003-DBA	13Y	70.13	1,2	
E8HT 7003-DCA, E8HT3DCA	F	RT6613	13	FT	E8HT 7003-DCA	13Y	70.13	1,2	
E8HT 7003-DDA, E8HT3DDA	F	RTX14609-B	9	ES	E8HT 7003-DDA	9Z	70.9	1,2	
E9HT 7003-BA, E9HT3BA	F	RT7608LL	8		E9HT 7003-BA	8U	70.8	7,8	
E9HT 7003-CA, E9HT3CA	F	RT7608LL	8		E9HT 7003-CA	8U	70.8	7,8	
E9HT 7003-EA, E9HT3EA	F	RT8609	9	FJ	E9HT 7003-EA	9W	70.9	6,7	
E9HT 7003-FA, E9HT3FA	F	RTF8608L	8		E9HT 7003-FA	8S	70.8	4,5	
E9HT 7003-KA, E9HT3KA	F	RTXF11609B	9	FG	E9HT 7003-KA	9Y	70.9	3,4	
E9HT 7003-LA, E9HT3LA	F	RTXF14609B	9	ES	E9HT 7003-LA	9AC	70.9	1,2	
E9HT 7003-TA, E9HT3TA	F	RT0F14715	15	EP	E9HT 7003-TA	15N	70.15	1,2	
E9HT 7003-UA, E9HT3UA	F	RTXF11609B	9	FG	E9HT 7003-UA	9AB	70.9	3,4	
E9HT 7003-VA, E9HT3VA	F	RTX14609B	9	ES	E9HT 7003-VA	9AC	70.9	1,2	
E9HT 7003-ABA, E9HT3ABA	F	RT8607A	7	FH	E9HT 7003-ABA	7AG	70.7	7,8	
E9HT 7003-ACA, E9HT3ACA	F	RTX11609B	9	FG	E9HT 7003-ACA	9AB	70.9	3,4	
E9HT 7003-ADA, E9HT3ADA	F	RTX11609B	9	FG	E9HT 7003-ADA	9AB	70.9	3,4	
E9HT 7003-AEA, E9HT3AEA	F	RTX14609B	9	ES	E9HT 7003-AEA	9AC	70.9	1,2	
E9HT 7003-AFA, E9HT3AFA	F	RTXF14609B	9	ES	E9HT 7003-AFA	9AD	70.9	1,2	
E9HT 7003-AGA, E9HT3AGA	F	RT0F14715	15	EP	E9HT 7003-AGA	15N	70.15	1,2	
E9HT 7003-AHA, E9HT3AHA	F	RT0F14715	15	EP	E9HT 7003-AHA	15M	70.15	1,2	
E9HT 7003-AJA, E9HT3AJA	F	RT0F14715	15	EP	E9HT 7003-AJA	15M	70.15	1,2	
E9HT 7003-AKA, E9HT3AKA	F	RTX14609B	9	ES	E9HT 7003-AKA	9AD	70.9	1,2	
E9HT 7003-ALA, E9HT3ALA	F	RT014715	15	EP	E9HT 7003-ALA	15M	70.15	1,2	
E9HT 7003-AMA, E9HT3AMA	F	RT014715	15	EP	E9HT 7003-AMA	15M	70.15	1,2	
E9HT 7003-ANA, E9HT3ANA	F	RTX14609B	9	ES	E9HT 7003-ANA	9AD	70.9	1,2	
E9HT 7003-AVA, E9HT3AVA	C-F	FS4005B	5	CX	E9HT 7003-AVA	5BAD	70.5	12	
E9HT 7003-AYA, E9HT3AYA	C-F	FS4005A	5	CW	E9HT 7003-AYA	5BAD	70.5	12	
E9HT 7003-AZA, E9HT3AZA	C-F	FS4005B	5	CX	E9HT 7003-AZA	5BAD	70.5	12	
E9HT 7003-BAA, E9HT3BAA	C-F	FS4005A	5	CW	E9HT 7003-BAA	5BAD	70.5	12	
E9HT 7003-BBA, E9HT3BBA	C-F	FS5005A	5	CY	E9HT 7003-BBA	5BAE	70.5	4	
E9HT 7003-BCA, E9HT3BCA	C-F	FS5005B	5	CV	E9HT 7003-BCA	5BAE	70.5	4	
D7HT 7004-DA, H7N4DA	★ NP	435-FL	4	NA/A	D7HT 7004-DA	4AA	70.4	2	
D7HT 7004-EA, H7N4EA	★ NP	435-FL	4	NA/A	D7HT 7004-EA	4AA	70.4	2	
D7HT 7004-FA, H7N4FA	★ NP	435-FL	4	NA/A	D7HT 7004-FA	4AA	70.4	2	
D7HT 7004-GA, H7N4GA	★ NP	542-FL	5	NC/0	D7HT 7004-GA	5AA	70.5	5	
D7HT 7004-JA, H7N4JA	★ NP	542-FD	5	NB/9	D7HT 7004-JA	5AB	70.5	5	
D9HT 7004-AA, H9C4AA	★ C	282VHD	5	CC/W	D9HT 7004-AA	5BF	70.5	1	
D9HT 7004-BA, H9C4BA	★ C	285VHD	5	CE/X	D9HT 7004-BA	5BF	70.5	1	
E0HT 7004-DB, H0N4DB	★ NP	542-FD	5	NB/9	E0HT 7004-DB	5AD	70.5	5	
E0HT 7004-EB, H0N4E3	★ NP	542-FL	5	NC/0	E0HT 7004-EB	5AC	70.5	5	
E0HT 7004-FA, H0D4FA	★ S	CM5052-A	5	SB/D	E0HT 7004-FA	5DA	70.5	3	
E0HT 7004-GA, H0D4GA	★ S	CM5252-A	5	SB/E	E0HT 7004-GA	5DA	70.5	3	
E0HT 7004-HA, H0D4HA	★ S	CM6052-B	5	SE	E0HT 7004-HA	5DB	70.5	2	
E0HT 7004-JA, H0D4JA	★ S	CM6052-A	5	SD	E0HT 7004-JA	5DB	70.5	2	
E0HT 7004-KA, H0D4KA	★ S	CM6052-C	5	SF	E0HT 7004-KA	5DB	70.5	2	

1980/  
TRUCK SERIES 600/900

TRANSMISSION IDENTIFICATION CHART

IDENTIFICATION NUMBER	MANUFACTURER		S P E E D	CODE Δ	PART NUMBER	PARTS LIST 70.	ILLUSTRATIONS			
	NAME ▲	MODEL					SECTION	PAGE		
▲-WARRANTY CODE, ▲-C- CLARK, F-FULLER, NP-NEW PROCESS, R-ROCKWELL, S-SPICER, W-WARNER										
NOTES      ★ Obsolete										
E0HT 7004-LA,H0C4LA	★	C	280V0 23	5	CA	E0HT 7004-LA	5BA	70.5	1	
E0HT 7004-MA,H0C4MA	★	C	282V-76	5	CB/2	E0HT 7004-MA	5BA	70.5	1	
E0HT 7004-NA,H0C4NA	★	C	285V 81	5	CD/M	E0HT 7004-NA	5BA	70.5	1	
E0HT 7004-AFA,H0N4AFA	★	NP	435-FE	4	NA/A	E0HT 7004-AFA	4AB	70.4	2	
E0HT 7004-AGA,H0N4AGA	★	NP	435-FE	4	NA/A	E0HT 7004-AGA	4AB	70.4	2	
E0HT 7004-AHA,H0N4AHA	★	NP	435-FE	4	NA/A	E0HT 7004-AHA	4AB	70.4	2	
E1HT 7004-AA,E1HT4AA	★	C	390V-15	5	CF	E1HT 7004-AA	5BK	70.5	4	
E1HT 7004-BA,E1HT4BA	★	C	397V 12	5	CG	E1HT 7004-BA	5BK	70.5	4	
E1HT 7004-CA,E1HT4CA	★	S	CM5052-A	5	SB/D	E1HT 7004-CA	5DA	70.5	3	
E1HT 7004-DA,E1HT4DA	★	S	CM5052-A	5	SB/D	E1HT 7004-DA	5DA	70.5	3	
E1HT 7004-EA,E1HT4EA	★	S	CM5052-A	5	SB/D	E1HT 7004-EA	5DA	70.5	3	
E1HT 7004-FA,E1HT4FA	★	S	CM5252-A	5	SC/E	E1HT 7004-FA	5DA	70.5	3	
E1HT 7004-GA,E1HT4GA	★	S	CM5252-A	5	SC/E	E1HT 7004-GA	5DA	70.5	3	
E1HT 7004-HA,E1HT4HA	★	S	CM5252-A	5	SC/E	E1HT 7004-HA	5DA	70.5	3	
E1HT 7004-JA,E1HT4JA	★	S	CM6052-A	5	SD	E1HT 7004-JA	5DB	70.5	2	
E1HT 7004-KA,E1HT4KA	★	S	CM6052-A	5	SD	E1HT 7004-KA	5DB	70.5	2	
E1HT 7004-LA,E1HT4LA	★	S	CM6052-C	5	SF	E1HT 7004-LA	5DB	70.5	2	
E1HT 7004-MA,E1HT4MA	★	S	CM6052-C	5	SF	E1HT 7004-MA	5DB	70.5	2	
E1HT 7004-NA,E1HT4NA	★	NP	542 FD	5	NB	E1HT 7004-NA	5AF	70.5	5	
E1HT 7004-RA,E1HT4RA	★	NP	542-FL	5	NC	E1HT 7004-RA	5AE	70.5	5	
E1HT 7004-SA,E1HT4SA	★	NP	542-FL	5	NC	E1HT 7004-SA	5AE	70.5	5	
E1HT 7004-TA,E1HT4TA	★	NP	542-FD	5	NB	E1HT 7004-TA	5AF	70.5	5	
E3HT 7004-GA,E3HT4GA	★	C	282V 85	5	2	E3HT 7004-GA	5BA	70.5	1	
E3HT 7004-HA,E3HT4HA	★	C	285V-92	5	M	E3HT 7004-HA	5BA	70.5	1	
E3HT 7004-LA,E3HT4LA	★	C	282VHD-12	5	CC	E3HT 7004-LA	5BF	70.5	1	
E3HT 7004-MA,E3HT4MA	★	C	285VHD-12	5	CE	E3HT 7004-MA	5BF	70.5	1	
E3HT 7004-NA,E3HT4NA	★	S	CM5552-A	5	SK	E3HT 7004-NA	5DE	70.5	3	
E3HT 7004-RA,E3HT4RA	★	S	CM5852-A	5	SL	E3HT 7004-RA	5DF	70.5	3	
E3HT 7004-SA,E3HT4SA	★	S	CM5552-A	5	SK	E3HT 7004-SA	5DE	70.5	3	
E3HT 7004-TA,E3HT4TA	★	S	CM5852-A	5	SL	E3HT 7004-TA	5DF	70.5	3	
E3HT 7004-UA,E3HT4UA	★	S	CM5552-A	5	SK	E3HT 7004-UA	5DE	70.5	3	
E3HT 7004-VA,E3HT4VA	★	S	CM5852-A	5	SL	E3HT 7004-VA	5DF	70.5	3	
E3HT 7004-YA,E3HT4YA	★	C	282V-203	5	2	E3HT 7004-YA	5BL	70.5	1	
E3HT 7004-ZA,E3HT4ZA	★	C	282V-205	5	2	E3HT 7004-ZA	5BL	70.5	1	
E3HT 7004-AAA,E3HT4AAA	★	C	285V 205	5	M	E3HT 7004-AAA	5BL	70.5	1	
E3HT 7004-ABA,E3HT4ABA	★	C	285V-207	5	M	E3HT 7004-ABA	5BL	70.5	1	
E3HT 7004-ACA,E3HT4ACA	★	C	282VHD-201	5	CC	E3HT 7004-ACA	5BM	70.5	1	
E3HT 7004-ADA,E3HT4ADA	★	C	282VHD-203	5	CC	E3HT 7004-ADA	5BM	70.5	1	
E3HT 7004-AEA,E3HT4AEA	★	C	285VHD-201	5	CE	E3HT 7004-AEA	5BM	70.5	1	
E3HT 7004-AFA,E3HT4AFA	★	C	285VHD-203	5	CE	E3HT 7004-AFA	5BM	70.5	1	
E3HT 7004-AGA,E3HT4AGA	★	C	CL551-6	5	CJ	E3HT 7004-AGA	5BN	70.5	4	
E3HT 7004-AHA,E3HT4AHA	★	C	CL557 5	5	CK	E3HT 7004-AHA	5BN	70.5	4	
E4HT 7004-AA,E4HT4AA	★	S	CM40	5	SN	E4HT 7004-AA	5DH	70.5	8,9	
E4HT 7004-BA,E4HT4BA	★	W	T19	4	WA/P	E4HT 7004-BA	4BC	70.4	3	
E4HT 7004-CA,E4HT4CA	★	NP	435	4	NA/A	E4HT 7004-CA	4AB	70.4	2	
E4HT 7004-DA,E4HT4DA	★	NP	435	4	NA/A	E4HT 7004-DA	4AB	70.4	2	
E4HT 7004-EA,E4HT4EA	★	NP	435	4	NA/A	E4HT 7004-EA	4AB	70.4	2	
E4HT 7004-FA,E4HT4FA	★	NP	542-FL	5	NC	E4HT 7004-FA	5AE	70.5	5	
E4HT 7004-GA,E4HT4GA	★	NP	542-FD	5	NB	E4HT 7004-GA	5AF	70.5	5	
E4HT 7004-HA,E4HT4HA	★	NP	542-FL	5	NC	E4HT 7004-HA	5AE	70.5	5	
E4HT 7004-JA,E4HT4JA	★	NP	542-FD	5	NB	E4HT 7004-JA	5AF	70.5	5	
E4HT 7004-KA,E4HT4KA	★	C	CL551	5	CJ	E4HT 7004-KA	5BN	70.5	4	

1980/  
TRUCK SERIES 600/900

TRANSMISSION IDENTIFICATION CHART										
IDENTIFICATION NUMBER	MANUFACTURER		S P E E D	CODE Δ	PART NUMBER		PARTS LIST 70.	ILLUSTRATIONS		
	NAME ▲	MODEL						SECTION	PAGE	
<b>Δ-WARRANTY CODE, ▲-C- CLARK, F-FULLER, NP-NEW PROCESS, R-ROCKWELL, S-SPICER, W-WARNER</b>										
<b>NOTES      ★ Obsolete</b>										
E4HT 7004-LA, E4HT4LA	★	C	CL557	5	CK	E4HT 7004-LA	5BN	70.5	4	
E4HT 7004-MA, E4HT4MA	★	S	CM4054-D	5	SP	E4HT 7004-MA	5DH	70.5	8,9	
E5HT 7004-BA, E5HT4BA	★	S	CM4054-A	5	SN	E5HT 7004-BA	5DH	70.5	8,9	
E5HT 7004-CA, E5HT4CA	★	S	CM4054-D	5	SP	E5HT 7004-CA	5DH	70.5	8,9	
E5HT 7004-DA, E5HT4DA	★	S	CM5552-A	5	SK	E5HT 7004-DA	5DK	70.5	3	
E5HT 7004-EA, E5HT4EA	★	S	CM5852-A	5	SL	E5HT 7004-EA	5DL	70.5	3	
E5HT 7004-FA	★	C	CL455-185	5	CM	E5HT 7004-FA	5BP	70.5	12	
E5HT 7004-GA	★	C	CL450-172	5	CL	E5HT 7004-GA	5BP	70.5	12	
E5HT 7004-KA	★	C	CL558-197	5	CH	E5HT 7004-KA	5BQ	70.5	4	
E5HT 7004-LA	★	C	CL551-198	5	CJ	E5HT 7004-LA	5BQ	70.5	4	
E7HT 7004-AA, E7HT4AA	★	C	CL551	5	CJ	E7HT 7004-AA	5BS	70.5	4	
E7HT 7004-BA, E7HT4BA	★	C	CL558	5	CH	E7HT 7004-BA	5BS	70.5	4	
E7HT 7004-CA, E7HT4CA	★	C	5106	6	CT	E7HT 7004-CA	6E	70.6	7,8	
E7HT 7004-EA, E7HT4EA	★	C	FS6105-B	5	CR	E7HT 7004-EA	5BW	70.5	13,14	
E7HT 7004-FA, E7HT4FA	★	S	CM4054-A	5	SN	E7HT 7004-FA	5DP	70.5	8,9	
"Before trans. Ser. No. J871114001"										
E7HT 7004-FA, E7HT4FA	★	S	ES42-5A	5		E7HT 7004-FA	5DT	70.5		
"From trans. Ser. No. J871114001"										
E7HT 7004-GA, E7HT4GA	★	S	CM4054-D	5	SP	E7HT 7004-GA	5DP	70.5	8,9	
"Before trans. Ser. No. J871114001"										
E7HT 7004-GA, E7HT4GA	★	S	ES42-5D	5		E7HT 7004-GA	5DT	70.5		
"From trans. Ser. No. J871114001"										
E7HT 7004-HA, E7HT4HA	★	S	CM5552-A	5	SK	E7HT 7004-HA	5DR	70.5	3	
E7HT 7004-JA, E7HT4JA	★	S	CM5852-A	5	SL	E7HT 7004-JA	5DS	70.5	3	
E7HT 7004-MA, E7HT4MA	★	NP	542-FL	5	NC	E7HT 7004-MA	5AG	70.5	5	
E7HT 7004-NA, E7HT4NA	★	NP	542-FD	5	NB	E7HT 7004-NA	5AH	70.5	5	
E7HT 7004-RA, E7HT4RA	★	NP	542-FL	5	NC	E7HT 7004-RA	5AG	70.5	5	
E7HT 7004-SA, E7HT4SA	★	NP	542-FD	5	NB	E7HT 7004-SA	5AH	70.5	5	
E7HT 7004-TA, E7HT4TA	★	NP	435	4	NA/A	E7HT 7004-TA	4AC	70.4	2	
E7HT 7004-UA, E7HT4UA	★	NP	435	4	NA/A	E7HT 7004-UA	4AC	70.4	2	
E7HT 7004-AFA, E7HT4AFA	★	S	CM4054-A	5	SN	E7HT 7004-AFA	5DP	70.5	8,9	
"Before trans. Ser. No. J871114001"										
E7HT 7004-AFA, E7HT4AFA	★	S	ES42-5A	5		E7HT 7004-AFA	5DT	70.5		
"From trans. Ser. No. J871114001"										
E7HT 7004-AGA, E7HT4AGA	★	S	CM4054-A	5	SN	E7HT 7004-AGA	5DP	70.5	8,9	
"Before trans. Ser. No. J871114001"										
E7HT 7004-AGA, E7HT4AGA	★	S	ES42-5A	5		E7HT 7004-AGA	5DT	70.5		
"From trans. Ser. No. J871114001"										
E7HT 7004-AHA, E7HT4AHA	★	S	CM4054-D	5	SP	E7HT 7004-AHA	5DP	70.5	8,9	
"Before trans. Ser. No. J871114001"										
E7HT 7004-AHA, E7HT4AHA	★	S	ES42-5D	5		E7HT 7004-AHA	5DT	70.5		
"From trans. Ser. No. J871114001"										
E7HT 7004-AJA, E7HT4AJA	★	S	CM4054-D	5	SP	E7HT 7004-AJA	5DP	70.5	8,9	
"Before trans. Ser. No. J871114001"										
E7HT 7004-AJA, E7HT4AJA	★	S	ES42-5D	5		E7HT 7004-AJA	5DT	70.5		
"From trans. Ser. No. J871114001"										
E7HT 7004-AKA, E7HT4AKA	★	S	CM5552-A	5	SK	E7HT 7004-AKA	5DR	70.5	3	
E7HT 7004-ALA, E7HT4ALA	★	S	CM5852-A	5	SL	E7HT 7004-ALA	5DS	70.5	3	
E7HT 7004-ARA, E7HT4ARA	★	C	CL551	5	CJ	E7HT 7004-ARA	5BS	70.5	4	
E7HT 7004-ASA, E7HT4ASA	★	C	CL558	5	CH	E7HT 7004-ASA	5BS	70.5	4	
E7HT 7004-AUA, E7HT4AUA	★	C	CL455-32	5	CM	E7HT 7004-AUA	5BX	70.5	12	
E7HT 7004-AVA, E7HT4AVA	★	C	CL450-19	5	CL	E7HT 7004-AVA	5BX	70.5	12	

1980/  
TRUCK SERIES 600/900

TRANSMISSION IDENTIFICATION CHART

IDENTIFICATION NUMBER	MANUFACTURER		S P E E D	CODE Δ	PART NUMBER	PARTS LIST 70.	ILLUSTRATIONS	
	NAME ▲	MODEL					SECTION	PAGE
Δ-WARRANTY CODE, ▲-C- CLARK, F-FULLER, NP-NEW PROCESS, R-ROCKWELL, S-SPICER, W-WARNER								
NOTES ★ Obsolete								
E7HT 7004-BHA, E7HT4BHA ★	C	CL551-3	5	CJ	E7HT 7004-BHA	5BY	70.5	4
E7HT 7004-BJA, E7HT4BJA★	C	CL558-15	5	CH	E7HT 7004-BJA	5BY	70.5	4
E7HT 7004-BRA, E7HT4BRA ★	C-F	FS3005A	5	CA	E7HT 7004-BRA	5BV	70.5	12
E7HT 7004-BSA, E7HT4BSA ★	C-F	FS3005B	5	CA	E7HT 7004-BSA	5BV	70.5	12
E8HT 7004-GA, E8HT4GA	C	CL551	5	CJ	E8HT 7004-GA	5BAB	70.5	4
E8HT 7004-HA, E8HT4HA	C	CL558	5	CH	E8HT 7004-HA	5BAB	70.5	4
E8HT 7004-JA, E8HT4JA	C	CL551	5	CJ	E8HT 7004-JA	5BAB	70.5	4
E8HT 7004-KA, E8HT4KA	C	CL558	5	CH	E8HT 7004-KA	5BAB	70.5	4
E8HT 7004-NA, E8HT4NA	C-F	FS4005-A	5	CW	E8HT 7004-NA	5BAH	70.5	12
E8HT 7004-RA, E8HT4RA	C-F	FS4005-B	5	CX	E8HT 7004-RA	5BAH	70.5	12
E8HT 7004-SA, E8HT4SA	C-F	FS5005-A	5	CY	E8HT 7004-SA	5BAF	70.5	4
E8HT 7004-VA, E8HT4VA	C-F	FS5005-B	5	CV	E8HT 7004-VA	5BAJ	70.5	4
E8HT 7004-YA, E8HT4YA	C-F	FS3005-A	5	CA	E8HT 7004-YA	5BV	70.5	12
E8HT 7004-ZA, E8HT4ZA	C-F	FS3005-B	5	CA	E8HT 7004-ZA	5BV	70.5	12
E9HT 7004-BA, E9HT4BA	C	FS5106	6	CT	E9HT 7004-BA	6G	70.6	7,8
E9HT 7004-DA, E9HT4DA	C-F	FS4005-A	5	CW	E9HT 7004-DA	5BAC	70.5	12
E9HT 7004-EA, E9HT4EA	C-F	FS4005-B	5	CX	E9HT 7004-EA	5BAC	70.5	12
E9HT 7004-FA, E9HT4FA	C-F	FS4005-A	5	CW	E9HT 7004-FA	5BAH	70.5	12
E9HT 7004-GA, E9HT4GA	C-F	FS4005-B	5	CX	E9HT 7004-GA	5BAH	70.5	12
E9HT 7004-HA, E9HT4HA	C-F	FS5005-A	5	CY	E9HT 7004-HA	5BAG	70.5	4
E9HT 7004-JA, E9HT4JA	C-F	FS5005-B	5	CV	E9HT 7004-JA	5BAG	70.5	4
E9HT 7004-KA, E9HT4KA	C-F	FS5005-B	5	CV	E9HT 7004-KA	5BAG	70.5	4
E9HT 7004-LA, E9HT4LA	C-F	FS5005-B	5	CV	E9HT 7004-LA	5BAG	70.5	4
D0HA 7A218-A, H0DBA ★	S	7041	4	5	D0HZ 7A218-A	3B	71	2
D5HA 7A218-AA, H5DBAA ★	S	8341-L	4	6	D5HA 7A218-AA	3C	71	3
E4HT 7A218-AA, H4EAA ★	S	7041	4	5	E4HT 7A218-AA	3B	71	2
E4HT 7A218-BA, H4EBA ★	S	8341-L	4	6	E4HT 7A218-BA	3C	71	3
TABAJ 77900-C, 3TJC ★	S	7231-D	3	3	TABAJ 77900-C	3A	71	1

1980/  
TRUCK SERIES 600/900

MODEL APPLICATION CHART

MODEL	YEAR	ENGINE			TRANSMISSION						PART NUMBER	PARTS LIST 70.	ILLUSTRATION	
		T Y P E ⊕	C Y L.	C.I.D.	S P I C E R D ▲	M F R. ▲	MODEL	IDENTIFICATION	CASE MARKING	C O D E ●			SEC.	PAGE

●-Warranty Code    ▲C-Clark, F-Fuller, NP-New Process, S-Spicer, W-Warner, R-Rockwell    ⊕-D-Diesel, G-Gas  
\* Before Transmission Ser. No. J871114001, from use Parts List 5DT

B and F SERIES

B-F-FT600/900	80/83	G	6&8	All	4	W	T19	AS7-T19	T9W4G	P	C9TA 7004-G	4BA	70.4	3
	80	D	8	501	4	W	T19A	13-09-000-035	H0W3RA	P	E0HT 7003-RA	4BB	70.4	3
	80/81	D	8	Cat	5	C	390V-3	284618	T6C3DA	CF	D6TA 7003-DA	5BD	70.5	4
	80/81	D	8	Cat	5	C	397V-5	284692	T6C3ACA	CG	D6TA 7003-ACA	5BE	70.5	4
	80/82	G	8	All	5	C	280-V0-18	284202	H6C4LA	CA	D3TZ 7004-C	5BA	72.1	5
	80/82	G	8	All	5	C	282-V-55	284203	H6C4MA	2	D3TZ 7004-B	5BA	72.1	5
	80/82	G	8	All	5	C	285-V-54	284205	H6C4NA	M	D3TZ 7004-A	5BA	72.1	5
	80	G	8	All	5	NP	542-FL	10917	H7N4GA	0	D7HT 7004-GA	5AA	70.5	5
	80	G	8	All	4	NP	435-FL	10911	H7N4DA	A	D7HT 7004-DA	4AA	70.4	2
	80/83	G	8	429	5	C	282VHD	285891	H9C4AA	W	D9HT 7004-AA	5BF	70.5	1
	80	G	8	370,429	5	NP	542-FD	12130	H0N4-DB	9	E0HT 7004-DB	5AD	70.5	5
	80	G	8	370,429	5	NP	542-FL	12131	H0N4-EB	0	E0HT 7004-EB	5AC	70.5	5
	80	G	8	All	5	NP	542-FD	10919	H7N4JA	9	D7HT 7004-JA	5AB	70.5	5
	80/83	D	8	501	5	C	282VHD-2	286017	H0C3DA	W	E0HT 7003-DA	5BG	70.5	1
	80/83	D	8	501	5	C	285VHD-2	286018	H0C3EA	X	E0HT 7003-EA	5BG	70.5	1
	80/82	D	8	501	5	C	282V-75	286662	H0C3ABA	2	E0HT 7003-ABA	5BH	70.5	1
	80/82	D	8	501	5	C	285V-73	285592	H0C3ACA	M	E0HT 7003-ACA	5BH	70.5	1
	80	D	8	636	5	S	6052-A	301253-13	H0D3ZA	SD	E0HT 7003-ZA	5DB	70.5	2
	80	D	8	636	5	S	6052-C	301255-12	H0D3AAA	SF	E0HT 7003-AAA	5DB	70.5	2
	80/83	D	8	501	5	C	282-V-75	286709	H0C3ADA	CB	E0HT 7003-ADA	5BH	70.5	1
	80/83	D	8	501	5	C	285-V-73	286710	H0C3AEA	CD	E0HT 7003-AEA	5BH	70.5	1
	80/83	G	8	All	4	NP	435-FE	12164	H0N4AFA	A	E0HT 7004-AFA	4AB	70.4	2
	80/83	G	8	370	5	C	282-V-76	286707	H0C4MA	CB	E0HT 7004-MA	5BA	70.5	1
	80/83	G	8	370	5	C	285-V-81	286703	H0C4NA	CD	E0HT 7004-NA	5BA	70.5	1
	81/82	D	8	All	5	S	CM5052-A	301247-61	E1HT3ALA	SB	E1HT 7003-ALA	5DA	70.5	3
	81/82	D	8	All	5	S	CM5052-A	301247-60	E1HT3ANA	SB	E1HT 7003-ANA	5DA	70.5	3
	81/82	D	8	All	5	S	CM5252-A	301251-57	E1HT3ARA	SC	E1HT 7003-ARA	5DA	70.5	3
	81/82	D	8	All	5	S	CM5252-A	301251-56	E1HT3ATA	SC	E1HT 7003-ATA	5DA	70.5	3
	81/83	D	8	501,636	5	C	390-V16	287469	E1HT3BZA	CF	E1HT 7003-BZA	5BJ	70.5	4
	81/83	D	8	501,636	5	C	397-V15	287486	E1HT3CAA	CG	E1HT 7003-CAA	5BJ	70.5	4
	81/83	G	8	All	5	C	390-V15	287468	E1HT4AA	CF	E1HT 7004-AA	5BK	70.5	4
	81/83	G	8	All	5	C	397-V12	287483	E1HT4BA	CG	E1HT 7004-BA	5BK	70.5	4
	81/82	D	8	All	5	S	CM5052-A	301247-58	E1HT4CA	SB	E1HT 7004-CA	5DA	70.5	3
	81/82	D	8	All	5	S	CM5052-A	301247-57	E1HT4EA	SB	E1HT 7004-EA	5DA	70.5	3
	81/82	G	8	All	5	S	CM5252-A	301251-54	E1HT4FA	SC	E1HT 7004-FA	5DA	70.5	3
	81/82	D	8	All	5	S	CM5252-A	301251-53	E1HT4HA	SC	E1HT 7004-HA	5DA	70.4	3
	82/83	G	8	All	5	NP	542-FL	12252	E1HT4SA	NC	E1HT 7004-SA	5AE	70.5	5
	82/83	G	8	All	5	NP	542-FD	12253	E1HT4TA	NB	E1HT 7004-TA	5AF	70.5	5
	83/85	All	8	All	5	S	CM5510	301315-1	E3HTAA	SM	E3HT 7003-AA	5DG	70.5	10,11
	83/85	All	8	All	5	S	CM5510	301315-3	E3HTJA	SM	E3HT 7003-JA	5DG	70.5	10,11
	83/85	D	8	636	5	S	CM5510	301315-4	E3HTKA	SM	E3HT 7003-KA	5DG	70.5	10,11
	83	D	8	636	5	S	CM5510	301315-2	E3HTLA	SM	E3HT 7003-LA	5DG	70.5	10,11
	83/86	D	8	501	5	C	282V-86	288324	E3HT3SA	2	E3HT 7003-SA	5BH	70.5	1
	83/86	D	8	501	5	C	285V-93	288326	E3HT3TA	M	E3HT 7003-TA	5BH	70.5	1
	83/86	D	8	636	5	C	282VHD-13	288328	E3HT3UA	CC	E3HT 7003-UA	5BG	70.5	1
	83/86	D	8	636	5	C	285VHD-13	288330	E3HT3VA	CE	E3HT 7003-VA	5BG	70.5	1
	83	D	8	501	5	S	CM5552-A	301247-61	E3HT3AAA	SK	E3HT 7003-AAA	5DE	70.5	3
	83	D	8	501	5	S	CM5852-A	301251-57	E3HT3ABA	SL	E3HT 7003-ABA	5DF	70.5	3
	83	D	8	501	5	S	CM5552-A	301247-62	E3HT3ACA	SK	E3HT 7003-ACA	5DE	70.5	3
	83	D	8	501	5	S	CM5852-A	301251-58	E3HT3ADA	SL	E3HT 7003-ADA	5DF	70.5	3
	83/85	D	8	501	5	S	CM5552-A	301247-60	E3HT3AEA	SK	E3HT 7003-AEA	5DE	70.5	3

1980/  
TRUCK SERIES 600/900

MODEL APPLICATION CHART

MODEL	YEAR	ENGINE			TRANSMISSION					PART NUMBER	PARTS LIST 70.	ILLUSTRATION	
		T Y P E ⊕	C Y L.	C.I.D.	S P E E D ▲	M E R. ▲	MODEL	IDENTIFICATION	CASE MARKING			C O D E ●	SEC.

●-Warranty Code    ▲C-Clark, F-Fuller, NP-New Process, S-Spicer, W-Warner, R-Rockwell    ⊕-D-Diesel, G-Gas  
\* Before Transmission Ser. No. J871114001, from use Parts List 5DT

B and F SERIES — Cont'd

B.F-FT600/900	83/85	D	8	501	5	S	CM5852-A	301251-56	E3HT3AFA	SL	E3HT 7003-AFA	5DF	70.5	3
	83	D	8	636	5	S	CM5552-A	301247-69	E3HT3AGA	SK	E3HT 7003-AGA	5DE	70.5	3
	83	D	8	636	5	S	CM5852-A	301251-67	E3HT3AHA	SL	E3HT 7003-AHA	5DF	70.5	3
	83/85	D	8	636	5	S	CM5552-A	301247-67	E3HT3AJA	SK	E3HT 7003-AJA	5DE	70.5	3
	83/85	D	8	636	5	S	CM5852-A	301251-65	E3HT3AKA	SL	E3HT 7003-AKA	5DF	70.5	3
	83	D	8	636	5	S	CM5552-A	301247-68	E3HT3ALA	SK	E3HT 7003-ALA	5DE	70.5	3
	83	D	8	636	5	S	CM5852-A	301251-66	E3HT3AMA	SL	E3HT 7003-AMA	5DE	70.5	3
	83/86	G	8	370,429	13	F	RT6613	TA-902-T6862	E3HT3ANA	FT	E3HT 7003-ANA	13Q	70.13	1,2
	83/86	D	8	501	13	F	RT6613	TA-902-T6863	E3HT3ARA	FT	E3HT 7003-ARA	13Q	70.13	1,2
	83/86	D	8	636	13	F	RT6613	TA-902-T6861	E3HT3ASA	FT	E3HT 7003-ASA	13Q	70.13	1,2
	84/86	G	8	370,429	10	F	RT6610	TA-900-T7483	E3HT3BLA	FS	E3HT 7003-BLA	10V	70.10	7,8
	84/86	D	8	8.2L,636	10	F	RT6610	TA-900-K177	E3HT3BMA	FS	E3HT 7003-BMA	10V	70.10	7,8
	84/86	D	8	636T	10	F	RT6610	TA-900-T7482	E3HT3BNA	FS	E3HT 7003-BNA	10V	70.10	7,8
	83	D	8	501	5	C	282V-204	288487	E3HT3BSA	2	E3HT 7003-BSA	5BL	70.5	1
	83/86	D	8	501	5	C	282V-206	288489	E3HT3BTA	2	E3HT 7003-BTA	5BL	70.5	1
	83	D	8	501	5	C	285V-206	288490	E3HT3BUA	M	E3HT 7003-BUA	5BL	70.5	1
	83/86	D	8	501	5	C	285V-208	288492	E3HT3BVA	M	E3HT 7003-BVA	5BL	70.5	1
	83	D	8	501	5	C	282VHD-202	288493	E3HT3BYA	CC	E3HT 7003-BYA	5BM	70.5	1
	83/86	D	8	501	5	C	282VHD-204	288495	E3HT3BZA	CC	E3HT 7003-BZA	5BM	70.5	1
	83	D	8	501	5	C	285VHD-202	288497	E3HT3CAA	CE	E3HT 7003-CAA	5BM	70.5	1
	83/86	D	8	501	5	C	285VHD-204	288499	E3HT3CBA	CE	E3HT 7003-CBA	5BM	70.5	1
	83	D	8	501,636	5	C	551-7	288615	E3HT3CCA	CJ	E3HT 7003-CCA	5BN	70.5	4
	83	D	8	636	5	C	551-8	288616	E3HT3CDA	CJ	E3HT 7003-CDA	5BN	70.5	4
	83	D	8	501,636	5	C	557-6	288626	E3HT3CEA	CK	E3HT 7003-CEA	5BN	70.5	4
	83	D	8	636	5	C	557-7	288627	E3HT3CFA	CK	E3HT 7003-CFA	5BN	70.5	4
	87/	D	6	6.6,7.8L	5	C	6105-B	3318220	E7HT3BA	CS	E7HT 7003-BA	5BR	70.5	4
	87/	D	6	6.6,7.8L	6	C	5106	3318218	E7HT3CA	CT	E7HT 7003-CA	6B	70.6	7,8
	87	D	6	6.6,7.8L	6	F	6106	TA864-003197	E7HT3DA	CU	E7HT 7003-DA	6C	70.6	7,8
	87	D	6	6.6,7.8L	5	C	CL450	3318217	E7HT3EA	CL	E7HT 7003-EA	5BU	70.5	12
	87/	D	6	6.6,7.8L	5	C	6105-A	3318219	E7HT3FA	CR	E7HT 7003-FA	5BR	70.5	13,14
	87	D	6	6.6,7.8L	5	S	CL455	3318216	E7HT3GA	CM	E7HT 7003-GA	5BU	70.5	12
	87/	D	6	7.8L	10	F	RT6610		E7HT3JA	FS	E7HT 7003-JA	10W	70.10	7,8
	87	D	6&8	6.6,7.8L 10.4L	5	C	CL551	33182104	E7HT3LA	CJ	E7HT 7003-LA	5BT	70.5	4
	87	D	8	8.2,10.4L	5	C	CL551	3318214	E7HT3MA	CJ	E7HT 7003-MA	5BS	70.5	4
	87	D	8	8.2,10.4L	5	C	CL558	3318215	E7HT3NA	CH	E7HT 7003-NA	5BS	70.5	4
	87/	G	All	All	10	F	RT6610		E7HT3TA	FS	E7HT 7003-TA	10X	70.10	7,8
	87/	D	8	8.2,10.4L	10	F	RT6610		E7HT3UA	FS	E7HT 7003-UA	10X	70.10	7,8
	87/88	G	All	All	13	F	RT6613		E7HT3ZA	FT	E7HT 7003-ZA	13R	70.13	1,2
	87	D	8	8.2L	13	F	RT6613		E7HT3AAA	FT	E7HT 7003-AAA	13R	70.13	1,2
	87	D	8	8.2,10.4L	5	S	CM4054-A		E7HT3ABA	SN	*E7HT 7003-ABA	5DP	70.5	8,9
	87	D	8	8.2,10.4L	5	S	CM4054-D		E7HT3AEA	SP	*E7HT 7003-AEA	5DP	70.5	8,9
	87/	D	8	8.2,10.4L	5	S	CM5552-A		E7HT3AHA	SK	E7HT 7003-AHA	5DR	70.5	3
	87	D	8	8.2L	5	S	CM5852-A		E7HT3AJA	SL	E7HT 7003-AJA	5DS	70.5	3
	87/89	D	8	10.4L	5	S	CM5852-A		E7HT3AKA	SL	E7HT 7003-AKA	5DN	70.5	3
	87/89	D	8	10.4L	5	S	CM5852-A		E7HT3ALA	SL	E7HT 7003-ALA	5DM	70.5	3
	87/	D	8	10.4L	5	S	CM6052-C		E7HT3ARA	SF	E7HT 7003-ARA	5DQ	70.5	2
	87/89	D	8	10.4L	5	S	CM6052-A		E7HT3ATA	SD	E7HT 7003-ATA	5DQ	70.5	2
	87	D	8	8.2L	5	S	CM4054-A		E7HT3BCA	SN	*E7HT 7003-BCA	5DP	70.5	8,9
	87	D	8	8.2L	5	S	CM4054-D		E7HT3BDA	SP	*E7HT 7003-BDA	5DP	70.5	8,9
	87/88	D	8	8.2,10.4L	5	S	CM5552-A		E7HT3BEA	SK	E7HT 7003-BEA	5DN	70.5	3

1980/  
TRUCK SERIES 600/900

**MODEL APPLICATION CHART**

MODEL	YEAR	ENGINE			TRANSMISSION					PART NUMBER	PARTS LIST 70.	ILLUSTRATION	
		T Y P E ⊕	C Y L.	C.I.D.	S P I C E D ▲	M O D E L	I D E N T I F I C A T I O N	C A S E M A R K I N G	C O D E ●			SEC.	PAGE

●-Warranty Code    ▲C-Clark, F-Fuller, NP-New Process, S-Spicer, W-Warner, R-Rockwell    ⊕-D-Diesel, G-Gas  
\* Before Transmission Ser. No. J871114001, from use Parts List 5DT

**B and F SERIES — Cont'd**

B-F-FT600/900	87/88	D	8	8.2,10.4L	5	S	CM5852-A		E7HT3BFA	SL	E7HT 7003-BFA	5DM	70.5	3
	87/88	D	8	10.4L	5	S	CM6052-C		E7HT3BGA	SF	E7HT 7003-BGA	5DQ	70.5	2
	89/	D	8	10.4L	5	S	CM6052-C		E7HT3BGB	SF	E7HT 7003-BGB	5DQ	70.5	2
	87/	D	8	10.4L	5	S	CM6052-A		E7HT3BJA	SD	E7HT 7003-BJA	5DQ	70.5	2
	87	D	8	8.2L	5	C	CL551	2769073	E7HT3BRA	CJ	E7HT 7003-BRA	5BS	70.5	4
	87	D	8	8.2L	5	C	CL558	2769070	E7HT3BSA	CH	E7HT 7003-BSA	5BS	70.5	4
	83/86	G	8	370	5	C	282V-85	288323	E3HT4GA	2	E3HT 7004-GA	5BA	70.5	1
	83/86	G	8	370	5	C	285V-92	288325	E3HT4HA	M	E3HT 7004-HA	5BA	70.5	1
	83/86	G	8	429	5	C	282VHD-12	288327	E3HT4LA	CC	E3HT 7004-LA	5BF	70.5	1
	83/86	G	8	429	5	C	285VHD-12	288329	E3HT4MA	CE	E3HT 7004-MA	5BF	70.5	1
	83	G	8	370,429	5	S	CM5552-A	301247-58	E3HT4NA	SK	E3HT 7004-NA	5DE	70.5	3
	83	G	8	370,429	5	S	CM5852-A	301251-54	E3HT4RA	SL	E3HT 7004-RA	5DF	70.5	3
	83	G	8	370,429	5	S	CM5552-A	301247-59	E3HT4SA	SK	E3HT 7004-SA	5DE	70.5	3
	83	G	8	370,429	5	S	CM5852-A	301251-55	E3HT4TA	SL	E3HT 7004-TA	5DF	70.5	3
	83/85	G	8	370,429	5	S	CM5552-A	301247-57	E3HT4UA	SK	E3HT 7004-UA	5DE	70.5	3
	83/85	G	8	370,429	5	S	CM5852-A	301251-58	E3HT4VA	SL	E3HT 7004-VA	5DF	70.5	3
	83	G	8	370	5	C	282V-203	288486	E3HT4YA	2	E3HT 7004-YA	5BL	70.5	1
	83/85	G	8	370	5	C	282V-205	288488	E3HT4ZA	2	E3HT 7004-ZA	5BL	70.5	1
	83	G	8	370	5	C	285V-205	288472	E3HT4AAA	M	E3HT 7004-AAA	5BL	70.5	1
	83/85	G	8	370	5	C	285V-207	288491	E3HT4ABA	M	E3HT 7004-ABA	5BL	70.5	1
	83	G	8	429	5	C	282VHD-201	288477	E3HT4ACA	CC	E3HT 7004-ACA	5BM	70.5	1
	83/86	G	8	429	5	C	282VHD-203	288494	E3HT4ADA	CC	E3HT 7004-ADA	5BM	70.5	1
	83	G	8	429	5	C	285VHD-201	288496	E3HT4AEA	CE	E3HT 7004-AEA	5BM	70.5	1
	83/86	G	8	429	5	C	285VHD-203	288498	E3HT4AFA	CE	E3HT 7004-AFA	5BM	70.5	1
	83	G	8	370,429	5	C	551-6	288514	E3HT4AGA	CJ	E3HT 7004-AGA	5BN	70.5	4
	83	G	8	370,429	5	C	557-5	288625	E3HT4AHA	CK	E3HT 7004-AHA	5BN	70.5	4
	84/85	D	8	3208,501	5	S	CM40	301329-2	E4HT3BA	SN	E4HT 7003-BA	5DH	70.5	8,9
	84/86	D	8	501	4	W	T19-D	13-09-000.049	E4HT3ALA	WA/P	E4HT 7003-ALA	4BD	70.4	3
	84/86	D	8	3208,501	5	C	CL551	288736	E4HT3ANA	CJ	E4HT 7003-ANA	5BN	70.5	4
	84/86	D	8	3208	5	C	CL551	288737	E4HT3ASA	CJ	E4HT 7003-ASA	5BN	70.5	4
	84/85	D	8	3208	5	S	CM40	301329-4	E4HT3ATA	SN	E4HT 7003-ATA	5DH	70.5	8,9
	84/85	D	8	501	5	S	CM4054-D	301343-6	E4HT3BMA	SP	E4HT 7003-BMA	5DH	70.5	8,9
	84/85	D	8	636	5	S	CM4054-D	301343-8	E4HT3BNA	SP	E4HT 7003-BNA	5DH	70.5	8,9
	86	D	8	636	5	C	CL557-15	2769003	E4HT3BLA	CK	E4HT 7003-BLA	5BN	70.5	4
	84/85	G	All	All	5	S	CM40	301329-3	E4HT4AA	SN	E4HT 7004-AA	5DH	70.5	8,9
	84/85	G	All	All	4	W	T19	13-09-000.48	E4HT4BA	WA/P	E4HT 7004-BA	4BC	70.4	3
	84/86	G	All	All	4	NP	435	12321	E4HT4CA	NA/A	E4HT 7004-CA	4AB	70.4	2
	84/86	G	All	All	5	NP	542-FL	12326	E4HT4HA	NC	E4HT 7004-HA	5AE	70.5	5
	84/86	G	All	All	5	NP	542-FD	12327	E4HT4JA	NB	E4HT 7004-JA	5AF	70.5	5
	84/86	G	All	All	5	C	CL551	288735	E4HT4KA	CJ	E4HT 7004-KA	5BN	70.5	4
	84/85	G	8	All	5	S	CM4054-D	301343-7	E4HT4MA	SP	E4HT 7004-MA	5DH	70.5	8,9
	85	D	8	501,636	5	S	CM4054-A	301329-12	E5HT3HA	SN	E5HT 7003-HA	5DH	70.5	8,9
	85	D	8	636	5	S	CM4054-A	301329-14	E5HT3JA	SN	E5HT 7003-JA	5DH	70.5	8,9
	85	D	8	636	5	S	CM4054-D	301343-13	E5HT3KA	SP	E5HT 7003-KA	5DH	70.5	8,9
	85	D	8	501	5	S	CM4054-D	301343-11	E5HT3LA	SP	E5HT 7003-LA	5DH	70.5	8,9
	85	D	8	501,636	5	S	CM5552-A	301366-60	E5HT3MA	SK	E5HT 7003-MA	5DK	70.5	3
	85	D	8	636	5	S	CM5552-A	301366-67	E5HT3NA	SK	E5HT 7003-NA	5DK	70.5	3
	85	D	8	501,636	5	S	CM5852-A	301370-56	E5HT3RA	SL	E5HT 7003-RA	5DL	70.5	3



1980/  
TRUCK SERIES 600/900

**MODEL APPLICATION CHART**

MODEL	YEAR	ENGINE			TRANSMISSION					PART NUMBER	PARTS LIST 70.	ILLUSTRATION	
		T Y P E ⊕	C Y L.	C.I.D.	S P E E D ▲	M F E R. ▲	MODEL	IDENTIFICATION	CASE MARKING			C O D E ●	SEC.
● Warranty Code		▲C-Clark, F-Fuller, NP-New Process, S-Spicer, W-Warner, R-Rockwell					⊕D-Diesel, G-Gas						
* Before Transmission Ser. No. J871114001, from use Parts List 5DT													

**B and F SERIES — Cont'd**

B-F-FT600/900	85	D	8	636	5	S	CM5852-A	301370-65	E5HT3SA	SL	E5HT 7003-SA	5DL	70.5	3
	85	All	8	All	5	S	CM5510	301371-1	E5HT3TA	SM	E5HT 7003-TA	5DJ	70.5	10,11
	85	D	8	636	5	S	CM5510	301371-4	E5HT3UA	SM	E5HT 7003-UA	5DJ	70.5	10,11
	85	G	8	All	5	S	CM4054-A	301329-13	E5HT4BA	SN	E5HT 7004-BA	5DH	70.5	8,9
	85	G	8	All	5	S	CM4054-D	301343-12	E5HT4CA	SP	E5HT 7004-CA	5DH	70.5	8,9
	85	G	8	All	5	S	CM5552-A	301366-57	E5HT4DA	SK	E5HT 7004-DA	5DK	70.5	3
	85	G	8	All	5	S	CM5852-A	301370-53	E5HT4EA	SL	E5HT 7004-EA	5DK	70.5	3
	87	G	All	All	5	C	CL551	3318212	E7HT4AA	CJ	E7HT 7004-AA	5BS	70.5	4
	87	G	All	All	5	C	CL558	3318213	E7HT4BA	CH	E7HT 7004-BA	5BS	70.5	4
	87/89	G	All	All	5	S	CM4054-A		E7HT4FA	SN	*E7HT 7004-FA	5DP	70.5	8,9
	87/89	G	All	All	5	S	CM4054-D	301421-18	E7HT4GA	SP	*E7HT 7004-GA	5DP	70.5	8,9
	87/89	G	All	All	5	S	CM5552-A		E7HT4HA	SK	E7HT 7004-HA	5DR	70.5	3
	87/89	G	All	All	5	S	CM5852-A		E7HT4JA	SL	E7HT 7004-JA	5DS	70.5	3
	87	G	All	All	5	NP	542-FL		E7HT4MA	NC	E7HT 7004-MA	5AG	70.5	5
	87	G	All	All	5	NP	542-FD		E7HT4NA	NB	E7HT 7004-NA	5AH	70.5	5
	87	G	All	All	5	NP	542-FL		E7HT4RA	NC	E7HT 7004-RA	5AG	70.5	5
	87	G	All	All	5	NP	542-FD		E7HT4SA	NB	E7HT 7004-SA	5AH	70.5	5
	87	G	All	All	4	NP	435	12422	E7HT4TA	NA	E7HT 7004-TA	4AC	70.4	2
	87	G	All	All	4	NP	435	12423	E7HT4UA	NA	E7HT 7004-UA	4AC	70.4	2
	87/89	G	All	All	5	S	CM4054-A		E7HT4FA	SN	*E7HT 7004-AFA	5DP	70.5	8,9
	87/89	G	All	All	5	S	CM4054-A	301420-23	E7HT4AGA	SN	*E7HT 7004-AGA	5DP	70.5	8,9
	87/89	G	All	All	5	S	CM4054-D		E7HT4AHA	SP	*E7HT 7004-AHA	5DP	70.5	8,9
	87/89	G	All	All	5	S	CM4054-D		E7HT4AJA	SP	*E7HT 7004-AJA	5DP	70.5	8,9
	87/89	G	All	All	5	S	CM5552-A		E7HT4AKA	SK	E7HT 7004-AKA	5DR	70.5	3
	87/89	G	All	All	5	S	CM5852-A		E7HT4ALA	SL	E7HT 7004-ALA	5DS	70.5	3
	87/89	G	8	370	5	F	FS3005A	2769161	E7HT4BRA	CA	E7HT 7004-BRA	5BV	70.5	12
	87/89	G	8	370	5	F	FS3005B	2769160	E7HT4BSA	CA	E7HT 7004-BSA	5BV	70.5	12
	87	G	All	All	5	C	551		E7HT4ARA	CJ	E7HT 7004-ARA	5BS	70.5	4
	87	G	All	All	5	C	558		E7HT4ASA	CH	E7HT 7004-ASA	5BS	70.5	4
	88	D	6	6.6,7.8L	5	F-C	FS4005-A		E8HT3AHA	CW	E8HT 7003-AHA	5BU	70.5	12
	88	D	6	6.6,7.8L	5	F-C	FS4005-A		E8HT3AJA	CW	E8HT 7003-AJA	5BZ	70.5	12
	88	D	6	6.6,7.8L	5	F-C	FS4005-B		E8HT3AKA	CX	E8HT 7003-AKA	5BU	70.5	12
	88	D	6	6.6,7.8L	5	F-C	FS4005-B		E8HT3ALA	CX	E8HT 7003-ALA	5BZ	70.5	12
	88/89	D	6	6.6,7.8L	5	F-C	FS5005-A		E8HT3AMA	CY	E8HT 7003-AMA	5BAA	70.5	4
	88/	D	6	7.8L	6	F	FS6106A	TA-864-004908	E8HT3ARA	CU	E8HT 7003-ARA	6F	70.6	5,6
	88/	G	All	All	5	C	CL551		E8HT4GA	CJ	E8HT 7004-GA	5BAB	70.5	4
	88/	G	All	All	5	C	CL558		E8HT4HA	CH	E8HT 7004-HA	5BAB	70.5	4
	88/	G	All	All	5	C	CL551		E8HT4JA	CJ	E8HT 7004-JA	5BAB	70.5	4
	88/	G	All	All	5	C	CL558		E8HT4KA	CH	E8HT 7004-KA	5BAB	70.5	4
	88/	G	8	6.1L	5	F	FS3005A		E8HT4YA	CA	E8HT 7004-YA	5BV	70.5	12
	88/	G	8	6.1L	5	F	FS3005A		E8HT4ZA	CA	E8HT 7004-ZA	5BV	70.5	12
	89/	D	6	7.8L	8	F	RT7608LL		E9HT3BA		E9HT 7003-BA	8U	70.8	7,8
	89/	D	6	7.8L	8	F	RT7608LL		E9HT3CA		E9HT 7003-CA	8U	70.8	7,8
	89/	G	6	6.6,7.8L	5	F	FS4005B		E9HT3AVA	CX	E9HT 7003-AVA	5BAD	70.5	12
	89/	G	6	6.6,7.8L	5	F	FS4005A		E9HT3AYA	CW	E9HT 7003-AYA	5BAD	70.5	12
	89/	G	6	6.6,7.8L	5	F	FS4005B		E9HT3AZA	CX	E9HT 7003-AZA	5BAD	70.5	12
	89/	G	6	6.6,7.8L	5	F	FS4005A		E9HT3BAA	CW	E9HT 7003-BAA	5BAD	70.5	12
	89/	G	All	All	6	F	FS5106		E9HT4BA	CT	E9HT 7004-BA	6G	70.6	7,8
	89/	G	All	All	5	F,C	FS4005A		E9HT4DA	CW	E9HT 7004-DA	5BAC	70.5	12
	89/	G	All	All	5	F,C	FS4005B		E9HT4EA	CX	E9HT 7004-EA	5BAC	70.5	12
	89/	D	6	7.8L	5	FC	FS5005-A		E9HT3BBA	CY	E9HT 7003-BBA	5BAE	70.5	4
	89/	D	6	7.8L	5	FC	FS5005-B		E9HT3BCA	CV	E9HT 7003-BCA	5BAE	70.5	4

1980/  
TRUCK SERIES 600/900

MODEL APPLICATION CHART

MODEL	YEAR	ENGINE			TRANSMISSION					PART NUMBER	PARTS LIST 70.	ILLUSTRATION	
		T Y P E ⊕	C Y L. L.	C.I.D.	S P I C E R. D	M F R. ▲	MODEL	IDENTIFICATION	CASE MARKING			C O D E ●	SEC.

●-Warranty Code    ▲C-Clark, F-Fuller, NP-New Process, S-Spicer, W-Warner, R-Rockwell    ⊕-D-Diesel, G-Gas  
\* Before Transmission Ser. No. J871114001, from use Parts List 5DT

C-CT SERIES

C-CT600/900	80/82	G	8	All	5	C	280-V0-18	284202	H6C4LA	CA	D3TZ 7004-C	5BA	72.1	2
													72.1	5
	80/82	G	8	All	5	C	282-V-55	284203	H6C4MA	CB	D3TZ 7004-B	5BA	72.1	2
													72.1	5
	80/82	G	8	All	5	C	285-V-54	284205	H6C4NA	CD	D3TZ 7004-A	5BA	72.1	2
													72.1	5
	80	G	8	All	4	NP	435-FL	10913	H7N4FA	NA	D7HT 7004-FA	4AA	70.4	2
	80	G	8	All	10	F	RT-610	FT-2622	H7F3CZA	FA	D7HT 7003-CZA	10A	70.10	6
	80/81	D	8	Cat	5	C	390V-3	284618	T6C3DA	CF	D6TA 7003-DA	5BD	70.5	4
	80/81	D	8	Cat	5	C	397V-5	284692	T6C3ACA	CG	D6TA 7003-ACA	5BE	70.5	4
	80	D	8	636	10	F	RT-610	FT-2621	H7F3DAA	FA	D7HT 7003-DAA	10B	70.10	6
	80/81	G	8	All	5	C	390V-2	284616	H6C4FA	CF	D6HA 7004-FA	5BC	70.5	4
	80/81	G	8	All	5	C	397V-2	284620	H6C4EA	CG	D6HA 7004-EA	5BB	70.5	4
	80/83	G	8	429	5	C	285VHD	285892	H9C4BA	CE	D9HT 7004-BA	5BF	70.5	1
	80/83	G	8	429	5	C	282VHD	285891	H9C4AA	CC	D9HT 7004-AA	5BF	70.5	1
	80/81	G	8	All	5	S	CM5052-A		H0D4FA	SB	EOHT 7004-FA	5DA	70.5	3
	80/81	G	8	All	5	S	CM5252-A		H0D4GA	SC	EOHT 7004-GA	5DA	70.5	3
	80/81	G	8	All	5	S	CM6052-A		H0D4JA	SD	EOHT 7004-JA	5DB	70.5	2
	80/81	D	8	All	5	S	CM6052-A		H0D3YA	SD	EOHT 7003-YA	5DB	70.5	2
	80/81	G	8	All	5	S	CM6052-C		H0D4KA	SF	EOHT 7004-KA	5DB	70.5	2
	80/81	D	8	All	5	S	CM6052-C		H0D3UA	SF	EOHT 7003-UA	5DB	70.5	2
	80/81	D	8	636	5	S	CM5052-A		H0D3SA	SB	EOHT 7003-SA	5DA	70.5	3
	80/81	D	8	636	5	S	CM5252-A		H0D3TA	SC	EOHT 7003-TA	5DA	70.5	3
	80/82	G	8	All	4	NP	435-FE	12165	H0N4AHA	A	EOHT 7004-AHA	4AB	70.4	2
	80/82	All	All	All	5	C	280-V023	286706	H0C4LA	CA	EOHT 7004-LA	5BA	70.5	1
	80/83	All	All	All	5	C	282-V76	286707	H0C4MA	CB	EOHT 7004-MA	5BA	70.5	1
	80/83	All	All	All	5	C	285-V81	286703	H0C4NA	CD	EOHT 7004-NA	5BA	70.5	1
	81/83	G	8	All	10	F	RT6610		H1F3TA	FS	E1HT 7003-TA	10Q	70.10	7,8
	81/83	D	All	All	10	F	RT6610		H1F3UA	FS	E1HT 7003-UA	10Q	70.10	7,8
	81/82	D	8	All	5	S	CM5052-A	301247-61	E1HT3ALA	SB	E1HT 7003-ALA	5DA	70.5	3
	81/82	D	8	All	5	S	CM5052-A	301247-60	E1HT3ANA	SB	E1HT 7003-ANA	5DA	70.5	3
	81/82	D	8	All	5	S	CM5252-A	301251-57	E1HT3ARA	SC	E1HT 7003-ARA	5DA	70.5	3
	81/82	D	8	All	5	S	CM5252-A	301251-56	E1HT3ATA	SC	E1HT 7003-ATA	5DA	70.5	3
	81/83	D	8	All	5	S	CM6052-C	301255-42	E1HT3AUA	SF	E1HT 7003-AUA	5DB	70.5	2
	81/86	D	8	All	5	S	CM6052-C	301255-41	E1HT3AVA	SF	E1HT 7003-AVA	5DB	70.5	2
	81/83	D	8	All	5	S	CM6052-A	301253-64	E1HT3AZA	SD	E1HT 7003-AZA	5DB	70.5	2
	81/86	D	8	All	5	S	CM6052-A	301253-63	E1HT3BEA	SD	E1HT 7003-BEA	5DB	70.5	2
	81/83	D	8	501,636	5	C	390-V16	287469	E1HT3BZA	CF	E1HT 7003-BZA	5BJ	70.5	4
	81/83	D	8	501,636	5	C	397-V15	287486	E1HT3CAA	CG	E1HT 7003-CAA	5BJ	70.5	4
	81/83	G	8	All	5	C	390-V15	287468	E1HT4AA	CF	E1HT 7004-AA	5BK	70.5	4
	81/83	G	8	All	5	C	397-V12	287483	E1HT4BA	CG	E1HT 7004-BA	5BK	70.5	4
	81/82	G	8	All	5	S	CM5052-A	301247-58	E1HT4CA	SB	E1HT 7004-CA	5DA	70.5	3
	81/82	G	8	All	5	S	CM5052-A	301247-57	E1HT4EA	SB	E1HT 7004-EA	5DA	70.5	3
	81/82	G	8	All	5	S	CM5252-A	301251-54	E1HT4FA	SC	E1HT 7004-FA	5DA	70.5	3
	81/82	G	8	All	5	S	CM5252-A	301251-53	E1HT4HA	SC	E1HT 7004-HA	5DA	70.5	3
	81/83	G	8	All	5	S	CM6052-A	301253-62	E1HT4JA	SD	E1HT 7004-JA	5DB	70.5	2
	81/86	G	8	All	5	S	CM6052-A	301253-61	E1HT4KA	SD	E1HT 7004-KA	5DB	70.5	2
	81/83	G	8	All	5	S	CM6052-C	301255-40	E1HT4LA	SF	E1HT 7004-LA	5DB	70.5	2

1980/  
TRUCK SERIES 600/900

**MODEL APPLICATION CHART**

MODEL	YEAR	ENGINE				TRANSMISSION					PART NUMBER	PARTS LIST 70.	ILLUSTRATION	
		T Y P E ⊕	C Y L.	C.I.D.	S P E E D ▲	M F R. ▲	MODEL	IDENTIFICATION	CASE MARKING	C O D E ●			SEC.	PAGE
		●-Warranty Code		▲C-Clark, F-Fuller, NP-New Process, S-Spicer, W-Warner, R-Rockwell					⊕-Diesel, G-Gas					
* Before Transmission Ser. No. J871114001, from use Parts List 5DT														

**C-CT SERIES — Cont'd**

C-CT600/900	81/86	G	8	All	5	S	CM6052-C	301255-39	E1HT4MA	SF	E1HT 7004-MA	5DB	70.5	2
	82/86	D	8	636	5	S	CM5052-A	301247-67	E2HT3CBA	D/SB	E2HT 7003-CBA	5DC	70.5	3
	82/86	D	8	636	5	S	CM5252-A	301251-65	E2HT3CCA	E/SC	E2HT 7003-CCA	5DC	70.5	3
	82/83	D	8	636	5	S	CM5052-A	301247-68	E2HT3CDA	D/SB	E2HT 7003-CDA	5DC	70.5	3
	82/83	D	8	636	5	S	CM5252-A	301251-66	E2HT3CEA	E/SC	E2HT 7003-CEA	5DC	70.5	3
	82/86	D	8	636	5	S	CM6052-A	301253-73	E2HT3CHA	SD	E2HT 7003-CHA	5DD	70.5	2
	82/86	D	8	636	5	S	CM6052-C	301255-48	E2HT3CKA	SF	E2HT 7003-CKA	5DD	70.5	2
	82/83	D	8	636	5	S	CM6052-A	301253-74	E2HT3CLA	SD	E2HT 7003-CLA	5DD	70.5	2
	82/83	D	8	636	5	S	CM6052-C	301255-49	E2HT3CMA	SF	E2HT 7003-CMA	5DD	70.5	2
	83/86	D	8	501	5	C	282V-86	288324	E3HT3SA	2	E3HT 7003-SA	5BH	70.5	1
	83/86	D	8	501	5	C	285V-93	288326	E3HT3TA	M	E3HT 7003-TA	5BH	70.5	1
	83	D	8	501	5	S	CM5552-A	301247-61	E3HT3AAA	SK	E3HT 7003-AAA	5DE	70.5	3
	83	D	8	501	5	S	CM5852-A	301251-57	E3HT3ABA	SL	E3HT 7003-ABA	5DF	70.5	3
	83/85	D	8	501	5	S	CM5552-A	301247-60	E3HT3AEA	SK	E3HT 7003-AEA	5DE	70.5	3
	83/85	D	8	501	5	S	CM5852-A	301251-56	E3HT3AFA	SL	E3HT 7003-AFA	5DF	70.5	3
	83/85	D	8	636	5	S	CM5552-A	301247-67	E3HT3AJA	SK	E3HT 7003-AJA	5DE	70.5	3
	83/85	D	8	636	5	S	CM5852-A	301251-65	E3HT3AKA	SL	E3HT 7003-AKA	5DF	70.5	3
	84/86	D	8	8.2L,636	10	F	RT6610	TA-900-K4177	E3HT3BMA	FS	E3HT 7003-BMA	10V	70.10	7,8
	84/86	D	8	636T	10	F	RT6610	TA-900-T7482	E3HT3BNA	FS	E3HT 7003-BNA	10V	70.10	7,8
	83	D	8	501	5	C	282V-204	288487	E3HT3BSA	2	E3HT 7003-BSA	5BL	70.5	1
	83/85	D	8	501	5	C	282V-206	288489	E3HT3BTA	2	E3HT 7003-BTA	5BL	70.5	1
	83	D	8	501	5	C	285V-206	288490	E3HT3BUA	M	E3HT 7003-BUA	5BL	70.5	1
	83/85	D	8	501	5	C	285V-208	288492	E3HT3BVA	M	E3HT 7003-BVA	5BL	70.5	1
	83	D	8	501	5	C	282VHD-202	288493	E3HT3BYA	CC	E3HT 7003-BYA	5BM	70.5	1
	83/85	D	8	501	5	C	282VHD-204	288495	E3HT3BZA	CC	E3HT 7003-BZA	5BM	70.5	1
	83	D	8	501	5	C	285VHD-202	288497	E3HT3CAA	CE	E3HT 7003-CAA	5BM	70.5	1
	83/85	D	8	501	5	C	285VHD-204	288499	E3HT3CBA	CE	E3HT 7003-CBA	5BM	70.5	1
	83	D	8	501,636	5	C	551-7	288615	E3HT3CCA	CJ	E3HT 7003-CCA	5BN	70.5	4
	83	D	8	501,636	5	C	557-6	288626	E3HT3CEA	CK	E3HT 7003-CEA	5BN	70.5	4
	83/86	G	8	370	5	C	282V-85	288323	E3HT4GA	2	E3HT 7004-GA	5BA	70.5	1
	83/86	G	8	370	5	C	285V-92	288325	E3HT4HA	M	E3HT 7004-HA	5BA	70.5	1
	83	G	8	370,429	5	S	CM5552-A	301247-58	E3HT4NA	SK	E3HT 7004-NA	5DE	70.5	3
	83	G	8	370,429	5	S	CM5852-A	301251-54	E3HT4RA	SL	E3HT 7004-RA	5DF	70.5	3
	83/85	G	8	370,429	5	S	CM5552-A	301247-57	E3HT4UA	SK	E3HT 7004-UA	5DE	70.5	3
	83/85	G	8	370,429	5	S	CM5852-A	301251-58	E3HT4VA	SL	E3HT 7004-VA	5DF	70.5	3
	83	G	8	370	5	C	282V-203	288486	E3HT4YA	2	E3HT 7004-YA	5BL	70.5	1
	83/85	G	8	370	5	C	282V-205	288488	E3HT4ZA	2	E3HT 7004-ZA	5BL	70.5	1
	83	G	8	370	5	C	285V-205	288472	E3HT4AAA	M	E3HT 7004-AAA	5BL	70.5	1
	83/85	G	8	370	5	C	285V-207	288491	E3HT4ABA	M	E3HT 7004-ABA	5BL	70.5	1
	83	G	8	429	5	C	282VHD-201	288477	E3HT4ACA	CC	E3HT 7004-ACA	5BM	70.5	1
	83/85	G	8	429	5	C	282VHD-203	288494	E3HT4ADA	CC	E3HT 7004-ADA	5BM	70.5	1
	83	G	8	429	5	C	285VHD-201	288496	E3HT4AEA	CE	E3HT 7004-AEA	5BM	70.5	1
	83/85	G	8	429	5	C	285VHD-203	288498	E3HT4AFA	CE	E3HT 7004-AFA	5BM	70.5	1
	83	G	8	370,429	5	C	551-6	288514	E3HT4AGA	CJ	E3HT 7004-AGA	5BN	70.5	1
	83	G	8	370,429	5	C	557-5	288625	E3HT4AHA	CK	E3HT 7004-AHA	5BN	70.5	1
	84/86	D	8	501,636	5	C	CL551	288736	E4HT3ANA	CJ	E4HT 7003-ANA	5BN	70.5	4
	84/86	D	8	501,636	5	C	CL557	288739	E4HT3ARA	CK	E4HT 7003-ARA	5BN	70.5	4
	84/86	G	8	370,429	4	NP	435	12323	E4HT4EA	NA/A	E4HT 7004-EA	4AB	70.4	2
	84/86	G	8	370,429	5	C	CL551	288735	E4HT4KA	CJ	E4HT 7004-KA	5BN	70.5	4
	84/86	G	8	370,429	5	C	CL557	288738	E4HT4LA	CK	E4HT 7004-LA	5BN	70.5	4
	85	D	8	501,636	5	S	CM5552-A	301366-60	E5HT3MA	SK	E5HT 7003-MA	5DK	70.5	3
	85	D	8	636	5	S	CM5552-A	301366-67	E5HT3NA	SK	E5HT 7003-NA	5DK	70.5	3

1980/  
TRUCK SERIES 600/900

**MODEL APPLICATION CHART**

MODEL	YEAR	ENGINE			TRANSMISSION					PART NUMBER	PARTS LIST 70.	ILLUSTRATION	
		T Y P E ⊕	C Y L.	C.I.D.	S P E E D ▲	M O D E L	IDENTIFICATION	CASE MARKING	C O D E ●			SEC.	PAGE
		●-Warranty Code    ▲C-Clark, F-Fuller, NP-New Process, S-Spicer, W-Warner, R-Rockwell    ⊕-D-Diesel, G-Gas											
		* Before Transmission Ser. No. J871114001, from use Parts List 5DT											

**C-CT SERIES — Cont'd**

C-CT600/900	85	D	8	501,636	5	S	CM5852-A	301370-56	E5HT3RA	SL	E5HT 7003-RA	5DL	70.5	3
	85	D	8	636	5	S	CM5852-A	301370-65	E5HT3SA	SL	E5HT 7003-SA	5DL	70.5	3
	85	G	8	All	5	S	CM5552-A	301366-57	E5HT4DA	SK	E5HT 7004-DA	5DK	70.5	3
	85	G	8	All	5	S	CM5852-A	301370-53	E5HT4EA	SL	E5HT 7004-EA	5DL	70.5	3
	87	D	8	8.2,10.4L	5	C	CL551	3318214	E7HT3MA	CJ	E7HT 7003-MA	5BS	70.5	4
	87	D	8	8.2,10.4L	5	C	CL558	3318215	E7HT3NA	CH	E7HT 7003-NA	5BS	70.5	4
	87/90	D	8	8.2,10.4L	10	F	RT6610		E7HT3UA	FS	E7HT 7003-UA	10X	70.10	7,8
	87	D	8	8.2,10.4L	5	S	CM4054-A		E7HT3ABA	SN	E7HT 7003-ABA	5DP	70.5	8,9
	87	D	8	8.2,10.4L	5	S	CM4054-D		E7HT3AEA	SP	E7HT 7003-AEA	5DP	70.5	8,9
	87/90	D	8	8.2,10.4L	5	S	CM5552-A		E7HT3AHA	SK	E7HT 7003-AHA	5DR	70.5	3
	87	D	8	8.2L	5	S	CM5852-A		E7HT3AJA	SL	E7HT 7003-AJA	5DS	70.5	3
	87/88	D	8	10.4L	5	S	CM6052-C		E7HT3AMA	SF	E7HT 7003-AMA	5DQ	70.5	2
	89	D	8	10.4L	5	S	CM6052-C		E7HT3AMB	SF	E7HT 7003-AMB	5DQ	70.5	2
	87/88	D	8	10.4L	5	S	CM6052-A		E7HT3ANA	SD	E7HT 7003-ANA	5DQ	70.5	2
	89	D	8	10.4L	5	S	CM6052-A		E7HT3ANB	SD	E7HT 7003-ANB	5DQ	70.5	2
	87/90	D	8	10.4L	5	S	CM6052-C		E7HT3ARA	SF	E7HT 7003-ARA	5DQ	70.5	2
	87	D	8	8.2L	5	S	CM4054-D		E7HT3BDA	SP	E7HT 7003-BDA	5DP	70.5	8,9
	87/88	D	8	8.2,10.4L	5	S	CM5552-A		E7HT3BEA	SK	E7HT 7003-BEA	5DN	70.5	3
	87/88	D	8	8.2,10.4L	5	S	CM5852-A		E7HT3BFA	SL	E7HT 7003-BFA	5DM	70.5	3
	87/88	D	8	10.4L	5	S	CM6052-C		E7HT3BGA	SH	E7HT 7003-BGA	5DQ	70.5	2
	89/90	D	8	10.4L	5	S	CM6052-C		E7HT3BGB	SH	E7HT 7003-BGB	5DQ	70.5	2
	87/90	D	8	10.4L	5	S	CM6052-A		E7HT3BJA	SD	E7HT 7003-BJA	5DQ	70.5	2
	88/89	D	8	10.4L	5	C	CL551		E8HT3ASA	CJ	E8HT 7003-ATA	5BAA	70.5	4
	88/89	D	8	10.4L	5	C	CL558		E8HT3ATA	CH	E8HT 7003-ATA	5BAA	70.5	4
	89/90	D	6	7.8L	5	F-C	FS5005-A		E9HT3BBA	CY	E9HT 7003-BBA	5BAE	70.5	4
	89/90	D	6	7.8L	5	F-C	FS5005-B		E9HT3BCA	CV	E9HT 7003-BCA	5BAE	70.5	4

**CF SERIES**

CF600/800	86	D	6	6.6L	5	C	CL455-185		E5HT4FA	CM	E5HT 7004-FA	5BP	70.5	12
	86	D	6	6.6L	5	C	CL450-172		E5HT4GA	CL	E5HT 7004-GA	5BP	70.5	12
	86	D	6	6.6L	5	C	CL558-197		E5HT4KA	CH	E5HT 7004-KA	5BQ	70.5	4
	86	D	6	6.6L	5	C	CL551-198		E5HT4LA	CJ	E5HT 7004-LA	5BQ	70.5	4
	87/	D	6	6.6,7.8L	6	C	FS6106		E7HT3RA	CU	E7HT 7003-RA	6D	70.6	5,6
	87/	D	6	6.6,7.8L	6	C	5106		E7HT4CA	CT	E7HT 7004-CA	6E	70.5	7,8
	87/89	D	6	6.6,7.8L	5	C	FS6105-B		E7HT4EA	CS	E7HT 7004-EA	5BW	70.5	4
	87	D	6	6.6L	5	C	CL455-32		E7HT4AUA	CM	E7HT 7004-AUA	5BX	70.5	12
	87	D	6	6.6L	5	C	CL450-19		E7HT4AVA	CL	E7HT 7004-AVA	5BX	70.5	12
	87	D	6	6.6,7.8L	5	C	CL551-39		E7HT4BHA	CJ	E7HT 7004-BHA	5BY	70.5	4
	87	D	6	6.6,7.8L	5	C	CL558-15		E7HT4BJA	CH	E7HT 7004-BJA	5BY	70.5	4
	87/	D	6	6.6,7.8L	10	F	RT6610		E7HT4CUA	FS	E7HT 7003-CUA	10W	70.10	7,8
	87/	D	6	6.6,7.8L	13	F	RT6613		E7HT4CVA	FT	E7HT 7003-CVA	13S	70.13	1,2
	88	D	6	6.6,7.8L	5	C	FS4005-A		E8HT4NA		E8HT 7004-NA	5BAH	70.5	12
	88	D	6	6.6,7.8L	5	C	FS4005-B		E8HT4RA		E8HT 7004-RA	5BAH	70.5	12
	88/89	D	6	6.6,7.8L	5	C	FS5005-A		E8HT4SA	CY	E8HT 7004-SA	5BAF	70.5	4
	88	D	6	6.6,7.8L	5	C	FS5005-B		E8HT4VA	CV	E8HT 7004-VA	5BAJ	70.5	4
	89/	D	6	6.6,7.8L	5	C	FS4005-A		E9HT4FA	CW	E9HT 7004-FA	5BAH	70.5	12
	89/	D	6	6.6,7.8L	5	C	FS4005-B		E9HT4GA	CX	E9HT 7004-GA	5BAH	70.5	12
	89/	D	6	6.6,7.8L	5	C	FS5005-A		E9HT4HA	CY	E9HT 7004-HA	5BAG	70.5	4
	89/	G	All		5	C	FS5005-B		E9HT4JA		E9HT 7004-JA	5BAG	70.5	4
	89/	D	6	6.6,7.8L	5	C	FS5005-A		E9HT4KA	CY	E9HT 7004-KA	5BAG	70.5	4
	89/	D	6	6.6,7.8L	5	C	FS5005-B		E9HT4LA	CV	E9HT 7004-LA	5BAG	70.5	4

1980/  
TRUCK SERIES 600/900

MODEL APPLICATION CHART

MODEL	YEAR	ENGINE			TRANSMISSION						PART NUMBER	PARTS LIST 70.	ILLUSTRATION	
		T Y P E ⊕	C Y L.	C.I.D.	S P E E D ▲	M F R. ▲	MODEL	IDENTIFICATION	CASE MARKING	C O D E ●			SEC.	PAGE

●-Warranty Code    ▲C-Clark, F-Fuller, NP-New Process, S-Spicer, W-Warner, R-Rockwell    ⊕-D-Diesel, G-Gas  
\* Before Transmission Ser. No. J871114001, from use Parts List 5DT

CL-CLT SERIES

CL-CLT900	80/81	D	6&8	568,855 893	6	S	SST 1062-C	301133-29	H7D3ASA	SH	D7HT 7003-ASA	6AA	70.6	1,2
	80/81	D	6&8	All	10	F	RT-910	FT-2791	H7F3CHA	FF	D7HT 7003-CHA	10C	70.10	4
	80	D	6&8	All	10	F	RT0-910	FT-2773	H7F3CJA	FG	D7HT 7003-CJA	10G	70.10	4
	80	D	6&8	All	13	F	RT-9513	FT-2236	H7F3CKA	FK	D7HT 7003-CKA	13C	70.13	1,2
	80/81	D	6&8	All	13	F	RT0-9513	FT-2237	H7F3CLA	FL	D7HT 7003-CLA	13C	70.13	1,2
	80/81	D	6&8	All	10	F	RT-12510	FT-2238	H7F3CMA	FM	D7HT 7003-CMA	10L	70.10	2,5
	80/81	D	6&8	All	13	F	RT0-12513	FT-2239	H7F3CNA	FN	D7HT 7003-CNA	13F	70.13	3
	80/81	D	6&8	All	9	F	RT-9509	FT-2240	H7F3CRA	8	D7HT 7003-CRA	9C	70.9	1,2,3
	80/81	D	6&8	All	10	F	RT-1110	FT-2241	H7F3CSA	Q	D7HT 7003-CSA	10J	70.10	2,5
	80/81	D	6&8	All	9	F	RT-12509	FT-2242	H7F3CTA	B	D7HT 7003-CTA	9D	70.9	1,2
	80/81	D	6&8	All	10	F	RT-910	FT-2616	H7F3CUA	V	D7HT 7003-CUA	10C	70.10	4
	81	D	6&8	All	9	F	RT-11509	TA-400-19507	H0F3AMA	FQ	E0HT 7003-AMA	9F	70.9	3,4
	81/82	D	6	552	7	S	SST1107-2A	301201-43	E1HT3NA	SJ	E1HT 7003-NA	7C	70.7	3,4
	81/82	D	6	552	8	F	RT-9508		H1F3ACA	FW	E1HT 7003-ACA	8B	70.8	1,2
	82/86	D	6&8	All	9	F	RF-11609-A	TA-923-W1029	E2HT3BA	FE	E2HT 7003-BA	9K	70.9	3,4
	82/86	D	6&8	All	9	F	RT-14609-A	TA-929-22911	E2HT3DA	EG	E2HT 7003-DA	9L	70.9	1,2
	82/86	D	6&8	All	10	F	RT-14610	TA-921-K2399	E2HT3FA	EH	E2HT 7003-FA	10U	70.10	1,2
	82/86	D	6&8	All	13	F	RT0-14613	TA-940-K2399	E2HT3JA	EJ	E2HT 7003-JA	13M	70.13	1,3
	82/86	D	6&8	All	7	S	SST1372-2A	301271-43	E2HT3LA	SJ	E2HT 7003-LA	7E	70.7	3,4
	82/86	D	6&8	All	10	F	RT-11610	TA-917-K2393	E2HT3NA	EB	E2HT 7003-NA	10S	70.10	1,2,5
	82/86	D	6	552	8	F	RT-11608	TA-914-22902	E2HT3VA	EA	E2HT 7003-VA	8C	70.8	1,2
	82/86	D	6&8	All	8	F	RT-14608	TA-916-22910	E2HT3AJA	EE	E2HT 7003-AJA	8E	70.8	1,2
	82/86	D	6&8	All	13	F	RT0-11613	TA-937-W7034	E2HT3HAA	EC	E2HT 7003-HAA	13N	70.13	4,5
	86	D	6	552	10	F	RT-11610		E6HT3JA	EB	E6HT 7003-JA	10Y	70.10	1,2,5
	86	D	6&8	All	10	F	RT-14610		E6HT3KA	EH	E6HT 7003-KA	10Z	70.10	1,2
	86	D	6	552	8	F	RT-11608		E6HT3LA	EA	E6HT 7003-LA	8J	70.8	1,2
	86	D	6	552	9	F	RT-11609-A		E6HT3MA	FG	E6HT 7003-MA	9T	70.9	3,4
	86	D	6&8	All	9	F	RT-14609-A		E6HT3NA	EG	E6HT 7003-NA	9Q	70.9	1,2
	86	D	6&8	All	8	F	RT-14608		E6HT3RA	EE	E6HT 7003-RA	8K	70.8	1,2
	86	D	6&8	All	13	F	RT0-11613		E6HT3SA	EC	E6HT 7003-SA	13W	70.13	4,5
	86	D	6&8	All	13	F	RT0-14613		E6HT3TA	EJ	E6HT 7003-TA	13U	70.13	1,3
	86	D	6&8	All	8	F	RT-14608		E6HT3CNA	EE	E6HT 7003-CNA	8K	70.8	1,2
	87/89	D	6	855,893	7	S	SST1372-2A	301398-130	E7HT3DSA	SJ	E7HT 7003-DSA	7H	70.7	3,4
	88/91	D	6	14.6L	13	F	RT014613		E8HT3DA	EJ	E8HT 7003-DA	13X	70.13	1,3
	88/91	D	6	14.0L	9	F	RT14609-A		E8HT3LA	EG	E8HT 7003-LA	9X	70.9	1,2
	88/91	D	6	14.0L	10	F	RT14610		E8HT3MA	EH	E8HT 7003-MA	10AA	70.10	1,2
	88/91	D	6	14.0L	13	F	RT014613		E8HT3NA	EJ	E8HT 7003-NA	13X	70.13	1,3
	88/91	D	6	10L	7	F	T8607		E8HT3RA	FH	E8HT 7003-RA	7AG	70.7	7,8
	88/91	D	6	10L	9	F	RT8609		E8HT3SA	FJ	E8HT 7003-SA	9W	70.9	6,7
	89	D	6	14.0,14.6L	9	F	RTX11609B		E9HT3ADA	FG	E9HT 7003-ADA	9AB	70.9	3,4
	89	D	6	14.0,14.6L	9	F	RTX14609B		E9HT3AEA	ES	E9HT 7003-AEA	9AC	70.9	1,2
	89	D	6	14.0,14.6L	9	F	RTX14609B		E9HT3ANA	FG	E9HT 7003-ANA	9AD	70.9	3,4

F SERIES -See B SERIES

1980/  
TRUCK SERIES 600/900

MODEL APPLICATION CHART

MODEL	YEAR	ENGINE			TRANSMISSION					PART NUMBER	PARTS LIST 70.	ILLUSTRATION	
		T Y P E ⊕	C Y L.	C.I.D.	S P E E D ▲	M F E R. ▲	MODEL	IDENTIFICATION	CASE MARKING			C O D E ●	SEC.

●-Warranty Code    ▲C-Clark, F-Fuller, NP-New Process, S-Spicer, W-Warner, R-Rockwell    ⊕-D-Diesel, G-Gas  
\* Before Transmission Ser. No. J871114001, from use Parts List 5DT

L SERIES

L-LS-LT-LTL-LTS- LN-LNT600/900	80	G	8	All	4	NP	435-FL	10912	H7N4EA	A	D7HT 7004-EA	4AA	70.4	2
	80/83	G	8	All	4	NP	435-FE	12166	H0N4AGA	A	E0HT 7004-AGA	4AB	70.4	2
	80/81	D	8	Cat.	5	C	397-V-5	284692	T6C3ACA	Z	D6TA 7003-ACA	5BE	70.5	4
	80/81	D	8	Cat.	5	C	390-V-3	284618	T6C3DA	6	D6TA 7003-DA	5BD	70.5	4
	80/82	G	8	All	5	C	280-V0-18	284202	H6C4LA	4	D3TZ 7004-C	5BA	72.1	5
	80/82	G	8	All	5	C	282-V-55	284203	H6C4MA	2	D3TZ 7004-B	5BA	72.1	5
	80/82	G	8	All	5	C	285-V-54	284205	H6C4NA	M	D3TZ 7004-A	5BA	72.1	5
	80/83	G	8	429	5	C	285VHD	285892	H9C4BA	N	D9HT 7004-BA	5BF	70.5	1
	80/83	G	8	429	5	C	282VHD	285891	H9C4AA	G	D9HT 7004-AA	5BF	70.5	1
	80/81	D	6	893	10	F	RTF-910	FT-2211	H7F3BEA	V	D7HT 7003-BEA	10F	70.10	4
	80	D	6	893	10	F	RTOF-910	FT-2790	H7F3BFA	5	D7HT 7003-BFA	10D	70.10	4
	80/81	D	6&8	426,568 855	10	F	RTF-910	FT-2617	H7F3BGA	V	D7HT 7003-BGA	10E	70.10	4
	80	D	6	426,855	10	F	RTOF-910	FT-2618	H7F3BHA	5	D7HT 7003-BHA	10D	70.10	4
	80/81	D	8	568	10	F	RT-910	FT-2789	H7F3BKA	V	D7HT 7003-BKA	10E	70.10	4
	80/81	D	6&8	568,855	9	F	RTF-9509	FT-2217	H7F3BLA	8	D7HT 7003-BLA	9A	70.9	1,2,3
	80/81	D	6	568	9	F	RT-9509	FT-2218	H7F3BMA	8	D7HT 7003-BMA	9B	70.9	1,2,3
	80/81	D	6	893	9	F	RTF-9509	FT-2219	H7F3BNA	8	D7HT 7003-BNA	9A	70.9	1,2,3
	80/81	D	6&8	568,855	10	F	RTF-1110	FT-2220	H7F3BRA	Q	D7HT 7003-BRA	10H	70.10	2,5
	80/81	D	6	568	10	F	RT-1110	FT-2221	H7F3BSA	Q	D7HT 7003-BSA	10H	70.10	2,5
	80/81	D	6	893	10	F	RTF-1110	FT-2222	H7F3BTA	Q	D7HT 7003-BTA	10M	70.10	2,5
	80/81	D	6	855	10	F	RTF-12510	FT-2223	H7F3BUA	P	D7HT 7003-BUA	10K	70.10	1,2,5
	80/81	D	6	893	10	F	RTF-12510	FT-2224	H7F3BVA	P	D7HT 7003-BVA	10K	70.10	2,5
	80/81	D	6&8	All	8	F	RTOF-958LL	FT-2225	H7F3BYA	9	D7HT 7003-BYA	8A	70.8	1,2
	80/81	D	6&8	426,855 568	13	F	RTOF-9513	FT-2226	H7F3BZA	J	D7HT 7003-BZA	13D	70.13	1,2
	80/81	D	6	568	13	F	RTO-9513	FT-2227	H7F3CAA	J	D7HT 7003-CAA	13G	70.13	1,2
	80/81	D	6&8	426,568	13	F	RTF-9513	FT-2228	H7F3CBA	J	D7HT 7003-CBA	13E	70.13	1,2
	80	D	8	568	13	F	RT-9513	FT-2229	H7F3CCA	4	D7HT 7003-CCA	13H	70.13	1,2
	80	D	6	893	13	F	RTF-9513	FT-2230	H7F3CDA	J	D7HT 7003-CDA	13E	70.13	1,2
	80/81	D	6	893	13	F	RTOF-9513	FT-2231	H7F3CEA	J	D7HT 7003-CEA	13D	70.13	1,2
	80/81	D	6	893	13	F	RTOF-12513	FT-2232	H7F3CFA	F	D7HT 7003-CFA	13B	70.13	3
	80/81	D	6	855	13	F	RTOF-12513	FT-2233	H7F3CGA	F	D7HT 7003-CGA	13B	70.13	3
	80	D	6&8	All	5	F	T-905-A	FT-2244	H7F3CVA	X	D7HT 7003-CVA	5CA	70.5	7
	80	G	8	477	10	F	RT-610	FT-2622	H7F3CZA	C	D7HT 7003-CZA	10A	70.10	6
	80	D	6&8	426,568 855,893	10	F	RT-610	FT-2621	H7F3DAA	C	D7HT 7003-DAA	10B	70.10	6
	80	G	8	477,534	13	F	RT-613	FT-2624	H7F3DBA	P	D7HT 7003-DBA	13A	70.13	1,2
	80	D	6&8	426,568 855,893	13	F	RT-613	FT-2623	H7F3DCA	P	D7HT 7003-DCA	13A	70.13	1,2
	80/81	D	6	893	7	S	SST1007-3A		H9D3ASA	SA	D9HS 7003-ASA	7B	70.7	1
	80/81	D	6&8	All	7	S	SST1007-3A		H9D3MA	U	D9HT 7003-MA	7A	70.7	1
	80/81	D	6&8	All	5	S	CM5052-A		H0D3SA	7	E0HT 7003-SA	5DA	70.5	3
	80/81	D	6&8	All	5	S	CM5252-A		H0D3TA	D	E0HT 7003-TA	5DA	70.5	3
	80/81	D	8	636	5	S	CM6052-C		H0D3UA	S	E0HT 7003-UA	5DB	70.5	2
	80/81	D	8	636	5	S	CM6052-B		H0D3VA	K	E0HT 7003-VA	5DB	70.5	2
	80/81	D	8	636	5	S	CM6052-A		H0D3YA	B	E0HT 7003-YA	5DB	70.5	2
	80/81	G	8	All	5	S	CM5052-A		H0D4FA	7	E0HT 7004-FA	5DA	70.5	3
	80/81	G	8	All	5	S	CM5252-A		H0D4GA	D	E0HT 7004-GA	5DA	70.5	3
	80/81	G	8	All	5	S	CM6052-B		H0D4HA	K	E0HT 7004-HA	5DB	70.5	2
	80/81	G	8	All	5	S	CM6052-A		H0D4JA	B	E0HT 7004-JA	5DB	70.5	2

October, 1993

COPYRIGHT © 1993 - FORD MOTOR - DEARBORN, MICHIGAN  
COMPANY

Final Issue

1980/  
TRUCK SERIES 600/900

MODEL APPLICATION CHART

MODEL	YEAR	ENGINE			TRANSMISSION					PART NUMBER	PARTS LIST 70.	ILLUSTRATION	
		T Y P E ⊕	C Y L.	C.I.D.	S P E E D ▲	M F R. ▲	MODEL	IDENTIFICATION	CASE MARKING			C O D E ●	SEC.

●-Warranty Code    ▲C-Clark, F-Fuller, NP-New Process, S-Spicer, W-Warner, R-Rockwell    ⊕-Diesel, G-Gas  
\* Before Transmission Ser. No. J871114001, from use Parts List 5DT

L SERIES — Cont'd

L-LS-LT-LTL-LTS- LN-LNT600/900	80/81	G	8	All	5	S	CM6052-C		H0D4KA	S	EOHT 7004-KA	5DB	70.5	2
	80/81	D	6	568,855	9	F	RT0F-9509-B		H0F3MA	FJ	EOHT 7003-MA	9E	70.13	1
	80/81	D	6	893	9	F	RT0F-9509-B		H0F3NA	FJ	EOHT 7003-NA	9E	70.13	1
	80/82	All	All	All	5	C	280 V023	286706	H0C4LA	CA	EOHT 7004-LA	5BA	70.5	1
	80/83	All	All	All	5	C	282-V76	286707	H0C4MA	CB	EOHT 7004-MA	5BA	70.5	1
	80/83	All	All	All	5	C	285-V81	286703	H0C4NA	CD	EOHT 7004-NA	5BA	70.5	1
	81/82	D	8	568	9	F	RT-11509	TA-400-19506	H0C3ANA	FQ	EOHT 7003-ANA	9F	70.9	3,4
	81/82	D	6	893	9	F	RTF-11509	TA-402-19505	H0F3ARA	FQ	EOHT 7003-ARA	9F	70.9	3,4
	81/82	D	6&8	568,855	9	F	RTF-11509	TA-402-19504	H0F3ASA	FQ	EOHT 7003-ASA	9F	70.9	3,4
	81/82	D	6	855	15	F	RT0-12515		H1F3AA	FV	E1HT 7003-AA	15A	70.15	1,2
	81/82	D	6	893	9	F	RT-9509-A		H1F3CA	FJ	E1HT 7003-CA	9G	70.9	1,2
	81/82	D	6	893	13	F	RT0-9513		H1F3DA	FL	E1HT 7003-DA	13J	70.13	3,4
	81/82	D	6	855	13	F	RT0-12513		H1F3FA	FN	E1HT 7003-FA	13K	70.13	1,2,3
	81/82	D	6	893	13	F	RT0-12513		H1F3GA	FN	E1HT 7003-GA	13K	70.13	1,2,3
	81/82	D	6	855	10	F	RT-12510		H1F3HA	FM	E1HT 7003-HA	10P	70.10	2,5
	81/82	D	6	893	10	F	RT-12510		H1F3JA	FM	E1HT 7003-JA	10P	70.10	2,5
	81/82	D	6	893	7	S	SST1107-2A	301201-44	E1HT3MA	SJ	E1HT 7003-MA	7C	70.7	3,4
	81/82	D	6	552	7	S	SST1107-2A	301201-43	E1HT3NA	SJ	E1HT 7003-NA	7C	70.7	3,4
	81/82	D	6&8	855,568	7	S	SST1107-2A	301201-42	E1HT3RA	SJ	E1HT 7003-RA	7C	70.7	3,4
	81/82	D	8	568	7	S	SST1107-2A	301201-41	E1HT3SA	SJ	E1HT 7003-SA	7C	70.7	3,4
	81/83	G	8	All	10	F	RT6610		H1F3TA	FS	E1HT 7003-TA	10Q	70.10	7,8
	81/83	D	All	All	10	F	RT6610		H1F3UA	FS	E1HT 7003-UA	10Q	70.10	7,8
	81/83	G	8	All	13	F	RT6613		H1F3VA	FT	E1HT 7003-VA	13L	70.13	1,2
	81/82	D	All	All	13	F	RT6613		H1F3YA	FT	E1HT 7003-YA	13L	70.13	1,2
	81/83	D	All	All	10	F	RT6610		H1F3ZA	FS	E1HT 7003-ZA	10Q	70.10	7,8
	81/83	D	All	All	13	F	RT6613		H1F3AAA	FT	E1HT 7003-AAA	13L	70.13	1,2
	81/83	D	6&8	All	5	F	T-11605-A		H1F3ABA	FU	E1HT 7003-ABA	5CB	70.5	6,7
	81/82	D	6	552	8	F	RT9508		H1F3ACA	FW	E1HT 7003-ACA	8B	70.8	1,2
	81/82	D	6	893	8	F	RTF9508		H1F3ADA	FW	E1HT 7003-ADA	8B	70.8	1,2
	81/82	D	6	426,855	8	F	RTF9508		H1F3AEA	FW	E1HT 7003-AEA	8B	70.8	1,2
	81/83	D	8	501	4	W	T-19-D		H1W3AFA	P/WA	E1HT 7003-AFA	4BB	70.4	3
	81/82	D	8	All	5	S	CM5052-A	301247-61	E1HT3ALA	SB	E1HT 7003-ALA	5DA	70.5	3
	81/82	D	8	All	5	S	CM5052-A	301247-62	E1HT3AMA	SB	E1HT 7003-AMA	5DA	70.5	3
	81/82	D	8	All	5	S	CM5052-A	301247-60	E1HT3ANA	SB	E1HT 7003-ANA	5DA	70.5	3
	81/82	D	8	All	5	S	CM5252-A	301251-57	E1HT3ARA	SC	E1HT 7003-ARA	5DA	70.5	3
	81/82	D	8	All	5	S	CM5252-A	301251-58	E1HT3ASA	SC	E1HT 7003-ASA	5DA	70.5	3
	81/82	D	6	893	10	F	RT-1110		H1F3EA	FI	E1HT 7003-EA	10N	70.10	2,5
	81/82	D	8	All	5	S	CM5252-A	301251-56	E1HT3ATA	SC	E1HT 7003-ATA	5DA	70.5	3
	81/83	D	8	All	5	S	CM6052-C	301255-42	E1HT3AUA	SF	E1HT 7003-AUA	5DB	70.5	2
	81/86	D	8	All	5	S	CM6052-C	301255-41	E1HT3AVA	SF	E1HT 7003-AVA	5DB	70.5	2
	81/82	D	8	All	5	S	CM6052-B	301254-42	E1HT3AYA	SE	E1HT 7003-AYA	5DB	70.5	2
	81/83	D	8	All	5	S	CM6052-A	301253-64	E1HT3AZA	SD	E1HT 7003-AZA	5DB	70.5	2
	81/86	D	8	All	5	S	CM6052-A	301253-63	E1HT3BEA	SD	E1HT 7003-BEA	5DB	70.5	2
	81/82	D	6	426,855	7	F	RT0F1157-DL	TA430-21350	H1F3BMA	FY	E1HT 7003-BMA	7AA	70.7	5,6
	81/82	D	6	893	7	F	RT0F1157-DL	TA-43021351	H1F3BNA	FY	E1HT 7003-BNA	7AA	70.7	5,6
	81/82	D	6	426,855	7	F	RT0F1157-DLL	TA43021352	H1F3BRA	FX	E1HT 7003-BRA	7AB	70.7	5,6
	81/82	D	6	893	7	F	RT0F1157-DLL	TA43021353	H1F3BSA	FX	E1HT 7003-BSA	7AB	70.7	5,6
	81/83	D	8	501,636	5	C	390-V16	287469	E1HT3BZA	CF	E1HT 7003-BZA	5BJ	70.5	4
	81/83	D	8	501,636	5	C	397-V15	287486	E1HT3CAA	CG	E1HT 7003-CAA	5BJ	70.5	4
	81/83	G	8	All	5	C	390-V15	287468	E1HT4AA	CG	E1HT 7004-AA	5BK	70.5	4
	81/83	G	8	All	5	C	397-V12	287483	E1HT4BA	CG	E1HT 7004-BA	5BK	70.5	4
	81/82	G	8	All	5	S	CM5052-A	301247-58	E1HT4CA	SB	E1HT 7004-CA	5DA	70.5	3

1980/  
TRUCK SERIES 600/900

MODEL APPLICATION CHART

MODEL	YEAR	ENGINE			TRANSMISSION					PART NUMBER	PARTS LIST 70.	ILLUSTRATION	
		T Y P E ⊕	C Y L.	C.I.D.	S P E E D ▲	M F R. ▲	MODEL	IDENTIFICATION	CASE MARKING			C O D E ●	SEC.

●-Warranty Code    ▲C-Clark, F-Fuller, NP-New Process, S-Spicer, W-Warner, R-Rockwell    ⊕-D-Diesel, G-Gas  
\* Before Transmission Ser. No. J871114001, from use Parts List 5DT

L SERIES — Cont'd

L-LS-LT-LTL-LTS- LN-LNT600/900	81/82	G	8	All	5	S	CM5052-A	301247-59	E1HT4DA	SB	E1HT 7004-DA	5DA	70.5	3
	81/82	G	8	All	5	S	CM5052-A	301247-57	E1HT4EA	SB	E1HT 7004-EA	5DA	70.5	3
	81/82	G	8	All	5	S	CM5252-A	301251-54	E1HT4FA	SC	E1HT 7004-FA	5DA	70.5	3
	81/82	G	8	All	5	S	CM5252-A	301251-55	E1HT4GA	SC	E1HT 7004-GA	5DA	70.5	3
	81/82	G	8	All	5	S	CM5252-A	301251-53	E1HT4HA	SC	E1HT 7004-HA	5DA	70.5	3
	81/83	G	8	All	5	S	CM6052-A	301253-62	E1HT4JA	SF	E1HT 7004-JA	5DB	70.5	2
	81/86	G	8	All	5	S	CM6052-A	301253-61	E1HT4KA	SF	E1HT 7004-KA	5DB	70.5	2
	81/83	G	8	All	5	S	CM6052-C	301255-40	E1HT4LA	SE	E1HT 7004-LA	5DB	70.5	2
	81/86	G	8	All	5	S	CM6052-C	301255-59	E1HT4MA	SD	E1HT 7004-MA	5DB	70.5	2
	82/86	D	6&8	All	10	F	RT-11610	TA-919-K2396	E2HT3AA	EB	E2HT 7003-AA	10R	70.10	1,2,5
	82/86	D	6	855	7	S	SST1207-3A	301199-11	E2HT3GA	SA	E2HT 7003-GA	7D	70.7	1,2
	82	D	6	893	13	F	RT0-11613	TA-946-W7036	E2HT3KA	EC	E2HT 7003-KA	13N	70.13	70.13
	83/86	D	6	893	13	F	RT0F11613	TA-946-W7036	E2HT3KB	EC	E2HT 7003-KB	13N	70.13	4,5
	82/86	D	6	552	7	S	SST1372-2A	301271-43	E2HT3LA	SJ	E2HT 7003-LA	7E	70.7	3,4
	82/86	D	8	568	10	F	RT-11610	TA-917-K2394	E2HT3RA	EB	E2HT 7003-RA	10S	70.10	1,2,5
	82	D	6	893	10	F	RTF-11610	TA-919-K2397	E2HT3SA	EB	E2HT 7003-SA	10R	70.10	1,2,5
	83/86	D	6	893	10	F	RTF11610	TA-919-K2397	E2HT3SB	EB	E2HT 7003-SB	10R	70.10	1,2,5
	82/84	D	6&8	All	8	F	RT0-11608-LL	TA-947-22906	E2HT3UA	FA	E2HT 7003-UA	8G	70.8	1,2
	82/86	D	6	552	8	F	RT-11608	TA-914-22902	E2HT3VA	EA	E2HT 7003-VA	8C	70.8	1,2
	82	D	6	893	8	F	RTF-11608	TA-915-22903	E2HT3YA	EA	E2HT 7003-YA	8D	70.8	1,2
	83/86	D	6	893	8	F	RTF11608	TA-915-22903	E2HT3YB	EA	E2HT 7003-YB	8D	70.8	1,2
	82/86	D	6	426,855	8	F	RTF-11608	TA-915-22904	E2HT3ZA	EA	E2HT 7003-ZA	8D	70.8	1,2
	82/86	D	6	426,855	7	F	RT0F-11607-L	TA-969-22897	E2HT3ABA	FB	E2HT 7003-ABA	7AC	70.7	5,6
	82/84	D	6	426,855	7	F	RT0F-11607-LL	TA-965-22899	E2HT3ACA	FD	E2HT 7003-ACA	7AD	70.7	5,6
	82/84	D	6	893	7	F	RT0F-11607-LL	TA-965-22900	E2HT3ADA	FD	E2HT 7003-ADA	7AD	70.7	5,6
	82/86	D	6	893	7	S	SST1207-3A	301199-5	E2HT3AEA	SA	E2HT 7003-AEA	7D	70.7	1,2
	82/86	D	6	893	7	S	SST1372-2A	301271-44	E2HT3AFA	SJ	E2HT 7003-AFA	7E	70.7	3,4
	82/86	D	6&8	855,568	7	S	SST1372-2A	301271-42	E2HT3AGA	SJ	E2HT 7003-AGA	7E	70.7	3,4
	82/84	D	6&8	All	15	F	RT-11615	TA-943-K2398	E2HT3AKA	ED	E2HT 7003-AKA	15C	70.15	1,2
	82	D	6&8	All	8	F	RT0F-11608-LL	TA-947-22905	E2HT3ALA	FA	E2HT 7003-ALA	8G	70.8	1,2
	83/84	D	6	893	8	F	TR0F11608-LL	TA-947-22905	E2HT3ALB	FA	E2HT 7003-ALB	8G	70.8	1,2
	82/86	D	6&8	All	8	F	RT-11608	TA-914-22901	E2HT3AMA	EA	E2HT 7003-AMA	8C	70.8	1,2
82/86	D	8	568	9	F	RT-11609-A	TA-923-W7030	E2HT3BAA	FG	E2HT 7003-BAA	9N	70.9	3,4	
82/86	D	6	855	8	F	RT14608		E2HT3BGA	EE	E2HT 7003-BGA	8E	70.8	1,2	
82/86	D	6	855	8	F	RT14608		E2HT3BJA	EE	E2HT 7003-BJA	8E	70.8	1,2	
82/86	D	6	855	9	F	RT14609-A		E2HT3BKA	EG	E2HT 7003-BKA	9L	70.9	1,2	
82/86	D	6	855	10	F	RT14610-A		E2HT3BMA	EH	E2HT 7003-BMA	10T	70.10	1,2	
82/86	D	6	855	13	F	RT14613		E2HT3BRA	EJ	E2HT 7003-BRA	13M	70.13	1,3	
82/84	D	6	855	8	F	RT014608-LL		E2HT3BTA	EF	E2HT 7003-BTA	8F	70.8	1,3	
82/86	D	6	855	9	F	RT014609-B		E2HT3BUA	EL	E2HT 7003-BUA	9M	70.9	1,2	
82/86	D	6&8	568,855	9	F	RTF-11609-A	TA-925-W7031	E2HT3CAA	FE	E2HT 7003-CAA	9N	70.9	3,4	
82	D	8	636	5	S	CM5052-A	301247-67	E2HT3CBA	D/SB	E2HT 7003-CBA	5DC	70.5	3	
82	D	8	636	5	S	CM5252-A	301251-65	E2HT3CCA	E/SC	E2HT 7003-CCA	5DC	70.5	3	
82/83	D	8	636	5	S	CM5052-A	301247-68	E2HT3CDA	D/SB	E2HT 7003-CDA	5DC	70.5	3	
82/83	D	8	636	5	S	CM5252-A	301251-66	E2HT3CEA	E/SC	E2HT 7003-CEA	5DC	70.5	3	
82	D	8	636	5	S	CM5052-A	301247-69	E2HT3CFA	D/SB	E2HT 7003-CFA	5DC	70.5	3	
82	D	8	636	5	S	CM5252-A	301251-67	E2HT3CGA	E/SC	E2HT 7003-CGA	5DC	70.5	3	



1980/  
TRUCK SERIES 600/900

MODEL APPLICATION CHART

MODEL	YEAR	ENGINE			TRANSMISSION					PART NUMBER	PARTS LIST 70.	ILLUSTRATION	
		T Y P E ⊕	C Y L.	C.I.D.	S P I C E R D ▲	M F R. ▲	MODEL	IDENTIFICATION	CASE MARKING			C O D E ●	SEC.

● Warranty Code    ▲ C-Clark, F-Fuller, NP-New Process, S-Spicer, W-Warner, R-Rockwell    ⊕ D-Diesel, G-Gas  
\* Before Transmission Ser. No. J871114001, from use Parts List 5DT

L SERIES — Cont'd

L-LS-LT-LTL-LTS- LN-LNT600/900	82/86	D	8	636	5	S	CM6052-A	301253-73	E2HT3CHA	SD	E2HT 7003-CHA	5DD	70.5	2
	82/86	D	8	636	5	S	CM6052-B	301254-48	E2HT3CJA	SE	E2HT 7003-CJA	5DD	70.5	2
	82/86	D	8	636	5	S	CM6052-C	301255-48	E2HT3CKA	SF	E2HT 7003-CKA	5DD	70.5	2
	82/83	D	8	636	5	S	CM6052-A	301253-74	E2HT3CLA	SD	E2HT 7003-CLA	5DD	70.5	2
	82/83	D	8	636	5	S	CM6052-C	301255-49	E2HT3CMA	SF	E2HT 7003-CMA	5DD	70.5	2
	82/84	D	6&8	All	9	F	RT0F-11609-B	TA-926-23221	E2HT3CTA	FG	E2HT 7003-CTA	9J	70.9	3,4
	82/86	D	6&8	All	9	F	RTF-14609-A	TA-958-W7336	E2HT3CUA	EG	E2HT 7003-CUA	9L	70.9	1,2
	82/86	D	6&8	All	9	F	RT-14609-A	TA-929-W7337	E2HT3CVA	EG	E2HT 7003-CVA	9L	70.9	1,2
	82/86	D	6&8	All	9	F	RT-14609-A	TA-929-W7335	E2HT3CYA	EG	E2HT 7003-CYA	9L	70.9	1,2
	82	D	6	893	9	F	RTF-11609-A	TA-925-W7032	E2HT3DAA	FE	E2HT 7003-DAA	9K	70.9	3,4
	83/86	D	6	893	9	F	RTF-11609-A	TA-925-W7032	E2HT3DAB	FE	E2HT 7003-DAB	9K	70.9	3,4
	82/84	D	8	568	9	F	RT0F11609-A	TA-927-W7574	E2HT3DDA	FG	E2HT 7003-DDA	9H	70.9	3,4
	83/86	D	6	855	9	F	RTF11609	TA-925-W8107	E2HT3DEA	FE	E2HT 7003-DEA	9P	70.9	3,4
	83/86	D	6	855	9	F	RT11609-A	TA-923-W8108	E2HT3DFA	FG	E2HT 7003-DFA	9P	70.9	3,4
	83/86	D	6	855	13	F	RT0F11613	TA-946-W8109	E2HT3DGA	EC	E2HT 7003-DGA	13N	70.13	4,5
	83/86	D	6	855	13	F	RT011613	TA-937-W8110	E2HT3DHA	EC	E2HT 7003-DHA	13N	70.13	4,5
	82/86	D	6&8	568,855	9	F	RT0F-11609-B	TA-928-22908	E2HT3EAA	FG	E2HT 7003-EAA	9J	70.9	3,4
	82	D	6	893	9	F	RT0F-11609-B	TA-928-22909	E2HT3FAA	FG	E2HT 7003-FAA	9J	70.9	3,4
	83/86	D	6	893	9	F	RT0F11609-B	TA-928-22909	E2HT3FAB	FG	E2HT 7003-FAB	9J	70.9	3,4
	82/86	D	8	568	13	F	RT0-11613	TA-937-W7033	E2HT3GAA	EC	E2HT 7003-GAA	13N	70.13	4,5
	82/86	D	6&8	426,568, 855	13	F	RT0F-11613	TA-946-W7037	E2HT3KAA	EC	E2HT 7003-KAA	13N	70.13	4,5
	82/86	D	6&8	736,893	10	F	RTF-14610	TA-962-K2403	E2HT3MAA	EH	E2HT 7003-MAA	10U	70.10	1,2
	82/86	D	6	855	10	F	RT-14610	TA-921-K2400	E2HT3NAA	EH	E2HT 7003-NAA	10U	70.10	1,2
	82/86	D	6	893	10	F	RT-14610	TA-921-K2401	E2HT3RAA	EH	E2HT 7003-RAA	10U	70.10	1,2
	82/86	D	6	855	13	F	RT0F-14613	TA-953-W7041	E2HT3SAA	EJ	E2HT 7003-SAA	13P	70.13	1,3
	82/86	D	6	855	13	F	RT0-14613	TA-940-W7039	E2HT3UAA	EJ	E2HT 7003-UAA	13M	70.13	1,3
	82/86	D	6	893	13	F	RT0-14613	TA-940-W7040	E2HT3VAA	EJ	E2HT 7003-VAA	13M	70.13	1,3
	82/84	D	6	855	15	F	RT-14615	TA-945-K2404	E2HT3YAA	EK	E2HT 7003-YAA	15B	70.15	1,2
	82/86	D	6	893	7	F	RT0F-11607-L	TA-964-22898	E2HT3ZAA	FB	E2HT 7003-ZAA	7AC	70.7	5,6
	83/86	D	8	501	5	C	282V-86	288324	E3HT3SA	2	E3HT 7003-SA	5BH	70.5	1
	83/86	D	8	501	5	C	285V-93	288326	E3HT3TA	M	E3HT 7003-TA	5BH	70.5	1
	83	D	8	501	5	S	CM5552-A	301247-61	E3HT3AAA	SK	E3HT 7003-AAA	5DE	70.5	3
	83	D	8	501	5	S	CM5852-A	301251-57	E3HT3ABA	SL	E3HT 7003-ABA	5DF	70.5	3
	83	D	8	636	5	S	CM5552-A	301247-69	E3HT3AGA	SK	E3HT 7003-AGA	5DE	70.5	3
	83	D	8	636	5	S	CM5852-A	301251-67	E3HT3AHA	SL	E3HT 7003-AHA	5DF	70.5	3
	83/85	D	8	636	5	S	CM5552-A	301247-67	E3HT3AJA	SK	E3HT 7003-AJA	5DE	70.5	3
	83/85	D	8	636	5	S	CM5852-A	301251-65	E3HT3AKA	SL	E3HT 7003-AKA	5DF	70.5	3
	83	D	8	501	5	C	282V-204	288487	E3HT3BSA	2	E3HT 7003-BSA	5BL	70.5	1
	83/85	D	8	501	5	C	282V-206	288489	E3HT3BTA	2	E3HT 7003-BTA	5BL	70.5	1
	83	D	8	501	5	C	285V-206	288490	E3HT3BUA	M	E3HT 7003-BUA	5BL	70.5	1
	83/85	D	8	501	5	C	285V-208	288492	E3HT3BVA	M	E3HT 7003-BVA	5BL	70.5	1
	83	D	8	501	5	C	282VHD-202	288493	E3HT3BYA	CC	E3HT 7003-BYA	5BM	70.5	1
	83/85	D	8	501	5	C	282VHD-204	288495	E3HT3BZA	CC	E3HT 7003-BZA	5BM	70.5	1
	83	D	8	501	5	C	285VHD-202	288497	E3HT3CAA	CE	E3HT 7003-CAA	5BM	70.5	1
	83/86	D	8	501	5	C	285VHD-204	288499	E3HT3CBA	CE	E3HT 7003-CBA	5BM	70.5	1
	83	D	8	501,636	5	C	551-7	288615	E3HT3CCA	CJ	E3HT 7003-CCA	5BN	70.5	4

1980/  
TRUCK SERIES 600/900

MODEL APPLICATION CHART

MODEL	YEAR	ENGINE			TRANSMISSION					PART NUMBER	PARTS LIST 70.	ILLUSTRATION	
		T Y P E ⊕	C Y L.	C.I.D.	S P I C E R D ▲	M F E R. ▲	MODEL	IDENTIFICATION	CASE MARKING			C O D E ●	SEC.

●-Warranty Code    ▲C-Clark, F-Fuller, NP-New Process, S-Spicer, W-Warner, R-Rockwell    ⊕-D-Diesel, G-Gas  
\* Before Transmission Ser. No. J871114001, from use Parts List 5DT

L SERIES — Cont'd

L-LS-LT-LTL-LTS- LN-LNT600/900	83	D	8	501,636	5	C	557-6	288626	E3HT3CEA	CK	E3HT 7003-CEA	5BN	70.5	4
	84/86	D	8	8.2L,636	10	F	RT6610	TA-900-K4177	E3HT3BMA	FS	E3HT 7003-BMA	10V	70.10	7,8
	84/86	D	8	636T	10	F	RT6610	TA-900-T7482	E3HT3BNA	FS	E3HT 7003-BNA	10V	70.10	7,8
	84/86	All	All	All	5	F	T11605-A	TA-904-T7481	E3HT3BRA	FU	E3HT 7003-BRA	5CC	70.5	6,7
	84/86	D	6&8	736,893	8	F	RT14608	TA-916-W9910	E3HT3CHA	EE	E3HT 7003-CHA	8H	70.8	1,2
	84/86	D	6&8	736,983	8	F	RTF14608	TA-916-W9909	E3HT3CJA	EE	E3HT 7003-CJA	8H	70.8	1,2
	84/86	D	6	426,855	7	F	RTOF11607-LL	TA-965-K4166	E3HT3CKA	FD	E3HT 7003-CKA	7AD	70.7	5,6
	84/86	D	6	893	7	F	RTOF11607-LL	TA-965-K4167	E3HT3CLA	FD	E3HT 7003-CLA	7AD	70.7	5,6
	84/86	D	6	426,855	8	F	RTOF11608-LL	TA-947-W9650	E3HT3CMA	FA	E3HT 7003-CMA	8G	70.8	1,2
	84/86	D	6	893	8	F	RTOF11608-LL	TA-947-W9651	E3HT3CNA	FA	E3HT 7003-CNA	8G	70.8	1,2
	84/86	D	6	855	15	F	RT11615	TA-942-K4165	E3HT3CRA	ED	E3HT 7003-CRA	15E	70.15	1,2
	84/86	D	6	855	15	F	RT14615	TA-944-K4164	E3HT3CSA	EK	E3HT 7003-CSA	15D	70.15	1,2
	84/86	D	6	855	8	F	RTOF14608-LL	TA-957-W9649	E3HT3CTA	EF	E3HT 7003-CTA	8F	70.8	1,3
	83/86	G	8	370	5	C	282V-85	288323	E3HT4GA	2	E3HT 7004-GA	5BA	70.5	1
	83/86	G	8	370	5	C	285V-92	288325	E3HT4HA	M	E3HT 7004-HA	5BA	70.5	1
	83	G	8	370,429	5	S	CM5552-A	301247-58	E3HT4NA	SK	E3HT 7004-NA	5DE	70.5	3
	83	G	8	370,429	5	S	CM5852-A	301251-54	E3HT4RA	SL	E3HT 7004-RA	5DF	70.5	3
	83	G	8	370,429	5	S	CM5552-A	301247-59	E3HT4SA	SK	E3HT 7004-SA	5DE	70.5	3
	83	G	8	370,429	5	S	CM5852-A	301251-55	E3HT4TA	SL	E3HT 7004-TA	5DF	70.5	3
	83/85	G	8	370,429	5	S	CM5552-A	301247-57	E3HT4UA	SK	E3HT 7004-UA	5DE	70.5	3
	83/85	G	8	370,429	5	S	CM5852-A	301251-58	E3HT4VA	SL	E3HT 7004-VA	5DF	70.5	3
	83	G	8	370	5	C	282V-203	288486	E3HT4YA	2	E3HT 7004-YA	5BL	70.5	1
	83/85	G	8	370	5	C	282V-205	288488	E3HT4ZA	2	E3HT 7004-ZA	5BL	70.5	1
	83	G	8	370	5	C	285V-205	288472	E3HT4AAA	M	E3HT 7004-AAA	5BL	70.5	1
	83/85	G	8	370	5	C	285V-207	288491	E3HT4ABA	M	E3HT 7004-ABA	5BL	70.5	1
	83	G	8	429	5	C	282VHD-201	288477	E3HT4ACA	CC	E3HT 7004-ACA	5BM	70.5	1
	83/85	G	8	429	5	C	282VHD-203	288494	E3HT4ADA	CC	E3HT 7004-ADA	5BM	70.5	1
	83	G	8	429	5	C	282VHD-201	288496	E3HT4AEA	CE	E3HT 7004-AEA	5BM	70.5	1
	83/85	G	8	429	5	C	285VHD-203	288498	E3HT4AFA	CE	E3HT 7004-AFA	5BM	70.5	1
	83	G	8	370,429	5	C	551-6	288514	E3HT4AGA	CJ	E3HT 7004-AGA	5BN	70.5	4
	83	G	8	370,429	5	C	557-5	288625	E3HT4AHA	CK	E3HT 7004-AHA	5BN	70.5	4
	84/86	D	8	501	4	W	T19-D	13-09-000-050	E4HT3AMA	WA/P	E4HT 7003-AMA	4BD	70.4	3
	84/86	D	8	501,636	5	C	CL551	288736	E4HT3ANA	CJ	E4HT 7003-ANA	5BN	70.5	4
	84/86	D	8	501,636	5	C	CL557	288739	E4HT3ARA	CK	E4HT 7003-ARA	5BN	70.5	4
	84/86	D	6	893	8	F	RT11608	TA-914-W9366	E4HT3BAA	EA	E4HT 7003-BAA	8C	70.8	1,2
	84/86	D	6	893	9	F	RT11609-A	TA-923-W9367	E4HT3BBA	FG	E4HT 7003-BBA	9P	70.9	3,4
	84/86	D	6	893	10	F	RT11610	TA-917-K3959	E4HT3BCA	EB	E4HT 7003-BCA	10R	70.10	1,2,5
	84/86	D	6	893	13	F	RT011613	TA-937-W9368	E4HT3BEA	EC	E4HT 7003-BEA	13N	70.13	4,5
	84/86	D	6	893	8	F	RT14608	TA-959-W9369	E4HT3BFA	EE	E4HT 7003-BFA	8H	70.8	1,2
	84/86	D	6	893	15	F	RT14615	TA-944-K3958	E4HT3BJA	EK	E4HT 7003-BJA	15D	70.15	1,2
	84/86	D	8	636	5	C	CL557-15	2769003	E4HT3BLA	CK	E4HT 7003-BLA	5BN	70.5	4
	84/86	G	8	370,429	4	NP	435	12322	E4HT4DA	NA/A	E4HT 7004-DA	4AB	70.4	2
	84/86	G	8	370,429	5	C	CL551	288735	E4HT4KA	CJ	E4HT 7004-KA	5BN	70.5	4
	84/86	G	8	370,429	5	C	CL557	288738	E4HT4LA	CK	E4HT 7004-LA	5BN	70.5	4
	85	D	8	501,636	5	S	CM5552-A	301366-60	E5HT3MA	SK	E5HT 7003-MA	5DK	70.5	3

1980/  
TRUCK SERIES 600/900

MODEL APPLICATION CHART

MODEL	YEAR	ENGINE			TRANSMISSION					PART NUMBER	PARTS LIST 70.	ILLUSTRATION	
		T Y P E ⊕	C Y L.	C.I.D.	S P I C E R ▲	M F R.	MODEL	IDENTIFICATION	CASE MARKING			C O D E ●	SEC.

●-Warranty Code    ▲C-Clark, F-Fuller, NP-New Process, S-Spicer, W-Warner, R-Rockwell    ⊕-D-Diesel, G-Gas

\* Before Transmission Ser. No. J871114001, from use Parts List 5DT

L SERIES — Cont'd

L-LS-LT-LTL-LTS-LN-LNT600/900	85	D	8	636	5	S	CM5552-A	301366-67	E5HT3NA	SK	E5HT 7003-NA	5DK	70.5	3
	85	D	8	501.636	5	S	CM5852-A	301370-56	E5HT3RA	SL	E5HT 7003-RA	5DL	70.5	3
	85	D	8	636	5	S	CM5852-A	30137-65	E5HT3SA	SL	E5HT 7003-SA	5DL	70.5	3
	88/89	D	6	14.6L	9	F	RT011609-B	TA-927-006147	E6HS3FAB	FG	E6HS 7003-FAB	9AA	70.9	3,4
	88/89	D	6	14.0L	9	F	RT011609-B	TA-927-003756	E6HS3FCB	FG	E6HS 7003-FCB	9AA	70.9	3,4
	88/89	D	6	14.6L	9	F	RTX11609B	TA-986-004071	E6HS3FGF	FN	E6HS 7003-FGF	9Y	70.9	3,4
	86/88	D	6	855	15	F	RT11615		E6HT3HA	ED	E6HT 7003-HA	15G	70.15	1,2
	86/	D	6	552	10	F	RT11610		E6HT3JA	EB	E6HT 7003-JA	10Y	70.10	1,2,5
	86/87	D	6	552	8	F	RT11608		E6HT3LA	EA	E6HT 7003-LA	8J	70.8	1,2
	86/	D	6	552	9	F	RT11609-A		E6HT3MA	FG	E6HT 7003-MA	9T	70.9	3,4
	86/89	D	6	426	9	F	RT0F11609-B		E6HT3VA	FE	E6HT 7003-VA	9U	70.9	3,4
	86/89	D	6	893	9	F	RT0F11609-B		E6HT3YA	FE	E6HT 7003-YA	9U	70.9	3,4
	86/87	D	6	855	8	F	RT11608		E6HT3ZA	EA	E6HT 7003-ZA	8J	70.8	1,2
	86/89	D	8	736	9	F	RTF14609-A		E6HT3AAA	EG	E6HT 7003-AAA	9R	70.9	1,2
	86/89	D	6	855	9	F	RT14609-A		E6HT3ABA	EG	E6HT 7003-ABA	9Q	70.9	1,2
	86/89	D	6	893	9	F	RT14609-A		E6HT3ACA	EG	E6HT 7003-ACA	9Q	70.9	1,2
	86/89	D	6	893	10	F	RTF11610		E6HT3ADA	EB	E6HT 7003-ADA	10Y	70.10	1,2,5
	86/89	D	6	426,855	10	F	RTF11610		E6HT3AEA	EB	E6HT 7003-AEA	10Y	70.10	1,2,5
	86/89	D	6	855	10	F	RT11610		E6HT3AFA	EB	E6HT 7003-AFA	10Y	70.10	1,2,5
	86/89	D	6&8	736,893	10	F	RTF14610		E6HT3AHA	EH	E6HT 7003-AHA	10Z	70.10	1,2
	86/89	D	6	855	10	F	RT14610		E6HT3AJA	EH	E6HT 7003-AJA	10Z	70.10	1,2
	86/89	D	6	893	10	F	RT14610		E6HT3AKA	EH	E6HT 7003-AKA	10Z	70.10	1,2
	86/87	D	6	855	8	F	RT14608		E6HT3ALA	EE	E6HT 7003-ALA	8M	70.8	1,2
	86/87	D	6	855	8	F	RT14608		E6HT3AMA	EE	E6HT 7003-AMA	8K	70.8	1,2
	86/89	D	6	855	9	F	RTF14609-A		E6HT3ANA	EG	E6HT 7003-ANA	9R	70.9	1,2
	86/89	D	6	855	10	F	RTF14610		E6HT3ARA	EH	E6HT 7003-ARA	10Z	70.10	1,2
	86/87	D	6	855	9	F	RT0F14609-B		E6HT3ASA	EL	E6HT 7003-ASA	9S	70.9	1,2
	86/89	D	6	855	9	F	RTF11609-A		E6HT3ATA	FG	E6HT 7003-ATA	9V	70.9	3,4
	86/89	D	6	855	9	F	RT11609-A		E6HT3AUA	FE	E6HT 7003-AUA	9T	70.9	3,4
	86/89	D	6	855	13	F	RT0F14613		E6HT3AVA	EJ	E6HT 7003-AVA	13T	70.13	1,3
	86/89	D	6	855	13	F	RT014613		E6HT3AYA	3J	E6HT 7003-AYA	13U	70.13	1,3
	86/89	D	6	893	13	F	RT014613		E6HT3AZA	3J	E6HT 7003-AZA	13U	70.13	1,3
	86	D	6	893	7	S	SST1372-A	301271-129	E6HT3BAA	SJ	E6HT 7003-BAA	7F	70.7	3,4
	86/88	D	6	893	7	S	SST1207-3A	301199-35	E6HT3BBA	SA	E6HT 7003-BBA	7G	70.7	1,2
	86	D	6	552	7	S	SST1372-2A	301271-130	E6HT3BDA	SJ	E6HT 7003-BDA	7F	70.7	1,2
	86/88	D	6&8	All	8	F	RT0F14608-LL		E6HT3BEA	EF	E6HT 7003-BEA	8L	70.8	1,3
	86/88	D	6	426,855	8	F	RT0F11608-LL		E6HT3BFA	FA	E6HT 7003-BFA	8J	70.8	1,2
	86/88	D	6	893	8	F	RT0F11608-LL		E6HT3BGA	FA	E6HT 7003-BGA	8J	70.8	1,2
	86/89	D	6	893	13	F	RT0F11613		E6HT3BHA	EC	E6HT 7003-BHA	13V	70.13	4,5
	86/89	D	6&8	736,893	13	F	RT0F14613		E6HT3BJA	EJ	E6HT 7003-BJA	13T	70.13	1,3
	86/89	D	6	426,855	13	F	RT0F11613		E6HT3BKA	EC	E6HT 7003-BKA	13V	70.13	4,5
	86/89	D	6	855	13	F	RT011613		E6HT3BLA	EC	E6HT 7003-BLA	13W	70.13	4,5
	86/89	D	6	855	13	F	RT0F11613		E6HT3BMA	EC	E6HT 7003-BMA	13V	70.13	4,5
	86/	D	6	855	13	F	RT011613		E6HT3BNA	EC	E6HT 7003-BNA	13W	70.13	4,5
	86/87	D	6	855	15	F	RT14615		E6HT3BRA	EK	E6HT 7003-BRA	15H	70.15	1,2
	86/88	D	6	426,855	7	F	RT0F11607-LL		E6HT3BSA	FD	E6HT 7003-BSA	7AF	70.7	5,6
	86/89	D	6	893	7	F	RT0F11607-LL		E6HT3BTA	BD	E6HT 7003-BTA	7AF	70.7	5,6
	86/	D	6	893	7	F	RT0F11607-L		E6HT3BUA	FB	E6HT 7003-BUA	7AE	70.7	5,6
	86/89	D	6	426,855	7	F	RT0F11607-L		E6HT3BVA	FB	E6HT 7003-BVA	7AE	70.7	5,6
	86/87	D	6	893	8	F	RTF11608		E6HT3BYA	EA	E6HT 7003-BYA	8J	70.8	1,2
	86/87	D	6	855	8	F	RTF11608		E6HT3BZA	EA	E6HT 7003-BZA	8J	70.8	1,2

1980/  
TRUCK SERIES 600/900

**MODEL APPLICATION CHART**

MODEL	YEAR	ENGINE			TRANSMISSION				PART NUMBER	PARTS LIST 70.	ILLUSTRATION	
		T Y P E ⊕	C Y L.	C.I.D.	S P I C E R ▲	M O D E L	I D E N T I F I C A T I O N	C A S E M A R K I N G			C O D E ●	SEC.

●-Warranty Code    ▲C-Clark, F-Fuller, NP-New Process, S-Spicer, W-Warner, R-Rockwell    ⊕-D-Diesel, G-Gas  
\* Before Transmission Ser. No. J871114001, from use Parts List 5DT

**L SERIES — Cont'd**

L-LS-LT-LTL-LTS- LN-LNT600/900	86/89	D	6	426,855	9	F	RTF11609-A		E6HT3CCA	FG	E6HT 7003-CCA	9V	70.9	3,4
	86/89	D	6	855	9	F	RT11609-A		E6HT3CDA	FG	E6HT 7003-CDA	9T	70.9	3,4
	86/89	D	6	610,893	9	F	RTF11609-A		E6HT3CEA	FG	E6HT 7003-CEA	9V	70.9	3,4
	86/87	D	6&8	All	8	F	RT11608-A		E6HT3CFA	EA	E6HT 7003-CFA	8J	70.8	1,2
	86/89	D	6	893	9	F	RT11609-A		E6HT3CGA	FG	E6HT 7003-CGA	9T	70.9	3,4
	86/	D	6&8	All	10	F	RT11610		E6HT3CHA	EB	E6HT 7003-CHA	10Y	70.10	1,2,5
	86/	D	6	893	13	F	RT011613		E6HT3CJA	EC	E6HT 7003-CJA	13W	70.15	4,5
	86/87	D	6&8	736,893	8	F	RTF14608		E6HT3CKA	EE	E6HT 7003-CKA	8M	70.8	1,2
	86/87	D	6	893	15	F	RT14615		E6HT3CLA	EK	E6HT 7003-CLA	15H	70.15	1,2
	86	D	6	855	7	S	SST1372-2A	301271-131	E6HT3CMA	SJ	E6HT 7003-CMA	7F	70.7	3,4
	86/87	D	6&8	All	8	F	RT14608		E6HT3CNA	EE	E6HT 7003-CNA	8K	70.8	1,2
	88/89	D	6	14.0L	9	F	RTX14609-B	TA-999-004457	E7HS3FAH	ES	E7HS 7003-FAH	9Z	70.9	1,2
	89	All	All	All	9	F	RTX14609-B		E7HS3FAE		E7HS 7003-FAE	9AC	70.9	1,2
	88/89	D	6	14.6L	9	F	RTX14609-B	TA-999-004686	E7HS3FBN	ES	E7HS 7003-FBN	9Z	70.9	1,2
	88/89	D	6	14.0L	9	F	RTX11609-B	TA-986-004845	E7HS3FCU	FN	E7HS 7003-FCU	9Y	70.9	3,4
	87/	D	6	6.6,7.8L	5	C	6105-B	3318220	E7HT3BA	CS	E7HT 7003-BA	5BR	70.5	4
	87/	D	6	6.6,7.8L	6	C	5106	3318218	E7HT3CA	CT	E7HT 7003-CA	6B	70.6	13,14
	87	D	6	6.6,7.8L	6	F	6106	TA864-003197	E7HT3DA	CU	E7HT 7003-DA	6C	70.6	5,6
	87/	D	6	6.6,7.8L	5	C	6105-A	3318219	E7HT3FA	CR	E7HT 7003-FA	5BR	70.5	4
	87	D	6	6.6,7.8L	5	C	CL558	3318205	E7HT3HA	CH	E7HT 7003-HA	5BT	70.5	4
	87/	D	6	7.8L	10	F	RT6610		E7HT3JA	FS	E7HT 7003-JA	10W	70.10	7,8
	87/88	D	6	7.8L	13	F	RT6613		E7HT3KA	FT	E7HT 7003-KA	13S	70.13	1,2
	87	D	6&8	6.6,7.8L 636	5	C	CL551	3318204	E7HT3LA	CJ	E7HT 7003-LA	5BT	70.5	4
	87	D	8	8.2,10.4L	5	C	CL551	3318214	E7HT3MA	CJ	E7HT 7003-MA	5BS	70.5	4
	87	D	8	8.2,10.4L	5	C	CL558	3318215	E7HT3NA	CH	E7HT 7003-NA	5BS	70.5	4
	87/89	D	8	10.4L	5	S	CM5852-A		E7HT3AKA	SL	E7HT 7003-AKA	5DN	70.5	3
	87/89	D	8	10.4L	5	S	CM5852-A		E7HT3ALA	SL	E7HT 7003-ALA	5DM	70.5	3
	87/	D	8	10.4L	5	S	CM6052-C		E7HT3ARA	SF	E7HT 7003-ARA	5DQ	70.5	2
	87/89	D	8	10.4L	5	S	CM6052-A		E7HT3ATA	SD	E7HT 7003-ATA	5DQ	70.5	2
	87/89	D	6	10L	7	F	T8607-A		E7HT3AYA	FH	E7HT 7003-AYA	7AG	70.7	7,8
	87/89	D	6	10L	9	F	T8609-A		E7HT3AZA	FJ	E7HT 7003-AZA	9W	70.9	6,7
	87/88	D	8	10.4L	10	F	RT6610		E7HT3BBA	FS	E7HT 7003-BBA	10W	70.10	7,8
	87/88	D	8	8.2,10.4L	5	S	CM5552-A		E7HT3BEA	SK	E7HT 7003-BEA	5DN	70.5	3
	87/88	D	8	8.2,10.4L	5	S	CM5852-A		E7HT3BFA	SL	E7HT 7003-BFA	5DM	70.5	3
	87/88	D	8	10.4L	5	S	CM6052-C		E7HT3BGA	SF	E7HT 7003-BGA	5DQ	70.5	2
	89	D	8	10.4L	5	S	CM6052-C		E7HT3BGB	SF	E7HT 7003-BGB	5DQ	70.5	2
	87/	D	8	10.4L	5	S	CM6052-A		E7HT3BJA	SD	E7HT 7003-BJA	5DQ	70.5	2
	87/89	D	6	10L	7	F	RTOF11607-L		E7HT3CEA	FB	E7HT 7003-CEA	7AH	70.7	5,6
	87/88	D	6	10L	7	F	RTOF11607-LL		E7HT3CFA	FB	E7HT 7003-CFA	7AJ	70.7	5,6
	87	D	6	10L	8	F	RTF11608		E7HT3CGA	FA	E7HT 7003-CGA	8P	70.8	1,2
	87/88	D	6	10L	8	F	RTOF11608-LL		E7HT3CHA	FA	E7HT 7003-CHA	8N	70.8	1,2
	87/89	D	6	10L	9	F	RTF11609-A		E7HT3CJA	FE	E7HT 7003-CJA	9V	70.9	3,4
	87/89	D	6	10L	9	F	RTOF11609-B		E7HT3CKA	FG	E7HT 7003-CKA	9U	70.9	3,4
	87/89	D	6	10L	10	F	RTF11610		E7HT3CLA	EB	E7HT 7003-CLA	10Y	70.10	1,2,5
	87/	D	6	10L	13	F	RTOF11613		E7HT3CMA	EC	E7HT 7003-CMA	13V	70.13	4,5
	87/88	D	6	10L	15	F	RTF11615		E7HT3DJA	ED	E7HT 7003-DJA	15F	70.15	1,2
	87/89	D	6	610,893	7	S	SST1372-2A	301398-129	E7HT3DRA	SJ	E7HT 7003-DRA	7H	70.7	3,4
	87/89	D	6	855	7	S	SST1372-2A	301398-131	E7HT3DTA	SJ	E7HT 7003-DTA	7H	70.7	3,4
	89/	All	All	All	9	F	RTX14609-B		E8HS3FAS		E8HS 7003-FAS	9AD	70.9	1,2

1980/  
TRUCK SERIES 600/900

MODEL APPLICATION CHART

MODEL	YEAR	ENGINE			TRANSMISSION					PART NUMBER	PARTS LIST 70.	ILLUSTRATION	
		T Y P E ⊕	C Y L.	C.I.D.	S P E D ▲	M F R. ▲	MODEL	IDENTIFICATION	CASE MARKING			C O D E ●	SEC.

● - Warranty Code    ▲ - Clark, F - Fuller, NP - New Process, S - Spicer, W - Warner, R - Rockwell    ⊕ - Diesel, G - Gas  
\* Before Transmission Ser. No. J871114001, from use Parts List 5DT

L SERIES — Cont'd

L-LS-LT-LTL-LTS- LN-LNT600/900	88/	D	6	14.6L	13	F	RT0F14613		E8HT3AA	EJ	E8HT 7003-AA	13X	70.13	1,3
	88/	D	6	14.6L	13	F	RT014613		E8HT3BA	EJ	E8HT 7003-BA	13X	70.13	1,3
	88/89	D	6	14.0L	9	F	RT14609-A		E8HT3FA	EG	E8HT 7003-FA	9X	70.9	1,2
	88/89	D	6	14.0L	10	F	RT14610		E8HT3GA	EH	E8HT 7003-GA	10AA	70.10	1,2
	88/	D	6	14.0L	13	F	RT014613		E8HT3HA	EJ	E8HT 7003-HA	13X	70.13	1,3
	88/89	D	6	14.0L	15	F	RT14615		E8HT3JA	EK	E8HT 7003-JA	15K	70.15	1,2
	88/89	D	6	14.6L	8	F	RT01408-LL		E8HT3YA	EF	E8HT 7003-YA	8Q	70.8	1,3
	88/89	D	6	14.0L	15	F	RTF14615		E8HT3ZA	EK	E8HT 7003-ZA	15K	70.15	1,2
	88/89	D	6	14.6L	15	F	RTF14615		E8HT3AAA	EK	E8HT 7003-AAA	15K	70.15	1,2
	88/89	D	6	14.0L	8	F	RT014608		E8HT3ABA	EA	E8HT 7003-ABA	8Q	70.8	1,2
	88/89	D	6	14.6L	8	F	RT014608-LL		E8HT3ACA	EA	E8HT 7003-ACA	8Q	70.8	1,2
	88/89	D	6	14.0L	15	F	RT014615		E8HT3ADA	EK	E8HT 7003-ADA	15J	70.15	1,2
	88/89	D	6	14.6L	15	F	RT014615		E8HT3AEA	EK	E8HT 7003-AEA	15J	70.15	1,2
	88/89	D	6	6.6,7.8L	5	F-C	FS5005-A		E8HT3AMA	CY	E8HT 7003-AMA	5BAA	70.5	4
	88/89	D	6	6.6,7.8L	5	F-C	FS5005-B		E8HT3ANA	CV	E8HT 7003-ANA	5BAA	70.5	4
	88/	D	6	7.8L	6	F	FS6106-A	TA-864-004908	E8HT3ARA	CU	E8HT 7003-ARA	6F	70.6	5,6
	88/89	D	8	10.4L	5	C	CL558		E8HT3ATA	CH	E8HT 7003-ATA	5BAA	70.5	4
	88/	D	6	14L	7	F	RT0F11707LL		E8HT3BEA	FK	E8HT 7003-BEA	7AK	70.7	
	88/	D	6	10,14.6L	7	F	RT0F11707LL		E8HT3BA	FK	E8HT 7003-BFA	7AK	70.7	
	88/	D	6	14L	8	F	RT0F11708LL		E8HT3BGA	FL	E8HT 7003-BGA	8R	70.8	
	88/	D	6	10,14.6L	8	F	RT0F11708LL		E8HT3BHA	FL	E8HT 7003-BHA	8R	70.8	
	88/	D	6	10L	15	F	RTF11715		E8HT3BJA	FM	E8HT 7003-BJA	15L	70.15	1,2
	88/	D	6	14L	15	F	RT11715		E8HT3BKA	FM	E8HT 7003-BKA	15L	70.15	1,2
	88/	D	6	14L	8	F	RT014708LL		E8HT3BLA	EN	E8HT 7003-BLA	8T	70.8	1,3
	88/	D	6	14.6L	8	F	RT0F14708LL		E8HT3BMA	EN	E8HT 7003-BMA	8T	70.8	1,3
	88/	D	6	14L	8	F	RT014708LL		E8HT3BNA	EN	E8HT 7003-BNA	8T	70.8	1,3
	88/	D	6	14.6L	8	F	RT014708LL		E8HT3BRA	EN	E8HT 7003-BRA	8T	70.8	1,3
	88/	D	6	14L	15	F	RTF14715		E8HT3BSA	EP	E8HT 7003-BSA	15P	70.15	1,2
	88/	D	6	14.6L	15	F	RTF14715		E8HT3BTA	EP	E8HT 7003-BTA	15P	70.15	1,2
	88/	D	6	14L	15	F	RT14715		E8HT3BUA	EP	E8HT 7003-BUA	15P	70.15	1,2
	88/	D	6	14.6L	15	F	RT14715		E8HT3BVA	EP	E8HT 7003-BVA	15P	70.15	1,2
	88/	D	6	14L	15	F	RT14715		E8HT3BYA	EP	E8HT 7003-BYA	15Q	70.15	1,2
	88/	D	6	14L	15	F	RT014715		E8HT3BZA	ER	E8HT 7003-BZA	15N	70.15	1,2
	88/	D	6	14.6L	15	F	RT014715		E8HT3CAA	ER	E8HT 7003-CAA	15N	70.15	1,2
	88/	D	6	7.8L	13	F	6613		E8HT3CCA	FT	E8HT 7003-CCA	13Y	70.13	1,2
	88/	D	8	10.4L	13	F	6613		E8HT3CDA	FT	E8HT 7003-CDA	13Y	70.13	1,2
	88/	D	6	7.8L	13	F	6613		E8HT3CEA	FT	E8HT 7003-CEA	13Y	70.13	1,2
	88/	D	6	10L	8	F	RT0F11708LL		E8HT3CFA	FL	E8HT 7003-CFA	8R	70.8	1,2
	89/	D	6	7.8L	13	F	RT6613		E8HT3DBA		E8HT 7003-DBA	13Y	70.13	1,2
	89/	D	6&8	7.8L,10.4L	13	F	RT6613		E8HT3DCA		E8HT 7003-DCA	13Y	70.13	1,2
	88/89	D	6	14.6L	9	F	RTX14609B	TA-999-006479	E8HT3DDA	ES	E8HT 7003-DDA	9Z	70.9	1,2
	89/	D	6	7.8L	8	F	RT7608LL		E9HT3BA		E9HT 7003-BA	8U	70.8	7,8
	89/	D	6	7.8L	8	F	RT7608LL		E9HT3CA		E9HT 7003-CA	8U	70.8	7,8
	89/	D	6	7.8L	9	F	RT8609		E9HT3EA	FJ	E9HT 7003-EA	9W	70.9	6,7
	89/	D	6	7.8L	8	F	RTF8608L		E9HT3FA		E9HT 7003-FA	8S	70.8	4,5
	89	D	6	14.6L	9	F	RTXF11609B		E9HT3KA	FG	E9HT 7003-KA	9Y	70.9	3,4
	89	D	6	14.6L	9	F	RTXF14609B		E9HT3LA	ES	E9HT 7003-LA	9AC	70.9	1,2
	89/	D	6	14.6L	15	F	RT0F14715		E9HT3TA	EP	E9HT 7003-TA	15N	70.15	1,2
	89	D	6	14.6,10L	9	F	RTX11609B		E9HT3UA	FG	E9HT 7003-UA	9AB	70.9	3,4
	89/	D	6	14.6L	9	F	RTX14609B		E9HT3VA	ES	E9HT 7003-VA	9AC	70.9	1,2

**1980/  
TRUCK SERIES 600/900**

**MODEL APPLICATION CHART**

MODEL	YEAR	ENGINE			TRANSMISSION					PART NUMBER	PARTS LIST 70.	ILLUSTRATION	
		T Y P E ⊕	C Y L.	C.I.D.	S P E E D ▲	M F R.	MODEL	IDENTIFICATION	CASE MARKING			C O D E ●	SEC.

●-Warranty Code    ▲C-Clark, F-Fuller, NP-New Process, S-Spicer, W-Warner, R-Rockwell    ⊕-D-Diesel, G-Gas  
\* Before Transmission Ser. No. J871114001, from use Parts List 5DT

**L-SERIES — Cont'd**

L-LS-LT-LTL-LTS-LN-LNT600/900	89/	D	6	7.8L	7	F	RT8607		E9HT3ABA	FH	E9HT 7003-ABA	7AG	70.7	7,8
	89/	D	6	14L	9	F	RTX11609B		E9HT3ACA	FG	E9HT 7003-ACA	9AB	70.9	3,4
	89	D	6	14L	9	F	RTXF14609B		E9HT3AFA	ES	E9HT 7003-AFA	9AD	70.9	1,2
	89/	D	6	14L	15	F	RT0F14715		E9HT3AGA	EP	E9HT 7003-AGA	15N	70.15	1,2
	89/	D	6	14.6L	15	F	RT0F14715		E9HT3AHA	EP	E9HT 7003-AHA	15M	70.15	1,2
	89/	D	6	14L	15	F	RT0F14715		E9HT3AJA	EP	E9HT 7003-AJA	15M	70.15	1,2
	89	D	6	14L	9	F	RTX14609B		E9HT3AKA	ES	E9HT 7003-AKA	9AD	70.9	1,2
	89/	D	6	14.6L	15	F	RT014715		E9HT3ALA	EP	E9HT 7003-ALA	15M	70.15	1,2
	89/	D	6	14L	15	F	RT014715		E9HT3AMA	EP	E9HT 7003-AMA	15M	70.15	1,2
	89/	D	6	7.8L	5	F-C	FS5005-A		E9HT3BBA	CY	E9HT 7003-BBA	5BAE	70.5	4
	89/	D	6	7.8L	5	F-C	FS5005-B		E9HT3BCA	CV	E9HT 7003-BCA	5BAE	70.5	4

**AUXILIARY TRANSMISSIONS**

LT800/900	80	D	8	All	3	S	7231-D	300173-4	3TJC	3	★B8QH 7001-M # TABAJ 77900-C Details	3A	71	1
LNT800		D	8	All									71.2	3,6
L900,LT-LTS, LNT800/900	80/86	G	8	All	4	S	7041	300528-13	H0D8A	5	D0HZ 7A218-A	3B	71	2
LT800		D	6&8	All									71.2	4,5
LNT800/880		D	8	All										
LT-LTS 800/900	80/86	D	6&8	All	4	S	8341-C-L	300907-6, 301064-7	H1D8BA, H5DB-AA	6	D5HA 7A218-AA	3C	71	3
LT-LTS900		G	8	All									71.2	1,2,7
LNT800		D	8	All										
LT-LTS800/900	84/86	All	All	All	4	S	7041		H4EAA	5	E4HT 7A218-AA	3B	71	2
LNT800													71.2	4,5
LT-LTS800/900	84/86	All	All	All	4	S	8341-L		H4EBA	6	E4HT 7A218-BA	3C	71	3
LNT800													71.2	1,2,7

DESCRIPTION/RESTRICTIONS	PART NUMBER	TRANSMISSION PARTS LISTS 3A THRU 3M												
		A	B	C	D	E	F	G	H	J	K	L	M	
CONE and ROLLER ASSY. (COUNTERSHAFT)- Rear-# 462	BB 1240-A		B											
CUP (COUNTERSHAFT)-Front- # 3820	8L 4628		B											
BEARING (COUNTERSHAFT)-Front-# 3877	8L 4630		B											
SEAL (OUTPUT SHAFT BEARING RETAINER OIL)	4813													
#CR-7738-2 3/4" I.D. x 3 35/64" O.D. x 15/32" thick	B8QH 4813-A	A												
#CR-526449-2 3/4" I.D. x 3 35/64" O.D. x 1/2" thick	D2TZ 4813-B	A												
#CR-526498-3" I.D. x 4 1/64" O.D. x 33/64" thick	D2HZ 4813-A		B	C										
CASE ASSY.	7006													
#60-15-153-Incl. (1) C6TZ 7195-C Cap and (2) each C6TZ 7944-A,B, and C Shims	B8QH 7006-C E4HZ 7006-A	A	B											
#70-15-36 Plug (auxiliary transmission filler)- extended head-3/4"-14	D2HZ 7006-A 353051-S(PP-32)			C										
Plug drain magnetic-3/4"-14	353240-SA(PP-52)		B											
Plug (spring retaining)-1/2"-20 x 9/16"	D6TZ 6730-A		B											
PLUG (MAGNETIC)	7A010													
1 1/4-11 1/2 thd.	D3HZ 7A010-B				AR									
TEMP PLUG	87653-S(P-13)				C									
1-11 1/2 thd.	D6HZ 7A010-A				AR									
3/4-14 thd.	D3HZ 7A010-C				AR									
SHAFT (INPUT)	7017													
28 helical external teeth-24 internal teeth- 10 splines x 1 1/4"-18 threads one end x 10 1/32" long	B8QH 7017-B	A												
33 helical and 28 clutch teeth-10 splines x 10 3/16" long	C3TZ 7017-C		B											
34 teeth-6 splines-11 13/16" long	D2HZ 7017-B			C										
Nut (flange to shaft)-1 1/4"-18 x 2 1/4" O.D.	371000-S(MM-179)		B	C										
Nut-hex. lock-1 1/4"-18 x 2" O.D.	372040-S(MM-177)	A												
Nut (flange to shaft)-1 1/4"-18	352647-S(MM-175)	A												
Cotter pin-1/8" x 2"	72107-S(N-56)	A												
Washer-flat-1 21/64" I.D. x 2 1/2" O.D. x 1/8" thick-flat	354265-S18 (XX-280)			C										
BOLT-1 5/8" x 7/16-14	375849-S(BB-4-29-C)			C										
BEARING (INPUT SHAFT)	7025													
1 31/32" I.D. x 3 35/64" O.D. x 24/32" thick- # 210	B8QH 7025-C	A	B											
WASHER (OUTPUT SHAFT)-Rear bearing- 2 1/2" I.D. x 3" O.D. x 13/64" thick	B9T 7029-B		B	C										
First speed gear thrust-2 3/8" I.D. x 4 1/2" O.D. x 11/32" overall thickness	B9T 7029-A			C										
SNAP RING	7030													
Input shaft rear bearing- 4 29/32" I.D. x 4 61/64" O.D. x 3/32" thick x 1/8" gap	B8QH 7030-C	A												
Input shaft bearing retainer- 5 13/32" O.D. x 7/64" thick x 1/8" gap	C3TZ 7030-A		B											
Output shaft bearing-4 3/4" I.D. x 5 13/32" O.D.	370995-S(QQ-32)	A												

1980/  
TRUCK SERIES 600/900

DESCRIPTION/RESTRICTIONS	PART NUMBER	TRANSMISSION PARTS LISTS 3A THRU 3M												
		A	B	C	D	E	F	G	H	J	K	L	M	
VENT ASSY. (CASE)	7034													
3/8"-18 x 1 31/64" overall length	B7T 7034-A	A												
1" long x 1 3/32" dia	C6TZ 7034-B		B	C										
NUT - TRANS INPUT/OUTPUT SHAFT	7045													
2 1/8" O.D. - 1 1/4" -18 THD	D6HZ 7045-A			2										
RETAINER (FRONT BEARING)	7050													
	B8QH 7050-B	A												
Incl. Oil Seal	D8HZ 7050-A		B											
# 70-19-39-5 31/32" O.D. x 1 1/32" wide	D2HZ 7050-A			C										
Bolt (retainer to case)-7/16"-14 x 1 3/8"	20450-S(B-106)	8												
Lockwasher-7/16"	34808-S8(X-67)	8	8											
GASKET (INPUT SHAFT BEARING RETAINER)	7051													
	B8QH 7051-B	A												
	D6HZ 7051-A		B											
4 3/8" I.D. x 5 31/32" O.D. x 1/32" thick- (6) 15/32" holes	B9TZ 7051-A			C										
Rear	D2HZ 7051-A			C										
SEAL	7052													
2 3/4" I.D. x 3 3/4" O.D. x 1/2" thick	B8TZ 7052-A	A	B											
# CR512655-3" I.D. x 3 3/4" O.D. x 1/2" thick	C9TZ 7052-B			C										
GEAR	7A060													
Third and fourth speed clutch-22 external- 16 internal teeth-2 7/32" I.D. x 3 55/64" O.D. x 1 7/16" long	C3TZ 7A060-A		B											
Third and fourth speed clutch-26 external- 16 internal teeth-2 7/32" I.D. x 4 1/2" O.D. x 1 7/8" long	B9TT 7A060-A			C										
SHAFT (OUTPUT)	7061													
16-13 teeth-10 splines-15 13/16" long x 1 1/4"-18 threads one end	B8QH 7061-C	A												
16-19 teeth-6 splines-18 25/32" long x 1 1/4"- 18 threads one end	B9TT 7061-E			C										
16-22 teeth-6 splines x 18 1/4" long	C3TZ 7061-B		B											
Nut (flange to shaft)-hex. castle-1 1/4"-18	352647-S(MM-175)	A												
Nut (flange to shaft)-1 1/4"-18	372040-S(MM-177)	A												
Nut (flange to shaft)-hex. lock-1 1/4"-18 x 2 1/4" O.D.	371000-S(MM-179)	A	B											
Washer (output shaft)-flat-1 21/64" I.D. x 2 1/2" O.D. x 1/8" thick	354265-S18(XX-280)		B	2										
Cotter pin-1/8" x 2"	72107-S(N-56)	A												
COLLAR	7A061													
First speed and second and third speed clutch- 22 internal teeth-4 25/32" O.D. x 1 13/32" long	C3TZ 7A061-A		B											
Third and fourth speed gear clutch-26 internal teeth-5 7/8" O.D. x 1 13/16" long	B9TT 7A061-A			C										
SPACER (INPUT SHAFT BEARING)	7063													
2" I.D. x 2 1/2" O.D. x 2 7/32" long	B8QH 7063-B	A												
2 3/4" O.D. x 1 1/8" long	C3TZ 7063-A		B											

NOTICE: When the parts list suffix is shown in the quantity required column, the quantity is one (1).



DESCRIPTION/RESTRICTIONS	PART NUMBER	TRANSMISSION PARTS LISTS 3A THRU 3M												
		A	B	C	D	E	F	G	H	J	K	L	M	
<b>SLEEVE (UNDERDRIVE)</b> 7A063														
20 internal spur teeth-3 3/16" I.D. x 4 11/16" flange O.D.	B8TZ 7A063-A	A												
22 internal teeth-3 9/16" I.D. x 5 5/32" O.D. x 1 5/8" long	C3TZ 7A063-A		B											
28 internal teeth-4 15/32" I.D. x 6 5/16" O.D. x 1 27/32" long	B9TT 7A063-A			C										
<b>BEARING</b> 7065														
Input shaft-rear-#1311L-2 5/32" I.D. x 4 23/32" O.D. x 1 9/64" wide-remove snap ring for this operation	B8QH 7065-B	A												
Output shaft-Incl. snap ring		A												
Output shaft-rear-Incl. snap ring-#1412L-2 3/8" I.D. x 5 29/32" O.D. x 1 3/8" wide	B9TT 7065-A			C										
Input shaft-rear-2 3/4" I.D. x 5 1/2" O.D. x 1 19/64" wide	D2HZ 7065-A			C										
Front-#NJ212, NJ212JP or MR1212UV-2 3/8" I.D. x 4 21/64" O.D. x 55/64" wide	D2HZ 7065-B			C										
Snap ring (output shaft bearing)-4 3/4" I.D. x 5 25/64" O.D. x 7/64" thick x 1/8" gap	370995-S(QQ-32)	A												
ROD (SHIFT)-First and second speed-13" long	C3TZ 7A066-A		B											
First and second speed shift	D2HZ 7A066-A			C										
WASHER (OUTPUT SHAFT)-Thrust-2 3/8" I.D. x 3 9/16" O.D. x 5/16" thick	C3TZ 7071-A		B											
<b>SPACER (OUTPUT SHAFT REAR BEARING)</b> 7072														
1 21/32" I.D. x 2 5/8" O.D. x 1" long-N/R 2/91	★ B8QH 7072-A	A												
2 1/4" I.D. x 3 3/16" O.D. x 1 1/16" wide	C1TT 7072-A		B	C										
<b>SNAP RING (OUTPUT SHAFT-THIRD and FOURTH)-two matched halves</b> 7A074														
2 1/16" I.D. x 2 49/64" O.D. x 1/4" wide	B9TT 7A074-A			C										
2 5/16" I.D. x 2 7/16" O.D. x 3/16" thick	C3TZ 7A074-A		B											
SLEEVE (OUTPUT SHAFT)-Second speed underdrive gear-2 9/16" I.D. x 4 1/4" flange O.D. x 2 13/32" long	B9TT 7A075-A			C										
SPACER (OUTPUT SHAFT FIRST SPEED NEEDLE BEARING)-3 17/32" I.D. x 3 27/32" O.D. x 11/32" wide	B9TT 7A076-A			C										
<b>GEAR (OUTPUT SHAFT FIRST and SECOND SPEED CLUTCH)</b> 7A078														
28 external and 19 internal teeth-2 5/8" I.D. x 4 13/16" O.D. x 21/64" long	B9TT 7A078-A			C										
BEARING (LOW SPEED GEAR-ROLLER)-#VV50431-2 9/16" I.D. x 2 3/4" O.D. x 2 3/16" wide	C3TZ 7A078-B		B											
<b>GEAR (OUTPUT SHAFT FIRST SPEED)</b> 7A079														
37 and 22 teeth-2 3/4" I.D. x 8 53/64" O.D. x 2" overall width	C3TZ 7A079-A		B											
48 and 28 teeth-3 27/32" I.D. x 10 21/64" O.D. x 2 25/64" overall width	B9TT 7A079-A			C										
45 and 28 teeth - 3 27/32" I.D. x 9 7/8" O.D. x 2 1/2" wide	D6HZ 7A079-A			C										

1980/  
TRUCK SERIES 600/900

DESCRIPTION/RESTRICTIONS	PART NUMBER	TRANSMISSION PARTS LISTS 3A THRU 3M												
		A	B	C	D	E	F	G	H	J	K	L	M	
RETAINER ASSY. (OUTPUT SHAFT BEARING) 7085														
Notes: † With transmission mounted parking brake, ‡ Except transmission mounted parking brake, @ Part of transmission														
2 1/4" long-(4) 17/32" holes	‡ C8TZ 7085-H	A												
4 1/2" long-(4) 17/32" and (2) 41/64" holes	† C8HZ 7085-J	A												
4 7/8" long-(6) 17/32", (4) 41/64" and (2) 21/32" holes	† C8HZ 7085-B			C										
2 21/32" long-(4) 17/32" holes	‡ C8HZ 7085-D			C										
#70-19-42-1X-3 13/32" long-(6) 17/32", (8) 7/16"-14	@ D2HZ 7085-A			C										
1 1/16"-18 for speedo cable	† C8HZ 7085-C		B											
2 21/32" long-(6) 17/32" holes, use with-E4HT 7A218-AA list "B"	‡ C8HZ 7085-E		B											
Use with E4HT 7A218-BA list "C"	† C8HZ 7085-H			C										
Bolt (retainer to transmission)-hex. hd.-1/2"-13 x 1 1/2"	20472-S8(B-122-A)	4	4											
Lockwasher-1/2"	34809-S8(X-68)	4	4											
Lockwasher-external tooth-1/2"	373705-S7(XX-348-A)	6	6											
Bolt (retainer to transmission)-hex. hd. 5/8"-11 x 1 1/2"	★ 45470-S8	2	2											
Lockwasher-external tooth-5/8"	374223-S7-8(XX-348-B)	2	2											
Lockwasher-5/8"	34811-S2(X-71)	2	2											
Bolt (retainer to transmission)-1/2"-13 x 1 3/4"	20510-S8(B-123)			6										
GASKET (OUTPUT SHAFT BEARING RETAINER) 7086														
Notes † With transmission mounted parking brake ‡ Except transmission mounted parking brake														
	† C8TZ 7086-B	A												
	‡ C6TZ 7086-E	A												
	C3TZ 7086-B		B											
	C5TZ 7086-D			C										
FLANGE (INPUT SHAFT)-Refer to Section 71 for size chart 7089														
Notes: ◇ Industry Designation														
4 7/64" long-10 splines ◇7C	B8QH 7089-D	A	B											
#6-4-3901-6 3/8" long-10 splines ◇1700	C6TZ 7089-S	A	B											
#14670-J-4 7/16" long-6 splines ◇7C	B9TZ 7089-B			C										
6 3/32" O.D. of yoke span-6 splines ◇1700	E1HZ 7089-H			C										
OUTPUT SHAFT 7089														
#13292-6 3/16" long-10 splines ◇7C	B8QH 7089-B	A												
#15185-6 3/8" long-10 splines-(8) 3/8" and (4) 1/2"-20 holes ◇8C	B8QH 7089-A	A												
#6-383-D-5 1/2" long-10 splines ◇1700	C6TZ 7089-E	A												
#14672-6 3/16" long-6 splines ◇7C	B9TZ 7089-D		B											
#15185-J-6 3/8" long-6 splines ◇8C	B9TZ 7089-C		B	C										
#6-3891-6 3/32" O.D. of yoke span-7" overall length-used w/Spicer drive line ◇1700	C6TZ 7089-P		B	C										
	◇1810			C										
GEAR (OUTPUT SHAFT OVERDRIVE) 7101														
26 helical teeth-20 spur teeth-2 37/64" I.D. x 5 5/32" O.D. x 2 9/32" length	B8QH 7101-G	A												
30 helical teeth	B4Q 7101-D	A												
31 helical teeth-20 spur teeth-2 37/64" I.D. x 7 23/64" O.D.-(3) 5/16" oil holes	B8QH 7101-F	A												
30 helical and 22 clutch teeth-3" I.D. x 6" O.D.	C3TZ 7101-A		B											

NOTICE: When the parts list suffix is shown in the quantity required column, the quantity is one (1).

DESCRIPTION/RESTRICTIONS	PART NUMBER	TRANSMISSION PARTS LISTS 3A THRU 3M												
		A	B	C	D	E	F	G	H	J	K	L	M	
<b>GEAR (OUTPUT SHAFT OVERDRIVE)</b>		<b>7101 — Cont'd</b>												
Countershaft overdrive—29 helical teeth—2 1/2" I.D. x 5 23/32" O.D.	B8QH 7101-D	A												
Third speed—29 helical and 26 clutch teeth—3 11/32" I.D. x 7 1/32" O.D.	C9TZ 7101-A			C										
Key (countershaft overdrive gear)—woodruff—2" x 19/32"	370992-S(LL-19)	A												
<b>GEAR (OUTPUT SHAFT SECOND SPEED)</b>		<b>7103</b>												
22 and 36 teeth—7 3/32" O.D. x 1 7/8" o/all width	C3TZ 7103-A		B											
28 and 35 teeth—3 27/32" I.D. x 8 7/32" O.D. x 2 13/32" wide	C9TZ 7103-A			C										
<b>SLEEVE (OUTPUT SHAFT)</b>		<b>7106</b>												
Third speed	B9TZ 7106-A			C										
Third speed overdrive gear—2 9/16" I.D. x 3" O.D. x 2 3/8" long	C3TZ 7106-A		B											
<b>COUNTERSHAFT</b>		<b>7111</b>												
14 helical teeth—12 31/32" long	B8QH 7111-B	A												
15 helical teeth—14 25/32" long	C3TZ 7111-A		B											
Key—woodruff (countershaft to gears)—No. 30	★ 372549-S		3											
<b>GEAR (COUNTERSHAFT CLUSTER)</b>		<b>7113</b>												
19 teeth—15" long x 4 15/32" O.D.	D4HZ 7113-A			C										
18 and 21 teeth—15" long	D6HZ 7113-D			C										
KEY (woodruff) 2" length x 37/64" height x 3/8" width	370992-S(LL-19)			C										
<b>GEAR (COUNTERSHAFT SECOND SPEED)— Underdrive—28 helical teeth—2 7/32" I.D. x 5 21/32" O.D.</b>		<b>C3TZ 7114-A</b>												
Key—woodruff—No. 30	★ 372549-S		B											
<b>SPACER (COUNTERSHAFT DRIVE GEAR)— 2 27/64" I.D. x 3" O.D. x 1 13/32" long</b>		<b>B8QH 7115-A</b>												
SPACER (OUTPUT SHAFT NEEDLE BEARING)	<b>7117</b>													
First speed underdrive and third speed overdrive—3 1/32" I.D. x 3 11/32" O.D. x 1/4" wide	B9T 7117-B			C										
Second speed gear—3 17/32" I.D. x 3 27/32" O.D. x 5/32" wide	B9TZ 7117-A			C										
First and second speed—INA # F53543 3 1/2" I.D. x 3 7/8" O.D. x 2 5/32" wide	D2HZ 7117-B			2										
Third speed—INA # F53542 3" I.D. x 3 11/32" O.D. x 2 5/32" wide	D2HZ 7117-A			C										
<b>BEARING (INPUT SHAFT)</b>		<b>7118</b>												
Rear—# 1309L—1 25/32" I.D. x 3 15/16" O.D. x 63/64" wide—w/snap ring groove	B4Q 7118-A	A												
Countershaft gear—front and rear—# 3479	B4Q 7118-B			2										
Pilot—# NJ308, F308JP or MR1308EV— 1 9/16" I.D. x 3 35/64" O.D. x 29/32" wide	D2HZ 7118-C			C										
<b>BEARING (INPUT SHAFT PILOT)— # MRY1209EL—1 25/32" I.D. x 3 11/32" O.D. x 3/4" long</b>		<b>B8QH 7120-C</b>												
		A	B											

1980/  
TRUCK SERIES 600/900

DANA (SPICER)  
AUXILIARY 3&4 SPEED

DESCRIPTION/RESTRICTIONS	PART NUMBER	TRANSMISSION PARTS LISTS 3A THRU 3M												
		A	B	C	D	E	F	G	H	J	K	L	M	
BEARING 7127														
Countershaft gear-front and rear-#NJ311, MRI311EAML or L1311JK-529942- 2 5/32" I.D. x 4 23/32" O.D. x 1 9/64" wide	D2HZ 7127-B			2										
Drive gear front - - 1 7/32" thick, 5 7/64" O.D., 2 23/64" I.D. #LP1312, NUP312	D2HZ 7127-A		B											
Input shaft-rear-#1312L-2 23/64" I.D. x 5 1/8" O.D. x 1 7/32" thick	C1TT 7127-B		B											
Output shaft-rear			B											
GEAR (COUNTERSHAFT)-Third speed O/D- 33 helical teeth-2 5/8" I.D. x 7 7/8" O.D. x 3 1/4" wide	C9TZ 7144-A			C										
34 helical teeth-2 13/64" I.D. x 6 3/4" O.D.	C3TZ 7144-A		B											
Key (woodruff)-No. 30	★ 372549-S			C										
33 teeth - 7 7/8" O.D.	D6HZ 7144-D			C										
GASKET SET 7153														
	B8TZ 7153-B	A												
	C3TZ 7153-B		B											
	E6HZ 7153-A			C										
SNAP RING (OUTPUT SHAFT)-2" I.D. x 2 1/4" O.D. x 5/32" thick	B4Q 7160-A	A												
INTERLOCK (GEARSHIFT ROD)-3/8" O.D. x 3 1/32" long	C3TZ 7D161-A		B											
SNAP RING (COUNTERSHAFT DRIVE GEAR) 7162														
2 3/16" I.D. x 2 9/16" O.D. x 3/32" thick- 1/8" tapered slot	B7QH 7162-B	A	B											
2 1/2" I.D. x 3" O.D. x 3/32" thick	C3TZ 7162-A		B											
COVER (POWER TAKE-OFF) 7165														
	7EQ 7165	2												
4 7/8" wide x 6 1/4" long	BB 7165		2											
9 1/4" long x 7" wide-(8) holes	C9HZ 7165-A			C										
Bolt (cover to case)-3/8"-16 x 3/4"	20348-S8(B-77)	12	12											
Lockwasher-3/8"	34807-S8(X-66)	12	12											
Lockwasher-external teeth-3/8"	351487-S(XX-291)	12	12											
Bolt-hex. hd.-7/16"-14 x 7/8"	357450-S(BB-172)			8										
GASKET (POWER TAKE-OFF COVER) 7166														
6 1/4" x 4 7/8" x 1/16" thick-(6) 13/32" holes	E7HZ 7166-A	2	2											
9 1/4" long x 7" wide-(8) holes	C9HZ 7166-A			C										
CUP (COUNTERSHAFT BEARING) 7169														
#3420	09B 7169	1or2												
#453A	C3TZ 7169-A		B											
GEAR (COUNTERSHAFT SECOND SPEED)-28 teeth-2 45/64" I.D. x 6 45/64" O.D. x 3" wide	C9TZ 7176-A			C										
GEAR 7177														
Countershaft drive-27 helical teeth-2 3/8" I.D. x 5 11/32" O.D.	B8QH 7177-C	A												
Countershaft drive-32 helical teeth-2 5/8" I.D. x 7 1/4" O.D. x 3 1/8" wide	D2HZ 7177-C			C										
Fourth speed-31 teeth-6 3/16" O.D. x 2 3/16" wide	C3TZ 7177-A		B											
Countershaft drive - 32 external 18 internal teeth, 7 1/4" O.D. x 2" wide	D2HZ 7177-D			C										
Key-woodruff-2" x 19/32" x 1/64"	370992-S(LL-19)	A												
Key-woodruff (gear to countershaft)-No. 30	★ 372549-S		B											

**NOTICE:** When the parts list suffix is shown in the quantity required column, the quantity is one (1).

DESCRIPTION/RESTRICTIONS	PART NUMBER	TRANSMISSION PARTS LISTS 3A THRU 3M												
		A	B	C	D	E	F	G	H	J	K	L	M	
SNAP RING (COUNTERSHAFT CLUSTER GEAR)	7178													
2 27/64 free I.D. .075/.081 thick	D2HZ 7178-B			AR										
2 27/64 free I.D. .185/.189 thick	D2HZ 7178-A			AR										
GASKET (COUNTERSHAFT BEARING CAP)	7181													
Rear-4 3/4" I.D. x 1/32" thick-(4) 13/32" holes	B9TT 7181-A			C										
Front	D6HZ 7181-A		B	C										
CAP (COUNTERSHAFT BEARING)	7195													
Rear	B4Q 7195-A	A												
Front and rear	C6TZ 7195-C		B											
Front - From trans. Serial #1910224	B9TT 7195-A			2										
Bolt (retainer to countershaft gear)-hex. hd. drilled-1/2"-20 x 1"	★ 372548-S	2												
Bolt (cap to case)-7/16"-14 x 1 3/8"	20450-S8(B-106)	4	4											
Bolt (cap to case)-7/16"-14 x 1 1/4"	20430-S8(B-104)	2	2											
Bolt (cap to case) 1/2" - 13 x 1 7/8"	D6HZ 7M195-A			C										
Lockwasher-7/16"	34808-S8(X-67)	4	4											
SPRING (SHIFTER SHAFT POPPET) - 7 coils-7/16" O.D. x 1 11/32" long	C3TZ 7219-A		2											
Ball (low and reverse gate plunger spring)	353086-S(AA-14)		2											
KEY (COUNTERSHAFT)	7B220													
2 5/16 long x 3/8 wide x 15/16 deep	D6HZ 7B220-B			C										
HOUSING (GEARSHIFT)	7222													
#60-16-61 or #60-16-63-12" x 12"	B8QH 7222-B	A												
#70-16-10	C3TZ 7222-A		B											
Bolt (cover to case)-1/2"-13 x 1 1/8"	D2HZ 7222-B			C										
Lockwasher-1/2"	20432-S7-8(B-121)	3												
Bolt (cover to case)-3/8"-16 x 1 1/8"	34809-S8(X-68)	3												
Lockwasher-3/8"	20408-S7(B-81)	3												
Bolt (cover to case)-7/16"-14 x 1 1/4"	34807-S8(X-66)	3												
Lockwasher-7/16"	20430-S8(B-104)		8											
Stud (cover to case)-7/16"-14 & 7/16"-20 x 1 7/8"	34808-S8(X-67)		8											
GASKET (GEAR SHIFT HOUSING)	7223													
11 3/16" x 10 5/8" x 1/32"-(3) 13/32" and (3) 17/32" holes	B8QH 7223-C	A												
12" x 12" x 1/32"-(10) 15/32" and (2) 17/32" holes	C3TZ 7223-A		B	C										
FORK (GEAR SHIFTER)	7231													
Direct and overdrive shift rod	B8QH 7231-C	A												
Underdrive shift rod		A												
First and second speed gear-5 19/32" inside width	D2HZ 7231-B			C										
Third and fourth speed gear-5 5/32" inside width	D2HZ 7231-C			C										

1980/  
TRUCK SERIES 600/900

DESCRIPTION/RESTRICTIONS	PART NUMBER	TRANSMISSION PARTS LISTS 3A THRU 3M												
		A	B	C	D	E	F	G	H	J	K	L	M	
FORK (GEAR SHIFTER) 7231 --- Cont'd														
4 5/8" inside width x 1 9/16" thru hub	C3TZ 7231-A		2											
Bail (shifter shaft lock plunger spring)-7/16"	353086-S(AA-14)		2	2										
Bolt (fork locking)-hex. drilled hd.-7/16"- 20 x 1 1/2"	370994-S(BB-363)		4											
Bolt (fork to rod)-hex. drilled hd.-7/16"- 20 x 1 1/2"	370994-S(BB-363)	1or2												
PLUNGER (GEARSHIFT RODS) 7233														
7/16" O.D. x 1 7/32" long	B8QH 7233-A	A		C										
SPRING (GEARSHIFT RODS) 7234														
8 active coils-1 9/16" free length x 7/16" O.D.	B8QH 7234-C	2												
Shifter shaft poppet-1 7/32" long x 7/16" O.D.	B9TT 7234-A			2										
PIN (GEARSHIFT ROD INTERLOCK) - 7/16" shoulder O.D. x 1" overall length	B9TT 7235-A			2										
ROD (UNDERDRIVE SHIFT) 7240														
12 1/4" long x 7/8" O.D.	B8QH 7240-B	A												
ROD (DIRECT and OVERDRIVE SHIFT) 7241														
10 5/16" long x 7/8" O.D.	B8QH 7241-C	A												
	C3TZ 7241-A		B											
#70-67-20	D2HZ 7241-B			C										
RETAINER (SHIFT ROD POPPET SPRING SCREW)-11/16"-12 x 9/16" long	D2HZ 7245-A		2											
SEAL (SHIFT ROD) 7288														
1 1/2" O.D. x 25/64" wide-for 7/8" diameter shaft	B8QH 7288-B	A	B	C										
Direct and overdrive		1or2	B	C										
BEARING and GASKET OVERHAUL KIT 7C391														
NOTE 1 - Use with Bronzed cage bearings														
NOTE 2 - Use with Steel cage bearings														
	★ D2HZ 7C391-B r/b 9264-T-86	A												
	★ D2HZ 7C391-C r/b 9264-T-73		B											
NOTE 1	★ D2HZ 7C391-J r/b 9264-T-4			C										
NOTE 2	★ D4HZ 7C391-R r/b 9264-T-3			C										
ROLLER (OUTPUT SHAFT BEARING)#S44Q First speed underdrive and third speed overdrive gears-5/32" O.D. x 1" long	B9TT 7422-A			412										
PIN (OUTPUT SHAFT OVERDRIVE GEAR SLEEVE)	C1TT 7A654-A		B											
HUB 7931														
Direct and overdrive-13 internal spur teeth- 2 1/16" I.D. x 3 15/32" 3.D. x 1 7/8" long	B8QH 7931-C	A												
Underdrive-20 external spur teeth-16 internal spur teeth-1 21/32" long	B8QH 7931-B	A												
SLEEVE (DIRECT and OVERDRIVE) 7933														
24 external-20 internal teeth-3 3/16" I.D. x 4 11/16" flange O.D.	B8QH 7933-A	A												

NOTICE: When the parts list suffix is shown in the quantity required column, the quantity is one (1).

DESCRIPTION/RESTRICTIONS	PART NUMBER	TRANSMISSION PARTS LISTS 3A THRU 3M												
		A	B	C	D	E	F	G	H	J	K	L	M	
SHIM (COUNTERSHAFT REAR BEARING RETAINER-STEEL)	7944													
.003" thick	B4Q 7944-A	AR												
.010" thick	B4Q 7944-B	AR												
.005" thick	C6TZ 7944-C		AR											
.003" thick	C6TZ 7944-A		AR											
.010" thick	C6TZ 7944-B		AR											
DEFLECTOR (AUXILIARY TRANSMISSION YOKE OIL SEAL DUST)	7961													
	B8QH 7961-A		B											
	B9T 7961-B			C										
Nut hex. jam-3/8"-24	33925-S7(M-33)	A												

DESCRIPTION/RESTRICTIONS	PART NUMBER	TRANSMISSION PARTS LISTS 4A THRU 4M											
		AA	AB	AC	AD	AE	AF	AG	AH	AJ	AK	AL	AM
<b>NEW PROCESS</b>													
CUP (INPUT SHAFT BEARING)-# HM88610- 2 27/32" O.D. x 25/32" wide	CODW 4628-A	AA	AB	AC									
BEARING ASSY. (INPUT SHAFT)-# HM88649	CODW 4630-A	AA	AB	AC									
SEAL (OUTPUT SHAFT BEARING RETAINER OIL)	4813												
# CR-22790-A-2 1/2" I.D. x 3 1/4" O.D. x 1/2" wide	D2TZ 4813-A	AA	AB	AC									
CASE ASSY. - #95711	C4TZ 7005-A	AA	AB	AC									
Plug-drain-magnetic-3/4"-14	374506-S(PP-51)	AA	AB	AC									
Plug-filler-3/4"-18	358048-S(PP-43)	AA	AB	AC									
Bolt-hex. head-9/16"-12 x 2"	21062-S7-8(B134)	2	2	2									
Stud-9/16"-12 x 9/16"-18 x 2 7/16" long	★ 354321-S	2	2	2									
Lockwasher-9/16"	34810-S(X-69)	4	4	4									
Nut-hex.-9/16"-18	33848-S7(M-70)	2	2	2									
SHAFT (INPUT)-17 helical teeth-21 clutch teeth-10 splines-9 3/8" long	C4TZ 7017-A	AA	AB	AC									
SEAL (INPUT SHAFT OIL)	C4TZ 7048-A	AA	AB	AC									
RETAINER (INPUT SHAFT BEARING)- 2 27/32" flange I.D. x 5 1/8" flange O.D. x 4 11/32" overall length	C4TZ 7050-A	AA	AB	AC									
Bolt (retainer to case) 5/16"-18 x 3/4"	350673-S (BB-544)	4	4	4									
GASKET (INPUT SHAFT BEARING RETAINER)	C4TZ 7051-A	2	2	2									
SNAP RING (PILOT ROLLER BEARING RETAINER)-spring steel-1 11/16" free O.D. x 3/32" dia.	★ C4TZ 7059-A r/b B7T 7117-A	AA	AB										
SHAFT (OUTPUT)-13 19/32" long-10 splines- 35 serrations-both ends-Incl. (1) each C5TZ 7119-A washer and 371887-S nut	C5TZ 7061-H	AA	AB	AC									
Nut (output shaft)-hex. lock-1"-20- across flats 1 1/2"	371887-S(MM149)	AA	AB	AC									
Nut-1 1/4"-18-across flats 2"	372040-S(MM-177)	AA											
SPACER (INPUT SHAFT BEARING TO INNER RACE)-1 1/4" I.D. x 1 35/64" O.D. x 1 9/16" thick	C4TZ 7063-A	AA	AB	AC									
BEARING (OUTPUT SHAFT REAR)-# 308MG- 1 9/16" I.D. x 3 17/32" O.D. x 29/32" wide	C4TZ 7065-A	AA	AB	AC									
SNAP RING (OUTPUT SHAFT BEARING RETAINER)-3/32" THICK	7EQ 7070	AA	AB										
SPACER (OUTPUT SHAFT TO REAR BEARING) 2" I.D. x 2 1/4" O.D. x 11/32" wide	C4TZ 7072-A	AA	AB	AC									
SPRING (SLIDING GEAR TENSION)	C5TZ 7E082-A	2	2	2									
RETAINER ASSY. (OUTPUT SHAFT BEARING), Use on E0HT 7004-AFA,AGA,AHA "list AB"	C8TZ 7085-F	AA	AB										
Use on E4HT 7004-CA,DA,EA "list AB"	E4HZ 7085-B		AB										
	E7HZ 7085-N			AC									
Nut-hex.-1/2"-20	33846-S8(M-69)	4	4	4									
Lockwasher-1/2"	34809-S8(X-68)	4	4	4									
Stud-1/2"-13 and 1/2"-20 x 1 3/4"	357599-S2(WW-51)	4	4	4									
GASKET (OUTPUT SHAFT BEARING RETAINER)	B9TZ 7086-A	AA	AB	AC									
FLANGE (OUTPUT SHAFT)-Also refer to group in Section 71 for Size chart	7089												
<b>Note:</b> Industry Number													
# D3TA 7089-CB-35 splines-5 15/16" long- ◇1410 or 055	D3TZ 7089-C	AA											



1980/  
TRUCK SERIES 600/900

DESCRIPTION/RESTRICTIONS	PART NUMBER	TRANSMISSION PARTS LISTS 4AA THRU 4AM											
		AA	AB	AC	AD	AE	AF	AG	AH	AJ	AK	AL	AM
<b>NEW PROCESS</b>													
FLANGE (OUTPUT SHAFT)-Also refer to group in Section 71 for Size chart	7089 — Cont'd												
<b>Note:</b> ◇ Industry Number													
# D3TA 7089-DA,DB-35 splines-5 15/16" long- ◇1480	D3TZ 7089-D	AA											
◇1480	E4HZ 7089-B			AC									
<b>BEARING</b>	7C096												
Synchronizer clutch gear thrust-27 rollers- 2 11/64" O.D. x 5/32" thick	C4TZ 7C096-C	AA	AB	AC									
Countershaft thrust rear-38 rollers-# FA35688- 1 59/64" O.D. x 5/64" thick	C4TZ 7C096-A	AA	AB	AC									
GEAR (LOW and REVERSE SLIDING)-37 spur teeth-27 clutch teeth-10 splines-6 13/32" O.D. Incl. (2) C5TZ 7E082-A spgs. and (1) C4TZ 7100-J gear	C4TZ 7100-K	AA	AB	AC									
RING (SYNCHRONIZER THIRD AND FOURTH OUTER STOP)-24 splines	D3TZ 7107-A	2	2	2									
RING (OUTPUT SHAFT SECOND SPEED GEAR SPLIT RETAINING)-1 13/16" I.D. x 2 11/32" O.D. x 1/16" thick	B7T 7109-A	2	2	2									
<b>GEAR (COUNTERSHAFT CLUSTER)</b>	7113												
43-35-25 helical teeth-14 spur teeth-	C4TZ 7113-A	AA											
43-34-25 helical teeth-14 spur teeth	D8TZ 7113-A		AB	AC									
<b>RING (RETAINING)</b>	7117												
Pilot bearing	B7T 7117-A	AA	AB	AC									
ROLLER (INPUT SHAFT PILOT BEARING)- # Q15902-9/32" O.D. x 11/16" long - (set consists of 14)	B7T 7118-A	1set	1set	1set									
<b>BEARING ASSY. (COUNTERSHAFT)-Front</b> # M24161-1 1/2" I.D. x 1 7/8" O.D. x 1" thick	C4TZ 7118-A	AA	AB	AC									
<b>WASHER (COUNTERSHAFT CLUSTER GEAR THRUST)/</b>	7119												
Front-4 oil grooves-1 7/8" I.D. x 2 3/4" O.D. x 1/16" thick	C4TZ 7119-A	AA	AB	AC									
Rear-1 1/4" I.D. x 1 7/8" O.D. x 1/32" thick	C4TZ 7119-B	AA	AB	AC									
WASHER OUTPUT SHAFT-1" I.D. x 1 3/4" O.D. x 5/32" thick	C5TZ 7119-A	AA	AB	AC									
<b>SYNCHRONIZER ASSY. (Third and Fourth Speed)</b>	D4HZ 7124-A	AA	AB	AC									
<b>BEARING (COUNTERSHAFT)-Rear-# B3216-</b> 2" I.D. x 2 3/8" O.D. x 1" wide	C4TZ 7127-A	AA	AB	AC									
<b>SPRING (SYNCHRONIZER BLOCKING)-2 1/2"</b> active coils-4" I.D. x 4 7/8" free length x 15/32" x 1/4" wide spring steel	C4TZ 7B137-A	AA	AB	AC									
<b>SHAFT (REVERSE IDLER GEAR)-1" dia. x</b> 5 11/32" long	C4TZ 7140-A	AA	AB	AC									
<b>GEAR ASSY. (REVERSE IDLER)-w/bearing-</b> 17-21 teeth-1 1/2" I.D. x 3 7/8" O.D.	D0TZ 7141-A	AA	AB	AC									
<b>GASKET SET</b>	D5TZ 7153-A	AA	AB	AC									
<b>PLATE (COUNTERSHAFT and REVERSE IDLER SHAFT LOCK)-1 1/8" overall length x</b> 1/8" thick x 7/8" wide	C4TZ 7155-A	AA	AB	AC									
Bolt (lock plate to case)-3/8"-16 x 5/8"	20328-S8(B-76)	AA	AB	AC									
Lockwasher-3/8"	34807-S8(X-66)	AA	AB	AC									

**NOTICE:** When the parts list suffix is shown in the quantity required column, the quantity is one (1).

DESCRIPTION/RESTRICTIONS	PART NUMBER	TRANSMISSION PARTS LISTS 4AA THRU 4AM										
		AA	AB	AC	AD	AE	AF	AG	AH	AJ	AK	AL
<b>NEW PROCESS</b>												
SHIM (SYNCHRONIZER TO OUTPUT SHAFT and THIRD SPEED IDLER GEAR)		7160										
.010" thick	B7T 7160-A	AR	AR	AR								
.015" thick	B7T 7160-B	AR	AR	AR								
SNAP RING (OUTPUT SHAFT SECOND SPEED GEAR)-3 1/16" I.D. x 3 7/16" O.D. x 3 1/16" thick	C4TZ 7161-A	AA	AB	AC								
COVER (POWER TAKE-OFF)-(6) holes 6 1/4" long x 4 7/8" wide	BB 7165	AA	AB	AC								
Bolt (cover to case)-hex. head-3/8"-16 x 5/8"	20328-S8(B-76)	6	6	6								
Lockwasher-3/8"	34807-S8(X-66)	6	6	6								
GASKET (POWER TAKE-OFF COVER)-(6) 13/32" holes-6 1/4" x 4 7/8" x 1/64" thick	E7HZ 7166-A	AA	AB	AC								
RING (SYNCHRONIZER STOP)		7174										
Inner-third and fourth-incl. pins-4 21/32" O.D.	B7T 7174-B	2										
Clutch pin-inner-5 1/16" O.D.	C4TZ 7174-A	AA	AB	AC								
GEAR (OUTPUT SHAFT SECOND SPEED)-33 helical teeth-27 clutch teeth-2 1/8" I.D. x 5 7/64" O.D.	C4TZ 7176-A	AA	AB	AC								
GASKET (COUNTERSHAFT BEARING CAP)-Rear-(4) 13/32" bolt holes-3 3/16" I.D. x 1/64" thick	C4TZ 7181-B	AA	AB	AC								
HUB (THIRD and FOURTH GEAR SYNCHRONIZER CLUTCH)-24 external teeth-35 internal splines-incl. (1) C4TZ 7C096-C bearing	C4TZ 7183-B	AA	AB	AC								
SLEEVE (SYNCHRONIZER SLIDING)		7187										
24 teeth	D0HZ 7187-A	AA	AB	AC								
CAP (COUNTERSHAFT REAR BEARING)	C4TZ 7195-A	AA	AB	AC								
Bolt (cap to case)-3/8"-16 x 3/4"	20348-S8(B-77)	4	4	4								
Lockwasher-3/8"	34807-S8(X-66)	4	4	4								
GEAR (OUTPUT SHAFT THIRD SPEED IDLER)		7196										
-23 helical teeth-24 spur teeth-3 3/4" O.D. x 1 3/4" overall thickness	C4TZ 7196-A	AA										
24 helical teeth-24 spur teeth-3 7/8" O.D. x 1 45/64" thickness	D8TZ 7196-A		AB	AC								
GASKET (GEARSHIFT LEVER HOUSING TO GEARSHIFT HOUSING)	C1TT 7207-A	AA										
SPRING (REVERSE SHIFT LUG)-1/2" O.D. x 1 9/16" free length	7EQ 7219	AA	AB	AC								
TRUNNION (COVER)-5/16" dia. one end x 1/4" dia. other end x 1 3/16" long	D2TZ 7221-A	2	2	2								
HOUSING (GEARSHIFT)		7222										
#95818 or #97331-use with D7HT-FA,E0HT-AHA, E4HT-EA	C9TZ 7222-F	AA	AB									
#11349-use with D7HT-EA,E0HT-AGA, E4HT-DA, E7HT-UA	D2TZ 7222-F	AA	AB	AC								
#11305 or #97253-use with D7HT-DA,E0HT-AFA, E4HT-CA, E7HT-TA	D2TZ 7222-D	AA	AB	AC								
Bolt (housing to case)-3/8"-16 x 3/4"	20348-S8(B-77)	6	6	6								
Lockwasher-3/8"	34807-S8(X-66)	6	6	6								
Lockwasher-7/16"	34808-S8(X-67)	2	2	2								
Plug-25/64"	74113-S(P-2)	3	3	3								
Plug-3/8"	352532-S(PP-60)	AA	AR	AR								
Bolt (housing to case)-3/8"-16 x 1 1/8"	354135-S7-8(BB-155-A)	2	2	2								

1980/  
TRUCK SERIES 600/900

DESCRIPTION/RESTRICTIONS	PART NUMBER	TRANSMISSION PARTS LISTS 4AA THRU 4AM												
		AA	AB	AC	AD	AE	AF	AG	AH	AJ	AK	AL	AM	
<b>NEW PROCESS</b>														
GASKET (GEARSHIFT HOUSING)-(8) bolt holes-10 11/16" long x 8 5/16" wide	E0TZ 7223-B	AA	AB	AC										
SPRING (SHIFT COVER)	7227													
	B8T 7227-A			AC										
GATE (GEARSHIFT REVERSE)-Front	C4TZ 7232-A	AA	AB	AC										
SPRING (GEARSHIFTER SHAFTS POPPET)-7 active coils-23/64" O.D. x 1" long	TYAA 7234-A	3	3	3										
Ball (shifter shaft poppet)-3/8"	372720-S(AA-11)	3	3	3										
PIN (SHIFTER INTERLOCK)	7235													
3/16" O.D. x 1" long	C4TZ 7235-A	5	5	5										
Shifter shaft interlock-3/16" O.D. x 33/64" long	TYAA 7235-A	AA	AB	AC										
SHAFT (FIRST and SECOND GEARSHIFTER)-5/8" dia. x 8 5/32" long	C4TZ 7240-A	AA	AB	AC										
SHAFT (THIRD and FOURTH GEARSHIFTER)-5/8" dia. x 8 5/8" long	7241													
	D2TZ 7241-B	AA	AB	AC										
SHAFT (REVERSE GEARSHIFT)	C7TZ 7242-A	AA	AB	AC										
ARM (GEARSHIFT)-Reverse fork	C4TZ 7243-A	AA	AB	AC										
PLUNGER (SHIFTER SHAFT INTERLOCK)	7247													
Rounded ends-3/8" dia. x 5/8" long	C4TZ 7247-A	2	2	2										
Reverse shift lug	C9TZ 7247-A	AA	AB	AC										
Washer (reverse shift lug plunger)-"C" type-7/32" opening x 16" thick x 5/8" wide	356957-S(XX-14)	AA	AB	AC										
BOOT (SHIFT LEVER)	7277													
	B8T 7277-A			AC										
GATE (GEARSHIFTER SHAFT)-First and second	C4TZ 7279-A	AA	AB	AC										
FORK (GEARSHIFTER)	7289													
First and second incl. Nylon inserts	C4TZ 7289-D	AA	AB	AC										
Third and direct - incl inserts	D7TZ 7289-A	AA	AB	AC										
REPAIR KIT (SMALL PARTS)	C4TZ 7B331-B	AA	AB	AC										
MAGNET (CASE CHIP COLLECTOR)	7E290													
1 3/4" O.D.-1/4" thick-3/4" hole	E0TZ 7E290-A	AA	AB	AC										
BEARING & GASKET OVERHAUL KIT	★ D4HZ 7C391-D r/b 9264-T-127	AA	AB											
BOLT (REAR MAINSHAFT RETAINER)	7E423													
1/2-13 x 1 3/8 long self locking	E4HZ 7E423-A		4	4										
INSERT (GEARSHIFTER FORKS)	7C430													
First and second-nylon-3/4" long x 1/4" thick x 5/16" wide	D2TZ 7C430-A	2	2	2										
Third and fourth-3/4" long x 1/2" overall width	C2TZ 7C430-A	2	2	2										
SEALER (GASKET FORMING)	19562													
Silicone-2.8 oz. tube	E7TZ 19562-A	AR	AR	AR										

NOTICE: When the parts list suffix is shown in the quantity required column, the quantity is one (1).

DESCRIPTION/RESTRICTIONS	PART NUMBER	TRANSMISSION PARTS LISTS 4BA THRU 4BM										
		BA	BB	BC	BD	BE	BF	BG	BH	BJ	BK	BL
<b>WARNER</b>												
Cup-output shaft	C7AZ 4628-A		BB		BD							
Cup-input shaft			BB		BD							
Cone-output shaft	C7AZ 4630-A		BB		BD							
Cone-input shaft			BB		BD							
SEAL (OUTPUT SHAFT BEARING RETAINER OIL)-#CR-526-497-2 1/2" I.D. x 3 1/4" O.D. x 1/2" thick	D2TZ 4813-A	BA	BB	BC	BD							
<b>7006</b>												
Case Assy.	C8TZ 7006-A	BA		BC								
Incl. magnet & studs	E0HZ 7006-A		BB		BD							
Bolt (case to clutch housing)-9/16"-12 x 2"	21062-S8(B-134)	4										
Lockwasher-9/16"	34810-S7-8(X-69)	4										
Bolt (used to plug parking brake holes)-hex. head-3/8"-16 x 3/4"	20348-S8(B-77)	2										
Lockwasher-3/8"	34807-S8(X-66)	2										
Plug (filler or drain)-extended head-3/4"	353051-S(PP-32)	2	2	2	2							
Stud-1/2"-13 x 1/2"-20 x 1 3/4" long	357599-S2(WW-51)	4	4	4	4							
SHAFT (INPUT)-17 helical teeth-27 clutch teeth-10 splines-9 1/2" long	C8TZ 7017-M	BA		BC								
23 helical teeth-27 clutch-teeth-13" long-10 splines	E0HZ 7017-B		BB		BD							
BEARING (INPUT SHAFT)-#308L1-Slotted for snap ring-1 5/8" I.D. x 3 1/2" O.D.	8MTH 7025	BA		BC								
<b>7034</b>												
VENT ASSY. (GEARSHIFT HOUSING) 5/8" long	01A 7034	BA	BB	BC	BD							
1 3/8" long	C5AZ 7034-A	BA										
BAFFLE (INPUT SHAFT BEARING OIL)-1 9/16" I.D. x 3" O.D.	8MTH 7040	BA		BC								
<b>7A044</b>												
INSERT (SYNCHRONIZER CLUTCH HUB) First and second	C8TZ 7A044-C	3	3	3	3							
Third and high	C5AZ 7A044-A	3	3	3	3							
RETAINER (INPUT SHAFT BEARING)-R.H. spiral oil grooves-4 1/8" overall length 3 49/64" flange I.D. x 5 1/8" flange O.D.	B6C 7050-A	BA		BC								
Includes-7052-oil seal	E0HZ 7050-B		BB		BD							
Bolt (retainer to case)-5/16"-18 x 3/4"	350673-S(BB-544)	4	4	4	4							
Lockwasher (with oil seal)-hex. head-5/16"	34806-S7(X-64)	4	4									
GASKET (INPUT SHAFT BEARING RETAINER)-3 49/64" I.D. x 4 13/16" O.D. x 1/64" thick x 1/4" thick	8MTH 7051-B	BA	BB	BC	BD							
<b>7051</b>												
SHIM (INPUT SHAFT BEARING) 3 13/64 O.D. x 2 3/4 I.D. x .006 thick	E0HZ 7051-A		AR		AR							
3 13/64 O.D. x 2 3/4 I.D. x .010 thick	E0HZ 7051-B		AR		AR							
3 13/64 O.D. x 2 3/4 I.D. x .014 thick	E0HZ 7051-C		AR		AR							
3 13/64 O.D. x 2 3/4 I.D. x .018 thick	E0HZ 7051-D		AR		AR							
3 13/64 O.D. x 2 3/4 I.D. x .022 thick	E0HZ 7051-E		AR		AR							
<b>7052</b>												
OIL SEAL (FRONT INPUT) 2 1/4" O.D. x 1 9/16" I.D. x 5/16" wide	E0HZ 7052-A		BB		BD							
WASHER THRUST (OUTPUT SHAFT 2nd speed)-1 7/8" I.D. x 2 5/8" O.D. x 1/4" thick	8MTH 7056			BC								
SNAP RING (INPUT SHAFT SYNCHRONIZER) -1 13/32" I.D. x 3/32" thick	8D 7059	BA		BC								
<b>7061</b>												
SHAFT (OUTPUT) 35 teeth-10-10 splines-14 47/64" long	C8TZ 7061-G	BA										
35 teeth-10-10 splines-14 45/64" long	E0HZ 7061-B		BB		BD							
35 teeth-10-10 splines 14 47/64" long	E4HZ 7061-B			BC								
Nut-lock-1"-20	371887-S(MM-149)	BA	BB	BC	BD							

**1980/  
TRUCK SERIES 600/900**

DESCRIPTION/RESTRICTIONS	PART NUMBER	TRANSMISSION PARTS LISTS 4BA THRU 4BM											
		BA	BB	BC	BD	BE	BF	BG	BH	BJ	BK	BL	BM
<b>WARNER</b>													
SNAP RING (INPUT and OUTPUT SHAFT BEARING TO SHAFT)	7064												
1 27/64" I.D. x .118" thick	B6C 7064-A	AR		AR									
1 27/64" I.D. x .121" thick	B6C 7064-B	AR		AR									
1 27/64" I.D. x .124" thick	B6C 7064-C	AR		AR									
1 27/64" I.D. x .128" thick	B6C 7064-D	AR		AR									
BEARING (OUTPUT SHAFT)	7065												
#308-MG 9/16" I.D. x 3 9/16" O.D. x 15/16" wide	C4TZ 7065-A	BA		BC									
SNAP RING	7070												
Input shaft bearing-3 13/32" I.D. x 1/8" gap	8MTH 7070	BA		BC									
Output shaft bearing 15/16" thick		BA		BC									
RETAINER ASSY. (OUTPUT SHAFT BEARING)	7085												
3 7/16" long-use with C9TA 7004-C and DOTZ 7004-B trans.	C8TZ 7085-F	BA											
1 15/16" long-(4) 17/32" holes-use with D1TD 7004-AA trans.	D1TZ 7085-A	BA											
	E0HZ 7085-A		BB										
	E4HZ 7085-E			BC									
	E4HZ 7085-D				BD								
Nut-1/2-20 x 3/4"	33846-S8(M-69)		4	4	4								
Lockwasher-ext. tooth-1/2"	374223-S7-8(XX-348-B)		4	4	4								
Bolt-hex. head-3/8"-16 x 1 1/8"	20408-S7(B-81)	4											
Bolt-hex. head-3/8"-16 x 2"	20522-S8(B-89)	BA											
Lockwasher-3/8"	34807-S8(X-66)	5											
GASKET (OUTPUT SHAFT BEARING RETAINER)	7086												
	B9TZ 7086-A	BA	BB	BC	BD								
FLANGE (OUTPUT SHAFT) - Also refer to group in Section 71 for Size chart	7089												
<b>Note:</b> ♦ Industry Number													
# D3TA 7089-CA-35 splines-use with C9TA 7004-G trans.-♦1410 or 055	D3TZ 7089-C	BA											
35 splines-use with D1TD 7004-AA trans.	D1TZ 7089-A	BA											
BEARING (NEEDLE THRUST)	7C096												
Input-2 31/64 O.D. x 1 3/4" I.D. x 1/8 thick	E0HZ 7C096-A		BB		BD								
GEAR (OUTPUT SHAFT)	7100												
40 helical teeth-39 clutch teeth-6 23/64" O.D.	E4HZ 7100-C		BB										
First speed-40 helical, 39 clutch teeth	E3TZ 7100-K	BA		BC									
First speed-40 helical, 39 clutch teeth	E4HZ 7100-C				BD								
GEAR (OUTPUT SHAFT THIRD SPEED)-24 helical teeth-27 clutch teeth-3 11/16" dia.	C8TZ 7101-B	BA		BC									
24 helical teeth-27 clutch teeth-4 1/4" dia.	E0HZ 7101-A		BB		BD								
RING (SYNCHRONIZER BLOCKING)	7107												
First and second	E4TZ 7107-A	2	2										
Third and high	C8TZ 7107-D	2	2	2	2								
First and second	E4TZ 7107-A			2	2								
SNAP RING	7109												
First and second	C8TZ 7109-A	2	2	2	2								
Third and high synchronizer clutch hub	C8TZ 7109-B	2	2	2	2								
COUNTERSHAFT-1 1/4" O.D. x 12 9/36" long x 9/64" slot one end	C5TZ 7111-A	BA	BB	BC	BD								
GEAR (COUNTERSHAFT CLUSTER)	7113												
43-36-27-16 teeth-9 1/4" long	C8TZ 7113-E	BA		BC									
37-32-24-16 teeth-9 1/4" long	E0HZ 7113-A		BB		BD								

**NOTICE:** When the parts list suffix is shown in the quantity required column, the quantity is one (1).

DESCRIPTION/RESTRICTIONS	PART NUMBER	TRANSMISSION PARTS LISTS 4BA THRU 4BM											
		BA	BB	BC	BD	BE	BF	BG	BH	BJ	BK	BL	BM
<b>WARNER</b>													
SPACER (COUNTERSHAFT GEAR PILOT BEARING)	7115												
4 7/8" long x 1 1/4" O.D. x 1 5/32" long	C8TZ 7115-A	BA	BB	BC	BD								
PLATE (COUNTERSHAFT GEAR THRUST)	7119												
Washer (output shaft)-1" I.D. x 1 3/4" O.D. x 5/32" thick	C5TZ 7119-A	BA	BB	BC	BD								
SYNCHRONIZER ASSY.	7124												
First and second speed	E4TZ 7124-E	BA	BB	BC	BD								
Third and fourth speed	C8TZ 7124-F	BA		BC									
Third and fourth speed	E0HZ 7124-A		BB		BD								
PLATE (COUNTER-SHAFT GEAR THRUST)	7128												
Front and rear-1 5/32" I.D. x 2 1/8" O.D. x 1/16" thick-(1) tab-(1) slot	8MTH 7128	2	2	2	2								
Front and rear-1 5/32" I.D. x 2 9/64" O.D. x 1/16" thick	C5TZ 7128-B	2	2	2	2								
SPACER	7135												
Countershaft gear pilot bearing-1 3/16" I.D. x 1 1/2" O.D. x 1/16" thick	8MTH 7135	6	6	6	6								
Input shaft bearing		BA		BC									
Input shaft bearing-1 21/32 O.D. x 1 13/64 I.D. x 1/16 thick	E0HZ 7135-A		BB		BD								
SHAFT (REVERSE IDLER GEAR)-5 13/16" long	8MTH 7140	BA	BB	BC	BD								
GEAR and BUSHING ASSY. (REVERSE IDLER GEAR)	7141												
18 teeth-3" O.D. x 2 5/8" long	D2TZ 7141-A	BA		BC									
	E0HZ 7141-A		BB		BD								
GEAR (REVERSE)-44 helical teeth-10 splines-7" O.D.	C8TZ 7142-E	BA		BC									
44 helical teeth-10 splines-7 1/32" O.D.	E0HZ 7142-A		BB		BD								
BUSHING (REVERSE IDLER GEAR)-Steel-1 3/8" O.D. x 2 1/16" long	★ 8MTH 7143-B	BA	BB										
ROLLER (REVERSE IDLER GEAR BEARING)-#Q6283-37 front and 37 rear-1/8" dia. x 1" long	B3C 7145-A	74	74	74	74								
GASKET SET-also see 19562 end of list	D8HZ 7153-A	BA	BB	BC	BD								
RETAINER (COUNTERSHAFT and REVERSE IDLER SHAFT)	7155												
3 27/32" long-3/4" wide-tapered to 3/8" one end-(1) 13/32" hole	C8TZ 7155-A	BA	BB	BC	BD								
Bolt (retainer to case)-hex. head-3/8"-16 x 3/4"	20348-S8(B-77)	BA	BB	BC	BD								
Lockwasher-3/8"	34807-S8(X-66)	BA	BB	BC	BD								
SNAP RING (REVERSE IDLER GEAR BEARING ROLLER)	7156												
1 3/4" O.D.	D2TZ 7156-A	2	2	2	2								
SNAP RING	7160-1												
Countershaft bearing-1 23/32" I.D. x 2" O.D. x .096" thick	C8TZ 7160-B	AR	AR	AR	AR								
Countershaft bearing-1 23/32" I.D. x 2" O.D. x .099" thick	C8TZ 7160-C	AR	AR	AR	AR								
1 23/32" I.D. x 2" O.D. x .012" thick	C8TZ 7160-D	AR	AR	AR	AR								
First speed gear		BA	BB	BC	BD								
Output shaft second speed gear-1 3/4" I.D. x 2 1/8" O.D. x 3/32" thick	8MTH 7160	BA	BB	BC	BD								
Output shaft second speed synchronizer hub		2	BB	2	BD								

**1980/  
TRUCK SERIES 600/900**

DESCRIPTION/RESTRICTIONS	PART NUMBER	TRANSMISSION PARTS LISTS 4BA THRU 4BM											
		BA	BB	BC	BD	BE	BF	BG	BH	BJ	BK	BL	BM
<b>WARNER</b>													
COVER (POWER TAKE-OFF)-6 1/4" long x 4 7/8" wide-(6) holes	BB 7165	BA	BB	BC	BD								
Bolt (cover to case)-3/8"-16 x 5/8"	20328-S8(B-76)	6	6	6	6								
Lockwasher-3/8"	34807-S8(X-66)	6	6										
Lockwasher (external teeth)-3/8"	351487-S(XX-291)	6	6										
GASKET (POWER TAKE-OFF COVER)-6 1/4" x 4 7/8" x 1/16" thick-(6) 13/32" holes	E7HZ 7166-A	BA	BB	BC	BD								
<b>7176</b>													
GEAR (OUTPUT SHAFT SECOND SPEED) -also refer to group 7102													
33 helical teeth-39 clutch teeth	C8TZ 7176-B	BA		BC									
36 helical teeth-39 clutch teeth	E4HZ 7176-A		BB		BD								
PIVOT (GEARSHIFT LEVER)-2 11/16" long	C8TZ 7K179-A	BA	BB	BC	BD								
Pin-roll-3/16" x 1 1/2"	353909-S8(NN-109)	BA	BB	BC	BD								
<b>ROLLER 7193</b>													
Countershaft gear pilot bearing-#C436Q-3/16" dia. 1" long	7EQH 7193	88	88	88	88								
Input shaft		22		22									
Input shaft-1" long x 17/64" O.D.	E0HZ 7193-A		17		17								
GASKET (GEARSHIFT LEVER HOUSING TO GEARSHIFT HOUSING)-6 3/4" x 4 1/4" x 5/16" thick-9 holes	C1TT 7207-A	BA											
SPRING (REVERSE GATE PLUNGER)-17/32" O.D. x 1 11/64" free length	41T 7219-A	BA	BB	BC	BD								
CAP (CONTROL HOUSING)	8MTH 7220	BA	BB	BC	BD								
<b>HOUSING (GEARSHIFT) 7222</b>													
Use with E0HT 7003-RA on "List BB", E4HT 7003 ALA "List BD"	C9TZ 7222-A	BA	BB	BC	BD								
Use with E1HT 7003-AFA on "List BB", E4HT 7003 AMA "List BD"	D0TZ 7222-C		BB		BD								
Plug (housing shifter shaft)-expansion-3/4"	74113-S(P-2)	6	6	6	6								
Bolt (housing to case)-hex. head-3/8"-16 x 5/8"	20328-S8(B-76)	6	6										
Bolt, 3/8"-16 x 7/8"	20368-S2(B-79)			4	4								
Bolt, 3/8"-16 x 1"	58634-S2(B-80-B)			2	2								
Lockwasher-3/8"	34807-S8(X-66)	6	6	6	6								
Plug (shifter shaft lock plunger hole)-drive in-3/8"	353096-S(PP-61)	BA	BB	BC	BD								
Ball, 3/8" dia. steel	372730-S(AA-11)	3	3	3	3								
<b>GASKET (GEARSHIFT HOUSING) 7223</b>													
11 3/4" long x 1/64" thick x 9" wide	C8TZ 7223-D	BA	BB	BC	BD								
FORK (GEARSHIFTER)-Third and high gear-4" inside width	C8TZ 7230-B	BA	BB	BC	BD								
Pin-roll-3/16" x 1"	305078-S(NN-109-D)	BA	BB	BC	BD								
Pin-roll-3/16" x 1 1/8"	305086-S(NN-108-A)	BA	BB	BC	BD								
<b>FORK (GEARSHIFTER)-Low and second gear 7231</b>													
	C8TZ 7231-H	BA	BB	BC	BD								
Pin-roll-3/16" x 1"	305078-S(NN-109-D)	BA	BB	BD	BD								
Pin-roll-3/16" x 1 1/8"	305086-S(NN-108-A)	BA	BB	BD	BD								
GATE (GEARSHIFTER SHAFT)-reverse-#T18-37	D1TZ 7232-A	BA	BB	BC	BD								
Cotter pin-1/8"-1"	72035-S7-8(N-51)	BA	BB	BC	BD								
Ball (reverse gearshifter shaft gate lock)-1/4"	353351-S(AA-9)	BA	BB	BC	BD								
Pin-roll-3/16" x 1"	305078-S(NN-109-D)	BA	BB	BC	BD								
Pin-roll-3/16" x 1 1/8"	305086-S(NN-108-A)	BA	BB	BC	BD								
PLUNGER (GEARSHIFTER LOCK)-3/8" dia. x 19/32" long	BB 7233	2	2	2	2								

**NOTICE:** When the parts list suffix is shown in the quantity required column, the quantity is one (1).

DESCRIPTION/RESTRICTIONS	PART NUMBER	TRANSMISSION PARTS LISTS 4BA THRU 4BM										
		BA	BB	BC	BD	BE	BF	BG	BH	BJ	BK	BL
<b>WARNER</b>												
<b>SPRING</b>												
	7234											
Gearshifter shaft lock plunger-9 coils-11/32" O.D. x 15/16" free length	BB 7234	2	2	2	2							
Reverse gearshifter shaft gate lock ball-1/4" O.D. x 13/16" free length	A8T 7234-A	BA	BB	BC	BD							
Third and high gearshifter shaft-≠Light Green-11/32" O.D. x 15/16" free length	C1TT 7234-D	BA	BB	BC	BD							
Ball (sliding gear tension spring)-steel-5/16" 3/8"	353081-S(AA-10)	BA										
Ball (sliding speed synchronizer hub spring)-3/8"	372720-S(AA-11)	BA										
Shifter shaft lock plunger		3	3									
Cotter pin-1/8"-1"	72035-S7-8(N-51)	BA	BB									
Pin (pivot to case)-roll-3/16" x 1 1/2"	353909-S8(NN-109)	BA										
<b>SHOE (REVERSE GEARSHIFTER ARM)</b>												
7235												
Pin (gearshifter lock plunger)-3/16" O.D. x 1/2" long	B7QH 7235-A	BA	BB	BC	BD							
<b>SHAFT (GEARSHIFTER)-Low and second gear</b>												
7240												
5/8" O.D. x 8 1/2" long	C8TZ 7240-E	BA	BB	BC	BD							
<b>SHAFT (GEARSHIFTER)-Third and high gear</b>												
7241												
5/8" O.D. x 8 3/8" long	C8TZ 7241-D	BA	BB	BC	BD							
<b>SHAFT (REVERSE GEARSHIFTER)</b>												
7242												
5/8" O.D. x 10 1/8" long	C8TZ 7242-D	BA	BB	BC	BD							
<b>ARM (GEARSHIFT)-Reverse</b>												
7243												
Clip (reverse shifter shoe)-1/2"	C8TZ 7243-A	BA	BB	BC	BD							
<b>SCREW (LOCK GEARSHIFTER GATE)-square head-drilled-3/8"-24 x 27/32"</b>												
7245												
Gearshifter fork	BB 7245	2										
PLUNGER (SHIFTER SHAFT GATE)-Reverse gear-1/2" O.D.	E4TZ 7247-A	BA	BB	BC	BD							
Washer (low and reverse shifter shaft)-gate plunger to gate-"C" type-5/32" opening x 1/32" thick	★ 358328-S	BA	BB	BC	BD							
<b>GATE (GEARSHIFTER SHAFT)-Low and second gear</b>												
7279												
Pin-roll-3/16" x 1"	C8TZ 7279-B	BA	BB	BC	BD							
Pin-roll-3/16" x 1 1/8"	305078-S(NN-109-D)	BA	BB	BC	BD							
Seal-3/4" I.D. x 7/8" O.D.	305086-S(NN-108-A)	BA	BB	BC	BD							
	87020-S93(T-14)	BA	BB	BC	BD							
<b>MAGNET</b>												
7E290												
SHOE (REVERSE GEARSHIFTING)-1 51/64" long	E0TZ 7E290-A	BA	BB	BC	BD							
"C" washer-11/16" I.D. x 7/16" gap	358311-S(GG-1)	BA	BB	BC	BD							
<b>SPACER (REVERSE IDLER GEAR BEARING)-Center-1 7/16" I.D. x 1 5/8" O.D.</b>												
7482												
	8MTH 7482	BA	BB	BC	BD							
<b>RACE (THRUST BEARING)</b>												
7E487												
2 1/2 O.D. x 1 21/32" I.D. with 1/8" lip	E0HZ 7E487-A		BB		BD							
<b>HOUSING (CLUTCH)</b>												
7505												
Bolt-9/16-12 x 1 3/4	C8TZ 7505-D		BB		BD							
Lockwasher-9/16"	58698-S2(B-131-A)		4		4							
WASHER (REVERSE IDLER GEAR BUSHING THRUST)-1 9/64" I.D. x 1 3/8" O.D. x 3/16" thick	34810-S7-8(X-69)		4		4							
	C9TZ 7728-A	2	2	2	2							
<b>SEALER (GASKET FORMING)</b>												
19562												
Silicone-2.8 oz. tube	E7TZ 19562-A	AR	AR	AR	AR							



DESCRIPTION/RESTRICTIONS	PART NUMBER	TRANSMISSION PARTS LISTS 5AA THRU 5AM												
		AA	AB	AC	AD	AE	AF	AG	AH	AJ	AK	AL	AM	
<b>NEW PROCESS</b>														
SEAL (OUTPUT SHAFT BEARING RETAINER-OIL)-#CR-526497-2 1/2" I.D. x 3 1/4" O.D. x 1/2" thick	D2TZ 4813-A	AA	AB	AC	AD	AE	AF	AG	AH					
CASE ASSY.-#99510	D0HZ 7005-G	AA	AB	AC	AD	AE	AF	AG	AH					
Plug (filler or drain)-socket head-3/4"-18	358048-S(PP-43)	AA	AB											
Plug (drain)-magnetic-square socket head-pipe-3/4"-14	353240-SA(PP-52)	AA	AB											
Plug (drain)-(fill), magnetic-pipe-square socket head-#B-3/4"-14	374506-S(PP-51)	AA	AB	2	2	2	2	2	2					
Bolt-hex. head-9/16"-12 x 2"	21062-S8(B-134)	2	2	2	2	2	2	2	2					
Stud-9/16"-12 and 9/16"-18 x 2 9/16"	354320-S(WW-57)	2	2	2	2	2	2	2	2					
Lockwasher-9/16"	34810-S7-8(X-69)	2	2	2	2	2	2	2	2					
Nut-hex. head-9/16"-18	33848-S7(M-70)	2	2	2	2	2	2	2	2					
<b>SHAFT (INPUT)</b>														
17 helical-24 clutch teeth-9 5/32" long	C2TZ 7017-E	AA		AC										
19 helical-24 clutch teeth-9 5/32" long	C2TZ 7017-C		AB		AD									
21 helical-24 clutch teeth-9 5/32" long	E2HZ 7017-F					AE		AG						
23 helical-24 clutch teeth-9 5/32" long	E2HZ 7017-G						AF		AH					
WASHER (MAIN SHAFT THRUST)-2 1/8" I.D. x 2 1/2" O.D. x 1/8" thick	D0HZ 7019-A	AA	AB	AC	AD	AE	AF	AG	AH					
BEARING (INPUT SHAFT)-#211SL-2 5/32" I.D. x 3 15/16" O.D. x 13/16" wide x 7/64" snap ring groove	TGAA 7025-A	AA	AB	AC	AD	AE	AF	AG	AH					
Snap Ring - 1/put Shaft Brg. front -- Use with 7118	B7T 7026-A	AA												
WASHER (REVERSE IDLER THP:IST)-5/16" I.D. x 2" O.D. x 1/16" thick	D2TZ 7029-A	AA	AB	AC	AD	AE	AF	AG	AH					
SNAP RING (OUTPUT SHAFT BEARING RETAINER)-2" I.D. x 7/64" thick	D0HZ 7030-A	3	3	3	3	3	3	3	3					
NUT (INPUT SHAFT)-special-2 3/4" O.D.-2 5/32"-20	B7T 7045-A	AA	AB	AC	AD	AE	AF	AG	AH					
RETAINER (INPUT BEARING)-3 9/16" flange I.D. x 5 1/8" flange O.D. x 4 1/8" overall length	B7T 7050-A	AA	AB	AC	AD	AE	AF	AG	AH					
Screw (input shaft bearing retainer to case)-with oil seal-hex. head-5/16"-18 x 3/4"	350673-S(BB-544)	4	4	4	4	4	4	4	4					
<b>GASKET</b>														
Input shaft bearing retainer	B7T 7051-B	AA	AB	AC	AD	AE	AF	AG	AH					
Countershaft front bearing retainer	C2TZ 7051-A	AA	AB	AC	AD	AE	AF	AG	AH					
<b>SNAP RING (SYNCHRONIZER HUB)</b>														
1 1/4" I.D. x 1 29/32" O.D. x .087" thick	D0HZ 7059-A	AR	AR	AR	AR	AR	AR	AR	AR					
1 1/4" I.D. x 1 29/32" O.D. x .090" thick	D0HZ 7059-B	AR	AR	AR	AR	AR	AR	AR	AR					
1 1/4" I.D. x 1 29/32" O.D. x .093" thick	D0HZ 7059-C	AR	AR	AR	AR	AR	AR	AR	AR					
1 1/4" I.D. x 1 29/32" O.D. x .096" thick	D0HZ 7059-D	AR	AR	AR	AR	AR	AR	AR	AR					
SHAFT (OUTPUT)-28-35 teeth-10 splines 16 5/8" long	D0HZ 7061-F	AA	AB	AC	AD	AE	AF	AG	AH					
Nut (main shaft)-rear-hex. lock-1 1/4"-18	372040-S(MM-177)	AA	AB	AC	AD	AE	AF	AG	AH					
BEARING (OUTPUT SHAFT REAR)-#309L-1 49/64" I.D. x 3 15/16" O.D. x 63/64" wide	TGAA 7065-A	AA	AB	AC	AD	AE	AF	AG	AH					
WASHER (OUTPUT SHAFT SECOND SPEED GEAR)-50 splines-2 3/4" O.D. x 1/4" thick	D0HZ 7069-A	AA	AB	AC	AD	AE	AF	AG	AH					
<b>SPACER (REAR COUNTERSHAFT)</b>														
Inner-2 1/16" I.D. x 2 7/16" O.D.	B9TZ 7072-A	AA	AB	AC	AD	AE	AF	AG	AH					
Outer-1 7/8" I.D. x 2 5/16" O.D. x 1/8" wide	B9TZ 7072-B	AA	AB	AC	AD	AE	AF	AG	AH					

1980/  
TRUCK SERIES 600/900

DESCRIPTION/RESTRICTIONS	PART NUMBER	TRANSMISSION PARTS LISTS 5AA THRU 5AM													
		AA	AB	AC	AD	AE	AF	AG	AH	AJ	AK	AL	AM		
<b>NEW PROCESS</b>															
<b>RETAINER ASSY. 7085</b>															
Countershaft rear-2 7/16"	D0HZ 7085-E	AA	AB	AC	AD	AE	AF	AG	AH						
Output shaft, use with E4HT 7004-FA,GA,HA,JA	E4HZ 7085-C					AE	AF								
Output shaft bearing-w/o trans. mounted parking brake	D6TZ 7085-L	AA	AB												
Output shaft bearing-w/trans. mounted parking brake	D6TZ 7085-K	AA	AB												
Output shaft	E7HZ 7085-P							AG	AH						
Stud-1/2"-13 and 1/2"-20 x 1 7/8"	88424-S2(W-32)	4	4												
Stud-1/2"-13 and 1/2"-20 x 1 3/4"	357599-S2(WW-51)	4	4	3	3	3	3	3	3						
Lockwasher-external tooth-1/2"	★ 34944-S	8	8												
Nut-hex. head-1/2"-20	33846-S8(MM-69)	4	4												
Bolt-hex. head-3/8"-16 x 3/4"	20348-S8(BB-77)	4	4	4	4	4	4	4	4	4	4				
Lockwasher-3/8"	34807-S8(X-66)	4	4	4	4	4	4	4	4	4	4				
<b>GASKET (OUTPUT SHAFT BEARING RETAINER) 7086</b>															
Cork .030" thick - use w/ DOTZ 7085-B, C8TZ 7085-K, and C8TZ 7085-M retainers	B9TZ 7086-A	AA	AB	AC	AD	AE	AF	AG	AH						
Rubber .011" thick - use w/ D6HZ 7085-H, D6TZ 7085-K and D6TZ 7085-L retainers	D0TZ 7086-A	AA	AB	AC	AD	AE	AF								
<b>FLANGE (OUTPUT SHAFT)-Also refer to Section 71 for Size chart 7089</b>															
<b>Note: ◇ Industry Number</b>															
# D3TA 7003-GA-6 5/32" long-10 splines-◇1410 or Q55	D3TZ 7089-G	AA	AB												
# D3TA 7003-HA-6 5/32" long-10 splines-◇1480	D3TZ 7089-H	AA	AB												
8" flange dia. x 1 3/4" spline dia. x 5 23/32" long-10 splines-◇6C	D0HZ 7089-B	AA	AB												
◇1480	E4HZ 7089-D							AG	AH						
GEAR (FIRST SPEED)-40 external-50 internal teeth	D0HZ 7100-H	AA	AB	AC	AD	AE	AF	AG	AH						
CLUTCH (SECOND and THIRD SPEED SYNCHRONIZER)-# C94468-28 clutch teeth-5 1/2" O.D.	C9TZ 7105-A	AA	AB												
28 clutch teeth-5 1/2" O.D.	E0HZ 7105-A			AC	AD	AE	AF	AG	AH						
<b>RING (SPEED SYNCHRONIZER) 7107</b>															
Second and third speed-outer blocking	C2TZ 7107-A	AA	AB	AC	AD	AE	AF	AG	AH						
Fourth and fifth speed-outer blocking	C2TZ 7107-B	2	2	2	2	2	2	2	2						
SNAP RING (OUTPUT SHAFT THIRD SPEED IDLER GEAR)	C9TZ 7109-A	2	2												
	E0HZ 7109-A			3	3	3	3	3	3						
<b>GEAR (COUNTERSHAFT CLUSTER) 7113</b>															
20-19-13 teeth	D0HZ 7113-F	AA		AC		AE		AG							
20-20-13 teeth	D0HZ 7113-E		AB		AD		AF		AH						
Key-countershaft	376717-S(LL-7C)	AA	AB	AC	AD	AE	AF	AG	AH						
Pin roll - - 7/64" O.D. x 3/4" long	67554-S7(N-101-D)	AA	AB	AC	AD	AE	AF	AG	AH						
Pin roll - - 3/16" O.D. x 3/4" long	67557-S(N-101-E)	AA	AB	AC	AD	AE	AF	AG	AH						
SNAP RING (INPUT SHAFT BEARING ROLLER RETAINER WASHER)-1 9/16" I.D. x 1 3/4" O.D. x .012" gap	B7T 7117-A	AA	AB	AC	AD	AE	AF	AG	AH						
ROLLER (INPUT SHAFT PILOT BEARING)-# Q15902-9/32" O.D. x 11/16" long (set consists of 14 roller)	B7T 7118-A	1 set	1 set	1 set	1 set	1 set	1 set	1 set	1 set						
Countershaft cluster gear rear bearing		1 set	1 set	1 set	1 set	1 set	1 set	1 set	1 set						
Washer (input shaft pilot bearing roller retaining)-1 1/4" I.D. x 1 41/64" O.D. x 1/6" thick	370288-S(XX-275)	AA	AB	AC	AD	AE	AF	AG	AH						

NOTICE: When the parts list suffix is shown in the quantity required column, the quantity is one (1).

DESCRIPTION/RESTRICTIONS	PART NUMBER	TRANSMISSION PARTS LISTS 5AA THRU 5AM												
		AA	AB	AC	AD	AE	AF	AG	AH	AJ	AK	AL	AM	
<b>NEW PROCESS</b>														
BEARING (COUNTERSHAFT)-Front-#1208L	C2TZ 7118-A	AA	AB	AC	AD	AE	AF	AG	AH					
WASHER (COUNTERSHAFT)-Front	C2TZ 7119-A	AA	AB	AC	AD	AE	AF	AG	AH					
BEARING (REVERSE IDLER)	7120													
Front-#B1412	C2TZ 7120-B	AA	AB	AC	AD	AE	AF	AG	AH					
Rear - - #B1816	C2TZ 7120-A	AA	AB	AC	AD	AE	AF	AG	AH					
SYNCHRONIZER ASSY. (FOURTH AND FIFTH)#99828	D5HZ 7124-B	AA	AB	AC	AD	AE	AF	AG	AH					
Third and fourth	D4HZ 7124-A	AA	AB	AC	AD	AE	AF	AG	AH					
RETAINER (COUNTERSHAFT FRONT BEARING)-(6) 11/32" holes-4 1/2" O.D.	D0HZ 7135-B	AA	AB	AC	AD	AE	AF	AG	AH					
Bolt (countershaft front retainer)-hex. head- 5/16"-18 x 3/4"	20346-S8(B-50)	6	6	6	6	6	6	6	6					
Lockwasher-5/16"	34806-S7(X-64)	6	6	6	6	6	6	6	6					
GEAR (THIRD SPEED COUNTERSHAFT)	7137													
27 teeth	C2TZ 7137-B	AA		AC										
29 teeth	C2TZ 7137-A		AB		AD									
27 teeth	E2HZ 7137-A					AE		AG						
30 teeth	E2HZ 7137-B						AF		AH					
GEAR ASSY. (REVERSE IDLER)-Incl. shaft	C2TZ 7141-A	AA	AB	AC	AD	AE	AF	AG	AH					
GEAR (COUNTERSHAFT FOURTH SPEED)	7144													
34 teeth	C2TZ 7144-B	AA		AC										
36 teeth	C2TZ 7144-A		AB		AD									
40 teeth	E2HZ 7144-B					AE		AG						
42 teeth	E2HZ 7144-A						AF		AH					
BEARING (REVERSE IDLER ROLLER)- #NTA815	C2TZ 7145-A	AA	AB	AC	AD	AE	AF	AG	AH					
GASKET SET	C2TZ 7153-A	AA	AB	AC	AD	AE	AF	AG	AH					
RETAINER (REVERSE IDLER GEAR)	7155													
1 3/8" I.D. x 1 3/4" O.D. x 2 5/32" long	D0HZ 7155-C	AA	AB	AC	AD	AE	AF	AG	AH					
Lock plate (countershaft and reverse idler shaft)	7EQ 7155	AA	AB	AC	AD	AE	AF	AG	AH					
Bolt-hex. head-3/8"-16 x 5/8"	20328-S8(B-76)	AA	AB											
Lockwasher-3/8"	34807-S8(X-66)	AA	AB											
Screw & washer-Reverse Idler-3/8" 16 x 1/2"	383481-S2(BB-545-EU)			AC	AD	AE	AF	AG	AH					
GEAR (OUTPUT SHAFT FOURTH SPEED)	7158													
23 helical, 24 clutch teeth	D0HZ 7158-F	AA		AC										
21 helical, 24 clutch teeth	D0HZ 7158-H		AB		AD									
27 helical, 24 clutch teeth	E2HZ 7158-C					AE		AG						
24 helical, 24 clutch teeth	E2HZ 7158-B						AF		AH					
SHIM (OUTPUT SHAFT FOURTH SPEED GEAR)	7160													
.010" thick	B7T 7160-A	AR	AR	AR	AR	AR	AR	AR	AR					
.015" thick	B7T 7160-B	AR	AR	AR	AR	AR	AR	AR	AR					
COVER (POWER TAKE-OFF)-(6) holes- 6 1/4" long x 4 7/8" wide	BB 7165	2	2	2	2	2	2	2	2					
Bolt (cover to case)-hex. head-3/8"- 16 x 5/8"	20328-S8(B-76)	12	12											
Lockwasher-3/8"	34807-S8(X-66)	12	12											
Screw & washer-P.T.O. Cover-3/8-16" x 1/2"	383481-S2(BB-545-EU)			12	12	12	12	12	12					
GASKET (POWER TAKE-OFF COVER)- (6) 13/32" holes-6 1/4" x 4 7/8" x 1/64" thick	E7HZ 7166-A	2	2	2	2									
RING and PINS (SYNCHRONIZER)	7174													
Second speed	C9TZ 7174-A	AA	AB											
Second speed	E0HZ 7174-A			AC	AD	AE	AF	AG	AH					

1980/  
TRUCK SERIES 600/900

DESCRIPTION/RESTRICTIONS	PART NUMBER	TRANSMISSION PARTS LISTS 5AA THRU 5AM												
		AA	AB	AC	AD	AE	AF	AG	AH	AJ	AK	AL	AM	
<b>NEW PROCESS</b>														
RING and PINS (SYNCHRONIZER)	7174 — Cont'd													
Third speed	E0HZ 7174-B			AC	AD	AE	AF	AG	AH					
Third speed	C9TZ 7174-B	AA	AB											
#C97988-fourth and fifth speed synchronizer	D0HZ 7174-A	2	2											
GEAR (OUTPUT SHAFT SECOND SPEED)	7176													
Incl. bushing	D0HZ 7176-D	AA		AC		AE		AG						
Incl. bushing	D0HZ 7176-E		AB		AD		AF		AH					
GEAR (COUNTERSHAFT DRIVE)	7177													
40 teeth	C2TZ 7177-B	AA		AC										
38 teeth	C2TZ 7177-A		AB		AD									
50 teeth	E2HZ 7177-C					AE		AG						
47 teeth	E2HZ 7177-B						AF		AH					
GASKET (OUTPUT SHAFT BEARING RETAINER)	B7T 7181-A	AA	AB	AC	AD	AE	AF	AG	AH					
GEAR (FOURTH AND FIFTH SPEED SYNCHRONIZER GEAR)-24 external-35 internal teeth	D0HZ 7183-A	AA	AB	AC	AD	AE	AF	AG	AH					
SLEEVE (FOURTH and FIFTH SPEED SYNCHRONIZER GEAR SLIDING)-24 teeth-5 3/8" dia.	D0HZ 7187-A	AA	AB	AC	AD	AE	AF	AG	AH					
BUSHING (OUTPUT SHAFT)-Second speed gear-2 1/4" dia. x 1 1/2" wide	D0HZ 7193-E	AA	AB	AC	AD	AE	AF	AG	AH					
GEAR (OUTPUT SHAFT THIRD SPEED IDLER)	7196													
30 helical, 28 clutch teeth	D0HZ 7196-A	AA		AC										
27 helical, 28 clutch teeth	D0HZ 7196-B		AB		AD									
30 helical, 28 clutch teeth	E2HZ 7196-B					AE		AG						
27 helical, 28 clutch teeth	E2HZ 7196-A						AF		AH					
WASHER (COUNTERSHAFT RETAINER)-41/64" I.D. x 2" O.D. x 1/4" thick	* D0HZ 7198-A N/R (5/90)	AA	AB	AC	AD	AE	AF	AG	AH					
SPRING (LOW and REVERSE GATE PLUNGER)-1/2" I.D. x 1 9/16" free length	7EQ 7219	2	2	2	2	2	2	2	2					
TRUNNION (GEARSHIFT HOUSING)-5/16" dia. one end x 1/4" dia. other end-13/16" long	D2TZ 7221-A	2	2	2	2	2	2	2	2					
HOUSING ASSY. (GEAR SHIFT)-approx. 6 1/16" high	D2TZ 7222-E	AA	AB			AE	AF	AG	AH					
Approx. 7 1/16" high	E0HZ 7222-A			AC	AD	AE	AF	AG	AH					
Bolt (gearshift housing)-hex. head shoulder-3/8"-16 x 1 1/8"	370285-S(BB-442)	2	2	2	2	2	2	2	2					
Lockwasher-3/8"	34807-S8(X-66)	2	2											
Lock pin (rail and fork)-spring-7/32" x 1 1/8"	370286-S(NN-110)	7	7	7	7	7	7	7	7					
Plug-Interlock-29/64" dia.	370287-S(PP-65)			AC	AD	AE	AF	AG	AH					
Plug (housing shifter shaft)-expansion-7/8"	74115-S(P-4)	4	4	4	4	4	4	4	4					
GASKET (GEARSHIFT HOUSING)	B7T 7223-A	AA	AB	AC	AD	AE	AF	AG	AH					
SPRING (SHIFT COVER)	7227													
	B8T 7227-A	AA	AB	AC	AD	AE	AF	AG	AH					
FORK (GEARSHIFTER-FOURTH and FIFTH SPEED)	C2TZ 7230-A	AA	AB	AC	AD	AE	AF	AG	AH					
FORK (GEARSHIFTER-LOW GEAR)	C2TZ 7231-A	AA	AB	AC	AD	AE	AF	AG	AH					
GATE (GEARSHIFTER SHAFT-LOW and REVERSE GEAR)	B7T 7232-B	2	2	2	2	2	2	2	2					
Washer (low and reverse shifter shaft gate)	356957-S(XX-14)	2	2	2	2	2	2	2	2					

NOTICE: When the parts list suffix is shown in the quantity required column, the quantity is one (1).

DESCRIPTION/RESTRICTIONS	PART NUMBER	TRANSMISSION PARTS LISTS 5AA THRU 5AM												
		AA	AB	AC	AD	AE	AF	AG	AH	AJ	AK	AL	AM	
<b>NEW PROCESS</b>														
SPRING (POPPET)	B7T 7234-A	4	4	4	4	4	4	4	4					
PIN (GEARSHIFTER SHAFT LOCK PLUNGER)-7/32" O.D. x 5/8" long	7EQ 7235	2	2	2	2	2	2	2	2					
SHAFT (GEARSHIFTER-LOW GEAR)	C2TZ 7240-A	AA	AB	AC	AD	AE	AF	AG	AH					
SHAFT (GEARSHIFTER-SECOND and THIRD GEAR)	C2TZ 7241-A	AA	AB	AC	AD	AE	AF	AG	AH					
SHAFT (GEARSHIFTER-REVERSE)-9 21/32" long	B7T 7242-A	AA	AB	AC	AD	AE	AF	AG	AH					
ARM (GEARSHIFT-REVERSE FORK)	C2TZ 7243-A	AA	AB	AC	AD	AE	AF	AG	AH					
PLUNGER (SHIFTER SHAFT GATE-LOW and REVERSE GEAR)-2 3/32" overall length	B7T 7247-A	2	2	2	2	2	2	2	2					
BOOT (SHIFT LEVER)	7277													
GATE (GEARSHIFTER SHAFT-SECOND and THIRD GEAR)	B8T 7277-A	AA	AB	AC	AD	AE	AF	AG	AH					
	B7T 7279-A	AA	AB	AC	AD	AE	AF	AG	AH					
FORK (GEARSHIFTER-SECOND and THIRD)-5 1/64" inside width	B7T 7289-A	AA	AB	AC	AD	AE	AF	AG	AH					
MAGNET	E0TZ 7E290-A	AA	AB	AC	AD	AE	AF	AG	AH					
SHAFT (GEARSHIFTER-FOURTH and FIFTH GEAR)-9 11/32" long	B7T 7334-A	AA	AB	AC	AD	AE	AF	AG	AH					
BEARING & GASKET OVERHAUL KIT	★ D4HZ 7C391-B r/b 9264-T-29B	AA	AB	AC	AD									
BOLT (REAR MAINSHAFT RETAINER)	7E423													
1/2-13 x 1 3/8 Long Self locking	E4HZ 7E423-A					4	4	4	4					
INSERT (SHIFT FORK-FOURTH and FIFTH)	C2TZ 7C430-A	2	2	2	2	2	2	2	2					
RACE (REVERSE IDLER BEARING THRUST)	C2TZ 7482-A	AA	AB	AC	AD	AE	AF	AG	AH					
"O" RING (REVERSE IDLER RETAINER)	B9QH 12143-A	AA	AB	AC	AD	AE	AF	AG	AH					
Ball-poppet-7/16"	353086-S	10	10	10	10	10	10	10	10					
SEALER (GASKET FORMING)	19562													
Silicone-2.8 oz. tube	E7TZ 19562-A	AR	AR	AR	AR	AR	AR	AR	AR					

1980/  
TRUCK SERIES 600/900

DESCRIPTION/RESTRICTIONS	PART NUMBER	TRANSMISSION PARTS LISTS 5BA THRU 5BM												
		BA	BB	BC	BD	BE	BF	BG	BH	BJ	BK	BL	BM	
<b>CLARK/FULLER</b>														
BEARING-input shaft-4 23/32" O.D.- 2 35/64" I.D.	C1TT 4561-A		BB	BC										
Bearing cup-maindrive gear	C7AZ 4628-A		BB	BC	BD	BE	BF	BG		BJ	BK			BM
Bearing Cone-Main Drive Gear	C7AZ 4630-A				BD	BE	BF	BG		BJ	BK			BM
SEAL (OUTPUT SHAFT BEARING RETAINER OIL)	4813													
#CR-526497-2 1/2" I.D. x 3 1/4" O.D .x 1/2" thick Use on E3HT 7003-UA,VA on List "BG"	D2TZ 4813-A	BA					BF	BG	BH				BL	BM
#CR-526499, 541849-2 3/4" I.D. x 3 35/64" O.D .x 1/2" thick	D2TZ 4813-B		BB	BC	BD	BE		BG		BJ	BK			
CASE ASSY.	7005													
	C9TZ 7005-A	BA							BH				BL	
#235398	D6HZ 7005-A		BB	BC	BD	BE				BJ	BK			
#237744	D9HZ 7005-A						BF	BG						BM
Bolt (case to clutch housing)-9/16"-12 x 2"	21062-S8(B-134)	2	2	2	2	2	2						2	2
Nut (case to clutch housing stud)-9/16"-18	33848-S7(M-70)	2	2	2	2	2	2	2	2				2	2
Plug (filler or drain)-extended head-3/4"	353051-S(PP-32)	BA					BF	BG	BH	BJ	BK	BL		
Plug (filler) square socket head pipe 3/4"-14"	358048-S(P8-43)		BB	BC	BD	BE	BF	BG	BH	BJ	BK	BL	BM	
Plug (filler)-pipe-extended head-1"	353069-S(PP-46)	BA	BB	BC	BD	BE	BF	BG	BH				BL	
Plug (drain)-magnetic-square socket head-pipe-3/4"-14	353240-SA(PP-52)	BA	BB	BC	BD	BE	BF	BG					BL	
Plug (drain)-magnetic-square socket head-pipe #B-3/4"-14	374506-SA(PP-51)	BA					BF	BG					BL	
PIPE (DRAIN MAGNETIC)-4" long-3/4" pipe thread-(3) ceramic magnets	C4TZ 7A010-A	BA	BB	BC	BD	BE	BF	BG	BH	BJ	BK	BL	BM	
SLINGER (COUNTERSHAFT OIL)	7C016													
1 25/32" I.D. x 3 7/16" O.D. x 3/32" thick	D6HZ 7C016-B	2	BB	BC	BD	BE	BF			2	BJ	BK	2	
SHAFT (INPUT)	7017													
22 helical teeth-25 clutch teeth-10 splines-9 15/32" long, use with E3HT 7004-YA,ZA,AAA,ABA"List BL"	C8TZ 7017-A	BA											BL	
22 helical teeth-25 clutch teeth-10 splines-12 63/64" long, use with E3HT 7003-BSA,BTA,BUA,BVA"List BL"	D2TZ 7017-A	BA							BH				BL	
24 helical teeth-25 clutch teeth-10 splines-9 15/32" long-use with D3TZ 7004-C, E0HT 7004-LA	C8TZ 7017-B	BA							BH					
17 helical-25 clutch teeth-10 splines-12 1/2 long -- Use on E1HT 7004-AA "List BK"	D6HZ 7017-A			BC									BK	
17 helical-25 clutch teeth-10 splines-13" long -- Use on E1HT 7003-BZA "List BJ"	D6HZ 7017-B				BD					BJ				
19 helical-25 clutch teeth-10 splines-12 1/2 long -- Use on E1HT 7004-BA "List BK"	D6HZ 7017-C		BB										BK	
19 helical-25 clutch teeth-10 splines-13" long -- Use on E1HT 7003-CAA "List BJ"	D6HZ 7017-D					BE				BJ				
21 helical teeth-25 clutch teeth-10 splines 9 15/32" long-use with E3HT 7004-ACA,ADA, AEA,AFA on "List BM"	D9HZ 7017-A						BF							BM
21 helical teeth-25 clutch teeth-10 splines 13" long-use with E3HT 7003-BYA,BZA, CAA,CBA on "List BM"	E0HZ 7017-A							BG						BM
SNAP RING (BEARING)	7030-See 7059													

NOTICE: When the parts list suffix is shown in the quantity required column, the quantity is one (1).

DESCRIPTION/RESTRICTIONS	PART NUMBER	TRANSMISSION PARTS LISTS 5BA THRU 5BM												
		BA	BB	BC	BD	BE	BF	BG	BH	BJ	BK	BL	BM	
<b>CLARK/FULLER</b>														
Washer (Output Shaft Rear Bearing Split)	D6HZ 7030-B		2	2	2	2				2	2			
Ring (Output Shaft Rear Bearing Retainer Washer) 2 3/4" I.D. x 3 3/8" O.D. x 17/64" thick	D6HZ 7030-A		BB	BC	BD	BE				BJ	BK			
RETAINER (REVERSE PLUNGER RETAINING SPRING)-3/4"-14 inci. rubber washer 1"-14 thd.	D3TZ 7032-A	BA	BB	BC	BD	BE	BF	BG	BH	BJ	BK			
SEAL ASSY. (INPUT SHAFT OIL)-#520269-C.R.-1 3/4" I.D. x 2 1/2" O.D. x 5/16" thick	E3HZ 7032-A												BL	BM
	C8TZ 7048-A	BA							BH				BL	
RETAINER (INPUT SHAFT BEARING)	7050													
4 1/8" long x 5 1/8" O.D. of flange x 1 3/4" hub O.D., use with E3HT 7004-YA,ZA,AAA,ABA>List BL"	C8TZ 7050-A	BA											BL	
7 1/4" long x 5 1/8" O.D. of flange x 1 15/16" hub O.D., use with E3HT 7003-BSA,BTA,BUA,BVA>List BL"	C8TZ 7050-D								BH				BL	
6 15/16" long-7 7/32" O.D. of flange 1 9/16" hub O.D.	D6HZ 7050-B		BB	BC	BD	BE				BJ	BK			
4 13/16" long-use with E3HT 7004-ACA, ADA,AEA,AFA list "BM"	D9HZ 7050-A						BF							BM
6 13/64" long-use with E3HT 7003-BYA, BZA,CAA,CBA list "BM"	E0HZ 7050-A							BG						BM
Bolt (retainer to case) with oil seal hex. head-5/16"-18 x 3/4"	350673-S(BB-544)	4					4		4				4	4
Bolt (retainer to case) - Hex hd. 3/8" - 16 x 1"	20326-S8(B-53)		4	4	4	4	4	4	4					4
Lockwasher-5/16"	34806-S7(X-64)	4	4	4	4	4	4	4	4				4	4
Screw (input bearing cap) 5/16 - 18 x 51/64" long	350329-S2(BB-140)											4	4	
GASKET (INPUT SHAFT BEARING RETAINER)	7051													
.010" thick-serviced only in kit C8TZ 7153-A	★ 7EQ 7051	BA							BH				BL	
.010" thick	D6HZ 7051-C		AR	AR	AR	AR				AR	AR			
5 3/32" O.D. x 3 31/32" I.D. x .004" thick	D9HZ 7051-A		AR	AR	AR	AR	AR	AR	AR	AR	AR			AR
5 3/32" O.D. x 3 31/32" I.D. x .007" thick	D9HZ 7051-B		AR	AR	AR	AR	AR	AR	AR	AR	AR			AR
5 3/32" O.D. x 3 31/32" I.D. x .010" thick	D9HZ 7051-C						AR	AR						AR
5 3/32" O.D. x 3 31/32" I.D. x .020" thick	D9HZ 7051-D						AR	AR						AR
SNAP RING (OUTPUT SHAFT)	7059													
Fourth speed gear retaining-1 25/32" I.D. x 3/32" thick	B3Q 7059-A	BA	BB	BC	BD	BE	BF	BG	BH	BJ	BK	BL	BM	
Countershaft		BA	BB	BC	BD	BE	BF	BG	BH	BJ	BK	BL	BM	
Input shaft bearing		BA							BH			BL		
Ring (Input Shaft Pilot Bearing Retainer) - 1 7/8" O.D.	D6HZ 7059-A		BB	BC	BD	BE	BF	BG		BJ	BK			BM
SHAFT (OUTPUT)	7061													
17 11/16" long-10-6-10 splines 10 grooves	C8TZ 7061-B	BA							BH				BL	
19 " long 26-35 teeth 10 splines 10 grooves-r/b Model Mat 91003	★ D6HZ 7061-A		BB	BC	BD	BE								
19 1/64" long - 26-35-30 teeth 10 spline	E9HZ 7061-D									BJ	BK			
17 5/8" long-10-6-10 splines #237736	D9HZ 7061-A						BF	BG						BM
Nut (flange to shaft)-hex. lock 1 1/4"-18 x 2" O.D.	372040-S(MM-177)	BA					BF	BG					BL	BM
Nut (flange to shaft)-hex. lock-1 1/4"-18-2 1/4" across flats	371000-S(MM-179)		BB	BC	BD	BE	BF	BG	BH	BJ	BK			

1980/  
TRUCK SERIES 600/900

DESCRIPTION/RESTRICTIONS	PART NUMBER	TRANSMISSION PARTS LISTS 5BA THRU 5BM												
		BA	BB	BC	BD	BE	BF	BG	BH	BJ	BK	BL	BM	
<b>CLARK/FULLER</b>														
Washer (Input Shaft Pilot Bearing) - 1 3/8" I.D.-	D6HZ 7063-A		BB	BC	BD	BE	BF	BG		BJ	BK		BL	BM
SNAP RING (FOURTH and FIFTH SPEED HUB SLEEVE)-1 1/2" I.D. x 1 7/8" O.D. x 3/32" thick	C8TZ 7064-A	BA								BH				BL
BEARING (OUTPUT SHAFT)-rear-(8) balls- #N309L or MRC 309SG2-1 3/4" I.D. x 3 15/16" O.D. x 13/16" thick	C4TZ 7065-C	BA								BH				BL
Countershaft-rear		BA								BH				BL
Input shaft		BA								BH				BL
Bearing Cone (Output Shaft Rear)	D6HZ 7065-A		BB	BC	BD	BE					BJ	BK		
Cone-output shaft rear	D9HZ 7065-A						BF	BG						BM
#25584														
WASHER (OUTPUT SHAFT SECOND SPEED GEAR)	7069													
6 splines-2 7/8" O.D. x 3/16" thick	C8TZ 7069-A	BA						BF	BG	BH				BL BM
SPACER (OUTPUT SHAFT REAR BEARING)	7072													
1 3/4" I.D. x 2 1/8" O.D. x 7/8" thick	B9Q 7072-A	BA												
RETAINER ASSY. (OUTPUT SHAFT BEARING)	7085-Also Refer to Sec. 71													
3 7/16" long-(4) 17/32" and (4) 1/2" holes- Use w/threaded speedo cable, 9" x 3" or 10" x 3" pkg. brake	D6TZ 7085-K	BA												BL
4" long-6" square flange	D6HZ 7085-H	BA												
1 15/16" long (4) 17/32" holes-use with spring oper. pkg. brake	D6TZ 7085-L	BA						BF	BG	BH				BL
W/air brakes	D6HZ 7085-B		BB	BC	BD	BE								
use w/12" x 4" trans. mounted brake	D6HZ 7085-C		BB	BC	BD	BE								
use w/9" x 3" or 10" x 3" trans. mounted brake	D6HZ 7085-D		BB	BC	BD	BE								
Stud 1/2"-13 x 1/2"-20 x 2" long	352563-S (WW-52)		4	4	4	4								
GASKET (OUTPUT SHAFT BEARING RETAINER)	7086													
.030" thick - cork	B9TZ 7086-B	BA												
use w/D0TZ 7085-B, C8TZ 7085-K and C8TZ 7085-M retainers														
.011" thick-rubber-use w/ D6HZ 7085-H,D6TZ 7085-K,C, and D6TZ 7085-L retainers	D0TZ 7086-A	BA						BF	BG					BL
	D6TZ 7086-A		BB	BC	BD	BE					BJ	BK		

NOTICE: When the parts list suffix is shown in the quantity required column, the quantity is one (1).



DESCRIPTION/RESTRICTIONS	PART NUMBER	TRANSMISSION PARTS LISTS 5BA THRU 5BM												
		BA	BB	BC	BD	BE	BF	BG	BH	BJ	BK	BL	BM	
<b>CLARK/FULLER</b>														
FLANGE (OUTPUT SHAFT)-Also refer to group in Section 71 for Size chart	7089													
Note:           ◇ Industry Number														
3 1/16" long-w/auxiliary-◇6C	B9Q 7089-A	BA												
4 13/16" long-(w/o auxiliary)-◇6C	B9QH 7089-B	BA												
#D3TA 7089-GA-6 5/32" long-10 splines-◇1410 or 055	D3TZ 7089-G	BA												
#D3TA 7089-HB-6 5/32" long-10 splines-◇1480	D3TZ 7089-H	BA												
#D3TA 7089-EA-5 25/32" long-10 splines-◇6C	D3TZ 7089-E	BA												
#C8TA 7089-B-3 55/64" long - 10 splines - (F600 4x4)	C8TZ 7089-B	BA												
6 3/16" long-◇7C	B8QH 7089-B		BB	BC	BD	BE								
#C8TA 7089-D - - 5 17/32" long 10 splines - ◇6C	C8TZ 7089-D		BB	BC										
#D3TA 7089-FA-5 25/32" long-10 splines-◇6C	D3TZ 7089-F		BB	BC	BD	BE								
4 7/64" long-10 splines-◇7C	B8QH 7089-D		BB	BC	BD	BE								
#24059-J-4 7/64" long-10 splines-◇7C	C8HZ 7089-D		BB	BC	BD	BE								
#5-5091 - w/o aux. trans. ◇1610	D4HZ 7089-C		BB	BC	BD	BE								
Bearing (Fourth and Fifth Shift Hub)-1 1/2" I.D. x 2 11/64" O.D. 27 Rollers	D6HZ 7C096-A		BB	BC	BD	BE	BF	BG			BJ	BK		BM
<b>GEAR (LOW and REVERSE SLIDING) 7100</b>														
41 teeth-6 splines-7 1/2" O.D. x 1 15/16" thick	C8TZ 7100-A	BA									BH			BL
Output shaft first speed,26-28 teeth 26-28 teeth - - use on E1HT 7003-BZA on "List BJ", E1HT 7004-AA "List BK"	D6HZ 7100-A			BC	BD							BJ	BK	
26-37 teeth-use on E1HT 7003-CAA on "list BJ" E1HT 7004-BA on "list BK"	D6HZ 7100-B		BB			BE						BJ	BK	
39 teeth-6 splines-#237737	D9HZ 7100-A						BF	BG						BM
<b>GEAR (OUTPUT SHAFT) 7103</b>														
Second speed idler - 26 internal - 38 external teeth - 6 1/2" O.D. x 1 9/32" thick	C8TZ 7103-A	BA					BF	BG	BH					BL BM
Second speed - 26-36 teeth- 2 9/16" I.D. x 6 1/2" O.D. x 1 7.8" wide	D6HZ 7103-A		BB	BC	BD	BE						BJ	BK	
Second and third speed-26 external teeth- 6 internal splines-3 3/8" O.D. x 1" thick	C8TZ 7103-B	BA					BF	BG	BH					BL BM
Ball-3/16"	371350-S(AA-4)	BA	BB	BC	BD	BE	BF				2	2	BL	BM
HUB (FIRST and REVERSE)- 26 teeth-3 1/8" I.D. x 4 7/16" O.D. x 31/32" wide	D6HZ 7106-A		BB	BC	BD	BE						BJ	BK	
<b>RING (OUTPUT SHAFT BLOCKING) 7107</b>														
Third synchro-5 1/2" O.D. -26 teeth- 35/64" thick x 5 1/2" O.D.-26 teeth-35/64" thick	C8TZ 7107-A	BA	BB	BC	BD	BE	BF	BG	BH	BJ	BK	BL	BM	
Fourth and fifth synchro-5" O.D.-12 spline teeth-9/16" thick	C8TZ 7107-B	2	2	2	2	2	2	2	2	2	2	2	2	2

1980/  
TRUCK SERIES 600/900

DESCRIPTION/RESTRICTIONS	PART NUMBER	TRANSMISSION PARTS LISTS 5BA THRU 5BM												
		BA	BB	BC	BD	BE	BF	BG	BH	BJ	BK	BL	BM	
<b>CLARK/FULLER</b>														
Washer (First and Reverse Shift Split)	D6HZ 7109-A		2	2	2	2					2	2		
STOP (REVERSE LATCH PLUNGER)	7A112													
	E3HZ 7A112-A												BL	BM
<b>GEAR (COUNTERSHAFT CLUSTER) 7113</b>														
32-19-12 teeth-15 3/8" long	C8TZ 7113-A	BA								BH			BL	
24-18-11 teeth x 15 21/32" long use on E1HT 7003-BZA on "list BJ" E1HT 7004-AA on "list BK"	D6HZ 7113-A			BC	BD						BJ	BK		
25-18-10 teeth x 15 21/32" long use on E1HT 7003-CAA on "list BJ" E1HT 7004 BA on "list BK"	D6HZ 7113-B		BB			BE					BJ	BK		
32-19-11 teeth-15 35/64" long	D9HZ 7113-A						BF	BG						BM
Key (countershaft constant mesh third and fourth speed gears)-woodruff-1 1/4" x 5/16"	★ 74189-S	3					3						3	3
<b>WASHER (OUTPUT SHAFT THIRD SPEED GEAR THRUST) 7117</b>														
1 13/16" I.D. x 2 3/4" O.D. x 1/4" thick	C8TZ 7117-A	BA					BF	BG	BH				BL	BM
Reverse gear bearing- 2 9/32" I.D. x 2 1/2" O.D. x 3/32" thick	D6HZ 7117-A		2	2	2	2					2	2		
Second gear bearing			2	2	2	2					2	2		
Third gear bearing											2	2		
First gear bearing-2 1/16" I.D. x 2 5/16" O.D. x 3/32" thick	D6HZ 7117-C		2	2	2	2					2	2		
Washer (Output Shaft Third Gear Locating) - 1 25/32" I.D. x 2 3/4" O.D. x 1/4" thick, r/b Mat 91004	★ D6HZ 7117-B		BB	BC	BD	BE								
Third gear thrust - 2 7/8" O.D. x 1 13/16" I.D. x 9/32" thick	E9HZ 7117-B										BJ	BK		
Fourth gear spacer - 1 13/16" O.D. x 1 9/16" I.D. x 7/64 thick	E1HZ 7117-B										BJ	BK		
<b>BEARING 7118</b>														
Countershaft gear pilot - front - #MY28161-1 3/4" I.D. x 2 1/8" O.D. x 1" long	C8TZ 7118-C	BA					BF	BG	BH				BL	BM
Reverse gear - 5/32" O.D. x 21/32" long	D6HZ 7118-A		96	96	96	96					96	96		
First gear			88	88	88	88					88	88		
Second gear			96	96	96	96					96	96		
Third gear											68	68		
Fourth gear														
Pilot - 5/16" O.D. x 51/64" long	D6HZ 7118-C	14	14	14	14	14	14	14	14	14	14	14		14
Bearing (Countershaft Front) - 2 1/8" I.D. x 2 5/8" O.D. x 1" wide	D6HZ 7118-B		BB	BC	BD	BE					BJ	BK		
<b>BEARING 7120</b>														
Output shaft pilot-#2CE8821	C4TZ 7120-B	BA								BH			BL	
Reverse idler pilot-#J361644-1 1 1/8" I.D. x 1 5/8" O.D. x 3/8" long	7EQ 7120	2					2	2	2				2	2
<b>SYNCHRONIZER ASSY. 7124</b>														
Second and third	E3HZ 7124-D	BA	BB	BC	BD	BE	BF	BG	BH	BJ	BK	BL	BM	
Fourth and fifth speed	E3HZ 7124-C	BA	BB	BC	BD	BE	BF	BG	BH	BJ	BK	BL	BM	

NOTICE: When the parts list suffix is shown in the quantity required column, the quantity is one (1).

DESCRIPTION/RESTRICTIONS	PART NUMBER	TRANSMISSION PARTS LISTS 5BA THRU 5BM											
		BA	BB	BC	BD	BE	BF	BG	BH	BJ	BK	BL	BM
<b>CLARK/FULLER</b>													
BEARING (COUNTERSHAFT GEAR)	7127												
1 49/64" I.D. x 3 15/16" O.D. x 15/16" wide	D6HZ 7127-A		BB	BC	BD	BE					BJ	BK	
3 15/16" O.D. x 1 49/64" I.D. x 31/32" wide	D9HZ 7127-A						BF	BG					BM
SHAFT (REVERSE IDLER GEAR)	7140												
5 11/32" long	7EQ 7140	BA	BB	BC	BD	BE	BF	BG	BH	BJ	BK	BL	BM
GEAR (REVERSE IDLER)	7142												
20 and 15 teeth-2 7/8" long	C8TZ 7142-A	BA							BH			BL	
20-14 teeth-2 53/64" long, #235126	D9HZ 7142-A						BF	BG					BM
11-19 teeth-3 5/16" O.D. x 3 17/32" long	D6HZ 7142-B		BB	BC	BD	BE				BJ	BK		
Gear (Output Shaft Reverse)-30-26 teeth-	D6HZ 7142-A		BB	BC	BD	BE				BJ	BK		
2 9/16" I.D. x 7 9/16" O.D. x 1 9/16" long													
GEAR (COUNTERSHAFT FOURTH SPEED)	7144												
2 3/8" long-39 teeth-5 3/4" O.D.-use with D3TZ 7004-A, D9HT 7004-BA, EOHT 7003-EA,ACA, EOHT 7004-NA, EOHT 7003-AEA, E3HT 7003-BUA, BVA, E3HT 7004-AAA,ABA on "List BL", E3HT 7003-CAA,CBA, E3HT 7004-AEA,AFA on "List BM"	C8TZ 7144-A	BA					BF	BG	BH			BL	BM
2 3/8" long-42 teeth-use with D3TZ 7004-B, D9HT 7004-AA, EOHT 7003-DA,ABA, EOHT 7004-MA, EOHT 7003-ADA, E3HT 7003-BSA,BTA, E3HT 7004-YA, ZA on "List BL", E3HT 7003-BYA, BZA, E3HT 7004-ACA,ADA on "List BM"	C8TZ 7144-C	BA					BF	BG	BH			BL	BM
2 3/8" long-46 teeth-6 3/4" O.D.-use with D3TZ 7004-C, EOHT 7004-LA	C8TZ 7144-B	BA											
33 teeth-5 29/32" O.D. x 2 3/8 long - - Use on E1HT 7003-BZA "list BJ", E1HT 7004-AA "list BK"	D6HZ 7144-A			BC	BD					BJ	BK		
30 teeth-6 11/64" O.D. x 1 5/32 long - - Use on E1HT 7003-CAA "list BJ", E1HT 7004-BA "list BK"	D6HZ 7144-B		BB			BE				BJ	BK		
Bearing (Reverse Idler Gear - Roller) - 5/32" O.D. x 1 1/4" long.	D6HZ 7145-A		52	52	52	52				52	52		
GASKET SET	7153												
Also order D3TZ 7185-A	C8TZ 7153-A	BA					BF	BG	BH	BJ	BK	BL	BM
	D7HZ 7153-B		BB	BC	BD	BE							
RETAINER (COUNTERSHAFT and REVERSE IDLER SHAFT)-1 1/16" x 7/8" x 11/64" x (1) 25/64" hole	7EQ 7155	BA	BB	BC	BD	BE	BF	BG	BH	BJ	BK	BL	BM
Bolt (retainer to case)-hex. head-3/8" -16 x 5/8"	20328-S8(B-76)	2	2	2	2	2	2	2	2			2	2
Lockwasher-3/8"	34807-S8(X-66)	2	2	2	2	2	2	2	2			2	2
Screw (rev. idler) 3/8 - 16 x 7/8"	20368-S2(B-79)									BJ	BK		

1980/  
TRUCK SERIES 600/900

DESCRIPTION/RESTRICTIONS	PART NUMBER	TRANSMISSION PARTS LISTS 5BA THRU 5BM											
		BA	BB	BC	BD	BE	BF	BG	BH	BJ	BK	BL	BM
<b>CLARK/FULLER</b>													
<b>GEAR (OUTPUT SHAFT FOURTH SPEED) 7158</b>													
21 helical teeth-25 clutch teeth-1 7/8" long- use with D3TZ 7004-C, E0HT 7004-LA	C8TZ 7158-C	BA											
24 helical teeth-25 clutch teeth-1 7/8" long- use with D3TZ 7004-B, D9HT 7004-AA, E0HT 7003-DA,ABA,ADA, E0HT 7004-MA, E3HT 7003-BSA,BTA, E3HT 7004-YA,ZA on "List BL" E3HT 7003-BYA,BZA, E3HT 7004-ACA, ADA on "List BM"	C8TZ 7158-B	BA					BF	BG	BH			BL	BM
28 helical teeth-25 clutch teeth-1 7/8" long- use with D3TZ 7004-A, D9HT 7004-BA, E0HT 7003-EA,ACA,AEA, E0HT 7004-NA, E3HT 7003-BUA,BVA, E3HT 7004-AAA,ABA on "List BL" E3HT 7003-CAA,CBA, E3HT 7004-AEA,AFA on "List BM"	C8TZ 7158-A	BA					BF	BG	BH			BL	BM
23 helical-25 clutch teeth- 4 1/4" O.D. x 1 27/32" long	D6HZ 7158-A			BC	BD								
19 helical-25 clutch teeth- 3 31/32" O.D. x 1 27/32" long	D6HZ 7158-B		BB			BE							
19 helical - 25 clutch teeth - - use with E1HT 7003-CAA, E1HT 7004-BA	E1HZ 7158-E										BJ	BK	
23 helical - 25 clutch teeth - - use with E1HT 7003-BZA, E1HT 7004-AA	E1HZ 7158-F										BJ	BK	
<b>RING (SECOND GEAR RETAINING) 7160</b>													
Second and third hub-2 1/2" O.D. x 2 1/4" free I.D.-3/32" thick	D4TZ 7160-A	2					2	2	2			2	2
Second gear retaining		BA					BF	BG	BH			BL	BM
Second gear-3" diameter-fits 2 5/8" groove x 3/32" thick	C5TZ 7160-B	BA											
Ring (Output Shaft Second and Reverse Gear Washer)- 2 15/16" I.D. x 3 7/16" O.D. x 7/32" thick	D6HZ 7160-A		BB	BC	BD	BE					BJ	BK	
SNAP RING (COUNTERSHAFT GEAR and SHAFT RETAINING)-2 1/2" free O.D.-fits 2 1/8" groove-3/32" thick	C5TZ 7162-A	BA	BB	BC	BD	BE	BF	BG	BH	BJ	BK	BL	BM
Snap Ring (Countershaft Rear Bearing Outer Retainer)-3/32" thick	D6HZ 7162-A		BB	BC	BD	BE	2	BG		BJ	BK		2
<b>COVER ASSY. (POWER TAKE-OFF) 7165</b>													
Bolt (cover to case)-3/8"-16 x 5/8"	20328-S8(B-76)	12	12	12	12	12	13	13	13	12	12	12	13
Lockwasher-3/8"	34807-S8(X-66)	12	12	12	12	12	12	12	12			12	13
Lockwasher-external tooth-3/8"	351487-S(XX-291)	12					12	12	12			12	13
GASKET (POWER TAKE-OFF COVER)- 6 1/4" x 4 7/8" x 1/6" thick-(6) 13/32" holes	E7HZ 7166-A	2	2	2	2	2	2	2	2	2	2	2	2
<b>Bearing Cup 7169</b>													
Fourth - fifth shift Hub	D6HZ 7169-A		BB	BC	BD	BE	BF	BG		BJ	BK		BM
1 55/64 I.D. x 2 11/64 O.D. x 1/4 wide			BB	BC	BD	BE				BJ	BK		
Output Shaft rear-inc. snap-ring	D6HZ 7169-C												
Output shaft rear-inc. snap-ring	D9HZ 7169-A						BF	BG					BM

NOTICE: When the parts list suffix is shown in the quantity required column, the quantity is one (1).

DESCRIPTION/RESTRICTIONS	PART NUMBER	TRANSMISSION PARTS LISTS 5BA THRU 5BM												
		BA	BB	BC	BD	BE	BF	BG	BH	BJ	BK	BL	BM	
<b>CLARK/FULLER</b>														
GEAR (COUNTERSHAFT) 7177														
42 teeth-6 5/16" diameter-2 3/8" long-use with D3TZ 7004-C, E0HT 7004-LA, "List BA"	C8TZ 7177-A	BA												BL
45 teeth-6 5/8" diameter x 2 3/8"-use with D3TZ 7004-A,B, E0HT 7004-MA,NA	C8TZ 7177-B	BA								BH				
37 teeth-2 1/4" I.D. x 6 25/32" O.D. x 2 3/8" long - use with E1HT 7003-BZA "list BJ", use with E1HT 7004-AA "list BK"	D6HZ 7177-A			BC	BD						BJ	BK		
35 teeth-2 1/4" I.D. x 6 1/2" O.D. x 1 1/16" long - use with E1HT 7003-CAA "list BJ" use with E1HT 7004 BA "list BK"	D6HZ 7177-B		BB			BE					BJ	BK		
43 teeth-6 36/64" O.D. #237739	D9HZ 7177-A						BF	BG						BM
GASKET (REVERSE LATCH PLUG) 7L177														
	E3HZ 7L177-A													BL BM
GASKET (COUNTERSHAFT REAR BEARING CAP) 7181														
4 1/4" I.D. x 4 9/16" O.D. x .010" thick	C8TZ 7181-A	BA	BB	BC	BD	BE	BF	BG	BH	BJ	BK	BL	BM	
Sleeve (First and Reverse Shift Hub)-26-35 teeth-2 1/8" I.D. x 3 3/8" O.D. x 25/32" wide	D6HZ 7183-A		BB	BC	BD	BE				BJ	BK			
GASKET (GEARSHIFT LEVER HOUSING TO GEAR SHIFT HOUSING) 7185														
	D3TZ 7185-A	BA	BB	BC	BD	BE	BF	BG	BH					
BUSHING (OUTPUT SHAFT) 7193														
Sleeve-fourth and fifth clutch hub-25 teeth-1" long x 2 19/32" O.D.	C8TZ 7193-A	BA							BH			BL	BM	
Sleeve (Fourth and Fifth Shift Hub)-25 teeth-10 splines-1 61/64" I.D. x 2 39/64" O.D. x 57/64" wide	D6HZ 7193-A		BB	BC	BD	BE	BF	BG						
25 ext. 30 int. teeth	E1HZ 7193-A									BJ	BK			
CAP (COUNTERSHAFT REAR BEARING) 7195														
3 7/16" bolt hole centers	D9HZ 7195-A						BF	BG						BM
4 7/8" bolt hole centers	C8TZ 7195-F	BA	BB	BC	BD	BE			BH	BJ	BK	BL		
Bolt (rear bearing cap to case)-hex, head-3/8"-16 x 1"	20388-S8(B-80)							4	4					
Lockwasher-3/8"	34807-S8(X-66)							4	4	4	4			
Screw & washer-hex.head.-3/8"-16 x 1"	43514-S8(U-17)	4	4	4	4	4	4	4	18			4	4	
Screw (rear bearing cap to case) 3/8 - 16 x 7/8"	20368-S2(B-79)										4	4		

1980/  
TRUCK SERIES 600/900

DESCRIPTION/RESTRICTIONS	PART NUMBER	TRANSMISSION PARTS LISTS 5BA THRU 5BM												
		BA	BB	BC	BD	BE	BF	BG	BH	BJ	BK	BL	BM	
<b>CLARK/FULLER</b>														
GEAR (OUTPUT SHAFT THIRD SPEED IDLER)		7196												
34 helical teeth-26 spur teeth-1 25/32" long x 5 3/16" O.D.-use with D3TZ 7004-B,C, D9HT 7004-AA, E0HT 7003-DA,ABA, E0HT 7004-LA,MA, E0HT 7003-ADA, E3HT 7003-BSA,BTA, E3HT 7004-YA,ZA on "List BL", E3HT 7003-BYA,BZA, E3HT 7004-ACA,ADA, on "List BM"	C8TZ 7196-B	BA					BF	BG	BH			BL	BM	
35 helical teeth-26 spur teeth-1 25/32" long x 5 3/16" O.D.-use with D3TZ 7004-A, D9HT 7004-BA, E0HT 7003-EA,ACA, E0HT 7004-NA, E0HT 7003-AEA, E3HT 7003-BUA,BVA, E3HT 7004-AAA,ABA on "List BL", E3HT 7003-CAA,CBA, E3HT 7004-AEA,AFA, on "List BM"	C8TZ 7196-A	BA					BF	BG	BH			BL	BM	
28 helical - 26 Spur teeth 2 3/8 I.D. x 5 9/32 O.D. x 1 13/16 long	D6HZ 7196-A			BC	BD									
27 helical - 26 Spur teeth 2 3/8 I.D. x 5 5/32 O.D. x 1 13/16 long	D6HZ 7196-B		BB			BE								
28 helical - 26 spur teeth - - use on E1HT 7003-BZA, E1HT 7004-AA	E1HZ 7196-A										BJ	BK		
27 helical - 26 spur teeth - - use on E1HT 7003-CAA, E1HT 7004-BA	E1HZ 7196-B										BJ	BK		
GASKET HOUSING TO ADAPTER-TILT CAB	C1TT 7207-A	BA												
Ring (Shift Hub Sleeve Retainer) - 3/32" thick	D6HZ 7C212-A		BB	BC	BD	BE					BJ	BK		
SPRING (LOW and REVERSE GATE PLUNGER)		7219												
23/32" O.D. x 2 9/32" free length-13 coils	D3TZ 7219-C	BA	BB	BC	BD	BE	BF	BG	BH	BJ	BK	BL	BM	
KEY (COUNTERSHAFT)		7B220												
1.256" long 3/8" wide	D6HZ 7B220-A	2	2	2	2	2	2	2	2	2	2	2	2	
HOUSING (GEARSHIFT)		7222												
#233841-15" long x 10 1/8" wide x 2 7/16" high-regs (6) 382062-S2 Self tap scrs	D3TZ 7222-C	BA					BF	BG	BH					
#233843-reg (6) 382062-S2 Self tap screws	D6HZ 7222-A		BB	BC	BD	BE					BJ	BK		
	E3HZ 7222-B											BL	BM	
Screw & washer-hex.head-3/8"-16 x 1"	43514-S8(U-17)	14	14	14	14	14	14	14				14	14	
Screw 3/8 - 16 x 7/8"	20368-S2(B-79)										14	14		
lockwasher - - 3/8"	34807-S8(X-66)										14	14		
GASKET (GEARSHIFT HOUSING)		7223												
14 5/16" long x 10 1/8" wide-(14) 13/32" holes	C8TZ 7223-A	BA	BB	BC	BD	BE	BF	BG	BH	BJ	BK	BL	BM	
FORK (GEAR SHIFTER)		7230												
Second and third-5 28/32" inside width-incl. bushings	D3TZ 7230-A	BA	BB	BC	BD	BE	BF	BG	BH	BJ	BK			
Fourth and fifth-5 9/32" inside width-incl. bushings	D3TZ 7230-C	BA	BB	BC	BD	BE	BF	BG	BH	BJ	BK			
4th and 5th	C8TZ 7230-A											BL	BM	
FORK (GEAR SHIFTER)		7231												
FORK and SHAFT (LOW and REVERSE)- 3 3/4" inside width	D3TZ 7231-B	BA					BF	BG	BH					
1st and reverse incl. rail	E1HZ 7231-F		BB	BC	BD	BE					BJ	BK		
2nd and 3rd	C8TZ 7231-B											BL	BM	
1st and rev	E3HZ 7231-B											BL	BM	

NOTICE: When the parts list suffix is shown in the quantity required column, the quantity is one (1).

DESCRIPTION/RESTRICTIONS	PART NUMBER	TRANSMISSION PARTS LISTS 5BA THRU 5BM												
		BA	BB	BC	BD	BE	BF	BG	BH	BJ	BK	BL	BM	
<b>CLARK/FULLER</b>														
LUG (SHIFT ROCKER)	7232													
1st and rev	E3HZ 7232-A												BL	BM
SPRING	7234													
Shift interlock 23/64" O.D. x 1 11/32" free length 9 coils	C8TZ 7234-B	4	4	4	4	4	4	4	4	4	4	4		
	B3Q 7234-A												BL	BM
	7EQ 7234												3	3
7/16" ball	353086-S(AA-14)												11	11
1/2" ball	353079-S(AA-15)	4	4	4	4	4	4	4	4	4	4	4		
<b>PIN (GEAR SHIFTER SHAFT LOCK PLUNGER)</b>														
	7235													
15/32" O.D. x 3/16" long	D3TZ 7235-A	BA	BB	BC	BD	BE	BF	BG	BH	BJ	BK			
Tapered-1/2" O.D. x 3/4" long	D3TZ 7235-B	2	2	2	2	2	2	2	2	2	2			
Shift fork lock pin, 1 1/8 long 13/64 O.D.	E6HZ 7235-A												4	4
Interlock Cross Pin	7EQ 7235												BL	BM
<b>SHAFT (GEAR SHIFTER)-Low and reverse gear</b>														
	7240													
11" long	D3TZ 7240-H	BA	BB	BC	BD	BE	BF	BG	BH	BJ	BK			
10 3/8" long	E3HZ 7240-A												BL	BM
<b>SHAFT (GEAR SHIFTER)</b>														
	7241													
2nd and 3rd, 9 13/16 long	E3HZ 7241-A												BL	BM
<b>PLUNGER (SHIFTER SHAFT GATE LOW and REVERSE GEAR)</b>														
	7247													
41/64" O.D. x 1 3/16" long-	D4TZ 7247-B	BA	BB	BC	BD	BE	BF	BG	BH	BJ	BK			
	E3HZ 7247-A												BL	BM
<b>SUPPORT (GEARSHIFT ROD)</b>														
	7E274													
Front-(4) holes	D3TZ 7E274-A	BA	BB	BC	BD	BE	BF	BG	BH	BJ	BK			
Rear-(2) holes	D3TZ 7E274-B	BA	BB	BC	BD	BE	BF	BG	BH	BJ	BK			
Front-(4) holes	E3HZ 7E274-A												BL	BM
Rear-(2) holes	E3HZ 7E274-B												BL	BM
Lockwasher-3/8"	34807-S8(X-66)	6	6	6	6	6	6	6	6				6	6
Screw-hex. washer head-3/8" -16 x 1"	382062-S2 (UU-52-AA)	6	6	6	6	6	6	6	6				6	6
<b>Seal (Input Shaft Bearing Retainer)</b>														
	7A283-B		BB	BC	BD	BE	BF	BG		BJ	BK			BM
1 5/8 I.D. x 2 1/2 O.D. x 21/64 wide	D6HZ 7A283-B		BB	BC	BD	BE	BF	BG		BJ	BK			BM
<b>RETAINER (GEAR SHIFTER INTERLOCK SUPPORT)-1 1/4" base x 25/32" high</b>														
	D3TZ 7B293-A	2	2	2	2	2	2	2	2	2	2			
<b>REPAIR KIT - small parts</b>														
	D3TZ 7B331-A	BA												
<b>SHAFT (GEAR SHIFTER)</b>														
	7334													
4th and 5th, 6 27/64 long	E3HZ 7334-A												BL	BM
<b>BAR (SHIFT FORK)</b>														
	7358													
1st and rev	E3HZ 7358-B												BL	BM
<b>BEARING and GASKET OVERHAUL KIT</b>														
	★ D4HZ 7C391-A	BA												
	r/b 9264-T-148													
K2124-basic rebuild kit-incl. bearings, seals, gasket set	D6HZ 7C391-A		BB	BC	BD	BE								
K2263-incl. 7117 washer, 7061 shaft, upgrade kit-for 390V trans.	D6HZ 7C391-B		BB	BC	BD	BE								
K2264-incl. 7117 washer, 7061 shaft, upgrade kit-for 397V trans.	D6HZ 7C391-C		BB	BC	BD	BE								
<b>SHOE (SHIFT FORK)</b>														
	D6HZ 7B403-A	4	4	4	4	4	4	4	4	4	4			
	C6TZ 7B403-A												4	4
<b>ARM (LOW and REVERSE GEARSHIFT ROCKER)-(also refer to Section 72)</b>														
	7410													
4 11/32" long-3/4" hole	D3TZ 7410-A	BA					BF	BG	BH				BL	BM
4 3/32" long - 1/4" thick	D6HZ 7410-A		BB	BC	BD	BE				BJ	BK			
<b>LUG (SHIFT)</b>														
	7411													
1st and rev	E3HZ 7411-A												BL	BM
Spacer (Reverse Idler Gear Bearing) - 1 3/16" I.D. x 1 27/64" O.D. x 3/32" thick	D6HZ 7482-A		3	3	3	3				3	3			

October, 1993

COPYRIGHT © 1993 - FORD MOTOR - DEARBORN, MICHIGAN  
COMPANY

Final Issue

1980/  
TRUCK SERIES 600/900

DESCRIPTION/RESTRICTIONS	PART NUMBER	TRANSMISSION PARTS LISTS 5BA THRU 5BM												
		BA	BB	BC	BD	BE	BF	BG	BH	BJ	BK	BL	BM	
<b>CLARK/FULLER</b>														
7505														
HOUSING (CLUTCH)	C8TZ 7505-D							BG	BH			BL	BM	
	C4TZ 7505-D	BA					BF				BK			
	C8TZ 7505-B				BD	BE				BJ				
Bolt 9/16-12 X 2 long, Housing to Case	58699-S2(BB-199-N)							4	4			4	4	
7508														
BUSHING (CLUTCH HOUSING PEDAL SHAFT)														
1" I.D. x 1 1/8" O.D. x 1" long	C6TZ 7508-A	2			2	2		2	2	2		2	2	
1" I.D. x 1 1/2" O.D. x 1 5/8" long	C6TZ 7508-B	BA			BD	BE		BG	BH	BJ		BL	BM	
Fitting (clutch pedal grease)	87901-S8(I-1)									2				
7728														
WASHER (REVERSE IDLER GEAR THRUST)														
1 9/64" I.D. x 2 1/16" O.D.	E4HZ 7728-A	2	2	2	2	2	2	2	2	2	2	2	2	2

NOTICE: When the parts list suffix is shown in the quantity required column, the quantity is one (1).



5 SPEED TRANSMISSION

1980/  
TRUCK SERIES 600/900

DESCRIPTION/RESTRICTIONS	PART NUMBER	TRANSMISSION PARTS LISTS 5B thru 5BZ												
		BN	BP	BQ	BR	BS	BT	BU	BV	BW	BX	BY	BZ	
<b>CLARK/FULLER</b>														
Bearing Cone-countershaft front	B7T 1201-A				BR							BW		
Bearing-Cone output	TGAA 1201-A				BR							BW		
Bearing cup-output	TGAA 1202-A				BR							BW		
Cone, countershaft rear	B5QH 1216-A				BR							BW		
Bearing cup-maindrive gear	7EQH 1239				BR							BW		
Bearing cone-maindrive gear	7EQH 1240				BR							BW		
Bearing cup-countershaft rear #3720	9N 4222				BR							BW		
Bearing cup-maindrive gear-M804010	C8TZ 4616-A	BN		BQ			BT	BU					BY	BZ
Bearing Cone-maindrive gear-M804049	C8TZ 4621-A	BN		BQ			BT	BU					BY	BZ
Bearing cup-maindrive gear-M802011	C7AZ 4628-A	BN				BS			BV					
Bearing cone-mainshaft front	8M 4630				BR							BW		
Bearing Cone-Main Drive Gear-M802048	C7AZ 4630-A	BN				BS			BV					
SEAL (OUTPUT SHAFT BEARING RETAINER OIL)	4813													
#CR-526499, 541849-2 3/4" I.D. x 3 35/64" O.D. x 1/2" thick	D2TZ 4813-B	BN		BQ	BR	BS	BT					BW	BX	BY
CR526497, 3 1/4 O.D., 1/2" wide 2 1/2" shaft dia.	D2TZ 4813-A							BU	BV					BZ
LOCK SCREW (REMOTE SHIFT LEVER)	7L001													
	E6HZ 7L001-A		BP	BQ								BW	BX	BY
CASE ASSY.	7005													
#235398	D6HZ 7005-A	BN				BS	BT							
	E6HZ 7005-B			BQ										BY
	E7HZ 7005-A		BP		BR								BX	
	E7HZ 7005-C							BU	BV					BZ
	E7HZ 7005-G											BW		
Bolt (case to clutch housing)-9/16"-12 x 2"	21062-S8(B-134)	2												
Nut (case to clutch housing stud)-9/16"-18	33848-S7(M-70)	2												
Plug (filler) square socket head pipe 3/4"-14"	358048-S(P8-43)	BN	2	BQ	BR	BS	BT	BU	BV	BW	BX	BY		
Ball steel 3/16" dia.	371350-S(AA-4)							2	2	BW	2	2	2	
SHAFT-LEVER ASSY. (REMOTE SHIFT)	7B009													
	E6HZ 7B009-A		BP	BQ										
	E7HZ 7B009-D											BW		
	E7HZ 7B009-A												BX	
	E7HZ 7B009-C													BY
PLUG (DRAIN MAGNETIC)-4" long-3/4" pipe thread-(3) ceramic magnets	C4TZ 7A010-A	BN	BP	BQ	BR	BS	BT	BU	BV	BW	BX			BZ
SLINGER (COUNTERSHAFT OIL)	7C016													
1 25/32" I.D. x 3 7/16" O.D. x 3/32" thick	D6HZ 7C016-B	BN		BQ		BS	BT							BY
SHAFT (INPUT)	7017													
17 helical-25 clutch teeth-10 splines-12 1/2 long -- use on E3HT 7004-AGA, E4HT 7004-KA, E7HT 7004-AA,ARA	D6HZ 7017-A	BN				BS								
17 helical-25 clutch teeth-10 splines-13" long -- use on E3HT 7003-CCA, E4HT 7003-ANA, E7HT 7003-MA,BRA	D6HZ 7017-B	BN				BS								
19 helical-25 clutch teeth-10 splines-12 1/2 long -- use on E3HT 7004-AHA, E4HT 7004-LA, E7HT 7004-BA,ASA	D6HZ 7017-C	BN				BS								
19 helical-25 clutch teeth-10 splines-13" long -- use on E3HT 7003-CEA, E4HT 7003-ARA, E7HT 7003-NA,BSA	D6HZ 7017-D	BN				BS								
17 helical-25 clutch teeth-10 splines, 13 1/16 long -- use on E3HT 7003-CDA, E4HT 7003-ASA, E5HT 7004-LA, E7HT 7003-LA, E7HT 7004-BHA	E3HZ 7017-G	BN		BQ			BT							BY
19 helical-25 clutch teeth-10 splines-13 1/16 long -- use on E3HT 7003-CFA, E4HT 7003-BLA, E5HT 7004-KA, E7HT 7003-HA, E7HT 7004-BJA	E3HZ 7017-H	BN		BQ			BT							BY

October, 1993

COPYRIGHT © 1993 - FORD MOTOR - DEARBORN, MICHIGAN COMPANY

Final Issue

1980/  
TRUCK SERIES 600/900

DESCRIPTION/RESTRICTIONS	PART NUMBER	TRANSMISSION PARTS LISTS 5BN THRU 5BZ											
		BN	BP	BQ	BR	BS	BT	BU	BV	BW	BX	BY	BZ
<b>CLARK/FULLER</b>													
SHAFT (INPUT) 7017 — Cont'd													
18 teeth—use on E5HT 7004-FA, E7HT 7003-GA, E8HT-AGA, E7HT 7004-AUA	E6HZ 7017-A		BP					BU				BX	
17 teeth—use on E5HT 7004-GA, E7HT 7003-EA E8HT-AHA, E7HT 7004-AVA	E6HZ 7017-B		BP					BU				BX	
Use with E7HT 7004-BRA, E8HT-YA	E7HZ 7017-E								BV				
Use with E7HT 7004-BSA, E8HT-ZA	E7HZ 7017-D								BV				
23 helical-26 clutch teeth	E7HZ 7017-A				BR					BW			
Use on E8HT 7003-ALA	E8HZ 7017-A												BZ
Use on E8HT 7003-AJA	E8HZ 7017-B												BZ
CONE and ROLLER ASSY. 7025													
Main drive gear bearing	E6HZ 7025-A		BP									BX	
PIN (SHIFT FORK) 72025													
	E7HZ 72025-A				4					4			
	E7HZ 72025-B				4					4			
SNAP RING (BEARING) 7030-See also 7059													
Washer (Output Shaft Rear Bearing-Split)—use on E5HT 7004-LA, E7HT 7003-MA,BRA, E7HT 7004-AA,ARA, E7HT 7003-LA	D6HZ 7030-B	2		2		2	2						2
Ring (Output Shaft Rear Bearing Retainer Washer) 2 3/4" I.D. x 3 3/8" O.D. x 17/64" thick use on E5HT 7004-KA, E7HT 7003-MA,BRA, E7HT 7004-AA,ARA, E7HT 7003-LA	D6HZ 7030-A	BN		BQ		BS	BT						BY
Plug — 1"-14 thd.	E3HZ 7032-A	BN	BP	BQ		BS	BT	BU	BV		BX	BY	BZ
BREATHER 7034													
	E6HZ 7034-A		BP	BQ						BW	BX	BY	
SEAL ASSY. (INPUT SHAFT OIL)—See also 7A283 C.R.—1 7/8" I.D. x 2 1/2" O.D. x 3/8" thick, use on E3HT 7003-CDA,CFA, E4HT 7003-ASA,BLA	E3HZ 7048-A	BN											
	E6HZ 7048-A		BP	BQ	BR		BT	BU		BW	BX	BY	
RETAINER (INPUT SHAFT BEARING) 7050													
6 15/16" long-7 7/32" O.D. of flange-1 9/16" hub O.D., use on E3HT 7003-CCA,CEA, E4HT 7003-ANA,ARA, E3HT 7004-AGA,AFA, E4HT 7004-KA,LA	D6HZ 7050-B	BN				BS							
6 1/4 O.D. — use on E3HT 7003-CDA,CFA, E4HT 7003-ASA,BLA	E3HZ 7050-A	BN											
Use on E7HT 7004-BRA,BSA	E9HZ 7050-D		BP	BQ			BT	BU	BV		BX	BY	
Use on E8HT 7004-YA,ZA	D9HZ 7050-A								BV				
	E7HZ 7050-A				BR					BW			
	E8HZ 7050-A												BZ
Screw (input bearing cap) 5/16 - 18 x 51/64" long	350329-S2(BB-140)	4	4	4		4	4	4	4	4	4	4	4
GASKET (INPUT SHAFT BEARING RETAINER) 7051													
3 31/32" I.D. x 5 3/8" O.D.—.004" thick	D6HZ 7051-D	AR		AR		AR	AR						AR
.007" thick	D9HZ 7051-B	AR		AR		AR	AR						AR
.010" thick	D6HZ 7051-C	AR		AR		AR	AR						AR
	E7HZ 7051-A				BR					BW			
SEAL (MAINSHAFT BEARING CAP) 7052													
Rear	E6HZ 7052-A		BP										
SNAP RING (OUTPUT SHAFT) 7059													
Third-fourth gear retaining-1 25/32" I.D. x 3/32" thick	B3Q 7059-A	BN	BP	BQ		BS	BT	BU	BV		BX	BY	BZ
Countershaft		BN		BQ		BS	BT					BY	
Ring (Input Shaft Pilot Bearing Retainer)—1 7/8" O.D.	D6HZ 7059-A	BN	BP	BQ		BS	BT	BU	BV		BX	BY	BZ

NOTICE: When the parts list suffix is shown in the quantity required column, the quantity is one (1).

DESCRIPTION/RESTRICTIONS	PART NUMBER	TRANSMISSION PARTS LISTS 5BN THRU 5BZ											
		BN	BP	BQ	BR	BS	BT	BU	BV	BW	BX	BY	BZ
<b>CLARK/FULLER</b>													
SNAP RING (OUTPUT SHAFT)	7059-Cont'd												
Second and Third shift hub	E6HZ 7059-A		BP					BU	BV		BX		BZ
Washer, Mainshaft third gear	E9HZ 7059-A		BP					BU	BV		BX		BZ
Synchro., 1 1/4" I.D., 1/16 thick	E7HZ 7059-A				BR					BW			
SHAFT (OUTPUT)	7061												
19 1/64" long - 26-35-30 teeth spline	E1HZ 7061-G	BN		BQ		BS	BT						
	E9HZ 7061-C		BP					BU	BV		BX		BZ
28-37-37-38 teeth, 513.77mm long	E7HZ 7061-A				BR					BW			
483.11mm long	E9HZ 7061-D											BY	
Nut (flange to shaft)-hex. lock-1 1/4"-18-2 1/4" across flats	371000-S(MM-179)	BN	BP	BQ	BR	BS	BT	BU	BV	BW	BX	BY	BZ
WASHER (THRUST)	7062												
Mainshaft rear bearing	E6HZ 7062-A		BP					BU	BV		BX		BZ
Mainshaft rear bearing, use on E5HT 7004-KA, E7HT 7003-NA,BSA, E7HT 7004-BA,ASA, E7HT 7003-HA	E6HZ 7062-B			BQ		BS	BT						
Washer (Input Shaft Pilot Bearing)-1 3/8" I.D.-	D6HZ 7063-A	BN	BP	BQ		BS	BT	BU	BV		BX	BY	BZ
RETAINING RING	7064												
Countershaft drive gear	E6HZ 7064-A		BP					BU	BV		BX		BZ
Countershaft, 2.6mm thick, 64mm I.D.	E7HZ 7064-A				BR					BW			
Countershaft, 2.4mm thick, 64mm I.D.	E7HZ 7064-B				BR					BW			
Countershaft drive gear, 2.4mm thick, 58.5mm I.D.	E7HZ 7064-C				BR					BW			
2nd gear, 2.5mm thick, 58.5mm I.D.	E7HZ 7064-D				BR					BW			
3rd and 4th, 2.4mm thick, 49mm I.D.	E7HZ 7064-E				BR					BW			
4th, 2.4mm thick, 46mm I.D.	E7HZ 7064-F				BR					BW			
4th, 2.5mm thick, 46mm I.D.	E7HZ 7064-G				BR					BW			
BEARING (OUTPUT SHAFT)	7065												
Bearing Cone (Output Shaft Rear)	D6HZ 7065-A	BN		BQ		BS	BT					BY	
Bearing cone (out put shaft rear)	E6HZ 7065-A		BP					BU	BV		BX		BZ
BEARING CUP	7R067												
Mainshaft rear bearing	E6HZ 7R067-A		BP					BU	BV		BX		BZ
LEVER (REMOTE SHIFT LEVER)	7A081												
Inner	E6HZ 7A081-A		BP								BX		
Inner	E6HZ 7A081-B			BQ									
Inner	E7HZ 7A081-E									BW			
Inner	E7HZ 7B081-C											BY	
RETAINER ASSY. (OUTPUT SHAFT BEARING)	7085-Also Refer to Sec. 71												
W/air brakes	D6HZ 7085-B	BN		BQ								BY	
use w/12" x 4" trans. mounted brake	D6HZ 7085-C	BN											
use w/9" x 3" or 10" x 3" trans. mounted brake	D6HZ 7085-D	BN											
	E6HZ 7085-A		BP								BX		
	E7HZ 7085-C							BU	BV				BZ
	E7HZ 7085-A				BR								
	E7HZ 7085-D					BS	BT						
	E7HZ 7085-K									BW			
Stud-1/2-3-1/2-20 x 17/8	88424-S2(W-32)		4	4	4	4	4	4	4		4	4	4
Washer flat, 1/2 I.D.	44879-S2(X-31-G)		4	4	4	4	4	4	4		4	4	4
Nut, 1/2-20	55718-S2(M-187)		4	4	4	4	4	4	4		4	4	4
Stud 1/2"-13 x 1/2"-20 x 2" long	352563-S (WW-52)	4											
GASKET (OUTPUT SHAFT BEARING RETAINER)	7086												
	D6TZ 7086-A	BN		BQ		BS	BT					BY	
	E6HZ 7086-A		BP					BU	BV		BX		BZ
Shim kit-to include 1 ea. .089-.114, .159-.197, .229-.279, .470-.546 thick	★ E7HZ 7086-A r/b E7HZ 7K285-A				BR					BW			

October, 1993

COPYRIGHT © 1993 - FORD MOTOR - DEARBORN, MICHIGAN COMPANY

Final Issue

1980/  
TRUCK SERIES 600/900

DESCRIPTION/RESTRICTIONS	PART NUMBER	TRANSMISSION PARTS LISTS 5BN THRU 5BZ											
		BN	BP	BQ	BR	BS	BT	BU	BV	BW	BX	BY	BZ
<b>CLARK/FULLER</b>													
FLANGE (OUTPUT SHAFT)-Also refer to group in Section 71 for Size chart	7089												
<b>Note:</b> ◇ Industry Number													
	E6HZ 7089-A		BP										
	E4HZ 7089-H			BQ									
	E7HZ 7089-J				BR					BW			
	E7HZ 7089-M							BU			BX		BZ
Use with E7HT 7003-MA,NA, E7HT 7004-AA,BA	E7HZ 7089-N					BS	BT					BY	
Use with E7HT 7003-BRA,BSA, E7HT 7004-ARA,ASA	E7HZ 7089-P					BS							
	E7HZ 7089-V								BV				
SPACER (REVERSE GEAR SHIFT STOP)	7L093												
	E6HZ 7L093-A				2		2	2					2
Bearing (Fourth and Fifth Shift Hub)-1 1/2" I.D. x 2 11/64" O.D. 27 Rollers	D6HZ 7C096-A	BN	BP	BQ		BS	BT	BU	BV		BX	BY	BZ
GEAR (LOW and REVERSE SLIDING)	7100												
Output shaft first speed,26-28 teeth, use on E3HT 7003-CCA,CDA, E4HT 7003-ANA,ASA E3HT 7004-AGA, E4HT 7004-KA	D6HZ 7100-A	BN		BQ		BS	BT					BY	
26-37 teeth-use on E3HT 7003-CEA,CFA, E4HT 7003-ARA,BLA E3HT 7004-AHA, E4HT 7004-LA	D6HZ 7100-B	BN											
Mainshaft 1st, 37 teeth	E6HZ 7100-A		BP					BU	BV		BX		BZ
Mainshaft 1st, 45 helical-37 clutch teeth	E7HZ 7100-A				BR					BW			
COVER (REMOTE SHIFT CONTROL)	7B102												
	E6HZ 7B102-A		BP	BQ							BX		
	E7HZ 7B102-B									BW		BY	
Screw & washer-3/8-16 x 1"	57646-S2(U-17-A)		4	4						4		4	
GEAR (OUTPUT SHAFT)	7103												
Second speed-26-36 teeth-2 9/16" I.D. x 6 1/2" O.D. x 1 7.8" wide	D6HZ 7103-A	BN		BQ		BS	BT					BY	
Second gear-36 teeth	E6HZ 7103-A		BP										
Mainshaft 2nd, 41 helical-37 clutch teeth	E7HZ 7103-A				BR					BW			
Mainshaft 2nd, 36 helical-26 clutch teeth	E7HZ 7103-B							BU	BV		BX		BZ
Ball-3/16"	371350-S(AA-4)	2	BP	2	2	3	2	2	2	2	2	2	2
HUB (FIRST and REVERSE)-	D6HZ 7106-A	BN		BQ		BS	BT					BY	
	E6HZ 7106-A		BP					BU	BV		BX		BZ
RING (OUTPUT SHAFT BLOCKING)	7107												
Third synchro-5 1/2" O.D.-26 teeth-35/64" thick x 5 1/2" O.D.-26 teeth-35/64" thick	C8TZ 7107-A	BN	BP	BQ		BS	BT	BU	BV	BW	BX	BY	BZ
Fourth and fifth					2								
Fourth and fifth synchro-5" O.D.-12 spline teeth-9/16" thick	C8TZ 7107-B	2	2	2		2	2	2	2		2	2	2
2nd, 3rd speed, 37 teeth	E7HZ 7107-A				BR					BW			
Washer (First and Reverse Shift-Split)	D6HZ 7109-A	2	2	2		2	2	2	2		2	2	2
GEAR (Countershaft Fourth) See also 7144	7112												
39 teeth-use with E7HT 7003-FA	E7HZ 7112-C				BR								
GEAR (OUTPUT SHAFT FOURTH SPEED) See also 7158	7110												
26 helical-26 clutch teeth-use with E7HT 7003-FA	E7HZ 7110-C				BR								
STOP (REVERSE LATCH PLUNGER)	7A112												
	E3HZ 7A112-A	BN		BQ		BS	BT					BY	
	E6HZ 7A112-A		BP					BU	BV		BX		BZ
SPACER	7N112												
Countershaft, 71mm I.D.-95mm O.D.-28mm thick	E7HZ 7N112-A				BR					BW			

**NOTICE:** When the parts list suffix is shown in the quantity required column, the quantity is one (1).

**1980/  
TRUCK SERIES 600/900**

DESCRIPTION/RESTRICTIONS	PART NUMBER	TRANSMISSION PARTS LISTS 5BN THRU 5BZ											
		BN	BP	BQ	BR	BS	BT	BU	BV	BW	BX	BY	BZ
<b>CLARK/FULLER</b>													
<b>GEAR (COUNTERSHAFT CLUSTER)</b>		<b>7113</b>											
24-18-11 teeth x 15 21/32" long, use on E3HT 7003-CCA,CDA, E3HT 7004-AGA E4HT 7003-ANA,ASA, E4HT 7004-KA	D6HZ 7113-A	BN		BQ		BS	BT						BY
25 28 10 teeth x 15 21/32" long, use on E3HT 7003-CEA,CFA, E3HT 7004-AHA E4HT 7003-ARA,BLA E4HT 7004-LA	D6HZ 7113-B	BN											
10 teeth	E6HZ 7113-A		BP					BU	BV		BX		BZ
13-26 57 teeth, 459.3mm long	E7HZ 7113-A				BR					BW			
<b>GEAR (COUNTERSHAFT SECOND)</b>		<b>7114</b>											
18 teeth	E6HZ 7114-A		BP					BU	BV		BX		BZ
57 int .22 helical teeth	E7HZ 7114-A				BR					BW			
<b>WASHER (THRUST)</b>		<b>7117</b>											
Reverse gear bearing- 2 9/32" I.D. x 2 1/2" O.D. x 3/32" thick	D6HZ 7117-A	2		2		2	2						2
Second gear bearing		2		2		2	2						2
Third gear bearing		2		2		2	2						2
First gear bearing-2 1/16" I.D. x 2 5/16" O.D. x 3/32" thick	D6HZ 7117-C	2		2		2	2						2
Third gear thrust - 2 7/8" O.D. x 1 13/16" I.D. x 9/32" thick	E1HZ 7117-A	BN		BQ		BS	BT						BY
Fourth gear spacer - 1 13/16" O.D. x 1 9/16" I.D. x 7/64 thick	E1HZ 7117-B	BN		BQ		BS	BT						BY
1st-rev gr. spacer, 75mm O.D.	E7HZ 7117-A				2								
1st rev. gr.-2.943 O.D.	E7HZ 7117-F									2			
2nd gr.-2.717 O.D.	E7HZ 7117-G				BR					BW			
3rd gr. 2.323 O.D.	E7HZ 7117-H				BR					BW			
4th gr. 2.126 O.D.	E7HZ 7117-J				BR					BW			
<b>BEARING</b>		<b>7118</b>											
Reverse gear 5/32" O.D. x 21/32" long	D6HZ 7118-A	96	52	96		96	96	52	52		52	96	52
First gear		88		88		88	88					88	
Second gear		96		96		96	96					96	
Third gear		96		96		96	96					96	
Fourth gear		68		68		68	68					68	
Pilot 5/8" O.D. x 51/64" long	D6HZ 7118-C	14	14	14		14	14	14	14		14	14	14
Bearing (Countershaft Front) 2 1/8" I.D. x 2 5/8" O.D. x 1" wide	D6HZ 7118-B	BN		BQ		BS	BT						BY
First and second gears	E6HZ 7118-A		2					2	2		2		2
Third and reverse gears	E6HZ 7118-B		2					2	2		2		2
Fourth gear	E6HZ 7118-C		BP					BU	BV		BX		BZ
1st, 2nd and rev. gears, 70mm I.D., 76mm O.D.	E7HZ 7118-A				4					4			
3rd gear, 65mm I.D., 70mm O.D.	E7HZ 7118-B				2					2			
4th gear, 55mm I.D., 60mm O.D.	E7HZ 7118-C				2					2			
5th gear, 50mm I.D., 55mm O.D.	E7HZ 7118-D				2					2			
<b>SPRING (SHIFT HOUSING)</b>		<b>7N120</b>											
52.9mm free length	E7HZ 7N120-A				3					3			
<b>SYNCHRONIZER ASSY.</b>		<b>7124</b>											
Second and third	E3HZ 7124-D	BN	BP	BQ		BS	BT						
Fourth and fifth	E3HZ 7124-C	BN	BP	BQ		BS	BT	BU					
Fourth and fifth	E9HZ 7124-A								BV		BX	BY	BZ
Second and third	E7HZ 7124-K				BR					BW			
Fifth and sixth	E7HZ 7124-B				BR			BU	BV	BW	BX	BY	BZ
First and rev.	F0HZ 7124-F				BR					BW			

1980/  
TRUCK SERIES 600/900

DESCRIPTION/RESTRICTIONS	PART NUMBER	TRANSMISSION PARTS LISTS 5BN THRU 5BZ											
		BN	BP	BQ	BR	BS	BT	BU	BV	BW	BX	BY	BZ
<b>CLARK/FULLER</b>													
BEARING (COUNTERSHAFT GEAR)	7127												
1 49/64" I.D. x 3 15/16" O.D. x 15/16" wide	D6HZ 7127-A	BN		BQ		BS	BT					BY	
PLUG	7135												
Countershaft front bearing	E6HZ 7135-A		BP					BU	BV		BX		BZ
	E7HZ 7135-A				BR					BW			
GEAR (COUNTERSHAFT THIRD)	7137												
24 teeth	E6HZ 7137-A		BP					BU	BV		BX		BZ
57 int.-31 helical teeth	E7HZ 7137-A				BR					BW			
SHAFT (REVERSE IDLER GEAR)	7140												
5 11/32" long	7EQ 7140	BN		BQ		BS	BT					BY	
	E6HZ 7140-A		BP					BU	BV		BX		BZ
	E7HZ 7140-A				BR					BW			
GEAR (REVERSE IDLER)	7141												
15 teeth	E6HZ 7141-A		BP					BU	BV		BX		BZ
17 teeth	E7HZ 7141-A				BR					BW			
GEAR (REVERSE)	7142												
Idler, 11-19 teeth-3 5/16" O.D. x 3 17/32" long	D6HZ 7142-B	BN		BQ		BS	BT					BY	
Gear (Output Shaft Reverse)-30-26 teeth-2 9/16" I.D. x 7 9/16" O.D. x 1 9/16" long	D6HZ 7142-A	BN		BQ		BS	BT					BY	
Mainshaft reverse 37 teeth	E6HZ 7142-A		BP					BU	BV		BX		BZ
Mainshaft rev., 45 helical-37 clutch teeth	E7HZ 7142-A				BR					BW			
GEAR (COUNTERSHAFT FOURTH SPEED)-See also 7112	7144												
33 teeth-5 29/32" O.D. x 2 3/8 long -- use on E3HT 7003-CCA,CDA, E3HT 7004-AGA E4HT 7003-ANA,ASA, E4HT 7004-KA	D6HZ 7144-A	BN		BQ		BS	BT					BY	
30 teeth-6 11/64" O.D. x 1 5/32 long -- use on E3HT 7003-CEA,CFA, E3HT 7004-AHA E4HT 7003-ARA,BLA E4HT 7004-LA	D6HZ 7144-B	BN											
25 teeth, use with E7HT 7004-BRA,BSA	E6HZ 7144-A		BP					BU	BV		BX		
41 teeth, use with E7HT 7003-BA	E7HZ 7144-A				BR					BW			
28 teeth, use with E8HT 7004-YA,ZA	E8HZ 7144-A								BV				BZ
Bearing (Reverse Idler Gear - Roller)-5/32" O.D. x 1 1/4" long	D6HZ 7145-A	52		52		52	52					52	
	E7HZ 7145-A				2					2			
GASKET SET	7153												
	C8TZ 7153-A	BN		BQ		BS	BT					BY	
RETAINER (COUNTERSHAFT and REVERSE IDLER SHAFT)-1 1/16" x 7/8" x 11/64" x (1) 25/64" hole	7EQ 7155	BN	BP	BQ		BS	BT	BU	BV		BX	BY	BZ
Bolt (retainer to case)-hex. head-3/8"-16 x 5/8"	20328-S8(B-76)	2											2
Lockwasher-3/8"	34807-S8(X-66)	2											2
Bolt 3/8-16 x 7/8	20368-S2(B-79)	BN	BP	BQ		BS	BT	BU	BV		BX	BY	2
GEAR (OUTPUT SHAFT FOURTH SPEED)-See also 7110	7158												
19 helical - 25 clutch teeth -- use on E3HT 7003-CEA,CFA, E3HT 7004-AHA, E4HT 7003-ARA,BLA E4HT 7004-LA	E1HZ 7158-E	BN											
23 helical - 25 clutch teeth -- use on E3HT 7003-CCA,CDA, E3HT 7004-AGA, E4HT 7003-ANA,ASA, E4HT 7004-KA	E1HZ 7158-F	BN		BQ		BS	BT					BY	
17 teeth, use with E7HT 7004-BRA,BSA	E6HZ 7158-A		BP					BU	BV		BX		
25 helical-26 clutch teeth-use with E7HT 7003-BA	E7HZ 7158-A				BR					BW			
Use on E8HT 7004-YA,ZA	E8HZ 7158-B								BV				BZ
RING (SECOND GEAR RETAINING)	7160												
Ring (Output Shaft Second and Reverse Gear Washer)-2 15/16" I.D. x 3 7/16" O.D. x 7/32" thick	D6HZ 7160-A	BN	BP	BQ		BS	BT	BU	BV		BX	BY	BZ

**NOTICE:** When the parts list suffix is shown in the quantity required column, the quantity is one (1).

DESCRIPTION/RESTRICTIONS	PART NUMBER	TRANSMISSION PARTS LISTS 5BN THRU 5BZ													
		BN	BP	BQ	BR	BS	BT	BU	BV	BW	BX	BY	BZ		
<b>CLARK/FULLER</b>															
SNAP RING (COUNTERSHAFT GEAR and SHAFT RETAINING)-2 1/2" free O.D.-fits 2 1/8" groove 3/32" thick	C5TZ 7162-A												BY		
Snap Ring (Countershaft Rear Bearing Outer Retainer)-3/32" thick	D6HZ 7162-A	2		2		2	2							BY	
Countershaft front bearing	E6HZ 7162-A		BP					BU	BV				BX	BZ	
Countershaft front bearing	E7HZ 7162-A				BR						BW				
COVER ASSY. (POWER TAKE-OFF)	7EQ 7165	2	2	2	2	2	2	2	2	2	2	2	2	2	
Bolt (cover to case)-3/8"-16 x 5/8"	20328-S8(B-76)	12	12	12	12	12	12	12	12	12	12	12	12	12	
Lockwasher-3/8" split ring	34807-S8(X-66)	12	12	12	12	12	12	12	12	12	12	12	12	12	
Lockwasher-external tooth-3/8"	351487-S(XX-291)	12	12	12	12	12	12	12	12	12	12	12	12	12	
GASKET (POWER TAKE OFF COVER) 6 1/4" x 4 7/8" x 1/6" thick-(6) 13/32" holes	E7HZ 7166-A	2	2	2	2	2	2	2	2	2	2	2	2	2	
<b>BEARING CUP</b> 7169															
Fourth fifth shift Hub 1 55/64 I.D. x 2 11/64 O.D. x 1/4 wide, Not use on E7HT 7003-NA,BSA, or E7HT 7003-HA	D6HZ 7169-A	BN	BP	BQ		BS	BT	BU	BV				BX	BY	BZ
Output Shaft rear. inc. snap ring	D6HZ 7169-C	BN		BQ		BS	BT							BY	
Main drive gear bearing Used on E7HT 7003-NA,BSA, and E7HT 7003-HA	E6HZ 7169-A		BP			BS	BT						BX		
<b>WASHER</b> 7173															
Countershaft front bearing	E7HZ 7173-A				BR							BW			
2nd gear, notched 90mm O.D.	E7HZ 7173-B				BR							BW			
4th gear, notched, 74mm O.D.	E7HZ 7173-C				BR							BW			
<b>GEAR (COUNTERSHAFT)</b> 7177															
37 teeth-2 1/4" I.D. x 6 25/32" O.D. x 2 3/8" long - - use on E3HT 7003-CCA, CDA, E3HT 7004-AGA,E4HT 7003-ANA,ASA, E4HT 7004-KA, E5HT 7004-LA, E7HT 7003-MA,BRA, E7HT 7004-AA,ARA, E7HT 7003-LA, E7HT 7004-BHA	D6HZ 7177-A	BN		BQ		BS	BT							BY	
35 teeth-2 1/4" I.D. x 6 1/2" O.D. x 1 1/16" long - - use on E3HT 7003-CEA, CFA, E3HT 7004-AHA, E4HT 7003-ARA,BLA E4HT 7004-LA, E5HT 7004-KA, E7HT 7003-NA,BSA, E4HT 7004-BA,ASA, E7HT 7003 HA, E7HT 7004-BJA	D6HZ 7177-B	BN		BQ		BS								BY	
34 teeth-use on E5HT 7004-FA, E7HT 7003-GA, E7HT 7004-BSA,AUA, E8HT 7003-AKA,ALA, E8HT 7004-ZA	E6HZ 7177-A		BP					BU	BV				BX	BZ	
37 teeth-use on E5HT 7004 GA,E7HT 7003-EA, E7HT 7004-BRA,AVA, E8HT 7003-AHA,AJA, E8HT 7004-YA	E6HZ 7177-B		BP					BU	BV				BX	BZ	
48 teeth	E7HZ 7177-A				BR							BW			
<b>GASKET (REVERSE LATCH PLUG)</b> 7L177															
	E3HZ 7L177-A	BN	BP	BQ		BS	BT	BU	BV				BX	BY	BZ
<b>GASKET (COUNTERSHAFT REAR BEARING CAP)</b> 7181															
4 1/4" I.D. x 4 9/16" O.D. x .010" thick	C8TZ 7181-A	BN		BQ		BS	BT							BY	
	E7HZ 7181-A				BR						BW				
(First and Reverse-Hub synchronizer) -26-35 teeth-2 1/8" I.D. x 3 3/8" O.D. x 25/32" wide	D6HZ 7183-A	BN		BQ		BS	BT							BY	
Second and third hub	E6HZ 7183-A		BP												
37-37 teeth	E7HZ 7183-A				BR						BW				
28-26 teeth	E7HZ 7183-B				BR						BW				
Sleeve mainshaft 2nd and 3rd	E7HZ 7183-F							BU	BV				BX	BZ	
<b>YOKE ASSY. (SHIFT)</b> 7L183															
1st and rev. incl. 7B403 shoes	E7HZ 7L183-A				BR							BW			

1980/  
TRUCK SERIES 600/900

DESCRIPTION/RESTRICTIONS	PART NUMBER	TRANSMISSION PARTS LISTS 5BN THRU 5BZ												
		BN	BP	BQ	BR	BS	BT	BU	BV	BW	BX	BY	BZ	
CLARK/FULLER														
GASKET (REMOTE SHIFT HSG)	7185													
	D3TZ 7185-A			BP	BQ	BR			BU	BV	BW	BX	BY	
HUB (SYNCHRONIZER)	7193													
25 ext. 30 int. teeth-4th-5th	E1HZ 7193-A	BN	BP	BQ		BS	BT	BU						
	F1HZ 7193-A									BV		BX	BY	BZ
CAP (COUNTERSHAFT REAR BEARING)	7195													
4 7/8" bolt hole centers	C8TZ 7195-F	BN		BQ		BS	BT						BY	
	E6HZ 7195-A		BP					BU	BV			BX	BZ	
	E7HZ 7195-A				BR						BW			
Bolt 3/8-16 x 7/8	20368-S2(B-79)	4	4	5	4	5	5	4	4	4	4	4	4	
GEAR (OUTPUT SHAFT THIRD SPEED IDLER)	7196													
28 helical - 26 spur teeth - - use on E3HT 7003-CCA,CDA, E3HT 7004-AGA,E4HT 7003-ANA,ASA, E4HT 7004-KA	E1HZ 7196-A	BN		BQ		BS	BT						BY	
27 helical - 26 spur teeth - - use on E3HT 7003-CEA,CFA, E3HT 7004-AHA, E4HT 7003-ARA,BLA E4HT 7004-LA	E1HZ 7196-B	BN												
27 teeth	E6HZ 7196-A		BP											
Mainshaft 3rd, 33 helical-37 clutch teeth	E7HZ 7196-A				BR						BW			
Mainshaft 3rd, 27 helical-26 clutch teeth	E7HZ 7196-B							BU	BV			BX	BZ	
Ring (Shift Hub Sleeve Retainer)-3/32" thick	D6HZ 7C212-A	BN		BQ		BS	BT						BY	
SPRING (LOW and REVERSE GATE PLUNGER)	7219													
23/32" O.D. x 2 9/32" free length-13 coils	D3TZ 7219-C	BN	BP	BQ		BS	BT	BU	BV			BY	BZ	
KEY (COUNTERSHAFT)	7B220													
1.256" long 3/8" wide	D6HZ 7B220-A	2	2	2	2	2	2	2	2	2	2	2	2	
HOUSING (GEARSHIFT)	7222													
	E3HZ 7222-C	BN		BQ		BS	BT						BY	
	E6HZ 7222-A		BP					BU	BV			BX	BZ	
	E7HZ 7222-A				BR						BW			
Screw 3/8 - 16 x 7/8"	20368-S2(B-79)	14	13	14	14	14	14	14	14	14	14	14	14	
lockwasher - - 3/8"	34807-S8(X-66)	14	13	14	14	14	14	14	14	14	14	14	14	
GASKET (GEARSHIFT HOUSING)	7223													
14 5/16" long x 10 1/8" wide-(14) 13/32" holes	C8TZ 7223-A	BN		BQ		BS	BT						BY	
	E6HZ 7223-A		BP					BU	BV			BX	BZ	
	E7HZ 7223-A				BR						BW			
BEARING CUP	7K228													
Countershaft rear bearing	E6HZ 7K228-A		BP					BU	BV			BX	BZ	
Countershaft front bearing	E6HZ 7K228-B		BP					BU	BV			BX	BZ	
Countershaft front bearing	E7HZ 7K228-A				BR						BW			
FORK (GEAR SHIFTER)	7230													
4th and 5th	C8TZ 7230-A	BN		BQ		BS	BT						BY	
4th and 5th	E6HZ 7230-A		BP					BU	BV			BX	BZ	
4th and 5th, incl. 7B403 shoes	E7HZ 7230-A				BR						BW			
FORK (GEAR SHIFTER)	7231													
2nd and 3rd	C8TZ 7231-B	BN		BQ		BS	BT						BY	
1st and rev	E3HZ 7231-A	BN		BQ		BS	BT						BY	
2nd and 3rd	E6HZ 7231-A		BP					BU	BV			BX	BZ	
1st and rev.	E6HZ 7231-B		BP					BU	BV			BX	BZ	
2nd and 3rd., incl. 7B403 shoes	E7HZ 7231-A				BR						BW			
2nd and 3rd., incl. 7B403 shoes	E7HZ 7231-C												BY	
LUG (SHIFT ROCKER)	7232													
1st and rev	E3HZ 7232-A	BN		BQ		BS	BT							
SPRING	7234													
	B3Q 7234-A	BN		BQ		BS	BT						BY	
Remote shift	E6HZ 7234-A		BP	BQ							BW			
Reverse Plunger	E7HZ 7234-C											BX		
	7EQ 7234	3	3	3		3	3	3	3	3	3	3	3	
7/16" ball	353086-S(AA-14)	11	10	11	10	11	11	10	10	10	10	11	10	

When the parts list suffix is shown in the quantity required column, the quantity is one (1).



DESCRIPTION/RESTRICTIONS	PART NUMBER	TRANSMISSION PARTS LISTS 5BN THRU 5BZ											
		BN	BP	BQ	BR	BS	BT	BU	BV	BW	BX	BY	BZ
<b>CLARK/FULLER</b>													
PIN (GEAR SHIFTER SHAFT LOCK PLUNGER)	7235												
Shift fork lock pin, 1 1/8 long-.196 O.D.	C8TZ 7235-A	4				4							
Shift fork lock pin 1 1/8 long-.188 O.D.	E6HZ 7235-A		4	4			4	4	4		4	4	4
Interlock Cross Pin	7EQ 7235	BN	BP	BQ	BR	BS	BT	BU	BV	BW	BX	BY	BZ
SHAFT (GEAR SHIFTER)-Low and reverse gear	7240												
10 3/8" long	E3HZ 7240-A	BN		BQ	BR	BS	BT					BY	
1st and rev.	E6HZ 7240-A		BP					BU	BV		BX		BZ
1st and rev., 340mm long	E7HZ 7240-A				BR					BW			
SHAFT (GEAR SHIFTER)	7241												
2nd and 3rd, 9 13/16 long	E3HZ 7241-A	BN		BQ		BS	BT						
2nd and 3rd	E6HZ 7241-A		BP										
	E7HZ 7241-A				BR								
	E7HZ 7241-B							BU	BV		BX		BZ
	E7HZ 7241-C											BY	
3rd and 4th	E7HZ 7241-E									BW			
BOOT (REMOTE SHIFT)	7E242												
	E6HZ 7E242-A		BP	BQ						BW	BX	BY	
PLUNGER (SHIFTER SHAFT GATE-LOW and REVERSE GEAR)	7247												
	E3HZ 7247-A	BN	BP	BQ		BS	BT	BU	BV		BX	BY	BZ
SUPPORT (GEARSHIFT ROD)	7E274												
(4) holes	E3HZ 7E274-A	BN	2	BQ		BS	BT	BU	2		BX	BY	2
(2) holes	E3HZ 7E274-B	BN		BQ		BS	BT				BX	BY	
(4) holes	E7HZ 7E274-A				BR					BW			
(3) holes	E7HZ 7E274-B				BR					BW			
(2) holes	E7HZ 7E274-C				BR					BW			
Lockwasher-3/8"	34807-S8(X-66)	6											
Screw-hex. washer head-3/8"-16 x 1"	382062-S2 (UU-52-AA)	6	8	6		6	6				6	6	6
GATE ASSY. (SHIFT)	7279												
Reverse	E7HZ 7279-D				BR					BW			
1st and reverse	E7HZ 7279-C				BR								
Seal (Input Shaft Bearing Retainer) see also 7048-1 5/8 I.D. x 2 1/2 O.D. x 21/64 wide-use on E3HT 7003-CCA,CEA, E3HT 7004-AGA,AHA, E4HT 7003-ANA,ARA, E4HT 7004-KA,LA	D6HZ 7A283-B	BN				BS			BV				BZ
KIT-SHIM	7K285												
Consists of: 1 ea. .102mm, .178mm, .254mm for mainshaft rear bearing also 2 pc. .102mm, 1 pc. .178mm for countershaft rear bearing	E7HZ 7K285-B				BR								
OIL SEAL (REMOTE SHIFT)	7288												
	E6HZ 7288-A		BP	BQ						4	BX	BY	
CONE and ROLLER ASSY.	7K310												
Countershaft rear bearing	E6HZ 7K310-A		BP					BU	BV		BX		BZ
Countershaft front bearing	E6HZ 7K310-B		BP					BU	BV		BX		BZ
SHIM KIT	7B331												
Includes M/S rr brg. cap shims-.004, .007, .010, .020 - - C/S rr brg. cap shims-.004, .007, .010, .020	E6HZ 7B331-A		A/R					A/R	A/R		A/R		A/R
SHAFT (GEAR SHIFTER)	7334												
4th and 5th, 6 27/64 long	E3HZ 7334-A	BN		BQ		BS	BT						
	E6HZ 7334-A		BP					BU					
	F0HZ 7334-C				BR					BW			BZ
	E7HZ 7334-E								BV		BX		
	E7HZ 7334-B											BY	
BAR (SHIFT FORK)	7358												
1st and rev	E3HZ 7358-A	BN		BQ		BS	BT					BY	
SHOE (SHIFT FORK)	7B403												
	C6TZ 7B403-A	4	4	4	6	4	4		4	6	4	4	4

1980/  
TRUCK SERIES 600/900

DESCRIPTION/RESTRICTIONS	PART NUMBER	TRANSMISSION PARTS LISTS 5BN THRU 5BZ											
		BN	BP	BQ	BR	BS	BT	BU	BV	BW	BX	BY	BZ
<b>CLARK/FULLER</b>													
ARM (LOW and REVERSE GEARSHIFT ROCKER)	7410												
4 3/32" long - 1/4" thick	D6HZ 7410-A					BS	BT						BY
LUG (SHIFT)	7411												
1st and rev	E3HZ 7411-A	BN		BQ		BS	BT						BY
1st and rev	E6HZ 7411-A		BP					BU	BV		BX		BZ
SPACER (FIRST GEAR SHIFT STOP)	7B416												
Spacer (Reverse Idler Gear Bearing) - 1 3/16" I.D. x 1 27/64" O.D. x 3/32" thick	E6HZ 7B416-A			BQ		BS	BT						BY
Spacer reverse idler gear bearing	D6HZ 7482-A	3		3		3	3						3
	E6HZ 7482-A		BP					BU	BV		BX		BZ
	E7HZ 7482-A				BR						BW		
WASHER (THRUST)	7R482												
M/S rear bearing, 92mm O.D., 51mm I.D., 7mm thick	E7HZ 7R482-A				BR						BW		
HOUSING (CLUTCH)	7505												
Use on E3HT 7003-CDA,CFA, E4HT 7003-ASA,BLA	E3HZ 7505-A	BN											
Use on E3HT 7003-CCA,CEA, E4HT 7003-ANA,ARA, E7HT 7003-MA,NA,BRA,BSA	C8TZ 7505-B	BN					BS						
Bolt 5/8-11 x 2"	383341-S2(BB-201-AG)	4			4	4	4						
	E7HZ 7505-A				BR		BT	BU					BZ
BUSHING (CLUTCH HOUSING PEDAL SHAFT)	7508												
1" I.D. x 1 1/8" O.D. x 1" long E7HT 7003-MA,NA,BRA,BSA list "BS"	C6TZ 7508-A	AR					2						
1" I.D. x 1 1/2" O.D. x 1 5/8" long E7HT 7003-MA,NA,BRA,BSA	C6TZ 7508-B	AR				BS							
1" I.D. x 1 1/16" O.D. x 63/64" long	E3HZ 7508-A	AR			4		4	4					
RETAINER (COUNTERSHAFT REAR BEARING)	7L558												
	E7HZ 7L558-A				BR						BW		
COVER (CLUTCH HOUSING)	7564												
Bolt 1/4-20 x 1/2"	E3HZ 7564-A	BN			BR		BT	BU					BZ
lockwasher 1/4"	382603-S100(BB-123-A)	2			2		2	2					2
	34805-S8(X-62)	2			2		2	2					2
WASHER (REVERSE IDLER GEAR THRUST)	7728												
	E4HZ 7728-A	2	2	2		2	2	2	2		2	2	2
	E7HZ 7728-A				2						2		
BUSHING (REMOTE SHIFT HOUSING)	7808												
Expansion plug-1" O.D.	E6HZ 7808-A		3	3								3	3
	74117-S(P5)		BP	BQ								BX	BY

NOTICE: When the parts list suffix is shown in the quantity required column, the quantity is one (1).

DESCRIPTION/RESTRICTIONS	PART NUMBER	TRANSMISSION PARTS LISTS 5BAA THRU 5BAM											
		BAA	BAB	BAC	BAD	BAE	BAF	BAG	BAH	BAJ	BAK	BAL	BAM
<b>CLARK/FULLER</b>													
Bearing Cone-countershaft front	B7T 1201-A	2	2			2	2	2		2			
Bearing cup-maindrive gear-M802011, see also 7025, use on E8HT 7003-ASA,ATA	C7AZ 4628-A	BAA	BAB	BAC									
Bearing Cone-Main Drive Gear-M802048, see also 7025, use on E8HT 7003-ASA,ATA	C7AZ 4630-A	BAA	BAB	BAC									
SEAL (OUTPUT SHAFT BEARING RETAINER OIL)	4813												
#CR-526499, 541849-2 3/4" I.D. x 3 35/64" O.D. x 1/2" thick	D2TZ 4813-B	BAA	BAB			BAE		BAG		BAJ			
CR526497	D2TZ 4813-A			BAC	BAD		BAF		BAH				
LOCK SCREW (REMOTE SHIFT LEVER)	7L001												
	E6HZ 7L001-A						BAF	BAG	BAH	BAJ			
CASE ASSY.	7005												
	E8HZ 7005-C	BAA	BAB			BAE	BAF	BAG		BAJ			
	E7HZ 7005-C			BAC	BAD								
	E6HZ 7005-A								BAH				
Bolt (case to clutch housing)-9/16"-12 x 2"	21062-S8(B-134)	2	2	2	2	2	2	2	2	2			
Nut (case to clutch housing stud)-9/16"-18	33848-S7(M-70)	2	2	2	2	2	2	2	2	2			
Plug (filler) square socket head pipe 3/4"-14"	358048-S(P8-43)	BAA	BAB	BAC	BAD	BAE	BAF	BAG	BAH	BAJ			
Ball steel 3/16" dia.	371350-S(AA-4)	2	2	2	2	2	2	2	2	2			
SHAFT LEVER ASSY. (REMOTE SHIFT)	7B009												
	E9HZ 7B009-B						BAF	BAG	BAH	BAJ			
PLUG (DRAIN MAGNETIC)-4" long-3/4" pipe thread-(3) ceramic magnets	C4TZ 7A010-A	BAA	BAB	BAC	BAD	BAE	BAF	BAB	BAH	BAJ			
SLINGER (COUNTERSHAFT OIL)	7C016												
1 25/32" I.D. x 3 7/16" O.D. x 3/32" thick	D6HZ 7C016-B	BAA	BAB										
SHAFT (INPUT)	7017												
17 helical-25 clutch teeth-10 splines-12 1/2 long -- use on E8HT 7004-GA,JA	D6HZ 7017-A		BAB										
17 helical-25 clutch teeth-10 splines-13" long -- use on E8HT 7003-ASA	D6HZ 7017-B	BAA											
19 helical-25 clutch teeth-10 splines-12 1/2 long -- use on E8HT 7004-HA,KA	D6HZ 7017-C		BAB										
19 helical-25 clutch teeth-10 splines-13" long -- use on E8HZ 7003-ATA	D6HZ 7017-D	BAA											
17 helical-25 clutch teeth-10 splines, 13 1/16 long -- use on E8HT 7003-AMA, E9HT-BBA, E9HT 7004-HA,KA	E3HZ 7017-G	BAA				BAE	BAF	BAG					
19 helical-25 clutch teeth-10 splines-13 1/16 long -- use on E8HT 7003-ANA, E9HT-BCA, E9HT 7004-JA,LA	E3HZ 7017-H	BAA				BAE		BAG		BAJ			
Use with E9HT 7004-EA	E7HZ 7017-D			BAC									
Use with E9HT 7004-DA	E7HZ 7017-E			BAC									
Use on E9HT 7003-AZA, E9HT 7004-GA, E8HT 7004-RA	E6HZ 7017-A				BAD					BAH			
Use on E9HT 7003-BAA, E9HT 7004-FA, E8HT 7004-NA	E6HZ 7017-B				BAD					BAH			
Use on E9HT 7003-AYA	E9HZ 7017-E				BAD								
Use on E9HT 7003-AVA	E9HZ 7017-F				BAD								
CONE and ROLLER ASSY.	7025												
Main drive gear bearing, see also 4630,4628, at beginning of Parts list, use on E8HT 7003-AMA,ANA	E6HZ 7025-A	BAA			BAD	BAE	BAF	BAG	BAH	BAJ			
SNAP RING (BEARING)	7030												
Washer (Output Shaft Rear Bearing-Split)	D6HZ 7030-B	2	2			2	2	2		2			
Ring (Output Shaft Rear Bearing Retainer Washer) 2 3/4" I.D. x 3 3/8" O.D. x 17/64" thick	D6HZ 7030-A	BAA	BAB			BAE		BAG		BAJ			
Plug -- 1"-14 thd.	E3HZ 7032-A	BAA	BAB	BAC	BAD	BAE	BAF	BAG	BAH	BAJ			
VENT	7034												
	E6HZ 7034-A						BAF	BAG	BAH	BAJ			

1980/  
TRUCK SERIES 600/900

DESCRIPTION/RESTRICTIONS	PART NUMBER	TRANSMISSION PARTS LISTS 5BAA THRU 5BAM											
		BAA	BAB	BAC	BAD	BAE	BAF	BAG	BAH	BAJ	BAK	BAL	BAM
<b>CLARK/FULLER</b>													
SEAL ASSY. (INPUT SHAFT OIL) See also 7A283	7048												
Use on E8HT 7003-AMA,ANA	E6HZ 7048-A	BAA			BAD	BAE	BAF	BAG	BAH	BAJ			
RETAINER (INPUT SHAFT BEARING)	7050												
6 15/16" long-7 7/32" O.D. of flange- 1 9/16" hub O.D., use on E8HT 7003-ASA,ATA	D6HZ 7050-B	BAA	BAB										
	D9HZ 7050-A			BAC									
Use on E9HT 7004-FA,GA, E8HT-NA,RA,E8HT 7003-AMA,ANA	E9HZ 7050-D	BAA			BAD	BAE	BAF	BAG	BAH	BAJ			
Screw (input bearing cap) 5/16 - 18 x 51/64" long	350329-S2(BB-140)	4	4	4	4	4	4	4	4	4			
GASKET (INPUT SHAFT BEARING RETAINER)	7051												
.0035/.0045" thick	D9HZ 7051-A	A/R	A/R			A/R	A/R	A/R		A/R			
.00625/.00775" thick	D9HZ 7051-B	A/R	A/R			A/R	A/R	A/R		A/R			
.0090/.0110" thick	D9HZ 7051-C	A/R	A/R			A/R	A/R	A/R		A/R			
.0185/.0215" thick	D9HZ 7051-D	A/R	A/R			A/R	A/R	A/R		A/R			
SNAP RING (OUTPUT SHAFT)	7059												
Third and fourth gear retaining-1 25/32" I.D. x 3/32" thick	B3Q 7059-A	2	2	BAC	BAD	BAE	BAF	BAG	BAH	BAJ			
Ring (Input Shaft Pilot Bearing Retainer)-1 7/8" O.D.	D6HZ 7059-A	BAA	BAB	BAC	BAD	BAE	BAF	BAG	BAH	BAJ			
Second and third shift hub	E6HZ 7059-A			BAC	BAD				BAH				
Mainshaft third gear	E6HZ 7059-B			BAC	BAD				BAH				
SHAFT (OUTPUT)	7061												
483.11mm long	E9HZ 7061-D	BAA	BAB			BAE	BAF	BAG					
	E9HZ 7061-C			BAC	BAD				BAH				
	E8HZ 7061-C									BAJ			
Nut (flange to shaft)-hex. lock-1 1/4"-18- 2 1/4" across flats	371000-S1MM-179)	BAA	BAB			BAE	BAF	BAG	BAH	BAJ			
WASHER (THRUST)	7062												
Mainshaft rear bearing	E6HZ 7062-A			BAC	BAD				BAH				
Washer (Input Shaft Pilot Bearing)-1 3/8" I.D.	D6HZ 7063-A	BAA	BAB	BAC	BAD	BAE	BAF	BAG	BAH	BAJ			
RETAINING RING	7064												
Countershaft drive gear	E6HZ 7064-A			BAC	BAD				BAH				
BEARING (OUTPUT SHAFT)	7065												
Bearing Cone (Output Shaft Rear)	D6HZ 7065-A	BAA	BAB			BAE	BAF	BAG		BAJ			
Bearing Cone, Output Shaft rear	E6HZ 7065-A			BAC	BAD				BAH				
BEARING CUP	7R067												
Mainshaft rear bearing	E6HZ 7R067-A	BAA	BAB	BAC	BAD	BAE	BAF	BAG	BAH	BAJ			
LEVER (REMOTE SHIFT LEVER)	7A081												
Inner	E7HZ 7A081-C						BAF	BAG		BAJ			
Inner	E7HZ 7A081-E								BAH				
RETAINER ASSY. (OUTPUT SHAFT BEARING)	7085												
	E7HZ 7085-D	BAA	BAB			BAE							
	E7HZ 7085-C			BAC	BAD								
	D6HZ 7085-B						BAF	BAG		BAJ			
	E6HZ 7085-A								BAH				
Stud-1/2-3-1/2-20 x 17/8	88424-S2(W-32)	4	4	4	4	4	4	4	4	4			
Washer flat, 1/2 I.D.	44879-S2(X-31-G)	4	4	4	4	4	4	4	4	4			
Nut, 1/2-20	55718-S2(M-187)	4	4	4	4	4	4	4	4	4			
GASKET	7086												
	D6TZ 7086-A	BAA	BAB			BAE	BAF	BAG					
	E6HZ 7086-A			BAC	BAD				BAH				
FLANGE (OUTPUT SHAFT)-Also refer to group in Section 71 for Size chart	7089												
Note: ◇ Industry Number													
Use on E8HT 7004-GA,HA, E9HT-HA,LA	E7HZ 7089-N	BAA	BAB			BAE		BAG		BAJ			
Use on E8HT 7004-JA,KA, E9HT-JA,KA	E7HZ 7089-P		BAB				BAF	BAG					
	E7HZ 7089-M			BAC	BAD				BAH				

**NOTICE:** When the parts list suffix is shown in the quantity required column, the quantity is one (1).

DESCRIPTION/RESTRICTIONS	PART NUMBER	TRANSMISSION PARTS LISTS 5BAA THRU 5BAM										
		BAA	BAB	BAC	BAD	BAE	BAF	BAG	BAH	BAJ	BAK	BAL
<b>CLARK/FULLER</b>												
SPACER (REVERSE GEAR SHIFT STOP)	7L093											
	E6HZ 7L093-A	2	2			2	2	2		2		
Bearing (Fourth and Fifth Shift Hub)-1 1/2" I.D. x 2 11/64" O.D. 27 Rollers	D6HZ 7C096-A	BAA	BAB	BAC	BAD	BAE	BAF	BAG	BAH	BAJ		
GEAR (LOW and REVERSE SLIDING)	7100											
Output shaft first speed,26-28 teeth, use on E9HT 7004-HA,KA	D6HZ 7100-A	BAA	BAB			BAE	BAF	BAG				
Output shaft first speed,26-37 teeth, use on E9HT 7004-JA,LA	D6HZ 7100-B							BAG		BAJ		
Mainshaft 1st, 37 teeth	E6HZ 7100-A			BAC	BAD				BAH			
COVER (REMOTE SHIFT CONTROL)	7B102											
	E7HZ 7B102-B						BAF	BAG	BAH	BAJ		
Screw & washer-3/8-16 x 1"	57646-S2(U-17-A)						4	4	4	4		
GEAR (OUTPUT SHAFT)	7103											
Second speed-26-36 teeth-2 9/16" I.D. x 6 1/2" O.D. x 1 7.8" wide	D6HZ 7103-A	BAA	BAB			BAE	BAF	BAG		BAJ		
Second-36 teeth	E7HZ 7103-B			BAC	BAD				BAH			
Ball-3/16"	371350-S(AA-4)	2	2	2	2	2	2	2	2	2		
HUB (FIRST and REVERSE)-	D6HZ 7106-A	BAA	BAB			BAE	BAF	BAG		BAJ		
	E6HZ 7106-A			BAC	BAD				BAH			
RING (OUTPUT SHAFT BLOCKING)	7107											
Third synchro-5 1/2" O.D.-26 teeth-35/64" thick x 5 1/2" O.D.-26 teeth-35/64" thick	C8TZ 7107-A	BAA	BAB	BAC	BAD	BAE	BAF	BAG	BAH	BAJ		
Fourth and fifth synchro-5" O.D.-12 spline	C8TZ 7107-B	2	2	2	2	2	2	2	2	2		
Washer (First and Reverse Shift-Split)	D6HZ 7109-A	2	2	2	2	2	2	2	2	2		
STOP (REVERSE LATCH PLUNGER)	7A112											
	E3HZ 7A112-A	BAA	BAB			BAE	BAF	BAG		BAJ		
	E6HZ 7A112-A			BAC	BAD				BAH			
GEAR (COUNTERSHAFT CLUSTER)	7113											
Use on E8HT 7003-AMA,ASA,E9HT-BBA, E8HT 7004-GA,JA, E9HT-HA,KA	E8HZ 7113-A	BAA	BAB			BAE	BAF	BAG				
Use on E8HT 7003-ANA,ATA,E9HT-BCA, E8HT 7004-HA,KA,E9HT-JA,LA	E8HZ 7113-B	BAA	BAB			BAE		BAG		BAJ		
10 teeth	E6HZ 7113-A			BAC	BAD				BAH			
GEAR (COUNTERSHAFT SECOND)	7114											
18 teeth	E6HZ 7114-A			BAC	BAD				BAH			
WASHER (THRUST)	7117											
Reverse gear bearing-2 9/32" I.D. x 2 1/2" O.D. x 3/32" thick	D6HZ 7117-A	2	2			2	2	2				
Second gear bearing		2	2			2	2	2				
Third gear bearing		2	2			2	2	2				
First gear bearing-2 1/16" I.D. x 2 5/16" O.D. x 3/32" thick	D6HZ 7117-C	2	2			2	2	2		2		
Third gear thrust -- 2 7/8" O.D. x 1 13/16" I.D. x 9/32" thick	E9HZ 7117-B	BAA	BAB			BAE	BAF	BAG		BAJ		
Fourth gear spacer -- 1 13/16" O.D. x 1 9/16" I.D. x 7/64 thick	E1HZ 7117-B	BAA	BAB			BAE	BAF	BAG				
BEARING	7118											
Reverse gear -5/32" O.D. x 21/32" long	D6HZ 7118-A	96	96	52	52	96	96	96	52			
First gear		88	88			88	88	88		88		
Second gear		96	96			96	96	96				
Third gear		96	96			96	96	96				
Fourth gear		68	68			68	68	68				
Pilot - 5/8" O.D. x 51/64" long	D6HZ 7118-C	14	14	14	14	14	14	14	14	14		
First and second gears	E6HZ 7118-A			2	2					2	3	
Third and reverse gears	E6HZ 7118-B			2	2					2		
Fourth gear	E6HZ 7118-C			BAC	BAD				BAH	BAJ		
SYNCHRONIZER ASSY.	7124											
Fourth and fifth	E9HZ 7124-A	BAA	BAB	BAC	BAD	BAE	BAF	BAG	BAH	BAJ		
Second and third	E7HZ 7124-B	BAA	BAB	BAC	BAD	BAE	BAF	BAG	BAH	BAJ		

1980/  
TRUCK SERIES 600/900

5 SPEED TRANSMISSION

DESCRIPTION/RESTRICTIONS	PART NUMBER	TRANSMISSION PARTS LISTS 5BAA THRU 5BAM											
		BAA	BAB	BAC	BAD	BAE	BAF	BAG	BAH	BAJ	BAL	BAM	
<b>CLARK/FULLER</b>													
BEARING (COUNTERSHAFT GEAR)	7127												
1 49/64" I.D. x 3 15/16" O.D. x 15/16" wide	D6HZ 7127-A	BAA	BAB										
PLUG	7135												
	E7HZ 7135-A	BAA	BAB			BAE	BAF	BAG		BAJ			
	E6HZ 7135-A			BAC	BAD				BAH				
GEAR (COUNTERSHAFT THIRD)	7137												
24 teeth	E6HZ 7137-A			BAC	BAD				BAH				
SHAFT (REVERSE IDLER GEAR)	7140												
5 11/32" long	7EQ 7140	BAA	BAB			BAE	BAF	BAG		BAJ			
	E6HZ 7140-A			BAC	BAD				BAH				
GEAR (REVERSE IDLER)	7141												
15 teeth	E6HZ 7141-A			BAC	BAD				BAH				
GEAR (REVERSE)	7142												
Idler, 11-19 teeth-3 5/16" O.D. x 3 17/32" long	D6HZ 7142-B	BAA	BAB			BAE	BAF	BAG		BAJ			
Gear (Output Shaft Reverse)-30-26 teeth-2 9/16" I.D. x 7 9/16" O.D. x 1 9/16" long	D6HZ 7142-A	BAA	BAB			BAE	BAF	BAG		BAJ			
Mainshaft reverse, 37 teeth	E6HZ 7142-A			BAC	BAD				BAH				
GEAR (COUNTERSHAFT FOURTH SPEED). See also 7112	7144												
33 teeth	D6HZ 7144-A	BAA	BAB			BAE	BAF	BAG		BAJ			
28 teeth	E8HZ 7144-A			BAC	BAD				BAH				
Bearing (Reverse Idler Gear - Roller)-5/32" O.D. x 1 1/4" long	D6HZ 7145-A	52	52			52	52	52		52			
GASKET KIT	7153												
	C8TZ 7153-A	BAA	BAB										
	F0HZ 7153-B			BAC	BAD				BAH				
	F0HZ 7153-A					BAE	BAF	BAG		BAJ			
RETAINER (COUNTERSHAFT and REVERSE IDLER SHAFT)-1 1/16" x 7/8" x 11/64" x (1) 25/64" hole	7EQ 7155	BAA	BAB	BAC	BAD	BAE	BAF	BAG	BAH	BAJ			
Lockwasher-3/8"	34807-S8(X-66)	2	2	2	2	2	2	2	2	2			
Bolt 3/8-16 x 7/8	20368-S2(B-79)	2	2	2	2	2	2	2	2	2			
GEAR (OUTPUT SHAFT FOURTH SPEED)	7158												
23 helical - 25 clutch teeth	E1HZ 7158-F	BAA	BAB			BAE	BAF	BAG		BAJ			
	E8HZ 7158-B			BAC	BAD				BAH				
RING (SECOND GEAR RETAINING)	7160												
Ring (Output Shaft Second and Reverse Gear Washer) 2 15/16" I.D. x 3 7/16" O.D. x 7/32" thick	D6HZ 7160-A	BAA	BAB	BAC	BAD	BAE	2	BAG	BAH	BAJ			
SHIM (COUNTERSHAFT REAR BEARING)	7L161												
.114/.089mm thick	E8HZ 7L161-A	A/R	A/R			A/R	A/R	A/R		A/R			
.198/.160mm thick	E8HZ 7L161-B	A/R	A/R			A/R	A/R	A/R		A/R			
.279/.229mm thick	E8HZ 7L161-C	A/R	A/R			A/R	A/R	A/R		A/R			
.546/.470mm thick	E8HZ 7L161-D	A/R	A/R			A/R	A/R	A/R		A/R			
SNAP RING (COUNTERSHAFT GEAR and SHAFT RETAINING)-2 1/2" free I.D.-fits 2 1/8" groove-3/32" thick	C5TZ 7162-A	BAA	BAB			BAE	BAF	BAG		BAJ			
Snap Ring (Countershaft Rear Bearing Outer Retainer)-3/32" thick	D6HZ 7162-A	2	2										
Countershaft front bearing	E7HZ 7162-A	BAA	BAB			BAE	BAF	BAG		BAJ			
Countershaft front bearing	E6HZ 7162-A			BAC	BAD				BAH				
COVER ASSY. (POWER TAKE-OFF)	7EQ 7165	2	2	2	2	2	2	2	2	2	BAJ		
Bolt (cover to case)-3/8"-16 x 5/8"	20328-S8(B-76)	12	12	12	12	12	12	12	12	12	12		
Lockwasher-3/8"-split ring	34807-S8(X-66)	12	12	12	12	12	12	12	12	12	12		
Lockwasher-external teeth-3/8"	351487-S(XX-291)	12	12	12	12	12	12	12	12	12	12		

**NOTICE:** When the parts list suffix is shown in the quantity required column, the quantity is one (1).

DESCRIPTION/RESTRICTIONS	PART NUMBER	TRANSMISSION PARTS LISTS 5BAA THRU 5BAM											
		BAA	BAB	BAC	BAD	BAE	BAF	BAG	BAH	BAJ	BAK	BAL	BAM
<b>CLARK/FULLER</b>													
GASKET (POWER TAKE-OFF COVER)- 6 1/4" x 4 7/8" x 1/6" thick-(6) 13/32" holes	E7HZ 7166-A	2	2	2	2	2	2	2	2	2			
BEARING CUP	7169												
Fourth - fifth shift Hub	D6HZ 7169-A	2	BAB	BAC	BAD	BAE	BAF	BAG	BAH	BAJ			
1 55/64 I.D. x 2 11/64 O.D. x 1/4 wide													
Output Shaft rear-inc. snap-ring	D6HZ 7169-C	BAA	BAB			BAE	BAF	BAG					
Main drive gear bearing, see also 4628, at beginning of Parts list, use on E8HT 7003-AMA,ANA	E6HZ 7169-A	BAA			BAD	BAE	BAF	BAG	BAH	BAJ			
GEAR (COUNTERSHAFT)	7177												
Use on E8HT 7003-AMA,ASA,E9HT-BBA, E8HT 7004-GA,JA, E9HT-HA,KA	E8HZ 7177-A	BAA	BAB			BAE	BAF	BAG					
Use on E8HT 7003-ANA, ATA,E9HT-BCA, E8HT 7004-HA,KA, E9HT-JA,LA	E8HZ 7177-B	BAA	BAB			BAE		BAG		BAJ			
34 teeth-use on E9HT 7004-EA,E9HT 7003-AVA,AZA E9HT 7004-GA, E8HT 7004-RA	E6HZ 7177-A				BAC	BAD				BAH			
37 teeth-use on E9HT 7004-DA,E9HT 7003-AYA,BAA E9HT 7004-FA, E8HT 7004-NA	E6HZ 7177-B				BAC	BAD				BAH			
GASKET (REVERSE LATCH PLUG)	7L177												
	E3HZ 7L177-A	BAA	BAB	BAC	BAD	BAE	BAF	BAG	BAH	BAJ			
GASKET (COUNTERSHAFT REAR BEARING CAP)	7181												
	E8HZ 7181-A	BAA	BAB			BAE	BAF	BAG		BAJ			
(First and Reverse-Hub synchronizer) -26-35 teeth-2 1/8" I.D. x 3 3/8" O.D. x 25/32" wide	D6HZ 7183-A	BAA	BAB			BAE	BAF	BAG		BAJ			
Sleeve, mainshaft 2nd and 3rd	E7HZ 7183-F				BAC	BAD				BAH			
GASKET (REMOTE SHIFT HSG)	7185												
	D3TZ 7185-A				BAC			BAF	BAG	BAH			
HUB (SYNCHRONIZER)	7193												
	F1HZ 7193-A	BAA	BAB	BAC	BAD	BAE	BAF	BAG	BAH	BAJ			
CAP (COUNTERSHAFT REAR BEARING)	7195												
	E8HZ 7195-A	BAA	BAB			BAE	BAF	BAG		BAJ			
	E6HZ 7195-A				BAC	BAD				BAH			
Bolt 3/8-16 x 7/8	20368-S2(B-79)	4	4	4	4	4	4	4	4	4			
GEAR (OUTPUT SHAFT THIRD SPEED IDLER)	7196												
28 helical - 26 spur teeth	E1HZ 7196-A	BAA	BAB			BAE	BAF	BAG		BAJ			
27 helical, 26 clutch teeth	E7HZ 7196-B				BAC	BAD				BAH			
Ring (Shift Hub Sleeve Retainer)-3/32" thick	D6HZ 7C212-A	BAA	BAB			BAE	BAF	BAG		BAJ			
SPRING (LOW and REVERSE GATE PLUNGER)	7219												
23/32" O.D. x 2 9/32" free length-13 coils	D3TZ 7219-C	BAA	BAB	BAC	BAD	BAE	BAF						
KEY (COUNTERSHAFT)	7B220												
1.256" long 3/8" wide	D6HZ 7B220-A	2	2	2	2	2	2	2	2	2			
HOUSING (GEARSHIFT)	7222												
	E3HZ 7222-C	BAA	BAB			BAE	BAF	BAG		BAJ			
	E6HZ 7222-A				BAC	BAD				BAH			
Screw 3/8 - 16 x 7/8"	20368-S2(B-79)	14	14	14	14	14	14	14	14	14			
lockwasher - - 3/8"	34807-S8(X-66)	14	14	14	14	14	14	14	14	14			
GASKET (GEARSHIFT HOUSING)	7223												
	E6HZ 7223-A				BAC	BAD				BAH			
	C8TZ 7223-A	BAA	BAB			BAE	BAF	BAG		BAJ			
BEARING CUP	7K228												
Countershaft rear bearing	E6HZ 7K228-A				BAC	BAD				BAH			
Countershaft front bearing	E6HZ 7K228-B				BAC	BAD				BAH			
FORK (GEAR SHIFTER)	7230												
4th and 5th	C8TZ 7230-A	BAA	BAB			BAE	BAF	BAG		BAJ			
4th and 5th	E6HZ 7230-A				BAC	BAD				BAH			

1980/  
TRUCK SERIES 600/900

DESCRIPTION/RESTRICTIONS	PART NUMBER	TRANSMISSION PARTS LISTS 5BAA THRU 5BAM											
		BAA	BAB	BAC	BAD	BAE	BAF	BAG	BAH	BAJ	BAK	BAL	BAM
<b>CLARK/FULLER</b>													
FORK (GEAR SHIFTER)	7231												
2nd and 3rd	C8TZ 7231-B	BAA	BAB										
1st and rev	E3HZ 7231-A	BAA	BAB			BAE	BAF	BAG		BAJ			
2nd and 3rd., incl. 7B403 shoes	E7HZ 7231-C	BAA	BAB			BAE	BAF	BAG		BAJ			
2nd and third	E6HZ 7231-A			BAC	BAD					BAH			
1st and rev.	E6HZ 7231-B			BAC	BAD					BAH			
BLOCK (SHIFT)	7232												
1st and rev.	E3HZ 7232-A					BAE	BAF	BAG		BAJ			
SPRING	7234												
	B3Q 7234-A	BAA	BAB			BAE	BAF	BAG		BAJ			
Reverse plunger	E7HZ 7234-C					BAE		BAG	BAH	BAJ			
	7EQ 7234	3	3	3	3	3	3	3	3	3			
7/16" ball	353086-S(AA-14)	11	11	11	11	11	11	11	10	11			
PIN (GEAR SHIFTER SHAFT LOCK PLUNGER)	7235												
Shift fork lock pin 1 1/8 long-.188 O.D.	E6HZ 7235-A	4	4	4	4	4	4	4	4	4			
Interlock Cross Pin	7EQ 7235	BAA	BAB	BAC	BAD	BAE	BAF	BAG	BAH	BAJ			
SHAFT (GEAR SHIFTER)-Low and reverse gear	7240												
10 3/8" long	E3HZ 7240-A	BAA	BAB			BAE	BAF	BAG		BAJ			
1st and rev.	E6HZ 7240-A			BAC	BAD					BAH			
SHAFT (GEAR SHIFTER)	7241												
	E7HZ 7241-C	BAA	BAB			BAE	BAF	BAG		BAJ			
	E7HZ 7241-B			BAC	BAD					BAH			
BOOT (REMOTE SHIFT)	7E242												
	E6HZ 7E242-A						BAF	BAG	BAH	BAJ			
PLUNGER (SHIFTER SHAFT GATE-LOW and REVERSE GEAR)	7247												
	E3HZ 7247-A	BAA	BAB	BAC	BAD	BAE	BAF	BAG	BAH	BAJ			
SUPPORT (GEARSHIFT ROD)	7E274												
(4) holes	E3HZ 7E274-A	BAA	BAB	2	2	BAE	BAF	BAG	BAH	BAJ			
(2) holes	E3HZ 7E274-B	BAA	BAB			BAE	BAF	BAG	BAH	BAJ			
Lockwasher-3/8"	34807-S8(X-66)	6	6	6	6	6	6	6	6	6			
Screw-hex. washer head 3/8"-16 x 1"	382062-S2(UU-52-AA)	6	6	6	6	6	6	6	6	6			
Seal (Input Shaft Bearing Retainer) see also 7048-1 5/8 I.D. x 2 1/2 O.D. x 21/64 wide, use on E8HT 7003-ASA,ATA	D6HZ 7A283-B	BAA	BAB	BAC									
OIL SEAL	7288												
Remote shift	E6HZ 7288-A						BAF	BAG	BAH	BAJ			
Speedo	E7HZ 7288-C							BAG					
CONE and ROLLER ASSY	7K310												
Countershaft rear bearing	E6HZ 7K310-A			BAC	BAD					BAH			
Countershaft front bearing	E6HZ 7K310-B			BAC	BAD					BAH			
SHIM KIT	7B331												
Includes M/S rr brg. cap shims-.004,.007,.010,.020 C/S rr brg. cap shims-.004,.007,.010,.020	E6HZ 7B331-A			A/R	A/R					A/R			
SHAFT (GEAR SHIFTER)	7334												
	E7HZ 7334-B	BAA	BAB			BAE	BAF	BAG		BAJ			
	E6HZ 7334-A			BAC									
	E7HZ 7334-E				BAD					BAH			
BAR (SHIFT FORK)	7358												
1st and rev	E3HZ 7358-A	BAA	BAB			BAE	BAF	BAG		BAJ			
SHOE (SHIFT FORK)	7B403												
	C6TZ 7B403-A	4	4		4	4	4	4	4	4			
ARM (LOW and REVERSE GEARSHIFT ROCKER)	7410												
4 3/32" long - 1/4" thick	D6HZ 7410-A	BAA	BAB			BAE	BAF	BAG		BAJ			

NOTICE: When the parts list suffix is shown in the quantity required column, the quantity is one (1).



DESCRIPTION/RESTRICTIONS	PART NUMBER	TRANSMISSION PARTS LISTS 5BAA THRU 5BAM											
		BAA	BAB	BAC	BAD	BAE	BAF	BAG	BAH	BAJ	BAK	BAL	BAM
<b>CLARK/FULLER</b>													
LUG (SHIFT)	7411												
1st and rev	E3HZ 7411-A	BAA	BAB			BAE	BAF	BAG		BAJ			
1st and rev.	E6HZ 7411-A			BAC	BAD					BAH			
SPACER (FIRST GEAR SHIFT STOP)	7B416												
	E6HZ 7B416-A	BAA	BAB			BAE	BAF	BAG		BAJ			
Spacer (Reverse Idler Gear Bearing) - 1 3/16" I.D. x 1 27/64" O.D. x 3/32" thick	D6HZ 7482-A	3	3			3	3	3		3			
Spacer reverse idler gear bearing	E6HZ 7482-A			BAC	BAD					BAH			
HOUSING (CLUTCH)	7505												
Use on E8HT 7003-ASA,ATA	C8TZ 7505-B	BAA											
Bolt 5/8-11 x 2"	383341-S2(BB-201-AG)	4			4	4							
Use on E8HT 7003-AMA,ANA	E7HZ 7505-A	BAA			BAD	BAE							
BUSHING (CLUTCH HOUSING PEDAL SHAFT)	7508												
1" I.D. x 1 1/8" O.D. x 1" long	C6TZ 7508-A	A/R				A/R							
1" I.D. x 1 1/2" O.D. x 1 5/8" long	C6TZ 7508-B	A/R				A/R							
1" I.D. x 1 1/16" O.D. x 63/64" long	E3HZ 7508-A	A/R			4	A/R							
RETAINER (COUNTERSHAFT REAR BEARING)	7L558												
	E8HZ 7L558-A	BAA	BAB			BAE	BAF	BAG		BAJ			
COVER (CLUTCH HOUSING)	7564												
	E3HZ 7564-A	BAA			BAD	BAE							
Bolt 1/4-20 x 1/2"	382603-S100(BB-123-A)	2			2	2							
Lockwasher 1/4"	34805-S8(X-62)	2			2	2							
WASHER (REVERSE IDLER GEAR THRUST)	7728												
	E4HZ 7728-A	2	2	2	2	2	2	2	2	2			
BUSHING	7808												
Remote shift	E6HZ 7808-A						3	3	3	3			
SEALER (GASKET FORMING)	19562												
Silicone-2.8 oz. tube	E7TZ 19562-A	A/R	A/R	A/R	A/R	A/R	A/R	A/R					
<b>FULLER</b>													
SEAL (OUTPUT SHAFT BEARING RETAINER OIL)	4813												
#CR-526496-3" I.D. x 4 1/2" O.D. x 7/16" thick	D2HZ 4813-B	CA	CB										
CASE ASSY.	7005												
	C6TZ 7005-E	CA	CB										
	E4HZ 7005-B			CC									
Pin (guide pin)-dowel-3/8" O.D. x 1" long	374428-S(NN-61)	2	2	2									
Pin (case brake shaft hole plug)-7/8" O.D. x 3/4" long	374427-S(NN-148-F)	CA	CB	CC									
Stud (case to clutch housing)-5/8"-11 and 5/8"-18 x 2 1/16"	374423-S7-8(WW-66)	6	6	6									
Nut-5/8"-18	33850-S8(M-72)	6	CB	CC									
Lockwasher-5/8"	34811-S2(X-71)	6	CB	CC									
Plug (filler)-pipe-1 1/4"	353094-S(PP-34)	CA	CB	CC									
Plug-magnetic (drain)-pipe-3/4"-14	353240-SA(PP-52)	CA	CB	CC									
Plug-magnetic (drain)-pipe-square socket head -marked B-3/4"-14	374506-S(PP-51)	CA	CB	CC									
Plug (case drain)-flush slotted head-5/8"-11	★ 371092-S	CA	CB	CC									
ELEMENT (OIL FILTER)-1" I.D. x 2 1/2" O.D. x 2 1/16" long	C1TT 7C012-A	CA	CB	CC									
COVER (OIL FILTER)-6 1/4" x 4 7/8" x 2" high (6) 13/32" bolt holes	C1TT 7C013-H	CA	CB	CC									
Bolt (cover to case)-hex. head-3/8"-16 x 1"	20388-S8(B-80)	6	6	6									
Lockwasher-3/8"	34807-S8(X-66)	6	6	6									

October, 1993

COPYRIGHT © 1993 - FORD MOTOR - DEARBORN, MICHIGAN COMPANY

Final Issue

1980/  
TRUCK SERIES 600/900

DESCRIPTION/RESTRICTIONS	PART NUMBER	TRANSMISSION PARTS LISTS 5CA THRU 5CM												
		CA	CB	CC	CD	CE	CF	CG	CH	CJ	CK	CL	CM	
FULLER														
PLATE (OIL FILTER RETAINER)- 6 1/4" x 4 7/8" x 1/16" thick- (6) 13/32" bolt holes	★ C1TT 7C014-A (N/R 3/83)	CA	CB	CC										
SHAFT (INPUT)	7017													
18 teeth-12 1/8" long	C6TZ 7017-A	CA												
18 teeth-12 1/8" long-#15110	D4HZ 7017-F		CB	CC										
18 teeth-12 1/8" long-#20540	E4HZ 7017-D			CC										
Main drive-4 13/32" dia. x 1 3/16" wide- 24 external-18 internal teeth	C6TZ 7017-D	CA												
Main drive-4 11/32" O.D. 40 ext.-18 int. teeth	E1HZ 7017-A		CB	CC										
Coupling output shaft #18364	D7HZ 7017-F	CA												
BEARING	7025													
Input shaft-#212L or 2125LV-1 13/16" I.D. x 13/16" wide	C6TZ 7025-A	CA	CB	CC										
Countershaft-#211SL-2 5/32" I.D. x 3 15/16" O.D. x 15/16" wide x 1/8" snap ring groove	TGAA 7025-A	2	2											
Countershaft front, #309 MG	E2HZ 7025-A			2										
SNAP RING	7030													
Countershaft front, 1 19/32 I.D. x 3/32 thick	C8TZ 7030-B			2										
Countershaft drive gear, 2 3/32 I.D. x 5/64 thick	E2HZ 7030-B			2										
Input shaft, 2 11/64 I.D. x 7/64 thick	E4HZ 7030-A			CC										
VENT ASSY. (CASE)	7034													
1" long	D1TZ 7034-A	CA	CB	CC										
NUT (INPUT SHAFT BEARING RETAINER)	7045													
3 1/4" O.D. x 2 1/8"-16#	C1TT 7045-A	CA	CB	CC										
RETAINER (INPUT SHAFT BEARING)	7050													
6 9/16" O.D. x 1 1/32" thick- (6) 13/32" bolt holes	C6TZ 7050-A	CA												
#15111	D4HZ 7050-A		CB	CC										
#20550	E4HZ 7050-D			CC										
Bolt (retainer to case)-3/8"-16 x 1/2" to 3/8"-16 x 1 1/2"	20468-S8(B-85)	4	4	4										
Lockwasher-3/8"	34807-S8(X-66)	4	4	4										
GASKET (INPUT SHAFT BEARING RETAINER)	7051													
4 21/34" I.D. x 6 1/2" O.D.-(6) 13/32" holes	C6TZ 7051-F	CA	CB	CC										
SPACER (INPUT SHAFT)-2 3/8" I.D. x 2 23/32" O.D. x 5/16" thick	C9TZ 7A059-A	CA	CB	CC										
SHAFT (OUTPUT)	7061													
9 7/8" long-10 splines-4 3/8" major dia.	C6TZ 7061-M	CA	CB	CC										
MAINSHAFT	D8HZ 7061-E	CA	CB	CC										
Nut (auxiliary output shaft lock)-1 1/2" -18- 2 3/8" width x 13/16" thick	374796-S(MM-140-F)	CA	CB											
Snap ring (countershaft constant mesh drive gear)-2 1/4" I.D. x 2 11/16" O.D. x 1/8" thick	374200-S(QQ-86)	CA	CB											
SNAP RING	7064													
Mainshaft gear-2 3/4" I.D. x 2 15/16" O.D. x 3/32" thick	C6TZ 7064-A	2	2	2										
Input shaft														
Mainshaft gear-3 1/16" O.D. x 3/32" wide	C6TZ 7064-E	4	4	4										
Mainshaft-2 3/32" I.D. x 2 7/16" O.D. x 3/32" thick	D4HZ 7064-F	CA	CB	CC										
Yoke bar reverse, 63/64 O.D. x 3/64 thick	E1HZ 7064-C			CC										
BEARING ASSY.	7065													
Output shaft-rear-with snap ring-#118L	C6TZ 7065-F	CA	CB	CC										
Output shaft-rear-less snap ring-#MRC213S	C6TZ 7065-G	CA	CB	CC										

NOTICE: When the parts list suffix is shown in the quantity required column, the quantity is one (1).

DESCRIPTION/RESTRICTIONS	PART NUMBER	TRANSMISSION PARTS LISTS 5CA THRU 5CM											
		CA	CB	CC	CD	CE	CF	CG	CH	CJ	CK	CL	CM
<b>FULLER</b>													
WASHER (OUTPUT SHAFT SECOND SPEED GEAR)-17 spline teeth-2 27/32" dia. x 1/4" wide	D8HZ 7069-A	2	CB	2									
RETAINER ASSY. (OUTPUT SHAFT BEARING)	7085												
5 25/32" long-(6) 13/32" holes	C6TZ 7085-R	CA	CB	CC									
GASKET	7086												
Auxiliary rear bearing cover and speedometer-5 9/16" I.D. x 6 7/8" O.D. x 1/64" thick-(6) 13/32" holes	C6TZ 7086-F	CA	CB	CC									
GEAR (LOW AND REVERSE SLIDING)	7100												
44 external-18 internal teeth-9 1/4" dia.	C6TZ 7100-H	CA											
44 ext.-18 int. teeth, 9 1/4" O.D.	E1HZ 7100-A		CB	CC									
GEAR (SLIDING CLUTCH)	7103												
18 external-17 internal teeth-3 1/4" dia. 1 1/2" wide	C6TZ 7103-B	2	2	2									
GEAR (COUNTERSHAFT FOURTH SPEED)	7112												
39 teeth-2 1/4" I.D. x 6 5/8" O.D. x 1 1/2" wide	C6TZ 7112-A	2											
64 ext. teeth, 6 11/16" O.D.	E1HZ 7112-A		2	2									
COUNTERSHAFT, 13 and 11 teeth	C6TZ 7113-E	2	2										
13 and 11 teeth	E4HZ 7113-B			2									
BUSHING (INPUT SHAFT)-3/4" wide x 1 39/64" O.D. x 1 23/64" I.D.	D0HZ 7120-C	CA	CB	CC									
BEARING	7127												
Countershaft-rear-# MRY1308GEL-1 9/16" I.D. x 3 17/32" O.D. x 29/32" wide	C6TZ 7127-A	2	2	2									
RETAINER (COUNTERSHAFT BEARINGS)-2 3/4" O.D. x 5/16" thick-(2) 17/32" holes	C6TZ 7135-A	2	2										
GEAR (COUNTER SHAFT THIRD SPEED)	7137												
30 teeth-2 7/16" I.D. x 5 7/16" O.D. x 3/8" wide	C6TZ 7137-B	2											
44 ext. teeth, 5 15/32" O.D.	E1HZ 7137-A		2	2									
SHAFT (REVERSE IDLER GEAR)	7140												
1 1/4" I.D. x 4 9/16" long	C6TZ 7140-B	2	2	2									
Plug-pipe-1/8"-27	87708-S(P-14)	2	2	2									
GEAR (REVERSE IDLER)	7142												
25 teeth-1 7/8" I.D. x 5 5/16" O.D. x 1 1/4" overall width	C6TZ 7142-C	2	2	2									
38 external-18 internal teeth 8 1/16" dia. x 1 1/16" wide	C6TZ 7142-D	CA	CB	CC									
GEAR (COUNTERSHAFT P.T.O.)	7144												
R.H.-45 teeth-7 3/4" dia. 2 1/4" I.D. x 1 1/16" wide	C6TZ 7144-C	CA	CB	CC									
L.H.-47 teeth-8" dia. x 1" wide	C6TZ 7144-B	CA	CB	CC									
GASKET KIT	7153												
	E7HZ 7153-A	CA	CB	CC									
RETAINER (REVERSE IDLER SHAFT)	7155												
1" x 3/4" x 5/32" -(1) 21/64" hole	B8QH 7155-A	2	2	2									
PLATE (OUTPUT SHAFT RETAINER)-5/8" wide x 1 1/4" thick-(1) 11/32" hole	C6TZ 7155-B	2	2	2									
COVER (POWER TAKE-OFF)	7165												
9 5/8" long x 7 3/8" wide-(8) 15/32" holes	D1HZ 7165-A	CA	CB	CC									
6 1/4" x 4 7/8"	C6TZ 7165-B	CA	CB	CC									

1980/  
TRUCK SERIES 600/900

DESCRIPTION/RESTRICTIONS	PART NUMBER	TRANSMISSION PARTS LISTS 5CA THRU 5CM											
		CA	CB	CC	CD	CE	CF	CG	CH	CJ	CK	CL	CM
FULLER													
7166													
GASKET													
9 1/4" long x 7" wide x 1/32" thick - (8) 15/32" holes	D1HZ 7166-A	CA	CB	CC									
Oil filter housing-6 1/4" x 4 7/8" x 1/16" thick-(6) 13/32" holes	E7HZ 7166-A	CA	CB	CC									
SPACER (MAINSHAFT GEAR)-18 external teeth-3" dia. x 9/32" thick	C6TZ 7173-A	CA	CB	CC									
7173													
WASHER (MAINSHAFT GEAR)-Fourth-15 internal teeth-2 5/8" diameter													
.250" thick	C6TZ 7173-B	CA	CB	CC									
.254" thick	C6TZ 7173-C	AR	AR										
.259" thick	C6TZ 7173-D	AR	AR										
.264" thick	C6TZ 7173-E	AR	AR										
.269" thick	C6TZ 7173-F	AR	AR										
.274" thick	C6TZ 7173-G	AR	AR										
Fourth-17 spline-2 13/16" dia. x 1/4" wide	C6TZ 7173-H	2	2	2									
18 teeth-2 9/32" dia. x 9/32" wide	C6TZ 7173-J	4	4	4									
7176													
GEAR and BUSHING													
Second speed-40 external-18 internal teeth-8" dia. x 1 1/4" wide	C6TZ 7176-C	CA											
Countershaft second speed-20 teeth-2 1/4" I.D. x 4 3/8" O.D. x 2 3/8" wide	C6TZ 7176-D	2											
Second speed-66 ext. 18 int. teeth 8 1/16" dia.	E1HZ 7176-A		CB	CC									
Third speed-33 ext. teeth 4 15/64" O.D.	E1HZ 7176-B		2	2									
7177													
GEAR (COUNTERSHAFT DRIVE)													
45 teeth-2 1/4" I.D. x 7 3/4" O.D. x 1/4" wide	C6TZ 7177-E	2											
75 ext. teeth	E1HZ 7177-A		2										
75 ext. teeth	E4HZ 7177-B			2									
7181													
GASKET (COUNTERSHAFT BEARING CAP)													
3 9/16" I.D. x approx. 4 1/2" square-(4) 13/32" holes	C6TZ 7181-H	2	2	2									
7185													
GASKET (GEARSHIFT LEVER)													
Housing to gearshift housing-approx. 6 5/8" x 5 3/8" x 1/64" thick-(4) 7/16" bolt holes	C1TT 7185-A	CA	CB										
	E2HZ 7185-A			CC									
7195													
CAP (COUNTERSHAFT)													
Rear bearing-4 1/2" square x 9/16" thick-(4) 13/32" holes	C6TZ 7195-D	2	2	2									
STUD (CLUTCH HOUSING)-5/8" -11 and 5/8"-18 x 2 7/16" long	D0HZ 7C207-B	6	6	6									
7219													
SPRING													
Low and reverse gate plunger-7/16" O.D.-11 coils-1 1/2" free length	C6TZ 7219-E	3	3	3									
Reverse gate plunger-10 1/2 coils-5/8" O.D. x 1 11/16" free length	B8QH 7219-A	CA	CB										
	E1HZ 7219-B			CC									
KEY and PIN ASSY. (MAINSHAFT)-1 5/8" long x 5/32" x 9/32"	C6TZ 7B220-E	CA	CB	CC									
7B220													
KEY (COUNTERSHAFT GEAR)													
KEY (OUTPUT SHAFT FOURTH SPEED GEAR)-7 1/2" long x 13/64" x 17/64"	C6TZ 7B220-H	CA	CB										
Countershaft, 6 11/32 lg. 5/16 square	E1HZ 7B220-C			2									

NOTICE: When the parts list suffix is shown in the quantity required column, the quantity is one (1).

DESCRIPTION/RESTRICTIONS	PART NUMBER	TRANSMISSION PARTS LISTS 5CA THRU 5CM											
		CA	CB	CC	CD	CE	CF	CG	CH	CJ	CK	CL	CM
<b>FULLER</b>													
<b>HOUSING (GEARSHIFT)</b>													
	7222												
	D5HZ 7222-A	CA	CB										
	E4HZ 7222-A			CC									
Bolt (housing to case)-right center- 3/8" -16 x 1 3/4"	★ 20506-S7	2	2	2									
Bolt (housing to case)-3/8" -16 x 1 1/4"	20428-S7-8(B-82)	10	10	10									
Bolt (housing to case)-front and rear center- 3/8" -16 x 2 1/4"	20534-S8(B-90)	2	2	2									
Lockwasher-3/8"	34807-S8(X-66)	11	11	11									
Plug (gearshift housing shifter shaft)- expansion-7/8"	74115-S(P-4)	3	3	3									
Plug (gearshift housing)-cup- 3/4" O.D. x 1/4" long	★ 371072-S	CA	CB	CC									
<b>GASKET (GEARSHIFT HOUSING)</b>													
7223													
13 7/16" x 11 1/2"-use with C9HA 7003-A,B trans.	C8TZ 7223-B	CA	CB	CC									
<b>COVER (GEARSHIFTER SHAFT LOCK PLUNGER SPRING)</b>													
7B227													
4 1/8" long x 7/8" wide x 3/16" thick- (2) 13/32" holes	C6TZ 7B227-A	CA	CB	CC									
<b>GASKET</b>													
7B228													
Gearshift spring cover-4 1/8" long x 7/8" wide x 1/32" thick	C6TZ 7B228-E	CA	CB	CC									
<b>FORK (GEARSHIFTER FOURTH and FIFTH GEAR)</b>													
7230													
	C6TZ 7230-D	CA	CB	CC									
Screw (fork to shaft)-drilled hex. head- pointed-7/16" -20 x 1 5/32"	371073-S(BB-539)	CA	CB	CC									
<b>FORK (GEARSHIFTER)</b>													
7231													
First and reverse shift-approx. 6 1/2" long x 2 5/8" span x 3/4" dia. bushing bore	C6TZ 7231-G	CA	CB	CC									
Second and third speed shift-approx. 2 3/4" width of bearing x 6 1/2" long x 3/4" dia. bore x 2 5/8" width of span	C6TZ 7231-F	CA	CB	CC									
Screw (gate to shaft)-hex. drilled head-pointed 7/16" -20 x 1 5/32"	371073-S(BB-539)	2	2	2									
<b>GATE</b>													
7232													
Gearshift low and reverse-2 3/4" long x 3/4" hole-7/16" -20 and 3/4" -16 thread	C6TZ 7232-A	CA	CB										
<b>SPRING</b>													
7234													
Reverse shift rod, 1 3/4" free height, 1/4" od.	E1HZ 7234-B			CC									
PIN (GEARSHIFT ROD INTERLOCK)- 7/32" O.D. x 1/16" long	B8QH 7235-A	CA	CB	CC									
<b>SHAFT (GEAR SHIFTER - LOW and REVERSE GEAR)</b>													
7240													
9 11/16" long	C9TZ 7240-A	CA	CB	CC									
<b>SHAFT (GEAR SHIFTER)</b>													
7241													
Second and third-7 1/4" long x 3/4" dia.	C6TZ 7241-D	CA	CB	CC									
Fourth and fifth-7 1/4" long x 3/4" dia.	C6TZ 7241-E	CA	CB	CC									
PLUG (REVERSE STOP PLUNGER SPRING)- 3/4" -16-slotted-5/16" hole	B8QH 7245-A	CA	CB										
PLUNGER (SHIFTER SHAFT GATE - REVERSE GEAR)-1 19/32" long	B8QH 7247-A	CA	CB										
	E1HZ 7247-B			CC									

1980/  
TRUCK SERIES 600/900

DESCRIPTION/RESTRICTIONS	PART NUMBER	TRANSMISSION PARTS LISTS 5CA THRU 5CM												
		CA	CB	CC	CD	CE	CF	CG	CH	CJ	CK	CL	CM	
GEAR (OUTPUT SHAFT FOURTH SPEED) 32 external-18 internal teeth-5 9/16" dia. x 1 3/16" wide-		7B267												
	C6TZ 7B267-A		CA											
	E1HZ 7B267-A			CB	CC									
52 ext.-18 int. teeth-5 1/2" O.D.														
RETAINER SPRING 1st-rev. fork		7308												
	E1HZ 7308-A				CC									
KIT (AIR FILTER REPAIR) K1486, use with 955 trans.		7B331												
	E4HZ 7B331-A													
GEAR (MAINSHAFT THIRD SPEED) 36 external-18 internal teeth-6 3/4" dia. x 1 1/4" wide-		7B340												
	C6TZ 7B340-B		CA											
	E1HZ 7B340-A			CB	CC									
56 ext.-18 int. teeth-6 53/64" O.D.														
GEAR (MAINSHAFT SLIDING CLUTCH)- 18 external-15 internal teeth-3" dia. x 1 1/2" wide														
	C6TZ 7B341-A		CA	CB	CC									
NUT (OUTPUT SHAFT REAR BEARING) 2 3/8" hex. x 1 1/2" -18		7B364												
	C8TZ 7B364-A		CA	CB	CC									
	C6TZ 7B364-B		CA	CB	CC									
4 1/2" hex. x 3 17/32" -16														
BEARING (REVERSE IDLER GEAR) #RBC-ESJ7255AH,IR182020H,AJ3183H- 1 1/4" I.D. x 1 7/8" O.D.		7B369												
	C6TZ 7B369-A		2	2	2									
SPACER Output shaft-3 1/8" I.D. x 4 3/8" O.D. x 9/32" thick		7482												
	C6TZ 7482-B		CA	CB	CC									
HOUSING (CLUTCH) #16329-Aluminum		7505												
	D0HZ 7505-A		CA	CB										
	D5HZ 7505-A				CC									
BUSHING Clutch housing pedal shaft-1" I.D. x 1 1/8" O.D. x 1" long		7508												
	C6TZ 7508-A		2	2	2									
Clutch pedal shaft-1" I.D. x 1 1/8" O.D. x 1 5/8" long														
	C6TZ 7508-B		CA	CB	CC									
COVER (CLUTCH HOUSING DUST) 6 3/4" long x 4 3/4" wide		7564												
	C6TZ 7564-A		CA	CB	CC									
GASKET (CLUTCH HOUSING TO CASE)														
	C6TZ 7A619-B		CA	CB	CC									
WASHER (REVERSE IDLER GEAR THRUST) 1 1/8" I.D. x 2 11/32" O.D. x 7/32" thick		7728												
	C6TZ 7728-A		4	4	4									
SEAL OIL (REAR BEARING COVER)		7918												
	C8TZ 7918-A				CC									
WASHER (TAILSHAFT REAR BEARING)														
	C1TT 17288-B		CA	CB	CC									
Bushing (Speedometer)														
	B8QH 17323-A		CA	CB	CC									

DESCRIPTION/RESTRICTIONS	PART NUMBER	TRANSMISSION PARTS LISTS 5DA THRU 5DM												
		DA	DB	DC	DD	DE	DF	DG	DH	DJ	DK	DL	DM	
FULLER														
DANA (SPICER)														
CONE (COUNTERSHAFT FRONT BEARING), No. LM 48548		B7C 1201-A									DH			
CUP (COUNTERSHAFT FRONT BEARING), No. LM 48510		B7C 1202-A									DH			
CUP (COUNTERSHAFT FRONT and REAR BEARING), No. 25520		C3TZ 1202-B	2		2		2	2	DG		DJ	2	2	2
Bearing, Taper Cone - drive gear pocket, No. 25817		C3TZ 1216-B		DB		DD								
Cup-Mainshaft front, No. 39520		7EQH 1239							DG		DJ			

NOTICE: When the parts list suffix is shown in the quantity required column, the quantity is one (1).

DESCRIPTION/RESTRICTIONS	PART NUMBER	TRANSMISSION PARTS LISTS 5DA THRU 5DM												
		DA	DB	DC	DD	DE	DF	DG	DH	DJ	DK	DL	DM	
<b>DANA (SPICER)</b>														
4062														
CONTROL (ELECTRIC SHIFT)	B9TT 4062-A							DG		DJ				
L-washer, 7/16 I.D. Elect Shift Mount	34793-S2 (X-67-A)							2						
Cone-countershaft rear, No. 3780	C3TZ 4221-F							DG		DJ				
CONE (COUNTERSHAFT REAR BEARING), No. LM 102949	C9AZ 4221-A								DH					
CUP (COUNTERSHAFT REAR BEARING), No. LM 102910	C9AZ 4222-A								DH					
CUP (DRIVE GEAR and MAIN SHAFT REAR BEARING), No. JM511910	D3TZ 4222-A	2	2	2	2	2	2	DG		DJ	2	2	2	
Cup-countershaft gear, No. 3720	9N-4222							DG		DJ				
Cup-countershaft bearing rear, No. 25523	8M-4222							DG		DJ				
Cone & roller-countershaft front cone, No. 3877	8L-4630							DG		DJ				
SEAL-2 1/2" I.D. x 1/2" thick	D2TZ 4813-A	DA		DC		DE	DF					DK	DL	
SEAL-output shaft bearing retainer oil- #CR-526499-2 3/4" I.D. x 3 35/64" O.D. x 1/2" thick	D2TZ 4813-B		DB		DD				DH					DM
PLUG (CASE DRAIN) rear-lower	D4TZ 7A002-A	DA		DC		DE	DF					DK	DL	DM
INSERT (SHIFT POPPET)	7L003													
	E4HZ 7L003-A									3				
CASE ASSY.	7005-6													
#47-15-4, use with E0HT 7004-FA,GA, E1HT-CA,DA, EA,FA,GA,HA, E3HT-NA,SA,UA, E3HT-RA,VA,TA, E5HT-DA, E5HT-EA	D6HZ 7005-C	DA				DE	DF					DK	DL	
#63-15-11, use with E0HT 7003-ZA,AAA, E0HT 7004-HA,JA,KA, E1HT 7004-JA,KA,LA,MA	E9HZ 7005-D		DB											
#63-15-5, use with E0HT 7003-UA,VA,YA, E1HT-AUA, AVA, E1HT-AYA,AZA,BEA	D7HZ 7005-B		DB		DD									
#47-15-12, use with E0HT 7003-SA,TA, E1HT-ALA,AMA,ANA,ARA,ASA,ATA, E3HT-AAA, ACA,AEA,AGA,AJA,ALA,AMA, E3HT-AHA, AKA,ABA,ADA,AFA, E5HT-MA,NA, E5HT-RA,SA	E0HZ 7005-A	DA		DC		DE	DF					DK	DL	DM
Case main	E3HZ 7005-A							DG		DJ				
Case auxiliary	E3HZ 7005-B							DG		DJ				
	E5HZ 7005-A								DH					
Plug (filler or drain)-extended head-3/4"-14"	353051-S(PP-32)	DA	DB	DC	DD	DE	DF					DK	DL	
Plug-magnetic (drain)-square socket hd.- 3/4"-14 pipe	353240-SA(PP-52)	DA	DB	DC	DD	DE	DF					DK	DL	DM
Plug filler-3/4-14 square socket hd.	358048-S (PP-43)							DG	DH	DJ				DM
SPACER (BAFFLE)	7L007													
Aux. front M/shft-3/16" thick	E3HZ 7L007-A							DG		DJ				
PLUG (DRAIN)	7A010													
Magnetic-3/4-14 x 1 1/4 square head	D3HZ 7A010-C							DG	DH	DJ				
SHAFT (INPUT)	7017													
24 helical - 22 clutch teeth - 10 splines 12 15/16" long, use with E0HT 7004-HA,JA, E1HT-JA,KA	D7HZ 7017-E		DB											
24 helical - 22 clutch teeth - 10 splines 13 13/32" long, use with E0HT 7003-VA,YA,ZA, E1HT-AYA,AZA,BEA	D7HZ 7017-B		DB											
25 helical - 22 clutch teeth - 10 splines 13 13/32" long, use with E0HT 7003-UA,AAA, E1HT-AUA,AVA	D7HZ 7017-C		DB											
25 helical - 22 clutch teeth - 10 splines 12 15/16" long, use with E0HT 7004-KA, E1HT-LA,MA	D7HZ 7017-D		DB											

1980/  
TRUCK SERIES 600/900

DESCRIPTION/RESTRICTIONS	PART NUMBER	TRANSMISSION PARTS LISTS 5DA THRU 5DM												
		DA	DB	DC	DD	DE	DF	DG	DH	DJ	DK	DL	DM	
<b>DANA (SPICER)</b>														
7017 — Cont'd														
SHAFT (INPUT)	E2HZ 7017-C			DC										
24 helical-15 Int teeth, 13 3/16" long 10 splines-use with E2HT 7003-CCA,CEA,CGA	E2HZ 7017-D				DD									
24 helical-22 Int teeth, 13 13/32" long 10 splines-use with E2HT 7003-CHA,CJA,CLA	E2HZ 7017-E				DD									
25 helical-22 Int teeth, 13 13/32" long 10 splines-use with E2HT 7003-CKA,CMA	E3HZ 7017-B	DA				DE		DG		DJ	DK			
23 ext-15 int teeth 13 5/64 long, use with E0HT 7003-SA, E1HT-ALA,AMA,ANA, E3HT-AAA,ACA,AEA,AA,JA, E5HT-TA, E5HT-MA	E3HZ 7017-A			DC		DE		DG		DJ	DK			
23 ext-15 int teeth 13 3/16 long, use with E3HT 7003-AGA,AJA,ALA,KA,LA, E5HT-UA,NA, E2HT-CBA,CDA,CFA	E3HZ 7017-D					DE	DF					DL	DM	
24 ext-15 int teeth 13 3/16 long, use with E3HT 7003-AMA,AHA,AKA, E5HT-SA E7HT-ALA	E3HZ 7017-C	DA				DE				DK				
23 ext-15 int teeth 12 19/32 long, use with E3HT 7004-NA,SA,UA, E5HT-DA, E0HT-FA, E1HT-CA,DA,EA	E3HZ 7017-E	DA					DF					DL	DM	
24 ext-15 int teeth 13 5/64 long, use with E3HT 7003-ABA,ADA,AFA, E5HT-RA, E0HT-TA, E1HT-ARA,ASA,ATA, E7HT-BFA	E3HZ 7017-F	DA					DF					DL		
24 ext-15 int teeth 12 19/32 long, use with E3HT 7004-RA,VA,TA, E5HT-EA, E0HT-GA, E1HT-FA,GA,HA	E4HZ 7017-A									DH				
24 helical - 33 clutch teeth - 10 splines 9 1/2 long-use with E4HT 7004-AA,MA, E5HT-CA,BA	E4HZ 7017-B									DH				
24 helical - 33 clutch teeth - 10 splines 13 7/64 long-use with E4HT 7003-BA,BMA, E5HT-HA,LA	E4HZ 7017-C									DH				
24 helical - 33 clutch teeth - 10 splines 13 3/64 long-use with E4HT 7003-ATA,BNA, E5HT-JA,KA														
7025														
BEARING	D6HZ 7025-B	2	DB	2	DD	2	2	DG		DJ	2	2	2	
2 35/64" I.D.	TGAA 7025-A									DH				
Input drive No. 1211L														
7029														
SHIM	D6HZ 7029-E	DA	DB	DC	DD									
Consists of (9) shims-.0045"/.0055" thick Also (1) spacer-.077"/.079" thick	B7QH 7032-A	DA	DB	DC	DD	DE	DF	DG		DJ	DK	DL	DM	
RETAINER (LOW OR OVERDRIVE and REVERSE GATE PLUNGER)-1 7/16" overall length x 11/16"-16 threads one end	E4HZ 7032-A									DH				
7033														
WASHER (THRUST)	E3HZ 7033-A							DG		DJ				
Aux. M/shft. o/put.-4 1/8 O.D. x 2 25/32 I.D. x 1/2" thick														
7034														
VENT ASSY.	C6TZ 7034-B	DA	DB	DC	DD	DE	DF	DG	DH	DJ	DK	DL	DM	
7040														
BAFFLE (OIL)	D9HZ 7040-A	DA	DB	DC	DD	DE	DF	DG		DJ	DK	DL	DM	
INPUT-4 5/16" O.D.-1 15/16 I.D.	E3HZ 7040-A							DG		DJ				
Front Aux. Section-funnel, 4 27/64" O.D. x 2 33/64" ID	E3HZ 7040-B							DG		DJ				
Rear Aux. Section-funnel, 4 27/64" O.D. x 2 43/64" ID	E3HZ 7040-C							DG		DJ				
Front Aux. Dr. gear-cup, 3 1/2" O.D. x 2 51/64" ID	E3HZ 7040-D							DG		DJ				
Rear Aux. Dr. gear-funnel, 3 1/2" O.D. x 3" ID														

NOTICE: When the parts list suffix is shown in the quantity required column, the quantity is one (1).



DESCRIPTION/RESTRICTIONS	PART NUMBER	TRANSMISSION PARTS LISTS 5DA THRU 5DM												
		DA	DB	DC	DD	DE	DF	DG	DH	DJ	DK	DL	DM	
<b>DANA (SPICER)</b>														
NUT (MAINSHAFT)	7045													
Nut-Output Shaft - 2 1/8" O.D. x 1 1/4"-18THD	D6HZ 7045-A		DB		DD									
1 1/4"-18" thd x 1 13/16"	E3HZ 7045-A					DE	DF		DH		DK	DL	DM	
1 3/4-16 thd	E2HZ 7045-A							DG		DJ				
RING (INPUT OIL BAFFLE)	7046													
2 9/16" O.D.-2 1/16" I.D.	D9HZ 7046-A	DA	DB	DC	DD	DE	DF	DG		DJ	DK	DL	DM	
RETAINER (INPUT SHAFT BEARING)	7050													
Notes: % Includes 7B215 seal														
% Use with EOHT 7004-FA,GA, E1HT-CA,DA,EA, FA,GA,HA, E3HT-NA,SA,UA,RA,VA,TA, E5HT-DA,EA	D6HZ 7050-F	DA				DE	DF				DK	DL		
% Use with EOHT 7003-ZA,AAA, EOHT 7004-HA,JA,KA, E1HT-JA,KA,LA,MA	D7HZ 7050-A		DB											
% Use with EOHT 7003-UA,VA,YA, E1HT-AUA, AVA,AYA,AZA,BEA	D7HZ 7050-B		DB											
% Use with EOHT 7003-SA,TA, E1HT-ALA,AMA,ANA, ARA,ASA,ATA, E3HT-AAA,ACA,AEA, ABA,ADA,AFA,AA,JA, E5HT-TA, E5HT-MA,RA, E7HT-BFA	D9HZ 7050-B	DA				DE	DF	DG		DJ	DK	DL	DM	
% Use with E3HT 7003-AGA,AJA,ALA,AMA AHA,AKA,KA,LA, E5HT-UA,NA, E5HT-SA, E7HT-ALA	E2HZ 7050-B			DC		DE	DF	DG		DJ	DK	DL	DM	
%	E2HZ 7050-C				DD									
% - use with E4HT 7004-AA,MA, E5HT-BA,CA	E4HZ 7050-A								DH					
% - use with E4HT 7003-ATA,BNA, E5HT-JA,KA	E4HZ 7050-E								DH					
% - use with E4HT 7003-BA,BMA, E5HT-HA,LA	E4HZ 7050-C								DH					
Bolt, 3/8"-16" x 7/8"	389271-S100 (BB-901-A)	4		4		4	4	4		4	4	4	4	4
GASKET	7051													
Front bearing cap (7195)	D6HZ 7051-F	DA		DC		DE	DF				DK	DL	DM	
Use with 7017	D6HZ 7051-E	DA		DC		DE	DF				DK	DL	DM	
Use with (7050) M/S frt brg cap. 7 3/16" O.D Use with EOHT 7003-ZA,AAA, EOHT 7004-HA,JA,KA, E1HT 7004-JA,KA,LA,MA	D7HZ 7051-A		DB											
Use with (7195) C/S frt. brg. cap. Use with EOHT 7003-ZA,AAA, EOHT 7004-HA,JA,KA, E1HT 7004-JA,KA,LA,MA	D7HZ 7051-B		DB											
Use with (7050) M/S Frt. Brg. Cap. 7 5/8" O.D. Use with EOHT 7003-UA,VA,YA, E1HT-AUA, AVA,AYA,AZA,BEA	D7HZ 7051-C		DB		DD									
SNAP RING (OUTPUT SHAFT SYNCHRONIZER)-fourth and fifth speed- 2 1/16" I.D. x 2 7/16" O.D. x 1/8" thick-(1) tang	B8QH 7059-A		DB		DD									
SHAFT (OUTPUT)	7061													
19 13/32" long-10-24 teeth	D6HZ 7061-B	DA		DC										
22 13/32" lg. -13-19-26 teeth-10 splines	D7HZ 7061-A		DB		DD									
1 1/4"-18 thd. one end.														
19 13/32" long-10-24-36-38 teeth	E3HZ 7061-A					DE	DF				DK	DL	DM	
Auxiliary-26 teeth, 20 splines, 9 15/32 long	E3HZ 7061-C							DG		DJ				
Mainshaft front-10-36-24-38 teeth 19 13/32 long	E3HZ 7061-B							DG		DJ				
Mainshaft-26-33-40-38 teeth 19 1/8 long	E4HZ 7061-A								DH					
1 1/4"-18 x 2" O.D.	372040-S(MM-177)	DA		DC										
BALL (POPPET)	7L062													
10mm Dia.	E4HZ 7L062-A								3					

1980/  
TRUCK SERIES 600/900

DESCRIPTION/RESTRICTIONS	PART NUMBER	TRANSMISSION PARTS LISTS 5DA THRU 5DM												
		DA	DB	DC	DD	DE	DF	DG	DH	DJ	DK	DL	DM	
<b>DANA (SPICER)</b>														
SNAP RING-Low speed	D6HZ 7064-A							2		2				
Mainshaft 3rd-4th thrust washer 1 5/8 ID x 1/16 thick	E4HZ 7064-A									DH				
Countershaft, mainshaft 2nd-3rd clutch gear 1 13/16 ID x 1/16 thick	E4HZ 7064-B									2				
Mainshaft 1st-2nd thrust washer, 2 7/64 ID x 5/64 thick	E4HZ 7064-C									DH				
Countershaft 4th gear, 2 3/16 ID x 5/64 thick	E4HZ 7064-D									DH				
<b>BEARING</b>														
7065														
Use with 7113	D1TZ 7065-C	2		2		2	2	2		2	2	2	2	2
Use with 7017 #2580	D6HZ 7065-B	DA		DC		DE	DF	DG		DJ	DK	DL	DM	
#3979-2-24,2 1/4" I.D.	D7HZ 7065-A		DB		DD									
2 Row Needle, 3 9/64" I.D. x 3 15/32" O.D.	D7HZ 7065-B		2		2									
Output-caged roller, No. FWF808830	E3HZ 7065-A							2		2				
Output mainshaft rear aux. No. XK-96, ball, incl. ring	D3HZ 7065-E							DG		DJ				
Mainshaft rear-ball with ring-Conrad type Nos. 6211NR, 211SG, 211L	E4HZ 7065-A									DH				
<b>GASKET (SHIFT CONTROL ADAPTOR)</b>														
7L066														
4 3/8" O.D.	E3HZ 7L066-A							DG		DJ				
WASHER (OUTPUT SHAFT)-fourth speed gear thrust-1 25/32" I.D. x 2 7/16" O.D. x 5/32" thick	B7QH 7069-A	DA		DC		DE	DF	DG		DJ	DK	DL	DM	
<b>SHIM</b>														
7072														
2 33/64" O.D.	D6HZ 7072-A	3		3		3	3				3	3		
Aux. M/shaft drive gear rear, 2 7/16 O.D. x 1 31/32 I.D. x 1/4" thick	E3HZ 7072-B							DG		DJ				
CLIP (FIRST and REVERSE FORK)	D7HZ 7072-A		2		2									
	D2TZ 7072-B	2		2		2	2	2	2	2	2	2	2	2
Second and third	E3HZ 7072-A					2	2	2		2	2	2	2	2
<b>RETAINER ASSY. (OUTPUT SHAFT BEARING)-</b>														
7085														
If not listed-refer to Sec. 71														
Use with E1HT 7003-ANA,ATA -- E1HT 7004-EA,HA, E2HT 7003-CBA,CCA	D6TZ 7085-J	DA		DC										
Use with E1HT 7003-ALA,ARA -- E1HT 7004-CA,FA, E2HT 7003-CDA,CEA	D6TZ 7085-H	DA		DC										
Use with E1HT 7003-AMA,ASA -- E1HT 7004-DA,GA, E2HT 7003-CFA,CGA	D6HZ 7085-G	DA		DC										
Use with E1HT 7003-AUA,AZA, E1HT 7004-JA,LA, E2HT 7003-CLA,CMA	D7HZ 7085-A		DB		DD									
Use with E1HT 7003-AVA,AYA,BEA, E1HT 7004-KA,MA, E2HT 7003-CHA,CJA,CKA	D7TZ 7085-A		DB		DD									
Use with E3HT 7003-AEA,AJA, E3HT 7004-UA, E3HT 7003-AKA,AFA, E3HT 7004-VA	E3HZ 7085-A					DE	DF				DK	DL		
Use with E3HT 7003-AAA,ALA,AMA, E3HT 7004-NA, E3HT 7003-ABA, E3HT 7004-RA	E3HZ 7085-B					DE	DF							
Use with E3HT 7003-ACA,AGA, E3HT 7004-SA, E3HT 7003-AHA,ADA, E3HT 7004-TA	E3HZ 7085-C					DE	DF							
Incl. seal (4813)	E7HZ 7085-F													DM
Incl. Seal (4813)	E7HZ 7085-M									DH				
<b>RETAINER (M/S REAR BEARING)</b>														
7A085														
4 21/64" I.D.	D6HZ 7A085-A	DA	DB	DC	DD	DE	DF			DJ	DK	DL		
<b>GASKET (OUTPUT SHAFT BEARING</b>														
<b>RETAINER)</b>														
7086														
	D9HZ 7086-A	DA	DB	DC	DD	DE	DF				DK	DL	DM	
Mainshaft	D3HZ 7086-B							DG		DJ				
	E4HZ 7086-A									DH				
<b>FLANGE (OUTPUT SHAFT)-When not listed,</b>														
<b>refer to Section 71</b>														
#1610	E7HZ 7089-T													DM

NOTICE: When the parts list suffix is shown in the quantity required column, the quantity is one (1).

DESCRIPTION/RESTRICTIONS	PART NUMBER	TRANSMISSION PARTS LISTS 5DA THRU 5DM												
		DA	DB	DC	DD	DE	DF	DG	DH	DJ	DK	DL	DM	
<b>DANA (SPICER)</b>														
<b>GEAR (LOW and REVERSE SLIDING)</b>														
	7100													
Low speed-52-24 teeth	D6HZ 7100-C	DA		DC										
Low speed - 57-26 teeth	D7HZ 7100-A		DB		DD									
Rev. Gear - 57-26 teeth	D7HZ 7100-B		DB		DD									
Low speed-42-24 teeth	E3HZ 7100-A					DE	DF	DG		DJ	DK	DL	DM	
Mainshaft 1st., 46 Helical-40 clutch teeth	E4HZ 7100-A									DH				
<b>GEAR-OUTPUT SECOND SPEED</b>														
	7103													
45 ext.-18 hub teeth	D6HZ 7103-B	DA		DC										
47 helical - 25 spur teeth	D7HZ 7103-A		DB		DD									
48 helical - 25 spur teeth	D7HZ 7103-B		DB		DD									
46 helical - 25 spur teeth	D7HZ 7103-C		DB		DD									
36 helical - 18 spur teeth	E3HZ 7103-A					DE	DF	DG						
38 helical-40 clutch teeth	E4HZ 7103-A									DH				
36 helical	E5HZ 7103-A										DJ	DK	DL	DM
<b>SLEEVE (Low and Rev)</b>														
	7106													
24 teeth-4 5/32" I.D. 5 1/4" O.D.	D6HZ 7106-B	DA		DC		DE	DF	DG		DJ	DK	DL	DM	
26 teeth - 4 35/64" I.D. x 6 1/8" O.D.	D7HZ 7106-B		DB		DD									
26 teeth-4 9/16 I.D. x 6 1/8" O.D., Aux.	E3HZ 7106-A							DG		DJ				
40 int teeth	E4HZ 7106-A									DH				
<b>PLUG (LOW and REVERSE GEAR SHIFTER FORK SHAFT)</b>														
	7B109													
FINGER (ELECT. SHIFT CONTROL)	E3HZ 7B109-A							DG		DJ				
<b>GEAR (COUNTERSHAFT FOURTH SPEED)</b>														
	7112-See 7144													
41 helical teeth-2 3/8" I.D. x 6 29/32" O.D. x 1 25/32" wide	B9TT 7112-A	DA		DC		DE		DG		DJ	DK			
43 helical teeth-2 3/8" I.D. x 7 9/32" O.D. x 1 25/32" long	B9TT 7112-B	DA		DC			DF					DL	DM	
38 helical teeth-2 5/8" I.D. x 7 3/8" O.D. x 1 7/8" long	C1TT 7112-B		DB		DD									
40 ext, 37 int teeth, use with E4HT 7003-BA,ATA, E4HT 7004-AA	E4HZ 7112-A									DH				
42 ext, 37 int teeth, use with E4HT 7003-BMA,BNA, E4HT 7004-MA	E4HZ 7112-B									DH				
<b>GEAR (COUNTERSHAFT CLUSTER)</b>														
	7113													
15 teeth-16 15/32" long	D6HZ 7113-E	DA		DC										
19 3/64"Lg-15 teeth	D7HZ 7113-A		DB		DD									
12 teeth - 16 15/32" long	E3HZ 7113-A					DE	DF	DG		DJ	DK	DL	DM	
Auxiliary-25 teeth, 8 3/16 long	E3HZ 7113-B							DG		DJ				
31-37-37-13 teeth 15 31/32 long	E4HZ 7113-A									DH				
<b>GEAR (COUNTERSHAFT SECOND)</b>														
	7114													
20 ext., 37 int teeth	E4HZ 7114-A									DH				
<b>SPACER (COUNTERSHAFT GEAR)</b>														
	7115													
2 25/64" I.D. x 2 3/4" O.D. x 1 5/16" long	B7QH 7115-A	DA		DC		DE	DF	4		4	DK	DL	DM	
3 1/4" O.D. x .18" thick	D6HZ 7115-A	DA		DC		DE	DF	DG		DJ	DK	DL	DM	
3 5/8" OD x 2 41/64" ID x 1 37/64" long	D7HZ 7115-A		2		2									
2 3/4 OD x 2 3/8 ID x 2 1/4 long	E4HZ 7115-A									DH				
<b>SHIM</b>														
	7L117													
Mainshaft rear brg, 1 1/2 O.D. x 21/32 I.D. x .003 thick	E3HZ 7L117-A							6		6				
Mainshaft rear brg, 1 1/2 O.D. x 21/32 I.D. x .020 thick	E3HZ 7L117-B							6		6				
<b>BEARING (COUNTERSHAFT GEAR FRONT)</b>														
	7118													
C/sht - Front Brg Cup - 3/4" wide x 3 1/2" O.D # M-804010	D7HZ 7118-A		DB		DD									
C/sht - Front Brg Cone - 1 7/8" I.D. x 1" wide # M-804049	D7HZ 7118-B		DB		DD									

1980/  
TRUCK SERIES 600/900

DESCRIPTION/RESTRICTIONS	PART NUMBER	TRANSMISSION PARTS LISTS 5DA THRU 5DM												
		DA	DB	DC	DD	DE	DF	DG	DH	DJ	DK	DL	DM	
DANA (SPICER)														
BEARING (REVERSE IDLER GEAR) - 3 3/16" O.D. x 3" wide	D6HZ 7120-A	2		2		2	2	2		2	2	2	2	
Cylindrical roller, Aux. Pocket No. MU1308-X/L	E3HZ 7120-A							DG		DJ				
Input Pocket-roller type No. J-2420, SCE2420	E4HZ 7120-A									DH				
7C120														
BEARING (MAINSHAFT SECOND SPEED)	E4HZ 7C120-A									DH				
Needle type 2 row No. F95407, FDJC 586550														
7124														
SYNCHRONIZER ASSY.	B8QH 7124-A		DB		DD									
Second and third speed	B7QH 7124-A	DA		DC										
Second and third speed	C9TZ 7124-C		DB		DD									
Fourth and Fifth	C9TZ 7124-A	DA		DC										
Fourth and fifth speed-(15T/10T)	E3HZ 7124-A					DE	DF	DG		DJ	DK	DL	DM	
Fourth and fifth speed	E3HZ 7124-B					DE	DF	DG						
Second and third speed	E4HZ 7124-B									DH				
Fourth and fifth speed	E4HZ 7124-A									DH				
Second and third speed	E5HZ 7124-A										DJ	DK	DL DM	
7127														
BEARING (COUNTERSHAFT GEAR-REAR)	D7HZ 7127-A		DB		DD									
C/sht - RR Brg Cup - 3 35/64" O.D. x 23/32" wide #JLM 506810														
C/sht - RR Brg Cone - 2 5/32" I.D. x 29/32" wide #JLM 506849	D7HZ 7127-B		DB		DD									
7137														
GEAR (COUNTERSHAFT THIRD)	B8QH 7137-B		DB		DD									
31 helical teeth-2 5/8" I.D. x 6 3/32" O.D. x 1 13/16" wide														
32 helical teeth - 5 9/16" O.D. x 1 5/32" wide	B7QH 7137-A	DA		DC		DE		DG		DJ	DK			
34 helical teeth-5 7/8" O.D. x 1 9/16" wide	B7QH 7137-B	DA		DC			DF					DL	DM	
29 helical teeth - 2 5/8" I.D. x 5 13/16" O.D. x 1 13/16" wide	C1TT 7137-A		DB		DD									
33 helical teeth-2 5/8" I.D. x 6 13/32" O.D. x 1 13/16" wide	B8QH 7137-C		DB		DD									
36 ext. 37 int teeth	E4HZ 7137-A									DH				
7140														
SHAFT (REVERSE IDLER GEAR)	D6HZ 7140-A	DA	DB	DC	DD	DE	DF	DG		DJ	DK	DL	DM	
5 7/16" long x 1" O.D.														
5 3/64 long x 1" O.D.	E4HZ 7140-A									DH				
7141														
GEAR (REVERSE IDLER)	E4HZ 7141-A									DH				
21 ext. teeth														
7R141														
RING (RETAINING)	E5HZ 7R141-A									DH				
Drive gear pocket bearing-approx. 3/64 thick 2" O.D.														
7142														
GEAR (REVERSE)	D6HZ 7142-D	DA		DC										
21 teeth-rev. idler														
52 ext. 24 hub teeth-M/SHT rev. gear	D6HZ 7142-E	DA		DC										
18 teeth-rev. idler	D7HZ 7142-A		DB		DD									
42 ext. 24 hub teeth-M/SHT rev. gear	E3HZ 7142-B					DE	DF	DG		DJ	DK	DL	DM	
17 teeth-rev. idler	E3HZ 7142-A					DE	DF	DG		DJ	DK	DL	DM	
46 Helical, 40 clutch teeth, M/SHT rev. gear	E4HZ 7142-A									DH				
7144 - See 7112														
GEAR	B8QH 7144-B		DB		DD									
COUNTERSHAFT FOURTH SPEED-														
40 helical teeth-2 5/8" I.D. x 7 3/4" O.D. x 1 7/8" long														
42 helical teeth-2 5/8" I.D. x 8 1/16" O.D. x 2 1/8" long	B8QH 7144-D		DB		DD									

NOTICE: When the parts list suffix is shown in the quantity required column, the quantity is one (1).

DESCRIPTION/RESTRICTIONS	PART NUMBER	TRANSMISSION PARTS LISTS 5DA THRU 5DM												
		DA	DB	DC	DD	DE	DF	DG	DH	DJ	DK	DL	DM	
<b>DANA (SPICER)</b>														
<b>7145</b>														
BEARING (REVERSE IDLER GEAR)	D3HZ 7145-A	2	2	2	2	2	2	2	2	2	2	2	2	2
1" I.D. x 1 5/16 O.D. x 1 wide	D6HZ 7145-B	DA		DC		DE	DF	DG		DJ	DK	DL		DM
Needle-kit contains 122 pcs.	D6HZ 7145-C													DM
<b>GASKET SET 7153</b>														
	D6HZ 7153-A	DA		DC		DE	DF	DG		DJ	DK	DL		DM
	D7HZ 7153-A		DB		DD									
	E4HZ 7153-A								DH					
<b>GEAR (MAINSHAFT FOURTH) 7158</b>														
30 helical teeth	B8QH 7158-A		DB		DD									
29 helical-15 clutch teeth	D2TZ 7158-A	DA		DC										
27 helical-15 clutch teeth	D2TZ 7158-B	DA		DC										
22 helical-22 clutch teeth	C1TT 7158-B		DB		DD									
28 helical-22 clutch teeth	B8QH 7158-C		DB		DD									
27 helical-15 clutch teeth	E3HZ 7158-A						DF					DL	DM	
29 helical-15 clutch teeth	E3HZ 7158-B					DE		DG		DJ	DK			
28 helical-33 clutch teeth, use with E4HT 7003-BA,ATA, E4HT 7004-AA, E5HT 7003-HA,JA, E5HT 7004-BA	E4HZ 7158-A								DH					
26 helical-33 clutch teeth, use with E4HT 7003-BMA,BNA, E4HT 7004-MA, E5HT 7003-KA,LA, E5HT 7004-CA	E4HZ 7158-B								DH					
<b>ROD SHIFT (AUXILIARY ELECTRIC) 7K159</b>														
7/8" O.D. x 5 13/16 long-notched	E3HZ 7K159-A							DG		DJ				
<b>SHIM 7L161</b>														
Countershaft rear brg. 3" I.D. x 3 21/32" O.D. x .005 thick	E3HZ 7L161-A							DG		DJ				
2 5/8" ID x 2 59/64 OD x .0055-.0045 thick	E4HZ 7L161-A									AR				
2 5/8" ID x 2 59/64 OD x .0110-.0090 thick	E4HZ 7L161-B									AR				
2 5/8 ID x 2 59/64 OD x .0165-.0135 thick	E4HZ 7L161-C									AR				
<b>SNAP RING 7162</b>														
Countershaft drive gear - 1 63/64" I.D. x 2 23/64" O.D. x 3/32" thick	B7QH 7162-C	DA		DC		DE	DF	DG		DJ	DK	DL	DM	
Output shaft third speed	B7QH 7162-A	DA		DC		DE	DF	DG	DH	DJ	DK	DL	DM	
Countershaft fourth speed - 2 3/8" I.D. x 2 7/8" O.D. x 3/32" thick	B7QH 7162-A	DA		DC		DE	DF	DG		DJ	DK	DL	DM	
M/SHT - 1ST & 2ND SPD. 2 22/32" I.D. x 3/32" thick	D7HZ 7162-A		DB		DD									
<b>COVER ASSY. 7165</b>														
(6) holes - Power take off	BB 7165	DA	DB	DC	DD	DE	DF	DG	DH	DJ	DK	DL	DM	
(8) holes	C9HZ 7165-A	DA	DB	DC	DD	DE	DF	DG		DJ	DK	DL	DM	
(6) holes-reverse idler	E4HZ 7165-A								DH					
Screw - P.T.O. cover-3/8"-16 x 3/4"	382965-S100(BB-429UD)	6	6	6	6	6	6	6	6	6	6	6	6	6
Screw - P.T.O. cover-3/8"-24 x 1"	20389-S7-8(B-171)	8	8	8	8	8	8	8		8	8	8	8	8
<b>GASKET (POWER TAKE OFF) 7166</b>														
(8) holes	C9HZ 7166-A	DA	DB	DC	DC	DE	DF	DG	DH	DJ	DK	DL		
(6) holes	E7HZ 7166-A	DA	DB	DC	DD	DE	DF	DG	DH	DJ	DK	DL	DM	
(8) holes	E7HZ 7166-B													DM
Bearing, Taper Cup - drive gear pocket	C6TZ 7169-A		DB		DD									
<b>WASHER 7173</b>														
OUTPUT SHAFT-fourth speed gear- 2 1/4" I.D. x 3" O.D. x 2 1/32"-13 splines- 5/32" thick	B8QH 7173-A		DB		DD									
Third and fourth speed-1 15/16" I.D. x 3" O.D. x 3/16" thick	D2TZ 7173-A	DA		DC		DE	DF	DG		DJ	DK	DL	DM	
Low speed	D6HZ 7173-A	DA		DC		DE	DF	DG		DJ	DK	DL	DM	
Reverse	D6HZ 7173-B	DA		DC		DE	DF				DK	DL	DM	
First and Second Speed thrust - 3 35/64 OD 2 9/32 ID x 15/64 thick	E4HZ 7173-A								DH					

1980/  
TRUCK SERIES 600/900

DESCRIPTION/RESTRICTIONS	PART NUMBER	TRANSMISSION PARTS LISTS 5DA THRU 5DM													
		DA	DB	DC	DD	DE	DF	DG	DH	DJ	DK	DL	DM		
<b>DANA (SPICER)</b>															
<b>GEAR (COUNTERSHAFT SECOND)</b>		<b>7176</b>													
24 helical teeth	B7QH 7176-A	DA		DC											
21 teeth - #63-196-14	D7HZ 7176-A		DB		DD										
23 teeth - #63-196-16	D7HZ 7176-B		DB		DD										
22 teeth - #63-196-1	D7HZ 7176-C		DB		DD										
19 teeth - #53-196-3	E3HZ 7176-A					DE	DF	DG		DJ	DK	DL	DM		
<b>GEAR (COUNTERSHAFT DRIVE)</b>		<b>7177</b>													
45 teeth-7 41/64" O.D.	D6HZ 7177-E	DA		DC			DF						DL	DM	
47 teeth 7 27/32" O.D.	D6HZ 7177-D	DA		DC		DE		DG		DJ	DK				
46 teeth - 8 25/32" O.D.	D7HZ 7177-A		DB		DD										
44 teeth-8 19/32" O.D.	D7HZ 7177-B		DB		DD										
Auxiliary drive-28 ext. 26 spur teeth, 38 int teeth	E3HZ 7177-B							DG		DJ					
Aux. Countershaft drive-37 teeth	E3HZ 7177-A							DG		DJ					
Countershaft drive - 49 ext, 31 Int teeth	E4HZ 7177-A								DH						
Ring (retaining-gear to shaft)-2 13/64" I.D. x 2 25/64" O.D. x 3/32" thick	371048-S(QQ-25)		DB		DD										
<b>SNAP RING (OUTPUT SHAFT)</b>		<b>7178</b>													
Third and Fourth speed	B4Q 7178-A	2		2											
Snap Ring- 2 7/16" I.D	D2HZ 7178-B		DB		DD	DE	DF			DJ	DK	DL			
Fourth gear thrust washer, 1 55/64" I.D. x 1/8" thick	E3HZ 7178-A					2	2	2		2	2	2	2		
<b>GASKET</b>		<b>7181</b>													
3 9/32" I.D. - 4 Holes	D6HZ 7181-B	DA		DC		DE	DF				DK	DL	DM		
3 19/32" I.D. x 1/64 " thick - 4 holes	D7HZ 7181-A		DB		DD										
<b>GEAR</b>		<b>7183</b>													
SECOND and THIRD SPEED SYNCHRONIZER CLUTCH-25 external- 19 internal teeth-1 9/16" long	B8QH 7183-C		DB		DD										
18 teeth - 2 3/16" I.D. x 3" O.D. x 1 7/16" long	B7QH 7183-A	DA		DC											
36 int-18 ext teeth	E3HZ 7183-A					DE	DF	DG							
36 int.-40 ext. teeth	E5HZ 7183-A									DJ	DK	DL	DM		
<b>FORK ASSY. (FIRST-REVERSE SHIFT)</b>		<b>7183</b>													
	E4HZ 7183-A									DH					
PIN (OUTPUT SHAFT FOURTH SPEED GEAR BEARING RACE LOCK)-7/32" O.D. x 3" overall length-tapered head	B8QH 7191-A		DB		DD										
Thrust washer lock, 4mm O.D. X 8mm long	E4HZ 7191-A									2					
BUSHING (OUTPUT SHAFT FOURTH SPEED GEAR)-2 1/4" I.D. x 3 3/16" flange O.D. x 1 5/8" overall length	B8QH 7193-A		DB		DD										
<b>CAP</b>		<b>7195</b>													
Front	B4Q 7195-A	DA		DC		DE	DF				DK	DL	DM		
Rear	D6HZ 7195-B	DA		DC		DE	DF				DK	DL	DM		
Front - mat'l - steel	D7HZ 7195-A		DB		DD										
Rear - mat'l - alum.	D7HZ 7195-B		DB		DD										
Mainshaft, use on E3HT 7003-JA,LA	E3HZ 7195-A							DG							
Mainshaft, use on E3HT 7003-AA,KA	D8HZ 7195-C							DG		DJ					
Countershaft rear brg (c/s P.T.O)	D9HZ 7195-C							DG		DJ					
Countershaft rear brg. No. 40-22-1	E4HZ 7195-A									DH					
Countershaft rear brg. No. 40-22-3	E5HZ 7195-A									DH					
Hex bolt - 3/8" dia. - 16 Thd. x 3/4" Lg. Cap-c/Sht-Frt.	382965-S100 (BB-429-UD)	6	4	6	4										
Hex bolt - 1/2" dia. - 13 Thd. x 1 1/4" Lg. Cap. C/Sht- RR	383222-S36 (BB-193-B)	4	4	10	4	4	4				6	6	6		
Rear - mat'l - alum.	D7HZ 7195-B		DB		DD										
Mainshaft, use on E3HT 7003-JA,LA	E3HZ 7195-A							DG							
Mainshaft, use on E3HT 7003-AA,KA	D8HZ 7195-C							DG		DJ					

NOTICE: When the parts list suffix is shown in the quantity required column, the quantity is one (1).

DESCRIPTION/RESTRICTIONS	PART NUMBER	TRANSMISSION PARTS LISTS 5DA THRU 5DM											
		DA	DB	DC	DD	DE	DF	DG	DH	DJ	DK	DL	DM
<b>DANA (SPICER)</b>													
GEAR (THIRD SPEED)	7196												
OUTPUT SHAFT THIRD SPEED	B8QH 7196-B		DB		DD								
JDLER-39 helical teeth-25 spur teeth													
37 helical-18 spur teeth	D2TZ 7196-B	DA		DC									
35 helical-18 spur teeth	D2TZ 7196-A	DA		DC									
41 helical-25 spur teeth	C1TT 7196-A		DB		DD								
Overdrive-37 helical-25 spur teeth	B8QH 7196-C		DB		DD								
35 helical-18 spur teeth	E3HZ 7196-A						DF						
37 helical-18 spur teeth	E3HZ 7196-B					DE		DG					
39 helical, 40 clutch teeth M/SHT. 3rd	E4HZ 7196-A								DH				
37 helical	E5HZ 7196-B									DJ	DK		
35 helical	E5HZ 7196-A											DL	DM
WASHER (OUTPUT SHAFT NUT)	7B196												
1 25/32 I.D. x 3" O.D. x 5/32 thick	D3HZ 7B196-A							DG		DJ			
2 1/4 OD x 1 9/32 ID x 5/32 thick	E3HZ 7B196-A								DH		DK	DL	DM
RETAINER (BEARING)	7198												
Auxiliary Countershaft front	E3HZ 7198-A							DG		DJ			
PLATE (INTERLOCK RETAINER)	7K201												
GASKET (GEARSHIFT LEVER HOUSING)	E4HZ 7K201-A								DH				
C1TT 7207-A	C1TT 7207-A	DA	DB	DC	DD	DE	DF	DG		DJ	DK	DL	DM
Case to interlock Plate, tower gasket	E4HZ 7207-A									2			
STUD	7C207												
Rear Case Mount, 5/8-11-18 x 3 1/2 long	D3HZ 7C207-A							2		2			
Electric Shift Mount, 7/16-14-20 x 2 5/8 long	E3HZ 7C207-A							2		2			
BOLT	7C209												
2 1/8" Long - 1/2-13 Thd-1/2-20 Thd-stud	D6HZ 7C209-A	6	6										
1 3/4" Long - Bolt-5/8"-11 Unc-Thd	D7HZ 7C209-A		7										
1 7/16" long-1/2-13 Thd. Bolt	E0HZ 7C209-A	6				AR	AR	AR		AR	AR	AR	AR
1/2-13 x 1 3/8-self locking	E2HZ 7C209-B			6	6	AR	AR	AR		AR	AR	AR	AR
5/8-11 x 1/2" long	D1HZ 7C209-A				7								
MF10 x 1.25 THD x 25mm long	E4HZ 7C209-A								4				
MF10 x 1.25 THD x 30mm long	E4HZ 7C209-B								20				
MF10 x 1.25 THD x 35mm long	E4HZ 7C209-C								4				
MF12 x 1.25 THD x 30mm long	E4HZ 7C209-F								4				
M10 x 1.5 THD x 21mm long	E4HZ 7C209-E								6				
SEAL (INPUT SHAFT FRONT BEARING RETAINER)	7B215												
2 1/2" O.D. x 5/16" Wide (Front)	D6HZ 7B215-A	DA	DB	DC	DD	DE	DF	DG		DJ	DK	DL	DM
Use on E8HT 7004-AA,MA, E8HT 7003-BA,BMA	E8HZ 7B215-A									DH			
E5HT-HA,LA, E5HT 7004-BA,CA													
Use on E4HT 7003-ATA,BNA, E5HT-JA,KA	E4HZ 7B215-C									DH			
GEAR (SYNCHRONIZER CLUTCH)	7B218												
Fourth and fifth speed, 33 ext 26 int teeth	E4HZ 7B218-A									DH			
2nd and 3rd speed, 40 ext 33 int teeth	E4HZ 7B218-B									DH			
SPRING (LOW and REVERSE GATE PLUNGER)-14 active coils-15/32" O.D. x 2 1/8" free length	B8QH 7219-B	DA	DB	DC	DD								
2 1/64" free length	B7QH 7219-A	DA		DC		DE	DF	DG	DH	DJ	DK	DL	DM
KEY	7B220												
C/sht-Dr.-3rd & 4th-1 3/4" Lg. x 3/8" square	D7HZ 7B220-A		3		3								
C/sht-2nd spd. - 1 3/4" Lg x 3/8" square-3/4" taper	D7HZ 7B220-B		DB		DD								
Countershaft	E0HZ 7B220-A	4		4		4	4	4		4	4	4	4
Countershaft-1/2" wide x 2" long	E3HZ 7B220-A							DG		DJ			
Mainshaft 2nd and 3rd Clutch Gear	370339-S(LL-13)	2		2		2	2				2	2	2

**1980/  
TRUCK SERIES 600/900**

5 SPEED TRANSMISSION

DESCRIPTION/RESTRICTIONS	PART NUMBER	TRANSMISSION PARTS LISTS 5DA THRU 5DM												
		DA	DB	DC	DD	DE	DF	DG	DH	DJ	DK	DL	DM	
<b>DANA (SPICER)</b>														
<b>HOUSING</b>		<b>7222</b>												
#47-16-1	D6HZ 7222-B	DA		DC		DE	DF	DG		DJ	DK	DL	DM	
Cast #C63-16-2	D7HZ 7222-A		DB		DD									
Plug (gearshift housing shifter shaft)-7/8"	74115-S(P-4)	2	2	2	2									
Bolt-Shift. Hsg. - 3/8" dia. x 16 thd. x 1 1/8" Lg.	376284-S2(BB-291)	6	14	8	14	8	8	6		6	6	6	6	
<b>GASKET</b>		<b>7223</b>												
<b>GEARSHIFT HOUSING</b>		<b>7223-A</b>												
10 7/8" x 16 3/8"	D6HZ 7223-A	DA		DC		DE	DF	DG		DJ	DK	DL	DM	
<b>COVER (SHIFT BAR REAR)</b>		<b>7B227</b>												
	E4HZ 7B227-A									DH				
<b>CUP (BEARING)</b>		<b>7K228</b>												
Countershaft front-No. 3821	E3HZ 7K228-A							DG		DJ				
<b>FORK</b>		<b>7230</b>												
Fourth and fifth	B7QH 7230-A	DA		DC										
Fourth and fifth	B8QH 7230-B		DB		DD									
Fourth and fifth	E3HZ 7230-A					DE	DF	DG		DJ	DK	DL	DM	
Auxiliary shift	E3HZ 7230-B							DG		DJ				
Hex Bolt-Self Lock - 1/2" HD. x 5/16-18 UNC THD x 1 1/8 Lg. - (M/S Frt Brg Cap)	D7HZ 7E230-A		8											
Capscrew, M6 x 1THD x 25mm long	E4HZ 7E230-A									8				
<b>FORK</b>		<b>7231</b>												
Low & Rev.	D7HZ 7231-A		DB		DD									
Low and Rev.	D6HZ 7231-B	DA		DC		DE	DF	DG		DJ	DK	DL	DM	
<b>GEAR (AUX. MAINSHAFT OUTPUT)</b>		<b>7L231</b>												
40 ext. 26 spur teeth	E3HZ 7L231-A							DG		DJ				
PLUNGER (GEARSHIFTER LOCK)	B8QH 7233-B	3	3	3	3									
SPRING (GEARSHIFTER SHAFT POPPET)- 8 3/4" active coils-3/8" O.D. x 1 1/8" long	B7QH 7234-A	3	3	3	3	3	3							
11 3/4 active coils-11/32 O.D. x 1 1/4 long	E3HZ 7234-A							3		3	3	3	3	
	E5HZ 7234-A								6					
Ball (shifter shaft poppet spring)-3/8" dia.	372720-S(AA-11)	7	3	7	3	7	7	7		7	7	7	7	
Ball-Back up Switch - 1/2" Dia. - Steel	353079-S (AA-15)	2	DB	2	DD	2	2	2		2	2	2	2	
<b>PIN</b>		<b>7235</b>												
<b>GEARSHIFT LOCK PLUNGER</b>		<b>7235-A</b>												
1" Lg x 7/32" dia	D7HZ 7235-A		DB		DD									
	B7QH 7235-A	DA		DC		DE	DF	DG		DJ	DK	DL	DM	
<b>SHAFT</b>		<b>7240</b>												
16 9/16" Lg. x 3/4" O.D. - First & Reverse	D7HZ 7240-A		DB		DD									
12 1/8" long x 5/8" O.D.	D6HZ 7240-A	DA		DC		DE	DF	DG		DJ	DK	DL	DM	
<b>SHAFT</b>		<b>7241</b>												
	B8QH 7241-D		DB		DD									
7 11/16" long x 5/8" O.D.	B7QH 7241-A	DA		DC		DE	DF	DG		DJ	DK	DL	DM	
PLUNGER (LOW and REVERSE GEAR)-1/2" head dia. x 1" overall length	B7QH 7247-A	2	DB	2	DD	2	2	2		2	2	2	2	
1 57/64 long	E4HZ 7247-A									DH				
<b>WASHER (THRUST)</b>		<b>7E254</b>												
Mainshaft rev.-3 3/4 O.D. x 2 9/16 I.D. x 17/64 thick	E3HZ 7E254-A							DG		DJ				
<b>RETAINER (BEARING)</b>		<b>7K264</b>												
Auxiliary mainshaft front	E3HZ 7K264-A							DG		DJ				
<b>SUPPORT (SHIFT BAR)</b>		<b>7E274</b>												
Front	E4HZ 7E274-A									DH				
Rear	E4HZ 7E274-B									DH				

**NOTICE:** When the parts list suffix is shown in the quantity required column, the quantity is one (1).



DESCRIPTION/RESTRICTIONS	PART NUMBER	TRANSMISSION PARTS LISTS 5DA THRU 5DM												
		DA	DB	DC	DD	DE	DF	DG	DH	DJ	DK	DL	DM	
<b>DANA (SPICER)</b>														
BEARING	7K274													
Mainshaft 1st and reverse, 2 row needle. No's K65 x 70 x 40, FDJC 657040	E4HZ 7K274-A									2				
GATE	7279													
2 1/16" overall length - 3/4" I.D. shaft hole	B8QH 7279-B		DB		DD									
RING (BEARING RETAINING)	7N281													
Pocket bearing-Double ring 1 9/16 ID x 1/16 wide	E4HZ 7N281-A									DH				
PIN	7K287													
Shift finger pivot-3/8 O.D. x 7/8 long, tapered	E3HZ 7K287-A								DG		DJ			
Stop-3/8 O.D. x 1 1/4 long, tapered	E3HZ 7K287-B								DG		DJ			
FORK	7289													
Second and third	B7QH 7289-A	DA		DC										
6 1/4" span	B8QH 7289-A		DB		DD									
Second and third	E3HZ 7289-A					DE	DF	DG		DJ	DK	DL	DM	
MAGNET	7E290													
	E0TZ 7E290-A									DH				
PLATE (INTERLOCK)	7C318													
	E4HZ 7C318-A									DH				
SPACER	7B319													
Aux. input drive gear, 2 7/8 O.D. x 1 31/32 I.D. x 11/16" thick	E3HZ 7B319-A								DG		DJ			
SMALL PARTS REPAIR KIT	7B331													
	D3HZ 7B331-B								DG		DJ			
RETAINER (CASE FRONT)	7B332													
Incl. (7716) oil trough	E4HZ 7B332-A									DH				
SHAFT	7334													
11 5/32" Lg x 3/4" O.D. Fourth & Fifth	D7HZ 7334-B		DB		DD									
8 1/16" long x 5/8" O.D.	D6HZ 7334-A	DA		DC		DE	DF	DG		DJ	DK	DL	DM	
SCREW (SLOTLESS DRIVE)	7C348													
3/8 head dia. 3/4" long	E4HZ 7C348-A									2				
ADAPTOR CAP (ELECTRIC SHIFT CONTROL)	7B355													
	E3HZ 7B355-A								DG		DJ			
PIN (DOWEL)	7B362													
3/8" O.D. one end 7/16" O.D. other end x 11/16 long	D3HZ 7B362-B									3		3		
Thrust Washer-Output Sht. RR. - 4" O.D. x 2 1/4" I.D.	D7HZ 7B368-A		DB		DD									
3 35/64 OD x 2 51/64 ID x 7/16 thick	E7HZ 7B368-A									DH				
Thrust Washer-Output Sht. First & Rev. 4" O.D. x 2 13/16" I.D.	D7HZ 7A385-A		DB		DD									
Third and fourth, 2 3/4 OD x 1 25/32 ID x 1/4 thick	E4HZ 7A385-A									DH				
CAP (SHIFT CONTROL)	7E401													
Thimble 1" O.D. x 1 1/8 deep	E3HZ 7E401-A								2		2			
FORK ASSY. (SECOND-THIRD SHIFT)	7K410													
	F0HZ 7K410-A									DH				
GATE (LOW and REVERSE SHIFTER SHAFT)	7411													
1 11/16" wide - for 3/4" O.D. Shaft - First & Rev.	D7HZ 7411-A		DB		DD									
1 11/16" wide-1 1/8" hole	D6HZ 7411-B	DA		DC		DE	DF	DG		DJ	DK	DL	DM	
BOOT (ELECTRIC SHIFT CONTROL)	7E424													
4 3/8 O.D.	E3HZ 7E424-A								DG		DJ			
WASHER	7N424													
M/shft pocket brg., 2 O.D. x 21/32 I.D. x 1/4 thick	E3HZ 7N424-A								DG		DJ			
INSERT (SHIFT FORK)	7C430													
	E4HZ 7C430-A									4				
CONE (BEARING)	7N431													
Mainshaft front-No. 39586	E3HZ 7N431-A								DG		DJ			
STUD (MAINSHAFT BEARING CAP)	7B420													
1/2-13-20 x 3 1/4 long	E3HZ 7B420-A								2		2			
SPACER (REVERSE IDLER BEARING)	7482													
	D3HZ 7482-B	DA	DB	DC	DD	DE	DF	DG	DH	DJ	DK	DL	DM	
FORK ASSY. (FORTH-FIFTH SHIFT)	7K487													
	E4HZ 7K487-A									DH				

1980/  
TRUCK SERIES 600/900

DESCRIPTION/RESTRICTIONS	PART NUMBER	TRANSMISSION PARTS LISTS 5DA THRU 5DM												
		DA	DB	DC	DD	DE	DF	DG	DH	DJ	DK	DL	DM	
<b>DANA (SPICER)</b>														
HOUSING (CLUTCH)	7505													
Use with E0HT 7003-UA,VA,YA, E1HT-AUA,AVA, AYA,AZA,BEA	D7HZ 7505-A		DB											
Use with E0HT 7003-ZA,AAA	D7HZ 7505-B		DB											
Use with E0HT 7003-SA,TA, E1HT-ALA, AMA,ANA,ARA,ASA,ATA, E3HT-AAA,ACA,AEA, ABA,ADA,AFA,AA,JA, E5HT-TA,MA E5HT-RA, E7HT-BFA	D9HZ 7505-E	DA				DE	DF	DG		DJ	DK	DL	DM	
Incl. 7564 Cover assy., use with E3HT 7003-AGA,AJA, ALA,AMA, E3HT-AHA,AKA, KA,LA, E5HT-UA,NA, E5HT-SA, E7HT-ALA	E2HZ 7505-A			DC		DE	DF	DG		DJ	DK	DL	DM	
incl. 7564 Cover assy. and 7A615 bushings	E2HZ 7505-B				DD									
Use with E4HT 7003-BA, ATA,BMA,BNA	E7HZ 7505-G								DH					
Bolt Clutch Housing - 7/16" Dia. - 14 thd. x 1 1/4" Lg.	384960-S100(BB-429)		DB											
Zerk fitting-CL. hsg. rel. shaft	87901-S (1-1)					2	2			2	2	2	2	
DUST COVER - CLUTCH HOUSING	D4HZ 7564-A		DB		DD				DH					
Incl. Screws and Washers	E2HZ 7564-A			DC		DE	DF	DG		AR	AR	AR	AR	
BUSHING (CLUTCH RELEASE SHAFT) 1" I.D. x 1 1/8" O.D. x 1 1/2" long	C1TT 7A615-A				2				2					
GASKET (CLUTCH HOUSING TO CASE)	7A619													
	C1TT 7A619-A		DB		DD									
	E0HZ 7A619-A	DA		DC		DE	DF	DG		DJ	DK	DL	DM	
TROUGH (TRANSMISSION OIL)	7716													
	E1HZ 7716-A	DA		DC		DE	DF	DG		DJ	DK	DL	DM	
	E4HZ 7716-A								DH					
Screw - - Oil Trough, 5/16-18 x 1/2"	386063-S100(BB-911)	DA		DC		DE	DF	DG		DJ	DK	DL	DM	
GASKET (REVERSE IDLER COVER)	7721													
	E4HZ 7721-A								DH					
WASHER (REVERSE IDLER GEAR THRUST)- 1 1/2" I.D. x 2 1/4" O.D. x 3/32" thick	C4TZ 7728-C	2	2	2	2	2	2	2	2	2	2	2	2	
SEAL (MAINSHAFT REAR BEARING CAP)	7918													
4 3/4 O.D. x 3 3/4 shaft dia. x 7/16 wide	E3HZ 7918-A							DG		DJ				
SEALER (GASKET FORMING)	19562													
Silicone-2.8 oz. tube	E7TZ 19562-A								AR	AR				
0.2 fl oz.	E1FZ 19562-A									AR				

NOTICE: When the parts list suffix is shown in the quantity required column, the quantity is one (1).

DESCRIPTION/RESTRICTIONS	PART NUMBER	TRANSMISSION PARTS LISTS 5DN THRU 5DZ										
		DN	DP	DQ	DR	DS	DT	DU	DV	DW	DX	DY
DANA (SPICER)												
CONE (COUNTERSHAFT FRONT BEARING), No. LM 48548	B7C 1201-A		DP				DT					
CUP (COUNTERSHAFT FRONT BEARING), No. LM 48510	B7C 1202-A		DP				DT					
CUP (COUNTERSHAFT FRONT and REAR BEARING), No. 25520	C3TZ 1202-B	2			2	2						
Bearing, Taper Cone - drive gear pocket, No. 25817	C3TZ 1216-B			DQ								
Cup-Mainshaft front, No. 39520	7EQH 1239											
CONTROL (ELECTRIC SHIFT)	4062											
	B9TT 4062-A											
L-washer, 7/16 ID, Elect Shift Mount	34793-S2 (X-67-A)											
Cone-countershaft rear, No. 3780	C3TZ 4221-F											
CONE (COUNTERSHAFT REAR BEARING), No. LM 102949	C9AZ 4221-A		DP				DT					
CUP (COUNTERSHAFT REAR BEARING), No. LM 102910	C9AZ 4222-A		DP				DT					
CUP (DRIVE GEAR and MAIN SHAFT REAR BEARING), No. JM511910	D3TZ 4222-A	2		2	2	2						
Cup-countershaft gear, No. 3720	9N-4222											
Cup-countershaft bearing rear, No. 25523	8M-4222											
Cone & roller-countershaft front cone, No. 3877	8L-4630											
SEAL-2 1/2" I.D. x 1/2" thick	D2TZ 4813-A											
SEAL-output shaft bearing retainer oil- #CR-526499-2 3/4" I.D. x 3 35/64" O.D. x 1/2" thick	D2TZ 4813-B		DN	DP	DQ	DR	DS	DT				
PLUG (CASE DRAIN) rear-lower	D4TZ 7A002-A		DN			DR	DS					
INSERT (SHIFT POPPET)	7L003											
	E4HZ 7L003-A		3				3					
CASE ASSY.	7005-6											
#47-15-4, use on E7HT 7004-HA,AKA,JA,ALA	D6HZ 7005-C					DR	DS					
#63-15-11	D7HZ 7005-A											
#63-15-5, 63-15-15	D7HZ 7005-B			DQ								
#47-15-12, use on E7HT 7003-AHA,AJA	E0HZ 7005-A	DN				DR	DS					
Case main	E3HZ 7005-A											
Case auxiliary	E3HZ 7005-B											
	E4HZ 7005-A											
	E5HZ 7005-A		DP					DT				
Plug (filler or drain)-extended head-3/4"-14"	353051-S(PP-32)	DN	DP				DS	DT				
Plug-magnetic (drain)-square socket hd.- 3/4"-14 pipe	353240-SA(PP-52)	DN	DP	DQ	DR	DS	DT					
Plug filler-3/4-14 square socket hd.	358048-S (PP-43)	DN	DP	DQ	DR	DS	DT					
SPACER (BAFFLE)	7L007											
Aux. front M/shft-3/16" thick	E3HZ 7L007-A											
PLUG (DRAIN)	7A010											
Magnetic-3/4-14 x 1 1/4 square head	D3HZ 7A010-C		DP					DT				

1980/  
TRUCK SERIES 600/900

DESCRIPTION/RESTRICTIONS	PART NUMBER	TRANSMISSION PARTS LISTS 5DN THRU 5DZ											
		DN	DP	DQ	DR	DS	DT	DU	DV	DW	DX	DY	DZ
<b>DANA (SPICER)</b>													
<b>SHAFT (INPUT) 7017</b>													
24 helical - 22 clutch teeth - 10 splines 12 15/16" long	D7HZ 7017-E												
24 helical - 22 clutch teeth - 10 splines 13 13/32" long, use with E7HT 7005-ANA,ANB	D7HZ 7017-B			DQ									
25 helical - 22 clutch teeth - 10 splines 13 13/32" long, use with E7HT 7005-AMA,AMB	D7HZ 7017-C			DQ									
25 helical - 22 clutch teeth - 10 splines 12 15/16" long	D7HZ 7017-D												
24 helical-15 Int teeth, 13 3/16" long 10 splines	E2HZ 7017-C												
24 helical-22 Int teeth, 13 13/32" long 10 splines, use with E7HT 7003-ATA,BJA,BJB	E2HZ 7017-D			DQ									
25 helical-22 Int teeth, 13 13/32" long 10 splines, use with E7HT 7003-ARA,BGA,BGB	E2HZ 7017-E			DQ									
Use with E7HT 7003-DEA,AHA	E3HZ 7017-B	DN			DR								
Use with E7HT 7003-AKA	E3HZ 7017-A	DN											
24 ext-15 int teeth 13 3/16 long	E3HZ 7017-D												
23 ext-15 int teeth 12 19/32 long, use on E7HT 7004-HA,AKA	E3HZ 7017-C				DR								
24 ext-15 int teeth 13 5/64 long, use on E7HT 7003-AJA	E3HZ 7017-E					DS							
24 ext-15 int teeth 12 19/32 long, use on E7HT 7004-JA,ALA	E3HZ 7017-F					DS							
24 helical - 33 clutch teeth - 10 splines 9 1/2 long, use on E7HT 7004-FA,GA,AFA,AGA,AHA,AJA	E4HZ 7017-A		DP										
24 helical - 33 clutch teeth - 10 splines, 13 3/64 long, use on E7HT 7003-ABA,AEA,BCA,BDA	E4HZ 7017-B		DP										
Use with E7HT 7004-FA,GA,AFA,AGA,AHA,AJA	F0HZ 7017-E							DT					
Use with E7HT 7003-ABA,AEA,BCA,BDA	F0HZ 7017-F							DT					
<b>BEARING 7025</b>													
2 35/64" I.D.	D6HZ 7025-B		2	DQ	2	2							
<b>SHIM 7029</b>													
Consists of (9) shims-.0045"/.0055" thick Also (1) spacer-.077"/.079" thick	D6HZ 7029-E			DQ									
<b>RETAINER (LOW OR OVERDRIVE and REVERSE GATE PLUNGER)-1 7/16" overall length x 11/16"-16 threads one end</b>													
	B7QH 7032-A	DN		DQ	DR	DS							
	E4HZ 7032-A		DP					DT					
<b>WASHER (THRUST) 7033</b>													
Aux. M/shft. o/put.-4 1/8 O.D. x 2 25/32 I.D. x 1/2" thick	E3HZ 7033-A												
<b>VENT ASSY. 7034</b>													
	C6TZ 7034-B	DN	DP	DQ	DR	DS	DT						
<b>BAFFLE (OIL) 7040</b>													
INPUT-4 5/16" O.D.-1 15/16 I.D.	D9HZ 7040-A	DN		DQ	DR	DS							
Front Aux. Section-funnel, 4 27/64" O.D. x 2 33/64" ID	E3HZ 7040-A												
Rear Aux. Section-funnel, 4 27/64" O.D. x 2 43/64" ID	E3HZ 7040-B												
Front Aux. Dr. gear-cup, 3 1/2" O.D. x 2 51/64" ID	E3HZ 7040-C												
Rear Aux. Dr. gear-funnel, 3 1/2" O.D. x 3" ID	E3HZ 7040-D												
<b>NUT (MAINSHAFT) 7045</b>													
Nut-Output Shaft - 2 1/8" O.D. x 1 1/4"-18THD	D6HZ 7045-A			DQ									
1 1/4"-18" thd x 1 13/16"	E3HZ 7045-A	DN	DP		DR	DS	DT						
1 3/4-16 thd	E2HZ 7045-A												
<b>RING (INPUT OIL BAFFLE) 7046</b>													
2 9/16" O.D.-2 1/16" I.D.	D9HZ 7046-A	DN		DQ	DR	DS							
	F0HZ 7046-A							DT					

**NOTICE:** When the parts list suffix is shown in the quantity required column, the quantity is one (1).

DESCRIPTION/RESTRICTIONS	PART NUMBER	TRANSMISSION PARTS LISTS 5DN THRU 5DZ										
		DN	DP	DQ	DR	DS	DT	DU	DV	DW	DX	DY
<b>DANA (SPICER)</b>												
<b>RETAINER (INPUT SHAFT BEARING)</b>												
	7050											
Notes: % Includes 7B215 seal												
Use with E7HT 7004-HA,AKA,JA,ALA	D6HZ 7050-F					DR	DS					
	D7HZ 7050-A											
Use with E7HT 7003-AMA,AMB,ANA,ANB	D7HZ 7050-B			DQ								
Use with E7HT 7003-BEA,AHA,AJA	D9HZ 7050-B	DN				DR	DS					
Use with E7HT 7003-AKA	E2HZ 7050-B	DN										
Use with E7HT 7003-ARA,BGA,BGB,ATA,BJA,BJB	E2HZ 7050-C			DQ								
Use with E7HT 7004-FA,GA,AFA,AGA,AHA,AJA	E4HZ 7050-A		DP					DT				
	E4HZ 7050-B											
Use with E7HT 7003-ABA,AEA,BCA,BDA	E4HZ 7050-C		DP					DT				
Bolt, 3/8"-16" x 7/8"	389271-S100 (BB-901-A)	4	4			4	4	4				
<b>GASKET</b>												
	7051											
Front bearing cap (7195)	D6HZ 7051-F	DN				DR	DS					
Use with 7017	D6HZ 7051-E	DN				DR	DS					
Use with (7050) M/S frt brg cap. 7 3/16" O.D.	D7HZ 7051-A											
Use with (7195) C/S frt. brg. cap.	D7HZ 7051-B											
Use with (7050) M/S Frt. Brg. Cap. 7 5/8" O.D.	D7HZ 7051-C			DQ								
<b>SNAP RING (OUTPUT SHAFT SYNCHRONIZER)-fourth and fifth speed-</b>												
2 1/16" I.D. x 2 7/16" O.D. x 1/8" thick-(1) tang												
	B8QH 7059-A			DQ								
<b>SHAFT (OUTPUT)</b>												
	7061											
19 13/32" long-10-24 teeth	D6HZ 7061-B											
22 13/32" lg. -13-19-26 teeth-10 splines	D7HZ 7061-A											
1 1/4"-18 thd. one end.												
19 13/32" long-10-24-36-38 teeth	E3HZ 7061-A	DN				DR	DS					
Auxiliary-26 teeth, 20 splines, 9 15/32 long	E3HZ 7061-C											
Mainshaft front-10-36-24-38 teeth 19 13/32 long	E3HZ 7061-B											
Mainshaft-26-33-40-38 teeth 19 1/8 long	E4HZ 7061-A		DP									
Mainshaft	E7HZ 7061-H			DQ								
	F0HZ 7061-F							DT				
Nut-1 1/4"-18 x 2" O.D.	372040-S(MM-177)	DN				DR						
<b>BALL (POPPET)</b>												
	7L062											
10mm Dia.	E4HZ 7L062-A		DP									
Plunger	F0HZ 7L062-A							3				
<b>SNAP RING-Low speed</b>												
Mainshaft 3rd-4th thrust washer 1 5/8 ID x 1/16 thick	D6HZ 7064-A	DN				DR	DS					
Countershaft, mainshaft 2nd-3rd clutch gear 1 13/16 ID x 1/16 thick	E4HZ 7064-A		DP					DT				
Mainshaft 1st-2nd thrust washer, 2 7/64 ID x 5/64 thick	E4HZ 7064-B		2					2				
Countershaft 4th gear, 2 3/16 ID x 5/64 thick	E4HZ 7064-C		DP					DT				
	E4HZ 7064-D		DP					DT				
<b>BEARING</b>												
	7065											
Use with 7113	D1TZ 7065-C	2				2	2					
Use with 7017 #2580	D6HZ 7065-B	DN				DR	DS					
#3979-2-24,2 1/4" I.D.	D7HZ 7065-A			DQ								
2 Row Needle, 3 9/64" I.D. x 3 15/32" O.D.	D7HZ 7065-B			2								
Output-caged roller, No. FWF808830	E3HZ 7065-A											
Output mainshaft rear aux. No. XK-96, ball, incl. ring	D3HZ 7065-E											
Mainshaft rear-ball with ring-Conrad type	E4HZ 7065-A											
Nos. 6211NR, 211SG, 211L												
Drive gear, mainshaft rear	E7HZ 7065-E		2					DT				
Second gear, mainshaft	E7HZ 7065-D			DQ								
Drive gear	F0HZ 7065-A							DT				
<b>GASKET (SHIFT CONTROL ADAPTOR)</b>												
	7L066											
4 3/8" O.D.	E3HZ 7L066-A											
WASHER (OUTPUT SHAFT)-fourth speed gear thrust-1 25/32" I.D. x 2 7/16" O.D. x 5/32" thick	B7QH 7069-A	DN				DR	DS					

1980/  
TRUCK SERIES 600/900

DESCRIPTION/RESTRICTIONS	PART NUMBER	TRANSMISSION PARTS LISTS 5DN THRU 5DZ										
		DN	DP	DQ	DR	DS	DT	DU	DV	DW	DX	DY
<b>DANA (SPICER)</b>												
SHIM	7072											
2 33/64" O.D.	D6HZ 7072-A											
Aux. M/shaft drive gear rear, 2 7/16 O.D. x 1 31/32 I.D. x 1/4" thick	E3HZ 7072-B											
CLIP (FIRST and REVERSE FORK)	D7HZ 7C072-A			2								
	D2TZ 7C072-B	2			2	2						
Second and third	E3HZ 7C072-A	2			2	2						
RETAINER ASSY. (OUTPUT SHAFT BEARING)- If not listed-refer to Sec. 71	7085											
Incl. Seal (4813)	E7HZ 7085-F	DN										
Incl. Seal (4813)	E7HZ 7085-M		DP				DT					
Incl. Seal (4813)	E7HZ 7085-G			DQ								
Incl. Seal (4813)	E7HZ 7085-F				DR	DS						
RETAINER (M/S REAR BEARING)	7A085											
4 21/64" I.D.	D6HZ 7A085-A			DQ								
GASKET (OUTPUT SHAFT BEARING RETAINER)	7086											
	D9HZ 7086-A	DN		DQ	DR	DS						
Mainshaft	D3HZ 7086-B											
	E4HZ 7086-A		DP				DT					
FLANGE (OUTPUT SHAFT)-When not listed, refer to Section 71	7089											
#1610, use on E7HT 7003-BCA,BDA E7HT 7004-AGA,AJA,AKA,ALA	E7HZ 7089-T	DN	DP		DR		DT					
#1480-use on E7HT 7004-AFA,AHA	E4HZ 7089-F		DP				DT					
#1550-use on E7HT 7003-ABA,AEA,AHA,AJA, E7HT 7004-FA,GA,HA,JA	E4HZ 7089-G		DP		DR		DT					
#1610-use on E7HT 7003-AMA,AMB,ANA,ANB, ARA,ATA	E7HZ 7089-X			DQ								
#1710-use on E7HT 7003-BGA,BGB,BJA	E7HZ 7089-W			DQ								
GEAR (LOW and REVERSE SLIDING)	7100											
Low speed-52-24 teeth	D6HZ 7100-C											
Low speed - 57-26 teeth	D7HZ 7100-A			DQ								
Rev. Gear - 57-26 teeth	D7HZ 7100-B			DQ								
Low speed-42-24 teeth	E3HZ 7100-A	DN			DR	DS						
Mainshaft 1st., 46 Helical-40 clutch teeth	E4HZ 7100-A		DP				DT					
GEAR-OUTPUT SECOND SPEED	7103											
45 ext.-18 hub teeth	D6HZ 7103-B											
47 helical - 25 spur teeth	D7HZ 7103-A											
48 helical - 25 spur teeth	D7HZ 7103-B											
46 helical - 25 spur teeth	D7HZ 7103-C											
36 helical - 18 spur teeth	E3HZ 7103-A											
38 helical-40 clutch teeth	E4HZ 7103-A		DP				DT					
36 helical	E5HZ 7103-A	DN			DR	DS						
46 helical, use on E7HT 7003-AMA,AMB,ARA,BGA,BGB	E7HZ 7103-D			DQ								
47 helical, use on E7HT 7003-ANA,ANB,ATA,BJA,BJB	E7HZ 7103-C			DQ								
SLEEVE (Low and Rev)	7106											
24 teeth-4 5/32" I.D. 5 1/4" O.D.	D6HZ 7106-B	DN			DR	DS						
26 teeth - 4 35/64" I.D. x 6 1/8" O.D.	D7HZ 7106-B			DQ								
26 teeth-4 9/16 I.D. x 6 1/8" O.D., Aux.	E3HZ 7106-A											
40 int teeth	E4HZ 7106-A											
	E7HZ 7106-C		DP				DT					
PLUG (LOW and REVERSE GEAR SHIFTER FORK SHAFT)	B9TT 7A107-A			DQ								

NOTICE: When the parts list suffix is shown in the quantity required column, the quantity is one (1).

DESCRIPTION/RESTRICTIONS	PART NUMBER	TRANSMISSION PARTS LISTS 5DN THRU 5DZ										
		DN	DP	DQ	DR	DS	DT	DU	DV	DW	DX	DY
<b>DANA (SPICER)</b>												
FINGER (ELECT. SHIFT CONTROL)	7B109											
	E3HZ 7B109-A											
GEAR (COUNTERSHAFT FOURTH SPEED)	7112-See 7144											
41 helical teeth-2 3/8" I.D. x 6 29/32" O.D. x 1 25/32" wide	B9TT 7112-A	DN			DR							
43 helical teeth-2 3/8" I.D. x 7 9/32" O.D. x 1 25/32" long	B9TT 7112-B					DS						
38 helical teeth-2 5/8" I.D. x 7 3/8" O.D. x 1 7/8" long	C1TT 7112-B											
40 ext, 37 int teeth, use on E7HT 7003-ABA,BCA, E7HT 7004-FA,AFA,AGA	E4HZ 7112-A		DP					DT				
42 ext, 37 int teeth, use on E7HT 7003-AEA,BDA, E7HT 7004-GA,AHA,AJA	E4HZ 7112-B		DP					DT				
GEAR (COUNTERSHAFT CLUSTER)	7113											
15 teeth-16 15/32" long	D6HZ 7113-E											
19 3/64"Lg-15 teeth	D7HZ 7113-A			DQ								
12 teeth - 16 15/32" long	E3HZ 7113-A	DN			DR	DS						
Auxiliary-25 teeth, 8 3/16 long	E3HZ 7113-B											
31-37-37-13 teeth 15 31/32 long	E4HZ 7113-A		DP					DT				
GEAR (COUNTERSHAFT SECOND)	7114											
20 ext., 37 int teeth	E4HZ 7114-A		DP					DT				
SPACER (COUNTERSHAFT GEAR)	7115											
2 25/64" I.D. x 2 3/4" O.D. x 1 5/16" long	B7QH 7115-A	DN			DR	DS						
3 1/4" O.D. x .18" thick	D6HZ 7115-A	DN			DR	DS						
3 5/8" OD x 2 41/64" ID x 1 37/64" long	D7HZ 7115-A			DQ								
2 3/4 OD x 2 3/8 ID x 2 1/4 long	E4HZ 7115-A		DP					DT				
SHIM	7L117											
Mainshaft rear brg, 1 1/2 O.D. x 21/32 I.D. x .003 thick	E3HZ 7L117-A											
Mainshaft rear brg, 1 1/2 O.D. x 21/32 I.D. x .020 thick	E3HZ 7L117-B											
BEARING (COUNTERSHAFT GEAR FRONT)	7118											
C/sht - Front Brg Cup - 3/4" wide x 3 1/2" O.D. #M-804010	D7HZ 7118-A			DQ								
C/sht - Front Brg Cone - 1 7/8" I.D. x 1" wide #M-804049	D7HZ 7118-B			DQ								
BEARING (REVERSE IDLER GEAR) - 3 3/16" O.D. x 3" wide	D6HZ 7120-A	2			2	2						
Cylindrical roller, Aux. Pocket	E3HZ 7120-A											
Input Pocket-roller type	E4HZ 7120-A		DP									
Input pocket	FOHZ 7120-B							DT				
BEARING (MAINSHAFT SECOND SPEED)	7C120											
Needle type 2 row No. F95407, FDJC 586550	E4HZ 7C120-A		DP					DT				
SYNCHRONIZER ASSY.	7124											
Second and third speed	B8QH 7124-A			DQ								
Second and third speed	B7QH 7124-A											
Fourth and Fifth	C9TZ 7124-C			DQ								
Fourth and fifth speed-(15T/10T)	C9TZ 7124-A											
Fourth and fifth speed	E3HZ 7124-A	DN			DR	DS						
Second and third speed	E3HZ 7124-B											
Fourth and fifth speed	E4HZ 7124-B		DP					DT				
Second and third speed	E4HZ 7124-A		DP					DT				
Second and third speed	E5HZ 7124-A	DN			DR	DS						
BEARING (COUNTERSHAFT GEAR-REAR)	7127											
C/sht - RR Brg Cup - 3 35/64" O.D. x 23/32" wide #JLM 506810	D7HZ 7127-A			DQ								
C/sht - RR Brg Cone - 2 5/32" I.D. x 29/32" wide #JLM 506849	D7HZ 7127-B			DQ								

**1980/  
TRUCK SERIES 600/900**

DESCRIPTION/RESTRICTIONS	PART NUMBER	TRANSMISSION PARTS LISTS 5DN THRU 5DZ										
		DN	DP	DQ	DR	DS	DT	DU	DV	DW	DX	DY
<b>DANA (SPICER)</b>												
<b>GEAR (COUNTERSHAFT THIRD) 7137</b>												
31 helical teeth-2 5/8" I.D. x 6 3/32" O.D. x 1 13/16" wide, use on E7HT 7003-ANA,ANB,ATA,BJA,BJB	B8QH 7137-B			DQ								
32 helical teeth - 5 9/16" O.D. x 1 5/32" wide	B7QH 7137-A	DN			DR							
34 helical teeth-5 7/8" O.D. x 1 9/16" wide	B7QH 7137-B					DS						
29 helical teeth - 2 5/8" I.D. x 5 13/16" O.D. x 1 13/16" wide	C1TT 7137-A											
33 helical teeth-2 5/8" I.D. x 6 13/32" O.D. x 1 13/16" wide, use on E7HT 7003-AMA,AMB,ARA, BGA,BGB	B8QH 7137-C			DQ								
36 ext. 37 int teeth	E4HZ 7137-A		DP					DT				
<b>SHAFT (REVERSE IDLER GEAR) 7140</b>												
5 7/16" long x 1" O.D.	D6HZ 7140-A	DN		DQ	DR	DS						
5 3/64 long x 1" O.D.	E4HZ 7140-A		DP					DT				
<b>GEAR (REVERSE IDLER) 7141</b>												
21 ext. teeth	E4HZ 7141-A		DP					DT				
<b>RING (RETAINING) 7R141</b>												
Drive gear pocket bearing-approx. 3/64 thick 2" O.D.	E5HZ 7R141-A		DP									
<b>GEAR (REVERSE) 7142</b>												
21 teeth-rev. idler	D6HZ 7142-D											
52 ext. 24 hub teeth-M/SHT rev. gear	D6HZ 7142-E											
18 teeth-rev. idler	D7HZ 7142-A			DQ								
42 ext. 24 hub teeth-M/SHT rev. gear	E3HZ 7142-B	DN			DR	DS						
17 teeth-rev. idler	E3HZ 7142-A	DN			DR	DS						
46 Helical, 40 clutch teeth, M/SHT rev. gear	E4HZ 7142-A		DP					DT				
<b>GEAR 7144 - See 7112</b>												
<b>COUNTERSHAFT FOURTH SPEED-</b>												
40 helical teeth-2 5/8" I.D. x 7 3/4" O.D. x 1 7/8" long, use on E7HT 7003-ANA,ANB,ATA,BJA,BJB	B8QH 7144-B			DQ								
42 helical teeth-2 5/8" I.D. x 8 1/16" O.D. x 2 1/8" long, use on E7HT 7003-AMA,AMB,ARA, BGA,BGB	B8QH 7144-D			DQ								
<b>BEARING (REVERSE IDLER GEAR) 7145</b>												
1" I.D. x 1 5/16 O.D. x 1 wide	D3HZ 7145-A	2	2	2	2	2	2					
	D6HZ 7145-C	DN			DR	DS						
<b>GASKET SET 7153</b>												
	D6HZ 7153-A	DN			DR	DS						
	D7HZ 7153-A			DQ								
	E4HZ 7153-A		DP									
<b>GEAR (MAINSHAFT FOURTH) 7158</b>												
30 helical teeth, use on E7HT 7003-ANA,ANB,ATA,BJA,BJB	B8QH 7158-A			DQ								
29 helical-15 clutch teeth	D2TZ 7158-A											
27 helical-15 clutch teeth	D2TZ 7158-B											
22 helical-22 clutch teeth	C1TT 7158-B											
28 helical-22 clutch teeth, use on E7HT 7003-AMA,AMB,ARA, BGA,BGB	B8QH 7158-C			DQ								
27 helical-15 clutch teeth	E3HZ 7158-A					DS						
29 helical-15 clutch teeth	E3HZ 7158-B	DN			DR							
28 helical- 33 clutch teeth, use on E7HT 7003-ABA, BCA,E7HT 7004-FA,AFA,AGA	E4HZ 7158-A		DP									
26 helical-33 clutch teeth, use on E7HT 7003-AEA, BDA,E7HT 7004-GA,AHA,AJA	E4HZ 7158-B		DP									
Use on E7HT 7003-ABA,BCA, E7HT 7004-FA, AFA,AGA	F0HZ 7158-D							DT				
Use on E7HT 7003-AEA,BDA, E7HT 7004-GA, AHA,AJA	F0HZ 7158-E							DT				

**NOTICE:** When the parts list suffix is shown in the quantity required column, the quantity is one (1).



DESCRIPTION/RESTRICTIONS	PART NUMBER	TRANSMISSION PARTS LISTS 5DN THRU 5DZ											
		DN	DP	DQ	DR	DS	DT	DU	DV	DW	DX	DY	DZ
<b>DANA (SPICER)</b>													
ROD SHIFT (AUXILIARY ELECTRIC)	7K159												
7/8" O.D. x 5 13/16 long-notched	E3HZ 7K159-A												
SHIM	7L161												
Countershaft rear brg. 3" I.D. x 3 21/32" O.D. x .005 thick	E3HZ 7L161-A												
2 5/8" ID x 2 59/64 OD x .0055-.0045 thick	E4HZ 7L161-A		AR					AR					
2 5/8" ID x 2 59/64 OD x .0110-.0090 thick	E4HZ 7L161-B		AR					AR					
2 5/8 ID x 2 59/64 OD x .0165-.0135 thick	E4HZ 7L161-C		AR					AR					
Countershaft rear bearing .0055/.0045 thick	E7HZ 7L161-B			AR									
SNAP RING	7162												
Countershaft drive gear - 1 63/64" I.D. x 2 23/64" O.D. x 3/32" thick	B7QH 7162-C	DN			DR	DS							
Output shaft third speed		DN			DR	DS							
Input bearing			DP					DT					
Countershaft fourth speed - 2 3/8" I.D. x 2 7/8" O.D. x 3/32" thick	B7QH 7162-A	DN			DR	DS							
M/SHT - 1ST & 2ND SPD. 2 22/32" I.D. x 3/32" thick	D7HZ 7162-A			DQ									
COVER ASSY.	7165												
(6) holes - Power take off	BB 7165	DN	2	DQ	DR	DS	2						
(8) holes	C9HZ 7165-A	DN		DQ	DR	DS							
(6) holes-reverse idler	E4HZ 7165-A		DP					DT					
Screw - P.T.O. cover-3/8"-16 x 3/4"	382965-S100(BB-429UD)	6	12	6	6	6	12						
Screw - P.T.O. cover-3/8"-24 x 1"	20389-S7-8(B-171)	8		8	8	8							
GASKET (POWER TAKE OFF)	7166												
(6) holes	E7HZ 7166-A	DN	2	DQ	DR	DS	2						
(8) holes	E7HZ 7166-B	DN		DQ	DR	DS							
Bearing, Taper Cup - drive gear pocket	C6TZ 7169-A			DQ									
BEARING	7K170												
Mainshaft third gear, needle-kit	F0HZ 7K170-A							DT					
BEARING	7K171												
Mainshaft fourth gear, needle-kit	F0HZ 7K171-A							DT					
WASHER	7173												
OUTPUT SHAFT-fourth speed gear- 2 1/4" I.D. x 3" O.D. x 2 1/32"-13 splines- 5/32" thick	B8QH 7173-A			DQ									
Third and fourth speed-1 15/16" I.D. x 3" O.D. x 3/16" thick	D2TZ 7173-A	DN			DR	DS							
Low speed	D6HZ 7173-A	DN			DR	DS							
Reverse	D6HZ 7173-B	DN			DR	DS							
First and Second Speed thrust - 3 35/64 OD 2 9/32 ID x 15/64 thick	E4HZ 7173-A		DP					DT					
GEAR (COUNTERSHAFT SECOND)	7176												
24 helical teeth	B7QH 7176-A												
21 teeth - #63-196-14	D7HZ 7176-A												
23 teeth - #63-196-16, use on E7HT 7003-AMA,AMB,ARA, BGA,BGB	D7HZ 7176-B			DQ									
22 teeth - #63-196-1, use on E7HT 7003-ANA,ANB,ATA,BJA,BJB	D7HZ 7176-C			DQ									
19 teeth - #53-196-3	E3HZ 7176-A	DN			DR	DS							
GEAR (COUNTERSHAFT DRIVE)	7177												
45 teeth-7 41/64" O.D.	D6HZ 7177-E							DS					
47 teeth 7 27/32" O.D.	D6HZ 7177-D	DN			DR								
46 teeth - 8 25/32" O.D., use on E7HT 7003-ANA,ANB,ATA, BJA,BJB	D7HZ 7177-A			DQ									
44 teeth-8 19/32" O.D., use on E7HT 7003-AMA,AMB,ARA, BGA,BGB	D7HZ 7177-B			DQ									
Auxiliary drive-28 ext. 26 spur teeth, 38 int teeth	E3HZ 7177-B												

1980/  
TRUCK SERIES 600/900

DESCRIPTION/RESTRICTIONS	PART NUMBER	TRANSMISSION PARTS LISTS 5DN THRU 5DZ												
		DN	DP	DQ	DR	DS	DT	DU	DV	DW	DX	DY	DZ	
<b>DANA (SPICER)</b>														
7176 — Cont'd														
GEAR (COUNTERSHAFT SECOND)	E3HZ 7177-A													
Aux. Countershaft drive-37 teeth	E4HZ 7177-A		DP				DT							
Countershaft drive - 49 ext. 31 Int teeth	371048-S(QQ-25)													
Ring (retaining-gear to shaft) 2 13/64" I.D. x 2 25/64" O.D. x 3/32" thick														
7178														
SNAP RING (OUTPUT SHAFT)	B4Q 7178-A													
Third and Fourth speed	D2HZ 7178-B			DQ										
Snap Ring- 2 7/16" I.D.	E3HZ 7178-A	2			2	2								
Fourth gear thrust washer. 1 55/64" I.D. x 1/8" thick														
7181														
GASKET	D6HZ 7181-B	DN			DR	DS								
3 9/32" I.D. - 4 Holes	D7HZ 7181-A			DQ										
3 19/32" I.D. x 1/64" thick - 4 holes														
7183														
GEAR	B8QH 7183-C			DQ										
SECOND and THIRD SPEED SYNCHRONIZER CLUTCH 25 external-19 internal teeth-1 9/16" long	B7QH 7183-A													
18 teeth - 2 3/16" I.D. x 3" O.D. x 1 7/16" long	E3HZ 7183-A													
36 int.-18 ext. teeth	E5HZ 7183-A	DN			DR	DS								
36 int.-40 ext. teeth														
7L183														
FORK ASSY. (FIRST REVERSE SHIFT)	E4HZ 7L183-A		DP											
	F0HZ 7L183-B						DT							
	F1HZ 7L183-A		DP				DT							
PIN (OUTPUT SHAFT FOURTH SPEED GEAR BEARING RACE LOCK) 7/32" O.D. x 3" overall length-tapered head	B8QH 7191-A			DQ										
Thrust washer lock, 4mm O.D. X 8mm long	E4HZ 7191-A		2			2								
BUSHING (OUTPUT SHAFT FOURTH SPEED GEAR)-2 1/4" I.D. x 3 3/16" flange O.D. x 1 5/8" overall length	B8QH 7193-A			DQ										
7195														
CAP	B4Q 7195-A	DN			DR	DS								
Front	D6HZ 7195-B	DN			DR	DS								
Rear	D7HZ 7195-A													
Front - mat'l - steel	D7HZ 7195-B			DQ										
Rear - mat'l - alum.	E3HZ 7195-A													
Mainshaft	D8HZ 7195-C													
Mainshaft	D9HZ 7195-C													
Countershaft rear brg (c/s P.T.O)	E4HZ 7195-A													
Countershaft rear brg. No. 40-22-1	E5HZ 7195-A		DP				DT							
Countershaft rear brg. No. 40-22-3	382965-S100 (BB-429-UD)	4			4									
Hex bolt - 3/8" dia. - 16 Thd. x 3/4" Lg. Cap.c/Sht-Frt.	383222-S36 (BB-193-B)	6			6									
Hex bolt - 1/2" dia. - 13 Thd. x 1 1/4" Lg. Cap. C/Sht- RR														
7196														
GEAR (THIRD SPEED)	B8QH 7196-B			DQ										
OUTPUT SHAFT THIRD SPEED IDLER-39 helical teeth, use on E7HT 7003-ANA,ATA,BJA,BJB	D2TZ 7196-B													
37 helical-18 spur teeth	D2TZ 7196-A													
35 helical-18 spur teeth	C1TT 7196-A													
41 helical-25 spur teeth	B8QH 7196-C			DQ										
37 helical, use on E7HT 7003-AMA,ARA,BGA,BGB	E3HZ 7196-A													
35 helical-18 spur teeth	E3HZ 7196-B													
37 helical-18 spur teeth	E4HZ 7196-A		DP											
39 helical, 40 clutch teeth M/SHT. 3rd	E5HZ 7196-B	DN			DR									
37 helical	E5HZ 7196-A					DS								
35 helical	F0HZ 7196-A						DT							
7B196														
WASHER (OUTPUT SHAFT NUT)	D3HZ 7B196-A													
1 25/32 I.D. x 3" O.D. x 5/32 thick	E3HZ 7B196-A	DN	DP		DR	DS	DT							
2 1/4 OD x 1 9/32 ID x 5/32 thick														

**NOTICE:** When the parts list suffix is shown in the quantity required column, the quantity is one (1).

DESCRIPTION/RESTRICTIONS	PART NUMBER	TRANSMISSION PARTS LISTS 5DN THRU 5DZ										
		DN	DP	DQ	DR	DS	DT	DU	DV	DW	DX	DY
<b>DANA (SPICER)</b>												
RETAINER (BEARING)	7198											
Auxiliary Countershaft front	E3HZ 7198-A											
PLATE (INTERLOCK RETAINER)	7K201											
	E4HZ 7K201-A		DP				DT					
GASKET (GEARSHIFT LEVER HOUSING)	C1TT 7207-A	DN		DQ	DR	DS						
Case to interlock Plate, tower gasket	E4HZ 7207-A		2				2					
STUD	7C207											
Rear Case Mount, 5/8-11-18 x 3 1/2 long	D3HZ 7C207-A											
Electric Shift Mount, 7/16-14-20 x 2 5/8 long	E3HZ 7C207-A											
BOLT	7C209											
2 1/8" Long - 1/2-13 Thd-1/2-20 Thd-stud	D6HZ 7C209-A											
1 3/4" Long - Bolt-5/8"-11 Unc-Thd	D7HZ 7C209-A			AR								
1 7/16" long-1/2-13 Thd. Bolt	E0HZ 7C209-A	AR			AR	AR						
1/2-13 x 1 3/8-self locking	E2HZ 7C209-B	AR										
5/8-11 x 1 1/2" long	D1HZ 7C209-A			AR								
MF10 x 1.25 THD x 25mm long	E4HZ 7C209-A		4				4					
MF10 x 1.25 THD x 30mm long	E4HZ 7C209-B		16				14					
MF10 x 1.25 THD x 35mm long	E4HZ 7C209-C		8				10					
MF12 x 1.25 THD x 30mm long	E4HZ 7C209-F											
M10 x 1.5 THD x 21mm long	E4HZ 7C209-E		6				6					
SEAL (INPUT SHAFT FRONT BEARING RETAINER)	7B215											
2 1/2" O.D. x 5/16" Wide (Front)	D6HZ 7B215-A	DN		DQ	DR	DS						
	E8HZ 7B215-A		DP				DT					
	E4HZ 7B215-B											
GEAR (SYNCHRONIZER CLUTCH)	7B218											
Fourth and fifth speed, 33 ext 26 int teeth	E4HZ 7B218-A		DP									
Fourth and fifth speed	F0HZ 7B218-A						DT					
2nd and 3rd speed, 40 ext 33 int teeth	E4HZ 7B218-B		DP				DT					
SPRING (LOW and REVERSE GATE PLUNGER)-14 active coils-15/32" O.D. x 2 1/8" free length	B8QH 7219-B			DQ								
2 1/64" free length	B7QH 7219-A	DN	DP		DR	DS	DT					
KEY	7B220											
C/sht-Dr.-3rd & 4th-1 3/4" Lg. x 3/8" square	D7HZ 7B220-A											
C/sht-2nd spd. - 1 3/4" Lg x 3/8" square-3/4" taper	D7HZ 7B220-B											
Countershaft	E0HZ 7B220-A	DN			4	4						
Countershaft-1/2" wide x 2" long	E3HZ 7B220-A											
Mainshaft 2nd and 3rd Clutch Gear	370339-S(LL-13)	2			2							
HOUSING	7222											
#47-16-1	D6HZ 7222-B	DN			DR	DS						
Cast #C63-16-2	D7HZ 7222-A			DQ								
Plug (gearshift housing shifter shaft)-7/8"	74115-S(P-4)	2	2	2	2	2						
Bolt-Shift. Hsg. - 3/8" dia. x 16 thd. x 1 1/8" Lg.	376284-S2(BB-291)	6	6	6	6	6						
GASKET	7223											
GEARSHIFT HOUSING	B8QH 7223-D			DQ								
10 7/8" x 16 3/8"	D6HZ 7223-A	DN			DR	DS						
COVER (SHIFT BAR REAR)	7B227											
	E4HZ 7B227-A		DP				DT					
CUP (BEARING)	7K228											
Countershaft front-No. 3821	E3HZ 7K228-A											
FORK	7230											
Fourth and fifth	B7QH 7230-A											
Fourth and fifth	B8QH 7230-B			DQ								
Fourth and fifth	E3HZ 7230-A	DN			DR	DS						
Auxiliary shift	E3HZ 7230-B											
Hex Bolt-Self Lock - 1/2" HD. x 5/16-18 UNC THD x 1 1/8 Lg. - (M/S Frt Brg Cap)	D7HZ 7E230-A											
Capscrew, M6 x 1THD x 25mm long	E4HZ 7E230-A		8				8					

**1980/  
TRUCK SERIES 600/900**

5 SPEED TRANSMISSION

DESCRIPTION/RESTRICTIONS	PART NUMBER	TRANSMISSION PARTS LISTS 5DN THRU 5DZ											
		DN	DP	DQ	DR	DS	DT	DU	DV	DW	DX	DY	DZ
<b>DANA (SPICER)</b>													
FORK	7231												
Low & Rev.	D7HZ 7231-A			DQ									
Low and Rev.	D6HZ 7231-B	DN			DR	DS							
GEAR (AUX. MAINSHAFT OUTPUT)	7L231												
40 ext. 26 spur teeth	E3HZ 7L231-A												
PLUNGER (GEARSHIFTER LOCK)	B8QH 7233-B			3									
SPRING (GEARSHIFTER SHAFT POPPET)- 8 3/4" active coils-3/8" O.D. x 1 1/8" long	B7QH 7234-A			3									
11 3/4 active coils-11/32 O.D. x 1 1/4 long	E3HZ 7234-A	3			3	3							
1 1/16 free length, 3/8 O.D. approx. 9 coils	E5HZ 7234-A		3				3						
Ball (shifter shaft poppet spring)-3/8" dia.	372720-S(AA-11)	7		3	7	7							
Ball-Back up Switch - 1/2" Dia. - Steel	353079-S (AA-15)	2		DQ	2	2							
PIN	7235												
GEARSHIFT LOCK PLUNGER	B8QH 7235-D			2									
1" Lg x 7/32" dia	D7HZ 7235-A			DQ									
	B7QH 7235-A	DN			DR	DS							
SHAFT	7240												
16 9/16" Lg. x 3/4" O.D. - First & Reverse	D7HZ 7240-A			DQ									
12 1/8" long x 5/8" O.D.	D6HZ 7240-A	DN			DR	DS							
SHAFT	7241												
	B8QH 7241-D			DQ									
7 11/16" long x 5/8" O.D.	B7QH 7241-A	DN			DR	DS							
PLUNGER (LOW and REVERSE GEAR)-1/2" head dia. x 1" overall length	B7QH 7247-A	2		DQ	2	2							
1 57/64 long	E4HZ 7247-A		DP			DT							
WASHER (THRUST)	7E254												
Mainshaft rev.-3 3/4 O.D. x 2 9/16 I.D. x 17/64 thick	E3HZ 7E254-A												
RETAINER (BEARING)	7K264												
Auxiliary mainshaft front	E3HZ 7K264-A												
SUPPORT (SHIFT BAR)	7E274												
Front	E4HZ 7E274-A		DP			DT							
Rear	E4HZ 7E274-B		DP			DT							
BEARING	7K274												
Mainshaft 1st and reverse, 2 row needle. No's K65 x 70 x 40, FDJC 657040	E4HZ 7K274-A		2			2							
GATE	7279												
2 1/16" overall length - 3/4" I.D. shaft hole	B8QH 7279-B			DQ									
RING (BEARING RETAINING)	7N281												
Pocket bearing-Double ring 1 9/16 ID x 1/16 wide	E4HZ 7N281-A		DP			DT							
PIN	7K287												
Shift finger pivot-3/8 O.D. x 7/8 long, tapered	E3HZ 7K287-A												
Stop-3/8 O.D. x 1 1/4 long, tapered	E3HZ 7K287-B												
FORK	7289												
Second and third	B7QH 7289-A												
6 1/4" span	B8QH 7289-A			DQ									
Second and third	E3HZ 7289-A	DN			DR	DS							
MAGNET	7E290												
	E0TZ 7E290-A		DP			DT							
PLATE (INTERLOCK)	7C318												
	E4HZ 7C318-A		DP			DT							
SPACER	7B319												
Aux. input drive gear, 2 7/8 O.D. x 1 31/32 I.D. x 11/16" thick	E3HZ 7B319-A												
SMALL PARTS REPAIR KIT	7B331												
	D3HZ 7B331-B												
RETAINER	7B332												
Incl. (7716) oil trough, case front	E4HZ 7B332-A												
Use with E7HT 7004-FA,AFA,AGA,GA, AHA,AJA	E7HZ 7B332-B		DP			DT							

**NOTICE:** When the parts list suffix is shown in the quantity required column, the quantity is one (1).

DESCRIPTION/RESTRICTIONS	PART NUMBER	TRANSMISSION PARTS LISTS 5DN THRU 5DZ										
		DN	DP	DQ	DR	DS	DT	DU	DV	DW	DX	DY
DANA (SPIGER)												
SHAFT	7334											
11 5/32" Lg x 3/4" O.D. Fourth & Fifth	D7HZ 7334-B			DQ								
8 1/16" long x 5/8" O.D.	D6HZ 7334-A	DN			DR	DS						
SCREW (SLOTLESS DRIVE)	7C348											
3/8 head dia. 3/4" long	E4HZ 7C348-A		2				2					
ADAPTOR CAP (ELECTRIC SHIFT CONTROL)	7B355											
	E3HZ 7B355-A											
PIN (DOWEL)	7B362											
3/8" O.D. one end 7/16" O.D. other end x 11/16 long	D3HZ 7B362-B											
Thrust Washer-Output Sht. RR. - 4" O.D. x 2 1/4" I.D.	D7HZ 7B368-A			DQ								
	E7HZ 7B368-A		DP				DT					
Thrust Washer-Output Sht. First & Rev. 4" O.D. x 2 13/16" I.D.	D7HZ 7A385-A			DQ								
Third and fourth, 2 3/4 OD x 1 25/32 ID x 1/4 thick	E4HZ 7A385-A		DP				DT					
CAP (SHIFT CONTROL)	7E401											
Thimble-1" O.D. x 1 1/8 deep	E3HZ 7E401-A											
FORK ASSY. (SECOND-THIRD SHIFT)	7K410											
	F0HZ 7K410-A		DP				DT					
GATE (LOW and REVERSE SHIFTER SHAFT)	7411											
1 11/16" wide - for 3/4" O.D. Shaft - First & Rev.	D7HZ 7411-A			DQ								
1 11/16" wide-1 1/8" hole	D6HZ 7411-B	DN			DR	DS						
BOOT (ELECTRIC SHIFT CONTROL)	7E424											
4 3/8 O.D.	E3HZ 7E424-A											
WASHER	7N424											
M/shft pocket brg., 2 O.D. x 21/32 I.D. x 1/4 thick	E3HZ 7N424-A											
INSERT (SHIFT FORK)	7C430											
Second-third-fourth-fifth	E4HZ 7C430-A		4				4					
First-reverse	E7HZ 7C430-A		2				2					
CONE (BEARING)	7N431											
Mainshaft front-No. 39586	E3HZ 7N431-A											
STUD (MAINSHAFT BEARING CAP)	7B420											
1/2-13-20 x 3 1/4 long	E3HZ 7B420-A											
SPACER (REVERSE IDLER BEARING)	7482											
	D3HZ 7482-B	DN	DP	DQ	DR	DS	DT					
WASHER (THRUST)	7R482											
Split-2nd gear	E7HZ 7R482-B			DQ								
FORK ASSY. (FORTH-FIFTH SHIFT)	7K487											
	E4HZ 7K487-A		DP									
	F0HZ 7K487-A						DT					
HOUSING (CLUTCH)	7505											
Use with E7HT 7003-AMA,AMB,ANA,ANB	D7HZ 7505-A			DQ								
	D7HZ 7505-B											
Use with E7HT 7003-BEA,AHA,AJA	D9HZ 7505-E	DN			DR	DS						
Use with E7HT 7003-AKA	E2HZ 7505-A	DN										
incl. 7564 Cover assy. and 7A615 bushings, use with E7HT 7003-ARA,BGA,BGB,ATA,BJA,BJB	E2HZ 7505-B			DQ								
Use with E7HT 7003-ABA,AEA,BCA,BDA	E7HZ 7505-G		DP				DT					
Bolt Clutch Housing - 7/16" Dia. - 14 thd. x 1 1/4" Lg.	384960-S100(BB-429)											
Zerk fitting-CL. hsg. rel. shaft	87901-S (1-1)	2		2	2							
DUST COVER - CLUTCH HOUSING	D4HZ 7564-A		DP	DQ			DT					
Incl. Screws and Washers	E2HZ 7564-A	DN										
BUSHING (CLUTCH RELEASE SHAFT)	C1TT 7A615-A		2	AR			2					
1" I.D. x 1 1/8" O.D. x 1 1/2" long												



DESCRIPTION/RESTRICTIONS	PART NUMBER	TRANSMISSION PARTS LISTS 6A THRU 6M												
		A	B	C	D	E	F	G	H	J	K	L	M	
<b>FULLER</b>														
Bearing cone-mainshaft rear	TGAA 1201-A		B			E		G						
Bearing cone-countershaft front	B7T 1201-A		B			E		G						
Bearing cup-rear bearing	TGAA 1202-A		B			E		G						
Bearing cup-input shaft	7EQH 1239		B			E		G						
Bearing cone-input shaft	7EQH 1240		B			E		G						
Bearing cone-countershaft rear	B5QH 1216-A		B			E		G						
Bearing cup-countershaft rear #3720	9N 4222		B			E		G						
Bearing cone-mainshaft front	8M 4630		B			E		G						
OIL SEAL (OUTPUT SHAFT BEARING RETAINER)-also refer to group 7918	4813													
Output	D2TZ 4813-B		B			E		G						
LOCKSCREW	7L001													
Remote shift shaft	E6HZ 7L001-A		2		2	2								
CASE ASSY.-incl. magnetic chip collectors- #14590	★ C6TZ 7005-A (N/R 11/89)	A												
	E7HZ 7005-A		B			E		G						
	E7HZ 7005-B			C	D		F							
Stud (case to clutch housing)-5/8"-11-18 x 2 1/16"	374423-S7-8(WW-66)	2												
Pin (case brake shaft hole plug)-7/8" O.D. x 3/4" long	374427-S(NN-148-F)	A												
Pin-dowel (case guide pin)-3/8" O.D. x 1" long	374428-S(NN-61)	2												
Nut-5/8"-18	33850-S7-8(M-72)	AR												
Lockwasher-5/8"	34811-S2(X-71)	AR												
Plug (filler)-1 1/4" pipe	353094-S(PP-34)	AR		AR	AR		AR	AR						
Plug-magnetic (drain)-square socket hd.-3/4" -14 pipe	353240-SA(PP-52)	AR		AR	AR	E	AR	AR						
Plug-magnetic (drain)-square socket hd.-marked B-3/4"-14 pipe	374506-S(PP-51)	A		AR	AR	E	AR	AR						
Ball 3/16"	371350-S(AA-4)		B			3		3						
SHAFT ASSY.	7B009													
Remote shift	E7HZ 7B009-D		B			E								
Remote shift	E9HZ 7B009-A				D									
PLUG (DRAIN MAGNETIC)	7A010													
	C4TZ 7A010-A		B					G						
ELEMENT (OIL FILTER)-1" I.D. x 2 1/2" O.D.-2 1/16" long	C1TT 7C012-A	A												
COVER (OIL FILTER)-6 1/4" x 4 7/8" -2" high (6) 13/32" bolt holes	C1TT 7C013-H	A												
Bolt (cover to case)-hex. hd.-3/8" -16 x 1"	20388-S8(B-80)	6												
Lockwasher-3/8"	34807-S8(X-66)	6												
PLATE (OIL FILTER RETAINER)-6 1/4" x 4 7/8" x 1/16" thick-(6) 13/32" bolt holes	★ C1TT 7C014-A (N/R 3/83)	A												
WASHER	7L015													
Reverse shift block-#21964	E8HZ 7L015-A						F							
#21967	E8HZ 7L015-B						F							
10 splines-18 teeth x 12 1/8" long	D4HZ 7017-F	A												
23 helical-26 clutch teeth, 13 27/64 long	E7HZ 7017-C		B			E								
25 teeth	E7HZ 7017-B			C	D		F							
	E9HZ 7017-C							G						
DIPSTICK (OIL CHECK)	7A020													
	E7HZ 7A020-D			C	D		F							
BEARING	7025													
Input shaft-51/64" I.D. x 13/16" wide	C6TZ 7025-A	A												
Countershaft-front-25/32" I.D. x 3 15/16" O.D. x 13/16" wide	TGAA 7025-A	2												
Countershaft front	E7HZ 7025-A			C	D		F							
PIN LOCK	7Z025													
6mm x 28mm	E7HZ 7Z025-A		6			6		6						
3.5mm x 28mm	E7HZ 7Z025-B		6			6		6						

1980/  
TRUCK SERIES 600/900

DESCRIPTION/RESTRICTIONS	PART NUMBER	TRANSMISSION PARTS LISTS 6A THRU 6M												
		A	B	C	D	E	F	G	H	J	K	L	M	
FULLER														
SNAP RING (COUNTERSHAFT REAR BEARING)-1 7/16" free I.D. x 3/32" thick	C6TZ 7030-A	2												
Countershaft rear	C8TZ 7030-B			C	D		F							
SNAP RING (AUXILIARY COUNTERSHAFT BEARING)-4 11/32" I.D. x 4 11/16" O.D. x 3/32" thick	B8QH 7030-E	2												
VENT (CASE) 7034														
1 1/32" long-1/8" pipe thread	D1TZ 7034-A	A												
2" long x 1 5/8" O.D.-1/4" pipe thread	C7TZ 7034-A	A		C	D		F							
Remote shift	E6HZ 7034-A		B		D	E								
COVER (AUXILIARY SHIFT CYLINDER)-4 1/4" x 4 1/4" x 1 1/4" thick-(4) 13/32" holes	C6TZ 7C035-A	A												
PLATE and PIN ASSY. 7A044														
Reduction synchronizer-7" O.D.-incl. (3) pins equally spaced	C6TZ 7A044-A	A												
Direct synchronizer-6 1/2" O.D.-incl. (3) pins equally spaced	C6TZ 7A044-B	A												
NUT (INPUT SHAFT BEARING RETAINER)-3 1/4" O.D. x 2 1/8" -16 internal thread	C1TT 7045-A	A												
Input shaft	C2TZ 7045-A			C	D		F							
GEAR 7L047														
Countershaft fifth, 38 helical teeth	E7HZ 7L047-B		B				E		G					
Countershaft fifth, 50 helical teeth	E7HZ 7L047-A			C	D		F							
SEAL (OIL) 7048														
Input	E6HZ 7048-A		B				E							
COVER (FRONT BEARING) 7050														
	E9HZ 7050-C								G					
6 9/16" O.D. x 1 1/32" wide	D4HZ 7050-A	A												
Incl. oil seal, brg. race	E7HZ 7050-A		B				E							
1 3/4" pull type	E7HZ 7050-B			C	D		F							
GASKET (INPUT SHAFT BEARING RETAINER)-4 21/32" I.D. x 6 1/2" O.D. x 1/64" thick-(6) 13/32" holes	C6TZ 7051-F	A		C	D		F							
	E7HZ 7051-A		B				E		G					
SEAL OIL 7052														
Rear output bearing	E7HZ 7052-A		B	C	D		F							
RING (RETAINER) 7059														
Mainshaft front bearing, 1 1/4 I.D.-1/16 thick	E7HZ 7059-A		B				E		G					
SPACER (INPUT SHAFT)-2 23/32" O.D. x 5/16" wide	C9TZ 7A059-A	A												
SHAFT (OUTPUT) 7061														
Auxiliary-10 3/4" long-10-13 splines	C6TZ 7061-A	A												
Main-13 27/32" long-15 splines-kit	D1HZ 7061-A	A												
28-37-37-38 teeth	F0HZ 7061-E		B				E		G					
	E7HZ 7061-B			C	D		F							
1 1/4-18	371000-S(MM-179)		B				E		G					
SNAP RING 7064														
Main shaft gear-2 3/4" I.D. x 2 15/16" O.D. x 3/32" thick	C6TZ 7064-A	3												
Input shaft gear		A												
Main shaft-1 13/16" I.D. x 2 3/16" O.D. x 3/32" wide	D0HZ 7064-H	2												
Auxiliary countershaft-rear		2												
Auxiliary drive gear-3 3/32" I.D. x 3 19/32" O.D. x 1/8" thick	D0HZ 7064-F	A												
Countershaft drive gear, 2.64mm thick	E7HZ 7064-A		B				E		G					
Countershaft drive gear, 2.415mm thick	E7HZ 7064-B		B				E		G					
Mainshaft second gear, 2.415mm thick	E7HZ 7064-C		B				E		G					
Mainshaft second gear, 2.515mm thick	E7HZ 7064-D		B				E		G					
Mainshaft third gear, 2.4mm thick	E7HZ 7064-E		B				E		G					

NOTICE: When the parts list suffix is shown in the quantity required column, the quantity is one (1).



DESCRIPTION/RESTRICTIONS	PART NUMBER	TRANSMISSION PARTS LISTS 6A THRU 6M												
		A	B	C	D	E	F	G	H	J	K	L	M	
<b>FULLER</b>														
7064 — Cont'd														
SNAP RING														
Mainshaft fourth gear, 2.415mm thick	E7HZ 7064-F		B			E		G						
Mainshaft fourth gear, 2.515mm thick	E7HZ 7064-G		B			E		G						
Synchro-5th-6th, 1 63/64 free I.D.-5/64 thick Speedo gear	E7HZ 7064-H			C	D		F							
Mainshaft rear, countershaft front, 2 13/16 free I.D.	E7HZ 7064-J			2	2		2							
Third-fourth synchro., 2 5/8 free I.D.	E7HZ 7064-K			C	D		F							
Internal-shift yoke, 25.40mm O.D.	E8HZ 7064-A						F							
Internal-shift yoke, 22.25mm O.D.	E8HZ 7064-B						F							
<b>BEARING</b>														
7065														
Auxiliary countershaft reduction-1 31/32" I.D. x 4 21/64" O.D. x 1 1/16" wide	B7QH 7065-A	2												
Auxiliary drive gear	C6TZ 7065-A	A												
Mainshaft rear, input shaft front	E7HZ 7065-A			2	2		2							
#18725-32 external-18 internal-15 spline	D8HZ 7A079-A	A												
<b>GUIDE SPRING</b>														
7M079														
	E7HZ 7M079-A			C										
<b>FINGER ASSY. (SHIFT)</b>														
7A081														
	E7HZ 7A081-A			C										
	E7HZ 7A081-E		B		D	E								
<b>ROD END (REMOTE SHIFT)</b>														
7B081														
	E7HZ 7B081-B				D									
	E7HZ 7B081-C				D									
<b>RETAINER ASSY.</b>														
7085														
Auxiliary drive gear bearing-7 15/32" O.D. x 1/4" thick-(6) 13/32" and (3) 3/8" -16 holes	C6TZ 7085-A	A												
Auxiliary rear bearing-1 15/16" long-(6) 13/32" holes	C6TZ 7085-B	A												
Incl. oil seal, brg. race	E7HZ 7085-A		B					G						
	E7HZ 7085-B			C	D		F							
	E7HZ 7085-K						E							
<b>GASKET (OUTPUT SHAFT BEARING RETAINER)-4 41/64" I.D. x 6 1/4" O.D.- (10) 13/32" holes</b>														
Shim kit-to include-1 ea. .089-.114, .159-.197, .229-.279, .470-.546 thick	E7HZ 7086-A		AR				AR		AR					
	E7HZ 7086-B			C	D		F							
<b>FLANGE (OUTPUT SHAFT)-Also refer to Sec. 71 if not listed</b>														
7089														
	E7HZ 7089-J		B				E		G					
	E7HZ 7089-L			C										
	E7HZ 7089-U				D		F							
<b>SEAL OIL</b>														
7N097														
Shift housing	E7HZ 7N097-A			2	2									
<b>GEAR</b>														
7100														
Countershaft reverse-22 teeth-2 1/4" I.D. x 4 1/16" O.D. x 1 3/4" wide	C6TZ 7100-A	2												
Output shaft first speed-38-18 teeth-7 9/16" dia. x 1 1/8" wide	D0HZ 7100-A	A												
Mainshaft first, 47 helical-37 clutch teeth	E7HZ 7100-C		B				E		G					
Mainshaft first, 45 helical-34 clutch teeth	E7HZ 7100-B			C	D		F							
<b>GASKET</b>														
7L101														
Back-up light switch	E8HZ 7L101-A						F							
<b>GEAR (AUXILIARY OUTPUT SHAFT REDUCTION)-46-18 teeth-9 5/32" dia. x 1 1/2" wide</b>														
Key-woodruff-3/8" x 1 1/4"	D0HZ 7102-A	A												
	74190-S(L-16-A)	2												

October, 1993

1980/  
TRUCK SERIES 600/900

DESCRIPTION/RESTRICTIONS	PART NUMBER	TRANSMISSION PARTS LISTS 6A THRU 6M												
		A	B	C	D	E	F	G	H	J	K	L	M	
FULLER														
HOUSING (REMOTE SHIFT)	7B102													
	E7HZ 7B102-B		B		D	E								
SHAFT (AIR VALVE ACTUATING)-5 1/2" long	E9HZ 7B104-A	A												
CLUTCH (SLIDING)	7106													
First-reverse, 37 int. teeth	E7HZ 7106-B		B			E		G						
First-reverse, 34 int. teeth	E7HZ 7106-A			C	D		F							
RING (SYNCHRONIZER)														
5th-6th synchronizer	C8TZ 7107-A		2			2		2						
3rd-4th synchronizer	E7HZ 7107-A		B			E		G						
5th-6th synchronizer	E8HZ 7107-A			2	2		2							
3rd-4th, 1st-2nd synchronizer	E8HZ 7107-B			3	3		3							
LEVER (REMOTE SHIFT SELECT)	7B109													
	E7HZ 7B109-A				D									
GEAR	7110													
Mainshaft fourth, 33 helical-37 clutch teeth	E7HZ 7110-B		B			E		G						
Mainshaft fourth, 37 helical-34 clutch teeth	E7HZ 7110-A			C	D		F							
COUNTERSHAFT-13 13/16" long x 2 1/4" O.D.	★ D0HZ 7111-A-N/R(9/86)	2												
GEAR	7112													
Countershaft fourth, 31 helical teeth	E7HZ 7112-B		B			E		G						
Countershaft fourth, 43 helical teeth	E7HZ 7112-A			C	D		F							
GEAR (COUNTERSHAFT FIRST SPEED)- 22 teeth-4 3/4" dia. x 2 1/4" I.D. x 1 55/64" wide	D0HZ 7113-A	2												
Countershaft, 16-10 teeth, 459.30mm long	E7HZ 7113-C		B			E		G						
Countershaft	E7HZ 7113-B			C	D		F							
SPACER	7115													
Countershaft gear-2 1/4" I.D. x 3" O.D. x 3" long	★ D0HZ 7115-B-N/R(9/86)	2												
Output shaft gear-15 internal spline- 3 5/8" O.D. x 13/32" wide	D0HZ 7115-A	2												
Mainshaft reverse gear	E7HZ 7115-B		B			E		G						
Countershaft	E7HZ 7115-A			2	2		2							
SPACER	7117													
Mainshaft first gear, roller bearings-3.50mm thick	E7HZ 7117-E		B			E		G						
BEARING	7118													
Auxiliary countershaft-front-#MA-1307EL or MR-1307EL-1 3/8" I.D. x 3 9/64" O.D. x 13/16" wide	C1TZ 7118-A	2												
Auxiliary main shaft-rear-2 1/2" I.D. x 4 33/64" O.D. x 2 23/32" wide	C6TZ 7118-B	A												
Mainshaft third	E7HZ 7118-B		2			2		2						
Mainshaft fifth	E7HZ 7118-D		2			2		2						
Mainshaft fourth	E7HZ 7118-C		2			2		2						
Reverse idler shaft	E7HZ 7118-H			2	2		2							
Mainshaft input pocket	E7HZ 7118-J			C	D		F							
Mainshaft 5th, double row	E7HZ 7118-E			C	D		F							
Mainshaft 4th, single row	E7HZ 7118-F			C	D		F							
Mainshaft 3rd, 2nd, 1st and rev. double row	E7HZ 7118-G			4	4		4							
Mainshaft 1st, 2nd and reverse	E7HZ 7118-A		6			6		6						
WASHER (COUNTERSHAFT THRUST)- 2 17/64" I.D. x 2 3/4" O.D. x 1/8" wide	C6TZ 7119-A	2												
BUSHING (INPUT SHAFT PILOT)- 1 11/32" I.D. x 1 39/64" O.D. x 3/4" long	D0HZ 7120-C	A												
SPRING (SHIFT DETENT)	7N120													
	E7HZ 7N120-A		4			4		4						
	E7HZ 7N120-B			C	D									

NOTICE: When the parts list suffix is shown in the quantity required column, the quantity is one (1).

DESCRIPTION/RESTRICTIONS	PART NUMBER	TRANSMISSION PARTS LISTS 6A THRU 6M												
		A	B	C	D	E	F	G	H	J	K	L	M	
<b>FULLER</b>														
SYNCRONIZER KIT	7124													
Consists of: 7A044 (2), 7B294 (3)	D9HZ 7124-B	A												
Third-Fourth	E7HZ 7124-A		B											
Fifth-Sixth	E7HZ 7124-B		B			E		G						
First-Second	E7HZ 7124-D			C	D		F							
Third-Fourth	E7HZ 7124-E			C	D		F							
Fifth-Sixth	E7HZ 7124-F			C	D		F							
First-second	F0HZ 7124-E		B			E		G						
Third-fourth	E7HZ 7124-K					E		G						
BEARING (COUNTERSHAFT REAR)- 1 9/16" I.D. x 3 35/64" O.D. x 29/32" wide	C6TZ 7127-A	2												
Countershaft rear	E7HZ 7127-A			C	D		F							
RETAINER (COUNTERSHAFT BEARINGS)- 2 3/4" O.D. x 5/16" thick-(2) 17/32" holes	C6TZ 7135-A	2												
	E7HZ 7135-A		B			E		G						
Incl. roll pin	E7HZ 7135-B			C	D		F							
<b>GEAR</b>														
Countershaft third, 23 helical teeth	E7HZ 7137-C		B			E								
Countershaft third, 31 helical teeth	E7HZ 7137-A			C	D		F							
Countershaft third, 25 helical teeth	E9HZ 7137-A							G						
SHAFT (REVERSE IDLER GEAR)-4 11/16" long x 1/2" -13" tapped hole one end	D0HZ 7140-A	2												
	E7HZ 7140-A		B			E		G						
Includes plug	E7HZ 7140-B			C	D		F							
ROD ASSY. (REMOTE SHIFT)	7B140													
	E7HZ 7B140-A				D									
<b>GEAR</b>														
Reverse idler-21 ext. teeth	E7HZ 7141-C		B			E		G						
Reverse idler-18 ext. teeth	E7HZ 7141-B			C	D		F							
RING SNAP	7D141													
	E7HZ 7D141-A			2										
<b>GEAR</b>														
Reverse idler-27 teeth-4 55/64" O.D. x 1 1/4" overall width	C6TZ 7142-A	2												
Main shaft reverse-42 external-18 internal teeth-7 11/32" dia. x 1 3/16" wide	C6TZ 7142-B	A												
Mainshaft reverse, 45 helical-37 clutch teeth	E7HZ 7142-C		B			E		G						
Mainshaft reverse, 40 helical-34 clutch teeth	E7HZ 7142-B			C	D		F							
<b>GEAR</b>														
Countershaft second speed-33 helical teeth- 2 1/4" I.D. x 5 27/32" O.D. x 2 1/16" wide at hub	C6TZ 7144-A	2												
Countershaft P.T.O.-R.H.-45 teeth-7 3/4" dia. x 2 1/4" I.D. x 1 1/16" wide	C6TZ 7144-C	A												
Countershaft P.T.O.-L.H.-47 teeth-8" dia. x 2 1/4" I.D. x 1" wide	C6TZ 7144-B	A												
Key-woodruff-3/8" x 1 1/4" x 35/64"	74190-S(L-16-A)	A												
<b>BEARING</b>														
Rev. idler-single row caged roller	E7HZ 7145-A		2			2		2						
WASHER (THRUST)	7149													
Reverse idler	E7HZ 7149-A			2			2							
GASKET SET	C6TZ 7153-A	A												
	E7HZ 7153-B			C	D		F							
	F0HZ 7153-C		B			E		G						
RETAINER (REVERSE IDLER BEARING)- 3 7/64" O.D. x 1/2" thick	D0HZ 7155-A	2												
RETAINER BOOT	7K155													
	E7HZ 7K155-A			C										

1980/  
TRUCK SERIES 600/900

DESCRIPTION/RESTRICTIONS	PART NUMBER	TRANSMISSION PARTS LISTS 6A THRU 6M												
		A	B	C	D	E	F	G	H	J	K	L	M	
FULLER														
GEAR (INPUT SHAFT DRIVE)-28 EXTERNAL-18-internal teeth-5 5/32" dia. x 1 1/8" wide	C6TZ 7158-A	A												
RETAINER	7160													
Segment washer, mainshaft 4th gear	E7HZ 7160-A			C	D		F							
Segment washer, mainshaft 1st and 2nd	E7HZ 7160-B			2	2		2							
GEAR														
7B161														
Mainshaft fifth, 27 helical-26 clutch teeth	E7HZ 7B161-B		B			E		G						
Mainshaft fifth, 30 helical-25 clutch teeth	E7HZ 7B161-A			C	D		F							
SHIM KIT (COUNTERSHAFT BEARING)														
7L161														
To include 1 ea., .089-.114, .159-.197, .299-.279, .470-.546 thick	E7HZ 7L161-A		AR			AR		AR						
SNAP RING (COUNTERSHAFT REVERSE GEAR)-2 1/32" I.D. x 2 15/32" O.D. x 1/8" thick	B8QH 7162-B	2												
Countershaft front bearing	E7HZ 7162-A		B			E		G						
COVER (POWER TAKE OFF)-large-9 5/8" long x 7 3/8" wide	D1HZ 7165-A	A		C	D		F							
Cover P.T.O. right side	C6TZ 7165-B	A		C	D		F							
	7EQ 7165		2			2		2						
Bolt (cover to case)-3/8" -16 x 5/8"	20328-S8(B-76)	12	12			12		12						
Lockwasher-3/8"	34807-S8(X-66)	12	12			12		12						
Lockwasher-3/8"-external teeth	351487-S(XX-291)													
GASKET														
7166														
Oil filter housing-6 1/4" x 4 7/8" x 1/16" thick-(6) 13/32" holes	E7HZ 7166-A	A		C	D		F							
Power take off cover-9 1/4" long x 7" wide x 1/32" thick	D1HZ 7166-A	A		C	D		F							
Gasket (oil filter housing to plate)	C4TZ 7166-A	A												
WASHER (OUTPUT SHAFT FIRST, SECOND and REVERSE)														
7173														
SPACER (MAIN SHAFT GEAR)-18 external teeth-2 61/64" dia. x 9/32" thick	C6TZ 7173-A	3												
15 internal teeth-2 5/8" dia. x 1/4" thick	C6TZ 7173-B	AR												
.254" thick	C6TZ 7173-C	AR												
.259" thick	C6TZ 7173-D	AR												
.264" thick	C6TZ 7173-E	AR												
.269" thick	C6TZ 7173-F	AR												
.274" thick	C6TZ 7173-G	AR												
Countershaft front bearing	E7HZ 7173-A		B			E		G						
Mainshaft 2nd gear-90mm OD, 65mm ID, 6mm thick, notched	E7HZ 7173-B		B			E		G						
Mainshaft 4th gear-74mm OD, 50mm ID, 6mm thick, notched	E7HZ 7173-C		B			E		G						
3/16" ball	371350-S		2			2		2						
HOSE														
7B175														
17" long	C9TZ 7B175-A	A												
28" long	D4HZ 7B175-A	A												
27" long	C6TZ 7B175-A	A												
GEAR														
7176														
Mainshaft second, 44 helical-37 clutch teeth	E7HZ 7176-B		B			E		G						
Mainshaft second, 41 helical-34 clutch teeth	E7HZ 7176-A			C	D		F							
GEAR														
7177														
Countershaft drive-40 helical teeth-2 1/4" I.D. x 7 1/16" O.D. x 1 1/4" wide	C6TZ 7177-C	2												
Countershaft #A-4519	D8HZ 7177-F	2												
Countershaft drive, 46 helical teeth	E7HZ 7177-C		B			E		G						
Countershaft drive, 55 helical teeth	E7HZ 7177-B			C	D		F							

NOTICE: When the parts list suffix is shown in the quantity required column, the quantity is one (1).

DESCRIPTION/RESTRICTIONS	PART NUMBER	TRANSMISSION PARTS LISTS 6A THRU 6M												
		A	B	C	D	E	F	G	H	J	K	L	M	
<b>FULLER</b>														
GASKET (COUNTERSHAFT REAR) BEARING CAP)-4 5/8" I.D. x 6" O.D. x 1/32" thick	D4HZ 7181-B	2												
	E7HZ 7181-A		B			E		G						
	E7HZ 7181-B			C	D		F							
<b>HUB (SYNCHRONIZER) 7183</b>														
First-reverse, 37 ext. teeth	E7HZ 7183-G		B			E		G						
Third-fourth, 37-37 teeth	E7HZ 7183-A		B			E		G						
Fifth-sixth, 28-26 teeth	E7HZ 7183-B		B			E		G						
Fifth-sixth	E7HZ 7183-C			C	D		F							
Third-fourth	E7HZ 7183-D			C	D		F							
Reverse	E7HZ 7183-E			C	D		F							
<b>YOKE ASSY. (SHIFT) 7L183</b>														
First-second	E7HZ 7L183-B			C	D									
GEAR SHIFT LEVER (HOUSING TO GEAR SHIFT HOUSING) 6 5/8" x 5 3/8" x 1/64" thick- (4) 7/16" bolt holes	C1TT 7185-A	A												
	D3TZ 7185-A		B			E								
	E7HZ 7185-A			C	D									
	E2HZ 7185-A						F							
CAP (COUNTERSHAFT REAR BEARING)	D0HZ 7195-C	2												
	E7HZ 7195-A		B			E		G						
	E7HZ 7195-B			C	D		F							
Bolt-hex. drilled head-1/2" -20 x 1"	374446-S(BB-366)	2												
Bolt (cap to case)-3/8" -16 x 1"	20388-S8(B-80)	4	4			4		4						
Lockwasher-3/8"	34807-S8(X-66)	4												
<b>WASHER 7B196</b>														
Mainshaft nut, 2 1/4 O.D.-1 5/16 I.D. 5/32 thick	E7HZ 7B196-A			C	D		F							
<b>PIN 7R196</b>														
Switch actuating	E7HZ 7R196-A			C	D									
<b>PLUG 7N204</b>														
Detent	E7HZ 7N204-A			2	2									
STUD (TRANSMISSION CLUTCH HOUSING)- 5/8" -11 and 5/8" x 18 x 2 7/16" long	D0HZ 7C207-B	6		6	6		6							
<b>SHAFT (DETENT) 7E218</b>														
31/64 O.D. x 3 17/64 long	E7HZ 7E218-A			C	D									
<b>SPRING 7Z19</b>														
Auxiliary air valve actuating plunger- 10 1/2 coils-5/8" O.D. x 1 11/16" free length	B8QH 7219-A	A												
Low and reverse-1 15/32" free length-1/2" O.D.	C8TZ 7219-C	A												
Fourth and direct-1 1/2" free length-1/2" O.D.	C8TZ 7219-D	A												
Shift cover detent	C6TZ 7219-E						4							
Color-orange	E8HZ 7219-A						F							
Color-yellow	E8HZ 7219-B						F							
Ball-3/8"	372720-S(AA-11)						6							
Ball-1/2"	353079-S(BB-539)	2					4							
Ball-7/16"	353086-S(AA14)		13			13		13						
<b>KEY (COUNTERSHAFT GEAR) 7B220</b>														
Rear-3 9/32" long x 5/16" x 5/16"	C6TZ 7B220-A	2												
Front-4 1/8" long x 5/16" x 5/16"	C6TZ 7B220-B	2												
Main shaft gear-10 13/16" long	D2HZ 7B220-A	A												
Countershaft	D6HZ 7B220-A		2			2		2						
<b>HOUSING (SHIFT BAR)</b>														
	E3HZ 7222-A	A												
	E7HZ 7222-A		B			E		G						
	E7HZ 7222-B			C	D									
	E8HZ 7222-B						F							
Bolt (aux. cover to case)-hex. head-3/8" -16 x 1"	20388-S8(B-80)	12	17			17		17						
Bolt (housing to case)-3/8" -16 x 1 1/4"	20428-S7-8(B-82)	12												

1980/  
TRUCK SERIES 600/900

DESCRIPTION/RESTRICTIONS	PART NUMBER	TRANSMISSION PARTS LISTS 6A THRU 6M												
		A	B	C	D	E	F	G	H	J	K	L	M	
<b>FULLER</b>														
GASKET (GEAR SHIFT HOUSING)-16 1/2" x 11 1/2" x .010" thick-(14) 13/32" holes	C6TZ 7223-A	A												
	E7HZ 7223-A		B			E		G						
	E7HZ 7223-B			C	D		F							
COVER (SHIFT POSITION FINDER)	7B227													
	C1TT 7B227-A						F							
<b>7B228</b>														
GASKET (AUXILIARY SHIFT CYLINDER) 4" I.D. x 4 3/4" O.D. x .010" thick- (4) 13/32" holes	C6TZ 7B228-A	A												
Cover-3 3/4" I.D. x 4 3/4" O.D. x .010" thick- (4) 13/32" holes	C6TZ 7B228-B	A												
	C1TT 7B228-A						F							
<b>7K228</b>														
CUP (BEARING)	E7HZ 7K228-A		B			E		G						
Countershaft front #25522	7230													
YOKE ASSY. (SHIFT)	E7HZ 7230-B		B			E		G						
Fifth-sixth-incl. shoes	E8HZ 7230-A						F							
<b>7231</b>														
FORK (GEAR SHIFTER)	C6TZ 7231-L	A												
Third and direct speed-2 3/8" inside width- hub x 1 29/32" long	D0HZ 7231-A	A												
First and reverse speed-2 3/8" inside width	D1HZ 7231-A	A												
Auxiliary shift-7 5/32" inside width	E7HZ 7231-B		B			E		G						
First and second	F0HZ 7231-B						F							
First and second	371073-S(BB-539)	2												
Screw (fork to shaft)-overall length-drilled hex. head-pointed-7/16" -20 x 1 5/32"	7232													
BLOCK (SHIFT)	E7HZ 7232-A		B			E		G						
	E8HZ 7232-B						F							
PISTON (AUXILIARY SHIFT)-2 31/32" dia. x 5/8" wide-(2) holes-12-24 thread	C6TZ 7233-A	A												
<b>7234</b>														
SPRING	E7HZ 7234-A			C	D									
Shift housing detent	E8HZ 7234-A						F							
Reverse shift block	7K234													
NUT (REMOTE CONTROL LOCK)	E7HZ 7K234-A					D								
1/2-20 L.H. THD	370118-S2(MM24-A)					D								
1/2-20 R.H. THD	★ D0HZ 7235-A	A												
PIN (GEAR SHIFT ROD INTERLOCK)- 11/16" long x 2 1/8" O.D.	N/R(9/86)													
Interlock cross pin	7EQ 7235		2				2		2					
Interlock	B8QH 7235-A								3					
<b>7240</b>														
BAR (SHIFT YOKE)	E7HZ 7240-B		B			E		G						
First-second shift	E7HZ 7240-A		B			E		G						
Reverse	E8HZ 7240-B								3					
First thru sixth	D2HZ 7241-A	A												
BAR (AUXILIARY SHIFT YOKE)-7 15/32" long x 1" O.D. x 5/8" -18 thread	7241													
BAR (SHIFT YOKE)	E7HZ 7241-B		B											
Third-fourth	F0HZ 7241-C					E		G						
Third-fourth	7242													
BAR (SHIFT YOKE)	E8HZ 7242-A						F							
Reverse shift	7E242													
<b>7E242</b>														
BOOT	E7HZ 7E242-A				A/R	D								
Shift housing	E7HZ 7E242-D				A/R									
Shift housing-double bellows	E7HZ 7E242-B					D								
Shift housing	E6HZ 7E242-A		B			D	E							
Remote shift housing														

**NOTICE:** When the parts list suffix is shown in the quantity required column, the quantity is one (1).

DESCRIPTION/RESTRICTIONS	PART NUMBER	TRANSMISSION PARTS LISTS 6A THRU 6M												
		A	B	C	D	E	F	G	H	J	K	L	M	
<b>FULLER</b>														
REGULATOR (AIR PRESSURE)	D0HZ 7B274-B	A												
YOKE ASSY. (SHIFT)	7243													
Reverse	E7HZ 7243-A		B			E		G						
	E8HZ 7243-A						F							
PLUNGER (SHIFT DETENT)	7247													
	E8HZ 7247-A							2						
SUPPORT (SHIFT RODS)	7E274													
(4) holes	E7HZ 7E274-A		B			E		G						
(3) holes	E7HZ 7E274-B		B			E	3	G						
(2) holes	E7HZ 7E274-C		B			E		G						
4 1/8" long 1" wide (2) holes	E7HZ 7E274-D			2	2									
	E7HZ 7E274-E			C	D									
Fitting (reducer bushing)-1/8"-27 and 1/4"-18	353107-S(II-46)	A												
Fitting (nipple)-3/8"-18 threads-2" long	371094-S(II-191-G)	A												
BLOCK ASSY. (SHIFT)	7279													
Reverse	E7HZ 7279-C		B			E		G						
Reverse	E8HZ 7279-A						F							
SEAL (OIL)	7A283													
Input	E7HZ 7A283-A			C	D		F							
Input	D6HZ 7A283-B							G						
CYLINDER (AUXILIARY SHIFT)-4 1/4" long-	D2HZ 7B284-A	A												
(4) 13/32" mounting holes														
Pin-clevis-1/2" x 1 3/4"	73995-S7(N-32)	A												
Cotter pin-1/8" x 1"	72035-S7-8(N-51)	A												
SHIM KIT	7K285													
Bearing cap shim-main and countershaft	E7HZ 7K285-A		B			E								
GASKET	7L287													
Detent plug	E7HZ 7L287-A			2	2		F							
SEAL ("O" RING AUXILIARY SHIFT PISTON)	7288													
Large rubber-2 5/8" I.D. x 3" O.D. x 7/32" wide	C6TZ 7288-A	A												
Small-rubber-47/64" I.D. x 15/16" O.D. x 3/32" thick	C6TZ 7288-B	A												
Speedo opng.	E7HZ 7288-A			C	D		F							
Reverse idler shaft	E7HZ 7288-B			C	D		F							
Remote shift	E6HZ 7288-A				D	E								
FORK (SECOND and THIRD GEAR SHIFTER)-	★ D0HZ 7289-A	A												
2 9/64" long x 7/16" -20 thread	N/R(9/86)													
Third and fourth-incl. shoes	E7HZ 7289-A		B			E		G						
Third and fourth-incl. shoes	F0HZ 7289-A						F							
Screw (fork locking)-drilled head-pointed-	371073-S(BB-539)	A												
7/16" -20 x 1 5/32"														
MAGNETIC DISC.	7E290													
	E0TZ 7E290-A			2	2		2							
VALVE ASSY. (CONTROL SLAVE)	D0HZ 7D292-A	A												
Plug (expansion)-7/8"	74115-S(P-4)	A												
Plug (headless socket pipe)-1/8"-27	87708-S(P-14)	A												
SPRING (DIRECT SYNCHRO PLATE)-	C6TZ 7B294-A	3												
22 coils-9/32" dia. x 1 37/64" free length														
RETAINER SPRING	7E302													
	E7HZ 7E302-A			C										
SLEEVE (ADAPTER PLATE ALIGNMENT)-	C6TZ 7311-A	A												
7/8" long x 3/4" large dia. x 1/2" shank dia.-														
5/16" hole one end and 11/32" dia. other end														
GASKET	7314													
Slave valve adapter plate-4" long x 1/64" thick	C6TZ 7314-A	A												
x 1 11/16" wide-(4) 9/32" holes														
Slave valve-4" long x 1/64" thick x 2 1/8" wide	C8TZ 7314-A	A												

**1980/  
TRUCK SERIES 600/900**

DESCRIPTION/RESTRICTIONS	PART NUMBER	TRANSMISSION PARTS LISTS 6A THRU 6M												
		A	B	C	D	E	F	G	H	J	K	L	M	
<b>FULLER</b>														
PLATE (SLAVE VALVE ADAPTER)-5 3/4" long x 2 3/8" wide-3/4" hole in center of plate	C6TZ 7316-A	A												
KIT (AIR FILTER REPAIR)	7B331													
K1486, use with 906 trans.	E4HZ 7B331-A													
SPRING	7C331													
	E7HZ 7C331-A			C										
Plate #18735	D8HZ 7B332-A	A												
BRACKET (REGULATOR VALVE)	7B333													
#17107	D8HZ 7B333-A	A												
Nut 1/4-20	33795-S7(M-49)	2												
Lockwasher 1/4	34805-S8(X-62)	2												
SHAFT (SECOND and THIRD)-11 5/16" long x 3/4" O.D.	C8TZ 7334-A	A												
Fifth-Sixth	E7HZ 7334-A		B			E		G						
WASHER (AUXILIARY OUTPUT SHAFT REDUCTION GEAR)	7B334													
2 1/2" I.D. x 4 1/4" O.D. x 5/16" thick	C6TZ 7B334-A	A												
Front-2 1/2" I.D. x 3 5/32" O.D. x 15/32" thick	C6TZ 7B334-B	A												
WASHER	7N335													
Reverse shift block-#21963	E8HZ 7N335-A							F						
SPACER (OUTPUT SHAFT REDUCTION GEAR FRONT)-18 external teeth-2 25/32" I.D. x 3 29/32" O.D. x 7/16" wide	C6TZ 7B334-C	A												
CLUTCH (AUXILIARY SLIDING)-18 external clutch-13 internal spline teeth-7 13/16" O.D. x 1 43/64" wide	D0HZ 7B338-B	A												
GEAR (MAIN SHAFT SECOND SPEED)- 36 external-18 internal teeth-6 11/32" dia. x 1 1/4" wide	C6TZ 7B340-A	A												
Mainshaft third, 39 helical-37 clutch teeth	E7HZ 7B340-B		B					E						
Mainshaft third, 39 helical-34 clutch teeth	E7HZ 7B340-A				C	D			F					
Mainshaft third, 42 helical-37 clutch teeth	E9HZ 7B340-B									G				
GEAR (MAIN SHAFT SLIDING CLUTCH)- 18 external teeth-15 internal teeth- 2 61/64" dia. x 1 5/8" wide	C9TZ 7B341-A	2												
GASKET (CASE REAR PLATE)-19" long x .010" thick x 13" wide	C6TZ 7B343-B	A												
LINK (REMOTE SHIFT PIVOT)	7D354													
	E7HZ 7D354-B				D									
BAR (FIRST and REVERSE SPEED SHIFT FORK)-3/4" dia. x 9 27/32" long	D0HZ 7358-A	A												
SHAFT	7R359													
Shift-6 3/4" long, 1" OD-tapered middle	E7HZ 7R359-A				C	D								
Shift-6 3/4" long, 1" OD	E7HZ 7R359-B				A/R									
Shift-8 9/32" long, 1" O.D.	E7HZ 7R359-D				A/R									
Shift	E7HZ 7R359-C					D								
YOKE ASSY. (SHIFT)	7R360													
Reverse	E7HZ 7R360-A				C	D								
DOWEL (TRANSMISSION CASE)-1 7/16" long x 3/4" O.D.	C6TZ 7B362-A	2												
NUT	7B364													
Output shaft-1 1/4-18 self locking	E7HZ 7B364-A				C	D			F					
NUT (AUXILIARY MAIN SHAFT STOP)- 2 49/64" hex. x 2"-16	C6TZ 7B364-A	A												
BEARING (REVERSE IDLER GEAR)- 1 7/8" O.D. x 1 1/4" O.D.	C6TZ 7B369-A	2												
BRACKET (REMOTE SHIFT PIVOT)	7A371													
	E7HZ 7A371-B					D								

**NOTICE:** When the parts list suffix is shown in the quantity required column, the quantity is one (1).



DESCRIPTION/RESTRICTIONS	PART NUMBER	TRANSMISSION PARTS LISTS 6A THRU 6M												
		A	B	C	D	E	F	G	H	J	K	L	M	
<b>FULLER</b>														
WASHER (SEGMENT)	7A385													
Mainshaft 4th gear	E7HZ 7A385-A			2	2		2							
Mainshaft 1st and 2nd gear	E7HZ 7A385-B			4	4		4							
PIN	7D385													
Detent selection	E7HZ 7D385-A			C	D									
	E8HZ 7D385-A						2							
KIT (BASIC OVERHAUL)	7C391													
K1041, use with 906 trans. - - Pull type clutch, 1 3/4" input shaft	E4HZ 7C391-A													
K1042, use with 906 trans. - - Pull type clutch, 2" input shaft	E4HZ 7C391-B													
KIT (BASIC REBUILD)	7C391													
K1854, use with 906 trans.	E4HZ 7C391-G													
K2111 gear replacement	F1HZ 7C391-A		B				E							
SHOE (SHIFTFORK)	7B403													
	C6TZ 7B403-A		6				6		6					
	E8HZ 7B403-A							6						
YOKE ASSY. (SHIFT)	7K410													
Fifth-sixth	E7HZ 7K410-A			C	D									
"O" RING SEAL (SHIFT CYLINDER)- 63/64" I.D. x 1 1/8" O.D. x 9/64" thick	C6TZ 7B411-A	A												
ELBOW (AIR HOSE)-3/8" female thread x 1/4" -18 male thread	D2TZ 7B417-A	A												
SPACER (REVERSE IDLER GEAR SHAFT)- 11/16" I.D. x 1 1/2" O.D. x 7/32" thick 1 5/8" long	C6TZ 7482-A	2												
	E7HZ 7482-A		B				E		G					
WASHER (THRUST)	7R482													
Mainshaft rear bearing	E7HZ 7R482-A		B				E		G					
YOKE ASSY. (SHIFT)	7K487													
Third-fourth	E7HZ 7K487-A			C	D									
COVER (SHAFT HOUSING)	7488													
	E7HZ 7488-A				D									
HOUSING and BUSHING ASSY. (CLUTCH)- #16329	D0HZ 7505-A	A												
	E7HZ 7505-A		B											
Incl. bushing 7508	E7HZ 7505-B			C										
Incl. bushing 7508	E7HZ 7505-D				D		F							
PIN (AIR VALVE ACTUATING)-2 13/16" long 5/16" dia. shank-3/4" collar-9/16" plunger	C6TZ 7A507-A	A												
BUSHING (CLUTCH HOUSING PEDAL SHAFT)	7508													
1" I.D. x 1 1/8" O.D. x 1" long	C6TZ 7508-A	2	AR	8	8		8							
1" I.D. x 1 1/8" O.D. x 1 5/8" long	C6TZ 7508-B	A	AR											
RETAINER (COUNTERSHAFT REAR BEARING)	7L558													
	E7HZ 7L558-A		B				E		G					
COVER (CLUTCH HOUSING DUST)-6 3/4" long x 4 3/4" wide	C6TZ 7564-A	A		C	D		F							
	E3HZ 7564-A		B											
Screw-5/16" x 18 x 5/8"	355204-S7(BB-659)	2	2	2	2		2							
GASKET (CLUTCH HOUSING TO TRANSMISSION CASE)	C6TZ 7A619-B	A												
	E7HZ 7A619-A			C	D		F							
SNAP RING (AUXILIARY REDUCTION GEAR)- 3 23/32" I.D. x 4 3/16" O.D. x 3/32" wide	C6TZ 7A628-A	A												
WASHER (REVERSE IDLER GEAR THRUST)- 1 1/18" I.D. x 2 11/32" O.D. x 13/64" thick	C6TZ 7728-A	A												
	E7HZ 7728-A		2				2		2					
	E7HZ 7728-B			C	D		F							
BUSHING	7808													
Shift housing	E7HZ 7808-A			2	2									
Remote shift	E6HZ 7808-A		3		3	3								

**1980/  
TRUCK SERIES 600/900**

DESCRIPTION/RESTRICTIONS	PART NUMBER	TRANSMISSION PARTS LISTS 6A THRU 6M												
		A	B	C	D	E	F	G	H	J	K	L	M	
<b>FULLER</b>														
LEVER (REMOTE OUTER SHIFT)	7811													
	E7HZ 7811-A				D									
OIL SEAL (AUXILIARY REAR BEARING cover)-3 3/4" I.D. x 4 1/4" O.D. x 15/32" wide	E4HZ 7918-B	A												
BUSHING (SPEEDOMETER)	B8QH 17323-A	A												
SEALER (GASKET FORMING)	19562													
Silicone 0.2 fl. oz.	E1FZ 19562-A		AR			AR		AR						
DESCRIPTION/RESTRICTIONS	PART NUMBER	TRANSMISSION PARTS LISTS 6AA THRU 6AM												
		AA	AB	AC	AD	AE	AF	AG	AH	AJ	AK	AL	AM	
<b>SPICER</b>														
CASE ASSY.	D8HZ 7005-A	AA												
PLUG (CASE-MAGNETIC)	7A010													
Fill or drain-3/4"-14 x 1 1/4" long-Square head	D3HZ 7A010-C	2												
Drain-3/4"-14 x 4" long-Square head	D3HZ 7A010-A	AA												
SHAFT (INPUT)-10 SPLINES-26 Ext teeth 17 Int. teeth	★ D8HZ 7017-A Not replaced(6/87)	AA												
<b>7019</b>														
WASHER (MAINSHAFT THRUST)														
15 internal teeth-3 9/64" O.D. x 1/8" thick	D3HZ 7019-H	3												
17 external teeth-2 1/16" I.D. x 1/4" thick	D3HZ 7019-K	AA												
13 internal teeth-2 41/64" O.D. x 1/8" thick	D3HZ 7019-L	2												
19 internal teeth-3 23/32" O.D. x 9/64" thick	D8HZ 7019-A	2												
20 external teeth-2 7/16" I.D. x 11/64" thick	D8HZ 7019-B	3												
24 external teeth-2 57/64" I.D. x 9/64" thick	D8HZ 7019-C	2												
<b>7030</b>														
SNAP RING														
Shift bracket Plunger-5/16" I.D. x 3/8" O.D. x .025" thick	D3HZ 7030-E	AA												
Mainshaft-internal-1 st & rev. 4" O.D.	D8HZ 7030-A	2												
PIN (GEARSHIFT BLOCKER)-7/16" x 1 1/2" Lg	D4HZ 7033-A	AA												
VENT (GEARSHIFT HOUSING)	B7T 7034-A	AA												
NUT (MAINSHAFT)-1 3/4" -12 THD.	D8HZ 7045-A	AA												
RETAINER (INPUT SHAFT BEARING) 2 1/2" I.D. x 7 3/4" O.D. x 1" Wide	D3HZ 7050-A	AA												
GASKET (INPUT SHAFT BEARING RETAINER)- 3 1/2" I.D. x 7 23/32" O.D. x 1/32" thick	D3HZ 7051-A	AA												
Seal (OUTPUT SHAFT REAR BEARING CAP)- 3 3/4" I.D. x 4 3/4" O.D. x 1/2" Wide	D3HZ 7052-A	AA												
MAINSHAFT (OUTPUT)-16 SPLINES 13-15-19 teeth-21 11/32" long	★ D8HZ 7061-A Not replaced(6/87)	AA												
<b>7A061</b>														
COLLAR (OUTPUT SHAFT CLUTCH)														
First and reverse-24 Ext, 19 Int teeth	D8HZ 7A061-A	AA												
Second and third-20 Ext, 15 Int teeth	D6HZ 7A061-B	AA												
Fourth-20 Ext, 13 Int teeth	D6HZ 7A061-A	AA												
Fourth and fifth-20 Ext, 13 Int teeth	D3HZ 7A061-A	AA												
<b>7064</b>														
SNAP RING-unless listed below- Serviced in D3HZ 7B331-A Kit														
Countershaft retaining-2" I.D.	D8HZ 7064-A	2												
Mainshaft external, 1st and rev. 2 7/8" I.D.	D8HZ 7064-B	2												
SPEEDOMETER DRIVE GEAR - - 2 21/32" I.D. x 3/32" thick	D8HZ 7064-C	AA												
SLEEVE (FOURTH SPEED SHIFT FORK)- 7/8" ID. x 1 1/16" O.D. x 11/16" Long	★ D8HZ 7A064-A Not replaced(6/87)	AA												
<b>7065</b>														
BEARING														
Input shaft-3 11/32" I.D. x 5 29/32" O.D.- 6 9/32" O.D. of snap ring	D3HZ 7065-D	AA												
Mainshaft rear-2 3/8" I.D. x 5 1/8" O.D.- x 1 7/32" wide	D4HZ 7065-B	AA												

**NOTICE:** When the parts list suffix is shown in the quantity required column, the quantity is one (1).

DESCRIPTION/RESTRICTIONS	PART NUMBER	TRANSMISSION PARTS LISTS 6AA THRU 6AM											
		AA	AB	AC	AD	AE	AF	AG	AH	AJ	AK	AL	AM
<b>SPICER</b>													
CAP (MAINSHAFT REAR BEARING)	D8HZ 7085-A	AA											
GASKET (MAINSHAFT REAR BEARING CAP)	D3HZ 7086-B	AA											
GEAR (OUTPUT SHAFT FIRST)- 64 Ext-24 Int teeth #97-8-113	D8HZ 7100-A	AA											
COUNTERSHAFT-19 1/16" long-15 teeth, incl. snap ring	D8HZ 7113-A	2											
BEARING (COUNTERSHAFT)-front-incl. Snap ring-2 5/32" I.D. 4 3/4" O.D. x 1 9/64" wide	B9TT 7118-A	2											
BEARING (INPUT SHAFT)Pocket roller- 1 1/8" I.D. x 1 1/2" O.D. x 3/4" Wide	D3HZ 7120-A	AA											
BEARING (COUNTERSHAFT)-rear 1 49/64" I.D. x 3 11/32" O.D. x 29/32" wide	D3HZ 7127-A	2											
GEAR (COUNTERSHAFT) Third Speed, 32 teeth	D8HZ 7137-A	2											
SHAFT (REVERSE IDLER)-1" O.D.-5 3/16" long	D3HZ 7140-A	2											
GEAR-REVERSE 7142													
Reverse idler-21 teeth	D3HZ 7142-A	2											
Output shaft reverse-64 ext-24 int. teeth	D8HZ 7142-A	AA											
GEAR (COUNTERSHAFT) Fourth Speed, 40 teeth	D8HZ 7144-A	2											
BEARING (REVERSE IDLER SHAFT)- 1" I.D. x 1 5/16" O.D. x 1" wide	D3HZ 7145-A	4											
GASKET KIT 7153													
GEAR (MAINSHAFT) FOURTH SPEED- 38 ext-20 int teeth	D4HZ 7153-D D8HZ 7158-A	AA AA											
GEAR-FIFTH SPEED 7B161													
Mainshaft-fifth speed-32 ext-17 int teeth	★ D8HZ 7B161-A Not replaced(6/87)	AA											
Countershaft-fifth speed-48 teeth	★ D8HZ 7B161-B Not replaced(6/87)	2											
COVER (POWER TAKE-OFF) 7165													
6 1/4" long x 4 7/8" wide-(6) holes	BB 7165	AA											
9 1/4" long x 7" wide-(8) holes	C9HZ 7165-A	AA											
Cover gear shift housing aperture	D4HZ 7165-D	AA											
GASKET (POWER TAKE-OFF) 7166													
6 1/4" long x 4 7/8" wide-(6) holes	E7HZ 7166-A	AA											
9 1/4" long x 7" wide-(8) holes	C9HZ 7166-A	AA											
GEAR (COUNTERSHAFT)-Second-23 teeth	★ D8HZ 7176-A Not replaced(6/87)	2											
GEAR (COUNTERSHAFT DRIVE)-54 teeth	★ D8HZ 7177-A Not replaced(6/87)	2											
GASKET (GEARSHIFT HOUSING)	D3HZ 7181-C	AA											
GASKET (COUNTERSHAFT REAR BEARING CAP) (7) 13/32" holes	D8HZ 7181-A	2											
CAP (COUNTERSHAFT REAR BEARING)	D8HZ 7195-A	2											
WASHER (OUTPUT SHAFT NUT)- 1 25/32" I.D. x 3" O.D. x 5/32" thick	D3HZ 7B196-A	AA											
STUD (SHIFTER HOUSING MOUNT)- 5/8" -11 x 5/8" -18 x 3 1/2" long	D3HZ 7C207-A	2											
BOLT (CLUTCH HOUSING) 7C209													
Hex head-5/8" -11 THD. x 1/2" long	D1HZ 7C209-A	8											
Socket head-5/8" -11 THD. x 1 1/2" long	★ D8HZ 7C209-A Not replaced(6/87)	2											
KEY (COUNTERSHAFT) 9 1/8" long x 3/8" wide	D8HZ 7B220-A	2											
Housing (shifter)	★ D4HZ 7222-G Not replaced(6/87)	AA											

1980/  
TRUCK SERIES 600/900

DESCRIPTION/RESTRICTIONS	PART NUMBER	TRANSMISSION PARTS LISTS 6AA THRU 6AM												
		AA	AB	AC	AD	AE	AF	AG	AH	AJ	AK	AL	AM	
SPICER														
GASKET (SHIFTER HOUSING)	D3HZ 7223-B	AA												
FORK (GEAR SHIFTER)	7230-1													
fourth also fifth and sixth	D3HZ 7230-A	2												
low and reverse	D8HZ 7231-A	AA												
3 1/4" SPAN														
INTERLOCK (PIN) 1/2" O.D. x 13/16" long	D3HZ 7233-C	3												
SPRING	7234													
Shift bracket plunger-2" long-13 coils	D3HZ 7234-A	AA												
first and reverse														
fifth and sixth-7/8" long-6 coils	D3HZ 7234-B	AA												
SPRING-Shift 11 1/2" Coils	D8HZ 7234-A	4												
PIN (GEARSHIFT ROD INTERLOCK)-	C1TT 7235-A	2												
1/4" O.D. x 11/16" long														
ROD (SHIFT)	7240-1													
First and reverse	★ D4HZ 7240-A Not replaced(6/87)	AA												
ROD (SHIFT) Second and third gear-incl. spring	★ D8HZ 7240-A Not replaced(6/87)	AA												
ROD (SHIFT)Fourth gear-incl. spring	★ D8HZ 7241-B Not replaced(6/87)	AA												
PLUNGER (SHIFT BRACKET)	7247													
first and reverse	D3HZ 7247-A	AA												
fifth and sixth	D3HZ 7247-B	AA												
GATE	7279													
Gearshift-1 3/4" long	D3HZ 7279-A	AA												
Bracket-fourth speed	D3HZ 7279-B	AA												
SEAL-OIL (INPUT SHAFT BEARING RETAINER)-	D3HZ 7A283-A	AA												
2 1/8" I.D. x 3" O.D. x 3/8" Wide														
FORK (SHIFT)Second and third	D3HZ 7289-A	AA												
KIT-SMALL PARTS REPAIR-Snap rings	D3HZ 7B331-A	AA												
SMALL PARTS REPAIR KIT	D3HZ 7B331-B	AA												
ROD (SHIFT) fifth and sixth gear-incl. spring	★ D8HZ 7334-A Not replaced(6/87)	AA												
GEAR (MAINSHAFT)	7B340													
48 ext-20 int teeth	★ D8HZ 7B340-A Not replaced(6/87)	AA												
56 ext-20 int teeth	★ D8HZ 7B340-B Not replaced(6/87)	AA												
SCREW (SHIFT FORK SET)-	★ D3HZ 7B360-A	7												
7/16" -20 x 7/8" long-Serviced														
only in D3HZ 7B331-B Kit														
PIN (DOWEL HOUSING and CASE)	D3HZ 7B362-B	2												
11/16" long-3/8" one end 7/16" other end														
BRACKET (SHIFT)	7411													
first and reverse	D3HZ 7411-A	AA												
fifth and sixth		AA												
SPACER (REVERSE IDLER SHAFT BEARING)-	D3HZ 7482-B	2												
1 1/16" I.D. x 1 5/16" O.D. x 57/64" wide														
HOUSING (CLUTCH)-incl. bushings and cover	D8HZ 7505-C	AA												
BUSHING (CLUTCH HOUSING UPPER)	C1TT 7A615-A	2												
1" I.D. x 1 1/8" O.D. x 1 1/2" long														
GASKET (CLUTCH HOUSING TO CASE)	D3HZ 7A619-A	AA												
WASHER (MAINSHAFT REVERSE GEAR THRUST)	D8HZ 7728-A	AA												
5" O.D. x 2 23/64" I.D.														

NOTICE: When the parts list suffix is shown in the quantity required column, the quantity is one (1).

DESCRIPTION/RESTRICTIONS	PART NUMBER	TRANSMISSION PARTS LISTS 6AA THRU 6AM											
		AA	AB	AC	AD	AE	AF	AG	AH	AJ	AK	AL	AM
<b>SPICER</b>													
<b>STANDARD PARTS</b>													
Ball-reverse idler shaft-9/32" dia.	379017-S(AA-9-E)	2											
Nut-5/8"-18 shifter hsg. mtg.	33850-S7-8(M-72)	2											
Washer-5/8" flat, shifter hsg. mtg.	44742-S8(X-42)	2											
Washer-5/8" Spring type, clutch hsg.	358981-S(XX-364)	10											
Washer-1/2" flat, clutch hsg.	352887-S(XX-182)	4											
Washer-7/16", lock, Shift tower	374222-S7-8(XX-348)	6											
Screw-1/2"-13 x 1 1/4" long-clutch hsg.	383222-S36(BB-193-B)	4											
Screw-3/8"-16 x 1 1/8" long	376284-S2(BB-291)	14											
Screw-1/2"-13 x 1 1/2" long-	20472-S7-8(B-122-A)	4											
Screw-1/2"-13 x 2 1/2" long-	20548-S7-8(B-126)	2											
Screw-3/8"-16 x 1 1/8" long-Shoulder type	371186-S(BB-441)	10											
Screw-3/8"-16 x 3/4" long-P.T.O. Cover	382965-S100(BB-429-UD)	6											
Key-3/8" thick, 1 23/32" long	357630-S(LL-10)	2											
Screw-5/16"-18 x 5/8" long-shift Hsg. Cover	373053-S(BB-556)	4											
Pin-5/64" dia. x 9/16" -Shift Plunger	359014-S2(NN-86)	AA											
Ball-Shift rod Poppet-7/16" dia.	353086-S(AA-14)	4											

DESCRIPTION/RESTRICTIONS	PART NUMBER	TRANSMISSION PARTS LISTS 7A THRU 7M												
		A	B	C	D	E	F	G	H	J	K	L	M	
SEAL (OUTPUT SHAFT BEARING RETAINER OIL)-Refer to group 7052	4813													
CASE ASSY.	7006													
Auxilliary-	D9HZ 7006-A	A	B											
Main-	D8HZ 7006-B	A	B											
	E1HZ 7006-A			C		E								
Main	E2HZ 7006-A				D									
Auxiliary	E2HZ 7006-B				D									
	E7HZ 7006-A						F			H				
Auxilliary	E6HZ 7006-A							G						
Main	E6HZ 7006-B							G						
Bolt-hex. head-1/2"-13 x 1 1/2"	20472-S7 (BB-122-A)	6	6	6	6	6	6	6	6					
PLUG (CASE-MAGNETIC)	7A010													
Drain-3/4"-14 x 4" long-square head	D3HZ 7A010-A	3	3	C	D	E	F	G	H					
3/4"-14 x 1 1/4" long-square head	D3HZ 7A010-C	3	3	2	2	2	2	2	2					
SHAFT (INPUT DRIVE)	7017													
10 splines-24 drive, 15 spur teeth-15 1/64" long	E1HZ 7017-B			C		E	F							
10 Splines-28 teeth-13 5/16" long	D8HZ 7017-B	A	B											
10 splines, 17 drive teeth, 12 9/16" long	E2HZ 7017-A				D			G						
	E7HZ 7017-G									H				
WASHER (MAINSHAFT THRUST)	7019													
15 internal teeth-3 9/64" O.D. x 1/8" thick	D3HZ 7019-H	3	3		3			3						
17 external teeth-2 1/16" I.D. x 1/4" thick	D3HZ 7019-K	A	B		D			G						
13 internal teeth-2 41/64" O.D. x 1/8" thick	D3HZ 7019-L	2	2		2			2						
19 internal teeth-3 23/32" O.D. x 9/64" thick	D8HZ 7019-A	2	2											
24 external teeth-2 57/64" I.D. x 9/64" thick	D8HZ 7019-C	2	2											
20 external teeth-2 7/16" I.D. x 11/64" thick	D8HZ 7019-B	3	3	3	3	3	3	3	3					
18 internal teeth-3 47/64" O.D.	E1HZ 7019-B			4	3	5	5			5				
15 internal teeth-3 1/8" O.D.	E1HZ 7019-A			3		3	3			3				
RING (RETAINING)	7026													
Input shaft bearing cap	E7HZ 7026-A									H				
SNAP RING	7030													
Shift bracket plunger-5/16" I.D. x 3/8" O.D. x .025" thick	D3HZ 7030-E	A	B		D									
4" O.D. x 7/64" thick	D8HZ 7030-A	2	2	4	D	3	3	4						
Mainshaft rev. gear-4 5/64" free O.D. 1/8" thick	E2HZ 7030-A				2	2	2	2	2					
WASHER (OUTPUT SHAFT THRUST)- 1 25/64" I.D. x 2 5/8" O.D. x 1/4" thick	D3HZ 7033-A	A	B											
Washer mainshaft-2 3/4" O.D. x 1 25/64" I.D.	E2HZ 7033-A				D			G						
PIN (BLOCKER)-7/16" dia x 1 1/2" long-see also 7233, use on E1HT 7003-NA,SA, E2HT-LA,	D4HZ 7033-A			C		E	F			H				
VENT ASSY. (CASE)-3/8"-18 x 1 31/64" long-gearshift housing	B7T 7034-A	A	B	C	D	E								
	C6TZ 7034-B							F	G	H				
NUT (MAINSHAFT) 1 3/4"-12 thd. Use on E2HT 7003-AEA	D8HZ 7045-A	A	B	C		D	E		G					
Use on E2HT 7003-GA 1 3/4"-16 thd.	E2HZ 7045-A					D		F		H				
RETAINER (INPUT SHAFT BEARING)- 2 1/2" I.D. x 7 3/4" O.D. x 1" wide	D3HZ 7050-A	A	B	C			E	F						
Incl. 7A283 seal	E2HZ 7050-A				D				G					
Incl. seal	E7HZ 7050-D									H				
Bolt-hex. head-3/8"-16 x 1 1/8"	376284-S2(BB-291)	4	4	4	4	4	4	4						
GASKET (INPUT SHAFT BEARING RETAINER)-3 1/2" I.D. x 7 23/32" O.D. x 1/32" thick	D3HZ 7051-A	A	B	C	D	E	F	G	H					

**1980/  
TRUCK SERIES 600/900**

DESCRIPTION/RESTRICTIONS	PART NUMBER	TRANSMISSION PARTS LISTS 7A THRU 7M												
		A	B	C	D	E	F	G	H	J	K	L	M	
SEAL (OUTPUT SHAFT REAR BEARING CAP)- 3 3/4" I.D. x 4 3/4" O.D. x 1/2" wide	D3HZ 7052-A	A	B	C	D	E								
	E7HZ 7052-C								H					
SHAFT (OUTPUT)	7061													
Auxiliary-24 teeth-20 splines x 8 1/8" long	D3HZ 7061-A	A	B					G						
Mainshaft-21 39/64" long-13-15-19-16 teeth	D8HZ 7061-B	A	B											
Mainshaft-15-18-20 teeth, 27 25/32 long	E1HZ 7061-D			C										
Mainshaft-rear unit, 24-20 teeth	E2HZ 7061-A				D			G						
Mainshaft-13-15-18 teeth 21" long	E2HZ 7061-B				D			G						
Mainshaft-15-18-20 teeth 21 23/32" long	E2HZ 7061-C					E	F		H					
COLLAR (OUTPUT SHAFT CLUTCH)	7A061													
Fourth and fifth; 15 int.-20 ext. teeth	D6HZ 7A061-B	A	B	C	D	E	F	G	H					
Second and third					D									
Sixth and seventh-13 internal-20 external teeth fourth and fifth	D3HZ 7A061-A	A	B		D			G						
24 internal teeth, 15 clutch teeth	E2HZ 7A061-A				D			G						
COLLAR (COUNTERSHAFT CLUTCH)- 20 internal teeth x 5 1/2" O.D.	D3HZ 7A061-B	A	B											
First and reverse-24 ext., 19 int. teeth	D8HZ 7A061-A	A	B											
Fifth-20 ext., 13 int. teeth	D6HZ 7A061-A	A	B											
Fourth					D			G						
6th and 7th, 15 int.-20 ext. teeth	E1HZ 7A061-B			C		E	F		H					
First and rev., 2nd and third-18 int.-24 ext. teeth	E1HZ 7A061-A			2	D	2	2	G	2					
SNAP RING - Unless listed below serviced only in D3HZ 7B331-A kit	7064													
2" I.D. x 7/64" thick	D8HZ 7064-A	2	2		2			2	2					
2 7/8" I.D. x 3/32" thick	D8HZ 7064-B	2	2											
Countershaft rear backing; 1 21/32" I.D.	E1HZ 7064-A			2	2	2		2						
Mainshaft, 2 55/64 Free I.D. x 3/32" thick	E1HZ 7064-B			4	3	5	5		5					
Mainshaft-1 57/64" free I.D. x 3/32" thick	E2HZ 7064-A				2				2					
Input shaft front bearing	E7HZ 7064-L									H				
BEARING	7065													
Input shaft-front-3 11/32" I.D. x 5 29/32" O.D.- 6 9/32" O.D. of snap ring	D3HZ 7065-D	A	B	C		E	F							
Auxiliary output shaft- 2 3/4" I.D. x 4 5/16" O.D.-	D3HZ 7065-E	A	B	C	D		F	G	H					
Mainshaft rear 2 3/8" I.D. x 5 1/8" O.D. x 1 7/32" wide- 5 1/2" O.D. over snap ring-with	D4HZ 7065-B	A	B											
Auxiliary output shaft pocket-1 3/8" I.D. x 2 27/32" O.D. x 11/16" wide	D4HZ 7065-C	A	B		D			G						
Drive gear front-3 13/16" O.D. x 2 11/64" I.D.	E2HZ 7065-A				D			G						
Input shaft	E7HZ 7065-C									H				
SPACER (OUTPUT YOKE SPEEDO GEAR) 3 1/2" O.D. x 3 1/64" I.D.	★ E1HZ 7072-B r/b D7HZ 7L007-A			C		E		G						
CAP ASSY. (REAR BEARING)	7085													
Incl. seal	E7HZ 7085-L						F		H					
Incl. seal	E6HZ 7085-D							G						
GASKET (OUTPUT SHAFT BEARING RETAINER)-5 9/16" I.D. x 1/32" thick	D3HZ 7086-B	A	B	C	D	E	F	G	H					
GEAR (OUTPUT SHAFT)	7100													
First and second-64 ext.-24 int. teeth	D8HZ 7100-A	A	B	C	D	E	F	G	H					
48 spur-15 clutch teeth	D9HZ 7100-B	A	B											
40 spur-15 clutch teeth	D9HZ 7100-C	A	B											
42 ext. teeth-15 clutch teeth	E2HZ 7100-A				D									
42 helical, 24 clutch teeth	E6HZ 7100-B							G						
DRIVE GEAR	7101													
34 ext. teeth-15 clutch teeth- 10 splines	E2HZ 7101-A				D			G						

NOTICE: When the parts list suffix is shown in the quantity required column, the quantity is one (1).

DESCRIPTION/RESTRICTIONS	PART NUMBER	TRANSMISSION PARTS LISTS 7A THRU 7M												
		A	B	C	D	E	F	G	H	J	K	L	M	
GEAR (MAINSHAFT FOURTH)	7110													
40 ext.-20 int. teeth	E1HZ 7110-A			C		E	F		H					
GEAR (COUNTERSHAFT FOURTH)	7112													
37 ext. teeth	E1HZ 7112-C			2		2	2		2					
COUNTERSHAFT	7113													
15 teeth-19 1/16" long	D8HZ 7113-A	2	2											
20 teeth-6 21/32" long	D8HZ 7113-B	A	B											
20-13 ext. teeth-7 53/64" long	D9HZ 7113-B	A	B											
Left side-15 ext., 20 3/16 long	E1HZ 7113-D			C										
15 teeth-18 7/8" long	E2HZ 7113-E				2			2						
Aux. left, 24 ext. teeth	E2HZ 7113-A				D			G						
Aux. right, 24-13 ext. teeth	E2HZ 7113-B				D			G						
Left Side-15 ext. teeth-19 63/64" long	E2HZ 7113-D					E	F							
Right Side-15-13 ext. teeth-21 13/32" long	E2HZ 7113-C			C		E	F							
Left side	E7HZ 7113-F									H				
Right side	E7HZ 7113-G									H				
GEAR (COUNTERSHAFT SECOND)	7114													
57 ext.-teeth	E1HZ 7114-A			2		2	2		2					
BEARING (COUNTERSHAFT)-FRONT- incl.snap ring-2 5/32" I.D. x 4 3/4" O.D. x 1 9/64" wide	B9TT 7118-A	2	2	2	2	2	2	2	2					
BEARING (INPUT SHAFT PILOT)	7120													
1 1/8" I.D. x 1 1/2" O.D. x 3/4" wide	D3HZ 7120-A	A	B	C		E	F		H					
2 3/64" O.D. x 63/64" I.D.	E2HZ 7120-A				D			G						
Needle, aux. m/shaft o/put gr.	D6HZ 7120-A							G						
BEARING (COUNTERSHAFT)	7127													
Front unit-rear-1 49/64" I.D. x 3 11/32" O.D. x 29/32" wide	D3HZ 7127-A	2	2	2										
Rear unit-1 31/32" I.D. x 3 5/32" O.D. countershaft front	D3HZ 7127-B	4	4											
Cup aux.-c/shft. RR-#JLM 506810	D7HZ 7127-A				2			2						
Cone aux.-c/shft. RR-#JLM 506849	D7HZ 7127-B				2			2						
Countershaft RR-3 11/32" O.D. x 1 49/64" I.D.	E2HZ 7127-B				2	2		2						
Countershaft rear	E7HZ 7127-D						2			2				
WASHER (COUNTERSHAFT RETAINING)	7135													
3 1/8" O.D.-25/32 I.D.	E1HZ 7135-A			2		2	2							
Third-20 ext. teeth-2 5/16" I.D. x 3 5/16" O.D. x 2 1/16" wide Second	D4HZ 7137-A	2	2											
Third-32 ext. teeth	D8HZ 7137-A				2		2	2		2				
SHAFT (REVERSE IDLER GEAR)- 1" O.D. x 5 3/16" long	D3HZ 7140-A	2	2	2	2	2	2	2	2					
GEAR	7142													
Reverse idler-21 teeth-3 57/64" O.D. x 2 15/16" O.D.	D3HZ 7142-A	2	2	2	2	2	2	2	2					
Reverse-64 ext.-24 int. teeth- 10 59/64" O.D.	D8HZ 7142-A	A	B	C										
64 ext.-24 int. teeth	E2HZ 7142-A				D	E	F	G	H					
Third-52 ext.-20 int. teeth Second	D8HZ 7144-B	A	B					G						
Fifth-40 ext. teeth Fourth	D8HZ 7144-A	2	2							2				
Sixth and P.T.O. drive-43 ext. teeth	E1HZ 7144-B				2		2	2		2				
BEARING (REVERSE IDLER SHAFT)- 1" I.D. x 1 5/16" O.D. x 1" wide	D3HZ 7145-A	4	4	4	4	4	4	4	4					
GASKET SET	7153													
	D3HZ 7153-B	A	B											
	E2HZ 7153-A			C										
	E6HZ 7153-B				D			G						
	F6HZ 7153-C					E	F		H					



**1980/  
TRUCK SERIES 600/900**

DESCRIPTION/RESTRICTIONS	PART NUMBER	TRANSMISSION PARTS LISTS 7A THRU 7M												
		A	B	C	D	E	F	G	H	J	K	L	M	
GEAR (OUTPUT SHAFT) 7158														
Fifth-38 ext.-20 int. teeth	D8HZ 7158-A	A	B		D			G						
Fourth														
Fourth-44 ext.-20 int. teeth	D8HZ 7158-B	A	B		D			G						
Third														
O'Drive-24 ext.-17 int. teeth	D8HZ 7158-C	A	B		D			G						
Mainshaft fifth-34 ext.-20 int. teeth	E1HZ 7158-C			C		E	F		H					
Input-28 ext.-17 int. teeth - - use with 7017	E2HZ 7158-A				D			G						
Input drive-28 teeth	E7HZ 7158-E								H					
GEAR 7B161														
24 ext.-20 int. teeth-M/S 6th	E1HZ 7B161-A			C		E	F		H					
44 ext. teeth-C/S 5th	E1HZ 7B161-B			2		2	2		2					
COVER (POWER TAKE-OFF) 7165														
6 1/4" long x 4 7/8" wide-(6) holes	BB 7165	A	B	2	D	2	2	G	2					
9 1/4" long x 7" wide-(8) holes	C9HZ 7165-A	A	B		D			G						
Gearshift housing aperture	D4HZ 7165-D	A	B		D									
Screw-hex. head-5/16"-18 x 5/8"	20326-S7-8(B-49)	4	4	4	4									
Bolt-hex.head-3/8"-16 x 3/4"	20348-S8(B-77)	6	6	6				6						
Bolt-hex.head-7/16"-14 x 3/4"	20348-S2(B-77)	8	8	8	8			8						
Bolt-hex. head-3/8-16 x 3/4-self locking	382965-S100 (BB-429-UD)			12	6	12	12		12					
GASKET (POWER TAKE-OFF COVER) 7166														
8 holes	C9HZ 7166-A	A	B		D									
6 hole cover	E7HZ 7166-A	A	B		D			G						
8 hole cover	E7HZ 7166-B							G						
CUP (REAR UNIT COUNTERSHAFT BEARING)- 3 7/32" O.D. x 21/32" wide		D3HZ 7169-A	4	4		2			2					
WASHER (THRUST) 7173														
24 ext.-3 11/64" I.D.	E1HZ 7173-B			4	2	4	4	2	4					
HOSE (AIR FILTER and REGULATOR TO PISTON)-13 1/2" long-fitting each end		C7TZ 7B175-D	A	B		D								
GEAR(MAINSHAFT SECOND) 7176														
58 ext.-24 int. teeth	E1HZ 7176-C			C		E	F		H					
GEAR (COUNTERSHAFT) 7177														
Auxiliary-28 teeth-6" O.D. x 2 3/4" wide	D3HZ 7177-D	2	2											
O'Drive-54 ext. teeth x 9 13/32" O.D.	D8HZ 7177-B	2	2		2			2						
Drive-49 ext. teeth x 8 23/32" O.D.	D8HZ 7177-C	2	2		2			2						
Fourth-28 ext. teeth x 5 21/32" O.D.	D8HZ 7177-D	2	2											
Third						2		2						
Forward gear-33 ext. teeth-7 1/64" O.D.	E2HZ 7177-A					2		2						
57 ext. teeth	E1HZ 7177-E			2			2	2						
Drive-57 teeth	E7HZ 7177-F									2				
SNAP RING 7178														
Drive gear retaining-2 7/16" I.D.	D2HZ 7178-B				D			G						
GASKET 7181														
Auxiliary shift cylinder cover- 2 13/16" I.D. x 3 1/2" x 3 1/2" x 1/32" thick- serviced only in D3HZ 7B411-B kit	★ D3HZ 7181-B	A	B		D			G						
Gearshift housing- 2 3/4" I.D. x 3 7/8" x 2 7/8" x 1/32" thick- also serviced in D3HZ 7B411-B kit	D3HZ 7181-C	A	B		D									
Countershaft rear bearing cap	D9HZ 7181-A	2	2											
Countershaft rear bearing cap - - use on E1HT 7003-SA	D8HZ 7181-A			2		2								
Countershaft rear bearing cap - - use on E1HT 7003-MA, NA, RA	E1HZ 7181-B			2		2								
Countershaft rear bearing cap	E2HZ 7181-A				2			2						
Piston housing	E2HZ 7181-B				D									

NOTICE: When the parts list suffix is shown in the quantity required column, the quantity is one (1).

DESCRIPTION/RESTRICTIONS	PART NUMBER	TRANSMISSION PARTS LISTS 7A THRU 7M												
		A	B	C	D	E	F	G	H	J	K	L	M	
CAP		7195												
Bolt-hex.head-3/8"-16 x 1 1/8"	371186-S(BB-441)	8	8	12	8	10	10	8	8					
Mainshaft	D8HZ 7195-C	A	B	C	D	E								
Countershaft rear bearing cap right hand side on E1HZ 7003-MA, NA, RA-List 'C' Left hand side on E1HZ 7003-MA, NA, RA-List 'C'	D9HZ 7195-C	2	2	C	2	2	2	2						
Use on E1HT 7003-SA-List 'C'	E1HZ 7195-B			C										
Bolt-hex.head-1/2"-13 x 2 1/2"	D8HZ 7195-A			2										
Bolt-hex.head-1/2"-13 x 1 1/2"	58679-S(B-126-B)	2	2	2	2	2	2	2						
Lockwasher-1/2"	20472-S(BB-122-A)	4	4	4	4	4	4	4						
WASHER (OUTPUT SHAFT NUT)-Main or Aux. 1 25/32" I.D. x 3" O.D. x 5/32" thick		★												
Use on E1HT 7003-MA, RA, E2HT-AFA,AGA, E6HT-BAA,CMA, E7HT-DRA	D3HZ 7B196-A	A	B	C	2	E	F	2	H					
Use on E1HT 7003-NA,SA	D4HZ 7207-A	A	B	C	D	E	F	G	H					
Use on E2HT 7003-LA, E6HT-BDA, E7HT-DSA,DTA	C1TZ 7207-A			C										
STUD (SHIFTER HOUSING)- 5/8-11 x 5/8-18 x 3 1/2 long	E2HZ 7207-A					E	F		H					
NUT		7B208												
BOLT	D3HZ 7B208-C	A	B		D			G						
Bolt clutch housing; 5/8-11 x 1 3/4"	D1HZ 7C209-A	10	10											
Bolt clutch housing; 5/8-11 x 2"	D7HZ 7C209-A				10			10						
Bolt clutch housing; 3/8-16 x 3"	E1HZ 7C209-A			16		16	16		16					
Bolt 1/2-13 x 1 1/8" -- Mainshaft RR brg. retainer	E1HZ 7C209-B			4		4	4		4					
Bolt 1/2-13 x 1 3/4" -- Countershaft drive gear retainer	E2HZ 7C209-A				6			6						
Bolt 1/2-13 x 1 3/4" -- Countershaft drive gear retainer	E1HZ 7C209-C					2	2							
KEY (COUNTERSHAFT GEAR)		7B220												
3/8" x 1/2" x 1 23/32"	357630-S(LL-10)	2	2	2	10	10	10	10						
Rear unit	D3HZ 7B220-D	2	2	2				2						
9 1/8" long x 3/8" square	D8HZ 7B220-A	2	2	2										
3/8" x 1 1/2" long	E1HZ 7B220-A			2										
Countershaft drive-3/8" wide x 1 3/8" long	E2HZ 7B220-A					2	2							
HOUSING ASSY. (SHIFTER)		7222												
Forward control	E1HZ 7222-A			C		E								
Center control	E1HZ 7222-C			C		E								
Forward control	E6HZ 7222-D						F							
Center control	E6HZ 7222-E						F							
	E6HZ 7222-F							G						
Forward control	E7HZ 7222-D								H					
Center control	E7HZ 7222-E								H					
18 7/32" x 13 3/4"	D4HZ 7222-A	A	B		D									
Bolt-hex. head-3/8"-16 x 1 1/8"	376284-S2(BB-291)	10	10	10	10	10	10	10						
Plug oil return-1/2"-14 x 3/4" long	87653-S(P-13)				D			G						
GASKET		7223												
Gearshift housing- 18 7/32" x 13 1/4" x 1/32" thick	D3HZ 7223-B	A	B	C				G						
Auxiliary Case Cover-rear	D6HZ 7223-B	A	B											
Auxiliary Case-rear	E2HZ 7223-A				D			G						
FORK (GEAR SHIFTER)		7230-1												
FORK and ROD ASSY. (AUXILIARY SHIFT)	D3HZ 7230-C	A	B											
Auxiliary Shift	E2HZ 7230-A				D			G						
First and reverse-3 1/4" inside width	D8HZ 7231-A	A	B											
First and Reverse	E1HZ 7231-B			C	D	E	F	G	H					
Second and Third-use on E1HT 7003-MA,RA, E2HT-AFA,AGA, E7HT-DRA,DTA				C		E			H					
Second and Third-use on E1HT 7003-NA,SA, E2HT-LA, E6HT-BDA, E7HT-DSA	E1HZ 7231-C			C		E	F		H					

1980/  
TRUCK SERIES 600/900

DESCRIPTION/RESTRICTIONS	PART NUMBER	TRANSMISSION PARTS LISTS 7A THRU 7M												
		A	B	C	D	E	F	G	H	J	K	L	M	
FORK (GEAR SHIFTER)		7230-1 — Cont'd												
Fourth and Fifth—use on E1HT 7003-MA,RA, E2HT-AFA,AGA, E6HT-BAA,CMA, E7HT-DRA,DTA	E1HZ 7230-A			C		E	F		H					
Fourth and Fifth—use on E1HT 7003-NA,SA, E2HT-LA, E6HT-BDA, E7HT-DSA	E1HZ 7230-B			C		E	F		H					
Sixth and Seventh	E1HZ 7231-D			C		E	F		H					
Second and third—use with E6HT 7003-BAA,CMA	E6HZ 7231-C						F							
Fourth—2 13/32" inside width	D3HZ 7230-B	A	B		D				G					
Fifth and sixth—2 13/32" inside width	D3HZ 7230-A	A	B		D				G					
PIN (GEAR SHIFT BLOCKER)		7233												
PISTON (AUXILIARY SHIFT FORK)— 1/2" I.D. x 2 1/4" O.D. x 1/2" wide	D3HZ 7233-A	A	B		D				G					
7/16" O.D. x 1" long, see also 7033, use on E1HT 7003-MA,RA E2HT 7003-AFA,AGA	D3HZ 7233-B	A	B	C	D	E	F		G	H				
1/2" O.D. x 13/16" long—rounded both sides	D3HZ 7233-C	3	3	3	3	3	3							
	E7HZ 7233-A									3	3			
Fifth and sixth—Poppet	E7HZ 7233-B									G	H			
SPRING (SHIFTER SHAFT POPPET)		7234												
Low and reverse—2" free length—13 coils	D3HZ 7234-A	A	B	C	D	E			G	H				
Fifth and sixth—7/8" free length—6 coils	D3HZ 7234-B	A	B		D									
27/64" O.D. x 1 19/64" long	D8HZ 7234-A	4	4	4	4	4								
Interlock—1/2" O.D. x 1" Free length	E1HZ 7234-A			C		E	F							
Shift rod poppet—interlock	E7HZ 7234-D										H			
Shift rod poppet	B9TT 7234-A							4						
	E6HZ 7234-B								G					
PIN (GEARSHIFT ROD INTERLOCK)— 1/4" O.D. x 11/16" long		7235-A												
	E7HZ 7235-A	2	2	3	2	2	3							
	E7HZ 7235-A									3	3			
Ball shift rod poppet, 7/16" dia	353086-S(AA-14)	4	4	4	4	4	4	4	4					
Ball neutral safety switch, 1/2" dia.	353079-S (AA-15)			C	D	E	F	G						
SHAFT (GEARSHIFT)		7240-1												
Auxiliary Shift—11 11/16" long, 7/8" dia.	E2HZ 7240-C				D									
7/8" O.D. x 11 11/16" long— Low and reverse	D4HZ 7240-C	A	B											
Second and third 7/8" O.D. x 9 1/8" long	D5HZ 7240-A	A	B											
First and reverse—11 1/2" long	E2HZ 7240-B				D									
Second and third—9 1/8" long	E2HZ 7240-A				D									
First and reverse—Use on E1HT 7003-MA,RA, E2HT-AFA,AGA, E6HT-BAA,CMA	E1HZ 7240-A				C		E	F						
First and reverse—Use on E1HT 7003-NA,SA, E2HT-LA, E6HT-BDA	E1HZ 7240-B				C		E	F						
Second and third	E6HZ 7240-D									G				
First and reverse	E6HZ 7240-C									G				
	E6HZ 7240-B									G				
First and reverse—use on E7HT 7003-DRA,DTA	E7HZ 7240-D										H			
First and reverse—use on E7HT 7003-DSA	E7HZ 7240-E										H			
Second and third—Use on E1HT 7003-MA,RA, E2HT-AFA,AGA, E6HT-BAA,CMA	E1HZ 7241-B				C		E	F						
Second and third—Use on E1HT 7003-NA,SA, E2HT-LA, E6HT-BDA	E1HZ 7241-C				C		E	F						
Fourth - 7/8" O.D. x 9 1/8" long	D5HZ 7241-A	A	B		D									
Second and third—use with E7HT 7003-DRA,DTA	E7HZ 7241-F										H			
Second and third—use with E7HT 7003-DSA	E7HZ 7241-G										H			
Fourth	E6HZ 7241-D									G				
SCREW (SHIFT BRACKET)		7245												
Second and third, 1/4-28 x 13/16	E7HZ 7245-A									G	H			

NOTICE: When the parts list suffix is shown in the quantity required column, the quantity is one (1).

DESCRIPTION/RESTRICTIONS	PART NUMBER	TRANSMISSION PARTS LISTS 7A THRU 7M												
		A	B	C	D	E	F	G	H	J	K	L	M	
PLUNGER (SHIFT BRACKET)	7247													
Shift rod poppet	C1TT 7247-A						4							
Low and reverse-2 3/4" long	D3HZ 7247-A	A	B	C	D	E	F	G	H					
Fifth and sixth-2 3/18" long	D3HZ 7247-B	A	B		D									
Neutral safety switch	E1HZ 7247-A			C		E	F							
FILTER and REGULATOR (AIR CONTROL)	D3HZ 7B265-A	A	B		D									
Clamp	B7A 8287-B	A	B		D									
RING (AUX. SHIFT HOUSING)	7D268													
2.63 O.D. x 2.42 I.D. x .10 thick	E6HZ 7D268-A							G						
KIT FILTER REGULATOR	7B274													
Incl. filter regulator, clamp, fittings	E6HZ 7B274-A							G						
GATE	7279													
Gearshift-1 3/4" long	D3HZ 7279-A	A	B	C	D	E	F	G	H					
Second speed	D3HZ 7279-B	A	B	C	D	E	F							
Second and third shift	E6HZ 7279-A							G	H					
Pin-roll-9/16" long x 5/64" O.D.	359014-S2(NN-86)	A	B	C	D	E	F	G						
SEAL (INPUT SHAFT BEARING RETAINER OIL)	7A283													
Main drive gear-2 1/8" I.D. x 3" O.D.	D9HZ 7A283-A	A	B	C	D	E	F	G						
"O" RING (SPLITTER VALVE HOUSING)- 35/64" I.D. x 11/16" O.D.	D3HZ 7288-A	2	2											
FORK (SECOND and THIRD GEAR SHIFTER)- 2 25/32" inside width	D3HZ 7289-A	A	B		D			G						
VALVE ASSY. (FRONT CLUTCH PISTON CHECK)-1 3/4" long	D3HZ 7D292-A	2	2											
SNAP RING KIT	D3HZ 7B331-A	A	B	C	D	E	F	G						
SMALL PARTS REPAIR KIT	D3HZ 7B331-B	A	B	C	D	E	F	G	H					
COVER (AUXILIARY CASE END)	7B332													
Cover	D6HZ 7B332-A	A	B											
Bolt-hex. head - 3/8" - 16 x 1 1/2"	383890-S100(BR-249-AB)	14	14											
Bolt-hex. head-3/8"-16 x 2 3/8"	377776-S100(BB-416-E)	2	2											
Bolt 3/8-16 x 1 1/8"	376284-S2(BB-291)				25									
SHAFT (FIFTH and SIXTH GEARSHIFT)- 7/8" O.D. x 12" long	D3HZ 7334-A	A	B		D									
Sixth and Seventh-Use on E1HT 7003-MA,RA, E2HT 7003-AFA,AGA, E6HT-BAA,CMA	E1HZ 7334-A			C		E	F							
Sixth and Seventh-Use on E1HT 7003-NA,SA, E2HT 7003-LA, E6HT-BDA	E1HZ 7334-B			C		E	F							
Sixth and Seventh, use on E7HT 7003-DRA,DTA	E7HZ 7334-D								H					
Sixth and Seventh, use on E7HT 7003-DSA	E7HZ 7334-F								H					
Fifth and Sixth	E6HZ 7334-B							G						
"O" RING (SHIFT FORK PISTON)- 1 27/32" I.D. x 2 1/4" O.D.-serviced only in D3HZ 7B411-B kit	★ D3HZ 7B339-A	A	B		D			G						
GEAR (MAINSHAFT THIRD)	7B340													
48 ext.-24 int. teeth	E1HZ 7B340-D			C		E	F		H					
GASKET (AUXILIARY CASE)	7B353													
18 3/8" long x 1/32" thick	D8HZ 7B353-A	A	B											
SHAFT (FOURTH AND FIFTH)	E1HZ 7358-B			C		E	F							
Use on E1HT 7003-NA,SA, E2HT-LA, E6HT-BDA														
Use on E1HT 7003-MA,RA, E2HT-AFA,AGA, E6HT-BAA,CMA	E1HZ 7358-C			C		E	F							
Fourth and fifth-use on E7HT 7003-DRA,DTA	E7HZ 7358-B								H					
Fourth and fifth-use on E7HT 7003-DSA	E7HZ 7358-C								H					
SCREW (SHIFT FORK SET)- 7/16"-20 x 7/8" long-serviced only in D3HZ 7B331-B kit	★ D3HZ 7B360-A	7	7	7	7	7								

**1980/  
TRUCK SERIES 600/900**

DESCRIPTION/RESTRICTIONS	PART NUMBER	TRANSMISSION PARTS LISTS 7A THRU 7M												
		A	B	C	D	E	F	G	H	J	K	L	M	
<b>PIN (CASE DOWEL)</b>		<b>7B362</b>												
Auxiliary case-5/8" I.D. x 1 17/32" long	D3HZ 7B362-A	2	2	2		2			2					
Main case-3/8" O.D. one end- 7/16" O.D. other end x 1 1/16" long	D3HZ 7B362-B	2	2	2	2	2	2	2	2					
<b>BRACKET (AIR FILTER and REGULATOR)</b>		<b>D3HZ 7B367-A</b>												
	E2HZ 7B367-A	A	B						G					
<b>"O" RING (SHIFT FORK PISTON ROD)- 1/2" I.D. x 5/8" O.D. x 5/64" thick</b>		<b>C7TZ 7B399-C</b>												
		A	B		D				G					
<b>HOUSING</b>		<b>7B408</b>												
Piston-3 1/2" x 3 1/2"	D3HZ 7B408-B	A	B											
Piston valve-3 1/2" long x 2 9/16" wide	D3HZ 7B408-A	A	B											
Auxiliary Shift housing-incl. elbows	E2HZ 7B408-A				D				G					
Bolt-hex.head-18 x 2 5/8"	45520-S(B-63-B)	6	6											
Lockwasher-5/16"	★ 34941-S	6	6											
Plug-1/8"-27	87708-S(P-14)	4	4											
Bushing (reducer)-1/4"-18 & 1/8"-27	358267-S100(II-247-A)	A	B											
<b>GATE (SHIFT ROD)-LOW and REVERSE</b>		<b>D3HZ 7411-A</b>												
Fifth and sixth		A	B	C	D	E	F	G	H					
Sixth and Seventh	E1HZ 7411-A			C		E	F							
Sixth and Seventh	E7HZ 7411-C							G	H					
<b>"O" RING-Unless listed below, serviced only in D3HZ 7B411-B kit</b>		<b>7B411</b>												
"O" ring and gasket kit	D3HZ 7B411-B	A	B		D			G						
<b>SPACER (SHIFT FORK STOP)- 7/8" I.D. x 1 1/2" O.D. x 1 21/32" long</b>		<b>D3HZ 7B416-A</b>												
		A	B											
<b>ELBOW (VALVE HOUSING TEE)</b>		<b>D4HZ 7B417-B</b>												
	D4HZ 7B417-A		B		D									
					D									
<b>SPACER</b>		<b>7482</b>												
Output shaft-2 3/4" I.D. x 3 1/2" O.D. x 13/32" wide	D3HZ 7482-A	A	B											
Reverse idler gear bearing- 1 1/16" I.D. x 1 5/16" O.D. x 57/64" wide	D3HZ 7482-B	2	2	2	2	2	2		2					
Output shaft-4" O.D. x 2 49/64" O.D. x 13/32" thick	D9HZ 7482-A	A	B		D			G						
Mainshaft thrust rev -- 4 7/8" O.D. - 2 25/32" I.D.	E1HZ 7482-A			C										
<b>HOUSING (CLUTCH)</b>		<b>7505</b>												
Use on E2HT 7003-GA	D8HZ 7505-D	A			D									
Use on E2HT 7003-AEA	E0HZ 7505-A		B		D			G						
Use on E1HT 7003-MA,NA, E2HT 7003-LA,AFA	E1HZ 7505-A			C		E								
Use on E1HT 7003-RA,SA, E2HT 7003-AGA, E6HT-CMA, E7HT-DTA	E1HZ 7505-E			C		E	F		H					
Use on E6HT 7003-BAA,BDA, E7HT-DRA,DSA	E7HZ 7505-F						F		H					
Bolt-hex.head-1/2"-13 x 1 1/8"	383222-S36(BB-193-B)	4	4	4	4	4	4	4	4					
<b>RETAINER (BEARING)</b>		<b>7L558</b>												
7 5/8" O.D. x 4 1/4" I.D.-countershaft front	E1HZ 7L558-B			2		2								
Mainshaft rear-main case					D									
Countershaft rear-main case	E2HZ 7L558-A					2		2						
Bolt-3/8-16 x 1 1/8"	376284-S2(BB-291)				4			4						
<b>COVER (CLUTCH HOUSING DUST)</b>		<b>7564</b>												
	D4HZ 7564-A	A	B	C	D	E	F	G	H					
<b>BUSHING (CLUTCH RELEASE SHAFT)- 1" I.D. x 1 1/8" O.D. x 1 1/2" long</b>		<b>C1TT 7A615-A</b>												
		2	2		AR			4						
	E1HZ 7A615-A			AR		AR	AR		AR					

**NOTICE:** When the parts list suffix is shown in the quantity required column, the quantity is one (1).

DESCRIPTION/RESTRICTIONS	PART NUMBER	TRANSMISSION PARTS LISTS 7A THRU 7M												
		A	B	C	D	E	F	G	H	J	K	L	M	
GASKET (CLUTCH HOUSING TO CASE)	D3HZ 7A619-A	A	B		D			G						
TROUGH-OIL	7716													
Shift housing	E7HZ 7716-A								H					
WASHER (REVERSE GEAR THRUST)	7728													
2 3/8" I.D. x 5" O.D.	D8HZ 7728-A	A	B											
SEAL (MAINSHAFT REAR)	7918													
	E3HZ 7918-A							F	G	H				
SHIM (COUNTERSHAFT REAR BEARING CAP)	7944													
SHIM KIT (COUNTERSHAFT REAR BEARING	D3HZ 7944-D	A	B	C	D									
SEALER (GASKET FORMING)	19562													
Silicone-2.8 oz. tube	D6AZ 19562-A			AR	AR	AR								
Silicone	E1FZ 19562-A							AR		AR				

1980/  
TRUCK SERIES 600/900

DESCRIPTION/RESTRICTIONS	PART NUMBER	TRANSMISSION PARTS LIST 7AA THRU 7AM													
		AA	AB	AC	AD	AE	AF	AG	AH	AJ	AK	AL	AM		
<b>FULLER</b>															
Plug speedo cable	C7TZ 7A002-B	AA	AB												
Aux. air shift cyl. 7306	D3HZ 7A002-A				AD		AF				AJ	AK			
CASE ASSY. (INCL. MAGNETIC CHIP COLLECTORS)	7005														
	E1HZ 7005-A	AA	AB												
	E2HZ 7005-A			AC	AD	AE	AF		AH	AJ					
	E7HZ 7005-E							AG							
	E8HZ 7005-D											AK			
Plug magnetic drain 3/4 - 14	353240-SA(PP-52)	AA	AB	AC	AD	AE	AF	AG					AK		
Plug pipe 1/2 - 14	358035-S(PP-31)	AA	AB	AC	AD	AE	AF		AH	AJ	AK				
Plug pipe 1 1/4 magnetic	374501-S(PP-52-F)	AA	AB	AC	AD	AE	AF	AG	AH	AJ	AK				
Stud - - 2 1/16 long - 5/8 - 11, 5/8 - 18 thd	374423-S7-8(WW-66)	2	2	2	2	2	2	2	2	2	2				
ELEMENT (OIL FILTER)-1" I.D. x 2 1/2" O.D. x 2 1/16" long	C1TT 7C012-A	AA	AB	AC	AD										
COVER (OIL FILTER)-(6) 13/32" bolt holes- 6 1/4" x 4 7/8" x 2" height	C1TT 7C013-H	AA	AB	AC	AD										
Bolt (cover to case)-hex. head-3/8"-16 x 1"	20388-S(B-80)	6	6	6	6										
Lockwasher-3/8"	34807-S8(X-66)	6	6	6	6										
PLATE (OIL FILTER RETAINER)-(6) 13/32" bolt holes- 6 1/4" x 4 7/8" x 1/16" thick	★ C1TT 7C014-A (N/R 3/83)	AA	AB												
<b>SHAFT (INPUT) 7017</b>															
18 teeth x 12 1/8" long, #15110	D4HZ 7017-F	AA	AB	AC	AD										
18 teeth x 12 1/8 long, #20540, use with E7HT-AYA, E8HT-RA	E4HZ 7017-D			AC	AD	AE	AF	AG	AH	AJ	AK				
#20531, use with E9HT-ABA	E9HZ 7017-D							AG							
<b>BEARING 7025</b>															
Countershaft front	E2HZ 7025-A			2	2	2	2		2	2	2				
Input shaft-#15117-1 3/16" I.D. x 13/16" wide	C6TZ 7025-A	AA	AB	AC	AD	AE	AF	AG	AH	AJ	AK				
Countershaft-front-#211SL-2 5/32" I.D. x 3 15/16" O.D. x 53/64" wide	TGAA 7025-A	2	2												
Countershafts	E7HZ 7025-B							4							
<b>GASKET (REDUCTION PISTON) 7D026</b>															
	E9HZ 7D026-A												AK		
<b>SNAP RING 7030</b>															
Countershaft rear bearing-1 7/16"	C6TZ 7030-A	2	2	2	2	2	2		2	2	2				
Countershaft, 2 3/32 free Id, 5/64 thick	E2HZ 7030-B			2	2	2	2	2	2	2	2				
Countershaft, 1 37/64 Id. x 1/8 thick	C8TZ 7030-B			2	2	2	4	4	2	4	2				
Input shaft, 2 11/64 I.D. x 7/64 thick	E4HZ 7030-A			AC	AD	AE	AF	AG	AH	AJ	AK				
<b>WASHER 7033</b>															
Aux. mainshaft thrust	E9HZ 7033-A												AK		
Pin	378492(NN54D)												AK		
<b>VENT ASSY. (CASE AIR VALVE) 7034</b>															
1" long	D1TZ 7034-A	AA	AB												
1 5/8" O.D.-14" pipe thread-2" long	C7TZ 7034-A	AA	AB	AC	AD	AE	AF	AG	AH	AJ	AK				
COVER AUXILIARY SHIFT CYLINDER)-(4) 13/32" holes-4 1/4" x 4 1/4" x 1 1/4" thick	C6TZ 7C035-A	AA	AB												
	E2HZ 7C035-A			AC	AD	AE	AF		AH	AJ					
	E9HZ 7C035-A												AK		
<b>PLATE and PIN ASSY. 7A044</b>															
Reduction synchronizer-7" O.D.-incl. (3) pins	C6TZ 7A044-A	AA	AB	AC	AD										
6 1/2" O.D. incl. (3) pins	D6HZ 7A044-A	AA	AB	AC	AD	AE	AF		AH	AJ	AK				
Auxiliary reduction	E7HZ 7A044-A					AE	AF		AH	AJ	AK				
NUT (INPUT SHAFT BEARING RETAINER)- 3 1/4" O.D. x 2 1/8"-16 internal threads	C1TT 7045-A	AA	AB	AC	AD										
<b>RETAINER (INPUT SHAFT BEARING) 7050</b>															
2 1/16" I.D. x 6 9/16" O.D. 1 1/32" wide #15111	D4HZ 7050-A	AA	AB	AC	AD										
#20550, use with E8HT-RA,E7HT-AYA	E4HZ 7050-D			AC	AD	AE	AF	AG	AH	AJ	AK				
#20552, use with E9HT-ABA	E9HZ 7050-B							AG							

NOTICE: When the parts list suffix is shown in the quantity required column, the quantity is one (1).

DESCRIPTION/RESTRICTIONS	PART NUMBER	TRANSMISSION PARTS LIST 7AA THRU 7AM												
		AA	AB	AC	AD	AE	AF	AG	AH	AJ	AK	AL	AM	
<b>FULLER</b>														
GASKET (COUNTER SHAFT FROM BEARING COVER)	7051													
(4) 13/32" holes-3 11/16" I.D. x 5 1/2" O.D. x 1/64" thick	C8TZ 7051-A	AA												
(6) 13/32" holes-4 21/32" I.D. x 6 1/2" O.D. x 1/64" thick	C6TZ 7051-F		AB	AC	AD	AE	AF	AG	AH	AJ	AK			
<b>7L055</b>														
GEAR	7L055													
Mainshaft fifth	E7HZ 7L055-A							AG						
<b>7A059</b>														
SPACER (INPUT SHAFT)	7A059													
2 3/8" I.D. x 2 23/32" O.D. x 5/16" thick	C9TZ 7A059-A	AA	AB	AC	AD	AE	AF	AG	AH	AJ	AK			
2 1/32" I.D. x 3" O.D. x 3/16" thick	D4HZ 7A059-B	AA	AB	AC	AD	AE	AF		AH	AJ	AK			
Mainshaft rear nut	E7HZ 7A059-B							AG						
<b>7A060</b>														
GEAR (AUX. MAINSHAFT SLIDING CLUTCH)	7A060													
#17242-20 ext. 18 int. teeth	E1HZ 7A060-B		AB		AD		AF				AJ			
#21360	E9HZ 7A060-A											AK		
<b>7061</b>														
SHAFT	7061													
Aux. Mainshaft-# A-4736	E2HZ 7061-F				AD		AF				AJ			
Aux. 10-18 splines-12 11/32" long	D4HZ 7061-G	AA												
15-17 splines-13 27/32" long #18391	E1HZ 7061-F	AA	AB											
Aux.-# A-4389	E1HZ 7061-B		AB											
Aux. Mainshaft-10-18 teeth 12 11/32 long	E2HZ 7061-H			AC		AE			AH					
Mainshaft-17-15 teeth 13 27/32 long	E2HZ 7061-G			AC	AD	AE	AF		AH	AJ				
	E7HZ 7061-G							AG						
Aux. Mainshaft	E9HZ 7061-A												AK	
Mainshaft	E8HZ 7061-B												AK	
Roll pin -- 3/16" O.D. x 1/2" long	353847-S8(NN-109-A)	AA	AB	AC	AD	AE	AF	AG	AH	AJ	AK			
<b>7063</b>														
SPACER	7063													
Aux. Mainshaft, #21359	E9HZ 7063-A												AK	
<b>7064</b>														
SNAP RING	7064													
Aux. drive gear-3 3/32" I.D. x 3 19/32" O.D. x 1/8" thick	D0HZ 7064-F	AA	AB											
1 13/16" I.D. x 2 3/16" O.D. x 3/32" thick	D0HZ 7064-H		2											
Aux. countershaft-rear														
Mainshaft gear-2 3/4" I.D. x 2 31/32" O.D. x 3/32" thick	C6TZ 7064-A	AA	AB	AC	AD	AE	AF	AG	AH	AJ	AK			
Input shaft		AA	AB	AC	AD	AE	AF	AG	AH	AJ	AK			
Rev. shift fork -- 31/32" free O.D. x 3/64" thick	E1HZ 7064-C	AA	AB	AC	AD	AE	AF	AG	AH	AJ	AK			
Mainshaft-front quill -- 7/8" O.D. x 11/16" I.D. x 3/32" thick	C6TZ 7064-B		AB		AD		AF				AJ			
Coupler-rear -- 2 3/4" I.D. x 1/6" thick	D5HZ 7064-A		AB		AD		AF				AJ			
3 1/16" O.D. x 3/32" thick	C6TZ 7064-E	4	4	4		4	4		4	4	4			
Input shaft														
2 3/32" I.D. x 2 7/16" O.D. x 3/32" thick	D4HZ 7064-F	2	2	2	2	2	2		2	2	2			
Aux. Countershaft rear bearing-1 63/64" I.D. x 2 27/64" O.D. x 7/64" thick	D4HZ 7064-D	2		2		2			2					
3 9/32 I.D. x 3 29/32 O.D. x 1/8 thick	D4HZ 7064-E			AC	AD	AE	AF		AH	AJ	AK			
<b>7065</b>														
BEARING	7065													
Aux C/Shaft rear-#5310-G-1	E2HZ 7065-B				2		2				2			
Rear #5310	E1HZ 7065-A		AB											
Rear #1311L-2 5/32" I.D. x 4 23/32" O.D. x 1 9/64" wide	B8QH 7065-B	2		2		2			2					
BEARING ASSY. (AUXILIARY DRIVE GEAR)-#117L	C6TZ 7065-A	AA	AB											
Aux. drive gear-#118L	C6TZ 7065-F			AC	AD	AE	AF		AH	AJ				
Aux. drive gear-#118	E9HZ 7065-A												AK	
Range shift #204	C9TZ 7065-A		AB		AD		AF			AJ				



1980/  
TRUCK SERIES 600/900

DESCRIPTION/RESTRICTIONS	PART NUMBER	TRANSMISSION PARTS LIST 7AA THRU 7AM												
		AA	AB	AC	AD	AE	AF	AG	AH	AJ	AK	AL	AM	
<b>FULLER</b>														
WASHER (OUTPUT SHAFT GEAR)	7069													
17 teeth-2 27/32" O.D. x 1/4" wide #18701	D8HZ 7069-A	3	3	3	3	3	3		3	3	3			
	E7HZ 7069-A							5						
<b>SPACER (SPEEDO-GEAR REPLACEMENT)</b>														
3 3/8" O.D. x 2 3/4" I.D. x 15/16" wide	E1HZ 7072-A		AB		AD									
<b>GEAR (AUXILIARY DRIVE)</b>														
Aux. drive-30-17-18 teeth. #19084	E1HZ 7A079-C	AA	AB											
#19275, incl "O" rings	E2HZ 7A079-A			AC	AD	AE	AF		AH	AJ				
#21321	E9HZ 7A079-A												AK	
<b>KIT COUNTERSHAFT REAR BEARING SHIM</b>														
	7K084													
	E9HZ 7K084-A												AR	
<b>RETAINER ASSY.</b>														
7085														
Cover aux. rear bearing-8" dia. x 4 23/32" I.D.	D0HZ 7085-C	AA	AB											
Mainshaft #20223	E8HZ 7085-D	AA	AB	AC	AD									
Aux. drive gear #16138	D4HZ 7085-B			AC	AD	AE	AF		AH	AJ	AK			
Mainshaft #20220, use with E3HT 7003-CKA,CLA	E2HZ 7085-A				AD									
Mainshaft rear bearing cover	E6HZ 7085-C					AE	AF		AH	AJ				
Incl. seal and gasket, use with E7HT 7003-AYA	E7HZ 7085-H							AG						
Incl. seal and gasket, use with E8HT 7003-RA,E9HT-ABA	E8HZ 7085-A							AG						
	E9HZ 7085-A												AK	
Bolt - 3/8-16 x 1" long	58634-S2(B-80-B)	6	6	6	6	6	6	6	6	6	6	6	6	6
<b>GASKET (AUXILIARY REAR BEARING COVER and SPEEDOMETER)</b>														
7086														
(10) 13/32" holes-4 9/16" I.D. x 6 1/4" O.C. x 1/32" thick	C8TZ 7086-C	AA	AB	AC	AD	AE	AF		AH	AJ				
	E7HZ 7086-C							AG						
	E9HZ 7086-A												AK	
<b>FLANGE (OUTPUT SHAFT)-</b>														
7089														
refer to group in Section 71 for Size chart														
1 Note: ⓈIndustry number														
1810 Series	E9HZ 7089-C												AK	
<b>GEAR</b>														
7100														
Countershaft, 13-17 teeth 14 21/64 long	E2HZ 7100-D			2	2	2	2		2	2	2			
Countershaft-#19081, 17-13 teeth, 13 25/32 long	E1HZ 7100-E	2	2											
44 external-18 internal teeth-9 1/4" O.D.	E1HZ 7100-A	AA	AB	AC	AD	AE	AF		AH	AJ	AK			
Mainshaft first	E7HZ 7100-E							AG						
3/16" O.D. x 1/2" long	353847-S8(NN-109-A)	2	2	2	2	2	2	2	2	2	2	2	2	2
Bolt - 1/2 - 20 x 1" long - drilled head	374446-S(BB-366)	2	2	2	2	2	2	2	2	2	2	2	2	2
<b>GEAR</b>														
7101														
42 external-18 internal teeth-8 13/16" dia. x 2" wide	D4HZ 7101-E	AA	AB											
Aux. output shaft reduction-48 ext. 28 int. teeth	E1HZ 7101-B		AB											
Aux. Mainshaft reduction, 42 ext., 18 int. teeth	E2HZ 7101-H			AC	AD	AE	AF		AH	AJ				
Aux. Mainshaft reduction	E9HZ 7101-A												AK	
<b>GEAR (OUTPUT SHAFT SLIDING)-18 external-17 internal teeth</b>														
	C6TZ 7103-B	2	2	2	2	2	2		2	2	2			
<b>SHAFT (AIR VALVE ACTUATING)-5 1/2" long</b>														
	E9HZ 7B104-A	AA	AB	AC	AD	AE	AF		AH	AJ	AK			
Valve air shaft cyl. 7306	D3HZ 7B104-A				AD		AF			AJ	AK			
<b>COUNTERSHAFT (AUXILIARY)</b>														
7111														
	E7HZ 7111-B							2						
#A5158	E9HZ 7111-A												2	
<b>GEAR</b>														
7112														
Countershaft drive-39 teeth	C6TZ 7112-A	2	2											
Countershaft Fourth-42 teeth	C6TZ 7112-B	2	2											
Countershaft drive, 64 ext. teeth	E2HZ 7112-A			2	2	2	2		2	2	2			
Countershaft O/D, 71 ext. teeth	E2HZ 7112-C			2	2	2	2		2	2	2			
Countershaft sixth	E7HZ 7112-D							2						

NOTICE: When the parts list suffix is shown in the quantity required column, the quantity is one (1).

DESCRIPTION/RESTRICTIONS	PART NUMBER	TRANSMISSION PARTS LIST 7AA THRU 7AM											
		AA	AB	AC	AD	AE	AF	AG	AH	AJ	AK	AL	AM
<b>FULLER</b>													
<b>COUNTERSHAFT</b>													
7113													
#A-4334 AUX. COUNTERSHAFT	D4HZ 7113-G	2											
#A-4659 Aux. Countershaft	E2HZ 7113-M			2					2				
#A-4819 Aux. Countershaft	E2HZ 7113-L				2		2				2		
#A-4723 Aux. Countershaft	E2HZ 7113-K					AE							
	E7HZ 7113-E							2					
<b>SPACER</b>													
7115													
Aux. reduction gear-18 teeth-2 3/4" I.D. x 3 57/64" O.D. x 7/16" wide	D4HZ 7115-C		AA	AB									
Aux. Countershaft bearing	E9HZ 7115-A											2	
<b>RETAINER</b>													
7F115													
#21320 Aux. drive gear	E9HZ 7F115-A												AK
Washer-reduction gear - 18 ext.-18 int. teeth 3 57/64" O.D. x 7/32" wide	D4HZ 7117-A			AB		AD		AF			AJ		
Aux. Mainshaft	E9HZ 7117-A												AK
<b>BEARING</b>													
7118													
#33755-2 3/4" I.D. x 4 7/16" O.D. x 3" wide	D4HZ 7118-B		AA	AB	AC	AD	AE	AF		AH	AJ		
Aux. countershaft-front-#MA1307EL or MR1307EL-1 3/8" I.D. x 3 9/64" O.D. x 13/16" wide	C1TZ 7118-A		2	2	2	2	2	2		2	2		
	C8TZ 7118-A								AG				
Aux. Countershaft	E9HZ 7118-A												4
Aux. Mainshaft	E9HZ 7118-B												AK
<b>SHIFT BLOCK</b>													
7B119													
First and reverse	E7HZ 7B119-A									AG			
<b>BUSHING (OUTPUT SHAFT PILOT)</b>													
7120													
1 11/32" I.D.x 1 39/64" O.D. x 3/4" long	D0HZ 7120-C		AA	AB	AC	AD	AE	AF		AH	AJ	AK	
	E7HZ 7120-A									AG			
<b>SYNCHRONIZER KIT</b>													
7124													
Consists of; 7A044 (2) 7B294 (3)	D9HZ 7124-B		AA	AB	AC	AD							
<b>BEARING (COUNTERSHAFT)</b>													
7127													
Rear-#MRY1308GEL-1 9/16" I.D. x 3 17/32" O.D. x 29/32" wide	C6TZ 7127-A		2	2	2	2	2	2		2	2	2	
Countershaft	E7HZ 7127-C								2				
<b>RETAINER (COUNTERSHAFT BEARING)</b>													
7135													
2 3/4" O.D. x 5/16" thick-(2) 17/32" holes	C6TZ 7135-A		2	2									
	E7HZ 7135-C								4				
<b>GEAR (COUNTERSHAFT SECOND SPEED)</b>													
7137													
30 teeth-2 7/16" I.D. x 5 7/16" O.D.	C6TZ 7137-B		2	2									
Countershaft 2nd, 44 ext. teeth	E1HZ 7137-A				2	2	2	2		2	2	2	
Countershaft fifth	E7HZ 7137-D							2					
SHAFT (REVERSE IDLE GEAR)-4 11/16" long-incl. plug	D0HZ 7140-A		2		2	2	2	2		2	2	2	
	E7HZ 7140-C								2				
Locknut - - 5/8 - 18	371530-S7(MM-161-A)		2	2	2	2	2	2	2	2	2	2	
<b>GEAR</b>													
7141													
Reverse idler	E7HZ 7141-D								2				
<b>GEAR (REVERSE IDLER)</b>													
7142													
27 teeth	D0HZ 7142-E		2										
40 external-18 internal teeth-#19083	E1HZ 7142-A		AA	AB									
Mainshaft reverse, 46 ext.-18 int. teeth	E2HZ 7142-B				AC	AD	AE	AF		AH	AJ	AK	
27 teeth	D4HZ 7142-A				2	2	2	2		2	2	2	
Mainshaft reverse	E7HZ 7142-E								AG				
<b>GEAR</b>													
7144													
Countershaft P.T.O.-R.H.-45 teeth-2 1/4" I.D. x 7 3/4" O.D. x 1 1/16" wide	C6TZ 7144-C		AA	AB	AC	AD	AE	AF		AH	AJ	AK	
Countershaft P.T.O.-L.H.-47 teeth-2 1/4" I.D. x 8" O.D. x 1" wide	C6TZ 7144-B		AA	AB	AC	AD	AE	AF		AH	AJ	AK	
Countershaft fourth	E7HZ 7144-C								2				

1980/  
TRUCK SERIES 600/900

DESCRIPTION/RESTRICTIONS	PART NUMBER	TRANSMISSION PARTS LIST 7AA THRU 7AM											
		AA	AB	AC	AD	AE	AF	AG	AH	AJ	AK	AL	AM
FULLER													
GASKET KIT	7153												
	D4HZ 7153-C	AA	AB	AC	AD	AE	AF	AG	AH	AJ			
	E8HZ 7153-A											AK	
LOCK TAB	7155												
Reverse idler shaft	B8QH 7155-A							2					
GEAR	7158												
Main drive, 52 ext.-18 int. teeth	E2HZ 7158-H			AC	AD	AE	AF		AH	AJ	AK		
	E7HZ 7158-C							AG					
RING (RETAINING)	7162												
Mainshaft gear retaining	D4HZ 7162-A							6					
COVER (POWER TAKE-OFF)	7165												
(8) 15/32" holes-9 5/8" x 7 3/8"	D1HZ 7165-A	AA	AB	AC	AD	AE	AF	AG				AK	
(6) 13/32" holes 6 1/4" x 4 7/8"	C6TZ 7165-B	AA	AB	AC	AD	AE	AF	AG	AH	AJ	AK		
Bolt (cover to case)-3/8"-16 x 5/8"	20328-S8(B-76)	6	6	6	6	6	6	6	6	6	6		
Lockwasher-3/8"	34808-S8(X-66)	6	6	6	6	6	6	6	6	6	6		
Lockwasher-external teeth-3/8"	351487-S(XX-291)	6	6	6	6	6	6	6	6	6	6		
GASKET	7166												
Oil filter housing-(6) 13/32" holes-6 1/4" x 4 7/8" x 1/16" thick	E7HZ 7166-A	AA	AB	AC	AD	AE	AF	AG	AH	AJ	AK		
Power take-off cover 9 1/4" x 7" x 1/32" thick	D1HZ 7166-A	AA	AB	AC	AD	AE	AF	AG	AH	AJ	AK		
SPACER	7173												
Mainshaft gear-18 external teeth-3" dia. x 9/32" thick	C6TZ 7173-A	AA	AB	AC	AD	AE	AF	AG	AH	AJ	AK		
2 29/32" dia. x 9/32" thick	C6TZ 7173-J	4	4	4	4	4	4		4	4	4		
Output shaft first, third and reverse-15 internal teeth-2 5/8" dia. x .249" thick	C6TZ 7173-B	AA	AB	AC	AD	AE	AF	AG	AH	AJ	AK		
17 spline-2 13/16" dia. x 1/4" wide	C6TZ 7173-H	2	2	AC	AD	AE	AF		AH	AJ	AK		
Mainshaft gear-20 ext. teeth 4 1/8" O.D. x 5/16" thick	E1HZ 7173-A		AB		AD		AF			AJ			
30 ext. teeth, fifth gear	E7HZ 7173-E							AG					
30 ext. teeth	E7HZ 7173-F							5					
Aux. Mainshaft	E9HZ 7173-A											AK	
HOSE	7B175												
15" long	D4HZ 7B175-B				AD		AF		AH	AJ			
27" long	C6TZ 7B175-A			AC		AE			AH	AJ			
29" long	C6TZ 7B175-B			2		2			AH	AJ			
1/8"-27 threaded ends 20" long	C1TT 7B175-F		AB										
1/8"-27 threaded ends x 32" long	D0HZ 7B175-B		AB		2		2						
17" long	C9TZ 7B175-A		AB										
30" long	D2TZ 7B175-D		AB		AD		AF			AJ			
28" long	D4HZ 7B175-A	AA											
34"	E2HZ 7B175-A											AK	
36"	E9HZ 7B175-A											AK	
1/8"-27 thread-18" long	D0HZ 7B175-C	AA											
GEAR	7176												
Mainshaft 1st, 66 ext.-18 int. teeth	E1HZ 7176-A			AC	AD	AE	AF		AH	AJ	AK		
Countershaft 1st, 33 ext. teeth	E1HZ 7176-B			2	2	2	2		2	2	2		
Countershaft second speed - - 20 teeth	C6TZ 7176-D	2	2										
Mainshaft second speed - - 40 ext., 18 int. teeth	C6TZ 7176-C	AA	AB										
Mainshaft second speed	E7HZ 7176-C							AG					
GEAR (AUXILIARY COUNTERSHAFT DRIVE)	7177												
Coupler-range-#18193-20 large I.D. teeth-18 small I.D. teeth	D5HZ 7177-B		AB		AD		AF			AJ			
A-4335	E1HZ 7177-C		2										
Countershaft drive	E7HZ 7177-D							2					

NOTICE: When the parts list suffix is shown in the quantity required column, the quantity is one (1).

DESCRIPTION/RESTRICTIONS	PART NUMBER	TRANSMISSION PARTS LIST 7AA THRU 7AM												
		AA	AB	AC	AD	AE	AF	AG	AH	AJ	AK	AL	AM	
<b>FULLER</b>														
<b>GASKET 7181</b>														
Aux. countershaft rear bearing	E1HZ 7181-A		2		2		2			2				
Aux. countershaft rear bearing	D4HZ 7181-D	2		2		2			2					
Aux. countershaft rear bearing	E9HZ 7181-A											2		
Countershaft rear bearing cap	E7HZ 7181-C							2						
GASKET (LEVER HOUSING TO GEARSHIFT HOUSING)-(4) 7/16" bolt holes-6 5/8" x 5 3/8" x 1/64" thick Housing adapter to case	C1TT 7185-A	AA	AB											
	E2HZ 7185-A			AC	AD	AE	AF	AG	AH	AJ	AK			
<b>CAP 7195</b>														
Aux. countershaft rear bearing	E1HZ 7195-A		2		2		2			2				
Aux. countershaft rear bearing	D4HZ 7195-E	2		2		2			2					
Aux. countershaft rear bearing	E7HZ 7195-C							2						
Aux. countershaft rear bearing	E9HZ 7195-A											2		
<b>NUT LOCK 7198</b>														
Aux. mainshaft-1-14 uns 38 thd	E9HZ 7198-A												AK	
STUD (CLUTCH HOUSING)- 5/8"-11 and 5/8"-18 x 2 7/16" long	D0HZ 7C207-B	6	6	6	6	6	6	6	6	6	6			
<b>SPRING 7219</b>														
Aux. air valve actuating plunger-10 1/2 coils- 5/8" O.D. x 1 11/16" free length	B8QH 7219-A	AA	AB											
1/2" O.D. x 1 15/32" free length position finder	C8TZ 7219-C	3	3	3	3	3	3	4	3	3	3			
Low and reverse gate plunger 13/38" O.D.-1 25/32" free length	E1HZ 7219-B	AA	AB	AC	AD	AE	AF	AG	AH	AJ	AK			
Range Valve-1 1/4 free length	E1HZ 7219-A			AC	AD									
1 25/64 free length	E7HZ 7219-A					AE	AF		AH	AJ	AK			
Sixth and seventh shift block	E7HZ 7219-C							AG						
Ball-1/2" steel	353079-S(AA-15)	3	3	3	3	3	3	3	3	3	3			
<b>KEY 7B220</b>														
2 13/32" long x 5/16 wide	C6TZ 7B220-D			AC			AF				AJ			
Mainshaft gear 8 21/32" long	E1HZ 7B220-D	AA	AB											
Key and Pin assy. (mainshaft)-1 5/8" long x 5/32" x 9/32"	C6TZ 7B220-E	AA	AB	AC	AD	AE	AF		AH	AJ	AK			
Countershaft-5/16" x 5/16" x 6 11/32" long	E1HZ 7B220-C	2	2	2	2	2	2		2	2	2			
5/16" square x 2 13/32" long incl. pin	C6TZ 7B220-D		AB											
Mainshaft-3/8 sq. 8 19/32" long	E2HZ 7B220-C			AC	AD	AE	AF		AH	AJ				
Mainshaft	E7HZ 7B220-C							2						
	E8HZ 7B220-B												AK	
Includes pin	E7HZ 7B220-B							AG						
Countershaft	E7HZ 7B220-E							2						
BALL KIT (SHIFTER SHAFTS SPRING)-not repl.	★ C1TZ 7C220-A	2	2	2	2	2	2	2	2	2	2			
<b>HOUSING (GEARSHIFT) 7222</b>														
#19770	E1HZ 7222-D	AA	AB	AC	AD	AE	AF		AH	AJ	AK			
	E7HZ 7222-C							AG						
<b>GASKET (GEARSHIFT HOUSING) 7223</b>														
(14) 13/32" holes-16 1/2" x 11 1/2" x .010" thick	C6TZ 7223-A	AA	AB	AC	AD	AE	AF	AG	AH	AJ	AK			
COVER (GEARSHIFT SPRING)-4 1/8" x 7/8" x 1/8" thick	C6TZ 7B227-A	AA	AB	AC	AD	AE	AF		AH	AJ	AK			
Range shift	D7HZ 7B227-A		AB		AD									
Bolt -- 5/16 - 18 x 1 7/8" long	304811-S8(B-61-D)		4	4	4	4	4		4	4	4			
Lockwasher 5/16 bolt size	34806-S7(X-64)		4	4	4	4	4		4	4	4			

**1980/  
TRUCK SERIES 600/900**

DESCRIPTION/RESTRICTIONS	PART NUMBER	TRANSMISSION PARTS LIST 7AA THRU 7AM												
		AA	AB	AC	AD	AE	AF	AG	AH	AJ	AK	AL	AM	
<b>FULLER</b>														
<b>GASKET 7B228</b>														
Aux. shift cylinder-(4) 13/32" holes-4" I.D. x 4 3/4" O.D. x 1/64" thick	C6TZ 7B228-A	AA	AB	AC	AD	AE	AF		AH	AJ				
Aux. shift cylinder cover-(4) 13/32" holes-3 3/4" I.D. x 3 3/4" x 1/64" thick	C6TZ 7B228-B	AA	AB	AC	AD	AE	AF		AH	AJ				
Gearshift spring cover-4 1/8" x 7/8" x 1/64" thick	C6TZ 7B228-E	AA	AB	AC	AD	AE	AF		AH	AJ	AK			
Splitter gearshift cylinder cover	D2HZ 7B228-A		AB		AD		AF			AJ				
Splitter gearshift, 3 1/2" O.D. x 3 1/16" I.D.	C6TZ 7B228-C		AB		AD		AF			AJ				
Aux. shift cylinder	E9HZ 7B228-A											AK		
	E9HZ 7B228-B											AK		
<b>FORK (GEARSHIFT) 7230</b>														
First and second	D4HZ 7230-E	AA	AB	AC	AD	AE	AF		AH	AJ	AK			
Sixth and seventh	E7HZ 7230-C							AG						
Screw (fork to shaft)-drilled hex. head-pointed-7/16"-20 x 1 5/32" overall length	371073-S(BB-539)	2	2	2	2	2	2	2	2	2	2			
<b>FORK (GEARSHIFTER) 7231</b>														
Aux. shift-1" dia. shaft hole x 7 5/32" span	D1HZ 7231-A	AA	AB	AC	AD	AE	AF		AH	AJ				
First and reverse #19705	E1HZ 7231-E	AA	AB	AC	AD	AE	AF		AH	AJ	AK			
Fourth and direct or fifth	C6TZ 7231-L	AA	AB											
Auxiliary range shift	E1HZ 7231-A		AB		AD		AF			AJ				
Third and Overdrive	E2HZ 7231-A			AC	AD	AE	AF		AH	AJ	AK			
Fourth and fifth	E7HZ 7231-D							AG						
Bolt - - 1/2 - 20 x 2" range cylinder	20527-S7-8(B-203)	2	2	2	2	2	2	2	2	2	2			
Screw (fork to shaft)-hex. drilled head-pointed-7/16"-20 x 1 5/32" overall length	371073-S(BB-539)	3	3	3	3	3	3	3	3	3	3			
<b>GEAR 7L231</b>														
Mainshaft aux. reduction, 48 ext., 20 int. teeth	E2HZ 7L231-A				AD		AF			AJ				
	E9HZ 7L231-A											AK		
<b>GATE (GEARSHIFTER SHAFT) 7232</b>														
Third and Seventh #19704	E1HZ 7232-E	AA	AB	AC	AD	AE	AF		AH	AJ	AK			
Sixth and seventh shift block	E7HZ 7232-B							AG						
Screw (shifter shaft gear)-hex. head drilled-pointed-7/16"-20 x 1 5/32" overall length	371073-S(BB-539)	AA	AB	AC	AD	AE	AF	AG	AH	AJ	AK			
<b>PISTON (AUXILIARY SHIFT) 7223</b>														
Range	C6TZ 7233-A	AA	AB	AC	AD	AE	AF	AG	AH	AJ	AK			
Reduction	E9HZ 7233-A											AK		
<b>SPRING (COMPRESSION FIRST &amp; REV. FORK) 7234</b>														
1 3/4" free length x 1/4" O.D.	E1HZ 7234-B	AA	AB	AC	AD	AE	AF	AG	AH	AJ	AK			
<b>PIN (GEARSHIFT ROD INTERLOCK)-7/32" O.D. x 11/16" long 7240</b>														
BAR (SHIFT YOKE)	E7HZ 7240-C								AG					
<b>SHAFT (GEARSHIFTER) 7241</b>														
Auxiliary-1" O.D. x 10 3/4" long	E1HZ 7241-A		AB											
First and second #19707	E1HZ 7241-D	AA	AB	AC	AD	AE	AF		AH	AJ	AK			
1" O.D. x 7 3/4" long, 5/8-thread-aux.	D4HZ 7241-E	AA												
Range cyl. 7 5/8" long-1" dia.	D8HZ 7241-A			AC										
Range cyl. 10 5/16" long-1" dia.	E2HZ 7241-A				AD		AF			AJ				
Range cyl. #19652	E4HZ 7241-A					AE			AH					
Second, third	E7HZ 7241-D							AG						
Nut 5/8 - 18 range cylinder	371171-S(MM-161)	AA	AB	AC	AD	AE	AF		AH	AJ	AK			
Bolt 3/8 - 16 x 1 1/4 - range cylinder	58635-S(B-72-A)	8	8	8	8	8	8		8	8				
<b>BAR (SHIFT YOKE) 7242</b>														
Fourth, fifth	E7HZ 7242-B							AG						
<b>YOKE (SECONDARY SHIFT) 7243</b>														
First, reverse	E7HZ 7243-B							AG						

**NOTICE:** When the parts list suffix is shown in the quantity required column, the quantity is one (1).

DESCRIPTION/RESTRICTIONS	PART NUMBER	TRANSMISSION PARTS LIST 7AA THRU 7AM												
		AA	AB	AC	AD	AE	AF	AG	AH	AJ	AK	AL	AM	
<b>FULLER</b>														
PLUG	7245													
Sixth, seventh shift block	B8QH 7245-A									AG				
PLUNGER (SHIFTER SHAFT GATE)	7247													
Low and reverse gate-valve pin-1 1/32" long x 5/8" one end x 55/64" Flange end	E1HZ 7247-B	AA	AB	AC	AD	AE	AF	AG	AH	AJ	AK			
Sixth, seventh shift block	E7HZ 7247-C							AG						
FILTER (TRANSMISSION AIR)	7B265													
# A-4740	E1HZ 7B265-A			AC	AD	AE	AF		AH	AJ				
# A-5161	E9HZ 7B265-A												AK	
Plug 1/8 Pipe	87708-S(P-14)			2	AD	2	AF		2	2	AK			
GEAR (FOURTH SPEED)	7B267													
32 ext.-18 int. teeth-output shaft	C6TZ 7B267-A	AA	AB											
26 ext.-18 int. teeth-mainshaft	C6TZ 7B267-B	AA	AB											
Mainshaft 4th, 44 ext., 18 int. teeth	E2HZ 7B267-A			AC	AD	AE	AF		AH	AJ	AK			
Mainshaft fourth	E7HZ 7B267-B							AG						
REGULATOR (AIR PRESSURE)	7B274													
Fitting (air pressure regulator)-reducer bushing-1/8"-27 and 1/4"-18	D0HZ 7B274-B	AA	AB											
Nipple-3/8"-18 threads-2" long	353107-S(II-46)	AA	AB											
Elbow-1/8"-90°	371094-S(II-191G)	AA	AB											
	★ 379827-S	AA	AB											
BLOCK (SHIFT)	7279													
First, reverse	E7HZ 7279-B							AG						
YOKE ASSY. (RANGE SHIFT)	7B283													
	E9HZ 7B288-A												AK	
CYLINDER (AUXILIARY AIR SHAFT)	7B284													
6 3/16" long x 1" dia. hole	D1HZ 7B284-A		AB		AD		AF			AJ				
4 1/4" long (4) 13/32" holes	D2HZ 7B284-A	AA		AC		AE			AH					
	E9HZ 7B284-A												AK	
Pin (clevis)-1/2" x 1 3/4"	73995-S7(N-32)	AA	AB			AE	AF		AH	AJ				
Cotter pin-1/8" x 1	72035-S7-8(N-51)	AA	AB			AE	AF		AH	AJ				
Elbow-1/8"-90°	★ 379827-S	2	2			2	2		2	2				
MAINSHAFT ASSY.	7R286													
Auxiliary	E9HZ 7R286-A												AK	
Pin	71553-S												2	
"O" RING (AUXILIARY SHIFT)	7288													
Piston (large rubber)-2 17/32" I.D. x 3" O.D. x 7/32" wide	C6TZ 7288-A	AA	AB	AC	AD	AE	AF		AH	AJ	AK			
1 1/2" O.D. x 1 1/4" I.D.	C6TZ 7288-D		AB		AD									
Small (rubber)-47/64" I.D. x 15/16" O.D. x 7/64" thick	C6TZ 7288-B	AA	AB	AC	AD	AE	AF		AH	AJ	AK			
Aux. drive gear, 3 3/32 I.D. x 3 1/2 O.D.	D4HZ 7288-A					AE	AF		AH	AJ				
Reduction cyl. 1 27/64" I.D. x 9/64" thick	E6HZ 7288-B						AF			AJ				
Speedo opening	E7HZ 7288-A					AE	AF	AG	AH	AJ	AK			
Reverse idler shaft	E7HZ 7288-C							2						
Slave valve, .203/.213 free I.D.	E9HZ 7288-A												2	
Reduction piston, 1.36/1.35 free I.D.	E9HZ 7288-B												AK	
Air range valve	E8HZ 7288-A												AK	
YOKE (SHIFT)	7289													
Second, third	E7HZ 7289-B							AG						
MAGNET	7E290													
	E0TZ 7E290-A					AE	AF		3	3	3			
VALVE ASSY. (CONTROL SLAVE-ON TRANS.)	7D292													
#19470	D0HZ 7D292-A	AA	AB											
Plug-headless socket pipe-1/8"-27	E1HZ 7D292-A			AC	AD	AE	AF		AH	AJ	AK			
Plug-expansion-7/8"	87708-S(P-14)	3	3	AC	AD	AE	AF				AK			
Elbow-1/8"-90°	74115-S(P-4)	2	3				3							
	★ 379827-S	AA	AB	AC	AD	AE	AF						2	
SPRING (DIRECT SYNCHRONIZER PLATE)- 22 coils-9/32" dia. x 1 37/64" free length	C6TZ 7B294-A	3	3	3	3	3	3		3	3	3			

1980/  
TRUCK SERIES 600/900

DESCRIPTION/RESTRICTIONS	PART NUMBER	TRANSMISSION PARTS LIST 7AA THRU 7AM												
		AA	AB	AC	AD	AE	AF	AG	AH	AJ	AK	AL	AM	
<b>FULLER</b>														
COVER ASSY. (AIR SHIFT CYLINDER)	7306													
	D2HZ 7306-A				AD		AF					AJ		
RETAINER (SPRING SHIFT DETENT)	7308													
First and reverse fork	E1HZ 7308-A	AA	AB	AC	AD	AE	AF	AG	AH	AJ	AK			
SLEEVE (ADAPTER PLATE ALIGNMENT)- 3/4" large dia. x 1/2" shank dia. x 11/32" dia. other end x 5/16" hole one end x 7/8" long	C6TZ 7311-A	AA	AB											
	E1HZ 7311-B			AC	AD	AE	AF		AH	AJ	AK			
GASKET (SLAVE VALVE ADAPTER PLATE)	7314													
4" long x 1/64" thick x 2 1/8" wide	C8TZ 7314-A	AA	AB											
Slave Valve #19481	E1HZ 7314-A			AC	AD	AE	AF		AH	AJ	AK			
Elbow-1/8"-90°	★ 379827-S	AA	AB				AF		AH	AJ	AK			
Fitting-1/4"-18 male thread x 3/8"- 18 female thread	373354-S(II-64-D)	AA	AB				AF		AH	AJ	AK			
<b>GEAR</b>														
Mainshaft sixth	E7HZ 7K316-A							AG						
KIT (AIR FILTER REPAIR)	7B331													
K1486, use with 1157 trans.	E4HZ 7B331-A													
PLATE (TRANS. REAR) #17250	E1HZ 7B332-A		AB		AD		AF			AJ				
#18736	D8HZ 7B332-D	AA		AC		AE	AF		AH					
	E7HZ 7B332-A							AG						
	E9HZ 7B332-A											AK		
Bolt -- 3/8 - 16 x 1 1/2" long	58636-S2(B-85-D)	24	24	24	24	24	24	24	24	24	24			
Bolt -- 3/8 - 16 x 2" long	58638-S(B-89-A)	2	2	2	2	2	2	2	2	2	2			
Bolt -- 3/8 - 16 x 3" long	58642-S2(B-94-Z)	AA	AB	AC	AD	AE	AF	AG	AH	AJ				
BRACKET (AIR FILTER)	7B333													
#17107	D8HZ 7B333-A	AA	AB											
SHAFT (GEARSHIFT)	7334													
Third and Overdrive-12 7/16" long x 3/4" O.D.	E1HZ 7334-C	AA	AB	AC	AD	AE	AF		AH	AJ	AK			
Secondary first and second shift	E7HZ 7334-C							AG						
WASHER (AUXILIARY OUTPUT SHAFT REDUCTION GEAR)	7B334													
2 3/4" I.D. x 4 1/4" O.D. x 7/16" thick	D4HZ 7B334-C	AA												
2 49/64" I.D. x 4 3/32" O.D.	E1HZ 7B334-A		AB		AD		AF			AJ				
4 1/4" O.D. x 2 3/4 I.D. x 19/32 wide	D8HZ 7B334-B			AC		AE			AH					
#19203-18 ext. teeth	E2HZ 7B334-A			AC		AE			AH					
Mainshaft rear bearing	E7HZ 7B334-A							AG						
Aux. mainshaft	E9HZ 7B334-A											AK		
PLATE (AUXILIARY SLIDING CLUTCH)	7B338													
18 ext. 18 int. teeth-2 3/4" I.D. x 7 13/16" O.D. x 1 43/64" wide	D4HZ 7B338-A	AA	AB	AC	AD									
	E7HZ 7B338-A					AE	AF		AH	AJ	AK			
<b>GEAR (MAINSHAFT)</b>														
36 external-18 internal teeth	C6TZ 7B340-B	AA	AB											
Mainshaft 2nd, 56 ext. 18 int. teeth	E1HZ 7B340-A			AC	AD	AE	AF		AH	AJ	AK			
Mainshaft third	E7HZ 7B340-C							AG						
GEAR (SLIDING CLUTCH)	C6TZ 7B341-A	AA	AB	AC	AD	AE	AF		AH	AJ	AK			
18 external-15 internal teeth	E7HZ 7B341-B							AG						
Fifth gear	E7HZ 7B341-B							3						
GASKET (CASE REAR PLATE)	7B343													
19" long x 1/64" thick x 13" wide	C6TZ 7B343-A	AA	AB	AC	AD	AE	AF		AH	AJ	AK			
	E7HZ 7B343-A							AG						
BLOCK (SECONDARY SHIFT)	7346													
First-reverse	E7HZ 7346-A							AG						
SPACER	7E354													
	E7HZ 7E354-A							AG						

NOTICE: When the parts list suffix is shown in the quantity required column, the quantity is one (1).

DESCRIPTION/RESTRICTIONS	PART NUMBER	TRANSMISSION PARTS LIST 7AA THRU 7AM										
		AA	AB	AC	AD	AE	AF	AG	AH	AJ	AK	AL
<b>FULLER</b>												
BAR (SHIFT FORK)	7358											
#17244 range cylinder	E1HZ 7358-A		AB									
Low and reverse #19710	E1HZ 7358-D	AA	AB	AC	AD	AE	AF		AH	AJ	AK	
Bar deep reduction #19287	E2HZ 7358-A				AD							
Reduction cylinder	E6HZ 7358-A						AF			AJ		
Sixth, seventh	E7HZ 7358-A							AG				
<b>MAINSHAFT ASSY. (REDUCTION-OUTPUT)</b>												
7358												
incl. Bushing & Snap ring #A4410	D7HZ 7358-A		AB	AC			AF			AJ		
PIN (CASE DOWEL)-3/4" O.D. x 1 7/16" long	C6TZ 7B362-A	2					2		2			
NUT	7B364											
Aux. mainshaft stop-hex. head- 2 3/4" x 2"-16 thread	C6TZ 7B364-A	AA	AB	AC	AD	AE	AF		AH	AJ	AK	
2 3/8" x 1 1/2"-18 thd.	C8TZ 7B364-A							AG				
<b>BEARING (REVERSE IDLER GEAR)</b>												
7B369												
#EJS7255-1 1/4" I.D. x 1 7/8" O.D.	C6TZ 7B369-A	2		2	2	2	2		2	2	2	
	C8TZ 7B369-A							4				
<b>YOKE ASSY. (DEEP REDUCTION)</b>												
7R385												
	E9HZ 7R385-A										AK	
<b>DEFLECTOR (TRANS. OIL)</b>												
7C390												
3 15/16" I.D. x 4 7/16" O.D.	E1HZ 7C390-A		AB		AD		AF			AJ		
<b>BLOCK (SHIFT-first and second)</b>												
7411												
#19703	E1HZ 7411-B	AA	AB	AC	AD	AE	AF		AH	AJ	AK	
Second and third	E7HZ 7411-B							AG				
"O" RING (SHIFT CYLINDER SEAL)- 63/64" I.D. x 1 1/8" O.D. x 1/8" thick	C6TZ 7B411-A	AA	AB	AC	AD	AE	AF		AH	AJ	AK	
Cylinder Housing-1 25/64" O.D. x 1 7/64" I.D.	C6TZ 7B411-B		AB		AD						AK	
Shift cylinder seal- 1 11/64" I.D. x 9/64" thick	E6HZ 7B411-A						AF			AJ		
<b>SPACER (SHIFT YOKE)</b>												
7B416												
Fourth, fifth	E7HZ 7B416-A							AG				
NIPPLE (AIR HOSE)-1" long	C1TT 7B418-B		AB									
<b>COLLAR (BOLT SEALING)</b>												
7K449												
Nylon-3/8" I.D.	E1HZ 7K449-A	AA	AB	AC	AD	AE	AF		AH	AJ		
<b>SPACER</b>												
7482												
Reverse idler gear shaft-11/16" I.D. x 1 1/2" O.D. x 7/32" thick x 1/64" thick	C6TZ 7482-A	2	2	2	2	2	2		2	2	2	
Reverse idler, 2 3/4 O.D. x 1 1/8 I.D. x 17/32" wide	D0HZ 7482-A			2	2	2	2		2	2		
Retainer-reverse idler washer-#19090	E1HZ 7482-B	2										
<b>HOUSING</b>												
7505												
Use with E1HT 7003-BMA,BSA	E1HZ 7505-D	AA	AB									
Use with E1HT 7003-BNA,BRA	C6TZ 7505-A	AA	AB									
Use with E2HT 7003-ABA,ADA, E3HT-CLA, E6HT-BUA, BTA, E7HT-AYA, E8HT-BFA	D4HZ 7505-F			AC	AD	AE	AF	AG	AH	AJ	AK	
Use with E2HT 7003-ZAA,ACA, E3HT-CKA, E6HT-BVA, BSA, E8HT-BEA, E9HT-ABA	D5HZ 7505-A			AC	AD	AE	AF	AG			AK	
Use with E8HT 7003-RA	D8HZ 7505-G							AG				
PIN (AIR VALVE ACTUATING)-3/4" collar x 5/16" dia. shank x 9/16" plunger x 2 13/16" long	C6TZ 7A507-A	AA	AB									
	E4HZ 7A507-A			AC	AD	AE	AF		AH	AJ	AK	



1980/  
TRUCK SERIES 600/900

DESCRIPTION/RESTRICTIONS	PART NUMBER	TRANSMISSION PARTS LIST 7AA THRU 7AM												
		AA	AB	AC	AD	AE	AF	AG	AH	AJ	AK	AL	AM	
<b>FULLER</b>														
<b>BUSHING</b>														
7508														
Clutch housing pedal shaft-1" I.D. x 1 1/8" O.D. x 1" long	C6TZ 7508-A	AR	AR	AR	AR	AR	AR	AR	AR	AR	AR	AR	AR	
Clutch pedal shaft-1" I.D. x 1 1/8" O.D. x 1 5/8" long	C6TZ 7508-B	AR	AR	AR	AR	AR	AR	AR	AR	AR	AR	AR	AR	
<b>CYLINDER (SPLITTER GEAR SHIFT)</b>														
7A508														
3 1/2" long x 3 5/8" Bolt Circle	D2HZ 7A508-A		AB		AD									
	E6HZ 7A508-B						AF				AJ			
<b>COVER (CLUTCH HOUSING)</b>														
7564														
(2) mounting holes	C6TZ 7564-A	AA	AB	AC	AD	AE	AF	AG				AK		
(4) mounting holes	D0HZ 7564-A	AA	AB	AC	AD	AE	AF	AG	AH	AJ	AK			
<b>GASKET (CLUTCH HOUSING TO CASE)</b>														
7A619														
	C6TZ 7A619-B	AA	AB	AC	AD	AE	AF	AG	AH	AJ	AK			
SNAP RING (AUXILIARY REDUCTION GEAR) - 2 1/2" I.D. x 3/32" wide	E1HZ 7A628-A		AB		AD		AF				AJ			
<b>WASHER (REVERSE IDLER GEAR THRUST)</b>														
7728														
1 1/8" I.D. x 2 11/32" O.D. x 7/32" thick	C6TZ 7728-A	2	2	2	2	2	2		2	2	2			
<b>SEAL (AUXILIARY REAR BEARING COVER OIL)</b>														
7918														
Also refer to group 4813	E4HZ 7918-B	AA	AB	AC	AD									
Seal and sling	E7HZ 7918-A					AE	AF	AG	AH	AJ	AK			
<b>TROUGH (OIL)</b>														
7961														
	E7HZ 7961-A							AG						
<b>BUSHING (SPEEDOMETER)</b>														
B8QH 17323-A														
Nut rev. idler shaft, 5/8-18	371530-S7(MM161A)			2	2	2	2	2	2	2	2	2	2	2
Cap screw-Range Slave Valve, 1/4-20 x 1.10	304680-S36M (BB429K)			4	4	4	4	4	4	4	4	4	4	4
Cap screw-Shift bar hsg. 3/8-16 x 1 1/2	58636-S2(B85D)			18	19	19	19	19	19	19	19	19	19	19
Cap screw, frt. brg. cvr. 3/8-16 x 1 1/4	58635-S2(B82A)			16	16	16	16	16	16	16	16	16	16	16
Cap screw, aux. dr. gr. brg. 3/8-16 x 7/8	42998-S8(B252A)			6	6	6	6	6	6	6	6	6	6	6
Cap screw, case rr. hsg. 3/8-16 x 2	58638-S2(B89A)			2	2	2	2	2	2	2	2	2	2	2
Plug filler, 1 1/4 pipe	374501-S(PP52F)			AC	AD	AE	AF	AG	AH	AJ	AK			

NOTICE: When the parts list suffix is shown in the quantity required column, the quantity is one (1).

DESCRIPTION/RESTRICTIONS	PART NUMBER	TRANSMISSION PARTS LISTS 8A THRU 8M												
		A	B	C	D	E	F	G	H	J	K	L	M	
PLUG	7A002													
Aux. air shift cyl. 7306	D3HZ 7A002-A						F	G				L		
CASE (HOUSING)	7005													
Intermediate	D4HZ 7005-C	A												
Rear-#16843	D4HZ 7005-L	A												
#14590-N/R 11/89	★ C6TZ 7005-A		B											
#16950, use with E6HT 7003-LA,ZA,BYA, BZA,CFA	D4HZ 7005-J			C	D	E			H	J	K		M	
Use with E6HT 7003-BFA,BGA	D5HZ 7005-B						F	G		J		L		
Plug (filler)-1 1/4" pipe	353094-S(PP-34)	A	B	C	D	E	F		H	J	K	L	M	
Plug-magnetic (drain)-3/4"-14 pipe- square socket head	353240-SA(PP-52)	A	B	C	D	E	F		H	J	K	L	M	
Stud-5/8"-11 and 5/8"-18 x 2 5/32" long	374423-S7-8(WW-66)	2	B	C	D	E	F		H	J	K	L	M	
5/8"-11 & 5/8"-18 x 25/16" long	371448-S(WW-59)	2	B	C	D	E	F		H	J	K	L	M	
ELEMENT (OIL FILTER)-2 1/2" O.D. x 1" I.D. x 2 1/16" long	C1TT 7C012-A	A	B	C	D	E	F		H					
COVER (OIL FILTER)-6 1/4" x 4 7/8" x 2" high (6) 13/32" bolt holes	C1TT 7C013-H	A	B	C	D	E	F		H					
Bolt (cover to case)-hex head-3/8"-16 x 1"	20388-S8(B-80)	6	6	6	6	6	6		6					
Lockwasher-3/8"	34807-S8(X-66)	6	6	6	6	6	6		6					
PLATE	7C014													
Oil filter retainer-6 1/4" x 4 7/8" thick- (6) 13/32" bolt holes	★ C1TT 7C014-A (N/R 3/83)	A	B	C	D	E	F		H					
SHAFT (INPUT)	7017													
#15110	D4HZ 7017-F	A	B											
#16465	D4HZ 7017-E			C	D	E	F	G	H					
#20540	E4HZ 7017-D			C	D	E	F	G	H					
#20535	E6HZ 7017-C									J	K	L	M	
BEARING	7025													
Countershaft front-incl. snap ring-inner race, use with E6HT 7003-BFA,BGA	E2HZ 7025-B					2	2		2	2	2	2	2	
Countershaft front, use with E6HT 7003-ZA,LA, BYA,BZA,CFA	E2HZ 7025-A			2	2			2	2	2				
Countershaft-front-#211SL-3 15/16" O.D. x 2 5/32" I.D. x 53/64" wide	TGAA 7025-A	2	2	2										
Input shaft-212L or 212SLV - 1 3/16" I.D. x 13/32" wide	C6TZ 7025-A	A	B	C	D	E	F	G	H	J	K	L	M	
SNAP RING	7030													
Countershaft rear bearing- 1 7/16" free I.D. x 3/32" thick	C6TZ 7030-A	2	2	2	2	2	2	2	2	2	2	2	2	
Aux. Countershaft rear, 1 37/64 I.D. x 1/8 wide	C8TZ 7030-B						2					2		
Input Shaft, 2 11/64 I.D. x 7/64 thick	E4HZ 7030-A			C	D	E	F	G	H	J	K	L	M	
VENT (CASE)	7034													
1/8" pipe thread x 1" long	D1TZ 7034-A	A												
2" long x 1 5/8" O.D. x 1/4" pipe thread	C7TZ 7034-A	A	B	C	D	E	F	G	H	J	K	L	M	
COVER	7C035													
Auxiliary shift cylinder- 4 1/4" x 4 1/4" x 1 1/4" thick-(4) 13/32" holes	C6TZ 7C035-A	A	B											
Use with E6HT 7003-LA,ZA,BYA,BZA,CFA	E2HZ 7C035-A			C	D	E	F	G	H	J	K	L	M	
PLATE and PIN ASSY. (SYNCHRONIZER)	7A044													
Reduction-7" O.D.-incl (3) pins equally spaced	C6TZ 7A044-A	A	B	C	D	E	F	G	H					
Direct synchronizer - 6 1/2" O.D. incl. 3 pins	D6HZ 7A044-A	A	B	C	D	E	F	G	H	J	K	L	M	
Auxiliary reduction	E7HZ 7A044-A									J	K	L	M	
NUT (INPUT SHAFT BEARING RETAINER)- 3 1/4" O.D. X 2 1/8"-16 internal thread	C1TT 7045-A	A	B	C	D	E	F	G	H					

1980/  
TRUCK SERIES 600/900

DESCRIPTION/RESTRICTIONS	PART NUMBER	TRANSMISSION PARTS LISTS 8A THRU 8M												
		A	B	C	D	E	F	G	H	J	K	L	M	
RETAINER (INPUT SHAFT BEARING)		7050												
6 9/16" O.D. x 1 1/32" wide, #15111	D4HZ 7050-A	A	B	C	D	E	F	G	H					
#20550	E4HZ 7050-D			C	D	E	F	G	H	J	K	L	M	
Bolt-3/8"-16 x 1 1/2" hex head	20468-S8(B-85)	4	4	4	4	4	4	4	4	4	4	4	4	
Lockwasher-3/8"	34807-S8(X-66)	4	4	4	4	4	4	4	4	4	4	4	4	
GASKET (INPUT SHAFT BEARING RETAINER)		7051												
4 21/32" I.D. x 6 1/2" O.D. x 1/64" thick- (6) 13/32" holes	C6TZ 7051-F	A	B	C	D	E	F	G	H	J	K	L	M	
SPACER (INPUT SHAFT)		7A059												
2 3/8" I.D. x 2 23/32" O.D. x 5/16" thick	C9TZ 7A059-A	A	B											
2 3/8" I.D. x 2 7/8" O.D. x 5/32" thick	D4HZ 7A059-A			C	D	E	F	G	H	J	K	L	M	
2 1/32" I.D. x 3" O.D. x 3/16 thick	D4HZ 7A059-B					E	F		H		K	L	M	
GEAR (OUTPUT SHAFT SLIDING CLUTCH)- 20 external-13 internal teeth-4 1/64" O.D. x 2 13/32" I.D. x 1 1/2" wide		D0HZ 7A060-A	A											
20 ext.-18 int. teeth, 4 1/8 O.D. x 1/2 wide, use with E6HT 7003-BGA	D4HZ 7A060-A							G		J				
20 ext.-18 int. teeth	E1HZ 7A060-B						F					L		
SHAFT (OUTPUT)		7061												
Aux. mainshaft	E2HZ 7061-F						F						L	
17 splines-13 31/32 long	D4HZ 7061-F			C	D		F	G	H	J	K	L	M	
Auxiliary mainshaft. 10-18 teeth, 10 27/32 long, use with E6HT 7003-LA,ZA,BYA,BZA,CFA	E2HZ 7061-D			C	D					J				
Main-15 splines x 13 27/32" long-kit	D1HZ 7061-A	A												
Consists of: (1) each A4413 Mainshaft assy. and 14332 washer	D5HZ 7061-A	A												
15 splines x 13 27/32" long	E0HZ 7061-A		B											
Auxiliary 10-13 splines	C6TZ 7061-A		B											
Auxiliary mainshaft, use with E6HT 7003-BGA	E2HZ 7061-E							G		J				
Auxiliary mainshaft, 10-18 teeth, 12 11/32 long	E2HZ 7061-H					E			H		K		M	
SNAP RING		7064												
Input shaft gear- 2 15/16" O.D. x 2 3/4" I.D. x 3/32" thick	C6TZ 7064-A	A	B											
Output shaft gear		5	4											
Input shaft 3 1/16" O.D. x 3/32 thick	C6TZ 7064-E			C	D	E	6	6	H	J	K	L	M	
Mainshaft				4	4	4			4	AR	4	5	4	
Mainshaft front quill-7/8" O.D. x 11/16" I.D. x 3/32" thick	C6TZ 7064-B	A					F	G		AR		L		
Output shaft-2 3/16" O.D. x 1 13/16" I.D. x 3/32" thick	D0HZ 7064-H	2	2	2	2			2		AR				
Auxiliary countershaft rear bearing		2	2	2	2			2						
Aux. Countershaft rear	D4HZ 7064-D					2			2		2		2	
Auxiliary drive gear- 3 3/32" I.D. x 3 19/32" O.D. x 1/8" thick	D0HZ 7064-F	A	B											
2 3/4" I.D. x 1/16 thick	D5HZ 7064-A						F	G		AR		L		
3 9/32 I.D. x 3 29/32 O.D. 1/8" thick	D4HZ 7064-E			C	D	E	F	G	H	J	K	L	M	
Mainshaft-2 3/32 I.D. x 2 7/16 O.D. 3/32 thick	D4HZ 7064-F					2	2		2	2	2	2	2	
BEARING		7065												
Auxiliary countershaft-rear-#1310L-incl. snap ring 1 31/32" I.D. x 4 21/64" O.D. x 1 1/16" wide, use with E6HT 7003-LA,ZA,BYA,BZA,CFA	B7QH 7065-A	2	2	2	2			2		2				
Aux. Countershaft rear	B8QH 7065-B					2			2		2		2	
Aux. Countershaft rear	E2HZ 7065-B						2					2		
Auxiliary drive gear-#117L or 213 Mainshaft rear	C6TZ 7065-A	A	B											

NOTICE: When the parts list suffix is shown in the quantity required column, the quantity is one (1).

DESCRIPTION/RESTRICTIONS	PART NUMBER	TRANSMISSION PARTS LISTS 8A THRU 8M												
		A	B	C	D	E	F	G	H	J	K	L	M	
BEARING		7065 — Cont'd												
Range shift output shaft-#204, use E6HT 7003-BGA	C9TZ 7065-A	A					F	G		J		L		
Aux. drive gear-#118L	C6TZ 7065-F			C	D	E	F	G	H	J	K	L	M	
15 int. teeth-2 5/8" O.D. #18717	E0HZ 7069-A		5											
#18701-17 teeth	D8HZ 7069-A			5	5	5	5	5	5	5	5	5	5	
SPACER		7072												
#16288-16 int. teeth, use with E6HT 7003-ZA, LA,BYA,BZA,CFA	E2HZ 7072-A			C	D	E			H	J	K		M	
3 3/8" O.D. x 2 3/4" I.D. x 15/16" wide	E1HZ 7072-A						F							
GEAR-AUXILIARY DRIVE-		7A079-A												
32-18-15 teeth, #18725	D8HZ 7A079-A	A	B											
Aux. drive-#19254 incl. "O" rings, use with E6HT 7003-BFA,BGA	E2HZ 7A079-B						F	G		J		L		
Aux. drive-#19275 incl. "O" rings, use with E6HT 7003-ZA,LA,BYA,BZA,CFA	E2HZ 7A079-A			C	D	E			H	J	K		M	
RETAINER ASSY.		7085												
Cover-auxiliary rear bearing-8" diameter x 4 23/32" I.D. x 7 1/4" bolt hole circle	D0HZ 7085-C	A												
Output shaft bearing-1 15/16" long (6) 13/32" holes, Use with E2HT 7003-VA,AMA	C6TZ 7085-B	A	B	C	D			G		J				
Output shaft bearing	C6TZ 7085-A		B											
Rear bearing-2 1/8" wide (6) 13/32 holes	E8HZ 7085-D					E	F							
#20220 Rear bearing, use with E4HT 7003-BAA E3HT-CTA	E2HZ 7085-A			C			F		H					
Aux. drive gear brg.	D4HZ 7085-B			C	D	E	F	G	H	J	K	L	M	
Output shaft bearing	E6HZ 7085-C										K	L	M	
Boit-hex. head-3/8"-16 x 2 3/4"	373139-S(BB-163)	6	6	6	6	6	6	6	6	6	6	6	6	
Lockwasher-3/8"	34807-S8(X-66)	5	5	5	5	5	5	5	5	5	5	5	5	
Washer-flat-3/8"	356425-S(XX-136)	A	B	C	D	E	F	G	H	J	K	L	M	
GASKET (OUTPUT SHAFT BEARING RETAINER)-4 5/8" I.D. x 6 1/4" O.D.- (10) 13/32" holes		C8TZ 7086-C												
FLANGE (OUTPUT SHAFT)-Refer to group in Section 71 for Size Chart		7089												
GEAR		7100												
Countershaft - low and reverse cluster- 17 ext-17 int teeth - 3 3/4" O.D. x 13 13/16" long incl. (2) Bolts 20393-S & Retainer D0HZ 7135-C	D0HZ 7100-C	2												
Output shaft first speed-38 external-18 internal teeth-7 21/32" O.D. x 1 1/8" wide	D0HZ 7100-K	A												
Mainshaft 1st. 42 ext.-18 int. teeth	E0HZ 7100-B		B											
Countershaft 13 3/4 long 22 gear teeth	E1HZ 7100-D		2											
Countershaft-17-17 teeth 13 3/4 long, use with E6HT 7003-BFA,BGA	E2HZ 7100-C						2	2		2		2		
Mainshaft 1st., 60 ext.-18 int. teeth, use with E6HT 7003-ZA,LA,BYA,BZA,CFA	E2HZ 7100-B			C	D	E			H	J	K		M	
Mainshaft 1st., 60 ext.-18 int. teeth, use with E6HT 7003-BFA,BGA	E2HZ 7100-E						F	G		J		L		
Pin-roll	★ 305029-S	2	2											
GEAR		7101												
Auxiliary output shaft reduction 46-18-teeth- 9 13/64" O.D. x 1 3/4" wide	D0HZ 7101-J	A												
Auxiliary reduction-18 int. - 42 ext. teeth- 8 13/16" O.D.	D1HZ 7101-A	A												
Auxiliary deep reduction-46 ext.-20 int. teeth	E2HZ 7101-D							G						
Auxiliary reduction-44 ext.-18 int. teeth	E2HZ 7101-G							G						

1980/  
TRUCK SERIES 600/900

DESCRIPTION/RESTRICTIONS	PART NUMBER	TRANSMISSION PARTS LISTS 8A THRU 8M												
		A	B	C	D	E	F	G	H	J	K	L	M	
GEAR		7101 — Cont'd												
Auxiliary reduction-48 ext.-18 int. teeth, use with E6HT 7003-LA,ZA,BYA,BZA,CFA	E2HZ 7101-B			C	D						J			
Auxiliary reduction-42 ext.-18 int. teeth	E2HZ 7101-H						F						L	
GEAR		7102												
Low speed-44 external-18 internal teeth-8 5/8" O.D. x 1 1/8" wide	D0HZ 7102-D	A												
46-18 teeth	D0HZ 7102-A		B											
Mainshaft low, 44 ext.-18 int. teeth, use with E6HT 7003-BFA,BGA	D4HZ 7102-A							G		J		L		
Mainshaft Aux. reduction-48 ext.-18 int. teeth	E2HZ 7102-B					E			H		K		M	
Mainshaft low, 34 ext.-18 int. teeth	D4HZ 7102-B						F							
SHAFT (AIR VALVE ACTUATING)		7B104												
5 1/2" long-3/4" O.D.	E9HZ 7B104-A	A	B	C	D	E	F	G	H	J	K	L	M	
Valve air shift cyl.-7306	D3HZ 7B104-A						F	G				L		
COUNTERSHAFT		7111												
Counter Shaft assy.-aux. (welded)-37-15-11 teeth, #A4520	D8HZ 7111-A	A												
#A-4716, use with E6HT 7003-ZA,LA,BYA,BZA,CFA	E2HZ 7111-A			2	2	2			2	2	2		2	
SPACER (COUNTERSHAFT)		7N112												
#19197, use with E6HT 7003-ZA,LA,BYA,BZA,CFA	E2HZ 7N112-A			2	2	2			2	2	2		2	
COUNTERSHAFT (AUXILIARY)		7113												
#A-4727, Aux. Countershaft, use with E6HT 7003-LA ZA,BYA,BZA,CFA	E2HZ 7113-F			2	2	2				2				
#A-4817, Aux. Countershaft	E2HZ 7113-H							2						
#A-4728, Aux. Countershaft	E2HZ 7113-P					2			2		2		2	
#A-4818, Aux. Countershaft	E2HZ 7113-S						2					2		
SPACER		7115												
20 teeth-4 13/64" O.D.-2 51/64" I.D.	D6HZ 7115-B	A							G					
15 int. teeth	D0HZ 7115-A		B											
Snap ring Countershaft front	E2HZ 7115-A			2	2	2	2	2	2	2	2	2	2	2
WASHER		7117												
AUXILIARY REDUCTION GEAR- Front-18-13 teeth x 3 29/32" diameter x 1/16" thick	D0HZ 7117-A	A												
18 ext. 18 int. teeth	D4HZ 7117-A						F	G				L		
BEARING		7118												
Auxiliary mainshaft-rear- #A2689-A-2 1/2" I.D. x 4 1/2" O.D. x 2 23/32" wide, use with E6HT 7003-LA,ZA,BYA,BZA,CFA	C6TZ 7118-B	A	B	C	D			G		J				
Aux. Mainshaft rear-A-33775	D4HZ 7118-B					E	F		H		K	L	M	
Aux. countershaft-front, #MA-1307EL or MTR-1307EL	C1TZ 7118-A		2	2	2	2	2	2	2	2	2	2	2	2
BUSING (INPUT SHAFT)-		7120-C												
1 11/32" I.D. x 1 5/8" O.D. x 3/4" wide	D0HZ 7120-C	A	B	C	D	E	F	G	H	J	K	L	M	
SYNCHRONIZER KIT		7124												
Consists of: 7A044(2), 7B294 (3)	D9HZ 7124-B	A	B	C	D	E	F	G	H					
BEARING (COUNTERSHAFT)		7127												
Rear-#MRY 1308-GEL- 1 9/16" I.D. x 3 35/64" O.D. x 29/32" wide	C6TZ 7127-A	2	2	2	2	2	2	2	2	2	2	2	2	2
RETAINER		7135												
Countershaft bearing-front	D0HZ 7135-C	2												
Countershaft bearing-front	C6TZ 7135-A		2											
#19548, use with E6HT 7003-BFA,BGA	E2HZ 7135-B					2	2		2	2	2	2	2	
#19668, use with E6HT 7003-ZA,LA,BYA,BZA,CFA	E2HZ 7135-A			2	2			2		2				
Roll Pin	★ 353847-S			2	2	2	2	2	2	2	2	2	2	2
Bolt-round head-24 x 1 1/32"	376323-S(BB-390-R)	2	2	2	2	2	2	2	2	2	2	2	2	2

NOTICE: When the parts list suffix is shown in the quantity required column, the quantity is one (1).

DESCRIPTION/RESTRICTIONS	PART NUMBER	TRANSMISSION PARTS LISTS 8A THRU 8M												
		A	B	C	D	E	F	G	H	J	K	L	M	
<b>GEAR (COUNTERSHAFT) 7137</b>														
Second speed-30 teeth- 2 1/4" I.D. x 5 1/2" O.D. x 1 55/64" wide	D0HZ 7137-D	2												
Second-33 ext. teeth	E0HZ 7137-B		2											
Third-38 ext. teeth	E1HZ 7137-D		2											
Countershaft 3rd, 66 ext. teeth, use with E6HT 7003-ZA,LA,BYA,BZA,CFA	E2HZ 7137-H			2	2	2				2	2	2		2
Countershaft 2nd, 46 ext. teeth, use with E6HT 7003-ZA,LA,BYA,BZA,CFA	E2HZ 7137-D			2	2	2				2	2	2		2
Countershaft 2nd, 44 ext. teeth, use with E6HT 7003-BFA,BGA	E2HZ 7137-G							2	2					2
Countershaft O/D, 69 ext. teeth, use with E6HT 7003-BFA,BGA	E2HZ 7137-J							2	2			2		2
<b>SHAFT (REVERSE IDLER GEAR) 7140</b>														
4 11/16" long-1 1/2"-13 tapped hole one end- 5/8"-18 thread other end	D0HZ 7140-A	A	2	2	2	2	2	2	2	2	2	2	2	2
Nut 5/8-18 thd.	371530-S7	2	2	2	2	2	2	2	2	2	2	2	2	2
<b>GEAR (REVERSE IDLER) 7142</b>														
46 external-18 internal teeth-8" O.D. x 1 3/16" wide	D0HZ 7142-D	A												
27 teeth - 1 7/8" I.D. x 4 29/64" O.D. x 1 1/4" wide	D0HZ 7142-E	A												
29 teeth, use with E6HT 7003-ZA,LA,BYA,BZA,CFA	D4HZ 7142-D			2	2	2				2	2	2		2
Mainshaft rev, 46 ext. 18 int. teeth, use with E6HT 7003-BFA,BGA	D4HZ 7142-B							F	G		J		L	
42 ext.-18 int. teeth	C6TZ 7142-B		B											
27 ext.-teeth	C6TZ 7142-A		2											
27 teeth, use with E6HT 7003-BFA,BGA	D4HZ 7142-A							2	2		2		2	
46 ext.-18 int. teeth, use with E6HT 7003-ZA,LA, BYA,BZA,CFA	D4HZ 7142-C			C	D	E				H	J	K		M
VALVE-Gear Cyl. Control	C7TZ 7D142-A	A												
<b>GEAR (COUNTERSHAFT P.T.O.) 7144</b>														
R.H.-45 teeth-7 3/4" dia. x 2 17/64" I.D. x 1 1/16" wide	C6TZ 7144-C	A	B											
L.H.-47 teeth-8" dia. x 2 17/64" I.D. x 1 1/16" wide	C6TZ 7144-B	A	B											
R.H.-L.H. - 40 teeth-7 9/64" O.D.	D7HZ 7144-A	2												
Countershaft P.T.O., R.H., 45 teeth	D4HZ 7144-D			C	D	E	F	G	H	J	K	L	M	
Countershaft P.T.O., L.H., 17 teeth	D4HZ 7144-E			C	D	E	F	G	H	J	K	L	M	
<b>GASKET SET 7153</b>														
	C6TZ 7153-A	A	B	C	D			G		J				
	D4HZ 7153-C					E	F		H		K	L	M	
<b>RETAINER (REVERSE IDLER BEARING)</b>														
#19288, use with E6HT 7003-ZA,LA,BYA,BZA,CFA	D0HZ 7155-A		2											
	E2HZ 7155-A			2	2	2				2	2	2		2
<b>GEAR 7158</b>														
Output shaft second speed-38 external-18 Internal teeth 6 29/32" O.D. x 1 1/16" wide	D0HZ 7158-J	A												
Output Shaft-overdrive - 28 ext.-18 int. teeth-5 15/64" O.D. x 1 1/4" wide	D7HZ 7158-A	A												
Input drive-26 ext. 18 int. teeth	E1HZ 7158-D		B											
Mainshaft 2nd-50 ext.-18 int. teeth, use with E6HT 7003-ZA,LA,BYA,BZA,CFA	E2HZ 7158-D			C	D	E				H	J	K		M
Input drive-42 ext.-18 int. teeth, use with E6HT 7003-ZA,LA,BYA,BZA,CFA	E2HZ 7158-K			C	D	E				H	J	K		M
Mainshaft 2nd, 36 ext.-18 int. teeth	E0HZ 7158-A		B											
Input drive-58 ext.-18 int. teeth, use with E6HT 7003-BFA,BGA	E2HZ 7158-L							F	G		J		L	
Mainshaft 2nd, 56 ext.-18 int. teeth, use with E6HT 7003-BFA,BGA	E2HZ 7158-J							F	G		J		L	

1980/  
TRUCK SERIES 600/900

DESCRIPTION/RESTRICTIONS	PART NUMBER	TRANSMISSION PARTS LISTS 8A THRU 8M												
		A	B	C	D	E	F	G	H	J	K	L	M	
SNAP RING	7162													
Range mainshaft	C6TZ 7162-C	A												
COVER (POWER TAKE OFF)	7165													
9 5/8" long x 7 3/8" wide x (8) 15/32" holes	D1HZ 7165-A	A	B	C	D	E	F	G	H	J	K	L	M	
6 1/4" x 4 7/8"	C6TZ 7165-B	A	B	C	D	E	F	G	H	J	K	L	M	
Bolt (cover to case)-3/8"-16 x 5/8"	20328-S8(B-76)	8	8	8	8	8	8	8	8	8	8	8	8	
Lockwasher-3/8"	34807-S8(X-66)	8	8	8	8	8	8	8	8	8	8	8	8	
Lockwasher-3/8"-external teeth	351487-S(XX-291)	8	8	8	8	8	8	8	8	8	8	8	8	
Bolt-hex. head-3/8"-16 x 1 1/2"	20468-S8(B-85)	6	6	6	6	6	6	6	6	6	6	6	6	
Lockwasher-3/8"	34807-S8(X-66)	6	6	6	6	6	6	6	6	6	6	6	6	
GASKET (OIL FILTER HOUSING)	7166													
6 1/4" x 4 7/8" x 1/16" thick-(6) 13/32" holes	E7HZ 7166-A	A		C	D	E	F	G	H	J	K	L	M	
9 1/4" long-7" wide-1/32" thick-(8) 15/32" holes	D1HZ 7166-A	A	B	C	D	E	F	G	H	J	K	L	M	
Oil filter housing to plate	C4TZ 7166-A	A	B											
WASHER (OUTPUT SHAFT)	7173													
SPACER (MAINSHAFT GEAR)-18 EXTERNAL teeth-2 15/16" diameter x 9/32" thick	C6TZ 7173-A	5	4											
18 teeth - 2 19/32" dia. x 9/32" thick	C6TZ 7173-J	5		4	4	4	5	5	4	AR	4	5	4	
First, second, third and reverse-15 internal teeth-2 5/8" diameter x .249" thick	C6TZ 7173-B	5												
20 ext. teeth, 4 1/8 O.D. x 5/16 thick	E1HZ 7173-A						F					L		
HOSE	7B175													
Air supply-18" long x 1/8"-27 pipe thread	D0HZ 7B175-C	A												
Auxiliary shift air supply-29" long-1/8"-27 thread ends	C6TZ 7B175-B	A	B	C	D	2				2	2	2	2	
17" long	C9TZ 7B175-A	A												
28" long	D4HZ 7B175-A	A	B	C	D					J				
15" long	D4HZ 7B175-B		B				F	G		J		L		
26" long	D2HZ 7B175-A			C	D					J				
27" long	C6TZ 7B175-A					E		G	H		K		M	
32" long	D0HZ 7B175-B						2					2		
30" long	D2TZ 7B175-D						F	2		2		L		
Elbow-1/8" street	373171-S(II-153-B)	A	B	C	D	E	F	G	H	J	K	L	M	
GEAR (COUNTERSHAFT FIRST SPEED)-22 teeth-4 3/4" O.D. x 2 1/4" I.D. x 1 27/32" wide	D0HZ 7176-F	2												
First, 27 ext. teeth	E0HZ 7176-A		2											
Countershaft 1st, 39 ext. teeth, use with E6HT 7003-ZA,LA,BYA,BZA,CFA	E2HZ 7176-A			2	2	2			2	2	2		2	
Countershaft 1st, 35 ext. teeth, use with E6HT 7003-BFA,BGA	E2HZ 7176-B						2	2		2		2		
GEAR	7177													
13-20 teeth-5 1/8" O.D.	D5HZ 7177-A	A												
Counter shaft drive-L.H. & R.H.	D7HZ 7177-C	2												
6 11/32" O.D.-36 teeth														
Mainshaft-20 int.-46 ext. teeth	D1HZ 7177-A	A												
9 19/32" O.D.														
Main drive 34-ext.-18 int. teeth-6" O.D. x 1 1/8" wide	D7HZ 7177-D	A												
Drive, 44 ext. teeth	E1HZ 7177-F		2											
Countershaft-aux.-# A-4519	D8HZ 7177-F		2											
Output shaft coupler	D5HZ 7177-B						F	G				L		
Countershaft drive, 73 ext. teeth, use with E6HT 7003-ZA,LA,BYA,BZA,CFA	E2HZ 7177-G			2	2	2			2	2	2		2	
Countershaft drive, 62 ext. teeth, use with E6HT 7003-BFA,BGA	E2HZ 7177-H						2	2		2		2		

NOTICE: When the parts list suffix is shown in the quantity required column, the quantity is one (1).

DESCRIPTION/RESTRICTIONS	PART NUMBER	TRANSMISSION PARTS LISTS 8A THRU 8M												
		A	B	C	D	E	F	G	H	J	K	L	M	
<b>GASKET</b> 7181														
Auxiliary countershaft rear bearing cover- 4 19/32" I.D. x 1/32" thick	D4HZ 7181-B	A	2	2	2			2		2				
	D4HZ 7181-D					2			2		2			2
	E1HZ 7181-A						2						2	
GEARSHIFT LEVER HOUSING TO GEARSHIFT HOUSING)-6 5/8" x 5 3/8" x 1/64" thick-(4) 7/16" bolt holes	C1TT 7185-A	A	B											
	E2HZ 7185-A			C	D	E	F	G	H	J	K	L	M	
<b>RETAINER (MAINSHAFT REAR BEARING)</b> 7195														
CAP (COUNTERSHAFT REAR BEARING)- 5 5/8" square-(4) 13/32" holes	D0HZ 7195-C	A	2	2	2			2		2				
	D4HZ 7195-E					2			2		2			2
	E1HZ 7195-A						2						2	
STUD (TRANSMISSION CLUTCH HOUSING) 5/8"-11 and 5/8"-18 x 2 7/16" long	D0HZ 7C207-B	6	6	6	6	6	6	6	6	6	6	6	6	6
Nut-5/8"-18	34453-S8(M-89)	6	6	6	6	6	6	6	6	6	6	6	6	6
<b>SPRING</b> 7219														
Low and reverse-1 15/32" free length x 1/2" O.D.	C8TZ 7219-C	A	B	3	3	3	3	3	3	3	3	3	3	3
Second and third		A	B											
Reverse stop plunger-10 1/2 coils-5/8" O.D. x 1 11/16" free length	B8QH 7219-A	A	B	C	D	E	F	G	H	J	K	L	M	
Auxiliary transmission-air valve actuating plunger		A												
Third and direct-1 1/2" free length x 1/2" O.D.	C8TZ 7219-D	A	B											
1 1/4" free length-range slave pin	E1HZ 7219-A		B	C	D	E	F	G	H					
1 25/64" free length	E7HZ 7219-A										J	K	L	M
Ball-steel 1/2"	353079-S(AA-15)	3	3	3	3	3	3	3	3	3	3	3	3	3
<b>KEY</b> 7B220														
Countershaft gear-5 1/8" long-5/16" x 5/16"	D1HZ 7B220-B	2												
Mainshaft gear-10 13/16" long-6 side design	D2HZ 7B220-A	A	B	C	D	E	F	G	H	J	K	L	M	
Auxiliary output shaft-2 13/32" long x 5/16" wide	C6TZ 7B220-D	A					F	G				L		
Countershaft-6 15/16" long x 5/16" square	E1HZ 7B220-B		2											
Countershaft, 3/8 sq x 7 1/2 long	E2HZ 7B220-D				2	2				2	AR	2		2
Countershaft, 3/8 sq x 5 3/16 long	E2HZ 7B220-B							2	2		AR		2	
<b>HOUSING (GEARSHIFT)</b> 7222														
#16564-16 1/2" long x 11 1/2" wide Use with E1HT 7003-ADA,AEA, E2HT-BGA, E3HT-CJA, E4HT-BFA	E3HZ 7222-A	A	B		D	E	F	G	H					
Use with E1HT 7003-ACA, E2HT-AJA,BJA, E3HT-CHA	D5HZ 7222-A		B	C		E			H					
Use with E6HT 7003-ZA,LA,CFA	E6HZ 7222-B									J	K			
Use with E6HT 7003-BFA,BGA,BYA,BZA	E6HZ 7222-C									J		L	M	
<b>GASKET (GEARSHIFT HOUSING)</b> 7223														
16 1/2" x 11 1/2" x 1/16" thick- (14) 13/32" holes	C6TZ 7223-A	A	B	C	D	E	F	G	H	J	K	L	M	
#17072	D7HZ 7B227-A	A					F	G						
<b>GASKET</b> 7B228														
Auxiliary shift cylinder-4 3/4" O.D. x 4" I.D. x 1/16" thick-(4) 13/32" holes	C6TZ 7B228-A	A	B	C	D	E	F	G	H	J	K	L	M	
Output shaft splitter gear use with E6HT 7003-LA,ZA,BYA,BZA,CFA														



1980/  
TRUCK SERIES 600/900

DESCRIPTION/RESTRICTIONS	PART NUMBER	TRANSMISSION PARTS LISTS 8A THRU 8M												
		A	B	C	D	E	F	G	H	J	K	L	M	
GASKET		7B228 — Cont'd												
Auxiliary shift cylinder—3 3/4" x 3 1/16" I.D. 1/16" thick—(4) 13/32" holes, use with E6HT 7003-LA,ZA,BYA,BZA,CFA	C6TZ 7B228-B	A	B	C	D	E	F	G	H	J	K	L	M	
Splitter gearshift—3 1/2" O.D. x 3 1/16" I.D., use with E6HT 7003-BGA	C6TZ 7B228-C	A					F	G		J		L		
Splitter gearshift cylinder cover—3 5/8" bolt hole circle x 1/16" thick—(4) 11/32" holes	D2HZ 7B228-A	A					F	G				L		
FORK (GEARSHIFTER)		7230												
First and second—2 3/8" inside span	C8TZ 7230-D	A	B											
GATE (GEARSHIFTER SHAFT)—First and second speed—2 1/8" long x 3/4" I.D. x 7/16"—20 thread for set screw Use with E1HT 7003-ADA,AEA E2HT-BGA, E3HT-CJA, E4HT-BFA E6HT-BFA,BGA,BYA,BZA	D0HZ 7230-C	A	B		D	E	F	G	H	J		L	M	
Third and direct block, use with E1HT 7003-ACA, E2HT-AJA,BJA, E3HT-CHA, E6HT-ZA,LA,CFA	C6TZ 7230-B		B	C		E			H	J	K			
First and 2nd block use with E1HT 7003-ADA,AEA, E2HT-AJA,BJA, E3HT-CHA, E6HT-ZA,LA,CFA	C6TZ 7230-A		B	C		E			H	J	K			
First and second yoke	D4HZ 7230-E			C	D	E	F	G	H	J	K	L	M	
Third and direct yoke	D4HZ 7230-F			C	D	E	F	G	H	J	K	L	M	
Screw (fork to shaft)—drilled hex. head—pointed—7/16"—20 x 1 5/32" overall length	371073-S(BB-539)	4	4	4	4	4	4	4	4	4	4	4	4	
FORK (GEARSHIFTER)		7231												
Auxiliary shift—7 1/8" span x 1" dia. hole, use with E6HT 7003-LA,ZA,BYA,BZA,CFA	D1HZ 7231-A	A	B	C	D	E	F	G	H	J	K	L	M	
Low and reverse speed—2 3/8" inside width Use with E1HT 7003-ADA,AEA	C8TZ 7231-J	A	B											
Low and reverse—use with E1HT 7003-ACA	C6TZ 7231-A		B											
Third and direct—2 25/64" inside width	C6TZ 7231-L	A	B											
Fourth and direct														
Auxiliary range shift	E1HZ 7231-A						F					L		
Reverse, use with E2HT 7003-BGA, E3HT-CJA, E4HT-BFA, E6HT-BFA,BGA,BYA,BZA	D4HZ 7231-E				D	E	F	G	H	J		L	M	
Reverse, use with E2HT 7003-AJA,BJA, E3HT-CHA, E6HT-ZA,LA,CFA	D5HZ 7231-A			C		E			H	J	K			
GEAR		7L231												
Aux. mainshaft reduction, 48 ext., 20 int. teeth	E2HZ 7L231-A						F					L		
GATE (GEARSHIFTER SHAFT)—Third and direct—2 1/8" long x 7/16"—20 holes Use with E1HT 7003-ADA,AEA, E2HT-BGA, E3HT-CJA, E4HT-BFA, E6HT-BFA,BGA,BYA,BZA	C8TZ 7232-C	A	B		D	E	F	G	H	J		L	M	
Third and fourth, with E2HT 7003-AJA,BJA, E3HT-CHA, E6HT-ZA,LA,CFA	D5HZ 7232-A			C		E			H	J	K			
Screw (shifter shaft gate)—hex. drilled head—pointed—7/16"—20 x 1 5/32" overall length	371073-S(BB-539)	A	B	C	D	E	F	G	H	J	K	L		
PISTON (AUXILIARY SHIFT)		7233												
2 31/32" dia. x 5/8" wide—(2) holes—12-24 thread, use with E6HT 7003-LA,ZA,BYA,BZA,CFA	C6TZ 7233-A	A	B	C	D	E	F	G	H	J	K	L	M	
PIN (GEARSHIFT ROD INTERLOCK) 2 1/8" O.D. x 11/16" long	B8QH 7235-A	A	B	C	D	E	F	G	H	J	K	L	M	

NOTICE: When the parts list suffix is shown in the quantity required column, the quantity is one (1).

DESCRIPTION/RESTRICTIONS	PART NUMBER	TRANSMISSION PARTS LISTS 8A THRU 8M												
		A	B	C	D	E	F	G	H	J	K	L	M	
SHAFT (GEARSHIFTER)-First and second speed-11 15/16" long x 3/4" O.D., Use with E1HT 7003-ADA,AEA, Use with E2HT-BGA, E3HT-CJA, E4HT-BFA, E6HT-BFA,BGA,BYA,BZA	C8TZ 7241-E	A	B		D	E	F	G	H	J		L	M	
Aux. shift yoke-1" O.D. x 7 15/32" long, use with E6HT 7003-LA,ZA,BYA,BZA,CFA	D2HZ 7241-A		B	C	D					J				
Range Cyl. #19652	E4HZ 7241-A								H		K			
Range Cyl. 10 57/64" long 1" dia.	E2HZ 7241-A						F					L	M	
First and Second, use with E2HT 7003-AJA,BJA, E3HT-CHA, E6HT-ZA,LA,CFA	D5HZ 7241-B			C		E			H	J	K			
Range cyl. 7 5/8" long 1" dia.	D8HZ 7241-A					E								
Reduction cyl. use with E6HT 7003-BGA	E6HZ 7241-B									J				
PLUG (REVERSE STOP PLUNGER SPRING)- 3/4"-16-slotted x 5/16" hole	B8QH 7245-A	A	B	C	D	E	F	G	H	J	K	L	M	
PLUNGER (SHIFTER SHAFT GATE-REVERSE GATE)-1 19/32" long	B8QH 7247-A	A	B	C	D	E	F	G	H	J	K	L	M	
AIR FILTER-REGULATOR ASSY. #A-4740	7B265 E1HZ 7B265-A			C	D	E	F	G	H		K	L	M	
Plug 1/8" pipe	87708-57-8 (P-13-Z)			AR	AR	RR	AR	AR	AR		AR	AR	AR	
REGULATOR (AIR PRESSURE)	DOHZ 7B274-B	A	B											
YOKE (TRANS. SHIFT)	7B283													
6 31/32 long x 3 1/2 span-N/R 2/80	★ D1HZ 7B283-A							G						
CYLINDER ASSY.	7B284													
Auxiliary air shift-6 3/16" long x 1" dia. hole	D1HZ 7B284-A	A					F	G				L		
Use with E6HT 7003-LA,ZA,BYA,BZA,CFA	D2HZ 7B284-A		B	C	D	E			H	J	K		M	
"O" RING (AUXILIARY SHIFT PISTON)	7288													
Large-rubber-3" O.D. x 2 5/8" I.D. x 7/32" wide	C6TZ 7288-A	A	B	C	D	E	F	G	H		K	L	M	
Small-rubber-15/16" O.D. x 3/4" I.D. x 3/32" thick	C6TZ 7288-B	A	B	C	D	E	F	G	H	AR	K	L	M	
Reduction cyl. 1 27/64" I.D. x 9/64" thick	E6HZ 7288-B									J		L		
1 1/2" O.D. x 1 1/4" I.D.	C6TZ 7288-D	A					F	G		AR				
Aux. drive gear-3 3/32 I.D. x 3 1/2 O.D.	D4HZ 7288-A			2	2	2	2	2	2	2	2	2	2	
Speedo opening	E6HZ 7288-A									J				
Speedo opening-11/16" I.D. x 7/64" thick	E7HZ 7288-A									J	K	L	M	
MAGNET	7E290-A													
VALVE ASSY. (CONTROL SLAVE-ON TRANSMISSION)	E0TZ 7E290-A										3	3	3	
	DOHZ 7D292-A	A												
	E1HZ 7D292-A		B	C	D	E	F	G	H	J	K	L	M	
SPRING (DIRECT SYNCHRO PLATE)- 1 37/64" free length-22 coils-9/32" dia.	C6TZ 7B294-A	3	3	3	3	3	3	3	3	3	3	3	3	
KIT (RANGE CYLINDER "O" RING)	7305													
K1447, use with 958 trans.	E4HZ 7305-A													
COVER ASSY. (AIR SHIFT CYLINDER)	7306													
	D2HZ 7306-A						F	G				L		
SLEEVE (ADAPTER PLATE ALIGNMENT)- 7/8" long x 1/2" shank dia. x 3/4" large dia. x 5/16" hole one end x 11/32" dia. other end	C6TZ 7311-A	A												
21/32 long x 15/32" shank dia. x 3/4" large dia.	E1HZ 7311-B		B	C	D	E	F	G	H	J	K	L	M	
GASKET	7314													
Slave valve-4" long x 2 1/8" wide x 1/64" thick	C8TZ 7314-A	A												
Range slave valve	E1HZ 7314-A		B	C	D	E	F	G	H	J	K	L	M	
Slave valve adapter plate-4" long x 1 11/16" wide x 1/64" thick-(4) 9/32" holes	C6TZ 7314-A	A												

**1980/  
TRUCK SERIES 600/900**

DESCRIPTION/RESTRICTIONS	PART NUMBER	TRANSMISSION PARTS LISTS 8A THRU 8M												
		A	B	C	D	E	F	G	H	J	K	L	M	
PLATE (SLAVE VALVE ADAPTER)-5 3/4" long x 2 3/8" wide x 3/4" hole in center of plate	C6TZ 7316-A	A												
FILTER (AIR)	D0HZ 7330-A	A	B											
KIT (AIR FILTER REPAIR)	7B331													
K1486, use with 9508, 958, 1258 trans.	E4HZ 7B331-A													
KIT (SMALL PARTS REPAIR)	7B331													
K1790, use with 11608 trans.	E4HZ 7B331-H													
HOUSING-rear	C6TZ 7B332-B	A						G						
Use with E6HT 7003-LA,ZA,BYA,BZA,CFA	D8HZ 7B332-A		B	C	D					J				
#18736	D8HZ 7B332-D					E			H		K		M	
Plate trans rear, #17250	E1HZ 7B332-A						F					L		
#17107-bracket air filter	D8HZ 7B333-A	A	B											
Bolt (bracket to case)-3/8"-16 x 3/4"	43256-S8 (U-77-F)	2	2	2	2	2	2	2	2	2	2	2	2	2
Lockwasher-3/8"	34807-S8(X-66)	2	2	2	2	2	2	2	2	2	2	2	2	2
SHAFT (GEARSHIFTER)-Third and direct-11 5/16" long x 3/4" O.D. Use with E1HT 7003-ADA,AEA, E2HT-BGA, E3HT-CJA, E4HT-BFA, E6HT-BFA,BGA,BYA,BZA	C8TZ 7334-A	A	B		D	E	F	G	H	J		L	M	
WASHER	7B334													
Auxiliary rear drive gear-2 1/2" I.D. x 4 1/4" O.D. x 5/16" wide	D0HZ 7B334-B	A						G						
Auxiliary output shaft reduction-2 1/2" I.D. x 3 5/32" O.D. x 15/32" thick	C6TZ 7B334-B	A	B	C	D			G		AR				
2 1/2" I.D. x 4 1/4" O.D. x 5/16" thick	C6TZ 7B334-A		B	C	D					AR				
18 ext. teeth-2 25/32" I.D. x 3 7/8" O.D. x 7/16" wide	C6TZ 7B334-C		B	C	D					AR				
4 1/4" O.D. x 2 3/4 I.D. x 19/32 wide	D8HZ 7B334-B					E			H		K		M	
#19203-18 ext. teeth	E2HZ 7B334-A					E			H		K		M	
2 49/64" I.D. x 4 3/32" O.D.	E1HZ 7B334-A											L		
CLUTCH (AUXILIARY SLIDING)-18 external teeth-13 internal spline x 7 51/64" O.D.	D0HZ 7B338-B	A	B											
18 ext.-18 int. teeth	D4HZ 7B338-A			C	D	E	F	G	H					
	E7HZ 7B338-A									J	K	L	M	
GEAR (MAINSHAFT THIRD)	7B340													
30 ext. 18 int. teeth #19115	E1HZ 7B340-E		B											
52 ext.-18 int. teeth #19249, use with E6HT 7003-ZA,LA,BYA,BZA,CFA	E2HZ 7B340-D			C	D	E			H	J	K		M	
Mainshaft o/drive, 48 ext.-18 int. teeth, use with E6HT 7003-BFA,BGA	E2HZ 7B340-E						F	G		J		L		
GEAR (MAINSHIFT SLIDING CLUTCH)-18 external teeth-15 internal teeth x 2 61/64" dia. x 1 5/8" wide	C9TZ 7B341-A	3	3											
18 ext.-17 int. teeth	D4HZ 7B341-A			3	3	3	3	3	3	3	3	3	3	3
GASKET (CASE REAR PLATE)	7B343													
19" long x 13" wide x 1/64" wide	C6TZ 7B343-B	A	B	C	D	E	F	G	H	J	K	L	M	
SHAFT	7358													
Fourth and direct-9 1/8" long x 1" O.D. one end-5/8"-18 thread other end	D1HZ 7358-A	A						G						
Auxiliary shift														
Low and reverse speed shift fork-9 27/32" long x 3/4" dia., use with E1HT 7003-ADA,AEA E2HT-BGA, E3HT-CJA, E4HT-BFA	D0HZ 7358-A	A	B		D	E	F	G	H					
Includes bushing and snap ring, use with E6HT 7003-BGA	D7HZ 7358-A						F	G		J		L		
Deep reduction cyliner, #19287	E2HZ 7358-A						F							
Reverse, use with E2HT 7003-AJA,BJA E3HT-CHA, E6HT-ZA,LA,CFA	D5HZ 7358-C			C		E			H	J	K			

**NOTICE:** When the parts list suffix is shown in the quantity required column, the quantity is one (1).

DESCRIPTION/RESTRICTIONS	PART NUMBER	TRANSMISSION PARTS LISTS 8A THRU 8M												
		A	B	C	D	E	F	G	H	J	K	L	M	
SHAFT	7358 — Cont'd													
# 14908-8 1/32" long, use with E6HT 7003-BFA,BGA,BYA,BZA	C8TZ 7358-F										J		L M	
Reduction cyl.	E6HZ 7358-A												L	
Includes bushing & snap ring	D7HZ 7358-B	A												
First and rev., use with E1HT 7003-ACA	C6TZ 7358-A		B											
Second and third, use with E1HT 7003-ACA	C6TZ 7358-B		B											
Fourth and fifth, use with E1HT 7003-ACA	C6TZ 7358-C		B											
PIN (CASE DOWEL)-1 7/16" long x 3/4" O.D.	C6TZ 7B362-A	2	2	2	2	2			2	2	2		2	
NUT-auxiliary mainshaft stop-2 5/8" hex. x 2"-16	C6TZ 7B364-A	A	B	C	D	E	F	G	H	AR	K	L	M	
BEARING (REVERSE IDLER GEAR)	7B369													
# EJS 7255-1 1/4" I.D. x 1 7/8" O.D.	C6TZ 7B369-A	A	2	2	2	2	2	2	2	2	2	2	2	
DEFLECTOR (TRANS OIL)	7C390													
3 15/16" I.D. x 4 7/16" O.D.	E1HZ 7C390-A						F						L	
KIT (BASIC OVERHAUL)	7C391													
K1041, use with 9508 trans.- pull type clutch, 1 3/4" input shaft	E4HZ 7C391-A													
K1042, use with 9508 trans.- pull type clutch, 2" input shaft	E4HZ 7C391-B													
KIT (BASIC REBUILD)	7C391													
K1854, use with 9508 trans.	E4HZ 7C391-G													
K1856, use with 958 trans.	E4HZ 7C391-H													
"O" RING	7B411													
Cylinder housing-1 25/64" O.D. x 1 7/64" I.D.	C6TZ 7B411-B	A					F	G						
Shift cylinder seal- 63/64" I.D. x 1 1/8" O.D. x 9/64" thick	C6TZ 7B411-A	A	B	C	D	E	F	G	H	J	K	L	M	
Shift cylinder seal- 1 11/64" I.D. x 9/64" thick	E6HZ 7B411-A									J		L		
SPACER (YOKE BAR)	7B416													
Reverse-25/32" I.D. x 15/32" thick x 1 or 1 1/16" O.D.	E1HZ 7B416-A		B	C	D	E			H	J	K		M	
ELBOW (AIR HOSE)-3/8" female thread x 1/4"-18 male thread	D2TZ 7B417-A	A	B											
NIPPLE (AIR HOSE)-1" long	C1TT 7B418-B	A												
Kit control assy. repair	D6TZ 7B435-A	A	B	C	D	E	F	G	H					
COLLAR (SEALING)	7K449													
3/8" I.D.	E1HZ 7K449-A			C	D	E	F	G	H	J	K	L	M	
SPACER (REVERSE IDLER GEAR SHAFT)	7482													
11/16" I.D. x 1 1/2" O.D. x 7/32" thick x 1/64" thick	C6TZ 7482-A	2	2	2	2	2	2	2	2	2	2	2	2	
WASHER (REVERSE IDLER)-2 3/4" O.D. x 1 1/8" I.D. x 17/32" wide, use with E6HT 7003-BFA,BGA	D0HZ 7482-A	A					2	2		2		2		
HOUSING (CLUTCH)-#16329- Use with E1HZ 7003-AEA	D0HZ 7505-A	A	B											
Use with E1HZ 7003-ADA	D4HZ 7505-D		B											
Use with E1HZ 7003-ACA	D8HZ 7505-B		B											
Use with E2HT 7003-VA,AJA, E6HT-LA,RA	D8HZ 7505-G			C		E				J	K			
Use with E2HT 7003-YA,YB,ALA,ALB, E4HT-BAA, E3HT-CNA, E6HT-BGA,BYA,CFA,CNA,CKA	D4HZ 7505-F			C	D			G	H	J	K		M	
Use with E2HT 7003-AMA,ZA,BGA,BJA,JA, E3HT-CMA, E6HT-ZA,BFA,BZA,AMA,ALA	D5HZ 7505-A			C	D	E	F	G		J	K	L	M	
PIN (AIR VALVE ACTUATING)-2 13/16" long x 5/16" dia. shank x 3/4" collar x 9/16" plunger	C6TZ 7A507-A	A												
	E4HZ 7A507-A		B	C	D	E	F	G	H	J	K	L	M	

1980/  
TRUCK SERIES 600/900

DESCRIPTION/RESTRICTIONS	PART NUMBER	TRANSMISSION PARTS LISTS 8A THRU 8M												
		A	B	C	D	E	F	G	H	J	K	L	M	
BUSHING		7508												
Clutch housing pedal shaft x 1" long x 1 1/8"	C6TZ 7508-A	2	AR	AR	AR	AR	2	AR	4	AR	AR	AR	AR	
Clutch pedal shaft-1 5/8" long x 1 1/8" O.D. x 1" I.D.	C6TZ 7508-B	A	AR	AR	AR	AR	F	AR		AR	AR	AR	AR	
CYLINDER (SPLITTER GEAR SHIFT)-3 1/2" long x 3 5/8" bolt circle	D2HZ 7A508-A	A					F	G						
	E6HZ 7A508-B									J		L		
Fitting Lube (clutch rel. bearing)	D8HZ 7B512-A		B	C						AR	AR			
COVER (CLUTCH HOUSING DUST)-(2) mounting holes	C6TZ 7564-A	A	B	C	D	E	F	G		J	K	L	M	
(4) mounting holes	D0HZ 7564-A		B	C	D	E		G	H	J	K		M	
GASKET (CLUTCH HOUSING TO CASE)	C6TZ 7A619-B	A	B	C	D	E	F	G	H	J	K	L	M	
SNAP RING (AUXILIARY REDUCTION GEAR)-3 23/32" I.D. x 4 1/8" O.D. x 3/32" wide	C6TZ 7A628-A	A	B	C	D			G		J				
2 1/2" I.D. x 3/32" wide	E1HZ 7A628-A						F					L		
TROUGH (OIL)		7716												
	E6HZ 7716-A									J	K	L	M	
WASHER (REVERSE IDLER GEAR THRUST)-2 11/32" O.D. x 1 1/8" I.D. x 13/64" thick	C6TZ 7728-A	2	2	2	2	2	2	2	2	2	2	2	2	
SEAL (AUXILIARY REAR BEARING COVER OIL)	E4HZ 7918-B	A	B	C	D	E	F	G	H					
Seal and slinger	E7HZ 7918-A									J	K	L	M	
BUSHING (SPEEDOMETER)	B8QH 17323-A	A	B	C	D	E	F	G	H	J	K	L	M	
Nut- rev idler shaft-5/8-18	371530-S7(MM161-A)			2	2	2	2	2	2	AR	AR	AR	AR	
Cap screw-c/shft. frt. brg. 5/8-18 x 1 3/4	377850-S(BB273-A)			2	2	2	2	2	2	AR	AR	AR	AR	
Cap screw-range slave valve-1/4-20 x 1.10	304680-S36M(BB429-K)			4	4	4	4	4	4	AR	AR	AR	AR	
Cap screw-shift bar. hsg.-3/8-16 x 1 1/2	58636-S2(B85-D)			2	2	18	19	11	4	AR	AR	AR	AR	
Cap screw-frt. brg. cur., shft. hsg.3/8-16 x 1 1/4	58635-S2(B82-A)			16	16	16	16	24	16	AR	AR	AR	AR	
Cap screw-rear case to main case, 3/8-16 x 1 3/4	58637-S2(B86-A)			14	14					AR	AR	AR	AR	
Cap screw-aux. dr. gr. brg. ret. 3/8-16 x 7/8	42998-S8(B252-A)			6	6	6	6	6	6	AR	AR	AR	AR	
Cap screw-case rr hsg. 3/8-16 x 2	58638-S2(B89-A)			5	5	2	2	2	2	AR	AR	AR	AR	
Plug filler-1 1/4 pipe	374501-S(PP-52-F)			C	D	E	F	G	H	AR	AR	AR	AR	
Cap screw-rr brg. cover-3/8-16 x 2 3/4	373139-S(BB163)			C	D				H	AR	AR	AR	AR	

NOTICE: When the parts list suffix is shown in the quantity required column, the quantity is one (1).

DESCRIPTION/RESTRICTIONS	PART NUMBER	TRANSMISSION PARTS LISTS 8N THRU 8Z											
		N	P	Q	R	S	T	U	V	W	X	Y	Z
PLUG	7A002												
Aux. air shift cyl. 7306	D3HZ 7A002-A				Q	R		T	U				
CASE (HOUSING)	7005												
#16950	D4HZ 7005-J		P										
#21318	D5HZ 7005-B	N		Q		S							
Main	E8HZ 7005-E				R		T						
#22366-Intermediate case	E9HZ 7005-E								U				
Rear	E9HZ 7005-C								U				
Plug (filler)-1 1/4" pipe	D4HZ 7005-L								U				
Plug-magnetic (drain)-3/4"-14 pipe-square socket head	353094-S(PP-34)	N	P	Q	R	S	T	U					
Stud-5/8"-11 and 5/8"-18 x 2 5/32" long	353240-SA(PP-52)	N	P	Q	R	S	T	U					
5/8"-11 & 5/8"-18 x 25/16" long	374423-S7-8(WW-66)	N	P	Q	R	S	T	U					
SPACER (OIL TROUGH)	371448-S(WW-59)	N	P	Q	R	S	T	U					
	7E010												
ELEMENT (OIL FILTER)-2 1/2" O.D. x 1" I.D. x 2 1/16" long	E9HZ 7E010-A								3				
COVER (OIL FILTER)-6 1/4" x 4 7/8" x 2" high (6) 13/32" bolt holes	C1TT 7C012-A	N	P	Q									
Bolt (cover to case)-hex head-3/8"-16 x 1"	C1TT 7C013-H	N	P	Q									
Lockwasher-3/8"	20388-S8(B-80)	6	6	6									
PLATE	34807-S8(X-66)	6	6	6									
Oil filter retainer-6 1/4" x 4 7/8" thick-(6) 13/32" bolt holes	7C014												
SHAFT (INPUT)	★ C1TT 7C014-A (N/R 3/83)	N	P	Q									
#20535	7017												
#20538	E9HZ 7017-G	N	P	Q	R		T						
#20788	E9HZ 7017-B						S						
BEARING	E9HZ 7017-A								U				
Countershaft front-incl. snap ring-inner race	7025												
Countershaft front	E2HZ 7025-B	2		2	2		2						
Input shaft-212L or 212SLV - 1 3/16" I.D. x 13/32" wide	E2HZ 7025-A		2				2						
GASKET (REDUCTION PISTON)	C6TZ 7025-A	N	P	Q	R	S	T						
SNAP RING	E7HZ 7025-C								U				
Countershaft rear bearing-1 7/16" free I.D. x 3/32" thick	7D026												
Aux. Countershaft rear, 1 37/64 I.D. x 1/8 wide	E9HZ 7D026-A					R		T					
Input Shaft, 2 11/64 I.D. x 7/64 thick	7030												
WASHER	C6TZ 7030-A	2	2	2	2	2	2						
Aux. mainshaft thrust	C8TZ 7030-B			2									
Pin	E4HZ 7030-A	N	P	Q	R	S	T						
VENT (CASE)	7033												
2" long x 1 5/8" O.D. x 1/4" pipe thread	E9HZ 7033-A				R		T						
COVER	378492-S7-8(NN-54-D)				R		T						
Incl. valve	7034												
PLATE and PIN ASSY. (SYNCHRONIZER)	C7TZ 7034-A	N	P	Q	R	S	T	U					
Direct synchronizer - 6 1/2" O.D. incl. 3 pins	7C035		P	Q		S		U					
Auxiliary reduction	E9HZ 7C035-A				R		T						
RETAINER (INPUT SHAFT BEARING)	7A044												
#20550	D6HZ 7A044-A	N	P	Q	R	S	T	U					
#20552	E7HZ 7A044-A	N	P	Q	R	S	T	U					
#20777	7050												
Bolt-3/8"-16 x 1 1/2" hex head	E4HZ 7050-D	N	P	Q	R		T						
Lockwasher-3/8"	E9HZ 7050-B					S							
	E9HZ 7050-A								U				
	20468-S8(B-85)	4	4	4	4	4	4	4					
	34807-S8(X-66)	4	4	4	4	4	4	4					

October, 1993

1980/  
TRUCK SERIES 600/900

DESCRIPTION/RESTRICTIONS	PART NUMBER	TRANSMISSION PARTS LISTS 8N THRU 8Z																
		N	P	Q	R	S	T	U	V	W	X	Y	Z					
GASKET (INPUT SHAFT BEARING RETAINER) 4 21/32" I.D. x 6 1/2" O.D. x 1/64" thick- (6) 13/32" holes		7051 C6TZ 7051-F	N	P	Q	R	S	T										
	E7HZ 7051-B								U									
SPACER (INPUT SHAFT) 2 3/8" I.D. x 2 7/8" O.D. x 5/32" thick 2 1/32" I.D. x 3" O.D. x 3/16 thick Input shaft		7A059 D4HZ 7A059-A D4HZ 7A059-B E7HZ 7A059-A	N	P	Q	R	S	T										
GEAR (OUTPUT SHAFT SLIDING CLUTCH)- 20 ext.-18 int. teeth, 4 1/8 O.D. x 1/2 wide, use with E6HT 7003-BGA		7A060 D4HZ 7A060-A	N								U							
20 ext.-18 int. teeth	E1HZ 7A060-B			Q														
Aux. Mainshaft	E9HZ 7A060-A				R		T											
SHAFT (OUTPUT) Aux. mainshaft 17 splines-13 31/32 long		7061 E2HZ 7061-F D4HZ 7061-F	N	P	Q		S											
Auxiliary mainshaft. 10-18 teeth, 10 27/32 long	E2HZ 7061-D		P			S												
Auxiliary mainshaft	E2HZ 7061-E	N								U								
	E7HZ 7061-E									U								
Aux. mainshaft	E9HZ 7061-A						T											
Aux. mainshaft	E8HZ 7061-A				R													
Mainshaft	E9HZ 7061-B				R		T											
SPACER E9HZ 7063-A		7063						T										
SNAP RING Input shaft 3 1/16" O.D. x 3/32 thick Mainshaft		7064 C6TZ 7064-E	N	P	Q	R	S	T										
Mainshaft front quill-7/8" O.D. x 11/16" I.D. x 3/32" thick	C6TZ 7064-B			Q						U								
Output shaft-2 3/16" O.D. x 1 13/16" I.D. x 3/32" thick	D0HZ 7064-H		2					2		3								
2 3/4" I.D. x 1/16 thick	D5HZ 7064-A	N		Q						U								
3 9/32 I.D. x 3 29/32 O.D. 1/8" thick	D4HZ 7064-E	N	P	Q	R	S	T											
Mainshaft-2 3/32 I.D. x 2 7/16 O.D. 3/32 thick	D4HZ 7064-F	2	2	2	2	2	2											
Mainshaft drive	D0HZ 7064-D									U								
Mainshaft third	D0HZ 7064-A									U								
Aux. drive gear	C6TZ 7064-C									U								
Aux. drive gear	D0HZ 7064-B									U								
BEARING Auxiliary countershaft-rear-#1310L-incl. snap ring 1 31/32" I.D. x 4 21/64" O.D. x 1 1/16" wide		7065 B7QH 7065-A		2				2		2								
Aux. Countershaft rear	E2HZ 7065-B			2														
Range shift output shaft-#204, use E6HT 7003-BGA	C9TZ 7065-A	N		Q						U								
Aux. drive gear-#118L	C6TZ 7065-F	N	P	Q		S												
Aux. drive gear	C6TZ 7065-B									U								
Aux. countershaft front	E9HZ 7065-B									2								
Aux. drive gear-#118	E9HZ 7065-A				R		T											
#18701-17 teeth	D8HZ 7069-A	5	5	5	5	5	5											
SPACER #16288-16 int. teeth		7072 E2HZ 7072-A		P														
GEAR-AUXILIARY DRIVE- Aux. drive-#19254 incl. "O" rings Aux. drive-#19275 incl. "O" rings		7A079 E2HZ 7A079-B E2HZ 7A079-A	N		Q				S									
#22371	E9HZ 7A079-B		P							U								
#21322	E8HZ 7A079-A				R		T											
KIT SHIM (COUNTERSHAFT REAR BEARING) E9HZ 7K084-A		7K084				AR		AR										

NOTICE: When the parts list suffix is shown in the quantity required column, the quantity is one (1).

DESCRIPTION/RESTRICTIONS	PART NUMBER	TRANSMISSION PARTS LISTS 8N THRU 8Z												
		N	P	Q	R	S	T	U	V	W	X	Y	Z	
RETAINER ASSY. 7085														
Output shaft bearing-1 15/16" long (6) 13/32" holes	C6TZ 7085-B	N	P											
Aux. drive gear brg.	D4HZ 7085-B	N	P	Q	R	S	T							
Output shaft bearing	E6HZ 7085-C			Q										
	E8HZ 7085-E				R									
	E8HZ 7085-C					S		U						
	E9HZ 7085-A						T							
Bolt-hex. head-3/8"-16 x 2 3/4"	373139-S(BB-163)	6	6	6	6	6	6							
Lockwasher-3/8"	34807-S8(X-66)	5	5	5	5	5	5	5						
Washer-flat-3/8"	356425-S(XX-136)	N	P	Q	R	S	T	U						
GASKET (OUTPUT SHAFT BEARING RETAINER)-4 5/8" I.D. x 6 1/4" O.D.- (10) 13/32" holes	C8TZ 7086-C	N	P	Q		S		U						
	E9HZ 7086-A				R		T							
FLANGE (OUTPUT SHAFT)-Refer to group in Section 71 for Size Chart 7089														
Use with E9HT 7003-BA	E7HZ 7089-H							U						
Use with E8HT 7003-BGA,BHA	E8HZ 7089-G				R									
Use with E8HT 7003-CFA, E9HT 7003-CA	E9HZ 7089-B				R	S		U						
	E9HZ 7089-C						T							
GEAR 7100														
Countershaft-17-17 teeth 13 3/4 long	E2HZ 7100-C	2		2	2	2	2							
Mainshaft 1st., 60 ext.-18 int. teeth	E2HZ 7100-B		P			S								
Mainshaft 1st., 60 ext.-18 int. teeth	E2HZ 7100-E	N		Q	R		T							
Mainshaft first	E7HZ 7100-F							U						
Pin-roll	★ 305029-S	N	P	Q	R	S	T	U						
GEAR 7101														
Auxiliary deep reduction-46 ext.-20 int. teeth	E2HZ 7101-D	N						U						
Auxiliary reduction-48 ext.-18 int. teeth	E2HZ 7101-B		P			S								
Auxiliary reduction-42 ext.-18 int. teeth	E2HZ 7101-H			Q										
Auxiliary reduction	E9HZ 7101-A				R		T							
Auxiliary reduction	E9HZ 7101-B							U						
GEAR 7102														
Mainshaft low, 44 ext.-18 int. teeth	D4HZ 7102-A	N		Q	R	S	T							
SHAFT (AIR VALVE ACTUATING) 7B104														
5 1/2" long-3/4" O.D.-range slave	E9HZ 7B104-A	N	P	Q	R	S	T	U						
Valve air shift cyl.-7306	D3HZ 7B104-A			Q	R		T	U						
RETAINER 7109														
	E9HZ 7109-A							2						
COUNTERSHAFT 7111														
#A-4716	E2HZ 7111-A		2											
#A-5157, aux.	E8HZ 7111-A				R		T							
#A-5030	E7HZ 7111-A							2						
SPACER (COUNTERSHAFT) 7N112														
#19197	E2HZ 7N112-A		2											
COUNTERSHAFT (AUXILIARY) 7113														
#A-4727, Aux. Countershaft	E2HZ 7113-F		2			2								
#A-4818, Aux. Countershaft	E2HZ 7113-S			2										
	E9HZ 7113-B							U						
SPACER 7115														
Snap ring Countershaft front	E2HZ 7115-A	2	2	2	2	2	2							
Auxiliary countershaft	E9HZ 7115-A				2		2							
Auxiliary mainshaft	D6HZ 7115-B							U						
RETAINER 7F115														
#21320, aux. drive gear	E9HZ 7F115-A				R		T							



1980/  
TRUCK SERIES 600/900

DESCRIPTION/RESTRICTIONS	PART NUMBER	TRANSMISSION PARTS LISTS 8N THRU 8Z												
		N	P	Q	R	S	T	U	V	W	X	Y	Z	
WASHER	7117													
18 ext. 18 int. teeth	D4HZ 7117-A			Q										
Aux. mainshaft	E9HZ 7117-A				R		T							
BEARING	7118													
Auxiliary mainshaft-rear- #A2689-A-2 1/2" I.D. x 4 1/2" O.D. x 2 23/32" wide	C6TZ 7118-B		P			S		U						
Aux. Mainshaft rear-A-33775	D4HZ 7118-B			Q										
Aux. countershaft-front, #MA-1307EL or MTR-1307EL	C1TZ 7118-A	2	2	2		2								
Aux. countershaft	E9HZ 7118-A				4		4							
Aux. mainshaft	E9HZ 7118-B				R		T							
BUSHING (INPUT SHAFT)- 1 11/32" I.D. x 1 5/8" O.D. x 3/4" wide	D0HZ 7120-C	N	P	Q	R	S	T							
	D0HZ 7120-A							U						
RING SNAP	7C122													
	E7HZ 7C122-A							2						
SPACER	7125													
Aux. countershaft	D4HZ 7125-A							2						
BEARING (COUNTERSHAFT)	7127													
Rear-#MRY 1308-GEL- 1 9/16" I.D. x 3 35/64" O.D. x 29/32" wide	C6TZ 7127-A	2	2	2	2	2	2							
	E7HZ 7127-B							4						
RETAINER	7135													
#19548	E2HZ 7135-B	2		2	2		2							
#19668	E2HZ 7135-A		2				2							
Roll Pin	★ 353847-S	2	2	2	2	2	2							
Bolt-round head-24 x 1 1/32"	376323-S(BB-390-R)	2	2	2	2	2	2							
GEAR (COUNTERSHAFT)	7137													
Countershaft 3rd, 66 ext. teeth	E2HZ 7137-H		2				2							
Countershaft 2nd, 46 ext. teeth	E2HZ 7137-D		2				2							
Countershaft 2nd, 44 ext. teeth	E2HZ 7137-G	2		2	2		2							
Countershaft O/D, 69 ext. teeth 7003-BFA,BGA	E2HZ 7137-J	2		2	2		2							
Countershaft third	E7HZ 7137-E							2						
SHAFT (REVERSE IDLER GEAR)	7140													
4 11/16" long-1/2"-13 tapped hole one end- 5/8"-18 thread other end	D0HZ 7140-A	2	2	2	2	2	2							
	E7HZ 7140-D							2						
Nut 5/8-18 thd.	371530-S7	2	2	2	2	2	2							
GEAR	7141													
Reverse idler	E7HZ 7141-E							2						
GEAR (REVERSE)	7142													
Idler 29 teeth	D4HZ 7142-D		2											
Mainshaft-46 ext. 18 int. teeth	D4HZ 7142-B	N		Q	R	S	T							
Idler-27 teeth	D4HZ 7142-A	2		2	2	2	2							
Mainshaft-46 ext.-18 int. teeth	D4HZ 7142-C		P											
Mainshaft	E7HZ 7142-F							U						
GEAR (COUNTERSHAFT P.T.O.)	7144													
Countershaft P.T.O., R.H., 45 teeth	D4HZ 7144-D	N	P	Q	R	S	T							
Countershaft P.T.O., L.H., 17 teeth	D4HZ 7144-E	N	P	Q	R	S	T							
Countershaft P.T.O.	E7HZ 7144-B							2						
BEARING	7145													
Reverse idler	D3HZ 7145-A							2						

NOTICE: When the parts list suffix is shown in the quantity required column, the quantity is one (1).

DESCRIPTION/RESTRICTIONS	PART NUMBER	TRANSMISSION PARTS LISTS 8N THRU 8Z												
		N	P	Q	R	S	T	U	V	W	X	Y	Z	
GASKET SET 7153														
	C6TZ 7153-A	N	P			S								
	D4HZ 7153-C			Q										
	E8HZ 7153-A				R		T							
	E9HZ 7153-A							U						
RETAINER (REVERSE IDLER BEARING) 7155														
#19288	E2HZ 7155-A		2											
RING (NEUTRAL SWITCH) 7R156														
	E7HZ 7R156-A							U						
Clip	384260-S32(E17-A)							U						
GEAR 7158														
Mainshaft 2nd-50 ext.-18 int. teeth	E2HZ 7158-D		P			S								
Input drive-42 ext.-18 int. teeth	E2HZ 7158-K		P			S								
Input drive-58 ext.-18 int. teeth	E2HZ 7158-L	N		Q	R									
Mainshaft 2nd, 56 ext.-18 int. teeth	E2HZ 7158-J	N		Q	R			T						
Input drive	E8HZ 7158-A								U					
Input drive	E8HZ 7158-C							T						
CLUTCH (SLIDING) 7B161														
Mainshaft fourth-fifth	E7HZ 7B161-C								U					
RING (SNAP) 7162														
Countershaft	C6TZ 7162-A								2					
COVER (POWER TAKE OFF) 7165														
9 5/8" long x 7 3/8" wide x (8) 15/32" holes	D1HZ 7165-A	N	P	Q	R	S	T	U						
6 1/4" x 4 7/8"	C6TZ 7165-B	N	P	Q	R	S	T	U						
Bolt (cover to case)-3/8"-16 x 5/8"	20328-S8(B-76)	8	8	8	8	8	8	8						
Lockwasher-3/8"	34807-S8(X-66)	8	8	8	8	8	8	8						
Lockwasher-3/8"-external teeth	351487-S(XX-291)	8	8	8	8	8	8	8						
Bolt-hex. head-3/8"-16 x 1 1/2"	20468-S8(B-85)	6	6	6	6	6	6	6						
Lockwasher-3/8"	34807-S8(X-66)	6	6	6	6	6	6	6						
GASKET (OIL FILTER HOUSING) 7166														
6 1/4" x 4 7/8" x 1/16" thick-(6) 13/32" holes	E7HZ 7166-A	N	P	Q		S		U						
9 1/4" long-7" wide-1/32" thick-(8) 15/32" holes	D1HZ 7166-A	N	P	Q	R	S	T	U						
WASHER (OUTPUT SHAFT) 7173														
18 teeth - 2 19/32" dia. x 9/32" thick	C6TZ 7173-J	5	4	5	5	5	5	5						
20 ext. teeth, 4 1/8 O.D. x 5/16 thick	E1HZ 7173-A			Q										
Aux. mainshaft	E8HZ 7173-A				R		T							
Mainshaft	E7HZ 7173-G							4						
Mainshaft	E7HZ 7173-D							U						
HOSE 7B175														
Auxiliary shift air supply-29" long-1/8"-27 thread ends	C6TZ 7B175-B	N				S								
28" long	D4HZ 7B175-A		P			S								
15" long	D4HZ 7B175-B	N		Q				U						
26" long	D2HZ 7B175-A		P			S								
27" long	C6TZ 7B175-A		P											
32" long	D0HZ 7B175-B			Q										
29.50" long	E7HZ 7B175-A	N												
30" long	D2TZ 7B175-D	N		Q										
16"	D2HZ 7B175-B							U						
25"	D0HZ 7B175-A							U						
34"	E2HZ 7B175-A				R		2							
36"	E9HZ 7B175-A				R		T							
Elbow-1/8" street	373171-S(II-153-B)	N	P	Q	R	3	AR	AR						
GEAR (COUNTERSHAFT FIRST SPEED) 7176														
Countershaft 1st, 39 ext. teeth	E2HZ 7176-A		2			2								
Countershaft 1st, 35 ext. teeth	E2HZ 7176-B	2		2	2		2							
Mainshaft second	E7HZ 7176-D							U						

1980/  
TRUCK SERIES 600/900

DESCRIPTION/RESTRICTIONS	PART NUMBER	TRANSMISSION PARTS LISTS 8N THRU 8Z												
		N	P	Q	R	S	T	U	V	W	X	Y	Z	
GEAR 7177														
Output shaft coupler	D5HZ 7177-B			Q				U						
Countershaft drive, 73 ext. teeth	E2HZ 7177-G		2			2								
Countershaft drive, 62 ext. teeth	E2HZ 7177-H	2		2	2		2							
Countershaft drive	E7HZ 7177-E							2						
GASKET 7181														
Auxiliary countershaft rear bearing cover-	D4HZ 7181-B		P			2		2						
	E1HZ 7181-A			Q										
Aux. countershaft rear bearing cover	E9HZ 7181-A				2		2							
GEARSHIFT LEVER HOUSING TO GEARSHIFT 7185														
	E2HZ 7185-A	N	P	Q	R	S	T	U						
RETAINER (MAINSHAFT REAR BEARING) 7195														
CAP (COUNTERSHAFT REAR BEARING)- 5 5/8" square-(4) 13/32" holes	D0HZ 7195-C		P			2		2						
	E1HZ 7195-A			Q										
Aux. countershaft rear bearing	E9HZ 7195-A				2		2							
Mainshaft rear bearing	E9HZ 7195-B							2						
NUT LOCK 7198														
Aux. Mainshaft, 1-14UNS3B THD	E9HZ 7198-A				R		T							
PLUG (SHIFT DETENT) 7N204														
3/4-16 THD x 1" O.D.	E7HZ 7N204-A	N	P		R			U						
STUD (TRANSMISSION CLUTCH HOUSING) 5/8"-11 and 5/8"-18 x 2 7/16" long	D0HZ 7C207-B	6	6	6	6	6	6	6						
Nut-5/8"-18	34453-S8(M-89)	6	6	6	6	6	6	6						
SPRING 7219														
Low and reverse-1 15/32" free length x 1/2" O.D. Second and third	C8TZ 7219-C	3	3	3	3	3	3							
Reverse stop plunger-10 1/2 coils-5/8" O.D. x 1 11/16" free length Auxiliary transmission-air valve actuating plunger	B8QH 7219-A	N	P	Q	R	S	T	U						
	C6TZ 7219-E							3						
1 25/64" free length	E7HZ 7219-A	N	P	Q	R	S	T	U						
Ball-steel 1/2"	353079-S(AA-15)	3	3	3	3	3	3	3						
KEY 7B220														
Mainshaft gear-10 13/16" long-6 side design	D2HZ 7B220-A	N	P	Q		S								
Auxiliary output shaft-2 13/32" long x 5/16" wide	C6TZ 7B220-D			Q				U						
Countershaft, 3/8 sq x 7 1/2 long	E2HZ 7B220-D		2											
Countershaft, 3/8 sq x 5 3/16 long	E2HZ 7B220-B	2			2	2	2							
Mainshaft	E9HZ 7B220-A				R		T							
Countershaft	E7HZ 7B220-D							2						
Mainshaft	E7HZ 7B220-A							U						
HOUSING (GEARSHIFT) 7222														
Use with E8HT-YA,BLA,BMA	E3HZ 7222-A	N	P	Q	R	S	T							
Use with E8HT-ABA,ACA,BNA,BRA	D5HZ 7222-A			Q			T							
	E9HZ 7222-B							U						
GASKET (GEARSHIFT HOUSING) 7223														
16 1/2" x 11 1/2" x 1/16" thick-(14) 13/32" holes	C6TZ 7223-A	N	P	Q	R	S	T							
	C8TZ 7223-B							U						
COVER 7B227														
Position finder spring	C6TZ 7B227-A							U						

NOTICE: When the parts list suffix is shown in the quantity required column, the quantity is one (1).

DESCRIPTION/RESTRICTIONS	PART NUMBER	TRANSMISSION PARTS LISTS 8N THRU 8Z												
		N	P	Q	R	S	T	U	V	W	X	Y	Z	
<b>GASKET</b>		<b>7B228</b>												
Auxiliary shift cylinder-4 3/4" O.D. x 4" I.D. x 1/16" thick-(4) 13/32" holes	C6TZ 7B228-A		P		Q		S		U					
Output shaft splitter gear														
Auxiliary shift cylinder- 3 3/4" x 3 1/16" I.D. 1/16" thick-(4) 13/32" holes	C6TZ 7B228-B		P	Q		S		U						
Splitter gearshift-3 1/2" O.D. x 3 1/16" I.D.,	C6TZ 7B228-C	N		Q				U						
Splitter gearshift cylinder cover 3 5/8" bolt hole circle x 1/16" thick.(4) 11/32" holes	D2HZ 7B228-A			Q				U						
Aux. shift cylinder cover	E9HZ 7B228-A				R		T							
Aux. shift cylinder to case	E9HZ 7B228-B				R		T							
Position finder cover	C6TZ 7B228-E							U						
<b>FORK (GEARSHIFTER)</b>		<b>7230</b>												
GATE (GEARSHIFTER SHAFT)-First and second speed-2 1/8" long x 3/4" I.D., use with E8HT-YA,BLA,BMA	D0HZ 7230-C	N	P	Q	R	S	T							
Third and direct block, use with E8HT-ABA,ACA, BNA,BRA	C6TZ 7230-B			Q			T							
First and 2nd block, use with E8HT ABA,ACA, BNA,BRA	C6TZ 7230-A			Q			T							
First and second yoke	D4HZ 7230-E	N	P	Q	R	S	T							
Third and direct yoke	D4HZ 7230-F	N	P	Q	R	S	T							
	E7HZ 7230-D							U						
Screw (fork to shaft)-drilled hex. head-pointed-7/16"-20 x 1 5/32" overall length	371073-S(BB-539)	4	4	AR	4	4	4	4						
<b>FORK (GEARSHIFTER)</b>		<b>7231</b>												
Auxiliary shift-7 1/8" span x 1" dia. hole, use with	D1HZ 7231-A		P	Q		S		U						
Auxiliary range shift	E1HZ 7231-A			Q										
Reverse, use with E8HT-YA,BLA,BMA	D4HZ 7231-E	N	P	Q	R	S	T							
Reverse, use with E8HT-ABA,ACA,BNA,BRA	D5HZ 7231-A			Q			T							
	E7HZ 7231-E							U						
<b>GEAR</b>		<b>7L231</b>												
Aux. mainshaft reduction, 48 ext., 20 int. teeth	E2HZ 7L231-A			Q										
Aux. mainshaft reduction	E9HZ 7L231-A				R		T							
GATE (GEARSHIFTER SHAFT)-Third and direct-2 1/8" long x 7/16"-20 holes, use with E8HT-YA,BLA BMA	C8TZ 7232-C	N	P	Q	R	S	T							
Third and fourth, use with E8HT-ABA,ACA,BNA,BRA	D5HZ 7232-A			Q			T							
Screw (shifter shaft gate)-hex. drilled head-pointed-7/16"-20 x 1 5/32" overall length	371073-S(BB-539)	N	P	Q	R	S	T	3						
<b>PISTON (AUXILIARY SHIFT)</b>		<b>7233</b>												
2 31/32" dia. x 5/8" wide-(2) holes-12-24 thread	C6TZ 7233-A		P	Q	R	S	T	U						
Piston reduction	E9HZ 7233-A				R		T							
PIN (GEARSHIFT ROD INTERLOCK)	B8QH 7235-A	N	P	Q	R	S	T	U						
2 1/8" O.D. x 11/16" long														
<b>BAR (SHIFT YOKE)</b>		<b>7240</b>												
	C8TZ 7240-F							U						
SHAFT (GEARSHIFTER)-First and second speed-11 15/16" long, use with E8HT-YA,BLA,BMA	C8TZ 7241-E	N	P	Q	R	S	T							
Aux. shift yoke-1" O.D. x 7 15/32" long, use with	D2HZ 7241-A		P			S								
Range Cyl. 10 57/64" long 1" dia.	E2HZ 7241-A			Q										
First and Second, use with E8HT-ABA,ACA,BNA,BRA	D5HZ 7241-B			Q			T							
Reduction cyl.	E6HZ 7241-B	N						U						
PLUG (REVERSE STOP PLUNGER SPRING)-3/4"-16-slotted x 5/16" hole	B8QH 7245-A	N	P	Q	R	S	T	U						
PLUNGER (SHIFTER SHAFT GATE-REVERSE GATE)-1 19/32" long	B8QH 7247-A	N	P	Q	R	S	T	U						

1980/  
TRUCK SERIES 600/900

DESCRIPTION/RESTRICTIONS	PART NUMBER	TRANSMISSION PARTS LISTS 8N THRU 8Z												
		N	P	Q	R	S	T	U	V	W	X	Y	Z	
AIR FILTER-REGULATOR ASSY.	7B265													
#A-4740	E1HZ 7B265-A	N	P	Q		S		U						
#A-5161	E9HZ 7B265-A				R		T							
Plug 1/8" pipe	87708-57-8 (P-13-Z)	N	3	Q	R	S	T	U						
GEAR	7B267													
Mainshaft lower	E7HZ 7B267-C							U						
YOKE ASSY. (RANGE SHIFT)	7B283													
#A-5159	E9HZ 7B283-A				R		T							
#16517	D1HZ 7B283-A							U						
CYLINDER ASSY.	7B284													
Auxiliary air shift-6 3/16" long x 1" dia. hole	D1HZ 7B284-A			Q				U						
	D2HZ 7B284-A		P			S								
Range-reduction shift	E9HZ 7B284-A				R		T							
MAINSHAFT ASSY.	7R286													
#A-5156, auxiliary	E9HZ 7R286-A				R		T							
Pin	71553-S(N-75-A)				2		2							
GASKET (SHIFT DETENT)	7L287													
1 1/16" O.D. x 49/64 I.D.	E7HZ 7L287-A	N	P		R			U						
"O" RING (AUXILIARY SHIFT PISTON)	7288													
Large-rubber-3" O.D. x 2 5/8" I.D. x 7/32" wide	C6TZ 7288-A		P	Q	R	S	T	U						
Small-rubber-15/16" O.D. x 3/4" I.D. x 3/32" thick	C6TZ 7288-B		P	Q	R	S	T	U						
Reduction cyl. 1 27/64" I.D. x 9/64" thick	E6HZ 7288-B	N		Q				U						
Aux. drive gear-3 3/32 I.D. x 3 1/2 O.D.	D4HZ 7288-A	2	2	2		2								
Speedo opening-11/16" I.D. x 7/64" thick	E7HZ 7288-A	N	P	Q	R	S	T	U						
Slave valve, .203/.213 free I.D.	E9HZ 7288-A				2		2							
Reduction piston, 1.36/1.35 free O.D.	E9HZ 7288-B				R		T							
Air range valve	E8HZ 7288-A				R	S	T							
	E7HZ 7288-D							U						
YOKE	7289													
	E7HZ 7289-C							U						
MAGNET	7E290-A													
	E0TZ 7E290-A	3	3	3	3	3	3	3						
VALVE ASSY. (CONTROL SLAVE-ON TRANSMISSION)	7D292													
	E1HZ 7D292-A	N	P	Q	R	S	T	U						
SPRING (DIRECT SYNCHRO PLATE)- 1 37/64" free length-22 coils-9/32" dia.	C6TZ 7B294-A	3	3	3	3	3	3	3						
COVER ASSY. (AIR SHIFT CYLINDER)	7306													
	D2HZ 7306-A			Q				U						
SLEEVE (ADAPTER PLATE ALIGNMENT)- 21/32 long x 15/32" shank dia. x 3/4" large dia.	7311													
	E1HZ 7311-B	N	P	Q	R	S	T							
	E9HZ 7311-A							U						
GASKET	7314													
Range slave valve	E1HZ 7314-A	N	P	Q	R	S	T	U						
HOUSING-REAR	7B332-See also 7005													
	D8HZ 7B332-A		P			S								
Plate trans rear, #17250	E1HZ 7B332-A			Q										
#21431	E9HZ 7B332-A				R		T							
Bolt (bracket to case)-3/8"-16 x 3/4"	43256-S8 (U-77-F)	2	2	2	2	2	2	2						
Lockwasher-3/8"	34807-S8(X-66)	2	2	2	2	2	2	2						
SHAFT (GEARSHIFTER)-Third and direct- 11 5/16" long x 3/4" O.D., use with E8HT-YA,BLA BMA	C8TZ 7334-A	N	P	Q	R	S	T	U						

NOTICE: When the parts list suffix is shown in the quantity required column, the quantity is one (1).

DESCRIPTION/RESTRICTIONS	PART NUMBER	TRANSMISSION PARTS LISTS 8N THRU 8Z												
		N	P	Q	R	S	T	U	V	W	X	Y	Z	
<b>WASHER</b>		<b>7B334</b>												
Auxiliary output shaft reduction- 2 1/2" I.D. x 3 5/32" O.D. x 15/32" thick	C6TZ 7B334-B		P			S		U						
2 1/2" I.D. x 4 1/4" O.D. x 5/16" thick	C6TZ 7B334-A		P			S								
18 ext. teeth-2 25/32" I.D. x 3 7/8" O.D. x 7/16" wide	C6TZ 7B334-C		P			S								
2 49/64" I.D. x 4 3/32" O.D.	E1HZ 7B334-A			Q										
Aux. mainshaft-flat	E8HZ 7B334-A				R									
Aux. mainshaft-flat	E9HZ 7B334-A						T							
	D0HZ 7B334-B							U						
<b>CLUTCH (AUXILIARY SLIDING)</b>		<b>7B338</b>												
	E7HZ 7B338-A	N	P	Q	R	S	T	U						
<b>GEAR (MAINSHAFT THIRD)</b>		<b>7B340</b>												
52 ext.-18 int. teeth #19249	E2HZ 7B340-D		P			S								
Mainshaft o/drive, 48 ext.-18 int. teeth	E2HZ 7B340-E	N		Q	R		T							
Mainshaft third	E8HZ 7B340-A							U						
<b>GEAR (MAINSHIFT SLIDING CLUTCH)</b>		<b>7B341</b>												
18 ext.-17 int. teeth	D4HZ 7B341-A	3	3	3	3	3	3							
	E7HZ 7B341-C							2						
<b>GASKET (CASE REAR PLATE)</b>		<b>7B343</b>												
Auxiliary intermediate	C6TZ 7B343-B	N	P	Q	R	S	T	U						
Intermediate housing	E9HZ 7B343-A							U						
<b>SHAFT</b>		<b>7358</b>												
Low and reverse speed shift fork-9 27/32" long x 3/4" dia., use with E8HT-BHA,CFA	D0HZ 7358-A	N	P		R									
Includes bushing and snap ring	D7HZ 7358-A	N		Q				U						
Reverse, use with E8HT-ABA,ACA,BNA,BRA	D5HZ 7358-C			Q			T							
Rev. #14908-8 1/32" long, use with E8HT-YA,BGA BLA,BMA	C8TZ 7358-F			Q	R	S	T							
Reduction cyl. #16776	E6HZ 7358-A			Q										
#15100	C8TZ 7358-B							U						
#15101	C8TZ 7358-C							U						
PIN (CASE DOWEL)-1 7/16" long x 3/4" O.D.	C6TZ 7B362-A		2			2		2						
NUT-auxiliary mainshaft stop-2 5/8" hex. x 2"-16	C6TZ 7B364-A		P	Q	R	S	T	U						
<b>BEARING (REVERSE IDLER GEAR)</b>		<b>7B369</b>												
#EJS 7255-1 1/4" I.D. x 1 7/8" O.D.	C6TZ 7B369-A	2	2	2	2	2	2							
<b>YOKE ASSY. (REDUCTION SHIFT)</b>		<b>7R385</b>												
#A-5160	E9HZ 7R385-A				R		T							
<b>DEFLECTOR (TRANS OIL)</b>		<b>7C390</b>												
3 15/16" I.D. x 4 7/16" O.D.	E1HZ 7C390-A			Q										
<b>"O" RING</b>		<b>7B411</b>												
Shift cylinder seal- 63/64" I.D. x 1 1/8" O.D. x 9/64" thick	C6TZ 7B411-A		P	Q	R	S	T	U						
Reduction piston housing	C6TZ 7B411-B				R		T							
Shift cylinder seal- 1 11/64" I.D. x 9/64" thick	E6HZ 7B411-A	N		Q				U						
<b>SPACER (YOKE BAR)</b>		<b>7B416</b>												
Reverse-25/32" I.D. x 15/32" thick x 1 or 1 1/16" O.D.	E1HZ 7B416-A		P											
<b>COLLAR (SEALING)</b>		<b>7K449</b>												
3/8" I.D.	E1HZ 7K449-A		P	Q		S		U						
<b>SPACER (REVERSE IDLER GEAR SHAFT)</b>		<b>7482</b>												
11/16" I.D. x 1 1/2" O.D. x 7/32" thick x 1/64" thick	C6TZ 7482-A	2	2	2	2	2	2							
WASHER (REVERSE IDLER)-2 3/4" O.D. x 1 1/8" I.D. x 17/32" wide	D0HZ 7482-A	2		2		2								
	E7HZ 7482-B							2						

1980/  
TRUCK SERIES 600/900

DESCRIPTION/RESTRICTIONS	PART NUMBER	TRANSMISSION PARTS LISTS 8N THRU 8Z												
		N	P	Q	R	S	T	U	V	W	X	Y	Z	
HOUSING (CLUTCH)-#16329		7505												
Use with E8HT-YA,ACA,BHA,CFA,BMA,BRA	D4HZ 7505-F	N	P	Q	R		T							
Use with E8HT-ABA,BGA,BLA,BNA	D5HZ 7505-A			Q	R	S	T							
	E1HZ 7505-C							U						
PIN (AIR VALVE ACTUATING)		7A507												
5/16" dia. shank x 3/4" collar x 9/16" plunger	E4HZ 7A507-A	N	P	Q	R	S	T							
	E4HZ 7A507-B							U						
BUSHING		7508												
Clutch housing pedal shaft x 1" long x 1 1/8"	C6TZ 7508-A	4	4	AR	AR	2	AR	8						
Clutch pedal shaft-1 5/8" long x 1 1/8" O.D. x 1" I.D.	C6TZ 7508-B			AR	AR	S	AR							
CYLINDER (SPLITTER GEAR SHIFT)		7A508												
	E6HZ 7A508-B	N		Q				U						
COVER (CLUTCH HOUSING DUST)-(2) mounting holes	C6TZ 7564-A			AR	R	S	T							
(4) mounting holes	D0HZ 7564-A	N	P	AR	R		T	U						
GASKET (CLUTCH HOUSING TO CASE)	C6TZ 7A619-B	N	P	Q	R	S	T							
	E7HZ 7A619-B							U						
SNAP RING (AUXILIARY REDUCTION GEAR)- 3 23/32" I.D. x 4 1/8" O.D. x 3/32" wide	C6TZ 7A628-A	N	P			S		U						
2 1/2" I.D. x 3/32" wide	E1HZ 7A628-A			Q										
TROUGH (OIL)		7716												
	E6HZ 7716-A	N	P	Q	R	S	T							
	E9HZ 7716-A							U						
WASHER (REVERSE IDLER GEAR THRUST)- 2 11/32" O.D. x 1 1/8" I.D. x 13/64" thick	C6TZ 7728-A	2	2	2	2	2	2							
	E7HZ 7728-C							2						
SEAL (AUXILIARY REAR BEARING COVER OIL)		7918												
Seal and slinger	E7HZ 7918-A	N	P	Q	R	S	T	U						
TROUGH (OIL)		7961												
Rear case	E9HZ 7961-A							U						
BUSHING (SPEEDOMETER)		B8QH 17323-A												
Nut-rev-idler shaft-5/8-18	371530-S7(MM161-A)	AR	AR	AR	AR	AR	AR	AR						
Cap screw-c/shft. frt. brg. 5/8-18 x 1 3/4	377850-S(BB273-A)	AR	AR	AR	AR	AR	AR	AR						
Cap screw-range slave valve-1/4-20 x 1.10	304680-S36M(BB429-K)	AR	AR	AR	AR	AR	AR	AR						
Cap screw-shift bar. hsg.-3/8-16 x 1 1/2	58636-S2(B85-D)	AR	AR	AR	AR	AR	AR	AR						
Cap screw-frt. brg. cur. shft. hsg.3/8-16 x 1 1/4	58635-S2(B82-A)	AR	AR	AR	AR	AR	AR	AR						
Cap screw-rear case to main case, 3/8-16 x 1 3/4	58637-S2(B86-A)	AR	AR	AR	AR	AR	AR	AR						
Cap screw-aux. dr. gr. brg. ret. 3/8-16 x 7/8	42998-S8(B252-A)	AR	AR	AR	AR	AR	AR	AR						
Cap screw-case rr hsg. 3/8-16 x 2	58638-S2(B89-A)	AR	AR	AR	AR	AR	AR	AR						
Plug-filler-1 1/4 pipe	374501-S(PP-52-F)	AR	AR	AR	AR	AR	AR	AR						
Cap screw-rr brg. cover-3/8-16 x 2 3/4	373139-S(BB163)	AR	AR	AR	AR	AR	AR	AR						

NOTICE: When the parts list suffix is shown in the quantity required column, the quantity is one (1).

DESCRIPTION/RESTRICTIONS	PART NUMBER	TRANSMISSION PARTS LISTS 9A THRU 9M												
		A	B	C	D	E	F	G	H	J	K	L	M	
SEAL (OUTPUT SHAFT BEARING RETAINER OIL)-Refer to group 7918	4813													
Plug	7A002													
Plug (aux. air shift cyl. 7306)	D3HZ 7A002-A	A	B	C	D	E	F	G	H					
CASE ASSY.-incl. magnetic chip collectors	7005													
#15390	D5HZ 7005-B				D		F		H	J	K	L	M	
#15665-N/R 10/89	★ D0HZ 7005-C	A	B	C		E		G						
Plug (filler)-1 1/4" pipe	353094-S(PP-34)	A	B	C	D	E	F	G	H	J	K	L	M	
Stud-5/8"-11 and 5/8"-18 x 2 5/32" long	374423-S7-8(WW-66)	6	6	6	6	6	6	6	6	6	6	6	6	6
Plug-1/2"-14	357985-S(PP-48)	A	B	C	D	E	F	G	H	J	K	L	M	
Plug-3/4" magnetic	353240-SA(PP-52)	A	B	C	D	E	F	G	H	J	K	L	M	
CASE (HOUSING)	7005													
ELEMENT (OIL FILTER)-2 1/2" O.D. x 1" I.D. x 2 1/16" long	C1TT 7C012-A	A	B	C	D	E	F	G	H	J	K	L	M	
COVER (OIL FILTER)-6 1/4" x 4 7/8" x 2" high (6) 13/32" bolt holes	C1TT 7C013-H	A	B	C	D	E	F	G	H	J	K	L	M	
Bolt (cover to case)-hex. head-3/8"-16 x 1"	58634-S2(B-80B)	6	6	6	6	6	6	6	6	6	6	6	6	6
Lockwasher-3/8"	34807-S8(X-66)	6	6	6	6	6	6	6	6	6	6	6	6	6
PLATE	7C014													
#17503	D8HZ 7C014-A					E								
Oil reservoir-7 1/16" long-(2) 13/32" holes	D4HZ 7C014-A					E								
SHAFT (INPUT)	7017													
18 teeth-10 splines x 12 1/8" long, 15110	D4HZ 7017-F	A	B	C		E		G						
18 teeth-10 splines x 11 15/16" long, 16465	D4HZ 7017-E				D		F		H	J	K	L	M	
BEARING	7025													
212L or 212SLV-1 3/16" I.D. x 13/32" wide	C6TZ 7025-A	A	B	C	D	E	F	G	H	J	K	L	M	
Countershaft front-#211SL-3 15/16" O.D. x 2 5/32" I.D. x 53/64" wide	TGAA 7025-A	2	2	2	2	2	2	2						
Countershaft front #309 MG	E2HZ 7025-A								2	2	2			
Countershaft front, incl. snap ring & race	E2HZ 7025-B											2	2	
SNAP RING	7030													
1 7/16" free I.D. x 3/32" thick	C6TZ 7030-A	2	2	2	2	2	2	2	2	2	2	2	2	2
VENT (CASE)	7034													
1/8" pipe thread x 1" long	D1TZ 7034-A	A	B	C	D	E	F	G						
2" long x 1 5/8" O.D. x 1/4" pipe thread	C7TZ 7034-A	A	B			E	F		H	J	K	L	M	
COVER	7C035													
Auxiliary shift cylinder- 4 1/4" x 4 1/4" x 1 1/4" thick-(4) 13/32" holes	C6TZ 7C035-A	A	B	C	D	E	F							
#19690	E2HZ 7C035-A								H	J	K	L	M	
PLATE and PIN ASSY. (SYNCHRONIZER)	7A044													
Direct-6 1/2" O.D. incl. (3) Pins	D6HZ 7A044-A	A	B	C	D	E	F	G	H	J	K	L	M	
Reduction-7" O.D.-incl. (3) pins.	C6TZ 7A044-A	A	B	C	D	E	F	G	H	J	K	L	M	
NUT (INPUT SHAFT BEARING RETAINER)	C1TT 7045-A	A	B	C	D	E	F	G	H	J	K	L	M	
3 1/4" O.D. x 2 1/8"-16 thread														
RETAINER (INPUT SHAFT BEARING)	7050													
6 9/16" O.D. x 1 1/32" wide, 15111	D4HZ 7050-A	A	B	C	D	E	F	G	H	J	K	L	M	
Bolt-3/8"-16 x 1 1/2" hex head	20468-S8(B-85)	4	4	4	4	4	4	4	4	4	4	4	4	4
Lockwasher-3/8"	34807-S8(X-66)	4	4	4	4	4	4	4	4	4	4	4	4	4
GASKET (INPUT SHAFT BEARING RETAINER)	7051													
4 21/32" I.D. x 6 1/2" O.D. x 1/64" thick (6) 13/32" holes	C6TZ 7051-F	A	B	C	D	E	F	G	H	J	K	L	M	
SPACER (INPUT SHAFT)	7A059													
WASHER (OUTPUT SHAFT REAR)	D4HZ 7A059-B				D							L	M	
2 1/32" I.D. x 3" O.D. x 3/16" thick														
2 3/8" I.D. x 2 23/32" O.D. x 5/16" thick	C9TZ 7A059-A	A	B	C		E		G						
2 3/8" I.D. x 2 7/8" O.D. x 5/32" thick	D4HZ 7A059-A				D		F		H	J	K	L	M	



1980/  
TRUCK SERIES 600/900

DESCRIPTION/RESTRICTIONS	PART NUMBER	TRANSMISSION PARTS LISTS 9A THRU 9M												
		A	B	C	D	E	F	G	H	J	K	L	M	
SHAFT (OUTPUT)	7061													
KIT (MAINSHAFT) solid type	D1HZ 7061-A	A	B	C		E		G						
Consists of														
1-A-4414	Mainshaft assy. 2-16723					Snap rings	1-16835						Mainshaft key	
1-16566	Clutch shaft bushing 1-16788					Aux. drive gear coupling washer	1-Instruction sheet							
Auxiliary-10-13 splines x 10 3/4" long	C6TZ 7061-A	A	B	C		E	F							
17 splines-13 31/32" long	D4HZ 7061-F				D		F		H	J	K			
12 11/32" long-10-18 splines-aux.	D4HZ 7061-G				D									
#19281	E2HZ 7061-D								H	J	K			
Auxiliary-10-18 splines x 12 11/32 long	E2HZ 7061-H											L	M	
SNAP RING	7064													
Output shaft-2 3/16" O.D. x 1 13/16" I.D. x 3/32" thick	D0HZ 7064-H	2	2	2		2	2	2	2	2	2			
Auxiliary countershaft rear bearing		2	2	2		2	2		2	2	2			
Aux. drive gear-3 3/32" I.D. x 3 19/32" O.D. x 1/8" thick	D0HZ 7064-F	A	B	C		E		G						
Output shaft-2 3/4" I.D. x 2 15/16" O.D. x 3/32" thick	C6TZ 7064-A	A	6	6		6		6						
Input shaft-3 1/16" O.D. x 3/32" wide	C6TZ 7064-E				6		6		6	6	6	6	6	
Aux. drive gear-3 9/32" x 3 29/32" O.D. x 1/8" thick	D4HZ 7064-E				D		F		H	J	K	L	M	
Output shaft-2 3/32" I.D. x 2 7/16" O.D. x 3/32" thick	D4HZ 7064-F				2		2					2	2	
Aux. countershaft rear bearing	D4HZ 7064-D				2							2	2	
BEARING	7065													
Auxiliary countershaft-rear-#1310L-incl .snap ring 1 31/32" I.D. x 4 21/64" O.D. x 1 1/16" wide	B7QH 7065-A	2	2	2		2	2		2	2	2			
Aux. countershaft rear	B8QH 7065-B				2							2	2	
Auxiliary drive gear-#117L or 213	C6TZ 7065-A	A	B	C		E		G						
Auxiliary drive gear #118-L	C6TZ 7065-F				D		F		H	J	K	L	M	
Washer (output shaft gear) 17 teeth 2 27/32" O.D. x 1/4" wide	D8HZ 7069-A				5		5		5	5	5	5	5	
2 5/8" O.D. -15 int. teeth-#18717	E0HZ 7069-A						5		5					
GEAR (AUXILIARY DRIVE)	7A079													
#18869, 30-18-17 teeth	E1HZ 7A079-A						F							
#18725, 32-18-15 teeth	D8HZ 7A079-A	A	B	C		E		G						
#19275	E2HZ 7A079-A								H	J			M	
#19254	E2HZ 7A079-B										K	L		
RETAINER ASSY.	7085													
Output shaft bearing-1 15/16" long (6) 13/32" holes	C6TZ 7085-B	A	B	C		E	F		H	J	K			
Aux. rear bearing-8" dia. x 4 23/32" I.D.	D0HZ 7085-C	A	B	C		E		G						
Aux. drive gear bearing-8" dia. x 5 1/16" I.D.	D4HZ 7085-B				D		F		H	J	K	L	M	
2 1/8" wide (6) 13/32" holes	E8HZ 7085-D				D							L	M	
Bolt-hex. head-3/8"-16 x 2 3/4"	373139-S(BB-163)	6	6	6	6	6	6	6	6	6	6	6	6	
Lockwasher-3/8"	34807-S8(X-66)	5	5	5	5	5	5	5	5	5	5	5	5	
Washer-flat-3/8"	356425-S(XX-136)	A	B	C	D	E	F	G	H	J	K	L	M	
GASKET (OUTPUT SHAFT BEARING RETAINER)-4 5/8" I.D. x 6 1/4" O.D.- (10) 13/32" holes	C8TZ 7086-C	A	B	C	D	E	F		H	J	K	L	M	
FLANGE (OUTPUT SHAFT)-Refer to group in Section 71 for Size Chart	7089													
Note:	▲ Industry Designation													

NOTICE: When the parts list suffix is shown in the quantity required column, the quantity is one (1).

DESCRIPTION/RESTRICTIONS	PART NUMBER	TRANSMISSION PARTS LISTS 9A THRU 9M												
		A	B	C	D	E	F	G	H	J	K	L	M	
<b>GEAR</b>		<b>7100</b>												
42 ext. 18 int. teeth-7 23/64 O.D.	E0HZ 7100-B					E								
17-17 teeth-13 53/64 long	E0HZ 7100-A					2		2						
Roll Pin	353847-S8(NN-109-A)					2		2	2	2	2	2	2	
Countershaft low and reverse-17 ext. 17 int. teeth 3 3/4" O.D. x 13 13/16" long	D0HZ 7100-C	2	2	2										
Output shaft first speed-38 external 18 internal teeth-7 21/32" O.D. x 1 1/8" wide	D0HZ 7100-K	A	B	C				G						
38 ext. 18 int. teeth-7 21/32" O.D. x 1 5/32" wide	D4HZ 7100-C				D		F							
Mainshaft-First-18 int.-60 ext. teeth	E2HZ 7100-B								H	J			M	
Mainshaft-first 18 int.-60 ext. teeth	E2HZ 7100-E										K	L		
Countershaft-17 17 teeth, 13 3/4" long	E2HZ 7100-C								2	2	2	2	2	
<b>GEAR</b>		<b>7101</b>												
Auxiliary output-42 external teeth- 8 7/8" O.D. x 1 1/2" wide	C6TZ 7101-A	A	B	C			F							
46 ext. 18 int. teeth 9 7/32" O.D. 2 1/8" wide	D4HZ 7101-D				D									
34 external, 17 18 internal teeth	D8HZ 7101-A				D									
48 ext.-18 int. teeth	E2HZ 7101-B								H	J				
Aux. mainshaft reduction 42 ext. 18 int. teeth	E1HZ 7101-D										K			
Aux. mainshaft reduction 42 ext. 18 int. teeth	E2HZ 7101-H											L		
<b>GEAR</b>		<b>7102</b>												
Low speed-44 external-18 internal teeth 8 5/8" O.D. x 1 1/8" wide	D0HZ 7102-D	A	B	C		E		G						
Low speed-44 external-18 internal teeth 8 5/8" O.D. x 1 5/32" wide	D4HZ 7102-A				D		F		H	J	K	L	M	
46-18 teeth, 9 5/32" dia. x 1 1/2" wide	D0HZ 7102-A					E								
Aux. mainshaft reduction-48 ext. 18 int. teeth	E2HZ 7102-B												M	
<b>SHAFT (AIR VALVE ACTUATING)</b>		<b>7B104</b>												
5 1/2" long-3/4" O.D.	E9HZ 7B104-A	A	B	C	D	E	F	G	H	J	K	L	M	
<b>COUNTERSHAFT</b>		<b>7113</b>												
#A-4723-Aux. Countershaft	E2HZ 7113-K											2		
#A-4728-Aux. Countershaft	E2HZ 7113-P												2	
#A-4588-Aux. Countershaft	E1HZ 7113-A						2							
#A-4727 Aux. Countershaft	E2HZ 7113-F								2	2				
Countershaft (low and reverse) 17 teeth 13 5/16" long	D4HZ 7113-F				2		2							
#A-4333-Aux. Countershaft	D8HZ 7113-D				2									
#A-4722-Aux. Countershaft	E2HZ 7113-J										2			
<b>SNAP RING</b>		<b>7115</b>												
Countershaft front bearing-2 3/16" I.D. x 2 25/32" O.D. x 5/32" thick	D4HZ 7115-B				2		2							
Countershaft-2 11/32" free I.D. x 5/64" thick	E2HZ 7115-A								2	2	2	2	2	
<b>BEARING</b>		<b>7118</b>												
Auxiliary mainshaft-rear. #A2689-A-2 1/2" I.D. x 4 1/2" O.D. x 2 23/32" wide	C6TZ 7118-B	A	B	C		E	F		H	J	K			
A-33775 2 3/4" I.D. x 4 7/16" O.D. x 3" wide	D4HZ 7118-B				D							L	M	
Aux. Counte.shaft-front #MA1307EL or MR1307EL - 1 3/8" I.D. x 3 9/64" O.D. x 13/16" wide	C1TZ 7118-A	2	2	2	2	2	2	2	2	2	2	2	2	
Bushing (input shaft)- 1 11/32" I.D. x 1 5/8" O.D. x 3/4" wide	D0HZ 7120-C	A	B	C	D	E	F	G	H	J	K	L	M	
<b>SYNCHRONIZER KIT</b>		<b>7124</b>												
Consists of: 7A044 (2), 7B294(3)	D9HZ 7124-B	A	B	C	D	E	F	G	H	J	K	L	M	
<b>BEARING (COUNTERSHAFT)</b>		<b>7127</b>												
Rear-#MRY 1308-GEL, 1 9/16" I.D. 3 35/64" O.D. 29/32" wide	C6TZ 7127-A	2	2	2	2	2	2	2	2	2	2	2	2	

1980/  
TRUCK SERIES 600/900

DESCRIPTION/RESTRICTIONS	PART NUMBER	TRANSMISSION PARTS LISTS 9A THRU 9M												
		A	B	C	D	E	F	G	H	J	K	L	M	
<b>RETAINER</b>		<b>7135</b>												
Mainshaft coupling-2 1/4" O.D. x 3/16" thick-(2) 11/32" holes	C6TZ 7135-A					E	F	2						
Countershaft bearing-front	D0HZ 7135-C	2	2	2	2									
Countershaft bearing-front	E2HZ 7135-A								2	2	2			
Countershaft bearing front, incl. roll pin	E2HZ 7135-B												2	2
<b>GEAR</b>		<b>7137</b>												
Third speed-36 teeth-6 11/32" O.D. x 2 1/4" I.D. 1 3/8" wide	D0HZ 7137-C	2	2	2				2						
Second speed-30 teeth-5 1/2" O.D. x 2 1/4" I.D. 1 55/64" wide	D0HZ 7137-D	2	2	2				2						
Third speed-36 teeth-6 11/32" O.D. x 2 1/2" I.D.	D4HZ 7137-D				2		2							
Second speed-30 teeth-5 1/2" O.D. x 2 31/64" I.D.	D4HZ 7137-C				2		2							
Overdrive-45 teeth-7 39/64 O.D.	E0HZ 7137-A						2							
Second-33 teeth-5 15/16 O.D.	E0HZ 7137-B						2							
Second-46 teeth	E2HZ 7137-D								2	2				2
Overdrive-73 teeth	E2HZ 7137-C								2	2				2
Countershaft 3rd-62 ext. teeth	E2HZ 7137-F											2	2	
Countershaft 2nd-44 ext. teeth	E2HZ 7137-G											2	2	
Bolt-round head-24 x 1 1/32"	376323-S(BB-390-R)	2	2	2	2	2	2	2	2	2	2	2	2	2
<b>SHAFT (REVERSE IDLER GEAR)</b>		<b>7140</b>												
4 11/16" long	D0HZ 7140-A	2	2	2	2	2	2	2	2	2	2	2	2	2
Nut-hex. head-1/2"-20	34449-S7-8(M-85)	2	2	2	2	2	2	2	2	2	2	2	2	2
Washer-flat-1/2"	44735-S8(X-32)	2	2	2	2	2	2	2	2	2	2	2	2	2
<b>GEAR (REVERSE IDLER)</b>		<b>7142</b>												
46 ext. 18 int. teeth 7 15/16" O.D. x 1 5/32" wide	D4HZ 7142-B				D		F		H	J	K	L	M	
46 external-18 internal teeth-8" O.D. x 1 3/16" wide	D0HZ 7142-D	A	B	C		E		G						
27 teeth-1 7/8" I.D. x 4 29/64" O.D. x 1 1/4" wide	D0HZ 7142-E	2	2	2		2		2						
27 teeth-1 9/16" I.D. x 4 29/32" O.D. x 1 5/16" wide	D4HZ 7142-A				2		2		2	2	2	2	2	2
<b>GEAR (COUNTERSHAFT P.T.O.)</b>		<b>7144</b>												
L.H. 47 teeth-8" dia. x 1 1/16" wide	C6TZ 7144-B	A	B	C		E		G						
R.H. 45 teeth-7 3/4" dia. x 1 1/16" wide	C6TZ 7144-C	A	B	C		E		G						
R.H. 45 teeth-7 3/4" dia x 1 1/16" wide	D4HZ 7144-D				D		F		H	J	K	L	M	
L.H. 47 teeth-8 3/32" dia. x 1" wide	D4HZ 7144-E				D		F		H	J	K	L	M	
<b>GASKET KIT</b>		<b>7153</b>												
	C6TZ 7153-A	A	B	C		E		G	H	J	K			
	D4HZ 7153-C				D		F					L	M	
<b>GEAR</b>		<b>7158</b>												
28 ext., 18 int. teeth 5 3/16" O.D. x 1 9/32" wide	D4HZ 7158-C				D		F							
38 ext., 18 int. teeth 6 29/32" O.D. x 1 5/32" wide	D4HZ 7158-B				D		F							
Input shaft drive-28 external-18 internal teeth-5 1/4" O.D. 1 1/8" wide	D0HZ 7158-K	A	B	C				G						
Output shaft second-38 external-18 internal teeth-6 29/32" O.D. 1 1/16" wide	D0HZ 7158-J	A	B	C				G						
36 ext., 18 int. teeth 6 13/32" O.D.	E0HZ 7158-A					E								
30 ext., 18 int. teeth 5 33/64" O.D.	E0HZ 7158-B					E								
Input shaft drive-18 int.-52 ext. teeth	E2HZ 7158-E								H	J				M
Mainshaft second-18 int.-50 ext. teeth	E2HZ 7158-D								H	J				M
Input shaft drive-18 int.-48 ext. teeth	E2HZ 7158-F										K	L		
Mainshaft second-18 int.-56 ext. teeth	E2HZ 7158-J										K	L		
<b>COVER (POWER TAKE OFF)</b>		<b>7165</b>												
9 5/8" long x 7 3/8" wide x (8) 15/32" holes	D1HZ 7165-A	A	B	C	D	E	F	G	H	J	K	L	M	
6 1/4" x 4 7/8"	C6TZ 7165-B	A	B	C	D	E	F	G	H	J	K	L	M	
Bolt (cover to case)-3/8"-16 x 5/8"	20328-S8(B-76)	8	8	8	8	8	8	8	8	8	8	8	8	8
Lockwasher-3/8"	34807-S8(X-66)	8	8	8	8	8	8	8	8	8	8	8	8	8
Lockwasher-3/8"-external teeth	351487-S(XX-291)	8	8	8	8	8	8	8	8	8	8	8	8	8
Bolt-hex. head-3/8"-16 x 1 1/2"	20468-S8(B-85)	6	6	6	6	6	6	6	6	6	6	6	6	6
Lockwasher-3/8"	34807-S8(X-66)	6	6	6	6	6	6	6	6	6	6	6	6	6

NOTICE: When the parts list suffix is shown in the quantity required column, the quantity is one (1).

DESCRIPTION/RESTRICTIONS	PART NUMBER	TRANSMISSION PARTS LISTS 9A THRU 9M												
		A	B	C	D	E	F	G	H	J	K	L	M	
GASKET (OIL FILTER HOUSING) 7166														
6 1/4" x 4 7/8" x 1/16" thick-(6) 13/32" holes	E7HZ 7166-A	A	B	C	D	E	F	G	H	J	K	L	M	
9 1/4" long-7" wide-1/32" thick-(8) 15/32" holes	D1HZ 7166-A	A	B	C	D	E	F	G	H	J	K	L	M	
WASHER (OUTPUT SHAFT) 7173														
18 ext. teeth, 2 19/32" dia. x 9/32" thick	C6TZ 7173-J				5		5		5	5	5	5	5	
18 ext. teeth, 2 15/16" dia. x 9/32" thick	C6TZ 7173-A	5	5	5		5		5						
15 int. teeth, 2 5/8" dia. x .249" thick	C6TZ 7173-B	AR	AR	AR		AR		AR						
15 int. teeth, 2 5/8" dia. x .254" thick	C6TZ 7173-C	AR	AR	AR		AR		AR						
15 int. teeth, 2 5/8" dia. x .259" thick	C6TZ 7173-D	AR	AR	AR		AR		AR						
15 int. teeth, 2 5/8" dia. x .264" thick	C6TZ 7173-E	AR	AR	AR		AR		AR						
15 int. teeth, 2 5/8" dia. x .269" thick	C6TZ 7173-F	AR	AR	AR		AR		AR						
15 int. teeth, 2 5/8" dia. x .274" thick	C6TZ 7173-G	AR	AR	AR		AR		AR						
HOSE 7B175														
Air supply-18" long x 1/8"-27 pipe thread	D0HZ 7B175-C				D									
27" long	C6TZ 7B175-A	A	B	C		E	F	G				L	M	
17" long	C9TZ 7B175-A	A	B	C		E	F	G						
28" long	D4HZ 7B175-A	A	B	C	2	E	F	G	H	J	K			
26" long-1/8"-27 thread ends	D2HZ 7B175-A								H	J	K			
29" long-1/8"-27 thread ends	C6TZ 7B175-B								H	J	K	L	M	
Clip (hose to case)	357946-S8(GG-152)	2	2	2	2	2	2	2	2	2	2	2	2	
GEAR (COUNTERSHAFT FIRST SPEED)-22 teeth														
27 teeth, 4 31/32 O.D.	E0HZ 7176-A					2								
22 teeth-4 25/32" O.D. x 1 7/8"	D4HZ 7176-B				2		2							
39 teeth	E2HZ 7176-A								2	2			2	
Countershaft-first-35 ext. teeth	E2HZ 7176-B										2	2		
GEAR 7177														
#A-4521-Auxiliary countershaft	D8HZ 7177-E	2	2	2				2						
Countershaft drive-40 teeth, 7 1/8" O.D. x 2 1/4" I.D. x 1 29/64" wide	D0HZ 7177-K	2	2	2				2						
40 teeth-2 1/2" I.D. x 7 3/32" O.D. x 1 13/32" wide	D4HZ 7177-E				2		2							
38 teeth, 6 29/32" O.D.	E0HZ 7177-A					2								
#A-4519-Auxiliary Countershaft	D8HZ 7177-F					2								
Countershaft drive-66 ext. teeth	E2HZ 7177-D								2	2			2	
Countershaft drive-69 ext. teeth	E2HZ 7177-F										2	2		
GASKET 7181														
Auxiliary countershaft rear bearing cover- 4 19/32" I.D. x 1/32" thick	D4HZ 7181-B	2	2	2		2	2	2	2	2	2			
	D4HZ 7181-D				2							2	2	
GEARSHIFT LEVER HOUSING TO GEARSHIFT HOUSING)-6 5/8" x 5 3/8" x 1/64" thick-(4) 7/16" bolt holes														
	C1TT 7185-A	A	B	C	D	E	F	G						
	E2HZ 7185-A									J	K	L	M	
RETAINER (MAINSHAFT REAR BEARING) 7195														
CAP (COUNTERSHAFT REAR BEARING)- 5 5/8" square-(4) 13/32" holes	D0HZ 7195-C	2	2	2		2	2	2	2	2	2			
5 3/4 bolt hole dia.	D4HZ 7195-E				2							2	2	
STUD (TRANSMISSION CLUTCH HOUSING) 5/8"-11, 5/8"-18 THD. 2 7/16" long														
	D0HZ 7C207-B	6	6	6	6	6	6	6	6	6	6	6	6	
SPRING 7219														
Reverse stop plunger-10 1/2 coils-5/8" O.D. x 1 11/16" free length	B8QH 7219-A	A	B	C	D	E	F	G	H	J	K	L	M	
Auxiliary transmission-air valve actuating plunger		A	B	C	D	E	F	G						
1 15/32" free length x 1/2" O.D.- Low and reverse, first and second	C8TZ 7219-C	2	2	2	3	2	3	2	3	3	3	3	3	
1 1/2" free length x 1/2" O.D.- Third and direct	C8TZ 7219-D	A	B	C		E		G						
1 1/4" free length-range slave Pin	E1HZ 7219-A								H	J	K	L	M	
Ball-steel 1/2"	353079-S(AA-15)	3	3	3	3	3	3	3	3	3	3	3	3	

**1980/  
TRUCK SERIES 600/900**

DESCRIPTION/RESTRICTIONS	PART NUMBER	TRANSMISSION PARTS LISTS 9A THRU 9M												
		A	B	C	D	E	F	G	H	J	K	L	M	
KEY	7B220													
Countershaft gear-5 1/8" long-5/16" x 5/16"	D1HZ 7B220-B	2	2	2		2		2						
Mainshaft gear-10 13/16" long-6 side	D2HZ 7B220-A	A	B	C	D	E	F	G	H	J	K	L	M	
Countershaft-3/8 square x 5 3/16" long	E2HZ 7B220-B				2		2		2	2	2	2	2	
Ball steel 3/4" dia.	★ C1TZ 7C220-A N/R(1/76)	2	2	2	2	2	2	2	2	2	2	2	2	
HOUSING (GEARSHIFT)	7222													
Use with E2HT 7003-BKA,CUA on List "L"	E2HZ 7222-A									J		L	M	
#16913	D6HZ 7222-C		B	C				G						
#17115, use with E0HT 7003-AMA,ANA-"List F", E2HT 7003-DA,CUA,CYA on List "L"	D5HZ 7222-A				D		F		H			L		
Use with E0HT 7003-ARA,ASA-"List F"	E3HZ 7222-A	A				E	F				K			
Bolt-hex. head-3/8"-16 x 1 1/2"	20468-S8(B-85)	16	16	16	16	16	16	16	16	16	16	16	16	
Lockwasher-3/8"	34807-S8(X-66)	16	16	16	16	16	16	16	16	16	16	16	16	
GASKET (GEARSHIFT HOUSING)	7223													
16 1/2" x 11 1/2" x 1/16" thick	C6TZ 7223-A	A	B	C	D	E	F	G	H	J	K	L	M	
Bolt-hex. head-3/8"-18 x 1 1/2"	20468-S8(B-85)	2	2	2	2	2	2	2	2	2	2	2	2	
Lockwasher-3/8"	34807-S8(X-66)	2	2	2	2	2	2	2	2	2	2	2	2	
GASKET	7B228													
Auxiliary shift cylinder-4 3/4" O.D. x 4" I.D. x 1/16" thick-(4) 13/32" holes	C6TZ 7B228-A	A	B	C	D	E	F	G	H	J	K	L	M	
Output shaft splitter gear														
Auxiliary shift cylinder-3 3/4" x 3 1/16" I.D. 1/16" thick-(4) 13/32" holes	C6TZ 7B228-B	A	B	C	D	E	F		H	J	K	L	M	
FORK (GEARSHIFTER)	7230													
First and second-2 3/8" inside span	C8TZ 7230-D	A	B	C		E		G						
GATE (GEARSHIFTER SHAFT)	7230													
First and Second-2 19/32" wide x 3/4" dia. bushing hole, use with E0HT 7003-AMA,ANA List "F" E2HT 7003-BA-List "K",DA,CVA,CYA list "L"	C6TZ 7230-A			C	D		F	G	H		K	L		
Third and direct-2 19/32" wide x 3/4" dia., use with E2HT 7003-BA-List "K",DA,CVA,CYA List "L"	C6TZ 7230-B			C	D		F	G	H		K	L		
Block, first and second 2 1/8" long x 7/16"-20 thread #15770, Use with E0HT 7003-ARA,ASA List "F", also E2HT 7003-DAA,DAB-List "K",BKA,CUA-List "L"	D0HZ 7230-C	A				E	F			J	K	L	M	
First and second-#16135-shift fork	D4HZ 7230-E				D		F		H	J	K	L	M	
Third and direct-#16136-shift fork	D4HZ 7230-F				D		F		H	J	K	L	M	
FORK (GEARSHIFTER)	7231													
Low and reverse	C6TZ 7231-A		B	C				G						
Low and reverse #16131 use with E0HT 7003-AMA,ANA-"List F" E2HT 7003-BA-List "K",DA,CVA,CYA List "L"	D5HZ 7231-A				D		F		H		K	L		
#16338, use with E0HT 7003-ARA,ASA-"List F", ALSO E2HT 7003-DAA,DAB-List "K",BKA,CUA-List "L"	D4HZ 7231-E						F			J	K	L	M	
Auxiliary shift-7 1/8" span x 1" dia. hole	D1HZ 7231-A	A	B	C	D	E	F		H	J	K	L	M	
Low and reverse-2 3/8" inside width	C8TZ 7231-J	A				E								
Third and direct-2 25/64" inside width	C6TZ 7231-L	A	B	C		E		G						

**NOTICE:** When the parts list suffix is shown in the quantity required column, the quantity is one (1).

DESCRIPTION/RESTRICTIONS	PART NUMBER	TRANSMISSION PARTS LISTS 9A THRU 9M												
		A	B	C	D	E	F	G	H	J	K	L	M	
GATE (GEARSHIFTER SHAFT)-Third and direct 2 1/8" long x 7/16"-20 thread use with E0HT 7003-ARA,ASA-List "F", also E2HT 7003-DAA,DAB-List "K", BKA,CUA-List "L"	C8TZ 7232-C	A				E	F			J	K	L	M	
Third and direct-#16134 use with E0HT 7003-AMA,ANA-List "F",DA,CVA,CYA-on List "L"	D5HZ 7232-A				D		F		H		K	L		
Screw (fork to shaft)-hex. drilled head-pointed-7/16"-20 x 1/32" overall length	371073-S(BB-539)	3	3	3	3	3	3	3	5	4	5	5	4	
PISTON (AUXILIARY SHIFT)	7233													
2 31/32" dia. x 5/8" wide-(2) holes-12-24 thread	C6TZ 7233-A	A	B	C	D	E	F		H	J	K	L	M	
"O" ring	★ 87141-S91	A	B	C	D	E	F	G	H	J	K	L	M	
PIN (GEARSHIFT ROD INTERLOCK)	B8QH 7235-A	A	B	C	D	E	F	G	H	J	K	L	M	
2 1/8" O.D. x 11/16" long														
AUXILIARY SHIFT YOKE-1" O.D. x 7 15/32" long	D2HZ 7241-A	A	B	C	D	E	F		H	J	K			
SHAFT (GEARSHIFTER)-First and second 11 15/16" long x 3/4" O.D. use with E0HT 7003-ARA,ASA-List "F", also E2HT 7003-DAA,DAB-List "K",BKA,CUA-List "L"	C8TZ 7241-E	A				E	F			J	K	L	M	
First and second-#16133, use with E0HT 7003-AMA,ANA-List "F", also E2HT 7003-BA-List "K",DA,CVA,CYA-List "L"	D5HZ 7241-B				D		F		H		K	L		
Rod aux. yoke-7 5/8" long 1" dia.	D8HZ 7241-A				D							L	M	
PLUG (REVERSE STOP PLUNGER SPRING)-3/4"-16-slotted x 5/16" hole	B8QH 7245-A	A	B	C	D	E	F	G	H	J	K	L	M	
PLUNGER (SHIFTER SHAFT GATE-REVERSE GATE)-1 19/32" long	B8QH 7247-A	A	B	C	D	E	F	G	H	J	K	L	M	
FILTER (TRANSMISSION AIR)	7B265													
#A-4740	E1HZ 7B265-A								H	J	K	L	M	
Plug 1/8" Pipe	87708-S (P-14)								2	2	2	2	2	
REGULATOR (AIR PRESSURE)	DOHZ 7B274-B	A	B	C	D	E	F	G	H					
CYLINDER ASSY.	7B284													
4 1/4" long-(4) 13/32" holes	D2HZ 7B284-A	A	B	C	D	E	F	G	H	J	K	L	M	
"O" RING (AUXILIARY SHIFT PISTON)	7288													
3 1/2" O.D. x 3 3/32" I.D.	D4HZ 7288-A								2	2	2	2	2	
Countershaft Brake Piston-2 19/64" I.D. 3/32" thick-Brown	D4HZ 7288-B	A	B	C										
3" O.D. x 2 5/8" I.D. x 7/32" wide	C6TZ 7288-A	A	B	C	D	E	F		H	J	K	L	M	
15/16" O.D. x 3/4" I.D. x 3/32" thick	C6TZ 7288-B	A	B	C	D	E	F		H	J	K	L	M	
VALVE ASSY. (CONTROL SLAVE-ON TRANSMISSION)	DOHZ 7D292-A	A	B	C	D	E	F	G						
#19470	E1HZ 7D292-A								H	J	K	L	M	
SPRING (DIRECT SYNCHRO PLATE)-1 37/64" free length-22 coils-9/32" dia.	C6TZ 7B294-A	3	3	3	3	3	3	3	3	3	3	3	3	
COVER ASSY. (AIR SHIFT CYLINDER)	D2HZ 7306-A					E								
SLEEVE (ADAPTER PLATE ALIGNMENT) 7/8" long x 1/2" shank dia. x 3/4" large dia. x 5/16" hole one end, 11/32" dia. other	C6TZ 7311-A	A	B	C	D	E	F	G						
21/32" long x 15/32" shank dia. x 3/4" large dia.	E1HZ 7311-B								H	J	K	L	M	
GASKET	7314													
Slave valve-4" long x 2 1/8" wide x 1/64" thick	C8TZ 7314-A				D	E	F	G						
Slave valve-4" long x 2 1/8" wide x 1/64" thick	C6TZ 7314-A	A	B	C										
Range slave valve	E1HZ 7314-A								H	J	K	L	M	

**1980/  
TRUCK SERIES 600/900**

DESCRIPTION/RESTRICTIONS	PART NUMBER	TRANSMISSION PARTS LISTS 9A THRU 9M												
		A	B	C	D	E	F	G	H	J	K	L	M	
KIT (AIR FILTER REPAIR) K1486, use with 9509, 11509, 12509 trans.	7B331 E4HZ 7B331-A													
KIT (SMALL PARTS REPAIR) K1500, use with 9509 trans.	7B331 E4HZ 7B331-B													
K1790, use with 11609 trans.	E4HZ 7B331-H													
#18735	D8HZ 7B332-A	A	B	C		E	F		H	J	K			
#18736	D8HZ 7B332-D				D								L	M
BRACKET (REGULATOR VALVE)-#17107	D8HZ 7B333-A	A	B	C	D	E	F	G	H					
Bolt (bracket to case)-3/8"-16 x 3/4"	20348-S8(B-77)	2	2	2	2	2	2	2	2	2	2	2	2	2
Lockwasher-3/8"	34807-S8(X-66)	2	2	2	2	2	2	2	2	2	2	2	2	2
SHAFT (GEARSHIFTER)-Third and direct 11 5/16" long x 3/4" O.D, use with E2HT 7003- BKA,CUA on List "L"	C8TZ 7334-A	A				E	F			J	K	L	M	
WASHER	7B334													
Auxiliary output shaft reduction- 2 1/2" I.D. x 3 5/32" O.D. x 15/32" thick	C6TZ 7B334-B	A	B	C		E	F		H	J	K			
Spacer output shaft reduction gear-18 external teeth-2 25/32" I.D. x 3 7/8" O.D. x 7/16" wide	C6TZ 7B334-C	A	B	C		E	F		H	J	K			
2 1/2" I.D. x 4 1/4" O.D. x 5/16" thick	C6TZ 7B334-A	A	B	C		E	F		H	J	K			
3 57/64" O.D. x 2 49/64" I.D. x 7/16" thick	D8HZ 7B334-A				D									
4 1/4" O.D. x 2 49/64" I.D. x 9/16" thick	D8HZ 7B334-B				D								L	M
Aux. mainshaft-#19203-18 ext. teeth	E2HZ 7B334-A												L	M
CLUTCH (AUXILIARY SLIDING)-18 external teeth-13 internal spline x 7 51/64" O.D.	D0HZ 7B338-B	A	B	C		E	F	G						
18 ext. 18 int. teeth-2 3/4" I.D. x 7 13/16" O.D.	D4HZ 7B338-A				D				H	J	K	L	M	
GEAR (MAINSHAFT THIRD SPEED)	7B340													
34 ext., 18 int. teeth, 6" O.D. x 1 1/4" wide	D0HZ 7B340-E	A	B	C				G						
34 ext., 18 int. teeth, 6" O.D. x 1 7/32" wide	D4HZ 7B340-A				D		F							
26 ext., 18 int. teeth x 4 43/64" O.D.	E0HZ 7B340-A					E								
Overdrive-18 int.-42 ext. teeth	E2HZ 7B340-A								H	J				M
Mainshaft third-18 int.-58 ext. teeth	E2HZ 7B340-B										K	L		
GEAR (MAINSHAFT SLIDING CLUTCH)- 18 ext., 15 int. teeth	C9TZ 7B341-A	3	3	3		3		3						
18 ext., 17 int. teeth	D4HZ 7B341-A				3		3		3	3	3	3	3	3
GASKET (CASE REAR PLATE)	7B343													
19" long x 13" wide x 1/64" wide	C6TZ 7B343-A	A	B	C	D	E	F	G	H	J	K	L	M	
SHAFT	7358													
Low and reverse-9 27/32" long x 3/4" dia., use with E2HT 7003-BKA,CUA-List "L", DAB list "K"	D0HZ 7358-A	A				E				J	K	L	M	
Low and reverse-shift 9 1/2" long x 3/4" O.D.	C6TZ 7358-A		B	C				G						
First and second-13 13/32" long x 3/4" O.D.	C6TZ 7358-B		B	C				G						
Third and direct-13 13/32" long x 3/4" O.D.	C6TZ 7358-C		B	C				G						
Low and reverse-#16132, use with E2HT 7003-BA-List "K" DA,CVA,CYA-List "L"	D5HZ 7358-C				D		F		H		K	L		
Low and reverse, use with E2HT 7003-DAA-List "K"	C8TZ 7358-F										K			
PIN (CASE DOWEL)-1 7/16" long x 3/4" O.D.	C6TZ 7B362-A	2	2	2	2	2	2	2	2	2	2	2	2	2
NUT-auxiliary mainshaft stop-2 5/8" hex. x 2"-16	C6TZ 7B364-A	A	B	C	D	E	F		H	J	K	L	M	
BEARING (REVERSE IDLER GEAR)	7B369													
#EJS 7255 1 1/4" I.D. x 1 7/8" O.D.	C6TZ 7B369-A	2	B	C	D	2	2	2	2	2	2	2	2	2
KIT (BASIC OVERHAUL)	7C391													
K1041, use with 909, 9509 trans. pull type clutch, 1 3/4" input shaft	E4HZ 7C391-A													
K1042, use with 909, 9509 trans. pull type clutch, 2" input shaft	E4HZ 7C391-B													
K1064, use with 12509 trans. pull type clutch, 2" input shaft	E4HZ 7C391-F													

NOTICE: When the parts list suffix is shown in the quantity required column, the quantity is one (1).

DESCRIPTION/RESTRICTIONS	PART NUMBER	TRANSMISSION PARTS LISTS 9A THRU 9M												
		A	B	C	D	E	F	G	H	J	K	L	M	
KIT (BASIC REBUILD)	7C391													
K1854, use with 909, 9509 trans.	E4HZ 7C391-G													
K1861, use with 12509 trans.	E4HZ 7C391-J													
"O" RING	7B411													
Shift cylinder seal- 63/64" I.D. x 1 1/8" O.D. x 9/64" thick	C6TZ 7B411-A	A	B	C	D	E	F	G	H	J	K	L	M	
ELBOW (AIR HOSE)-3/8" female thread x 1/4"-18 male thread	D2TZ 7B417-A	A	B			E	F	G						
NIPPLE (AIR HOSE)-1" long	C1TT 7B418-B	A				2								
COLLAR (SEALING)	7K449													
Nylon, 3/8" I.D.	E1HZ 7K449-A								H	J	K	L	M	
SPACER (REVERSE IDLER GEAR SHAFT)	7482													
11/16" I.D. x 1 1/2" O.D. x 7/32" thick x 1/64" thick	C6TZ 7482-A	2	2	2	2	2	2	2	2	2	2	2	2	
WASHER (REVERSE IDLER) 2 3/4" O.D. x 1 1/8" I.D. x 17/32" wide	D0HZ 7482-A	2	2	2	2	2	2	2	2	2	2	2	2	
HOUSING (CLUTCH)	7505													
Use with E2HT 7003-DAA-List "K", E2HT-FAA,FAB-List "J" CYA-List "L"	D4HZ 7505-F									J	K	L		
#15483-Use with D7HT 7003-BNA-List A" E0HT-NA-List E"	D4HZ 7505-D	A				E		G						
#16329-Use with D7HT 7003-BLA-List A" E0HT-MA-List E"	D0HZ 7505-A	A	B			E								
	D8HZ 7505-B			C										
	D8HZ 7505-A				D									
Use with E0HT 7003-AMA-List F, E2HT-BA-List "K", E2HT 7003-DA-List "L"	D8HZ 7505-G						F				K	L		
Use with E0HT 7003-ANA,ASA-List F"	D6HZ 7505-A						F							
Use with E0HT 7003-ARA-List F"	D6HZ 7505-B						F							
Use with E2HT 7003-BKA,CUA,CVA-List "L"	D5HZ 7505-A								H	J		L	M	
Pin (Air valve actuating)-2 13/16" long 5/16" dia. Shank x 3/4" collar x 9/16" plunger	C6TZ 7A507-A	A	B	C	D	E	F	G						
	E4HZ 7A507-A								H	J	K	L	M	
BUSHING	7508													
Clutch housing pedal shaft x 1" long x 1 1/8"	C6TZ 7508-A	AR	B	C	D	AR		4	2	AR	AR	AR	AR	
Clutch pedal shaft-1 5/8" long x 1 1/8" O.D. x 1" I.D.	C6TZ 7508-B	AR	B			AR			H	AR	AR	AR	AR	
CYLINDER (SPLITTER GEAR SHIFT)- 3 1/2" long x 3 5/8" bolt circle	D2HZ 7A508-A					E								
Fitting (Clutch Rel. Bearing) Lube	D8HZ 7B512-A			C	D		F	G		J	K	L		
COVER (CLUTCH HOUSING)	7564													
(2) mounting holes	C6TZ 7564-A	A	B			E	F		H	J		L	M	
(4) mounting holes	D0HZ 7564-A			C	D		F	G		J	K	L		



1980/  
TRUCK SERIES 600/900

DESCRIPTION/RESTRICTIONS	PART NUMBER	TRANSMISSION PARTS LISTS 9A THRU 9M												
		A	B	C	D	E	F	G	H	J	K	L	M	
GASKET (CLUTCH HOUSING TO CASE)	7A619													
	C6TZ 7A619-B	A	B	C	D	E	F	G	H	J	K	L	M	
SNAP RING (AUXILIARY REDUCTION GEAR)- 3 23/32" I.D. x 4 1/8" O.D. x 3/32" wide	C6TZ 7A628-B	A	B	C		E	F		H	J	K			
WASHER (Reverse idler gear thrust)- 2 11/32" O.D. x 1 1/8" I.D. x 13/64" thick	C6TZ 7728-A	2	2	2	2	2	2	2	2	2	2	2	2	
SEAL (AUXILIARY REAR BEARING COVER OIL)-4 1/2" O.D. x 3 3/4" I.D. x 15/32" wide	E4HZ 7918-B	A	B	C	D	E	F		H	J	K	L	M	
Bolt-hex. head-1/4"-20 x 7/8"	370519-S(BB-125)	A	B	C	D	E	F							
BUSHING (SPEEDOMETER)	B8QH 17323-A	A	B	C	D	E	F	G	H	J	K	L	M	
Rev. Idler Shaft, Nut 5/8"-18	371530-S7(MM-161-A)								2	2	2	2	2	
Cap screw-c/shft. frt. brg. 5/8-18 x 1 3/4	377850-S(BB273-A)											2	2	
Plug-filler-1 1/4 Pipe	374501-S(PP52-F)											L	M	
Range slave valve, screw 1/4-20 x 1.10 long	304680-S36M(BB429-K)								4	4	4	4	4	
Shift bar housing screw 3/8-16 x 1 1/2 long	58636-S2(B85-D)								2	2	2	18	18	
Frnt brg cvr, shift bar hsg. screw 3/8-16 x 1 1/4 long	58635-S2(B82-A)								16	16	16	16	16	
Rear housing to case, screw 3/8-16 x 1 3/4"	58637-S2(B86-A)								14	14	14			
Aux. drive gear brg ret., screw 3/8-16 x 7/8"	42998-S8(B252-A)								6	6	6	6	6	
Rear housing, hose clmp, screw 3/8-16 x 2"	58638-S2(B89-A)								5	5	5	2	2	
Nut 5/8-18	33850-S7-8(M-72)								6	6	6			
Lockwasher-5/8	34811-S2(X-71)								6	6	6			
Capscrew-7/16"-14 x 1"	20430-S8(B-104)								8	8	8			

NOTICE: When the parts list suffix is shown in the quantity required column, the quantity is one (1).

DESCRIPTION/RESTRICTIONS	PART NUMBER	TRANSMISSION PARTS LIST 9N THRU 9Z																
		N	P	Q	R	S	T	U	V	W	X	Y	Z					
SEAL (OUTPUT SHAFT BEARING RETAINER OIL)-Refer to group 7918	4813																	
CASE ASSY.-incl. magnetic chip collectors	7005																	
#15390, use with E7HS-FAH,FBN	D5HZ 7005-B	N	P	Q	R	S	T	U	V							Y	Z	
#15665-N/R 10/89	★ D0HZ 7005-C	N																
	E7HZ 7005-F											W						
Use with E8HT-DDA	E8HZ 7005-A													X			Z	
Plug (filler)-1 1/4" pipe	353094-S(PP-34)	N	P	Q	R	S	T	U	V			W	X	Y	Z			
Stud-5/8"-11 and 5/8"-18 x 2 5/32" long	374423-S7-8(WW-66)	6	6	6	6	6	6	6	6	6	6	6	6	6	6	6	6	
Plug-1/2"-14	357985-S(PP-48)	N	P	Q	R	S	T	U	V			W	X	Y	Z			
Plug-3/4", magnetic	353240-SA(PP-52)	N	P	Q	R	S	T	U	V			W	X	Y	Z			
CASE (HOUSING)	7006																	
Auxiliary housing	D0HZ 7006-A											W						
IMPELLER ASSY. (OIL PUMP)	7C010																	
	E8HZ 7C010-A													X			Z	
Ring Crescent	370065-S7(QQ-37)													X			Z	
ELEMENT (OIL FILTER)-2 1/2" O.D. x 1" I.D. x 2 1/6" long	C1TT 7C012-A	N	P															
COVER (OIL FILTER)-6 1/4" x 4 7/8" x 2 high (6) 13/32" bolt holes	C1TT 7C013-H	N	P															
Bolt (cover to case)-hex. head-3/8"-16 x 1"	58634-S2(B-80B)	6	6															
Lockwasher-3/8"	34807-S8(X-66)	6	6															
SHAFT (INPUT)	7017																	
18 teeth-10 splines x 1 15/16" long, #16465	D4HZ 7017-E	N	P															
18 teeth x 12 1/8 long, #20540	E4HZ 7017-D	N	P															
	E9HZ 7017-G			Q	R	S	T	U	V				X	Y	Z			
Use with E7HT 7003-AZA, E8HT-SA	E7HZ 7017-F											W						
Use with E9HT 7003-EA	E9HZ 7107-A											W						
RETAINER (OIL PUMP)	7N018																	
	E8HZ 7N018-A													X			Z	
BEARING	7025																	
212L or 212SLV-1 3/16" I.D. x 13/32" wide	C6TZ 7025-A	N	2	Q	R	S	T	U	V			X	Y	Z				
Countershaft front #309 MG	E2HZ 7025-A	2	2				2		2			2						
Countershaft front-incl. snap ring inner race	E2HZ 7025-B			2	2	2		2							2	2		
Input shaft	E7HZ 7025-C											W						
SNAP RING	7030																	
1 7/16" free I.D. x 3/32" thick	C6TZ 7030-A	2		2	2	2	2	2	2			2	2	2				
Input Shaft 2 11/64 I.D. x 7/24 thick	E4HZ 7030-A	N	P	Q	R	S	T	U	V			X	Y	Z				
VENT (CASE)	7034																	
2" long x 1 5/8" O.D. x 1/4" pipe thread	C7TZ 7034-A	N	P	Q	R	S	T	U	V			X	Y	Z				
COVER	7C035																	
#19690	E2HZ 7C035-A	N	P	Q	R	S	T	U	V			X	Y	Z				
#19598	E1HZ 7C035-A											W						
PLATE and PIN ASSY. (SYNCHRONIZER)	7A044																	
Direct-6 1/2" O.D. incl. (3) Pins	D6HZ 7A044-A	N	P	Q	R	S	T	U	V			X	Y	Z				
Reduction-7" O.D.-inc. (3) pins.	C6TZ 7A044-A	N	P															
Reduction	E7HZ 7A044-A			Q	R	S	T	U	V			X	Y	Z				
Aux. direct	E4HZ 7A044-A											W						
Aux. reduction	E4HZ 7A044-B											W						
NUT (INPUT SHAFT BEARING RETAINER)	C1TT 7045-A	N	P															
3 1/4" O.D. x 2 1/8"-16 thread																		
RETAINER (INPUT SHAFT BEARING)	7050																	
6 9/16" O.D. x 1 1/32" wide, #15111	D4HZ 7050-A	N	P															
#20550	E4HZ 7050-D	N	P	Q	R	S	T	U	V			X	Y	Z				
Use with E7HT 7003-AZA, E8HT-SA	E7HZ 7050-C											W						
Use with E9HT 7003-EA	E9HZ 7050-A											W						
Bolt-3/8"-16 x 1 1/2" hex. head	20468-S8(B-85)	4	4	4	4	4	4	4	4	4	4	4	4	4	4	4	4	
Lockwasher-3/8"	34807-S8(X-66)	4	4	4	4	4	4	4	4	4	4	4	4	4	4	4	4	

October, 1993

COPYRIGHT © 1993 - FORD MOTOR - DEARBORN, MICHIGAN  
COMPANY

Final Issue

1980/  
TRUCK SERIES 600/900

DESCRIPTION/RESTRICTIONS	PART NUMBER	TRANSMISSION PARTS LIST 9N THRU 9Z												
		N	P	Q	R	S	T	U	V	W	X	Y	Z	
GASKET (INPUT SHAFT BEARING RETAINER) 4 21/32" I.D. x 6 1/2" O.D. x 1/64" thick (6) 13/32" holes		7051 C6TZ 7051-F	N	P	Q	R	S	T	U	V		X	Y	Z
	E7HZ 7051-B									W				
SPACER (INPUT SHAFT) 2 3/8" I.D. x 2 7/8" O.D. x 5/32" thick		7A059 D4HZ 7A059-A	N	P	Q	R	S	T	U	V		X	Y	Z
Washer output shaft rear-	D4HZ 7A059-B			Q	R	S					X		Z	
2 1/32" I.D. x 3" O.D. x 3/16" thick														
Input shaft	E7HZ 7A059-A									W				
SHAFT (OUTPUT) 17 splines-13 31/32" long		7061 D4HZ 7061-F	N	P	Q	R	S	T	U	V		X	Y	Z
#19281	E2HZ 7061-D	N	P				T	U	V			Y		
#19202	E2HZ 7061-H			Q	R	S					X		Z	
#20614-mainshaft	E7HZ 7061-E										W			
#20835-aux. mainshaft	E7HZ 7061-F										W			
SNAP RING Output shaft-2 3/16" O.D. x 1 13/16" I.D. x 3/32" thick		7064 D0HZ 7064-H	2	2				2	2	2				
Mainshaft 3rd	D0HZ 7064-A										W			
Main drive gear retain	D0HZ 7064-D										W			
Input shaft bearing retain	D0HZ 7064-G										W		2	
Auxiliary drive gear	D0HZ 7064-B										W			
Input shaft-3 1/16" O.D. x 3/32" wide	C6TZ 7064-E	6	6	6	6	6	6	6	6			6	6	6
Aux. Countershaft rear bearing-1 63/64" I.D. x 2 27/64" O.D. x 7/64" thick	D4HZ 7064-D			2	2	2						2		2
Aux. drive gear-3 9/32" x 3 29/32" O.D. x 1/8" thick	D4HZ 7064-E	N	P	Q	R	S	T	U	V		X	Y	Z	
Output shaft-2 3/32" I.D. x 2 7/16" O.D. x 3/32" thick	D4HZ 7064-F	2		2	2	2	2	2	2			2	2	2
Aux. drive gear-rear	C6TZ 7064-C										W			
BEARING Auxiliary countershaft-rear-#1310L-incl. snap ring 1 31/32" I.D. x 4 21/64" O.D. x 1 1/16" wide		7065 B7QH 7065-A	2	2				2	2	2				2
Aux. countershaft rear, #311NRJ	B8QH 7065-B			2	2	2						2		2
Auxiliary drive gear #118-L	C6TZ 7065-F	N	P	Q	R	S	T	U	V		X	Y	Z	
Aux. drive gear	C6TZ 7065-A										W			
Aux. countershaft	E7HZ 7065-B										2			
Washer (output shaft gear) 17 teeth 2 27/32" O.D. x 1/4" wide	D8HZ 7069-A	5	5	5	5	5	5	5	5			5	5	5
ADAPTER (AUXILIARY SHIFT) 1/8-27 male, 1/8-27 fem. thd.		7K077 C8TZ 7K077-A										W		
GEAR (AUXILIARY DRIVE) #19254-use with E6HT 7003-AAA,ANA		7A079 E2HZ 7A079-B	N	P	Q	R		T		V		X		
#19275	E2HZ 7A079-A						S		U				Y	Z
RETAINER ASSY. Output shaft bearing-1 15/16" long (6) 13/32" holes		7085 C6TZ 7085-B	N	P				T	U	V				
Aux. drive gear bearing-8" dia. x 5 1/16" I.D.	D4HZ 7085-B	N	P	Q	R	S	T	U	V		X	Y	Z	
Output shaft bearing	E6HZ 7085-C			Q	R	S					X			
Rear cover, use with E7HT 7003-AZA	E7HZ 7085-E										W			
Rear cover, use with E8HT 7003-SA, E9HT-EA	E8HZ 7085-B										W			
Rear cover	E8HZ 7085-C												Y	
Rear cover	E8HZ 7085-D												Z	
Bolt-hex. head-3/8"-16 x 2 3/4"	373139-S(BB-163)	6	6	6	6	6	6	6	6	6	6	6	6	
Lockwasher-3/8"	34807-S8(X-66)	5	5	5	5	5	5	5	5	5	6	5	6	
Washer-flat-3/8"	356425-S(X-136)	N	P	Q	R	S	T	U	V		X			
GASKET (OUTPUT SHAFT BEARING) RETAINER)-4 5/8" I.D. x 6 1/4" O.D.- (10) 13/32" holes		7086-C C8TZ 7086-C	N	P	Q	R	S	T	U	V		X	Y	Z
	D0HZ 7086-A										W			

NOTICE: When the parts list suffix is shown in the quantity required column, the quantity is one (1).

DESCRIPTION/RESTRICTIONS	PART NUMBER	TRANSMISSION PARTS LIST 9N THRU 9Z												
		N	P	Q	R	S	T	U	V	W	X	Y	Z	
FLANGE (OUTPUT SHAFT)-Refer to group in Section 71 for Size Chart	7089													
	E7HZ 7089-R										W			
GEAR	7100													
Roll Pin	353847-S8(NN-109-A)	2	2	2	2	2	2	2	2		2	2	2	
Mainshaft-first 18 int.-60 ext. teeth	E2HZ 7100-E	N	P	Q	R		T		V		X			
Mainshaft first-18 int.-60 ext. teeth	E2HZ 7100-B					S		U				Y	Z	
Countershaft-17-17 teeth, 13 3/4" long	E2HZ 7100-C	2	2	2	2	2	2	2	2		2	2	2	
Mainshaft first	E7HZ 7100-F										W			
GEAR	7101													
Aux. mainshaft reduction-42 ext.-18 int. teeth	E1HZ 7101-D	N	P				T		V					
Aux. mainshaft reduction-42 ext.-18 int. teeth	E2HZ 7101-H			Q	R						X			
48 ext.-18 int. teeth	E2HZ 7101-B							U				Y		
Aux. mainshaft	E1HZ 7101-C									W				
GEAR	7102													
Low speed-44 external-18 internal teeth 8 5/8" O.D. x 1 5/32" wide	D4HZ 7102-A	N	P	Q	R	S	T	U	V		X	Y	Z	
Aux. mainshaft reduction, 48 ext.-18 int. teeth	E2HZ 7102-B					S							Z	
GEAR	7103													
Auxiliary drive	E1HZ 7103-A									W				
SHAFT (AIR VALUE ACTUATING)	7B104													
5 1/2" long-3/4" O.D.	E9HZ 7B104-A	N	P	Q	R	S	T	U	V	W	X	Y	Z	
RETAINER	7109													
Aux. drive gear lock	D0HZ 7109-A									2				
COUNTERSHAFT	7111													
	E7HZ 7111-A									2				
COUNTERSHAFT	7113													
#A-4722-Aux. Countershaft	E2HZ 7113-J	2	2				2		2					
#A-4727-Aux. Countershaft	E2HZ 7113-F							2				2		
#A-4723-Aux. Countershaft	E2HZ 7113-K			2	2						2			
#A-4820-Aux. Countershaft	E2HZ 7113-R					2								
#A-4728-Aux. Countershaft	E2HZ 7113-P												Z	
#A-4991-Aux. Countershaft	E7HZ 7113-D									2				
YOKE	7C114													
1st, 2nd shift	E8HZ 7C114-A											Y	Z	
SNAP RING	7115													
Countershaft-2 11/32" free I.D. x 5/64" thick	E2HZ 7115-A	2	2	2	2	2	2	2	2		2	2	2	
BEARING	7118													
Auxiliary mainshaft-rear- #A2689-A-2 1/2" I.D. x 4 1/2" O.D. x 2 23/32" wide	C6TZ 7118-B	N	P				T	U	V			Y		
Aux. Countershaft-front #MA1307EL or MR1307EL - - 1 3/8" I.D. x 3 9/64" O.D. x 13/16" wide	C1TZ 7118-A	2	2	2	2	2	2	2	2		2	2	2	
A-33775 or A-49271, 2 3/4" I.D. x 4 7/16" O.D. x 3" wide	D4HZ 7118-B			Q	R	S					X		Z	
Aux. countershaft	E7HZ 7118-K									2				
Aux. mainshaft, rear	C8TZ 7118-A									W				
Auxiliary mainshaft	D0HZ 7118-A									W				
Bushing (input shaft)- 1 11/32" I.D. x 1 5/8" O.D. x 3/4" wide	D0HZ 7120-C	N	P	Q	R	S	T	U	V		X		Z	
	D0HZ 7120-A									W		Y		
RING (RETAINING)	7C122													
Case rear	E7HZ 7C122-A									2				
SYNCHRONIZER KIT	7124													
Consists of: 7A044 (2), 7B294(3)	D9HZ 7124-B	N	P											

1980/  
TRUCK SERIES 600/900

DESCRIPTION/RESTRICTIONS	PART NUMBER	TRANSMISSION PARTS LIST 9N THRU 9Z																
		N	P	Q	R	S	T	U	V	W	X	Y	Z					
BEARING (COUNTERSHAFT)	7127																	
Rear-#MRY 1308-GEL, 1 9/16" I.D. 3 35/64" O.D. 29/32" wide	C6TZ 7127-A	2	2	2	2	2	2	2	2	2			2	2	2			
	E7HZ 7127-B											4						
RETAINER	7135																	
Countershaft bearing-front	E2HZ 7135-A	2	2					2		2								
#19548, incl. roll pin	E2HZ 7135-B			2	2	2			2				2	2	2			
GEAR	7137																	
Countershaft 3rd-62 ext. teeth	E2HZ 7137-F	2	2	2	2			2		2			2					
Countershaft O/D-73 ext. teeth	E2HZ 7137-C							2		2					2	2		
Countershaft 2nd-44 ext. teeth	E2HZ 7137-G	2	2	2	2			2		2			2					
Countershaft 2nd-46 ext. teeth	E2HZ 7137-D							2		2					2	2		
Countershaft 3rd	E7HZ 7137-E												2					
Bolt-round head-24 x 1 1/32"	376323-S(BB-390-R)	2	2	2	2	2	2	2	2	2	2	2	2	2	2	2	2	
SHAFT (REVERSE IDLER GEAR)	7140																	
4 11/16" long	D0HZ 7140-A	2	2	2	2	2	2	2	2	2			2	2	2			
	E7HZ 7140-D												2					
Nut-hex. head-1/2"-20	34449-S7-8(M-85)	2	2	2	2	2	2	2	2	2	2	2	2	2	2	2	2	
Washer-flat-1/2"	44735-S8(X-32)	2	2	2	2	2	2	2	2	2	2	2	2	2	2	2	2	
GEAR	7141																	
Reverse idler	E7HZ 7141-E												2					
GEAR (REVERSE IDLER)	7142																	
46 ext. 18 int. teeth 7 15/16" O.D. x 1 5/32" wide	D4HZ 7142-B	N	P	Q	R	S	T	U	V				X	Y	Z			
27 teeth-1 9/16" I.D. x 4 29/32" O.D. x 1 5/16" wide	D4HZ 7142-A	2	2	2	2	2	2	2	2	2				2	2	2		
Mainshaft reverse	E7HZ 7142-F												W					
GEAR (COUNTERSHAFT P.T.O.)	7144																	
R.H. 45 teeth-7 3/4" dia. x 1 1/16" wide	D4HZ 7144-D	N	P	Q	R	S	T	U	V				X	Y	Z			
L.H. 47 teeth-8 3/32" dia. x 1" wide	D4HZ 7144-E	N	P	Q	R	S	T	U	V				X	Y	Z			
	E7HZ 7144-B												2					
BEARING	7145																	
Reverse idler	D3HZ 7145-A												2					
TUBE (OIL PUMP)	7N148																	
	E8HZ 7N148-A													X			Z	
HOUSING (OIL PUMP)	7B150																	
	E8HZ 7B150-A													X			Z	
Plug expansion, 3/4"	389187-S(PP-86-H)													X			Z	
Pin roll	305080-S(NN-113)													X			Z	
GASKET KIT	7153																	
	C6TZ 7153-A	N	P					T	U	V				Y				
	D4HZ 7153-C			Q	R	S							X				Z	
	D4HZ 7153-E											W						
GEAR	7158																	
Input shaft drive-18 int.-48 ext. teeth	E2HZ 7158-F	N	P	Q	R			T		V			X					
Mainshaft second-18 int.-56 ext. teeth	E2HZ 7158-J	N	P	Q	R			T		V			X					
Input shaft drive-18 int.-52 ext. teeth	E2HZ 7158-E							S		U				Y	Z			
Mainshaft second-18 int.-50 ext. teeth	E2HZ 7158-D							S		U				Y	Z			
Input shaft drive, use with E7HT 7003-AZA-see 7C391	★ E7HZ 7158-D												W					
Input shaft drive, use with E8HT 7003-SA, E9HT-EA	E8HZ 7158-A												W					
CLUTCH (SLIDING)	7B161																	
Mainshaft 3rd, use with E7HT 7003-AZA	D6HZ 7B161-A												W					
Mainshaft 3rd, use with E8HT 7003-SA, E9HT-EA	E7HZ 7B161-C												W					
RING (RETAINING)	7162																	
Countershaft	C6TZ 7162-A												2					
COVER (POWER TAKE OFF)	7165																	
9 5/8" long x 7 3/8" wide x (8) 15/32" holes	D1HZ 7165-A	N	P	Q	R	S	T	U	V	W	X	Y	Z					
6 1/4" x 4 7/8"	C6TZ 7165-B	N	P	Q	R	S	T	U	V	W	X	Y	Z					
Bolt (cover to case)-3/8"-16 x 5/8"	20328-S8(B-76)	8	8	8	8	8	8	8	8	8	8	8	8	8	8	8	8	
Lockwasher-3/8"	34807-S8(X-66)	8	8	8	8	8	8	8	8	8	8	8	8	8	8	8	8	
Lockwasher-3/8"-external teeth	351487-S(XX-291)	8	8	8	8	8	8	8	8	8	8	8	8	8	8	8	8	
Bolt-hex. head-3/8"-16 x 1 1/2"	20468-S8(B-85)	6	6	6	6	6	6	6	6	6	6	6	6	6	6	6	6	

When the parts list suffix is shown in the quantity required column, the quantity is one (1).

DESCRIPTION/RESTRICTIONS	PART NUMBER	TRANSMISSION PARTS LIST 9N THRU 9Z												
		N	P	Q	R	S	T	U	V	W	X	Y	Z	
GASKET (OIL FILTER HOUSING)	7166													
6 1/4" x 4 7/8" x 1/16" thick-(6) 13/32" holes	E7HZ 7166-A	N	P	Q	R	S	T	U	V	W	X	Y	Z	
9 1/4" long-7" wide-1/32" thick-(8) 15/32" holes	D1HZ 7166-A	N	P	Q	R	S	T	U	V	W	X	Y	Z	
PLUG (OIL PUMP TO CASE)	7N171													
	E8HZ 7N171-A										X		Z	
WASHER (OUTPUT SHAFT)	7173													
18 ext. teeth, 2 19/32" dia. x 9/32" thick	C6TZ 7173-J	5	5	5	5	5	5	5	5		5	5	5	
16 ext., 13 int. teeth, m/shaft 3rd	D0HZ 7173-A									W				
18 ext., 15 int. teeth, use with E7HT 7003-AZA	E7HZ 7173-G									4				
Use with E8HT 7003-SA, E9HT-EA	E7HZ 7173-D									4				
HOSE	7B175													
28" long	D4HZ 7B175-A	N	P				T	U	V		X	Y		
26" long	D2HZ 7B175-A	N	P				T	U	V			Y		
29" long	C6TZ 7B175-B	N	P	Q	R	S	T	U	V		X	Y	Z	
27" long	C6TZ 7B175-A			Q	R	S					X		Z	
10 1/2" long	E1HZ 7B175-A									W				
12 1/2" long	C8TZ 7B175-D									W				
15" long	D4HZ 7B175-B									W				
Clip (hose to case)	357946-S8(GG-152)	2	2	2	2	2	2	2	2	2	2	2	2	
GEAR	7176													
35 ext. teeth-countershaft first	E2HZ 7176-B	2	2	2	2		2		2		2			
39 ext. teeth-countershaft first	E2HZ 7176-A					2		2				2	2	
Mainshaft second	E7HZ 7176-D									W				
GEAR	7177													
Countershaft drive-69 ext. teeth	E2HZ 7177-F	2	2	2	2		2		2		2			
Countershaft drive-66 ext. teeth	E2HZ 7177-D					2		2				2	2	
Countershaft drive	E7HZ 7177-E									2				
GASKET	7181													
Auxiliary countershaft rear bearing cover-4 19/32" I.D. x 1/32" thick	D4HZ 7181-B	2	2				2	2	2			2		
Auxiliary countershaft rear bearing	D4HZ 7181-D			2	2	2					2		2	
Aux. shift cyl.	C8TZ 7181-B									W				
Aux. shift cyl.	C8TZ 7181-D									W				
GEARSHIFT (LEVER HOUSING TO GEARSHIFT HOUSING)	7185													
	E2HZ 7185-A	N	P	Q	R	S	T	U	V	W	X	Y	Z	
RETAINER (MAINSHAFT REAR BEARING)	7195													
CAP (COUNTERSHAFT REAR BEARING)-5 5/8" square-(4) 13/32" holes	D0HZ 7195-C	2	2				2	2	2			2		
Aux. countershaft rear bearing	D4HZ 7195-E			2	2	2					2		2	
Aux. drive gear return	D0HZ 7195-A									2				
PLUG (SHIFT HOUSING DETENT)	7N204													
3/4-16 thd. x 1" O.D.	E7HZ 7N204-A							U	V					
STUD (TRANSMISSION CLUTCH HOUSING)	D0HZ 7C207-B	6	6	6	6	6	6	6	6		6	6	6	
SPRING	7219													
Reverse stop plunger-10 1/2 coils-5/8" O.D. x 1 11/16" free length	B8QH 7219-A	N	P	Q	R	S	T	U	V	W	X	Y	Z	
1 15/32" free length x 1/2" O.D.-Low and reverse, first and second	C8TZ 7219-C	3	3	3	3	3	3	3	3		3	3	3	
1 1/4" free length-range slave Pin	E1HZ 7219-A	N	P											
	C6TZ 7219-E									3				
Range slave shaft-1 25/64 free length	E7HZ 7219-A			Q	R	S	T	U	V	W	X	Y	Z	
Ball-steel 1/2"	353079-S(AA-15)	3	3	3	3	3	3	3	3	3	3	3	3	

1980/  
TRUCK SERIES 600/900

DESCRIPTION/RESTRICTIONS	PART NUMBER	TRANSMISSION PARTS LIST 9N THRU 9Z												
		N	P	Q	R	S	T	U	V	W	X	Y	Z	
<b>KEY</b>		<b>7B220</b>												
Mainshaft gear-10 13/16" long-6 side design	D2HZ 7B220-A	N	P	Q	R	S	T	U	V		X	Y	Z	
Countershaft-3/8 square x 5 3/16" long	E2HZ 7B220-B	2	2	2	2	2	2	2	2		2	2	2	
Countershaft	E7HZ 7B220-D									W				
Mainshaft	E7HZ 7B220-A									W				
Oil pump shaft	E8HZ 7B220-A										2		2	
Ball steel 3/4" dia.	★ C1TZ 7C220-A N/R(1/76)	2	2	2	2	2	2	2	2	2	2	2	2	
<b>HOUSING (GEARSHAFT)</b>		<b>7222</b>												
Use with E2HT 7003-CAA	E3HZ 7222-A	N			R	S		U	V					
#17115, use with E2HT 7003-BAA	D5HZ 7222-A	N	P	Q			T				X			
	C8TZ 7222-S									W				
	E8HZ 7222-A											Y	Z	
Bolt-hex. head-3/8"-16 x 1 1/2"	20468-S8(B-85)	16	16	16	16	16	16	16	16	16	16	16	16	
Lockwasher-3/8"	34807-S8(X-66)	16	16	16	16	16	16	16	16	16	16	16	16	
<b>GASKET (GEARSHAFT HOUSING)</b>		<b>7223</b>												
16 1/2" x 11 1/2" x 1/16" thick	C6TZ 7223-A	N	P	Q	R	S	T	U	V		X	Y	Z	
	C8TZ 7223-B									W				
Bolt-hex. head-3/8"-18 x 1 1/2"	20468-S8(B-85)	2	2	2	2	2	2	2	2	2	2	2	2	
Lockwasher-3/8"	34807-S8(X-66)	2	2	2	2	2	2	2	2	2	2	2	2	
<b>COVER (DETENT SPRING)</b>		<b>7B227</b>												
	C6TZ 7B227-A										W			
<b>GASKET</b>		<b>7B228</b>												
Auxiliary shift cyliner-4 3/4" O.D. x 4" I.D. x 1/16" thick-(4) 13/32" holes	C6TZ 7B228-A	N	P	Q	R	S	T	U	V		X	Y	Z	
Output shaft splitter gear														
Auxiliary shift cylinder-3 3/4" x 3 1/16" I.D. 1/16" thick-(4) 13/32" holes	C6TZ 7B228-B	N	P	Q	R	S	T	U	V		X	Y	Z	
	C6TZ 7B228-E										W			
<b>GATE (GEARSHIFTER SHAFT)</b>		<b>7230</b>												
First and Second-2 19/32" wide x 3/4" dia. bushing hole, use with E2HT 7003-BAA	C6TZ 7230-A	N	P	Q			T				X			
E2HT 7003-CAA	C6TZ 7230-B	N	P	Q			T				X			
Block, first and second 2 1/8" long x 7/16"-20 thread #15770, Use with E2HT 7003-CAA	D0HZ 7230-C	N			R	S		U	V			Y	Z	
First and second-#16135-shift fork	D4HZ 7230-E	N	P	Q	R	S	T	U	V		X			
Third and direct-#16136-shift fork	D4HZ 7230-F	N	P	Q	R	S	T	U	V		X			
Second	E7HZ 7230-D										W			
<b>FORK (GEARSHIFTER)</b>		<b>7231</b>												
Low and reverse #16131 use with E2HT 7003-BAA	D5HZ 7231-A	N	P	Q			T				X			
#16338, use with E2HT 7003-CAA	D4HZ 7231-E	N			R	S		U	V			Y	Z	
Auxiliary shift-7 1/8" span x 1" dia. hole	D1HZ 7231-A	N	P	Q	R	S	T	U	V		X	Y	Z	
Reverse	E7HZ 7231-E										W			
GATE (GEARSHIFTER SHAFT)-Third and direct 2 1/8" long x 7/16"-20 thread use with E2HT 7003-CAA	C8TZ 7232-C	N			R	S		U	V					
Third and direct-#16134 use with E2HT 7003-CAA	D5HZ 7232-A	N	P	Q			T				X			
Third and Overdrive #19062	E8HZ 7232-A											Y	Z	
Screw (fork to shaft)-hex. drilled head-pointed-7/16"-20 x 1/32" overall length	371073-S(BB-539)	5	5	5	5	5	5	5	5	3	5	4	4	
<b>PISTON (AUXILIARY SHIFT)</b>		<b>7233</b>												
2 31/32" dia. x 5/8" wide-(2) holes-12-24 thread	C6TZ 7233-A	N	P	Q	R	S	T	U	V		X	Y	Z	
	C8TZ 7233-A										W			
"O" ring	★ 87141-S91	N	P	Q	R	S	T	U	V		X	Y	Z	

NOTICE: When the parts list suffix is shown in the quantity required column, the quantity is one (1).

DESCRIPTION/RESTRICTIONS	PART NUMBER	TRANSMISSION PARTS LIST 9N THRU 9Z											
		N	P	Q	R	S	T	U	V	W	X	Y	Z
PIN (GEARSHIFT ROD INTERLOCK) 2 1/8" O.D. x 1/16" long	B8QH 7235-A	N	P	Q	R	S	T	U		W	X	Y	Z
BAR (SHIFT YOKE)	7240												
Reverse	C8TZ 7240-F									W			
Aux. shift	D0HZ 7240-A									W			
First & second #18930	E8HZ 7240-A											Y	Z
AUXILIARY SHIFT YOKE-1" O.D. x 7 15/32" long	D2HZ 7241-A	N	P				T	U	V			Y	
Range cyl. #19562	E4HZ 7241-A			Q	R	S					X		Z
SHAFT (GEARSHIFTER)-First and second 1 1/2" long x 3/4" O.D. use with E2HT 7003-CAA	C8TZ 7241-E	N			R	S		U	V				
First and second-#16133 use with E2HT 7003-CAA	D5HZ 7241-B	N	P	Q			T				X		
PLUG (REVERSE STOP PLUNGER SPRING)- 3/4"-16-slotted x 5/16" hole	B8QH 7245-A	N	P	Q	R	S	T	U	V	W	X	Y	Z
PLUNGER (SHIFTER SHAFT GATE-REVERSE GATE)- 1 19/32" long	B8QH 7247-A	N	P	Q	R	S	T	U	V	W	X	Y	Z
FILTER (TRANSMISSION AIR)	7B265												
# A-4740	E1HZ 7B265-A	N	P	Q	R	S	T	U	V	W	X	Y	Z
Plug 1/8" Pipe	87708-S (P-14)	2	2	2	2	2	2	2	2	2	2	2	2
GEAR	7B267												
Mainshaft low	E7HZ 7B267-C									W			
WASHER (OIL PUMP)	7K267												
Capscrew seal	E8HZ 7K267-A										3		3
1/4-20 x 1 1/2 capscrew	382909-S100(UU-13-C2)										3		3
SPRING (OIL PUMP RELIEF)	7A270												
	E8HZ 7A270-A										X		Z
SEAL (AUXILIARY SHIFT)	7B270												
23/32 O.D. x 13/32 I.D. x 15/32 wide	C8TZ 7B270-A									W			
FORK	7B283												
Aux. shift	C8TZ 7B283-A									W			
CYLINDER ASSY. (RANGE)	7B284												
4 1/4" long-(4) 13/32" holes	D2HZ 7B284-A	N	P	Q	R	S	T	U	V		X	Y	Z
	C8TZ 7B284-A									W			
PIN (ACTUATOR PIVOT)	7K287												
	E8HZ 7K287-B											Y	Z
GASKET (SHIFT HOUSING DETENT)	7L287												
1 1/16" O.D. x 49/64 I.D.	E7HZ 7L287-A							U	V				
"O" RING (AUXILIARY SHIFT PISTON)	7288												
3 1/2" O.D. x 3 3/32" I.D.	D4HZ 7288-A	2	2	2	2	2	2	2	2		2	2	2
3" O.D. x 2 5/8" I.D. x 7/32" wide	C6TZ 7288-A	N		Q	R		T	U	V		X	Y	Z
15/16" O.D. x 3/4" I.D. x 3/32" thick	C6TZ 7288-B	N	P	Q	R	S	T	U	V		X	Y	Z
1 1/2" O.D. x 1 1/4" I.D.	C6TZ 7288-D		P			S							
Speedo opening-11/16" I.D. x 7/64" thick	E7HZ 7288-A			Q	R	S	T	U	V	W	2	Y	AR
Range cylinder seal	C8TZ 7288-A									W			
Front bearing cover	E7HZ 7288-D									W			
Range cylinder "O" ring-large	C8TZ 7288-B									W			
Range cylinder "O" ring-small	C8TZ 7288-C									W			
Color grey-35/64" I.D.	E8HZ 7288-A											Y	Z
YOKE (SHIFT)	7289												
Direct	E7HZ 7289-C									W			
MAGNET	7E290												
Disc	E0TZ 7E290-A			3	3	3	3	3	3	2	3	3	3



1980/  
TRUCK SERIES 600/900

DESCRIPTION/RESTRICTIONS	PART NUMBER	TRANSMISSION PARTS LIST 9N THRU 9Z											
		N	P	Q	R	S	T	U	V	W	X	Y	Z
VALVE ASSY.(CONTROL SLAVE-ON TRANSMISSION)	7D292												
#19470	E1HZ 7D292-A	N	P	Q	R	S	T	U	V	W	X	Y	Z
SPRING (DIRECT SYNCHRO PLATE)- 1 37/64" free length-22 coils-9/32" dia.	C6TZ 7B294-A	3	3	3	3	3	3	3	3	3	3	3	3
SLEEVE (ADAPTER PLATE ALIGNMENT)	7311												
21/32" long x 15/32" shank dia. x 3/4" large dia.	E1HZ 7311-B	N	P	Q	R	S	T	U	V		X	Y	Z
Use with E7HT 7003-AZA, E8HT-SA	E1HZ 7311-A										W		
Use with E9HT 7003-EA	E9HZ 7311-A										W		
GASKET	7314												
Range slave valve	E1HZ 7314-A	N	P	Q	R	S	T	U	V	W	X	Y	Z
COVER (OIL PUMP)	7B325												
	E8HZ 7B325-A										X		Z
GASKET (OIL PUMP)	7B326												
	E8HZ 7B326-A										X		Z
SHAFT (OIL PUMP)	7B328												
	E8HZ 7B328-A										X		Z
GEAR (OIL PUMP DRIVE)	7B329												
	E8HZ 7B329-A										X		Z
Ring retaining	389384-S(QQ-36)											2	2
KIT (AIR FILTER REPAIR)	7B331												
K1486, use with 9509, 11509, 12509 trans.	E4HZ 7B331-A												
KIT (SMALL PARTS REPAIR)	7B331												
K1500, use with 9509 trans.	E4HZ 7B331-B												
K1790, use with 11609 trans.	E4HZ 7B331-H												
#18735	D8HZ 7B332-A	N	P				T	U	V			Y	
	D8HZ 7B332-D			Q	R	S					X		
	D8HZ 7B332-C												Z
SHAFT (GEARSHIFTER)-Third and direct 11 5/16" long x 3/4" O.D., use with E2HT 7003- CAA	C8TZ 7334-A	N			R	S		U	V				
Third and Overdrive #18931	E8HZ 7334-A											Y	Z
WASHER	7B334												
Auxiliary output shaft reduction- 2 1/2" I.D. x 3 5/32" O.D. x 15/32" thick	C6TZ 7B334-B	N	P				T	U	V			Y	
Spacer output shaft reduction gear-18 external teeth-2 25/32" I.D. x 3 7/8" O.D. x 7/16" wide	C6TZ 7B334-C	N	P				T	U	V			Y	
2 1/2" I.D. x 4 1/4" O.D. x 5/16" thick	C6TZ 7B334-A	N	P				T	U	V			Y	
4 1/4" O.D. x 2 49/69" I.D. x 9/16" thick	D8HZ 7B334-B			Q	R	S					X		Z
#19203-18 ext. teeth	E2HZ 7B334-A			Q	R	S					X		Z
	C8TZ 7B334-A										W		
18 ext. teeth, aux. m/shaft	D0HZ 7B334-A										W		
CLUTCH (AUXILIARY SLIDING)	7B338												
18 ext. 18 int. teeth-2 3/4" I.D. x 7 13/16" O.D.	D4HZ 7B338-A	N	P										
#20323	E7HZ 7B338-A			Q	R	S	T	U	V		X	Y	Z
#16241	D0HZ 7B338-A										W		
GEAR (MAINSHAFT THIRD SPEED)	7B340												
Mainshaft third-18 int.-58 ext. teeth	E2HZ 7B340-B	N	P	Q	R		T	U	V		X		
Overdrive-18 int.-42 ext. teeth	E2HZ 7B340-A					S						Y	Z
Mainshaft third, use with E7HT 7003-AZA, see 7C391	★ E7HZ 7B340-D										W		
Mainshaft third, use with E8HT 7003-SA, E9HT-EA	E8HZ 7B340-A										W		
GEAR (MAINSHAFT SLIDING CLUTCH)	7B341												
18 ext., 17 int. teeth	D4HZ 7B341-A	3	3	3	3	3	3	3	3		3	3	3
	E7HZ 7B341-C										2		
GASKET (CASE REAR PLATE)	7B343												
19" long x 13" wide x 1/64" wide	C6TZ 7B343-B	N	P	Q	R	S	T	U	V		X	Y	Z
	C8TZ 7B343-A										W		

NOTICE: When the parts list suffix is shown in the quantity required column, the quantity is one (1).

DESCRIPTION/RESTRICTIONS	PART NUMBER	TRANSMISSION PARTS LIST 9N THRU 9Z												
		N	P	Q	R	S	T	U	V	W	X	Y	Z	
SHAFT	7358													
Low and reverse-9 27/32" long x 3/4" dia., use with E2HT 7003-CAA, E7HT-CJA,CKA	D0HZ 7358-A	N							U	V				
Low and reverse-#16132, use with E2HT 7003-CAA	D5HZ 7358-C	N	P	Q			T					X		
Low and reverse-#14908	C8TZ 7358-F				R	S		U	V					
Second	C8TZ 7358-B										W			
Direct	C8TZ 7358-C										W			
Low and reverse #18929	E8HZ 7358-A											Y	Z	
PIN (CASE DOWEL)-1 7/16" long x 3/4" O.D.	C6TZ 7B362-A	2	2	2	2	2	2	2	2	2		2	2	
NUT-auxiliary mainshaft stop-2 5/8" hex. x 2"-16	C6TZ 7B364-A	N	P	Q	R	S	T	U	V			X	Y	Z
	C8TZ 7B364-A											W		
BEARING (REVERSE IDLER GEAR)	7B369													
#EJS 7255 1 1/4" I.D. x 1 7/8" O.D.	C6TZ 7B369-A	2	2	2	2	2	2	2	2			2	2	2
VALVE (OIL PUMP RELIEF)	7C388													
	E8HZ 7C388-A											X		Z
KIT (BASIC OVERHAUL)	7C391													
K1041, use with 909, 9509 trans. pull type clutch, 1 3/4" input shaft	E4HZ 7C391-A													
K1042, use with 909, 9509 trans. pull type clutch, 2" input shaft	E4HZ 7C391-B													
K1064, use with 12509 trans. pull type clutch, 2" input shaft	E4HZ 7C391-F													
KIT (BASIC REBUILD)	7C391													
K1854, use with 909, 9509 trans.	E4HZ 7C391-G													
K1861, use with 12509 trans.	E4HZ 7C391-J													
KIT (DRIVE UPDATE)	7C391													
K2065, use with 8609 trans. Consist of: Basic No. 7289, 7B161, 7173, 7158, 7B340, and I.S. sheet	E7HZ 7C391-A										W			
ACTUATOR (SHIFT YOKE)	7410													
	E8HZ 7410-A												Y	Z
BLOCK	7411													
Direct and O/Drive #20120	E8HZ 7411-A												Y	Z
"O" RING	7B411													
Shift cylinder seal- 63/64" I.D. x 1 1/8" O.D. x 9/64" thick	C6TZ 7B411-A	N	P	Q	R	S	T	U	V			2	Y	2
SPACER (YOKE BAR)	7B416													
Reverse-25/32" I.D. x 15/32" thick x 1 or 1 1/16" thick	E1HZ 7B416-A		P											
COLLAR (SEALING)	7K449													
Nylon, 3/8" I.D.	E1HZ 7K449-A	N	P	Q	R	S	T	U	V			X	Y	Z
SPACER (REVERSE IDLER GEAR SHAFT)	7482													
11/16" I.D. x 1 1/2" O.D. x 7/32" thick x 1/64" thick	C6TZ 7482-A	2	2	2	2	2	2	2	2			2	2	2
WASHER (REVERSE IDLER) 2 3/4" O.D. x 1 1/8" I.D. x 17/32" wide	D0HZ 7482-A	2	2	2	2	2	2	2	2			2	2	2
Reverse idler shaft	E7HZ 7482-B										2			
YOKE	7K491													
Third and O/Drive #20450	E8HZ 7K491-A												Y	Z
HOUSING (CLUTCH)	7505													
Use with E6HT 7003-VA,ABA,ANA,CCA, CDA, E8HT-FA, E7HS-FCU,FAH	D5HZ 7505-A	N		Q	R	S	T	U	V			X	Y	Z
Use with E2HT 7003-DFA, E6HT-ATA,AUA	D6HZ 7505-A		P				T		V					

1980/  
TRUCK SERIES 600/900

DESCRIPTION/RESTRICTIONS	PART NUMBER	TRANSMISSION PARTS LIST 9N THRU 9Z												
		N	P	Q	R	S	T	U	V	W	X	Y	Z	
HOUSING (CLUTCH)		7505 — Cont'd												
Use with E4HT 7003-BBA, E6HT-YA,AAA ACA,CEA,CGA, E7HT-CJA,CKA, E6HS-FGF, E7HS-FBN, E8HT-DDA, E9HT-KA	D4HZ 7505-F		P	Q	R		T	U	V			Y	Z	
Use with E6HT 7003-NA,MA, E8HT-LA	D8HZ 7505-G			Q			T				X			
Use with E7HT 7003-AZA	E7HZ 7505-E										W			
Use with E8HT 7003-SA	E8HZ 7505-A										W			
Use with E9HT 7003-EA	E1HZ 7505-C										W			
PIN (AIR VALVE ACTUATING)		7A507												
2 3/4" long x 5/16" dia. Shank x 3/4" collar x 9/16" Plunger	E4HZ 7A507-A	N	P	Q	R	S	T	U	V	W	X	Y	Z	
BUSHING		7508												
Clutch housing pedal shaft x 1" long x 1 1/8"	C6TZ 7508-A	2	2	AR	AR	AR	AR	AR	AR	AR	AR	AR	AR	
Clutch pedal shaft-1 5/8" long x 1 1/8" O.D. x 1" I.D.	C6TZ 7508-B	N	P	AR	AR	AR	AR	AR	AR		AR	AR	AR	
FITTING (CLUTCH REL. BEARING)		7B512												
	D8HZ 7B512-A			AR			AR				AR			
COVER (CLUTCH HOUSING)		7564												
(2) mounting holes	C6TZ 7564-A	N	P	Q	R	S	T	U	V		X	Y	Z	
(4) mounting holes	DOHZ 7564-A		P	Q	R		T	U	V	W	X	Y	Z	
GASKET (CLUTCH HOUSING TO CASE)		7A619												
	C6TZ 7A619-B	N	P	Q	R	S	T	U	V		X	Y	Z	
	E7HZ 7A619-B									W				
SNAP RING (AUXILIARY REDUCTION GEAR)- 3 23/32" I.D. x 4 1/8" O.D. x 3/32" wide	C6TZ 7A628-A	N	P				T	U	V			Y		
TROUGH (OIL)		7716												
WASHER (Reverse idler gear thrust)- 2 11/32" O.D. x 1 1/8" I.D. x 13/64" thick	E6HZ 7716-A			Q	R	S	T	U	V		X	Y	Z	
	C6TZ 7728-A	2	2	2	2	2	2	2	2		2	2	2	
	E7HZ 7728-C									2				
SEAL (AUXILIARY REAR BEARING COVER OIL)-4 1/2" O.D. x 3 3/4" I.D. x 15/32" wide	E4HZ 7918-B	N	P											
Use with E7HT 7003-AZA	E7HZ 7918-B									W				
#20807, use with E8HT 7003-SA,E9HT-EA	E7HZ 7918-A			Q	R	S	T	U	V	W	X	Y	Z	
Bolt-hex. head-1/4"-20 x 7/8"	370519-S(BB-125)	N	P	Q	R	S	T	U			X	Y	Z	
BUSHING (SPEEDOMETER)	B8QH 17323-A	N	P	Q	R	S	T	U	V	W	X	Y	Z	
Cap screw-c/shft. frt. brg. 5/8-18 x 1 3/4	377850-S(BB273-A)	2	2	2	2	2	2	2	2	2	2	2	2	
Plug-filler-1 1/4 pipe	374501-S(PP52-F)	N	P	Q	R	S	T	U	V	W	X	Y	Y	
Range slave valve, screw 1/4-20 x 1.10 long	304680-S36M(BB429-K)	4	4	4	4	4	4	4	4	4	4	4	4	
Shift bar housing screw 3/8-16 x 1 1/2 long	58636-S2(B85-D)	2	2	2	2	2	2	2	2	2	2	2	2	
Frnt. brg. cvr., shift bar hsg. screw 3/8-16 x 1 1/4 long	58635-S2(B82-A)	16	16	16	16	16	16	16	16	16	16	16	16	
Rear housing to case, screw 3/8-16 x 1 3/4"	58637-S2(B86-A)	14	14	14	14	14	14	14	14	14	14	14	14	
Aux. drive gear brg. ret., screw 3/8-16 x 7/8"	42998-S8(B252-A)	6	6	6	6	6	6	6	6	6	6	6	6	
Rear housing, hose clmp., screw 3/8-16 x 2"	58638-S2(B89-A)	5	5	5	5	5	5	5	5	5	5	5	5	

NOTICE: When the parts list suffix is shown in the quantity required column, the quantity is one (1).

DESCRIPTION/RESTRICTIONS	PART NUMBER	TRANSMISSION PARTS LIST 9AA THRU 9AM												
		AA	AB	AC	AD	AE	AF	AG	AH	AJ	AK	AL	AM	
SEAL (OUTPUT SHAFT BEARING RETAINER OIL)-Refer to group 7918	4813													
CASE ASSY.-incl. magnetic chip collectors	7005													
#15390	D5HZ 7005-B	AA	AB	AC										
	E8HZ 7005-A				AD									
Plug (filler)-1 1/4" pipe	353094-S(PP-34)	AA	AB	AC	AD									
Stud-5/8"-11 and 5/8"-18 x 2 5/32" long	374423-S7-8(WW-66)	6	6	6	6									
Plug-1/2"-14	357985-S(PP-48)	AA	AB	AC	AD									
Plug-3/4", magnetic	353240-SA(PP-52)	AA	AB	AC	AD									
IMPELLER ASSY. (OIL PUMP)	7C010													
	E8HZ 7C010-A				AD									
Ring Crescent	370065-S7(QQ-37)				AD									
SHAFT (INPUT)	7017													
	E9HZ 7017-G	AA	AB	AC	AD									
RETAINER (OIL PUMP)	7N018													
	E8HZ 7N018-A				AD									
BEARING	7025													
212L or 212SLV-1 3/16" I.D. x 13/32" wide	C6TZ 7025-A	AA	AB	AC	AD									
Countershaft front-incl. snap ring inner race	E2HZ 7025-B	2	2	2	2									
SNAP RING	7030													
1 7/16" free I.D. x 3/32" thick	C6TZ 7030-A	2	2	2	2									
Input Shaft 2 11/64 I.D. x 7/24 thick	E4HZ 7030-A	AA	AB	AC	AD									
VENT (CASE)	7034													
2" long x 1 5/8" O.D. x 1/4" pipe thread	C7TZ 7034-A	AA	AB	AC	AD									
COVER	7C035													
#19690	E2HZ 7C035-A	AA	AB	AC	AD									
PLATE and PIN ASSY. (SYNCHRONIZER)	7A044													
Direct-6 1/2" O.D. incl. (3) Pins	D6HZ 7A044-A	AA	AB	AC	AD									
Reduction	E7HZ 7A044-A	AA	AB	AC	AD									
RETAINER (INPUT SHAFT BEARING)	7050													
#20550	E4HZ 7050-D	AA	AB	AC	AD									
Bolt-3/8"-16 x 1 1/2" hex. head	20468-S8(B-85)	4	4	4	4									
Lockwasher-3/8"	34807-S8(X-66)	4	4	4	4									
GASKET (INPUT SHAFT BEARING RETAINER)	7051													
4 21/32" I.D. x 6 1/2" O.D. x 1/64" thick (6) 13/32" holes	C6TZ 7051-F	AA	AB	AC	AD									
SPACER (INPUT SHAFT)	7A059													
2 3/8" I.D. x 2 7/8" O.D. x 5/32" thick	D4HZ 7A059-A	AA	AB	AC	AD									
Washer output shaft rear- 2 1/32" I.D. x 3" O.D. x 3/16" thick	D4HZ 7A059-B			AC	AD									
SHAFT (OUTPUT)	7061													
17 splines-13 31/32" long	D4HZ 7061-F	AA	AB	AC	AD									
#19281	E2HZ 7061-D	AA	AB											
#19202	E2HZ 7061-H			AC	AD									
SNAP RING	7064													
Input shaft bearing retain	D0HZ 7064-G	2	2											
Input shaft-3 1/16" O.D. x 3/32" wide	C6TZ 7064-E	6	6	6	6									
Aux. Countershaft rear bearing-1 63/64" I.D. 2 27/64" O.D. x 7/64" thick	D4HZ 7064-D			2	2									
Aux. drive gear-3 9/32" x 3 29/32" O.D. x 1/8" thick	D4HZ 7064-E	AA	AB	AC	AD									
Output shaft-2 3/32" I.D. x 2 7/16" O.D. x 3/32" thick	D4HZ 7064-F	2	2	2	2									
BEARING	7065													
Auxiliary countershaft rear-#1310L-incl. snap ring 1 31/32" I.D. x 4 21/64" O.D. x 1 1/16" wide	B7QH 7065-A	2	2											
Aux. countershaft rear, #311NRJ	B8QH 7065-B			2	2									
Auxiliary drive gear #118-L	C6TZ 7065-F	AA	AB	AC	AD									
Washer (output shaft gear) 17 teeth 2 27/32" O.D. x 1/4" wide	D8HZ 7069-A	5	5	5	5									

October, 1993

COPYRIGHT © 1993 - FORD MOTOR - DEARBORN, MICHIGAN  
COMPANY

Final Issue

1980/  
TRUCK SERIES 600/900

DESCRIPTION/RESTRICTIONS	PART NUMBER	TRANSMISSION PARTS LIST 9AA THRU 9AM												
		AA	AB	AC	AD	AE	AF	AG	AH	AJ	AK	AL	AM	
GEAR (AUXILIARY DRIVE)	7A079													
#19275	E2HZ 7A079-A													
RETAINER ASSY.	7085													
Aux. drive gear bearing-8" dia. x 5 1/16" I.D.	D4HZ 7085-B													
Rear cover	E8HZ 7085-C													
Rear cover	E8HZ 7085-D													
Bolt-hex. head-3/8"-16 x 2 3/4"	373139-S(BB-163)	6	6	6	6									
Lockwasher-3/8"	34807-S8(X-66)	6	6	6	6									
Washer-flat-3/8"	356425-S(XX-136)													
GASKET (OUTPUT SHAFT BEARING) RETAINER)-4 5/8" I.D. x 6 1/4" O.D.- (10) 13/32" holes	C8TZ 7086-C													
FLANGE (OUTPUT SHAFT)-Refer to group in Section 71 for Size Chart	7089													
Note: ▲ Industry Designation														
GEAR	7100													
Roll Pin	353847-S8(NN-109-A)	2	2											
Mainshaft first-18 int.-60 ext. teeth	E2HZ 7100-B													
Countershaft-17-17 teeth, 13 3/4" long	E2HZ 7100-C	2	2	2	2									
GEAR	7101													
48 ext.-18 int. teeth	E2HZ 7101-B													
GEAR	7102													
Low speed-44 external-18 internal teeth 8 5/8" O.D. x 1 5/32" wide	D4HZ 7102-A													
Aux. mainshaft reduction, 48 ext.-18 int. teeth	E2HZ 7102-B													
SHAFT (AIR VALUE ACTUATING)	7B104													
	E9HZ 7B104-A													
COUNTERSHAFT	7113													
#A-4727-Aux. Countershaft	E2HZ 7113-F	2	2											
#A-4728-Aux. Countershaft	E2HZ 7113-P			2	2									
YOKE	7C114													
1st, 2nd shift	E8HZ 7C114-A													
SNAP RING	7115													
Countershaft-2 11/32" free I.D. x 5/64" thick	E2HZ 7115-A	2	2	2	2									
BEARING	7118													
Auxiliary mainshaft-rear- #A2689-A-2 1/2" I.D. x 4 1/2" O.D. x 2 23/32" wide	C6TZ 7118-B													
Aux. Countershaft-front #MA1307EL or MR1307EL - - 1 3/8" I.D. x 3 9/64" O.D. x 13/16" wide	C1TZ 7118-A	2	2	2	2									
A-33775 or A-49271, 2 3/4" I.D. x 4 7/16" O.D. x 3" wide	D4HZ 7118-B													
Bushing (input shaft)- 1 11/32" I.D. x 1 5/8" O.D. x 3/4" wide	D0HZ 7120-C													
BEARING (COUNTERSHAFT)	7127													
Rear-#MRY 1308-GEL, 1 9/16" I.D. 3 35/64" O.D. 29/32" wide	C6TZ 7127-A	2	2	2	2									
RETAINER	7135													
#19548, incl. roll pin	E2HZ 7135-B	2	2	2	2									
GEAR	7137													
Countershaft 0/D-73 ext. teeth	E2HZ 7137-C	2	2	2	2									
Countershaft 2nd-46 ext. teeth	E2HZ 7137-D	2	2	2	2									
Bolt-round head-24 x 1 1/32"	376323-S(BB-390-R)	2	2	2	2									
SHAFT (REVERSE IDLER GEAR)	7140													
4 11/16" long	D0HZ 7140-A	2	2	2	2									
Nut-hex. head-1/2"-20	34449-S7-8(M-85)	2	2	2	2									
Washer-flat-1/2"	44735-S8(X-32)	2	2	2	2									

NOTICE: When the parts list suffix is shown in the quantity required column, the quantity is one (1).

DESCRIPTION/RESTRICTIONS	PART NUMBER	TRANSMISSION PARTS LIST 9AA THRU 9AM												
		AA	AB	AC	AD	AE	AF	AG	AH	AJ	AK	AL	AM	
GEAR (REVERSE IDLER)	7142													
46 ext. 18 int. teeth 7 15/16" O.D. x 1 5/32" wide	D4HZ 7142-B	AA	AB	AC	AD									
27 teeth-1 9/16" I.D. x 4 29/32" O.D. x 1 5/16" wide	D4HZ 7142-A	2	2	2	2									
GEAR (COUNTERSHAFT P.T.O.)	7144													
R.H. 45 teeth-7 3/4" dia. x 1 1/16" wide	D4HZ 7144-D	AA	AB	AC	AD									
L.H. 47 teeth-8 3/32" dia. x 1" wide	D4HZ 7144-E	AA	AB	AC	AD									
TUBE (OIL PUMP)	7N148													
	E8HZ 7N148-A				AD									
HOUSING (OIL PUMP)	7B150													
	E8HZ 7B150-A				AD									
Plug expansion, 3/4"	389187-S(PP-86-H)				AD									
Pin roll	305080-S(NN-113)				AD									
GASKET KIT	7153													
	C6TZ 7153-A	AA	AB											
	D4HZ 7153-C			AC	AD									
GEAR	7158													
Input shaft drive-18 int.-52 ext. teeth	E2HZ 7158-E	AA	AB	AC	AD									
Mainshaft second-18 int.-50 ext. teeth	E2HZ 7158-D	AA	AB	AC	AD									
COVER (POWER TAKE OFF)	7165													
9 5/8" long x 7 3/8" wide x (8) 15/32" holes	D1HZ 7165-A	AA	AB	AC	AD									
6 1/4" x 4 7/8"	C6TZ 7165-B	AA	AB	AD	AD									
Bolt (cover to case)-3/8"-16 x 5/8"	20328-S8(B-76)	8	8	8	8									
Lockwasher-3/8"	34807-S8(X-66)	8	8	8	8									
Bolt-hex. head-3/8"-16 x 1 1/2"	20468-S8(B-85)	6	6	6	6									
GASKET (OIL FILTER HOUSING)	7166													
6 1/4" x 4 7/8" x 1/16" thick-(6) 13/32" holes	E7HZ 7166-A	AA	AB	AC	AD									
9 1/4" long-7" wide-1/32" thick-(8) 15/32" holes	D1HZ 7166-A	AA	AB	AC	AD									
PLUG (OIL PUMP TO CASE)	7N171													
	E8HZ 7N171-A				AD									
WASHER (OUTPUT SHAFT)	7173													
18 ext. teeth, 2 19/32" dia. x 9/32" thick	C6TZ 7173-J	5	5	5	5									
HOSE	7B175													
28" long	D4HZ 7B175-A	AA	AB											
26" long	D2HZ 7B175-A	AA	AB											
29" long	C6TZ 7B175-B	AA	AB	2	2									
27" long	C6TZ 7B175-A			AC	AD									
Clip (hose to case)	357946-S8(GG-152)	2	2	2	2									
GEAR	7176													
39 ext. teeth-countershaft first	E2HZ 7176-A	2	2	2	2									
GEAR	7177													
Countershaft drive-66 ext. teeth	E2HZ 7177-D	2	2	2	2									
GASKET	7181													
Auxiliary countershaft rear bearing cover- 4 19/32" I.D. x 1/32" thick	D4HZ 7181-B	2	2											
Auxiliary countershaft rear bearing	D4HZ 7181-D			2	2									
GEARSHIFT (LEVER HOUSING TO GEARSHIFT HOUSING)	7185													
	E2HZ 7185-A	AA	AB	AC	AD									
RETAINER (MAINSHAFT REAR BEARING)	7195													
CAP (COUNTERSHAFT REAR BEARING)- 5 5/8" square-(4) 13/32" holes	D0HZ 7195-C	2	2											
Aux. countershaft rear bearing	D4HZ 7195-E			2	2									
PLUG (SHIFT HOUSING DETENT)	7N204													
3/4-16 thd. x 1" O.D.	E7HZ 7N204-A	AA												
STUD (TRANSMISSION CLUTCH HOUSING)	D0HZ 7C207-B	6	6	6	6									
5/8"-11 5/8"-18 THD. 2 7/16" long														

1980/  
TRUCK SERIES 600/900

DESCRIPTION/RESTRICTIONS	PART NUMBER	TRANSMISSION PARTS LIST 9AA THRU 9AM											
		AA	AB	AC	AD	AE	AF	AG	AH	AJ	AK	AL	AM
SPRING		7219											
Reverse stop plunger-10 1/2 coils-5/8" O.D. x 1 11/16" free length	B8QH 7219-A	AA	AB	AC	AD								
1 15/32" free length x 1/2" O.D.- Low and reverse, first and second	C8TZ 7219-C	3	3	3	3								
Range slave shaft-1 25/64 free length	E7HZ 7219-A	AA	AB	AC	AD								
Ball-steel 1/2"	353079-S(AA-15)	3	3	3	3								
KEY		7B220											
Mainshaft gear-10 13/16" long-6 side design	D2HZ 7B220-A	AA	AB	AC	AD								
Countershaft-3/8 square x 5 3/16" long	E2HZ 7B220-B	2	2	2	2								
Oil pump shaft	E8HZ 7B220-A				2								
Ball steel 3/4" dia.	★ C1TZ 7C220-A N/R(1/76)	2	2	2	2								
HOUSING (GEARSHAFT)		7222											
Use with E9HT 7003-LA,AFA	E8HZ 7222-A			AC	AD								
#22955	D5HZ 7222-A	AA											
#20487, S1445, use with E9HT 7003-VA,AEA,AKA,ANA, E8HS-FAS	E9HZ 7222-A		AB	AC	AD								
Bolt-hex. head-3/8"-16 x 1 1/2"	20468-S8(B-85)	16	16	16	16								
Lockwasher-3/8"	34807-S8(X-66)	16	16	16	16								
GASKET (GEARSHAFT HOUSING)		7223											
16 1/2" x 11 1/2" x 1/16" thick	C6TZ 7223-A	AA	AB	AC	AD								
Bolt-hex. head-3/8"-18 x 1 1/2"	20468-S8(B-85)	2	2	2	2								
Lockwasher-3/8"	34807-S8(X-66)	2	2	2	2								
GASKET		7B228											
Auxiliary shift cyliner-4 3/4" O.D. x 4" I.D. x 1/16" thick-(4) 13/32" holes	C6TZ 7B228-A	AA	AB	AC	AD								
Output shaft splitter gear													
Auxiliary shift cylinder-3 3/4" x 3 1/16" I.D. 1/16" thick-(4) 13/32" holes	C6TZ 7B228-B	AA	AB	AC	AD								
GATE (GEARSHIFTER SHAFT)		7230											
First and Second-2 19/32" wide x 3/4" dia. bushing hole, use with E9HT 7003-VA,AEA,AKA,ANA, E7HS-FAE, E8HS-FAS	C6TZ 7230-A	AA	AB	AC	AD								
E2HT 7003-CAA	C6TZ 7230-B	AA											
Block, first and second 2 1/8" long x 7/16"-20 thread #15770, use with E9HT 7003-LA,AFA	D0HZ 7230-C			AC	AD								
First and second-#16135-shift fork	D4HZ 7230-E	AA											
Third and direct-#16136-shift fork	D4HZ 7230-F	AA											
FORK (GEARSHIFTER)		7231											
Low and reverse #16131, use with E9HT 7003-VA, AEA,AKA,ANA	D5HZ 7231-A	AA	AB	AC	AD								
#16338, use with E9HT 7003-LA,AFA	D4HZ 7231-E			AC	AD								
Auxiliary shift-7 1/8" span x 1" dia. hole	D1HZ 7231-A	AA	AB	AC	AD								
GATE (GEARSHIFTER SHAFT)		7232											
Third and direct-#16134	D5HZ 7232-A	AA											
Third and Overdrive #19062,use with E9HT 7003-LA,AFA	E8HZ 7232-A			AC	AD								
Block, third and overdrive, use with E9HT 7003-VA,AEA,AKA,ANA, E8HS-FAS, E7HS-FAE	E9HZ 7232-A		AB	AC	AD								
Screw (fork to shaft)-hex. drilled head-pointed-7/16"-20 x 1/32" overall length	371073-S(BB-539)	5	5	5	5								
PISTON (AUXILIARY SHIFT)		7233											
2 31/32" dia. x 5/8" wide-(2) holes-12-24 thread	C6TZ 7233-A	AA	AB	AC	AD								
"O" ring	★ 87141-S91	AA	AB										

NOTICE: When the parts list suffix is shown in the quantity required column, the quantity is one (1).

DESCRIPTION/RESTRICTIONS	PART NUMBER	TRANSMISSION PARTS LIST 9AA THRU 9AM											
		AA	AB	AC	AD	AE	AF	AG	AH	AJ	AK	AL	AM
PIN (GEARSHIFT ROD INTERLOCK) 2 1/8" O.D. x 1/16" long	B8QH 7235-A	AA	AB	AC	AD								
BAR (SHIFT YOKE)	7240												
First & second #18930, use with E9HT 7003-LA,AFA	E8HZ 7240-A			AC	AD								
First and second, use with E9HT 7003-VA,AEA,AKA,ANA, E8HS-FAS, E7HS-FAE	E9HZ 7240-A		AB	AC	AD								
AUXILIARY SHIFT YOKE-1" O.D. x 7 15/32" long	D2HZ 7241-A	AA	AB										
Range cyl. #19562	E4HZ 7241-A			AC	AD								
First and second-#16133	D5HZ 7241-B	AA											
PLUG (REVERSE STOP PLUNGER SPRING)- 3/4"-16-slotted x 5/16" hole	B8QH 7245-A	AA	AB	AC	AD								
PLUNGER (SHIFTER SHAFT GATE-REVERSE GATE)- 1 19/32" long	B8QH 7247-A	AA	AB	AC	AD								
FILTER (TRANSMISSION AIR)	7B265												
#A-4740	E1HZ 7B265-A	AA	AB	AC	AD								
Plug 1/8" Pipe	87708-S (P-14)	2	2	2	2								
WASHER (OIL PUMP)	7K267												
Capscrew seal	E8HZ 7K267-A				3								
1/4-20 x 1 1/2 capscrew	382909-S100(UU-13-C2)				3								
SPRING (OIL PUMP RELIEF)	7A270												
	E8HZ 7A270-A				AD								
CYLINDER ASSY. (RANGE)	7B284												
4 1/4" long-(4) 13/32" holes	D2HZ 7B284-A	AA	AB	AC	AD								
PIN (ACTUATOR PIVOT)	7K287												
	E8HZ 7K287-B		AB	AC	AD								
GASKET (SHIFT HOUSING DETENT)	7L287												
1 1/16" O.D. x 49/64 I.D.	E7HZ 7L287-A	AA											
"O" RING (AUXILIARY SHIFT PISTON)	7288												
3 1/2" O.D. x 3 3/32" I.D.	D4HZ 7288-A	2	2	2	2								
3" O.D. x 2 5/8" I.D. x 7/32" wide	C6TZ 7288-A	AA	AB	AC	AD								
15/16" O.D. x 3/4" I.D. x 3/32" thick	C6TZ 7288-B	AA	AB	AC	AD								
Speedo opening-11/16" I.D. x 7/64" thick	E7HZ 7288-A	AA	AB	AC	AD								
Color grey-35/64" I.D.	E8HZ 7288-A	AA	AB	AC	AD								
MAGNET	7E290												
Disc	E0TZ 7E290-A	3	3	3	3								
VALVE ASSY.(CONTROL SLAVE-ON TRANSMISSION)	7D292												
#19470	E1HZ 7D292-A	AA	AB	AC	AD								
SPRING (DIRECT SYNCHRO PLATE)- 1 37/64" free length-22 coils-9/32" dia.	C6TZ 7B294-A	3	3	3	3								
SLEEVE (ADAPTER PLATE ALIGNMENT)	7311												
21/32" long x 15/32" shank dia. x 3/4" large dia.	E1HZ 7311-B	AA	AB	AC	AD								
	E1HZ 7311-A												
GASKET	7314												
Range slave valve	E1HZ 7314-A	AA	AB	AC	AD								
COVER (OIL PUMP)	7B325												
	E8HZ 7B325-A				AD								
GASKET (OIL PUMP)	7B326												
	E8HZ 7B326-A				AD								
SHAFT (OIL PUMP)	7B328												
	E8HZ 7B328-A				AD								
GEAR (OIL PUMP DRIVE)	7B329												
	E8HZ 7B329-A				AD								
Ring retaining	389384-S(QQ-36)				2								



1980/  
TRUCK SERIES 600/900

DESCRIPTION/RESTRICTIONS	PART NUMBER	TRANSMISSION PARTS LIST 9AA THRU 9AM												
		AA	AB	AC	AD	AE	AF	AG	AH	AJ	AK	AL	AM	
KIT (SMALL PARTS REPAIR)	7B331													
K1500, use with 9509 trans.	E4HZ 7B331-B													
K1790, use with 11609 trans.	E4HZ 7B331-H													
#18735	D8HZ 7B332-A	AA	AB											
	D8HZ 7B332-C			AC	AD									
SHAFT (GEARSHIFTER)	7334													
Third and Overdrive #18931, use with E9HT 7003-LA,AFA	E8HZ 7334-A			AC	AD									
Third and Overdrive, use with E9HT 7003-VA,AEA,AKA,ANA, E8HS-FAS, E7HS-FAE	E9HZ 7334-A		AB	AC	AD									
WASHER	7B334													
Auxiliary output shaft reduction- 2 1/2" I.D. x 3 5/32" O.D. x 15/32" thick	C6TZ 7B334-B	AA	AB											
Spacer output shaft reduction gear-18 external teeth-2 25/32" I.D. x 3 7/8" O.D. x 7/16" wide	C6TZ 7B334-C	AA	AB											
2 1/2" I.D. x 4 1/4" O.D. x 5/16" thick	C6TZ 7B334-A	AA	AB											
4 1/4" O.D. x 2 49/69" I.D. x 9/16" thick	D8HZ 7B334-B			AC	AD									
#19203-18 ext. teeth	E2HZ 7B334-A			AC	AD									
CLUTCH (AUXILIARY SLIDING)	7B338													
#20323	E7HZ 7B338-A	AA	AB	AC	AD									
GEAR (MAINSHAFT THIRD SPEED)	7B340													
Overdrive-18 int.-42 ext. teeth	E2HZ 7B340-A	AA	AB	AC	AD									
GEAR (MAINSHAFT SLIDING CLUTCH)	7B341													
18 ext., 17 int. teeth	D4HZ 7B341-A	3	3	3	3									
GASKET (CASE REAR PLATE)	7B343													
19" long x 13" wide x 1/64" wide	C6TZ 7B343-B	AA	AB	AC	AD									
SHAFT	7358													
Low and reverse #18929, use with E9HT 7003-LA,AFA	E8HZ 7358-A			AC	AD									
Low and reverse, #16132	D5HZ 7358-C	AA												
Low and reverse, use with E9HT 7003-VA,AEA,AKA,ANA, E8HS-FAS, E7HS-FAE	E9HZ 7358-A		AB	AC	AD									
PIN (CASE DOWEL)-1 7/16" long x 3/4" O.D.	C6TZ 7B362-A	2	2	2	2									
NUT-auxiliary mainshaft stop-2 5/8" hex. x 2"-16	C6TZ 7B364-A	AA	AB	AC	AD									
BEARING (REVERSE IDLER GEAR)	7B369													
#EJS 7255 1 1/4" I.D. x 1 7/8" O.D.	C6TZ 7B369-A	2	2	2	2									
VALVE (OIL PUMP RELIEF)	7C388													
	E8HZ 7C388-A				AD									
KIT (BASIC OVERHAUL)	7C391													
K1041, use with 909, 9509 trans. pull type clutch, 1 3/4" input shaft	E4HZ 7C391-A													
K1042, use with 909, 9509 trans. pull type clutch, 2" input shaft	E4HZ 7C391-B													
K1064, use with 12509 trans. pull type clutch, 2" input shaft	E4HZ 7C391-F													
KIT (BASIC REBUILD)	7C391													
K1854, use with 909, 9509 trans.	E4HZ 7C391-G													
K1861, use with 12509 trans.	E4HZ 7C391-J													
KIT (DRIVE UPDATE)	7C391													
K2065, use with 8609 trans. Consist of: Basic No. 7289, 7B161, 7173, 7158, 7B340, and I.S. sheet	E7HZ 7C391-A													
ACTUATOR (SHIFT YOKE)	7410													
	E8HZ 7410-A		AB	AC	AD									
BLOCK	7411													
Direct and O/Drive #20120	E8HZ 7411-A		AB	AC	AD									
"O" RING	7B411													
Shift cylinder seal- 63/64" I.D. x 1 1/8" O.D. x 9/64" thick	C6TZ 7B411-A	AA	AB	AC	AD									

NOTICE: When the parts list suffix is shown in the quantity required column, the quantity is one (1).

DESCRIPTION/RESTRICTIONS	PART NUMBER	TRANSMISSION PARTS LIST 9AA THRU 9AM												
		AA	AB	AC	AD	AE	AF	AG	AH	AJ	AK	AL	AM	
COLLAR (SEALING) Nylon, 3/8" I.D.	7K449 E1HZ 7K449-A													
SPACER (REVERSE IDLER GEAR SHAFT) 11/16" I.D. x 1 1/2" O.D. x 7/32" thick x 1/64" thick	7482 C6TZ 7482-A	2	2	2	2									
WASHER (REVERSE IDLER) 2 3/4" O.D. x 1 1/8" I.D. x 17/32" wide	D0HZ 7482-A	2	2	2	2									
YOKE Third and O/Drive #20450	7K491 E8HZ 7K491-A		AB	AC	AD									
HOUSING (CLUTCH) Use with E6HS 7003-FCB, E9HT-ACA, AFA,AKA, E7HS-FAE	7505 D5HZ 7505-A	AA	AB	AC	AD									
Use with E6HS 7003-FAB, E9HT-UA,LA,VA, E8HS-FAS	D4HZ 7505-F	AA	AB	AC	AD									
Use with E9HT 7003-ADA,AEA,ANA	D8HZ 7505-G		AB	AC	AD									
PIN (AIR VALVE ACTUATING) 2 3/4" long x 5/16" dia. Shank x 3/4" collar x 9/16" Plunger	7A507 E4HZ 7A507-A	AA	AB	AC	AD									
BUSHING Clutch housing pedal shaft x 1" long x 1 1/8"	7508 C6TZ 7508-A	AR	AR	AR	AR									
Clutch pedal shaft-1 5/8" long x 1 1/8" O.D. x 1" I.D.	C6TZ 7508-B	AR	AR	AR	AR									
FITTING (CLUTCH REL. BEARING)	7B512 D8HZ 7B512-A	AR	AR	AR	AR									
COVER (CLUTCH HOUSING) (2) mounting holes	7564 C6TZ 7564-A	AA			AD									
(4) mounting holes	D0HZ 7564-A	AA	AB	AC	AD									
GASKET (CLUTCH HOUSING TO CASE)	7A619 C6TZ 7A619-B	AA	AB	AC	AD									
SNAP RING (AUXILIARY REDUCTION GEAR)- 3 23/32" I.D. x 4 1/8" O.D. x 3/32" wide	C6TZ 7A628-A	AA	AB											
TROUGH (OIL)	7716 E6HZ 7716-A	AA	AB	AC	AD									
WASHER (Reverse idler gear thrust)- 2 11/32" O.D. x 1 1/8" I.D. x 13/64" thick	C6TZ 7728-A	2	2	2	2									
SEAL (AUXILIARY REAR BEARING COVER OIL) #21036, use with E7HS-FAE	7918 E4HZ 7918-B			AC										
#20807, use with E8HT-SA	E7HZ 7918-A	AA	AB	AC	AD									
Bolt-hex. head-1/4"-20 x 7/8"	370519-S(BB-125)	AA	AB	AC	AD									
BUSHING (SPEEDOMETER) Cap screw-c/shft. frt. brg. 5/8-18 x 1 3/4	B8QH 17323-A 377850-S(BB273-A)	2	2	2	2									
Plug-filler-1 1/4 pipe	374501-S(PP52-F)	AA	AB	AC	AD									
Range slave valve, screw 1/4-20 x 1.10 long	304680-S36M(BB429-K)	4	4	4	4									
Shift bar housing screw 3/8-16 x 1 1/2 long	58636-S2(B85-D)	2	2	2	2									
Frnt. brg. cvr., shift bar hsg. screw 3/8-16 x 1 1/4 long	58635-S2(B82-A)	16	16	16	16									
Rear housing to case, screw 3/8-16 x 1 3/4"	58637-S2(B86-A)	14	14	14	14									
Aux. drive gear brg. ret., screw 3/8-16 x 7/8"	42998-S8(B252-A)	6	6	6	6									
Rear housing, hose clmp., screw 3/8-16 x 2"	58638-S2(B89-A)	5	5	5	5									

DESCRIPTION/RESTRICTIONS	PART NUMBER	TRANSMISSION PARTS LISTS 10A THRU 10M												
		A	B	C	D	E	F	G	H	J	K	L	M	
CASE ASSY. (INCL. MAGNETIC CHIP COLLECTORS)	7005													
#14590-N/R 11/89	★ C6TZ 7005-A			C	D	E	F	G						
#15970, #16885	D0HZ 7005-B	A	B											
#16243-aux. or rear	D0HZ 7006-A	A	B											
#16950	D4HZ 7005-J								H	J	K	L	M	
ELEMENT (OIL FILTER) 1" I.D. x 2 1/2" O.D. x 2 1/16" long	C1TT 7C012-A	A	B	C	D	E	F	G	H	J	K	L	M	
COVER (OIL FILTER)-(6) 13/32" bolt holes- 6 1/4" x 4 7/8" x 2" height	C1TT 7C013-H	A	B	C	D	E	F	G	H	J	K	L	M	
Bolt (cover to case)-hex. head-3/8"-16 x 1"	20388-S(B-80)	6	6	6	6	6	6	6	6	6	6	6	6	
Lockwasher-3/8"	34807-S8(X-66)	6	6	6	6	6	6	6	6	6	6	6	6	
PLATE (OIL FILTER RETAINER). (6) 13/32" bolt holes- 6 1/4" x 4 7/8" x 1/16" thick	★ C1TT 7C014-A (N/R 3/83)	A	B	C	D	E	F	G	H	J	K	L	M	
SHAFT (INPUT)	7017													
16 teeth-10 splines-incl. bushing & snap ring - -	D6HZ 7017-J	A	B											
18 teeth-10 spline x 12 1/8" long	D4HZ 7017-F			C	D	E	F	G						
18 teeth-10 spline x 11 15/16" long	D4HZ 7017-E								H	J	K	L	M	
BEARING	7025													
Input shaft-#15117-1 3/16" I.D. x 13/16" wide	C6TZ 7025-A			C	D	E	F	G	H	J	K	L	M	
#G209-SF	C8TZ 7025-A	A	B											
2 53/64" O.D.-1 3/8" I.D.-43/64" wide	D8HZ 7025-A	2	2											
Countershaft front #211SL-2 5/32" I.D. x 3 15/16" O.D. x 53/64" wide	TGAA 7025-A			2	2	2	2	2	2	2	2	2	2	
SNAP RING	7030													
Countershaft rear bearing-1 7/16"	C6TZ 7030-A			2	2	2	2	2	2	2	2	2	2	
3 1/32" O.D. x 1/16" thick	C8TZ 7030-C	2	2											
Output shaft bearing retainer-1 37/64" I.D. x 1/8" wide	C8TZ 7030-B	A	B											
VENT ASSY. (CASE AIR VALVE)	7034													
1/8" pipe thread x 1" long	D1TZ 7034-A	A	B	C	D	E	F	G	H	J	K	L	M	
1 5/8" O.D.-14" pipe thread-2" long	C7TZ 7034-A	A	B	C	D	E	F	G	H	J	K		M	
COVER AUXILIARY SHIFT CYLINDER)-(4) 13/32" holes 4 1/4" x 4 1/4" x 1 1/4" thick	C6TZ 7C035-A			C	D	E	F	G	H	J	K	L	M	
COVER (COUNTERSHAFT BRAKE PISTON)	D4HZ 7C035-A	A	B											
PLATE and PIN ASSY.	7A044													
Auxiliary direct synchronizer-incl. (3) pins	C8TZ 7A044-A	A	B											
Auxiliary reduction synchronizer-incl. (3) pins	C8TZ 7A044-B	A	B											
Reduction synchronizer-7" O.D.-incl. (3) pins	C6TZ 7A044-A			2	2	2	2	2	H	J	K	L	M	
6 1/2" O.D. incl. (3) pins	D6HZ 7A044-A								H	J	K	L	M	
NUT (INPUT SHAFT BEARING RETAINER)- 3 1/4" O.D. x 2 1/8"-16 internal threads	C1TT 7045-A			C	D	E	F	G	H	J	K	L	M	
RETAINER (INPUT SHAFT BEARING)	7050													
5 9/16" O.D. flange dia. x 6 1/4" long	D0HZ 7050-A	A	B											
2 1/16" I.D. x 6 9/16" O.D. 1 1/32" wide	D4HZ 7050-A			C	D	E	F	G	H	J	K	L	M	
GASKET (COUNTER SHAFT FRONT BEARING COVER)	7051													
(4) 13/32" holes-3 11/16" I.D. x 5 1/2" O.D. x 1/64" thick	C8TZ 7051-A	A	B											
(6) 13/32" holes-4 21/32" I.D. x 6 1/2" O.D. x 1/64" thick	C6TZ 7051-F			C	D	E	F	G	H	J	K	L	M	

1980/  
TRUCK SERIES 600/900

DESCRIPTION/RESTRICTIONS	PART NUMBER	TRANSMISSION PARTS LISTS 10A THRU 10M												
		A	B	C	D	E	F	G	H	J	K	L	M	
SEAL (TRANSMISSION MAINSHAFT OIL)- #CR 521924-1 1/2" I.D. x 1 31/32" O.D. x 7/16" thick	C9TZ 7052-A	A	B											
SPACER (INPUT SHAFT)	7A059													
1 25/32" I.D. x 3" O.D. x 23/64" thick	D0HZ 7A059-C	A	B											
2 3/8" I.D. x 2 23/32" O.D. x 5/16" thick	C9TZ 7A059-A			C	D	E	F	G						
2 3/8" I.D. x 2 7/8" O.D. x 5/32" thick	D4HZ 7A059-A								H	J	K	L	M	
2 1/32" I.D. x 3" O.D. x 3/16" thick	D4HZ 7A059-B											K	L	
SHAFT	7061													
17 splines-13 31/32" long	D4HZ 7061-F								H	J	K	L	M	
10-18 splines-12 11/32" long-2"-16 thd. end	D4HZ 7061-G										K	L		
15-13 splines-12 1/2" long	D8HZ 7061-C	A	B											
16-10 splines-12 1/8" long	D8HZ 7061-D	A	B											
Aux. output-10-13 splines-10 3/4" long	C6TZ 7061-A			C	D	E	F	G	H	J				M
KIT (MAINSHAFT)-solid type	D1HZ 7061-A			C	D	E	F	G						

Consists of  
 (1) A-4114 Mainshaft assy. (2) 16723 Snap rings (1) 16835 Mainshaft key  
 (1) 16566 Clutch shaft bushing (1) 16788 Aux. drive gear coupling washer (1) Instruction sheet

DESCRIPTION/RESTRICTIONS	PART NUMBER	A	B	C	D	E	F	G	H	J	K	L	M
SNAP RING	7064												
Aux. drive gear-3 3/32" I.D. x 3 19/32" O.D. x 1/8" thick	D0HZ 7064-F			C	D	E	F	G					
1 13/16" I.D. x 2 3/16" O.D. x 3/32" thick Aux. countershaft-rear Output shaft	D0HZ 7064-H			2	2	2	2	2	2	2			2
Mainshaft gear-2 3/4" I.D. x 2 31/32" O.D. x 3/32" thick Input shaft	C6TZ 7064-A			5	5	5	5	5					
Aux. drive gear-rear-3 1/16" I.D. x 3 9/16" O.D. x 1/8" thick	D0HZ 7064-B	A	B										
Mainshaft-1 13/16" I.D. x 2 3/16" O.D. x 3/32" wide	C6TZ 7064-C	A	B										
Output shaft fourth gear-1 37/64" I.D. x 1 59/64" O.D. x 5/64" thick	D0HZ 7064-A	A	B										
Output shaft drive gear-2 5/16" I.D. x 2 21/32" O.D. x 5/64" thick	D0HZ 7064-D	A	B										
3 1/16" O.D. x 3/32" thick Input shaft	C6TZ 7064-E								H	J	K	L	M
2 3/32" I.D. x 2 7/16" O.D. x 3/32" thick	D4HZ 7064-F								5	5	5	5	5
3 9/32" I.D. x 3 29/32" O.D. x 1/8" thick	D4HZ 7064-E								2	2	2	2	2
Aux. Countershaft rear bearing-1 63/64" I.D., 2 27/64" O.D. x 7/64" thick	D4HZ 7064-D								H	J	K	L	M
BEARING (AUXILIARY COUNTERSHAFT REDUCTION)-Incl. snap ring-#1310L-1 31/32" I.D. x 4 21/64" O.D. x 1 1/16" wide	B7QH 7065-A			2	2	2	2	2	2	2			2
Rear - #1311L-2 5/32" I.D. x 4 23/32" O.D. x 1 9/64" wide	B8QH 7065-B										2	2	
BEARING ASSY. (AUXILIARY DRIVE GEAR)- #117L	C6TZ 7065-A	A	B	C	D	E	F	G					
Auxiliary drive gear-#118L	C6TZ 7065-F								H	J	K	L	M
WASHER (OUTPUT SHAFT GEAR) 17 teeth-2 27/32" O.D. x 1/4" wide	D8HZ 7069-A								5	5	5	5	5

NOTICE: When the parts list suffix is shown in the quantity required column, the quantity is one (1).

DESCRIPTION/RESTRICTIONS	PART NUMBER	TRANSMISSION PARTS LISTS 10A THRU 10M												
		A	B	C	D	E	F	G	H	J	K	L	M	
ADAPTER (REAR SHIFT PIPE)-1 1/8" long x 1/8"-27 both ends	C8TZ 7K077-A	A	B											
GEAR	7A079													
Auxiliary drive,32-15-15 teeth- #18725	D8HZ 7A079-A			C	D	E	F	G						
Aux. drive-30-18 17 teeth,#17214	D4HZ 7A079-A										K	L		
RETAINER ASSY.	7085													
Output shaft bearing-(6) 13/32" and (3) 3/8"-16 holes 15/32" O.D. x 1/4" thick	C6TZ 7085-A			C	D	E	F	G						
(6) 13/32" holes-1 15/16" long Auxiliary rear bearing cover	C6TZ 7085-B			C	D	E	F	G	H	J			M	
Cover aux. rear bearing-2 3/8" high x 13 1/8" long	D0HZ 7085-A	A	B											
Auxiliary drive gear bearing- 5/16" I.D. x 8" O.D. x 9/32" wide	D4HZ 7085-B								H	J	K	L	M	
2 1/8" wide-(6) 13/32" holes	E8HZ 7085-D										K	L		
GASKET (AUXILIARY REAR BEARING COVER and SPEEDOMETER)	7086													
(10) 13/32" holes-4 9/16" I.D. x 6 1/4" O.D. x 1/32" thick	C8TZ 7086-C			C	D	E	F	G	H	J	K	L	M	
13 1/8" long x 1/32" thick	D0HZ 7086-A	A	B											
FLANGE (OUTPUT SHAFT)- refer to group in Section 71 for Size chart	7089													
Note: ♦Industry number														
GEAR	7100													
Countershaft reverse-22 teeth-2 1/4" I.D. x 4 1/16" dia. x 1 3/4" wide	C6TZ 7100-A			2	2	2	2	2						
Low speed-44 external teeth-18 internal teeth- 7 21/32" O.D. x 1 1/8" overall thickness	C6TZ 7100-B			C	D	E	F	G						
Output shaft first speed-36-18 teeth- 6 1/16" dia. x 1 3/16" wide at hub	D0HZ 7100-B	A	B											
46 external-18 internal teeth- 7 29/32" dia. x 1 5/32" wide	D4HZ 7100-E								H	J	K	L	M	
GEAR	7101													
42 external-18 internal teeth- 8 13/16" dia. x 2" wide	D4HZ 7101-E										K	L		
Aux. drive-26-18-15 teeth-N/R (9/86)	★ D8HZ 7101-B	A	B											
Output shaft reduction-42 external teeth- 18 internal teeth-8 13/16" dia. x 1 1/2" wide	C6TZ 7101-A			C	D	E	F	G	H	J			M	
Aux. output shaft reduction-40 external teeth-18 internal teeth-7" dia. x 1 15/16" hub dia.	D0HZ 7101-C	A	B											
GEAR	7102													
Second speed-40 external-18 internal teeth- 7" dia. x 1 1/8" wide	C6TZ 7102-A			C	D	E	F	G						
Output shaft second speed-34 external- 18 internal teeth-5 9/16" dia. x 1 3/32" hub dia.	D0HZ 7102-B	A	B											
34 external-18 internal teeth- 7 11/32" dia. x 1 5/32" wide	D4HZ 7102-B								H	J	K	L	M	
GEAR (OUTPUT SHAFT SLIDING)-Also refer to group 7B341 first and reverse, second and third-18 external- 15 internal teeth-3" dia. x 1 21/32" wide	D0HZ 7103-A	2	2											

1980/  
TRUCK SERIES 600/900

DESCRIPTION/RESTRICTIONS	PART NUMBER	TRANSMISSION PARTS LISTS 10A THRU 10M												
		A	B	C	D	E	F	G	H	J	K	L	M	
SHAFT (AIR VALVE ACTUATING)-5 1/2" long	E9HZ 7B104-A													
RETAINER (FRONT BEARING)-13/32" dia. hole x 4 1/2" long	D0HZ 7109-A	2	2											
COUNTERSHAFT	7111													
Aux. 13 21/32" long	C6TZ 7111-A			2	2	2	2	2						
Low and reverse-16-19 teeth-3 15/32" dia. gear x 2" shaft dia. x 13 17/64" long	D0HZ 7111-B	2	2											
#A-4560	D8HZ 7111-B												2	
COUNTERSHAFT ASSY.	7113													
GEAR (COUNTERSHAFT FIRST SPEED)- 25 teeth-2 1/4" I.D. x 4 1/2" dia. x 1 3/4" wide	C6TZ 7113-A			2	2	2	2	2						
	D4HZ 7113-D								2	2	2	2		
#A-4341 38-15 teeth	D6HZ 7113-C								2	2			2	
Aux. countershaft	D0HZ 7113-B										2	2		
SPACER	7115													
Countershaft front bearing 2 3/16" I.D. x 2 25/32" O.D.	D4HZ 7115-B								2	2	2	2	2	
Aux. reduction gear-18 teeth-2 3/4" I.D. x 3 57/64" O.D. x 7 1/16" wide	D4HZ 7115-C										K	L		
BEARING	7118													
#33755-2 3/4" I.D. x 4 7/16" O.D. x 3" wide	D4HZ 7118-B										K	L		
Aux. countershaft-front-#MA1307EL or MR1307EL-1 3/8" I.D. x 3 9/64" O.D. x 13/16" wide	C1TZ 7118-A			2	2	2	2	2	2	2	2	2	2	
Incl. snap ring-1 3/16" I.D. x 2 7/16" O.D. x 5/8" wide	D4HZ 7118-A	2	2											
Aux. mainshaft-rear-#A2689-2 1/2" I.D. x 4 33/64" O.D. x 2 23/32" wide	C6TZ 7118-B			C	D	E	F	G	H	J			M	
Aux. countershaft-rear-#MR1308TV- 1 9/16" I.D. x 3 17/32" O.D. x 29/32" wide	C1TT 7118-E	2	2											
#212MG	C8TZ 7118-A	A	B											
Aux. output shaft-front-#BU1307-12 rollers- 1 3/8" I.D. x 2 21/32" O.D. x 13/16" wide at hub	D0HZ 7118-A	A	B											
WASHER (COUNTERSHAFT THRUST)- 2 17/64" I.D. x 2 3/4" O.D. x 1/8" wide	C6TZ 7119-A			2	2	2	2	2						
BUSHING (OUTPUT SHAFT PILOT)	7120													
1 11/32" I.D. x 1 39/64" O.D. x 3/4" long	D0HZ 7120-C			C	D	E	F	G	H	J	K	L	M	
1 1/4" O.D. x 3/4" long	D0HZ 7120-A	A	B											
SYNCHRONIZER KIT	7124													
Consists of: 7A044 (2) 7B294 (3)	D9HZ 7124-B									H	J	K	L	M
BEARING (COUNTERSHAFT)	7127													
2 53/64" O.D.-1 3/16" I.D.-3/4" wide	C8TZ 7127-A	2	2											
Rear-#MRY1308GEL-1 9/16" I.D. x 3 17/32" O.D. x 29/32" wide	C6TZ 7127-A			2	2	2	2	2	2	2	2	2	2	2
RETAINER (COUNTERSHAFT BEARING)	7135													
2 3/4" O.D. x 5/16" thick (2) 17/32" holes	C6TZ 7135-A			2	2	2	2	2						
2 3/4" O.D. x 5/16" thick (2) 13/32" holes	D0HZ 7135-C								2	2	2	2		
#19065	D8HZ 7135-A													2
GEAR (COUNTERSHAFT SECOND SPEED)	7137													
29 teeth-2 1/2" I.D. x 5 3/16" O.D. x 2 1/16" wide at hub	C6TZ 7137-A			2	2	2	2	2						

NOTICE: When the parts list suffix is shown in the quantity required column, the quantity is one (1).

DESCRIPTION/RESTRICTIONS	PART NUMBER	TRANSMISSION PARTS LISTS 10A THRU 10M												
		A	B	C	D	E	F	G	H	J	K	L	M	
GEAR (COUNTERSHAFT SECOND SPEED) 7137 — Cont'd														
23 teeth—2 1/2" I.D. x 5 7/32" O.D. x 1 31/32" wide	D4HZ 7137-E								2	2	2	2	2	
SHAFT (REVERSE IDLE GEAR)—4 11/16" long	D0HZ 7140-A			2	2	2	2	2	2	2	2	2		
GEAR (REVERSE IDLER) 7142														
27 teeth—4 27/32" O.D. x 1 1/4" overall width	C6TZ 7142-A			2	2	2	2	2						
Reverse—42 external—18 internal teeth— 7 11/32" dia. x 1 3/16" wide	C6TZ 7142-B			C	D	E	F	G						
22 teeth—4 1/32" dia. x 1" overall width	C9TZ 7142-A	2	2											
32 external—18 internal teeth—5 1/2" dia. x 1 1/8" hub dia.	D0HZ 7142-A	A	B											
46 external—18 internal teeth— 7 7/16" dia. x 1 5/32" wide	D4HZ 7142-C								H	J	K	L	M	
29 teeth 1 7/8" I.D. x 4 27/32" O.D. x 1 1/4" wide	D4HZ 7142-D								2	2	2	2		
GEAR 7144														
Countershaft third speed—33 helical teeth— 2 1/4" I.D. x 5 27/32" O.D. x 2 1/16" wide at hub	C6TZ 7144-A			2	2	2	2	2						
Countershaft P.T.O.—R.H.—45 teeth— 2 1/4" I.D. x 7 3/4" O.D. x 1 1/16" wide	C6TZ 7144-C			C	D	E	F	G						
Countershaft P.T.O.—L.H.—47 teeth— 2 1/4" I.D. x 8" O.D. x 1" wide	C6TZ 7144-B			C	D	E	F	G						
26 teeth—2" I.D. x 4 13/32" O.D. x 1 9/16" hub width	D0HZ 7144-A	2	2											
Second speed and P.T.O.—33—23 teeth— 2" I.D. x 5 3/4" O.D. x 2 1/2" wide	D0HZ 7144-B	2	2											
17 teeth 8 3/32" O.D. x 1" wide	D4HZ 7144-E								H	J	K	L	M	
45 teeth 2 1/2" O.D. x 1 1/16" wide	D4HZ 7144-D								H	J	K	L	M	
33 helical teeth—2 1/2" I.D. x 5 25/32" O.D. x 1 7/8" wide	D4HZ 7144-F								2	2	2	2	2	
GASKET SET 7153														
	C6TZ 7153-A			C	D	E	F	G						
	D4HZ 7153-E	A	B											
	D4HZ 7153-C								H	J	K	L	M	
LOCK (REVERSE IDLER BEARING)	D0HZ 7155-A			2	2	2	2	2	2	2	2	2		
GEAR 7158														
Input shaft drive	C8TZ 7158-G				D			G						
Input shaft drive—28 external—18 internal teeth— 5 5/32" dia. x 1 1/8" wide	C6TZ 7158-A			C		E	2							
Output fourth speed	C6TZ 7158-B			C		E								
Overdrive	C8TZ 7158-H				D			G						
26 external—16 internal teeth— 4 9/16" O.D.	D6HZ 7158-D	A	B											
26 external — 16 internal teeth—4 1/16" O.D. x 1 19/64" wide	D6HZ 7158-C	A	B											
28 external—18 internal teeth—1 1/4" I.D. x 5 3/16" O.D. x 19/32" wide	D4HZ 7158-C								H	J	K	L	M	
32 external—18 internal teeth— 5 27/32" O.D. x 1 7/32" wide	D4HZ 7158-A								H	J	K	L	M	
Kit—includes 7231 yoke, 7158 gear maindrive, 7B161 clutch mainshaft, 7158 gear mainshaft	D0HZ 7158-B	A	B											
GEAR OUTPUT SHAFT														
16 external—13 internal teeth	D6HZ 7B161-A	A	B											

1980/  
TRUCK SERIES 600/900

DESCRIPTION/RESTRICTIONS	PART NUMBER	TRANSMISSION PARTS LISTS 10A THRU 10M												
		A	B	C	D	E	F	G	H	J	K	L	M	
SNAP RING		7162												
Countershaft drive gear-1 7/8" I.D. x 2 3/16" O.D. x 1/8" thick	C6TZ 7162-A	2	2											
Countershaft reverse gear-2 1/32" I.D. x 2 15/32" O.D. x 1 1/8" thick	B8QH 7162-B			2	2	2	2	2						
COVER (POWER TAKE-OFF)		7165												
(8) 15/32" holes-9 5/8" x 7 3/8"	D1HZ 7165-A	A	B	C	D	E	F	G	H	J	K	L	M	
(6) 13/32 holes 6 1/4" x 4 7/8"	C6TZ 7165-B			C	D	E	F	G	H	J	K	L	M	
Bolt (cover to case)-3/8"-16 x 5/8"	20328-S8(B-76)	6	6	6	6	6	6	6	6	6	6	6	6	6
Lockwasher-3/8"	34808-S8(X-66)	6	6	6	6	6	6	6	6	6	6	6	6	6
Lockwasher-external teeth-3/8"	351487-S(XX-291)	6	6	6	6	6	6	6	6	6	6	6	6	6
HOUSING (COUNTERSHAFT BRAKE P.T.O.)-6 1/4" long x 4 7/8" wide		D4HZ 7165-A	A	B										
GASKET		7166												
Oil filter housing-(6) 13/32" holes-6 1/4" x 4 7/8" x 1/16" thick	E7HZ 7166-A	A	B							H	J	K	L	M
Oil filter housing to plate	C4TZ 7166-A			C	D	E	F	G						
Power take-off cover-9 1/4" x 7" x 1/32" thick	D1HZ 7166-A	A	B	C	D	E	F	G	H	J	K	L	M	
SPACER		7173												
Mainshaft gear-18 external teeth-3" dia. x 9/32" thick	C6TZ 7173-A			5	5	5	5	5						
2 29/32" dia. x 9/32" thick	C6TZ 7173-J								5	5	5	5	5	
Output shaft first, third and reverse-15 internal teeth-2 5/8" dia. x .249" thick	C6TZ 7173-B	AR	AR	AR	AR	AR	AR	AR	AR	AR				
.254" thick	C6TZ 7173-C	AR	AR	AR	AR	AR	AR	AR	AR	AR				
.259" thick	C6TZ 7173-D	AR	AR	AR	AR	AR	AR	AR	AR	AR				
Output shaft second and fifth-15 internal teeth-2 5/8" dia. x .264" thick	C6TZ 7173-E	AR	AR	AR	AR	AR	AR	AR	AR	AR				
.269" thick	C6TZ 7173-F	AR	AR	AR	AR	AR	AR	AR	AR	AR				
.274" thick	C6TZ 7173-G	AR	AR	AR	AR	AR	AR	AR	AR	AR				
16 external-13 internal teeth-2 5/8" O.D. x .260" wide	D0HZ 7173-A	A	B											
Output shaft-first, second, third and reverse gear-18 external-15 internal teeth-3" dia. x .260" wide	C8TZ 7173-C	4	4											
HOSE		7B175												
Aux. shift air supply-1/8"-27 threaded ends x 13 1/2" long	C1TT 7B175-E	A	B											
1/8"-27 threaded ends X 20" long	C1TT 7B175-F	A	B											
17" long	C9TZ 7B175-A			C	D	E	F	G	H	J				M
27" long	C6TZ 7B175-A			C	D	E	F	G	H	J				M
28" long	D4HZ 7B175-A			C	D	E	F	G	H	J	K	L	M	
1/8"-27 both ends x 12 1/2" long	C8TZ 7B175-D	A	B											
1/8"-27 thread-18" long	D0HZ 7B175-C										K	L		
GEAR (AUXILIARY COUNTERSHAFT DRIVE)		7177												
37 teeth-2 1/4" I.D. x 6 1/2" O.D.	★ C8TZ 7177-G N/R 12/88			C	D	E	F	G						
Countershaft drive fourth speed-37 teeth 2 1/4" I.D. x 6 9/16" O.D. x 1 1/4" wide-	★ C6TZ 7177-B N/R 12/88			C		E	F							
Countershaft drive-40 helical teeth-2 1/4" I.D. x 7 1/16" O.D. x 1 1/4" wide	C6TZ 7177-C			2	2	2	2	2						
36 teeth-2 1/2" I.D. x 6 15/32" O.D.-x 1 13/32" wide	D4HZ 7177-D								2	2	2	2	2	2
40 teeth-2 1/2" I.D. x 7 3/32" O.D. x 1 13/32" wide	D4HZ 7177-E								2	2	2	2	2	2

NOTICE: When the parts list suffix is shown in the quantity required column, the quantity is one (1).



DESCRIPTION/RESTRICTIONS	PART NUMBER	TRANSMISSION PARTS LISTS 10A THRU 10M												
		A	B	C	D	E	F	G	H	J	K	L	M	
GEAR (AUXILIARY COUNTERSHAFT DRIVE) 7177 — Cont'd														
A-4521	D8HZ 7177-E			2	2	2	2	2						
36 teeth-2" I.D. x 5 7/16" O.D. x 1 29/32" hub width	D0HZ 7177-B	2	2											
Countershaft drive fourth speed-29 teeth 5 3/64" O.D. x 2" bore dia. x 1 29/32" wide at hub	D6HZ 7177-H	2	2											
GEAR KIT (AUXILIARY COUNTERSHAFT DRIVE)	★ D2HZ 7177-E N/R 12/88	2	2											
Consists of														
1-D2HZ 7118-A	Bearing	1-C8TZ 7162-B	Snap ring	1-D2HZ 7177-B	Gear									
GASKET 7181														
Aux. shift cylinder-.010" thick	C8TZ 7181-B	A	B											
Aux. shift cylinder cover-2 3/4" I.D. x 4" x 4" x .020" thick	C8TZ 7181-D	2	2											
Countershaft brake piston cover	D4HZ 7181-A	A	B											
	D4HZ 7181-B			2	2	2	2	2	2	2				2
Aux. countershaft rear bearing	D4HZ 7181-D											2	2	
GASKET (LEVER HOUSING TO GEARSHIFT HOUSING)-(4) 7/16" bolt holes-6 5/8" x 5 3/8" x 1/64" thick Housing adapter to case	C1TT 7185-A	A	B	C	D	E	F	G	H	J	K	L	M	
CAP 7195														
Aux. shift cylinder-4" x 4" x 1 1/16" wide	C8TZ 7195-E	A	B											
Countershaft rear bearing	D0HZ 7195-C			2	2	2	2	2	2	2				2
Aux. countershaft rear bearing	D4HZ 7195-E											2	2	
Retainer-output shaft rear bearing (2) 13/32" holes-1/4" circle shape 3 3/8" radius x 3/8" thick	D0HZ 7195-A	2	2											
STUD (CLUTCH HOUSING)- 5/8"-11 and 5/8"-18 x 2 7/16" long	D0HZ 7C207-B			6	6	6	6	6	6	6	6	6	6	6
SPRING 7219														
Aux. air valve actuating plunger-10 1/2 coils- 5/8" O.D. x 1 11/16" free length Reverse stop plunger	B8QH 7219-A	A	B	C	D	E	F	G	H	J	K	L	M	
		A	B	C	D	E	F	G	H	J	K	L	M	
Shift bar housing-1/2" O.D. x 1 1/2" free length-with D7HT 7003-BKA on List "E"	C8TZ 7219-D					E	F							
Low and reverse-1/2" O.D. x 1 15/32" free length second and third position finder	C8TZ 7219-C				D	E	F	G	H					
Fourth and direct-1/2" O.D. x 1 1/2" free length	C8TZ 7219-D			C	D	E		G	H		3	3	3	3
Low and reverse gate plunger-11 coils- 7/16" O.D.-1 1/2" free length	C6TZ 7219-E	3	3											
Ball-1/2" steel	353079-S(AA-15)	3	3	3	3	3	3	3	3	3	3	3	3	3
KEY 7B220														
Mainshaft gear-1/8" dia. x 10 13/16" long	D2HZ 7B220-A			C	D	E	F	G	H	J	K	L	M	
Output shaft-7/32" high x 7 5/8" long x 9/32" wide	D0HZ 7B220-F	2	2											
13/32" high x 1 3/8" long x 5/16" wide	D0HZ 7B220-B	2	2											
Countershaft-5/16" x 5/16" x 5 1/8" long	D1HZ 7B220-B	2	2											
3/8" x 3/8" x 7 9/16" long	D4HZ 7B220-B								2	2	2	2	2	

1980/  
TRUCK SERIES 600/900

DESCRIPTION/RESTRICTIONS	PART NUMBER	TRANSMISSION PARTS LISTS 10A THRU 10M												
		A	B	C	D	E	F	G	H	J	K	L	M	
BALL KIT (SHIFTER SHAFTS SPRING)-not repl.	★ C1TZ 7C220-A	2	2	2	2	2	2	2	2	2	2	2	2	
HOUSING (GEARSHIFT)	7222													
#15888	C8TZ 7222-S	A	B											
With D7HT 7003-BGA List "E", with D7HT 7003-BRA List "H"	E3HZ 7222-A				D	E	F		H		K		M	
#16913-LIST-"E"-with D7HT 7003-BKA	D6HZ 7222-C			C		E		G						
#17115-with D7HT 7003-BSA List "H"	D5HZ 7222-A								H	J		L		
GASKET (GEARSHIFT HOUSING)	7223													
(14) 13/32" holes-16 1/2" x 11 1/2" x .010" thick	C6TZ 7223-A			C	D	E	F	G	H	J	K	L	M	
13 7/16" x 11 1/2" x 1/64" thick	C8TZ 7223-B	A	B											
COVER (GEARSHIFT SPRING)-4 1/8" x 7/8" x 1/8" thick	C6TZ 7B227-A	A	B											
GASKET	7B228													
Aux. shift cylinder-(4) 13/32" holes- 4" I.D. X 4 3/4" O.D. x 1/64" thick	C6TZ 7B228-A			C	D	E	F	G	H	J	K	L	M	
Aux. shift cylinder cover-(4) 13/32" holes- 3 3/4" I.D. x 3 3/4" x 1/64" thick	C6TZ 7B228-B			C	D	E	F	G	H	J	K	L	M	
Gearshift spring cover-4 1/8" x 7/8" x 1/64" thick	C6TZ 7B228-E	A	B											
FORK (GEARSHIFT)	7230													
Fourth and fifth speed shift-2 1/16" wide 3/4" dia. bushing hole with D7HT 7003-BKA on List "E"	C6TZ 7230-B			C		E		G		H	J		L	
Third and direct														
Second and third speed-2 3/8" inside span	C8TZ 7230-D			C	D	E	F	G						
Second and third-with D7HT 7003-BKA on List "E"	C6TZ 7230-A			C		E		G		H	J		L	
First and second														
Second and third-3/4" I.D. x 2 1/8" long	D0HZ 7230-C				D	E	F							
First and second-with D7HT 7003-BRA or List "H"									H		K		M	
First and second	D4HZ 7230-E								H	J	K	L	M	
Third and direct	D4HZ 7230-F								H	J	K	L	M	
Screw (fork to shaft)-drilled hex. head-pointed- 7/16"-20 x 1 5/32" overall length	371073-S(BB-539)	2	2	2	2	2	2	2	2	2	2	2	2	
FORK (GEARSHIFTER)	7231													
Aux. shift-1" dia. shaft hole x 7 5/32" span- also refer to group 7B283-	D1HZ 7231-A			C	D	E	F	G	H	J	K	L	M	
First and reverse	C8TZ 7231-C	A	B											
First and reverse-approx. 7" long x 2 3/8" span x 3/4" dia. bushing bore- 3/4"-16 thread one end-List-"E"-with D7HT 7003-BKA	C6TZ 7231-A			C		E		G						
Fourth and direct or fifth	C6TZ 7231-L			C	D	E	F	G						
2 1/8" span-3/4" hole for shaft	D0HZ 7231-B	A	B											
Low and reverse speed shift- 2 3/8" inside span	C8TZ 7231-J				D	E	F							
Second and third speed shift	C8TZ 7231-D	A	B											
Low and reverse-with D7HT 7003-BSA List "H"	D5HZ 7231-A								H	J		L		
Low and reverse-with D7HT 7003-BRA List "H"	D4HZ 7231-E								H		K		M	
Screw (fork to shaft)-hex. drilled head- pointed-7/16"-20 x 1 5/32" overall length	371073-S(BB-539)	3	3	3	3	3	3	3	3	3	4	4	4	
GATE (GEARSHIFTER SHAFT)- fourth and fifth-7/16"-20 hole x 2 1/8" long	C8TZ 7232-C				D	E	F							
Third and direct-with D7HT 7003-BRA on List "H"									H		K		M	
Third and direct-with D7HT 7003-BSA List "H"	D5HZ 7232-A								H	J		L		
Screw (shifter shaft gate)-hex. head drilled- pointed-7/16"-20 x 1 5/32" overall length	371073-S(BB-539)	A	B	C	D	E	F	G	H	J	K	L	M	

NOTICE: When the parts list suffix is shown in the quantity required column, the quantity is one (1).

DESCRIPTION/RESTRICTIONS	PART NUMBER	TRANSMISSION PARTS LISTS 10A THRU 10M												
		A	B	C	D	E	F	G	H	J	K	L	M	
SLEEVE (REVERSE IDLER OIL)-3/16" I.D. x 7/16" O.D. x 3/4" long	C8TZ 7C232-A	2	2											
PISTON (AUXILIARY SHIFT)	7233													
(2) holes-12-24 thread-3" dia. x 5/8" wide	C6TZ 7233-A			C	D	E	F	G	H	J	K	L	M	
21/32" wide	C8TZ 7233-A	A	B											
Countershaft brake - 2 1/2" O.D. x 1 7/8" long	D4HZ 7233-A	A	B											
PIN (GEARSHIFT ROD INTERLOCK)- 7/32" O.D. x 11/16" long	B8QH 7235-A	A	B	C	D	E	F	G	H	J	K	L	M	
SHAFT (GEARSHIFTER)	7240													
3/4" O.D. x 9 1/4" long	C8TZ 7240-F	A	B											
Rod-aux. shift fork-7/8" O.D. x 8 7/8" long x 1/2"-20 thread one end	D0HZ 7240-A	A	B											
SHAFT (GEARSHIFTER)-second and third speed -3/4" O.D. x 11 15/16" long	C8TZ 7241-E				D	E	F							
First and second-with D7HT 7003-BRA on List "H"									H		K		M	
BAR (AUXILIARY SHIFT YOKE)- 1" O.D. x 7 15/32" long x 5/8"-18 thread	D2HZ 7241-A			C	D	E	F	G	H	J			M	
First and second-with D7HT 7003-BSA List "H"	D5HZ 7241-B								H	J		L		
1" O.D. x 7 3/4" long, 5/8-thread-aux.	D4HZ 7241-E										K	L		
PLUG (REVERSE STOP PLUNGER SPRING)- slotted-3/4"-16 x 5/16" hole	B8QH 7245-A	A	B	C	D	E	F	G	H	J	K	L	M	
PLUNGER (SHIFTER SHAFT GATE)	7247													
Low and reverse gate-valve pin-3 5/16" long x 9/16" one end x 5/16" other end	C8TZ 7247-B	A	B											
Reverse gear-1 19/32" long	B8QH 7247-A	A	B	C	D	E	F	G	H	J	K	L	M	
SEAL (REAR SHIFT PIPE ADAPTER)- 13/32" I.D. x 23/32" O.D. x 13/32" wide	C8TZ 7B270-A	A	B											
REGULATOR (AIR PRESSURE)	D0HZ 7B274-B	A	B	C	D	E	F	G	H	J	K	L	M	
Fitting (air pressure regulator)-reducer bushing-1/8"-27 and 1/4"-18	353107-S(II-46)	A	B	C	D	E	F	G	H	J				
Nipple-3/8"-18 threads-2" long	371094-S(II-191G)	A	B	C	D	E	F	G	H	J	K	L		
elbow-1/8"-90°	★ 379827-S	A	B	C	D	E	F	G	H	J	2	2	2	
FORK (GEARSHIFTER)-auxiliary shift- inside width 6 1/8"-also refer to group 7231	C8TZ 7B283-A	A	B											
CYLINDER (AUXILIARY AIR SHIFT)-	7B284													
2 3/4" long-(4) 13/32" holes	C8TZ 7B284-A	A	B											
4 1/4" long (4) 13/32" holes	D2HZ 7B284-A			C	D	E	F	G	H	J	K	L	M	
Pin (clevis)-1/2" x 1 3/4"	73995-S7(N-32)	A	B	C	D	E	F	G	H	J	K	L	M	
Cotter pin-1/8" x 1	72035-S7-8(N-51)	A	B	C	D	E	F	G	H	J	K	L	M	
Elbow-1/8"-90°	★ 379827-S	2	2	2	2	2	2	2	2	2	2	2	2	
"0" RING (AUXILIARY SHIFT)	7288													
Piston (large rubber)-2 17/32" I.D. x 3" O.D. x 7/32" wide	C6TZ 7288-A			C	D	E	F	G	H	J	K	L	M	
Plunger-2 3/32" I.D. x 1/4" wide	C8TZ 7288-B	A	B											
Seal (copper)-41/64" I.D. x 7/8" O.D. x 1/32" thick	C8TZ 7288-A	A	B											
Seal (piston)-7/8" I.D. x 1 1/8" O.D.	C8TZ 7288-C	A	B											
Small (rubber)-47/64" I.D. x 15/16" O.D. x 7/64" thick	C6TZ 7288-B			C	D	E	F	G	H	J	K	L	M	
VALVE ASSY. (CONTROL SLAVE-ON TRANS.)	D0HZ 7D292-A	A	B	C	D	E	F	G	H	J	K	L	M	
Plug-headless socket pipe-1/8"-27	87708-S(P-14)	3	3	3	3	3	3	3	3	3	3	3	3	
Plug-expansion-7/8"	74115-S(P-4)	2	2	2	2	2	2	2	2	2	2	2	2	
Elbow-1/8"-90°	★ 379827-S	A	B	C	D	E	F	G	H	J	K	L	M	

1980/  
TRUCK SERIES 600/900

DESCRIPTION/RESTRICTIONS	PART NUMBER	TRANSMISSION PARTS LISTS 10A THRU 10M												
		A	B	C	D	E	F	G	H	J	K	L	M	
SPRING (DIRECT SYNCHRONIZER PLATE)- 22 coils-9/32" dia. x 1 37/64" free length	C6TZ 7B294-A	3	3	3	3	3	3	3	3	3	3	3	3	
SLEEVE (ADAPTER PLATE ALIGNMENT)- 3/4" large dia. x 1/2" shank dia. x 11/32" dia. other end x 5/16" hole one end x 7/8" long	C6TZ 7311-A			C	D	E	F	G	H	J	K	L	M	
GASKET (SLAVE VALVE ADAPTER PLATE)	7314													
(4) 9/32" holes-4" long x 1/64" thick x 1 11/16" wide	C6TZ 7314-A			C										
4" long x 1/64" thick x 2 1/8" wide	C8TZ 7314-A	A	B		D	E	F	G	H	J	K	L	M	
PLATE (SLAVE VALVE ADAPTER)- 3/4" hole in center of plate x 5 3/4" long x 2 3/8" wide	C6TZ 7316-A	A	B	C	D	E	F	G						
Elbow-1/8"-90°	★ 379827-S	A	B	C	D	E	F	G	H	J	K	L	M	
Fitting-1/4"-18 male thread x 3/8"- 18 female thread	373354-S(II-64-D)	A	B	C	D	E	F	G	H	J	K	L	M	
KIT (AIR FILTER REPAIR)	7B331													
K1486, use with 510, 610, 910, 1110, 12510 trans.	E4HZ 7B331-A													
KIT (SMALL PARTS REPAIR)	7B331													
K1500, use with 910 trans.	E4HZ 7B331-B													
K1507, use with 12510 trans.	E4HZ 7B331-D													
K1790, use with 11610 trans.	E4HZ 7B331-H													
K1800, use with 14610 trans.	E4HZ 7B331-L													
PLATE (TRANS REAR) #18735	D8HZ 7B332-A			C	D	E	F	G	H	J			M	
#18736	D8HZ 7B332-D										K	L		
BRACKET (AIR FILTER)	7B333													
4 5/16" long x 2 7/8" wide	★ D2HZ 7B333-A-N/R(9/86)	A	B											
#17107	D8HZ 7B333-A			C	D	E	F	G	H	J	K	L	M	
SHAFT (GEARSHIFTER)-Fourth and high- 3/4" O.D. x 11 5/16" long Third and direct	C8TZ 7334-A				D	E	F						M	
WASHER (AUXILIARY OUTPUT SHAFT REDUCTION GEAR)	7B334													
2 3/4" I.D. x 4 1/4" O.D. x 7/16" thick	D4HZ 7B334-C										K	L		
2 1/2" I.D. x 4 1/4" O.D. x 5/16" thick	C6TZ 7B334-A			C	D	E	F	G	H	J			M	
Front-2 1/2" I.D. x 3 5/32" O.D. x 15/32" thick	C6TZ 7B334-B			C	D	E	F	G	H	J			M	
18 teeth-2 3/8" I.D. x 3" O.D. x 1/2" wide	D0HZ 7B334-A	A	B											
Rear-2 3/8" I.D. x 3 1/2" O.D. x 9/32" wide	C8TZ 7B334-A	A	B											
SPACER (OUTPUT SHAFT REDUCTION GEAR) 18 external teeth-2 25/32" I.D. x 3 7/8" O.D. x 7/16" wide	C6TZ 7B334-C			C	D	E	F	G	H	J			M	
PLATE (AUXILIARY SLIDING CLUTCH)	7B338													
18 external clutch-13 internal spline teeth- 7 13/16" O.D. x 1 43/64" wide	D0HZ 7B338-B			C	D	E	F	G	H	J			M	
18 external-16 internal teeth-6 3/4" major dia. x 1 1/2" hub	D0HZ 7B338-A	A	B											
18 ext., 18 int. teeth-2 3/4" I.D. x 7 13/16" O.D. x 1 43/64" wide	D4HZ 7B338-B										K	L		
GEAR (MAINSHAFT)	7B340													
38 external-18 internal teeth- 6 9/16" dia. x 1 5/32" wide	D4HZ 7B340-B								H	J	K	L	M	
Third speed-30 external-18 internal teeth- 5 1/16" dia. x 1 3/8" hub width	D0HZ 7B340-A	A	B											
Third speed-36 external-18 internal teeth- 6 3/8" dia. x 1 1/4" wide	C6TZ 7B340-A			C	D	E	F	G						

NOTICE: When the parts list suffix is shown in the quantity required column, the quantity is one (1).

DESCRIPTION/RESTRICTIONS	PART NUMBER	TRANSMISSION PARTS LISTS 10A THRU 10M												
		A	B	C	D	E	F	G	H	J	K	L	M	
GEAR (SLIDING CLUTCH) 18 external-15 internal teeth 2 61/64" dia. x 1 5/8" wide-Also refer to group 7103	C9TZ 7B341-A			3	3	3	3	3						
18 external-17 internal teeth 3 3/16" dia. x 1 9/16" wide	D4HZ 7B341-A								3	3	3	3	3	
GASKET (CASE REAR PLATE) 19" long x 1/64" thick x 13" wide	7B343 C6TZ 7B343-B			C	D	E	F	G	H	J	K	L	M	
	C8TZ 7B343-A	A	B											
BAR (SHIFT FORK) First and reverse speed-(4) grooves- 3/4" dia. x 9 1/2" long-with D7HT 7003-BKA on List "E"	7358 C6TZ 7358-A			C		E		G						
Second and third speed-(2) grooves- 3/4" dia. x 13 13/32" long-with D7HT 7003-BKA on List "E"	C6TZ 7358-B			C		E		G						
Low and reverse with D7HT 7003-BSA List "H"	D5HZ 7358-C								H	J		L		
3/4" dia. x 8" long-2nd & 3rd	C8TZ 7358-B	A	B											
3/4" dia. x 8" long-4th & 5th	C8TZ 7358-C	A	B											
Fourth and fifth speed-(4) grooves- 3/4" dia. x 13 13/32" long-with D7HT 7003-BKA on List "E"	C6TZ 7358-C			C		E		G						
Low and reverse speed-3/4" dia. x 9 27/32" long-with D7HT 7003-BGA on List "E" low and reverse with D7HT 7003-BRA List "H"	D0HZ 7358-A				D	E	F				H		M	
PIN (CASE DOWEL)-3/4" O.D. x 1 7/16" long	C6TZ 7B362-A	2	2	2	2	2	2	2	2	2	2	2	2	
NUT Aux. mainshaft stop-hex. head- 2 3/4" x 2"-16	7B364 C6TZ 7B364-A			C	D	E	F	G	H	J	K	L	M	
Output shaft rear bearing-hex. head- 1 1/2"-18 x 2 3/8"	C8TZ 7B364-A	A	B											
BEARING (REVERSE IDLER GEAR) #EJS7255-1 1/4" I.D. x 1 7/8" O.D. #WJ 162116-16 rollers-1" I.D. x 1 5/16" O.D. x 1" wide	7B369 C6TZ 7B369-A			2	2	2	2	2	2	2	2	2	2	
	C8TZ 7B369-A	2	2											
KIT (BASIC OVERHAUL) K1041, use with 910 trans. pull type clutch, 1 3/4" input shaft	7C391 E4HZ 7C391-A													
K1042, use with 910 trans. pull type clutch, 2" input shaft	E4HZ 7C391-B													
K1064, use with 12510 trans. pull type clutch, 2" input shaft	E4HZ 7C391-F													
KIT (BASIC REBUILD) K1854, use with 910 trans. K1861, use with 12510 trans.	7C391 E4HZ 7C391-G E4HZ 7C391-J													
"O" RING (SHIFT CYLINDER SEAL)- 63/64" I.D. x 1 1/8" O.D. x 1/8" thick	C6TZ 7B411-A			C	D	E	F	G	H	J	K	L	M	
ELBOW (AIR HOSE)-3/8" female thread x 1/4"-18 male thread	D2TZ 7B417-A				D	E	F		H	J	K		M	
STUD (BRAKE SUPPORT)-Rear Gear shift lever mounted control valve	C1TT 7B420-D		6											
"O" ring - repair kit - used w/ C5TZ 7312-A	D6TZ 7B435-A	A	B	C	D	E	F	G						
SPACER Reverse idler gear shaft-11/16" I.D. x 1 1/2" O.D. x 7/32" thick x 1/64" thick	7482 C6TZ 7482-A			2	2	2	2	2	2	2	2	2	2	
1" I.D. x 1 49/64" O.D. x 3/16" thick	C8TZ 7482-A	2	2											
Retainer-reverse idler washer-1 7/8" I.D. x 2 3/8" O.D. x 21/32" wide	C8TZ 7482-B	2	2											

1980/  
TRUCK SERIES 600/900

DESCRIPTION/RESTRICTIONS	PART NUMBER	TRANSMISSION PARTS LISTS 10A THRU 10M												
		A	B	C	D	E	F	G	H	J	K	L	M	
<b>HOUSING</b>		<b>7505</b>												
#15592-	C9TZ 7505-A	A												
#16110-	C8TZ 7505-C		B											
#16329-aluminum, use with D7HT 7003-BHA on List "D"	D0HZ 7505-A				D	E								
#15483-use with D7HT 7003-BFA on List "D"	D4HZ 7505-D				D	E	F							
	D8HZ 7505-A									J		L		
Use with D7HT-7003-CHA on List "C"	D8HZ 7505-B			C				G						
Use with D7HT-7003-CUA on List "C"	D8HZ 7505-E			C										
	D6HZ 7505-A								H					
#15410 - use with D7HT 7003-BVA on list "K"	D4HZ 7505-F											K		
#15616 - use with D7HT 7003-BUA on list "K"	D5HZ 7505-A											K		
	D6HZ 7505-B													M
PIN (AIR VALVE ACTUATING)-3/4" collar x 5/16" dia. shank x 9/16" plunger x 2 13/16" long	C6TZ 7A507-A			C	D	E	F	G	H	J	K	L	M	
<b>BUSHING</b>		<b>7508</b>												
Clutch housing pedal shaft-1" I.D. x 1 1/8" O.D. x 1" long	C6TZ 7508-A	8	2	4	4	4	4	4	2	4	AR	AR	4	
Clutch pedal shaft-1" I.D. x 1 1/8" O.D. x 1 5/8" long	C6TZ 7508-B		B							H		AR		
FITTING (CLUTCH REL. BEARING LUBE)	D8HZ 7B512-A							G	H	J	K	L	M	
<b>COVER (CLUTCH HOUSING)</b>		<b>7564</b>												
(2) mounting holes	C6TZ 7564-A				D					H	J	K		
(4) mounting holes, with lube hole	D0HZ 7564-A			C		E	F	G		J		L	M	
(4) mounting holes, without lube hole	C8TZ 7564-A	A	B											
<b>GASKET (CLUTCH HOUSING TO CASE)</b>		<b>7A619</b>												
12 3/16" long x 9 13/16" wide	C6TZ 7A619-B			C	D	E	F	G	H	J	K	L	M	
SNAP RING (AUXILIARY REDUCTION GEAR)-3 23/32" I.D. x 4 1/8" O.D. x 3/32" wide	C8TZ 7A619-A	A	B											
BUSHING (ADAPTER PLATE ALIGNMENT)-used in shift bar housing to align slave valve-5/16" I.D. x 1/2" dia. x 3/4" flange x 7/16" long	C3TZ 7A702-A	A	B											
<b>WASHER (REVERSE IDLER GEAR THRUST)</b>		<b>7728</b>												
1 1/8" I.D. x 2 11/32" O.D. x 7/32" thick	C6TZ 7728-A			2	2	2	2	2	2	2	2	2	2	2
1" I.D. x 2 17/64" O.D. x 3/16" wide	C8TZ 7728-B	2	2											
<b>SEAL (AUXILIARY REAR BEARING COVER OIL)</b>		<b>7918</b>												
3 3/4" I.D. x 4 1/2" O.D. x 15/32" wide-also refer to group 4813	E4HZ 7918-B			C	D	E	F	G	H	J	K	L	M	
3 1/2" I.D. x 4 1/2" O.D. x 15/32" wide	C8TZ 7918-A	A	B											
BUSHING (SPEEDOMETER DRIVE GEAR)	C1TT 17277-B	A	B											
SPACER (SPEEDOMETER GEAR)-3 1/4" O.D.	C1TT 17288-B	A	B											
BUSHING (SPEEDOMETER)	B8QH 17323-A	A	B	C	D	E	F	G	H	J	K	L	M	

NOTICE: When the parts list suffix is shown in the quantity required column, the quantity is one (1).

DESCRIPTION/RESTRICTIONS	PART NUMBER	TRANSMISSION PARTS LIST 10N THRU 10Z												
		N	P	Q	R	S	T	U	V	W	X	Y	Z	
CASE ASSY. (INCL. MAGNETIC CHIP COLLECTORS)	7005													
#16950	D4HZ 7005-J	N	P		R	S	T	U					Y	Z
	D0HZ 7005-B			Q					V	W	X			
Rear housing	D0HZ 7006-A			Q					V	W	X			
SHAFT (REMOTE SHIFT)	7B009													
Inner	E7HZ 7B009-B									W				
ELEMENT (OIL FILTER)-1" I.D. x 2 1/2" O.D. x 2 1/16" long	C1TT 7C012-A	N	P	Q	R	S	T	U						
COVER (OIL FILTER)-(6) 13/32" bolt holes- 6 1/4" x 4 7/8" x 2" height	C1TT 7C013-H	N	P	Q	R	S	T	U						
Bolt (cover to case)-hex. head-3/8"-16 x 1"	20388-S(B-80)	6	6	6	6	6	6	6						
Lockwasher-3/8"	34807-S8(X-66)	6	6	6	6	6	6	6						
PLATE (OIL FILTER RETAINER)-(6) 13/32" bolt holes- 6 1/4" x 4 7/8" x 1/16" thick	* C1TT 7C014-A (N/R 3/83)	N	P	Q	R	S	T	U						
KIT (DRIVE GEAR)	7016													
SHAFT (INPUT)	E7HZ 7016-A			Q						V		X		
18 teeth-10 spline x 11 15/16" long, #16465	D4HZ 7017-E	N	P		R	S	T	U						
16 teeth-10 spines -- use with E1HT 7003-TA,UA, E3HT-BLA,BMA, E7HT BBA	D6HZ 7017-J			Q					V	W	X			
use with E1HT 7003-ZA, E3HT-BNA, E7HT-JA, CUA	D6HZ 7017-K			Q					V	W				
	E9HZ 7017-G												Y	Z
BEARING	7025													
2 53/64" O.D., 1 3/8" I.D. 43/64" Wide	D8HZ 7025-A			2					2	2	2			
#G209-SF	C8TZ 7025-A			Q					V	W	X			
Input shaft #15117-1 3/16" I.D. x 13/16" wide	C6TZ 7025-A	N	P		R	S	T	U					Y	Z
Countershaft-front	E2HZ 7025-A				2	2							2	
Countershaft-front-Incl. snap ring & race	E2HZ 7025-B						2	2						2
Countershaft-front-#211SL-2 5/32" I.D. x 3 15/16" O.D. x 53/64" wide	TGAA 7025-A	2	2											
SNAP RING	7030													
Countershaft rear bearing-1 7/16"	C6TZ 7030-A	2	2		2	2	2	2					2	2
3 1/32" O.D. x 1 1/16 thick-Countershaft rear	C8TZ 7030-C			2					2	2	2			
1 37/64" I.D. x 1/8 wide -- input shaft	C8TZ 7030-B			Q					V	W	X			
Drive gear bearing, 2 11/64" free I.D.	E4HZ 7030-A												Y	Z
VENT ASSY. (CASE AIR VALVE)	7034													
1" long	D1TZ 7034-A	N	P											
2" long	C7TZ 7034-A		P	Q	R	S	T	U	V	W	X	Y	Z	
COVER (AUXILIARY SHIFT CYLINDER)-(4) 13/32" holes-4 1/4" x 4 1/4" x 1 1/4" thick	C6TZ 7C035-A	N	P											
COVER (RANGE CYLINDER)	E1HZ 7C035-A			Q					V	W	X			
	E2HZ 7C035-A				R	S	T	U					Y	Z
COVER (COUNTERSHAFT BRAKE PISTON)	D4HZ 7C035-A			Q					V		X			
PLATE and PIN ASSY. (SYNCHRONIZER)	7A044													
Reduction synchronizer-7" O.D.-incl. (3) pins	C6TZ 7A044-A	N	P		R	S	T	U						
6 1/2" O.D. incl. (3) pins	D6HZ 7A044-A	N	P		R	S	T	U					Y	Z
Aux. direct-incl. pins	C8TZ 7A044-A			Q					V					
Aux. reduction-incl. pins	C8TZ 7A044-B			Q					V					
Aux. direct-incl. pins	E4HZ 7A044-A								V					
Aux. reduction-incl. pins	E4HZ 7A044-B								V	W	X			
Aux. reduction	E7HZ 7A044-A												Y	Z
NUT (INPUT SHAFT BEARING RETAINER)- 3 1/4" O.D. x 2 1/8"-16 internal threads	C1TT 7045-A	N	P		R	S	T	U						
RETAINER (INPUT SHAFT BEARING)	7050													
2 1/16" I.D. x 6 9/16" O.D. x 1 1/32" wide, #15111	D4HZ 7050-A	N	P		R	S	T	U						
use with E1HT 7003-ZA, E3HT-BNA, E7HT-JA,CUA	D0HZ 7050-C			Q					V	W				
use with E1HT 7003-TA,UA, E3HT-BLA,BMA, E7HT-BBA	D0HZ 7050-A			Q					V	W	X			
	E4HZ 7050-D												Y	Z

1980/  
TRUCK SERIES 600/900

DESCRIPTION/RESTRICTIONS	PART NUMBER	TRANSMISSION PARTS LIST 10N THRU 10Z												
		N	P	Q	R	S	T	U	V	W	X	Y	Z	
GASKET (COUNTER SHAFT FRONT BEARING COVER)	7051													
(6) 13/32" holes-4 21/32" I.D. x 6 1/2" O.D. x 1/64" thick	C6TZ 7051-F	N	P		R	S	T	U				Y	Z	
(4) 13/32" holes- 3 11/16" I.D. x 5 1/2" O.D. x 1/64" thick	C8TZ 7051-A			Q					V	W	X			
#CR.521924-Frt. bearing cover	C9TZ 7052-A			Q					V	W	X			
SPACER (INPUT SHAFT)	7A059													
2 3/8" I.D. x 2 7/8" O.D. x 5/32" thick	D4HZ 7A059-A	N	P		R	S	T	U				Y	Z	
2 1/32" I.D. x 3" O.D. x 3/16" thick	D4HZ 7A059-B		P				T	U					Z	
1 25/32" I.D. x 3" O.D. x 23/64" thick	D0HZ 7A059-C			Q					V	W	X			
SHAFT	7061													
17 splines-13 31/32" long	D4HZ 7061-F	N	P		R	S						Y	Z	
10-18 splines-12 11/32" long-2"-16 thd. end	D4HZ 7061-G		P											
Aux. output-10-13 splines-10 3/4" long	C6TZ 7061-A	N												
15-13 splines-12 1/2" long	D8HZ 7061-C			Q					V	W	X			
16-10 splines-12 1/8" long	D8HZ 7061-D			Q					V	W	X			
Aux. Mainshaft, 10-18 splines-10 27/32 long	E2HZ 7061-D				R	S						Y		
Aux. Mainshaft, 10-18 splines 12 11/32 long	E2HZ 7061-H						T	U					Z	
SNAP RING	7064													
1 13/16" I.D. x 2 3/16" O.D. x 3/32" thick	D0HZ 7064-H	2	2									2		
Aux. countershaft-rear						2	2							
Output shaft						2	2							
3 1/16" O.D. x 3/32" thick	C6TZ 7064-E	N	P		R	S	T	U				Y	Z	
Input shaft		5	5		5	5	5	5				5	5	
2 3/32" I.D. x 2 7/16" O.D. x 3/32" thick	D4HZ 7064-F	2					2	2				2	2	
1 37/64" I.D. x 1 59/64" O.D. x 5/64" thick-fourth gear	D0HZ 7064-A			Q					V	W	X			
3 1/16" I.D. x 3 9/16" O.D. x 1" thick-auxiliary drive gear	D0HZ 7064-B			Q					V	W	X			
3 9/32" I.D. x 3 29/32" O.D. x 1/8" thick	D4HZ 7064-E	N	P		R	S	T	U				Y	Z	
2 5/16" I.D. x 2 21/32" O.D. x 5/64" thick-main drive gear	D0HZ 7064-D			Q					V	W	X			
Aux. Countershaft rear bearing-1 63/64" I.D., 2 27/64" O.D. x 7/64" thick	D4HZ 7064-D		2				2	2					2	
Mainshaft rear bearing retainer - - 3 1/16" I.D. x 3 9/16" O.D. x 1/8" thick	C6TZ 7064-C			Q					V	W	X			
BEARING (AUXILIARY COUNTERSHAFT) REDUCTION)-Incl. snap ring-#1310L-1 31/32" I.D. x 4 21/64" O.D. x 1 1/16" wide	B7QH 7065-A	2	2		2	2						2		
Auxiliary drive gear-#118L	C6TZ 7065-F	N	P		R	S	T	U				Y	Z	
Aux. Countershaft rear-#311NRJ	B8QH 7065-B							2					2	
Aux. drive gear-#117L	C6TZ 7065-A			Q					V	W	X			
17 teeth-2 27/32" O.D. x 1/4" wide-#18701	D8HZ 7069-A	5	5		5	5	5	5				5	5	
ADAPTER (REAR SHIFT PIPE)- 1 1/8" long x 1/8-27 THD	C8TZ 7K077-A			Q					V	W	X			
GEAR	7A079													
Aux. drive 30-18-17 teeth-#17214	D4HZ 7A079-A		P											
Aux. drive-30-18-17 teeth-#17894	E1HZ 7A079-B	N												
Aux. drive-#19275 incl. "O" rings	E2HZ 7A079-A				R	S	T	U				Y	Z	
FINGER (REMOTE SHIFT INNER)	7A081													
	E7HZ 7A081-B									W				
END (REMOTE SHIFT PIVOT)	7B081													
R.H. thd.	E7HZ 7B081-D									W				
L.H. thd.	E7HZ 7B081-E									W				
RETAINER ASSY.	7085													
Aux. rear bearing cover, 2 3/8" x 13 1/8"	D0HZ 7085-A			Q					V					

NOTICE: When the parts list suffix is shown in the quantity required column, the quantity is one (1).



DESCRIPTION/RESTRICTIONS	PART NUMBER	TRANSMISSION PARTS LIST 10N THRU 10Z												
		N	P	Q	R	S	T	U	V	W	X	Y	Z	
RETAINER ASSY. 7085 — Cont'd														
(6) 13/32" holes-1 15/16" long Auxiliary rear bearing cover	C6TZ 7085-B	N			R	S							Y	
Auxiliary drive gear bearing- 5/16" I.D. x 8" O.D. x 9/32" wide	D4HZ 7085-B	N	P		R	S	T	U					Y	Z
2 1/8" wide-(6) 13/32" holes	E8HZ 7085-D		P					U						
Mainshaft rear bearing Cover	E2HZ 7085-A						T							
Mainshaft rear bearing cover	E7HZ 7085-E									W	X			
Mainshaft rear bearing cover	E6HZ 7085-C													Z
GASKET (AUXILIARY REAR BEARING COVER and SPEEDOMETER) 7086														
(10) 13/32" holes-4 9/16" I.D. x 6 1/4" O.D. x 1/32" thick	C8TZ 7086-C	N	P		R	S	T	U					Y	Z
Aux. rear bearing cover, 13 1/8" long, 1/32"-thick	D0HZ 7086-A			Q					V	W	X			
FLANGE (OUTPUT SHAFT)- 7089 refer to group in Section 71 if not listed														
Note: ♦ Industry number														
	E7HZ 7089-R									W				
	E7HZ 7089-S										X			
GEAR 7100														
46 external-18 internal teeth- 7 29/32" dia. x 1 5/32" wide	D4HZ 7100-E	N	P											
Mainshaft 1st., 64 ext. 18 int. teeth	E1HZ 7100-C			Q					V	W	X			
Mainshaft 1st., 66 ext. 18 int. teeth	E2HZ 7100-F				R	S	T	U					Y	Z
GEAR 7101														
mainshaft reduction-40 ext. 18 int. teeth	E1HZ 7101-C			Q					V	W	X			
42 external-18 internal teeth- 8 13/16" dia. x 2" wide	D4HZ 7101-E		P											
Output shaft reduction-42 external teeth- 18 internal teeth-18 13/16" dia. x 1 1/2" wide	C6TZ 7101-A	N												
Aux. Mainshaft reduction-, 42 ext. 18 int. teeth	E1HZ 7101-D				R	S							Y	
Aux. Mainshaft reduction, 42 ext. 18 int. teeth	E2HZ 7101-H						T	U						Z
GEAR 7102														
Mainshaft 2nd., 56 ext. 18 int. teeth	E1HZ 7102-A			Q					V	W	X			
Mainshaft 2nd., 58 ext. 18 int. teeth	E2HZ 7102-A				R	S	T	U					Y	Z
34 external-18 internal teeth- 7 11/32" dia. x 1 5/32" wide	D4HZ 7102-B	N	P											
HOUSING (REMOTE SHIFT) 7B102														
	E7HZ 7B102-A									W				
Aux. drive, 36 ext. 15-18 int. teeth	E1HZ 7103-A			Q					V	W	X			
Sliding Gear, output shaft-18 ext. 15 int. teeth	D0HZ 7103-A			2					2	2	2			
SHAFT (AIR VALVE ACTUATING)-5 1/2" long	E9HZ 7B104-A	N	P	Q	R	S	T	U	V	W	X	Y	Z	
RETAINER (FRONT BEARING) 7109														
13/32" dia. hole x 4 1/2" long	D0HZ 7109-A			2					2	2	2			
COUNTERSHAFT 7111														
#A-4560	D8HZ 7111-B	2	2											
Countershaft-16-34 teeth, 12 15/32 long	E1HZ 7111-A			2					2	2	2			
A-4716-, 24 ext teeth, 13 49/64" long	E2HZ 7111-A				2	2	2	2				2	2	
GEAR COUNTERSHAFT 7112														
Countershaft 4th., 61 ext. teeth	E2HZ 7112-B				2	2	2	2				2	2	
Gear, Countershaft 4th. 49 teeth	E1HZ 7112-B			2					2	2	2			
COUNTERSHAFT ASSY. 7113														
#A-4334 Aux. countershaft	D4HZ 7113-G		2											
#A-4341 38-15 teeth	D6HZ 7113-C	2												
#A-4613-Aux. Countershaft	E1HZ 7113-B			2					2	2	2			

1980/  
TRUCK SERIES 600/900

DESCRIPTION/RESTRICTIONS	PART NUMBER	TRANSMISSION PARTS LIST 10N THRU 10Z													
		N	P	Q	R	S	T	U	V	W	X	Y	Z		
COUNTERSHAFT ASSY.		7113 — Cont'd													
#A-4639-Aux. Countershaft	E2HZ 7113-N				2	2							2		
#A-4659-Aux. Countershaft	E2HZ 7113-M						2	2						2	
SPACER		7115													
Countershaft front bearing 2 3/16" I.D. x 2 53/32" O.D.	D4HZ 7115-B	2	2												
Aux. reduction gear-18 teeth-2 3/4" I.D. x 3 57/64" O.D. x 7/16" wide	D4HZ 7115-C		P												
Snap ring-countershaft front	E2HZ 7115-A				2	2	2	2					2	2	
BEARING		7118													
Incl. snapring -- 1 3/16" I.D. x 2 7/16" O.D. x 5/8" wide	D4HZ 7118-A			2						2	2	2			
Aux. outputshaft-front #BU1307	D0HZ 7118-A			Q						V	W	X			
Aux. countershaft-rear #MR1308TV	C1TT 7118-E			2						2	2	2			
Aux. outputshaft-#212MG	C8TZ 7118-A			Q						V	W	X			
#33755-2 3/4" I.D. x 4 7/16" O.D. x 3" wide	D4HZ 7118-B		P						U						
Aux. countershaft-front-#MA1307EL or MR1307EL-1 3/8" I.D. x 3 9/64" O.D. x 13/16" wide	C1TZ 7118-A	2	2		2	2	2	2					2	2	
Aux. mainshaft-rear-#A2689-2 1/2" I.D. x 4 33/64" O.D. x 2 23/32" wide	C6TZ 7118-B	N			R	S								Y	
BUSHING (OUTPUT SHAFT PILOT)		7120													
1 11/32" I.D. x 1 39/64" O.D. x 3/4" long	D0HZ 7120-C	N	P		R	S	T	U						Y	Z
1 1/4" O.D. x 3/4" long	D0HZ 7120-A			Q						V	W	X			
SYNCHRONIZER KIT		7124													
Consists of: 7A044 (2) 7B294 (3)	D9HZ 7124-B	N	P		R	S	T	U							
BEARING (COUNTERSHAFT)		7127													
2 53/64" O.D., 1 3/16" I.D., 3/4" wide	C8TZ 7127-A			2						2	2	2			
Rear-#MRY1308GEL-1 9/16" I.D. x 3 17/32" O.D. x 29/32" wide	C6TZ 7127-A	2	2		2	2	2	2					2	2	
RETAINER (COUNTERSHAFT BEARING)		7135													
#19065	D8HZ 7135-A	2	2												
#19548	E2HZ 7135-B						2	2						2	
#19668	E2HZ 7135-A				2	2							2		
Roll Pin	353847-S(NN109)				2	2	2	2					2	2	
GEAR (COUNTERSHAFT )		7137													
Gear, countershaft 3rd., 40 teeth 23 teeth-2 1/2" I.D. x 5 7/32" O.D. x 1 31/32" wide	E1HZ 7137-C			2						2	2	2			
Countershaft 2nd., 39 ext. teeth	E2HZ 7137-E				2	2	2	2					2	2	
SHAFT (REVERSE IDLE GEAR)-4 11/16" long	D0HZ 7140-A	2	2		2	2	2	2					2	2	
LEVER ASSY. (REMOTE SHIFT)		7B140													
	E7HZ 7B140-B											W			
GEAR (REVERSE IDLER)		7142													
46 external-18 internal teeth- 7 7/16" dia. x 1 5/32" wide	D4HZ 7142-C	N	P		R	S	T	U						Y	Z
29 teeth 1/78" I.D. x 4 27/32" O.D. x 1 1/4" wide	D4HZ 7142-D	2	2		2	2	2	2					2	2	
mainshaft reverse - - 32 ext. 18 int. teeth	D0HZ 7142-A			Q						V	W	X			
22 teeth-4 1/32" dia. x 1" overall width	C9TZ 7142-A			2						2	2	2			
GEAR		7144													
17 teeth-8 3/32" O.D. x 1" wide-P.T.O.	D4HZ 7144-E	N	P		R	S	T	U						Y	Z
45 teeth-2 1/2" O.D. x 1 1/16" wide	D4HZ 7144-D	N	P		R	S	T	U						Y	Z
33 helical teeth-2 1/2" I.D. x 5 25/32" O.D. x 1 7/8" wide	D4HZ 7144-F	2	2												
Gear, countershaft 2nd, 33-38 teeth	E1HZ 7144-A			2											

NOTICE: When the parts list suffix is shown in the quantity required column, the quantity is one (1).

FULLER 10 SPEED  
TRANSMISSION

1980/  
TRUCK SERIES 600/900

DESCRIPTION/RESTRICTIONS	PART NUMBER	TRANSMISSION PARTS LIST 10N THRU 10Z												
		N	P	Q	R	S	T	U	V	W	X	Y	Z	
GEAR		7144 — Cont'd												
Countershaft 3rd., 47 ext. teeth	E2HZ 7144-C				2	2	2	2					2	2
Countershaft #A4918	E4HZ 7144-A									2	2	2		
GASKET SET		7153												
	C6TZ 7153-A				R	S							Y	
	D4HZ 7153-C	N	P					T	U					Z
	D4HZ 7153-B			Q						V	W	X		
LOCK (REVERSE IDLER BEARING) #19288	DOHZ 7155-A	2	2											
RING (NEUTRAL SWITCH ACTUATING)	7R156													
	E7HZ 7R156-A											W		
Clip-1/2" diameter	380882-S100(EE-17-E)											W		
GEAR		7158												
36 ext., 16 Int. teeth-N/S see 7016	★ E1HZ 7158-B			Q						V		X		
36 ext. teeth	E7HZ 7158-B										W			
28 external-18 internal teeth-1 1/4" I.D. x 5 3/16" O.D. x 19/32" wide	D4HZ 7158-C	N	P											
32 external-18 internal teeth- 5 27/32" O.D. x 1 7/32" wide	D4HZ 7158-A	N	P											
Input-48 ext.-18 int. teeth	E2HZ 7158-F				R	S	T	U					Y	Z
Mainshaft 3rd., 54 ext.-18 int. teeth	E2HZ 7158-G				R	S	T	U					Y	Z
SLIDING CLUTCH														
16 external-13 internal teeth	D6HZ 7B161-A			Q						V		X		
#21662	E7HZ 7B161-C										W			
Snapping, countershaft drive gear.- 1 7/8" I.D. x 2 3/16" O.D. x 1/8" thick	C6TZ 7162-A			2						2	2	2		
COVER (POWER TAKE-OFF)		7165												
(8) 15/32" holes-9 5/8" x 7 3/8"	D1HZ 7165-A	N	P	Q	R	S	T	U	V	W	X	Y	Z	
(6) 13/32" holes-6 1/4" x 4 7/8"	C6TZ 7165-B	N	P	Q	R	S	T	U	V	W	X	Y	Z	
Housing-C/shaft brake P.T.O.	D4HZ 7165-A								V					
Bolt (cover to case)-3/8"-16 x 5/8"	20328-S8(B-76)	6	6	6	6	6	6	6	6	6	6	6	6	6
Lockwasher-3/8"	34808-S8(X-66)	6	6	6	6	6	6	6	6	6	6	6	6	6
Lockwasher-external teeth-3/8"	351487-S(XX-291)	6	6	6	6	6	6	6	6	6	6	6	6	6
HOUSING (COUNTERSHAFT BRAKE P.T.O.) 6 1/4" long x 4 7/8" wide	D4HZ 7165-A			Q						V		X		
GASKET		7166												
Oil filter housing-(6) 13/32" holes-6 1/4" x 4 7/8" x 1/16" thick	E7HZ 7166-A	N	P	Q	R	S	T	U	V	W	X	Y	Z	
Power take-off cover-9 1/4" x 7" x 1/32" thick	D1HZ 7166-A	N	P	Q	R	S	T	U	V	W	X	Y	Z	
SPACER		7173												
2 29/32" dia. x 9/32" thick	C6TZ 7173-J	5	5		5	5	5	5					5	5
First, second, third and reverse,-18 ext. 15 int. teeth 3" dia. .260 thick	C8TZ 7173-C			4						4	4	4		
Fourth-16 ext. 13 int. teeth-2 5/8" O.D. .260 thick	D0HZ 7173-A			Q						V		X		
#21664	E7HZ 7173-D										W			
HOSE		7B175												
15" long	D4HZ 7B175-B			Q						V	W	X		
10 1/2" long	E1HZ 7B175-A			Q						V	W	X		
12 1/2" long	C8TZ 7B175-D			Q						V	W	X		
17" long	C9TZ 7B175-A	N												
27" long	C6TZ 7B175-A	N					T	U					Y	Z
28" long	D4HZ 7B175-A	N	P		R	S							Y	
26" long	D2HZ 7B175-A				R	S							Y	
29" long	C6TZ 7B175-B				R	S	2	2					Y	2
1/8"-27 thread-18" long	D0HZ 7B175-C		P											

1980/  
TRUCK SERIES 600/900

DESCRIPTION/RESTRICTIONS	PART NUMBER	TRANSMISSION PARTS LIST 10N THRU 10Z												
		N	P	Q	R	S	T	U	V	W	X	Y	Z	
GEAR (AUXILIARY COUNTERSHAFT DRIVE) 7177														
Gear, countershaft drive, 50 teeth	E1HZ 7177-D			2					2	2	2			
36 teeth-2 1/2" I.D. x 6 15/32" O.D. x 1 13/32" wide	D4HZ 7177-D	2	2											
40 teeth-2 1/2" I.D. x 7 3/32" O.D. x 1 13/32" wide	D4HZ 7177-E	2	2											
Countershaft drive, 69 ext. teeth	E2HZ 7177-F				2	2	2	2				2	2	
GASKET 7181														
Aux. Shift Cyl. .010" thick	C8TZ 7181-B			Q					V	W	X			
Countershaft brake Piston	D4HZ 7181-A			Q					V	W	X			
	D4HZ 7181-B	2			2	2						2		
Aux. countershaft rear bearing range cyl.	D4HZ 7181-D		2				2	2					2	
	C8TZ 7181-D			Q					V	W	X			
GASKET (LEVER HOUSING TO GEARSHIFT HOUSING)-(4) 7/16" bolt holes-6 5/8" x 5 3/8" x 1/64" thick Housing adapter to case	C1TT 7185-A	N	P	Q										
	E2HZ 7185-A				R	S	T	U	V	W	X	Y	Z	
CAP 7195														
Countershaft rear bearing	D0HZ 7195-C	2			2	2							2	
Aux. countershaft rear bearing	D4HZ 7195-E		2				2	2					2	
mainshaft rear bearing	D0HZ 7195-A			2					2	2	2			
PLUG (SHIFT HOUSING DETENT) 7N204														
3/4-16 THD x 1" OD	E7HZ 7N204-A										W	X	Y	
STUD (CLUTCH HOUSING)- 5/8"-11 and 5/8"-18 x 2 7/16" long	D0HZ 7C207-B	6			6	6	6	6					6	
SPRING 7219														
Aux. air valve actuating plunger-10 1/2 coils- 5/8" O.D. x 1 11/16" free length	B8QH 7219-A	N	P											
Reverse stop plunger		N	P	Q	R	S	T	U	V	W	X	Y	Z	
Position finder, 1/2" O.D. x 1 15/32" free length	C8TZ 7219-C	3	3		3	3	3	3				3	3	
Position finder, 7/16" O.D. x 1 1/2" free length	C6TZ 7219-E			3					3	3	3			
1 25/64 free length	E7HZ 7219-A			Q	R	S	T	U	V	W	X	Y	Z	
Ball-1/2" steel	353079-S(AA-15)	3	3	3	3	3	3	3	3	3	3	3	3	
KEY 7B220														
Mainshaft gear-1/8" dia. x 10 13/16" long	D2HZ 7B220-A	N	P		R	S	T	U					Y	
Countershaft-3/8 sq. x 7 1/2" long, #19258	E2HZ 7B220-D				2	2	2	2						
Countershaft-3/8 sq. x 5 11/64" long #19673	E2HZ 7B220-B				2							2	2	
3/8" x 3/8" x 7 9/16" long	D4HZ 7B220-B	2	2											
Countershaft-1 3/8" long x 5/16" wide	D0HZ 7B220-B			2					2	2	2			
Outputshaft-7 5/8" long X 9/32" wide	D0HZ 7B220-F			Q					V	W	X			
Countershaft-5 1/8" long x 5/16" wide	D1HZ 7B220-B			2					2	2	2			
BALL KIT (SHIFTER SHAFTS SPRING) not repl.	★ C1TZ 7C220-A	2	2	2	2	2	2	2	2	2	2	2	2	
HOUSING (GEARSHIFT) 7222														
#17115, use with E2HT 7003-FA,NAA,RAA, E4HT-BCA	D5HZ 7222-A	N	P		R	S		U						
use with E2HT 7003-MAA,AA	E2HZ 7222-A				R		T	U						
	C8TZ 7222-S			Q					V	W	X			
Use with E6HT-JA,AFA,CHA,KA,AJA,AKA	E6HZ 7222-B											Y	Z	
Use with E6HT-ADA,AEA,AHA,ARA, E7HT-CLA	E3HZ 7222-A											Y	Z	
GASKET (GEARSHIFT HOUSING) 7223														
(14) 13/32" holes-16 1/2" x 11 1/2" x .010" thick	C6TZ 7223-A	N	P		R	S	T	U					Y	
13 7/16" x 11 1/2" x 1/64" thick	C8TZ 7223-B			Q					V	W	X			
COVER (GEARSHIFT SPRING)	C6TZ 7B227-A			Q					V	W	X			
4 1/8" x 7/8" x 1/8" thick														

NOTICE: When the parts list suffix is shown in the quantity required column, the quantity is one (1).

DESCRIPTION/RESTRICTIONS	PART NUMBER	TRANSMISSION PARTS LIST 10N THRU 10Z												
		N	P	Q	R	S	T	U	V	W	X	Y	Z	
<b>GASKET</b> 7B228														
Aux. shift cylinder-(4) 13/32" holes- 4" I.D. x 4 3/4" O.D. x 1/64" thick	C6TZ 7B228-A	N	P		R	S	T	U					Y	Z
Aux. shift cylinder cover-(4) 13/32" holes- 3 3/4" I.D. x 3 3/4" x 1/64" thick	C6TZ 7B228-B	N	P		R	S	T	U					Y	Z
Gearshift spring cover, 4 1/8" x 7/8" x 1/64" thick	C6TZ 7B228-E			Q					V	W	X			
<b>FORK (GEARSHIFT)</b> 7230														
3/4" dia. bushing hole, 2 1/16" wide Third and direct, use with E2HT 7003-FA,NAA,RAA, E4HT-BCA, E6HT-JA,AFA,CHA,KA,AJA,AKA	C6TZ 7230-B	N	P		R	S		U					Y	Z
Second and third First and second, use with E2HT 7003-FA,NAA,RAA, E4HT-BCA, E6HT-JA,AFA,CHA,KA,AJA,AKA	C6TZ 7230-A	N	P		R	S		U					Y	Z
First and second	D4HZ 7230-E	N	P		R	S	T	U					Y	Z
Third and direct	D4HZ 7230-F	N	P		R	S	T	U					Y	Z
First and second #15770, use with E2HT 7003-MAA,AA, E6HT-ADA,AEA,AHA,ARA, E7HT-CLA	D0HZ 7230-C				R		T	U					Y	Z
Screw (fork to shaft) 7/16"-20 x 1 5/32	371073-S(BB-539)	2	2		2	2	2	2					2	2
<b>FORK (GEARSHIFTER)</b> 7231														
Aux. shift-1" dia. shaft hole x 7 5/32" span- also refer to group 7B283	D1HZ 7231-A	N	P		R	S	T	U					Y	Z
Low and reverse-with E2HT 7003-FA,NAA,RAA, E4HT-BCA, E6HT-JA,AFA,CHA,KA,AJA,AKA	D5HZ 7231-A	N	P		R	S		U					Y	Z
Low and reverse, use with E2HT 7003-MAA, E2HT-AA, E6HT-ADA,AEA,AHA,ARA, E7HT-CLA	D4HZ 7231-E				R		T	U					Y	Z
Fourth and fifth	D0HZ 7231-B			Q					V	W	X			
First and reverse	C8TZ 7231-C			Q					V	W	X			
Second and third	C8TZ 7231-D			Q					V	W	X			
Screw (fork to shaft)-hex. drilled head- pointed-7/16"-20 x 1 5/32" overall length	371073-S(BB-539)	3	3	3	3	3	3	3	3	3	3	3	3	3
<b>GATE (GEARSHIFTER SHAFT)</b> 7232														
Third and direct, use with E2HT 7003-MAA, E2HT-AA, E6HT-ADA,AEA,AHA,ARA, E7HT-CLA	C8TZ 7232-C				R		T	U					Y	Z
Third and direct, use with E2HT 7003-FA,NAA,RAA, E4HT-BCA, E6HT-JA,AFA,CHA,KA,AJA,AKA	D5HZ 7232-A	N	P		R	S		U					Y	Z
Screw (shifter shaft gate)-hex. head drilled- pointed-7/16"-20 x 1 5/32" overall length	371073-S(BB-539)	N	P		R	S	T	U					Y	Z
<b>SLEEVE (REVERSE IDLER OIL)</b> 3/16" I.D. x 7/16" O.D. x 3/4" long	C8TZ 7C232-A			2					2	2	2			
<b>PISTON (AUXILIARY SHIFT)</b> 7233														
(2) holes-12-24 thread 3" dia. x 5/8" wide	C6TZ 7233-A	N	P		R	S	T	U					Y	Z
Range Cyl. 21/32" wide	C8TZ 7233-A			Q					V	W	X			
Countershaft brake-2 1/2" O.D. x 1 7/8" long	D4HZ 7233-A			Q					V	W	X			
<b>NUT (REMOTE SHIFT)</b> 7K234														
1/2-13 Jam-left hand thd.	E7HZ 7K234-B										W			
<b>PIN (GEARSHIFT ROD INTERLOCK)-</b> 7/32" O.D. x 11/16" long	B8QH 7235-A	N	P	Q	R	S	T	U	V	W	X	Y	Z	
<b>SHAFT (GEARSHIFTER)</b> 7240														
3/4" O.D. x 9 1/4" long	C8TZ 7240-F			Q					V	W	X			
Aux. shift 7/8" O.D. x 8 7/8" long 1/2-20thd	D0HZ 7240-A			Q					V	W	X			

1980/  
TRUCK SERIES 600/900

DESCRIPTION/RESTRICTIONS	PART NUMBER	TRANSMISSION PARTS LIST 10N THRU 10Z															
		N	P	Q	R	S	T	U	V	W	X	Y	Z				
BAR (AUXILIARY SHIFT YOKE)- 1" O.D. x 7 15/32" long x 5/8"-18 thread	D2HZ 7241-A	N			R	S										Y	
Rod aux. yoke 7 5/8" long x 1" dia.	D8HZ 7241-A						T	U									
First and second, use with E2HT 7003-FA,NAA,RAA, E4HT 7003-BCA, E6HT-JA, AFA,CHA, KA,AJA,AKA	D5HZ 7241-B	N	P		R	S		U								Y Z	
1" O.D. x 7 3/4" long, 5/8-thread-aux.	D4HZ 7241-E		P														
Range cyl. #19562	E4HZ 7241-A															Z	
SHAFT (GEARSHIFTER)-First and Second 1 1/16" long x 3/4" O.D., use with E2HT 7003-MAA, E2HT-AA, E6HT-ADA,AEA,AHA,ARA, E7HT-CLA	C8TZ 7241-E				R		T	U								Y Z	
BOOT (REMOTE SHIFT)	7E242																
	E7HZ 7E242-C														W		
PLUG (REVERSE STOP PLUNGER SPRING) slotted-3/4"-16 x 5/16" hole	B8QH 7245-A	N	P	Q	R	S	T	U	V	W	X	Y	Z				
PLUNGER (SHIFTER SHAFT GATE)	7247																
Reverse gear-1 19/32" long	B8QH 7247-A	N	P	Q			T	U	V	W	X	Y	Z				
SWITCH (NEUTRAL)	7A247																
	E9HZ 7A247-A										W						
A-4740-Air filter/regulator assy.	E1HZ 7B265-A			Q	R	S	T	U	V	W	X	Y	Z				
Plug 1/8" Pipe	87708-S (P-14)			2	2	2	2	2	2	2	2	2	2				
Gear mainshaft 4th, 44 ext. 16 int. teeth	E1HZ 7B267-B			Q					V		X						
Gear mainshaft 4th, 44 ext. teeth	E7HZ 7B267-A									W							
Seal, rear shift pipe adapter-13/32" I.D. x 23/32" O.D. x 13/32" wide	C8TZ 7B270-A			Q					V	W	X						
REGULATOR (AIR PRESSURE)	D0HZ 7B274-B	N	P	Q	R	S	T	U	V	W							
Fitting (air pressure regulator)-reducer bushing-1/8"-27 and 1/4"-18	353107-S(II-46)	N	P	Q	R	S	T	U	V	W	X						
Nipple-3/8"-18 threads-2" long	371094-S(II-191-G)	N	P	Q	R	S	T	U	V	W	X						
Elbow-1/8"-90°	★ 379827-S	N	P	Q	R	S	T	U	V	W	X						
FORK (GEARSHIFTER) aux. shift	C8TZ 7B283-A			Q					V	W	X						
CYLINDER (AUXILIARY AIR SHIFT)	7B284																
4 1/4" long	D2HZ 7B284-A	N	P		R	S	T	U				Y	Z				
2 3/4" long	C8TZ 7B284-A			Q					V	W	X						
Pin (clevis)-1/2" x 1 3/4"	73995-S7(N-32)	N	P	Q	R	S	T	U	V	W	X	Y	Z				
Cotter pin-1/8" x 1"	72035-S7-8(N-51)	N	P	Q	R	S	T	U	V	W	X	Y	Z				
Elbow-1/8"-90°	★ 379827-S	2	2	2	2	2	2	2	2	2	2	2	2				
GASKET (SHIFT HOUSING DETENT)	7L287																
1 1/16 OD x 49/64 ID	E7HZ 7L287-A										W	X	Y				
"O" RING (AUXILIARY SHIFT)	7288																
Seat (copper) 41/64" I.D. x 7/8" O.D.	C8TZ 7288-A			Q					V	W	X						
Seat (piston) 7/8" I.D. x 1 1/8" O.D.	C8TZ 7288-C			Q					V	W	X						
Plunger-2 3/32" I.D. x 1/4" wide	C8TZ 7288-B			Q					V	W	X						
Piston (large rubber)-2 17/32" I.D. x 3" O.D. x 7/32" wide	C6TZ 7288-A	N	P				T	U				Y	Z				
Small (rubber)-47/64" I.D. x 15/16" O.D. x 7/64" thick	C6TZ 7288-B	N	P		R	S	T	U				Y	Z				
Aux. drive gear- 3 3/32 I.D. x 3 1/2 O.D.	D4HZ 7288-A				2	2	2	2				2	2				
Range Cyl. Piston	C6TZ 7288-D				R	S											
Speedo opening	E7HZ 7288-A									W	X	Y	Z				
Countershaft brake piston	D4HZ 7288-B										X						
MAGNET	7E290																
	E0TZ 7E290-A	N	P	Q	R	S	T	U	V	W	X	3	3				
VALVE ASSY. (CONTROL SLAVE-ON TRANS.) #19470	D0HZ 7D292-A	N	P														
	E1HZ 7D292-A			Q	R	S	T	U	V	W	X	Y	Z				
Plug-headless socket pipe-1/8"-27	87708-S(P-14)	3	3	3	3	3	3	3	3	3	3	3	3				
Plug-expansion-7/8"	74115-S(P-4)	2	2	2	2	2	2	2	2	2	2	2	2				
Elbow-1/8"-90°	★ 379827-S	N	P	Q	3	3	3	3	3	3	3	3	3				

NOTICE: When the parts list suffix is shown in the quantity required column, the quantity is one (1).

DESCRIPTION/RESTRICTIONS	PART NUMBER	TRANSMISSION PARTS LIST ION THRU 10Z												
		N	P	Q	R	S	T	U	V	W	X	Y	Z	
SPRING (DIRECT SYNCHRONIZER PLATE)- 22 coils-9/32" dia. x 1 37/64" free length	C6TZ 7B294-A	3	3	3	3	3	3	3	3	3	3	3	3	
SLEEVE (ADAPTER PLATE ALIGNMENT)- 3/4" large dia. x 1/2" shank dia. x 11/32" dia. other end x 5/16" hole one end x 7/8" long	C6TZ 7311-A	N	P											
3/4" O.D. x 15/32" I.D.	E1HZ 7311-A			Q					V	W	X			
	E1HZ 7311-B				R	S	T	U				Y	Z	
GASKET (SLAVE VALVE ADAPTER PLATE)	7314													
4" long x 1/64" thick x 2 1/8" wide	C8TZ 7314-A	N	P											
#19481	E1HZ 7314-A			Q	R	S	T	U	V	W	X	Y	Z	
Elbow-1/8"-90°	★ 379827-S	N	P	Q	R	S	T	U	V	W	X	Y	Z	
Fitting-1/4"-18 male thread x 3/8"- 18 female thread	373354-S(II-64-D)	N	P	Q	R	S	T	U	V	W	X	Y	Z	
KIT (AIR FILTER REPAIR)	7B331													
K1486, use with 510, 610, 910, 1110, 12510 trans.	E4HZ 7B331-A													
KIT (SMALL PARTS REPAIR)	7B331													
K1500, use with 910 trans.	E4HZ 7B331-B													
K1507, use with 12510 trans.	E4HZ 7B331-D													
K1790, use with 11610 trans.	E4HZ 7B331-H													
K1800, use with 14610 trans.	E4HZ 7B331-L													
PLATE (TRANS REAR) #18735	D8HZ 7B332-A	N	P		R	S						Y		
	D8HZ 7B332-D						T	U					Z	
BRACKET (AIR FILTER)	7B333													
#17107	D8HZ 7B333-A	N	P											
SHAFT (GEARSHIFTER) third and direct 11 5/16" long x 3/4 O.D., use with E2HT 7003-MAA, E2HT-AA, E6HT-ADA,AEA,AHA,ARA, E7HT-CLA	C8TZ 7334-A				R		T	U				Y	Z	
WASHER (AUXILIARY OUTPUT SHAFT) REDUCTION GEAR)	7B334													
Aux. mainshaft rear 2 3/8" I.D. x 3 1/2" O.D. x 9/32" thick	C8TZ 7B334-A			Q					V	W	X			
18 teeth, 2 3/8" I.D. x 3" O.D. x 1/2" wide	D0HZ 7B334-A			Q					V	W	X			
2 3/4" I.D. x 4 1/4" O.D. x 7/16" thick	D4HZ 7B334-C		P											
2 1/2" I.D. x 4 1/4" O.D. x 5/16" thick	C6TZ 7B334-A	N			R	S						Y		
Front-2 1/2" I.D. x 3 5/32" O.D. x 15/32" thick	C6TZ 7B334-B	N			R	S						Y		
4 1/4 "O.D. x 2 49/69" I.D. x 9/16 thick	D8HZ 7B334-B						T	U					Z	
SPACER (OUTPUT SHAFT REDUCTION GEAR) 18 external teeth-2 25/32" I.D. x 3 7/8" O.D. x 7/16" wide	C6TZ 7B334-C	N			R	S						Y		
#19203 - 18 ext. teeth	E2HZ 7B334-A						T	U					Z	
PLATE (AUXILIARY SLIDING CLUTCH)	7B338													
18 ext. 16 int. teeth	D0HZ 7B338-A			Q					V	W	X			
18 external clutch-13 internal spline teeth- 7 13/16" O.D. x 1 43/64" wide	D0HZ 7B338-B	N												
18 ext., 18 int. teeth-2 3/4" I.D. x 7 13/16" O.D. x 1 43/64" wide	D4HZ 7B338-B		P		R	S	T	U						
	E7HZ 7B338-A											Y	Z	
GEAR (MAINSHIFT)	7B340													
38 external-18 internal teeth- 6 9/16" dia. x 1 5/32" wide	D4HZ 7B340-B	N	P											
Mainshaft 3rd. 46 ext. 18 int. teeth	E1HZ 7B340-C			Q					V	W	X			
Mainshaft 4th., 54 ext. 18 int. teeth	E2HZ 7B340-C				R	S	T	U				Y	Z	
18 external-17 internal teeth 3 3/16" dia. x 1 9/16" wide	D4HZ 7B341-A	3	3		3	3	3	3				3	3	

1980/  
TRUCK SERIES 600/900

DESCRIPTION/RESTRICTIONS	PART NUMBER	TRANSMISSION PARTS LIST 10N THRU 10Z												
		N	P	Q	R	S	T	U	V	W	X	Y	Z	
GASKET (CASE REAR PLATE) 19" long x 1/64" thick x 13" wide		7B343												
	C6TZ 7B343-B	N	P		R	S	T	U				Y	Z	
	C8TZ 7B343-A			Q					V	W	X			
LINK (REMOTE SHIFT PIVOT)		7D354												
	E7HZ 7D354-A									W				
BAR (SHIFT FORK) Low and reverse, use with E2HT 7003-FA,NAA,RAA, E4HT 7003-BCA, E6HT-JA,AFA,CHA KA,AJA,AKA		7358												
	D5HZ 7358-C	N	P		R	S		U				Y	Z	
	C8TZ 7358-B			Q					V	W	X			
	C8TZ 7358-C			Q					V	W	X			
	C8TZ 7358-F											Y	Z	
	D0HZ 7358-A				R		T	U				Y		
PIN (CASE DOWEL)-3/4" O.D. x 1 7/16" long		C6TZ 7B362-A												
		2	2	2	2	2	2	2	2	2	2	2	2	
NUT Aux. mainshaft stop-hex. head- 2 3/4" x 2"-16		7B364												
	C6TZ 7B364-A	N	P		R	S	T	U				Y	Z	
	C8TZ 7B364-A			Q					V	W	X			
BEARING (REVERSE IDLER GEAR) #EJS7255-1 1/4" I.D. x 1 7/8" O.D. #WJ162116-16		7B369												
	C6TZ 7B369-A	2	2		2	2	2	2				2	2	
	C8TZ 7B369-A			2					2	2	2			
KIT (BASIC OVERHAUL) K1041, use with 910 trans. pull type clutch, 1 3/4" input shaft		7C391												
	E4HZ 7C391-A													
K1042, use with 910 trans. pull type clutch, 2" input shaft		7C391-B												
	E4HZ 7C391-B													
K1064, use with 12510 trans. pull type clutch, 2" input shaft		7C391-F												
	E4HZ 7C391-F													
KIT (BASIC REBUILD) K1854, use with 910 trans. K1861, use with 12510 trans.		7C391												
	E4HZ 7C391-G													
	E4HZ 7C391-J													
"O" RING (SHIFT CYLINDER SEAL)- 63/64" I.D. x 1 1/8" O.D. x 1/8" thick		C6TZ 7B411-A												
		N	P		R	S	T	U				Y	Z	
ELBOW (AIR HOSE)-3/8" female thread x 1/4"-18 male thread		D2TZ 7B417-A												
		N	P											
STUD (BRAKE SUPPORT) REAR 5/8 x 2 9/16		7B420												
	C1TT 7B420-D			6							AR	AR		
	374423-S7-8(WW66)										AR	AR		
COLLAR (SEALING) 3/8" I.D.		7K449												
	E1HZ 7K449-A				R	S	T	U				Y	Z	
SPACER Reverse idler gear shaft-11/16" I.D. x 1 1/2" O.D. x 7/32" thick x 1/64" thick		7482												
	C6TZ 7482-A	2	2		2	2	2	2				2	2	
	C8TZ 7482-A			2					2	2	2			
	C8TZ 7482-B			2					2	2	2			
Retainer-reverse idler washer- 1 7/8" I.D. x 2 3/8" O.D. x 21/32" wide		7505												
HOUSING #15410 - use with E1HT 7003-JA,SB, E2HT-MAA,RAA, E4HT-BCA, E6HT-ADA, CHA,AHA,AKA, E7HT-CLA		D4HZ 7505-F												
			P		R			U				Y	Z	
#15616 - use with E1HT 7003-HA, E2HT-AA,RA, NAA, E6HT-AEA,AFA,AJA,ARA		D5HZ 7505-A												
			P		R	S	T	U				Y	Z	
Use with E2HT 7003-NA,FA, E6HT-JA,KA		D8HZ 7505-G												
					S			U				Y	Z	
Use with E2HT 7003-SA		D6HZ 7505-B												
		N			R									

NOTICE: When the parts list suffix is shown in the quantity required column, the quantity is one (1).



DESCRIPTION/RESTRICTIONS	PART NUMBER	TRANSMISSION PARTS LIST 10N THRU 10Z												
		N	P	Q	R	S	T	U	V	W	X	Y	Z	
HOUSING		7505 — Cont'd												
Use with E1HT 7003-TA, E3HT-BLA, E7HT-TA,	C9TZ 7505-A			Q						V		X		
Use with E1HT 7003-UA, E3HT-BMA, E7HT-BBA, E7HT-UA	C8TZ 7505-C			Q						V	W	X		
Use with E1HT 7003-ZA, E3HT-BNA, E7HT-JA, CUA	E1HZ 7505-C			Q						V	W			
PIN (AIR VALVE ACTUATING)-3/4" collar x 5/16" dia. shank x 9/16" plunger x 2 13/16" long	C6TZ 7A507-A	N	P											
#19571	E4HZ 7A507-B			Q			T	U	V	W	X			
	E4HZ 7A507-A				R	S						Y	Z	
BUSHING		7508												
Clutch housing pedal shaft-1" I.D. x 1 1/8" O.D. x 1" long	C6TZ 7508-A	4	AR	AR	AR	AR	AR	AR	AR	AR	AR	AR	AR	
Clutch pedal shaft-1" I.D. x 1 1/8" O.D. x 1 5/8" long	C6TZ 7508-B		AR	AR	AR	AR	AR	AR	AR	AR	AR	AR	AR	
FITTING (CLUTCH REL. BEARING LUBE)	D8HZ 7B512-A	N	P	Q	R	S	T	U	V	AR	AR	AR	AR	
COVER (CLUTCH HOUSING)		7564												
(2) mounting holes	C6TZ 7564-A		P		R	S	T	U				Y	Z	
(4) mounting holes, without lube hole	C8TZ 7564-A			Q					V	W	X			
(4) mounting holes, with lube hole	D0HZ 7564-A	N	P	Q	R	S		U	V	W		Y	Z	
GASKET (CLUTCH HOUSING TO CASE)		7A619												
	C6TZ 7A619-A	N	P		R	S	T	U				Y	Z	
	C8TZ 7A619-A			Q					V	W	X			
SNAP RING (AUXILIARY REDUCTION GEAR)- 3 23/32" I.D. x 4 1/8" O.D. x 3/32" wide	C6TZ 7A628-A	N			R	S						Y		
TROUGH (OIL)		7716												
	E6HZ 7716-A											Y	Z	
WASHER (REVERSE IDLER GEAR THRUST)		7728												
1 1/8" I.D. x 2 11/32" O.D. x 7/32" thick	C6TZ 7728-A	2	2		2	2	2	2				2	2	
1" I.D. x 2 17/64" O.D. x 3/16" wide	C8TZ 7728-B			2					2	2	2			
LEVER, OUTER (REMOTE SHIFT)		7811												
	E7HZ 7811-B									W				
SEAL (AUXILIARY REAR BEARING COVER OIL)		7918												
3 3/4" I.D. x 4 1/2" O.D. x 15/32" wide-	E4HZ 7918-B	N	P		R	S	T	U						
3 1/2" I.D. x 4 1/2" O.D. x 15/32" wide	C8TZ 7918-A			Q					V	W				
Seal and slinger	E7HZ 7918-A									W	X	Y	Z	
SPACER (SPEEDO GEAR)-3 1/4" O.D.	C1TT 17288-B									W	X	Y	Z	
BUSHING (SPEEDOMETER)		B8QH 17323-A												
Nut rev. idler shaft-5/8-18	371530-S7(MM-161-A)			2	2	2	2	2	2	2	2	2	2	
Cap Screw-c/shft frt brg. 5/8-18 x 1.75	377850-S(BB-273-A)			2	2	2	2	2	2	2	2	2	2	
Cap Screw-range slave valve-1/4-20 x 1.10	304680-S36M(BB429-K)			4	4	4	4	4	4	4	4	4	4	
Cap Screw-shift bar hsg-3/8-16 x 1 1/2	58636-S2(B-85-D)			6	2	2	18	18				18	18	
Cap Screw-frt brg cvr, shift bar hsg-3/8-16 x 1 1/4	58635-S2(B-82-A)			29	16	16	16	16	29	29	29	16	16	
Cap Screw-rear case to main case-3/8-16 x 1 3/4	58637-S2(B-86-A)				14	14								
Cap Screw-aux. drv gr brg ret. 3/8-16 x 7/8	42998-S8(B-252-A)			8	6	6	6	6	8	8	8	8	8	
Cap Screw-case rr hsg-3/8-16 x 2	58638-S2(B-89-A)				5	5	2	2						
Plug-filler-1 1/4 pipe	374501-S(PP-52-F)			V	R	S	T	U	V	W	X	Y	Z	
Cap Screw-rr brg cover-3/8-16 x 2 3/4	373139-S(BB-163)			11	R	S			11	11	11	11	11	

1980/  
TRUCK SERIES 600/900

DESCRIPTION/RESTRICTIONS	PART NUMBER	TRANSMISSION PARTS LIST 10AA THRU 10AM												
		AA	AB	AC	AD	AE	AF	AG	AH	AJ	AK	AL	AM	
CASE ASSY. (INCL. MAGNETIC CHIP COLLECTORS)	7005													
	E8HZ 7005-B	AA												
IMPELLER ASSY. (OIL PUMP)	7C010													
	E8HZ 7C010-A	AA												
Ring Crescent	370065-S7(QQ-37)	AA												
SHAFT (INPUT)	7017													
	E9HZ 7017-G	AA												
RETAINER (OIL PUMP)	7N018													
	E8HZ 7N018-A	AA												
BEARING	7025													
Input shaft-#15117-1 3/16" I.D. x 13/16" wide	C6TZ 7025-A	AA												
Countershaft-front	E2HZ 7025-A	2												
SNAP RING	7030													
Countershaft rear bearing-1 7/16"	C6TZ 7030-A	2												
Drive gear bearing, 2 11/64" free I.D.	E4HZ 7030-A	AA												
VENT ASSY. (CASE AIR VALVE)	7034													
2" long	C7TZ 7034-A	AA												
COVER (RANGE CYLINDER)	7C035													
	E2HZ 7C035-A	AA												
PLATE and PIN ASSY. (SYNCHRONIZER)	7A044													
6 1/2" O.D. incl. (3) pins	D6HZ 7A044-A	AA												
Aux. reduction	E7HZ 7A044-A	AA												
RETAINER (INPUT SHAFT BEARING)	7050													
	E4HZ 7050-D	AA												
GASKET (COUNTER SHAFT FRONT BEARING COVER)	7051													
(6) 13/32" holes-4 21/32" I.D. x 6 1/2" O.D. x 1/64" thick	C6TZ 7051-F	AA												
SPACER (INPUT SHAFT)	7A059													
2 3/8" I.D. x 2 7/8" O.D. x 5/32" thick	D4HZ 7A059-A	AA												
2 1/32" I.D. x 3" O.D. x 3/16" thick	D4HZ 7A059-B	AA												
SHAFT	7061													
17 splines-13 31/32" long	D4HZ 7061-F	AA												
Aux. Mainshaft, 10-18 splines 12 11/32 long	E2HZ 7061-H	AA												
SNAP RING	7064													
3 1/16" O.D. x 3/32" thick	C6TZ 7064-E	6												
Input shaft														
2 3/32" I.D. x 2 7/16" O.D. x 3/32" thick	D4HZ 7064-F	2												
3 9/32" I.D. x 3 29/32" O.D. x 1/8" thick	D4HZ 7064-E	AA												
Aux. Countershaft rear bearing-1 63/64" I.D., 2 27/64" O.D. x 7/64" thick	D4HZ 7064-D	2												
BEARING (AUXILIARY COUNTERSHAFT REDUCTION)	7065													
Auxiliary drive gear-#118L	C6TZ 7065-F	AA												
Aux. Countershaft rear-#311NRJ	B8QH 7065-B	2												
17 teeth-2 27/32" O.D. x 1/4" wide-#18701	D8HZ 7069-A	5												
GEAR	7A079													
Aux. drive-#19275 incl. "O" rings	E2HZ 7A079-A	AA												
RETAINER ASSY.	7085													
Auxiliary drive gear bearing-														
5/16" I.D. x 8" O.D. x 9/32" wide	D4HZ 7085-B	AA												
Mainshaft rear bearing cover	E6HZ 7085-C	AA												

NOTICE: When the parts list suffix is shown in the quantity required column, the quantity is one (1).

DESCRIPTION/RESTRICTIONS	PART NUMBER	TRANSMISSION PARTS LIST 10AA THRU 10AM											
		AA	AB	AC	AD	AE	AF	AG	AH	AJ	AK	AL	AM
GASKET (AUXILIARY REAR BEARING COVER and SPEEDOMETER)	7086												
(10) 13/32" holes-4 9/16" I.D. x 6 1/4" O.D. x 1/32" thick	C8TZ 7086-C	AA											
FLANGE (OUTPUT SHAFT)- refer to group in Section 71 if not listed Note: ◇ Industry number	7089												
GEAR	7100												
Mainshaft 1st., 66 ext. 18 int. teeth	E2HZ 7100-F	AA											
GEAR	7101												
Aux. Mainshaft reduction, 42 ext. 18 int. teeth	E2HZ 7101-H	AA											
GEAR	7102												
Mainshaft 2nd., 58 ext. 18 int. teeth	E2HZ 7102-A	AA											
SHAFT (AIR VALVE ACTUATING)-5 1/2" long	E9HZ 7B104-A	AA											
COUNTERSHAFT	7111												
A-4716-, 24 ext teeth, 13 49/64" long	E2HZ 7111-A	2											
GEAR COUNTERSHAFT	7112												
Countershaft 4th., 61 ext. teeth	E2HZ 7112-B	2											
COUNTERSHAFT ASSY.	7113												
#A-4659-Aux. Countershaft	E2HZ 7113-M	2											
SPACER	7115												
Snap ring-countershaft front	E2HZ 7115-A	AA											
BEARING	7118												
#33755-2 3/4" I.D. x 4 7/16" O.D. x 3" wide	D4HZ 7118-B	AA											
Aux. countershaft-front-#MA1307EL or MR1307EL-1 3/8" I.D. x 3 9/64" O.D. x 13/16" wide	C1TZ 7118-A	2											
BUSHING (OUTPUT SHAFT PILOT)	7120												
1 11/32" I.D. x 1 39/64" O.D. x 3/4" long	D0HZ 7120-C	AA											
BEARING (COUNTERSHAFT)	7127												
Rear-#MRY1308GEL-1 9/16" I.D. x 3 17/32" O.D. x 29/32" wide	C6TZ 7127-A	2											
RETAINER (COUNTERSHAFT BEARING)	7135												
#19548	E2HZ 7135-B	2											
Roll Pin	353847-S(NN109)	2											
GEAR (COUNTERSHAFT )	7137												
Countershaft 2nd., 39 ext. teeth	E2HZ 7137-E	2											
SHAFT (REVERSE IDLE GEAR)-4 11/16" long	D0HZ 7140-A	2											
GEAR (REVERSE IDLER)	7142												
46 external-18 internal teeth- 7 7/16" dia. x 1 5/32" wide	D4HZ 7142-C	AA											
29 teeth 1/78" I.D. x 4 27/32" O.D. x 1 1/4" wide	D4HZ 7142-D	2											
GEAR	7144												
17 teeth-8 3/32" O.D. x 1" wide-P.T.O.	D4HZ 7144-E	AA											
45 teeth 2 1/2" O.D. x 1 1/16" wide	D4HZ 7144-D	AA											
Countershaft 3rd., 47 ext. teeth	E2HZ 7144-C	2											
TUBE (OIL PUMP)	7N148												
	E8HZ 7N148-A	AA											
HOUSING (OIL PUMP)	7B150												
	E8HZ 7B150-A	AA											
GASKET SET	7153												
	C6TZ 7153-A	AA											
LOCK (REVERSE IDLER BEARING)	7155												
#19288	E2HZ 7155-A	2											

1980/  
TRUCK SERIES 600/900

DESCRIPTION/RESTRICTIONS	PART NUMBER	TRANSMISSION PARTS LIST 10AA THRU 10AM											
		AA	AB	AC	AD	AE	AF	AG	AH	AJ	AK	AL	AM
GEAR		7158											
Input-48 ext.-18 int. teeth	E2HZ 7158-F	AA											
Mainshaft 3rd., 54 ext-18 int. teeth	E2HZ 7158-G	AA											
COVER (POWER TAKE-OFF)		7165											
(8) 15/32" holes-9 5/8" x 7 3/8"	D1HZ 7165-A	AA											
(6) 13/32" holes-6 1/4" x 4 7/8"	C6TZ 7165-B	AA											
Bolt (cover to case)-3/8"-16 x 5/8"	20328-S8(B-76)	6											
Lockwasher-3/8"	34808-S8(X-66)	6											
Lockwasher-external teeth-3/8"	351487-S(XX-291)	6											
GASKET		7166											
Oil filter housing-(6) 13/32" holes-6 1/4" x 4 7/8" x 1/16" thick	E7HZ 7166-A	AA											
Power take-off cover-9 1/4" x 7" x 1/32" thick	D1HZ 7166-A	AA											
PLUG (OIL PUMP TO CASE)		7N171											
	E8HZ 7N171-A	AA											
SPACER		7173											
2 29/32" dia. x 9/32" thick	C6TZ 7173-J	5											
HOSE		7B175											
27" long	C6TZ 7B175-A	AA											
28" long	D4HZ 7B175-A	AA											
29" long	C6TZ 7B175-B	AA											
GEAR (AUXILIARY COUNTERSHAFT DRIVE)		7177											
Countershaft drive., 69 ext. teeth	E2HZ 7177-F	2											
GASKET		7181											
Aux. countershaft rear bearing	D4HZ 7181-D	2											
GASKET (LEVER HOUSING TO GEARSHIFT HOUSING)		7185											
	E2HZ 7185-A	AA											
CAP		7195											
Aux. countershaft rear bearing	D4HZ 7195-E	2											
STUD (CLUTCH HOUSING)- 5/8"-11 and 5/8"-18 x 2 7/16" long	D0HZ 7C207-B	6											
SPRING		7219											
Aux. air valve actuating plunger-10 1/2 coils- 5/8" O.D. x 1 11/16" free length	B8QH 7219-A	AA											
Reverse stop plunger													
Position finder, 1/2" O.D. x 1 15/32" free length	C8TZ 7219-C	3											
1 25/64 free length	E7HZ 7219-A	AA											
Ball-1/2" steel	353079-S(AA-15)	3											
KEY		7B220											
Mainshaft gear-1/8" dia. x 10 13/16" long	D2HZ 7B220-A	AA											
Countershaft-3/8 sq. x 5 11/64" long #19673	E2HZ 7B220-B	2											
Oil pump shaft	E8HZ 7B220-A	2											
BALL KIT (SHIFTER SHAFTS SPRING)-not repl.	★ C1TZ 7C220-A	AA											
HOUSING (GEARSHIFT)		7222											
#17115	D5HZ 7222-A	AA											
GASKET (GEARSHIFT HOUSING)		7223											
(14) 13/32" holes-16 1/2" x 11 1/2" x .010" thick	C6TZ 7223-A	AA											
GASKET		7B228											
Aux. shift cylinder-(4) 13/32" holes- 4" I.D. x 4 3/4" O.D. x 1/64" thick	C6TZ 7B228-A	AA											
Aux. shift cylinder cover-(4) 13/32" holes- 3 3/4" I.D. x 3 3/4" x 1/64" thick	C6TZ 7B228-B	AA											
FORK (GEARSHIFT)		7230											
3/4" dia. bushing hole, 2 1/16" wide Third and direct	C6TZ 7230-B	AA											

NOTICE: When the parts list suffix is shown in the quantity required column, the quantity is one (1).

DESCRIPTION/RESTRICTIONS	PART NUMBER	TRANSMISSION PARTS LIST 10AA THRU 10AM												
		AA	AB	AC	AD	AE	AF	AG	AH	AJ	AK	AL	AM	
FORK (GEARSHAFT)		7230 — Cont'd												
Second and third	C6TZ 7230-A	AA												
First and second	D4HZ 7230-E	AA												
Third and direct	D4HZ 7230-F	AA												
Screw (fork to shaft) 7/16-20 x 1 5/32	371073-S(BB-539)	2												
FORK (GEARSHIFTER)		7231												
Aux. shift-1" dia. shaft hole X 7 5/32" span- also refer to group 7B283	D1HZ 7231-A	AA												
Low and reverse	D5HZ 7231-A	AA												
Screw (fork to shaft)-hex. drilled head- pointed-7/16"-20 x 1 5/32" overall length	371073-S(BB-539)	3												
GATE (GEARSHIFTER SHAFT)		7232												
Third and direct	D5HZ 7232-A	AA												
Screw (shifter shaft gate)-hex. head drilled- pointed-7/16"-20 x 1 5/32" overall length	371073-S(BB-539)	AA												
PISTON (AUXILIARY SHIFT)		7233												
(2) holes-12-24 thread-3" dia. x 5/8" wide	C6TZ 7233-A	AA												
PIN (GEARSHIFT ROD INTERLOCK)- 7/32" O.D. x 11/16" long	B8QH 7235-A	AA												
BAR (AUXILIARY SHIFT YOKE)		7241												
First and second	D5HZ 7241-B	AA												
Range cyl. #19562	E4HZ 7241-A	AA												
PLUG (REVERSE STOP PLUNGER SPRING)- slotted-3/4"-16 x 5/16" hole	B8QH 7245-A	AA												
PLUNGER (SHIFTER SHAFT GATE)		7247												
Reverse gear-1 19/32" long	B8QH 7247-A	AA												
A-4740-Air filter/regulator assy.	E1HZ 7B265-A	AA												
Plug 1/8" Pipe	87708-S (P-14)	2												
WASHER (OIL PUMP)		7K267												
Capscrew seal	E8HZ 7K267-A	3												
1/4-20 x 1 1/2 Capscrew	382909-S100(UU-13-EA)	3												
SPRING (OIL PUMP RELIEF)		7A270												
	E8HZ 7A270-A	AA												
CYLINDER (AUXILIARY AIR SHIFT)-		7B284												
4 1/4" long	D2HZ 7B284-A	AA												
Pin (clevis)-1/2" x 1 3/4"	73995-S7(N-32)	AA												
Cotter pin-1/8" x 1"	72035-S7-8(N-51)	AA												
Elbow-1/8"-90°	★ 379827-S	2												
"O" RING (AUXILIARY SHIFT)		7288												
Piston (large rubber)-2 17/32" I.D. x 3" O.D. x 7/32" wide	C6TZ 7288-A	AA												
Small (rubber)-47/64" I.D. x 15/16" O.D. x 7/64" thick	C6TZ 7288-B	AA												
Aux. drive gear- 3 3/32 I.D. x 3 1/2 O.D	D4HZ 7288-A	2												
Speedo opening	E7HZ 7288-A	2												
MAGNET		7E290												
	E0TZ 7E290-A	3												
VALVE ASSY. (CONTROL SLAVE-ON TRANS.)		7D292												
#19470	E1HZ 7D292-A	AA												
Plug-headless socket pipe-1/8"-27	87708-S(P-14)	AA												
Plug-expansion-7/8"	74115-S(P-4)	2												
Elbow-1/8"-90°	★ 379827-S	3												
SPRING (DIRECT SYNCHRONIZER PLATE)- 22 coils-9/32" dia. x 1 37/64" free length		C6TZ 7B294-A	3											
SLEEVE (ADAPTER PLATE ALIGNMENT)		7311												
	E1HZ 7311-B	AA												

**1980/  
TRUCK SERIES 600/900**

FULLER 10 SPEED  
TRANSMISSION

DESCRIPTION/RESTRICTIONS	PART NUMBER	TRANSMISSION PARTS LIST 10AA THRU 10AM												
		AA	AB	AC	AD	AE	AF	AG	AH	AJ	AK	AL	AM	
GASKET (SLAVE VALVE ADAPTER PLATE)		7314												
#19481	E1HZ 7314-A	AA												
Elbow-1/8"-90°	★ 379827-S	AA												
Fitting-1/4"-18 male thread x 3/8"-18 female thread	373354-S(II-64-D)	AA												
COVER (OIL PUMP)		7B325												
	E8HZ 7B325-A	AA												
GASKET (OIL PUMP)		7B326												
	E8HZ 7B326-A	AA												
SHAFT (OIL PUMP DRIVE)		7B328												
	E8HZ 7B328-A	AA												
GEAR (OIL PUMP DRIVE)		7B329												
	E8HZ 7B329-A	AA												
Ring retaining	389384-S(QQ-36)	AA												
KIT (SMALL PARTS REPAIR)		7B331												
K1500, use with 910 trans.	E4HZ 7B331-B													
K1507, use with 12510 trans.	E4HZ 7B331-D													
K1790, use with 11610 trans.	E4HZ 7B331-H													
K1800, use with 14610 trans.	E4HZ 7B331-L													
PLATE (TRANS REAR)		7B332												
	D8HZ 7B332-D	AA												
WASHER (AUXILIARY OUTPUT SHAFT)		7B334												
REDUCTION GEAR														
4 1/4 "O.D. x 2 49/69" I.D. x 9/16 thick	D8HZ 7B334-B	AA												
#19203 - 18 ext. teeth	E2HZ 7B334-A	AA												
PLATE (AUXILIARY SLIDING CLUTCH)		7B338												
	E7HZ 7B338-A	AA												
GEAR (MAINSHIFT)		7B340												
Mainshaft 4th., 54 ext. 18 int. teeth	E2HZ 7B340-C	AA												
18 external-17 internal teeth	D4HZ 7B341-A	3												
3 3/16" dia. x 1 9/16" wide														
GASKET (CASE REAR PLATE)		7B343												
19" long x 1/64" thick x 13" wide	C6TZ 7B343-B	AA												
BAR (SHIFT FORK)		7358												
Low and reverse	D5HZ 7358-C	AA												
PIN (CASE DOWEL)-3/4" O.D. x 1 7/16" long	C6TZ 7B362-A	AA												
NUT		7B364												
Aux. mainshaft stop-hex. head-2 3/4" x 2"-16	C6TZ 7B364-A	AA												
BEARING (REVERSE IDLER GEAR)		7B369												
#EJS7255-1 1/4" I.D. x 1 7/8" O.D.	C6TZ 7B369-A	2												
VALVE (OIL PUMP RELIEF)		7C388												
	E8HZ 7C388-A	AA												
KIT (BASIC OVERHAUL)		7C391												
K1041, use with 910 trans. pull type clutch, 1 3/4" input shaft	E4HZ 7C391-A													
K1042, use with 910 trans. pull type clutch, 2" input shaft	E4HZ 7C391-B													
K1064, use with 12510 trans. pull type clutch, 2" input shaft	E4HZ 7C391-F													
KIT (BASIC REBUILD)		7C391												
K1854, use with 910 trans.	E4HZ 7C391-G													
K1861, use with 12510 trans.	E4HZ 7C391-J													
10" RING (SHIFT CYLINDER SEAL)-63/64" I.D. x 1 1/8" O.D. x 1/8" thick	C6TZ 7B411-A	2												
COLLAR (SEALING)		7K449												
3/8" I.D.	E1HZ 7K449-A	AA												

NOTICE: When the parts list suffix is shown in the quantity required column, the quantity is one (1).

DESCRIPTION/RESTRICTIONS	PART NUMBER	TRANSMISSION PARTS LIST 10AA THRU 10AM												
		AA	AB	AC	AD	AE	AF	AG	AH	AJ	AK	AL	AM	
SPACER	7482													
Reverse idler gear shaft-11/16" I.D. x 1 1/2" O.D. x 7/32" thick x 1/64" thick	C6TZ 7482-A	2												
HOUSING	7505													
#15616, use with E8HT 7003-GA	D5HZ 7505-A	AA												
Use with E8HT 7003-MA	D8HZ 7505-G	AA												
PIN (AIR VALVE ACTUATING)	7A507													
	E4HZ 7A507-A	AA												
BUSHING	7508													
Clutch housing pedal shaft-1" I.D. x 1 1/8" O.D. x 1" long	C6TZ 7508-A	AR												
Clutch pedal shaft-1" I.D. x 1 1/8" O.D. x 1 5/8" long	C6TZ 7508-B	AR												
FITTING (CLUTCH REL. BEARING LUBE)	D8HZ 7B512-A	AA												
COVER (CLUTCH HOUSING)	7564													
(2) mounting holes	C6TZ 7564-A	AA												
(4) mounting holes	D0HZ 7564-A	AA												
GASKET (CLUTCH HOUSING TO CASE)	7A619													
	C6TZ 7A619-B	AA												
TROUGH (OIL)	7716													
	E6HZ 7716-A	AA												
WASHER (REVERSE IDLER GEAR THRUST)	7728													
1 1/8" I.D. x 2 11/32" O.D. x 7/32" thick	C6TZ 7728-A	2												
SEAL (AUXILIARY REAR BEARING COVER OIL)	7918													
Seal and slinger	E7HZ 7918-A	AA												
BUSHING (SPEEDOMETER)	B8QH 17323-A	AA												
Nut rev. idler shaft-5/8-18	371530-S7(MM-161-A)	2												
Cap Screw-c/shft frt brg. 5/8-18 x 1.75	377850-S(BB-273-A)	2												
Cap Screw-range slave valve-1/4-20 x 1.10	304680-S36M(BB429-K)	4												
Cap Screw-shift bar hsg-3/8-16 x 1 1/2	58636-S2(B-85-D)	18												
Cap Screw-frt brg cvr. shift bar hsg-3/8-16 x 1 1/4	58635-S2(B-82-A)	16												
Cap Screw-aux. drv gr brg ret. 3/8-16 x 7/8	42998-S8(B-252-A)	8												
Plug-filler-1 1/4 pipe	374501-S(PP-52-F)	AA												
Cap Screw-rr brg cover-3/8-16 x 2 3/4	373139-S(BB-163)	11												

DESCRIPTION/RESTRICTIONS	PART NUMBER	TRANSMISSION PARTS LISTS 13A THRU 13M												
		A	B	C	D	E	F	G	H	J	K	L	M	
SEAL (OUTPUT SHAFT BEARING RETAINER OIL).Refer to group 7918	4813													
Plug	7A002													
Plug (aux. air shift cyl. 7306)	D3HZ 7A002-A	A	B	C	D	E	F	G	H	J	K	L	M	
CASE ASSY.-incl. magnetic chip collectors	7005													
#16800A-4105	D4HZ 7005-D	A										L		
#15390	D5HZ 7005-B		B				F					K	M	
#15665-N/R 10/89	★ D0HZ 7005-C			C	D	E		G	H	J				
Plug (filler)-1 1/4" pipe	353094-S(PP-34)	A	B	C	D	E	F	G	H	J	K	L	M	
Stud-5/8"-11 and 5/8"-18 x 2 5/32" long	374423-S7-8(WW-66)	6	6	6	6	6	6	6	6	6	6	6	6	
Plug-1/2"-14	357985-S(PP-48)	A	B	C	D	E	F	G				L	M	
Plug-3/4", Magnetic	353240-SA(PP-52)	A	B	C	D	E	F	G	H	J	K	L	M	
CASE (HOUSING)	7005													
Intermediate	D4HZ 7005-C	A										L		
Rear Cover	D4HZ 7005-L	A												
ELEMENT (OIL FILTER)-2 1/2" O.D. x 1" I.D. x 2 1/16" long	C1TT 7C012-A	A	B	C	D	E	F	G	H	J	K	L	M	
COVER (OIL FILTER)-6 1/4" x 4 7/8" x 2" high (6) 13/32" bolt holes	C1TT 7C013-H	A	B	C	D	E	F	G	H	J	K	L	M	
Bolt (cover to case)-hex head-3/8"-16 x 1"	20388-S8(B-80)	6	6	6	6	6	6	6	6	6	6	6	6	
Lockwasher-3/8"	34807-S8(X-66)	6	6	6	6	6	6	6	6	6	6	6	6	
PLATE	7C014													
#17503	D8HZ 7C014-A	A										L		
Oil reservoir-7 1/16" long-(2) 13/32" holes	D4HZ 7C014-A	A										L		
SHAFT (INPUT)	7017													
18 teeth-10 splines x 12 1/8" long	D4HZ 7017-F			C	D	E		G	H	J				
18 teeth-10 splines x 11 15/16" long	D4HZ 7017-E		B				F					K	M	
16 teeth-10 splines-incl. bushing & snap ring Use with E1HT 7003-VA,YA on List "L"	D6HZ 7017-J	A										L		
Use with E1HT 7003-AAA on List "L"	D6HZ 7017-K											L		
BEARING	7025													
2 53/64" O.D. x 1 3/8" I.D. x 21/32" wide-G209SF	D8HZ 7025-A	2										2		
212L or 212SLV-1 3/16" I.D. x 13/32" wide	C8TZ 7025-A	A										L		
Countershaft front-#211SL-3 15/16" O.D. x 2 5/32" I.D. x 53/64" wide	C6TZ 7025-A		B	C	D	E	F	G	H	J	K		M	
Countershaft front, Incl. snapping-race	TGAA 7025-A		2	2	2	2	2	2	2	2	2			
Countershaft front, Incl. snapping-race	E2HZ 7025-B												2	
SNAP RING	7030													
3 1/32" O.D. x 1/16" thick	C8TZ 7030-C	2										2		
Input shaft bearing-1 37/64" I.D. x 1/8" wide	C8TZ 7030-B	A										L		
1 7/16" free I.D. x 3/32" thick	C6TZ 7030-A		2	2	2	2	2	2	2	2	2		2	
VENT (CASE)	7034													
1/8" pipe thread x 1" long	D1TZ 7034-A	A	B	C	D	E	F	G	H	J	K			
2" long x 1 5/8" O.D. x 1/4" pipe thread	C7TZ 7034-A	A	B	C	D	E	F	G				L	M	
COVER	7C035													
Auxiliary shift cylinder-4 1/4" x 4 1/4" x 1 1/4" thick-(4) 13/32" holes	C6TZ 7C035-A	A	B	C	D	E	F	G	H	J	K			
Auxiliary air shift-3 1/2" x 3 1/2"-(4) 11/32" holes	D4HZ 7C035-B	A										L		
Countershaft brake piston-2 3/16" and 2 3/4" bolt hole centers-(4) 11/32" holes	D4HZ 7C035-A	A										L		
Range cylinder	E2HZ 7C035-A												M	
PLATE and PIN ASSY. (SYNCHRONIZER)	7A044													
Direct-6 1/2" O.D. incl. (3) Pins	D6HZ 7A044-A	A	B	C	D	E	F	G	H	J	K	L	M	
Reduction-7" O.D.-incl. (3) pins	C6TZ 7A044-A	A	B	C	D	E	F	G	H	J	K	L	M	



1980/  
TRUCK SERIES 600/900

DESCRIPTION/RESTRICTIONS	PART NUMBER	TRANSMISSION PARTS LISTS 13A THRU 13M												
		A	B	C	D	E	F	G	H	J	K	L	M	
NUT (INPUT SHAFT BEARING RETAINER) 3 1/4" O.D. x 2 1/8"-16 thread	C1TT 7045-A		B	C	D	E	F	G	H	J	K		M	
RETAINER (INPUT SHAFT BEARING) 5 9/16" O.D. x 6 1/4" long-(4) 13/32" holes Use with E1HT 7003-YA,VA on List "L"	7050 D0HZ 7050-A	A										L		
Use with E1HT 7003-AAA on List "L"	D0HZ 7050-C											L		
6 9/16" O.D. x 1 1/32" wide	D4HZ 7050-A		B	C	D	E	F	G	H	J	K		M	
Bolt-3/8"-16 x 1 1/2" hex head	20468-S8(B-85)	4	4	4	4	4	4	4	4	4	4	4	4	
Lockwasher-3/8"	34807-S8(X-66)	4	4	4	4	4	4	4	4	4	4	4	4	
GASKET (INPUT SHAFT BEARING RETAINER) 3 11/16" I.D. x 5 1/2" O.D.	7051 C8TZ 7051-A	A										L		
4 21/32" I.D. x 6 1/2" O.D. x 1/64" thick (6) 13/32" holes	C6TZ 7051-F		B	C	D	E	F	G	H	J	K		M	
SEAL (INPUT SHAFT BEARING RETAINER)- #CR521924-1 1/2" I.D. x 1 31/32" O.D. x 7/16" thick	C9TZ 7052-A	A										L		
SPACER (INPUT SHAFT) 1 25/32" I.D. x 3" O.D. x 23/64" thick	7A059 D0HZ 7A059-C	A					F				K	L	M	
WASHER (OUTPUT SHAFT REAR) 2 1/32" I.D. x 3" O.D. x 3/16" thick	D4HZ 7A059-B						F				K		M	
2 3/8" I.D. x 2 23/32" O.D. x 5/16" thick	C9TZ 7A059-A			C	D	E		G	H	J				
2 3/8" I.D. x 2 7/8" O.D. x 5/32" thick	D4HZ 7A059-A		B				F				K		M	
20 ext., 18 int. teeth - #17913	D6HZ 7A060-C		B				F							
20 ext., 13 int. teeth - #17910	D6HZ 7A060-A			C	D			G						
20 ext., 13 int. teeth - #17908	D6HZ 7A060-B					E								
20 ext., 13 int. teeth - #18995	E1HZ 7A060-A									J				
20 ext., 18 int. teeth - #18996	E1HZ 7A060-C										K			
20 ext. 20-18 int. teeth #19132	E2HZ 7A060-A												M	
SHAFT (OUTPUT) 17 splines-13 31/32" long	7061 D4HZ 7061-F		B				F				K		M	
#A-4414	D5HZ 7061-B		B				F				K		M	
Auxiliary-10-13 splines x 10 9/16" long	D4HZ 7061-A	A												
Auxiliary-10-18 splines x 10 9/16" long	E1HZ 7061-C											L		
Main-13-15 splines x 17 5/8" long	D4HZ 7061-B	A										L		
Main-15 splines x 13 27/32" long	D1HZ 7061-A			C	D	E		G	H	J				
Consists of: (1) each A4413 Mainshaft Assy. and 14332 Washer	D5HZ 7061-A			C	D	E		G	H	J				
SNAP RING Output shaft-2 3/16" O.D. x 1 13/16" I.D. x 3/32" thick	7064 D0HZ 7064-H	2	2	2	2	2	2	2	2	2	2	2		
Auxiliary countershaft rear bearing		2	2	2	2	2	2	2	2	2	2		2	
Mainshaft fourth gear- 1 37/64" I.D. x 1 59/64" O.D. x 5/64" thick	D0HZ 7064-A	A										L		
Mainshaft rear-1 13/16" I.D. x 2 3/16" O.D. x 3/32" wide	C6TZ 7064-C	A										L		
Output shaft drive gear- 2 5/16" I.D. x 2 21/32" O.D. x 5/64" thick	D0HZ 7064-D	A										L		
Aux. drive gear-3 3/32" I.D. x 3 19/32" O.D. x 1/8" thick	D0HZ 7064-F			C	D	E		G	H	J				
Output shaft-2 3/4" I.D. x 2 15/16" O.D. x 3/32" thick	C6TZ 7064-A			6	6	6		6	6	6				
Input shaft-3 1/16" O.D. x 3/32" wide	C6TZ 7064-E		B				6				6		6	

NOTICE: When the parts list suffix is shown in the quantity required column, the quantity is one (1).

DESCRIPTION/RESTRICTIONS	PART NUMBER	TRANSMISSION PARTS LISTS 13A THRU 13M												
		A	B	C	D	E	F	G	H	J	K	L	M	
SNAP RING		7064 — Cont'd												
Aux. drive gear-3 9/32" x 3 29/32" O.D. x 1/8" thick	D4HZ 7064-E		B				F					K		M
Mainshaft front quill-7/8" O.D. x 11/16" I.D. x 3/32 thick	C6TZ 7064-B		B	C	D	E	F	G	H	J	K			M
2 3/4" I.D. x 1/16" thick	D5HZ 7064-A		B				F				K			M
Output shaft-2 3/32" I.D. x 2 7/16" O.D. x 3/32" thick	D4HZ 7064-F						2							2
BEARING		7065												
Auxiliary countershaft-rear-#1310L-incl. snap ring 1 31/32" I.D. x 4 21/64" O.D. x 1 1/16" wide	B7QH 7065-A	2	2	2	2	2	2	2	2	2	2	2	2	2
Auxiliary drive gear-#117L or 213	C6TZ 7065-A			C	D	E		G	H	J		L		
Mainshaft rear		A												
Auxiliary countershaft front-#M1306-UV, U1306J-HC or U1306YS	D4HZ 7065-A	2											2	
1 3/16" I.D. x 2 27/32" O.D. x 3/4" wide														
Range shift #204	C9TZ 7065-A		B	C	D	E	F	G	H	J	K			M
Auxiliary drive gear #118-L	C6TZ 7065-F		B				F				K			M
WASHER (OUTPUT SHAFT GEAR) 17 teeth	D8HZ 7069-A		5				5				5			5
2 27/32" O.D. x 1/4" wide														
2 5/8" O.D.-15 int. teeth #18717	E0HZ 7069-A								5	5				
SPACER (OUTPUT SHAFT REAR BEARING) - 2 15/16" I.D. x 3 1/2" O.D. x 15/16" wide	C7TZ 7072-A	A												
PIN (SYNCHRONIZER SPRING) See 7A044		7073												
GEAR (AUXILIARY DRIVE)		7A079												
#19661	E2HZ 7A079-C													M
34-18-17 teeth-6 3/8" O.D. x 3 3/8" wide	D4HZ 7A079-B		B				F				K			
34-18-15 teeth-6 3/32" O.D.	D0HZ 7A079-C			C	D	E		G	H	J				
RETAINER (AUXILIARY INTERMEDIATE SLIDING CLUTCH GEAR) 1/2" long x 3/16" wide one end	D4HZ 7E082-A	A											L	
RETAINER ASSY.		7085												
Output shaft bearing-1 15/16" long (6) 13/32" holes	C6TZ 7085-B	A	B	C	D	E		G	H	J		L		
Aux. rear bearing 8" dia. x 4 23/32" I.D.	D0HZ 7085-C			C	D	E		G	H	J				
Aux. drive gear bearing-8" dia. x 5 1/16" I.D. 2 1/8" wide (6) 13/32" holes	D4HZ 7085-B		B				F				K			M
Bolt-hex. head-3/8"-16 x 2 3/4"	E8HZ 7085-D		B				F				K			M
Lockwasher-3/8"	373139-S(BB-163)	6	6	6	6	6	6	6	6	6	6	6	6	6
Washer flat-3/8"	34807-S8(X-66)	5	5	5	5	5	5	5	5	5	5	5	5	5
GASKET (OUTPUT SHAFT BEARING RETAINER) 4 5/8" I.D. x 6 1/4" O.D.- (10) 13/32" holes	356425-S(XX-136)	A	B	C	D	E	F	G	H	J	K	L	M	
C8TZ 7086-C		A	B	C	D	E	F	G	H	J	K	L	M	
FLANGE (OUTPUT SHAFT)-Refer to group in Section 71 for Size Chart		7089												
<b>Note:</b> ♦ Industry Designation														
GEAR		7100												
36 18 teeth-6 1/16" O.D. x 13/16" wide at hub	D0HZ 7100-B	A												
Countershaft low and reverse 17 ext, 17 int teeth 3 3/4" O.D. x 13 13/16" long	D0HZ 7100-C			2	2	2		2						
Output shaft first speed-38 external 18 internal teeth-7 21/32" O.D. x 1 1/8" wide	D0HZ 7100-K			C	D	E		G	H	J				
38 ext. 18 int teeth-7 21/32" O.D. x 1 5/32" wide	D4HZ 7100-C		B				F				K			
17 17 teeth-13 53/64 long	E0HZ 7100-A									2				
Mainshaft first gear 64 ext. 18 int. teeth	E1HZ 7100-C												L	
34 ext. 18 int. teeth	D4HZ 7100-A												L	
Mainshaft first 60 ext. 18 int. teeth	E2HZ 7100-E													M
Countershaft. 17 17 teeth 13 3/4 long	E2HZ 7100-C													2

1980/  
TRUCK SERIES 600/900

DESCRIPTION/RESTRICTIONS	PART NUMBER	TRANSMISSION PARTS LISTS 13A THRU 13M												
		A	B	C	D	E	F	G	H	J	K	L	M	
GEAR 7101														
Auxiliary output-42 external teeth- 8 7/8" O.D. x 1 1/2" wide	C6TZ 7101-A	A												
Auxiliary output shaft splitter-20 int. 32 ext. teeth	D0HZ 7101-H		B	C	D		F	G						
46 ext. 18 int teeth 9 7/32" O.D. 2 1/8" wide	D4HZ 7101-D		B				F					K		
46 ext. 18 int. teeth-#16717	D0HZ 7101-J			C	D	E		G	H	J				
36 ext. 20 int. teeth-#17909	D6HZ 7101-A								H					
42 ext. 18 int. teeth	E1HZ 7101-D												L	
Aux. drive, 20 ext. 15 int. teeth	D4HZ 7101-A												L	
Aux. m/shaft splitter, 40 ext.-20 int. teeth	E2HZ 7101-E													M
Aux. m/shift reduction, 56 ext.-18 int. teeth	E2HZ 7101-F													M
HELIX GEAR KIT 7A101														
Use with RTO,RTOF,RT00, RT00F 9513 trans.	★ D7HZ 7A101-A N.R. (6/87)			C	D	E		G		J				
Consists of Splitter gear Yoke Sliding clutch Coupler and Spacer														
Use with RT,RTF9513 trans.	D7HZ 7A101-B			C	D	E		G						
Consists of Splitter gear Yoke Sliding clutch Coupler and Spacer														
GEAR 7102														
Output shaft second speed-34 external- 18 internal teeth-5 9/16" O.D. x 1 3/32" hub dia.	D0HZ 7102-B	A												
Low speed-44 external-18 internal teeth 8 5/8" O.D. x 1 1/8" wide	D0HZ 7102-D			C	D	E		G	H	J				
Low speed-44 external-18 internal teeth 8 5/8" O.D. x 1 5/32" wide	D4HZ 7102-A		B				F					K		M
Mainshaft 2nd gear-56 ext. 18 int. teeth	E1HZ 7102-A												L	
CLUTCH (OUTPUT SHAFT SLIDING) low and reverse, second and third-18 external 15 internal teeth-3" O.D. x 1 21/32" wide	D0HZ 7103-A	2												2
SHAFT (AIR VALVE ACTUATING) 7B104														
5 1/2" long-3/4" O.D.	E9HZ 7B104-A	A	B	C	D	E	F	G	H	J	K	L	M	
Valve (air shift cyl. 7306)	D3HZ 7B104-A	A									J	L	M	
RETAINER (MAINSHAFT REAR BEARING)- 13/32" dia. hole x 4 1/2" long	D0HZ 7109-A	2												2
COUNTERSHAFT (LOW and REVERSE)- 16-19 teeth x 13 17/64" long	D0HZ 7111-B	2									2			
16-34 teeth, 12 15/32" long	E1HZ 7111-A													2
GEAR (COUNTERSHAFT FOURTH) 7112/17														
49 teeth	E1HZ 7112-B													2
	D4HZ 7113-B					2			2					
Countershaft (low and reverse) 17 teeth 13 5/16" long	D4HZ 7113-F		2				2					2		
10" long includes bearing and snap ring	D0HZ 7113-B		2	2	2	2	2	2	2			2		
#A-4421-Aux. Countershaft	D8HZ 7113-C			2										
A-4725	E2HZ 7113-G													2
20 teeth-3 1/32" I.D. x 4 1/8" O.D. x 11/32" width	D6HZ 7115-C		B				F				K			M
20 ext. teeth-2 25/32" I.D. x 11/32" thick	D6HZ 7115-B			C	D	E		G	H	J				
Countershaft front bearing-2 3/16" I.D. x 2 25/32" O.D. x 5/32" thick	D4HZ 7115-B						2					2		
Countershaft front	E2HZ 7115-A													2
18 ext. 18 int. teeth-3 57/64" dia x 7/32" wide	D4HZ 7117-A		B				F				K			M
13 Int. 18 ext. teeth-#15385	D0HZ 7117-A			C	D	E		G	H	J				
BEARING 7118														
Auxiliary mainshaft-rear- #A2689-A-2 1/2" I.D. x 4 1/2" O.D. x 2 23/32" wide	C6TZ 7118-B	A	B	C	D	E		G	H	J		L		

NOTICE: When the parts list suffix is shown in the quantity required column, the quantity is one (1).

DESCRIPTION/RESTRICTIONS	PART NUMBER	TRANSMISSION PARTS LISTS 13A THRU 13M												
		A	B	C	D	E	F	G	H	J	K	L	M	
BEARING		7118 — Cont'd												
A-33775 2 3/4" I.D. x 4 7/16" O.D. x 3" wide	D4HZ 7118-B			B				F			K		M	
Aux. Countershaft-front # MA1307EL or MR1307EL -- 1 3/8" I.D. x 3 9/64" O.D. x 13/16" wide	C1TZ 7118-A		2	2	2	2	2	2	2	2	2			
Aux. Countershaft front-14 rollers 3 9/64" O.D. x 1 3/8 I.D. x 53/64" wide	E2HZ 7118-A												2	
= AA-1232-6 - 1 1/4" O.D. x 3/4" long	D0HZ 7120-A	A											L	
Bushing (input shaft)- 1 11/32" I.D. x 1 5/8" O.D. x 3/4" wide	D0HZ 7120-D		B	C	D	E	F	G	H	J	K		M	
SYNCHRONIZER KIT		7124												
Consists of: 7A044 (2), 7B294(3)	D9HZ 7124-B	A	B	C	D	E	F	G	H	J	K	L	M	
SPACER (AUXILIARY COUNTERSHAFT FRONT BEARING)-2 21/32" I.D. x 2 29/32" O.D. x 1/16" thick	D4HZ 7125-A	2										2		
BEARING (COUNTERSHAFT)		7127												
= 306-MGLR, BCA 1306 L0	C8TZ 7127-A	2												
Rear-# MRY 1308-GEL, 1 9/16" I.D. 3 35/64" O.D. 29/32" wide	C6TZ 7127-A		2	2	2	2	2	2	2	2	2		2	
RETAINER		7135												
Mainshaft coupling-2 1/4" O.D. x 3/16" thick-(2) 11/32" holes	C6TZ 7135-A	A							H	2	2			
Countershaft bearing-front #19548, incl. roll pin	D0HZ 7135-C		2	2	2	2	2	2				L		
E2HZ 7135-B													2	
Third speed-36 teeth-6 11/32" O.D. x 2 1/4" I.D. 1 3/8" wide	D0HZ 7137-C			2	2	2			2	2				
Second speed-30 teeth-5 1/2" O.D. x 2 1/4" I.D. 1 55/64" wide	D0HZ 7137-D			2	2	2			2	2				
Third speed-36 teeth-6 11/32" O.D. 2 1/2" I.D.	D4HZ 7137-D		2				2	2			2			
Second speed-30 teeth-5 1/2" O.D. x 2 31/64" I.D.	D4HZ 7137-C		2				2	2			2			
Countershaft third speed-40 teeth	E1HZ 7137-C											2		
Countershaft, 3rd-62 ext. teeth	E2HZ 7137-F												2	
Countershaft, 2nd-44 ext. teeth	E2HZ 7137-G												2	
Bolt-round head-24 x 1 1/32"	376323-S(BB-390-R)	2	2	2	2	2	2	2	2	2	2	2	2	
SHAFT (REVERSE IDLER GEAR)		7140												
2 7/16" O.D. x 3 13/32" long	D4HZ 7140-A	2											2	
4 11/16" long	D0HZ 7140-A		2	2	2	2	2	2	2	2	2	2	2	
Nut-hex. head-1/2"-20	34449-S7-8(M-85)	2	2	2	2	2	2	2	2	2	2	2	2	
Washer-flat-1/2"	44735-S8(X-32)	2	2	2	2	2	2	2	2	2	2	2	2	
GEAR (REVERSE IDLER)		7142												
32 external-18 internal teeth- 5 1/2" O.D. x 1 1/8" hub dia.	D0HZ 7142-A	A											L	
46 ext., 18 int. teeth 7 15/16" O.D. x 1 5/32" wide	D4HZ 7142-B		B				F				K		M	
46 external-18 internal teeth- 8" O.D. x 1 3/16" wide	D0HZ 7142-D			C	D	E		G	H	J				
27 teeth-1 7/8" I.D. x 4 29/64" O.D. x 1 1/4" wide	D0HZ 7142-E			2	2	2		2	2	2				
27 teeth-1 9/16" I.D. x 4 29/32" O.D. x 1 5/16" wide	D4HZ 7142-A		2				2				2		2	
22 teeth	C9TZ 7142-A												2	
GEAR (COUNTERSHAFT P.T.O.)		7144												
Countershaft third speed-26 teeth- 2" I.D. x 4 13/32" O.D. x 1 9/16" wide	D0HZ 7144-A	2												
Countershaft second and P.T.O.-33-23 teeth 2" I.D. x 5 3/4" O.D. x 2 1/2" wide	D0HZ 7144-B	2												
Countershaft second speed, 33-38 teeth	E4HZ 7144-A												2	
L.H. 47 teeth-8" dia. x 1 1/16" wide	C6TZ 7144-B			C	D	E		G	H	J				

**1980/  
TRUCK SERIES 600/900**

DESCRIPTION/RESTRICTIONS	PART NUMBER	TRANSMISSION PARTS LISTS 13A THRU 13M												
		A	B	C	D	E	F	G	H	J	K	L	M	
GEAR (COUNTERSHAFT P.T.O.)		7144 — Cont'd												
R.H. 45 teeth-7 3/4" dia. x 1 1/16" wide	C6TZ 7144-C			C	D	E		G	H	J				
R.H. 45 teeth-7 3/4" dia x 1 1/16" wide	D4HZ 7144-D		B				F				K		M	
L.H. 47 teeth-8 3/32" dia. x 1" wide	D4HZ 7144-E		B				F				K		M	
GASKET SET		7153												
	D6HZ 7153-B	A											L	
	D4HZ 7153-C		B				F				K		M	
	C6TZ 7153-A			C	D	E		G	H	J				
GEAR		7158												
26 external - - 16 internal teeth-4 1/16 O.D. x 1 19/64" wide	D6HZ 7158-C	A												
Output shaft fourth speed-26 external 16 internal teeth-4 9/16" O.D. - - x 1 11/64" hub width	D6HZ 7158-D	A												
28 ext., 18 int. teeth 5 3/16" O.D. x 1 9/32" wide	D4HZ 7158-C		B				F				K			
38 ext., 18 int. teeth, 6 29/32" O.D. x 1 5/32" wide	D4HZ 7158-B		B				F				K			
Input shaft drive-28 external- 18 internal teeth-5 1/4" O.D. 1 1/8" wide	D0HZ 7158-K			C	D	E		G	H	J				
Output shaft second-38 external- 18 internal teeth-6 29/32" O.D. 1 1/16" wide	D0HZ 7158-J			C	D	E		G	H	J				
36 ext., 16 int. teeth	E1HZ 7158-B											L		
Input, 48 ext. 18 int. teeth	E2HZ 7158-F												M	
Maintshaft 2nd, 58 ext. 18 int. teeth	E2HZ 7158-J												M	
Kit-includes 7231 yoke, 7158 gear maindrive, 7B161 clutch mainshaft, 7158 gear mainshaft	D0HZ 7158-B	A										L		
GEAR (OUTPUT SHAFT)-See 7158		7B161												
SNAP RING		7162												
Countershaft drive gear- 1 7/8" I.D. x 2 3/16" O.D. x 1/8" thick	C6TZ 7162-A	2											2	
Mainshaft intermediate drive gear- 3 3/8" I.D. x 3 7/8" O.D. x 7/64" thick	D4HZ 7162-A	2											2	
Auxiliary intermediate sliding clutch- 2 11/16" I.D. x 3 1/16" O.D. x 9/64" thick	D4HZ 7162-B	A											L	
2 9/16" I.D. x 1/16" thick	C6TZ 7162-C			C	D	E		G	H	J				
COVER (POWER TAKE OFF)		7165												
9 5/8" long x 7 3/8" wide x (8) 15/32" holes	D1HZ 7165-A	A	B	C	D	E	F	G	H	J	K	L	M	
6 1/4" x 4 7/8"	C6TZ 7165-B	A	B	C	D	E	F	G	H	J	K	L	M	
Bolt (cover to case)-3/8"-16 x 5/8"	20328-S8(B-76)	8	8	8	8	8	8	8	8	8	8	8	8	
Lockwasher-3/8"	34807-S8(X-66)	8	8	8	8	8	8	8	8	8	8	8	8	
Lockwasher-3/8"-external teeth	351487-S(XX-291)	8	8	8	8	8	8	8	8	8	8	8	8	
HOUSING (COUNTERSHAFT BRAKE P.T.O.)		D4HZ 7165-A												
6 1/4" long x 4 7/8" wide		A											L	
Bolt-hex. head-3/8"-16 x 1 1/2"	20468-S8(B-85)	6	6	6	6	6	6	6	6	6	6	6	6	
Lockwasher-3/8"	34807-S8(X-66)	6	6	6	6	6	6	6	6	6	6	6	6	
GASKET (OIL FILTER HOUSING)		7166												
6 1/4" x 4 7/8" x 1/16" thick-(6) 13/32" holes	E7HZ 7166-A	A	B	C	D	E	F	G	H	J	K	L	M	
9 1/4" long-7" wide-1/32" thick-(8) 15/32" holes	D1HZ 7166-A	A	B	C	D	E	F	G	H	J	K	L	M	
Oil reservoir-7 1/16" long x 1 15/16" wide x 1/32" thick	D4HZ 7166-A	A											L	
WASHER (OUTPUT SHAFT)		7173												
First, second, third and reverse gear- 18 external-15 internal teeth-3" O.D. x 1/4" wide	C8TZ 7173-C	4											4	
Fourth speed gear-16 external-13 internal teeth-2 5/8" O.D. x 1/4" thick	D0HZ 7173-A	A											L	
Reverse gear-15 internal teeth- 3 3/4" O.D. x 17/32" thick	D4HZ 7173-A	A											L	

**NOTICE:** When the parts list suffix is shown in the quantity required column, the quantity is one (1).

DESCRIPTION/RESTRICTIONS	PART NUMBER	TRANSMISSION PARTS LISTS 13A THRU 13M												
		A	B	C	D	E	F	G	H	J	K	L	M	
WASHER (OUTPUT SHAFT)		7173— Cont'd												
18 ext. teeth, 3 57/64" dia. x 5/16" thick	D4HZ 7173-B												L	
18 ext. teeth 2 19/32" dia. x 9/32" thick	C6TZ 7173-J		5					5					5	5
18 ext. teeth, 2 15/16" dia. x 9/32" thick	C6TZ 7173-A			5	5	5		5	5	5				
15 int. teeth, 2 5/8" dia. x .249" thick	C6TZ 7173-B	AR	AR	AR	AR	AR	AR	AR						
15 int. teeth, 2 5/8" dia. x .254" thick	C6TZ 7173-C	AR	AR	AR	AR	AR	AR	AR						
15 int. teeth, 2 5/8" dia. x .259" thick	C6TZ 7173-D	AR	AR	AR	AR	AR	AR	AR						
15 int. teeth 2 5/8" dia. x .264" thick	C6TZ 7173-E	AR	AR	AR	AR	AR	AR	AR						
15 int. teeth 2 5/8" dia. x .269" thick	C6TZ 7173-F	AR	AR	AR	AR	AR	AR	AR						
15 int. teeth, 2 5/8" dia. x .274 thick	C6TZ 7173-G	AR	AR	AR	AR	AR	AR	AR						
HOSE		7B175												
Air supply-18" long x 1/8"-27 pipe thread	D0HZ 7B175-C	A	B	C	D	E	F	G	H	J	K	L		
Auxiliary shift air supply-29" long-1/8"-27 thread ends	C6TZ 7B175-B	A	B	C	D	E	F	G	H	J	K			M
15" long	D4HZ 7B175-B	A											L	M
16" long-1/8"-27 thread both ends	D2HZ 7B175-B	A											L	
17" long	C9TZ 7B175-A			C	D	E	F	G	H	J	K			
20" long	C1TT 7B175-F												L	
28" long	D4HZ 7B175-A		B	C	D	E	F	G	H	J	K			
30" long	D2TZ 7B175-D													2
Clip (hose to case)	357946-S8(GG-152)	2	2	2	2	2	2	2	2	2	2	2	2	2
GEAR (COUNTERSHAFT FIRST SPEED) 22 teeth		D0HZ 7176-F												
22 teeth-4 25/32" O.D. x 1 7/8"	D4HZ 7176-B		2					2					2	
Countershaft 1st-35 ext. teeth	E2HZ 7176-B													2
GEAR		7177												
36 teeth-2" I.D. x 5 7/16" O.D. x 1 29/32" wide	D0HZ 7177-B	2												
Countershaft drive fourth speed-29 teeth-5 3/64" O.D. x 2" bore dia. x 1 29/32" wide at hub	D6HZ 7177-H	2												
Auxiliary countershaft drive (welded)	D4HZ 7177-B	2											2	
Countershaft drive-40 teeth, 7 1/8" O.D. x 2 1/4" I.D. x 1 29/64" wide	D0HZ 7177-K			2	2	2		2	2	2				
40 teeth-2 1/2" I.D. x 7 3/32" O.D. x 1 13/32" wide	D4HZ 7177-E		2					2					2	
Output shaft coupler	D6HZ 7177-G		B					F				K		
Output shaft coupler	D5HZ 7177-A								H					
20 ext. 13 int. teeth- #17911	D6HZ 7177-F			C	D			G		J				
50 teeth	E1HZ 7177-D													2
18 ext. 15 int. teeth	D4HZ 7177-A												L	
Countershaft drive-69 ext. teeth	E2HZ 7177-F													2
Output shaft coupler, 20 ext 18 int teeth	E2HZ 7177-J													M
GASKET		7181												
Countershaft brake piston cover-2 3/16" x 2 3/4" bolt hole centers	D4HZ 7181-A	A											L	
Auxiliary countershaft rear bearing cover-4 19/32" I.D. x 1 3/32" thick	D4HZ 7181-B	2	2	2	2	2	2	2	2	2	2	2	2	2
GEARSHIFT LEVER HOUSING TO GEARSHIFT HOUSING)-6 5/8" x 5 3/8" x 1/64" thick-(4) 7/16" bolt holes		C1TT 7185-A												
	E2HZ 7185-A													M

1980/  
TRUCK SERIES 600/900

DESCRIPTION/RESTRICTIONS	PART NUMBER	TRANSMISSION PARTS LISTS 13A THRU 13M												
		A	B	C	D	E	F	G	H	J	K	L	M	
RETAINER (MAINSHAFT REAR BEARING)	7195													
CAP (COUNTERSHAFT REAR BEARING)- 5 5/8" square-(4) 13/32" holes	D0HZ 7195-C	2		2	2	2	2	2	2	2		2	2	
1/4 circle shape x 3/8" thick- (2) 13/32" holes	D0HZ 7195-A	2	2									2	2	
15 teeth-1 3/4" I.D. x 4" O.D. x 23/32" wide	D4HZ 7195-A	A											L	
STUD (TRANSMISSION CLUTCH HOUSING) 5/8"-11, 5/8"-18 THD. 2 7/16" long	D0HZ 7C207-B		6	6	6	6	6	6	6	6			6	
SPRING	7219													
Reverse stop plunger-10 1/2 coils-5/8" O.D. x 1 11/16" free length	B8QH 7219-A	A	B	C	D	E	F	G	H	J	K	L	M	
Auxiliary transmission-air valve actuating plunger		A	B	C	D	E	F	G	H	J	K			
Mainshaft rear bearing centering ring- 9 1/2 coils	D4HZ 7219-A	6											6	
Shifter shaft-11 coils-7/16" O.D. - 1 1/2" free length	C6TZ 7219-E	3											3	
1 15/32" free length x 1/2" O.D.- Low and reverse, first and second	C8TZ 7219-C		3	2	2	2	3	2	2	2	3		3	
1 1/2" free length x 1/2" O.D.- Third and direct	C8TZ 7219-D			C	D	E		G	H	J				
Range valve-1 1/4" free length	E7HZ 7219-A											L	M	
Ball-steel 1/2"	353079-S(AA-15)	3	3	3	3	3	3	3	3	3	3	3	3	
KEY	7B220													
Countershaft gear-5 1/8" long-5/16" x 5/16"	D1HZ 7B220-B	2		2	2	2		2	2	2		2		
13/32" high x 1 3/8" long x 5/16" wide	D0HZ 7B220-B	2											2	
Output shaft-7/32" high x 7 5/8" long x 9/32" wide	D0HZ 7B220-F	A											L	
Aux. outlet shaft-5/16" square-2 13/32" long	C6TZ 7B220-D		B	C	D	E	F	G	H	J	K		M	
Mainshaft gear-10 13/16" long-6 side design	D2HZ 7B220-A		B	C	D	E	F	G	H	J	K		M	
3/8" square x 5 1/8" long	D4HZ 7B220-A		2				2				2			
Countershaft	E2HZ 7B220-B												2	
Ball steel 3/4" dia.	★ C1TZ 7C220-A	2	2	2	2	2	2	2	2	2	2	2	2	
HOUSING (GEARSHIFT)	7222													
#16913	D6HZ 7222-C			C				G	H	J				
#17115-use with E2HT 7003-JA,UAA,VAA-List 'M'	D5HZ 7222-A						F				K		M	
use with E2HT 7003-BRA "List M"	E3HZ 7222-A		B		D	E							M	
#15888	C8TZ 7222-S	A										L		
Bolt-hex. head-3/8"-16 x 1 1/2"	20468-S8(B-85)	16	16	16	16	16	16	16	16	16	16	16	16	
Lockwasher-3/8"	34807-S8(X-66)	16	16	16	16	16	16	16	16	16	16	16	16	
GASKET (GEARSHIFT HOUSING)	7223													
13 7/16" x 11 1/2" x 1/64" thick	C8TZ 7223-B	A											L	
16 1/2" x 11 1/2" x 1/16" thick	C6TZ 7223-A		B	C	D	E	F	G	H	J	K		M	
COVER (GEARSHIFT SPRING)- 4 1/8" x 7/8" x 1/8" thick	C6TZ 7B227-A	A											L	
Bolt-hex. head-3/8"-18 x 1 1/2"	20468-S8(B-85)	2	2	2	2	2	2	2	2	2	2	2	2	
Lockwasher-3/8"	34807-S8(X-66)	2	2	2	2	2	2	2	2	2	2	2	2	
GASKET	7B228													
#18506, 1" O.D.-39/64" I.D. x 1/64"	D8HZ 7B228-A	A											L	
Auxiliary shift cylinder-4 3/4" O.D. x 4" I.D. x 1/16" thick-(4) 13/32" holes	C6TZ 7B228-A	A	B	C	D	E	F	G	H	J	K	L	M	
Output shaft splitter gear														
Auxiliary shift cylinder- 3 3/4" x 3 1/16" I.D. 1/16" thick-(4) 13/32" holes	C6TZ 7B228-B	A	B	C	D	E	F	G	H	J	K	L	M	

NOTICE: When the parts list suffix is shown in the quantity required column, the quantity is one (1).

DESCRIPTION/RESTRICTIONS	PART NUMBER	TRANSMISSION PARTS LISTS 13A THRU 13M												
		A	B	C	D	E	F	G	H	J	K	L	M	
GASKET 7B228— Cont'd														
Gearshift spring cover— 4 1/8" x 7/8" x 1/64" thick	C6TZ 7B228-E	A											L	
Splitter gearshift—3 1/2" O.D. x 3 1/16" O.D.	C6TZ 7B228-C		B	C	D		F	G	H	J	K	L		M
Splitter gearshift cylinder cover—3 5/8" bolt hole circle x 1/16" thick—(4) 11/32" holes	D2HZ 7B228-A		B	C	D		F	G	H	J	K			M
Cover Inter. shift cyl.—2 7/8 I.D. x 3 1/2 O.D.	C9TZ 7B228-A												L	
FORK (GEARSHIFTER) 7230														
First and second—2 3/8" inside span	C8TZ 7230-D			C	D	E		G	H	J				
GATE (GEARSHIFTER SHAFT) 7230														
First and Second—2 19/32" wide x 3/4" dia. bushing hole, use with E2HT 7003-JA,UAA,VAA list "M"	C6TZ 7230-A			C			F	G	H	J	K			M
Third and direct—2 19/32" wide x 3/4" dia. bushing hole, use with E2HT 7003-JA,UAA,VAA list "M"	C6TZ 7230-B			C			F	G	H	J	K			M
First and second 2 1/8" long x 7/16"—20 thread, use with E2HT 7003-BRA list "M"	D0HZ 7230-C		B		D	E								M
First and second—#16135	D4HZ 7230-E		B				F					K		M
Third and direct—#16136	D4HZ 7230-F		B				F					K		M
FORK (GEARSHIFTER) 7231														
Splitter—4 55/64 span	E2HZ 7231-B													M
Low and reverse	C6TZ 7231-A			C				G	H	J				
Low and reverse #16131, use with E2HT 7003-JA, UAA,VAA List "M"	D5HZ 7231-A						F					K		M
Auxiliary shift—7 1/8" span x 1" dia. hole	D1HZ 7231-A	A	B	C	D	E	F	G	H	J	K	L	M	
Use with E2HT 7003-BRA list "M"	C8TZ 7231-C	A											L	M
Second and third	C8TZ 7231-D	A											L	
Fourth and direct	D0HZ 7231-B	A											L	
low and reverse—2 19/32" inside width, use with E2HT 7003-BRA list "M"	D4HZ 7231-E		B											M
low and reverse—2 3/8" inside width	C8TZ 7231-J				D	E								
Third and direct—2 25/64" inside width	C6TZ 7231-L			C	D	E		G	H	J				
Splitter—3 1/2" inside width	D2HZ 7231-A		B	C	D	E	F	G	H	J	K			
GATE (GEARSHIFTER SHAFT)—Third and direct 2 1/8" long x 7/16"—20 thread	C8TZ 7232-C		B		D	E								
FORK (GEARSHIFTER) 7232														
Third and direct—#16134, use on E2HT 7003-JA, UAA,VAA list "M"	D5HZ 7232-A						F					K		M
Screw (fork to shaft)—hex. drilled head— pointed—7/16"—20 x 1/32" overall length	371073-S(BB-539)	3	3	3	3	3	3	3	3	3	3	3	3	AR
PISTON (AUXILIARY SHIFT) 7233														
2 31/32" dia. x 5/8" wide—(2) holes—12-24 thread	C6TZ 7233-A	A	B	C	D	E	F	G	H	J	K	L	M	
9/16" I.D. x 1 31/64" O.D. X 5/16" wide	C6TZ 7233-B	A											L	
Countershaft brake—2 1/2" O.D. x 1 7/8" long	D4HZ 7233-A	A											L	
"O" ring	★ 87141-S91	A	B	C	D	E	F	G	H	J	K	L	M	
PIN (GEARSHIFT ROD INTERLOCK)	B8QH 7235-A	A	B	C	D	E	F	G	H	J	K	L	M	
2 1/8" O.D. x 11/16" long														
SHAFT (GEAR SHIFTER)—3/4" O.D. x 9 1/4" long	C8TZ 7240-F	A											L	



1980/  
TRUCK SERIES 600/900

DESCRIPTION/RESTRICTIONS	PART NUMBER	TRANSMISSION PARTS LISTS 13A THRU 13M												
		A	B	C	D	E	F	G	H	J	K	L	M	
AUXILIARY SHIFT YOKE-1" O.D. x 7 15/32" long	D2HZ 7241-A	A											L	
SHAFT (GEARSHIFTER)-First and second 11 15/16" long x 3/4" O.D., use on E2HT 7003-BRA list "M"	C8TZ 7241-E		B		D	E								M
5 3/8" long-1 15/32" O.D. one end x 3/4" other	D1HZ 7241-A		B	C	D	E	F	G	H	J	K		M	
First and second-#16133, use on E2HT 7003-JA, UAA,VAA list "M"	D5HZ 7241-B						F				K		M	
PLUG (REVERSE STOP PLUNGER SPRING)-3/4"-16-slotted x 5/16" hole	B8QH 7245-A	A	B	C	D	E	F	G	H	J	K	L	M	
PLUNGER (SHIFTER SHAFT GATE-REVERSE GATE)-1 19/32" long	B8QH 7247-A	A	B	C	D	E	F	G	H	J	K	L	M	
SHAFT (SLAVE UNIT ACTUATING)-9/16" O.D. x 5/16" O.D. x 3 5/16" long	C8TZ 7247-B	A												
FILTER/REGULATOR ASSY. (TRANSMISSION AIR)	7B265													
#A-4740	E1HZ 7B265-A												L	M
Plug 1/8" pipe	87708-S(P-14)													2
GEAR (MAINSHAFT FOURTH)	7B267													
44 ext. 16 int. teeth	E1HZ 7B267-B												L	
REGULATOR (AIR PRESSURE)	D0HZ 7B274-B	A	B	C	D	E		G	H	J	K	L		
FORK (GEAR SHIFTER)-direct and intermediate-2 15/32" inside width	D4HZ 7B283-A	A											L	
CYLINDER ASSY.	7B284													
4 1/4" long-(4) 13/32" holes	D2HZ 7B284-A	A											L	
Auxiliary air shift-6 3/16" long x 1" dia. hole-"O" RING (AUXILIARY SHIFT PISTON)	D1HZ 7B284-A		B	C	D	E	F	G	H	J	K		M	
Countershaft Brake Piston-2 19/64" I.D. 3/32" thick-Brown	7288													
Large-rubber-3" O.D. x 2 5/8" I.D. x 7/32" wide	D4HZ 7288-B	A	B	C	D	E	F	G						
Small-rubber-15/16" O.D. x 3/4" I.D. x 3/32" thick	C6TZ 7288-A	A	B	C	D	E	F	G	H	J	K	L	M	
1 1/2" O.D. x 1 1/4" I.D.	C6TZ 7288-B	A	B	C	D	E	F	G	H	J	K	L	M	
Auxiliary drive gear-3 3/32" I.D. x 3 1/2" O.D.	C6TZ 7288-D	A	B	C	D	E	F	G	H	J	K	L	M	
VALVE ASSY. (CONTROL SLAVE-ON TRANSMISSION)	D4HZ 7288-A		B				2				2		2	
#19470	D0HZ 7D292-A	A	B	C	D	E	F	G	H	J	K			
SPRING (DIRECT SYNCHRO PLATE)-1 37/64" free length-22 coils-9/32" dia.	E1HZ 7D292-A												L	M
KIT (RANGE CYLINDER "O" RING)	7305													
K1447, use with 613, 913, 9513, 12513 trans.	C6TZ 7B294-A	3	3	3	3	3	3	3	3	3	3	3	3	3
COVER ASSY. (AIR SHIFT CYLINDER)	E4HZ 7305-A													
COVER ASSY. (AIR SHIFT CYLINDER)	D1HZ 7306-A	A											L	
SLEEVE (ADAPTER PLATE ALIGNMENT) 7/8" long x 1/2" shank dia. x 3/4" large dia. x 5/16" hole one end. 11/32" dia. other	D2HZ 7306-A		B	C	D	E	F	G	H	J	K		M	
3/4" O.D. x 15/32 I.D.	C6TZ 7311-A		B	C	D	E	F	G	H	J	K			
GASKET	E1HZ 7311-A												L	
Slave valve-4" long x 2 1/8" wide x 1/64" thick	E1HZ 7311-B													M
Slave valve #19481	7314													
KIT (AIR FILTER REPAIR)	7314													
K1486, use with 613, 9513, 12513 trans.	C8TZ 7314-A	A		C	D	E	F	G	H	J	K			
	C6TZ 7314-A		B											
	E1HZ 7314-A												L	M
	7B331													
	E4HZ 7B331-A													

NOTICE: When the parts list suffix is shown in the quantity required column, the quantity is one (1).

DESCRIPTION/RESTRICTIONS	PART NUMBER	TRANSMISSION PARTS LISTS 13A THRU 13M												
		A	B	C	D	E	F	G	H	J	K	L	M	
KIT (SMALL PARTS REPAIR)	7B331													
K1501, use with 9513 trans.	E4HZ 7B331-C													
K1508, use with 12513 trans.	E4HZ 7B331-E													
K1513, use with 613, 6613 trans.	E4HZ 7B331-G													
K1791, use with 11613 trans.	E4HZ 7B331-J													
K1793, use with 14613 trans.	E4HZ 7B331-K													
COVER (CASE)-Rear-see also 7005	7B332													
#18785,18700,14963	C6TZ 7B332-B			C	D				H	J				
#18786	D4HZ 7B332-A										K		M	
BRACKET (REGULATOR VALVE)-#17107	D8HZ 7B333-A	A	B	C	D	E	F	G	H	J	K			
Bolt (bracket to case)-3/8"-16 x 3/4"	20348-S8(B-77)	2	2	2	2	2	2	2	2	2	2	2	2	
Lockwasher-3/8"	34807-S8(X-66)	2	2	2	2	2	2	2	2	2	2	2	2	
SHAFT (GEARSHIFTER)-Third and direct 11 5/16" long x 3/4" O.D., use on E2HT 7003-BRA list "M"	C8TZ 7334-A		B		D	E							M	
WASHER	7B334													
Auxiliary output shaft reduction- 2 1/2" I.D. x 3 5/32" O.D. x 15/32" thick	C6TZ 7B334-B	A		C	D	E		G	H	J		L		
2 1/2" I.D. x 4 1/4" O.D. x 29/64" wide	D4HZ 7B334-A	A												
Spacer output shaft reduction gear-18 external teeth-2 25/32" I.D. x 3 7/8" O.D. x 7/16" wide	C6TZ 7B334-C	A										L		
2 3/4" I.D. x 4 1/4" O.D. x 11/32" thick	D4HZ 7B334-B		B				F				K		M	
2 3/4" I.D. x 3 3/4" O.D. x 1/2" thick	D5HZ 7B334-A		B				F				K		M	
2 1/2" I.D. x 4 1/4" O.D. 5/16" wide	D0HZ 7B334-B			C	D	E		G	H	J				
Reduction gear, rear - - 5 3/16" O.D. x 2 33/64" I.D.	E1HZ 7B334-B											L		
CLUTCH (AUXILIARY SLIDING)-18 external teeth-13 internal spline x 7 51/64" O.D.	D0HZ 7B338-B	A		C	D	E		G	H	J				
18 ext. 18 int. teeth-2 3/4" I.D. x 7 13/16" O.D.	D4HZ 7B338-B		B				F				K	L	M	
GEAR (MAINSHAFT THIRD SPEED)	7B340													
30 external-18 internal teeth- 6 3/8" O.D. x 7/16" wide	D0HZ 7B340-A	A												
34 ext., 18 int. teeth, 6" O.D. x 1 1/4" wide	D0HZ 7B340-E			C	D	E		G	H	J				
34 ext. 18 int. teeth, 6" O.D. x 1 7/32" wide	D4HZ 7B340-A		B				F				K			
46 ext. 18 int. teeth	E1HZ 7B340-C											L		
Mainshaft third, 58 ext.-18 int. teeth	E2HZ 7B340-B												M	
GEAR (MAINSHAFT SLIDING CLUTCH)- 18 ext., 15 int. teeth	C9TZ 7B341-A			3	3	3		3	3	3				
18 ext., 17 int. teeth	D4HZ 7B341-A		3				3				3		3	
GASKET (CASE REAR PLATE)	7B343													
19" long x 13" wide x 1/64" wide	C6TZ 7B343-B	A	B	C	D	E	F	G	H	J	K	L	M	
Intermediate case	C8TZ 7B343-A	A										L		
SHAFT	7358													
Second and third-3/4" O.D. x 8" long	C8TZ 7358-B	A										L		
3/4" O.D. x 8" long	C8TZ 7358-C	A										L		
Aux. #18507-6 27/32" long 3/4" dia. includes bushing and snap ring	D8HZ 7358-A	A										L		
Low and reverse-9 27/32" long x 3/4" dia., use on E2HT 7003-BRA list "M"	D7HZ 7358-A		B				F				K		M	
	D0HZ 7358-A		B		D	E							M	
Auxiliary-9 1/8" long x 1" dia. Includes-bushing & snap ring	D1HZ 7358-A		B	C	D	E	F	G	H	J	K		M	
	D7HZ 7358-B			C	D	E		G	H	J				
Low and reverse-shift 9 1/2" long x 3/4" O.D.	C6TZ 7358-A			C				G	H	J				
First and second-13 13/32" long x 3/4" O.D.	C6TZ 7358-B			C				G	H	J				
Third and direct-13 13/32" long x 3/4" O.D.	C6TZ 7358-C			C				G	H	J				
low and reverse-#16132, use on E2HT 7003-JA, UAA,VAA list "M"	D5HZ 7358-C						F				K		M	
PIN (CASE DOWEL)-1 7/16" long x 3/4" O.D.	C6TZ 7B362-A	4	2	2	2	2	2	2	2	2	2	2	2	
NUT-auxiliary mainshaft stop-2 5/8" hex. x 2"-16	C6TZ 7B364-A	A	B	C	D	E	F	G	H	J	K	L	M	

1980/  
TRUCK SERIES 600/900

DESCRIPTION/RESTRICTIONS	PART NUMBER	TRANSMISSION PARTS LISTS 13A THRU 13M												
		A	B	C	D	E	F	G	H	J	K	L	M	
BEARING (REVERSE IDLER GEAR)	7B369													
#WWJ 162116-1" I.D. x 1 5/16" O.D. x 1" wide	C8TZ 7B369-A	2												
#EJS 7255 1 1/4" I.D. x 1 7/8" O.D.	C6TZ 7B369-A		2	2	2	2	2	2	2	2	2	2	2	
KIT (BASIC OVERHAUL)	7C391													
K1048, use with 9513 trans. pull type clutch, 1 3/4" input shaft	E4HZ 7C391-C													
K1050, use with 9513 trans. pull type clutch, 2" input shaft	E4HZ 7C391-D													
K1058, use with 12513 trans. pull type clutch, 2" input shaft	E4HZ 7C391-E													
KIT (BASIC REBUILD)	7C391													
K1856, use with 9513 trans.	E4HZ 7C391-H													
K1862, use with 12513	E4HZ 7C391-K													
"O" RING	7B411													
Shift cylinder seal- 63/64" I.D. x 1 1/8" O.D. x 9/64" thick	C6TZ 7B411-A	A	B	C	D	E	F	G	H	J	K	L	M	
Cylinder housing-1 25/64" O.D. x 1 7/64" I.D.	C6TZ 7B411-B		B	C	D	E	F	G	H	J	K	L	M	
ELBOW (AIR HOSE)-3/8" female thread x 1/4"-18 male thread	D2TZ 7B417-A	A	B	C	D	E				J	K			
NIPPLE (AIR HOSE)-1" long	C1TT 7B418-B	A	B	C	D	E	2	2	2	2	2			
STUD (CLUTCH HOUSING)	C1TT 7B420-D	6										6		
Control Valve (Gear shift mounted) "O" ring-repair kit-used w/C5TZ 7312-A	D6TZ 7B435-A	A												
COLLAR (SEALING)	7K449													
3/8" I.D.	E1HZ 7K449-A												M	
SPACER (REVERSE IDLER GEAR SHAFT)	7482													
11/16" I.D. x 1 1/2" O.D. x 7/32" thick x 1/64" thick	C6TZ 7482-A	2	2	2	2	2	2	2	2	2	2		2	
5/8" I.D. x 1 49/64" O.D. x 3/16" thick	D4HZ 7482-A	2										2		
RING (MAINSHAFT BEARING CENTERING)- 2 1/4" I.D. x 3 11/32" O.D. x 11/16" wide-6 holes	D4HZ 7482-B	A										L		
WASHER (REVERSE IDLER) 2 3/4" O.D. x 1 1/8" I.D. x 17/32" wide	D0HZ 7482-A		2	2	2	2	2	2	2	2	2		2	
HOUSING (CLUTCH)	7505													
Use with D7HT 7003-DCA on List "A", E1HT-YA on List "L"	C8TZ 7505-C	A										L		
Use with D7HT 7003-DBA on List "A", E1HT-VA, on List "L"	C9TZ 7505-A	A										L		
Use with E1HT 7003-AAA list "L"	E1HZ 7505-C											L		
#15390-Use with D7HT 7003-CGA on List "B"- E1HT 7003-FA on List "K", E2HT-BRA,UAA, list "M"	D5HZ 7505-A		B										M	
#15410-Use with D7HT 7003-CFA on List "B"- E1HT 7003-GA on List "K", E2HT-VAA, list "M"	D4HZ 7505-F		B										M	
#15483-Use with D7HT 7003-CEA,CDA	D4HZ 7505-D				D	E				J				
#16329-Use with D7HT 7003-BZA,CBA	D0HZ 7505-A				D	E		G	H					
	D8HZ 7505-B			C										
Use with E2HT 7003-JA, list "M"	D8HZ 7505-G						F						M	
Pin (Air valve actuating) - 2 13/16" long 5/16" dia. Shank x 3/4" collar x 9/16" plunger	C6TZ 7A507-A		B	C	D	E	F	G	H	J	K			
#19571	E4HZ 7A507-B											L		
	E4HZ 7A507-A												M	
BUSHING	7508													
Clutch housing pedal shaft x 1" long x 1 1/8"	C6TZ 7508-A	AR	AR	AR	AR	AR	AR	AR	AR	AR	4	AR	AR	AR
Clutch pedal shaft-1 5/8" long x 1 1/8" O.D. x 1" I.D.	C6TZ 7508-B	AR	AR	AR	AR	AR	AR	AR	AR	AR		AR	AR	AR
CYLINDER (SPLITTER GEAR SHIFT)- 3 1/2" long x 3 5/8" bolt circle	D2HZ 7A508-A		B	C	D	E	F	G	H	J	K		M	
Fitting (Clutch Rel. Bearing) Lube	D8HZ 7B512-A			C			F		H				M	

NOTICE: When the parts list suffix is shown in the quantity required column, the quantity is one (1).

DESCRIPTION/RESTRICTIONS	PART NUMBER	TRANSMISSION PARTS LISTS 13A THRU 13M												
		A	B	C	D	E	F	G	H	J	K	L	M	
COVER (CLUTCH HOUSING)	7564													
(4) mounting holes, without lube hole	C8TZ 7564-A	A											L	
(2) mounting holes	C6TZ 7564-A		B		D	E		G	H					M
(4) mounting holes with lube hole	D0HZ 7564-A			C			F			J	K	L		M
GASKET (CLUTCH HOUSING TO CASE)	7A619													
	C8TZ 7A619-A	A											L	
	C6TZ 7A619-B		B	C	D	E	F	G	H	J	K			M
SNAP RING (AUXILIARY REDUCTION GEAR)- 3 23/32" I.D. x 4 1/8" O.D. x 3/32" wide	C6TZ 7A628-A	A	B	C	D	E	F	G	H	J	K	L		M
BUSHING (ADAPTER PLATE ALIGNMENT)- 5/16" I.D. x 1/2" O.D. x 7/16" long	C3TZ 7A702-A	A												
WASHER (Reverse idler gear thrust)- 2 11/32" O.D. x 1 1/8" I.D. x 13/64" thick	C6TZ 7728-A		2	2	2	2	2	2	2	2	2			2
SEAL (AUXILIARY REAR BEARING COVER OIL)-4 1/2" O.D. x 3 3/4" I.D. x 15/32" wide	E4HZ 7918-B	A	B	C	D	E	F	G	H	J	K	L		M
TROUGH (OIL DEFLECTOR)-#17504	D8HZ 7961-A	A											L	
Bolt-hex. head-1/4"-20 x 7/8"	370519-S(BB-125)	A											L	
BUSHING (SPEEDOMETER)	B8QH 17323-A	A	B	C	D	E	F	G	H	J	K	L		M
Nut rev. idler shaft, 5/8"-18"	371530-S7 (MM 161-A)													2
Cap screw-c/shft frt brg, 5/8"-18 x 1.75	377850-S(BB-273-A)													2
Cap screw-range slave valve, 1/4"-20" x 1.10"	304680-S36M (BB429-K)													4
Cap screw-shift bar hsg. 3/8-16" x 1 1/2"	58636-S2 (B85-D)													11
Cap screw-frt brg Cvr. Shift bar hsg, 3/8-16" x 1 1/4"	58635-S2 (B82-A)													26
Cap screw-Aux dr gr brg ret, 3/8-16" x 7/8"	42998-S8(B252-A)													6
Cap screw-Case rr hsg, 3/8-16" x 2"	58638-S2 (B89-A)													2
Plug-Filler, 1 1/4" Pipe	374501-S (PP52-F)													M

1980/  
TRUCK SERIES 600/900

DESCRIPTION/RESTRICTIONS	PART NUMBER	TRANSMISSION PARTS LISTS 13N THRU 13Z															
		N	P	Q	R	S	T	U	V	W	X	Y	Z				
SEAL (OUTPUT SHAFT BEARING RETAINER OIL)-Refer to group 7918	4813																
Plug	7A002																
Plug (aux. air shift cyl. 7306)	D3HZ 7A002-A	N	P						T	U	V	W	X				
CASE ASSY.-incl. magnetic chip collectors	7005																
#15390	D5HZ 7005-B	N	P						T	U	V	W					
	E8HZ 7005-A												X				
Case main	D4HZ 7005-D			Q	R	S										Y	
Case rear	D4HZ 7005-L			Q	R	S										Y	
Case intermediate	D4HZ 7005-C			Q	R	S										Y	
Plug (filler)-1 1/4" pipe	353094-S(PP-34)	N	P	2	2	2	2	2	2	2	2	2	2	2	2	2	
Stud-5/8"-11 and 5/8"-18 x 2 5/32" long	374423-S7-8(WW-66)	6	6	6	6	6	6	6	6	6	6	6	6	6	6	6	
Plug-1/2"-14	357985-S(PP-48)	N	P	Q	R	S	T	U	V	W	X	Y					
Plug-3/4", Magnetic	353240-SA(PP-52)	N	P	Q	R	S	T	U	V	W	X	Y					
SHAFT (REMOTE SHIFT)	7B009																
Inner	E7HZ 7B009-B						S										
IMPELLER ASSY. (OIL PUMP)	7C010																
	E8HZ 7C010-A												X				
Ring Crescent	370065-S7(QQ-37)												X				
ELEMENT (OIL FILTER)-2 1/2" O.D. x 1" I.D. x 2 1/6" long	C1TT 7C012-A	N	P	Q	R	S											
COVER (OIL FILTER)-6 1/4" x 4 7/8" x 2" high (6) 13/32" bolt holes	C1TT 7C013-H	N	P	Q	R	S											
Bolt (cover to case)-hex head-3/8"-16 x 1"	20388-S8(B-80)	6	6	6	6	6											
Lockwasher-3/8"	34807-S8(X-66)	6	6	6	6	6											
PLATE (OIL RESERVOIR)	7C014																
#17503	D8HZ 7C014-A			Q	R	S										Y	
SHAFT (INPUT)	7017																
18 teeth-10 splines x 1 15/16" long	D4HZ 7017-E	N	P														
16 teeth-10 splines-incl. bushing & snap ring.	D6HZ 7017-J			Q	R											Y	
Use with E3HT 7003-ANA,ARA, E8HT-CEA																	
Use with E3HT 7003-ASA, E8HT-CCA,CDA,DBA,DCA	D6HZ 7017-K			Q		S										Y	
	E9HZ 7017-G							T	U	V	W	X					
RETAINER (OIL PUMP)	7N018																
	E8HZ 7N018-A												X				
BEARING	7025																
212L or 212SLV-1 3/16" I.D. x 13/32" wide	C6TZ 7025-A	N	P						T	U	V	W	X				
Countershaft front Incl. Snap ring-race	E2HZ 7025-B			2	2				2	2			2				
Countershaft front	E2HZ 7025-A	2	2								2	2					
2 53/64" O.D. x 1 3/8" I.D. x 21/32" wide	D8HZ 7025-A				2	2	2									2	
Input Shaft-#G209SF	C8TZ 7025-A			Q	R	S										Y	
SNAP RING	7030																
1 7/16" free I.D. x 3/32" thick	C6TZ 7030-A	2	2	2					2	2	2	2	2	2	2		
Input sht brg-1 37/64" I.D. x 1/8" wide	C8TZ 7030-B			Q	R	S										Y	
Rear C/sht brgs-3 1/32" O.D. x 1/16" thick	C8TZ 7030-C			2	2	2										2	
Drive gear bearing, 2 11/64" free I.D.	E4HZ 7030-A								T	U	V	W	X				
VENT (CASE)	7034																
2" long x 1 5/8" O.D. x 1/4" pipe thread	C7TZ 7034-A	N	P	Q	R	S	T	U	V	W	X	Y					
COVER	7C035																
Range Cylinder	E2HZ 7C035-A	N	P						T	U	V	W	X				
Countershaft brake piston	D4HZ 7C035-A			Q	R												
Range Cylinder	E1HZ 7C035-B			Q	R	S										Y	
Auxiliary Shift Cylinder	D4HZ 7C035-B			Q	R	S										Y	
PLATE and PIN ASSY. (SYNCHRONIZER)	7A044																
Direct-6 1/2" O.D. incl. (3) Pins	D6HZ 7A044-A	N	P	Q	R	S	T	U	V	W	X	Y					
Reduction-7" O.D.-incl. (3) pins	C6TZ 7A044-A	N	P	Q													
Reduction	E7HZ 7A044-A				R	S	T	U	V	W	X	Y					
NUT (INPUT SHAFT BEARING RETAINER)	C1TT 7045-A	N	P														
3 1/4" O.D. x 2 1/8"-16 thread																	

NOTICE: When the parts list suffix is shown in the quantity required column, the quantity is one (1).

DESCRIPTION/RESTRICTIONS	PART NUMBER	TRANSMISSION PARTS LISTS 13N THRU 13Z												
		N	P	Q	R	S	T	U	V	W	X	Y	Z	
RETAINER (INPUT SHAFT BEARING)	7050													
Use with E3HT 7003-ANA,ARA, E8HT-CEA	D0HZ 7050-A			Q	R								Y	
Use with E3HT 7003-ASA, E8HT-CCA,CDA,DBA,DCA	D0HZ 7050-C			Q		S							Y	
6 9/16" O.D. x 1 1/32" wide	D4HZ 7050-A	N	P											
	E4HZ 7050-D						T	U	V	W	X			
Bolt-3/8"-16 x 1 1/2" hex head	30468-S8(B-85)	4	4	4	4	4	4	4	4	4	4	4	4	
Lockwasher-3/8"	34807-S8(X-66)	4	4	4	4	4	4	4	4	4	4	4	4	
GASKET (INPUT SHAFT BEARING RETAINER)	7051													
4 21/32" I.D. x 6 1/2" O.D. x 1/64" thick (6) 13/32" holes	C6TZ 7051-F	N	P				T	U	V	W	X			
3 11/16" I.D. x 5 1/2" O.D.	C8TZ 7051-A			Q	R	S							Y	
SEAL (INPUT SHAFT BEARING RETAINER)	7052													
#CR521924	C9TZ 7052-A			Q	R								Y	
SPACER (INPUT SHAFT)	7A059													
WASHER (OUTPUT SHAFT REAR)	D4HZ 7A059-B		P				T	U			X			
2 1/32" I.D. x 3" O.D. x 3/16" thick														
2 3/8" I.D. x 2 7/8" O.D. x 5/32" thick	D4HZ 7A059-A	N	P				T	U	V	W	X			
1 25/32" I.D. x 3" O.D. x 23/64" thick	D0HZ 7A059-C			Q	R	S							Y	
CLUTCH (AUX. SLIDING)	7A060													
20 ext. 20-18 int. teeth #19132	E2HZ 7A060-A	N	P				T	U	V	W	X			
SHAFT (OUTPUT)	7061													
17 splines-13 31/32" long	D4HZ 7061-F	N	P				T	U	V	W	X			
#A-4414	D5HZ 7061-B		P				T	U			X			
Aux. mainshaft assy. #A4738	E2HZ 7061-E	N							V	W				
Auxiliary 10-18 splines x 10 9/16" long	E1HZ 7061-C			Q	R	S							Y	
Main, 13-15 splines x 17 5/8" long	D4HZ 7061-B			Q	R	S							Y	
SNAP RING	7064													
Output shaft-2 3/16" O.D. x 1 13/16" I.D. x 3/32" thick	D0HZ 7064-H	2			2	2	2	2	2	2	2	2		
Auxiliary countershaft rear bearing		2		2					2					
Input shaft-3 1/16" O.D. x 3/32" wide	C6TZ 7064-E	6	6				6	6	6	6	6			
Aux. drive gear-3 9/32" x 3 29/32" O.D. x 1/8" thick	D4HZ 7064-E	N	P				T	U	V	W	X			
Mainshaft front quill-7/8" O.D. x 11/16" I.D. x 3/32 thick	C6TZ 7064-B	N	P				T	U	V	W	X			
2 3/4" I.D. x 1/16" thick	D5HZ 7064-A	N	P				T	U	V	W	X			
Output shaft-2 3/32" I.D. x 2 7/16" O.D. x 3/32" thick	D4HZ 7064-F	2	2	2			2	2		2	2			
Mainshaft fourth gear-	D0HZ 7064-A			Q	R	S							Y	
1 37/64" I.D. x 1 59/64" O.D. x 5/64" thick														
Output shaft drive gear-	D0HZ 7064-D			Q	R	S							Y	
2 5/16" I.D. x 2 21/32" O.D. x 5/64" thick														
Mainshaft rear-1 13/16" I.D. x 2 3/16" O.D. x 3/32" wide	C6TZ 7064-C			Q	R	S							Y	
BEARING	7065													
Auxiliary countershaft-rear-#1310L-incl. snap ring	B7QH 7065-A	2		2	2	2			2	2		2		
1 31/32" I.D. x 4 21/64" O.D. x 1 1/16" wide														
Auxiliary countershaft-rear-#F-310-MG-1	E4HZ 7065-B		2	2			2	2			2			
Range shift #204	C9TZ 7065-A	N	P				T	U	V	W	X			
Auxiliary drive gear #118-L	C6TZ 7065-F	N	P				T	U	V	W	X			
Auxiliary Countershaft-front-#M1306-UV, U1306-J or U1306-YS	D4HZ 7065-A			2	2	2							2	
Mainshaft rear-#117L or 213	C6TZ 7065-A			Q	R	S							Y	
WASHER (OUTPUT SHAFT GEAR) 17 teeth 2 27/32" O.D. x 1/4" wide	D8HZ 7069-A	5	5				5	5	5	5	5			
GEAR (AUXILIARY DRIVE)	7A079													
#19661	E2HZ 7A079-C	N	P				T	U	V	W	X			

1980/  
TRUCK SERIES 600/900

DESCRIPTION/RESTRICTIONS	PART NUMBER	TRANSMISSION PARTS LISTS 13N THRU 13Z												
		N	P	Q	R	S	T	U	V	W	X	Y	Z	
FINGER (REMOTE SHIFT INNER)	7A081													
	E7HZ 7A081-B					S								
END (REMOTE SHIFT PIVOT)	7B081													
R.H. thd.	E7HZ 7B081-D					S								
L.H. thd.	E7HZ 7B081-E					S								
RETAINER (AUX INTERMEDIATE SLIDING CLUTCH GEAR) 1/2" long x 3/16" wide one end	D4HZ 7E082-A			Q	R	S							Y	
RETAINER ASSY.	7085													
Output shaft bearing-1 15/16" long (6) 13/32" holes, use on E8HT 7003 CCA,CDA,CEA	C6TZ 7085-B	N		Q	R	S			V	W			Y	
Use on E8HT 7003 DBA,DCA	E8HZ 7085-C												Y	
Aux. drive gear bearing-8" dia. x 5 1/16" I.D.	D4HZ 7085-B	N	P					T	U	V	W	X		
2 1/8" wide (6) 13/32" holes	E8HZ 7085-D		P											
Bolt-hex. head-3/8"-16 x 2 3/4"	373139-S(BB-163)	6	6	6	6	6	6	6	6	6	6	6	6	
Lockwasher-3/8"	34807-SB(X-66)	5	5	5	5	5	5	5	5	5	5	5	5	
Washer-flat-3/8"	356425-S(XX-136)	N	P	6	6	6	6	6	6	6	6	6	6	
GASKET (OUTPUT SHAFT BEARING) RETAINER)-4 5/8" I.D. x 6 1/4" O.D.- (10) 13/32" holes	C8TZ 7086-C	N	P	Q	R	S	T	U	V	W	X	Y		
FLANGE (OUTPUT SHAFT)-If not listed refer to group on Section 71 for Size Chart	7089													
Note: - $\diamond$ Industry Designation														
Yoke and Slinger assy. use on E8HT 7003-CCA,CDA,CEA	E7HZ 7089-H					R	S						Y	
Yoke and Slinger assy. use on E8HT 7003-DBA,DCA	E9HZ 7089-B												Y	
GEAR	7100													
34 ext. 18 int. teeth	D4HZ 7100-A			Q	R	S							Y	
Mainshaft first gear, 64 ext. 18 int. teeth	E1HZ 7100-C			Q	R	S							Y	
Mainshaft first-60 ext. 18 int. teeth	E2HZ 7100-E	N	P					T	U	V	W	X		
Countershaft, 17 17 teeth 15 3/4 long	E2HZ 7100-C	2	2	2				2	2	2	2	2		
GEAR	7101													
Aux. m/shft. splitter 40 ext.-20 int. teeth	E2HZ 7101-E	N	P					T	U	V	W	X		
Aux. m/shft. reduction 56 ext. 18 int. teeth	E2HZ 7101-F		P					T	U			X		
Aux. m/shft. reduction 56 ext. 18 int. teeth	E2HZ 7101-C	N								V	W			
42 ext. 18 int. teeth	E1HZ 7101-D			Q	R	S							Y	
Aux drive, 20 ext. 15 int. teeth	D4HZ 7101-A			Q	R	S							Y	
GEAR	7102													
Low speed-44 external-18 internal teeth 8 5/8" O.D. x 1 5/32" wide	D4HZ 7102-A	N	P					T	U	V	W	X		
Mainshaft 2nd gear-56 ext. 18 int. teeth	E1HZ 7102-A			Q	R	S							Y	
HOUSING (REMOTE SHIFT)	7B102													
	E7HZ 7B102-A					S								
CLUTCH (OUTPUT SHAFT SLIDING) 18 ext. 15 int. teeth, 3" O.D. x 1 21/32" wide	D0HZ 7103-A			2	2	2							2	
SHAFT (AIR VALVE ACTUATING) 5 1/2" long-3/4" O.D.	7B104													
	E9HZ 7B104-A	N	P	Q	R	S	T	U	V	W	X	Y		
Valve (air shift cyl. 7306)	D3HZ 7B104-A	N	P	Q	R	S	T	U	V	W	X	Y		
RETAINER (MAINSHAFT REAR BEARING) 13/32" dia. hole x 4 1/2" long	7109													
	D0HZ 7109-A			2	2	2							2	
COUNTERSHAFT (LOW AND REVERSE) 16-34 teeth x 12 15/32" long	E1HZ 7111-A			2	2	2							2	
GEAR (COUNTERSHAFT FOURTH) 49 teeth	7112/17													
	E1HZ 7112-B			2	2	2							2	
A-4725	E2HZ 7113-G	2	2	2				2	2	2	2	2		
20 teeth-3 1/32" I.D. x 4 1/8" O.D. x 11/32" width	D6HZ 7115-C		P					T	U			X		
20 ext. teeth-2 25/32" I.D. x 11/32" thick	D6HZ 7115-B	N								V	W			
Countershaft front	E2HZ 7115-A	2	2	2				2	2	2	2	2		
18 ext. 18 int. teeth 3 57/64" dia. x 7/32" wide	D4HZ 7117-A	N	P					T	U	V	W	X		

NOTICE: When the parts list suffix is shown in the quantity required column, the quantity is one (1).

DESCRIPTION/RESTRICTIONS	PART NUMBER	TRANSMISSION PARTS LISTS 13N THRU 13Z												
		N	P	Q	R	S	T	U	V	W	X	Y	Z	
<b>BEARING</b> 7118														
Auxiliary mainshaft-rear- #A2689-A-2 1/2" I.D. x 4 1/2" O.D. x 2 23/32" wide	C6TZ 7118-B			Q	R	S			V	W		Y		
A-33775 2 3/4" I.D. x 4 7/16" O.D. x 3" wide	D4HZ 7118-B		P				T	U				X		
Aux. Countershaft-front #MA1307EL or MR1307EL - - 1 3/8" I.D. x 3 9/64" O.D. x 13/16" wide	C1TZ 7118-A	2	2						2	2				
Aux. Countershaft-front-1 3/8" I.D. x 3 9/64" O.D. x 53/64" wide	E2HZ 7118-A						2	2				2		
<b>BEARING</b> 7120														
Bushing (input shaft)- 1 11/32" I.D. x 1 5/8" O.D. x 3/4" wide	D0HZ 7120-C	N	P				T	U	V	W	X			
#AA-1232-6, 1 1/4" O.D. x 3/4" long	D0HZ 7120-A			Q	R	S						Y		
<b>SYNCHRONIZER KIT</b> 7124														
Consists of 7A044 (2), 7B294(3)	D9HZ 7124-B	N	P	Q										
<b>SPACER (AUX. COUNTERSHAFT FRONT BEARING)</b> 7125														
2 21/32" I.D. x 2 29/32" O.D. x 1/16" thick	D4HZ 7125-A			2	2	2							2	
<b>BEARING (COUNTERSHAFT)</b> 7127														
Rear-#MRY 1308-GEL, 1 9/16" I.D. 3 35/64" O.D. 29/32" wide	C6TZ 7127-A	2	2	2			2	2	2	2	2			
#306-MGLR, BCA 1306 L0	C8TZ 7127-A			2	2	2							2	
<b>RETAINER</b> 7135														
#19548, incl roll pin	E2HZ 7135-B		2	2			2	2				2		
#19668, incl roll pin	E2HZ 7135-A	2	2						2	2				
Mainshaft Coupling-2 1/4" O.D. x 3/16" thick- (2) 11/32" holes	C6TZ 7135-A			Q	R	S							Y	
<b>GEAR</b> 7137														
Countershaft 3rd-62 ext. teeth	E2HZ 7137-F	2	2	2			2	2	2	2	2			
Countershaft 2nd-44 ext. teeth	E2HZ 7137-G	2	2	2			2	2	2	2	2			
Countershaft third speed-40 teeth	E1HZ 7137-C			2	2	2							2	
Bolt-round head-24 x 1 1/32"	376323-S(BB-390-R)	2	2	2	2	2	2	2	2	2	2		2	
<b>SHAFT (REVERSE IDLER GEAR)</b> 7140														
2 7/16" O.D. x 3 13/32" long	D4HZ 7140-A			2	2	2							2	
4 11/16" long	D0HZ 7140-A	2	2	2			2	2	2	2	2			
Nut-hex. head-1/2"-20	34449-S7-8(M-85)	2	2	2	2	2	2	2	2	2	2	2		
Washer-flat-1/2"	44735-S8(X-32)	2	2	2	2	2	2	2	2	2	2	2		
<b>LEVER ASSY. (REMOTE SHIFT)</b> 7B140														
	E7HZ 7B140-B					S								
<b>GEAR (REVERSE IDLER)</b> 7142														
46 ext. 18 int. teeth 7 15/16" O.D. x 1 5/32" wide	D4HZ 7142-B	N	P				T	U	V	W	X			
27 teeth-1 9/16" I.D. x 4 29/32" O.D. x 1 5/16" wide	D4HZ 7142-A	2	2	2			2	2	2	2	2			
32 ext. 18 int. teeth, Rev. idler	D0HZ 7142-A			Q	R	S						Y		
22 teeth	C9TZ 7142-A			2	2	2							2	
<b>GEAR (COUNTERSHAFT P.T.O.)</b> 7144														
R.H. 45 teeth-7 3/4" dia. x 1 1/16" wide	D4HZ 7144-D	N	P				T	U	V	W	X			
L.H. 47 teeth-8 3/32" dia. x 1" wide	D4HZ 7144-E	N	P				T	U	V	W	X			
Countershaft second speed-33-38 teeth	E4HZ 7144-A			2	2	2							2	
<b>TUBE (OIL PUMP)</b> 7N148														
	E8HZ 7N148-A												X	
<b>HOUSING (OIL PUMP)</b> 7B150														
	E8HZ 7B150-A												X	
Plug expansion, 3/4"	389187-S(PP-86-H)												X	
Pin roll	305080-S(NN-113)												X	
<b>GASKET KIT</b> 7153														
	C6TZ 7153-A	N							V	W				
	D4HZ 7153-C		P				T	U			X			
	D6HZ 7153-B			Q	R	S							Y	



1980/  
TRUCK SERIES 600/900

DESCRIPTION/RESTRICTIONS	PART NUMBER	TRANSMISSION PARTS LISTS 13N THRU 13Z												
		N	P	Q	R	S	T	U	V	W	X	Y	Z	
RING (NEUTRAL SWITCH ACTIVATING)	7R156					S							Y	
Clip-1/2" diameter	E7HZ 7R156-A					S						Y		
GEAR	7158													
Input, 48 ext. 18 int. teeth	E2HZ 7158-F	N	P				T	U	V	W	X			
Mainshaft 2nd, 58 ext. 18 int. teeth	E2HZ 7158-J	N	P				T	U	V	W	X			
36 ext. 16 int. teeth	E1HZ 7158-B			Q	R	S								
Use with E7HT 7003-CVA	E7HZ 7158-B					S						Y		
Kit-includes 7231 yoke, 7158 gear maindrive, 7B161 clutch mainshaft, 7158 gear mainshaft	D0HZ 7158-B			Q										
GEAR (OUTPUT SHAFT)-If not listed see 7158	7B161													
#18439	D6HZ 7B161-A				R	S								
#21662, use with E7HT 7003-CVA	E7HZ 7B161-C					S						Y		
SNAP RING	7162													
Mainshaft intermediate drive gear- 3 3/8" I.D. x 3 7/8" O.D. x 7/64" thick	D4HZ 7162-A			2	2	2						2		
2 11/16" I.D. x 3 1/16" O.D. x 9/64" thick	D4HZ 7162-B			Q	R	S						Y		
Countershaft drive, 1 7/8" I.D. x 2 3/16" O.D. x 1/8" thick	C6TZ 7162-A			2	2	2						2		
COVER (POWER TAKE OFF)	7165													
9 5/8" long x 7 3/8" wide x (8) 15/32" holes	D1HZ 7165-A	N	P	Q	R	S	T	U	V	W	X	Y		
6 1/4" x 4 7/8"	C6TZ 7165-B	N	P	Q	R	S	T	U	V	W	X	Y		
Bolt (cover to case)-3/8"-16 x 5/8"	20328-S8(B-76)	8	8	8	8	8	8	8	8	8	8	8		
Lockwasher-3/8"	34807-S8(X-66)	8	8	8	8	8	8	8	8	8	8	8		
Lockwasher-3/8"-external teeth	351487-S(XX-291)	8	8	8	8	8	8	8	8	8	8	8		
HOUSING (COUNTERSHAFT BRAKE P.T.O.)	D4HZ 7165-A			Q	R							Y		
GASKET (OIL FILTER HOUSING)	7166													
6 1/4" x 4 7/8" x 1/16" thick-(6) 13/32" holes	E7HZ 7166-A	N	P	Q	R	S	T	U	V	W	X	Y		
9 1/4" long-7" wide-1/32" thick-(8) 15/32" holes	D1HZ 7166-A	N	P	Q	R	S	T	U	V	W	X	Y		
PLUG (OIL PUMP TO CASE)	7N171											X		
	E8HZ 7N171-A											X		
WASHER (OUTPUT SHAFT)	7173													
18 ext. teeth 2 19/32" dia. x 9/32" thick	C6TZ 7173-J	5	5				5	5	5	5	5			
18 ext. teeth, 3 57/64" dia. x 5/16" thick	D4HZ 7173-B			Q	R	S						Y		
18 ext. 15 int. teeth 3" O.D. x 1/4" wide	C8TZ 7173-C			4	4	4						4		
16 ext. 13 int. teeth-2 5/8" O.D. x 1/4" thick	D0HZ 7173-A			Q	R	S								
#21664, use with E7HT 7003-CVA	E7HZ 7173-D					S						Y		
15 int. teeth-3 3/4" O.D. x 17/32" thick	D4HZ 7173-A			Q	R	S						Y		
HOSE	7B175													
Auxiliary shift air supply-29" long-1/8"- 27 thread ends	C6TZ 7B175-B	N	P								X			
15" long	D4HZ 7B175-B	N	P	Q	R	S	T	U	V	W	X	Y		
30" long	D2TZ 7B175-D	2	2	2			2	2	2	2	2			
18" long	D0HZ 7B175-C			Q	R	S						Y		
16" long	D2HZ 7B175-B											Y		
17" long	C9TZ 7B175-A			Q	R	S								
20" long	C1TT 7B175-F			Q	R	S						Y		
25" long	D0HZ 7B175-A											Y		
29.50" long	E7HZ 7B175-A								V					
Clip (hose to case)	357946-S8(GG-152)	2	2	2	2	2	2	2	2	2	2	2		
GEAR (COUNTERSHAFT FIRST SPEED)	7176													
Countershaft 1st-35 ext. teeth	E2HZ 7176-B	2	2	2			2	2	2	2	2			
GEAR	7177													
Countershaft drive-50 teeth	E1HZ 7177-D			2	2	2						2		
Auxiliary countershaft drive (welded)	D4HZ 7177-B			2	2	2						2		

NOTICE: When the parts list suffix is shown in the quantity required column, the quantity is one (1).

DESCRIPTION/RESTRICTIONS	PART NUMBER	TRANSMISSION PARTS LISTS 13N THRU 13Z												
		N	P	Q	R	S	T	U	V	W	X	Y	Z	
GEAR														
7177 — Cont'd														
18 ext. 15 int. teeth	D4HZ 7177-A			Q	R	S								Y
Countershaft drive-69 ext. teeth	E2HZ 7177-F	2	2	2			2	2	2	2	2	2	2	
Output shaft coupler, 20 ext. 18 int. teeth	E2HZ 7177-J	N	P				T	U	V	W	X			
GASKET														
7181														
Countershaft brake piston cover	D4HZ 7181-A			Q	R	S								Y
Auxiliary countershaft rear bearing cover- 4 19/32" I.D. x 1/32" thick	D4HZ 7181-B	2	2	2	2	2	2	2	2	2	2	2	2	
	E2HZ 7185-A	N	P	Q	R	S	T	U	V	W	X	Y	Z	
RETAINER (MAINSHAFT REAR BEARING)														
7195														
CAP (COUNTERSHAFT REAR BEARING)- 5 5/8" square-(4) 13/32" holes	D0HZ 7195-C	2	2	2	2	2	2	2	2	2	2	2	2	2
1/4" circle shape x 3/8" thick- (2) 13/32" holes	D0HZ 7195-A			2	2	2							2	
15 teeth-1 3/4" I.D. x 4" O.D. x 23/32" wide	D4HZ 7195-A			Q	R	S								Y
PLUG (SHIFT HOUSING DETENT)														
7N204														
3/4-16 THD x 1" O.D.	E7HZ 7N204-A					S			V					Y
STUD (TRANSMISSION CLUTCH HOUSING)														
7C207-B														
5/8"-11 5/8" THD. 2 7/16" long	D0HZ 7C207-B	6	6				6	6	6	6	6			
SPRING														
7219														
Reverse stop plunger-10 1/2 coils-5/8" O.D. x 1 11/16" free length	B8QH 7219-A	N	P	Q	R	S	T	U	V	W	X	Y	Z	
Auxiliary transmission-air valve actuating plunger														
1 15/32" free length x 1/2" O.D.- Low and reverse first and second	C8TZ 7219-C	3	3				3	3	3	3	3			
Mainshaft rear bearing, 9 1/2 coils	D4HZ 7219-A			6	6	6							6	
Shifter, 11 coils, 1 1/2" free length	C6TZ 7219-E			3	3	3							3	
Range slave, 1 25/64 free length	E7HZ 7219-A	N	P	Q	R	S	T	U	V	W	X	Y	Z	
Ball-steel 1/2"	353079-S(AA-15)	3	3	3	3	3	3	3	3	3	3	3	3	
KEY														
7B220														
Mainshaft, 7 5/8" long. incl pin	D0HZ 7B220-F			Q	R	S								Y
Countershaft, 5 1/8" long- 5/16" square	D1HZ 7B220-B			2	2	2							2	
13/32" high x 1 3/8" long-5/16" wide	D0HZ 7B220-B			2	2	2							2	
Aux. outlet shaft-5/16" square-2 13/32" long	C6TZ 7B220-D	N	P				T	U	V	W	X			
Mainshaft gear-10 13/16" long-6 side design	D2HZ 7B220-A	N	P				T	U	V	W	X			
Countershaft	E2HZ 7B220-B	2	2	2			2	2	2	2	2			
Oil pump shaft	E8HZ 7B220-A												2	
Ball steel 3/4" dia.	★ C1TZ 7C220-A	2	2	2	2	2	2	2	2	2	2	2	2	
HOUSING (GEARSHIFT)														
7222														
#17115-use in E2HT 7003-GAA,HAA,DHA, E4HT-BEA, E8HT-BA,DA,HA,NA	D5HZ 7222-A	N							U		W	X		
Use with E2HT 7003-KAA,KA,KB,DGA,E8HT-AA	E3HZ 7222-A	N	P				T		V		X			
	C8TZ 7222-S			Q	R	S							Y	
Bolt-hex. head-3/8"-16 x 1 1/2"	20468-S8(B-85)	16	16	16	16	16	16	16	16	16	16	16	16	
Lockwasher-3/8"	34807-S8(X-66)	16	16	16	16	16	16	16	16	16	16	16	16	
GASKET (GEARSHAFT HOUSING)														
7223														
16 1/2" x 11 1/2" x 1/16" thick	C6TZ 7223-A	N	P				T	U	V	W	X			
13 7/16" x 11 1/2" x 1/64" thick	C8TZ 7223-B			Q	R	S							Y	
Bolt-hex. head-3/8"-18 x 1 1/2"	20468-S8(B-85)	2	2	2	2	2	2	2	2	2	2	2	2	
Lockwasher-3/8"	34807-S8(X-66)	2	2	2	2	2	2	2	2	2	2	2	2	
COVER (GEARSHIFT SPRING)														
7B227														
4 1/8" x 7/8" x 1/8" thick	C6TZ 7B227-A			Q	R	S								Y
GASKET														
7B228														
Auxiliary shift cylinder-4 3/4" O.D. x 4" I.D. x 1/16" thick-(4) 13/32" holes	C6TZ 7B228-A	N	P	Q	R	S	T	U	V	W	X	Y	Z	
Output shaft splitter gear														

1980/  
TRUCK SERIES 600/900

DESCRIPTION/RESTRICTIONS	PART NUMBER	TRANSMISSION PARTS LISTS 13N THRU 13Z												
		N	P	Q	R	S	T	U	V	W	X	Y	Z	
GASKET		7B228 — Cont'd												
Auxiliary shift cylinder-3 3/4" x 3 1/16" I.D. 1/16" thick-(4) 13/32" holes	C6TZ 7B228-B	N	P	Q	R	S	T	U	V	W	X	Y		
Splitter gearshift-3 1/2" O.D. x 3 1/16" O.D.	C6TZ 7B228-C	N	P	Q	R	S	T	U	V	W	X	Y		
Splitter gearshift cylinder cover-3 5/8" bolt hole circle x 1/16" thick-(4) 11/32" holes	D2HZ 7B228-A	N	P				T	U	V	W	X			
Gearshift spring cover	C6TZ 7B228-E			Q	R	S						Y		
#18506, 1" O.D. x 39/64" I.D. x 1/64"	D8HZ 7B228-A			Q	R	S						Y		
Cover inter. shift cylinder	C9TZ 7B228-A			Q	R	S						Y		
GATE (GEARSHIFTER SHAFT)		7230												
First and Second-2 19/32" wide x 3/4" dia. bushing hole, use with E2HT 7003-GAA,HAA,DHA, E4HT-BEA,E8HT-BA,DA,HA,NA	C6TZ 7230-A	N						U		W	X			
Third and direct-2 19/32" wide x 3/4" dia. bushing hole, use E2HT 7005-GAA,HAA,DHA, E4HT-BEA, E8HT-BA,DA,HA,NA	C6TZ 7230-B	N						U		W	X			
First and second 2 1/8" long x 7/16"-20 thread, use with E2HT 7003-KA,KB,KAA,DGA, E8HT-AA	D0HZ 7230-C	N	P				T		V		X			
First and second-#16135	D4HZ 7230-E	N	P				T	U	V	W	X			
Third and direct-#16136	D4HZ 7230-F	N	P				T	U	V	W	X			
FORK (GEARSHIFTER)		7231												
Low and reverse	C8TZ 7231-C			Q	R	S						Y		
Second and third	C8TZ 7231-D			Q	R	S						Y		
Fourth and direct	D0HZ 7231-B			Q	R	S						Y		
splitter-4 55/64 span	E2HZ 7231-B	N	P				T	U	V	W	X			
Low and reverse #16131, use with E2HT 7003-GAA,HAA,DHA, E4HT-BEA, E8HT-BA,DA,HA,NA	D5HZ 7231-A	N						U		W	X			
Auxiliary shift-7 1/7" span x 1" dia. hole	D1HZ 7231-A	N	P	Q	R	S	T	U	V	W	X	Y		
Low and reverse-2 19/32" inside width, use with E2HT 7003-KA,KB,KAA,DGA, E8HT-AA	D4HZ 7231-E	N	P				T		V		X			
FORK (GEARSHIFTER)		7232												
Third and direct-#16134, use on E2HT 7003-GAA, HAA,DHA, E4HT-BEA, E8HT-BA,DA,HA,NA	D5HZ 7232-A	N						U		W	X			
Screw (fork to shaft)-hex. drilled head- pointed-7/16"-20 x 1/32" overall length	371073-S(BB-539)	3	3	3	3	3	3	3	3	3	A/R			
GATE (GEARSHIFTER SHAFT)-Third and direct 2 1/8" long x 7/16"-20 thread, use with E2HT 7003-KA,KB,KAA,DGA, E8HT-AA	C8TZ 7232-C	N	P				T		V		X			
PISTON (AUXILIARY SHIFT)		7233												
2 32/32" dia. x 5/8" wide-(2) holes-12-24 thread	C6TZ 7233-A	N	P	Q	R	S	T	U	V	W	X	Y		
9/16" I.D. x 1 31/64" O.D. x 5/16" wide	C6TZ 7233-B			Q	R	S						Y		
Countershaft brake, 2 1/2" O.D. x 1 7/8" long	D4HZ 7233-A			Q	R	S						Y		
"O" ring	★ 87141-S91	N	P	Q	R	S	T	U	V	W				
NUT (REMOTE SHIFT)		7K234												
1/2-13 jam-left hand thd.	E7HZ 7K234-B					S								
PIN (GEARSHIFT ROD INTERLOCK)	B8QH 7235-A	N	P	Q	R	S	T	U	V	W	X	Y		
2 1/8" O.D. x 11/16" long														
SHAFT (GEAR SHIFTER)		7240/41												
3/4" O.D. x 9 1/4" long, 1st and reverse	C8TZ 7240-F			Q	R	S						Y		
First and second	C8TZ 7241-E	N	P				T		V		X			
11 15/16" long x 3/4" O.D., use on E2HT 7003-KA, KB,KAA,DGA, E8HT-AA														
5 3/8" long-1 15/32" one end x 3/4" other	D1HZ 7241-A	N	P											
First and second-#16133, use on E2HT 7003-GAA, HAA,DHA, E4HT-BEA, E8HT-BA,DA,HA,NA	D5HZ 7241-B	N						U		W	X			
Range Cyl., 1" O.D. x 7 15/32" long	D2HZ 7241-A			Q	R	S						Y		
Splitter	E6HZ 7241-C						T	U	V	W	X			

NOTICE: When the parts list suffix is shown in the quantity required column, the quantity is one (1).

DESCRIPTION/RESTRICTIONS	PART NUMBER	TRANSMISSION PARTS LISTS 13N THRU 13Z												
		N	P	Q	R	S	T	U	V	W	X	Y	Z	
BOOT (REMOTE SHIFT)	7E242													
	E7HZ 7E242-C					S								
PLUG (REVERSE STOP PLUNGER SPRING)- 3/4"-16-slotted x 5/16" hole	B8QH 7245-A	N	P	Q	R	S	T	U	V	W	X	Y		
PLUNGER (SHIFTER SHAFT GATE-REVERSE GATE)-1 19/32" long	B8QH 7247-A	N	P	Q	R	S	T	U	V	W	X	Y		
SWITCH (NEUTRAL)	7A247													
	E7HZ 7A247-A					S						Y		
FILTER (TRANSMISSION AIR)	7B265													
#A-4740	E1HZ 7B265-A	N	P	Q	R	S	T	U	V	W	X	Y		
Plug 1/8" pipe	87708-S(P-14)	AR	AR	AR	AR	AR	AR	AR	AR	AR	X	Y		
GEAR (MAINSHAFT FOURTH)	7B267													
44 ext. 16 int. teeth	E1HZ 7B267-B			Q	R	S								
#21663, use with E7HT 7003-CVA	E7HZ 7B267-A					S							Y	
WASHER (OIL PUMP)	7K267													
Capscrew seal	E8HZ 7K267-A											3		
1/4-20 x 1 1/2 capscrew	382909-S100(UU-13-EA)											3		
SPRING (OIL PUMP RELIEF)	7A270													
	E8HZ 7A270-A											X		
FORK (GEAR SHIFTER)	7B283													
Direct and intermediate	D4HZ 7B283-A			Q	R	S							Y	
CYLINDER ASSY.	7B284													
Auxiliary air shift-6 3/16" long x 1" dia. hole-	D1HZ 7B284-A	N	P				T	U	V	W	X			
4 1/4" long-(4) 13/32" holes	D2HZ 7B284-A			Q	R	S							Y	
GASKET (SWIFT HOUSING DETENT)	7L287													
1 1/16" O.D. x 49/64 I.D.	E7HZ 7L287-A					S			V				Y	
"O" RING (AUXILIARY SHIFT PISTON)	7288													
Large-rubber-3" O.D. x 2 5/8" I.D. x 7/32" wide	C6TZ 7288-A	N	P	Q	R	S			V	W		Y		
Small-rubber-15/16" O.D. x 3/4" I.D. x 3/32" thick	C6TZ 7288-B	N	P	Q	R	S	T	U	V	W	X	Y		
1 1/2" O.D. x 1 1/4" I.D.	C6TZ 7288-D	N	P	Q	R	S	T	U			X	Y		
Auxiliary drive gear-3 3/32" I.D. x 3 1/2" O.D.	D4HZ 7288-A	2	2	2			2	2	2	2	2			
Countershaft brake piston	D4HZ 7288-B			Q	R								Y	
Reduction cyl. 1 27/64" I.D. x 9/64" thick	E6HZ 7288-B						T	U	V	W	X			
Speedometer opening	E7HZ 7288-A				R	S	T	U	V	W	X	Y		
MAGNET	7E290													
	E0TZ 7E290-A	2	2	2	2	2	2	3	3	3	3	3		
VALVE ASSY. (CONTROL SLAVE-ON TRANSMISSION)	7D292													
#19470	E1HZ 7D292-A	N	P	Q	R	S	T	U	V	W	X	Y		
SPRING (DIRECT SYNCHRO PLATE)- 1 37/64" free length-22 coils-9/32" dia.	C6TZ 7B294-A	3	3	3	3	3	3	3	3	3	3	3		
KIT (RANGE CYLINDER "O" RING)	7305													
K1447, Use with 613, 913, 9513, 12513 trans.	E4HZ 7305-A													
COVER ASSY. (AIR SHIFT CYLINDER)	D2HZ 7306-A	N	P				T	U	V	W	X			
	D1HZ 7306-A			Q	R	S								
	E8HZ 7306-B											Y		
SLEEVE (ADAPTER PLATE ALIGNMENT)	7311													
3/4" O.D. x 15/32" I.D.	E1HZ 7311-A			Q	R	S						Y		
	E1HZ 7311-B	N	P				T	U	V	W	X			
GASKET	7314													
Slave valve #19481	E1HZ 7314-A	N	P	Q	R	S	T	U	V	W	X	Y		
COVER (OIL PUMP)	7B325													
	E8HZ 7B325-A										X			

1980/  
TRUCK SERIES 600/900

DESCRIPTION/RESTRICTIONS	PART NUMBER	TRANSMISSION PARTS LISTS 13N THRU 13Z													
		N	P	Q	R	S	T	U	V	W	X	Y	Z		
GASKET (OIL PUMP)	7B326													X	
	E8HZ 7B326-A														
SHAFT (OIL PUMP DRIVE)	7B328													X	
	E8HZ 7B328-A														
GEAR (OIL PUMP DRIVE)	7B329													X	
	E8HZ 7B329-A														
Ring retaining	389384-S(QQ-36)													2	
KIT (AIR FILTER REPAIR)	7B331														
K1486, use with 613, 9513, 12513 trans.	E4HZ 7B331-A														
KIT (SMALL PARTS REPAIR)	7B331														
K1501, use with 9513 trans.	E4HZ 7B331-C														
K1508, use with 12513 trans.	E4HZ 7B331-E														
K1513, use with 613, 6613 trans.	E4HZ 7B331-G														
K1791, use with 11613 trans.	E4HZ 7B331-J														
K1793, use with 14613 trans.	E4HZ 7B331-K														
COVER (CASE)-Rear-see also 7005	7B332														
#18785,18700,14963	C6TZ 7B332-B	N										V	W		
#18786	D4HZ 7B332-A		P					T	U					X	
BRACKET (REGULATOR VALVE)-#17107	D8HZ 7B333-A	N	P												
Bolt (bracket to case)-3/8"-16 x 3/4"	20348-S8(B-77)	2	2												
Lockwasher-3/8"	34807-S8(X-66)	2	2												
SHAFT (GEARSHIFTER)-Third and direct 11 5/16" long x 3/4" O.D. use on E2HT 7003-KA, KB, KAA, DGA, E8HT-AA	C8TZ 7334-A	N	P						T			V		X	
WASHER	7B334														
Auxiliary output shaft reduction-	C6TZ 7B334-B	N		Q	R	S						V	W		Y
2 1/2" I.D. x 3 5/32" O.D. x 15/32" thick															
2 3/4" I.D. x 4 1/4" O.D. x 11/32" thick	D4HZ 7B334-B		P					T	U					X	
2 3/4" I.D. x 3 3/4" O.D. x 1/2" thick	D5HZ 7B334-A		P					T	U					X	
1 1/2" I.D. x 4 1/4" O.D. 5/16" wide	D0HZ 7B334-B	N										V	W		
Aux. mainshaft reduction gear 18 ext. teeth, 2 25/32" I.D. x 3 7/8" O.D. x 7/16" wide	C6TZ 7B334-C			Q	R	S									Y
Reduction gear, rear-5 3/16" O.D. x 2 33/64" I.D.	E1HZ 7B334-B			Q	R	S									Y
CLUTCH (AUXILIARY SLIDING)	7B338														
18 ext. 18 int. teeth-2 3/4" I.D. x 7 13/16" O.D.	D4HZ 7B338-B	N	P	Q											
#20323	E7HZ 7B338-A				R	S	T	U	V	W	X	Y			
GEAR (MAINSHAFT THIRD SPEED)	7B340														
Mainshaft third, 58 ext.-18 int. teeth	E2HZ 7B340-B	N	P					T	U	V	W	X			
46 ext 18 int teeth	E1HZ 7B340-C			Q	R	S								Y	
GEAR (MAINSHAFT SLIDING CLUTCH)-	7B341														
18 ext., 17 int. teeth	D4HZ 7B341-A	3	3					3	3	3	3	3			
GASKET (CASE REAR PLATE)	7B343														
19" long x 13" wide x 1/64" wide	C6TZ 7B343-B	N	P	Q	R	S	T	U	V	W	X	Y			
Intermediate case	C8TZ 7B343-A			Q	R	S								Y	
LINK (REMOTE SHIFT PIVOT)	7D354														
	E7HZ 7D354-A					S									
SHAFT	7358														
Low and reverse use with E2HT 7003-KA, E8HT-AA	★ C8TZ 7358-F	N							T		V			X	
includes bushing and snap ring	D7HZ 7358-A	N	P						T	U	V	W	X		
Low and reverse-9 27/32" long x 3/4" dia. use on, E2HT 7003-KAA,KB,DGA, E7HT-CMA	D0HZ 7358-A	N	P								V				
Auxiliary-9 1/8" long x 1" dia.	D1HZ 7358-A	N	P						T	U	V	W	X		
Low and reverse-#16132, use on E2HT 7003-GAA, HAA,DHA, E4HT-BEA, E8HT-BA,DA,HA,NA	D5HZ 7358-C	N								U		W	X		
Aux. #18507, 6 27/32" long, 3/4" dia.	D8HZ 7358-A			Q	R	S									Y
Second and third	C8TZ 7358-B			Q	R	S									Y
Fourth and fifth	C8TZ 7358-C			Q	R	S									Y

NOTICE: When the parts list suffix is shown in the quantity required column, the quantity is one (1).

DESCRIPTION/RESTRICTIONS	PART NUMBER	TRANSMISSION PARTS LISTS 13N THRU 13Z												
		N	P	Q	R	S	T	U	V	W	X	Y	Z	
PIN (CASE DOWEL)-1 7/16" long x 3/4" O.D.	C6TZ 7B362-A	2	2	2	2	2	2	2	2	2	2	2	2	
NUT-auxiliary mainshaft stop-2 5/8" hex. x 2"-16	C6TZ 7B364-A		P	Q	R	S	T	U	V	W	X	Y		
BEARING (REVERSE IDLER GEAR)	7B369													
#EJS 7255 1 1/4" I.D. x 1 7/8" O.D.	C6TZ 7B369-A	2	2	2			2	2	2	2	2			
#WWJ 162116-1" I.D. x 1 5/16" O.D. x 1" wide	C8TZ 7B369-A			2	2	2						2		
VALVE (OIL PUMP RELIEF)	7C388													
	E8HZ 7C388-A										X			
KIT (BASIC OVERHAUL)	7C391													
K1048, use with 9513 trans. pull type clutch, 1 3/4" input shaft	E4HZ 7C391-C													
K1050, use with 9513 trans. pull type clutch, 2" input shaft	E4HZ 7C391-D													
K1058, use with 12513 trans. pull type clutch, 2" input shaft	E4HZ 7C391-E													
KIT (BASIC REBUILD)	7C391													
K1856, use with 9513 trans.	E4HZ 7C391-H													
10" RING	7B411													
Shift cylinder seal- 63/64" I.D. x 1 1/8" O.D. x 9/64" thick	C6TZ 7B411-A	N	P	Q	R	S	T	U	V	W	2	Y		
Cylinder housing-1 25/64" O.D. x 1 7/64" I.D.	C6TZ 7B411-B	N	P	Q	R	S						Y		
Shift cyl. seal, 1 11/64" I.D. x 9/64" thick	E6HZ 7B411-A						T	U	V	W	X			
STUD (BRAKE SUPPORT-REAR)	7B420													
5/8 x 2 9/16	C1TT 7B420-D			6										
5/8 x 2 1/16	374423-S7-8(WW-66)													
COLLAR (SEALING)	7K449													
3/8 I.D.	E1HZ 7K449-A	N	P	Q	R	S	T	U	V	W	X	Y		
SPACER (REVERSE IDLER GEAR SHAFT)	7482													
11/16" I.D. x 1 1/2" O.D. x 7/32" thick x 1/64" thick	C6TZ 7482-A	2	2	2			2	2	2	2	2			
WASHER (REVERSE IDLER) 2 3/4" O.D. x 1 1/8" I.D. x 17/32" wide	D0HZ 7482-A	2	2	2				2	2	2	2			
5/8" I.D. x 1 49/64" O.D. x 3/16" thick	D4HZ 7482-A			2	2	2	2					2		
2 1/4" I.D. x 3 11/32" O.D. x 11/16" wide-6 holes	D4HZ 7482-B			Q	R	S						Y		
HOUSING (CLUTCH)	7505													
#15390-Use with E2HT 7003-GAA,KAA, E6HT-AVA, AYA,BKA,BLA, E8HT-HA	D5HZ 7505-A	N						U	V	W	X			
#15410-Use with E2HT 7003-KA,KB, E4HT-BEA, E6HT-BJA,AZA,BHA,CJA, E7HT-CMA, E8HT-BA,AA	D4HZ 7505-F	N	P				T	U	V	W	X			
Use with E2HT 7003-HAA, E6HT-TA,SA,E8HT-DA,NA	D8HZ 7505-G	N						U		W	X			
Use with E2HT 7003-DGA,DHA, E6HT-BMA,BNA	D6HZ 7505-A	N						V	W					
Use with E3HT 7003-ANA, E7HZ-ZA, E8HT-CEA	C9TZ 7505-A			Q	R							Y		
Use with E3HT 7003-ARA, E7HZ-AAA	C8TZ 7505-C			Q	R									
Use with E3HT 7003-ASA, E8HT-CCA,CDA,DBA,DCA	E1HZ 7505-C			Q		S						Y		
PIN (AIR VALVE ACTUATING)	7A507													
#19571	E4HZ 7A507-B			Q	R	S						Y		
#19459	E4HZ 7A507-A	N	P				T	U	V	W	X			
BUSHING	7508													
Clutch housing pedal shaft x 1" long x 1 1/8"	C6TZ 7508-A	AR	AR	AR	AR	8	AR	AR	AR	AR	AR	AR	AR	
Clutch pedal shaft-1 5/8" long x 1 1/8" O.D. x 1" I.D.	C6TZ 7508-B	AR	AR	AR	AR		AR	AR	AR	AR	AR			
CYLINDER (SPLITTER GEAR SHIFT)- 3 1/2" long x 3 5/8" bolt circle	D2HZ 7A508-A	N	P											
	E6HZ 7A508-B						T	U	V	W	X			
Fitting (Clutch Rel. Bearing) Lube	D8HZ 7B512-A	N						U		W	AR			

1980/  
TRUCK SERIES 600/900

DESCRIPTION/RESTRICTIONS	PART NUMBER	TRANSMISSION PARTS LISTS 13N THRU 13Z												
		N	P	Q	R	S	T	U	V	W	X	Y	Z	
COVER (CLUTCH HOUSING)	7564						T	U	V	W	X			
(2) mounting holes	C6TZ 7564-A	N												
(4) mounting holes, with lube hole	D0HZ 7564-A	N	P	Q		S	T	U	V	W	X	Y		
(4) mounting holes, without lube hole	C8TZ 7564-A			Q	R							Y		
GASKET (CLUTCH HOUSING TO CASE)	7A619						T	U	V	W	X	Y		
	C6TZ 7A619-B	N	P											
	C8TZ 7A619-A			Q	R	S								
SNAP RING (AUXILIARY REDUCTION GEAR)- 3 23/32" I.D. x 4 1/8" O.D. x 3/32" wide	C6TZ 7A628-A	N	P	Q	R	S	T	U	V	W	X	Y		
TROUGH OIL	7716						T	U	V	W	X			
	E6HZ 7716-A													
WASHER (Reverse idler gear thrust)- 2 11/32" O.D. x 1 1/8" x 13/64" thick	C6TZ 7728-A	2	2	2			2	2	2	2	2			
LEVER (OUTER (REMOTE SHIFT))	7811					S								
	E7HZ 7811-B													
SEAL (AUXILIARY REAR BEARING COVER OIL)-4 1/2" O.D. x 3 3/4" I.D. x 15/32" wide Use with E4HT 7003-BEA list "N"	C6TZ 7918-A	N		Q										
	E4HZ 7918-B	N												
#20807	E7HZ 7918-A				R	S	T	U	V	W	X	Y		
TROUGH (OIL DEFLECTOR)	7961													
#17504	D8HZ 7961-A			Q	R	S							Y	
Bolt-hex. head-1/4-20 x 7/8	370519-S(BB-125)			Q	R	S							Y	
BUSHING (SPEEDOMETER)	B8QH 17323-A	N	P	Q	R	S	T	U	V	W	X	Y		
Nut rev. idler shaft, 5/8-18	371530-S7(MM 161-A)	2	2	2	2	2	2	2	2	2	2	2	2	
Cap screw-c/shrt frt brg, 5/8-18 x 1.75	377850-S(BB 273-A)	2	2	2	2	2	2	2	2	2	2	2	2	
Cap screw-range slave valve, 1/4-20 x 1.10	304680-S36M(BB429-K)	4	4	4	4	4	4	4	4	4	4	4	4	
Cap screw-shift bar hsq, 3/8-16 x 1 1/2	58636-S2(B85-D)	11	11	11	11	11	11	11	11	11	11	11	11	
Cap screw-frt brg cvr, shift bar hsg, 3/8-16 x 1 1/4	58635-S2(B82-A)	24	24	24	24	24	24	24	24	24	24	24	24	
Cap screw-aux. dr gr brg ret, 3/8-16 x 7/8	42998-S8(B252-A)	6	6	6	6	6	6	6	6	6	6	6	6	
Cap screw-case rr hsg, 3/8-16 x 2	58638-S2(B89-A)	2	2	2	2	2	2	2	2	2	2	2	2	
Plug-filler, 1 1/4 pipe,	374501-S(PP52-F)	N	P	Q	R	S	T	U	V	W	X	Y		

NOTICE: When the parts list suffix is shown in the quantity required column, the quantity is one (1).

DESCRIPTION/RESTRICTIONS	PART NUMBER	TRANSMISSION PARTS LISTS 15A THRU 15M												
		A	B	C	D	E	F	G	H	J	K	L	M	
PLUG (AIR SHIFT CYLINDER)	7A002													
Aux. air shift cyl. (7306)	D3HZ 7A002-A				D	E	F	G	H	J	K		M	
CASE ASSY. (INCL. MAGNETIC CHIP COLLECTORS)	7005													
Use with E8HT-AAA,ZA	D4HZ 7005-J	A	B	C	D	E	F	G	H	J	K			
Use with E8HT-JA	E8HZ 7005-B										K			
	E9HZ 7005-A											L		
	E9HZ 7005-B												M	
IMPELLER ASSY. (OIL PUMP)	7C010													
	E8HZ 7C010-A										K		M	
Ring Crescent	370065-S7(QQ-37)										K		M	
ELEMENT (OIL FILTER)-1" I.D. x 2 1/2" O.D. x 2 1/16" long	C1TT 7C012-A	A	B	C	D	E	F	G		J	K			
COVER (OIL FILTER)-(6) 13/32" bolt holes-6 1/4" x 4 7/8" x 2" height	C1TT 7C013-H	A	B	C	D	E	F	G		J	K			
Bolt (cover to case)-hex. head-3/8"-16 x 1"	20388-S(B-80)	6	6	6	6	6	6	6	6	6	6			
Lockwasher-3/8"	34807-S8(X-66)	6	6	6	6	6	6	6	6	6	6			
PLATE (OIL FILTER RETAINER)-(6) 13/32" bolt holes-6 1/4" x 4 7/8" x 1/16" thick	* C1TT 7C014-A (N/R 3/83)	A												
SHAFT (INPUT)	7017													
18 teeth-10 spline x 11 15/16" long	D4HZ 7017-E	A	B	C	D	E								
	E9HZ 7017-G						F	G	H	J	K	L	M	
RETAINER (OIL PUMP)	7N018													
	E8HZ 7N018-A										K		M	
BEARING	7025													
Input shaft-#15117-1 3/16" I.D. x 13/16" wide	C6TZ 7025-A	A	B	C	D	E	F	G	H	J	K	L	M	
Countershaft-front-#211SL-2 5/32" I.D. x 3 15/16" O.D. X 53 64" wide	TGAA 7025-A	2	2	2										
Countershaft front	E2HZ 7025-A			2		2	2	2				2		
Countershaft front, incl snap ring-race	E2HZ 7025-B		2		2				2	2	2		2	
GASKET (REDUCTION PISTON)	7D026													
	E9HZ 7D026-A											L	M	
SNAP RING	7030													
Countershaft rear bearing-1 7/16"	C6TZ 7030-A	2	2	2	2	2	2	2	2	2	2	2	2	
Aux. countershaft rear-1 37/64" I.D. x 1/8" wide	C8TZ 7030-B		2		2				2	2	2			
Drive gear bearing, 2 11/64 free I.D.	E4HZ 7030-A						F	G	H	J	K	L	M	
WASHER	7033													
Aux. mainshaft thrust	E9HZ 7033-A											L	M	
VENT ASSY. (CASE AIR VALVE)	7034													
1/8" pipe thread x 1" long	D1TZ 7034-A	A												
2" long x 1 5/8" O.D. x 1/4" pipe thread	C7TZ 7034-A	A	B	C	D	E	F	G	H	J	K	L	M	
COVER AUXILIARY SHIFT CYLINDER-(4) 13/32" holes-4 1/4" x 4 1/4" x 1 1/4" thick	C6TZ 7C035-A	A												
Range cylinder	E2HZ 7C035-A		B	C	D	E	F	G	H	J	K			
Incl. valve	E9HZ 7C035-A											L	M	
PLATE and PIN ASSY.	7A044													
Reduction synchronizer-7" O.D.-incl. (3) pins	C6TZ 7A044-A	A	B	C	D	E								
6 1/2" O.D. incl. (3) pins	D6HZ 7A044-A	A	B	C	D	E	F	G	H	J	K	L	M	
	E7HZ 7A044-A						F	G	H	J	K	L	M	
NUT (INPUT SHAFT BEARING RETAINER)-3 1/4" O.D. x 2 1/8"-16 internal threads	C1TT 7045-A	A	B	C	D	E								
RETAINER (INPUT SHAFT BEARING)	7050													
2 1/16" I.D. x 6 9/16" O.D. 1 1/32" wide	D4HZ 7050-A	A	B	C	D	E								
	E4HZ 7050-D						F	G	H	J	K	L	M	
GASKET (COUNTER SHAFT FRONT BEARING COVER)	7051													
(6) 13/32" holes-4 21/32" I.D. x 6 1/2" O.D. x 1/64" thick	C6TZ 7051-F	A	B	C	D	E	F	G	H	J	K	L	M	

October, 1993

COPYRIGHT © 1993 - FORD MOTOR - DEARBORN, MICHIGAN  
COMPANY

Final Issue



1980/  
TRUCK SERIES 600/900

DESCRIPTION/RESTRICTIONS	PART NUMBER	TRANSMISSION PARTS LISTS 15A THRU 15M												
		A	B	C	D	E	F	G	H	J	K	L	M	
SPACER (INPUT SHAFT)	7A059													
2 3/8" I.D. x 2 7/8" O.D. x 5/32" thick	D4HZ 7A059-A	A	B	C	D	E	F	G	H	J	K	L	M	
2 1/32" I.D. x 3" O.D. x 3/16" thick	D4HZ 7A059-B	A	B		D				H	J	K		M	
CLUTCH (AUXILIARY MAINSHAFT SLIDING)	7A060													
20 ext. 18 int. teeth	E1HZ 7A060-B	A	B		D				H	J	K			
4 1/8" O.D. x 1 1/2" wide, 20 ext.-18 int. teeth	D4HZ 7A060-A			C		E	F	G				L	M	
Aux. mainshaft	E9HZ 7A060-A											L	M	
SHAFT	7061													
Main, 17 splines-13 31/32" long	D4HZ 7061-F	A	B	C	D	E	F	G	H	J	K			
Aux. #4389	E1HZ 7061-B	A							H	J	K			
Aux. mainshaft	E2HZ 7061-F		B		D				H	J	K			
Aux. mainshaft	E2HZ 7061-E			C		E	F	G					M	
Aux. mainshaft	E9HZ 7061-A											L	M	
Aux. mainshaft	E8HZ 7061-A											L	M	
Mainshaft	E9HZ 7061-B											L	M	
SPACER	7063													
Aux. mainshaft	E9HZ 7063-A												M	
SNAP RING	7064													
1 13/16" I.D. x 2 3/16" O.D. x 3/32" thick	D0HZ 7064-H	2	2	2		4	2	2						
Aux. countershaft-rear														
Mainshaft front quill-7/8" O.D. x 11/16" I.D. x 3/32" thick	C6TZ 7064-B	A	B	C	D	E	F	G	H	J	K			
2 3/4" I.D. x 1/16" thick	D5HZ 7064-A	A	B	C	D	E	F	G	H	J	K			
3 1/16" O.D. x 3/32" thick	C6TZ 7064-E	6	6	6	6	6	6	6	6	6	6	6	6	
Input shaft														
2 3/32" I.D. x 2 7/16" O.D. x 3/32" thick	D4HZ 7064-F	A	2		2		2	2	2	2	2	2	2	
3 9/32" I.D. x 3 29/32" O.D. x 1/8" thick	D4HZ 7064-E	A	B	C	D	E	F	G	H	J	K	L	M	
BEARING	7065													
Range shift #204	C9TZ 7065-A	A	B	C	D	E	F	G	H	J	K			
Rear-#5310	E1HZ 7065-A	2												
Auxiliary drive gear-#118L	C6TZ 7065-F	A	B	C	D	E	F	G	H	J	K			
Aux. countershaft rear, #5310-G-1	E2HZ 7065-B		2		2				2	2	2			
Aux. countershaft rear, #1310-L	B7QH 7065-A			2		2	2	2				L	M	
Aux. drive gear-#118	E9HZ 7065-A											L	M	
WASHER	7069													
17 teeth-2 27/32" O.D. x 1/4" wide #18701	D8HZ 7069-A	5	5	5	5	5	5	5	5	5	5	5	5	
SPACER (SPEEDO-GEAR REPLACEMENT)	7072													
3 3/8" O.D. x 2 3/4" I.D. x 15/16" wide	E1HZ 7072-A	A	B		D									
GEAR	7A079													
Aux. drive-30-18-17 teeth #17214	D4HZ 7A079-A	A												
#19275	E2HZ 7A079-A		B	C	D	E	F	G	H	J	K			
#21321	E9HZ 7A079-A											L	M	
KIT, SHIM (COUNTERSHAFT REAR BEARING)	7K084													
	E9HZ 7K084-A											AR	AR	
RETAINER ASSY.	7085													
Auxiliary drive gear bearing- 5/16" I.D. x 8" O.D. x 9/32" wide	D4HZ 7085-B	A	B	C	D	E	F	G	H	J	K	L	M	
2 1/8" wide-(6) 13/32" holes	E8HZ 7085-D	A	B											
Rear brg. cover	C6TZ 7085-B			C			F	G						
	E2HZ 7085-A				D	E								
	E6HZ 7085-C								H	J	K			
	E8HZ 7085-E											L		
	E9HZ 7085-A												M	
GASKET (AUXILIARY REAR BEARING COVER and SPEEDOMETER)	7086													
(10) 13/32" holes-4 9/16" I.D. x 6 1/4" O.D. x 1/32" thick	C8TZ 7086-C	A	B	C	D	E	F	G	H	J	K			
	E9HZ 7086-A											L	M	

NOTICE: When the parts list suffix is shown in the quantity required column, the quantity is one (1).

DESCRIPTION/RESTRICTIONS	PART NUMBER	TRANSMISSION PARTS LISTS 15A THRU 15M												
		A	B	C	D	E	F	G	H	J	K	L	M	
FLANGE (OUTPUT SHAFT)- refer to group in Section 71 for Size chart <b>Note:</b> ∅Industry number	7089													
Incl. slinger	E8HZ 7089-G													L
GEAR	E9HZ 7089-C													M
46 external-18 internal teeth- 7 29/32" dia. 1 5/32" wide	7100 D4HZ 7100-E	A												
Mainshaft 1st, 66 ext.-18 int. teeth	E2HZ 7100-F		B	C	D	E	F	G	H	J	K	L	M	
GEAR	7101													
42 external-18 internal teeth- 8 13/16" dia. x 2" wide	D4HZ 7101-E	A												
Aux. output shaft reduction-48 ext. 20 int. teeth	E1HZ 7101-B	A												
Mainshaft aux. reduction, 44 ext.-18 int. teeth	E2HZ 7101-G			C		E	F	G						
Mainshaft aux. reduction, 42 ext.-18 int. teeth	E2HZ 7101-H		B		D				H	J	K			
Mainshaft aux. reduction, 46 ext.-20 int. teeth	E2HZ 7101-D			C		E	F	G						
Aux. reduction	E9HZ 7101-A												L	M
GEAR	7102													
34 external-18 internal teeth- 7 11/32" dia. x 1 5/32" wide	D4HZ 7102-B	A												
Mainshaft 2nd, 58 ext.-18 int. teeth	E2HZ 7102-A		B	C	D	E	F	G	H	J	K	L	M	
SHAFT (AIR VALVE ACTUATING)-5 1/2" long	E9HZ 7B104-A	A	B	C	D	E	F	G	H	J	K	L	M	
Valve (air shift cylinder 7306)	D3HZ 7B104-A				D	E	F	G	H	J	K	L	M	
COUNTERSHAFT	7111													
#A-4560	D8HZ 7111-B	2												
#A-4716	E2HZ 7111-A		2	2	2	2	2	2	2	2	2	2	2	2
#A-5158, Aux.	E9HZ 7111-A												2	2
GEAR COUNTERSHAFT	7112													
Countershaft 4th, 61 ext. teeth	E2HZ 7112-B				2	2	2	2	2		2	2		
AUXILIARY COUNTERSHAFT	7113													
#A-4819	E2HZ 7113-L		2		2				2	2	2			
#A-4820	E2HZ 7113-R			2		2	2	2						
SPACER	7115													
Countershaft front bearing 2 3/16" I.D. x 2 25/32" O.D.	D4HZ 7115-B	2												
Countershaft front	E2HZ 7115-A		2	2	2	2	2	2	2	2	2	2	2	2
Aux. o/put shaft, 20 teeth	D6HZ 7115-B			C		E	F	G						
Aux. countershaft	E9HZ 7115-A												2	2
RETAINER	7F115													
#21320, aux. drive gear	E9HZ 7F115-A												L	M
WASHER	7117													
Aux. mainshaft	E9HZ 7117-A												L	M
18 ext. 18 int. teeth 3 57/64" dia x 7/32" wide	D4HZ 7117-A	A	B	C	D	E	F	G	H	J	K			
BEARING	7118													
#33755-2 3/4" I.D. x 4 7/16" O.D. x 3" wide	D4HZ 7118-B	A	B		D				H	J	K			
Aux. countershaft-front-#MA11307EL or MR1307EL-1 3/8" I.D. x 3 9/64" O.D. x 13/16" wide	C1TZ 7118-A	2	2	2	2	2	2	2	2	2	2			
Aux. mainshaft rear #A2689-A	C6TZ 7118-B			C		E	F	G						
Aux. countershaft	E9HZ 7118-A												4	4
Aux. mainshaft	E8HZ 7118-A												L	
Aux. mainshaft	E9HZ 7118-B													M
BUSHING (OUTPUT SHAFT PILOT)	7120													
1 11/32" I.D. x 1 39/64" O.D. x 3/4" long	D0HZ 7120-C	A	B	C	D	E	F	G	H	J	K	L	M	
SYNCHRONIZER KIT	7124													
Consists of: 7A044 (2), 7B294 (3)	D9HZ 7124-B	A	B	C	D	E								



DESCRIPTION/RESTRICTIONS	PART NUMBER	TRANSMISSION PARTS LISTS 15A THRU 15M												
		A	B	C	D	E	F	G	H	J	K	L	M	
SPACER		7173 — Cont'd												
Output shaft first, third and reverse— 15 internal teeth—2 5/8" dia. x .249" thick	C6TZ 7173-B	AR												
.254" thick	C6TZ 7173-C	AR												
.259" thick	C6TZ 7173-D	AR												
Output shaft second and fifth—15 internal teeth— 2 5/8" dia. x .264" thick	C6TZ 7173-E	AR												
.269" thick	C6TZ 7173-F	AR												
.274" thick	C6TZ 7173-G	AR												
Aux. mainshaft	E8HZ 7173-A												L	
Mainshaft	E9HZ 7173-B													M
Aux. mainshaft	E9HZ 7173-A													M
HOSE		7B175												
1/8"—27 threaded ends x 20" long	C1TT 7B175-F	A												
17" long	C9TZ 7B175-A	A												
30" long	D2TZ 7B175-D	A	B	2		2	2	2	H	J	K			
32" long	D0HZ 7B175-B	A	2		2				2	2	2			
15" long	D4HZ 7B175-B		B	C	D	E	F	G	H	J	2			
27" long	C6TZ 7B175-A			C		E								
28" long	D4HZ 7B175-A						F	G						
34"	E2HZ 7B175-A												2	M
36"	E9HZ 7B175-A												L	M
GEAR (AUXILIARY COUNTERSHAFT DRIVE)		7177												
Countershaft drive fourth speed—36 teeth 6 15/32" O.D.	E1HZ 7177-B	2												
A-4335	E1HZ 7177-C	2												
Output shaft coupler	D5HZ 7177-B	A	B	C	D	E	F	G	H	J	K			
Countershaft drive, 61 ext. teeth	E2HZ 7177-E		2	2							2			2
Countershaft drive, 69 ext. teeth	E2HZ 7177-F				2	2	2	2	2		2	2		
GASKET		7181												
Aux. countershaft rear bearing	E1HZ 7181-A	2	2		2				2	2	2			
Aux. countershaft rear bearing	D4HZ 7181-B			2		2	2	2						
Aux. countershaft rear bearing	E9HZ 7181-A												2	2
GASKET (LEVER HOUSING TO GEARSHIFT HOUSING)—(4) 7/16" bolt holes—6 5/8" x 5 3/8" x 1/64" thick Housing adapter to case	C1TT 7185-A	A												
	E2HZ 7185-A		B	C	D	E	F	G	H	J	K	L	M	
CAP		7195												
Aux. countershaft rear bearing	D0HZ 7195-C			2		2	2	2						
Aux. countershaft rear bearing	E1HZ 7195-A	2	2		2				2	2	2			
Aux. countershaft rear bearing	E9HZ 7195-A												2	2
NUT LOCK		7198												
Aux. mainshaft, 1-14 UNS3B thd	E9HZ 7198-A												L	M
STUD (TRANSMISSION CLUTCH HOUSING)		7C207												
5/8"—11, 5/8"—18 thd. 2 7/16 long	D0HZ 7C207-B		6	6	6	6	6	6	6	6	6	6	6	6
SPRING		7219												
Aux. air valve actuating plunger—10 1/2 coils— 5/8" O.D. x 1 11/16" free length	B8QH 7219-A	A	B	C	D	E	F	G	H	J	K	L	M	
Reverse stop plunger		A												
Low and reverse—1/2" O.D. x 1 15/32" free length	C8TZ 7219-C	A	B	C	D	E	F	G	H	J	K	L	M	
second and third position finder		2	2	2	2	2	2	2	2	2	2	2	2	2
Range valve—1 1/4 free length	E1HZ 7219-A		B	C	D	E								
Ball—1/2" steel	353079-S(AA-15)	3	3	3	3	3	3	3	3	3	3	3	3	3
Range slave shaft—1 25/64 free length	E7HZ 7219-A						F	G	H	J	K	L	M	

1980/  
TRUCK SERIES 600/900

FULLER 15 SPEED  
TRANSMISSION

DESCRIPTION/RESTRICTIONS	PART NUMBER	TRANSMISSION PARTS LISTS 15A THRU 15M												
		A	B	C	D	E	F	G	H	J	K	L	M	
KEY	7B220													
Mainshaft gear-1/8" dia. x 10 13/16" long	D2HZ 7B220-A	A	B	C	D	E	F	G	H	J	K			
3/8" x 3/8" x 7 9/16" long	D4HZ 7B220-B	2												
Aux. outlet shaft-5/16" square-2 13/32" wide	C6TZ 7B220-D	A	B	C	D	E	F	G	H	J	K			
Countershaft-3/8 sq. 7 1/2 long	E2HZ 7B220-D		2	2	2	2								
Countershaft-3/8 sq. x 5 11/64" long #19673	E2HZ 7B220-B				2	2	2	2	2	2	2	2	2	
Mainshaft	E9HZ 7B220-A											L	M	
Oil pump	E8HZ 7B220-A												2	
Pin roll-3/16 O.D. x 3/4" long	67557-S (N101-E)	2	2	2	2	2	2	2	2	2	2	2	2	
BALL KIT (SHIFTER SHAFTS SPRING)-Not repl.	★ C1TZ 7C220-A	2	2	2	2	2	2	2	2	2	2	2	2	
HOUSING (GEARSHIFT)	7222													
Use on E8HT-JA,BKA E9HT-ALA,AMA	D5HZ 7222-A	A	B	C	D	E		G	H	J	K	L	M	
Use on E8HT-AAA,ZA,BJA, E9HT-AHA,AJA	E3HZ 7222-A							F				K	L	
GASKET (GEARSHIFT HOUSING)	7223													
(14) 13/32" holes-16 1/2" x 11 1/2" x .010" thick	C6TZ 7223-A	A	B	C	D	E	F	G	H	J	K	L	M	
COVER (GEARSHIFT SPRING)	D7HZ 7B227-A	A	B	C										
GASKET	7B228													
Aux. shift cylinder-(4) 13/32" holes-4" I.D. x 4 3/4" O.D. x 1/64" thick	C6TZ 7B228-A	A	B	C	D	E	F	G	H	J	K			
Splitter gearshift, 3 1/2" O.D. x 3 1/16" O.D.	C6TZ 7B228-C	A	B	C	D	E	F	G	H	J	K			
aux. shift cylinder, 3 3/4" x 3 1/16" I.D.	C6TZ 7B228-B	A	B	C	D	E	F	G	H	J	K			
Splitter gearshift cyl. cover	D2HZ 7B228-A	A	B	C	D	E	F	G	H	J	K			
Aux. shift cylinder cover	E9HZ 7B228-A											L	M	
Aux. shift cylinder to case	E9HZ 7B228-B											L	M	
FORK (GEARSHIFT)	7230													
Fourth and fifth speed shift-2 1/16" wide x 3/4" dia. bushing hole	C6TZ 7230-B	A	B	C	D	E		G	H	J	K	L	M	
Third and direct, use on E8HT-JA,BKA, E9HT-ALA,AMA														
Second and third	C6TZ 7230-A	A	B	C	D	E		G	H	J	K	L	M	
First and second, use on E8HT-JA,BKA, E9HT-ALA,AMA														
First and second	D4HZ 7230-E	A	B	C	D	E	F	G	H	J	K	L	M	
Third and direct	D4HZ 7230-F	A	B	C	D	E	F	G	H	J	K	L	M	
Gate-first and second, use on E8HT-AAA,ZA,BJA, E9HT-AHA,AJA	D0HZ 7230-C						F				K	L	M	
Screw (fork to shaft)-drilled hex. head-pointed-7/16"-20 x 1 5/32" overall length	371073-S(BB-539)	2	2	2	2	2	2	2	2	2	2	2	2	
FORK (GEARSHIFTER)	7231/7232													
Aux. shift-1" dia. shaft hole x 7 5/32" span-also refer to group 7B283-	D1HZ 7231-A	A	B	C	D	E	F	G	H	J	K			
Auxiliary range shift	E1HZ 7231-A	A	B		D				H	J	K			
Low and reverse, use on E8HT-JA,BKA, E9HT-ALA,AMA	D5HZ 7231-A	A	B	C	D	E		G	H	J	K	L	M	
Low and reverse, use on E8HT-AAA,ZA,BJA, E9HT-AHA,AJA	D4HZ 7231-E						F				K	L	M	
Screw (fork to shaft)-hex. drilled head-pointed-7/16"-20 x 1 5/32" overall length	371073-S(BB-539)	3	3	3	3	3	3	3	3	3	3	3	3	
Third and direct, use on E8HT-JA,BKA, E9HT-ALA,AMA	D5HZ 7232-A	A	B	C	D	E		G	H	J	K	L	M	
Third and direct-gate, use on E8HT-AAA,ZA,BJA, E9HT-AHA,AJA	C8TZ 7232-C						F				K	L	M	
Screw (shifter shaft gate)-hex. head drilled-pointed-7/16"-20 x 1 5/32" overall length	371073-S(BB-539)	A	B	C	D	E	F	G	H	J	K	L	M	
GEAR	7L231													
Mainshaft aux. reduction, 48 ext. 20 int. teeth	E2HZ 7L231-A		B		D					H	J	K		
Mainshaft aux. reduction	E9HZ 7L231-A											L	M	
PISTON (AUXILIARY SHIFT)	7233													
(2) holes-12-24 thread-3" dia. x 5/8" wide	C6TZ 7233-A	A	B	C	D	E	F	G	H	J	K	L	M	
Piston, reduction	F2HZ 7233-A											L	M	
PIN (GEARSHIFT ROD INTERLOCK)-7/32" O.D. x 11/16" long	B8QH 7235-A	A	B	C	D	E	F	G	H	J	K	L	M	

NOTICE: When the parts list suffix is shown in the quantity required column, the quantity is one (1).

DESCRIPTION/RESTRICTIONS	PART NUMBER	TRANSMISSION PARTS LISTS 15A THRU 15M												
		A	B	C	D	E	F	G	H	J	K	L	M	
BAR (AUXILIARY SHIFT YOKE)-	7241													
First and second, use on E8HT-JA,BKA, E9HT-ALA,AMA	D5HZ 7241-B	A	B	C	D	E		G	H	J	K	L	M	
1" O.D. x 10 3/4" long, 5/8-thread-aux.	E1HZ 7241-A	A												
10 57/64 long 1" dia.	E2HZ 7241-A		B		D				H	J	K			
First and second, use on E8HT-AAA,ZA,BJA, E9HT AHA,AJA	C8TZ 7241-E						F				K	L	M	
Deep reduction bar	E6HZ 7241-B						F	G						
PLUG (REVERSE STOP PLUNGER SPRING)- slotted-3/4"-16 x 5/16" hole	B8QH 7245-A	A	B	C	D	E	F	G	H	J	K	L	M	
PLUNGER (SHIFTER SHAFT GATE)	7247													
Reverse gear-1 19/32" long	B8QH 7247-A	A	B	C	D	E	F	G	H	J	K	L	M	
FILTER (TRANSMISSION AIR)	7B265													
#A-4740	E1HZ 7B265-A		B	C	D	E	F	G	H	J	K			
#A-5161	E9HZ 7B265-A											L	M	
Plug 1/8" pipe	87708-S(P-14)		2	C	D	E	F	G	H	J	K	L	M	
WASHER (OIL PUMP)	7K267													
Capscrew seal	E8HZ 7K267-A											3	3	
Capscrew, 1/4-20 x 1 1/2	382909-S100(UU-13-EA)											3	3	
SPRING (OIL PUMP RELIEF)	7A270													
	E8HZ 7A270-A											K	M	
REGULATOR (AIR PRESSURE)	D0HZ 7B274-B	A												
Fitting (air pressure regulator)-reducer bushing-1/8"-27 and 1/4"-18	353107-S(II-46)	A												
Nipple-3/8"-18 threads-2" long	371094-S(II-191G)	A												
elbow-1/8"-90°	★ 379827-S	A												
YOKE (TRANS. SHIFT)	7B283													
6 31/32 long x 3 1/2" span-N/R 2/80	★ D1HZ 7B283-A			C		E	F	G						
#A-5159, range shift	E9HZ 7B283-A											L	M	
CYLINDER (AUXILIARY AIR SHIFT)-	7B284													
Auxiliary air shift-6 3/16" long x 1" dia. hole-	D1HZ 7B284-A	A	B	C	D	E	F	G	H	J	K			
Range-reduction shift	E9HZ 7B284-A											L	M	
Pin (clevis)-1/2" x 1 3/4"	73995-S7(N-32)	A	B	C	D	E	F	G	H	J	K	L	M	
Cotter pin-1/8" x 1	72035-S7-8(N-51)	A	B	C	D	E	F	G	H	J	K	L	M	
Elbow-1/8"-90°	★ 379827-S	2	2	2	2	2	2	2	2	2	2	2	2	
MAINSHAFT ASSY.	7R286													
#A-5156, auxiliary	E9HZ 7R286-A											L	M	
Pin	71553-S											2	2	
"O" RING (AUXILIARY SHIFT)	7288													
Piston (large rubber)-2 17/32" I.D. x 3" O.D. x 7/32" wide	C6TZ 7288-A	A	B	C	D	E	F	G	H	J	K	L	M	
1 1/2" O.D. x 1 1/4" I.D.	C6TZ 7288-D	A	B	C	D	2	2	2						
Small (rubber)-47/64" I.D. x 15/16" O.D. x 7/64" thick	C6TZ 7288-B	A	B	C	D	E	F	G	H	J	K	L	M	
Aux. drive gear, 3 3/32 I.D. x 3 1/2 O.D.	D4HZ 7288-A		2	2	2	2	2	2	2	2	2			
Speedo opng.-11/16 I.D. x 7/64 thick	E7HZ 7288-A						F	G	H	J	A/R	L	2	
Reduction cyl., 1 27/64" I.D. x 9/64" thick	E6HZ 7288-B								H	J	K			
Slave valve, .203/.213, free I.D.	E9HZ 7288-A												2	
Reduction Piston, 1.36/1.35 free I.D.	E9HZ 7288-B											L	M	
Air range valve	E8HZ 7288-A											L	M	
MAGNET	7E290													
Disc magnetic	E0TZ 7E290-A	3	3	3	3	3	3	3	3	3	3	3	3	
VALVE ASSY. (CONTROL SLAVE-ON TRANS.)	D0HZ 7D292-A	A												
#19470	E1HZ 7D292-A		B	C	D	E	F	G	H	J	K	L	M	
Plug-headless socket pipe-1/8"-27	87708-S(P-14)	3	B	C	D	E	F	G	H	J	K	L	M	
Plug-expansion-7/8"	74115-S(P-4)	2	2	2	2	2								
Elbow-1/8"-90°	★ 379827-S	A	B	C	2	2	2	2	2	2	2	2	2	

**1980/  
TRUCK SERIES 600/900**

DESCRIPTION/RESTRICTIONS	PART NUMBER	TRANSMISSION PARTS LISTS 15A THRU 15M												
		A	B	C	D	E	F	G	H	J	K	L	M	
SPRING (DIRECT SYNCHRONIZER PLATE)- 22 coils-9/32" dia. x 1 37/64" free length	C6TZ 7B294-A	3	3	3	3	3	3	3	3	3	3	3	3	
KIT (RANGE CYLINDER "O" RING)	7305													
K1447-use with 915, 12515 trans.	E4HZ 7305-A													
COVER ASSY. (AIR SHIFT CYLINDER)	7306													
	D2HZ 7306-A				D	E	F	G	H	J	K			
SLEEVE (ADAPTER PLATE ALIGNMENT)- 3/4" large dia. x 1/2" shank dia. x 11/32" dia. other end x 5/16" hole one end x 7/8" long	C6TZ 7311-A	A												
	E1HZ 7311-B		B	C	D	E	F	G	H	J	K	L	M	
GASKET (SLAVE VALVE ADAPTER PLATE)	7314													
(4) 9/32" holes-4" long x 1/64" thick x 1 11/16" wide	C6TZ 7314-A	A												
Slave valve #19481	E1HZ 7314-A		B	C	D	E	F	G	H	J	K	L	M	
Elbow-1/8"-90°	★ 379827-S	A												
Fitting-1/4"-18 male thread x 3/8"- 18 female thread	373354-S(II-64-D)	A												
COVER (OIL PUMP)	7B325													
	E8HZ 7B325-A										K		M	
GASKET (OIL PUMP)	7B326													
	E8HZ 7B326-A										K		M	
SHAFT (OIL PUMP)	7B328													
	E8HZ 7B328-A										K		M	
GEAR (OIL PUMP)	7B329													
	E8HZ 7B329-A										K		M	
Ring retaining	389384-S(QQ-36)											2	2	
KIT (AIR FILTER REPAIR)	7B331													
K1486, use with 915, 12515 trans.	E4HZ 7B331-A													
KIT (SMALL PARTS REPAIR)	7B331													
K1509, use with 12515 trans.	E4HZ 7B331-F													
K1801, use with 14615 trans., N/R 12/91	★ E4HZ 7B331-M													
PLATE (TRANS REAR) #17250	E1HZ 7B332-A	A	B		D				H	J	K			
	C6TZ 7B332-B			C			F	G						
#21431	E9HZ 7B332-A											L	M	
BRACKET (AIR FILTER)	7B333													
#17107	D8HZ 7B333-A	A												
BAR (SHIFT YOKE)	7334													
Third and direct, use on E8HT-AAA,ZA,BJA, E9HT- AHA,AJA	C8TZ 7334-A						F				K	L	M	
WASHER (AUXILIARY OUTPUT SHAFT REDUCTION GEAR)	7B334													
2 49/64" I.D. x 4 3/32" O.D.	E1HZ 7B334-A	A	B		D				H	J	K			
2 1/2 I.D. x 3 5/32 O.D. x 15/32 thick	C6TZ 7B334-B			C		E	F	G						
2 1/2 I.D. x 4 1/4 O.D. x 5/16 thick	D0HZ 7B334-B			C		E	F	G						
Aux. mainshaft-flat	E8HZ 7B334-A											L		
Aux. mainshaft-flat	E9HZ 7B334-A												M	
PLATE (AUXILIARY SLIDING CLUTCH)	7B338													
18 ext., 18 int. teeth-2 3/4" I.D. x 7 13/16" O.D. x 1 43/64" wide	D4HZ 7B338-B	A	B	C	D	E								
	E7HZ 7B338-A						F	G	H	J	K	L	M	
GEAR (MAINSHAFT)	7B340													
38 external-18 internal teeth- 6 9/16" dia. x 1 5/32" wide	D4HZ 7B340-B	A												
O/Drive 28 external-18 internal teeth-	E1HZ 7B340-B	A												
Mainshaft O/D., 48 ext. 18 int. teeth	E2HZ 7B340-E		B	C						J				
Mainshaft 4th, 54 ext. 18 int. teeth	E2HZ 7B340-C				D	E	F	G	H		K	L		
#22027	E9HZ 7B340-A												M	
CLUTCH-SLIDING	7B341													

**NOTICE:** When the parts list suffix is shown in the quantity required column, the quantity is one (1).

DESCRIPTION/RESTRICTIONS	PART NUMBER	TRANSMISSION PARTS LISTS 15A THRU 15M												
		A	B	C	D	E	F	G	H	J	K	L	M	
GEAR (MAINSHAFT)	7B340 — Cont'd													
18 external-17 internal teeth 3 3/16" dia. x 1 9/16" wide	D4HZ 7B341-A	3	3	3	3	3	3	3	3	3	3	3	2	
#22026	E9HZ 7B341-A												M	
GASKET (CASE REAR PLATE)	7B343													
19" long x 1/64" thick x 13" wide	C6TZ 7B343-B	A	B	C	D	E	F	G	H	J	K	L	M	
BAR (SHIFT FORK)	7358													
Low and reverse (N/R 5/78), use on E8HT-AAA,ZA,BJA E9HT-AHA,AJA	C8TZ 7358-F						F					K	L	M
Low and reverse, use on E8HT-JA,BKA, E9HT-ALA,AMA includes bushing and snap ring	D5HZ 7358-C	A	B	C	D	E		G	H	J	K	L	M	
#17244, range cylinder	D7HZ 7358-A	A	B	C	D	E	F	G	H	J	K			
#19287-Deep reduction cyl.	E1HZ 7358-A	A												
Aux. 9 1/8 long x 1" dia.	E2HZ 7358-A		B		D									
Reduction cyl.	D1HZ 7358-A			C		E	F	G						
	E6HZ 7358-A								H	J	K			
PIN (CASE DOWEL)-3/4" O.D. x 1 7/16" long	C6TZ 7B362-A	2												
NUT	7B364													
Aux. mainshaft stop-hex. head- 2 3/4" x 2"-16	C6TZ 7B364-A	A	B		D	E	F	G	H	J	K	L	M	
BEARING (REVERSE IDLER GEAR)	7B369													
#EJS7255-1 1/4" I.D. x 1 7/8" O.D.	C6TZ 7B369-A	2	2	2	2	2	2	2	2	2	2	2	2	
YOKE ASSY. (REDUCTION SHIFT)	7R385													
#A-5160	E9HZ 7R385-A											L	M	
VALVE (OIL PUMP RELIEF)	7C388													
	E8HZ 7C388-A											K	M	
DEFLECTOR (TRANS. OIL)	7C390													
3 15/16" I.D. x 4 7/16" O.D.	E1HZ 7C390-A	A	B		D				H	J	K			
KIT (BASIC REBUILD)	7C391													
K1856, use with 915 trans.	E4HZ 7C391-H													
"O" RING (SHIFT CYLINDER SEAL)- 63/64" I.D. x 1 1/8" O.D. x 1/8" thick	C6TZ 7B411-A	A	B	C	D	E	F	G	H	J	2	L	2	
Cylinder housing-1 25/64" O.D. x 1 7/64" I.D.	C6TZ 7B411-B	A	B	C	D	E						L	M	
Shift cyl. seal, 1 11/64" I.D. x 9/64" thick	E6HZ 7B411-A								H	J	K			
ELBOW (AIR HOSE)-3/8" female thread x 1/4"-18 male thread	D2TZ 7B417-A	A												
NIPPLE (AIR HOSE)-1" long	C1TT 7B418-B	A												
COLLAR (SEALING)	7K449													
3/8 I.D.	E1HZ 7K449-A		B	C	D	E	F	G	H	J	K			
SPACER	7482													
Reverse idler gear shaft-11/16" I.D. x 1 1/2" O.D. x 7/32" thick x 1/64" thick	C6TZ 7482-A	2	2	2	2	2	2	2	2	2	2	2	2	
HOUSING	7505													
#15616, use with E3HT 7003-CSA, E6HT-BRA, E8HT-ADA,JA,ZA,BKA, E9HT-AJA,AMA	D5HZ 7505-A	A	B	C	D	E		G	H	J	K	L	M	
#15410, use with E4HT 7003-BJA, E6HT-CLA, E8HT-AEA,AAA,BJA, E9HT-AHA,ALA	D4HZ 7505-F				D		F		H	J	K	L	M	
PIN (AIR VALVE ACTUATING)-3/4" collar x 5/16" dia. shank x 9/16" plunger x 2 13/16" long	C6TZ 7A507-A	A												
	E4HZ 7A507-A		B	C	D	E	F	G	H	J	K	L	M	
BUSING	7508													
Clutch housing pedal shaft-1" I.D. x 1 1/8" O.D. x 1" long	C6TZ 7508-A	2	2	2	AR	2		2	AR	AR	AR	AR	AR	
Clutch pedal shaft-1" I.D. x 1 1/8" O.D. x 1 5/8" long	C6TZ 7508-B	A	B	C	AR	E		G	AR	AR	AR	AR	AR	
CYLINDER (SPLITTER GEAR SHIFT)- 3 1/2" long x 3 5/8" bolt circle	D2HZ 7A508-A	A	B	C	D	E								
	E6HZ 7A508-B						F	G	H	J	K			



1980/  
TRUCK SERIES 600/900

DESCRIPTION/RESTRICTIONS	PART NUMBER	TRANSMISSION PARTS LISTS 15A THRU 15M												
		A	B	C	D	E	F	G	H	J	K	L	M	
FITTING (CLUTCH REL. BEARING LUBE)	D8HZ 7B512-A	A												
COVER (CLUTCH HOUSING)	7564													
(2) mounting holes	C6TZ 7564-A	A	B	C	D	E		G	H	J	K	L	M	
(4) mounting holes	D0HZ 7564-A				D		F		H	J	K	L	M	
GASKET (CLUTCH HOUSING TO CASE)	7A619													
	C6TZ 7A619-B	A	B	C	D	E	F	G	H	J	K	L	M	
SNAP RING (AUXILIARY REDUCTION GEAR)- 2 1/2" I.D. x 3/32" wide	E1HZ 7A628-A	A	B		D				H	J	K			
3 23/32" I.D. x 4 1/8 O.D. x 3/32 wide	C6TZ 7A628-A			C		E	F	G						
TROUGH (OIL)	7716													
	E6HZ 7716-A						F	G	H	J	K	L	M	
WASHER (REVERSE IDLER GEAR THRUST)	7728													
1 1/8" I.D. x 2 11/32" O.D. x 7/32" thick	C6TZ 7728-A	2	2	2	2	2	2	2	2	2	2	2	2	
SEAL (AUXILIARY REAR BEARING COVER OIL)	7918													
3 3/4" I.D. x 4 1/2" O.D. x 15/32" wide- also refer to group 4813	E4HZ 7918-B	A	B	C	D	E								
Seal and slinger	E7HZ 7918-A						F	G	H	J	K	L	M	
BUSHING (SPEEDOMETER)	B8QH 17323-A	A	B	C	D	E		G	H	J	K	L	M	
Nut rev. idler shaft, 5/8-18	371530-S7(MM161A)		2	2	2	2	2	2	2	2	2	2	2	
Cap screw-c/shft. frt. brg., 5/8-18 x 1.75	377850-S(BB273A)		2	2	2	2	2	2	2	2	2	2	2	
Cap screw-range slave valve, 1/4-20 x 1.10	304680-S36M(BB429K)		4	4	4	4	4	4	4	4	4	4	4	
Cap screw-shift bar hsg., 3/8-16 x 1 1/2	58636-S2(B85D)		19	11	19	19	19	19	19	19	19	19	19	
Cap screw-frt. brg. cvr., shift hsg., 3/8-16 x 1 1/4	58635-S2(B82A)		16	24	16	16	16	16	16	16	16	16	16	
Cap screw-aux. dr. gr. brg. ret., 3/8-16 x 7/8	42998-S8(B252A)		6	6	6	6	6	6	6	6	6	6	6	
Cap screw-case rr hsg., 3/8-16 x 2	58638-S2(B89A)		2	2	2	2	2	2	2	2	2	2	2	
Plug filler, 1 1/4 pipe	374501-S(PP52-F)		B	C	D	E	F	G	H	J	K	L	M	

NOTICE: When the parts list suffix is shown in the quantity required column, the quantity is one (1).

DESCRIPTION/RESTRICTIONS	PART NUMBER	TRANSMISSION PARTS LISTS 15N THRU 15Z												
		N	P	Q	R	S	T	U	V	W	X	Y	Z	
PLUG (AIR SHIFT CYLINDER)	7A002													
Aux. air shift cyl. (7306)	D3HZ 7A002-A	N	P	Q										
CASE ASSY. (INCL. MAGNETIC CHIP COLLECTORS)	7005													
	E9HZ 7005-A	N	P											
	E9HZ 7005-B			Q										
IMPELLER ASSY. (OIL PUMP)	7C010													
	E8HZ 7C010-A			Q										
Ring Crescent	370065-S7(QQ-37)			Q										
SHAFT (INPUT)	7017													
	E9HZ 7017-G	N	P	Q										
RETAINER (OIL PUMP)	7N018													
	E8HZ 7N018-A			Q										
BEARING	7025													
Input shaft-#15117-1 3/16" I.D. x 13/16" wide	C6TZ 7025-A	N	P	Q										
Countershaft front, incl snap ring-race	E2HZ 7025-B	2	2	2										
GASKET (REDUCTION PISTON)	7D026													
	E9HZ 7D026-A	N	P	Q										
SNAP RING	7030													
Countershaft rear bearing-1 7/16"	C6TZ 7030-A	2	2	2										
Drive gear bearing, 2 11/64 free I.D.	E4HZ 7030-A	N	P	Q										
WASHER	7033													
Aux. Mainshaft thrust	E9HZ 7033-A	N	P	Q										
VENT ASSY. (CASE AIR VALVE)	7034													
2" long x 1 5/8" O.D. x 1/4" pipe thread	C7TZ 7034-A	N	P	Q										
COVER AUXILIARY SHIFT CYLINDER	7C035													
Incl. valve	E9HZ 7C035-A	N	P	Q										
PLATE and PIN ASSY.	7A044													
6 1/2" O.D. incl. (3) pins	D6HZ 7A044-A	N	P	Q										
	E7HZ 7A044-A	N	P	Q										
RETAINER (INPUT SHAFT BEARING)	7050													
	E4HZ 7050-D	N	P	Q										
GASKET (COUNTER SHAFT FRONT BEARING COVER)	7051													
(6) 13/32" holes-4 21/32" I.D. x 6 1/2" O.D. x 1/64" thick	C6TZ 7051-F	N	P	Q										
SPACER (INPUT SHAFT)	7A059													
2 3/8" I.D. x 2 7/8" O.D. x 5/32" thick	D4HZ 7A059-A	N	P	Q										
2 1/32" I.D. x 3" O.D. x 3/16" thick	D4HZ 7A059-B	N	P	Q										
CLUTCH (AUXILIARY MAINSHAFT SLIDING)	7A060													
Aux. Mainshaft	E9HZ 7A060-A	N	P	Q										
SHAFT	7061													
Aux. Mainshaft	E9HZ 7061-A	N	P	Q										
Mainshaft	E9HZ 7061-B	N	P	Q										
SPACER	7063													
Aux. Mainshaft	E9HZ 7063-A	N	P	Q										
SNAP RING	7064													
3 1/16" O.D. x 3/32" thick	C6TZ 7064-E	6	6	6										
Input shaft														
2 3/32" I.D. x 2 7/16" O.D. x 3/32" thick	D4HZ 7064-F	2	2	2										
3 9/32" I.D. x 3 29/32" O.D. x 1/8" thick	D4HZ 7064-E	N	P	Q										
BEARING	7065													
Aux. drive gear-#118	E9HZ 7065-A	N	P	Q										
WASHER	7069													
17 teeth-2 27/32" O.D. x 1/4" wide #18701	D8HZ 7069-A	5	5	5										
GEAR	7A079													
#21321	E9HZ 7A079-A	N	P	Q										

1980/  
TRUCK SERIES 600/900

DESCRIPTION/RESTRICTIONS	PART NUMBER	TRANSMISSION PARTS LISTS 15N THRU 15Z															
		N	P	Q	R	S	T	U	V	W	X	Y	Z				
KIT, SHIM (COUNTERSHAFT REAR BEARING)	7K084																
	E9HZ 7K084-A	AR	AR	AR													
RETAINER ASSY.	7085																
Auxiliary drive gear bearing- 5/16" I.D. x 8" O.D. x 9/32" wide	D4HZ 7085-B	N	P	Q													
	E9HZ 7085-A	N	P	Q													
GASKET (AUXILIARY REAR BEARING COVER and SPEEDOMETER)	7086																
	E9HZ 7086-A	N	P	Q													
FLANGE (OUTPUT SHAFT)- refer to group in Section 71 for Size chart Note: ◊Industry number	7089																
	E9HZ 7089-C	N	P	Q													
GEAR	7100																
Mainshaft 1st, 66 ext.-18 int. teeth	E2HZ 7100-F	N	P	Q													
GEAR	7101																
Aux. reduction	E9HZ 7101-A	N	P	Q													
GEAR	7102																
Mainshaft 2nd, 58 ext.-18 int. teeth	E2HZ 7102-A	N	P	Q													
SHAFT (AIR VALVE ACTUATING)-5 1/2" long	E9HZ 7B104-A	N	P	Q													
Valve (air shift cylinder 7306)	D3HZ 7B104-A	N	P	Q													
COUNTERSHAFT	7111																
#A-4716	E2HZ 7111-A	2	2	2													
#A-5158, Aux.	E9HZ 7111-A	2	2	2													
GEAR COUNTERSHAFT	7112																
Countershaft 4th, 61 ext. teeth	E2HZ 7112-B		2	2													
SPACER	7115																
Countershaft front	E2HZ 7115-A	2	2	2													
Aux. Countershaft	E9HZ 7115-A	2	2	2													
RETAINER	7F115																
#21320, Aux. drive gear	E9HZ 7F115-A	N	P	Q													
WASHER	7117																
Aux. Mainshaft	E9HZ 7117-A	N	P	Q													
BEARING	7118																
Aux. countershaft	E9HZ 7118-A	4	4	4													
Aux. mainshaft	E8HZ 7118-A																
Aux. mainshaft	E9HZ 7118-B	N	P	Q													
BUSHING (OUTPUT SHAFT PILOT)	7120																
1 11/32" I.D. x 1 39/64" O.D. x 3/4" long	D0HZ 7120-C	N	P	Q													
BEARING (COUNTERSHAFT)	7127																
Rear-#MRY1308GEL-1 9/16" I.D. X 3 17/32" O.D. x 29/32" wide	C6TZ 7127-A	2	2	2													
RETAINER (COUNTERSHAFT BEARING)	7135																
#19548, incl. roll pin	E2HZ 7135-B	2	2	2													
GEAR (COUNTERSHAFT SECOND SPEED)	7137																
Countershaft 2nd, 39 ext. teeth	E2HZ 7137-E	2	2	2													
Countershaft O/D, 69 ext. teeth	E2HZ 7137-J	2															
SHAFT (REVERSE IDLE GEAR)-4 11/16" long	D0HZ 7140-A	2	2	2													
GEAR (REVERSE IDLER)	7142																
46 external-18 internal teeth- 7 7/16" dia. x 1 5/32" wide	D4HZ 7142-C	N	P	Q													
29 teeth 1 7/8" I.D. x 4 27/32" O.D. x 1 1/4" wide	D4HZ 7142-D	2	2	2													
GEAR	7144																
47 teeth-L.H. P.T.O.	D4HZ 7144-E	N	P	Q													
45 teeth-R.H. P.T.O.	D4HZ 7144-D	N	P	Q													
Countershaft 4th, 47 ext. teeth	E2HZ 7144-C	2	2	2													
TUBE (OIL PUMP)	7N148																
	E8HZ 7N148-A			Q													

NOTICE: When the parts list suffix is shown in the quantity required column, the quantity is one (1).

DESCRIPTION/RESTRICTIONS	PART NUMBER	TRANSMISSION PARTS LISTS 15N THRU 15Z												
		N	P	Q	R	S	T	U	V	W	X	Y	Z	
HOUSING (OIL PUMP)	7B150													
	E8HZ 7B150-A			Q										
Plug expansion, 3/4"	389187-S(PP-86-H)			Q										
Pin roll	305080-S(NN-113)			Q										
GASKET SET	7153													
	E8HZ 7153-A	N	P	Q										
GEAR	7158													
Mainshaft 3rd, 54 ext. 18 int. teeth	E2HZ 7158-G	N	P	Q										
Input drive, #19630 48 ext. 18 int. teeth	E2HZ 7158-F		P	Q										
Input drive, #22025	E9HZ 7158-A	N												
COVER (POWER TAKE-OFF)	7165													
(8) 15/32" holes-9 5/8" x 7 3/8"	D1HZ 7165-A	N	P	Q										
(6) 13/32" holes 6 1/4" x 4 7/8"	C6TZ 7165-B	N	P	Q										
Bolt (cover to case)-3/8"-16 x 5/8"	20328-S8(B-76)	6	6	6										
Lockwasher-3/8"	34808-S8(X-66)	6	6	6										
Lockwasher-external teeth-3/8"	351487-S(XX-291)	6	6	6										
GASKET	7166													
Oil filter housing-(6) 13/32" holes-6 1/4" x 4 7/8" x 1/16" thick	E7HZ 7166-A	N	P	Q										
Power take-off cover-9 1/4" x 7" x 1/32" thick	D1HZ 7166-A	N	P	Q										
PLUG (OIL PUMP TO CASE)	7N171													
	E8HZ 7N171-A			Q										
SPACER	7173													
2 29/32" dia. x 9/32" thick	C6TZ 7173-J	4	5	5										
Mainshaft	E9HZ 7173-B	N												
Aux. Mainshaft	E9HZ 7173-A	N	P	Q										
HOSE	7B175													
34"	E2HZ 7B175-A	2	2	2										
36"	E9HZ 7B175-A	N	P	Q										
GEAR (AUXILIARY COUNTERSHAFT DRIVE)	7177													
Countershaft drive, 61 ext. teeth	E2HZ 7177-E	2												
Countershaft drive, 69 ext. teeth	E2HZ 7177-F		2	2										
GASKET	7181													
Aux. Countershaft rear bearing	E9HZ 7181-A	2	2	2										
GASKET (LEVER HOUSING TO GEARSHIFT)	7185													
	E2HZ 7185-A	N	P	Q										
CAP	7195													
Aux. countershaft rear bearing	E9HZ 7195-A	2	2	2										
NUT LOCK	7198													
Aux. Mainshaft, 1-14UNS3B thd.	E9HZ 7198-A	N	P	Q										
STUD (TRANSMISSION CLUTCH HOUSING)	7C207													
5/8"-11, 5/8"-18 thd. 2 7/16 long	D0HZ 7C207-B	6	6	6										
SPRING	7219													
Aux. air valve actuating plunger-10 1/2 coils-5/8" O.D. x 1 11/16" free length	B8QH 7219-A	N	P	Q										
Reverse stop plunger														
Low and reverse-1/2" O.D. x 1 15/32" free length	C8TZ 7219-C	N	P	Q										
second and third position finder		2	2	2										
Ball-1/2" steel	353079-S(AA-15)	3	3	3										
Range slave shaft-1 25/64 free length	E7HZ 7219-A	N	P	Q										
KEY	7B220													
Countershaft-3/8 sq. x 5 11/64" long #19673	E2HZ 7B220-B	2	2	2										
Mainshaft	E9HZ 7B220-A	N	P	Q										
Oil pump	E8HZ 7B220-A			2										
Pin roll-3/16 O.D. x 3/4" long	67557-S (N101-E)	2	2	2										

1980/  
TRUCK SERIES 600/900

DESCRIPTION/RESTRICTIONS	PART NUMBER	TRANSMISSION PARTS LISTS 15N THRU 15Z												
		N	P	Q	R	S	T	U	V	W	X	Y	Z	
BALL KIT (SHIFTER SHAFTS SPRING)-Not repl.	★ C1TZ 7C220-A	2	2	2										
HOUSING (GEARSHIFT)	7222													
Use on E8HT-7003-BZA,CAA,BUA,BVA	D5HZ 7222-A	N	P	Q										
Use on E9HT-7003-TA,AGA, E8HT-BSA,BTA	E3HZ 7222-A	N	P											
GASKET (GEARSHIFT HOUSING)	7223													
(14) 13/32" holes-16 1/2" x 11 1/2" x .010" thick	C6TZ 7223-A	N	P	Q										
GASKET	7B228													
Aux. shift cylinder cover	E9HZ 7B228-A	N	P	Q										
Aux. shift cylinder to case	E9HZ 7B228-B	N	P	Q										
FORK (GEARSHIFT)	7230													
Fourth and fifth speed shift-2 1/16" wide x 3/4" dia. bushing hole	C6TZ 7230-B	N	P	Q										
Third and direct, use on E8HT 7003-BZA,CAA,BUA,BVA														
Second and third	C6TZ 7230-A	N	P	Q										
First and second, use on E8HT 7003-BZA,CAA,BUA,BVA														
First and second	D4HZ 7230-E	N	P	Q										
Third and direct	D4HZ 7230-F	N	P	Q										
Gate-first and second, use on E9HT 7003-TA,AGA, E8HT-BSA,BTA	D0HZ 7230-C	N	P											
Screw (fork to shaft)-drilled hex. head-pointed- 7/16"-20 x 1 5/32" overall length	371073-S(BB-539)	2	2	2										
FORK (GEARSHIFTER)	7231/7232													
Low and reverse, use on E8HT 7003-BZA,CAA,BUA,BVA	D5HZ 7231-A	N	P	Q										
Low and reverse, use on E9HT 7003-TA,AGA, E8H-BSA,BTA	D4HZ 7231-E	N	P											
Screw (fork to shaft)-hex. drilled head- pointed-7/16"-20 x 1 5/32" overall length	371073-S(BB-539)	3	3	3										
Third and direct, use on E8HT 7003-BZA,CAA,BUA,BVA	D5HZ 7232-A	N	P	Q										
Third and direct-gate, use on E9HT 7003-TA,AGA, E8HT-BSA,BTA	C8TZ 7232-C	N	P											
Screw (shifter shaft gate)-hex. head drilled- pointed-7/16"-20 x 1 5/32" overall length	371073-S(BB-539)	N	P	Q										
GEAR	7L231													
Mainshaft aux. reduction	E9HZ 7L231-A	N	P	Q										
PISTON (AUXILIARY SHIFT)	7233													
(2) holes-12-24 thread-3" dia. x 5/8" wide	C6TZ 7233-A	N	P	Q										
Piston, reduction	F2HZ 7233-A	N	P	Q										
PIN (GEARSHIFT ROD INTERLOCK)- 7/32" O.D. x 11/16" long	B8QH 7235-A	N	P	Q										
BAR (AUXILIARY SHIFT YOKE)-	7241													
First and second, use on E8HT 7003-BZA,CAA,BUA,BVA	D5HZ 7241-B	N	P	Q										
First and second, use on E9HT 7003-TA,AGA, E8HT-BSA,BTA	C8TZ 7241-E	N	P											
PLUG (REVERSE STOP PLUNGER SPRING)- slotted-3/4"-16 x 5/16" hole	B8QH 7245-A	N	P	Q										
PLUNGER (SHIFTER SHAFT GATE)	7247													
Reverse gear-1 19/32" long	B8QH 7247-A	N	P	Q										
FILTER (TRANSMISSION AIR)	7B265													
#A-4740	E1HZ 7B265-A		P	Q										
#A-5161	E9HZ 7B265-A	N	P	Q										
Plug 1/8" pipe	87708-S(P-14)	N	P	Q										
WASHER (OIL PUMP)	7K267													
Capscrew seal	E8HZ 7K267-A			3										
Capscrew, 1/4-20 x 1 1/2	382909-S100(UU-13-EA)			3										

NOTICE: When the parts list suffix is shown in the quantity required column, the quantity is one (1).

DESCRIPTION/RESTRICTIONS	PART NUMBER	TRANSMISSION PARTS LISTS 15N THRU 15Z												
		N	P	Q	R	S	T	U	V	W	X	Y	Z	
SPRING (OIL PUMP RELIEF)	7A270													
	E8HZ 7A270-A			Q										
YOKE (TRANS. SHIFT)	7B283													
#A-5159, range shift	E9HZ 7B283-A	N	P	Q										
CYLINDER (AUXILIARY AIR SHIFT)-	7B284													
Range-reduction shift	E9HZ 7B284-A	N	P	Q										
Pin (clevis)-1/2" x 1 3/4"	73995-S7(N-32)	N	P	Q										
Cotter pin-1/8" x 1	72035-S7-8(N-51)	N	P	Q										
Elbow-1/8"-90°	★ 379827-S	2	2	2										
MAINSHAFT ASSY.	7R286													
#A-5156, auxiliary	E9HZ 7R286-A	N	P	Q										
Pin	71553-S	2	2	2										
"O" RING (AUXILIARY SHIFT)	7288													
Piston (large rubber)-2 17/32" I.D. x 3" O.D. x 7/32" wide	C6TZ 7288-A	N	P	Q										
Small (rubber)-47/64" I.D. x 15/16" O.D. x 7/64" thick	C6TZ 7288-B	N	P	Q										
Speedo opng.-11/16 I.D. x 7/64 thick	E7HZ 7288-A	N	P	2										
Slave valve, .203/.213, free I.D.	E9HZ 7288-A	2	2	2										
Reduction piston, 1.36/1.35 free ID	E9HZ 7288-B	N	P	Q										
Air range valve	E8HZ 7288-A	N	P	Q										
MAGNET	7E290													
Disc magnetic	E0TZ 7E290-A	3	3	3										
VALVE ASSY. (CONTROL SLAVE-ON TRANS.)	7D292													
#19470	E1HZ 7D292-A	N	P	Q										
Plug-headless socket pipe-1/8"-27	87708-S(P-14)	N	P	Q										
Elbow-1/8"-90°	★ 379827-S	2	P	2										
SPRING (DIRECT SYNCHRONIZER PLATE)- 22 coils-9/32" dia. x 1 37/64" free length	C6TZ 7B294-A	3	3	3										
SLEEVE (ADAPTER PLATE ALIGNMENT)-	7311													
	E1HZ 7311-B	N	P	Q										
GASKET (SLAVE VALVE ADAPTER PLATE)	7314													
Slave valve #19481	E1HZ 7314-A	N	P	Q										
Elbow-1/8"-90°	★ 379827-S	N	P	Q										
Fitting-1/4"-18 male thread x 3/8"- 18 female thread	373354-S(II-64-D)	N	P	Q										
COVER (OIL PUMP)	7B325													
	E8HZ 7B325-A			Q										
GASKET (OIL PUMP)	7B326													
	E8HZ 7B326-A			Q										
SHAFT (OIL PUMP)	7B328													
	E8HZ 7B328-A			Q										
GEAR (OIL PUMP)	7B329													
	E8HZ 7B329-A			Q										
Ring retaining	389384-S(QQ-36)			2										
PLATE (TRANS REAR)	7B332													
#21431	E9HZ 7B332-A	N	P	Q										
BAR (SHIFT YOKE)	7334													
Third and direct, use on E9HT 7003-TA,AGA, E8HT-BSA,BTA	C8TZ 7334-A	N	P											
WASHER (AUXILIARY OUTPUT SHAFT REDUCTION GEAR)	7B334													
Aux. Mainshaft-flat	E9HZ 7B334-A	N	P	Q										
PLATE (AUXILIARY SLIDING CLUTCH)	7B338													
	E7HZ 7B338-A	N	P	Q										
GEAR (MAINSHAFT)	7B340													
Mainshaft 4th, 54 ext. 18 int. teeth	E2HZ 7B340-C		P	Q										
#22027	E9HZ 7B340-A	N												

1980/  
TRUCK SERIES 600/900

DESCRIPTION/RESTRICTIONS	PART NUMBER	TRANSMISSION PARTS LISTS 15N THRU 15Z												
		N	P	Q	R	S	T	U	V	W	X	Y	Z	
CLUTCH-SLIDING	7B341													
18 external-17 internal teeth 3 3/16" dia. x 1 9/16" wide	D4HZ 7B341-A	2	3	3										
#22026	E9HZ 7B341-A	N												
GASKET (CASE REAR PLATE)	7B343													
19" long x 1/64" thick x 13" wide	C6TZ 7B343-B	N	P	Q										
BAR (SHIFT FORK)	7358													
Low and reverse, use on E9HT 7003-TA,AGA, E8HT-BSA,BTA	★ C8TZ 7358-F (N/R 5/78)	N	P											
Low and reverse, use on E8HT 7003-BZA,CAA,BUA,BVA	D5HZ 7358-C	N	P	Q										
NUT	7B364													
Aux. mainshaft stop-hex. head- 2 3/4" x 2"-16	C6TZ 7B364-A	N	P	Q										
BEARING (REVERSE IDLER GEAR)	7B369													
#EJS7255-1 1/4" I.D. x 1 7/8" O.D.	C6TZ 7B369-A	2	2	2										
YOKE ASSY. (REDUCTION SHIFT)	7R385													
#A-5160	E9HZ 7R385-A	N	P	Q										
VALVE (OIL PUMP RELIEF)	7C388													
"O" RING (SHIFT CYLINDER SEAL)- 63/64" I.D. x 1 1/8" O.D. x 1/8" thick	E8HZ 7C388-A			Q										
Cylinder housing-1 25/64" O.D. x 1 7/64" I.D.	C6TZ 7B411-A	N	P	Q										
SPACER	7482													
Reverse idler gear shaft-11/16" I.D. x 1 1/2" O.D. x 7/32" thick x 1/64" thick	C6TZ 7482-A	2	2	2										
HOUSING	7505													
#15616, use with E8HT 7003-BSA,BUA,BZA E9HT-AGA	D5HZ 7505-A	N	P	Q										
#15410, use with E8HT 7003-BTA,BVA,CAA, E9HT-TA	D4HZ 7505-F	N	P											
	E4HZ 7A507-A	N	P	Q										
BUSING	7508													
Clutch housing pedal shaft-1" I.D. x 1 1/8" O.D. x 1" long	C6TZ 7508-A	AR	AR	2										
Clutch pedal shaft-1" I.D. x 1 1/8" O.D. x 1 5/8" long	C6TZ 7508-B	AR	AR	Q										
FITTING (CLUTCH REL. BEARING LUBE)	D8HZ 7B512-A	AR	AR	AR										
COVER (CLUTCH HOUSING)	7564													
(2) mounting holes	C6TZ 7564-A	N	P	Q										
(4) mounting holes	D0HZ 7564-A	N	P											
GASKET (CLUTCH HOUSING TO CASE)	7A619													
	C6TZ 7A619-B	N	P	Q										
TROUGH (OIL)	7716													
	E6HZ 7716-A	N	P	Q										
WASHER (REVERSE IDLER GEAR THRUST)	7728													
1 1/8" I.D. x 2 11/32" O.D. x 7/32" thick	C6TZ 7728-A	2	2	2										
SEAL (AUXILIARY REAR BEARING COVER OIL)	7918													
Seal and slinger	E7HZ 7918-A	N	P	Q										
BUSHING (SPEEDOMETER)	B8QH 17323-A	N	P	Q										
Nut rev. idler shaft, 5/8-18	371530-S7(MM161A)	2	2	2										
Cap screw-c/shft. frt. brg., 5/8-18 x 1.75	377850-S(BB273A)	2	2	2										
Cap screw-range slave valve, 1/4-20 x 1.10	304680-S36M(BB429K)	4	4	4										
Cap screw-shift bar hsg., 3/8-16 x 1 1/2	58636-S2(B85D)	19	19	19										
Cap screw-frt. brg. cvr., shift hsg., 3/8-16 x 1 1/4	58635-S2(B82A)	16	16	16										
Cap screw-aux. dr. gr. brg. ret., 3/8-16 x 7/8	42998-S8(B252A)	6	6	6										
Cap screw-case rr hsg., 3/8-16 x 2	58638-S2(B89A)	2	2	2										
Plug filler, 1 1/4 pipe	374501-S(PP52-F)	N	P	Q										

NOTICE: When the parts list suffix is shown in the quantity required column, the quantity is one (1).

**1980/  
TRUCK SERIES 600/900**

**TRANSMISSION KIT PARTS LIST**

Instructions for identifying Transmission Assemblies and their related Parts List Numbers are shown on Page 1 of Section 70.

Kit part numbers are included in their appropriate parts lists in Section 70.3 and up.

Included in this section is a listing of components for each kit.

Parts Lists for new kits will be added at the end of this section, irrespective of part number.

Always refer to the Index below for page numbers on which kit components are listed.

<b>INDEX</b>			
PART NUMBER	PAGE	PART NUMBER	PAGE
<b>GASKET SETS</b>			
B8TZ 7153-B	1	D4HZ 7153-C	3
C2TZ 7153-A	1	D5TZ 7153-A	4
C3TZ 7153-B	2	D6HZ 7153-A	4
C6TZ 7153-A	2	D6HZ 7153-B	2
C8TZ 7153-A	2	D7HZ 7153-A	2
D4HZ 7153-B	3	D7HZ 7153-B	2
		D8HZ 7153-A	4
<b>REPAIR KITS</b>			
C4TZ 7B331-B	3	D3TZ 7B331-A	3
D3HZ 7B331-A	3	D3HZ 7B411-B	3
D3HZ 7B331-B	3	D3HZ 7944-D	3

**TRANSMISSION GASKET SET and REPAIR KIT PARTS LISTS**

Q T Y	PART NUMBER	DESCRIPTION	Q T Y	PART NUMBER	DESCRIPTION
	B8TZ 7153-B			C2TZ 7153-A	— Cont'd
	Consists of			Consists of	
1	B8QH 7051-B	Gasket	1	TYAA 7051-A	Gasket
1	C5TZ 7086-C	Gasket	1	B7T 7086-A	Gasket
2	B9TT 7166-C	Gasket	1	B9TZ 7086-A	Gasket
1	B8QH 7223-C	Gasket	1	TYAA 7086-A	Gasket
	C2TZ 7153-A		1	TDAA 7166-A	Gasket
	Consists of		1	B5T 7181-A	Gasket
1	B3T 7051-A	Gasket	1	B7T 7181-A	Gasket
2	B7T 7051-A	Gasket	1	TYAA 7181-A	Gasket
2	B7T 7051-B	Gasket	1	B7T 7223-A	Gasket
1	C2TZ 7051-A	Gasket	1	TYAA 7223-A	Gasket



1980/  
TRUCK SERIES 600/900

TRANSMISSION GASKET SET and REPAIR KIT PARTS LISTS

QTY	PART NUMBER	DESCRIPTION	QTY	PART NUMBER	DESCRIPTION
	<b>C3TZ 7153-B</b>			<b>D6HZ 7153-B</b>	
	Consists of			Consists of	
1	C3TZ 7051-A	Gasket	1	C1TT 7185-A	Gasket
1	C3TZ 7086-B	Gasket	1	B9TT 7166-C	Gasket
2	B9TT 7166-C	Gasket	1	C6TZ 7B343-B	Gasket
1	B9TT 7181-A	Gasket	1	C6TZ 7B228-A	Gasket
1	C3TZ 7223-A	Gasket	1	C6TZ 7B228-B	Gasket
	<b>C6TZ 7153-A</b>		1	C6TZ 7B228-C	Gasket
	Consists of		1	C8TZ 7051-A	Gasket
1	C6TZ 7051-F	Gasket-1 C1TT 7B228-A Gasket	1	C8TZ 7A619-A	Gasket
1	B9TT 7166-C	Gasket-1 C6TZ 7B228-C Gasket	1	C8TZ 7B343-A	Gasket
1	C8TZ 7086-C	Gasket-1 C9TZ 7B228-A Gasket	1	C6TZ 7B228-E	Gasket
1	D1HZ 7166-A	Gasket-1 D2HZ 7B228-A Gasket	1	C8TZ 7086-C	Gasket
2	D4HZ 7181-B	Gasket-2 D4HZ 7181-B Gasket	1	C8TZ 7223-B	Gasket
1	C1TT 7185-A	Gasket-1 E1HZ 7314-A Gasket	1	C9TZ 7B228-A	Gasket
1	C6TZ 7223-A	Gasket-1 E2HZ 7185-A Gasket	1	C8TZ 7314-A	Gasket
1	C6TZ 7B228-A	Gasket-1 Shift lever HSG Gasket	1	D4HZ 7166-A	Gasket
1	C6TZ 7B228-B	Gasket	1	D1HZ 7166-A	Gasket
1	C8TZ 7314-A	Gasket	2	D4HZ 7181-B	Gasket
1	C6TZ 7314-A	Gasket		<b>D7HZ 7153-A</b>	
1	C6TZ 7B343-B	Gasket		Consists of	
1	C6TZ 7A619-B	Gasket	1	D7HZ 7181-A	Gasket
	<b>C8TZ 7153-A</b>		1	D7HZ 7051-B	Gasket
	Consists of		1	D7HZ 7051-C	Gasket
1	7EQ 7051	Gasket	1	D7HZ 7051-A	Gasket
1	B9TZ 7086-A	Gasket	1	C9HZ 7166-A	Gasket
1	B9TZ 7086-B	Gasket	1	B9TT 7166-C	Gasket
2	B9TT 7166-C	Gasket	1	B8QH 7223-D	Gasket
1	C8TZ 7181-A	Gasket	1	C1TT 7207-A	Gasket
1	C8TZ 7185-A	Gasket	1	D4HZ 7207-B	Gasket
1	C8TZ 7223-A	Gasket	1	D7TZ 7086-A	Gasket
1	D3TZ 7185-A	Gasket		<b>D7HZ 7153-B</b>	
1	D6TA 7086-AA	Gasket		Consists of	
			1	D9HZ 7051-B	Gasket
			1	D9HZ 7051-C	Gasket
			1	D9HZ 7051-A	Gasket
			1	D6TZ 7086-A	Gasket
			2	B9TT 7166-C	Gasket
			1	C8TZ 7181-A	Gasket
			1	D3TZ 7185-A	Gasket
			1	C8TZ 7223-A	Gasket

1980/  
TRUCK SERIES 600/900

TRANSMISSION GASKET SET and REPAIR KIT PARTS LISTS

QTY	PART NUMBER	DESCRIPTION	QTY	PART NUMBER	DESCRIPTION
	<b>C4TZ 7B331-B</b>			<b>D3HZ 7944-D</b>	
Consists of			Consists of		
1	C4TZ 7059-A	Snap ring	4	D3HZ 7181-A	Gasket
1	C5TZ 7070-A	Snap ring	8	D3HZ 7944-A	Shim .003
1	7EQ 7070	Snap ring	6	D3HZ 7944-B	Shim .005
1	B7T 7109-A	Snap ring	4	D3HZ 7944-C	Shim .010
1	C4TZ 7119-A	Washer		<b>D3TZ 7B331-A</b>	
1	C4TZ 7119-B	Washer	Consists of		
1	C4TZ 7155-A	Plate	2	C8TZ 7030-A	Snap ring
1	B7T 7160-A	Shim	1	B3Q 7059-A	Snap ring
1	B7T 7160-B	Shim	1	C8TZ 7064-A	Snap ring
1	C4TZ 7161-A	Snap ring	1	C8TZ 7069-A	Washer
1	356957-S	Washer	1	C8TZ 7117-A	Washer
	<b>D3HZ 7B331-A</b>		1	7EQ 7155	Retainer
Consists of			3	C8TZ 7160-A	Snap ring
5	D3HZ 7030-D	Snap ring	1	C5TZ 7162-A	Snap ring
2	D3HZ 7064-E	Snap ring		<b>D4HZ 7153-E</b>	
1	D3HZ 7064-A	Snap ring	Consists of		
5	D3HZ 7064-B	Snap ring	1	C8TZ 7051-A	Gasket-1 E1HZ 7314-A Gasket
2	D3HZ 7064-C	Snap ring	1	D0HZ 7086-A	Gasket-1 E2HZ 7185-A Gasket
2	D3HZ 7064-D	Snap ring	1	B9TT 7166-C	Gasket-1 E7HZ 7A619-B Gasket
	<b>D3HZ 7B331-B</b>		1	D1HZ 7166-A	Gasket-1 E7HZ 7051-B Gasket
Consists of			1	C8TZ 7181-B	Gasket
1	D3HZ 7A074-A	Ring	1	C8TZ 7181-D	Gasket
4	D3HZ 7B220-A	Key	1	C8TZ 7223-B	Gasket
2	D3HZ 7B220-B	Key	1	C6TZ 7B228-E	Gasket
2	D3HZ 7B220-C	Key	1	C8TZ 7288-A	Gasket
2	7B220	Key	1	C8TZ 7314-A	Gasket
2	C1TT 7235-A	Pin	1	C8TZ 7B343-A	Gasket
7	D3HZ 7B360-A	Screw	1	C8TZ 7A619-A	Gasket
1	D3HZ 7482-A	Spacer		<b>D4HZ 7153-C</b>	
1	D3HZ 7728-A	Washer	Consists of		
4	353086-S	Ball	1	C1TT 7185-A	Gasket-2 E1HZ 7181-A Gasket
2	379017-S	Ball (reverse idler shaft)	1	B9TT 7166-C	Gasket-1 E1HZ 7314-A Gasket
2	357630-S	Key	1	C6TZ 7A619-B	Gasket-1 E2HZ 7185-A Gasket
1		Key (speedometer drive gear)	1	C6TZ 7051-F	Gasket
1		Pin (back-up switch)	1	C6TZ 7B343-B	Gasket
3		Interlock (shift rod)	1	C6TZ 7B228-A	Gasket
4	D3HZ 7234-C	Spring	1	C6TZ 7B228-B	Gasket
4		Spring	1	C6TZ 7314-A	Gasket
	<b>D3HZ 7B411-B</b>		1	C6TZ 7B228-C	Gasket
Consists of			1	C6TZ 7223-A	Gasket
1	D3HZ 7181-B	Gasket	1	C8TZ 7086-C	Gasket
1	D3HZ 7181-C	Gasket	1	C9TZ 7B228-A	Gasket
2	D3HZ 7288-A	"O" ring	1	C8TZ 7314-A	Gasket
1	D3HZ 7B339-A	"O" ring	2	D4HZ 7181-D	Gasket
1	C7TZ 7B399-C	"O" ring	1	D1HZ 7166-A	Gasket
2	D3HZ 7B411-C	"O" ring	1	D2HZ 7B228-A	Gasket
1	D3HZ 7B411-D	"O" ring	2	D4HZ 7181-B	Gasket
1	D4HZ 7223-D	Gasket			
2		"O" ring			

1980/  
TRUCK SERIES 600/900

TRANSMISSION GASKET SET and REPAIR KIT PARTS LISTS

Q T Y	PART NUMBER	DESCRIPTION	Q T Y	PART NUMBER	DESCRIPTION
	D5TZ 7153-A			D6HZ 7153-A	
Consists of			Consists of		
1	C4TZ 7051-A	Gasket	1	D6HZ 7051-F	
1	B9TZ 7086-A	Gasket	1	D6HZ 7181-B	
1	B9TT 7166-C	Gasket	1	D6HZ 7051-E	
1	D5TZ 7086-A	Gasket	1	D6TZ 7086-B	
1	C5TZ 7086-A	Gasket	1	C9HZ 7166-A	
1	C4TZ 7181-A	Gasket	1	D4HZ 7207-B	
1	C4TZ 7223-A	Gasket	1	D6HZ 7223-A	
1	C6TZ 7086-D	Gasket	1	C1TT 7207-A	
				D8HZ 7153-A	
			Consists of		
			1	C8TZ 7223-D	Gasket
			1	B9TT 7166-C	Gasket
			1	B9TZ 7086-A	Gasket
			1	8MTH 7051-B	Gasket

**1980/  
TRUCK SERIES 600/900**

YEAR	MODEL / RESTRICTIONS	TRANS		PART NUMBER	DESCRIPTION	QTY.
		SPD	TYPE			
<b>7A002 PLUG (SPEEDOMETER CABLE TRANSMISSION OPENING)</b>						
Notes: ‡ Used to plug speedometer hole opening when front wheel speedometer drive is used						
80/	LN-LNT600/900,L-LT-LTS800/900			‡ C8HZ 7A002-A	1/2"-20 x 3/4" long	1
80/81	L900,LT800/900	3&4	Aux.	★‡C8HZ 7A002-B	Use w/Dana (Spicer) 8341 trans.	1
80/81	LNT800/900 -- gas	4	Aux.	N/R (6/87)	Use w/Dana (Spicer) 7041 trans.	1
80/83	L-LN-LNT-LT-LTS900	9&10		‡ C7TZ 7A002-B	13/16"-20 x 3/4" long	1
80/83	L-LT900 -- 6 cyl. 893 Cat.				Use w/Fuller 9509 and 1110 trans.	1
7005-6 Refer to Transmission Parts Lists Section 70, page 1						
<b>7007 PLATE ASSY. (ENGINE REAR)</b>						
80/	B-C-F-L-LN-LNT-LT-LTS 600/800 -- 8 cyl. 370,429			D9HZ 7007-A	#D9TE 6A373-BA	1
<b>7L007 SPACER (TRANSMISSION MAIN SHAFT BEARING)</b>						
80/	L-LN-LNT-LT-LTS 900 -- 855 Cum. Diesel	7	Spicer	D7HZ 7L007-A	3 1/2" O.D. x 3" I.D. x 3/8" thick- used w/Spicer SST-1007-3A trans.	1
83/	F-FT800/900	5	Spicer		with Cm 5510 trans.	1
<b>7B009 SHAFT (TRANSMISSION REAR CROSS)-refer to 72.1 Aux. Trans. Parts List or Trans. Parts List Sec. 70.</b>						
<b>7010 INSULATOR (AUXILIARY TRANSMISSION FRONT and REAR MOUNT)</b>						
80/86	LNT800 -- diesel	3&4	Aux.	C1TT 7B248-A	Front-2 1/4" and 1 27/32" O.D. x 1/4" overall height	4
80/86	LNT800 -- gas	3&4	Aux.			4
80/86	L-LT-LTS800/900	3&4	Aux.	D3HZ 7B248-A	31/32" I.D. x 2 1/2" O.D. x 1 3/8" high	4
80/86	LNT800 -- diesel	3&4	Aux.			4
80/86	LNT-800/900 -- gas	4	Aux.			4
80	L-LT800/900	3&4	Aux.	B4Q 7010-B	Rear-29/32" dia. hole x 2 21/64" long- 25/32" thick x 2 21/64" wide	4
80/86	L-LT-LTS800/900	3&4	Aux.	D0HZ 7B248-A	Rear-29/32" I.D. x 2 1/4" O.D. x 1/2" thick	4
80/86	LNT800 -- diesel	3&4	Aux.			4
80/86	LNT800/900 -- gas	4	Aux.			4
80/	LT-LTS900 -- diesel	7		C1TT 7B248-A	Rear-2 1/4" and 1 27/32" O.D. x 1 1/4" overall height	4
80/86	LNT800 -- diesel	3&4	Aux.			2
80/82	LNT800-LT-LTS900 -- gas, LNT-LT-LTS800 diesel	13			Use w/Fuller 613 trans.	4
7C012 Refer to Transmission Parts List Section 70, page 1						
7B013 Refer to 72.2 Parts List						
<b>7B013 BRACKET ASSY. (GEARSHIFT LEVER SUPPORT)</b>						
80/	CL-CLT900	All		D8HZ 7B013-A		1
7C013-5 Refer to Transmission Parts List Section 70, page 1						
<b>7F014 SHIELD (TRANSMISSION HEAT)</b>						
80/	B-F-FT600/900	All	All	E0HZ 7F014-A	used for protection of battery cables-#E0HT 7F014-AC	1
83/	LN600/800	All	All	E3HZ 7F014-B	#E3HT 7F014-CA, E4HT 7F014-BA	1
<b>7B015 BRACKET (AUXILIARY TRANSMISSION SHIFT CONTROL MOUNTING)</b>						
80/86	L-LT-LTS900 6 cyl. 426 Detroit and 855,927 Cum. diesels	3&4	Aux.	D0HZ 7B015-A	7 7/16" x 2 1/2" x 8"-use w/Dana (Spicer) 8341 aux. and Fuller 905 main trans.	1
80	L-LT-LTS900 6 cyl. 855,927 Cum. diesel	3&4	Aux.	★D0HZ 7B015-B N/R (9/86)	5 1/16" x 4 1/8" x 10 3/4"-use w/Dana (Spicer) 8031,8341 aux. and 8552 main trans.	1
80	L-LT900 -- 6 cyl. 426 Detroit diesel	3&4	Aux.	★D0HZ 7B015-C N/R (9/86)	4 1/8" x 5 1/16" x 6 5/8"-use w/Dana (Spicer) 8031,3841 aux. and 8552 main trans.	1
80/86	L-LT-LTS900 8 cyl. 568 Detroit diesel	3&4	Aux.	D0HZ 7B015-D	9 3/16" x 8 29/32" x 4 5/8" x 1/4"-use w/ Dana (Spicer) 8341 aux. and Fuller 905 main trans.	1
80/82	L900,LT800/900	3&4	Aux.	E2HZ 7B015-B	#D3HA 7B015-AA, E2HT 7B015-BA, w/Dana 7041, 8341 auxs.	1
83/86	L-LT-LNT-LTS800	3&4	Aux.			1
80/86	LN-LNT800 -- diesel	3&4	Aux.	D4HZ 7B015-B	#D4HA 7B015-BA 15" long x 6" wide x 1/4" thick	1
80/86	LNT800/900 -- gas	4	Aux.		#D4HS 7B015-AA	1
82/86	L-LN-LNT600/900 3208 Turbo	4	Aux.	E2HZ 7B015-A	#E2HT 7B015-AA-use w/Dana 7041, 8341 auxs.	1

October, 1993

COPYRIGHT © 1993 - FORD MOTOR - DEARBORN, MICHIGAN  
COMPANY

Final Issue

**1980/  
TRUCK SERIES 600/900**

YEAR	MODEL / RESTRICTIONS	TRANS		PART NUMBER	DESCRIPTION	QTY.
		SPD	TYPE			
7C016-7 Refer to Transmission Parts List Section 70, page 1						
7C021 Refer to Transmission Parts List Section 70, page 1						
<b>7B022 TRUNNION (AUXILIARY TRANSMISSION FRONT BEARING RETAINER)</b>						
80/86	L900 -- diesel	3&4	Aux.	D0HZ 7B022-A	6" I.D. x 3 1/4" thick x 9 1/4" wide at base-	1
80/86	LT800/900,LNT800 -- diesel	3&4	Aux.		use w/Dana (Spicer) 8031,8341 trans.	1
80/86	LT-LTS800	3&4	Aux.	D0HZ 7B022-C	5" I.D. x 3 1/4" thick x 9 1/4" wide-	1
80/86	L-LT-LTS800/900 -- gas, LNT800 -- diesel	3&4	Aux.		use w/Dana (Spicer) 7041, 7231 trans.	1
80/86	LNT 800/900 -- gas	4	Aux.		Use w/Dana (Spicer) 7041 aux. trans.	1
<b>7K022 BUSHING (TRANSMISSION GEAR SHIFT)</b>						
86/	CF600/800			E8HZ 7K022-A		2
<b>7A024 ROD ASSY. (TRANSMISSION GEAR SHIFT)</b>						
86/	CF600/700	5	Clark	E6HZ 7A024-A		2
7025 Refer to Transmission Parts List Section 70, page 1						
7026-32 Refer to Transmission Parts List Section 70, page 1						
<b>7A033 BRACKET (TRANSMISSION REAR SUPPORT) - Also refer to group 7B047</b>						
83/	B-F-FT600/900	13	Fuller	E3HZ 7A033-A	# E3HT 7A033-BA-use w/Fuller 6613 trans.	1
83/	B-F-FT600/900	13	Fuller	E3HZ 7A033-B	# E2HT 7B152-CA-use w/Fuller 6613 trans.	1
83/	F-FT800/900	5	Spicer	E3HZ 7A033-C	# E3HT 7B152-BA, with Spicer Cm 5510 trans.	1
80/	CL-CLT900	All			Part of Engine Supports, see 6000 Section of Catalog	
80/86	L-LT900 -- 6 cyl. 426 Detroit diesel	10, 13		D7HZ 7A033-A	D5HA 7B152-DA-6.26" long, use w/Fuller 910, and 9513 and Dana (Spicer) 1010-2A trans.	1
80/86	L-LN-LNT-LT900 -- 6 cyl. 426 & 8 cyl. 568 Det. diesels	9,10, 13		D7HZ 7A033-C	D5HA 7B152-CA -- use w/Fuller 9509, 910, 913, 9513, & 1110 trans. Drill one 1 3/64" hole as required.	1
80/83	L-LN900 -- 6 cyl. 855 Cummins					
80/86	LN-LNT900 -- 6 cyl. 426 Detroit diesel	10& 13		D4HZ 7A033-H	# D3HA 7108-BA - use w/Fuller 910, 9513 trans.	1
80/86	LN-LNT900 -- 8 cyl. 568 Det.,	6,9 10,13		D5HZ 7A033-E	# D5HA 7B152-BA-10" long-4 1/32" wide- use w/Fuller 910,906,9509,1110 and 9513 and Dana (Spicer) SST1010 and SST1007,1107 and Fuller RT0 958 LL 11608 trans.	1
80/88	L-LT-LTS-LN-LNT900 -- 6 cyl. 893 Cat.	7				1
80/86	LN-LNT900 -- 8 cyl. 568 Detroit diesel	9&10 13		D4HZ 7A033-K	# D3HA 7108-AA, # D4HA 7108-DA-11 1/2" long x 5/8" wide-use w/Fuller 910,1110,9509, and 9513 trans.	1
80/88	L-LT-LTS900 -- 6 cyl 855,893 diesel	6,8,9 10,13		D8HZ 7A033-A	# D7HT 7B152-AA, # D4HZ 7B152-EA-also w/Fuller RT0 958LL 11608 trans.	1
80/88	LN-LNT900 -- 855 Cum.	6,8,9, 10,13		D8HZ 7A033-B	# D7HT 7108-AA-also Fuller RT0 958 LL 11608 trans.	1
80/82	LTS800 -- 8 cyl. 636 Cat. Diesel	10		D1HZ 7A033-A	13 5/8" long x 5 1/4" wide x 19/64" thick x 7 1/4" opening - use w/Fuller 610 trans.	1
80	LT-LTS900 -- diesel	7		★ D3HZ 7A033-E N/R(9/86)	# D4HA 7108-AA - use w/Dana (Spicer) SST1007-2A trans.	1
80	LT-LTS900 -- diesel	7		★ D3HZ 7A033-F N/R(9/86)	# D4HA 7B152-AA - use w/Dana (Spicer) SST1007-2A trans.	1
80	LTS800 -- 8 cyl. 636 -- Cat. diesel	5		★ D1HZ 7A033-B N/R(9/86)	"U" shape-14" and 8 7/8" long x 19/64" thick-6 7/16" opening - use w/Dana (Spicer) 6000 series trans.	1
80/	LTS800 -- 8 cyl. 636 Cat. diesel	5		D7HZ 7A033-B	# D7HT 7B152-BA, use with Dana (Spicer) CM-60 series trans.	1
80/82	LN-LNT900 -- diesel	7		D4HZ 7A033-C	# D4HA 7B152-CA-5 1/4" long x 7 3/4" wide x 1 5/8" high - use w/Dana (Spicer) SST1007-2A	1

**1980/  
TRUCK SERIES 600/900**

YEAR	MODEL / RESTRICTIONS	TRANS		PART NUMBER	DESCRIPTION	QTY.
		SPD	TYPE			
<b>7A033 BRACKET (TRANSMISSION REAR SUPPORT)-Also refer to group 7B047 — Cont'd</b>						
80/83	L-LT-LTS900 -- 6 cyl. 893 Cat. & 855 Cum. Dsl.	7,10 13		D4HZ 7A033-L	#D4HA 7108-CA 9 3/32" long x 2 11/32" high x 5 3/8" wide-use w/Dana (Spicer) SST1007,1107, SST1010-2A and Fuller 12510, 12513, 9513	1
81/86	LN-LNT900 8 cyl. 568 Det.	7	Spicer	E1HZ 7A033-G	#E1HT 7108-CA, SST1107 trans.	1
81/86	L-LT900 8 cyl. 568 Det.	7	Spicer	E1HZ 7A033-H	#E1HT 7B152-BA, SST1107 trans.	1
82/	L-LT-LTS900 -- 6 cyl. 855 Cums.	7	Spicer	E2HZ 7A033-A	#E1HT 7108-DA, 1372 trans.	1
85/	L-LT-LTS900 -- 6 cyl. 3406 Cat.	7	Spicer			1
82/	L-LT-LTS900 -- 6 cyl. 855 Cums.	7	Spicer	E2HZ 7A033-B	#E1HT 7B152-CA, 1372 trans.	1
85/	L-LT-LTS900 -- 6 cyl. 3406 Cat.	7	Spicer			1
87/	LN-LNT900 -- 14L, 14.6L eng.	7	Spicer	E7HZ 7A033-B	#D9HS 7B152-AA, 1372 trans.	1
82/86	LTL900 -- 8 cyl. 736 Det.	All		E1HZ 7A033-A	L.H. #E1HT 7108-AA	1
82/86	LTL900 -- 8 cyl. 736 Det.	All		E1HZ 7A033-B	R.H. #E1HT 7108-BA	1
82/	LTL900 -- 6 cyl. 855, 893 diesel	All	All	E1HZ 7A033-E	L.H. #D5HS 7108-EA	1
82/	LTL900 -- 6 cyl. 855, 893 diesel	All	All	E1HZ 7A033-F	R.H. #D5HS 7108-FA	1
<b>7A033 SUPPORT (TRANSMISSION REAR UPPER)</b>						
80/86	L900 gas,L800/900	3&4	Aux.	D0HZ 7A033-C	27 3/32" long-2" x 2" angle-use w/Dana (Spicer) 7041,8031,8341 trans.	1
80/86	LNT800 -- diesel					1
80/86	LNT800/900 -- gas	4	Aux.			1
80/86	L-LT LTS800/900 -- gas, L800 -- diesel	3&4	Aux.	D0HZ 7A033-D	27" long w/Dana (Spicer) 5831,7231 trans.	1
80/86	LNT800 -- diesel	3	Aux.			1
80/82	LTS800 -- 8 cyl. 573,636 Cat. diesel	5 & 10			Use w/Dana (Spicer) 6000, Fuller 610 series trans.	1
80/86	L-LT-LTS900,LNT800 diesel	3&4	Aux.		Use w/Dana (Spicer) 8031,8341 aux. and Fuller 905, Dana (Spicer) 8552 main trans.	1
80/82	LT-LTS900-LNT800 gas, LNT-LT-LTS800 -- diesel	13		D4HZ 7A033-A	26 3/4" long x 3" wide x 1 5/8" high-use w/ Fuller 613 trans.-repl. suppt. #D4HA-BA	1
80/82	LT-LTS900 -- diesel	7			Use w/Dana (Spicer) SST1007 2A Trans.	
80/	LT-LTS-LNT800		Fuller		Use with RT6613, 7608 trans.	1
80/83	L-LT900 -- 8 cyl. Detroit diesel, LN-LNT900 -- 6 cyl. Cum diesel	10, 13, 16		D1HZ 8125-A	Insulator-use w/Fuller 910, Dana (Spicer) 8516, 8716 and Fuller 9513 trans.	2
80/	LN-LNT900 -- diesel	7		D4HZ 7A033-B	#D4HA 7A033-EA-26 21/32" long x 4 5/16" wide-use w/Dana (Spicer) SST 1007,1107,1372 trans.	1
80/83	L-LT900 -- 6 & 8 cyl. 426,568 Detroit diesel	9,10, &13		D4HZ 7A033-F	#D3HA 7A033-CA-use w/Fuller 910,1110,9509, and 9513 trans.	1
82/	LTL900	All	All	E1HZ 7A033-D	#D5HS 7A033-CA	1
7034-6 Refer to Transmission Parts List Section 70, page 1						
7034 VENT ASSY. (TRANSMISSION REAR CROSS SHAFT HOUSING)- Refer to 72.1 Aux. Trans. Parts List						
7C037-45 Refer to Transmission Parts List Section 70, page 1						
<b>7K045 YOKE (TRANSMISSION GEAR SHIFT EXTENSION)</b>						
86/	CF600/700	5	Clark	E6HZ 7K045-A		1
<b>7K046 ROD ASSY. (TRANSMISSION GEARSHIFT CROSS)</b>						
80/	C-CT600/900			D0HZ 7K046-A	17 1/4" center to center of joints	1
86/	CF600/700			E6HZ 7K046-A	Approx. 250.00mm long	1
88/	CF600/800			E8HZ 7K046-C	Approx. 263.00mm long	1
80/	CLT900 -- Cum. & Cat. Dsls.	All	All	D8HZ 7K046-A	Approx. 28 45/64" long	1
80/	CL900 -- Cum. & Cat. Dsl.	All	All	D8HZ 7K046-D	Approx. 30 45/64" long	1
80/86	CLT900 -- 568 & 736 Det. Dsl.	9,10,13	Fuller			1
80/86	CL900 -- 568 & 736 Det. Dsl.	9,10,13	Fuller	D8HZ 7K046-E	Approx 32 1/2" long	1
80/86	CL900 -- 552 Det. Dsl.	9,10,13	Fuller	D8HZ 7K046-F	Approx 27 13/32" long	1
80/86	CLT900 -- 552 Det. Dsl.	9,10,13	Fuller	D8HZ 7K046-G	Approx 25 3/4" long	1
80/86	CL900 -- 568 Det. Dsl.	6	Spicer	D8HZ 7K046-H	Approx 39" long	1

1980/  
TRUCK SERIES 600/900

YEAR	MODEL / RESTRICTIONS	TRANS		PART NUMBER	DESCRIPTION	QTY.
		SPD	TYPE			
<b>7K046 ROD ASSY. (TRANSMISSION GEARSHIFT CROSS) — Cont'd</b>						
80/86	CLT900 -- 568 Det. Dsl.	6	Spicer	D8HZ 7K046-J	Approx 37 1/4" long	1
80/86	CL900 -- 552 Det. Dsl.	6	Spicer	D8HZ 7K046-L	Approx. 33.58" long	1
80/86	CLT900 -- 552 Det. Dsl.	6	Spicer	D8HZ 7K046-K	Approx. 31.81" long	1
88/	CL-CLT900 -- 10L dsl., Tandem axle			E8HZ 7K046-A	Approx. 23.62" long	1
88/	CL-CLT900 -- 10L dsl., Single axle			E8HZ 7K046-B	Approx. 25.60" long	1
<b>7A047 BRACKET ASSY. (AUXILIARY TRANSMISSION MOUNTING FRONT and REAR)</b>						
80	LT800/900 -- gas	3	Aux.	★D0HZ 7A047-B	Rear-3 1/16" high x 14" long x 5/16" thick x	1
80	LNT800 -- diesel	3	Aux.	N/R(10/88)	9 1/8" wide -- use w/Dana (Spicer) 7231 trans.	1
80/86	LT-LTS900 diesel	3&4	Aux.	D0HZ 7A047-E	Rear-1 1/2" high x 18" long x 3/8" thick x	1
					5" wide-use w/Dana (Spicer) 8031 and 8341 trans.	
80/86	LT-LTS800/900	3&4	Aux.	★58680-S2	Bolt-hex. head-1/2"-13 x 2 3/4"	4
				44735-S8	(X-32)-washer-flat-1/2" I.D. x	8
					1 1/4" O.D. X 7/64"	
				★34989-S2	Nut-hex. head-1/2"-13	4
<b>7B047 BRACKET (TRANSMISSION REAR SUPPORT FRAME) — Also refer to group 7A033</b>						
80/	LTS800 -- 636 Cat. diesel	5		D1HZ 7B047-A	#D1HA 7A255-AA-use with Dana (Spicer) 6000, CM-60 series trans.	1
80/82	LTS800 -- 8 cyl. 522,636 Cat. diesel	10		D1HZ 7B047-B	6 3/32" x 6 3/8" x 7 5/8" long x 1 1/32" thick-use w/Fuller 610 trans.	2
80/	LT-LTS900,LNT800 -- gas			D4HZ 7B047-C	6 5/8" long x 5" x 5"-use w/Fuller 613, RT6613, 7608 trans.	2
80/	LNT-LT-LTS800 -- diesel					2
80/86	L-T900 -- 6 & 8 cyl. 426,568 Detroit diesel	9&10 13		D4HZ 7B047-F	#D4HA 7A255-HA-use w/Fuller 910,9513,1110, and 9509, Dana (Spicer) 1010-2a trans.	1
80/	LT-LTS900 -- diesel	7		385421-S2	(BB-201-HF) bolt-hex. head-5/8" 11 x 4 3/4" (7B047 to 5005)	2
80/82	L-LN-LNT900 -- diesel	7		D4HZ 7B047-E	R.H.-#D4HA 7A255-EA-5 15/16" x 6 1/4" x 1/4" thick channel -- use w/Dana (Spicer) SST 1007-2A trans.	1
				D4HZ 7B047-D	L.H.-#D4HA 7C254-EA	1
87/	LN-LNT900 -- 14L, 14.6L eng.	7	Spicer	E7HZ 7B047-D	R.H.-#D9HS 7A255-CA, use with 1372 trans.	1
				E7HZ 7B047-C	L.H.-#D9HS 7C254-CA	1
<b>7B047 BRACKET (AUXILIARY TRANSMISSION SUPPORT FRAME FRONT)</b>						
85/86	L-LT-LTS900 -- diesel		8341	E5HZ 7B047-A	#E5HT 7B047-BA,DA	1
<b>7B047 BRACKET (AUXILIARY TRANSMISSION SUPPORT FRAME REAR)</b>						
80/84	L900,LT-LTS800/900	3&4	Aux.	D0HZ 7B047-A	5 1/2" long x 6" wide x 2 3/4" high one end-7/16" thick	2
80/85	LNT800 -- diesel	3&4	Aux.			2
80/86	L-LT-LTS-LN-LNT800/900	3&4	Aux.	E5HZ 7B047-B	R.H.-#D7HT-7B047-AA	1
80/86	L-LT-LTS-LN-LNT800/900	3&4	Aux.	E5HZ 7B047-C	L.H.-#E5HT 7E426-AA, D4HA-AA	1
<b>7050 Refer to Transmission Parts List Section 70, page 1</b>						
<b>7B050 STUD (TRANSMISSION REAR SUPPORT ADJUSTMENT)</b>						
80/86	L-LT-LTS800/900-	3&4	Aux.	D3HZ 7B050-A	3/4"-10 and 3/4"-16 x 6 3/4"	2
80/86	LNT800 -- diesel					2
80/86	L-LT-LTS800/900	3&4	Aux.	D3HZ 7B050-B	3/4"-16 and 7/8" x 8 1/4"	2
				356504-S	(XX-238)-washer-flat-3/4" I.D. x 1 1/2" O.D. x 1/8" thick	AR
				351125-S	(MM-62)-nut-hex.-3/4"-16	AR
				354449-S	(XX-242)-washer-flat 7/8"	AR
				★34693-S2	Nut-jam-7/8".9	AR
				★34992-S2	Locknut-3/4"-10	AR
				34692-S2	(M-74)-nut-jam-3/4"-10	AR
				72072-S	(N-62)-cotter pin-5/32" x 1 1/2"	AR
				384217-S2	(MM-173-NF)-nut-hex. head-7/8"-9	2
<b>7051 Refer to Transmission Parts List Section 70, page 1</b>						
<b>7052 Refer to Transmission Parts List Section 70, page 1</b>						

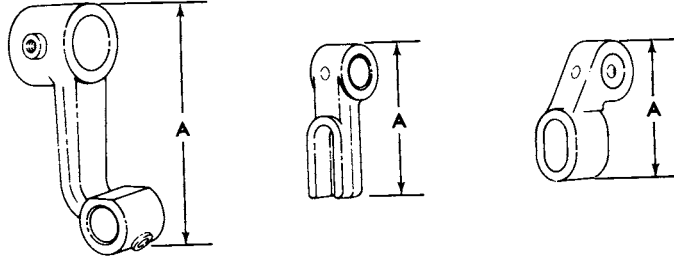
# 1980/ TRUCK SERIES 600/900

YEAR	MODEL / RESTRICTIONS	TRANS		PART NUMBER	DESCRIPTION	QTY.
		SPD	TYPE			
<b>7052 SCRAPER (REAR CROSS SHAFT)</b>						
80/83	CL-CLT900	All		DOTZ 7052-A	7/8" I.D. x 1 3/8" O.D. x 5/16" wide- exc. w/Dana (Spicer) SST1010-2A trans.	1
<b>7C055 (SPACER TRANSMISSION BRAKE DRUM)</b>						
83/87	F-FT800/900	5	Spicer	E3HZ 7C055-A	Use with Cm 5510 trans.	1
<b>7B057 BRACKET (TRANSMISSION CONTROL VALVE)</b>						
83/87	FT800/900	5	Spicer	E3HZ 7B057-A	Use with CM5510 trans	1
<b>7056 Refer to Transmission Parts List Section 70, page 1</b>						
<b>7059-62 Refer to Transmission Parts List Section 70, page 1</b>						
<b>7B062 SUPPORT (TRANSMISSION REMOTE SHIFT)</b>						
86/	CF600/700	5	Clark	E6HZ 7B062-A		1
<b>7A063-4 Refer to Transmission Parts List Section 70, page 1</b>						
<b>7064 SNAP RING (TRANSMISSION REAR CROSS SHAFT)- Refer to 72.1 Aux. Trans. Parts List</b>						
<b>7065-7A065 Refer to Transmission Parts List Section 70, page 1</b>						
<b>7072 (SPACER-TRANSMISSION OUTPUT SHAFT BEARING)</b>						
83/	L-LT-LTS-LN-LNT700/800 -- with auxiliary trans.	5	Spicer	E3HZ 7072-A		1
<b>7B072 AUXILIARY GEARSHIFT ASSY. - Refer to Section 72.1, page 1</b>						
<b>7A073-74 Refer to Transmission Parts List Section 70, page 1</b>						
<b>7B073 Refer to Section 72.2 Parts List</b>						
<b>7E074 PAD (TRANSMISSION GEARSHIFT LEVER OPENING COVER)</b>						
80/	CL-CLT900	All	All	D8HZ 7E074-A	Use as seal between Cab & 7C309 cvr.	1
<b>7A075 Refer to Transmission Parts List Section 70, page 1</b>						
<b>7E075 BRACKET (TRANSMISSION GEARSHIFT OPENING COVER)</b>						
80/	CL-CLT900 -- except 54" BBC with fixed cab.	All	All	E0HZ 7E075-A	# E0HT 7E075-AA	1
86/	CL-CLT900 -- except 64" BBC					
80/	CL-CLT900 -- 54" BBC with fixed cab.	All	All	E1HZ 7E075-A	# E1HT 7E075-AA	1
86/	CL-CLT900 -- except 64" BBC					
<b>7A076-80 Refer to Transmission Parts List Section 70, page 1</b>						



1980/  
TRUCK SERIES 600/900

7A081 LEVER (TRANSMISSION CROSS SHAFT SHIFT)-also refer to transmission parts lists, Section 70, Page 1



TYPE 2

TYPE 6

TYPE 8

P-6961

YEAR	MODEL	TRANSMISSION			✱ INNER			✱ OUTER		
		S P E E D	M F R.	MODEL	L O C.	T Y P E	"A" DIM	PART NUMBER	T Y P E	"A" DIM

Notes: ✱INNER lever is nearer to housing (7B102, 7800) - OUTER lever is farther from housing (7B102, 7800)

N-New Process, C-Clark, S-Spicer, F-Fuller, See also Sec. 72.1

R - On rear cross shaft - near transmission, F - on front cross shaft - near shift lever

80/	C-CT600/900	4	N	435	R	2	4 15/16	C8HZ 7A081-C	8	3 1/8	C8HZ 7A081-J
		5	C	280,390	R	2	4 15/16	C8HZ 7A081-C	8	3 1/8	C8HZ 7A081-J
		5	C	380	R	2	6 1/4	C8HZ 7A081-B	8	4 5/16	C8HZ 7A081-H
		5	S	CM-50/40	R	2	6 1/4	C8HZ 7A081-B	8	4 7/16	C8HZ 7A081-G
		5	S	CM-60	R	2	5 7/16	C8HZ 7A081-A	8	3 5/8	C8HZ 7A081-K
		10	F	RT610	R	2	6 1/4	C8HZ 7A081-B	6	4 5/16	C8HZ 7A081-H

YEAR	MODEL / RESTRICTIONS	TRANS		PART NUMBER	DESCRIPTION	QTY.
		SPD	TYPE			

7B081 JOINT ASSY. (TRANSMISSION GEARSHIFT CROSS ROD)- also refer to transmission parts lists, Section 70, Page 1

80/	C-CT600/900	All		D0HZ 7B081-A	2 1/2" long x stud 2 1/2" long	2
86/	CF600/700	5		E6HZ 7B081-A	Use with CL450 series tran.	1
87/	CF600/800	5,6		E7HZ 7B081-A	Use with CL550,5106,6105,6106 series tran.	1
80/	CL-CLT900	All		D8HZ 7B081-A	R.H. threads	1
80/	CL-CLT900	All		D8HZ 7B081-B	L.H. threads	1

7C083 Refer to Transmission Parts List Section 70, page 1

7085 RETAINER ASSY. (TRANSMISSION OUTPUT SHAFT BEARING)-Also refer to Transmission Parts List Section 70, Page 1

Notes: Δ Without transmission mounted parking brake, †With transmission mounted parking brake.

80	B-600/700	4		C8TZ 7085-F	3 7/16" long-(4) 17/32" and (4) 1/2" holes- has 1"-20 tapped hole for screw in type 17260-use w/Warner T19 and New Process 435 trans.	1
80	LT800/900	3	Aux.	Δ C8TZ 7085-H	2 1/4" long-(4) 17/32" holes-use w/Dana (Spicer) 7231 trans.	1
80	B-C-F-LN600/700 -- NR (6/86)	5		★ B9TZ 7085-H	3 7/16" long-(4) 17/32" and (4) 1/2" holes	1
80/	B-C-F-LN600/700 -- gas C-CT-L-LN-LNT-LT-LTS800 -- gas	5		Δ D6TZ 7085-L	1 15/16" long-(4) 17/32" holes-use w/Clark 280 and New Process 542 trans.	1
80/	B-F600/800 -- Diesel	5		† D6TZ 7085-K	3 7/16" long-(4) 17/32" and (4) 1/2" holes- use w/Clark 280,380 and New Process 542 series trans.	1
80/	B-C-F-L600/700 -- gas C-CT-LN-LNT-LT-LTS800 -- gas	5				1

**1980/  
TRUCK SERIES 600/900**

YEAR	MODEL / RESTRICTIONS	TRANS		PART NUMBER	DESCRIPTION	QTY.
		SPD	TYPE			
<b>7085 RETAINER ASSY. (TRANSMISSION OUTPUT SHAFT BEARING) — Cont'd</b>						
<b>Notes: Δ Without transmission mounted parking brake, †With transmission mounted parking brake.</b>						
80/	C-LN700,L-LN,LNT,LT,LTS800 L-LT-LTS800/900	5		Δ D7TZ 7085-A	D7TA 7049-BA - - 2 19/64" long-(6) 35/64" holes-use w/Dana (Spicer) CM-60 trans.	1
80/86	L900,LT800/900	4	Aux.	† C8HZ 7085-E	2 21/32" long-(6) 17/32" holes-use w/Dana (Spicer) 7041 trans.	1
80/86	LNT800,900 - - gas	4	Aux.			1
80/	C-LN700	5		† D7HZ 7085-A	D7HA 7049-AA-4 1/4" long- (6)37/64" holes-use w/Dana (Spicer) CM-60 trans.	1
	C-CT-L-LTS900, LT800/900 - - gas	5				
80	C-CT900	10		C8TZ 7085-A	#15014-use w/Fuller 610 trans.	1
80	C-CT-L-LN-LNT-LT800/900 - - gas	10				1
80/86	L-LT800/900 - - diesel	3&4	Aux.	† C8HZ 7085-B	4 7/8" long-(6) 17/32" holes-(4) 41/64" holes (2) 21/32" holes-use w/Dana (Spicer) 8031 and 8341 trans.	1
80/85	L900,LT800/900, LTS900	3&4	Aux.	Δ C8HZ 7085-D	2 21/32" long-(6) 17/32" holes-use w/Dana (Spicer) 8031 and 8341 trans.	1
86	LT-LTS900	3&4	Aux.	Δ E6HZ 7085-B		1
80	LT800/900 gas,LT800	3	Aux.	† C8HZ 7085-J	4 1/2" long-(2) 41/46" holes-(4) 17/32" holes-use w/Dana (Spicer) 7231 trans.	1
80/86	L900,LT800/900	4	Aux.	† C8HZ 7085-C	4 7/8" long-(6) 17/32" holes-(4) 41/64" holes-use w/Dana (Spicer) 7041 trans.	1
80/86	LNT800/900 - - gas	4	Aux.			1
80/	CL-CLT900 - - 568 Det. 855 Cum. & 893 Cat.	6	Spicer	D8HZ 7085-A		1
80/	B-C-CT-F-L-LN-LNT-LT-LTS LT-LNT700/900	5		D6HZ 7085-B N/R (7/90)	#D6TA 7049-HA-use w/Clark 390 series trans. with aux. trans. and or spring parking brake	1
80/	B-C-F-L-LT-LTS-LN-LNT800/900	5		★ D6HZ 7085-C	#D6HA 7049-CA - - use w/Clark 390 series trans., with 12 x 4 trans. mounted parking brake	1
80/	B-C-F-L-LT-LTS-LN-LNT800/900	5		D6HZ 7085-D	#D6TA 7049-GA-use w/Clark 390 series trans. with 9 x 3 and 10 x 3 trans. mounted parking brake	1
80/	B-F600/800	5		† D6TZ 7085-H	3 5/8" long-(6) 17/32" holes and (4) 33/64" holes-use w/Dana (Spicer) CM-50 series trans., with 9 x 3, 10 x 3 trans. mounted parking brake	1
80/	L-LN-LNT-LT-LTS700/800	5				1
80/	C700/800					1
80/	F600/700	5		Δ D6TZ 7085-J	2 11/64" long-(6) 17/32" holes - use w/Dana (Spicer) CM-50 series trans., with spring parking brake and or aux. trans.	1
80/	LN900,LNT800	5		C6TZ 7085-J	6 7/8" bolt hole circle x 5 25/32" long-(6) 13/32" holes	1
80/	L-LN-LNT-LT800/900			C1TT 7085-D	6 3/4" O.D. x 2 7/8" overall length-(4) 13/32" holes	1
80	L-LN-LNT-LT900 - - diesel	5		★ C8HZ 7085-F N/R(9/26)	3 7/16" long-(4) 17/32" holes-use w/Dana (Spicer) 8552 trans.	1
80/	LNT-LT-LTS800 - - gas	5		† D6HZ 7085-H	4" long x 5 31/32" square - use w/Clark 280 and New Process 542 trans.	1



**1980/  
TRUCK SERIES 600/900**

YEAR	TRANSMISSION			YOKE PART NUMBER	◇ DRIVELINE SIZE												PARKING BRAKE DRUM			YOKE TYPE						REMARKS		
	MODEL	S	M		A	U	4	5	6	7	8	C	2	2	9	1	1	U	B	S	P	W	D	W	T			
																											E	X
<p><b>7089 YOKE (TRANSMISSION DRIVELINE)</b></p> <p>Notes: Part 7089 is shown on Truck T.S.L. listing as of April, 81-, may also be shown in Transmission Parts Lists, ◇ industry number</p>																												
80/83	Warner, T-19	4	1		D3TZ 7089-C	1	1										1	1										
84/86					E4HZ 7089-A	1	1												1									
80/83	New Process, NP435	4	1		D3TZ 7089-C	1	1										1	1										
84/86					E4HZ 7089-A	1	1												1									
80/83					D3TZ 7089-D	1		1									1	1										
84/86					E4HZ 7089-B	1		1											1									
80/83	New Process, NP542	5	1		D3TZ 7089-G	1	1										1	1										
84/86					E4HZ 7089-C	1	1												1									
80/83					D3TZ 7089-H	1		1									1	1										
84/86					E4HZ 7089-D	1		1											1									
80/83	Clark, 280 series	5	1		D3TZ 7089-G	1	1										1	1										
84/86					E4HZ 7089-C	1	1												1									
80/83					D3TZ 7089-H	1		1									1	1										
81/83					C8TZ 7089-B	1		1											1									
84/86					E4HZ 7089-D	1		1											1									
80/83					D9HZ 7089-B	1		1									1	1										
80/82					D9HZ 7089-C	1		1											1									
80/83					D9HZ 7089-D	1		1											1									
84/86					E4HZ 7089-E	1		1											1									
80/86					D8HZ 7089-E	1		1											1									
80					D3TZ 7089-E	1							1				1	1										
80/83	Clark, 390/550 Series	5	1		★ D9HZ 7089-A	1		1									1	1										
80/83					D9HZ 7089-E	1		1											1									
80/83					D9HZ 7089-F	1		1											1									
80/83					D9HZ 7089-N	1		1											1									
80/86					D4HZ 7089-C	1		1												1								
80/86					C6TZ 7089-E	1		1												1								
80					D3TZ 7089-F	1		1											1									
80					D0HZ 7089-A	1		1					1						1									
80					B8QH 7089-B	1		1					1						1									
80					C8HZ 7089-D	1		1					1						1									
80					B8QH 7089-D	1		1					1						1									
84/88					E4HZ 7089-H	1		1					1						1									
84/86	Spicer, CM40	5	1		E4HZ 7089-F	1		1											1									
84/86					E4HZ 7089-G	1		1											1									
84/86					E3HZ 7089-A	1		1											1									
80/82	Spicer, CM50	5	1		D3TZ 7089-H	1		1											1									
81/82					C8TZ 7089-B	1		1											1									
80/82					D9HZ 7089-B	1		1											1									
80/82					D9HZ 7089-C	1		1											1									
80/82					D9HZ 7089-D	1		1											1									
81/82					E1HZ 7089-D	1		1											1									
80/82					D8HZ 7089-E	1		1											1									
80					D3TZ 7089-E	1		1											1									
80					B9QH 7089-A	1		1											1									
80					C1TZ 7089-A	1		1											1									

1980/  
TRUCK SERIES 600/900

YEAR	TRANSMISSION			YOKE PART NUMBER	◇ DRIVELINE SIZE									YOKE TYPE							REMARKS																																		
	MODEL	S	M		A	4	5	6	7	8	9	6	7	8	PARKING		END																																						
															E	N	X	I	O	U		T	T	C	N	N	9	1	1	U	B	S	P	W	D	W	T																		

7089 YOKE (TRANSMISSION DRIVELINE)— Cont'd

Notes: Part 7089 is shown on Truck T.S.L. listing as of April, 81-, may also be shown in Transmission Parts Lists,

◇ Industry number

1980/  
TRUCK SERIES 600/900

YEAR	TRANSMISSION			YOKE PART NUMBER	◇ DRIVELINE SIZE								PARKING BRAKE DRUM			YOKE TYPE						REMARKS																						
	MODEL	S P E E D	M A X		I	O	4	5	6	7	8	C	2	8	U	B	S	P	W	D	W		T																					
																								N	U	P	T	0	1	1	1	1	1	1	1	0	0	0	0	0	0	0	0	0

7089 YOKE (TRANSMISSION DRIVELINE) — Cont'd

Notes: Part 7089 is shown on Truck T.S.L. listing as of April,81-, may also be shown in Transmission Parts Lists,  
◇ industry number

80/81	Fuller, 9508, 958,	8	1																							
82/87	11608																									
88/																										
85/86																										
87/																										
80/87																										
88/																										
80/81	Fuller, 1258, 14608	8	1																							
82/87																										
88/																										
80/87																										
88/																										
87	Fuller, 8609	9	1																							
80/81	Fuller, 9509, 11509,	9	1																							
82/87	11609																									
88/																										
85/86																										
87/																										
80/87																										
88/																										
80/81	Fuller, 12509, 14609	9	1																							
82/87																										
88/																										
80/87																										
88/																										
80/83	Fuller, RT 610, 6610	10	1																							
80/84																										
85/86																										
80/84																										
85/86																										
81/84																										
85/86																										
80																										
80/81	Fuller, 910, 1110,	10	1																							
82/87	11610																									
88/																										
85/86																										
87/																										
80/87																										
88/																										
80/81	Fuller, 12510,	10	1																							
82/87	14610																									
88/																										
80/87																										
88/																										
80/86	Fuller, RT613, 6613	13	1																							
80																										
85/86																										
80/87																										
88/																										



1980/  
TRUCK SERIES 600/900

YEAR	MODEL / RESTRICTIONS	TRANS		PART NUMBER	DESCRIPTION	QTY.
		SPD	TYPE			
<b>7A095 COOLER ASSY. (TRANSMISSION OIL)</b>						
88/	L LT LTS800/900			F1HZ 7A095-B		1
88/	LN-LNT800/900 -- dual rear axle					1
88/	LTL900			E8HZ 7A095-F		1
88/	LN-LNT800/900 -- Single rear axle					1
88/	CL-CLT900			E8HZ 7A095-B		1
<b>7E097 SPACER (TRANSMISSION CONTROL LEVER)</b>						
80/	C-CT600/900	All		C8HZ 7E097-A	3/4" O.D. x 29/32" long	1
<b>7W097 BRACKET AND SPRING ASSY. (GEAR SHIFT GAITER)</b>						
86/	CF600/800	All		E6HZ 7W097-A		1
<b>7W098 SPRING (SHIFT GAITER SUPPORT R.H.)</b>						
86/	CF600/800	All		E6HZ 7W098-A		1
<b>7W099 SPRING (SHIFT GAITER SUPPORT L.H.)</b>						
86/	CF600/800	All		E6HZ 7W099-A		1
<b>7W101 INSULATOR (SHIFT BOOT)</b>						
86/	CF600/800	All	All	E6HZ 7W101-A		1
<b>7W102 STOP ASSY. (GEAR SHIFT GAITER)</b>						
86/	CF600/800	5	Clark	E6HZ 7W102-A		1
7103 Refer to Transmission Parts List Section 70, page 1						
7B104 Refer to Transmission Parts List Section 70, page 1						
7105 Refer to Transmission Parts List Section 70, page 1						
<b>7B105 SHAFT (TRANSMISSION GEARSHIFT CROSS FRONT)</b>						
80/	C-CT600/900	All		D0HZ 7B105-A	1 1/8" O.D. of shaft x 19" overall length	1
7106 Refer to Transmission Paarts List Section 70, page 1						
<b>7B106 ROD (TRANSMISSION SHIFT CONTROL REAR)</b>						
80/	C600/800	4		D9HZ 7B106-C	7/8" O.D. x 22 7/64" long	1
85	C-CT600/800 -- gas	5	Spicer	E5HZ 7B106-A	#E5HT 7B106-AA-use w/Spicer CM40 series trans.	1
85	C-CT600/800 -- diesel	5	Spicer	E5HZ 7B106-B	#E5HT 7B106-BA-use w/Spicer CM40 series trans.	1
80/	C-CT800 -- 8 cyl. Cat. diesel	5	Spicer	C1TZ 7B106-C	Use w/Dana (Spicer) CM50 and CM60 series trans.	1
82/	C-CT800/900 -- 3208 Turbo	5	Spicer	E2HZ 7B106-A	#E2HT 7B106-CA-use w/Spicer CM60	1
80/	C600/800 -- 8 cyl. 370-429 gas	5	Clark Spicer	D9HZ 7B106-B	7/8" O.D. x 27 1/16" long-use w/ Spicer CM50 or CM60 & Clark 390 Series	1
80/	C600/900	5	Clark	D9HZ 7B106-E	7/8" O.D. x 24 3/16" long-use w/ Clark 280 Series	1
80/81	C-CT900 -- 477,534 gas	5	Clark	★C1TZ 7B106-A	Use with Clark 390 trans. -N/R (6/87)	1
88/	C-CT800 -- 3208 Turbo	5	Clark	E7HZ 7B106-E	#E7HT 7B106-AA-use w/Clark 550 Series	1
88/	C-CT800 -- 3208 Turbo	5	Spicer		Spicer CM55 Series	1
80/81	C-CT900 -- 477,534 gas	10	Fuller	C2TZ 7B106-A	Use with Fuller 610 trans.	1
80/82	C600/800 -- 8 cyl. 370-429 gas	10	Fuller	D9HZ 7B106-F	Use w/Fuller 610	1
80/82	C700/800 8 cyl. Cat. diesel	10	Fuller	C8HZ 7B106-C	7/8" O.D. x 30 5/8" long-use w/Fuller 610 trans.	1
82/	C-CT800/900 -- 3208 Turbo	10	Fuller	E2HZ 7B106-B	#E2HT 7B106-DA-use w/Fuller 6610	1
81/87	C CT600/800 -- 8 cyl. 501 diesel	5		E1HZ 7B106-B	#E1HT 7B106-BA-With Clark 280.390. Spicer CM 50	1
81/87	C-CT800 -- 8 cyl. 501 diesel	10	Fuller	E1HZ 7B106-C	#E1HT 7B106-CA-With Fuller 610 trans.	1
87/	CF600/800			E7HZ 7B106-A	Use with 5106,6105 trans.	1
87	CF600/800 -- 7.8L eng.	5		E7HZ 7B106-B	Use with CL551, 558, 5005 trans.	1
87/	CF600/800	6		E7HZ 7B106-C	Use with FS6106 trans.	1
86/87	CF600/800	5		E7HZ 7B106-D	Use with CL450, 455 trans.	1
88/	CF600/800	5		E8HZ 7B106-A	Use with CL450, 455, 4005 trans.	1
88/	CF600/800	5		E8HZ 7B106-B	Use with CL551 trans.	1
88/	CF600/800	10,13		E8HZ 7B106-C	Use with 6610/13 trans.	1



1980/  
TRUCK SERIES 600/900

YEAR	MODEL / RESTRICTIONS	TRANS		PART NUMBER	DESCRIPTION	QTY.
		SPD	TYPE			
7107-7A107	Refer to Transmission Parts List Section 70, page 1					
7109	Refer to Transmission Parts List Section 70, page 1					
7B109	Refer to group 7811					
7111	Refer to Transmission Parts List Section 70, page 1					
7112-7A112	Refer to Transmission Parts List Section 70, page 1					
7E112	BRACKET (TRANSMISSION GEAR SHIFT)					
86/	CF600/700	5	Clark	E6HZ 7E112-A		1
7113	Refer to Transmission Parts List Section 70, page 1					
7115	Refer to Transmission Parts List Section 70, page 1					
7118	Refer to Transmission Parts List Section 70, page 1					
7119-20	Refer to Transmission Parts List Section 70, page 1					
7B119	BLOCK (SHIFT LINKAGE)					
85/	CF600/800	All	All	E5HZ 7B119-A		1
7121-4	Refer to Transmission Parts List Section 70, page 1					
7B124	Refer to T.S.L. Listing Section 72.1, page 1					
7125	Refer to Transmission Parts List Section 70, page 1					
7B125	TRUNNION (TRANSMISSION GEARSHIFT LEVER) - Also refer to group 7221					
80/	F600	4		C0TT 7B125-B	1/4" O.D. x 5/8" long	2
7128	Refer to Transmission Parts List Section 70, page 1 and Universal Joint Related Parts Chart					
7A134	JOINT ASSY. (TRANSMISSION GEARSHIFT CONTROL ROD FRONT)					
80/	C-CT600/900	All		C0TZ 7A134-A		1
80/	C-CT600/900	All		72292-S8	(N-76)-pin-grooved-5/16" x 1 1/2"	2
				372538-S	(NN-73)-pin-grooved-5/16" x 1 3/4"	2
				87901-S8	(I-1)-fitting-lubricator-straight 1/8"	1
80/	CL-CLT900	All		C9HZ 7A134-A	Plain bearing joint-5" long	1
7135-40	Refer to Transmission Parts List Section 70, page 1					
7B140	ROD ASSY. (TRANSMISSION SHIFT CONTROL FRONT)					
80/	C-CT600/900	All		D0HZ 7B140-B	7/8" dia. of rod x 46 9/16" long	1
80/	C-CT600/900	All		384339-S2	(XX-371 B)-washer (7B140 to 7795) spring-1 1/8"	1
80/	CL900 - - Cum&Cat. Dsl			D8HZ 7B140-D		1
80/87	CL900 - - 8 cyl. Det. Dsl.			D8HZ 7B140-C		1
80/86	CL900 - - 6 cyl. Det. Dsl.			D8HZ 7B140-F		1
80/	CLT900 - - Cum. & Cat. Dsl.			D8HZ 7B140-A		1
80/87	CLT900 - - 8 cyl. Det. Dsl.			D8HZ 7B140-B		1
80/86	CLT900 - - 6 cyl. Det. Dsl.			D8HZ 7B140-G		1
88/	CL-CLT900 - - 6 cyl. 10L Dsl.	7.8 9		E8HZ 7B140-A	#E8HT 7B140-AA, 700mm long, 11608, 1372 w/Tandem axle, 8607, 8609 w/single axle	1
88/	CL-CLT900 - - 6 cyl. 10L Dsl.	9		E8HZ 7B140-B	#E8HT 7B140-BA, 645mm long, 8609 w/Tandem axle	1
88/	CL-CLT900 - - 6 cyl. 10L Dsl.	7.8		E8HZ 7B140-C	#E8HT 7B140-CA, 745mm long, 1107, 1372, 11608 w/single axle	1
88/	CL-CLT900 - - 6 cyl. 10L Dsl.	7		E8HZ 7B140-D	#E8HT 7B140-DA, 678mm long, 8607 w/ Tandem axle	1

1980/  
TRUCK SERIES 600/900

YEAR	MODEL / RESTRICTIONS	TRANS		PART NUMBER	DESCRIPTION	QTY.
		SPD	TYPE			
7141-5	Refer to Transmission Parts List Section 70, page 1					
<b>7B143 BRACKET (TRANSMISSION OIL COOLER MOUNTING)</b>						
88/	L LT LTL LTS-LN LNT900		Fuller	E8HZ 7B143-A	#E8HT 7B143-AA	1
88/	L-LT LTL LTS-LN LNT900		Fuller	E8HZ 7B143-B	#E8HT 7B143-BB	1
88/	L LT LTS-LN LNT800	All	All	E8HZ 7B143-C	#E8HT 7B143-DA	1
<b>7B145 TUBE (TRANSMISSION AUXILIARY SHIFT CONTROL)</b>						
80/	C-CT700/900, L-LN LNT-LT800/900	10		C3TZ 7B145-G	Nylon tube-5/64" I.D. x 1/8" O.D. x 12" long-use with DOHZ 2B478-A	1
				373404-S	(II-28-G)-connector-1/8" pipe thread- 1/8" tube	
7146	Refer to Transmission Parts List Section 70, page 1					
7153-66	Refer to Transmission Parts List Section 70, page 1					
<b>7Z155 SWITCH (TRANSMISSION RANGE SHIFT)</b>						
83/	B F-FT600/900	5	Spicer	E3HZ 7Z155-A	"TRANS RANGE SHIFT", with CM5510 trans	1
<b>7F166 CABLE (TRANSMISSION GEARSHIFT OPENING PLATE) - See Also 7F177</b>						
80/	CL CLT900	All	All	D8HZ 7F166-A		1
<b>7A167 COUPLING SHAFT ASSY. (POWER TAKE-OFF)</b>						
80	L LT LTS900 8 cyl. 401, 477, 534 w/ crankshaft driven P.T.O.	All		C4TZ 7A167-A	13 3/4" long-center of joint to end of shaft	1
80	L LT LTS800 8 cyl. Cat. diesel w/crankshaft driven P.T.O.	All		★ C8HZ 7A167-A N/R (6/86)	9 13/16" long-center of joint to end of shaft	1
80	L LT900 6 cyl. 426 and 8 cyl. 568 Detroit diesel w/ crankshaft driven P.T.O.	All				
80	L LT LTS900 6 cyl. NTC 335 Cum. diesel w/crankshaft driven P.T.O.	All		DOHZ 7A167-A	10 5/8" long-center of joint to end of shaft	1
80	L LT LTS800/900	All		58640-S2	(B-93-A)-bolt-hex. head-3/8"-16 x 2 1/2"	6
				384226-S2	(BB-15-A)-bolt-hex. head-3/8"-16 x 7/8"	4
				351385-S7	(XX-158)-washer-flat-3/8"	10
<b>7F167 CABLE ASSY. (TRANSMISSION GEAR SHIFT LEVER OPG CVR PLATE)</b>						
80/	CL CLT900	All	All	D8HZ 7F167-A	approx. 25.11" long	1
7169	Refer to Transmission Parts List Section 70, page 1					
<b>7B170 JOINT ASSY. (TRANSMISSION GEARSHIFT CONTROL ROD REAR)</b>						
80/	C CT600/900	All		C8HZ 7B170-B	9 3/8" overall length-shafts 2" long one end- 2 13/32" other end	1
80/	CL CLT900	All	All	D8HZ 7B170-A		1
<b>7E170 PLATE (TRANSMISSION CONTROL VALVE)</b>						
80/83	LT LNT LTS900 diesel	8		C6TZ 7E170-A	Use w/Fuller RT0 958-LL trans. Use w/Fuller RT0 12515 trans.	1
82/83	LTL900					
<b>7B171 LEVER ASSY. (TRANSMISSION REMOTE CONTROL SELECTOR REAR)</b>						
80/88	C600/700 gas	4		C8HZ 7B171-B	Use w/New Process 435 trans. Use w/Clark 280,390 series trans. #White paint daub use with Spicer CM40, 50, 60 trans.	1
80/	C CT600/900	5				
80/83	C CT600/900	5&10		C8HZ 7B171-A	Use w/Clark 380, Fuller 610 and 910 series	1
7173-5	Refer to Transmission Parts List Section 70, page 1					
7B175	Refer to Transmission Parts List Section 70, page 1 and group 2078					
7176	Refer to Transmission Parts List Section 70, page 1					

1980/  
TRUCK SERIES 600/900

YEAR	MODEL / RESTRICTIONS	TRANS		PART NUMBER	DESCRIPTION	QTY.
		SPD	TYPE			
7L176 RETAINER (TRANSMISSION GEAR SHIFT)						
86/	CF600/700	5	Clark	E6HZ 7L176-A		1
7N176 BOLT (TRANSMISSION GEAR SHIFT COVER)						
80/	CL CLT900	All	All	E0HZ 7N176-A		2
7F177 PLATE and SPRING ASSY. (TRANSMISSION GEARSHIFT LEVER OPENING) - See also 7F166						
80/	CL CLT900	All	All	D8HZ 7F177-A		1
7178-84 Refer to Transmission Parts list Section 70 page 1						
7185 GASKET (SHIFT LEVER HOUSING) if not listed refer to Transmission Parts List Section 70 Page 1						
87/	LN-LNT700/900	6	6106	E7HZ 7185-A	#E7HT 7185-AA	1
7F182 GUIDE (TRANSMISSION LEVER COVER PLATE)						
80/	CL-CLT900	All	All	D8HZ 7F182-A	Also serviced in 7C309 assy.	1
7A186 ROD ASSY. (TRANSMISSION CONTROL SHAFT TO TRANSMISSION) - Refer to Group 9784						
7K192 BUSHING (GEAR SHIFT LEVER SUPPORT)						
80/	CL-CLT900	All	All	D8HZ 7K192-A	1" long	2
				D8HZ 7K192-B	3/4" long	2
7187-97 Refer to Transmission Parts List Section 70, page 1						
7A197 ADAPTER (TRANSMISSION CROSS SHAFT HOUSING TO CASE)						
80/	C-CT600/900	5		C9HZ 7A197-A	1/2" thick-(6) 7/16"-14 holes-(4) 13/32" holes-use w/clark 280, 380,390 series trans.	1
85	C-CT600/800	5	Spicer	E5HZ 7A197-A	#E5HT 7F021-AA-use w/Spicer CM40 series trans.	1
87/	L-LT-LTS800/900	6	6106	E7HZ 7A197-A		1
87/	LN-LNT700/900	6	6106	E7HZ 7A197-B		1
80/81	C-CT900 8 cyl. 477, 534	10		B8TZ 7A197-A	1 21/32" thick-(6) 7/16"-14 holes-	1
80/	C-CT700/800 8 cyl. 636 Cat. diesel	10			(4) 13/32" holes	1
7E198 INSULATOR ASSY. (TRANSMISSION GEARSHIFT LEVER OPENING COVER)						
80/	C-CT600/900	All		C6TZ 7E198-A	3/8" x 5/8" x 50" long used for seat belt anchor	2
80/	F600/800	All			Use for steering column support bracket	A/R
80/	C-CT600/900	All		★7E198	3/8" x 5/8 x 8 1/2" long, improvise from C6TZ 7E198-A	

1980/  
TRUCK SERIES 600/900

YEAR	MODEL / RESTRICTIONS	TRANS		PART NUMBER	DESCRIPTION	QTY.
		SPD	TYPE			
7201 GEARSHIFT TOWER ASSY. - refer to Section 72.1						
7203 HOUSING (TRANSMISSION GEARSHIFT LEVER) - refer to Parts List Section 72.4						
7206 ANTI-SQUEAK (TRANSMISSION SHIFT LEVER)						
86/	CF600/800	All		E7HZ 7206-A		1
7207 GASKET (TRANSMISSION GEARSHIFT HOUSING CAP) -Also refer to 72.1 thru 72.4 Parts List						
80/87	F-B600/700	4		8MTH 7207	Use w/Warner T18, T19 trans.	1
80/	C-CT900	5	Clark	CLTT 7207-A	Use w/Clark 390 series trans.	1
83/	F-FT800/900	5	Spicer		Spicer CM5510 series trans.	1
7207 GASKET (TRANSMISSION REAR CROSS SHAFT HOUSING COVER) - refer to Parts Lists 72.1 thru 72.4						
7C207-8 Refer to Transmission Parts List Section 70 Page 1						
7210 LEVER ASSY. (TRANSMISSION GEARSHIFT)						
NOTE: For Truck Specification List Cross-Reference Guide, Refer to Section 72.1 thru 72.4						
80/	C-CT600/900	All		DOHZ 7210-CF		1
86/	CF600/700	5,6		E6HZ 7210-A		1
87/	CF600/800	10,13	6610/13	E7HZ 7210-KA		1
80/88	LN600/700 -- gas	4	435	D2HZ 7210-A	39" long x 7 3/8" fulcrum length	1
80/88	F600/800(81)	4	435	E0HZ 7210-A		1
80/88	B-F600/800(84)-cowl	4	435	E0HZ 7210-C		1
80/88	F600/800(81)	5	542	E0HZ 7210-B		1
80/88	B-F600/800(84)-cowl	5	542	E0HZ 7210-D		1
80/85	F600/800(81) -- 8 cyl. gas	4	T19	E0HZ 7210-F		1
80/85	B-F600/800(84) -- 8 cyl. gas	4	T19	E0HZ 7210-G		1
80/87	F600/800(81) -- 8 cyl. diesel	4	T19	E0HZ 7210-N		1
80/87	B-F600/800(84) -- 8 cyl. diesel	4	T19	E0HZ 7210-P		1
89/	LN-LNT800/900	5,6	450,6105 5106,6106	E9HZ 7210-P	#E8HT 7201-FA, repl. E7HT 7201-YA, see sec. 72.1 for details	1
89/	B-F-FT600/900	5,6	6105, 5106,6106	E9HZ 7210-R	#E8HT 7201-GA, repl. E7HT 7201-AA, see sec. 72.1 for details	1
81/87	LN600/700 -- 8 cyl. 501 diesel	4	T19	E1HZ 7210-A	#E1HT 7202-AA	1
80/86	LN-LNT900 -- 6V-92 Det	9	9509	E0HZ 7210-T	Upper- Refer to Parts list 72.4A for lower	1
84/	LNT900 -- L-10 diesel	9	11609			1
80/86	L-LT-LTS900 -- 8V-71 Detroit diesel	10& 13		D4HZ 7210-AU	#D4HA 7210-CA -upper - refer to Parts list Sec 72.4J For Lower	1
80/86	LN-LNT900 -- 6V-92 Det.	6	1062	E0HZ 7210-V	Refer to Parts List 72.4X For lower	1
81/86	L-LT-LTS900 -- 8V-71 Det.	All	11600	E3HZ 7210-F	Lower, incl. 7203 hsg.-use with all Fuller RT 11600 series trans.-field fix	1
81/86	LN-LNT900 -- 6V-92 Det.					1
89/	LN-LNT800 -- w/o full bench	7	8607	E9HZ 7210-A	#E9HT 7210-AA	1
89/	LN-LNT800 -- with full bench	7	8607	E9HZ 7210-B	#E9HT 7210-BA	1
89/	LN-LNT800 -- with full bench	8	8608	E9HZ 7210-C	#E9HT 7210-CA	1
89/	LN-LNT800 -- w/o full bench	8	8608	E9HZ 7210-D	#E9HT 7210-DA	1
80/	CL-CLT900 -- w/o Lux Decor	All	All	E4HZ 7210-Y	#Black	1
80/	CL-CLT900 -- w/Lux Decor	All	All	E4HZ 7210-Z	#Chrome	1
7C211 Refer to Transmission Parts List Section 70, page 1						
7213 BALL (TRANSMISSION GEARSHIFT LEVER)-Also refer to Group 7312						
NOTES: @ Use with direct drive trans., % Use with overdrive trans.						
80	LT900, LT-LTS800/900	3	Aux.	B4TZ 7213-A	3/8"-24 thread Use w/Dana (Spicer) 5831, 7231 trans.	1
80	L-LT-LTS800/900	3	Aux.	★ D3HZ 7213-A	3/8"-24 thread Use w/Dana (Spicer) 8031 trans.	1
80	LNT800 -- diesel	3	Aux.	N/R (9/86)		1
80/86	L900, LT-LTS800/900	4	Aux.	B9TZ 7213-A	3/8"-24 thread Use w/Dana (Spicer) 7041, 8341 trans.	1
80/86	LNT800 -- diesel	4	Aux.			1
80/86	LNT800/900	4	Aux.			1
80/88	B-C-F-LN600/700	4		E0TZ 7213-B	3/8"-24 thread Use w/Warner T19, New Process 435 trans.	1
86/	CF600/700	5		E6HZ 7213-A	Use without 2 speed axle, CL551, 4005, 5005,6005, 6105 trans.	1

1980/  
TRUCK SERIES 600/900

YEAR	MODEL / RESTRICTIONS	TRANS		PART NUMBER	DESCRIPTION	QTY.
		SPD	TYPE			
7213 BALL (TRANSMISSION GEARSHIFT LEVER)-Also refer to Group 7312 — Cont'd						
NOTES: @ Use with direct drive trans., % Use with overdrive trans.						
86	CF600/700	5		E6HZ 7213-B	Use with 2 speed axle	1
87/	CF600/800	5		E7HZ 7213-F	Use with 2 speed axle, CL558, 4005, 5005, 6005, 6105 trans.	1
80/88	B-F600/800	5		@ E1HZ 7213-C	3/8"-24 thread Use w/New Process 542 trans.	1
80/88	B-F600/800	5		% B7T 7213-B	3/8"-24 thread Use w/New Process 542 trans.	1
80/	C-CT800/900	5		@ B7QH 7213-C	3/8"-24 thread	1
80/	LN-LNT600/900, L-LT800/900	5			Use w/Dana (Spicer) 5000, 6000, CM-50 and CM-60 series trans.	1
80/	B-F700/800, C-CT-L-LN-LNT-LT-LTS800/900	5			Use w/Clark 380, 390, 550, 450, 3005, 4005, 5005 series trans.	1
80/86	B-F600/800, C-CT-LN-LNT600/800, L-LT800	5			Use w/Clark 280 series trans.	1
83/	F-FT800/900	5	Spicer		Spicer CM5510 series trans.	1
84/	B-F600/800	5			Spicer CM40 Series trans.	1
80	L-LT-LTS900	5		@ D4HZ 7213-C	1/2"-13 thread -- Use w/ Fuller 905 trans.	1
80	L-LN-LNT-LT-LTS900	10			Use w/Fuller 610, 910, 1110, 12510, T11605, RT-RTF 11610, 14610	1
88/	B-F-FT600/900	6	Clark	E8HZ 7213-B	Use w/Clark FS6106 trans.	1
80	B-F600/800, C-CT-LN-LNT600/800, L-LT800	5		% B7QH 7213-B	3/8"-24 thread-use w/Clark 280 trans.	1
80/87	L-LN-LNT-LT-LTS900	10, 15		% D4HZ 7213-D	1/2"-13 thread -- use w/Fuller 910 trans., RT 11615, RTO 14615	1
87/	B-F-FT-L-LN-LNT600/900	6	5106, 6106	E7HZ 7213-A		1
87/	CF600/800	6	5106	E7HZ 7213-D		1
87/89	B-F-FT600/900	6	6106	E7HZ 7213-B		1
87/	CF600/800	6	6106	E7HZ 7213-E		1
80	L-LN-LNT-LT900	6		D4HZ 7213-B	1/2"-13 thread-use w/Fuller 906 trans.	1
80/88	L-LT900 -- 6 cyl. 893 Cat.	7	Spicer	D6HZ 7213-B	Use w/ Spicer SST1007-2A trans.	1
80/86	LN-LNT900 -- 6 cyl. 552 Detroit	6	Spicer		Use w/SST 1062-C trans.	1
80/	L-LN-LNT-LT-LTS 900 -- 855 Cum.	7	Spicer	D7HZ 7213-B	Use w/Spicer SST 1007-3A, 1207-3A trans.	1
81/	L-LT-LTS-LN-LNT900	7	Spicer	E1HZ 7213-B	Use with Spicer SST1107-2A, 1372A trans., and Fuller 8607 trans.	1
86/	CL-CLT900					
81/84	L-LT-LTS-LN-LNT900	7	Fuller	% E1HZ 7213-E	RTOF 1157-DL, RTO, RTOF 11607-L,LL trans.	1
	"Before 5/84"					
84/	L-LT-LTS-LN-LNT900	7	Fuller	E4HZ 7213-K	Use w/11607LL trans.	1
80/84	L-LN-LNT-LT-LTS900	9		D6HZ 7213-A	Use w/Fuller RT9509, RT, RTF 11609, 14609-A trans.	1
	"Before 5/84"					
80/84	LT-LNT-LTS 900 with Cum. NTC-290,350	8		D7HZ 7213-A	Use w/ Fuller RTOF 958LL, RTO 11608, 14608-LL trans.	1
80/84	LT-LTS900 -- diesels	9	Fuller		w/RTO-9509-B, RTOF 11609-B	1
	"Before 5/84"					
84/	L-LT-LTS-LN-LNT900	9	Fuller	E4HZ 7213-G	Use w/11609B, 14609B trans.	1
81/84	L-LT-LTS-LN-LNT900	8	Fuller	E1HZ 7213-A	Use w/Fuller RT-RTF9508, 11608	1
	"Before 5/84"					
80/84	CL-CLT900 -- Diesels	9,10	Fuller	D8HZ 7213-A	W/RT-910,9509,12509, 12510, RTO 910 & 1110	1
84/	F700/800	10	Fuller	E4HZ 7213-F	Use w/6610, 11610, 14610 trans.	1
84/	L-LT-LTS-LN-LNT900	10				1
84/	CL-CLT900	10				1
86/	CF600/800	10	Fuller			1
80/82	C700/900	10		BB 7213-A	3/8"-24 thread-use w/Fuller 610 trans.	1
80	LT-LNT900	13	Fuller	* D5HZ 7213-C N/R 5/93	Use w/RT-RTF 9513 trans.-with 2 shift control valve	1
80	CL-CLT900	13				1

**1980/  
TRUCK SERIES 600/900**

YEAR	MODEL / RESTRICTIONS	TRANS		PART NUMBER	DESCRIPTION	QTY.
		SPD	TYPE			
<b>7213 BALL (TRANSMISSION GEARSHIFT LEVER)-Also refer to Group 7312 — Cont'd</b>						
<b>NOTES:</b> @ Use with direct drive trans., % Use with overdrive trans.						
80/84	CL-CLT900 "Before 5/84"	13	Fuller	D8HZ 7213-C	Use w/RT0 -RT0F 9513 or 12513, 11613, 14613 trans.	1
80/84	L-LN-LNT-LT-LTS900 "Before 5/84"	13				1
84/	CL-CLT900 "From 5/84"	13	Fuller	E4HZ 7213-B	Use w/11613, 14613 trans.	1
84/	L-LN-LNT-LT-LTS900 "From 5/84"	13				1
80/	LN-LNT-LT-LTS800/900	13	Fuller	D4HZ 7213-G	RT-613, 6613 trans.	1
84/	F-FT800	13				1
<b>7213 KIT (SHIFT KNOB AND VALVE ASSY's)</b>						
87/	CF600/800	13	Fuller	E7HZ 7213-C	Use with 6613 trans.	1
84/	L-LT-LTS-LTL-LN-LNT700/900	13	Fuller	E6HZ 7213-E	K2013-range and selector valve-use with 9513, 11613, 12513, 14613 trans.	1
84/	CL-CLT900					
84/	L-LT-LTS-LTL-LN-LNT700/900	7,8,15	Fuller	E6HZ 7213-D	K2015-range and deep reduction valve-use with 1157DLL, 11607LL, 958LL, 11608LL, 11708LL, 7608, 1258LL, 14608LL, 915, 11615, 14615, 14715, 15615, 12515 trans.	1
84/	CL-CLT900					
84/	L-LT-LTS-LTL-LN-LNT700/900		Fuller	E6HZ 7213-C	K2010-range valve with 906, 1157DL, 11607L, 9508, 11608, 11708, 14608, 8609, 9509, 11509, 11609, 12609, 14609, 610, 6610, 910, 1110, 11610, 12510, 12610, 14610 trans.-Back Box range valve-use with 1157DLL, 11607LL, 958LL, 11608LL, 1258LL, 14608LL, 915, 11615, 12515, 14615, 15615 trans.	1
84/	CL-CLT900					
89/	F-FT					
<b>7213 REPAIR KIT (SELECTOR VALVE)</b>						
80/	L-LT-LTS-LN-LNT900	13	Fuller	D5HZ 7213-D	#K-1452, use with RT-RT0-RTF-RT0F 9513 trans.-with 2 shift control valve	1
80/	CL-CLT900					
<b>7C213-8 Refer to Transmission Parts List Section 70, page 1</b>						
<b>7220 CAP (TRANSMISSION GEARSHIFT LEVER HOUSING)-Also refer to group 7277</b>						
80/87	B-F600/700	4		8MTH 7220	Steel-use w/Warner T18, T19 trans.	1
80/88	B-F-LN600/800	4&5		B8T 7220-D	Steel-notches-use w/New Process 435, 542 trans.	1
<b>7220 SEAL (TRANSMISSION GEARSHIFT LEVER)</b>						
80/	CL-CLT900	All	All	D8HZ 7220-A		1
<b>7221 PIN (TRANSMISSION GEARSHIFT LEVER TO HOUSING)-Also refer to group 7B125</b>						
80/88	F-B600/800	5		D2TZ 7221-A	.81" long-use w/New Process 542 trans.	2
80/88	F600/800, B-C-LN600/700	4			Use w/New Process 435 trans.	2
<b>7222-6 Refer to Transmission Parts List Section 70, page 1</b>						
<b>7227 SPRING (TRANSMISSION GEARSHIFT LEVER) - Refer to Parts Lists 72.2, 72.4</b>						
<b>7228 SEAT (TRANSMISSION GEARSHIFT LEVER SPRING) - Also refer to Parts list 72.1 thru 72.4</b>						
80/87	B-F600/700	4		8MTH 7228-A	3/4" I.D. x 2" O.D. x 25/64" high-use w/Warner T18, T19 trans.	1
80/88	B-F600/800, LN600/700	4&5	435,542	E2TZ 7228-E		1
<b>7228 SOCKET (TRANSMISSION GEARSHIFT LEVER)</b>						
80/	CL-CLT900	All	All	D8HZ 7228-A		1
<b>7K229 WASHER (TRANSMISSION GEARSHIFT LEVER YOKE)</b>						
80/	CL-CLT900	All	All	D8HZ 7K229-A	Flat	1
				D8HZ 7K229-B	Belleville spring	1
86/	CF600/700	5	Clark	E6HZ 7K229-A		6
<b>7K230 BEARING (SHIFT KNUCKLE PIVOT)</b>						
86/	CF600/700	5	Clark	E6HZ 7K230-A		6
<b>7240 SHAFT (TRANSMISSION GEARSHIFT LEVER)-Also refer to Transmission Parts List Section 70, page 1, and 72.1 thru 72.4</b>						
80/	C-CT600/800	5		DOHZ 7240-C	First and reverse shift shaft-5/8" O.D.	1
80/	C-CT600/900	All			x 2 7/8" long-3/8"-16 thread one end-use w/Clark 280,390 series trans.	1
<b>7242 Refer to Transmission Parts List Section 70, page 1</b>						

1980/  
TRUCK SERIES 600/900

YEAR	MODEL / RESTRICTIONS	TRANS		PART NUMBER	DESCRIPTION	QTY.
		SPD	TYPE			
7E242	BOOT (TRANSMISSION CROSS SHAFT) - Refer to 72.1 thru 72.4					
7E242	BOOT KIT (TRANSMISSION CROSS SHAFT HOUSING) - Refer to Parts list 72.1 thru 72.4					
7244-7	Refer to Transmission Parts List Section 70, page 1					
7247	PLUNGER (TRANSMISSION LOW and REVERSE GATE or GEARSHIFT LEVER) - Refer to Parts list 72.1 thru 72.4					
7B248	Refer to group 7010					
7D260	INSULATOR (TRANSMISSION AUXILIARY SHIFT CONTROL TUBE)-Also refer to group 2B478					
80	LN-LNT-LTS900 -- diesel	8	All	★C7TZ 7D260-B N/R(9/86)	1/2" I.D. x 5/8" O.D. x 80 1/4" long Use w/RT0 958LL trans.	1
7262	RETAINER (TRANSMISSION GEARSHIFT LEVER TO HOUSING BOOT)-Not listed, part of 7277					
83/88	FT800/900	All		E3HZ 7262-A		1
80/88	LN-LNT600/800	All		D0HZ 7262-G	6 5/8" I.D. x 7 3/4" O.D. x 1/4" high-use w/Clark 280, 380, Fuller 910, Dana (Spicer) SST1007, 5000, 6000 and Fuller 9513 trans.	1
80/88	L-LN-LNT-LT-LTS800/900	All			w/Clark 280/390 series & CM-50 Spicer	1
80/88	LN600/700	All			Use w/Fuller 905, 910, 1110, 9509, 9513 trans. and Dana (Spicer) 1010-2A trans.	1
80/86	L-LN-LNT-LT -- 568 Det. Dsl.	All			w/Fuller RT0 958LL trans.	1
80/88	LN-LNT-LTS900 -- Diesel	All			w/Spicer 1062 trans.	1
80/86	LN-LNT900 -- 6 cyl. 552 Det. Diesel	6	Spicer			1
80/88	L-LT-LTS900 -- 8 cyl. Cum. diesel	All		D0HZ 7262-B	5 5/8" I.D. x 6 3/4" O.D. x 1/2" thick w/Fuller 9509 trans.	1
80/86	LN-LNT900 -- 6 cyl. 552 Det. Diesel	9	Fuller			1
82/88	LN800 -- 3208 Turbo					
82/86	LTL900 -- 736 Det.					
80	L-LN-LNT900 -- 6 cyl. 855 Cum. diesel	All		D0HZ 7262-C	Oval shape-9 11/32" x 6 15/16" x 1/4" thick- use w/Fuller 5H-74, Dana (Spicer) 8516, 8716, 8552 trans.	1
80/83	LN600/700 -- gas, 'Before 10/83,' 'After 10/83' Part of 7277	All		D0HZ 7262-D	Oval shape 8 27/32" x 6 7/8" x 1/4" high- use w/New Process 435 trans.	1
80/83	L-LT-LTS800/900	All	Aux.	E3HZ 7262-B	3 7/16" I.D.-incl. (4) 7/32" holes-use w/ Clark 280, 380, Fuller 905, Dana (Spicer) 5000, 6000, CM-50 and CM-60 series trans. Use w/Dana (Spicer) SST1007-2A trans.	1
80/83	LT-LTS900 -- diesel	7			Use w/Dana (Spicer) SST1007-2A trans.	1
80/83	LNT800/900 -- gas	4	Aux.		Use w/Dana (Spicer) 7041 trans.	1
80/86	L-LT900 -- Det. Diesel w/special interior decor. opt.	All		D9HZ 7262-A	5.75" I.D. x 8.50" O.D. (3) Att. holes	1
80/86	LN-LNT900 -- 568 Det. Diesel-	All		D9HZ 7262-B	6.75" I.D. x 9.50" O.D. (6) Att. holes	1
80/88	L-LN-LNT-LT-LTL-LTS900 -- 426-552 Det., 855 Cum., 893 Cat. Diesel w/o Aux. Trans. w/special interior decor.					
80/86	LN-LNT900 -- 568 Det. Diesel-	All		D9HZ 7262-C	Two holes 3.75" I.D. & 6.75" I.D. Pear shape (8) Att. holes	1
80/88	L-LN-LNT-LT-LTS900 -- 426-552 Det., 855 Cum., 893 Cat. Diesel w/Aux. Trans. w/special interior decor.					
7B265-74	Refer to Transmission Parts List Section 70, page 1					
7277	BOOT (TRANSMISSION GEARSHIFT LEVER)-Also refer to group 7220					
80	B-F600/800 -- gas	All		D5TZ 7277-A	6 1/32" I.D. x 7 1/4" long x 5 13/16" wide x 1/4" thick	1
87/88	B-F-FT600/900 -- 6.6, 7.8L	All		E9HZ 7277-A	3 nibs, exc. 6610, 13 trans.	1
80/88	F600/800(81)	4&5		E4HZ 7277-A	w/New Process 435-542 & Warner T-18	1
80/87	B-F600/800(84)-cowl	4&5		E3HZ 7277-D	w/Spicer CM-50, N.P. 435 or Warner T-18	1

1980/  
TRUCK SERIES 600/900

YEAR	MODEL / RESTRICTIONS	TRANS		PART NUMBER	DESCRIPTION	QTY.
		SPD	TYPE			
<b>7277 BOOT (TRANSMISSION GEARSHIFT LEVER)-Also refer to group 7220 - Cont'd</b>						
80/82	F600/800(81)	5		E4HZ 7277-B	W/Clark 280, 390, 550 Series, Spicer CM40,	1
83/88	F-FT600/800(81) -- gas	5			Clark 3005	1
80/83	F600/800(81) -- all	5		E3HZ 7277-B	w/Warner T-19, Clark 280, 390, 550 series,	1
83/88	F-FT600/900(81) -- diesel	4&5			Spicer CM40, 50, 60 series	1
80/88	B-F-FT600/900(84) cowl -- all engs.	5		E3HZ 7277-C	W/Clark 280, 390, 550 series, Spicer	1
89/	B-F-FT600/900(84) cowl, 6.1, 7.0L	All			CM40, 50 series, N.P. 542, Clark 3005, 4005	1
89/	B-F-FT600/900 -- 6.6,7.8L	All		E9HZ 7277-A		1
89/	LN700 -- 7.8L	All				1
89/	L-LT-LS-LTS-LN-LNT800 -- 7.8L	All				1
89/	LN-LNT800 -- 3208 N/A	All				1
89/	L-LT-LS-LTS-LN-LNT900 -- L-10	All				1
89/	L-LT-LS-LTS-LL-LTL-LN-LNT900 -- 3406,3306,855	All				1
88/	LTA900 -- 855	13	Fuller			1
80/83	LN-LNT600/800 "Before 5/83"	All		E3HZ 7277-E	Round type-7 11/16" dia.-3 folds	1
80/83	L-LN-LNT-LT-LTS800/900 "Before 5/83"	All			4 1/2" high, 4 nibs	1
80/83	L-LT900 -- 6 cyl. 893 Cat. "Before 5/83"	All				1
80/83	LN-LNT-LTS900 -- diesel "Before 5/83"	8			use w/Fuller RT0 958LL trans.	1
80/87	F-FT600/800	10,13			use w/Fuller 6610, 6613 trans.	1
83/88	L-LT-LTS-LN-LNT800 "From 5/83"	All	Aux.	E9HZ 7277-A		1
83/87	LN600/800 -- 8.2L non turbo "From 5/83"	All	All			1
83/88	L-LT-LTS-LN-LNT700/800 - 3208 non turbo, "From 5/83"	All	All			1
83/88	LN-LNT700/800 -- 370, 479 gas "From 5/83"	All	All			1
83/88	L-LT-LTS-LN-LNT900 - 855,3406 "From 5/83"	All	All			1
83/86	LN-LNT900 -- 8V-71 "From 5/83"	All	All			1
83/86	L-LT-LTS-LN-LNT900 - 6-71N "From 5/83"	All	All			1
83/88	LTL900 -- 855, 3406, L-10	All	All			1
87	LN-LNT800 -- 6.6, 7.8L					1
80/83	L-LT-LTS900 -- 568 Detroit, "Before 5/83"	All		D0HZ 7277-B	Round, 6 11/16" dia.-4 folds-5 1/4" high 6 nibs	1
80/83	LN-LNT900 -- 552 Det. Diesel "Before 5/83"	9	Fuller		w/Fuller 9509 trans.	1
82/83	LN800 -- 3208 Turbo "Before 5/83"					
82/83	LTL900 -- 8V-92 Det. "Before 5/83"					
83/87	LN700 -- 8.2L turbo "From 5/83"	All	All	E3HZ 7277-F	"D" shape, 5 folds, 6 nibs	1
83/	LN-LNT800 -- 3208 turbo "From 5/83"	All	All			1
83/86	LN-LNT900 -- 6V-92 turbo "From 5/83"	All	All			1
83/86	L-LT-LTS900 -- 8V-71 "From 5/83"	All	All			1
83/86	LTL900 -- 8V-92 "From 5/83"	All	All			1
89/	LL-LTL900 -- L-10	All				1
80	L-LN-LNT-LT-LTS900 -- 855 Cum. diesel	All		D0HZ 7277-C	Oval shape-9" long x 7" wide x 4 1/4" high	1
80/88	LN600/700 -- gas	4,5	535,280	E3HZ 7277-J	Oval shape, 3 folds, 4 nibs	1
83/88	L-LT-LTS800 -- gas	5	280,550 CM			1
80/88	L-LT-LTS800 -- 3208 All	5	CM,RT			1
80/88	L-LT-LTS800 -- 3208 turbo	5	550			1
83/86	L-LT-LTS-LN-LNT800	All	Aux			1
89/	L-LT-LS-LTS800 -- 3208	All				1



**1980/  
TRUCK SERIES 600/900**

YEAR	MODEL / RESTRICTIONS	TRANS		PART NUMBER	DESCRIPTION	QTY.
		SPD	TYPE			
<b>7277 BOOT (TRANSMISSION GEARSHIFT LEVER)–Also refer to group 7220 — Cont'd</b>						
80/83	L-LT-LTS900 -- 426, 568 Detroit, 855 Cum. diesel	All	Aux.	E3HZ 7277-H	Round shape, 2 folds	1
80/83	LNT800/900 -- gas	All	Aux.			1
83/86	LN-LNT800		Aux.			1
83/86	L-LT-LTS800		Aux.			1
80/	C-CT600/900	All		D2KZ 7277-A		1
86/	CF600/700	5	Clark	E6HZ 7277-A		1
80/	CL-CLT900	All	All	D8HZ 7277-A		1
<b>7277 BOOT (GEARSHIFT LEVER TO HOUSING)</b>						
80	L-LT800 -- diesel	5		C1TB 7B059-A	7 1/2" long x 3 31/32" wide x 5" high—with Orschein brake	1
<b>7277 BOOT (PARKING BRAKE COVER)–Also refer to group 2A713</b>						
80	C-CT600/900			B9C 7277-A		1
<b>7277 BOOT (TRANSMISSION REAR CROSS SHAFT)</b>						
80/	C-CT600/900			C2TZ 7277-E	11 1/2" x 10 3/8"–with 4 1/4" and 6 3/8" openings	1
<b>7L285 INSULATOR (TRANSMISSION GEARSHIFT)</b>						
80/	CL-CLT900	All		E0HZ 7L285-A		1
<b>7C286 SPACER (TRANSMISSION MOUNTING)</b>						
80/	LNT-LT-LTS900 -- diesel	7		D1HZ 7C286-A	1" dia. pipe–1 1/2" long–use w/Dana (Spicer) SST 1007,1107, 1372 trans.	2
80/	L-LN-LT900 -- diesel	7,10, 13			Use w/Dana (Spicer) SST1007 Fuller 9513, 12510, 12513 trans.	2
80/86	L-LN-LNT-LT900 -- 8 cyl. 568 Detroit diesel	9,10			use w/Fuller 1110, 9509 trans.	1
80/	L-LN-LNT-LT-LTS900 6 cyl. Cummins diesel	6,9 10, 13			Use w/Fuller 906, 910, 1110, 9513 and Dana (Spicer) SST1010–2A trans.	1
80/	LNT900	All			Use w/Fuller RT0 958LL trans.	2
82/	L-LT-LTS900 -- 6 cyl. 855 cummins	7	Spicer	E2HZ 7C286-A	1" O.D. pipe x 2" long -- spicer SST 1372 trans.	1
85/	L-LT-LTS900 -- 6 cyl. 3406 Cat.	7	Spicer			1
<b>7K287 PIN (TRANSMISSION SHIFT PIVOT)</b>						
86/	CF600/800	All	All	E6HZ 7K287-A	Long	2
86/	CF600/800	All	All	E6HZ 7K287-B	Short	2
<b>7288 SEAL (TRANSMISSION GEARSHIFT ROD) – refer to Parts list Section 72.1 thru 72.4</b>						
<b>7288 "O" RING KIT</b>						
80/	All-Range cylinder	All		D3HZ 7288-B	# K-1450–use with Fuller trans., consists of; (1) C6TZ 7288-A, (1) C6TZ 7288-B (1) C6TZ 7B411-A	1
80/	All-splitter cylinder	All		D3HZ 7288-C	# K-1451–use with Fuller trans., consists of; (1) C6TZ 7288-D, (1) C6TZ 7B411-B, (1) C6TZ 7B411-C	1
<b>7L288 BUSHING ASSY. (TRANSMISSION GEARSHIFT DAMPER)</b>						
83/	L-LT-LTS-LN-LNT600/900	All	Fuller	E3HZ 7L288-A		1
<b>7D289 KNOB (TRANSMISSION SHIFT CONTROL VALVE)</b>						
80/	All	All	All	C6TZ 7D289-A		1
<b>7B291 TUBE (TRANSMISSION SHIFT AIR SUPPLY)–Improvise from bulk tubing (2269)</b>						
<b>7D291 BOOT (TRANS SHIFT VALVE)</b>						
82/	LTL900	15		E1HZ 7D291-A	# E1HT 7D291-AA, 18905–with Fuller RT0 12515	1
81/	C-CT-CL-CLT-L-LT-LTS-LN-LNT- 800/900 -- with air shift	All				AR
<b>7B294-8 Refer to Transmission Parts List Section 70, page 1</b>						
<b>7B303-9 Refer to Transmission Parts List Section 70, page 1</b>						
<b>7C309 PLATE ASSY. (TRANSMISSION GEARSHIFT LEVER OPENING COVER)</b>						
80/	CL-CLT900 -- Fixed cab	All	All	E0HZ 7C309-A		1
80/	CL-CLT900 -- E-Z Rider Cab	All	All	D8HZ 7C309-B	Incl. 7F182 guide	1
86/	CF600/700	5	Clark	E6HZ 7C309-A		1
<b>7B310-11 Refer to Transmission Parts List Section 70, page 1</b>						

**1980/  
TRUCK SERIES 600/900**

YEAR	MODEL / RESTRICTIONS	TRANS		PART NUMBER	DESCRIPTION	QTY.
		SPD	TYPE			
<b>7A311 BRACKET (AUXILIARY TRANSMISSION MOUNTING-FRONT)</b>						
80/86	L-LT-LTS800/900	3&4	Aux.	D0HZ 7A311-A	9 1/4" x 9 3/4" x 5/16" thick-use w/Dana	1
80/86	LNT800 -- diesel	3&4	Aux.		(Spicer) 7041, 7231, 8031 and 8341 trans.	1
80/81	C-CT800/900 -- 8 cyl gas 477,534	All				1
80/86	LNT800 -- diesel	3&4	Aux.	D4HZ 7A311-A	#D4HA 7A311-AA-"V" shape-12 7/8" wide end x 4 7/8" narrow end x 12 1/16" long x 1/4" thick	1
80/86	LNT800/900 -- gas	4	Aux.			1
80/86	L900, LT800/900	3&4	Aux.	352914-S8	(BB-504)-bolt (front bracket to trunion)- hex. head drilled end-3/4"-16 x 3 1/2"	2
80/86	L900, LT800/900	3&4	Aux.	374312-S8	(BB-450-C)-bolt (front bracket to trunion)- 3/4"-16 x 3 3/4"	2
80/86	L900, LT800/900	3&4	Aux.	356504-S	(XX-238)-washer-flat-3/4"	2
80/86	L900, LT800/900	3&4	Aux.	351125-S	(MM-62)-nut-castle-3/4"-16	2
80/86	L900, LT800/900	3&4	Aux.	72072-S	(N-62)-cotter pin-5/32" x 1 1/2"	2
<b>7B311-2 Refer to Transmission Parts List Section 70, page 1</b>						
<b>7312 VALVE ASSY. (TRANSMISSION CONTROL)-Also refer to Group 7213</b>						
80/	C700/900, L-LN-LNT- LT700/900	10		C5TZ 7312-A	On gearshift lever	1
80/	LNT-LT-LTS900 -- diesel	7			Use w/Dana (Spicer) SST1007-2A SST1207-3A	1
80/86	L-LN-LNT-LT900 568 Det. Dsl.	All			Use w/Fuller 910, 1110, 9509, 9513, 12510 and 12513, Dana (Spicer) 1010-2A trans.	1
80/	L-LT900 -- 6 cyl. 893 Cat.	All			Use w/Dana (spicer) SST1010-2A trans. and w/Fuller 9509 & 1110 trans.	1
80/	L-LN-LNT-LT-LTS -- 855 Cum.	6,7,9			Use w/Dana (Spicer) SST1007-2A trans. and w/Fuller 906 & 9509 trans.	1
80/	LT-LNT-LTS 900 -- diesel	8			use w/Fuller RTO 958LL trans.-range valve	1
80/	CL-CLT900	9,10			Use with Fuller trans.	1
80/	C-CT-L-LN-LNT-LT-LTS900 -- Gas	10		D4HZ 7312-A	3/8"-24 thread-use w/Fuller 610, 6610 trans.	1
80/	C-CT-LN-LNT600/800, L-LT-LTS800 -- diesel	13			Use w/Fuller 613, 6613 trans.	1
87/	LNT800 -- 636 Cat. diesel B600/900	10,13				1
80/	F-FT600/900 -- diesel, F700/800 -- gas, C-CT600/900			C6TZ 7312-A	Used as control valve for air brakes	1
80/	LT-LNT-LTS900 -- diesel	8			use W/Fuller RTO 958LL trans. Deep reduction shift valve	1
82/	LTL900	15		E1HZ 7312-A	Use with Fuller RTO 12515 trans.	1
<b>7312 REPAIR KIT VALVE ASSY. (TRANSMISSION CONTROLS)-Also refer to Group 7B435</b>						
80/	L-LT-LTS9000	13		D5HZ 7312-D	Used to repair valves	1
80/	LN-LNT9000	13			D4HZ 7213-G,E, D5HZ 7213-C,D	1
80/	LT-LTS800-900	13				1
80/	LNT800 -- 636 Cat. diesel	13				1
<b>7313 Refer to Transmission Parts List Section 70, page 1</b>						
<b>7A313-5 ROD (AUXILIARY TRANSMISSION GEARSHIFT CONTROL CONNECTING)</b>						
80	L900, LT-LTS800/900	3	Aux.	D3HZ 7A315-A	R.H.-#D3HA 7A314-AA 1/2" dia. rod-use w/Dana (Spicer) 7231 trans.	1
				D3HZ 7A313-A	L.H.-#D3HA 7A312-AA	1
80/86	L900, LT-LTS800/900	4	Aux.	D3HZ 7A315-B	R.H.-#D3HA 7A314-BA 1/2" dia. rod-incl. clevis-use w/Dana (Spicer) 7041 trans.	1
				D3HZ 7A313-B	L.H.-#D3HA 7A312-BA	1
80/86	L-LT-LTS900 -- diesel	3&4	Aux.	D1HZ 7A315-A	R.H.-#D1HA 7A314-AA 1/2" dia. rod x 41 21/32" long-use w/Dana (Spicer) 8031, 8341 aux. and Fuller 905, Dana (Spicer) 8552 main trans.	1
				D1HZ 7A313-A	L.H.-#D1HA 7A312-AA	1

**1980/  
TRUCK SERIES 600/900**

YEAR	MODEL / RESTRICTIONS	TRANS		PART NUMBER	DESCRIPTION	QTY.
		SPD	TYPE			
<b>7A313-5 ROD (AUXILIARY TRANSMISSION GEAR SHIFT CONTROL CONNECTING) — Cont'd</b>						
80/86	L900, LT-LTS800/900	3&4	Aux.	D3HZ 7A315-C	R.H.-# D3HA 7A314-CA 1/2" dia. rod x 18" long-incl. clevis use w/Dana (Spicer) 8031, 8341 aux. and Clark 385, Dana (Spicer) 5000, 6000 main trans.	1
				D3HZ 7A313-C	L.H.-# D3HA 7A312-CA	1
80/86	LNT800 -- diesel	4	Aux.	D4HZ 7A315-A	R.H.-# D4HA 7A314-AA-3/4" dia. rod x 29 9/16" long-incl. clevis-use w/Dana (Spicer) 7041 trans.	1
				D4HZ 7A313-A	L.H.-# D4HA 7A312-AA	1
80/86	LNT800/900 -- gas	4	Aux.			1
80	LNT800 -- diesel	3	Aux.	D4HZ 7A315-C	R.H.-# D4HA 7A314-CA-3/4" dia. rod x 32 5/8" long-incl. clevis-use w/Dana (Spicer) 7231 trans.	1
				D4HZ 7A313-C	L.H.-# D4HA 7A312-CA	1
80/86	LNT800 -- diesel	3&4	Aux.	D4HZ 7A315-B	R.H.-# D4HA 7A314-BA-3/4" dia. rod x 29 3/4" long-incl. clevis-use w/Dana (Spicer) 8031 and 8341 trans.	1
				D4HZ 7A313-B	L.H.-# D4HA 7A312-BA	1
82/86	LN-LNT600/900 -- Cat. 3208 Turbo	4	Aux.	E2HZ 7A315-B	R.H.-# E2HT 7A314-BA-incl. clevis-use w/Dana (Spicer) 8341 trans.	1
				E2HZ 7A313-B	L.H.-# E2HT 7A312-BA	1
<b>7B313-7316 Refer to Transmission Parts List Section 70, page 1</b>						
<b>7F316 SHIELD ASSY. (TRANSMISSION NOISE INSULATOR)</b>						
80/	CL-CLT900 -- 6&8 cyl. Dsl.	All	All	D9HZ 7F316-K	R.H.	1
80/81	CL-CLT900 -- 6&8 cyl. Dsl.	All	All	D9HZ 7F316-S	Lower	2
80/81	LTS900 -- 426 Det.w/straight or variable type frame	All	Fuller	★ D9HZ 7F316-A	R.H.-N.R. (4/87)	1
				D9HZ 7F316-B	L.H.	1
80/86	LN-LNT900 -- 568 Det. (8V-71T) w/straight or drop type frame	All	Fuller	D9HZ 7F316-E	R.H.	1
				D9HZ 7F316-F	L.H.	1
80/86	LN-LNT900 -- 552 Det. (6V-92)	All	All			
80/	L-LT-LN-LNT900 -- 568 Det. (8-V71N & 8-V71TT) 426 Det. & 893 Cat.	All	Fuller	D9HZ 7F316-L	R.H.	1
				D9HZ 7F316-M	L.H.	1
82/	LTL900	All	All			1
80/	L-LT-LTS-LN-LNT900 -- 893 Cat. ,426 Det. & 568 Det.(8-V71N & 8-V71TT)-w/o 100 gal. fuel tanks	All	Fuller	D9HZ 7F316-J	Lower	1
80/86	LN-LNT900 -- 552 Det. (6V-92)	All	All			
82/	LTL900	All	All			1
80/86	LN-LNT900 -- 568 Det. (8V-71T)	All	Fuller	D9HZ 7F316-N	Lower	1
80/86	LN-LNT900 -- 552 Det. (6V-92)	All	All			
80/	L-LT900 -- All diesels with 100 Gal. fuel tank	All	All	D9HZ 7F316-P	Lower rear	1
82/	LTL900	All	All			1
80/	L-LT900 -- All diesels with 100 gal. fuel tank	All	All	D9HZ 7F316-R	Lower front	1
82/	LTL900	All	All			1
<b>7B320-7325 Refer to Transmission Parts List Section 70, page 1</b>						
<b>7F325 BRACKET ASSY. (TRANSMISSION INSULATOR SHIELD)</b>						
80/	CL-CLT900	All	All	D8HZ 7F325-A		1
<b>7F327 BRACE (TRANSMISSION NOISE INSULATOR SHIELD)</b>						
80/	CL-CLT900	All	All	D8HZ 7F327-A		1

**1980/  
TRUCK SERIES 600/900**

YEAR	MODEL / RESTRICTIONS	TRANS		PART NUMBER	DESCRIPTION	QTY.
		SPD	TYPE			
7330-7B331 Refer to Transmission Parts List Section 70, Page 1						
7B332 COVER (TRANSMISSION REAR CROSS SHAFT HOUSING) - refer to Trans. Parts List Sect. 70, Page 1 Also refer to 72.1 thru 72.4 Parts List						
7B333 BRACKET (TRANSMISSION SHIFT LEVER VALVE) - Also refer to Trans. Parts List Sect. 70, Page 1						
80/	LT-LTS800/900,LNT800	13		D4HZ 7B333-A	#16914	1
80/	C-CT-L-LN-LNT-LT-LTS900 - - Gas, C-CT-LN-LNT600/800, L-LT-LTS800 - - diesel	10				1
7B335 Refer to Transmission Parts List Section 70, page 1						
7340 SHAFT (TRANSMISSION GEARSHIFT SOCKET)						
80/	CL-CLT900	All	All	D8HZ 7340-A		1
7B341-2 Refer to Transmission Parts List Section 70, page 1						
7C345 WEDGE (TRANSMISSION REAR SUPPORT)						
81/	LTL900	All		E1HZ 7C345-AA		2
7353 SLEEVE (ACCELERATOR PEDAL TO LOWER SHAFT LEVER ROD)						
80/	C CT600/900	All		2J 7353-A		1
7353 SLEEVE (TRANSMISSION GEARSHIFT CONNECTING ROD ADJUSTMENT)						
80/	C600/800	All		2J 7353-A	5/16"-24 internal thread-"T" type	1
7B353-63 Refer to Transmission Parts List Section 70, page 1						
7358 SHAFT (TRANSMISSION OUTER SHIFT FRONT) - refer to 72.1 thru 72.4 Parts List						
7D359 SHIELD (TRANSMISSION GEAR SHIFT OPENING HEAT)						
83/	F-FT600/900 - - Diesel	All	All	E3HZ 7D359-A		1
				382913-S	(SS-48-D) Rivet 5/32"-attach 7D359 to 12110	3
7R361 YOKE (TRANSMISSION GEAR SHIFT)						
86/	CF600/700	5	Clark	E6HZ 7R361-A		1
7B364-5 Refer to Transmission Parts List Section 70, page 1						
7B365 SUPPORT (CLUTCH RELEASE SHAFT BRACKET)						
80/	LN-LNT900 - - 6 cyl. Cum. diesel-(NTC-350)	All		D5HZ 7B365-A		1
7E366 ADAPTER (TRANSMISSION GEARSHIFT LEVER BALL)						
80/	L-LN-LNT-LT-LTS800/900	All		D4HZ 7E366-A	3/8"-24 to 1/2" thread-use w/Fuller trans.	1
80/	L-LN-LNT-LT-LTS800/900	All		D4HZ 7E366-B	1/2"-13 to 3/8"-24 thread-use w/Fuller trans.	1
7A370 ARM (TRANSMISSION SHIFT CONTROL FRONT ROD TO CRANK)						
80/	C-CT600/900	All		D0HZ 7A370-A	7" long x 2 3/4" wide	1
				87901-S8	(I-1)-fitting-lubricator-straight-1/8"	1
				372538-S	(NN-73)-pin-grooved-5/16" x 1 3/4"	1
7A371 BRACKET (TRANSMISSION SHIFT CONTROL ROD)						
80/	C-CT600/900	All		D0HZ 7A371-A	"U" shape-6" long x 4 45/64" x 3 3/4"	1
				351385-S7	(XX-158)-flatwasher-used as spacer between bracket and crossmember-3/8"	2
86/87	CF600/700	5		E6HZ 7A371-A	Use with CL450 series trans.	1
87/	CF600/800	5,6		E7HZ 7A371-A	Use with CL550, 5106, 6105, 6106, 4005, 5005 trans.	
80/	CL-CLT900 - - Cum. Dsl.	All		D8HZ 7A371-A		1
80/	CL-CLT900 - - Cat. Dsl.	All		D8HZ 7A371-B		1
80/86	CL-CLT900 - - Det. Dsl.	9,10, 13	Fuller	D8HZ 7A371-C		1
80/86	CL-CLT900 - - Det. Dsl.	6	Spicer	D8HZ 7A371-D		1
7B371-2 Refer to Transmission Parts List Section 70, page 1						

1980/  
TRUCK SERIES 600/900

YEAR	MODEL / RESTRICTIONS	TRANS		PART NUMBER	DESCRIPTION	QTY.
		SPD	TYPE			
<b>7E373 INSULATOR (TRANSMISSION REAR MOUNT)</b>						
80/	L-LN-LNT-LT-LTS800/900			D0HZ 7E373-A	3/4" I.D. x 3" O.D.-approx. 1 7/16" thick	AR
80/	L-LN-LNT-LT-LTS900			D1HZ 7E373-A	3/4" I.D. x 3" O.D. x 29/64" thick	AR
82/	L-LT-LTS900 - - 6 cyl. 855 Cums	7	Spicer	E2HZ 7E373-A	#E1HT 7E373-AA-3" long x 1 1/2" wide	1
85/	L-LT-LTS900 - - 6 cyl. 3406 Cat.	7	Spicer		x 11/16" thick	1
<b>7A375 CRANK (TRANSMISSION CROSS SHAFT)</b>						
80/	C-CT600/900	All		D0HZ 7A375-A	6 19/64" long	1
<b>7C389 VALVE TRANSMISSION CONTROL</b>						
80	L-LN-LNT-LT900 - - diesel	16		D0HZ 7C389-A		1
82/	L-LT-LTS-LTL800/900	7	1207	E2HZ 7C389-A		1
82/	LN-LNT600/900					
<b>7E397 SEAL (TRANSMISSION GEARSHIFT SOCKET SHAFT)</b>						
80/	CL-CLT900	All		D8HZ 7E397-A		1
<b>7410 ARM (TRANSMISSION GEARSHIFT ROCKER) - refer to Transmission parts list section 70, page 1, and Sec. 72.1 thru 72.4</b>						
<b>7E434 BRACKET ASSY. (TRANSMISSION TORQUE LIMITER CLUTCH)</b>						
80/	CL-CLT900	All		D8HZ 7E434-A	2" input shaft size, paper faced, replaces metal faced	1
81/	L-LT-LTL-LTS-LN-LNT900	All				
87/	CF600/800	All		E7HZ 7E434-A	1.75" input shaft, paper faced, replaces metal faced	1
87/	B-F600/800 - - 6.6, 7.8L	All				1
87/	L-LT-LTS-LN-LNT800/900 - - 6.6, 7.8L	All				1
<b>7B435-6 Refer to Transmission Parts List Section 70, page 1</b>						
<b>7E442 REINFORCEMENT (TRANSMISSION CROSS SHAFT SUPPORT)</b>						
80/	C-CT600/900	All		D1HZ 7E442-B	7 3/16" long x 7/8" wide x 5/64" thick	1
<b>7K450 Spacer (Transmission Support Bracket)-Improvise</b>						
<b>7K451 WASHER (TRANSMISSION SHIFT CONTROL)</b>						
87/	CF600/800	All		E8HZ 7K451-A	Nylon	2
<b>7K453 NUT (TRANSMISSION GEARSHIFT LEVER YOKE)</b>						
80/	CL-CLT900	All		D8HZ 7K453-A		1
<b>7A459 BEARING ASSY. (TRANSMISSION SHIFT CONTROL ROD)</b>						
80/	C-CT600/900	All		B9TT 7A459-A	4" x 2 3/4" x 1.56"-(2) 25/64" holes	2
				87901-S8	(I-1)-fitting-lubricator-straight-1/8"	2
				20389-S8	(B-171)-bolt (bearing to bracket)-hex. head-3/8"-24 x 1"	4
				33800-S8	(M-63)-nut-3/8"-24	4
				34807-S8	(X-66)-lockwasher-3/8"	4
<b>7A459 BEARING ASSY. (TRANSMISSION CLUTCH RELEASE SHAFT)</b>						
80/	CL-CLT900 - - w/Mech Cl-Cntl	All	All	D8HZ 7A459-A		1
<b>7K476 BRACKET (DEEP REDUCTION SHIFT VALVE)</b>						
80/	LN-LNT-LNTS900 - - diesel	8	All	D7HZ 7K476-A	Use w/RT0 958LL trans.	1
82/	LTL900	15			Use w/RT0 12515 trans.	1
83/87	FT800/900	5	Spicer	E3HZ 7K476-A	"FRENCH" label, use w/CM5510 trans	1
				E3HZ 7K476-B	"ENGLISH" label, use w/CM5510 trans	1
<b>7482 Refer to Transmission Parts List Section 70, page 1</b>						

# 1980/ TRUCK SERIES 600/900

## HOW TO FIND SERVICE PART NUMBERS FOR COMPONENTS OF GEARSHIFT TOWERS OR AUXILIARY GEARSHIFTS

1. Locate the number shown in the space marked "Gearshift Tower Assy." or "Auxiliary Gearshift Assy." on the Truck Specification List (T.S.L.)
2. Use the Cross-Reference below to find the Parts List Number. (T.S.L. number 7202 and 7210 have direct cross-reference to a service part number)
3. Refer to the appropriate parts list and select the desired component parts

**GEARSHIFT TOWER T.S.L.† CROSS REFERENCE GUIDE**  
† TRUCK SPECIFICATION LIST INCLUDED IN KENTUCKY BUILT TRUCKS

T.S.L. NUMBER	PARTS LIST NUMBER	ILLUSTRATION		T.S.L. NUMBER	PARTS LIST NUMBER	ILLUSTRATION			
		SECTION	PAGE			SECTION	PAGE		
D0HA	7D088-A	72.2A	72.1	2	D6HA	7201-AZA	72.4N	72.1	7,8
D3HA	7D088-AA	72.2A	72.1	2	D6HS	7201-MA	72.4A	72.1	15
D4HA	7D088-AA	72.2B	72.1	2	D7HA	7201-AA	72.4N	72.1	8
E2HT	7D088-AA	72.2B	72.1	2	D7HA	7201-BA	72.4N	72.1	8
C8HA	7B101-A	72.3A	72.1	2	D7HA	7201-CA	72.4N	72.1	8
C8HA	7B101-H	72.3G	72.1	2	D7HS	7201-DA	72.4X	72.1	8
D0HA	7B101-C	72.3F	72.1	1	D9HT	7201-CA	72.4N	72.1	7
D1HS	7B101-EA	72.3K	72.1	3	D9HT	7201-DA	72.4N	72.1	7
D3HA	7B101-AA	72.3H	70.4	1	D9HT	7201-HA	72.4H	70.5	15
D6HA	7B101-AA	72.3B	72.1	2	D9HT	7201-JA	72.4H	70.5	15
D7HA	7B101-BA	72.3C	72.1	2	D9HT	7201-KA	72.4A	72.1	15
D7HT	7B101-EA	72.3P	72.1	3	E0HT	7201-BB	72.4S	72.1	5
D7HT	7B101-GA	72.3N	72.1	3	E0HT	7201-HB	72.4T	72.1	5
E3HT	7B101-AA	72.3H	70.4	1	E0HT	7201-JB	72.4U	72.1	5
E5HT	7B101-AA	72.3M	72.1	10	E0HT	7201-KB	72.4V	72.1	7
D8HT	7B124-AA	72.2C	72.1	18	E0HT	7201-MB	72.4W	72.1	7
D8HT	7B124-BA	72.2C	72.1	18	E1HT	7201-EB	72.4A	72.1	15
E4HT	7B124-AA	72.2C	72.1	18	E1HT	7201-EC	72.4A	72.1	15
E4HT	7B124-BA	72.2C	72.1	18	E1HT	7201-FB	72.4M	72.1	15
D3HA	7201-HA	72.4L	72.1	5	EDE1HT	7201-FB	72.4M	72.1	15
D3HA	7201-JA	72.4L	72.1	5	E1HT	7201-GA	72.4X	72.1	11
D3HA	7201-KA	72.4L	72.1	5	E1HT	7201-HA	72.4A	72.1	15
D3HA	7201-LA	72.4L	72.1	5	E2HT	7201-AA	72.4A	72.1	15
D3HA	7201-MA	72.4K	72.1	5	E3HT	7201-AA	72.4W	72.1	7
D3HA	7201-RA	72.4K	72.1	5	E3HT	7201-CA	72.4K	70.5	15
D3HA	7201-SA	72.4K	72.1	5	E3HT	7201-EA	72.4W	72.1	7
D3HA	7201-UA	72.4K	72.1	5	E3HT	7201-GA	72.4K	70.5	15
D3TA	7201-DA	72.4D	72.1	5	E3HT	7201-JA	72.4A	72.1	15
D5HA	7201-GA	72.4R	72.1	10	E3HT	7201-LA	72.4A	72.1	15
D5HA	7201-HA	72.4R	72.1	10	E3HT	7201-MA	72.4A	72.1	15
D6HA	7201-MA	72.4J	72.1	14	E3HT	7201-NA	72.4A	72.1	15
D6HA	7201-NA	72.4J	72.1	15	E3HT	7201-SA	72.4A	72.1	15
D6HA	7201-RA	72.4J	72.1	15	E3HT	7201-UA	72.4A	72.1	15
D6HA	7201-SA	72.4J	72.1	15	E3HT	7201-VA	72.4A	72.1	15
D6HA	7201-TA	72.4J	72.1	15	E3HT	7201-YA	72.4A	72.1	15
D6HA	7201-YA	72.4J	72.1	15	E3HT	7201-ZA	72.4A	72.1	15
D6HA	7201-ZA	72.4J	72.1	15	E3HT	7201-AAA	72.4A	72.1	15
D6HA	7201-AAA	72.4J	72.1	15	E3HT	7201-ABA	72.4M	72.1	15
D6HA	7201-ADA	72.4J	72.1	14	E3HT	7201-ADA	72.4A	72.1	15
D6HA	7201-AEA	72.4J	72.1	15	E4HT	7201-AC	72.4A	72.1	15
D6HA	7201-AFA	72.4J	72.1	15	EDE4HT	7201-AC	72.4A	72.1	15
D6HA	7201-AGA	72.4J	72.1	15	E4HT	7201-BA	72.4Y	72.1	20
D6HA	7201-AHA	72.4J	72.1	15	E4HT	7201-BB	72.4Y	72.1	20
D6HA	7201-AJA	72.4J	72.1	15	E4HT	7201-CA	72.4Y	72.1	20
D6HA	7201-AMA	72.4N	72.1	7	E4HT	7201-DA	72.4Y	72.1	20
D6HA	7201-ASA	72.4N	72.1	7	E4HT	7201-EA	72.4Y	72.1	20
D6HA	7201-ATA	72.4N	72.1	7	E4HT	7201-FA	72.4Y	72.1	20
D6HA	7201-AUA	72.4N	72.1	7,8	E4HT	7201-GA	72.4Y	72.1	20
D6HA	7201-AVA	72.4N	72.1	7,8	E4HT	7201-HA	72.4A	72.1	15
D6HA	7201-AYA	72.4N	72.1	7,8	E4HT	7201-JA	72.4A	72.1	15

1980/  
TRUCK SERIES 600/900

GEARSHIFT TOWER T.S.L.† CROSS REFERENCE GUIDE

† TRUCK SPECIFICATION LIST INCLUDED IN KENTUCKY BUILT TRUCKS

T.S.L. NUMBER	PARTS LIST NUMBER	ILLUSTRATION		T.S.L. NUMBER	PARTS LIST NUMBER	ILLUSTRATION	
		SECTION	PAGE			SECTION	PAGE
E5HT 7201-BA	72.4Z	72.1	20	E7HT 7201-AZA	72.4AC	72.1	15
E7HT 7201-AA	72.4AA	72.1	5	E7HT 7201-BCA	72.4AC	72.1	15
E7HT 7201-BA	72.4AA	72.1	5	E7HT 7201-BDA	72.4AC	72.1	15
E7HT 7201-GA	72.4AC	72.1	15	E7HT 7201-BEA	72.4AC	72.1	15
E7HT 7201-HA	72.4AB	72.1	5	E7HT 7201-BFA	72.4AC	72.1	15
E7HT 7201-HB	72.4AB	72.1	5	E7HT 7201-BGA	72.4AC	72.1	15
E7HT 7201-JA	72.4AB	72.1	5	E7HT 7201-BHA	72.4AC	72.1	15
E7HT 7201-KA	72.4AD	72.1	15	E7HT 7201-BHB	72.4AC	72.1	15
E7HT 7201-LA	72.4AB	72.1	5	E7HT 7201-BJA	72.4AC	72.1	15
E7HT 7201-MA	72.4AA	72.1	5	E7HT 7201-BKA	72.4AC	72.1	15
E7HT 7201-SA	72.4AB	72.1	5	E7HT 7201-BLA	72.4AC	72.1	15
E7HT 7201-TA	72.4AD	72.1	15	E7HT 7201-BMA	72.4AC	72.1	15
E7HT 7201-UA	72.4AB	72.1	5	E7HT 7201-BNA	72.4R	72.1	10
E7HT 7201-YA	72.4AB	72.1	5	★E7HT 7201-BRA	Use E7HT-YA		
E7HT 7201-AAA	72.4AB	72.1	5	E7HT 7201-BTA	72.4AA	72.1	5
E7HT 7201-ACA	72.4AB	72.1	5	E7HT 7201-BUA	72.4AA	72.1	5
E7HT 7201-AEA	72.4AD	72.1	15	E8HT 7201-FA	72.4AE	72.1	5
E7HT 7201-AHA	72.4AC	72.1	15	E8HT 7201-GA	72.4AE	72.1	5
E7HT 7201-AJA	72.4AC	72.1	15	E9HT 7201-GA	72.4A	72.1	15
E7HT 7201-ALA	72.4AA	72.1	5	E9HT 7201-JB	72.4A	72.1	15
E7HT 7201-ATA	72.4R	72.1	10	E9HT 7201-KB	72.4A	72.1	15
E7HT 7201-AUA	72.4AC	72.1	15	E9HT 7201-NA	72.4V	72.1	7
E7HT 7201-AVA	72.4AC	72.1	15	E9HT 7201-RA	72.4AA	72.1	5
E7HT 7201-AVB	72.4AC	72.1	15	E9HT 7201-SA	72.4A	72.1	15
E7HT 7201-AYA	72.4AC	72.1	15	E9HT 7201-TA	72.4A	72.1	15
				E9HT 7201-UA	72.4L	72.1	5
				E9HT 7201-VA	72.4L	72.1	5

DESCRIPTION/RESTRICTIONS	PART NUMBER	GEARSHIFT TOWER PARTS LIST 2A THRU 2M												
		A	B	C	D	E	F	G	H	J	K	L	M	
BRACKET (SHIFT CONTROL LEVER) 7B013														
Use w/gearshift assy. ident. D0HA 7D088-A, D4HA 7D088-AA	C6TZ 7B013-A	A	B											
Use w/gearshift assy. ident. D3HA 7D088-AA	D0HZ 7B013-A	A												
	D8HZ 7B013-A			C										
PIN (GEARSHIFT LEVER TRUNNION) C1TT 7B073-C		2	2											
BUSHING (SHIFT LEVER) 7K192														
	D8HZ 7K192-A			C										
	D8HZ 7K192-B			C										
LEVER (GEARSHIFT) 7210														
Use w/gearshift assy. ident. D0HA 7D088-A	D0HZ 7210-BK	A												
Use w/gearshift assy. ident. D4HA 7D088-AA	D4HZ 7210-F		B											
Use w/gearshift assy. ident. E2HT 7D088-AA	E2HZ 7210-B		B											
Use w/gearshift assy. ident. D3HA 7D088-AA	D3HZ 7210-G	A												
Use w/gearshift assy. ident. D8HT 7B124-AA	D8HZ 7210-A			C										
Use w/gearshift assy. ident. D8HT 7B124-BA	D8HZ 7210-B			C										
Use w/gearshift assy. ident. E4HT 7B124-AA	E4HZ 7210-Y			C										
Use w/gearshift assy. ident. E4HT 7B124-BA	E4HZ 7210-Z			C										
SEAL (SHIFT LEVER) 7220														
	D8HZ 7220-A			C										
SPRING (GEARSHIFT LEVER) B4Q 7227-A		A	B											
COLLAR (SHIFT LEVER SPRING) 7228														
	D8HZ 7228-A			C										
WASHER (SHIFT LEVER) 7K229														
	D8HZ 7K229-A			C										
	D8HZ 7K229-B			C										
SHAFT (SHIFT LEVER) 7340														
	D8HZ 7340-A			C										
NUT (SHIFT LEVER) 7K453														
	D8HZ 7K453-A			C										
ROD (DIRECT and OVERDRIVE GEARSHIFT CONTROL SLIDE) 7959														
Use w/gearshift assy. ident. D0HA 7D088-A, D4HA 7D088-AA	B4Q 7959-A	A	B											
Use w/gearshift assy. ident. D3HA 7D088-AA	D0HZ 7959-A	A												
ROD (UNDERDRIVE GEARSHIFT CONTROL SLIDE) 7969														
Use w/gearshift assy. ident. D0HA 7D088-A, D4HA 7D088-AA	B4Q 7969-A	A	B											
Use w/gearshift assy. ident. D3HA 7D088-AA	D0HZ 7969-A	A												
Pin-cotter-1/8" x 2"	72107-S(N-56)	A	B											
Pin-straight-1/4" x 2 9/16"	351814-S8(NN-145)	A	B											



**1980/  
TRUCK SERIES 600/900**

**REAR CROSS SHAFT HOUSING**

DESCRIPTION/RESTRICTIONS	PART NUMBER	GEARSHIFT TOWER PARTS LIST 3A THRU 3M												
		A	B	C	D	E	F	G	H	J	K	L	M	
BREATHER (REAR CROSS SHAFT HOUSING)	C0TT 4022-A	A	B	C				G	H					
SHAFT (REAR CROSS)	7B009													
	C8HZ 7B009-A	A	B	C				G	H				M	
	D0HZ 7B009-A						F					K		
VENT ASSY. (HOUSING)	C7TZ 7034-A						F					K		
SCRAPER (REAR CROSS SHAFT)	D0TZ 7052-A						F							
SNAP RING (REAR CROSS SHAFT)	D2HZ 7064-A						F					K		
LEVER (REMOTE CONTROL SELECTOR UPPER)	7A081													
	C8HZ 7A081-J	A							H					
	C8HZ 7A081-G		B										M	
	C8HZ 7A081-K			C										
	C8HZ 7A081-H							G						
LEVER (REMOTE CONTROL SHIFT)	7A081													
	C8HZ 7A081-C	A							H					
	C8HZ 7A081-B		B					G					M	
	C8HZ 7A081-A			C										
HOUSING (REAR CROSS SHAFT)	7B102													
	C8HZ 7B102-B	A	B	C				G	H				M	
	D0HZ 7B102-A						F							
	D8HZ 7B102-A											K		
FINGER (SHIFT CONTROL INNER)	7B109													
	D0HZ 7B109-B						F					K		
	C2TZ 7B109-A							G						
	D4HZ 7B109-B												M	
GASKET (REMOTE CONTROL HOUSING)	D0HZ 7207-A						F					K		
	D4HZ 7207-B												M	
SHAFT (FIRST and REVERSE SHIFT)	D0HZ 7240-C								H					
BOOT (CROSS SHAFT)	7E242													
Front	D0HZ 7E242-B						F					K		
Rear	D0HZ 7E242-A						F					K		
Kit	D4HZ 7E242-A												M	
Seal (Control Rod Oil)	B4Q 7288-A												2	
COVER (REMOTE CONTROL HOUSING)	D0HZ 7B332-B						F					K		
	D4HZ 7B332-A												M	
SHAFT (OUTER SHIFT FRONT)	D0HZ 7358-N						F					K		
	D4HZ 7358-F												M	
BUSHING (OUTER SELECTOR SHAFT)	D0TZ 7808-A						2					2		
FINGER (SHIFTING OUTER)	D0HZ 7810-A						F					K		
	D4HZ 7810-A													
	D8HZ 7810-A												M	
FINGER (SHIFT CONTROL INNER)	7811													
	C4TZ 7811-A	A												
	B7QH 7811-B		B	C										
Use with D3HA 7B101-AA list "H"	B8QH 7811-B								H					
Use with E3HT 7B101-AA list "H"	B7QH 7811-A								H					
	E5HZ 7811-A												M	

1980/  
TRUCK SERIES 600/900

DESCRIPTION/RESTRICTIONS	PART NUMBER	GEARSHIFT TOWER PARTS LIST 3A THRU 3M												
		A	B	C	D	E	F	G	H	J	K	L	M	
FINGER (FIRST and REVERSE SHIFT)	7813													
	B7QH 7813-A		B	C										
	D0HZ 7813-A								H					
Bolt-hex. head-5/16"-18 x 3/4"	20346-S8(B-50)						4							
Nut-hex.-1/2"-20	33943-S8(M-36)	A	B											M
Nut-hex.-1/2"-13	33845-S8(M-57)		B	C										M
Nut-hex. head jam-3/8"-24	33925-S7(M-33)						4							
Nut-hex. head-3/8"-24	34445-S7-8(M-80)						4							
Lockwasher-5/16"	34806-S7(X-64)						4							
Lockwasher 1/2"	34809-S8(X-68)		B	C										M
Plug-expansion-1 1/16"	74118-S(P-6)	A	B	C				G	H					M
Plug-expansion-1 1/8"	★ 74119-S						F					K		
Key-woodruff-3/16" x 7/8"	★ 74180-S	A	B	C				G	H					M
Fitting-tube-1/8"-27	87901-S8(I-1)	2	2	2				2	2					2
Snap ring	97535-S(Q-1-X)	A	B	C				G	H					M
Bolt-hex. head-7/16"-20 x 1 5/8"	359656-S8(BB-364)	2	2	2			F	2	2			K		2
Plug-expansion-33/64"	359674-S(PP-68)		B	C										M
Bolt-hex. head-1/2"-20 x 1 5/8"	359686-S(BB-475)	A	B											M
Bolt-hex. head-7/16"-20 x 1 1/16"	371073-S(BB-539)						F					K		
Retainer-1 27/32"	371362-S(QQ-20)	A	B	C					H					M
Pin-groove-5/16" x 1 3/4"	372538-S(NN-73)	A	B	C				G	H					M
Pin-groove-5/16" x 1 1/4"	373794-S(NN-80-F)	A	B	C										M
Stud-3/8"-16 and 3/8"-24 x 1 5/8"	376282-S2(WW-32)						4							
Bolt-hex. head-1/2"-13 x 2 1/16"	381857-S8(BB-475-A)		B	C					H					M
Clamp	★ 383524-S						F					K		

NOTICE: When the parts list suffix is shown in the quantity required column, the quantity is one (1).

DESCRIPTION/RESTRICTIONS	PART NUMBER	GEARSHIFT TOWER PARTS LIST 3N THRU 3Z												
		N	P	Q	R	S	T	U	V	W	X	Y	Z	
SHAFT (REAR CROSS)	7B009													
	D8HZ 7B009-A	N												
	D8HZ 7B009-B		P											
HOUSING (REAR CROSS SHAFT)	7B102													
	D8HZ 7B102-C	N												
	D4HZ 7B102-A		P											
FINGER (SHIFT CONTROL INNER)	7B109													
	D4HZ 7B109-B	N	P											
GASKET (REMOTE CONTROL HOUSING)	7207													
	D4HZ 7207-B	N	P											
BOOT (CROSS SHAFT)	7E242													
Kit	D4HZ 7E242-A	N	P											
SEAL (CONTROL ROD OIL)	7288													
	B4Q 7288-A	2	2											
COVER (REMOTE CONTROL HOUSING)	7B332													
	D4HZ 7B332-C	N	P											
SHAFT (OUTER SHIFT FRONT)	7358													
	D4HZ 7358-F	N	P											
FINGER (SHIFT CONTROL OUTER)	7810													
	D8HZ 7810-A	N	P											

DESCRIPTION/RESTRICTIONS	PART NUMBER	GEARSHIFT TOWER PARTS LIST 4A THRU 4M												
		A	B	C	D	E	F	G	H	J	K	L	M	
HOUSING (GEARSHIFT LEVER)	7203													
	D6TZ 7203-A				D									
	D2HZ 7203-A	A								J				
Use w/Tower assy. ident. D3HA 7201-MA, RA,SA,UA, D9HT 7201 HA,JA	D6TZ 7203-C								H		K			
	D6TZ 7203-B											L		
	E1HZ 7203-A													M
Plug welch	★ 376659-S										K	L		
LEVER (GEARSHIFT)	7210													
	C8TZ 7210-AC				D									
Use w/Tower assy. ident. D6HA 7201-NA	D0HZ 7210-BW									J				
Use w/Tower assy. ident. D0HA 7201-EH	D0HZ 7210-CA									J				
Use w/Tower assy. ident. D6HA 7201-MA	D4HZ 7210-AT									J				
Use w/Tower assy. ident. D6HA 7201-RA	D4HZ 7210-AE									J				
Use w/Tower assy. ident. D6HA 7201-SA	D4HZ 7210-AC									J				
Use w/Tower assy. ident. D6HA 7201-TA	D4HZ 7210-AD									J				
Use w/Tower assy. ident. D6HA 7201-YA	D4HZ 7210-AF									J				
Use w/Tower assy. ident. D6HA 7201-ZA	D4HZ 7210-AN									J				
Use w/Tower assy. ident. D6HA 7201-AAA	D4HZ 7210-AH									J				
Use w/Tower assy. ident. D6HA 7201-ADA	D4HZ 7210-AA									J				
Use w/Tower assy. ident. D6HA 7201-AEA	D4HZ 7210-AL									J				
Use w/Tower assy. ident. D6HA 7201-AFA	D4HZ 7210-S									J				
Use w/Tower assy. ident. D6HA 7201-AGA	D4HZ 7210-AJ									J				
Use w/Tower assy. ident. D6HA 7201-AHA	D4HZ 7210-AK									J				
Use w/Tower assy. ident. D6HA 7201-AJA	D4HZ 7210-AM									J				
Use w/Tower assy. ident. D3HA 7201-RA	D0HZ 7210-F										K			
Use w/Tower assy. ident. D3HA 7201-SA	D1HZ 7210-H										K			
Use w/Tower assy. ident. D3HA 7201-UA-N/R 3/89	★ D1HZ 7210-J										K			
Use w/Tower assy. ident. D3HA 7201-MA	D1HZ 7210-K										K			
Use w/Tower assy. ident. E3HT 7201-CA	E3HZ 7210-D										K			
Use w/Tower assy. ident. E3HT 7201-GA	E3HZ 7210-E										K			
Use w/Tower assy. ident. D3HA 7201-KA	D1HZ 7210-D												L	
Use w/Tower assy. ident. D3HA 7201-HA	D1HZ 7210-F												L	
Use w/Tower assy. ident. D3HA 7201-JA	D1HZ 7210-G												L	
Use w/Tower assy. ident. D3HA 7201-LA	D1HZ 7210-L												L	
Use w/Tower assy. ident. E9HT 7201-UA	E9HZ 7210-J												L	
Use w/Tower assy. ident. E9HT 7201-VA	E9HZ 7210-K												L	
Use w/Tower assy. ident. D9HT 7201-HA	D9HZ 7210-E												L	
Use w/Tower assy. ident. D9HT 7201-JA	D9HZ 7210-F								H					
Use w/Tower assy. ident. D9HT 7201-KA	D9HZ 7210-G	A							H					
Use w/Tower assy. ident. D6HS 7201-MA	E0HZ 7210-S	A												
Use w/Tower assy. ident. E1HT 7201-EB,EC	E1HZ 7210-H	A												
Use w/Tower assy. ident. E2HT 7201-AA	E2HZ 7210-C	A												
Use w/Tower assy. ident. E1HT 7201-FB	E1HZ 7210-F													M
Use w/Tower assy. ident. ED E1HT 7201-FB	E1HZ 7210-K													M
Use w/Tower assy. ident. E1HT 7201-HA	E1HZ 7210-J	A												
Use w/Tower assy. ident. E3HT 7201-JA	E3HZ 7210-C	A												
Use w/Tower assy. ident. E4HT 7201-AC	E4HZ 7210-F	A												
Use w/Tower assy. ident. EDE4HT 7201-AC	E4HZ 7210-G	A												
Use w/Tower assy. ident. E3HT 7201-LA	E4HZ 7210-L	A												
Use w/Tower assy. ident. E3HT 7201-MA	E4HZ 7210-M	A												
Use w/Tower assy. ident. E3HT 7201-NA	E4HZ 7210-N	A												
Use w/Tower assy. ident. E3HT 7201-SA	E4HZ 7210-P	A												
Use w/Tower assy. ident. E3HT 7201-UA	E4HZ 7210-R	A												
Use w/Tower assy. ident. E3HT 7201-VA	E4HZ 7210-S	A												
Use w/Tower assy. ident. E3HT 7201-YA	E4HZ 7210-T	A												

1980/  
TRUCK SERIES 600/900

DESCRIPTION/RESTRICTIONS	PART NUMBER	GEARSHIFT TOWER PARTS LIST 4A THRU 4M												
		A	B	C	D	E	F	G	H	J	K	L	M	
LEVER (GEARSHIFT)		7210 — Cont'd												
Use w/Tower assy. ident. E3HT 7201-ZA	E4HZ 7210-U	A												
Use w/Tower assy. ident. E3HT 7201-AAA	E4HZ 7210-V	A												
Use w/Tower assy. ident. E3HT 7201-ABA	E4HZ 7210-W													M
Use w/Tower assy. ident. E3HT 7201-ADA	E4HZ 7210-X	A												
Use w/Tower assy. ident. E4HT 7201-HA	E6HZ 7210-C	A												
Use w/Tower assy. ident. E4HT 7201-JA	E6HZ 7210-D	A												
Use w/Tower assy. ident. E9HT 7201-JB	E9HZ 7210-E	A												
Use w/Tower assy. ident. E9HT 7201-KB	E9HZ 7210-F	A												
Use w/Tower assy. ident. E9HT 7201-GA	E9HZ 7210-L	A												
Use w/Tower assy. ident. E9HT 7201-SA	E9HZ 7210-M	A												
Use w/Tower assy. ident. E9HT 7201-TA	E9HZ 7210-N	A												
SPRING (LOW and REVERSE GATE PLUNGER)	C8TZ 7219-A				D							K	L	
	7EQ 7219											K	L	
Washer-flat-5/16"	44722-S8(X-19)				D							K	L	
CAP (GEARSHIFT LEVER HOUSING)		7220												
	B8QH 7220-A	A									J			M
	TGAA 7220-A				D				H			K	L	
TRUNNION (GEARSHIFT LEVER)	B8QH 7221-A									J				
PIN (GEARSHIFT LEVER)	7EQ 7221-A				2				2			2	2	
Pin Pivot	E0HZ 7221-A	A												
Pin Pivot -- 1 11/16" long-3/8-24 thd	E1HZ 7221-A													M
SPRING (GEARSHIFT LEVER)		7227												
	B8QH 7227-A	A									J			M
	C6TZ 7227-D								H			K	L	
	C8TZ 7227-A				D									
SEAT (GEARSHIFT LEVER SPRING)		7228												
	B8QH 7228-A	A									J			M
	TGAA 7228-A				D				H			K	L	
PLUNGER (GEARSHIFT LEVER)		7247												
	C8TZ 7247-A				D							K	L	
Nut-hex. head-5/16"-24	33798-S8(M-62)				D							K	L	
Pin-cotter-1/16" x 3/4"	72015-S(N-40)				D							K	L	
ARM (GEARSHIFT ROCKER)	C8TZ 7410-A				D							K	L	
Ball-3/8" steel	372720-S(AA-11)	A												

NOTICE: When the parts list suffix is shown in the quantity required column, the quantity is one (1).

DESCRIPTION/RESTRICTIONS	PART NUMBER	GEARSHIFT TOWER PARTS LIST 4N THRU 4Z															
		N	P	Q	R	S	T	U	V	W	X	Y	Z				
INSERT (GEARSHIFT LEVER DOME)	7E133																
	E4HZ 7E133-A															Y Z	
HOUSING (GEARSHIFT LEVER)	7203																
Use w/Tower assy. ident. D6HA 7201-AMA, and ASA,ATA,AUA,AYA,AZA, D9HT-CA,DA	D6HZ 7203-A	N															
	D4HZ 7203-A				R												
	D6TZ 7203-A					S		U	V								
	E0HZ 7203-A						T			W							
	E0HZ 7203-B										X						
	E4HZ 7203-A											Y					
	E5HZ 7203-A															Z	
GASKET (GEARSHIFT LEVER HOUSING CAP)	B7QH 7207-A	N			R		T			W	X	Y	Z				
	C1TT 7207-A										X						
LEVER (GEARSHIFT)	7210																
Use w/Tower assy. ident. D6HA 7201-ASA	D0HZ 7210-AY	N															
Use w/Tower assy. ident. D6HA 7201-ATA	D0HZ 7210-AZ	N															
Use w/Tower assy. ident. D6HA 7201-AMA	D1HZ 7210-C	N															
Use w/Tower assy. ident. D6HA 7201-AUA	D3HZ 7210-A	N															
Use w/Tower assy. ident. D6HA 7201-AVA	D3HZ 7210-F	N															
Use w/Tower assy. ident. D6HA 7201-AYA	D3HZ 7210-B	N															
Use w/Tower assy. ident. D6HA 7201-AZA	D3HZ 7210-C	N															
Use w/Tower assy. ident. D7HA 7201-AA	D4HZ 7210-C	N															
Use w/Tower assy. ident. D7HA 7201-BA	D4HZ 7210-B	N															
Use w/Tower assy. ident. D7HA 7201-CA	D5HZ 7210-C	N															
Use w/Tower assy. ident. D5HA 7201-HA	D5HZ 7210-D				R												
Use w/Tower assy. ident. D5HA 7201-GA	D5HZ 7210-E				R												
Use w/Tower assy. ident. E7HT 7201-BNA	E7HZ 7210-A				R												
Use w/Tower assy. ident. E7HT 7201-ATA	E7HZ 7210-AS				R												
Use w/Tower assy. ident. D9HT 7201-CA	D9HZ 7210-A	N															
Use w/Tower assy. ident. D9HT 7201-DA	D9HZ 7210-B	N															
	E0HZ 7210-H					S											
	E0HZ 7210-L						T										
	E0HZ 7210-J							U									
Use w/Tower assy. ident. E0HT 7201-KB	E0HZ 7210-K								V								
Use w/Tower assy. ident. E9HT 7201-NA	E9HZ 7210-G								V								
Use w/Tower assy. ident. E0HT 7201-MB	E0HZ 7210-M									W							
Use w/Tower assy. ident. E3HT 7201-AA	E3HZ 7210-A									W							
Use w/Tower assy. ident. E3HT 7201-EA	E3HZ 7210-B									W							
Use w/Tower assy. ident. D7HS 7201-DA	E0HZ 7210-U										X						
Use w/Tower assy. ident. E1HT 7201-GA	E1HZ 7210-E										X						
Use w/Tower assy. ident. E4HT 7201-BA	E4HZ 7210-J											Y					
Use w/Tower assy. ident. E4HT 7201-BB	E4HZ 7210-J											Y					
Use w/Tower assy. ident. E4HT 7201-CA	E4HZ 7210-H											Y					
Use w/Tower assy. ident. E4HT 7201-DA	E4HZ 7210-C											Y					
Use w/Tower assy. ident. E4HT 7201-EA	E4HZ 7210-D											Y					
Use w/Tower assy. ident. E4HT 7201-FA	E4HZ 7210-H											Y					
Use w/Tower assy. ident. E4HT 7201-GA	E4HZ 7210-H											Y					
Use w/Tower assy. ident. E5HT 7201-BA	E5HZ 7210-A															Z	
CAP (GEARSHIFT LEVER HOUSING)	7220																
Steel	B7QH 7220-A	N			R		T			W	X	Y	Z				
Rubber	C6TZ 7220-A				R						X						
	TGAA 7220-A					S		U	V								
PIN (GEARSHIFT LEVER PIVOT)	7221																
	7EQ 7221					2		2	2								

1980/  
TRUCK SERIES 600/900

GEARSHIFT TOWER

DESCRIPTION/RESTRICTIONS	PART NUMBER	GEARSHIFT TOWER PARTS LIST 4N THRU 4Z												
		N	P	Q	R	S	T	U	V	W	X	Y	Z	
SPRING (GEARSHIFT LEVER)	7227													
	B7QH 7227-A	N			R		T			W	X	Y	Z	
	C8TZ 7227-A					S		U	V					
COLLAR (GEARSHIFT LEVER SPRING)	7228-A													
	B7QH 7228-A	N			R		T			W	X	Y	Z	
	TGAA 7228-A					S		U	V					
Pin-5/32" x 1 1/16"	370583-S(NN-141)	N			R		T			W	X	Y	Z	
SHAFT (GEARSHIFT LEVER)	7240-A													
	B7QH 7240-A	N			R		T			W	X	Y	Z	
Snap ring-2 9/16" I.D. x 2 13/32" O.D.	370582-S(QQ-61)	N			R		T			W	X	Y	Z	
PLUNGER (GEARSHIFT LEVER)	7247-B													
	B7QH 7247-B	N												
0" ring Seal, 1 1/2 I.D. x 1 5/8 O.D.	7288-A											Y	Z	
	E4HZ 7288-A													
FINGER (FIRST AND REVERSE SHIFT)	7813-A													
	B7QH 7813-A	N												
Nut-hex.head-1/2"-20	34032-S(M-9)	N												
Lockwasher-1/2"	34809-S7(X-68)	N												
Stud-hex.head-1/2"-20 x 1 5/8"	359686-S(BB-475)	N												

NOTICE: When the parts list suffix is shown in the quantity required column, the quantity is one (1).

DESCRIPTION/RESTRICTIONS	PART NUMBER	TRANSMISSION PARTS LISTS 4AA THRU 4AM												
		AA	AB	AC	AD	AE	AF	AG	AH	AJ	AK	AL	AM	
GASKET (SHIFT LEVER HOUSING)	7185													
	E7HZ 7185-A				AD									
HOUSING (GEARSHIFT LEVER)	7203													
	E7HZ 7203-A	AA												
	D6TZ 7203-A		AB											
	F1HZ 7203-A			AC										
	E7HZ 7203-B				AD									
Use with E8HT 7201-GA	E9HZ 7203-A					AE								
Use with E8HT 7201-FA	E9HZ 7203-B					AE								
LEVER (GEARSHIFT)	7210													
Use w/Tower assy. ident. E7HT 7201-AA	E9HZ 7210-S	AA												
Use w/Tower assy. ident. E7HT 7201-BA	E7HZ 7210-V	AA												
Use w/Tower assy. ident. E7HT 7201-MA	F1HZ 7210-W	AA												
Use w/Tower assy. ident. E7HT 7201-ALA	F1HZ 7210-D	AA												
Use w/Tower assy. ident. E7HT 7201-BTA	E7HZ 7210-WA	AA												
Use w/Tower assy. ident. E7HT 7201-BUA	E7HZ 7210-XA	AA												
Use w/Tower assy. ident. E9HT 7201-RA	E9HZ 7210-H	AA												
Use w/Tower assy. ident. E7HT 7201-HA	E7HZ 7210-TA		AB											
Use w/Tower assy. ident. E7HT 7201-JA	E7HZ 7210-E		AB											
Use w/Tower assy. ident. E7HT 7201-LA	E7HZ 7210-R		AB											
Use w/Tower assy. ident. E7HT 7201-SA	E7HZ 7210-D		AB											
Use w/Tower assy. ident. E7HT 7201-UA	E7HZ 7210-S		AB											
Use w/Tower assy. ident. E7HT 7201-YA	E9HZ 7210-P		AB											
Use w/Tower assy. ident. E7HT 7201-AAA	E7HZ 7210-B		AB											
Use w/Tower assy. ident. E7HT 7201-ACA	E7HZ 7210-K		AB											
Use w/Tower assy. ident. E7HT 7201-HB	E7HZ 7210-TA		AB											
Use w/Tower assy. ident. E7HT 7201-GA	E7HZ 7210-F			AC										
Use w/Tower assy. ident. E7HT 7201-AHA	E7HZ 7210-L			AC										
Use w/Tower assy. ident. E7HT 7201-AJA	E7HZ 7210-C			AC										
Use w/Tower assy. ident. E7HT 7201-AZA	E7HZ 7210-M			AC										
Use w/Tower assy. ident. E7HT 7201-BCA	E7HZ 7210-G			AC										
Use w/Tower assy. ident. E7HT 7201-BDA	E7HZ 7210-H			AC										
Use w/Tower assy. ident. E7HT 7201-BEA	E7HZ 7210-J			AC										
Use w/Tower assy. ident. E7HT 7201-BFA	E7HZ 7210-U			AC										
Use w/Tower assy. ident. E7HT 7201-AUA	E7HZ 7210-GA			AC										
Use w/Tower assy. ident. E7HT 7201-AVA	E7HZ 7210-Y			AC										
Use w/Tower assy. ident. E7HT 7201-AYA	E7HZ 7210-HA			AC										
Use w/Tower assy. ident. E7HT 7201-BGA	E7HZ 7210-PA			AC										
Use w/Tower assy. ident. E7HT 7201-BHA	E7HZ 7210-RA			AC										
Use w/Tower assy. ident. E7HT 7201-BJA	E7HZ 7210-BA			AC										
Use w/Tower assy. ident. E7HT 7201-BKA	E7HZ 7210-Z			AC										
Use w/Tower assy. ident. E7HT 7201-BLA	E7HZ 7210-DA			AC										
Use w/Tower assy. ident. E7HT 7201-BMA	E7HZ 7210-AA			AC										
Use w/Tower assy. ident. E7HT 7201-AVB	E7HZ 7210-LA			AC										
Use w/Tower assy. ident. E7HT 7201-BHB	E7HZ 7210-MA			AC										
Use w/Tower assy. ident. E7HT 7201-KA	E7HZ 7210-CA				AD									
Use w/Tower assy. ident. E7HT 7201-TA	E7HZ 7210-EA				AD									
Use w/Tower assy. ident. E7HT 7201-AEA	E7HZ 7210-FA				AD									
Use w/Tower assy. ident. E8HT 7201-FA	E9HZ 7210-T					AE								
Use w/Tower assy. ident. E8HT 7201-GA	E9HZ 7210-S					AE								
CAP (GEARSHIFT LEVER HOUSING)	7220													
	TGAA 7220-A	AA	AB			AE								
	B8QH 7220-A			AC	AD									



1980/  
TRUCK SERIES 600/900

DESCRIPTION/RESTRICTIONS	PART NUMBER	TRANSMISSION PARTS LISTS 4AA THRU 4AM												
		AA	AB	AC	AD	AE	AF	AG	AH	AJ	AK	AL	AM	
PIN (GEARSHIFT LEVER)	7221													
	7EQ 7221	2	2											
	E0HZ 7221-A			AC										
	E9HZ 7221-A					2								
SPRING (GEARSHIFT LEVER)	7227													
	C8TZ 7227-A	AA	AB			AE								
	B8QH 7227-A			AC	AD									
SEAT (GEARSHIFT LEVER SPRING)	7228													
	TGAA 7228-A	AA	AB											
	B8QH 7228-A			AC										
	E9HZ 7228-A					AE								

NOTICE: When the parts list suffix is shown in the quantity required column, the quantity is one (1).

**1980/  
TRUCK SERIES 600/900**

YEAR	MODEL / RESTRICTIONS	TRANS		PART NUMBER	DESCRIPTION	QTY.
		SPD.	TYPE			
<b>7C500 BRACE (TRANSMISSION CLUTCH PEDAL SUPPORT)</b>						
80/	CL-CLT900	All	All	D8HZ 7C500-A		1
<b>7505 HOUSING (CLUTCH) - Also refer to group 6392 and Transmission Parts List Section 70, Page 1</b>						
80/83	B,C,F,L,LN,LNT,LT,LTS 600/800 -- 370,429 gas	4,5		E4HZ 7505-B	w/Clark 280 series, Warner T-19, New Process 435 & 542 trans.	1
84/86	B-F-FT-L-LT-LN-LNT600/800 -- 6.1, 7.0L gas	4,5			w/Clark 280 series, Warner T-19 New Process 435 & 542, Spicer CM40 FS3005 trans.	1
87/	B-F-FT600/800	5	Clark			1
80/	B,C,F,L-LN-LNT-LT-LTS 600/800 -- 370,429 gas	5		D9HZ 7505-D	W/Clark 390 Series & Spicer CM-50 or CM-60 trans.	1
80/	B-F-L-LT-LTS600/800 -- 8 cyl. Cat. diesel	5		C8TZ 7505-B	#230548 or 230549-use w/Clark 380 & 390 series trans.	1
80/81	C-CT-L-LN-LNT-LT-LTS900 -- 477,534 gas	5		D0HZ 7505-B	#D1HA 7500-AA-use w/Clark 380, 390 series, Dana (Spicer) 5000, 6000, CM-50 and CM-60 trans.	1
80/	C-CT-L-LN-LNT-LT-LTS700/900 -- 636 Cat.	5		D7HZ 7505-A	#313243, use w/Spicer CM-60 trans. repl. #312653	1
80/	C-CT-L-LN-LNT-LT-LTS 700/900 -- Diesel eng.	5		D9HZ 7505-E	w/Spicer CM-50 trans.	1
80/	B-F700 -- 636 Cat. diesel Calif. only	5		D7HZ 7505-B	#313249,D7HZ 7505-B-use w/Dana (Spicer)CM-60 Series trans.	1
80/82	C700/800 -- 8 cyl. Cat. diesel	10		C8TZ 7505-C	#16110-use w/Fuller 610 trans.	1
80/82	C700/800, L-LNT-LT800/900, LN700/900 -- gas	10, 13		C9TZ 7505-A	#15592-use w/Fuller 610 and 613 trans.	1
86/	CF600/700	5	Clark	E7HZ 7505-A		1
80/83	L-LN-LNT-LT-LTS	10,		D0HZ 7505-A	#16329-use w/Fuller 910 and 9513 trans.	1
80/82	L-LN-LNT-LT-LTS900	7	Spicer	D8HZ 7505-D	Use w/Spicer SST-1007-3A trans.	1
80/83	CL-CLT900	All	Fuller	D8HZ 7505-A	Use w/ RT 12509, 12513,12510 & 1110 trans.	1
80/83	CL-CLT900	All	Fuller	D8HZ 7505-B	Use w/ RT & RT0 9513 & RT 9509 trans.	1
80/83	CL-CLT900	10	Fuller	D8HZ 7505-E	Use w/RT 910 trans.	1
80/83	CL-CLT900	10	Fuller	D8HZ 7505-F	Use w/RT0 910 trans.	1
80/	CL-CLT900	6	Spicer	D8HZ 7505-C		1
<b>7R505 WASHER (CLUTCH PRESSURE PLATE SPRING)</b>						
87/	B-F-FT-L-LT-LTS-LN-LNT600/900			E7HZ 7R505-A		1
86/	CF600/800					1
<b>7506 SHAFT (BRAKE and CLUTCH PEDAL)</b>						
80/	B-F600/800	All		E0HZ 7506-A		1
80	C-CT600/900	All		B7T 7506-A	Shaft (clutch pedal)-7/16" I.D. x 5/8" O.D. x 3 9/16" long-split Brake pedal	1
80	C600/900	All				1
84/	C-CT600/800	All		E4HZ 7506-A	6 19/64" long	1
84/	C-CT600/800	All		E4HZ 7506-B	1 31/32" long	1
86/	CF600/700	5	Clark	E6HZ 7506-A		1
80/	L-LT-LN-LNT600/900	All		D0HZ 7506-A	12 1/4" long x 5/8" O.D.	1
80/	CL-CLT900	All		D8HZ 7506-A		1
<b>7B506 ARM (CLUTCH RELEASE SHAFT ADJUSTING)</b>						
80/82	C-CT600/800 -- gas	10		C2TZ 7B506-A	20 internal splines	1
80/86	C-CT-L-LN-LNT-LT-LTS600/800 -- -- Diesel	All		D0HZ 7B506-A	20 splines-painted black use w/Fuller 610,613 trans., Clark 280,390,550 series, Spicer CM-60	1
80/86	L-LN-LNT-LT900 -- gas	10,13				1
80/86	B-F600/800 -- 8 cyl. diesel	All				1
83/86	F-FT800/900	5	Spicer		CM5510 trans.	1
87/	B-F-FT600/900, except 6.6, 7.8L			E7HZ 7B506-B	#E6HT 7B506-AA	1
87/	C-CT600/800, except 6.6, 7.8L					
87/	L-LT-LTS-LN-LNT600/900 -- except 6.6, 7.8L					

1980/  
TRUCK SERIES 600/900

YEAR	MODEL / RESTRICTIONS	TRANS		PART NUMBER	DESCRIPTION	QTY.
		SPD.	TYPE			
<b>7B506 ARM (CLUTCH RELEASE SHAFT ADJUSTING) — Cont'd</b>						
87/	B-F-FT600/900 -- 6.6, 7.8L engs.			E8HZ 7B506-A	With Borg clutch system	1
87/	L-LT-LTS-LN-LNT600/900 -- 6.6, 7.8L engs.					1
<b>7507 BRACKET ASSY. (CLUTCH RELEASE EQUALIZER TO FRAME)</b>						
80/	B-F600/800 -- 8 cyl. gas	All		E0HZ 7507-A	Incl. ball stud	1
80/	B-F-FT600/800 -- 8 cyl. diesel	All		E0HZ 7507-B	Incl. ball stud	1
83/	F-FT800/900	5	Spicer		CM5510 trans.	1
80	LN600/700 -- Cat. diesel	5		D0HZ 7507-E		1
80/	LN600/700 -- gas	5		D0HZ 7507-F		1
81/87	LN600/700 -- Det. 501 diesel	All		E1HZ 7507-A	Incl. ball stud, #E1HT 7507-CA	1
81/	LN700/800 -- Cat. 636 diesel	All		E1HZ 7507-B	Incl. ball stud, #E1HT 7507-DA	1
82/	LN-LNT800 -- 636 cat.	5,10		E2HZ 7507-A	Incl. ball stud, #E2HT 7507-AA-use with Fuller 6610, 6613, Dana CM50,60 and Clark 390,550 series	1
87/	LN-LNT700/800 -- 6.6,7.8L	13				1
84/	L-LT-LTS800 -- 636 Cat.					1
80/	L-LN-LNT-LT-LTS800 -- 8 cyl. gas	5 & 10		D0HZ 7507-C		1
80/	L-LN-LNT-LT-LTS800/900	10,16		D0HZ 7507-A		1
80/	L-LN-LNT-LT-LTS800 -- 8 cyl. Cat. 555 Cum. diesel	All				1
80/86	L-LT900 -- 8 cyl. 568 Det.	All				1
80/86	LN-LNT900 -- 568 Det.	All		D3HZ 7507-A	With drop frame	1
80/86	LN-LNT900 -- 552 Det.(6V-92)	All		E0HZ 7507-C	Incl. ball stud	1
<b>7A507 ROD (CLUTCH SLAVE CYLINDER PUSH) - also refer to trans. Parts List, Sect. 70, Page 1</b>						
80/	C600/800 -- diesel	All		C0TZ 7A507-A	13 1/8" long x 3/8"-24 one end	1
80/	C-CT600/800 -- 370,429 gas	5		D9HZ 7A507-D	Incl. piston & cups - w/Clark 290 Series & Spicer CM-50 or CM-60	1
80/	C-CT600/800 -- 370,429 gas	4&5		D9HZ 7A507-E	Incl. piston & cups - w/Clark 280 Series & New Process 435	1
80/	C900	All		B6TZ 7A507-A	8" long x 3/8"-24 thread one end	1
80/	CL-CLT900 -- w/Hyd. cl. cntl.	All	All	D9HZ 7A507-E	Approx. 7.92" long	1
80/	C900	All		351062-S8	(MM-114)-nut (clutch slave cyl. push rod adjusting)-3/8"-24	1
				33800-S8	(M-63)-nut (clutch slave cyl. push rod)-3/8"-24	1
<b>7508 BUSHING (CLUTCH RELEASE SHAFT)</b>						
80/	LN600/700			C3TZ 7508-A	Clutch control bellcrank-7/8" I.D. x 1" O.D. x 1" long	1
87/	CF600/800	All		E7HZ 7508-A		1
<b>7508 BUSHING (CLUTCH PEDAL SHAFT)</b>						
80/	LN900-LNT800/900 diesel	10		C6TZ 7508-A	1" I.D. x 1 1/8" O.D. x 1" long-use w/Fuller 910 trans.	2
80/	CL-CLT900 -- Diesel	All	Fuller			4
80/	L-LT-LTS800/900, LN-LNT600/900	All		D0HZ 7508-A	5/8" I.D. x 7/8" long	2
84/	C-CT600/800					2
<b>7A508 CYLINDER (CLUTCH SLAVE)</b>						
80/	C-CT600/800 -- 370,429 gas	4,5		D9HZ 7A508-A	w/Clark 280 series & 435 New Process	1
80/	C-CT600/800 -- 370,429 gas	5		D9HZ 7A508-B	w/Clark 390 series & Spicer CM-50, CM-60	1
82/	C-CT700/800 -- 3208 Turbo	All		E4HZ 7A508-A		1
80	C-CT900 -- 8 cyl. 477, 534	5		B9TZ 7A508-A	Incl. boot and push rod-9 11/16" overall length-use w/Dana (Spicer) 5000, 6000, CM-50 and CM-60 series trans.	1
80/	C-CT600/800 -- diesel	5 & 10		D9HZ 7A508-D	Incl. boot and push rod-9 11/16" overall length-use w/Clark 280, 380, 390, Fuller 610, Dana (Spicer) 5000, 6000 and CM-50, CM-60 series trans.	1
80/81	C-CT800/900 -- 8 cyl. 534	10		C8HZ 7A508-A	Use w/Fuller 610 trans.	1

1980/  
TRUCK SERIES 600/900

YEAR	MODEL / RESTRICTIONS	TRANS		PART NUMBER	DESCRIPTION	QTY.
		SPD.	TYPE			
<b>7A508 CYLINDER (CLUTCH SLAVE) — Cont'd</b>						
80/	C-CT600/900	All		20450-S	(B-106)-bolt (cyl. to clutch housing)- 7/16"-14 x 1 3/8"	2
				34808-S8	(X-67)-lockwasher-7/16"	1
				20388-S8	(B-80)-bolt (cyl. to clutch housing)- 3/8"-16 x 1"	1
				34807-S8	(X-66)-lockwasher-3/8"	1
86	CF600/700	5	Clark	E6HZ 7A508-A		1
87	CF600/800	All		E7HZ 7A508-A		1
88/	CF600/800 -- exc 6610/13 trans	All		E8HZ 7A508-A		1
88/	CF600/800 -- 6610/13 trans	10,13	Fuller	E8HZ 7A508-B		1
80/	CL-CLT900	All		E2HZ 7A508-B		1
<b>7510 SHAFT (CLUTCH RELEASE)</b>						
80/86	LN600/700,C-CT600/800 -- Cat. diesel, 8.2L	4&5		C8TZ 7510-A	20 splines-8 1/2" long x 1" O.D.	1
87/	C-CT600/800 -- Cat. diesel	All		E7HZ 7510-F	#E6HT 7510-EA	1
87/	LN600/700 -- Cat. diesel	All				
80/82	C-CT800/900 -- gas	10 10		C8HZ 7510-A	9" long x 1" dia. x 21/32" long spline- use w/Fuller 610 trans.	1
82/	C-CT800 -- 3208 Turbo	All		E2HZ 7510-A	#E2HT-AA, 7 9/16" long	1
86	CF600/700	All		E6HZ 7510-A		1
87/	CF600/800 -- exc. 6610/13 trans.	All		E7HZ 7510-H		1
88/	CF600/800 -- 6610/13 trans.	10,13	Fuller	E8HZ 7510-E		1
87	B-F-FT600/900 -- 6.6, 7.8L engs.	All		E7HZ 7510-A	#E7HT 7510-AB	1
88	B-F-FT600/900 -- 6.6, 7.8L engs.	All		E8HZ 7510-B	#E8HT 7510-BA, with 5 & 6 speed trans.	1
88	B-F-FT600/900 -- 6.6, 7.8L engs.	10,13	Fuller	E8HZ 7510-C	#E8HT 7510-CA,CB, with 6610/13 trans.	1
89/	B-F-FT600/900 -- 6.6, 7.8L engs.	All		E9HZ 7510-A	#E9HT 7510-EA	1
88/	L-LT-LTS-LN-LNT700/900 -- 6.6, 7.8L engs.	10,13	Fuller	E8HZ 7510-D	#E8HT 7510-DA, with 6610/13 trans.	1
87/88	L-LT-LTS-LN-LNT700/900 -- 6.6, 7.8L engs.	All		E7HZ 7510-B	#E7HT 7510-BB	
80/86	L-LN-LNT-LT-LTS-Cat. & Det., 855 Cum.	All		D0HZ 7510-A	#D0HA 7510-B 20 splines-1" O.D. x	1
80/86	L-LT-LN-LNT900 -- 6 cyl. 893 Cat. diesel	All				1
82/86	LTL900 -- 855,893	All				1
84/86	LNT900 -- Cums. L-10	All	All			1
87/	L-LT-LTS-LN-LNT700/900 -- Cat., Det., 855 Cums. Diesel	All		E7HZ 7510-C	#E6HT 7510-AA	1
87/	LTL900 -- 855, 893	All				1
87/	L-LT-LTS-LNT900 -- Cum. L-10	All				1
80/	L-LN-LNT-LT-LTS800/900 -- gas	10,13		D0HZ 7510-B	#D0HA 7510-E 20 splines-9" long	1
82/86	LTL900 -- 736	All				1
83/	F-FT800/900	5	Spicer			1
84/86	L-LT-LTS-LN-LNT800 -- 636 Cat.	5,10 13				1
87/86	LTL900 -- 736	All		E7HZ 7510-D	#E6HT 7510-BA	1
87/	L-LT-LTS-LN-LNT800 -- 636 Cat.	All		E7HZ 7510-E	#E6HT 7510-CA	1
80/86	L-LN-LNT-LT-LTS800 -- Cat. diesel	All		D0HZ 7510-C	#D0HA 7510-F 20 splines-9" long	1
80/82	B-F600/800 -- Diesel	All				1
87/	L-LT-LTS-LN-LNT800 -- Cat. diesel.	All		E7HZ 7510-G	#E6HT 7510-FA	1
83/	B-F-FT600/800 -- 636 Cat.	All	All	E3HZ 7510-A	#E3HT 7510-CA	1
80	L-LN-LNT-LT-LTS900 -- 6 cyl. Detroit, 6 & 8 cyl. Cum. diesel	All		D0HZ 7510-D	#D0HA 7510-C 1" O.D. x 8 5/8" long- att. to 7B570 & 7511	1

**1980/  
TRUCK SERIES 600/900**

YEAR	MODEL / RESTRICTIONS	TRANS		PART NUMBER	DESCRIPTION	QTY.
		SPD.	TYPE			
<b>7510 SHAFT (CLUTCH RELEASE) — Cont'd</b>						
80/	L-LT-LTS-LN-LNT900 -- 6 cyl. 893,629 Cat. diesel	All		D4HZ 7510-A	#D4HA 7510-CA-7 3/4" long-att. to 7B570 & 7511	1
84/	LNT900 -- Cums. L-10	All	All			1
88/	LN-LNT900 -- 14.6L eng	All		E8HZ 7510-A	#E8HT 7510-AA, 8.75" long	1
80	LN-LNT900 -- 6 cyl. 893 Cat.	All		E0HZ 7510-B	#D7HS 7510-BA, 7 3/4" long	1
80/86	LN-LNT900 -- 552Det. (6V-92)	All		E0HZ 7510-A	#D7HS 7510-AA- 9 1/4" long	1
82/	LTL900 -- 855,893 diesel	All		E1HZ 7510-A	#E1HT 7510-AA, 1" O.D. x 8 5/8" long	1
82/86	LTL900 -- 736 diesel	All		E1HZ 7510-B	#E1HT 7510-CA, 1" O.D. x 8 5/8" long	1
80/	CL-CLT900 -- w/Mech cl cntrl	All		D8HZ 7510-A	Approx 8 1/2" long-att to 5A118 Frame brkt.	1
				D8HZ 7510-D	Approx 5 5/32" long-7515 to 7B564	1
80/82	CL-CLT900 "Before 2/82"	All		D8HZ 7510-B	Approx 8 1/32" long-used in clutch hsg.	1
82/	CL-CLT900 "From 2/82"	7	Spicer	E2HZ 7510-B	#E1HT-DA, approx. 8 3/8" long	1
<b>7511 LEVER (CLUTCH RELEASE SHAFT) — Also refer to group 7B552</b>						
87	L-LT-LTS-LN-LNT700/900 -- 6.6, 7.8L engs.	10,13	Fuller	E7HZ 7511-A	#E7HT 7511-BB	1
88/	B-F-FT600/900 -- 6.6, 7.8L eng.	All		E9HZ 7511-A	#E8HT 7511-CA, CB E9HT 7511-EA	1
88/	L-LT-LTS-LN-LNT800/900 -- 6.6, 7.8L eng.					1
87	B-F-FT600/900 -- 6.6, 7.8L engs.	5,6		E7HZ 7511-B	#E7HT 7B552-EA, E7HT 7511-AA	1
87	L-LT-LTS-LN-LNT700/800 -- 6.6, 7.8L engs.	5,6				1
88	B-F-FT600/900 -- 6.6, 7.8L engs	5,6		E8HZ 7511-A	#E8HT 7B552-BA	1
88	L-LT-LTS-LN-LNT800/900 -- 6.6, 7.8L engs.	5,6				1
80/	B-F600/800 -- 8 cyl. diesel	All		E0HZ 7511-A	#E0HT 7511-BA, E3HT-KA	1
83/	F-FT800/900	5	Spicer		CM5510 trans.	1
83/	B-F-FT600/800 -- 636 Cat. Nonturbo	All	All	E3HZ 7511-A	#E3HT 7511-GA	1
83/	B-F-FT600/800 -- 636 Cat. turbo	All	All	E3HZ 7511-B	#E3HT 7511-HA	1
80/	C600/800 -- 636 Cat. diesel	5		C8HZ 7511-A	No splines	1
80/82	C-CT800/900 -- gas	All		C2TZ 7511-A	4 3/4" long-use w/Fuller 610 trans.	1
81/87	C-CT600/800 -- Det. 501 diesel	All		E1HZ 7511-A		1
82/	C-CT800 -- 3208 Turbo	All		E2HZ 7511-A	#E2HT 7511-CA, no splines	1
86	CF600/700	All		E6HZ 7511-A		1
87/	CF600/800 -- exc. 6610/13 trans.	All		E7HZ 7511-J		1
88/	CF600/800 -- 6610/13 trans.	10,13	Fuller	E8HZ 7511-C		1
80/	LN600/700 -- 8 cyl. 636 Cat. diesel	All		D0HZ 7511-B	#D0HA 7511-K-6 21/32" center to center of holes	1
80/	LN700 -- 636 Cat., Calif. only	All		D7HZ 7511-A	No splines #D7HA 7511-EA	1
82/86	L-LT-LTS-LN-LNT800 -- 636 Cat.	5,10 13		E2HZ 7511-B	#E2HT 7511-BA, 20 splines	
87/	L-LT-LS-LTS800 -- 636 Cat.	All		E7HZ 7511-H	#E6HT 7511-FA, E7HT 7B552-KA	1
87/	LN-LNT800 -- 636 Cat.	All		E7HZ 7511-G	#E6HT 7511-EA	1
80/	L-LN-LNT-LT-LTS900 -- gas engines	All		D0HZ 7511-C	#D0HA 7511-M-6 21/32" center to center of holes	1
80/83	L-LN-LNT-LT-LTS800 -- Cat. diesel	All		D0HZ 7511-D	#D0HA 7511-U or AJ-5 21/32" ctr. to ctr. of holes	1
80	L-LN-LNT-LT-LTS900 -- 6 cyl. Detroit, Cum. diesel	All		D0HZ 7511-E	#D0HA 7511-T 7 1/2" center to center of holes-no splines	1
80	LTS900 -- 426 Det. diesel					1
85/	LNT900 -- L10 diesel					1
80/86	LN-LNT900 -- 8 cyl. 568 Detroit diesel	All		D3HZ 7511-A	#D3HA 7511-AA-20 splines-w/drop frame	1

1980/  
TRUCK SERIES 600/900

YEAR	MODEL / RESTRICTIONS	TRANS		PART NUMBER	DESCRIPTION	QTY.
		SPD.	TYPE			
<b>7511 LEVER (CLUTCH RELEASE SHAFT)-Also refer to group 7B552 - Cont'd</b>						
80	LN-LNT900 -- 8 cyl. 568 Detroit diesel	10		D5HZ 7511-A	Except w/drop frame - use w/Dana (Spicer) SST1010-2A trans.	1
80/	L-LT-LTS900 -- 8 cyl. 568 Detroit, Cum. diesel	All		D0HZ 7511-F	#D0HA 7511-C 20 splines-4" center to center of holes	1
80/86	LN-LNT900 -- 552 Det. (6V-92)	All				1
80/	L-LT-LTS900 -- 6 cyl. 893,629 Cat. diesel	All		D4HZ 7511-A	#D4HA 7511-FA-no splines	1
84/	LN-LNT900 -- L10 diesel					1
87/	L-LT-LTL900 -- L10 diesel					1
87/	L-LT-LTS-LN-LNT900 -- 6 cyl. diesel	All		E7HZ 7511-C	#E6HT 7511-AA, E7HT 7B552-FA	1
80	LN-LNT900 -- 6 cyl. 893 Cat.	All		E0HZ 7511-B	#D7HS 7511-BA	1
80	LN-LNT900 -- 6 cyl. 893 Cat.	All		E0HZ 7511-C	#D7HS 7511-CA	1
80	LN-LNT900 -- 6 cyl. 893 Cat.	All		E0HZ 7511-D	#D7HS 7511-DA	1
82/	LTL900	All		E1HZ 7511-B	#E1HT 7511-DA	1
87/	LTL900	All		E7HZ 7511-D	#E6HT 7511-BA, E7HT 7B552-JA	1
87/	LNT900 -- L10 diesel	All		E7HZ 7511-E	#E6HT 7511-CA, E7HT 7B552-GA	1
87/	L-LT-LTS-LN-LNT900 -- 893 Cat.	All		E7HZ 7511-F	#E6HT 7511-DA, E7HT 7B552-HA	1
89/	LN-LNT900 -- 10.5L (3306)	All		E9HZ 7511-B	#E8HT 7511-FA, #E8HT 7B552-CA	1
80/	CL-CLT900 -- 855 Cum., 3406 Cat. (Mech. cl. cntls.)	All		E4HZ 7511-A	#EDD8HT 7B552-CA, E4HT-BA	1
80/	CL-CLT900 -- Det. Dsls. (Mech. cl. cntls.)	All		D8HZ 7511-L	#ED D8HT 7B552-DA	1
80/	CL-CLT900 -- 1150 Cumm. Dsl. (Mech. cl. cntls.)	All		D8HZ 7511-J	#ED D8HT 7B552-AA	1
80/	CL-CLT900 -- Hyd. cl. cntls.	All		D8HZ 7511-H	#D8HT 7B552-BA	1
<b>7A512 TUBE ASSY. (CLUTCH MASTER CYLINDER TO SLAVE CYLINDER)</b>						
80/	C-CT600/900	All		D2HZ 7A512-A	123" developed length - 1/4" steel tube & rubber hose	1
82/	C-CT800 -- 3208 Turbo	All		E2HZ 7A512-A	#E2HT 7A512-BA	1
80/87	CL-CLT900 -- Det. Diesels w/Hyd. cl. controls	All		D8HZ 7A512-A	#D7HT 7A512-EB	1
80/	CL-CLT900 -- Cum. & Cat. Diesels w/Hyd cl cntrls	All		D8HZ 7A512-C	#D7HT 7A512-FB,FC,FD	1
80/	CL-CLT900 -- Hyd cl cntls	All		D8HZ 7A512-B	#D7HA 7K590-BB,BC-Front	1
<b>7B512 FITTING (CLUTCH RELEASE BEARING LUBE)</b>						
80/	CL-CLT900	All	Fuller	D8HZ 7B512-A		1
<b>7513 SHIELD ASSY. (CLUTCH RELEASE LEVER DUST)</b>						
80/86	B,C,F,L-LN-LNT-LT-LTS 600/800 -- 370,429 gas	4,5		D9HZ 7513-A	w/Clark 280 series, Warner T-19, New Process 435,542 trans.	1
80/86	B-F600/800 -- 501 diesel	4&5				1
87/	B-F-FT600/800	5	Clark		FS3005 trans.	1
80/	B,C,F,L-LN-LNT-LT-LTS 600/800 -- 370,429 gas	5		D9HZ 7513-B	w/Clark 390 series & Spicer CM-50, CM-60 trans.	1
80/	C-CT-L-LN-LNT-LT900 -- gas	All		C4TZ 7513-B	Rubber-1 29/32" wide x 3 7/16" long- 5/8" thick	1
<b>7A513 CUP (CLUTCH SLAVE CYLINDER PISTON) - Serv. in 7560 kit &amp; 7A507 or 7A508 Assy.</b>						
<b>7B513 HOSE ASSY. (CLUTCH RELEASE)</b>						
80/	B-C-F-L-LN-LNT-LT-LTS 600/800 -- Diesel	All		C8TZ 7B513-A	approx. 10" long	1
83/	F-FT800/900	5	Spicer			1
80/	L-LN-LNT-LT-LTS800/900 -- gas	All		D0HZ 7B513-A	Approx. 9 3/4" long	1
<b>7A514 PISTON (CLUTCH SLAVE CYLINDER) - Serv. in 7A507 or 7A508 Assy.</b>						

1980/  
TRUCK SERIES 600/900

YEAR	MODEL / RESTRICTIONS	TRANS		PART NUMBER	DESCRIPTION	QTY.
		SPD.	TYPE			
<b>7515 LEVER ASSY. (CLUTCH RELEASE)</b>						
80/	C-CT800/900 -- gas	10		C2TZ 7515-A	"U" shape-6 1/2" long-use w/Fuller 610 trans.	1
86	CF600/700	5	Clark	E7HZ 7515-A		1
87/	CF600/700 -- 6.6, 7.8L engs.	All		E8HZ 7515-A		1
87/	B-F-FT600/800 -- 6.6, 7.8L engs.	All				1
87/	L-LT-LTS-LN-LNT600/800 -- 6.6, 7.8L engs.	All				1
80/87	B-C-F-L-LN-LNT-LT-LTS 600/800 -- 501 Det.	All		D0HZ 7515-A	#D0HA 7541-B, "U" shape - 3 3/8" span	1
82/	C-CT800 -- 3208 w/o Turbo					1
80/	L-LN-LNT-LT-LTS800/900 -- 8 cyl. 429,477,534 gas	10,13				1
83/	F-FT800/900	5	Spicer			1
84/	L-LT-LTS-LN-LNT800 -- 636 Cat.	5	Clark			1
80/81	C-CT-L-LN-LNT-LT-LTS900 -- 477,534 gas	5		B8QH 7515-A	12" long-w/Clark 380,390 series & Spicer CM50 & 6000 series trans.	1
80/86	B,C,F,L-LN-LNT-LT-LTS 600/800 -- 370,429 gas	4,5		D9HZ 7515-A	w/Clark 280 series, Warner T-19, New Process 435,542 trans.	1
87/	B-F600/800	5	Clark		FS3005 trans.	1
80/	B,C,F,L-LN-LNT-LT-LTS 600/800 -- 370, 429 gas	5		D9HZ 7515-B	w/Clark 390 series & Spicer CM-50, CM-60 trans.	1
80/	L-LN-LNT-LT-LTS900 -- diesel	All		C6TZ 7515-A	"U" shape-8" long-use w/Fuller 5H-74,905, 910,9509,9513, Dana (Spicer) SST-1007-2A, SST-1010-2A, 8516, 8552, 8716 trans.	1
82/	C-CT800 -- 3208 Turbo					1
80/	CL-CLT900 -- Mech. cl. cntls.	All	All		All	1
81/	LTS900	All				1
83/	B-F-FT700/800 -- 636 Cat.	All				1
87/	B-F-FT600/800 -- 6.6L,7.8L engs.	All	All			1
87/	L-LT-LTL900 -- L10 diesel					1
84/	LNT900 -- Cums L-10	All	All			1
84/	L-LT-LTS-LN-LNT800 -- 636 Cat.	5,10	All			1
		13				
80/	CL-CLT900	All		E2HZ 7515-B	#D7HT 7515-AB, E2HT 7515-AA	1
<b>7A515 PISTON ASSY. (CLUTCH SLAVE CYLINDER) - Serv. in 7A507 or 7A508 Assy.</b>						
<b>7K516 TUBE ASSY. (CLUTCH SLAVE CYLINDER ACTUATOR)</b>						
86/87	CF600/800 "Before 3/87"	All	All	E7HZ 7K516-A		1
87/	CF600/800 "From 3/87"	All	All	E7HZ 7K516-B		1
<b>7517 BUSHING (CLUTCH RELEASE EQUALIZER SHAFT) - Also refer to group 7543</b>						
80	LN600/800	All		C2TZ 7517-A	7/8" I.D. x 1" O.D. x 19/32" long split	4
80/	B-F-FT600/900	4,5				4
80/	L-LN-LNT-LT-LTS600/900	All		D0HZ 7517-B	#Bronze-5/8" I.D. x 1" O.D. x 15/16" long	4
83/	B-F-FT600/900	All				4
<b>7519 PEDAL (CLUTCH)</b>						
80/	C-CT600/900	All		E4HZ 7519-A		1
86/	CF600/800	All		E6HZ 7519-A		1
80/	B-F-FT600/900(81) -- reg. cab	All	All	E7HZ 7519-A	#E7HT 7519-AA, E0HT-DA	1
80/	B-F-FT600/900(84) -- cowl cab	All	All	E7HZ 7519-B	#E7HT 7519-BA, E0HT-EA	1
80/	L-LT-LTS-LN-LNT600/900	All		E8HZ 7519-A	#E8HT 7519-CA, D0HA 7519-F	1
80/	CL-CLT900	All		D8HZ 7519-A		1
<b>7A519 LEVER (CLUTCH RELEASE IDLER)</b>						
80/	CL-CLT900 -- Det Diesel	All		D8HZ 7A519-E	Lower	1
80/	CL-CLT900 -- 855 Cumms, Cat. dsl.	All		D8HZ 7A519-F	Lower	1
80/	CL-CLT900 -- 1150 Cumms. dsl.	All		D8HZ 7A519-G	Lower	1
80/	CL-CLT900	All		D8HZ 7A519-C	Upper	1

1980/  
TRUCK SERIES 600/900

YEAR	MODEL / RESTRICTIONS	TRANS		PART NUMBER	DESCRIPTION	QTY.
		SPD.	TYPE			
<b>7521 ROD (CLUTCH PEDAL to IDLER LEVER)</b>						
80/83	B-F-600/800 -- 8 cyl. gas	All	All	E4HZ 7521-C		1
84/	B-F-FT600/800, 6.1, 7.0L Gas	All	All			1
80/87	B-F-FT600/900 -- diesel	All	All	E7HZ 7521-D		1
83	F-FT800	5	Spicer			1
88/	B-F-FT600/900	All		F1HZ 7521-B	#E8HT 7B560-AA, F1HT-AA	1
<b>7521 ROD (CLUTCH PEDAL to BELLCRANK)</b>						
80/	L-LT-LTS-LN-LNT600/800	All		D0HZ 7521-J	1/2" dia. rod x 12 1/4" long-incl. nut and clevises	1
83/	F-FT800/900	5	Spicer			1
<b>7521 ROD (CLUTCH RELEASE LEVER)</b>						
80/87	B-F-FT600/900 -- 8.2L diesel	All		E3HZ 7521-B		1
82/87	LN600/700, 8.2L diesel	All				1
83	F-FT800	5	Spicer		CM5510 trans.	1
84/	L-LT-LTS800 -- 636 Cat.	5				1
83/	B-F-FT700/800 -- 636 Cat.	All		E3HZ 7521-A	#E3HT 7530-GA-approx. 6" long	1
87	B-F-FT600/900 -- 6.6, 7.8L engs.	All		E7HZ 7521-A	#E7HT 7530-AA,AB, 298mm lg. hole to hole	1
88/	B-F-FT600/900 -- 6.6, 7.8L eng.	All		E8HZ 7521-C	#E8HT 7530-BA	1
87/	L-LT-LTS-LN-LNT700/900 -- 6.6, 7.8L engs.	All		E7HZ 7521-B	#E7HT 7530-BB, 14.80mm lg. hole to hole	1
87/	B-F-FT600/900 -- 6.6, 7.8L engs.	All		E7HZ 7521-C	#E7HT 7530-CB, 127mm lg. hole to hole	1
87/	L-LT-LTS-LN-LNT700/900 -- 6.6, 7.8L engs.	All				1
80/	B-F600/800 -- 370,429 gas	4,5		E8HZ 7521-D	#D0TA 7521-Y, D9HT-AA, E4HT 7521-BA,CA-E7HT-EA, 12 1/2" overall length x 3/8"-24 thread w/Clark 280, 390 Warner T-19 & New Process 435,542 series trans. Spicer CM50,60	1
84/	LN700 -- gas	5	CM50, CL390			1
84/	B-F-FT600/800 -- gas	5	All			1
80/	L-LT-LTS-LN-LNT600/900 -- All eng.				All trans. except 6610, 6613, 5510	1
82/	L-LT-LTS-LN-LNT800 -- 636 Cat.	5,10 13		E2HZ 7521-A	#E2HT 7530-AA,BA	1
80/	L-LN-LNT-LT-LTS900 -- gas	10, 13		D0HZ 7521-G	15" long-incl. clevises and nuts-use with 610 & 613 trans.	1
80/86	LN-LNT900 -- 6 cyl. 552 Det. (6V-92)	All				1
82/86	LTL900 -- 736 Det.	All				1
87/	LL-LTL900 -- L-10					1
87/	L-LT-LTS-LN-LNT900 -- L-10	All		E7HZ 7521-E	#E7HT 7530-GA-approx. 17 1/2" long	1
80/86	L-LT900 -- 6 cyl. Detroit diesel	All		D0HZ 7521-F	16 7/8" long-incl. clevises and nuts	1
80/	L-LT-LTS900 -- 6 cyl. Cum. & Cat. diesel	All		D0HZ 7521-C	22 3/8" long-incl. clevises and nuts	1
80/	L-LT-LTS800/900 -- 8 cyl. Det. Cat. & Cum. diesels	All		D0HZ 7521-H	8 5/8" long-incl. clevises and nuts	1
84/	L-LT-LTS-LN-LNT800 -- 636 Cat.	5,10 13				1
80/	LN-LNT900 -- 6 cyl. Cum. diesel	All		D0HZ 7521-D	32 3/8" long-incl. clevises and nuts	1
80/86	LN-LNT900 -- 6 cyl. Det. diesel	All		D0HZ 7521-E	26 5/8" long-incl. clevises and nuts	1
80/87	LN-LNT900 -- 8 cyl. Det. diesel	All		D3HZ 7521-A	6 1/2" long-w/drop frame	1
80/	LN-LNT900 -- 6 cyl. 893 Cat.	All		E0HZ 7521-D	#D8HS 7530-AA -- approx. 14 1/16" long	1
80/	LN-LNT900 -- 6 cyl. 893 Cat.	All		E0HZ 7521-E	#D8HS 7530-BA -- approx. 17 13/32" long	1
84/	LN-LNT900 -- L-10 diesel	All		E4HZ 7521-A	#E4HT 7530-AA	1
88/	LN-LNT900 -- 14.6L diesel	All				1
82/	LTL900 -- 893 Cat., 855 Cums	8,9 10		E1HZ 7521-A	#E1HT 7530-AA, 15 1/2" long incl. clevises and nuts	1
89/	LN-LNT900 -- 10.5L (3306)	All		E9HZ 7521-A	#E8HT 7530-CA, approx. 28.54" long	1
80/86	CL-CLT900 -- 6 cyl. Det. dsl.	All		D8HZ 7521-D	Rear	1
80/87	CL-CLT900 -- 8 cyl. Det. dsl.	All		D8HZ 7521-E	Rear	1
80/	CL-CLT900 -- Cum. & Cat. dsl.	All		D8HZ 7521-F	Rear	1
88/	CL-CLT900 -- 10L eng.	All		E8HZ 7521-A	Rear, #E8HT 7B643-AA,AB	1

October, 1993

COPYRIGHT © 1993 - FORD MOTOR - DEARBORN, MICHIGAN  
COMPANY

Final Issue



1980/  
TRUCK SERIES 600/900

YEAR	MODEL / RESTRICTIONS	TRANS		PART NUMBER	DESCRIPTION	QTY.
		SPD.	TYPE			
<b>7522 TRUNNION (CLUTCH RELEASE LEVER)</b>						
80/85	B-C-CT-F-FT-LN-LNT-LT700/900	All		TAAA 7522-A	9/16"-12 x 1 43/64" overall length-trun- nion	1
86/	CF600/800	All				1
80/	B-C-F-LN600 -- gas	All		B9AZ 7522-B	Incl. (1) B9AA 7522-A and (2) 62329-S rivets	1
82/	LTL900	All		E1HZ 7522-A	#E1HT 7522-AA	1
87/	LTL900 -- 10L eng.	All		E7HZ 7522-A	E7HT 7522-AA	1
<b>7523 SPRING (CLUTCH RELEASE RETRACTING) - Also refer to group 9737</b>						
80	C-CT800/900, L-LN-LNT-LT800/900 -- gas	10		C2TZ 7523-A	Clutch release-2" free length-21 coils- use w/Fuller 610 and 910 trans.	1
82/	C-CT800 -- 3208 Turbo	All		E2HZ 7523-B	#Orange-approx. 21 coils, 7511 to 7542	1
80/	L-LN-LNT-LT-LTS800/900	All		C8TZ 7523-C	#White-clutch release-5" free length-34 1/2 coils Att. 7511 to 7542	1
80/	LN900 -- 6 cyl. 855 Cummins	All				1
82/86	LTL900 -- 736					1
87/	LTL900 -- L10 eng.	All		E7HZ 7523-A		1
80	B-F600/800 -- 8 cyl. diesel, "Before Ser. JA5,001"	All		E0HZ 7523-A	Clutch release-7542 to 7511	1
83/	B-F-FT600/800 -- 636 Cat.	All	All	E3HZ 7523-A	#White Paint, 7 15/16" free length	1
80/	L-LN-LNT-LT-LTS800 -- 370, 429 gas	All		D9HZ 7523-A	approx. 7.90" long	1
80/	C-CT600/800 -- 370,429 gas	All		D9HZ 7523-B	approx. 9.60" long	1
86/	CF600/800	All	All	E8HZ 7523-B		1
80/	C-CT-L-LN-LNT-LT- LTS800/900 -- gas	All		D0HZ 7523-E	#Black-5/8" O.D.-clutch release-7548 to 7505 1 27/64" free length	2
80/	L-LT-LTS-LN-LNT800 -- diesel	All			att. 7548 to stud on 7505	2
80/	B-F600/800 -- 8 cyl. diesel	5	Spicer		CM5510 trans.	1
83/	F-FT800/900	All		E3HZ 7523-B	#Orange, 152.5mm free length, use with CM5510, RT6610, 6613 trans	1
80/	C600/800 -- Cat. diesel	All		C8HZ 7523-A	Clutch release-4" free length-25 coils	1
80/	C-CT900	All		B8QH 7523-A	Clutch release-3 19/64" free length-33 coils Used as brake retracting spring	1
80/	F600/800 -- gas, C-L-LT800 -- diesel	All				1
80/	L-LN-LNT-LT-LTS800 -- diesel, L-LN-LNT- LT-LTS900 -- 8 cyl. gas	All		D0HZ 7523-C	#Green-1" O.D.-clutch release- 6 27/64" free length	1
80/86	L-LT900 -- 8 cyl. 568 Detroit diesel	9			att. 7542 to 7515	1
80/	B-F600/800 -- 8 cyl. gas	All			att. 7542 to 7542	1
80/	B-F600/800 -- 8 cyl. diesel, "From Ser. JA5,001"	All				1
81/87	LN600/700 -- Det. 501 diesel	All				1
80/	L-LN-LNT-LT-LTS800 -- gas	All		D0HZ 7523-B	#Orange or Silver-7/8" O.D.-clutch release	1
82/	L-LT-LTS-LN-LNT800 -- 636 Cat.	5,10		E2HZ 7523-A	#Brown-approx. 47 coils, 6 9/32" free length	A/R
87/	L-LT-LTS-LN-LNT700/900 -- 6.6, 7.8L	13				A/R
87/	B-F-FT600/800 -- 6.6,7.8L eng.					A/R
80/	LN600/700 -- 8 cyl. gas	All		D0HZ 7523-D	#Red-13/16" O.D.-clutch release- 7 1/16" free length	1
80/	L-LN-LNT-LT-LTS900-diesel	All				1
80/	L-LT-LN-LNT900 -- 6 cyl. 893 Cat	All				1
80/86	LN-LNT900 -- 6cyl 552 Det.	All				1
82/	LTL900 -- 855,893	All				1
84/	LNT900 -- L-10 diesel	All		E4HZ 7523-A	#Red paint	1
80/	CL-CLT900 -- Mech cl cntls	All		D0HZ 7523-C	#Green-1" O.D. - clutch rel-6 27/64" free length	1
80/	CL-CLT900 -- Hyd cl cntls	All		D8HZ 7523-B	Approx. 3 23/32" long-15 1/4 coils-att. to cl pedal	1
80/	CL-CLT900 -- Hyd cl cntls	All		D8HZ 7523-C	Approx. 3 29/32" long-30 coils	1
<b>7A525 NUT (CLUTCH RELEASE LEVER ADJUSTING)</b>						
80/	B-F600/800			C7TZ 7A525-A		1
80/	L-LT-LTS-LN-LNT600/800					

**1980/  
TRUCK SERIES 600/900**

YEAR	MODEL / RESTRICTIONS	TRANS		PART NUMBER	DESCRIPTION	QTY.
		SPD.	TYPE			
<b>7526 BUSHING (CLUTCH PEDAL to IDLER LEVER ROD)</b>						
80/	C-LN600/700			★ COAZ 7526-A	3/8" I.D. x 7/16" bushing O.D. x 23/32" flange O.D. x 1 13/16" long-nylon-split	2
80/	B-F600/800	All		D8TZ 7526-B	Nylon-7/16" I.D.-attach 7521 to 7528	2
80/	B-F600/800 -- Diesel	All		E0HZ 7526-A	Steel and Fiber -- 7/16" I.D. 33/64" O.D. Attach 7519 to 7521	1
<b>7528 BAR ASSY. (CLUTCH RELEASE EQUALIZER)</b>						
80/81	L-LT-LTS -- 8 cyl. 477,534	5		D0HZ 7528-F		1
80/81	LN-LNT900 -- 8 cyl. 477,534	5		D0HZ 7528-G		1
80/81	L-LT-LTS900 -- 8 cyl. 477, 534	10 & 13		D0HZ 7528-A	Use w/Fuller 610, 613 trans.	1
80/81	LN-LNT900 -- 8 cyl. 477,534	10		D0HZ 7528-M	Use w/Fuller 610 trans.	1
80/82	B-F600/800 -- 8 cyl. diesel	All		E0HZ 7528-B	#E0HT 7528-BA	1
83/87	B-F600/800 -- 501 Det.	All		E3HZ 7528-C	#E3HT 7528-JA,E5HT-BA	1
83/	B-F-FT600/800 -- 636 Cat. 3208 Non turbo	All	All	E3HZ 7528-A	#E3HT 7528-GA,GB,E5HT-CA	1
83/	B-F-FT600/800 -- 636 Cat., 3208 Turbo	All	All	E3HZ 7528-B	#E3HT 7528-FA,E5HT-DA	1
83/	F-FT800/900	All		E3HZ 7528-D	#E3HT 7528-HA, E5HT-EA, use with CM5510, RT6610, 6613 trans.	1
80/	B-F600/800 -- 8 cyl. gas	All		E0HZ 7528-A	#E0HT 7528-AA, E5HT-BA	1
87/	B-F-FT600/900 -- 6.6, 7.8L engs.	All		E7HZ 7528-A	#E7HT 7528-AD-with 14" clutch	1
87/	B-F-FT600/900 -- 6.6,7.8L engs.	All		E7HZ 7528-C	#E7HT 7528-AC-with 13" clutch	1
87/	L-LT-LTS-LN-LNT700/900 -- 6.6, 7.8L eng.	All		E7HZ 7528-B	#E7HT 7528-BA	1
88/	L-LT-LTS-LN-LNT800/900 -- 6.6, 7.8L eng.	10,13	Fuller	E8HZ 7528-A	#E8HT 7528-AA, with 6610/13 trans.	1
80/83	L-LT-LTS800 -- 8 cyl. Cat., 555 Cum. diesel	All		D0HZ 7528-C		1
80/86	L-LT-LTS900 -- 8 cyl. 568 Detroit diesels	All		D0HZ 7528-H		1
80/83	LN700 -- 636 Cat., Calif. only	All		D7HZ 7528-A		1
80/	LN600/700 -- diesel	All		E1HZ 7528-A	#E1HT 7528-AA	1
81/	LN700 -- Cat. 636 diesel	All				1
82/	LN-LNT800 -- 636 Cat.	5,10		E2HZ 7528-A	#E2HT 7528-BA	1
87	LN-LNT700/800 -- 6.6,7.8L					1
82/	L-LT-LTS800 -- 636 Cat.	5,10		E2HZ 7528-B	#E2HT 7528-CA	1
80/83	LN-LNT800 -- 8 cyl. Cat., 555 Cum. diesel	All		D0HZ 7528-B		1
80/	LN600/700 -- 370,429 gas	All		D9HZ 7528-B	approx. 7.82" long	1
80/	LN-LNT800 -- 370,429 gas	All		D9HZ 7528-C		1
80/	L-LT-LTS800 -- 370,429 gas	All		D9HZ 7528-D		1
80/86	LN-LNT900 -- 8 cyl. 568 Detroit diesel	All		D3HZ 7528-A	W/drop frame	1
80/86	LN-LNT900 -- cyl. 552 Det. (6V-92)	All		E0HZ 7528-C	#D7HS 7528-AA	1
<b>7A533 BOOT (CLUTCH ROD)</b>						
80/	CL-CLT900 -- Mech cl cntl	All		D8HZ 7A533-A		1
80/	B-F-FT600/900	All		D5UZ 7A533-A		1
80/	L-LT-LTS-LN-LNT600/900	All		3513	Part of Steering Col. boot	1
<b>7B538 REINFORCEMENT (CLUTCH RELEASE EQUALIZER BAR)</b>						
80	LN-LNT800/900 -- diesel	All		★ C7TZ 7B538-B	5" long x 7/8" wide-(2) 13/32" holes-N/R (9/86)	1
<b>7B539 SPACER (CLUTCH RELEASE LEVER ADJUSTING)</b>						
80/	CL-CLT900 -- Mech cl cntl	All		D8HZ 7B539-A	4 1/4" x 2 1/4"	1
<b>7A541 ROD (CLUTCH MASTER CYLINDER PUSH)</b>						
80/	CL-CLT900 -- Hyd. cl. cntls.	All		D8HZ 7A541-A		1

**1980/  
TRUCK SERIES 600/900**

YEAR	MODEL / RESTRICTIONS	TRANS		PART NUMBER	DESCRIPTION	QTY.
		SPD.	TYPE			
<b>7542 BRACKET (CLUTCH RELEASE EQUALIZER BAR RETRACTING SPRING) - If not listed below improvise</b>						
80/	CT L LT800, C600/800	All		★ C4TA 7542-A	8 1/2" long x 1/8" thick x 1 3/4" wide dealer improvise	1
80/81	L-LT-LTS-LN-LNT900 -- 8 cyl. 477,534	5		D0HZ 7542-A		1
81/87	LN600/700 -- Det. 501 diesel	All		E1HZ 7542-C	#E1HT 7542-FA	1
80/	L LN LNT LT-LTS900 6 cyl. diesel	7	Spicer	D4HZ 7542-A	#D4HA DA, D5HA DA, D8HT AA	1
84/	LNT900 Cums. L 10	All	All			1
87/	L LT LTL900 L-10 diesel					1
80/86	LN-LNT900 cyl. 552 Det. (6V 92)	All		E0HZ 7542-D	#D7HS 7542-AA	1
87/89	L-LT LTS LN-LNT700/900 6.6. 7.8L eng.	All		E7HZ 7542-B	#E7HT 7542-CA, ED-E7HT CA,DA	1
89/	LS LTS900 -- 6.6, 7.8L eng. standard and reinf. frame	All		E9HZ 7542-A	#E9HT 7542-FA	1
89/	LS LTS900 -- 6.6, 7.8L eng. variable depth frame	All		E9HZ 7542-B	#E9HT 7542-GA	1
89/	L-LT LN LNT900 6.6 7.8L eng. standard and reinf. frame	All		E9HZ 7542-C	#E9HT 7542-HA	1
87/	LN LNT900 14L, 14.6L eng.	7	Spicer	E7HZ 7542-C	#E1HS 7542-BA, use with 1372 trans.	1
80/	CL CLT900 Hyd cl cntl	All		D8HZ 7542-A	#D7HT 7542-FA, E1HT LA	1
80	CL-CLT900 Mech cl cntl	All	Spicer	★ D8HZ 7542-B	Twisted "U" Shape-N/R (6/87)	1
80	CL CLT900 -- Mech cl cntl	All	Fuller	★ D8HZ 7542-C	Not replaced (8/86)	1
81/	CL-CLT900 -- Mech cl cntl "Before 4/84"	All		E4HZ 7542-A	#E1HT 7542-GA, E4HT 7542 DA	1
80/	B-F600/800 -- 8 cyl. gas	All		E0HZ 7542-A		1
80	B F600/800 -- 8 cyl. diesel "Before Ser. JA5,001"	All		★ E0HZ 7542-B	w/8 1/2" frame, E0HT 7542 EA not replaced (1/87)	1
80/	B F600/800 8 cyl. diesel. "From Ser. JA5,001"	All		E0HZ 7542-E	W/8 1/2" frame, E0HT 7542 EB	1
80	B F600/800 -- 8 cyl. diesel "Before Ser. JA5,001"	All		★ E0HZ 7542-C	w/9 1/2" frame, E0HT 7542-CA not replaced (9/86)	1
80/	B-F600/800 -- 8 cyl. diesel. "From Ser. JA5 001"	All		E0HZ 7542-F	W/9 1/2" frame, E0HT 7542 CB	1
83/	B F FT600/800 -- 636 Cat. without turbo except 10" frame	All	All	E3HZ 7542-A	#E3HT 7542-NA	1
83/	B F FT600/800 636 Cat. without turbo with 10" frame	All	All	E3HZ 7542-B	#E3HT 7542-RA	1
83/87	B-F FT600/900 501 Det.	5,10 13		E3HZ 7542-C	#E3HT 7542-EA, use with Fuller 6610/13 trans., Spicer CM50 trans	1
83/	B F FT700/800 636 Cat. turbo	All	All	E3HZ 7542-D	#E3HT 7542-SA,SB	1
87/	B-F-FT600,900 6.6 7.8L eng.	All		E7HZ 7542-A	#E7HT 7542-AB EDE7HT, AB, E8HT CA	1
82/86	LTL900 -- 736 Det. diesel with Gloved frame	All		E1HZ 7542-A	#E1HT 7542-EA,HA	1
82/86	LTL900 -- 736 Det. diesel without Gloved frame	All		E1HZ 7542-B	#E1HT 7542-AA,JA	1
82/	LTL900 -- 855 Cums. 895 Cat	All		E1HZ 7542-E		1
<b>7543 BALL (CLUTCH RELEASE EQUALIZER SHAFT) - Also refer to group 7517</b>						
80/	B-F600/800	All		C1AA 7543-A	5/8" I.D. x 1" O.D. x 1/2" thick	2
80/	LN LNT800/900 diesel	All		C7TZ 7543-B	3/4" dia. ball x 3 7/32" long 1 1/4" hex. on stud-3/4"-16 thread one end	1
80/	B-F600/800	All		97474-S	(QQ-4) Snap ring-9/16" I.D. x O.D. x 1/32" thick	2
<b>7A543 CYLINDER ASSY. (CLUTCH MASTER)</b>						
80/	C CT600/900	All		C1TT 7A543-G	Incl. push rod	1
80/	C-CT600/900	All		351816-S	(BB-224)-bolt (master cyl. to support) 3/8"-24 x 2 1/2"	2
86/	CF600/700	All		E6HZ 7A543-A		1
80/	CL CLT900 -- Hyd. cl. cntl.	All		E0HZ 7A543-A		1

**1980/  
TRUCK SERIES 600/900**

YEAR	MODEL / RESTRICTIONS	TRANS		PART NUMBER	DESCRIPTION	QTY.
		SPD.	TYPE			
<b>7A544 BRACKET (CLUTCH SLAVE CYLINDER MOUNTING)</b>						
80/	C600/800 -- Cat. diesel	All		C8HZ 7A544-A		1
81/87	C-CT600/800 -- Det. 501 diesel	All		E1HZ 7A544-A	#E1HT 7A544-AA	1
86/	CF600/700	All		E6HZ 7A544-B		1
80/	CL-CLT900 -- Hyd. cl. cntl.	All		D8HZ 7A544-A		1
<b>7K547 PLATE and PIN ASSY. (CLUTCH PRESSURE PLATE)</b>						
87/	B-F-FT-L-LT-LTS-LN-LNT600/900			E7HZ 7K547-A	Incl. 4 roll pins	1
86/	CF600/800					1
<b>7548 HUB and BEARING ASSY. (CLUTCH RELEASE) - Also refer to group 7580 and 7A605</b>						
Note 1- Used with Fuller RT-610, RT-613 trans.-w/SAE flywheel housing						
Note 2- Used only with Dana (Spicer) 5000, 6000 series trans. & Clark 385						
80/	B-C-F-L-LN-LNT-LT-LTS 600/800 -- diesel	All		E1HZ 7548-A	w/13" and 14" single plate clutch	1
80/87	B-F600/800 -- 8 cyl. 501 diesel	All				1
80/	C-LN600/800, CT-L-LNT-LT-LTS800 -- gas	All		E1HZ 7548-D	Single plate clutch	1
80/	B-F600/800 -- gas	All				1
80/	B-C-F-L-LN-LNT-LT-LTS 700/800 -- 370,429 gas	5		E1HZ 7548-C	w/Clark 390 series & Spicer CM-50, CM-60 trans.-13"-2 plate clutch	1
80/	C-CT-L-LN-LNT-LT-LTS900 -- 8 cyl. gas Note 1	10 & 13		E1HZ 7548-B	With 13" and 14" two plate clutch	1
80/81	L-LT-LTS800 -- 8 cyl. Cum. 555 diesel	All				1
80/	B-F,C-CT-L-LN-LNT-LT-LTS700/800 -- 8 cyl. 636 (3208) Cat. diesel	All				1
83/	F-FT800/900	All			With Fuller RT6610, 6613, Spicer CM5510	1
80/	C-CT-L-LN-LNT-LT-LTS900 -- 8 cyl. gas note 2			D1HZ 7548-B	With 13" two plate clutch	1

T Y P E	ENGINE		YEAR	MODEL/RESTRICTIONS	DISC		PLATE PART NUMBER
	C Y L	C.I.D. OR LITRE			DIA. (INCHES)	PART NUMBER	

**7550 DISC. ASSY. (CLUTCH)**

**NOTES:** Disc and Pressure Plate sold only as remanufactured items

- Greasable bearing, □ Non-greasable bearing, \$ Plate-clutch center drive § 2800 lb. load pressure, \*3200 lb. load pressure, £ 3600 lb. load pressure, † Front (two plate clutch), ‡ Rear (two plate clutch)

ç Self Adj. clutch, #Non-self adj. clutch ◇ Ceramic to be used in sets, ◆ Non-ceramic to be used in sets

**B SERIES-See F SERIES**

**C-CF-CT SERIES**

D	8	636	80/82	C700 --	"Before 4/82"	14	★ C8TZ 7550-F	D5TZ 7563-A
		636 Cat.	80/82	C-CT700/800 --	"Before 4/82"	13	† D3HZ 7550-D	C8HZ 7563-C
		636 Cat.	80/82	C-CT700/800 --	"Before 4/82"	14	‡ D3HZ 7550-B	\$ C8HZ 7563-F
		636	82/	C-CT700/800 --	"From 4/82"	14	† D3HZ 7550-C	C8HZ 7563-E
		636	82/86	C-CT700/800 --	"From 4/82"	13	‡ D3HZ 7550-A	◆ E2HZ 7563-N
		636	82/	C-CT700/800 --	"From 4/82"	14	† C8HZ 7550-E	◇ E0HZ 7563-A
		636	82/	C-CT700/800 --	"From 4/82"	14	‡ C8HZ 7550-F	\$ E6HZ 7563-B
		636T	82/	C-CT800	"From 4/82"	14	† C8HZ 7550-C	C8HZ 7563-A
							‡ C8HZ 7550-D	\$ C8HZ 7563-B
							‡ ◇ E5HZ 7550-A	\$ E5HZ 7563-A
							† ◇ E5HZ 7550-B	ç ■ E5HZ 7563-C

1980/  
TRUCK SERIES 600/900

ENGINE			YEAR	MODEL/RESTRICTIONS	DISC		PLATE PART NUMBER	
T Y P E	C Y L	C.I.D. OR LITRE			DIA. (INCHES)	PART NUMBER		
7550			DISC. ASSY. (CLUTCH) — Cont'd					
NOTES:			Disc and Pressure Plate sold only as remanufactured items					
			\$ Plate-clutch center drive § 2800 lb. load pressure,*3200 lb. load pressure,					
			£ 3600 lb. load pressure ■ Greasable bearing, □ Non-greasable bearing,					
			† Front (two plate clutch), ‡ Rear (two plate clutch) c Self Adj. clutch, #Non-self adj. clutch					
			◇ Ceramic to be used in sets, ◆ Non-ceramic to be used in sets					
C-CF-CT SERIES — Cont'd								
G	8	370.429	80/	C-CT600/800	13	C5TZ 7550-H	D9HZ 7563-E	
		370.429	80/83	C-CT700/800	13	† E4HZ 7550-N	§ D9HZ 7563-B	
						‡ E4HZ 7550-P	E4HZ 7563-B	
G	8	370.429	84/	C-CT700/800	13	† E4HZ 7550-N	§ E4HZ 7563-C	
						‡ E4HZ 7550-P	E4HZ 7563-B	
		477.534	80/81	C-CT800/900	13	C9HZ 7550-A	E0HZ 7563-C	
						C9HZ 7550-A	§ B8QH 7563-B	
D	8	501	81/87	C-CT600/700 - - W/Turbo chrgr.	14	◇ E0HZ 7550-A	◇ E0HZ 7563-A	
			81/87	C-CT600/700 - - w/o Turbo chrgr.	14	E0HZ 7550-B	E0HZ 7563-B	
D	6	6.6L	86/	CF600/700	14	★ E7HZ 7550-D	★ E6HZ 7563-C	
D	6	7.8L	87/	CF700/800	14	★ E7HZ 7550-G	★ E8HZ 7563-G	
D	6	7.8L	88/	CF700/800 - - 5/6 spd. trans.	14	★ † E8HZ 7550-D	★ § E8HZ 7563-B	
						★ ‡ E8HZ 7550-D	★ E8HZ 7563-E	
D	6	7.8L	88/	CF700/800 - - 6610/13 spd. trans.	14	★ † E8HZ 7550-D	★ § E8HZ 7563-B	
						★ ‡ E8HZ 7550-D	★ E8HZ 7563-C	
CL-CLT SERIES								
D	6&8	552.568. 855	80/	CL-CLT900 Cum. Form & NTC 290,300 & Det. 6V-92 or 8V-71T TT	14	† ◆ E4HZ 7550-F	§ C1TZ 7563-A	
						‡ ◆ E4HZ 7550-H	◆ # E2HZ 7563-D	
						† ◇ E5HZ 7550-C	◇ c § E2HZ 7563-H	
						‡ ◇ E0HZ 7550-F	◆ c E2HZ 7563-G	
							◇ # E2HZ 7563-E	
D	6&8	426.568 855	80/	CL-CLT900 Cum. Form & NTC 230,250 & Det. 6-71N or 8V-71N	14	† ◆ E0HZ 7550-L	§ C1TZ 7563-A	
						‡ ◆ E4HZ 7550-G	◆ # E2HZ 7563-D	
						† ◇ E0HZ 7550-N	◇ c § E2HZ 7563-H	
						‡ ◇ E0HZ 7550-P	◆ c E2HZ 7563-G	
							◇ # E2HZ 7563-E	
D	6&8	552.568 736.855	84/	CL-CLT900 - Super duty clutch Cum. Form & NTC 300/400 & Det 6V-92, 8V 71, 8V-92	14	† ◇ E6HZ 7550-B	§ E4HZ 7563-A	
						‡ ◇ E5HZ 7550-H	* # E2HZ 7563-D	
							* c E2HZ 7563-G	
D	6&8	All	80	CL-CLT900	14	† ◆ D8HZ 7550-C	§ D8HZ 7563-J	
						★ ‡ ◆ D8HZ 7550-D	# D8HZ 7563-G	
						† ◇ D8HZ 7550-N	§ D8HZ 7563-J	
						★ ‡ ◇ D8HZ 7550-P	# D8HZ 7563-G	
D	6&8	All	80/87	CL CLT900	15 1/2	† ◇ E0HZ 7550-V	§ C7TZ 7563-D	
						‡ ◇ E0HZ 7550-W	#* E2HZ 7563-F	
						† ◆ D4HZ 7550-E	c * E2HZ 7563-J	
						‡ ◆ D4HZ 7550-B	c £ E2HZ 7563-K	
D	6&8	552.568. 855.3406	80/	CL-CLT900 Cum. Form & NTC 290,300,350,400,KT450. Cat. 3406 & Det. 6V-92, 8V-92 & 8V 71T TT	15 1/2	† ◆ E4HZ 7550-J	§ C7TZ 7563-D	
						‡ ◆ E4HZ 7550-K	# * E2HZ 7563-F	
						† ◇ E5HZ 7550-E	c * E2HZ 7563-J	
						‡ ◇ E5HZ 7550-F	c £ E2HZ 7563-K	
D	6&8	426.568. 855	80/	CL-CLT900 Cum. Form & NTC 230,250 and Det. 6 71N & 8V-71N	15 1/2	† ◆ E4HZ 7550-L	§ C7TZ 7563-D	
						‡ ◆ E4HZ 7550-M	# ◆ E2HZ 7563-F	
						† ◇ E0HZ 7550-T	c ◇ E2HZ 7563-J	
						‡ ◇ E0HZ 7550-U	c £ E2HZ 7563-K	
D	6	855	87/	CL-CLT900 - - NTC 315 H.P.	15 1/2	† ◇ E5HZ 7550-E	c ◇ E2HZ 7563-F	
						‡ ◇ E5HZ 7550-F	§ C7TZ 7563-D	
D	6	14.6L	88/	CL-CLT900	15 1/2	◇ ‡ E8HZ 7550-A	# ◇ E8HZ 7563-A	
						◇ † E8HZ 7550-B	§ C7TZ 7563-D	

1980/  
TRUCK SERIES 600/900

ENGINE			YEAR	MODEL/RESTRICTIONS	DISC		PLATE PART NUMBER	
T Y P E	C Y L	C.I.D. OR LITRE			DIA. (INCHES)	PART NUMBER		
7550			DISC. ASSY. (CLUTCH) -- Cont'd					
NOTES:			Disc and Pressure Plate sold only as remanufactured items					
			§ Plate-clutch center drive § 2800 lb. load pressure, *3200 lb. load pressure,					
			£ 3600 lb. load pressure ■ Greasable bearing, □ Non-greasable bearing,					
			† Front (two plate clutch), ‡ Rear (two plate clutch) c Self Adj. clutch, #Non-self adj. clutch					
			◇ Ceramic to be used in sets, ◆ Non-ceramic to be used in sets					
B and F SERIES								
D	6	6.6L	88	B-F600 -- FS 4005 trans	13	E8HZ 7550-E	E8HZ 7563-D	
D	6	6.6L	88/	B-F-FT600 -- FS4005 trans	14	FOHZ 7550-A	■c FOHZ 7563-A	
G	8	370,429	80/	B-F700/800	13	† E4HZ 7550-N	§ E4HZ 7563-C	
						‡ E4HZ 7550-P	E4HZ 7563-B	
D	8	501 Det.	80/87	B-F-FT600/900 -- w/Turbo chrgr.	14	E0HZ 7550-A	E0HZ 7563-A	
			80/87	B-F-FT600/900 -- w/o Turbo chrgr.	14	E0HZ 7550-A	E0HZ 7563-B	
G	8	370,429	80/	B-F600/800	13	E4HZ 7550-R	D9HZ 7563-E	
D	8	636	82/	B-F-FT700/800 -- Spicer system	14	‡◇ E5HZ 7550-A	§ E5HZ 7563-A	
						†◇ E5HZ 7550-B	c ■ E5HZ 7563-C	
D	8	636	82/	B-F-FT700/800 -- Spicer system	14	◇ E5HZ 7550-J	c ■ E5HZ 7563-B	
D	6	6.6L	87/88	B-F600/700 -- Borg system	13	★ E7HZ 7550-A	★ ■ E7HZ 7563-G	
D	6	6.6, 7.8L	87	B-F FT600/900 -- Spicer system	14	◇ E5HZ 7550-J	c ■ E5HZ 7563-B	
D	6	7.8L	87	B-F-FT600/900 -- Spicer system	14	† E7HZ 7550-F	c E5HZ 7563-A	
						‡ E7HZ 7550-E	c ■ E5HZ 7563-C	
D	6	6.6L	87/88	B-F700 -- Borg system	14	★ E7HZ 7550-D	★ E6HZ 7563-C	
D	6	7.8L	88	B-F-FT700/800 -- Borg system	14	★ E7HZ 7550-G	★ E8HZ 7563-G	
D	6	6.6, 7.8L	89/	B-F-FT600/900 -- Spicer system	14	◇ E5HZ 7550-J	■c E9HZ 7563-B	
D	6	7.8L	88	B-F-FT700/900 -- 5/6 spd. trans. -- Borg system	14	★ † E8HZ 7550-D	★ § E8HZ 7563-B	
						★ ‡ E8HZ 7550-D	★ E8HZ 7563-E	
D	6	7.8L	88	F-FT600/900 -- 6610/13 spd. trans. -- Borg system	14	◇ † E8HZ 7550-C	★ § E8HZ 7563-B	
						◇ ‡ E8HZ 7550-C	E8HZ 7563-F	
D	6	6.6, 7.8L	89/	B-F-FT600/900 -- Spicer system	14	◇ † E7HZ 7550-F	■c E9HZ 7563-A	
						◇ ‡ E7HZ 7550-E	§ E5HZ 7563-A	
L-LN-LNT-LT-LTS-LTL SERIES								
1 3/8" Spine dia.								
G	8	370,429	80/	L-LN-LNT-LT600/800	13	C5TZ 7550-H	D9HZ 7563-E	
1 1/2" Spine dia.								
G	8	477,534	80/81	L-LN-LNT-LT-LTS900	13	C9HZ 7550-A	E0HZ 7563-C	
						C9HZ 7550-A	§ B8QH 7563-B	
		370,429	80/83	L-LN-LNT-LT-LTS700/800	13	† E4HZ 7550-N	§ D9HZ 7563-B	
						‡ E4HZ 7550-P	E4HZ 7563-B	
G	8	370,429	84/	L-LN-LNT-LT-LTS700/800	13	† E4HZ 7550-C	§ E4HZ 7563-C	
						‡ E4HZ 7550-D	E4HZ 7563-B	
D	8	501	81/87	LN600/700 -- w/Turbo chrgr	14	E0HZ 7550-A	E0HZ 7563-A	
			81/87	LN600/700 -- w/o Turbo chrgr	14	E0HZ 7550-B	E0HZ 7563-B	
D	8	636 Cat	80/82	LN700 -- "Before 4/82"	14	★ C8TZ 7550-F	D5TZ 7563-A	
			80/82	L-LN-LNT-LT-LTS800 -- "Before 4/82"		N/R (6/86)		
		636 Cat.	80/82	L-LN-LNT-LT-LTS800 -- "Before 4/82"	13	† D3HZ 7550-D	C8HZ 7563-C	
			80/82	LN700 -- "Before 4/82"		‡ D3HZ 7550-B	§ C8HZ 7563-F	
		636 Cat.	80/82	L-LN-LNT-LT-LTS700/800 -- "Before 4/82"	14	† D3HZ 7550-C	C8HZ 7563-E	
						‡ D3HZ 7550-A	§ C8HZ 7563-D	
D	8	636	82/	L-LT-LTS-LN-LNT700/800 -- "From 4/82"	14	◆φ C8TZ 7550-D	◆ E2HZ 7563-N	
D	8	636	86	LN-LNT700	14	◇ E0HZ 7550-A	◇ E0HZ 7563-A	
		636	82/	L-LT-LTS-LN-LNT700/800 -- "From 4/82"	13	† C8HZ 7550-E	E6HZ 7563-B	
						‡ C8HZ 7550-F	§ E2HZ 7563-M	
		636	82/	L-LT-LTS-LN-LNT700/800 -- "From 4/82"	14	† C8HZ 7550-C	C8HZ 7563-A	
						‡ C8HZ 7550-D	§ C8HZ 7563-B	

1980/  
TRUCK SERIES 600/900

ENGINE			YEAR	MODEL/RESTRICTIONS	DISC		PLATE PART NUMBER
T Y P E	C Y L	C.I.D. OR LITRE			DIA. (INCHES)	PART NUMBER	

7550 DISC. ASSY. (CLUTCH) -- Cont'd  
 NOTES: Disc and Pressure Plate sold only as remanufactured items  
 \$ Plate-clutch center drive § 2800 lb. load pressure, \*3200 lb. load pressure,  
 £ 3600 lb. load pressure ■ Greasable bearing, □ Non-greasable bearing,  
 † Front (two plate clutch), ‡ Rear (two plate clutch) ç Self Adj. clutch, #Non-self adj. clutch  
 ◇ Ceramic to be used in sets, ◆ Non-ceramic to be used in sets

L-LN-LNT-LT-LTS-LTL SERIES

1 3/4" Spline dia.

D	8	636	82/	L-LT-LTS-LN-LNT800 -- Spicer system	14	†◇ E5HZ 7550-A †◇ E5HZ 7550-B	§ E5HZ 7563-A c ■ E5HZ 7563-C
D	8	636	82/	L-LT-LTS-LN-LNT800 -- Spicer system	14	◇ E5HZ 7550-J	c ■ E5HZ 7563-B
D	6	7.8L	87	L-LT-LTS-LN-LNT700/800	14	★ E7HZ 7550-B	★ E7HZ 7563-B
D	6	7.8L	87	L-LT-LTS-LN-LNT700/800	14	★ † E8HZ 7550-D ★ ‡ E8HZ 7550-D	★ § E8HZ 7563-B ★ E7HZ 7563-C
D	6	6.6L	88	LN-LNT700 -- Borg system	13	E7HZ 7550-A	E7HZ 7563-G
D	6	6.6L	88	LN-LNT700 -- Borg system	14	★ E7HZ 7550-D	★ E6HZ 7563-C
D	6	7.8L	88	L-LT-LTS-LN-LNT700/900 -- Borg system	14	★ E7HZ 7550-G	★ E8HZ 7563-G
D	6	6.6,7.8L	89/	L-LT LS-LTS-LN-LNT700/900 -- Spicer system	14	◇ E5HZ 7550-J	■ c E9HZ 7563-B
D	6	7.8L	88	L-LT-LTS-LN-LNT700/900 -- 5/6 spd. trans., Borg system	14	★ † E8HZ 7550-D ★ ‡ E8HZ 7550-D	★ § E8HZ 7563-B ★ E8HZ 7563-E
D	6	7.8L	88	L-LT-LTS-LN-LNT700/900 -- 6610/13 spd. trans., Borg system	14	★ † E8HZ 7550-D ★ ‡ E8HZ 7550-D	★ § E8HZ 7563-B ★ E8HZ 7563-C
D	6	6.6,7.8L	89/	L-LT-LS-LTS-LN-LNT700/900 -- Spicer system	14	◇ † E7HZ 7550-F ◇ ‡ E7HZ 7550-E	■ c E9HZ 7563-A § E5HZ 7563-A
D	6	7.8L (270HP)	89/	L-LT-LS-LTS-LN-LNT800 -- Spicer system	14	◇ † E7HZ 7550-F ◇ ‡ E7HZ 7550-E	■ c E9HZ 7563-D § E5HZ 7563-A

2" Spline dia.

D	6&8	426,568 Det., 855 Cum., 893 Cat.	80/86 80/ 80/	L-LN-LNT-LT-LTS900	14	†◇ D4HZ 7550-G †◇ D4HZ 7550-H †◇ D4HZ 7550-D ‡◇ D4HZ 7550-C	#§ ◇ D4HZ 7563-C c §◇ D9HZ 7563-G § C1TZ 7563-A # ◆◇ D4HZ 7563-B c ◆◇ E1HZ 7563-A § C1TZ 7563-A
		855 Cum., 893 Cat., 568 Det.	80/ 80/ 80/86	L-LN-LNT-LT-LTS900	15 1/2	†◇ E0HZ 7550-V †◇ E0HZ 7550-W †◇ D4HZ 7550-E ‡◇ D4HZ 7550-B	◇ D5HZ 7563-V § C7TZ 7563-D ◆ D4HZ 7563-A § C7TZ 7563-D
D	6&8	552,568, 855	80	L-LN-LNT-LT-LTS900 -- Cum. Form & NTC290,300 & Det. 6V-92 or 8V-71T-TT	14	† ◇ E0HZ 7550-E ‡ ◇ E0HZ 7550-F † ◆ E0HZ 7550-C ‡ ◆ E0HZ 7550-D	#§ ◇ D4HZ 7563-C c §◇ D9HZ 7563-G § C1TZ 7563-A # ◆◇ D4HZ 7563-B c ◆◇ E1HZ 7563-A § C1TZ 7563-A # ◆◇ D8HZ 7563-B c ◆◇ D8HZ 7563-F
		426,568, 855	80	L-LN-LNT-LT-LTS900 -- Cum. Form & NTC 230,250 & Det. 6-71N or 8V 71N	14	† ◇ E0HZ 7550-N ‡ ◇ E0HZ 7550-P † ◆ E0HZ 7550-L ‡ ◆ E0HZ 7550-M	§ C1TZ 7563-A #§ ◇ D4HZ 7563-C c §◇ D9HZ 7563-G # ◆◇ D4HZ 7563-B c ◆◇ E1HZ 7563-A § C1TZ 7563-A
D	6&8	552,568, 855,893	80	L-LN-LNT-LT-LTS900 -- Cum. Form & NTC 290,300,350,400, Cat. 3406 & Det. 6V-92, 8V-92 & 8V-71T-TT	15 1/2	† ◇ E5HZ 7550-E ‡ ◇ E5HZ 7550-F † ◆ E0HZ 7550-G ‡ ◆ E0HZ 7550-H	◇ D5HZ 7563-V § C7TZ 7563-D ◆ D4HZ 7563-A § C7TZ 7563-D

**1980/  
TRUCK SERIES 600/900**

ENGINE			YEAR	MODEL/RESTRICTIONS	DISC		PLATE PART NUMBER
T Y P E	C Y L	C.I.D. OR LITRE			DIA. (INCHES)	PART NUMBER	

7550 DISC. ASSY. (CLUTCH) — Cont'd  
 NOTES: Disc and Pressure Plate sold only as remanufactured items  
 \$ Plate-clutch center drive § 2800 lb. load pressure,\*3200 lb. load pressure,  
 £ 3600 lb. load pressure ■ Greasable bearing, □ Non-greasable bearing,  
 † Front (two plate clutch), ‡ Rear (two plate clutch) † Self Adj. clutch, #Non-self adj. clutch  
 ◇ Ceramic to be used in sets, ◆ Non-ceramic to be used in sets

**L-LN-LNT-LT-LTS-LTL SERIES**

2" Spines dia.

D	6&8	426,568, 855	80	L-LN-LNT-LT-LTS900 -- Cumm. Form & NTC 230,250 and Det. 6-71N & 8V-71N	15 1/2	† ◇ E0HZ 7550-T ‡ ◇ E0HZ 7550-U † ◆ E0HZ 7550-R ‡ ◆ E4HZ 7550-M	\$ C7TZ 7563-D ◇ D5HZ 7563-V ◆ D4HZ 7563-A \$ C7TZ 7563-D
D	6&8	552,855	81/	L-LT-LTS-LN-LNT900 -- Det. 6V-92TT, Cums NTC/Form 270,300	14	† ◇ E0HZ 7550-C ‡ ◆ E0HZ 7550-D † ◇ E0HZ 7550-E ‡ ◇ E0HZ 7550-F	◇ c D8HZ 7563-E ◆ c D8HZ 7563-F ◇ # D8HZ 7563-C ◆ # D8HZ 7563-B \$ C1TZ 7563-A
D	6&8	426,568 855	81/	L-LT-LTS-LN-LNT900 -- Det. 6-71N, 8V-71N, Cums NTC/Form 240	14	† ◆ E0HZ 7550-L ‡ ◆ E0HZ 7550-M † ◇ E0HZ 7550-E ‡ ◇ E0HZ 7550-F	◇ c D9HZ 7563-G ◆ c E1HZ 7563-A ◇ # D4HZ 7563-C ◆ # D4HZ 7563-B \$ C1TZ 7563-A
D	6	855	82/	LTL900 -- Cum Form. & NTC300	14	† ◆ E0HZ 7550-C ‡ ◆ E0HZ 7550-D † ◇ E0HZ 7550-E ‡ ◇ E0HZ 7550-F	*◆# D4HZ 7563-B *◆c E1HZ 7563-A \$◆◇# D4HZ 7563-C \$◆◇c D9HZ 7563-G \$ C1TZ 7563-A
D	6	552	81/86	LN-LNT900 -- Det. 6V-92T & TT	15 1/2	† ◆ E0HZ 7550-G ‡ ◆ E4HZ 7550-K † ◇ E5HZ 7550-E ‡ ◇ E5HZ 7550-F	* # D8HZ 7563-D * c D8HZ 7563-H \$ C7TZ 7563-D
D	6&8	855,893	81/	L-LT-LTL-LTS-LN-LNT900 -- Cat. 3406, Cums NTC/Form 270,300, 350,400	15 1/2	† ◆ E0HZ 7550-G ‡ ◆ E4HZ 7550-K † ◇ E5HZ 7550-E ‡ ◇ E5HZ 7550-F	# ■ D4HZ 7563-A # □ D8HZ 7563-D c ■ E1HZ 7563-B \$ C7TZ 7563-D
D	6&8	426,568 736,855	81/	L-LT-LTS-LN-LNT900 -- Det. 6-71N, 8V-71N, 8V-92T & TT, Cums NTC/Form 240	15 1/2	† ◆ E0HZ 7550-R ‡ ◆ E4HZ 7550-M † ◇ E0HZ 7550-J ‡ ◇ E5HZ 7550-F	# ■ D4HZ 7563-A # □ D8HZ 7563-D c ■ E1HZ 7563-B \$ C7TZ 7563-D
D	6&8	736,855 893	82/	LTL900 -- Cat 3406, Cums NTC/ Form. 300,350,400, Det 8V-92	15 1/2	† ◇ E0HZ 7550-G ‡ ◆ E0HZ 7550-H † ◇ E5HZ 7550-E ‡ ◇ E5HZ 7550-F	*# ■ D4HZ 7563-A *c ■ E1HZ 7563-B \$ C7TZ 7563-D
D	6	14.6L	88/	LTL900	15 1/2	◇ ‡ E8HZ 7550-A ◇ † E8HZ 7550-B	# ◇ E8HZ 7563-A \$ C7TZ 7563-D
D	6	855	87/	L-LT-LTS-LS-LL-LTL-LN-LNT900 -- NTC 315 H.P.	15 1/2	† ◇ E5HZ 7550-E ‡ ◇ E5HZ 7550-F	c ◇ E2HZ 7563-F \$ C7TZ 7563-D
D	6	610	84/	LNT900 -- Cums L-10	14	† ◆ E0HZ 7550-C ‡ ◆ E0HZ 7550-D	*◆# D4HZ 7563-B \$ C1TZ 7563-A



**1980/  
TRUCK SERIES 600/900**

YEAR	MODEL / RESTRICTIONS	TRANS		PART NUMBER	DESCRIPTION	QTY.
		SPD.	TYPE			
<b>7B552 LEVER ASSY. (CLUTCH RELEASE SHAFT) - Also refer to group 7511</b>						
80/86	L-LN-LNT-LT-LTS900 - - 6 cyl. diesel	All	All	D4HZ 7B552-A	#D4HA 7B552-AA-20 splines	1
80/86	L-LT-LTS-LN-LNT900 - - 6 cyl. 893 Cat. diesel	All		D4HZ 7B552-B	#D4HA 7B552-BA -20 splines-10 3/16" long	
84/86	LNT900 - - L-10 diesel	All		E4HZ 7B552-A	#E4HT 7B552-AA	1
82/86	LTL900	All		E2HZ 7B552-A	#E2HT 7B552-AA, E1HT 7B552-AA	1
88/	LN-LNT900 - - 14.6L eng	All		E8HZ 7B552-A	#E8HT 7B552-AA	1
<b>7560 REPAIR KIT (CLUTCH SLAVE CYLINDER)</b>						
80/	C-CT900 - - gas	All		B8Q 7560-A	Use with 29/32" cyl.	1
CONSISTS OF						
1-B7TZ 7A716-A		Boot		1-Snap ring		1-Cup
1-Piston						
80/	CL-CLT900 - - Hyd cl cntl	All	All	D8HZ 7560-A		1
80/	C-CT600/800	All	All			1
CONSISTS OF						
1-D8HZ 7A513-B		Cup		1-TAAK 7821-A		Ret ring
1-TAJAA 7700-C		Boot				
86/	CF600/700			E6HZ 7560-A		1
<b>7B560 ROD ASSY. (CLUTCH VERTICAL CONTROL)</b>						
80/	L-LT-LTS800/900	All		D0HZ 7B560-C	#D0HA 7B560-Z-Blue Paint, 26 1/4" long to eye of clevis x 3/8" dia. rod x 3/8"- 16 thread	1
80/	LN600/700 - - diesel	All				1
80/	LN-LNT800 - - 8 cyl 370 gas	All				1
80/	LNT800/900 - - diesel					1
80/	LN-LNT900 - - 6 cyl. Cummm. diesel w/o drop frame					1
80/	L-LT-LN-LNT900 - - 6 cyl. Cat. diesel	All				1
80/81	LN-LNT800 - - 8 cyl. 636 Cat. diesel	13				1
84/	LNT900 - - L10 diesel					1
87/	L-LT-LTL900 - - L10 diesel					1
87/	L-LT-LTS-LS800/900 - - 6.9,7.8L eng.					1
82/	LN-LNT700/800 - - 636 cat.	5,10 13		E2HZ 7B560-A	#E2HT 7B560-BA, Brown Paint-use with Fuller 6610,6613 Dana CM50,60 trans.	1
87/	LN-LNT800/900 - - 6.9,7.8L eng.					1
82/	LN-LNT900 - - 855 cumms. "From 1/82"	All		E2HZ 7B560-B	#E2HT 7B560-CA, Dark Yellow Paint	
80/	LN-LNT900 - - 8 cyl. 477, 534	All		D0HZ 7B560-B	#D0HA 7B560-Y-red Paint	1
80/	LN-LNT800 - - 8 cyl 429 gas	All				1
80/86	LN-LNT900 - - 6 cyl. 552 Det. (6V-92) "From 1/82"	All				1
80/84	LN600/700 - - gas	All			#D0HA 7B560-AA-White Paint	1
80/84	LN-LNT800 - - diesel					1
80/82	LN-LNT900 - - 6 cyl. Cummm. diesel-w/drop frame "Before 1/82"	All		D5HZ 7B560-A	#D5HA 7B560-BA,#Yellow Paint	1
80/86	LN-LNT900 - - 8 cyl. 568 Detroit diesel	All				1
82/	LTL900	All		E1HZ 7B560-A	#E1HT 7B560-EA, Orange Paint	1
80/	CL-CLT900 - - Mech cl cntl	All	All	D8HZ 7B560-A		1
80/	L-LT-LTS800/900, LN-LNT600/900	All		383536-S34	(FF-3)-clevis-adjustable (7B560 to 7528)- 3/8"-16	1
<b>7563 Refer to group 7550</b>						
<b>7564 COVER (CLUTCH HOUSING)</b>						
80/82	C-CT700/900	10		C8TZ 7564-A	Use with 610 trans.	1
80/	C900, L900, LT800/900	10		C1TZ 7564-B		1
80/	L-LN-LNT-LT900 - - diesel	10		D4HZ 7564-A	6 9/16" x 4 1/8"-(2) 11/32" bolt holes	1

**1980/  
TRUCK SERIES 600/900**

YEAR	MODEL / RESTRICTIONS	TRANS		PART NUMBER	DESCRIPTION	QTY.
		SPD.	TYPE			
<b>7564 COVER (CLUTCH HOUSING DUST) - Also refer to group 6366</b>						
80/86	B-C-F-L-LN-LNT-LT-LTS 600/800-370,429 gas	All		D9HZ 7564-A	use w/Clark 280 series, Warner T19 & New Process 435,542 trans., single plate clutch FS3005 trans.	1
87/	B-F600/800	5	Clark			1
80/	B-C-F-L-LN-LNT-LT-LTS 700/800-370,429 gas	All		D9HZ 7564-B	use w/Clark 390 series, Fuller 610 & Spicer CM-50, CM-60 trans., dual plate clutch	1
80/	B-F600/700, C-LN-LNT600/800, L-LT-LTS800 - - 636, 501 diesels	5&10		C8TZ 7564-B	Use w/Clark 280,550 series, Warner T19D, Spicer CM-55, CM-60 trans. push type clutch	1
80/81	L-LN-LNT-LT-LTS900 - - 477,534 gas	5		B8QH 7564-A		1
80/	C-F-L-LNT800 - - diesel	5&7		D4HZ 7564-B	Use w/Dana (Spicer) 6000, SST-1007-2A, and CM-60 series trans.	1
86/	CF600/700	5	Clark	E6HZ 7564-A		1
<b>7B564 LEVER ASSY. (CLUTCH FORWARD RELAY TO VERTICAL ROD)</b>						
80/	CL-CLT900 - - Mech cl cntl	All	All	D8HZ 7B564-A		1
<b>7B570 LEVER (CLUTCH VERTICAL CONTROL)</b>						
80/	L-LN-LNT-LT-LTS900 - - 6 cyl. diesel	All		D0HZ 7B570-A	No splines	1
82/	LTL900	All				1
<b>7A572 BRACKET ASSY. (CLUTCH RELEASE EQUALIZER ENGINE)</b>						
80/	B-F600/800 - - 8 cyl. gas	All		E0HZ 7A572-A	Incl. ball	1
80/	B-F600/800 - - 8 cyl. diesel	All		E0HZ 7A572-B	Incl. ball	1
83/	B-F-FT600/800 - - 3208 Turbo	All		E3HZ 7A572-A	#E3HT 7A572-FA	1
83/	F-FT800/900	All		E3HZ 7A572-B	#E3HT 7A572-GA	1
87	B-F-FT600/900 - - 6.6, 7.8L engs.	All		E7HZ 7A572-A	#E7HT 7A572-AA	1
87/	L-LT-LTS800 - - 6.6, 7.8L eng.	All		E7HZ 7A572-B	#E7HT 7A572-BA	1
87/	LN-LNT700/800 - - 6.6, 7.8L eng.	All		E7HZ 7A572-C	#E7HT 7A572-CA	1
80/	L-LN-LNT-LT-LTS800 - - 8 cyl. Cat. diesel	All		D0HZ 7A572-C	#D0HA 7A572-U 6" long x 4 13/16" wide- incl. ball	1
82/	L-LT-LTS-LN-LNT800 - - 636 cat.	5,10 13		E2HZ 7A572-A	#E2HT 7A572-AA, Inc. ball	1
80/81	L-LN-LNT-LT-LTS900 - - 8 cyl. 477, 534	10,13		D0HZ 7A572-D	#D0HA 7A572-V 5" long x 3 9/16" wide- incl. ball-use w/Fuller 610 & 613 trans.	1
80/81	L-LT-LTS-LN-LNT900 - - 8 cyl. 477,534	5		D0HZ 7A572-B	#D0HA 7A572-T, Incl. ball	1
80/	LN600/700 - - diesel	All		D0HZ 7A572-E	#D0HA 7A572-AB 5 1/2" long x 5/16" thick x 4 5/16" wide-incl. ball	1
80/86	L-LT900 - - 8 cyl. 568 Detroit,	All		D0HZ 7A572-J	#D0HA 7A572-AJ or AJ 6 7/8" long x 4" wide x 5/16" thick-incl. ball	1
80	LN600/700 - - diesel	All		D0HZ 7A572-G	#D0HA 7A572-AD-incl. ball	1
80/	LN600/700 - - 370,429	All		E2HZ 7A572-B	#D9HT 7A572-EA, E2HT 7A572-BA, incl. Ball	1
80/	L-LN-LNT-LT-LTS800 - - 8 cyl. 370,429	All		E2HZ 7A572-C	w/Clark 280,390 series, Spicer CM-50, CM-60, Warner T19 & New Process 435,542	1
80/82	L-LN-LNT-LT-LTS800 - - 8 cyl. 370,429	All		D9HZ 7A572-C	w/Fuller 610,613 trans.	1
80/86	LN-LNT900 - - 8 cyl. 568 Detroit diesel	All		D3HZ 7A572-C	Use w/drop frame-#D3HA 7A572-AC	1
80/86	LN-LNT900 - - 6 cyl. 552 Det. (6V-92)	All		E0HZ 7A572-C	#D6HS 7A572-BA, Incl. ball	1
81/87	LN600/700 - - Det. 501 diesel	All		E1HZ 7A572-A	#E1HT 7A572-AB, Incl. ball	1
<b>7A576 BRACKET (CLUTCH RELEASE EQUALIZER LOWER)</b>						
80/	B-F600	All		E0HZ 7A576-A	#E0HT 7A576-AA, E3HT 7A576-GA	1
83/	F-FT800/900	5	Spicer		CM5510 trans.	1
80/	LN600/700	All		D0HZ 7A576-C	#D0HA 7A576-J 4 3/4" long x 1 7/8" x 2 3/4" x 1/4" angle iron	1
80/	B-F600/800	All				1
80/	L-LN-LNT-LT-LTS800/900 - - gas	All		D0HZ 7A576-B	#D0HA 7A576-R 5 1/2" long x 2 1/2" x 4" x 1/4" thick angle iron	1

**1980/  
TRUCK SERIES 600/900**

YEAR	MODEL / RESTRICTIONS	TRANS		PART NUMBER	DESCRIPTION	QTY.
		SPD.	TYPE			
<b>7A576 BRACKET (CLUTCH RELEASE EQUALIZER LOWER) — Cont'd</b>						
80/	L-LN-LNT-LT-LTS700/800 -- diesel	All		D4HZ 7A576-A	# D4HA 7A576-BA	1
80/86	L-LT-LTS900 -- Cat. diesel 8 cyl. 568 Detroit, diesel	All		D0HZ 7A576-E	# D0HA 7A576-S-w/o gloved frame outer channel-5 1/2" long x 2 1/2" x 3 1/8" x 1/4" angle iron	1
80/86	L-LT-LTS900 -- 8 cyl. 568 Detroit diesel	All		D2HZ 7A576-A	# D0HS 7A576-A-with gloved frame outer channel-5 1/2" long x 3 1/8" x 1/4" angle iron	1
80/86	LN-LNT900 -- 6&8 cyl. 552, 568 Detroit diesel	All		D3HZ 7A576-A	# D3HA 7A576-AA-4 5/8" long x 1 1/2" wide- w/drop frame	1
<b>7B577 EXTENSION (CLUTCH RELEASE BEARING LUBE FITTING)</b>						
80/	CL-CLT900	All	Fuller	D8HZ 7B577-A		1
<b>7578 CLUTCH MASTER CYLINDER REPAIR KIT</b>						
80/	C-CT600/900	All		B8T 7578-A		1
CONSISTS OF						
	1-BA 2145	Spring and retainer	1-TACAA 7623-B	Boot	1-C1TT 7641-C	Push rod
	1-TACAA 7620-A	Gasket	1-TACAA 7632-B	Cup	1-TACAA 77618-D	Piston
80/	CL-CLT900 -- Hyd. cl. cntl.	All	All	E0HZ 7578-A		1
CONSISTS OF						
	1-FC-101209	Piston Assy.	1-FC-49355	Spring	1-FD-23091	Boot
	1-FD-101212	Primary cup	1-FC-49398	Lockring	1-FC-9919	O-ring
86/	CF600/700	All		E6HZ 7578-A		1
<b>7580 BEARING ASSY. (CLUTCH RELEASE) — Also refer to groups 7548, 7A605</b>						
80/	C-LN-LNT600/800, L-LT- LTS800 -- 8 cyl. Cat. diesel	All		★ D1TZ 7580-A Not replaced(12/81)	2 1/4" I.D. x 3 13/16" O.D. x 3/4" wide- use w/single plate clutch	1
80/	C-CT-L-LN-LNT-LT- LTS900 -- gas	All		Refer to 7548		1
<b>7583 BUMPER (CLUTCH and BRAKE PEDAL)—Also refer to group 16763</b>						
80/	C-CT600/900	All		B7T 7583-A	Brake pedal-7/16" I.D. x 1" O.D. x 7/8" long	1
80/	L-LT-LTS800/900,	All		D0HZ 7583-A	2 3/16" long-5/16"-18 thread	1
80/	CL-CLT900	All	All			1
<b>7B585 LEVER ASSY. (CLUTCH IDLER BELLCRANK)</b>						
80/	L-LT-LTS800 -- diesel-	All		D3HZ 7B585-B	# D3HA 7B585-BA-w/outer channel reinf.-repls. # D0HS 7B585-A	1
84/	LN-LNT800 -- 636 Cat.	All				1
80/	L-LT-LTS800 -- diesel	All		D3HZ 7B585-A	# D3HA 7B585-AA-w/o outer channel reinforcement -- replaces # D0HA 7B585-B or C	1
80/	L-LT-LTS800 -- 8 cyl. 370,429	All	All	D9HZ 7B585-A		1
83/	F-FT800/900	All		E3HZ 7B585-A	# E3HT 7B585-AA	1
87	B-F-FT600/900 -- 6.6, 7.8L eng.	All		E7HZ 7B585-A	# E7HT 7B585-AA	1
88/	B-F-FT600/900 -- 6.6, 7.8L eng	All		E8HZ 7B585-A	# E8HT 7B585-AA	1
<b>7B586 BUSHING (CLUTCH PEDAL BELLCRANK LEVER)</b>						
80/	L-LT-LTS800/900 -- 8 cyl. gas	All		D0HZ 7B586-A	1 1/8" dia. of flange-13/16" dia. x 3/4" I.D.	2
80/	L-LT-LTS800 -- diesel					2
82/	LN-LNT800 -- 636 Cat.				Except Clark 390 trans.	1
83/	F-FT800/900	5	Spicer		CM5510 trans.	1
<b>7B587 BRACKET ASSY. (CLUTCH IDLER BELLCRANK LEVER PIVOT)</b>						
80/	L-LT-LTS800/900 -- 8 cyl. gas	All		D0HZ 7B587-A	# D1HA 7B587-AA, D0HA 7B587-A	1
80/	L-LT-LTS-LN-LNT800 -- diesel					1
83/	F-FT800/900	All		E3HZ 7B587-A	# E3HT 7B587-AA	1
<b>7L587 ADJUSTER ASSY. (CLUTCH PLATE)</b>						
80/	B-F-FT-C-CT700/900	All		E4HZ 7L587-A	Use with Dana Spicer self adjusting clutch plate	1
80/	L-LT-LTS-LTL-LN-LNT800/900					
80/	CL-CLT900					
<b>7588 PIN (CLUTCH PEDAL RETURN SPRING)</b>						
80	LN-LNT900 -- 8 cyl. 568 Detroit diesel	10		★ D5HZ 7588-A N/R (6/87)	Use w/Dana (Spicer) SST1010-2A trans.	1

1980/  
TRUCK SERIES 600/900

YEAR	MODEL / RESTRICTIONS	TRANS		PART NUMBER	DESCRIPTION	QTY.	
		SPD.	TYPE				
<b>7590 SHAFT (CLUTCH RELEASE)</b>							
80/	B F600/800	All		C2TZ 7590-A	1" O.D. x 6 21/32" long CM5510 trans.	1	
83/	F FT800/900	5	Spicer				
80/	C CT L LN LNT-LT-LTS 600/900 gas	All					
80/	C CT L LN-LNT-LT-LTS 600/800 diesel	All					
80/	L-LT LTS LN LNT900 - - 6 cyl. 893, 629Cat.	10					
82/	C-CT800 3208 w/o Turbo						
80/	CL-CLT900	All				Use in 7515 rel lever	1
83/	B-F-FT700/800 - - 636 Cat.	All				C1TT 7590-A	1" O.D. x 5 3/4" long
80/	L LN LNT LT LTS900 - - Cum. Cat. and Detroit diesels	All					
82/	C-CT800 3208 Turbo						
82/	LTL900	All					
82/	L LT LTS LN LNT800 - - 636 Cat.	All	All	Except Clark 390	1		
86/	CF600/700	5	Clark				
<b>7N596 SPACER (CLUTCH COVER TO FLYWHEEL)</b>							
82/85	L-LT-LTS LN-LNT800 - - 636 Cat.	5,10 13		E2HZ 7N596-A	Note: After 3/83 not req'd Part of 7563 center drive on some models	1	
82/83	C CT800 3208 Turbo						
82/83	B-F FT700/800 - - 3208 Cat	All					
<b>7A597 DISC (CLUTCH BRAKE)</b>							
80/	L LN LNT LT LTS900 - - diesel	All		D4HZ 7A597-B	4 5/8" O.D. x 1/8" thick fiber	2	
80/	CL-CLT900	All					
82/	LTL900	All					
82/	L-LT LTS LN LNT800 - - 636 Cat.	All	All	C9HZ 7A597-B	With pull type clutch	1	
82/	B-F-FT700/800 - - 3208 Cat	All					
<b>7B598 BRACKET (CLUTCH RELEASE SHAFT)</b>							
80/	L LN-LNT LT-LTS900 - - 6 cyl. Cum. & Detroit diesel	All		D0HZ 7B598-A	#D0HA 7B598-B	1	
80/	L-LT-LTS LN-LNT900 - - 6 cyl. 893, 629 Cat. diesel	All		D4HZ 7B598-B	#D4HA 7B598-BA-less frame reinforcement	1	
84/	LNT900 - - Cums. L-10	All				1	
80/	L LN-LNT-LT-LTS900 - - 6 cyl. Cum. & Detroit diesel	All		D2HZ 7B598-A	#D0HS 7B598-A w/gloved and outer channel reinforcement	1	
82/	LTL900	All				1	
80/	L LT LTS LN LNT900 - - 6 cyl. 893, 629 Cat. diesel	All		D4HZ 7B598-A	#D4HA 7B598-CA w/frame reinforcement	1	
87/	L900 - - 105" BBC, L10 diesel					1	
<b>7A599 WASHER (CLUTCH BRAKE DISC)</b>							
80/	L-LN-LNT-LT-LTS900 - - dsl.	All		D4HZ 7A599-A	2" I.D. x 4 5/8" O.D. x 1/8" thick-steel	1	
80/	CL-CLT900	All					
82/	LTL900	All					
82/	L-LT-LTS-LN-LNT800 - - 636 Cat.	All	All	C9HZ 7A599-A	with pull type clutch	1	
<b>7600 BEARING (CLUTCH PILOT)</b>							
80/	L-LN-LNT-LT-LTS-C-CT 700/900 - - 8 cyl. 477,534	All		E9HZ 7600-B		1	
88/	B-F FT600 - - 6.6L	5	FS4005				
89/	LN LNT800/900 - - 6.6L eng.	5	FS4005				
80/	B-C-F-L-LN-LNT-LT-LTS 600/800 diesel	All		C4TZ 7600-C	#205SS-1" I.D. x 2 1/8" O.D. x 19/32" wide	1	
80/	B-C-F-L-LN-LNT-LT-LTS 600/800 - - 8 cyl. 429	All	All				
80/86	B-C-F-L-LN-LNT-LT-LTS 600/800 - - 8 cyl. 370	All	All	E9HZ 7600-A		1	
87/88	B-F-FT600/800	5	FS3005			1	
89/	B-F-FT600/900 - - 6.1L eng.	All				1	

**1980/  
TRUCK SERIES 600/900**

YEAR	MODEL / RESTRICTIONS	TRANS		PART NUMBER	DESCRIPTION	QTY.
		SPD.	TYPE			
<b>7600 BEARING (CLUTCH PILOT) -- Cont'd</b>						
80/	L-LN-LNT-LT-LTS900 -- diesel	All		C3TZ 7600-B	#306DD-1 3/16" I.D. x 2 13/16" O.D. x 3/4" thickness	1
80/	CL-CLT900	All				1
82/	L-LT-LTS-LN-LNT800 -- 636 Cat.	All	All	C8TZ 7600-A	with pull type clutch	1
86/	CF600/700	5	Clark			1
88/	B-F-FT-L-LT-LTS-LN-LNT600/900 -- 6.6, 7.8L eng	All				1
<b>7B603 BRACKET (CLUTCH RELEASE BEARING HUB RETRACTING SPRING)</b>						
80/82	C-CT800/900	10		DOHZ 7B603-A	Use w/Fuller 610 trans.	1
<b>7A605 HOUSING and BEARING ASSY. (CLUTCH PRESSURE PLATE RELEASE BEARING)-Also refer to 7548</b>						
80/	L-LN-LNT-LT-LTS -- 6 cyl. Cum. & 8 cyl. Det. Dsl	All		D4HZ 7A605-A	Incl. bearing and lubricator fitting- two plate clutch - fits 1 3/4" splined shaft	1
80/	L-LT-LTS900 -- 893 Cat. diesel			D7HZ 7A605-A	Use on 2" spline shaft	1
80/	L-LN-LNT-LT-LTS900 -- 426, 568 Det. & 855 Cum. diesel					1
80/	CL-CLT900	All		D8HZ 7A605-A		1
87/	B-F-FT-L-LT-LTS-LN-LNT600/900, 6.6, 7.8L eng.	5,6		E7HZ 7A605-A	Non-adjustable, non greaseable, use with 14" 2 plate clutch system	1
86/	CF600/800					1
87/	B-F-FT-L-LT-LTS-LN-LNT600/900, 6.6, 7.8L eng.	10,13	6610/13	E7HZ 7A605-B	Adjustable, greaseable, use with 14" 2 plate clutch system	1
86/	CF600/800					1
87/	B-F-FT600/900, 6.6, 7.8L eng.			E7HZ 7A605-C	Non-adjustable, non greaseable, use with 13" single plate clutch system	1
86/	CF600/800					1
87/	B-F-FT-L-LT-LTS-LN-LNT600/900 -- 6.6, 7.8L eng.	5,6		E7HZ 7A605-D	Non-adjustable, non greaseable, use with 14" single plate clutch system	1
86/	CF600/800					1
87/	B-F-FT-L-LT-LTS-LN-LNT600/900 -- 6.6, 7.8L eng.	10,13	6610/13	E7HZ 7A605-E	Adjustable, greaseable, use with 14" single plate clutch system	1
87/	CF600/800					1
88/	B-F600 -- 6.6L	5	4005	E8HZ 7A605-A	Use on 1 1/2" shaft	1
<b>7606 SPACER (CLUTCH PEDAL OUTER)</b>						
80/	C-CT600/900	All		B7T 7606-A	15/32" x 1 1/4" long x 29/32" wall thickness	1
<b>7608 HOSE ASSY. (CLUTCH MASTER CYLINDER TUBE)</b>						
80/	C-CT600/900	All	All	D3HZ 7608-A	21" long-incl. fittings	1
<b>7A609 SPRING (CLUTCH ANTI-RATTLE)</b>						
84/	CL-CLT900	All	All	E4HZ 7A609-A		1
<b>7A615 BUSHING (CLUTCH RELEASE CROSS SHAFT)</b>						
80/	L-LN-LNT-LT900 -- 6 cyl. dsl.	All		C6TZ 7A615-A	1" I.D. x 1 1/2" flange-diagonal slot	2
80/	CL-CLT900	All				4
82/	LTL900	All				2
<b>7A619 Refer to Transmission Parts List Section 70, page 1</b>						
<b>7A624 PAD (CLUTCH PEDAL)</b>						
80/	CL-CLT900	All		D8HZ 7A624-A		1
<b>7N625 SEAL (CLUTCH MASTER CYLINDER TUBE)</b>						
80/	CL-CLT900 -- Hyd cl cntl	All	All	D8HZ 7N625-A	Used as vibration & weather seal	1
<b>7628 PIN (CLUTCH DISC DRIVEN PLATE STOP)</b>						
80/	L-LN-LNT-LT-LTS800/900	All		C1TT 7628-A	1 13/32" long x 1/2" O.D.-square head	6
80/	CL-CLT900	All				6
82/	LTL900	All				6
<b>7A628 Refer to Transmission Parts List Section 70, page 1</b>						
<b>7B629 SHIELD (CLUTCH SLAVE CYLINDER HEAT)</b>						
80/	C-CT900 -- gas	5		D3HZ 7B629-B	"Z" shape-3" x 3 1/2" x 2"-use w/Dana	1
80/82	C-CT900 -- gas	10		D3HZ 7B629-C	"J" shape-3 3/8" x 3 3/8" x 1 3/4"-w/Fuller 610 trans.	1
80/	C600/800 -- 8 cyl. 370,429	4,5,6		D9HZ 7B629-A	use w/Clark, New Process or Spicer trans.	1
80/	C800 -- 8 cyl. 370,429	10		D9HZ 7B629-B	use w/Fuller trans.	1
80/	C-CT600/800 -- diesel	All		D3HZ 7B629-D	"L" shape-3 3/8" x 2 3/4" x 1 13/32"	1
81/87	C-CT700/800 -- 501 Turbo	All	All	E1HZ 7B629-A	#E1HT 7B629-BA	1

**1980/  
TRUCK SERIES 600/900**

YEAR	MODEL / RESTRICTIONS	TRANS		PART NUMBER	DESCRIPTION	QTY.
		SPD.	TYPE			
<b>7B642 ROD ASSY. (CLUTCH RELEASE RELAY LEVER)</b>						
80/	CL-CLT900 -- All exc. Cums. KT-450 (1150)	All	All	E2HZ 7B642-B	Front, #D7HA 7B642-AA,E2HT-AA	1
80/82	CL-CLT900 -- All Cums. KT-450(1150) "Before 3/82"	All	All	D8HZ 7B642-B	Front, #D7HT 7B642-BB	1
82/83	CL-CLT900 -- All Cums. KT-450 (1150) "From 3/82"	All	All	E2HZ 7B642-A	Front, #E2HT 7B642-BA	1
<b>7B647 LEVER (CLUTCH PEDAL SHAFT)</b>						
80/	CL-CLT900 -- Mech cl cntl	All	All	D8HZ 7B647-A	Att 7506 pedal rod to 7B560 vert cntl rod	1
80/	CL-CLT900 -- Hyd cl cntl	All	All	D8HZ 7B647-B	Att 7506 pedal rod to 7A543 Master cyl	1
<b>7L654 GUIDE (BODY TIPPING)</b>						
80/	CL-CLT900	All	All	D8HZ 7L654-B		1
<b>7A702 Refer to Transmission Parts List Section 70.14</b>						
<b>7A716 BOOT (CLUTCH SLAVE CYLINDER)</b>						
80/	C-CT800/900	All		B7TZ 7A716-A		1
<b>7A720 STOP PLATE (CLUTCH MASTER CYLINDER)</b>						
80/	CL-CLT900 -- Hyd. cl. cntls.	All	All	D8HZ 7A720-A		1
<b>7728 Refer to Transmission Parts List Section 70, page 1</b>						
<b>7K738 BRACKET (TRANSMISSION SHIFT SUPPORT)</b>						
86/	CF600/700	All		E6HZ 7K738-A		1
<b>7K740 BEARING ASSY. (TRANSMISSION GEAR SHIFT SUPPORT)</b>						
80/	CL-CLT900	All	All	D8HZ 7K740-A		2
<b>7A753 CAP (CLUTCH MASTER CYLINDER FILLER)</b>						
80/	CL-CLT900 -- Hyd. cl. cntl.	All	All	D8HZ 7A753-B		1
<b>7A771 BOLT (P.T.O. ADAPTER)-Refer to group 7A772</b>						
<b>7A772 ADAPTER (FRONT MOUNTED P.T.O. DRIVE)</b>						
80	L-LT800 -- 8 cyl. 555 Cum. diesel	All		D3HZ 7A772-A	7 7/32" O.D. x 3 1/2" wide-(4) 3/8"-16 and (6) 19/32" holes	1
80/86	F700/800,L-LT-LTS-LN-LNT800/900 -- 426 diesel	All		D0HZ 7A772-B	#D0HA 7A772-C 6 9/32" O.D. x 1" wide-(5) 13/32" holes	1
80	L-LT-LTS900 -- 6 cyl. NH230 and NHC 250 Cum. diesel			D0HZ 7A772-A	2 3/8" I.D. x 7 1/2" O.D. x 1/2" thick-(4) 3/8"-16 and (6) 17/32" holes	1
80/	F700/800,L-LT-LTL-LTS-LN-LNT 800/900 -- Cums. NTC & Form 855	All		D2HZ 7A772-B	#D2HA 7A772-AB -- 5 5/8" O.D. x 1" wide	1
80/	F700/800,L-LT-LTL-LTS-LN-LNT800/900 -- 6 cyl. 893, 3176 Cat. diesel	All		D4HZ 7A772-A	6 1/2" O.D. x 1 5/8" wide-(4) 21/32" & (4) 3/8"-16 holes #D4HA 7A772-AA	1
80/	L-LT-LTS900 -- 6 cyl. 893 Cat. diesel	All		D5HZ 7A771-A	Bolt-5/8" -18 x 7"- (7A772 to 6007)	6
89/	L-LT-LTS-LN-LNT900 -- 10.5L (3306)	All		E8HZ 7A772-A	#E8HT 7A772-AA	1
80/	F700/800,L-LN-LNT-LT-LTS800/900,8 Cyl. 636 Cat. diesel	All		D9HZ 7A772-A	#D9HT 7A772-AA	1
80/86	L-LT-LTS900 -- Detroit diesel	All		384226-S	(BB-152-A)-bolt (adapter to pulley)-hex. head-3/8"-16 x 7/8"	1
<b>7A772 ADAPTER KIT (FRONT MOUNTED P.T.O. DRIVE)</b>						
80/	F700/800,L-LT-LTS-LN-LNT 800/900 -- 855 Cum. diesel	All		D3HZ 7A772-B		1
CONSISTS OF						
	1-D2HA 7A772-AB	Adapter		6-44881-S2	Washer-flat-5/8"	
	1-D2HA 7A772-AC	Adapter		4-58634-S2	Bolt-3/8"-16 x 1"	
	6-43233-S2	Bolt-5/8"-18 x 3 1/2"		4-373321-S2	Washer-3/8"	
<b>7795 SUPPORT ASSY. (TRANSMISSION FRONT CROSS SHAFT)</b>						
80/	C-CT600/900	All		D0HZ 7795-A	Shaft-1 5/8" O.D. x 10 1/8" long-(2) arms-7 1/2" long	1
				373141-S7	(II-206)-fitting-lubricator-straight-5/8" overall length-drive thread	1
80/	CL-CLT900	All	All	D8HZ 7795-A	Upper	1
				D8HZ 7795-B	Lower	1

**1980/  
TRUCK SERIES 600/900**

YEAR	MODEL / RESTRICTIONS	TRANS		PART NUMBER	DESCRIPTION	QTY.
		SPD.	TYPE			
<b>7799 BRACKET (TRANSMISSION SHIFT CONTROL ROD)</b>						
80/	C-CT600/900	All		B8T 7799-B		1
				20473-S8	(B-201)-bolt (rear bracket to frame)- 1/2"-20 x 1 1/2"	1
				33846-S8	(M-69)-nut-1/2"-20	1
				34809-S8	(X-68)-lockwasher-1/2"	1
				20429-S8	(B-172)-bolt (rear bracket to frame)- 3/8"-24 x 1 1/4"	2
				20449-S8	(B-173)-bolt (rear bracket to frame)- 3/8"-24 x 1 3/8"	2
				20389-S8	(B-171)-bolt (rear bracket to frame)- 3/8"-24 x 1"	2
				33800-S8	(M-63)-nut-3/8"-24	
				34807-S8	(X-66)-lockwasher-3/8"	
<b>7808 BUSHING (TRANSMISSION CROSS SHAFT TUBE)</b>						
80/	C-CT600/900	All		B8T 7808-A	1 1/8" I.D. x 1 1/4" O.D.-split	2
<b>7808 BUSHING (OUTER SHIFTER SHAFT) - refer to Sec. 72.1 thru 72.4 Parts Lists.</b>						
<b>7810 FINGER (TRANSMISSION SHIFT CONTROL OUTER) - refer to Sec. 72.1 thru 72.4 Parts Lists.</b>						
<b>7811-7B109 FINGER (TRANSMISSION SHIFT CONTROL INNER) - Also refer to 72.1 thru 72.4 Parts List.</b>						
<b>7813 FINGER (TRANSMISSION GEARSHIFT LEVER FIRST and REVERSE SHIFT) - refer to Sec. 72.1 thru 72.4 Parts Lists.</b>						
<b>7813 FINGER (TRANSMISSION REAR CROSS SHAFT FIRST and REVERSE SHIFT) - refer to Sec. 72.1 thru 72.4 Parts Lists.</b>						
<b>7819 TURNBUCKLE (TRANSMISSION SHIFT ROD) - Also refer to group 7E057</b>						
80/	C-CT600/900	All		B8T 7819-A	3 7/8" long x 7/8"-14 threads-(2) 15/32" dia. holes	1
80/	CL-CLT900	All	All	D8HZ 7819-A		1
<b>7959 ROD (AUXILIARY TRANSMISSION DIRECT and OVERDRIVE GEARSHIFT CONTROL SLIDE) - refer to Sec. 72.1 thru 72.4 Parts Lists</b>						
<b>7961 DEFLECTOR (AUXILIARY TRANSMISSION YOKE OIL SEAL DUST)</b>						
80	LT800/900	3	Aux.	★ B4Q 7961-A	Use w/Dana (Spicer) 5831 trans.-N/R (6/86)	1
80/86	L900, LT800/900	3&4	Aux.	B8QH 7961-A	2 13/16" I.D. x 4 21/32" O.D.-7/8" overall height-use w/Dana (Spicer) 7041, 7231 trans.	1
80/	LNT800/900					
80/86	L900, LT800/900	3&4	Aux.	B9T 7961-B	3 1/16" I.D. x 4 3/8" O.D.-5/8" overall height-use w/Dana (Spicer) 8341 trans.	1
<b>7969 ROD (AUXILIARY TRANSMISSION UNDERDRIVE GEARSHIFT CONTROL SLIDE) - refer to Sec. 72.1 thru 72.4 Parts Lists</b>						
<b>7986 COVER (TRANSMISSION CONVERTER HOUSING LOWER)</b>						
80/82	C-CT-L-LN-LNT-LT-LTS 800/900 - - 8 cyl. 429	13	All	D9HZ 7986-A	use w/Fuller RT-613 trans.	1

SERVICING ALLISON TRANSMISSION  
ASSEMBLIES and RELATED COMPONENT PARTS.

Orders for replacement service component parts and assemblies for Allison Transmissions (AT and MT Series) are to be directed to your authorized Detroit Diesel Allison Distributor. Parts not directly related to, but functionally used with the Transmission can be found in this section.

YEAR	MODEL/RESTRICTIONS	ENGINE			QUANTITY			PART NUMBER	DESCRIPTION
		TYPE *	CYL.	C.I.D.	AT- 540	MT- 650, 640, 654	MT 643		
<b>* D-DIESEL, G-GAS</b>									
<b>7007 PLATE ASSY. (ENGINE REAR)-see 6A369</b>									
<b>7F013 SHIELD (TRANSMISSION VACUUM MODULATOR HEAT)</b>									
80/	B-F600/800	All	All	All	1		1	E0HZ 7F013-A	
<b>7C014 BRACKET (TRANSMISSION OIL FILTER MOUNTING)</b>									
83/	B-F600/800	All	All	All		1	1	E3HZ 7C014-A	#E2HT 7C014-BA,EDE2HT-BA
83/87	C-CT600/800	D	8	501			1	E3HZ 7C014-B	E2HT 7C014-DA,GA
86/	CF600/700	D	6	6.6L	1			E6HZ 7C014-A	
87/	CF600/800	D	6	6.6, 7.8L		1	1	E7HZ 7C014-C	
87/	L-LT-LTS-LN-LNT700/900	D	6	6.6, 7.8L		1	1	E7HZ 7C014-D	#E7HT 7C014-AA,AB
87/	B-F-FT600/900	D	6	6.6L	1			E7HZ 7C014-B	#E7HT 7C014-BA
87/	LN700	D	6	6.6, 7.8L	1				
<b>7F014 SHIELD (TRANSMISSION OIL COOLER TUBE HEAT)</b>									
80/	B-F600/800	G	8	370,429	1		1	E0HZ 7F014-A	#E0HT 7F014-AC
83/	B-F600/800	G	8	370,429		1	1	E5HZ 7F014-A	#E3HT 7F014-FA, E5HT 7F014-AA
80/87	B-F600/800-Non Turbo	D	8	501	1		1	E0HZ 7F014-B	#E0HT 7F014-BA
83/87	B-F600/800-Turbo	D	8	501		1	1	E3HZ 7F014-C	#E3HT 7F014-EA
83/	B-F-FT700/800,	D	8	636		1	1	E3HZ 7F014-A	#E3HT 7F014-AA
81/87	C-CT600/900	D	8	501	1	1	1	E3HZ 7F014-E	#E3HT 7F014-GA,E1HT 7F014-AA
83/	C-CT600/800	G	8	370,429		1	1	E3HZ 7F014-B	#E3HT 7F014-CA, E4HT 7F014-BA
81/87	LN600/700-Non Turbo	D	8	501	1	1	1	E1HZ 7F014-B	#E1HT 7F014-BA,BB
83/87	LN600/700-Turbo	D	8	501			1	E4HZ 7F014-A	#E3HT 7F014-DA, E4HT 7F014-AA
<b>7B017-8 BRACKET (TRANSMISSION CONTROL SELECTOR ARM MOUNTING)</b>									
80/	C-CT600/900	All	8	All	1	1	1	C8HZ 7B017-A	R.H.
					1	1	1	C8HZ 7B018-A	L.H.
80/	L-LT-LTS-LN-LNT600/900,	All	8	All	1	1		D0HZ 7B017-A	R.H.
								E3HZ 7B018-A	L.H. #E3HT 7B018-AA
<b>7B019 BRACKET (TRANSMISSION CONTROL SELECTOR SHIFT CABLE UPPER)</b>									
80/	C-CT600/900	All	8	All	1	1	1	E3HZ 7B019-A	
80/	L-LN-LNT-LT-LTS600/900	All	8	All	1	1		D0HZ 7B019-A	
<b>7A020 INDICATOR (TRANSMISSION OIL LEVEL)</b>									
80/87	B-F600/800, LN600/700	D	8	501	1			E0HZ 7A020-C	#E0HT 7A020-EA
83/87	B-F600/800	D	8	501			1	E0HZ 7A020-D	#E2HT 7A020-FA
83	B-F-FT600/800	D	8	636		1	1		
83/87	LN-LNT600/700	D	8	501		1	1		
80/	B-F600/800	G	8	370,429	1			E0HZ 7A020-A	#E0HT 7A020-CA
80/	B-F600/800	G	8	370,429		1	1	E0HZ 7A020-B	#E0HT 7A020-DA
80/82	B-F600/800	D	8	501		1	1	E0HZ 7A020-H	#E0HT 7A020-FA
80/82	LN-LNT600/700	D	8	501		1	1		
87/	B-F-FT600/900	D	6	6.6, 7.8L	1			F1HZ 7A020-C	#E7HT 7A020-CA,CB E8HT-CA
87/	B-F-FT600/900	D	6	6.6, 7.8L		1	1	F1HZ 7A020-B	#E7HT 7A020-AA, E8HT-BA
87/	LN700	D	6	6.6, 7.8L	1			E7HZ 7A020-F	#E7HT 7A020-DA
87/	L-LT-LTS-LN-LNT700/900	D	6	6.6, 7.8L		1	1	E7HZ 7A020-B	#E7HT 7A020-BA
89/	L-LT-LTS-LN-LNT800	D	6	7.8L, 270H.P.		1		E9HZ 7A020-A	#E9HT 7A020-AA
88	L-LT-LTS-LN-LNT900, "Before 3/88"	D	6	10L		1		E8HZ 7A020-A	#E8HT 7A020-AA, 54mm long cap to tip
88/	L-LT-LTS-LN-LNT900, "From 3/88"	D	6	10L		1		E8HZ 7A020-C	#E8HT 7A020-DA, 60.40mm long cap to tip



1980/  
TRUCK SERIES 600/900

YEAR	MODEL/RESTRICTIONS	ENGINE			QUANTITY			PART NUMBER	DESCRIPTION
		TYPE *	CYL.	C.I.D.	AT- 540	MT- 650, 654	MT 640, 643		
* D-DIESEL, G-GAS — Cont'd									
7A020 INDICATOR (TRANSMISSION OIL LEVEL) — Cont'd									
80	C600/800-LN600/700 "Before Ser. HA5,001"	G	8	All	1			D2TZ 7A020-A	
80	C900 "Before Ser. HA5,001"	G	8	All			1		
80	C-CT800 "Before Ser. HA5,001"	All	8	All			1		
81/87	C-CT600/900	D	8	501	1			E1HZ 7A020-A	#E1HT 7A020-AA
80/	C600/800-LN600/700 "From Ser. HA5,001"	G	8	All	1			E0HZ 7A020-F	#E0HT 7A020-HA
80/	C900 "From Ser. HA5,001"	G	8	All			1	E0HZ 7A020-G	#E0HT 7A020-JA
80/	C-CT800 "From Ser. HA5,001"	All	8	All			1		
86/	CF600/700	D	6	6.6,7.8L	1			E6HZ 7A020-C	Cap to fill mark 31.6"
87/	CF600/800	D					1 1	F2HZ 7A020-B	#87HU 7A020-BA, F2HT-DA-tractor
87/	CF600/800	D					1 1	F2HZ 7A020-A	#87HU 7A020-CA, F2HT-CA-truck
80	L-LNT-LNT-LT-LTS 800/900 "Before Ser. HA5,001"	All	8	All			1	D3HZ 7A020-A	
80/	L-LN-LNT-LT-LTS 800/900 "From Ser. HA5,001"	All	All	All			1	E0HZ 7A020-E	#E0HT 7A020-GA
84/	B-F600/800 "From 11/83"	G	8	370,429			1 1		
7B020 HOUSING ASSY. (TRANSMISSION CONTROL SELECTOR) - Also refer to group 7A307									
80	C-CT600/900	All	8	All	1	1	1	C1TT 7B020-A	
7A030-1 TUBE ASSY. (TRANSMISSION OIL COOLER INLET and OUTLET)									
Replacement tubes except as indicated by part number are to be improvised from bulk tubing stock listed by size and part number under group 2269. Rubber tubing and fittings are to be added as required.									
80/	LNT-LT-LTS800	D	8	All			1	D3HZ 7A030-A	Rubber hose-5/8" I.D. x 31/32" O.D. x 10' long
80/	LT-LTS800/900	G	8	All			1		
							1	87520-S	(I-39)-elbow-3/4" tube fitting-90°f
							2	87538-S	(I-17)-connector-3/4" inverted flared tube
							1	384770-S100	(II-140-A)-tee-pipe thread-1/2"-14 x 3/4"-14
							AR	87947-S36	(I-24)-nut dia. tubing-1/2"
80/	LT-LTS800/900	G	8	All			1	385144-S7	(II-29-CB)-elbow (tube to transmission) -45°-3/4" tube
80/	LT-LTS800	D	8	All			1	385145-S	(II-218)-elbow (tube to 8005)-90°- 3/4" tube-1 1/16"-14 x 3/4" pipe
80/	LT-LTS800/900	G	8	All			1	385146-S	(II-24-D)-elbow (tube to 8005)-90°- 3/4" hose-1 1/16"-14
80/	LT-LTS800	D	8	All			1	385166-S36	(II-29-CP)-elbow (tube to transmission) -90°-3/4"-5/8"
80/	LT-LTS800	D	8	All			2	385292-S7	(II-29-CK)-connector-5/8" x 7/8"-14 x 1/2"-14 x 1 1/2" long-tube to trans.
80/	LT-LTS800/900	G	8	All			2	385308-S7	(II-28-P)-union-3/4"-14 pipe thread- attach rubber hose to steel tube
80/	LT-LTS800	D	8	All			1	385497-S	(II-201-ZK)-tee (tube to transmission)- 7/8" x 1 1/16"
80/	LT-LTS800/900	G	8	All			1		
80/	LT-LTS-800/900	G	8	All			1	387090-S7	(II-187-D) Elbow assy. - 90 degree
80/	B-F-LN600/700,C600/800	G	8	All	1			C9TZ 2074-R	Elbow - - 90°f
80/	B-F-LN600/700,C600/800	G	8	All	1			C9TZ 2074-AA	Elbow - - 45°f
80/	B-F-LN600/700,C600/800	G	8	All	2			353832-S	(II-50) Fitting 1/2"-14 9 3/4"-14
7A033 SUPPORT (TRANSMISSION REAR)									
83/	B-F-FT600/900	All	All	All			1	E3HZ 7A033-A	#E3HT 7A033-BA
83/	B-F-FT600/900	All	All	All			1	E3HZ 7A033-B	#E3HT 7B152-CA
87/	F-FT600/900	D	6	7.8L			1	E7HZ 7A033-A	#E7HT 7B152-BA
87/	L-LT-LTS800/900	D	6	7.8L			1		
80/	L-LN-LNT-LT-LTS800	D	8	All			1	D0HZ 7A033-E	26" long x 3 1/2" wide
80/	LT-LTS800/900	G	8	All			1		
80/	L-LN-LNT-LT800	D	8	All			1	D3HZ 7A033-A	7 7/64" long
80/	LTS800	D	8	All			1	D3HZ 7A033-B	8 3/4" long
80/	LT-LTS800/900	All	8	All			2	D1HZ 8125-A	Insulator
80/	LT-LTS800/900	All	8	All			2	*E1HZ 8125-A	Flatwasher-N/R

YEAR	MODEL/RESTRICTIONS	ENGINE			QUANTITY			PART NUMBER	DESCRIPTION
		TYPE *	CYL.	C.I.D.	AT- 540	MT- 650, 640, 654	MT 643		
* D-DIESEL, G-GAS — Cont'd									
7A033 SUPPORT (TRANSMISSION REAR) — Cont'd									
80/	C-CT800	D	8	636		1		D6HZ 7A033-B	31 1/2" long
88/	LN-LNT900	D	6	10L,3176		1		E8HZ 7A033-D	#E8HT 7108-CA, upper rear
88/	L-LT-LS-LTS900	D	6	10L,3176		1		E8HZ 7A033-A	#E8HT 7108-AA, upper rear
88/	L-LT-LS-LTS-LN-LNT900	D	6	10L,3176		1		E8HZ 7A033-C	#E8HT 7B152-AA,CA, rear
80/	C-CT800	D	8	501,636		1		E1HZ 7A033-C	#E1HT 7B152-AA, upper rear
7B033 DIAL (TRANSMISSION CONTROL SELECTOR)									
80/	B-F-LN600/800	G	8	All		1		D2TZ 7B033-A	White illumination
80/	C600/900	G	8	All		1	1		
87/	L-LT-LTS-LN-LNT600/900	D	6	6.6,7.8L		1	1		
87/	L-LT-LTS-LN-LNT600/900	D	6	6.6,7.8L		1	1	E7HZ 7B033-B	Green illumination
80	LNT-LT-LTS800	D	8	All		1		D3HZ 7B033-A	
80	LT-LTS800/900	G	8	All		1			
80/81	C-CT-L-LN800	D	8	636		1		E2HZ 7B033-A	White illumination
82/	C-CT600/800	All	8	All		1			
82/	L-LT-LTS-LN-LNT600/900	All				1			
87/	L-LT-LTS-LN-LNT600/900	D	6	6.6,7.8L		1		E7HZ 7B033-A	Green illumination
7C046 HOSE ASSY. (TRANSMISSION OIL FILTER)									
86/	CF600/700	D	6	6.6L		1		E6HZ 7C046-A	
87/	CF600/800	D	6	6.6,7.8L		1	1	E7HZ 7C046-B	
87/	CF600/800	D	6	6.6,7.8L		1	1	E7HZ 7C046-C	
7B047 BRACKET (TRANSMISSION TO FRONT SUPPORT)									
80/	LT-LTS800/900	All	8	All		2		D0HZ 7B047-D	#D0HA 7A255-K, D4HA 7A255-GA, E2HT 7A255-CA
80	C-CT800	D	8	636		2			
80/	L-LN800	D	8	636		2			
80/	L-LN800 -- with air brakes	D	8	636			2		
85	L-LN800 -- with Hyd. brakes	D	8	636			2		
80/84	L-LN800-LN900 with Hyd. brakes	D	8	636			2	E0HZ 7B047-A	#D9HS 7A255-B, E2HT 7A255-BA
87/	L-LT-LTS800/900	D	6	6.6, 7.8L		1		E7HZ 7B047-A	#E7HT 7A255-DA
89/	L-LT-LTS-LN-LNT800	D	6	7.8L		1		E9HZ 7B047-A	#E9HT 7A255-AA
81/	C-CT800	D	8	501,636		2		E1HZ 7B047-A	#D6HS 7A255-AA
87	CF600/800	D	6	6.6,7.8L		1		E7HZ 7B047-B	
7W051 CABLE ASSY. (TRANSMISSION SHIFT CONTROL)									
86/87	CF600/700	D	6	6.6L		1		E6HZ 7W051-A	
88/	CF600/800	D				1	1	E8HZ 7W051-A	
7E055 BEZEL & LENS ASSY. (TRANSMISSION CONTROL SELECTOR INDICATOR)									
80	B-F600/800 "Before 11/79"	All	All	All		1	1	E0HZ 7E055-A	* N/R 1/88
80/	B-F600/800 "From 11/79"	All	All	All		1	1	E2HZ 7E055-A	
7W063 HOSE ASSY. (TRANSMISSION OIL COOLER INLET)									
86/	CF600/700	D	6	6.6L		1		E6HZ 7W063-A	
87/	CF600/800	D	6	6.6,7.8L		1		E7HZ 7W063-B	
87/	CF600/800	D	6	6.6,7.8L		1	1	E7HZ 7W063-C	
7W064 HOSE ASSY. (TRANSMISSION OIL COOLER OUTLET)									
86/	CF600/700	D	6	6.6L		1		E6HZ 7W064-B	
87/	CF600/800	D	6	6.6,7.8L		1	1	E7HZ 7W064-B	
7B071 SPRING (TRANSMISSION CONTROL SELECTOR LEVER)									
80/	C-CT600/900	All	8	All		1	1	D1TZ 7B071-A	
80/	L-LN-LNT-LT-LTS600/900	All	8	All		1	1		
80/	B-F600/800	All	All	All		1	1	E0DZ 7B071-A	
77076 SUPPORT (TRANSMISSION CONTROL CABLE TO FLOOR PAN)									
80/	C600/900	All	8	All		1		B8T 77076-A	
						4		350400-S	(BB-208)-bolt-5/16"-24 x 5/8"
						4		34806-S7	(X-64)-lockwasher-5/16"
						4		33798-S8	(M-62)-nut-5/16"-24
7C077 SPACER (TRANSMISSION RETARDER CABLE BRACKET)									
80/	C600/900	All	8	All		1		*	Improvise

# 1980/ TRUCK SERIES 600/900

YEAR	MODEL/RESTRICTIONS	ENGINE			QUANTITY			PART NUMBER	DESCRIPTION																														
		TYPE *	CYL.	C.I.D.	AT- 540	MT- 650,640, 654	MT 643																																
* D-DIESEL, G-GAS — Cont'd																																							
<b>7A080 HOSE (TRANSMISSION OIL OVERFLOW)</b>																																							
80/	LT-LTS800/900	All	8	All		1		*	Improvise from bulk hose C9PZ 4090-G																														
<b>7A082 KIT ("T" HANDLE REPAIR)</b>																																							
87/	L-LT-LTS-LS-LN-LNT800/900	D	All	All	1	1	1	E7HZ 7A082-A	Floor mounted shift																														
86/	CF600/800	All	All	All	1	1	1																																
<b>7B087 CONNECTOR (ENGINE TO TRANSMISSION VACUUM TUBE REAR)</b>																																							
80/	B-F-L-LN600/800	G	8	All	1			* D2TZ 7B087-A	1/4" I.D. x 9/16" O.D. x 2 1/4" long Improvise - cut from 2269																														
80/	LT-LTS800/900	All	8	All		1		D1ZZ 7B087-A	Cut to fit																														
Y E A R	TRANSMISSION	S P A U E I X E N D	M A X	Y O K E P A R T N U M B E R	◇ DRIVELINE SIZE								PARKING BRAKE DRUM			YOKE TYPE END						R E M A R K S																	
	M O D E L				I O	4	4	5	6	7	7	8	C	6	7	8	2	2	U	B	S		P	W	D	W	T												
					1	1	1	1	1	1	1	1	1	1	1	1	1	1	1	9	1		1	U	B	S	P	W	D	W	T								
					0	0	0	0	0	0	0	0	0	0	0	0	0	0	0	x	0		2	O	B	T	B	L	I	R	I	H							
																3	x	x	L	R	R	R	R	A	N	I	N	R											
																3	x	x	T	G	A	G	P	E	G	L	G	E	A	D									
<b>7089 YOKE (TRANSMISSION DRIVELINE)</b>																																							
Notes: Part 7089 is shown on Truck T.S.L. listing as of April, 81-																																							
◇ Industry number																																							
80/83	Allison, AT540,	1								1	1																												
84/	545										1																												
80/83												1																											
84/												1																											
80/83	Allison, MT643	1																																					
82/86																																							
87/																																							
86																																							
87/																																							
80																																							
88/																																							
80/83	Allison, MT653	1	*																																				
82/86																																							
87/																																							
80/86																																							
87/																																							
81/83																																							
81/89																																							
80																																							
YEAR	MODEL/RESTRICTIONS	ENGINE			QUANTITY			PART NUMBER	DESCRIPTION																														
		TYPE *	CYL.	C.I.D.	AT- 540	MT- 650,640, 654	MT 643																																
* D-DIESEL, G-GAS — Cont'd																																							
<b>7B094/5 TUBE (ENGINE TO TRANSMISSION VACUUM FRONT) - Improvise from bulk tubing 2269</b>																																							
<b>7A095 COOLER ASSY. (TRANSMISSION OIL-EXTERNAL)</b>																																							
80/81	LN600/700	G	8	All	1			D2HZ 7A095-A																															
81/87	LN600/700	D	8	501	1			E1HZ 7A095-A	#E1HT 7A095-AB																														
82/	LN600/700	G	All	All	1			E2HZ 7A095-A	#E1HT 7A095-EA, E2HT 7A095-AA																														
88/	CFT800 -- 240 H.P.	D	6	7.8L		1	1	E8HZ 7A095-E																															
88/	L-LT-LTS-LN-LNT900	D	6	10L		1	1	E8HZ 7A095-C																															
88/	L-LT-LTS-LN-LNT800/900	D	6	6.6,7.8L	1	1	1	E8HZ 7A095-D	#E8HT 7A095-FA,FB																														
<b>7A095 COOLER ASSY. (TRANSMISSION OIL-INTERNAL TO RADIATOR)</b>																																							
86/	CF-CFT600/800	All	All		1	1	1	E6HZ 7A095-B	18" center to center, fittings																														
86/	CF-CFT600/800	All	All		1	1	1	E6HZ 7A095-A	10.23" center to center, fittings																														

YEAR	MODEL/RESTRICTIONS	ENGINE			QUANTITY			PART NUMBER	DESCRIPTION
		TYPE *	CYL.	C.I.D.	AT- 540	MT- 650, 640, 654	MT 643		
* D-DIESEL, G-GAS — Cont'd									
<b>7C102 SEAL (TRANSMISSION SELECTOR TUBE)</b>									
80/	B-F600/800	All	All	All	1		1	D7TZ 7C102-A	
<b>7L106 ADJUSTER (TRANSMISSION KICK DOWN CABLE)</b>									
80/87	B-F600/800	D	8	501	1	1	1	E0HZ 7L106-A	#E0HT 7L106-AA
81/87	C-CT600/800	D	8	501	1	1	1		
82/	C-CT700/800 -- 3208 Turbo	8	636		1	1			
87/	LN700	D	6	6.6,7.8L	1				
89/	L-LT-LTS-LN-LNT800	D	All				1	E9HZ 7L106-A	#E9HT 7L106-AA
<b>7W107 BOOT (TRANSMISSION SELECTOR)</b>									
86/	CF600/700	D	6	6.6L	1			E6HZ 7W107-A	
<b>7W108 GROMMET (SELECTOR CABLE BOOT)</b>									
86/	CF600/700	D	6	6.6L	1			F1HZ 7W108-A	
<b>7W109 CLAMP (CONTROL SELECTOR CABLE)</b>									
86/	CF600/700	D	6	6.6L	1			E6HZ 7W109-A	
<b>7A110 INDICATOR (TRANSMISSION CONTROL SELECTOR)</b>									
80/	C-CT600/900	All	8	All	1	1	1	B7TZ 7A110-A	
80/	L-LN-LNT-LT-LTS600/900	All	8	All	1	1			
<b>7A133 BUSHING (TRANSMISSION GEARSHIFT SELECTOR ARM)</b>									
80/	C-CT600/900	All	8	All	1	1	1	B5SZ 7A133-A	1 1/2" long-split
80/	L-LN-LNT-LT-LTS600/900	All	8	All	1	1			
<b>7B142-3 BRACKET (TRANSMISSION OIL COOLER)</b>									
88/	CFT800 -- 240 H.P.	D	6	7.8L		1	1	E8HZ 7B142-A	Cross brace
						1	1	E8HZ 7B142-B	Front
						1	1	E8HZ 7B142-C	L.H.
						1	1	E8HZ 7B142-D	R.H.
						1	1	E8HZ 7B142-E	Rear
						1	1	E8HZ 7B143-D	Rear
<b>7B147 BRACKET (TRANSMISSION OIL COOL TUBE)</b>									
80/	LNT-LT-LTS900	G	8	All		1		D3HZ 7B147-A	Without A/C
83/	L-LT-LTS-LN-LNT800/900	D	8	636		1		E3HZ 7B147-A	
<b>7B155 FILTER AND HEAD ASSY. (TRANSMISSION OIL)</b>									
83/	B-F600/800	All	All	All	1	1	1	E3HZ 7B155-A	Uses FL-162 filter-included
<b>7C164 SHIELD (TRANSMISSION OIL COOLER)</b>									
80/	C900	G	8	All			1	D3HZ 7C164-A	10 1/2" x 7" x 3" x 1/16" thick
<b>7K177 KIT (TRANSMISSION OIL COOLER)</b>									
88/	CFT800 -- 240 H.P.	D	6	7.8L		1	1	E8HZ 7K177-A	Incl. Cooler assy., brackets, sending unit, wire harness, hoses and all fittings, standard parts and I.S. sheet
<b>7A185 SHAFT and BRACKET ASSY. (ENGINE MOUNTED ACCELERATOR)</b>									
80/	C-CT800	D	8	636,501	1	1	1	D6HZ 7A185-A	
80/	L-LN-LNT-LT-LTS800 -- exc. Calif.	D	All	All			1	D5HZ 7A185-A	
80/	L-LN-LNT-LT-LTS800 -- Calif. only	D	8	636 Cat.			1	D7HZ 7A185-A	
<b>7A186 ROD ASSY. (TRANSMISSION CONTROL TO TRANSMISSION) - Also refer to group 9A702</b>									
80	L-LT-LTS900	G	8	All		1		D3HZ 7A186-A	
<b>7E203 WIRE ASSY. (TRANSMISSION SELECTOR)</b>									
86/	CF600/700	D			1			E6HZ 7E203-A	
<b>7210 LEVER (TRANSMISSION GEARSHIFT)</b>									
80/	C-CT600/900	All	8	All	1	1	1	E0HZ 7210-R	
80/	L-LN-LNT-LT-LTS600/900	All	8	All	1	1			
80/	B-F600/800	All	All	All	1		1	E0HZ 7210-E	incl. 7213 knob
<b>7210 SELECTOR ASSY. (TRANSMISSION SHIFT CONTROL)</b>									
86/	CF600/700	D	6	6.6L	1			E6HZ 7210-B	
87/	CF600/800	D	6	6.6,7.8L		1	1	E7HZ 7210-JA	
81/87	LN700	D	8	501			1	E1HZ 7210-G	

1980/  
TRUCK SERIES 600/900

YEAR	MODEL/RESTRICTIONS	ENGINE			QUANTITY			PART NUMBER	DESCRIPTION
		TYPE *	CYL.	C.I.D.	AT- 540	MT- 650, 654	MT 640, 643		
* D-DIESEL, G-GAS — Cont'd									
7210 SELECTOR ASSY. (TRANSMISSION SHIFT CONTROL) — Cont'd									
82/	L-LN-LNT600/900 -- Cat. 3208 Turbo	D	8	636		1		E2HZ 7210-A	Orange illumination
87/	L-LT-LTS-LN-LNT600/900		6	6.6,7.8L		1			
87/	L-LT-LTS-LN-LNT600/900	D	6	6.6,7.8L		1		E7HZ 7210-UA	Green illumination
87/	L-LT-LTS-LN-LNT600/900	D	6	6.6,7.8L	1		1	E7HZ 7210-AN	Orange illumination
87/	L-LT-LTS-LN-LNT600/900	D	6	6.6,7.8L	1		1	E7HZ 7210-VA	Green illumination
87/	L-LT-LTS-LN-LNT600/900	D	8	10.4L			1		
88/	L-LT-LTS-LN-LNT800/900	D	6	10L		1		E8HZ 7210-A	
7212 PIN (TRANSMISSION GEARSHIFT LEVER CONNECTING)									
80/	C-CT600/900	All	8	All	1	1	1	B7T 7212-A	
80/	L-LN-LNT-LT-LTS600/900	All	8	All	1	1			
					1	1	1	352146-S	(NN-99)-pin-roll-1/8" x 7/8"
					1	1		72035-S7-8	(N-51)-Pin-cotter - 1/8" x 1"
80/	B600/700	All	All	All	1		1	E0HZ 7212-B	
80/	F600/800	All	All	All	1		1	E0HZ 7212-A	
7213 BALL (TRANSMISSION GEARSHIFT LEVER)									
80/	C-CT600/900	All	8	All	1	1	1	BB 7213-A	
80/	L-LN-LNT-LT-LTS600/900	All	8	All	1	1			
					1	1	1	33925-S7	(M-33)-nut-hex. hd.-3/8"-24
7213 KNOB (TRANSMISSION COLUMN SHIFT SELECTOR LEVER)									
80/	B-F600/800	All	All	All	1		1	D60Z 7213-A	
7A216 INSERT (TRANSMISSION CONTROL SELECTOR POSITION)									
80/	B-F600/800	All	All	All	1		1	E0HZ 7A216-A	
7220 CAP (TRANSMISSION GEARSHIFT LEVER HOUSING)									
80/	C-CT600/900	All	8	All	1	1	1	E1HZ 7220-A	
80/	L-LN-LNT-LT-LTS600/900	All	8	All	1	1			
80/	B-F600/800	All	All	All	1		1	E0HZ 7220-A	
7228 SOCKET (TRANSMISSION GEAR SHIFT LEVER)									
80/	B-F600/800 "Before 11/79"	All	All	All	1		1	E0HZ 7228-A	
80/	B-F600/800 "From 11/79"	All	All	All	1		1	E0HZ 7228-B	#E0HT 7228-AC,AD
7A228 TUBE ASSY. (TRANSMISSION OIL FILLER)									
80/	C-L-LN-LNT-LT-LTS 600/800	G	8	All	1			D9HZ 7A228-A	
80/	C900	G	8	All			1	D3HZ 7A228-B	
80/	C-CT800	All	8	636,370,429		1		E2HZ 7A228-A	#D5HS 7A228-AA, E2HT 7A228-AA,HA
81/87	C-CT600/900 -- DD990N	D	8	501	1			E1HZ 7A228-A	#E1HT 7A228-AA
81/87	C700/800 -- DD990	D	8	501		1	1	E1HZ 7A228-B	#E1HT 7A228-BA
86/	CF600/700	D	6	6.6L	1			E6HZ 7A228-A	
87/	CF600/800	D	6	6.6,7.8L		1	1	E7HZ 7A228-D	
88/	CF600/800	D				1	1	E8HZ 7A228-C	
80/	B-F600/800	G	8	370,429	1			E0HZ 7A228-A	
80/87	B-F600/800	D	8	501	1			E0HZ 7A228-C	#E0HT 7A228-EA, E1HT 7A228-EA
81/87	LN-LNT600/700	D	8	501	1				
80/82	B-F600/800	D	8	501		1	1	E0HZ 7A228-D	#E0HT 7A228-FA, E1HT 7A228-FA
81/82	LN-LNT600/700	D	8	501		1	1		
83/87	F-FT700/800	D	8	501		1	1	E3HZ 7A228-B	#E2HT 7A228-FA
83/	B-F-FT600/800	D	8	636		1	1	E3HZ 7A228-A	#E3HT 7A228-AA,BA
80/	B-F-FT600/800	G	8	370,429		1	1	E5HZ 7A228-A	#E5HT 7A228-BA, E0HT-DA
87/	B-F-FT600/900	D	6	6.6L	1			E7HZ 7A228-A	#E7HT 7A228-FA,FB,FC
87/	LN700	D	6	6.6,7.8L	1			E7HZ 7A228-E	#E7HT 7A228-GA
87/	L-LT-LTS-LN-LNT600/900	D	6	7.8L		1	1	E7HZ 7A228-B	#E7HT 7A228-DB
89/	L-LT-LTS-LN-LNT800	D	6	7.8L 270 H.P.		1		E9HZ 7A228-A	#E9HT 7A228-AA
87/	B-F-FT600/900	D	6	6.6,7.8L			1	F1HZ 7A228-A	#E7HT 7A228-AA,AB,AC, E8HT-BA
88/	L-LT-LTS-LN-LNT900, "Before 3/88"	D	6	10L		1		E8HZ 7A228-A	#E8HT 7A228-AA, approx. 57.40mm long
88/	L-LT-LTS-LN-LNT900, "From 3/88"	D	6	10L		1		E8HZ 7A228-D	#E8HT 7A228-AA, approx. 63.70mm long
80/	L-LN-LNT-LT-LTS800/900	All	8	All		1		D3HZ 7A228-A	#D3HA 7A228-AB

YEAR	MODEL/RESTRICTIONS	ENGINE			QUANTITY			PART NUMBER	DESCRIPTION
		TYPE *	CYL.	C.I.D.	AT- 540	MT- 650, 654	MT 640, 643		
* D-DIESEL, G-GAS— Cont'd									
7A229 BRACKET (TRANSMISSION OIL FILLER TUBE)-No listing-Improvise									
80/	B-C-F-L-LN-LNT-LT-LTS 600/800	G	8	370,429	1	1		D9HZ 7A229-A	
80/87	B-F600/800	D	8	501	1		1	E0HZ 7A229-A	
81/87	C-CT600/900	D	8	501	1				
81/87	LN-LNT600/700	D	8	501	1	1	1		
86/	CF600/700	D	6	6.6L	1			E6HZ 7A229-A	
87/	CF600/800	D	6	6.6,7.8L		1	1	E7HZ 7A229-A	
7B244 COVER (TRANSMISSION CONTROL SELECTOR LEVER)									
87/	LN-LNT800	D	6	6.6, 7.8, 10L	1	1	1	F0HZ 7B244-A	
88/	L-LT-LS-LTS900	D	6	10L			1	E8HZ 7B244-A	
7A247 SWITCH ASSY. (TRANSMISSION GEARSHIFT NEUTRAL)									
80/	LN600/800	G	8	All	1			D2TZ 7A247-A	*SW-1091, DITA 7A247-CA, dash mounted shift ... for
80/	C600/900	G	8	All	1		1		floor mnt. purch from Cole Hersee
80/	L-LN-LNT-LT800	D	8	636 Cat.			1		Kit-Neutral switch-floor mounted shift
87/	L-LT-LTS-LS-LN-LNT800/900	D	All	All	1	1	1	E7HZ 7A247-B	
86/	CF600/800				1	1	1		
80/	B-F600/800	All	All	All	1	1	1	* E0HZ 7A247-A	*SW-1698, purch from G.M. #6839527 or 23011921
7A256 LEVER ASSY. (TRANSMISSION MANUAL CONTROL)									
87	CF600/800	D	6	6.6,7.8L	1	1	1	E7HZ 7A256-A	
88/	CF600/800	D			1	1	1	E8HZ 7A256-A	
7A257 LEVER (TRANSMISSION MANUAL CONTROL) - OUTER									
80/	B-F600/800	G	8	All	1			D2TZ 7A257-A	3 13/32" long x 1/8" thick x 1" wide
80/	C600/900	All	8	All	1		1		
80/	L-LN-LNT-LT-LTS600/900	All	8	All	1	1			
88/	L-LT-LTS-LN-LNT800/900	D	6	10L			1	E8HZ 7A257-A	#E8HT 7A257-AA
86/	CF600/800	D	6	6.6,7.8L	1			E7HZ 7A257-A	
7C286 SPACER (TRANSMISSION MOUNTING)									
80/	C-CT800	D	8	636 Cat.			2	D1HZ 7C286-A	1" dia. pipe- 1 1/2" long
88/	L-LT-LTS-LN-LNT800/900	D	6	10L 3176			2		
7302 LEVER (TRANSMISSION GEARSHIFT SELECTOR)									
80/	C-CT600/900	All	8	All	1	1	1	B7T 7302-A	
80/	L-LN-LNT-LT-LTS600/900	All	8	All	1	1			
					1	1		351816-S	(BB-224)-bolt-hex. head-3/8"-24 x 2 1/2"
					1	1		34807-S8	(X-66)-lockwasher-3/8"
					1	1		33800-S8	(M-63)-nut-hex. head-3/8"-24
7A307 HOUSING (TRANSMISSION CONTROL SELECTOR) - Also refer to group 7B020									
80/81	L-LN-LNT-LT-LTS600/900	All	8	All	1	1		D4HZ 7A307-A	Dark tobacco, #D4HA 7A307-AA
81/	L-LN-LNT-LT-LTS600/900	All	8	All	1	1		E1HZ 7A307-B	Saddle, #E1HT 7A307-BA
84/	L-LN-LNT-LT-LTS600/900	D	8	501,636	1	1		E4HZ 7A307-A	Charcoal
84/	L-LN-LNT-LT-LTS600/900	D	8	501,636	1	1		E4HZ 7A307-B	Tan
80/	B-F600/800	All	All	All	1		1	E0HZ 7A307-A	#E0HT 7A307-BB, E1HT 7A307-AA
81/87	LN700	D	8	501T	1	1	1	E1HZ 7A307-A	
82/86	L-LN-LNT600/900	D	8	636T			1	E2HZ 7A307-A	
87/	LN-LNT700/900	D	6&8	6.6, 7.8L 636T	1	1	1	E7HZ 7A307-A	
7D307 WIRE ASSY. (TRANSMISSION SELECTOR NEUTRAL SWITCH)									
81/87	LN700 - - DD990 Turbo	D	8	501	1			E1HZ 7D307-A	#E1HT 7E023-AA
7R309 REINFORCEMENT (SHIFT LEVER)									
81/87	LN700	D	8	501	1	1	1	E1HZ 7R309-A	#E1HT 7R309-AA, E2HT 7R309-AA
87/	L-LT-LN-LNT600/900	D	6	6.6,7.8L	1	1	1		
88/	L-LT-LTS-LN-LNT800/900	D	6	10L			1	E8HZ 7R309-A	#E8HT 7R309-AA
7E319 CONNECTOR (TRANSMISSION OIL COOLER)									
80/	B-C-F-LN600/800	All	8	All	1		1	D2TZ 7E319-A	1 1/4" x 1 7/16" x 3/4"-16-thread
86/	CF600/700	D	6	6.6L	1			E6HZ 7E319-A	
7339 CLEVIS (TRAN KICKDOWN CABLE)									
80/87	B-F600/800	D	8	501	1	1	1	E0HZ 7339-A	1/4-28 2" long LH INT thd.
86/	CF600/800	D	6	6.6,7.8L	1	1	1		

1980/  
TRUCK SERIES 600/900

YEAR	MODEL/RESTRICTIONS	ENGINE			QUANTITY			PART NUMBER	DESCRIPTION
		TYPE *	CYL.	C.I.D.	AT- 540	MT- 650, 654	MT 640, 643		
* D-DIESEL, G-GAS— Cont'd									
<b>7343 BUSHING (TRANSMISSION CONTROL SELECTOR ARM)</b>									
80/	C-CT600/900	All	8	All	1	1	1	B7T 7343-A	
80/	L-LN-LNT-LT-LTS600/900	All	8	All	1				
<b>7K352 SPACER (TRANS. CONTROL SELECTOR HOUSING)</b>									
81/87	LN700 - - DD990 Turbo	D	8	501	1	1	1	E1HZ 7K352-B	R.H. #E1HT 7K352-DA, E2HT 7K352-AA
82/	L-LN-LNT600/900 Cat. 3208 Turbo	D	8	636		1			
87	L-LT-LN-LNT600/900	D	6	6.6,7.8L	1	1	1		
81/83	LN700 - - DD990 Turbo	D	8	501	1	1	1	E1HZ 7K352-C	L.H. #E1HT 7G041-EA, E2HT 7G041-AA
88/	L-LT-LN-LNT700/900	D	6&8	6.6,7.8L 10.4L		1		E8HZ 7K352-A	R.H. #E8HT 7K352-AA
								E8HZ 7K352-B	L.H. #E8HT 7G041-AA
88	L-LT-LS-LTS900 "Before 9/87"	D	6	10L		1		E8HZ 7K352-C	R.H. #E8HT 7K352-BA
88/	L-LT-LS-LTS900 "From 9/87"	D	6	10L		1		E8HZ 7K352-D	L.H. #E8HT 7G041-BA
								E8HZ 7K352-D	L.H. #E8HT 7G041-BA
<b>7353 SLEEVE (TRANSMISSION GEARSHIFT CABLE ENDS ADJUSTMENT)</b>									
80/	B-F600/800	G	8	All	2		2	B7T 7353-A	"T" type-1/4"-28
80/	C-CT600/900	All	8	All	2	AR	2		
80/	L-LN-LNT-LT-LTS600/900	All	8	All	2	AR	2		
					2	2	2	351341-S	(XX-351)-spring washer-5/16"
					2	2	2	356414-S	(XX-110)-flat washer-5/16"
					2	2	2	72034-S	(N-45)-cotter pin-3/32" x 1"
<b>7353 SLEEVE TRANSMISSION GEARSHIFT CONNECTING ROD ADJUSTMENT)</b>									
80	C700/900	All	8	All	1			B7T 7353-B	
86	CF600/700	D	6	6.6L	1			E6HZ 7353-A	
87/	CF600/800	D	6	6.6,7.8L	1	1	1	E7HZ 7353-A	
<b>7D358 PLATE (TRANSMISSION GEARSHIFT LEVER OPENING TRIM)</b>									
80	B-F600/800	G	8	All	1			D2TZ 7D358-A	4 7/16" long x 3/64" thick x 1 3/4" wide
<b>7361 PLUNGER (TRANSMISSION COLUMN SHIFT SELECTOR LEVER)</b>									
80/	B-F600/800	All	All	All	1		1	EODZ 7361-A	
<b>7E361 ADAPTER (TRANSMISSION TO ENGINE)</b>									
80/	L-LN-LNT-LT-LTS800	D	8	All		1	1	D5HZ 7E361-A	#D5HA 7E361-AA
80/	C-CT800	D	8	All		1	1		
80/	B-F600/800					1	1		
87/	B-F-FT600/900	D	6	6.6, 7.8L	1	1	1	*7E361	Secure from G.M. Allison #23045791
87/	L-LT-LTS-LN-LNT700/900							*7E361	Secure from G.M. Allison
86/	CF600/700	D	6	6.6L	1				
80/81	LT-LTS900	G	8	All		1		D3HZ 7E361-B	#D3HA 7E361-BA
80/81	C900	G	8	All			1	D3HZ 7E361-C	#D3HA 7E361-CA
<b>7E364 BRACKET (TRANSMISSION CONTROL SELECTOR CABLE)-Also refer to 7E381</b>									
80/	B-F-LN600/800	G	8	All	1		1	D2TZ 7E364-A	
80/	C600/900	All	8	All	1				
83/87	B-F-C-CT-LN600/800	D	8	8.2L	1		1	E3HZ 7E364-A	
86	CF600/700	D	6	6.6L	1			E6HZ 7E364-A	
87	CF600/800	D	6	6.6,7.8L		1	1	E7HZ 7E364-A	
88/	CF600/800	D				1	1	E8HZ 7E364-A	
87	CF600/800	D	6	6.6,7.8L	1			E7HZ 7E364-B	
88/	CF600/800	D			1			E8HZ 7E364-B	
<b>7C369 COVER (TRANSMISSION CONTROL SELECTOR OPENING)</b>									
86/	CF600/700	D	6	6.6L	1			E6HZ 7C369-A	
<b>7370 SPACER (TRANSMISSION CONTROL SELECTOR MOUNTING BRACKET) - Improvise</b>									
<b>7E373 INSULATOR (TRANSMISSION REAR MOUNT)</b>									
80/	L-LN-LNT-LT-LTS800	D	8	All			AR	D0HZ 7E373-A	5/8" I.D. x 3" O.D.
80/	C-CT800	D	8	636 Cat.			4	D1HZ 7E373-A	3/4" I.D. x 3" O.D. x 29/64" thick
88/	L-LT-LTS-LN-LNT800/900	D	6	10L,3176			4		
86/	CF-CFT800	D	6	7.8L			1	F2HZ 7E373-A	#87HU 7E373-AA,F2HT-AA

YEAR	MODEL/RESTRICTIONS	ENGINE			QUANTITY			PART NUMBER	DESCRIPTION
		TYPE *	CYL.	C.I.D.	AT- 540	MT- 650, 640, 654	MT 643		
* D-DIESEL, G-GAS -- Cont'd									
7A377 MODULATOR ASSY. (TRANSMISSION SHIFT CONTROL)-See 7E490 repair kit									
80/82	LT-LTS800, LN, LNT800 -- "Before 4/82"	D	8	All			1	E1HZ 7A377-A	#D5HA 7E499-AA on shift cntrl. lvr.
80/82	C-CT800	D	8	636 Cat.			1	E2HZ 7A377-A	#E2HT 7E453-A1A, 46" long
83/80/87	L-LT-LTS-LN-LNT800 -- "From 4/82"	D	8	636			1	E3HZ 7A377-A	#E3HT 7E453-AA 47" long
80/87	B-F-FT600/800	D	8	636			1	E4HZ 7A377-A	#E4HT 7E453-AA, 48.50" Lg.
81/87	C-CT600/800	D	8	501		1			
84/87	LN600/800	D	8	501		1			
84/80/87	C-CT700/800 -- 3208 Turbo "From 8/84"	D	8	636			1	E4HZ 7A377-B	#E4HT 7E453-BA, 51" Lg.
81/87	B-F-FT600/800	D	8	501			1		
84/87	C-CT600/800	D	8	501			1		
87/80/87	LN600/800	D	8	501			1		
87/80/87	B-F-FT600/900	D	6	6.6, 7.8L	1	1	1	E7HZ 7A377-A	#E7HT 7E453-AB, 23.20" Long
87/80/87	L-LT-LTS-LN-LNT800/900	D	6	6.6, 7.8L	1	1	1	E7HZ 7A377-B	#E7HT 7E453-BB, 26.80" Long
88/80/87	L-LT-LTS-LN-LNT800/900	D	6	10L			1	E8HZ 7A377-A	#E8HT 7E453-AA, 54.0" Long
82/83	C-CT700/800 -- 3208 Turbo, "Before '5/83"	D	8	636			1	E2HZ 7A377-C	#E2HT 7E453-BB, 50.60" Lg.
83/84	C-CT700/800 -- 3208 Turbo, "From '5/83 to 8/84"	D	8	636			1	E3HZ 7A377-B	#E3HT 7E453-BA, 45.30" Lg.
86/80/87	CF600/700	D	6	6.6, 7.8L	1	1	1	E6HZ 7A377-A	#E5HT 7E453-AB, 87" long, push type
86/89	CF600/700 -- 240 H.P.	D	6	6.6L			1	E6HZ 7A377-B	#87HU 7E453-AA 87" Long pull type
80/		G	8	All	1	1	1	*7A377 Vendor No. 3039092-secure from Allison	
7B379 WIRING ASSY. (TRANSMISSION RETARDER OIL TEMPERATURE WARNING)									
80/	L-LN-LNT-LT800	G	8	All			1	D2HZ 7B379-A	
80/	L-LN800	D	8	636 Cat.			1		
7W380 HOUSING (TRANSMISSION SHIFT CONTROL)									
86/	CF600/700	D	6	6.6L	1			E6HZ 7W380-A	
7E381 BRACKET (TRANSMISSION SELECTOR CONTROL CABLE)-Also refer to 7E364									
80/	C-CT800/900	All	8	All	1	1	1	F1HZ 7E381-A	#E3HT 7E381-AA, ED-E3HT 7E381-AA, E9HT 7E364-CA
80/	L-LNT-LT-LTS800/900	All	8	All			1		
80/	B-F600/800	All	All	All			1		
80/87	B-F600/800	D	8	501 Det.	1			E0HZ 7E381-A	
81/87	C-CT600/900	D	8	501	1				
81/87	LN-LNT600/700	D	8	501	1				
88/	L-LT-LTS-LN-LNT800/900	D	6	10L			1	E8HZ 7E381-A	#E8HT 7E364-AA
7D443 BEZEL ASSY. (TRANSMISSION SHIFT CONTROL)									
86/	CF600/700	D	6	6.6L	1			E6HZ 7D443-A	
7E447 SUPPORT (TRANSMISSION SELECTOR CONTROL CABLE TO FLOOR PAN)									
80/	C-CT600/900	All	8	All	1	1	1	D1HZ 7E447-A	
7C463 U-BOLT (TRANSMISSION SELECT LEVER CABLE BRACKET)									
86/	CF600/700	D	6	6.6L	1			E6HZ 7C463-A	
7A474 KIT (NEUTRAL SWITCH ACTIVATING PIN)									
87/	L-LT-LTS-LS-LN-LNT800/900	D	All	All	1	1	1	E7HZ 7A474-A	Floor Mounted Shift
86/	CF600/800	All	All	All	1	1	1		
7E490 KIT (TRANSMISSION SHIFT MODULE REPAIR)									
80/	L-LNT-LTS800	D	8				1	D3HZ 7E490-A	To repair D5HZ 7A377-A module
80/	C-CT800								
CONSISTS OF									
1-D3HA 7E490-AB		Gasket		1-87036-S94				"O" Ring	
1-D3HA 7E498-AA		Seal		1-IS-5075				Instruction sheet	
7E491 BRACKET (TRANSMISSION SHIFT CONTROL MODULATOR)									
80/87	B-F600/800	D	8	501	1	1	1	E0HZ 7E491-A	#E0HT 7E491-AA, AB
81/87	C-CT600/800	D	8	501	1	1	1		



1980/  
TRUCK SERIES 600/900

YEAR	MODEL/RESTRICTIONS	ENGINE			QUANTITY			PART NUMBER	DESCRIPTION
		TYPE *	CYL.	C.I.D.	AT- 540	MT- 650, 640, 654	MT 643		
* D-DIESEL G-GAS — Cont'd									
7E491 BRACKET (TRANSMISSION SHIFT CONTROL MODULATOR) — Cont'd									
87/	B-F-FT600/900	D	6	6.6, 7.8L	1	1	1	E7HZ 7E491-A	#E7HT 7E491-AA
87/	LN700	D	6	6.6, 7.8L	1			E7HZ 7E491-E	
87/	L-LT-LTS-LN-LNT700/900	D	6	6.6, 7.8L	1	1	1	E7HZ 7E491-B	#E7HT 7E491-BA
83	B-F-FT600/800	D	8	636		1	1	E3HZ 7E491-A	#E3HT 7E491-AA
84/	L-LT-LTS-LN-LNT800	D	8	636		1			
82/	C-CT700/800 -- 3208 Turbo	D	8	636		1		E3HZ 7E491-B	#E3HT 7E491-BA, E2HT 7E491-CA, CC
82/	C-CT700/800 -- 3208 Turbo	D	8	636		1		E2HZ 7E491-D	#E2HT 7E491-DA
86/	CF600/800	D	6	6.6, 7.8L	1	1	1	E7HZ 7E491-D	
88/	CF600/800 -- 7.8L, 240 h.p.	D				1	1	E8HZ 7E491-A	
88/	CF600/800 -- 7.8L, 185/210 h.p.	D				1	1	E8HZ 7E491-B	
82/	L-LT-LTS-LN-LNT800	D	8	636	1	1	1	E2HZ 7E491-C	#E2HT 7E491-BA
82/83	L-LT-LTS-LN-LNT800	D	8	636	1	1	1	E2HZ 7E491-A	#E2HT 7E491-AA
7K499 BRACKET ASSY. (TRANSMISSION CONTROL CABLE)									
87/	CF600/800	D			1	1	1	E8HZ 7K499-A	
7A650 CABLE and CONDUIT ASSY. (TRANSMISSION SELECTOR CONTROL)									
80/	B-F600/800	All	All	All	1	1	1	E0HZ 7A650-A	73" long
87/	B-F-FT600/900	D	6	6.6, 7.8L	1	1	1	E7HZ 7A650-A	86" Long
80/	C900	G	8	All			1	E1HZ 7A650-B	117 3/16" long, or 116 15/16" long
80/	C600/800	G	8	All	1				#TACAA 88000-A, E1HT 7C044-GA,
80/	C-CT800 -- 3208 Non turbo	D	8	636 Cat.		1			#D2HA 7C044-BA, E2HT 7C044-DA, EA
81/87	C-CT600/800	D	8	501		1	1		
83	B-F600/800	D	8	501	1				
82/	C-CT700/800 -- 3208 Turbo	D	8	636		1		E2HZ 7A650-B	128" long E2HT 7C044-AA
80/	L-LT-LTS800	D	8	All		1		D3HZ 7A650-A	56" long-D3HZ 7C044-AA,
80/	L-LN-LT-LTS800/900	G	8	All		1			E2HT 7C044-CA
80/	LNT800	All	8	All		1			
80/	LN600/700	G	8	All	1				
80/	LN800	D	8	636 Cat.		1			
81/87	LN-LNT600/700	D	8	501	1	1	1	E1HZ 7A650-A	#E1HT 7C044-EA, E8HT-AA,
82/	LN-LNT600/900 -- 3208 Turbo	D	8	636		1	1		46.785 or 48" long
87	LN-LNT800	D	6	6.6, 7.8L	1	1	1		
88/	L-LT-LTS-LN-LNT900	D	6	10L		1			
87/	L-LT-LTS800	D	6	6.6, 7.8L	1	1	1	E7HZ 7A650-B	52" long #E7HT 7C044-BA
88/	LN-LNT800	D	6	6.6, 7.8L	1	1	1		
7750 WASHER (TRANSMISSION OUTPUT SHAFT FLANGE LOCK BOLT)									
80/	B-C-F-LN600/900	G	8	All	1	1	1	D2TZ 7750-A	1/2" I.D. x 1 1/4" O.D. x 1/16" thick
80/88	B-C-F-LN600/900-N/R 10/88	G	All	All	1		1	DOHZ 7750-A	Washer flat-17/32" I.D. x 1 1/16" O.D. x 7/64" thick
7C750 BOLT (TRANSMISSION OUTPUT SHAFT FLANGE)									
80/	B-C-F-LN600/900	G	All	All	1	1	1	DOHZ 7C750-A	1/2"-20 x 1 1/2" long-self locking
7752 HOSE (TRANSMISSION OIL COOLER TO WATER BY-PASS)-Improvise from bulk hose C9PZ 18472-E									
7805 LEVER ASSY. (TRANS. CONTROL SHIFT ACCELERATOR SHAFT)									
80/87	B-F600/800	D	8	501	1	1	1	E0HZ 7805-A	#E0HT 7805-AB
81/87	C-CT600/800	D	8	501	1	1	1		
86/87	CF600/700	D	6	6.6L	1			E7HZ 7805-A	
88/	CF600/800	D			1			E8HZ 7805-C	
88/	CF600/800	D				1	1	E8HZ 7805-B	
7890 HOSE ASSY. (TRANSMISSION OIL COOLER)-If not listed improvise from C9TZ 2269-C Hose, 13/32" I.D. x 3/4" O/D, Also (2) Fittings D5TZ 2B323-C, 3/4-16 Fem. end. Also C9TZ 2269-E, 5/8" I.D. x 31/32" O.D. (2) fittings C9TZ 2B323-E, 1 1/16-14 Fem. end.									
80/						2		389225-S100	Elbow 45°, 3/4-14-1/16-14 Female thd.
7903 CLIP (TRANSMISSION RETARDER PEDAL RETRACTING SPRING)-Improvise									

YEAR	MODEL/RESTRICTIONS	ENGINE			QUANTITY			PART NUMBER	DESCRIPTION
		TYPE *	CYL.	C.I.D.	AT- 540	MT- 650, 640, 654	MT 643		
* D-DIESEL G-GAS — Cont'd									
7967 BRACKET (TRANSMISSION CONTROL SELECTOR STOP)									
80/	C-CT600/900	All	8	All	1	1	1	E3HZ 7967-A	#E3HT 7967-AA, E0HT 7967-AA
80/	L-LN-LNT-LT-LTS600/900	All	8	All	1	1	1		
						1		* 56120-S2	Bolt-hex. washer head-5/16"-18 x 3/4"
						1		* 56322-S5	Bolt-hex. washer head-5/16"-18 x 1"
						1	1	33770-S4	(M-89-K)-nut-5/16"-18
7986 COVER (TRANSMISSION CONVERTER HOUSING)									
80/	B-C-F-L-LN-LNT-LT LTS600/900	G	8	370,429	1	1	1	D9HZ 7986-A	

**1980/  
TRUCK SERIES 600/900**

YEAR	MODEL/RESTRICTIONS	ENGINE		PART NUMBER	DESCRIPTION	QTY.
		CYL.	C.I.D. (C.C.D.)			
<b>8002 TUBE (RADIATOR SUPPLY TANK TO ENGINE)</b>						
80/86	C-CT600/800	8	370,429	D9HZ 8002-B	#E0HT 8N029-CA	1
80/81	C-CT900 -- exc. Calif.	8	477,534	D6HZ 8002-A	#D6HA 8N029-AA-1 1/2" and 1 1/4" I.D.	1
80/81	C-CT900 -- Calif.	8	477,534			1
<b>8C002 WASHER (RADIATOR MOUNTING BOLT LOCK)</b>						
80/	L-LN-LNT-LT-LTS600/900	6&8	All	D0HZ 8C002-A		2
82	LTL900 "Before 1/4/82"	6&8	All	E1HZ 8C002-A	3 tab style	2
82/	LTL900 "From 1/4/82"	6&8	All	E2HZ 8C002-A	3 tab style	2
<b>8003 TUBE or HOSE (RADIATOR TO SUPPLY TANK VENT) - If not listed below improvise from bulk hose (9324) or bulk tubing (2269) - Also refer to group 8497</b>						
80/85	C600/800 -- diesel	8	522,573, 636	D0HZ 8003-A	34" long-1/4" I.D.	1
<b>8B004 WEATHERSTRIP (RADIATOR SPLASH REAR SHIELD) - Improvise from tire carcass</b>						
<b>8C004 REINFORCEMENT ASSY. (RADIATOR GRILLE OPENING INNER)</b>						
80/	L-LT-LTS800/900 -- with P.T.O. - without extended frame	6&8	All	D0HZ 8C004-A		1
<b>8W004 VENT/CHECK VALVE ASSY.</b>						
85/88	L-LT-LTS-LN-LNT900	6&8	All	E5HZ 8W004-A	W/E5HZ 8005-A & G	AR
85/88	CL-CLT900	6&8	All	E5HZ 8W004-B	W/E5HZ 8005-C	AR
85/88	LTL900	6&8	All	E5HZ 8W004-C	W/E5HZ 8005-B	AR
88/	CL-CLT900 -- ad-tech sys.	6&8	All	E8HZ 8W004-A		1
88/	L-LL-LN-LNT-LT-LTL-LTS900 -- ad-tech sys.	6&8	All			1

8005 RADIATOR - Refer to General Information Section for T.S.L. information

**RADIATOR CROSS REFERENCE GUIDE**

- A To use this guide
1. Find the identification marking on radiator top tank or the side mounting bracket.
  2. Locate this number in the identification column below.
  3. Read across to next column to right to find the service number.
- B If the radiator identification is not known, the pages following this guide have radiator part numbers arranged in the following order:
1. Truck Series
  2. Model years
  3. Number of cylinders
  4. Cubic inch displacement

**IDENTIFICATION CHART**

(Arranged according to Identification Number)

IDENTIFICATION	PART NUMBER	IDENTIFICATION	PART NUMBER
<b>8005 RADIATOR - Refer to General Information Section for T.S.L. information</b>			
<b>RADIATOR CROSS REFERENCE GUIDE</b>			
E5HT 8W000-BA	E7HZ 8005-AD	D7HT 8005-AVF	D8HZ 8005-A
E5HT 8W000-CA	E7HZ 8005-AD	D7HT 8005-AYD	D8HZ 8005-D
E5HT 8W000-DA	E6HZ 8005-B	D7HT 8005-AYE	D8HZ 8005-D
87HU 8W000-AA	E7HZ 8005-X	D7HT 8005-AYF	D8HZ 8005-D
87HU 8W000-BA	E7HZ 8005-Z	D7HT 8005-AZC	D8HZ 8005-B
87HU 8W000-CA	E8HZ 8005-D	D7HT 8005-AZD	D8HZ 8005-B
87HU 8W000-DA	E7HZ 8005-AF	D7HT 8005-AZE	D8HZ 8005-B
87HU 8W000-EA	E7HZ 8005-AD	D7HT 8005-AZF	D8HZ 8005-B
87HU 8W000-FA	E8HZ 8005-D	D7HT 8005-AZG	D8HZ 8005-B
D7HT 8005-AUC	D8HZ 8005-C	D8HT 8005-SA	D8HZ 8005-U
D7HT 8005-AUD	D8HZ 8005-C	D8HT 8005-BAA	D8HZ 8005-C
D7HT 8005-AUE	D8HZ 8005-C	D8HT 8005-BBA	D8HZ 8005-A
D7HT 8005-AVC	D8HZ 8005-A	D8HT 8005-BCA	D8HZ 8005-D
D7HT 8005-AVD	D8HZ 8005-A	D8HT 8005-BDA	D8HZ 8005-B
D7HT 8005-AVE	D8HZ 8005-A	D9HS 8005-FA	E1HZ 8005-D

1980/  
TRUCK SERIES 600/900

**IDENTIFICATION CHART**

(Arranged according to Identification Number)

IDENTIFICATION	PART NUMBER	IDENTIFICATION	PART NUMBER
8005 RADIATOR - Refer to General Information Section for T.S.L. information - Cont'd			
RADIATOR CROSS REFERENCE GUIDE			
D9HT 8005-AB	D9HZ 8005-A	D9HT 8005-BFA	D8HZ 8005-AG
D9HT 8005-AD	D9HZ 8005-A	D9HT 8005-BGA	D8HZ 8005-AG
D9HT 8005-BB	D9HZ 8005-C	D9HT 8005-BLA	E0HZ 8005-G
D9HT 8005-BC	D9HZ 8005-C	D9HT 8005-BLB	E0HZ 8005-G
D9HT 8005-BD	D9HZ 8005-C	D9HT 8005-BMA	E0HZ 8005-G
D9HT 8005-BE	D9HZ 8005-C	D9HT 8005-BMB	E0HZ 8005-G
D9HT 8005-GB	D9HZ 8005-B	D9HT 8005-BNA	D8HZ 8005-AH
D9HT 8005-GC	D9HZ 8005-B	D9HT 8005-BRA	D8HZ 8005-AH
D9HT 8005-GE	D9HZ 8005-B	D9HT 8005-BSA	D8HZ 8005-C
D9HT 8005-GF	D9HZ 8005-B	D9HT 8005-BTA	D8HZ 8005-A
D9HT 8005-HB	D9HZ 8005-C	D9HT 8005-BUA	D8HZ 8005-D
D9HT 8005-HC	D9HZ 8005-C	D9HT 8005-BVA	D8HZ 8005-B
D9HT 8005-HD	D9HZ 8005-C	D9HT 8005-BYA	D8HZ 8005-AH
D9HT 8005-HE	D9HZ 8005-C	E0HT 8005-BB	E0HZ 8005-H
D9HT 8005-LB	D9HZ 8005-K	E0HT 8005-BC	E0HZ 8005-H
D9HT 8005-LC	D9HZ 8005-K	E0HT 8005-BD	E0HZ 8005-H
D9HT 8005-LD	D9HZ 8005-K	E0HT 8005-DC	E0HZ 8005-H
D9HT 8005-LE	D9HZ 8005-K	E0HT 8005-DD	E0HZ 8005-H
D9HT 8005-NB	D9HZ 8005-C	E0HT 8005-DE	E0HZ 8005-H
D9HT 8005-NC	D9HZ 8005-C	E0HT 8005-EC	E0HZ 8005-J
D9HT 8005-ND	D9HZ 8005-C	E0HT 8005-ED	E0HZ 8005-J
D9HT 8005-UB	D9HZ 8005-K	E0HT 8005-EE	E0HZ 8005-J
D9HT 8005-UC	D9HZ 8005-K	E0HT 8005-FC	E0HZ 8005-J
D9HT 8005-UD	D9HZ 8005-K	E0HT 8005-FD	E0HZ 8005-J
D9HT 8005-UE	D9HZ 8005-K	E0HT 8005-FE	E0HZ 8005-J
D9HT 8005-VB	D9HZ 8005-F	E0HT 8005-GB	E0HZ 8005-J
D9HT 8005-VC	D9HZ 8005-F	E0HT 8005-GC	E0HZ 8005-J
D9HT 8005-VD	D9HZ 8005-F	E0HT 8005-GD	E0HZ 8005-J
D9HT 8005-AAB	E0HZ 8005-G	E0HT 8005-GE	E0HZ 8005-J
D9HT 8005-AAC	E0HZ 8005-G	E0HT 8005-HC	E0HZ 8005-B
D9HT 8005-ADB	E0HZ 8005-G	E0HT 8005-HD	E0HZ 8005-B
D9HT 8005-ADC	E0HZ 8005-G	E0HT 8005-HE	E0HZ 8005-B
D9HT 8005-ADD	E0HZ 8005-G	E0HT 8005-JC	E0HZ 8005-B
D9HT 8005-AEB	D9HZ 8005-F	E0HT 8005-JD	E0HZ 8005-B
D9HT 8005-AEC	D9HZ 8005-F	E0HT 8005-JE	E0HZ 8005-B
D9HT 8005-AED	D9HZ 8005-F	E0HT 8005-KB	E0HZ 8005-K
D9HT 8005-AFA	D9HZ 8005-G	E0HT 8005-KC	E0HZ 8005-K
D9HT 8005-AFB	D9HZ 8005-G	E0HT 8005-KD	E0HZ 8005-K
D9HT 8005-AGA	D9HZ 8005-G	E0HT 8005-LB	E0HZ 8005-K
D9HT 8005-AGB	E3HZ 8005-L	E0HT 8005-LC	E0HZ 8005-K
D9HT 8005-AHA	D9HZ 8005-G	E0HT 8005-LD	E0HZ 8005-K
D9HT 8005-AHB	D9HZ 8005-G	E0HT 8005-NB	E1HZ 8005-U
D9HT 8005-AJA	D8HZ 8005-AE	E0HT 8005-NC	E1HZ 8005-U
D9HT 8005-AJB	D8HZ 8005-AE	E0HT 8005-ND	E1HZ 8005-U
D9HT 8005-AKA	D8HZ 8005-AE	E0HT 8005-RB	E1HZ 8005-U
D9HT 8005-AKB	D8HZ 8005-AE	E0HT 8005-RC	E1HZ 8005-U
D9HT 8005-ALA	D8HZ 8005-AE	E0HT 8005-RD	E1HZ 8005-U
D9HT 8005-ALB	D8HZ 8005-AE	E0HT 8005-TB	E1HZ 8005-G
D9HT 8005-AMA	D9HZ 8005-J	E0HT 8005-TC	E1HZ 8005-G
D9HT 8005-AMB	D9HZ 8005-J	E0HT 8005-TD	E1HZ 8005-G
D9HT 8005-ANA	D9HZ 8005-H	E0HT 8005-UA	E1HZ 8005-H
D9HT 8005-ARA	D9HZ 8005-H	E0HT 8005-VA	E1HZ 8005-J
D9HT 8005-ARB	D9HZ 8005-H	E0HT 8005-YA	E1HZ 8005-K
D9HT 8005-AVA	D9HZ 8005-H	E0HT 8005-ZB	E0HZ 8005-F
D9HT 8005-AVB	D9HZ 8005-H	E0HT 8005-ZC	E0HZ 8005-F
D9HT 8005-BDA	D8HZ 8005-V	E0HT 8005-ZD	E0HZ 8005-F
D9HT 8005-BEA	D8HZ 8005-U	E0HT 8005-AAA	E0HZ 8005-B

1980/  
TRUCK SERIES 600/900

IDENTIFICATION CHART

(Arranged according to Identification Number)

IDENTIFICATION		PART NUMBER		IDENTIFICATION		PART NUMBER	
8005 RADIATOR - Refer to General Information Section for T.S.L. information - Cont'd							
RADIATOR CROSS REFERENCE GUIDE							
EOHT 8005-AAB	EOHZ 8005-B	E1HT 8005-FD	E4HZ 8005-D	EOHT 8005-AAC	EOHZ 8005-B	E1HT 8005-EC	E1HZ 8005-C
EOHT 8005-AEA	D9HZ 8005-J	E1HT 8005-JA	E1HZ 8005-M	EOHT 8005-AFA	D9HZ 8005-H	E1HT 8005-KA	E1HZ 8005-M
EOHT 8005-AGA	D9HZ 8005-H	★ E1HT 8005-LA	★ E1HZ 8005-N	EOHT 8005-AHA	EOHZ 8005-F	E1HT 8005-MA	E4HZ 8005-C
EOHT 8005-AHB	EOHZ 8005-F	E1HT 8005-NA	E1HZ 8005-U	EOHT 8005-AHC	EOHZ 8005-F	E1HT 8005-NB	E1HZ 8005-U
EOHT 8005-AJA	E2HZ 8005-N	E1HT 8005-RA	E1HZ 8005-G	EOHT 8005-AJB	D8HZ 8005-C	E1HT 8005-RB	E1HZ 8005-G
EOHT 8005-AJC	D8HZ 8005-C	E1HT 8005-SA	E1HZ 8005-D	EOHT 8005-AJK	D8HZ 8005-C	E1HT 8005-SB	E1HZ 8005-D
EOHT 8005-AKA	D8HZ 8005-A	E1HT 8005-UA	D9HZ 8005-G	EOHT 8005-AKB	D8HZ 8005-A	E1HT 8005-VA	D8HZ 8005-A
EOHT 8005-AKB	D8HZ 8005-A	E1HT 8005-YA	D8HZ 8005-D	EOHT 8005-AKC	D8HZ 8005-A	E1HT 8005-ZA	D8HZ 8005-B
EOHT 8005-ALA	D8HZ 8005-D	E1HT 8005-ZA	D8HZ 8005-C	EOHT 8005-ALB	D8HZ 8005-D	E2HT 8005-AAA	D8HZ 8005-C
EOHT 8005-ALC	D8HZ 8005-D	E2HT 8005-ADA	E3HZ 8005-F	EOHT 8005-AMC	D8HZ 8005-B	E2HT 8005-AEA	E3HZ 8005-G
EOHT 8005-AMA	D8HZ 8005-B	E2HT 8005-CA	E3HZ 8005-H	EOHT 8005-AMB	D8HZ 8005-B	E2HT 8005-EA	E2HZ 8005-A
EOHT 8005-AMC	D8HZ 8005-B	E2HT 8005-FA	E2HZ 8005-A	EOHT 8005-AMC	D8HZ 8005-B	E2HT 8005-KA	E2HZ 8005-A
EOHT 8005-ARA	D9HZ 8005-C	E2HT 8005-LA	E2HZ 8005-D	EOHT 8005-ARA	D9HZ 8005-C	E2HT 8005-MA	E2HZ 8005-C
EOHT 8005-ASA	EOHZ 8005-G	E2HT 8005-NA	E2HZ 8005-D	EOHT 8005-ATA	EOHZ 8005-G	E2HT 8005-RA	E2HZ 8005-E
EOHT 8005-ATA	EOHZ 8005-G	E2HT 8005-SA	E2HZ 8005-F	EOHT 8005-AUA	EOHZ 8005-G	E2HT 8005-TA	E2HZ 8005-G
EOHT 8005-AVA	EOHZ 8005-G	E2HT 8005-TB	E2HZ 8005-K	EOHT 8005-AVA	EOHZ 8005-G	E2HT 8005-TB	E2HZ 8005-K
EOHT 8005-AYA	D8HZ 8005-AG	E2HT 8005-VA	E2HZ 8005-H	EOHT 8005-AZA	D8HZ 8005-AG	E2HT 8005-VB	E2HZ 8005-L
EOHT 8005-AZA	D8HZ 8005-AG	E2HT 8005-VA	E2HZ 8005-L	EOHT 8005-BAA	D8HZ 8005-AH	E2HT 8005-UA	E2HZ 8005-H
EOHT 8005-BAA	D8HZ 8005-AH	E2HT 8005-UB	E2HZ 8005-L	EOHT 8005-BBA	D8HZ 8005-AH	E2HT 8005-ZA	E2HZ 8005-L
EOHT 8005-BBA	D8HZ 8005-AH	E2HT 8005-ZA	E2HZ 8005-B	EOHT 8005-BCA	D8HZ 8005-AH	E2HT 8005-AAA	E1HZ 8005-E
EOHT 8005-BCA	D8HZ 8005-AH	E2HT 8005-ABA	E4HZ 8005-D	EOHT 8005-BCA	D8HZ 8005-AH	E2HT 8005-ABA	E4HZ 8005-D
EOHT 8005-BDA	D9HZ 8005-J	E2HT 8005-ACA	E2HZ 8005-J	EOHT 8005-BDA	D9HZ 8005-J	E2HT 8005-ACA	E2HZ 8005-J
EOHT 8005-BEA	D9HZ 8005-H	E3HT 8005-CA	E3HZ 8005-P	EOHT 8005-BEA	D9HZ 8005-H	E3HT 8005-CA	E3HZ 8005-P
EOHT 8005-BFA	D9HZ 8005-H	E3HT 8005-CB	E3HZ 8005-P	EOHT 8005-BFA	D9HZ 8005-H	E3HT 8005-CB	E3HZ 8005-P
EOHT 8005-BGA	EOHZ 8005-G	E3HT 8005-CC,CD	E3HZ 8005-P	EOHT 8005-BGA	EOHZ 8005-G	E3HT 8005-CC,CD	E3HZ 8005-P
EOHT 8005-AAAA	D8HZ 8005-AH	E3HT 8005-DA	E3HZ 8005-P	EOHT 8005-AAAA	D8HZ 8005-AH	E3HT 8005-DA	E3HZ 8005-P
EOHT 8005-ABAA	D8HZ 8005-AH	E3HT 8005-DB	E3HZ 8005-P	EOHT 8005-ABAA	D8HZ 8005-AH	E3HT 8005-DB	E3HZ 8005-P
EOHT 8005-ACAA	D8HZ 8005-AH	E3HT 8005-DC	E3HZ 8005-P	EOHT 8005-ACAA	D8HZ 8005-AH	E3HT 8005-DC	E3HZ 8005-P
EOHT 8005-ADAA	D9HZ 8005-J	E3HT 8005-EA	E3HZ 8005-B	EOHT 8005-ADAA	D9HZ 8005-J	E3HT 8005-EA	E3HZ 8005-B
EOHT 8005-AEAA	D9HZ 8005-H	E3HT 8005-EB	E3HZ 8005-B	EOHT 8005-AEAA	D9HZ 8005-H	E3HT 8005-EB	E3HZ 8005-B
EOHT 8005-AFAA	D9HZ 8005-H	E3HT 8005-EC	E3HZ 8005-B	EOHT 8005-AFAA	D9HZ 8005-H	E3HT 8005-EC	E3HZ 8005-B
EOHT 8005-AGAA	EOHZ 8005-G	E3HT 8005-SB	E3HZ 8005-D	EOHT 8005-AGAA	EOHZ 8005-G	E3HT 8005-SB	E3HZ 8005-D
E1HT 8005-AA	E1HZ 8005-E	E3HT 8005-TA	E3HZ 8005-M	E1HT 8005-AA	E1HZ 8005-E	E3HT 8005-TA	E3HZ 8005-M
E1HT 8005-AB	E1HZ 8005-E	E3HT 8005-TB	E3HZ 8005-M	E1HT 8005-AB	E1HZ 8005-E	E3HT 8005-TB	E3HZ 8005-M
E1HT 8005-AC	E1HZ 8005-E	E3HT 8005-UA	E3HZ 8005-M	E1HT 8005-AC	E1HZ 8005-E	E3HT 8005-UA	E3HZ 8005-M
E1HT 8005-AD	E1HZ 8005-E	E3HT 8005-UB,UC	E3HZ 8005-M	E1HT 8005-AD	E1HZ 8005-E	E3HT 8005-UB,UC	E3HZ 8005-M
E1HT 8005-AE	E1HZ 8005-E	E3HT 8005-VB,VC	E3HZ 8005-N	E1HT 8005-AE	E1HZ 8005-E	E3HT 8005-VB,VC	E3HZ 8005-N
E1HT 8005-BA	E1HZ 8005-A	E3HT 8005-YB	E3HZ 8005-M	E1HT 8005-BA	E1HZ 8005-A	E3HT 8005-YB	E3HZ 8005-M
E1HT 8005-BB	E1HZ 8005-A	E3HT 8005-ADA	E3HZ 8005-K	E1HT 8005-BB	E1HZ 8005-A	E3HT 8005-ADA	E3HZ 8005-K
E1HT 8005-BC	E1HZ 8005-A	E3HT 8005-ADB	E3HZ 8005-K	E1HT 8005-BC	E1HZ 8005-A	E3HT 8005-ADB	E3HZ 8005-K
E1HT 8005-CA	E1HZ 8005-B			E1HT 8005-CA	E1HZ 8005-B		
E1HT 8005-CB	E1HZ 8005-B			E1HT 8005-CB	E1HZ 8005-B		
E1HT 8005-DA	E1HZ 8005-A			E1HT 8005-DA	E1HZ 8005-A		
E1HT 8005-DB	E1HZ 8005-A			E1HT 8005-DB	E1HZ 8005-A		
E1HT 8005-DC	E1HZ 8005-A			E1HT 8005-DC	E1HZ 8005-A		
E1HT 8005-EA	E1HZ 8005-C			E1HT 8005-EA	E1HZ 8005-C		
E1HT 8005-FB	E4HZ 8005-D			E1HT 8005-FB	E4HZ 8005-D		
E1HT 8005-FC	E4HZ 8005-D			E1HT 8005-FC	E4HZ 8005-D		

1980/  
TRUCK SERIES 600/900

**IDENTIFICATION CHART**

(Arranged according to Identification Number)

IDENTIFICATION	PART NUMBER	IDENTIFICATION	PART NUMBER
8005 RADIATOR - Refer to General Information Section for T.S.L. information -- Cont'd			
RADIATOR CROSS REFERENCE GUIDE			
E3HT 8005-AEA	E3HZ 8005-K	E3HT 8005-CNA	E1HZ 8005-B
E3HT 8005-AEB	E3HZ 8005-K	E3HT 8005-CRA	E2HZ 8005-L
E3HT 8005-AMA	D8HZ 8005-D	E3HT 8005-CSA	E2HZ 8005-K
E3HT 8005-ANA	E3HZ 8005-L	E3HT 8005-CTA	E2HZ 8005-L
E3HT 8005-ASA	★ E3HZ 8005-J	E3HT 8005-CUA	E3HZ 8005-P
E3HT 8005-ATA	E4HZ 8005-P	E3HT 8005-CVA	★ E3HZ 8005-L
E3HT 8005-AUA	E4HZ 8005-R	E3HT 8005-CZA	E2HZ 8005-C
E3HT 8005-BAA	E0HZ 8005-L	E3HT 8005-DAA	E2HZ 8005-D
E3HT 8005-BAB	E0HZ 8005-L	E3HT 8005-DBA	E2HZ 8005-D
E3HT 8005-BBA	E0HZ 8005-A	E3HT 8005-DCA	D8HZ 8005-AH
E3HT 8005-BBB	E0HZ 8005-A	E3HT 8005-DDA	D8HZ 8005-AH
E3HT 8005-BCA	E0HZ 8005-A	E3HT 8005-DEA	E2HZ 8005-A
E3HT 8005-BCB	E0HZ 8005-H	E3HT 8005-DFA	E1HZ 8005-H
E3HT 8005-BDA	E2HZ 8005-M	E3HT 8005-DGA	E1HZ 8005-K
E3HT 8005-BDB	E2HZ 8005-M	E3HT 8005-DHA	E1HZ 8005-E
E3HT 8005-BEA	E0HZ 8005-J	E3HT 8005-DJA	E2HZ 8005-J
E3HT 8005-BEB	E0HZ 8005-J	E3HT 8005-DKA	E3HZ 8005-F
E3HT 8005-BFA	E2HZ 8005-M	E3HT 8005-DLA	★ E3HZ 8005-J
E3HT 8005-BFB	E2HZ 8005-M	E3HT 8005-DNA	D8HZ 8005-C
E3HT 8005-BGA	E0HZ 8005-J	E3HT 8005-DMA	D8HZ 8005-D
E3HT 8005-BGB	E0HZ 8005-J	E3HT 8005-DRA	E3HZ 8005-G
E3HT 8005-BHA	E0HZ 8005-J	E4HT 8005-BC	E4HZ 8005-M
E3HT 8005-BHB	E0HZ 8005-J	E4HT 8005-CA	★ E1HZ 8005-E
E3HT 8005-BJA	E0HZ 8005-B	E4HT 8005-CB	E4HZ 8005-E
E3HT 8005-BJB	E0HZ 8005-B	E4HT 8005-DA	E2HZ 8005-J
E3HT 8005-BKA	E0HZ 8005-B	E4HT 8005-DB	E4HZ 8005-D
E3HT 8005-BKB	E0HZ 8005-B	E4HT 8005-EA	E3HZ 8005-F
E3HT 8005-BLA	E0HZ 8005-B	E4HT 8005-LA, LB	E4HZ 8005-P
E3HT 8005-BLB	E0HZ 8005-B	E4HT 8005-MA	E4HZ 8005-P
E3HT 8005-BMA	E3HZ 8005-M	E4HT 8005-MB	E4HZ 8005-P
E3HT 8005-BMB	E3HZ 8005-M	E4HT 8005-NA	E4HZ 8005-R
E3HT 8005-BNA	E3HZ 8005-M	E4HT 8005-NB	E4HZ 8005-R
E3HT 8005-BNB	E3HZ 8005-M	E4HT 8005-RA	E4HZ 8005-P
E3HT 8005-BRA	E3HZ 8005-M	E4HT 8005-RB	E4HZ 8005-P
E3HT 8005-BRB	E3HZ 8005-M	E4HT 8005-SA	E4HZ 8005-N
E3HT 8005-BSA	E3HZ 8005-N	E4HT 8005-SB	E4HZ 8005-N
E3HT 8005-BSB	E3HZ 8005-N	E4HT 8005-ZA	E4HZ 8005-H
E3HT 8005-BTA	E3HZ 8005-D	E4HT 8005-AAA	E4HZ 8005-G
E3HT 8005-BTB	E3HZ 8005-D	E5HT 8005-AC	E5HZ 8005-A
E3HT 8005-BUA	E3HZ 8005-P	E5HT 8005-BC	E5HZ 8005-B
E3HT 8005-BUB	E3HZ 8005-P	E5HT 8005-CB	E5HZ 8005-C
E3HT 8005-BVA	E3HZ 8005-P	E5HT 8005-DA	E5HZ 8005-D
E3HT 8005-BVB	E3HZ 8005-P	E5HT 8005-FB	E5HZ 8005-F
E3HT 8005-BYA	E3HZ 8005-B	E5HT 8005-GA	E5HZ 8005-E
E3HT 8005-BYB	E3HZ 8005-B	E5HT 8005-HB	E5HZ 8005-G
E3HT 8005-BZA	D9HZ 8005-B	E5HT 8005-RA	E5HZ 8005-H
E3HT 8005-CAA	D9HZ 8005-K	E5HT 8005-SA	E5HZ 8005-L
E3HT 8005-CBA	D9HZ 8005-K	E5HT 8005-TA	E5HZ 8005-H
E3HT 8005-CCA	E2HZ 8005-B	E5HT 8005-UA	E5HZ 8005-K
E3HT 8005-CDA	D9HZ 8005-C	E5HT 8005-VA	E5HZ 8005-J
E3HT 8005-CEA	D9HZ 8005-C	E5HT 8005-YA	E4HZ 8005-G
E3HT 8005-CFA	D9HZ 8005-F	E5HT 8005-ZA	E4HZ 8005-H
E3HT 8005-CGA	D9HZ 8005-C	E5HT 8005-AAA	E5HZ 8005-M
E3HT 8005-CHA	E3HZ 8005-H	E5HT 8005-ACA	E6HZ 8005-F
E3HT 8005-CJA	E0HZ 8005-G	E6HT 8005-AA	E3HZ 8005-M
E3HT 8005-CKA	E0HZ 8005-G	E6HT 8005-BA	E2HZ 8005-D
E3HT 8005-CLA	D9HZ 8005-G	E6HT 8005-CA	E3HZ 8005-M
E3HT 8005-CMA	E1HZ 8005-D		

1980/  
TRUCK SERIES 600/900

**IDENTIFICATION CHART**

(Arranged according to Identification Number)

IDENTIFICATION		PART NUMBER		IDENTIFICATION		PART NUMBER	
8005 RADIATOR - Refer to General Information Section for T.S.L. information — Cont'd							
RADIATOR CROSS REFERENCE GUIDE							
E6HT	8005-DA	E3HZ	8005-N	E7HT	8005-AAB	E7HZ	8005-W
E6HT	8005-EA	E3HZ	8005-D	E7HT	8005-ACB	E7HZ	8005-V
E6HT	8005-FA	E3HZ	8005-P	E7HT	8005-AGB	E7HZ	8005-M
E6HT	8005-GA	E3HZ	8005-P	E7HT	8005-AHB	E5HZ	8005-G
E6HT	8005-HA	E3HZ	8005-B	E7HT	8005-AJB	E7HZ	8005-L
E6HT	8005-JA	E2HZ	8005-L	E7HT	8005-AKB	E7HZ	8005-J
E6HT	8005-KA	E2HZ	8005-L	E7HT	8005-AMB	E7HZ	8005-N
E6HT	8005-LA	E2HZ	8005-K	E7HT	8005-ASB	E7HZ	8005-H
E6HT	8005-MA	E3HZ	8005-K	E8HT	8005-AA	★ E8HZ	8005-B
E6HT	8005-NA	E3HZ	8005-K	E8HT	8005-CA	E8HT	8005-R
E6HT	8005-RA	D9HZ	8005-C	E8HT	8005-CB	E8HZ	8005-R
E6HT	8005-SA	D9HZ	8005-C	E8HT	8005-CC	E8HZ	8005-A
E6HT	8005-TA	D9HZ	8005-C	E8HT	8005-FA	E9HZ	8005-C
E6HT	8005-UA	D9HT	8005-F	E8HT	8005-UA	E8HZ	8005-E
E6HT	8005-VA	E3HZ	8005-H	E8HT	8005-VA	E8HZ	8005-F
E6HT	8005-YA	E5HZ	8005-M	E8HT	8005-YA	E8HZ	8005-G
E6HT	8005-ZA	E2HZ	8005-D	E8HT	8005-ZA	E8HZ	8005-H
E6HT	8005-AAA	E2HZ	8005-C	E8HT	8005-AAA	E8HZ	8005-J
E6HT	8005-ABA	E1HZ	8005-D	E8HT	8005-ABA	E8HZ	8005-K
E6HT	8005-ACA	E2HZ	8005-D	E8HT	8005-ACA	E8HZ	8005-L
E7HT	8005-AB,AC,AD	E7HZ	8005-AJ	E8HT	8005-ADA	E8HZ	8005-M
E7HT	8005-BB,BC,BD	E7HZ	8005-AK	87HU	8005-AA	E7HZ	8005-AE
E7HT	8005-CA,CB,CC,CD	E7HZ	8005-T	87HU	8005-DA	E7HZ	8005-AC
E7HT	8005-DA,DB,DC,DD	E7HZ	8005-U	87HU	8005-DB	E7HZ	8005-AC
E7HT	8005-EA,EB,EC	E7HZ	8005-E	87HU	8005-EA	E7HZ	8005-AL
E7HT	8005-FA,FB,FC	E8HZ	8005-F	87HU	8005-FA	E7HZ	8005-AC
E7HT	8005-JA,JB,JC	E8HZ	8005-G	87HU	8005-GA	E7HZ	8005-AA
E7HT	8005-KA,KB,KC	E8HZ	8005-H	87HU	8005-HA	E7HZ	8005-AE
E7HT	8005-LA,LB,LC,LD	E7HZ	8005-D	E8HT	8005-UA	E8HZ	8005-E
E7HT	8005-MA,MB,MC,MD	E7HZ	8005-C	E8HT	8005-VA	E8HZ	8005-F
E7HT	8005-RA,RB	E4HZ	8005-P	E8HT	8005-YA	E8HZ	8005-G
E7HT	8005-SA,SB	E4HZ	8005-J	E8HT	8005-ZA	E8HZ	8005-H
E7HT	8005-TA,TB	E4HZ	8005-R	E8HT	8005-AAA	E8HZ	8005-J
E7HT	8005-UA,UB,UC	E4HZ	8005-P	E8HT	8005-ABA	E8HZ	8005-K
E7HT	8005-VA,VB	E4HZ	8005-N	E8HT	8005-ACA	E8HZ	8005-L
E7HT	8005-YA	E7HZ	8005-S	E8HT	8005-ADA	E8HZ	8005-M
E7HT	8005-YB	E7HZ	8005-S	E8HT	8005-ARA	E4HZ	8005-P

YEAR	MODEL/RESTRICTIONS	QUANTITY				PART NUMBER	DESCRIPTION
		STD.	EXTRA	H/D	A/C		
8005	RADIATOR - Refer to General Information Section for T.S.L. information — Cont'd						

**APPLICATION CHART**

**B SERIES**

- Not used in noise level restriction areas.
- ▲ Use in noise level restriction areas.

87/	B600/700 - - 6 cyl. 6.6L & 7.8L-FTO dsl. w/A/T-w/PTO (non ATA)	1			1	E8HZ 8005-H	
-----	---	---	--	--	---	-------------	--

1980/  
TRUCK SERIES 600/900

YEAR	MODEL/RESTRICTIONS	QUANTITY				PART NUMBER	DESCRIPTION
		STD. COOL- ING	EXTRA COOL- ING	H/D COOL- ING	A/C		
8005	RADIATOR - Refer to General Information Section for T.S.L. information — Cont'd						

APPLICATION CHART

B SERIES

87/	B600/700 -- 6 cyl. 6.6L & 7.8L-FTO dsl. w/M/T-w/PTO (non-ATA)	1			1	E8HZ 8005-G
87/88	B700 -- 6 cyl. PTO-7.8L FTO dsl. w/A/T-w/PTO-(ATA) "Before 11/87"	1			1	E7HZ 8005-C
88/	B700 -- 6 cyl. PTO-7.8L FTO dsl. w/M/T-w/PTO (ATA) "From 11/87"	1			1	E8HZ 8005-M
87/88	B700 -- 6 cyl. PTO-7.8L FTO dsl. w/M/T-w/PTO-(ATA) "Before 11/87"	1			1	E7HZ 8005-D
88/	B700 -- 6 cyl. PTO-7.8L FTO dsl. w/M/T-w/PTO (ATA) "From 11/87"	1			1	E8HZ 8005-L
87/88	B600/700 -- 6 cyl. 6.6L & 7.8L-FTO dsl. w/A/T-w/o PTO (non-ATA) "Before 11/87"	1			1	E7HZ 8005-E
88/	B600/700 -- 6 cyl. 6.6L & 7.8L-FTO dsl. w/A/T-w/o PTO (non-ATA) "From 11/87"	1			1	E8HZ 8005-E
87/	B600/700 -- 6 cyl. 6.6L & 7.8L-FTO dsl. w/M/T-w/o PTO (non-ATA)	1			1	E8HZ 8005-F
87/88	B600/700 -- 6 cyl. 6.6L & 7.8L FTO dsl. w/A/T-w/o PTO (ATA) "Before 11/87"	1			1	E7HZ 8005-T
88/	B600/700 -- 6 cyl. 6.6L & 7.8L-FTO dsl. w/A/T-w/o PTO (ATA) "From 11/87"	1			1	E8HZ 8005-J
87/88	B600/700 -- 6 cyl. 6.6L & 7.8L FTO dsl. w/M/T-w/o PTO (ATA) "Before 11/87"	1			1	E7HZ 8005-U
88/	B600/700 -- 6 cyl. 6.6L & 7.8L-FTO dsl. w/M/T-w/o PTO (ATA) "From 11/87"	1			1	E8HZ 8005-K



**1980/  
TRUCK SERIES 600/900**

SECTION 80

7

YEAR	MODEL/RESTRICTIONS	QUANTITY				PART NUMBER	DESCRIPTION
		STD. COOL- ING	EXTRA COOL- ING	H/D COOL- ING	A/C		
8005	RADIATOR - Refer to General Information Section for T.S.L. information -- Cont'd						

**APPLICATION CHART**

**B SERIES**

80/	B600/700 -- 8 cyl. 370,429-4V M/T exc. P.T.O.	1	1		1	E2HZ 8005-N
80/	B600/700 -- 8 cyl. 370-M/T	1				E0HZ 8005-H
	B600/700 -- 8 cyl. 370-2V - M/T		1			
	B600/700 -- 8 cyl. 370-4V - M/T		1			E0HZ 8005-J
	B600/700 -- 8 cyl. 370 - A/T	1				
	B600/700 -- 8 cyl. 370				1	
	B700 -- 8 cyl. 429 - M/T	1	1			
	B700 -- 8 cyl. 429 - A/T	1				
	B700 -- 8 cyl. 429 - P.T.O.	1	1			E0HZ 8005-B
80/86	B600/700 -- 8 cyl. 501 - M/T- 165 H.P.	1	1			E0HZ 8005-K
80/82	B600/700 -- 8 cyl. 501 - M/T- 205 H.P.	1				E1HZ 8005-U
	B600/700 -- 8 cyl. 501 - A/T	1				
	B600/700 -- 8 cyl. 501 - A/T- P.T.O.	1	1			E1HZ 8005-G
83/	B700 -- 8 cyl. 636 (3208) cat. diesel-exc. P.T.O.	1	1			E3HZ 8005-P
	B700 -- 8 cyl. 636 (3208) Cat. diesel -- P.T.O.	1	1			E3HZ 8005-B
83/86	B600/700 -- 8 cyl. 501-M/T exc. P.T.O.	1	1		1	E3HZ 8005-U
	B600/700 -- 8 cyl. 501-A/T exc. P.T.O.	1	1		1	E3HZ 8005-N
	B600/700 -- 8 cyl. 501 - P.T.O.	1	1		1	E3HZ 8005-D

**C-CT SERIES**

● Not used in noise level restriction areas.

▲ Use in noise level restriction areas.

80/87	C600/800 - 8 cyl. 370-2&4V-M/T	1	1			D9HZ 8005-C
	C700/800 - 8 cyl. 429 - M/T	1				
80/83	C600/800 - 8 cyl. 370,429 - A/T-	1	1			E3HZ 8005-H
80/81	C700/800 - 8 cyl. 429 - M/T		1			
80/81	C-CT800/900 -- 477,534 -- 8 cyl. gas	1				D8HZ 8005-AE
80/82	C-CT700/800 -- 8 cyl. 636 cat. (3208) diesel "Before 4/82"	1	1			E1HZ 8005-D
82/83	C-CT700/800 -- 8 cyl. 636 cat. (3208N) diesel "From 4/82 to 11/82"	1	1			
81/83	C-CT600/800 -- 8 cyl. 501 Det.(8.2L-NA)-M/T	1				
83	C-CT600/800 -- 8 cyl. 636 Cat. (3208N) diesel-M/T- "From 11/82"	1	1			
84	C-CT600/800 -- 8 cyl. 636 Cat. (3208) diesel-A/T	1				
81/87	C-CT600/800 -- 8 cyl. 501 Detroit diesel-A/T					

1980/  
TRUCK SERIES 600/900

YEAR	MODEL/RESTRICTIONS	QUANTITY				PART NUMBER	DESCRIPTION
		STD. COOL- ING	EXTRA COOL- ING	H/D COOL- ING	A/C		
8005	RADIATOR - Refer to General Information Section for T.S.L. information - Cont'd						

APPLICATION CHART

**C-CT SERIES**

83	C-CT600/800 -- 8 cyl. 636 Cat. (3208) diesel-M/T		1			E5HZ 8005-M	
83/	C-CT600/800 -- 8 cyl. 636 cat. (3208N) diesel-A/T- "From 11/82"	1	1			E3HZ 8005-H	
81/87	C-CT600/800 -- 8 cyl. 501 Det. (8.2L-T)-M/T	1				E1HZ 8005-B	
82/83	C-CT800 -- 8 cyl. 636 cat. (3208T) diesel-M/T "From 4/82"	1				E2HZ 8005-C	
84/	C-CT600/800 -- 8 cyl. 636 Cat. (3208T) diesel-M/T			1			
84/87	C-CT600/800 8 cyl. 501 Detroit (8.2L-T) diesel-M/T "From 12/83"	1	1				
84/	C-CT800 -- 8 cyl. 636 Cat. (3208T) diesel-M/T	1					
82/	C-CT800 -- 8 cyl. 636 Cat. (3208T) diesel-M/T "From 4/82"			1		E2HZ 8005-D	
82/	C-CT800 -- 8 cyl. 636 cat. (3208T) diesel-A/T "From 4/82"	1	1				
81/87	C-CT600/800 -- 8cyl. 501 Det A/T	1				E1HZ 8005-D	
84/	C-CT600/800 -- 8 cyl. 636 Cat. (3208N) diesel-M/T			1		E5HZ 8005-M	
84/87	C-T600/800 -- 8 cyl. 501N Detroit diesel-M/T			1			

**CL-CLT SERIES**

● Not used in noise level restriction areas.

▲ Use in noise level restriction areas.

80/	CL-CLT900 -- 8 cyl. 636, diesel	1				D8HZ 8005-A	
80/84	CL-CLT900 -- 8 cyl. 568,736 diesel	1					
80/83	CL-CLT900 -- 6 cyl. 552 "Before 3/83"	1					
82/84	CL-CLT900 -- 6 cyl. 552 "From 3/82"	1				★ E3HZ 8005-J	
85/86	CL-CLT900 -- 6 cyl. 552 Detroit diesel	1				E5HZ 8005-K	
85/86	CL-CLT900 -- 6 cyl. 552 Detroit diesel low temperature after cooler	1				E5HZ 8005-E	
80/83	CL-CLT900 -- 8 cyl. 1150 Cums diesel	1				D8HZ 8005-B	

1980/  
TRUCK SERIES 600/900

YEAR	MODEL/RESTRICTIONS	QUANTITY				PART NUMBER	DESCRIPTION
		STD. COOL- ING	EXTRA COOL- ING	H/D COOL- ING	A/C		
8005	RADIATOR - Refer to General Information Section for T.S.L. information - Cont'd						

APPLICATION CHART

CL-CLT SERIES

80/88	CL-CLT900 -- 6 cyl. 855 Cums (NTC-290)	1					D8HZ 8005-C
	CL-CLT -- 893 Cat (280 H.P. @ 1900)	1					
80/	CL-CLT -- 893 Cat (280/325 H.P. @ 2100) exc. Calif.						
80/	CL-CLT -- 893 Cat. (300 DIT) Calif. only	1					
80/	CL-CLT -- 893 Cat. (290/305 H.P. @ 1900)	1					
80/82	CL-CLT900 -- Susp. cab and NTC/Form. 300,350	1					
	"Before 11/82"						
80/	CL-CLT900 -- Susp. cab and Cat. 3406	1					
85/86	CL-CLT900 -- 568,736 diesel	1					E5HZ 8005-J
85/86	CL-CLT900 -- 6 cyl. 552 Detroit diesel with low temperature after cooler	1					E5HZ 8005-C
88	CL-CLT9000 -- w/NTC L10 eng. "Before 9/27/87"	1					★ E8HZ 8005-C r/bE8HZ 8005-S & E8HZ 8A297-F (3/89)
88/	CL-CLT900 -- w/Cum. NTC, L10 diesel "From 9/27/87"	1					E8HZ 8005-S
83/88	CL-CLT900 -- Susp. Cab and NTC/Form 300,350	1					E3HZ 8005-G
	"From 11/82"						
80/86	CL-CLT900 -- 6 cyl. 855 Cums (NTC/Form-350/400)	1					D8HZ 8005-D
87	CL-CLT -- 6 cyl. Cum. w/350, 400-BC4 3 roll, 2 pass	1			1		E7HZ 8005-W
80/88	CL-CLT -- 893 Cat (360 H.P. @ 2100) "Before 9/27/87"	1					D8HZ 8005-D
	893 Cat (280/325 H.P. @ 2100) Calif. "Before 9/27/87"						
	CL-CLT -- 893 Cat. (350 H.P.). "Before 9/27/87"	1					
	CL-CLT -- 893 Cat. (375 H.P. @ 2100) "Before 9/27/87"	1					
80/88	CL-CLT900 -- fixed cab and NTC/Form. 300	1					D8HZ 8005-D
80/	CL-CLT900 -- fixed cab and Cat. 3406	1					
85/87	CL-CLT900 -- 6 cyl. 855 Cums. (NTC 300) with low temperature after cooler	1					E5HZ 8005-C
85/87	CL-CLT900 -- 6 cyl. 893 Cat. (3406) 310 H.P.	1					E5HZ 8005-H
85/87	CL-CLT900 -- 6 cyl. 893 Cat. (3406) 350,400 H.P.	1					E5HZ 8005-L

1980/  
TRUCK SERIES 600/900

YEAR	MODEL/RESTRICTIONS	QUANTITY				PART NUMBER	DESCRIPTION
		STD. COOL- ING	EXTRA COOL- ING	H/D COOL- ING	A/C		
8005	RADIATOR - Refer to General Information Section for T.S.L. information — Cont'd						

APPLICATION CHART

CL-CLT SERIES

88	CL-CLT9000 -- 6 cyl. 893 Cat (3406) ATA	1					★ E8HZ 8005-A r/bE8HZ 8005-R & E8HZ 8A297-F (3/89)
88/	CL-CLT900 -- 6 cyl. 893 Cat. (3406) w/ad-tech sys. "From 9/27/87"	1					E8HZ 8005-R
89	CL-CLT900 -- Cum. NTC, L10 diesels-compt. of E8HT 8009-DA	1					E9HZ 8005-A

CF SERIES

86	CF600/700 -- 6.6L dsl. w/M/T	1					E6HZ 8005-F
86/	CF600/700 -- 6.6L dsl. w/A/T -- 165, 170 H.P.	1					E7HZ 8005-AD
87/	CF800 -- 7.8L dsl. w/M/T	1					E7HZ 8005-AE
87	CF700/800 -- 7.8L dsl. w/A/T "Before 3/16/87"	1					E7HZ 8005-Z
87/	CF700/800 -- 7.8L dsl. w/A/T "From 3/16/87"	1					E7HZ 8005-AF
87/	CF600/800 -- 6.6L dsl. w/M/T exc. CF700-165 H.P.						E7HZ 8005-AC
87/	CF700 -- 6.6L dsl. M/T-165 H.P.	1					E7HZ 8005-AA
88/	CF ALL -- 7.8 dsl.w/A/T 235 H.P.	1					E8HZ 8005-D

F SERIES

- Not used in noise level restriction areas.
- ▲ Use in noise level restriction areas.

87/	F-FT600/800 -- 6 cyl. 6.6L & 7.8L-FTO dsl. w/A/T-w/PTO (non-ATA)	1				1	E8HZ 8005-H
87/	F-FT600/800 -- 6 cyl. 6.6L & 7.8L FTO dsl. w/M/T-w/PTO (non-ATA)	1				1	E8HZ 8005-G
87/88	F700/800 -- PTO 7.8L FTO dsl. w/A/T-w/PTO-(ATA) "Before 11/87"	1				1	E7HZ 8005-C
88/	F700/800 -- 7.8L FTO dsl. w/A/T-w/PTO (ATA) "From 11/87"	1				1	E8HZ 8005-M

**1980/  
TRUCK SERIES 600/900**

YEAR	MODEL/RESTRICTIONS	QUANTITY				PART NUMBER	DESCRIPTION
		STD. COOL- ING	EXTRA COOL- ING	H/D COOL- ING	A/C		
<b>8005</b>							
<b>RADIATOR - Refer to General Information Section for T.S.L. information - Cont'd</b>							

**APPLICATION CHART**

**F SERIES**

87/88	F700/800 -- PTO 7.8L FTO dsl. w/M/T-w/PTO-(ATA) "Before 11/87"	1			1	E7HZ 8005-D	
88/	F700/800 -- 7.8L FTO dsl. w/M/T-w/PTO-(ATA) "From 11/87"	1			1	E8HZ 8005-L	
87/88	F-FT600/800 -- 6 cyl. 6.6L & 7.8L-FTO dsl. w/A/T-w/o PTO (non ATA) "Before 11/87"	1			1	E7HZ 8005-E	
88/	F-FT600/800 -- 6 cyl. 6.6L & 7.8L FTO dsl. w/A/T-w/o PTO (non-ATA) "From 11/87"	1			1	E8HZ 8005-E	
87/	F-FT600/800 -- 6 cyl. 6.6L & 7.8L FTO dsl. w/M/T-w/o PTO (non-ATA)	1			1	E8HZ 8005-F	
87/88	F-FT600/800 -- 6 cyl. 6.6L & 7.8L FTO dsl. w/A/T-w/o PTO (ATA) "Before 11/87"	1			1	E7HZ 8005-T	
88/	F-FT600/800 -- 6 cyl. 6.6L & 7.8L-FTO dsl. w/M/T-w/o PTO (ATA) "From 11/87"	1			1	E8HZ 8005-J	
87/88	F-FT600/800 -- 6 cyl. 6.6L & 7.8L-FTO dsl. w/M/T-w/o PTO (ATA) "Before 11/87"	1			1	E7HZ 8005-U	
88/	F-FT600/800 -- 6 cyl. 6.6L & 7.8L-FTO dsl. w/M/T-w/o PTO (ATA) "From 11/87"	1			1	E8HZ 8005-K	
80/	F600/800 -- 8 cyl. 370 - M/T F600/800 -- 8 cyl. 370-2V - M/T F600/800 -- 8 cyl. 370-A/T F600/800 -- 8 cyl. 370 F700/800 -- 8 cyl. 429 - A/T F600/800 -- 8 cyl. 370,429 4V-M/T F700/800 -- 8 cyl. 429 - P.T.O.	1	1			E0HZ 8005-H	
		1			1	E0HZ 8005-J	
			1		1	E2HZ 8005-N	
		1	1			E0HZ 8005-B	
80/87	F600/800 -- 8 cyl. 501 - M/T- 165 H.P. exc. P.T.O. F600/800 -- 8 cyl. 501 - M/T 205 H.P. exc. P.T.O. F600/800 -- 8 cyl. 501 - A/T F600/800 -- 8 cyl. 501 - P.T.O.- "Before 8/82"	1	1			E0HZ 8005-K	
		1				E1HZ 8005-U	
		1	1			E0HZ 8005-C	
82	F600/800 -- 8 cyl. 501-P.T.O. "From 8/82"	1	1			E1HZ 8005-G	

1980/  
TRUCK SERIES 600/900

YEAR	MODEL/RESTRICTIONS	QUANTITY				PART NUMBER	DESCRIPTION
		STD. COOL- ING	EXTRA COOL- ING	H/D COOL- ING	A/C		
8005	RADIATOR - Refer to General Information Section for T.S.L. information — Cont'd						

APPLICATION CHART

**F SERIES**

83/	F-FT700/800 -- 8 cyl. 636 (3208) Cat. diesel exc. P.T.O.	1	1			E3HZ 8005-P
	F-FT700/800 -- 8 cyl. 636 (3208) Cat. diesel -w/P.T.O.	1	1			E3HZ 8005-B
83/87	F-FT600/800 -- 8 cyl. 501-M/T exc. P.T.O.	1	1		1	E3HZ 8005-M
	F-FT600/800 -- 8 cyl. 501 -A/T exc. P.T.O.	1	1		1	E3HZ 8005-N
	F-FT600/800 -- 8 cyl. 501 w/P.T.O.	1	1		1	E3HZ 8005-D

**L-LN-LNT-LT-LTL-LTS SERIES**

Note: † Incl. (1) 8B404 radiator coolant level sight glass and (1) 87036-S94 seal  
\*Without shutters-use (1) D0HZ 8K025-A, Adapter, (2) D0HZ 8287-A Clamp, (3) 358035-S or 87746-S100 plug.

80/86	LN600/700 -- M/T, 370-2 & 4V	1				D9HZ 8005-K
80/86	LN600/700 -- M/T, 370-2V		1			
80/86	LN600/700 -- M/T, 370-4V & 429		1			D9HZ 8005-B
80/82	LN600/700 -- A/T, 370,429 "Before 8/81"	1	1			
82/84	LN600/700 -- A/T,370,429 "From 8/81"	1	1			E2HZ 8005-B
80/82	LN700 -- 8 cyl. 636 (3208) -- 175 H.P. Cat. diesel-- "Before 2/82"	1				E2HZ 8005-F
	LN700 -- 8 cyl. 636 (3208) -- 200 H.P. Cat. diesel 175 H.P. Cat diesel	1			1	E3HZ 8005-K
82	LN700 -- 8 cyl. 636 (3208)- 175 H.P. Cat diesel-- "From 2/82 to 11/82"	1				E3HZ 8005-K
82	LN700 -- 8 cyl. 636 (3208)- 200 H.P. Cat. diesel-- "From 2/82 to 11/82"	1				E2HZ 8005-F
82/83	LN700 -- 8 cyl. 636 (3208)- 175 H.P. Cat. diesel "Before 11/82"		1			
83/	LN700 -- 8 cyl. 636 (3208)- 175 H.P. Cat. diesel-- "From 11/82"	1	1			E3HZ 8005-K
81/82	LN700 -- 8 cyl. 501 Detroit diesel-M/T-- "Before 2/82"	1				E1HZ 8005-A
81/82	LN700 -- 8 cyl. 501 Detroit diesel-A/T-- "Before 2/82"	1				E1HZ 8005-C
82	LN700 -- 8 cyl. 501 Detroit diesel-M/T-- "From 2/82"	1				E2HZ 8005-L
82	LN700 -- 8 cyl. 501 Detroit diesel-A/T-- "From 2/82 to 6/82"	1				E2HZ 8005-G

1980/  
TRUCK SERIES 600/900

YEAR	MODEL/RESTRICTIONS	QUANTITY				PART NUMBER	DESCRIPTION
		STD. COOL- ING	EXTRA COOL- ING	H/D COOL- ING	A/C		
8005	RADIATOR - Refer to General Information Section for T.S.L. information - Cont'd						

APPLICATION CHART

**L-LN-LNT-LT-LTL-LTS SERIES**

Note: † Incl. (1) 8B404 radiator coolant level sight glass and (1) 87036-S94 seal

\* Without shutters-use (1) DOHZ 8K025-A, adapter, (2) DOHZ 8287-A clamp, (3) 358035-S or 87746-S100 plug

82/87	LN600/700 8 cyl. 501 Detroit diesel-A/T- "From 6/82"	1				E2HZ 8005-K	
87/88	L-LT-LTS-LN-LNT800 6 cyl.-7.8L FTO dsl. w/A/T "Before 5/1/88"	1			1	E7HZ 8005-AK	
87/88	L-LT-LTS-LN-LNT800 6 cyl.-7.8L FTO dsl. w/M/T "Before 5/1/88"	1			1	E7HZ 8005-AJ	
88/	L-LN-LNT-LT-LTS800 -- 6 cyl. 7.8L FNH diesel- "From 5/1/88" compt. of E8HT 8009-GB	1			1	E8HZ 8005-U	
80/81	L-LT-LTS-LN-LNT800, 8 cyl. 370,429 gas "Before 2/81"	1				E0HZ 8005-L	
81/86	L-LN-LNT-LT-LTS800- 8 cyl. 370,429 gas- "From 2/81"	1				E1HZ 8005-V	
80/87	L-LN-LNT-LT-LTS800 -- Detroit dsl.-M/T	1				D8HZ 8005-AR	
80/81	L-LN-LNT-LT-LTS800 -- 8 cyl. 636 (3208) -- Cat. diesel "Before 2/81"	1				* D8HZ 8005-AR	
81/	L-LN-LNT-LT-LTS800 -- 8 cyl. 636(3208)Cat. exc. turbo diesel "From 2/81 to 1/84"	1				E4HZ 8005-P	
84/	L-LN-LNT-LT-LTS800 -- 8 cyl. 636 (3208T) Cat. diesel with M/T-with A/C "From 1/84"	1					
82/84	L-LN-LNT-LT800 -- 8 cyl. 636 (3208) Cat. turbo diesel "Before 1/84"	1				E2HZ 8005-A	
84/	L-LN-LNT-LT-LTS800 8 cyl. 636 (3208T) Cat. diesel w/o A/C with M/T "From 1/84"	1				E4HZ 8005-N	
84/	L-LN-LNT-LT-LTS800 -- 8 cyl. 636 (3208N) Cat. diesel with A/T "From 1/84"	1				E4HZ 8005-R	
80/81	L-LN-LNT-LT-LTS900 -- 8 cyl. 477,534 gas "Before 2/81"	1				D8HZ 8005-AG	
81	L-LN-LNT-LT-LTS900 -- 8 cyl. 477,534 gas "From 2/81"	1				★ E1HZ 8005-N Not replaced	
84/	LN-LNT900 -- 6 cyl. L10 Cums-diesel, NTC270 with M/T	1				E4HZ 8005-M	

1980/  
TRUCK SERIES 600/900

YEAR	MODEL/RESTRICTIONS	QUANTITY				PART NUMBER	DESCRIPTION
		STD. COOL- ING	EXTRA COOL- ING	H/D COOL- ING	A/C		
8005	RADIATOR - Refer to General Information Section for T.S.L. information - Cont'd						

APPLICATION CHART

L-LN-LNT-LT-LTL-LTS SERIES

Note: † Incl. (1) 8B404 radiator coolant level sight glass and (1) 87036-S94 seal  
\* Without shutters-use (1) DOHZ 8K025-A, adapter, (2) DOHZ 8287-A clamp, (3) 358035-S or 87746-S100 plug

80/81	L-LN-LNT-LT-LTS900 -- 8 cyl. 568 Detroit diesel "Before 11/80"	1					D9HZ 8005-J	
	L-LN-LNT-LT-LTS900 -- 6 cyl. 893 Cat. diesel "Before 11/80"	1						
	L-LN-LNT-LT-LTS900 -- 6 cyl. 855 Cumms. diesel (NTC 250,290,300,350) "Before 11/80"	1						
81	L-LN-LNT-LT900 -- 8 cyl. 568 Detroit diesel "From 11/80 to 2/81"	1					E1HZ 8005-R	
	LN-LNT900 -- 6 cyl. 552 Detroit diesel "From 11/80 to 2/81"	1						
	L-LN-LNT-LT-LTS900 -- 6 cyl. NTC/Form 250,290,300,350 "From 11/80 to 2/81"	1						
81/86	L-LN-LNT-LT900 -- 8 cyl. 568 Detroit diesel "From 2/81"	1					E1HZ 8005-T	
	LN-LNT900 -- 6 cyl. 552 Detroit diesel "From 2/81"	1						
81/84	L-LN-LNT-LT-LTS900 -- 6 cyl. NTC/Form 250,290,300,350 "From 2/81 to 11/82"	1						
84/	L-LN-LNT-LT-LTS900 -- 6 cyl. NTC/Form. 250,290,300,350 "From 3/84"	1						
85/	LN-LNT900 -- 6 cyl. w/L-10 diesel with low temperature after cooler-M/T	1				1	E5HZ 8005-A w/o A/C E5HZ 8005-F w/A/C	
85/	L-LT-LN-LNT900 -- 6 cyl. NTC 300 with low temperature after cooler- A/T with A/C	1				1	E5HZ 8005-G	
85/86	L-LN900 -- 6 cyl. 552 Detroit diesel with low temperature after cooler	1					E5HZ 8005-A	
85/	L-LT-LTS-LN-LNT900 -- 855 Cum. diesel (NTC 300) low temperature after cooler	1						



1980/  
TRUCK SERIES 600/900

YEAR	MODEL/RESTRICTIONS	QUANTITY				PART NUMBER	DESCRIPTION
		STD. COOL- ING	EXTRA COOL- ING	H/D COOL- ING	A/C		
8005	RADIATOR - Refer to General Information Section for T.S.L. information - Cont'd						

APPLICATION CHART

**L-LN-LNT-LT-LTL-LTS SERIES**

Note: † Incl. (1) 8B404 radiator coolant level sight glass and (1) 87036-S94 seal  
 \* Without shutters-use (1) DOHZ 8K025-A, adapter, (2) DOHZ 8287-A clamp, (3) 358035-S or 87746-S100 plug

85/86	L-LT-LTS-LN-LNT900 - - 6 cyl. 552 Detroit diesel with low temperature after cooler	1				E5HZ 8005-F	
80/81	L-LN-LNT-LT-LTS900 - - 6 cyl. 855 Cum. dsl. (NTC 230) "Before 11/80" L-LN-LNT-LT-LTS900 - - 6 cyl. 426 Detroit dsl. "Before 11/80"	1				D9HZ 8005-H	
81	L-LN-LNT-LT-LTS900 - - 6 cyl. NTC/Form 230/240 Cum. diesel "From 11/80 to 2/81"	1				E1HZ 8005-J	
81/82	L-LN-LNT-LT-LTS900 - - 6 cyl. NTC/Form 230/240 Cum. diesel- "From 2/81"	1				E4HZ 8005-H	
81/84	L-LN-LNT-LT-LTS900 - - 6 cyl. 426 Detroit diesel "From 11/80"	1				E1HZ 8005-K	
83/84	L-LN-LNT-LT900 - - 6 cyl. NTC/Form 240,270, 300 Cum. diesel with A/C- "From 11/82 to 3/84"	1					
84/	L-LN-LNT-LT900 - - 6 cyl. NTC/Form. 240,270,300 Cum. diesel with A/C "From 3/84"	1				E4HZ 8005-G	
84/86	L-LN-LNT-LT-LTS900 - - 6 cyl. 426 Detroit diesel "From 3/84"	1					
83/	L-LN-LNT-LT900 - - 6 cyl. NTC/Form 240,270,300 Cum. diesel without A/C- "From 11/82"	1				E1HZ 8005-R	
87/	L-LN-LNT-LT-LTS9000 - - w/NTC Form 240, 270 Cum L10-w/o A/C	1				E7HZ 8005-M	
87/	L-LN-LNT-LT-LTS900 w/350, BC4 Cum. - - 4 Row-2 Pass	1			1	E7HZ 8005-V	
87	L-LN-LNT-LT-LTS900 3406 Cat.-893	1			1	E7HZ 8005-J	
88/	L-LN-LNT-LT-LTS-LTL w/3406 Cat. ATA AC compt. of E8HT 8009-AC and BB	1			1	E8HZ 8005-N	
87/	L-LN-LNT-LT-LTS900 - - w/Cum. L10-610 C.I.D.	1			1	E5HZ 8005-G	
88/	L-LN-LNT-LT-LTS-LTL w/Cummins NTC/Form, compt. of E8HT 8009-CB, DB,EB,FB	1			1	E8HZ 8005-P	

October, 1993

COPYRIGHT © 1993 - FORD MOTOR - DEARBORN, MICHIGAN  
COMPANY

Final Issue

1980/  
TRUCK SERIES 600/900

YEAR	MODEL/RESTRICTIONS	QUANTITY				PART NUMBER	DESCRIPTION
		STD. COOL- ING	EXTRA COOL- ING	H/D COOL- ING	A/C		
8005	RADIATOR - Refer to General Information Section for T.S.L. information - Cont'd						

APPLICATION CHART

L-LN-LNT-LT-LTL-LTS SERIES

Note: † Incl. (1) 8B404 radiator coolant level sight glass and (1) 87036-S94 seal  
\* Without shutters-use (1) D0HZ 8K025-A, adapter, (2) D0HZ 8287-A clamp, (3) 358035-S or 87746-S100 plug

82	LTL900 -- exc. Cum. NTC/Form 300 "Before 5/82"	1				E1HZ 8005-E	
82/83	LTL900 -- Cum. NTC/Form. 350,400 "From 5/82 to 11/82"	1					
82/84	LTL900 -- Detroit Diesel 8V-92 "From 5/82 to 3/84"	1					
84/86	LTL900 -- Detroit diesel 8V-92 "From 3/84"	1				E4HZ 8005-E	
82/86	LTL900 -- Cat. 3406	1				E4HZ 8005-D	
87	LL and LTL900 -- Cat 3406 (893)	1			1	E7HZ 8005-N	
82/88	LTL900 -- Cum. NTC/Form 300 "Before 11/87"	1				E4HZ 8005-D	
83/84	LTL900 -- Cum. NTC 300, 350,400 "From 11/82 to 3/84"	1				E3HZ 8005-F	
84/86	LTL900 -- Cum. NTC 300,350, 400 "From 3/84"	1				E4HZ 8005-F	
84/86	LTL900 -- NTCC 350, 400 "From 3/84"	1				E4HZ 8005-D	
87/88	LTL900 -- w/Cum. NTC 350/400-B/C 4 "Before 11/87"	1			1	E7HZ 8005-S	
85/86	LTL900 -- Cum. NTC 300 with low temperature after cooler					E5HZ 8005-B	
87/88	LL and LTL900 -- w/Cum. NTC 300-B/C 4 "Before 11/87"	1			1	E7HZ 8005-L	
87/88	LL-LTL900 -- w/Cum. L10- 610 C.I.D. "Before 11/87"	1			1	E7HZ 8005-H	
88/	LL-LTL900 -- Cum. NTC, L10 diesel "From 11/87"-compt. of E8HT 8009-LA,MA,NA,RA	1			1	E8HZ 8005-T	
89	LN-LNT900 -- Cat. 3306 diesel-compt. of E8HT 8009-KA	1				E9HZ 8005-B	

YEAR	MODEL/RESTRICTIONS	ENGINE		PART NUMBER	DESCRIPTION	QTY.
		CYL.	C.I.D. (C.C.D.)			
8005	RADIATOR - Refer to General Information Section T.S.L. information - Cont'd					
80/	C-CT900	8	477,534	34445-S7-8	(M-80)-nut (rad. insulator and plate to R.H. frame side member)-lock-3/8"-24	1
80/	B-F600	6&8	All			4
80/	B-F600/800	6&8	All		Nut (radiator to radiator support)	2
80/	C-CT900	8	477,534	58680-S2	(B-126-E)-bolt (radiator to frame)-hex. head-1/2"-13 x 2 3/4"	2
80/	C-CT600/900	6&8	All	34447-S2	(M-83)-nut-7/16"-20	1or2
80/	C-CT900	8	All		Nut (radiator to L.H. side member)	1
80/	B-F600/700	6&8	All	353433-S	(BB-212)-bolt (radiator to deflector)-3/8"-24 x 13/16"	2or4
80/	F700/900	8	All		Bolt (radiator to support or extension)	4or6

**1980/  
TRUCK SERIES 600/900**

YEAR	MODEL/RESTRICTIONS	ENGINE		PART NUMBER	DESCRIPTION	QTY.			
		CYL.	C.I.D. (C.C.D.)						
<b>8005 RADIATOR - Refer to General Information Section for T.S.L. information -- Cont'd</b>									
80/ 80/	C-CT600/900 C-CT600/800	6&8 6&8	All All	44730-S8	(X-26)-flatwasher-7/16" Flatwasher (radiator to R.H. and L.H. radiator support)	1or2 2			
80/ 80/	C-CT900 C-CT900	8 8	477,534 477,534	33800-S8 34847-S8	(M-63)-nut-3/8"-24 (X-74)-lockwasher-3/8"	AR AR			
80/ 80/ 80/ 80/ 80/	C-CT900 B-F600/800 B-F600/800 B-F600 B-F600/800	8 6&8 6&8 6&8 6&8	477,534 All All All All	44727-S8 34807-S8 34807-S8 34807-S8 20349-S7-8	(X-24)-flatwasher (radiator, insulator and plate to R.H. side member)-3/8" Flatwasher (radiator to radiator support) (X-66)-lockwasher (radiator to support) Lockwasher (radiator to radiator support)	1 AR 4 4 4			
82/ 83/ 87	LTL900 L-LN-LNT-LT-LTS800 Cat. 3208 L-LN-LNT-LT-LTS800/900	6&8 8 6&8	All All All	389139-S2 370080-S 56718-S2	(BB-449-E)-bolt (radiator to frame)- 3/4"-10 hex. hd. (11-51)-bushing (radiator to 10D968) 1/2" x 1/4" (B-318-HB)-bolt att. E7HZ 8005-G 5/16"-18 x .50"	2 1 2			
<b>8C006-7 FILLER PANEL (RADIATOR GRILLE OPENING)</b>									
80/	L-LT-LTS800/900 -- with P.T.O. without extended frame	6&8	All	DOHZ 8C006-A DOHZ 8C007-A	R.H. L.H.	1 1			
<b>8W006 TUBE ASSY. (RAD)</b>									
86/	CF600/700	6	6.6L	E7HZ 8W006-A	#E5HT-CA, 87HU-AA	1			
<b>8K008 WASHER KIT (RADIATOR SPRING)</b>									
88/	L-LN-LNT-LL-LS-LT-LTS- LTL900	All	All	E8HZ 8K008-A	Used to assemble 8009 assemblies	1			
YEAR	MODEL/RESTRICTIONS	QUANTITY				PART NUMBER	DESCRIPTION		
		STD. COOL- ING	EXTRA COOL- ING	H/D COOL- ING	A/C		CORE HEIGHT (INCHES)	CORE THICKNESS (INCHES)	CORE WIDTH (INCHES)
<b>8009 RADIATOR AND SUPPORT ASSY.</b>									
88/	LL-LTL900 -- w/Cumm. (w/shutters)	1			1	E8HZ 8009-E	28 3/64	1 1/2	37 15/16
YEAR	MODEL/RESTRICTIONS	ENGINE		PART NUMBER	DESCRIPTION	QTY.			
		CYL.	C.I.D. (C.C.D.)						
<b>8009 RADIATOR AND SUPPORT ASSY. *Suffix only represents the first digit of the assembly-- Cont'd</b>									
88/	L-LN-LS-LT-LTS900 -- Cat. diesel	6	893	★ E8HT 8009-A*	Use E8HZ 8A297-D support kit Use E8HZ 6K775-H cooler assy. Use E8HZ 8005-N radiator				
88/	LL-LTL900 -- Cat. diesel	6	893	★ E8HT 8009-B*	Use E8HZ 8A297-D support kit Use E8HZ 8A297-E hoop kit Use E8HZ 6K775-H cooler assy. Use E8HZ 8005-N radiator				
88/	L-LN-LS-LT-LTS900 -- Cum. diesel w/shutters	6	855,10L	★ E8HT 8009-C*	Use E8HZ 8A297-D support kit Use E8HZ 8475-A shutter assy. Use E8HZ 8005-P radiator				
88/	L-LN-LS-LT-LTS900 -- Cum. diesel w/o shutters	6	855,10L	★ E8HT 8009-D*	Use E8HZ 8A297-D support kit Use E8HZ 8A297-A radiator support kit Use E8HZ 8005-P radiator				
88/	LL-LTL900 -- Cum. diesel w/shutters	6	855,10L	★ E8HT 8009-E*	Use E8HZ 8A297-D support kit Use E8HZ 8A297-E hoop kit Use E8HZ 8475-A shutter assy. Use E8HZ 8005-P radiator				
88/	LL-LTL900 -- Cum. diesel w/o shutters	6	855,10L	★ E8HT 8009-F*	Use E8HZ 8A297-D support kit Use E8HZ 8A297-E hoop kit Use E8HZ 8A297-A radiator support kit Use E8HZ 8005-P radiator				

October, 1993

COPYRIGHT © 1993 - FORD MOTOR - DEARBORN, MICHIGAN  
COMPANY

Final Issue

**1980/  
TRUCK SERIES 600/900**

YEAR	MODEL/RESTRICTIONS	ENGINE		PART NUMBER	DESCRIPTION	QTY.
		CYL.	C.I.D. (C.C.D.)			
<b>8009 RADIATOR AND SUPPORT ASSY.—*Suffix only represents the first digit of the assembly.— Cont'd</b>						
89	L-LN-LNT-LS-LT-LTS700/800 FNH dsl. w/shutters	6	6.6L,7.8L	★ E8HT 8009-G*	Use E8HZ 8005-U radiator Use E8HZ 8A297-A support kit Use E8HZ 8A297-D support kit	
89	L-LN-LNT-LS-LT-LTS700/800 FNH dsl. w/shutters	6	6.6L,7.8L	★ E8HT 8009-H*	Use E8HZ 8A297-D support kit Use E8HZ 8005-U radiator Use E8HZ 8475-A shutter assy.	
89	L-LN-LNT-LS-LT-LTS700/800 -- FNH dsl. w/o shutters	6	6.6L,7.8L	★ E8HT 8009-J*	Use E8HZ 8A297-D support kit Use E8HZ 8005-U radiator Use E8HZ 6K775-G cooler assy.	
89	L-LN-LNT-LS-LT-LTS800 -- FNH dsl. w/o shutters	6	6.6L,7.8L	★ E9HT 8009-G*	Use E8HZ 8005-U radiator Use E8HZ 8A297-D support kit Use E8HZ 8A297-A support kit	
89	L-LN-LNT-LS-LT-LTS800 -- FNH dsl. w/shutters	6	6.6L,7.8L	★ E9HT 8009-H*	Use E8HZ 8005-U radiator Use E8HZ 8A297-D support kit Use E8HZ 8475-A shutter	
89	L-LN-LNT-LS-LT-LTS900 -- Cum. NTC, L10 dsl. w/shutters	6	855,10L	★ E9HT 8009-L*	Use E8HZ 8005-T radiator Use E8HZ 8A297-D support kit Use E8HZ 8475-A shutter	
89	L-LN-LNT-LS-LT-LTS900 -- Cum. NTC, L10 dsl. w/o shutters	6	855,10L	★ E9HT 8009-M*	Use E8HZ 8005-T radiator Use E8HZ 8A297-D support kit Use E8HZ 8A297-A support kit	
89	L-LN-LNT-LS-LT-LTS900 -- Cat. 3306	6	638	★ E8HT 8009-K*	Use E8HZ 8A297-D support kit Use E9HZ 8005-B radiator Use E9HZ 6K775-A cooler assy.	
88/89	L-LN-LNT-LS-LT-LTS900 -- Cum. diesel w/shutters	6	855,10L	★ E8HT 8009-L*	Use E8HZ 8A297-D support kit Use E8HZ 8475-A shutter assy. Use E8HZ 8005-T radiator	
88/89	L-LN-LNT-LS-LT-LTS900 -- Cum. diesel w/o shutters	6	855,10L	★ E8HT 8009-M*	Use E8HZ 8A297-D support kit Use E8HZ 8A297-A radiator support kit Use E8HZ 8005-T radiator	
89	L-LN-LNT-LS-LT-LTS900 -- Cum. NTC dsl. w/shutters	6	855	★ E9HT 8009-S*	Use E8HZ 8005-P radiator Use E8HZ 8A297-D support kit Use E8HZ 8475-A shutter	
89	L-LN-LNT-LS-LT-LTS900 -- Cum. NTC dsl. w/o shutters	6	855	★ E9HT 8009-T*	Use E8HZ 8005-P radiator Use E8HZ 8A297-D support kit Use E8HZ 8A297-A support kit	
88/89	LL-LTL900 -- Cum. diesel diesel w/shutters	6	855,10L	★ E8HT 8009-N*	Use E8HZ 8A297-D support kit Use E8HZ 8A297-E hoop kit Use E8HZ 8475-A shutter Use E8HZ 8005-T radiator	
88/89	LL-LTL900 -- Cum. diesel w/o shutters	6	855,10L	★ E8HT 8009-R*	Use E8HZ 8A297-D support kit Use E8HZ 8A297-E hoop kit	
89	LL-LTL900 -- Cum. NTC w/ shutters	6	855	★ E9HT 8009-U*	Use E8HZ 8005-P radiator Use E8HZ 8A297-D support kit Use E8HZ 8A297-E hoop kit Use E8HZ 8475-A shutter	
89	LL-LTL900 -- Cum. NTC w/o shutters	6	855	★ E9HT 8009-V*	Use E8HZ 8005-P radiator Use E8HZ 8A297-D support kit Use E8HZ 8A297-E hoop kit	
<b>8010 CORE (HEADER ASSY.)</b>						
87	CL-CLT900 -- w/Cum. NTC diesel	6	855	E7HZ 8010-C	W/E7HZ 8005-W	1
88/	CL-CLT900 -- w/Cat. 3406 diesel	6	893	E8HZ 8010-A	W/E8HZ 8005-N	1

**1980/  
TRUCK SERIES 600/900**

YEAR	MODEL/RESTRICTIONS	ENGINE		PART NUMBER	DESCRIPTION	QTY.
		CYL.	C.I.D. (C.C.D.)			
<b>8010 CORE (HEADER ASSY.) — Cont'd</b>						
85/87	C CLT900	6&8	All	E5HZ 8010-D	W/E5HZ 8005-C & E	AR
85/87	L LT-LN-LNT900	6&8	All	E5HZ 8010-A	W/E5HZ 8005 G	AR
85/87	L LT LTS LN LNT - - Cum.	6&8	All	E5HZ 8010-B	W/E5HZ 8005-A	AR
85/87	L-LT-LTS LN-LNT900 - - Det.	6&8	All	E5HZ 8010-C	W/E5HZ 8005-F	AR
85/87	LTL900 w/Cum.	6&8	All	E5HZ 8010-E	W/E5HZ 8005 B	AR
87/88	LTL900 - - w/Cum. NTC diesel	6	855	E7HZ 8010-A	W/E7HT 8005 YB	1
87/88	L-LN-LNT LS-LT-LTS900 w/Cum. NTC diesel	6	855	E7HZ 8010-B	W/E7HT 8005 ACB	1
88/	L-LN LNT-LT-LTS LTL900 - - w/cat. 3406 diesel	6	893	E8HZ 8010-A	W/E8HZ 8005 N	1
88/	L-LN LNT LS-LT LTS900 - w/Cum. NTC, L10 diesel	6	855.610	E8HZ 8010-B	W/E8HZ 8005 P	1
88/	L-LN-LNT-LS LT-LTS700/800 w/FNH 6.6L, 7.8L diesel and ad tech sys.	6	402.476	E8HZ 8010-C	W/E8HZ 8005 U	1
<b>8L010 BOLT (RADIATOR TO SIDE RAIL)</b>						
80/	L-LN-LNT-LT-LTS800/900	6&8	All	DOHZ 8L010-A	#Blue-hex shoulder 5/8" 11 x 2 9/32"	2
80/	L LN-LNT LT-LTS800/900	6&8	All	DOHZ 8L010-B	#Orange-hex shoulder 5/8" 11 x 2 15/64"	2
80/	L LN-LNT-LT LTS600/900	6&8	All	DOHZ 8L010-C	#Olive drab-hex shoulder 5/8" 11 x 2 11/64"	2
<b>8C011 PLATE ASSY. (RADIATOR GRILLE OPENING PANEL REINFORCEMENT)</b>						
80/	L-LT-LTS800/900 - - with P.T.O. without extended frame	6&8	All	DOHZ 8C011-A		4
<b>8C012 HOSE (RADIATOR AIR ASPIRATOR)—Improvise from bulk hose (4090)</b>						
<b>8020 NECK ASSY. (WATER FILLER)</b>						
80/	C-CT600/900	8	All	D5HZ 8020-A		1
88/	L-LN-LNT900 - - Cat. 3406	6	893	★ E8HZ 8020-A	Not replaced	1
88/	L-LN-LNT-LT900 - - Cum. L10 w/A/T	6	610			1
<b>8B023 TUBE (WATER BY-PASS ENGINE TO RADIATOR)—Improvise from bulk tubing (2269)</b>						
<b>8K025 ADAPTER (RADIATOR SHUTTER)</b>						
80/	L-LN-LNT-LT-LTS800/900	8	All	DOHZ 8K025-A		1
80/	C-CT900	8	All			1
80/	C-CT800	8	All			1
<b>8K027 WASHER (RADIATOR SUPPORT BRACKET)—Refer to group 8125</b>						
<b>8042 SUPPORT (HOOD SIDE PANEL)—Improvise from steel</b>						
<b>8B043 WEATHERSTRIP (RADIATOR SPLASH REAR SHIELD SIDE)—Improvise from tire carcass</b>						
<b>8A045 SPACER (RADIATOR)—Improvise</b>						
<b>8K045 SHIM KIT (RADIATOR SUPPORT)</b>						
88/	All - - w/AD-TECH cooling systems	All	All	E8HZ 8K045-A		2
<b>8053 SPACER (RADIATOR SUPPORT)</b>						
86/	CF600/700	6	All	E6HZ 8053-A	81DB/BB	
<b>8-8058 TUBE (RADIATOR SUPPLY TANK OVERFLOW)—Improvise from bulk tubing (2269)</b>						
<b>8A058 SUPPORT (RADIATOR LOWER)—Also refer to group 8A450</b>						
86/	CF600/700	6	All	E6HZ 8A058-A	#E5HT 8A291 CA	1
	CF600/700	6	All	★ E6HZ 8A058-B	#E5HT 8A291-BA r/b E6HZ 8A058 C	1
	CF600/700	6	All	E6HZ 8A058-C	#E5HT 8A291 CA	1
80/83	C-CT800/900 "Before 5/82"	8	All	★ D3HZ 8A058-A	#D3HA 8A058 A-r/b E3HZ 8A058 A	1
83/	C-CT600/800 "From 5/82"	8	All	E3HZ 8A058-A	#E3HT 8A058 AA	
80/82	LT LTS LN LNT900 "Before 6/82"	6&8	All	D8HZ 8A058-A	R.H.—#D7HT 8C003-AA	1

October, 1993

COPYRIGHT © 1993 - FORD MOTOR - DEARBORN, MICHIGAN  
COMPANY

Final Issue

1980/  
TRUCK SERIES 600/900

YEAR	MODEL/RESTRICTIONS	ENGINE		PART NUMBER	DESCRIPTION	QTY.
		CYL.	C.I.D. (C.C.D.)			
<b>8A058 SUPPORT (RADIATOR LOWER)-Also refer to group 8A450 - Cont'd</b>						
82/	LT-LTS-LN-LNT900- "From 6/82"	6&8	All	E2HZ 8A058-A	R.H.-#E2HT 8C003-AA	1
82/	LTL900 -- diesel exc. 89 Cum. L10	6&8	All	E1HZ 8A058-A	#E1HT-AA	1
88/	LL-LNT9000	6	893	E8HZ 8A058-A	#E8HT-BA	1
89	LTL900 -- Cum. L10 w/ad tech cool sys.	6	610			1
<b>8-8059 HOSE (RADIATOR SUPPLY TANK OVERFLOW TUBE CONNECTING)-Improvise from bulk hose (9324)</b>						
<b>8A060 PLATE (RADIATOR SUPPORT HOOD HINGE)</b>						
84/	B-F600/800 -- with tilt hood	6&8	All	E4HZ 8A060-A	#E3HT-AB	1
<b>8061 TANK (RADIATOR SIDE BOLT ON) - Refer to group 8080</b>						
<b>8061 TANK (RADIATOR UPPER BOLT ON)-Also refer to group 8B378/9 gasket kits</b>						
80/87	CL-CLT900 -- Detroit and Cum. diesel	8	568,736 1150	D9HZ 8061-A	Kit-incl. Tank & Baffle assy., Gaskets, Pipe Plugs, Reinforcements, Sealer and I.S. Sheet	1
80/87	CL-CLT900 -- Cat. and Cum. diesel	6	855,893	D9HZ 8061-B	Kit -- incl. Tank & Baffle assy., Gaskets, Pipe Plugs, Reinforcements, Sealer and I.S. Sheet	1
88/	CL-CLT900 -- Cat. 3406 diesel	6	893	E8HZ 8061-B	Upper & lower	2
88	CL-CLT900 -- Cum. NTC, L10 diesel	6	855,610	E8HZ 8061-D	Upper	1
88/	L-LN-LNT-LT-LTS900 -- Cat. 3406 diesel	6	893	E8HZ 8061-A	R.H. & L.H.	2
88/	L-LN-LNT-LT-LTS900 -- Cum. NTC, L10 diesel	6	855,610	E8HZ 8061-C	R.H.-has 2 outlets	1
88/	L-LN-LNT-LT-LTS900 -- Cum. NTC, L10 diesel	6	855,610	E8HZ 8061-E	R.H. & L.H.-has 1 outlet	2
88/	L-LN-LNT-LS-LT-LTS700/800 -- FNH, 6.6L, 7.8L diesel	6	402,476	E8HZ 8061-F	R.H. & L.H.	2
89	CL-CLT900 -- Cum. NTC, L10 diesel	6	855,610	E9HZ 8061-A	Upper & lower	1
<b>8C063-6 HOSE (COOLANT)-Improvise from bulk hose (18472)</b>						
81/87	C-CT600/800 -- Det. diesel	8	501	384048-S100	(II-23-UF) elbow (hose to radiator)	1
81/87	LN700	8	501		90°-1/4-pipe & hose (hose to eng.)	1
80/86	CL-CLT900	6	552	383980-S100	(II-23-UD)-elbow 90° 8C064 hose to eng. 3/8" Hose x 3/8" pipe	1
80/86	L-LN-LNT-LT900 -- Detroit diesel	6	426	383979-S	(II-191-AQ)-nipple (hose to 18495 valve assy.) -3/8" hose-3/8" pipe	2
80/86	LN-LNT900	8	568	370058-S	(II-161-AD)-elbow (hose to eng.)-90° x 1/2"-14	1
80/86	LN-LNT900	8	568	384127-S	(II-98-JE)-tee (hose to eng. assy.)- 3/4" & 1/8" x 1/2"-14	1
80/86	LN-LNT900	8	568	33770-S4	(M-89-K)-nut-5/16"	1
80/86	LN-LNT900	8	568	358243-S	(II-48)-reducer (hose to eng.)- 1/2"-14 x 3/8"-18	1
80/86	LN-LNT900	8	568	371737-S	(II-10)-elbow (hose to eng.)-90° x 3/8"-18	1
80/86	LN-LNT900	8	568	383701-S100	(GG-282-A)-clip (hose to eng.)-5/8" tube	1
80/86	LN-LNT900	8	568	383467-S	(II-191-AG)-nipple (hose to eng.)-5/8" hose	2
80/86	LN-LNT900	8	568	384366-S	(II-23-UC)-elbow (hose to eng.)-90° x 3/8" NPT x 5/8" hose	1
80/86	LN-LNT900	8	568	384506-S	(II-98-JK)-tee (hose to eng.)- 3/8" pipe x 1/4" hose	1
80/	L-LN900 -- w/air brakes - diesel	8	636	383867-S	(II-23-UA)- elbow (hose to comp.) - 1/2" - 14 x 5/8" hose	1
80/81	L-LN-LNT-LT-LTS800/900 -- 49 States	8	477,534	375903-S	(II-191-AC) Nipple (Hose to rad.) - 3/8" hose-1/4-18 pipe	1
80/86	L-LN-LNT-LT900	8	568	380162-S39	(II-50-A) Reducer (hose to eng.) 3/8"-18 & 1"-11 1/2	1
80/81	L-LN-LNT-LT-LTS800/900-Calif.	8	477,534	387073-S100	(II-235-G) Tee (hose to rad.) 3/8" & 5/8" hose x 3/8"-18	1

**1980/  
TRUCK SERIES 600/900**

YEAR	MODEL/RESTRICTIONS	ENGINE		PART NUMBER	DESCRIPTION	QTY.
		CYL.	C.I.D. (C.C.D.)			
<b>8067 BAFFLE ASSY. (RADIATOR)</b>						
80/86	L-LN-LNT-LT900 -- Detroit diesel	6	426	D1HZ 8067-D	Use w/stainless steel or alum. tanks	1
80/	L-LN-LNT-LT-LTS900 -- Cum. diesel	6	855			1
80/86	L-LT900 -- Detroit diesel	8	568			1
<b>8C067-9 HOSE (COOLANT)-Improvise from bulk hose (18472) if not shown</b>						
80/	L-LT-LTS-LN-LNT900	6	855	D9HZ 8C068-A	#D8HT 8286-AA - Mat'l Rubber 1"	1
80/	L-LT-LTS-LN-LNT900	6	855	D9HZ 8C068-B	#D9HT 8286-ARA - Mat'l Silicone 1"	1
85/	L-LT-LN-LNT-LTL900 -- Cum. NTC with low temperature after cooler	6	855	E5HZ 8C068-A	#381242-S250A - Mat'l rubber 3/8"	1
85/	L-LT-LN-LNT-LTL900 -- Cum. NTC with low temperature after cooler	6	855	E5HZ 8C068-B	#381308-S250A - Mat'l silicone 3/8"	1
80/	All	8	All	★381200-S000Y	Hose alt. w/8C069-use 5/8" (18472) bulk hose	AR
80/86	LN-LNT900	8	568	370058-S	(II-161-AD)-elbow (hose to eng.)-90° x 1/2"-14	1
80/86	LN-LNT900	8	568	384127-S	(II-98-JE)-tee (hose to eng. assy.)- 3/4" & 1/8" x 1/2"-14	1
80/81	L-LT-LTS800/900	8	477,534	370320-S100	(II-172)-elbow (hose to eng.)-45° x 1/2"-14 male & female thread	1
80/86	LN-LNT900	8	568	370257-S	(II-161-AE)-elbow (hose to eng.)- 90° x 3/4" pipe-1" hose	1
80/81	L-LN-LNT-LT-LTS800/900	8	477,534	371323-S	(II-21)-Fitting(hose to eng.)-1/2" hose x 3/8"-18 pipe	AR
80/81	L-LN-LNT-LT-LTS800/900	8	477,534	377494-S100	(GG-269)-clip (Hose to brkt. 2A155)	3
80/81	L-LN-LNT-LT-LTS800/900	8	477,534	384059-S100	(II-190-G)-Nipple (hose to eng.)	1
80/81	L-LN-LNT-LT-LTS800/900	8	477,534	376906-S100	(GG-231)-clip (hose to brkt 2A155)	2
80/86	L-LN-LNT-LT-LTS900	8	568	388459-S100	(II-39-E)-connection (hose to eng.) -3/4"-14 x 7/16"-20	1
80/86	L-LN-LNT-LT-LTS900	8	568	388460-S100	(II-39-D)-connection (hose to eng.) -1-11 1/2" x 5/8"-18	1
81/87	LN700	8	501	N802068-S2	(II-191-MH) Nipple (hose to eng.) 3/4" hose, 3/4"-14 NPTF	1
82/86	LTL900 -- Detroit Diesel 8V-92	8	736	387519-S100	(II-104-F)-Tee (hose to engine) -3/4" x 1/4" x 3/4"	1
<b>8C069 HOSE ASSY. (FAN CLUTCH)</b>						
80/86	LN-LNT900	8	568	D5HZ 8C069-A	Incl. (1) 9" hose and (1) 9 3/4" hose assy's.	1
<b>8N072 PLATE (RADIATOR SURGE THANK MOUNTING TAB)-Improvise from steel</b>						
<b>8C074 HEAD (WATER FILTER MOUNTING)</b>						
80/86	L-LN-LNT-LT-LTS900	6&8	426,568	D2HZ 8C074-A		1
80/86	CL-CLT900	6	552			1
82/	LTL900 -- diesel	6&8	All			1
84/	L-LN-LNT-LT-LTS600/900 -- Cat. 3208 diesel	8	636			1
88/	B-CF-F-L600/800 "From 6/1/88"	6	6.6L,7.8L			1
86/88	B-CF-F-L600/800 "Before 6/1/88"	6	6.6L,7.8L	E8HZ 8C074-A		1
89	LN-LNT900 -- Cat. 3306	6	10.5L	★E9HZ 8C074-A	Secure from vendor-Cat. diesel number 9N3668	1
<b>8075 HOSE (RADIATOR OVERFLOW)-Improvise from bulk hose (9324)</b>						
<b>8080 TANK (RADIATOR LOWER BOLT ON)</b>						
80/87	CL-CLT900 -- Detroit diesel-	8	568,736	D8HZ 8080-A	Incl. gaskets, and pipe plug	1
80/87	CL-CLT900-Cums and Cat. diesel	6	855,893	D8HZ 8080-B	Incl. gaskets, and pipe plug	1
80/87	CL-CLT900-Cums diesel	8	1150	D8HZ 8080-C	Incl. gaskets, and pipe plug	1
88/	CL-CLT900 -- Cum. NTC, L10 diesel	6	855,610	★E8HZ 8080-B	Lower-r/b E9HZ 8079-A (7/91)	1
88/	L-LN-LNT-LT-LTS900 -- Cum. NTC, L10 diesel	6	855,610	E8HZ 8080-A	L.H.	1

October, 1993

COPYRIGHT © 1993 - FORD MOTOR - DEARBORN, MICHIGAN  
COMPANY

Final Issue

1980/  
TRUCK SERIES 600/900

YEAR	MODEL/RESTRICTIONS	ENGINE		PART NUMBER	DESCRIPTION	QTY.
		CYL.	C.I.D. (C.C.D.)			
<b>8080 TANK (RADIATOR SIDE BOLT ON)</b>						
80/86	L LN-LNT LT900 - Detroit diesel	6	426	E1HZ 8080-B	L.H.-incl. gaskets	1
80/87	L LN-LNT LT LTS900 Cum. diesel	6	855			1
80/86	L LN-LNT-LT900 Detroit diesel	8	568			1
80/86	L LN-LNT LT LTS900 - Detroit diesel	6	426	D5HZ 8061-A	R.H.-incl. (4) D0HZ 8B378-A end gaskets, (4) D0HZ 8B378-B side gaskets, (2) D0HZ 8B404-A sight glass and (2) 87036-S94 "O" ring	1
80/87	L LN-LNT LT LTS900 - Cum. diesel "From Ser. W40,001"	6	855			1
80/86	L LN-LNT LT900 - Detroit diesel	8	568			1
82/	LTL900 diesel	6&8	All	E1HZ 8080-A	L.H. incl. (4) gaskets, & (1) pipe plug	1
82/	LTL900 - diesel	6&8	All	E1HZ 8061-A	R.H.-incl. (8) gaskets, (1) sight glass, (1) drain cock & (1) pipe plug	1
<b>8A080 RESERVOIR ASSY. (RADIATOR COOLANT RECOVERY)</b>						
86/	CF600/700	6	All	E6HZ 8A080-A	E5HT-BA	1
80/82	C CT700/800 - Cat. (3208) diesel	8	636	E1HZ 8A080-C	#E1HT-AA	1
81/82	C-CT600/800 - Det.(8.2L) diesel- "Before 4/82"	8	501			1
82/87	C-CT600/800 - Det. (8.2L) dsl.	8	501	E2HZ 8A080-B	#E2HT-BA	1
82/	C-CT700/800 - Cat. 3208 diesel "From 4/82"	8	636			1
80/	CL-CLT900	6&8	All	D9HZ 8A080-B	#D9HT 8C045-AA DB	1
88/	CL-CLT900 - w/3406 ATA	8	893	E8HZ 8A080-F	#E8HT-AA,HB	1
80/86	C CT600/900 - - gas	6&8	All	E4HZ 8A080-B	#D3HA 8C045-BA, E4HT 8C045-DA	1
87/	B-F-L - - w/7.8L FTO dsl.	6	7.8L	E7HZ 8A080-A	#E7HT 8C045-AB	1
89	B-F600/800 - - FNH 6.6L (185HP)	6	6.6L			1
81/87	B-F600/800-diesel-w/P.T.O.	8	501	E2HZ 8A080-C	#E2HT-CA	1
80/86	B-F600/800 - - gas		All	E7HZ 8A080-C	#E7HT 8C045-CA	1
80/81	B-F600/800-diesel-w/o P.T.O. "Before 12/80"	8	501	E1HZ 8A080-A	#E0HT 8A080-AE	1
81/83	B-F600/800-diesel-w/o P.T.O. "From 12/80 to 10/82"	8	501	E7HZ 8A080-C	#E7HT 8C045-CA	1
83/	B-F600/800 "From 10/82"	All	All	E7HZ 8A080-C	#E7HT 8C045-CA-incl. E6ZZ 8K103-A	1
80/81	L-LN-LNT-LT-LTS800/900	8	477,534	E4HZ 8A080-A	#E4HT 8C045-BA	1
80/86	L-LT-LTS-LN-LNT800	8	370,429			1
84/	L-LT-LTS-LN-LNT800 - - 3208 Cat	8	636			1
81	B-F600/800-diesel-	8	501		used in conjunction with E1HZ 8A080-A	1
84/	LNT900 - - cum. L10 dsl.	6	10.0L			1
80/86	LN600/700	8	370	D9HZ 8A080-A	#D9HT 8C045-BA,BB	1
81/87	LN600/700 - - diesel	8	501			1
87	L-LT-LTS-LN-LNT800	All	All	E7HZ 8A080-B	#E7HT 8C045-BB-incl. E6ZZ 8K103-A	1
88/	L-LN-LNT-LT-LTS - - w/3406	6	893	E9HZ 8A080-B		1
88/	L-LN-LNT-LT-LTS - - Cum. NTC/ Form. diesel	6	855			1
88/	L-LN-LNT-LT-LTS800 - - FNH diesel	6	6.6L, 7.8L			1
89	L-LN-LNT-LT-LTS900 - - Cat. 3306 diesel- "Before 10/1/88"	6	10L	E9HZ 8A080-A		1
89	L-LN-LNT-LT-LTS900 - - Cat. 3306 diesel "From 10/1/88"	6	10L	E9HZ 8A080-B		1
82	LTL900 "Before 10/81"	6&8	All	E1HZ 8A080-B	#E1HT 8C045-BA	1
82/87	LTL900 "From 10/81"	6&8	All	E5HZ 8A080-A	#E2HT 8C045-AA	1



1980/  
TRUCK SERIES 600/900

YEAR	MODEL/RESTRICTIONS	ENGINE		PART NUMBER	DESCRIPTION	QTY.
		CYL.	C.I.D. (C.C.D.)			
<b>8A080 RESERVOIR ASSY. (RADIATOR COOLANT RECOVER)-Also refer 8522 -- Cont'd</b>						
88/	LL-LTL -- w/3406 ATA	6	893	E8HZ 8A080-C	#E8HT-GA	1
88/	LL-LTL -- w/Cumm. NTC 855 (444 H.P.)	6	855			1
89	LTL -- w/Cum. L10	6	10L			1
89	LN-LNT900 -- Cat. 3306	6	638	E9HZ 8A080-B		1
89	L-LN-LNT-LT-LTS900 -- w/butterfly hood exc. Cum. NTC/Form diesel	All	All	E9HZ 8A080-C		1
80/	L-LT-LTS-LN-LNT800 -- 3208 Cat	8	636	34987-S4	(M-89-CF) Locknut-3/8"-16-T.S.B. 146	3
				42998-S8	(B-252-A)Bolt-3/8"-16 x 1"-T.S.B. 146	3
				353992-S	(XX-127)Flatwasher-3/8" I.D.-T.S.B. 146	6
<b>8081 HOSE (RADIATOR DRAIN)-Improvise from bulk hose (9324)</b>						
<b>8A081 BRACKET (RADIATOR SUPPLY TANK) UPPER</b>						
88/	CL-CLT -- w/3406	6	893	E8HZ 8A081-B	#E8HT-EA	1
88/	L-LS-LN-LNT-LTS-LT900 -- w/3406	6	893	E8HZ 8A081-C	#E8HT-DB	1
88/	L-LN-LS-LT-LNT-LTS900 -- FNH	6	6.6L,7.8L			1
88/	L-LN-LNT-LS-LT-LTS900 -- w/Cum. NTC 444	6	855	E8HZ 8A081-D		1
88/	LL-LTL -- w/3406	6	893	E8HZ 8A081-A	#E8HT-CB	1
89	LTL -- w/Cum. L10	6	10L			1
<b>8A082 BRACKET ASSY. (RADIATOR SUPPLY TANK MOUNTING)</b>						
87/	B-F -- w/7.8L-FTO dsl.	6	7.8L	E7HZ 8A082-B	#E7HT 8C087-BB (opt.-frt. end tilting)	1
89	B-F600/800 -- 6.6L (185HP)	6	6.6L			1
87/	C-B-F -- w/7.8L-FTO dsl.	6	7.8L	E7HZ 8A082-A	#E7HT 8C087-AB	1
89	B-F600/800 -- 6.6L (185HP)	6	6.6L			1
86/	CF600/700	6	All	E6HZ 8A082-A	#E5HT 8A082-BA	1
86/	CF600/700	6	All	E6HZ 8A082-B	#E5HT 8A305-CA	1
86/	CF600/700	6	All	E6HZ 8A082-C	#E5HT 8A305-AA	1
86/	CF600/700	6	All	E6HZ 8A082-D	#E5HT 8A305-DA	1
86/	CF600/700	6	All	E6HZ 8A082-E	#E5HT 8A289-AA	1
80/82	C-CT600/900 "Before 3/81"	6&8	All	D3HZ 8A082-A	#D3HA 8C087-AA, C8HA 8A081-E	1
81/87	C-CT800 -- Det. 8.2L diesel	8	501	C2TZ 8A082-A	8" extension-use with D3HZ 8A082-A	1
80/82	C-CT600/800 -- Cat. 3208 diesel "Before 3/82"	8	636			1
82/85	C-CT600/800 "From 3/82 to 8/85"	6&8	All	E2HZ 8A082-A	#E2HT 8C087-BA	1
85/	C-CT600/800 "From 8/85"	6&8	All	E5HZ 8A082-A	#E5HT 8C087-AA	1
82/	C-CT600/800 -- Cat. 3208T diesel "From 3/82"	8	636	E4HZ 8A082-A	#E4HT 8A493-AA	1
87/	L800 -- All-w/FTO dsl.	6	7.8L	E7HZ 8A082-C	E7HT 8C087-CA	1
80/86	LN600/700	8	370,429	D9HZ 8A082-A	#D9HT 8C087-DB-Upper	1
82/87	LN600/700	8	501			1
80/86	LN600/700	8	370,429	D9HZ 8A082-B	#D9HT 8C087-BA-Lower	1
82/87	LN600/700	8	501			1
82/	LTL900	6&8	All	E1HZ 8A082-A	#E1HT 8C087-AA	1
80/86	C-CT600/900 -- gas	6&8	All	20389-S8	(B-171)-bolt (bracket to cab rear lock frame c/member)-hex. head-3/8"-24 x 1"	2or3
				33800-S8	(M-63)-nut-3/8"-24	AR
				34807-S8	(X-66)-lockwasher-3/8"	AR
				390787-S2	( )-bolt 5/16"-18 x 1.50 weld/wafer	AR
<b>8A083 STRAP (RADIATOR SUPPLY TANK)</b>						
80/	C-CT600/900	6&8	All	C5TZ 8A083-A	Use w/rectangular tank	1
80/	C-CT600/900	6&8	All	353433-S	(BB-212)-bolt (strap to mtg. brkt.)-3/8"- 24 x 13/16"	2
				34445-S7-8	(M-80)-nut-lock-3/8"-24	2
<b>8A089 SEAL (RADIATOR SHUTTER)-Improvise from sponge rubber</b>						

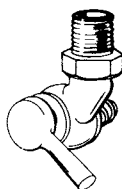
**1980/  
TRUCK SERIES 600/900**

YEAR	MODEL/RESTRICTIONS	ENGINE		PART NUMBER	DESCRIPTION	QTY.
		CYL.	C.I.D. (C.C.D.)			
<b>8A092 BRACKET (RADIATOR SHUTTER CONTROL THERMOSTAT TO AIR CYLINDER TUBE)-Improvise</b>						
80/81	C-CT900	8	477,534	56301-S2	(B-318-GB)-bolt (bracket to radiator air seal retainer)-1/4"-20 x 1/2"	1
				33769-S2	(M-89-J)-nut-1/4"-20	1
				34805-S8	(X-62)-lockwasher-1/4"	1
<b>8A096 TUBE ASSY. (RADIATOR SHUTTER CONTROL THERMOSTAT)-Improvise from bulk tubing (2269)</b>						
80/	C-CT600/800	8	All	357971-S	(II-25)-connection (tube to air filter)-1/8" pipe thread x 1/4" tubing	1
<b>8100 CAP (RADIATOR)</b>						
80/	B-F-LN600/750-exc. 8.2L DET. diesel	6&8	All	B2AZ 8100-F	*RS-9-7 lb. pressure	1
80/	B-F600/800 -- M/T, gas -- w/o Coolant Rec.	8	370,429			1
80/81	B-F600/800 -- Diesel- "Before 12/80"	8	501			1
81/87	B-F600/800 -- Diesel with A/C & High output heater-	8	501			1
80/	LN600/700 -- M/T -- w/o Coolant Rec.	8	370,429			1
80/	C-CT600/800 -- Diesel	8	501,636			1
81	LN600/700 -- Diesel- "Before 12/80"	8	501			1
80/87	B-F600/800 -- M/T -- with Coolant Rec.	8	370,429	E0HZ 8100-A	*RS-54-7 lb. pressure	1
81/87	B-F600/800 -- Diesel "From 12/80"	8	501			1
81/87	LN600/700 -- Diesel- "From 12/80"	8	501			1
80/86	LN600/700	8	370,429			1
80/87	CL-CLT900	6&8	All			1
82/87	LTL900	6&8	All			1
83/87	B-F600/800 -- Cat 3208 Diesel	8	10.4L			1
84/87	LNT900	6	10.0L			1
88/	B-F600/800 -- M/T with coolant rec.	8	370,429	E6HZ 8100-D	*RS-68	1
88/	LN600/700	8	370,429			1
86/	CF600/700	6	All			1
88/	CL-CLT900	6&8	All			1
88/	LTL900 -- exc. L10 Cum. diesel	6&8	All			1
88/	B-F600/800 -- Cat. 3208 diesel	8	10.4L			1
88/	LNT900 -- Cum. L10 diesel	6	10.0L			1
88/	L-LN-LS-LT-LNT-LTS800 -- FNH diesel	6	6.6L,7.8L		Used on filler pipe for 1988, used on reservoir tank 1988/	1
80/86	C-CT600/800	8	370,429	E5TZ 8100-A	*RS-62-13 lb. pressure	1
80/86	L-LN-LNT-LT-LTS800/900 -- gas	8	All			1
80/	L-LN-LNT-LT-LTS800/900 -- diesel	6&8	All	B2AZ 8100-A	*RL-9-7 lb. pressure-pressure release vent cap-zinc plate	1
84/	LNT900 -- Cum. diesel	6	10.0L			1
80/81	C-CT900	8	477,537	D7ZZ 8100-A	*RS-50-13 lb. pressure	1
				C9ZZ 8100-A	*RS-512-A-13 lb. pressure-chrome finish	1
86/	CF600/700	6	All	E5TZ 8100-A	13 lb. pressure	1
86/	CF600/800	6	6.6L,7.8L	E6HZ 8100-B	Used on recovery tank extension	1
89	LTL900 -- Cum. L10 diesel	6	10L			1

# 1980/ TRUCK SERIES 600/900

YEAR	MODEL/RESTRICTIONS	ENGINE		PART NUMBER	DESCRIPTION	QTY.
		CYL.	C.I.D. (C.C.D.)			
<b>8B102 HOSE (RADIATOR SUPPLY TANK OVERFLOW TUBE)-Improvise from bulk hose (9324) unless listed below</b>						
81/87	C700 -- Detroit diesel	8	501	E4HZ 8B102-A	#E3HT 8B102-BA	1
81/82	B-F600/800 -- Detroit diesel	8	501	E1HZ 8B102-B	#E1HT 8B102-BA	1
83/87	B-F-FT600/800	8	501	E3HZ 8B102-C	#E2HT 8B102-AA-rubber	1
83/87	B-F-FT600/800	8	501	E3HZ 8B102-D	#E2HT 8B102-CA-silicone	1
82/	LTL900	8	736	E2HZ 8B102-A	#E1HT 8B102-CA-rubber	1
82/	LTL900	8	736	E2HZ 8B102-B	#E2HT 8B102-BA-silicone	1
88/	L-LN-LNT-LT900 -- Cat. 3406	6	893	★ E8HZ 8B102-A	#E8HT-AA-rubber	1
88/	L-LN-LNT-LT900 -- Cum. L10	6	610	★ E8HZ 8B102-B	#E8HT-BA-silicone	1
88/89	L-L-LNT-LT900 -- Cum. NTC/Form. "Before 11/30/88"	6	855	E8HZ 8B102-C	#E8HT-CA-rubber	1
				E8HZ 8B102-D	#E8HT-DA-silicone	1
<b>8K103 CAP (RADIATOR OVERFLOW CONTAINER)</b>						
80/86	C-CT600/900 -- gas	6&8	All	D2VY 8K103-A		1
80/81	L-LN-LNT-LT-LTS880/900	8	477,534			1
80/	CL-CLT900	6&8	All	D9HZ 8K103-B		1
80/86	B-F600/800 -- gas	8	370,429			1
80/87	B-F600/800-diesel	8	501			1
82/	LTL-900 diesel	6&8	All			1
86/	CF600/700 -- diesel	6	6.6L 7.8L	★ E6HZ 8K103-A	Used on snout of reservoir-r/b E6HZ 8100-D (7/91)	1
87/	B-F-L-LN-LNT-LT-LTS600/900	All	All	E6ZZ 8K103-A	Used on E7HZ 8A080-B & C reservoirs	1
<b>8B108 TUBE (RADIATOR SHUTTER CONTROL)-Improvise from bulk tubing (2269)</b>						
<b>8N108 RETAINER (AIR CONDITIONING BLOWER FILTER COVER)</b>						
80/	L-LN-LNT-LT-LTS800/900 -- with A/C blower filter	All	All	EOHZ 8N108-A		7
<b>8A110 CLAMP (SHUTTER AIR LINE) - Improvise</b>						
<b>8A111-12 TUBE (RADIATOR)</b>						
86	CF600/700	6	All	★ E6HZ 8A111-A	E5HT-BA-not replaced	AR
88	CF600/800 -- (All exc. 210 H.P.)	6	All	E8HZ 8A111-B	#88HU-AA	AR
	CF600/800 -- (210 H.P.)	6	7.8L	E8HZ 8A111-C	#88HU-BA	AR
86/87	CF600/700	6	All	★ E6HZ 8A112-A	E5HT-CA-not replaced	AR
88/	CF600/800 -- (All exc. 210 H.P.)	6	All	E8HZ 8A112-A	#88HU-AA	AR
	CF600/800 -- (210 H.P.)	6	7.8L	E8HZ 8A112-B	#88HU-BA	AR
<b>8C112 PLATE (RADIATOR PIPE TO AIR CONDITIONER COMPRESSOR)-Improvise</b>						

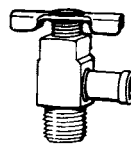
YEAR	MODEL/RESTRICTIONS	PART NUMBER	DESCRIPTION	QTY.
8115	<b>DRAINCOCK (RADIATOR OR CYLINDER BLOCK)</b>			



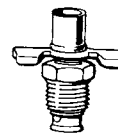
★ C2TZ 8115-B-1/4"  
LATER TYPE



★ C2TZ 8115-B-1/4"  
EARLY TYPE



8CM 8115-A-1/4"



8A 8115 1/4" SHOWN  
 8BQ 8115-A 3/8" WITHOUT EXTENSION  
 8BTZ 8115-A 1/2" WITHOUT EXTENSION  
 8DZ 8115-A 1/4" SHOWN  
 8DZ 8115-A 3/8" SHOWN

DAGENHAM AND DORSET DIESEL

P-2816

DRAINCOCK-SELECT FROM ABOVE				
86/	All -- FNH diesel	8CM 8115-A		1
88/	All w/ad-tech. cooling system 6 & 8 cyl.-all	E8HZ 8115-A		AR

1980/  
TRUCK SERIES 600/900

YEAR	MODEL/RESTRICTIONS	ENGINE		PART NUMBER	DESCRIPTION	QTY.
		CYL.	C.I.D. (C.C.D.)			
80/81	C900	8	477.534	370888-S	(II-113)-tee (air compressor water line to cyl.block)-3/8"-18-3/8"-18-5/8" 18 inverted	1
8C115-6 HOSE (RADIATOR SUPPLY TANK)-Improvise						
8N122 SCREW (RADIATOR FILTER COVER RETAINING)						
80/	CL CLT900 - w/A/C blower filter	All	All	EOHZ 8N122-A		7
80/	L-LN-LNT LT LTS900 - w/A/C blower filter	All	All			7
8124-5 INSULATOR (RADIATOR MOUNTING)						
80	C-CT600/800	6&8	All	8C 8124-A	Rubber-1/4" x 2" x 5" cut to fit	AR
86/	CF600/700	6	All	E6HZ 8124-A	#81DB-CB	AR
80/	CL-CLT900	6&8	All	D8HZ 8125-A	#D7HA 8125-AA	2
80/	L-LN-LNT LT LTS600/900	6&8	All	D1HZ 8125-A	Kit	AR
80/	C-CT800/900	8	All			AR
80/	CL CLT900	6&8	All			AR
82/	LTL900	6&8	All			AR
86/	CF600/700	6	All		Kit	AR
87/	B F-L Series	6	6.6L 7.8L		Kit	AR
Consists of 1 DOHA 8A421 B Inner insulator 1-DOHA 8A421-C Outer insulator						
8A125 REINFORCEMENT (RADIATOR GRILLE CENTER)-Improvise						
8C125 BRACKET (RADIATOR PIPE UPPER)						
85/87	F-FT600/900 with fixed frt. end with A/C	8	501	E5HZ 8C125-A		1
85/87	F-FT600/900 with tilt front end with A/C	8	501	E5HZ 8C125-B		1
85/87	B600/800 with tilt front end with A/C	8	501			1
8126 PLATE (RADIATOR SUPPORT INSULATOR)						
80/	C-CT600/900	6&8	All	B7T 8126-A	Steel-1 1/2" long x 3/32" thick x 1 1/2" wide	2
8A127 SPRING (RADIATOR LOWER HOSE)						
81/	L LN-LNT-LT-LTS900	6&8	855.426, 568.893	E1HZ 8A127-A		1
88/	CL CLT900 Cum. NTC 444	6	855			1
88/	LL-LTL900-Cum. NTC/Form	6	855			AR
8133 ROD (RADIATOR BRACE)						
84/	B.F FT600/800 with tilt front end	All	All	E4HZ 8133-A		1
90/	L LN LS LT LNT LTS900	All	All	F0HZ 8133-A	Used to connect top & bottom plates of 8009 assy.	1
8K143 BRACKET (RAD. FAN SHROUD HOSE SUPPORT)						
88/	CL CLT900	6	610	E8HZ 8K143-A	#E8HT-AA	1
8146 SHROUD (FAN)						

B SERIES

• Not used in noise level restriction areas.

87/	B600/700 FNH diesel "Before 11/30/87"	6	7.8L	E7HZ 8146-B	E7HT-HC	1
88/	B600/700 FNH diesel with P.T.O. "From 11/30/87"	6	7.8L	E8HZ 8146-J	#E8HT NA	1
88/	B600/800 FNH diesel without P.T.O. "From 11/30/87"	6	6.6L 7.8L	E8HZ 8146-G	#E8HT GB	1
82/	B600/700 with 22" fan	8	370.429	E1HZ 8146-B	#EOHT-MA	1
80/	B600/700 M/T, S/C, X/C	8	370.2V	EOHZ 8146-A	#EOHT-AC	1
80/	B600/700 M/T, X/C	8	370.4V	EOHZ 8146-B	#EOHT-CB	1
80/	B600/700 M/T, A/C	8	370			1
80/	B600/700 A/T	8	370			1
80/	B600/700 Without P.T.O.	8	429			1

**1980/  
TRUCK SERIES 600/900**

YEAR	MODEL/RESTRICTIONS	ENGINE		PART NUMBER	DESCRIPTION	QTY.
		CYL.	C.I.D. (C.C.D.)			
8146	SHROUD (FAN) — Cont'd					

**B SERIES**

● Not used in noise level restriction areas.

80/	B600/700 -- With P.T.O.	8	429	E0HZ 8146-C	#E0HT-DB	1
80/82	B600/700 -- Diesel, With P.T.O.	8	501	E1HZ 8146-J	#E0HT 8A247-AA,AB, E1HT 8A247-AA,AC	1
80/87	B600/700 -- Diesel, Without P.T.O.	8	501	E1HZ 8146-H	#E0HT-GA, GB,E1HT-DA,DC	1
83/87	B600/800 -- Diesel with P.T.O.	8	501	E7HZ 8146-E	#E3HT 8A247-AD, E7HT 8A247-AA	1
83/	B600/800 -- Cat. (3208) diesel with P.T.O.	8	636			1
83	B600/800 -- Diesel without P.T.O. "Before 10/82"	8	501	E3HZ 8146-B	#E3HT-BB	1
83/87	B600/800 -- Diesel w/o P.T.O.	8	501	E7HZ 8146-D	#E7HT-MA	1
83/	B600/800 -- Cat. (3208) diesel w/o P.T.O.	8	636			1

**C-CT SERIES**

● Not used in noise level restriction areas.

▲ Use in noise level restriction areas.

80/81	C-CT600/800 -- gas, M/T,S/C "Before 6/81"	8	370,429	D9HZ 8146-E	#D5HZ-ADA, D9HT 8146-LA	1
81/86	C-CT600/800 -- gas, M/T,S/C "From 6/81"	8	370,429	E1HZ 8146-K	#E1HT-HA	1
80/81	C-CT600/800 -- gas, A/T	8	370,429	D9HZ 8146-F	#D9HT-MB	1
80/81	C-CT600/800 -- gas, M/T, X/C	8	429			1
82/86	C-CT600/800 -- gas, A/T	8	370,429	E1HZ 8146-L	#E1HT-GA	1
82/86	C-CT600/800 -- gas, M/T, X/C	8	429			1
80/81	C-CT800/900 -- gas	8	477,534	D9HZ 8146-F	#D9HT-MB	1
80/	C-CT700/800 -- Cat.diesel exc. turbo	8	636	E6HZ 8146-F	#C8HA-B, E6HT-AA	1
81/87	C-CT700/800 -- Detroit Diesel	8	501			1
86/	C-CT700/800 -- Cat (3208)	8	636	E6HZ 8146-E	E4HS-AA	1
82/	C-CT800 -- Cat. turbo diesel	8	636	E2HZ 8146-A	#E2HZ-AA	1

**CF SERIES**

86/	CF600/700	6	6.6L	E6HZ 8146-A	#E5HT-KA	1
87	CF700 -- HL29 (185 H.P.)	6	7.8L	E7HZ 8146-F	#87HU-AA	1
87	CF700/800 -- HL29 (210 H.P.)	6	7.8L	E7HZ 8146-G	#87HU-BA	1
88/	CF700/800 -- (185,210 HP) w/A/T	6	7.8L	E8HZ 8146-E	#87HU-CA	1

**CL-CLT SERIES**

80/87	CL-CLT900-Cat and Cummins diesel	6	855,893	E1HZ 8146-D	#E1HZ-D	1
80/86	CL-CLT900-Cums. and Detroit diesel	8	568,1150	E0HZ 8146-F	#E0HT-KA	1
		6	552			
80/86	CL-CLT900 -- Detroit diesel	8	736			
88/89	CL-CLT900-Cat and Cummins diesel "Before 12/12/88"	6	855, 893	★ E8HZ 8146-C	#E8HT-AA-r/b E9HZ 8146-A (6/90)	
89	CL-CLT900 -- Cat. and Cummins diesel	6	855, 893	E9HZ 8146-A	#E9HT-FA	1

**F SERIES**

● Not used in noise level restriction areas.

▲ Use in noise level restriction areas.

87/	F-FT600/800 -- w/FNH dsl.	6	6.6L,7.8L	E7HZ 8146-B	E7HT-HA,HB	1
87/88	F-FT600/800 -- FNH diesel with P.T.O. "Before 11/30/87"	6	6.6L,7.8L	E7HZ 8146-D	#E7HT-MA,MB	1

1980/  
TRUCK SERIES 600/900

YEAR	MODEL/RESTRICTIONS	ENGINE		PART NUMBER	DESCRIPTION	QTY.
		CYL.	C.I.D. (C.C.D.)			
8146	- SHROUD (FAN) - Cont'd					

**F SERIES**

- Not used in noise level restriction areas  
▲ Use in noise level restriction areas

88/	F-FT600/800 -- FNH diesel with P.T.O. "From 11/30/87"	6	6.6L,7.8L	E8HZ 8146-J	#E8HT-NA	1
88/	F-FT600/800 -- FNH diesel without P.T.O. "From 11/30/87"	6	6.6L,7.8L	E8HZ 8146-G	#E8HT-GB	1
82	F600/800 -- with 22" fan	8	370,429	E1HZ 8146-B	#E0HT-MA	1
80/	F600/800 -- M/T, S/C, X/C	8	370,2V	E0HZ 8146-A	#E0HT-AC	1
80/	F600/800 -- M/T, S/C	8	370,4V			1
80/	F600/800 -- M/T, X/C	8	370,4V	E0HZ 8146-B	#E0HT-CB	1
80/	F600/800 -- M/T, A/C	8	370			1
80/	F600/800 -- A/T	8	370			1
80/	F600/800 -- Without P.T.O.	8	429			1
80/	F600/800 -- With P.T.O.	8	429	E0HZ 8146-C	#E0HT-DB	1
80/81	F600/800 -- Diesel, With P.T.O.	8	501	E1HZ 8146-J	#E0HT 8A247-AA,AB, E1HT 8A247-AC	1
80/81	F600/800 -- Diesel, Without P.T.O.	8	501	E1HZ 8146-H	#E0HT-GA,GB,E1HT-DA,DC	1
82	F600/800 -- Diesel without P.T.O.	8	501	E1HZ 8146-M	#EDE1HT-DC	1
82	F600/800 -- Diesel with P.T.O.	8	501	E1HZ 8146-N	#EDE1HT-AC	1
83	F-FT600/800 -- Diesel without P.T.O. "Before 10/82"	8	501	E3HZ 8146-B	#E3HT-BB	1
83	F600/800 -- Diesel without P.T.O. "From 10/82 to 4/83"	8	501	E3HZ 8146-D	#E3HT-BC	1
83/87	F-B600/800 -- Diesel w/o P.T.O.	8	501	E7HZ 8146-D	#E7HT-MA,MB	1
83/	F600/800 -- Cat. (3208) diesel w/o P.T.O.	8	636			1
83/87	F-FT600/900 -- Diesel with P.T.O.	8	501	E7HZ 8146-E	#E3HT 8A247-AD,AE, E7HT 8A247-AA	1
83/	F-FT600/800 -- Cat. (3208) diesel with P.T.O.	8	636			1

**L-LN-LNT-LT-LTS SERIES**

- Not used in noise level restriction areas.  
▲ Use in noise level restriction areas.

80/82	LN600/700 -- A/T "Before 12/81"	8	370,429	D9HZ 8146-B	#D9HT-FA,FB	1
80/86	LN600/700 -- M/T & X/C	8	370,429			1
82/	LN600/700 -- A/T "From 12/81"	8	370,429	E2HZ 8146-B	#E1HT-JA	1
80/86	LN600/700 -- M/T w/o X/C	8	370	D9HZ 8146-C	#D9HT-HA	1
80/86	L-LN-LNT-LT-LTS800	8	370,429	D9HZ 8146-D	#D9HT-KC,KD	1
80/86	LN700 -- Cat. diesel	8	636	D7HZ 8146-A	#D7HT-EA	1
80/81	L-LN-LNT-LT-LTS800/900 -- gas exc. 83 decibels	8	477,534	D6HZ 8146-B	#D6HA-CA	1
87/88	L-LN-LNT-LT-LTS800 "Before 11/30/87"	6	6.6L,7.8L	E7HZ 8146-A	#E7HT-AC	1
88	L-LN-LNT-LT-LTS800 "From 11/30/87"	6	6.6L,7.8L	E8HZ 8146-H	#E8HT-JA	1
89	L-LN-LNT-LT-LTS800	6	6.6L,7.8L	E9HZ 8146-B	#E9HT-GA	1
80/82	L-LN-LNT-LT-LTS900 -- Detroit diesel	6	426	E4HZ 8147-A	R.H.-#E2HT-BA	1
80/82	L-LN-LNT-LT-LTS900 -- Detroit diesel "Before 5/82"	6	426	E1HZ 8148-B	L.H.-#E1HT-BA	1
82/84	L-LN-LNT-LT-LTS900 -- Detroit diesel "From 5/82 to 10/83"	6	426	E2HZ 8147-B	R.H.-#E2HT-BA	1

1980/  
TRUCK SERIES 600/900

YEAR	MODEL/RESTRICTIONS	ENGINE		PART NUMBER	DESCRIPTION	QTY.
		CYL.	C.I.D. (C.C.D.)			
8146	SHROUD (FAN)— Cont'd					

L-LN-LNT-LT-LTS SERIES

● Not used in noise level, restriction areas.

▲ Use in noise level restriction areas.

82/86	L-LN-LNT-LT-LTS900 -- Detroit diesel- "From 5/82"	6	426	E2HZ 8148-A	L.H.-#E2HT-BA	1
84/86	L-LN-LNT-LT-LTS900 -- Detroit diesel "From 10/83"	6	426	E5HZ 8147-A	R.H.-#E5HT-AA	1
85/86	L-LT-LTL-LNT900	6	552	E5HZ 8147-B	R.H.-#E5HT-CA	1
		6	855			1
85/87	LNT900 -- w/low temp. after cooler	6	610	E5HZ 8146-A	#E5HT-JA	1
84	LN-LNT900 -- Cum. NTC270 diesel -- w/o low temp. after cooler	6	610	E4HZ 8146-B	#E4HT-BC	1
88	L-LN-LNT-LT-LTS w/L10 eng.-w/A/T "Before 3/1/88"	6	610	E8HZ 8146-D	#E8HT-EA	1
88/	L-LN-LNT-LT-LTS900 w/Cum. L10 eng. w/A/T- "From 3/1/88"	6	610	E8HZ 8146-K	#E8HT-ED	1
88/	L-LN-LNT-LT-LTS w/L10 eng. w/M/T	6	610	E8HZ 8146-F	#E8HT-YA	1
80/82	L-LN-LNT-LT-LTS900 -- Cum. NTC 230,250,290 300 diesel "Before 5/82"	6	855	E2HZ 8147-A	R.H.-#D2HA-AA,E1HT-CA	1
80/82	L-LN-LNT-LT-LTS900 -- Detroit diesel (8V-71N) "Before 5/82"	8	568			1
80/82	LN-LNT900 -- Detroit diesel (6V-92) "Before 5/82"	6	552			1
80/82	L-LN-LNT-LT-LTS900 -- Cat. 3406 (325HP) diesel "Before 5/82"	6	893			1
82/84	L-LN-LNT-LT-LTS900 -- Cum. NTC 230,250,290,300 diesel- "From 5/82 to 5/84"	6	855	E2HZ 8147-A	R.H.-#E2HT-AA	1
82/86	L-LN-LNT-LT-LTS900 -- Detroit diesel (8V-71)- "From 5/82"	8	568			1
82/84	LN-LNT900 -- Detroit diesel (6V-92)- "From 5/82 to 5/84"	6	552			1
82/84	L-LN-LNT-LT-LTS900 -- Cat. 3406 diesel- "From 5/82 to 5/84"	6	893			1
84/	L-LN-LNT-LT-LTS900 -- Cum. NTC diesel "From 5/84"	6	855	E5HZ 8147-B	R.H. #E4HT-GA	1
84/87	L-LN-LNT-LT-LTS900 -- Cat. 3406 diesel "From 5/84"	6	893			1
84/86	LN-LNT900 -- Detroit diesel (6V-92) "From 5/84"	6	552			1
80/84	L-LN-LNT-LT-LTS900 -- Cum NTC diesel "Before 5/82"	6	855	E2HZ 8148-B	L.H.-#E2HT-CA	1
80/86	L-LN-LNT-LT-LTS900 -- Detroit diesel (8V-71N)-	8	568			1
80/84	LN-LNT900 -- Detroit diesel (6V-92) "Before 5/82"	6	552			1
80/84	L-LN-LNT-LT-LTS900 -- cat. 3406 (325HP) diesel- "Before 5/82"	6	893			1

October, 1993

COPYRIGHT © 1993 - FORD MOTOR - DEARBORN, MICHIGAN  
COMPANY

Final Issue

1980/  
TRUCK SERIES 600/900

YEAR	MODEL/RESTRICTIONS	ENGINE		PART NUMBER	DESCRIPTION	QTY.
		CYL.	C.I.D. (C.C.D.)			
8146	SHROUD (FAN)— Cont'd					

**L-LN-LNT-LT-LTS SERIES**

- Not used in noise level, restriction areas.
- ▲ Use in noise level restriction areas.

84/	L-LN-LNT-LT-LTS900 -- Cum. NTC diesel "From 5/82"	6	855	E4HZ 8148-B	#L.H. E4HT-BA	1
84/87	L-LN-LNT-LT-LTS900 -- Cat. 3406 diesel "From 5/82"	6	893			1
84/86	LN-LNT900 -- Detroit diesel (6V-92) "From 5/82"	8	552			1
88/	L-LN-LNT-LT-LTS900 -- w/3406 Cat. A/T/A-w/o PTO	6	893	E8HZ 8146-A	#E8HT-BB	1
84	L-LN-LNT-LT-LTS800 -- Cat. 3208 diesel	8	636	E4HZ 8146-A	#E4HT-AB	1
81/83	L-LN-LNT-LT-LTS800 -- Cat. diesel	8	636	E1HZ 8146-E	#E1HZ-E	1
80/86	L-LN-LNT-LT900 -- Detroit diesel (8V-71)	8	568	E1HZ 8146-C	#E1HT-CA	1
80/	L-LN-LNT-LT-LTS900 -- Cum. NTC 350 diesel	6	855			1
81/87	LN600/700 -- Det. diesel	8	501	E1HZ 8146-A	#E1HT-AA	1
87/88	LTL900 -- Cum. L10 diesel	6	610	E7HZ 8146-C	#E7HT-LA	1
82/87	LTL900	6&8	All	E7HZ 8147-A	R.H.-#E1HT-AA, E7HT-AA	1
82/87	LTL900	6&8	All	E5HZ 8148-B	L.H.-#E2HT-AA, E5HT-AA	1
88/	LL-LTL900 -- Cum. NTC	6	855	E8HZ 8146-A	#E8HT-BB,BC,BD	1
88/	LL-LTL900 -- Cat. 3406	6	893			1
89	LTL900 -- Cum. L10	6	10L	E8HZ 8146-F		
80/	B-F600/900	6&8	All	20308-S7-8	(B-40)-bolt (fan shroud to radiator)-1/4"- 20 x 1/2"	6
80/	C-CT900 -- gas	8	All	44719-S8	(X-17)-flatwasher-1/4"	6
				34805-S8	(X-62)-lockwasher-1/4"	6
80/	LN-LNT900 -- Detroit diesel	8	568	56305-S2	(B-318-GC)-bolt (fan shroud to radiator)- 1/4"-20 x 1"	11
				354610-S40	(XX-91)-flatwasher-1/4"	11
80/	LT900 -- Cum. NTC 350	6	855	34987-S2	(M-89-CF)-nut (shroud to brackets)-3/8"-16	12
				351385-S7	(XX-158)-washer-3/8"	12
<b>8B146 SUPPORT (RADIATOR GRILLE GUARD)</b>						
80/	LN600/700	6&8	All	C3TZ 8B146-A	Lower	2
8147-8 Refer to group 8146						
<b>8C148 SUPPORT (RADIATOR UPPER PIPE BRACKET)-Improvise</b>						
8150-1 Refer to group 8200						
<b>8K150-1 PANEL ASSY. (RADIATOR MOUNTING)</b>						
83/	CL-CLT900	6&8	All	E3HZ 8K150-A	R.H.	1
				E3HZ 8K151-A	L.H.	1
<b>8K153 TUBE ASSY. (RAD. SUPPLY TANK INLET)</b>						
86/	CF600/700	6	All	E6HZ 8K153-B	E5HT-BA	1
<b>8K157 BRACKET RADIATOR TUBE SUPPORT</b>						
88/	CL-CLT900 -- w/Cumm L-10 eng	6	610	E8HZ 8K157-A	#E8HT-AA	1
89	L-LN-LNT-LS-LT-LTS-LL-LTL 900 -- w/cat. 3406 diesel	6	893	E9HZ 8K157-A	Support for rad. hose	1
<b>8N167 INSERT (WATER FILTER ADAPTER)</b>						
88/	B-F-FT-L-LN Series -- FNH diesel	6	6.6L,7.8L	E8HZ 8N167-A	Used to install water filter	1



**1980/  
TRUCK SERIES 600/900**

YEAR	MODEL/RESTRICTIONS	ENGINE		PART NUMBER	DESCRIPTION	QTY.
		CYL.	C.I.D. (C.C.D.)			
<b>8N169 VALVE (WATER FILTER ADAPTER)</b>						
88/	B-F-FT-L-LN Series -- FNH diesel	6	6.6L,7.8L	E8HZ 8N169-A		1
88/	B-F-FT-L-LN series -- FNH diesel	6	6.6L,7.8L	87032-S95	(T-1-BA) "O" ring (used to seal valve (8N169))-7/16" I.D.	1
<b>8B174 PLATE (GRILLE SIDE PANEL PAD)-Improvise</b>						
<b>8A175 CYLINDER ASSY. (RADIATOR SHUTTER CONTROL)</b>						
80/81	C900 -- with hyd./vac. brakes	8	477	COTZ 8A175-B	Vacuum cyl.	1
80/	CL-CLT900, L-LT-LTS-LN-LNT800/900	6&8	All	D8HZ 8A175-A	Air Type, with Kysor shutters -- #1017-32150-01	1
82/	LTL900	6&8	All			1
<b>8B175 RETAINER (GRILLE SIDE PANEL UPPER)-Improvise</b>						
<b>8A178 BELLCRANK ASSY. (RADIATOR SHUTTER CONTROL)</b>						
80/81	C-CT900	8	401,477, 534	COTT 8A178-B	Air cyl.-incl. (6) "C" washers	1
<b>8C180 SOLENOID ASSY. (RADIATOR SHUTTER CONTROL OVERRIDE CYLINDER)</b>						
80/	CL-CLT900 -- use with A/C- and Fan Clutch	6&8	All	D8HZ 8C180-A	#D7HT 8C180-CA	1
84/	LNT900	6	10.0L			1
80/	L-LN-LNT-LT-LTS800/900	All	All			1
80/	CL-CLT-900-use with A/C and Rockford fan clutch	6&8	All	388967-S100	(II-29-E) Orifice fitting (attach hose connection to solenoid assy.)	1
<b>8C182 CAP (RADIATOR TRUNNION MOUNTING)</b>						
80/	CL-CLT900	6&8	All	D8HZ 8C182-A	#D7HA-AA	2
<b>8188 Refer to group 8200</b>						
<b>8190 Refer to group 8200</b>						
<b>8C190 LATCH ASSY. (RADIATOR GRILLE)</b>						
80/81	CL-CLT900	6&8	All	D8HZ 8C190-D	R.H.	1
80/81	CL-CLT900	6&8	All	D8HZ 8C190-E	L.H.	1
<b>8C191 PROP (RADIATOR GRILLE SUPPORT)</b>						
80/81	CL-CLT900	6&8	All	* D8HZ 8C191-C	Not replaced (2/90)	1
<b>8C192 HINGE ASSY. (RADIATOR GRILLE)</b>						
80/81	CL-CLT900	6&8	All	D8HZ 8C192-C		1
<b>8A193 BRACKET (RADIATOR MOUNTING UPPER)</b>						
80/81	CL-CLT900 -- With Fixed Cab	6&8	All	D8HZ 8A193-A	#D7HT 8A194-BA	2
88/	CL-CLT900	6	All	E8HZ 8A193-A	#E8HT 8A194-AA	AR
<b>8C193 DOOR ASSY. (RADIATOR GRILLE PANEL)</b>						
80/	CL-CLT900	6&8	All	E1HZ 8C193-B	Painted-Argent	1
81/	CL-CLT900	6&8	All	E1HZ 8C193-A	Chrome	1
<b>8C195 HINGE ASSY. (RADIATOR GRILLE PANEL)</b>						
80/	CL-CLT900	6&8	All	D8HZ 8C195-A		1
<b>8K196 STRIKER ASSY. (RADIATOR GRILLE LOCK)</b>						
80/81	CL-CLT900	6&8	All	D8HZ 8K196-E	R.H.	1
80/81	CL-CLT900	6&8	All	D8HZ 8K196-F	L.H.	1
<b>8200 GRILLE (RADIATOR)</b>						
80/	B600/800	6&8	All	E3HZ 8190-A		1
80/	B-School bus	6&8	All	E4HZ 8200-M	Yellow	1
80/	F-FT600/800 "From 2/83"	6&8	All	E4HZ 8200-L	Argent & black	1
84/	F600/800,FT900 -- extended frame	6&8	All	E4HZ 8190-A		1
80/	F600/800,FT900 -- w/o extended frame	6&8	All	E3HZ 8190-A		1
86/	CF600/700	6	All	E6HZ 8190-B		1
80/	C-CT600/900	6&8	All	D5HZ 8200-A		1

1980/  
TRUCK SERIES 600/900

YEAR	MODEL/RESTRICTIONS	ENGINE		PART NUMBER	DESCRIPTION	QTY.
		CYL.	C.I.D. (C.C.D.)			
<b>8200 GRILLE (RADIATOR) — Cont'd</b>						
80/81	CL-CLT-With Single round-head lamps "Before 11/80"	6&8	All	D8HZ 8150-A	R.H.	1
				D8HZ 8151-A	L.H.	1
				D8HZ 8188-C	Lower painted-panel only	1
				★ D8HZ 8190-E	Upper painted-panel only-tilt grille-r/b E1HZ 8188-B & E1HZ 8190-B (10/81)	1
				E0HZ 8190-B	Upper painted assy.-fixed grille	1
80/81	CL-CLT-With Dual Rectangular-headlamps "Before 11/80"	6&8	All	D8HZ 8150-B	R.H.	1
				D8HZ 8151-B	L.H.	1
				D8HZ 8188-C	Lower painted-panel only	1
				★ D8HZ 8190-E	Upper painted-panel only-tilt grille-r/b E1HZ 8188-B & E1HZ 8190-B (10-81)	1
				E0HZ 8190-B	Upper painted assy.-fixed grille	1
				★ E0HZ 8190-C	Upper chrome assy.-fixed grille	1
				Not replaced		
81/	CL-CLT900 "From 11/80"	6&8	All	D8HZ 8150-A	R.H.-with single round head lamps	1
				D8HZ 8151-A	L.H.-with single round head lamps	1
				D8HZ 8150-B	R.H.-with dual head lamps	1
				D8HZ 8151-B	L.H.-with dual head lamps	1
				E1HZ 8188-B	Lower painted-panel only	1
				E1HZ 8188-C	Lower chrome-panel only	1
				E1HZ 8190-B	Upper painted-panel only-tilt grille	1
				E1HZ 8190-C	Upper chrome-panel only-tilt grille	1
				E1HZ 8190-E	Upper painted-panel only-fixed grille	1
				E1HZ 8190-D	Upper chrome-panel only-fixed grille	1
				E1HZ 8190-F	Upper Chrome assy.-fixed grille	1
				E1HZ 8190-G	Upper Painted assy.-fixed grille	1
80/84	LN600/700 -- with 25" opening "Before 10/83"	6&8	All	D0EZ 8200-C	Painted finish	1
				D0EZ 8200-D	Bright finish	1
84	LN600/700 -- with 25" opening "From 10/83"	6&8	All	★ E4HZ 8200-B	Painted finish-r/b E8HZ 8200-A (2/90)	1
		6&8	All	★ E4HZ 8200-C	Bright finish-r/b E4HZ 8200-A (1/89)	1
80/	LN600/700 -- with 28" opening	6&8	All	E4HZ 8200-J	Bright finish	1
				★ E4HZ 8200-K	Painted finish-r/b E8HZ 8200-A(3/89)	1
80/	L-LN-LNT-LT-LTS800 -- diesel with 30" opening	6&8	All	E4HZ 8200-A	Painted finish	1
80/	L-LN-LNT-LT-LTS800/900 -- gas with 30" opening	6&8	All			1
80/86	L-LN-LNT-LT-LTS800 -- exc. extended frame-diesel	6&8	All	★ E4HZ 8200-E /bE8HZ 8200-A(3/89)	Bright finish-"Before 12/86"	1
80/86	L-LN-LNT-LT-LTS800/900 -- exc. extended frame-gas	6&8	All			1
80/86	LNT-LT-LTS800 -- extended frame-gas & diesel	6&8	All	★ E4HZ 8200-H	Bright finish-"Before 12/86"-r/b E8HZ 8200-B (1/89)	1
80/86	L-LN-LNT-LT-LTS900 -- extended frame-gas	6&8	All			1
80/86	L-LN-LNT-LT-LTS900 -- exc. extended frame-diesel with 36" opening	6&8	All	★ E4HZ 8200-F ★ E4HZ 8200-D /bE8HZ 8200-A(3/89)	Painted finish-r/b E8HZ 8200-A (2/90) Bright finish-"Before 12/86"	1 1
80/86	L-LN-LNT-LT-LTS900 -- extended frame-diesel with 36" opening	6&8	All	E4HZ 8200-G	Bright finish	1
87/	L-LN-LNT-LT-LTA-LTS-LS800/900 -- exc. extended frame	6&8	All	★ E7HZ 8200-A	Bright finish-"After 12/86"-r/b E8HZ 8200-A (2/90)	1
87/	L-LN-LNT-LT-LTS-LS800/900 -- extended frame	6&8	All	★ E7HZ 8200-B	Bright finish-"After 12/86"-r/b E8HZ 8200-B (2/90)	1
87/	L-LN-LNT-LT-LTS-LS800/900 -- use w/P.T.O	6&8	All	★ E7HZ 8200-C	Bright finish-"After 12/86"-r/b E8HZ 8200-A (2/90)	1

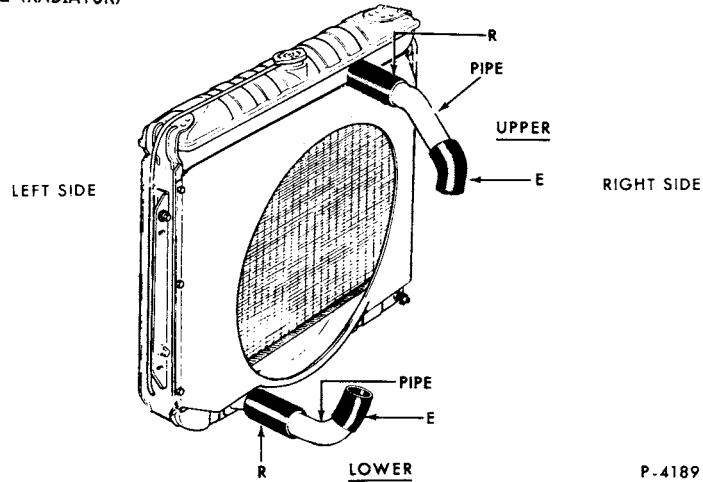
1980/  
TRUCK SERIES 600/900

YEAR	MODEL/RESTRICTIONS	ENGINE		PART NUMBER	DESCRIPTION	QTY.
		CYL.	C.I.D. (C.C.D.)			
<b>8200 GRILLE (RADIATOR) — Cont'd</b>						
82/	LTL900	6&8	All	E1HZ 8188-A	Lower-bright finish	1
80/	C-CT600/900	8	All	E1HZ 8190-A	Upper-bright finish	1
80/	All trucks	6&8	All	20347-S8	(B-156) bolt (grille to support)- 5/16" 24 x 3/4"	4
80/				33797-S8	(M-50)-nut 5/16"-18	AR
80/				34806-S7	(X-64)-lockwasher 5/16"	AR
80/	L-LN-LNT-LT-LTS800/900	6&8	All	44722-S8	(X-19)-washer-flat 5/16"	AR
80/	CL-CLT900	6&8	All	384709-S2	(MM-284 KK)-nut and retainer (grille to front end assy.)	3
80/				388325-S100	(BB-412-AY)-Bolt 5/16-18 x 7/8"- att. 8188 to body	6
80/	CL-CLT900	6&8	All	388084-S46	(XX-312-D) Washer 3/8 flat stainless att. 8188 to body	6
80/	B-F600/800	6&8	All	N800876-S49	Screw-m4.2 x 1.41 x 19	15
80/	B-F600/800	6&8	All	N800841-S	Nut-push rectangular-M4.2	15
<b>8C200 REINFORCEMENT (RADIATOR GRILLE LOWER PANEL HINGE)-Improvise</b>						
<b>8A204 Refer to group 8476</b>						
<b>8A205 TUBE or HOSE (RADIATOR SHUTTER THERMOSTAT TO BRAKE BOOSTER LINE)- Improvise from bulk tubing (2269) or bulk hose (9324)</b>						
80/81	C750/900	8	477,534	358244-S	(II-183) elbow assy. (tube to thermostat)- 1/8" pipe thread	1
<b>8A206 HOSE (RADIATOR SHUTTER CONTROL CYLINDER TUBE)-Improvise from bulk hose (9324)</b>						
<b>8A208 TUBE (RADIATOR SHUTTER CONTROL CYLINDER TO THERMOSTAT OUTLET HOSE CYLINDER END)- Improvise from bulk tubing (2269)</b>						
<b>8A209 TUBE (RADIATOR SHUTTER CONTROL CYLINDER TO THERMOSTAT OUTLET HOSE-HOSE END)- Improvise from bulk tubing (2269)</b>						
80/81	L-LN-LNT-LT-LTS900	8	477,534	353433-S	(BB-212) bolt (shutter control to radiator support)-3/8"-24 x 13/16"	1
80/81	L-LN-LNT-LT-LTS900	8	477,534	34807-S8	(X-66)-lockwasher-3/8"	1
80/81	L-LN-LNT-LT-LTS900	8	477,534	356955-S8	(GG-142) clip	1
80/81	C-CT900 - - with hyd./vac.brakes	8	477,534	20309-S8	(B-150) -bolt (attaches clip to tube to bracket) -1/4"-28 x 1/2"	1
80/81	C-CT900 - - with hyd./vac.brakes	8	477,534		Bolt (tube and cyl. to radiator)	3
				33795-S7	(M-49)-nut-1/4"	AR
				34805-S8	(X-62)-lockwasher-1/4"	AR
				357959-S	(GG-141) clip	AR
<b>8213 ORNAMENT (GRILLE)</b>						
80/86	All diesel	6&8	All	E0HZ 8213-A	"DIESEL"	1
87/	All diesel	6&8	All	E7HZ 8213-A	"DIESEL"-also refer to 020A74 group	1
84	L-LN-LNT-LT-LTS800/900	6&8	All	*8213	"FORD" refer to 020A74 group	1
86/	CF600/700	6	All	E6HZ 8213-A	"FORD"	
<b>8A213 HOSE (RADIATOR OVERFLOW)-Improvise from bulk hose (9324)</b>						
<b>8A214 BRACKET ASSY. (RADIATOR GRILLE OPENING SIDE PANEL MOUNTING)</b>						
80/86	CL-CLT900 - - without air susp. cab	6&8	All	D8HZ 8A214-A	L.H.-see also 8268-9	1
87/	CL-CLT900 - - without air susp. cab	6&8	All	E7HZ 8A214-A	E7HT-BA	1
80/86	CL-CLT900 - - with air susp. cab	6&8	All	D8HZ 8A214-B	L.H.-see also 8268-9	1
87/	CL-CLT - - with air susp. cab	6&8	All	E7HZ 8A214-B	E7HT-AA	1
80/	LN600/750	8	All	376170-S100	(BB-259-B)-bolt (bracket to bumper or frame)-hex. head-1/2"-20 x 3 3/4"	2or4
				34449-S7	(M-85)-nut-1/2"-20-hex. head lock	AR
				356080-S32	(MM-270)-nut-1/2"-20-spring	AR
				44735-S8	(X-32)-flatwasher-1/2"	AR

1980/  
TRUCK SERIES 600/900

YEAR	MODEL/RESTRICTIONS	ENGINE		PART NUMBER	DESCRIPTION	QTY.
		CYL.	C.I.D. (C.C.D.)			
8B229	RETAINER (LOWER RADIATOR SUPPORT INSULATOR)-Improvise					
8B230	SPACER (WATER FILTER)-Improvise					
8232	BRACKET (RADIATOR)					
86/	CF600/700	6	All	E6HZ 8232-A	81DB/A-Central	
8B242	Refer to group 8A293					
8255	Refer to group 8575					
8255	GASKET ASSORTMENT (WATER OUTLET CONNECTION)					
80/	All	6&8	All	C8PZ 8255-A	*RG-12	AR
Consists of						
10-B5A	8255-A	*RG-1	5-C8PZ	8255-M	*RG-19	10-C8PZ 8255-Z *RG-26
5-C8PZ	8255-G	*RG-14	5-C8PZ	8255-R	*RG-21	10-C8PZ 8255-AB *RG-28
5-C8PZ	8255-H	*RG-15	5-C8PZ	8255-S	*RG-22	5-C8PZ 8255-AC *RG-29
5-C8PZ	8255-J	*RG-16	5-C8PZ	8255-T	*RG-23	15-C9AZ 8255-A *RG-30
5-C8PZ	8255-K	*RG-17	10-C8PZ	8255-U	*RG-24	5-EAD 8255-A *RG-10
5-C8PZ	8255-L	*RG-18	5-C8PZ	8255-V	*RG-25	5-EAG 8255-B *RG-8
8-8257	SEAL (RADIATOR AIR SIDE DEFLECTOR INNER)					
80/81	C-CT900	8	477,534	★ BTBE 88257-B	Cut to fit from B8T 8349-A seal	2

8260 HOSE (RADIATOR)



P-4189

RADIATOR HOSE LOCATIONS (TYPICAL)

**HOSE USAGE--** Where more than one upper or lower hose is used, see the "Location" column to find the hose used from pipe-to-radiator (R), pipe-to-engine (E), or oil cooler (O).  
Motorcraft numbers as they appear in the model application chart which follows can be used to determine diameter and length of the hose as explained below.

**FLEXIBLE  
RADIATOR HOSE  
FIRST LETTER PREFIX:  
SECOND LETTER PREFIX:**

- K - Designates the hose line in all cases.
- A - Designates 1 1/4" inside diameter at end opening.
- B - Designates 1 1/2" inside diameter at end opening.
- C - Designates 1 3/4" side diameter at end opening.
- D - Designates 2" inside diameter at end opening.

**NUMBERS:** (There must always be a three digit numeral). First two digits designate the amount of full inches of hose length. Third digit designates the remaining fraction of an inch (expressed in eighths of an inch) of hose length.

**EXAMPLE:**  
KAB-194 - Flexible radiator hose having a 1 1/4" inside diameter at one end and a 1 1/2" inside diameter at the other end opening and a hose length of 19 1/2".  
KC-092 - Flexible radiator hose having a 1 3/4" end opening inside diameter at both ends and a hose length of 9 1/4".

**MOLDED  
RADIATOR HOSE  
FIRST LETTER PREFIX:  
SECOND and THIRD LETTER PREFIX:**

- K - Designates the hose line in all cases.
- M - Designates the molded curved type hose.
- S - Designates the moulded straight type hose.

**NUMBERS:** Sequential numbering system beginning with the numeral "1".

**EXAMPLE:**  
KM-174 - Motorcraft moulded curved radiator hose.  
KS-7 - motorcraft moulded straight radiator hose.

---

---

---

---

---

---

---

---

1980/  
TRUCK SERIES 600/900

MODEL APPLICATION CHART													
MODEL	YEAR	ENGINE		UPPER HOSE				LOWER HOSE					
		C.I.D.	T Y P E	L O C A T I O N	C O U L E R	PART NUMBER		T Y P E	L O C A T I O N	C O U L E R	PART NUMBER		
						SERVICE	MOTOR-CRAFT				SERVICE	MOTOR CRAFT	
			•	⊕	I.D. (INCHES)				•	⊕	I.D. (INCHES)		

▲"E" - Pipe to Engine. "O" - Oil Cooler. "R" - Radiator to Pipe,  
 "S" - Single Hose used - Radiator to Engine, "T" - Supply Tank to Engine, • "M" - Moulded  
 ▲Bulk hose - cut to fit, ◆ cut to fit  
 ■Not used in noise level restriction areas. "C"-Radiator to cooler  
 †Use in noise level restriction areas. @ Silicone

8 CYLINDER 370, 429 - GAS

B600/700 - - M/T	80/	370	M		2	E0HZ 8260-B	KM1138	M	R	E	1 3/4.2	E0HZ 8286-A	KM1125
								M	E		1 3/4.2	E0HZ 8286-B	KM1126
B600/700 - A/T exc. AT540	80/	370	M		2	E0HZ 8260-A	KM1128	M	R	E	1 3/4.2	E0HZ 8286-A	KM1125
B600/700 - - M/T, A/C, X/C	80/	370.4V						M	E		1 3/4.2	E0HZ 8286-B	KM1126
B600/700 - - M/T	80/	429											
B600/700 - - A/T540	80/	370	M			E0HZ 8260-B	KM1138		R	E		E4HZ 8286-B	KM1470
T/M-640 sq. in. rad.												E0HZ 8286-J	KM1527
B600/700 - - AT540	80/86	370,429	M			E0HZ 8260-A	KM1128		R	E		E4HZ 8286-B	KM1470
T/M-800 sq. in. rad.												E0HZ 8286-J	KM1527
C-CT600/800 - - M/T	80/86	370	M	S	2 & 1 3/4	D9HZ 8260-A	KM1034	M	S		2	D9HZ 8286-D	KM1027
C-CT700/800 - - M/T, without X/C	80/86	429											
C-CT600/800 - - A/T	80/86	370	M	S	2 & 1 3/4	D9HZ 8260-F	KM1040	M	S		2	D9HZ 8286-B	KM1025
C-CT700/800 - M/T, with X/C	80/86	429											
C-CT800 - - A/T	80/86	429			1 3/4								
F600/800 - - A/T	80/	370	M		2	E0HZ 8260-A	KM1128	M			2 1/2, 2 1/2	★ E4HZ 8286-C /bF1HZ 8286-AD (9/91)	KM1469
F600/800 - M/T with A/C,X/C or oil cooler	80/	370											
F600/800	80/	429											
F600 800 - M,T without A/C,X/C or oil cooler	80/	370	M		2	E0HZ 8260-B	KM1138	M			2 1/2, 2 1/2	★ E4HZ 8286-C /bF1HZ 8286-AD (9/91)	KM1469
F600/800 - - Cowl cab-	80/	370,429	M		2	E0HZ 8260-A	KM1128	M	R	E	1 3/4.2 1 3/4.2	E4HZ 8286-B E0HZ 8286-B	KM1470 KM1126
LN600/700 - M/T, S/C	80/86	370	M	S	2 & 1 3/4	D9HZ 8260-E	KM1041	M	S		2	D9HZ 8286-C	KM1026
LN600,700 M,T X,C 2/B	80/86	370											
LN600,700 M,T X,C 4/B	80/86	370,429	M	S	2 &	D9HZ 8260-C	KM1036	M	S		2	D9HZ 8286-C	KM1026
LN600/700 - A/T	80/82	370,429	M	S	2 & 1 3/4	D9HZ 8260-C	KM1036	M	O	C	2	D9HZ 8286-E D9HZ 8286-J	KM1028 KM1043
"Before 12/1/81"													
LN600/700 - A/T	82/86	370,429	M	S	2& 1 3/4	D9HZ 8260-C	KM1036	M	O	C	2	D9HZ 8286-E	KM1028
"From 12/1/81"												E2HZ 8286-A	KM1293
L-LN-LNT LT LTS800	80/86	370,429	M	S	2	D9HZ 8260-G	KM1039	M	S		2	D9HZ 8286-G	KM1030

6 CYLINDER-DIESEL

B600/700 - w/o PTO	87	7.8L 6.6L	M		2	E7HZ 8260-C		M			2 5/64	E7HZ 8286-T	
w/o ATA			M		2	@ E7HZ 8260-D		M			2 5/64	@ E7HZ 8286-U	
B600/700 - A/T exc. 210 H.P. eng. to cooler -rad. to cooler w/o P.T.O. -rad. to cooler w/ P.T.O.	87/	6.6L,7.8L	M			FOHZ 8260-V						@ FOHZ 8286-APA @ FOHZ 8286-ARA @ FOHZ 8286-AAA  FOHZ 8286-AUA @ FOHZ 8286-AYA	

1980/  
TRUCK SERIES 600/900

MODEL APPLICATION CHART														
MODEL	YEAR	ENGINE			UPPER HOSE					LOWER HOSE				
		C.I.D.	T Y P E	L O C A T I O N	C O U N T	I.D. (INCHES)	PART NUMBER		T Y P E	L O C A T I O N	C O U N T	I.D. (INCHES)	PART NUMBER	
							SERVICE	MOTOR CRAFT					SERVICE	MOTOR CRAFT

▲ "E" - Pipe to Engine. "O" - Oil Cooler. "R" - Radiator to Pipe,  
 "S" - Single Hose used - Radiator to Engine, "T" - Supply Tank to Engine, ● "M" - Moulded  
 ▲ Bulk hose - cut to fit, ◆ cut to fit  
 ■ Not used in noise level restriction areas. "C" - Radiator to cooler  
 † Use in noise level restriction areas. @ Silicone

6 CYLINDER-DIESEL — Cont'd

B600/700 - w/o PTO w/o ATA exc. 210 H.P.	88/	6.6L, 7.8L	M		2	E7HZ 8260-C @ E7HZ 8260-D		M		2	E8HZ 8286-R @ E8HZ 8286-S	
B600/700 w/o P.T.O. w/ATA	88/	6.6L, 7.8L	M		2	E7HZ 8260-C @ E7HZ 8260-D					F0HZ 8286-AS @ F0HZ 8286-AT	
B600/700 w/PTO w/ATA "Before 11/30/87"	87/88	7.8L, 6.6L	M		2	E7HZ 8260-C @ E7HZ 8260-D		M		2	E7HZ 8286-L @ E7HZ 8286-M	
B600/700 w/P.T.O. w/ATA "From 11/30/87"	88/	6.6L, 7.8L	M		2	E7HZ 8260-C @ E7HZ 8260-D		M		2	E8HZ 8286-V @ E8HZ 8286-W	
B600/700 w/PTO (only) "Before 12/15/86"	87	6.6L 7.8L	M		2	E7HZ 8260-C @ E7HZ 8260-D		M		2	E7HZ 8286-E @ E7HZ 8286-F	
B600/700 w/PTO (only) "From 12/15/86"	87/	6.6L 7.8L	M		2	E7HZ 8260-C @ E7HZ 8260-D		M		2	E7HZ 8286-X @ E7HZ 8286-F	
CF600/700 "Before 5/86"	86	6.6L	M			E6HZ 8260-A		M		2	E6HZ 8286-B	
CF600/700 "After 5/86"	86/	6.6L	M			E6HZ 8260-A		M			E6HZ 8286-A	
CF600/800 M/T A/T	87/	7.8L	M		2	E6HZ 8260-A		M		2	E7HZ 8286-N E7HZ 8286-P	
CL CLT900 w/Cumm. NTC 444 eng.	88/	855	M		1	E8HZ 8260-G @ E8HZ 8260-H	KM1676 KMS1677	M			E8HZ 8286-A @ E8HZ 8286-B	KM1664 KMS1665
CL CLT900	80/87	552	M	E	2 1/4	D6PZ 8260-J @ D9PZ 8260-M	KM709 KMS1086	R		3 1/4	▲ D9PZ 8333-D ▲ D9PZ 8333-J	KS19 KSS24
			M	E	2 1/4	▲ D9PZ 8333-A	KS16	R		3	▲ D9PZ 8333-C	KS18
			R	E	2 1/2	▲ D9PZ 8333-F	KSS21	E		3	▲ D9PZ 8333-H	KSS23
			R	E	2 1/4	◆ D2HZ 8260-A	KS11					
			R	E	2 1/4	▲ D9PZ 8333-C	KSS13					
CL CLT900 with low temperature after cooler	85/87	552	M	E	1 49/64	E5HZ 8260-A @ E5HZ 8260-B	KM1487 KMS1486	M	S	1 49/64	E5HZ 8286-C @ E5HZ 8286-D	KM1482 KMS1483
CL CLT w/Cumm. L10 eng.	88/	610	M		1	E8HZ 8260-J E8HZ 8260-K	KM1689 KMS1690	M		1 1/4	E8HZ 8286-G E8HZ 8286-H	KM1687 KM1688
CL-CLT900 Big Cam 3 or prior	80/86	855	M	R	2 1/4, 2 1/2	D8HZ 8260-A @ D9PZ 8260-K	KM979 KMS1084	R		3	▲ D9PZ 8333-C ▲ D9PZ 8333-H	KS18 KSS23
			M	R	2 1/4, 2 1/2			R		3	▲ D9PZ 8333-J ▲ D9PZ 8333-K	KS16 KSS21
CL CLT900 Big Cam 4 350/400 NTC	87/	855	M		1 49/64	E5HZ 8260-A E5HZ 8260-B	KM1487 KMS1486	M		1	E7HZ 8286-J @ E7HZ 8286-K	KM1648 KMS1649
CL CLT900 - Cummins (NTC300) low temperature after cooler	85/	855	R	R	3	▲ D9PZ 8333-C @ D9PZ 8333-H	KS18 KSS23	M	S		E5HZ 8286-B E5HZ 8286-A	KM1488 KMS1489
			R	E	2 1/2	▲ D9PZ 8333-A	KS16	M	S			
			R	E	2 1/2	▲ D9PZ 8333-F	KSS21					
CL CLT900	80/87	893	R	E	2 1/2	▲ D9PZ 8333-A @ D9PZ 8333-F	KS16 KSS21	R	E	3	▲ D9PZ 8333-C ▲ D9PZ 8333-H	KS18 KSS23
CL CLT900 - 3406 Cat-A/T/A	88/	893	M		2 1/2	E8HZ 8260-A @ E8HZ 8260-B	KM1668 KMS1669	M			E8HZ 8286-C @ E8HZ 8286-D	KM1666 KMS1667
CL CLT900	80/83	1150	M	R	2 1/2	D8HZ 8260-B @ D9PZ 8260-AA	KM980 KMS1097				D9PZ 8333-E	KS20
			M	R	2 1/2	D8HZ 8260-C @ D9PZ 8260-Z	KM981 KMS1096					

1980/  
TRUCK SERIES 600/900

MODEL APPLICATION CHART

MODEL	YEAR	ENGINE		UPPER HOSE					LOWER HOSE					
		C.I.D.	T Y P E ●	L O P Δ	C U T P T. ⊕	I.D. (INCHES)	PART NUMBER		T Y P E ●	L O P Δ	C U T P T. ⊕	I.D. (INCHES)	PART NUMBER	
							SERVICE	MOTOR-CRAFT					SERVICE	MOTOR-CRAFT

Δ"E" - Pipe to Engine. "O" - Oil Cooler. "R" - Radiator to Pipe,  
 "S" - Single Hose used - Radiator to Engine, "T" - Supply Tank to Engine, ● "M" - Moulded  
 ▲Bulk hose - cut to fit, ◆ cut to fit  
 ■Not used in noise level restriction areas. "C"-Radiator to cooler  
 †Use in noise level restriction areas. @ Silicone

6 CYLINDER-DIESEL — Cont'd

F-FT600/800 -- A/T exc. 210 H.P. eng. to cooler -rad. to cooler w/o P.T.O. -rad. to cooler w/ P.T.O.	87/	6.6L,7.8L	M				F0HZ 8260-V						F0HZ 8286-APA @ F0HZ 8286-ARA @ F0HZ 8286-AAA F0HZ 8286-AUA @ F0HZ 8286-AYA
F-FT600/900 -- w/o PTO w/o ATA 210 H.P.	87/	6.6L,7.8L	M		2		E7HZ 8260-C @ E7HZ 8260-D	M			2 5/64 2 5/64		E7HZ 8286-T @ E7HZ 8286-U
F-FT600/900 -- w/o PTO w/o ATA exc. 210 H.P.	88/	6.6L,7.8L	M		2		E7HZ 8260-C @ E7HZ 8260-D	M			2		E8HZ 8286-R @ E8HZ 8286-S
F-FT600/900 -- w/o P.T.O. w/ATA	88/	6.6L,7.8L	M		2		E7HZ 8260-C @ E7HZ 8260-D						F0HZ 8286-AS @ F0HZ 8286-AT
F FT600/900 -- w/P.T.O. w/ATA "Before 11/30/87"	87/88	6.6L,7.8L	M		2		E7HZ 8260-C @ E7HZ 8260-D	M			2		E7HZ 8286-V @ E7HZ 8286-B
F600/900 -- w/P.T.O. w/ATA "From 11/30/87"	88/	6.6L,7.8L	M		2		E7HZ 8260-C @ E7HZ 8260-D	M			2		E8HZ 8286-V @ E8HZ 8286-W
F-FT600/800 -- w/P.T.O.-w/o ATA	87/	6.6L,7.8L	M		2		E7HZ 8260-C @ E7HZ 8260-D	M			2		E7HZ 8286-E @ E7HZ 8286-F
L-LN-LNT-LT-LTS700/800 -- w/M/T "Before 5/1/88"	87/88	6.6L,7.8L	M		2		E7HZ 8260-A @ E7HZ 8260-F	M			2		E7HZ 8286-V @ E7HZ 8286-B
L-LN-LNT-LT-LTS 700/800 w/M/T "From 5/1/88"	88	6.6L,7.8L	M		2		F0HZ 8260-AA @ E8HZ 8260-U	M			2		E8HZ 8286-AB @ E8HZ 8286-AC
L-LN-LNT LT-LTS 700/800 -- w/M/T w/o shutters exc. 210 H.P.	89	6.6L,7.8L	M		2		E8HZ 8260-N @ E8HZ 8260-P						E8HZ 8286-AB @ E8HZ 8286-AC KMS1736
L-LN-LNT-LT-LTS 700/800 -- w/M/T w/shutters exc. 210 H.P.	89	6.6L,7.8L	M		2		F0HZ 8260-AA @ F0HZ 8260-P						E8HZ 8286-AB @ E8HZ 8286-AC KMS1736
L-LN-LNT-LT-LTS 700/800 -- w/M/T w/o shutters- 210 H.P.	89	6.6L,7.8L	M		2		E8HZ 8260-N @ E8HZ 8260-P						E9HZ 8286-E @ E9HZ 8286-F
L-LN-LNT LT-LTS 700/800 - w/M/T w/shutters 210 H.P.	89	6.6L,7.8L	M		2		F0HZ 8260-AA @ F0HZ 8260-P						E9HZ 8286-E @ E9HZ 8386-F
L-LN-LNT LT-LTS700/800 -- w/A/T "Before 11/87"	87/88	6.6L,7.8L	M		2		E7HZ 8260-C @ E7HZ 8260-D	M			2		E7HZ 8286-R @ E7HZ 8286-S
L-LN-LNT-LT-LTS 700/800 -- w/A/T "From 11/87 to 2/01/88"	88	6.6L,7.8L	M		2		E8HZ 8260-L @ E8HZ 8260-M	M			2		E8HZ 8286-J @ E8HZ 8286-K



1980/  
TRUCK SERIES 600/900

MODEL APPLICATION CHART													
MODEL	YEAR	ENGINE		UPPER HOSE				LOWER HOSE					
		C.I.D.	T Y P E	L O C A T I O N	C O N N E C T I O N	I.D. (INCHES)	PART NUMBER		T Y P E	L O C A T I O N	I.D. (INCHES)	PART NUMBER	
							SERVICE	MOTOR-CRAFT				SERVICE	MOTOR-CRAFT

Δ"E" - Pipe to Engine. "O" - Oil Cooler. "R" - Radiator to Pipe,  
 "S" - Single Hose used - Radiator to Engine, "T" - Supply Tank to Engine, ● "M" - Moulded  
 ▲Bulk hose - cut to fit, ◆ cut to fit  
 ■Not used in noise level restriction areas. "C"-Radiator to cooler  
 †Use in noise level restriction areas. @ Silicone

6 CYLINDER-DIESEL — Cont'd

L-LN-LNT-LT-LTS 700/800 - - w/A/T "From 2/01/87 to 5/2/88" -rad. to oil cooler  -oil cooler to eng.	88/	6.6L,7.8L	M		2	FOHZ 8260-AA @ E8HZ 8260-U					M	2	E8HZ 8286-L @ E8HZ 8286-M E8HZ 8286-N @ E8HZ 8286-P	
L-LN-LNT-LT-LTS 700/800 w/A/T "From 5/2/88 to 9/30/88" L-LN-LNT-LT-LTS 700/800 - - w/A/T exc. (210 H.P.) "From 9/30/88" rad. to oil cooler  oil cooler to eng.	88/ 89	6.6L,7.8L 6.6L,7.8L	M M		2 2	FOHZ 8260-AA @ E8HZ 8260-U					M M M M	2 2 2 2	E8HZ 8286-AD @ E8HZ 8286-AE E8HZ 8286-AG @ E8HZ 8286-AF	
L-LN-LNT-LS-LT-LTS 700/800 - - w/A/T (210 H.P.) "From 9/30/88" -rad. to cooler  -cooler to eng.	89	6.6L,7.8L	M		2	FOHZ 8260-AA @ E8HZ 8260-U					M M M M	2 2 2 2	E9HZ 8286-C @ E9HZ 8286-D E9HZ 8286-E E9HZ 8286-F	
L-LN-LNT-LT-LTS900	80/86	426	M	R	2 1/4, 2 1/2	D9HZ 8260-AE @ D9HZ 8260-T D6PZ 8260-J @ D9HZ 8260-S	KM1160 KMS1091 KM709 KMS1090	M	R	2 1/2, 2 3/4			D0HZ 8286-P @ D9HZ 8286-Y D0HZ 8286-A @ D9HZ 8286-Z	KM332 KMS1110 KM1193 KMS1111
LN-LNT900	84/87	611	M	R	2 1/4	@ E4HZ 8260-C @ E4HZ 8260-H	KMS1463 KMS1474	M	R	2 1/2			@ E4HZ 8286-A	KMS1464
LN-LNT900 - - low temperature after cooler	85/87	611	M	E	2 1/4			M	S	1 9/32			E5HZ 8286-E @ E5HZ 8286-F	KM1484 KMS1485
L-LT-LS-LTS-LN-LNT800 - - w/Cum. L10 eng.	87	611	M			E5HZ 8260-R @ E5HZ 8260-S	KM1569 KM1570	M					E6HZ 8286-C @ E6HZ 8286-D	KM1620 KMS1621
L-LN-LNT-LT900 - - Cum. L10 M/T	88/		M					M						
L-LT-LS-LTS-LN-LNT w/Cum. 10L eng. A/T "Before 4/4/88"	88	611	M		1 1	E8HZ 8260-E @ E8HZ 8260-F	KM1674 KMS1675	M					E8HZ 8286-Z @ E8HZ 8286-AA	KM1717 KMS1718
L-LN-LNT-LS-LT- LTS800 - - w/Cum. L10 eng. A/T "From 4/4/88"	88/	611	M		1 1/4 1 1/4	E8HZ 8260-V @ E8HZ 8260-W	KM1738 KM1739	M					E8HZ 8286-Z @ E8HZ 8286-AA	KM1717 KM1718

1980/  
TRUCK SERIES 600/900

MODEL APPLICATION CHART														
MODEL	YEAR	ENGINE		UPPER HOSE						LOWER HOSE				
		C.I.D.	T Y P E	L O C A T I O N	C O O L E R	I.D. (INCHES)	PART NUMBER		T Y P E	L O C A T I O N	C O O L E R	I.D. (INCHES)	PART NUMBER	
							SERVICE	MOTOR-CRAFT					SERVICE	MOTOR-CRAFT

Δ"E" - Pipe to Engine. "O" - Oil Cooler. "R" - Radiator to Pipe,  
 "S" - Single Hose used - Radiator to Engine, "T" - Supply Tank to Engine, ● "M" - Moulded  
 ▲Bulk hose - cut to fit, ◆ cut to fit  
 ■Not used in noise level restriction areas. "C"-Radiator to cooler  
 †Use in noise level restriction areas. @ Silicone

6 CYLINDER DIESEL — Cont'd

LTL - - Cum. L10	87/88	611	M		2	@ E4HZ 8260-C	KMS1463	M		1 1/4	E7HZ 8286-G	KM1641
			M		2	@ E4HZ 8260-H	KMS1474	M		1 1/4	@ E7HZ 8286-H	KMS1642
LTL - - Cum. L10	89	611	M		1 1/4	E8HZ 8260-V	KM1738	M		1 1/4	E8HZ 8286-Z	KM1717
						@ E8HZ 8260-W	KM1739	M			@ E8HZ 8286-AA	KM1718
L-LT900 - - NTC & Form 300 with low temperature after cooler	85	855	M	S	1	E5HZ 8260-J	KS26	M	S	1 1/4	E5HZ 8286-R	KM1531
			M	S	1	@ E5HZ 8260-K	KSS27	M	S	1 1/4	@ E5HZ 8286-N	KMS1533
LN-LNT900 - - NTC & Form 300, 315 with low temperature after cooler	85/87	855	M	S	1	E5HZ 8260-J	KS26	M	S	1 1/4	★ E5HZ 8286-M	KM1534
			M	S	1	@ E5HZ 8260-K	KSS27	M	S	1 1/4	†/b E5HZ 8286-R	
LN-LNT600/900 - - NTC & Form 270	85/86	855									@ E5HZ 8286-L	KM1535
L-LT-LTS-LN-LNT-900 - - NTC & Form 230,240 "Before 11/30/88"	80/89	855	M	R	2 1/2	D6PZ 8260-H	KM711	M	R	2 1/2, 2 3/4	D0HZ 8286-P	KM332
			M	R	2 1/2	@ D9HZ 8260-Y	KMS1095	M	R	2 1/2, 2 3/4	@ D9HZ 8286-Y	KMS1110
			M	E	2	▲ C9PZ 8333-C	KS7	M	E	2 1/2	D0HZ 8286-U	KM362
			M	E	2	@ D9HZ 8333-B	KSS14	M	E	2 1/2	▲ D9PZ 8333-F	KSS21
L-LT-LTS900 - - NTC & Form 250,350 "Before 11/30/88"	80/89	855	M	R	2 1/2	D6PZ 8260-H	KM711	M	S	2 1/2, 2 3/4	D2HZ 8286-A	KM410
			M	R	2 1/2	@ D9HZ 8260-Y	KMS1095	M	S	2 1/2, 2 3/4		
LN-LNT900 - - NTC & Form 290 except Calif. "Before 11/30/88"			M	E	2	▲ C9PZ 8333-C	KS7	M	S	2 1/2, 2 3/4	@ D9HZ 8286-U	KMS1105
			M	E	2	@ D9HZ 8333-B	KSS14					
LN-LNT900 - - NTC & Form 290 Calif. "Before 11/30/88"	80/89	855	M	S	2 1/2	D6PZ 8260-H	KM711	M	S	2 1/2, 2 3/4	D5HZ 8286-J	KM866
LN-LNT900 - - NTC & Form 350 "Before 11/30/88"			M	S	2 1/2	@ D9HZ 8260-L	KMS1085	M	S	2 1/2, 2 3/4	@ D9HZ 8286-U	KMS1105
L-LN-LNT-LT-LTA-LTS900 - - NTC & Form 300 "Before 11/30/88"	80/89	855	M	R	2 1/2	D6PZ 8260-H	KM711	M	S	2 1/2 & 2 3/4	D2HZ 8286-A	KM410
			M	R	2 1/2	@ D9HZ 8260-L	KMS1085	M	S	2 1/2 & 2 3/4	@ D9HZ 8286-R	KMS1107
			M	E	2	▲ C9PZ 8333-C	KS7					
			M	E	2	@ D9HZ 8333-B	KSS14					
L-LN-LNT-LS-LT-LTA-LTS900 - - NTC & Form "From 11/30/88"	89	855	M		1 & 1 7/16	E9HZ 8260-A	KM1770	M		1 9/32	E9HZ 8286-A	KM1774
			M		1 & 1 7/16	@ E9HZ 8260-B	KMS1771	M		1 9/32	@ E9HZ 8286-B	KMS1775
L-LN-LNT-LT-LTS900	80/87	893	M	R	2 1/2	D6PZ 8260-H	KM711	M	R	2 3/4	D4HZ 8286-D	KM809
						@ E4HZ 8260-D	KMS1466				@ D9HZ 8286-N	KMS1103
						▲ D9PZ 8333-A	KS16	M	E	2 3/4, 3	D4HZ 8286-C	KM808
						@ D9PZ 8333-F	KSS21				@ D9HZ 8286-M	KMS1102
LN-LN-LNT-LT-LTS900 w/3406 Cat. "Before 4/14/89"	88/89	893	M		1	E8HZ 8260-S	KM1707	M		2 1/2	E8HZ 8286-E	KM1672
			M		1	@ E8HZ 8260-R	KMS1706	M		2 1/2	@ E8HZ 8286-F	KMS1673
L-LN-LNT-LS-LT-LTS900 - - w/3406 cat "From 4/14/89"	89	893	M		2 1/2	E9HZ 8260-H	KM1890	M		2 1/2	E8HZ 8286-E	KM1672
LL-LTL900 - - w/3406 cat. "From 4/14/89"			M		2 1/2	@ E9HZ 8260-G	KMS1889	M		2 1/2	@ E8HZ 8286-F	KMS1673

1980/  
TRUCK SERIES 600/900

MODEL APPLICATION CHART												
MODEL	YEAR	ENGINE			UPPER HOSE				LOWER HOSE			
		C.I.D.	T Y P E ●	L O C A T I O N P T. ⊕	I.D. (INCHES)	PART NUMBER		T Y P E ●	L O C A T I O N P T. ⊕	I.D. (INCHES)	PART NUMBER	
						SERVICE	MOTOR-CRAFT				SERVICE	MOTOR-CRAFT

△"E" - Pipe to Engine. "O" - Oil Cooler. "R" - Radiator to Pipe,  
 "S" - Single Hose used - Radiator to Engine, "T" - Supply Tank to Engine, ● "M" - Moulded  
 ▲Bulk hose - cut to fit, ◆ cut to fit  
 ■Not used in noise level restriction areas. "C"-Radiator to cooler  
 †Use in noise level restriction areas. @ Silicone

6 CYLINDER DIESEL— Cont'd

LN-LNT900 - 6V. 92 Detroit Diesel	80/86	552	M	E	2 1/4	D6PZ 8260-J	KM709	M	S	3 3/64 & 2 13/16 3 3/64 & 2 13/16	E0HZ 8286-H	KM1250		
			M	E		@ D9HZ 8260-M	KMS1086	M	S					
			E	E		◆ D2HZ 8260-A	KS11							
			E	E		▲@ D9HZ 8333-C	KS13							
83	552	M	R	2 1/2	D3HZ 8260-C	KM722	M	S		@ E0HZ 8286-G	KMS1193			
		M	R		@ D9HZ 8260-R	KMS1089								
			M	R		E3HZ 8260-F	KM1410	M	S					
			M	R										
LN-LNT900 - 6V. 92 Detroit diesel low temperature after cooler	85/86	552	M	E		E5HZ 8260-C	KM1541	M	S		E5HZ 8286-G	KM1492		
			M	E		@ E5HZ 8260-D	KMS1540	M	S					
			M	R		E5HZ 8260-E	KM-1539	M	S					
			M	R		@ E5HZ 8260-F	KMS1538							
LL-LTL900 - Cummins NTC/Form	82/88	855	M	R		E1HZ 8260-G	KM1261	M			E1HZ 8286-F	KM1258		
			M	E		C9PZ 8333-C	KS7							
			M			@ E1HZ 8260-H	KMS1262							
LTL900 - Cummins NTC/Form with low temperature after cooler "Before 11/30/87"	85/87	855	M	R	1	E5HZ 8260-J	KS26	M		1 1/4	E5HZ 8286-P	KM1530		
			M	R		1	@ E5HZ 8260-K						KS27	M
LL-LTL900 - Cum. NTC/Form exc. 365,400,444	89	855	M		1 & 1 9/32	E9HZ 8260-C	KM1772	M			E1HZ 8286-F	KM1258		
LL-LTL900 - Cum. NTC/Form 365,400,444	89	855			1 & 1 9/32	@ E9HZ 8260-D	KMS1773				@ E1HZ 8286-E	KMS1257		
LL-LTL900 - Cum. NTC/Form 365,400,444	89	855			1	E9HZ 8260-J					E1HZ 8286-F	KM1258		
LTL900 - Cat. (3406) "Before 3/1/82"	82	893	M	R	1	@ E9HZ 8260-K					@ E1HZ 8286-E	KMS1257		
			M	R		E1HZ 8260-G	KM1261	M	R			E1HZ 8286-G	KM1260	
LTL900 - Cat. (3406) "From 3/1/82 to 11/30/87"	82/88	893	M	R		*@ E1HZ 8260-K	KM1264	M	R		@ E1HZ 8286-H	KMS1259		
			M	E		/b E4HZ 8260-E								
			M	E		◆ D9PZ 8333-A	KS16	M	E				D4HZ 8286-C	KM808
			M	E		◆@ D9PZ 8333-F	KSS21							
LL-LTL900 - Cat. (3406)-w/ad-tech cooling sys. "From 11/30/87"	88/	893	M		1	E8HZ 8260-C	KM1670	M		2 1/2	E8HZ 8286-E	KM1672		
			M			1	@ E8HZ 8260-D						KM1671	M
LN-LNT900 - Cat. 3306-w/ ad-tech cooling sys. "Before 3/16/89"	89	638	M			E9HZ 8260-E	KM1783	M		2 1/2	E8HZ 8286-X	KM1709		
			M			@ E9HZ 8260-F	KM1784						M	2 1/2
L-LN-LNT-LS-LT- LTS900 - Cat. 3306 -w/ad-tech cooling "From 3/16/89"	89	638	M			F0HZ 8260-C	KM1838				E8HZ 8286-X	KM1709		
						@ F0HZ 8260-D	KMS1839				@ E8HZ 8286-Y	KM1710		

1980/  
TRUCK SERIES 600/900

MODEL APPLICATION CHART														
MODEL	YEAR	ENGINE C.I.D.	UPPER HOSE					LOWER HOSE						
			T Y P E	L O P C. Δ	C U T P T. ⊕	I.D. (INCHES)	PART NUMBER		T Y P E	L O P C. Δ	C U T P T. ⊕	I.D. (INCHES)	PART NUMBER	
							SERVICE	MOTOR-CRAFT					SERVICE	MOTOR-CRAFT

Δ"E" - Pipe to Engine. "O" - Oil Cooler. "R" - Radiator to Pipe,  
 "S" - Single Hose used - Radiator to Engine, "T" - Supply Tank to Engine, ● "M" - Moulded  
 ▲Bulk hose - cut to fit, ◆ cut to fit  
 ■Not used in noise level restriction areas. "C"-Radiator to cooler  
 †Use in noise level restriction areas. @ Silicone

8 CYLINDER 477, 534-GAS

C-CT900	80/81	477,534	M		2 1/4, 2 1/2	E0HZ 8260-C	KM1163	M	E	2 1/2, 3 2 1/2	D5HZ 8286-D D6PZ 8286-G	KM846 KM710
L-LT-LTS-LN-LNT900 - - M/T. without A/C	80/81	477,534	M		2 1/4, 2 1/2	D6HZ 8260-C	KM868	M	R	2 1/2, 2 3/4 2 3/4, 3	D9HZ 8286-AH D0HZ 8286-N	KM1161 KM331
L-LT-LTS-LN-LNT900 - - M/T. with A/C	80/81	477,534	M	R	2 5/16 2 1/4, 2 1/2	D3HZ 8260-D D0HZ 8260-D	KM723 KM217	M	R	2 1/2, 2 3/4 2 3/4, 3	D9HZ 8286-AH D0HZ 8286-N	KM1161 KM331
L-LT-LTS-LN-LNT900 - - A/T	80/81	477,534	M	E				M	E			

8 CYLINDER-DIESEL

B-F600/800 - - Detroit DD990	80/82	501	M		2	E0HZ 8260-D	KM1166	M		2	E0HZ 8286-D E0HZ 8286-E	KM1182 KM1181
B-F-FT600/800 - - Detroit DD990	83	501	M		2	E3HZ 8260-C	KM1308	M	R	2	E0HZ 8286-D	KM1182
			M		2	@ E3HZ 8260-D	KMS1309	M	R	2	@ E3HZ 8286-D	KMS1307
								E		2	E0HZ 8286-E	KM1181
								E		2	@ E3HZ 8286-C	KMS1306
B-F-FT600/900 - - Detroit DD990 w/o A/C	84/87	501	M		2	E3HZ 8260-C	KM1308	M	R	2	E0HZ 8286-D	KM1182
					2	@ E3HZ 8260-D	KMS1309	M	R	2	@ E3HZ 8286-D	KMS1307
								E		2	E0HZ 8286-E	KM 1181
								E		2	@ E3HZ 8286-C	KMS1306
B-F-FT600/900 - - Detroit DD990 with A/C	84/87	501	M		1 7/8 1 7/8	E4HZ 8260-A	KLM 1452	R		2	E0HZ 8286-D	KM1182
						@ E4HZ 8260-B	KMS 1453	R			@ E3HZ 8286-D	KMS1307
B-F-FT600/800 - - Cat. (3208) diesel	83/	636	M			E3HZ 8260-A	KM1303	M			E3HZ 8286-A	KM1296
			M			@ E3HZ 8260-B	KMS1302	M			@ E3HZ 8286-B	KMS1297
C-CT-700/800 - - Cat. (3208N) diesel	80/	636	M		1 3/4 & 2	D5HZ 8260-B	KM831	M	S		C8HZ 8286-A	KM99
C-CT800 - - Cat. (3208T) -M/T and std. cooling	82/				1 3/4 & 2	@ E1HZ 8260-M	KM1268			2	@ E1HZ 8286-M	KM1270
C CT800 - - Cat. (3208T) diesel-	82/											
A/T and extra cooling												
C CT800 - - Cat. (3208T) diesel-A/T and std. cooling	82/	636	M		1 3/4 & 2	D5HZ 8260-B	KM831	M		2	E2HZ 8286-C	KM1299
C-CT800 - - Cat. (3208T) diesel-M/T and extra cooling	82/				1 3/4 & 2	@ E1HZ 8260-M	KM1268			2	@ E2HZ 8286-B	KM1298
C CT600/800 - - Det. diesel (8.2L)	81/87	501	M			E1HZ 8260-A	KM-1185	M	R		E1HZ 8286-A	KM-1186
								M	E	2	E0HZ 8286-E	KM-1181
CL-CLT900	80/86	568	M	E	2 1/4	D6PZ 8260-J	KM709	R		3 1/4	▲ D9PZ 8333-D	KS19
			M	E	2 1/4	@ D9HZ 8260-M	KMS1086	R		3 1/4	▲ @ D9PZ 8333-J	KSS24
			R		2 1/2	▲ D9PZ 8333-A	KS16	E		2 3/4	▲ D9PZ 8333-B	KS17
			R		2 1/2	▲ @ D9PZ 8333-F	KSS21	E		2 3/4	▲ @ D9PZ 8333-G	KSS22
			E		2 1/4	▲ D2HZ 8260-A	KS11					
			E		2 1/4	▲ @ D9HZ 8333-C	KSS13					

1980/  
TRUCK SERIES 600/900

MODEL APPLICATION CHART														
MODEL	YEAR	ENGINE			UPPER HOSE				LOWER HOSE					
		C.I.D.	T Y P E	L O C A T I O N	C O O L E R	I.D. (INCHES)	PART NUMBER		T Y P E	L O C A T I O N	C O O L E R	I.D. (INCHES)	PART NUMBER	
							SERVICE	MOTOR-CRAFT					SERVICE	MOTOR-CRAFT

Δ"E" - Pipe to Engine. "O" - Oil Cooler. "R" - Radiator to Pipe,  
 "S" - Single Hose used - Radiator to Engine, "T" - Supply Tank to Engine, ● "M" - Moulded  
 ▲Bulk hose - cut to fit, ◆ cut to fit  
 †Not used in noise level restriction areas. "C"-Radiator to cooler  
 ‡Use in noise level restriction areas. @ Silicone

8 CYLINDER DIESEL — Cont'd

CL CLT900	80/86	736	M E R E E	E E R E E	2 1/4 2 1/4 2 1/2 2 1/2 2 1/4 2 1/4	D6PZ 8260-J @ D9HZ 8260-M ▲ D9PZ 8333-A ▲@ D9PZ 8333-F ▲ D2HZ 8260-A ▲ D9HZ 8333-C	KM709 KMS1086 KS19 KSS21 KS11 KSS13	R E E	3 1/4 3 1/4 3 3	▲ D9PZ 8333-D ▲@ D9PZ 8333-J ▲ D9PZ 8333-C ▲ D9PZ 8333-H	KS19 KSS24 KS18 KSS23
LN700 - Cat. (3208) diesel	80/	636	M M			D5HZ 8260-A @ E1HZ 8260-N	KM830 KMS1277	M S M C	2	D6PZ 8286-C @ E1HZ 8286-N D9HZ 8286-E	KM915 KMS1278 KM1028
L-LT LTS-LN-LNT800 - Cat. 3208	80/	636	M S		2.2 1/4 2 & 2 1/4	D5HZ 8260-C @ E1HZ 8260-L	KM835 KM1267	M S	2 1/2	D5HZ 8286-B @ E1HZ 8286-L	KM833 KM1269
L-LT900 - - Detroit diesel (8V-71N)	80/86	568	M E M R	E E R	2 1/2 & 2 3/4 2 1/4 2 1/2	D9HZ 8260-AE @ D9HZ 8260-W ◆ D2HZ 8260-A D6PZ 8260-H @ D9HZ 8260-U	KM1160 KMS1094 KS11 KM711 KMS1092	M S	2 3/4	D0HZ 8286-K @ D9HZ 8286-AA	KM290 KMS1112
LN-LNT900 - - Detroit diesel (8V-71N)	80/86	568	M E M R	E E R	2 1/4 2 1/2	◆ D2HZ 8260-A D3HZ 8260-C @ D9HZ 8260-R	KS11 KM722 KMS1089	M S	2 3/4	D3HZ 8286-B @ D9HZ 8286-K	KM719 KMS1100
L-LT900- -Detroit diesel(8V-71T)	80/86	568	M R M E M E	R R E E	2 1/2 2 1/2 2 1/4 2 1/4 2 1/4	D5HZ 8260-D @ D9HZ 8260-P D6PZ 8260-J @ D9HZ 8260-M ◆ D2HZ 8260-A	KM839 KMS1088 KM709 KMS1086 KS11	M S	2 3/4	D0HZ 8286-K @ D9HZ 8286-AA	KM290 KMS1112
LN-LNT900-Detroit diesel (8V-71T)	80/86	568	M R M E M E	R R E E	2 1/2 2 1/2 2 1/4 2 1/4 2 1/4	D3HZ 8260-C @ D9HZ 8260-R D6PZ 8260-J @ D9HZ 8260-M ◆ D2HZ 8260-A	KM722 KMS1089 KM709 KMS1086 KS11	M S	2 3/4	D3HZ 8286-B @ D9HZ 8286-K	KM719 KMS1100
LN600/700 - - Det. diesel M/T	81/87	501	M			E1HZ 8260-B	KM-1187	M R M E	2	E1HZ 8286-B E0HZ 8286-E	KM-1195 KM-1181
LN600/700 - - Det. diesel -A/T	81/87	501	M			E1HZ 8260-B	KM-1187	M O M O	2 2	E1HZ 8286-K (cooler to rad.) E1HZ 8286-J (cooler to pipe)	KM-1266 KM-1265
LTL900 - - Det. diesel (8V-92)- "Before 5/18/81"	82	736	M E M R M R	E E R		E1HZ 8260-D @ E1HZ 8260-C @ E1HZ 8260-E E1HZ 8260-F	KM1252 KMS1251 KMS1155 KM1156	M M		@ E1HZ 8286-D @ E1HZ 8286-C	KM1254 KMS1253
LTL900 - - Det. diesel (8V-92)- "From 5/18/81"	82/86	736	M E M R M R	E E R		E1HZ 8260-D @ E1HZ 8260-C @ E2HZ 8260-B E2HZ 8260-A	KM1252 KMS1251 KMS1281 KM1280	M M		@ E1HZ 8286-D @ E1HZ 8286-C	KM1254 KMS1253

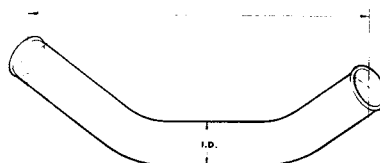
1980/  
TRUCK SERIES 600/900

YEAR	MODEL/RESTRICTIONS	ENGINE		PART NUMBER	DESCRIPTION	QTY.
		CYL.	C.I.D. (C.C.D.)			
86/	LN-LNT900			56720-S2	Bolt	AR
	LN-LNT900			56726-S2	(B-318-HA)-Bolt	AR
	LN-LNT900			398796-S	Spacer	AR
	LN-LNT900			95871-S2	Clip	AR
	LN-LNT900			379930-S2	Nut	AR
<b>8C261 KIT (RADIATOR GASKET/STRIP)</b>						
88/	All-w/ad-tech. cooling system	6&8	All	E9HZ 8C261-A		2
<b>8A262 BRACKET (RADIATOR GRILLE)</b>						
86/	CF600/800	6	All	E6HZ 8A262-A	81DB-AB-brkt. rad. grl. upper mtg. R.H.	1
86/	CF600/800	6	All	E6HZ 8A262-D	81DB 8B013-AB-brkt. rad. grl. upr. mtg. L.H.	1
86/88	CF600/800	6	All	E6HZ 8A262-B	81DB 8A013-AF-brkt. rad. grl. cent. R.H.	1
86/	CF600/800	6	All	E9HZ 8A262-C	Cent. L.H.	AR
89	CF600/800	6	All	E9HZ 8A262-A	Cent. R.H.	1
<b>8268 BRACKET ASSY. (RADIATOR PANEL TO FRAME EXTENSION)-See also 8A214</b>						
80/	CL-CLT900 -- with air susp. cab	6&8	All	D8HZ 8268-A	Right hand	1
<b>8269 BRACKET ASSY. (RADIATOR PANEL TO FRAME EXTENSION)-See also 8A214</b>						
80/	CL-CLT900 -- without air susp. cab	6&8	All	D8HZ 8269-A	Right hand	1
<b>8A274 BRACKET (RADIATOR SUPPORT)</b>						
80/	CL-CLT900	6&8	All	D8HZ 8A274-A	L.H.-#D7HT 8A274-AA,BA	1
<b>8276 HOSE (RADIATOR TO ENGINE VENT)-Improvise from bulk hose (4090 or 17543) unless listed below</b>						
88/	CL-CLT900 -- Cat. 3406 diesel w/ad-tech. sys.	6	893	E8HZ 8276-A	#E8HT-LB-rubber	1
				E8HZ 8276-B	#E8HT-MB-silicone	1
88	L-LN-LNT-LT-LTS800 -- FNH 7.8L dsl.	6	7.8L	E8HZ 8276-C	#E8HT-SA-rubber	1
				E8HZ 8276-D	#E8HT-TA-silicone	1
88/	LL-LTL900 -- Cat. 3406	6	893	E8HZ 8276-E	#E8HT-JA-rad. to eng. vent-rubber	1
				E8HZ 8276-F	#E8HT-HA-rad. to eng. vent-silicone	1
89	LN-LNT900 -- Cat. 3306	6	638	E9HZ 8276-A	#E8HT-NB-rad to eng. vent rubber	1
				E9HZ 8276-B	#E8HT-RB-rad. to eng. vent silicone	1
89	LL-LTL900 -- Cum. NTC "From 11/30/88"	6	855	E9HZ 8276-D	#E8HT-VA-rad. to eng. vent-rubber	1
				E9HZ 8276-C	#E8HT-UA-rad. to eng. vent-silicone	1
89	L-LN-LNT-LT-LTS700/800 -- FNH (210 H.P.)	6	7.8L	E9HZ 8276-E	#E9HT-AA	1
89	L-LN-LNT-LT-LTS700/800 -- FNH (210 H.P.)	6	7.8L	E9HZ 8276-F	#E9HT-BA	1
89	L-LN-LNT-LT-LTS900	6	893	E9HZ 8276-G	#E8HT-GA-rubber	1
				E9HZ 8276-H	#E9HT-HA-silicone	1
89	LL-LTL900 -- Cat. 3306	6	893	E9HZ 8276-E	#E8HT-JA-rubber	1
				E9HZ 8276-F	#E8HT-KA-silicone	1
88/	L-LN-LNT-LT-LTS800 -- FNH 7.8L dsl.	6	7.8L	381772-S	( ) fitting (attach 8276 vent hose)-3/8" hose x 1/4" pipe	1
<b>8286 Refer to group 8260</b>						
<b>8287 CLAMP (HOSE)</b>						
80/	All	4,6 &8	All	D9AZ 8287-A	*YF840-worm type-hose O.D. range 5/16"-19/32"	AR
80/	All	4,6 &8	All	D9AZ 8287-B	*YF841-worm type-hose O.D. range 39/64"-7/8"	AR
80/	All	4,6 &8	All	D9AZ 8287-C	*YF842-worm type-hose O.D. range 7/8"-1 1/8"	AR
80/	All	4,6 &8	All	D9AZ 8287-D	*YF843-worm type-hose O.D. range 1 1/8"-1 3/8"	AR
80/	All	4,6 &8	All	D9AZ 8287-E	*YF844-worm type-hose O.D. range 1 25/64"-1 3/4"	AR
80/	All	4,6 &8	All	D9AZ 8287-F	*YF845-worm type-hose O.D. range 1 49/64"-2 1/4"	AR

**1980/  
TRUCK SERIES 600/900**

YEAR	MODEL/RESTRICTIONS	ENGINE		PART NUMBER	DESCRIPTION	QTY.
		CYL.	C.I.D. (C.C.D.)			
<b>8287 CLAMP (HOSE) -- Cont'd</b>						
80/	All	4,6 &8	All	D9AZ 8287-G	*YF846-worm type-hose O.D. range 2 17/64"-2 3/4"	AR
80/	All	4,6 &8	All	D9AZ 8287-H	*YF847-worm type-hose O.D. range 2 49/64"-3 1/4"	AR
80/	All	4,6 &8	All	D9AZ 8287-J	*YF848-worm type-hose O.D. range 3 17/64"-3 3/4"	AR
80/	All	4,6 &8	All	D9AZ 8287-K	*YF849-worm type-hose O.D. range 3 49/64"-4 1/2"	AR
80/	L-LN-LNT-LT-LTS800/900 -- w/rad. shutter	6&8	All	D0HZ 8287-A	*YF236-#DOHA 8C000-A	AR
80/	C-CT900	8	All			AR
88/89	All -- w/3406 Cat. ATA	6	893	E8HZ 8287-A	YF-1478-E8HT-EA	AR
89	All w/FNH diesel "From 6/15/89"	6	6.6L,7.8L	E9HZ 8287-A	Hi-Torque-1 3/4"-2 5/8"	AR
89	All w/gas "From 6/15/89"	8	6.1L,7.0L			AR
89	All w/cat. 3306, 3406 diesels "From 6/15/89"	6	638,893	E9HZ 8287-B	Hi-Torque-2 3/4"-3 5/8"	AR
89	All w/Cat. 3406 diesel- "From 6/15/89"	6	893	E9HZ 8287-C	Hi-Torque-3 1/4"-4 1/8"	AR
<b>8W287 CLIP (RADIATOR HOSE)</b>						
87/88	B-F-L series	6	7.8L	★ E8HZ 8W287-D /bE9HZ 8W287-G(6/90)	E7HT-AA, #E8HT-GA	1
89	B-F-L series	6	6.6L,7.8L	E9HZ 8W287-G		1
88	CL-CLT900 -- Cum. NTC444	6	855	E8HZ 8W287-B	#E8HT-FA	1
88	L-LN-LNT-LT-LTS900 -- Cum. L10 w/A/T	6	610			1
86/	LN-LNT	6	6.6L	E6HZ 8W287-A	E5HT-AA	1
88	L-LN-LNT-LT-LTS900 -- Cum. L10, A/T	6	610			AR
89	L-LN-LNT-LS-LT-LTS900 -- Cum. L10	6	610			
88	LN-LNT -- w/A/T	6	610	E8HZ 8W287-B	#E8HT-FA	1
88	LN-LNT900 -- w/3406 Cat. "Before 4/14/89"	6	893	E8HZ 8W287-A	#E8HT-EA	1
88/	L-LN-LL-LS-LT-LNT-LTS-LTL900 "From 4/14/89"	6	893			2
88/89	LTL "Before 4/14/89"	6	893	E8HZ 8W287-C	#E8HT-HA	1
88/	LL-LTL900 -- Cum. L10	6	610	E8HZ 8W287-E	1 9/64" I.D.-2" stand off type	1
89	L-LN-LNT-LS-LT-LTS900 -- Cum. NTC (315,350,365,400,444) "From 11/30/88"	6	855	E9HZ 8W287-C		1
				E9HZ 8W287-D		AR
89	LN-LNT900 -- Cat. 3306	6	638	E9HZ 8W287-A	#E8HT-KA	AR
89	LN-LNT900 -- Cat. 3306	6	638	E9HZ 8W287-B	#E8HT-LA	AR
<b>8B288 GASKET (RADIATOR SHUTTER CONTROL)</b>						
80/	L-LN-LNT-LT-LTS900 -- diesel	6&8	All	C6TZ 8B288-A	1 7/16" dia. center hole	1

**8290-1 PIPE (RADIATOR HOSE EXTENSION)**



RADIATOR HOSE EXTENSION PIPE

1980/  
TRUCK SERIES 600/900

MODEL		C Y L	C.I.D.	Q T Y	UPPER			LOWER		
					I.D.	LENGTH	PART NUMBER	I.D.	LENGTH	PART NUMBER
					(INCHES)	(INCHES)		(INCHES)	(INCHES)	
8290-1										
Notes:		PIPE (RADIATOR HOSE EXTENSION) ‡ Includes tapped outlet, attaching strap and hose spout, Δ Plain (no tapped outlet), ● includes tapped outlet, @ Use with silicone hoses								

**B SERIES**

B600/700 -- gas	8	370,429	1				1 7/8	4 11/64	E4HZ 8291-A
B600/700 -- Detroit diesel "Before 6/81"	8	501	1				2 1/4		● E0HZ 8291-B
B600/700 -- Detroit diesel "From 6/81"	8	501	1				2 1/4		E3HZ 8291-G

**C-CT SERIES**

C-CT600/800 -- Detroit diesel "Before 11/82"	8	501	1						E3HZ 8291-H
C-CT600/800 -- Detroit diesel "From 11/82"									E3HZ 8291-B
C800 -- Cat. diesel	8	636	1			● C4TZ 8290-A			
C-CT900 -- gas	8	477,534	1				2 1/2	22	D5HZ 8291-B

**CL-CLT SERIES**

CL-CLT900	6	855	1				2 15/16, 2 13/32		Δ D8HZ 8291-C
CL-CLT -- with low temperature after cooler	6	855	1			E5HZ 8290-D			
CL-CLT900	6	893	1	2 1/2		● D8HZ 8290-B	2 15/16		Δ D8HZ 8291-D
CL-CLT900	6	1150	1				3 13/32		● D8HZ 8291-A
CL-CLT900	6 & 8	552,736	1	2 13/32, 2 5/32, 2 13/32, 2 5/32, 2 5/32		Δ D8HZ 8290-C Δ D8HZ 8290-D	3 5/32, 2 7/8		Δ D8HZ 8291-B
CL-CLT900	8	568	1	2 13/32, 2 5/32, 2 13/32, 2 5/32		Δ D8HZ 8290-C Δ D8HZ 8290-D	3 1/8, 2 5/8		Δ D8HZ 8291-E

**F SERIES**

F600/800 -- gas-Cowl "Before 9/81"	8	370,429	1				1 3/4		● E0HZ 8291-A
F600/800 -- gas-cowl "From 9/81 to 11/82"	8	370,429	1				1 3/4		● E2HZ 8291-A
F600/800 -- gas-cowl "From 11/82"	8	370,429	1				1 7/8	4 11/64	E4HZ 8291-A
F600/800 -- diesel "Before 6/81"	8	501	1				2 1/4		● E0HZ 8291-B
F-FT600/800 -- Detroit diesel- Reg. cab "From 6/81 to 11/82"	8	501	1				2 1/4		E1HZ 8291-E
F-FT600/900 -- Detroit diesel Reg. cab "From 11/82" cowl cab	8	501	1				2 1/4		E3HZ 8291-A

**L SERIES**

LN600/700 -- gas with A/T	8	370,429	1						E4HZ 8291-B
L-LN-LNT-LT-LTS800/900 -- gas without A/C or T/M	8	477,534	1			★ D0HZ 8290-B /bD4HZ 8290-A & D6HZ 8260-J			D0HZ 8291-D



1980/  
TRUCK SERIES 600/900

1980/

MODEL	C Y L.	C.I.D.	Q T Y.	UPPER			LOWER		
				I.D. (INCHES)	LENGTH (INCHES)	PART NUMBER	I.D. (INCHES)	LENGTH (INCHES)	PART NUMBER

8290-1 PIPE (RADIATOR HOSE EXTENSION) — Cont'd

Notes: ‡ Includes tapped outlet, attaching strap and hose spout, Δ Plain (no tapped outlet, ● includes tapped outlet.  
@ Use with silicone hoses

L SERIES

L-LN-LNT-LT-LTS800/900 -- gas and A/C exc. Calif.	8	477,534	1			D6HZ 8290-A			D0HZ 8291-D
L-LN-LNT-LT-LTS 800/900 -- gas and AT540 or A/C Calif.	8	477,534							
L-LN-LNT-LT-LTS900 Detroit diesel	6	426	1	2 1/4	20 1/4	D7HZ 8290-A			D0HZ 8291-C
LN600/700 -- Detroit diesel-M/T "Before 6/1/81"	8	501	1				2		E1HZ 8291-A
LN600/700 -- Detroit diesel -A/T "Before 6/81"	8	501	1				2		E1HZ 8291-E
LN600/700 -- Detroit diesel-M/T "From 6/81 to 11/82"	8	501	1				2	10 5/8	E1HZ 8291-F
LN600/700 -- Detroit diesel-M/T "From 11/82"	8	501	1				2 1/4	10 5/8	E3HZ 8291-A
LN600/700 -- Detroit diesel-A/T "From 6/1/81"	8	501	1				2	11 1/2	E3HZ 8291-F
LN-LNT	8	552	1			E4HZ 8290-C			
L-LT900 -- Detroit diesel	8	568N	1	2 1/2	21 7/8	D0HZ 8290-F			
LN-LNT900 -- Detroit diesel	8	568N	1			D3HZ 8290-B			
L-LN-LNT-LT-LTS900 -- Detroit diesel	8	568T,TA	1		28 1/2	★D5HZ 8290-A y/bE4HZ 8290-C			
LN-LNT900 -- Cum. L10 diesel "Before 9/87"	6	610	1	2 1/4		E4HZ 8290-A			
LNT900 -- diesel with low temperature after cooler "Before 9/87"	6	610				E5HZ 8290-C			
L-LN-LNT-LT-LTS900 -- Cum. L10 w/M/T "From 9/87"	6	610							
L-LN-LNT-LT-LTS900 -- Cum. NTC, diesel "Before 11/81"	6	855	1	2	28	D7HZ 8290-B			E1HZ 8291-D @ D4HZ 8291-D
L-LN-LNT-LT-LTS900-Cum. NTC diesel "From 11/81 to 5/82"	6	855	1	2 1/2	28	E2HZ 8290-A			E1HZ 8291-D @ D4HZ 8291-D
L-LN-LNT-LT-LTS900-Cum. NTC diesel "From 5/82 to 11/88"	6	855	1	2 1/2	28	E2HZ 8290-B			E1HZ 8291-D @ D4HZ 8291-D
L-LN-LNT-LT-LTS900-Cum. NH,NHC diesel "From 7/82"	6	855	1	2	28	D7HZ 8290-B			E1HZ 8291-D @ E2HZ 8291-C
L-LN-LNT-LT-LTS900-Cum. NH, NHC diesel "From 7/82"	6	855	1	2 1/2	28	E2HZ 8290-A			E1HZ 8291-D @ E2HZ 8291-C
L-LN-LNT-LS-LT-LTS900 -- Cum. NTC (315/365, 400/444) "From 11/88"	6	855	1	1 1/8	40	E9HZ 8290-A			
L-LT-LTS900 -- 3406 Cat diesel	6	893	1	2 1/2		D8HZ 8290-A			D4HZ 8291-C
LN-LNT900 -- 6V-92 Detroit diesel	6	552			28 1/2	E5HZ 8290-E			
LN-LNT900 -- 3406 Cat. diesel	6	893	1			D4HZ 8290-C			D4HZ 8291-C
LTL900 -- Cum. (NTC 300) with low temperature after cooler "Before 11/30/87"	6	855	1			E5HZ 8290-E			
LTL900 "Before 12/83"	6	893	1			D4HZ 8290-C			E1HZ 8291-C
LTL900 "From 12/83"	6	893	1			E4HZ 8290-B			E1HZ 8291-C
LTL900	8	736	1		24 1/4	E1HZ 8290-A			E1HZ 8291-D
LTL900 -- Cum. exc. low temp. after cooler	6	855	1	2 1/2	28	E2HZ 8290-A			
LTL900 -- Cum. L10 "From 9/28/88"	6	610				E5HZ 8290-C			

1980/  
TRUCK SERIES 600/900

YEAR	MODEL/RESTRICTIONS	ENGINE		PART NUMBER	DESCRIPTION	QTY.
		CYL.	C.I.D. (C.C.D.)			
80/	Truck	6&8	All	87653-S	(P-13)-plug-required on units w/o air shutter control-1/2"-14 x 3/4" pipe	1
80/	LN-LNT900 -- Detroit diesel	8	568	58636-S2	(BB-5-D)-bolt (pipe to engine)-	2
80/	L-LN-LNT-LT-LTS900 -- Cum. NTC diesel - with A/C	6	855		3/8"-16 x 1 1/2" hex. head	1
				34987-S4	(M-89-CF)-nut-3/8"	2
				351385-S7	(XX-158)-flatwasher-3/8"	6
80/	L-LN-LNT-LT-LTS900 -- Cum. NTC diesel - without A/C	6	855	58643-S2	(B-95-A)-bolt (8290 to eng.)	1
				370770-S2	3/8"-16 x 3 1/4" hex.hd. (XX-140-X) flat washer-3/8"	2
<b>8A291 BRACKET (RADIATOR SUPPORT TO FRAME)</b>						
87/	CF700/800	6	7.8L	E7HZ 8A291-A	#87HU-AA	1
<b>8A292-3 BRACKET (RADIATOR SUPPORT TO BRACE)</b>						
84/88	B-F-FT600/800 -- with tilt hood "Before 7/25/88"	6&8	All	E5HZ 8A293-A	R.H. #E3HT 8A293-BC, E5HT 8A293-EA	1
84/88	B-F-FT600/800 -- with tilt hood "Before 7/25/88"	6&8	All	E5HZ 8A293-B	L.H. #E3HT 8B242-BB, E5HT 8B242-FA	1
88/	B-F-FT600/800 -- with tilt hood "From 7/25/88"	6&8	All	E8HZ 8A293-E E8HZ 8A293-F	R.H. L.H.	1 1
80/83	CL-CLT900-With Fixed Cab	6&8	All	D8HZ 8A292-A	R.H. #D7HT 8A292-CA	1
80/83	CL-CLT900-With Fixed Cab	6&8	All	D8HZ 8A293-F	L.H. #D8HT 8B242-AA,CA,E0HT 8B242-AA, #D7HT 8B242-FB,FC	1
84/87	CL-CLT900 -- with Fixed Cab	All	All	E4HZ 8A293-D	R.H.-#E4HT 8A293-BA	1
84/	CL-CLT900 -- with Fixed Cab	All	All	E4HZ 8A293-C	L.H.-#E4HT 8B242-BA	1
80/87	CL-CLT900 -- with air susp. cab	All	All	E4HZ 8A293-E	R.H.-#E4HT 8A293-AA	1
80/87	CL-CLT900 -- with air susp. cab	All	All	E4HZ 8A293-F	L.H.-#E4HT 8B242-AA	1
88/	CL-CLT900 -- susp. cab	6	All	E8HZ 8A293-A	R.H.-#E8HT-AA	1
88/	CL-CLT900 -- susp. cab	6	All	E8HZ 8A293-D	L.H.-#E8HT 8B242-AB	1
88/	CL-CLT900 -- fixed cab	6	All	E8HZ 8A293-C	R.H.-#E8HT-AA	1
<b>8B293-4 BRACKET (GRILLE GUARD BRACE)-Improve unless shown</b>						
<b>8A297 SUPPORT (RADIATOR)</b>						
88/	CL-CLT900 -- Cum. NTC, L10 diesel ad-tech. sys.	6	855,610	E8HZ 8A297-B	#E8E8HT-BC	1
88/	CL-CLT900 -- Cat. 3406, Cum. diesel-ad-tech. sys.	6	855,893	E8HZ 8A297-F	Side kit-use w/E8HT 8005-CA	1
88/	L-LN-LNT-LL-LT-LTL-LTS900 -- Cum. diesel-ad-tech. sys.	6	855, 610	E8HZ 8A297-A	Support kit-#E8HT-CB-use w/E8HT 8009-CB,GA	1
88/	L-LN-LNT-LT-LTS700/800 -- FNH diesel	6	6.6L, 7.8L			1
88/	L-LN-LNT-LT-LTL-LTS900 -- Cat. 3406 diesel	6	893	★ E8HZ 8A297-D	Support kit-use w/E8HT 8009-AA,BA,CA,DA,EA,FA,GA, HA,JA,LA,MA,NA-r/b E8HZ 8A297-G (7/91)	1
88/	L-LN-LNT-LT-LTL-LTS900 -- Cum. diesel	6	855, 610			1
88/	L-LN-LNT-LT-LTS700/800 -- FNH diesel	6	6.6L, 7.8L			1
88/	LL-LTL900 -- Cat. 3406	6	893	E8HZ 8A297-E	Hoop kit-use w/E8HT 8009-BA	1
88/	LL-LTL900 -- Cum. diesel	6	855, 610			1

**1980/  
TRUCK SERIES 600/900**

YEAR	MODEL/RESTRICTIONS	ENGINE		PART NUMBER	DESCRIPTION	QTY.
		CYL.	C.I.D. (C.C.D.)			
<b>8-8300-1 ANTI-SQUEAK (RADIATOR SUPPLY TANK) - Impregnated paper - Improve</b>						
<b>8307 GUARD (RADIATOR GRILLE) - Also refer to group 18410-1</b>						
80/87	LN-600/750	6&8	All	D0HZ 8307-B		1
80/87	L-LN-LNT-LT800/900	6&8	All	D4HZ 8307-A		1
80/87	LTS800/900	6&8	All	D0HZ 8307-D	#D0HA-C	1
<b>8A308-9 SHIELD (RADIATOR SPLASH)</b>						
80/87	C-CT600/900 gas	6&8	All	D8HZ 8A308-A	R.H.	1
81/87	C-CT600/800 - - diesel	8	501	D8HZ 8A309-B	L.H.	1
80/	C600/800 - - diesel	8	636	D8HZ 8A308-A	R.H.	1
				D8HZ 8A309-B	L.H.	1
80/	C-CT600/900	6&8	All	20326-S8	(B-49)-bolt (R.H. to L.H. shield)-hex. hd.- 5/16"-18 x 5/8"	2
		6&8	All	33797-S7	(M-50)-nut-hex.-5/16"-18	2
		6&8	All	34806-S7	(X-64)-lockwasher-5/16"	2
		6&8	All	44725-S8	(X-22)-washer-flat-5/16"	4
80/	C-CT600/900	6&8	All	40923-S8	(U-264)-screw (R.H. or L.H. shield to radiator lower guard)-tapping-5/16"-18 x 1/2"	AR
80/		6&8	All		Screw (R.H. or L.H. shield to frame side member)	2
80/	C-CT600/900	6&8	All	20308-S7-8	(B-40)-bolt (deflector to floor pan)-hex. hd.- 1/4"-20 x 1/2"	4
80/		6&8	All		Bolt (deflector to front wheel house splash)	6
80/	C-CT600/900	6&8	All	34940-S8	(X-88)-lockwasher-1/4"	4or6
		6&8	All	33795-S7	(M-49)-nut-hex.-1/4"	4or6
		6&8	All	*33112-S7	Screw (deflector to cab mounting frame side member)-No. 10-16 x 3/8"	2
				355920-S32	(MM-276-B)-nut retainer assy.-spring- 1/4"-20	10
<b>8310-1 DEFLECTOR ASSY. (RADIATOR AIR SIDE) - Also refer to group 8326-7</b>						
87	B-F-L Series	6	7.8L	E7HZ 8310-A	E7HT-8A211-AA	1
87	B-F-L Series	6	7.8L	E7HZ 8310-B	E7HT-8A211-BA (w/shutter w/o A/C)	1
87	B-F-L Series - - (ATA)	6	7.8L	E7HZ 8310-E	R.H.-#E7HT 8A211-EA	1
				E7HZ 8311-A	L.H.-#E7HT 8A261-AA	1
84/	B-F600/800 - - tilt hood with air intake duct	6&8	All	E4HZ 8310-A	R.H.-#E3HT 8N341-BA	1
	B-F600/800 - - tilt hood with and without air intake duct	6&8	All	E4HZ 8311-A	L.H.-#E3HT 8N341-AA	AR
80	C-CT600/800 - - M/T- "Before Ser. HD5,001"	8	370	D5HZ 8310-D	R.H.	1
80	C-CT700/800 - - M/T-S/C- "Before Ser. HD5,001"	8	429	D5HZ 8311-D	L.H.	1
80	C-CT600/800 - - A/T- "Before Ser. HD5,001"	8	370,429	*D5HZ 8310-C	R.H.-not replaced	1
80	C-CT700/800 - - M/T-X/C- "Before Ser. HD5,001"	8	429	D5HZ 8311-B	L.H.	1
80/81	C-CT900	8	477,534			1
80/	C700/800 - - Cat. (3208N) diesel	8	636	D5HZ 8310-E	R.H.	1
80/84	C-CT600/800 - - M/T, S/C- "Before 4/84" "From Ser. HD5,001"	8	370,429			1
				D5HZ 8311-E	L.H.	1
84/86	C-CT600/800 - - M/T,S/C	8	370,429	D5HZ 8310-E	R.H.	1
84/	C-700/800 - - Cat. (3208) diesel "From 4/84"	8	638			1
				E4HZ 8311-A	L.H.	1
82/83	C-CT800 - - Cat. (3208T) diesel with extra cooling	8	636	E4HZ 8310-B	R.H.	1
				D3HZ 8311-A	L.H.	1
84/	C-CT800 - - Cat. (3208T) diesel	8	636	E4HZ 8310-B	R.H.	1
80/	L-LN-LNT-LT-LTS900-gas- w/rad. shutters	6&8	All	D6HZ 8310-B	R.H. and L.H.	2

October, 1993

COPYRIGHT © 1993 - FORD MOTOR - DEARBORN, MICHIGAN  
COMPANY

Final Issue

**1980/  
TRUCK SERIES 600/900**

YEAR	MODEL/RESTRICTIONS	ENGINE		PART NUMBER	DESCRIPTION	QTY.
		CYL.	C.I.D. (C.C.D.)			
<b>8310-1 DEFLECTOR ASSY. (RADIATOR AIR SIDE) - Also refer to group 8326-7 - Cont'd</b>						
80/	L-LN-LNT-LT-LTS900- diesel	6&8	All	E1HZ 8310-D	#D5HA 8A211-AA-E1HT 8A211-AA-"T" shaped	1
83/	L-LN-LNT-LT-LTS800 w/rad. shutters	8	636	D5HZ 8310-A	R.H. and L.H.-#D5HA 8A211-AB, EOHT 8A211-AA	2
83/86	L-LN-LNT-LT-LTS900 with and w/o rad. shutters diesel	All	All			2
87/	L-LT-LN-LNT-LTS900 with and w/o rad. shutters diesel	6&8	All	E7HZ 8310-D	R.H. and L.H. #E7HT 8A211-CA	AR
80/86	LN600/700 -- M/T	8	370	D9HZ 8310-A D9HZ 8311-A	R.H.-#D9HT 8A211-CA,CB L.H.-#D9HT 8A261-BA,CA,CB	1 1
80/86	LN600/700 -- M/T,2/B,X/C	8	370			1
80/86	LN600/700 -- A/T	8	370	D9HZ 8310-B D9HZ 8311-B	R.H.-#D9HT 8A211-BA L.H.-#D9HT 8A261-AA,AB,AC,AD	1 1
80/86	LN600/700 -- M/T,4/B,X/C	8	370			1
80/86	LN600/700 -- M/T,S/C	8	370	D9HZ 8310-A D9HZ 8311-C	R.H.-#D9HT 8A211-CA,CB L.H.-#D9HT 8311-CA,CB	1
80/81	L-LN-LNT-LT-LTS 800/900- w/o rad. shutters-gas "Before 2/81"	8	477,534	★D6HZ 8310-C Not replaced	#D6HA 8A211-AA	2
81	L-LN-LNT-LT-LTS800/900- w/o rad. shutters-gas "From 2/81"	8	477,534	E1HZ 8310-C	#E1HT-CA	1
81/82	L-LN-LNT-LT-LTS800- w/o rad. shutters-Cat. 3208 "Before 3/82"	8	636	E1HZ 8310-C	#E1HT-CA	1
84/	LNT900 -- Cummins diesel	6	610	E4HZ 8310-C	#E4HT 8A211-AA	1
82/	L-LN-LNT-LT-LTS800 -- w/o radiator shutters-Cat. 3208 "From 3/82"	8	636			
80/81	L-LT-LTS-LN-LNT800- "Before 2/81"	8	370,429	D8HZ 8310-A D8HZ 8311-A	R.H.-#D7HT 8A211-AA L.H.-#D7HT 8A261-AA	1 1
81/86	L-LN-LNT-LT-LTS800- "From 2/81"	8	370,429	E1HZ 8310-B	#E1HT 8A211-BA	1
81/87	LN600/700 -- Detroit diesel	8	501	E1HZ 8310-A E1HZ 8311-A	R.H. L.H.	1 1
80/	L-LN-LNT-LT-LTS900	6&8	All	33769-S2	(M-89-J)-nut (deflector to shutter)-lock- 1/4"-20	6
<b>8A310 SEAL ASSY. (RADIATOR TO SPLASH SHIELD)</b>						
80/	B-F600/800 -- gas	8	370,429	C8TZ 8A310-C		1
80/86	C-CT600/800	8	370,429	C4TZ 8A310-B	Bottom-straight-incl. flange and rubber seal- 29 5/8" long	1
80/86	C-CT600/800	8	370,429	C4TZ 8A310-C	Side-straight-incl. flange and rubber seal- 7 1/2" long	2
<b>8312 DEFLECTOR ASSY. (RADIATOR AIR UPPER)</b>						
80/	CL-CLT900-With frame Mounted air Cleaner	6&8	All	D8HZ 8312-A		1
80/	CL-CLT900-w/o frame Mounted air Cleaner	6&8	All	D8HZ 8312-B		1
87/	L-LN800 -- w/FTO dsl.	6	6.6L 7.8L	E7HZ 8312-A	E7HT-AA	1
<b>8A316 GUARD (RADIATOR LOWER)</b>						
80/	C-CT600/900	6&8	All	C6TZ 8A316-A		1
80/	C-CT600/900	6&8	All	20453-S8	(B-200)-bolt (guard to frame cross member)- 1/2"-20 x 1 3/8"	4
				33846-S8	(M-69)-nut-1/2"-20	4
				34809-S8	(X-68)-lockwasher-1/2"	4

**1980/  
TRUCK SERIES 600/900**

YEAR	MODEL/RESTRICTIONS	ENGINE		PART NUMBER	DESCRIPTION	QTY.
		CYL.	C.I.D. (C.C.D.)			
<b>8B317 PLATE ASSY. (HEADLAMP PANEL ALIGNMENT)</b>						
80/	CL-CLT900	6&8	All	D8HZ 8B317-A	2 5/64" lg. x 1 1/64" wide-(2) 1/4-20 weld nuts	1
<b>8B323 COVER (RADIATOR GRILLE GUARD BRACE OPENING)</b>						
80/	B-F600/800	6&8	All	C7TZ 8B323-A		2
<b>8326 DEFLECTOR (RADIATOR AIR) - Also refer to group 8310</b>						
84/	B-F600/800 - - with tilt hood	6&8	All	E4HZ 8326-A	Upper-#E3HT 8N301-AA	1
80/	C-CT900	8	All	D3HZ 8326-A	#D3HA 8312-AA-upper	1
80/	C-CT800,C600/700	8	All			1
80/	LN600/700	8	All	D0HZ 8326-B		1
80/	L-LN-LNT-LT-LTS800/900	6&8	All	D0HZ 8326-A		1
80/	L-LN-LNT-LT-LTS800/900	6&8	All	55914-S2	(U-254-F)-screw (deflector to radiator)- self tapping-1/4"-14 x 3/4"	2
<b>8A326 SPACER (RADIATOR GRILLE OPENING SIDE PANEL MOUNTING) - Tubing type improvise from 13/16" O.D. x 9/16" steel tubing; square type improvise from 2" x 2" steel</b>						
88/	L-LN-LNT-LT900 - - Cat. 3406 diesel	6	893	E8HZ 8A326-A	Steel-2.68" long-.75" O.D.	2
88/	L-LN-LNT-LT-LTS900 - - Cum. NTC/Form.	6	855			2
88/	L-LN-LS-LT-LNT-LTS800 - - FNH diesel	6	6.6L,7.8L			1
<b>8B326 BAFFLE (FAN SHROUD REAR PLATE) - Improvise from 1/32" thick x 5 1/8" long x 5 3/4" wide steel</b>						
<b>8327 DEFLECTOR (RADIATOR UPPER AIR)</b>						
80/	L-LN-LNT-LT-LTS900 - - diesel	6&8	All	D5HZ 8327-A	"Z" shaped-36 1/2" long-2 1/4" wide -2 1/4" high	1
80/86	L-LT-LTS-LN-LNT800	8	370,429	D8HZ 8327-A	#D7HT-AA	1
80/81	L-LN-LNT-LT-LTS 800/900 - - w/o rad. shutters-gas "Before 2/2/81"	8	475,477	★D6HZ 8327-A	#D6HA-AA-not replaced (2/90)	1
81	L-LN-LNT-LT-LTS800/900- w/o rad. shutters-gas "From 2/2/81"	8	475,477	E1HZ 8327-A	#E1HT-AA	1
84/	LNT900 - - Cum. diesel	6	10.0L			1
81/	L-LN-LNT-LT-LTS800 - - Cat. diesel "From 2/2/81"	8	636			1
81/	L-LN-LNT-LT-LTS900 - - Cum. diesel "From 2/2/81"	6	855			1
87/	L-LN/800 - - w/FTO dsl.	6	7.8L	E7HZ 8327-B	E7HT-AB	1
<b>8A328 PAD (RADIATOR GRILLE OPENING SIDE PANEL MOUNTING)</b>						
80/	B-F600/800	6&8	All	C3TZ 8A328-A	Reinforced rubber-2 1/2" square	2
<b>8A331 RETAINER (RADIATOR GRILLE OPENING SIDE PANEL MOUNTING) - Improvise from 1/8" thick steel</b>						
<b>8A332-3 BRACE (RADIATOR GRILLE OPENING SIDE PANEL DIAG.)</b>						
80/	CL-CLT900	6&8	All	D8HZ 8A332-B D8HZ 8A333-B	R.H. L.H.	1 1
<b>8B332-3 BRACE (RADIATOR GRILLE OPENING SIDE PANEL) - If not listed below improvise from 1/8" thick steel</b>						
<b>8333 HOSE (RADIATOR BULK) - Also refer to group 8260</b>						
80/	Cut to fit	6&8	All	C9PZ 8333-D	*KS-8 1 1/4" I.D. x 36" long	AR
80/	Cut to fit	6&8	All	C9PZ 8333-A	*KS-5 1 1/2" I.D. x 36" long	AR
80/	Cut to fit	6&8	All	D1PZ 8333-A	*KS-9-A 1 5/8" I.D. x 36" long	AR
80/	Cut to fit	6&8	All	C9PZ 8333-B	*KS-6 1 3/4" I.D. x 36" long	AR
80/	Cut to fit	6&8	All	C9PZ 8333-C	*KS-7 2" I.D. x 36" long	AR
80/	Cut to fit	6&8	All	D9PZ 8333-A	*KS-16 2 1/2" I.D. x 36" long	AR
80/	Cut to fit	6&8	All	D9PZ 8333-B	*KS-17 2 3/4" I.D. x 36" long	AR
80/	Cut to fit	6&8	All	D9PZ 8333-C	*KS-18 3" I.D. x 36" long	AR
80/	Cut to fit	6&8	All	D9PZ 8333-D	*KS-19 3 1/4" I.D. x 36" long	AR
80/	Cut to fit	6&8	All	D9PZ 8333-E	*KS-20 3 1/2" I.D. x 36" long	AR
80/	Cut to fit, Silicone	6&8	All	D9HZ 8333-A	*KSS-15 2 5/16" I.D. x 40" long	AR
80/	Cut to fit, Silicone	6&8	All	D9HZ 8333-B	*KSS-14 2" I.D. x 40" long	AR
80/	Cut to fit, Silicone	6&8	All	D9HZ 8333-C	*KSS-13 2 1/4" I.D. x 40" long	AR

October, 1993

COPYRIGHT © 1993 - FORD MOTOR - DEARBORN, MICHIGAN  
COMPANY

Final Issue

**1980/  
TRUCK SERIES 600/900**

YEAR	MODEL/RESTRICTIONS	ENGINE		PART NUMBER	DESCRIPTION	QTY.
		CYL.	C.I.D. (C.C.D.)			
<b>8333 HOSE (RADIATOR BULK)-Also refer to group 8260 - Cont'd</b>						
80/	Cut to fit, Silicone	6&8	All	D9PZ 8333-F	*KSS-21 2 1/2" I.D. x 36" long	AR
80/	Cut to fit, Silicone	6&8	All	D9PZ 8333-G	*KSS-22 2 3/4" I.D. x 36" long	AR
80/	Cut to fit, Silicone	6&8	All	D9PZ 8333-H	*KSS-23 3" I.D. x 36" long	AR
80/	Cut to fit, Silicone	6&8	All	D9PZ 8333-J	*KSS-24 3 1/4" I.D. x 36" long	AR
80/	Cut to fit, Silicone	6&8	All	D9PZ 8333-K	*KSS-25 3 1/2" I.D. x 36" long	AR
<b>8A333-4 SUPPORT ASSY. (RADIATOR GRILLE BAR TO FRAME)</b>						
80/	C-CT600/900	6&8	All	D7HZ 8A333-A	R.H.	1
				D7HZ 8A334-A	L.H.	1
<b>8A334-5 BRACE (RADIATOR GRILL OPENING PANEL HORIZ.)</b>						
80/	CL-CLT900 - - Easy Ride Cab	6&8	All	D8HZ 8A334-B	R.H.	1
				D8HZ 8A335-B	L.H.	1
80/	CL-CLT900-Fixed Cab	6&8	All	D8HZ 8A335-B	R.H. & L.H.	2
<b>8A336 SUPPORT (RADIATOR GRILL OPENING PANEL BRACKET)</b>						
80/	CL-CLT900 - - without Air Susp.	6&8	All	E0HZ 8A336-A	R.H.	1
80	CL-CLT900 - - With Air Susp. Cab "Before Ser. JA5,001"	6&8	All	D8HZ 8A336-B	R.H.	1
80/	CL-CLT900 - - with Air Susp. "From Ser. JA5,001"	6&8	All	E0HZ 8A336-B	R.H.	1
<b>8A337 SEAL ASSY. (RADIATOR AIR DEFLECTOR UPPER)</b>						
84/	B-F600/800	All	All	E5HZ 8A337-A	#Upper	
86/	CF600/700	6	All	E6HZ 8A337-A	Ret.-rad upr. air seal	1
86/	CF600/700	6	All	E6HZ 8A337-B	Supt.-rad upr. air seal ret.	1
80/	C-CT600/800 - - gas	6&8	All	E0HZ 8A337-A		1
80/	C600/800 - - diesel	8	636			1
<b>8A337 SUPPORT (RADIATOR GRILL OPENING SIDE PANEL)</b>						
80	CL-CLT900 - - With Air Susp. Cab "Before Ser. JA5,001"	6&8	All	D8HZ 8A337-A	L.H.	1
80/	CL-CLT900 - - with Air Susp. "From Ser. JA5,001"	6&8	All	E0HZ 8A337-B	L.H.	1
<b>8A338 BRACKET (HORIZONTAL BRACE TO SHIFT TOWER)</b>						
80/87	CL-CLT900	6&8	All	D8HZ 8A338-B	#D7HT-BB	1
88/	CL-CLT900	6&8	All	E8HZ 8A338-A		1
<b>8A339 SUPPORT ASSY. (RADIATOR TO FRAME)</b>						
84/86	C-CT600/800	8	370,429	E4HZ 8A339-B	#E4HT 8090-AA	1
84/87	C-CT600/800	8	501			1
80/	C-CT600/800 - - diesel	8	636	E4HZ 8A339-A	#E4HT 8A339-AA	1
80/87	C-CT600/800	8	501			1
80/	B-F-FT600/900 - - Hvy. duty frame	6&8	All	*E3HZ 8A339-A	#E3HT-AA-r/b FOHZ 8A339-A (6/90)	1
82/	LTL900 - - diesel	6&8	All	E1HZ 8A339-A	R.H.-#E1HT 8B236-AA	1
				E1HZ 8A339-B	L.H.-#E1HT 8B237-AA	1
<b>8N341 SEAL RADIATOR AIR SIDE</b>						
88/	L-LT-LTS-LN-LNT900 - - Cat. 3406 diesel	6	893	E8HZ 8N341-A	#E8HT-BA	2
88	L-LN-LNT-LT-LTS900 - - Cum. NTC diesel "Before 11/88"	6	855	E8HZ 8N341-B		2
88/	LL-LTL900 - - Cum. 350 w/ A/C or Shutters	6	855			2
89	L-LN-LNT-LS-LT-LTS900 - - "From 11/88"	All	All	E9HZ 8N341-A	Used R.H. & L.H. sides of grille	2
<b>8348-9 SEAL (RADIATOR AIR DEFLECTOR)</b>						
80/	B-F600/800 - - gas	8	370,429	E0HZ 8349-A	#E0HT 8B407-AA	1
80/87	B-F600/800 - - diesel	8	501			1
80/81	C-CT900 - - gas	8	477,534	B8T 8349-A	Cut to fit deflector seal-36 1/4" long	2
87/	B-F600/800 - - diesel	6	6.6L 7.8L	E7HZ 8349-A	Lower-#E7HT-AA mounts to lower rad tank	1
87/	B-F600/800 - - diesel	6	6.6L 7.8L	E7HZ 8349-B	Lower-#E7HT-BA mounts to frame	1

1980/  
TRUCK SERIES 600/900

YEAR	MODEL/RESTRICTIONS	ENGINE		PART NUMBER	DESCRIPTION	QTY.
		CYL.	C.I.D. (C.C.D.)			
<b>8B351-2 HOSE (WATER FILTER SUPPLY OR RETURN) - Improve from bulk hose (4090)</b>						
<b>8354 RETAINER (RADIATOR AIR SIDE SEAL)</b>						
80/81	C CT900 -- gas	8	477.534	B8QH 8354-A		2
<b>8A354 ANTI-SQUEAK (RADIATOR SUPPLY TANK) - Impregnated paper - Improve</b>						
<b>8A357 BRACKET (RADIATOR SUPPLY TANK TUBE) - Improve</b>						
<b>8A360 SPACER (RADIATOR TO FRONT SUPPORT) - Improve from steel tubing</b>						
<b>8A364 BRACE (RADIATOR SUPPORT TO FRAME)</b>						
80/86	C CT600/800	8	370.429	D8HZ 8A364-A	R.H. and L.H.-10 13/16" long	2
80/	C CT600/800 Cat. diesel	8	636	C8HZ 8A364-A	R.H. and L.H.-#C8HA 8A364-A-10 1/2" long	2
81/87	C CT600/800 -- Detroit diesel	8	501	E1HZ 8A364-A	#E1HT-A	1
80/	C CT600/800	8	All	34370-S8	(M-99) nut (brace to radiator support or frame bracket)-lock 3/8" 24	2
				351385-S7	(XX-158)-washer-flat 3/8"	2
<b>8A365 HOSE (RADIATOR SUPPLY)-Also Refer to group 8597</b>						
87	B F600/800	6	7.8L	E7HZ 8A365-C	#E7HT-CA approx. length 30 3/16"	1
88	B F600/800 -- (210 H.P.) "Before 11/24/87"	6	7.8L	E7HZ 8A365-D	#E7HT-DA (silicone) approx. length 30 3/16"	1
88/	B F600/800 -- (210 H.P.) "From 11/24/87"	6	7.8L	E8HZ 8A365-R	#E8HT-YA approx. length 27 23/32"	1
88/	B-F600/800 exc. 210 H.P.	6	7.8L	E8HZ 8A365-S	#E8HT-ZA approx. length 27 23/32" (silicone)	1
		6	7.8L	E8HZ 8A365-G	#E8HT-EA	1
84/	B-F600/800	8	636	E4HZ 8A365-A	#E4HT-AA	1
		8	636	E4HZ 8A365-B	#E4HT-BA (silicone)	1
86/	CF600/700	6	6.6L	E6HZ 8A365-A	#E5HT-JA	1
		6	6.6L	E6HZ 8A365-B	#E5HT-KA	1
85/	CL CLT900	6	855	E5HZ 8A365-C	#E5HT-AA	1
85/87	L-LT-LTS-LTL900	6	855	E5HZ 8A365-D	#E5HT-BA (silicone)	1
81	LN700	8	636	E1HZ 8A365-A	#E1HT-AA	1
80/82	L LT-LTS LNT900	6	855	E2HZ 8A365-C	#E2HZ-C	1
85/	LTL900	6	855	E5HZ 8A365-A	#E5HT-EA (silicone)	1
		6	855	E5HZ 8A365-B	#E5HT-FA	1
88/	L-LT LTS900	6	855	E8HZ 8A365-J	#E8HT-TA	1
88	LN LNT900	6	855	E8HZ 8A365-K	#E8HT-SA (silicone)	1
85/87	LN LNT900	6	855	*E5HZ 8A365-E	#E5HT-CA-r/b E5HZ 8A365-C	1
		6	855	E5HZ 8A365-D	#E5HT-BA,DA (silicone)	1
88/	L LN LNT LT LTS -- w/L10 eng. w/A/T	6	610	E8HZ 8A365-A	#E8HT-GA approx. length 45" L	1
		6	610	E8HZ 8A365-B	#E8HT-HA approx. length 45" L (silicone)	1
89	LN LNT900 Cat. 3306	6	638	E9HZ 8A365-A	#E8HT-LA	1
		6	638	E9HZ 8A365-B	#E8HT-MA (silicone)	1
88	L LN LNT LT LTS700/800 M/T From 11/30/87 to 8/30/88"	6	7.8L	E8HZ 8A365-L	#E8HT-AAA approx. length 31 23/32"	1
88	L LT LTS700/800 M/T "From 8/30/88"	6	7.8L	E8HZ 8A365-M	#E8HT-ABA approx. length 31 23/32" (silicone)	1
88	L LN LNT LT-LTS700/800 A/T "From 11/30/87 to 8/30/88"	6	7.8L	E8HZ 8A365-N	#E8HT-ACA approx. length 36 5/8"	1
88	L LT LTS700/800 - A/T "From 8/30/88"	6	7.8L	E8HZ 8A365-P	#E8HT-ADA approx. length 36 5/8" (silicone)	1
88/	LN LNT700/800 -- "From 8/30/88"	6	7.8L	E8HZ 8A365-T	#E8HT-AEA	1
				E8HZ 8A365-U	#E8HT-AFA (silicone)	1
87/88	LTL900 Cum. L10 "Before 11/30/87"	6	610	E7HZ 8A365-A	#E7HT-AA approx. length 34.L"	1
		6	610	E7HZ 8A365-B	#E7HT-BA approx. length 34.L (silicone)	1
89	LL LTL900 Cum. L10	6	610	E9HZ 8A365-C	#E8HT-UA	1
		6	610	E9HZ 8A365-D	#E8HT-VA (silicone)	1
88/	LL LTL900 Cat. 3406	6	893	E8HZ 8A365-C	#E8HT-JA approx. length 34 1/2"	1
		6	893	E8HZ 8A365-D	#E8HT-KA approx. length 34 1/2" (silicone)	1
88/	LL LTL900 Cat. 3406	6	893	E8HZ 8A365-E	#E8HT-NA approx. length 36 1/2"	1
		6	893	E8HZ 8A365-F	#E8HT-RA approx. length 36 1/2 (silicone)	1
<b>8A366 HOSE (RADIATOR SUPPLY TANK VENT TUBE CONNECTOR) - Improve from bulk hose (9324)</b>						

October, 1993

COPYRIGHT © 1993 - FORD MOTOR - DEARBORN, MICHIGAN  
COMPANY

Final Issue

1980/  
TRUCK SERIES 600/900

YEAR	MODEL/RESTRICTIONS	ENGINE		PART NUMBER	DESCRIPTION	QTY.
		CYL.	C.I.D. (C.C.D.)			
<b>8A370 BOLT (RADIATOR INSULATOR TO BRACKET)</b>						
82	LTL900 "Before 1/81"	6&8	All	E1HZ 8A370-A	3/4"-10 hex. shoulder	2
82/	LTL900 "From 1/81"	6&8	All	E2HZ 8A370-A	3/4"-10 hex. shoulder	2
<b>8B375 SPACER (LOWER RADIATOR GRILLE REINFORCEMENT)</b>						
80/	CL-CLT900	6&8	All	D8HZ 8B375-A		1
<b>8B378-9 GASKET SET (RADIATOR TANK)-Also refer to 8C261 or 8A468 group</b>						
80/86	CL-CLT900 -- diesel	6&8	736,568 855,1150 893	★ D8HZ 8B379-A /bE5HZ 8A468-H (2/90)	Vendor supply-consists of gaskets, and standard parts	1
83/84	CL-CLT	6	9.0L 552	E4HZ 8B378-B	Upper gasket	1
				E4HZ 8B378-B	Lower gasket	1
87/88	CL-CLT900 -- Cum. NTC diesel "Before 11/87"	6	855	E7HZ 8A379-E	Tank & gasket kit-Bottom-use w/E7HT 8005-AAB-for top tank refer to basic 8A468	1
80/86	L-LN-LNT-LT-LTS900 -- Detroit diesel	6	426	★ D0HZ 8B378-C /bE5HZ 8A468-E (2/88)	R.H.-consists of (4) D0HZ 8B378-A and (4) D0HZ 8B378-B gaskets	1
80/86	L-LN-LNT-LT-LTS900 -- Cum. diesel	6	855			1
80/86	L-LN-LNT-LT900 -- Detroit diesel	8	568			1
80/86	L-LN-LNT-LT-LTS900 -- Detroit diesel	6	426	★ D0HZ 8B379-B /bE5HZ 8A468-B (2/88)	L.H.-consists of (2) D0HZ 8B379-A and (2) D0HZ 8B378-B gaskets	1
80/86	L-LN-LNT-LT-LTS900 -- Cum. diesel	6	855			1
80/86	L-LN-LNT-LT900 -- Detroit diesel	8	568			1
85/86	L-LT-LTS-LN-LNT	6&8	All	E5HZ 8A378-A	W/E5HZ 8005-G-R.H. tank & gasket kit	AR
	L-LT-LTS-LN-LNT	6&8	All	E5HZ 8A379-A	W/E5HZ 8004-G-L.H. tank & gasket kit	AR
85/86	L-LT-LTS-LN-LNT	6&8	All	E5HZ 8A378-B	W/E5HZ 8005-A,F-R.H. tank & gasket kit	AR
	L-LT-LTS-LN-LNT	6&8	All	E5HZ 8A379-B	W/E5HZ 8005-A-L.H. tank & gasket kit	AR
85/86	L-LT-LTS-LN-LNT	6&8	All	E5HZ 8A378-C	W/E5HZ 8005-F-L.H. tank & gasket kit	AR
87/88	L-LN-LNT-LS-LST-LT-LTS900 -- Cum. NTC diesel "Before 11/87"	6	855	E7HZ 8A379-D	Tank & gasket kit-R.H.-use w/E7HT 8005-ACB	1
				E5HZ 8A379-A	L.H.	1
83/86	LTL900	All	All	E5HZ 8A468-L	Vendor supply-consists of gaskets	1
85/86	LTL	6&8	All	E5HZ 8A378-C	W/E5HZ 8005-B-R.H. tank & gasket kit	AR
	LTL	6&8	All	E5HZ 8A379-D	W/E5HZ 8005-B-L.H. tank & gasket kit	AR
87/88	LTL900 -- Cum. L10 diesel "Before 11/87"	6	610	E7HZ 8A379-C	Tank & gasket kit-R.H.-use w/E7HT 8005-ASB	1
				E5HZ 8A379-D	L.H.	1
87/88	LTL900 -- Cum. NTC diesel "Before 11/87"	6	855	E7HZ 8A379-A	Tank & gasket kit-R.H.-use w/E7HT 8005-YB	1
				E7HZ 8A379-B	L.H.	1
<b>8A397 SEAL RADIATOR (UPPER)</b>						
86/88	CF600/700 "Before 4/1/88"	6	All	E6HZ 8A397-A	#E5HT-AB	AR
88/	CF600/700 -- exc. 235 H.P.	6	6.6L,7.8L			
88/	CF600/700 -- 235 H.P.	6	7.8L	E8HZ 8A397-A		1
87/	B-F800 w/FTO dsl.	6	6.6L 7.8L	E7HZ 8A397-A	#E7HT-AA	AR
89	L-LL-LN-LNT-LS-LT-LTL-LTS 900 -- Cum. diesel	6	855	E9HZ 8A397-A	With adhesive backing-used at top of rad. grille	AR
<b>8A398 SEAL ASSY. (RADIATOR UPPER TO SUPPORT)-Improvise</b>						
<b>8B404 GLASS (RADIATOR COOLANT LEVEL SIGHT)</b>						
80/84	L-LN-LNT-LT-LTS800/900 "Before 3/84"	6&8	All	D9HZ 8B404-A		2
84/	L-LN-LNT-LT-LTS800/900 "From 3/84"	6&8	All	E4HZ 8B404-A		1
<b>8407 SUPPORT (RADIATOR GRILLE UPPER)</b>						
80/	B-F600/800	6&8	All	D3TZ 8407-A		1



1980/  
TRUCK SERIES 600/900

YEAR	MODEL/RESTRICTIONS	ENGINE		PART NUMBER	DESCRIPTION	QTY.
		CYL.	C.I.D. (C.C.D.)			
<b>8A409 FRAME ASSY. (RADIATOR GRILLE UPPER)</b>						
80	CL-CLT900	6&8	All	D8HZ 8A409-B	Tilt grille only	1
<b>8A410 FRAME ASSY. (RADIATOR GRILLE LOWER)</b>						
80/81	CL-CLT900- "Before 9/80"	6&8	All	D8HZ 8A410-B		1
81/	CL-CLT900- "From 9/80"	6&8	All	E1HZ 8A410-A		1
<b>8419 MOULDING (RADIATOR GRILLE OPENING)</b>						
80/86	L-LN-LNT-LT-LTS600/900 -- w/o extended frame	6&8	All	★ E4HZ 8419-B	#E5HT 8B189-AA-r/b E7HZ 8419-A (10/87)	1
87/	L-LN-LNT-LT-LTA-LTS600/900 -- w/o extended frame	6&8	All	E7HZ 8419-A	#E8HT 8B189-AA	1
80/84	L-LT-LTS800/900 -- extended frame "Before 2/84"	6&8	All	D5HZ 8419-A		1
80/84	LN-LNT800/900 -- extended frame "Before 2/84"	6&8	All			1
84/86	L-LN-LNT-LT-LTS600/900 -- w/o PTO w/extended frame "From 2/84"	6&8	All	★ E4HZ 8419-A	#E4HT 8B189-BA-r/b E7HZ 8419-B (2/88)	1
87/	L-LN-LNT-LT-LTS600/900 -- w/extended frame	6&8	All	E7HZ 8419-B	#E8HT 8B189-BA	1
87/	L-LN-LNT-LT-LTS600/900 -- w/P.T.O.	6&8	All	E7HZ 8419-C	#E8HT 8B189-CA	1
82/	LTL900	6&8	All	E1HZ 8419-A	Upper R.H.-#E1HT 8B421-AC	1
				E1HZ 8419-B	Upper L.H.-#E1HT 8B422-AC	1
				E1HZ 8419-C	Lower R.H.-#E1HT 8156-AA	1
				E1HZ 8419-D	Lower L.H.-#E1HT 8C254-AA	1
<b>84A19 SUPPORT ASSY. RADIATOR LOWER</b>						
88/	L-LN-LNT-LT-LTS900 -- Cat. 3406 diesel-ATA, Cum. diesel	6	855, 893	E8HZ 8A419-A	#E8HT-CA	1
88/	L-LN-LNT-LT-LTS800 -- FNH diesel-w/ad-tech. sys.	6	6.6L,7.8L	E8HZ 8A419-C		1
<b>8B420 PAD (ANTI-SQUEAK RADIATOR SUPPLY TANK STRAP) - Improve</b>						
<b>8A421 INSULATOR (RADIATOR SUPPORT BRACE)</b>						
84/	B-F600/800 -- w/tilt front end	6&8	All	E4HZ 8A421-A	Upper-#E3HT 8B462-BA	1
86/	CF600/700	6	All	D0HZ 8A421-A	#D0HA 8B462-C-upper	2
				D0HZ 8A421-B	#D0HA 8B463-C-lower	2
80/	C-CT800/900	8	All	D3HZ 8A421-A	#D3HA 8B463-AA-lower	2
80/87	L-LN-LNT-LT-LTS600/900	6&8	All	D0HZ 8A421-A	#D0HA 8B462-C-upper	2
				D0HZ 8A421-B	#D0HA 8B463-C-lower	2
88/	L-LT-LTS-LTL900	6	855	E8HZ 8A421-B	#E8HT-BB-upper	AR
88/	L-LN-LNT-LT-LTS900 -- Cum. L10 diesel	6	610	F0HZ 8A421-A	#E9HT-AA-upper	2
88/	L-LA-LTA-LN-LNT-LS-LT-LTS900 -Cat. 3406, Cum. NTC/Form.	6	855, 893			2
88/	L-LN-LNT-LS-LT-LTS700/900	6	6.6L,7.8L			2
82/	LTL900	6&8	All	E1HZ 8A421-A	#E1HT 8B462-AA-upper	1
				E1HZ 8A421-B	#E1HT 8B463-AA-lower	1
88/	L-LN-LT-LNT-LTS900 -- Cat. 3406 diesel	6	All	E8HZ 8A421-A	#E8HT 8B463-AA-lower	AR
88/	L-LN-LNT-LS-LT-LTS700/900	6	6.6L,7.8L			2
88/	L-LS-LT-LTS-LTL900 -- Cum. diesel	6	855	E8HZ 8A421-B	#E8HT 8A421-BB-upper	AR
<b>8A424 FILTER ASSY. (WATER)</b>						
83/	B-F700/800-Cat 3208 diesel	8	636	E3HZ 8A424-A	#FW-14 spin-on	1
87/	w/FNH dsl.	6	6.6L, 7.8L	★ E7HZ 8A424-A	#FW-17-replacement for complete coolant change-r/b E7HZ 8A424-C (2/90)	1

1980/  
TRUCK SERIES 600/900

YEAR	MODEL/RESTRICTIONS	ENGINE		PART NUMBER	DESCRIPTION	QTY.
		CYL.	C.I.D. (C.C.D.)			
<b>8A424 FILTER ASSY. (WATER) — Cont'd</b>						
87/	w/FNH dsl.	6	6.6L 7.8L	E7HZ 8A424-B	#FW-18-use every 12,000 mile repl. for normal maintenance	1
87/	B F LN700/800 - FNH	6	6.6L 7.8L	E7HZ 8A424-C	*FW-19-replacement for complete coolant change	1
87/	L LN-LNT LT LTS LTL900	6	6.6L 7.8L			
89	FNH					1
89	L LN-LNT LS-LT LST900	6	638			
84	- Cat. 3306 dsl.					
84	L LN-LNT LT LTS-LTL600/900	8	636	E3HZ 8A424-A	#FW-14 spin-on	1
	Cat. 3208 diesel					
80/86	L LN-LNT-LT LTS900 - diesel	6	426	D5HZ 8A424-B	*FW-8-A-spin on	1
80/86	L LN LNT-LT900 - - diesel	8	568			1
80/86	CL-CLT900	6	552			1
82/86	LTL900 - diesel	8	736			1
80/	L LN-LNT LT-LTS900	6	855	★	Secure from Cum. source	1
<b>8A425 BRACKET (WATER FILTER MOUNTING)</b>						
83/	B F700/800 - Cat 3208 diesel	8	636	E3HZ 8A425-A	#EDE3HT-AA	1
87/	B F-L600/900 - w/FTO dsl.	6	6.6L 7.8L	F1HZ 8A425-A	E7HT-AB, F1HT-AA	1
80/86	CL-CLT900 - diesel	6&8	552,568 736	D8HZ 8A425-B	#D7HT-EA,EB,FA	1
	"Before Ser. HJ5,001"					
80/86	CL-CLT900 - diesel	6&8	568 736	E0HZ 8A425-B	#E0HT-BA	1
	"From Ser. HJ5,001"					
80/84	CL-CLT900 - diesel	6	552	E0HZ 8A425-B	#E0HT BA	
	"From Ser. HJ5,001"					
85/86	CL-CLT900 - diesel	6	552	E5HZ 8A425-A	#E5HT-AA	1
84/	L-LN LNT LT-LTS-LTL600/900	8	636	E3HZ 8A425-A	#E3HT-AC	1
	Cat. 3208 diesel					
80/86	L LN-LNT-LT-LTS900 - - diesel	6	426	D2HZ 8A425-B	#D2HA-BA, EDD2HA-BA-use w/spin-on filter	1
80	L-LN LNT-LT900 - diesel (8V-71N)	8	568	★ D5HZ 8A425-A	#D5HA-DA	1
	"Before Ser. HJ5,001"			Not replaced		
80/86	L-LN LNT-LT900 - - diesel	8	568	E0HZ 8A425-C	#E0HT-AA	1
	"From Ser. HJ5,001"					
80/86	L-LN-LNT-LT900 diesel (8V-71)	8	568	D8HZ 8A425-C	#D8HT-BA	1
82/86	LTL900	8	736			1
80/86	LN-LNT900 - diesel (6V 92)	6	552	E0HZ 8A425-A	#E0HT-CA	1
89	LN-LNT900 - Cat. 3306	6	893	E9HZ 8A425-A		1
80/86	LN-LNT900 - diesel	8	568	58633-S2	(B-77-D)-bolt (bracket to engine)-3/8"-16 x 3/4"-hex.head	1
80/86	LN-LNT900 - Detroit diesel	8	568	58635-S2	(B-82-A) bolt (bracket to engine)-3/8"-16 x 1 1/4"	1
<b>8A431 VALVE ASSY. (ENGINE WATER FILTER)</b>						
80/	L-LT900 - - diesel	All	All	C6TZ 8A431-A	For water filter installation using 3/8" I.D. hose	2
<b>8A432 FITTING (WATER FILTER HOSE)</b>						
80/86	L LN-LNT-LT-LTS900 diesel	6	426	DOHZ 8A432-F	Connector (radiator tank hose)-1/4" pipe and 3/4" hose	1
80/81	L LN-LNT-LT800/900 gas Calif.	8	477,534			1
80/	L-LN LNT-LT-LTS900 - - Cum. NTC diesel	6	855	DOHZ 8A432-L	Elbow (radiator vent hose to engine) 45°-3/4"-14 pipe	1
84/	LNT900 - - Cum. diesel	6	10.0L			1
80/	L-LN-LNT-LT-LTS900 - - diesel	6	855	DOHZ 8A432-R	Elbow (radiator vent hose to thermostat housing)-3/8"-18 pipe and 3/4" hose	1
82	LN-LNT - - Cum NTC diesel	6	855	E2HZ 8A432-A	"Y" shaped-aspirator type-3/4"	1

**1980/  
TRUCK SERIES 600/900**

YEAR	MODEL/RESTRICTIONS	ENGINE		PART NUMBER	DESCRIPTION	QTY.
		CYL.	C.I.D. (C.C.D.)			
<b>8A432 FITTING (WATER FILTER HOSE) — Cont'd</b>						
80/86	L-LN-LNT-LT-LTS900 -- diesel	6	426	D0HZ 8A432-A	"Y" shaped-aspirator type-3/4"-16-3/8" and 3/4" hose	1
80/86	L-LN-LNT-LT-LTS900	8	568			1
80/	L-LN-LNT-LT-LTS800 -- diesel	8	636			1
80/	L-LN-LNT-LT-LTS900 -- diesel	6	426,855	D0HZ 8A432-H	Connector (radiator tank hose to engine)-	1
80/86	L-LN-LNT-LT-LTS900 -- diesel	8	568		1"-11 x 1" hose	1
80/	L-LN-LNT-LT-LTS900 -- diesel	6	855	D0HZ 8A432-G	Fitting (radiator tank hose to radiator)-	1
80/86	L-LN-LNT-LT900 -- diesel	8	568		3/4" x 1" hose	1
80/81	L-LN-LNT-LT-LTS800/900 gas	8	477,534	D0HZ 8A432-B	Elbow (radiator vent hose to engine-1/8" pipe and 3/4" hose)	1
80/	L-LN-LNT-LT-LTS800 -- diesel	8	636			1
80/86	L-LT900 -- diesel	8	568	D0HZ 8A432-C	Tee (air handling hose)-3/8" pipe and 5/8" hose	1
80/86	L-LT900 -- diesel	8	568	D0HZ 8A432-D	Tee (radiator vent hose)-1/2" pipe-1/4" and 3/4" hose-8 1/2" long	1
<b>8B433-4 REINFORCEMENT (GRILLE OPENING PANEL)</b>						
80/	LTS800/900 -- w/butterfly hood	8	All	D0HZ 8B433-A	R.H.	1
80/	LNT-LT-LTS800/900 -- extended frame	6&8	All	D0HZ 8B434-A	L.H.	1
<b>8448-9 REINFORCEMENT (RADIATOR GRILLE)</b>						
80/	CL-CLT900	6&8	All	D8HZ 8448-D	R.H.	1
				D8HZ 8449-B	L.H.	1
<b>8A450 SPACER (RADIATOR LOWER)</b>						
80/82	LT-LTS-LN-LNT900- "Before 6/1/82"	6&8	All	D8HZ 8A450-A	L.H., #D7HT 8K156-AA	1
82/	LT-LTS-LN-LNT900- "From 6/1/82"	6&8	All	E2HZ 8A450-A	L.H.-#E2HT 8K156-AA	1
82/	LTL900	6&8	All	E1HZ 8A450-A	#E1HT 8K156-BA	1
<b>8453 BUMPER (RADIATOR GRILLE SPACER)</b>						
80/	CL-CLT900	6&8	All	D8HZ 8453-A		2
<b>8457 ANTI-RATTLE (RADIATOR GRILLE UPPER PANEL) - Improvise from sponge rubber</b>						
<b>8A468 GASKET KIT (RADIATOR)-Also refer to 8B378-9 group</b>						
85/86	C-CLT	6&8	All	E5HZ 8A468-F	W/E5HZ 8005-E-top tank baffle & gasket kit	A
85/86	C-CLT	6&8	All	E5HZ 8A468-G	W/E5HZ 8005-E-bottom tank & gasket kit	AR
85/86	C-CLT	6&8	All	E5HZ 8A468-H	W/E5HZ 8005-C&E-gasket & screw kit	AR
85/86	C-CLT	6&8	All	E5HZ 8A468-J	W/E5HZ 8005-C-top tank, baffle & gasket kit	
85/86	C-CLT	6&8	All	E5HZ 8A468-K	W/E5HZ 8005-C-bottom tank & gasket kit	AR
87/88	CL-CLT900 -- Cum. NTC diesel "Before 11/87"	6	855	E7HZ 8A468-B	W/E7HT 8005-AAB-top & bottom	2
87/88	CL-CLT900 -- Cum. NTC diesel "Before 11/87"	6	855	E7HZ 8A468-E	W/E7HT 8005-AAB-tank & gasket kit-top	1
85/86	L-LT-LTS-LN-LNT	6&8	All	E5HZ 8A468-A	G-baffle & gasket kit	AR
85/86	L-LT-LTS-LN-LNT	6&8	All	E5HZ 8A468-B	A,F,G-L.H. gasket kit	AR
85/86	L-LT-LTS-LN-LNT	6&8	All	E5HZ 8A468-C	W/E5HZ 8005-G-R.H. gasket kit	AR
85/86	L-LT-LTS-LN-LNT	6&8	All	E5HZ 8A468-D	W/E5HZ 8005-A,F-baffle & gasket kit	AR
85/86	L-LT-LTS-LN-LNT	6&8	All	E5HZ 8A468-E	W/E5HZ 8005-A,F-R.H. gasket kit	AR
87/88	L-LN-LNT-LS-LST-LT-LTS 900 -- Cum. NTC "Before 11/87"	6	855	E7HZ 8A468-C	W/E7HT 8005-ACB-R.H.	1
87/88	L-LN-LNT-LS-LST-LT-LTS 900 -- Cum. NTC "Before 11/87"	6	855	E7HZ 8A468-A	W/E7HT 8005-ACB-baffle & gasket kit-L.H.	1
85/86	LTL	6&8	All	E5HZ 8A468-L	W/E5HZ 8005-B-gasket kit	AR
85/86	LTL	6&8	All	E5HZ 8A468-M	W/E5HZ 8005-B-baffle & gasket kit	AR
87/88	LTL900 -- Cum. NTC diesel "Before 11/87"	6	855	E7HZ 8A468-D	W/E7HT 8005-YB-L.H.	2
87/88	LTL900 -- Cum. NTC diesel "Before 11/87"	6	855	E7HZ 8A468-F	W/E7HT 8005-YB-baffle & gasket kit-R.H.	1

1980/  
TRUCK SERIES 600/900

MODEL	ENGINE		INCL. CON- TROL	LESS CON- TROL	PART NUMBER		
	CYL.	C.I.D.			● AIR TYPE	● VACUUM TYPE	WATER SENSING TYPE
● AIR TYPE FOR UNITS WITH AIR BRAKES, VACUUM TYPE FOR UNITS WITH VACUUM BRAKES							
8475 SHUTTER ASSY. (RADIATOR) - Refer to General Information Section for T.S.L. information							

1980/

C-CT900	8	477,534	x		D7HZ 8475-A	D9HZ 8475-A	
CL-CLT900 - - Kysor	6&8	All	X		E1HZ 8475-C		
CL-CLT900 - - Evans	6&8	All	X		E1HZ 8475-B		
CL-CLT900 - Cum. 444	6	855	x		E8HZ 8475-B		
L-LT-LTS-LN-LNT800/900 air brakes-Kysor & Evans shutters	8	477,534, 636	x		D5HZ 8475-F		
L-LT-LTS-LN-LNT800/900- hydraulic brakes	8	477,534, 636	x		D8HZ 8475-C		
LN-LNT900 - Cum. NTC 270 diesel	6	855	X		E4HZ 8475-A		
L-LN-LNT-LT-LTS w/Cum. NTC/Form or L10	6	855,610	x		E8HZ 8475-A		
L-LN-LNT-LT800 - - diesel- air brakes Evans shutters	8	636	x		D8HZ 8475-F		
L-LN-LNT-LT-LTS900 - - (diesel) air brakes for Evans or Kysor shutters	6&8	All	x		E7HZ 8475-A		
LTL900 "Before 11/30/87"	6&8	All	x		E1HZ 8475-A		

YEAR	MODEL/RESTRICTIONS	ENGINE		PART NUMBER	DESCRIPTION	QTY.
		CYL.	C.I.D. (C.C.D.)			
8475 SHUTTER ASSY. (RADIATOR) - Cont'd						
80/87	C-CT700/900 gas	8	All	56301-S2	(B-318-GB)-bolt (shutter to radiator) 1/4"-20 x 1/2"	4
80/87	C-CT700/900 gas	8	All	33769-S2	(M-89-J)-nut-1/4"-20	4
80/81	C-CT900 - gas and air brakes	8	477,534	45054-S8	(M-120)-nut-spring-1/4"	1
80/	L-LN-LNT-LT-LTS800/900	6&8	All	359294-S37	(BB-574-A)-bolt (shutter to radiator) 1/4"-20 x 1/2"	AR

MODEL	ENGINE		INCL. CON- TROL	LESS CON- TROL	PART NUMBER		
	CYL.	C.I.D.			● AIR TYPE	● VACUUM TYPE	WATER SENSING TYPE
● AIR TYPE FOR UNITS WITH AIR BRAKES, VACUUM TYPE FOR UNITS WITH VACUUM BRAKES							
8476 CONTROL ASSY. (RADIATOR SHUTTER) - Also refer to group 8488-Refer to General Information Section for T.S.L. information							

1980/

C-CT900 - gas	8	477,534			C7TZ 8476-G	D8HZ 8476-C	
CL-CLT900 - - Evans	6&8	All			D8HZ 8476-A		
L-LN-LNT-LT-LTS800 diesel w/or W/o fan Clutch	8	636					D0HZ 8476-A
L-LN-LNT-LT-LTS880,900 gas	8	477,534					
L-LT-LTS-LN-LNT800 gas and hydraulic brakes	8	475				D8HZ 8476-C	
L-LN-LNT-LT900 - diesel	6	426			C7TZ 8476-G		D3HZ 8476-B
L-LN-LNT-LT900 - diesel	8	568					
L-LN-LNT-LT-LTS900 - diesel	6	893					
L-LN-LNT-LT-LTS900 - Cum. NTC, PT 270 diesel	6	855			C7TZ 8476-G		D5HZ 8476-D

**1980/  
TRUCK SERIES 600/900**

YEAR	MODEL/RESTRICTIONS	ENGINE		PART NUMBER	DESCRIPTION	QTY.
		CYL.	C.I.D. (C.C.D.)			
YEAR	MODEL/RESTRICTIONS	ENGINE		PART NUMBER	DESCRIPTION	QTY.
		CYL.	C.I.D. (C.C.D.)			
<b>8476 CONTROL ASSY. (RADIATOR SHUTTER)</b>						
80/	L-LN-LNT-LT-LTS900 -- diesel	6&8	426,568, 855	56122-S2	(B-319-M)-bolt (control to radiator)- 5/16"-18 x 1"	2
<b>8B480 SHIM (RADIATOR and HEADLAMP GUARD)</b>						
80/	LN600/800	6&8	All	DOHZ 8B480-A		AR
<b>8A481 BRACKET (RADIATOR SHUTTER CONTROL THERMOSTAT HOSE)-Improvise from steel</b>						
<b>8A483 SUPPORT (RADIATOR HOSE)-Improvise if not listed below</b>						
88/	L-LN-LNT900 -- with Cat. 3406	6	893	E8HZ 8A483-A		1
88/	L-LN-LNT-LT900 -- with Cum. L10 A/T	6	610			1
88/	L-LN-LNT-LT-LTS900 -- Cum. NTC/Form	6	855			1
88	L-LN-LS-LT-LNT-LTS800 -- FNH diesel	6	6.6L,7.8L		Used to mount water fill pipe	1
88/	L-LN-LNT-LT-LTS900 -- with FNH Diesel- "From 11/30/87"	6	6.6L, 7.8L	E8HZ 8A483-B		1
89	LN-LNT900 -- Cat. 3306	6	638	E9HZ 8A483-A		1
<b>8B486 HANDLE ASSY. (RADIATOR and HEADLAMP GUARD LATCH)</b>						
80/	L-LN-LNT-LT-LTS600/900	6&8	All	DOHZ 8B486-A		2
<b>8488 THERMOSTAT ASSY. (RADIATOR SHUTTER CONTROL)-Also refer to group 8476</b>						

**GASOLINE**

80/87	C-CT900 -- With Evans Shutters	8	All	D8HZ 8488-A	#EC-40A-170°-Water sensing type	1
80/86	C-CT900, L-LN-LNT-LT-LTS800/900- With Kysor Shutters	8	All	D3HZ 8488-C	#D3HS-AA, D7HT 8488-FA-170°-air type	1
80/86	L-LN-LNT-LT-LTS800/900- with Evans Shutters	8	All			1

**DIESEL**

80/	CL-CLT900	6&8	All	D8HZ 8488-A	#EC-40A-170° -water sensing type	1
80/84	CL-CLT900	6	552			1
80/	C-CT900 -- With Evans Shutters	8	All			1
80/	L-LN-LNT-LT-LTS800- with Evans shutters	6&8	All			1
85/86	CL-CLT900 -- with Kysor shutters	6	552	E5HZ 8488-A	#E5HT-AA, 170°	1
80/	C-CT900, L-LN-LNT-LT-LTS800/900- With Kysor Shutters	6&8	All	D3HZ 8488-C	#D3HS-AA, D7HT 8488-FA-170°-air type	1
80/	L-LN-LNT-LT-LTS900 With Evans Shutters	6&8	All			1
82/	LTL900	6&8	All			1
80/81	C-CT900 gas and air brakes	8	477,534	357466-S	(II-153)-elbow (hose connecting)-1/8"-90°	1
80/81	C-CT900 -- gas and hyd/vac. brakes	8	477,534	358244-S	(II-183)-elbow (thermostat to tube)- 1/8" thread	1
<b>8B488 BUSHING (RADIATOR and HEADLAMP GUARD LATCH OUTER)</b>						
80/	L-LN-LNT-LT-LTS600/900	6&8	All	DOHZ 8B488-A		2
<b>8B490 BUSHING (RADIATOR and HEADLAMP GUARD LATCH INNER)</b>						
80/	L-LN-LNT-LT-LTS600/900	6&8	All	*	Refer to group 9A763	4
<b>8A491 Refer to group 16746</b>						
<b>8B491 SHAFT (RADIATOR and HEADLAMP GUARD LATCH)</b>						
80/	L-LN-LNT-LT-LTS600/900	6&8	All	DOHZ 8B491-A		2
<b>8B492 SPRING (RADIATOR and HEADLAMP GUARD LATCH)</b>						
80/	L-LN-LNT-LT-LTS600/900	6&8	All	DOHZ 8B492-A		2

October, 1993

COPYRIGHT © 1993 - FORD MOTOR - DEARBORN, MICHIGAN  
COMPANY

Final Issue

**1980/  
TRUCK SERIES 600/900**

YEAR	MODEL/RESTRICTIONS	ENGINE		PART NUMBER	DESCRIPTION	QTY.
		CYL.	C.I.D. (C.C.D.)			
<b>8493 HOSE or TUBE ASSY. (RADIATOR SHUTTER)</b>						
<b>C-CT SERIES</b>						
<b>NOTE 2- For hoses with reusable ends, refer to group 2A210</b>						
80/81	C-CT900 -- gas	8	477,534	★ B9TZ 8493-A	9 1/8" long-hose-thermostat outlet-not replaced	1
80/	C-CT600/900 -- w/air brakes	8	All	C3TZ 8493-A	13" long-hose with crimped ends-thermostat to air filter-with front wheel brake air limiting valve-at (2A208) valve on frame-NOTE 2	1
80/81	C900 -- gas w/o air brakes	8	477,534	C3TZ 8493-M	14 3/4" long-hose-thermostat inlet	1
80/81	C-CT900 -- gas and air brakes	8	477,534	★ D3HA 8493-AA	4 3/4" long-1/4" O.D. copper tubing-cut to fit from bulk tubing (2269)-compressor to thermostat inlet tube	1
<b>L SERIES</b>						
80/	L-LT800 -- diesel	8	636	C8HZ 8493-A	56" long-inlet	1
80/81	L-LN-LNT-LT-LTS800/900 -- gas and air brakes	8	477,534	C4TZ 8493-J	27 1/2" long-hose-with crimped ends-compressor to thermostat	1
80/	B-F-L-LN-LNT-LT-LTS600/900	6&8	All	357466-S	(II-153)-elbow (hose to thermostat or check valve)-1/8"-90°	1or2
80/	B-C-CT-F-L-LN-LNT-LT-LTS600/900	8	All	358016-S	(II-72)-adapter-pipe-1/8"	1or2
80/	B-C-CT-F-L-LN-LNT-LT-LTS600/900	8	All	353433-S	(BB-212)-bolt (hose to thermostat hose bracket)-3/4"-24 x 13/16"	1
				33800-S8	(M-63)-nut-3/8"-24	1
				34807-S8	(X-66)-lockwasher-3/8"	1
80/	C-CT600/900	8	All	357943-S	(II-155-A)-elbow (thermostat to air filter hose assy.)-90°-1/4" pipe x 1/8" pipe thread	1
80/81	C-CT900 -- gas and air brakes	8	477,534	352973-S100	(GG-146)-clip (tube to compressor)	1
80/81	C-CT900 -- gas and air brakes	8	477,534	373171-S	(II-153-B)-elbow (inlet hose to thermostat)-90° x 7/16" tube x 1/8"-27	1
80/81	C-CT900 -- gas and air brakes	8	477,534	352928-S	(II-26-C)-connector (inlet tube to hose)-1/4" tube x 1/8"-27	1
<b>8B493 REINFORCEMENT (RADIATOR and HEADLAMP GUARD LATCH)</b>						
80/	L-LN-LNT-LT-LTS600/900	6&8	All	D0HZ 8B493-A	Use with 3" or 6" bumper extension	2
80/	L-LN-LNT-LT800/900	6&8	All	D4HZ 8B493-A		1
<b>8494 TUBE ASSY. (RADIATOR SHUTTER CONTROL TO AIR CYLINDER) - Improvise from bulk tubing (2269)</b>						
80/81	C-CT900 -- gas	8	477,534	377696-S	(GG-213-B)-clip-tubing-1/4"	AR
80/81	C-CT900 -- gas and air brakes	8	477,534	56301-S2	(B-318-GB)-bolt (use with clip to attach tube to bracket)-1/4"-20 x 1/2" Bolt (use with clip to attach tube and shutter to radiator)	1 2
				33769-S2	(M-89-J)-nut-1/4"-20	AR
				357949-S	(GG-141)-clip-rubberized-1/4" tubing	AR
<b>8497 HOSE (RADIATOR TO SUPPLY TANK VENT) - Improvise from bulk hose (17543)</b>						
<b>8497 Refer to group 3A719</b>						
<b>8498 TUBE (SHUTTER CONTROL) - Improvise from bulk tubing (2269)</b>						
<b>8B499 TUBE (RADIATOR SUPPLY TANK OVERFLOW)-Improvise from bulk tubing (2269)</b>						
<b>8A500 CAP (WATER OUTLET)</b>						
80/	CL-CLT900-Cat. 3406	6	893	C4TZ 8A500-B	Neoprene-used to cap water pump	1
<b>8501 PUMP ASSY. (WATER) - Less pulley unless noted otherwise</b>						
80/82	B-F600/800 "Before 11/17/81"	8	370,429	D9HZ 8501-A	*PW-165 -- Incl. (1) C8SZ 8513-A gasket,	1
80/82	C-CT600/800 "Before 11/17/81"	8	370,429			1
80/82	LN600/700 "Before 11/17/81"	8	370,429			1
80/82	L-LN-LNT-LT-LTS800 "Before 11/17/81"	8	370,429			1
82/	All "From 11/81"	8	370,429	E5HZ 8501-A	*PW-210-incl. C8SZ 8513-A gasket	1

**1980/  
TRUCK SERIES 600/900**

YEAR	MODEL/RESTRICTIONS	ENGINE		PART NUMBER	DESCRIPTION	QTY.
		CYL.	C.I.D. (C.C.D.)			
<b>8501 PUMP ASSY. (WATER)-Less pulley unless noted otherwise - Cont'd</b>						
80/81	F800		477,534	★ D6HZ 8501-A	*PW-152 - - Incl. (1) B8Q 8513-A gasket	1
80/81	C-CT-L-LN-LNT-LT-LTS800/900	8	477,534	★ D8HZ 8501-B	*PW-160 - - Incl. (1) B8Q 8513-A gasket	1
86	CF600/700	6	6.6L	E6HZ 8501-A	Incl. (1) E6HZ 8507-A gasket	1
87	CF600/700 - - Phase II	6	6.6L	E7HZ 8501-A	Incl. (1) E7HZ 8507-A gasket	1
87	CF600/800	6	7.8L	★ E7HZ 8501-B	Incl. (1) E7HZ 8507-A gasket-r/b E8HZ 8501-C & F1HZ 8503-B	1
87	B-F-L - - w/FTO dsl.	6	6.6L 7.8L	E7HZ 8501-A	Incl. (1) E7HZ 8507-A gasket	1
88	All - - FNH diesel	6	6.6L,7.8L	★ E8HZ 8501-A	Incl. (1) E7HZ 8507-A gasket-r/b E8HZ 8501-B & E8HZ 8503-B (3/89)	1
88/	All - - FNH diesel	6	6.6L,7.8L	★ E8HZ 8501-B	Incl. (1) E7HZ 8507-A gasket-used with E8HZ 8503-B housing-r/b E8HZ 8501-C (7/91)	1
80/81		8	477,534	359088-S100	(BB-416-C)-bolt (water pump to block)-hex. head-3/8"-16 x 1 1/4"	3
80/81		8	477,534	370584-S2	(BB-420)-bolt (water pump to block)-hex. head-3/8"-16 x 4	1
80/81		8	477,534	370585-S	(BB-421)-bolt (water pump to block)-hex. head-3/8"-16 x 4 1/4"	1
80/81		8	477,534	371502-S	(BB-419)-bolt (water pump to block)-hex. head-3/8"-16 x 3 3/4"	1
80/		8	All	87710-S	(P-16)-plug (water pump)-3/8"-18" pipe	1
86/	All - - gas	8	6.1L,7.0L	387850-S100	(BB-429-JA) bolt (water pump to cover to block)	5

<b>8503 HOUSING ASSY. (WATER PUMP)</b>						
87	B-F-L - - w/FTO dsl.	6	6.6L 7.8L	E7HZ 8503-A	E5HN 8505-AA - - Incl. (1) E7HZ 8513-A & E7HZ 8507-A gaskets	1
86/87	CF600/700	6	All	E6HZ 8503-A	Incl. (1) E6HZ 8513-A-gasket	1
88	All - - FNH diesel	6	6.6L,7.8L	E8HZ 8503-B	Incl. (1) E7HZ 8513-A & E7HZ 8507-A gaskets-use with E8HZ 8501-B pump	1
89	All - - FNH diesel	6	6.6L,7.8L	E8HZ 8503-C	Incl. (1) E7HZ 8507-A & (1) E7HZ 8513-A gaskets	1
80/81	C-CT-L-LN-LNT-LT-LTS800/900-F800	8	477,534	D6HZ 8503-B	Incl. (1) B8Q 8513-A gasket	1
80/81	C-CT-L-LN-LNT-LT-LTS800/900	8	477,534	87710-S	(P-16)-plug-pipe (required when heater not installed or to plug air compressor hole)-3/8"-18	1or2
80/81	C-CT-L-LN-LNT-LT-LTS800/900	8	477,534	359091-S	(BB-533)-bolt (cover to pump)-hex. lock-3/8"-16 x .87"	4

<b>8507 GASKET (WATER PUMP HOUSING)</b>						
80/	B-C-CT-F-L-LN-LNT-LT-LTS-600/800	8	370,429	C8VZ 8507-A		1
80/81	C-CT-L-LN-LNT-LT-LTS800/900,F800	8	477,534	B8Q 8507-A B8Q 8507-B	R.H. L.H.	1 1
86	CF600/700	6	All	E6HZ 8507-A	D6NN-A	1
87/	B-F-L - - w/FTO dsl. CF600/700 - - Phase II	6	6.6L 7.8L	E7HZ 8507-A	E5HN-AA	1

<b>8A507 HOSE (WATER INLET)</b>						
86/87	All	6	All	E6HZ 8A507-A	E3HN-AA	
88/	All	6	All	E6HZ 8A507-B	Use with D9AZ 8287-F clamps	

YEAR	MODEL/RESTRICTIONS	ENGINE		PART NUMBER	NO. OF SHEAVES	O.D. (INCHES)	DESCRIPTION	QTY.
		CYL.	C.I.D. (C.C.D.)					
<b>8509 PULLEY (WATER PUMP) B SERIES</b>								
87	B600/800	6	6.6L 7.8L	E7HZ 8509-A			#E5HN 8A528-AC	1
88/	B600/800	6	6.6L 7.8L	E8HZ 8509-A			#E6HN 8A528-AA	1
80/	B600/700 - - with fan clutch	8	370	D9HZ 8509-D	4	6, 5 5/16	#D9TE 8A528-DA	1
80/	B700	8	429					1

October, 1993

COPYRIGHT © 1993 - FORD MOTOR - DEARBORN, MICHIGAN  
COMPANY

Final Issue

1980/  
TRUCK SERIES 600/900

YEAR	MODEL/RESTRICTIONS	ENGINE		PART NUMBER	NO. OF SHEAVES	O.D. (INCHES)	DESCRIPTION	QTY.
		CYL.	C.I.D. (C.C.D.)					
<b>8509 PULLEY (WATER PUMP) — Cont'd</b>								
<b>B SERIES</b>								
80/	B600/700 -- without fan clutch	8	370	E0HZ 8509-A	4	7 1/8 6 5/16	#E0TE 8A528-AA	1
83/	B700	8	429					1
82/	B600/800 -- with 22" fan	8	370,429	E1HZ 8509-A	4	5 27/32, 5 1/2	#E0TE 8A528-CA	1
80/87	B600/700-Detroit diesel	8	501	E3HZ 8509-A	4	7 5/64	E2HT 8A528-AB	1
<b>CF SERIES</b>								
86/87	CF600/700	6	All	E6HZ 8509-A			E3HN 8A528-AA	1
88/	CF600/800	6	6.6L 7.8L	E8HZ 8509-A			#E6HN 8A528-AA	1
<b>C-CT SERIES</b>								
80/86	C-CT600/800	8	370,429	D9HZ 8509-D	4	6, 5 5/16	#D9TE 8A528-DA	1
80/81	C-CT900	8	477,534	★ D8HZ 8509-B Not replaced	3	7 11/32	#D8HE 8A528-AA	1
81/87	C-CT800-Detroit diesel	8	501	E3HZ 8509-A	4	7 5/64	E2HT 8A528-AB	1
<b>F SERIES</b>								
87	F-FT600/800 -- w/FTO dsl.	6	6.6L 7.8L	E7HZ 8509-A			#E5HN 8A528-AC	1
88/	F-FT600/800	6	6.6L 7.8L	E8HZ 8509-A			#E6HN 8A528-AA	1
80/	F600/800 -- with fan clutch	8	370	D9HZ 8509-D	4	6, 5 5/16	#D9TE 8A528-DA	1
80/	F700/800	8	429					1
80/	F600/800 -- without fan clutch	8	370	E0HZ 8509-A	4	7 1/8 6 5/16	#E0TE 8A528-AA	1
83/	F700	8	429					1
82/87	F600/800 -- with 22" fan	8	370,429	E1HZ 8509-A	4	5 27/32, 5 1/2	#E0TE 8A528-CA	1
80/87	F-FT600/900-Detroit diesel	8	501	E3HZ 8509-A	4	7 5/64	E2HT 8A528-AB	1
<b>L SERIES</b>								
87	L-LT-LTS-LN-LNT900	6	6.6L 7.8L	E7HZ 8509-A			#E5HN 8A528-AC	1
88/	L-LT-LTS-LN-LNT900	6	6.6L 7.8L	E8HZ 8509-A			#E6HN 8A528-AA	1
80/86	L-LT-LTS-LN-LNT800	8	370,429	D9HZ 8509-D	4	6, 5 5/16	#D9TE 8A528-DA	1
80/81	LN600/700							1
80/81	L-LN-LNT-LT-LTS900 -- gas and integral A/C w/o fan clutch	8	477,534	D0TZ 8509-C	3	8 1/2	#D0TE 8A528-C	1
80/81	L-LN-LNT-LT-LTS900	8	477,534	★ D8HZ 8509-B Not replaced	3	7 11/32	#D8HE 8A528-AA	1
81/87	LN600/800-Detroit diesel	8	501	E3HZ 8509-A	4	7 5/64	E2HT 8A528-AB	1
83/86	LN700	8	429	E0HZ 8509-A	4	7 1/8, 6 5/16	#E0TE 8A528-AA	1
YEAR	MODEL/RESTRICTIONS	ENGINE		PART NUMBER			DESCRIPTION	QTY.
		CYL.	C.I.D. (C.C.D.)					
<b>8512 IMPELLER (WATER PUMP)</b>								
87/	B-CF-F-L600/900 -- w/FTO diesel	6	6.6L 7.8L	E7HZ 8512-A			#E5HN-AC	1
86	CF600/700	6	All	E6HZ 8512-A			#D8NN-AA	1
80/	B-C-CT-F-L-LN-LNT-LT-LTS-600/800	8	370,429	D2TZ 8512-A				1
80/81	C-CT-L-LN-LNT-LT-LTS800/900	8	477,534	D6HZ 8512-A		5 1/4" O.D.-1" depth		1
<b>8513 GASKET (WATER PUMP COVER)</b>								
87/	B-F-L -- w/FTO dsl.	6	6.6L 7.8L	E7HZ 8513-A			#E5HN-AA	1
86	CF600/700	6	All	E6HZ 8513-A			#E3HN-AA	1



**1980/  
TRUCK SERIES 600/900**

YEAR	MODEL/RESTRICTIONS	ENGINE		PART NUMBER	DESCRIPTION	QTY.
		CYL.	C.I.D. (G.C.D.)			
<b>8513 GASKET (WATER PUMP COVER) — Cont'd</b>						
80/81	C-CT-L-LN-LNT-LT-LTS800/900	8	477,534	★ B8Q 8513-A	Serviced only in 8501 assy.	1
80/	B-C-CT-F-L-LN-LNT-LT-LTS-600/800	8	370,429	C8SZ 8513-A		1
<b>8530 SHAFT and BEARING ASSY. (WATER PUMP)</b>						
87/	B-F-L -- w/FTO dsl.	6	6.6L 7.8L	E7HZ 8530-A	#E5HN-AA	1
86/	CF600/700	6	All	E6HZ 8530-A	#E3HN-AA	1
80/	B-C-CT-F-L-LN-LNT-LT-LTS 600/800	8	370,429	D9HZ 8530-A		1
80/81	C-CT-L-LN-LNT-LT-LTS800/900-F800	8	477,534	D6HZ 8530-A		1
<b>8546 SPACER (PULLEY TO FAN)</b>						

**B SERIES**

80/	B600/700 -- gas	8	370	E0HZ 8546-A	#E0HT 8A645-AA	1
80	B600/700 -- diesel, without fan clutch	8	501	★ E0HZ 8546-B not replaced	#E0HT 8A645-BB,BC	1
80/82	B600/700 -- diesel, with fan clutch "Before 9/81"	8	501	E0HZ 8546-C	1 1/64" thick	1
82/87	B600/700 -- diesel, with fan clutch "From 9/81"	8	501	E2HZ 8546-C		1

**C-CT SERIES**

80/81	C-CT900	8	477,534	D7HZ 8546-A	#D7HT 8B608-CA, Clutch Adapter	1
-------	---------	---	---------	-------------	--------------------------------	---

**CL-CLT SERIES**

80/	CL-CLT900-3406 Cat. W/o fan Clutch	6	893	D8HZ 8546-A	#D7HT 8A645-DB	1
80/	CL-CLT900 -- Cums. NTC w/o fan clutch	6	855			1
80/86	CL-CLT900 -- 3406 Cat. W/Bendix fan clutch	6	893	E0HZ 8546-D	#E0HT 8A645-DA-Brown paint dab- "Before 5/86"	1
86/	CL-CLT900 -- 3406 Cat. w/Bendix fan clutch (FD-3)	6	893	E6HZ 8546-B	#E6HT 8A645-BA- "From 5/86"	1
88/	CL-CLT900 -- 3406 Cat. w/o fan clutch	6	893	E8HZ 8A616-B	#E8HT 8A645-BA	1
80/	CL-CLT900 -- Cum. NTC- with, Rockford fan clutch	6	855	D4HZ 8546-B	#D4HA 8A645-AA	1
81/86	CL-CLT900 -- Cum. NTC- With Bendix fan clutch "From 6/81"	6	855	E1HZ 8546-A	Use with E1HZ 8A627-F fan clutch- "Before 5/86"	1
86/	CL-CLT900 -- Cum. NTC w/Bendix fan clutch (FD-3)	6	855	E6HZ 8546-E	#E6HT 8A645-EA-"From 5/86"	1
81/86	CL-CLT900 -- Det. 6V-92 with Bendix fan clutch "From 6/81"	6	552	E1HZ 8546-B	Use with E1HZ 8A627-G fan clutch assy. -"Before 6/1/81" part of clutch assy.	1
81/86	CL-CLT900 -- Det. 8V-71,8V-92 With Bendix fan clutch "From 6/81"	8	568,736			
80/86	CL-CLT900 -- Det. 6V-92 w/o fan Clutch	6	552	D8HZ 8546-D	#D7HA 8A645-FA	1
80/86	CL-CLT900-Det. 8V-71 w/o fan Clutch	8	568			1
88/	CL-CLT -- w/L10 eng.	6	610	E8HZ 8546-A	#E8HT-AB	1

1980/  
TRUCK SERIES 600/900

YEAR	MODEL/RESTRICTIONS	ENGINE		PART NUMBER	DESCRIPTION	QTY.
		CYL.	C.I.D. (C.C.D.)			
8546	SPACER (PULLEY TO FAN) — Cont'd					

**F SERIES**

80/	F600/800 -- gas	8	370	E0HZ 8546-A	#E0HT 8A645-AA	1
80/82	F600/800 -- diesel, with fan clutch "Before 9/81"	8	501	E0HZ 8546-C	1 1/64" thick	1
82/87	F-FT600/900 -- diesel, with fan clutch "From 9/81"	8	501	E2HZ 8546-C		1

**L SERIES**

80/81	L-LN-LNT-LT-LTS900 -- diesel- without fan clutch- "Before 7/81"	6	426	D0HZ 8546-D	#D0HA 8B600-F-2 1/16" thick- 3 7/8" bolt circle	1
80/86	L-LT900 -- diesel-without fan clutch	8	568			1
81/86	L-LN-LNT-LT-LTS900 -- diesel -without fan clutch "From 7/81"	6	426	D5HZ 8546-A	#D5HA 8A645-DA	1
80/	L-LN-LNT900 -- Cum. NTC 335 Diesel	6	855	D1HZ 8546-A	#D0HA 8A645-AC-6 mounting holes	1
80/81	L-LN-LNT-LT-LTS900 -- Cum. NH Diesel	6	855	D0HZ 8546-B	3 5/16" thick-3 1/2" bolt circle	1
81/	L-LN-LNT-LT-LTS900 -- Cum. NTC/Form. 350	6	855	E1HZ 8546-D		1
80/	L-LN-LNT-LT-LTS900 -- Cat. 3208 diesel w/o fan clutch	8	636	D5HZ 8546-D	#D5HA 8A645-AA-5 1/8" thick incl. pilot	1
80/	L-LN-LNT-LT-LTS900 -- Cat. 3208 diesel w/fan clutch	8	636	D5HZ 8546-E	#D5HA 8A645-BA	1
80/84	L-LN-LNT-LT-LTS900 -- Cat. 3406 diesel "Before 12/83"	6	893	D4HZ 8546-B	#D4HA 8A645-AA-1 1/2" thick	1
84/86	L-LN-LNT-LT-LTS900 -- Cat. 3406 diesel "From 12/83 to 5/86"	6	893	E4HZ 8546-B	#E2HT 8A645-AA	1
86/87	L-LN-LNT-LT-LTS900 -- Cat. 3406 (FD3) "From 5/86"	6	893	E6HZ 8546-C	#E6HT 8A645-CA	1
88/	L-LN-LT-LNT-LTS900 -- Cat. 3406 (ATA)	6	893	E8HZ 8546-B	#E8HT 8A645-BA	1
83/86	LN600/700 -- w/ fixed fan	8	370	E3HZ 8546-A	#E2HT 8A645-BA	1
82/87	LN600/700 -- diesel with fan clutch	8	501	E2HZ 8546-C		1
85/86	LNT900 "Before 5/86"	6	610	E5HZ 8546-A	#E5HT 8A645-AA	1
86/88	LN-LNT900 w/Cum. L10 (FD3) "From 5/86 to 6/88"	6	610	E6HZ 8546-D	#E6HT 8A645-DA	1
88/	L-LN-LNT-LT-LTS900 -- w/cum. L10 diesel over 1900 RPM's "From 6/27/88"	6	610			1
88/	L-LN-LNT-LT-LTS -- w/cum. L10 diesel under 1900 RPM's "From 6/27/88"	6	610	E8HZ 8546-C	#E8HT 8A645-HA	1
82/86	L-LT900-8V-71N with Schwitzer fan clutch	8	568	E2HZ 8546-D	#E2HT 8B650-BA	1
82/84	LTL900 - Cat. 3406 diesel "Before 12/83"	6	893	E0HZ 8546-D	#E0HT 8A645-DA	1
84/86	LTL900-Cat. 3406 diesel "From 12/83 to 5/86"	6	893	E4HZ 8546-B	#E2HT 8A645-AA	1
86/	LTL900 w/3406 Cat. "From 5/86"	6	893	E6HZ 8546-C	#E6HT 8A645-CA	1

1980/  
TRUCK SERIES 600/900

YEAR	MODEL/RESTRICTIONS	ENGINE		PART NUMBER	DESCRIPTION	QTY.
		CYL.	C.I.D. (C.C.D.)			
<b>8546 SPACER (PULLEY TO FAN) - Cont'd</b>						
82/	LTL900 -- Cum. diesel With Bendix clutch	6	855	E2HZ 8546-A	#ED E0HT 8A645-DA	1
82/	LTL900 -- Cum. & Detroit diesel with Rockford clutch	6&8	All	E2HZ 8546-B	#ED D4TA 8A645-AA	1
89	LN-LNT900 -- Cat. 3306 with fan clutch	6	638	E9HZ 8546-A		1
80/87	B-F-LN600/800 -- with Eaton fan clutch	8	501	605663-S100	(AB-20-KK) Bolt (attach spacer to engine) M8X50 hex. hd.	6
<b>8548 TUBE or HOSE (WATER BY-PASS) - Also refer to groups 8555 and 8597</b>						
80/	B-C-CT-F-LN600/800	8	370,429	D9HZ 8548-B	*KM-1162	1
80/86	L-LN-LNT-LT-LTS800	8	370,429			1
80/81	C-CT-L-LN-LNT-LT-LTS 800/900, F800 -- Calif. -gas	8	477,534	B8Q 8548-A	Steel-straight-1 1/8" O.D. x 1 1/2" long- bolts to intake manifold & water pump Not used in 49 states-See 8555, exc. Calif.	1
80/81	C-CT-L-LN-LNT-LTS800/900, F800 -- gas	8	477,534	D6TZ 8548-A	Rubber,#D3TE-AB Approx. 4" long-1 1/4" I.D.	1
80/	C600/800 -- diesel	8	636	C9HZ 8548-A	Cast iron	1
80/	L-LN-LNT-LT-LTS800 -- diesel and T/M	8	636	D0HZ 8548-A	Radiator end	1
80/	L-LN-LNT-LT-LTS800 -- diesel and T/M	8	636	★D1HZ 8C066-A	Eng. end-cut to fit from bulk hose (18472)	1
80/81	C-CT800/900 -- gas	8	477,534	356685-S8	(BB-153)-bolt (tube to water pump or tube to intake manifold)-3/8"-16 x 7/8"	2or4
80/81	C-CT-F800/900 -- gas	8	477,534	20368-S8	(B-79)-bolt (tube to water pump or intake manifold)-3/8"-16 x 7/8"	2or4
<b>8553 HUB (WATER PUMP PULLEY)</b>						
80/	B-F600/800	8	370,429	D9HZ 8553-A	3/4" depth x 3 1/4" O.D.	1
80/86	C-CT600/800, LN600/700	8	370,429			1
80/86	L-LN-LNT-LT-LTS800	8	370,429			1
<b>8555 TUBE (WATER BY-PASS) - Also refer to groups 8548 and 8597</b>						
80/81	C-CT-L-LN-LNT-LT-LTS 800/900 -- exc. Calif. - gas	8	477,534	★D6HZ 8555-A Not replaced	Steel-1 1/4" O.D. x 3 11/16" long	1
80/	L-LN-LNT-LT-LTS800 -- diesel and T/M	8	636	D0HZ 8555-A	5/8" O.D.-3/8" long	1
82/	LTL900	8	736	E2HZ 8555-A	#E1HT-AA	1
80/	B-C-CT-F-L-LN-LNT- LTS600/800	8	All	27081-S8	(U-175)-screw (clip to radiator)- No. 10-32 x 1/2"	1
				34079-S7	(M-163)-nut-No. 10-32	1
				34803-S7	(X-60)-lockwasher-No. 10	
				370721-S	(GG-90)-clip (tube to radiator)	1
<b>8A556 BRACKET (WATER BY-PASS TUBE MOUNTING) - Improve</b>						
<b>8-8562 TUBE (ENGINE WATER BY-PASS TO RADIATOR) - Improve from bulk tubing (2269)</b>						
<b>8563 GASKET (RADIATOR BY-PASS WATER TUBE)</b>						
80/81	C-CT-L-LN-LNT-LT- LTS800/900	8	477,534	B8TZ 8563-A	1 1/4" diam. center hole-1/32" thick	2
<b>8564 SEAL (WATER PUMP)</b>						
87/88	B-F-L -- w/FTO dsl.	6	6.6L 7.8L	E7HZ 8564-A	#E5HZ 8A559-AA	1
89	B-F-L -- w/FNH dsl.	6	6.6L, 7.8L	E7HZ 8564-B	#E5HN 8A559-AB	1
86/	CF600/700	6	All	E6HZ 8564-A	Incl. seat	1
80/81	C-CT-L-LN-LNT-LT- LTS800/900, F800-Calif.	8	477,534	D6HZ 8564-A	Incl. seat	1
80/81	C-CT-L-LN-LNT-LT- LTS800/900, F800-exc. Calif.	8	477,534	D6HZ 8564-B	Incl. seat	1
80/	B-C-CT-F-L-LN-LNT-LT- LTS-600/800	8	370,429			1

1980/  
TRUCK SERIES 600/900

YEAR	MODEL/RESTRICTIONS	ENGINE		PART NUMBER	DESCRIPTION	QTY.	
		CYL.	C.I.D. (C.C.D.)				
<b>8A564 SWITCH (COOLANT TEMP. CONTROL)</b>							
89	B-F600/800	8	370,429	E9HZ 8A564-A	*DY-558-vacuum	1	
<b>8B564 LUBE and SEAL KIT (FAN CLUTCH SHAFT and BRACKET ASSY.)</b>							
80/	L-LN-LNT-LT-LTS900	6&8	426,568, 855	D9HZ 8B564-A	Also included in D8HZ 8626-C, Bearing service kit	1	
<b>8566 TEE ASSY-WATER BY-PASS RADIATOR OUTLET</b>							
87/	L-LN800 -- w/FTO dsl.	6	6.6L 7.8L	E7HZ 8566-A	#E3HT-AA	1	
<b>8A572 SUPPORT (WATER FILTER BRACKET)</b>							
83/	B-F600/800 -- Cat. 3208	8	636	E3HZ 8A572-A	#E3HT-AA	1	
84/	L-LN-LNT-LT-LTS-LTL600/900	8	636	E3HZ 8A572-A	#E3HT-AA	1	
<b>8574 RETAINER (INTAKE MANIFOLD WATER THERMOSTAT)</b>							
80/81	C-CT-L-LN-LNT-LT-LTS800/900 -- Calif. only	8	477,534	B8QH 8574-A		1	
80/81		8	401,475, 477,534	359091-S	(BB-533)-Bolt (Retainer to intake manifold)-hex. hd.-3/8" - 16 x 7/8"	3	
YEAR	MODEL	C.I.D.	GASKET		THERMOSTAT		CONNECTOR
			L O C. *	MOTOR CRAFT NO.	PART NUMBER	MOTOR CRAFT NO.	0° TEMP.
<b>8575 THERMOSTAT (WATER)</b>							
Note: * LOCATION U-UPPER, L-LOWER							
1-Secure from local diesel engine source							
● Gasket cut to fit ▲ Two required							

8 CYLINDER-GAS											
80/83	B-F600/800 -- gas	370,429	U	RG-45	D4TZ 8255-A	RT-310	175	▲ D7PZ 8575-A	D4TZ 8592-D	D9HZ 8592-C	
			L	RG-7	C8SZ 8255-A				D4TZ 8592-D	D9HZ 8592-C	
84/	B-F600/800 -- gas	370,429	U	RG-45	D4TZ 8255-A	RT-	175	▲ D9HZ 8575-A	D4TZ 8592-D	D9HZ 8592-C	
			L	RG-7	C8SZ 8255-A	1027			D4TZ 8592-D	D9HZ 8592-C	
80/	B-F600/800 -- LPG	370,429	U	RG-45	D4TZ 8255-A	RT-	160	▲ D1TZ 8575-A	D4TZ 8592-D	D9HZ 8592-C	
			L	RG-7	C8SZ 8255-A	146			D4TZ 8592-D	D9HZ 8592-C	
80/83	C-CT600/800 -- gas	370,429	U	RG-45	D4TZ 8255-A	RT-310	175	▲ D7PZ 8575-A	D9HZ 8592-A	D9HZ 8592-C	
			L	RG-7	C8SZ 8255-A				D9HZ 8592-A	D9HZ 8592-C	
84/86	C-CT600/800 -- gas	370,429	U	RG-45	D4TZ 8255-A	RT-	175	▲ D9HZ 8575-A	D9HZ 8592-A	D9HZ 8592-C	
			L	RG-7	C8SZ 8255-A	1027			D9HZ 8592-A	D9HZ 8592-C	
80/86	C-CT600/800 -- LPG	370,429	U	RG-45	D4TZ 8255-A	RT-	160	▲ D1TZ 8575-A	D9HZ 8592-A	D9HZ 8592-C	
			L	RG-7	C8SZ 8255-A	146			D9HZ 8592-A	D9HZ 8592-C	
80/83	L-LN-LNT-LT-LTS600/800 -- gas	370,429		RG-45	D4TZ 8255-A	RT-310	175	▲ D7PZ 8575-A	D4TZ 8592-D	D9HZ 8592-C	
				RG-7	C8SZ 8255-A				D4TZ 8592-D	D9HZ 8592-C	
84/86	L-LN-LNT-LT-LTS600/800 -- gas	370,429	U	RG-45	D4TZ 8255-A	RT-	175	▲ D9HZ 8575-A	D4TZ 8592-D	D9HZ 8592-C	
			L	RG-7	C8SZ 8255-A	1027			D4TZ 8592-D	D9HZ 8592-C	
80/86	L-LN-LNT-LT-LTS600/800 -- LPG	370,429	U	RG-45	D4TZ 8255-A	RT-	160	▲ D1TZ 8575-A	D4TZ 8592-D	D9HZ 8592-C	
			L	RG-7	C8SZ 8255-A	146			D4TZ 8592-D	D9HZ 8592-C	
80/81	C-CT900	477,534		RG-50	D6HZ 8255-A	RT-	180	D3HZ 8575-A	D6HZ 8592-A		
						258			D6HZ 8592-A		
80/81	L-LN-LNT-LT-LTS900	477,534		RG-50	D6HZ 8255-A	RT-	180	D3HZ 8575-A	D6HZ 8592-B		
						258			D6HZ 8592-B		

6 CYLINDER-DIESEL											
80/86	L-LN-LNT-LT-LTS900	426		RG-32	D0HZ 8255-B				D0HZ 8592-D		
87/88	B-F-FT600/900 -- w/ FNH dsl.	6.6L	U		E6HZ 8255-A		180	E6HZ 8575-A	E7HZ 8592-A	E7HZ 8592-D	
			L		● 87140-S95				E7HZ 8592-A	E7HZ 8592-D	
89	B-F-FT600/900 -- FNH dsl.	6.6L	U		E6HZ 8255-A		180	E6HZ 8575-A	E7HZ 8592-A	E9HZ 8592-B	
			L		● 87140-S95				E7HZ 8592-A	E9HZ 8592-B	
87/88	B-F-FT600/900 -- w/ FNH dsl.	7.8L	U		E6HZ 8255-A		180	E6HZ 8575-A	E7HZ 8592-A	E7HZ 8592-C	
			L		● 87140-S95				E7HZ 8592-A	E7HZ 8592-C	
89	B-F-FT600/900 -- FNH dsl.	7.8	U		E6HZ 8255-A		180	E6HZ 8575-A	E7HZ 8592-A	E9HZ 8592-A	
			L		● 87140-S95				E7HZ 8592-A	E9HZ 8592-A	
87/88	CF600/800 -- w/FNH dsl.	6.6L	U		E6HZ 8255-A		180	E6HZ 8575-A	E6HZ 8592-A	E7HZ 8592-D	
			L		● 87140-S95				E6HZ 8592-A	E7HZ 8592-D	

**1980/  
TRUCK SERIES 600/900**

YEAR	MODEL	C.I.D.	GASKET			THERMOSTAT			CONNECTOR	
			L O C. *	MOTOR CRAFT NO.	PART NUMBER	MOTOR CRAFT NO.	° TEMP.	PART NUMBER	PART NUMBER	

8575 THERMOSTAT (WATER) — Cont'd  
 Note: ▲ LOCATION U-UPPER, L-LOWER  
 1—Secure from local diesel engine source  
 ●—Gasket cut-to-fit

6 CYLINDER-DIESEL										
89	CF600/800 -- FNH dsl.	6.6L	U		E6HZ 8255-A		180	E6HZ 8575-A	E6HZ 8592-A	
			L		● 87140-S95				E9HZ 8592-B	
87/88	CF600/800 -- w/FNH dsl.	7.8L	U		E6HZ 8255-A		180	E6HZ 8575-A	E6HZ 8592-A	
			L		● 87140-S95				E7HZ 8592-C	
89	CF600/800 -- FNH	7.8L	U		E6HZ 8255-A		180	E6HZ 8575-A	E6HZ 8592-A	
			L		● 87140-S95				E9HZ 8592-A	
87/88	L Series w/FNH dsl.	6.6L	U		E6HZ 8255-A		180	E6HZ 8575-A	E7HZ 8592-B	
			L		● 87140-S95				E7HZ 8592-D	
89	L series -- w/FNH dsl.	6.6L	U		E6HZ 8255-A		180	E6HZ 8575-A	E7HZ 8592-B	
			L		● 87140-S95				E9HZ 8592-B	
87/88	L Series w/FNH dsl.	7.8L	U		E6HZ 8255-A		180	E6HZ 8575-A	E7HZ 8592-B	
			L		● 87140-S95				E7HZ 8592-C	
89	L series -- w/FNH dsl.	7.8L	U		E6HZ 8255-A		180	E6HZ 8575-A	E7HZ 8592-B	
			L		● 87140-S95				E9HZ 8592-A	

8 CYLINDER-DIESEL										
80/87	B-F-FT600/900 -- Det. diesel	501		RG-501	● E0HZ 8255-A	RT-370		E0HZ 8575-A	★ (Note 1)	
80/	B-F700/800 -- Cat. 3208 diesel	636	U	RG-49	D5TZ 8255-B			★ (Note 1)	D5TZ 8592-C	
			L	RG-54	E2HZ 8255-A				D5TZ 8592-B	
80/	C-CT700/800	636		RG-49	D5TZ 8255-B			★ (Note 1)	D5HZ 8592-B	
81/87	C-CT600/800 -- Det. diesel	501		RG-525	E1HZ 8255-A	RT-370		E0HZ 8575-A	E1HZ 8592-A	
80/	LN700 -- w/o rad. shutters	636		RG-49	D5TZ 8255-B			★ (Note 1)	D5TZ 8592-B	
80/	LN700 -- w/rad. shutters	636		RG-31	D0HZ 8255-A			★ (Note 1)	D0HZ 8592-B	
80/	L-LN-LNT-LT-LTS800	636	U	RG-49	D5TZ 8255-B			★ (Note 1)	D5TZ 8592-C	
			L	RG-54	E2HZ 8255-A				D5HZ 8592-A	

YEAR	MODEL/RESTRICTIONS	ENGINE CYL.	C.I.D. (C.C.D.)	PART NUMBER	DESCRIPTION	QTY.
<b>8592 CONNECTION (WATER OUTLET) — Refer to group 8575</b>						
80/81	C-CT900	8	477.534	20368-S8	(B-79)-bolt-3/8"-16 x 7/8" (connection to intake manifold)	3
80/81	C-CT900	8	477.534	356685-S8	(BB-153)-bolt (conn. to intake man.)-3/8"-16 x 7/8"	3
80/	C-CT700/800 -- Cat (3208) diesel	8	636	383173-S	(II-23-U)elbow (hose to conn.) 90°-1/4" x 1/8"-27 thread	1
87/	CF-F-B-L	6	7.8	58658-S36	( ) 7/16"-14 x 2.25" (connection to cyd. head)	AR

**8597 HOSE (WATER BY-PASS) — Also refer to groups 8548 and 8555**

**B SERIES**

80/	B700 -- Cat. (3208) diesel	8	636	★ D5HA 8597-BA	Secure from Caterpillar source— vendor No. 4N5967	1
83/	B700 -- Cat. (3208) diesel	8	636	E3HZ 8597-A		1
83	B600/800 -- Cat 3208NT diesel	8	636	E3HZ 8A365-A	Rubber	1
		8	636	E3HZ 8A365-B	Silicone	1
84/	B600/800 -- Cat. 3208NT diesel	8	636	E4HZ 8A365-A	Rubber	1
		8	636	E4HZ 8A365-B	Silicone	1

**CF SERIES**

86/	CF600/700	6	All	E6HZ 8A365-A	E5HT-JA-upr. RR connects to 8K153	
86/	CF600/700	6	All	E6HZ 8A365-B	E5HT-KA-connects frt. of 8K153	
86/	CF600/700	6	All	E6HZ 8597-A	E5HT 8A567-A	

1980/  
TRUCK SERIES 600/900

YEAR	MODEL/RESTRICTIONS	ENGINE		PART NUMBER	DESCRIPTION	QTY.
		CYL.	C.I.D. (C.C.D.)			
8597 HOSE (WATER BY-PASS) - Also refer to groups 8548 and 8555 - Cont'd						
<b>C-CT SERIES</b>						
80/	C-CT700/800 -- Cat (3208) diesel	8	636	D5HZ 8597-B	#D5HA-CA-steel connector	1
<b>CL-CLT SERIES</b>						
80/82	CL900 -- Cum. NTC290,300,350,400 NTCC290	6	855	E2HZ 8A365-C	Radiator to tank	1
85/	CL-CLT900 -- Cum. NTC 300 with low temperature after cooler	6	855	E5HZ 8A365-C	Rubber	1
				E5HZ 8A365-D	Silicone	1
<b>F SERIES</b>						
80/	F700 -- Cat. (3208) diesel	8	636	★ D5HA 8597-BA	Secure from Caterpillar Source-vendor No. 4N5967	1
83/	F-FT700/800 -- Cat. (3208) diesel	8	636	E3HZ 8597-A		1
83/	F600/800 -- Cat 3208NT diesel	8	636	E3HZ 8A365-A	Rubber	1
		8	636	E3HZ 8A365-B	Silicone	1
84/	F600/800 -- Cat. 3208NT diesel	8	636	E4HZ 8A365-A	Rubber	1
		8	636	E4HZ 8A365-B	Silicone	1
<b>L SERIES</b>						
80/83	L-LN-LNT-LTS900 -- diesel	6	426	★ D0HZ 8597-B	R/b E4HZ 8597-A	1
84/86	L-LN-LNT-LT900 -- 6-71 Detroit diesel	6	426	E4HZ 8597-A	#E4HT-AA	1
80/86	L-LN-LNT-LT900 -- diesel	6	426	★ D1HA 8C068-AA	Cut to fit from bulk hose (18472)	1
80/	LN-LNT900 -- diesel	6	855	★ C6TZ 8A365-A	3/4" I.D. x 46" long-cut to fit from bulk hose (18472)-(used radiator supply tank to eng.)	1
80/	LN-LNT900 -- diesel	6	855	★ D0HA 8A365-U	Rad. to tank-cut 16 1/2" from 18472 bulk	1
80/	L-LN-LNT-LT900 -- Cum. NTC diesel	6	855	★ D0HA 8A365-AA	Rad. to tank-cut 12 3/4" from 18472 bulk	1
80/	L-LT-LTS900 -- Cum. NH & NT diesel	6	855	★ D0HA 8A365-U	Rad. to tank-cut 16 1/2" from 18472 bulk	1
85/	L-LT-LTS-LTL900 -- Cum. NTC diesel with low temperature after cooler	6	855	E5HZ 8A365-C	1" I.D. x 23 3/4" long-rubber	1
		6	855	E5HZ 8A365-D	1" I.D. x 23 3/4" long-Silicone	1
80/86	L-LN-LNT-LT900 -- diesel	6	426	★ D1HA 8C067-AA	Cut to fit from bulk hose 18472 bulk	1
80/86	L-LT900 -- diesel	8	568	★ D0HA 8A365-Y	Radiator to tank-cut 13" from 18472 bulk	1
80/	LN700 -- Cat. (3208) diesel	8	636	E3HZ 8597-A	#E3HT-BA	1
80/	LN700 -- Cat. (3208) diesel	8	636	D0HZ 8A365-B	Rubber	1
81/	LN700 -- Cat. (3208) diesel	8	636	E1HZ 8A365-A	Silicone	1
80/82	L-LT-LTS-LNT-LTL900 -- Cum. NH,NT & PT diesel	6	855	E2HZ 8A365-C	Radiator to tank	1
85/	LNT900 -- Cum. NTC	6	855	E5HZ 8597-A	Silicone radiator to engine	1
		6	855	E5HZ 8597-B	Rubber radiator to engine	1
85/	LN-LNT600/900 -- Cum. NTC 300 diesel with low temperature after cooler	6	855	E5HZ 8A365-E	Rubber	1
85/	LN-LNT600/900 -- Cum. NTC 300 diesel with low temperature after cooler	6	855	E5HZ 8A365-F	Silicone	1
85/	LTL900 -- Cum. NTC/Form 300	6	855	E5HZ 8A365-A	Silicone	1
		6	855	E5HZ 8A365-B	Rubber	1
80/81	C-CT900 -- gas	8	477,534	356685-S8	(BB-153)-bolt (tube to water pump or tube to intake manifold)-3/8"-16 x 7/8"	2or4
80/81	C-CT900 -- gas	8	477,534	20388-S8	(B-80)-bolt (tube to water pump or intake manifold)-3/8"-16 x 1"	2or4

**1980/  
TRUCK SERIES 600/900**

YEAR	MODEL/RESTRICTIONS	ENGINE		PART NUMBER	BLADES	DIAMETER (INCHES)	DESCRIPTION	QTY.
		CYL.	C.I.D. (C.C.D.)					

**8600 FAN BLADE ASSY.**

**B-F (SERIES)**

**8 CYL. 370 (6.1L)-429 (7.0L) GAS**

80/	B-F600/800 -- without fan clutch	8	370,429	E0HZ 8600-C	5	20	#E0HT-DA-DB	1
	B-F600/800 -- With fan clutch	8	370,429	E4HZ 8600-A	7	20	#E0HT-NA	1
	B-F600/800 -- with fan clutch	8	370,429	E4HZ 8600-B	7	22	#E0HT-MA	1

**B-F (SERIES)**

**6 CYL. (6.6L) AND (7.8L) FNH**

87	B-F600/800 -- w/FTO	6	All	E7HZ 8600-A	6	22	#E7HT-EA	1
88/	B-F600/800 -- w/FTO	6	All	E8HZ 8600-E	6	24	#E8HT-LA	1
	B-F600/800 -- w/FNH 185 H.P. "From 3/14/88"	6	All	E8HZ 8600-H	7	22	#E8HT-KA	1
89	B-F600/800 -- FNH 185 H.P. M/T without A/C	6	6.6L	E9HZ 8600-A	9	22	#E8HT-JA	1
	B-F600/800 -- FNH A/T with A/C, frt. P.T.O.	6	6.6L					

**B-F (SERIES)**

**8 CYL. 501 (8.2L) DETROIT DIESEL**

80/84	B-F-FT600/800 -- With Eaton clutch "Before Ser. JD5,001"	8	501	D7HZ 8600-A	7	21	#D7HT-AHC	1
	B-F-FT600/900 -- with Eaton clutch "From Ser. JD5,001"	8	501	★ E0HZ 8600-H /bE7HZ 8600-C	7	21	#E0HT-SA	1
	B-F-FT600/900 -- With Schwitzer clutch	8	501	E0HZ 8600-A /bE4HZ 8600-D	7	22	#E0HT-BA	1
84/87	B-F-FT600/800 -- with Eaton clutch	8	501	E4HZ 8600-D	7	22	#E3HT-TA	1
85/87	FT900 -- with A/T with A/C	8	501					
84/87	B-F-FT600/800 -- with Schwitzer clutch	8	501	★ E4HZ 8600-C /bE7HZ 8600-C (3/89)	7	21	#E3HT-SA	1
85/87	FT900 -- with M/T without A/C	8	501					

**B-F (SERIES)**

**8 CYL. 636 (10.4L) CAT DIESEL**

83/	B-F-FT700/800 -- w/3208	8	636	E4HZ 8600-B	7	22	#E3HT-RA	1
-----	-------------------------	---	-----	-------------	---	----	----------	---

**C (SERIES)**

**8 CYL. 370 (6.1L)-429 (7.0L) GAS**

80/83	C600/800 "Before 12/82"	8	370,429	D8HZ 8600-J	7	23	#D7HA-ZA	1
83/86	C600/800 "From 12/82"	8	All	E2HZ 8600-B	7	23 3/8	#E2HT-AC	1

**C (SERIES)**

**8 CYL. 477 (7.8L)-534 (8.8L) GAS**

80/81	C900	8	477,534	D8HZ 8600-G	7	23	#D7HA-AAA	1
-------	------	---	---------	-------------	---	----	-----------	---

**C (SERIES)**

**8 CYL. 501 (8.2L) DETROIT DIESEL**

81/83	C-CT800 "Before 12/82"	8	501	E0HZ 8600-J	7	23	#E0HT-LA	1
83/87	C-CT800 "From 12/82"	8	All	E2HZ 8600-B	7	23 3/8	#E2HT-AC	1

**C (SERIES)**

**8 CYL. 636 (10.4L) CAT. DIESEL**

80/83	C-CT700/800 -- exc. (turbo) "Before 12/82"	8	636	E0HZ 8600-J	7	23	#E0HT-LA	1
83/	C-CT700/800 -- exc. (turbo) "From 12/83"	8	All	E2HZ 8600-B	7	23 3/8	#E2HT-AC	1
82/85	C-CT800 -- with 3208T (turbo)	8	636	E2HZ 8600-B	7	23 3/8	#E2HT-AA-AC	1
86/	C-CT700/800 -- with 3208T (turbo)	8	636	E6HZ 8600-D	8	56	E4HS-EA	1

**CF SERIES**

**6 CYL. (6.6L) AND (7.8L) FNH**

86/87	CF600/700	6	6.6L	★ E1HZ 8600-B /bE4HZ 8600-B(11/86)	6	22	#E0HT-MA	1
86/	CF600/700 -- M/T exc. Calif.	6	6.6L	E4HZ 8600-C	7	21	#E3HT-SA	1

1980/  
TRUCK SERIES 600/900

YEAR	MODEL/RESTRICTIONS	ENGINE		PART NUMBER	BLADES	DIAMETER (INCHES)	DESCRIPTION	QTY.
		CYL.	C.I.D. (C.C.D.)					
8600 FAN BLADE ASSY. — Cont'd								
<b>CF SERIES 6 CYL. (6.6L) AND (7.8L) FNH — Cont'd</b>								
86/87	CF600/700 -- Calif.	6	6.6L	E6HZ 8600-J	6	28	#E5HT-HA,MA	1
86/87	CF600/700 -- A/T-All	6	6.6L					1
87	CF700/800 -- HL29 (210 H.P.)	6	7.8L	E2HZ 8600-B	7	23 3/8	#E2HT-AC	1
86/87	CF700 -- (185 H.P.)	6	6.6L,7.8L	E7HZ 8600-C			#E5HT-GA	1
	CF700/800 -- (210 H.P.)	6	7.8L	E7HZ 8600-D			#87HU-BA	1
	CF700/800	6	7.8L	E7HZ 8600-E			#87HU-CA	1
88/	CF700/800 -- Calif.	6	6.6L	E6HZ 8600-J	6	28	#E5HT-HA,MA	1
	CF700/800 -- (210 H.P.)- "Before 4/1/88"	6	7.8L	E7HZ 8600-D			#87HU-BA	1
	CF700/800 -- (185,240 H.P.)- "Before 4/1/88"	6	7.8L	E7HZ 8600-E			#87HU-CA	1
	CF700/800 "From 4/1/88"	6	7.8L	E8HZ 8600-G	6	25	#88HU-AA	1
<b>CL-CLT (SERIES) 6 CYL. 552 (9.0L) DETROIT DIESEL</b>								
80/86	CL-CLT900	6	552	D8HZ 8600-M	6	32	#D7HA-RA	1
<b>6 CYL. 610 (10.0L) CUMMINS DIESEL</b>								
88	CL-CLT900	6	610	E8HZ 8600-B	8	28	E8HT-FA	1
88/	CL-CLT900	6	610	E8HZ 8600-C	8	29	#E8HT-HA	1
<b>CL-CLT (SERIES) 6 CYL. 855 (14.0L) CUMMINS DIESEL</b>								
80/	CL-CLT900 -- Without Schwitzer clutch	6	855	D8HZ 8600-A	6	30	#D7HA-JA	1
	CL-CLT900 -- With Schwitzer clutch	6	855	E5HZ 8600-C	8	30	#D7HA-TA, E5HT-KA	1
86/	CL-CLT -- with Bendix fan clutch (FD-3) Cum. NTC Form	6	855	E6HZ 8600-G	6	30	#E6HT-CA	1
88/89	CL-CLT900 -- w/Cumm. NTC 400/444 eng. "Before 12/88"	6	855	★ E2HZ 8600-C /bE8HZ 8600-K(10/91)	8	28	#E1HS-EA	1
89	CL-CLT900 -- with Bendix fan clutch "From 12/88"	6	855	★ E6HZ 8600-H /bMdl. Mat. #89071	6	28	#E6HT-DA	1
89	CL-CLT900 -- Cum. NTC/ Form 300/365 H.P. "Before 12/88"	6	855	E8HZ 8600-F	8	28	#E8HT-MA	1
<b>CL-CLT (SERIES) 6 CYL. 893 (14.6L) CAT. DIESEL</b>								
80/	CL-CLT900 -- with Eaton, Schwitzer clutch	6	893	E5HZ 8600-C	8	30	#D7HA-TA, E5HT-KA	1
80/	CL-CLT900 -- with Bendix clutch	6	893	D8HZ 8600-A	6	30	#D7HA-JA	1
80/82	CL-CLT900 -- with Rockford clutch "Before 1/82"	6	893					1
82/	CL-CLT900 -- with Rockford "From 1/82"	6	893	E2HZ 8600-E	6	30	#E2HS-AA	1
86/	CL-CLT900 -- w/3406 with Bendix clutch (FD-3)	6	893	E6HZ 8600-E	6	30	#E5HT-LA	1
88/	CL-CLT900	6	893	★ E6HZ 8600-H /bMdl. Mat #89071	6	28	#E6HT-DA	1
<b>CL-CLT (SERIES) 6 CYL. 1150 (18.8L) CUMMINS DIESEL</b>								
80/	CL-CLT900	6	1150	D8HZ 8600-C	8	34	#D7HA-MA	1
<b>CL-CLT (SERIES) 8 CYL. 568 (9.3L) DETROIT DIESEL</b>								
80/86	CL-CLT900 -- Without fan clutch- With Rockford clutch	8	568	D8HZ 8600-M	6	32	#D7HA-RA	1
	CL-CLT900 -- With Eaton clutch	8	568	D8HZ 8600-N	8	32	#D7HA-SA	1
<b>CL-CLT (SERIES) 8 CYL. 736 (12.0L) DETROIT DIESEL</b>								
80/86	CL-CLT900	8	736	D8HZ 8600-M	6	32	#D7HA-RA	1



1980/  
TRUCK SERIES 600/900

YEAR	MODEL/RESTRICTIONS	ENGINE		PART NUMBER	BLADES	DIAMETER (INCHES)	DESCRIPTION	QTY.
		CYL.	C.I.D. (C.C.D.)					
8600 FAN BLADE ASSY. — Cont'd								
<b>L (SERIES) 8 CYL. 370 (6.1L)-429 (7.0L) GAS</b>								
80/86	L-LN600/800	8	370.429	E4HZ 8600-E	7	20	#D9HT-CA	1
83	LN600/700 -- "Before 10/82"	8	370.429	D9HZ 8600-A	7	20	#D9HT-CA	1
83/86	LN600/700 -- without fan clutch "From 10/82"	8	370.429	E0HZ 8600-C	5	20	#E0HT 8600-DB	1
<b>L (SERIES) 8 CYL. 477 (7.8L)-534 (8.8L) GAS</b>								
80/81	L-LN-LNT-LT-LTS900	8	477.534	D6HZ 8600-A	6	22	#D6HT-HA	1
<b>L (SERIES) 6 CYL. (6.6L) AND (7.8L) FNH</b>								
87/88	L-LN-LNT-LT-LTS -- w/FNH	6	All	E4HZ 8600-B	7		#E3HT-RA	1
89	L-LN-LNT-LT-LTS -- w/FNH 210, 215, 240 H.P.	6	All	E8HZ 8600-A	6	24	#E8HT-EB	1
	L-LN-LNT-LT-LTS900 -- w/FNH 175, 185 H.P.	6	All	E8HZ 8600-H	7	22	#E8HT-KA	1
<b>L (SERIES) 6 CYL. 426 (6.9L) DETROIT DIESEL</b>								
80/86	L-LN-LNT-LT-LTS900 -- Without clutch	6	426	D2HZ 8600-A	5	26	#D2HA-AA	1
	L-LN LNT LT-LTS900 -- With clutch "Before 6/81"	6	426	D8HZ 8600-K	6	26	#D7HA-AGA	1
<b>L (SERIES) 8 CYL. 501 (8.2L) DETROIT DIESEL</b>								
80/87	LN600/700 -- with Eaton clutch "Before Ser. JD5,001"	8	501	D7HZ 8600-A	7	21	#D7HT-AHC	1
	LN600/700 -- with Eaton clutch "From Ser. JD5,001"	8	501	★ E4HZ 8600-C /bE7HZ 8600-C(3/89)	7	21	#E0HT-SA	1
	LN600/700 -- with Schwitzer clutch	8	501	E4HZ 8600-D	7	22	#E0HT-BA	1
<b>L (SERIES) 6 CYL. 552 (9.0L) DETROIT DIESEL</b>								
80/85	LN-LNT900 "Before 3/85"	6	552	D3HZ 8600-E	6	28	#D3HA-MA	1
85/86	LN-LNT -- with advance liquid charge cooling "From 3/85"	6	552	E5HZ 8600-A	8		#E5HT-GA	1
<b>L (SERIES) 6 CYL. 610 (10.0L) CUMMINS DIESEL</b>								
84/87	LN-LNT900 -- Cum. NTC 270	6	610	E4HZ 8600-G	6		#E4HT-AA	1
86/87	LN-LNT w/Cum. 106 with Bendix clutch (FD-3)	6	610	E5HZ 8600-B	6	30	#E5HT-JA	1
88	L-LN-LNT-LT-LTS900 "Before 6/27/88"	6	610	E8HZ 8600-B	8	28	E8HT-FA	1
	L-LN-LNT-LT-LTS900 -- over 1900 RPM's eng. "From 6/27/88"	6	610					
	L-LN-LNT-LT-LTS900 -- under 1900 RPM's eng. "From 6/27/88"	6	610	E8HZ 8600-J	8	28	#E8HT-SA	1
89	L-LN-LNT-LT-LTS900 -- M/T	6	610	E8HZ 8600-J	8	28	#E8HT-SA	1
	L-LN-LNT-LT-LTS900 -- A/T	6	610	★ E6HZ 8600-H /bMdl. Mat #89071	6	28	#E6HT-DA	1
<b>L (SERIES) 6 CYL. 855 (14.0L) CUMMINS DIESEL</b>								
80/88	L-LN-LNT-LT-LTS900 -- NTC230, Form 250	6	855	D3HZ 8600-E	6	28	#D3HA-MA	1
	L-LT-LTS900 -- NTC & Form 290.300	6	855					
	LN-LNT900 -- NTC & Form 290-exc. Calif.	6	855					
	L-LN-LNT-LT-LTS900 -- NTC/ Form. 230,270,300	6	855	E1HZ 8600-C	6	28	#E0HT-RA	1
	LN-LNT900 -- NTC & Form 290-Calif.	6	855	D5HZ 8600-J	8	28	#D5HA-AEA,ACA	1
	LN-LNT900 -- NTC & Form 300	6	855					

1980/  
TRUCK SERIES 600/900

YEAR	MODEL/RESTRICTIONS	ENGINE		PART NUMBER	BLADES	DIAMETER (INCHES)	DESCRIPTION	QTY.
		CYL.	C.I.D. (C.C.D.)					
8600 FAN BLADE ASSY. — Cont'd								

## L (SERIES)

## 6 CYL. 855 (14.0L) CUMMINS DIESEL

80/88	L-LN-LNT-LT-LTS900 -- NTC & Form 350 "Before 3/81"	6	855	E0HZ 8600-F	8	30	#E0HT-JA	1
	L-LN-LNT-LT-LTS900 -- Cum. NTC/Form. 350 "From 3/81"	6	855	E1HZ 8600-E	6	30	#E0HT-HA	1
88/89	L-LN-LNT-LT-LTS900 -- NTC 315,350 "From 11/30/87 to 12/5/88"	6	855	E8HZ 8600-F	8	28	#E8HT-MA	1
82/	L-LN-LNT-LT-LTS900 -- NTC 350 with Rockford clutch	6	855	E2HZ 8600-A	6	30	#E1HT-CA	1
86/	L-LN-LNT-LT-LTS900 -- NTC/form with Bendix clutch (FD-3)	6	855	★ E6HZ 8600-H /bMdl. Mat. #89071	6	28	#E6HT-DA	1
82/88	LTL900 -- exc. Cum. 444 "Before 11/30/87"	6	855	E2HZ 8600-D	8	33	#E2HT-BA	1
88/	LL-LTL900 -- Cum. 444	6	855	E2HZ 8600-C	8	28	#E1HS-EA	1
88/89	L-LN-LNT-LT-LTS900 -- NTC 400/444 "From 11/30/87 to 12/5/88"	6	855					1

## L (SERIES)

## 6 CYL. 893 (14.6L) CAT. DIESEL

80/	L-LN-LNT-LT-LTS900	6	893	D3HZ 8600-E	6	28	#D3HA-MA	1
86/88	L-LN-LNT-LT-LTS900 -- with Bendix clutch (FD-3)	6	893	★ E6HZ 8600-H /bMdl. Mat #89071	6	28	#E6HT-DA	1
82/	LTL900	6	893	E2HZ 8600-D	8	33	#E2HT-BA	1
89	L-LN-LNT-LT-LTS900 -- Cat. 3306	6	893	E9HZ 8600-B	8	28	#E8HT-RA	1

## L (SERIES)

## 8 CYL. 568 (9.3L) DETROIT DIESEL

80/	L-LT-LN-LNT900 "Before 1/4/82"	8	568	D5HZ 8600-J	8	28	#D5HA-AEA,ACA	1
	LN-LNT900-8V-71N with Schwitser fan clutch "Before 1/4/82"	8	568					
	L-LT900-8V-71N with Schwitser fan clutch "From 1/4/82"	8	568	★ E2HZ 8600-C /bE8HZ 8600-K(10/91)	8	28	#E1HS-EA	1
	L-LN-LNT-LT-LTS900 -- 8V-71T & TT	8	568	E0HZ 8600-E	6	30	#E0HT-HA	1
	LN-LNT900 8V71 with Bendix fan clutch	8	568	E1HZ 8600-C	6	28	#E0HT-RA	1

## L (SERIES)

## 8 CYL. 636 (10.4L) CAT. DIESEL

80/	LN700	8	636	★ E4HZ 8600-C /bE7HZ 8600-C(3/89)	7	21	E3HT-SA	1
84/	L-LN-LNT-LT-LTS800	8	636	E4HZ 8600-B	7	21	E3HT-RA	1
80/83	L-LN-LNT-LT-LTS800	8	636	D6HZ 8600-A	6	22	#D6HT-HA	1

## L (SERIES)

## 8 CYL. 736 (12.0L) DETROIT DIESEL

82	LTL900 "Before 2/22/82"	8	736	E1HZ 8600-A	8	33		1
82/	LTL900 "From 2/22/82"	8	736	E2HZ 8600-D	8	33	#E2HT-BA	1
YEAR	MODEL/RESTRICTIONS	ENGINE		PART NUMBER	DESCRIPTION		QTY.	
		CYL.	C.I.D. (C.C.D.)					
80/	L-LN-LNT-LT-LTS900	6	855	58642-S2	(B-94-Z)-bolt (fan to pulley)-3/8"-16 x 3"		6	
80/	L-LT-LTS900	6	893	351385-S7	(XX-158)-washer-flat-3/8"		6	
80/	L-LN-LNT-LT-LTS900	6	855	351385-S7	(XX-158)-washer-flat-3/8"		6	
80/86	L-LN-LNT900	6	8426, 568	359840-S8	(XX-107)-washer-flat-5/16"		6	

1980/  
TRUCK SERIES 600/900

YEAR	MODEL/RESTRICTIONS	ENGINE		PART NUMBER	DESCRIPTION	QTY.
		CYL.	C.I.D. (C.C.D.)			
80/86	L-LN-LNT900	6&8	426, 568	56130-S2	(B-319-N)-bolt (fan blade to pump)-hex. hd.- 5/16"-18 x 3"	6
80/81	L-LN-LNT-LT-LTS900 -- with fan clutch	6	426	389270-S2	(BB-429-UC)-bolt (fan to clutch) -hex. hd. self. locking-5/16"-18 X 1"	6
80/81	C-CT900	8	477,534	*20329-S8	Bolt (blade to damper)-3/8"-24 x 5/8"	4
80/81	C-CT900	8	477,534	34807-S8	(X-66)-lockwasher-3/8"	4
80/81	L-LN-LNT-LT-LTS800/900	8	477,534	58633-S2	(B-77-D)- Bolt (fan to clutch)- 3/8" - 16 x 3/4"	4
80/	B-F600/800 -- with 20" fan	8	370,429			4
80/86	L-LT-LTS900	8	568	56129-S2	(B-319-P)-bolt (fan to engine)-hex. hd.- 5/16"-18 x 2 3/4"	6
80/	L-LN-LNT-LT900 Cum. NTC diesel	6	855	58639-S2	(B-90-D)-bolt(fan to engine)- 3/8"-16 x 2 1/4"	6
80/86	LN-LNT900	8	568	56126-S2	(B-319-M)-Bolt (fan to spacer to pulley)-5/16" - 18 x 2"	6
80/	L-LT-LTS900 -- CAT. 3406 diesel	6	893	*58641-S2	Bolt (fan to spacer to pulley) 3/8" - 16 x 2 3/4"-grade 8	6
88/	L-LN-LNT-LT-LTS900 -- Cum. L10-under 1900 RPM	6	610	58645-S2	(B-96-B) bolt (attach fan & spacer to clutch)-3/8"-16 x 3 3/4" hex hd.	6
<b>8N601 BRACKET (FAN MOUNTING SUPPORT)</b>						
80/	C-CT-L-LT-LTS-LN-LNT600/800 F&B	8	370,429	D9HZ 8N601-A		1
86	CF600/700	6	All	E6HZ 8N601-A	#E3HN 8N602-AA	1
<b>8C605 VALVE ASSY. (COOLING CONTROL)</b>						
82/	LTL900 -- with Bendix clutch	6&8	All	E1HZ 8C605-B	Controls fan clutch & shutters	1
81/	L-LN-LNT-LT-LTS900 -- with Bendix & Kaysor clutch	6&8	All			
84/	LN-LNT900 -- Cum. NT 270 Kaysor clutch	6	610	E4HZ 8C605-A		1
84/	LNT900 -- Cum. diesel	6	10.0L			1
84/	CLT	6	893			1
84/	L-LT-LTS-LTL -- w/Cat. 3406	6	893			1
84/	L-LN900 -- Cums. NTC with Bendix FD 2 fan clutch	6	855			1
85/	LTL900 -- Cums. NTC with Bendix fan clutch	6	855			1
88	CL-CLT -- Cum. NTC 444	6	855	*E8HZ 8C605-A	#E8HT-AA	1
88	L-LN-LT-LNT-LTS -- Cum.	6	855	/bE8HZ 8C605-B		1
88	L-LN-LNT-LT-LTS900 -- Cum. L10	6	610			1
89	CL-CLT900 -- Cum. NTC 444	6	855	E8HZ 8C605-B		1
89	L-LN-LNT-LT-LTS900 -- Cum. 855 "Before 11/88"	6	855			1
89	L-LN-LNT-LT-LTS900 -- Cum. L10	6	610			
89	L-LL-LN-LNT-LS-LT-LTS900 cum. NTC diesel "From 11/88"	6	855	E9HZ 8C605-A		1
<b>8K606 SEAL (FAN OIL)</b>						
80/	L-LN-LNT-LT-LTS 800	8	636	D5HZ 8K606-A		1
<b>8B608 ADAPTER-FAN CLUTCH SPACER</b>						
88/	B-F-L Series -- (160, 170 & 185 H.P.) FNH dsl. w/22" fan "From 3/14/88"	6	6.6L,7.8L	E8HZ 8B608-E	#EDE7HT-AA	1
86/	CF600/700	6	6.6L	E6HZ 8B608-A	#E5HT/CA For E6HZ 8A616-A	1
86/88	CF600/800 -- exc. Calif.	6	6.6L	E6HZ 8B608-C	E5HT/BA	
89	CF600/800 -- (185 H.P.) exc. MT643 A/T "From 7/3/89"	6	6.6L	E6HZ 8B608-D	#87HU-EA	1
87/88	CF600/800 -- Calif.	6	6.6L	E7HZ 8B608-C	#87HU-FA	1
89	CF600/800 -- (185 H.P.) with MT643 A/T "From 7/3/89"	6	6.6L			1

1980/  
TRUCK SERIES 600/900

YEAR	MODEL/RESTRICTIONS	ENGINE		PART NUMBER	DESCRIPTION	QTY.
		CYL.	C.I.D. (C.C.D.)			
<b>8B608 ADAPTER-FAN CLUTCH SPACER — Cont'd</b>						
87	CF600/800 -- (185 H.P.)	6	7.8	E7HZ 8B608-A	#87HU-BA	1
87	CF600/800 -- (210 H.P.)	6	7.8	E7HZ 8B608-E	#87HU-DA	1
87	CF700/800 -- (185 H.P.) w/M/T	6	7.8L	E7HZ 8B608-D	#87HU-HA	1
87	CF700/800 -- (185-210 H.P.) w/A/T	6	7.8L	E7HZ 8B608-E	#87HU-GA	1
88/	CF600/800 -- (185 H.P.) w/MT	6	7.8L	E8HZ 8B608-B	#88HU-BA	1
	CF600/800-(185 H.P.) w/AT	6	7.8L	★ E8HZ 8B608-A	#88HU-AA	1
	(210 H.P.) All. (240 H.P.) w/AT			/bE8HZ 8B608-D		
86/	CF600/800	6	6.6L	58656-S2	Attach (8B608) adt.-fan clutch spacer to engine	4
<b>8610 PULLEY (FAN)-Also refer to group 8625</b>						
87/	B-F-L Series w/FT0 dsl. high mounting fan	6	7.8L	★ E7HZ 8610-A Not replaced	#E7HT-AA	1
83/	B-F-FT700/800	8	636	★ E3HZ 8610-A	#E3HT 8A607-BA-r/b E8HZ 8625-C (2/90)	1
83/	F-FT800 -- Cat. 3208T	8	636	E3HZ 8610-B	#E3HT 8A607-CA	1
80/81	L-LN-LNT-LT900 -- Detroit Diesel 8V 71N, 8V-71T, 8V-71TA w/ fan clutch	8	568	★ D5HZ 8610-C Not replaced (3/89)	#D5HA-CB-6" dia.	1
80/81	L-LN-LNT-LT LTS 900 -- Cum. NTC, PT 270 w/Eaton fan clutch	6	855	D5HZ 8610-A	2 sheaves - 6 1/4" dia. #D5HA-EB	1
80/	L-LN-LNT LT-LTS 800 Cat. 3208 w/ or w/o fan clutch	8	636			1
89	L9000 -- Cat. 3208	8	636	E8HZ 8610-A	Please see E9HZ 8626-A for bearing-special snap ring washer	
83/	B-F-FT700/800 -- Cat. 3208	8	636	58725-S2	(B-142-A) bolt (attach pulley to base)-5/8"-11 x 3"	1
83/	F-FT800 -- Cat. 3208	8	636	351582-S2	(XX-211-A) washer 5/8"	1
<b>8B610-13 BRACKET (FAN SHROUD REAR)</b>						
80/	LT900-Cum. NTC350 diesel	6	855	D4HZ 8B610-A	Upper	1
				D4HZ 8B612-A	Lower-R.H.	1
				D4HZ 8B613-A	Lower-L.H.	1
				55697-S8	(M-89-F)-nut (upper bracket to engine)-1/2"-13	2
				44879-S2	Flatwasher-1/2"	4
				384752-S2	Bolt (lower L.H. bracket to engine)-7/16"-20 x 3 1/4"	3
<b>8A612 PULLEY and BRACKET ASSY. (FAN)</b>						
80/	L-LN-LNT-LT LTS900 -- Cum. NTC 250, 290 PT. 270 86, 88 DBA and no noise areas	6	855	★ D5HA 8A612-AA	Secure from Cummins source-vendor No. 210679	1
80/	LT LTS900 -- Cum. NTC 350-88DBA and no noise areas	6	855			1
80/	CL CLT900 -- Cum. NTC	6	855	★ D7HA 8A612-AA	Secure from Cummins source-vendor No. 3013551	1
88/	CL CLT	6	444	★ E8HT 8A612-BA	Secure from Schwitzer source-Vendor No. XL 196736	1
80/	L-LN-LNT LT LTS900 -- Cum. NTC 250, 290 PT. 270. 86, 88DBA and no noise areas	6	855	386736-S2	Bolt (Pulley and bracket assy. to eng.) 1/2"-13 x 8 1/8 hex. hd-Secure from Cummins source-vendor no. 150166	1
80/	LT LTS900 -- Cum. NTC 350-88DBA and no noise areas	6	855			1

1980/  
TRUCK SERIES 600/900

YEAR	MODEL/RESTRICTIONS	ENGINE		PART NUMBER	DESCRIPTION	QTY.
		CYL.	C.I.D. (C.C.D.)			
<b>8K612 VALVE ASSY. (FAN THERMO CONTROL)</b>						
80/87	CL-CLT900-W/Rockford fan clutch	8	736	D8HZ 8K612-A	#D7HT-AA,EA, 189°-202°, #22724, #24828	1
80/	L-LT-LTS-LN-LNT800/900	6	893			1
80/87	L-LN-LNT-LT900	8	568			1
80/87	LN-LNT900	6	552			1
81/87	L-LN-LNT-LT-LTS900 - - Cum. NTC/Form 350 w/Rockford fan clutch	6	855			1
82/	LL-LTL900	6&8	All			1
88/	CL-CLT900 - Cum. L10	6	10L			1
88/	L-LN-LNT-LT900 - - Cums. L10 A/T	6	10L			1
80/84	L-LN-LNT-LT-LTS900-w/Bendix fan clutch- "Before 12/83"	6	855	E0HZ 8K612-A	195° #E0HT-AA	1
80/84	CL-CLT900 - - w/Bendix fan clutch "Before 12/83"	6	855 893			1
84/87	CL-CLT900 - - w/Bendix fan clutch "From 12/83"	6	893	E4HZ 8K612-A	195° #E4HT-AA	1
84/87	L-LT-LTS-LTL900 - - w/Bendix fan clutch "From 12/83"	6	893			1
84/87	L-LN900 - - Cums. NTC "From 4/84"	6	855			1
85/87	LTL900 - Cums. NTC with Bendix fan clutch with A/C w/o shut	6	855			1
88/	L-LN-LNT-LT900 - - Cums. L10 M/T	6	10L			1
88/	CL-CLT900 - - w/3406 Cat. ATA	6	893	E8HZ 8K612-A	200° E8HT-AA	1
89	CL-CLT900 - Cum. NTC/Form	6	855			1
89	L-LL-LN-LNT-LT-LTL-LTS900 - - Cum. NTC/Form	6	855			1
89	CL-CLT900 - - Cum. NTC/Form. 400/444 H.P.	6	855	E9HZ 8K612-A	Disc-fan thermal control-to service E9HZ 8A616-B clutch	1
89	L-LN-LNT-LS-LT-LTS900 - - cum. NTC/Form 400/444	6	855			1
<b>8A616 CLUTCH ASSY. (FAN) - Also refer to 8A627</b>						
87/	F&B - - w/240 H.P. F - - w/210 or 240 H.P. w/PTO "Before 2/88"	6	7.8L	E7HZ 8A616-B	#E7HT-GA	1
87/88	B-F-L Series - - Except F&B-w/240 H.P. and F-w/210 or 240 H.P.-w/PTO "Before 2/88"	6	7.8L	★ E7HZ 8A616-A /bE9HZ 8A616-D	#E7HT-AB	1
88	B-F600/800 "Before 3/14/88"	6	6.6L			1
88/	B-F-L Series - - w/FNH 210, 215, 240 H.P.-w/o A/C "From 2/88"	6	7.8L	E9HZ 8A616-D	#E8HT-GA,GB, E9HT-EA	1
89	L-LN-LNT-LT-LTS900 - - FNH (270 H.P.)-w/o A/C	6	7.8L			1
88/89	B-F-L Series (165,170 H.P.) (185 H.P.-M/T) w/22" fan	6	6.6L, 7.8L	E9HZ 8A616-F	#EDE8HT-RA	1
88/	B-F-L Series - - w/FNH 210, 215, 240 H.P.-A/T w/A/C	6	7.8L	E9HZ 8A616-D	#E9HT-EA	1
89	L-LN-LNT-LT-LTS900 - - FNH (270 H.P.) A/T w/A/C	6	7.8L			1
80/	B-F600/800 - - Hi-fan	8	370,429	E1HZ 8A616-E	#D7HT-ACA, D9HT-CB, E0HT-MA	1

1980/  
TRUCK SERIES 600/900

YEAR	MODEL/RESTRICTIONS	ENGINE		PART NUMBER	DESCRIPTION	QTY.
		CYL.	C.I.D. (C.C.D.)			
<b>8A616 CLUTCH ASSY. (FAN)-Also refer to 8A627 - Cont'd</b>						
80/87	B-F-LN600/800 - - naturally asperated, turbo-M/T (Eaton fan clutch)	8	501	E3HZ 8A616-B	#E7HT-JA-use E3HT-SA fan	1
80/87	B-F-LN600/800 - - turbo w/A/T (Switzer fan clutch)	8	501	E0HZ 8A616-B	#E7HT-LA-use E3HT-TA fan	1
80/86	B-F600/800 - - water pump mount fan-exc. 22" fan	8	379,429	E3HZ 8A616-C	#E7HT-KA, E3HT-FA, E9HT BA	1
80/86	LN600/700 - - water pump mount fan-exc. 22" fan	8	370,429			1
82/	B-F600/800 - - water pump mount with 22" fan	8	370,429	E3HZ 8A616-F	#E2HT-EA	1
83/	B-F-FT700/800 - - with 22" fan	8	636	E3HZ 8A616-A	#E7HT-RA	1
80	F700-Fire Truck-gas	8	370,429	E1HZ 8A616-E	#E1HT-CA	1
81/	B-F600/800 - - Hi fan	8	370,429	E3HZ 8A616-D	#E3HT -GA	1
81/87	C700 - - Detroit diesel	8	501	E1HZ 8A616-A	#E7HT-MA	1
80/86	C-CT600/800	8	370,429	D9HZ 8A616-C	#D9HT-BA,BC,BD, E2HT-CA	1
80/81	C-CT800/900	8	477,534	D8HZ 8A616-E	#D7HT-AFA, D9HT-HA	1
81/87	C-CT800 - - Detroit Diesel	8	501	★ E1HZ 8A616-A	#E1HT-AA	1
80/85	C-CT700/800 - - Cat. diesel	8	636	E5HZ 8A616-A	#D7HA-MA,MB,MC, D9HT-GA, E7HT-SA	1
86/	C-CT700/800 - - Cat. diesel	8	636	E8HZ 8A616-L	#E7HT-TA, E8HT-SA	1
80/	CL-CLT900 - - With Schwitzer	6	893	E2HZ 8A616-B	#E2HT-AA Schwitzer	1
80/88	CL-CLT900 - - Cum. diesel with Schwitzer "Before 11/30/87"	6	855			1
88/	CL-CLT900 - - Cum. 300/365 "From 11/30/87"	6	855	E8HZ 8A616-K		1
88/	CL-CLT900 - - Cum. 400/444	6	855	E9HZ 8A616-B		1
80/85	CL-CLT900 - - Det. Diesel	6&8	552,568	D9HZ 8A616-F	#D8HT-AA, D7HA-AA, Eaton	1
88/	CL-CLT900 - - Cum. L10	6	610	E8HZ 8A616-A	#E8HT-HA	1
86	CF600/700 "Before 5/86"	6	All	E6HZ 8A616-E	#E5HT-GA	1
86/88	CF600/800 - - M/T "From 5/86"	6	All	E9HZ 8A616-G		
86/	CF600/700 - - A/T "From 5/86"	6	All	E6HZ 8A616-E	#E5HT-GA	1
87/	CF700/800 - - HL29 (210 H.P.)	6	7.8L	E5HZ 8A616-A	#E7HT-SA	1
80/84	L-LT-LTS-LN-LNT800	8	636	D7HZ 8A616-D	#D7HT-AEA,AEB,AEC, D9HT-KA	1
85/	L-LT-LTS-LN-LNT800	8	636	E3HZ 8A616-A	#E3HA-EC	1
80/86	L-LT-LTS-LN-LNT800	8	370,429	E1HZ 8A616-E	#D9HT-CA	1
81/86	L-LN-LNT-LT-LTS900	8	370,429	E3HZ 8A616-D	#E3HT-GA	1
80/81	L-LT-LTS-LN-LNT900	6	426	D8HZ 8A616-H	#D7HT RA, RB, D9HT LA	1
80/81	L-LT-LTS-LN-LNT800/900	8	477,534	D8HZ 8A616-K	#D7HT-ADA,ADB, D9HT JA	1
80/81	L-LT-LTS900 - - 8V-71	8	568	★ E4HZ 8A616-C	Incl. clutch, bracket and spacer	1
81/86	LN-LNT900 - - 8V-71	8	568	E4HZ 8A616-D	Incl. clutch, bracket and spacer	1
80/81	L-LN-LNT-LT-LTS900 - - NTC & Form 350	6	855	E4HZ 8A616-A	Incl. clutch and brkt.	1
80/81	LN-LNT900 - - NTC & Form 290 Calif.	6	855			1
80/88	LN-LNT900 - - NTC Form 290, exc. Calif.	6	855	E9HZ 8A616-E	Bendix type	1
80/88	L-LT-LTS900 - - NTC & Form 290 300	6	855			1
80/88	L-LN-LNT-LT-LTS900 - - NTC & Form 230,250	6	855			1
81/88	L-LN LNT-LT-LTS900 - Cum. NTC/Form. 350 "From 3/81"	6	855	E1HZ 8A616-F	Rockford type #D7HS 8K611-AA	1
88/	L-LN-LNT-LT-LTS900 - - Cum. 300/365 "From 11/30/87"	6	855	E8HZ 8A616-K		1
88/	L-LN-LS-LT-LNT-LTS900 - - Cum. 400/444	6	855	E9HZ 8A616-B		1
80/83	LN700	8	636	E2HZ 8A616-A	#E2HT-BA	1
84/	LN700 - - Cat 3208N	8	636	E3HZ 8A616-E	#E3HT-JA Flange mount	1

**1980/  
TRUCK SERIES 600/900**

YEAR	MODEL/RESTRICTIONS	ENGINE		PART NUMBER	DESCRIPTION	QTY.
		CYL.	C.I.D. (C.C.D.)			
<b>8A616 CLUTCH ASSY. (FAN)-Also refer to 8A627 -- Cont'd</b>						
81/86	L-LT900 -- 8V-71	8	568	E1HZ 8A616-C	#D8HS-C-HA-Schwitzer type	1
88/	LN-LNT800 -- (185 H.P.)	6	7.8L	E7HZ 8A616-A	#E7HT-AB	1
88/	LN-LNT800	6	6.6L			1
82/86	LTL900 -- Detroit Dsl. 8V92	8	736	E4HZ 8A616-B	Incl. clutch, bracket and spacer	1
89	LN-LNT900 -- Cat. 3306	6	638	E9HZ 8A616-A	#E8HT-NA	1
81/86	L-LT900 -- 8V-71	8	568	389290-S2	(BB-211-H) Bolt (used to adjust fan clutch) -5/16"-18 x 3.5" hex. hd.	1
80/	B-F600 -- water pump mtd. fan	8	370,429	389079-S100	(BB-429-UG) Bolt (attach fan clutch to engine)-5/16"-18 x 1.38" hex. hd.	4
81/	CL-CLT900	6	855	389271-S100	(BB-901-A) Bolt (attach fan clutch to engine)-3/8"-16 x .88" hex. hd.	6
80/87	B-F-LN600/800 -- with Schwitzer fan clutch	8	501	N605663-S100	(AB-20-KK) Bolt- (attach fan clutch to engine)-M8 x 50 hex. hd.	6
80/87	B-F-LN600/900 -- with Eaton fan clutch	8	501	N605532-S2	(AB-20-B) Bolt (attach fan clutch to engine) M8 x 25 hex. hd.	6
81/	L-LN-LNT-LT-LTS800	8	636	383873-S100	(BB-429-UP) Bolt (attach fan clutch to engine)-3/8"-17 x 1.50"	6
81/86	L-LN-LNT-LT-LTS900	6	426	389270-S2	(BB-429-UC) Bolt (attach fan clutch to engine)-5/16"-18 x 1" hex. hd.	6
86	L-LT-LTS-LN-LNT900 Cum. NTC & LTA eng. (all Cum. w/Bendix fan clutch)	6	855	390612-S2	(BB-199-FF) (used to adjust clutch assy.) 1/2"-13 x 9.50 hex. hd.	1
87	F-B-C-L	6&8	501,636	58738-S2	(B-144-L) Bolt attach 8600 to 8A616	4
				44877-S2	(X-24-B) Washer attach 8600 to 8A616	6

# 1980/ TRUCK SERIES 600/900

8620 BELT (DRIVE)

### DRIVE BELTS HOW TO IDENTIFY FAN BELTS

1. By size and length – the Motorcraft Part Number allows you to determine belt size as explained below.  
FIRST LETTER PREFIX: J–Designates the V–belt in all cases

SECOND LETTER PREFIX:	Designates	Top width of belt	Designates	Top width of belt
	A	13/32"	G	7/8"
	B	15/32"	H	1/4"
	C	1/2"	M	19/32"
	D	5/8"	P	23/32"
	E	11/16"	R	17/32"
	F	3/4"		

**NUMBERS:** (There must always be a three digit numeral)  
First two digits designate the amount of whole inches of outside circumference of the belt.  
Third digit designates the remaining fraction of an inch (expressed in eighths of an inch) of outside circumference of the belt.

**LETTER SUFFIXES:** Suffixes will designate special types of V–belts–  
C–for cog belts, L–for laminated belts

**EXAMPLES:** \*JB–493–L–Laminated belt with 15/32" top width and 49 3/8" outside circumference.  
\*JF–535–C–Cog belt with 3/4" top width and 53 5/8" outside circumference.

2. By identification marking–refer to following chart.  
3. By year, model and application–refer to listing beginning on page 8 of this section.

### BELT IDENTIFICATION MARKING TO SERVICE PART NUMBER GUIDE

The purpose of this guide is to help find service part numbers for fan belts. Belts are identified with a marking on the outer (wide) surface of the belt. Although the identification marking and service part number may be the same in some instances, this is not generally true. Find the belt marking in the "Belt Identification Marking" column, then order the number listed in the "Service Part Number" column. Following the guide chart, belt part numbers are listed by model year to help find service part numbers when the belt marking is not known.

### IDENTIFICATION CHART

(Arranged according to Identification Number)

IDENTIFICATION	PART NUMBER	IDENTIFICATION	PART NUMBER
8620	BELT (DRIVE)		
Note:	* Identification number is same as Motorcraft sales number.		
	Any production belt with numerals in the suffix, such as A1A,A2A etc., are the same as the suffix AA.		
	EXAMPLES# D2VE 8620–L1A,L2A,L3A,L4A belts are the same as D2VE 8620–LA.		
* JA 420–R	C9SZ 8620–A	* JB 386	C9PZ 8620–FT
* JB 286–C	C9PZ 8620–A	* JB 390	C9PZ 8620–M
* JB 315	C9PZ 8620–B	* JB 394	C9PZ 8620–N
* JB 332	C9PZ 8620–C	* JB 401	C9PZ 8620–P
* JB 336	DOAZ 8620–G	* JB 404	C9PZ 8620–R
* JB 341	C9PZ 8620–D	* JB 412	C9PZ 8620–S
* JB 342	C9PZ 8620–D	* JB 414	C9PZ 8620–GM
* JB 346	C9PZ 8620–E	* JB 414–L	C9PZ 8620–GM
* JB 353	C9PZ 8620–F	* JB 420	C9PZ 8620–T
* JB 354	C9PZ 8620–F	* JB 423	C9PZ 8620–V
* JB 363	C9PZ 8620–G	* JB 430	C9PZ 8620–GK
* JB 364	C9PZ 8620–G	* JB 430–L	C9PZ 8620–GK
* JB 365	C9PZ 8620–GY	* JB 430–LA	C9PZ 8620–GK
* JB 366	C9PZ 8620–GY	* JB 436–L	C9PZ 8620–GJ
* JB 366–L	C9PZ 8620–GY	* JB 441	C9PZ 8620–AA
* JB 371	C9PZ 8620–J	* JB 443	C9PZ 8620–AB
* JB 382	C9PZ 8620–K	* JB 446	C9PZ 8620–AC
* JB 385	C9PZ 8620–GF	* JB 451	C9PZ 8620–AD
* JB 385–L	C9PZ 8620–GF	* JB 455	D1PZ 8620–B



1980/  
TRUCK SERIES 600/900

**IDENTIFICATION CHART**

(Arranged according to Identification Number)

IDENTIFICATION	PART NUMBER	IDENTIFICATION	PART NUMBER
8620	BELT (DRIVE) — Cont'd		
Note:	* Identification number is same as Motorcraft sales number.		
	Any production belt with numerals in the suffix, such as A1A,A2A etc., are the same as the suffix AA.		
	EXAMPLES# D2VE 8620-L1A,L2A,L3A,L4A belts are the same as D2VE 8620-LA.		
* JB 456	C9PZ 8620-AE	* JC 430-L	C9PZ 8620-GU
* JB 460	C9PZ 8620-FY	* JC 433	C9PZ 8620-BU
* JB 461	C9PZ 8620-FY	* JC 437-A	D9PZ 8620-B
* JB 461-L	C9PZ 8620-FY	* JC 441	C9PZ 8620-BV
* JB 464	C9PZ 8620-AG	* JC 443	C9PZ 8620-FN
* JB 470	C9PZ 8620-AH	* JC 445	C9PZ 8620-BY
* JB 475	C9PZ 8620-FM	* JC 450	C9PZ 8620-BZ
* JB 480	C9PZ 8620-AL	* JC 455	E6PZ 8620-G
* JB 482	C9PZ 8620-AM	* JC 460	C9PZ 8620-CB
* JB 486-L	C9PZ 8620-GL	* JC 465	C9PZ 8620-CC
* JB 486-LA	C9PZ 8620-GL	* JC 467-A	D7PZ 8620-M
* JB 493	C9PZ 8620-FU	* JC 473	C9PZ 8620-CE
* JB 493-L	C9PZ 8620-FU	* JC 477	C9PZ 8620-CF
* JB 501	C9PZ 8620-AK	* JC 481	D0TZ 8620-D
* JB 505	C9PZ 8620-AN	* JC 483	C9PZ 8620-CD
* JB 513	C9PZ 8620-AT	* JC 490	C9PZ 8620-CG
* JB 516	C9PZ 8620-AP	* JC 493	C9PZ 8620-FP
* JB 521	C9PZ 8620-AR	* JC 495-L	C9PZ 8620-CH
* JB 527	C9PZ 8620-GB	* JC 497	C9PZ 8620-GD
* JB 527-L	C9PZ 8620-GB	* JC 501	C9PZ 8620-GD
* JB 546	C9PZ 8620-AU	* JC 501-L	C9PZ 8620-GD
* JB 551-L	C9PZ 8620-HC	* JC 504	C9PZ 8620-CK
* JB 590-LA	D8PZ 8620-W	* JC 507	D0TZ 8620-B
* JC 273	D7PZ 8620-N	* JC 510	C9PZ 8620-CL
* JC 283	D0HZ 8620-A	* JC 514	C9PZ 8620-CL
* JC 293-C	C9PZ 8620-AV	* JC 517	D0VZ 8620-B
* JC 307-C	C9PZ 8620-AY	* JC 521	C9PZ 8620-CM
* JC 320-C	C9PZ 8620-AZ	* JC 524	C9PZ 8620-CM
* JC 323-C	C9PZ 8620-BA	* JC 525	C9PZ 8620-CM
* JC 332	C9PZ 8620-BB	* JC 527	D0AZ 8620-E
* JC 337	C9PZ 8620-BC	* JC 527-L	D0AZ 8620-E
* JC 345-C	C9PZ 8620-BD	* JC 530-L	C9PZ 8620-GB
* JC 355	C9PZ 8620-BE	* JC 531	D0AZ 8620-E
* JC 360-C	E5PZ 8620-C	* JC 534	C9PZ 8620-CP
* JC 360-L	E5PZ 8620-C	* JC 537	C9PZ 8620-CR
* JC 363	D5PZ 8620-W	* JC 544	* C9PZ 8620-CS
* JC 366-C	C9PZ 8620-BG	* JC 551	C9PZ 8620-GC
* JC 373	C9PZ 8620-BH	* JC 552	C9PZ 8620-GC
* JC 375	C9PZ 8620-BH	* JC 552-L	C9PZ 8620-GC
* JC 377-C	C9PZ 8620-BJ	* JC 554	C9PZ 8620-GN
* JC 387	C9PZ 8620-BK	* JC 555	C9PZ 8620-GN
* JC 392-A	D5PZ 8620-F	* JC 557	C9PZ 8620-GA
* JC 393	C9PZ 8620-BL	* JC 557-L	C9PZ 8620-GA
* JC 397-C	D2PZ 8620-A	* JC 561-L	C9PZ 8620-GA
* JC 403	C9PZ 8620-BM	* JC 564	C9PZ 8620-CV
* JC 407	C9PZ 8620-BN	* JC 574	C9PZ 8620-CY
* JC 411	C9PZ 8620-BP	* JC 577	C9PZ 8620-CZ
* JC 416	C9PZ 8620-BR	* JC 584-A	D5PZ 8620-T
* JC 420	C9PZ 8620-FS	* JC 585	C9PZ 8620-DA
* JC 423	C9PZ 8620-BS	* JC 594	C9PZ 8620-DB
* JC 430	C9PZ 8620-GU		

1980/  
TRUCK SERIES 600/900

**IDENTIFICATION CHART**

(Arranged according to Identification Number)

IDENTIFICATION		PART NUMBER		IDENTIFICATION		PART NUMBER	
8620		BELT (DRIVE) — Cont'd					
Note:		* Identification number is same as Motorcraft sales number.					
		Any production belt with numerals in the suffix, such as A1A,A2A etc., are the same as the suffix AA.					
		EXAMPLES# D2VE 8620-L1A,L2A,L3A,L4A belts are the same as D2VE 8620-LA.					
* JC	600	C9PZ	8620-DC	* JE	541	D3PZ	8620-D
* JC	603-L	C9PZ	8620-GT	* JE	553	C9PZ	8620-EP
* JC	604	C9PZ	8620-GT	* JE	555	C9PZ	8620-EG
* JC	604-L	C9PZ	8620-GT	* JE	560	C9PZ	8620-EN
* JC	607	C9PZ	8620-DE	* JE	573-C	B8QH	8620-D
* JC	610	C9PZ	8620-GG	* JE	576-C	C9PZ	8620-EH
* JC	613	C9PZ	8620-GG	* JE	586	C9PZ	8620-ER
* JC	614	C9PZ	8620-GG	* JE	604	C9PZ	8620-ES
* JC	616	C9PZ	8620-DF	* JE	627-C	C9PZ	8620-ET
* JC	624	C9PZ	8620-DG	* JE	636-C	C9PZ	8620-EU
* JC	626	C9PZ	8620-GH	* JE	645	D3PZ	8620-E
* JC	631-L	C9PZ	8620-GH	* JE	657-L	C9PZ	8620-GE
* JC	633	E4PZ	8620-G	* JE	660	D8PZ	8620-T
* JC	634	E4PZ	8620-G	* JE	670	C9PZ	8620-EJ
* JC	634-L	E4PZ	8620-G	* JE	675-C	C9PZ	8620-GS
* JC	637-L	D9PZ	8620-EA	* JF	366	C9PZ	8620-FD
* JC	640	D9PZ	8620-EA	* JF	381	C9PZ	8620-GR
* JC	640-LA	D9PZ	8620-EA	* JF	405-C	C9PZ	8620-EV
* JC	644-A	D9PZ	8620-A	* JF	445-C	C9PZ	8620-EC
* JC	650	C9PZ	8620-DL	* JF	461-C	C9PZ	8620-EY
* JC	654	C9PZ	8620-DM	* JF	535-C	C9PZ	8620-FA
* JC	655	E5PZ	8620-E	* JF	614-C	C9PZ	8620-FB
* JC	656	E5PZ	8620-E	* JG	347-C	C9PZ	8620-FC
* JC	661	E1HZ	8620-A	* JG	375-C	C9PZ	8620-FE
* JC	664	C9PZ	8620-HB	* JG	400	C9PZ	8620-GP
* JC	667	E0HZ	8620-M	* JG	401-C	C9PZ	8620-GP
* JC	675-A	D3PZ	8620-A	* JG	413	C9PZ	8620-FF
* JC	677	D3HZ	8620-A	* JG	427	C9PZ	8620-FG
* JC	684	C9PZ	8620-DR	* JG	433	C9PZ	8620-FH
* JC	694	★ C9PZ	8620-GZ	* JG	453	C9PZ	8620-FJ
* JC	694-L	C9PZ	8620-GZ	* JG	462-C	C9PZ	8620-EZ
* JC	707	C7AZ	8620-B	* JG	477	D8PZ	8620-D
* JC	727	C9PZ	8620-U	* JG	484	C9PZ	8620-FK
* JC	734	C9PZ	8620-DT	* JG	495	D8PZ	8620-E
* JD	656	C0TZ	8620-B	* JG	505	D9PZ	8620-B
* JD	657-C	C9PZ	8620-GE	* JG	515	D8PZ	8620-C
* JD	675	C0TE	8620-A	* JG	567	C9PZ	8620-FL
* JE	375-C	C9PZ	8620-DU	* JH	356	D4PZ	8620-C
* JE	383-C	C9PZ	8620-DV	* JH	361	D00Z	8620-A
* JE	387	C9PZ	8620-GR	* JH	381	D5PZ	8620-B
* JE	392	C9PZ	8620-DY	* JJ	373	C9PZ	8620-FY
* JE	412-C	C9PZ	8620-DZ	* JJ	381-L	C9PZ	8620-GF
* FE	415-C	C9PZ	8620-EA	* JJ	435-L	C9PZ	8620-GJ
* JE	426	C9PZ	8620-EK	* JJ	487	C9PZ	8620-FU
* JE	427-D	D3PZ	8620-B	* JM	406	C9VY	8620-A
* JE	433-A	D3PZ	8620-C	* JN	387	C8VY	8620-B
* JE	437	C9PZ	8620-EB	* JR	376	C8HZ	8620-C
* JE	450	E8HZ	8620-T	E5HT	8K569-AA	E6HZ	8620-A
* JE	453	E8HZ	8620-T	87HU	8K569-CA	E8HZ	8620-W
* JE	474-C	C9PZ	8620-EE	87HU	8K569-EA	E8HZ	8620-V
* JE	500	C9PZ	8620-EL	88HU	8K564-AA	E9HZ	8620-C
* JE	524-C	★ C9PZ	8620-EF	C3TA	8620-D	C9PZ	8620-DC (JC-600)
* JE	534	C9PZ	8620-EM	C6TA	8620-G	C9PZ	8620-DY (JE-392)

1980/  
TRUCK SERIES 600/900

**IDENTIFICATION CHART**

(Arranged according to Identification Number)

IDENTIFICATION		PART NUMBER		IDENTIFICATION		PART NUMBER	
8620 BELT (DRIVE) — Cont'd							
Note: * Identification number is same as Motorcraft sales number.							
Any production belt with numerals in the suffix, such as A1A,A2A etc., are the same as the suffix AA.							
EXAMPLES# D2VE 8620-L1A,L2A,L3A,L4A belts are the same as D2VE 8620-LA.							
C6TA	8620-E	E8HZ	8620-T	D2HA	8620-CA	E4PZ	8620-E (JE 465)
C6TA	8620-J	C9PZ	8620-BS	D2HA	8620-DA	D9PZ	8620-EA (JC-640-LA)
C6TS	8620-C	C9PZ	8620-CZ (JC-577)	D2HA	8620-EA	C9PZ	8620-CY (JC 574)
C7TA	8620-G	C9PZ	8620-DT (JC-734)	D20E	8620-AYA	C9PZ	8620-CM (JC-524)
C7TA	8620-H	C9PZ	8620-CR (JC 537)	D2NE	8620-NA	C9PZ	8620-AD (JB 451)
C7TA	8620-N	C9PZ	8620-EG (JE-555)	D2SE	8620-LA	C9PZ	8620-BV (JC 441)
C7TA	8620-M	C9PZ	8620-CZ	D2TE	8620-AA	D9PZ	8620-EA (JC-640-LA)
C8HA	8620-A	C9PZ	8620-CV (JC-564)	D2TE	8620-GA	C9PZ	8620-GF (JB 385 L)
C8HA	8620-J	C9PZ	8620-CY (JC574)	D2TE	8620-KA	C9PZ	8620-EU (JE-636-C)
C8HA	8620-S	C9PZ	8620-CH (JC-495-L)	D2TE	8620-MA	C9PZ	8620-BY (JC-445)
C8TA	8620-F	C9PZ	8620-BH (JC-373)	D2TE	8620-SA	C9PZ	8620-BE (JC-355)
C8TA	8620-G	E0HZ	8620-E (JC-667-C)	D2TE	8620-ZA	C9PZ	8620-BU (JC-433)
C8TA	8620-H	C9PZ	8620-DE (JC-607)	D2TE	8620-SA	C9PZ	8620-BE (JC-355)
C9TE	8620-D	D9PZ	8620-EA (JC-460-LA)	D2TE	8620-AAA	C9PZ	8620-BV (JC 441)
DOAE	8620-A	C9PZ	8620-BU (JC 433)	D2TE	8620-ABA	D9PZ	8620-B (JC-437 A)
DOHA	8620-N	C9PZ	8620-GH (JC-626 L)	D2TE	8620-ADA	C9PZ	8620-BY (JC 445)
DOHA	8620-U	C9PZ	8620-GN (JC-554)	D2TE	8620-AEA	D6PZ	8620-D (JC 453-A)
DOHA	8620-Z	D0VZ	8620-B (JC-517)	D2TE	8620-AFA	C9PZ	8620-CB (JC-460)
DOHA	8620-AA	C9PZ	8620-GG (JC-614)	D2TE	8620-AGA	C9PZ	8620-CC (JC-465)
DOHA	8620-AB	C9PZ	8620-AV (JC-293 C)	D2TE	8620-ANA	D0TZ	8620-D (JC 481)
DOHA	8620-AE	D0HZ	8620-A (JC-283)	D2TE	8620-ARA	C9PZ	8620-CD (JC 483)
DOHA	8620-AG	D0AZ	8620-E (JE-423)	D2TE	8620-ASA	C9PZ	8620-GN (JC-554)
DOHA	8620-AH	C9PZ	8620-GT (JC-604 L)	D2TE	8620-ATA	C9PZ	8620-CM (JC 524)
DOHA	8620-AJ	C9PZ	8620-CD (JC-483)	D2TE	8620-AUA	★ C9PZ	8620-CS (JC-544)
DOHA	8620-AK	D0HZ	8620-D (JE 543)	D2TE	8620-BAA	C9PZ	8620-GE (JE-657 C)
DOHA	8620-AL	D0HZ	8620-E (JE-423)	D2TE	8620-BA	C9PZ	8620-DC (JC 600)
D00E	8620-F	C9PZ	8620-GN (JC-554)	D2TE	8620-BDA	C9PZ	8620-GT (JC-604-L)
D0TE	8620-A	C9PZ	8620-GD (JC-501 L)	D2TE	8620-BFA	★ C9PZ	8620-CS (JC 544)
D0TE	8620-C	C9PZ	8620-GE (JE-657-C)	D2TE	8620-BHA	C9PZ	8620-GD (JC-501-L)
D0TE	8620-D	★ C9PZ	8620-CS (JC-544)	D2TE	8620-BJA	C9PZ	8620-GD (JC-501-L)
D0TE	8620-E	D0TZ	8620-D (JC-481)	D2TE	8620-BKA	D0TZ	8620-D (JC 481)
D0TE	8620-F	D0TZ	8620-D (JC-481)	D2TE	8620-BLA	C9PZ	8620-CB (JC-460)
D0TE	8620-G	C9PZ	8620-GT (JC-604-L)	D2TE	8620-BMA	D0TZ	8620-D (JC-481)
D0TE	8620-H	C9PZ	8620-GD (JC-504-L)	D2TE	8620-BNA	C9PZ	8620-BH (JC-373)
D0TE	8620-J	C9PZ	8620-BH (JC-373)	D2TE	8620-BPA	C9PZ	8620-BH (JC-373)
D0TE	8620-K	C9PZ	8620-GN (JC-554)	D2TE	8620-BRA	C9PZ	8620-BM (JC 403)
D0TE	8620-L	C9PZ	8620-CD (JC-483)	D2TE	8620-BSA	C9PZ	8620-BM (JC 403)
D1TE	8620-BA	C9PZ	8620-GF (JB-385-L)	D2TE	8620-BTA	C9PZ	8620-BP (JC-411)
D1TE	8620-CA	★ C9PZ	8620-CS (JC-544)	D2TE	8620-BYA	C9PZ	8620-AC (JB 446)
D1TE	8620-EA	C9PZ	8620-CB (JC-460)	D2VE	8620-DA	C9PZ	8620-G (JC 453L)
D2AE	8620-ACA	C9PZ	8620-CC (JC 465)	D2VE	8620-LA	C9PZ	8620-CM (JC 524)
D2AE	8620-AEA	C9PZ	8620-CB (JC 460)	D2TE	8620-AFA	C9PZ	8620-CR (JC 537)
D2AE	8620-BAA	C9PZ	8620-AC (JC-446)	D2ZE	8620-AHA	D9PZ	8620-P (JC 527 A)
D2AE	8620-BCA	C9PZ	8620-GJ (JB 436 L)	D3HA	8620-AJA	D9PZ	8620-N (JC 514 A)
D2AE	8620-BEA	D5PZ	8620-F (JC-392 A)	D3HA	8620-AA	C9PZ	8620-GU (JC 430 L)
D2AE	8620-BLA	E3AZ	8620-F	D3HA	8620-CA	D3PZ	8620-A (JC 675 A)
D2AE	8620-BYA	C9PZ	8620-CC (JC-465)	D3HA	8620-DA	D3PZ	8620-A (JC 675 A)
D2AE	8620-CCA	C9PZ	8620-BU (JC-433)	D3HA	8620-EA	D3PZ	8620-D (JE 541)
D2AE	8620-CZA	C9PZ	8620-V (JB-423)	D3HA	8620-FA	C9PZ	8620-DZ (JE 412 C)
D2AE	8620-DBA	C9PZ	8620-GJ (JB-436-L)	D3HA	8620-GA	D3PZ	8620-B (JE-427-CA)
D2AE	8620-HA	C9PZ	8620-CZ (JC 577)	D3HA	8620-HA	D3PZ	8620-C (JE 433 A)
D2AE	8620-VA	C9PZ	8620-CV (JC-564)	D3HA	8620-JA	C9PZ	8620-EF (JE 524 C)
D2DE	8620-GA	C9PZ	8620-CB (JC 460)	D3HA	8620-KA	D0HZ	8620-D (JE 543)
D2DE	8620-ADA	C9PZ	8620-GN (JC-554)	D3HE	8620-AA	D3PZ	8620-E (JE 645)
D2HA	8620-BA	C9PZ	8620-FP (JC-493)	D3HE	8620-BA	C9PZ	8620-CD (JC 483)

# 1980/ TRUCK SERIES 600/900

## IDENTIFICATION CHART

(Arranged according to Identification Number)

IDENTIFICATION		PART NUMBER		IDENTIFICATION		PART NUMBER	
8620 BELT (DRIVE) — Cont'd							
Note: * Identification number is same as Motorcraft sales number.							
Any production belt with numerals in the suffix, such as A1A,A2A etc., are the same as the suffix AA.							
EXAMPLES# D2VE 8620-L1A,L2A,L3A,L4A belts are the same as D2VE 8620-LA.							
D3HE	8620-CA	C9PZ	8620-DL (JC-650)	★ EOHT	8620-LA	★ EOHZ	8620-R (JC-723-C)
D3HE	8620-DA	D9PZ	8620-EA (JC-640-LA)	EOHT	8620-MA	EOHZ	8620-L (JC-707-C)
D3TA	8620-D	C9PZ	8620-DC (JC-600)	★ EOHT	8620-TA	★ E1HZ	8620-A (JC-661-C)
D3UE	8620-BA	D9PZ	8620-A	EOHT	8620-UA	E1HZ	8620-B (JC-671-C)
D4HE	8620-AA	C9PZ	8620-BN (JC-407)	EOTE	8620-EA	D7PZ	8620-P (JC-390)
D4HE	8620-BA	C9PZ	8620-BR (JC-416)	EOTE	8620-FA	C9PZ	8620-DL (JC-650)
D4HE	8620-CA	C9PZ	8620-CD (JC-483)	EOTE	8620-JA	C9PZ	8620-BB (JC-332)
D4TE	8620-AA	C9PZ	8620-BK (JC-387)	EOTE	8620-KA	C9PZ	8620-GG (JC-614)
D4TE	8620-BA	D00Z	8620-A (JH-361)	EOTE	8620-LA	C9PZ	8620-DF (JC-616)
D42E	8620-DA	D4PZ	8620-C (JH-356)	EOTE	8620-MA	C9PZ	8620-DM (JC-654)
D5HA	8620-FA	C9PZ	8620-DM (JC-654)	EOUE	8620-BA	D7PZ	8620-M
D5HA	8620-GA	D5PZ	8620-T (JC-584-A)	E1HT	8620-BA	E2HZ	8620-A (JE-461)
D5HA	8620-JA	D9PZ	8620-DA (JC-655-A)	E2HT	8620-AA	D7PZ	8620-N
D5HA	8620-KA	D5PZ	8620-U (JC-727)	E2HT	8620-BA	E2HZ	8620-C (JC-463-LA)
D5HE	8620-AA	D5PZ	8620-F (JC-392-A)	E2HT	8620-FA	C9PZ	8620-DF
D5HE	8620-BA	D9PZ	8620-EA (JC-640-LA)	E2HT	8620-GA	C9PZ	8620-DM (JC-654)
D5HE	8620-CA	D9PZ	8620-U (JC-517-A)	E2TE	8620-FA	C9PZ	8620-CB
D5HE	8620-EA	D9PZ	8620-N (JC-514-A)	E4HE	8620-FA	E0PZ	8620-G
D5HE	8620-FA	C9PZ	8620-GD (JC-501-L)	E4HT	8620-GA,GB	E4PZ	8620-C (JC-403-LA)
D5HE	8620-GA	D5PZ	8620-F (JC-392-A)	E4HT	8620-JB	C9PZ	8620-CP
D5HE	8620-HA	D0AZ	8620-E (JC-527-L)	E4HT	8620-KB	E4HZ	8620-B
D5HE	8620-JA	D0TZ	8620-B (JC-507)	E4HT	8620-M1A	E4PZ	8620-G
D5TA	8620-MA	C9PZ	8620-BL (JC-393)	E4HT	8620-RB	E4HZ	8620-C
D5TE	8620-BA	D5PZ	8620-B (JH-381)	E4HT	8620-SA	E4HZ	8620-J
D5TE	8620-DA	C9PZ	8620-CG (JC-490)	E4HT	8620-VA	E0PZ	8620-C
D5TE	8620-FA	D5PZ	8620-W (JC-363)	E4HT	8620-YA	E4PZ	8620-B
D5TE	8620-HA	C9PZ	8620-CH (JC-495-L)	E4HT	8620-ZA	E5HZ	8620-D (JC-303-L)
D6HS	8620-AA	C9PZ	8620-EJ (JE-670)	E4HT	8620-AAA	C9PZ	8620-CR
ED D6HS	8620-AA	E2HZ	8620-B (JE-650)	E5HT	8620-AA	E5HZ	8620-A (JC-767-L)
D7HA	8620-BA	C9PZ	8620-FN (JC-443)	E5HE	8620-BA	E5HZ	8620-B (JA-452)
D7HA	8620-KA	D8PZ	8620-C (JG-515)	★ E5HE	8620-CA	★ E5HZ	8620-C (JA-462)
D7HT	8620-BA	C9PZ	8620-FN (JC-443)	★ E5HE	8620-DA	★ E6HZ	8620-D (JC-597)
D7HT	8620-LA	C9PZ	8620-BJ (JC-377-C)	★ E5TE	8620-HA	★ E5PZ	8620-E (JC-565-L)
D7HT	8620-MA	D8PZ	8620-E (JG-495)	E5TE	8620-KA	E5HZ	8620-F (JC-661-L)
D7HT	8620-RA	D8PZ	8620-D (JG-478)	E5TE	8620-GA	E5PZ	8620-C (JC-360-L)
D7HT	8620-SA	E8HZ	8620-T	E6HT	8620-AA	E6HZ	8620-E (JC-547)
D7TE	8620-FA	C9PZ	8620-BD (JC-345-C)	E7HT	8620-BA	E7HZ	8620-A
D8HT	8620-AA	D9PZ	8620-S (JG-505)	E7HT	8620-CA	E7HZ	8620-B
D9TE	8620-AA	D9PZ	8620-M (JC-450-A)	E7HT	8620-DA	E7HZ	8620-C
D9TE	8620-BA	C9PZ	8620-BH (JC-373)	E7HT	8620-EA	E7HZ	8620-D
D9TE	8620-CA	D9PZ	8620-A (JC-644-A)	★ E7HT	8620-GA	★ E7HZ	8620-E (JK8-366)
D9TE	8620-CB	D9PZ	8620-A (JC-644-A)	E7HT	8620-JA	C9PZ	8620-BJ (JC-377-C)
D9TE	8620-DA	C9PZ	8620-BB (JC-332)	E8HT	8620-CA	E8HZ	8620-A (JC-647)
D9TE	8620-EA	C9PZ	8620-BB (JC-332)	E8HT	8620-GA	E8HZ	8620-B (JC-713)
D9TE	8620-GA	C9PZ	8620-AZ (JC-320-C)	E8HT	8620-HA	E8HZ	8620-G
D9TE	8620-HA	C9PZ	8620-AZ (JC-320-C)	E8HT	8620-JA	C9PZ	8620-CE (JC-607)
EOHT	8620-CA	D2PZ	8620-A	E8HT	8620-LA	E8HZ	8620-L
EOHT	8620-DA	EOHZ	8620-K (JC-431-C)	E8HT	8620-RA	E8HZ	8620-H
EOHT	8620-EA	EOHZ	8620-L (JC-707-C)	E8HT	8620-SA	E8HZ	8620-J
EOHT	8620-FA	EOHZ	8620-M (JC-667-C)	E8HZ	8620-UA	E8HZ	8620-M
EOHT	8620-GA	EOHZ	8620-N (JC-675-C)	E8HZ	8620-VA	E8HZ	8620-N
★ EOHT	8620-HA	★ EOHZ	8620-P (JC-681-C)	D1TA	10C318-AA	C9PZ	8620-BV (JC-634-L)
EOHT	8620-JA	D9PZ	8620-B (JC-437-A)	D3HA	10C318-AA	C9PZ	8620-BG (JC-366-C)
EOHT	8620-KA	EOHZ	8620-S (JC-683-C)	D3HA	10C318-DA	C9PZ	8620-BE (JC-355)

**1980/  
TRUCK SERIES 600/900**

**IDENTIFICATION CHART**

(Arranged according to Identification Number)

IDENTIFICATION		PART NUMBER		IDENTIFICATION		PART NUMBER	
8620 BELT (DRIVE) — Cont'd							
Note: * Identification number is same as Motorcraft sales number.							
Any production belt with numerals in the suffix, such as A1A,A2A etc., are the same as the suffix AA.							
EXAMPLES# D2VE 8620-L1A,L2A,L3A,L4A belts are the same as D2VE 8620-LA.							
E5HT	10C318-AA	E6HZ	8620-C	88HU	10C318-AA	E9HZ	8620-A
E5HT	10C318-BA	E6HZ	8620-C	88HU	10C318-BA	E9HZ	8620-B

YEAR	MODEL/RESTRICTIONS	QUANTITY				PART NUMBER	DESCRIPTION
		ALT.	FAN	P/S	COMP.		
8620	BELT (DRIVE)						

**APPLICATION CHART**

**1980/**

B (SERIES)		6 CYL. 6.6L, 7.8L DIESEL					
87/88	B600/700 -- w/FTO eng. w/hyd brakes "Before 11/30/87"				1	E7HZ 8620-A	1/2 x 62.5/8
	B600/700 -- w/FTO eng. w/air brakes (9.4 C/F)- "Before 11/30/87"				1	E7HZ 8620-B	1/2 x 63 3/8
	B600/700 -- w/FTO eng. w/air brakes (12.0 C/F)- "Before 11/30/87"				1	E7HZ 8620-C	1/2 x 64 1/8
	B600/700 -- w/FTO eng. -- 130 amp. alt. "Before 11/30/87"	2				E7HZ 8620-D	1/2 x 69 1/2
	B600/700 -- w/FTO- -- 60/70 amp. alt. "Before 11/30/87"	2				E4HZ 8620-J	*JC-693-C 1/2" x 69 3/8"
	B600/700 -- w/FTO A/C "Before 11/30/87"				1	E4PZ 8620-B	*JC-594-L 1/2" x 59 1/2"
88/	Alternator -- 40 amp. "From 11/30/87"	2				E8HZ 8620-L	1/2" x 70 7/8"
	Alternator -- 75,90 amp. "From 11/30/87"	2				E8HZ 8620-J	1/2" x 70 3/8"
	Alternator -- 60,130 amp.	2				E8HZ 8620-B	*JC-713-C 1/2" x 71 3/8"
	Idler -- hyd. brakes				1	E8HZ 8620-H	1/2" x 64 3/8"
	Idler -- air brakes "Before 11/30/87"				1	E8HZ 8620-G	1/2" x 64 7/8"
	Comp. -- air brakes "From 11/30/87"				1	E8HZ 8620-M	1/2" x 65"
	Comp. -- A/C "From 11/30/87"				1	E8HZ 8620-N	1/2" x 59 1/2"
	Comp. -- FS-6 A/C w/6.6L exc. Sanden comp.				2	D8HZ 8620-W	*JB-590-LA 15/32" x 59"

B (SERIES)		8 CYL. 370 (6.1L), 429 (7.0L) GAS					
80	Alternator -- 40-60 amp.	2				C9PZ 8620-BV	*JC-441 1/2" x 44 1/8"
	Alternator -- 70-90 amp.	2				D9PZ 8620-M	*JC-450-A 1/2" x 45"
	Alternator -- 105,130 amp.	2				C9PZ 8620-CB	*JC-460 1/2" x 46"
	P/S -- without fan clutch				1	C9PZ 8620-CR	*JC-537 1/2" x 53 7/8"
	P/S -- with fan clutch				1	D9PZ 8620-P	*JC-527-LA 1/2" x 52 7/8"
	Air brake				1	D9PZ 8620-A	*JC-644-A 1/2" x 64 1/4"
	T/E -- with fan clutch- with single system brakes				1	C9PZ 8620-BH	*JC-373 1/2" x 37 3/8"
	T/E -- without fan clutch -- with single system brakes				1	D7PZ 8620-P	*JC-390 1/2" x 38 7/8"
	T/E -- with fan clutch -- with Hydro-Max single system brakes				1	C9PZ 8620-GG	*JC-614 1/2" x 61 1/2"
	T/E -- without fan clutch -- with Hydro-Max split system brakes				1	C9PZ 8620-DF	*JC-616 1/2" x 61 3/4"
	A/C				1	C9PZ 8620-BB	*JC-322 1/2" x 32 29/32"

1980/  
TRUCK SERIES 600/900

YEAR	MODEL/RESTRICTIONS	QUANTITY				PART NUMBER	DESCRIPTION
		ALT.	FAN	P/S	COMP.		

8620 BELT (DRIVE) — Cont'd

APPLICATION CHART

1980/

B (SERIES)		8 CYL. 370 (6.1L), 429 (7.0L) GAS					
81/83	Alternator -- 40-60 amp. with 22" fan	2					C9PZ 8620-BZ *JC-450 1/2" x 45"
	Alternator -- 70-90 amp. with 22" fan	2					C9PZ 8620-CB *JC-460 1/2" x 46"
	Alternator -- 105-130 amp. with 22" fan	2					C9PZ 8620-CC *JC-465 1/2" x 46 5/8"
	Alternator-40-60 amp. without 22" fan	2					C9PZ 8620-BV *JC-441 1/2" x 44 1/8"
	Alternator -- 70-90 amp. without 22" fan	2					D9PZ 8620-M *JC-450-A 1/2" x 45"
	Alternator-105-130 amp. without 22" fan						C9PZ 8620-CB *JC-460 1/2" x 46"
	P/S			1			E4PZ 8620-H *JC-544-LB 1/2" x 54 1/2"
	P/S -- 5" dia. pulley			1			C9PZ 8620-CM *JC-524 1/2" x 52 1/2"
	P/S -- 6.80" dia. pulley			1			D9PZ 8620-P *JC-527-A 1/2" x 52 7/8"
	P/S -- without fan clutch			1			C9PZ 8620-GN *JC-554 1/2" x 55 1/2"
	T/E -- with fan clutch-- with single system brakes				1		C9PZ 8620-BH *JC-373 1/2" x 37 3/8"
	T/E -- without fan clutch -- with Hydro-max brakes				1		C9PZ 8620-DF *JC-616 1/2" x 61 3/4"
	T/E -- without fan clutch-- with single system brakes				1		D7PZ 8620-P *JC-390 1/2" x 38 7/8"
	T/E -- with Hydro-Max brakes				1		E0HZ 8620-R *JC-723-C 1/2" x 72 3/8"
	A/C				1		C9PZ 8620-BB *JC-332 1/2" x 33 1/4"
84/	Alternator -- 40-60 amp without 22" fan	2					C9PZ 8620-BV *JC-441 1/2" x 44 1/8"
	Alternator -- 75 amp. without 22" fan	2					D9PZ 8620-M *JC-450-A 1/2" x 45"
	Alternator -- 90-105-130 amp. without 22" fan	2					C9PZ 8620-CB *JC-460 1/2" x 46"
	Alternator -- 40-60 amp with 22" fan	2					C9PZ 8620-BZ *JC-450 1/2" x 45"
	Alternator -- 70-90 amp with 22" fan	2					C9PZ 8620-CB *JC-460 1/2" x 46"
	Alternator -- 105-130 amp with 72" fan	2					C9PZ 8620-CC *JC-465 1/2" x 46 5/8"
	Air brake				1		D9PZ 8620-A *JC-644-A 1/2" x 64 1/4"
	Air brake -- with 22" fan				1		C9PZ 8620-DL *JC-650 1/2" x 65"
	T/E -- with fan clutch -- with Hydro-max brakes				1		C9PZ 8620-GG *JC-614 1/2" x 61 1/2"
	T/E -- without fan clutch with Hydro-max brakes				1		C9PZ 8620-DF *JC-616 1/2" x 61 3/4"
	T/E -- with 22" fan clutch with Hydro-max brakes				1		E0PZ 8620-G *JC-614-A 1/2" x 61 1/2"
	Air brake -- with 7 1/2" cu. ft. Compressor				1		C9PZ 8620-DM *JC-654 1/2" x 65 1/2"
	Air brake -- with 12 cu. ft Compressor				1		C9PZ 8620-DL *JC-650 1/2" x 65"

1980/  
TRUCK SERIES 600/900

YEAR	MODEL/RESTRICTIONS	QUANTITY				PART NUMBER	DESCRIPTION
		ALT.	FAN	P/S	COMP.		
8620	BELT (DRIVE) — Cont'd						

APPLICATION CHART

1980/

B (SERIES)		8 CYL. 370 (6.1L), 429 (7.0L) GAS					
84/	Air brake -- with 7 1/2" cu. ft. and 12 cu. ft Compressor California only				1	D9PZ 8620-A	*JC-644-A 1/2" x 64 1/4"
	P/S -- with fan clutch			1		D9PZ 8620-P	*JC-527-A 1/2" x 52 7/8" (Before 3/85)
	P/S -- with fan clutch			1		C9PZ 8620-CR	*JC-537 1/2" x 53 7/8" (From 3/85)
	P/S -- with 22" fan			1		E3AZ 8620-F	*JC-567-L 1/2" x 56 7/8"
	P/S -- without fan clutch			1		C9PZ 8620-CR	*JC-537 1/2" x 53 7/8"
	A/C				1	C9PZ 8620-BB	*JC-332 1/2" x 33 1/4"

B (SERIES)		8 CYL. 501 (8.2L) DIESEL					
80	Alternator -- 40-60 amp.	2				E0HZ 8620-M	*JC-667-C 1/2" x 66 7/8"
	Alternator -- 70-90 amp.	2				E0HZ 8620-N	*JC-675-C 1/2" x 67 5/8"
	Alternator -- 105-130 amp.	2				E6PZ 8620-H	*JC-684-C 1/2" x 68 1/2"
	P/S -- with 5500 lb. axle			2		D2PZ 8620-A	*JC-397-C 1/2" x 39 7/8"
	P/S -- with 6000,7500 & 9000 lb. axle			2		E0HZ 8620-K	*JC-431-C 1/2" x 43 1/8"
	Hyd. brake pump -- with 6000,7500 & 9000 lb. axle				1	E0HZ 8620-L	*JC-707-C 1/2" x 70 7/8"
	Air brake				1		
	Vac. brake pump -- low mount				1	C9PZ 8620-DR	*JC-684 1/2" x 68 3/8"
	Vac. brake pump -- high mount				1	D9PZ 8620-B	*JC-437-A 1/2" x 43 7/8"
81/87	Alternator -- 40-60 amp. with A/C	2				E0HZ 8620-M	*JC-667-C 1/2" x 66 7/8"
	Alternator -- 40-60 amp. without A/C	2				E1HZ 8620-A	*JC-661-C 1/2" x 66 1/8"
	Alternator -- 70-90 amp. with A/C	2				E0HZ 8620-N	*JC-675-C 1/2" x 67 5/8"
	Alternator -- 70-90 amp. without A/C	2				E1HZ 8620-B	*JC-671-C 1/2" x 67 1/8"
	Alternator -- 105-130 amp. "Before 8/84"	2				C9PZ 8620-DR	*JC-684 1/2" x 68 3/8"
	Alternator -- 105-130 amp. with Motorola alt. "From 8/84"	2				E1HZ 8620-B	*JC-671-C 1/2" x 67 1/8"
	P/S -- with 5500 lb. axle			2		D2PZ 8620-A	*JC-397-C 1/2" x 39 7/8"
	P/S with 6000,7500 & 9000 lb. axle			2		E0HZ 8620-K	*JC-431-C 1/2" x 43 1/8"
	Hyd. brake pump -- with 6000,7500 & 9000 lb. axle				1	E0HZ 8620-L	*JC-707-C 1/2" x 70 7/8"
	Air brake				1		
	vac. brake pump -- low mount				1	C9PZ 8620-DR	*JC-684 1/2" x 68 3/8"
	vac. brake pump -- high mount				1	D9PZ 8620-B	*JC-437-A 1/2" x 43 7/8"

B (SERIES)		8 CYL. 636 (10.4) CAT DIESEL					
83/	Alternator (except motorola 130 amp)	1				C9PZ 8620-CZ	*JC-577 1/2" x 57 7/8"
	alternator (motorola 130 amp)	1				C9PZ 8620-DF	*JC-616 1/2" x 61 3/4"
	PS "Before 5/83"			2		C9PZ 8620-DM	*JC-654 1/2" x 65 1/2"
	PS "From 5/83"			2		D3PZ 8620-A	*JC-675-A 1/2" x 67 1/2"
	Air brakes				1	D5PZ 8620-T	*JC-584-A 1/2" x 58 1/2"
	Hyd. brakes				1	E3AZ 8620-D	*JC-564-LA 1/2" x 56 1/2"
	A/C				1	C9PZ 8620-GU	*JC-430-L 1/2" x 53

**1980/  
TRUCK SERIES 600/900**

YEAR	MODEL/RESTRICTIONS	QUANTITY				PART NUMBER	DESCRIPTION
		ALT.	FAN	P/S	COMP.		

8620 BELT (DRIVE) — Cont'd

## APPLICATION CHART

1980/ CF SERIES		6 CYL. 6.6L & 7.8L DIESEL					
86/87	W/P to comp. for 6.6L				1	E6HZ 8620-A	
	W/P to comp. for 7.8L				1	E7HZ 8620-B	1/2" x 63"
	Alternator	2				E6HZ 8620-C	
	AC -- dealer installed				1	E2TZ 8620-A	*JC-587 1/2" x 58 7/8
88/	Alternator -- 90 amp.	2				E9HZ 8620-A	1/2" x 47"
	Alternator -- 60 amp.	2				E9HZ 8620-B	1/2" x 56 3/8"
	W/P to comp. (for 6.6L) "Before 5/88"				1	E7HZ 8620-B	
	W/P to comp. (for 7.8L) "Before 5/88"				1	★ E8HZ 8620-C r/bE8HZ 8620-W(2/90)	
	W/P to comp. (9.4 cu. ft.) "From 5/88"				1	E8HZ 8620-V	
	W/P to comp. (for 7.8L-185 & 210 H.P.) "From 5/88 to 7/3/88"				1	E8HZ 8620-W	
	W/P to comp. (for 7.8L-185 & 210 H.P.) "From 7/3/89"				1	E9HZ 8620-C	
89						E9HZ 8620-C	
C-CT (SERIES)		8 CYL. 370 (6.1L), 429 (7.0L) GAS					
80/84	Alternator -- 40,60 amp. Without P/S	2				C9PZ 8620-BV	*JC-441 1/2" x 44 1/8"
	Alternator -- 40,60 amp. With P/S	1				D9PZ 8620-B	*JC-437-A 1/2" x 43 3/4"
	Alternator -- 70,90 amp. Without P/S	2				D9PZ 8620-M	*JC-450-A 1/2" x 45"
	Alternator -- 70,90 amp. With P/S	1					
	Alternator -- 105,130 amp. Without P/S	2				C9PZ 8620-CB	*JC-460 1/2" x 46"
	Alternator -- 105,130 amp. With P/S	1					
	P/S			2		D9PZ 8620-N	*JC-514-A 1/2" x 51 1/2"
	T/E				1	C9PZ 8620-BH	*JC-373 1/2" x 37 3/8"
	Air brake				1	D9PZ 8620-A	*JC-644 1/2" x 64 1/4"
	85/86	Alternator -- 40,60 amp. without P/S	2				C9PZ 8620-BV
Alternator -- 40,60 amp. with P/S		1				D9PZ 8620-B	*JC-437-A 1/2" x 43 3/4"
Alternator -- 70,90 amp. without P/S		2				D9PZ 8620-M	*JC-450-A 1/2" x 45"
Alternator -- 70,90 amp. with P/S		1					
Alternator -- 70,90 amp. without P/S		2				D9PZ 8620-M	*JC-450-A 1/2" x 45"
Alternator -- 70,90 amp. with P/S		1					
Alternator -- 105,130 amp. w/P/S		2				C9PZ 8620-CB	*JC-460 1/2" x 46"
Alternator -- 106,130 amp. w/P/S							
P/S				2		D9PZ 8620-N	*JC-514-A 1/2" x 51 1/2"
T/E					1	C9PZ 8620-BH	*JC-373 1/2" x 37 3/8"
T/E -- w/P/S w/fan clutch					1	C9PZ 8620-DC	*JC-600 1/2" x 60"
T/E -- dual w/fan clutch					1	E5PZ 8620-E	*JC-565-L 1/2" x 65 3/4"
T/E -- dual w/o fan clutch					1	E5PZ 8620-E	*JC-665-L 1/2" x 65 3/4"
Air brake				1	D9PZ 8620-A	*JC-644 1/2" x 64 1/4"	
C-CT (SERIES)		8 CYL. 477 (7.8L), 534 (8.8L) GAS					
80/81	Alternator -- 70,105 amp.	1				D9PZ 8620-EA	*JC-640-LA 1/2" x 64"
	P/S			2		C9PZ 8620-BP	*JC-411 1/2" x 41 1/8"
	T/E -- 477				1	D9PZ 8620-P	*JC-527-LA 1/2" x 52 7/8"
	T/E -- 534				1	D9PZ 8620-N	*JC-514-A 1/2" x 51 1/2"
	Air brake -- Mod. #400 Comp.				1	C9PZ 8620-BN	*JC-407 1/2" x 40 7/8"
	Air brake -- Mod. #501 Comp.				1	C9PZ 8620-BR	*JC-416 1/2" x 41 3/4"



**1980/  
TRUCK SERIES 600/900**

YEAR	MODEL/RESTRICTIONS	QUANTITY				PART NUMBER	DESCRIPTION
		ALT.	FAN	P/S	COMP.		
8620	BELT (DRIVE) — Cont'd						

**APPLICATION CHART**

**1980/**

C-CT (SERIES)						8 CYL. 501 (8.2L) DETROIT DIESEL	
81/84	Alternator -- 40-60 amp.	1	1			E0HZ 8620-M	*JC-667-C 1/2" x 66 7/8"
	Alternator -- 70 amp.	1	1			E0HZ 8620-N	*JC-675-C 1/2" x 67 5/8"
	Alternator -- 105 amp.	1	1			C9PZ 8620-DR	*JC-684-C 1/2" x 68 1/2"
	P/S			2		D2PZ 8620-A	*JC-397-C 1/2" x 39 7/8"
	A/C				1	E0HZ 8620-L	*JC-707-C 1/2" x 51 1/8"
85/87	Alternator -- 40,60 amp.	1	1			E0HZ 8620-M	*JC-667-C 1/2" x 66 7/8"
	Alternator -- 70 amp.	1	1			E0HZ 8620-N	*JC-675-C 1/2" x 67 5/8"
	Alternator -- motorola 130 amp.	2				E1HZ 8620-B	*JC-671-C 1/2" x 67 1/8"
	P/S			2		D2PZ 8620-A	*JC-397-C 1/2" x 39 7/8"
	A/C				1	E0HZ 8620-L	*JC-707-C 1/2" x 51 1/8"
C-CT (SERIES)						8 CYL. 636 (10.4L) CAT DIESEL	
80/	Alternator (except motorola 130 amp)	1				C9PZ 8620-CZ	*JC-577 1/2" x 57 7/8"
	Alternator (motorola 130 amp)	1				C9PZ 8620-DF	*JC-616 1/2" x 61 3/4"
	P/S			2		C9PZ 8620-BL	*JC-393 1/2" x 39 3/8"
	Air brakes -- 7 1/4 cu. ft. comp.				1	E3AZ 8620-D	*JC-564-LA 1/2" x 56 1/2"
	Air brakes -- 12 cu. ft. comp.				1	C9PZ 8620-CZ	*JC-577 1/2" x 57 7/8"
	Hyd. brakes				1	E3AZ 8620-D	*JC-564-LA 1/2" x 56 1/2"
CL-CLT (SERIES)						6 CYL. 552 (9.0L) DETROIT DIESEL	
80/86	Alternator	2				DOHZ 8620-A	*JC-283 1/2" x 28 3/8"
	Fan		3			E0PZ 8620-G	*JC-614-A 1/2" x 61 1/2"
	A/C				1	DOTZ 8620-D	*JC-481 1/2" x 48 1/8"
CL-CLT (SERIES)						6 CYL. 610 (10.0L) CUMMINS DIESEL	
88/	Alternator -- exc. Delco	1				E4HZ 8620-B	*JK5-346 45/64" x 34.75"
	Alternator -- w/Delco	1	1			E4HZ 8620-C	*JK8-612 1 3/32" x 61.25
	A/C				1	C9PZ 8620-CZ	*JC-577 1/2" x 57 7/8"
CL-CLT (SERIES)						6 CYL. 855 (14.0L) CUMMINS DIESEL	
80/87	Alternator	2				D9PZ 8620-M	*JC-450-A 1/2" x 45"
87/	Alternator	2				E6PZ 8620-F	*JC-437-L 1/2" x 43 7/8"
88/	Fan -- With Schwitzer-Bendix clutch "Before Ser. JD5,001"		2			D8PZ 8620-E	*JG-495 7/8" x 49 19/32"
80/	Fan -- with Bendix clutch "From Ser. JD5,001"		3			E0PZ 8620-G	*JC-614-A 1/2" x 61 1/2"
	Fan -- With Rockford clutch		2			D9PZ 8620-S	*JG-505 7/8" x 50 19/32"
	Fan -- Without clutch		2			D8PZ 8620-C	*JG-515 7/8" x 51 19/32"
	A/C				1	C9PZ 8620-BR	*JC-416 1/2" x 41 3/4"
CL-CLT (SERIES)						6 CYL. 893 (14.6L) CAT DIESEL	
80/84	Alternator	2				C9PZ 8620-CH	*JC-495-L 1/2" x 49 5/8"
	Alternator -- with A/C	2				C9PZ 8620-GY	*JB-366-L 15/32" x 36 3/4"
	Fan		2			D8PZ 8620-T	*JE-660 11/16" x 66 1/16"
	Fan -- with A/C		2			E0PZ 8620-C	*JE-674 11/16" x 67 7/8"
	A/C				1	C9PZ 8620-DC	*JC-600 1/2" x 60"
85/87	Alternator -- with A/C	2				E1HZ 8620-A	*JC-661-C 1/2" x 66 1/8"
	A/C				2	E1HZ 8620-A	*JC-661-C 1/2" x 66 1/8"
	Alternator	2				C9PH 8620-CH	*JC-495-L 1/2" x 49 5/8"
	Fan		2			D8PZ 8620-T	*JE-660 11/16" x 66 1/16"
	Fan -- with A/C		2			E0PZ 8620-C	*JE-674 11/16" x 67 7/8"
88/	Alternator -- w/A/C	2				E8HZ 8620-A	*JC-647-C 1/2" x 64 7/8"
	Alternator	2				C9PZ 8620-CH	*JC-495-L 1/2" x 49 5/8"
	Fan		2			D8PZ 8620-T	*JE-660 11/16" x 66 1/16"
	Fan -- w/A/C		2			E0PZ 8620-C	*JE-674 11/16" x 67 7/8"

**1980/  
TRUCK SERIES 600/900**

YEAR	MODEL/RESTRICTIONS	QUANTITY				PART NUMBER	DESCRIPTION
		ALT.	FAN	P/S	COMP.		

8620 BELT (DRIVE) — Cont'd

**APPLICATION CHART**

**1980/**

CL-CLT (SERIES)						6 CYL. 1150 (18.8L)-CUMMINS DIESEL	
80/	Alt.-pulley # 3002323	1				★ 8620	Secure from Cummins-Vendor No. 205913
	Alt.-pulley # 3002324	1				★ 8620	Secure from Cummins-Vendor No. 206996
	A/C "Before 11/24/80"				1	E3HZ 8620-C	*JC-416-LA 1/2" x 41 3/4"
	A/C "From 11/24/80 to 4/5/82"				1	C9PZ 8620-GD	*JC-501-L 1/2" x 50 1/8"
	A/C "From 4/5/82"				1	C9PZ 8620-BY	*JC-445 1/2" x 44 5/8"
CL-CLT (SERIES)						8 CYL. 568 (9.3L)-DETROIT DIESEL	
80/86	Alternator	2				DOHZ 8620-A	*JC-283 1/2" x 28 3/8"
	Fan -- With clutch		3			EOPZ 8620-G	*JC-614-A 1/2" x 61 1/2"
	Fan -- Without clutch		2			C9PZ 8620-DM	*JC-654 1/2" x 65 1/2"
	A/C				1	DOTZ 8620-D	*JC-481 1/2" x 48 1/8"
CL-CLT (SERIES)						8 CYL. 736 (12.0L)-DETROIT DIESEL	
80/86	Alternator	2				DOHZ 8620-A	*JC-283 1/2" x 28 3/8"
	Fan -- With clutch		3			EOPZ 8620-G	*JC-614-A 1/2" x 61 1/2"
	Fan -- Without clutch		2			C9PZ 8620-DM	*JC-654 1/2" x 65 1/2"
	A/C				1	DOTZ 8620-D	*JC-481 1/2" x 48 1/8"
F (SERIES)						6 CYL. 6.6L, 7.8L DIESEL	
87/88	F-FT600/800 -- w/FTO eng. w/hyd brakes "Before 11/30/87"				1	E7HZ 8620-A	1/2" x 62 5/8"
	F-FT600/800 -- w/FTO eng. w/air brakes (9.4 C/F) "Before 11/30/87"				1	E7HZ 8620-B	1/2" x 63 3/8"
	F-FT600/800 -- w/FTO eng. w/air brakes (12.0 C/F) "Before 11/30/87"				1	E7HZ 8620-C	1/2" x 64 1/8"
	F-FT600/800 -- w/FTO eng. -- 130 amp alt "Before 11/30/87"	2				E7HZ 8620-D	1/2" x 69 1/2"
	F-FT600/800 -- w/FTO -- 60/70 amp. "Before 11/30/87"	2				E4HZ 8620-J	*JC-693-C 1/2" x 69 3/8"
	F-FT600/800 -- w/FTO -- A/C "Before 11/30/87"				1	E4PZ 8620-B	*JC-594-L 1/2" x 59 1/2"
88/	Alternator -- 40 amp. "From 11/30/87"	2				E8HZ 8620-L	1/2" x 70 7/8"
	Alternator -- 75,90 amp. "From 11/30/87"	2				E8HZ 8620-J	1/2" x 70 3/8"
	Alternator -- 60,130 amp. "From 11/30/87"	2				E8HZ 8620-B	*JC-713-C 1/2" x 71 3/8"
	Idler -- w/hyd. brakes "From 11/30/87"				1	E8HZ 8620-H	1/2" x 64 3/8"
	Idler -- w/air brakes "From 11/30/87"				1	E8HZ 8620-G	1/2" x 64 7/8"
	Comp. -- air brakes "From 11/30/87"				1	E8HZ 8620-M	1/2" x 65"
	Comp. -- A/C "From 11/30/87"				1	E8HZ 8620-N	1/2" x 59 1/2"
	Comp. -- FS-6 A/C w/6.6L exc. Sanden comp.				2	E8HZ 8620-W	*JB-590-LA 15/32" x 59"
	Comp. -- FS-6 A/C w/7.8L exc. Sanden comp.				2	E8HZ 8620-X	*JB-602-A 15/32" x 60 1/8"
F (SERIES)						8 CYL. 370 (6.1L), 429 (7.0L) GAS	
80	Alternator -- 40,60 amp. Without P/S	2				C9PZ 8620-BV	*JC-441 1/2" x 44 1/8"
	Alternator -- 40,60 amp. With P/S	1				D9PZ 8620-B	*JC-437-A 1/2" x 43 3/4"
	Alternator -- 70,90 amp. Without P/S	2				D9PZ 8620-M	*JC-450-A 1/2" x 45"
	Alternator -- 70,90 amp. With P/S	1					
	Alternator -- 105,130 amp. Without P/S	2				C9PZ 8620-CB	*JC-460 1/2" x 46"
	Alternator -- 105,130 amp. With P/S	1					

**1980/  
TRUCK SERIES 600/900**

YEAR	MODEL/RESTRICTIONS	QUANTITY				PART NUMBER	DESCRIPTION
		ALT.	FAN	P/S	COMP.		

8620 BELT (DRIVE) — Cont'd

**APPLICATION CHART**

1980/ F(SERIES)		8 CYL. 370 (6.1L), 429 (7.0L) GAS					
80	P/S -- with 7/9000 # Frt. axle and Fan Clutch -- Also 5500 # Frt. axle and fixed fan			2		D9PZ 8620-P	*JC-527-LA 1/2" x 52 7/8"
	P/S -- With 5500 # Frt. axle and fan clutch			2		C9PZ 8620-CM	*JC-524 1/2" x 52 1/2"
	T/E -- with fan clutch--with single system brakes				1	C9PZ 8620-BH	*JC-373 1/2" x 37 3/8"
	T/E -- without fan clutch -- with single system brakes				1	D7PZ 8620-P	*JC-390 1/2" x 38 7/8"
	T/E -- with fan clutch -- with Hydro-Max single system brakes				1	C9PZ 8620-DR	*JC-684 1/2" x 68 3/8"
	T/E -- without fan clutch -- with Hydro-Max split system brakes				1	E0HZ 8620-R	*JC-723-C 1/2" x 72 3/8"
	Air brake				1	D9PZ 8620-A	*JC-644-A 1/2" x 64 1/4"
	A/C				1	C9PZ 8620-BB	*JC-332 1/2" x 33 1/4"
81/82	Alternator -- 40,60 amp. without P/S or 22" fan	2				C9PZ 8620-BV	*JC-441 1/2" x 44 1/8"
	Alternator -- 40,60 amp. with P/S without 22" fan	1				D9PZ 8620-B	*JC-437-A 1/2" x 43 7/8"
	Alternator -- 70,90 amp. without P/S or 22" fan	2				D9PZ 8620-M	*JC-450-A 1/2" x 45"
	Alternator -- 70,90 amp. with P/S without 22" fan	1					
81/82	Alternator -- 105,130 amp. without P/S or 22" fan	2				C9PZ 8620-CB	*JC-460 1/2" x 46"
	Alternator -- 105,130 amp. with P/S without 22" fan	1					
	Alternator -- 40,60 amp. with 22" fan	2				D9PZ 8620-M	*JC-450-A 1/2" x 45"
	Alternator -- 70,90 amp. with 22" fan	2				C9PZ 8620-CB	*JC-460 1/2" x 46"
	Alternator -- 105,130 amp. with 22" fan	2				C9PZ 8620-CC	*JC-465 1/2" x 46 5/8"
	Hi-Fan-with P.T.O.		2			C9PZ 8620-CD	*JC-483 1/2" x 48 3/8"
	P/S -- with 7/9000 # Frt. axle and fan Clutch -- Also 5500 # Frt. axle and fixed fan			2		D9PZ 8620-P	*JC-527-LA 1/2" x 52 7/8"
	P/S -- with 7/9000 # Frt. axle without fan clutch			2		C9PZ 8620-CR	*JC-537 1/2" x 53 7/8"
81/82	T/E -- with fan clutch--with single system brakes				1	C9PZ 8620-BH	*JC-373 1/2" x 37 3/8"
	T/E -- without fan clutch--with single system brakes				1	D7PZ 8620-P	*JC-390 1/2" x 39"
	T/E -- with fan clutch--with hydro-Max single system brakes				1	C9PZ 8620-DR	*JC-684 1/2" x 68 3/8"
	T/E -- without fan Clutch--with Hydro-Max split system brakes				1	E0HZ 8620-R	*JC-723-C 1/2" x 72 3/8"
	Air brake				1	D9PZ 8620-A	*JC-644-A 1/2" x 64 1/2"
	A/C				1	C9PZ 8620-BB	*JC-332 1/2" x 33 1/4"
83/84	Alternator -- 40,60 amp. without P/S or 22" fan	2				C9PZ 8620-BV	*JC-441 1/2" x 44 1/8"
	Alternator -- 40,60 amp. with P/S without 22" fan	1				D9PZ 8620-B	*JC-437-A 1/2" x 43 7/8"

1980/  
TRUCK SERIES 600/900

YEAR	MODEL/RESTRICTIONS	QUANTITY				PART NUMBER	DESCRIPTION
		ALT.	FAN	P/S	COMP.		

8620 BELT (DRIVE) — Cont'd

APPLICATION CHART

1980/

F(SERIES)		8 CYL. 370 (6.1L), 429 (7.0L) GAS					
83/84	Alternator -- 70,90 amp. without P/S or 22" fan	2					D9PZ 8620-M *JC-450-A 1/2" x 45"
	Alternator -- 70,90 amp. with P/S without 22" fan	1					
	Alternator -- 105,130 amp. without P/S	2					C9PZ 8620-CB *JC-460 1/2" x 46"
	Alternator -- 105,130 amp. with P/S without 22" fan	1					
	Alternator -- 40,60 amp. with 22" fan	2					D9PZ 8620-M *JC-450-A 1/2" x 45"
	Alternator -- 40,60 amp. with P/S without fan clutch	1					D6PZ 8620-D *JC-453-A 1/2" x 45 3/8"
	Alternator -- 40,60 amp. without P/S without fan clutch	2					C9PZ 8620-CB *JC-460 1/2" x 46"
	Alternator -- 70,90 amp. with 22" fan	2					
83/84	Alternator -- 70,90,105 amp. with P/S without fan clutch	2					C9PZ 8620-CC *JC-465 1/2" x 46 5/8"
	Alternator -- 105,130 amp. with 22" fan	2					
	Hi-fan or idler pulley		2				C9PZ 8620-CD *JC-483 1/2" x 48 3/8"
	P/S		2				E4PZ 8620-H *JC-544-B 1/2" x 54 1/2"
	P/S -- with 22" fan clutch with 7000 & 9000 lb. axle			2			C9PZ 8620-CB *JC-460 1/2" x 46"
	T/E -- with fan clutch with single system brakes				1		C9PZ 8620-BH *JC-373 1/2" x 37 3/8"
	T/E -- without fan clutch with single system brakes				1		D7PZ 8620-P *JC-390 1/2" x 39"
	T/E -- with 22" fan				1		C9PZ 8620-BK *JC-387 1/2" x 38 7/8"
83/84	T/E -- with fan clutch-with hydro-Max brakes				1		C9PZ 8620-DR *JC-684 1/2" x 68 3/8"
	T/E -- without fan clutch-with hydro-Max brakes "Before 4/83"				1		E0HZ 8620-R *JC-723-C 1/2" x 72 3/8"
	T/E -- without fan clutch -- with Hydro-max brake "From 4/83"				1		C9PZ 8620-DF *JC-616 1/2" x 61 3/4"
	Air brake -- with fan clutch				1		D9PZ 8620-A *JC-644-A 1/2" x 64 1/2"
	Air brake -- without fan clutch				1		C9PZ 8620-DL *JC-650 1/2" x 65"
	A/C "Before 12/83"				1		C9PZ 8620-BB *JC-332 1/2" x 33 1/4"
	A/C "From 12/83"				1		E4TZ 8620-F *JC-341 1/2" x 34 1/8"

**1980/  
TRUCK SERIES 600/900**

YEAR	MODEL/RESTRICTIONS	QUANTITY				PART NUMBER	DESCRIPTION
		ALT.	FAN	P/S	COMP.		
8620	BELT (DRIVE) — Cont'd						

**APPLICATION CHART**

1980/ F(SERIES)		8 CYL. 370 (6.1L), 429 (7.0L) GAS					
85/86	Alternator -- 40,60 amp. without P/S or 22" fan	2					C9PZ 8620-BV *JC-441 1/2" x 44 1/8"
	Alternator -- 40,60 amp. with P/S without 22" fan	1					D9PZ 8620-B *JC-437-A 1/2" x 43 7/8"
	Alternator -- 70,90 amp. without P/S or 22" fan	2					D9PZ 8620-M *JC-450-A 1/2" x 45"
	Alternator -- 70,90 amp. with P/S without 22" fan	1					
	Alternator -- 105,130 amp. without P/S	2					C9PZ 8620-CB *JC-460 1/2" x 46"
	Alternator -- 105,130 amp. with P/S without 22" fan	1					
	Alternator -- 40,60 amp. fan 22" fan	2					D9PZ 8620-M *JC-450-A 1/2" x 45"
	Alternator -- 40,60 amp. with P/S without fan clutch	1					D6PZ 8620-D *JC-453-A 1/2" x 45 3/8"
	Alternator -- 40,60 amp. without P/S without fan clutch	2					C9PZ 8620-CB *JC-460 1/2" x 46"
	Alternator -- 70,90 amp. with 22" fan	2					
	Alternator -- 70,90,105 amp. with P/S without fan clutch	2					C9PZ 8620-CC *JC-465 1/2" x 46 5/8"
	Alternator -- 105,130 amp. with 22" fan	2					
	Hi-fan or idler pulley		2				C9PZ 8620-CD *JC-483 1/2" x 48 3/8"
	P/S -- with 22" fan clutch with 7000 & 9000 lb. axle			2			C9PZ 8620-CB *JC-460 1/2" x 46"
85/86	T/E -- with fan clutch with single system brakes				1		C9PZ 8620-BH *JC-373 1/2" x 37 3/8"
	T/E -- without fan clutch with single system brakes				1		D7PZ 8620-P *JC-390 1/2" x 39"
	T/E -- with 22" fan				1		C9PZ 8620-BK *JC-387 1/2" x 38 7/8"
	T/E -- with fan clutch-with hydro-Max brakes				1		C9PZ 8620-DR *JC-684 1/2" x 68 3/8"
	T/E -- without fan clutch-with hydro-Max brake				1		C9PZ 8620-DF *JC-616 1/2" x 61 3/4"
	T/E -- dual w/fan clutch				1		E5PZ 8620-E *JC-656-L 1/2" x 65 3/4"
	T/E -- dual w/o fan clutch				1		E5PZ 8620-E *JC-656-L 1/2" x 65 3/4"
	Air brake -- w/fan clutch				1		D9PZ 8620-A *JC-644-A 1/2" x 64 1/2"
	Air brake -- without fan clutch				1		C9PZ 8620-DL *JC-650 1/2" x 65"
	A/C				1		E5PZ 8620-C *JC-360-L 1/2" x 36 3/64"

**1980/  
TRUCK SERIES 600/900**

YEAR	MODEL/RESTRICTIONS	QUANTITY				PART NUMBER	DESCRIPTION
		ALT.	FAN	P/S	COMP.		

8620 BELT (DRIVE) — Cont'd

## APPLICATION CHART

1980/ F(SERIES)		8 CYL. 370 (6.1L), 429 (7.0L) GAS					
87	Alternator -- 40,60 amp. without fan clutch--exc. cowl mdl.	1					E6PZ 8620-G *JC-453-L 1/2" x 45 3/8"
	Alternator -- 40,60 amp. with fan clutch--exc. cowl mdl.	1					E6PZ 8620-F *JC-437 1/2" x 43 7/8"
	Alternator -- 75 amp. without fan clutch -- exc. cowl mdl.	1					C9PZ 8620-DC *JC-600 1/2" x 60"
	Alternator -- 75 amp. with fan clutch--exc. cowl	1					D9PZ 8620-M *JC-450-A 1/2" x 45"
	Alternator -- 90, 130 amp. without fan clutch--exc. cowl	1					E2HZ 8620-C *JC-463-LA 1/2" x 46 3/8"
	Alternator -- 130 amp. without fan clutch--exc. cowl	1					
	Alternator -- 90,130 amp. with fan clutch--exc. cowl	1					C9PZ 8620-CG *JC-460 1/2" x 46"
	Alternator -- 40,60 amp. without fan clutch--cowl mdl.	2					D9PZ 8620-M *JC-450-A 1/2" x 45"
	Alternator -- 40,60 amp. with fan clutch & 22" fan--cowl mdl.	2					
	Alternator -- 40,60 amp. with fan clutch exc. 22" fan--cowl mdl.	2					C9PZ 8620-FN *JC-443 1/2" x 44 3/8"
	Alternator -- 75,130 amp. without fan clutch -- cowl mdl.	2					C9PZ 8620-CB *JC-460 1/2" x 46"
	Alternator -- 75 amp. with fan clutch & 22" fan--cowl mdl.	2					
	Alternator -- 75 amp. with fan clutch exc. 22" fan--cowl mdl.	2					D9PZ 8620-M *JC-450-A 1/2" x 45"
	Alternator -- 90 amp. without fan clutch--cowl mdl.	2					E2HZ 8620-C *JC-463-LA 1/2" x 46 3/8"
	Alternator -- 90 amp. with fan clutch--cowl mdl.	2					C9PZ 8620-CB *JC-460 1/2" x 46"
87	Alternator -- 130 amp. with fan clutch & 22" fan--cowl mdl.	2					E2HZ 8620-C *JC-463-LA 1/2" x 46 3/8"
	P/S -- exc. cowl mdl.			2			E5PZ 8620-E *JC-656-L 1/2" x 65 3/4"
	P/S -- with fan clutch--cowl mdl.			1			C9PZ 8620-GN *JC-554 1/2" x 55 1/2"
	P/S -- without fan clutch--cowl mdl.			1			E4PZ 8620-H *JC-544-LB 1/2" x 54 1/2"
	Fan -- fixed with Hydro Max brakes		1				C9PZ 8620-DF *JC-616 1/2" x 61 3/4"
	Fan -- fixed without Hydro Max brakes		1				C9PZ 8620-DL *JC-650 1/2" x 65"
	Fan -- clutch with Hydro Max brakes		1				E0PZ 8620-G *JC-614-LA 1/2" x 61 1/2"
	Fan -- clutch without Hydro Max brakes		1				C9PZ 8620-DL *JC-650 1/2" x 65"
	Hi-Fan or idler pulley			1			C9PZ 8620-CD *JC-483-L 1/2" x 48 3/8"
	Air pump -- L.H. exc. cowl mdl.				1		E4PZ 8620-H *JC-544-LB 1/2" x 54 1/2"
	Air pump -- L.H. cowl mdl.				1		C9PZ 8620-BB *JC-332 1/2" x 33 1/4"
	Air pump -- R.H. with Hydro Max brakes--cowl mdl.				1		E0PZ 8620-G *JC-614-LA 1/2" x 61 1/2"
	Air pump--R.H. with airbrakes--cowl mdl.				1		C9PZ 8620-DF *JC-616 1/2" x 61 3/4"
	A/C					1	E5PZ 8620-C *JC-360-L 1/2" x 36"

**1980/  
TRUCK SERIES 600/900**

YEAR	MODEL/RESTRICTIONS	QUANTITY				PART NUMBER	DESCRIPTION
		ALT.	FAN	P/S	COMP.		
8620	BELT (DRIVE) — Cont'd						

**APPLICATION CHART**

1980/							
F (SERIES)				8 CYL. 370 (6.1L), 429 (7.0L) GAS			
88/	Alternator -- 40,60 amp. without fan clutch-exc. cowl mdl.	1				E6PZ 8620-G	*JC-453-L 1/2" x 45 3/8"
	Alternator -- 40,60 amp. with fan clutch-exc. cowl mdl.	1				E6PZ 8620-F	*JC-437 1/2" x 43 7/8"
	Alternator -- 75 amp. without fan clutch	AR				E2HZ 8620-C	*JC-463-LA 1/2" x 46 3/8"
	Alternator -- 75 amp. with fan clutch-exc. cowl	1				D9PZ 8620-M	*JC-450 1/2" x 45"
	Alternator -- 90,130 amp. without fan clutch	AR				E2HZ 8620-C	*JC-463-LA 1/2" x 46 3/8"
	Alternator -- 90,130 amp. with fan clutch	AR				C9PZ 8620-CG	*JC-460 1/2" x 46"
	Alternator -- 40,60 amp. with fixed fan-cowl	2				D9PZ 8620-M	*JC-450-A 1/2" x 45"
	Alternator -- 40,60 amp. with fan clutch-cowl	2				C9PZ 8620-FN	*JC-443 1/2" x 44 3/8"
	Alternator -- 75 amp. with fan clutch-cowl	2				D9PZ 8620-M	*JC-450-A 1/2" x 45"
	P/S-exc. cowl mdl. "Before 12/7/87"			2	2	E5PZ 8620-E	*JC-656-L 1/2" x 65 3/4"
	P/S-exc. cowl mdl. "From 12/7/87"			2	2	E8HZ 8620-P	*JC-630 1/2" x 63"
	P/S-cowl mdl.			1		C9PZ 8620-CR	*JC-537 1/2" x 53 7/8"
	Hi-Fan or Idler pulley		1			C9PZ 8620-CD	*JC-483-L 1/2" x 48 3/8"
	Air pump -- R.H. with Hydro Max brakes-cowl mdl.			1		E0PZ 8620-G	*JC-614-LA 1/2" x 61 1/2"
	Air pump -- R.H. without Hydro Max brakes-cowl mdl.			1		C9PZ 8620-DF	*JC-616 1/2" x 61 3/4"
F (SERIES)				8 CYL. 501 (8.2L) DIESEL			
80	Alternator -- 40-60 amp.	2				E0HZ 8620-M	*JC-667-C 1/2" x 66 7/8"
	Alternator -- 70-90 amp.	2				E0HZ 8620-N	*JC-675-C 1/2" x 67 5/8"
	Alternator -- 105-130 amp., without A/C	2				E6PZ 8620-H	*JC-684-C 1/2" x 68 1/2"
	with A/C	1					
	P/S -- with 5500 lb. axle			2		D2PZ 8620-A	*JC-397-C 1/2" x 39 7/8"
	P/S -- with 6000,7500 & 9000 lb. axle			2		E0HZ 8620-K	*JC-431-C 1/2" x 43 1/8"
	Hyd. brake pump -- with 6000,7500 & 9000 lb. axle				1	E0HZ 8620-L	*JC-707-C 1/2" x 70 7/8"
	Air brake				1		
	A/C				1	E0HZ 8620-R	*JC-723-C 1/2" x 72 3/8"
81/82	Alternator -- 40-60 amp. with A/C	2				E0HZ 8620-M	*JC-667-C 1/2" x 66 7/8"
	Alternator -- 40-60 amp. without A/C	2				E1HZ 8620-A	*JC-661-C 1/2" x 66 1/8"

1980/  
TRUCK SERIES 600/900

YEAR	MODEL/RESTRICTIONS	QUANTITY				PART NUMBER	DESCRIPTION
		ALT.	FAN	P/S	COMP.		

8620 BELT (DRIVE) — Cont'd

## APPLICATION CHART

1980/

F (SERIES)		8 CYL. 501 (8.2L) DIESEL					
81/82	Alternator -- 70-90 amp. with A/C	2					E0HZ 8620-N *JC-675-C 1/2" x 67 5/8"
	Alternator -- 70-90 amp. without A/C	2					E1HZ 8620-B *JC-671-C 1/2" x 67 1/8"
	Alternator -- 105-130 amp. without A/C	2					E6PZ 8620-H *JC-684-C 1/2" x 68 1/2"
	Alternator -- 105-130 amp. with A/C	1					
	P/S -- with 5500 lb. axle			2			D2PZ 8620-A *JC-397-C 1/2" x 39 7/8"
	P/S -- with 7000 & 9000 lb. axle			2			E0HZ 8620-K *JC-431-C 1/2" x 43 1/8"
	Hyd. brake pump -- with 5500 lb. axle M/S					1	E0HZ 8620-L *JC-707-C 1/2" x 70 7/8"
	7000 & 9000 lb. axle					1	
	Air brake					1	
	A/C					1	E0HZ 8620-R *JC-723-C 1/2" x 72 3/8"
83/87	Alternator -- 40-60 amp.	2					E0HZ 8620-M *JC-667-C 1/2" x 66 7/8"
	Alternator -- 70-90 amp.	2					E0HZ 8620-N *JC-675-C 1/2" x 67 5/8"
	Alternator -- 105-130 amp. without A/C	2					
	Alternator -- 105-130 amp. with A/C	1					E6PZ 8620-H *JC-684-C 1/2" x 68 1/2"
	Alternator -- motorola 130 amp. "From 8/84"	2					E1HZ 8620-B *JC-671-C 1/2" x 67 1/2"
	P/S			2			C9PZ 8620-GU *JC-430-L 1/2" x 43"
	Hyd. brake pump					1	E0HZ 8620-L *JC-707-C 1/2" x 70 7/8"
	Air brake					1	
	Power brake pump.					1	E4HZ 8620-J *JC-693-C 1/2" x 69 1/4"
	A/C					1	E0HZ 8620-R *JC-723-C 1/2" x 72 3/8"
F (SERIES)		8 CYL. 636 (10.4L) CAT DIESEL					
83/	Alternator (except motorola 130 amp)	1					C9PZ 8620-CZ *JC-577 1/2" x 57 7/8"
	Alternator (motorola 130 amp)	1					C9PZ 8620-DF *JC-616 1/2" x 61 3/4"
	P/S -- "Before 5/83"			2			C9PZ 8620-DM *JC-654 1/2" x 65 1/2"
	P/S -- "From 5/83"			2			D3PZ 8620-A *JC-675-A 1/2" x 67 1/2"
	Air brakes					1	D5PZ 8620-T *JC-584-A 1/2" x 58 1/2"
	Hyd. brakes					1	E3AZ 8620-D *JC-564-LA 1/2" x 56 1/2"
	A/C					1	C9PZ 8620-GU *JC-530-L 1/2" x 53"
L (SERIES)		6 CYL. 6.6L, 7.8L DIESEL					
87/88	LN8000 -- w/FTO eng. w/hyd brks "Before 11/30/87"					1	E7HZ 8620-A 1/2 x 62 5/8
	LN800 -- w/FTO eng. w/air brks (9.4 C/F) "Before 11/30/87"					1	E7HZ 8620-B 1/2 x 63 3/8
	LN800 -- w/FTO eng. w/air brks (12.0 C/F) "Before 11/30/87"					1	E7HZ 8620-C 1/2 x 64 1/8
	LN800 -- w/FTO eng. -- 130 amp. alt. "Before 11/30/87"	2					E7HZ 8620-D 1/2" x 69 1/2"



**1980/  
TRUCK SERIES 600/900**

YEAR	MODEL/RESTRICTIONS	QUANTITY				PART NUMBER	DESCRIPTION
		ALT.	FAN	P/S	COMP.		
8620	BELT (DRIVE) — Cont'd						

**APPLICATION CHART**

1980/ L (SERIES) 6 CYL. 6.6L, 7.8L DIESEL — Cont'd							
87/88	LN800 -- w/FTO eng. -- 40, 60, 75, 90 amp. alt. "Before 11/30/87"	2				E4HZ 8620-J	*JC-693-C 1/2" x 69 3/8"
	LN800 -- w/FTO eng. -- A/C "Before 11/30/87"	1				E4PZ 8620-B	*JC-594-L 1/2" x 59 1/2"
88/	Alternator -- 40,60 amp. "From 11/30/87"	2				E8HZ 8620-L	1/2" x 70 7/8"
	Alternator -- 75,90 amp. "From 11/30/87"	2				E8HZ 8620-J	1/2" x 70 3/8"
	Idler -- w/hyd. brakes "From 11/30/87"				1	E8HZ 8620-H	1/2" x 64 3/8"
	Idler -- w/air brakes "From 11/30/87"				1	E8HZ 8620-G	1/2" x 64 7/8"
	Comp. -- air brakes "From 11/30/87"				1	E8HZ 8620-M	1/2" x 65"
	Comp. -- A/C "From 11/30/87"				1	E8HZ 8620-N	1/2" x 59 1/2"
L (SERIES) 8 CYL. 370 (6.1L), 429 (7.0L) GAS							
80/86	Alternator -- 40,60 amp. Without P/S	2				C9PZ 8620-BV	*JC-441 1/2" x 44 1/8"
	Alternator -- 40,60 amp. LN600/700 without P/S "Before 10/82"	2				C9PZ 8620-BV	*JC-441 1/2" x 44 1/8"
	Alternator -- 40,60 amp. LN600/700 without P/S "From 10/82"	2				D6PZ 8620-D	*JC 453A 1/2" x 45 3/8"
	Alternator -- 40,60 amp. With P/S	1				D9PZ 8620-B	*JC-437-A 1/2" x 43 3/4"
	Alternator -- 70,90 amp. Without P/S	2				D9PZ 8620-M	*JC-450-A 1/2" x 45"
	Alternator -- 70,90 amp. With P/S	1					
	Alternator -- LN600/700 90 amp with P/S "Before 10/82"	1				D9PZ 8620-M	*JC-450-A 1/2" x 45"
	Alternator -- LN600/700 90 amp. with P/S "From 10/82"	1				C9PZ 8620-CC	*JC-465 1/2" x 46 5/8"
	T/E -- without fan clutch -- with Hydro-max brakes				1	C9PZ 8620-DF	*JC-616 1/2" x 61 3/4"
	Alternator -- LN600/700 75 amp. without P/S	1				C9PZ 8620-CB	*JC-460 1/2" x 46"
	Alternator -- LN600/700 75 amp with P/S	1				C9PZ 8620-CC	*JC-465 1/2" x 46 5/8"
	Alternator -- 105,130 amp. Without P/S	2				C9PZ 8620-CB	*JC-460 1/2" x 46"
	Alternator -- 105,130 amp. With P/S	1					
	Hi-fan		2			C9PZ 8620-CD	*JC-483 1/2" x 48 3/8"
	P/S -- with fan clutch, L-LN800			2		D9PZ 8620-P	*JC-527-LA 1/2" x 52 7/8"
	P/S -- LN600/700 without fan clutch "Before 10/82"			2		D9PZ 8620-P	*JC-527-LA 1/2" x 52 7/8"
	P/S -- LN600/700 without fan clutch "From 10/82"			2		C9PZ 8620-GN	*JC-554 1/2" x 55 1/2"
	P/S -- with fan clutch LN600/700			2		C9PZ 8620-CM	*JC-524 1/2" x 52 1/2"
	T/E -- with fan clutch, with Hydraulic brakes				1	C9PZ 8620-BH	*JC-373 1/2" x 37 3/8"
80/86	T/E -- with fan clutch, with air brakes				1	D9PZ 8620-A	*JC-644-A 1/2" x 64 1/4"
	T/E -- LN600/700 -- without fan clutch- with Hydraulic brakes				1	D7PZ 8620-P	*JC-390 1/2" x 38 7/8"
	T/E -- LN600/700 -- without fan clutch- with air brakes				1	C9PZ 8620-DL	*JC-650 1/2" x 65"
	A/C				1	C9PZ 8620-BB	*JC-332 1/2" x 33 1/4"

**1980/  
TRUCK SERIES 600/900**

YEAR	MODEL/RESTRICTIONS	QUANTITY				PART NUMBER	DESCRIPTION
		ALT.	FAN	P/S	COMP.		
8620 BELT (DRIVE) — Cont'd		<b>APPLICATION CHART</b>					
		<b>1980/</b>					
<b>L (SERIES)</b>		<b>8 CYL. 477 (7.8L), 534 (8.8L) GAS</b>					
80/81	Alternator -- 70,90 amp.	2				D9PZ 8620-EA	*JC-640-LA 1/2" x 64"
	P/S			2		C9PZ 8620-GT	*JC-604-L 1/2" x 60 1/2"
	T/E -- With 477				1	C9PZ 8620-BE	*JC-355 1/2" x 35 5/8"
	T/E -- With 534				1	C9PZ 8620-BK	*JC-387 1/2" x 38 7/8"
	A/C				1	C9PZ 8620-CD	*JC-483 1/2" x 48 3/8"
	Air brake -- Mod #400 Comp.				1	C9PZ 8620-BN	*JC-407 1/2" x 40 7/8"
	Air brake -- Mod #501 Comp.				1	E3HZ 8620-C	*JC-416-LA 1/2" x 41 3/4"
<b>L (SERIES)</b>		<b>6 CYL. 426 (6.9L)-DETROIT DIESEL</b>					
80/86	Alternator-exc. Delco	2				E2HZ 8620-C	*JC-463-LA 1/2" x 46 3/8"
	Alternator-75 amp. Delco "From 12/81"	2				E2HZ 8620-D	*JC-471 1/2" x 47 1/8"
	Fan		2			C9PZ 8620-DT	*JC-734 1/2" x 73 1/2"
	P/S			2		C9PZ 8620-BS	*JC-423 1/2" x 42 3/8"
	A/C				1	C9PZ 8620-DC	*JC-600 1/2" x 60"
<b>L (SERIES)</b>		<b>8 CYL. 501 (8.2L) DIESEL</b>					
81/82	Alternator -- 40-60 amp.	2				E5PZ 8620-E	*JC-656-L 1/2" x 65 3/4"
	Alternator -- 70-90 amp.	2				E1HZ 8620-B	*JC-671-C 1/2" x 67 1/8"
	P/S			2		E0PZ 8620-C	*JE-674 11/16" x 67 1/2"
	Pump				1	C9PZ 8620-DR	*JC-684 1/2" x 68 3/8"
83/87	Alternator-40-60 amp.	2				E5PZ 8620-E	*JC-656-L 1/2" x 65 3/4"
	Alternator-70-90 amp.	2				E1HZ 8620-B	*JC-671-C 1/2" x 67 1/8"
	P/S			2		C9PZ 8620-GU	*JC-430-L 1/2" x 43"
	Pump				1	C9PZ 8620-DR	*JC-684 1/2" x 68 3/8"
A/C -- with NTC/Form 300,350				1	D3PZ 8620-C	*JE-433-A 11/16" x 43 3/8"	
<b>L (SERIES)</b>		<b>6 CYL. 552 (9.0L)-DETROIT DIESEL</b>					
80/86	Alternator -- exc. Delco	2				D0HZ 8620-A	*JC-283 1/2" x 28 3/8"
	Alternator -- Delco	2				C9PZ 8620-AV	*JC-293-C 1/2" x 29 3/8"
	Fan		2			D5PZ 8620-U	*JC-727 1/2" x 72 7/8"
	Drive belt -- A/C			1		E6HZ 8620-E	*JC-547 1/2" x 54 1/2"
<b>L (SERIES)</b>		<b>6 CYL. 610 (10.0L) CUMMINS DIESEL</b>					
84/	Alternator	1				E4HZ 8620-B	*JK5-346 45/64" x 34.75"
	Alternator -- w/Delco-75 amp.	1				E4FZ 8620-C	*JK5-366 45/64" x 36.75"
	Fan		1			E4HZ 8620-C	*JK8-612 1 3/32" x 61.25"
	A/C -- with Sanden comp. "From 3/15/89"				1	C9PZ 8620-CD	*JC-483-L 1/2" x 48 3/8"
<b>L (SERIES)</b>		<b>6 CYL. 638 (10.5L) CAT. DIESEL</b>					
89	Alternator	2				C9PZ 8620-CR	*JC-537 1/2" x 53 7/8"
	Fan		2			E4HZ 8620-D	*JC-593 1/2" x 59 3/8"
	A/C				1	C9PZ 8620-CD	*JC-483 1/2" x 48 3/8"
<b>L (SERIES)</b>		<b>6 CYL. 855 (14.0L)-CUMMINS DIESEL</b>					
80/84	Alternator	2				C9PZ 8620-BY	*JC-445 1/2" x 44 5/8"
85/	Alternator-Motor Craft L-LN900,NTC/Form except NTC240	2				D9PZ 8620-B	*JC-437-A 1/2" x 43 3/4"
	Alternator-Motorcraft L-LN900,NTC240	2				C9PZ 8620-BY	*JC-445 1/2" x 44 5/8"
80/88	Fan -- L-LT900, NTC & Form 350		2			E8HZ 8620-T	*JE-456 11/16" x 45"
	Fan -- LTL900 and NTC/Form. 300 "Before 11/30/87"		2				
	Fan -- LN-LNT900, NTC Form 300,350 "Before 5/84"		2			E4PZ 8620-D	*JE-500-A 11/16" x 49 15/16"

**1980/  
TRUCK SERIES 600/900**

YEAR	MODEL/RESTRICTIONS	QUANTITY				PART NUMBER	DESCRIPTION
		ALT.	FAN	P/S	COMP.		

8620 BELT (DRIVE) — Cont'd

**APPLICATION CHART**

**1980/**

L (SERIES)		6 CYL. 855 (14.0L)-CUMMINS DIESEL					
84/	Fan -- LN-LNT900 NTC Form. 300,350 "From 5/84"	2				E4HZ 8620-H	*JE-465 11/16" x 46 5/8"
	Fan - L-LN-LNT-LTS900 -- NTC/Form. 350 with Rockford fan clutch "From 3/81"	2				E1HZ 8620-C	*JE-511 11/16" x 51 1/8"
	Fan -- NTC & Form 230,240,250 LN-LNT900 -- NTC & Form 290, Calif.	2				D0HZ 8620-E	*JE-423 11/16" x 42 3/8"
	Fan -- LL-LTL900-Cum. NTC/ Form "From 11/30/87"	2					
	Fan -- LN-LNT900 -- NTC & Form 290, exc. Calif.	2				D3PZ 8620-C	*JE-433-A 11/16" x 43 3/8"
	L-LT-LTS -- NTC & Form 290,300	2					
	Fan -- LTL900 and NTC/Form. 350,400	2				E2HZ 8620-A	*JE-461 11/16" x 46 1/8"
	Fan -- LN-LNT900 NTC Form. 300 "From 5/84"	2					
	Fan -- LN900	2				E4PZ 8620-D	*JE-500-A 11/16 x 49 15/16"
	Fan "From 11/30/87"	3				E8HZ 8620-T	*JE-450 11/16" x 45"
	Fan-cum. max H.P. at 1800 RPM	3				E8HZ 8620-D	*JE-434 11/16" x 43 1/2"
	Fan-cum. max H.P. at 2100 RPM	3				E8HZ 8620-T	*JE-450 11/16" x 45"
	P/S		2			C9PZ 8620-BY	*JC-445 1/2" x 44 5/8"
	A/C -- exc. Sanden comp.			1		C9PZ 8620-CC	*JC-465 1/2" x 46 5/8"
	A/C -- with Sanden comp. "From 3/15/89"			1		C9PZ 8620-BS	*JC-423 1/2 x 42 3/8"
L (SERIES)		6 CYL. 893 (14.6L)-CAT DIESEL					
80/87	Alternator	2				C9PZ 8620-GN	*JC-554 1/2" 55 1/2"
	Alternator-L-LT-LTS900	2					
	Alternator-LN-LNT900	2				*C9PZ 8620-CS	*JC-544 1/2" x 54 1/2"
	Fan-exc. LTL900 "Before 12/83"	2				C9PZ 8620-EJ	*JE-670 11/16" x 67"
	Fan-LTL "From 12/83 to 9/87"	2				E4HZ 8620-E	*JE-643 11/16" x 64 3/8"
	Fan-LTL900 "Before 12/83"	2				E2HZ 8620-B	*JE-650 11/16" x 65"
	A/C			1		C9PZ 8620-CD	*JC-483 1/2" x 48 3/8"
88/	Alternator	2				E8HZ 8620-B	*JC-713-C 1/2" x 71 3/8"
	Fan	2				E4HZ 8620-E	*JE-643 11/16" x 64 3/8"
	A/C -- exc. LL & LTL			1		C9PZ 8620-CD	*JC-483 1/2" x 48 3/8"
	A/C-LL-LTL			1		D9PZ 8620-N	*JC-514-A 1/2" x 51 1/2"
L (SERIES)		8 CYL. 568 (9.3L)-DETROIT DIESEL					
80/86	Alternator -- Delco	2				D7PZ 8620-N	*JC-273 1/2" x 27 3/8"
	Alternator -- exc. Delco	2				D0HZ 8620-A	*JC-283 1/2" x 28 3/8"
	Fan -- L-LT900,8V-71N "Before 3/81"	2				C9PZ 8620-CY	*JC-574 1/2" x 57 1/2"
	Fan -- L-LT900 8V-71N "From 3/81"	2				D9PZ 8620-EA	*JC-640-LA 1/2" x 64"
	Fan -- LN-LNT900,8V-71N	2				C9PZ 8620-DM	*JC-654 1/2" x 65 1/2"
	Fan -- L-LT900,8V-71T-TT	2				E5PZ 8620-E	*JC-656-L 1/2" x 65 3/4"
	Fan -- LN-LNT900,8V-71T-TT	2				*D5PZ 8620-U	*JC-727 1/2" x 72 7/8"
	A/C			1		r/bD5PZ 8620-Y(7/91) C9PZ 8620-CD	*JC-483-L 1/2" x 48 3/8"

1980/  
TRUCK SERIES 600/900

YEAR	MODEL/RESTRICTIONS	QUANTITY				PART NUMBER	DESCRIPTION
		ALT.	FAN	P/S	COMP.		

8620 BELT (DRIVE) — Cont'd

APPLICATION CHART

1980/

L (SERIES)		8 CYL. 636 (10.4L)-CAT DIESEL					
80/83	Alternator	2				E0PZ 8620-G	*JC-614-LA 1/2" x 61 1/2"
	P/S -- LN700		2	2		C9PZ 8620-BJ	*JC-377-C 1/2" x 37 7/8"
	P/S -- except LN700 "Before 5/83"		2	2		D9PZ 8620-U	*JC-517-A 1/2" x 51 7/8"
	P/S -- except LN700 "From 5/83"		2	2		E3AZ 8620-D	*JC-564-LA 1/2" x 56 1/2"
	Air brakes "Before 8/83"		1		1	C9PZ 8620-CY	*JC-574 1/2" x 57 1/2"
	Air brakes "From 8/83"		1		1	D5PZ 8620-T	*JC-584-A 1/2" x 58 1/2"
	A/C				1	C9PZ 8620-BK	*JC-387 1/2" x 38 7/8"
84/	Alternator	2				C9PZ 8620-DF	*JC-616 1/2" x 61 3/4"
	P/S -- LN700		2	2		C9PZ 8620-BJ	*JC-377-C 1/2" x 37 7/8"
	P/S -- L-LN800 Cat. 3208T		2	2		D3PZ 8620-A	*JC-675-A 1/2" x 67 1/2"
	P/S -- L-LN800 Cat. 3208N		2	2		D9PZ 8620-EA	*JC-640-LA 1/2" x 64"
	Air brakes		1		1	D5PZ 8620-T	*JC-584-A 1/2" x 58 1/2"
	Hyd. brakes		1		1	E3AZ 8620-D	*JC-564-LA 1/2" x 56 1/2"
	A/C		1		1	E4AZ 8620-A	*JC-403 1/2" x 40 3/8"

L (SERIES)		8 CYL. 736 (12.0L)-DETROIT DIESEL					
81/86	Alternator	2				C9PZ 8620-AV	*JC-293-C 1/2" x 29 3/8"
	Fan-with 8V-92 TTA		2			C9PZ 8620-GT	*JC-604-L 1/2" x 60 1/2"
	Fan-with 8V-92 TA,TAC, TTAC		3			C9PZ 8620-GV	*JC-634-L 1/2" x 63 1/2"
	A/C-with 8V-92 TTA				1	C9PZ 8620-FN	*JC-443 1/2" x 44 3/8"
	A/C-with 8V-92 TA,TAC, TTAC				1	C9PZ 8620-CE	*JC-473 1/2" x 47 3/8"

YEAR	MODEL/RESTRICTIONS	ENGINE		PART NUMBER	DESCRIPTION	QTY.
		CYL.	C.I.D. (C.C.D.)			

8B624 SUPPORT (ENGINE FAN PULLEY)

80/86	CL-CLT900-Detroit Diesel 8V-92TA	8	736	D8HZ 8B624-A	#D7HT 8B624-AA, D8HT-AA,AB	1
82	LTL900 -- Detroit Diesel- 8V-92	8	736			1
88/	CL-CLT900 -- NTC 444	6	855	E8HZ 8B624-A	#E8HT-AA	1
88/	L-LT-LN-LNT-LL-LTL- LTS900	6	855			1

8625 PULLEY and BRACKET ASSY. (FAN)

87	B-F-L Series -- w/FNH eng. high mounting fan	6	6.6L 7.8L	E7HZ 8625-A	#E7HT-AA-use 8626 bearing for repair	1
88/	B-F-L -- w/FNH eng. high mounting fan	6	6.6L			1
88/	B-F-L -- w/FNH eng.	6	7.8L	E8HZ 8625-A	#E8HT-BA-use 8626 bearing for repair	1
80/85	B-F600/800 "Before 3/85"	8	370,429	E0HZ 8625-A	#E0HT-AA	1
86/87	B600/800 -- water pump mounted fan	8	370,429			1
85/86	B-F600/800 -- water pump mounted fan "After 3/85"	8	370,429	E5HZ 8625-B	#E5HT-CA	1
87/	B-F600/800 -- water pump mounted fan	8	370,429			1
85/	B,F600/800 -- with high mount fan-without A/C	8	370,429	E5HZ 8625-C	#E5HT-AA	1
85/	B-F600/800 -- with high mounted fan with A/C	8	370,429	E5HZ 8625-A	#E5HT-BA	1

**1980/  
TRUCK SERIES 600/900**

YEAR	MODEL/RESTRICTIONS	ENGINE		PART NUMBER	DESCRIPTION	QTY.
		CYL.	C.I.D. (C.C.D.)			
<b>8625 PULLEY and BRACKET ASSY. (FAN) — Cont'd</b>						
83/87	B-F-FT700/800 -- 3208NA Cat. diesel	8	636	E8HZ 8625-C	#E3HT-BA, ED2E3HT-BB	1
83	F-FT700/800 -- 3208T Cat. diesel "Before 2/83"	8	636			1
84/88	L-LN-LNT-LT-LTS800 -- 3208 Cat. diesel	8	636			1
83/87	F-FT700/800 -- 3208T Cat. diesel "From 2/83"	8	636	E8HZ 8625-D	#E3HT-CA, ED2E3HT-CA	
84/88	L-LN-LNT-LT-LTS800 -- 3208T Cat. diesel	8	636			1
80/84	L-LT-LTS-LN-LNT800 -- gas	8	370,429	D9HZ 8625-A	#EDD9HT-AB-incl. D9HZ 8632-A bracket, 3 sheaves D9HT-BA	1
80/84	F700-Fire Truck-gas	8	370,429			1
85/86	L-LT-LTS-LN-LNT800 -- gas Calif. only	8	370,429			
85/	F700 -- fire truck-gas	8	370,429			
85/86	L-LT-LTS-LN-LNT600/800 -- gas except Calif.	8	370,429	E5HZ 8625-A	#E5HT-BA	1
80/83	L-LN-LNT-LT-LTS800 -- 3208 Cat. diesel	8	636	D8HZ 8625-D	#D7HT-CA-incl. spacer	1
88	L-LN-LNT-LT-LTS900 -- Cum. NTC 365	6	855	E8HZ 8625-B	#E8HT 8A612-CA-3 sheaves	1
89	LL-LTL900 -- Cum. NTC/Form	6	855			1
89	L-LN-LNT-LS-LT-LTS900 -- Cum. NTC/Form	6	855			1
88/	CL-CLT900 -- cum. NTC/ Form exc. NTC 365 "From 7/25/88"	6	855	E8HZ 8625-E	#E8HT-8A612-EB-replaces E8HZ 8678-F	1
<b>8B625 REPAIR KIT (FAN CLUTCH and BRACKET ASSY.)</b>						
80/82	CL-CLT900 -- Cum. Detroit Diesel, Cat 3406	6&8	All	D9HZ 8B625-B	Used to service 8A627 Clutches# D9HT-AA,EDD9HS-BA, E0HT-AA, E0HT-CA, E0HT-DA,E0HT-EA, E0HT-GA, E1HT-AA, E1HT-RA, E1HT-SA,TA, E2HT-HA,KA,RA,SA and EDD7HS-8A616-EA	1
80/83	L-LN-LNT-LT-LTS800 -- 3208 Cat. diesel	8	636	E0HZ 8B625-A	Used to service D8HZ 8625-A pulley & bracket assy.	1
	Consists of					
	1-D0AA 1215-A	Bearing (outer)		1-87138-S96	O-Ring	
	1-D5HA 8626-AA	Bearing (inner)		1-385472-S2	Washer (flat)	
	1-E0HT 8K606-AA	Seal		1-385470-S2	Nut	
	or EDD5HA 8K606-AA			1-385471-S2	Washer (lock)	
				1-IS-4938	Instruction sheet	
80/82	L-LN-LT-LTS-LNT900 CUM. 855, cat 3406	6&8	All	D9HZ 8B625-B	Used to service 8A627 clutches# D9HT-AA, EDD9HA-BA, E0HT-AA,CA,DA, EA, GA, E1HT-AA,RA,SA,TA, E2HT-HA,KA,RA, SA and EDD7HS-8A616-EA	1
82	LTL900 -- Cum, Cat. 3406	6&8	All	D9HZ 8B625-B	Used to service 8A627 clutches #D9HT-AA, EDD9HS-BA, E0HT-AA,CA, DA, EA,GA, E1HT-AA,RA,SA,TA, E2HT-HA, KA,RA,SA and EDD7HS-8A616-EA	1
<b>8626 BEARING ASSY. (FAN)</b>						
87/	B-F-LN600/800 -- w/FNH diesel	6	6.6L,7.8L	E8HZ 8626-B		2
80/86	L-LN-LNT-LT-LTS800 -- gas	8	429	D9HZ 8626-A		1

1980/  
TRUCK SERIES 600/900

YEAR	MODEL/RESTRICTIONS	ENGINE		PART NUMBER	DESCRIPTION	QTY.
		CYL.	C.I.D. (C.C.D.)			
<b>8626 BEARING ASSY. (FAN) — Cont'd</b>						
80/	L-LN-LNT-LT-LTS900	6&8	426,568 855	D8HZ 8626-C	Includes: D9HZ 8B564-A Lube and seal kit	1
83	F-B-L-LN exc. LN7000 w/3208 Cat.	8	636	E3HZ 8626-A		1
83/88	B-F-L-LN600/800 -- Cat. 3208	8	636	E9HZ 8626-A	Bearing service kit-to service pulley & bracket assy. E9HT 8625-AA	1
89	L-LN-LNT-LS-LT-LTS900 -- Cat. 3306 diesel	6	638	E8HZ 8626-A		1
<b>8A627 CLUTCH and BRACKET ASSY. (FAN) — Also refer to 8A616 and 8B647</b>						
80/81	L-LN-LNT-LT900 -- Detroit 8V-71- T&TT "Before 6/81"	8	568	D9HZ 8A627-A	#D9HT-BA,BB - Rockford	1
80/81	LN-LNT900 -- Det. 6V-92 diesel "Before 6/81"	6	552			1
81/86	L-LN-LNT-LT900 -- Detroit 8V-71T "From 6/81"	8	568	E1HZ 8A627-M	Rockford	1
81/86	LN-LNT900 -- Detroit 6V-92 "From 6/81"	6	552			1
85/86	LN-LNT900 -- Detroit diesel with low temp. aftercooler	6	552			1
80	CL-CLT900 -- Detroit Diesel 8V-92,6V-92 & 8V-71- "Before Ser. EC5,001"	6&8	736, 568,552	★ E0HZ 8A627-A Not replaced	#293927-Bendix	1
80/86	CL-CLT900 -- Detroit Diesel "From 6/1/81"	6&8	736,568 552	E6HZ 8A627-F	Bendix-use with E1HZ 8546-B spacer	1
80	CL-CLT900 -- 8V-92,6V-92,8V-71	6&8	736, 568,552	★ E0HZ 8A627-B	Rockford-r/b E1HZ 8A627-L, E1HZ 6B850-E & E1HZ 6B851-D(9/81)	1
81	CL-CLT900 -- 8V-92,6V-92,8V-71 "Before 11/2/81"	6&8	736, 568,552			1
81/84	CL-CLT900 -- 8V-92,6V-92,8V-71- "From 11/2/81"	6&8	736, 568,552	E1HZ 8A627-L	Rockford	1
85/86	CL-CLT900 -- Detroit diesel (6V-92) with low temp. aftercooler "Before 4/86"	6	552	E6HZ 8A627-F	#E5HT-DA	1
86	CL-CLT900 -- Det. Diesel "From 4/86"	6	552	E6HZ 8A627-F	Bendix #104919-FD2	1
80/86	CL-CLT900 -- Cum.	6	855	E6HZ 8A627-E	Bendix-use with E1HZ 8546-A spacer	1
85/86	CL-CLT900 -- Cum. NTC/Form diesel with low temp. aftercooler "Before 4/86"	6	855	E6HZ 8A627-E	Bendix-#E5HT-CA	1
86/	CL-CLT-w/Cum. NTC "From 4/86"	6	855	E6HZ 8A627-N	#E6HT-DA-Bendix-FD-3	1
80/81	CL-CLT900 -- Cum.- "Before 6/15/81"	6	855	★ D9HZ 8A627-B	D9HT-CA,CB, E0HT-BA- Rockford-r/b (1) E4HZ 8A627-D, (1) E1HZ 6B850-D, (1) E1HZ 6B851-E (11/84)	1
81/84	CL-CLT900 -- Cum.- "From 11/2/81 to 12/83"	6	855	E1HZ 8A627-J	Rockford	1
84/	CL-CLT900 -- Cum. "From 12/83"	6	855	E4HZ 8A627-D	Rockford	1
80/81	CL-CLT900 -- Cat. 3406- "Before 11/2/81"	6	893	★ D9HZ 8A627-C	D9HT-DA,DB - Rockford-r/b E2HZ 8005-J, E1HZ 6B850-A, E1HZ 6B851-C	1
81/	CL-CLT900 -- Cat. 3406- "From 11/2/81"	6	893	E2HZ 8A627-J	Rockford	1
80/84	CL-CLT900 -- Cat. 3406 "Before 12/83"	6	893	E0HZ 8A627-D	Bendix-FD1	1
84/86	CL-CLT900 -- Cat. 3406 "From 12/83 to 4/86"	6	893	E6HZ 8A627-B	Bendix-FD2	1

1980/  
TRUCK SERIES 600/900

YEAR	MODEL/RESTRICTIONS	ENGINE		PART NUMBER	DESCRIPTION	QTY.
		CYL.	C.I.D. (C.C.D.)			
<b>8A627 CLUTCH and BRACKET ASSY. (FAN)-Also refer to 8A616 and 8B647 -- Cont'd</b>						
86/87	CL-CLT -- w/3406 Cat. "From 4/86"	6	893	E6HZ 8A627-M	#E6HT-BA-Bendix #104768-FD-3	
88/	CL-CLT900 -- w/3406 Cat.	6	893	E8HZ 8A627-B	#E8HT-AA-FD3	1
89	CL-CLT900 -- Cum. exc. 300/365 H.P. diesel "From 2/89"	6	855	E9HZ 8A627-C	Bendix-FD6	1
89	CL-CLT900 -- Cum. NTC/ Form 300/365 H.P.	6	855	F1HZ 8A627-F	Bendix-FD6	1
84/86	LN-LNT900	6	610	E6HZ 8A627-C	Bendix-FD2	1
85/86	LN-LNT900 -- w/o low temp. after cooler "Before 4/86"	6	610			1
86/88	L-LN-LNT-LT-LTS900 w/Cum. L-10 "From 4/86"	6	610	E9HZ 8A627-A		1
86/88	LTL-w/Cum.-w/Bendix clutch	6	610			1
85/86	LNT900 -- with low temp. aftercooler "Before 4/86"	6	610	E6HZ 8A627-G	Bendix	1
89	L-LN-LNT-LT-LTS-LL-LTL900 -- Cum. L10	6	610	E9HZ 8A627-A		1
80/81	L-LN-LNT-LT900 -- Cat. 3406 "Before 10/5/81"	6	893	★ D9HZ 8A627-D	D9HT-EA,EB - Rockford-r/b (1) E1HZ 8A627-N, (1) E1HZ 6B850-C, (1) E1HZ 6B851-C (11/84)	1
81/84	L-LN-LNT-LT900 -- Cat. 3406 "From 10/5/81 to 12/83"	6	893	E1HZ 8A627-N	Rockford	1
84/86	L-LN-LNT-LT-LTL900 -- Cat. 3406 "From 12/83 to 4/86"	6	893	E6HZ 8A627-A	Bendix-FD2	1
86/87	LT-LTS900 -- w/3406 Cat. "From 4/86"	6	893	E6HZ 8A627-L	#E6HT-AA-Bendix-FD-3	1
88/	L-LN-LT-LNT-LL-LTS- LS900 w/3406 Cat.	6	893	★ E9HZ 8A627-D	#E9HT-CA-r/b E9HZ 8A627-G (10/91)	1
81/84	L-LN-LNT-LT-LTS900 -- Cum. NTC/Form. 230,240,250,300 diesel "From 11/3/80 to 5/84"	6	855	E6HZ 8A627-D	Bendix-not used prior to 11/3/80	1
84/86	L-LN-LNT-LT-LTS900 -- Cum. NTC/Form.diesel	6	14.0L	E6HZ 8A627-D	Bendix	1
85/86	L-LT-LN-LNT900 -- Cum. NTC/Form diesel with low temp. aftercooler w/o A/C with shutters "From 5/84 to 4/86"	6	855			1
86/	L-LT-LTS-LN-LNT-LTL900 w/Cum. NTC "From 4/86"	6	855	E6HZ 8A627-D	Bendix #104915-FD2	1
85/86	L-LT-LN-LNT900 -- Cum. NTC/Form diesel with low temp. after cooler with A/C or A/C and shutters "Before 4/86"	6	855	E6HZ 8A627-H		1
86/	LT900 -- w/Cum. NTC O.A. w/A/C "From 4/86"	6	855	E6HZ 8A627-J	#E6HT-FA-Bendix-FD3	1
86/	L-LT-LTS-LN-LNT-LTL900 -- Cum. NTC O.A. "From 4/86"	6	855	E6HZ 8A627-K	#E6HT-CA-Bendix-#104752-FD3	1
81/86	LN-LNT900 -- Detroit diesel (8V-71)-with Bendix clutch "From 1/1/81"	8	568	E2HZ 8A627-D	Bendix-not used prior to 1/1/81	1
82/	L-LN-LNT-LT900 -- Cum. NTC/ Form. 350 with Rockford clutch	6	855	E4HZ 8A627-C	#E3HT-KA-Rockford	1
89	L-LN-LNT-LT-LTS900 -- Cum. NTC/Form	6	855	F1HZ 8A627-F	Bendix-FD6	1

**1980/  
TRUCK SERIES 600/900**

YEAR	MODEL/RESTRICTIONS	ENGINE		PART NUMBER	DESCRIPTION	QTY.
		CYL.	C.I.D. (C.C.D.)			
<b>8A627 CLUTCH and BRACKET ASSY. (FAN)-Also refer to 8A616 and 8B647 - Cont'd</b>						
82/	LTL -- Detroit Diesel 8V-92-with Rockford clutch	8	736	E1HZ 8A627-P		1
82/86	LTL900 -- Cum. diesel (NTC/ Form. 300 with Bendix clutch "Before 4/86"	6	855	E6HZ 8A627-D	#E6HT-DA-Bendix-104915-FD3	1
82/84	LTL900 -- Cum. diesel (NTC/Form 300) with Bendix clutch	6	855	E6HZ 8A627-D	Bendix	1
82	LTL900 -- Cum. diesel (NTC/ Form. 300) with Rockford clutch "Before 1/82"	6	855	E1HZ 8A627-C		1
82/84	LTL900 -- Cum. diesel (NTC/ Form. 300) with Rockford clutch "From 1/82 to 12/83"	6	855	E2HZ 8A627-E		1
84/	LTL900 -- Cum. diesel (NTC/ Form 300) with Rockford Clutch "From 12/83"	6	855	E4HZ 8A627-M	Rockford	1
82	LTL900 -- Cum. Diesel (NTC/ Form. 350,400) with Rockford clutch "Before 1/82"	6	855	E2HZ 8A627-B		1
82/84	LTL900 -- Cum. diesel (NTC/ Form. 350,400) with Rockford clutch "From 1/82 to 12/83"	6	855	E2HZ 8A627-F		1
84/	LTL900 -- Cum. diesel (NTC/ Form 350,400) with Rockford Clutch "From 12/83"	6	855	E4HZ 8A627-M	Rockford	1
86	LTL -- w/Cum. with Bendix clutch "Before 4/86"	6	855	E6HZ 8A627-D	Bendix #104915-FD2	1
86/	LTL -- w/Cum. with Bendix clutch "From 4/86"	6	855	E6HZ 8A627-K	#E6HT-CA-Bendix-FD3	1
82/84	LTL900 -- Cat. 3406 "Before 12/83"	6	893	E1HZ 8A627-N	Rockford #E1HT-UA	1
84/86	LTL900 -- Cat. 3406 with Bendix clutch "From 12/83 to 4/86"	6	893	E6HZ 8A627-A	Bendix #104917-FD2	1
86/87	LTL900 -- w/Cat. 3406 "From 4/86"	6	893	E6HZ 8A627-L	#E6HT-AA-Bendix-FD3	1
88	LL-LTL900 -- w/3406 Cat.	6	893	E8HZ 8A627-A	#E8HT-BA	1
89	LL-LTL900 -- w/3406 Cat.	6	893	★ E9HZ 8A627-D	#E9HT-CA-r/b E9HZ 8A627-G (10/91)	
80/86	CL-CLT900 -- Detroit Diesel 8V-71,8V-92 & 6V-92	6&8	736, 568,552	300890-S2	(B-66)-Bolt (attach clutch to bracket at top)-5/16"-18 x 3"	1
81/86	LN-LNT900 -- Detroit Diesel 8V-71	8	568	389249-S2	(BB-196-G)-Bolt (adjust clutch on engine) -1/2"-13 x 4" hex. hd.	1
<b>8632 BRACKET (FAN MOUNTING)</b>						
83/	B-F-FT700/800 -- Cat. 3208	8	636	E3HZ 8632-A	#E3HT-BA	1
80/84	L-LN-LNT-LT-LTS800	8	370,429	D9HZ 8632-A	#D9HT-BA	1
85	L-LN-LNT-LT-LTS800 Calif. only	8	370,429			1
85/86	L-LN-LNT-LT-LTS800 except Calif.	8	370,429	E5HZ 8632-A	#E5HT-BA	
80/	F600/800 -- F700 Fire Trk.	8	370,429	E3HZ 8632-B	#E3HT-CA	1
80/86	L-LN-LNT-LT-LTS600/800 attach to engine	8	370,429			
85/	B-F600/800	8	370,429	E5HZ 8632-B	#E5HT-AA	1



**1980/  
TRUCK SERIES 600/900**

YEAR	MODEL/RESTRICTIONS	ENGINE		PART NUMBER	DESCRIPTION	QTY.
		CYL.	C.I.D. (C.C.D.)			
<b>8632 BRACKET (FAN MOUNTING) — Cont'd</b>						
80/86	CL-CLT900 -- with Bendix fan clutch-Cat. 3406	6	893	★ E0HZ 8632-A Not replaced	#9N5120-procure from caterpillar	1
84/86	L-LT-LTS-LTL -- Cat. 3406 "From 12/83"	6	893			1
80/	CL-CLT900	6	893	388611-S2	(BB-890-E) Bolt (bracket to (8A627) clutch & bracket assy.)-3/8"-16 x 6"	8
87/	B-F600/800	8	370,429	300973-S100	(BB-149-B)-Bolt-5/16"-18 x 5.25"	1
87	B-F600/800	8	370,429	58635-S103	(B-82-AB)-Bolt-3/8"-16 x 1.25	1
<b>8B644 SHAFT and BRACKET ASSY. (FAN CLUTCH) - See 8626 For Bearing Service Kit, 8B564 for Lube &amp; Seal kit</b>						
80/81	L-LN-LNT-LT-LTS 900 -- Cum. NTC, PT-270 -- With Eaton fan clutch	6	855	D5HZ 8B644-A	#D5HA-AD	1
80/81	L-LT900 "Before 4/81"	6&8	426,568	★ D5HZ 8B644-B	#D5HA-JB,JC-not replaced	1
80/81	LN-LNT900	6&8	426,568	★ D5HZ 8B644-C	#D5HA-KB,KC-not replaced	1
81/86	L-LT900 -- Detroit diesel 8V-71 with Schwitser clutch	8	568	E2HZ 8B644-A	#ED-E1HT-AA	1
84/86	L-LT900 -- Detroit diesel	8	568	E4HZ 8B644-A	#EDE2HT-AA	1
<b>8A645 SPACER (FAN)</b>						
88/	LL-LTL900 -- Cum. NTC/Form	6	855	E8HZ 8A645-B	#E8HT 8A645-EB	1
88/	CL-CLT900 -- Cum. NTC w/Sanden A/C comp.	6	855			1
<b>8B646 COVER (FAN CLUTCH)</b>						
80/81	L-LN-LNT-LT-LTS900 -- Cum. NTC, PT-270	6	855	★ D5HZ 8B646-A	2 9/16" dia.	1
80/81	L-LN-LNT-LT-LTS900 -- 83DBA	8	568	Not Replaced		1
80/81	CL-CLT900	6	552			1
<b>8B647 COOLER ASSY. (FAN OIL)-See Conversion kit 8B647</b>						
<b>8B647 KIT (FAN OIL COOLER TO ENGINE CONVERSION)</b>						
80/86	CL-CLT-L-LN-LNT-LT-LTS900, 8V-71, 8V-92 Detroit Diesel	8	568,736	D9HZ 8B647-A		1
80/86	CL-CLT-L-LN-LNT-LT-LTS900 8V-71,8V-92 Detroit Diesel	8	568,736	388494-S100	(11-29-CG)-Connector (attach oil cooling hose to eng.) 1/8-27 male & female thd.	1
<b>8B649 SHAFT ASSY. (FAN CLUTCH)</b>						
80/	CL-CLT900 -- Cat-Cummins. Diesel	6	855,893	D8HZ 8B649-A	#D7HA-BA	1
80/86	CL-CLT900 -- Detroit Diesel	6&8	552,568	D8HZ 8B649-B	#D7HA-AA	1
<b>8B649 SHAFT (FAN CLUTCH BRACKET REPAIR)</b>						
80/	L-LN-LNT-LT-LTS900	6&8	426,568 855	D8HZ 8B649-C		1
<b>8B651 AIR FILTER (THERMAL CONTROL VALVE)</b>						
80/86	L-LT-LTS-LN-LNT900	8	568	D7HZ 8B651-A		1
80/	CL-CLT900 with Rockford Fan Clutch Detroit diesel 8V71T & TT					1
80/	L-LN-LNT-LT900 -- Cat. 3406	6	893			1
80/86	LN-LNT900 -- Det. 6V-92 diesel	6	552			1
80/	CL-CLT900 -- with Bendix fan clutch-Cat. 3406	6	893			1
82/	LTL900	6&8	All			1
82/	L-LN-LNT-LT-LTS900	6	855			1

1980/  
TRUCK SERIES 600/900

YEAR	MODEL/RESTRICTIONS	ENGINE		PART NUMBER	DESCRIPTION	QTY.
		CYL.	C.I.D. (C.C.D.)			
<b>8653 DECAL (FAN WARNING)</b>						
80/	CL-CLT-L-LN-LNT-LT-LTS900- With Bendix fan clutch	6	855	D9HZ 8653-A	French Quebec	2
80/	CL-CLT-L-LN-LNT-LT-LTS900- With Bendix fan clutch	6	855	D9HZ 8653-B	English	2
82/	CL-CLT-L-LN-LNT-LT- LTS900-with fan clutch	6&8	All	E2HZ 8653-A	French	AR
				E2HZ 8653-B	English	AR
<b>8A653 BRACKET ASSY. (IDLER PULLEY SUPPORT)</b>						
80/	LTS900 -- NTC350 diesel and L/N alt.	6	855	D4HZ 8A653-A	#D4HA 8B616-AA	1
80/	L-LT-LTS-LN-LNT900	6	855	D7HZ 8A653-B	#D7HT 8B616-DA, D5HA 8B616-CA	1
82/	LTL900 -- NTC/FORM. 300,350 diesel and 105 amp. alt.	6	855			1
80/	LT900	6	855	384752-S2	Bolt (bracket to engine)-7/16"-20 x 3 1/4"	3
<b>8K655 NUTPLATE (FAN CLUTCH RETAINING)</b>						
80/	CL-CLT-LN-LNT900 -- with Cummins NTC's 350	6	855	E0HZ 8K655-A	#E0HT-AA	1
82/	LL-LTL900 -- with Cum. NTC	6	855			1
88/	CL-L-LN -- w/"C" brake Cum. 444	6	855	E8HZ 8K655-A	#E8HT-AA	1
88/	LT-LTS-L-LN-LNT-LL-LTL -- w/o "C" brake Cum. 444	6	855	E8HZ 8K655-B	#E8HT-BA	1
<b>8K657 SPRING (BELT IDLER PULLEY TENSION)</b>						
80/	CL-CLT900 -- With A/C	8	1150	D8HZ 8K657-A		1
<b>8678 PULLEY ASSY. (BELT IDLER)</b>						
87/	F-B-L Series -- w/FTO eng. w/hyd brks.	6	6.6L 7.8L	E8HZ 8678-B	#E7HT 8A617-AA, E8HT 8A617-BA, FOHT 8A617-CA	1
88/	B-F-L-LN-LNT-LT600/800 -- FNH diesel w/o A/C "From 11/30/87"	6	6.6L, 7.8L			1
88/	B-F-L-LN-LNT-LT600/800 -- FNH diesel w/A/C	6	6.6L, 7.8L	E8HZ 8678-C	#E8HT 8A617-AA	1
80/	B-F-LN600/800 -- diesel and air brakes	8	636	C8TZ 8678-A	#C8TA 8A617-C	1
82/87	F600/800 -- Det. 8.2L diesel-with A/C	8	501	D8BZ 8678-A		1
84/	F-FT700/800 -- Cat. 3208 w/o P/S	8	636	E4HZ 8678-A	#E4HT 8A614-AA	1
80/	C600/800 -- diesel and air brakes	8	636	C8HZ 8678-D		1
86	CF600/700	6	All	* E6HZ 8678-B /bE7HZ 8678-A & E7HZ 8620-B	E5HT 8B604-AA	1
87/88	CF600/800 "Before 11/30/87"	6	All	E8HZ 8678-B	#E7HT 8A617-AA, E8HT 8A617-BA	1
88/	CF700/800 -- FNH diesel "From 11/30/87"	6	All	E8HZ 8678-A		1
80/81	CL-CLT900 -- With A/C "Before 12/80"	8	1150	D8HZ 8678-A	#D7HT 8A617-BA	1
81/83	CL-CLT900 -- with A/C "From 12/80"	8	1150	E1HZ 8678-A	#E0HT 8A617-CA	1
88	CL-CLT900 -- Cum. NTC/ Form. diesel "Before 7/25/88"	6	855	E8HZ 8678-E	From 7/25/88 refer to E8HZ 8625-E	1
80/81	L-LN-LNT-LT-LTS800/900 -- gas and air brakes	8	477,534	C3TZ 8678-A		1
80/83	L-LN-LNT-LT-LTS800 -- diesel and air brakes	8	636	D0HZ 8678-A		1
84/	L-LN-LNT-LT-LTS700/800 diesel and air brakes	8	636	C8TZ 8678-A	#C8TA 8A617-C	1

**1980/  
TRUCK SERIES 600/900**

YEAR	MODEL/RESTRICTIONS	ENGINE		PART NUMBER	DESCRIPTION	QTY.
		CYL.	C.I.D. (C.C.D.)			
<b>8678 PULLEY ASSY. (BELT IDLER) — Cont'd</b>						
84/	L-LN-LNT-LT-LTS800 -- Cat. 3208 w/o P/S	8	636	E4HZ 8678-A	#E4HT 8A614-AA	1
80/	L-LN-LNT-LT-LTS900 -- Cum. NTC/Form. 350 diesel	6	855	E2HZ 8678-A	#E2HT 8A617-AA, D8HT 8A617-AA, AB	1
80/	LN-LNT900 -- Cum. NTC/ Form. 300 diesel	6	855			1
80/86	L-LN-LNT-LT-LTS900 -- Det. 8V-71 diesel	8	568	E2HZ 8678-B	#E2HZ 8A617-BA, D8HT 8A617-BA, BB	1
80/83	LN-LNT900 -- Det. 6V-92 diesel "From 1/82"	6	552			1
84/86	LN-LNT900 -- Det. 6V-92 diesel	8	552	E4HZ 8678-C	#E4HT 8A617-BB	1
80	L-LN-LNT-LT-LTS900 -- diesel and A/C	6	426	E0HZ 8678-B		1
80/	L-LN-LNT-LT-LTS900 -- Cum. NTC 350 diesel	6	855	384752-S2	Bolt (bracket to engine)-7/16"-20 x 3 1/4"	3
88/	LL-LTL900 -- Cum. 444	6	855	E8HZ 8678-D		1
89	LN-LNT900 -- Cat. 3306	6	638	E9HZ 8678-A	#E8HT 8A612-DA	1
<b>8679 PULLEY (BELT IDLER)</b>						
80/	L-LN-LNT-LT-LTS900 -- Cum. NTC with Eaton clutch	6	855	★ D4HZ 8679-A /bE2HZ 8678-A		1
<b>8680 BRACKET (IDLER PULLEY SUPPORT)-Also see 8678</b>						
80/87	B-C-CT-F-LN600/800-Det. 8.2L	8	501	E0HZ 8680-C	#E0HT 8A619-DB-mounts 6B209 tensioner assy.	1
82/87	F600/800 -- Det. 8.2L diesel-with A/C	8	501	E2HZ 8680-A		1
84/86	LN-LNT900 -- Det. 6V-92 diesel	8	552	E4HZ 8680-A	#E4HT 8A620-AA	1
80/87	B-C-CT-F-LN600/800	8	501	N601416-S100	(AB-140-K) Bolt (bracket to block) M12 x 55 hex. hd.	1
				N801407-S	(AX-14-DK) Washer-M12-flat	1
80/87	B-C-CT-F-LN600/800	8	501	N601316-S100	(AB-33-KE) Bolt (bracket to block) M10 x 55 hex. hd.	2
				N630088-S2	(AX-14-DA) Washer-M10-flat	2
<b>8685 BEARING ASSY. (IDLER PULLEY)</b>						
80/86	L-LN-LNT-LT900 -- Detroit diesel 8V-71T & TT	8	568	E2HZ 8678-A		1
80/	L-LT-LTS-LN-LNT900 -- Cum. NTC & Form 350	6	855	D8HZ 8685-A		1
80/	L-LN-LNT-LT-LTS900 -- Cum. NTC with Eaton clutch	6	855	97638-S2	(Q-6-H)-retaining ring (bearing assy. to pulley)-2 23/32" O.D. x 5/64" thick	1
80/	L-LN-LNT-LT-LTS900 -- Cum. NTC with Eaton clutch	6	855	97532-S15	(Q-1-C)-Snap Ring (bearing assy. to pulley)-13/16" O.D. x 3/64" thick	1
<b>8696 SUPPORT (RADIATOR GRILLE INNER)</b>						
80/	CL-CLT900 -- fixed grille	6&8	All	E0HZ 8696-A		1

1980/  
TRUCK SERIES 600/900

YEAR	MODEL/RESTRICTIONS	PART NUMBER	DESCRIPTION	QTY.
80/	F600/800	E0HZ 9A001-A	#EOHT 9A001-AB-use with 30 or 50 gallon rectangular center step dual fuel tanks-from 9A050 fuel tank selector switch to 14401 wiring assy.	1

**IDENTIFICATION CHART**

(Arranged according to Identification Number)

IDENTIFICATION	PART NUMBER	IDENTIFICATION	PART NUMBER
<b>9002 TANK ASSY. (FUEL)</b>			
D0HA 9002-AN	D0HZ 9002-AJ	D7HT 9002-LFD	E0HZ 9002-AR
D3HA 9002-BCB	E2HZ 9002-CEB	D7HT 9002-LUC	E4HZ 9002-F
D3HA 9002-BCC	E2HZ 9002-CEB	D7HT 9002-LUD	E4HZ 9002-F
ED D3HA 9002-BCC	E2HZ 9002-CEB	D7HT 9002-LUF	E4HZ 9002-F
ED D3HA 9002-BDC	E2HZ 9002-CDB	D7HT 9002-LVC	E4HZ 9002-E
D3TA 9002-ABA	D3TZ 9002-AB	D7HT 9002-LVD	E4HZ 9002-E
D4HA 9002-ACA	D4HZ 9002-AC	D7HT 9002-LVF	E4HZ 9002-E
D4HA 9002-ADA	E0HZ 9002-AL	D7HT 9002-LYC	E4HZ 9002-A
D4HA 9002-EAA	E6HZ 9002-Z	D7HT 9002-LYD	E4HZ 9002-A
D4HA 9002-FAA	D4HZ 9002-FA	D7HT 9002-LYF	E4HZ 9002-A
D4HA 9002-J1A	E2HZ 9002-AN	D7HT 9002-LZC	E4HZ 9002-B
D4HA 9002-J2A	E2HZ 9002-AN	D7HT 9002-LZD	E4HZ 9002-B
D4HA 9002-T1A	E2HZ 9002-AT	D7HT 9002-LZF	E4HZ 9002-B
ED D4HA 9002-ACA	E6HZ 9002-A	D7HT 9002-MAA	E6HZ 9002-Z
ED D4HA 9002-ADA	E6HZ 9002-A	D7HT 9002-MBA	E6HZ 9002-U
ED D4HA 9002-J1A	E2HZ 9002-AN	D7HT 9002-Z1D	E0HZ 9002-AL
ED D4HA 9002-T1A	E2HZ 9002-AT	D7HT 9002-Z2D	E0HZ 9002-AL
D4HA 9002-T2A	E2HZ 9002-AT	D7HT 9002-Z3D	E0HZ 9002-AL
D4TA 9002-R1A	E2HZ 9002-AJ	D7HT 9002-Z1E	E0HZ 9002-AL
D4TA 9002-R2A	E2HZ 9002-AJ	D7HT 9002-Z2E	E0HZ 9002-AL
D4TA 9002-T1A	E2HZ 9002-AT	D7HT 9002-Z3E	E0HZ 9002-AL
D4TA 9002-T2A	E2HZ 9002-AT	D7HT 9002-AA1D	E0HZ 9002-AJ
D4TA 9002-U1A	E2HZ 9002-AL	D7HT 9002-AA2D	E0HZ 9002-AJ
D4TA 9002-U2A	E2HZ 9002-AL	D7HT 9002-AA3D	E0HZ 9002-AJ
D4TA 9002-Y1A	E6HZ 9002-AD	D7HT 9002-AA1E	E0HZ 9002-AJ
D4TA 9002-Y2A	E6HZ 9002-AD	D7HT 9002-AA2E	E0HZ 9002-AJ
ED D4TA 9002-R1A	E2HZ 9002-AJ	D7HT 9002-AE1D	E0HZ 9002-AG
ED D4TA 9002-T1A	E2HZ 9002-AT	D7HT 9002-AE2D	E0HZ 9002-AG
ED D4TA 9002-U1A	E2HZ 9002-AL	D7HT 9002-AE3D	E0HZ 9002-AG
ED D4TA 9002-Y1A	E6HZ 9002-AD	D7HT 9002-AE1E	E0HZ 9002-AG
D5HA 9002-KA	E2HZ 9002-CEB	D7HT 9002-AE2E	E0HZ 9002-AG
D5HA 9002-LA	E2HZ 9002-CDB	D7HT 9002-AE3E	E0HZ 9002-AG
D5HA 9002-VA	E2HZ 9002-CEB	D7HT 9002-AJ1C	E0HZ 9002-AH
D5HA 9002-YA	E2HZ 9002-CDB	D7HT 9002-AJ2C	E0HZ 9002-AH
D5HA 9002-SA	E2HZ 9002-CGB	D7HT 9002-AJ3C	E0HZ 9002-AH
D5HA 9002-TA	E2HZ 9002-CFB	D7HT 9002-AJ1D	E0HZ 9002-AH
D5HA 9002-AEA	E2HZ 9002-CFB	D7HT 9002-AJ2D	E0HZ 9002-AH
D5HA 9002-AFA	E2HZ 9002-CGB	D7HT 9002-AJ3D	E0HZ 9002-AH
D5HA 9002-E1A	E6HZ 9002-T	D7HT 9002-AK1D	E0HZ 9002-AE
D5HA 9002-N1A	E6HZ 9002-Y	D7HT 9002-AK2D	E0HZ 9002-AE
D5HA 9002-N2A	E6HZ 9002-Y	D7HT 9002-AK3D	E0HZ 9002-AE
D5HA 9002-R1A	E6HZ 9002-V	D7HT 9002-AK1E	E0HZ 9002-AE
D5HA 9002-R2A	E6HZ 9002-V	D7HT 9002-AK2E	E0HZ 9002-AE
ED D5HA 9002-VA	E2HZ 9002-CEB	D7HT 9002-AK3E	E0HZ 9002-AE
ED D5HA 9002-YA	E2HZ 9002-CDB	D7HT 9002-AL1C	E0HZ 9002-AF
ED D5HA 9002-AEA	E2HZ 9002-CFB	D7HT 9002-AL2C	E0HZ 9002-AF
ED D5HA 9002-AFA	E2HZ 9002-CGB	D7HT 9002-AL3C	E0HZ 9002-AF
ED D5HA 9002-N1A	E6HZ 9002-Y	D7HT 9002-AL1D	E0HZ 9002-AF
ED D5HA 9002-R1A	E6HZ 9002-V	D7HT 9002-AL2D	E0HZ 9002-AF
D7HT 9002-LED	D8HZ 9002-LE	D7HT 9002-AL3D	E0HZ 9002-AF
D7HT 9002-LEE	D8HZ 9002-LE	D7HT 9002-AM1C	E0HZ 9002-AM
D7HT 9002-LFC	E0HZ 9002-AR		

1980/  
TRUCK SERIES 600/900

**IDENTIFICATION CHART**

(Arranged according to Identification Number)

IDENTIFICATION		PART NUMBER		IDENTIFICATION		PART NUMBER	
9002 TANK ASSY. (FUEL) — Cont'd							
D7HT	9002-AM3C	E0HZ	9002-AM	EOHT	9002-YA	E2HZ	9002-BN
D7HT	9002-AM1D	E0HZ	9002-AM	EOHT	9002-ZA	E2HZ	9002-BR
D7HT	9002-AM2D	E0HZ	9002-AM	EOHT	9002-AAA	E2HZ	9002-BV
D7HT	9002-AM3D	E0HZ	9002-AM	EOHT	9002-ABA	E2HZ	9002-BY
D7HT	9002-AN1D	E0HZ	9002-AS	EOHT	9002-ACA	E2HZ	9002-BZ
D7HT	9002-AN2D	E0HZ	9002-AS	EOHT	9002-ADA	E2HZ	9002-CA
D7HT	9002-AN3D	E0HZ	9002-AS	EOHT	9002-ANA	E0HZ	9002-AN
D7HT	9002-AN1E	E0HZ	9002-AS	EOHT	9002-ARA	E0HZ	9002-AR
D7HT	9002-AN2E	E0HZ	9002-AS	EOHT	9002-AUA	E4HZ	9002-D
D7HT	9002-AN3E	E0HZ	9002-AS	EOHT	9002-AVA	E4HZ	9002-C
D7HT	9002-AR1C	E0HZ	9002-AT	EOHT	9002-CHA	★ E2HZ	9002-CLB
D7HT	9002-AR2C	E0HZ	9002-AT	EOHT	9002-CJA	E2HZ	9002-CKB
D7HT	9002-AR3C	E0HZ	9002-AT	EOHT	9002-CKA	E6HZ	9002-Z
D7HT	9002-AR1D	E0HZ	9002-AT	EOHT	9002-CLA	E6HZ	9002-U
D7HT	9002-AR2D	E0HZ	9002-AT	EOHT	9002-L1B	E0HZ	9002-L
D7HT	9002-AR3D	E0HZ	9002-AT	EOHT	9002-L1C	E0HZ	9002-L
D7HT	9002-AT1C	E0HZ	9002-AK	EOHT	9002-M1B	E0HZ	9002-M
D7HT	9002-AT2C	E0HZ	9002-AK	EOHT	9002-M1C	E0HZ	9002-M
D7HT	9002-AT3C	E0HZ	9002-AK	EOHT	9002-N1B	E0HZ	9002-N
D7HT	9002-AT1D	E0HZ	9002-AK	EOHT	9002-N1C	E0HZ	9002-N
D7HT	9002-AT2D	E0HZ	9002-AK	EOHT	9002-R6C	E3HZ	9002-D
D7HT	9002-AT3D	E0HZ	9002-AK	EOHT	9002-S1B	E0HZ	9002-S
ED D7HT	9002-MHA	E1HZ	9002-MH	EOHT	9002-S1C	E0HZ	9002-S
D8HT	9002-FA	E4HZ	9002-B	EOHT	9002-E3C	E6HZ	9002-B
D8HT	9002-JA	E4HZ	9002-F	EOHT	9002-E4C	E6HZ	9002-B
D8HT	9002-UA	E2HZ	9002-CJB	EOHT	9002-H3C	E2HZ	9002-CZ
D8HT	9002-VA	E2HZ	9002-CLB	EOHT	9002-H4C	E2HZ	9002-CZ
D8HT	9002-YA	★ E2HZ	9002-CMB	EOHT	9002-J1C	E6HZ	9002-A
D8HT	9002-ZA	★ E2HZ	9002-CNB	EOHT	9002-J4C	E6HZ	9002-A
D8HT	9002-AAA	★ D9HZ	9002-AA	EOHT	9002-J1D	E6HZ	9002-A
D8HT	9002-ABA	★ D9HZ	9002-AB	EOHT	9002-J4D	E6HZ	9002-A
D8HT	9002-ACA	E2HZ	9002-CHB	EOHT	9002-K1C	E0HZ	9002-K
D8HT	9002-AEA	E4HZ	9002-E	EOHT	9002-K4C	E0HZ	9002-K
D8HT	9002-AFA	E4HZ	9002-A	EOHT	9002-K1D	E0HZ	9002-K
D8HT	9002-K1A	E3HZ	9002-G	EOHT	9002-K4D	E0HZ	9002-K
D8HT	9002-K2A	E3HZ	9002-K	EOHT	9002-AE1A	E0HZ	9002-AE
D8HT	9002-L1A	E3HZ	9002-F	EOHT	9002-AE2A	E0HZ	9002-AE
D8HT	9002-L2A	E3HZ	9002-F	EOHT	9002-AE4A	E0HZ	9002-AE
D8HT	9002-M1A	E3HZ	9002-E	EOHT	9002-AF1A	E0HZ	9002-AF
D8HT	9002-M2A	E3HZ	9002-E	EOHT	9002-AF2A	E0HZ	9002-AF
ED D8HT	9002-FA	E4HZ	9002-B	EOHT	9002-AF4A	E0HZ	9002-AF
ED D8HT	9002-JA	E4HZ	9002-F	EOHT	9002-AG1A	E0HZ	9002-AG
ED D8HT	9002-UA	E2HZ	9002-CJB	EOHT	9002-AG2A	E0HZ	9002-AG
ED D8HT	9002-YA	★ E2HZ	9002-CMB	EOHT	9002-AG4A	E0HZ	9002-AG
ED D8HT	9002-ZA	★ E2HZ	9002-CNB	EOHT	9002-AH1A	E0HZ	9002-AH
ED D8HT	9002-ACA	E2HZ	9002-CHB	EOHT	9002-AH2A	E0HZ	9002-AH
ED D8HT	9002-AEA	D8HZ	9002-LV	EOHT	9002-AH4A	E0HZ	9002-AH
ED D8HT	9002-AFA	★ D8HZ	9002-LY	EOHT	9002-AJ1A	E0HZ	9002-AJ
ED D8HT	9002-K1A	E3HZ	9002-G	EOHT	9002-AJ2A	E0HZ	9002-AJ
ED D8HT	9002-L1A	E3HZ	9002-F	EOHT	9002-AJ4A	E0HZ	9002-AJ
ED D8HT	9002-M1A	E3HZ	9002-E	EOHT	9002-AK1A	E0HZ	9002-AK
D9HS	9002-AWA	★ D9HZ	9002-BH	EOHT	9002-AK2A	E0HZ	9002-AK
D9HS	9002-AVA	★ D9HZ	9002-BG	EOHT	9002-AK4A	E0HZ	9002-AK
D9HS	9002-BHA	★ D9HZ	9002-BH	EOHT	9002-AL1A	E0HZ	9002-AL
D9HS	9002-BGA	★ D9HZ	9002-BG	EOHT	9002-AL2A	E0HZ	9002-AL
EOHT	9002-TA	★ E0HZ	9002-T	EOHT	9002-AL4A	E0HZ	9002-AL
EOHT	9002-UA	★ E0HZ	9002-U	EOHT	9002-AM1A	E0HZ	9002-AM
EOHT	9002-VA	E6HZ	9002-F	ED EOHT	9002-ANA	E0HZ	9002-AN

1980/  
TRUCK SERIES 600/900

**IDENTIFICATION CHART**

(Arranged according to Identification Number)

IDENTIFICATION	PART NUMBER	IDENTIFICATION	PART NUMBER
9002 TANK ASSY. (FUEL) — Cont'd			
EOHT 9002-AS1A	E0HZ 9002-AS	E2HT 9002-AJA	E2HZ 9002-AJ
EOHT 9002-AS2A	E0HZ 9002-AS	E2HT 9002-AJ1B	E2HZ 9002-AJ
EOHT 9002-AS4A	E0HZ 9002-AS	E2HT 9002-AJ2B	E2HZ 9002-AJ
EOHT 9002-AT1A	E0HZ 9002-AT	E2HT 9002-AKA	E2HZ 9002-AT
EOHT 9002-AT2A	E0HZ 9002-AT	E2HT 9002-ALA	E2HZ 9002-AL
EOHT 9002-AT4A	E0HZ 9002-AT	E2HT 9002-AL1B	E2HZ 9002-AL
EOHT 9002-AUA	E4HZ 9002-D	E2HT 9002-AL2B	E2HZ 9002-AL
EOHT 9002-AVA	E4HZ 9002-C	E2HT 9002-AMA	E6HZ 9002-AD
EOHT 9002-CZA	E2HZ 9002-CZ	E2HT 9002-ANA	E2HZ 9002-AN
EOHT 9002-G6D	★ E0HZ 9002-G	E2HT 9002-AN1B	E2HZ 9002-AN
ED EOHT 9002-VA	E3HZ 9002-Y	E2HT 9002-AN2B	E2HZ 9002-AN
ED EOHT 9002-YA	E2HZ 9002-BN	E2HT 9002-ARA	E2HZ 9002-AR
ED EOHT 9002-ZA	E2HZ 9002-BR	E2HT 9002-AR1B	E2HZ 9002-AR
ED EOHT 9002-AAA	E2HZ 9002-BV	E2HT 9002-AR2B	E2HZ 9002-AR
ED EOHT 9002-ABA	E2HZ 9002-BY	E2HT 9002-ASA	E6HZ 9002-F
ED EOHT 9002-ACA	E2HZ 9002-BZ	E2HT 9002-ATA	E2HZ 9002-AT
ED EOHT 9002-ADA	E2HZ 9002-CA	E2HT 9002-AT1B	E2HZ 9002-AT
ED EOHT 9002-AL2A	E0HZ 9002-AL	E2HT 9002-AT2B	E2HZ 9002-AT
ED EOHT 9002-AM1A	E0HZ 9002-AM	E2HT 9002-AUA	E6HZ 9002-Y
ED EOHT 9002-AUA	E4HZ 9002-D	E2HT 9002-AVA	E2HZ 9002-AV
ED EOHT 9002-AVA	E4HZ 9002-C	E2HT 9002-AV1B	E2HZ 9002-AV
ED EOHT 9002-CHA	★ E2HZ 9002-CLB	E2HT 9002-AV2B	E2HZ 9002-AV
ED EOHT 9002-CJA	E2HZ 9002-CKB	E2HT 9002-AYA	E6HZ 9002-T
ED EOHT 9002-CKA	E6HZ 9002-Z	E2HT 9002-AZA	E6HZ 9002-V
ED EOHT 9002-CLA	E6HZ 9002-U	E2HT 9002-BAA	E2HZ 9002-CLB
E1HT 9002-AB	E9HZ 9002-A	E2HT 9002-BBA	E4HZ 9002-D
E1HT 9002-AC	E9HZ 9002-A	E2HT 9002-BCA	E4HZ 9002-A
E1HT 9002-ALA	E5HZ 9002-MD	E2HT 9002-BDA	E4HZ 9002-F
E1HT 9002-AZA	E3HZ 9002-Z	E2HT 9002-BEA	E4HZ 9002-E
E1HT 9002-BAA	C9TZ 9002-F	E2HT 9002-BFA	E4HZ 9002-B
E1HT 9002-CB	F1HZ 9002-AR	E2HT 9002-BGA	E0HZ 9002-AN
E1HT 9002-CC	F1HZ 9002-AR	E2HT 9002-BHA	E0HZ 9002-AR
E1HT 9002-EB	F2HZ 9002-T	E2HT 9002-BJB	E2HZ 9002-BJ
E1HT 9002-EC	F2HZ 9002-T	ED E2HT 9002-BJB	E2HZ 9002-BJ
E1HT 9002-GB	F0HZ 9002-AF	E2HT 9002-BJC	★ E2HZ 9002-BJB-NR
E1HT 9002-GC	F0HZ 9002-AF	E2HT 9002-BJD	E2HZ 9002-BJ
E1HT 9002-HA	E6HZ 9002-B	E2HT 9002-BKB	E2HZ 9002-BK
E1HT 9002-HB	E6HZ 9002-B	ED E2HT 9002-BKB	E2HZ 9002-BK
E1HT 9002-JA	E2HZ 9002-CZ	E2HT 9002-BKC	★ E2HZ 9002-BK-NR
E1HT 9002-JB	E2HZ 9002-CZ	E2HT 9002-BKD	E2HZ 9002-BK
E1HT 9002-ASA	E3HZ 9002-Y	E2HT 9002-BLB	E2HZ 9002-BL
ED E1HT 9002-AC	E1HZ 9002-AC	ED E2HT 9002-BLB	E2HZ 9002-BL
ED E1HT 9002-CC	F1HZ 9002-AR	E2HT 9002-BLC	E2HZ 9002-BL
ED E1HT 9002-EC	E6HZ 9002-AH	E2HT 9002-BLD	E2HZ 9002-BL
ED E1HT 9002-GC	★ E1HZ 9002-GC	E2HT 9002-BMB	E2HZ 9002-BM
E2HT 9002-RA	E3HZ 9002-K	E2HT 9002-BMC	★ E2HZ 9002-BMB-NR
E2HT 9002-TA	E3HZ 9002-F	E2HT 9002-BMD	E2HZ 9002-BM
E2HT 9002-UA	E0HZ 9002-AJ	E2HT 9002-BNA	E2HZ 9002-BN
E2HT 9002-VA	E0HZ 9002-AK	E2HT 9002-BNB	E2HZ 9002-BN
E2HT 9002-YA	E0HZ 9002-AS	E2HT 9002-BRA	E2HZ 9002-BR
E2HT 9002-ZA	E0HZ 9002-AT	E2HT 9002-BRB	E2HZ 9002-BR
E2HT 9002-AAA	E0HZ 9002-AE	E2HT 9002-BVA	E2HZ 9002-BV
E2HT 9002-ABA	E0HZ 9002-AG	E2HT 9002-BVD	E2HZ 9002-BV
E2HT 9002-ACA	E0HZ 9002-AH	E2HT 9002-BYA	E2HZ 9002-BY
E2HT 9002-AFA	E0HZ 9002-AL	E2HT 9002-BYB	E2HZ 9002-BY
E2HT 9002-AGA	E0HZ 9002-AM	E2HT 9002-BZA	E2HZ 9002-BZ
E2HT 9002-AHA	E0HZ 9002-AF	E2HT 9002-BZB	E2HZ 9002-BZ

1980/  
TRUCK SERIES 600/900

**IDENTIFICATION CHART**

(Arranged according to Identification Number)

IDENTIFICATION	PART NUMBER	IDENTIFICATION	PART NUMBER
9002	TANK ASSY. (FUEL) — Cont'd		
E2HT 9002-CAA	★ E2HZ 9002-CA	E3HT 9002-S1A	E6HZ 9002-T
E2HT 9002-CAB	E2HZ 9002-CA	E3HT 9002-S2A	E6HZ 9002-T
E2HT 9002-CBA	E6HZ 9002-Z	E3HT 9002-TA	E6HZ 9002-Z
E2HT 9002-CCA	E6HZ 9002-U	E3HT 9002-UA	E6HZ 9002-U
E2HT 9002-CDA	E8HZ 9002-AC	E3HT 9002-VA	E6HZ 9002-A
E2HT 9002-CDB	E8HZ 9002-AC	E3HT 9002-YA	E3HZ 9002-Y
E2HT 9002-CEA	E8HZ 9002-AD	E3HT 9002-ZA	E3HZ 9002-Z
E2HT 9002-CEB	E8HZ 9002-AD	E4HT 9002-AA	E4HZ 9002-A
E2HT 9002-CFA	E2HZ 9002-CFB	E4HT 9002-BA	E4HZ 9002-B
E2HT 9002-CFB	E2HZ 9002-CFB	E4HT 9002-CA	E4HZ 9002-C
E2HT 9002-CGA	E2HZ 9002-CGB	E4HT 9002-DA	E4HZ 9002-D
E2HT 9002-CGB	E8HZ 9002-AF	E4HT 9002-EA	E4HZ 9002-E
E2HT 9002-CHA	E2HZ 9002-CHB	E4HT 9002-FA	E4HZ 9002-F
E2HT 9002-CHB	E2HZ 9002-CHB	D4HA 9B082-GA	E6HZ 9002-U
E2HT 9002-CJA	E2HZ 9002-CJB	D4HA 9B082-A1A	E2HZ 9002-AR
E2HT 9002-CJB	E6HZ 9002-K	D4HA 9B082-A2A	E2HZ 9002-AR
E2HT 9002-CKA	E2HZ 9002-CKB	D4HA 9B082-D1A	E2HZ 9002-AV
E2HT 9002-CKB	E8HZ 9002-AJ	D4HA 9B082-D2A	E2HZ 9002-AV
E2HT 9002-CLA	E2HZ 9002-CLB	ED D4HA 9B082-A1A	E2HZ 9002-AR
E2HT 9002-CLB	E8HZ 9002-AK	ED D4HA 9B082-D1A	E2HZ 9002-AV
E2HT 9002-CMA	E6HZ 9002-M	D5HA 9B082-E1A	E6HZ 9002-T
E2HT 9002-CMB	E6HZ 9002-M	D5HA 9B082-F1A	E6HZ 9002-F
E2HT 9002-CNA	E8HZ 9002-AM	ED D5HA 9B082-E1A	E6HZ 9002-T
E2HT 9002-CNB	E8HZ 9002-AM	ED D5HA 9B082-F1A	E6HZ 9002-F
E2HT 9002-CTA	E3HZ 9002-D	E5HT 9002-LB	E5HZ 9002-LD
E2HT 9002-CYA	★ C9TZ 9002-H	E5HT 9002-LC	E5HZ 9002-LD
E2HT 9002-CZA	E2HZ 9002-CZ	E5HT 9002-LD	E5HZ 9002-LD
E2HT 9002-CZB	E2HZ 9002-CZ	E5HT 9002-MB	E5HZ 9002-MD
E2HT 9002-DAA	E6HZ 9002-B	E5HT 9002-MC	E5HZ 9002-MD
E2HT 9002-DAB	E6HZ 9002-B	E5HT 9002-MD	E5HZ 9002-MD
E2HT 9002-DEA	F2HZ 9002-T	E5HT 9002-NB	E5HZ 9002-ND
E2HT 9002-DFA	E6HZ 9002-AH	E5HT 9002-NC	E5HZ 9002-ND
E2HT 9002-EAA	★ E0HZ 9002-G	E5HT 9002-ND	E5HZ 9002-ND
E2HZ 9002-CDB	E2HZ 9002-CDB	E5HT 9002-RB	E5HZ 9002-RD
E2HZ 9002-CEB	E2HZ 9002-CEB	E5HT 9002-RC	E5HZ 9002-RD
E2HZ 9002-CFB	E2HZ 9002-CFB	E5HT 9002-RD	E5HZ 9002-RD
E2HZ 9002-CGB	E2HZ 9002-CGB	E5HT 9002-SB	E5HZ 9002-SD
E2HZ 9002-CHB	E2HZ 9002-CHB	E5HT 9002-SC	E5HZ 9002-SD
E2HZ 9002-CJB	E6HZ 9002-K	E5HT 9002-SD	E5HZ 9002-SD
E2HZ 9002-CKB	E2HZ 9002-CKB	E5HT 9002-UB	E5HZ 9002-UD
E2HZ 9002-CLB	★ E2HZ 9002-CLB	E5HT 9002-UC	E5HZ 9002-UD
E2HZ 9002-CMB	★ E2HZ 9002-CMB	E5HT 9002-UD	E5HZ 9002-UD
E2HZ 9002-CNB	★ E2HZ 9002-CNB	E5HT 9002-VB	E5HZ 9002-VD
E3HT 9002-BA	E4HZ 9002-A	E5HT 9002-VC	E5HZ 9002-VD
E3HT 9002-CA	E4HZ 9002-B	E5HT 9002-VD	E5HZ 9002-VD
E3HT 9002-DA	E3HZ 9002-D	E5HT 9002-YB	E5HZ 9002-YD
E3HT 9002-EA	E3HZ 9002-E	E5HT 9002-YC	E5HZ 9002-YD
E3HT 9002-FA	E3HZ 9002-F	E5HT 9002-YD	E5HZ 9002-YD
E3HT 9002-GA	E3HZ 9002-G	E5HT 9002-ZB	E5HZ 9002-ZD
E3HT 9002-HA	E4HZ 9002-C	E5HT 9002-ZC	E5HZ 9002-ZD
E3HT 9002-JA	E4HZ 9002-D	E5HT 9002-ZD	E5HZ 9002-ZD
E3HT 9002-KA	E4HZ 9002-E	E5HT 9002-AAD	E5HZ 9002-AD
E3HT 9002-LA	E4HZ 9002-F	E5HT 9002-AAB	E5HZ 9002-AD
E3HT 9002-MA	E6HZ 9002-V	E5HT 9002-AAC	E5HZ 9002-AD
E3HT 9002-NA	E6HZ 9002-S	E5HT 9002-ABA	★ E5HZ 9002-AB-NR
E3HT 9002-RA	E6HZ 9002-Y	E5HT 9002-ACA	★ E5HZ 9002-AC-NR
E3HT 9002-SA	E6HZ 9002-T	E5HT 9002-ADA	E5HZ 9002-AD

1980/  
TRUCK SERIES 600/900

**IDENTIFICATION CHART**

(Arranged according to Identification Number)

IDENTIFICATION	PART NUMBER	IDENTIFICATION	PART NUMBER
9002	TANK ASSY. (FUEL) — Cont'd		
E5HT 9002-AEA	E5HZ 9002-AE	E6HT 9002-AMA	E5HZ 9002-ND
E5HT 9002-AGA	E6HZ 9002-AG	E6HT 9002-ALA	E5HZ 9002-RD
E5HT 9002-AJA	E6HZ 9002-AG	E6HT 9002-ANA	E5HZ 9002-SD
E5HT 9002-ALA	E6HZ 9002-AG	E7HT 9002-SA	E8HZ 9002-AD
E5HT 9002-AKA	C9TZ 9002-H	E7HT 9002-TA	E8HZ 9002-AC
E6HT 9002-AA	E6HZ 9002-A	E7HT 9002-UA	E8HZ 9002-AF
E6HT 9002-AB	E6HZ 9002-A	E7HT 9002-VA	E6HZ 9002-F
E6HT 9002-AT1A	E0HZ 9002-AT	E7HT 9002-YA	E6HZ 9002-K
E6HT 9002-AU1A	E0HZ 9002-AS	E7HT 9002-ZA	E8HZ 9002-AG
E6HT 9002-AV1A	E0HZ 9002-AF	E7HT 9002-AAA	E8HZ 9002-AK
E6HT 9002-AY1A	E0HZ 9002-AE	E7HT 9002-ABA	E8HZ 9002-AJ
E6HT 9002-BA	E6HZ 9002-B	E7HT 9002-ACA	E8HZ 9002-AM
E6HT 9002-BB	E6HZ 9002-B	E7HT 9002-ADA	E6HZ 9002-M
E6HT 9002-CA	E6HZ 9002-C	E8HT 9002-JA	E8HZ 9002-J
E6HT 9002-DA	E6HZ 9002-D	E8HT 9002-KA	E8HZ 9002-K
E6HT 9002-EA	E8HZ 9002-AC	E8HT 9002-LA	E8HZ 9002-AU
E6HT 9002-EB	E8HZ 9002-AC	E8HT 9002-MA	E8HZ 9002-M
E6HT 9002-FA	E6HZ 9002-F	E8HT 9002-NA	E8HZ 9002-N
E6HT 9002-FB	E6HZ 9002-F	E8HT 9002-RA	E8HZ 9002-AZ
E6HT 9002-GA	E8HZ 9002-AG	E8HT 9002-ACA	E8HZ 9002-AC
E6HT 9002-GB	E8HZ 9002-AG	E8HT 9002-ADA	E8HZ 9002-AD
E6HT 9002-HA	E8HZ 9002-AD	E8HT 9002-AEA	E8HZ 9002-AE
E6HT 9002-HB	E8HZ 9002-AD	E8HT 9002-AFA	E8HZ 9002-AF
E6HT 9002-JA	E8HZ 9002-AF	E8HT 9002-AGA	E8HZ 9002-AG
E6HT 9002-JB	E8HZ 9002-AF	E8HT 9002-AHA	E8HZ 9002-AH
E6HT 9002-KA	E6HZ 9002-K	E8HT 9002-AJA	E8HZ 9002-AJ
E6HT 9002-KB	E6HZ 9002-K	E8HT 9002-AKA	E8HZ 9002-AK
E6HT 9002-LA	E8HZ 9002-AJ	E8HT 9002-ALA	E8HZ 9002-AL
E6HT 9002-LB	E8HZ 9002-AJ	E8HT 9002-AMA	E8HZ 9002-AM
E6HT 9002-MA	E6HZ 9002-M	E8HT 9002-ANA	E0HZ 9002-AR
E6HT 9002-MB	E6HZ 9002-M	E8HT 9002-ATA	E8HZ 9002-AT
E6HT 9002-NA	E8HZ 9002-AK	E8HT 9002-ARA	E0HZ 9002-AN
E6HT 9002-RA	E8HZ 9002-AM	E8HT 9002-ASA	E8HZ 9002-AS
E6HT 9002-S1A	E6HZ 9002-S	E8HT 9002-AVA	E8HZ 9002-AV
E6HT 9002-S1B	E6HZ 9002-S	E8HT 9002-AUA	E8HZ 9002-AU
E6HT 9002-S2A	E6HZ 9002-S	E8HT 9002-AZA	E8HZ 9002-AZ
E6HT 9002-T1A	E6HZ 9002-T	E8HT 9002-AYA	E8HZ 9002-AY
E6HT 9002-T2A	E6HZ 9002-T	E8HT 9002-BAA	E8HZ 9002-AC
E6HT 9002-TB	E6HZ 9002-T	E8HT 9002-BBA	E8HZ 9002-AD
E6HT 9002-UA	E6HZ 9002-U	E8HT 9002-BCA	E8HZ 9002-AE
E6HT 9002-UB	E6HZ 9002-U	E8HT 9002-BDA	E8HZ 9002-AF
E6HT 9002-V1A	E6HZ 9002-V	E8HT 9002-BEA	E8HZ 9002-AG
E6HT 9002-V2A	E6HZ 9002-V	E8HT 9002-BFA	E8HZ 9002-AH
E6HT 9002-V1B	E6HZ 9002-V	E8HT 9002-BGA	E8HZ 9002-AJ
E6HT 9002-Y1A	E6HZ 9002-Y	E8HT 9002-BHA	E8HZ 9002-AK
E6HT 9002-Y2A	E6HZ 9002-Y	E8HT 9002-BJA	E8HZ 9002-AL
E6HT 9002-YB	E6HZ 9002-Y	E8HT 9002-BKA	E8HZ 9002-AM
E6HT 9002-ZA	E6HZ 9002-Z	87HU 9002-AA	E7HZ 9002-AA
E6HT 9002-ZB	E6HZ 9002-Z	87HU 9002-BA	E7HZ 9002-BA
E6HT 9002-AC1A	E6HZ 9002-AC	E9HT 9002-AA	E9HZ 9002-A
E6HT 9002-AC2A	E6HZ 9002-AC	E9HT 9002-BA	F1HZ 9002-AR
E6HT 9002-ACB	E6HZ 9002-AC	E9HT 9002-CA	F1HZ 9002-AL
E6HT 9002-AD1A	E6HZ 9002-AD	E9HT 9002-GA	E6HZ 9002-AH
E6HT 9002-AD2A	E6HZ 9002-AD	E9HT 9002-HA	F2HZ 9002-T
E6HT 9002-ADB	E6HZ 9002-AD	E9HT 9002-EA	F1HZ 9002-AN
E6HT 9002-AGA	F2HZ 9002-T	E9HT 9002-FA	F1HZ 9002-AL
E6HT 9002-AHA	E6HZ 9002-AH	E9HT 9002-DA	E9HZ 9002-D
E6HT 9002-AJA	E5HZ 9002-LD	F0HT 9002-UA	E6HZ 9002-B
E6HT 9002-AKA	E5HZ 9002-MD	F0HT 9002-VA	E6HZ 9002-A
		F0HT 9002-AFA	F0HZ 9002-AF



1980/  
TRUCK SERIES 600/900

YEAR	MODEL/RESTRICTIONS	PART NUMBER	DESCRIPTION	QTY.
9002	TANK ASSY. (FUEL)			
CYLINDRICAL, RECTANGULAR and STEP TANKS ARE GROUPED SEPARATELY ON THE PAGES THAT FOLLOW				

**RECTANGULAR (EXCEPT STEP)**

Note 1 Drill 11/16" dia. hole in flange next to flat side of "D" plate for draw tube as necessary

80/	C600/900, CT800/900 -- gas without ev/em	C9TZ 9002-E	#I.C.C. F-2221-C-18 gallon capacity 11 1/4" high x 17" wide x 24" long	1
80/	B600/700, C600/800, F-FT600/800 -- gas-w/mechanical fuel pump exc. 132" W/B-without ev/em	C9TZ 9002-F	#I.C.C. F-2221-30 gallon capacity- 11 1/4" high x 17" wide x 40 3/4" long	1
80/	B700, C600/800, CT800, F600/700 -- diesel			1
84/	C-CT-F-FT700/900 -- gas-w/electric fuel pump-exc. 132" W.B. without ev/em	E3HZ 9002-Z Note 1	30 gal-steel-installed outside of frame on L.H. side-11 1/4" high x 17" wide x 40 3/4" long	1
80/83	C700/900, CT800/900, F-FT700/800 -- gas-w/electric fuel pump exc. 132" W.B. without ev/em			
80/87	C600/700, F600/700 -- diesel	C9TZ 9002-H	#I.C.C. F-2221-D-30 gallon capacity- 11 1/4" high x 17" wide x 40 3/4" long	1
80	C-CT800 -- diesel			1
81/	C-CT800 -- diesel	E1HZ 9002-MH	30 gal.-16 3/8" high x 17" wide x 40 3/4" long	1
80/	C600/800 -- gas-without ev/em	D3TZ 9002-AB	18 gallon capacity-11 1/4" high x 17" wide x 24" long	1
86/	CF600/700	E6HZ 9002-AG	R.H. or L.H.-40 gal. steel-14 1/2" high x 25" wide x 30" long	1or2
87/	CF700/800 -- FTO diesel	E7HZ 9002-AA	75 gal.	1
80/86	L-LN-LNT-LT-LTS800/900 -- gas-without ev/em	D0HZ 9002-AJ	25 gallon capacity-plastic- 15 7/8" high x 16" wide x 36" long	1
80/86	LN600/750 -- without ev/em			1
80/85	F-FT600/800 -- gas -- without Calif. emission "Before 12/84"	E0HZ 9002-F	18 gallon capacity-11 1/2" high x 12 3/4" wide x 36 1/4" long	1
85	F-FT600/800 -- gas-without Calif. emission "From 12/84"	★ E5HZ 9002-AC Not replaced	18 gal.-steel-11-1/2" high x 12-3/4" wide x 36-1/4" long	1
80/85	F-FT600/800 -- gas -- with Calif. emission "Before 12/84"	E0HZ 9002-G	18 gallon capacity-11 1/2" high x 12 3/4" wide x 36 1/4" long	1
85	F-FT600/800 -- gas-w/Calif. emission "From 12/84"	★ E5HZ 9002-AB Not replaced	18 gal.-steel-11-1/2" high x 12-3/4" wide x 36-1/4" long	1
80/	F-LN600/800 -- gas-w/intank electric fuel pump-Calif. emission	E0HZ 9002-GA	18 gal.-11 1/2" high x 17" wide x 40 3/4" long	1
80/	B600/700 -- without Calif. emission	E0HZ 9002-L	30 gallon capacity- 12 3/4" high x 17 1/2" wide x 34 1/2" long-with 2" dia. filler pipe	1
80/	B600/700 -- without Calif. emission	E0HZ 9002-M	60 gallon capacity- 12 3/4" high x 17 1/2" wide x 68" long-with 2" dia. filler pipe	1
80/86	B600/700 -- with Calif. emission-w/engine mounted fuel pump	E0HZ 9002-N	60 gallon capacity- 12 3/4" high x 17 1/2" wide x 68" long-with 2" dia. filler pipe	1
85/	B600/700 -- gas-w/intank electric pump-w/Calif. emission	E5HZ 9002-AAD	60 gal.-steel-12 3/4" high x 17 7/16" wide x 68" long	1
80/	F-FT600/800, LN600/600/800 -- diesel	E3HZ 9002-D	18 gallon capacity-11 1/2" high x 12 3/4" wide x 36 1/4" long	1
80/	F-LN600/800 -- gas-w/intank electric fuel pump-exc. w/Calif. emission	E0HZ 9002-RA	18 gal.-11 1/2" high x 17" wide x 40 3/4" long	1
80/	B600/700 -- gas-with Calif. emission	E0HZ 9002-S	30 gallon capacity- 12 3/4" high x 17 1/2" wide x 34 1/2" long with 2" dia. filler pipe	1

**1980/  
TRUCK SERIES 600/900**

YEAR	MODEL/RESTRICTIONS	PART NUMBER	DESCRIPTION	QTY.
9002	TANK ASSY. (FUEL) — Cont'd			

**RECTANGULAR (EXCEPT STEP)**

**Note 1** Drill 11/16" dia. hole in flange next to flat side of "D" plate for draw tube as necessary

82/85	B600/700 -- gas-w/in tank electric fuel pump—without Calif. emission "Before 2/85"	E2HZ 9002-BJ	30 gal.—12-3/4" high—17-7/16" wide—34-1/2" long	1
85/	B600/700 -- gas-w/electric in tank fuel pump—without Calif. emission	E5HZ 9002-RD	30 gal. steel—12 3/4" high x 17-7/16" wide x 34-1/2" long	1
85	B600/700 -- diesel-w/in tank electric fuel pump—without Calif. emission— "From 3/85"	E5HZ 9002-AD	30 gal. steel—12-3/4" high x 17-7/16" wide x 34-1/2 long	1
86/	B600/700 -- diesel-w/in tank electric fuel pump—without Calif. emission	E6HZ 9002-D	30 gal.—steel—12 3/4" high x 17-7/16" wide x 34-1/2" long	1
82/85	B600/700 -- gas-w/in tank electric fuel pump—w/Calif. emission "Before 2/85"	E2HZ 9002-BK	30 gal.—12-3/4" high—17-7/16" wide—34-1/2" long	1
87/	C600/800, CF700/800 -- FNH diesel	E7HZ 9002-AA	75 gal.	1
87/	CF600/800 -- FNH diesel	E7HZ 9002-BA	35 gal.	1
85/	B600/700 -- w/electric intank fuel pump—w/Calif. emission— "From 2/85"	E5HZ 9002-ZD	30 gal.—steel—12 3/4" high x 17 7/16" wide x 34 1/2" long	1
82/85	B600/700 -- gas-w/in tank electric fuel pump—without Calif. emission "Before 2/85"	E2HZ 9002-BL	60 gal.—12-3/4" high—17-7/16" wide—68" long	1
85	B600/700 -- w/electric intank fuel pump—Calif. emission "From 2/85 to 3/85"	E5HZ 9002-AAA	60 gal.—steel—12 3/4" high x 17 7/16" wide x 68" long	1
85/	B600/700 -- gas-w/o Calif. emiss. "From 3/85"	E5HZ 9002-AD	60 gal.—steel—12-3/4" high x 17-7/16" x 68" long	1
85/86	B600/700 -- diesel "From 3/85 to 10/85"	E5HZ 9002-AE	60 gal.—steel—12-3/4" high x 17-7/16" wide x 68" long	1
86/	B600/700 "From 10/85"	E6HZ 9002-C	60 gal.—steel—12-3/4" high x 17-7/16" wide x 68" long—4-1/4" dia. filler	1
82/85	B600/700 -- gas-w/in tank electric fuel pump—w/Calif. emission "Before 2/85" Calif. emission "From 2/85 to 3/85"	E2HZ 9002-BM	60 gal.—12-3/4" high—17-7/16" wide—68" long	1
85/86	B600/700 -- gas-intake electric fuel pump—exc. w/Calif. emission "From 2/85"	E5HZ 9002-ND	60 gal.—steel—12 3/4" high x 17 7/16" wide x 68" long	1
80/	C600/800, CT800 -- gas—with Calif. emission	E0HZ 9002-T	18 gallon capacity—11 1/4" high x 17" wide x 24" long—with 2" dia. filler pipe	1
80/	C600/800, CT800 -- gas—with Calif. emission	E0HZ 9002-U	30 gallon capacity—11 1/4" high x 17" wide x 40 3/4" long—with 2" dia. filler pipe	1

**1980/  
TRUCK SERIES 600/900**

YEAR	MODEL/RESTRICTIONS	PART NUMBER	DESCRIPTION	QTY.
<b>9002 TANK ASSY. (FUEL) — Cont'd</b>				
<b>CYLINDRICAL (EXCEPT STEP)</b>				
Notes: † Does not include "in tank" electric fuel pump, ‡ Does not include top mounted "in tank" electric fuel pump				
80	CL-CLT900 "Before Ser. GG5,001"	D8HZ 9002-AE	L.H. 75 gallon capacity-aluminum-26" dia. x 36 1/4" long-with 4 1/4" dia. filler pipe	1
80/	CL-CLT900 "From Ser. GG5,001"	E0HZ 9002-AG	L.H.-75 gallon capacity-aluminum-26 1/4" dia. x 36 1/4" long-with 4 1/4" dia. filler pipe	1
80	CL-CLT900 "Before Ser. GG5,001"	D8HZ 9002-AJ	R.H.-75 gallon capacity-aluminum-26" dia. x 36 1/4" long-with 4 1/4" dia. filler pipe	1
80/	CL-CLT900 "From Ser. GG5,001"	E0HZ 9002-AH	R.H.-75 gallon capacity-aluminum-26 1/4" dia. x 36 1/4" long-with 4 1/4" dia. filler pipe	1
80/	CL-CLT900	E0HZ 9002-AE	L.H.-75 gallon capacity-steel-primed-26 1/4" dia. x 36 1/4" long-with 4 1/4" dia. filler pipe	1
80	CL-CLT900 "Before Ser. GG5,001"	D8HZ 9002-AL	R.H.-75 gallon capacity-steel-primed-26" dia. x 36 1/4" long-with 4 1/4" dia. filler pipe	1
80/	CL-CLT900 "From Ser. GG5,001"	E0HZ 9002-AF	R.H.-75 gallon capacity-steel-primed-26 1/4" dia. 36 1/4" long-with 4 1/4" dia. filler pipe 95 gallon capacity-steel-primed-26" dia. x 46 1/4" long-with 4 1/4" dia. filler pipe	1
80/	CL-CLT900	E0HZ 9002-AS	L.H.-95 gallon capacity-steel-primed-26 1/4" dia. x 46 1/2" long-with 4 1/4" dia. filler pipe	1
80/	CL-CLT900	E0HZ 9002-AT	R.H.-95 gallon capacity-steel-primed-26" dia. x 46 1/4" long-with 4 1/4" dia. filler pipe	1
80/	CL-CLT900	E0HZ 9002-AL	L.H.-95 gallon capacity-aluminum-26 1/4" dia. x 46 1/2" long-with 4 1/4" dia. filler pipe	1
80/	CL-CLT900	E0HZ 9002-AM	R.H.-95 gallon capacity-aluminum-26 1/4" dia. x 46 1/2" long-with 4 1/4" dia. filler pipe	1
80/82	CL-CLT900 "Before 6/1/82"	D8HZ 9002-LE	L.H.-95 gallon capacity-aluminum-polished-26" dia. x 46 1/2" long-with 4 1/4" dia. filler pipe	1
82/	CL-CLT900 "From 6/1/82"	E0HZ 9002-AN	L.H.-95 gal.-polished alum.-26" dia x 46 1/2" long-w/4-1/4" dia filler pipe	1
80/82	CL-CLT900 "Before 6/1/82"	D8HZ 9002-LF	R.H.-95 gallon capacity aluminum-polished-26" dia. x 46 1/2" long-with 4 1/4" dia. filler pipe	1
82/	CL-CLT900 "From 6/1/81"	E0HZ 9002-AR	R.H.-95 gal.-polished alum-26" dia x 46-1/2" long-w/4-1/4" dia filler pipe	1
80/	CL-CLT900	E0HZ 9002-AJ	L.H.-120 gallon capacity-aluminum-26 1/4" dia. x 57" long-with 4 1/4" dia. filler pipe	1
80/	CL-CLT900	E0HZ 9002-AK	R.H.-120 gallon capacity-aluminum-26 1/4" dia. x 57" long-with 4 1/4" dia. filler pipe	1
82/89	LTL900 "Before 5/89"	E1HZ 9002-AC	R.H.-65 gallon capacity-non-polished aluminum-20" dia. x 50 1/2" long-with 4" dia. filler pipe	1
82/89	LTL900 "Before 5/89"	E1HZ 9002-A	L.H.-65 gallon capacity-aluminum-non polished-20" dia. x 50 1/2" long-with 4" dia. filler pipe	1
89	LL-LTL900 "From 5/89"	E9HZ 9002-A	L.H.-65 gal. capacity-aluminum-non-polished-20" dia. x 50 1/2" long-with 4" dia. filler pipe	1

**1980/  
TRUCK SERIES 600/900**

YEAR	MODEL/RESTRICTIONS	PART NUMBER	DESCRIPTION	QTY.
9002	TANK ASSY. (FUEL) — Cont'd			

**CYLINDRICAL (EXCEPT STEP)**

Notes: † Does not include "in tank" electric fuel pump, ‡ Does not include top mounted "in tank" electric fuel pump

89	LL-LTL900 "From 5/19"	E9HZ 9002-D	R.H.-65 gal. capacity-aluminum-non-polished 20" dia. x 50 1/2" long-with 4" dia. filler pipe	1
82/	LL-LTL900	F1HZ 9002-AR	L.H.-95 gal. capacity-aluminum-non-polished-24" dia. x 52" long-with 4" dia. filler axle	1
82/	LL-LTL	F1HZ 9002-AN	R.H.-95 gal. capacity-aluminum-non-polished 24" dia. x 52" long with 4" dia. filler pipe	1
82/	LTL900	F1HZ 9002-AM	L.H.-95 gallon capacity-aluminum-polished-24" dia. x 52" long-with 4" dia. filler pipe	1
82/	LL-LTL900	F1HZ 9002-AL	R.H.-95 gal. capacity-aluminum-polished-24" dia. x 52" long-with 4" dia. filler pipe	2
82/	LTL900	E6HZ 9002-AH	R.H.-120 gal.-aluminum (nonpolished)-24" dia. x 66 1/4" long-4" dia. filler pipe	1
82/	LTL900	★ E6HZ 9002-AGA r/bF2HZ 9002-T(4/93)	L.H.-120 gal.-aluminum (nonpolished)-24" dia.-66 1/4" long-4" filler pipe	1

**D TYPE ROUND (EXCEPT STEP)**

Note 1 Drill 11/16" dia. hole in flange next to flat side of "D" plate for draw tube as necessary

80/85	C-CT-F-FT600/800 -- gas- without ev/em "Before 2/85"	E2HZ 9002-AJ Note 1	50 gal.-steel-20 1/4" high x 25 1/2" wide x 27" evng-2" dia. filler	1or2
85	C600/800 -- gas- w/o ev/em "From 2/85"	E5HZ 9002-SD	50 gal.-steel-20 1/4" high x 25 1/2" wide x 27" long	1
80/	C-CT-F-FT600/800 -- gas- without ev/em	E2HZ 9002-AL Note 1	75 gal. steel-20 1/4" high x 25 1/2" wide x 40" long-2" dia. filler	1or2
80/	C-CT600/800 -- diesel	E6HZ 9002-AC	50 gal.-steel-20-1/4 high x 25-1/2" wide x 27" long-4" filler	1
80/	F-FT600/800 -- diesel			1
80/	C-CT600/800 -- diesel	E6HZ 9002-AD	75 gal.-steel-20-1/4" high x 25-1/2" wide x 40" long-4" filler	1or2
80/	F-FT600/800 -- diesel			
80/85	C-CT600/900 -- gas-with Calif. emission "Before 2/85"	E2HZ 9002-BN Note 1	50 gal.-steel-20 1/4" high x 25 1/2" with x 27" long-2" dia. filler	1or2
85	C600/800 -- with Calif. emission "From 2/85 to 3/85"	E5HZ 9002-Y	50 gal.-steel-20 1/4" high x 25 1/2" wide x 27" long	1
85/	B600/700 -- gas-w/Calif. emission	E5HZ 9002-YD	30 gal.-steel-20 1/4" high x 25 1/2" wide x 27" long	1
80/	C-CT600/900 -- gas- with Calif. emission	E2HZ 9002-BR Note 1	75 gal.-steel-20 1/4" high x 25 1/2" wide x 40" long-2" dia. filler	1or2

**D TYPE ROUND (STEP)**

Note 1 Drill 11/16" dia. hole in flange next to flat side of "D" plate for draw tube as necessary

80/86	L-LN-LNT-LT-LTS600/900 -- gas-without ev/em	E2HZ 9002-AN Note 1	R.H.-50 gal.-steel-20 1/4" high x 25 1/2" wide x 27" long-2" dia. filler	1
80/86	L800/900, LN600/900, LNT-LT LTS800/900 -- gas-without ev/em	E2HZ 9002-AR Note 1	L.H.- 50 gallon-steel- 20 1/4" high x 25 1/2" wide x 27" long-with 2" dia. filler pipe	1
80/85	L-LN-LNT-LT-LTS800/900	D5HZ 9002-F	L.H.-50 gallon capacity- steel-20 1/4" high x 25 1/2" wide x 27" long -with 4" dia. filler pipe	1
86/	L-LN-LNT-LT-LTS800/900 -- diesel	E6HZ 9002-S	L.H.-50 gal.-steel-20-1/4" high x 25-1/2" wide x 27" long-4" filler	1
80/85	L-LN-LNT-LT-LTS800/900 -- diesel	D5HZ 9002-R	R.H.- 50 gallon capacity- steel-20 1/4" high x 25 1/2" wide x 27" long -with 4" dia. filler pipe	1
86/	L-LN-LNT-LT-LTS800/900 -- diesel	E6HZ 9002-V	R.H.-50 gal.-steel-20/1/4" high x 25-1/2" wide x 27" long-4" filler	1
80/83	L800/900, LN700/900, LNT-LT- LTS800/900 -- gas-without ev/em	D4HZ 9002-T	R.H.- 75 gallon capacity- steel-20 1/4" high x 25 1/2" wide x 40" long-with 2" dia. filler pipe	1

**1980/  
TRUCK SERIES 600/900**

YEAR	MODEL/RESTRICTIONS	PART NUMBER	DESCRIPTION	QTY.
9002	TANK ASSY. (FUEL) -- Cont'd			
<b>D TYPE ROUND (STEP)</b>				
Note 1 Drill 11/16" dia. hole in flange next to flat side of "D" plate for draw tube as necessary				
84/86	L-LN-LNT-LT-LTS700/900 -- gas-without ev/em	E2HZ 9002-AT Note 1	R.H.-75 gal.-steel-20 1/4" high x 25 1/2" wide x 40" long-2" dia. filler	1
84/86	L-LN-LNT-LT-LTS700/900 -- gas-without Calif. emission	E2HZ 9002-AV Note 1	L.H.-75 gal.-steel-20 1/4" high x 25 1/2" x 40" long-2" dia. filler	1
80/83	L800/900, LN700/900, LNT-LT-LTS800/900 -- gas without ev/em			
80/83	L-LN-LNT-LT-LTS800/900 -- diesel	D5HZ 9002-N	R.H.- 75 gallon capacity-steel-20 1/4" high x 25 1/2" wide x 40" long -with 4" dia. filler pipe	1
84/	L-LN-LNT-LT-LTS800/900 -- diesel	E3HZ 9002-R	R.H.-75 gal.-steel-20 1/4" high x 25 1/2" wide x 40" long-4" dia. filler-use on units w/front cross over tube	1
86/	L-LN-LNT-LT-LTS800/900 -- diesel	E6HZ 9002-Y	R.H.-75 gal.-steel-20-1/4" high x 25-1/2" wide x 40" long-4" filler	1
80/83	L-LN-LNT-LT-LTS800/900 -- diesel	D5HZ 9002-E	L.H.- 75 gallon capacity-steel-20 1/4" high x 25 1/2" wide x 40" long -with 4" dia. filler pipe	1
84/	L-LN-LNT-LT-LTS800/900 -- diesel	E3HZ 9002-S	75 gal.-steel-20 1/4" high x 25 1/2" wide x 40" long-use on units w/front cross over tube	1
86/	L-LN-LNT-LT-LTS800/900 -- diesel	E6HZ 9002-T	L.H.-75 gal.-steel-20-1/4" high x 25-1/2" wide x 40" long	1
80/	L-LN-LNT-LT-LTS800/900 -- diesel	D4HZ 9002-EA	R.H.-75 gallon capacity-aluminum-20 1/4" high x 25 1/2" wide x 40" long-with 4" dia. filler pipe	1
80/	L-LN-LNT-LT-LTS800/900 -- diesel	D4HZ 9002-G	L.H.-75 gallon capacity-aluminum-20 1/4" high x 25 1/2" wide x 40" long-with 4" dia. filler pipe	1
80/	L-LN-LNT-LT-LTS800/900 -- diesel	D4HZ 9002-FA	R.H.- 100 gallon capacity-steel-20 1/4" high x 25 1/2" wide x 53" long-with 4" dia. filler pipe	1
80/83	L800/900, LN600/900, LNT-LT-LTS800/900 -- gas-with Calif. emission	E0HZ 9002-AA	L.H.- 50 gallon capacity-steel-20 1/4" high x 25 1/2" wide x 27" long-with 2" dia. filler pipe	1
84/86	L-LN-LNT-LT-LTS600/900 -- gas-with Calif. emission	E2HZ 9002-BV Note 1	L.H.-50 gal.-steel-20 1/4" high x 25 1/2" wide x 27- 2" dia. filler	1
80/83	L800/900, LN600/900, LNT-LT-LTS800/900 -- gas-with Calif. emission	E0HZ 9002-AB	R.H.- 50 gallon capacity-steel-20 1/4" high x 25 1/2" wide x 27" long-with 2" dia. filler pipe	1
84/86	L-LN-LNT-LT-LTS600/900 -- gas with Calif. emission	E2HZ 9002-BY Note 1	R.H.-50 gal.-steel-20 1/4" high x 25 1/2" wide x 27" long-2" dia. filler	1
80/83	L800/900, LN600/900, LNT-LT-LTS800/900 -- gas-with Calif. emission	E0HZ 9002-AC	L.H.-75 gallon capacity-steel-20 1/4" high x 25 1/2" wide x 40" long-with 2" dia. filler pipe	1
84/86	L-LN-LNT-LT-LTS600/900 -- gas-with Calif. emission	E2HZ 9002-BZ Note 1	L.H.-75 gal.-steel-20 1/4" high x 25 1/2" wide x 40" long-2" dia. filler	1
80/86	L-LN-LNT-LT-LTS600/900 -- gas-with Calif. emission	E2HZ 9002-CA Note 1	R.H.-75 gal.-steel-20 1/4" high x 25 1/2" wide x 40 long-2" dia. filler	1
80/	L-LN-LNT-LT-LTS800/900 -- diesel	E6HZ 9002-Z	R.H.-75 gal.-aluminum-20-1/4" high x 25-1/2" wide x 40" long-4" filler	1
80/	L-LN-LNT-LT-LTS800/900 -- diesel	E0HZ 9002-CL	L.H.-75 gallon capacity-aluminum-20 1/4" high x 25 1/2" wide x 40" long-with 4" dia. filler pipe	1
86/	L-LN-LNT-LT-LTS800/900 -- diesel	E6HZ 9002-U	L.H.-75 gal.-aluminum-20-1/4" high x 25-1/2" wide x 40" long-4" filler	1
<b>RECTANGULAR (END STEP) - USE WITH INTEGRAL BATTERY CARRIER</b>				
80/85	CL-CLT900	E4HZ 9002-C	L.H.-100 gal.-aluminum-24 1/8" high x 27 1/8" wide x 47" long	1

1980/  
TRUCK SERIES 600/900

YEAR	MODEL/RESTRICTIONS	PART NUMBER	DESCRIPTION	QTY.
<b>9002 TANK ASSY. (FUEL) — Cont'd</b>				
<b>RECTANGULAR (END STEP) — USE WITH INTEGRAL BATTERY CARRIER</b>				
80/85	CL-CLT900	E4HZ 9002-D	R.H.-100 gal.-aluminum-24 1/8" high x 27 1/8" wide x 47" long	1
80/85	CL-CLT900	E4HZ 9002-A	L.H.-100 gal.-steel-24 1/8" high x 27 1/8" wide x 47" long	1
80/85	CL-CLT900	E4HZ 9002-B	R.H.-100 gal.-steel-24 1/8" high x 27 1/8" wide x 47" long	1
80/83	CL-CLT900	E3HZ 9002-K	L.H.-125 gal.-steel-24-3/8" high x 27-1/8" wide x 56-3/4" long-w/4-1/4" dia. filler pipe	1
84/85	CL-CLT900	E4HZ 9002-E	L.H.-125 gal.-steel-24 1/8" high x 27 1/8" wide x 56 1/2" long	1
80/83	CL-CLT900	E3HZ 9002-L	R.H.-125 gal.-steel-24-3/8" high x 27-1/8" wide x 56-3/4" long-w/4-1/4" dia. filler pipe	1
84/85	CL-CLT900	E4HZ 9002-F	R.H.-125 gal.-steel-24 1/8" high x 27 1/8" wide x 56 1/2" long	1
<b>RECTANGULAR (CENTER STEP)</b>				
<b>Note 1</b> Drill 11/16" dia. hole in flange next to flat side of "D" plate for draw tube as necessary				
80/83	LN600/800 -- gas	D4HZ 9002-AC	50 gal. steel 14 1/4" high x 25 1/4 wide x 38 1/2 long 2" dia. filler	1
80/	L-LN-LNT-LT-LTS600/800 -- diesel	E6HZ 9002-A	50 gal.-steel-14-1/4" high x 25-1/4" wide x 38-1/2" long-2" dia. filler (MAT 86021)	1
80/	F-FT600/900 -- diesel	E5HZ 9002-MD	50 gal.-steel-14 3/8" high x 25 3/8" wide x 38 1/2" long-includes cap E5HZ 9030-B (500A)	1
80/84	L-LN-LNT-LT-LTS600/800 -- gas	E5HZ 9002-MD	50 gal.-steel-14 3/8" high x 25 3/8" wide x 38 1/2" long-includes cap E5HZ 9030-B (500A)	1
85/86	L-LN-LNT-LT-LTS600/800 -- gas.-exc. Calif.	E5HZ 9002-MD	50 gal.-steel-14 3/8" high x 25 3/8" wide x 38 1/2" long-includes cap E5HZ 9030-B (500A)	1
85/86	L-LN-LNT-LT-LTS600/800 -- gas.-Calif.	E5HZ 9002-VD	50 gal.-steel-14 3/16" high x 25 3/16" wide x 38 1/2" long	1
80/85	F-FT600/800 -- gas & diesel "Before 2/85"	★ E2HZ 9002-DA r/bMAT 86011 RB Note 1	30 gal.-steel-14 1/4" high wide x 28" long-2" dia. filler	1
85/88	F-FT600/800 -- gas-w/o Calif. emission "From 2/85"	E5HZ 9002-LD	35 gal.-steel-14 1/4" high x 28 1/2" wide x 28" long-2" dia. filler-"DSO"	1
86/	F-FT600/900 -- diesel	E6HZ 9002-B	35 gal.-steel-14-1/4" high x 25-1/4" wide x 28-1/2" long-2" dia. filler	1
80/83	F-FT600/800 -- with Calif. emission	E0HZ 9002-H	30 gallon capacity-steel-14 1/4" high x 25 1/4" wide x 28" long-with 2" dia. filler pipe	1or2
84/	F-FT600/800 -- with Calif. emission "Before 2/85"	E2HZ 9002-CZ Note 1	30 gal.-steel-14 1/4" high x 25 1/4" wide x 28" long-2" dia. filler	1
85/	F-FT600/800 -- gas-w/ Calif. emission "From 2/85"	E5HZ 9002-UD	35 gal.-steel-14 1/4" high x 25 1/4" wide x 28" long	1
80/85	F-FT600/800 -- without Calif. emission "Before 2/85"	★ E0HZ 9002-J r/bMAT 86021	50 gallon capacity-steel-14 high x 25 1/4" wide x 38 1/2" long-with 2" dia. filler pipe	1or2
80/85	F600/800 -- diesel "Before 2/85"	r/bE6HZ 9002-A	38 1/2" long-with 2" dia. filler pipe	1or2
85/	F-FT600/800 -- gas "From 2/85"	E5HZ 9002-MD	R.H. or L.H.-50 gal.-steel-14 1/2" high x 25 1/4" wide x 38 1/2" long use E2HZ 9074-A cover plate for gas, engine mtd. fuel pump (1/2"-14 NPT for 9236 draw tube)	1or2
80/85	F-FT600/800 -- with Calif. emission "Before 2/85"	E0HZ 9002-K	50 gallon capacity-steel-14 1/4" high x 25 1/4" wide x 38 1/2" long-with 2" dia. filler pipe	1or2
85/	F-FT600/800 -- gas-w/ Calif. emission "From 2/85"	E5HZ 9002-VD	50 gal.-steel-14 1/4" high x 25 1/4" wide x 38 1/2" long	1
85/	F-FT600/800 -- gas-w/Calif. emission-w/intank electric fuel pump "From 2/85"	E5HZ 9002-V	50 gal.-steel-14 1/4" high x 25 1/4" wide x 38 1/2" long-2" dia. filler pipe	1

**1980/  
TRUCK SERIES 600/900**

YEAR	MODEL/RESTRICTIONS	PART NUMBER	DESCRIPTION	QTY.
9002	TANK ASSY. (FUEL) — Cont'd			
<b>RECTANGULAR (CENTER STEP)</b>				
Note 1 Drill 11/16" dia. hole in flange next to flat side of "D" plate for draw tube as necessary				
80/85	LN600/800 -- gas-with Calif. emission "Before 2/85"	E3HZ 9002-Y Note 1	50 gal.-steel-14 1/4" high x 25 1/4" wide x 38 1/2" long-2" dia. filler	1
80/85	L-LN-LNT-LT-LTS900 -- gas -w/intank electric fuel pump "Before 2/85"			1
<b>RECTANGULAR (END STEP)</b>				
80/82	CL-CLT900	D9HZ 9002-K	R.H.-100 gallon capacity aluminum-24 1/4" high x 26 7/8" wide x 47 1/4" long-with 4 1/4" dia. filler pipe	1
83	CL-CLT900	E3HZ 9002-G	R.H.-115 gal.-steel-24-1/4" high x 27-1/8" wide x 47-1/4" long-w/4-1/4" dia. filler pipe	1
80/83	CL-CLT900	E3HZ 9002-F	R.H. 115 gal.-steel-24-1/4" high x 27-1/8" wide x 47-1/4" long-w/4-1/4" dia. filler pipe	1
80/82	CL-CLT900	D9HZ 9002-M	R.H.-140 gallon capacity- steel-24 1/4" high x 26 7/8" wide x 56 3/4" long-with 4 1/4" dia. filler pipe	1
83	CL-CLT900	E3HZ 9002-E	R.H.-140 gal.-steel-24-1/4" high x 27-1/8" wide x 56-3/4" long-w/4-1/4" dia. filler pipe	1
88/	LA-LTA900	E8HZ 9002-J	L.H. 95 gallon capacity (steel)	1
88/	LA-LTA900	E8HZ 9002-K	R.H. 95 gallon capacity (steel)	1
88/	LA-LTA900	★ E8HZ 9002-L r/bE8HZ 9002-AU	L.H. 95 gallon capacity (alum.)	1
88/	LA-LTA900	E8HZ 9002-M	R.H. 95 gallon capacity (alum.)	1
88/	LA-LTA900	E8HZ 9002-N	L.H. 125 gallon capacity (alum.) 23 3/4" high x 56 1/2" wide	1
88/	LA-LTA900	E8HZ 9002-R	R.H. 125 gallon capacity (alum.) 23 3/4" high x 56 1/2" wide	1
<b>INTEGRAL — RECTANGULAR STEP</b>				
80/82	L-LN-LNT-LT-LTL-LTS 800/900 -- diesel	E2HZ 9002-CEB	R.H. 75 gal.-steel-20-3/4" high x 27-3/4" wide x 40" long-4" dia. filler-use on units w/mounting brkt. w/partial length vertical leg	1
80/81		★ D5HZ 9002-L	L.H.-r/b E2HZ 9002-CDB	1
82		E2HZ 9002-CDB	L.H.	1
82/85	L-LN-LNT-LT-LTL-LTS 800/900 -- diesel	E2HZ 9002-CE	R.H. 75 gal.-steel-20-3/4" high x 27-3/4" wide x 40" long-4" dia. filler-use on units w/mounting brkt. w/full length vertical leg	1
		★ E2HZ 9002-CD	L.H.-r/b E6HZ 9002-E	1
86/88	L-LN-LNT-LT-LTL-LTS 800/900 -- diesel "Before 11/87"	E6HZ 9002-H	R.H.-75 gal.-steel-20-3/4" high x 27-3/4" wide x 52-1/4" long	1
88	LA-LTA900 -- diesel "Before 11/87"	★ E6HZ 9002-E r/bE8HZ 9002-AC	L.H.	1
88/	L-LN-LNT-LT-LTL-LS-LTS 800/900 -- diesel "From 11/87"	E8HZ 9002-AD	R.H.-70 gal. steel tank	1
		E8HZ 9002-AC	L.H.-70 gal. steel tank	1
83	L-LN-LNT-LT-LTL-LTS800/900 -- diesel	E2HZ 9002-CJB	R.H.-100 gal.-steel-deep type-24" high x 28" wide x 44-1/2" long-4" dia. filler -use on units w/mounting brkt. w/ partial length vertical support leg	1
		E2HZ 9002-CHB	L.H.	1
82/85	L-LN-LNT-LT-LTL-LTS800/900 diesel	E2HZ 9002-CG	R.H.-100 gal.-steel-shallow type-21" high x 28" wide x 52-1/4" long-use on units w/mounting brkt. w/full length vertical support leg	1
		E2HZ 9002-CFB	L.H.	1

**1980/  
TRUCK SERIES 600/900**

YEAR	MODEL/RESTRICTIONS	PART NUMBER	DESCRIPTION	QTY.
9002	TANK ASSY. (FUEL) — Cont'd			
<b>INTEGRAL — RECTANGULAR STEP</b>				
Note 1 Drill 11/16" dia. hole in flange next to flat side of "D" plate for draw tube as necessary				
86/88	L-LN-LNT-LT-LTL-LTS800/900 -- diesel "Before 11/87"	E6HZ 9002-J	R.H.-100 gal.-steel-shallow type-21" high x 28" wide x 52-1/4" long	1
88	LA-LTA900 -- diesel "Before 11/87"	E6HZ 9002-F	L.H.	1
88/	L-LN-LNT-LT-LTS-LS-LTS 800/900 -- diesel "From 11/87"	E8HZ 9002-AF	R.H.-95 gal. steel tank-shallow	1
		E8HZ 9002-AE	L.H.-95 gal. steel tank-shallow	1
82/88	L-LN-LNT-LT-LTL-LTS800/900 -- diesel "Before 11/87"	★ E6HZ 9002-N r/bE8HZ 9002-AK	R.H.-100 gal.-aluminum-24" high x 28" wide x 44-5/8"-4" dia. filler-use on units w/mounting brkt. w/full length vertical support leg	1
88	LA-LTA900 -- diesel "Before 11/87"	E6HZ 9002-L	L.H.	1
88/	L-LN-LNT-LT-LTS-LS-LTS 800/900 -- diesel "From 11/87"	E8HZ 9002-AK	R.H.-95 gal.-alum. tank	1
		E8HZ 9002-AJ	L.H.-95 gal.-alum. tank	1
88/	LA-LTA900 -- diesel "From 11/87"	E8HZ 9002-AT	R.H.-95 gal. steel tank	1
		E8HZ 9002-AS	L.H.-95 gal. steel tank	1
		E8HZ 9002-AV	R.H.-95 gal.-alum. tank	1
		E8HZ 9002-AU	L.H.-95 gal.-alum. tank	1
80/82	L-LN-LNT-LT-LTL-LTS800/900 -- diesel	E2HZ 9002-CLB	R.H.-100 gal.-aluminum-24" high x 22-3/4" wide x 44-5/8" long-4" dia. filler-use on units w/brkt. w/partial length vertical support leg	1
		E2HZ 9002-CKB	L.H.	1
80	L-LN-LNT-L-LTL-LTS800/900 -- diesel	D9HZ 9002-AB	R.H.-130 gal.-steel-24" high x 28" wide x 56-1/2" long-4" dia. filler	1
		D9HZ 9002-AA	L.H.	1
80/82	L-LN-LNT-LT-LTL-LTS800/900	E2HZ 9002-CNB	R.H.-130 gal.-aluminum-deep type-24" high x 28" x 55-1/2" long-4" dia. filler-use on units w/mounting brkt. w/partial length vertical support leg	1
		E2HZ 9002-CMB	L.H.	1
82/85	L-LN-LNT-LT-LTL-LTS800/900 -- diesel	E2HZ 9002-CN	R.H.-130 gal.-aluminum-24" high x 28" wide x 55-1/2" long-4" dia. filler use on units w/mounting brkt. w/full length vertical support leg	1
		E2HZ 9002-CM	L.H.	1
	LA-LTA900 -- diesel "From 11/87"	E8HZ 9002-AZ	R.H.-125 gal. alum. tank	1
		E8HZ 9002-AY	L.H.-125 gal. alum. tank	1
86/88	L-LN-LNT-LT-LTL-LTS800/900 -- diesel "Before 11/87"	E6HZ 9002-R	R.H.-130 gal.-aluminum-24" high x 28" wide x 56-1/2" long	
88	LA-LTA900 -- diesel "Before 11/87"	E6HZ 9002-M	L.H.	1
88/	L-LN-LNT-LT-LTS-LS-LTS 800/900 -- diesel "From 11/87"	E8HZ 9002-AM	R.H.-125 gal.-alum. tank	1
		E8HZ 9002-AL	L.H.-125 gal.-alum. tank	1
80/82	L-LN-LNT-LT-LTL-LTS800/900 -- diesel	★ D5HZ 9002-S r/bE2HZ 9002-CEB	R.H.-100 gal.-steel-shallow type 21" high x 28" wide x 52-1/4" long-use on units w/mounting brkt. w/partial length vertical support leg	1
		★ D5HZ 9002-J	L.H.-r/b E2HZ 9002-CFB	1
83	L-LN-LNT-LT-LTL-LTS800/900	E2HZ 9002-CGB	R.H.-100 gal.-steel-shallow type-21" high x 28" wide x 52-1/4" long-use on units w/mounting brkt. w/partial length vertical support leg	1
		E2HZ 9002-CFB	L.H.	1
80/82	L-LN-LNT-LT-LTL-LTS800/900 -- diesel	D9HZ 9002-U	R.H.-100 gal.-steel-deep type-24" high x 28" wide x 44-1/2" long-4" dia. filler use on units w/mounting brkt. w/partial length vertical support leg	1
		★ D9HZ 9002-AC	L.H.-r/b E2HZ 9002-CHB	1



**1980/  
TRUCK SERIES 600/900**

YEAR	MODEL/RESTRICTIONS	PART NUMBER	DESCRIPTION	QTY.
<b>9002 TANK ASSY. (FUEL) — Cont'd</b>				
<b>INTEGRAL - RECTANGULAR STEP</b>				
82/88	L-LN-LNT-LT-LTL-LTS800/900 -- diesel "Before 11/87"	E6HZ 9002-K	R.H.-100 gal.-steel-24"-deep type- 24" high x 28" wide x 44-1/2" long-4" dia. filler-use on units w/mounting brkt. w/full length vertical support leg	1
88	LA-LTA900 -- diesel "Before 11/87"	★ E6HZ 9002-G r/bE8HZ 9002-AG	L.H.	1
88/	L-LN-LNT-LT-LTL-LTS-LS 800/900 -- diesel "From 11/87"	E8HZ 9002-AH E8HZ 9002-AG	R.H.-95 gal. steel tank L.H.-95 gal. steel tank	1 1
80/	F-FT600/800 -- gas	23468-S2	(B-5)-bolt (fuel tank to cab back panel)-carriage- 5/16"-18 x 1 1/2"-use with 18 or 19.5 gallon in cab tank	5
80/	F-FT600/700 -- diesel	381976-S 353766-S ★373249-S 33770-S4 57039-S2	(MM-178-M)-washer-flat nylon-1/2" (MM-269)-nut-spring-5/16"-18 Washer-flat-fiber-3/8" (M-89-K)-nut-hex. lock-(UBS)-5/16"-18 (B-340-B)-screw and washer assy. (fuel tank to bracket)-hex. head-5/16"-18 x 3/4"-use with 19.5 gallon in cab tank	AR AR AR AR 4
80/	L800/900, LN600/900, LNT-LT- LTS800/900	371919-S	(PP-31-A)-plug (fuel tank drain)-1/2"-14 pipe thread-use with 18 or 25 gallon plastic tank	1
<b>9N005 SCREW AND SEALER (FUEL TANK COVER)</b>				
80/	B600/700, C600/900, CT800/900, F-FT600/800, L800/900, LN600/900, LNT-LT-LTS800/900	E0HZ 9N005-A	1/4"-28 x 3/4"	10 or 20
82/	LTL900		Use with 65, 95 or 12/0 gallon cylindrical fuel tanks	5or10
85	B-C-CT-F-FT600/800 -- 8 cyl. gas	E5HZ 9N005-A	Includes "O" ring	1
<b>9N005 SCREW AND SEALER (FUEL TANK SENDER)</b>				
80/	B600/700, C600/900, CT800/900, F-FT600/800, CF600/800, L800/900, LN600/900, 800/900 -- diesel LNT-LT-LTS800/900	E0HZ 9N005-B	No. 10-32 x 3/4"  wide x 52-1/4" long-4" dia. filler pipe	6
<b>9C006 BOLT (FUEL TANK GUARD BRACKET)</b>				
86/	B600/700	E6HZ 9C006-A		1
<b>9A011 FILTER (GAUGE FUEL TANK UNIT)</b>				
80/	All trucks	DIAZ 9A011-A	Plastic-use with 3/8" outlet tube-also serviced in 9275 assy.	1
80/	All trucks	DIFZ 9A011-A	Plastic-use with 5/16" outlet tube-also serviced in 9275 assy.	1
<b>9B011 INSULATOR (FUEL TANK LEVEL HOSE SUPPORT BRACKET)</b>				
86/	CF600/700 -- 6 cyl. 401-(6.6L) FNH diesel	E6HZ 9B011-A		2
<b>9B013 BRACKET (FUEL TANK LEVELING HOSE SUPPORT)-unless listed below improvise from 1/8" thick angle iron</b>				
86/	CF600/700 -- 6 cy. 401-(6.6L) FNH diesel	E6HZ 9B013-A		1
<b>9B014 SLEEVE (FUEL TANK STRAP ADJUSTABLE)</b>				
80/84	All	D0HZ 9B014-A	All	2
85/	All	E5HZ 9B014-A	1/2"-13-1-3/4" long-9/16" & 1-1/8" hex diameters	AR
88/	CF700/800 -- 6 cyl. 476 (7.8L) FNH diesel	E8HZ 9B014-A	#88HU-AA	AR
<b>9B015 CLAMP ASSY. (PRIMER RESERVOIR MOUNTING)</b>				
86/	CF600/700 -- 6 cyl. 401-(6.6L) FNH diesel	E6HZ 9B015-A		1

**1980/  
TRUCK SERIES 600/900**

YEAR	MODEL/RESTRICTIONS	PART NUMBER	DESCRIPTION	QTY.
<b>9B015 CLAMP ASSY. (PRIMER RESERVOIR MOUNTING) — Cont'd</b>				
80/	C600/800, L800, LN600/800, LNT-LT-LTS800 -- Cat. diesel and ether cold start aid	★ D0HZ 9B015-A r/b9382 913022	#D0HA 9B015-A, D2HA 9B015-AA	1
80/	L-LN-LNT-LT-LTS-T900 -- Cum. 6 cyl. 855, 927 diesel and ether cold start aid -- exc. with frt. disc brakes			1
80/	L-LN-LNT-LT-LTS800/900 -- Detroit 6 cyl. 426, 8 cyl. 568 diesel and ether cold start aid -- exc. with frt. disc brakes			1
80/	L-LN-LNT-LT900 -- Detroit 8V-71T diesel			1
80/	L-LN-LNT-LT-LTS800/900 diesel and ether cold start aid with frt. disc brakes	D6HZ 9B015-A	#D5HA 9B015-AA	1 1or2
80/	CL-CLT900			1
80/	B-F700 -- diesel			1
<b>9C018-19 BRACKET FUEL TANK PANEL</b>				
88/	LA-LTA900 -- (Aeromax)	E8HZ 9C018-A	#E8HT-AA-R.H.	1
88/	LS-LTS	E8HZ 9C019-A	#E8HT-AA-L.H.	1
<b>9C020-23 BRACKET-FUEL TANK PANEL</b>				
88/	LA-LTA900 -- (Aeromax)	E8HZ 9C020-A	#E8HT-AA-R.H. use w/95 gal. tank	1
88/	LS-LTS	E8HZ 9C020-B	#E8HT-BA-R.H.-use w/125 gal. tank	1
88/	L900 -- Aeromax pkg.	E8HZ 9C021-A	#E8HT-AA-L.H. use w/95 gal. tank	1
		E8HZ 9C021-B	#E8HT-BB-use w/125 gal. tank	7
		E8HZ 9C022-B	#E8HT-BA-L.H. use w/125 gal. tank	1
		E8HZ 9C022-A	#E8HT-AA-lwr. use w/95 gal. tank	1
		E8HZ 9C022-B	#E8HT-BA-lwr. R.H.-use w/125 gal. tank	1
		E8HZ 9C023-B	E8HT-BA-lwr. L.H.-use w/125 gal. tank	1
		E8HZ 9C023-C	#E8HT-CA-use w/95 gal. tank	1
<b>9N026 BLEEDER SCREW &amp; SEAL</b>				
86/	CF600/800 -- 6 cyl. 401,(6.6L)-474, (7.8L) FNH diesel	E7HZ 9N026-A	#E5HN 9N086-AB Threads into 9155 fuel filter head (includes 9N085 washer)	1
86/	B-F-FT600/900 -- 6.6,7.8 L-LN-LNT-LT-LTS800 -- FNH dsl.		Detail of E7HZ 9155-A	1
<b>9030 CAP ASSY. (FUEL TANK FILLER)</b>				
<b>NON-LOCKING</b>				
80/	C600/900, CT800/900, F-FT600/800 -- gas	B6TZ 9030-A	*FC-23-vented anti-surge (exc. w/aux. fuel tanks)-chrome Use with 18 or 25 gallon tank (plastic)	1
80/	L800/900, LN600/900, LNT-LT-LTS800/900 -- gas-without ev/em			1
80/	F-FT600/800 -- gas		Use with 18 gallon tank	1
80/	F700 -- diesel		Use with 18 gallon tank	1
80/	B700, C-F-FT600/800, CT800, LN700 -- diesel	C9TZ 9030-A	*FC-529-stainless steel shell-lettered "Diesel fuel only"	1
80	B700 -- gas-8 cyl. 429 --Kentucky school bus	★ D9HZ 9030-B	Vented	1
82/	B600/700 -- exc with Calif. emission	E2HZ 9030-A	*FC-837-Vented-brass--use w/30 & 60 gal. tanks equipped w/electric fuel pump	1
80/	B600/700, C600/900, CT800/900, F600/700 -- gas-with ev/em "Before 2/85"	D3HZ 9030-C	*FC-763-lettered "EVAP-EMISS-NON-VENTED"--3 1/4" O.D.-2 1/2" pipe thread-use with 18 or 30 gallon frame mounted tank	1
85	B-C-F-FT600/800 -- gas-w/ev/em "From 2/85"	E5HZ 9030-A	*FC-895-brass-"EVAP-EMISS-NON-VENTED"--has external tether cable	1
80/	B-C-F-FT600/800 -- gas w/ev/em	E5HZ 9030-B	*FC900-brass-"Evap.-emission non-vented-has internal tether chain, #500A	1

1980/  
TRUCK SERIES 600/900

YEAR	MODEL/RESTRICTIONS	PART NUMBER	DESCRIPTION	QTY.
9030 CAP ASSY. (FUEL TANK FILLER) — Cont'd				
NON-LOCKING				
80/	CL-CLT900	D8HZ 9030-E	*FC-826-aluminum polished-5" O.D.-4 1/4"-8 male pipe thread with 8" chain and retaining clip-use with 75, 95 and 120 gallon cylindrical or 100 and 125 gallon rectangular fuel tank with 4 1/4" dia. filler pipe	1or2
80/	CL-CLT900	D8HZ 9030-B	*FC-801-aluminum-5" O.D. -4 1/4"-8 male pipe thread-use with 75, 95 and 120 gallon cylindrical or 100 and 125 gallon rectangular fuel tank with 4 1/4" dia. filler pipe	1or2
80/	C700/900, CT800/900, F600/880, L800/900, LN600/900, LNT-CT-LTS800/900 -- gas-without ev/em	B9TT 9030-A	*FC-510-ventilated type-2" dia. filler pipe-use with 50 or 75 gallon D type round step tank	1or2
80/	LN600/750 -- gas-without ev/em		Use with 50 gallon rectangular center step tank	1or2
80/	B600/700 -- without ev/em		Use with 30 or 60 gallon frame mounted tank	1
80/	F-FT600/800 -- without ev/em		Use with 30 gallon step and 50 gallon rectangular center step fuel tanks	1or2
86	CF600/800 -- 6 cyl. 401, (6.6L)-476 (7.8L)-FNH diesel	E6HZ 9030-A		1or2
87/	CF700/800 -- 6 cyl. 401 (6.6L) & 476 (7.8L) FNH diesel	E7HZ 9030-A	#87HU-AA	1
80/86	L800/900, LN600/900, LNT-LT-LTS800/900 -- gas-with ev/em	D1UZ 9030-A	*FC-543-non-vented-use with 25 gallon tank-plastic	1
80/	C600/800, CT800, F600/700, L800/900, LN600/900, LNT-LT-LTS800/900 -- diesel	D3HZ 9030-B	*FC-100-4" female straight pipe thread-use with 50, 75 or 100 gallon D type round step tank	1or2
80/	LN600/700 -- diesel		Use with 50 gallon rectangular center step tank	1or2
80/	L-LN-LNT-LT-LTS800/900 -- diesel		Use with 100,130 gallon integral rectangular step fuel tanks	1or2
86/	B600/700 -- 30 & 86 gal. rect (exc. step) tank	E6HZ 9030-C	*FC-899-diesel only-brass-2 1/2-8" thread-non vented #900, #500A1 per SREA #119253 8/28/91	1
86/	F-FT600/800 -- 35 & 50 gal. rect. cen. step tank			
86/	LN600/800 -- 50 gal. rect. center step tank			
80/	F-FT600/800 -- gas-with Calif. emission	E0HZ 9030-C	*FC-827-2 7/8" dia.-use with 18 or 30 gallon rectangular or 30, 50 gallon rectangular step tanks	1or2
80/82	F600/800	★ E0HZ 9030-D Not replaced	Use w/30 & 50 gal. tank-Sierra Pacific fleet fix	1
80/86	LN600/800 -- gas-with ev/em	D8HZ 9030-C	*FC-811-brass-lettered "EVAP-EMISS-NON-VENTED"-2 3/4" O.D.-2" female pipe thread-with 2" dia. filler pipe-use with 50 gallon rectangular center step tank	1or2
80/	C600/900, CT800/900, F-FT600/800 -- gas-with ev/em		Use with 50 or 75 gallon D type round tank	1or2
80/86	L800/900, LN600/900, LNT-LT-LTS800/900 -- gas-with ev/em		Use with 50 or 75 gallon D type round step tank	1or2
80/	C600/800, CT800 -- gas-with ev/em		Use with 18 or 30 gallon rectangular fuel tank	1
80/	B600/700 -- gas-with ev/em		Use with 30 or 60 gallon rectangular fuel tank	1
80/	F-FT600/800 -- gas-with ev/em		Use with 30 gallon step and 50 gallon rectangular center step fuel tanks	1or2

1980/  
TRUCK SERIES 600/900

YEAR	MODEL/RESTRICTIONS	PART NUMBER	DESCRIPTION	QTY.
<b>9030 CAP ASSY. (FUEL TANK FILLER) — Cont'd</b>				
<b>NON-LOCKING</b>				
82/	LTL900	E1HZ 9030-A	*FC-830-brass-lettered "USE DIESEL FUEL ONLY"-4 13/16" O.D.-4" straight female pipe thread-use with 4" dia. filler pipe on 65, 95 and 120 gallon aluminum cylindrical tanks	1or2
<b>LOCKING</b>				
80/	C-CT-F-FT600/900	D3HZ 9030-D	*FC-838-female threads-	1
80/	L-LN-LNT-LT-LTS600/900		includes (2) keys-use w/50 or 75 gal. round tank or 50 gal. rectangular tank	1
<b>9A032 SHIELD (FUEL TANK HEAT) - Also refer to group 9240</b>				
87/89	B600/700 -- FNH diesel- 6 cyl. 401, (6.6L) 474, 476 (7.8L)	E7HZ 9A032-A	#E7HT 9A032-BA,BB	1
87/	F-FT600/900 -- FNH diesel-6 cyl. 401, (6.6L), 474, 476 (7.8L)	E7HZ 9A032-B	#E7HT 9A032-CA	1
80/	B600/700 -- 8 cyl. 501 Detroit 990 diesel	E0HZ 9A032-H	#E0HT 9A032-HA, E6HT 9A032-AA-use with 30 or 60 gallon rectangular fuel tank-attach to frame to shield 9155 filter	1
80/82	F-FT600/800 -- gas	E0HZ 9A032-B	#E0HT 9A032-BB,BD,BE-use 18 gallon rectangular, 30 gallon step and 50 gallon rectangular step tank-35 1/4" long x 9 15/16" wide	1or2
80/82	F-FT600/800 -- diesel		Use with 18 gallon rectangular tank	1
83	F-FT600/800 -- gas & diesel	E3HZ 9A032-A	#E3HT 9A032-AA-use w/18 gal rectangular, 30 gal. step and 50 gal. rectangular step tanks	1
80/	F-FT600/800 -- diesel	E0HZ 9A032-J	#E0HT 9A032-JA,JB-use with dual 30 or 50 gallon rectangular center step fuel tanks	1
84	F-FT600/800 -- 8 cyl. 636 Cat. 3208 diesel	★ E4HZ 9A032-A Not replaced	#E4HT 9A031-AA-rear-use w/single R.H. vertical exhaust & 35 gal. rectangular tank	1
84	F-FT600/800 -- 8 cyl. 636 Cat. 3208 diesel	★ E4HZ 9A032-B Not replaced	#E4HT 9A032-BA-inboard side-use w/single R.H. vertical exhaust & 35 gal. rectangular tank	1
87/	F-FT600/900 -- 8 cyl. Cat. 3208 diesel	E7HZ 9A032-B	#E7HT 9A032-CA 35 & 50 gal. rect. dual tank w/RH vert exh.	1
<b>9034 PIPE ASSY. (FUEL TANK FILLER)</b>				
80/89	C600/800, F-FT600/800 -- 2/W/D-gas	84T 9034-A	Use with 30 gallon tank	1
<b>9035 GASKET (FUEL TANK FILL CAP)</b>				
81/89	LTL900	E1HZ 9035-A	1/8" thick x 3 3/4" I.D. rubber-use with 65,95 and 100 gallon aluminum cylindrical tanks-also serviced in E1HZ 9030-A cap assy.	
<b>9A037 SHIELD (FUEL TANK COVER PLATE)</b>				
80/89	C600/900, CT800/900, F-FT600/800 -- gas	D4TZ 9A037-A	#D4TA 9A037-AA-use with D type round fuel tank and electric fuel pump	1or2
80/86	C600/900, CT800/900, F-FT600/800, -- gas	★ 20325-S8	Bolt (fuel tank cover plate shield thru plate assy. to fuel tank)-hex. head-1/4"-28 x 5/8"	4or8
<b>9K037 BRACKET (FUEL TANK GUARD)</b>				
80/	B600/700	E0HZ 9K037-A	#E0HT 9K037-AC-use with 60 gallon rectangular fuel tank	1
80/	B600/700	E0HZ 9K037-B	#E0HT 9K037-BB-use with 30 gallon rectangular fuel tank	1
<b>9A045 BRACKET (FUEL TANK SELECTOR VALVE CONTROL CABLE)</b>				
80/86	L800/900, LN600/900, LNT-LT-LTS800/900 -- gas	D3HZ 9A045-B	#D3HA 9A035-BA-lettered "L TANK R"-use with 50 or 75 gallon rectangular step tanks and 50 or 75 gallon D type round step tanks	1
80/86	L800/900, LN600/900, LNT-LT-LTS800/900 -- gas	55981-S2	(U-254-E)-screw (bracket to cab)-hex. washer head-self tapping-1/4"-14 x 1/2"	2
80/86	L800/900, LN600/900, LNT-LT-LTS800/900 -- gas	352962-S	(KK-23)-grommet (bracket to valve)	1

OCTOBER, 1993

COPYRIGHT © 1993—

FORD MOTOR  
COMPANY

—DEARBORN, MICHIGAN

FINAL ISSUE

1980/  
TRUCK SERIES 600/900

YEAR	MODEL/RESTRICTIONS	PART NUMBER	DESCRIPTION	QTY.
9045-6 BRACKET ASSY. (FUEL TANK)				
80/	B-F600/700 (84) - - diesel	B9T 9046-C	#D7HT 9045-AA-use with 18 or 30 gallon side mounted tank	2
80/	C600/900, C600/900, CT800/900, F-FT600/800 - - 2/W/D		Use with 18 or 30 gallon side mounted tank	2
80/	B600/700	D6HZ 9046-D	#D7HT 9046-DB-use with 30, 60 gallon fuel tank	2
80/	C600/900, CT800/900, F600/800	D4TZ 9046-A	#D4TA 9046-AA-use with 50 or 75 gallon D type round tank	2or4
80/	CL-CLT900	D8HZ 9046-B	#D7HT 9046-BB - use with 95 or 120 gallon dual cylindrical fuel tanks	4
80/	CL-CLT900	D8HZ 9046-C	#D7HA 9046-CA - use with 75 gallon cylindrical fuel tank	2or4
80/	CL-CLT900 - - 64",76" BBC	E0HZ 9046-J	#D8HT 9046-AA, E0HT 9046-JA,LA-use with 100 or 125 gallon rectangular end step fuel tank and 100 or 125 gallon rectangular fuel tank with integral battery box	2
83	F-FT600/800	E3HZ 9046-A	#E3HT 9A170-A-use w/50 gal. tank & 9M # front axle & dual 50 gal tanks & 12M front axle	1
80/86	L800/900, LN600/900, LNT-LT800/900 - - gas	D0HZ 9046-A	#D0HA 9045-K-18" long x 15 3/4" high x 4 1/4" wide-use with 25 gallon plastic tank	1
80/	L-LN-LNT-LT800/900	D1HZ 9046-A	#D1HA 9045-AA-rear-13 1/4" long x 15 3/4" high x 4 7/8" wide-use with 25 gallon plastic tank	1
88/	L-LN-LNT-LT-LTS800/900	E8HZ 9046-C	#E8HT-CB-use w/75 & 100 gal. integral rectangular step tank	AR
88/	LA-LTA900		Use w/70 & 90 gal.-w/battery box	AR
88/	L-LA-LN-LS-LTS-LNT900		Use w/70 gal. integral rect. tank	AR
88/	L-LN900		Use w/95 gal. integral rect. step tank	AR
80/87	L-LN-LNT-LT-LTS800/900	E2HZ 9046-B	#E2HT 9046-BA-use w/75 & 100 gal. integral rectangular step tanks	1
80/	L-LN-LNT-LT-LTS800/900	E8HZ 9046-D	#E8HT-DA, E2HT-CA,CB-use w/100 & 130 gal. integral rectangular step tank	AR
88/	LA-LTA900	E8HZ 9046-AA	#E8HT-AA-use w/95 & 125 gal. (alum. or steel tank-integral rectangular step bumper-w/battery box	AR
88/	LS-LNT-LT-LTS800/900		Use w/95 & 125 gal. integral rect. step tank	AR
88/	LA-LTA900	E8HZ 9046-B	#E8HT-BA-use w/125 gal. (alum.) rectangular tank	AR
88/	L-LN-LNT-LT-LTS800/900			AR
80/	LN600/700	E0HZ 9046-E	#D4HA 9046-EA-use with D type round step tanks or 50 gallon rectangular center step tanks	2or4
80/	L-LN-LNT-LT-LTS800/900	D4HZ 9046-F	#D4HA 9046-FA-use with 50 or 75 gallon D type round step tank	2or4
80/	L-LN-LNT-LT-LTS800/900 - - diesel		Use with 100 gallon D type round step tank	3or6
88/	L-LL-LN-LNT-LT-LTL-LS-LTS-LA-LTA	E7HZ 9046-B	#E7HT 9046-AA-use with 50 or 75 gal. D type (except step)-steel or alum.	AR
80/	CL-CLT900	E0HZ 9046-K	#D8HT 9046-BA, #E0HT 9046-KA,MA-use with 100 or 125 gallon rectangular end step fuel tank and 100 or 125 gallon rectangular fuel tank with integral battery box	2or4
86/	CF600/700 - - 6 cyl. 401 (6.6L) FNH diesel	E6HZ 9046-D	#E6HT 9045-AA	1
88/	CF700/800 - - 6 cyl. 476 FTO diesel (7.8L)	E8HZ 9046-A	#88HU 9046-AA	1
80/	F600/900	E0HZ 9046-E	#E0HT 9046-EB,EC,ED,EE, E3HT 9046-AA,AB, E4HT 9046-BA-use with 30 gallon step or 50 gallon rectangular step	2or4
80/	F700 - - diesel		Use with 18 gallon rectangular fuel tank	2
80/	B600/700	E2HZ 9046-A	#E0HT 9046-FB,FC, E2HT 9046-AA-use with 30 or 60 gallon rectangular tanks	2
80/	F-FT600/800,L800,LN600/800,	E0HZ 9046-H	#E0HT 9046-HB,HC,E1HT 9046-FA-use with 18 gal.	2
80/86	L-LN-LNT-LT-LTS600/800 - - gas	E0HZ 9046-G	#E1HT 9046-GA-use with 50 gal. rectangular Center step tank	2
82/	LTL900	E1HZ 9046-C	#E1HT 9046-CB, E3HT 9046-DA-use with 65 gallon cylindrical fuel tank	2or4
82/	LTL900	E1HZ 9046-D	#E1HT 9046-DA, E3HT 9046-BA-use with 120 gallon cylindrical fuel tank	2

**1980/  
TRUCK SERIES 600/900**

YEAR	MODEL/RESTRICTIONS	PART NUMBER	DESCRIPTION	QTY.	
<b>9045-6 BRACKET ASSY. (FUEL TANK) — Cont'd</b>					
82/	LTL900	E1HZ 9046-E	#E1HT 9046-EA, E3HT 9046-CA-use 95 and 120 gallon cylindrical fuel tank	4	
80/	B-F600 (84, 85)	20387-S8	(B-157)-bolt (fuel tank bracket to frame)-5/16"-24	8	
80/	C600		1"-use with 30 gallon tank	8	
80/	B700 (84), F700		33798-S8	(M-62)-nut-5/16"-24	8
			34806-S7	(X-64)-lockwasher-5/16"	
			44722-S8	(X-19)-washer-flat-5/16"	
80/	C600/900, CT800/900	20429-S8	(B-172)-bolt (fuel tank bracket to frame side member)-hex. head-3/8"-24 x 1 1/4"	1or2	
		33800-S8	(M-63)-nut-hex.-3/8"-24		
		34807-S8	(X-66)-lockwasher-3/8"		
		44727-S8	(X-24)-washer-flat-3/8"		
80/	C600/800 -- diesel	*58722-S2	Bolt (bracket to frame)-hex. head-5/8"-11 x 2 1/4"	4	
		55777-S8	(M-89-A)-nut-hex.-5/8"-18	2	
		373781-S	(XX-214-A)-washer-flat-5/8"		
		*34991-S4	Nut-hex. lock-5/8"-11		
80/	F600/700 -- diesel	55777-S8	(M-89-A)-nut (strap to bracket)-hex. lock-5/8"-18	4	
		373781-S	(XX-214-A)-washer-flat-5/8"		
		*58699-S2	Bolt (bracket to frame)-hex. head-9/16"-12 x 2"	4or8	
		*373780-S2	Washer-flat-9/16"		
		34990-S4	(M-89-G)-nut-hex. lock-9/16"-12		
80/	F600/700 -- gas	*57481-S2	Screw and washer assy. (bracket to floor pan)-hex. head-7/16"-14 x 1"-use with in cab tank	2	
80/	F600/700 -- diesel			2	
80/86	L800/900, LN600/900,	*58676-S2	Bolt (fuel tank bracket to frame)-hex. head-1/2"-13 x 1 3/4"	8	
80/86	LNT-LT-LTS800/900 -- gas				
80/86	LN600/700 -- diesel			8	
<b>9047 HOSE (FUEL TANK TO FILLER PIPE)</b>					
80/	B600/700, C600/800, F600/700 -- 2/W/D	D7TZ 9047-G	#D7TS 9047-AA-2 1/4" I.D. x 13" long-cut to suit-use with 30 gallon tank	1	
<b>9A050 SWITCH ASSY (HEADLAMP)</b>					
89/	L-LL-LN-LS-LT-LTL-LNT-LTS	E7HZ 9A050-A	#E2HS-AA	1	
<b>9A050 SWITCH ASSY. (FUEL TANK SELECTOR) - Also refer to group 1165415443</b>					
80/	C700/900, CT800/900, L800/900, LN600/900, LNT-LT-LTS800/900	D3TZ 9A050-B	#D3TB 9A050-BA-use w/dual fuel tanks	1	
80/	F600/800	D5TZ 9A050-A	#D5TB 9A050-AA-use with dual fuel tanks-5 terminals	1	
<b>9053 SUPPORT ASSY. (FUEL TANK)</b>					
80/	B600/700	E0HZ 9053-A	1 3/16" wide x 5 1/8" long x 1/8" thick-support has 3 hex. head bolts 9/16"-12 x 2" long-use with 30 or 60 gallon rectangular fuel tanks	2	
80/	CL-CLT900 -- Detroit 8 cyl. 568 diesel	D8HZ 9053-A	#D7HA 9F307-AA-1 1/8" wide x 6 7/16" long x 3/16" thick-support has 3 hex head bolts 5/8"-11 x 2 1/4" long-use with 100 or 125 gallon rectangular fuel tanks with integral battery carrier	2	
80/	L-LN-LNT-LT-LTS900 -- Cum. I-6 and Cat. 3406 diesel	D5HZ 9053-A	Use with 50, 75 or 100 gallon D type round fuel tanks	1or2	
<b>9054 STRAP ASSY. (FUEL TANK)</b>					
80/	LA-LN-LNT-LTA800/900 -- diesel	D3HZ 9054-B	#D3HA 9054-BA - REAR 39 3/4" long x 2" wide. Use w/100 gallon deep integral rectangular step fuel tanks.	2	
80/	CL-CLT900	D8HZ 9054-F	#D7HA 9054-FA, E0HT 9054-VA-57" long x 2" wide plus (1) 1/2"-13 x 3 1/2" long tee bolt each end-use with 100 or 125 gallon rectangular fuel tanks with integral battery carrier	2	

1980/  
TRUCK SERIES 600/900

YEAR	MODEL/RESTRICTIONS	PART NUMBER	DESCRIPTION	QTY.
9054 STRAP ASSY. (FUEL TANK) — Cont'd				
80/	CL CLT900	D8HZ 9054-H	#D7HA 9054-HA,E0HT 9054-UA-54 5/8" long x 2" wide plus (1) 1/2"-13 x 2 5/8" long tee bolt one end-and (1) 1/2" 13 x 6" long tee bolt other end -use (2) with single 75 gallon cylindrical fuel tank, (4) with dual 75 gallon cylindrical fuel tanks and (8) with dual 95 or 120 gallon cylindrical fuel tanks	AR
80/	CL CLT900	D8HZ 9054-J	#D7HT 9054-JA,SA-43 13/16" long x 2" wide plus (1) 1/2"-13 x 3 1/2" long tee bolt one end and (1) 1/2"-13 x 6" long tee bolt other end -use with 100 or 125 gallon rectangular fuel tanks with integral battery carrier	2
86/	CF600/700 - 6 cyl. 401 (6.6L)-FNH diesel	E6HZ 9054-A	#E5HT-DA	2
88	CF700/800 - 6 cyl. 476 (7.8L) FNH diesel	E8HZ 9054-C	#88HU-AA-use on L.H. 75 gal. rect. tank -use on R.H. 35 gal. rect. tank	2 1
		E8HZ 9054-D	#88HU-BA-use on R.H. 35 gal. rect. tank	1
80/	F-FT600/800 - 2/W/D	C1TZ 9054-A	#D9HT 9054-JA-1 1/4" wide x 27 7/8" long-less bolts-5/16"-18 x 1 3/4"-bolt both ends-use with 18 or 30 gallon frame mtd. tank Use with 30 gallon tank	2
80/	C600/900, CT800			2
80/86	LN600/750	D0HZ 9054-B	#D0HA 9054-H,D9HT 9054 NA-28 3/4" long x 1 1/2" wide-3/8"-16 x 4 3/8" stud one end use with 25 gallon plastic under cab fuel tank Use with 25 gallon plastic under cab fuel tank	1 1
80/86	L-LN-LNT-LT LTS800/900 gas			1
80/	C600/900, CT800/900, F-FT600/800, L800/900, LN600/900, LNT-LT LTS800/900	D0HZ 9054-C	#D0HA 9054-T,D9HT 9054 RA-front-39 1/2" long x 2" wide-plus (1) 1/2"-13 tee bolt each end- use with 50 or 75 gallon D type round step tanks Use with 100 gallon D type round step tank	2or4 3or6
80/	L-LN-LNT-LT LTS800/900 - - diesel			
80/	LN-LNT800/900 - diesel LA LTA900	D3HZ 9054-A	#D3HA 9054-AA,D9HT 9054-KA, E1HT 9054-EA front and center straps-47 1/2" long x 2" wide plus (1) 1/2"-13 x 3 1/2" long tee bolt each end-use with 100 gallon deep and 130 gallon integral rectangular step fuel tanks 95/125 gal. integral rect. step tank	4 AR
88/	LS-LTS-LT LNT900 - - diesesi			AR
88/	LN LNT800/900 - - diesel LA LTA900	E8HZ 9054-G	#E8HT-AA-frt. & ctr. straps-use w/95-100 & 130 gal. integral rect step tank Use w/95 & 125 gal. integral rect. step tank	AR AR
88/	LS LTS-LT-LNT900 - - diesel			AR
80/87	L-LN-LNT-LT800/900 - - diesel	D3HZ 9054-C	#D3HA 9054-CA,D9HT 9054-LA front 45" long x 2" wide-use with 75 gallon integral rectangular step fuel tanks Front and center straps-use with 100 gallon shallow integral rectangular step fuel tanks	2 4
80/87	L LN LNT-LT800/900 diesel			
88/	L LN LNT-LT800/900 - - diesel	E8HZ 9054-F	#E8HT-DA-use w/75 gal. integral rectangular step tank Use w/70 gal. integral rect. step tank Frt. & ctr. straps-use w/100 gal. shallow integral rect. step tank Use w/95 gal. integral rect. step tank Use w/90 & 95 gal. rect. tank-w/battery box	AR AR AR AR AR
88/	L Series (900) - - diesel			AR
88/	L LN-LNT-LT800/900 - - diesel			AR
88/	L-LN900 - - diesel			AR
88/	LA LTA900			AR
80/87	L LN LNT-LT600/900 - - diesel	D3HZ 9054-D	#D3HA 9054-DA, D4HA 9054-AA-rear 36 5/8" long x 2" wide-plus (1) 1/2"-13 x 2 5/8" long tee bolt each end-use with 75 gallon and 100 gallon shallow integral rectangular step fuel tanks	2
88/	L LN-LNT-LT600/900 - - diesel	E8HZ 9054-E	#E8HT-CA-use w/75 & 100 gal.-shallow integral rectangular step tank Use w/70 gal. integral rect. step tank Rear straps-use w/70/95 gal. tank w/battery box-rect. step tank Use w/95 gal. integral rect. step tank	AR AR AR AR
88/	L Series (900) - - diesel			AR
88/	LA-LTA900			AR
88/	L-LN900 - - diesel			AR

**1980/  
TRUCK SERIES 600/900**

YEAR	MODEL/RESTRICTIONS	PART NUMBER	DESCRIPTION	QTY.
<b>9054 STRAP ASSY. (FUEL TANK) — Cont'd</b>				
80/	B600/700	E0HZ 9054-E	#E0HT 9054-EC,ED-26" long plus (1) 1/2"-13 x 2 7/16" long tee bolt one end and (1) 1/2"-13 x 3 1/2" long tee bolt other end -use with 30 or 60 gallon rectangular tanks	2
80/	F-FT600/800	E0HZ 9054-H	#E0HT 9054-HB,ED-E0HT 9054-HB-22" long x 1 1/2" wide plus (1) 3/8"-16 x 2 3/4" long tee bolt-use with 18 gallon rectangular tank	2
80/	F-FT600/900	E0HZ 9054-T	#E0HT 9054-TA,TB-35 5/8" long x 2" wide plus (1) 1/2"-13 x 2 5/8" tee bolt each end -use with 30 gallon step or 50 gallon rectangular step tank	2
82/	LTL900	E1HZ 9054-A	#E1HT 9054-AC-2" wide with 1/2"-13 tee bolts either end-use (4) with dual mtd. 95 gallon cylindrical fuel tanks and use (6) with dual mtd. 120 gallon cylindrical fuel tanks	4or6
82/	LTL900	E1HZ 9054-B	#E1HT 9054-BC-2" wide with 1/2"-13 tee bolts either end-use (2) with L.H. mtd. 65 gallon cylindrical fuel tank and use (4) with dual mtd. 65 gallon cylindrical fuel tanks	2or4
80/	F600/700 -- diesel	33770-S4	(M-89-K)-nut (strap to bracket)-hex. lock (UBS)- 5/16"-18-use with 18 or 30 gal. rectangular tank	4
80/86	L800/900, LN600/900, LNT-LT-LTS800/900 -- gas	*383452-S	Bolt (fuel tank strap to bracket)-carriage- 7/16"-14 x 1 1/4"	2
80/86	LN600/700 -- diesel			2
		380079-S2	(XX-173-C)-washer-flat-7/16"	
		384353-S4	(MM-173-X)-nut-hex. lock-7/16"-14	
80/86	L800/900, LN600/900, LNT-LT-LTS800/900 -- gas	33924-S8	(M-28)-nut (fuel tank strap to bracket)-hex.- 3/8"-16	2
80/	LN600/700 -- diesel			2
		351385-S7	(XX-158)-washer-flat-3/8"	
		34987-S4	(M-89-CF)-nut-hex. lock-3/8"-16	
<b>9058 REINFORCEMENT (FUEL TANK STRAP)</b>				
86/	CF600/700 -- 6 cyl. 401 (6.6L)- FNH diesel	E6HZ 9058-A		2
<b>9N059 SEAL (FUEL TANK TO SUPPORT)</b>				
80/89	L-LN-LNT-LT-LTS 800/900 -- diesel	D3HZ 9N059-A	#D3HA 9N059-AA,AB-use with 75, 100 and 130 gallon integral rectangular step tanks	4
<b>9N060 LOCKING DEVICE (FUEL TANK BOLT INSTALLATION)</b>				
84/	F-FT600 -- W/L.H. sided mounted fuel tank	E4HZ 9N060-A	Includes (2) 58677-S2 bolts-use on rear brackets	2
89	B-F-FT600/800 FTO diesel -- w/air brakes	E7HZ 9N060-A	#E7HT-AA includes (2) 58676-S2 bolts & (2) 44879-S2-flat washers	1
88/	LA-LTA-LS-LTS -- w/ Aeromax pkg.	E9HZ 9N060-A	#E9HT-AA-includes (2) 58634-S2 bolts	2
<b>9B065 BASE (PRIMARY FUEL FILTER MOUNTING)</b>				
80/89	B600/700, F-FT600/800 -- 8 cyl. 501 Detroit 990 diesel	E0HZ 9B065-A	#E0HT 9B065-AA, 6438957	1
84/	LTS900 -- 6 cyl. 893 Cat. diesel	E4HZ 9B065-A	#E2HT 9B065-AA, 25011578-use w/E0HZ 9155-C	1
84/	L-LN-LNT-LTL900 -- 6 cyl. 893 NSFS Cat. diesel			1
<b>9067 INSULATOR (FUEL TANK STRAP)-Improvise from insulators listed below</b>				
80/	All	DOHZ 9067-A	1 3/4" wide x 23" long	AR
80/	All	C9HZ 9067-A	2 1/4" wide x 60" long (rubber)-use on 9054	AR
80/82	All "Before 5/17/82"	E0HZ 9067-E	2 1/2" wide x 30" long x 1/8" thick (neoprene w/paper backing)	AR
82/	All "From 5/17/82"	E2HZ 9067-A	2 1/2" wide-1/8" thick-25' continuous length-(neoprene w/paper backing)	AR



1980/  
TRUCK SERIES 600/900

YEAR	MODEL/RESTRICTIONS	PART NUMBER	DESCRIPTION	QTY.
<b>9067 INSULATOR (FUEL TANK STRAP)-Improvise from insulators listed below - Cont'd</b>				
86/	CF600/700 - - 6 cyl. 401 (6.6L)-diesel	E6HZ 9067-A		2or4
88/	CF700/800 - - 6 cyl. 476 (7.8L)	E8HZ 9067-E	#88HU-AA-units w/35 gal. rect. tank-R.H. side	1
		E8HZ 9067-F	#88HU-BA-units w/35 gal. rect. tank-R.H. side	1
		E8HZ 9067-G	#88HU-CA-units w/35 gal. rect. tank	1
		E8HZ 9067-H	#88HU-DA-units w/35 gal. rect. tank (2) reqd. L.H.-(1) reqd. R.H.	AR
		E8HZ 9067-J	#88HU-EA-units w/35 gal. rect. tank	AR
<b>9071 SPACER (FUEL TANK MOUNTING)</b>				
82/	LTL900	E1HZ 9071-A	Center & front #E1HT 9071-AC-E2HT 9071-BA-use with dual 95 or 120 gallon cylindrical aluminum fuel tanks	4
82/	LTL900	E1HZ 9071-B	Rear-#E1HT 9071-BC-E2HT 9071-AA-use with dual 120 gallon cylindrical aluminum fuel tanks	2
82/	LTL900	E1HZ 9071-C	#E1HT 9071-CB-E2HT 9071-CAuse (2) with L.H. mtd. 65 gallon cylindrical aluminum fuel tank and (4) with dual mtd. 65 gallon cylindrical fuel tanks	2or4
<b>9A072 SHIELD (STONE)</b>				
87/	B-F600/800 - - 6 cyl. 401, (6.6L), 476 (7.8L)-FNH diesel	E7HZ 9A072-C	#E7HT 9A072-AB	1
87/	L-LN-LNT-LT-LTS800 - - FNH diesel-6 cyl. 474 (7.8L)	E7HZ 9A072-A	#E7HT 9A072-DA	1
87/	L-LT-LTS800 - - FNH diesel-6 cyl. 474 (7.8L)-105" BBC	E7HZ 9A072-B	#E7HT 9A072-EA	1
<b>9074 PLATE (FUEL TANK COVER)</b>				
83/89	B-F-FT600/800 - - diesel	E3HZ 9074-B	#E3HT 9074-BA-"D" shaped-7" dia.	1
85/89	C-CT-F-FT600/800 - - gas	E5HZ 9074-A	#E5HT 9074-AA-"round"-9 9/32" dia.	1
86/	CF600/700	E6HZ 9074-A	#E5HT 9074-BA-"round"-2 11/16" dia.-used to cover fuel sender opening when dual tanks used	1
80/86	L-LS-LT-LNT-LTS800 - - gas	C2TZ 9074-B	#C2TA 9074-A-"D" shaped-7" dia.	1
80/89	LN600/700 - - diesel	DOHZ 9074-A	#D0HA 9074-C-"D" shaped-7" dia.	1
80/86	L-LS-LT-LNT-LTS800/900 - - gas	DOHZ 9074-E	#D0HA 9A229-C-"D" shaped-6 5/8" dia.	1
80/86	LN600/700 - - diesel			
80/86	C600/900, CT800/900, F-FT600/800, L800/900, LN600/900, LNT-LT-LTS800/900 - - gas	*20325-S8	Bolt (plate to fuel tank)-hex. head-1/4"-28 x 5/8"	10 or 20
80/86	L800/900, LN600/900, LNT-LT-LTS800/900 - - gas	33769-S2	(M-89-J)-nut (plate to fuel tank)-hex. lock (UBS)-1/4"-20	10
80/	LN600/700 - - diesel			10
<b>9074 PLATE &amp; FUEL PUMP MOUNTING BRACKET (FUEL TANK COVER)</b>				
80/	C-CT-F-FT600/900	C2TZ 9074-A	#C2TA 9A079-A-"D" shaped-7 5/32" dia.	1
80/86	L-LS-LT-LNT-LTS800/900 - - gas			
85/	C-B-F-FT600/800 - - gas	E5HZ 9074-B	#E5HZ 9002-B-"round", #316691	1
<b>9077 PLUG (FUEL TANK DRAIN BALL CHECK)</b>				
80/	C600/900, CT800/900, F-FT600/800, L800/900, LN600/900, LNT-LT-LTS800/900	D4HZ 9077-A	1/2"-14 pipe thread-use 50,75 and 100 gallon D type round tanks	1or2
82/86	LTL900	* E1HZ 9077-A Not replaced	5/8"-18 hex. head	1
<b>9B079 BRACKET (FUEL TANK LEVELING HOSE SUPPORT)-Improvise from 1/8" thick angle iron</b>				
<b>9A080 SUPPORT ASSY. (FUEL TANK FUEL LEVELING HOSE)</b>				
86/	CF600/800 - - 6 cyl. 401, (6.6L), 476 (7.8L) FNH diesel	E6HZ 9A080-A		2
86/	CF600/700 - - 6 cyl. 401-(6.6L) FNH diesel	E6HZ 9A080-B		1
80/	L800/900, LN600/900, LNT-LT-LTS800/900 - - diesel	D1HZ 9A080-A	#D1HA 9A080-AA-68 1/2" long-use with 50 or 75 gallon dual rectangular step tanks	1
80/	LN600/700 - - diesel	* D4HA 9A080-AA	#D4HA 9A080-AA-58" long cut to length from D1HZ 9A080-A and drill as required-use with 50 gallon D type round step tanks	1

**1980/  
TRUCK SERIES 600/900**

YEAR	MODEL/RESTRICTIONS	PART NUMBER	DESCRIPTION	QTY.
<b>9A081 BRACKET ASSY. (FUEL TANK LEVELING HOSE SUPPORT)-Unless listed below-improvise</b>				
86/	CF600/700 -- 6 cyl. 401 (6.6L)- FNH diesel	★ E6HZ 9A081-A	R/b E7HZ 9A081-A	1
87/	CF700/800 -- 6 cyl. 476 (7.8L)-FNH diesel w/dual tanks	E7HZ 9A081-A	#87HU 9A081-AA	1
80/	F600/700, L-LN-LNT-LT LTS800/900 -- diesel	D0HZ 9A081-B	R.H.-#D0HA 9B009-A-use with 50 or 75 or 100 gallon dual D type round step tanks	1
80/	F600/700, L-LN-LNT-LT-LTS800/900 -- diesel	D0HZ 9A081-A	L.H.-#D0HA 9B010-A-use with 50 or 75 or 100 gallon dual D type round step tanks	1
<b>9A082 VENT ASSY. (FUEL TANK)</b>				
80/89	CL-CLT900	D9HZ 9A082-A	1/2"-14 male pipe thread with 1/4" O.D. tubing vent tube 13/16" long-use with integral and rectangular fuel tanks	1
80/89	CL-CLT900		Use with cylindrical fuel tanks	1
82/89	LTL900		Use with 65, 95 or 120 gallon cylindrical fuel tank	1
80/89	L-LN-LNT-LT800/900 -- diesel	D3HZ 9A082-A	Use with 75, 100, 130 gallon integral rectangular tanks and 50, 75 or 100 gallon D type round step tanks	2
80/89	LN600/750 -- diesel		Use with 50 gallon rectangular center step tanks	1or2
80/86	LN600/700 -- diesel	★87514-S	Elbow (vent assy. to vent pipe)-90°-1/8"-27 male pipe thread-1/2"-20 female thread 1/4" tube (brass)	1or2
<b>9A083 HOSE ASSY. (FUEL TANK LEVEL-DUAL TANK)</b>				
86/90	CF700/800 -- all FNH diesel	E7HZ 9A083-B	E6HT-AA	1
<b>9B086 MEMBER (FUEL TANK COMPRESSION)</b>				
86/	CF600/700 -- 6 cyl. 401 (6.6L)- FNH diesel	E6HZ 9B086-A		1
80/83	CL-CLT900	D8HZ 9B086-A	#D7HT-AB,AC-1 3/4" high x 2 1/2" wide x 46 5/8" long-aluminum channel-use with 75, 95 or 125 gallon cylindrical fuel tanks	2
84	CL-CLT900	E4HZ 9B086-A	#E4HT-AA-1 3/4" higher 2 11/16" wide- 45 13/16" long-use w/cylindrical tanks	1
80/	CL-CLT900	E1HZ 9B086-C	#D7HT-BB, EOHT 9B086-AA-1, E1HT 9B086-CA 1 1/2" x 1 1/2" wide x 51 1/4" long-steel channel-use with 100, 125, 130 gallon rectangular fuel tanks with integral battery carrier	2
80/	L-LN-LNT-LT-LTS800/900 -- except 30.0 section modulus frame		Use with 75 gallon integral rectangular fuel tanks	1
80/	L-LN-LNT-LT-LTS800/900 -- except 30.0 section modulus frame			
87/	F-FT600/800 -- FNH diesel-6 cyl. 401 (6.6L), 474 (7.8L), Cat. 3208	E7HZ 9B086-A	#E7HT-AA-53-9/16" long X 2" square-use w/35 & 50 gal. rectangular step tank	1
80/	LNT-LT-LTS800/900 -- with 30.0 section modulus frame	E0HZ 9B086-B	#D4HS-AA-1 1/2" high x 1 1/2" wide x 52" long-steel channel- use with 75 gallon integral rectangular fuel tank	1
80/	LNT-LT-LTS800/900 -- with 30.0 section modulus frame		Use with 100 or 130 gallon integral rectangular fuel tank	2
80/	F600/800 -- diesel	E0HZ 9B086-C	#E0HT-BA-1 1/2" high x 1 1/2" wide x 51 1/4" long-steel channel- use with 30 or 50 gallon rectangular center step fuel tanks	1
82/	LTL900	E1HZ 9B086-A	#E1HT-AA-1 1/2" high x 1 1/2" wide x 40" long-aluminum channel-use with dual mtd. 95 gallon cylindrical fuel tanks	2
82/	LTL900		Use with dual mtd. 120 gallon cylindrical fuel tanks	3

1980/  
TRUCK SERIES 600/900

YEAR	MODEL/RESTRICTIONS	PART NUMBER	DESCRIPTION	QTY.
<b>9B086 MEMBER (FUEL TANK COMPRESSION) — Cont'd</b>				
82/	LTL900	E1HZ 9B086-B	#E1HT-BA-1 1/2" high x 1 1/2" wide x 44 1/4" long—aluminum channel—use with dual mtd. 65 gallon cylindrical fuel tanks	2
80/	CL-CLT900	380784-S2	(NN-11-AE)—pin (fuel tank compression to compression members bracket and fuel tank bracket)—5/8" dia. x 3 3/4" long—clevis—use with cylindrical fuel tanks	2or4
80/	CL-CLT900	379662-S43	(NN-11-AC)—pin (fuel tank compression to fuel tank bracket)—5/8" dia. x 3 5/32" long use with cylindrical fuel tanks	2
<b>9N088-89 PANEL-FUEL TANK SIDE</b>				
88/	LA-LTA900 -- (Aeromax)	E8HZ 9N088-A	#E8HT-AA-R.H.—use w/95 gal. alum. tank	1
88/	LS-LTS900	E8HZ 9N089-A	#E8HT-AA-L.H.—use w/95 gal. alum. tank	1
88/	LA-LTA900 -- (Aeromax)	E8HZ 9N088-B	#E8HT-BA-R.H.—use w/125 gal. alum. tank	1
88/	LS-LTS900	E8HZ 9N089-B	#E8HT-BA-L.H.—use w/125 gal. alum. tank	1
<b>9A090 FUEL TANK COVER PLT.—ATTACHING PARTS</b>				
80/	B-F600/700 -- (Kit)	E0HZ 9A090-A	W/30 or 60 gal. fuel tank	1
<b>9B093 STEP (FUEL TANK)—Also refer to groups 9B141 &amp; 16A470</b>				
80/	C600/800, CT800, F600/700 -- diesel	D4TZ 9B093-A	#D4TA 9B093-AA—use with dual 50 or 75 gallon D type round fuel tanks	2
80/	L-LN-LNT-LT-LTS800/900 -- diesel		Use with 50 or 75 gallon D type round fuel tanks	2
<b>9A095 LABEL (FUEL)</b>				
86/	CF600/700 -- 6 cyl. 401 (6.6L) FNH diesel	E6HZ 9A095-A	English wording	1
86	CF600/700 -- 6 cyl. 401 (6.6L) FNH diesel	E6HZ 9A095-B	French wording	1
87/	CF600/700 -- 6 cyl. 476 (7.8L) FNH diesel	E6HZ 9A095-C	French wording	1
87/	F-B-CL -- w/engine shutdown warning system	E8HZ 9A095-A	#E8HT 9E277-AA—English wording	1
87/	F-B-CL -- w/engine shutdown warning system	E8HZ 9A095-B	#E8HT 9E277-BA—French wording	1
88/89	F/B -- w/gas	E8HZ 9A095-C	English wording	1
88/89	F/B -- w/gas	E8HZ 9A095-D	French wording	1
<b>9099 GUARD (FUEL TANK)</b>				
80/	B600/700	E0HZ 9099-A	#E0HT 9099-AC—use with 60 gallon rectangular tank	1
80/	B600/700	E0HZ 9099-B	#E0HT 9099-BB—use with 30 gallon rectangular tank	1
80/	B600/700	58742-S2	(B-145-H)—bolt (fuel tank guard to frame)—3/4"—10 x 2 1/4" long	11
		34992-S2	(M-89-HF)—nut—3/4"—10—hex. lock	
		44882-S2	(X-34)—washer—flat—3/4"	
<b>9B105 BRACKET ASSY. (FUEL TANK COMPRESSION MEMBER)</b>				
86/89	CF600/700 -- 6 cyl. 401—diesel	E6HZ 9B105-A	#E3HT-AA use with 75 gallon integral rectangular step tank	2
80/	L-LN-LNT-LT800/900 -- diesel	E3HZ 9B105-A	Use with 100 and 130 gallon integral rectangular step tanks	4
80/	L-LN-LNT-LT800/900 -- diesel		Use with 100 or 125 gallon rectangular fuel tanks with integral battery carrier	8
80/	CL-CLT900		Use with dual 30 or 50 gallon rectangular center step fuel tanks	8
80/	F-FT600/800 -- 8 cyl. 501 Detroit 990 diesel, Cat. dsl. 3208 8 cyl. 636			4
82/	LTL900	E1HZ 9B105-A	#E1HT 9B105-AA—use with dual mtd. 65 or 95 gallon cylindrical fuel tanks	8
82/	LTL900		Use with dual mtd. 120 gallon cylindrical fuel tanks	12

**1980/  
TRUCK SERIES 600/900**

YEAR	MODEL/RESTRICTIONS	PART NUMBER	DESCRIPTION	QTY.	
<b>9B106 SHIELD (FUEL VAPOR VALVE)</b>					
80/89	B600/700 -- with ev/em	D3TZ 9B106-A	#D3TA 9B106-AA-use with 30 gallon fuel tank	1	
80/89	C600/900, CT800/900, F-FT600/800 -- with ev/em		Use with 18 and 30 gallon frame mounted or 50 gallon fuel tank	1	
80/89	F-FT600/800, L-LN-LNT-LT-LTS800/900		Use with 50 or 75 gallon D type round step tanks	1or2	
<b>9A123 RESERVOIR ASSY. (ENGINE PRIMER)</b>					
80/	L800, LN600/800, LNT-LT-LTS800 -- Cat. and 8 cyl. 555 Cum. V555 diesel	★ D0HZ 9A123-A r/b9382-820-0886	#D0HA-A, D2HA-AA, D8HT-AA, D9HT-AA, CA-use w/ether cold start aid	1	
80/	L-LN-LNT-LT-LTS800/900 -- 6 cyl. 426 6-71N and 8 cyl. 568 8V-71N, 8V-71T or 8V-71TT Detroit diesels				1
80/	B700, C800, F700 -- Cat. diesel				1
80/	L-LN-LNT-LT-LTS900 -- 6 cyl. 855, 927 and 8 cyl. 903 Cum. diesels				1
80/	CL-CLT900				1
80/	B600/700, C-CT800, F-FT600/800 -- 8 cyl. 501 Detroit 990 diesel				1
<b>9B141 STEP ASSY. (FUEL TANK)-Also refer to groups 9B093 &amp; 16A470</b>					
82/	LTL900	F1HZ 9B141-D	#E1HT-AA,AB, E4HT-AA, F1HT-DA-4 1/2" wide x 47 7/8" long-aluminum-use with L.H. mtd. 65 gallon cylindrical fuel tank	2	
82/	LTL900		Use with dual mtd. 65 or 95 gallon cylindrical fuel tank	4	
82/	LTL900	E1HZ 9B141-B	#E1HT-BA,BB, E4HT-BA-4 1/2" wide x 61 1/2" long-aluminum-use with dual mtd. 120 gallon cylindrical fuel tanks	4	
87/	L-LA-LL-LT-LTA-LS-LTL-LTS-LN-LNT -- diesel	E7HZ 9B141-A	#E7HT-AA-use w/50 gal. fuel tanks-steel or alum.	1	
87/	L-LA-LL-LT-LTA-LS-LTL-LTS-LN-LNT -- diesel	E7HZ 9B141-B	#E7HT-BA-w/75 gal. steel "D" type fuel tank	1	
<b>9142 BRACKET (FUEL TANK SELECTOR VALVE)</b>					
80/89	F-FT600/800	E0HZ 9142-A	#E0HT-AB-use with dual 30 gallon step or 50 gallon rectangular center step fuel tanks	1	
85/	F-FT600/800 -- gas	E5HZ 9142-A	#E5HT-A-use w/dual 35 gal. step or 50 gal. rectangular tanks		
80/86	L800/900, LN600/900, LNT-LT-LTS800/900 -- gas	D3HZ 9142-A	#D3HA-AA-use w/dual 50, 75 gallon rectangular step, 50 gallon cylindrical step, 50 or 75 D type round step tanks	1	
80/86	L800/900, LN600/900, LNT-LT-LTS800/900 -- gas	55981-S2	(U-254-E)-screw (bracket to frame crossmember)-hex. washer head-self tapping-1/4"-14 x 1/2"	2	
<b>9K142 TUBE ASSY. (FUEL TANK LEVEL)</b>					
87/	B-F600/800 -- 6 cyl. 401 (6.6L), 476 (7.8L), FNH diesel	E7HZ 9K142-A	Use w/35 gal. dual step tanks	1	
87/	B-F600/800 -- 8 cyl. 636 3208 Caterpillar diesel				1
87/	B-F600/800 -- 8 cyl. 501-DDA Detroit diesel				1
87/	B-F600/800 -- 6 cyl. 401 (6.6L), 476 (7.8L)-FNH diesel	E7HZ 9K142-B	Use w/50 gal. dual step tanks	1	
87/	B-F600/800 -- 8 cyl. 636-3208 Caterpillar diesel				1
87/	B-F600/800 -- 8 cyl. 501 DDA Detroit diesel				1
<b>9149 SPRING and RETAINER ASSY. (FUEL FILTER ELEMENT)</b>					
80/	C-CT900 -- 8 cyl. 477, 534	B8QH 9149-A		1	
<b>9150 SEAL (FUEL FILTER CENTER BOLT)</b>					
80/81	C-CT-L-LN-LNT-LT-LTS900 -- 8 cyl. 477,534	★ B8QH 9150-A Not replaced		1	

OCTOBER, 1993

COPYRIGHT © 1993-

FORD MOTOR  
COMPANY

—DEARBORN, MICHIGAN

**FINAL ISSUE**

1980/  
TRUCK SERIES 600/900

YEAR	MODEL/RESTRICTIONS	PART NUMBER	DESCRIPTION	QTY.
<b>9A151 BRACKET (STARTING FLUID RESERVOIR MOUNTING)</b>				
86/	CF600/800 -- 6 cyl. 401 (6.6L), 476 (7.8L)-FNH diesel	E6HZ 9A151-A	Lower	1
86/	CF600/800 -- 6 cyl. 401 (6.6L), 476 (7.8L)-FNH diesel	E6HZ 9A151-B	#E5HT 9N202-AA	1
80/	C700/800, CT800 -- 8 cyl. 636 Cat. 3208 diesel	D5HZ 9A151-B	#D5HA 9A151-BA, E0HT 9A151-BA-engine primer fluid reservoir mounting	1
80/	B700, C-CT800, F700 -- diesel	E0HZ 9A151-A	#E0HT-AB-engine primer fluid reservoir mounting	1
82/	F-FT700 -- w/3208 Cat. 6.6L or 7.8L FNH diesel	E2HZ 9A151-A	#E2HT-AA	1
80/83	LN700 -- 8 cyl. 636 Cat. 3208 diesel	D0HZ 9A151-A	#D0HA-K	1
84/	L-LN-LNT-LT-LTS700/800 -- 8 cyl. 636, 3208 Cat. diesel	E4HZ 9A151-A	#E4HT-AA,AB	1
80/	L-LN-LNT-LT-LTS800/900 -- exc. disc. brakes- Cat., Detroit and Cum. diesels- exc. Detroit 8V-71T diesel	D0HZ 9A151-B	#D0HA-G, D1HA 9A151-BA	1
80/	L-LN-LNT-LT-LTS800/900 -- with disc brakes- Cat., Detroit, Cum. diesel- exc. Detroit 8V-71T diesel	D5HZ 9A151-C	#D4HA-AA, D5HA 9A151-CA	1
80/86	LN-LNT900 -- Detroit 8V-71T diesel	D5HZ 9A151-A	#D5HA-AA-engine primer fluid reservoir mounting	1
84/86	LNT900 -- w/6 cyl. 610-Cum. L10 diesel			1
84/	L-LT-LTS800/900 -- hydraulic brakes	E4HZ 9A151-B	#E4HT-BA	1
80/86	LN600/700 -- diesel	★56120-S	Bolt (starting fluid reservoir bracket to brace)- hex. washer head-5/16"-18 x 3/4"	3
		33770-S4	(M-89-K)-nut-hex. lock-5/16" 18	AR
<b>9A153 VALVE ASSY. (FUEL TANK VENT)</b>				
86/	B,C,CF,F & L series all diesel engines	E8HZ 9A153-A	#E8HT-AA	1
<b>9155 FILTER ASSY. (FUEL)-Also refer to group 9365</b>				
80/81	C-CT-L-LN-LNT-LT-LTS900 -- 8 cyl. 477,534	D3HZ 9155-A	*FG-28-A	1
80/	All trucks with 5/16" or 3/8" fuel lines	C2RZ 9155-A	*FG-2-inline filter assy.	1
80/	All trucks w/Cum. diesels	C6TZ 9155-A	*FD-152-Kit (fuel filter)-consists of (1) C6RA 9176-A element and (1) C6RA 9C315-A seal	1
80/	L-LN-LNT-LT900 -- diesel	D4HZ 9155-A	*FG-765-#D4HA 9155-AA, D9HT 9155-GA- 1 gallon capacity	1
80/	CL-CLT900			1
82/	LTL900			1
80/81	F-FT600/800 -- 8 cyl. 370,429	D9HZ 9155-B	*FG-802 (filter assy.) consists of (1) C4AZ 9365-A element and (1) C2AZ 9364-A gasket	1
80/81	L-LN-LNT-LT-LTS700/800 -- 8 cyl. 370,429 gas			
80/	B-C-CT-F-FT600/800 -- 8 cyl. 501 990 Detroit diesel	E1PZ 9155-A	*FD 789-secondary	1
80/	L-LN-LNT-LT-LTS800 -- 6 cyl 318 Detroit diesel			
86/	CF600/800 -- 6 cyl. 401 (6.6L) & 474 (7.8L)	★ E7HZ 9155-A	#E6HN-AA-Note: Service details only- E6HZ 9N180-A bracket, E7HZ 9365-B filter	1
87/	B-F-FT600/900 -- 401 (6.6L) & 474 (7.8L)			1
87/	L-LN-LNT-LT-LTS800			1
	LN-LNT800 -- 401 (6.6L) & 474 (7.8L)			1
80/	B600/700,C600/800,CT800,	D9PZ 9155-A	*FG-788-incl. (1) filter, (1) filter gasket, (1) fitting gasket-component of 9510 carburetor assy.	1
80/	F-FT600/800,L800,LN600/800,			
80/86	LNT-LT-LTS800 -- 8 cyl. 370,429			

**1980/  
TRUCK SERIES 600/900**

YEAR	MODEL/RESTRICTIONS	PART NUMBER	DESCRIPTION	QTY.
<b>9155 FILTER ASSY. (FUEL)-Also refer to group 9365 -- Cont'd</b>				
85/	B-C-F-FT600/800 -- 8 cyl. 370, 429 gas	E6HZ 9155-G	Includes E6HZ 9365-C element- spin on type-mounts on frame	1
80/85	B600/700, F-FT600/800 -- 8 cyl. 501 Detroit 990 diesel	E0HZ 9155-C	*FD-260-#E0HT 9155-C2A-primary-spin on type-use w/9B065 base	1
86/	B-F600/800 -- 8 cyl. 501 Detroit diesel	E0HZ 9155-D	*FD-260-FP	1
80/81	B700 -- 8 cyl. 370,429- Kentucky school bus	E1HZ 9155-C		
80/81	B700 -- gas-8 cyl. 370,429- Kentucky school bus	E1HZ 9155-BA	Also avail in 9350 kit-includes C4AZ 9365-A element	1
80/	C-F,L-LN-LNT-LT-LTS600/800 -- w/electric in tank fuel pump	E2TZ 9155-A	*FG-839-includes (1) C4AZ 9365-A element-mounts in normal fuel pump location	1
80/	CL-CLT900	E1HZ 9155-A	*FD-267 incl. (1) E1HZ 9365-A element-spin-on type	1
80/	L-LN-LNT-LT-LTL-LTS900			
80/85	B-C-F600/800 -- 8 cyl. 370,429 gas engine	E2TZ 9155-A	*FG-839-includes (1) C4AZ 9365-A element-use w/intank electric fuel pump-mounts on engine	1
80/85	L-LN-LNT-LT-LTL-LTS -- 8 cyl. 370,429 gas engine			1
86	LTL900 -- 6 cyl. 893 Cat. diesel	E6HZ 9155-E	*FD-828-spin on type-primary-secondary filter part of engine	1
80/	CL-CLT900	86341-S100	(I-46-E)-elbow (fuel filter to engine) 5/8" tube-7/8"-14 male thread both ends- adjustable-45°-use with 1 gallon capacity fuel filter	1
80/	CL-CLT900	388019-S	(II-29-CE)-elbow (fuel filter to engine) -1/2" tube-7/8"-14 male thread one end- 3/4"-16 male thread other end-adjustable- 45°-use with 1 gallon capacity fuel filter	1
80/	CL-CLT900	385811-S	(II-221)-elbow assy. (fuel filter to hose)-7/8"-14 male thread and 1/2"-14 female pipe thread	1
86/	CF600/700 -- FNH diesel 6 cyl. 401, (6.6L) 474 (7.8L)	390003-S	(II-28-UB)-connector-5/16" flareless tube-9/16-24 & 1/2"-20 male threads-includes "O" ring-connects lines to 9155 filter	1
86/	CF600/700 -- FNH diesel-6 cyl. 401 (6.6L)	44726-S2	*X-24-A (att. fuel filter)-3/8" flat washer	2
86/	CF600/700 -- FNH diesel-6 cyl. 401 (6.6L)	34792-S2	*X-66-A (att. fuel filter)-3/8" lockwasher	2
<b>9156 FUEL FILTER LINE-Improvise from bulk tubing (2269)</b>				
80/	C-CT800/900	372016-S	(II-161-A)-fitting (tube assy.-fuel filter to selector valve to fuel filter)-pipe elbow-1/4"	1
80/	C-LN600/700 -- diesel w/L.H. step tank	87383-S	(I-37)-elbow (fuel filter line to tank)-flared tube- 5/16"-1 5/32" long	1
<b>9A163 SHIELD (ENGINE PRIMER RESERVOIR VALVE)</b>				
86/	CF600/800 -- 6 cyl. 401 (6.6L), 476 (7.8L) FNH diesel	D5HZ 9A163-A	D5HA 9B186-AA	1
80/	C700/800, CT800 -- 8 cyl. 636 Cat. 3208 diesel			1
86/	CF600/700 -- FNH diesel -6 cyl. 401 (6.6L)			1
80/	CL-CLT900			1
80/	C-CT800 -- 8 cyl. 501 Detroit 990 diesel			1
84	L-LT-LTS800/900 -- hydraulic brakes	E4HZ 9A163-A	#E4HT 9B186-AA	1
<b>9171 CLAMP (HOSE)</b>				
80/	C600/700 -- diesel	8M 9171-B	1/2" dia.-self tightening type-engine ventilation breather	1
80/	C600/700 -- diesel		Radiator shutter thermostat vacuum hose	2
80/	LN600/700 -- diesel		Engine ventilation breather	1

OCTOBER, 1993

COPYRIGHT © 1993-

FORD MOTOR  
COMPANY

-DEARBORN, MICHIGAN

**FINAL ISSUE**

**1980/  
TRUCK SERIES 600/900**

YEAR	MODEL/RESTRICTIONS	PART NUMBER	DESCRIPTION	QTY.
<b>9180 BRACKET (FUEL FILTER)</b>				
86/	CF600/700 -- 6.6L, FNH eng. 401 (6.6L)	E6HZ 9180-A	#E5HT-DB	1
80/81	C600/900, CT800/900, F800/800 -- gas	★ C0TT 9180-A Not replaced 8/92		1
80/	CL-CLT900	D8HZ 9180-D	#D7HT 9180-DA-offset bracket- (2) 21/32" dia. holes-(6) 7/16" dia. holes-use with 1 gallon capacity fuel filter	1
80/	CL-CLT900	D8HZ 9180-F	#D7HT 9180-FA,FB-(2) 21/32" dia. holes- (3) 7/16" dia holes-use with 1 gallon capacity fuel filter	1
82/	LTL900	E1HZ 9180-D	#E1HT 9180-DA,DB-use with 1 gallon capacity fuel filter	1
81/84	C-CT800 -- 8 cyl. 501 Detroit 990 diesel	★ E1HZ 9180-E Not replaced	#E1HT 9180-EB - use with E0HZ 9155-C filter assy.	1
85	C-CT600/800 -- 8 cyl. 501 Detroit diesel	E5HZ 9180-B	#E5HT 9180-BA	1
81/	F-FT600/800 -- 8 cyl. 501 Detroit 990 diesel	E1HZ 9180-F	#E1HT 9180-FA - use with E0HZ 9155-C filter assy.	1
85	F-FT600/800 -- 8 cyl. gas	E5HZ 9180-A	#E5HT 9180-CB, CC-use with 35 & 50 gal. rectangular step tank	1
87/	F-FT700/900 -- FNH diesel -6 cyl. 474 (7.8L)-185 H.P., 210 H.P. & 235 H.P.	E7HZ 9180-A	#E7HT 9180-AA	1
87/	B600/700 -- FNH diesel- 6 cyl. 401 (6.6L), 474 (7.8L)	E7HZ 9180-B	#E7HT 9180-BB	1
87/	L800-FNH diesel-6 cyl. 474 (7.8L)-185 H.P., 210 H.P., 225 H.P. & 235 H.P.-exc. 105" BBC	E7HZ 9180-C	#E7HT-CB	1
87/	LT-LTS800 -- FNH diesel -6 cyl. 474 (7.8L)			1
87/	L-LT-LTL-LTS900 -- caterpillar 3406 diesel-6 cyl. 893			1
87/	L800 -- FNH diesel- 6 cyl. 474 (7.8L)-210 H.P., 225 H.P. & 235 H.P.- 105" BBC	E7HZ 9180-D	#E7HT 9180-EB	1
80/	L-LN-LNT-LT-LTS900 -- 6 cyl. Cum. NH, NHC, NTC, PT and 927 diesels	D0HZ 9180-A	#D0HA 9180-F	1
80/81	L-LN-LNT-LT-LTS900 -- gas- 8 cyl. 477, 534	D0HZ 9180-G	#D0HA 9180-G	1
80/	L-LN-LNT-LT900 -- diesel	D4HZ 9180-B	#D4HA 9180-BA-use with 1 gallon capacity fuel filter	1
80/	LN-LNT900 -- cum. NTC-350 diesel w/drop frame	★ D5HA 9180-AA	#D5HA 9180-AA-use with 1 gallon capacity fuel filter-improvise from D4HZ 9180-B	1
84/	CLT900 -- 163", 178", 186", 204" W.B.-6 cyl. 893 Cat. 3406 diesel	E4HZ 9180-D	#E4HT 9180-DA,DB	1
84/	CLT900 -- 148", 152", W.B.-6 cyl. 893 Cat. 3406 diesel	E4HZ 9180-E	#E4HT 9180-EA, E7HT 9180-GA	1
80/81	L-LN-LNT-LT-LTS900 -- 8 cyl. 477, 534	★58634-S4	Bolt (fuel filter to bracket)-hex. hd.-3/8"- 16 x 1"	3
		351385-S7	(XX-158)-washer-flat-3/8"	
80/81	L-LN-LNT-LT-LTS900 -- 8 cyl. 477, 534	★58675-S2	Bolt (fuel filter bracket to frame)-hex. hd.-1/2"- 13 x 1 1/2"	2
81/	LN600/700 -- 8 cyl.501 Detroit 990 diesel	E1HZ 9180-G	#E1HT 9180-GA - use with E0HZ 9155-C filter assy. with 18 gallon fuel tank	1
82/	L-LN-LNT-LT-LTS800/900 -- diesel w/construction exhaust option	E2HZ 9180-A	#E2HT 9180-AA	1

1980/  
TRUCK SERIES 600/900

YEAR	MODEL/RESTRICTIONS	PART NUMBER	DESCRIPTION	QTY.
<b>9180 BRACKET (FUEL FILTER) — Cont'd</b>				
84/85	L-LT900 -- 6 cyl. 893 Cat. 3406 diesel	E4HZ 9180-B	#E4HT 9180-BA	1
86/	L-LT900 -- 6 cyl. 893 Cat. 3406 diesel	E6HZ 9180-B	#E6HT-AA-w/vert. & horiz. exhaust	1
88	LN-LNT900 -- 6 cyl. 893 Cat. 3406 diesel	E8HZ 9180-A	#E8HT-AA	1
84/	LTL900 -- 6 cyl. 893 Cat. 3406 diesel	E4HZ 9180-C	#E4HT 9180-CA	1
80/		44735-S8	(X-32) washer flat-1/2"	
80/86		★34989-S4	Nut-hex. lock-1/2"-13	
<b>9N180 COVER ASSY FUEL FILTER</b>				
87/	CF600/800,B-F-FT600/900, L-LN-LT-LNT-LTL -- 6.6, 7.8L	E6HZ 9N180-A	#E5HN 9N180-AB, use w/E7HZ 9365-B Detail of E6HN 9155-AA	1
<b>9N184 ELEMENT ASSY. (FUEL/WATER SEPARATOR)</b>				
87/	B-F600 -- FNH diesel- 6 cyl. 401 (6.6L)	E7HZ 9N184-B	#FD 3370	1
86/	CF600/800 -- FNH dsl. (6.6L) & (7.8L)			
87/	B-F-FT700/800 -- FNH diesel -6 cyl. 474 (7.8L)			1
87/	L-LN-LNT-LT-LTS800 -- FNH diesel-6 cyl. 474 (7.8L)			1
86/	B-F-L600/800 FNH diesel	E6HZ 9N184-A	Cold Weather Only	1
<b>9188 SPACER (FUEL FILTER)</b>				
81/	LN600/700 -- 8 cyl. 501/ Detroit 990 diesel	E1HZ 9188-A	#E1HT 9188-AA - steel - 1" x 1" x 3 3/16" long -use with E0HZ 9155-C filter assy.	1
<b>9189 VALVE ASSY. (FUEL SHUT OFF)</b>				
80/86	L800/900, LN600/900, LNT- LT800/900 -- diesel	D0HZ 9189-A	Use with 50 or 75 gallon rectangular step, 100 gallon cylindrical step or 50, 75 and 100 gallon D type round step dual mounted tanks-with 1/2" fuel tubing	2
80/86	F600/700 -- diesel		Use with 50 or 75 gallon dual D type round step tanks	2
80/	L-LN-LNT-LT800/900 -- diesel	C1TZ 9189-C	Two ports-use with 75, 100 or 130 gallon integral rectangular step tanks	1or2
80/	CL-CLT900		Use with 100 or 125 gallon dual rectangular fuel tanks with integral battery carrier also 75,95 and 120 gallon dual cylindrical fuel tanks	2
80/	F-FT600/900 -- diesel		Use with dual 30 or 50 gallon rectangular center step fuel tanks	2
88/	LA-LTA900 -- diesel			
82/	LTL900	E1HZ 9189-A	Use with dual mtd. 65, 95 or 120 gallon cylindrical fuel tanks	2
86/	CF600/700 -- 6 cyl. 401 (6.6L)-FNH diesel	E6HZ 9189-A		2
80/	CL-CLT900	384399-S100	(II-201-BJ)-tee assy. (adapter to fuel shut-off valve)-1/2" tube-(2) 1/2"-14 male pipe thread- (1) 11/16"-20 female thread-use with 100 gallon fuel tank and Detroit 6-71N diesel	1
<b>9189 VALVE ASSY. (FUEL TANK SELECTOR)</b>				
80/	C700/900, CT800/900 -- gas	C6TZ 9189-A	With auxiliary fuel tanks-two pc. design	1
80/89	F-FT600/800 -- gas	C1TZ 9189-B	2 1/4" body-1/4" pipe thread 3 ends (bottom outlet)-use with 50 or 75 gallon dual D type round step tanks	1
80/	F-FT600/800 -- gas	D5TZ 9189-B	#D8TB 9F271-AA, D9TB 9F271-AA-valve and solenoid assy. (fuel tank selector use with dual 30 or 50 gallon rectangular center step fuel tanks	1
80/86	L800/900, LN600/900, LNT- LT-LTS800/900 -- gas	D3HZ 9189-C	#D3HA 9A029-BA-use with 50, 75 gallon rectangular step tanks, 50 gallon cylindrical step tanks or 50 and 75 gallon D type round step tanks- manually operated	1



1980/  
TRUCK SERIES 600/900

YEAR	MODEL/RESTRICTIONS	PART NUMBER	DESCRIPTION	QTY.	
<b>9189 VALVE ASSY. (FUEL TANK SELECTOR) — Cont'd</b>					
80/86	L800/900, LN600/900, LNT-LT-LTS800 -- gas	★56103-S2	Bolt (valve to bracket)-hex. washer head-(UBS)-1/4"-20 x 1/2"	2	
		33769-S2	(M-89-J)-nut-hex. lock-(UBS)-1/2"-20		
80/86	L800/900, LN600/900, LNT-LT-LTS800/900 -- gas	★385558-S	Grommet (valve to floor pan)	1	
<b>9189 VALVE ASSY. (ENGINE PRIMER)</b>					
86/	CF600/700 -- diesel	E6HZ 9189-B	#D2HA 9B349-AA	1	
80/	L800, LN600/800, LNT-LT-LTS800 -- Cat. diesel	★D0HZ 9189-C r/b9382 820-2400	#D0HA 9B349-A, D2HA 9B349-AA, D7HT 9B349-AA, D8HT 9B349-AA-used w/ether cold start aid	1	
80/	L-LN-LNT-LT-LTS900 -- Cum. 6 cyl. 855 diesel			1	
80/	L-LN-LNT-LT-LTS800/900 -- Detroit 6 cyl. 426 6-71N and 8 cyl. 568 8V-71N, 8V-71T, or 8V-71TT diesels			1	
80/	B700, C600/800, CT800, F700 -- Cat. or Detroit diesel			1	
80/	CL-CLT900			1	
	CF600/700 -- 6 cyl. 401 diesel			1	
80/86	L800/900, LN600/900, LNT-LT-LTS800/900 -- diesel	★56103-S4	Bolt (valve to bracket)-hex. head-1/4"-20 x 3/4"	2	
		★34975-S4	Nut-hex. lock-1/4"-20		
80/86	L800/900, LN600/900, LNT-LT-LTS800/900 -- diesel	381743-S	(II-187-Z)-elbow (tube to valve)-1/8" pipe x 1/4" tube-90° bend	1	
<b>9197 PLATE (FUEL TANK SELECTOR VALVE REINFORCEMENT)</b>					
80/	F-FT600/800 -- gas	C7TZ 9197-A	#"OFF-AUX-MAIN"-used w/saddle and 50 or 60 gallon cylindrical tanks dual mounted Use with 50 or 75 gallon dual D type round step tanks	1	
<b>9202 FLOAT ASSY. (FUEL TANK SENDER)</b>					
80/89	All trucks	★COAZ 9202-A		1	
<b>9B208 REINFORCEMENT (FUEL TANK GUARD)</b>					
80/	B600/700	E0HZ 9B208-B	#E0HT 9B208-BB-use with 30 or 60 gallon rectangular fuel tank	1	
YEAR	MODEL/RESTRICTIONS	ENGINE CYL. C.I.D. (C.C.D.)	PART NUMBER	DESCRIPTION	QTY.
<b>9A227 HOSE FUEL TANK VENT VALVE TUBE</b>					
88	CF700/800 -- FNH dsl.	6 7.8L	E8HZ 9A227-A	#87HU-AA -- use w/35 gal. rect. tank-(2) reqd. R.H.-(1) reqd. L.H.	AR
YEAR	MODEL/RESTRICTIONS	PART NUMBER	DESCRIPTION	QTY.	
<b>9229 Refer to Carburetor Parts Lists Section 95, page 1</b>					
<b>9B232 CLIP (FUEL TANK STEP RETAINER)</b>					
82/	LTL900	E1HZ 9B232-A	3/4" wide x 1 7/16" long x 5/16" thick-aluminum-use with L.H. mtd. 65 gallon cylindrical fuel tank	8	
82/	LTL900		Use with dual mtd. 65 or 95 gallon cylindrical fuel tanks	16	
82/	LTL900		Use with dual mtd. 120 gallon cylindrical fuel tanks	24	
82/	LTL900	58618-S2	(B-53-A)-bolt (clip to fuel tank step to strap)-5/16"-18 x 1" hex. head-use with L.H. mtd. 65 gallon cylindrical fuel tank	8	
82/	LTL900		Use with dual mtd. 65 or 95 gallon cylindrical fuel tanks	16	
82/	LTL900		Use with dual mtd. 120 gallon cylindrical fuel tanks	24	
		34976-S100	(M-89-CB)-nut-5/16"-18 hex. lock		
		44722-S8	(X-19)-washer-5/16" flat		

**1980/  
TRUCK SERIES 600/900**

YEAR	MODEL/RESTRICTIONS	PART NUMBER	DESCRIPTION	QTY.
<b>9236-7 TUBE ASSY. (FUEL TANK OUTLET) - also refer to group 9N312</b>				
80/	B600/700, F-FT600/800 -- with ev/em	★ D3TA 9236-AA	11 3/8" long-cut from C2TZ 9236-C-use with 18 and 30 gallon frame mounted fuel tanks Use with 50 gallon fuel tanks	1
80/	C600/900, CT800/900 -- with ev/em			1
86	CF600/700 -- 6 cyl. 401 (6.6L) FNH diesel	E6HZ 9236-A	Suction end-includes flange	1
86	CF600/700 -- 6 cyl. 401 (6.6L) FNH diesel	E6HZ 9236-B	Return end-includes flange	1
87/	CF600/800 -- 6 cyl. 401 (6.6L), 476 (7.8L) FNH diesel	E7HZ 9236-A	#87HU 9236-AA-use w/single 75 gal. tank	1
80/ 80/86	C600/800, CT800, F-FT700/800, L-LN-LNT-LT-LTS800 -- gas	C2TZ 9236-C	24 1/2" long-use w/ "D" type round step tanks w/mechanical fuel pump-cut to length as necessary	1or2
80/	LN600/750 -- gas-mechanical fuel pump		24-1/2" long-use w/rectangular fuel tanks-cut to length as necessary	1or2
80/	F600/800 -- gas-electric fuel pump			
80/	F-FT600/800 -- diesel	E0HZ 9236-A	#E0HT 9D282-AA,AB-13 3/4" long-use with 30, 35 or 50 gallon rectangular center step fuel tanks	1or2
81/	F-FT600/800 -- diesel- "From 12/1/80 to 12/83"	E1HZ 9236-A	#E1HT 9D282-AA - use with 35 or 50 gallon rectangular center step fuel tanks	1or2
83/85	F-FT600/800 -- w/intank electric fuel pump "From 12/83"	E3HZ 9236-D	#E3HT 9D282-DA-use with 35 & 50 gal. rectangular center step fuel tanks	1
86/	B-F600/800 -- 8 cyl. 501 Detroit diesel	E6HZ 9236-C	#E6HT 9D282-A	1
86/	LN-LNT600/900 -- 8 cyl. 501 Detroit diesel			1
83/	F-FT600/800 -- 8 cyl. 636 3208N cat. diesel	E4HZ 9236-A	#E3HT-AA, E4HT-AA-50-7/8" approx. developed length	1
82/84	C-CT-F-FT600/800 -- w/8 cyl. 370,429 gas "Before 12/83"	★ E3HZ 9236-AA Not replaced	#E3HT 9D282-AA- use w/35 and 50 gal. "D" tanks w/mech. fuel pump	1
83/84	L-LN600/700 -- w/8 cyl. 370,439 gas "Before 12/83"			1
83/	C600/800 -- 8 cyl. 370, 501 gas & diesel	E3HZ 9236-F	#E3HT 9D282-FA-E4HT 9D282-BA,BB, E5HT 9D282-EA-use w/35 & 50 gal. "D" tanks w/mechanical fuel pump	1
85	F-FT600/800 -- 8 cyl. 636 3208N Cat. diesel		w/mech. fuel pump-50 gal. rect. ctr. step fuel tank	
83/85	L-LN800 -- 8 cyl. 370 gas "From 12/83 to 2/85"			1
85	C600/700 -- 8 cyl. 370,429 gas "From 2/85"	★ E5HZ 9236-B Not replaced	#E5HT 9D282-BA-20 13/16" long- 90° elbow on one end-use w/50 gal. "D" tank	1
82	C600/800 -- 8 cyl. 370,429 gas-w/mech. fuel pump	E2HZ 9236-B	Use w/50 or 75 gal. "D" tank	1
82	L-LN-LNT-LT-LTL-LTS800 -- 8 cyl. 370,429 gas w/mech. fuel pump			1
83/	C-CT-F-FT600/800 -- w/8 cyl. 370,429 gas "Before 12/83"	E3HZ 9236-B	#E3HT 9D282-BA-use 30 gal. steel "D" tank w/mech. fuel pump	1
83/84	L-LN-LNT-LT-LTS600/800 w/8 cyl. 370,429 gas "Before 12/83"			1
83/	C600/800 -- 8 cyl. 370,429 gas "From 12/83"	E3HZ 9236-G	#E3HT 9D282-GA-E4HT 9D282-CA,CB-use w/30 gal. "D" tanks w/mechanical fuel pump	1
82/84	LN-LNT800 -- 8 cyl. 370,429 gas "Before 12/83"	E3HZ 9236-C	#E3HT 9D282-CA-use w/50 gal. rectangular tank w/mech. fuel pump	1
82	F600/800 -- 8 cyl. 370,429 w/mech. fuel pump			1
84/89	F-FT-LN-LNT600/800 -- 8 cyl. 370 gas "From 12/83"	E3HZ 9236-E	#E3HT 9D282-EA-E3HT 9D282-AA,AB-use w/50 gal. rectangular tank with mechanical pump	1

**1980/  
TRUCK SERIES 600/900**

YEAR	MODEL/RESTRICTIONS	PART NUMBER	DESCRIPTION	QTY.
<b>9240 INSULATOR (FUEL TANK)</b>				
80/86	LN600/750	D5HZ 9240-A	#D5HA-AB,AC-steel-53" long x 11 1/4" wide-use with 25 gallon plastic tank	1
80/86	L-LN-LNT-LT-800/900 -- gas		Use with 25 gallon plastic tank	1
80/	B600/700	D8HZ 9240-A	#D7HT-AB-steel 35" long x 6" wide-use with 30 gallon frame mounted fuel tank	1
80/	B600/700	D8HZ 9240-B	#D7HT-BB-steel 68 1/2" long x 6" wide-use with 60 gallon frame mounted fuel tank	1
80/86	L800/900, LN600/900, LNT-LT800/900 -- gas	★56103-S4	Bolt (fuel tank insulator to bracket)-hex. washer head-(UBS)-1/4"-20 x 3/4"	4
80/	LN600/700 -- diesel			4
		356414-S	(XX-110)-washer-flat-5/16"	
		33769-S2	(M-89-J)-nut-hex. lock-(UBS)-1/4"-20	
<b>9240 SHIELD (FUEL TANK HEAT) - Also refer to group 9A032</b>				
80/86	LTS800/900 -- gas	D5HZ 9240-C	#D5HA 9A032-CA-steel - 31 3/4" long x 11 1/4" wide - use with R.H. 25 gallon plastic fuel tank	1
80/	B600/700	E2HZ 9240-B	#E0HT-AA,AB, E2HT 9240-DA-77 3/8" long-use with 60 gallon rectangular fuel tank	1
80/	B600/700	E2HZ 9240-A	#E0HT-BA,BB, E2HT 9240-CA-42 1/4" long-use with 30 gallon rectangular fuel tank	1
81/86	LN600/700 -- gas	E1HZ 9240-A	#E1HT-AA - steel - 40" long x 7 11/16" wide - use with 18 gallon fuel tank	1
81/	LN700 -- diesel		Use with 18 gallon fuel tank	1
81/	LN700/800,LNT800 -- diesel		Use with 50 gallon rectangular step fuel tank	1
80/86	LTS800/900 -- gas	★56103-S4	Bolt (fuel tank heat shield to bracket)-hex. washer head (UBS)-1/4"-20 x 3/4"	4
		356414-S	(XX-110)-washer-flat-5/16"	
		33769-S4	(M-89-J)-nut-hex. lock (UBS)-1/4"-20	
80/81	LTS900 -- 8 cyl. 477, 534	★58634-S2	Bolt (fuel tank heat shield to bracket)-hex. head-3/8"-16 x 1"	2
		351385-S7	(XX-158)-washer-flat-3/8"	
		★34987-S4	Nut-hex.-3/8"-16	
<b>9258 BRACKET (FUEL TANK INSULATOR MOUNTING)</b>				
80/	LN600/700	D5HZ 9258-D	#D5HA-DA -use with 25 gallon plastic fuel tank-bolt each end - use with 100 or 125 gallon rectangular fuel tanks with integral battery carrier fuel tank	2
80/	LN600/700	D0HZ 9258-B	#D0HA-B-use with 25 gallon plastic fuel tank	1
80/	L-LN-LNT-LT-LTS800/900 --	D5HZ 9258-B	#D5HA-BA-use with 25 gallon plastic fuel tank	2
80/86	L-LN-LNT-LT800/900 -- gas	D5HZ 9258-A	#D5HA-AA-use with 25 gallon plastic fuel tank	1
<b>9R270 BOX ASSY. (FUEL)</b>				
86/	CF600/700 -- 6 cyl. 401 (6.6L)-FNH diesel	E6HZ 9R270-A		1
87/	B-F-FT600/900 -- FNH diesel -6 cyl. 401 (6.6L), 474 (7.8L)	E7HZ 9R270-A		1
87/	CF600/800 -- FNH diesel-6 cyl. 401 (6.6L), 474 (7.8L)			
87/	L-LN-LNT-LT-LTS800 -- FNH diesel-6 cyl. 474 (7.8L)			1
86/	CF600/700 -- FNH-diesel-6 cyl. 401 (6.6L)	357235-S	*BB-136 (att. fuel box assy.)-Bolt-hex head-5/16"-18 x 7/8"	2
86/	CF600/700 -- FNH-diesel-6 cyl. 401 (6.6L)	44722-S8	*X-19 (att fuel box assy.)-flat washer-5/16"	2

1980/  
TRUCK SERIES 600/900

YEAR	MODEL/RESTRICTIONS	ENGINE		PART NUMBER	DESCRIPTION	QTY.
		CYL.	C.I.D. (C.C.D.)			
<b>9R271 TUBE ASSY. (FUEL BOX TO FUEL PUMP)</b>						
86	CF700/800 -- FNH diesel	6	6.6	E6HZ 9R271-B		1
87/88	CF-CFT600/900 -- FNH diesel "Before 3/88"	6	6.6, 7.8	E7HZ 9R271-C		1
87/88	B-F-LN700 -- FNH diesel (170 H.P.) "Before 3/88"	6	6.6			1
87/88	B-F-FT-L-LN-LNT-LS-LT-LTS 700/900 -- FNH diesel "Before 3/88"	6	7.8			1
88/	CF-CFT600/800 -- FNH diesel "From 3/88"	6	6.6, 7.8	E8HZ 9R271-A	Includes sleeve E6HZ 9N951-C	1
88/	B-F-LN700 -- FNH diesel- (170 H.P.) "From 3/88"	6	6.6			1
88/	B-F-FT-L-LN-LNT-LS-LT-LTS 700/900 -- FNH diesel "From 3/88"	6	7.8			1
87/	B-F600 -- FNH diesel	6	6.6	E7HZ 9R271-D		1
89	B-F-L-LN-LS700/800 -- FNH diesel-(185 H.P.)	6	6.6			1
<b>9R272 TUBE ASSY. (FUEL PUMP TO FUEL BOX)</b>						
86	CF700/800 -- FNH diesel	6	6.6	E6HZ 9R272-B		1
87/88	CF-CFT600/900 -- FNH diesel- "Before 3/88"	6	6.6, 7.8	E7HZ 9R272-C		1
87/88	B-F-LN700 -- FNH diesel- (170 H.P.) "Before 3/88"	6	6.6			1
87/88	B-F-FT-L-LN-LNT-LS-LT-LTS 700/900 -- FNH diesel "Before 3/88"	6	7.8			1
88/	CF-CFT600/800 -- FNH diesel "From 3/88"	6	6.6, 7.8	E8HZ 9R272-A	Includes sleeve E6HZ 9N951-C	1
88/	B-F-LN700 -- FNH diesel- (170 H.P.) "From 3/88"	6	6.6			1
88/	B-F-FT-L-LN-LNT-LS-LT-LTS 700/900 -- FNH diesel "From 3/88"	6	7.8			1
87/	B-F600 -- FNH diesel	6	6.6	E7HZ 9R272-D		1
89	B-F-L-LN-LS700/800 -- FNH diesel-(185 H.P.)	6	6.6			1
YEAR	MODEL/RESTRICTIONS	PART NUMBER		DESCRIPTION		QTY.
<b>9R272 TUBE ASSY. (FUEL PUMP TO FUEL BOX)</b>						
<b>9273 GAUGE ASSY. (OIL PRESSURE INSTRUMENT PANEL UNIT)</b>						
80/83	B-C-CT-F-FT600/900	E1HZ 9273-B		Not used w/direct reading gauges		1
80/83	L-LN-LNT-LT-LTL-LTS600/900 -- w/city delivery instrument panel					1
86/	CF600/700 -- 6 cyl. FNH diesel	E7HZ 9273-D		#85HU-C		1
80	L-LN-LNT-LT-LTS800 -- diesel- "Before Ser. GJ5,001"	D0HZ 9273-B		Use w/line haul instrument panel and direct reading gauges-use E0HZ 9474-A adapter as necessary		1
80/86	L-LN-LNT-LT-LTS900 -- gas					1
80/89	L-LN-LNT-LT-LTL-LTS900	E2HZ 9273-A		#E2HT-AA,AB-direct reading gauge- has 7/16"-20 male inlet fitting-white alum.		1
89	L-LN-LNT-LT-LTL-LTS900	E7HZ 9273-E		#E7HT-AA-fleet & full instrumentation panels- green alum.		1
80/81	CL-CLT900	D8HZ 9273-A		#D7HT-AB-dial type		1
82/	CL-CLT900	E2HZ 9273-B		#E2HT-BA,BB-direct reading gauge		1
80	L-LN-LNT-LT-LTS800/900 -- w/city delivery instrument panel "Before Ser. GJ5,001"	D8HZ 9273-B		#D8HF-AA-with direct reading gauges-has 5/16"-24 male thread on oil pressure indicator tube fitting		1
80	C-CT800/900 "Before Ser. GJ5,001"					1
82/89	L-LN-LNT-LT-LTS600/800 -- w/city delivery instrument panel	E2HZ 9273-C		#E2HF-AA-w/direct reading gauges		1
81/87	L-LN-LNT-LT-LTS600/900 -- w/city delivery instrument panel	E1HZ 9273-A		#E1HF-AA, D8HF-AB-with direct reading gauges-7/16"-20 male inlet thread		1
80/	C-CT800/900					1

1980/  
TRUCK SERIES 600/900

YEAR	MODEL/RESTRICTIONS	PART NUMBER		DESCRIPTION	QTY.	
<b>9278 GAUGE ASSY. (OIL PRESSURE INSTRUMENT PANEL UNIT) — Cont'd</b>						
87/	B-C-F-FT600/900	E7HZ 9273-A		#E7HF-AA-used w/direct reading gauges	1	
87/	L-LL-LN-LNT-LT-LTS600/900				1	
87/	B-C-F-FT600/900	E7HZ 9273-B		Electronic	1	
87/	L-LL-LN-LNT-LT-LTS600/900					
80/	F600/800	E0TZ 9273-A		#E4TF 9B308-AA-white symbol on dial	1	
80/86	B600/700, C600/900, F-FT600/800	★37611-S7		Screw (gauge attaching)-fillister head- No. 8-32 x 1/4"	2	
		34079-S7		(M-163)-nut (oil pressure gauge terminal)-hex.- No. 10-32	2	
80/	B600/700, C600/900, CT800/900, F-FT600/800	379618-S7-8		(MM-291-E)-nut (gauge to housing)-hex.-stamped- No. 10-32	2	
YEAR	MODEL/RESTRICTIONS	ENGINE		PART NUMBER	DESCRIPTION	QTY.
		CYL.	C.I.D. (C.C.D.)			
<b>9B273 TUBE ASSY. (FUEL PUMP TO FUEL FILTER)</b>						
86	CF700/800 -- FNH diesel	6	6.6	E6HZ 9B273-B		1
87/88	CF-CFT600/800 -- FNH diesel "Before 3/88"	6	6.6	E7HZ 9B273-C		1
87/88	B-F-LN700 -- FNH diesel- (170 H.P.) "Before 3/88"	6	6.6			1
87/88	B-F-FT-L-LN-LNT-LS-LT-LTS 700/900 -- FNH diesel "Before 3/88"	6	7.8			1
88/	CF-CFT600/800 -- FNH diesel "From 3/88"	6	6.6, 7.8	E8HZ 9B273-A	Includes sleeve E6HZ 9N951-C	1
88/	B-F-LN700 -- FNH diesel- (170 H.P.) "From 3/88"	6	6.6			1
88/	B-F-FT-L-LN-LNT-LS-LT-LTS 700/900 -- FNH diesel "From 3/88"	6	7.8			1
87/	B-F600 -- FNH diesel	6	6.6	E7HZ 9B273-D		1
89	B-F-LN-LS700/800 -- FNH diesel-(185 H.P.)	6	6.6			1
YEAR	MODEL/RESTRICTIONS	PART NUMBER		DESCRIPTION	QTY.	
<b>9C273 TUBE ASSY. (FUEL INJECTOR RETURN TO TANK)</b>						
84/	LN900 -- Cum. 6 cyl. 610 diesel	E4HZ 9C273-A		#E4HT 9C273-AA	1	
84/88	LN-LNT900 -- Cat. 3406 6 cyl. 893 diesel "Before 7/88"	E4HZ 9C273-B		#E4HT 9C273-DB	1	
88/89	L-LN-LT-LNT-LS-LTS900 -- w/3406 Cat.	E8HZ 9C273-A		#E8HT-AB	1	
88/89	CL-CLT900 -- w/3406 Cat.					
<b>9A274 TUBE ASSY. OUTLET (FUEL FILTER)</b>						
87/	CF600/700 -- 6 cyl. 401 (6.6L)-FNH diesel	E7HZ 9A274-A			1	
87/	CF700 -- 6 cyl. 476 (7.8L) FNH diesel				1	
<b>9275 GAUGE ASSY. (FUEL TANK UNIT)</b>						
86/	CF600/700 -- 6 cyl. 401 (6.6L) FNH diesel	E6HZ 9275-B		Includes (1) E6HZ 9276-B gasket	1	
87/	CF700/800 -- 6 cyl. 476 (7.8L) FNH diesel	E7HZ 9275-H		#87HU 9275-AA-incl. (1) E6HZ 9276-B gasket	1	
80/	F600/800	D3TZ 9275-E		#C4TF 9275-T,D3TF 9275-EA, EB use with 18 or 30 gallon (outside frame mounted tank)-incl. (1) D3TZ 9276-A gasket and (6) 385272-S36 screw	1	
80/	C600/900, CT800/900			Use with 18 or 30 gallon side mounted fuel tank	1	
80/85	B600/700 "Before 2/85"	D6HZ 9275-A		#D7HT 9275-AA-use with 30 or 60 gallon fuel tank - incl. (1) C1TF 9276-A gasket and (6) 385272-S36 screw	1	
85/86	B600/700 -- 8 cyl. 370, 429 gas "From 2/85"	E5HZ 9275-D		#E5HT 9275-DA,DB-use with 30 or 60 gal. tank-includes (1) C1TF 9276-C gasket	1	

1980/  
TRUCK SERIES 600/900

YEAR	MODEL/RESTRICTIONS	PART NUMBER	DESCRIPTION	QTY.
<b>9275 GAUGE ASSY. (FUEL TANK UNIT) — Cont'd</b>				
85/86	B600/700 - - 8 cyl. 501 Detroit Diesel	E5HZ 9275-K	#E5HT 9275-KA-use w/30 or 60 gal. tank-includes (1) C1TF 9276-C gasket	1
87/	B600/700 - - all diesel	E7HZ 9275-E	#E7HT 9275-EA-all fuel tanks-includes (1) C1TF 9276-C gasket & (5) 385272-S36 screw	
80/	L800/900, LN600/900, LNT-LT- LTS800/900 "From Ser. Q80,001"	D3HZ 9275-D	#D3HF 9275-DA-use with 18 or 25 gallon plastic fuel tank-incl. (1) C1TF 9276-C gasket and (5) 385272-S36 screw Use with 50 gallon rectangular step tank	1 1or2
80/86	LN600/800, LNT-LT900, LTS800/900 - - gas w/city delivery instrument panel		Use with 50 or 75 gallon rectangular step tank	1
80/	L800, LN600/800, LNT-LT-LTL- LTS800 - - diesel w/city delivery instrument panel		Use with 75 gallon rectangular step tank	1
80/	LN600/700, LNT900, LT- LTS800/900 - - w/city delivery instrument panel			
80/	L-LN-LNT-LT800 - - diesel w/city delivery instrument panel	D3HZ 9275-A	#D3HF 9275-AA-use with 100 gallon deep and 130 gallon integral rectangular step tank-incl. (1) C1TF 9276-C gasket and (5) 385272-S36 screw	1
80/	L-LN-LNT-LTS-LT800/900 - - diesel w/city delivery instrument panel	D3HZ 9275-B	#D3HF 9275-BA-use with 75 gallon, 95 gallon and 100 gallon shallow integral rectangular step tank-incl. (1) C1TF 9276-C gasket and (5) 385272-S36 screw	1
80/	L-LN-LNT-LTS-LT800/900 - - diesel w/line haul instrument panel	D3HZ 9275-N	#D3HF 9275-NA-use with 75 gallon, 95 gallon and 100 gallon shallow integral rectangular step tank-incl. (1) C1TF 9276-C gasket and (5) 385272-S36 screw	1
80/	L-LN-LNT-LT800/900 - - diesel w/line haul instrument panel	D3HZ 9275-M	#D3HF 9275-MA-use with 100 gallon deep and 130 gallon integral rectangular step tank-incl. (1) C1TF 9276-C gasket and (5) 385272-S36 screw Use with 100 and 125 gallon rectangular fuel tank with integral battery carrier	1 1or2
80/86	L-LN-LNT-LT-LTS800/900 - - gas- w/city delivery instrument panel	D4HZ 9275-A	#D4HF 9275-AA-use with 50, 75 or 100 gallon D type round tanks-incl. (1) C1TF 9276-C gasket and (5) 385272-S36 screw	1or2
80/86	L-LN-LNT-LT-LTS800 - - diesel- w/city delivery instrument panel			1or2
80/85	C600/900, CT800/900, F600/800 "Before 2/85 to 6/85"			1or2
87/	L-LN-LNT-LT-LTS800 6 & 8 cyl. gas & diesel	E7HZ 9275-A	#E7HT 9275-AA-use w/50 or 75 gal. fuel tank & city delivery instrument panel-includes (1) C1TF 9276-C gasket & (5) 385272-S36 screw	1
85/86	C600/700/800 - - diesel	E5HZ 9275-M	#E5HT 9275-MA-use w/50 gal. "D" tank- includes (1) C1TF 9275-C gasket	1
87/	C600/800 - - all diesel	E7HZ 9275-F	#E7HT 9275-FA-use w/50 gal. "D" tank-includes (1) C1TF 9276-C gasket & (5) 385272-S36 screw	1
85/	C600/800 - - 8 cyl. 370,429 gas "From 2/85"	E5HZ 9275-F	#E5HT 9275-FA,FB-use with 50 gal. "D" tank-includes (1) C1TF 9276-C gasket	1
80/86	L-LN-LNT-LT-LTS900 - - gas-w/ line haul & fleet instrument panels	F1HZ 9275-A	#D4HF 9275-BA-use with 50, 75 or 100 gallon D type round step tanks-incl. (1) C1TF 9276-C gasket and (5) 385272-S36 screw	1or2 1or2
80/	L-LN-LNT-LT-LTS800/900 - -diesel- w/line haul instrument panel			
80	LN600/800	D4HZ 9275-C	#D4HF 9275-CA-use with 50 gallon D type round step tank-incl. (1) C1TF 9276-C gasket and (5) 385272-S36 screw Use with 30 gallon step or 50 gallon rectangular step fuel tank	1 1or2
80	F-FT600/800			

1980/  
TRUCK SERIES 600/900

YEAR	MODEL/RESTRICTIONS	PART NUMBER	DESCRIPTION	QTY.
<b>9275 GAUGE ASSY. (FUEL TANK UNIT) -- Cont'd</b>				
81/84	F600/800 -- gas/diesel	E0HZ 9275-F	#E0HT 9275-FA w/50 gal rectangular step tank	1
81/	LN600/800		use w/50 gal. D type round step tank	1
85/	F-FT600/800 -- 8 cyl. gas	E5HZ 9275-E	#E5HT 9275-EA,EB,EC,ED, #E9HT-AA-use with 35 or 50 gal. rectangular step tanks-	1
85/86	B600/700		includes (1) E5HZ 9276-D gasket	1
87/89	F-FT600/800 (cowl) -- gas	E7HZ 9275-L	#E7HT 9275-HA, #E9HT-HA-use w/35/50 gal. tanks-includes (1) E5HZ 9276-A gasket	1
87/89	B600/700 -- all gas	E7HZ 9275-G	#E7HT 9275-GA-use w/all fuel tanks-includes (1) E5HZ 9276-A gasket	1
85/	F-FT600/800 -- Diesel reg. cab	E5HZ 9275-L	#E5HT 9275-LA, E9HT-EA-use w/35,50 gal. rectangular step tank-includes (1) C1TF 9275-C gasket-EDE5HT-LA	1
87/	F-FT600/800 (cowl) -- diesel	E7HZ 9275-K	#E7HT 9275-KA-use w/30/50 gal. tanks-includes (1) E5HZ 9276-A gasket	1
80/	CL-CLT900	D8HZ 9275-B	#D7HT 9275-BA-use with 75,95 or 120 gallon cylindrical fuel tanks-incl. (1) C1TF 9276-C gasket and (5) 385272-536 screw	1or2
80/85	F600/800 "Before 3/85"	E0HZ 9275-E	#E0HT 9275-EA-use with 18 gallon rectangular fuel tank-incl. (1) C1TF 9276-C gasket and (5) 385272-536 screw	1
85/86	F-FT600/800 -- Diesel "From 3/85"	E5HZ 9275-J	#E5HT 9275-JA-use w/18 gal. rectangular tank-includes (1) C1TF 9276-C gasket	1
87/	F-FT600/800 (cowl) -- diesel	E7HZ 9275-J	#E7HT 9275-JA-use w/18 gal. tank -includes (1) E5HZ 9276-A gasket	1
82/	LTL900	E1HZ 9275-A	#E1HT 9275-AA-Use with 95 or 120 gallon cylindrical fuel tanks-incl. (1) C1TF 9276-C gasket and (5) E0HZ 9N005-B screw and sealer-R.H.-mtd. under cab	2
82/	LTL900	E1HZ 9275-B	#E1HT 9275-BA-Use with 65 gallon cylindrical fuel tanks-incl. (1) C1TF 9276-C gasket and (5) E0HZ 9N005-B screw and sealer	1or2
80/	B600/700, C700/900, CT800/900, F-FT600/800, L800/900, LN600/900, LNT-LT-LTS800/900	385272-S36	(BB-551-CL)-screw and washer assy. (fuel gauge to fuel tank)-sealing type-No. 10-32 x 3/4"	5
<b>9E275 SEAL (FUEL TANK SENDER)</b>				
80/	B600/750, C600/900, CT800/900, F-FT600/800 -- with ev/em	D4TZ 9E275-A	(2) used with 18 or 30 gallon side mounted tank (5) required single 50, 75 or 100 gallon tank (10) required dual tanks	AR
<b>9S275 SHIELD (FUEL-WATER SEPARATOR)-Refer to group 9J309</b>				
<b>9276 GASKET (FUEL GAUGE TANK UNIT)</b>				
86/	CF600/700 -- 6 cyl. 401 (6.6L), 476 (7.8L)-FNH diesel	E6HZ 9276-B		1
85	B-C-F-FT600/800 -- w/ electric fuel pump	E5HZ 9276-D	153-31105-Rubber-use w/50 gal. D tank & 35-50 gal. rectangular step tank- 1/2" O.D.-1/8" thick	1
85	B-F-FT600/800 -- 8 cyl. gas	E5HZ 9276-A	#E5HT 9276-DA-rubber-fuel tank sender-4 3/16" O.D. x 3-11/16" I.D. x 1/4" thick	1
85	B-F-FT600/900 -- 8 cyl. gas	E5HZ 9276-B	#E5HT 9073-rubber-fuel tank cover-8-5/8" O.D.-7-5/8" I.D.-1/4" thick	1
80/	C600/900	C1TF 9276-A	Cork and rubber-2" I.D. x 3 5/32" O.D. x 1/8" thick-six 5/32" dia. holes	1
80/	C600/700 -- diesel		Use with 18 or 30 gal. R.H. side mounted tank	1
80/	B600/700, F-FT600/800 (84)		Use with 18, 30 or 60 gallon frame mounted fuel tank	1

**1980/  
TRUCK SERIES 600/900**

YEAR	MODEL/RESTRICTIONS	PART NUMBER	DESCRIPTION	QTY.
<b>9276 GASKET (FUEL GAUGE TANK UNIT) — Cont'd</b>				
80/	C700/900, CT800/900, L800/900, LN600/900, LNT-LT-LTS800/900	C1TF 9276-C	Gasket (fuel tank gauge)-2 5/8" dia.-5 holes 5/32" dia.-use w/electric fuel pump or D type round and rectangular step tanks	1or2
80/	C700, F600/700 -- diesel		Use with 50 or 60 gal. R.H. cylindrical or D type round tank	1
80/	F-FT700/800 -- gas		Use with 50 or 60 gallon cylindrical, or D type round tanks	1or2
80/	CL-CLT900		Use with 75,95 or 120 gallon cylindrical-fuel tanks and 100 or 125 gallon rectangular fuel tanks with integral battery carrier	1or2
80/86	L-LN-LNT-LT-LTS800/900 -- gas		Use with 25 gallon plastic fuel tank	1
80/	LN600/700		Use with 25 gallon plastic fuel tank	1
80/	L-LN-LNT-LT800/900 -- diesel		Use with 75, 100 and 130 gallon integral rectangular step tanks	1or2
80/	C700/900, CT800/900, L800/900, LN600/900, LNT-LT-LTS800/900	C1TF 9276-C	Use with 50 and 60 gallon tanks	1or2
80/	F-FT600/800 -- gas		Use with 18 gallon rectangular, 30 gallon step and 50 gallon rectangular center step fuel tanks	1
82/	LTL900		Use with 65, 95 or 120 gallon cylindrical fuel tanks	1or2
<b>9276 GASKET (FUEL TANK COVER PLATE)</b>				
80/	C700/900, CT800/900, F-FT700/800, LN600/800	C2TZ 9276-A	"D" shaped-7" O.D.-10 holes-3/32" thick-w/electric fuel pump-#1-218019	1or2
80/84	C600/900, CT800/900, F-FT600/800, L800/900, LN600/900, LNT-LT- LTS800/900 -- gas	E0HZ 9276-A	#E0HT 9073-AA,AB-use with 18, 30 gallon rectangular, 50 gallon rectangular outer step and 50, 75 gallon O type round fuel tanks-"D" shaped-7" O.D.-10 holes-1/8" thick	1
85	B-F-FT600/800	E5HZ 9276-B	#E5HT 9073-AA-rubber-8-5/8" O.D. x 7-5/8" I.D. x 1/4" thick	1
<b>9W277 ENGINE PRIMER FLUID TUBE</b>				
88/	CF700/800	E7HZ 9W277-B	Approx. 118" long	1
88/	CF700/800	E7HZ 9W277-C	Approx. 132" long	1
<b>9278 GAUGE ASSY. (OIL PRESSURE ENGINE UNIT)</b>				
86/	CF600/800 -- 6 cyl.-401 (6.6L), 476 (7.8L) diesel	E7HZ 9278-C	Switch assy.-oil pressure (Light)	1
88/	CF600/800 -- 6 cyl. FNH diesel B-F600/900 -- 6 cyl. FNH diesel	★ E1HZ 9278-C r/bE9HZ 9278-B	*SW-1716 (Lights)-Switch assy.	1
88/	CF600/800 -- 6 cyl. FNH diesel B-F600/900 -- 6 cyl. FNH diesel	E7HZ 9278-D	#E6ZF 90290-BA (Gauges)-Sender assy.	1
80/	B600/700, F FT600/800 -- 8 cyl.-gas	E4ZZ 9278-A	*SW-1547-B-#No. 90-overall length 3 5/32" x 1/4"-18 pipe thread-use w/oil pressure gauge	1
80/81	C-CT-L-LN-LNT-LT-LTS900 -- 8 cyl. 477,534		Not used with direct reading gauges	1
80/	C600/800, CT800, L800, LN600/ 800, LNT-LT-LTS800 -- gas		Sender assy.	1
80/	B700, C700/800, CT800, F700, L800, LN700/800, LNT-LT- LTS800 -- 8 cyl. 636 Cat. V-175, V210 3208 diesel		Use w/oil pressure gauge	1
80/	B600/700, F-FT600/800 -- 8 cyl. 501 Detroit 990 diesel			1
80/	B600/700 -- 8 cyl. 501 Detroit 990 diesel			1
80/	F-FT600/800 -- 8 cyl. 501 Detroit 990 diesel		Use with four gauge instrument cluster	1
81/	L-LN-LNT-LT-LTS800 -- 8 cyl 555 Cummins VT-225 diesel			1



1980/  
TRUCK SERIES 600/900

YEAR	MODEL/RESTRICTIONS	PART NUMBER	DESCRIPTION	QTY.
<b>9278 GAUGE ASSY. (OIL PRESSURE ENGINE UNIT) — Cont'd</b>				
80/	L-LN-LNT-LT-LTS900 -- Cum. V-903 and Detroit diesel	D0HZ 9278-A	*SW-978-use w/engine warning system	1
80/	L-LN-LNT-LT-LTS900 -- 6 cyl. 855, 927 Cum. NH-230, NTC-290,335 and Super 250 diesel			1
80/	CL-CLT900 -- Detroit 6V92, 8V-71 and 8V-92 diesel			1
80/	B600/700, F-FT600/800 -- 8 cyl. 501 Detroit 990 diesel			1
80/	LN-LNT900 -- 6 cyl. 552 Detroit 6V-92TTA diesel			1
80/	F600/800(81) -- 8 cyl. 501 Detroit 990 diesel		Use with two gauge instrument cluster	1
80/	B600/700, F-FT600/800(84) -- 8 cyl. 501 Detroit 990 diesel		Use with two gauge instrument cluster	1
80/	L-LN-LNT-LTS800 -- 8 cyl. 636 Cat. 3208 diesel	D4AZ 9278-A	*SW-1311-#No. 6-1/4"-18 male pipe thread- use w/engine warning system	1
80/	B600/700, F600/800 -- 8 cyl.-gas		Use with 2 gauge instrument cluster & lights	1
80/	C-CT-L-LN-LNT-LT-LT-LTS900 -- 8 cyl. 477,534	C7TZ 9278-F	*SW-670-No. 13 - use w/engine warning system	1
80/81	L-LT LTS900 -- 6 cyl. 893 Cat. 3406 diesel "Before 1/81"			1
80/	LT900 -- 6 cyl. 855 Cum. NTC 350 diesel			1
80/81	CL-CLT900 -- Cum. NTC, KT,KTA and Cat. 3406 diesel "Before 1/81"		Use with engine warning system	1
80/81	C-LN700 -- 8 cyl. 636 Cat. 3208 diesel "Before 1/81"			1
81/	L-LN-LNT-LTS900 -- 6 cyl. 893 Cat. 3406 diesel "From 1/81"	E9HZ 9278-B	*SW-2282-use with engine warning system/engine hour meter Switch Assy.	1
81/	CL-CLT900 -- 6 cyl. 893 Cat. 3406 and Cum. KT, NTC/Form diesel "From 1/81"			1
81/	C-LN700 -- 8 cyl. 636 Cat. 3208 diesel "From 1/81"			1
82/	LTL900 -- 6 cyl-855 Cum. NTC diesel			1
81/	LTL900 -- w/engine warning system			1
87/	F-FT600/900 -- FNH diesel 6 cyl. 401 (6.6L), 474 (7.8L)			1
87/	L-LN-LL-LS-LT-LNT-LTS800 -- FNH diesel 6 cyl. 474 (7.8L)			1
81/82	L-LN-LNT-LT-LTS900 -- Cum. NTC/Form diesel "From 12/80"	E1HZ 9278-D	*SW-1717-No. 10-use with Kysor engine shutdown system	1
81/	LTL900 -- w/o engine warning system			1
83	L-LN-LNT-LT-LTS900 -- 6 cyl. 855 Cum. diesel w/o engine shut down system			1
80/	L-LN-LNT-LT-LTS900 -- 6 cyl. 426 Detroit 6-71 diesel	D8HZ 9278-B	*SW-1514-#D0HS 9278-D, E0HT 9278-AA use with engine warning system	1
80/	L-LN-LNT-LT900 -- 8 cyl. 568 Detroit 8V-71T diesel			1
80/	LN-LNT900 -- 6 cyl. 552 Detroit 6V-92TTA diesel		Use with Kysor engine shut down system	1

**1980/  
TRUCK SERIES 600/900**

YEAR	MODEL/RESTRICTIONS	PART NUMBER	DESCRIPTION	QTY.
<b>9278 GAUGE ASSY. (OIL PRESSURE ENGINE UNIT) — Cont'd</b>				
80/89	L-LN-LNT-LT-LTS900 -- 6 cyl. 855 Cum. NTC diesel	D8HZ 9278-C	*SW-1515-#D2HS 9278-AA, E0HT 9278-BA- use with engine warning system	1
80/89	L-LN-LT800 -- 8 cyl. 636 Cat. 3208 diesel			1
80/	L-LN800/900 -- 6 cyl. 426,522 Detroit 6-71N and 6V-92 diesel	D8HZ 9278-D	*SW-1522-1/8"-27 male pipe thread-use with Kysor audible engine warning system and line haul instrument panel	1
80/	L-LN800/900 -- 8 cyl. 568 Detroit 8V-71T diesel			1
80/	LN-LNT900 -- 6 cyl. 552 Detroit 6V-92TTA diesel			1
86	CF600/700 -- 6 cyl. 401 (6.6L) FNH diesel	E6HZ 9B339-A	Fitting-att. sender to engine	1
80/	L-LN-LNT-LT-LTS900 -- diesel	374503-S	(II-64)-adapter (gauge to engine assy.)-1/8"-27 std. taper pipe thread male and 1/4"-18 std. taper pipe thread female	1
80/	CL-CLT900 -- Cat. 3406 diesel			1
80/	L-LN-LNT-LT900 -- 6 cyl. Detroit 6-71N diesel	371176-S	(II-146-T)-tee (oil pressure engine unit to engine)- 2 1/4"-18 female thread-1 1/4"-18 male thread (brass)	1
80/	CL-CLT900 -- Cum. KT and KTA diesel	370080-S	(II-51)-reducer (gauge to tee)-1/2"-14 male pipe thread to 1/4"-18 female pipe thread-use with engine warning system	1
80/	CL-CLT900 -- Cum. NTC diesel	370817-S	(II-52)-reducer (gauge to engine) - 3/8" - 18 male pipe thread to 1/4"-18 female pipe thread-use with engine warning system	1
80/	L-LN800/900 -- 6 cyl. Detroit 6-71, 6V-92T and 8 cyl. 8V-71, 8V-71T diesel	358267-S	(II-47-A)-adapter (gauge to engine assy.)-1/8"- 27 female pipe thread-1/4"-18 male pipe thread- use with Kysor audible engine warning system and line haul instrument panel	1
<b>9B278 TUBE ASSY. (OIL PRESSURE INDICATOR)</b>				
87/	CF600/800 -- 6.6L & 7.8L	E7HZ 9B278-K	#87HU-AA	1
87/	B-F-FT600/900 -- FNH diesel-6 cyl. 401 (6.6L), 474 (7.8L)	E7HZ 9B278-A	14-1/2" long-use 1 1/4" hose-(1) 7/16" female fitting-(1) 7/16"-20 male fitting	1
87/	B-F-FT600/900 -- FNH diesel-6 cyl. 401 (6.6L), 474 (7.8L)	E7HZ 9B278-B	42" long-use w/1/4" hose-(1) 7/16"-20 female fitting-(1) 7/16"- 20 x 90° male fitting	1
87/88	L-LT-LTS800 -- FNH diesel-6 cyl. 474 (7.8L) 210 & 235 H.P.	E7HZ 9B278-C	82" long-use w/1/4" hose (2) 7/16"-20 female fittings	1
87/88	L800 -- FNH diesel-6 cyl. 474 (7.8L) 185 H.P.			1
89	L-LT-LTS800 -- FNH diesel	E7HZ 9B278-L	124" long-use with 1/4" hose-(2) 7/16"-20 female fittings	1
87/88	LN800 -- FNH diesel- 6 cyl. 474 (7.8L) 185 H.P.	E7HZ 9B278-D	74" long-use w/1/4" hose-(2) 7/16"-20 female fittings-use w/ "Fleet" instrument panel	1
87/88	LN-LNT800 -- FNH diesel- 6 cyl. 474 (7.8L) 210 & 235 H.P.			1
89	LN-LNT800 -- FNH diesel	E7HZ 9B278-T	112" long-use w/1/4" hose-(2) 7/16"-20 female fittings-use w/ "Fleet" instrument panel	1
87/	L800 -- FNH diesel-6 cyl. 474 (7.8L) 185 H.P.	E7HZ 9B278-E	72" long-use w/1/4" hose-(2) 7/16"-20 female fittings-use w/"City Delivery" instrument panel	1
87/	L-LT-LTS800 -- FNH diesel- 6 cyl. 474 (7.8L)-210 & 235 H.P.			1
87/	LN800 -- FNH diesel- 6 cyl. 474 (7.8L)-185 H.P.	E7HZ 9B278-F	64" long-use w/1/4" hose-(2) 7/16"-20 female fittings-use w/ "City Delivery" instrument panel	1
87/	LN-LNT800 -- FNH diesel- 6 cyl. 474 (7.8L)-210 & 235 H.P.			1

**1980/  
TRUCK SERIES 600/900**

YEAR	MODEL/RESTRICTIONS	PART NUMBER	DESCRIPTION	QTY.
<b>9B278 TUBE ASSY. (OIL PRESSURE INDICATOR) — Cont'd</b>				
87/	L-LL-LS-LTS900 -- 6 cyl. 610, 855 Cummins L10 & NTC diesels	E7HZ 9B278-H	#E7HT 9B278-L1A,L2A-55" long (2) 7/16"-20 female swivel fittings	1
87	L-LL-LS-LT-LTL900 -- 6 cyl. 893 Caterpillar diesel	E7HZ 9B278-J	#E7HT 9B278-K1A,K2A-46" long-(2) 7/16-20 female swivel fittings	1
87/	L-LL-LS-LT-LTL900 -- 6 cyl. 610, 855 Cummins LT & NTC diesels			
88/	L-LL-LS-LT-LTL900 -- 6 cyl. 893 Cat. (3406)	E8HZ 9B278-M	#E7HT-MA	1
80/89	L-LN-LNT-LT-LTS900 -- Cum. NH,NTC diesel	D3HZ 9B278-C	79" long-use w/direct reading gauges	1
80/89	LT-LTS900 -- Detroit 6-71N or 8V-71N diesels			1
80/89	LN-LNT900 -- Detroit 6-71N diesel			1
80/89	L-LT-LTS900-Cat. 3406 diesel			1
80/	C700/800,CT800 -- Cat. 3208 dsl.  "From Ser. GJ5,001"	E0HZ 9B278-F	128 1/2" long-use with 1/4" tube-7/16"-20 female thread both ends-use w/direct reading gauges	1
80/	B-F-FT600/800-8 cyl. 501 990 Detroit diesel	E1HZ 9B278-D	30-1/2" long-7/16"-14 female threads both ends-use w/direct reading gauges-use w/ 1/4" tube-cut to length as necessary.	1
80/	B-C700/800, CT800, F700 -- cat 3208 diesel  "From Ser. CJ5,001"			1
80	C700/800 CT800 -- Cat diesel "Before Ser. CJ5,001"	★ D8HZ 9B278-E Not replaced	34-1/2" long-use w/direct reading gauges-cut to length as necessary.	1
80	B-F700 -- Cat Diesel "Before Ser. CJ5,001"			1
80	L-LN-LNT-LT-LTS 700/800 -- Cat diesel "Before Ser. CJ5,001"			1
80/81	L800,LN700/800,LNT- F700 -- Cat. 3208 diesel "From Ser. GJ5,001 to 11/80"	★ E0HZ 9B278-E Not replaced	65 1/2" long-use with 1/4" tube-7/16"-20 female thread both ends-use w/direct reading gauges	1
81/89	L-LN-LNT-LT-LTS700/800 -- Cat. 3208 diesel	E2HZ 9B278-A	78" long-use w/1/4" tube-7/16"-20 female threads both ends	1
80/	CL-CLT900	D8HZ 9B278-A	33 7/16" long-use with direct reading gauges	1
81/88	LN-LNT900 -- Cat. 3208, 3406 -Det. 8V-71, 6V-92 diesels			1
82/88	LTL900 -- Cat. 3406 diesel			1
81/88	L-LT-LTS900 -- Cat. 3208 diesel			1
84/88	LN-LNT900 -- Cum. L10 6 cyl. 610 diesel			1
89	LN-LNT -- Cat. 3208,3406 -Det. 8V-71, 6V-92 diesels	E7HZ 9B278-N	26" long-use with direct reading gauge 1 city delivery instrument panel	1
89	LTL900 -- Cat. 3406 diesel			1
89	L-LT-LTS900 -- Cat. 3206 diesel			1
89	LN-LNT900 -- Cum. L10 (610) diesel			1
80/	CL-CLT900 -- Cat 3406, Cum KT-KTA-NTC diesels	D8HZ 9B278-F	108" long w/90° elbow-use w/ direct reading gauges-cut to length as necessary	1
83	C-CT700/800 -- 8cyl 636- Cat. 3208 diesel			1
80/89	CL-CLT900 -- Detroit diesel	D8HZ 9B278-G	63" long with 90° elbow-use with direct reading gauges	1
82/89	LTL900 -- Cat. 3406 & Cum NTC diesels			1
83/89	LN600/700 -- 8cyl. 501- Detroit 990 diesel			1

**1980/  
TRUCK SERIES 600/900**

YEAR	MODEL/RESTRICTIONS	PART NUMBER	DESCRIPTION	QTY.
<b>9B278 TUBE ASSY. (OIL PRESSURE INDICATOR) — Cont'd</b>				
80/	LN-LNT900 -- Detroit 6V-92TTA diesel	E0HZ 9B278-G	8" long-use with 1/4" tube-7/16"-20 female thread one end-7/16"-20 male thread other end-use with direct reading gauges	1
87	B-F-FT600/800 -- 6 cyl. 401 (6.6L), 476 (7.8L) FNH diesel			1
81/	B-F-FT600/800 -- 8 cyl. 501- 990 Detroit diesel	E1HZ 9B278-D	30" long-7/16"-20 female thread both ends-use w/direct reading gauges-cut to length as necessary	1
81/	C-CT800 -- Cat. 3208 & 8 cyl 501-990 diesels			1
81/	LN600/700 -- 8 cyl. 501 Detroit 990 diesel			1
	"From 11/80"			
81/	L-LN-LNT-LT-LTS 700/800 -- Cat 3208 diesel			1
	"From 11/80"			
80/81	L-LN-LNT-LT-LTS900-8 cyl. 477,534 gas			1
81	LN600/700 -- 8 cyl. 501 Detroit 990 diesel	E1HZ 9B278-A	38" long with 90° elbow - 7/16" - 20 female thread both ends - use with direct reading gauges	1
82/	LTL900 -- Detroit 8V- 92 diesel			1
81/87	L-LT-LTL900 -- Cum. NTC Formula diesel			1
81	L-LT-LTS900 -- Cat. 3406, Det. 6V-71, 8V-71 diesels			1
87/	L-LT-LTL900 -- 6 cyl. 610- Cummins L10 diesel			1
87/	L-LN-LNT-LL-LT-LTL- LTS-LS800/900 -- Cum. 6 cyl. 855 NTC Formula	E7HZ 9B278-G	#E7HT 9B278-D1A,D2A,DA,RA-37" long w/90° 7/16"-20 female swivel & 7/16"-20 male flare adapter	1
80/	LN-LNT900 -- Detroit 6V-92 diesel	D3XZ 9B278-B		1
80/	LN-LNT900 -- Detroit 8V-71 diesel			1
80/	LT900 -- Cum NTC350 diesel			1
83	C-CT700/800 -- 8 cyl. 501- Detroit 990 diesel			1
84	LN-LNT900 -- Cum.-L10- 6 cyl. 610 diesel	★ E4HZ 9B278-A Not replaced	#E4HT 9B278-A1A,A2A-47" long-(1) 7/16"-20 male thread & (1) 7/16"-20 female thread	1
84/89	LN800 -- 8 cyl. 636 Cat. 3208 diesel	★ E4HZ 9B278-B	41" long	1
80/	L-LN-LNT-LT-LTS800	383879-S	(II-38-D)-connector (oil pressure indicator tube to engine)-1/8"-27 male pipe thread one end 5/16"-24 male thread other end-3/4" long-use with direct reading gauges	1
80/	C-CT800/900 -- diesel			1
80/	L-LN-LNT-LT-LTS800 -- diesel	353107-S	(II-46)-bushing (oil pressure indicator tube to tee)- 1/4" to 1/8" reducer	1
80/	B700,C700/800,CT800, F700,L800/900,LN700/800, LNT-LT-LTS800 -- Cat. diesel	384016-S	(II-146-BD)-tee (oil pressure tube 1/4" 18 pipe thread- use with direct reading gauges and remote mount oil pressure sender	1
80/	CL-CLT900	87231-S	(I-27)-connector (oil pressure indicator tube to engine)-1/8"-27 male pipe thread -7/16"-20 male thread	1

**1980/  
TRUCK SERIES 600/900**

YEAR	MODEL/RESTRICTIONS	PART NUMBER	DESCRIPTION	QTY.
<b>9B278 TUBE ASSY. (OIL PRESSURE INDICATOR) — Cont'd</b>				
80/	CL-CLT900 -- Detroit 8V-71 and 8V-92 diesel	387906-S	(II-153-AC)-elbow (tube to engine)-3/4"-14 male pipe thread-1/2"-14 female pipe thread-1/8"-27 female pipe thread -street reducer	1
80/	CL-CLT900 -- Cum. KT and KTA diesel	357518-S	(II-52-A) -connector (oil pressure tube connector to adaptor)-1/2"-14 male pipe thread x 1/8"-27 female pipe thread-use with direct reading gauge and electric engine warning system	1
80/	CL-CLT900 -- Cum. KT and KTA diesel	370081-S	(II-51)-tee-3 way-(engine oil pressure warning and direct reading gauge tube to engine reducer)-1/2"-14 male pipe thread and (2) 1/2"-14 female pipe thread	1
80/	CL-CLT900 -- Cum. KT and KTA diesel	380162-S	(II-50-A)-reducer (tee to engine)-1"-11 1/2 male pipe thread to 1/2"-14 female pipe thread-use with direct reading gauges with electric engine warning system	1
80/	CL-CLT900 -- Cum. KT and KTA diesel	87299-S	(I-31-F)- elbow (tube to engine)-1/8"-27 male pipe thread-7/16"-20 male thread-use with direct reading gauges without electric engine warning system	1
<b>9D278 SOLENOID ASSY. (FUEL SHUT OFF VALVE)</b>				
80/85	C700/800, CT800/900 -- Gas	★ C6TZ 9D278-A Not replaced	#C5TB 9D278-A detail of dual tanks C5TB 9F271-A sol/valve assy.	
86	CF600/700 -- 6 cyl.-FNH diesel	E6HZ 9D278-B	#E5HZ 9D278-BC-Phase I-r/b F3HZ 9A594-A or F3HZ 9N392-AA	1
87/	B-F-FT600/900 -- FNH diesel- 6 cyl. 401 (6.6L), 474 (7.8L)	★ E7HZ 9D278-A r/bF1HZ 9A594-A(3/93)	#E6HN 9D278-AA-Note: r/b F3HZ 9A594-A or F3HZ 9N392-AA Upon availability, then discontinue F1HZ 9A594-A for pre-1992 models	1
87/	CF600/800 -- FNH diesel- 6 cyl. 401 (6.6L), 474 (7.8L)			1
87/	L-LN-LNT-LT-LTS800- FNH diesel-6 cyl. 401 (6.6L), 474 (7.8L)			1
<b>9280 GAUGE ASSY. (FUEL INSTRUMENT PANEL UNIT)</b>				
87/88	B-C600/800	★ E7HZ 9280-A	#E7HF-AA, E7HF 9306-AA	1
87/88	F-FT600/900	r/bE9HZ 9280-A		1
87/88	L-LN-LNT-LS-LT-LTL600/900			1
89	B-C600/800	E9HZ 9280-A	#E9HF-AA, E7HF 9306-AA	1
89	F-FT600/900			1
89	L-LN-LNT-LS-LT-LTL600/900			1
86/	CF600/700 -- 6 cyl. 401 (6.6L)- FNH diesel	E6HZ 9280-A		1
80/86	B-C-CT-F-FT600/800	E1HZ 9280-A		1
80/86	L-LN-LNT-LT-LTS800/900 -- w/city delivery instrument panel			1
80/87	L-LN-LNT-LT-LTS800/900 -- w/line haul instrument panel	E2HZ 9280-A	#E2HT-AA,AB	1
82/87	LTL900 "Before 12/87"			
87/	L-LN-LNT-LT-LTS800/900	E7HZ 9280-B	#E7HT-BA-w/fleet & full instrumentation panels	1
87	LTL900 "From 12/87"			1
80/	CL-CLT900	E2HZ 9280-B	#E2HT-BA,BB	1
80/88	F-FT600/800	E0TZ 9280-A	White symbol on dial	1
80/	B600/700, C600/900, CT800/900, F-FT600/800	★37611-S7	Screw (gauge attaching)-fillister head- No. 8-32 x 1/4"	2
80/	B600/700, C600/900, CT800/900, F-FT600/800	379618-S7-8	(MM-291-E)-nut (gauge to housing)-hex.-No. 10-32	2

**1980/  
TRUCK SERIES 600/900**

YEAR	MODEL/RESTRICTIONS	PART NUMBER	DESCRIPTION	QTY.
<b>9E280 SWITCH ASSY. (FUEL VALVE WARNING OVERRIDE ASSY.)</b>				
87/	B-F600/700 -- FNH diesel- 6 cyl. 401 (6.6L)	★ E7HZ 9E280-A		1
87/	B-F-FT700/900 -- FNH diesel-6 cyl. 474 (7.8L)			1
87/	L-LN-LNT-LT-LTS800 -- FNH diesel-6 cyl. 474 (7.8L)			1
86/	CF600/700 -- FTQ eng.	E7HZ 9E280-B	#E7HT-AC-program no. B74	1
80/89	L-LN-LNT-LT-LTS900 -- 6 cyl. 426 Detroit 6-71 diesel and 6 cyl. 855 Cum. NTC diesel	D8HZ 9E280-A	#D2HS 9E280-AA, D5HS-AA-use with engine warning system	1
80/89	L-LN-LNT-LT900 -- 8 cyl. 568 Detroit 8V-71T diesel			1
80/89	LN-LNT900 -- 6 cyl. 552 Detroit 6V-92TTA diesel		Use with Kysor engine shut down system	1
80/89	L-LN-LT800 -- 8 cyl. 636 Cat. 3208 diesel			1
<b>9F280 TUBE INSTALLATION KIT (OIL PRESSURE GAUGE)</b>				
80/	C-CT-L-LN-LNT-LT-LTS900	C6TZ 9F280-A	Use w/direct reading oil pressure gauge	1
<b>9A281 WIRING ASSY. (OIL PRESSURE INDICATOR SWITCH TO RELAY)</b>				
80/86	L-LN-LNT-LT-LTS800 -- gas	★ D0EB 9A281-A	#D0EB 9A281-A-68 1/4" long-16 gauge-use w/ electric fuel pump-for service use DOHZ 9A281-A	1
80/	F-FT700/800	D3TZ 9A281-A	#D3TB 9A281-AA-use w/electric fuel pump	1
80/	C600/800,CT800 -- 8 cyl. 370,429	D9HZ 9A281-A	#D9HT 9A281-AA-68" long-16 gauge- use w/oil pressure fuel cut off switch	1
83/84 80/	B-F600/800 -- w/electric fuel pump F600/800	E3HZ 9A281-A	#E3HT 9A281-BB, ED-E3HT 9A281-BB, E3HT 9A281-BC #E0HT 9A281-AA,BA-use with electric fuel pump and tractor package-with 30 gallon step and 50 gallon rectangular step fuel tanks-fold back & tape excess wire when necessary	1
85/	B-F-FT600/800 -- W/electric fuel pump	E5HZ 9A281-A	#E5HT 9A281-AA	1
<b>9B281 CLIP (FUEL FILTER BRACKET)</b>				
80/	C-CT-L900, LN600/800, LN-LNT- LT900	B7TZ 9B281-A		1
80/	C700/900, CT800/900, F-FT700/800 -- gas	43252-S8	(U-77)-screw and lockwasher (fuel filter bracket clip to fuel filter bracket)-fill. head- No. 10-32 x 1/2"	1
		34079-S7	(M-163)-nut-hex.-No. 10-32	1
		34803-S7	(X-60)-lockwasher-No. 10	1
80/86	LN600/750 -- 8 cyl. gas	★384015-S	Bolt (final filter line bracket to engine)-square head-No. 10-24 x 7/8"	1
		34655-S8	(M-107)-nut and washer assy.-hex.-No. 10-24	1
<b>9R281 COVER (FUEL TANK HOSE)-Cut from bulk hose</b>				
<b>9282 FUEL LINE - Improve from bulk tubing (9291)</b>				
80/	C-CT800/900 -- gas	352204-S100	(GG-148)-clip (fuel line to frame)-9/16"	AR
81/	B600/700,F-FT600/800 -- 8 cyl. 501 Detroit 990 diesel	87413-S36	(I-42-A)-nut 3/8" tube-5/8"-18 female thread-(steel)	AR
81/	B600/800,F-FT600/800 -- 8 cyl. 501 Detroit 990 diesel	87415-S36	(I-43)-nut 1/2" tube-3/4"-16 female thread-(steel)	AR
<b>9282 FUEL LINE CONVERSION-KIT</b>				
80/86	L-LN-LNT-LT-LTS600/800 -- 8 cyl. 370,429 gas eng.	★ D9HZ 9282-D Not replaced	Required for field fix-must be used in conjunction w/D9HZ 9282-B	1
Consists of				
	20-E0HZ 9N005-A	Screw & sealer	1-I.S. 5157	Instr. Sheet
	2-E0HZ 9276-A	Gasket	2-48 x 8 x 4	Weather Head Connector

1980/  
TRUCK SERIES 600/900

YEAR	MODEL/RESTRICTIONS	PART NUMBER	DESCRIPTION	QTY.
<b>9282 FUEL LINE CONVERSION-KIT — Cont'd</b>				
80/86	L-LN-LNT-LT-LTS600/800 -- 8 cyl. 370,429 gas eng.	D9HZ 9282-G	Required for field fix	1
Consists of				
	★1-D7HT 2C042-AA	Hose-16'	★2-34911-S2	Lockwasher
	6 D5TZ 2B323-C	Hose-Conn	★2-87236-S	Connector
	2-D9AZ 8287-A	Clamp	★1-87280-S	Connector
	20 E0HZ 9N005-A	Screw & Sealer	★2-389136-S100	Elbow
	2 E1HZ 9236-C	Clamp	★4-357946-S100	Clip
	2-E0HZ 9276-A	Gasket	★3-48 x 4 x 8	Weatherhead-Conn
	1-E0HZ 9288-D	Hose	★2-49 x 8 x 4	Weatherhead-Conn
	1-E1HZ 9323-C	Tube	★1-4743-8-6B	Aerquip-Conn
	1-E1HZ 9323-J	Tube	1-IS-5157	Instr. Sheet
80/	F600/800 -- 8 cyl. 370,429 gas engine-w/18 gal. tank	E0HZ 9282-B	Required for field fix	1
Consists of				
	★1-D7HT 2C042-AA	Hose-144"	7-56722-S2	Bolt
	★1 E2HT 2A155-AA	Bracket	5-87236-S101	Connector
	6-D5TZ 2B323-C	Coupler	1-87280-S	Connector
	4-E0HZ 2074-A	Connector	1-351648-S32	Clip
	1-E0HZ 2074-B	Connector	4-376219-S100	Clip
	20 E0HZ 9N005-A	Screw & Sealer	2-382802-S2	Nut
	2-E0HZ 9276-A	Gasket	1-384045-S100	Clip
	1 E1HZ 9A323-H	Tube	7-D9AZ 8287-A	Clip
	2-E0HZ 9236-A	Retainer	★2-389136-S100	Elbow
	7-33770-S2	Nut	1-389673-S32	Clip
	1-33771-S2	Nut	★2-48 x 8 x 4	Weatherhead-Conn
	2-34911-S2	Washer	1-IS-5154	Instr. Sheet
	★2-56540-S2	Bolt		
	★1-56541-S2	Bolt		
<b>9B286 HOSE ASSY.(FUEL TANK TO FUEL TUBES) - refer to group 9288</b>				
<b>9F287 HOSE (AIR BYPASS VALVE INLET)</b>				
80/81	C-CT-L-LN-LNT-LT-LTS900 -- 8 cyl. 477,534	D4AZ 9F287-A	3/4" I.D. x 2" long-cut to length	1
80/81	L-LN-LNT-LT-LTS900 -- 8 cyl. 477,534	★ D5HZ 9F287-A Not replaced	#D5HE-AB-(moulded)-use on 9B289 valve with 7/8" dia. inlet nipple	1
80/81	C-CT900 -- 8 cyl. 477,534	★ D5HZ 9F287-B Not replaced	#D5HE-BB-(moulded)-use on 9B289 valve with 7/8" dia. inlet nipple	1
80/89	B600/700,C600/800,CT800, F-FT600/800,L800,LN600/800, LNT-LT-LTS800 -- 8 cyl. 370,429	E0HZ 9F287-C	#E0TE-CA-(moulded)-3/4" I.D. x 28 1/2" long	1
85	B-C-F-FT600/800 -- 8 cyl. 370,429 gas- exc. Calif. "Before 7/85"	E5HZ 9F287-A	#E5HT-AB-14 3/8" developed length	1
85/	B-C-CT-F-FT600/800 -- gas engine-8 cyl. 370, 429-exc. w/Calif. emission "From 7/85"	E5HZ 9F287-B	#E5HE-AC-23-1/2" developed length	1
<b>9288 LINE ASSY. (FUEL TANK LINE TO FUEL PUMP FLEXIBLE) - Also refer to group 9324</b>				
80/89	B600/700	C8HZ 9288-A	Hose assy. (fuel tank to filter)-15 5/8" long x 3/8" I.D. x 19/32" O.D.-5/8"-18 female fitting one end- use with 30 or 60 gallon fuel tank	1
80/86	B600/700. F-FT600/800 -- gas-8 cyl.	C8HZ 9288-C	Hose assy. (fuel pump to fuel line)-12 5/8" long x 3/8" I.D. x 19/32" O.D.-5/8"-18 female fitting one end	1

1980/  
TRUCK SERIES 600/900

YEAR	MODEL/RESTRICTIONS	PART NUMBER	DESCRIPTION	QTY.
9288 LINE ASSY. (FUEL TANK LINE TO FUEL PUMP FLEXIBLE)-Also refer to group 9324 -- Cont'd				
80/89	B600/700,F-FT600/800,L800, LN600/800,LNT-LT- LTS800 -- 8 cyl. 370,429	E0HZ 9288-D	#E0HT 9288-DA-hose assy. (fuel pump to fuel line)-14" long- 5/8"-18 female thread one end-incl. anti-kink steel coil	1
80	C-CT600/800 -- gas			1
81/	C-CT600/800 -- gas	E1HZ 9288-B	#E1HT 9288-BA, ED-E1HT 9288-BA-11-1/2" long	1
80/	C600/900,CT800/900 -- gas	B7TZ 9288-A	Hose assy. (fuel filter tube to fuel line tube carb. end)-9" long	1 1
81/	C-CT600/800 -- 8 cyl. 370,429 gas engine	E1HZ 9288-B	#E1HT 9288-KA-fuel pump to fuel line-11 1/2" long-3/8" I.D.-1/4"-18 male thread one end	1
82/89	C-F-FT600/800 -- 8 cyl. 370,429 gas engine	E2HZ 9288-A	#E2HT 9B286-CA-9189 valve to L.H. tank -14" long-3/8" I.D.-5/8" O.D.-12 1/4" anti-kink spring inside hose	1
82/86	L-LN-LNT-LT-LTS600/800 -- 8 cyl. 370,429 gas eng.			
80/89	F600/700 -- diesel	D3TZ 9288-A	Hose assy. (fuel pump to fuel line)-20" long x 5/16" I.D. x 17/32" O.D.-5/8"-18 female fitting one end	1
80	F-FT600/800 -- gas	E0HZ 9288-A	#E0HT 9288-AA-hose assy. (fuel pump to fuel line)-13" long-5/8"-18 female thread fitting one end- incl. anti- kink steel wrap coil outside hose- use with dual 30 gallon step and dual 50 gallon rectangular center step fuel tanks	1
80/89	F-FT600/800 -- gas	E0HZ 9288-B	#E0HT-9288-BB-hose assy. (fuel pump to fuel line)-13" long-5/8"-18 female thread fitting one end incl. approx. 11" anti-kink spring inside hose- use with 30 gallon step and 50 gallon rectangular center step fuel tank	1or2
80/89	F-FT600/800 -- gas	E0HZ 9288-C	#E0HT 9B286-CA-hose (fuel tank to fuel lines)-3/8" I.D. x 5/8" O.D. x 14" long incl. approx. 12 1/4" long anti-kink spring inside hose-use with dual 30 gallon step and dual 50 gallon rectangular center step fuel tanks	1
82/85	B600/700 -- 8 cyl. 370,429 gas eng.	E2HZ 9288-B	#E2HT 9288-AA-fuel pump to tank-10" long-has taped on external spring-3/4"-18 female fitting one end	
85	C600/800 -- 8 cyl. 370,429 gas	E5HZ 9288-A	#E5HT 9B286-AA,AC-18" long-3/4"-16 male fitting one end-has anti-knick spring-use w/50 gal. "D" tank	1
85/	C600/800 -- 8 cyl. 370,429 gas	E6HZ 9288-C	#E5HT 9288-AB-fuel tank to fuel pump-18" long-5/8"-18 female fitting one end-internal anti-kink spring	1
85/	C600/800 -- 8 cyl. 370, 429 gas	E5HZ 9288-D	#E5HT 9288-DA-fuel tank to fuel pump-14" long-5/8"-18 female fitting one end-internal anti-kink spring	1
85/	C600/700	E5HZ 9288-F	#E5HT 9288-BB-fuel tank to fuel pump- 32" long-3/4"-16 female fitting one end-internal anti-kink spring	1
85	C600/700 -- 8 cyl. 370, 429 gas	E5HZ 9288-B	#E5HT 9B286-BA-32" long-3/4"-16 male fitting one end-has anti kink spring-use w/50 gal. "D" tank	1
82/89	B-F-FT600/800-8 cyl. 370,429 gas engine	E2HZ 9288-D	#E2HT 9B286-BA-9189 valve to R.H. tank attaching line-7 1/2" long-3/4"-16 male fitting one end- has internal anti-kink spring- use w/30 or 50 gal. dual tanks	1



**1980/  
TRUCK SERIES 600/900**

YEAR	MODEL/RESTRICTIONS	PART NUMBER	DESCRIPTION	QTY.
<b>9288 LINE ASSY. (FUEL TANK LINE TO FUEL PUMP FLEXIBLE)-Also refer to group 9324 -- Cont'd</b>				
81/89	F-FT600/800 -- gas	E1TZ 9288-A	#EOHT 9288-AB,EA-hose assy. (fuel pump to fuel line)-10" long-5/8"-18 female thread fitting one end-incl. anti-kink steel wrap coil outside hose-use with dual 30 gallon step and 50 gallon rectangular center step fuel tanks	1
82/89	B-F-FT600/800 8 cyl. 370,429 gas engine	E2HZ 9288-C	#E2HT 9B286-AA-9189 valve to fuel pump attaching line-20" long-3/4"-16 male fitting one end -has internal anti-kink spring-use w/30 or 50 gal. rectangular dual tanks-510mm long	
84	F-FT600/800 -- w/electric fuel pump-8 cyl. 370, 429-gas	E4HZ 9288-A	#E3HT 9B286-AA-0/A length 20"-5/8"-18-90° female swivel fitting one end-has anti-kink spring	1
85	F-FT600/800 -- 8 cyl. 370, 429 gas	E4HZ 9288-C	#E4HT 9288-AA-fuel pump to fuel line-8 1/4" long-3/8" dia.-3/4"-18 female fitting one end-anti-kink spring inside hose	1
85/	F-FT600/800 -- 8 cyl. 370, 429 gas	E5HZ 9288-E	#E5HT 9288-EA-fuel tank to fuel pump-7 1/2" long-5/8"-18 male fitting one end-internal anti-kink spring	1
84	L-LN-LNT-LT-LTS600/800 -- w/electric fuel pump diesel	E4HZ 9288-B	#E3HT 9B286-BA-0/A length 20"-5/8"-18-90° female swivel fitting one end (1) 5/8"-18 straight female fitting other end	
87/	L series-all-6 cyl. 610 (10.0) dsl.	E7HZ 9288-A	#E7HT 9B286-AA-w/R.H. 75 gal. stl. or alum. type "D" tank	1
87/	L series-all-6 cyl. 610 (10.0) dsl.	E7HZ 9288-B	#E7HT 9B286-BA w/150 gal. type "D" tank	1
80/	C600/800 -- Cat. diesel	374503-S	(11-64)-adapter (fuel supply line and fuel return line)-1/8"-.27 std. taper pipe thread male and 1/4"-18 std. taper pipe thread female	2
<b>9288 KIT-LINE ASSY (FUEL TANK TO FUEL PUMP)</b>				
80	F-FT600/800	E0TZ 9288-A		1
Consists of				
	1-D0HA 2A155-M	Bracket	3-56503-S2	Bolt
	2-D3TA 3C510-GA	Bracket	2-56523-S2	Bolt
	1-E1TZ 9A323-A	Tube kit	1-87595-S2	Union
	1-E1TZ 9288-A	Hose assy.	1-376256-S	Bolt
	3-33769-S2	Nut	2-377670-S8	Clip
	3-33770-S2	Nut	1-389197-S	Clip
<b>9J288 SEPARATOR ASSY. (FUEL/WATER)-also refer to groups 9J305, 9J308, 9A343 &amp; 9D917</b>				
86/	CF600/700 -- FNH diesel-exc. Canada	E7HZ 9J288-B	Uses E7HZ 9N184-B filter	1
86/	CF600/700 -- FNH diesel-Canada	E7HZ 9J288-C	Uses E7HZ 9N184-B filter	1
87/	B-F-FT600/900 -- FNH diesel-6 cyl. 401 (6.6L), 476 (7.8L)	E7HZ 9J288-A	Uses E7HZ 9N184-B filter	1
87/	L-LN-LNT-LT-LTS-LS800 -- FNH diesel-6 cyl. 476 (7.8L)			1
86/	B-F-FT600/800 -- w/FNH eng.	E6HZ 9J288-C	Water Separator Only	1
86/	CF600/800 -- w/FNH eng.		-Cold Weather Only-	1
86/	L-LN-LS-LT-LNT-LTS600/800 -- w/FNH eng.		-Filter & Bowl Only-	1

**1980/  
TRUCK SERIES 600/900**

YEAR	MODEL/RESTRICTIONS	PART NUMBER	DESCRIPTION	QTY.
<b>9289 TUBE ASSY. (FUEL)</b>				
85/	B-C-F-FT600/700 - - 8 cyl. 370, 429 gas	E5TZ 9289-A	Att. 9510 to 9C968 (Illust. 94 pg. 6)	1
85/86	L-LN-LNT-LT600/800 - - 8 cyl. 370, 429 gas			1

**9B289 VALVE ASSY. (AIR BY-PASS)**

For Model Application, refer to Calibration Parts Lists in Section 93A

**IDENTIFICATION CHART**

(Arranged according to Identification Number)

IDENTIFICATION	PART NUMBER	IDENTIFICATION	PART NUMBER
<b>9B289 VALVE ASSY. (AIR BY-PASS)</b>			
D5AE 9B289-CB	D5AZ 9B289-D *CX-1389	E1TE 9B289-AA	★ E1HZ 9B289-A *CX-672 Not replaced
D5DE 9B289-AA	D5DZ 9B289-B *CX-1391	E1TE 9B289-BA	E1TZ 9B289-B *CX-671
D5ZE 9B289-EA	D5ZZ 9B289-F *CX-1390	E1TE 9B289-CA	E1TZ 9B289-C *CX-560
D5ZE 9B289-FA	E1ZZ 9B289-A *CX-690	E1TE 9B289-DA	E3TZ 9B289-G(3/84)
D6EE 9B289-AA	D6FZ 9B289-A	E1TE 9B289-DB	*CX-938
D7HE 9B289-AA	D7HZ 9B289-A *CX-840	E1TE 9B289-EA	E3TZ 9B289-J *CX-826A
D7TE 9B289-BA	D7TZ 9B289-B *CX-145	E1TE 9B289-GA	E1TZ 9B289-C *CX-560
D8BE 9B289-BA	E3TZ 9B289-G *CX-938	E1TE 9B289-HA	E1TZ 9B289-B *CX-671
D8BE 9B289-CA	E3TZ 9B289-J *CX-826A	E3AE 9B289-CB	★ E0FZ 9B289-C *CX-437A Not replaced
D8BE 9B289-DA	E3TZ 9B289-F *CX-221-B	E3AE 9B289-AB	E3TZ 9B289-G *CX-938
D8BE 9B289-EA	D8BZ 9B289-H *CX-281-A	E1TE 9B289-NB	E3TZ 9B289-F *CX-221B
D8DE 9B289-BA	★ D8DZ 9B289-B r/bNone *CX-282	E3AE 9B289-BA	E3TZ 9B289-F *CX-221B
D8EE 9B289-AA	E3TZ 9B289-J *CX-826A	E3AE 9B289-EA	D8BZ 9B289-H *CX-281A
D8EE 9B289-BA	E3TZ 9B289-G *CX-938	E3TE 9B289-AB	E3TZ 9B289-J *CX-826A
E0EE 9B289-AA	E0FZ 9B289-A *CX-436	E3TE 9B289-CA	E3TZ 9B289-G *CX-938
E0EE 9B289-BA	★ E0FZ 9B289-C *CX-437-A Not replaced	E5HE 9B289-EA	E5HZ 9B289-A *CX-1102
E1SE 9B289-AA	E1SZ 9B289-A *CX-649	E5TE 9B289-AA	★ E5TZ 9B289-A *CX-1014 Not replaced
		E5TE 9B289-CA	E5HZ 9B289-B *CX-1103

YEAR	MODEL/RESTRICTIONS	PART NUMBER	DESCRIPTION	QTY.
<b>9B290 BRACKET (AIR BY-PASS VALVE)</b>				
80/81	L-LN LNT-LT-LTS900 - - 8 cyl. 477,534	D5HZ 9B290-A	#D5HE-9C486-AA	1
80/81	C-CT900 - - 8 cyl. 477,534	★ D5HZ 9B290-B	#D5HE-BA-not replaced	1
80/	B600/700,C600/800,CT800, F-FT600/800,L800,LN600/800, LNT-LT-LTS800 - - 8 cyl. 370,429	D9HZ 9B290-A	#D9TE 9C486-AB	1

1980/  
TRUCK SERIES 600/900

YEAR	MODEL/RESTRICTIONS	PART NUMBER	DESCRIPTION	QTY.
<b>9G290 BRACKET (FUEL LINE JUNCTION)</b>				
80/	L-LN-LNT-LT900 -- Detroit 8V-71T diesel	D3HZ 9G290-A	#D3HA 9G290-A	1
80/	LN-LNT900 -- 6 cyl. 552 Detroit 6V-92TTA diesel			1
<b>9J290 HOSE ASSY. (FUEL FILTER INLET)</b>				
86/	CF600/700 -- 6 cyl. 401 (6.6L), FNH diesel, exc. 165 H.P.	E6HZ 9J290-A		1
86/89	CF600/800 -- 6 cyl. 401 (6.6L) FNH diesel-165 H.P. "Before 5/89"	★ E6HZ 9J290-B r/bE9HZ 9J290-A		1
89	CF600/800 -- 6 cyl. 401- (6.6L)-FNH diesel	E9HZ 9J290-A	#88HU-AA	1
87/89	CF700/800 -- 6 cyl. 476 (7.8L), diesel FNH diesel "Before 5/89"	E8HZ 9J290-A		1
89	CF700/800 -- 6 cyl. 476- (7.8L) FNH diesel	E9HZ 9J290-B	#88HU-BA	1
<b>9R290 SLEEVE (OIL PUMP TUBE)</b>				
87/	B-F-FT600/900 -- FNH diesel-6 cyl. 401 (6.6L), 474 (7.8L)	E7HZ 9R290-A	1-29/32" long-1-3/32" dia.	1
87/	CF600/800 -- FNH diesel- 6 cyl. 401 (6.6L), 474 (7.8L)			1
87/	L-LN-LNT-LT-LTS800 -- FNH diesel-6 cyl. 401 (6.6L), 474 (7.8L)			1
<b>9291 TUBE (FUEL)</b>				
80/	Truck	E0AZ 9291-A	1/4" O.D.-steel-25 ft. roll	AR
80/	Truck	E0AZ 9291-B	5/16" O.D.-steel-25 ft. roll	AR
80/	Truck	E0AZ 9291-C	3/8" O.D.-steel-25 ft. roll	AR
<b>9C291 SHIELD (FUEL TUBE)</b>				
86/	CF600/700 -- 6 cyl. 401 (6.6L)- FNH diesel-w/horizontal exhaust system	E6HZ 9C291-A		1
86/	CF600/700 -- 6 cyl. 401 (6.6L)- FNH diesel-w/vertical exhaust system	E6HZ 9C291-B		1
87/	CF700/800 -- 6 cyl. 476 (7.8L)- FNH diesel	E7HZ 9C291-A	#87HU 9C291-AA-use w/dual tanks	1
82	L-LN-LNT-LT-LTS800 -- 8 cyl. 636 Cat. 3208T diesel	E2HZ 9C291-B	#E2HT 9C291-AC	1
82/	L-LN-LNT-LT-LTS800 -- 8 cyl. 636 Cat. 3208T diesel	E3HZ 9C291-A	#E3HT 9C291-AA	1
<b>9F291 WIRE ASSY. (EXTENSION OIL PRESSURE)</b>				
86/	CF600/700 -- 6 cyl. 401 (6.6L) FNH diesel	★ E6HZ 9F291-B ★ E9HZ 9F291-C		1
87/	CF700/800 -- 6 cyl. 476 (7.8L) FNH diesel	★ E7HZ 9F291-A	#E7HT-BA-not replaced	1
<b>9J291 HOSE ASSY. (FUEL FILTER OUTLET)</b>				
86/	CF600/700 -- 6 cyl. 401 (6.6L)- FNH diesel-w/horizontal exhaust system -exc. 165 H.P.	E6HZ 9J291-A		1
86/89	CF600/700 -- 6 cyl. 401 (6.6L) FNH diesel-w/vertical exhaust system -exc. 165 H.P. "Before 5/89"	E6HZ 9J291-B		1
89	CF600/700 -- 6 cyl. 401- (6.6L) FNH diesel "From 5/89"	E9HZ 9J291-A	88HU-AA	1
86/89	CF600/700 -- 6 cyl. 401 (6.6L) FNH diesel-165 H.P. "Before 5/89"	E6HZ 9J291-C		1
89	CF600/700 -- 6 cyl. 401- (6.6L) FNH diesel "From 5/89"	E9HZ 9J291-B	88HU-BA	1
88/	CF700/800 -- 6 cyl. 476 (7.8L)-FNH diesel	E8HZ 9J291-B	#87HU-BA-use w/single tank tractors	1
<b>9D293 SPRING (FUEL SHUT OFF PLUNGER)</b>				
86/	CF600/700 -- 6 cyl. 401 (6.6L) FNH diesel	E6HZ 9D293-A	#Yellow paint	1

**1980/  
TRUCK SERIES 600/900**

YEAR	MODEL/RESTRICTIONS	PART NUMBER	DESCRIPTION	QTY.
<b>9E295 WIRING ASSY. OIL TEMP. INDICATOR</b>				
88/	L-LS-LT-LTS -- 6 cyl. 610 (10.0L) diesel	E8HZ 9E295-A	#E8HT-AA	1
<b>9W295 ADAPTOR (OIL PRESSURE TUBE TO CYLINDER)</b>				
86/	CF600/700 -- 6 cyl. 401 (6.6L) -FNH diesel	E6HZ 9W295-A		1
<b>9D297 TUBE-INTERMEDIATE (FUEL RETURN TO TANK)</b>				
87/	B600/800 -- 6 cyl. 401 (6.6L), 476 (7.8L) FNH diesel	F3HZ 9D297-A	#E7HT 9D297-AB, F2HT 9D297-AA	1
<b>9R297 PLUNGER ASSY. (FUEL SHUT-OFF VALVE SOLENOID)</b>				
86/	B-CF-F-FT600/900 -- 6 cyl. 401 (6.6L), 476 (7.8L) FNH diesel	★ E6HZ 9R297-A not replaced		1
87/	L-LN-LS-LT-LNT-LTS800 -- 6 cyl. 476 (7.8L) FNH diesel			1
<b>9B298 VALVE ASSY. (ANTI BACK FIRE)</b>				
85/	B-F-FT600/800 -- 8 cyl. 370 (6.1L), 429 (7.0L) gas	E5TZ 9B298-A	#E5TE 9B298-AA	1
85/	B-F-FT600/800 -- gas 370 (6.1L), 429 (7.0L) C.I.D.	E5HZ 9B298-A		1
<b>9R298 SEAL (SOLENOID PLUNGER FUEL SHUT-OFF VALVE)</b>				
86/	B-CF-F-FT600/900 -- 6 cyl. 401 (6.6L), 476 (7.8L) FNH diesel	E6HZ 9R298-A		1
87/	L-LN-LS-LT-LNT-LTS800 -- 6 cyl. 476 (7.8L)			1
<b>9H299 HOSE AIR BYPASS (INLET LOWER)</b>				
85/	B-C-F-FT600/800 -- 8 cyl. 370 (6.1L), 429 (7.0L) gas	E5HZ 9H299-A	#E5HE 9H299-AB,AC	1
<b>9R299 COIL ASSY. (SOLENOID FUEL SHUT-OFF VALVE)</b>				
86/	B-CF-F-FT600/900 -- 6 cyl. 401 (6.6L), FNH diesel	E6HZ 9R299-A		1
87/	L-LN-LS-LT-LNT-LTS800 -- 6 cyl. 476 (7.8L) FNH diesel			1

1980/  
TRUCK SERIES 600/900

YEAR	MODEL/RESTRICTIONS	ENGINE		PART NUMBER	DESCRIPTION	QTY.
		CYL.	C.I.D. (C.C.D.)			
<b>9R300 SPRING (FUEL SHUT OFF VALVE SOLENOID)</b>						
86/ 87/	CF600/700 -- FNH diesel B600/700,F600/800,FT900, L-LN-LS-LT-LNT-LT800 -- FNH diesel	6 6	6.6 6.6,7.8	E6HZ 9R300-A		1 1
<b>9B303 BRACKET (FUEL TUBE SUPPORT)</b>						
86/89	CF600/700 -- FNH diesel	6	6.6	E6HZ 9B303-A	V shaped 2.36 x 3.38"	1
86/89	CF600/700 -- FNH diesel	6	6.6	E6HZ 9B303-B	Straight w/45 deg. hook 1 end	1
<b>9J305 VALVE ASSY. (FUEL SEDIMENT DRAIN)</b>						
87/ 87/	B-F600/700 -- FNH diesel B700,F600/800,FT900, L-LN-LNT-LT-LTS800 -- FNH diesel	6 6	6.6 7.8	E7HZ 9J305-A		1 1
86/	CF600/700 -- FNH diesel	6	6.6			1
<b>9E306 WIRE ASSY. (FUEL VALVE FEED)</b>						
80/	L-LN-LNT-LT-LTS900 -- Cum. NTC diesel	6	855	★ E0HT 9E306-AA	#E0HT 9E306-AA-46" long-cut from B6A-14296-C bulk wire and (1) B9A 14294-A terminal one end and (1) D3AZ 14489-B sleeve connector with (1) D2OZ 14474-D terminal other end	1
80/83	L-LN-LNT-LT900 -- Cat. 3406 diesel	6	893	★ E0HT 9E306-BA	#E0HT 9E306-BA-36" long-cut from B6A 14296-C bulk wire and (1) B7A 14488-C terminal one end and (1) D3AZ 14489-B sleeve connector with (1) D2OZ 14474-D terminal other end	1
82/	LTL900 -- Det. 8V-92 diesel	8	736	★ E1HT 9E306-AA	#E1HT 9E306-AA-55" long-cut from B6A-14296-C bulk wire with (1) B9A-14294-A terminal one end with (1) D3AZ 14489-B terminal other end and D4FZ 14A099-B 3/16" non-metalic conduit	1
84/85	LN-LNT900 -- Cummins L10 diesel	6	610	E4HZ 9E306-A	#E4HT 9E306-AA	1
84/87	L-LT-LTL-LTS-LN-LNT -- w/Cat. 3406-diesel	6	893	E4HZ 9E306-C	#E4HT 9E306-CA	1
88/	L-LT-LTL-LTS -- w/Cat. 3406- diesel	6	893			1
88/	LN-LNT -- w/Cat. 3406 diesel	6	893	E8HZ 9E306-A	#E8HT 9E306-AA	1
<b>9A307 RETAINER ASSY. (FUEL TANK SENDING UNIT)</b>						
80/	L800/900, LN600/900, LNT-LT-LTS800/900 -- gas	6&8	All	D3HZ 9A307-A	#D3HA 9F307-AA, AB-use with 25 gallon plastic fuel tank	1
80/	LN700/800 -- diesel	8	All			1
<b>9D308 TUBE ASSY. (FUEL INJECTION RETURN TO FUEL TANK)-If not listed below improvise from bulk tubing (9291)</b>						
82/	F-FT600/800 -- Cat. dsl. 3208	8	636	F0HZ 9D308-A		1
80/	L-LN-LNT-LT-LTS900 -- diesel	6	426, 855	87947-S36	(I-24)-fitting (fuel injection return tube)- 3/4"-18 hex.-1/2" tube	1or2
80/	L-LN-LNT-LT-LTS900 -- diesel	6	855	383898-S	(MM-113-C)-nut (fuel injection return tube)- 3/4"-16 x 1/2" tube	1
<b>9J308 SENSOR ASSY. (FUEL WATER DETECTOR)</b>						
86	CF600/700 -- FNH diesel	6	All	E6HZ 9J308-A		1
87/	CF600/700 -- FNH diesel	6	All	E7HZ 9J308-B		1
87/	B-F600/700 -- FNH diesel	6	6.6	E7HZ 9J308-A		1
87/	B700,F600/800,FT900, L-LN-LNT-LT-LTS800 -- FNH diesel	6	7.8			1
<b>9W309 HOSE (FUEL FILTER DRAIN)</b>						
87/	CF700/800 -- FNH diesel	6	7.8	E7HZ 9W309-A		1
<b>9W310 BRACKET (FUEL FILTER DRAIN HOSE)</b>						
87/	CF700/800 -- FNH diesel	6	7.8	E7HZ 9W310-A		1

1980/  
TRUCK SERIES 600/900

YEAR	MODEL/RESTRICTIONS	ENGINE		PART NUMBER	DESCRIPTION	QTY.
		CYL.	C.I.D. (C.C.D.)			
<b>9N312 TUBE (FUEL TANK CONNECTOR) - also refer to group 9236</b>						
80/	CL-CLT900 - - Cum. KT, KTA and Detroit V6, V8 diesel	6&8	All	D8HZ 9N312-A	5/8" O.D. steel tubing x 24 1/2" long-incl. (1) 1/2"-14 to 3/8"-18 pipe thread reducer	1
<b>9A314 COVER (FUEL TANK SENDER)</b>						
82	LTL900	6&8	All	E1HZ 9A314-A		1
<b>9E315 SUPPORT ASSY. (THROTTLE CONTROL LEVER)</b>						
80/84	L-LN-LNT-LT-LTS900 - - Cum. diesel	6	855	D2HZ 9E315-A	#D2HA 9E753-AA, D7HT 9E753-DA	1
80/84	CL-CLT900 - - Cum. diesel	6	855,1150			1
85/	L-LN-LNT-LT-LTS900 - - Cum. diesel	6	All	E4HZ 9E315-B	#E4HT 9E753-CA, E5HT 9E753-AA	1
85/	CL-CLT900 - - Cum. diesel	6	All			1
80/84	CL-CLT900 - - Cat. 3406 diesel "Before 12/83"	6	893	D8HZ 9E315-C	#D4HA 9E753-AA, D7HT 9E753-CA,CB	1
82/84	LTL900 - - Cat. 3406 diesel "Before 12/83"	6	893			1
84/	L-LN-LNT-LT-LTL-LTS900 - - Cat. 3406 diesel "From 12/83"	6	893	E4HZ 9E315-A	#E4HT 9E753-BA	1
84/	CL-CLT900 - - Cat. 3406 diesel "From 12/83"	6	893			1
<b>9F316 WIRING ASSY. (OIL PRESSURE INDICATOR SENDER JUMPER)</b>						
80	B-F700,L800,LN700/800, LNT-LT-LTS800	8	All	★ D8HT 9F316-AA	#D8HT 9F316-AA-improvise from 13" of D0HZ 14296-A 18 gauge wire and add (2) B9A 14294-A connectors -from oil pressure sender to 14448	1
81/	L800/900,LN600/900, LNT-LT-LTS800/900	8	All	★ E1HT 9F316-AA	#E1HT 9F316-AA-improvise	
<b>9D319 BRACKET (FUEL LINE SUPPORT)</b>						
87/	B-F600/700,F600/800,FT900, L-LN-LNT-LT-LTS800 - - FNH diesel	6	6.6,7.8	E7HZ 9D319-A		1
<b>9E320 INSERT (FUEL TUBE CLAMP)</b>						
86/	CF600/700 - - FNH diesel	6	6.6	E8HZ 9E320-A		8
87/	B-F600/700 - - FNH diesel	6	6.6			8
87/	B700,F700/800,L-LN-LNT-LS- LTS800,FT900 - - FNH diesel "From 3/88"	6	7.8			8
<b>9B321 COUPLING (FRAME FUEL LINE)</b>						
80/	B-C-F600/700	8	6.1,7.0	E1HZ 9B321-A	3/4-16 external thread-1/4-18 internal threads-both ends, #19B-18717	1
82/	B-C-F600/700	8	6.1,7.0	D9HZ 9B321-A	Used as air line fitting-1.00-14 external thread- 3/8-18 internal threads-both ends, #09B-18717	1
82/	B600/700 - - FNH-dsl.	8	6.6,7.8			
82/	B-C-F600/700	8	6.1,7.0	★ r/b	389697-S101 None	1
<b>9G321 HOSE ASSY. (FUEL VAPOR RETURN)</b>						
81/	B-C-F-LN600/700 - - with 2/B carb.-Calif. emission	8	6.1	★ D8TE 9G321-AB	Improvise-use (1) D8TZ 9E589-B and cut 4" from D8PZ 12226-B bulk hose	1
81/	B600/700,C600/800,CT800, F600/800,FT800,L800,LN600/800, LNT-LT-LTS800 - - with 4/B carb.-Calif. emission	8	6.1,7.0			2
<b>9A323 TUBE (FUEL)</b>						
80/	B600/700	8	6.1,7.0	E1HZ 9A323-A		1

**1980/  
TRUCK SERIES 600/900**

YEAR	MODEL/RESTRICTIONS	ENGINE		PART NUMBER	DESCRIPTION	QTY.
		CYL.	C.I.D. (C.C.D.)			
<b>9A323 KIT ASSY. (FUEL TANK TO PUMP END TUBE ASSY.)</b>						
80/81	F600/800 -- gas	8	All	EITZ 9A323-A	Use with 18, 30 and 50 gallon capacity fuel tanks	1
Consists of						
1-EITZ 9A323-B Tube assy.		1-EITZ 9A323-C Tube assy.		1-87207-S Connector		
80/81	B600/700	8	6.1.7.0	EOHZ 9A323-A	Fuel line kit 3/8" outboard	1
<b>9323 TUBE (FUEL TANK TO FUEL FILTER)</b>						
80/	C600/800	8	6.1.7.0	E1HZ 9323-B		1
80/	LN600/800, L-LT-LTS800	8	6.1.7.0	E1HZ 9323-C		1
80/	LN600/800, L-LT-LTS800	8	6.1.7.0	E1HZ 9323-J		1
Consists of						
1-D5TZ 2269-B Hose		1-87516-S101 Elbow		1-389197-S Clip		
4-D5TZ 2B323-B Coupler		2-87302-S101 Elbow		1-351635-S8 Clip		
1-E1HZ 9A323-A Tube		2-383053-S2 Washer		8-33770-S2 Nut		
1-E1HZ 9B321-A Coupler		6-376256-S Bolt		2-87234-S101 Connector		
1-DOHZ 2B452-A Wrap		2-56520-S2 Bolt				
1-C3TZ 2A031-A Bracket		6-388592-S100 Clip		1-Instruction sheet		
80/	F600/800,FT800-- gas	8	All	87595-S	(I-47-A)-fitting tube union (fuel line to fuel tube)-5/8"-18 female thread both ends	1
80/	F600/800,FT800-- gas	8	All	377670-S8	(GG-213-P) - clip (fuel line to bracket)	2
80/	B600/700	8	All	87302-S101	(I-40-F) elbow 90° flared tube	1
80/	B600/700	8	All	87516-S101	(I-36-F) elbow 90° inverted flared tube	1
80/		8	All	388592-S100	(GG-213-S) clip-5/16" wrap around	1
80/	F600/800,FT800-- gas	8	All	389197-S	(GG-163-YR) - clip (fuel line to frame)-3/8" x 3/8" x 1/2" wrap around	1
<b>9324 HOSE (FUEL)-Improvise from bulk hose shown below - also refer to groups 9288,9A289</b>						
80/	All	6&8	All	E1PZ 9324-A	*KFL-1-A-3/8" tube size-25 ft. roll	AR
				E1PZ 9324-B	*KFL-2-A-5/16" tube size-25 ft. roll	AR
				D1PZ 9324-A	*KFL-3-3/16" tube size-25 ft. roll	AR
				E1PZ 9324-C	*KFL-4-A-1/4" tube size-25 ft. roll	AR
				D1PZ 9324-C	*KFL-5-1/2" tube size-25 ft. roll	AR
				D9PZ 9324-B	*KFL-6-A-5/8" tube size-25 ft. roll	AR
				D9PZ 9324-A	*KFL-7-A-3/4" tube size-25 ft. roll	AR
85/	B600/700,C600/800,F600/800	8	6.1.7.0	E1FZ 9324-F	Moulded elbow 1/4" tube size-20" long	2
85/	B600/700,C600/800,F600/800, FT-L800,LN600/800,LT-LNT800	8	6.1.7.0	E5HZ 9324-A	Moulded elbow-1 1/2" x 40" long-1/4" tube size	1
<b>9E325 HOSE (FUEL VAPOR)</b>						
81/	B600/700,C600/800,CT800, F600/800,FT800,L800,LN600/800, LNT-LT-LTS800 -- Calif. emission	8	6.1.7.0	*D8VE 9E325-BA	Improvise-18" long-cut from D0PZ 12226-C	1
<b>9C327 HOSE ASSY. (FUEL RETURN)</b>						
86/	CF600/700 -- FNH diesel exc. 117" W/B	6	6.6	E6HZ 9C327-A	42 1/2" overall length-7/16 x 20 thread on each end	1
88/	CF700/800 -- FNH diesel 117" W/B	6	All	E8HZ 9C327-A		1
88/	CF700/800 -- FNH diesel exc. 117" W/B	6	All	E8HZ 9C327-B	19 1/4" overall length	1
<b>9B328 SEPARATOR (FUEL VAPOR)</b>						
80/82	B700	8	7.0	*D9HZ 9B328-A		1
<b>9C330 TUBE ASSY. (FUEL FILTER TO FUEL PUMP)</b>						
86/	CF600/700 -- FNH diesel	6	6.6	E6HZ 9C330-B	Diesel	1
87/88	CF600/700 -- 185 H.P.	6	6.6	E7HZ 9C330-C	Diesel	1
87/88	CF700/800 -- FNH diesel "Before 4/88"	6	7.8			1
87/88	B-F600/700 -- FNH diesel "Before 4/88"	6	6.6			1
87/88	B700,F700/800,FT900,L-LN-LS-LNT-LT-LTS800 -- FNH diesel	6	7.8			1
		6	7.8			1

OCTOBER, 1993

COPYRIGHT © 1993-

FORD MOTOR  
COMPANY

DEARBORN, MICHIGAN

FINAL ISSUE

1980/  
TRUCK SERIES 600/900

YEAR	MODEL/RESTRICTIONS	ENGINE		PART NUMBER	DESCRIPTION	QTY.
		CYL.	C.I.D. (C.C.D.)			
<b>9C330 TUBE ASSY. (FUEL FILTER TO FUEL PUMP) — Cont'd</b>						
88/	CF600/700 -- FNH diesel-185 H.P. "From 4/88"	6	6.6	E8HZ 9C330-A	Diesel	1
88/	CF700/800 -- FNH diesel "From 4/88"	6	7.8			1
88/	B-F600/700 -- FNH diesel	6	6.6			1
88/	B700,F700/800,L-LN-LNT- LS-LT-LTS800,FT900 -- FNH diesel "From 4/88"	6	7.8			1
87/	B-F600 -- FNH diesel-160 H.P.	6	6.6	E7HZ 9C330-D	Diesel	1
89	B700,F700/800,L-LS800 -- 185 H.P.-FNH diesel	6	6.6	E8HZ 9C330-B	Diesel	1
<b>9N332 ELBOW (FUEL FILTER TO FUEL PUMP HOSE)</b>						
87/	L-LN-LNT-LT-LS-LTS900 -- L10 diesel	6	611	E7HZ 9N332-A		1
<b>9C333 PLATE (FUEL TUBE CLAMP)</b>						
86/	CF600/700 -- FNH diesel	6	6.6	E6HZ 9C333-A		2
87/	CF700/800 -- FNH diesel	6	7.8			2
87/	B-F600/700 -- FNH diesel	6	6.6			2
87/	B700,F700/800,FT900, L-LN-LS-LNT-LT-LTS800 -- FNH diesel	6	7.8			2
<b>9E333 WIRING ASSY. (FUEL VALVE SOLENOID CONTROL EXTENSION)</b>						
81/	C-CT800, LN600/700 -- Detroit 990 diesel	8	501	E1HZ 9E333-A	#E1HT 9E333-AC	1
<b>9C334 CLAMP (FUEL TUBE)</b>						
86/90	CF600/700 -- FNH diesel	6	6.6	E6HZ 9C334-A		2
87/90	CF700/800 -- FNH diesel	6	7.8			2
87/90	B-F600/700 -- FNH diesel	6	6.6			2
87/90	B700,F700/800,FT900, L-LN-LS-LNT-LT-LTS800 -- FNH diesel	6	7.8			2
<b>9A335 BRACKET ASSY. (FUEL FILTER)</b>						
86/	CF600/700 -- FNH diesel	6	6.6	E6HZ 9A335-A		1
<b>9338 BRACKET (FUEL TUBE CLIP)-Improvise</b>						
80/81	L-LN-LNT-LT-LTS900	8	477,534	380899-S2	(BB-176-B)-bolt (bracket to frame)- hex. head-7/16"-14 x 1 1/2"	1
				380079-S2	(XX-173-C)-washer-flat-7/16"	
				384353-S4	(MM-173-X)-nut-hex. lock-7/16"-14	
80/81	L-LN-LNT-LT-LTS900	8	477,534	*56103-S4	Bolt (clip to bracket)-hex. head-(UBS)- 1/4"-20 x 3/4"	1
				33769-S2	(M-89-J)-nut-hex. lock-(UBS)-1/4"-20	
80/81	L-LN-LNT-LT-LTS900	8	477,534	372182-S100	(GG-213-E)-clip (fuel line to bracket)	1
<b>9B339 FITTING (OIL PRESSURE SENDER TO ENGINE )</b>						
80/81	C-CT-L-LN-LNT-LT-LTS900	8	477,534	C1TZ 9B339-A	Use w/engine warning system	1
80/	L-LN-LNT-LT-LTS900 -- Detroit diesel	6&8	All			1
86/	CF600/700 -- FNH diesel	6	6.6	E6HZ 9B339-A		1
<b>9A342 WIRING ASSY. (IGNITION SWITCH TO FUEL PUMP SWITCH)</b>						
80/	C-CT800/900 -- gas	8	All	D5HZ 9A342-A	#D5HB 9A342-AA,AB-use with 18,30 gallon tank or 50,75 gallon D round tank-single tank installation	1
80/84	C600/900, CT800/900 -- gas and electric fuel pump	8	All	D5HZ 9A342-B	#D3KB 9A342-BA,D5HB 9A342-BA,BB-use w/dual fuel tanks	1
85/	C600/800 -- gas	8	All	E5HZ 9A342-A	#E5HT 9A342-AA-use with dual tanks	1
80/	C700/800,CT800	8	All	D5HZ 9A342-C	#D5HB 9A342-CA,CB-use with dual fuel tanks and mechanical fuel pump	1
80/	L-LN-LNT-LT-LTS800/900 -- gas	8	All	D3HZ 9A342-A	#D3HB 9A342-AA-use w/dual tanks w/electric fuel pump	1
80/	L800, LN600/800, LNT-LT-LTS800 -- gas	8	All	D3HZ 9A342-B	#D3HB 9A342-BA-use w/dual tanks w/mechanical fuel pump	1



**1980/  
TRUCK SERIES 600/900**

YEAR	MODEL/RESTRICTIONS	ENGINE		PART NUMBER	DESCRIPTION	QTY.	
		CYL.	C.I.D. (C.C.D.)				
<b>9A342 WIRING ASSY. (IGNITION SWITCH TO FUEL PUMP SWITCH) — Cont'd</b>							
80/	L-LN900, LNT-LT880/900, LTS900	8	All	D3HZ 9A342-C	#D3HB 9A342-CA-use w/dual tanks and electric fuel pumps and line haul instrument panel	1	
80/	L-LN-LNT-LT-LTS900 -- gas	8	All	D3HZ 9A342-D	#D3HB 9A342-DA-use w/single fuel tank w/ electric fuel pump and line haul instrument panel	1	
80/	L800/900, LN600/900, LNT-LT-LTS800/900 -- gas	8	All	D3HZ 9A342-E	#D3HB 9A342-EA, D6HA 9A342-AA -use w/single fuel tank w/ electric fuel pump and city delivery instrument panel	1	
<b>9A343 STRAINER KIT (FUEL FILTER BOWL)</b>							
87/	B-F600/700 -- FNH diesel	6	6.6	E7HZ 9A343-A		1	
87/	B700,F600/800,FT900, L-LN-LS-LNT-LT-LTS800 -- FNH diesel	6	7.8				
86/	CF700/800 -- FNH diesel	6	6.6			1	
<b>9344 SWITCH ASSY. (ELECTRIC FUEL PUMP OIL PRESSURE)</b>							
80	C700/900,CT800/900,F700/800, L800/900,LN600/900, LNT-LT-LTS800/900 -- gas "Before Ser. JG5,001"	8	All	★ C1TF 9344-A	1/8"-27 male pipe thread-r/b E0HZ 9344-A & 372210-S100(4/81)	1	
80/	C700/900, CT800/900, F700/800, FT800,L800/900, LN600/900, LNT-LT-LTS800/900 -- gas- "From Ser. JG5,001"	8	All	E0HZ 9344-A	#E0HT 9344-AA-1/4"-18 male pipe thread	1	
82/	B600/700	8	All			1	
87/	L series-all with hour meter	All	All			1	
<b>9344 SWITCH KIT (ELECTRIC FUEL PUMP PRESSURE)</b>							
80/84	B600/700,C600/800,F600/800, LN600/800,CT-L-LNT-LT-LTS800	8	6.1,7.0	D9HZ 9344-A	Refer to campaign M-16	1	
Consists of							
1-E0HZ 9344-A		Switch		1-385224-S	Tee	1-	
1-371176-S		Tee		1-B6AZ 14526-A	Fuse	Instruction sheet	
80/81	C-CT-L-LN-LNT-LT-LTS900	8	477,534	371176-S	(II-146-T)-tee (fitting to engine assy.)- (2) 1/4"-18 female thread- (1) 1/4"-18 male thread (brass)	1	
80/81	C-CT-L-LN-LNT-LT-LTS900 "Before Ser. JG5,001"	8	477,534	358267-S	(II-47-A)-fitting (electric fuel pump switch to tee)-1/8"-27 female pipe thread and 1/4"-18 male pipe thread	1	
80/	C700/900,CT800/900,F700/800, FT800,L800/900,LN600/900, LNT-LT-LTS800/900 -- gas	8	All	372210-S100	(II-40-D)- adaptor (switch assy. to engine)-1/8"-27 male pipe thread and 1/4"-18 female pipe thread	1	
82/	B600/700	8	6.1,7.0			1	
YEAR	MODEL / RESTRICTIONS	ENGINE		PART NUMBER	DESCRIPTION	● Fuel Pump Catalog Symbol	QTY.
		CYL.	C.I.D.				
<b>9345 RELAY ASSY. (ELECTRIC FUEL PUMP)</b>							
80/83	B600/700,F600/800 -- Detroit 990 diesel	8	501		Refer to group 14677		
84/	B-F600/900 -- Detroit 990 diesel	8	501		Refer to group 9P704		
80/	B600/700,F600/800	8	6.1,7.0	★	Refer to group 19D592, 14677		
<b>9350 PUMP ASSY. (FUEL)</b>							
Note: ● Refer to group 9350 for complete Fuel Pump identification ▲ Details not serviced							
80/86	B600/700,C600/800,CT800, F600/800,L800,LN600/800, LNT-LT-LTS800 -- exc. L.P.G.	8	6.1,7.0	E0HZ 9350-E	#E0TE-FA and also 60125- Carter-fuel pump and filter assy.-incl. mounting gaskets	T98	1

**1980/  
TRUCK SERIES 600/900**

YEAR	MODEL / RESTRICTIONS	ENGINE		PART NUMBER	DESCRIPTION	● Fuel Pump Catalog Symbol	QTY.
		CYL.	C.I.D.				
<b>9350 PUMP ASSY. (FUEL) — Cont'd</b>							
Note: ● Refer to group 9350 for complete Fuel Pump identification ▲ Details not serviced							
80/	B600/700,C600/800,CT800, F600/800,L800,LN600/800, LNT-LT-LTS800 -- L.P.G.	8	6.1,7.0	D9TZ 9350-C	#D9TE-CA, 60045-incl. mounting gasket- used as vacuum pump		1
<b>ELECTRIC</b>							
80/	C600/900,CT800/900,F600/800, FT800,L800/900, LN600/900, LNT-LT-LTS800/900 -- gas	8	All	C2TZ 9350-C	Electric (top mounted in tank) #316558-used to service 9A407	▲	1or2
82/	B600/700	8	6.1,7.0				1
80/83	B700	8	7.0	★E1HZ 9350-A r/bNone (12/91)	Electric (frame mounted)	▲	1
80/84	B600/700	8	6.1,7.0	C9HZ 9350-B	Kit-hot fuel handling-refer to campaign M-16	1	
Consists of							
1-EDE2HT 9A407-DA Pump		1-C1TF 9A382-A Strap		2-34052-S7 Nut			
1-E0HZ 9276-A Gasket		1-C1TF 9A373-A Gasket		2-34902-S7 Washer			
1-C1TF 9A362-A Cover		1-C1TF 9A373-B Gasket		1- Instruction sheet			
1-C1TF 9A363-A Retainer		10-E0HZ 9N005-A Bolt					
80	F600/800	8	7.0	E0HZ 9350-F	Kit-hot fuel handling-refer to campaign M-16		1
Consists of							
1-E0HZ 9A407-CA		10-E0HZ 9N005-A Bolts		1- Instruction sheet			
1-E0HZ 9276-A Gasket		1-383296-S Elbow					
YEAR	MODEL/RESTRICTIONS	ENGINE		PART NUMBER	DESCRIPTION		QTY.
		CYL.	C.I.D. (C.C.D.)				
<b>9350 PUMP ASSY. (FUEL PRIMER)</b>							
86/	CF600/800,CFT800 -- FNH diesel	6	6.6,7.8	E6HZ 9350-A	Attaches to 9A543-used only on Bosch "P" type fuel injection pump-do not use on "A" type pump		1
87/	B-F-LN700 -- FNH diesel	6	6.6				1
87/	B700,F700/800,FT900,L-LN-LS- LNT-LT-LTS700/800 -- FNH diesel	6	7.8				1
86/	CF600/800,CFT800 -- FNH dsl.	6	6.6	F1HZ 9350-C	Attaches to 9A543-used only on Bosch "A" type fuel injection pump-do not use on "P" type pump		1
87/	B-F600/800,FT900,L-LA-LN- LNT-LS-LT-LTA-LTS600/900 -- FNH dsl.	6	6.6				
<b>9A350 WIRING ASSY. (FUEL PUMP)</b>							
Note: ◆ Identified by part numbers stamped on metal tag attached to wiring							
80/84	C700/800, CT800	8	All	D5HZ 9A350-G	◆D5HB 9A350-GA, E4HT 9A350-FA use with dual 50 or 75 gallon "D" type round tanks and mechanical fuel pump		1
80/84	C700/900,CT800/900 -- exc. 99" W/B	8	All	D5HZ 9A350-B	◆D5HB 9A350-BA, E4HT 9A350-EA use with 18 or 30 gallon frame mounted tank and electric fuel pump		1
80/84	C700/900, CT800/900	8	All	D5HZ 9A350-C	◆ D5HB 9A350-CA, E4HT 9A350-BA use with L.H. 50 or 75 gallon "D" type round tank and electric fuel pump		1
85/	C600/800 -- gas	8	All	E5HZ 9A350-J	#E5HT 9A350-JB-use with 30 gallon rect. or 50 or 75 gallon L.H. "D" type tanks		1
80/84	C700/900, CT800/900 -- gas	8	All	C9HZ 9A350-S	◆ C9HB 9A350-S, D3KB 9A350-EA D4HB 9A350-JA, D5HB 9A350-EA, E4HT 9A350-CA use with 50 or 60 gallon R.H. cylindrical tank or 50 or 75 gallon R.H. D type round step tank and electric fuel pump		1
80/84	C700/900, CT800/900 -- gas	8	All	D5HZ 9A350-A	◆ D5HB 9A350-AA, E2HT 9A350-AA, E4HT 9A350-DA use with 50 or 75 gallon "D" type round tanks and electric fuel pump		1
85/	C600/800 -- gas	8	All	E5HZ 9A350-K	#E5HT 9A350-KA,KB-use with 50 or 75 gallon dual "D" type tanks		1

1980/  
TRUCK SERIES 600/900

YEAR	MODEL/RESTRICTIONS	ENGINE		PART NUMBER	DESCRIPTION	QTY.
		CYL.	C.I.D. (C.C.D.)			
<b>9A350 WIRING ASSY. (FUEL PUMP) — Cont'd</b>						
Note: ♦ Identified by part numbers stamped on metal tag attached to wiring						
80/	L800/900, LN600/900, LN-LT-LTS800/900 -- gas	8	All	DOHZ 9A350-C	♦ DOHB 9A350-C, D3HB 9A350-BA or D4HB 9A350-BA, FA-use with 50 or 75 gallon dual D type round or rectangular step tanks-w/electric fuel pump	1
80/	L800/900, LN600/900, LNT-LT-LTS800/900	6&8	All	DOHZ 9A350-E	♦ DOHB 9A350-E, D0EB 9A350-D, D3EB 9A350-CA, D3HB 9A350-DA or D4HB 9A350-CA, DA, EA, GA-use with 50 or 75 gallon D type round step or rectangular tank or 25 gallon plastic fuel tank w/electric fuel pump	1
80/	L800, LN600/800, LNT-LT-LTS800 -- gas	8	All	D4HZ 9A350-A	♦ D4HB 9A350-AA-use with 50,75 gallon D type round step or 50,75 or 100 gallon rectangular tank and mechanical fuel pump	1
80/84	F600/800, FT800 -- gas	8	All	E0HZ 9A350-D	♦ E0HT 9A350-DB-use with 30 gallon step R.H. or 50 gallon rectangular step R.H. fuel tanks w/electric fuel pump and trailer package	1
85	F600/900 -- gas "Before 3/85"	8	All	★ E5HZ 9A350-G	#E5HT 9A350-GC-use with 35 or 50 gallon R.H. step tank-used with engine mounted oil pressure switch	1
85/	F600/900 -- gas "From 3/85"	8	All	E5HZ 9A350-N	#E5HT 9A350-GD-use with 35 or 50 gallon R.H. step tank-used with engine mounted oil pressure switch	1
80/84	F600/800, FT800 -- gas	8	All	E0HZ 9A350-E	♦ E0HT 9A350-EC-use with 30 gallon step L.H. or 50 gallon rectangular step L.H. fuel tanks w/electric fuel pump and trailer package	1
85	F600/900 -- gas "Before 3/85"	8	All	★ E5HZ 9A350-H	#E5HT 9A350-HC-use with 35 or 50 gallon L.H. step tank-used with engine mounted oil pressure switch	1
85/	F600/900 -- gas "From 3/85"	8	All	E5HZ 9A350-L	#E5HT 9A350-HD-use with 35 or 50 gallon L.H. step tank-used with remote mounted oil pressure switch	1
80/84	F600/800, FT800 -- gas-	8	All	E0HZ 9A350-G	♦ E0HT 9A350-FB, FC, FD, FE-E3HT 9A350-DA-use with dual 30 gallon step or dual 50 gallon rectangular step tanks w/electric fuel pump and trailer package	1
85	F600/900 -- gas "Before 3/85 to 11/88"	8	All	E5HZ 9A350-A	#E5HT 9A350-AC-use with 35 or 50 gallon dual step tanks-used with engine mounted oil pressure switch	1
85/89	F600/900 -- gas "From 3/85 to 11/88"	8	All	E5HZ 9A350-B	#E5HT 9A350-AD-used with 35 or 50 gallon dual step tanks-used with remote mounted oil pressure switch	1
89	F600/900 -- gas	8	All	E9HZ 9A350-A	#E9HT 9A350-AA-used with 35 or 50 gallon dual step tanks-used with remote mounted oil pressure swich	1
85	B600/700 -- gas "Before 3/85"	8	All	★ E5HZ 9A350-F	#E5HT 9A350-FC-used with engine mounted oil pressure switch	1
85/	B600/700 -- gas "From 3/85"	8	All	E5HZ 9A350-M	#E5HT 9A350-FD-used with remote mounted oil pressure switch	1
82/84	B600/700	8	6.1,7.0	E2HZ 9A350-A	♦ E2HT 9A350-CA	1
80/84	B600/700	8	6.1,7.0	E0HZ 9A350-H	Kit-electric fuel pump wiring-refer to campaign M-16	1

**1980/  
TRUCK SERIES 600/900**

YEAR	MODEL/RESTRICTIONS	ENGINE		PART NUMBER	DESCRIPTION	QTY.	
		CYL.	C.I.D. (C.C.D.)				
<b>9A350 WIRING ASSY. (FUEL PUMP) — Cont'd</b>							
<b>Note:</b> ♦ Identified by part numbers stamped on metal tag attached to wiring							
80/87	B,F,C,L-Series	8	All	D5HZ 9A350-H	Kit—electric fuel pump connector kit— as listed in TSB 87-11, dated 6/4/87, article 87-11-24	1	
Consists of							
	1-E0HZ 9A281-A	Wire	1-377094-S	Clip	1-56705-S2	Bolt	
	1-E2HZ 9A350-A	Wire	12-95873-S	Strap	1-386941-S36	Nut	
	1-E0HZ 9344-A	Switch	1-374311-S	Grommet	1-	Instruction sheet	
	1-371176-S	Fitting	1-385224-S	Fitting			
YEAR	MODEL / RESTRICTIONS	ENGINE		PART NUMBER	DESCRIPTION	● Fuel Pump Catalog Symbol	QTY.
		CYL.	C.I.D. (C.C.D.)				
<b>9355 BOWL (FUEL FILTER)</b>							
<b>Note:</b> ● Refer to group 9350 for complete Fuel Pump identification							
80/		8	All	C3AZ 9355-A		T98	1
<b>9358 VALVE (FUEL PUMP)</b>							
80/		8	All	C4AZ 9358-A	For all Carter fuel pumps		2
<b>9360 SPRING (FUEL PUMP VALVE)</b>							
80/		8	All	C4AZ 9360-A	For all Carter fuel pumps		2
<b>9361 PLATE (FUEL PUMP VALVE RETAINER)</b>							
80/		8	All	C4AZ 9361-A	Plate (fuel pump valve)—for all Carter fuel pumps		2
<b>9A362 COVER (FUEL PUMP CONNECTION BLOCK)</b>							
80/	C600/900,CT800/900,F600/800, FT800,L800/900,LN600/900, LNT-LT-LTS800/900 -- gas	8	All	C1TF 9A362-A			1or2
82/	B600/700	8	6.1,7.0				1or2
<b>9A363 BLOCK (FUEL PUMP CONNECTION)</b>							
80/	C600/900,CT800/900,F600/800, FT800,L800/900,LN600/900, LNT-LT-LTS800/900 -- gas	8	All	C1TF 9A363-A			1or2
82/	B600/700	8	6.1,7.0				1or2
YEAR	MODEL/RESTRICTIONS	ENGINE		PART NUMBER	DESCRIPTION	QTY.	
		CYL.	C.I.D. (C.C.D.)				
<b>9364 GASKET (FUEL FILTER BOWL)</b>							
<b>Note:</b> ● Refer to group 9350 for complete Fuel Pump identification							
80/		8	All	C2AZ 9364-A	2 15/32" I.D. x 2 23/32" O.D. x 5/32" thick	T98 1	
80/81	L-LN-LNT-LT900 -- diesel	6&8	All	D4HZ 9364-A	Gasket (fuel filter cover)—use with D4HZ 9155-A 1 gallon capacity fuel filter	1	
80/81	CL-CLT900	6&8	All			1	
<b>9A364 WASHER (FUEL PUMP DISCHARGE HOSE RETAINER GASKET)</b>							
80/	C600/900, CT800/900, F600/800, FT800,L800/900, LN600/900, LNT-LT-LTS800/900 -- gas	8	All	C2TZ 9A364-A	Use w/top mounted electric fuel pump or mechanical fuel pump	1or2	
80/	L800/900, LN600/900, LNT-LT-LTS800/900 -- gas- with ev/em	8	All		Use with 25 gallon plastic tank	1	
80/	F600/800,FT800,F900	8	All		Use with 30 gallon step and 50,FT800 gallon rectangular step fuel tank	1	
82/	B600/700	8	6.1,7.0			1	

1980/  
TRUCK SERIES 600/900

YEAR	MODEL/RESTRICTIONS	ENGINE		PART NUMBER	DESCRIPTION	QTY.	
		CYL.	C.I.D. (C.C.D.)				
<b>9A364 WASHER (FUEL PUMP DISCHARGE HOSE RETAINER GASKET) — Cont'd</b>							
80/	C600/800, CT800 -- gas-without ev/em	8	All	C4TZ 9A364-A	Use with 18 or 30 gallon fuel tank and mechanical fuel pump	1	
80/	L800/900, LN600/900, LNT-LT-LTS800/900 -- gas-without ev/em	8	All		Use with 18 or 25 gallon fuel tank	1	
80/	C600/800, CT800 -- gas-with ev/em	8	All		Use with 18 or 30 gallon fuel tank and mechanical fuel pump	1	
80/	L800/900, LN600/900, LNT-LT-LTS800/900 -- gas-with ev/em	8	All		Use with 18 or 25 gallon plastic tank	1	
80/	B600/700, F600/800, FT800 --with ev/em	8	All		Use with 18 or 30 gallon frame mtd. tank w/mechanical fuel pump	1	
80/	F600/800, FT800	8	All		Use with 30 gallon step and 50, FT800 gallon rectangular step fuel tank with mechanical fuel pump	1	
82/	B600/700	8	6.1,7.0			1	
YEAR	MODEL / RESTRICTIONS	ENGINE		PART NUMBER	DESCRIPTION	● Fuel Pump Catalog Symbol	QTY.
		CYL.	C.I.D. (C.C.D.)				
<b>9365 ELEMENT ASSY. (FUEL FILTER)</b>							
Note: ● Refer to group 9350 for complete Fuel Pump identification							
80/81	C-CT-L-LN-LNT-LT-LTS900	8	477,534	D3HZ 9365-A	*FG-762-(spin on type)-3 11/16" dia. x 5 3/4" long-used in D3HZ 9155-A		1
80/86	B600/700, C600/800, CT800, F600/800, L800, LN600/800	8	All	C4AZ 9365-B	*FG-1-A-incl. (1) C2AZ 9364-A gasket	T98	1
80/81	L-LN-LNT-LT900 -- diesel "Before 10/81"	6&8	All	D4HZ 9365-A	*FG-764-incl. (1) D4HZ 9364-A gasket-used on D4HZ 9155-A		1
80/81	CL-CLT900 "Before 10/81"	6&8	All		1 gallon capacity fuel filter		1
81/	C-CT-L-LN-LNT-LT-LTS900 "From 10/81"	6&8	All	E1HZ 9365-A	*FD-263-(spin on type)-used on E1HZ 9155-A		1
86/	CF600/800 -- FNH diesel	6	All	E7HZ 9365-B	Detail of E6HN 9155-AA-used w/E6HN 9N180-A		2
86/	B700, F700/800, FT900 -- FNH diesel	6	All				2
86/	L-LL-LN-LS-LT-LTS-LNT800 -- FNH diesel	6	All				2
86/	B600/700, C-F-LN600/800, CT-L-LNT-LT800	8	6.1,7.0	E6HZ 9365-C	#FG-859-A-(spin on type)		1
YEAR	MODEL/RESTRICTIONS	ENGINE		PART NUMBER	DESCRIPTION	QTY.	
		CYL.	C.I.D. (C.C.D.)				
<b>9A368 SPRING (FUEL PUMP CABLE CONNECTOR)</b>							
80/84	C700/900, CT800/900, F600/800, FT800, L800/900, LN600/900, LNT-LT-LTS800/900 -- gas	8	All	C1TF 9A368-A		1or2	
82/84	B600/700	8	6.1,7.0			1or2	
<b>9369 TUBE ASSY. (FUEL PUMP TO CARBURETOR)-Improvise from bulk tubing (9291)</b>							
Note: ● Refer to group 9350 for complete Fuel Pump identification							
80	B600/700, C600/800, F600/800, FT800 -- 2V Carb.	8	6.1,7.0	E0TZ 9369-B		1	
80	B600/700, C600/800, F600/800, FT800 -- 4V carb.	8	6.1,7.0	E0TZ 9369-A		1	
<b>9A372 CABLE ASSY. (FUEL PUMP CONNECTION)</b>							
80/	C600/900, CT800/900, F600/800, FT800, L800/900, LN600/900, LNT-LT-LTS800/900 -- gas	8	All	C1TF 9A372-A		1or2	
82/	B600/700	8	6.1,7.0			1or2	

1980/  
TRUCK SERIES 600/900

YEAR	MODEL/RESTRICTIONS	ENGINE		PART NUMBER	DESCRIPTION	QTY.
		CYL.	C.I.D. (C.C.D.)			
<b>9A373 GASKET (FUEL PUMP CONNECTION BLOCK)</b>						
80/	C600/900,CT800/900,F600/800, FT800,L800/900,LN600/900, LNT-LT-LTS800/900 -- gas	8	All	C1TF 9A373-A	5/16" I.D. x 1/2" O.D. x 1/8" thick	1or2
82/	B600/700	8	6.1,7.0			1or2
80/	C600/900,CT800,900,F600/800, FT800,L800/900,LN600/900, LNT-LT-LTS800/900 -- gas	8	All	C1TF 9A373-B	1/8" I.D. x 11/32" O.D. x 3/32" thick	1or2
82/	B600/700	8	6.1,7.0			1or2
<b>9A375 GASKET (FUEL PUMP DISCHARGE HOSE RETAINER)</b>						
80/	C600/900,CT800/900,F600/800, FT800L800/900,LN600/900, LNT-LT-LTS800/900 -- gas- without ev/em	8	All	C2TZ 9A375-A	Use w/top mounted electric fuel pump or mechanical fuel pump	1or2
82/	B600/700	8	6.1,7.0			1or2
80/	B600/700, C600/800,CT800, F600/800,FT800 -- with ev/em	8	All	C4TZ 9A375-A	5/8" I.D. x 7/8" O.D.-use with 18 or 30 gallon frame mtd. fuel tank	1
80/	L800/900,LN600/900, LNT-LT-LTS800/900 -- with ev/em				Use with 18 or 25 gallon plastic tank	1
82/82	B600/700	8	6.1,7.0			1
<b>9B375 CONNECTOR (FUEL LINE)</b>						
87/	CF600/700	All	All	E7HZ 9B375-A		1
87/	CF600/700	All	All	E7HZ 9B375-B	Insert fuel tube	2
<b>9A376 HOSE ASSY. (FUEL PUMP TO DISCHARGE FITTING)</b>						
80/	C700/900, CT800/900, F700/800,FT800 -- gas	8	All	C2TZ 9A376-A	Use w/top mounted electric fuel pump and saddle tank-22 1/8" long	2
82/	B600/700	8	6.1,7.0			1or2
80/	C700/900, CT800/900, F700/800, FT800,L-LN-LNT-LT-LTS800/900, -- gas	8	All	★ C2TA 9A376-B	Use with 18, 30 gallon tank or 50 or 60 gallon cylindrical tanks - 10 3/8" long-cut from C2TZ 9A376-A	1
80/81	C-CT-L-LN-LNT-LT-LTS900	8	477,534	★ C2TA 9A376-E	Use with 50 or 60 gallon cylindrical tanks- 18 1/8" long-cut from C2TZ 9A376-A Use with 25 gallon plastic tank	1
80/	LN600/800	8	All	★ D4HA 9A376-AA	Use with rectangular tanks	1or2
80/	F600/800,FT800	8	All		-15 3/8" long-cut from C2TZ-9A376-A	1or2
80/	C600/900,CT800/900,F600/800, FT800,L-LN-LNT-LT-LTS800/900	8	All	★ D4TA 9A376-AA	Use with "D" type round tanks -19 7/8" long-cut from C2TZ-9A376-A	1or2
<b>9A382 STRAP (FUEL PUMP CONNECTION BLOCK)</b>						
80/	C600/900, CT800/900, F600/800, FT800,L800/900, LN600/900, LNT-LT-LTS800/900 -- gas	8	All	C1TF 9A382-A		1or2
82/	B600/700	8	6.1,7.0			1or2
80/	C700/900, CT800/900, F700/800, FT800,L800/900, LN600/900, LNT-LT-LTS800/900 -- gas	8	All	34052-S7	(M-155)-nut (strap fuel pump connection block to fuel tank cover plate assy.)-hex.- No. 8-32	2or4
<b>9A388 SWITCH ASSY. (FUEL PUMP MANUAL CONTROL)</b>						
80/	C600/900, CT800/900, F600/800, FT800,L800/900, LN600/900, LNT-LT-LTS800/900 -- gas	8	All	D3TZ 9A388-A		1
80/	CL-CLT900 -- Cat. 3406 diesel	6&8	All			1
82/	LTL900 -- diesel	8	All			1
80/	L800/900, LN600/900, LNT-LT-LTS800/900 -- gas	8	All	DOHZ 9A388-A	Use w/electric fuel pump and city delivery instrument panel-(FUEL PRIMER)	1

**1980/  
TRUCK SERIES 600/900**

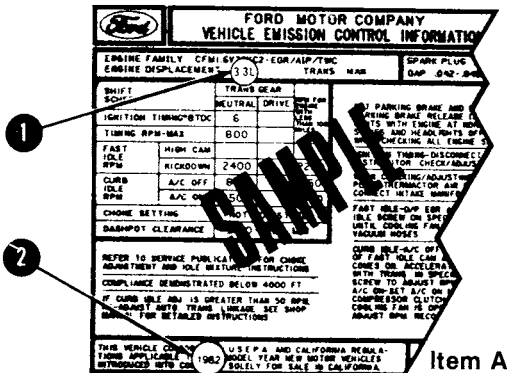
YEAR	MODEL/RESTRICTIONS	ENGINE		PART NUMBER	DESCRIPTION	QTY.
		CYL.	C.I.D. (C.C.D.)			
<b>9A389 NUT (FUEL PUMP MANUAL CONTROL)-Also refer to group 11650</b>						
80/	B600/700, C600/900, CT800/900, L800/900, LN600/900, LNT-LT-LTS800/900	6&8	All	B6TZ 9A389-A	Bezel (emergency warning lamp switch)	1
80/	B600/700, C600/900, CT800/900, F600/800, FT800, L800/900, FT800, LNT600/900, LNT-LT-LTS800/900	6&8	All	C1TZ 9A389-A		1 or 2
80/	C600	6&8	All		Use w/marker lamps	1
80/	CL-CLT900	6&8	All			1
82/	LTL900 - - diesel	6&8	All			1
<b>9N392 SOLENOID ASSY. (FUEL SHUT OFF)</b>						
86/	B-F-FT-CF-L-LA-LN- LS-LT-LNT-LTS600/900 - - FNH diesel	6	All	F3HZ 9N392-D	#F3HJ 9N392-AA, #2003ES-12 E6UC 4B5S2 Also serviced in 9A594 kits . #SA-4273-12	1
<b>9C397 CHECK BALL CAP KIT (VENT PLUG FUEL WATER SEP)</b>						
86/	CF600/700 - - FNH diesel	6	6.6	E7HZ 9C397-A		1
87/	CF700/800 - - FNH diesel	6	7.8			1
87/	B-F600/700 - - FNH diesel	6	6.6			1
87/	B700, F600/800, FT900, L-LN-LS-LNT-LT-LTS800 - - FNH diesel	6	7.8			1

## FORD ENGINE CALIBRATIONS DETERMINING VEHICLE CALIBRATION

**IMPORTANT NOTE:** To determine the CALIBRATION CODE on 1981 and early 1982 production engines, follow steps 1 through 4 as shown and described in Items A and B. To do this, you will be required to look at the Vehicle Emission Decal to determine Steps (1) and (2). For Steps (3) and (4) look at the Calibration Label for

the additional information you'll need. Then follow instructions in steps 1 through 4 listed below. For later production 1982 models you will only need to look at the CALIBRATION CODE Label as shown in Item C, Step 1A.

### ALL 1981 AND EARLY 1982 MODELS

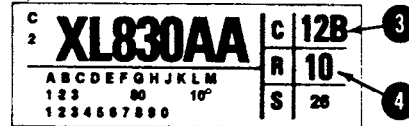


Item A

CODE LABEL  
— ALL OTHER  
1981 AND EARLY  
1982 ENGINES

### 1981-82 Code Label Early 1982 Models

Item B  
(See  
Example  
Below)



NOTE: Some calibrations are carried over from prior model years. If you cannot locate calibration number using "2" prefix, check "1", "0", "9", "8", "7", or "5" prefixes.

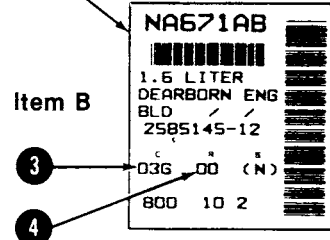
- 1 DETERMINE ENGINE DISPLACEMENT FROM EMISSION CONTROL DECAL\*\*  
... ENTER IN BLANK "A" OF EXAMPLE SHOWN BELOW.
- 2 DETERMINE VEHICLE MODEL YEAR FROM EMISSION CONTROL DECAL\*\*  
... ENTER LAST DIGIT IN BLANK "B": SEE EXAMPLE BELOW.
- 3 DETERMINE CALIBRATION BASE NUMBER FROM ENGINE CODE LABEL\*\*  
... ENTER NUMBERS AND LETTERS IN BLANK "C".
- 4 DETERMINE REVISION LEVEL FROM ENGINE CODE LABEL\*  
... ENTER IN BLANK "D".

(A) (B) (C) (D)  
EXAMPLE: ENGINE: 3.3L (200 CID) CALIBRATION 2 — 12B — R10

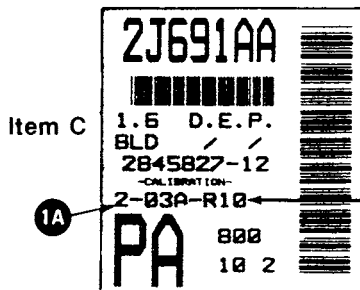
### 1981-82 Code Label Early 1982 Models

ENGINE CODE LABEL  
1.6L ENGINE ONLY

Item B



### LATE PRODUCTION 1982 (AND LATER) MODELS



Item C

READ THIS AS 2-3A-R10

- \* Located on engine valve cover. (Yellow or White)
- \*\* Located on engine valve cover, radiator support bracket, underside of hood or fresh air inlet tube (Gold or Silver), or windshield washer bottle.
- \*\*\* Located on Timing Chain Cover.

**IMPORTANT NOTE:** These CALIBRATION DECALS affixed to late 1982 production engines, contain all the information you'll need to determine the correct engine calibration. Depending upon the engine displacement, check by looking at Step 1A. You *do not* have to refer to the Vehicle Emission Decal for details.

Item C

READ THIS AS 1-18U-R0

1A



Once the calibration and revision level are determined, refer to the "Calibration Number to Parts List Cross Reference Chart" on page 2. Calibration numbers are also shown by vehicle and engine application in the "Model Application to Parts List Cross Reference Chart" on page 3. Find the corresponding 1980/ calibration number and the part list number. For detailed part number information, refer to the appropriate Parts List No. in Section 93B.

Example: If the calibration number and revision level shown on the engine code label are "0-018" and "R0", the Calibration Parts List No. is 1.

NOTE: Calibration codes are listed in computer language.  
Thus, Read: 00 as 0,  
03 as 3, etc.

P-17955



**1980/  
TRUCK SERIES 600/900**

**Calibration No. to Parts List Cross Reference Chart**

Calibration No.	Parts List No.	Calibration No.	Parts List No.
4-83R-R10	8	7-87H-R10	17
4-83T-R0	9	7-93J-R0	6
5-83G-R0	10	7-95J-R0	7
5-83H-R0	11	8-83G-R0	18
5-83H-R10	13	8-87H-R10	19
5-87H-R0	12	9-83G-R12	1
5-87H-R10	14	9-83H-R11	2
6-83G-R11	15	9-83H-R14	3
7-83H-R10	16	9-87G-R10	4
		9-87G-R11	5

**MODEL APPLICATION TO PARTS LIST CROSS REFERENCE CHART**

APPLICATION	CALIBRATION CODE	PARTS LIST NUMBER	APPLICATION	CALIBRATION CODE	PARTS LIST NUMBER
-------------	------------------	-------------------	-------------	------------------	-------------------

**1980/**

**B600/700**

<b>8 cyl. 370-2V (6.1L)</b>			<b>8 cyl. 370-4V (6.1L) — Cont'd</b>		
B600/700	9-83G-R12	1	B600/700 -- exc. Calif.	4-83T-R0	9
B600/700 -- exc. Calif.	5-83G-R0	10	B600/700	7-83H-R10	16
B600/700 -- exc. Calif.	6-83G-R11	15	<b>8 cyl. 429 (7.0L)</b>		
B600/700 -- exc. Calif.	8-83G-R0	18	B700	9-87G-R10	4
B600/700 -- Calif.	4-83R-R10	8	B700	9-87G-R11	5
<b>8 cyl. 370-4V (6.1L)</b>			B700	7-87H-R10	17
B600/700 -- exc. Calif.	9-83H-R11	2	B700	8-87H-R10	19
B600/700 -- exc. Calif.	5-83H-R0	11	B700 -- exc. Calif.	5-87H-R0	12
B600/700 -- exc. Calif.	5-83H-R10	13	B700 -- exc. Calif.	5-87H-R10	14
B600/700 -- Calif.	9-83H-R14	3			

**C-CT600/900**

<b>8 cyl. 370-2V (6.1L)</b>			<b>8 cyl. 429 (7.0L)</b>		
C600/700	9-83G-R12	1	C-CT700/800	9-87G-R10	4
C600/700 -- exc. Calif.	5-83G-R0	10	C-CT700/800	9-87G-R11	5
C600/700 -- exc. Calif.	6-83G-R11	15	C700/800 -- exc. Calif.	5-87H-R0	12
C600/700 -- Calif.	4-83R-R10	8	C700/800 -- exc. Calif.	5-87H-R10	14
<b>8 cyl. 370-4V (6.1L)</b>			<b>8 cyl. 477 (7.8L)</b>		
C-CT600/800 -- exc. Calif.	9-83H-R11	2	C-CT900	7-93J-R0	6
C600/800 -- exc. Calif.	5-83H-R0	11	<b>8 cyl. 534 (8.8L)</b>		
C600/800 -- exc. Calif.	5-83H-R10	13	C-CT900	7-95J-R0	7
C-CT600/800 -- Calif.	9-83H-R14	3			
C600/700 -- Calif.	4-83T-R0	9			

**F-FT600/800**

<b>8 cyl. 370-2V (6.1L)</b>			<b>8 Cyl. 370-4V (6.1L) — Cont'd</b>		
F600/700	9-83G-R12	1	F-FT600/800 -- Calif.	4-83T-R0	9
F600/700 -- exc. Calif.	5-83G-R0	10	F-FT600/800	7-83H-R10	16
F600/700 -- exc. Calif.	6-83G-R11	15	<b>8 cyl. 429 (7.0L)</b>		
F600/700 -- exc. Calif.	8-83G-R0	18	F-FT700/800	9-87G-R10	4
F600/700 -- Calif.	4-83R-R10	8	F-FT700/800	9-87G-R11	5
<b>8 Cyl. 370-4V (6.1L)</b>			F-FT700/800	7-87H-R10	17
F-FT600/800 -- exc. Calif.	9-83H-R11	2	F-FT700/800	8-87H-R10	19
F-FT600/800 -- exc. Calif.	5-83H-R0	11	F-FT700/800 -- exc. Calif.	5-87H-R0	12
F-FT600/800 -- exc. Calif.	5-83H-R10	13	F-FT700/800 -- exc. Calif.	5-87H-R10	14
F-FT600/800 -- Calif.	9-83H-R14	3			



**1980/  
TRUCK SERIES 600/900**

QTY.	PART NUMBER	DESCRIPTION	QTY.	PART NUMBER	DESCRIPTION
<b>CALIBRATION PARTS LIST NO. 1</b> (Calibration No. 9-83G-R12) - 8 Cyl. 370-2V C.I.D. (6.1L) 1980/85 B-F600/700 1980/85 C600/700 1980/85 LN600/700			<b>CALIBRATION PARTS LIST NO. 1 — Cont'd</b>		
1	D5DZ 9B289-A	Valve assy. (thermactor air by-pass) -(1980/82) # D5DE 9B289-AA	1	E0TZ 9510-BC *CA-2282	Carburetor assy. -- Calif. # E0TE-BCA (1980/81) (Component Parts List No. 95.1B) Vehicle line: B-F600/700
1	E1TZ 9B289-B *CX-671	Valve assy. (thermactor air by-pass) -(1981/) # E1TE 9B289-BA,HA	1	E2TZ 9510-N *CA-3207	Carburetor assy. -- Calif. # E2TE-NA (1982/83) (Component Parts List No. 95.1F) Vehicle line: B-F600/700
1	D7DZ 9F424-B	Valve assy. (E.G.R. vacuum load control) # D6BE 9F424-B1A,B2A	1	D9HZ 9B650-A	Thermostat (air cleaner air duct)- 75-105°F # D9HT 9B650-AA
1	D5FZ 9E451-B	Amplifier assy. (E.G.R. vacuum) # D52E-B1A,B2A,B3A	1	D9HZ 9B650-B	Thermostat (air cleaner air duct) 90-120°F # D9HT 9B650-BA
1	D5TZ 9E453-A	Reservoir assy. (E.G.R. vacuum) # D5TE 9E453-AA	1	E0AZ 9D653-A *CX-410	Canister assy. (fuel vapor storage) # E0AE 9D653-AA (1980/83) NOTE: (2) required w/dual tanks
1	D5TZ 9D474-F	Valve assy. (E.G.R. solenoid vacuum) # D5TE 9D474-F2A,F3A	1	D3FZ 12A091-A *DY-135	Valve assy. (distributor vacuum control) # D32E-AA (1980/85) Color code: black and white
1	E3TZ 9D474-E	Valve assy. (E.G.R. solenoid vacuum) # E3TE 9D474-BA	1	E3AZ 12A091-E *DY-444	Valve assy. (distributor vacuum control) # E3AE-EA (1984/) Color code: black and white
1	D8BZ 9D475-B *CX-246	Valve assy. (E.G.R.)-(1980/) # D8BE 9D475-B1A,B2A	1	D3FZ 12A091-B *DY-136	Valve assy. (distributor vacuum control) # D32E-BA (1980) Color code: black and green
1	E0BZ 9D475-E *CX-427	Valve assy. (E.G.R.)-(1982/83) # E0BE 9D475-E1A,E2A	1	D5TZ 12A091-A *DY-181	Valve assy. (distributor vacuum control) # D5TE-BA (1980/85) Color code: black and green
1	E1TZ 9A486-D *CX-631	Pump assy. (thermactor)-(1980/82) # D7TE 9A486-A1A,A2A,A3A, E0TE 9A486-A1A,A2A, E1TE 9A486-D1A,D2A	1	E3AZ 12A091-H *DY-420	Valve assy. (distributor vacuum control) # E3AE-HA (1984/) Color code: black and green
1	E1TZ 9A486-C *CX-630	Pump assy. (thermactor)-(1981/85) # E1TE 9A486-C1A,C2A	1	D9HZ 12127-AU *DA-1770	Distributor assy. # D9TE 12127-AUA
1	E4HZ 9A486-C *CX-630-A	Pump assy. (thermactor)-(1984/) # E4HE 9A486-CA	1	D4HZ 12A208-A	Valve assy. (distributor retard control)- # D3HE-AA (1980/85) Color code: brown and white
1	D9TZ 9510-AP *CA-2122	Carburetor assy.-# D9TE-APA -- (1980/83-exc. Calif.) -- (1984/-50 states & Canada) (Component Parts List No. 95.1C) Vehicle line: C-LN600/700	1	E3AZ 12A208-D *DY-431	Valve assy. (distributor retard control) # E3AE-DA (1984/) Color code: brown and white
1	D9TZ 9510-AB *CA-2046	Carburetor assy. -- Calif. # D9TE-ABC (1980/81) (Component Parts List No. 95.1D) Vehicle line: C-LN600/700	1	D9HZ 12A458-A *DX-44	Control assy. (engine governor)- 3400 R.P.M. # D9HE 12A458-AA
1	E2TZ 9510-AG *CA-3184	Carburetor assy. -- Calif. # E2TE-AGA (1982/83) (Component Parts List No. 95.1E) Vehicle line: C-LN600/700	1	E1PZ 12A458-B *DX-48	Control assy. (engine governor)- 3400 R.P.M. # E1PF 12A458-BA NOTE: Use w/2-way radio equipped vehicles.
1	E0TZ 9510-P *CA-2302	Carburetor assy.-# E0TE-PA -- (1980/83-exc. Calif.) -- (1984/-50 states & Canada) (Component Parts List No. 95.1A) Vehicle line: B-F600/700	1	D9HZ 12A458-C *DX-46	Control assy. (engine governor)- 3600 R.P.M. # D9TE 12A458-BA
			1	E1PZ 12A458-D *DX-50	Control assy. (engine governor)- 3600 R.P.M. # E1PF 12A458-DA NOTE: Use w/2-way radio equipped vehicles.
			1	D9TZ 12A458-A *DX-45	Control assy. (engine governor)- 4000 R.P.M. # D9TE 12A458-AA
			1	E1PZ 12A458-C *DX-49	Control assy. (engine governor)- 4000 R.P.M. # E1PF 12A458-CA NOTE: Use w/2-way radio equipped vehicles.

**1980/  
TRUCK SERIES 600/900**

QTY.	PART NUMBER	DESCRIPTION	QTY.	PART NUMBER	DESCRIPTION
<b>CALIBRATION PARTS LIST NO. 2</b> (Calibration No. 9-83H-R11)-8 Cyl. 370-4V C.I.D. (6.1L) 1980/85 B-F-FT600/800 -- exc. Calif. 1980/85 C-CT600/800 -- exc. Calif. 1980/85 L-LN-LNT-LT600/800 -- exc. Calif.			<b>CALIBRATION PARTS LIST NO. 2 — Cont'd</b>		
1	D5DZ 9B289-A	Valve assy. (thermactor air by-pass) -(1980/82) # D5DE 9B289-AA	1	D9HZ 9B650-A	Thermostat (air cleaner air duct)- 75-105°F # D9HT 9B650-AA
1	E1TZ 9B289-B *CX-671	Valve assy. (thermactor air by-pass) -(1981/) # E1TE 9B289-BA,HA	1	D9HZ 9B650-B	Thermostat (air cleaner air duct)- 90-120°F # D9HT 9B650-BA
1	D5TZ 9E451-A	Amplifier assy. (E.G.R. vacuum) # D5TE 9E451-A1A,A2A	1	D3DZ 12A091-B *DY-139-A	Valve assy. (distributor vacuum control) # D3DE-AB (1980/85) Color code: black and brown
1	D5TZ 9E453-A	Reservoir assy. (E.G.R. vacuum) # D5TE 9E453-AA	1	E3AZ 12A091-D *DY-435	Valve assy. (distributor vacuum control) # E3AE-DA (1984/) Color code: black and brown
1	D5TZ 9D474-F	Valve assy. (E.G.R. solenoid vacuum) # D5TE 9D474-F2A,F3A	1	D3FZ 12A091-B *DY-136	Valve assy. (distributor vacuum control) # D32E-BA (1980/85) Color code: black and green
1	E3TZ 9D474-E	Valve assy. (E.G.R. solenoid vacuum) # E3TE 9D474-BA	1	D5TZ 12A091-A *DY-181	Valve assy. (distributor vacuum control) # D5TE-BA (1980/85) Color code: black and green
1	D8DZ 9D475-C *CX-301	Valve assy. (E.G.R.) # D8DE 9D475-C1A,C2A	1	E3AZ 12A091-H *DY-420	Valve assy. (distributor vacuum control) # E3AE-HA (1984/) Color code: black and green
1	E1TZ 9A486-D *CX-631	Pump assy.(thermactor)-(1980/82) # D7TE 9A486-A1A,A2A,A3A, E0TE 9A486-A1A,A2A, E1TE 9A486-D1A,D2A	1	D9HZ 12127-AU *DA-1770	Distributor assy. # D9TE 12127-AUA
1	E1TZ 9A486-C *CX-630	Pump assy. (thermactor)-(1981/85) # E1TE 9A486-C1A,C2A	1	D4HZ 12A208-A	Valve assy. (distributor retard control)- # D3HE-AA (1980/85) Color code: Brown and white
1	E4HZ 9A486-C *CX-630-A	Pump assy. (thermactor)-(1984/) # E4HE 9A486-CA	1	E3AZ 12A208-D *DY-431	Valve assy. (distributor retard control) # E3AE-DA (1984/) Color code: Brown and white
1	D4VY 9A487-A	Valve assy. (thermactor check) (1980)	1	D9HZ 12A458-A *DX-44	Control assy. (engine governor)- 3400 R.P.M. # D9HE 12A458-AA
1	★ D9TZ 9510-EB *CA-2511 r/b E2TZ 9510-CP	Carburetor assy. # D9TE-EBA -(1980/82) (Component Parts List No. 95.2C) Vehicle line: C-CT-L-LN-LNT-LT600/800	1	E1PZ 12A458-B *DX-48	Control assy. (engine governor)- 3400 R.P.M. # E1PF 12A458-BA NOTE: Use w/2-way radio equipped vehicles.
1	E2TZ 9510-CP *CA-3050	Carburetor assy. # E2TE-CPA -(1982/) (Component Parts List No. 95.2J) Vehicle line: C-CT-L-LN-LNT-LT600/800	1	D9HZ 12A458-C *DX-46	Control assy. (engine governor)- 3600 R.P.M. # D9TE 12A458-BA
1	E0TZ 9510-R *CA-2303	Carburetor assy. # E0TE-RA -(1980/82) (Component Parts List No. 95.2B) Vehicle line: B-F600/800	1	E1PZ 12A458-D *DX-50	Control assy. (engine governor)- 3600 R.P.M. # E1PF 12A458-DA NOTE: Use w/2-way radio equipped vehicles.
1	E2TZ 9510-CR *CA-3052	Carburetor assy. # E2TE-CRA -(1982/) (Component Parts List No. 95.2J) Vehicle line: B-F-FT600/800	1	D9TZ 12A458-A *DX-45	Control assy. (engine governor)- 4000 R.P.M. # D9TE 12A458-AA
			1	E1PZ 12A458-C *DX-49	Control assy. (engine governor)- 4000 R.P.M. # E1PF 12A458-CA NOTE: Use w/2-way radio equipped vehicles.

**1980/  
TRUCK SERIES 600/900**

QTY.	PART NUMBER	DESCRIPTION	QTY.	PART NUMBER	DESCRIPTION
<b>CALIBRATION PARTS LIST NO. 3</b> (Calibration No. 9-83H-R14)-8 Cyl. 370-4V C.I.D. (6.1L) 1980/84 B-F-FT600/800 -- Calif. 1980/84 C-CT600/800 -- Calif. 1980/84 L-LN-LNT-LT600/800 -- Calif.			<b>CALIBRATION PARTS LIST NO. 3 — Cont'd</b>		
1	D5DZ 9B289-A	Valve assy. (thermactor air by-pass) -(1980/82) # D5DE 9B289-AA	2	E0AZ 9D653-A *CX-410	Thermostat (air cleaner air duct) 75-105°F # D9HT 9B650-AA Canister assy. (fuel vapor storage) # E0AE 9D653-AA
1	E1TZ 9B289-B *CX-671	Valve assy. (thermactor air by-pass) -(1981/) # E1TE 9B289-BA,HA	1	D3DZ 12A091-B *DY-139-A	Thermostat (air cleaner air duct) 90-120°F # D9HT 9B650-BA Valve assy. (distributor vacuum control) # D3DE-AB (1980/) Color code: black and brown
1	D5TZ 9E451-A	Amplifier assy. (E.G.R. vacuum) # D5TE 9E451-A1A,A2A	1	E3AZ 12A091-D *DY-435	Valve assy. (distributor vacuum control) # E3AE-DA (1984) Color code: black and brown
1	D5TZ 9E453-A	Reservoir assy. (E.G.R. vacuum) # D5TE 9E453-AA	1	D3FZ 12A091-B *DY-136	Valve assy. (distributor vacuum control) # D32E-BA (1980) Color code: black and green
1	D5TZ 9D474-F	Valve assy. (E.G.R. solenoid vacuum) # D5TE 9D474-F2A,F3A	1	D5TZ 12A091-A *DY-181	Valve assy. (distributor vacuum control) # D5TE-BA (1980/) Color code: black and green
1	E3TZ 9D474-E	Valve assy. (E.G.R. solenoid vacuum) # E3TE 9D474-BA	1	E3AZ 12A091-H *DY-420	Valve assy. (distributor vacuum control) # E3AE-HA (1984) Color code: black and green
1	D8DZ 9D475-C *CX-301	Valve assy. (E.G.R.) # D8DE 9D475-C1A,C2A	1	D9HZ 12127-AU *DA-1770	Distributor assy. # D9TE 12127-AUA
1	E1TZ 9A486-D *CX-631	Pump assy. (thermactor)-(1980/82) # D7TE 9A486-A1A,A2A,A3A, E0TE 9A486-A1A,A2A, E1TE 9A486-D1A,D2A	1	D4HZ 12A208-A	Valve assy. (distributor retard control)- # D3HE-AA (1980/) Color code: brown and white
1	E1TZ 9A486-C *CX-630	Pump assy. (thermactor)-(1981/) # E1TE 9A486-C1A,C2A	1	E3AZ 12A208-D *DY-431	Valve assy. (distributor retard control) # E3AE-DA (1984) Color code: brown and white
1	E4HZ 9A486-C *CX-630-A	Pump assy. (thermactor)-(1984) # E4HE 9A486-CA	1	D9HZ 12A458-A *DX-44	Control assy. (engine governor)- 3400 R.P.M. # D9HE 12A458-AA
1	D9TZ 9510-AHE *CA-2510	Carburetor assy. # D9TE-AHE (1980/81) (Component Parts List No. 95.2E) Vehicle line: C-CT-L-LN-LNT-LT600/800	1	E1PZ 12A458-B *DX-48	Control assy. (engine governor)- 3400 R.P.M. # E1PF 12A458-BA NOTE: Use w/2-way radio equipped vehicles
1	★ E2TZ 9510-V r/b E2TZ 9510-CM	Carburetor assy. # E2TE-VA (1982) (Component Parts List No. 95.2F) Vehicle line: C-L-LN-LNT-LT600/800	1	D9HZ 12A458-C *DX-46	Control assy. (engine governor)- 3600 R.P.M. # D9TE 12A458-BA
1	E2TZ 9510-CM *CA-3197	Carburetor assy. # E2TE-CMA-(1982/) (Component Parts List No. 95.2H) Vehicle line: C-L-LN-LNT-LT600/800	1	E1PZ 12A458-D *DX-50	Control assy. (engine governor)- 3600 R.P.M. # E1PF 12A458-DA NOTE: Use w/2-way radio equipped vehicles
1	E0TZ 9510-J *CA-2300	Carburetor assy. # E0TE-JA (1980/81) (Component Parts List No. 95.2A) Vehicle line: B-F600/800	1	D9TZ 12A458-A *DX-45	Control assy. (engine governor)- 4000 R.P.M. # D9TE 12A458-AA
1	★ E2TZ 9510-AH r/b E2TZ 9510-CN	Carburetor assy. # E2TE-AHA (1982) (Component Parts List No. 95.2G) Vehicle line: B-F600/800	1	E1PZ 12A458-C *DX-49	Control assy. (engine governor)- 4000 R.P.M. # E1PF 12A458-CA NOTE: Use w/2-way radio equipped vehicles
1	E2TZ 9510-CN *CA-3103	Carburetor assy. # E2TE-CNA-(1982/) (Component Parts List No. 95.2H) Vehicle line: B-F-FT600/800			

1980/  
TRUCK SERIES 600/900

QTY.	PART NUMBER	DESCRIPTION	QTY.	PART NUMBER	DESCRIPTION
<p><b>CALIBRATION PARTS LIST NO. 4</b> (Calibration No. 9-87G-R10)-8 Cyl. 429 C.I.D. (7.0L) 1980 B-F700/800 1980 C-CT700/800 1980 L-LN-LNT-LT-LTS700/800</p>			<p><b>CALIBRATION PARTS LIST NO. 5</b> (Calibration No. 9-87G-R11)-8 Cyl. 429 C.I.D. (7.0L) 1980/ B-F-FT700/800 1980/86 C-CT700/800 1980/84 L-LN-LNT-LT-LTS700/800</p>		
1	D5DZ 9B289-A	Valve assy. (thermactor air by-pass) ≠ D5DE 9B289-AA	1	D5DZ 9B289-A	Valve assy. (thermactor air by-pass) ≠ D5DE 9B289-AA (1980/83)
1	D5TZ 9E451-A	Amplifier assy. (E.G.R. vacuum) ≠ D5TE 9E451-A1A,A2A	1	E1TZ 9B289-B	Valve assy. (thermactor air by-pass) *CX-671 ≠ E1TE 9B289-BA,HA (1980/)
1	D5TZ 9E453-A	Reservoir assy. (E.G.R. vacuum) ≠ D5TE 9E453-AA	1	D5TZ 9E451-A	Amplifier assy. (E.G.R. vacuum) ≠ D5TE 9E451-A1A,A2A
1	D5TZ 9D474-F	Valve assy. (E.G.R. solenoid vacuum) ≠ D5TE 9D474-F2A,F3A	1	D5TZ 9E453-A	Reservoir assy. (E.G.R. vacuum) ≠ D5TE 9E453-AA
1	D8DZ 9D475-C *CX-301	Valve assy. (E.G.R.) ≠ D8DE 9D475-C1A,C2A	1	D5TZ 9D474-F	Valve assy. (E.G.R. solenoid vacuum)-1980/85 ≠ D5TE 9D474-F2A,F3A
1	E1TZ 9A486-D *CX-631	Pump assy. (thermactor) ≠ D7TE 9A486-A1A,A2A,A3A, E0TE 9A486-A1A,A2A, E1TE 9A486-D1A,D2A	1	E3TZ 9D474-E	Valve assy. (E.G.R. solenoid vacuum)-1980/ ≠ E3TE 9D474-BA
1	★ D9TZ 9510-EU *CA-2513 r/b E2TZ 9510-CU	Carburetor assy. -- exc. Calif. ≠ D9TE-EUA (Component Parts List No. 95.2C) Vehicle line: C-CT-L-LN-LNT-LT-LTS700/800	1	D8DZ 9D475-C *CX-301	Valve assy. (E.G.R.) ≠ D8DE 9D475-C1A,C2A
1	D9TZ 9510-ET *CA-2512	Carburetor assy. -- Calif. ≠ D9TE-ETA (Component Parts List No. 95.2D) Vehicle line: C-CT-L-LN-LNT-LT-LTS700/800	1	E1TZ 9A486-D *CX-631	Pump assy. (thermactor)-(1980/82) ≠ D7TE 9A486-A1A,A2A,A3A, E0TE 9A486-A1A,A2A, E1TE 9A486-D1A,D2A
1	★ E0TZ 9510-S *CA-2304 r/b E2TZ 9510-CV	Carburetor assy. -- exc. Calif. ≠ E0TE-SA Component Parts List No. 95.2B) Vehicle line: B-F700/800	1	E4HZ 9A486-C *CX-630-A	Pump assy. (thermactor)-(1981/85) ≠ E1TE 9A486-C1A,C2A,E4HE 9A486-CA
1	E0TZ 9510-M *CA-2301	Carburetor assy. -- Calif. ≠ E0TE-MA (Component Parts List No. 95.2A) Vehicle line: B-F700/800	1	E5HZ 9A486-C *CX-1098	Pump assy. (thermactor)-(1985/) ≠ E5HE 9A486-CB
1	D9HZ 9B650-A	Thermostat (air cleaner air duct) 75-105°F ≠ D9HT 9B650-AA	1	★ D9TZ 9510-EU *CA-2513 r/b E2TZ 9510-CU	Carburetor assy. -- exc. Calif. ≠ D9TE-EUA-(1980/82) (Component Parts List No. 95.2C) Vehicle line: C-CT-L-LN-LNT-LT-LTS700/800
1	D9HZ 9B650-B	Thermostat (air cleaner air duct) 90-120°F ≠ D9HT 9B650-BA	1	E2TZ 9510-CU *CA-3051	Carburetor assy. -- exc. Calif. ≠ E2TE-CUA-(1982/83) (Component Parts List No. 95.2L) Vehicle line: C-CT-L-LN-LNT-LT-LTS700/800
1	E0AZ 9D653-A *CX-410	Canister assy. (fuel vapor storage) ≠ E0AE 9D653-AA	1	E3HZ 9510-C *CA-3220	Carburetor assy. -- exc. Calif. ≠ E3HE-CA-(1983/85) (Component Parts List No. 95.2L) Vehicle line: C-CT-L-LN-LNT-LT-LTS700/800
1	D3DZ 12A091-B *DY-139-A	Valve assy. (distributor vacuum control) ≠ D3DE-AB Color code: black and brown	1	D9TZ 9510-ET *CA-2512	Carburetor assy. -- Calif. ≠ D9TE-ETA (1980/81) (Component Parts List No. 95.2D) Vehicle line: C-CT-L-LN-LNT-LT-LTS700/800
1	D5TZ 12A091-A *DY-181	Valve assy. (distributor vacuum control) ≠ D5TE-BA Color code: black and green	1	E2TZ 9510-AJ	Carburetor assy. -- Calif. ≠ E2TE-AJA (1982) (Component Parts List No. 95.2F) Vehicle line: C-CT-L-LN-LNT-LT-LTS700/800
1	D9HZ 12127-AU *DA-1770	Distributor assy. ≠ D9TE 12127-AUA	1	E2TZ 9510-CS	Carburetor assy. -- Calif. ≠ E2TE-CSA-(1982/83) (Component Parts List No. 95.2K) Vehicle line: C-CT-L-LN-LNT-LT-LTS700/800
1	D4HZ 12A208-A	Valve assy. (distributor retard control)- Color code: brown ≠ D3HE-AA	PARTS LIST NO. 5-Continued on Next Page		
1	D9HZ 12A458-A *DX-44	Control assy. (engine governor)- 3400 R.P.M. ≠ D9HE 12A458-AA			
1	D9TZ 12A458-A *DX-45	Control assy. (engine governor)- 4000 R.P.M. ≠ D9TE 12A458-AA			

**1980/  
TRUCK SERIES 600/900**

QTY.	PART NUMBER	DESCRIPTION	QTY.	PART NUMBER	DESCRIPTION
<b>CALIBRATION PARTS LIST NO. 5 — Cont'd</b>			<b>CALIBRATION PARTS LIST NO. 5 — Cont'd</b>		
1	E3HZ 9510-A *CA-3219	Carburetor assy. -- Calif. # E3HE-AA-(1983/85) (Component Parts List No. 95.2K) Vehicle line: C-CT-L-LN-LNT-LT-LTS700/800	1	D9HZ 9B650-A	Thermostat (air cleaner air duct) 75-105°F # D9HT 9B650-AA
1	E5HZ 9510-Y	Carburetor assy. -- Calif. # E5HE-YA-(1985/) (Component Parts List No. 95.2M) Vehicle line: C700/800 -- w/electric fuel pump	1	D9HZ 9B650-B	Thermostat (air cleaner air duct) 90-120°F # D9HT 9B650-BA
1	★ E0TZ 9510-S *CA-2304 r/b E2TZ 9510-CV	Carburetor assy. -- exc. Calif. # E0TE-SA-(1980/82) (Component Parts List No. 95.2B) Vehicle line: B-F700/800	2	E0AZ 9D653-A *CX-410	Canister assy. (fuel vapor storage) # E0AE 9D653-AA
1	E2TZ 9510-CV *CA-3053	Carburetor assy. -- exc. Calif. # E2TE-CVA-(1982/83) (Component Parts List No. 95.2L) Vehicle line: B-F-FT700/800	1	D3DZ 12A091-B *DY-139-A	Valve assy. (distributor vacuum control) # D3DE-AB (1980/85) Color code: black and brown
1	E3HZ 9510-D	Carburetor assy. -- exc. Calif. # E3HE-DA-(1983/85) (Component Parts List No. 95.2L) Vehicle line: B-F-FT700/800	1	E3AZ 12A091-D *DY-435	Valve assy. (distributor vacuum control) # E3AE-DA (1984/) Color code: black and brown
1	E0TZ 9510-M *CA-2301	Carburetor assy. -- Calif. # E0TE-MA (1980/81) (Component Parts List No. 95.2A) Vehicle line: B-F700/800	1	D5TZ 12A091-A *DY-181	Valve assy. (distributor vacuum control) # D5TE-BA (1980/85) Color code: black and green
1	E2TZ 9510-AK	Carburetor assy. -- Calif. # E2TE-AKA (1982) (Component Parts List No. 95.2G) Vehicle line: B-F700/800	1	E3AZ 12A091-H *DY-420	Valve assy. (distributor vacuum control) # E3AE-HA (1984/) Color code: black and green
1	E2TZ 9510-CT	Carburetor assy. -- Calif. # E2TE-CTA-(1982/83) (Component Parts List No. 95.2K) Vehicle line: B-F-FT700/800	1	E0HZ 12127-AV *DA-1783	Distributor assy. # D9TE 12127-AVA
1	E3HZ 9510-B	Carburetor assy. -- Calif. # E3HE-BA-(1983/85) (Component Parts List No. 95.2K) Vehicle line: B-F-FT700/800	1	D4HZ 12A208-A	Valve assy. (distributor retard control)- # D3HE-AA (1980/85) Color code: brown and white
1	E5HZ 9510-Z	Carburetor assy. -- Calif. # E5HE-ZA-(1985/) (Component Parts List No. 95.2M) Vehicle line: B-F-FT700/800 -- w/ electric fuel pump	1	E3AZ 12A208-D *DY-431	Valve assy. (distributor retard control) # E3AE-DA (1984/) Color code: brown and white
			1	D9HZ 12A458-A *DX-44	Control assy. (engine governor) 3400 R.P.M. # D9HE 12A458-AA
			1	E1PZ 12A458-B *DX-48	Control assy. (engine governor)- 3400 R.P.M. # E1PF 12A458-BA NOTE: Use w/2-way radio equipped vehicles
			1	D9HZ 12A458-C *DX-46	Control assy. (engine governor)- 3600 R.P.M. # D9TE 12A458-BA
			1	E1PZ 12A458-D *DX-50	Control assy. (engine governor)- 3600 R.P.M. # E1PF 12A458-DA NOTE: Use w/2-way radio equipped vehicles
			1	D9TZ 12A458-A *DX-45	Control assy. (engine governor) 4000 R.P.M. # D9TE 12A458-AA
			1	E1PZ 12A458-C *DX-49	Control assy. (engine governor)- 4000 R.P.M. # E1PF 12A458-CA NOTE: Use w/2-way radio equipped vehicles

**1980/  
TRUCK SERIES 600/900**

QTY.	PART NUMBER	DESCRIPTION	QTY.	PART NUMBER	DESCRIPTION
<b>CALIBRATION PARTS LIST NO. 6</b>			<b>CALIBRATION PARTS LIST NO. 7</b>		
(Calibration No. 7-93J-R0)-8 Cyl. 477 C.I.D. (7.8L)			(Calibration No. 7-95J-R0)-8 Cyl. 534 (8.8L)		
1980/81 C-CT900			1980/81 C-CT900		
1980/81 L-LN-LNT-LT-LTS900			1980/81 L-LN-LNT-LT-LTS900		
1	D7HZ 9B289-A	Valve assy. (thermactor air by-pass) # D7HE 9B289-AA	1	D7HZ 9B289-A	Valve assy. (thermactor air by-pass) # D7HE 9B289-AA
1	E1TZ 9B289-B *CX-671	Valve assy. (thermactor air by-pass) # E1TE 9B289-BA,HA	1	E1TZ 9B289-B *CX-671	Valve assy. (thermactor air by-pass) # E1TE 9B289-BA,HA
1	D7HZ 9D474-A	Valve assy. (E.G.R. solenoid vacuum) # D7HE 9D474-AA	1	D7HZ 9D474-A	Valve assy. (E.G.R. solenoid vacuum) # D7HE 9D474-AA
1	E1TZ 9A486-D *CX-631	Pump assy. (thermactor) # D5TE 9A486-C1C,C2C,C3C, E0HE 9A486-A1A,A2A, E1TE 9A486-D1A,D2A	1	E1TZ 9A486-D *CX-631	Pump assy. (thermactor) # D5TE 9A486-C1C,C2C,C3C, E0HE 9A486-A1A,A2A, E1TE 9A486-D1A,D2A
1	E1HZ 9A486-A *CX-628	Pump assy. (thermactor) # E1HE 9A486-A1A,A2A	1	E1HZ 9A486-A *CX-628	Pump assy. (thermactor) # E1HE 9A486-A1A,A2A
1	D9HZ 9510-C *CA-2080	Carburetor assy. # D9HE-CA (Component Parts List No. 95.3A)	1	D9HZ 9510-E *CA-2082	Carburetor assy. # D9HE-EA (Component Parts List No. 95.3A)
1	D9HZ 9D612-A *CX-520	Vacuum Motor assy. (carburetor air cleaner) # D9HT 9D604-AA	1	D9HZ 9D612-A *CX-520	Vacuum Motor assy. (carburetor air cleaner) # D9HT 9D604-AA
1	D9HZ 9B650-A	Thermostat (air cleaner air duct) 75-105°F # D9HT 9B650-AA,CA	1	D9HZ 9B650-A	Thermostat (air cleaner air duct) 75-105°F # D9HT 9B650-AA,CA
1	D7HZ 12127-A *DA-1610	Distributor assy. # D6HE 12127-FA	1	D6HZ 12127-E *DA-1525	Distributor assy. # D6HE 12127-GA
1	D9HZ 12A182-A *SW-1551	Switch assy. (distributor modulator valve) # D9HE 12A182-AA	1	D9HZ 12A182-A *SW-1551	Switch assy. (distributor modulator valve) # D9HE 12A182-AA
1	D9HZ 12A458-A *DX-44	Control assy. (engine governor) 3400 R.P.M. # D9HE 12A458-AA	1	D9HZ 12A458-B *DX-43	Control assy. (engine governor) 3200 R.P.M. # D9HE 12A458-BA
1	D9HZ 12A458-B *DX-43	Control assy. (engine governor) 3200 R.P.M. # D9HE 12A458-BA			



**1980/  
TRUCK SERIES 600/900**

QTY.	PART NUMBER	DESCRIPTION	QTY.	PART NUMBER	DESCRIPTION
<b>CALIBRATION PARTS LIST NO. 8</b> (Calibration No. 4-83R-R10) - 8 Cyl. 370-2V C.I.D. (6.1L) 1984/ B-F600/700 - - Calif. 1984/86 C600/700 - - Calif. 1984 LN600/700 - - Calif.			<b>CALIBRATION PARTS LIST NO. 8 -- Cont'd</b>		
1	E1TZ 9B289-B *CX-671	Valve assy. (thermactor air by-pass) = E1TE 9B289-BA,HA	1	D9HZ 9B650-A	Thermostat (air cleaner air duct)- 75-105°F = D9HT 9B650-AA
1	D7DZ 9F424-B	Valve assy. (E.G.R. vacuum load control) = D6BE 9F424-B1A,B2A	1	D9HZ 9B650-B	Thermostat (air cleaner air duct) 90-120°F = D9HT 9B650-BA
1	D5TZ 9E451-A	Amplifier assy. (E.G.R. vacuum) = D5TE 9E451-A1A,A2	1	D3DZ 12A091-B *DY-139-A	Valve assy. (distributor vacuum control) = D3DE-AB-(1984/85) Color code: black and brown
1	D5TZ 9E453-A	Reservoir assy. (E.G.R. vacuum) = D5TE 9E453-AA	1	E3AZ 12A091-D *DY-435	Valve assy. (distributor vacuum control) = E3AE-DA-(1984/) Color code: black and brown
1	D5TZ 9D474-F	Valve assy. (E.G.R. solenoid vacuum) -(1984/85) = D5TE 9D474-F2A,F3A	1	D5TZ 12A091-A #DY-181	Valve assy. (distributor vacuum control) = D5TE-BA-(1984/85) Color code: black and green
1	E3TZ 9D474-E	Valve assy. (E.G.R. solenoid vacuum) -(1984/) = E3TE 9D474-BA	1	E3AZ 12A091-H *DY-420	Valve assy. (distributor vacuum control) = E3AE-HA-(1984/) Color code: black and green
1	D8BZ 9D475-B *CX-246	Valve assy. (E.G.R.) = D8BE 9D475-B1A,B2A	1	E4HZ 12127-D *DA-1986	Distributor assy. = E4HE 12127-DA
1	E1TZ 9A486-C *CX-630	Pump assy. (thermactor)-(1984/85) = E1TE 9A486-C1A,C2A	1	D4HZ 12A208-A	Valve assy. (distributor retard control)- = D3HE-AA-(1984/85) Color code: brown and white
1	E4HZ 9A486-C *CX-630-A	Pump assy. (thermactor)-(1984/85) = E4HE 9A486-CA	1	E3AZ 12A208-D *DY-431	Valve assy. (distributor retard control) = E3AE-DA-(1984/) Color code: brown and white
1	E5HZ 9A486-C *CX-1098	Pump assy. (thermactor)-(1985/) = E5HE 9A486-CB	1	D9HZ 12A458-A *DX-44	Control assy. (engine governor)-1984/85 3400 R.P.M. = D9HE 12A458-AA
1	E2TZ 9510-AG *CA-3184	Carburetor assy. # E2TE-AGA-(1984/) (Component Parts List No. 95.1E) Vehicle line: C-LN600/700	1	E1PZ 12A458-B *DX-48	Control assy. (engine governor)-1984/85 3400 R.P.M. = E1PF 12A458-BA NOTE: Use w/2-way radio equipped vehicles
1	E5HZ 9510-R	Carburetor assy. # E5HE-RA-(1985/) (Component Parts List No. 95.1H) Vehicle line: C600/700 - - w/electric fuel pump	1	D9HZ 12A458-C *DX-46	Control assy. (engine governor)-1984/ 3600 R.P.M. = D9TE 12A458-BA
1	E2TZ 9510-N *CA-3207	Carburetor assy. # E2TE-NA-(1984/) (Component Parts List No. 95.1F) Vehicle line: B-F600/700	1	E1PZ 12A458-D *DX-50	Control assy. (engine governor)-1984/ 3600 R.P.M. = E1PF 12A458-DA NOTE: Use w/2-way radio equipped vehicles
1	E5HZ 9510-P	Carburetor assy. # E5HE-PA-(1985/) (Component Parts List No. 95.1H) Vehicle line: B-F600/700 - - w/electric fuel pump	1	D9TZ 12A458-A *DX-45	Control assy. (engine governor)-1984/85 4000 R.P.M. = D9TE 12A458-AA
			1	E1PZ 12A458-C *DX-49	Control assy. (engine governor)-1984/85 4000 R.P.M. = E1PF 12A458-CA NOTE: Use w/2-way radio equipped vehicles

**1980/  
TRUCK SERIES 600/900**

QTY.	PART NUMBER	DESCRIPTION	QTY.	PART NUMBER	DESCRIPTION
<p align="center"><b>CALIBRATION PARTS LIST NO. 9</b> (Calibration No. 4-83T-R0)-8 Cyl. 370-4V C.I.D. (6.1L) 1984/ B-F-FT600/800 - - Calif. 1984/86 C600/800 - - Calif. 1984 L-LN-LNT-LT600/800 - - Calif.</p>			<p align="center"><b>CALIBRATION PARTS LIST NO. 9 — Cont'd</b></p>		
1	E1TZ 9B289-B *CX-671	Valve assy. (thermactor air by-pass) = E1TE 9B289-BA,HA	2	E0AZ 9D653-A *CX-410	Canister assy. (fuel vapor storage) = E0AE 9D653-AA
1	D5TZ 9E451-A	Amplifier assy. (E.G.R. vacuum) = D5TE 9E451-A1A,A2A	1	D3DZ 12A091-B *DY-139-A	Valve assy. (distributor vacuum control) = D3DE-AB Color code: black and brown
1	D5TZ 9E453-A	Reservoir assy. (E.G.R. vacuum) = D5TE 9E453-AA	1	E3AZ 12A091-D *DY-435	Valve assy. (distributor vacuum control) = E3AE-DA Color code: black and brown
1	D5TZ 9D474-F	Valve assy. (E.G.R. solenoid vacuum) -(1984/85) = D5TE 9D474-F2A,F3A	1	D5TZ 12A091-A *DY-181	Valve assy. (distributor vacuum control) = D5TE-BA Color code: black and green
1	E3TZ 9D474-E	Valve assy. (E.G.R. solenoid vacuum) -(1984/) = E3TE 9D474-BA	1	E3AZ 12A091-H *DY-420	Valve assy. (distributor vacuum control) = E3AE-HA Color code: black and green
1	D8DZ 9D475-C *CX-301	Valve assy. (E.G.R.) = D8DE 9D475-C1A,C2A	1	E4HZ 12127-C *DA-1985	Distributor assy. = E4HE 12127-CA
1	E4HZ 9A486-C *CX-630-A	Pump assy. (thermactor)-(1984/85) = E1TE 9A486-C1A,C2A, E4HE 9A486-CA	1	D4HZ 12A208-A	Valve assy. (distributor retard control)- = D3HE-AA Color code: brown and white
1	E5HZ 9A486-C *CX-1098	Pump assy. (thermactor)-(1985/) = E5HE 9A486-CB	1	E3AZ 12A208-D *DY-431	Valve assy. (distributor retard control) = E3AE-DA Color code: brown and white
1	E2TZ 9510-CM *CA-3197	Carburetor assy. = E2TE-CMA-(1984/) (Component Parts List No. 95.2H) Vehicle line: C-L-LN-LNT-LT600/800	1	D9HZ 12A458-A *DX-44	Control assy. (engine governor)- 3400 R.P.M. = D9HE 12A458-AA
1	E5HZ 9510-U	Carburetor assy. = E5HE-UA-(1985/) (Component Parts List No. 95.2M) Vehicle line: C600 800 - - w/electric fuel pump	1	E1PZ 12A458-B *DX-48	Control assy. (engine governor)- 3400 R.P.M. = E1PF 12A458-BA NOTE: Use w/2-way radio equipped vehicles
1	E2TZ 9510-CN *CA-3103	Carburetor assy. = E2TE-CNA-(1984/) (Component Parts List No. 95.2H) Vehicle line: B-F-FT600/800	1	D9HZ 12A458-C *DX-46	Control assy. (engine governor)- 3600 R.P.M. = D9TE 12A458-BA
1	E5HZ 9510-V	Carburetor assy. = E5HE-VA-(1985/) (Component Parts List No. 95.2M) Vehicle line: BF-FT600/800 - - w/ electric fuel pump	1	E1PZ 12A458-D *DX-50	Control assy. (engine governor)- 3600 R.P.M. = E1PF 12A458-DA NOTE: Use w/2-way radio equipped vehicles
1	D9HZ 9B650-A	Thermostat (air cleaner air duct) 75-105 F = D9HT 9B650-AA	1	D9TZ 12A458-A *DX-45	Control assy. (engine governor)- 4000 R.P.M. = D9TE 12A458-AA
1	D9HZ 9B650-B	Thermostat (air cleaner air duct) 90-120 F = D9HT 9B650-BA	1	E1PZ 12A458-C *DX-49	Control assy. (engine governor)- 4000 R.P.M. = E1PF 12A458-CA NOTE: Use w/2-way equipped vehicles

**1980/  
TRUCK SERIES 600/900**

QTY.	PART NUMBER	DESCRIPTION	QTY.	PART NUMBER	DESCRIPTION
<b>CALIBRATION PARTS LIST NO. 10</b> (Calibration No. 5-83G-R0)-8 Cyl. 370-2V C.I.D. (6.1L) 1985/86 B-F600/700 -- exc. Calif. 1985/86 C600/700 -- exc. Calif.			<b>CALIBRATION PARTS LIST NO. 10 — Cont'd</b>		
1	E5HZ 9B289-A *CX-1102	Valve assy. (thermactor air by-pass) # E5HE 9B289-EA	1	E5HZ 9510-TB	Carburetor assy. # E5HE-TB (Component Parts List No. 95.1G) Vehicle line: B-F600/700
1	E5HZ 9B289-B *CX-1103	Valve assy. (thermactor air by-pass) # E5TE 9B289-CA	1	E5HZ 9510-S	Carburetor assy. # E5HE-SA (Component Parts List No. 95.1G) Vehicle line: C600/700
1	D6DZ 9G328-A	Valve assy. (thermactor idle vacuum) # D6DE 9G328-A1A,A2A	1	D9HZ 9B650-A	Thermostat (air cleaner air duct) 75-105°F # D9HT 9B650-AA Vehicle line: C600/700
1	D3TZ 9D473-A	Valve assy. (E.G.R. vacuum control)-EGR # E1SE-A1A,A2A,E1SE 9D473-A1A,A2A	1	D9HZ 9B650-B	Thermostat (air cleaner air duct) 90-120°F # D9HT 9B650-BA Vehicle line: B-F600/700
1	D5FZ 9D473-A	Valve assy. (E.G.R. vacuum control)-Therm # E1TE-A1A,A2A,E1TE 9D473-A1A,A2A	1	E3AZ 12A091-D *DY-435	Valve assy. (distributor vacuum control) # E3AE-DA Color code: black/brown
1	D8BZ 9D475-B *CX-246	Valve assy. (E.G.R.) # D8BE 9D475-B1A,B2A	1	E5HZ 12127-B *DA-1995	Distributor assy. # E5HE 12127-BA
2	E5HZ 9A486-A *CX-1009	Pump assy. (thermactor) # E5HE 9A486-AB	1	E3AZ 12A208-D *DY-431	Valve assy. (distributor retard control)- # E3AE-DA Color code: brown and white
1	E5HZ 9510-T	Carburetor assy. # E5HE-TA (Component Parts List No. 95.1G) Vehicle line: B-F600/700			

1980/  
TRUCK SERIES 600/900

QTY.	PART NUMBER	DESCRIPTION	QTY.	PART NUMBER	DESCRIPTION
<b>CALIBRATION PARTS LIST NO. 11</b> (Calibration No. 5-83H-R0)-8 Cyl. 370-4V C.I.D. (6.1L) 1985/86 B600/700 -- exc. Calif. 1985/86 C600/800 -- exc. Calif. 1985/86 F-FT600/800 -- exc. Calif.			<b>CALIBRATION PARTS LIST NO. 12</b> (Calibration No. 5-87H-R0)-8 Cyl. 429 C.I.D. (7.0L) 1985/86 B700 -- exc. Calif. 1985/86 C700/800 -- exc. Calif. 1985/86 F-FT700/800 -- exc. Calif.		
1	E5HZ 9B289-A *CX-1102	Valve assy. (thermactor air by-pass) # E5HE 9B289-EA	1	E5HZ 9B289-A *CX-1102	Valve assy. (thermactor air by-pass) # E5HE 9B289-EA
1	E5HZ 9B289-B *CX-1103	Valve assy. (thermactor air by-pass) # E5TE 9B289-CA	1	E5HZ 9B289-B *CX-1103	Valve assy. (thermactor air by-pass) # E5TE 9B289-CA
1	D5TZ 9E451-A	Amplifier assy. (E.G.R. vacuum) # D5TE 9E451-A1A,A2A	1	D5TZ 9E451-A	Amplifier assy. (E.G.R. vacuum) # D5TE 9E451-A1A,A2A
1	D5TZ 9E453-A	Reservoir assy. (E.G.R. vacuum) # D5TE 9E453-AA	1	D5TZ 9E453-A	Reservoir assy. (E.G.R. vacuum) # D5TE 9E453-AA
1	D3TZ 9D473-A	Valve assy. (E.G.R. vacuum control)-EGR # E1SE-A1A,A2A, E1SE 9D473-A1A,A2A	1	D3TZ 9D473-A	Valve assy. (E.G.R. vacuum control)-E.G.R. # E1SE-A1A,A2A, E1SE 9D473-A1A,A2A
1	D8DZ 9D475-C *CX-301	Valve assy. (E.G.R.) # D8DE 9D475-C1A,C2A	1	D8DZ 9D475-C *CX-301	Valve assy. (E.G.R.) # D8DE 9D475-C1A,C2A
2	E5HZ 9A486-A *CX-1009	Pump assy. (thermactor) # E5HE 9A486-AB	2	E5HZ 9A486-A *CX-1009	Pump assy. (thermactor) # E5HE 9A486-AB
1	E5HZ 9510-X	Carburetor assy. # E5HE-XA (Component Parts List No. 95.2M) Vehicle line: B-F-FT600/800	1	E5HZ 9510-X	Carburetor assy. # E5HE-XA (Component Parts List No. 95.2M) Vehicle line: B-F-FT700/800
1	E5HZ 9510-W	Carburetor assy. # E5HE-WA (Component Parts List No. 95.2M) Vehicle line: C600/800	1	E5HZ 9510-W	Carburetor assy. # E5HE-WA (Component Parts List No. 95.2M) Vehicle line: C700/800
1	D9HZ 9B650-A	Thermactor (air cleaner air duct) 75-105° F # D9HT 9B650-AA Vehicle line: C600/800	1	D9HZ 9B650-A	Thermostat (air cleaner air duct) 75-105° F # D9HT 9B650-AA Vehicle line: C700/800
1	D9HZ 9B650-B	Thermostat (air cleaner air duct) 90-120° F # D9HT 9B650-BA Vehicle line: B-F-FT600/800	1	D9HZ 9B650-B	Thermostat (air cleaner air duct) 90-120° F # D9HT 9B650-BA Vehicle line: B-F-FT700/800
1	E3AZ 12A091-D *DY-435	Valve assy. (distributor vacuum control) # E3AE-DA Color codes: black/brown	1	E3AZ 12A091-D *DY-435	Valve assy. (distributor vacuum control) # E3AE-DA Color code: black/brown
1	E5HZ 12127-A *DA-1994	Distributor assy. # E5HE 12127-AA	1	E5HZ 12127-B *DA-1995	Distributor assy. # E5HE 12127-BA
1	E3AZ 12A208-D *DY-431	Valve assy. (distributor retard control)- # E3AE-DA Color code: brown and white	1	E3AZ 12A208-D *DY-431	Valve assy. (distributor retard control)- # E3AE-DA Color code: brown and white

**1980/  
TRUCK SERIES 600/900**

QTY.	PART NUMBER	DESCRIPTION	QTY.	PART NUMBER	DESCRIPTION
<b>CALIBRATION PARTS LIST NO. 13</b> (Calibration No. 5-83H-R10)-8 Cyl. 370-4V C.I.D. (6.1L) 1986/87 B600/700 -- exc. Calif. 1986 C600/800 -- exc. Calif. 1986/87 F-FT600/800 -- exc. Calif.			<b>CALIBRATION PARTS LIST NO. 14</b> (Calibration No. 5-87H-R10)-8 Cyl. 429 C.I.D. (7.0L) 1986/ B700 -- exc. Calif. 1986 C700/800 -- exc. Calif. 1986/ F-FT700/800 -- exc. Calif.		
1	E5HZ 9B289-A *CX-1102	Valve Assy. (thermactor air by-pass) # E5HE 9B289-EA	1	E5HZ 9B289-A *CX-1102	Valve Assy. (thermactor air by-pass) # E5HE 9B289-EA
1	E5HZ 9B289-B *CX-1103	Valve Assy. (thermactor air by-pass) # E5TE 9B289-CA	1	E5HZ 9B289-B *CX-1103	Valve Assy. (thermactor air by-pass) # E5TE 9B289-CA
1	D3TZ 9D473-A	Valve Assy. (E.G.R. vacuum control)-EGR # E1SE-A1A,A2A, E1SE 9D473-A1A,A2A	1	D3TZ 9D473-A	Valve Assy. (E.G.R. vacuum control)-E.G.R. # E1SE-A1A,A2A, E1SE 9D473-A1A,A2A
1	D8DZ 9D475-BA *CX-290-A	Valve Assy. (E.G.R.) # D8DE 9D475-B1A,B2A	1	D8DZ 9D475-BA *CX-290-A	Valve Assy. (E.G.R.) # D8DE 9D475-B1A,B2A
2	E5HZ 9A486-A *CX-1009	Pump Assy. (thermactor) # E5HE 9A486-AB	2	E5HZ 9A486-A *CX-1009	Pump Assy. (thermactor) # E5HE 9A486-AB
1	E5HZ 9510-X	Carburetor Assy. # E5HE-XA (Component Parts List No. 95.2M) Vehicle line: B-F-FT600/800	1	E5HZ 9510-X	Carburetor Assy. # E5HE-XA (Component Parts List No. 95.2M) Vehicle line: B-F-FT700/800
1	E5HZ 9510-W	Carburetor Assy. # E5HE-WA (Component Parts List No. 95.2M) Vehicle line: C600/800	1	E5HZ 9510-W	Carburetor Assy. # E5HE-WA (Component Parts List No. 95.2M) Vehicle line: C700/800
1	D9HZ 9B650-A	Thermactor (air cleaner air duct) 75-105° F # D9HT 9B650-AA Vehicle line: C600/800	1	D9HZ 9B650-A	Thermactor (air cleaner air duct) 75-105° F # D9HT 9B650-AA Vehicle line: C700/800
1	D9HZ 9B650-B	Thermostat (air cleaner air duct) 90-120° F # D9HT 9B650-BA Vehicle line: B-F-FT600/800	1	D9HZ 9B650-B	Thermostat (air cleaner air duct) 90-120° F # D9HT 9B650-BA Vehicle line: B-F-FT700/800
1	E3AZ 12A091-D *DY-435	Valve Assy. (distributor vacuum control) # E3AE-DA Color codes: black/brown	1	E3AZ 12A091-D *DY-435	Valve Assy. (distributor vacuum control) # E3AE-DA Color code: black/brown
1	E5HZ 12127-A *DA-1994	Distributor Assy. # E5HE 12127-AA	1	E0HZ 12127-AV *DA-1783	Distributor Assy. # D9TE 12127-AVA
1	E3AZ 12A208-D *DY-431	Valve Assy. (distributor retard control)- # E3AE-DA Color code: brown and white	1	E3AZ 12A208-D *DY-431	Valve Assy. (distributor retard control)- # E3AE-DA Color code: brown and white

1980/  
TRUCK SERIES 600/900

QTY.	PART NUMBER	DESCRIPTION	QTY.	PART NUMBER	DESCRIPTION
<b>CALIBRATION PARTS LIST NO. 15</b> (Calibration No. 6-83G-R11)-8 Cyl. 370-2V C.I.D. (6.1L) 1986/88 B-F600/700 -- exc. Calif. 1986 C600/700 -- exc. Calif.			<b>CALIBRATION PARTS LIST NO. 16 — Cont'd</b>		
1	E5HZ 9B289-A *CX-1102	Valve assy. (thermactor air by-pass) # E5HE 9B289-EA	1	D3TZ 9D473-A	Valve assy. (E.G.R. vacuum control)-EGR # E1SE-A1A,A2A, E1SE 9D473-A1A,A2A
1	E5HZ 9B289-B *CX-1103	Valve assy. (thermactor air by-pass) # E5TE 9B289-CA	1	D8DZ 9D475-BA *CX-290-A	Valve assy. (E.G.R.) # D8DE 9D475-B1A,B2A
1	D6DZ 9G328-A	Valve assy. (thermactor idle vacuum) # D6DE 9G328-A1A,A2A	2	E7TZ 9A486-E *CX-1310	Pump assy. (thermactor) # E7TE 9A486-EA
1	D3TZ 9D473-A	Valve assy. (E.G.R. vacuum control)-EGR # E1SE-A1A,A2A,E1SE 9D473-A1A,A2A	1	E5HZ 9510-X	Carburetor assy. # E5HE-XA (Component Parts List No. 95.2M)
1	D5FZ 9D473-A	Valve assy. (E.G.R. vacuum control)-Therm # E1TE-A1A,A2A,E1TE 9D473-A1A,A2A	1	D9HZ 9B650-B	Thermostat (air cleaner air duct) 90-120° F # D9HT 9B650-BA
1	D8BZ 9D475-B *CX-246	Valve assy. (E.G.R.) # D8BE 9D475-B1A,B2A	1	E3AZ 12A091-D *DY-435	Valve assy. (distributor vacuum control) # E3AE-DA Color codes: black/brown
2	E5HZ 9A486-A *CX-1009	Pump assy. (thermactor) # E5HE 9A486-AB	1	E5HZ 12127-A *DA-1994	Distributor assy. # E5HE 12127-AA
1	E6HZ 9510-T	Carburetor assy. # E5HE-TC (Component Parts List No. 95.1G) Vehicle line: B-F600/700	1	E3AZ 12A208-D *DY-431	Valve assy. (distributor retard control)- # E3AE-DA Color code: brown and white
1	E6HZ 9510-S	Carburetor assy. # E5HE-SB (Component Parts List No. 95.1G) Vehicle line: C600/700	<b>CALIBRATION PARTS LIST NO. 17</b> (Calibration No. 7-87H-R10)-8 Cyl. 429 C.I.D. (7.0L) 1987/88 B700 1987/88 F-FT700/800		
1	D9HZ 9B650-A	Thermostat (air cleaner air duct) 75-105°F # D9HT 9B650-AA Vehicle line: C600/700	1	E5HZ 9B289-A *CX-1102	Valve assy. (thermactor air by-pass) # E5HE 9B289-EA
1	D9HZ 9B650-B	Thermostat (air cleaner air duct) 90-120°F # D9HT 9B650-BA Vehicle line: B-F600/700	1	E5HZ 9B289-B *CX-1103	Valve assy. (thermactor air by-pass) # E5TE 9B289-CA
1	E3AZ 12A091-D *DY-435	Valve assy. (distributor vacuum control) # E3AE-DA Color code: black/brown	1	D3TZ 9D473-A	Valve assy. (E.G.R. vacuum control)-E.G.R. # E1SE-A1A,A2A, E1SE 9D473-A1A,A2A
1	E5HZ 12127-B *DA-1995	Distributor assy. # E5HE 12127-BA	1	D8DZ 9D475-BA *CX-290-A	Valve assy. (E.G.R.) # D8DE 9D475-B1A,B2A
<b>CALIBRATION PARTS LIST NO. 16</b> (Calibration No. 7-83H-R10)-8 Cyl. 370-4V C.I.D. (6.1L) 1987/ B600/700 1987/ F-FT600/800			2	E7TZ 9A486-E *CX-1310	Pump assy. (thermactor) # E7TE 9A486-EA
1	E5HZ 9B289-A *CX-1102	Valve assy. (thermactor air by-pass) # E5HE 9B289-EA	1	E5HZ 9510-X	Carburetor assy. # E5HE-XA (Component Parts List No. 95.2M)
1	E5HZ 9B289-B *CX-1103	Valve assy. (thermactor air by-pass) # E5TE 9B289-CA	1	D9HZ 9B650-B	Thermostat (air cleaner air duct) 90-120° F # D9HT 9B650-BA
			1	E3AZ 12A091-D *DY-435	Valve assy. (distributor vacuum control) # E3AE-DA Color code: black/brown
			1	E0HZ 12127-AV *DA-1783	Distributor assy. # D9TE 12127-AVA
			1	E3AZ 12A208-D *DY-431	Valve assy. (distributor retard control)- # E3AE-DA Color code: brown and white

**1980/  
TRUCK SERIES 600/900**

QTY.	PART NUMBER	DESCRIPTION	QTY.	PART NUMBER	DESCRIPTION
<b>CALIBRATION PARTS LIST NO. 18</b> (Calibration No. 8-83G-R0)-8 Cyl. 370-2V C.I.D. (6.1L) 1988/ B-F600/700 -- exc. Calif.			<b>CALIBRATION PARTS LIST NO. 19</b> (Calibration No. 8-87H-R10)-8 Cyl. 429 C.I.D. (7.0L) 1988/ B700 1988/ F-F700/800		
1	E5HZ 9B289-A *CX-1102	Valve assy. (thermactor air by-pass) # E5HE 9B289-EA	1	E5HZ 9B289-A *CX-1102	Valve assy. (thermactor air by-pass) # E5HE 9B289-EA
1	E5HZ 9B289-B *CX-1103	Valve assy. (thermactor air by-pass) # E5TE 9B289-CA	1	E5HZ 9B289-B *CX-1103	Valve assy. (thermactor air by-pass) # E5TE 9B289-CA
1	D6DZ 9G328-A	Valve assy. (thermactor idle vacuum) # D6DE 9G328-A1A,A2A	1	D3TZ 9D473-A	Valve assy. (E.G.R. vacuum control)-E.G.R. # E1SE-A1A,A2A, E1SE 9D473-A1A,A2A
1	D3TZ 9D473-A	Valve assy. (E.G.R. vacuum control)-EGR # E1SE-A1A,A2A, E1SE 9D473-A1A,A2A	2	E7TZ 9A486-E *CX-1310	Pump assy. (thermactor) # E7TE 9A486-EA
1	D5FZ 9D473-A	Valve assy. (E.G.R. vacuum control)-Therm # E5TE-A1A,A2A, E1TE 9D473-A1A,A2A	1	E5TZ 9H495-AA *CX-1112-A	Valve and transducer assy. (E.G.R. back pressure) # E5TE 9H495-A2B
2	E7TZ 9A486-E *CX-1310	Pump assy. (thermactor) # E7TE 9A486-EA	1	E8HZ 9510-A	Carburetor assy. # E8HE-AA (Component Parts List No. 95.2N)
1	E5TZ 9H495-AA *CX-1112-A	Valve and transducer assy. (E.G.R. back pressure) # E5TE 9H495-A2B	1	D9HZ 9B650-B	Thermostat (air cleaner air duct) 90-120° F # D9HT 9B650-BA
1	E6HZ 9510-T	Carburetor assy. # E5HE-TC (Component Parts List No. 95.1G)	1	E0HZ 12127-AV *DA-1783	Distributor assy. # D9TE 12127-AVA
1	D9HZ 9B650-B	Thermostat (air cleaner air duct) 90-120° F # D9HT 9B650-BA	1	E3AZ 12A208-D *DY-431	Valve assy. (distributor retard control)- # E3AE-DA Color code: brown and white
1	E5HZ 12127-B *DA-1995	Distributor assy. # E5HE 12127-BA			

**1980/  
TRUCK SERIES 600/900**

YEAR	MODEL/RESTRICTIONS	ENGINE		PART NUMBER	DESCRIPTION	QTY.	
		CYL.	C.I.D. (C.C.D.)				
<b>9A406 CLAMP ASSY. (FUEL PUMP MOUNTING)</b>							
80/	C600/900, CT800/900, F600/800, FT800, L800/900, LN600/900, LNT-LT-LTS800/900 -- gas	8	All	C2TZ 9A406-A	Use w/top mounted electric fuel pump	1 or 2	
82/	B600/700	8	6.1, 7.0			1 or 2	
<b>9A408 EXTENSION (FUEL PUMP MOUNTING BRACKET)</b>							
80/	C600/900, CT800/900, F600/800, FT800, L800/900, LN600/900, LNT-LT-LTS800/900 -- gas	8	All	C2TZ 9A408-A	Use w/top mounted electric fuel pump and 50 or 60 gallon cylindrical tank, 50 or 75 gallon D type round step tank	2 or 4	
82/	B600/700	8	6.1, 7.0			2 or 4	
80/	L800/900, LN600/900, LNT- LT-LTS800/900 -- gas	8	All	D0HZ 9A408-A	Use w/25 gallon plastic tank and electric fuel pump	1	
80/	C700/900, CT800/900, F700/800, L800/900, LN600/900, LNT-LT-LTS800/900 -- gas	8	All	20308-S7-8	(B-40)-bolt (extension to fuel tank cover plate and bracket assy.)-hex. head-1/4"-20 x 1/2"	AR	
				33795-S7	(M-49)-nut-hex.-1/4"-20	AR	
				34805-S8	(X-62)-lockwasher-1/4"	AR	
YEAR	MODEL / RESTRICTIONS	ENGINE		PART NUMBER	DESCRIPTION	● Fuel Pump Catalog Symbol	QTY.
		CYL.	C.I.D. (C.C.D.)				
<b>9417 GASKET (FUEL PUMP MOUNTING)</b>							
Note: ● Refer to group 9350 for complete Fuel Pump identification							
80/	B600/700, C600/800, CT800, F600/800, FT800, L800, LN600/800, LNT-LT-LTS800	8	6.1, 7.0	C3AZ 9417-C	#E4AE 9447-BA	T98	1
YEAR	MODEL/RESTRICTIONS	ENGINE		PART NUMBER	DESCRIPTION	QTY.	
		CYL.	C.I.D. (C.C.D.)				
<b>9424-5 MANIFOLD (INTAKE)</b>							
80/81	C-CT-L-LN-LNT-LT-LTS900	8	477, 534	D6HZ 9424-A			1
80/	B-C-F-LN600/700 -- with 2/B carb.	8	6.1	D9TZ 9424-B			1
80/	B600/700, C600/800, CT800, F600/800, FT800, L800, LN600/800, LNT-LT-LTS800 -- with 4/B carb.	8	6.1, 7.0	D9TZ 9424-C			1
86/87	CF600/700 -- FNH diesel	6	6.6	E6HZ 9424-A	Diesel		1
87	B700, F700/800, FT900 -- FNH diesel-210 H.P.	6	7.8	E7HZ 9424-A	Diesel		1
87	L-LN-LS-LNT-LT-LTS700/800 -- FNH diesel-210 H.P.	6	7.8				1
88/89	CF600/700 -- FNH diesel, 170 H.P. "Before 1/89"	6	6.6	E8HZ 9424-A	Diesel		1
87/89	CF700 -- FNH diesel 185 H.P. "Before 1/89"	6	7.8				1
87/89	B-F600 -- FNH diesel, 160 H.P.	6	6.6				1
87/89	B-F-LN700 -- FNH diesel 170 H.P. "Before 1/89"	6	6.6				1
87/89	B-F700/800, L-LN-LS700/800 -- FNH diesel, 185 H.P. "Before 1/89"	6	7.8				1
89	B-F600 -- FNH diesel 160 H.P. "From 1/89"	6	6.6	E9HZ 9424-A	Diesel		1
89	B-F700, CF600/700 -- FNH diesel 185 H.P. "From 1/89"	6	6.6				1
89	B-F700/800, L-LN800, CF700 B-F700/800 -- FNH diesel, 185 H.P. "From 1/89"	6	7.8				1



**1980/  
TRUCK SERIES 600/900**

YEAR	MODEL/RESTRICTIONS	ENGINE		PART NUMBER	DESCRIPTION	QTY.
		CYL.	C.I.D. (C.C.D.)			
<b>9424-5 MANIFOLD (INTAKE) — Cont'd</b>						
87/88	B700,F800,FT900 -- FNH diesel, 225 H.P. Calif. "Before 2/88"	6	7.8	★ E7HZ 9424-C /bE8HZ 9424-B	Diesel	1
87/88	L-LN-LNT-LT-LS-LTS800 -- FNH diesel, 225 H.P.-Calif. "Before 2/88"	6	7.8	/bE9HZ 9424-B		1
87/88	F800,FT900,L-LN-LNT-LT-LS- LTS800 -- FNH diesel, 240 H.P. "Before 2/88"	6	7.8			1
87/	B700,F800,FT900,L-LN-LNT-LT-LS- LTS800 -- FNH diesel, 225 H.P. Calif. "Before 10/1/90"	6	7.8	E9HZ 9424-B	Diesel	1
87/	F800,FT900,L-LN-LNT-LT- LTS800 -- FNH diesel, 270 H.P. "Before 10/1/90"	6	7.8			1
89	B-F-LN700/800,L-LS800 -- FNH diesel, 185 H.P. "From 3/89"	6	6.6			1
87/	CF700/800,CFT800 -- FNH diesel, 210 H.P.	6	7.8	E7HZ 9424-D	Diesel	1
88/	B700,F700/800,FT900 -- FNH diesel, 210 H.P. "Before 10/1/90"	6	7.8			1
88/	L-LN-LNT-LT-LS-LTS700/800 -- FNH diesel 210 H.P. "Before 10/1/90"	6	7.8			1
89/	L-LN-LNT-LS-LT-LTS800 -- FNH diesel, 270 H.P.-w/"P" type pump "Before 10/1/90"	6	7.8	E9HZ 9424-C	Diesel	1
80/81	C-CT-L-LN-LNT-LT-LTS900	8	477,534	★88391-S8	Stud (carburetor to intake manifold)-5/16"- 18-24 x 1 1/2"	4
80/81	C-CT900	8	477,534	371426-S	(PP-83)-plug-cup-1 3/4" dia.	1
80/81	C-CT900	8	477,534	87710-S	(P-16)-plug-when hot water heater is not used-3/8"-18 pipe	1
80/81	C-CT900	8	477,534	384443-S	(WW-97-L)-stud (intake manifold to cylinder head)-hex shoulder-3/8"-16-16 x 2 1/4"	2
80/81	L-LN-LNT-LT-LTS900	8	477,534			1
80/81	C-CT900	8	477,534	371741-S	(BB-160)-bolt (intake manifold to cylinder head)-hex. head-3/8"-16 x 2 1/2"	4
80/81	L-LN-LNT-LT-LTS900	8	477,534			2
80/81	C-CT900	8	477,534	359266-S8	(BB-157)-bolt (intake manifold to cylinder head)-hex. head-3/8"-16 x 1 1/4"	2
80/81	L-LN-LNT-LT-LTS900	8	477,534			3
86/	CF600/700 -- FNH diesel	6	6.6	304722-S2	(BB-154-B) bolt (att intake manifold) 3/8"-16- x 1 1/4"	13
86/	CF600/700 -- FNH diesel	6	6.6	U800806-5	(AI-4) fitting (intake manifold) 3/4"-14- (3/4" tube)	1

9F424

VALVE ASSY. (EXHAUST GAS RECIRCULATION VACUUM LOAD CONTROL)

For Model Application, refer to Calibration Parts Lists in Section 93A.
---

### IDENTIFICATION CHART

(Arranged according to Identification Number)

IDENTIFICATION	PART NUMBER	IDENTIFICATION	PART NUMBER
<b>9F424 VALVE ASSY. (EXHAUST GAS RECIRCULATION VACUUM LOAD CONTROL)- Wide open throttle</b>			
D4TE 9F424-AB	D4TZ 9F424-B	D7ZE 9F424-A1A	D8ZZ 9F424-A
D6AE 9F424-A1A	D6AZ 9F424-A	D7ZE 9F424-B1A	D8ZZ 9F424-B
D6BE 9F424-B1A	D7DZ 9F424-B	D8TE 9F424-A2A	D8TZ 9F424-A
D6BE 9F424-B2A	D7DZ 9F424-B	D9TE 9F424-A1A	E0TZ 9F424-A

**1980/  
TRUCK SERIES 600/900**

YEAR	MODEL/RESTRICTIONS	ENGINE		PART NUMBER	DESCRIPTION	QTY.
		CYL.	C.I.D. (C.C.D.)			
<b>9426 Refer to group 9430</b>						
<b>9S426 CAP (EXHAUST AIR SUPPLY SILENCER)</b>						
85/	B600/700,C600/800, F600/800,FT800	8	6.1,7.0	E5TZ 9S426-A		2
<b>9A427 VALVE ASSY. (EXHAUST CONTROL)</b>						
86/90	CF600/700 -- FNH diesel	6	6.6	E6HZ 9A427-A	#E5HT 9A427-AA	1
<b>9G427 SILENCER (EXHAUST AIR SUPPLY REED VALVE)</b>						
85/	B-C-F600/800,FT800	8	6.1,7.0	E5HZ 9G427-C	#E5HE 9G427-CA	1
<b>9W428 BRACKET (EXHAUST AIR SUPPLY SILENCER)</b>						
85/	B-C-F600/800,FT800	8	6.1,7.0	E5HZ 9W328-B	#E5HE 9H467-AA,AB	1
<b>9430-1 MANIFOLD (EXHAUST)</b>						
80/81	C-CT-F-L-LN-LNT-LT-LTS900	8	477,534	D8HZ 9430-A	#D7HE 9430-AA	2
80/85	B600/700,C600/800,CT800, F600/800,FT800,L800, LN600/800,LNT-LT-LTS800 "Before 12/84"	8	6.1,7.0	★ D9TZ 9430-C /bE5HZ 9430-F	R.H. and L.H.-rams horn type E5HZ 9A603-A-manifold shroud 8/85	2
85/	B600/700,C600/800,CT800, F600/800,FT800,L800,LN600/800, LT-LNT800 "From 12/84"	8	6.1,7.0	★ E5HZ 9430-F /bF2HZ 9430-E(3/93)	Includes (4) 375602-S7-8 plugs	2
86	CF600/700 -- FNH diesel	6	6.6	E6HZ 9430-A	Front	1
86	CF600/700 -- FNH diesel	6	6.6	E6HZ 9431-A	Rear	1
87/	CF600/700 -- FNH diesel	6	6.6	E7HZ 9430-A	Front	1
87/	CF700/800 -- FNH diesel	6	7.8			1
87/	B-F600/700 -- FNH diesel	6	6.6			1
87/	B700,F700/800,FT900, L-LN-LS-LT-LTS-LNT800 -- FNH diesel	6	7.8			1
87/	CF600/700 -- FNH diesel	6	6.6	E7HZ 9431-A	Rear	1
87/	CF700/800 -- FNH diesel	6	7.8			1
87/	B-F600/700 -- FNH diesel	6	6.6			1
87/	B700,F700/800,FT900, L-LN-LS-LT-LTS-LNT800 -- FNH diesel	6	7.8			1
86/	CF600/700 -- FNH diesel	6	6.6	300886-S36	(BB-160-A) bolt (manifold to head) 3/8"-16 x 2 3/4"	11
86/	CF600/700 -- FNH diesel	6	6.6	390452-S36	(WW-97-J) stud (manifold to head) 5/16"-18 x 3/8"-16 x 3 1/2" shoulder	1
86/	CF600/700 -- FNH diesel	6	6.6	378881-S	(XX-345-B) washer (manifold to head) 3/8" lock tab	12
80/	All	8	6.1,7.0	390528-S2	(WW-122-C) stud (manifold to head) 3/8"-16 x 2 23/64"	3
80/	All	8	6.1,7.0	390529-S2	(WW-135-D) stud (manifold to head) 3/8"-16 x 2 1/4"	14
80/	All	8	6.1,7.0	390530-S2	(BB-416-BF) bolt (manifold to head) 3/8"-16 x 1 1/4"	10
80/81	C-CT-L-LN-LNT-LT-LTS900	8	477,534	370383-S	(XX-345)-washer (exhaust manifold to cylinder head)-3/8" lock tab	8
80/81	C-CT-L-LN-LNT-LT-LTS900	8	477,534	20522-S8	(B-89)-bolt (R.H. and L.H. exhaust manifolds to cylinder heads)-hex. head- 3/8"-16 x 2"	12
80/	B600/700, C600/800, CT800, F600/800,FT800,L800, LN600/800,LNT-LT-LTS800	8	6.1,7.0	381733-S	(WW-132) stud (manifolds to head)-3/8"- 16-16 x 2 23/64"	4
86/	CF700/800	6	All	390492-S2	(BB-518-C) bolt (manifold to head) 7/16"- 14 x 2 5/8" hex flange head	12
87/	B-F-L series with FT0 engine	6	All			
<b>9F430 BRACKET (EXHAUST GAS RECIRCULATION RESERVOIR)</b>						
80/81	L-LN-LNT-LT-LTS900	8	477,534	★ D8HZ 9F430-A	#D7HT 9F430-AA-use with electronic governor reservoir	1
80/82	B700,F600/800,FT800	8	6.1,7.0	E0HZ 9F430-A	#E0HT 9F430-AB	1
83/	B700,F600/800,FT800	8	6.1,7.0	E3HZ 9F430-A	#E3HT 9F430-AA	1
85/	F600/800,B700,FT800	8	6.1,7.0	E5HZ 9F430-B		1

1980/  
TRUCK SERIES 600/900

YEAR	MODEL/RESTRICTIONS	ENGINE		PART NUMBER	DESCRIPTION	QTY.
		CYL.	C.I.D. (C.C.D.)			
<b>9W430 BRACKET ASSY. (EXHAUST)</b>						
86/	CF600/700 - - FNH diesel	6	6.6	E6HZ 9W430-A	Retains 9A427	1
<b>9433 GASKET SET (MANIFOLD)</b>						
80/	B600/700,C600/800,CT800, F600/800,FT800,L800,LN600/800, LNT-LT-LTS800 - - exc. L.P.G.	8	6.1,7.0	D5AZ 9433-C	<i>RB F312-A</i>	1
Consists of						
2-E7HE 9A425-AA Seal				1-E9HE 9C484-AA Gasket		
80/86	B600,700,C600/800,CT800, F600/700,FT800,L800,LN600/800, LNT-LT-LTS800 - - L.P.G.	8	6.1,7.0	E2TZ 9433-A		1
Consists of						
2-E3HE 9A425-AA Seal				1-E9HE 9C484-BA Gasket		
<b>9C433 HOSE (EXHAUST AIR SUPPLY CHECK VALVE INLET)</b>						
80/81	C-CT900	8	477,534	★ D7HZ 9C433-C	L.H.-#D7HE 9C433-CA	1
80/81	L-LN-LNT-LT-LTS900	8	477,534	★ D7HE 9C433-EA	L.H.-#D7HE 9C433-EA - cut from D5HZ 9C433-B	1
<b>9E434 COVER (INTAKE MANIFOLD)</b>						
87/	B700,CF-F700/800,FT900, L-LN-LNT-LS-LT-LTS800 - - FNH diesel	6	7.8	E7HZ 9E434-A		1
87/	CF700/800 - - FNH diesel	6	7.8	E7HZ 9E434-B		1
<b>9C435 GASKET (EXHAUST AIR SUPPLY TUBE)</b>						
80/	B600/700,C600/800,CT800, F600/800,FT800,L800,LN600/800, LNT-LT-LTS800	8	6.1,7.0	D5VZ 9C435-B	Use with D5VY 9B449-A	2
80/	B600/700,C600/800,CT800, F600/800,FT800,L800,LN600/800, LNT-LT-LTS800	8	6.1,7.0	D8TZ 9C435-C	Use with D8TZ 9B449-C	2
<b>9J435 HOSE (EXHAUST AIR SUPPLY SILENCER INLET)</b>						
85/	B600/700,C600/800, F600/800,FT800	8	6.1,7.0	E5HZ 9J435-A	Kraft paper 1 1/2" I.D. x 29 1/2" long	1
<b>9D436 CLAMP (EXHAUST AIR SUPPLY TUBE)</b>						
80/	B600/700,C600/800,CT800, F600/800,FT800,L800,LN600/800, LNT-LT-LTS800	8	6.1,7.0	D8VZ 9D436-A	Use with D5VY 9B449-A	2
<b>9E436 GASKET (INTAKE MANIFOLD COVER)</b>						
87/	CF700/800 - - FNH diesel 210 H.P.	6	7.8	E7HZ 9E436-A		2
87/	B700,F700/800,FT900, L-LN-LS-LNT-LTS800 - - FNH diesel 210 H.P.	6	7.8			2
<b>9K436 HOSE (INTAKE MANIFOLD TO WATER PUMP)</b>						
87/	CF700/800 - - FNH diesel	6	7.8	E7HZ 9K436-A		1
<b>9L437 GASKET (INTAKE MANIFOLD CONNECTOR)</b>						
87/	CF600/700 - - FNH diesel	6	6.6	E7HZ 9L437-A		1
87/	CF700 - - 185 H.P.-FNH diesel	6	7.8			1
87/	B-F600/700 - - FNH diesel	6	6.6			1
87/	B-F700,F-L-LN-LS800 - - FNH diesel-185 H.P.	6	7.8			1
87/	CL-CLT900 L-LA-LL-LN-LS-LT- LNT-LTL-LTS900	6	14.6	★ E8HZ 9L437-A Not replaced		1
<b>9439 GASKET (INTAKE MANIFOLD TO CYLINDER HEAD)</b>						
87/	CF600/700 - - FNH diesel	6	6.6	E7HZ 9439-A		1
87/	CF700/800 - - FNH diesel	6	7.8			1
87/	B-F600/700 - - FNH diesel	6	6.6			1
87/	B700,F700/800,FT900, L-LN-LS-LNT-LT-LTS800 - - FNH diesel	6	7.8			1
86/	CF600/700 - - FNH diesel	6	6.6	E6HZ 9439-A		1

**1980/  
TRUCK SERIES 600/900**

YEAR	MODEL/RESTRICTIONS	ENGINE		PART NUMBER	DESCRIPTION	QTY.
		CYL.	C.I.D. (C.C.D.)			
<b>9441 GASKET (INTAKE MANIFOLD TO CYLINDER HEAD) - Also refer to group 9433</b>						
80/81	C-CT-L-LN-LNT-LT-LTS900	8	477,534	D6HZ 9441-A	#D6HE 9439-AA	2
<b>9L443 HOSE (INTAKE MANIFOLD INTERCOOLER WATER)</b>						
87/ 87/	CF700/800 -- FNH diesel B700,F700/800,FT900, L-LN-LS-LNT-LT-LTS800 -- FNH diesel	6	7.8	E7HZ 9L443-A	Upper-intercooler connection-1 inch. ID- 45° formed hose	1 1
87/ 87/	CF700/800 B700,F700/800,FT900, L-LN-LS-LNT-LT-LTS800 -- FNH diesel	6	7.8	E7HZ 9L443-B	Lower intercooler connection-1 inch I.D.- formed hose with 2 90° bends	1 1
88/89	CF700/800,B700,F700/800,FT900, L-LN-LS-LNT-LT-LTS800 -- FNH diesel	6	7.8	E7HZ 9L443-C	Upper & lower intercooler connections-3/4 inch ID-90° formed hose	
88	CF700/800 B700,F700/800,FT900 L-LN-LS-LNT-LT- LTS800 -- FNH diesel	6	7.8	E8HZ 9L443-A	Upper & lower intercooler connections-90° formed hose with pinch ID at one end and 3/4 inch ID at opposite end. Required for vehicles with 1 inch intercooler tubes and 3/4 inch water tubes.	2
88/89	CF700/800	6	476	E7HZ 9L443-D		2
<b>9A444 SWITCH ASSY. (MANIFOLD PRE HEATING PLUG) - Also refer to group 9A388</b>						
80	C600/800 -- diesel	6	All	*C1TF 9A444-A	Use w/hydra-mechanical governor	1
80	CT800/900	6&8	All		Use w/2 speed auxilliary air shift	1
<b>9L444 TUBE (INTAKE MANIFOLD INTERCOOLER WATER-SUPPLY)</b>						
87/	CF700/800,CFT800 -- 210 H.P.	6	7.8	E8HZ 9L444-A	Diesel	1
87/88	B-F700/800,FT900 -- 210 H.P. FNH diesel "Before 4/88"	6	7.8	E7HZ 9L444-B	Diesel	1
87/88	L-LN-LNT-LS-LT-LTS700/800 FNH diesel -- 210 H.P. "Before 4/88"	6	7.8			
88/	CF700/800,CFT800 -- 210 H.P. FNH diesel "From 4/88"	6	7.8	E8HZ 9L444-A	Diesel	1
88/	B-F700/800,FT900,L-LN- LNT-LS-LT-LTS700/900 -- FNH diesel "From 4/88"	6	7.8			1
<b>9B445-6 MANIFOLD ASSY. (EXHAUST AIR SUPPLY)</b>						
80/81	C-CT-L-LN-LNT-LT-LTS900	8	477,534	D5HZ 9B445-A	R.H.	1
80/81	C-CT-L-LN-LNT-LT-LTS900	8	477,534	D5HZ 9B446-A	L.H.	1
85/	B600/700,C600/800,CT800, F600/800,FT800,L800,LN600/800, LT-LNT800	8	6.1,7.0	E5HZ 9B445-D		2
<b>9446 CLAMP (INTAKE and EXHAUST MANIFOLD TO CYLINDER HEAD)-Also refer to group 9A447</b>						
80/81	C-CT-L-LN-LNT-LT-LTS900	8	477,534	B8Q 9446-A		4
<b>9K446 HOSE (EXHAUST AIR SUPPLY BYPASS VALVE TO CHECK)</b>						
85/	B600/700,C600/800,F600/800, FT800,L800,LN600/800	8	6.1,7.0	E5HZ 9K446-C	#E5HE 9K446-CB,CC	1
<b>9447 GASKET (CARBURETOR)-Also refer to groups 9C477, 9A589</b>						
84/	B600/700,C600/800,CT800, F600/800,FT800,L800,LN600/800, LNT-LT-LTS800 -- 4/B carb.	8	6.1,7.0	E8TZ 9447-A	*CG-536-B-spacer to intake manifold	1
80/84	B-C-F-LN600/700 -- with 2/B carb.	8	6.1	D9TZ 9447-E	*CG-537-#D9TE 9447-EA-spacer to intake manifold	1
85/	B-C-F-LN600/700	8	6.1-2V	E9HZ 9447-A	*CG-537-B- spacer to intake manifold	1
<b>9B447 PULLEY (EXHAUST AIR SUPPLY PUMP)</b>						
80/84	B600/700,C600/800,CT800, F600/800,FT800,L800,LN600/800, LNT-LT-LTS800	8	6.1,7.0	D9HZ 9B447-D	#D9TE 9C480-DA-5 5/32" O.D.-single sheave	1
80/81	C-CT-L-LN-LNT-LT-LTS900	8	477			1
85/	B600/700,C600/800,CT800, F600/800,FT800,L800,LN600/800, LNT-LT-LTS800 -- California	8	6.1,7.0			1

OCTOBER, 1993

COPYRIGHT © 1993-

FORD MOTOR  
COMPANY

-DEARBORN, MICHIGAN

FINAL ISSUE

1980/  
TRUCK SERIES 600/900

YEAR	MODEL/RESTRICTIONS	ENGINE		PART NUMBER	DESCRIPTION	QTY.
		CYL.	C.I.D. (C.C.D.)			
<b>9B447 PULLEY (EXHAUST AIR SUPPLY PUMP) — Cont'd</b>						
85/87	B600/700,C600/800,CT800, F600/800,FT800,L800,LN600/800, LNT-LT-LTS800 -- exc. California	8	6.1,7.0	E4HZ 9B447-A	#E4HE 9C480-AA-5 5/32" O.D.-single sheave- use with Nippondenso air pump	1
85/87	B600/700,C600/800,CT800, F600/800,FT800,L800,LN600/800, LNT-LT-LTS800 -- exc. Calif.	8	6.1,7.0	E5HZ 9B447-A	#E5HE 9C480-AA-5 3/4" O.D.-double sheave- use with Nippondenso air pump	1
88/	B600/700,C600/800,CT800, F600/800,FT800,L800,LN600/800, LNT-LT-LTS800	8	6.1,7.0	E7HZ 9B447-A	#E7HE 9C480-AA-5" O.D.-single sheave- use with Holley air pump	1
88/	B600/700,C600/800,CT800, F600/800,FT800,L800,LN600/800, LNT-LT-LTS800	8	6.1,7.0	E7HZ 9B447-B	#E7HE 9C480-BA-5 1/2" O.D.-double sheave- use with Holley air pump	1
80/81	C-CT-L-LN-LNT-LT-LTS900	8	534	D7HZ 9B447-A	#D5HE 9C480-AA-4 5/16" O.D.	1
<b>9448 GASKET (EXHAUST MANIFOLD)</b>						
80/81	C-CT-L-LN-LNT-LT-LTS900	8	477,534	B9TE 9448-A		2
80/	B600/700,C600/800,CT800, F600/800,FT800,L800,LN600/800, LNT-LT-LTS800	8	6.1,7.0	D4VY 9448-A		2
86	CF600/700	6	401	E6HZ 9448-A		2
87/	CF600/800 -- FNH diesel	6	6.6,7.8	E7HZ 9448-A		2
87/	B-F600/700,F800,FT900, L-LN-LT-LTS-LNT800 -- FNH diesel	6	6.6,7.8			2
<b>9B449 TUBE ASSY. (EXHAUST AIR SUPPLY)</b>						
80/85	B600/700,C600/800,CT800, F600/800,FT800,L800,LN600/800, LNT-LT-LTS800 "Before 12/84"	8	6.1,7.0	D5VY 9B449-A	#D5VE 9B449-AB, D7VE 9B449-AB use with D5VZ 9C435-A gaskets and D8VZ 9D436-A clamps	1
85/	B600/700,C600/800,CT800, F600/800,FT800,L800,LN600/800, LT-LNT800 "From 12/84"	8	6.1,7.0	E5HZ 9B449-B		1
<b>9450 GASKET (MANIFOLD)-Also refer to group 5C211</b>						
80/	L800,LN600/800,LNT-LT-LTS800	8	6.1,7.0	C6TZ 9450-C	Exhaust manifold to exhaust pipe-2 1/4" I.D. x 2 3/4" O.D.-.19/32" thick-use w/dual exhaust	2
80/	B-F700, L800, LN700/800, LNT-LT- LTS800 -- Cat. diesel	8	636	D0HZ 9450-A	Exhaust manifold to exhaust pipe-2 3/4" I.D. x 3 3/8" O.D.-5/8" thick	2
<b>9B450 BRACKET (EXHAUST AIR SUPPLY PUMP MOUNTING)-Also refer to Group 10A313</b>						
80/81	C-CT-L-LN-LNT-LT-LTS900 --	8	477,534	D5HZ 9B450-A	#D5HE-9B450-AB	1
80/83	B600/700,C600/800,CT800, F600/800,FT800,L800,LN600/800, LN-LT-LTS800	8	6.1,7.0	E4HZ 9B450-A	#D9HT 9C476-AC, E4HT 9C476-AA	1
84/85	B600/700,C600/800,F600/800,FT800, L800,LN600/800,LNT-LT800 -- exc. Calif. "Before 12/84"	8	6.1,7.0			1
85/88	F600/900 "From 12/84 to 1/88"	8	6.1,7.0	E5HZ 9B450-F	#E5HT 9C476-BC,BD	1
88/	F600/900 "From 1/88"	8	6.1,7.0	E8HZ 9B450-B		1
85/	C600/800 "From 12/84"	8	6.1,7.0	E5HZ 9B450-E	#E5HT 9C476-AB	1
85/	B600/700 "From 12/84"	8	6.1,7.0	E5HZ 9B450-G	#E5HT 9C476-DA,DB	1
85/	LN600/700 "From 12/84"	8	6.1,7.0	E5HZ 9B450-D	#E5HT 9C476-CA	1
<b>9A451 WIRING ASSY. (FUEL SHUT-OFF SOLENOID FEED)</b>						
80	C600/800 -- diesel	6&8	All	C7TZ 9A451-A		1
81/	C-CT800, LN600/700 -- Detroit 990 diesel	8	501	E1HZ 9A451-A	#E1HT 9H589-AB, E8HT 9H589-AA	1
85/	C600/800 -- Detroit diesel	8	All	E5HZ 9A451-A	#E4HT 9H589-CA	1
<b>9A451 WIRING ASSY. (INTAKE MANIFOLD PRE-HEATER PLUG SWITCH)</b>						
78/80	CL-CLT900 -- Cat. 3406 diesel- "Before Ser. HD5,001"	6	893	★ D8HZ 9A451-A	#D7HT 9A451-AB,AC	1

1980/  
TRUCK SERIES 600/900

YEAR	MODEL/RESTRICTIONS	ENGINE		PART NUMBER	DESCRIPTION	QTY.
		CYL.	C.I.D. (C.C.D.)			
<b>9E451 AMPLIFIER ASSY. (EXHAUST GAS RECIRCULATION VACUUM)</b>						
80/	B600/700,C600/800,CT800, F600/800,FT800,L800,LN700/800, LNT-LT-LTS800 - - with 4/B carb.	8	6.1,7.0	D5TZ 9E451-A	#D5TE-A1A,A2A	1
80/	B-C-F-LN600/700 - - with 2/B carb.	8	6.1	D5FZ 9E451-B	#D52E-B1A,B2A,B3A	1
<b>9B452 ARM (EXHAUST AIR SUPPLY PUMP BELT ADJUSTMENT)</b>						
80/81	C-CT-L-LN-LNT-LT-LTS900	8	477,534	★ D5HZ 9B452-B	#D5HE 9B452-AB,D8HE 9B452-AA	1
80/	B600/700,C600/800,CT800, F600/800,FT800,L800,LN600/800, LNT-LT-LTS800	8	6.1,7.0	D9HZ 9B452-A		1

**9E453 RESERVOIR ASSY. (EXHAUST GAS RECIRCULATING VACUUM)**

For Model Application, refer to Calibration Parts Lists in Section 93A.

**IDENTIFICATION CHART**

(Arranged according to Identification Number)

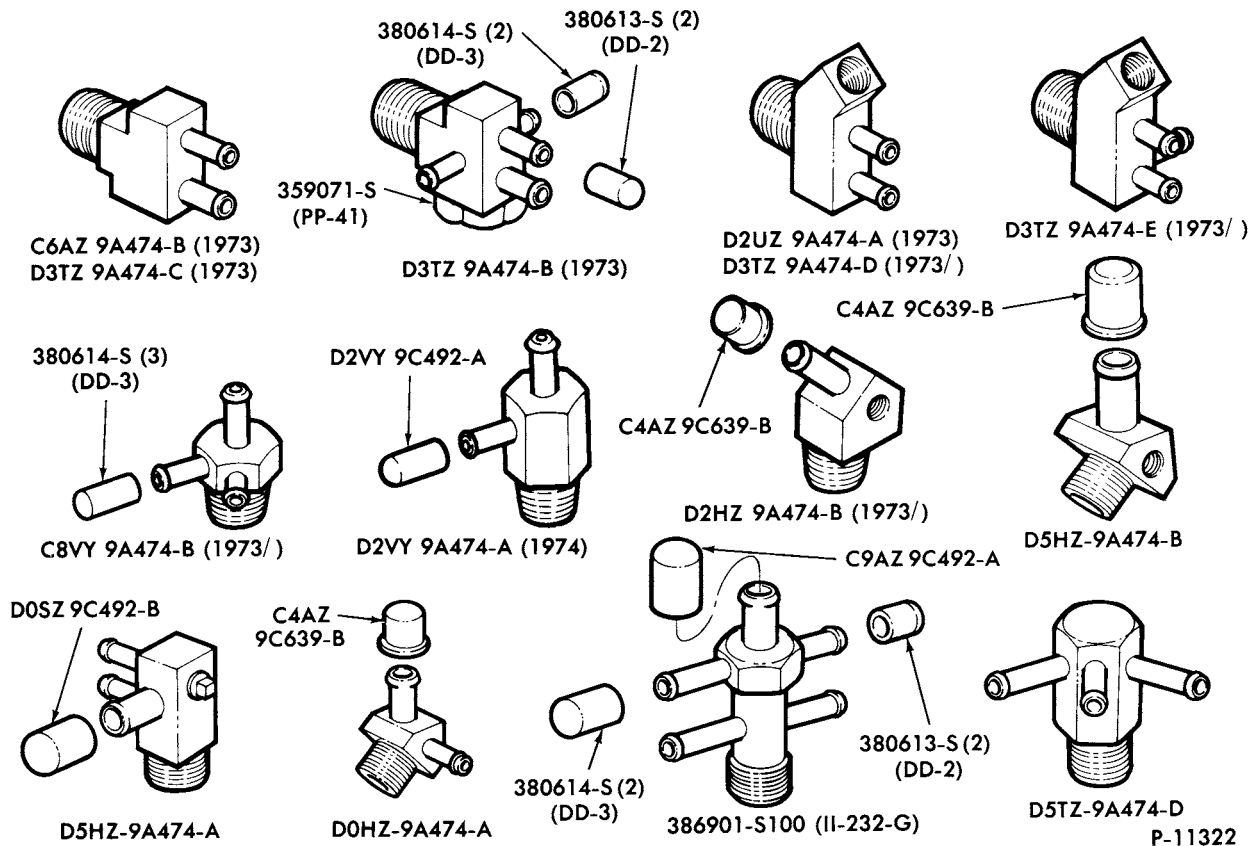
IDENTIFICATION	PART NUMBER	IDENTIFICATION	PART NUMBER
<b>9E453 RESERVOIR ASSY. (EXHAUST GAS RECIRCULATING VACUUM)</b>			
D4DE 9E453-AA	D4DZ 9E453-A	D9AE 9E453-BA	★ D9AZ 9E453-A
D52E 9E453-AA	D5FZ 9E453-A	E0SE 9E453-BA	E0SZ 9E453-B
D5TE 9E453-AA	D5TZ 9E453-A	E0ZE 9E453-AA	E0ZZ 9E453-A
D6TE 9E453-AA	D6TZ 9E453-A	E1TE 9E453-BA	E1TZ 9E453-B

YEAR	MODEL/RESTRICTIONS	ENGINE		PART NUMBER	DESCRIPTION	QTY.
		CYL.	C.I.D. (C.C.D.)			
<b>9N456 BRACKET (EXHAUST MANIFOLD HEAT SHIELD)</b>						
80/	LN-LNT900 - - Detroit 6V-92TTA	6	552	E0HZ 9N456-A	#D6HS 9N456-AA	1
<b>9B457 TUBE (EXHAUST AIR SUPPLY PUMP OUTLET)</b>						
80/81	C-CT-L-LN-LNT-LT-LTS900	8	477,534	★ C8TZ 9B457-A	3/4" O.D. - 1 1/4" long	1
<b>9J457 BRACKET (VACUUM MANIFOLD MOUNTING)</b>						
85/	B600/700,C600/800,F600/900, FT800	8	6.1,7.0	E5HZ 9J457-A	#E5HT 9J457-AA	1
<b>9B458 HOSE (EXHAUST AIR SUPPLY PUMP INLET)</b>						
85/89	B600/700,C600/800, F600/800,FT800	8	6.1,7.0	E5HZ 9B458-C	#E5HE 9B458-CA,CB-long	1
85/88	B600/700,C600/800, F600/800,FT800	8	6.1,7.0	E5HZ 9B458-D	#E5HE 9B458-DA,DB, E8HE 9B458-BA-short	1
89	F600/800,FT600/800	8	6.1,7.0	E9HZ 9B458-A		1
89	B600/800	8	6.1,7.0	E9HZ 9B458-B		1
<b>9G462 CONNECTOR ASSY. (EXHAUST AIR SUPPLY MANIFOLD)</b>						
85/	B600/700,C600/800,CT800, F600/800,FT800,L800,LN600/800, LT-LNT800	8	6.1,7.0	E5HZ 9G462-D		8
<b>9E464 GASKET (EXHAUST GAS RECIRCULATION VALVE ADAPTER)-refer to group 9D476</b>						
<b>9B466 HOSE (EXHAUST AIR SUPPLY CHECK VALVE INLET)</b>						
80/81	C-CT900	8	477,534	★ D7HZ 9B466-C	R.H.-#D7HE 9B466-CA	1
80/81	L-LN-LNT-LT-LTS900	8	477,534	D7HZ 9B466-D	R.H.-#D7HE 9B466-DA	1
85	B600/700,C600/800,F600/900	8	6.1,7.0	E5TZ 9B466-LA	#E5TE 9B466-LA	1
<b>9H467 SILENCER &amp; BRACKET ASSY. (EXHAUST AIR SUPPLY PUMP)</b>						
85/	B600/700,C600/800, F600/800	8	6.1,7.0	★ E5HZ 9H467-F	#E5HE 9H467-FC,FD-replaced by E5HZ 9G427-C & E5HZ 9W428-B	1
<b>9B471 NUT and FERRULE ASSY. (EXHAUST AIR SUPPLY)</b>						
80/	B600/700,C600/900, CT800/900,L800/900, LN600/900,LNT-LT-LTS800/900	8	All	D5TZ 9B471-A		8

1980/  
TRUCK SERIES 600/900

YEAR	MODEL/RESTRICTIONS	ENGINE		PART NUMBER	DESCRIPTION	QTY.
		CYL.	C.I.D. (C.C.D.)			
<b>9F471 TEE (EXHAUST AIR SUPPLY HOSE CONNECTOR)</b>						
85/	B600/700,C600/800,CT800, F600/800,FT800,L800,LN600/800, LT-LNT800	8	6.1,7.0	E5HZ 9F471-A		1
<b>9D473 VALVE ASSY. (EXHAUST GAS RECIRCULATION VACUUM CONTROL)</b>						
80/	B-C-F-LN600/700 -- with 2/B carb.	8	6.1	D3TZ 9D473-A	#D3TE-AA,D5ZE-A2A, D5DE 9F454-B1A, D7ZE-A1A,A2A, E1SE-A1A,A2A	1
<b>9474 CONNECTOR (OIL PRESSURE INDICATOR)</b>						
80/	C700/800,CT800,L800, LN700/800,LNT-LT-LTS800 -- Cat. 3208 diesel	8	636	E0HZ 9474-A	7/16"-20 male thread one end-5/16"-24 female thread other end-use with oil pressure gauge with 5/16"-24 male thread and tube assy. with 7/16"-20 female thread	1

**9A474 FITTING ASSY. (INTAKE MANIFOLD VACUUM OUTLET)**



YEAR	MODEL/RESTRICTIONS	ENGINE		PART NUMBER	DESCRIPTION	QTY.
		CYL.	C.I.D. (C.C.D.)			
<b>9A474 FITTING ASSY. (INTAKE MANIFOLD VACUUM OUTLET) — Cont'd</b>						
80/	B600/700,C600/800,CT800, F600/800,FT800,L800,LN600/800, LNT-LT-LTS800	8	6.1,7.0	C8VY 9A474-B		1
80/81	C-CT-L-LN-LNT-LT-LTS900	8	477,534			1

1980/  
TRUCK SERIES 600/900

9D474 VALVE ASSY. (EXHAUST GAS RECIRCULATING SOLENOID VACUUM)

For Model Application, refer to Calibration Parts Lists in Section 93A.

IDENTIFICATION CHART

(Arranged according to Identification Number)

IDENTIFICATION	PART NUMBER	IDENTIFICATION	PART NUMBER
9D474	VALVE ASSY. (EXHAUST GAS RECIRCULATION SOLENOID VACUUM)		
D50E 9D474-A2A	★ D50Z 9D474-A	E0SE 9D474-A3A	★ E0SZ 9D474-B
D50E 9D474-A3A	★ D50Z 9D474-A	E0ZE 9D474-C2A	★ E0ZZ 9D474-C
D52E 9D474-A2A	★ D5FZ 9D474-A	E0ZE 9D474-D3A	★ E0ZZ 9D474-C
D5TE 9D474-BA	D7HZ 9D474-A	E0ZE 9D474-E2A	★ E0ZZ 9D474-E
D5TE 9D474-CA	D7HZ 9D474-A	E1AE 9D474-B2A	★ E1AZ 9D474-B
D5TE 9D474-E2A	★ D5TZ 9D474-E	E1EE 9D474-A2A	★ E1FZ 9D474-A
D5TE 9D474-E3A	★ D5TZ 9D474-E	E1EE 9D474-A3A	★ E1FZ 9D474-A
D5TE 9D474-F2A	D5TZ 9D474-F	E1EE 9D474-B2A	★ E1FZ 9D474-B
D5TE 9D474-F3A	D5TZ 9D474-F	E1EE 9D474-B3A	★ E1FZ 9D474-B
D7HE 9D474-AA	D7HZ 9D474-A	E1EE 9D474-CB	E1FZ 9D474-C
D8EE 9D474-A2A	★ D8BZ 9D474-A	E1SE 9D474-C2A	E1SZ 9D474-C
D8EE 9D474-A3A	★ D8BZ 9D474-A	E1SE 9D474-C3A	E1SZ 9D474-C
D8TE 9D474-A2A	D8TZ 9D474-A	E1SE 9D474-D2A	★ E1SZ 9D474-D
D8TE 9D474-B2A	★ D8TZ 9D474-B	E1SE 9D474-D3A	★ E1SZ 9D474-D
D8UE 9D474-A2A	D8UZ 9D474-A	E1TE 9D474-AA	★ E1TZ 9D474-A
D9AE 9D474-A2A	E0AZ 9D474-B	E1TE 9D474-C2A	★ E1TZ 9D474-C
D9AE 9D474-A3A	E0AZ 9D474-B	E1TE 9D474-C3A	★ E1TZ 9D474-C
D9AE 9D474-B2A	E0AZ 9D474-D	E1ZE 9D474-A2A	★ E1ZZ 9D474-A
D9AE 9D474-B3A	E0AZ 9D474-D	E1ZE 9D474-A3A	★ E1ZZ 9D474-A
D9AE 9D474-C2A	E1SZ 9D474-C	E1ZE 9D474-B2A	★ E1ZZ 9D474-B
D9AE 9D474-C3A	E1SZ 9D474-C	E1ZE 9D474-B3A	★ E1ZZ 9D474-B
E0AE 9D474-B2A	E0AZ 9D474-B	E2SE 9D474-A2A	E2SZ 9D474-A
E0AE 9D474-B3A	E0AZ 9D474-B	E2TE 9D474-A2A	★ E2TZ 9D474-A
E0AE 9D474-C2A	E0AZ 9D474-D	E2TE 9D474-B2A	E2TZ 9D474-B
E0AE 9D474-D3A	E0AZ 9D474-D	E2TE 9D474-B3A	E2TZ 9D474-B
E0AE 9D474-E2A	E0AZ 9D474-B	E2ZE 9D474-C2A	★ E2ZZ 9D474-C
E0AE 9D474-E3A	E0AZ 9D474-B	E2ZE 9D474-C3A	★ E2ZZ 9D474-C
E0SE 9D474-A2A	★ E0SZ 9D474-B		



1980/  
TRUCK SERIES 600/900

9D475 VALVE ASSY. (EXHAUST GAS RECIRCULATION)

To select the correct EGR valve by knowing the identification number only:

- Check the EGR valve, taken from the vehicle, for an identification part number.
- Refer to the Identification Chart below.
- Find the EGR valve identification part number (sequenced numerically) and find the service part number in the adjacent column.

For example:

The service part number for EGR valve identified E0BE 9D475-B1A or E0BE 9D475-B2A is E0BZ 9D475-B

For Model Application, refer to Calibration Parts Lists in Section 93A.

### IDENTIFICATION CHART

(Arranged according to Identification Number)

IDENTIFICATION	PART NUMBER	IDENTIFICATION	PART NUMBER
<b>9D475 VALVE ASSY. (EXHAUST GAS RECIRCULATION)</b>			
D8BE 9D475-B1A	E6PZ 9D475-M *CX-1179	E0BE 9D475-C1A	E6PZ 9D475-P *CX-1181
D8BE 9D475-B2A	E6PZ 9D475-M *CX-1179	E0BE 9D475-C2A	E6PZ 9D475-P *CX-1181
D8BE 9D475-E1A	E6PZ 9D475-P *CX-1181	E0BE 9D475-D1A	★ E6PZ 9D475-N *CX-1180
D8BE 9D475-E2A	E6PZ 9D475-P *CX-1181	E0BE 9D475-D2A	★ E6PZ 9D475-N *CX-1180
D8BE 9D475-F1A	★ E6PZ 9D475-L *CX-1178	E0BE 9D475-E1A	★ E6PZ 9D475-M *CX-1179
D8BE 9D475-F2A	★ E6PZ 9D475-L *CX-1178	E0BE 9D475-E2A	★ E6PZ 9D475-M *CX-1179
D8DE 9D475-C1A	D8DZ 9D475-CA *CX-301-A	E0BE 9D475-F1A	D8DZ 9D475-CA *CX-301-A
D8DE 9D475-C2A	D8DZ 9D475-CA *CX-301-A	E0BE 9D475-F2A	D8DZ 9D475-CA *CX-301-A
D8EE 9D475-D2A	E2ZZ 9D475-DA *CX-176-C	E0TE 9D475-A1A	E0TZ 9D475-AA *CX-495-A
D8EE 9D475-E2A	E2ZZ 9D475-E *CX-113-B	E0TE 9D475-A2A	E0TZ 9D475-AA *CX-495-A
D8EE 9D475-E3A	E2ZZ 9D475-E *CX-113-B	E0ZE 9D475-C3A	★ E2ZZ 9D475-B *CX-329-A
D8TE 9D475-A1A	E6PZ 9D475-T *CX-1184	E0ZE 9D475-D1A	★ E0ZZ 9D475-D *CX-518
D8TE 9D475-A2A	E6PZ 9D475-T *CX-1184	E0ZE 9D475-D2A	★ E0ZZ 9D475-D *CX-518
D9EE 9D475-A2A	★ E2ZZ 9D475-FA *CX-438-B	E1BE 9D475-A1A	E6PZ 9D475-R *CX-1182
D9EE 9D475-A3A	★ E2ZZ 9D475-FA *CX-438-B	E1BE 9D475-A2A	E6PZ 9D475-R *CX-1182
D9ZE 9D475-B2A	★ E2ZZ 9D475-B *CX-329-A	E1ZE 9D475-J2A	★ E2ZZ 9D475-B *CX-329-A
D9ZE 9D475-B3A	★ E2ZZ 9D475-B *CX-329-A	E1ZE 9D475-J3A	★ E2ZZ 9D475-B *CX-329-A
E0BE 9D475-B1A	E6PZ 9D475-R *CX-1182	E6PJ 9D475-PA	E6PZ 9D475-P *CX-1181
E0BE 9D475-B2A	E6PZ 9D475-R *CX-1182	E6PJ 9D475-LA	★ E6PZ 9D475-L *CX-1178

1980/  
TRUCK SERIES 600/900

**IDENTIFICATION CHART**

(Arranged according to Identification Number)

IDENTIFICATION	PART NUMBER	IDENTIFICATION	PART NUMBER
9D475	VALVE ASSY. (EXHAUST GAS RECIRCULATION) — Cont'd		
E6PZ 9D475-TA	E6PZ 9D475-T *CX-1184	E2ZE 9D475-B3A	★ E2ZZ 9D475-B *CX-329-A
E7PJ 9D475-AA	E0TZ 9D475-AA *CX-495-A	E2ZE 9D475-C2A	E2ZZ 9D475-C *CX-113-B
E6PJ 9D475-MA	E6PZ 9D475-M *CX-1179	E2ZE 9D475-C3A	E2ZZ 9D475-C *CX-113-B
E1ZE 9D475-L2A	E2ZZ 9D475-DA *CX-176-C	E2ZE 9D475-D2A	E2ZZ 9D475-DA *CX-176-C
E1ZE 9D475-L3A	E2ZZ 9D475-DA *CX-176-C	E2ZE 9D475-D3A	E2ZZ 9D475-DA *CX-176-C
E1ZE 9D475-R2A	★ E2ZZ 9D475-EA *CX-299-C	E2ZE 9D475-E2A	★ E2ZZ 9D475-EA *CX-299-C
E1ZE 9D475-R3A	★ E2ZZ 9D475-EA *CX-299-C	E2ZE 9D475-E3A	★ E2ZZ 9D475-EA *CX-299-C
E1ZE 9D475-Y2A	★ E2ZZ 9D475-FA *CX-438-B	E2ZE 9D475-F2A	★ E2ZZ 9D475-FA *CX-438-B
E1ZE 9D475-Y3A	★ E2ZZ 9D475-FA *CX-438-B	E2ZE 9D475-F3A	★ E2ZZ 9D475-FA *CX-438-B
E2ZE 9D475-B2A	★ E2ZZ 9D475-B *CX-329-A		

YEAR	MODEL/RESTRICTIONS	ENGINE		PART NUMBER	DESCRIPTION	QTY.
		CYL.	C.I.D. (C.C.D.)			
<b>9D476 GASKET (EXHAUST GAS RECIRCULATION VALVE)</b>						
81/	B600/700,C600/800,CT800, F600/800,FT800,L800,LN600/800, LNT-LT-LTS800	8	6.1,7.0	E5DZ 9D476-A	*CG-673	1
<b>9C477 GASKET (CARBURETOR TO INTAKE MANIFOLD SPACER)—also refer to groups 9447, 9A589</b>						
80/	B-C-F-LN600/700 -- with 2/B carb.	8	6.1	E5HZ 9C477-A	*CG-539-A-#D9TE 9C477-AC, E5HE 9C477-AA	1
80/	B600/700,C600/800,CT800, F600/800,FT800,L800,LN600/800, LNT-LT-LTS800 -- with 4/B carb.	8	6.1,7.0	E5HZ 9C477-B	*CG-540-A-#D9TE 9C477-BC, E5HE 9C477-BA	1
<b>9E480 BRACKET (EXHAUST CONTROL VALVE)</b>						
88/	B-F600/700,F600/800,L-LN- LT-LTS800,LNT800, CF600/700 -- FNH diesel	6	All	E8HZ 9E480-A		1
89	L700/900,N700/800 -- FNH diesel	6	All	E9HZ 9E480-A	#E9HT 9E480-AB	1
<b>9A484 TUBE (EXHAUST AIR SUPPLY - LOWER)</b>						
80/81	C-CT-L-LN-LNT-LT-LTS900	8	477,534	D5TZ 9A484-A	Mounts into cyl. head	8
<b>9486 CAP (WATER OUTLET CONNECTION)</b>						
80/	L-LN-LNT-LT-LTS800 -- Cat. diesel	8	10.4	C6AZ 9486-A	Radiator vent hose cap	1
<b>9A486 PUMP ASSY. (EXHAUST AIR SUPPLY)</b>						

For Model Application, refer to Calibration Parts Lists in Section 93A.

**IDENTIFICATION CHART**

(Arranged according to Identification Number)

IDENTIFICATION	PART NUMBER	IDENTIFICATION	PART NUMBER
9A486	PUMP ASSY. (EXHAUST AIR SUPPLY)		
D5TE 9A486-C1C	E1TZ 9A486-D *CX-631	D7AE 9A486-A1A	E1TZ 9A486-D *CX-631
D5TE 9A486-C2C	E1TZ 9A486-D *CX-631	D7AE 9A486-A2A	E1TZ 9A486-D *CX-631
D5TE 9A486-C3C	E1TZ 9A486-D *CX-631	D7AE 9A486-A3A	E1TZ 9A486-D *CX-631

1980/  
TRUCK SERIES 600/900

**IDENTIFICATION CHART**

(Arranged according to Identification Number)

IDENTIFICATION	PART NUMBER	IDENTIFICATION	PART NUMBER
9A486	PUMP ASSY. (EXHAUST AIR SUPPLY) — Cont'd		
D7TE 9A486-A1A	E4HZ 9A486-C *CX-630-A	E0AE 9A486-B2A	E7TZ 9A486-J *CX-629-A
D7TE 9A486-A2A	E4HZ 9A486-C *CX-630-A	E0BE 9A486-A1A	E7TZ 9A486-J *CX-629-A
D7TE 9A486-A3A	E1TZ 9A486-D *CX-631	E0BE 9A486-A2A	E7TZ 9A486-J *CX-629-A
D7TE 9A486-B1A	E1TZ 9A486-D *CX-631	E0BE 9A486-B1A	★D8BZ 9A486-C *CX-278-A
D7TE 9A486-B2A	E1TZ 9A486-D *CX-631	E0BE 9A486-B2A	★D8BZ 9A486-C *CX-278-A
D7TE 9A486-B3A	E1TZ 9A486-D *CX-631	E0DE 9A486-B1A	★D8DZ 9A486-B *CX-279-A
D8BE 9A486-A1A	E7TZ 9A486-J *CX-629-A	E0DE 9A486-B2A	★D8DZ 9A486-B *CX-279-A
D8BE 9A486-A2A	E7TZ 9A486-J *CX-629-A	E0EE 9A486-B1A	E1TZ 9A486-D *CX-631
D8BE 9A486-A3A	E7TZ 9A486-J *CX-629-A	E0EE 9A486-B2A	E1TZ 9A486-D *CX-631
D8BE 9A486-B1A	★D8BZ 9A486-C *CX-278-A	E0EE 9A486-C1A	★E1ZZ 9A486-J *CX-620
D8BE 9A486-B2A	★D8BZ 9A486-C *CX-278-A	E0EE 9A486-C2A	★E1ZZ 9A486-J *CX-620
D8DE 9A486-A1A	★D8DZ 9A486-B *CX-279-A	E0EE 9A486-D1A	★D8DZ 9A486-B *CX-279-A
D8DE 9A486-A2A	★D8DZ 9A486-B *CX-279-A	E0EE 9A486-D2A	★D8DZ 9A486-B *CX-279-A
D8EE 9A486-A1A	E1TZ 9A486-D *CX-631	E0EE 9A486-EA	★E1ZZ 9A486-J *CX-620
D8EE 9A486-A2A	E1TZ 9A486-D *CX-631	E0EE 9A486-FA	★D8DZ 9A486-B *CX-279-A
D8EE 9A486-A3A	E1TZ 9A486-D *CX-631	E0HE 9A486-A1A	E1TZ 9A486-D *CX-631
D8EE 9A486-C1A	★D8BZ 9A486-C *CX-278-A	E0HE 9A486-A2A	E1TZ 9A486-D *CX-631
D8EE 9A486-C2A	★D8BZ 9A486-C *CX-278-A	E0TE 9A486-A1A	E4HZ 9A486-C *CX-630-A
D8UE 9A486-A1A	E7TZ 9A486-J *CX-629-A	E0TE 9A486-A2A	E4HZ 9A486-C *CX-630-A
D8UE 9A486-A2A	E7TZ 9A486-J *CX-629-A	E0TE 9A486-B1A	E1TZ 9A486-D *CX-631
D8UE 9A486-A3A	E7TZ 9A486-J *CX-629-A	E0TE 9A486-B2A	E1TZ 9A486-D *CX-631
D84E 9A486-A1A	E7TZ 9A486-J *CX-629-A	E0TE 9A486-F2A	★E1TZ 9A486-E *CX-493-A
D84E 9A486-A2A	E7TZ 9A486-J *CX-629-A	E0TE 9A486-G2A	★E1TZ 9A486-E *CX-493-A
D84E 9A486-A3A	E7TZ 9A486-J *CX-629-A	E0UE 9A486-A1A	E7TZ 9A486-J *CX-629-A
D9AE 9A486-A1A	E7TZ 9A486-J *CX-629-A	E0UE 9A486-A2A	E7TZ 9A486-J *CX-629-A
D9AE 9A486-A2A	E7TZ 9A486-J *CX-629-A	E0ZE 9A486-A1A	E1DZ 9A486-A *CX-507-A
D9ZE 9A486-A1A	E1DZ 9A486-A *CX-507-A	E0ZE 9A486-A2A	E1DZ 9A486-A *CX-507-A
D9ZE 9A486-A2A	E1DZ 9A486-A *CX-507-A	E0ZE 9A486-B1A	E1ZZ 9A486-H *CX-623
E0AE 9A486-B1A	E7TZ 9A486-J *CX-629-A	E0ZE 9A486-B2A	E1ZZ 9A486-H *CX-623

1980/  
TRUCK SERIES 600/900

**IDENTIFICATION CHART**

(Arranged according to Identification Number)

IDENTIFICATION	PART NUMBER	IDENTIFICATION	PART NUMBER
9A486 PUMP ASSY. (EXHAUST AIR SUPPLY) — Cont'd			
EOZE 9A486-CA	E1ZZ 9A486-H *CX-623	E1ZE 9A486-D2B	E1ZZ 9A486-D *CX-596
E1AE 9A486-A1A	E4AZ 9A486-A *CX-964	E1ZE 9A486-G1A	E1ZZ 9A486-G *CX-621
E1AE 9A486-A2A	E4AZ 9A486-A *CX-964	E1ZE 9A486-G2A	E1ZZ 9A486-G *CX-621
E1DE 9A486-A1A	E1DZ 9A486-A *CX-507-A	E1ZE 9A486-H1A	E1ZZ 9A486-H *CX-623
E1DE 9A486-A2A	E1DZ 9A486-A *CX-507-A	E1ZE 9A486-H2A	E1ZZ 9A486-H *CX-623
E1EE 9A486-E3A	E1FZ 9A486-B *CX-528	E1ZE 9A486-J1A	★ E1ZZ 9A486-J *CX-620
E1EE 9A486-F2A	E1FZ 9A486-B *CX-528	E1ZE 9A486-J2A	★ E1ZZ 9A486-J *CX-620
E1EE 9A486-R1A	E1FZ 9A486-C *CX-529	E1ZE 9A486-K1A	★ E1ZZ 9A486-K *CX-622
E1EE 9A486-R2A	E1FZ 9A486-C *CX-529	E1ZE 9A486-K2A	★ E1ZZ 9A486-K *CX-622
E1HE 9A486-A1A	E1HZ 9A486-A *CX-628	E1ZE 9A486-L1A	E1ZZ 9A486-L *CX-619
E1HE 9A486-A2A	E1HZ 9A486-A *CX-628	E1ZE 9A486-L2A	E1ZZ 9A486-L *CX-619
E1PE 9A486-AA	★ D8DZ 9A486-B *CX-279-A	E1ZE 9A486-M1A	★ E1ZZ 9A486-M *CX-638
E1SE 9A486-A1A	★ D8BZ 9A486-C *CX-278-A	E1ZE 9A486-M2A	★ E1ZZ 9A486-M *CX-638
E1SE 9A486-A2A	★ D8BZ 9A486-C *CX-278-A	E1ZE 9A486-N1A	E1ZZ 9A486-N *CX-665
E1TE 9A486-A1A	E7TZ 9A486-J *CX-629-A	E1ZE 9A486-N2A	E1ZZ 9A486-N *CX-665
E1TE 9A486-A2A	E7TZ 9A486-J *CX-629-A	E2AE 9A486-CA	E4AZ 9A486-A *CX-964
E1TE 9A486-C1A	E4HZ 9A486-C *CX-630-A	E2TE 9A486-C1A	★ E2TZ 9A486-B *CX-678
E1TE 9A486-C2A	E4HZ 9A486-C *CX-630-A	E2TE 9A486-C2A	★ E2TZ 9A486-B *CX-678
E1TE 9A486-D1A	E1TZ 9A486-D *CX-631	E2TE 9A486-EA	★ E2TZ 9A486-A *CX-708
E1TE 9A486-D2A	E1TZ 9A486-D *CX-631	E4HE 9A486-CA	E4HZ 9A486-C *CX-630-A
E1UE 9A486-A1A	★ E1UZ 9A486-A *CX-632	E5HE 9A486-AB	E5HZ 9A486-A *CX-1009
E1UE 9A486-A2A	★ E1UZ 9A486-A *CX-632	E5HE 9A486-CB	E5HZ 9A486-C *CX-1098
E1ZE 9A486-D1B	E1ZZ 9A486-D *CX-596	E7TE 9A486-EA	E7TZ 9A486-E *CX-1310

**1980/  
TRUCK SERIES 600/900**

YEAR	MODEL/RESTRICTIONS	ENGINE		PART NUMBER	DESCRIPTION	QTY.
		CYL.	C.I.D. (C.C.D.)			
<b>9A486 PUMP ASSY. (EXHAUST AIR SUPPLY)</b>						
80/	B600/700,C600/800,CT800, F600/700,FT800,L800,LN600/800, LNT-LT-LTS800 - - L.P.G.	8	6.1,7.0	E1TZ 9A486-B	Used as idler pulley assembly	1
<b>9A487 VALVE ASSY. (EXHAUST AIR SUPPLY CHECK)</b>						
80/81	C-CT-L-LN-LNT-LT-LTS900	8	477,534	D4VY 9A487-A	3/4-14 internal thread one end-hose nipple other end	2
80/	B600/700,C600/800,CT800, F600/800,FT800,L800,LN600/800, LNT-LT-LTS800	8	6.1,7.0			2
86/	B600/700,C600/800,CT800, F600/800,FT800,L800,LN600/800, LNT-LT-LTS800	8	6.1,7.0	D4AZ 9A487-A	3/4-14 external thread one end-hose nipple other end	AR
<b>9C487 SUPPORT (EXHAUST AIR SUPPLY HOSE)-also refer to group 9B481</b>						
80/81	L-LN-LNT-LT-LTS900	8	477,534	★ D7HZ 9C487-AA	#D7HE 9C487-AA	1
<b>9C488 BRACKET ASSY. (EXHAUST AIR SUPPLY TUBE)</b>						
84	B600/700,C600/800,F600/800,FT800, L800,LN600/800,LNT-LT800 - - Calif.	8	7.0	★ E4HZ 9C488-A	#E4HT 9C488-AB-used with Nippondenso T/E air pump	1
<b>9C490 MANIFOLD ASSY. (VACUUM OUTLET)</b>						
85/	B600/700,C600/800,F600/800, FT-L800,LN600/800,LT-LNT800	8	6.1,7.0	D6DZ 9C490-B	4 port only-ref. 5 port D6DZ-A (NS)	1
<b>9F490 REGULATOR ASSY. (EMISSION VACUUM CONTROL)</b>						
80/	B600/700, C600/900, CT800/900, F600/800,FT800,L800/900,LN600/900, LNT-LT-LTS800/900 - - gas	8	All	D8HZ 9F490-A	Use with electronic governor- also serviced in 12B484 assy.	1
<b>9E491 FILTER (EXHAUST GAS RECIRCULATING VACUUM CONTROL VALVE)</b>						
80/	All	All	All	D4AZ 9E491-A		AR
<b>9N491 TUBE ASSY. (INTAKE MANIFOLD INTER COOLER-WATER)</b>						
87	B700,F700/800,FT900, L-LN-LNT-LS-LTS800 - - FNH diesel-210 H.P.	6	7.8	E7HZ 9N491-A		1
87	CF700/800 - - FNH diesel-210 H.P.	6	7.8	E7HZ 9N491-B		1
88/	B700,F700/800,FT900,L-LN- LS-LNT-LT-LTS800,CF700,800, CFT800 - - FNH diesel- 210 H.P.	6	7.8	E7HZ 9N491-C		1
<b>9F492 ARM ASSY. (EXHAUST AIR SUPPLY PUMP ADJUSTING)</b>						
85/	B-C-F600/800,FT800	8	6.1,7.0	E5HZ 9F492-D	#E5HT 9B452-AA	1
85/	F600/900	8	6.1,7.0	E5HZ 9F492-G	#E5HT 9B452-DA	1
85/	C600/800	8	6.1,7.0	E5HZ 9F492-F	#E5HT 9B452-CA	1
85/	F600/900	8	6.1,7.0	E5HZ 9F492-G	#E5HT 9B452-DA	1
85/	B600/700	8	6.1,7.0	E5HZ 9F492-H	#E5HT 9B452-BA	1
<b>9C497 BRACKET (VACUUM GAUGE MOUNTING)</b>						
80/	L800/900, LN600/900, LNT-LT-LTS800/900	8	All	D0HZ 9C497-A		1
80/	LN700 - - Cat. diesel	8	All			1
80/	B600/700,C600/900,CT800/900, F600/900,FT800	8	All	D5HZ 9C497-A		1
80/	F600/800,FT800(84) - - Gas	8	All	E0HZ 9C497-A	#E0HT 9C497-AA	1
80/	F600/800,FT800(Regular Cab) - - Gas	8	All	E0HZ 9C497-B	#E0HT 9C497-BA	1
<b>9E499 CONNECTOR (EMISSION VACUUM CONTROL)-Also refer to 12226</b>						
80/	All	All	All	D8FZ 9E499-Z		1

**1980/  
TRUCK SERIES 600/900**

YEAR	MODEL/RESTRICTIONS	ENGINE		PART NUMBER	DESCRIPTION	QTY.
		CYL.	LITERS			
<b>9500 Refer to group 9510 for Carburetor Parts List Instructions</b>						
<b>9M500 DIAPHRAGM (FUEL INJECTION PUMP DAMPER)</b>						
80/88	C-CL-L-LN-LNT-LT-LTS900 -- Cum. Formula 290	6	14.0	D8HZ 9M500-A		1
<b>9501-9C504 Refer to group 9510 for Carburetor Parts List Instructions</b>						
<b>9B504 SPRING (CARBURETOR SECONDARY DIAPHRAGM RETURN)</b>						
80/	All -- gas	8	7.0	E3PZ 9B504-A	#Pink-used for field fix	1
<b>9D504 LEVER (INJECTION PUMP STOP CONTROL)</b>						
86/	CF600/800 -- FNH diesel	6	All	E6HZ 9D504-A		1
87/	B-F-FT-L-LN-LNT-LS-LT-LTS 600/900 -- with FNH diesel	6	All			1
<b>9S504 GROMMET (FUEL AIR SHUT-OFF CONTROL)</b>						
80/81	L-LN-LNT-LT-LTS900 -- Det. 8V-71N diesel	8	9.3	* D0HZ 9S504-A		1
<b>9B505-9508 Refer to group 9510 for Carburetor Parts List Instructions</b>						
<b>9F508 CONNECTOR (FUEL INJECTION PUMP FUEL INLET)</b>						
80/88	CL-CLT900 -- Cummins dsl.	6&8	14.0,18.8	D8HZ 9F508-A		1
80/	CL-CLT900	6&8	14.0,18.8	87708-S	(P-14) Plug - 1/8" - 27	1
<b>9509-9B509 Refer to group 9510 for Carburetor Parts List Instructions</b>						

**9510 CARBURETOR ASSY.**

**HOW TO IDENTIFY CARBURETORS and RELATED PARTS**

To facilitate the identification of parts for a specific carburetor, parts lists or bills of material are provided in Section 95.1 and up of this catalog for each carburetor assembly. It is necessary first to identify the carburetor assembly per the instructions that follow.

Carburetors can be identified by the stamping number shown on the carburetor or on a metal tag attached to the carburetor.

Each carburetor for 1980/ models has an identification tag. An illustration and explanation of the carburetor identification tags are shown on Page 2 of this section.

If either the tag or stamping identification number is known, the related carburetor and carburetor parts list numbers can be determined from the Chart beginning on Page 2 of this section.

Carburetors and related parts lists are also identified by the Engine Calibration number Cross Reference Chart and by Year, Model, and Engine in the Model Application Cross Reference Chart. These charts are shown in Section 93A.

Carburetor illustrations are shown in Illustration Section 95 of Form FP 8473-B.

Parts lists are grouped by type and engine and each group of related carburetor parts lists is shown in a separate section. The section number can readily be identified with the carburetor parts list numbers as shown in the following example:

Carburetor Type	No. of Cyl.	Engine Liters	Parts List Number	Catalog Section No.
Holley 2/B	8	6.1	1A, 1B	95.1
Holley 4/B	8	7.8,8.8	3A, 3B, 3C	95.3

For ready reference, kit part numbers are shown with the carburetor identification guide. A listing of components for each kit is shown in Section 95A.

Refer to the Index at the beginning of Section 95A for page number of service kit.

Carburetor attaching parts are shown at the beginning of their respective parts lists.

To identify the parts for a specific carburetor it is only necessary to refer to the related parts list and parts illustration.

An Alphabetical Index showing a cross-reference between noun description and Basic Group number is located at the beginning of this catalog.

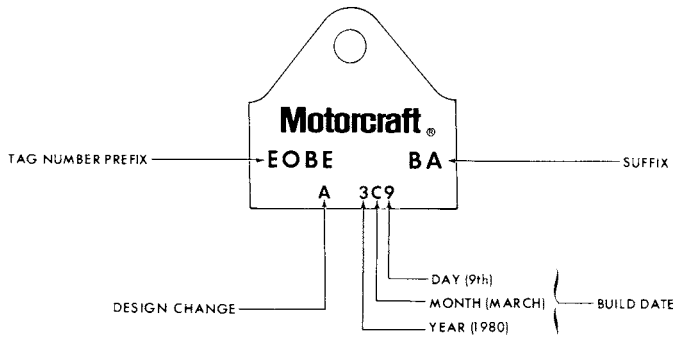
**IMPORTANT: ALWAYS FURNISH APPROPRIATE WARRANTY PLATE INFORMATION and DSO NUMBER  
IF APPLICABLE WHEN ORDERING PARTS NOT LISTED IN THE CATALOG.**

1980/  
TRUCK SERIES 600/900

9510

CARBURETOR ASSY. cont'd.

## CARBURETOR IDENTIFICATION TAG



P-10186A

For Model Application, refer to Calibration Parts Lists in Section 93A.

## IDENTIFICATION CHART

IDENTIFICATION	PARTS LIST 95.	PART NUMBER	REPLACED BY	GASKET SET	TUNE-UP KIT	ILLUS. SEC. 95 PAGE
<b>9510 CARBURETOR ASSY.</b>						
D9HE-CA	3A	D9HZ 9510-C *CA-2080		D8PZ 9502-HB *CG-575-A	E1PZ 9A586-AB *CT-1229-D	2
D9HE-EA	3A	D9HZ 9510-E *CA-2082		E0PZ 9502-H *CG-575-B	E1PZ 9A586-AB *CT-1229-D	2
D9TE-ABC	1D	★ D9TZ 9510-AB *CA-2046		E3PZ 9502-F *CG-574-B	E3PZ 9A586-FB *CT-1278-D	1
D9TE-AHE	2E	★ D9TZ 9510-AHE *CA-2510	E5PZ 9510-NA *CA-3555	E3PZ 9502-E *CG-597-B	E2PZ 9A586-DB *CT-1376	2
D9TE-APA	1C	★ D9TZ 9510-AP *CA-2122	E6PZ 9510-C *CA-3511	E3PZ 9502-F *CG-574-B	E3PZ 9A586-FB *CT-1278-D	1
D9TE-EBA	2C	★ D9TZ 9510-EB *CA-2511	E2TZ 9510-CP *CA-3050	E3PZ 9502-E *CG-597-B	E2PZ 9A586-DB *CT-1376	2
D9TE-ETA	2D	D9TZ 9510-ET *CA-2512		E3PZ 9502-E *CG-597-B	E2PZ 9A586-DB *CT-1376	2
D9TE-EUA	2C	★ D9TZ 9510-EU *CA-2513	E2TZ 9510-CU *CA-3051	D9PZ 9502-DB *CG-597	E2PZ 9A586-DB *CT-1376	2
E0TE-JA	2A	★ E0TZ 9510-J *CA-2300	E7PZ 9510-P *CA-3517	E3PZ 9502-E *CG-597-B	E2PZ 9A586-DB *CT-1376	2
E0TE-MA	2A	★ E0TZ 9510-M *CA-2301	E3HZ 9510-B	E3PZ 9502-E *CG-597-B	E2PZ 9A586-DB *CT-1376	2
E0TE-PA	1A	★ E0TZ 9510-P *CA-2302	E6PZ 9510-D *CA-3512	E3PZ 9502-F *CG-574-B	E3PZ 9A586-FB *CT-1278-D	1
E0TE-RA	2B	★ E0TZ 9510-R *CA-2303	E2TZ 9510-CR *CA-3052	E3PZ 9502-E *CG-597-B	E2PZ 9A586-DB *CT-1376	2
E0TE-SA	2B	★ E2TZ 9510-CV *CA-3053	E5PZ 9510-W *CA-3520	E3PZ 9502-E *CG-597-B	E2PZ 9A586-DB *CT-1376	2
E0TE-BCA	1B	★ E0TZ 9510-BC *CA-2282	E1PZ 9510-FA *CA-3513	E3PZ 9502-F *CG-574-B	E3PZ 9A586-FB *CT-1278-D	1
E2PE-YA	2K	E5PZ 9510-Y *CA-3553		E3PZ 9502-E *CG-597-B	E2PZ 9A586-DB *CT-1376	2
E2TE-AGA	1E	E2TZ 9510-AG *CA-3184		E3PZ 9502-F *CG-574-B	E3PZ 9A586-FB *CT-1278-D	1
E2TE-AHA	2G	★ E2TZ 9510-AH	E2TZ 9510-CN *CA-3103	E3PZ 9502-E *CG-597-B	E2PZ 9A586-DB *CT-1376	2
E2TE-AJA	2F	★ E2TZ 9510-AJ	E2TZ 9510-CS	E3PZ 9502-E *CG-597-B	E2PZ 9A586-DB *CT-1376	2
E2TE-AKA	2G	★ E2TZ 9510-AK	E2TZ 9510-CT	E3PZ 9502-E *CG-597-B	E2PZ 9A586-DB *CT-1376	2
E2TE-CMA	2H	★ E2TZ 9510-CM *CA-3197	E5PZ 9510-NA *CA-3555	E3PZ 9502-E *CG-597-B	E2PZ 9A586-DB *CT-1376	2

1980/  
TRUCK SERIES 600/900

IDENTIFICATION CHART

IDENTIFICATION	PARTS LIST 95	PART NUMBER	REPLACED BY	GASKET SET	TUNE UP KIT	ILLUS. SEC. 95 PAGE
9510 CARBURETOR ASSY. — Cont'd						
Note ▲ Parts list to follow in subsequent change						
E2TE CNA	2H	E2TZ 9510-CN *CA-3103		E3PZ 9502-E *CG-597-B	E2PZ 9A586-DB *CT-1376	2
E2TE CPA	2J	*E2TZ 9510-CP *CA-3050	E6PZ 9510-L *CA-3515	E3PZ 9502-E *CG-597-B	E2PZ 9A586-DB *CT-1376	2
E2TE CRA	2J	*E2TZ 9510-CR *CA-3052	E6PZ 9510-M *CA-3516	E3PZ 9502-E *CG-597-B	E2PZ 9A586-DB *CT-1376	2
E2TE CSA	2K	E2TZ 9510-CS		E3PZ 9502-E *CG-597-B	E2PZ 9A586-DB *CT-1376	2
E2TE CTA	2K	*E2TZ 9510-CT	E7PZ 9510-A	E3PZ 9502-E *CG-597-B	E2PZ 9A586-DB *CT-1376	2
E2TE CUA	2L	E2TZ 9510-CU *CA-3051		E3PZ 9502-E *CG-597-B	E2PZ 9A586-DB *CT-1376	2
E2TE CVA	2L	*E2TZ 9510-CV *CA-3053	E5PZ 9510-W *CA-3520	E3PZ 9502-E *CG-597-B	E2PZ 9A586-DB *CT-1376	2
E2TE NA	1F	E2TZ 9510-N *CA-3207		E3PZ 9502-F *CG-574-B	E3PZ 9A586-FB *CT-1278-D	1
E2TE VA	2F	*E2TZ 9510-V	E2TZ 9510-CM *CA-3197	E3PZ 9502-E *CG-597-B	E2PZ 9A586-DB *CT-1376	2
E3HE AA	2K	*E3HZ 9510-A *CA-3219	E5PZ 9510-Y *CA-3553	E3PZ 9502-E *CG-597-B	E2PZ 9A586-DB *CT-1376	2
E3HE BA	2K	*E3HZ 9510-B	E7PZ 9510-A	E3PZ 9502-E *CG-597-B	E2PZ 9A586-DB *CT-1376	2
E3HE CA	2L	*E3HZ 9510-C *CA-3220	E5PZ 9510-V *CA-3519	E3PZ 9502-E *CG-597-B	E2PZ 9A586-DB *CT-1376	2
E3HE DA	2L	*E3HZ 9510-D	E5PZ 9510-W *CA-3520	E3PZ 9502-E *CG-597-B	E2PZ 9A586-DB *CT-1376	2
E5HE MB		*E5TZ 9510-MB	E5PZ 9510-BS *CA-3476			
E5HE PA	1H	E5HZ 9510-P		E5PZ 9502-E *CG-681	E5PZ 9A586-FA *CT-1472-A	1
E5HE RA	1H	E5HZ 9510-R		E5PZ 9502-E *CG-681	E5PZ 9A586-FA *CT-1472-A	1
E5HE SA	1G	*E5HZ 9510-S	E6HZ 9510-S	E5PZ 9502-E *CG-681	E5PZ 9A586-FA *CT-1472-A	1
E5HE SB	1G	E6HZ 9510-S		E5PZ 9502-E *CG-681	E5PZ 9A586-FA *CT-1472-A	1
E5HE TA	1G	*E5HZ 9510-T	E6HZ 9510-T	E5PZ 9502-E *CG-681	E5PZ 9A586-FA *CT-1472-A	1
E5HE TB	1G	*E5HZ 9510-TB	E6HZ 9510-T	E5PZ 9502-E *CG-681	E5PZ 9A586-FA *CT-1472-A	1
E5HE TC	1G	E6HZ 9510-T		E5PZ 9502-E *CG-681	E5PZ 9A586-FA *CT-1472-A	1
E5HE UA	2M	E5HZ 9510-U		E3PZ 9502-E *CG-597-B	E5PZ 9A586-JA *CT-1376-C	2
E5HE VA	2M	E5HZ 9510-V		E3PZ 9502-E *CG-597-B	E5PZ 9A586-JA *CT-1376-C	2
E5HE WA	2M	E5HZ 9510-W		E3PZ 9502-E *CG-597-B	E5PZ 9A586-JA *CT-1376-C	2
E5HE XA	2M	*E5HZ 9510-X	E6PZ 9510-S *CA-3518	E3PZ 9502-E *CG-597-B	E5PZ 9A586-JA *CT-1376-C	2
E5HE YA	2M	E5HZ 9510-Y		E3PZ 9502-E *CG-597-B	E5PZ 9A586-JA *CT-1376-C	2
E5HE ZA	2M	E5HZ 9510-Z		E3PZ 9502-E *CG-597-B	E5PZ 9A586-JA *CT-1376-C	2
E7PE CA	1C	E6PZ 9510-C *CA-3511		E3PZ 9502-F *CG-574-B	E3PZ 9A586-FB *CT-1278-D	1



1980/  
TRUCK SERIES 600/900

**IDENTIFICATION CHART**

IDENTIFICATION	PARTS LIST 95	PART NUMBER	REPLACED BY	GASKET SET	TUNE-UP KIT	ILLUS. SEC. 95 PAGE
<b>9510 CARBURETOR ASSY. — Cont'd</b>						
Note ▲ Parts list to follow in subsequent change						
E7PE-DA	1A	E6PZ 9510-D *CA-3512		E3PZ 9502-F *CG-574-B	E3PZ 9A586-FB *CT-1278-D	1
E7PE-FA	1F	E1PZ 9510-FA *CA-3513		E3PZ 9502-F *CG-574-B	E3PZ 9A586-FB *CT-1278-D	1
E7PE-HA	1G	★ E7PZ 9510-H *CA-3514	Not replaced	E5PZ 9502-E *CG-681	E5PZ 9A586-FA *CT-1472-A	1
E7PE-LA	2J	E6PZ 9510-L *CA-3515		E3PZ 9502-E *CG-597-B	E2PZ 9A586-DB *CT-1376	2
E7PE-MA	2J	E6PZ 9510-M *CA-3516		E3PZ 9502-E *CG-597-B	E2PZ 9A586-DB *CT-1376	2
E7PE-PA	2H	E7PZ 9510-P *CA-3517		E3PZ 9502-E *CG-597-B	E2PZ 9A586-DB *CT-1376	2
E7PE-SA	2M	E6PZ 9510-S *CA-3518		E3PZ 9502-E *CG-597-B	E5PZ 9A586-JA *CT-1376-C	2
E7PE-VA	2L	E5PZ 9510-V *CA-3519		E3PZ 9502-E *CG-597-B	E2PZ 9A586-DB *CT-1376	2
E7PE-WA	2L	E5PZ 9510-W *CA-3520		E3PZ 9502-E *CG-597-B	E2PZ 9A586-DB *CT-1376	2
E7PE-YA	2K	E5PZ 9510-Y *CA-3553		E3PZ 9502-E *CG-597-B	E2PZ 9A586-DB *CT-1376	2
E8HE-AA	2N	E8HZ 9510-A		E3PZ 9502-E *CG-597-B	E9PZ 9A586-J *CT-1566	2

YEAR	MODEL/RESTRICTIONS	ENGINE		PART NUMBER	DESCRIPTION	QTY.
		CYL.	LITERS			
9B510-9514 Refer to group 9510 for Carburetor Parts List Instructions						

<b>9A514 LEVER ASSY. (HAND THROTTLE)—Also refer to group 9725</b>						
80/82	B-F600/700 -- Detroit 990 diesel	8	8.2	E0HZ 9A514-A	#E0HT 9805-AA,AC	1
81/82	C-CT-LN600/800 -- Det. 990 diesel	8	8.2			1
80/	C-CT700/800 -- Cat. 3208 diesel	8	10.5	C9HZ 9A514-A		1
80/87	CL-CLT900 -- Det. 8V-71, 8V-92, 6V-92 diesel	6&8	9.0,9.3 12.0	E2HZ 9A514-A	#D8HT 9805-AA,EDD8HT-9805-AA	1
80/84	CL-CLT900 -- Cat. diesel "Before 12/83"	6	14.6	D8HZ 9A514-A	#D7HT 9805-DA	1
84/	CL-CLT900 -- Cat. 3406 diesel "From 12/83"	6	14.6	E4HZ 9A514-B	#E4HT 9805-DA	1
80/84	CL-CLT900 -- Cum. NTC "Before 3/84"	6	14.0	D8HZ 9A514-B	#D7HA 9805-AA	1
80/	CL-CLT900 -- Cum. KT, KTA diesel	8	18.8	D8HZ 9A514-D	#D7HT 9805-FB	1
80/84	L-LN-LNT-LT-LTL-LTS900 -- Cummins NTC "Before 3/84"	6	14.0	D7HZ 9A514-A	#D7HT 9805-GA	1
84/	CL-CLT900 -- Cum. NTC "From 3/84"	6	14.0	E4HZ 9A514-C	#E4HT 9805-FA	1
84/	L-LN-LNT-LT-LTL-LTS900 -- Cum. NTC "From 3/84"	6	14.0 10.0			1
80/87	L-LN-LNT-LT900 -- Detroit 6-71N diesel	6	6.9	D0HZ 9A514-B		1
80/83	L-LN-LNT-LT-LTS900 -- Det. 8V-71 TTA diesel	8	9.3	E2HZ 9A514-C	#EDD5HA-9805-EA	1
80/83	L-LN-LNT-LT900 -- Det. 8V-71N diesel	8	9.3	E2HZ 9A514-B	#D0HA-9805-D,EDD0HA-9805-D	1

1980/  
TRUCK SERIES 600/900

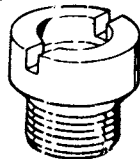
YEAR	MODEL/RESTRICTIONS	ENGINE		PART NUMBER	DESCRIPTION	QTY.
		CYL.	LITERS			
<b>9A514 LEVER ASSY. (HAND THROTTLE)-Also refer to group 9725 — Cont'd</b>						
80/83	L800, LN600/800, LNT-LT-LTS800 -- Cat. diesel	8	10.4	D0HZ 9A514-C		1
80/83	LNT-LT-LTS800 -- Cat. diesel	8	10.4			1
80/87	LN-LNT900 -- Cat. 3406 diesel	6	14.6	E0HZ 9A514-B	#D7HS 9805-BA	1
88/	LN-LNT900 -- Cat. 3406 diesel	6	14.6	E8HZ 9A514-A	#E8HT 9805-BA	1
82/	LTL900 -- Det. 8V-92	8	12.0	E1HZ 9A514-A	#E1HT 9805-AA	1
82/84	LTL900 -- Cat. 3406 diesel "Before 12/83"	6	14.6	★ E1HZ 9A514-B	#E1HT 9805-DA	1
84/	LTL900 -- Cat. 3406 diesel "From 12/83"	6	14.6	E4HZ 9A514-A	#E4HT 9805-BA	1
84/	L-LT-LTS800/900 -- Cat. 3406 diesel	6	14.6			1
80/	L-LN-LNT-LT-LTS900 -- Cummins NH and NTC diesel	6	14.0	358883-S7-8	(NN-128)-pin (hand throttle control lever to engine lever)	1
86/87	B-C-F-LN600/800 -- Det. diesel	8	501 8.2	E6HZ 9A514-A	#E4HT 9805-EA	1
87/	B-F600/800, FT900, L-LN-LNT-LS-LT-LTS800 -- FNH diesel	6	6.6,7.8	E7HZ 9A514-A	#E7HT 9805-BA	1
<b>9R523 BOLT (FUEL INJECTOR TO LEAK OFF CONNECTOR)</b>						
86/	CF600/700 -- FNH diesel	6	All	E6HZ 9R523-A		6
87/	B-F600/800, FT900 -- FNH diesel	6	6.6,7.8			1
87/	L-LN-LNT-LS-LT-LTS800 -- FNH diesel	6	7.8			1
<b>9G524 COVER (FUEL INJECTOR PUMP TIMING)</b>						
86	CF600/700 -- FNH diesel	6	6.6	E6HZ 9G524-A		1
87/	B-CF-F600/800, FT900 -- FNH diesel	6	6.6,7.8	E7HZ 9G524-A		1
87/	L-LN-LNT-LS-LT-LTS800 -- FNH diesel	6	7.8			1
86/	CF600/700 -- FNH diesel	6	6.6	300916-S36	(BB-169-B) Bolt-3/8"-16-4.00" hex hd.-attaches cover-9G524	2
86/	CF600/700 -- FNH diesel	6	6.6	57643-S36	(U-16-B) Screw and washer-3/8"-16 x .62" hex hd.-attaches cover-9G524	5
<b>9E527 INJECTOR ASSY. (FUEL)</b>						
86/87	CF600/800 -- FNH diesel, exc. 170 H.P. Calif.	6	6.6	E6HZ 9E527-B	Incl. (2) E1TN 9N661-AA washer-(1) E6HZ-9E529-A washer and (1) 87018-S96 "O" Ring	6 6 1
87/	CF700 -- FNH diesel, 185 H.P.	6	7.8			
87/87	B-F700 -- FNH diesel-exc. 170 H.P. Calif.	6	6.6			
87/	B-F700/800 -- FNH diesel-185 H.P.	6	7.8			6
87/	L-LN800 -- FNH diesel-185 H.P.	6	7.8			6
87	CF600/700 -- FNH diesel-170 H.P.-Calif.	6	6.6	E7HZ 9E527-B		6
87	B-F600 -- FNH diesel-160 H.P.	6	6.6			6
87	B-F700 -- FNH diesel-170 H.P. Calif.	6	6.6			6
87/	B-F-FT700/900 -- FNH diesel-210, 225, 235 H.P.	6	7.8	E7HZ 9E527-A	Incl. (2) E1TN 9N661-AA washer-(1) E6HZ-9E529-A washer and (1) 87018-S96 "O" Ring	6
87/	L-LN-LNT-LS-LT-LTS800 -- FNH diesel-210, 225, 240 H.P.	6	7.8			6
87/	CF700/800--FNH 210 H.P.	6	7.8			1
89	B-F-LN700/800 -- FNH diesel, 185 H.P. "From 3/89"	6	6.6	E9HZ 9E527-A	Incl. (2) E1TN 9N661-AA washer, (1) E6HZ 9E529-A washer and (1) 87018-S96 "O" ring	6
89	L-LS800 -- FNH diesel, 185 H.P. "From 3/89"	6	6.6			6
89/	L-LN-LNT-LS-LT-LTS800 -- FNH diesel, 270 H.P.	6	7.8	E9HZ 9E527-B	Incl. (2) E1TN 9N661-AA washer, (1) E6HZ 9E529-A washer and (1) 87018-S96 "O" ring	6

1980/  
TRUCK SERIES 600/900

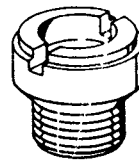
YEAR	MODEL/RESTRICTIONS	ENGINE		PART NUMBER	DESCRIPTION	QTY.
		CYL.	LITERS			
<b>9E527 INJECTOR ASSY. (FUEL) — Cont'd</b>						
88/89	B-F600/700 -- FNH diesel-165 H.P.-exc. Calif.	6	6.6	E8HZ 9E527-A	Incl. (2) E1TN 9N661-AA washer-(1) E6HZ 9E529-A washer and (1) 87018-S96 "O" ring	6
88/	B-F600/700 -- FNH diesel-165 H.P. Calif.	6	6.6	E8HZ 9E527-C	Incl. (2) E1TN 9N661-AA washer-(1) E6HZ 9E529-A washer-(1) 87018-S96 "O" ring	6
88/	B-F600/700 -- FNH diesel-170 H.P.	6	6.6	E8HZ 9E527-B	Incl. (2) E1TN 9N661-AA washer-(1) E6HZ 9E529-A washer and (1) 87018-S96 "O" ring	6
88/	CF600/700 -- FNH diesel-170 H.P.	6	6.6			6
88/	LN700 -- FNH diesel-170 H.P.	6	6.6			6
86/88	CF600/800	6	ALL	87018-S96	(T-1-CC) "O" Ring 11/16" I.D.	AR
<b>9E529 WASHER (FUEL INJECTOR SEALING)</b>						
86/	CF600/800 -- FNH diesel	6	All	E6HZ 9E529-A		6
87/	B-F600/800,FT900 -- FNH diesel	6	6.6,7.8			6
87/	L-LN-LNT-LS-LT-LTS800 -- FNH diesel	6	7.8			6
86/	CF600/800 -- FNH diesel	6	All	E6HZ 9E529-B	(Attaches w/screw 9R543)	1
87/	B-F600/800,FT900 -- FNH dsl.	6	6.6,7.8			1
87/	L-LN-LNT-LS-LT-LTS800 FNH diesel	6	7.8			1
<b>9D530 Refer to group 9510 for Carburetor Parts Instructions</b>						
<b>9R532 WASHER (FUEL INJECTION PUMP CONTROL LEVER)</b>						
86	CF600/700 -- FNH diesel	6	6.6	E6HZ 9R532-A		1

**JET IDENTIFICATION CHART**

JET IDENT. NUMBER	TYPE	PART NUMBER	JET IDENT. NUMBER	TYPE	PART NUMBER
<b>9533 JET (CARBURETOR MAIN METERING)-Also refer to group 9510 for Carburetor Parts List Instructions</b>					



TYPE 1



TYPE 2

P-6286

<b>9533 JET (CARBURETOR MAIN METERING)-Also refer to group 9510 for Carburetor Parts List Instructions — Cont'd</b>					
37F	1	★ C4GY 9533-A *CJ-163	42F	1	★ C30Z 9533-F *CJ-160
38F	1	★ C30Z 9533-D *CJ-158	43	1	★ 922A 9533-A *CJ-63
39	2	★ C20Z 9533-F	43F	1	C3AZ 9533-F *CJ-155
39F	1	★ C3AZ 9533-H *CJ-157	44	1	★ B7A 9533-B *CJ-8
40	2	★ C20Z 9533-A	44F	1	★ C30Z 9533-G *CJ-161
40F	1	★ C30Z 9533-E *CJ-159	45	1	★ 59A 9533-D *CJ-53
41	2	★ C20Z 9533-B *CJ-120	45F	1	C30Z 9533-H *CJ-162
41F	1	★ C3AZ 9533-E *CJ-154	46	1	★ 78 9533-C *CJ-56
42	1	★ C20Z 9533-E *CJ-125	46F	1	C3AZ 9533-G *CJ-156
42	2	★ C20Z 9533-C *CJ-121			

1980/  
TRUCK SERIES 600/900

**JET IDENTIFICATION CHART**

JET IDENT. NUMBER	TYPE	PART NUMBER	JET IDENT. NUMBER	TYPE	PART NUMBER
<b>9533 JET (CARBURETOR MAIN METERING)-Also refer to group 9510 for Carburetor Parts List Instructions — Cont'd</b>					
47	1	★ 59A 9533-C *CJ-52	58	2	★ D7AZ 9533-U *CJ-35
47	2	★ D7AZ 9533-G	58F	1	C3GY 9533-A *CJ-144
47F	1	C3UZ 9533-E *CJ-151	59	1	★ B4Q 9533-B *CJ-3
48	1	★ 78 9533-B *CJ-55	59	2	★ D7AZ 9533-T *CJ-34
48	2	★ D7AZ 9533-A *CJ-19	59F	1	C30Z 9533-B *CJ-130
48F	1	C3UZ 9533-D *CJ-142	60	1	★ 1GA 9533-C *CJ-46
49	1	★ 59A 9533-B *CJ-51	60	2	★ D7AZ 9533-S *CJ-33
49F	1	★ C3DZ 9533-C *CJ-137 r/bC3DZ 9533-D	60F	1	C3GY 9533-B *CJ-145
50	1	★ 78 9533-A *CJ-54	61	1	★ B4Q 9533-A *CJ-2
50	2	D7AZ 9533-N	61	2	★ D7AZ 9533-R *CJ-32
50F	1	C3UZ 9533-C *CJ-141	61F	1	C3TZ 9533-C *CJ-138
51	1	★ 59A 9533-A *CJ-50	62	1	★ 1GA 9533-B *CJ-45
51	2	★ D7AZ 9533-M	62	2	★ C1AE 9533-D
51F	1	C3DZ 9533-B *CJ-136	62F	1	C3AZ 9533-A *CJ-134
52	1	★ 86H 9533 *CJ-62	63	1	★ 5GA 9533-B *CJ-49
52F	1	C3UZ 9533-A *CJ-133	63	2	★ C1AE 9533-C
53	1	★ B4T 9533-B *CJ-5	63F	1	★ C3AZ 9533-B *CJ-135
53	2	★ D7AZ 9533-H *CJ-26	64	1	★ 1GA 9533-A *CJ-44
53F	1	C3DZ 9533-A *CJ-128	64	2	★ C30Z 9533-C *CJ-152
54	1	★ 06H 9533 *CJ-43	64F	1	C3AZ 9533-C *CJ-143
54	2	★ C1AE 9533-A *CJ-15	65	1	★ 5GA 9533-A *CJ-48
54F	1	C3GY 9533-C *CJ-146	65F	1	★ C3TZ 9533-A *CJ-131
55	1	★ B4T 9533-A *CJ-4	66	1	★ 8MB 9533-B *CJ-61
55F	1	C3UZ 9533-B *CJ-140	66F	1	★ C3TZ 9533-E *CJ-148
56	1	★ 78 9533-E *CJ-57	67	1	★ B4C 9533-A *CJ-1
56	2	★ D7AZ 9533-D *CJ-22	67F	1	C3TZ 9533-D *CJ-139
56F	1	C3GY 9533-D *CJ-147	68	1	★ 8MB 9533-A *CJ-208
57	1	26H 9533 *CJ-47	68F	1	★ C3TZ 9533-F *CJ-149
57F	1	C30Z 9533-A *CJ-129	69	1	★ B7T 9533-A
58	1	★ 78 9533-F *CJ-58	69F	1	C3TZ 9533-B *CJ-132
			70	1	★ B6C 9533-A *CJ-6

1980/  
TRUCK SERIES 600/900

**JET IDENTIFICATION CHART**

JET IDENT. NUMBER	TYPE	PART NUMBER	JET IDENT. NUMBER	TYPE	PART NUMBER
<b>9533 JET (CARBURETOR MAIN METERING)-Also refer to group 9510 for Carburetor Parts List Instructions — Cont'd</b>					
70F	1	★ C3TZ 9533-G *CJ-150	80	1	★ D0ZZ 9533-A *CJ-186
71	1	★ PB8M 9533-A	82	1	★ C9ZZ 9533-A *CJ-182
71F	1	★ C6AZ 9533-B *CJ-166	83	1	★ D00Z 9533-C *CJ-187
72F	1	★ C6AZ 9533-A *CJ-164	85	1	★ C6AZ 9533-C *CJ-167
73	1	★ B7C 9533-A *CJ-9	552		★ D3HZ 9533-A *CJ-249
75F	1	★ C5AZ 9533-A	572		★ D4HZ 9533-D *CJ-252
77	1	★ C3AZ 9533-D *CJ-153	582		D8PZ 9533-N *CJ-325
79	1	★ C80Z 9533-A *CJ-173			

YEAR	MODEL/RESTRICTIONS	ENGINE		PART NUMBER	DESCRIPTION	QTY.
		CYL.	LITERS			
<b>9R533 KEY (FUEL INJECTION PUMP FUEL SHUT OFF LEVER)</b>						
86/	CF600/800 -- FNH diesel	6	6.6	E6HZ 9R533-A		1
87/	B-F600/800,FT900 -- FNH diesel	6	All			1
87/	L-LN-LNT-LS-LT-LTS800 -- FNH diesel	6	7.8			1
87/	CF600/800 -- FNH diesel	6	6.6	E7HZ 9R533-A	(Attaches at 9D504 lever)	1
87/	B-F600/800,FT900 -- FNH diesel	6	All			1
87/	L-LN-LNT-LS-LT-LTS800 -- FNH diesel	6	7.8			1
86/	CF600/800 -- FNH diesel	6	6.6	E6HZ 9R533-B	(Attaches at camshaft)	1
87/	B-F600/800,FT900 -- FNH diesel	6	All			1
87/	L-LN-LNT-LS-LT-LTS800 -- FNH diesel	6	7.8			1
<b>9C534 LEVER (FUEL INJECTION PUMP CONTROL)</b>						
86/	CF600/800 -- FNH diesel	6	All	E6HZ 9C534-A		1
87/	B-F600/800,FT900 -- FNH diesel	6	All			1
87/	L-LN-LNT-LS-LT-LTS800 -- FNH diesel	6	7.8			1
<b>9R534 STUD (FUEL INJECTION PUMP FUEL SHUT OFF LEVER)</b>						
86/	CF600/800 -- FNH diesel	6	All	E6HZ 9R534-A	Attaches to 9N722 lever	1
87/	B-F600/800,FT900 -- FNH diesel	6	All			1
87/	L-LN-LNT-LS-LT-LTS800 -- FNH diesel	6	7.8			1
<b>9D537 WASHER (FUEL INJECTION PUMP INLET PLUG)</b>						
86/	CF600/800 -- FNH diesel, 6.6L, 170 H.P.-7.8L, All	6	All	E6HZ 9D537-A		1
87/	B-F600/800,FT900 -- FNH diesel 6.6L, 170 H.P.-7.8L, All	6	All			1
87/	L-LN-LNT-LS-LT-LTS800 -- FNH diesel-6.6L, 170 H.P.-7.8L, All	6	All			1
86/	CF600/800 -- FNH diesel-160,165,185 H.P.	6	6.6	F0HZ 9D537-A		1
87/	B-F600/800,FT900 -- FNH diesel-160,165,185 H.P.	6	6.6			1
87/	L-LN-LNT-LS-LT-LTS800 -- FNH diesel-160,165,185 H.P.	6	6.6			1
86/	CF600/800 -- FNH diesel-160,165,185 H.P.	6	6.6	F0HZ 9D537-B		1
87/	B-F600/800,F900 -- FNH diesel-160,165,185 H.P.	6	6.6			1
87/	L-LN-LNT-LS-LT-LTS800 -- FNH diesel-160,165,185 H.P.	6	6.6			1
<b>9R538 SPACER (FUEL TUBE CLAMP)</b>						
87/	CF600/800 -- FNH diesel	6	All	E8HZ 9R538-A		AR
87/	B-F600/800, FT900-FNH diesel	6	All			AR
87/	L-LN-LNT-LS-LT-LTS800 -- FNH diesel	6	All			AR

1980/  
TRUCK SERIES 600/900

YEAR	MODEL/RESTRICTIONS	ENGINE		PART NUMBER	DESCRIPTION	QTY.
		CYL.	LITERS			
<b>9W540 STOP (ACCELERATOR PEDAL SWITCH)</b>						
86	CF600/700 -- FNH diesel	6	6.6	E6HZ 9W540-A	Used on vehicles w/aux. exhaust brake	1
<b>9A543 PUMP ASSY. (FUEL INJECTION)-Remanufactured</b>						
86	CF600/700 -- exc. Calif.-FNH diesel	6	6.6	E6HZ 9A543-E		1
86	CF600/700 -- Calif.-FNH diesel	6	6.6	★ E6HZ 9A543-D Not replaced (3/93)	Note: Purchase direct from Bosch	1
87	B-F700/800 -- FNH diesel-185 H.P.	6	7.8	★ E7HZ 9A543-A	Note: Purchase direct from Bosch	1
87	L-LN-LS700/800 -- FNH diesel-185 H.P.	6	7.8	Not replaced		1
87	CF700 -- FNH diesel, 185 H.P.	6	7.8			1
88/89	B-F700/800 -- FNH diesel-185 H.P.	6	7.8	★ E8HZ 9A543-K Not replaced	Note: Purchase direct from Bosch	1
88/89	L-LN-LS700/800 -- FNH diesel-185 H.P.	6	7.8			1
88/89	CF700 -- FNH diesel-185 H.P.	6	7.8			1
87	B-F700/800,FT900 -- FNH diesel-210 H.P.	6	7.8	★ E7HZ 9A543-B Not replaced	Note: Purchase direct from Bosch	1
87	L-LN-LNT-LS-LT-LTS700/800 -- FNH diesel-210 H.P.	6	7.8			1
87	CF700/800 -- FNH diesel, 210 H.P.	6	7.8			1
88	B-F-LN700/800,FT900 -- FT0 diesel-210 H.P.	6	7.8	★ E8HZ 9A543-B /bE8HZ 9A543-L		1
88	L-LN-LNT-LS-LT-LTS700/800 -- FT0 diesel-210 H.P.	6	7.8			1
88	CF700/800,CFT800 -- FT0 diesel-210 H.P. "Before 4/88"	6	7.8			1
88/	B-F-LN700/800,FT900 -- FNH diesel-210 H.P.	6	7.8	★ E8HZ 9A543-L Not replaced (3/93)	Note: Purchase direct from Bosch	1
88/	L-LN-LNT-LS-LT-LTS700/800 -- FNH diesel-210 H.P.	6	7.8			1
88/	CF700/800,CFT800 -- FNH diesel-210 H.P. "From 4/88"	6	7.8			1
87	F-FT800/900 -- FNH diesel-240 H.P.	6	7.8	★ E7HZ 9A543-C /bE7HZ 9A543-N		1
87	L-LN-LNT-LS-LT-LTS800 -- FNH diesel-240 H.P. "Before 4/87"	6	7.8			1
87	F-FT800/900 -- FNH diesel-240 H.P.	6	7.8	★ E7HZ 9A543-N Not replaced	Note: Purchase direct from Bosch	1
87	L-LN-LNT-LS-LT-LTS800 -- FNH diesel-240 H.P. "From 4/87"	6	7.8			1
88/	F-FT800/900 -- FNH diesel-240 H.P.	6	7.8	★ E8HZ 9A543-P Not replaced (3/93)	Note: Purchase direct from Bosch	1
88/	L-LN-LNT-LS-LT-LTS800 -- FNH diesel-240 H.P.	6	7.8			1
88/	CF-CFT800 -- FNH diesel-240 H.P.	6	7.8			1
87	B-F700/800,FT900 -- FNH	6	7.8	★ E7HZ 9A543-D Not replaced (3/93)	Note: Purchase direct from Bosch	1
87	L-LN-LNT-LS-LT-LTS800 -- FNH diesel-225 H.P.	6	7.8			1
87	CF600/700 -- exc. Calif.-FNH diesel	6	6.6	E7HZ 9A543-E		1
87	B-F-LN700 -- FNH diesel-170 H.P.-exc. Calif.	6	6.6			1
87	CF600/700 -- Calif. -- FNH diesel	6	6.6	★ E7HZ 9A543-F Not replaced (3/93)	Note: Purchase direct from Bosch	1
87	B-F-LN700 -- FNH diesel-170 H.P.-Calif.	6	6.6			1

1980/  
TRUCK SERIES 600/900

YEAR	MODEL/RESTRICTIONS	ENGINE		PART NUMBER	DESCRIPTION	QTY.
		CYL.	LITERS			
<b>9A543 PUMP ASSY. (FUEL INJECTION)-Remanufactured — Cont'd</b>						
87/	CF600/700 -- FNH diesel- 170 H.P.	6	6.6	★ E8HZ 9A543-J Not replaced (3/93)	Note: Purchase direct from Bosch	1
87/	B-F-LN700 -- FNH diesel 170 H.P.	6	6.6			1
87	B-F600 -- FNH diesel-160 H.P.	6	6.6	E7HZ 9A543-G		1
88/89	B-F600 -- FNH diesel-165 H.P.-exc. Calif.	6	6.6	★ E8HZ 9A543-E Not replaced (3/93)	Note: Purchase direct from Bosch	1
88/	B-F600 -- FNH diesel-165 H.P.-Calif.	6	6.6	★ E8HZ 9A543-H Not replaced (3/93)	Note: Purchase direct from Bosch	1
88	B-F-LN700/800 -- FNH diesel- 215 H.P.-Calif.	6	7.8	★ E8HZ 9A543-F /bE8HZ 9A543-M		1
88/	FT900 -- FNH diesel-215 H.P. Calif.	6	7.8			1
88	L-LNT-LS-LT-LTS700/800 -- FNH diesel 215 H.P.-Calif. "Before 4/88"	6	7.8			1
88/	B-F-LN700/800 -- FNH diesel 215 H.P.-Calif.	6	7.8	★ E8HZ 9A543-M Not replaced (3/93)	Note: Purchase direct from Bosch	1
88/	FT900 -- FNH diesel-215 H.P. Calif.	6	7.8			1
88/	L-LNT-LS-LT-LTS700/800 -- FNH diesel-215 H.P. "From 4/88"	6	7.8			1
88/89	B-F-LN700/800 -- FNH diesel- 215 H.P.-exc. Calif.	6	7.8	★ E8HZ 9A543-G /bE8HZ 9A543-N		1
88/89	FT900 -- FNH diesel-215 H.P. exc. Calif.	6	7.8			1
88/89	L-LNT-LS-LT-LTS700/800 -- FNH diesel-215 H.P.- exc. Calif. "Before 4/89"	6	7.8			1
88/	B-F-LN700/800 -- FNH diesel 215 H.P.-exc. Calif.	6	7.8	★ E8HZ 9A543-N Not replaced	Note: Purchase direct from Bosch	1
88/	FT900 -- FNH diesel-215 H.P.-exc. Calif.	6	7.8			1
88/	L-LNT-LS-LT-LTS700/800 -- FNH diesel-215 H.P.-exc. Calif. "From 4/89"	6	7.8			1
89/	B-F-LN700/800 -- 185 H.P. L-LS800 -- 185 H.P.	6	6.6	★ E9HZ 9A543-A Not replaced	Note: Purchase direct from Bosch	1
89/	L-LN-LNT-LS-LT-LTS800 -- 270 H.P.	6	7.8	★ E9HZ 9A543-B Not replaced (3/93)	Note: Purchase direct from Bosch	1
<b>9R543 SCREW PLUG (FUEL INJECTION PUMP)</b>						
86/	CF600/800 -- FNH diesel	6	All	E6HZ 9R543-A		1
87/	B-F600/800, FT900 -- FNH diesel	6	All			1
87/	L-LN-LNT-LS-LT-LTS800 -- FNH diesel	6	All			1
<b>9D544 MODIFICATION KIT (CARBURETOR)</b>						
80/82	All -- gas-Holley 4/B	8	6.1, 7.0	E2PZ 9D544-H	Used for field fix	1
80/81	B600/700 -- gas-Holley 2/B	8	6.1	★ E0HZ 9D544-A	Used for field fix	1
80/81	B700 -- gas-Holley 4/B	8	7.0	★ E0HZ 9D544-B	Used for field fix	1
82	B600/700 -- gas-Holley 2/B	8	6.1	★ E2HZ 9D544-A	Used for field fix	1
<b>9R544 NUT (FUEL INJECTION PUMP CAMSHAFT CAP)</b>						
86/	CF600/800 -- FNH diesel-6.6L, 170 H.P.-7.8L, All	6	All	E6HZ 9R544-A		1
87/	B-F600/800, FT900 -- FNH diesel- 6.6L, 170 H.P.-7.8L, All	6	All			1
87/	L-LN-LNT-LS-LT-LTS800 -- FNH diesel-6.6L, 170 H.P.- 7.8L, All	6	All			1

1980/  
TRUCK SERIES 600/900

YEAR	MODEL/RESTRICTIONS	ENGINE		PART NUMBER	DESCRIPTION	QTY.
		CYL.	LITERS			
<b>9R544 NUT (FUEL INJECTION PUMP CAMSHAFT CAP) — Cont'd</b>						
86/	CF600/800 -- FNH diesel- 160,165,185 H.P.	6	6.6	FOHZ 9R544-A		1
87/	B-F600/800,FT900 -- FNH diesel-160,165,185 H.P.	6	6.6			1
87/	L-LN-LNT-LS-LT-LTS800 -- FNH diesel-160, 165,185 H.P.	6	6.6			1
<b>9R545 WASHER (FUEL INJECTION PUMP CAMSHAFT)</b>						
86/	CF600/800 -- FNH diesel-6.6L, 170 H.P.-7.8L All	6	All	E6HZ 9R545-A		1
87/	B-F600/800,FT900 -- FNH diesel- 6.6L, 170 H.P.-7.8L, All	6	All			1
87/	L-LN-LNT-LS-LT-LTS800 -- FNH diesel-6.6L, 170 H.P.-7.8L, All	6	All			1
<b>9R546-A NUT (FUEL INJECTION FEED PUMP)</b>						
86/	CF600/800 -- FNH diesel- 6.6L, 170 H.P.-7.8L, All	6	All	E6HZ 9R546-A		3
87/	B-F600/800, FT900 -- FNH diesel 6.6L, 170 H.P.-7.8L, All	6	All			3
87/	L-LN-LNT-LS-LT-LT800 -- FNH diesel-6.6L, 170 H.P.-7.8L, All	6	All			3
86/	CF600/800 -- FNH diesel- 160,165,185 H.P.	6	6.6	FOHZ 9R546-A		3
87/	B-F600/800,FT900 -- FNH diesel-160,165,185 H.P.	6	6.6			3
87/	L-LN-LNT-LS-LT-LTS800 -- FNH diesel-160,165, 185 H.P.	6	6.6			3
<b>9R547 WASHER (FUEL INJECTION FEED PUMP)</b>						
86/	CF600/800 -- FNH diesel- 6.6L, 170 H.P.-7.8L, All	6	All	E6HZ 9R547-A		3
87/	B-F600/800, FT900 -- FNH diesel 6.6L, 170 H.P.-7.8L, All	6	All			3
87/	L-LN-LNT-LS-LT-LT800 -- FNH diesel-6.6L, 170 H.P.-7.8L, All	6	All			3
86/	CF600-800 -- FNH diesel- 160,165,185 H.P.	6	6.6	FOHZ 9R547-A		3
87/	B-F600/800,FT900 -- FNH diesel-160,165,185 H.P.	6	6.6			3
87/	L-LN-LNT-LS-LT-LTS800 -- FNH diesel-160,165, 185 H.P.	6	6.6			3
<b>9R548 STUD (FUEL INJECTION FEED PUMP)</b>						
86/	CF600/800 -- FNH diesel- 6.6L, 170 H.P.-7.8L, All	6	All	E6HZ 9R548-A		3
87/	B-F600/800, FT900 -- FNH diesel 6.6L, 170 H.P.-7.8L, All	6	All			3
87/	L-LN-LNT-LS-LT-LT800 -- FNH diesel-6.6L, 170 H.P.-7.8L, All	6	All			3
86/	CF600/800 -- FNH diesel- 160,165,185 H.P.	6	6.6	FOHZ 9R548-A		3
87/	B-F600/800,FT900 -- FNH diesel-160,165,185 H.P.	6	6.6			3
87/	L-LN-LNT-LS-LT-LTS800 -- FNH diesel-160,165 185 H.P.	6	6.6			3



1980/  
TRUCK SERIES 600/900

YEAR	MODEL/RESTRICTIONS	ENGINE		PART NUMBER	DESCRIPTION	QTY.				
		CYL.	LITERS							
<b>9R549 SCREW (FUEL INJECTION PUMP HOUSING PLATE)</b>										
86/	CF600/800 -- FNH diesel- 6.6L, 170 H.P.-7.8L, All	6	All	E6HZ 9R549-A		12				
87/	B-F600/800, FT900 -- FNH diesel- 6.6L, 170 H.P.-7.8L, All	6	All			12				
87/	L-LN-LNT-LS-LT-LT800 -- FNH diesel-6.6L, 170 H.P.-7.8L, All	6	All			12				
<b>9R550 PLATE (FUEL INJECTION PUMP HOUSING)</b>										
86/	CF600/800 -- FNH diesel- 6.6L, 170 H.P.-7.8L, All	6	All	E6HZ 9R550-A		1				
87/	B-F600/800, FT900 -- FNH diesel- 6.6L, 170 H.P.-7.8L, All	6	All			1				
87/	L-LN-LNT-LS-LT-LT800 -- FNH diesel-6.6L, 170 H.P.-7.8L, All	6	All			1				
86/	CF600/800 -- FNH diesel- 160,165,185 H.P.	6	6.6	F0HZ 9R550-A		1				
87/	B-F600/800, FT900 -- FNH diesel-160,165,185 H.P.	6	6.6			1				
87/	L-LA-LN-LNT-LS-LT-LTA- LT800 -- FNH diesel- 160,165,185 H.P.	6	6.6			1				
<b>9R551 SCREW (FUEL INJECTION PUMP GEAR)</b>										
86/	CF600/800 -- FNH diesel	6	All	E6HZ 9R551-A		4				
87/	B-F600/800, FT900 -- FNH diesel	6	All			4				
87/	L-LN-LNT-LS-LT-LT800 -- FNH diesel	6	All			4				
<b>9B552 BRACKET (FUEL INJECTION PUMP)</b>										
87/	CF600/800 -- FNH diesel	6	All	E8HZ 9B552-A		1				
87/	B-F600 -- 170 H.P. FNH diesel	6	6.6			1				
87/	B-F700/800, FT900 -- FNH diesel	6	7.8			1				
87/	L-LN-LNT-LS-LT-LTS800 -- FNH diesel	6	7.8			1				
87/	B-F600 -- 160 H.P. FNH diesel	6	6.6	E7HZ 9B552-A		1				
86	CF600/700 -- FNH diesel	6	6.6			1				
<b>9A555 TUBE ASSY. (FUEL INJECTOR)</b>										
86	CF600/700 -- FNH diesel	6	6.6	E6HZ 9A555-A	Used for number (1) injector	1				
				E6HZ 9A555-B	Used for number (2) injector	1				
				E6HZ 9A555-C	Used for number (3) injector	1				
				E6HZ 9A555-D	Used for number (4) injector	1				
				E6HZ 9A555-E	Used for number (5) injector	1				
				E6HZ 9A555-F	Used for number (6) injector	1				
87/	CF600/700, B-F700 -- FNH diesel LN700	6	6.6	E7HZ 9A555-A	Used for number (1) injector	1				
				E7HZ 9A555-B	Used for number (2) injector	1				
				E7HZ 9A555-C	Used for number (3) injector	1				
				E7HZ 9A555-D	Used for number (4) injector	1				
				E7HZ 9A555-E	Used for number (5) injector	1				
				E7HZ 9A555-F	Used for number (6) injector	1				
87/	B-F700/800, FT900, L-LN-LNT- LS-LT-LTS800 -- FNH diesel	6	7.8	E7HZ 9A555-G	Used for number (1) injector	1				
				E7HZ 9A555-H	Used for number (2) injector	1				
87/	CF700/800 -- FNH diesel	6	7.8	E7HZ 9A555-J	Used for number (3) injector	1				
				E7HZ 9A555-K	Used for number (4) injector	1				
				E7HZ 9A555-L	Used for number (5) injector	1				
				E7HZ 9A555-M	Used for number (6) injector	1				
				87/	B-F600 -- FNH diesel	6	6.6	E7HZ 9A555-N	Used for number (1) injector	1
								E7HZ 9A555-P	Used for number (2) injector	1
E7HZ 9A555-Q	Used for number (3) injector	1								
E7HZ 9A555-R	Used for number (4) injector	1								
				E7HZ 9A555-S	Used for number (5) injector	1				
				E7HZ 9A555-T	Used for number (6) injector	1				

**1980/  
TRUCK SERIES 600/900**

YEAR	MODEL/RESTRICTIONS	ENGINE		PART NUMBER	DESCRIPTION	QTY.
		CYL.	LITERS			
<b>9R556 SEAL (FUEL INJECTION PUMP COVER SCREW)</b>						
86/	CF600/800 -- FNH diesel- 160,165,185 H.P.	6	6.6	F0HZ 9R556-A		2
87/	B-F600/800,FT900 -- FNH diesel-160,165,185 H.P.	6	6.6			2
87/	L-LA-LN-LNT-LS-LT-LTA- LT800 -- FNH diesel- 160,165,185 H.P.	6	6.6			2
<b>9556-9563 Refer to group 9510 for Carburetor Parts List Instructions</b>						
<b>9A564 TUBE ASSY. (FUEL INJECTOR LEAK OFF)</b>						
86	CF600/700 -- FNH diesel "Before 6/86"	6	6.6	E6HZ 9A564-A		1
86	CF600/700 -- FNH diesel "From 6/86"	6	6.6	E6HZ 9A564-B		1
87/	B-F700/800,FT900,L-LN- LNT-LS-LT-LTS800 -- FNH diesel	6	7.8	E7HZ 9A564-C		1
87/	CF700/800 -- FNH diesel	6	7.8			1
87/	CF600/700,B-F600/700 -- FNH diesel	6	6.6	E7HZ 9A564-B		1
<b>9569 GASKET (CARBURETOR FUEL INLET NEEDLE SEAT)-Also refer to group 9510 for Carburetor Parts List Instructions</b>						
80/82	All -- gas-Holley 2/B	8	6.1	E2PZ 9569-A	Used as gasket for sight plug-use for field fix	1
<b>9570-9A588 Refer to group 9510 for Carburetor Parts List Instructions</b>						
<b>9N577 SCREW (FUEL INJECTION PUMP COVER PLATE)</b>						
86/	CF600/800 -- FNH diesel- 160,165,185 H.P.	6	6.6	F0HZ 9N577-A		2
87/	B-F600/800,FT900 -- FNH diesel-160,165,185 H.P.	6	6.6			2
87/	L-LA-LN-LNT-LS-LT-LTA- LT800 -- FNH diesel- 160,165,185 H.P.	6	6.6			2
<b>9M581 LEVEL (FUEL INJECTION PUMP THROTTLE)</b>						
88	CF600/700 -- FNH diesel 165 H.P.	6	6.6	E8HZ 9M581-A	Mounts on frame	1
88	CF700/800 -- FNH diesel 185, 210 H.P.	6	7.8			1
88	CF700/800 -- FNH diesel 235 H.P.	6	7.8	E8HZ 9M581-C	Mounts on frame	1
<b>9J587 EXTENSION (FUEL INJECTION PUMP THROTTLE LEVER)</b>						
83/	C-CT700/800 -- Cat. 3208 Turbo diesel	8	10.4	E3HZ 9J587-A	#E2HT 9J587-AB	1
84/	CL-CLT900 -- Cat. 3406 diesel	6	14.6	E4HZ 9J587-A	#E4HT 9J587-AA	1
<b>9J588 GASKET (FUEL VAPOR VALVE)</b>						
80/85	All -- gas-w/Calif. emission "Before 12/84"	8	All	E0HZ 9J588-A	3 1/4" O.D. x 2 5/32" I.D.	1
81/87	LN600/700 -- Det. DDA 990 diesel	8	8.2			1
85/	All -- gas "From 12/84"	8	All	E5HZ 9J588-A	3 51/64" O.D. x 3 29/64" I.D.	1
<b>9A589 SPACER (CARBURETOR TO INTAKE MANIFOLD)-Also refer to group 9447</b>						
80/81	C-CT-L-LN-LNT-LT-LTS900 -- exc. Calif emission	8	7.8,8.8	D6HZ 9A589-B *CM-2361	#D6HE 9A589-BA phenolic	1
80/81	C-CT-L-LN-LNT-LT-LTS900 -- Calif. emission	8	7.8,8.8	D9HZ 9A589-B *CM-3096	#D9HE 9A589-BA - incl. gaskets	1
80/84	B-C-F-LN600/700	8	6.1-2/B	★ D9TZ 9A589-A *CM-3047 /bE5HZ 9A589-A(11/85)	#D9TE 9A589-AD,JA - incl. gaskets	1
85/	B-C-F-LN600/700	8	6.1-2/B	E5HZ 9A589-A *CM-3047-	#E4HE 9A589-AA,FA-incl. gaskets	1

OCTOBER, 1993

COPYRIGHT © 1993-

FORD MOTOR  
COMPANY

-DEARBORN, MICHIGAN

**FINAL ISSUE**

1980/  
TRUCK SERIES 600/900

YEAR	MODEL/RESTRICTIONS	ENGINE		PART NUMBER	DESCRIPTION	QTY.
		CYL.	LITERS			
<b>9A589 SPACER (CARBURETOR TO INTAKE MANIFOLD)-Also refer to group 9447 — Cont'd</b>						
80/	All -- gas	8	6.1-4/B, 7.0-4/B	E5HZ 9A589-B *CM-3050-A	#E4HE 9A589-BA,GA-incl. gaskets #D9TE 9A589-DB,KA	1
<b>9E589 VALVE ASSY. (CARBURETOR FLOAT BOWL VENT)</b>						
80/81	All -- Calif. emission	8	7.8,8.8	D8TZ 9E589-B	#D8TE 9E589-B1A,B2A,B3A	1
88	All	8	6.1,7.0	*CX-233		1
<b>9F589 (GEAR-FUEL INJECTION PUMP)</b>						
86/	CF600/800 -- FNH diesel	6	6.6,7.8	E6HZ 9F589-A		1
87/	B-F600/800, FT900 -- FNH diesel	6	6.6,7.8			1
87/	L-LN-LNT-LS-LT-LT800 -- FNH diesel	6	7.8			1
<b>9J589 BRACKET (ENGINE AIR SHUT-OFF CONTROL)-Also refer to group 9764</b>						
80/83	L-LN-LNT-LT900 -- 6-71N, 8V-71N Detroit diesel	6&8	6.9,9.3	D3HZ 9J589-A		1
<b>9590-9593 Refer to group 9510 for Carburetor Parts List Instructions</b>						
<b>9F591 ADAPTER (FUEL INJECTION PUMP GEAR)</b>						
86/	CF600/800 -- FNH diesel-exc. 6.6 liter 160,165,185 H.P.	6	6.6,7.8	E6HZ 9F591-A		1
87/	B-F600/800, FT900 -- FNH diesel- exc. 6.6 liter 160,165,185 H.P.	6	6.6,7.8			1
87/	L-LN-LNT-LS-LT-LT800 -- FNH diesel-exc. 6.6 liter 160,165,185 H.P.	6	6.6,7.8			1
86/	CF600/800 -- FNH diesel- 160,165,185 H.P.	6	6.6	F0HZ 9F591-A		1
87/	B-F600/800, FT900 -- FNH diesel-160,165,185 H.P.	6	6.6			1
87/	L-LN-LNT-LS-LT-LT800 -- FNH diesel-160,165,185 H.P.	6	6.6			1
<b>9B593 VALVE ASSY. (FUEL VAPOR)</b>						
80/85	All -- gas-Calif. emission	6&8	All	E4HZ 9B593-A		1
81/	LN600/700 -- Det. DDA 990 diesel	8	8.2	*E0HZ 9B593-A	R/b E4HZ 9B593-A(4/87)	1
85/89	B-C-F600/800 -- gas	8	All	E6HZ 9B593-A		1
<b>9594-9A597 Refer to group 9510 for Carburetor Parts List Instructions</b>						
<b>9A594 SOLENOID (FUEL SHUTOFF-RETROFIT KIT)-Also refer to 9D278</b>						
86/	B-CF-CFT-F FT-L-LA-LN- LS-LT-LNT-LTA-LTS600/900 -- FNH diesel	6	6.6L 7.8L	F1HZ 9A594-A	Includes F1HZ 9N392-A solenoid. Use until F3HZ is available.	1
86/	B-CF-CFT-F FT-L-LA-LN- LS-LT-LNT-LTA-LTS600/900 -- FNH diesel	6	6.6 7.8	F3HZ 9A594-A	#F3HJ 9A594-AA-incl. F3HJ 9N392-AA solenoid	1
<b>9F596 SEAL (FUEL INJECTOR)</b>						
86/	CF600/800 -- FNH diesel	6	All	E8HZ 9F596-A		6
87/	B-F600/800, FT900 -- FNH diesel	6	6.6,7.8			6
87/	L-LN-LNT-LS-LT-LT800 -- FNH diesel	6	7.8			6
<b>9F598 GASKET (TIMING COVER)</b>						
86/	CF600/800 -- FNH diesel	6	All	E6HZ 9F598-A		1
87/	B-F600/800, FT900, L-LN-LNT- LS-LT-LTS800 -- FNH diesel	6	6.6,7.8			1
<b>9599 SPACER (HAND THROTTLE CONTROL LEVER)-Also refer to group 9510 for Carburetor Parts List Instructions</b>						
86/87	B-C-F-LN700/800 -- Det. DDA diesel	8	8.2	E6HZ 9599-A	#E4HT 9599-A	1

DESCRIPTION/RESTRICTIONS	PART NUMBER	CARB. PARTS LISTS IA THRU IM												
		A	B	C	D	E	F	G	H	J	K	L	M	
GASKET SET-Refer to carburetor identification chart- Section 95	9502													
TUNE-UP KIT-Refer to carburetor identification chart- Section 95	9A586													
Elbow (spark vacuum connector)- 1/8" pipe-3/16" hose	381719-S(II-10-CA)	A	B	C	D	E	F							
Screw and washer assy. (throttle body and shaft assy. to main body)-No. 12-24 x 13/16" fill. head	359736-S2(BB-67)	6	6	6	6	6	6	6						
FILTER (FUEL)	D9PZ 9155-A *FG-788	A	B	C	D	E	F	G	H					
"O" RING (IDLE ADJUST SCREW)	D4PZ 9229-A	2	2	2	2	3	3	3	3					
GASKET (FUEL INLET FITTING)	D1ZZ 9229-A	A	B	C	D	E	F	G	H					
SPRING (FUEL FILTER RETAINING)	D9PZ 9342-A	A	B	C	D	E	F	G	H					
LIMITER (IDLE ADJUSTING NEEDLE)	D6PZ 9J500-A *CM-747-B	2	2	2	2									
PLUG (IDLE NEEDLE CONCEALMENT)	E2PZ 9J500-B *CM-4010					E	F	G	H					
TUBE (ACCELERATOR PUMP TRANSFER)	D5TZ 9A501-B *CM-2222			C	D	E	F	G	H					
SEAL (CHOKE ROD)	C1AE 9B501-A	A	B	C	D	E	F	G	H					
DIAPHRAGM ASSY. (GOVERNOR)	D8PZ 9503-B *CM-3060	A	B	C	D	E	F	G	H					
MODULATOR ASSY. (THROTTLE) Tag code E5HE-RA	D9PZ 9503-A *CM-3168			C	D	E				H				
Tag code E5HE-PA/E0TE-PA	D8PZ 9503-C *CM-3061	A	B				F				H			
Retainer (governor diaphragm link)	351825-S(XX-9)	A	B	C	D	E	F	G						
Nut (modulator lock)-5/16"-24	33923-S7(M-32)	A	B	C	D	E	F	G						
FITTING (FAST IDLE ADJUSTING SCREW)- .245" x .65" long-w/No. 6-32 internal threads	C0TE 9B503-A	A	B	C	D	E	F	G	H					
Screw (fast idle pin adjusting)-No. 6-32 x .38" nylon pellet	370552-S8(BB-530)	A	B	C	D	E	F	G						
HOUSING ASSY. (THROTTLE OPERATING SHAFT) Tag code E5HE-PA	E0PZ 9B505-A	A	B				F			H				
Tag code E5HE-TA	D8PZ 9B505-B *CM-3062			C	D	E		G		H				
LEVER (ACCELERATOR PUMP OPERATING)	D9PZ 9A506-A *CM-3167	A	B	C	D	E	F	G	H					
Screw (pump lever adjusting)-No. 10-32 x 1/2" hex. slotted head	370050-S2(BB-537)	A	B	C	D	E	F							
Nut (pump lever adjusting)-No. 10-32 hex. lock	373235-S7(MM-169)	A	B	C	D	E	F	G						
SOLENOID & COVER ASSY. (ELEC. GOVERNOR)	D8PZ 9507-B *CM-3065	A	B	C	D	E	F	G	H					
BOWL and PLUGS ASSY. (FLOAT)	9A507													
	D9PZ 9A507-A *CM-3171		B		D	E	F		H					
	D9PZ 9A507-B *CM-3170	A		C										
	E5PZ 9A507-A *CM-4406							G						
Screw (fuel bowl and plugs assy. to carb. main body)-No. 12-24 x 2.56"	359747-S2(BB-809)	4	4	4	4	4	4	4						
BUSHING (THROTTLE SHAFT)	9B508													
	B8TZ 9B508-B	A	B			E	F							
	B8TZ 9B508-A	3	3			E	F							
	C0TE 9B508-A	A	B			E	F							
	E2PZ 9B508-A *CM-3861					E	F							

1980/  
TRUCK SERIES 600/900

DESCRIPTION/RESTRICTIONS	PART NUMBER	CARB. PARTS LISTS 1A THRU 1M												
		A	B	C	D	E	F	G	H	J	K	L	M	
BODY & PLUGS ASSY. (MAIN METERING)	D9PZ 9A511-A *CM-3173	A	B	C	D	E	F		H					
	E0PZ 9A511-A *CM-3337							G						
LEVER and SWIVEL ASSY. (CHOKE)	9A514													
Tag code E5HE-PA	E0PZ 9A514-A	A	B				F	G	H					
Tag code E5HE-RA	D8PZ 9A514-C			C	D	E			H					
SHAFT & LEVER ASSY. (CONTROL)	C0TZ 9A514-B	A	B	C	D	E	F	G	H					
SPRING WASHER (CHOKE LEVER)	D8PZ 9A514-A *CM-3079	A	B	C	D	E	F	G	H					
WASHER (RETAINER)	D8PZ 9A514-B			C	D	E			H					
Tag code E5HE-RA														
GASKET (THROTTLE BODY TO MAIN BODY)	D8PZ 9516-E *CG-533	A	B	C	D	E	F		H					
	E5PZ 9516-A *CG-679							G						
VALVE (ACCELERATOR PUMP DISCHARGE NEEDLE)-.157" diameter-.50" long	B9TE 9A516-A *CM-22	A	B	C	D	E	F		H					
PLATE (FUEL BOWL BAFFLE)	C9HZ 9A517-B *CM-1018	A	B	C	D	E	F	G	H					
PLATE ASSY. (BACK-UP)	E0PZ 9A517-A *CM-3332	A	B				F		H					
Tag code E5HE-PA	D9PZ 9A517-A *CM-3172			C	D	E			H					
HOUSING ASSY. (THROTTLE SHAFT)	E0PZ 9518-A *CM-3333	A	B											
	D9PZ 9518-E *CM-3334			C	D									
Tag code E5HE-RA	E2PZ 9518-C *CM-3859					E			H					
Tag code E5HE-PA	E2PZ 9518-D *CM-3860						F		H					
	E5PZ 9518-C *CM-4401							G						
GASKET (MAIN METERING BODY)	D9PZ 9A518-C *CG-584	A	B	C	D	E	F		H					
	D9PZ 9A518-F *CM-579							G						
SPRING (FLOAT)	B9TE 9A519-B	A	B	C	D	E	F	G	H					
FITTING (FUEL INLET)	D9PZ 9A520-A *CM-3165	A	B	C	D	E	F	G	H					
DASHPOT AND SOLENOID	9S520													
Tag code E5HE-JA,SA	E5PZ 9S520-A *CD-83							G						
Tag code E5HE-TA,TC	E5PZ 9S520-B *CD-82							G						

NOTICE: When the parts list suffix is shown in the quantity required column, the quantity is one (1).

DESCRIPTION/RESTRICTIONS	PART NUMBER	CARB. PARTS LISTS IA THRU 1M												
		A	B	C	D	E	F	G	H	J	K	L	M	
GASKET (ADJUSTING NUT)-needle & seat adjusting nut	B9TE 9A522-B	A	B	C	D	E	F	G	H					
GASKET (VALVE SEAT LOCK SCREW)	D9PZ 9A522-B *CG-566	A	B	C	D	E	F							
CAM (ACCELERATOR PUMP OPERATING) Tag code E5HE-TA Tag code E5HE-PA	EOPZ 9526-A *CM-3330	A	B				F	G	H					
Tag code E5HE-RA	D4PZ 9526-A			C	D	E			H					
COVER KIT (ACCELERATOR PUMP)	D2AZ 9528-B *CM-461-A	A	B	C	D	E	F	G	H					
Screw (accelerator pump cover)-fill head- No. 8-32 x 3/8"	43248-S8(U-72)	4	4			4	4	4	4					
Screw & washer assy. (accelerator pump cover)- fill. hd. - No. 8-32 x 5/8"	43255-S8 (U-74)			4	4	4	4	4	4					
JET (MAIN METERING) No. 582	9533 D8PZ 9533-N *CJ-325	2	2	2	2	2	2		2					
	E5PZ 9533-A *CJ-392							2						
SCREW (FAST IDLE ADJUSTING)-fill. head- No. 10-32 x 1.17"	C9HZ 9B538-A	A	B	C	D	E	F	G	H					
SPRING (IDLE ADJUSTING NEEDLE)	★ 7HW 9540	2	2	2	2									
NEEDLE (IDLE ADJUSTING)	C9HZ 9541-B *CM-1023	2	2	2	2									
	EOPZ 9541-A *CM-3374					E	F							
	E2PZ 9541-A *CM-3853							2						
	E5PZ 9541-A *CM-4483								2					
PLATE (CHOKE)	C4TZ 9545-A	A	B	C	D	E	F	G	H					
SHAFT and LEVER ASSY. (CHOKE)	C0TE 9546-C	A	B	C	D	E	F		H					
SHAFT and LEVER ASSY. (CHOKE)	E5PZ 9546-A *CM-4404							G						
FLOAT ASSY.	9550													
	D8PZ 9550-B *CM-3007	A	B	C	D	E	F	G	H					
Retainer (float)	351826-S(XX-2)	A	B	C	D	E	F	G	H					
DIAPHRAGM ASSY. (ACCELERATOR PUMP)	9B559													
	D6PZ 9B559-A *CM-193-A	A	B	C	D	E	F	G	H					
GASKET (FLOAT BOWL)	9561													
	D9PZ 9561-B *CG-585	A	B	C	D	E	F		H					
	D9PZ 9561-C *CG-580							G						
PLUG (FUEL LEVEL CHECK)-slotted head- 5/16"-24 x 1/4"	B7T 9562-A	A	B	C	D	E	F	G	H					
Nut (fuel valve adjusting)-5/16" x 3/8"	372426-S8B(MM-168)	A	B	C	D	E	F	G	H					
Screw (fuel valve seat lock)-round head- 1/4"-32 x .33"	373246-S(BB-660)	A	B	C	D	E	F	G	H					
VALVE & SEAT ASSY. (FUEL INLET)	D7PZ 9564-C *CV-110	A	B	C	D	E	F		H					
	E6PZ 9564-B *CV-118-A							G						

1980/  
TRUCK SERIES 600/900

DESCRIPTION/RESTRICTIONS	PART NUMBER	CARB. PARTS LISTS 1A THRU 1M												
		A	B	C	D	E	F	G	H	J	K	L	M	
ECONOMIZER ASSY. 9A565														
	D7PZ 9A565-A *CE-123	A	B	C	D	E	F		H					
	E5PZ 9A565-A *CE-226							G						
RETAINER (PUMP OPERATING LEVER)	B2A 9568-B	A	B	C	D	E	F	G	H					
WASHER (SPECIAL LOCK)	D8PZ 9568-A *CM-3022	A	B	C	D	E	F	G	H					
GASKET (FUEL LEVEL CHECK PLUG)	★ EAA 9569-A	A	B	C	D	E	F	G	H					
HOUSING and PLUGS ASSY. (GOVERNOR) 9B570														
	D8PZ 9B570-A *CM-3091	A	B	C	D	E	F	G	H					
Screw and lockwasher (governor housing to main body and plugs assy.)-fill. head- No. 12-28 x 1.94"	370551-S8(BB-77)	2	2	2	2	2	2	3						
SPRING (ACCELERATOR PUMP LEVER ADJUSTING) 9571														
	★ B7A 9571-A	A	B	C	D	E	F							
	C4TZ 9571-A							G	H					
PIN (GOVERNOR SPRING)	C0TE 9B574-A	A	B	C	D	E	F	G	H					
LEVER ASSY. (GOVERNOR THROTTLE)	C0TE 9B575-A	A	B	C	D	E	F	G	H					
Nut (governor lever)-No. 10-32 hex.	34079-S7(M-163)	A	B	C	D	E	F	G						
Lockwasher-No. 10	34803-S7(X-60)	A	B	C	D	E	F	G						
BALL (PUMP DISCHARGE CHECK)	EAA 9576-A							G						
NOZZLE ASSY. (PUMP DISCHARGE)	B8A 9577-B			C	D									
	E5PZ 9577-A							G						
Incl. screw, gasket and lockwasher	E5PZ 9577-C	A	B			E	F		H					
SCREW (PUMP DISCHARGE NOZZLE)	C8AZ 9577-A *CM-875			C	D									
	D9PZ 9577-B *CM-3234	A	B			E	F	G						
SPRING (FAST IDLE ADJUSTING SCREW)- 4 1/2 coils-.20" I.D.-.58" long-throttle stop screw	B8A 9578-B *CM-609	A	B	C	D	E	F	G						
Idle needle	E2PZ 9578-B *CM-3862					E	F		H					
SPRING (PRIMARY-IDLE NEEDLE)	E0PZ 9578-A *CM-3363							2						
SPRING (IDLE SPEED SCREW)-tag code E5HE-SA	D7FZ 9578-A *CM-2525							G						
GASKET (DISCHARGE PUMP NOZZLE)	B7AE 9580-A			2	2									
	D9PZ 9580-A *CG-568	2	2			2	2	2	2					
LOCKPLATE/GASKET (NOZZLE)	F0HZ 9580-A *CG-716	A	B	C	D	E	F	G	H					
LEVER and SHAFT ASSY. (THROTTLE) 9581														
	E0PZ 9581-A *CM-3335	A	B				F			H				
Tag code E5HE-PA, TA, TB, TC	D9PZ 9581-D *CM-3166			C	D	E				H				
Tag code E5HE-RA	D8PZ 9584-A *CM-3029	A	B	C	D	E	F	G	H					
DRIVER (THROTTLE SHAFT)	D8PZ 9584-A *CM-3029	A	B	C	D	E	F	G						
SCREW (THROTTLE SHAFT DRIVE)	D8PZ 9584-B *CM-3030	A	B	C	D	E	F	G						

NOTICE: When the parts list suffix is shown in the quantity required column, the quantity is one (1).

DESCRIPTION/RESTRICTIONS	PART NUMBER	CARB. PARTS LISTS IA THRU IM												
		A	B	C	D	E	F	G	H	J	K	L	M	
SCREW (THROTTLE PLATE) Choke plate-No. 6-32 x .31" oval head	9586 B9A 9586-A *CM-531	2	2	2	2	2	2	2	2					
SPRING (CHOKE LEVER PLUNGER) Tag codes E5HE-JA Tag codes E5HE-SA,TA	*78 9587 E5PZ 9587-A *CM-4482								G					
GASKET (economizer valve)	B7AZ 9A588-A	A	B	C	D	E	F	G	H					
GASKET (FLOAT BOWL SCREW)	B7A 9592-A	4	4	4	4	4	4	4	4					
BRACKET ASSY. (CHOKE CONTROL)	C9HZ 9595-A *CM-1026	A	B	C	D	E	F	G	H					
Clamp screw (choke bracket) Screw and washer assy. (throttle wire bracket)- fill. head-No. 8-32 x 3/8"	31061-S78(U-50) 43248-S8(U-72)	2	2	2	2	2	2	2	2					
CAM ASSY. (FAST IDLE)	C0TZ 9597-A E5PZ 9597-B *CM-4407	A	B	C	D	E	F		H					
Nut (fast idle cam)-hex.-No. 8-36	355829-S(MM-15)	A	B	C	D	E	F	G						
Lockwasher-internal tooth-No. 8	34902-S7(X-95)	A	B	C	D	E	F	G						
ROD (CHOKE CONTROL)	C0TZ 9A599-A *CM-871 E5PZ 9A599-A *CM-4471	A	B	C	D	E	F		H					
"O" RING (FUEL VALVE SEAT)	* B6A 9609-A	A	B	C	D	E	F							
SPRING (ACCELERATOR PUMP LEVER RETURN)	9636													
Stud (air cleaner to carburetor)- 3/8"-16 male x 7/16"-14 female	* B7A 9636-B D2HZ 9A659-B	A	B	C	D	E	F	G	H					
CLAMP (CHOKE BRACKET)	8BA 9792	A	B	C	D	E	F	G	H					
Nut (choke bracket clamp) No. 8-32	34126-S8B(M-146)	A	B	C	D	E	F							
GASKET (GOVERNOR BODY)	* C2TZ 9853-A	A	B	C	D	E	F	G	H					
SEAL (GOVERNOR BODY TO THROTTLE BODY)-1/4" x .89" O.D. - .67" I.D.	B7T 9948-A	A	B	C	D	E	F	G	H					
JET (GOVERNOR BY-PASS) No. 31	9973 C9HZ 9973-B *CJ-176	A	B	C	D			G	H					
Plug	* B6T 9973-D	A	B	C	D	E	F	G	H					
SPRING (GOVERNOR THROTTLE LEVER)	9980													
COVER (GOVERNOR BODY)	C1TZ 9980-A	A	B	C	D	E	F	G	H					
Screw and lockwasher assy. (cover to governor housing)-fill. head-drilled-No. 8-32 x 44"	C2TZ 9981-A 373625-S(BB-84)	A	B	C	D	E	F	G	H					
GASKET (GOVERNOR BODY COVER)	C2TZ 9982-A	A	B	C	D	E	F	G	H					
SEAL (GOVERNOR DIAPHRAGM COVER WIRE)	* 8EQ 9989	2	2	2	2	2	2							
WIRE (GOVERNOR COVER SEAL)	* 8EQ 9990	2	2	2	2	2	2							



DESCRIPTION/RESTRICTIONS	PART NUMBER	CARB. PARTS LISTS 2A THRU 2M												
		A	B	C	D	E	F	G	H	J	K	L	M	
GASKET SET-refer to carburetor identification chart- Section 95	9502													
TUNE-UP KIT-refer to carburetor identification chart- Section 95	9A586													
Screw & washer assy. (throttle body) No. 12-24 x 13/16"	359736-S2 (BB-67)	8	8	8	8	8	8	8	8	8	8	8	8	8
Screw (shaft housing)-1/4"-20 x 7/8"-hex head	370519-S (BB-125)	A	B	C	D	E	F	G	H	J	K	L	M	
FILTER (FUEL)	D9PZ 9155-A *FG-788	A	B	C	D	E	F	G	H	J	K	L	M	
"0" RING (FLOAT BOWL TUBE CONNECTOR SEAL)	B5A 9229-A	2	2	2	2	2	2	2	2	2	2	2	2	2
"0" RING (ACCELERATOR PUMP TRANSFER AND IDLE SCREW)	D4PZ 9229-A	2	2	2	2	2	2	2	2	2	2	2	2	2
GASKET (FUEL INLET FITTING)	D1ZZ 9229-A	A	B	C	D	E	F	G	H	J	K	L	M	
SPRING (FUEL FILTER RETAINING)	D9PZ 9342-A	A	B	C	D	E	F	G	H	J	K	L	M	
PLUG (IDLE NEEDLE CONCEALMENT)-primary	E2PZ 9J500-B						2	2	2		2			2
Secondary	*CM-4010						2	2						
Secondary	E2PZ 9J500-C *CM-4011								2		2			
LIMITER (IDLE ADJUSTING NEEDLE)	E0PZ 9J500-A *CM-3221-A	A	B	C	D	E				2			2	
HOUSING & SEAT ASSY. (SECONDARY DIAPHRAGM)	D5TZ 9501-A *CM-2220	A	B	C	D	E	F	G	H	J	K	L	M	
Screw and washer assy. (secondary diaphragm housing assy.)-No. 8-32 x 1"	43407-S8(U-76)	3	3	3	3	3	3	3	3	3	3	3	3	3
TUBE (ACCLERATOR PUMP TRANSFER)	D5TZ 9A501-B *CM-2222	A	B	C	D	E	F	G	H	J	K	L	M	
SEAL (CHOKE ROD)	C1AE 9B501-A	A	B	C	D	E	F	G	H	J	K	L	M	
DIAPHRAGM ASSY.	9503													
Secondary throttle	B8A 9503-A *CM-5	A	B	C	D	E	F	G	H	J	K	L	M	
Governor	D8PZ 9503-B *CM-3060	A	B	C	D	E	F	G	H	J	K	L	M	
MODULATOR ASSY. (SECONDARY THROTTLE)	9503													
Secondary throttle modulator	D9PZ 9503-A													
Tag code E2TE-CMA	*CM-3168			C	D	E	F		H					
Tag code E2TE-CPA										J				
Tag code E2TE-CSA, E3HE-AA											K			
Tag code E2TE-CUA, E3HE-CA												L		
Tag codes E5HE-UA, YA														M
MODULATOR (THROTTLE)	D8PZ 9503-C *CM-3061	A	B					G	H	J				
Tag code E2TE-CNA														
Tag code E2TE-CRA														
Tag code E2TE-CTA, E3HE-BA														
Tag code E2TE-CVA, E3HE-DA														
Washer (diaphragm link to lever-"C" retainer)	351825-S(XX-9)	2	2	2	2	2	2	2	2	2	2	2	2	2
PIN (FAST IDLE)	D9PZ 9B503-A *CM-3227	A	B	C	D	E	F	G						
Governor housing and plugs assy.	D9PZ 9B503-C *CM-3225	A	B	C	D	E	F	G	H	J	K	L	M	
PIN GUIDE (FAST IDLE PIN)	D9PZ 9B503-B *CM-3226	A	B	C	D	E	F	G	H	J	K	L	M	
Screw (fast idle pin adjusting)-nylon pellet No. 6 .32 x .38"	370552-S8(BB-530)	A	B	C	D	E	F	G	H	J	K	L	M	
RETAINER (GOVERNOR DIAPHRAGM LINK) Tag codes E5HE-UA,VA,YA,ZA	E6PZ 9S503-A *CM-4535													M

1980/  
 TRUCK SERIES 600/900

DESCRIPTION/RESTRICTIONS	PART NUMBER	CARB. PARTS LISTS 2A THRU 2M												
		A	B	C	D	E	F	G	H	J	K	L	M	
SPRING (SECONDARY THROTTLE DIAPHRAGM RETURN)	9B504													
Tag code E0TE-JA Tag code E0TE-RA Tag codes E5HE-UA,VA,WA,XA	B6TZ 9B504-A *CM-3319	A	B				F	G	H	J				M
Tag code E0TE-MA Tag code E0TE-SA	B8TZ 9B504-A	A	B			E								
Tag codes E5HE-YA,ZA	E3PZ 9B504-A										K	L		M
ROD (THROTTLE CONNECTING)	B7TZ 9C504-A	A	B	C	D	E	F	G	H	J	K	L		M
Screw and lockwasher assy. (throttle operating shaft housing assy.)-fill. head-1/4"-20 x 1.68"	370554-S8(BB-69)	2	2	2	2	2	2	3	3	2	2	2		2
HOUSING & BUSHING ASSY. (THROTTLE OPERATING SHAFT)-less lever-Tag code E2TE-CMA Tag code E2TE-CPA Tag code E2TE-CSA, E3HE-AA Tag code E2TE-CUA, E3HE-CA Tag codes E5HE-UA,VA,WA	D8PZ 9B505-C *CM-3063			C	D	E	F	G	H	J		K	L	M
Tag code E2TE-CNA Tag code E2TE-CRA Tag code E2TE-CTA, E3HE-BA Tag code E2TE-CVA, E3HE-DA Tag codes E5HE-XA,YA,ZA	E0PZ 9B505-B *CM-3336	A	B					G	H	J		K	L	M
LEVER (ACCELERATOR PUMP OPERATING) Tag code E2TE-CMA Tag code E2TE-CPA Tag code E2TE-CSA, E3HE-AA Tag code E2TE-CUA, E3HE-CA Tag codes E5HE-UA,WA,YA	D6PZ 9A506-A *CM-2571			C	D	E	F		H	J		K	L	M
Tag code E2TE-CNA Tag code E2TE-CRA Tag code E2TE-CTA, E3HE-BA Tag code E2TE-CVA, E3HE-DA Tag codes E5HE-VA,XA,ZA	D9PZ 9A506-A *CM-3167	A	B					G	H	J		K	L	M
Screw (pump lever adjusting)-hex. slotted head-No. 10-32 x 1/2"	370050-S2(BB-537)	A	B	C	D	E	F	G	H	J	K	L		M
Nut (pump lever adjusting screw)-hex. lock-No. 10-32	373235-S7(MM-169)	A	B	C	D	E	F	G	H	J	K	L		M
COVER & TUBE ASSY. (SECONDARY DIAPHRAGM)	D8PZ 9507-C *CM-3066	A	B	C	D	E	F	G	H	J	K	L		M
SOLENOID & COVER ASSY. (ELEC. GOVERNOR)	D8PZ 9507-E *CM-3068	A	B	C	D	E	F	G	H	J	K	L		M
Screw and lockwasher assy. (secondary diaphragm cover)-fill. head-No. 8-32 x 5/8"	43255-S8(U-74)	4	4	4	4	4	4	4	4	4	4	4		4
BOWL and PLUGS ASSY. (FLOAT)-primary	D9PZ 9A507-C D9PZ 9A507-D *CM-3216	A			D	E	F	G	H		K			M
BOWL and PLUGS ASSY. (FLOAT)-secondary	D9PZ 9A508-A *CM-3218	A			D	E	F	G	H		K			
	D9PZ 9A508-B *CM-3215		B	C						J		L		
Tag codes E5HE-WA,XA	E3PZ 9A508-A *CM-4088													M

NOTICE: When the parts list suffix is shown in the quantity required column, the quantity is one (1).

DESCRIPTION/RESTRICTIONS	PART NUMBER	CARB. PARTS LISTS 2A THRU 2M												
		A	B	C	D	E	F	G	H	J	K	L	M	
LEVER and SWIVEL ASSY. (PICK-UP) Tag code E2TE-CMA Tag code E2TE-CPA Tag code E2TE-CSA, E3HE-AA Tag code E2TE-CUA, E3HE-CA Tag codes E5HE-UA,WA,YA	D9PZ 9B509-A *CM-3204			C	D	E	F		H	J	K	L	M	
Tag code E2TE-CNA Tag code E2TE-CRA Tag code E2TE-CTA, E3HE-BA Tag code E2TE-CVA, E3HE-DA Tag codes E5HE-VA,XA,ZA	D8PZ 9B509-A *CM-3014	A	B					G	H	J	K	L	M	
BODY & PLUGS ASSY. (MAIN METERING)- Primary	D9PZ 9A511-C *CM-3222					E								
Primary Tag codes E2TE-CSA,CTA, E3HE-AA,BA Tag codes E2TE-CUA,CVA, E3HE-CA,DA Tag codes E5HE-UA,VA,YA,ZA	E0PZ 9A511-A *CM-3337	A	B	C	D		F	G	H	J	K	L	M	
Tag codes E5HE-WA,XA	E5PZ 9A511-D *CM-4474-A												M	
BODY & PLUGS ASSY. (MAIN METERING)- Secondary	D9PZ 9A513-A *CM-3224					E								
Secondary-does not incl. jets	E2PZ 9A513-B *CM-3924-A								H	J	K	L	M	
Screw (fuel bowl and plugs assy. to carb. main body)-No. 12-24 x 2.56"	359747-S2(BB-809)	4	4	4	4	4	4	4	4	4	4	4	4	
SPRING (CHOKE)	C1TE 9C513-A	A	B	C	D	E	F	G	H	J	K	L	M	
LEVER and SWIVEL ASSY. (CHOKE)	★ B7TZ 9A514-B	A	B	C	D	E	F	G	H	J	K	L	M	
Lockwasher (lever and switch to fast idle cam)-3/8"	34807-S8(X-66)	A	B	C	D	E	F	G	H	J	K	L		
Nut (lever and swivel to fast idle cam)-No. 8-32	355829-S7(MM-15)	A	B	C	D	E	F	G	H	J	K	L	M	
LEVER and BUSHING (CHOKE ROD)	★ B9TE 9A514-A	A	B	C	D	E	F	G	H	J	K	L	M	
WASHER (BUSHING RETAINER) Tag code E2TE-CNA Tag code E2TE-CRA Tag code E2TE-CTA, E3HE-BA Tag code E2TE-CVA, E3HE-DA	D8PZ 9A514-B *CM-3080	A	B					G	H	J	K	L		
GASKET (THROTTLE BODY)	D9PZ 9516-A *CG-571	A	B	C	D	E	F	G	H	J	K	L	M	
VALVE (ACCELERATOR PUMP DISCHARGE NEEDLE)	B9TE 9A516-A *CM-22					E								
	E0PZ 9A516-A *CM-3338	A	B	C	D		F	G	H	J			M	
PLATE (FUEL BOWL BAFFLE)	9A517													
Primary	C9HZ 9A517-B *CM-1018	A	B	C	D	E	F	G	H	J	K	L	M	
Secondary	C9HZ 9A517-A *CM-1017	A	B	C	D	E	F	G	H	J	K	L	M	

DESCRIPTION/RESTRICTIONS	PART NUMBER	CARB. PARTS LISTS 2A THRU 2M												
		A	B	C	D	E	F	G	H	J	K	L	M	
HOUSING ASSY. (THROTTLE SHAFT) Tag code E2TE-CPA Tag code E2TE-CUA, E3HE-CA	D9PZ 9518-A *CM-3232			C	D	E						J		L
Tag code E2TE-CRA Tag code E2TE-CVA, E3HE-DA	E0PZ 9518-B *CM-339	A	B									J		L
Tag code E2TE-CMA Tag code E2TE-CSA, E3HE-AA Tag codes E5HE-UA, YA	E2PZ 9518-A *CM-3851						F			H			K	M
Tag code E2TE-CNA Tag code E2TE-CTA, E3HE-BA Tag codes E5HE-VA, ZA Tag code E5HE-WA	E2PZ 9518-B *CM-3852							G		H			K	M
Tag codes E5HE-XA	E5PZ 9518-D *CM-4409													M
	E5PZ 9518-E *CM-4410													M
GASKET (SECONDARY METERING BODY PLATE) Tag code E2TE-CRA Tag code E2TE-CTA, E3HE-BA	D9PZ 9A518-A *CG-572	A	B	C	D		F	G			J		K	
GASKET (MAIN METERING BODY)-primary	D9PZ 9A518-F *CG-579	A	B	C	D	E	F	G	H	J	K	L	M	
Secondary	D9PZ 9A518-E *CG-581	A	B	C	D	E	F	G						M
Secondary	D9PZ 9A518-C *CG-584								H	J	K	L		
SPRING (FLOAT)	B9TE 9A519-B	2	2	2	2	2	2	2	2	2	2	2	2	
FITTING (FUEL INLET)	D9PZ 9A520-A *CM-3165	A	B	C	D	E	F	G	H	J	K	L	M	
DASHPOT AND SOLENOID ASSY.- Tag code E5HE-WA	E5PZ 9S520-D *CD-85													M
Tag code E5HE-XA, E7PE-SA	E5PZ 9S520-C *CD-84													M
GASKET (ADJUSTING NUT)	B9TE 9A522-B	2	2	2	2	2	2	2	2	2	2	2	2	2
GASKET (VALVE SEAT LOCK SCREW)	D9PZ 9A522-B	2	2	2	2	2	2	2	2	2	2	2	2	2
CAM (ACCELERATOR PUMP DIAPHRAGM) Tag code E2TE-CMA Tag code E2TE-CPA Tag code E2TE-CSA, E3HE-AA Tag code E2TE-CUA, E3HE-CA Tag codes E5HE-UA, WA, YA	D6PZ 9526-A *CM-2570			C	D	E	F			H		J	K	L
Tag code E2TE-CNA Tag code E2TE-CRA Tag code E2TE-CTA, E3HE-BA Tag code E2TE-CVA, E3HE-DA Tag code E5HE-VA, XA, ZA	E0PZ 9526-A *CM-3330	A	B					G		H		J	K	L
COVER KIT (ACCELERATOR PUMP)	D2AZ 9528-B *CM-461-A	A	B	C	D	E	F	G	H	J	K	L	M	
Screw & washer assy. (accelerator pump cover to float bowl)-fillister head-No. 8-32 x 3/8"	43248-S8 (U-72)	4	4	4	4	4	4	4	4	4	4	4	4	4

NOTICE: When the parts list suffix is shown in the quantity required column, the quantity is one (1).

DESCRIPTION/RESTRICTIONS	PART NUMBER	CARB. PARTS LISTS 2A THRU 2M												
		A	B	C	D	E	F	G	H	J	K	L	M	
<b>JET (MAIN METERING)</b> 9533														
Primary Tag code E2TE-CVA, E3HE-CA,DA	D4HZ 9533-F *CJ-253	2	2	2	2	2	2	2		2			2	
Primary Tag code E2TE-CUA Tag codes E5HE-UA,VA,YA,ZA	E2PZ 9533-B *CJ-381									2		2		
Secondary-tag codes E5HE-WA,XA Tag codes E5HE-WA,XA	D5TZ 9533-B *CJ-264												2	
Secondary Tag codes E5HE-UA,VA,YA,XA	E5PZ 9533-C *CJ-394												2	
Secondary Tag codes E5HE-UA,VA,YA,XA	E2PZ 9533-C *CJ-382								2	2	2	2	2	
JET (GOVERNOR BY-PASS) No. 24	D8PZ 9533-P *CJ-326	A	B	C	D	E	F	G	H	J	K	L	M	
TUBE (FLOAT BOWL CONNECTING)	★ B8A 9534-A	A	B	C	D	E	F	G	H	J	K	L		
SCREW (FAST IDLE ADJUSTING)	C9HZ 9B538-A	A	B	C	D	E	F	G	H	J	K	L	M	
SCREW (SECONDARY IDLE ADJUSTMENT) Tag codes E5HE-UA,VA,YA,ZA	E1PZ 9B538-A *CM-3578												M	
SPRING (IDLE ADJUSTING NEEDLE)	★ 7HW 9540	A	B	C	D	E	F	G			2		2	
NEEDLE (IDLE ADJUSTING)-Primary	D9PZ 9541-A *CM-3229	2	2	2	2	2				2		2		
Primary	E2PZ 9541-A *CM-3853						2	2	2		2		2	
Secondary	D9PZ 9541-B *CM-3228	2	2	2	2	2			2	2	2	2		
PLATE (CHOKE)	C4TZ 9545-A	A	B	C	D	E	F	G	H	J	K	L	M	
SHAFT and LEVER ASSY. (CHOKE)	★ C8OZ 9546-A	A	B	C	D	E	F	G	H	J	K	L	M	
<b>FLOAT ASSY.</b> 9550														
Primary and secondary	D8PZ 9550-B *CT-3007	2	2	2	2		2	2	2	2	2	2	2	
	C1AE 9550-C					2								
Retainer (float)	351826-S(XX-2)	2	2	2	2	2	2	2	2	2	2	2		
<b>DIAPHRAGM ASSY. (ACCELERATOR PUMP)</b> 9B559														
	D6PZ 9B559-A *CM-193-A	A	B	C	D	E	F	G	H	J	K	L	M	
GASKET (FLOAT BOWL)-Primary -Also refer to group 9A518	D9PZ 9561-C *CG-580	A	B	C	D	E	F	G	H	J	K	L	M	
GASKET (FLOAT BOWL)-Secondary	D9PZ 9561-B *CG-585								H	J	K	L	M	
PLUG (FUEL LEVEL CHECK)-slotted head- 5/16"-24 X 1/4"	B7T 9562-A	2	2	2	2	2	2	2	2	2	2	2	2	
VALVE and SEAT ASSY. (FUEL INLET)	E6PZ 9564-B *CV-118-A	2	2	2	2	2	2	2	2	2	2	2	2	
Nut (fuel valve adjusting)-5/16" x 3/8"	372426-S8B(MM-168)	2	2	2	2	2	2	2	2	2	2	2		
Screw (fuel valve seat lock)-round head- 1/4"-32 x .33"	373246-S(BB-660)	2	2	2	2	2	2	2	2	2	2	2	2	
<b>ECONOMIZER ASSY.</b> 9A565														
	D7PZ 9A565-A *CE-123	A	B	C	D	E	F	G	H	J	K	L	M	
SEAL (CAM SHAFT)	D8PZ 9B567-D *CG-534	A	B	C	D	E	F	G	H	J	K	L	M	
RETAINER (pump operating lever) Retainer-choke rod lever	B2A 9568-B	A	B	C	D	E	F	G	H	J	K	L	M	
WASHER (SPECIAL LOCK)	D8PZ 9568-A *CM-3022	A	B	C	D	E	F	G	H	J	K	L	M	
RETAINER (FLOAT SPRING)	D5TZ 9568-B								2	2	2	2	2	
GASKET (FUEL LEVEL CHECK PLUG)	★ EAA 9569-A	2	2	2	2	2	2	2	2	2	2	2	2	
HOUSING & PLUGS ASSY. (GOVERNOR)	D8PZ 9B570-C *CM-3092-A	A	B	C	D	E	F	G	H	J	K	L	M	
Screw and washer assy. (governor body assy.)- fill. head-No. 12-26 x 1.94"	370551-S8(BB-71)	3	3	3	3	3	3	3	3	3	3	3	3	

1980/  
TRUCK SERIES 600/900

DESCRIPTION/RESTRICTIONS	PART NUMBER	CARB. PARTS LISTS 2A THRU 2M												
		A	B	C	D	E	F	G	H	J	K	L	M	
SPRING (ACCELERATOR PUMP LEVER ADJUSTING) Tag codes E2TE-CSA,CTA, E3HE-AA Tag codes E2TE-CUA,CVA, E3HE-CA	C4TZ 9571-A			C	D	E	F		H	J		K	L	M
Tag codes E2TE-CSA,CTA, E3HE-BA Tag codes E2TE-CUA,CVA, E3HE-DA	★ B7A 9571-A	A	B					G	H	J		K	L	M
PIN (GOVERNOR SPRING)	C0TE 9B574-A	A	B	C	D	E	F	G	H	J	K	L	M	
Nut (governor lever)-hex.-No. 10-32	34079-S7(M-163)	A	B	C	D	E	F	G	H	J	K	L	M	
Lockwasher-No. 10	34803-S7(X-60)	A	B	C	D	E	F	G	H	J	K	L	M	
LEVER ASSY. (GOVERNOR THROTTLE)	C0TE 9B575-A	A	B	C	D	E	F	G	H	J	K	L	M	
BALL (SECONDARY THROTTLE DIAPHRAGM CHECK)-.156" diameter	EAA 9576-A	A	B	C	D	E	F	G	H	J	K	L	M	
NOZZLE ASSY. (PUMP DISCHARGE)	B8A 9577-A					E								
Tag codes E5HE-WA,XA	D9PZ 9577-D	A	B	C	D		F	G	H	J	K	L		
SCREW (PUMP DISCHARGE NOZZLE)	E5PZ 9577-B													M
	D9PZ 9577-B	A	B	C	D	E	F	G	H	J	K	L		
	*CM-3234													
SPRING (FAST IDLE ADJUSTING SCREW)- 4 1/2 coils-.20" I.D.-.58" long	B8A 9578-B	A	B	C	D	E	F	G	H	J	K	L	M	
	*CM-609													
SPRING (IDLE ADJUSTING NEEDLE)- Secondary-tag codes E5HE-UA,XA,YA,ZA	D9PZ 9578-A	2	2	2	2	2			2	2	2	2		2
Primary	E2PZ 9578-A						2	2	2		2			
	*CM-3854													
	E0PZ 9578-A													2
	*CM-3363													
Tag code E5HE-WA	D7FZ 9578-A													M
	*CM-2525													
GASKET (DISCHARGE PUMP NOZZLE)	D9PZ 9580-A	2	2	2	2	2	2	2	2	2	2	2	2	
	*CG-568													
LEVER & SHAFT ASSY. (THROTTLE) Tag code E2TE-CMA Tag code E2TE-CPA Tag code E2TE-CSA, E3HE-AA Tag code E2TE-CUA, E3HE-CA Tag codes E5HE-UA,YA	D9PZ 9581-E			C	D	E	F		H		J		K	L
	*CM-3233													M
Tag code E2TE-CNA Tag code E2TE-CRA Tag code E2TE-CTA, E3HE-BA Tag code E2TE-CVA, E3HE-DA Tag codes E5HE-VA,ZA	E0PZ 9581-B	A	B					G		H		J		K
	*CM-3341													L
Tag code E5HE-XA	E5PZ 9581-C													M
	*CM-4472													
Tag code E5HE-WA	E5PZ 9581-D													M
	*CM-4473													
LEVER (SECONDARY THROTTLE DIAPHRAGM)	B8A 9583-C	A	B	C	D	E	F	G	H	J	K	L	M	
Screw (adjusting secondary throttle diaphragm assy.)-No. 8-32 x 3/8"-tag codes E5HE-WA,XA	359749-S(UU-17)	A	B	C	D	E	F	G	H	J	K	L		M
DRIVER (THROTTLE SHAFT)	D8PZ 9584-A	A	B	C	D	E	F	G	H	J	K	L	M	
	*CM-3029													
SCREW (THROTTLE SHAFT DRIVE)	D8PZ 9584-B	A	B	C	D	E	F	G	H	J	K	L	M	
No. 12-28 x .36	*CM-3030													
SCREW	9586													
Choke plate oval head-No. 6-32 x .31"	B9A 9586-A	2	2	2	2	2	2	2	2	2	2	2	2	2
	*CM-531													
SPRING (FAST IDLE CAM PLUNGER)- 59" long-3 coild-15" O.D.	★ 78 9587	A	B	C	D	E	F	G	H	J	K	L	M	
GASKET (economizer valve)	B7AZ 9A588-A	A	B	C	D	E	F	G	H	J	K	L	M	

NOTICE: When the parts list suffix is shown in the quantity required column, the quantity is one (1).

DESCRIPTION/RESTRICTIONS	PART NUMBER	CARB. PARTS LISTS 2A THRU 2M												
		A	B	C	D	E	F	G	H	J	K	L	M	
GASKET (FLOAT BOWL SCREW)	B7A 9592-A	8	8	8	8	8	8	8	8	8	8	8	8	
BRACKET ASSY. (CHOKE CONTROL)	C9HZ 9595-A *CM-1026	A	B	C	D	E	F	G	H	J	K	L	M	
Screw and washer assy. (throttle wire bracket)- fill head No. 8-32 x 3/8"	43248-S8(U-72)	2	2	2	2	2	2	2	2	2	2	2	2	
CAM ASSY. (FAST IDLE) Tag codes E5HE-UA,VA,YA,ZA	B8Q 9597-A	A	B	C	D	E	F	G	H	J	K	L	M	
Tag codes E5HE-WA,XA	E5PZ 9597-C *CM-4412												M	
Retainer (fast idle cam and shaft assy.)- snap ring	370553-S7(XX-3)	A	B	C	D	E	F	G						
ROD (CHOKE CONTROL)	B8TZ 9A599-A	A	B	C	D	E	F	G	H	J	K	L	M	
Retainer (choke rod choke)	353610-S8(NN-126)	A	B	C	D	E	F	G						
"O" RING	9609													
Fuel valve seat	★ B6A 9609-A	A	B	C	D	E	2	2	2	2	2	2	2	
SPACER (SECONDARY THROTTLE CONTROL)	B7T 9614-A	A	B	C	D	E	F	G	H	J	K	L	M	
SPACER	D8PZ 9614-A *CM-3032	A	B	C	D	E	F	G	H	J	K	L	M	
SPRING (ACCELERATOR PUMP DIAPHRAGM RETURN)	★ B7A 9636-B	A	B	C	D	E	F	G	H	J	K	L	M	
STUD (AIR CLEANER TO CARBURETOR)- 3/8"-16 male x 7/16"-14 female	D2HZ 9A659-B	A	B	C	D	E	F	G	H	J	K	L	M	
GASKET (SECONDARY DIAPHRAGM HOUSING)	9853													
Governor body	★ B7A 9853-D	A	B	C	D	E	F	G	H	J	K	L	M	
SEAL (GOVERNOR BODY TO THROTTLE BODY)-1/4" x .89" O.D. x .67" I.D.	★ C2TZ 9853-A	A	B	C	D	E	F	G	H	J	K	L	M	
JET (GOVERNOR BY-PASS)	B7T 9948-A	A	B	C	D	E	F	G	H	J	K	L	M	
Plug	9973													
SPRING (GOVERNOR)	★ B6T 9973-D	A	B	C	D	E	F	G	H	J	K	L	M	
COVER (GOVERNOR BODY)	9980													
	C1TZ 9980-A	A	B	C	D	E	F	G	H	J	K	L	M	
	9981													
	D5TZ 9981-A *CM-2221	A	B	C	D	E	F	G	H	J	K	L	M	
	E5PZ 9981-A *CM-4514												M	
Screw and lockwasher assy. (cover to governor housing)-fill. head-drilled-No. 8-32 x 5/8"	357136-S(BB-56)	2	2	2	2	2	2	2	4	4	4	4	4	
Screw and washer assy. (cover to governor housing)-fill. head-drilled-No. 8-32 x 44"	373625-S7(BB-84)	2	2	2	2	2	2	2	2	2	2	2	2	
GASKET (GOVERNOR COVER)	C2TZ 9982-A	A	B	C	D	E	F	G	H	J	K	L	M	
SEAL (GOVERNOR DIAPHRAGM COVER WIRE)-lead-34 diameter-.17" thick	★ 8EQ 9989	2	2	2	2	2	2	2						
WIRE (GOVERNOR DIAPHRAGM COVER)	★ 8EQ 9990	2	2	2	2	2	2	2						

1980/  
TRUCK SERIES 600/900

DESCRIPTION/RESTRICTIONS	PART NUMBER	CARB. PARTS LISTS 2N THRU 2Z												
		N	P	Q	R	S	T	U	V	W	X	Y	Z	
GASKET SET—refer to carburetor identification chart— Section 95	9502													
TUNE-UP KIT—refer to carburetor identification chart— Section 95	9A586													
Screw & washer assy. (throttle body) No. 12-24 x 13/16"	359736-S2(BB-67)	8												
Screw (shaft housing)—1/4"-20 x 7/8"—hex head	370519-S (BB-125)	N												
FILTER (FUEL)	D9PZ 9155-A *FG-788	N												
"O" RING (FLOAT BOWL TUBE CONNECTOR SEAL)	B5A 9229-A	2												
Accelerator pump transfer	D4PZ 9229-A	2												
GASKET (FUEL INLET FITTING)	D1ZZ 9229-A	N												
SPRING (FUEL FILTER RETAINING)	D9PZ 9342-A	N												
PLUG (IDLE NEEDLE CONCEALMENT)—primary	E2PZ 9J500-B *CM-4010	2												
Secondary	E2PZ 9J500-C *CM-4011	2												
HOUSING & SEAT ASSY. (SECONDARY DIAPHRAGM)	D5TZ 9501-A *CM-2220	N												
Screw and washer assy. (secondary diaphragm housing assy.)—No. 8-32 x 1"	43407-S8(U-76)	3												
TUBE (ACCELERATOR PUMP TRANSFER)	D5TZ 9A501-B *CM-2222	N												
SEAL (CHOKE ROD)	C1AE 9B501-A	N												
DIAPHRAGM ASSY. Secondary throttle	9503 B8A 9503-A *CM-5	N												
Governor	D8PZ 9503-B *CM-3060	N												
Washer (diaphragm link to lever—"C" retainer)	351825-S(XX-9)	2												
Governor housing and plugs assy.	D9PZ 9B503-C *CM-3225	N												
PIN GUIDE (FAST IDLE PIN)	D9PZ 9B503-B *CM-3226	N												
Screw (fast idle pin adjusting)—nylon pellet No. 6 .32 x .38"	370552-S8(BB-530)	N												
RETAINER (GOVERNOR DIAPHRAGM LINK)	E6PZ 9S503-A *CM-4535	N												
SPRING (SECONDARY THROTTLE DIAPHRAGM RETURN)	9B504													
	B6TZ 9B504-A *CM-3319	N												
ROD (THROTTLE CONNECTING)	B7TZ 9C504-A	N												
Screw and lockwasher assy. (throttle operating shaft housing assy.)—fill. head—1/4"-20 x 1.68"	370554-S8(BB-69)	2												
HOUSING & BUSHING ASSY.	E0PZ 9B505-B *CM-3336	N												
LEVER (ACCELERATOR PUMP OPERATING)	D9PZ 9A506-A *CM-3167	N												
Screw (pump lever adjusting)—hex. slotted head—No. 10-32 x 1/2"	370050-S2(BB-537)	N												
Nut (pump lever adjusting screw)—hex. lock— No. 10-32	373235-S7(MM-169)	N												
COVER & TUBE ASSY. (SECONDARY DIAPHRAGM)	D8PZ 9507-C *CM-3066	N												

NOTICE: When the parts list suffix is shown in the quantity required column, the quantity is one (1).



DESCRIPTION/RESTRICTIONS	PART NUMBER	CARB. PARTS LISTS 2N THRU 2Z																		
		N	P	Q	R	S	T	U	V	W	X	Y	Z							
SOLENOID & COVER ASSY. (ELEC. GOVERNOR)	D8PZ 9507-E *CM-3068	N																		
Screw and lockwasher assy. (secondary diaphragm cover)-fill. head-No. 8-32 x 5/8"	43255-S8(U-74)	4																		
BOWL and PLUGS ASSY. (FLOAT)-primary	D9PZ 9A507-C E3PZ 9A508-A *CM-4088	N																		
LEVER and SWIVEL ASSY. (PICK-UP)	D8PZ 9B509-A *CM-3014	N																		
Primary	E5HZ 9A511-D *CM-4474-A	N																		
BODY & PLUGS ASSY. (MAIN METERING)-Secondary-does not incl. jets	E2PZ 9A513-B *CM-3924-A	N																		
Screw (fuel bowl and plugs assy. to carb. main body)-No. 12-24 x 2.56"	359747-S2(BB-809)	4																		
SPRING (CHOKE)	C1TE 9C513-A	N																		
LEVER and SWIVEL ASSY. (CHOKE)	★ B7TZ 9A514-B	N																		
Nut (lever and swivel to fast idle cam)-No. 8-32	355829-S7(MM-15)	N																		
LEVER and BUSHING (CHOKE ROD)	★ B9TE 9A514-A	N																		
GASKET (THROTTLE BODY)	D9PZ 9516-A *CG-571	N																		
VALVE (ACCELERATOR PUMP DISCHARGE NEEDLE)	E0PZ 9A516-A *CM-3338	N																		
PLATE (FUEL BOWL BAFFLE)	9A517																			
Primary	C9HZ 9A517-B *CM-1018	N																		
Secondary	C9HZ 9A517-A *CM-1017	N																		
HOUSING ASY. (THROTTLE SHAFT)	E5PZ 9518-E *CM-4410	N																		
GASKET (MAIN METERING BODY)-primary	D9PZ 9A518-F *CG-579	N																		
Secondary	D9PZ 9A518-E *CG-581	N																		
SPRING (FLOAT)	B9TE 9A519-B	2																		
FITTING (FUEL INLET)	D9PZ 9A520-A *CM-3165	N																		
DASHPOT AND SOLENOID ASSY.	E5PZ 9S520-C *CD-84	N																		
GASKET (ADJUSTING NUT)	B9TE 9A522-B	2																		
GASKET (VALVE SEAT LOCK SCREW)	D9PZ 9A522-B	2																		
CAM (ACCELERATOR PUMP DIAPHRAGM)	E0PZ 9526-A *CM-3330	N																		
COVER KIT (ACCELERATOR PUMP)	D2AZ 9528-B *CM-461-A	N																		
Screw & washer assy. (accelerator pump cover to float bowl)-fillister head-No. 8-32 x 3/8"	43248-S8 (U-72)	4																		

1980/  
TRUCK SERIES 600/900

DESCRIPTION/RESTRICTIONS	PART NUMBER	CARB. PARTS LISTS 2N THRU 2Z												
		N	P	Q	R	S	T	U	V	W	X	Y	Z	
JET (MAIN METERING) 9533														
Secondary	D5TZ 9533-B *CJ-264	2												
	E5PZ 9533-C *CJ-394	2												
Secondary	E2PZ 9533-C *CJ-382	2												
JET (GOVERNOR BY-PASS) No. 24	D8PZ 9533-P *CJ-326	N												
SCREW (FAST IDLE ADJUSTING)	C9HZ 9B538-A	N												
SCREW (SECONDARY IDLE ADJUSTMENT) Tag codes E5HE-UA,VA,YA,ZA	E1PZ 9B538-A *CM-3578	N												
NEEDLE (IDLE ADJUSTING)-Primary	E2PZ 9541-A	2												
Secondary	*CM-3853	2												
PLATE (CHOKE)	C4TZ 9545-A	N												
SHAFT and LEVER ASSY. (CHOKE)	*C80Z 9546-A	N												
FLOAT ASSY.	9550													
Primary and secondary	D8PZ 9550-B *CT-3007	2												
Retainer (float)	351826-S (XX-2)	2												
DIAPHRAGM ASSY. (ACCELERATOR PUMP)	9B559													
	D6PZ 9B559-A *CM-193-A	N												
GASKET (MAIN METERING)-Primary -Also refer to group 9A518	D9PZ 9561-C *CG-580	N												
GASKET (FLOAT BOWL)-Secondary	D9PZ 9561-B *CG-585	N												
PLUG (FUEL LEVEL CHECK)-slotted head- 5/16"-24 X 1/4"	B7T 9562-A	2												
VALVE and SEAT ASSY. (FUEL INLET)	E6PZ 9564-B *CV-118-A	2												
Screw (fuel valve seat lock)-round head- 1/4"-32 x .33"	373246-S (BB-660)	2												
ECONOMIZER ASSY.	9A565													
	E8PZ 9A565-A *CE-233	N												
SEAL (CAM SHAFT)	D8PZ 9B567-D *CG-534	N												
RETAINER (pump operating lever) Retainer-choke rod lever	B2A 9568-B	N												
WASHER (SPECIAL LOCK)	D8PZ 9568-A *CM-3022	N												
RETAINER (FLOAT SPRING)	D5TZ 9568-B	2												
GASKET (FUEL LEVEL CHECK PLUG)	*EAA 9569-A	2												
HOUSING & PLUGS ASSY. (GOVERNOR)	D8PZ 9B570-C *CM-3092-A	N												
Screw and washer assy. (governor body assy.)- fill. head-No. 12-26 x 1.94"	370551-S (BB-71)	3												
SPRING (ACCELERATOR PUMP LEVER ADJUSTING)	C4TZ 9571-A	N												
	*B7A 9571-A	N												
PIN (GOVERNOR SPRING)	C0TE 9B574-A	N												
Nut (governor lever)-hex.-No. 10-32	34079-S7 (M-163)	N												
Lockwasher-No. 10	34803-S7 (X-60)	N												
LEVER ASSY. (GOVERNOR THROTTLE)	C0TE 9B575-A	N												
BALL (SECONDARY THROTTLE DIAPHRAGM CHECK)-.156" diameter	EAA 9576-A	N												
NOZZLE ASSY. (PUMP DISCHARGE)	E5PZ 9577-B	N												

NOTICE: When the parts list suffix is shown in the quantity required column, the quantity is one (1).

DESCRIPTION/RESTRICTIONS	PART NUMBER	CARB. PARTS LISTS 2N THRU 2Z													
		N	P	Q	R	S	T	U	V	W	X	Y	Z		
SPRING (FAST IDLE ADJUSTING SCREW)- 4 1/2 coils-.20" I.D.-.58" long	B8A 9578-B *CM-609	N													
SPRING (IDLE ADJUSTING NEEDLE)- Secondary	D9PZ 9578-A *CM-3213	2													
	E0PZ 9578-A *CM-3363	2													
GASKET (DISCHARGE PUMP NOZZLE)	D9PZ 9580-A *CG-568	2													
LEVER & SHAFT ASSY. (THROTTLE)	E5PZ 9581-C *CM-4472	N													
LEVER (SECONDARY THROTTLE DIAPHRAGM)	B8A 9583-C	N													
Screw (adjusting secondary throttle diaphragm assy.-No. 8-32 x 3/8"	359749-S(UU-17)	N													
DRIVER (THROTTLE SHAFT)	D8PZ 9584-A *CM-3029	N													
SCREW (THROTTLE SHAFT DRIVE) No. 12-28 x .36	D8PZ 9584-B *CM-3030	N													
SCREW Choke plate oval head-No. 6-32 x .31"	9586 B9A 9586-A *CM-531	2													
SPRING (FAST IDLE CAM PLUNGER)- 59" long-3 coils-15" O.D.	★ 78 9587	N													
GASKET (economizer valve)	B7AZ 9A588-A	N													
GASKET (FLOAT BOWL SCREW)	B7A 9592-A	8													
BRACKET ASSY. (CHOKE CONTROL)	C9HZ 9595-A *CM-1026	N													
Screw and washer assy. (throttle wire bracket)- fill head No. 8-32 x 3/8"	43248-S8(U-72)	2													
CAM ASSY. (FAST IDLE)	E5PZ 9597-C *CM-4412	N													
ROD (CHOKE CONTROL)	B8TZ 9A599-A 9609	N													
"O" RING Fuel valve seat	★ B6A 9609-A	2													
SPACER (SECONDARY THROTTLE CONTROL)	B7T 9614-A	N													
SPACER	D8PZ 9614-A *CM-3032	N													
SPRING (ACCELERATOR PUMP DIAPHRAGM RETURN)	★ B7A 9636-B	N													
STUD (AIR CLEANER TO CARBURETOR)- 3/8"-16 male x 7/16"-14 female	D2HZ 9A659-B	N													
GASKET (SECONDARY DIAPHRAGM HOUSING)	9853 B7A 9853-D	N													
Governor body	★ C2TZ 9853-A	N													
SEAL (GOVERNOR BODY TO THROTTLE BODY)-1/4" x .89" O.D. x .67" I.D.	B7T 9948-A	N													
JET (GOVERNOR BY-PASS)	9973														
Plug	★ B6T 9973-D	N													
SPRING (GOVERNOR)	9980														
	C1TZ 9980-A	N													
COVER (GOVERNOR BODY)	9981														
	E5PZ 9981-A *CM-4514	N													
Screw and lockwasher assy. (cover to governor housing)-fill. head-drilled-No. 8-32 x 5/8"	357136-S(BB-56)	2													
Screw and washer assy. (cover to governor housing)-fill. head-drilled-No. 8-32 x 44"	373625-S7(BB-84)	2													
GASKET (GOVERNOR COVER)	C2TZ 9982-A	N													

1980/  
8 cyl.-7.8L (477 C.I.D.), 8.8L (534 C.I.D.) TRUCK SERIES 600/900

DESCRIPTION/RESTRICTIONS	PART NUMBER	CARB. PARTS LISTS 3A THRU 3M												
		A	B	C	D	E	F	G	H	J	K	L	M	
GASKET SET-refer to carburetor identification chart- Section 95	9502													
TUNE UP KIT-refer to carburetor identification chart- Section 95	9A586													
Screw & washer assy. (throttle body and shaft assy. to main body)-fillister head-No. 12- 24 x 13/16"	359736-S2(BB-67)	7												
Nut-5/16"-24 hex	351089-S8 (MM-20)	A												
Lockwasher-3/8"	34807-S8 (X-66)	A												
Retainer (shaft)-11/32"	354331-S8 (XX-324-D)	A												
Screw (fuel pump cover)-no. 8-32 x 3/8"	43248-S8 (U-72)	4												
Screw (back-up plate assy.)		A												
Screw (shaft housing)-1/4"-20 x 7/8"	370519-S (BB-125)	A												
GASKET (FUEL INLET FITTING)	9229													
	D1ZZ 9229-A	A												
"O" RING (FLOAT BOWL TUBE CONNECTOR SEAL)	B5A 9229-A	2												
	D4PZ 9229-A	2												
LIMITER (IDLE ADJUSTING NEEDLE)	C80Z 9J500-A *CM-942	2												
Screw and washer assy. (secondary diaphragm housing assy.)-No. 8-32 x 1"	43407-S8(U-76)	3												
HOUSING ASSY. (SECONDARY THROTTLE DIAPHRAGM)	D9PZ 9501-B *CM-4341	A												
TUBE (ACCELERATOR PUMP TRANSFER)	D5TZ 9A501-B *CM-2222	A												
SEAL (CHOKE ROD)	C1AE 9B501-A	A												
DIAPHRAGM ASSY. (SECONDARY THROTTLE)	9503													
	B8A 9503-A *CM-5	A												
Modulator-Throttle	D8PZ 9503-A *CM-3011	A												
DIAPHRAGM ASSY. (GOVERNOR)	D8PZ 9503-B *CM-3060	A												
PIN (FAST IDLE)	D9PZ 9B503-C *CM-3225	A												
GUIDE (FAST IDLE PIN)-Tag Code D9HE-CA	D9PZ 9B503-B *CM-3226	A												
Screw (fast idle pin adjusting)-nylon pellet No. 6-32 x .38"	370552-S8(BB-530)	A												
Washer (diaphragm link to lever-"C" retainer)	351825-S(XX-9)	2												
SPRING (SECONDARY THROTTLE DIAPHRAGM RETURN)	9B504													
	B8TZ 9B504-A *CM-878	A												
ROD (THROTTLE CONNECTING)	B7TZ 9C504-A	A												
Retainer (rod to shaft)-spring 7/16"	353610-S8(NN-126)	A												
Washer (throttle control rod)-1/8" flat	★ 353854-S8	A												
HOUSING ASSY. (THROTTLE OPERATING SHAFT)	D6PZ 9B505-A *CM-2564	A												
PLATE (THROTTLE BACK-UP)	D8PZ 9B505-A *CM-3012	A												
HOUSING & BUSHING (THROTTLE OPERATING SHAFT)	D8PZ 9B505-D *CM-3064	A												
Screw and lockwasher assy. (throttle operating shaft hsg. assy.)-1/4"-20 x 1 11/16" fillister head	370554-S8(BB-69)	2												

1980/  
TRUCK SERIES 600/900

8 cyl.-7.8L (477 C.I.D.), 8.8L (534 C.I.D.)

DESCRIPTION/RESTRICTIONS	PART NUMBER	CARB. PARTS LISTS 3A THRU 3M												
		A	B	C	D	E	F	G	H	J	K	L	M	
LEVER (ACCELERATOR PUMP OPERATING)	D6PZ 9A506-A *CM-2571	A												
Screw (pump lever adjusting)-No. 10-32 x 1/2" hex. hd. slotted	370050-S2(BB-537)	A												
Nut (pump lever adjusting screw)-hex. lock-No. 10-32	373235-S7 (MM-169)	A												
Screw and lockwasher assy. (second throttle diaphragm cover)-No. 8-32 x 5/8" fillister hd.	43255-S8(U-74)	4												
COVER & TUBE ASSY. (SECONDARY DIAPHRAGM)	D8PZ 9507-C *CM-3066	A												
HOUSING & SEAT ASSY. (SECONDARY DIAPHRAGM)	D8PZ 9507-D *CM-3067	A												
SOLENOID & COVER ASSY. (ELEC. GOVERNOR)	D8PZ 9507-E *CM-3068	A												
BOWL and PLUGS ASSY. (FLOAT)-primary	9A507 D9PZ 9A507-D *CM-3216	A												
Screw (fuel bowl and plugs assy. to main body)-No. 12-24 x 2 9/16"	359747-S2(BB-809)	4												
BOWL and PLUGS ASSY. (FLOAT)- secondary	9A508 D9PZ 9A508-B *CM-3215	A												
Screw (fuel bowl and plugs assy. to carb. main body)-No. 12-24 x 2 9/16"	359747-S2(BB-809)	4												
LEVER & SWIVAL ASSY. (PICK-UP)	D8PZ 9B509-B *CM-3015	A												
BODY and PLUGS ASSY. (MAIN METERING PRIMARY)	9A511 ★ D9PZ 9A511-E *CM-3271	A												
#9411 Tag code D9HE-CA	★ D9PZ 9A511-F *CM-3272	A												
BODY and PLUGS ASSY. (MAIN METERING SECONDARY)	9A513 D8PZ 9A513-B D8PZ 9A513-C *CM-3008	A												
Tag code D9HE-CA		A												
Tag code D9HE-EA		A												
SPRING (CHOKE LEVER)-color ident. red	CITE 9C513-A	A												
LEVER and SWIVEL ASSY. (CHOKE)	★ B7TZ 9A514-C	A												
Nut-No. 8-36	355829-S7(MM-15)	A												
GASKET (THROTTLE BODY TO MAIN BODY)	9516 D8PZ 9516-D *CG-527	A												
VALVE (ACCELERATOR PUMP DISCHARGE NEEDLE)-5/32" diameter-1/2" long	B9TE 9A516-A *CM-22	A												
BAFFLE (FUEL BOWL)-primary	C9HZ 9A517-B *CM-1018	A												
Secondary	C9HZ 9A517-A *CM-1017	A												
HOUSING ASSY. (THROTTLE SHAFT)	9518 D9PZ 9518-D *CM-3269	A												

NOTICE: When the parts list suffix is shown in the quantity required column, the quantity is one (1).

1980/  
 8 cyl.-7.8L (477 C.I.D.), 8.8L (534 C.I.D.) **TRUCK SERIES 600/900**

SECTION 95.3 3  
 HOLLEY 4/B CARB.

DESCRIPTION/RESTRICTIONS	PART NUMBER	CARB. PARTS LISTS 3A THRU 3M											
		A	B	C	D	E	F	G	H	J	K	L	M
GASKET (MAIN METERING BODY)	9A518												
Secondary	D9PZ 9A518-C *CG-584	2											
SPRING (FLOAT)	B9TE 9A519-B	2											
FITTING	9A520												
Fuel inlet	★ D6PZ 9A520-A *CM-2569	A											
GASKET	9A522												
Valve seat lock screw	D9PZ 9A522-B *CG-566	2											
Valve seat adjusting nut	B9TE 9A522-B	2											
LINK (MODULATOR)	D8PZ 9E524-D *CM-3018	A											
CAM (ACCELERATOR PUMP DIAPHRAGM OPERATING)	9526												
	D6PZ 9526-A *CM-2570	A											
COVER KIT (ACCELERATOR PUMP)	D2AZ 9528-B *CM-461-A	A											
JET (MAIN METERING PRIMARY)	9533												
No. 682	D5TZ 9533-B *CJ-264	2											
JET (MAIN METERING SECONDARY)	9533												
No. 682	D5TZ 9533-B *CJ-264	2											
JET (GOVERNOR BY-PASS)	D8PZ 9533-P *CJ-326	A											
No. 24													
TUBE (FLOAT BOWL CONNECTING)	B7A 9534-A	A											
SCREW (FAST IDLE ADJUSTING)	C9HZ 9B538-A	A											
No. 10-32 x 1 11/64" fillister head													
NEEDLE (IDLE ADJUSTING)	C9HZ 9541-A *CM-1022	2											
PLATE (BACKFIRE RELIEF)	★ B8QH 9543-A	A											
PLATE (CHOKE)	B8TZ 9545-B *CM-850	A											
Screw (choke plate)-No. 6-32 x 5/16"	353851-S (BB-620)	2											
SHAFT and LEVER ASSY. (CHOKE)	B8QH 9546-A ★ EOPZ 9546-A *CM-3340	A A											
FLOAT ASSY.	9550												
Secondary	C1AE 9550-C	2											
RETAINER (float)	351826-S (XX-2)	2											
BAFFLE (METERING BODY VENT)	B8A 9553-C	A											
DIAPHRAGM ASSY. (ACCELERATOR PUMP)	9B559												
	D6PZ 9B559-A *CM-193-A	A											
SPRING (THROTTLE SAFETY)	★ D8PZ 9560-B *CM-3021	A											
GASKET (FLOAT BOWL)	9561												
Secondary	D9PZ 9561-B *CG-585	2											

1980/  
TRUCK SERIES 600/900

8 cyl.-7.8L (477 C.I.D.), 8.8L (534 C.I.D.)

DESCRIPTION/RESTRICTIONS	PART NUMBER	CARB. PARTS LISTS 3A THRU 3M																		
		A	B	C	D	E	F	G	H	J	K	L	M							
PLUG (FUEL LEVEL CHECK)-slotted head- 5/16"-24 x 1/4"	B7T 9562-A	2																		
VALVE and SEAT ASSY. (FUEL INLET)	9564																			
	E6PZ 9564-B	2																		
	*CV-118-A																			
Nut (fuel valve adjusting)-5/16" x 3/8"	372426-S8B(MM-168)	2																		
Screw (fuel valve seat lock)-round head - 1/4"-32 x 21/64"	373246-S(BB-660)	2																		
VALVE ASSY. (FUEL ENRICHMENT) #12	9A565																			
	D7PZ 9A565-A	A																		
	*CE-123																			
SEAL (CAM SHAFT)	D8PZ 9B567-D	A																		
	*CG-534																			
RETAINER-pump operating lever Choke rod lever	B2A 9568-B	A																		
Washer	★ D1FZ 9568-A	A																		
Lockwasher	D4ZZ 9568-A	A																		
Lockwasher	D8PZ 9568-A	A																		
	*CM-3022																			
GASKET (FUEL LEVEL CHECK PLUG)- 5/16" I.D. x 1/2" O.D. x 1/32" thick	★ EAA 9569-A	2																		
HOUSING & PLUGS ASSY. (GOVERNOR)	D8PZ 9B570-C	A																		
	*CM-3092-A																			
Screw and washer assy. (Governor body assy.)- Fill. head-No. 12-26 x 1.94"	370551-S8 (BB-71)	3																		
SPRING (ACCELERATOR PUMP LEVEL ADJUSTING)	C4TZ 9571-A	A																		
PIN (GOVERNOR SPRING)	C0TE 9B574-A	A																		
LEVER ASSY. (CATCH)	★ D8PZ 9B575-A	A																		
	*CM-3024																			
LEVER & WHEEL ASSY. (TRIP)	★ D8PZ 9B575-B	A																		
	*CM-3025																			
LEVER ASSY. (GOVERNOR DIAPHRAGM)	★ D8PZ 9B575-C	A																		
	*CM-3026																			
LEVER ASSY. (THROTTLE GOVERNOR)	C0TE 9B575-A	A																		
Nut (governor lever) - hex.-No. 10-32	34079-S7(M-163)	A																		
Lockwasher - No. 10	34803-S7(X-60)	A																		
BALL-secondary throttle diaphragm check- 5/32" diameter-use with B9TZ 9501-A hsg.	EAA 9576-A	A																		
NOZZLE KIT (PUMP DISCHARGE)	D9PZ 9577-C	A																		
SCREW (PUMP DISCHARGE NOZZLE)	D9PZ 9577-B	A																		
	*CM-3234																			
SPRING-fast idle adjusting screw-4 1/2" coils-3/16" I.D. x 9/16" long	B8A 9578-B	A																		
	*CM-609																			
GASKET (DISCHARGE PUMP NOZZLE)	D9PZ 9580-A	2																		
	*CG-568																			
LEVER & SHAFT ASSY. (THROTTLE)	★ D8PZ 9581-C	A																		
	*CM-3027																			
OPERATING LEVER and SHAFT ASSY. (THROTTLE)	★ D8PZ 9581-G	A																		
	*CM-3095																			

NOTICE: When the parts list suffix is shown in the quantity required column, the quantity is one (1).

1980/  
 8 cyl.-7.8L (477 C.I.D.), 8.8L (534 C.I.D.) **TRUCK SERIES 600/900**

SECTION 95.3 5  
 HOLLEY 4/B CARB.

DESCRIPTION/RESTRICTIONS	PART NUMBER	CARB. PARTS LISTS 3A THRU 3M												
		A	B	C	D	E	F	G	H	J	K	L	M	
SCREW (THROTTLE LEVER)	★ D8PZ 9581-D *CM-3028	A												
BUSHING (THROTTLE RETURN SPRING)	★ D7PZ 9F581-A *CM-2648	A												
DRIVER (THROTTLE SHAFT)	D8PZ 9584-A *CM-3029	A												
SCREW (THROTTLE SHAFT DRIVER)	D8PZ 9584-B *CM-3030	A												
SPRING (FAST IDLE CAM PLUNGER) 19/32" long-8 coils-5/32" O.D.	★ 78 9587	A												
GASKET-power body	B7AZ 9A588-A	A												
GASKET (FLOAT BOWL SCREW)	B7A 9592-A	8												
Screw (secondary throttle diaphragm operating lever adjust.)-No. 8-32 x 3/8" -set	359749-S(UU-17)	A												
STEM (BACKFIRE RELIEF PLATE VALVE)	B8QH 9593-A	2												
Screw and washer assy. (bracket throttle wire)-fillister head-No. 8-32 x 3/8"	43248-S8(U-72)	2												
BRACKET (THROTTLE PICK-UP LEVER)	★ D8PZ 9595-A *CM-3031	A												
CAM ASSY. (FAST IDLE)	9597													
Retainer (fast idle cam and shaft assy.)- snap ring	B8Q 9597-A 370553-S7(XX-3)	A												
ROD (CHOKE CONTROL)	B8TZ 9A599-A	A												
Retainer (choke rod to choke)	353610-S8(NN-126)	A												
"O" RING (FUEL VALVE SEAT)	★ B6A 9609-A	2												
SPACER (THROTTLE CONNECTING ROD)	B7T 9614-A	A												
Spacer	D8PZ 9614-A *CM-3032	A												
SEAL (IDLE ADJUSTING NEEDLE)	B7A 9634-A	2												
SPRING (ACCELERATOR PUMP DIAPHRAGM RETURN)	★ B7A 9636-B	A												
STUD (AIR CLEANER TO CARBURETOR RETAINING)-3/8"-16 male thread x 7/16"-14 female thread x 3 1/4" long	D2HZ 9A659-B	A												
Screw (bracket clamp)-No. 8-32 x 1/2" fill. hd.	31061-S8(U-50)	2												
Nut-No. 8-32 SQUARE	34126-S8B(17-146)	2												
GASKET	9853													
Secondary diaphragm housing	B7A 9853-B	A												
Governor body	★ C2TZ 9853-A	A												
COVER (BACKFIRE RELIEF VALVE SPRING)	B8QH 9928-A	2												
SCREEN (FUEL FILTER)	B8A 9938-A *CM-378	A												
SEAL (GOVERNOR BODY TO THROTTLE BODY)	B7T 9948-A	A												
PLUG (GOVERNOR BY-PASS)	★ B6T 9973-D	A												
SPRING (BACKFIRE RELIEF PLATE)	B8QH 9976-A	2												
SPRING (GOVERNOR)	★ B7T 9980-A	A												
COVER (GOVERNOR BODY)	★ D5TZ 9981-A *CM-2221	A												
Screw & washer assy. (cover to governor housing) - fill. head-drilled - No. 8-32 x 1/2"	373625-S7(BB-84)	2												
Screw & lockwasher assy. (cover to governor housing) - fill. head-drilled No. 8-32 x 5/8"	357136-S(BB-56)	2												
GASKET (GOVERNOR COVER)	C2TZ 9982-A	A												
SEAL (WIRE)	★ 8EQ 9989	2												
WIRE (SEAL)	★ 8EQ 9990	2												



# 1980/ TRUCK SERIES 600/900

## CARBURETOR KIT COMPONENTS

Instructions for identifying Carburetor Assemblies and their related Parts List Numbers are shown at the beginning of Section 95.

For ready reference, kit part numbers are shown in the carburetor identification chart-Section 95.

Included in Section 95A is a listing of components for each kit.

Parts Lists for new kits will be added at the end of this section, irrespective of part number.

Always refer to the following Index for page numbers on which components are listed.

### INDEX

PART NUMBER	PAGE	PART NUMBER	PAGE
<b>GASKET SETS-GROUP 9502</b>			
D8PZ 9502-GB	2	E2PZ 9502-E	4
D8PZ 9502-HB	2	E3PZ 9502-E	5
E0PZ 9502-H	6	E3PZ 9502-F	5
		E5PZ 9502-E	7
<b>TUNE-UP KITS-GROUP 9A586</b>			
D9PZ 9A586-AB	1	E2PZ 9A586-DB	5
D9PZ 9A586-AC	2	E2PZ 9A586-DC	6
D9PZ 9A586-AD	2	E2PZ 9A586-E	4
D8PZ 9A586-LB	3	E2PZ 9A586-G	4
D8PZ 9A586-LC	3	E3PZ 9A586-F	5
E1PZ 9A586-AA	6	E3PZ 9A586-FA	7
E2PZ 9A586-D	3	E5PZ 9A586-F	7
		E5PZ 9A586-J	7

QTY.	PART NUMBER	DESCRIPTION	QTY.	PART NUMBER	DESCRIPTION
	★ D9PZ 9A586-AB	R/b E2PZ 9A586-E		★ D9PZ 9A586-AB	R/b E2PZ 9A586-E — Cont'd
	*CT-1276			*CT-1276	
Consists of			Consists of		
2	D9PZ 9J500-A	Cap (Idle Limiter)	1	D9PZ 9516-A	Gasket (Throttle Body)
1	D6PZ 9A565-A	Valve Assembly (Power (2 Stage))	1	D9PZ 9561-A	Gasket (Primary Fuel Bowl)
2	EAA 9569-A	Gasket (Sight Plug)	1	D9PZ 9A518-B	Gasket (Primary Metering Body)
2	EAD 99502-A	"O" Ring (Fuel Line Tube)	2	D9PZ 9580-A	Gasket (Pump Nozzle)
1	EDB 9853-B	Gasket (Secondary Diaph. Housing)	1	D9TE 9C477-BC	Gasket (Flange Insulator)
1		Gasket (Inlet Filter)	2	C4PF 9564-A	Assembly (Inlet Needle & Seat)
1	ECR 99187-A	Seal (Governor Body)	1	353610-S5	Retainer (Choke Rod)
1	355262-S	Gasket (Throttle Body Screw)	2	351826-S	Retainer (Float)
1	C2TZ 9853-A	Gasket (Governor Body)	2	97407-S2	Retainer (Diaphragm Link)
1	C2TZ 9982-A	Gasket (Governor Cover)	1	EDJ 9503-A	Diaphragm Assembly (Secondary)
8	EDB 99885-A	Gasket (Fuel Bowl Screw)	1	D6PZ 9B559-A	Diaphragm Assembly (Pump)
1	D1ZE 9C308-AA	Gasket (Inlet Filter Nut)	1	D8PZ 9503-B	Diaphragm Assembly (Governor)
1	D9PZ 9A518-A	Gasket (Sec. Metering Plate)	2	8EQ 9990	Safety Wire (Governor)
2	D4PE 99502-AA	"O" Ring (Pump Transfer Tube)	1	EAA 9576-A	Ball (Secondary Diaph. Check)
1	D3AF 9A588-A	Gasket (Power Valve)	2	8EQ 9989	Safety Seal (Governor)
1	D0PF 9A518-A	Gasket (Sec. Metering Body)	1		Instruction Sheet

**1980/  
TRUCK SERIES 600/900**

QTY.	PART NUMBER	DESCRIPTION	QTY.	PART NUMBER	DESCRIPTION
★	D9PZ 9A586-AC *CT-1277	R/b E2PZ 9A586-D	★	D8PZ 9502-GB *CG-574-A	R/b E3PZ 9502-F
Consists of			Consists of		
2	D9PZ 9J500-A	Cap (Idle Limiter)	1		Gasket (Sight Plug)
1	D7PZ 9A565-A	Valve Assembly (Power (2 Stage))	1		Gasket (Fuel Valve Seat Nut)
2	EAA 9569-A	Gasket (Sight Plug)	1		Gasket (Fuel Valve Seat Lock Nut)
2	EAD 99502-A	"O" Ring (Fuel Line Tube)	1		Seal (Governor Housing)
1	EDB 9853-B	Gasket (Secondary Diaph. Housing)	2		Gasket (Pump Discharge Nozzle)
1		Gasket (Inlet Filter)	1		Gasket (Fuel Inlet Fitting)
1	ECR 99187-A	Seal (Governor Body)	1		Gasket (Governor Mounting)
2	B7AE 9580-A	Gasket (Pump Nozzle)	1		Gasket (Governor Cover)
1	355262-S	Gasket (Throttle Body Screw)	4		Gasket (Fuel Bowl Screw)
1	C2TZ 9853-A	Gasket (Governor Body)	2		"O"-Ring (Pump Transfer Tube)
1	C2TZ 9982-A	Gasket (Governor Cover)	1		Gasket (Flange)
8	EDB 99885-A	Gasket (Fuel Bowl Screw)	1		Gasket (Enrichment Valve)
1	D1ZE 9C308-AA	Gasket (Inlet Filter Nut)	1		Gasket (Flange Insulator)
1	D9PZ 9A518-A	Gasket (Sec. Metering Plate)	1		Gasket (ECS Valve Housing)
2	D4PE 99502-AA	"O" Ring (Pump Transfer Tube)	1		Seal (ECS Valve)
1	D3AF 9A588-A	Gasket (Power Valve)	1		Gasket (Throttle Body)
1	D0PF 9A518-A	Gasket (Sec. Metering Body)	1		Gasket (Fuel Bowl)
1	D9PZ 9516-A	Gasket (Throttle Body)	1		Gasket (Metering Body)
1	D9PZ 9561-A	Gasket (Primary Fuel Bowl)	1		Gasket (Metering Body)
1	D9PZ 9A518-B	Gasket (Primary Metering Body)	1		Gasket (Fuel Bowl)
1	D9TE 9C477-BC	Gasket (Flange Insulator)	1		Retainer (Float)
2	C4PF 9564-A	Assembly (Inlet Needle & Seat)	1		Retainer (Governor Diaphragm Link)
1	353610-S5	Retainer (Choke Rod)	1		Retainer (ECS Seal)
2	351826-S	Retainer (Float)	2		Wire (Safety)
2	97407-S2	Retainer (Diaphragm Link)	2		Seal (Safety Wire)
1	EDJ 9503-A	Diaphragm Assembly (Secondary)	2		Screw (Choke Plate)
1	D6PZ 9B559-A	Diaphragm Assembly (Pump)	1		Instruction Sheet
1	D8PZ 9503-B	Diaphragm Assembly (Governor)	<b>D8PZ 9502-HB)</b>		
2	8EQ 9990	Safety Wire (Governor)	*CG-575-A)		
1	EAA 9576-A	Ball (Secondary Diaph. Check)	Consists of		
2	8EQ 9989	Safety Seal (Governor)	2		Gasket (Sight Plug)
1		Instruction Sheet	2		"O"-Ring (Fuel Connector Tube)
★	D9PZ 9A586-AD *CT-1278	R/b E2PZ 9A586-G	4		"O"-Ring (Fuel Valve Seat)
Consists of			1		Gasket (Secondary Diaphragm Housing)
2	D6PE 9J500-A	Cap (Idle Limiter)	2		Seal (Idle Adjusting Needle)
1	D7PZ 9A565-A	Assembly (Enrichment Valve)	2		Gasket (Fuel Valve Seat Nut)
1	EAA 9569-A	Gasket (Sight Plug)	2		Gasket (Fuel Valve Seat Locknut)
1		Gasket (Fuel Filter)	1		Seal (Governor Housing)
1	ECR 99187-A	Seal (Governor Housing)	2		Gasket (Pump Discharge Nozzle)
2	B7AE 9580-A	Gasket (Pump Discharge Nozzle)	1		Gasket (Fuel Inlet Fitting)
1	C2TZ 9853-A	Gasket (Governor Mounting)	1		Gasket (Throttle Body Screw)
1	C2TZ 9982-A	Gasket (Governor Cover)	1		Gasket (Governor Mounting)
4	EDB 99885-A	Gasket (Fuel Bowl Screw)	1		Gasket (Governor Cover)
1	D1ZE 9C308-AA	Gasket (Fuel Inlet Fitting)	8		Gasket (Fuel Bowl Screw)
2	D4PE 99502-AA	"O"-Ring (Pump Transfer Tube)	1		Gasket (Fuel Inlet Filter)
1	D4PE 9561-AA	Gasket (Fuel Bowl)	2		"O"-Ring (Pump Transfer Tube)
1	D5PE 9A518-A	Gasket (Metering Body)	1		Gasket (Enrichment Valve)
1	D3AF 9A588-A	Gasket (Enrichment Valve)	1		Gasket (Throttle Body)
1	D8PZ 9516-E	Gasket (Throttle Body)	1		Gasket (ECS Valve Housing)
1	D9TE 9C477-AC	Gasket (Flange Insulator)	1		Gasket (Throttle Body)
1	C4PF 9564-A	Assembly (Needle & Seat)	1		Seal (ECS Valve)
1	351826-S	Retainer (Float)	2		Gasket (Fuel Bowl)
1	97407-S2	Retainer (Gov. Diaph. Link)	2		Gasket (Metering Body)
1	D6PZ 9B559-A	Diaphragm assembly (Pump)	1		Gasket (Metering Body)
1	D8PZ 9503-B	Diaphragm assembly (Governor)	1		Gasket (Fuel Bowl)
2	8EQ 9990	Wire (Safety)	2		Wire (Safety)
2	8EQ 9989	Seal (Safety Wire)	2		Seal (Safety Wires)
1		Instruction Sheet Service	2		Screw (Choke Plate)
			1		Instruction Sheet

**1980/  
TRUCK SERIES 600/900**

QTY.	PART NUMBER	DESCRIPTION	QTY.	PART NUMBER	DESCRIPTION
	★ D8PZ 9A586-LB *CT-1229-A	R/b D8PZ 9A586-LC		D8PZ 9A586-LC *CT-1229-B	— Cont'd
Consists of			Consists of		
2		Cap (Idle Limiter)	1		Spacer (carb. to manifold (D6HE-9A589-BA)
1		Assembly (Enrichment Valve (2 Stage))	2		Gasket (fuel bowl)
2		Gasket (Sight Plug)	2		Gasket (metering body)
2		"O"-Ring (Fuel Connector Tube)	2		Assembly (needle & seat)
1		Gasket (Secondary Diaphragm Housing)	1		Retainer (choke rod)
2		Seal (Idle Adjusting Needle)	2		Retainer (float)
1		Seal (Governor Housing)	2		Retainer (sec. & gov. diaphragm link)
2		Gasket (Pump Discharge Nozzle)	1		Diaphragm assembly (secondary)
1		Gasket (Throttle Body Screw)	1		Diaphragm assembly (pump)
1		Gasket (Governor Mounting)	1		Diaphragm assembly (governor)
1		Gasket (Governor Cover)	2		Wire (safety)
8		Gasket (Fuel Bowl Screw)	1		Check ball (secondary diaphragm)
1		Gasket (Fuel Inlet Filter)	2		Seal (safety wire)
2		"O"-Ring (Pump Transfer Tube)	1		Instruction sheet (service)
1		Gasket (Enrichment Valve)	1		Nozzle (pump discharge)
1		Gasket (ECS Valve Housing)	2		Screw (chokeplate)
1		Gasket (Throttle Body)		★ E2PZ 9A586-D *CT-1277-A	R/b E2PZ 9A586-DB
1		Seal (ECS Valve)	Consists of		
1		Spacer (Carb. To Manifold)	2		Cap (idle limiter)
1		Gasket (Fuel Bowl)	1		Valve Assembly (power (2 stage)
1		Gasket (Metering Body)	2		Gasket (sight plug)
1		Gasket (Metering Body)	2		"O"-Ring (fuel line tube)
1		Gasket (Fuel Bowl)	1		Gasket (secondary diaph. housing)
2		Assembly (Needle & Seat)	1		Gasket (inlet filter)
1		Retainer (Choke Rod)	1		Seal (governor body)
2		Retainer (Float)	2		Gasket (pump nozzle)
2		Retainer (Sec. & Gov. Diaphragm Link)	1		Gasket (throttle body screw)
1		Retainer (ECS Seal)	1		Gasket (governor body)
1		Diaphragm Assembly (Secondary)	1		Gasket (governor cover)
1		Diaphragm Assembly (Pump)	8		Gasket (fuel bowl screw)
1		Diaphragm Assembly (ECS)	1		Gasket (inlet filter nut)
1		Diaphragm Assembly (Governor)	1		Gasket (sec. metering plate)
2		Wire (Safety)	2		"O"-Ring (pump transfer tube)
1		Check Ball (Secondary Diaphragm)	1		Gasket (power valve)
2		Seal (Safety Wire)	1		Gasket (throttle body)
1		Instruction Sheet (Service)	1		Gasket (primary fuel bowl)
1		Nozzle (Pump Discharge)	1		Gasket (primary metering body)
2		Screw (Chokeplate)	1		Gasket (flange insulator)
	★ D8PZ 9A586-LC *CT-1229-B	R/b E1PZ 9A586-AA	1		Gasket (sec. metering body)
Consists of			2		Assembly (inlet needle & seat)
2		Cap (idle limiter)	2		Screw (choke plate)
1		Assembly (enrichment valve) (2 stage)	1		Nozzle (pump discharge)
2		Gasket (sight plug)	1		Retainer (choke rod)
2		"O"-Ring (fuel connector tube)	2		Retainer (float)
1		Gasket (secondary diaphragm housing)	2		Retainer (diaphragm link)
2		Seal (idle adjusting needle)	1		Diaphragm Assembly (secondary)
1		Seal (governor housing)	1		Diaphragm Assembly (pump)
2		Gasket (pump discharge nozzle)	1		Diaphragm Assembly (governor)
1		Gasket (throttle body screw)	2		Safety Wire (governor)
1		Gasket (governor mounting)	1		Ball (secondary diaph. check)
1		Gasket (governor cover)	2		Safety Seal (governor)
8		Gasket (fuel bowl screw)	1		Instruction sheet
1		Gasket (fuel inlet filter)	2		Primary "O"-Ring
2		"O"-Ring (pump transfer tube)	2		Primary Plug
1		Gasket (enrichment valve)	2		Secondary Plug
1		Gasket (throttle body)			

**1980/  
TRUCK SERIES 600/900**

QTY.	PART NUMBER	DESCRIPTION	QTY.	PART NUMBER	DESCRIPTION
	★ E2PZ 9A586-E	R/b E2PZ 9A586-DB		E2PZ 9502E	— Cont'd
	*CT-1276-A			*CG-597-A	
Consists of			Consists of		
2		Cap (idle limiter)	8	EDB 99885-A	Gasket (fuel bowl screw)
1		Valve Assembly (power (2 stage)	1	D1ZE 9C308-AA	Gasket (inlet filter nut)
2		Gasket (sight plug)	1	D9PZ 9A518-A	Gasket (sec. met. plate (4180 EG & C)
2		``O''-Ring (fuel line tube)	4	D4PE 99502-AA	``O'' ring (pump tube & idler needle)
1		Gasket (secondary diaphragm housing)	1	D3AF 9A588-A	Gasket (power valve)
1		Gasket (inlet filter)	1	D9PZ 9516-A	Gasket (throttle body)
1		Seal (governor body)	1	D9TE 9C477-BC	Gasket (flange insulator)
1		Gasket (throttle body screw)	1		Gasket (sec. met. body (4180 EG & C)
1		Gasket (governor body)	1	D9PZ 9A518-C	Gasket (sec. met. body (4190 EG)
1		Gasket (governor cover)	1	D9PZ 9561-B	Gasket (secondary fuel bowl (4190 EG))
8		Gasket (fuel bowl screw)	1		Gasket (primary metering body)
1		Gasket (inlet filter nut)	1		Gasket (primary fuel bowl)
1		Gasket (sec. metering plate)	2	40-9586	Screw (choke plate)
2		``O''-Ring (pump transfer tube)	1	353610-S5	Retainer (choke rod)
1		Gasket (power valve)	2	351826-S	Retainer (diaphragm link)
1		Gasket (throttle body)	1		Instruction sheet
1		Gasket (primary fuel bowl)		★ E2PZ 9A586-G	R/b E3PZ 9A586-F
1		Gasket (primary metering body)		*CT-1278-A	
2		Gasket (pump nozzle)	Consists of		
1		Gasket (flange insulator)	2		Cap (idle limiter)
1		Gasket (sec. metering body)	1		Assembly (enrichment valve)
2		Assembly (inlet needle & seat)	1		Gasket (sight plug)
2		Screw (choke plate)	1		Gasket (fuel filter)
1		Nozzle (pump discharge)	1		Seal (governor housing)
1		Retainer (choke rod)	2		Gasket (pump discharge nozzle)
2		Retainer (float)	1		Gasket (governor mounting)
2		Retainer (diaphragm link)	1		Gasket (governor cover)
1		Diaphragm Assembly (secondary)	4		Gasket (fuel bowl screw)
1		Diaphragm Assembly (pump)	1		Gasket (fuel inlet fitting)
1		Diaphragm Assembly (governor)	2		``O''-Ring (pump transfer tube)
2		Safety wire (governor)	1		Gasket (enrichment valve)
1		Ball (secondary diaph. check)	1		Gasket (throttle body)
2		Safety seal (governor)	1		Gasket (flange insulator)
1		Instruction Sheet	1		Gasket (fuel bowl)
2		Primary ``O''-Ring	1		Gasket (metering body)
2		Primary Plug	1		Assembly (needle & seat)
2		Secondary Plug	2		Screw (choke plate)
	★ E2PZ 9502-E	R/b E3PZ 9502-E	1		Nozzle (pump discharge)
	*CG-597-A		1		Retainer (float)
Consists of			1		Retainer (gov. diaph. link)
2		Plug (idle needle (primary)	1		Diaphragm assembly (pump)
2		Plug (idle needle (secondary)	1		Diaphragm assembly (governor)
2	EAA 9569-A	Gasket (sight plug)	2		Wire (safety)
2	EAD 99502-A	``O'' ring (fuel line tube)	2		Seal (safety wire)
2	B6A 9609-A	``O'' ring (needle seat)	1		Instruction Sheet
1	EDB 9853-B	Gasket (secondary diaph. housing)	2		``O''-Ring
1	B7A 9871-B	Gasket (choke cover (4180C))	2		Plug
1		Gasket (inlet filter)			
2	B9TE 9A522-B	Gasket (lock screw-needle seat)			
2	B9TE 9A522-A	Gasket (adj. nut-needle seat)			
1	ECR 99187-A	Seal (governor body)			
2	B7AE 9580-A	Gasket (pump nozzle)			
1	D8PZ 98567-D	Seal (camshaft)			
1	C2TZ 9853-A	Gasket (governor body)			
1	C2TZ 9982-A	Gasket (governor cover)			

**1980/  
TRUCK SERIES 600/900**

QTY.	PART NUMBER	DESCRIPTION	QTY.	PART NUMBER	DESCRIPTION
	<b>E3PZ 9502-E</b>			<b>E2PZ 9A586-DB</b>	
	*CG-597-B			*CT-1376	
Consists of			Consists of		
2		Plug (idle needle (primary))	2	D9PZ 9J500-A	Cap (idler limiter)
2		Plug (idle needle secondary))	2		Plug (idle needle (primary))
2	EAA 9569-A	Gasket (sight plug)	2		Plug (idle needle (secondary))
2	EAD 99502-A	"O" ring (fuel line tube)	1	D7PZ 9A565-A	Valve assembly (power (2 stage))
2	B6A 9609-A	"O" ring (needle seat)	2	EAA 9569-A	Gasket (sight plug)
1	EDB 98953-B	Gasket (secondary diaph. housing)	2	EAD 99502-A	"O" ring (fuel line tube)
1	B7A 9871-B	Gasket (choke cover (4180C))	1	EDB 9853-B	Gasket (secondary diaph. housing)
1		Gasket (inlet filter)	1		Gasket (inlet filter)
2	B9TE 9A522-B	Gasket (lock screw-needle seat)	1	ECR 99187-A	Seal (governor body)
2	B9TE 9A522-A	Gasket (adj. nut-needle seat)	2	B7AE 9580-A	Gasket (pump nozzle)
1	ECR 99187-A	Seal (governor body)	1	D8PZ 98567-D	Seal (camshaft)
2	B7AE 9580-A	Gasket (pump nozzle)	1	C2TZ 9853-A	Gasket (governor body)
1	D8PZ 9B567-D	Seal (camshaft)	1	C2TZ 9982-A	Gasket (governor cover)
1	C2TZ 9853-A	Gasket (governor body)	8	EDB 99885-A	Gasket (fuel bowl screw)
1	C2TZ 9982-A	Gasket (governor cover)	1	D1ZE 9C308-AA	Gasket (inlet filter nut)
8	EDB 99885-A	Gasket (fuel bowl screw)	1	D9PZ 9A518-A	Gasket (sec. met. plate (4180 EG))
1	D1ZE 9C308-AA	Gasket (inlet filter nut)	4	D4PE 99502-AA	"O" ring (pump tube & idle needle)
1	D9PZ 9A518-A	Gasket (sec. met. plate (4180 EG & C))	1	D3AF 9A588-A	Gasket (power valve)
4	D4PE 99502-AA	"O" ring (pump tube & idler needle)	1	D9PZ 9516-A	Gasket (throttle body)
1	D3AF 9A588-A	Gasket (power valve)	1	D9TE 9C477-BC	Gasket (flange insulator)
1	D9PZ 9516-A	Gasket (throttle body)	1		Gasket (sec. met. body (4180 EG))
1	D9TZ 9C477-B	Gasket (flange insulator)	1	D9PZ 9A518-C	Gasket (sec. met. body (4190 EG))
1		Gasket (sec. met. body (4180 EG & C))	1	D9PZ 9561-B	Gasket (sec. fuel bowl (4190 EG))
1	D9PZ 9A518-C	Gasket (sec. met. body (4190 EG))	1		Gasket (primary metering body)
1	D9PZ 9561-B	Gasket (secondary fuel bowl (4190 EG))	1		Gasket (primary fuel bowl)
1		Gasket (primary metering body)	2	C4PF 9564-A	Assembly (inlet needle & seat)
1		Gasket (primary fuel bowl)	2	40-9586	Screw (choke plate)
2	40-9586	Screw (choke plate)	1	B8A 9577-A	Nozzle (pump discharge)
1	353610-S5	Retainer (choke rod)	1		Instruction sheet
2	351826-S	Retainer (diaphragm link)	1	353610-S5	Retainer (choke rod)
1	Instruction sheet		2	351826-S	Retainer (float)
	<b>E3PZ 9502-F</b>		2	97047-S2	Retainer (diaphragm link)
	*CG-574-B		1	EDJ 9503-A	Diaphragm assembly (secondary)
Consists of			1	D6PZ 9B559-A	Diaphragm assembly (pump)
1	EAA 9569-A	Gasket (sight plug)	1	D8PZ 9503-B	Diaphragm assembly (governor)
2	ECZ 99984-A	"O" ring (fuel valve seat inlet)	1	EAA 9576-A	Ball (secondary diaph. check)
1	B9TE 9A522-B	Gasket (fuel valve seat nut)		<b>★ E3PZ 9A586-F</b>	R/b E3PZ 9A586-FA
1	B9TE 9A522-A	Gasket (fuel valve seat lock nut)		*CT-1278-B	
1	ECR 99187-A	Seal (governor housing)	Consists of		
2	B7AE 9580-A	Gasket (pump discharge nozzle)	2	D6PE 9J500-A	Cap (idle limiter)
1	C2AF 9E545-A	Gasket (fuel inlet fitting)	2		Plug (idle needle)
1	C2TZ 9853-A	Gasket (governor mounting)	1	D7PZ 9A565-A	Assembly (enrichment valve)
1	C2TZ 9982-A	Gasket (governor cover)	1	EAA 9569-A	Gasket (sight plug)
4	EDB 99885-A	Gasket (fuel bowl screw)	1		Gasket (fuel filter)
4	D4PE 99502-AA	"O" ring (pump transfer tube & idle needle)	1	ECR 99187-A	seal (governor housing)
1	C3ME 9447-A	Gasket (flange)	2	B7AE 9580-A	Gasket (pump discharge nozzle)
1	D3AF 9A588-A	Gasket (enrichment valve)	1	C2TZ 9853-A	Gasket (governor mounting)
1	D7AE 9C477-AB	Gasket (flange insulator)	1	C2TZ 9982-A	Gasket (governor cover)
1	D9PZ 9A518-D	Gasket (metering body (78) only)	4	EDB 99885-A	Gasket (fuel bowl screw)
1	D9PZ 9561-D	Gasket (fuel bowl)	1	D1ZE 9C308-AA	Gasket (fuel inlet fitting)
1	D8PZ 9516-E	Gasket (throttle body)	4	D4PE 99502-AA	"O" ring (pump tras. tube & idle ndl.)
1		Gasket (ECS valve housing)	1	D3AF 9A588-A	Gasket (enrichment valve)
1		Seal (ECS valve)	1	D9TZ 9C477-A	Gasket (flange insulator)
1		Gasket (metering body)	1	D8PZ 9516-E	Gasket (throttle body)
1		Gasket (fuel bowl)	1		Gasket (Metering body)
2	B9A 9586-A	Screw (choke plate)	1		Gasket (fuel bowl)
1	351826-S	Retainer (float)	1	C4PF 9564-A	Assembly (needle & seat)
1	97407-S	Retainer (governor diaphragm link)	2	40-9586	Screw (choke plate)
1	359735-S	Retainer (ecs-seal)	1	EDC 9577-A	Nozzle (pump discharge)
1		Instruction sheet	1	351826-S	Retainer (float)
			1	97407-S2	Retainer (gov. diaph. link)
			1	D6PZ 9B559-A	Diaph. (assembly, pump)
			1	D8PZ 9503-B	Diaph. (assembly, governor)
			1		Instruction sheet (service)

1980/  
TRUCK SERIES 600/900

QTY.	PART NUMBER	DESCRIPTION	QTY.	PART NUMBER	DESCRIPTION
	EOPZ 9502-H		★ E2PZ 9A586-DC	R/b E5PZ 9A586-J	
	*CG-575-B		*CT-1376-A		
Consists of			Consists of		
2	EAA 9569-A	Gasket (sight plug)	2	D9PZ 9J500-A	Cap (idle limiter)
2	EAD 99502-A	"O" ring (fuel connector tube)	2		Plug (idle needle)
2	ECZ 99984-A	"O" ring (fuel valve seat)	1	D7PZ 9A565-A	Valve Assy. power (2-stage)
1	EDB 9853-B	Gasket (secondary dia. heg.)	2	EAA 9569-A	Gasket (sight plug)
2	EDB 99898-A	Seal (idle adjusting needle)	2	EAD 99502-A	"O" ring (fuel line tube)
2	B9TE 9A522-B	Gasket (fuel valve seat nut)	1	EDB 9853-B	Gasket (sec. diaph. hsg.)
2	B9TE 9A522-A	Gasket (fuel valve seat lock nut)	1		Gasket (inlet filter)
1	ECR 99187-A	Seal (governor housing)	1	ECR 99187-A	Seal (gov. body)
2	B7AE 9580-A	Gasket (pump discharge nozzle)	2	B7AE 9580-A	Gasket (pump nozzle)
1	C2AF 9E545-A	Gasket (fuel inlet fitting)	1	C2TZ 9853-A	Gasket (gov. body)
1	C2TZ 9853-A	Gasket (governor mounting)	1	C2TZ 9982-A	Gasket (gov. cover)
1	C2TZ 9982-A	Gasket (governor cover)	8	EDB 99885-A	Gasket (fuel bowl screw)
8	ED8 99885-A	Gasket (fuel bowl screw)	1	D1ZE 9C308-AA	Gasket (inlet filter nut)
1	D1ZE 9C308-AA	Gasket (fuel inlet filter)	4	D4PE 99502-AA	"O" ring (pump tube & idle needle)
2	D4PE 99502-AA	"O" ring (pump transfer tube)	1	D3AF 9A588-A	Gasket (power valve)
1	D3AF 9A588-A	Gasket (enrichment valve)	1	D9PZ 9516-A	Gasket (throttle body)
1	D5PE 9516-AA	Gasket (throttle body)	1	D9TE 9C477-BC	Gasket (flange insulator)
1	D9PZ 9A518-D	Gasket (metering body)	1	D8PZ 9B567-D	Seal cam shaft (choke)
1	D9PZ 9561-D	Gasket (fuel bowl)	1	D9PZ 9A518-E	Gasket sec. met. body (4180EG)
1		Gasket (ecs valve housing)	1	D9PZ 9A518-C	Gasket sec. met. body (4190EG)
1		Seal (ecs valve)	1	D9PZ 9561-B	Gasket (sec. fuel bowl)
1	D8PZ 9516-D	Gasket (throttle body)	1	D9PZ 9A518-F	Gasket (pri. met. body)
2	D9PZ 9A518-C	Gasket (metering body)	1	D9PZ 9561-C	Gasket (pri. fuel bowl)
2	D9PZ 9561-B	Gasket (fuel bowl)	1	D9PZ 9A518-A	Gasket sec. met. plate (4180EG)
2	B9A 9586-A	Screw (choke plate)	2	D9PZ	9564-B
1		Instruction Sheet	2	40-9586	Screw (choke plate)
★ E1PZ 9A586-AA	R/b E1PZ 9A586-AB		1	88A-9577-A	Nozzle (pump discharge)
*CT-1229-C			1		Sheet (instruction)
Consists of			1	353610-S5	Retainer (choke rod)
2	C80F 9J500-A	Cap (idle limiter)	2	351826-S	Retainer (float)
1	D6PZ 9A565-A	Assy (enrichment valve (2-stage))	2	97047-S2	Retainer (diaph. link)
2	EAA 9569-A	Gasket (sight plug)	1	C1TZ 9503-A	Diaph. (assy. sec.)
2	EAD 99502-A	"O" ring (fuel connector tube)	1	D6PZ 9B559-A	Diaph. (assy. pump)
1	ED8 9853-B	Gasket (sec. diaph. hsg.)	1	D8PZ 9503-B	Diaph. (assy. gov.)
2	EDB 99898-A	Seal (idle adj. needle)	1	FAA 9576-A	Ball (sec. diaph. check)
1	ECR 99187-A	Seal (gov. hsg.)	2	E2PZ 9S500-C	Secondary Idle Needle Plugs
2	B7AE 9580-A	Gasket (pump discharge nozzle)			
1	C2TZ 9853-A	Gasket (gov. mtg.)			
1	C2TZ 9982-A	Gasket (gov. cover)			
8	ED8 9985-A	Gasket (fuel bowl screw)			
1	D1ZE 9C308-AA	Gasket (fuel inlet filter)			
2	D4PE 99502-AA	"O" ring (pump transfer tube)			
1	D3AF 9A588-A	Gasket (enrichment valve)			
1	D8PZ 9516-D	Gasket (throttle body)			
1	D6HE 9A589-BA	Spacer (carb. to manifold)			
2	D9PZ 9A518-C	Gasket (metering body)			
2	D9PZ 9561-B	Gasket (fuel bowl)			
2	D9PZ 9564-B	Assy. (needle & seat)			
1		Instruction Sheet, Service			
1	353610-SB	Retainer (choke rod)			
2	351826-S	Retainer (float)			
2	97407-S	Retainer (sec. & gov. diaph. link)			
1	EDJ 9503-A	Diaph. Assy. (sec.)			
1	D6PZ 9B559-A	Diaph. Assy. (pump)			
1	D8PZ 9503-G	Diaph. Assy. (gov.)			
1	EAA 9576-A	Check Ball (sec. diaph.)			

1980/  
TRUCK SERIES 600/900

QTY.	PART NUMBER	DESCRIPTION	QTY.	PART NUMBER	DESCRIPTION
★	E3PZ 9A586-FA	R/b E3PZ 9A586-FB		E5PZ 9A586-F	— Cont'd
	*CT-1278			*CT-1472	
Consists of			Consists of		
2	D6PZ 9J500-A	Cap (Idle Limiter)	4	EDB 99885-A	Gasket (Fuel Bowl Screw)
2		Plug (Idle Needle)	1	D1ZE 9C308-AA	Gasket (Fuel Inlet Fitting)
1	D7PZ 9A565-A	Assy. (Enrichment Valve)	4	D4PE 99502-AA	"O"-Ring (Pump Tras. Tube & Idle Mdl.)
1	E2PZ 9569-A	Gasket (Sight Plug)	1	D3AF 9A588-A	Gasket (Enrichment Valve)
1		Gasket (Fuel Filter)	1	D9PZ 9A518-F	Gasket (Metering Body)
1	ECR 99187-A	Seal (Governor Hsg.)	1	D9PZ 9561-C	Gasket (Fuel Bowl)
2	B7AE 9580-A	Gasket (Pump Discharge No.)	2	D9PZ 9580-A	Gasket (Pump Nozzle)
1	C2TZ 9853-A	Gasket (Governor Mtg.)	1		Gasket (Throttle Body)
1	C2TZ 9982-A	Gasket (Governor Cover)	1	E5HE 9C477-AA	Gasket (Flange Insulator)
4	EDB 9885-A	Gasket (Fuel Bowl Screw)	1	D9PZ 9564-B	Assy. (Needle & Seat)
1	D1ZE 9C308-AA	Gasket (Fuel Inlet Fitting)	2	40-9586	Screw (Choke Plate)
4	D4PE 99502-AA	"O"-Ring (Pump Tras. Tube & Idle Ndl.)	1		Nozzle (Pump Discharge)
1	D3AE 9A588-A	Gasket (Enrichment Valve)	1	351826-S	Retainer (Float)
1	D9TE 9C477-AC	Gasket (Flange Insulator)	1	97407-S2	Retainer (Gov. Diaph. Link)
1	D8TZ 9516-E	Gasket (Throttle Body)	1	D6PZ 9B559-A	Diaph. Assy. (Pump)
1	D9PZ 9A519-C	Gasket (Metering Body)	1	D8PZ 9503-B	Diaph. Assy. (Governor)
1	D9PZ 9561-B	Gasket (Fuel Bowl)	1		Sheet (Instruction)
1	D9PZ 9564-B	Assy. (Needle & Seat)	<b>E5PZ 9A586-J</b>		
2	40-9586	Screw (Choke Plate)	*CT-1376-B		
1	EDC 9577-A	Nozzle (Pump Discharge)	Consists of		
1		Sheet (Instruction)	2	D9PZ 9J500-A	Cap (Idle Limiter)
1	951826-S	Retainer (Float)	2	E2PZ 9J500-C	Plug (Idle Needle (Sec. 1983))
1	87407-S2	Retainer (Gov. Diaph. Link)	4	E2PZ 9J500-B	Plug (Idle Needle)
1	D6PZ 9B559-A	Diaph. Assy. (Pump)	1	D7PZ 9A565-A	Valve Assy. (Power (2-Stg))
1	D9PZ 9503-B	Diaph. Assy. (Governor)	2	EAA 9569-A	Gasket (Sight Plug)
<b>E5PZ 9502-E</b>			2	EAD 99502-A	"O"-Ring (Fuel Line Tube)
*CG-1278			1	EDB 9853-B	Gasket (Sec. Diaph. Hsg.)
Consists of			1		Gasket (Inlet Filter)
2		Plug (Idle Needle)	1	ECR 99187-A	Seal (Gov. Body)
1	EAA 9569-A	Gasket (Sight Plug)	2	B7AE 9580-A	Gasket (Pump Nozzle)
1		Gasket (Fuel Filter)	1	C2TZ 9853-A	Gasket (Gov. Body)
1	ECR 99187-A	Seal (Governor Hsg.)	1	C2TZ 9982-A	Gasket (Gov. Cover)
1	C2TZ 9853-A	Gasket (Governor Mtg.)	8	EDB 99885-A	Gasket (Fuel Bowl Screw)
1	C2TZ 9982-A	Gasket (Governor Cover)	1	D1ZE 9C308-AA	Gasket (Inlet Filter Nut)
4	EDB 99885-A	Gasket (Fuel Bowl Screw)	6	D4PE 99502-AA	"O"-Ring (Pump Tube & Idle Needle)
1	D1ZE 9C308-AA	Gasket (Fuel Inlet Fitting)	1	D3AF 9A588-A	Gasket (Power Valve)
4	D4PE 99502-AA	"O"-Ring (Pump Tras. Tube & Idle Ndl.)	1	D9PZ 9516-A	Gasket (Throttle Body)
1	D3AF 9A588-A	Gasket (Enrichment Valve)	1	D8PZ 9B567-D	Seal (Cam Shaft (Choke))
1	D9PZ 9A518-F	Gasket (Metering Body)	1	D9PZ 9A518-E	Gasket (Sec. Met. Body (4180EG))
1	D9PZ 9561-C	Gasket (Fuel Bowl)	1	D9PZ 9A518-C	Gasket (Sec. Met. Body (4190EG))
2	D9PZ 9580-A	Gasket (Pump Nozzle)	1	D9PZ 9561-B	Gasket (Sec. Fuel Bowl)
1		Gasket (Throttle Body)	1	D9PZ 9A518-F	Gasket (Pri. Met. Body)
1	E5HE 9C477-AA	Gasket (Flange Insulator)	1	D9PZ 9561-C	Gasket (Pri. Fuel Bowl)
2	40-9586	Screw (Choke Plate)	1	D9PZ 9A518-A	Gasket (Sec. Met. Plate (4180EG))
1	351826-S	Retainer (Float)	1	E5HE 9C477-BA	Gasket (Flange Insulator)
1	97407-S2	Retainer (Gov. Diaph. Link)	2	D9PZ 9564-B	Assy. (Inlet Needle & Seat)
<b>E5PZ 9A586-F</b>			2	40-9586	Screw (Choke Plate)
*CT-1472			1		Nozzle (Pump Discharge)
Consists of			1		Sheet (Instruction)
2		Plug (Idle Needle)	1	353610-S5	Retainer (Choke Rod)
1		Assy. (Power Valve (2 Stg.))	2	351826-S	Retainer (Float)
1	EAA 9569-A	Gasket (Sight Plug)	2	97407-S2	Retainer (Diaph. Link)
1		Gasket (Fuel Filter)	1	C1TZ 9503-A	Diaph. Assy. (Sec.)
1	ECR 99187-A	Seal (Governor Hsg.)	1	D6PZ 9B559-A	Diaph. Assy. (Pump)
1	C2TZ 9853-A	Gasket (Governor Mtg.)	1	D8PZ 9503-B	Diaph. Assy. (Gov.)
1	C2TZ 9982-A	Gasket (Governor Cover)	1	EAA 9576-A	Ball (Sec. Diaph. Check)

1980/  
TRUCK SERIES 600/900

**IDENTIFICATION CHART**

IDENTIFICATION	SERVICE AIR CLEANER	SERVICE ELEMENT ASSY.	IDENTIFICATION	SERVICE AIR CLEANER	SERVICE ELEMENT ASSY.
9600 CLEANER ASSY. (CARBURETOR OR ENGINE AIR)					
D6HF 9600-BA	D6HZ 9600-B	D6HZ 9601-B *FA-630	E0HT 9600-JA	*E0HZ 9600-J	E1HZ 9601-A *FA-717
D8HT 9600-CA	*E0HZ 9600-J	D4HZ 9601-A *FA-586	E0HT 9600-JB	*E0HZ 9600-J	E1HZ 9601-A *FA-717
D8HT 9600-DA	D8HZ 9600-P	D4HZ 9601-B *FA-587	E0HT 9600-KA	*E1HZ 9600-NR	*D4HZ 9601-B *FA-587
D9HS 9600-DA	E0HZ 9600-T	D5HZ 9601-A *FA-607	E0HT 9600-KB	*E1HZ 9600-NR	*D4HZ 9601-B *FA-587
D9HS 9600-FA	E0HZ 9600-S	D5HZ 9601-D *FA-610	E0HT 9600-LA	E1HZ 9600-L	E1HZ 9601-A *FA-717
D9HS 9600-HA	E0HZ 9600-T	D5HZ 9601-A *FA-607	E0HT 9600-LB	E1HZ 9600-L	E1HZ 9601-A *FA-717
D9HT 9600-BA	D9HZ 9600-B	D4HZ 9601-A *FA-586	E0HT 9600-MA	E1HZ 9600-M	E1HZ 9601-D *FA-718-FP
D9HT 9600-CA	D5HZ 9600-K	C8HZ 9601-A *FA-560	E0HT 9600-MB	E1HZ 9600-M	E1HZ 9601-D *FA-718-FP
D9HT 9600-DA	D5HZ 9600-M	D0HZ 9601-D *FA-78	E0HT 9600-NA	E1HZ 9600-NA	E1HZ 9601-A *FA-717
D9HT 9600-FA	D8HZ 9600-A	D8HZ 9601-F *FA-670	E0HT 9600-NB	E1HZ 9600-NA	D4HZ 9601-B *FA-587
D9HT 9600-GA	D8HZ 9600-S	D5HZ 9601-B *FA-608	E0HT 9600-RA	E1HZ 9600-RA	D4HZ 9601-B *FA-587
D9HT 9600-HA	D7HZ 9600-C	D0HZ 9601-F *FA-86	E0HT 9600-RB	E1HZ 9600-RA	D4HZ 9601-B *FA-587
D9HT 9600-JA	D8HZ 9600-F	D8HZ 9601-C *FA-667	E0HT 9600-SA	E0HZ 9600-C	E0HZ 9601-A *FA-714
D9HT 9600-KA	D9HZ 9600-D	D5HZ 9601-A *FA-607	E0HT 9600-SB	E0HZ 9600-C	E0HZ 9601-A *FA-714
D9HT 9600-LA	D8HZ 9600-AE	D5HZ 9601-C *FA-609	E0HT 9600-TA	E0HZ 9600-D	E0HZ 9601-B *FA-715
D9HT 9600-MA	D8HZ 9600-AF	D5HZ 9601-D *FA-610	E0HT 9600-TB	E0HZ 9600-D	E0HZ 9601-B *FA-715
D9HT 9600-NA	D8HZ 9600-H	D8HZ 9601-E *FA-669	E0HT 9600-UA	E0HZ 9600-E	D8HZ 9601-A *FA-665
D9HT 9600-RA	D8HZ 9600-D	D8HZ 9601-A *FA-665	E0HT 9600-VA	E0HZ 9600-F	D8HZ 9601-B *FA-666
D9HT 9600-SA	D8HZ 9600-C	D8HZ 9601-B *FA-665	EDE0HT 9600-YA	E0HZ 9600-G	D8HZ 9601-A *FA-665
D9HT 9600-TA	E0HZ 9600-G	D8HZ 9601-A *FA-665	E0HT 9600-ZA	E0HZ 9600-H	D8HZ 9601-B *FA-666
D9HT 9600-UA	D8HZ 9600-E	D8HZ 9601-B *FA-666	E0HT 9600-AAA	E0HZ 9600-AA	D5HZ 9601-C *FA-609
D9HT 9600-VA	D8HZ 9600-G	D8HZ 9601-D *FA-668	E0HT 9600-ABA	E0HZ 9600-AB	D5HZ 9601-D *FA-610
D9HT 9600-YA	D8HZ 9600-K	D8HZ 9601-B *FA-666	E0HT 9600-ACA	E0HZ 9600-AC	D5HZ 9601-D *FA-610
*D9HT 9600-ZA	D8HZ 9600-L	D6HZ 9601-B *FA-630	E1HT 9600-AA	E1HZ 9600-B	E2HZ 9601-A *FA-733
*D9HT 9600-AAA	D8HZ 9600-M	D6HZ 9601-A *FA-629	E1HT 9600-A1A	E1HZ 9600-B	E2HZ 9601-A *FA-733
D9HT 9600-ADA	D5TZ 9600-A	C8HZ 9601-A *FA-560	E1HT 9600-A3A	E1HZ 9600-B	E2HZ 9601-A *FA-733
D9HT 9600-AKA	D9HZ 9600-E	D4HZ 9601-B *FA-587	E1HT 9600-DC	E1HZ 9600-A	E0HZ 9601-A *FA-714
E0HS 9600-CA	E0HZ 9600-CA	E2HZ 9601-B *FA-734	E1HT 9600-EC	E1HZ 9600-C	E0HZ 9601-B *FA-715
E0HT 9600-GA	E0HZ 9600-N	D4HZ 9601-A *FA-586	E1HT 9600-FA	E1HZ 9600-D	E2HZ 9601-A *FA-733
E0HT 9600-HA	E0HZ 9600-R	D4HZ 9601-B *FA-572	E1HT 9600-GB	E1HZ 9600-G	E0HZ 9601-A *FA-714



1980/  
TRUCK SERIES 600/900

**IDENTIFICATION CHART**

IDENTIFICATION	SERVICE AIR CLEANER	SERVICE ELEMENT ASSY.	IDENTIFICATION	SERVICE AIR CLEANER	SERVICE ELEMENT ASSY.
9600 CLEANER ASSY. (CARBURETOR OR ENGINE AIR) — Cont'd					
E1HT 9600-HA	E1HZ 9600-H	E0HZ 9601-B *FA-715	E2HT 9600-YA	E1HZ 9600-JA	E1HZ 9601-A *FA-717
E1HT 9600-JA	E1HZ 9600-J	E1HZ 9601-A *FA-717	E2HT 9600-ZA	E1HZ 9600-KA	E1HZ 9601-B *FA-715
EDE1HT 9600-JA	★ E1HZ 9600-JA	E1HZ 9601-A *FA-717	E2HT 9600-AAA	E1HZ 9600-LA	E1HZ 9601-A *FA-717
E1HT 9600-KA	E1HZ 9600-KA	E1HZ 9601-D *FA-718-FP	E2HT 9600-ABA	E1HZ 9600-MA	E1HZ 9601-B *FA-715
EDE1HT 9600-KA	E1HZ 9600-KA	E1HZ 9601-D *FA-718-FP	E2HT 9600-ACA	E1HZ 9600-B	E2HZ 9601-A *FA-733
E1HT 9600-LA	E1HZ 9600-LA	E1HZ 9601-A *FA-717	E2HT 9600-ADA	E1HZ 9600-D	E2HZ 9601-D *FA-733
EDE1HT 9600-LA	E1HZ 9600-LA	E1HZ 9601-A *FA-714	E3HT 9600-A1A	E3HZ 9600-A	E0HZ 9601-B *FA-715
E1HT 9600-MA	E1HZ 9600-MA	E1HZ 9601-D *FA-718-FP	E3HT 9600-BA	E3HZ 9600-B	E3HZ 9601-A *FA-748
EDE1HT 9600-MA	E1HZ 9600-MA	E1HZ 9601-B *FA-715	E3HT 9600-BB	E3HZ 9600-B	E3HZ 9601-A *FA-748
E1HT 9600-NA	★ E1HZ 9600-NA	E1HZ 9601-A *FA-717	E3HT 9600-BC	E3HZ 9600-BC	E3HZ 9601-A *FA-748
EDE1HT 9600-NA	E1HZ 9600-NA	E1HZ 9601-A *FA-717	E3HT 9600-BD	E3HZ 9600-BC	E2HZ 9601-A *FA-748
E1HT 9600-RA	E1HZ 9600-R	E1HZ 9601-B *FA-718	E3HT 9600-BE	E3HZ 9600-BC	E3HZ 9601-A *FA-748
EDE1HT 9600-RA	E1HZ 9600-RA	E1HZ 9601-B *FA-718	E3HT 9600-CA	E2HZ 9600-L	E0HZ 9601-B *FA-715
E1HT 9600-SA	E1HZ 9600-S	E1HZ 9601-A *FA-717	E4HT 9600-AA	E4HZ 9600-A	D8HZ 9601-A *FA-665
E1HT 9600-TA	E1HZ 9600-T	E1HZ 9601-B *FA-718	E4HT 9600-BA	★ E1HZ 9600-NA	E1HZ 9601-A *FA-717
E2HT 9600-LA	E2HZ 9600-L	E0HZ 9601-B *FA-715	E4HT 9600-CA	E1HZ 9600-RA	E1HZ 9601-B *FA-715
E2HT 9600-L1A	E2HZ 9600-L	E0HZ 9601-B *FA-715	E4HT 9600-DA	E1HZ 9600-LA	E1HZ 9601-A *FA-714
E2HT 9600-L1B	E2HZ 9600-L	E0HZ 7601-B *FA-715	E4HT 9600-EA	E1HZ 9600-MA	E1HZ 9601-B *FA-715
E2HT 9600-L3B	E2HZ 9600-L	E0HZ 9601-B *FA-715	E4HT 9600-FA	★ E1HZ 9600-JA	E1HZ 9601-A *FA-714
E2HT 9600-LC	E2HZ 9600-L	E0HZ 9601-B *FA-715	E4HT 9600-GA	E1HZ 9600-KA	E1HZ 9601-B *FA-715
E2HT 9600-MB	E2HZ 9600-M	E1HZ 9601-B *FA-718	E4HT 9600-HA	E1HZ 9600-S	E1HZ 9601-A *FA-717
E2HT 9600-M4A	E2HZ 9600-M	E1HZ 9601-B *FA-718	E4HT 9600-JA	E1HZ 9600-T	E1HZ 9601-B *FA-718
E2HT 9600-NA	E0HZ 9600-AB	D5HZ 9601-D *FA-610	E4HT 9600-KA	E2HZ 9600-M	E1HZ 9601-B *FA-718
E2HT 9600-N1A	E0HZ 9600-AB	D5HZ 9601-D *FA-610	E5HT 9600-AB	E5HZ 9600-A	E5HZ 9601-A *FA-1040
E2HT 9600-N2A	E0HZ 9600-AB	D5HZ 9601-D *FA-610	E5HT 9600-AC	E5HZ 9600-A	E5HZ 9601-A *FA-1040
E2HT 9600-N3A	E0HZ 9600-AB	D5HZ 9601-D *FA-610	E5HT 9600-CA	★ E5HZ 9600-C	E5HZ 9601-A *FA-1040
EDE2HT 9600-N3A	E0HZ 9600-AB	D5HZ 9601-D *FA-610	E5HT 9600-CC	★ E5HZ 9600-C	E5HZ 9601-A *FA-1040
E2HT 9600-UA	E1HZ 9600-NA	E1HZ 9601-A *FA-717	E5HT 9600-DC	E5HZ 9600-D	E5HZ 9601-D *FA-1041
E2HT 9600-VA	E1HZ 9600-RA	E1HZ 9601-B *FA-715	E5HT 9600-DA	E5HZ 9600-D	E5HZ 9601-B *FA-1041

1980/  
TRUCK SERIES 600/900

**IDENTIFICATION CHART**

IDENTIFICATION	SERVICE AIR CLEANER	SERVICE ELEMENT ASSY.	IDENTIFICATION	SERVICE AIR CLEANER	SERVICE ELEMENT ASSY.
9600 CLEANER ASSY. (CARBURETOR OR ENGINE AIR) — Cont'd					
EDE5HT 9600-DB	E5HZ 9600-D	E5HZ 9601-B *FA-1041	E7HT 9600-AB	E7HZ 9600-A	E7HZ 9601-A *FA-1052
E5HT 9600-DC	E5HZ 9600-D	E5HZ 9601-B *FA-1041	E7HT 9600-AC	E7HZ 9600-A	E7HZ 9601-A *FA-1052
E5HT 9600-NA	E6HZ 9600-KA	E6HZ 9601-A	E7HT 9600-CA	E0HZ 9600-AB	D5HZ 9601-D *FA-610
E6HT 9600-FA	E6HZ 9600-F	D8HZ 9601-A *FA-665	E8HT 9600-AB	E8HZ 9600-A	D8HZ 9601-B *FA-666
E6HT 9600-GA	E0HZ 9600-AC	D5HZ 9601-D *FA-610	E8HT 9600-CB	E8HZ 9600-C	E8HZ 9601-A *FA-1063
E6HT 9600-HA	E0HZ 9600-CA	E2HZ 9601-B *FA-734	87HU 9600-CA	E7HZ 9600-CA	E6HZ 9601-A
			87HU 9600-DA	E7HZ 9600-DA	E7HZ 9601-B

YEAR	MODEL/RESTRICTIONS	ENGINE		PART NUMBER		DESCRIPTION
		CYL.	C.I.D. (C.C.D.)	AIR CLEANER ASSY.	ELEMENT	
9600 CLEANER ASSY. (CARBURETOR OR ENGINE AIR) — Cont'd						

**B600/700 (MODEL 84)**

87/	B600/800 -- FTO diesel	6	401,474	E7HZ 9600-A	E7HZ 9601-A *FA-1056	
80/85	B600/700 -- Gas "Before 12/84"	8	370,429	*E1HZ 9600-NA /bE1HZ 9600-RA	E1HZ 9601-A *FA-717	Standard capacity
85/89	B600/700 "From 12/84"	8	370,429	*E5HZ 9600-C /bE9HZ 9600-A	E5HZ 9601-A *FA-1040	Standard capacity
80/	B600/700 -- Gas	8	370,429	E1HZ 9600-RA	E1HZ 9601-B *FA-718	Extra capacity
80/81	B600/700 -- Det. DDA990 diesel-165 H.P.	8	501N	E0HZ 9600-C	E0HZ 9601-A *FA-714	Extra capacity
82/	B600/700 -- Det DDA990 diesel-165 H.P.	8	501N			
82/	B600/700 -- Detroit 990 diesel-165 H.P.	8	501N	E2HZ 9600-M	E1HZ 9601-B *FA-718	Standard capacity
80/	B600/700 -- Det. DDA990 diesel-205 H.P.	8	501T	E0HZ 9600-D	E0HZ 9601-B *FA-715	
83	B700 -- Cat. 3208N diesel	8	636	E3HZ 9600-B	E3HZ 9601-A *FA-748	
82	B700 -- Det. 990 & Cat. 3208T diesels	8	501,636	E3HZ 9600-A	E0HZ 9601-B *FA-715	

**C-CT600/900 (TILT CAB)**

80/	C700/800 -- Cat. diesel N	8	636N	D5HZ 9600-K	C8HZ 9601-A *FA-560	
80/81	C-CT600/800 -- gas- "Before 12/30/80"	8	370,429	D9HZ 9600-B	E1HZ 9601-A *FA-717	Standard capacity
81/85	C-CT600/800 -- Gas- "From 12/80 to 12/84"	8	370,429	E1HZ 9600-S	E1HZ 9601-A *FA-717	Standard capacity
85/	C-CT600/800 -- "From 12/84"	8	370,429	E5HZ 9600-A	E5HZ 9601-A *FA-1040	Standard capacity
80/81	C-CT900 -- gas	8	477,534	D8HZ 9600-M	D6HZ 9601-A *FA-629	
80/	CT600/800 -- gas	8	370,429	D8HZ 9600-P	D4HZ 9601-B *FA-587	Extra capacity
80/81	C600/800 -- gas- "Before 12/30/80"	8	370,429	D9HZ 9600-E	D4HZ 9601-B *FA-587	Extra capacity
81/	C600/800 -- Gas- "From 12/30/80"	8	370,429	E1HZ 9600-T	E1HZ 9601-B *FA-718	Extra capacity

1980/  
TRUCK SERIES 600/900

YEAR	MODEL/RESTRICTIONS	ENGINE		PART NUMBER		DESCRIPTION
		CYL.	C.I.D. (C.C.D.)	AIR CLEANER ASSY.	ELEMENT	
<b>9600 CLEANER ASSY. (CARBURETOR OR ENGINE AIR) — Cont'd</b>						

**C-CT600/900 (TILTCAB)**

81/	C700 -- Detroit DDA990 diesel-165 H.P.	8	501N	E1HZ 9600-A	E0HZ 9601-A *FA-714	Extra capacity
82/	C700 -- Detroit 990 diesel-165 H.P.	8	501N	E2HZ 9600-M	E1HZ 9601-B *FA-718	Standard capacity
81/	C700 -- Detroit DDA990 diesel-205 H.P.	8	501T	E1HZ 9600-C	E1HZ 9601-B *FA-718	
82	C-CT700/800 -- Det. 990 & Cat. 3208T diesels	8	501,636	E3HZ 9600-A	E0HZ 9601-B *FA-715	

**CF600/700 (CARGO TRUCK)**

86	CF600/700	6	401	E6HZ 9600-KA	E6HZ 9601-A	
87/	CF700/800 -- w/2 stage action w/o safety element	6	476	E7HZ 9600-DA	E7HZ 9601-C	(7.8L)
87/	CF600/700 -- 140,165 H.P.	6	401	E7HZ 9600-CA	E6HZ 9601-A	(6.6L)-standard A/C
87/	CF600/700	6	401	E7HZ 9600-B	E6HZ 9601-A	(6.6L)-heavy duty

**CL-CLT900 (HIGHWAY TRUCK)**

80/	CL-CLT900 -- Det. 71TA,Cum. I6,Cat. 3406 diesel	6&8	552,568, 855,893	D8HZ 9600-A	D8HZ 9601-F *FA-670	Farr frame-mounted
80/87	CL-CLT900 -- Cum. 16 diesel	6	855	E0HZ 9600-G	D8HZ 9601-A *FA-665	Donaldson-engine mounted
80/87	CL-CLT900 -- Cum. KT,KTA diesel	8	1150	E0HZ 9600-F	D8HZ 9601-B *FA-666	Donaldson engine-mounted
80	CL-CLT900 -- Cat. 3406 diesel "Before Ser. HA5,001"	6	893	D8HZ 9600-D	D8HZ 9601-A *FA-665	Donaldson engine-mounted
80/87	CL-CLT900 -- Cat. 3406 diesel "From Ser. HA5,001"	8	893	E0HZ 9600-E	D8HZ 9601-A *FA-665	Donaldson-engine mounted
80	CL-CLT900 -- Det. 6V-92, 8V-71, 8V-92 diesel "Before Ser. HA5,001"	6&8	552,568, 736	D8HZ 9600-E	D8HZ 9601-B *FA-666	Donaldson engine-mounted
80/83	CL-CLT900 -- Detroit 6V-92, 8V-71,8V-92 diesel "From Ser. HA5,001"	6&8	552,568, 736	E0HZ 9600-H	D8HZ 9601-B *FA-666	Donaldson-engine mounted
84/86	CL-CLT900 -- Detroit 6V-92T diesel engine-By-pass maxi blower type	6&8	552	E4HZ 9600-A	D8HZ 9601-A *FA-665	Donalds on-engine mounted
87/	CL-CLT900 -- Detroit 6V-92-By-pass maxi blower type	6	552	E6HZ 9600-F	D8HZ 9601-A	Donaldson-engine mounted
80/	CL-CLT900 -- Cum. I6 diesel	6	855	D8HZ 9600-F	D8HZ 9601-C *FA-667	Farr engine-mounted
80/	CL-CLT900 -- Det. 92TA diesel	8	736	D8HZ 9600-G	D8HZ 9601-D *FA-668	Farr engine-mounted
80/	CL-CLT900 -- 6V-92,Det. 71TA diesel	8	568	D8HZ 9600-H	D8HZ 9601-E *FA-669	Farr engine-mounted
80/	CL-CLT900 -- Det. 71TA,92TA, Cum I6,Cat. 3406 diesel	6&8	568,736, 855,893	D8HZ 9600-K	D8HZ 9601-B *FA-666	Donaldson frame-mounted
88/	CL-CLT900 -- All cum. & Cat. 3406	6	All	E8HZ 9600-A	D8HZ 9601-B *FA-666	

**F600/800 (MODEL 81,84)**

87/	F600/800,FT900	6	401,476	E7HZ 9600-A	E7HZ 9601-A *FA-1056	
80/85	F-FT600/800 -- gas "Before 12/84"	8	370,429	★ E1HZ 9600-NA /bE1HZ 9600-RA	E1HZ 9601-A *FA-714	Standard capacity

**1980/  
TRUCK SERIES 600/900**

YEAR	MODEL/RESTRICTIONS	ENGINE		PART NUMBER		DESCRIPTION
		CYL.	C.I.D. (C.C.D.)	AIR CLEANER ASSY.	ELEMENT	

**9600 CLEANER ASSY. (CARBURETOR OR ENGINE AIR) — Cont'd**

**F600/800 (MODEL 81,84)**

85/	F-FT600/800 -- gas "From 12/84"	8	370,429	E5HZ 9600-C	E5HZ 9601-A *FA-1040	Standard capacity
80/	F-FT600/800 -- gas-	8	370,429	E1HZ 9600-RA	E1HZ 9601-B *FA-718	Extra capacity
80/81	F-FT600/800 -- Det. DDA990 diesel-165 H.P.	8	501N	E0HZ 9600-C	E0HZ 9601-A *FA-714	Standard capacity
82/	F-FT600/800 -- Det. DDA990 diesel-165 H.P.	8	501N			Extra capacity
80/	F-FT600/800 -- Det. DDA990 diesel-205 H.P.	8	501T	E0HZ 9600-D	E0HZ 9601-B *FA-715	Extra capacity
82/	F600/700 -- Detroit 990 diesel-165 H.P.	8	501N	E2HZ 9600-M	E1HZ 9601-B *FA-718	Standard capacity
83	F-FT700/800 -- Cat. 3208N diesel	8	636	E3HZ 9600-B	E3HZ 9601-A *FA-748	
82	F-FT700/800 -- Cat. 3208T diesel	8	636	E3HZ 9600-A	E0HZ 9601-B *FA-715	Extra capacity

**L-LN-LNT-LT-LTL-LTS600/900(L-SERIES)**

88/	L-LT-LN-LNT900 -- w/ Cat. 3306	6		E8HZ 9600-C	E8HZ 9601-A *FA-1063	Donaldson
87/	L-LN-LNT-LS-LT-LTS	6	476	E0HZ 9600-AB	D5HZ 9601-D *FA-610	
80	L-LN-LNT-LT-LTS900 -- Det. diesel "Before Ser. HG5,001"	6	426	D8HZ 9600-AF	D5HZ 9601-D *FA-610	18 9/16" long-outlet 3" long
80	L-LN-LNT-LT-LTS800 -- Cat. diesel "Before Ser. HG5,001"	8	636			
80/	L-LN-LNT-LT-LTS800 -- Cum. VT-255 diesel	8	555	E0HZ 9600-AB	D5HZ 9601-D *FA-610	Donaldson--includes 9B624 seal
80/	L-LN-LNT-LT-LTS900 -- Detroit 6-71N diesel "From Ser. HG5,001"	6	426			
80/81	L-LN-LNT-LT-LTS800 -- Cat. 3208 diesel- "From Ser. HG5,001 to GJ0,001"	8	636	E0HZ 9600-AC	D5HZ 9601-D *FA-610	Donaldson
80	L-LN-LNT-LT-LTS800 -- Cat 3208 diesel- "From Ser. GJ0,001"	8	636	★ E0HZ 9600-S Not replaced	D5HZ 9601-D *FA-610	
80/	LN700 -- Cat. diesel	8	636	D5HZ 9600-M	D0HZ 9601-D *FA-78	
80/82	L-LT-LTS900 -- Cat diesel "Before 6/7/82"	6	893	D7HZ 9600-C	D0HZ 9601-F *FA-86	
80/82	L-LN-LNT-LT-LTL-LTS900 -- Cum. NTC Formula-diesel "Before 6/7/82"	6	855			
80/	LN-LNT900 -- Cat. 3406 diesel	6	893			
82/	L-LN-LNT-LT-LTS900 -- Cum. NTC Formula diesel "From 6/7/82"	6	855	E0HZ 9600-CA	E2HZ 9601-B *FA-734	Extra capacity
82/	L-LN-LNT-LT-LTS900 -- Cat. 3406 diesel- "From 6/7/82"	6	893			

**1980/  
TRUCK SERIES 600/900**

YEAR	MODEL/RESTRICTIONS	ENGINE		PART NUMBER		DESCRIPTION
		CYL.	C.I.D. (C.C.D.)	AIR CLEANER ASSY.	ELEMENT	
<b>9600 CLEANER ASSY. (CARBURETOR OR ENGINE AIR) — Cont'd</b>						
<b>L-LN-LNT-LT-LTL-LTS600/900 (L-SERIES)</b>						
80	L-LN-LNT-LT-LTS900 -- Det. 8V-71N diesel "Before Ser. HG5,001"	8	568	D8HZ 9600-AE	D5HZ 9601-C *FA-609	23 9/16" long-3" outlet
80	LN-LNT900 -- Cat 3406 diesel	6	893			
80/	L-LN-LNT-LT900 -- Detroit 8V-71N diesel "From Ser. HG5,001"	8	568	E0HZ 9600-AA	D5HZ 9601-C *FA-609	
80/	LN-LNT900 -- Detroit 6V-92 diesel	6	552	E0HZ 9600-T	D5HZ 9601-A *FA-607	
80/	LN-LNT900 -- Det. 8V-71T, 71TT diesel	8	568	D9HZ 9600-D	D5HZ 9601-A *FA-607	
80/	L-LT-LTS900 -- Det. 8V-71T, 71TT diesel	8	568	D8HZ 9600-S	D5HZ 9601-B *FA-608	With 7" outlet
80/81	L-LN-LNT-LT-LTS800/900 -- gas	8	477,534	★ D8HZ 9600-L Not replaced	D6HZ 9601-B *FA-630	Extra capacity
80/81	L-LN-LNT-LT-LTS900 "Before 11/3/80"	8	477,534	E0HZ 9600-K	D4HZ 9601-B *FA-587	Standard capacity
81	L-LN-LNT-LT-LTS900 -- Gas- "From 11/3/80"	8	477,534	E1HZ 9600-K	E1HZ 9601-A *FA-717	Standard capacity
81/	LN600/700 -- Detroit DDA 990 diesel-105 H.P.	8	501N	E1HZ 9600-G	E0HZ 9601-A *FA-714	Extra capacity
81	LN600/700 -- Detroit DDA 990 diesel-105 H.P.	8	501N	E2HZ 9600-M	E1HZ 9601-B *FA-718	Standard capacity
81/	LN600/700 -- Detroit DDA 990 diesel-205 H.P.	8	501T	E1HZ 9600-H	E0HZ 9601-B *FA-715	
80/81	LN600/700 "Before 12/30/80"	8	370,429	★ E0HZ 9600-J Not replaced	D4HZ 9601-A *FA-586	Standard capacity
81/82	LN600/700 -- Gas- "From 12/30/80 to 1/4/82"	8	370,429	E1HZ 9600-J	E1HZ 9601-A *FA-717	Standard capacity
82/86	LN600/700 -- gas- "From 1/4/82"	8	370,429	★ E1HZ 9600-JA /bE1HZ 9600-KA	E1HZ 9601-A *FA-714	Standard capacity
80/86	LN600/800 -- gas	8	370,429	E1HZ 9600-KA	E1HZ 9601-B *FA-718	Extra capacity
80/86	LN600/700 -- Gas-exc. w/ dash mounted hydraulic brake booster	8	370,429	E1HZ 9600-LA	E1HZ 9601-A *FA-717	Standard capacity
80/86	L-LN-LNT-LT-LTS800 -- Gas	8	370,429			
80/85	LN600/700 -- Gas-exc. w/ dash mounted hydraulic brake booster "Before 12/84"	8	370,429	E1HZ 9600-MA	E1HZ 9601-B *FA-718	Extra capacity
80/85	L-LN-LNT-LT-LTS800 -- Gas "Before 12/84"	8	370,429			
85/86	L-LN-LNT-LT-LTS600/800 "From 12/84"	8	370,429	E5HZ 9600-D	E5HZ 9601-B *FA-1041	Extra capacity
80/81	L-LN-LNT-LT-LTS800/900 -- gas	8	477,534	D8HZ 9600-P	D4HZ 9601-B *FA-587	Standard air cleaner
80/81	L-LN-LNT-LT-LTS600/800	8	370,429			
82/	LTL900 -- Cat. 3406 & Cum. NTC diesels	6	855,893	E1HZ 9600-B	E2HZ 9601-A *FA-733	
87/	L-LT-LTS900 -- Cummins L10 diesel	6	10			
82/	LTL900 -- Detroit 8V-92 diesel	8	736	E1HZ 9600-D	E2HZ 9601-A *FA-733	

**1980/  
TRUCK SERIES 600/900**

YEAR	MODEL/RESTRICTIONS	ENGINE		PART NUMBER		DESCRIPTION
		CYL.	C.I.D. (C.C.D.)	AIR CLEANER ASSY.	ELEMENT	
<b>9600 CLEANER ASSY.-UPPER (ENGINE AIR)-Also refer to group 9E622</b>						
82/	B700 -- Detroit 990 & caterpillar 3208T diesels	8	501,636	E2HZ 9600-L	E0HZ 9601-B *FA-715	
82/	C-CT700/800 -- Detroit 990 & caterpillar 3208T diesels	8	501,636			
82/	F-FT700/800 -- Detroit 990 & caterpillar 3208T diesels	8	501,636			
82/	LN700 -- Detroit 990 & caterpillar 3208T diesels	8	501,636			
83/	B700 -- caterpillar 3208N diesel	8	636	E3HZ 9600-BC	E3HZ 9601-A *FA-784	
83/	F700/800 -- caterpillar 3208N diesel	8	636			
YEAR	MODEL/RESTRICTIONS	ENGINE		PART NUMBER	DESCRIPTION	QTY.
		CYL.	C.I.D. (C.C.D.)			
<b>9600 CLEANER ASSY. (CARBURETOR OR ENGINE AIR) -Also refer to group 9A659- Cont'd</b>						
Note: @ Oil bath type						
80/	F-FT600 800 CT700 500 B600 750 C600/800	8	All	33898-S7-8	(M-184)-nut (air cleaner to carb.)-wing-7/16"-14	1
80/	L-LN-LNT-LT-LTS800/900 -- Cat. or Cum. diesels	6&8	All	56320-S4	(B-318-GD)-bolt (air cleaner to dash panel)-hex. washer head (UBS) 5/16"-18 x 7/8"	3
				33770-S4	(M-89-K)-nut-hex. lock (UBS)-5/16"-18	
				358871-S8B	(MM-297-A)-nut-wing-1/4"-20	
80/	F-B-MED LN, C-series w/gas eng. & hyd. brakes	8	370,429	C4TZ 8A500-B	Cap-(air cleaner inlet tube) also use 1 1/8" clamp-B7AZ 8287-C	1
80/	CL-CLT900 -- Cat. 3406 diesel	6	893	C4TZ 8A500-A	Cap (air cleaner outlet tube)	1
80/	CL-CLT900 -- Cat. 3406 diesel	6	893	B7AZ 8287-C	Clamp (cap to outlet tube)	1
80/	B-C-CT-F-FT600/800 -- Gas	8	All	389099-S2	(WW-135-K) Stud-(att. air cleaner to carb.)-7/16"-14-14 x 5 3/4"	1
80/	All	8	370,429	389716-S2	(WW-50-H)-Stud 7/16"-14-14 x 6 11/32"-securer aircleaner to carb-also refer 9A659	1
82/	B-F600/800	8	370,429	389716-S2	(WW-50-H)-Stud (att cover to carb)-7/16"-14- 14 x 6-11/32"	1
82/	L-LN-LNT-LT-LTS600/800	8	370,429			1
<b>9P600 PLUG (FUEL INJECTION PUMP INLET)</b>						
86/	CF600/700	6	401	E6HZ 9P600-A		1
86/	B-CF-F-FT600/900	6	401			
87/	L-LN-LS-LT-LNT-LTS800	6	476			

**IDENTIFICATION CHART**

(Arranged according to Identification Number)

IDENTIFICATION	PART NUMBER	IDENTIFICATION	PART NUMBER
<b>9601 ELEMENT (CARBURETOR OR ENGINE AIR CLEANER)-For model application refer to group 9600</b>			
282351	E0HZ 9601-B	D4HF 9601-BA	D4HZ 9601-B *FA-587
288604	D5HZ 9601-D		
513179	E1HZ 9601-A *FA-717	E6HZ 9601-A	E6HZ 9601-A
		P11-0506	C8HZ 9601-A *FA-560
513180	E1HZ 9601-B *FA-718	P11-1858	D0HZ 9601-F *FA-86
C-12233-GR8	D8HZ 9601-F *FA-670	P11-5361	D0HZ 9601-D *FA-78
C-45800	D8HZ 9601-C *FA-667	P11-9111	D0HZ 9601-D *FA-78
C-49812	D8HZ 9601-D *FA-668	P11-9115	D0HZ 9601-F *FA-86
C-48976	D8HZ 9601-E *FA-669	P11-9183	C8HZ 9601-A *FA-560
D4HF 9601-AA	E1HZ 9601-A *FA-717		

1980/  
TRUCK SERIES 600/900

**IDENTIFICATION CHART**

(Arranged according to Identification Number)

IDENTIFICATION		PART NUMBER		IDENTIFICATION		PART NUMBER	
<b>9601 ELEMENT (CARBURETOR OR ENGINE AIR CLEANER)-For model application refer to group 9600 - Cont'd</b>							
P12-4445		D6HZ 9601-B *FA-630		P14-2367		E2HZ 9601-B *FA-734	
P12-4458		D6HZ 9601-A *FA-629		P14-2831		E2HZ 9601-A *FA-733	
P12-6299		D5HZ 9601-C *FA-609		P15-0862		D8HZ 9601-B *FA-666	
P12-6300		D5HZ 9001-D *FA-610		P52-2926		E8HZ 9601-A *FA-1063	
P12-6662		D5HZ 9601-A *FA-607		X285498		E0HZ 9601-A *FA-714	
P12-6719		D5HZ 9601-B *FA-608		X285499		E0HZ 9601-B *FA-715	
P13-2342		D8HZ 9601-A *FA-665		X288424		E3HZ 9601-A *FA-748	
P13-2343		D8HZ 9601-B *FA-666		297431		E5HZ 9601-A *FA-1040	
P14-0558		E0HZ 9601-A *FA-714		297457		E5HZ 9601-B *FA-1041	
P14-0559		E0HZ 9601-B *FA-715					
YEAR	MODEL/RESTRICTIONS	ENGINE		PART NUMBER	DESCRIPTION	QTY.	
		CYL.	C.I.D. (C.C.D.)				
<b>9B602 COVER (AIR CLEANER INTAKE DUCT)</b>							
81/	B-C-F700 -- Detroit DDA 990 diesel	8	501	E1HZ 9B602A		1	
<b>9E602 CAP (FUEL VAPOR STORAGE CANISTER)</b>							
80/	B-F-FT-FT600/800 -- gas	8	All	D0AZ 9E602-A	1 1/2" O.D.	1	
80/	C600/900, CT800/900 -- gas	8	All			1	
80/86	L-LN-LNT-LT-LTS600/900 -- gas	8	All			1	
80/	L-LN-LNT-LT-LTS800	8	370,429	D1AZ 9E602-A	1 1/4" O.D.	AR	
80/81	L-LN-LNT-LT-LTS900	8	477,534			1	
80/	-- exc. w/Calif. emission	8	370,429			1	
80/	B-F-FT-FT600/800 -- w/Calif. emission	8	370,429			1	
80/	C-CT600/900 -- Calif. emission	8	370,429			1	
<b>9A603 SHROUD (CARBURETOR AIR CLEANER AIR DUCT)</b>							
80/85	B-C-CT-F-FT-FT600/800 "Before 12/84"	8	370,429	D9HZ 9A603-A	#D9HT-AA, E0HT-AA, E1HT-AA	1	
80/86	L-LN-LNT-LT-LTS600/800	8	370,429			1	
85/	B-C-F-FT600/800 -- "From 12/84"	8	370,429	E5HZ 9A603-A	#E5HT-AA	1	
80/81	C-CT-L-LT-LTS900	8	477,534	D4HZ 9A603-A	#D4HF-A	1	
<b>9K606 STRAP (AIR CLEANER )</b>							
80/	CL-CLT900	6&8	All	D8HZ 9K606-A	Rubber--also serviced in D8HZ 9K615-A,B,D assys.--use w/frame-mtd. air cleaner	1	
80/	CL-CLT900 -- Cum. I6 & Det. 8V-71 diesel	6&8	568,855	D8HZ 9K606-B	Steel - (Farr) cleaners	2	
<b>9609 BODY ASSY. (ENGINE AIR CLEANER)</b>							
80/	CL-CLT900 -- Cat. 3406, Cum. I6, Det. 8V-71 diesel	6&8	568,855, 893	D8HZ 9609-A		1	
<b>9609 "O" RING - refer to group 9510 for Carburetor Parts Lists Instructions</b>							
<b>9B609 BRACKET (AIR CLEANER)</b>							
80/	LN-LNT900 -- Detroit 8V-71T,71TT diesel	8	568	D5HZ 9B609-A	#D5HA-AA, AB	1	
80/	LN-LNT900 -- Detroit 6V-92 diesel	6	552	E0HZ 9B609-A	#D8HS-AA	1	

**1980/  
TRUCK SERIES 600/900**

YEAR	MODEL/RESTRICTIONS	ENGINE		PART NUMBER	DESCRIPTION	QTY.
		CYL.	C.I.D. (C.C.D.)			
<b>9E610 SHIELD (AIR CLEANER DIRT EJECTION VALVE HEAT)</b>						
80/	L-LT-LTS900 -- Cum. NTC diesel	6	855	D0HZ 9E610-A	# D0HA-A	1
80/	L-LN-LNT-LT-LTL-LTS900 -- Cat. 3406 diesel	6	893			1
<b>9E611 CLAMP (AIR CLEANER DIRT EJECTION VALVE HEAT SHIELD)</b>						
80/	L-LT-LTS900 -- Cum. NH230, NTC/Form 230 diesel	6	855	D0HZ 9E611-A	# D0HA-A	1
80/	L-LN-LNT-LT-LTL-LTS900 -- Cat. 3406 diesel	6	893			1
80/	L-LN-LNT-LT-LTL-LTS900 -- diesel	6	855,893	56302-S2	(B-318-GE)-Bolt (clamp to shield)-hex. (UBS) 1/4"-20 x 5/8"	2
				33769-S4	(M-89-J)-nut-hex. lock (UBS) 1/4"-20	2
<b>9D612 MOTOR ASSY. (CARBURETOR AIR CLEANER)</b>						

**For Model Application, refer to Calibration Parts Lists in Section 93A.**

<b>9B613 HOSE ASSY. (AIR CLEANER INLET)-Also refer to group 9B614</b>						
80/81	L-LN-LNT-LT-LTS900 -- Cat. 3406 diesel	6	893	D4HZ 9B613-D	# D4HA 9B698-DA-6" I.D.-use with D1HZ 9600-C	1
84/	L-LT-LTS Cat. 3406T diesel	6	893			1
82/	LN-LNT -- Cat. 3406 diesel	6	893	E2HZ 9B613-A	# E2HT 9B698-BA-Upper	1
82/83	L-LT-LTS900 -- Cat. 3406 diesel- "Before 6/83"	6	893			1
83/	L-LT-LTS -- Cat. 3406 diesel- "From 6/83"	6	893	E3HZ 9B613-A	# ED-E2HT 9B968-BA, E4HT 9B698-BA,CA-upper	1
82/	LN-LNT900	6	893	★ E2HZ 9B613-E /bE1HZ 9B613-A	# D5HA 9B699-AA-Lower	1
81/	C700 -- Detroit DDA 990 turbo diesel engine	8	501	C9HZ 9B613-E	cut to length as necessary	1
81/	C700/800-Cat. 3208 diesel engine	8	636			1

<b>9B613 HOSE (AIR CLEANER TO INTAKE MANIFOLD)</b>						
86/	CF600/700 -- diesel	6	401	E6HZ 9B613-A		1
87/	B-F-FT600/900 -- FT0 diesel	6	401,474	E7HZ 9B613-A	# E7HT 9B699-AA-4" I.D. one end-5" I.D. other end-8 1/4" long	1
87/	L-LN-LNT-LT-LTS800 -- FT0 diesel	6	401,474			
80/	CL-CLT900 -- Det. diesel	8	568	D8HZ 9B613-J	# D7HT 9B699-JA-use w/Farr or Donaldson frame-mounted air cleaner at eng. end of (9B697) tube	1
80/	CL-CLT900 -- Det. diesel	8	568	D8HZ 9B613-C	# D7HT 9B698-FB,FC-use w/Farr engine-mounted air cleaner	1
80/85	CL-CLT900 -- Det. diesel "Before 7/85"	8	736			
85/	CL-CLT900 -- Detroit 8V92 diesel "From 8/85"	8	736	E6HZ 9B613-B	# E5HT 9B699-AA-use w/Farr engine mounted air cleaner	1
80/	CL-CLT900 -- Det. diesel	8	568,736	D8HZ 9B613-M	# D7HT 9B698-ZA-use w/Donaldson engine-mounted air cleaner	1
82/	CL-CLT900 -- Detroit 6V92 diesel	6	552	E2HZ 9B613-F	# E2HT 9B698-FA-use w/Donaldson engine mounted air cleaner	1
80/86	CL-CLT900 -- Cum. diesel	6	855	★ D8HZ 9B613-B Not replaced	# D7HA 9B698-AA-use w/Farr engine-mounted air cleaner	1
80/	CL-CLT900 -- Cum. diesel	6	855	D8HZ 9B613-L	# D7HT-9B699-GA-use w/Donaldson or Farr frame-mounted air cleaner -at end of (9B697) tube	1
80/87	CL-CLT900 -- Cat. diesel	6	893	D8HZ 9B613-G	# D7HA 9B698-MA-use w/Donaldson engine-mounted air cleaner	1



**1980/  
TRUCK SERIES 600/900**

YEAR	MODEL/RESTRICTIONS	ENGINE		PART NUMBER	DESCRIPTION	QTY.
		CYL.	C.I.D. (C.C.D.)			
<b>9B613 HOSE (AIR CLEANER TO INTAKE MANIFOLD) — Cont'd</b>						
80/	CL-CLT900 -- Cat. diesel	6	893	D8HZ 9B613-A	# D7HT 9B699-HA-use w/Farr or Donaldson frame-mounted air cleaner--at end of (9B697) tube	1
80/	CL-CLT900 -- Cum. diesel	6	855, 1150	D8HZ 9B613-H	# D7HT 9B698-VA-upper-use w/Donaldson engine-mounted air cleaner	1
80/	CL-CLT900 -- Cum. diesel	6	1150	D8HZ 9B613-K	# D7HT 9B699-DA,DB-lower-use w/Donaldson engine mounted air cleaner	1
80/	CL-CLT900 -- Cat., Cum. & Det. diesel	6&8	552,568, 855,893	D8HZ 9B613-N	# D7HA 9B698-NA-upper-next to air cleaner--use w/Farr frame-mounted air cleaner	1
80/	CL-CLT900 -- Cat., Cum., and Det. diesel	6&8	568,855, 893	D8HZ 9B613-P	6" I.D. one end x 7" I.D. other end x 6" long --has ctr. hump--used at air cleaner end of (9B697) tube on Donaldson frame-mtd. air cleaner	1
80/	CL-CLT900 -- Cat., Cum., and Det. diesel	6&8	568,555, 893	D8HZ 9B613-R	7" I.D. x 7" long w/center hump--used between 9C675 tube and 9600 air cleaner on Donaldson frame-mtd. air cleaner	1
80/	L-LT-LTS800 -- Cum V-555 diesel	8	555	D5HZ 9B613-N	# D5HA 9B698-NA-5 1/2" I.D. one end x 6" I.D. other end	1
80	L-LN-LNT-LT-LTS800 -- Cat. diesel- "Before Ser. GG5,001"	8	636	E0HZ 9B613-A	# E0HT 9B698-AA-attaches to 9C674 which is att. to int. manifold w/single stud	1
82/	L-LT-LTS800 -- Cat. diesel 3208T	8	636T	E2HZ 9B613-B	# E2HT 9B968-DA-air cleaner to int. tube	1
82/	LN-LNT800 -- Cat. diesel-3208T	8	636T	E2HZ 9B613-C	# E2HT 9B698-EA-air cleaner to int. tube	1
82/	L-LN-LNT-LTS800 -- Cat. diesel-3208T	8	636T	E2HZ 9B613-D	# E2HT 9B699-BA-air cleaner to int. manifold	
80/	L-LT-LTS900 -- Cum. NH230, diesel	6	855	D2HZ 9B613-C	# D2HA 9B698-CB, D3HA-9B698-KA 6" I.D. one end x 5 1/2" I.D. other end--moulded rubber	1
80/81	L-LT900 -- Detroit 8V-71N diesel "Before 1/5/81"	8	568	D5HZ 9B613-U	# D5HA 9B698-UA-6" I.D. both ends	1
81/	L-LT900 -- Detroit 8V-71N diesel- "From 1-5-81"	8	568	E1HZ 9B613-C	# E1HT 9B698-AA	1
80/	L-LT-LTS900 -- Detroit 6-71N diesel	6	426	D5HZ 9B613-S	# D5HA 9B698-SA-5 1/2" I.D. one end x 6" I.D. other end	1
80/	L-LT-LTS900 -- Det. 8V-71T,71TT diesel	8	568	D9HZ 9B613-A	# D8HT 9B699-BA-6" I.D.	1
80/	LN-LNT900 -- Cum. NH-230 diesel	6	855			1
80/	LN-LNT900 -- Cum. NH-230 diesel	6	855	D1HZ 9B613-D	# D1HA 9B698-DA-6" I.D. one end x 5 1/2" I.D. other end--moulded rubber	1
80/	LN-LNT900 -- Detroit 6-71N diesel	6	426	D5HZ 9B613-T	# D5HA 9B698-TA- 5 1/2" I.D. one end x 6" I.D. other end--moulded rubber	1
80/	L-LN-LNT-LT-LTS900 -- Cum. NTC, PT270 diesel	6	855	D0HZ 9B613-F	# D0HA 9B699-G-lower-5" I.D. one end x 5 1/2" I.D. other end x 3 3/8" long	1
81/	LTL900 -- Cum. NTC diesel	6	855			1
80/	LN-LNT900 -- Detroit 8V-71N diesel	8	568	D5HZ 9B613-V	# D5HA 9B698-VA	1
80/	LN-LNT900 -- Det. 8V-71T,71TT diesel	8	568	D9HZ 9B613-B	# D8HT 9B698-BA-5" & 7" I.D.	1
80/83	LN-LNT900 -- Detroit 6V-92 diesel	6	552			1
80/	LN-LNT900 -- Cat. 3208 diesel "From Ser. GG5,001"	8	636	E0HZ 9B613-B	# E0HT 9B698-BA-attaches to basic 9C674 which is att. to int. manifold w/(6) bolts	1
80/	L-LT-LTS800 -- Cat 3208-diesel- "From Ser. GG5,001"	8	636	E0HZ 9B613-C	# E0HT 9B698-CA-attaches to basic 9C674 which is att. to int. manifold w/6 bolts	1

**1980/  
TRUCK SERIES 600/900**

YEAR	MODEL/RESTRICTIONS	ENGINE		PART NUMBER	DESCRIPTION	QTY.
		CYL.	C.I.D. (C.C.D.)			
<b>9B613 HOSE (AIR CLEANER TO INTAKE MANIFOLD) — Cont'd</b>						
89	L-LT-LTS-LS900 -- w/3306	6	638	E9HZ 9B613-B	#E9HT 9B699-BA	1
89	LN-LNT900 -- w/3306	6	638	E8HZ 9B613-C	#E8HT 9B699-CA	1
82/	LTL900 -- Cat. 3406 diesel	6	893	E1HZ 9B613-A	#E1HT 9B699-AA	1
82/	LTL900 -- Detroit 8V-92 diesel	8	736	E1HZ 9B613-B	#E1HT 9B699-BA	1
84/	LN-LNT900 -- Detroit 6V-92 diesel w/maxi by-pass blower	6	552	E4HZ 9B613-A	#E4HT 9B698-AA-7" I.D. one end. 5" I.D. other end	1
<b>9B613 HOSE and SHIELD ASSY. (AIR CLEANER TO INTAKE MANIFOLD)</b>						
80/	CL-CLT900 -- Cum. NTC diesel	6	855	D9HZ 9B613-C	#D7HT 9B698-GB, D9HT 9B698-CA-use w/Donaldson engine mounted air cleaner	1
80/	L-LN-LNT-LT-LTS800/900	6&8	All	381738-S	(EE-13)-clamp (air cleaner hose)-6 1/2" dia.	AR
<b>9614 Refer to group 9510 for Carburetor Parts List Instructions</b>						
<b>9B614 HOSE (AIR CLEANER INLET)</b>						
80/	CL-CLT900 -- Cum. diesel	6	855	D8HZ 9B614-C	#D7HT 9B614-AB-4 15/16" long-use w/Farr eng.-mtd. air cleaner	1
80/	CL-CLT900 -- Det. diesel	8	552,568,736	D8HZ 9B614-D	#D7HT 9B614-BB-9 1/16" long-use w/Farr eng.-mtd. air cleaner	2
<b>9K615 SUPPORT ASSY. (AIR CLEANER INTAKE TUBE)</b>						
80/	CL-CLT900 -- 64" BBC	6&8	All	D9HZ 9K615-A	#E0HT 9K615-AA-use w/Donaldson or Farr frame mtd. air cleaner	1
80/	CL-CLT900 -- 76" BBC	6&8	All	D8HZ 9K615-B	#D7HT 9K615-BA-use w/Donaldson frame-mtd. air cleaner	1
80/	CL-CLT900 -- 88" BBC	6&8	All	D8HZ 9K615-D	#D7HT 9K615-DA-use w/Donaldson frame-mtd. air cleaner	1
88/	CL-CLT900 -- w/3406 Cat.	6	893	D8HZ 9K615-A	#E8HT-AA	1
<b>9K616 CONNECTOR (AIR CLEANER STACK PIPE)</b>						
87/	CF700/800	6	476	E7HZ 9K616-A		1
<b>9A618 BRACE (AIR CLEANER INTAKE TUBE TO FRAME)</b>						
80/	B-F-FT600/800	6&8	All	E0HZ 9A618-A	#E0HT 9A618-AA-8 1/32" long	1
87/	CF600/800 -- FTO diesel	6	401,476	E7HZ 9A618-A		1
<b>9A618 SUPPORT (AIR CLEANER BRACKET and INTAKE TUBE)</b>						
80/86	L-LN-LNT-LT-LTS800/900 -- gas	8	All	D0HZ 9A618-A	#D0HA 9C694-A	1
81/86	L-LN-LNT-LT-LTS800/900 -- gas	8	All	E1HZ 9A618-A	#E1HT 9C694-AA	1
80/86	L-LN-LNT-LT-LTS800/900 -- gas	8	All	56320-S4	(B-318-GD)-bolt (support to duct assy. air cleaner)-hex. washer head (UBS) 5/16"-18 x 7/8"	1
				33770-S4	(M-89-K)-nut-hex. lock (UBS) 5/16"-18	1
<b>9D619 SHIELD (AIR CLEANER DUCT)</b>						
82/	LTL900 -- Cum. NTC diesel	6	855	E1HZ 9D619-A	#E1HT 9D619-AA	1
<b>9W619 TUBE-INLET (TURBO CHARGER)</b>						
86/	CF600/700 -- diesel	6	401	★ E6HZ 9W619-B	R/b E6HZ 9W619-C	1
87/	CF700/800	6	7.8L	E7HZ 9W619-A		1
<b>9W620 SUPPORT (AIR CLEANER)</b>						
87/	CF700/800 -- 6 cyl. 476-FTO diesel	6	476	E7HZ 9W620-A		1
<b>9E622 ADAPTER &amp; PLATE ASSY. (ENGINE AIR CLEANER)</b>						
80/	B-F-FT600/800 -- Detroit DDA990 diesel	8	501	E1HZ 9E622-D	#ED-E0HT 9E622-CB, E1HT 9E622-DA	1
81/	C700 -- Detroit DDA 990 diesel	8	501	E1HZ 9E622-A	#E1HT 9E622-AA	1
81	LN700 -- Detroit DDA 990 diesel- "Before 8/80"	8	501	E1HZ 9E622-B	#E1HT 9E622-CA,CB	1

1980/  
TRUCK SERIES 600/900

YEAR	MODEL/RESTRICTIONS	ENGINE		PART NUMBER	DESCRIPTION	QTY.
		CYL.	C.I.D. (C.C.D.)			
<b>9E622 ADAPTER &amp; PLATE ASSY. (ENGINE AIR CLEANER) — Cont'd</b>						
81/	LN700 -- Detroit DDA diesel- "From 8/80"	8	501	E1HZ 9E622-E	#ED-E1HT 9E622-CA, E1HT 9E622-CD	1
81	C-CT800 -- Detroit DDA diesel- "Before 8/80"	8	501	E1HZ 9E622-C	#E1HT 9E622-AB	1
81/	C-CT800 -- Detroit DDA diesel- "From 8/80"	8	501	E1HZ 9E622-F	#ED-E1HT 9E622-AB, E1HT 9E622-AC	1
<b>9E622 ADAPTER &amp; PLATE ASSY.-(ENGINE AIR CLEANER-LOWER HOUSING)</b>						
82/	B-C-F-FT-LN700/800 -- Cat. 3208T & Det. 990T diesels	8	501,636	E2HZ 9E622-A	#E2HT 9E622-A1A,A3A- must be used w/E2HZ 9600-L to complete reg. capacity air cleaner assy.	1
82/	B-C-CT-F-FT-LN700/800 -- Cat. 3208T & 990T diesels	8	501,636	E2HZ 9E622-B	#E2HT 9E622-B1A, B3A-must be used w/E2HZ 9600-L to complete H/D air cleaner assy.	1
83	B-F700/800 -- Cat. 3208N diesel	8	636	E3HZ 9E622-A	Must be used w/E3HZ 9600-BC to complete air cleaner assy.	1
<b>9K622 BRACKET and STRAP ASSY. (AIR CLEANER MOUNTING)</b>						
82/	LTL900 -- Cat. 3406, Cum. NTC & Detroit 8V-92 diesels	688	736,855	E1HZ 9K622-A	#E1HT 9K622-AA-13" I.D.	2
82/83	LTL900 -- Detroit 8V-92 diesel	8	736			1
84/	LTL900 -- Detroit 990 diesel 8V-92 diesel	8	501	E4HZ 9K622-A	#E4HT 9K622-AA,AB	1
<b>9N622 GAUGE ASSY. (AIR CLEANER VACUUM)</b>						
86/	CF600/700 -- diesel	6	401	E6HZ 9N622-B	Graduated type-25"	1
87/	CF700/800 -- diesel (7.8L)	6	476	E7HZ 9N622-B	#87HU-BA	1
80/	CL-CLT900	6&8	All	D8HZ 9N622-A	#D7HT 19D959-AB-mounts to instrument panel	1
80/	All w/indicator setting of 25"	6&8	All	C8HZ 9N622-A	#RBX00-2252-#25"-mounts to air cleaner- pop-up type	1
80/	All w/indicator setting of 20"	6&8	All	DOHZ 9N622-A	#RBX0-2251-#20"-mounts to air cleaner- pop-up type	1
86/	All -- w/indicator setting of 20"			E6HZ 9N622-C	Read out type	1
80/	All -- w/restriction indicator option			E0HZ 9N622-A	Mounts to air cleaner	1
80/	All -- w/restriction indicator option			E0HZ 9N622-B	*FA-100-mounts to air cleaner	1
87	L-LN-LNT-LT-LTL-LTS 900	All	All	E7HZ 9N622-A	Use on units w/full instrumentation-mounts on instrument panel-10" to 30"	1
88/	L-LN-LNT-LTL-LTS-LA-LTA 900	All	All	E8HZ 9N622-A	2 1/4" O.D.-mounts on instrument panel	1
<b>9F623 BRACKET ASSY. (ENGINE AIR CLEANER SCREEN)</b>						
80/	CL-CLT900 -- w/engine mtd. air cleaner	6&8	All	E0HZ 9F623-A	#E0HT 9F623-AA	1
<b>9A624 TUBE ASSY. (AIR CLEANER INTAKE)</b>						
80/83	B-F-FT600/800	8	370,429	E0HZ 9A624-A		1
80/	B-F-FT600/800 -- Detroit DDA 990 diesel	8	501	E0HZ 9A624-B		1
83/	B-F-FT600/800 -- tilt cab-gas	8	370,429	E4HZ 9A624-A	#E3HT 9A624-BB-E4HT 9A624-AA-provides sealing surface at air inlet opening	1
83	B-F600/800 -- tilt cab-Det. 990 diesel-W/H/D air cleaner	8	501-N			1
83	B-F600/800 -- tilt cab-Det. 990 diesel	8	501-T			1
83	B-F600/800 -- tilt cab-Cat. 3208 diesel	8	636			1
87/	B-F-FT700/900 -- diesel	6	476	E7HZ 9A624-A	#E7HT 9A624-AA	1

1980/  
TRUCK SERIES 600/900

YEAR	MODEL/RESTRICTIONS	ENGINE		PART NUMBER	DESCRIPTION	QTY.		
		CYL.	C.I.D. (C.C.D.)					
<b>9B624 SEAL (AIR CLEANER TO HOOD)</b>								
80/	C700/800 -- Cat. diesel	8	636	CITE 9B624-A	Neoprene-bellows type-5 1/8" I.D. x 7 7/8" O.D. x 3 3/16" high	1		
80/81	C-CT800/900 -- gas	8	477,534					
80/	LN700 -- Cat. diesel	8	636					
80/	C-CT600/800	8	370,429					
81/	C700 -- w/Detroit DDA 990 turbo diesel engine	8	501					
80/	L-LN-LNT-LT-LTS600/800	8	501					
80/	LN700 -- Cat. diesel	8	636	C3TZ 9B624-A	Air cleaner duct- sponge rubber-8 holes	1		
84/	LN600/700 -- Detroit 990 diesel	8	501					
80/	L-LT-LTS900 -- Cat. 3406 diesel	6	893	D3HZ 9B624-A	#D0HA 9B687-H, D3HA 9B687-AA-upper- 5 1/2" I.D. x 15 1/4" O.D.	1		
80/86	L-LN-LNT-LT-LTS800/900 -- gas	8	All	D0HZ 9B624-B	#D0HA 9B687-J 5 3/16" I.D. x 12" O.D.	1		
80/87	L-LN-LNT-LT-LTL-LTS900 -- Cum. exc. NH230 diesel "Before 3/84"	6	855	★ D7HZ 9B624-A /bE4HZ 9B624-A(11/84)	#D3HA 9B687-BA, D7HT 9B687-AA-upper- 5 1/2" I.D. x 14 7/16" O.D.-includes foam pad	1		
80/87	L-LN-LNT-LT-LTL-LTS900 -- Cat. 3406 diesel "Before 3/84"	6	893					
80/82	L-LN-LNT-LT-LTL-LTS900 -- Cum. NH230 Formula diesel "Before 6/7/82"	6	855					
80/87	L-LT900 -- Detroit 8V-71T, 71TT diesel "Before 3/84"	8	568					
84/87	LNT900 -- w/Cum. L10 diesel "Before 3/84"	6	610					
83/87	L-LN-LNT-LT-LTL-LTS900 -- Cum. NH230 Formula diesel "Before 3/84"	6	855					
80/	L-LN-LNT-LT-LTS-FTO	6	401,476			E7HZ 9B624-A	Seal air cleaner to mtng. plt. -- Donaldson Air Cleaner #P14-1596	1
80/	L-LN-LNT-LT-LTS-Cum.		555					
80/	L-LN-LNT-LT-LTS-Detroit		426					
80/	L-LN-LNT-LT-LTS-Cat.		636					
82/	L-LL-LN-LS-LNT-LTL-LTS 600/800 -- Caterpillar 3208T diesel & all FTO eng.	6	636 401	E2HZ 9B624-D	Rubber-6 1/2" I.D. x 6 3/4" I.D. x 8 1/4" O.D.- Fram air cleaner-"As listed in TSB 87-14, dated 7-16-87, article 87-14-14"	1		
82	L-LN-LNT-LTL-LTS900 -- Cum. NTC Formula diesel "From 6/7/82 to 3/84"	6	855	E2HZ 9B624-C	#E2HT 9B687-CA	1		
84/87	L-LN-LNT-LT-LTL-LTS900 -- Cum. NH & L10 Diesels "From 3/84"	6	610,855	★ E4HZ 9B624-A /bE8HZ 9B624-A	#E4HT 9B687-DA-does not contain foam pad- foam pad not necessary	1		
84/87	L-LT900 -- Detroit 8V-71T, 71TT Diesels "From 3/84"	8	568					
88/	L-LN-LNT-LT-LTL-LTS900 -- Cum. & NTC Form diesel	6	601,855	E8HZ 9B624-A	#E8HT 9B687-AA	1		
88/	L-LN-LNT-LT-LTL-LTS900 -- Cat. 3406 diesel	6	893					
88/	L-LT900 -- Detroit 8V-71T, 71TT diesel	8	568					
80/	LN-LNT900 -- Detroit 8V-71T, 71TT diesel	8	568	D5HZ 9B624-A	Air cleaner duct-upper-7" I.D. x 8 1/2" O.D. x 1 3/4" high-sponge rubber	1		
80/	LN-LNT900 -- Det. 8V-71T, 71TT diesel	8	568	D8HZ 9B624-A	#D3HS 9B624-AA-bellows type- 6 holes	1		
80/	L-LN-LNT-LT-LTS900 -- Detroit 6-71N,8V-71N, Cum. V-903 and Super 250 diesel	6&8	426,568, 903					

1980/  
TRUCK SERIES 600/900

YEAR	MODEL/RESTRICTIONS	ENGINE		PART NUMBER	DESCRIPTION	QTY.
		CYL.	C.I.D. (C.C.D.)			
<b>9B624 SEAL (AIR CLEANER TO HOOD) — Cont'd</b>						
80/	L-LN-LNT-LT-LTS900 -- Detroit 6-71N,8V-71N	6&8	426,568	D5HZ 9B624-B	#D5HA 9B687-BA-bellows type-6" I.D.-neoprene	1
80/	L-LN-LNT-LT-LTS800 -- Cat. 3208 diesel	8	636			
80	LN-LNT900 -- Detroit 6V-92 diesel	6	552	E0HZ 9B624-A	#D8HS 9B624-AA	1
83/	B-F-FT600/800 -- gas tilt front end	8	370,429	E3HZ 9B624-A	#E3HT 9B624-AB	1
87/	B-F600/700	6	401			1
87/	B-F700/800,FT90	6	476			1
83/	F-FT600/700 -- Detroit 990 diesel-tilt front end	8	501			1
83/	F-FT700/800 -- Cat. 3208 diesel-tilt front end	8	636			1
80/	L-LN-LNT-LT-LTL-LTS800/900	6&8	All	380335-S2	(SS-45-G)-rivet (air cleaner to hood seal to hood panel)-oval head blind-(aluminum)-3/16" x 17/32"	6
80/	L-LN-LNT-LT-LTL-LTS800/900-- diesel	6&8	All	40920-S8	(U-261)-screw (seal to air cleaner assy.) -hex washer head-self tapping-No. 24 x 1/2" 12-	2
80/86	All			★383555-S	Washer-flat-(aluminum)-3/16"	
<b>9C624 COVER (VENT AIR FILTER)</b>						
80/	B-F-FT600/800 -- Detroit DDA-990 diesel	8	501	E0HZ 9C624-A	#E0HT 19N561-AA-covers air inlet opening in fender support bracket	1
<b>9W625 HOSE ENGINE AIR CLEANER (RESONATOR TO TURBO CHARGER)</b>						
87/	CF600/700 -- 165 H.P.- FTO diesel	6	401	E7HZ 9W625-B		1
<b>9626 BRACKET (AIR CLEANER MOUNTING)</b>						
86/	CF600/700 -- diesel	6	401	★ E6HZ 9626-B	Not replaced	1
86/87	CF600/700 diesel	6	401	★ E6HZ 9626-C Not replaced		1
87/	L-LL-LN-LNT-LT-LTL-LTS 900 -- diesel	6	All	E6HZ 9626-D	#E6HT 9D671-AA	1
87/	L-LN-LNT-LT-LTS800 -- FTO diesel	6	474	E7HZ 9626-A	#E7HT 9D671-BB-Outer- 13" nom. dia.-1 3/4" wide	1
87/	L-LN-LNT-LT-LTS800 -- FTO diesel	6	474	E7HZ 9626-B	#E7HT 9D672-AB-Inner-13" nom. dia.-2 1/8" wide	1
80/	CL-CLT900	6	855	D8HZ 9626-F	#D8HT 9647-BD-use w/Farr frame mounted air cleaner-use on units w/frame mtd. att. brkts. (basic #5277)-w/slotted hole	1
80/	CL-CLT900	8	568	D8HZ 9626-H	#D8HT 9647-CA-use w/Farr frame mounted air cleaner-use on units w/frame mtd. att. brkts. (basic #5277)-w/slotted hole	1
80/82	CL-CLT900	6&8	All	E3HZ 9626-A	#D8HT 9647-BA-use w/Donaldson frame mounted air cleaner-use on units w/frame mtd. att. brkts. (basic #5277)-w/slotted hole w/slotted hole	1
83	CL-CLT900	6&8	All	E3HZ 9626-A	#E3HT 9647-AA-use w/Donaldson frame mounted air cleaner	1
80/87	CL-CLT900	6	855,893	D8HZ 9626-C	Bracket & strap assy.-use w/Donaldson air cleaner	2
80/87	CL-CLT900 -- exc. 8 cyl. 855 & 893	6&8	All	D8HZ 9626-D	#D7HT 9D671-BB-w/Donaldson air cleaner	1
88/	CL-CLT900 -- All Cum. & 3406 Cat. diesel	All	All	E8HZ 9626-A	#E8HT 9D671-AA-w/Donaldson air cleaner	2

1980/  
TRUCK SERIES 600/900

YEAR	MODEL/RESTRICTIONS	ENGINE		PART NUMBER	DESCRIPTION	QTY.
		CYL.	C.I.D. (C.C.D.)			
<b>9A626 DUCT and VALVE ASSY. (AIR CLEANER AIR) — Cont'd</b>						
80/87	L-LN-LNT-LT-LTS900 -- Cum. NTC diesel	6	855	★ E2HZ 9626-A /bE6HZ 9626-D	#D0HA 9D671-B-E2HT 9D671-AA-B-outer-16" diameter strap	1
80/87	L-LN-LNT-LT-LTS900 -- Cat. 3406 diesel	6	893			1
80/87	L-LT900--Detroit 8V-71T,71TT diesel	8	568			1
80/87	L-LN-LNT-LT-LTS900 -- Cum. NH230 diesel	6	855			1
84/87	LNT9000 -- w/Cum. L10 diesel	6	610			1
80/	LN-LNT900 -- Detroit 8V-71T,71TT diesel	8	568	D5HZ 9626-A	#D5HA 9D671-AA-bracket and strap assy.-outer	1
80/	LN-LNT900 -- Detroit 8V-71T,71TT diesel	8	568	D5HZ 9626-B	#D5HA 9B610-AA-L.H.	1
82/	LTL900 -- Cat. 3406, Cum. NTC & Detroit 8V-92 diesels	6&8	736,855, 893	E1HZ 9626-A	#E1HT 9D671-AA-Outer	1
80/	L-LN-LNT-LT-LTS900 -- Detroit 6-71N, 8V-71N, Cum. Super 250 diesel	6&8	426,568 903, 927	D5HZ 9626-C	#D5HA 9D671-BB, D6HT 9D671-AA-bracket and strap assy.-outer	1
80/	L-LN-LNT-LT-LTS800 -- Cat. V-175,V-210 3208 diesel	8	636			1
80/	LN-LNT900 -- Detroit 6V-92 diesel	6	552	E0HZ 9626-A	#D8HS 9B610-AA	1
80/	L-LN-LNT-LT-LTS800/900 -- diesel	6&8	All	56320-S4	(B-318-GD)-bolt (bracket to body)-hex. washer head (UBS) 5/16"-18 x 7/8"	AR
80/	L-LT-LTS900 -- Cat. 3406 diesel	6	893	56324-S	(B-318-GH)-bolt (bracket to air cleaner)- hex. head (UBS) 5/16"-18 x 1 1/2"	AR
				33770-S4	(M-89-K)-nut-hex. lock (UBS) 5/16"-18	AR
<b>9A626 DUCT and VALVE ASSY. (AIR CLEANER AIR)</b>						
80/	C-CT700/800 -- Cat. 3208N diesel	8	636	D8HZ 9A626-A	#D7HT 9A677-AA-E2HT 9A677-AA-plastic elbow	1
80/81	C-CT900	8	477,534	D6HZ 9A626-B		1
80/86	LN600/700 -- w/dash mounted hydraulic brake booster	8	370,429	D9HZ 9A626-C	#D9HT 9D626-DA	1
80/	F-FT-FT600/800	8	370,429	D9HZ 9A626-B	#D9HT 9D626-BA	1
80/86	L-LN600/700 -- w/o dash mounted hydraulic brake booster	8	370,429			1
80/81	L-LT-LTS900	8	477,534	★ D7HZ 9A626-A Not replaced	Use w/standard air cleaner -- w/flex tube	1
80/81	LN-LNT900	8	477,534	★ D7HZ 9A626-B	Use w/standard air cleaner -- w/flex tube	1
80/81	L-LN-LNT-LT-LTS800/900 gas	8	401,475, 477,534	D6HZ 9A626-D	Use w/heavy duty air cleaner	1
81/	LN700 -- Detroit DDA 990 diesel	8	501	E1HZ 9A626-A	#E1HT 9A677-AA, E2HT 9A677-CA	1
81	C700 -- Detroit DDA 990 diesel "Before 10/6/80"	8	501	E1HZ 9A626-B	#E1HT 9A677-BA, E2HT 9A677-BA	1
81/	C700 -- Detroit DDA- 990 diesel- "From 10-6-80"	8	501	E1HZ 9A626-C	#ED-E1HT 9A677-BA	1
83	C-CT800 -- Cat. 3208T diesel	8	636			1
80/81	C-CT-L-LN-LNT-LT-LTS900	8	477,534	20324-S8	(B-41)-bolt (duct and valve assy. to air cleaner)-hex. head-1/4"-20 x 5/8"	5
80/81	L-LN-LNT-LT-LTS900	8	477,534	42742-S7-8	(U-2-A)-screw & washer assy. (duct and valve to air cleaner)-hex. head-1/4"-20 x 1/2"	3
80/	C700/800 -- Cat. diesel	8	636	20344-S8	(B-42)-bolt (duct to air cleaner)-hex. head- 1/4"-20 x 3/4"	3

1980/  
TRUCK SERIES 600/900

YEAR	MODEL/RESTRICTIONS	ENGINE		PART NUMBER	DESCRIPTION	QTY.
		CYL.	C.I.D. (C.C.D.)			
<b>9A627 BRACKET (AIR CLEANER SUPPORT)</b>						
<b>B SERIES</b>						
87	B600/700 -- FTO diesel	6	401,474	E7HZ 9A627-A	#E7HT-AB-Front	1
87	B600/700 -- FTO diesel	6	401,474	E7HZ 9A627-B	#E7HT 9C609-AB,AC-Rear	1
88/	B600/700 -- FTO diesel	6	6.6L,7.8L	E9HZ 9A627-A	#E9HT-AA-R.H.	1
88/	B600/700 -- FTO diesel	6	6.6L,7.8L	E9HZ 9A627-B	#E9HT-9C609-AB-L.H.	1
<b>CF600/700 SERIES</b>						
86	CF600/700 -- diesel	6	401	E6HZ 9A627-A	Functions as support for radiator supply tank	2
<b>CL-CLT SERIES</b>						
80/84	CL-CLT900 -- Det. diesel "Before 1/84"	6	552	D8HZ 9A627-U	#D7HT 9C609-UA-rear-use w/Donaldson engine-mounted air cleaner	1
84/	CL-CLT900 -- Detroit 6V-92 diesel "From 1/84"	6	552	E5HZ 9A627-H	#E4HT 9C609-AA-use w/Donaldson engine mounted air cleaner & improved fuel economy option	1
80/	CL-CLT900 -- Det. diesel	6	552	D8HZ 9A627-Z	#D7HT 9A627-ZB, ZD-R.H.-tubing-use w/Farr eng-mtd. air cleaner	1
80/	CL-CLT900 -- Det. diesel	6	552	D8HZ 9A627-AA	#D7HT 9B919-RC-L.H.-tubing - use w/Farr eng.-mtd. air cleaner	1
80/	CL-CLT900 -- Det. diesel-	8	568	D8HZ 9A627-K	#D7HT 9A627-VA,VB, VD-front R.H.-use w/Farr engine--mounted air cleaner	1
80/84	CL-CLT900 -- Detroit 8V-92 diesel	8	736			1
85	CL-CLT900 -- Detroit 8V-92 diesel	8	736	E5HZ 9A627-A	#E5HT 9A627-AA-R.H.	1
80/	CL-CLT900 -- Det. diesel	8	568	D8HZ 9A627-S	#D7HT 9B919-FB,FC,FD-front L.H.-use w/Farr engine-mounted air cleaner	1
80/84	CL-CLT900 -- Detroit 8V-92 diesel	8	736			1
85/	CL-CLT900 -- Detroit 8V-92 diesel	8	736	E5HZ 9A627-B	#E5HT 9B919-AA-L.H.	1
80/84	CL-CLT900 -- Detroit 6V-92, 8V-71,8V-92 diesel "Before 1/84"	6&8	552,568, 736	E0HZ 9A627-A	#E0HT 9A627-AA-front-use w/Donaldson engine mounted air cleaner	1
84/	CL-CLT900 -- Detroit 6V-92 8V-71 & 8V-92 "From 1/84"	6&8	552,568, 736	E5HZ 9A627-E	#E4HT 9A627-AA-front-rear-use w/Donaldson engine-mounted air cleaner	1
80/	CL-CLT900 -- Det. diesel	8	568,736	D8HZ 9A627-E	#D7HT 9C609-SB,EDD7HT 9C609-SB-rear-use w/Donaldson engine mounted air cleaner	1
80/	CL-CLT900 -- Cum. diesel	6	855	D8HZ 9A627-G	#D7HT 9A627-AB,AC-front-use w/Farr engine mounted air cleaner	1
80/	CL-CLT900 -- Cum. diesel	6	855	D8HZ 9A627-C	#D7HA 9C609-GA,D8HT 9C609-AA-rear use w/Donaldson engine-mounted air cleaner	1
80/	CL-CLT900 -- Cum. diesel	6	855	D8HZ 9A627-Q	#D7HT 9B919-AB,AC-front-use w/Farr engine mounted air cleaner	1
80	CL-CLT900 -- Cum. NTC 290 diesel	6	855	D8HZ 9A627-A	#D7HT 9C609-VA-rear R.H.-use w/Farr engine mounted air cleaner	1
80/	CL-CLT900 -- Cum. diesel	6	855	D8HZ 9A627-T	#D7HT 9B920-AB-rear-L.H.- use w/Farr engine mounted air cleaner	1
80/	CL-CLT900 -- Det. diesel	6	552			1
85	CL-CLT900 -- Cummins LTA300 diesel	6	855	E5HZ 9A627-C	#E5HT 9A627-BB,BC,BD-front-use w/Donaldson engine mounted air cleaner	1
85/	CL-CLT900 -- Detroit LTA 6192 diesel	6	552	E5HZ 9A627-D	#E5HT 9A627-BB-EDE5HT 9A627-AC front use w/Donaldson engine mounted air cleaner	1

1980/  
TRUCK SERIES 600/900

YEAR	MODEL/RESTRICTIONS	ENGINE		PART NUMBER	DESCRIPTION	QTY.
		CYL.	C.I.D. (C.C.D.)			
<b>9A627 BRACKET (AIR CLEANER SUPPORT) — Cont'd</b>						

**CL-CLT SERIES**

88/	CL-CLT900 -- Cummins L10 diesel	6	610	E8HZ 9A627-A	#E8HT 9A627-BB-Front	1
88/	CL-CLT900 -- Cummins L10 diesel	6	610	E8HZ 9A627-B	#E8HT 9C609-AB-Rear	1
80/87	CL-CLT900 -- Cat. diesel	6	893	D8HZ 9A627-N	#D7HT 9A627-MC, D9HT 9A627-AA-front-use w/Donaldson engine mounted air cleaner	1
80/87	CL-CLT900 -- Cat. diesel	6	893	D8HZ 9A627-F	#D9HT 9C609-AA,AB-rear-use w/Donaldson Engine mounted air cleaner	1
88/	CL-CLT900 -- Cat. diesel 3406	6	893	E8HZ 9A627-C	#E8HT 9C609-CA-Rear	1
88/	CL-CLT900 -- Cat. diesel 3406	6	893	E8HZ 9A627-D	#E8HT 9A627-CA-Front	1
80/87	CL-CLT900 -- Cummins diesel	6	855,1150	D8HZ 9A627-H	#D7HT 9A627-GB-front-R.H.-use w/Donaldson-engine mounted air cleaner	1
80/87	CL-CLT900 -- Cummins diesel	6	855,1150	D8HZ 9A627-AG	#ED-D7HT 9A627-GB-R.H.-front-use w/Donaldson-engine mounted air cleaner-used in conjunction w/D8HZ 9A627-H	1
88/	CL-CLT900 -- Cummins diesel	6	855	E8HZ 9A627-E	#E8HT 9C609-EA-used in conjunction with E8HZ 9A627-F	1
88/	CL-CLT900 -- Cummins diesel	6	855	E8HZ 9A627-F	#E8HT 9A927-DA-used in conjunction with E8HZ 9A627-E	1
85/	CL-CLT900 -- Detroit 6V-92	6	552	E5HZ 9A627-E	#E4HT 9A627-AA-use w/improved fuel economy option	1
85/	CL-CLT900 -- Detroit 8V-71, 8V-92 diesels	8	568,736			
85/	LTL900 -- Detroit 8V-92 diesel	8	736	E5HZ 9A627-F	#E4HT 18C593-BA-use w/improved fuel economy option	1

**F-FT SERIES**

87	F-FT600/900 -- FTO diesel	6	401,474	E7HZ 9A627-A	#E7HT-AB-Front	1
87	F-FT600/900 -- FTO diesel	6	401,474	★E7HZ 9A627-B /bE9HZ 9A627-B	#E7HT 9C609-AB,AC-Rear	1
88/	F-FT600/900 -- FTO diesel	6	6.6L,7.8L	E9HZ 9A627-A	#E9HT-AA-R.H.	1
88/	F-FT600/900 -- FTO diesel	6	6.6L,7.8L	E9HZ 9A627-B	#E9HT 9C609-AB-L.H.	1

**L-LN-LNT-LT-LTL-LTS SERIES**

88/	CL-CLT900 -- Cummins L10 diesel	6	610	E8HZ 9A627-A	#E8HT 9A627-BB-Front	1
88/	CL-CLT900 -- Cummins L10 diesel	6	610	E8HZ 9A627-B	#E8HT 9C609-AB-Rear	1
88/	CL-CLT900 -- Caterpillar 3406 diesel	6	893	E8HZ 9A627-D	#E8HT 9A627-CA-Front	1
88/	CL-CLT900 -- Caterpillar 3406 diesel	6	893	E8HZ 9A627-C	#E8HT 9C609-CA-Rear	1
80/	LN-LNT900 -- Detroit 8V-71T,71TT diesel	8	568	D5HZ 9A627-A	#D5HA-9D672-AA-bracket and strap assy.-inner-	1
80/	LN-LNT900 -- Detroit 6V-92 diesel	6	552			1
80/	L-LN-LNT-LT-LTS800 -- Cat. diesel	8	636	D5HZ 9A627-B	#D5HA 9D672-BB, D6HT 9D672-AA-inner	1
80/	L-LN-LNT-LT-LTS900 -- Detroit 6-71N diesel	6	426			1
80/	L-LN-LNT-LT-LTS900 -- Detroit 8V-71N diesel	8	568			1
80/	L-LT900 -- Detroit 8V-71T,71TT diesel	8	568	D5HZ 9A627-C	#D5HA 9D672-CA-inner	1
80/	LN-LNT900 -- Detroit 8V-71 diesel-w/turbo-charger	8	568	D8HZ 9A627-AC	Retains 9B697 hose	1
82/84	LTL900 -- Detroit 8V-92 diesel	8	736	★E1HZ 9A627-A Not replaced	#E1HT 18C593-AA-"Z" shaped	1
85/86	LTL900 -- Detroit 8V-92 diesel "Before 10/85"	8	736	E5HZ 9A627-G	#E4HT 18C593-AA, EDE4HT 18C593-AA-use w/improved fuel economy option	1

October, 1993

COPYRIGHT © 1993 - FORD MOTOR - DEARBORN, MICHIGAN

COMPANY

Final Issue



1980/  
TRUCK SERIES 600/900

YEAR	MODEL/RESTRICTIONS	ENGINE		PART NUMBER	DESCRIPTION	QTY.
		CYL.	C.I.D. (C.C.D.)			
<b>9A627 BRACKET (AIR CLEANER SUPPORT) — Cont'd</b>						
<b>L-LN-LNT-LT-LTL-LTS SERIES</b>						
86/	LTL900 -- Detroit 8V-92 diesel "From 10/85"	8	736	E6HZ 9A627-B	#E5HT 18C593-AA-use w/ improved fuel economy option	1
82/	LTL900 -- Cat. 3406, Cum NTC & Detroit 8V-92 diesels	6&8	736,855, 893	E1HZ 9A627-B	#E1HT 9D672-AA-inner	1
88/	LNT900 -- Cum. diesel	6	855	E8HZ 9S627-E	#E8HT-EA-used in conjunction with E8HZ 9A627-F	1
88/	LNT900 -- Cum. diesel	6	855	E8HZ 9A627-F	#E8HT-DA-used in conjunction with E8HZ 9A627-E	1
80/81	C900, CT900, L900, LN900, LNT-LT-LTS900	8	477,534	★42846-S8	Screw & lockwasher assy. (bracket to air cleaner)-5/16"-18 x 7/8"	1
80/	L-LN-LNT-LT-LTS800/900 -- Detroit diesel	6&8	All	56320-S4	(B-318-GD)-bolt (bracket to dash panel)-hex. washer head (UBS) use with D1HZ 9600-B, D5HZ 9600-C	3
80/	L-LT900 -- Cum. V-903 diesel	8	903		Bolt (bracket to dash panel)-	3
80/	L-LT900 -- Cum. V-903 diesel	8	903	56324-S	(B-318-GH)-bolt (bracket to air cleaner)-hex. head (UBS) 5/16"-18 x 1 1/2"	1
				33770-S4	(M-89-K)-nut-hex. lock (UBS) 5/16"-18	
80/	CL-CLT900 -- Cum. diesel	6	1150	388220-S2	(A0-10-E) Plate (brkt. to exh. manifold) 7/16" lock-3.70" hole centers	4
80/	CL-CLT900 -- Cat. diesel	6	893	384542-S2	(XX-173-G) Spacer (frt. 8 rr. brkts. to straps) 7/16" steel	2
80/	CL-CLT900 -- Det. diesel	6&8	552,568, 736	380899-S2	(BB-176-B)-Bolt (bracket to eng.)-7/16" - 14 x 1 1/2"	2
80/81	C-CT-L-LN-LNT-LT-LTS900	8	477,534	33799-S7	(M-52)-nuts (bracket to cyl. head)-hex.-3/8" - 16	1
				34807-S8	(X-66) - lockwasher - 3/8"	
80/	CL-CLT900 -- Det. 8V-71 diesel	8	568	58645-S2	(B-96-B)-Bolt (bracket to eng.)-3/8"-16 x 3 3/4 hex hd.-use w/Farr eng-mounted air cleaner	4
80/	CL-CLT900	6&8	All	351428-S7	(XX-166)-Washer (bracket to eng.)-7/16" flat	2
<b>9628 CLAMP (AIR CLEANER STACK PIPE)</b>						
86	CF600/800 -- diesel	6	401,476	E6HZ 9628-A		
87/	CF700/800 -- FTO diesel	6	401,476	E7HZ 9628-A		1
<b>9B629 EXTENSION ASSY. (AIR CLEANER AIR INNER DUCT)</b>						
80/81	C-CT800/900	8	477,534	C1TZ 9B629-A		1
80/	B-C-CT-F-FT-LN-LNT-LT600/800	8	370-4/B	C4TZ 9B629-D		1
80/	B-C-CT-F-FT-LN700/800	8	429			1
80/86	L-LNT-LT-LTS800	8	429			1
80/	B-C-F-LN600/700	8	370-2/B	C4TZ 9B629-C		1
80/	LN700 -- Cat. diesel	8	636	D0EZ 9B629-A		1
81/	LN700 -- Detroit DDA 990 diesel	8	501	E1HZ 9B629-A		1
<b>9E629 SLEEVE (FUEL VAPOR STORAGE CANISTER PURGE INLET)</b>						
80/	B-F-FT600/800 -- gas	8	All	E0UZ 9E629-B	#D94E 9D625-AA-has (2) 90° nipples incl. "O" ring	AR
80/	B-F-FT600/800 -- gas	8	All	D8TZ 9E629-B	Plastic 90° elbow-round top	1
80/81	C-CT900 -- gas	8	477,534			1
80/81	L-LN-LNT-LT-LTS900 -- gas	8	477,534			1
80/	B-F-FT600/800 -- gas	8	All	D8TZ 9E629-A	Plastic-90° elbow-flat top	1or2
80/	C-CT600/900 -- gas	8	All			1
80/86	L-LN-LNT-LT-LTS600/900 -- gas	8	All			1or2
80/	C-CT600/900 -- gas	8	All	D8AZ 9E629-A	Plastic-180° (straight) - has hose nipple	1
80/	B-F-FT600/800 -- gas	8	All	D8HZ 9E629-A	Plastic - 180° (straight)-has (2) ridges on outer dia. -use w/9E602 cap	1
80/	C-CT-600/900 -- gas	8	All			1
80/86	L-LN-LNT-LT-LTS600/900 -- gas	8	All			1

1980/  
TRUCK SERIES 600/900

YEAR	MODEL/RESTRICTIONS	ENGINE		PART NUMBER	DESCRIPTION	QTY.
		CYL.	C.I.D. (C.C.D.)			
<b>9E630 TUBE and SLEEVE ASSY. (FUEL VAPOR PURGE INLET)</b>						
80/	B-F-FT600/800	8	370,429	D1BZ 9E630-A	Cut to length	1
<b>9P630 WASHER (CONNECTOR-FUEL INJECTION PUMP OUTLET)</b>						
86/	CF600/700	6	401,476	E6HZ 9P630-A		1
87/	B-CF-F600/700	6	401,476			1
87/	B-CF-F-FT700/900	6	401,476			1
87/	L-LN-LS-LT-LNT-LTS800	6	401,476			1
<b>9C631 Refer to group 9510 for Carburetor Parts Lists Instruction</b>						
<b>9D632 NUT ASSY. (AIR CLEANER WING)</b>						
80/	L-LN-LNT-LT-LTS900 -- Cum. NH220, NHC250, NTC and Super 250 diesels	6	855,927	DOHZ 9D632-A	7/16"-20	1
80/	L-LT900--Detroit 8V-71T diesel	8	568			1
80/	L-LN-LNT-LT-LTL-LTS900--Cum. NTC-290, NTC-335, NTC-350 and PT-270 diesel	6	855			1
83	C-CT800 -- Cat. 3208N diesel	8	636N	C9HZ 9D632-A	7/16"-14	1
<b>9W633 HOSE (AIR CLEANER)</b>						
87	CF700/800 -- FTO diesel	6	476	E7HZ 9W633-A		1
<b>9634 RETAINER (AIR CLEANER TO HOOD)</b>						
80/	LN-LNT900 -- Det. 8V-71T, 71TT diesel	8	568	D8HZ 9634-A	Steel-7 7/8" I.D. x 9 1/2" O.D. x 1/16" thick-6 holes-also serviced in	1
<b>9634 SEAL (IDLE ADJUSTING NEEDLE)-Refer to group 9510 for Carburetor Parts List Instructions</b>						
<b>9D634 GASKET (AIR CLEANER AIR INLET CONNECTOR)</b>						
80/	L-LN-LNT-LT-LTS800 -- Cat. diesel	8	636	DOHZ 9D634-A	5 1/16" I.D. x 5 3/8" O.D. x 3/8" thick- use with DOHZ 9C674-F	1
<b>9636 Refer to group 9510 for Carburetor Parts Lists Instructions</b>						
<b>9B636 SCREEN (ENGINE AIR CLEANER AIR INTAKE)</b>						
80/	LN-LNT900--Detroit 8V-71T,71TT and Cum. V-903 diesel	8	568,903	D5HZ 9B636-A	L.H. side of (16000) frt. end- 9" x 11 3/4"	1
<b>9B636 SCREEN ASSY. (ENGINE AIR CLEANER DUCT)</b>						
80/	L-LT-LTS800 -- diesel	8	555,636,	D5HZ 9B636-B	#D5HA 9B670-AA-R.H. side of (16000) frt. end-round-12" O.D.	1
80/	L-LN-LNT-LT-LTL-LTS900 -- diesel	6&8	All			1
<b>9B640 HOSE ASSY. (ENGINE AIR CLEANER-OUTLET)</b>						
86/	CF600/700 -- FTO diesel	6	401	E7HZ 9B640-A		1
<b>9E645 TEE (FUEL VAPOR STORAGE CANNISTER)</b>						
80/	B-C-CT-F-FT-LN-LNT-LT-LTL-LTS600/900 -- gas-Calif.	8	All	D8AZ 9E645-A		1
85/	B-F-FT600/800 -- gas	8	370,429			1
<b>9B646 COVER ASSY. (AIR CLEANER)</b>						
80/	L-LN-LNT-LT-LTL-LTS900 -- Cum. NH,NTC and Super 250 diesels	6	855, 927	D7HZ 9B646-A	Center raised	1
80/	L-LT-LTS900 -- Cat.	6	893			1
80/	L-LT-LTS-LN-LNT-LS900	6	All Cum. & Cat.	E8HZ 9A664-A	Center recessed	1
80/	CL-CLT900 -- Det. 92TA,Cum. 8V diesel	6&8	736, 1150	D8HZ 9B646-B		1
80/	CL-CLT900 -- Det. 71TA, Cum. 16,Cat 3406 diesel	6&8	568,855, 893	D8HZ 9B646-A		1
80/	CL-CLT900 -- Det. 71TA, 92A, Cum 16, Cat. 3406	6&8	568,736, 855,893	D8HZ 9B646-C		1
87/	CF600/800	6	6.6L 7.8L	E7HZ 9B646-A	#87HU 9643-BA	1

October, 1993

COPYRIGHT © 1993 - FORD MOTOR - DEARBORN, MICHIGAN  
COMPANY

Final Issue

1980/  
TRUCK SERIES 600/900

YEAR	MODEL/RESTRICTIONS	ENGINE		PART NUMBER	DESCRIPTION	QTY.
		CYL.	C.I.D. (C.C.D.)			
<b>9647 BRACKET ASSY. (ENGINE AIR CLEANER)</b>						
87	CF600/800 -- FTO diesel	6	401	E7HZ 9647-A		1
87/	CF600/800 -- FTO diesel	6	All	E7HZ 9647-B	#87HU-AB	
<b>9B650 THERMOSTAT ASSY. (ENGINE AIR CLEANER)</b>						

For Model Application, refer to Calibration Parts Lists in Section 93A.

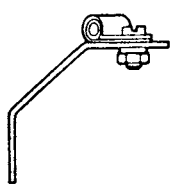
<b>9E651 ELIMINATOR ASSY. (AIR CLEANER MOISTURE)-Also refer to group 9B994</b>						
80/	CL-CLT900 -- Det. 8V-92 diesel	8	736	D8HZ 9E651-A	#C61524-GR1-L.H. - (Farr eng. mtd.)	
80/	CL-CLT900 -- Det. 8V-92 diesel	8	736	D8HZ 9E651-B	#C61524-GR2-R.H.- (Farr eng. mtd.) in D8HZ 9600-G assy. (Farr eng-mtd)	1
80/	CL-CLT900 -- Det. 8V-71 diesel	8	568	D8HZ 9E651-C	#C61524-GR3-L.H.- (Farr eng. mtd.)	1
80/	CL-CLT900 -- Det. 8V-71 diesel	8	568	D8HZ 9E651-D	#61524-GR4-R.H.- (Farr eng. mtd.)	1
80/	CL-CLT900 -- Cum. I6 diesel	6	855	D8HZ 9E651-E	#C60575-GR1- (Farr eng. mtd.)	1
80/	CL-CLT900 -- Cat. 3406, Cum. I6, Det. 8V-71 diesel	6&8	568,855, 893	D8HZ 9E651-F	(Farr eng. mtd.)	1
<b>9K652 CLAMP "T" BOLT (FLAT BAND)</b>						
87/	B-F700/800,FT900 -- FTO diesel	6	401,476	E7HZ 9K652-A	#E7HT 9D671-AB-adjusts from 8 15/16" to 9 5/16"-1 1/4" wide	1
87/	B-F600/700	6	401			1
87/	B-F700/800,FT900	6	476			1
87/	L-LN-LN-LT-LNT-LTS 800-I70 diesel	6	476	E7HZ 9K652B	#E7HT 9K652AB-adjusts From 4-3/8" to 4-11/16"	1
87/	B-F700/800,FT900 -- FTO diesel	6	401,476			1
80/	L-LN-LNT-LT-LTS900 -- Det. 8V diesel	8	568	D9HZ 9K652-B	#D9HT 9K652-AA, E2HT 9K652-FA-adjusts from 6 3/8" to 6 11/16"	1
80/	LN-LNT900 -- Detroit 6V-92 diesel	6	552			1
81/	LTL900 -- Cat. 3406 & Cu. NTC diesels	6	855,893			1or2
82/	L-LN-LNT-LT-LTS900 -- Cat. 3406 diesel	6	893			1or2
82/	L-LN-LNT-LT-LTS800 -- Caterpillar 3208T diesel	6	636			2
82/	L-LN-LNT-LT-LTS900 -- Cum. NTC Formula diesel	6	855			1
89	L-LN-LNT-LT-LTS-LS-w/3306 Cat. engine	6	638			1
80/	L-LN-LNT-LT-LTS900 -- Det. 8V diesel	8	568	D9HZ 9K652-C	#D9HT 9K652-CA, E2HT 9K652-CA-adjusts from 7 3/8" to 7 11/16"	1
80/	LN-LNT900 -- Detroit 6V-92 diesel	6	552			1
84	LNT900 -- w/Cum. L10 diesel	6	610			1
82/	L-LN-LNT-LT-LTS800 -- Caterpillar 3208T diesel	8	636			2
82/	L-LN-LNT-LT-LTS900 -- Cum. NTC Formula diesel	6	855			1
82/	L-LN-LNT-LT-LTS900 -- Cat. 3406 diesel	6	893			1or2
87	B-F600/700	6	401			1
87	CF600/700	6	401			1
87	L-LS-LT-LTS800	6	474			1
87	LN-LNT800	6	474			1
87	B-F800,FT900	6	474			1

**1980/  
TRUCK SERIES 600/900**

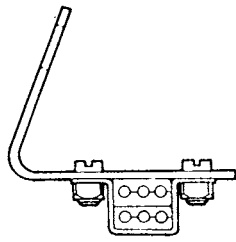
YEAR	MODEL/RESTRICTIONS	ENGINE		PART NUMBER	DESCRIPTION	QTY.
		CYL.	C.I.D. (C.C.D.)			
<b>9K652 CLAMP "T" BOLT (FLAT END) -- Cont'd</b>						
80/	L-LN-LNT-LT-LTS900 -- Det. 8V diesel	8	568	D9HZ 9K652-D	#D9HT 9K652-BA, E2HT 9K652-BA-adjusts from 5 3/8" to 5 11/16"	1
82/	L-LN-LNT-LT-LTS800 -- Caterpillar 3209 diesel	8	636,638			
82/	LTL900 -- Cum. NTC diesel	6	855			
82/	L-LN-LNT-LT-LTS900 -- Cum. NTC Formula diesel	6	855			1
82/	LTL900 -- Cat. 3406, Cum. NTC & Detroit 3406 diesels	6&8	736,855, 893	E1HZ 9K652-B	#E1HT 9K652-BA, E2HT 9K652-EA-adjusts from 8-1/4" to 8-3/4"	1
86/	CL-CLT900 -- Detroit 8V-92 diesel	8	736			1
87	B-F600/700	6	401			1
87	B-F700/800,FT900	6	476			1
87/	L-LN-LNT-LT-LTS900 -- Cummins L10 diesel	6	610			1
82/	LTL900 -- Cum. NTC diesel	6	855	E1TZ 9K652-A	#E1HT 9K652-AA, E2HT 9K652-DA-adjusts from 5-7/8" to 6-1/4"	1
82/	L-LN-LNT-LT-LTS900 -- Cum. NTC Formula diesel	6	855			1
85/	LTL900 -- Detroit 8V-92	8	736	E4HZ 9K652-A	#E4HT 9K652-AA	1
88/	CL-CLT900 -- Cat. 3406	6	893	E8HZ 9K652-B	#E8HT-BA, BB-7" I.D.	1
88/	CL-CLT900 -- Cat. 3406	6	893	E8HZ 9K652-A	#E8HT-AA	1
89	CL-CLT	6	All	E9HZ 9K652-B	#E9HT-BA-11" dia.-Donaldson Air Cleaner. Note-Recommend replace both straps if one breaks	1
<b>9D653 CANISTER ASSY. (FUEL VAPOR STORAGE)</b>						
80/	C-CT	8	All	D8AZ 9D653-C	*CX-232-A-#D8AE 9D653-BA, BB- black-rectangular	1
80/86	L-LN-LNT-LT-LTS600/900 -- gas					1
80/	B-F-FT600/800 -- Gas-Exc. w/Calif. emission	8	370,429			1
80/	B-F-FT600/800 -- gas-w/Calif. emission	8	370,429	E0AZ 9D653-A		1

1980/  
TRUCK SERIES 600/900

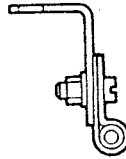
9N653 CLAMP ASSY. (FUEL INJECTION PUMP TUBE)



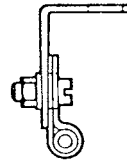
TYPE 1



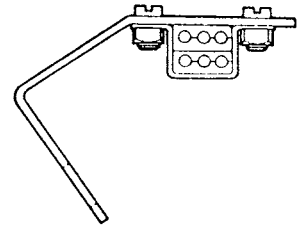
TYPE 2



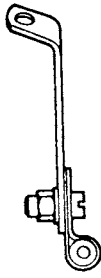
TYPE 3



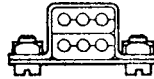
TYPE 4



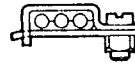
TYPE 5



TYPE 6



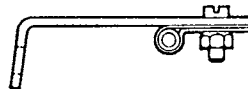
TYPE 7



TYPE 8



TYPE 9



TYPE 10

P-20726

YEAR	MODEL/RESTRICTIONS	ENGINE		PART NUMBER	TYPE	DESCRIPTION	QTY.
		CYL.	C.I.D. (C.C.D.)				
<b>9N653 CLAMP ASSY. (FUEL INJECTION PUMP TUBE)</b>							
87/	B-F600 -- FTO diesel-(160 H.P.)	6	401	E7HZ 9N653-A	1		1
87/	B-F600 -- FTO diesel-(160 H.P.)	6	401	E7HZ 9N653-B	2		1
87/	B-F700/800,FT900 -- FTO diesel	6	474	E7HZ 9N653-L	2		1
87/	CF700/800 -- FTO diesel	6	474				1
87/	L-LN-LNT-LS-LT-LTS800 -- FTO diesel	6	474				1
87/	B-F600 -- FTO diesel-(160 H.P.)	6	401	E7HZ 9N653-C	3		1
87/	B-CF-F600/700 -- FTO diesel-(170 H.P.)	6	401	E7HZ 9N653-D	4		1
87/	B-F700/800,FT900 -- FTO diesel	6	474	E7HZ 9N653-K	4		1
87/	CF700/800 -- FTO diesel	6	474				1
87/	L-LN-LNT-LS-LT-LTS800 -- FTO diesel	6	474				1
87/	B-CF-F600/900 -- FTO diesel-(170 H.P.)	6	401	E7HZ 9N653-E	5		1
87/	B-CF-F600/700 -- FTO diesel-(170 H.P.)	6	401	E7HZ 9N653-F	6		1
87/	B-F-FT600/900 -- FTO diesel	6	401,474	E7HZ 9N653-G	7		1
86/	CF600/800 -- FTO diesel	6	401,474				1
87/	L-LN-LNT-LS-LT-LTS800 -- FTO diesel	6	474				1
87/	B-F-FT600/900 -- FTO diesel	6	401,474	E7HZ 9N653-H	8		1
86/	CF600/800 -- FTO diesel	6	401,474				1
86/	L-LN-LNT-LS-LT-LTS800 -- FTO diesel	6	474				1
87/	B-F-FT600/900 -- FTO diesel	6	401,474	E7HZ 9N653-J	9		1
86/	CF600/800 -- FTO diesel	6	401,474				1
87/	L-LN-LNT-LS-LT-LTS800 -- FTO diesel	6	474				1

**1980/  
TRUCK SERIES 600/900**

YEAR	MODEL/RESTRICTIONS	ENGINE		PART NUMBER	TYPE	DESCRIPTION	QTY.
		CYL.	C.I.D. (C.C.D.)				
<b>9N653 CLAMP ASSY. (FUEL INJECTION PUMP TUBE) — Cont'd</b>							
87/	B-F700/800,FT900 -- FTO diesel	6	474	E7HZ 9N653-M	10		1
87/	CF700/800 -- FTO diesel	6	474				1
87/	L-LN-LNT-LS-LT-LTS800 -- FTO diesel	6	474				
YEAR	MODEL/RESTRICTIONS	ENGINE		PART NUMBER		DESCRIPTION	QTY.
		CYL.	C.I.D. (C.C.D.)				
<b>9A654 PIN (AIR CLEANER INTAKE SUPPORT)</b>							
80/	CL-CLT900	6&8	All	D8HZ 9A654-A		Clevis pin type-2" long-also serviced in D8HZ 9K615-A,B,D assys.	1
<b>9K656 REINFORCEMENT ASSY. (AIR CLEANER)</b>							
86/	CF600/800 -- diesel	6	401,476	E6HZ 9K656-A			1
<b>9658 PAN (ENGINE AIR CLEANER)</b>							
80/	CL-CLT900 -- Det. 8V-71 diesel	8	568	D8HZ 9658-A		(Farr eng. mtd.)	1
80/	CL-CLT900 -- Det. 8V-92 diesel	8	736	D8HZ 9658-B		(Farr eng. mtd.)	1
80/	CL-CLT900 -- Cum. 16 diesel	6	855	D8HZ 9658-C		(Farr eng. mtd.)	1
<b>9A659 STUD (AIR CLEANER TO CARBURETOR RETAINING)-also refer to group 9510 for Carburetor Parts List Instructions</b>							
80/	LN600/700 -- Cat. Diesel	8	All	D1HZ 9A659-A			1
80/	All	8	370,429	★ D2HZ 9A659-B /bF0TZ 9A659-A		3/8"-16 male-7/16"-14 female-use in conjunction w/389716-S2	1
<b>9661 COVER ASSY. (ENGINE AIR CLEANER)-Also refer to 9A664 group</b>							
86/	B-F-FT600/900 -- diesel	6	6.6L,7.8L	E9HZ 9661-A			1
80/82	B-C-CT-F-FT600/800 -- gas	8	All	★ D4HZ 9661-C /bD4HZ 9661-E		Can be used on D4HZ 9600-C, D7HZ 9600-A,B, D8HZ 9600-N, D9HZ 9600-F & E0HZ 9600-A-does not have restriction indicator hole -use w/frame-mtd. air cleaner	1
83	B-C-CT-F-FT600/900 8 cyl. gas	8	All	D4HZ 9661-E		Does not restriction indicator fitting	1
80/82	B600/700 -- gas	8	All	D4HZ 9661-B		Can be used on D7HZ 9600-A, D8HZ 9600-P, D9HZ 9600-G, E0HZ 9600-B-	1
80/82	C-CT600/900 -- gas	8	All			contains restriction indicator fitting	1
80/82	F-FT600/800	8	All				1
83/	B-C-CT600/900 -- gas	8	All	D4HZ 9661-D		Can be used on D7HZ 9600-A, D8HZ 9600-P, D9HZ 9600-G, E0HZ 9600-B-	1
						contains restriction indicator fitting	
83/	F-FT600/900 -- 8 cyl. gas	8	All	D4HZ 9661-F		Contains restriction indicator fitting	1
85/	B-C-CT-F-FT600/800 -- gas	8	370,429	E2HZ 9661-A		Contains restriction indicator fitting	1
85/86	L-LN-LNT-LT-LTS600/800 -- gas	8	370,429				1
81/	L-LN-LT-LTS-LTL -- w/Cat. 3406 & Cum. NTC & L10 diesel	6	855,893 610	E2HZ 9661-B		Use w/E1HZ 9600-B	1
80/	B-C-CT-F-FT -- gas	8	All	389099-S2		(H-179)-Stud 7/16"-14-14 x 5 3/4"- attaches air cleaner cover- use w/D4HZ 9661-A-B	1
<b>9N661 WASHER (FUEL INJECTION PUMP LEAK OFF TUBE)</b>							
86/88	CF700/800 -- diesel	6	401	E6HZ 9N661-A			12
87/88	B-F700/800,FT900 -- FTO diesel	6	401,474				
87/88	L-LN-LNT-LT-LTS800 -- FTO diesel	6	474				
89	CF700/800 -- diesel	6	6.6L,7.8L	★ E9HZ 9N661-A		#E8HN-AA	12
89	B-F-FT700/900 -- FTO diesel	6	6.6L,7.8L	/bE1TZ 9N661-A			12
89	L-LN-LNT-LT-LTS800 -- FTO diesel	6	7.8L				12
<b>9663 BRACE (ENGINE AIR CLEANER)</b>							
80/	CL-CLT900 -- Det. diesel	6&8	552,568	D8HZ 9663-A		#D7HT 9663-BA,BB-use w/Farr	1
80/84	CL-CLT900 -- Det. diesel	8	736			Dynacell Engine mounted air cleaner	

OCTOBER, 1993

COPYRIGHT ©1993

FORD MOTOR  
COMPANY

—DEARBORN, MICHIGAN

FINAL ISSUE

1980/  
TRUCK SERIES 600/900

YEAR	MODEL/RESTRICTIONS	ENGINE		PART NUMBER	DESCRIPTION	QTY.
		CYL.	C.I.D. (C.C.D.)			
<b>9663 BRACE (ENGINE AIR CLEANER) — Cont'd</b>						
85	CL-CLT900 -- Detroit 8V-92 diesel	8	763	E5HZ 9663-A	#E5HT 9663-AA	1
80/	CL-CLT900 -- Cat. diesel	6	893	D8HZ 9663-B	#D7HT 9663-CA,CB,CC-use w/Donaldson air cleaner	1
80/	CL-CLT900 -- Cum. NTC diesel	6	855	D8HZ 9663-C	#D8HT 9663-AA-use w/Donaldson engine mounted air cleaner	1
<b>9D663 VALVE (ENGINE AIR CLEANER DIRT EJECTION)</b>						
88	CL-CLT900 -- all diesel- w/engine mtd. air cleaner	6&8	All	E8HZ 9D663-A	#E8HT 9D663-AA	1
<b>9K663 BRACE ASSY.-UPPER (STACK PIPE-ENGINE AIR CLEANER)</b>						
86/	CF600/800 -- w/rain cap option-diesel	6	401,476	E6HZ 9K663-A	Secures stack pipe to cab	2
<b>9D664 BRACKET and STRAP ASSY. (VAPOR STORAGE CANISTER)</b>						
80/	B600/700, C600/900, CT800/900, F600/700, L800/900, LN600/900, LNT-LT-LTL-LTS800/900	6&8	All	D1BZ 9D664-A		1or2
80/	C-CT600/900	6&8	All	D64Z 9D664-A	3 holes-bolts to canister (9D653) & brkt. (9D665)	1or2
<b>9D665 BRACKET (FUEL VAPOR STORAGE CANISTER)</b>						
80/84	B-F-FT600/800 "Before 10/83"	8	370,429	★ E0HZ 9D665-C Not replaced	#E0HT 9D665-HA-bolts to frame	1
80/	C600/900, CT800/900	6&8	All	D3HZ 9D665-A	#D3HA 9D665-AB, D4HA 9D665-AA-bolts on top side of frame suppt.	1
80/85	C-CT600/800 -- w/Calif. emission "Before 2/85"	8	370,429	E0HZ 9D665-B	#E0HT 9D665-CA	1
80/81	C-CT900 -- w/Calif. emission	8	477,534			1
85/	C600/800 -- w/Calif. emission "From 2/85"	8	370,429	E5HZ 9D665-A	#E5HT 9D665-BB-use w/50 or 75 gal. "D" tanks	1
80/	C-CT600/900	6&8	All	D8HZ 9D665-A	#D8HT-AA-bolts to top side of frame suppt. - has (1) square hole for canister	1
80/85	C-CT600/900	6&8	All	D9HZ 9D665-A	#D9HT 9D665-AA-bolts to underside of frame support retains 9D664 brackets	1
80/	C-CT600/900	6&8	All	D8HZ 9D665-B	#D8HT 9D665-BB-bolts on under side of frame support - retains brackets (9D664)	1
80/	L-LN-LNT-LT-LTL-LTS800/900	6&8	All	D8HZ 9D665-C	#D8HT 9D665-CA	1
80/	B-F-FT600/800	6&8	All	D8HZ 9D665-D	#D8HT 9D665-DA,DB-on dash-has (1) square hole for canister	1
80/84	B-F-FT600/800 "Before 10/83"	6&8	All	★ D8HZ 9D665-E Not replaced	#D8HT 9D665-EB-on dash-has (2) square holes for canisters	1
80/	L-LN-LNT-LT-LTL-LTS800/900	6&8	All	D8HZ 9D665-F	#D8HT 9D665-FB-use w/75 gal D type tanks	1
85/	B-F-FT600/800 "From 12/84"	8	370,429	E5HZ 9D665-B	#E5HT 9D665-AA,AB,AC	1
80/	LN600	6&8	All	D8HZ 9D665-G	#D8HT 9D665-GB-use w/75 gal D type tanks	1
84/85	F-FT600/800 -- tilt Cab "Before 12/84"	All	All	E3HZ 9D665-A	#E3HT 9D665-AA, AB	1
84/85	B-F-FT600/800 -- exc. tilt cab "From 10/83 to 12/84"	All	All			1
<b>9D667 TUBE ASSY. (FUEL VAPOR STORAGE CANISTER PURGE)</b>						
80/	B-F-FT600/800 -- exc. w/Calif. emission	8	All	D8HZ 9D667-A	57/64" I.D.-57" long-cut to length	1
80/81	C-CT-L-LN-LNT-LT- LTS900 -- gas	8	477,534			1
80/	All	6&8	All	D4ZZ 9D667-A	3/4" I.D.-55" long - cut to length	1
80/81	B600/700 -- exc. in Kentucky	6&8	All	E0HZ 9D667-A	Nylon-145" long- used w/units using in tank electric fuel tank & 3/8" dia. outboard fuel line-field fix	AR

**1980/  
TRUCK SERIES 600/900**

YEAR	MODEL/RESTRICTIONS	ENGINE		PART NUMBER	DESCRIPTION	QTY.
		CYL.	C.I.D. (C.C.D.)			
<b>9K668 BOLT (ENGINE AIR CLEANER)</b>						
80/	CL-CLT900 -- Cum 16, Det 8V-71, 8V-92 diesel	6&8	568,736, 855	D8HZ 9K668-A	5/16"-18 x 3/4" hex hd-attach clamp strap to clamp brkt or water separator to pan-(Farr)	AR
80/	CL-CLT900 -- Cum 16, Det 8V-71, 8V-92 diesel	6&8	568,736, 855	356685-S8	(BB-153) Bolt (water separator to pan)-3/8"-16 x 7/8" hex. hd.	4
<b>9671 DUCT ASSY. (AIR CLEANER LESS GRILLE)</b>						
80/	LN700-Cat. diesel	8	636	B7QZ 9671-A		1
84/	B-F700/800 -- Detroit DDA diesel	8	501			1
<b>9672 GRILLE ASSY. (AIR CLEANER AIR DUCT)</b>						
80/	LN700 -- Cat. diesel	8	636	B7TZ 9672-A	With fresh air cleaner	1
<b>9673 GASKET (AIR CLEANER)</b>						
80/	L-LN-LNT-LT-LTS800 -- diesel	8	636	D0HZ 9673-A	Air inlet connector to engine-3/8" I.D. x 1 1/16" O.D. x 1/8" thick (steel and rubber)- use with D0HZ 9C674-F connector	1
80/	All -- gas	8	All			1
80/	CL-CLT900 -- Det. 92TA, Cum. KT,KTA diesel	6&8	736,1150	D8HZ 9673-B	Use with D8HZ 9600-C,E	1
80/	CL-CLT900 -- Det. 71TA, Cum. 16,Cat. 3406 diesel	6&8	568,855, 893	D8HZ 9673-A	Use with D8HZ 9600-B,D	1
80/	B-C-F-FT-LN600/800 -- Detroit DDA 990 diesel	8	501	E1HZ 9673-A		1
<b>9C673 COLLECTOR (AIR CLEANER DUST)</b>						
80/	C600/800 -- Cat. diesel	8	636	C9HZ 9C673-A		1
80/	LN700 -- Cat. 3208 diesel	8	636			1
80/86	L-LN-LNT-LT-LTS800/900 -- gas	8	All			1
80/	L-LN-LNT-LT-LTL-LTS900 -- Cat. 3406 diesel	6	893			1
80/	L-LN-LNT-LT-LTL-LTS900 -- Cum. diesel	6	855			1
80/	L-LN-LNT-LT900 -- Detroit 6-71N, 8V-71	6&8	426, 568	C9HZ 9C673-A		1
80/	LN700 -- Detroit DDA-990 diesel	8	501			1
84/	LNT900 -- Cum. L10 diesel	6	610			1
86/	CF600/700 -- diesel	6	401	E6HZ 9C673-A		1
87/	CF700/800 -- FTO diesel	6	476	E7HZ 9C673-A		1
<b>9A674 DUCT (SHROUD TO AIR CLEANER AIR INTAKE TUBE)-Also refer to group 9B697</b>						
80/81	C-CT800/900	8	477,534	D5HZ 9A674-B		1
80/86	L-LN-LNT-LT-LTS800/900 -- gas	8	All	D0HZ 9A674-A	#D0HA 9B660-H, J, D1HA 9B660-AA, D2HA 9B660-AA or D4HA 9B660-AA-upper	1
80/	LN600/700 -- Cat. diesel	8	636 636	D0HZ 9A674-B	#D0HA 9B660-G	1
83/	B-F-FT700/800 -- Cat. 3208T or NA diesel -w/air brakes	8	636	E3HZ 9A674-B	#ED-E3HT 9B660-AB, E3HT 9B660-AC	1
80/81	L-LN-LNT-LT-LTS800/900 -- gas	8	477,534	D5HZ 9A674-A	Use w/extra capacity air cleaner system	1
80/81	L-LN-LT-LTS800/900 -- gas	8	477,534	D4HZ 9A674-A	#D4HF 9B660-AA-use w/std. air cleaner	1
80/	B-C-CT-F-FT600/800	8	370,429			1
80/84	L-LN-LNT-LT-LTS800	8	370,429			1
80/	L-LN-LNT-LT-LTS800/900- diesel	6&8	All	D5HZ 9A674-C		1
82/87	LTL900 -- Cum. NTC diesel	6	855	★ E1HZ 9A674-A /bE8HZ 9B697-J	#E1HT 9B660-AA, E3HT 9B660-BA	1



1980/  
TRUCK SERIES 600/900

YEAR	MODEL/RESTRICTIONS	ENGINE		PART NUMBER	DESCRIPTION	QTY.
		CYL.	C.I.D. (C.C.D.)			
<b>9A674 DUCT (SHROUD TO AIR CLEANER INTAKE TUBE)-also refer to group 9B697 — Cont'd</b>						
80/81	L-LN-LNT-LT-LTS800/900	8	477,534	33795-S7	(M-49)-nut (duct to air cleaner shroud)-hex.-1/4"-20	2
				34940-S7-8	(X-88)-lockwasher-external tooth-1/4"	
80/	C600/800 -- diesel	8	522,573, 636	378772-S	(EE-10)-clamp (duct to brace)-4 1/2" dia.	1
80/81	L-LN-LNT-LT-LTL-LTS800/900	8	477,534	42742-S7-8	(U-2-A)-screw & washer assy. (duct to shroud)-hex. hd.-external tooth-1/2"-20 x 1/2"	2
80/86	L-LN-LNT-LT-LTS800/900- gas	8	All	56320-S4	(B-318-GD)-bolt (duct to dash panel)-hex. washer hd.-(UBS)-5/16"-18 x 7/8"	2
				33770-S4	(M-89-K)-nut-hex. lock-(UBS)-5/16"	2
<b>9C674 CONNECTION (ENGINE AIR INLET)</b>						
80	L-LN-LNT-LT-LTS800 -- Cat. diesel	8	636	D0HZ 9C674-F	#D0HA 9C674-F	1
80	L-LN-LNT-LT-LTS900 -- Cum. NH-230, NTC/Form 230, NHC-250 and Super 250 diesel	6	855,927	D0HZ 9C674-G	#D0HA 9C674-G	1
82/	L-LN-LNT-LT-LTS800/900 -- Caterpillar 3208T diesel	8	636T	E2HZ 9C674-A	#E2HT 9C674-AA-includes attached gasket-5" I.D.	1
80	L-LN-LNT-LT-LTS800 -- Cat. diesel	8	636	383720-S2	(BB-191-P)-bolt (connection to engine)-hex. hd.-7/16"-14 x 9 1/2"	1
<b>9D674-5 TUBE (FUEL VAPOR EXPANSION TANK TO CANISTER)-Improvise from bulk tubing (2269)</b>						
<b>9A675 TUBE (CARBURETOR AIR CLEANER AIR INTAKE)</b>						
80/81	L-LN-LNT-LT-LTS800/900 -- gas	8	477,534	D4HZ 9A675-A	5" I.D. x 22 3/4" long Use w/extra capacity air cleaner system	1 1
80/	B-C-CT-FT600/800 -- gas	8	All	D3HZ 9A675-B	28" long-cut to length as necessary	1
80/	L-LN-LNT-LT-LTS600/800 -- gas	8	All			
80/81	L-LN-LNT-LT-LTS800/900	8	477,534	378744-S	(EE-11)-clamp (tube to duct and valve assy.)-6" dia.	2
<b>9C675 TUBE ASSY. (ENGINE AIR CLEANER INTAKE)-Also refer to group 9A674</b>						
86	CF600/700 -- Diesel	6	401	★ E6HZ 9C675-A /bE6HZ 9C675-A	#E5HT 9K614-BA-Intake-stack pipe-top	1
87/	CF600/700 -- FTO diesel	6	401	E6HZ 9C675-D	#87HU 9K614-BA-Intake-stack pipe-top	1
86/	CF600/700 -- Diesel	6	401	★ E6HZ 9C675-B	Inlet-engine air cleaner-not replaced	1
86/	CF600/700 -- Diesel	6	401	E6HZ 9C675-C	Intake-stack pipe-extension	1
87/	CF700/800 -- FTO diesel	6	476	E7HZ 9C675-B	W/stack pipe option	1
87	CF700/800 -- FTO diesel	6	476	★ E7HZ 9C675-C	W/stack pipe option-not replaced	1
80/87	CL-CLT900	6&8	All	D8HZ 9C675-A	7 1/8" O.D. x 45 1/4" long	1
88/	CL-CLT900	6	893	E8HZ 9C675-E	#E8HT-AA-Reg. cab	1
88/	CL-CLT900	6	893	E8HZ 9C675-B	#E8HT 9C676-BA,BB,BC-64 BBC-Reg. cab	1
88/	CL-CLT900	6	610			1
88/	CL-CLT900 -- w/Cumm. dsl.	6	610,855	E8HZ 9C675-C	#E8HT 9C676-CA	1
88/	CL-CLT900 -- w/Cum. dsl. or Cat. dsl. eng.	6	610,855, 893	E8HZ 9C675-A	#E8HT 9C676-AA,AB,AC-Slpr. cab -88 BBC	1
88/	CL-CLT900 -- w/3406 Cat.	6	855	E8HZ 9C675-D	#E8HT 9C676-DA,DB,DC-Slpr. cab -110 BBC	1
80/	B-F-LN600/700	8	370	D9HZ 9C675-A	Plastic scoop only	1
80/	B-F-FT600/800	8	370,429	D9HZ 9C675-C	22 3/8" long-4" I.D.	1
80/	B-F-FT600/800 -- w/Detroit DDA-990 diesel	8	501	E0HZ 9C675-A	#E0HT 9C676-AA	1
87/	B-F600/800 -- FTO diesel	6	401,474	★ E7HZ 9C675-A	#E7HT 9C676-AA	1
87/	FT900 -- FTO diesel	6	401,474	/bE7HZ 9C675-E		1
84/	F-FT700/800 -- tilt hood	8	370,429	E3HZ 9C675-A	#E3HT 9C676-AA-12-3/8" long- 5-1/2" I.D. & 4" I.D.	1
80/	L-LN-LNT-LT-LTS600/900	8	370,429	D9HZ 9C675-D	#D9HT 9C676-AA-tube only	1

**1980/  
TRUCK SERIES 600/900**

YEAR	MODEL/RESTRICTIONS	ENGINE		PART NUMBER	DESCRIPTION	QTY.
		CYL.	C.I.D. (C.C.D.)			
<b>9C676 TUBE (AIR CLEANER INLET)-Refer to groups 9A674 &amp; 9C675</b>						
83/	B-F-FT700/800 -- Caterpillar 3208 diesel	8	636	★ E3HT 9C676-BA	#E3HT 9C676-BA-rubber-17" long-5" I.D.- serviced in E3HZ 9A674-B	
<b>9C678 BRACKET (AIR INTAKE ENGINE AIR CLEANER)</b>						
86/	CF600/700 -- Diesel	6	401	★ E6HZ 9C678-A	To air cleaner-not replaced	1
86/	CF600/700 -- Diesel w/rain cap option	6	401	E6HZ 9C678-B	Lower brkt. to cab	1
86/	CF600/800 -- Diesel	6	401,476	E6HZ 9C678-D	Upper bracket to cab	1
86/	CF600/800 -- Diesel	6	401,476	E6HZ 9C678-E	Upper brkt. to stack pipe	1
86	CF600/700 -- Diesel	6	401	★ E6HZ 9C678-F	To air cleaner-r/b E7HZ 9C678-A	1
87/	CF600/800 -- w/rain cap option	6	401,476	E7HZ 9C678-A	To air cleaner	1
<b>9W680 INSULATOR ASSY. (AIR CLEANER DUCT)</b>						
86/	CF600/700 -- Diesel -w/rain cap option	6	401	★ E6HZ 9W680-A Not replaced	Attaches to air cleaner inlet pipe	1
86/	CF600/800 -- Diesel	6	401,476	E6HZ 9W680-B	Attaches to upper cab brkt.	2
<b>9C681 HOSE (AIR CLEANER TO INTAKE TUBE UPPER)</b>						
87/	B-F600/800,FT900 -- FTO diesel	6	401,474	E7HZ 9C681-A	#E7HT 9C681-AA,AB	1
86	CF600/700 -- diesel	6	401	★ E6HZ 9C681-A	R/b E6HZ 9C681-D	1
87/	CF600/700 -- FTO diesel	6	401	E6HZ 9C681-D	#E5HT 9C681-EA	1
86	CF600/700 -- diesel	6	401	★ E6HZ 9C681-B	Not replaced	1
87/	CF700/800 -- FTO diesel	6	476	E7HZ 9C681-C		1
87	CF600/800 -- FTO diesel	6	401,476	★ E7HZ 9C681-D	Not replaced	1
87	CF600/800 -- 6 cyl.-FTO dsl. (6.6L) & (7.8L)	6	401,476	★ E7HZ 9C681-F Not replaced	#87HU 9W624-AA	1
86/	CL-CLT900 -- Detroit 8V-92 diesel	8	736	E6HZ 9C681-C	#E5HT 9C681-DA	1
88/	CL-CLT900 -- Caterpillar 3406 diesel	6	893	E8HZ 9C681-A	#E8HT 9C681-CA-7" I.D. x 3 1/2" long	1
88/	CL-CLT900	6	893	E8HZ 9C681-D	#E8HT-DA	1
87/	L-LN-LNT-LT-LTS800 -- FTO diesel	6	401,474	E7HZ 9C681-B	#E7HT 9C681-CA	1
80/	L-LN-LNT-LT-LTS900 -- Cum. diesel	6	855	D0HZ 9C681-E	#D0HA 9C681-E-6" I.D.-moulded elbow	1
82/	LTL900 -- Cum. NTC diesel	6&8	736,855, 893	E1HZ 9C681-A	#E1HT-AA-6" I.D.-8" O.D.-6" long	1
87/	L-LT-LTS900 -- Cummins L10 engine	6	610			
82/	LTL900 -- Detroit 8V-92 diesel	8	736	E1HZ 9C681-B	#E1HT-BA-E4HT-BA-8" I.D.- 12-3/8" long	1
82/	LTL900 -- Cat. 3406 diesel	6	893	E1HZ 9C681-C	#E1HT-A-8" I.D.-5" long	1
82/85	L-LN-LNT-LT-LTL-LTS900 -- Cum. NTC Formula diesel "Before 2/85"	6	855	E2HZ 9C681-B	#E2HT-AA- Lower	1
82/	LN-LNT900 -- Cat. 3406 diesel	6	893			1
84/	LNT900 -- w/Cum. L10 diesel	6	610			1
85	L-LN-LNT-LT-LTL-LTS900 -- Cum. NTC Formula diesel "From 2/85"	6	855	E5HZ 9C681-A	#E5HT-BA	
89	L-LN-LNT-LT-LTL-LS-LTS -- w/3306 Cat. engine	6	638			1
80/	C600/800 -- diesel	8	All		(EE-11)-clamp (hose to air cleaner)-6" dia. hose	1
80/	C600/800 -- diesel	8	All	378774-S	Clamp (hose to duct)	1

1980/  
TRUCK SERIES 600/900

YEAR	MODEL/RESTRICTIONS	ENGINE		PART NUMBER	DESCRIPTION	QTY.
		CYL.	C.I.D. (C.C.D.)			
<b>9C681 HOSE (AIR CLEANER TO INTAKE TUBE UPPER) — Cont'd</b>						
80/	L-LN-LNT-LT-LTS800/900 Cum. NHCT & NTC or Cat. V-175, V-200, and V 225 diesel	6&8	All	381738-S	(EE-13)-6 1/2" dia. hose Clamp (hose to air cleaner and hose to air cleaner to intake manifold tube)	1 2
<b>9C682 HOSE (INTAKE TUBE-ENGINE AIR CLEANER)</b>						
87	CF600/800 -- FTO diesel	6	401.476	★ E7HZ 9C682-A	Not replaced	1
<b>9B683 SCREEN ASSY. (ENGINE AIR CLEANER)</b>						
80/	CL-CLT900 -- w/eng. mtd. air cleaner	6&8	All exc. 610	E0HZ 9B683-A	#E0HT 9B683-BA	1
88/	CL-CLT900 -- Cummins L10 diesel	6	610	E8HZ 9B683-A	#E8HT 9B683-AA	1
<b>9B685 MOULDING (ENGINE AIR CLEANER DUCT)</b>						
80/	LN-LNT900 -- Detroit 8V-71T,71TT and Cum. V-903 diesel	8	568.903	D8HZ 9B685-A	#D7HT 9B685-AA	1
82/	L-LN-LNT LT-LTS900 -- Detroit 6V-92 diesel	6	552			1
<b>9C685 BRACKET (AIR CLEANER INTAKE TUBE UPPER)</b>						
80/	C600/800 -- Cat. diesel	8	636	C9HZ 9C685-A		1
81/	C700 -- w/Detroit DDA 990 turbo diesel engine	8	501			1
				351385-S7	(XX-158)-washer-flat-3/8"	
				34987-S4	(M-89-CF)-nut-hex. lock-3/8"-16	
<b>9P686 INSULATOR (AIR CLEANER SUPPORT)</b>						
85/	LTL900 -- Detroit 8V-92 diesel	8	736	E5HZ 9P686-A	Use w/improved fuel economy option	1
<b>9C690 TEE (ENGINE AIR INLET)</b>						
80/87	C-CT700/800 -- Cat. diesel	8	636	D8HZ 9C690-A	Use w/dry type air cleaner	1
81/87	C700 -- w/Detroit DDA 990 turbo diesel engine	8	501			1
<b>9D692 ADAPTER (FUEL VAPOR PURGE TUBE TO AIR CLEANER)</b>						
80/	B600/700, C600/900,	8	All	D0AZ 9D692-B		1
80/	CT800/900, F600/800,					
80/86	L800/900, LN600/900,					
80/86	LNT-LT-LTS800/900 -- gas					
<b>9697 GROMMET ASSY. (CARBURETOR AIR CLEANER)</b>						
80/	B-F-FT600/800	6&8	All	C6TZ 9697-A		3
86/	CF600/700 -- diesel	6	401	E6HZ 9697-A		1
87/	CF700/800 -- FTO diesel	6	476			1
<b>9B697 TUBE (AIR CLEANER TO INTAKE MANIFOLD)-Also refer to group 9A674</b>						
80/	CL-CLT900 -- 64" BBC	6	855,893	D9HZ 9B697-C	#E0HT 9B697-BA-use w/Donaldson or Farr frame mtd. air cleaner	1
80/	CL-CLT900 -- Cat., Cum. & Det. diesel 76" BBC	6	552,855, 893	D8HZ 9B697-B	#D7HT 9B697-JA-use w/Farr or Donaldson frame-mounted air cleaner	1
80/	CL-CLT900 -- 64" BBC	6&8	552,568	D9HZ 9B697-D	#E0HT-AA-use w/Donaldson or Farr frame mtd. air cleaner	1
80/	CL-CLT900 -- cum. KT diesel	6	1150	D8HZ 9B697-D	#D7HT 9B697-DB-use w/Donaldson engine-mounted air cleaner	1
80/	CL900 -- Det. diesel- 54" BBC	8	568	D8HZ 9B697-H	Use w/Farr frame mounted air cleaner	1
80/	CL-CLT900 -- Det. diesel-76" BBC	6&8	552,568	D8HZ 9B697-K	#D7HT 9B697-KA-use w/Donaldson frame-mounted air cleaner-plastic	1
80/	CL-CLT900 -- Det. diesel-88" BBC	6&8	552,568	D8HZ 9B697-M	#D7HT 9B697-MA-use w/Donaldson frame-mounted air cleaner-plastic	1

1980/  
TRUCK SERIES 600/900

YEAR	MODEL/RESTRICTIONS	ENGINE		PART NUMBER	DESCRIPTION	QTY.
		CYL.	C.I.D. (C.C.D.)			
<b>9B697 TUBE (AIR CLEANER TO INTAKE MANIFOLD)-Also refer to group 9A674 - Cont'd</b>						
88/	CL-CLT900 -- Cum. L10 diesel	6	610	E8HZ 9B697-C	#E8HT 9B697-CA	1
80/	CL-CLT900 -- Cum. & Cat. diesel-88" BBC	6	855, 893	D8HZ 9B697-L	#D7HT 9B697-LA-use w/Donaldson frame-mounted air cleaner-plastic	1
88/	CL-CLT900 -- Cum. NTC/Form	6	All	E8HZ 9B697-E	#E8HT 9B697-EA-NOTE: plug 3/4" pipe treated Port-except w/Cumm. NTC 444 w/Bendix air compressor	1
88/	CL-CLT900 -- Cat. 3406	6	893	E8HZ 9B697-D	#E8HT 9B697-DA	1
86/	CL-CLT -- Det. 8V-92 diesel	8	736	E6HZ 9B697-C	#E5HT 9B697-DA	1
87/	LN-LNT800 -- FTO diesel	6	476	★ E7HZ 9B697-A /bE7HZ 9B697-L	#E7HT 9B697-AC	1
87	L-LT-LTS800 -- FTO diesel "Before 5/88"	6	476	★ E7HZ 9B697-B /bE8HZ 9B697-G	#E7HT 9B697-BC	1
88/	L-LT-LTS800 -- FTO diesel "From 5/88"	6	476	E8HZ 9B697-G	#E8HT 9B697-GA	1
87/	B-F600/700 -- diesel	6	401	E7HZ 9B697-D	#E7HT 9B697-KA	1
87/	B-F600/800,FT900 -- FTO engines	6	476	E7HZ 9B697-C	#E7HT 9B697-CA,CB	1
87/	LN700	6	476	E7HZ 9B697-L	#E7HT 9B697-LA	1
80/82	LN-LNT900 -- Cum. NTC 250, diesel "Before 6/82"	6	855	D0HZ 9B697-AE	#D0HA 9B697-AE, D2HA 9B697-CA, E2HT 9B697-JA, 6" O.D. one end-5" O.D. other end	1
82/	LN-LNT900 -- Cum. NTC 250 diesel "From 6/82"	6	855	E2HZ 9B697-F	#E2HT 9B697-CA,KA-5" O.D. one end-7" x 5" other end	1
80/82	LN-LNT900 -- Cum. NTC-350 diesel "Before 6/82"	6	855	D5HZ 9B697-E	#D5HA 9B697-EA, E2HT 9B697-HA-ED-E2HT 9B697-HA one end-5" O.D. other end	1
82/85	LN-LNT900 -- Cum. NTC 350 diesel "From 6/82 to 8/84"	6	855	E2HZ 9B697-D	#E2HT 9B697-DA,MA-5" O.D. one end-7" x 5" other end	1
80/82	L-LT-LTS900 -- Cum. NTC-240,270 diesel "Before 6/82"	6	855	D0HZ 9B697-AF	#D0HA 9B697-AF or D2HA 9B697-BA- with D1HZ 9600-C, D5HZ 9600-L, 6" O.D. one end-5" O.D. other end	1
85/86	L-LN-LNT-LT-LTL-LTS900 -- Cum. NTC formula diesel "From 8/84"	6	855	E5HZ 9B697-A	#E5HT 9B697-AA,AB,AC	1
85/86	L-LN-LNT-LT-LTL-LTS900 -- Cum. NTC formula diesel "From 8/84"	6	855	E5HZ 9B697-B	#E5HT 9B697-CA,CB,CC	1
87/	LN-LNT900 -- Cummins NTC formula diesel	6	855	E7HZ 9B697-J	#E7HT 9B697-JA-5" O.D. one end-8 9/16" other end	1
82/85	L-LT-LTS900 -- NTC 240, 270 diesel "From 6/82 to 8/84"	6	855	E2HZ 9B697-E	#E2HT 9B697-BA,LA-5" O.D. one end-7-7/8" O.D. other end	1
80/83	L-LT-LTS900 -- Cum. NTC300,350	6	855	★ D6HZ 9B697-A Not replaced	#E2HT 9B697-GA	1
84/	L-LT-LTS900 -- Cum. NTC 300, 350 diesel	6	855	D6HZ 9B697-B	#ED-E2HT 9B697-GA	1
80/	L-LT900 -- Det. 8V-71T, 71TT	8	568	D9HZ 9B697-B	#ED-D8HT 9B697-AA, E1HT 9B697-DA	1
80/82	LN-LNT900 -- Cat. 3406 diesel "Before 6/82"	6	893	★ E0HZ 9B697-A Not replaced	#D8HS 9B697-CA	1
82/	LN-LNT900 -- Cat. 3406 diesel "From 6/82"	6	893	E3HZ 9B697-A	#E3HT 9B697-AA,BA	1
82/	LTL900 -- Cat. 3406 diesel	6	893	E1HZ 9B697-A	#E1HT 9B697-AA, E3HT 9B697-CA	1
82/	LTL900 -- Detroit 8V-92 diesel	8	736	E1HZ 9B697-B	#E1HT 9B697-BA	1
84/	LTL900 -- Detroit 8V-92 maxi-by pass blower diesel	8	736	E4HZ 9B697-C	#E4HT 9B697-CA	1
88/	LTL900 -- w/Cumm. NTC 444	6	855	E8HZ 9B697-J	E8HT-JA-plug 3/4" pipe treated Port except w/Cumm. NTC 444 w/Bendix air compressor	1
84/86	LN-LNT900 -- Cum. 10L diesel	6	610	E4HZ 9B697-A	#E4HT 9B69-AB	1

October, 1993

COPYRIGHT © 1993 - FORD MOTOR - DEARBORN, MICHIGAN  
COMPANY

Final Issue

1980/  
TRUCK SERIES 600/900

YEAR	MODEL/RESTRICTIONS	ENGINE		PART NUMBER	DESCRIPTION	QTY.
		CYL.	C.I.D. (C.C.D.)			
<b>9B697 TUBE (AIR CLEANER TO INTAKE MANIFOLD)-Also refer to group 9A674 - Cont'd</b>						
87/	L-LT-LTL-LTS900 -- 116" BBC-Cummins L10 diesel	6	610	E7HZ 9B697-E	#E7HT 9B697-EA,EB-6" O.D.- one end-5 1/2" O.D. other end	1
87/	LN-LNT900 -- Cummins L10 diesel	6	610	E7HZ 9B697-F	#E7HT 9B697-FA-5 1/2" O.D. one end-5" O.D. other end	1
87/	L-LT-LTL-LTS900 -- Cummins L10 diesel-exc. 116" BBC	6	610	E7HZ 9B697-G	#E7HT 9B697-GA	1
89	L-LT-LTS-LS900 -- w/3306 Cat.	6	638	E9HZ 9B697-D	#E9HT-DA	1
89	LN-LNT900 -- w/3176 Cat.	6	629	E9HZ 9B697-A	#E9HT-AA-use w/short hood	1
89	L-LT-LS-LTS-LTA	6	629	E9HZ 9B697-B	#E9HT-BA-use w/long hood	1
<b>9B698 Refer to group 9B613</b>						
<b>9P699 TUBE ASSY. (FUEL INJECTION)</b>						
86	CF600/700 -- FTO diesel	6	401	E6HZ 9P699-B		1
87/88	B-F600 -- FTO diesel- 160 & 165 H.P. "Before 1/88"	6	401	★ E7HZ 9P699-F /bE8HZ 9P699-A	Includes (2) 390177-S nut & (2) 390459-S spacer	1
87/88	B-F-LN700 -- FTO diesel 170 H.P.-w/Calif. emission	6	401	★ E7HZ 9P699-H /bE8HZ 9P699-A	Includes (2) 390177-S nut & (2) 390459-S spacer	1
87/88	CF600/700 -- FTO diesel 170 H.P.-w/Calif. emission "Before 1/88"	6	401			1
88/89	B-F600/700 -- FTO diesel 160 H.P. & 170 H.P.	6	401	E8HZ 9P699-A	#E6HN-AA-includes (2) 390177-S nut & (2) 390459-S spacer	1
88/	CF600/700 -- FTO diesel 170 H.P. "After 1/88"		401			1
89	B-F-LN-L-LS800 -- 185 H.P. FTO diesel	6	401	E9HZ 9P699-B	#E7HN-BA-includes (2) 390177-S nut & (2) 390459-S spacer	1
87/	B-F700/800,FT900 -- FTO diesel-210 H.P.	6	474	E7HZ 9P699-G	Includes (2) 390177-S nut & (2) 390459-S spacer	1
87/	CF700/800 -- FTO diesel- 210 H.P.	6	474			1
87/	L-LN-LNT-LS-LT-LTS700/800 -- FTO diesel-210 H.P.	6	474			1
88/	CFT800 -- FTO diesel- 210 H.P.	6	474			1
88/	B-F-FT700/900 -- FTO diesel 220 H.P. & 240 H.P.	6	474	E8HZ 9P699-C	#E7HN-AA-includes (2) 390177-S nut & (2) 390459-S spacer	1
88/	CF700/800 -- FTO diesel 220 H.P. & 240 H.P.	6	474			1
88/	L-LN-LNT-LS-LTS700/800 -- FTO diesel-220, 240 H.P.	6	474			1
87/88	F800,FT900 -- FTO diesel- 240 H.P.	6	474	★ E7HZ 9P699-J /bE8HZ 9P699-B	Includes (2) 390177-S nut & (2) 390459-S spacer	1
87/88	L-LN-LNT-LT-LTS800 -- FTO diesel-240 H.P.	6	474			1
87	B-F700/800,FT900 -- FTO diesel-225 H.P.-w/ Calif. emission "Before 1/88"	6	474			1
87	L-LN-LNT-LS-LT-LTS800 -- FTO diesel-225 H.P. w/Calif. emission	6	474			1
87/88	B-F700/800 -- FTO diesel- 185 H.P.	6	474	★ E7HZ 9P699-K /bE8HZ 9P699-B	Includes (1) 390177-S nut & (2) 390459-S spacer	1
87/88	CF700 -- FTO diesel- 185 H.P. "Before 1/88"	6	474			1
87/88	L-LN-LS700/800 -- FTO diesel- 185 H.P.	6	474			1

**1980/  
TRUCK SERIES 600/900**

YEAR	MODEL/RESTRICTIONS	ENGINE		PART NUMBER	DESCRIPTION	QTY.
		CYL.	C.I.D. (C.C.D.)			
<b>9P699 TUBE ASSY. (FUEL INJECTION) — Cont'd</b>						
88/	B-F-FT700/900 -- FTO diesel 185 H.P., 225 H.P., 240 H.P.	6	474	<b>E8HZ 9P699-B</b>	#E6HN-BA-includes (2) 390177-S nut & (2) 390459-S spacer	1
88/	CF700/800 -- FTO diesel 185 H.P. "After 1/88"	6	474			1
88/	L-LN-LNT-LT-LS-LTS800 -- FTO diesel-185 H.P., 225 H.P. 240 H.P.	6	474			1
88/	CF-CFT800 -- FTO diesel- 240 H.P.	6	474			
89	L-LN-LNT-LS-LTS800 FTO diesel-270 H.P.	6	474 7.8L	<b>E9HZ 9P699-C</b>	#E7HN-CA-includes (2) 390177-S nuts & (2) 390459-S spacer	1

1980/  
TRUCK SERIES 600/900

YEAR	MODEL/RESTRICTIONS	ENGINE		PART NUMBER	DESCRIPTION	QTY.
		CYL.	C.I.D. (C.C.D.)			
<b>9700 CONTROL ASSY. (CARBURETOR CHOKE)</b>						
80/	B600/700(84) -- gas	8	37,0429	E6HZ 9700-B	"Choke"-43 1/2" long	1
80/85	B F-FT600/800(81) -- gas	8	370,429	E4HZ 9700-B	"Choke"-62 1/8" long	1
85/	F-FT600/800(81)-gas	8	370,429	E6HZ 9700-A	"Choke"-66 3/16"	1
87/	B600/700(exc. 84) -- gas	8	370,429	E6HZ 9700-C	"Choke"-59-1/8" long	1
87/	F-FT600/700(exc. 81) -- gas	8	370,429			1
87/	B600/700(exc. 84) -- gas			E6HZ 9700-D	"Choke"-37-1/2" long	
80/	C-CT600/800 -- gas	8	370,429	E4HZ 9700-C	"Choke"-125" long	1
80/81	C-CT800/900 -- gas	8	477,534			1
80/86	L-LN-LNT-LT-LTS600/800 -- gas	6&8	All	D3HZ 9700-D	"Choke"-55" long-7/16" -20 thread	1
80/81	L LT-LTS800/900 -- gas	8	477,534	D6HZ 9700-A	"Choke"-55" long- 7/16"-20 thread	1
80/81	LN-LNT800/900 -- gas	8	477,534	D6HZ 9700-B	"Choke"-51" long- 7/16"-20 thread	1
80/	B600/750, C600/900, CT800/900, F600/750	6&8	All	45219-S	(M-173)-nut (carburetor choke control to instrument panel)-7/16"-20	1
80/86	L800/900, LN600/900, LNT- LT-LTS800/900 -- gas	6&8	All			1
80/	C600/900, CT800/900	8	All	371669-S100	(GG-56)-clip (choke control cable and throttle control cable and speedometer cable and tachometer cable to floor pan extension)	1
80/86	L800/900, LN600/900, LNT-LT- LTS800/900 -- gas	8	All	383331-S	(KK-87)-grommet (cable thru dash panel)	1
<b>9700 CONTROL ASSY. (FUEL SHUT-OFF)</b>						
80/	L-LN-LNT-LT900 -- Detroit 6-71N and 8V-71N or 8V-71T,71TT diesel	6&8	426,568	D3HZ 9700-A	Locking- "Shut Off Fuel Lock"- 70" long from base of bezel-9/16"-18 thread-round knob	1
80/	L-LT LTL LTS900 -- Cat. 3406 diesel	6	893	D4HZ 9700-A	Locking- "Fuel Shut Off Lock"- 43" long-9/16" - 18 thread-round knob	1
80/	L LN LNT-LT-LTS900 Det. 6-71 & eng. warn. system	6	426	D8HZ 9700-B	#D2HS 9C331-CA	1
80/	L LN-LNT-LT900 -- Det. 6V-92,8V 71T diesel & eng. warning system	6&8	552,568	D8HZ 9700-C	Air cylinder type	1
80/	CL CLT900 -- Det. 6V-92, 8V-71T diesel	6&8	552,568			1
81/	LTL900 -- Detroit 8V-92 diesel	8	736			1
80/	L-LN-LNT-LT-LTS800/900 -- Detroit 6-71N, 8V-71 diesel	6&8	426,568	33945-S8	(M-37)-nut (fuel shut off control to instrument panel)-hex.-9/16"-18	1
				★34795-S	Lockwasher-9/16"	1
80/86	L-LN-LNT LT-LTS800/900 -- Detroit 6-71N diesel	6&8	426	★371840-S	Grommet (control thru panel)	1
80/86	L800/900, LN600/900, LNT-LT- LTS800/900 -- gas	6&8	All		Grommet (control thru panel)	1
80/	L-LN-LNT-LT-LTS800/900 -- Detroit 6-71N, 8V-71 diesel	6&8	426, 568	45219-S	(M-173)-nut (air shut off control to bracket)- hex.-7/16"-20	1
<b>9700 CONTROL ASSY. (ENGINE AIR SHUT-OFF)</b>						
80/85	L-LN-LNT-LT-LTS900 -- Detroit 8V diesel	8	568	D0HZ 9700-A	"EMERGENCY SHUT OFF ENGINE" -- cut to 120"long-7/16"-20 thread	1

1980/  
TRUCK SERIES 600/900

**IDENTIFICATION CHART**

(Arranged according to Identification Number)

IDENTIFICATION	PART NUMBER	IDENTIFICATION	PART NUMBER
9A702	ROD ASSY. (ACCELERATOR)-also refer to groups 9860 & 12A485		
D3HA 7A186-BA	D3HZ 9B885-A	E3HT 9A772-B1A	E3HZ 9A772-B
D3HE 7A186-B1A	D3HZ 9B885-A	E5HT 9A772-BA	E6HZ 9A772-B
D7HT 9A702-AB	D8HZ 9A702-D	E5HT 9A772-CA	E6HZ 9A772-B
D7HT 9A702-GC	D8HZ 9A702-C	ED E5HT 9A772-BA	E6HZ 9A772-A
D7HT 9A702-HC	D8HZ 9A702-B	83DB 9A772-AA	E6HZ 9A772-A
D0HA 9A710-A	D0HZ 9A702-A	C1TT 9784-D	C2TZ 9784-C
D3HA 9A710-BA	D6HZ 9A710-C	D3HA 9A805-AB	D3HZ 9772-A
D3HA 9A710-EA	D3HZ 9A702-E	D4HA 9A805-EB	D4HZ 9772-E
D4HA 9A710-DA	D4HZ 9A702-R	D4HA 9A805-FB	D4HZ 9772-F
D4HA 9A710-EA	D4HZ 9A702-P	D4HA 9A805-MA	D4HZ 9772-M
D4HA 9A710-FA	D4HZ 9A702-M	D4TA 9A805-CA	D4TZ 9772-C
D4HA 9A710-GA	D4HZ 9A702-G	D5HA 9A805-BA	D5HZ 9A805-F
D4HA 9A710-KA	D4HZ 9A702-K	D5HA 9A805-BB	D5HZ 9A805-B
D4HA 9A710-MA	D4HZ 9A702-S	D5HA 9A805-CA	D5HZ 9A805-C
D5HA 9A710-AA	D5HZ 9A710-A	D5HA 9A805-EA	D5HZ 9A805-E
D5HA 9A710-BA	D5HZ 9A710-B	D9HT 9A805-AA	D4TZ 9772-C
D5HA 9A710-GA	D5HZ 9A710-G	E0HT 9A805-AA	E0HZ 9772-A
D6HA 9A710-BA	D6HZ 9A710-B	E0HT 9A805-AB	E0HZ 9772-A
D6HA 9A710-CA	D6HZ 9A710-C	E0HT 9A805-AC	E0HZ 9772-A
D6HS 9A710-CA	E0HZ 9A710-A	E1HT 9A805-AA	E1HZ 9772-C
D7HT 9A710-BE	D8HZ 9A710-A	E1HT 9A805-CB	E1HZ 9772-D
D7HT 9A710-CE	D8HZ 9A710-B	E1HT 9A805-DA	E1HZ 9772-B
E1HT 9A710-AA	E1HZ 9A710-C	E1HT 9A805-DB	E1HZ 9772-B
E1HT 9A710-BA	E1HZ 9A710-A	E1HT 9A805-FA	E1HZ 9A805-A
E1HT 9A710-CA	★ E1HZ 9A710-B	E1HT 9A805-FB	E1HZ 9A805-A
E1HT 9A710-CB	E1HZ 9A710-D	E1HT 9A805-FC	E1HZ 9A805-A
E2HT 9A710-AA	E2HZ 9A710-A	E2HT 9A805-AA	D5HZ 9A805-C
E4HT 9A710-AB	★ E4HZ 9A710-A	E4HT 9A805-DA	E4HZ 9A805-A
E7HT 9A710-AB	E7HZ 9A710-A	E4HT 9A805-EA	E6HZ 9772-A
E7HT 9A710-CB	E7HZ 9A710-B	E4HT 9A805-EA	E6HZ 9772-B
E7HT 9A710-CC	E7HZ 9A710-B	ED E4HT 9A805-EA	E6HZ 9772-A
E8HT 9A710-CA	E8HZ 9A710-C	ED E4HT 9A805-FA	E6HZ 9A844-A
E9HT 9A710-BA	E9HZ 9A710-B	E4HT 9A805-EA	E6HZ 9772-B
E9HT 9A710-CA	E9HZ 9A710-C	E7HT 9A805-CA	E7HZ 9A805-B
D4HA 9747-AA	D4HZ 9746-A	E7HT 9A805-EA	E7HZ 9A805-C
D4HA 9747-BA	D4HZ 9746-B	E7HT 9A805-FB	E7HZ 9A805-A
D5TA 9747-GA	★ D5TZ 9747-G	E7HT 9A805-FC	E7HZ 9A805-A
D6HA 9747-BA	D6HZ 9747-B	ED E7HT 9A805-FC	E7HZ 9A805-A
E0HT 9747-AB	E0HZ 9747-A	E7HT 9A805-GA	E7HZ 9A805-D
E1HT 9747-AA	E1HZ 9747-A	ED E7HT 9A805-GA	E7HZ 9A805-D
E5HT 9747-AA	E5HZ 9747-A	E8HT 9A805-BA	E8HZ 9A805-B
C5TA 9772-A	C5TZ 9772-C	E8HT 9A805-EA	E7HZ 9A805-D
D7HA 9772-AA	D8HZ 9772-A	E8HT 9A805-FA	E8HZ 9A805-F
D7HT 9772-BB	D8HZ 9772-B	E8HT 9A805-GA	E8HZ 9A805-G
D7HT 9772-DC	D8HZ 9772-C	E9HT 9A805-DA	E9HZ 9A805-D
D7HT 9772-EC	D8HZ 9772-F	E9HT 9A805-FA	E9HZ 9772-F
D7HT 9772-FC	D8HZ 9772-D	E9HT 9A805-GA	E9HZ 9772-G
D7HT 9772-GA	D8HZ 9772-E	E9HT 9A805-HA	E9HZ 9772-H
★ D8HT 9772-CA	D8HZ 9772-F	D5HA 9A844-CA	D5HZ 9A844-C
D8HT 9772-EA	D8HZ 9772-B	D5HA 9A844-DA	D5HZ 9A844-D
E4HT 9772-AA	★ E4HZ 9772-A	D5HA 9A844-FA	D5HZ 9A844-F
E4HT 9772-AB	E4HZ 9772-A	D5HA 9A844-GB	D5HZ 9A844-G
E4HT 9772-BA	E4HZ 9772-B	D5HA 9A844-HA	D5HZ 9A844-H
E4HT 9772-BB	★ E4HZ 9772-B	D5HS 9A844-AA	D6HZ 9A844-A
E8HT 9772-A	E8HZ 9772-A	D7HT 9A844-AA	D7HZ 9A844-A
E8HT 9772-BA	E8HZ 9772-B	D7HT 9A844-A1A	D7HZ 9A844-A
E0HT 9A772-AA	E0HZ 9A772-A	E1HT 9A844-BA	E1HZ 9A844-A
E3HT 9A772-A1A	E3HZ 9A772-A	E1HT 9A844-BB	E1HZ 9A844-A



1980/  
TRUCK SERIES 600/900

**IDENTIFICATION CHART**

(Arranged according to Identification Number)

IDENTIFICATION	PART NUMBER	IDENTIFICATION	PART NUMBER
9A702	ROD ASSY. (ACCELERATOR)-also refer to groups 9860 and 12A485 - Cont'd		
E1HT 9A844-BC	E1HZ 9A844-A	E4HT 9A805-FA	E6HZ 9A844-A
E2HT 9A844-AA	E2HZ 9A844-A	D0HA 9B885-F	D0HZ 9B885-F
E2HT 9A885-AB	E2HZ 9A844-A	D3HA 9B885-DA	D3HZ 9B885-D
E2HT 9A844-BA	E2HZ 9A844-B	D5HA 9B885-FA	D5HZ 9B885-F
E2HT 9A844-CA	E2HZ 9A844-C	E0HT 9B885-A1A	E0HZ 9B885-AA
E2HT 9A844-DA	E2HZ 9A844-D	E1HT 9B885-AA	E1HZ 9B885-A
E3HT 9A844-AA	E3HZ 9A844-A		

YEAR	MODEL/RESTRICTIONS	ENGINE		PART NUMBER	DESCRIPTION	QTY.
		CYL.	C.I.D. (C.C.D.)			
9A702	ROD ASSY. (ACCELERATOR)					

**B SERIES**

●ACCELERATOR SHAFT TO CARBURETOR

80	B600/700 -- gas	8	370,429	E0HZ 9747-A		1
85	B600/700 -- gas	8	370,429	E5HZ 9747-A		1

●ACCELERATOR BELLCRANK TO FUEL PUMP LEVER

87/	B600/700	6	401,476	E7HZ 9A710-B	Also use E7HZ 9B775-A	1
87/	B600/700	6	401,476	E7HZ 9A805-A		1
80	B600/700 -- A/T-Detroit DDA-990 diesel	8	501	E0HZ 9772-A		1
81/82	B600/700 -- Detroit DDA 990 diesel	8	501	E1HZ 9A805-A		1
83/86	B600/700 -- Detroit 990 diesel "Before 11/85"	8	501	E1HZ 9A805-A	#ED-E1HT 9A805-FC	1
86/	B600/800 -- Detroit DDA diesel "From 11/85"	8	501	E6HZ 9772-A	E4HT 9A805-EA	1

●ACCELERATOR SHAFT CONNECTOR

86/	B600/700 -- Detroit 990 diesel	8	501	E6HZ 9A844-A		1
-----	-----------------------------------	---	-----	--------------	--	---

●ACCELERATOR PEDAL TO ACCELERATOR SHAFT

80/82	B600/700 -- A/T-Detroit DDA-990 diesel	8	501	E0HZ 9A772-A		1
82/	B700 -- Cat. 3208 diesel	8	636	E3HZ 9A772-A		1
83	B600/700 -- Det. 990 diesel	8	501	E3HZ 9A772-B		1

●ACCELERATOR ASSY. (FIREWALL MTD) to ACCELERATOR ASSY. (ENG. MTD)

83	B700 -- Cat. 3208 diesel	8	636	E3HZ 9A844-A		1
----	--------------------------	---	-----	--------------	--	---

**C-CT SERIES**

●ACCELERATOR BELLCRANK TO FUEL PUMP LEVER

80/	C700/800,CT800 -- Cat. 3208N diesel	8	636N	D5HZ 9A805-B		1
80/	C700/800,CT800 -- Cat. 3208N diesel	8	636N	D5HZ 9A805-E		1
82/	C-CT800 -- Cat. 3208T diesel	8	636T	D5HZ 9A805-C		1
80/	C-CT800 -- Cat. 3208 diesel and MT650 T/M	8	636	D3HZ 9B885-A		1
80/	C700 -- A/T-Detroit DDA-990 diesel	8	501	E0HZ 9772-A		1
81/	C700 -- Detroit DDA 990 diesel	8	501	E1HZ 9772-D		1
86/	C600/800 -- Detroit 990 diesel	8	501	E6HZ 9772-A		1

1980/  
TRUCK SERIES 600/900

YEAR	MODEL/RESTRICTIONS	ENGINE		PART NUMBER	DESCRIPTION	QTY.
		CYL.	C.I.D. (C.C.D.)			
9A702 ROD ASSY. (ACCELERATOR) — Cont'd						
<b>C-CT SERIES</b>						
●ACCELERATOR SHAFT CONNECTOR						
80/	C-CT800 -- Cat. 3208N diesel- with MT650 trans.	8	636N	D6HZ 9A844-A		1
82/	C-CT800 -- Cat. 3208T diesel	8	636T	E2HZ 9A844-A		1
82/	C-CT800 -- Cat. 3208T diesel	8	636	E2HZ 9A844-A		1
81/86	C700 -- Det. DDA990 diesel "Before 11/85"	8	501	E1HZ 9A844-A		1
86/	C600/800 -- Detroit 990 diesel "From 11/85"	8	501	E6HZ 9A844-A		1
80/	C-CT600/800 -- gas	8	370,429	D5HZ 9A844-D		1
●ACCELERATOR PEDAL TO ACCELERATOR SHAFT						
80/	C700 -- A/T-Detroit DDA-990 diesel	8	501	E0HZ 9A772-A		1
<b>CF SERIES</b>						
●ACCELERATOR PEDAL TO ACCELERATOR SHAFT						
86/	CF600/700 -- diesel	6	401	E6HZ 9A772-A		1
86/	CF600/700 -- diesel	6	401	E6HZ 9A772-B		1
<b>CL-CLT SERIES</b>						
●ACCELERATOR TO BELLCRANK						
80/	CL-CLT900 -- Det. 6V-92 diesel	6	552	D8HZ 9A702-C		1
80/	CL-CLT900 -- Det. 8V-92 diesel	8	736			1
80/	CL-CLT900 -- Cum. NTC diesel-w/suspended cab	6	855	D8HZ 9A702-D		1
80/	CL-CLT900 -- Cum. NTC diesel-w/fixed cab	6	855			1
80/	CL-CLT900 -- Cat. 3406 diesel	6	893			1
80/	CL-CLT900 -- Cum. KT,KTA diesel	6	1150	D8HZ 9A702-B		1
●ACCELERATOR PEDAL LEVER TO ACCELERATOR SHAFT						
80/	CL-CLT900 -- w/fixed cab	6&8	All	D8HZ 9A710-A		1
80/	CL-CLT900 -- w/suspended cab	6&8	All	D8HZ 9A710-B		1
●PEDAL BLADE TO BRACKET FOR ACCEL. PEDAL SENSOR						
89	CL-CLT900 -- w/3406 diesel and PEEC system	6	893	E9HZ 9A805-A	#E9HT-AB	1
●ACCELERATOR BELLCRANK TO FUEL PUMP LEVER						
80/	CL-CLT900 -- Cum. I-6 NTC diesel-w/susp. cab	6	855	D8HZ 9772-A		1
80/	CL-CLT900 -- Cum. I-6 NTC diesel-w/fixed cab	6	855		Used on some early models	1
80/	CL-CLT900 -- Cum.I-6 NTC diesel-w/fixed cab	6	855	D8HZ 9772-D		1
80/83	CL-CLT900 -- Cat. 3406 diesel-w/susp. cab	6	893	★ D8HZ 9772-B Not replaced		1
84/	CL-CLT900 -- Cat 3406 diesel-suspended cab	6	893	E4HZ 9772-B		1
80/83	CL-CLT900 -- Cat. 3406 diesel-w/fixed cab	6	893	★ D8HZ 9772-F Not replaced		1

1980/  
TRUCK SERIES 600/900

YEAR	MODEL/RESTRICTIONS	ENGINE		PART NUMBER	DESCRIPTION	QTY.
		CYL.	C.I.D. (C.C.D.)			
9A702	ROD ASSY. (ACCELERATOR) — Cont'd					

**CL-CLT SERIES**

● ACCELERATOR BELLCRANK TO FUEL PUMP LEVER

84/	CL-CLT900 - - Cat 3406 diesel fixed cab	6	893	E4HZ 9772-A		1
80/	CL CLT900 - - Cum. KTA diesel	6	1150	D8HZ 9772-E		1
80/	CL-CLT900 - - Detroit 8V-92 diesel	8	736	D8HZ 9772-C		1
88/	CL-CLT900 - - Cummins L10 diesel	6	610	E8HZ 9772-A		1
88/	CL-CLT - - Cummins L10	6	610	E8HZ 9772-B		1

**F SERIES**

● ACCELERATOR SHAFT TO CARBURETOR

80	F-FT600/800 - - gas	8	370,429	★ E0HZ 9747-A		1
81/	F600/700 - - gas	8	370,429	E5HZ 9747-A		1

● ACCELERATOR BELLCRANK TO FUEL PUMP LEVER

87/	F700/800 - - FT0 diesel	6	401,474	E7HZ 9A710-B		1
80/	F700 - - Cat. 3208 diesel	8	636	D5HZ 9A805-B		1
80	F-FT600/800 - - A/T-Detroit DDA-990 diesel	8	501	E0HZ 9772-A		1
81/82	F-FT600/800 - - Detroit DDA 990 diesel	8	501	E1HZ 9A805-A		1
83/86	F600/800 - - Detroit 990 diesel "Before 11/85"	8	501	★ E3HZ 9A805-A /bE1HZ 9A805-A	#E1HT 9A805-FC	1
86/	F-FT600/800 - - Detroit 990 diesel "From 11/85"	8	501	E6HZ 9772-A		1
86	F-FT600/800	8	501	E6HZ 9772-B	#ED1 E4HT 9A805-EA	1
87	F600/800 FT900 - - FT0 diesel "Before 9/86"	6	401,474	E7HZ 9A805-A		1
87/87	F600/800,FT900 - - FT0 diesel "From 9/86 to 11/87"	6	401	E7HZ 9A805-D		
87/	F600/800,FT900 - - FT0 diesel "From 11/87"	6	6.6L, 7.8L	E8HZ 9A805-E		1

● ACCELERATOR SHAFT CONNECTOR

86/	F-FT600/800 - - Detroit 990 diesel	8	501	E6HZ 9A844-A		1
-----	---------------------------------------	---	-----	--------------	--	---

● ACCELERATOR SHAFT TO FUEL PUMP

80/	F600/700 - - Cat. diesel	8	636	DOHZ 9B885-F		1
-----	--------------------------	---	-----	--------------	--	---

● ACCELERATOR PEDAL TO ACCELERATOR SHAFT

80/	F-FT600/800 - - A/T-Detroit DDA 990 diesel	8	501	E0HZ 9A772-A		1
83	F-FT600/800 - - Det. 990 diesel	8	501	E3HZ 9A772-B		1
82/	F-FT700/800 - - Cat. 3208 diesel	8	636	E3HZ 9A772-A		1

● ACCELERATOR ASSY. (FIREWALL MTD.) TO ACCELERATOR (ENG. MTD.)

83	F-FT700/800 - - Cat. 3208 diesel	8	636	E3HZ 9A844-A		1
----	-------------------------------------	---	-----	--------------	--	---

**L-LN-LNT-LT-LTL-LTS SERIES**

● ACCELERATOR TO BELLCRANK

80/84	L-LT800 - - gas	8	370	D4HZ 9A702-K		1
80/	L-LT900 - - Det. 6-71N diesel	6	426	D4HZ 9A702-M		1
80/	LTS900 - - Det. 6-71N diesel	6	426			1

1980/  
TRUCK SERIES 600/900

YEAR	MODEL/RESTRICTIONS	ENGINE		PART NUMBER	DESCRIPTION	QTY.
		CYL.	C.I.D. (C.C.D.)			
9A702 ROD ASSY. (ACCELERATOR) — Cont'd						
<b>L-LN-LNT-LT-LTL-LTS SERIES</b>						
<b>●ACCELERATOR TO BELLCRANK</b>						
80/	LN-LNT900 -- Det. 6-71N diesel	6	426	D4HZ 9A702-G		1
80/	L800, LN600/800, LNT-LT-LTS800 -- Cat. 3208 diesel	8	636	D0HZ 9A702-A		1
80/81	L-LT-LTS900 -- T/M-gas	8	477,534			1
80/	L-LT900 -- Det. 8V-71N diesel	8	568			1
80/	L-LT900 -- Det. 8V-71N diesel	8	568	D4HZ 9A702-P		1
80/	L-LT900 -- Det. 8V-71N, 8V-71T, 71TT, 6V-92 diesel	6&8	552,568	D4HZ 9A702-R		1
80/	LN-LNT900 -- Det. 8V-71N diesel	8	568	D4HZ 9A702-S		1
89	L-LT-LTS-LS -- w/3306	6	638	E9HZ 9A710-B		1
89	LN-LNT -- w/3306	6	638	E9HZ 9A710-C		1
89	L-LT-LTS-LS-LN-LNT -- w/3306	6	638	E9HZ 9A805-D	"BELLCRANK TO GOVNR. LEVER"	1
<b>●ACCELERATOR TO ACCELERATOR PEDAL THROTTLE ARM</b>						
80/	LN-LNT900 -- Det. 8V-71 diesel	8	568	D3HZ 9A702-E		1
<b>●ACCELERATOR PEDAL LEVER TO ACCELERATOR SHAFT</b>						
80/86	L-LT-LTS800 -- gas	8	370,429	D4HZ 9746-A		1
80/86	LN-LNT600/800 -- gas	8	370,429	D4HZ 9746-B		1
80/81	LN-LNT800/900 -- gas	8	477,534	D4TZ 9A702-A		1
80/81	L-LT-LTS800/900 -- gas	8	477,534	D6HZ 9A710-C		1
80/	LN-LNT900 -- Det. 8V-71T, 71TT diesel	8	568	D5HZ 9A710-A		1
80/	L-LT900 -- Det. 8V-71T, 71TT diesel	8	568	D5HZ 9A710-B		1
80/84	L800, LN700/800, LNT-LT-LTS800 -- Cat. 3208N diesel	8	636N	D5HZ 9A710-G		1
82/	L-LN-LNT-LT-LTS800 -- Cat. 3208T diesel	8	636	E2HZ 9A710-A		1
80/	LN700 -- A/T-Detroit DDA-990 diesel	8	501	E0HZ 9A772-A		1
80/87	LN-LNT900 -- Cat. 3406 diesel	6	893	★ D5TZ 9747-G	R/b E0HZ 9B885-AA	1
80/	LN-LNT900 -- Detroit 6V-92 diesel	6	552	E0HZ 9A710-A		1
81/	LN700 -- Det. DDA990 diesel-205 H.P.	8	501	E1HZ 9A710-A		1
81	LN700 -- Det. DDA990 diesel-165 H.P. "Before 8/80"	8	501	★ E1HZ 9A710-B R/b E1HZ 9A710-D		1
81/	LN700 -- Detroit 990 NA diesel "From 8/80"	8	501	E1HZ 9A710-D		1
<b>●BELLCRANK TO CARBURETOR OR INJECTOR</b>						
80/89	LN-LNT900 -- Cum. NTC diesel "Before 5/89"	6	855	D4HZ 9772-E		1
89	LN-LNT -- Cum. NTC "From 4/89"	6	855	E9HZ 9772-G		1
80/89	L-LT-LTL-LTS900 -- Cum. NTC & 610 diesel "Before 5/89"	6	855,610	D4HZ 9772-F		AR
89	L-LS-LTS -- Cum. NTC "From 5/89"	6	610,855	E9HZ 9772-F		AR
80/	L-LN-LNT-LT-LTS800 -- Cat. 3208 diesel	8	636	D3HZ 9772-A		1
<b>●ACCELERATOR SHAFT TO TRANSMISSION CONTROL SHAFT</b>						
80/81	L-LN-LNT-LT-LTS900 -- T/M-gas	8	477,534	C2TZ 9784-C		1
<b>●ACCELERATOR BELLCRANK TO FUEL PUMP LEVER</b>						
82/	LTL900 -- Detroit 8V-92 diesel	8	736	E1HZ 9A710-C		1
80/86	LN600/700 gas	8	370-2/B	D9HZ 9747-B		1

1980/  
TRUCK SERIES 600/900

YEAR	MODEL/RESTRICTIONS	ENGINE		PART NUMBER	DESCRIPTION	QTY.
		CYL.	C.I.D. (C.C.D.)			
9A702	ROD ASSY. (ACCELERATOR) — Cont'd					

**L-LN-LNT-LT-LTL-LTS SERIES**

●ACCELERATOR BELLCRANK TO FUEL PUMP LEVER

80/86	L-LN-LNT-LTS700/800 -- gas	8	370-4/B, 429	D9HZ 9747-C		1
80/81	L-LN-LNT-LT-LTS800/900 -- gas	8	477,534	D6HZ 9747-B		1
84/88	LN-LNT900 -- Cum. 10L diesel "Before 8/88"	6	610	★ E4HZ 9A710-A /bE8HZ 9A710-C		1
88/	LN-LNT900 -- Cum. 10L diesel "From 8/88"	6	610	E8HZ 9A710-C		1
87/	L-LN-LNT-LT-LTS800 -- FTO diesel	6	476	E7HZ 9A710-A		1
87/	L-LN-LNT-LT-LTS800 -- FTO diesel	6	476	E7HZ 9A805-A		1
80/82	L-LN-LNT-LT-LTL-LTS900 -- Cat. 3406 diesel "Before 1/82"	6	893	D4HZ 9772-M		1
82/	L-LN-LNT-LT-LTL-LTS900 -- Cat. 3406 diesel "From 1/82"	6	893	E2HZ 9772-A		1
84/88	L-LT-LTS900 -- Cat. 3406 NSFS diesel "Before 8/88"	6	893	★ E4HZ 9772-BB /bE8HZ 9A805-G		1
88/	L-LT-LTS900 -- Cat. 3406 NSFS diesel "From 8/88"	6	893	E8HZ 9A805-G		1
80/	L800, LN700/800, LNT-LT- LTS800 -- Cat. 3208 diesel	8	636	D5HZ 9A805-C		1
80/	L-LTS800 -- Cat. diesel and MT650 T/M	8	636	D3HZ 9B885-A		1
80/	LN700 -- A/T-Detroit DDA-990 diesel	8	501	E0HZ 9772-A		1
81/86	LN600/700 -- Det. DDA diesel "Before 11/85"	8	501	E1HZ 9A805-A		1
86/	LN600/700 -- Detroit 990 diesel "From 11/85"	8	501	E6HZ 9772-A		1
82/83	LTL900 -- Cat. 3406 diesel	6	893	★ E1HZ 9772-B	Not replaced	1
84/88	LTL900 -- Cat. 3406 NSFS diesel "Before 8/88"	6	893	★ E4HZ 9772-AA /bE8HZ 9A805-F		1
88/	LTL900 -- Cat. 3406 NSFS diesel "From 8/88"	6	893	E8HZ 9A805-F		1
82/89	LTL900 -- Cum. NTC 250, 290 diesels "Before 5/89"	6	855	E1HZ 9772-C		1
89	LL-LTL900 -- Cumm. NTC "From 5/89"	6	855	E9HZ 9772-H		1
84/	LN-LNT900 -- Cum. 10L diesel	6	610	E4HZ 9A805-A		1
84/	LNT900 -- w/Cum. L10 diesel	6	610	D4HZ 9772-E		1
86/	LN600/800 -- Detroit 990 diesel	8	501	E6HZ 9A844-A		1

●ACCELERATOR SHAFT CONNECTOR

80/	L-LN800 -- Cat. 3208 diesel w/MT650 trans.-exc. Calif.	8	636	D5HZ 9A844-G		1
80/	LN700 -- Cat. 3208 diesel	8	636	D5HZ 9A844-C		1
82/	LN700 -- Cat 3208-N diesel	8	636	E2HZ 9A844-B		1
80/82	L-LT-LTS800 -- Cat. 3208-N diesel "Before 4/82"	8	636	D5HZ 9A844-D		1
82/	L-LT-LTS800 -- Cat 3208-N diesel "From 4/5/82"	8	636	E2HZ 9A844-C		1
82/	L-LT-LTS800T -- Cat diesel	8	636			1

OCTOBER, 1993

COPYRIGHT © 1993—

FORD MOTOR  
COMPANY

—DEARBORN, MICHIGAN

FINAL ISSUE

1980/  
TRUCK SERIES 600/900

YEAR	MODEL/RESTRICTIONS	ENGINE		PART NUMBER	DESCRIPTION	QTY.
		CYL.	C.I.D. (C.C.D.)			
9A702 ROD ASSY. (ACCELERATOR) — Cont'd						
<b>L-LN-LNT-LT-LTL-LTS SERIES</b>						
<b>●ACCELERATOR SHAFT CONNECTOR</b>						
80/82	LN-LNT800 -- Cat. 3208-N diesel- "Before 4/5/82"	8	636	D5HZ 9A844-F		1
82/	LN-LNT800 -- Cat. 3208-N "From 4/5/82"	8	636	E2HZ 9A844-D		1
82/	LN-LNT800-Cat 3208-T diesel	8	636			1
80/	L-LN800 -- Cat. 3208 diesel -w/MT650 trans.	8	636	D5HZ 9A844-H		1
80/	L-LN800 -- Cat. 3208 diesel -w/MT650 trans.-Calif.	8	636	D7HZ 9A844-A		1
88	LN-LNT900 -- Cat. 3206	6	893	E8HZ 9A805-B	#E8HT 9A805-BB	1
<b>●ACCELERATOR SHAFT TO FUEL PUMP</b>						
80/	L-LN-LNT900 -- Det. 8V-71N diesel	8	568	D3HZ 9B885-D		1
80/	L-LN-LNT-LT900 -- Det. 8V-71T, 71TT diesel	8	568	D5HZ 9B885-F		1
80/	LN-LNT900 -- Detroit 6V-92 diesel	6	552			1
80/	LN-LNT900 -- Cat. 3406 diesel	6	893	E0HZ 9B885-AA		1
82/	LTL900 -- Detroit 8V-92 diesel	8	736	E1HZ 9B885-A		1
86	LN600/800	8	501	E6HZ 9772-B	#ED1 E4HT 9A805-EA	1
80/	L800, LN600/800, LNT-LT- LTS800 -- Cat. 3208 diesel	8	636	34391-S7	(M-97)-nut (rod to accelerator and to accelerator pedal arm)-hex.-1/4"-28	2
80/81	LN-LNT900 -- M/T-gas	8	477,534			2
80/81	L-LT-LTS900 -- T/M-gas	8	477,534			2
80/	L-LN-LNT-LT-LTS800 -- Cat. 3208 diesel	8	636			2
80/	L-LN-LNT-LT-LTS900 -- Detroit 6-71N diesel	6	426			1
80/	L-LT900 -- Cum. NTC diesel	8	568			4
80/	L-LN-LNT-LT-LTS900 -- Detroit 6-71N diesel	6	426	33798-S8	(M-62)-nut (accelerator rod to eng.)-hex.- 5/16"-24	1
80/	L800/LN700/800,LNT-LT- LTS800 -- Cat. 3208 diesel	8	636	34391-S7	(M-97)-nut (rod to shaft and accelerator pedal arm)-hex.-1/4"-28	2
80/	CL-CLT900	6&8	All	44719-S8	(X-17) Flat washer-1/4" (rod to lever)	1
80/	L-LT-LTL-LTS900 -- Cat. 3406 diesel	6	893	33796-S2	(M-89-J)-nut (rod to accelerator pedal arm)- hex. lock-(UBS)-1/4"-20	1
80/	L-LT-LTL-LTS900 -- Cat. 3406 diesel	6	893	34796-S4	(M-89-CA)-nut to governor lever)- hex. lock-5/16"-18	1
80/	C700/800,CT800 -- Cat. 3208 diesel	8	636	34443-S7-8	(M-79)-nut (rod to shaft assy.) hex lock-5/16"-24	2
80/	C700-800,CT800 -- Cat. 3208 diesel	8	636	34391-S7	(M-97)-nut (rod to accelerator shaft) hex.-1/4"-28	1
80/	L800,LN700/800,LNT-LT-LTS800 -- Cat. 3208 diesel	8	636	34443-S7-8	(M-79)-nut (rod to accelerator shaft assy.) hex. lock-5/16"-24	2
80/	C600/800 -- Cat. 3208 diesel	8	636	★58634-S2	Bolt (shaft and housing assy. to frame c/member)-hex. head-3/8"-16 x 1"	2
				351385-S7	(XX-158)-washer-flat-3/8"	AR
				★34987-S4	Nut-hex. lock-3/8"-16	AR
9K703 BRACKET (ACCELERATOR CABLE ABUTMENT)						
86/	CF600/700 -- diesel	6	401	E6HZ 9K703-A		1
86/	CF600/700 -- diesel	6	401	E6HZ 9K703-D	Use w/fast idle reinforcement plate	1

**1980/  
TRUCK SERIES 600/900**

YEAR	MODEL/RESTRICTIONS	ENGINE		PART NUMBER	DESCRIPTION	QTY.
		CYL.	C.I.D. (C.C.D.)			
<b>9E704 SWITCH ASSY. (ENGINE SPEED LIMITER)</b>						
80/	CL-CLT 900 -- Cat. 3406 Cum. NTC.KTA diesel	6	855,893, 1150	D8HZ 9E704-A	#D7HT 9E704-AA-use w/Jacobs eng. brake wiring pkg.	1
80/	CL-CLT 900 -- Detroit 8V-71,8V-92 diesel	8	568,736	D8HZ 9E704-B	#D7HT 9E704-BA-use w/Jacobs eng. brake wiring pkg.	1
88/	L800/900 -- w/Cum. eng- use w/"C" brake	6	All	E8HZ 9E704-A	#E1HS-AA	1
<b>9P704 RELAY ASSY. (INJECTOR PUMP-SHUT OFF)-also refer to group 14677</b>						
84/	B-F600/800 -- Detroit 990 diesel	8	501	E4HZ 9P704-A		1
<b>9A705 COVER (THERMOSTATIC CHOKE HEATER SUPPLY)</b>						
80/	All	8	370,429	D9HZ 9A705-A		1
<b>9B709 ROD ASSY. (ACCELERATOR SHAFT UPPER LEVER TO CARBURETOR)-also refer to group 9A884</b>						
80/81	C-CT800/900 -- gas	8	477,534	D6HZ 9B709-C	#D6HA 9B709-AA-29" long	1
80/	C-CT600/800 -- gas	8	370,429	* D4HZ 9B709-B /bD5HZ 9A844-D	#D4HA 9B709-BA-32 1/8" long from center of ball stud to center of ball stud -both studs alike	1
80/81	C-CT900 -- gas	8	477,534	33796-S7	(M-61)-nut-hex-1/4"-28	1
80/	C600/900, CT800/900	6&8	All	34805-S8 358883-S7-8	(X-62)-lockwasher-1/4" (NN-128)-pin (rod assy. to accelerator assy.)-spring	1
<b>9A710 ROD ASSY. (ACCELERATOR PEDAL LEVER TO ACCELERATOR SHAFT)-Refer to group 9A702</b>						
<b>9C711 PIN-SPRING (ACCELERATOR OR PUMP OVER TRAVEL)</b>						
86/	CF600/700 -- diesel	6	401	E6HZ 9C711-A		1
<b>9A713 STOP and SCREW ASSY. (ENGINE PRIMER CONTROL CABLE STOP)</b>						
80/	L800/900, LN600/900, LNT-LT-LTL-LTS800/900 -- diesel	6&8	All	* D0HZ 9A713-A /b9342-300328	Use w/ether cold start aid-bolt size No. 10-32 x 5/16"-hole size 3/32"-thin round head bolt	1
80/	B-F-FT600/800 -- Detroit DDA 990 diesel	8	501			1
80/	B-F-FT600/800 -- Detroit DDA 990 diesel	8	501	D9HZ 9A713-A	Use w/ether cold start aid- bolt size No. 8-32 x 1/4"-hole size 7/16"-fillister head bolt	1
<b>9P713 VALVE ASSY. (OVERFLOW-FUEL INJECTION PUMP)</b>						
86/	CF600/700	6	401	E6HZ 9P713-A	Also use 390003-S	1
87/	B-CF-F-FT700/900 -- diesel	6	476			1
87/	L-LN-LS-LT-LNT-LTS800	6	476			1
<b>9N716 BRACKET (SUPPORT ACCELERATOR LEVER)</b>						
86/	CF600/700 -- diesel	6	401	E6HZ 9N716-A		1
<b>9B722 BRACKET (ACCELERATOR SHAFT HOUSING BRACE)</b>						
80/	C600/900, CT800/900	6&8	All	C1TT 9B722-A		1
<b>9N722 LEVER (FUEL SHUT OFF-INJECTION PUMP)</b>						
86/	CF600/700	6	401	E6HZ 9N722-B		1
87/	B-CF-F700/800, FT900	6	476			1
87/	L-LN-LS-LT-LNT-LTS800	6	476			1
87/	B-F600	6	401	E7HZ 9N722-A		1
<b>9723 BRACKET ASSY. (ACCELERATOR CABLE)</b>						
80/86	C600/800, L-LN-LNT-LT- LTS800 -- Cat. 3208 diesel w/hydramechanical governor	8	636	* C9HZ 9723-A Not replaced	Accelerator shaft	1
<b>9E724 WIRING ASSY. (THROTTLE MODULE CONTROL)-Also refer to group 14401</b>						
80/81	C-CT800/900 -- gas	8	477,534	D9HZ 9E724-C	#D9HT 9E724-CA	1
80/81	L-LN-LNT-LT-LTS800/900 -- gas	8	477,534	* D9HZ 9E724-D	#D9HT 9E724-DB-not replaced	1
<b>9725 ACCELERATOR ASSY.</b>						
<b>B SERIES</b>						
80/85	B600/700 -- gas "Before 1/85"	8	370,429	E0HZ 9725-B	#E0HT 9725-NC	1
85/	B600/700 -- gas "From 1/85"	8	370,429	E5HZ 9725-B	#E5HT 9725-CA-mounts to firewall	1
87/	B600/700 -- FTO diesel- w/M/T	6	401,476	* E7HZ 9725-A /bE8HZ 9725-J	#E7HT 9725-AA	1
87	B600 -- A/T-FTO diesel "Before 9/86"	6	401	* E7HZ 9725-B /bE8HZ 9725-F	#E7HT 9725-BA	1

OCTOBER, 1993

COPYRIGHT © 1993-

FORD MOTOR  
COMPANY

-DEARBORN, MICHIGAN

FINAL ISSUE

1980/  
TRUCK SERIES 600/900

YEAR	MODEL/RESTRICTIONS	ENGINE		PART NUMBER	DESCRIPTION	QTY.
		CYL.	C.I.D. (C.C.D.)			
9725 ACCELERATOR ASSY. — Cont'd						
<b>B SERIES</b>						
87/	B600 -- A/T-FTO diesel "From 9/86"	6	401	★ E7HZ 9725-J /bE8HZ 9725-F	#E7HT 9725-BB	1
80/	B600/700 -- Detroit DDA990 diesel	8	501	E0HZ 9725-E	#E0HT 9725-EB,EC-mounted in engine compt.	1
83	B700 -- Cat. 3208 NA & 3208T diesel	8	636	E3HZ 9725-B	#E3HT 9725-CA-mounts on fire wall	
83	B700 -- Cat. 3208NA & 3208T diesel-w/A/T	8	636	E3HZ 9725-C	#E3HT 9725-BB-mounts on engine	1
83	B700 -- Cat. 3208NA & 3208T diesel-w/M/T	8	636	E3HZ 9725-D	#E3HT 9725-JA-mounts on engine	1
83	B700 -- Caterpillar 3208N diesel	8	636N	E3HZ 9725-E	#E3HT 9725-AA-mounts on fire wall	1
<b>C-CT SERIES</b>						
80/	C600/900, CT800/900 -- gas	6&8	All	C9HZ 9725-E		1
80/	C700/800,CT800 -- Cat. 3208 diesel-M/T	8	636	D5HZ 9725-M	#D5HA 9725-MB,MC	1
83/	C600/800 -- Cat. 3208T diesel	8	636-T	E3HZ 9725-A	#E2HT 9725-DB	1
80/	C-CT800 -- Cat. 3208N diesel-with MT 650 trans.	8	636N	D6HZ 9725-D	#D5HS 9725-FA	1
81/85	C700 -- Det. DDA990 diesel "Before 6/85"	8	501	E1HZ 9725-B	#E1HT 9725-DB	1
85/	C-CT600/800 -- Detroit 990 "From 6/85"	8	501	E5HZ 9725-A	#E5HT 9725-AA	1
<b>CF SERIES</b>						
86/	CF600/700 -- diesel	6	401	E6HZ 9725-A	Throttle control	1
86/	CF600/700 -- diesel	6	401	E6HZ 9725-B	Fits in 9B987 brackets	1
<b>CL-CLT SERIES</b>						
80/	CL-CLT900 -- Det. 6V-92 diesel	6	552	E5HZ 9725-C	#E5HT 9725-BA	1
80/	CL-CLT900 -- Det. 8V-71, 8V-92	8	568,736			1
<b>F SERIES</b>						
80/	F-FT600/800(81) -- gas	8	370,429	E0HZ 9725-A	#E0HT 9725-FC	1
80/	F-FT600/800(84) -- gas	8	370,429	E0HZ 9725-B	#E0HT 9725-NC	1
83/85	F-FT800 -- gas "Before 1/85"	8	370,429	E3HZ 9725-H	#E3HT 9725-DA-mounts on firewall	1
85/	F-FT600/800 -- gas "From 1/85"	8	370,429	E5HZ 9725-B	#E5HT 9725-CA-mounts to firewall	1
87	F-FT700/900 -- FTO diesel- w/M/T "Before 9/86"	6	401,476	E7HZ 9725-A	#E7HT 9725-AA	1
87	F-FT700/900 -- A/T- FTO diesel "From 9/86 to 11/87"	6	401,476	★ E7HZ 9725-H /bE8HZ 9725-J	#E7HT 9725-AB	1
88/	F-FT700/900 -- M/T FTO diesel "From 11/87"	6	401,476	E8HZ 9725-J	#E8HT-JA	1
87	F-FT600/900 -- A/T-FTO diesel "Before 9/86"	6	401	E7HZ 9725-B	#E7HT-BA	
87	F-FT600/900 -- A/T-FTO diesel "From 9/86 to 11/87"	6	401	E7HZ 9725-J	#E7HT 9725-BB	1
88/	F-FT700/900 -- A/T FTO diesel "From 11/87"	6	401,476	E8HZ 9725-F	#E8HT-FA	1
80/	F-FT600/800(81) -- Detroit DDA-990 diesel	8	501	E0HZ 9725-C	#E0HT 9725-GA-mounted on inside of fire wall in passenger compt.	1



1980/  
TRUCK SERIES 600/900

YEAR	MODEL/RESTRICTIONS	ENGINE		PART NUMBER	DESCRIPTION	QTY.
		CYL.	C.I.D. (C.C.D.)			
9725 ACCELERATOR ASSY. — Cont'd						

**F SERIES**

80/	F-FT600/800(84) -- Detroit DDA-990 diesel	8	501	E0HZ 9725-D	#E0HT 9725-RA-mounted on inside of fire wall in passenger compt.	1
80/	F-FT600/800 -- Detroit DDA-990 diesel	8	501	E0HZ 9725-E	#E0HT 9725-EB,EC-mounted in engine compt.	1
83	F-FT600/800 -- gas	8	All	E3HZ 9725-A	#E2HT 9725-DB	1
83	F-FT700/800 -- Cat. 3208NA & 3208T diesel	8	636	E3HZ 9725-B	#E3HT 9725-CA-mounts on fire wall	1
83	F-FT700/800 -- Cat. 3208NA & 3208T diesel-w/A/T	8	636	E3HZ 9725-C	#E3HT 9725-BB- mounts on engine	1
83	F-FT700/800 -- Cat. 3208NA & 3208T diesel-w/M/T	8	636	E3HZ 9725-D	#E3HT 9725-JA- mounts on engine-includes pedal	1
83	F-FT700/800 -- Caterpillar 3208 diesel	8	636	E3HZ 9725-E	#E3HT 9725-AA-mounts on fire wall	1

**L-LN-LNT-LT-LTL-LTS SERIES**

87	L-LN-LNT-LT-LTS800 -- w/M/T-FTO diesel "Before 9/86"	6	401,474	E7HZ 9725-C	#E7HT 9725-CA	1
87/88	L-LL-LN-LNT-LT-LTS800 -- M/T-FTO diesel "From 9/86"	6	401,476	★ E7HZ 9725-F /bE9HZ 9725-C	#E7HT 9725-CB, E8HT 9725-GA	1
89	L-LL-LN-LNT-LT-LTS800 -- M/T-FTO diesel	6	401,476	E9HZ 9725-C	E9HT-CA	1
87	L-LN-LNT-LT-LTS800 -- w/A/T-FTO diesel "Before 9/86"	6	401,476	E7HZ 9725-D	#E7HT 9725-DA	1
87/	L-LL-LN-LNT-LT-LTS800 -- A/T-FTO diesel "From 9/86"	6	401,476	E7HZ 9725-G	#E7HT 9725-DB, E8HT 9725-HA	1
81/	LN700 -- Detroit DDA 990 diesel	8	501	E1HZ 9725-A	#E1HT 9725-BA	1
80/	L-LT900 -- Detroit 8V-71N or 8V-71T,71TT diesel	8	568	D0HZ 9725-V	#D0HA 9725-V	1
80/	LN-LNT900 -- Detroit 6V-92 diesel	6	552			1
81/	LTL900 -- Detroit 8V-92 diesel	8	736			1
80/	L-LT900 -- Detroit 8V-71N diesel	8	568	D9HZ 9725-B	#D8HT 9725-AA -located on front of engine	1
80/	L-LN-LNT-LT-LTS800 -- Cum. V-555 diesel	8	555	D3HZ 9725-H	#D3HA 9725-CB,CC	1
80/	LN-LNT900 -- Det. 8V-71N, 71T, 71TT diesel	8	568	D8HZ 9725-B	#D7HT 9725-LA-on dash panel	1
80/86	L-LN-LNT-LT-LTS600/800 -- gas	8	370,429	D9HZ 9725-A	#D9HT 9725-GA	1
80/81	L-LN-LNT-LT-LTS800/900 -- gas	8	477,534	D6HZ 9725-C	#D6HA 9725-CA	1
80/	L800, LN700/800, LNT-LT-LTS800 -- Cat. 3208N diesel	8	636	D5HZ 9725-N	#D5HA 9725-NA-body mounted	1
80/	L800, LN700/800, LNT-LT-LTS800 -- Cat. 3208N diesel	8	636	D5HZ 9725-U	#D5HA 9725-UA-engine mounted	1
82/	L-LN-LNT-LT-LTS800 -- Cat 3208T diesel	8	636	E2HZ 9725-B	#E2HT 9725-BA-mounted on body	1
82/84	L-LN-LNT-LT-LTS800 -- Cat. 3208 diesel-A/T or M/T "Before 11/83"	8	636	E2HZ 9725-C	#E2HT 9725-AA,AB-mounted on engine	1
84/	L-LN-LNT-LT-LTS800 -- M/T-Cat. 3208 diesel "From 11/83"	8	636	E3HZ 9725-F	#E3HT 9725-KA	1
84/	L-LN-LNT-LT-LTS800 -- A/T-Cat. 3208 diesel "From 11/83"	8	636	E3HZ 9725-G	#E3HT 9725-LA	1

1980/  
TRUCK SERIES 600/900

YEAR	MODEL/RESTRICTIONS	ENGINE		PART NUMBER	DESCRIPTION	QTY.
		CYL.	C.I.D. (C.C.D.)			
9725 ACCELERATOR ASSY. — Cont'd						

L-LN-LNT-LT-LTL-LTS SERIES

80/81	LN-LNT900 -- Detroit 6V-92 diesel "Before 3/16/81"	6	552	E0HZ 9725-F	#D8HS 9725-DA	1
81/	LN-LNT900 -- Detroit 6V-92 diesel "From 3/16/81"	6	552	E2HZ 9725-A	#ED-D8HS 9725-DA-E2HT 9725-CA	1
80/82	L-LN-LNT-LT-LTL-LTS900 -- Cat. 3406 diesel "Before 2/82"	6	893	★ E0HZ 9725-G Not replaced	#D7HS 9725-GA	1
84/86	LN-LNT900 -- Cum. L10 diesel engine	6	610	E4HZ 9725-A	#E4HT 9725-AA,AB	1
87/	L-LN-LNT-LT-LTL-LTS900 -- Cum. L10 diesel engine	6	610	E7HZ 9725-E	#E7HT 9725-HA	
88	L-LL-LN-LS-LT-LNT-LTL-LTS900 -- w/A/T-Cummins L10 diesel	6	610	E8HZ 9725-B	#E8HT 9725-BA	1
82/	L-LN-LNT-LT-LTL-LTS900 -- Cat. 3406 diesel "From 2/82"	6	893	E2HZ 9725-D	#E1HT 9725-GA	1
82/	LTL900 -- Detroit 8V-92 diesel	8	736	E1HZ 9725-C	#E1HT 9725-EB	1
80/	L-LN-LNT-LT-LTS900 -- Detroit 8V-71T diesel	8	568	D9HZ 9725-C	#D8HT 9725-BA-located on front of engine	1
89	LN-LNT900 -- w/3306	6	638	E9HZ 9725-E	E8HT-EB	1
80/	L800, LN700/800, LNT-LT-LTS800 -- Cat. 3208 diesel	8	636	56320-S4	(B-318-GD)-hex. washer head (UBS) 5/16"-18 x 7/8"	3
80/	L-LT900--Detroit 8V-71T diesel	8	568		Bolt (accelerator shaft assy. to floor pan)	2
80/	B-F600/750	8	All	57633-S100	(U-21)-screw & washer assy. (accelerator shaft to dash)-hex. head-5/16"-18 x 3/4"	3
80/	C700/800, CT800--Cat. 3208 diesel	8	636	20386-S8	(B-53)-bolt (accelerator shaft assy. to engine)-hex head-5/16"-18 x 1"	2
80/	LN-LNT900--Detroit 8V-71T diesel	8	568	33770-S4	(M-89-K)-nut (accelerator shaft assy. to floor pan)-hex lock (UBS)-5/16"-18	2
80/	CL-CLT900 -- Det. diesel	8	568,736	58649-S2	(B-97-BC) Bolt (shaft to engine) 3/8"-16 x 5" hex hd.	1
86/	CF600/800 -- diesel	6	401,476	E805265-72	(AW-85-B) Stud-ball M6-hex attaches 9725 or 9B820	1

YEAR	MODEL/RESTRICTIONS	PART NUMBER		DESCRIPTION	QTY.
9D726 NUT-CABLE ASSY. (THROTTLE CONTROL)					

86/	CF600/800 -- All	E6HZ 9D726-A		Attaches to 9C799 or 9775	1
-----	------------------	--------------	--	---------------------------	---

YEAR	MODEL/RESTRICTIONS	ENGINE		PART NUMBER	DESCRIPTION	QTY.
		CYL.	C.I.D. (C.C.D.)			

9728 BRACKET (ACCELERATOR CABLE)

86/	CF600/700 -- diesel	6	401	E6HZ 9728-A		1
-----	---------------------	---	-----	-------------	--	---

9E730 BRACKET (THROTTLE MODULE MOUNTING)

80/	LN600/900, LNT800/900 -- Calif. emission	8	All	D5HZ 9E730-A		1
-----	--	---	-----	--------------	--	---

80/	B-F-FT600/800 -- Calif. emission	6&8	All	D5HZ 9E730-B		1
-----	----------------------------------	-----	-----	--------------	--	---

9E731 SENSOR ASSY. (SPEED CONTROL)

80/	CL-CLT900 -- w/speed control	6&8	All	D4AZ 9E731-B	#DY-145	1
-----	------------------------------	-----	-----	--------------	---------	---

1980/  
TRUCK SERIES 600/900

YEAR	MODEL/RESTRICTIONS	ENGINE		PART NUMBER	DESCRIPTION	QTY.
		CYL.	C.I.D. (C.C.D.)			
<b>9735 PEDAL ASSY. (ACCELERATOR)</b>						
80/	C600/900, CT800/900	6&8	All	C1TT 9735-D		1
86	CF600/700 - - diesel	6	401	E6HZ 9735-B		1
80/	L-LN-LNT-LT-LTL-LTS800/900	6&8	All	E0HZ 9735-C		1
87/	B-F-FT600/800 - - w/FTO diesel	6	6.6L, 7.8L	E7HZ 9735-A	#E7HT-AA	1
80/	B-F-FT600/800 - - Det. DDA 990 diesel	8	501	C5ZZ 9735-D		1
80/	B-F-FT600/800	8	All	E0HZ 9735-A	Gas and diesel	1
80/	CL-CLT900	6&8	All	D8HZ 9735-B		1
80/	L800/900, LN600/900, LNT-LT-LTL-LTS800/900	6&8	All	56320-S4	(B-318-GD)-bolt (pedal to floor pan)-hex. washer head (UBS) 5/16"-18 x 7/8"	
80/	L800/900, LN600/900, LNT-LT-LTL-LTS800/900	6&8	All	376656-S36	(MM-120-CE)-rivnut (accelerator pedal to floor pan)-5/16"-18	2
80/	L-LT-LTL-LTS900 - - Cat. 3406 diesel	6	893	33769-S2	(M-89-J)-nut (accelerator pedal to accelerator) pedal arm)-hex. lock-(UBS)-1/4"-20	2
<b>9735 PAD &amp; INSERT ASSY. (ACCELERATOR PEDAL)</b>						
86	CF600/700 - - diesel	6	401	E6HZ 9735-B		1
<b>9C735 SERVO ASSY. (SPEED CONTROL)</b>						
80/86	CL-CLT900	6&8	All	D6UZ 9C735-A	#D6UA 9C735-AB	1
<b>9N735 BRACKET (ACCELERATOR LEVER SUPPORT)</b>						
80/	CL-CLT900 - - Cum. V8-KT, KTA diesel	6	1150	D8HZ 9N735-A	#D7HT 9N735-BB-use w/susp. cab	1
80/	CL-CLT900 - - Cum. V8-KT KTA diesel	6	1150	D8HZ 9N735-B	#D7HT 9N735-CA-use w/fixed cab	1
80/	CL-CLT900 - - Cum. I6-NTC, Cat. 3406 diesel	6	855,893	D8HZ 9N735-C	#D7HT 9N735-AB-use w/susp. cab-also used on some early NTC units w/fixed cab	1
<b>9736 SPRING (ACCELERATOR BELLCRANK TO CARBURETOR LEVER TENSION)</b>						
80/	C-CT600/900 - - gas	8	All		Refer to group 5B122	1
<b>9737 SPRING (ACCELERATOR RETRACTING)-Refer to 9737 kit group if application not listed below</b>						
87	B-F700/800,FT900 - - FTO diesel	6	474	E7HZ 9737-A	4" long-39/64" O.D.	1
87	B-F600/700 - - FTO diesel	6	401			1
80/	B600/750,C600/800,CT800 F600/750,L800,LN600/800, LNT-LT-LTS800 - - gas	8	All	D4TZ 9737-J	Accelerator pedal retracting-use with Holley carburetor-1/2" O.D. x 5 3/4" long	2 2
80/	B700,C700/800,CT800,F700, L800,LN700/800,LNT-LT-LTS800- -Cat. 3208 diesel	8	636			2
80/	L-LN-LNT-LT900- - Detroit 8V-71T,71TT diesel	8	568			1
80/	LN-LNT900 - - Detroit 6V-92 diesel	6	552			1
81/	LTL900 - - Detroit 8V-92 diesel	8	736			1
80/88	C-B-F-L700/800 - - w/Detroit diesel	8	8.2L,501	C7AZ 9737-C		1
80/	F-B-C-Series	6	8.2L	D4HZ 9737-BA	#D4HA-BAA	1
82/	B-C-CT-F-FT700/800 - - Cat. 3208T diesel	8	636	E2HZ 9737-B	4 1/2" long	1
86	CF600/700 - - diesel	6	401	E6HZ 9737-A	Accelerator pump overtravel-23/64" O.D.-1 3/4" long	1
86	CF600/700 - - diesel	6	401,476	E6HZ 9737-D	7/16" O.D. x 4 29/64" long	2
87	CF700/800 - - 185,210 H.P.- FTO diesel	6	476	E7HZ 9737-D		1
87	CF700/800 - - 185,210 H.P.- FTO diesel	6	476	E7HZ 9737-E		1
88/	CF600/700 - - diesel	6	6.6L	E8HZ 9737-D	#88HU-AA	1
88/	CF600/700 - - diesel	6	6.6L,7.8L	E8HZ 9737-C	#88HU-CA	1
88/	CF700/800 - - diesel	6	7.8L	E8HZ 9737-B	#88HU-BA	1

1980/  
TRUCK SERIES 600/900

YEAR	MODEL/RESTRICTIONS	ENGINE		PART NUMBER	DESCRIPTION	QTY.
		CYL.	C.I.D. (C.C.D.)			
<b>9737 SPRING (ACCELERATOR RETRACTING)-Refer to 9737 kit group if application not listed below - Cont'd</b>						
80/	CL-CLT900 - - Cat. 3406, Det. 6V-92,8V-71TA,92TA, Cum. NTC, 8V-KT,KTA diesel	6&8	552,568, 736,855 893,1150	D8HZ 9737-A		2
80/	B-C-CT-F600/800 - - gas	8	370	E0HZ 9737-A	Accelerator shaft retracting	1
80/86	L-LN-LNT-LT800 - - gas	8	370			1
84/	L-LT-LTL-LTS900 - - w/ NSFS-Caterpillar 3406 diesel	6	893	E4HZ 9737-A	Inner	1
84/	L-LT-LTL-LTS900 - - w/ NSFS-Caterpillar3406	6	893	E4HZ 9737-B	Outer	1
80/	L-LL-LTL-LT-LN-LNT-LS-LTS- w/Cum. NTC diesel	6	855	D4HZ 9737-S		1
80/	L-LL-LT-LTL-LN-LNT-LS-LTS w/L10 - diesel	6	610	D4HZ 9737-M		1
82/	L-LN-LNT-LT-LTL-LTS900 - - exc. NSFS-Caterpillar 3406 diesel	6	893	E2HZ 9737-A	2 1/2" long	2
				33795-S7	(M-49)-nut-hex.-1/4"-20	1
				34805-S8	(X-62)-lockwasher-1/4"	1
88/	LN-LNT900 - - w/Cat. 3406	6	893	E8HZ 9737-A	5 1/8" long	1
<b>9737 SPRING and EXTENSION KIT (ACCELERATOR RETURN)-Also refer to preceding group 9737 for application</b>						
				C7AZ 9737-A		
Consists of						
	5-C7RA 9737-B		Spring (accelerator shaft return) 3/4" O.D.- 2 27/32" long-36 1/2 coils	10-C7RA 9A843-A	Extension (accelerator retracting) spring)-6" long	
				C7AZ 9737-C		
Consists of						
	5-C7RA 9737-D		Spring (accelerator shaft return)- 35 1/2 coils-11/16" O.D. x 3" long	10-C7RA 9A843-A	Extension (accelerator retracting spring)-6" long	
				C7AZ 9737-D		
Consists of						
	1-C7RA 9737-F		Spring (accelerator shaft return)- 29 1/2 coils-49/64" O.D. x 2 53/64" long	2-C7RA 9A843-A	Extension (accelerator retracting spring)-6" long	
				C7AZ 9737-E		
Consists of						
	1-C7RA 9737-G		Spring (accelerator shaft return)- 24 1/2 coils-49/64" O.D. x 2 13/16" long	2-C7RA 9A843-A	Extension (accelerator return spring)-6" long	
				C7AZ 9737-G		
Consists of						
	1-C7RA 9737-J		Spring (accelerator shaft return)- 30 1/2 coils-21/32" O.D. x 3 1/8" long	2-C7RA 9A843-A	Extension (accelerator return spring)-6" long	
				C7TZ 9737-H		
Consists of						
	5-C7RA 9737-C		Spring (accelerator shaft return)- 27 1/2 coils-25/32" O.D. x 2 53/64" long	10-C7RA 9A843-A	Extension (accelerator return spring)-6" long	
				C7TZ 9737-J		
Consists of						
	1-C7RA 9737-E		Spring (accelerator shaft return)- 24 1/2 coils-49/64" O.D. x 2 11/16" long	2-C7RA 9A843-A	Extension (accelerator return spring)-6" long	

1980/  
TRUCK SERIES 600/900

YEAR	MODEL/RESTRICTIONS	ENGINE		PART NUMBER	DESCRIPTION	QTY.
		CYL.	C.I.D. (C.C.D.)			
<b>9741 BRACKET (ACCELERATOR RETRACTING SPRING)-Also refer to group 9750</b>						
80/	B-F600/700 -- gas	8	370,429	E0HZ 9741-A	#E0HT 9741-AC, E1HT 9741-EA	1
80/86	LN600/700 -- gas	8	370,429	D9HZ 9741-A	#D9HT 9741-EA	1
80	B600/700 -- Detroit DDA-990 diesel	8	501	E0HZ 9741-B	#E0HT 9741-CA	1
81/	C700 -- Det. DDA990 diesel	8	501	E1HZ 9741-A	#E1HT 9741-DB	1
87/	CF600/800 -- FTO diesel	6	401,476	E7HZ 9741-A	#87HU 9W740-AA	1'
87/	CF600/800 -- FTO diesel	6	401,476	E7HZ 9741-B	#87HU 9W742-AA	1'
87/	CF700/800 -- FTO diesel	6	7.8L	E7HZ 9741-C	#87HU 9W740-BA	1
80/	F-FT600/800 -- Detroit DDA-990 diesel	8	501	E0HZ 9741-B	#E0HT 9741-CA	1
80/81	C-CT-L-LN-LNT-LT-LTS900 -- gas	8	477,534	D4HZ 9741-G	#D4HA 9741-GA-rear	1
80/87	L-LN-LNT-LT-LTS900 -- Cum. NTC diesel	6	855	D4HZ 9741-E	#D4HA 9741-EB-front	1
80/87	L-LN-LNT-LT-LTL-LTS900 -- Cum. NTC diesel	6	855	★ D4HZ 9741-D /bE9HZ 9741-D	#D4HA 9741-DA-rear	1
80/	CL-CLT900 -- Cum. NTC 290,350 diesel	6	855	D4HZ 9741-R	#D5HA 9741-RA-upper	1
82/83	B-C-CT-F-FT700/800 -- Cat. 3208 diesel "Before 10/83"	8	636			1
82/83	L-LN-LNT-LT-LTS600/800 -- Cat. 3208 diesel "Before 10/83"	8	636			1
80/	CL-CLT900 -- Cum. NTC 290, 350 diesel	6	855	D5HZ 9741-Z	#D5HA 9741-ZA-lower	1
82/83	B-C-CT-F-FT700/800 -- Cat. 3208 diesel "Before 10/83"	8	636			1
82/83	L-LN-LNT-LT-LTS600/800 -- Cat. 3208 diesel "Before 10/83"	8	636			1
83/	B-C-CT-F-FT700/800 -- Cat. 3208 diesel "From 10/83"	8	636	E4HZ 9741-C	#E4HT 9741-DA-one pc. design	1
83/	L-LN-LNT-LT-LTS800 -- Cat. 3208 diesel "From 10/83"	8	636			1
80/	L-LN-LNT-LT900 -- Detroit 8V-71N diesel	8	568	D4HZ 9741-MA	#D4HA 9741-MAA	1
80/	L-LN-LNT-LT900 -- Detroit 8V-71T,-TA,-TT diesel	8	568	D5HZ 9741-L	#D5HA 9741-LA-inner	1
80/	LN-LNT900 -- Detroit 6V-92 diesel	6	552			1
81/	LTL900 -- Detroit 8V-92 diesel	8	736			1
80/	L-LN-LNT-LT900 -- Detroit 8V-71T,-TA,-TT diesel	8	568	D5HZ 9741-M	#D5HA 9741-MA-outer	1
80/	LN-LNT900 -- Detroit 6V-92 diesel	6	552			1
81/	LTL900 -- Detroit 8V-92 diesel	8	736			1
80/	L-LN-LNT-LT-LTS900 -- Detroit 6-71N diesel	6	426	D4HZ 9741-N	Front	1
80/	L-LN-LNT-LT-LTS900 -- Detroit 6-71N diesel	6	426	D4HZ 9741-M	Rear	1
80/	L-LT-LTL-LTS900 -- Cat. 3406 diesel	6	893	D4HZ 9741-RA	L.H.-#D4HA 9741-RAA	1
80/	L-LT-LTL-LTS900 -- Cat. 3406 diesel	6	893	D4HZ 9741-SA	R.H.-#D4HA 9741-SAA	1
84/	CL-CLT900 -- Cat. 3406 diesel	6	893	E4HZ 9741-D	#E4HT 9741-BA	1
84/	L-LN-LNT-LT-LTS900 -- Cat. 3406 diesel	6	893			1

**1980/  
TRUCK SERIES 600/900**

YEAR	MODEL/RESTRICTIONS	ENGINE		PART NUMBER	DESCRIPTION	QTY.
		CYL.	C.I.D. (C.C.D.)			
<b>9741 BRACKET (ACCELERATOR RETRACTING SPRING)-Also refer to group 9750 — Cont'd</b>						
80/	C700/800,CT800,F700, L800,LN700/800,LNT-LT- LTS800 -- Cat. 3208 diesel	8	636	D5HZ 9741-R	#D5HA 9741-RA-upper	1
80/	CL-CLT900 -- Cum. 16- NTC diesel	6	855	D8HZ 9741-B	#D7HA-9741-EB	1
80/83	CL-CLT900 -- Cat. 3406 diesel	6	893	D8HZ 9741-A	#D7HA 9741-GA	1
84/	CL-CLT900 -- Cat 3406 diesel	6	893	E4HZ 9741-A	#E4HT 9741-CA	1
89	CL-CLT900 -- w/3406 diesel and PEEC system	6	893	E9HZ 9741-C	#E9HT-CB	1
80/	CL-CLT900 -- Det. 6V-92, 8V-71TA,92TA diesel	6&8	552,568, 736	D8HZ 9741-D	#D7HT 9741-LB	1
80/	CL-CLT900 -- Cum. KT diesel	8	1150	D8HZ 9741-C	#D7HA 9741-FB	1
80/81	LN-LNT900 -- Cat. 3406 diesel	6	893	★ E0HZ 9741-C Not replaced	#D7HS 9741-EA-used in lower position	1
82/	LN-LNT900 -- Cat 3406 diesel	6	893	E2HZ 9741-C	#E1HT 9741-HA-use in lower position	1
80/	LN-LNT900 -- Cat. 3406 diesel	6	893	E0HZ 9741-D	#D7HS 9741-FA-used in upper position	1
82/	L-LT-LTS900 -- Cat 3406 diesel	6	893	E2HZ 9741-B	#E1HT 9741-GA	1
82/	LN-LNT900 -- Cat 3406 diesel-use in upper position	6	893			1
81/	LTL900 -- Cat. 3406, Cum. NTC & Detroit 8V-92 diesels	6&8	All	E1HZ 9741-B	#E1HT 9741-FA	1
81/86	L-LN-LNT-LT-LTS800 -- Cat. 3208T diesel	8	636	★ E2HZ 9741-A Not replaced	#E2HT 9741-AA	1
82	B600/700 -- w/"Sturdy" gov.-built between 5/2/82 & 10/21/82	8	370,429	E2HZ 9741-D	#E2HS 9741-JA-field fix-campaign #441	1
84/	LN-LNT900 -- Cum. L10 diesel	6	610	★ E4HZ 9741-B /bE8HZ 9741-A	#E4HT 9741-AB,AC	1
80/	L-LT-LTL-LTS900 -- Cat. 3406 diesel	6	893	58637-S2	(B-86-A)-bolt (bracket to fuel pump and governor drive housing)-hex. head- 3/8"-16 x 1 3/4"	AR
80/	L-LT-LTL-LTS900 -- Cat. 3406 diesel	6	893	58638-S2	(B-89-A) bolt (bracket to fuel pump and governor drive housing)-hex. head-3/8"-16 x 2"	AR
				★44877-S	Flatwasher-3/8"	AR
88/	L-LL-LN-LS-LNT-LTL-LTS900 -- w/A/T-Cummins L10 diesel	6	610	E8HZ 9741-A	#E8HT 9741-DA	1
88	L-LL-LN-LS-LNT-LTL-LTS900 -- w/direct drive P/S-Cummins NTC 444 Form diesel	6	855	★ E8HZ 9741-B /bE9HZ 9741-D	#E8HT 9741-CA	1
89	L-LL-LN-LS-LNT-LTL-LTS900 -- w/direct drive P/S-Cummins NTC 444 Form diesel	6	855	E9HZ 9741-D	#E9HT-DA	1
89	LN-LNT900 -- w/3306	6	638	E9HZ 9741-E	E8HT-EA	1
80/	CL-CLT900 -- Det. 8V-71TA, 92TA diesel	8	568,736	56703-S2	(BB-318-GG) Bolt (bracket to eng.)- 1/4"-20 x 7/8" hex washer hd.	2
<b>9W742 BRACKET (ACCELERATOR RETURN SPRING)</b>						
87	B-F600 -- FTO diesel	6	401	E7HZ 9W742-A		1
<b>9B743 SHAFT &amp; BRACKET ASSY. (THROTTLE CONTROL)</b>						
86/	CF600/700 -- diesel	6	401	E6HZ 9B743-B	#E5HT-BA	1
<b>9746 ROD (ACCELERATOR SHAFT TO CARBURETOR)-Refer to group 9A702</b>						
<b>9747 ROD ASSY. (ACCELERATOR SHAFT TO CARBURETOR) - Refer to group 9A702</b>						

1980/  
TRUCK SERIES 600/900

YEAR	MODEL/RESTRICTIONS	ENGINE		PART NUMBER	DESCRIPTION	QTY.
		CYL.	C.I.D. (C.C.D.)			
<b>9750 CLIP (ACCELERATOR PEDAL RETRACTING SPRING)-Also refer to group 9741</b>						
80/	C600/900, CT800/900	6&8	All	B7C 9750-B	Clip (attach. spring to tilt cab locking release handle)	1
80/81	L-LN-LNT-LT-LTS800/900 -- gas	8	477,534	C1TT 9750-F		1
80/81	L-LT-LTS900 -- T/M -- gas	8	477,534	C2TZ 9750-C		1
<b>9P755 SWITCH ASSY. ACCL. CONTROL/EXHAUST BRAKE</b>						
89	L-LN-LS-LT-LNT-LTS -- w/FTO engine w/exhaust brake option	6	7.8L	E9HZ 9P755-A	#E9HT-AA	1
<b>9A758 CABLE ASSY. (ACCELERATOR PEDAL TO CARBURETOR THROTTLE)-Also refer to group 9A702</b>						
80/	C600/800 -- Cat. 3208 diesel w/hydramechanical governor	8	636	C9HZ 9A758-B	Accelerator pedal to fuel injector lever-90" long	1
<b>9760 SPRING (ACCELERATOR SHAFT TO PEDAL)</b>						
80/	B-F-FT600/800 -- Detroit DDA-990 diesel	8	501	C5ZZ 9760-B		1
86/	CF600/700 -- diesel	6	401	E6HZ 9760-A		1
<b>9F760 BRACKET (FUEL SHUT DOWN CONTROL)</b>						
86/	CF600/700	6	401	E6HZ 9A760-A		1
87/	B-CF-F600/900	6	401			1
87/	B-CF-F700/800, FT900	6	476			1
87/	L-LN-LS-LT-LNT-LTS800	6	476			1
<b>9A763 BUSHING (ACCELERATOR SHAFT)</b>						
80/	C600/900, CT800/900	6&8	All	C1TT 9A763-A		2
80/	L800/900, LN600/900, LNT-LT-LTL- LTS800/900	6&8	All	C7TZ 9A763-A	Use as radiator and headlamp guard shim	4
80/	CL-CLT900	6&8	All	D8HZ 9A763-A		2
<b>9F763 RESONATOR (ENGINE AIR INTAKE)</b>						
88/	C-CT800 -- Caterpillar 3208 diesel	8	636	E8HZ 9F763-A	#E8HT 9F764-AA,AB,AC	1
<b>9764 BRACKET ASSY. (CARBURETOR THROTTLE CONTROL) Also refer to group 9510 for Carburetor Parts Lists Instructions</b>						
80/	L-LN-LNT-LT-LTL-LTS900, -- Cum. NTC diesel	6	855	CITZ 9764-A		1
80/	CL-CLT 900 -- Cum. NTC diesel	6	855, 1150		For clamp (9792) on throttle control (9775)	1
80/	L-LN-LNT-LT900 -- Detroit 8V-71N diesel	8	568	C6TZ 9764-A	Bracket (hand throttle control lever)	1
<b>9764 BRACKET (FUEL SHUT-OFF CONTROL MOUNTING)-Also refer to group 9J589</b>						
80/	C600/800, CT800 -- diesel	8	501,636	DOKZ 9764-A		1
80/	L-LN-LNT-LT-LTS900, -- Detroit 6-71N diesel	6	426	DOHZ 9764-C	For fuel shut off control (9700)	1
80/	L-LN-LNT-LT900 -- Detroit 8V-71N diesel	8	568	DOHZ 9764-D	#DOHA 9C337-A-for fuel shut off control (9700)	1
80/	L-LT-LTL-LTS 900 -- Cat. 3406 diesel	6	893	D4HZ 9764-A	#D4HA 9A760-AA	1
80/	L-LN-LNT-LT900 -- Detroit 8V-71T,71TT diesel	8	568	D5HZ 9764-B	#D5HA 9A760-BA	1
80/	LN-LNT900 -- Detroit 6V-92 diesel	6	552			1
87	B-CF-F700/800, FT900	6	476	E7HZ 9764-A	#E7HT 9764-BA,BB	1
87	L-LN-LS-LT-LNT-LTS800	6	476			1
80/	L-LN-LNT-LT-LTS900 -- Det. 8V-71 diesel	8	568	D7HZ 9764-A	For eng. air shut off control(9700)	1
80/	L-LT900 -- Detroit 8V-71N diesel	8	568			
				304646-S8	(B-42-A)-bolt (air shut off control bracket to eng.)-hex. head-1/4"-20 x 3/4"	1
				44719-S8	(X-17)-washer-flat-1/4"	AR
				34805-S8	(X-62)-lockwasher-1/4"	AR
80/	L-LT-LTL-LTS900 -- Cat. 3406 diesel	6	893	56129-S2	(B-319-P)-bolt (bracket to governor housing- hex. washer head-(UBS)-5/16"-18 x 2 3/4"	1
80/	L-LT-LTL-LTS900 -- Cat. 3406 diesel	6	893	56130-S2	(B-319-N)-bolt (bracket to governor housing)- hex. washer head-(UBS)-5/16"-18 x 3"	1

OCTOBER, 1993

COPYRIGHT © 1993-

FORD MOTOR  
COMPANY

-DEARBORN, MICHIGAN

FINAL ISSUE

**1980/  
TRUCK SERIES 600/900**

YEAR	MODEL/RESTRICTIONS	ENGINE		PART NUMBER	DESCRIPTION	QTY.
		CYL.	C.I.D. (C.C.D.)			
<b>9W764 BRACKET ASSY. (HAND THROTTLE CONTROL)</b>						
86/	CF600/700	6	401	E6HZ 9W764-A		1
<b>9F767 HOSE (AIR CLEANER TO RESONATOR)</b>						
87/	CF600/700 -- FTO diesel	6	401	E7HZ 9F767-A		1
<b>9K767 CYLINDER ASSY. (FUEL SHUT-OFF)</b>						
80/	CL-CLT900 -- Cat 3406 diesel	6	893	D8HZ 9K767-A	#ED-D7HT 9K767-AA, E1HT 9K767-AA	1
80/	L-LN-LNT-LT-LTL-LTS900 -- Cat. 3406 diesel	6	893			1
<b>9772 ROD ASSY. (BELLCRANK TO CARBURETOR)-Refer to group 9A702</b>						
<b>9A772 ROD ASSY. (ACCELERATOR SHAFT TO PEDAL) - Refer to group 9A702</b>						
<b>9774 LEVER-ACCELERATOR SHAFT</b>						
88	L-LN-LNT900 -- w/L-10 dsl. w/A/T	6	610	E8HZ 9774-A	#E8HT-AA	1
<b>9775 CONTROL ASSY. (THROTTLE &amp; ACCELERATOR)</b>						
87/	CF600/800 -- FTO diesel	6	401,476	E7HZ 9775-E	#87HU 9C799-CA-175, 185 & 210 H.P. Color "Grey" Note: must use 9D726 clip w/cable assy.	1
87/	CF-CFT800 -- FTO diesel	6	476	E7HZ 9775-G	#87HU 9C799-DA-240 H.P.-Color "Red" Note: must use 9D726 clip w/cable assy.	1
87/	B600/700 -- FTO diesel	6	401,474	E7HZ 9775-C	"Lock Throttle"-93" long-9/16"-18	1
80/	F-FT600/800(81) -- gas	8	370,429	E0HZ 9775-A	"Lock-Throttle"-51 1/16" long-9/16"-18	1
80/	F-FT600/800 -- Detroit DDA 990 diesel	8	501			1
80/	B-F-FT600/700(84) -- gas	8	370,429	E0HZ 9775-C	"Throttle"-62" long	1
87/	F600/800,FT900 -- FTO diesel	6	401,476	E7HZ 9775-A	"Lock Throttle"-81" long-9/16"-18	1
80/	B-F-FT600/800(84) -- Det. DDA 990 diesel	8	501	E0HZ 9775-B	"Throttle"-57" long	1
80/	C600/800, CT800 -- Cat. 3208 & DDA diesels	8	501,636	D3KZ 9775-D	"Lock Throttle"-82 1/8" long-7/16"-20 thread	1
80/83	C-CT600/800 -- gas	6&8	All	D3KZ 9775-E	"Throttle"-125 1/2" long-7/16"-20 thread	1
84/	C-CT600/800 -- gas	8	370,429	E4HZ 9775-A	125 1/2" long	1
80/81	C-CT800/900 -- gas	8	477,534	D6HZ 9775-C	"Throttle"-125" long x 7/16"-20 thread	1
80/	CL-CLT900 -- w/susp. cab & Det. 8V or Cat. 3406 diesel	6&8	552,568, 736,893	D8HZ 9775-B	"THROTTLE"-smooth knob-54 1/2" long-3/4"-16 thread-Vernier type-use w/388331-S100 spacer under face nut	1
80/	CL-CLT900 -- w/fixd cab & Det. 8V or Cat. 3406 diesel	6&8	552,568, 736,893			1
80/	CL-CLT900 -- w/Cum. NTC or KT diesel	6	855, 1150	D8HZ 9775-C	"THROTTLE"-smooth knbo-78 1/2" long-3/4"-16 thread-Vernier type-use w/388331-S100 spacer under face nut	1
80/	B-F-FT600/800	8	370,429	D3HZ 9775-H	"Lock Throttle"-72" long-9/16"-18-	1
80/86	L-LN-LNT-LT-LTS600/900 -- gas	6&8			cut to length	1
80/	L-LN-LNT-LT900 -- Detroit 8V-71T-71TT diesel	8	568			1
80/	LN-LNT900 -- Detroit 6V-92 diesel	6	552			1
84/	LNT900 -- w/Cum. L10 diesel	6	610			1
80/	L-LN-LNT-LT-LTS600/800 -- Cat. 3208 diesel	8	636			1
80/	L-LN-LNT-LT-LTS900 -- Cat. 3406 diesel	6	893			1
83	B700 -- Cat. 3208 diesel	8	636			1



1980/  
TRUCK SERIES 600/900

YEAR	MODEL/RESTRICTIONS	ENGINE		PART NUMBER	DESCRIPTION	QTY.
		CYL.	C.I.D. (C.C.D.)			
9775 CONTROL ASSY. (THROTTLE & ACCELERATOR) — Cont'd						
87/	L-LN-LNT-LT-LTS800 -- FTO diesel	6	401,476	E7HZ 9775-B	"Lock Throttle"-77" long-9/16"-18	1
87/	L-LT-LTL-LTS900 -- Cummins L10 diesel	6	610	E7HZ 9775-D	"Lock Throttle"-71-1/2" long-9/16"-18	1
89	L-LN-LS-LNT-LT-LTS w/3306 Cat. engine	6	638	E9HZ 9775-A	#E9HT-AA-upper-for Vernier type hand "T" throttle	1
89	L-LN-LS-LNT-LT-LTS w/3306 Cat. engine	6	638	E9HZ 9775-B	#E9HT-BA-upper-for locking type hand "T" throttle	1
89	L-LN-LS-LNT-LT-LTS w/3306 Cat. engine	6	638	E9HZ 9775-C	#E9HT-CA-lower- connects to engine	1
88/	LN-LNT800/900 -- Cat. 3406	6	893	E8HZ 9775-A	#E8HT 9775-JA "Lock Throttle" 53" long	1
88/	LN-LNT800/900 -- Cat. 3406	6	893	E8HZ 9775-B	#E8HT 9775-FA "Hand Throttle" 53" long	1
80/	L-LN-LNT-LT900 -- Cum. NTC diesels	6&8	855	D3HZ 9775-B	72" long-3/4"-16 thread-cut to length	1
80/	L-LN-LNT-LT900 -- Detroit 8V-71TT diesel	8	568			1
80/	L-LN-LNT-LT-LTS900 -- Detroit 6-71N,8V-71N Diesels	6&8	426,568			1
84/	LNT900 -- w/Cum. L10 diesel	6	610			1
80/81	L-LT-LTS800/900 -- gas	8	477,534	D7HZ 9775-A	"Lock Throttle"-43" long x 9/16"-18 Thread	1
80/	LN600/700 -- Detroit DDA 990 diesel	8	501			1
88/	L-LN-LNT-LT-LS-LTS-LTL -- w/3406, 3206, L-10, & Cum. NTC Form	6	892,636 855,610	D3HZ 9775-H	"LOCK THROTTLE"-72" long cut to length	1
88/	L-LT-LS-LTS -- w/3208 Cat.	6	636	E0HZ 9775-A	#E0HT-KA "LOCK THROTTLE" 51 1/16" long	1
88/	LL-LTL -- w/L10	6	610	E7HZ 9775-A	#E7HT-AA "LOCK THROTTLE" 81" long	1
88/	L-LS-LTS -- w/L10	6	610	E7HZ 9775-D	E7HT-HA "LOCK THROTTLE" 71 1/2" long	1
	LL-LTL -- w/Cum. NTC	6	855			1
	LL-LTL -- w/3406 Cat.	6	892			1
88/	LN-LNT -- w/Cum. NTC	6	855	E6TZ 9775-C	E6HT-BA "THROTTLE"-smooth knob- Vernier type-use w/388331-S100 spacer under face nut	1
88/	LN-LNT -- w/L10	6	610	E7HZ 9775-M	E7HT-JA "THROTTLE"-smooth knob- Vernier type-use w/388331-S100 spacer under face nut	1
	L-LT-LS-LTS -- w/Cum. NTC	6	855			1
	L-LT-LS-LTS -- w/3406	6	892			1
88/	L-LL-LT-LS-LTS -- w/L10	6	610	E7HZ 9775-K	E7HT-KA-"THROTTLE" smooth knob- Vernier type-use w/388331-S100 spacer under face nut	1
	L-LL-LTL -- w/Cum. NTC	6	855			1
	LL-LTL -- w/3406	6	892			1
88/	LL-LTL -- w/L10	6	610	E7HZ 9775-L	E7HT-LA-"THROTTLE" smooth knob- Vernier type use w/388331-S100 spacer under face nut	1
81/	C-CT600/800 -- Detroit DDA diesel	8	501	E1HZ 9775-B	#E1HT 9J577-AA	1
80/81	LN-LNT900 -- gas	8	477,534	D6HZ 9775-B	"Lock Throttle"-39" long	1
83	F-FT700/800 -- Cat. 3208 diesel	8	636	E3HZ 9775-A	34" long- "Lock Throttle"- 9/16"-18	1
80/	C600/900, CT800/900	8	All	371669-S100	(GG-56)-clip (choke control cable and throttle control cable and speedo. cable and tachometer cable to floor pan extension)	1
80/	L800/900, LN600/900, LNT-LT- LTS800/900	6&8	All	33945-S8	(M-37)-nut (control assy. to instrument panel)-hex.-9/16"-18	1

**1980/  
TRUCK SERIES 600/900**

YEAR	MODEL/RESTRICTIONS	ENGINE		PART NUMBER	DESCRIPTION	QTY.
		CYL.	C.I.D. (C.C.D.)			
<b>9775 CONTROL ASSY. (THROTTLE &amp; ACCELERATOR) — Cont'd</b>						
80/	L-LN-LNT-LT-LTS800/900 -- Detroit 6-71N diesel	6&8	426, 568	★371840-S	Grommet (control thru panel)	1
80/	L800/900, LN600/900, LNT-LT-LTS800/900 -- gas	6&8	All		Grommet (control thru panel)	1
80/	CL-CLT900	6&8	A11	388331-S100	(W-2-CG) Spacer (control to 7C309 plate)-3/4" x 15/32"	1
<b>9775 CONTROL ASSY. (ENGINE START ETHER INJECTION)</b>						
86/	CF600/800 -- diesel	6	401,476	E6HZ 9775-A		1
86/	CF600/700 -- diesel	6	401	★ E6HZ 9775-B	R/b E6HZ 9C799-F	1
80/	F-FT600/800 -- Detroit DDA 990 diesel-w/quick start ether aid	8	501	E0HZ 9775-E	# "Cold ether start"-36" long-round knob	1
83	F600/800 -- Detroit DDA diesel	8	501	E3HZ 9775-C	#E3HT 9J577-C1A-"cold ether start"-32" long-7/16"-20 male thread-must be used in conjunction with E3HZ 9775-E or F	1
83	F700/800 -- Caterpillar 3208 diesel	8	636			1
86/	F-FT600/800 -- FTO diesel	6	401,476	E3HZ 9775-C		
83	B600/700 -- Detroit DDA diesel	8	501	★ E3HZ 9775-D Not replaced	#E3HT 9J577-D1A-"cold ether start" 37" long-7/16"-20 male thread-must be used in conjunction with E3HZ 9775-E or F	1
83	B700 -- Caterpillar 3208 diesel	8	636			1
83	B-F600/800 -- Detroit DDA diesel	8	501	E3HZ 9775-E	#E3HT-E1A-87 1/2" long-7/16"-20 female thread-must be used in conjunction with E3HZ 9775-D-use on conventional front end models	1
83	B-F700/800 -- Caterpillar 3208 diesel	8	636			1
86/	F-FT600/800 -- FTO diesel	6	401,476			
83	B-F600/800 -- Detroit DDA diesel	8	501	E3HZ 9775-F	#E3HT-F1A-95-1/2" long-7/16"-20 female thread-must be used in conjunction with E3HZ 9775-C use on tilting front end models	1
83	B-F700/800 -- Caterpillar 3208 diesel	8	636			1
86/	F-FT600/800 -- FTO diesel	6	401,476			
80/	B-F-FT600/800 -- Detroit DDA-990 diesel	8	501	E0HZ 9775-F	# "Cold ether start"-53" long	1
81/83	LTL900 -- Cat. 3406 diesel	6	893	E1HZ 9775-A	#Pink-53-1/2" long	1
87/	L Series-All-w/air brakes	6	All	E7HZ 9775-H	#E7HT 9J577-AA-ether cold start	1
87/	L-Series-All-other than air brakes	6	All	E7HZ 9775-J	#E9HT 9J577-BA-ether cold start	1
80/	L800/900, LN600/900, LNT-LT-LTL-LTS800/900 -- diesel	6&8	All	377696-S	(GG-213-B)-clip (cable assy. to starting fluid reservoir bracket)	1
80/	L800/900, LN600/900, LNT-LT-LTL-LTS800/900 -- diesel	6&8	All	383331-S	(KK-87)-grommet (cable thru dash panel)	1
80/	L800/900, LN600/900, LNT-LT-LTL-LTS800/900 -- diesel	6&8	All	45219-S	(M-173)-nut (control assy. to instrument panel)-hex. stamped-7/16"-20	1
<b>9B775 STUD ACCELERATOR CONTROL ROD BALL</b>						
87/	B-F-FT600/900	6	6.6L,7.8L	E7HZ 9B775-A	#E7HT-AA-use in conjunction w/E7HZ 9A710-B	1
<b>9K775 BRACKET ASSY. (THROTTLE CONTROL RELAY)</b>						
86/	CF600/700 -- diesel	6	401	E6HZ 9K775-A		1
<b>9W780 CABLE ASSY. (HAND THROTTLE CONTROL)</b>						
86/	CF600/700 -- diesel	6	All	E6HZ 9W780-A		1
<b>9784 ROD (ACCELERATOR SHAFT TO TRANSMISSION CONTROL SHAFT)-Also refer to groups 9A702, 9A710, 9746, 9747, 9772, 9A772, 9784 and 9A805</b>						
80	L-LN-LNT-LT-LTS900 -- T/M-gas	8	477,534	C2TZ 9784-C	Adjusts from 6 15/16" to 7 15/16" between ball joint centers	1
80	L-LT-LTS900 -- T/M-gas	8	477,534	34391-S7	(M-97)-nut (rod to accelerator shaft and to trans. control shaft)-hex.-1/4"-28	2
<b>9786 JOINT (ACCELERATOR SHAFT TO CARBURETOR ROD BALL)</b>						
80/81	C-CT900 -- gas	8	477,534	C4TZ 9786-B	1/4"-28 thread on ball stud	1

**1980/  
TRUCK SERIES 600/900**

YEAR	MODEL/RESTRICTIONS	ENGINE		PART NUMBER	DESCRIPTION	QTY.
		CYL.	C.I.D. (C.C.D.)			
<b>9B787 BRACKET ASSY. (ACCELERATOR CROSS SHAFT)</b>						
86/	CF600/700 -- diesel	6	401	E6HZ 9B787-A		1
86/	CF600/700 -- diesel	6	401	E6HZ 9B787-B		1
<b>9C787 BRACKET ASSY. (SPEED CONTROL SERVO)</b>						
80/	CL-CLT900		All	D8HZ 9C787-B		1
80/86	CL-CLT900	6&8	All	★57459-S2	(U-151-J)Screw (brkt. to floor pan)- 5/16"-18 x 3/4" pan hd.	2
<b>9792 CLAMP (CARBURETOR)-Also refer to group 9510 for Carburetor Parts Lists Instructions</b>						
80/	L-LN-LNT-LT-LTL-LTS900 -- Cum. NTC diesel	6	855	8BA 9792	Control assy. (fuel shut off)	1
80/	LN-LNT900 -- Cat. 3406 diesel	6	893			1
84/	LNT900 -- w/Cum. L10 diesel	6	610			1
80/	L-LN-LNT-LT900 -- Detroit 6-71N and 8V-71N,6V-92 diesel	6&8	426,552, 568			2
80/	L-LT-LTL-LTS900 -- Cat. 3406 diesel	6	893			1
80/	CL-CLT900	6&8	All		For throttle control (9775)	1
80/	CL-CLT900 -- Det. 8V-71, 8V-92 diesel	8	568,736		For fuel shut off control (9700)	1
80/	B-F-FT600/800 -- Detroit DDA-990 diesel	5	501			1
87	B-F-L600/800	6	401,476			
80/	C600/800, CT800 -- Cat. 3208 diesel	8	636	CITZ 9792-A	Throttle control wire (9775)	1
80/	L-LN-LNT-LT-LTL-LTS900 -- Cum. NTC diesel	6	855		Throttle control assy.	1
80/	C-CT800 -- Detroit DDA 990 diesel	8	501			1
80/81	C-CT900 -- T/M-gas	8	477,534	B7T 9792-A	Clip (throttle cable to eng. bracket)	1
80/	C600/800 -- Cat. 3208 diesel	8	636	C8HZ 9792-A		1
80/	L-LT900 -- Detroit 8V-71 diesel	8	568		38207-S8 (U-144)-screw (clamp to bracket)-pan head- 1/4"-28 x 1/2"	1
					34052-S7 (M-155)-nut-hex.-No. 8-32	
					34126-S8B (M-146)-nut-square.-No. 8-32	
80/	L800, LN600/800, LNT-LT- LTS800 -- Cat. 3208 diesel	8	636	★57439-S2	Screw (clip to bracket)-pan head-cross recessed-No. 8-32 x 1/2"	1
80/	C600/800 -- Cat. 3208 diesel	8	636		Screw (clip to bracket)	1
80/	L-LN-LNT-LT-LTS900 -- Detroit 6-71N diesel	6	426		Screw (clip to bracket)	2
80/	L-LN-LNT-LT-LTL-LTS900 -- Cum. NTC diesel	6	855		Screw (clip to bracket)	1
80/	L-LT900 -- Detroit 8V-71 diesel	8	568		Screw (clip to bracket)	2
					34653-S36 (M-106-X)-nut & washer assy.-hex.-No. 8-32	
80/	L-LT-LTS900 -- Cat. 3406 diesel	6	893	55907-S2	(U-254-B)-screw (clip to bracket)-hex. head- tapping-No. 8-18 x 1/2"	1
						2
<b>9793 BOOT (ACCELERATOR ROD TO BODY)</b>						
86/	CF600/800 -- diesel	6	401,476	E6HZ 9793-A		1
<b>9798 ARM (ACCELERATOR PEDAL THROTTLE)</b>						
87/	B-F600/700,FT900 -- FTO diesel	6	401,476	E7HZ 9798-A	#E7HT 9798-AA,AB	1
87/	L800 -- FTO diesel-185 H.P.	6	476	E7HZ 9798-B	#E7HT 9798-BA	1
87/	L-LT-LTS800 -- FTO diesel- 210 H.P. & 235 H.P.	6	476			1
87/	L-LT-LTS800 -- FTO diesel- 235 H.P.-w/Calif. emission	6	476			1

OCTOBER, 1993

COPYRIGHT © 1993-

FORD MOTOR  
COMPANY

-DEARBORN, MICHIGAN

**FINAL ISSUE**

1980/  
TRUCK SERIES 600/900

YEAR	MODEL/RESTRICTIONS	ENGINE		PART NUMBER	DESCRIPTION	QTY.
		CYL.	C.I.D. (C.C.D.)			
<b>9798 ARM (ACCELERATOR PEDAL THROTTLE) — Cont'd</b>						
80/	C600/900, CT800/900 -- gas	6&8	All	C2TZ 9798-A		1
80/	C600/800,CT800 -- Cat. 3208	8	636		Use w/rod type linkage	1
89	CL-CLT -- w/3406	6	893	E9HZ 9798-C	#E9HT-EA	1
80/	L800/900, LN600/900, LNT-LT-LTS800/900 -- gas	6&8	All	DOHZ 9798-L	#DOHA-L	1
80/	L800, LT-LTS800 -- Cat. 3208 diesel	8	636			1
80/	LN-LNT900 -- Detroit 8V-71N or 8V-71T,71TT diesel	8	568			1
80/	LN-LNT900 -- Detroit 6V-92 diesel	6	552			1
84/	LN600/700 -- Detroit DDA diesel	8	501			1
80/	L-LN-LNT-LT-LTS900 -- Detroit 6-71N and 8V-71N diesel	6&8	426,568	DOHZ 9798-M	#DOHA-M	1
80/	L-LT900 -- Detroit 8V-71T,71TT diesel	8	568			1
80/	LN-LNT900 -- Detroit 6V-92 diesel	6	552			1
80/87	LN-LNT900 -- Cat. 3406 diesel	6	893			1
80/	LN-LNT800 -- Caterpillar 3208T diesel	8	636			1
80/	L-LT-LTS900 -- Cum. NTC diesel	6	855	D7HZ 9798-B	#D7HT 9798-DA, ED-D7HT 9798-DA-offset arm	1
84/	LNT900 -- w/Cum. L10 diesel	6	610			1
80/84	L-LT-LTL-LTS900 -- Cat. 3406 diesel w/o NSFS	6	893	DOHZ 9798-N	#DOHA 9798-N-straight	1
84/87	L-LT-LTL-LTS900 -- NSFS Caterpillar 3406 diesel	6	893	D7HZ 9798-B	#ED-D7HT 9798-DA	1
88	L-LN-LT-LNT-LTL-LTS900 w/3406 Cat. diesel or 3306	6	893 638	E8HZ 9798-A	#E8HT-AA	1
89	L-LT-LTL-LTS-LN-LNT 900 -- w/3306	6	638	E9HZ 9798-F	#E9HT-FA	1
87	L-LL-LS-LT-LNT-LTL 900-Cum. L10 diesel	6	610	E7HZ 9798-C	#E7HT-CD	1
80/	C600/800 -- Cat. 3208 diesel-	8	636	20346-S8	(B-50)-bolt (arm to 9741 bracket)-hex. head-5/16"-18 x 3/4"	AR
80/	C600/800 -- Cat. 3208 diesel	8	636	34976-S4	(M-89-CA)-nut (arm to 9741 bracket)-hex. lock-5/16"-18	AR
80/	C600/800 -- Cat. 3208 diesel	8	636	34391-S7	(M-97)-nut (arm to pedal)-hex.-1/4"-28	AR
80/	L800/900, LN600/900, LNT-LT-LTL-LTS800/900	6&8	All	33769-S2	(M-89-J)-nut (arm to pedal)-hex. lock (UBS) 1/4"-20	AR
<b>9B799 RETAINER-ACCEL. SHAFT. RETURN SPRING</b>						
86/	CF600/700	6	All	E6HZ 9B799-A		1
<b>9C799 CABLE ASSY. (THROTTLE CONTROL)-Also refer to 9775 group</b>						
86/89	CF600/700 -- 175,185 & 210 H.P.-FTO diesel	6	401,476	E6HZ 9C799-F	Also use 9D726-clip w/cable assy. when ordering	1
<b>9A805 ROD ASSY. (ACCELERATOR BELLCRANK TO FUEL PUMP LEVER)-Refer to group 9A702</b>						
<b>9P812 SPRING (GOVERNOR LEVER)</b>						
87/	B-F700/800, FT900	6	476	E7HZ 9P812-A		1
87/	L-LN-LS-LT-LNT-LTS800	6	476			

**1980/  
TRUCK SERIES 600/900**

YEAR	MODEL/RESTRICTIONS	ENGINE		PART NUMBER	DESCRIPTION	QTY.
		CYL.	C.I.D. (C.C.D.)			
<b>9816 STOP (ACCELERATOR PEDAL)</b>						
80/	B600/800	8	All	E0HZ 9816-A	#E0HT-AB	1
80/	C600/800,CT800 -- Cat. 3208 diesel	8	636	C6TZ 9816-B	2 1/4" long	1
80/	L800/900,LN600/900,LNT-LT-LTS800 -- Cat. 3208 diesel	8	636	DOHZ 9816-B	2 1/2" long overall-1 1/2" long shoulder-5/16"-18 thread	1
80/	LN-LNT900 -- Detroit 6V-92 diesel	6	552			1
80/	L800/900, LN600/900, LNT-LT-LTS800/900 -- gas	8	All			1
80/	L-LN-LNT-LT-LTS900 -- Cum., Detroit 6-71N and 8V-71N or 8V-71T diesel	6&8	426, 568, 855			1
80/	L-LT-LTL-LTS900 -- Cat. 3406 diesel	6	893			1
80	B600/750, F600/750(84)	6&8	All	D4TZ 9816-B		1
80/	L-LN-LNT-LT-LTL-LTS900	6&8	All	E0HZ 9816-B	5/16"-18 x 2 13/16"	1
80/	L800/900, LN600/900, LNT-LT-LTL-LTS800/900	6&8	All	376656-S36	(MM-120-CE) Rivnut (accelerator pedal stop to floor pan)-5/16"-18	1
80/	B-F600/750	6&8	All	56320-S4	(B-318-GD)-bolt (stop to dash panel)-hex. washer head-(UBS)-5/16"-18 x 7/8"	2
<b>9819 TUBE (THERMOSTATIC CHOKE CONTROL OUTLET)-Improvise from bulk tubing (2269)</b>						
<b>9819 Refer to group 9510 for Carburetor Parts Lists Instructions</b>						
<b>9820 TUBE (THERMOSTATIC CHOKE CONTROL INLET)-Improvise from bulk tubing (2269)</b>						
<b>9B820 LEVER ASSY. (ACCELERATOR CONTROL ROD)</b>						
86	CF600/700 -- diesel	6	401	E6HZ 9B820-A		1
87/	CF600/700	6	401	E7HZ 9B820-A		1
86/	CF600/800 -- diesel	6	401,476	E805236-S72	(AW-85-B) Stud ball M6 hex attache 9725 or 9B820	1
<b>9B821 LEVER ASSY. (ACCELERATOR CONTROL)</b>						
86/	CF600/700 -- diesel	6	401	E6HZ 9B821-C		1
<b>9824 BRACKET (HAND THROTTLE CONTROL LEVER)</b>						
86/	B-F-FT-LN600/800 -- Detroit DDA diesel	8	501	E6HZ 9824-D	#ED-E4HT -DA	1
87/	B-F700, FT900	6	476	E7HZ 9D838-A	Use w/ether cold start aid on 210 H.P. engine	1
87/	L-LN-LS-LT-LNT-LTS800	6	476			1
80/	L-LN-LNT-LT900 -- Detroit 8V-71 diesel	8	568	D5HZ 9824-A	#D5HA-AA, D7HT-CA	1
80/	LN-LNT900 -- Detroit 6V-92 diesel	6	552			1
80/	CL-CLT900 -- Det. 8V-71 & 8V-92 Diesels	6&8	552,568, 736	D9HZ 9824-A	#D7HT-CB	1
80/83	CL-CLT900 -- Cat. 3406 diesel	6	893	★D8HZ 9824-A	#D7HT 9824-BA Vernier type-not replaced	1
84/	CL-CLT900 -- Cat 3406 diesel	6	893	E4HZ 9824-A	#E4HT 9824-CA,CB	1
84/	L-LT-LTL-LTS900 -- Caterpillar 3406 diesel	6	893	E4HZ 9824-C	#E4HT 9824-BA	1
84/	CL-CLT900 -- w/NSFS Caterpillar 3406 diesel	6	893			1
88/	LN-LNT900 -- w/3406 Cat.	6	893	E8HZ 9824-B	#E8HT-BA	1
84/	L-LNT900 -- Cummins L10 diesel	6	610	E4HZ 9824-B	#E4HT 9824-AA	1
80/	CL-CLT900 -- Det. 8V-71, 8V-92 diesel	8	568,736	56703-S2	(BB-318-GG) Bolt (bracket to eng.) -1/4"-20 x 7/8" hex washer hd.	1
<b>9N832 CLAMP ASSY. (AIR CLEANER PIPE)</b>						
80/	CL-CLT900 -- Cum. NTC diesel	6	855	D8HZ 9N832-A	Attaches support (9A627) to eng.-2 1/2" pipe clamp w/one leg modified-use w/Donaldson & Farr eng.-mtd. air cleaners	2

**1980/  
TRUCK SERIES 600/900**

YEAR	MODEL/RESTRICTIONS	ENGINE		PART NUMBER	DESCRIPTION	QTY.
		CYL.	C.I.D. (C.C.D.)			
<b>9D836 SUPPORT (ENGINE PRIMING FLUID RESERVOIR BRACKET)</b>						
80/	LN600/750 -- Cat. diesel	8	All	★ D0HA 9D836-E	Fabricate from strap steel-1/8" thick x 1" wide	1
80/	L-LN-LNT-LT-LTL-LTS800/900 -- Detroit, Cat. and Cum. (exc. NTC) diesel	6&8	All	★ D1HA 9D836-AA	Fabricate from strap steel-1/8" thick x 1" wide	1
<b>9D838 NOZZLE ASSY. (ENGINE PRIMER)</b>						
80/86	B-F600/800 -- Detroit DDA-990 diesel	8	501	E0HZ 9D838-A	Use w/ether cold start aid	1
86/	CF600/800 -- diesel	6	401,476	E6HZ 9D838-A		1
80/	CL-CLT900 -- Cum. NTC290, 400 diesel	6	855	★ D0HZ 9D838-A /b9342 20291	Use w/ether cold start aid	1
80/	L800, LN600/800, LNT-LT-LTS800 -- Cat. 3208 diesel	8	636			1
80/	C700/800, CT800 -- Cat. 3208 diesel	8	636			1
80/	L-LN-LNT-LT900 -- Detroit 6-71N diesel	6	426	★ D0HZ 9D838-B /b9342 20295	Use w/ether cold start aid	1
80/	L-LN-LNT-LT900 -- Detroit 8V-71T diesel	8	568	and 9342 100015		1
80/	L-LN-LNT-LT-LTL-LTS900 -- Cum. NH NTC290 diesel	6	855	★ D0HZ 9D838-C /b9342 20295	Use w/ether cold start aid	1
80/	CL-CLT900 -- Cum. KT diesel	6	1150			1
80/	L-LN-LNT-LT-LTL900 -- Cat. 3406 and Detroit 8V-71 diesel	6&8	568, 893	D0HZ 9D838-D /b9342 20305 & 9342 100015	Use w/ether cold start aid	1
80/	LTS900 -- Detroit 6-71N diesel	6	426	★ D0HZ 9D838-E /b9342 20295	Use w/ether cold start aid	1
80/	CL-CLT900 -- Cat. 3406, Cum. NTC & Det. 6V-92, 8V-71, 8V-92 diesel	6&8	552,568, 736,855, 893			1
84/	LN-LNT900 -- Cum 10L diesel	6	610	E4HZ 9D838-A	Use w/ether cold start aid	1
84/	L-LN-LNT-LT-LTS900 -- Cummins L10 diesel	6	610			1
80/	CL-CLT900 -- Cat. 3406 diesel	6	893	358267-S	(II-47-A) Fitting (nozzle to eng.) reducer bushing	1
<b>9N839 GASKET-FUEL INJECTION PUMP BODY</b>						
86/	CF-CFT-B-F-FT-L600/900 -- (P-pump) w/6.6L, 170 H.P. or 7.8L, all	6	6.6L,7.8L	E6HZ 9N839-A	#E7HN-AA-Vendor #1-411-073-002 (under fuel pump)	1
86/	CF-CFT-B-F-FT-L600/900 -- (P-pump) w/6.6L, 170 H.P. or 7.8L-all	6	6.6L,7.8L	E6HZ 9N839-B	#E7HN-BA-vendor #2-410-206-005 (bottom plate)	1
86/89	CF-CFT600/800 -- (A-pump) w/160, 165 & 185 H.P.	6	6.6L	★ E9HZ 9N839-A /bFOHZ 9N839-A	#E9HN-AA-vendor #1-411-073-004 (under fuel pump)	1
86/	CF-CFT600/800 -- (A-pump) w/160, 165 & 185 H.P.	6	6.6L	E9HZ 9N839-B	#E9HN-BA-vendor #1-411-015-086	1
<b>9A840 WIRING ASSY. (SPEED CONTROL)</b>						
80/82	CL-CLT900 -- w/o heated mirror "Before 10/81"	6&8	All	D8HZ 9A840-A	#D7HT-9A840-AC,AD	1
82/	CL-CLT900 -- w/o heated mirror "From 10/81"	6&8	All	E2HZ 9A840-A	#E1HT 9A840-AA	1
80/82	CL-CLT900 -- w/heated mirror "Before 10/81"	6&8	All	D8HZ 9A840-B	#D7HT-9A840-BC	1
82/	CL-CLT900 -- w/heated mirror "From 10/81"	6&8	All	E2HZ 9A840-B	#E1HT 9A840-BA	1
<b>9D841 PIN (SPEED CONTROL SERV0)</b>						
80/	CL-CLT900	6&8	All	D3AZ 9D841-A	Speed control rod to throttle pivot	1
80/	CL-CLT900	6&8	All	387114-S100		2

**1980/  
TRUCK SERIES 600/900**

YEAR	MODEL/RESTRICTIONS	ENGINE		PART NUMBER	DESCRIPTION	QTY.
		CYL.	C.I.D. (C.C.D.)			
<b>9B843 KIT-ACCELERATOR CONTROL</b>						
86/	CF600/700	6	All	E6HZ 9B843-A		1
<b>9D843 AMPLIFIER ASSY. (SPEED CONTROL)</b>						
80/	CL-CLT900	6&8	All	E0AZ 9D843-A		1
80/	CL-CLT900	6&8	All	380918-S2	(BB-541-HR)Screw (amplifier to acc. panel) No. 10-24 x 1.59" hex washer head	2
<b>9A844 ROD ASSY. (ACCELERATOR SHAFT CONNECTOR) - Refer to group 9A702</b>						
<b>9853-9D856 Refer to group 9510 for Carburetor Parts Lists Instructions</b>						
<b>9D857 WIRING ASSY. (CARBURETOR EMISSION CONTROL SOLENOID)</b>						
80/81	L-LN-LNT-LT-LTS800/900 -- gas	8	477,534	D9HZ 9D857-A	#D9HT 9D857-AA	1
<b>9A858 STOP ASSY. (ACCELERATOR PEDAL DETENT)</b>						
80/81	C-CT900 -- T/M-gas	8	477,534	*C1TT 9A858-A	Not replaced	1
80/	C700/800 -- Cat. 3208 diesel and T/M	8	636	C5TZ 9A858-A		1
80/81	C-CT-L-LN-LNT-LT-LTS900 -- gas	8	477,534	351075-S	(MM-27)-nut (accelerator pedal detent stop)-check-9/16"-18	2
80/	C700/900, CT800/900 -- T/M-gas	8	All	379760-S	(XX-340)-washer (accelerator pedal detent stop spacer)-bevel-3/4"	2
<b>9E858 SUPPORT (ACCELERATOR SHAFT)</b>						
80/	LN-LNT900 -- Cat. 3406 diesel	6	893	E0HZ 9E858-A	#D8HS 9E858-AA	1
<b>9860 SWIVEL (ENGINE THROTTLE)-Also refer to group 9A514</b>						
81/86	B-F-FT-LN600/800 -- Detroit 990 diesel "Before 11/85"	8	501	E1HZ 9860-B	#Has stainless steel insert-refer to 9A514 for usage from 11/85-use E4HZ 9A514-C-"From 11/85"	1
<b>9D863 WIRING ASSY. (CARBURETOR EMISSION CONTROL SOLENOID FEED)</b>						
80/81	C-CT800/900 -- Calif. emission-gas	8	477,534	*D8HZ 9D863-A Not replaced	#D7HT 9D863-AA-"Before Ser. BC5,001"-refer to group 9B911)	1
<b>9866 BRACKET-MOUNTING (ACCELERATOR PEDAL SWITCH STOP)</b>						
86/	CF600/700 -- diesel-w/aux exhaust brake option	6	401	E6HZ 9866-A		1
87/	CF700/900 -- Diesel w/exhaust brake option	6	476	E7HZ 9866-A	87HU-BA	1
89	L-LN-LS-LT-LNT-LTS w/exhaust brake option	6	7.8L	E9HZ 9866-C	#E9HT-CA	1
<b>9A866 BRACKET (THROTTLE CONTROL CABLE)</b>						
80	B-F-FT-LN600/800 -- Detroit DDA-990 diesel	8	501	*E0HZ 9A866-A Not replaced	#E0HT 9A866-AA,AB	1
87/	B-F-FT600/800	6	401,476	E7HZ 9A866-E	#E7HT-BD	1
86	CF600/700 -- diesel "Before 12/85"	6	401	*E6HZ 9A866-A Not replaced		1
86/	CF600/700 -- diesel "From 12/85"	6	401	*E6HZ 9A866-C Not replaced	#E5HT 9A866-CA	1
87/	CF700/800 -- exc. 185 & 210 H.P.-FTO diesel	6	476	E7HZ 9A866-C	#87HU 9A866-CB	1
87/	CF700/800 -- 185 & 210 H.P.-FTO diesel	6	476	E7HZ 9A866-D	#87HU 9A866-DA	1

1980/  
TRUCK SERIES 600/900

YEAR	MODEL/RESTRICTIONS	ENGINE		PART NUMBER	DESCRIPTION	QTY.
		CYL.	C.I.D. (C.C.D.)			
<b>9A866 BRACKET (THROTTLE CONTROL CABLE) — Cont'd</b>						
87/	CF-CFT800 -- 240 H.P.-- FTO diesel	6	476	E7HZ 9A866-G	#87HU 9A866-EA	1
87	L-LN-LNT-LS-LT-LTS800 -- FTO diesel	6	476 401	E7HZ 9A866-B	#E7HT 9A866-BB	1
87/	L-LL-LN-LNT-LT-LTS800 -- FTO diesel	6	476 401	E7HZ 9A866-E	#E7HT 9A866-BC	1
80/	L-LN-LNT-LT-LTS900, W-WT900 -- Detroit 6-71N diesel	6	426	D0HZ 9A866-A	#D0HA 9A866-A, D1HA 9A866-AA	1
81/	B-F-LN600/700 -- Det. DDA diesel "Before 11/85"	8	501	E1HZ 9A866-A	#E1HT 9A866-AA	1
81/	C-CT800 -- Det. DDA diesel "Before 11/85"	88	501			1
86/	B-C-F-FT-LN600/800 -- Detroit 990 diesel "From 11/85"	8	501	E6HZ 9A866-D	#E4HT 9824-DA	1
80/	L800, LN600/800, LNT-LT- LTS800 -- Cat. 3208 diesel	8	636	D0HZ 9A866-B	#D0HA 9A866-D	1
80/	L-LT-LTL-LTS900 -- Cat. 3406 diesel	6	893	D4HZ 9A866-B	#D4HA 9A866-BA	1
80/83	LN-LNT900 -- Cat. 3406 diesel "Before 2/83"	6	893	E0HZ 9A866-B	#D7HS 9A866-AA	1
83/87	LN-LNT900 -- Caterpillar 3406 diesel-- "From 2/83"	6	893	★ E2HZ 9A866-A Not replaced	#EDD7HS 9A866-AA	1
88/	LN-LNT900 -- w/Cat. 3406	6	893	E8HZ 9A866-A	#E8HT-AA	1
80/86	L-LT-LTL-LTS900 -- Cat. 3406 diesel	6	893	★56125-S2	Bolt (bracket to governor housing)-hex. washer head-(UBS)-5/16"-18 x 1 3/4"	2
<b>9E868 CONNECTOR (AIR CLEANER DUCT INLET)</b>						
80/	LN-LNT900 -- Detroit 8V-71T,71TT diesel	8	568	D5HZ 9E868-A	6 13/16" I.D. x 1 7/8" long-serrated (neoprene)-use with D5HZ-9600-C	1
80/	L-LN-LNT-LT900 -- Detroit 8V-71T,71TT diesel	8	568	D5HZ 9E868-B	#D5HA 9E868-BA-5 13/16" I.D. x 1 7/8" long-serrated (neoprene)	1
<b>9E869 CONNECTOR (AIR CLEANER DUCT TO MANIFOLD)</b>						
80/	L-LN-LN-LNT900 -- Detroit 8V-71 & 6V-92 diesel.	6,8	552,568	D9HZ 9E869-A	#D8HT 9B699-AA-90° bend-approx. 9-3/4 high-6" I.D. one end 5" I.D. other end	1
<b>9N870 TUBE ASSY. (FUEL INJECTION PUMP-LUBRICATION)</b>						
86/88	CF600/700 -- diesel	6	401	E6HZ 9N870-D		1
87/88	CF700/800, CFT800 -- FTO diesel	6	476		Includes (2) 390179-S nut & (2) 390813-S spacer	1
87/88	B-F700,FT900 -- FTO diesel	6	401,476			1
87/88	L-LN-LNT-LS-LT-LTS700/800 -- FTO diesel "Before 3/88"	6	401,476			1
88/	CF600/800 -- FTO diesel	6	401,476	E8HZ 9N870-A	#E7HN-AA	1
88/	B-F/FT700/900 -- FTO diesel	6	401,476		Includes (2) 390179-S nut & (2) 390813-S-spacer	1
88/	L-LN-LNT-LS-LT-LTS800 -- FTO diesel "After 3/88"	6	401,476			1
87/	B-F600 -- FTO diesel- 160 H.P., 165 H.P.	6	401	E7HZ 9N870-B	Includes (2) 390179-S nut & (2) 390813-S spacer	1
88	B-F-C-L -- FTO diesel			390904-S	( ) attaches 9N870 to 6C044	1
<b>9871 Refer to group 9510 for Carburetor Parts Lists Instructions</b>						
<b>9873 BUSHING (ACCELERATOR PEDAL HINGE)</b>						
80/	LN-LNT900 -- Cum. NH and Det. 6-71N diesel	6	426,855	C3TZ 9873-A	1/2" I.D. x 3/4" O.D. x 1/2" long	2
<b>9C876 ADJUSTER (SPEED CONTROL CONNECTOR)</b>						
80/	CL-CLT900	6&8	All	D8HZ 9C876-A		1
<b>9P881 REINFORCEMENT ASSY. (AIR CLEANER STACK)</b>						
86/	CF600/800 -- diesel	6	401,476	E6HZ 9P881-A		1
87/	CF700/800 -- FTO diesel	6	476	E7HZ 9P881-A	#87HU 9K657-AA	1
<b>9A884 LEVER (ACCELERATOR SHAFT)</b>						
80	C600/900, CT800/900	6&8	All	C7TZ 9A884-A	Lower	1



**1980/  
TRUCK SERIES 600/900**

YEAR	MODEL/RESTRICTIONS	ENGINE		PART NUMBER	DESCRIPTION	QTY.
		CYL.	C.I.D. (C.C.D.)			
<b>9A884 LEVER (ACCELERATOR SHAFT) — Cont'd</b>						
80	CL-CLT900	6&8	All	D8HZ 9A884-E	#D7HT 9761-AB, ED-D7HT 9761-AB-upper position-includes bearings	1
80	CL-CLT900 -- w/susp. cab -Cum. NTC & Cat. 3406 diesel	6	855,893	★ D8HZ 9A884-B Not replaced	#D7HT 9761-BA-lower position-also uses D8HZ 9A884-A-incl. (2) bushings (9A763)	1
80	CL-CLT900 -- Cum. KT diesel	6	1150	★ D8HZ 9A884-C Not replaced	#D7HT 9761-DA-lower-also uses D8HZ-9A884-A-incl. (2) bushings (9A763)	1
81/	CL-CLT900	6&8	All	E1HZ 9A884-A	#E0HT 9761-AA-E4HT 9761-BA-lower position-includes (1) spacer	1
81/	CL-CLT900 -- Cat. 3406 & Cum. NTC diesels	6&8	855,893	E1HZ 9A884-B	#E0HT 9761-BA-E4HT 9761-CA-upper position-includes (1) spacer	1
80/	CL-CLT900	6&8	All	386778-S2	(BB-545-EC)Bolt (lever to spacer) - 5/16"-18 x 2 1/4" hex washer hd	1
80/	CL-CLT900	6&8	All	44722-S8	(X-19)Flat washer-5/16" (lever to spacer)	1
80/	CL-CLT900	6&8	All	N800206-S100	(AV-25-G)Spacer (for lever)-.27 I.D. x 40 O.D. x 1.50" long	1
<b>9B885 ROD ASSY. (ACCELERATOR SHAFT TO FUEL PUMP)-Refer to group 9A702</b>						
<b>9A886 ROD ASSY. (ACCELERATOR PEDAL TO LOWER SHAFT LEVER)</b>						
80/	C-CT600/900 -- gas	8	370,429	D6HZ 9A886-B	#D6HA 9A886-AB-18" long x 5/16"-24 thread	1
80/81	C-CT800/900 -- gas	8	477,534			1
80	C-CT800 -- Detroit DDA 990 diesel	8	501	C1TT 9A886-A	#C1TT 9A886-A	1
80/	C600/900, CT800/900	6&8	All	358883-S7-8	(NN-128)-pin (accelerator pedal to lower shaft lever rod to accelerator pedal throttle arm)-spring	1
				356414-S	(XX-110)-washer-flat-5/16"	1
				351467-S	(XX-352)-washer-spring-5/16"	1
				44722-S	(X-19)-washer-flat-5/16"	1
				353467-S2	(NN-128-B)-pin-self locking-5/16"-31/32"	1
<b>9C887 WIRE ASSY. (EXTENSION-SPEED CONTROL)</b>						
86	CF600/700 -- diesel	6	401	E6HZ 9C887-A		1
<b>9A888 SHAFT AND HOUSING ASSY. (ACCELERATOR)</b>						
80/	C-CT600/800 -- gas	8	370,429	D9HZ 9A888-A	#D9HT 9A888-AA	1
80/	C-CT700/800 -- Cat. DDA diesel	8	501			1
80/	C700/800 -- Cat. 3208 diesel	6	636			1
80/81	C-CT800/900 -- gas	8	477,534	★ D9HZ 9A888-B Not replaced	#D9HT 9A888-CA	1
80/85	C700/800 -- Cat. 3208N diesel	6	636N	D9HZ 9A888-C	#D9HT 9A888-DA	1
86/	C700/800 -- Caterpillar 3208 diesel	8	636	E4HZ 9A888-A	#E0HT 9A888-A	1
80/	C600/900, CT800/900	6&8	All	20389-S8	(B-171)-bolt (accelerator shaft and housing assy. to frame c/member assy.)-hex. head-3/8"-24 x 1"	1
				33800-S8	(M-63)-nut-hex.-3/8"-24	
				34807-S8	(X-66)-lockwasher-3/8"	
<b>9C888 SWITCH ASSY. (SPEED CONTROL)</b>						
80/	CL-CLT900	6&8	All	D8HZ 9C888-B	1-used for OFF/ON -1 used for SET/ACCEL/COAST	2
80/	CL-CLT900	6&8	All	D8HZ 9C888-A	Located on clutch-also used w/Jacob engine brake	1
88/	LTL900 -- w/"C" brake	6&8	All	E8HZ 9C888-A	#E8HT 9C871-AA	1
89	CL-CLT -- w/3406 cat. w/elec. fuel injection	6	893	E9HZ 9C888-C	#E9HT-CA	1

**1980/  
TRUCK SERIES 600/900**

YEAR	MODEL/RESTRICTIONS	ENGINE		PART NUMBER	DESCRIPTION	QTY.
		CYL.	C.I.D. (C.C.D.)			
<b>9P896 PLATE ASSY. (AIR CLEANER STACK PIPE)</b>						
86/	CF600/800 -- diesel	6	401,476	E6HZ 9P896-A		1
<b>9C900 PLATE (ENGINE AIR CLEANER INLET SCOOP WEAR)</b>						
80/	CL-CLT900	6&8	All	D8HZ 9C900-A	Use w/engine mounted air cleaner	2
<b>9C901 PLATE (ENGINE AIR CLEANER RETAINER BRACKET)</b>						
80/	CL-CLT900	6&8	All	D8HZ 9C901-A	Use w/engine mounted air cleaner	2
<b>9B911 WIRING ASSY. (THROTTLE MODULE CONTROL EXTENSION)</b>						
80/81	C-CT800/900 -- gas -exc. Calif.	8	477,534	★ D8HZ 9B911-B Not replaced	#D7HT 9B911-BA "Before Ser. BC5,001"- refer to group 9D863)	1
<b>9D917 BALL (FUEL PRESSURE REGULATOR VALVE)</b>						
87/	B-CT-F600/800,FT900 -- FTO diesel	6	401,476	E7HZ 9D917-A		1
87/	L-LN-LNT-LS-LT-LTS800 -- FTO diesel	6	476			1
<b>9B924 BRACKET (ENGINE AIR CLEANER SCOOP)</b>						
80/	CL-CLT900	6&8	All	D8HZ 9B924-A		2
88	CL-CLT900 -- w/std. air cleaner-Cummins L10 diesel	6	610	E8HZ 9B924-A	#E8HT 9B924-AB-1 1/2" wide one end-3" wide other end-(2) 3/8"-16 welded nuts	1
88	CL-CLT900 -- Cummins L10 diesel	6	610	E8HZ 9B924-B	#E8HT 9B924-BA-steel tube 2" long x 3/64" dia.	2
<b>9B927 SEAL (ENGINE AIR CLEANER SCOOP RADIATOR GRILLE)</b>						
80/	CL-CLT900	6&8	All	D8HZ 9B927-A	#D7HT 9B927-CA	1
<b>9B929 ISOLATOR ASSY. (ENGINE AIR CLEANER)</b>						
80/	CL-CLT900	6&8	All	D8HZ 9B929-A	#D7HT 9B929-AA-use w/Farr engine -- mounted air cleaner	4
88/	CL-CLT900 -- w/std. air cleaner-Cummins L10 diesel	6	610	E8HZ 9A929-B	E8HT-BA	4
<b>9B933 SCOOP ASSY. (ENGINE AIR CLEANER)</b>						
80	CL-CLT900 -- Det. 8V-71 Diesel "Before Ser. HA5,001"	8	568,736	D9HZ 9B933-B	#D9HT 9B933-BA-use w/Farr engine mounted air cleaner--does not have screen mounting bracket	1
80	CL-CLT900 -- Cum. NH Diesel "Before Ser. HA5,001"	6	855	D9HZ 9B933-C	#D9HT 9B933-CA-use w/Farr engine mounted air cleaner--does not have screen mounting bracket	1
80	CL-CLT900 -- Detroit 6V-92,8V-71,8V-92 diesel- "Before Ser. HA5,001"	6&8	552,568, 736	D9HZ 9B933-E	#D9HT 9B933-EA-use w/Donaldson engine mounted air cleaner--does not have screen mounting bracket	1
80	CL-CLT900 -- Cum. KT diesel- "Before Ser. HA5,001"	6	1150	D9HZ 9B933-A	#D9HT 9B933-AA-use w/Donaldson engine mounted air cleaner--does not have screen mounting bracket	1
80/	CL-CLT900 -- Cum. KT diesel- "From Ser. HA5,001"	6	1150	E0HZ 9B933-A	#E0HT 9B933-AA-use w/Donaldson engine mounted air cleaner--has screen mounting bracket	1
80/	CL-CLT900 -- Detroit 6V-92 diesel- "From Ser. HA5,001"	6	552	E0HZ 9B933-B	#E0HT 9B933-BA-use w/Farr engine mounted air cleaner--has screen mounting bracket	1
80/	CL-CLT900 -- Detroit 8V-71, 8V-92 diesel-"From Ser. HA5,001"	6&8	568,736			1
80/	CL-CLT900 -- Cum. NH diesel- "From Ser. HA5,001"	6	855	E0HZ 9B933-C	#E0HT 9B933-CA-use w/Farr engine mounted air cleaner--has screen mounting bracket	1
80/87	CL-CLT900 -- Cum. NH diesel	6	855	E0HZ 9B933-D	#E0HT 9B933-DA-use w/Donaldson engine mounted air cleaner--has screen mounting bracket	1
80/87	CL-CLT900 -- Cat. 3406 diesel	6	893			
88/	CL-CLT900	6	610,855, 893	E8HZ 9B933-A	#E8HT-AA-use w/Tandem RR axle	1
88/	CL-CLT900	6	610,855, 893	E8HZ 9B933-B	#E8HT-BA-use w/single RR axle	1
80/	CL-CLT900 -- Detroit 6V-92 diesel-"From Ser. HA5,001"	6	552	E0HZ 9B933-E	#E0HT 9B933-EA-use w/Donaldson engine mounted air cleaner--has screen mounting bracket	1
80/	CL-CLT900 -- Detroit 8V-71, 8V-92 diesel- "From Ser. HA5,001"	8	568,736			1

1980/  
TRUCK SERIES 600/900

YEAR	MODEL/RESTRICTIONS	ENGINE		PART NUMBER	DESCRIPTION	QTY.
		CYL.	C.I.D. (C.C.D.)			
<b>9B933 SCOOP ASSY. (ENGINE AIR CLEANER) — Cont'd</b>						
80	CL-CLT900 -- Det.71, 6V-92- Cum NTC, Cat. 3406 diesel "Before Ser. HJ5,001"	6&8	552,568, 855,893	D6HZ 9B933-A	Frame mounted Donaldson air cleaner	1
80/	CL-CLT900 -- Cat. 3406, Cum. NTC, Det. 6V-92, 8V-71 "From Ser. HJ5,001"	6&8	552,568, 855,893	E0HZ 9B933-F	Frame mounted Donaldson air cleaner	1
<b>9934-9948 Refer to group 9510 for Carburetor Parts Lists Instructions</b>						
<b>9N944 BRACKET (FUEL INJECTOR)</b>						
87/	B-F600/800,FT900 -- FTO diesel	6	401,474	E6HZ 9N944-A		6
86/	CF600/800 -- FTO diesel	6	401,474			6
87/	L-LN-LNT-LS-LT-LTS800 -- FTO diesel	6	474			6
<b>9N951 SLEEVE (FUEL INJECTION PUMP FITTING)</b>						
87/	B-F600/800,FT900 -- FTO diesel	6	401,474	E6HZ 9N951-A	1/4" O.D. x .213mm	2
87/	CF600/800 -- FTO diesel	6	401,474			2
87/	L-LN-LNT-LS-LT-LTS800	6	474			2
87/	B-F600/800,FT900 -- FTO diesel	6	401,474	E6HZ 9N951-B	Use on 9P699-3/16" O.D. x .213mm	2
87/	CF600/800 -- FTO diesel	6	401,474			2
87/	L-LN-LNT-LS-LT-LTS800 -- FTO diesel	6	474			2
87/	B-F600/800,FT900 -- FTO diesel	6	401,474	E6HZ 9N951-C	Use on 9C330, 9B273, 9R271 & 9R272-5/16" O.D. x .244mm	2
87/	C600/800 -- FTO diesel	6	401,474			2
87/	L-LN-LNT-LS-LT-LTS800	6	474			2
<b>9N956 CONNECTOR (FUEL SHUT OFF VALVE SOLENOID)</b>						
86/	CF600/700 -- diesel	6	401	E6HZ 9N956-A		1
87/	B-CF-F700/800, FT900 -- diesel	6	476			1
87/	L-LN-LS-LT-LNT-LTS800 -- diesel	6	476			1
<b>9N959 SCREW (CONNECTOR-FUEL SHUT OFF VALVE)</b>						
86/87	CF600/700 -- diesel	6	401	E6HZ 9N959-A		1
87	B-F700 -- diesel	6	401			1
87	B-CF-F700/800, FT900 -- diesel	6	476			1
87	L-LN-LS-LT-LNT-LTS800 -- diesel	6	476			1
88/	CF600/800 -- diesel	6	401,476	E7HZ 9N959-A	W/FTO diesel engine	2
88/	B-F-FT600/900 -- diesel	6	401,476			2
88/	L-LN-LS-LT-LNT-LTS -- diesel	6	401,476			2
<b>9B963 VALVE ASSY. (FUEL VAPOR STORAGE CANISTER)</b>						
85/	B-F-FT600/900 -- gas	8	All	D9AZ 9B963-B	Right side	1
85/	B-F-FT600/900 -- gas	8	All	E5UZ 9B963-A	Left side	1
80/	C-CT-L-LN-LNT-LT-LTS 600/900 -- gas	8	All	D8FZ 9B963-B	*CX-203-A-w/locking tab	1
80/	C-CT-L-LN-LNT-LTS600/900 -- gas-w/o Calif. emission	8	All			1
80/	B-F-FT600/800 -- w/Calif. emission-gas	8	370,429			1
80/	B-C-CT-F-FT800/900 -- gas w/ Calif. emission	8	All	D9UZ 9B963-A	*CX-377	1
80/86	L-LN-LNT-LT-LTS800/900 -- gas w/ Calif. emission	8	All			1
<b>9P965 CONNECTOR ASSY. (AIR CLEANER STACK PIPE)</b>						
86/	CF600/800 -- diesel	6	401,476	E6HZ 9P965-A		1
87/	CF700/800 -- FTO diesel	6	476	E7HZ 9P965-A		1

**1980/  
TRUCK SERIES 600/900**

YEAR	MODEL/RESTRICTIONS	ENGINE		PART NUMBER	DESCRIPTION	QTY.
		CYL.	C.I.D. (C.C.D.)			
<b>9C968 REGULATOR PRESSURE-FUEL (KIT)</b>						
80/86	B600/700 -- gas	8	370,429	★ D9HZ 9C968-A	Refer TSB 83-17-article #19	1
80/86	C-CT600/900 -- gas	8	370,429	/bD9HZ 9C968-B		1
80/86	L-LN-LNT-LT-LTS600/800 -- gas					1
Consists of						
	2-E4PE 9C276-AB	Connector	1-E4PE 9C376-AC	Bracket	1-87838-S101	Plug
	1-E4PE 9289-AB	Tube assy.	1-E5PZ 9C968-A	Regulator	1-IS-5333-C	Inst. sheet
	1-E4PE 9369-AB	Tube assy.	2-VNDR Suply	Screw		
80/86	B -- School bus (gas)	8	370,429	D9HZ 9C968-B		1
Consists of						
	2-E4PE 9C276-AB	Connector	1-E4PE 9C376-AC	Bracket	1-IS-5333-C	Instr. sheet
	1-E4PE 9289-AB	Tube assy.	1-E7HZ 9C968-B	Regulator		
	1-E4PE 9369-AB	Tube assy.	2-VNDR Suply	Screw		
87/	B600/700 -- gas	8	370,429	★ E7HZ 9C968-B Not replaced	#E7HE-BA	1
<b>9C968 REGULATOR ASSY. (FUEL PRESSURE)</b>						
85/86	B-F-FT600/800 -- gas	8	370,429	★ E5HZ 9C968-A	#E5TE 9N510-AC-r/b E7HZ 9C968-A	1
87/	B-F-FT600/800 -- gas	8	370,429	E7HZ 9C968-A	#E7HE 9N510-AA	1
85/86	C600/800 -- gas	8	370,429	★ E5HZ 9C968-B	r/b E7HZ 9C968-C	1
87/	B-F-FT600/800 -- gas	8	370,429	E7HZ 9C968-C	#E7HE 9N510-BA	1
<b>9973 Refer to group 9510 for Carburetor Parts Lists Instructions</b>						
<b>9N977 CLIP (FUEL INJECTOR CYLINDER TUBE)</b>						
86	CF600/700 -- diesel	6	401	E6HZ 9N977-A		2
<b>9N978 BUSHING (FUEL INJECTOR CYLINDER TUBE CLIP)</b>						
86	CF600/700 -- diesel	6	401	E6HZ 9N978-A		2
<b>9B982 SOLENOID ASSY. (CARBURETOR FLOAT BOWL VENT)</b>						
80/	C-CT-F-L-LN-LNT-LT- LTS800/900-gas	8	477,534, 429	D8TZ 9B982-A	*CX-239 #D8TE 9B982-B1A,B2A	1
84/	C-CT-L-LN--LNT-LT-LTS 800	8	370, 429	E1ZZ 9B982-A	*CX-636-#E1ZE 9B982-A1A,A2A	1
84	B-F-FT600/800 "Before 2/85"	8	370,429			1
85/	B-F-FT600/800 "From 2/85"	8	370,429	E5TZ 9B982-A	*CX-1115-#E5TE 9B982-AA	1
<b>9N989 PRIMER (FUEL INJECTION PUMP)</b>						
86/	CF600/700 -- diesel	6	401	E6HZ 9N989-A		1
87/	B-F700	6	401			1
87/	B-CF-F700/800, FT900	6	476			1
87/	L-LN-LS-LT-LNT-LTS800	6	476			1
<b>9N990 FITTING (FUEL INJECTION PRIMER)</b>						
86/	CF600/700 -- diesel	6	401	E6HZ 9N990-A		1
87/	B-F700	6	401			1
87/	B-CF-F700/800, FT900	6	476			1
87/	L-LN-LS-LT-LNT-LTS800	6	476			1
<b>9N991 WASHER (CONNECTOR FUEL SHUT OFF VALVE SOLENOID)</b>						
86/87	CF600/700 -- diesel	6	401	E6HZ 9N991-A		1
87	B-F700	6	401			1
87	B-CF-F700/800, FT900	6	476			1
87	L-LN-LS-LT-LNT-LTS800	6	476			1
88/	CF600/800 -- diesel	6	401,476	E7HZ 9N991-A	W/FTO diesel engine	4
88/	B-F-FT600/900 -- diesel	6	401,476			4
88/	L-LN-LS-LT-LNT-LTS -- diesel	6	401,476			4
<b>9N992 SEAL RING (PRIMER FUEL INJECTION PUMP)</b>						
86/	CF600/700 -- diesel	6	401	E6HZ 9N992-A		1
87/	B-F700	6	401			1
87/	B-CF-F700/800, FT900	6	476			1
87/	L-LN-LS-LT-LNT-LTS800	6	476			1

1980/  
TRUCK SERIES 600/900

YEAR	MODEL/RESTRICTIONS	ENGINE		PART NUMBER	DESCRIPTION	QTY.
		CYL.	C.I.D. (C.C.D.)			
<b>9N993 BRACKET (FUEL INJECTION PUMP TUBE CLAMP)</b>						
86/	CF600/700 -- diesel			★ E6HZ 9N993-A Not replaced		1
<b>9B994 SEPARATOR ASSY. (AIR CLEANER MOISTURE)-also refer to group 9E651</b>						
80/	CLT900 -- Cat. 3406, Cum. NTC diesel	6	855, 893	D8HZ 9B994-A	6" I.D. x 5" long-Use w/Donaldson engine-mounted air cleaner	1
80/88	CLT900 -- Det. 71TA,92TA, Cum. KT,KTA diesel	6&8	552,568, 736,1150	D8HZ 9B994-B	7" I.D. x 6 1/2" long-Use w/Donaldson engine- mounted air cleaner	1
80/	CL900 -- Cat. 3406, Cum. NTC diesel	6	855,893	D8HZ 9B994-C	6" I.D. x 7" long-use w/Donaldson engine-mounted air cleaner	1
80/88	CL900 -- Det. 71TA, 92TA, Cum. KT,KTA diesel	6&8	552,568, 736,1150	D8HZ 9B994-D	7" I.D. x 7 1/2" long-use w/Donaldson engine-mounted air cleaner	1
<b>9N998 PRIMER (FUEL INJECTION PUMP)</b>						
86/	CF600/700 -- diesel	6	401	E6HZ 9N998-A		1

**1980/  
TRUCK SERIES 600/900**

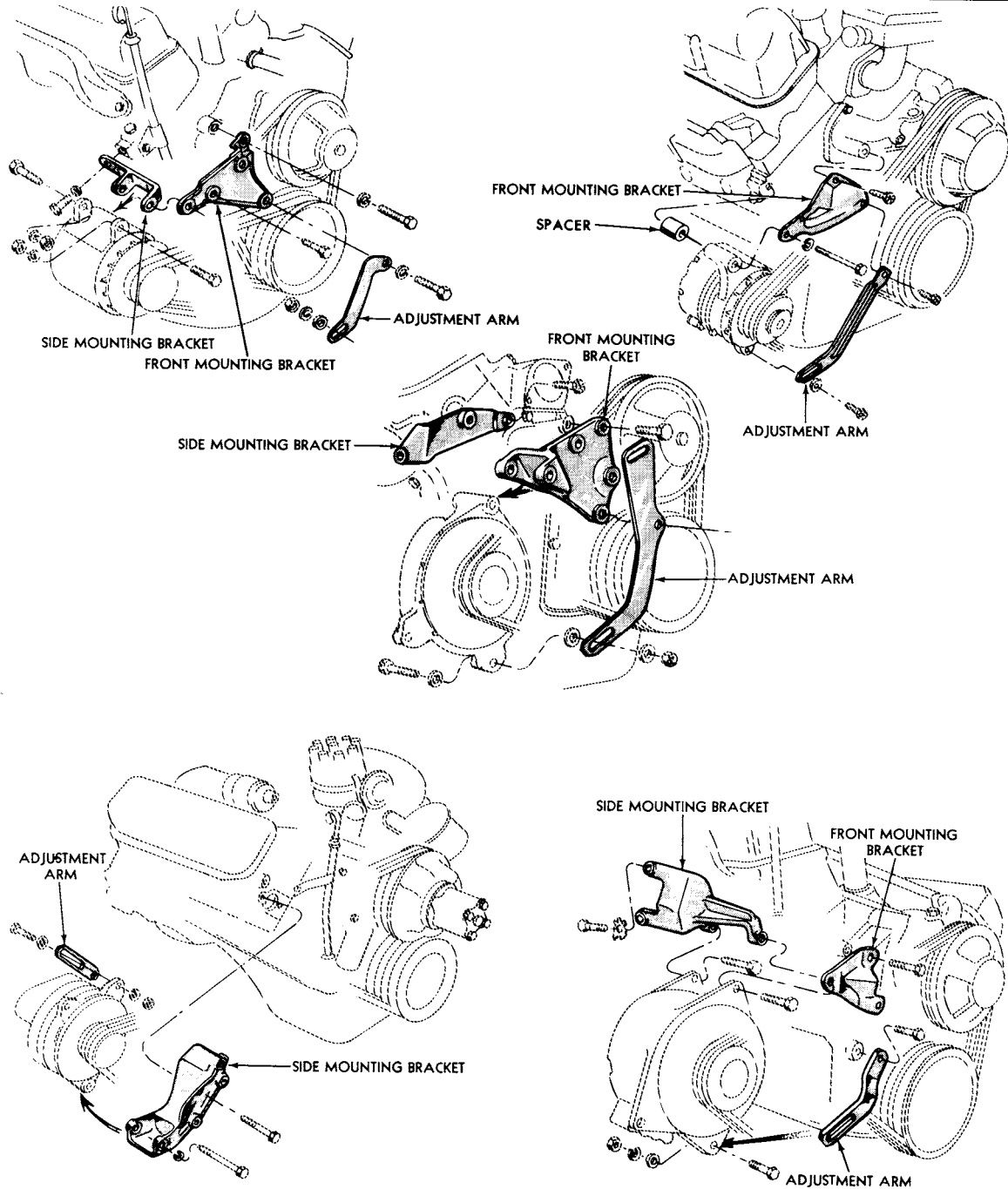
YEAR	MODEL/RESTRICTIONS	ENGINE		PART NUMBER	DESCRIPTION	QTY.		
		CYL.	C.I.D. (C.C.D.)					
10145	Refer to group 10A313							
10153	Refer to group 10A313							
10156	Refer to group 10A313							
10300	ALTERNATOR ASSY.-Refer to group 10346							
10N300	ADAPTER ASSY. (ALTERNATOR REGULATOR)							
88/	B-F600/800,FT900 -- w/2 gauge inst. cluster	6&8	All	E8HZ 10N300-C	#E8HT 10N300-AB	1		
88/	B-F600/900 -- w/4 gauge instr. cluster	6&8	All	E8HZ 10N300-B	#E8HT 10N300-BA	1		
10B301	Refer to group 10346 for Alternator Parts List Instructions							
10A303	Refer to group 10346 for Alternator Parts List Instructions							
10K304	WIRING ASSY. (ALTERNATOR TO STARTER MOTOR SOLENOID)-If not listed improvise							
80/82	B-F600/800 -- gas-w/130 amp. alternator	8	370,429	E0HZ 10K304-A		1		
10305-9	Refer to group 10346 for Alternator Parts List Instructions							
10310	Refer to group 10346 for Alternator Parts List Instructions							
YEAR	MODEL/RESTRICTIONS	ENGINE		PART NUMBER	Δ MAKE	AMP	DESCRIPTION	QTY.
		CYL.	C.I.D. (C.C.D.)					
10A310	FAN (ALTERNATOR) Δ D-Delco M-Motorcraft, L/N-Leece Neville-make and amperage appear on Truck Specification Lists							
80/	All	6&8	All	E5SZ 10A310-A	M	40, 42, 45, 55, 60, 61	*GP-618	1
80/	All	6&8	All	D0AZ 10A310-A	M	70, 90	*GP-496 7/8" I.D. x 6 5/16" O.D.	1
80/	All	6&8	All	C2AZ 10A310-A	L/N	65,70	11/16" I.D. x 6 1/2" O.D.	1
80/	All	8	All	D1HZ 10A310-A	L/N	105,130	*GP-505 7/8" I.D. x 7" O.D.	1
80/	All	6&8	All	D4HZ 10A310-A	D	75	*GP-588-7/8" I.D. x 6 1/2" O.D.	1
80/	All	8	All	D9AZ 10A310-A	M	100	*GP-602	1
80/	CL-CLT900	6&8	All	D8HZ 10A310-B	L/N	70,90,	*GP-604	1
82/	LTL900	6&8	All			105		
YEAR	MODEL/RESTRICTIONS	ENGINE		PART NUMBER	DESCRIPTION	QTY.		
		CYL.	C.I.D. (C.C.D.)					
10B310	BUSHING (ALTERNATOR MOUNTING)							
80/81	C-CT600/800 -- Cat. Diesel "Before 5/18/81"	8	636	C8TZ 10B310-A		2		
80/81	L-LN-LNT-LT-LTS800 Cat. diesel "Before 5/18/81"	8	636			2		
81/	C-CT600/800 -- Cat. diesel "From 5/18/81"	8	636	E1HZ 10B310-A		1		
81/	L-LN-LNT-LT-LTS700/800 -- Cat. diesel "From 5/18/81"	8	636			1		
83/	F-FT700/800 -- Cat. 3208 diesel	8	636			1		
80/83	L-LN-LNT-LT-LTL-LTS 900	6&8	All	D4HZ 10B310-A	Use w/Delco 75,90 amp. alternator	1		
80/83	CL-CLT900	6&8	All			1		
10K310	Refer to Group 10346 for Alternator Parts List Instructions							



10A313 ALTERNATOR MOUNTING PARTS

Alternator mounting parts are listed in chart form following the illustration below. Refer to the illustration to determine the name of the part required. Refer to the chart to select the appropriate part number. The chart is listed by year, series, engine and alternator make and amperage.

Attaching parts such as bolts, nuts, etc. are listed by code number. A listing of the code numbers and their corresponding part numbers and descriptions appears at the end of the chart.





1980/  
TRUCK SERIES 600/900

MODEL	ALTERNATOR		ADJUSTMENT ARM		MOUNTING BRACKETS			
	Δ MAKE	AMP.	PART NUMBER	●NUTS, BOLTS, ETC.	FRONT		SIDE	
					PART NUMBER	●NUTS, BOLTS, ETC.	PART NUMBER	●NUTS, BOLTS, ETC.

Δ

● REFER TO HARDWARE LISTING AT END OF CHART FOR NUMBER SHOWN IN THIS COLUMN

10A313 ALTERNATOR MOUNTING PARTS  
Notes: ‡ Cut to length, ◆ Improve-Fabricate from 3/16" Thick Steel

1980/

8 CYL. 6.1L (370 C.I.D.), 7.0L (429 C.I.D.)

B-C-CT-F600/800	M	40,60	D9HZ 10145-B	28,86			E0HZ 9B450-A& D1AZ 8A652-A	85
L-LN-LNT-LT-LTS600/800	M	40,60						
B-C-CT-F600/800 -- 1980/81	M	70,90	D9HZ 10145-C	28,86			E0HZ 9B450-A& D1AZ 8A652-A	85
L-LN-LNT-LT-LTS600/900	M	70,90						
-- 1980/81								
B-C-CT-F-FT600/800 -- 1982/	M	75,90	E2HZ 10145-B				E0HZ 9B450-A & D1AZ 8A652-A	85
L-LN-LNT-LT-LTS600/800 -- 1982/	M	75,90						
LN600/700 -- A/T	L/N	70	D9HZ 10145-A				E0HZ 9B450-A& D1AZ 8A652-A	85
B700 -- "Before 10/8/80"	L/N	105,130	D9HZ 10145-A	28,86			E0HZ 9B450-A& D1AZ 8A652-A	85
C-CT600/800	L/N	105						
B700 -- "From 10/8/80"	L/N	105,130	D9HZ 10145-A (Arm)	28,86			E0HZ 9B450-A& D1AZ 8A652-A E2HZ 10A370-B Spacer-use for field fix	85
B-C-F600/800 -- Motorola 130 amp.	ML	130	E5HZ 10145-C					

7.8L (477 C.I.D.), 8.8L (534 C.I.D.) GAS

C-CT-L-LN-LNT-LT-LTS900	M	70,90	D3HZ 10145-A	41,72			D5HZ 9B450-A	19,27, 78
C-CT-L-LN-LNT-LT-LTS900 without T/E	L/N	70, 105	D2HZ 10145-E	37,41, 42			D4HZ 10A313-A	19,27, 29,75
C-CT-L-LN-LNT-LT-LTS900- with T/E	L/N	70, 105	D2HZ 10145-E	37,41, 42			D5HZ 9B450-A	19,27, 78

6 CYL. 6.6L (401 C.I.D.) FTO DIESEL

CF600/700		60	E7HZ 10145-D E6HZ 10C343-A (block)				E6HZ 10A313-A	
CF600/700		75,90	E6HZ 10145-B E6HZ 10C343-A (block)				E6HZ 10A313-A	
B-F600/700 -- 1987/	M	All	E7HZ 10145-D				E6HZ 10A313-A	
CF700/800		40,60	E7HZ 10145-D				E6HZ 10A313-A	
B-F600/700	ML	130	E7HZ 10145-B				E6HZ 10A313-A	

6 CYL. 6.9L (426 C.I.D.) DETROIT DIESEL

L-LN-LNT-LT-LTS900	L/N	70,90	E0HZ 10145-A *GY-957-A (to alt.) and D5HZ 10156-B bracket (to compressor hd.)	31,49, 63 61,63 73 or 74			D0HZ 10153-T *GY-972	2,3
L-LN-LNT-LT-LTS900	D	75	D7HZ 10145-A (to alt.) and D7HZ 10156-A (to comp. hd.)				E0HZ 10A313-A	

**1980/  
TRUCK SERIES 600/900**

MODEL	ALTERNATOR		ADJUSTMENT ARM		MOUNTING BRACKETS			
	Δ MAKE	AMP.	PART NUMBER	●NUTS, BOLTS, ETC.	FRONT		SIDE	
					PART NUMBER	●NUTS, BOLTS, ETC.	PART NUMBER	●NUTS, BOLTS, ETC.

Δ

● REFER TO HARDWARE LISTING AT END OF CHART FOR NUMBER SHOWN IN THIS COLUMN

10A313 ALTERNATOR MOUNTING PARTS — Cont'd

Notes: ‡ Cut to length, ♦ Improve-Fabricate from 3/16" Thick Steel

**1980/**

**6 CYL. 6.9L (426 C.I.D.) DETROIT DIESEL**

L-LN-LNT-LT-LTS900	M	70,90	D0HZ 10145-U *GY-968	28,61, 63			D0HZ 10153-T *GY-972	2,3
L-LN-LNT-LT-LTS900	M	75	E2HZ 10145-C (arm) and D5HZ 10156-B (bracket)				D0HZ 10153-T *GY-972	

**6 CYL. 7.8L (476 C.I.D.) FTO DIESEL**

B-F600/800, FT900 -- 1987/ L-LN-LNT-LS-LT-LTS800, CF700/800	M	40,60	E7HZ 10145-D				E6HZ 10A313-A	
B-F600/800, FT900 -- 1987 L-LN-LNT- LS-LT-LTS800	M	75,90	E7HZ 10145-A				E6HZ 10A313-A	
B-F-FT600/900	ML	130	E7HZ 10145-B				E6HZ 10A313-A	

**6 CYL. 9.0L (552 C.I.D.) DETROIT DIESEL**

NOTE 1 - Enlarge rod attaching hole as necessary

CL-CLT900	M	70,75,90	E5HZ 10C344-D (rod) & D8HZ 10C343-E (block)		D8HZ 10156-A NOTE 1		D0HZ 10153-N	
CL-CLT900	D	75,90	E5HZ 10C344-D (rod) & D8HZ 10C343-F (block)		D8HZ 10156-A NOTE 1		D8HZ 10153-A	
LN-LNT900 -- 1980/84	D	75	D7HZ 10145-B (to alt.) & D7HZ 10156-B (to comp. hd.)				E0HZ 10A313-B	
LN-LNT900 -- 1980/84	M	75,90	D0HZ 10145-A				D0HZ 10153-N	
LN-LNT900 -- 1985/87	D	75	E5HZ 10C344-A (rod) and D8HZ 10C343-F (block)		D8HZ 10156-A		D8HZ 10153-A	
LN-LNT900 -- 1985/87	M	75,90	E5HZ 10C344-A (rod) and D8HZ 10C343-E (block)		D8HZ 10156-A		D0HZ 10153-N	
LN-LNT900	L/N	90	D0HZ 10145-B				D0HZ 10153-N	

**6 CYL. 10.0L (610 C.I.D.) CUM. DIESEL**

CL-CLT900	D	75	E7HZ 10145-C		E7HZ 10A313-A		E4HZ 10153-B (plate)	
CL-CLT900	M	75,90	E5HZ 10145-A				F0HZ 10153-A (bracket) and E4HZ 10153-B (plate)	

**1980/  
TRUCK SERIES 600/900**

MODEL	ALTERNATOR		ADJUSTMENT ARM		MOUNTING BRACKETS			
	△ MAKE	AMP.	PART NUMBER	●NUTS, BOLTS, ETC.	FRONT		SIDE	
					PART NUMBER	●NUTS, BOLTS, ETC.	PART NUMBER	●NUTS, BOLTS, ETC.

△

● REFER TO HARDWARE LISTING AT END OF CHART FOR NUMBER SHOWN IN THIS COLUMN

10A313 ALTERNATOR MOUNTING PARTS — Cont'd

Notes: ‡ Cut to length, ◆ Impvise-Fabricate from 3/16" Thick Steel

**1980/**

**6 CYL. 10.0L (610 C.I.D.) CUM. DIESEL**

LN-LNT900 -- exc. LTA	M	90	E4HZ 10145-A				F0HZ 10153-A (bracket) & E4HZ 10153-B (plate)	
LN-LNT900 -- LTA	M	90	E5HZ 10145-A				F0HZ 10153-A (bracket) and E4HZ 10153-B (plate)	
L-LL-LN-LNT-LS-LT-LTL-LTS 900	D	75,90	E7HZ 10145-C (arm) & E7HZ 10C343-A (block)	88			E7HZ 10A313-A	

**6 CYL. 10L (638 C.I.D.) CAT. DIESEL (3306 SERIES)**

If not listed below, procure from Caterpillar Diesel source

L-LN-LNT-LT-LTS900 -- w/Delco alt.	D	All	E5HZ 10C344-B (rod &) D8HZ 10C343-F (block)				E8HZ 10A313-C	
L-LN-LNT-LT-LTS900 w/Motorcraft alt.	M	All	E5HZ 10C344-E (rod &) D8HZ 10C343-F				E8HZ 10A313-D	

**6 CYL. 14.0L (855 C.I.D.) CUM. DIESEL**

If not listed below, procure from Cummins Diesel source

CL-CLT900 "Before 11/87"	D	75,90	D8HZ 10C344-B (rod) & D8HZ 10C343-F (block)				D8HZ 10153-B	
CL-CLT900 "From 11/87"	D	75,90	D8HZ 10C344-B (rod) & D8HZ 10C343-F (block)				E8HZ 10A313-A	
L-LN-LNT-LT-LTL-LTS900 -- 1980/84	D	75, 90	D5HZ 10145-D	49,55, 64,66,69			D8HZ 10A313-B	28,31,55 64,70,77
L-LN-LNT-LT-LTL-LTS900 -- 1985/88 "Before 11/87"	D	75,90	E5HZ 10C344-B (rod) and E5HZ 10145-B (adj. bracket)				D8HZ 10A313-B	
L-LL-LN-LNT-LS-LT-LTL- LTS900 "From 11/87"	D	75,90	E5HZ 10C344-B (rod) & E8HZ 10145-B (adj. bracket)				E8HZ 10A313-A	
CL-CLT900 "Before 11/87"	M	70,75,90	D8HZ 10C344-B (rod) & D8HZ 10C343-E (block)				D8HZ 10A313-A	
CL-CLT900 "From 11/87"	M	All	D8HZ 10C344-B (rod) & E8HZ 10145-C (adj. bracket)				E8HZ 10A313-B	

**1980/  
TRUCK SERIES 600/900**

MODEL	ALTERNATOR		ADJUSTMENT ARM		MOUNTING BRACKETS			
	Δ MAKE	AMP.	PART NUMBER	●NUTS, BOLTS, ETC.	FRONT		SIDE	
					PART NUMBER	●NUTS, BOLTS, ETC.	PART NUMBER	●NUTS, BOLTS, ETC.

Δ

● REFER TO HARDWARE LISTING AT END OF CHART FOR NUMBER SHOWN IN THIS COLUMN

10A313 ALTERNATOR MOUNTING PARTS — Cont'd

Notes: ‡ Cut to length, ♦ Improve-Fabricate from 3/16" Thick Steel

**1980/**

**6 CYL. 14.0L (855 C.I.D.) CUM. DIESEL**

If not listed below, procure from Cummins Diesel source

L-LN-LNT-LTS900 -- exc. NTC350 -- 1980/84	M	70,75, 90	D0HZ 10145-R *GY-966	29, 48, 49,			
LTL-LTS900-NTC350 -- 1980/84	M	70,75,90					
LT900 -- exc. NTC350	M	70,75, 90					
LT900 -- NTC350 -- 1980/84	M	70,75, 90	D4HZ 10145-A	29, 48, 49 61, 63			
L-LN-LNT900-NTC350 -- 1980/84	M	70,75,90					
L-LN-LNT-LT-LTS900 -- 1985/88 "Before 11/87"	M	75,90	E5HZ 10C344-C (rod) and E5HZ 10145-B (adj. bracket)				E5HZ 10A313-A
L-LL-LN-LNT-LS-LT-LTS900 "From 11/87"	M	All	E5HZ 10C344-C (rod) & F1HZ 10145-C (adj. bracket)				E8HZ 10A313-B
L-LN-LNT-LTS900 -- NH230,NHC250,NTC270	L/N	70	D0HZ 10145-S *GY-967	29,48,49, 61,63			
L-LN-LNT-LTS900 -- NTC250, PT270,NTC290,NTC335	L/N	70	D4HZ 10145-B	29,48, 49,61			
LTS900-NTC350	L/N	70					
LTL900 -- NTC300,350	L/N	105	D5HZ 10145-D				
CL-CLT900	L/N	70,90 105	D8HZ 10C344-B (Rod) & D8HZ 10C343-F (Block)				D8HZ 10153-B

**6 CYL. 14.6L (893 C.I.D.) CAT. DIESEL**

If not listed below, procure from Caterpillar Diesel source

**NOTE 1 -** Enlarge rod attaching hole as necessary

CL-CLT900	D	75,90	D8HZ 10C344-B (rod) & D8HZ 10C343-F (block)		D8HZ 10156-B NOTE 1		E2HZ 10A313-A
CL-CLT900	L/N	70,90, 105	D8HZ 10C344-B (rod) & D8HZ 10C343-F (block)		D8HZ 10156-B NOTE 1		E2HZ 10A313-A
CL-CLT900-1980/83	M	70,75,90	D8HZ 10C344-B (rod)& D8HZ 10C343-E (block)		D8HZ 10156-B NOTE 1		E3HZ 10A313-A
CL-CLT900 -- 1984	M	75,90	D8HZ 10C344-B (rod) & D8HZ 10C343-E (block)		E4HZ 10156-A		E3HZ 10A313-A
L-LT-LTL-LTS900 -- with A/C- 1980/83	M	70,75,90	D4HZ 10145-D	28,49, 55			E3HZ 10A313-A 29,33,49 50,55,65

**1980/  
TRUCK SERIES 600/900**

MODEL	ALTERNATOR		ADJUSTMENT ARM		MOUNTING BRACKETS			
	Δ MAKE	AMP.	PART NUMBER	●NUTS, BOLTS, ETC.	FRONT		SIDE	
					PART NUMBER	●NUTS, BOLTS, ETC.	PART NUMBER	●NUTS, BOLTS, ETC.

Δ

● REFER TO HARDWARE LISTING AT END OF CHART FOR NUMBER SHOWN IN THIS COLUMN

10A313 ALTERNATOR MOUNTING PARTS — Cont'd  
Notes: ‡ Cut to length, ◆ Improve—Fabricate from 3/16" Thick Steel

**1980/**

**6 CYL. 14.6L (893 C.I.D.) CAT. DIESEL**

If not listed below, procure from Caterpillar Diesel source

NOTE 1 — Enlarge rod attaching hole as necessary

L-LT-LTL-LTS900 -- without A/C- 1980/83	M	70,75,90	D4HZ 10145-E	28,55, 64,76			E3HZ 10A313-A	29,33,49 50,55,65
L-LT-LTL-LTS900 -- with A/C- 1980/84	D	75, 90	D4HZ 10145-D	49,55, 56,64			E2HZ 10A313-A	29,33, 55,65,71
L-LT-LTL-LTS900 -- without A/C- 1980/84	D	75, 90	D4HZ 10145-E	56,64, 76			E2HZ 10A313-A	29,33, 55,65,71
LN-LNT900 -- with A/C- 1980/83	M	70,90	D4HZ 10145-D	28,49,55	E1HZ 10153-B		E3HZ 10A313-A	29,33,49,
LN-LNT900 -- without A/C- 1980/83	M	70,90	D4HZ 10145-E	28,55,64,76	E1HZ 10153-B		E3HZ 10A313-A	29,33,49,50
L-LN-LNT-LT-LTL-LTS900 -- with A/C-1984	M	75,90	D4HZ 10145-D	28			E3HZ 10A313-A	49,50,55
LN-LNT900 -- with A/C- 1980/84 "Before 5/84"	D	75	D4HZ 10145-D	49,55,56,64	E1HZ 10153-B		E2HZ 10A313-A	29,33,55,65
LN-LNT900 -- without A/C 1980/84 "Before 5/84"	D	75	D4HZ 10145-E	56,64,76	E1HZ 10153-B		E2HZ 10A313-A	29,33,55, 65,71
L-LN-LNT-LT-LTS900 -- without A/C - 1984 "From 5/84"	D	75	D8HZ 10C344-B (rod) and D8HZ 10C343-F (block)		E4HZ 10156-A		E2HZ 10A313-A	
L-LN-LNT-LT-LTS900 -- with A/C- 1984 "From 5/84"	D	75	E5HZ 10C344-D (rod) and D8HZ 10C343-F (block)				E2HZ 10A313-A	
LN-LNT900	D	75					E9HZ 10A313-A	
L-LN-LNT-LT-LTL-LTS900 -- without A/C-1984 "From 5/84"	M	75,90	D8HZ 10C344-B (rod) and D8HZ 10C343-E (block)		E4HZ 10156-A		E3HZ 10A313-A	
L-LN-LNT-LT-LTL-LTS900 -- with A/C-1984 "From 5/84"	M	75,90	E5HZ 10C344-D (rod) and D8HZ 10C343-E (block)		E4HZ 10156-A		E3HZ 10A313-A	
LTL900 -- with A/C	L/N	105	D4HZ 10145-D	49,55 56,64			E2HZ 10A313-A	29,33 55,65,71
LTL900 -- without A/C	L/N	105	D4HZ 10145-E	56,64 76			E2HZ 10A313-A	29,33 55,65,71

**6 CYL. 18.8L (1150 C.I.D.) CUM. DIESEL — Procure from Cummins Diesel source**

**8.2L (501 C.I.D.) DETROIT DIESEL**

B-C-CT-F-FT600/800	M	40,60	D9HZ 10145-B		E1HZ 10153-A			
B-C-CT-F600/800 -- without A/C -- 1980/81	M	70,90	D9HZ 10145-C		E1HZ 10153-A			
B-C-CT-F600/800 -- with A/C -- 1980/81	M	70,90	D9HZ 10145-C		E3HZ 10153-A			

**1980/  
TRUCK SERIES 600/900**

MODEL	ALTERNATOR		ADJUSTMENT ARM		MOUNTING BRACKETS			
	Δ MAKE	AMP.	PART NUMBER	●NUTS, BOLTS, ETC.	FRONT		SIDE	
					PART NUMBER	●NUTS, BOLTS, ETC.	PART NUMBER	●NUTS, BOLTS, ETC.

Δ

● REFER TO HARDWARE LISTING AT END OF CHART FOR NUMBER SHOWN IN THIS COLUMN

10A313

ALTERNATOR MOUNTING PARTS — Cont'd

Notes:

‡ Cut to length, ♦ Improve-Fabricate from 3/16" Thick Steel

**1980/**

**8.2L (501 C.I.D.) DETROIT DIESEL**

B-C-CT-F-FT600/800 -- with A/C-1982/ FT900 -- with A/C	M	75,90	E2HZ 10145-B		E3HZ 10153-A & E0HZ 10A370-A (spacer)-with M/T			
B-C-CT-F-FT600/800 -- without A/C-1982/ FT900 -- without A/C	M	75,90	E2HZ 10145-B		E6HZ 10153-A & E0HZ 10A370-A (spacer)-with M/T			
C-CT600/800 -- 1981/- without A/C-exc. Det. diesel	L/N	105,130	E0HZ 10145-B		E6HZ 10153-A			
C-CT600/800 -- 1981/87- with A/C-exc. Det. diesel	L/N	105,130	E0HZ 10145-B		E3HZ 10153-A			
C-CT800 -- 1987-w/ Det. 8.2L diesel	L/N	105	E0HZ 10145-B (Arm) & E1HZ 10145-A (Bracket)		E3HZ 10153-A			
B-F-FT600/800 -- 1981/- without A/C	L/N	105,130	E0HZ 10145-B (Arm) & E1HZ 10145-A (Bracket)		E6HZ 10153-A			
B-F-FT600/800 -- 1981/ with A/C	L/N	105,130	E0HZ 10145-B (Arm) & E1HZ 10145-A (Bracket)		E3HZ 10153-A			
FT900 -- with A/C	L/N	105,130						
B-F600/800-1980	L/N	105,130	E0HZ 10145-B		E3HZ 10153-A & E0HZ 10A370-A (Spacer)			
LN600/700 -- 1981/87	M	40,60	D9HZ 10145-B		E6HZ 10153-A			
LN600/700 -- 1981	M	70,90	D9HZ 10145-C		E6HZ 10153-A			
LN600/700 -- 1982/87	M	75,90	E2HZ 10145-B		E6HZ 10153-A & E0HZ 10A370-A (spacer) with M/T			
B-C-F700/800 -- w/130 amp. Motorola alt. "Before 2/86"	ML	130	E5HZ 10145-C					
B-F600/800 "From 2/86"	ML	130	E6HZ 10145-C		E6HZ 10153-A			

**8 CYL. 9.0L (555 C.I.D.) CUM. DIESEL**

L-LN-LNT-LT-LTS900	M	All	D3HZ 10145-B				D3HZ 10153-A	
--------------------	---	-----	--------------	--	--	--	--------------	--

**8 CYL. 10.4L (636 C.I.D.) CATERPILLAR DIESEL (3208 Series)**

F-LN700	M	42,55, 61,70	D5TZ 10145-D	8,31,49, 50,55	E0HZ 2B884-A	66,67		
F-FT-L-LN-LNT-LT-LTS700/800	M	40,55, 70,75,90						
C-CT700/800 -- 1980/81	M	42,55, 70	D5HZ 10145-A (to engine) & D5HZ 10145-C (to alternator)	8,28,46, 49,50	E0HZ 10153-B *GY-1305-A	8,50, 68		
C-CT700/800 -- 1982/	M	40,60, 75	E2HZ 10145-A		E0HZ 10153-B *GY-1305-A			

**1980/  
TRUCK SERIES 600/900**

MODEL	ALTERNATOR		ADJUSTMENT ARM		MOUNTING BRACKETS			
	Δ MAKE	AMP.	PART NUMBER	●NUTS, BOLTS, ETC.	FRONT		SIDE	
					PART NUMBER	●NUTS, BOLTS, ETC.	PART NUMBER	●NUTS, BOLTS, ETC.

Δ

● REFER TO HARDWARE LISTING AT END OF CHART FOR NUMBER SHOWN IN THIS COLUMN

10A313 ALTERNATOR MOUNTING PARTS — Cont'd  
Notes: † Cut to length, ♦ Improve—Fabricate from 3/16" Thick Steel

**1980/**

**8 CYL. 10.4L (636 C.I.D.) CATERPILLAR DIESEL (3208 Series)**

C-CT 700/800	L/N	105	D5HZ 10145-A (arm) & E1HZ 10145-A (bracket)	49,50, 55	E0HZ 10153-B *GY-1305-A	8,50 68		
B-F-FT700/800	L/N	105, 130	E3HZ 10145-A	31,55	E0HZ 2B884-A	33,67		
C700/800	ML	130	D5HZ 10145-A (arm) and E5HZ 10C344-E (rod) and E5HZ 10C343-A (block)		E0HZ 10153-B& E1HZ 10B310-A (bushing)			
B-F-FT700/900 -- 1986/	ML	130	E6HZ 10C344-A (rod) and E5HZ 10C343-A (block)					

**8 CYL. 9.3L (568 C.I.D.) DETROIT DIESEL**

CL-CLT900	D	75,90	E5HZ 10C344-D (rod) & D8HZ 10C343-F (block)		D8HZ 10156-A		D8HZ 10153-A	
CL-CLT900	L/N	70,90, 105	E5HZ 10C344-D (rod) & D8HZ 10C343-F (block)		D8HZ 10156-A		D8HZ 10153-A	
CL-CLT 900	M	70,75,90	E5HZ 10C344-D (rod) & D8HZ 10C343-E (block)		D8HZ 10156-A		D0HZ 10153-N	
L-LN-LNT-LT900	M	70,75,90	D0HZ 10145-A *GY-952	28, 51, 61			D0HZ 10153-N *GY-988(to fly wheel housing)	29, 32
L-LN-LNT-LT900	L/N	70,90	D0HZ 10145-B *GY-953	8, 49, 51, 61, 63			D0HZ 10153-N *GY-988 (to fly wheel housing)	29, 32
L-LN-LNT-LT900	D	75	D7HZ 10145-B (to alt) & D7HZ 10156-B (to comp. hd.)				E0HZ 10A313-B	

**1980/  
TRUCK SERIES 600/900**

MODEL	ALTERNATOR		ADJUSTMENT ARM		MOUNTING BRACKETS			
	Δ MAKE	AMP.	PART NUMBER	●NUTS, BOLTS, ETC.	FRONT		SIDE	
					PART NUMBER	●NUTS, BOLTS, ETC.	PART NUMBER	●NUTS, BOLTS, ETC.

Δ

● REFER TO HARDWARE LISTING AT END OF CHART FOR NUMBER SHOWN IN THIS COLUMN

10A313

ALTERNATOR MOUNTING PARTS — Cont'd

Notes:

‡ Cut to length, ♦ Improve-Fabricate from 3/16" Thick Steel

**1980/**

**8 CYL. 12.0L (736 C.I.D.) DETROIT DIESEL**

CL-CLT900 LTL900	D D	75,90 90	E5HZ 10C344-D (rod) & D8HZ 10C343-F (block)		D8HZ 10156-A		D8HZ 10153-A
CL-CLT900 LTL900	L/N L/N	70,90, 105 105	E5HZ 10C344-D (rod) & D8HZ 10C343-F (block)		D8HZ 10156-A		D8HZ 10153-A
CL-CLT900 LTL900	M M	70,90 70	E5HZ 10C344-D (rod) & D8HZ 10C343-E (block)		D8HZ 10156-A		DOHZ 10153-N

**CODE NUMBER TO PART NUMBER LISTING—Quantity As Required**

CODE NO.	PART NUMBER	DESCRIPTION	CODE NO.	PART NUMBER	DESCRIPTION
<b>10A313 ALTERNATOR MOUNTING PARTS (NUTS, BOLTS, ETC.)—Quantity as required</b>					
2	34670-S8(M-54)	Nut-hex. head-7/16"-14"	64	44879-S2 (X-31-G)	Washer-1/2"
3	351989-S8(BB-188)	Bolt-hex. head-7/16"-14 x 4 5/8"			
8	351385-S7(XX-158)	Washer-flat-3/8"	65	58669-S36 (B-117-H)	Bolt-hex. head-7/16"-14 x 5 1/2"
19	375277-S (XX-165-F)	Washer-flat-7/16"	66	356420-S13 (XX-167-A)	Flatwasher-3/16"
28	58635-S2(B-82-A)	Bolt-hex. head-3/8"-16 x 1 1/4"	67	★ 383447-S	Bolt - 7/16" - 14 x 7"
29	380079-S2 (XX-173-C)	Washer-flat-7/16"	68	58648 - S2 (B-93-A)	Bolt - 3/8 - 16 x 4 1/2"
31	58637-S2(B-86-A)	Bolt-hex. head-3/8"-16 x 1 3/4"	69	58674-S7-8 (B-121-A)	Bolt-hex. head-1/2"-13 x 1 1/4"
32	★ 58653-S2	Bolt-hex. head-7/16"-14 x 1"	70	58690-S2 (B-129-KA)	Bolt-hex. head-1/2"-13 x 6" grade 8
33	★ 34988-S4	Nut-locking-7/16"-14"	71	58633-S2 (B-77-D)	Bolt - hex. head - 3/8" - 16 x 3/4" - grade 8
37	381907-S2 (BB-563-BB)	Bolt-hex. head-3/8"-16 x 1 1/2"	72	381649-S2 (BB-563-AH)	Bolt - hex. head - 3/8" - 16 x 1"
41	57494-S36(BB-330)	Screw & conical washer- 3/8"-16 x 7/8"	73	56129-S2 (B-319-P)	Bolt - hex. head - 5/16" - 18 x 2 3/4"
42	33799-S7(M-52)	Nut-hex. 3/8"-16"	74	58641-S2 (B-93-B)	Bolt - hex. head - 3/8" - 16 x 2 3/4" - grade 8
43	★ 37103-S2	Screw & washer 3/8"-16 x 1 1/4"	75	58667-S36 (B-117-F)	Bolt - hex. head - 7/16" - 14 x 4 1/2" - grade 8
48	★ 58662-S36	Bolt-hex. head-7/16"-14 x 3 1/4"	76	58681-S2 (B-129-A)	Bolt-hex. head- 1/2"-13 x 3" - grade 8
49	58636-S2(B-85-D)	Bolt-hex. head-3/8"-16 x 1 1/2"	77	34989-S2 (M-89-FA)	Nut - hex. lock - 1/2"-13 grade 8
50	34987-S4(M-89-CF)	Nut-hex. head-3/8"-16"			
51	★ 383998-S36	Bolt-hex. head-3/8"-16 x 5 3/4"			
55	★ 44877-S36	Washer-flat-3/8"			
56	★ 58673-S36	Bolt-1/2"-13 x 1"			
61	382585-S100 (XX-143-A)	Washer-flat-3/8"			
63	383406-S100 (MM-173-MY)	Nut-locking-3/8"-16			

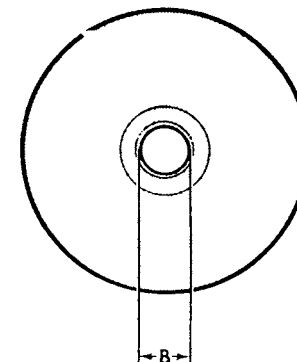
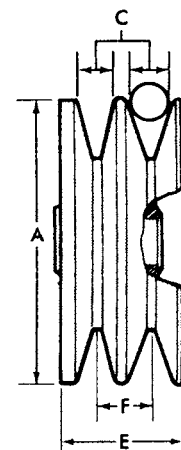
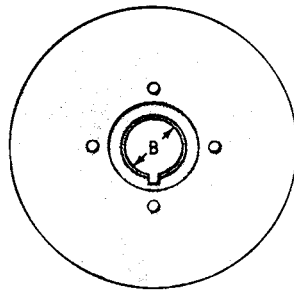
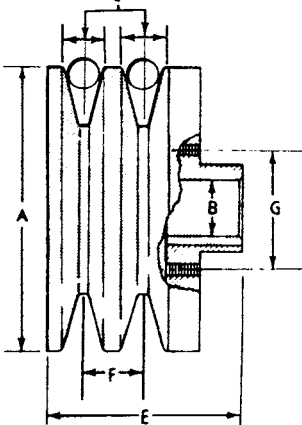
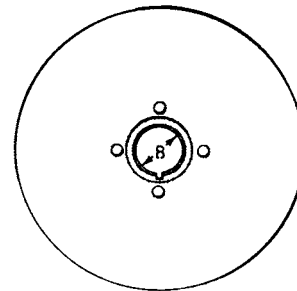
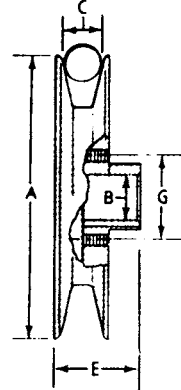
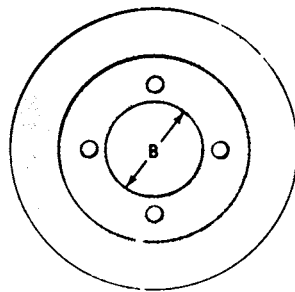
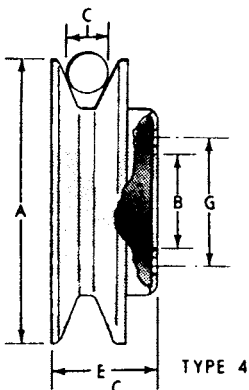
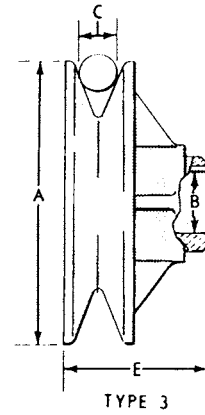
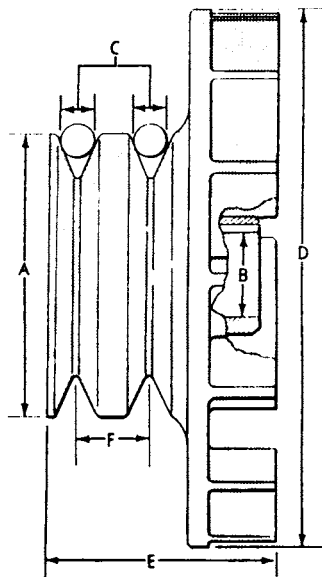
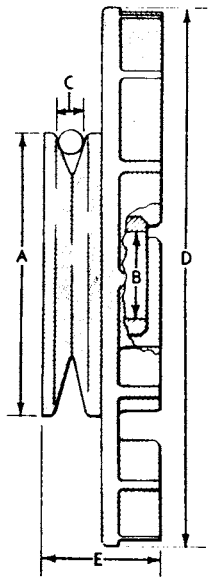


1980/  
TRUCK SERIES 600/900

**CODE NUMBER TO PART NUMBER LISTING—Quantity As Required**

CODE NO.	PART NUMBER	DESCRIPTION		CODE NO.	PART NUMBER	DESCRIPTION	
<b>10A313 ALTERNATOR MOUNTING PARTS (NUTS, BOLTS, ETC.)—Quantity as required</b>							
78	383272-S2 (BB-552-BC)	Bolt-hex. washer head- 3/8"-16 x 4 1/4"		87	N601317-S2 (AB-33-KG)	Bolt-M10 x 1 1/2 x 60	
85	388595-S36 (BB-187-S)	Bolt-7/16"-14 x 5 11/16"		88	389417-S36	Bolt-3/8"-16x4.50 hex. flange hd.	
86	58640-S2 (B-93-A)	Bolt-3/8"-16 x 2 1/2"					
YEAR	MODEL/RESTRICTIONS	ENGINE		PART NUMBER		DESCRIPTION	QTY.
		CYL.	C.I.D. (C.C.D.)				
<b>10C313 Refer to group 10346 for Alternator parts List Instructions</b>							
<b>10316 REGULATOR ASSY. (ALTERNATOR)—also refer to group 10346</b>							
80/	All -- w/Motorcraft alt.	6&8	All	E2PZ	10316-A	*GR-540-A-#D9PF 10316-AA, E2PF 10316-AA	1
86/	CF600/800 -- diesel	All	All				1
80/	CL-CLT900 -- w/Leece- Nevill alt.	6&8	All	D8HZ	10316-A	*GR-535-also serviced in assy. 10346	1
82/	LTL900 -- w/Leece Nevill alt.	6&8	All				1
80/	CL-CLT900 -- w/Delco 90 amp. alt.	6&8	All	D8HZ	10316-B	*GR-536-also serviced in assy. 10346	1
82/	LTL900 -- w/Delco 90 amp. alt.	6&8	All				1
80/	CL-CLT900 -- w/Delco 75 amp. alt.	6&8	All	D4HZ	10316-B	*GR-515-12 volt, negative ground- also serviced in assy. (10346)	1
80/		6&8	All		31497-S8	(U-254)-screw-hex.head-No. 14-14 x 1/2"	1
					42143-S8	(U-255)-screw-hex. head-No. 14-10 x 3/4"	2
<b>10317 SHIELD (ALTERNATOR SPLASH)</b>							
80/87	CL-CLT900(91)	8	568	D2HZ	10317-A	#D2HA 10317-AA-also serviced in kit-group 10B381 Use w/ Leece Neville alt.	1
					33770-S4	(M-89-K)-nut-shield to guard-5/16"-18 hex.	AR
80/87	CL-CLT900 -- Det. diesel	6&8	552,568	D8HZ	10317-A	#D7HT 10317-BB-for Motorcraft alternator	1
<b>10C323-336 Refer to group 10346 for Alternator Parts List Instruction</b>							
<b>10337 BRACKET (ALTERNATOR REGULATOR MOUNTING)</b>							
80/87	C-CT600/900	6&8	All		C6TZ	10337-A	1
					31497-S8	(U-254)-screw-hex. head-No. 14-14 x 1/2"	2
					31498-S	(U-253-B)-screw-hex. head-No. 14-10 x 5/8"	2
80/87	CL-CLT900 -- w/ Motorcraft alternators	6&8	All	D8HZ	10337-A	#D7HT 10665-AA	1
88/	CL-CLT900 -- w/Motorcraft 75 or 90 amp. alt.	6&8	All	F0HZ	10337-A	#E8HT 10665-AA, F0HT 10665-AA	1
<b>10A340 Refer to group 10346 for Alternator Parts List Instructions</b>							
<b>10C343 BLOCK (ALTERNATOR ADJUSTING ARM)—Refer to group 10A313</b>							
<b>10C343 BLOCK (AIR COMPRESSOR ADJUSTING ARM)</b>							
80/87	CL-CLT900 -- Cat., Cummins, Detroit diesel	6&8	552,568, 610,736, 855,893	D8HZ	10C343-A	For A/C compressor	1
88/	LTL900	6&8	All	D8HZ	10C343-E	For A/C compressor	1
88/	CL-CLT900 -- Cum. diesel	6	610,855			For A/C compressor	1
80/	L-LN-LNT-LT-LTS800/900 -- FTO, Cat., Cummins diesel	6&8	All			For A/C compressor	1
89	B-F-L-LN-LNT-LT-LTS600/900 -- with FTO diesel	6	402,476	E9HZ	10C343-A	#E8HT 10C343-BA	1
<b>10C343 BLOCK (BELT IDLER ADJUSTMENT)</b>							
87/	B-F-FT600/900, L-LN-LNT- LS-LT-LTS700/800 -- FTO diesel	6	401,476	E7HZ	10C343-B		1

10344 PULLEY (ALTERNATOR)



P-2915

**1980/  
TRUCK SERIES 600/900**

**ALTERNATOR PULLEYS**

MODEL	IDENTIFICATION	T Y P E	A	B	C	D	E	F	G	Δ MAKE	AMP.	PART NUMBER
NOTE: D-Delco, M-Motorcraft, L/N-Leece Neville-Make and amperage appear on Truck Specification Lists												
10344 PULLEY (ALTERNATOR) — Cont'd												

**1980/**

**8 CYL. 6.1L (370 C.I.D.), 7.0L (429 C.I.D.)**

B-C-F-FT-L-LN-LNT-LT-LTS600/800	E2HF 10A352-AA	6	3.17	.880	.50		1.62	.68		M	75,90	E2HZ 10344-A *GP-608
---------------------------------	----------------	---	------	------	-----	--	------	-----	--	---	-------	-------------------------

**8 CYL. 7.8L (477 C.I.D.), 8.8L (534 C.I.D.) GAS**

C-CT900, L-LN-LNT-LT-LTS900	C8TF 10A352-A, D0AF 10A352-A	6	3.92	.88	.62		1.94	.82		M	70	D0AZ 10344-A *GP-497
C-CT900, L-LN-LNT-LT-LTS900	C5TF 10A352-H, 74137, 74144	6	3.38	.670	.50		1.68	.68		L/N	70	C5TZ 10344-G
C-CT900	D1HF 10A352-CA	6	3.875	.875	.625		2.00	.83		L/N	105	D1HZ 10344-C *GP-577
LT-LNT800 F800	C5TF 10A352-A, C, J, L	6	3.07	.670	.50		1.66	.68		M	42, 55	C5TZ 10344-J *GP-466
L-LNT800 F800	D0AF 10A352-A	6	3.92	.88	.62		1.94	.82		M	70, 90	D0AZ 10344-A *GP-497

**6 CYL. 6.9L (426 C.I.D.) DETROIT DIESEL**

L-LN-LNT-LT900	C7TF 10A352-A	6	3.42	.880	.50		1.62	.68		M	70, 90	C7TZ 10344-A *GP-484
L-LN-LNT-LT900	C5TF 10A352-H, 74137, 74144	6	3.38	.670	.50		1.68	.68		L/N	70	C5TZ 10344-G
L-LN-LNT-LT-LTS900		7	3.35	.88	.50		1.73	.68		D	75	D4HZ 10344-A *GP-589
L-LN-LNT-LT-LTS900	C9HS 10A352-A	7	3.10	.87	.50		1.56	.62		D	75	D7HZ 10344-A *GP-594

**6 CYL. 9.0L (552 C.I.D.) DETROIT DIESEL**

CL-CLT900		7	3.35	.88	.50		1.73	.68		D	75	D4HZ 10344-A *GP-589
CL-CLT900	C7TF 10A352-A	6	3.42	.880	.50		1.62	.68		M	70	C7TZ 10344-A *GP-484
CL-CLT-LN-LNT900	E2HF 10A352-AA	6	3.17	.880	.50		1.62	.68		M	75,90	E2HZ 10344-A *GP-608

**6 CYL. 14.0L (855 C.I.D.) CUM. DIESEL**

CL-CLT900,L-LN-LNT-LT-LTL-LTS900	C7TF 10A352-A	6	3.42	.880	.50		1.62	.68		M	70, 90	C7TZ 10344-A *GP-484
L-LN-LNT-LT-LTS900	C5TF 10A352-H, 74137, 74144	6	3.38	.670	.50		1.68	.68		L/N	70	C5TZ 10344-G
L-LN-LNT-LT-LTS900		7	3.35	.88	.50		1.73	.68		D	75	D4HZ 10344-A *GP-589
CL-CLT900												

**6 CYL. 14.6L (893 C.I.D.) CATERPILLAR DIESEL**

CL-CLT-L-LT-LTL-LTS900	C7TF 10A352-A	6	3.42	.880	.50		1.62	.68		M	70,90	C7TZ 10344-A *GP-484
L-LN-LNT-LT-LTS900		7	3.35	.88	.50		1.73	.68		D	75	D4HZ 10344-A *GP-589
CL-CLT900												
CL-CLT-L-LN-LNT-LT-LTL-LTS900	E2HF 10A352-AA	6	3.17	.880	.50		1.62	.68		M	75,90	E2HZ 10344-A *GP-608

**1980/  
TRUCK SERIES 600/900**

MODEL	IDENTIFICATION	T Y P E	A	B	C	D	E	F	G	Δ MAKE	AMP.	PART NUMBER
NOTE: D-Delco, M-Motorcraft, L/N-Leece Neville-Make and amperage appear on Truck Specification Lists												
10344 PULLEY (ALTERNATOR) — Cont'd												

**1980/**

**8 CYL. 8.2L (501 C.I.D.) DETROIT DIESEL**

B-F-FT600/800 FT900	D1HF 10A352-BA	6	3.25	.875	.50		1.71	.68		L/N	105	D1HZ 10344-B *GP-506
B-C-F-FT600/800, LN600/700,FT900	E2HF 10A352-AA	6	3.17	.880	.50		1.62	.68		M	75,90	E2HZ 10344-A *GP-608

**8 CYL. 10.4L (636 C.I.D.) CATERPILLAR DIESEL**

C-LN600/700, C-L-LN-LNT-LT-LTS800	C7TF 10A352-A	6	3.42	.880	.50		1.62	.68		M	70	C7TZ 10344-A *GP-484
C-CT-L-LN-LNT-LT-LTS 700/800	E2HF 10A352-AA	6	3.17	.880	.50		1.62	.68		M	75,90	E2HZ 10344-A *GP-608
B700, C600/800,F-FT700/800	D1HF 10A352-BA, 75800	6	3.25	.875	.50		1.71	.68		L/N	105	D1HZ 10344-B *GP-506

**8 CYL. 9.1L (555 C.I.D.) CUM. DIESEL**

L-LN-LNT-LT-LTS800	C5TF 10A351-A, C, J, L	6	3.07	.670	.50		1.66	.68		M	42, 55	C5TZ 10344-J *GP-466
L-LN-LNT-LT-LTS800	C7TF 10A352-A	6	3.42	.880	.50		1.62	.68		M	70	C7TZ 10344-A *GP-484

**8 CYL. 9.3L (568 C.I.D.) DETROIT DIESEL**

CL-CLT900,L-LT900	C7TF 10A352-A	6	3.42	.880	.50		1.62	.68		M	70, 90	C7TZ 10344-A *GP-484
L-LT900	C5TF 10A352-H, 74137, 74144	6	3.38	.670	.50		1.68	.68		L/N	65	C5TZ 10344-G
L-LN-LNT-LT-LTS900		7	3.35	.88	.50		1.73	.68		D	75	D4HZ 10344-A *GP-589
L-LN-LNT-LT-LTS900	D3HS 10A352-FA	6	3.13	.87	.68		1.88	.68	1.50	D	75	D7HZ 10344-B *GP-595
CL-CLT-L-LN-LNT-LT-LTS900	E2HF 10A352-AA	6	3.17	.880	.50		1.62	.68		M	75,90	E2HZ 10344-A *GP-608

**8 CYL. 14.8L (903 C.I.D.) CUM. DIESEL**

L-LN-LNT-LT900	C7TF 10A352-A	6	3.42	.880	.50		1.62	.68		M	70, 90	C7TZ 10344-A *GP-484
L-LN-LNT-LT900	C5TF 10352-H, 74137, 74144	6	3.38	.670	.50		1.68	.68		L/N	65	C5TZ 10344-G
L-LN-LNT-LT-LTS900		7	3.35	.88	.50		1.73	.68		D	75	D4HZ 10344-A *GP-589

YEAR	MODEL/RESTRICTIONS	ENGINE		PART NUMBER	Δ MAKE	AMP	DESCRIPTION	QTY.
		CYL.	C.I.D. (C.C.D.)					
<b>10A344 SPACER (ALTERNATOR FAN OR PULLEY)</b>								
80/	All	6&8	All	C5AZ 10A344-B	M	40,42, 55, 60,61	*GY-808-11/16" I.D. x 7/8" O.D. x 5/32" thick	1
80/	All	6&8	All	D0AZ 10A344-A	M	70, 90	*GY-974-7/8" I.D. x 1 1/4" O.D. x 1/8" thick	1
80/	All	6&8	All	C5TZ 10A344-A	L/N	70	11/16" I.D. x 1 3/16" x 1 3/16" x 1/4" thick	1
80/	All	8	All	D1HZ 10A344-A	L/N	105	*GY-1020-7/8" I.D. x 1 3/8" O.D. x 3/16" thick	1
80/	All	6&8	All	D4HZ 10A344-A	D	75	7/8" I.D. x 13/8" O.D. x 17/32" thick	1

1980/  
TRUCK SERIES 600/900

YEAR	MODEL/RESTRICTIONS	ENGINE		PART NUMBER	DESCRIPTION	QTY.
		CYL.	C.I.D. (C.C.D.)			
<b>10C344 ROD (AIR COMPRESSOR ADJUSTING ARM)</b>						
80/	CL-CLT900 -- Cat., Cummins, Det. diesel	6&8	552,568, 736,893, 1150	E5HZ 10C344-D	For A/C comp.-9/16"-12 thread- 7" ctr of eye to end	1
88/	LTL900 -- Cat. 3406 diesel	6	893			1
88/	LL-LTL900 -- Cumm. 10L diesel-manual A/C	6	610			1
88/	L-LL-LN-LNT-LS-LT-LTL-LTS900 -- Cumm. NTC diesel-with A/C	6	855			1
80/	CL-CLT900 -- Cummins diesel	6	855	D8HZ 10C344-D	For A/C comp.-9/16"-12 thread- 5 1/2" ctr of eye to end	1
<b>10C344 ROD (ALTERNATOR ADJUSTING ARM) Refer to group 10A313</b>						
<b>10C344 ROD (BELT IDLER ADJUSTMENT)</b>						
87/	B-F-FT600/900, L-LN-LNT-LS- LT-LTS700/800 -- FT0 diesel	6	401,476	E7HZ 10C344-A		1
88/	CL-CLT-L-LL-LN-LNT-LS-LT-LTS 800/900 -- w/manual A/C	6&8	All exc. FT0	E8HZ 10C344-A		1

10346 ALTERNATOR ASSY.

ALTERNATOR IDENTIFICATION and/or T.S.L. CROSS REFERENCE GUIDE

HOW TO FIND ALTERNATORS and COMPONENTS

- |  |  |
|--|--|
| <p>By IDENTIFICATION on ALTERNATOR:</p> <ol style="list-style-type: none"> <li>1. Locate marking (on alternator housing).</li> <li>2. Check marking listed under Alternator Identification Chart below to find part number of service alternator, pulley, fan &amp; spacer.</li> </ol> | <p>By MODEL IDENTIFICATION:</p> <ol style="list-style-type: none"> <li>1. Refer to Alternator Application Chart beginning on page 18</li> <li>2. Refer to appropriate Year, Model and Engine.</li> </ol> |
|--|--|

By IDENTIFICATION on TRUCK SPECIFICATION LIST: †

† Included with all trucks built at Louisville

1. Locate Alternator number shown on Truck Specification List.
2. Check Alternator number against Identification numbers listed below to find part numbers of service Alternator, Pulley, Fan & Spacer.
3. Select and refer to appropriate Parts List Section and Number.
4. If basic number is not known refer to Illustration Page shown, or to Index following the General Information Section of this Catalog.
5. Select part number shown for affected Parts List. If more than one part number is shown refer to Description and Restrictions for clarification.
6. Quantity of parts shown in columns A, B or C etc.
7. Parts are listed numerically.

IDENTIFICATION EXAMPLE: D8ZF 10300-EA is listed in Parts List Section 103.1 Column A.

MODEL APPLICATION EXAMPLE: 1980 F600 uses 40 amp. Alternator (D9ZZ 10346-A). Internal parts for this Alternator are listed in Parts List Section 103.1 Column 1C.

TRUCK SPECIFICATION LISTS EXAMPLE: D8ZF 10300-EA appears on a Truck Specification List. The service alternator for this number is D9ZZ 10346-A and internal parts for this Alternator are listed in Parts List Section 103.1 Column 1A.

IDENTIFICATION CHART

IDENTIFICATION	PARTS LIST SECTION & NO.	△ MAKE	AMP.	PART NUMBER				ILLUS. SEC. 103 PAGE
				ALTERNATOR	PULLEY	FAN	SPACER	
<b>NOTE: D-Delco, M-Motorcraft, L/N-Leece Neville-Make and amperage appear on Truck Specification Lists</b>								
<b>10346 ALTERNATOR ASSY.</b>								
A001 2300-JB	103.6A	L/N	70	D8HZ 10346-A *GL-187	D8HZ 10344-B *GP-603	D8HZ 10A310-B *GP-604	D1HZ 10A344-A *GY-1020	8
A001 2500-JB	103.6B	L/N	90	E8HZ 10346-J *GL-188-A	D8HZ 10344-B *GP-603	D8HZ 10A310-B *GP-604	D1HZ 10A344-A *GY-1020	8
A001 2600-JB	103.6C	L/N	105	D8HZ 10346-C *GL-189	D8HZ 10344-B *GP-603	D8HZ 10A310-B *GP-604	D1HZ 10A344-A *GY-1020	8
A001 7501-AA	103.4B	L/N	90	E2HZ 10346-A *GL-213	D1HZ 10344-B *GP-506	D1HZ 10A310-A *GP-505	D1HZ 10A344-A *GY-1020	3
A001 090594	103.4A	L/N	105	D9HZ 10346-B *GL-206	D1HZ 10344-B *GP-506	D1HZ 10A310-A *GP-505	D1HZ 10A344-A *GY-1020	3
A001 090599	103.7A	L/N	130	D9HZ 10346-C *GL-207	D1HZ 10344-B *GP-506	D1HZ 10A310-A *GP-505	D1HZ 10A344-A *GY-1020	9
A001 090600	103.3A	L/N	70	D9HZ 10346-A *GL-205	C5TZ 10344-G	C2AZ 10A310-A	C5TZ 10A344-A	8

1980/  
TRUCK SERIES 600/900

IDENTIFICATION CHART

IDENTIFICATION	PARTS LIST SECTION & NO.	△ MAKE	AMP.	PART NUMBER				ILLUS. SEC. 103 PAGE
				ALTERNATOR	PULLEY	FAN	SPACER	
<b>NOTE:</b> D-Delco, M-Motorcraft, L/N-Leece Neville-Make and amperage appear on Truck Specification Lists								
<b>10346 ALTERNATOR ASSY. — Cont'd</b>								
A001 090601	103.4A	L/N	105	D9HZ 10346-B *GL-206	D1HZ 10344-B *GP-506	D1HZ 10A310-A *GP-505	D1HZ 10A344-A *GY-1020	3
A001 090634	103.4B	L/N	90	E2HZ 10346-A *GL-213	D1HZ 10344-B *GP-506	D1HZ 10A310-A *GP-505	D1HZ 10A344-A *GY-1020	3
A200 099128	103.7A	L/N	130	D9HZ 10346-C *GL-207	D1HZ 10344-B *GP-506	D1HZ 10A310-A *GP-505	D1HZ 10A344-A *GY-1020	9
A200 099129	103.3A	L/N	70	D9HZ 10346-A *GL-205	C5TZ 10344-G	C2AZ 10A310-A	C5TZ 10A344-A	8
A200 099130	103.4A	L/N	105	D9HZ 10346-B *GL-206	D1HZ 10344-B *GP-506	D1HZ 10A310-A *GP-505	D1HZ 10A344-A *GY-1020	3
D4HF 10300-AA	103.5A	D	75	D7HZ 10346-A *GL-192	D4HZ 10344-A *GP-589	D4HZ 10A310-A *GP-588	D4HZ 10A344-A	5
D4HF 10300-BA	103.2A	M	90	D4HZ 10346-B *GL-94-C	C7TZ 10344-A *GP-484	D0AZ 10A310-A *GP-496	D0AZ 10A344-A *GY-974	2
D4TF 10300-BA	103.2B	M	70	D4HZ 10346-B *GL-94-C	C7TZ 10344-B *GP-485	D0AZ 10A310-A *GP-496	D0AZ 10A344-A *GY-974	2
D4TF 10300-CA	103.2B	M	70	D4HZ 10346-B *GL-94-C	C7TZ 10344-A *GP-484	D0AZ 10A310-A *GP-496	D0AZ 10A344-A *GY-974	2
D7HT 10300-AA	103.5B	D	90	D8HZ 10346-D *GL-190	D4HZ 10344-A *GP-589	D4HZ 10A310-A *GP-588	D4HZ 10A344-A	7
D7HT 10300-BA	103.5C	D	90	D8HZ 10346-E *GL-191	D4HZ 10344-A *GP-589	D4HZ 10A310-A *GP-588	D4HZ 10A344-A	7
D7HT 10300-CA	103.6A	L/N	70	D8HZ 10346-A *GL-187	D8HZ 10344-B *GP-603	D8HZ 10A310-B *GP-604	D1HZ 10A344-A *GY-1020	8
D7HT 10300-DA	103.6B	L/N	90	E8HZ 10346-J *GL-188-A	D8HZ 10344-B *GP-603	D8HZ 10A310-B *GP-604	D1HZ 10A344-A *GY-1020	8
D7HT 10300-EA	103.6C	L/N	105	D8HZ 10346-C *GL-189	D8HZ 10344-B *GP-603	D8HZ 10A310-B *GP-604	D1HZ 10A344-A *GY-1020	8
D8ZF 10300-EA	103.1A	M	40	E1ZZ 10346-A *GL-204-A	C5AZ 10344-L *GP-494	E5SZ 10A310-A *GP-618	C5AZ 10A344-B *GY-808	1
D9HT 10300-BA	103.3A	L/N	70	D9HZ 10346-A *GL-205	C5TZ 10344-G	C2AZ 10A310-A	C5TZ 10A344-A	8
D9HT 10300-CA	103.4A	L/N	105	D9HZ 10346-B *GL-206	D1HZ 10344-B *GP-506	D1HZ 10A310-A *GP-505	D1HZ 10A344-A *GY-1020	3
D9HT 10300-DA	103.1A	M	40	E1ZZ 10346-A *GL-204-A	C5TZ 10344-J *GP-466	E5SZ 10A310-A *GP-618	C5AZ 10A344-B *GY-808	1
D9HT 10300-EA	103.1B	M	60	E2GZ 10346-C *GL-212	C5TZ 10344-J *GP-466	E5SZ 10A310-A *GP-618	C5AZ 10A344-B *GY-808	1
D9HT 10300-FA	103.7A	L/N	130	D9HZ 10346-C *GL-207	D1HZ 10344-B *GP-506	D1HZ 10A310-A *GP-505	D1HZ 10A344-A *GY-1020	9
E0HT 10300-AA	103.5D	D	90	D8HZ 10346-D *GL-190	D4HZ 10344-A *GP-589	D4HZ 10A310-A *GP-588	D4HZ 10A344-A	7
E1HT 10300-AA	103.1D	M	40	E1ZZ 10346-A *GL-204-A	C5TZ 10344-J *GP-466	E5SZ 10A310-A *GP-618	C5AZ 10A344-B *GY-808	1
E1HT 10300-BA	103.1C	M	60	E2GZ 10346-C *GL-212	C5TZ 10344-J *GP-466	E5SZ 10A310-A *GP-618	C5AZ 10A344-B *GY-808	1
E2HT 10300-CA	103.4B	L/N	90	E2HZ 10346-A *GL-213	D1HZ 10344-B *GP-506	D1HZ 10A310-A *GP-505	D1HZ 10A344-A *GY-1020	3

1980/  
TRUCK SERIES 600/900

**IDENTIFICATION CHART**

IDENTIFICATION	PARTS LIST SECTION & NO.	Δ MAKE	AMP.	PART NUMBER				ILLUS. SEC. 103 PAGE
				ALTERNATOR	PULLEY	FAN	SPACER	

**NOTE:**

**NOTE 1:** R/b E2GZ 10346-C alternator, C5TZ 10344-J pulley, E5SZ 10A310-A fan, and C5AZ 10A344-B spacer

**NOTE 2:** R/b E2HZ 10346-D alternator, E2HZ 10344-A pulley, D0AZ 10A310-A fan, and D0AZ 10A344-A spacer

10346 ALTERNATOR ASSY. — Cont'd									
E2HT 10300-DB	103.2C	M	75	E2HZ 10346-B *GL-215	E2HZ 10344-A *GP-608	D0AZ 10A310-A *GP-496	D0AZ 10A344-A *GY-974		2
E2HT 10300-EB	103.2D	M	90	E2HZ 10346-C *GL-216	E2HZ 10344-A *GP-608	D0AZ 10A310-A *GP-496	D0AZ 10A344-A *GY-974		2
E2HT 10300-FA	103.2C	M	75	E2HZ 10346-D *GL-217	E2HZ 10344-A *GP-608	D0AZ 10A310-A *GP-496	D0AZ 10A344-A *GY-974		2
E2HT 10300-GA	103.2D	M	90	E2HZ 10346-E *GL-218	E2HZ 10344-A *GP-608	D0AZ 10A310-A *GP-496	D0AZ 10A344-A *GY-974		2
EZHT-DB	103.2C	M	75	E2HZ 10346-B *GL-215	E2HZ 10344-A *GP-608	D0AZ 10A310-A *GP-496	D0AZ 10A344-A *GY-974		2
EZHT-EB	103.2D	M	90	E2HZ 10346-C *GL-216	E2HZ 10344-A *GP-608	D0AZ 10A310-A *GP-496	D0AZ 10A344-A *GY-974		2
EZHT-FA	103.2C	M	75	E2HZ 10346-D *GL-217	E2HZ 10344-A *GP-608	D0AZ 10A310-A *GP-496	D0AZ 10A344-A *GY-974		2
EZHT-GA	103.2D	M	90	E2HZ 10346-E *GL-218	E2HZ 10344-A *GP-608	D0AZ 10A310-A *GP-496	D0AZ 10A344-A *GY-974		2
E4HT 10300-AA	103.2D	M	90	E2HZ 10346-E *GL-218	E4HZ 10344-A *GP-614	D0AZ 10A310-A *GP-496	D0AZ 10A344-A *GY-974		2
E4HT 10300-BA	103.5C	D	90	D8HZ 10346-E *GL-191	D4HZ 10344-A *GP-589	D4HZ 10A310-A *GP-588	D4HZ 10A344-A		7
E4HT 10300-CA	103.5D	D	90	D8HZ 10346-D *GL-190	D4HZ 10344-A *GP-589	D4HZ 10A310-A *GP-588	D4HZ 10A344-A		7
E5HS 10300-BA	103.5F	D	90	E8HZ 10346-A *GL-259	E6HZ 10344-C *GL-632	D4HZ 10A310-A *GP-588	D4HZ 10S344-A		7
E5HT 10300-BB	103.8A	ML	130	E5HZ 10346-A *GL-231	E5HZ 10344-B *GP-622	E5HZ 10A310-A *GP-623	E5HZ 10A344-A		
E5HT 10300-CB	103.8A	ML	130	E5HZ 10346-A *GL-231	E5HZ 10344-B *GP-622	E5HZ 10A310-A *GP-623	E5HZ 10A344-A		
E5HT 10300-EA	103.9A	FB	60	★ E6HZ 10346-A Note 1	E6HZ 10344-A	E6HZ 10A310-A	E6HZ 10A344-B		
E5HT 10300-FA	103.9B	FB	75	★ E6HZ 10346-B Note 2	E6HZ 10344-B	E6HZ 10A310-B	E6HZ 10A344-A		
E5HT 10300-HA	103.8A	ML	130	E5HZ 10346-A *GL-231	E5HZ 10344-B *GP-622	E5HZ 10A310-A *GP-623	E5HZ 10A344-A		
E6HT 10300-CA	103.8A	ML	130	E5HZ 10346-A *GL-231	E5HZ 10344-B *GP-622	E5HZ 10A310-A *GP-623	E5HZ 10A344-A		
E6HT 10300-DA	103.8A	ML	130	E5HZ 10346-A *GL-231	E5HZ 10344-B *GP-622	E5HZ 10A310-A *GP-623	E5HZ 10A344-A		
E6HT 10300-EA	103.8A	ML	130	E5HZ 10346-A *GL-231	E5HZ 10344-B *GP-622	E5HZ 10A310-A *GP-623	E5HZ 10A344-A		
E6HT 10300-GA	103.8A	ML	130	E5HZ 10346-A *GL-231	E5HZ 10344-B *GP-622	E5HZ 10A310-A *GP-623	E5HZ 10A344-A		
E7HT 10300-BA	103.2E	M	75	E8PZ 10346-AA *GL-264	E4HZ 10344-A *GP-614	D0AZ 10A310-A *GP-496	D0AZ 10A344-A *GY-974		
E7HT 10300-CA	103.5E	D	75	D7HZ 10346-A *GL-192	E6HZ 10344-C *GL-632	D4HZ 10A310-A GP-588	D4HZ 10A344-A		5
E8HT 10300-HA	103.10A	M	60	E7PZ 10346-K *GL-244-A	E4TZ 10344-B *GP-617	E5SZ 10A310-A *GP-618	C5AZ 10A344-B *GY-808		
E8HT 10300-JA	103.6D	L/N	90	E8HZ 10346-J *GL-188-A	D8HZ 10344-B *GP-603	D8HZ 10A310-B *GP-604	D1HZ 10A344-A *GY-1020		8
E8HT 10300-KA	103.6E	L/N	105	E8HZ 10346-K *GL-189-A	D8HZ 10344-B *GP-603	D8HZ 10A310-B *GP-604	D1HZ 10A344-A *GY-1020		8



1980/  
TRUCK SERIES 600/900

**IDENTIFICATION CHART**

IDENTIFICATION	PARTS LIST SECTION & NO.	△ MAKE	AMP.	PART NUMBER				ILLUS. SEC. 103 PAGE
				ALTERNATOR	PULLEY	FAN	SPACER	
<b>NOTE:</b>								
<b>10346 ALTERNATOR ASSY. — Cont'd</b>								
87HU 10300-AA	103.2D		90	E2HZ 10346-E *GL-218	E2HZ 10344-A *GP-608	D0AZ 10A310-A *GP-496	D0AZ 10A344-A *GY-974	
87HU 10300-BA	103.2D		90	E2HZ 10346-E *GL-218	E2HZ 10344-A *GP-608	D0AZ 10A310-A *GP-496	D0AZ 10A344-A *GY-974	
87HU 10300-DA	103.1C		60	E2GZ 10346-C *GL-212	C5TZ 10344-J *GP-466	E5SZ 10A310-A *GP-618	C5AZ 10A344-B *GY-808	1
D4HF 10346-BA	103.2A	M	90	D4HZ 10346-B *GL-94-C				2
D4TF 10346-BA	103.2B	M	70	D4HZ 10346-B *GL-94-C				2
D8BF 10346-AA	103.1B	M	60	E2GZ 10346-C *GL-212				1
D8ZF 10346-AA	103.1A	M	40	E1ZZ 10346-A *GL-204-A				1
E1BF 10346-AA	103.1C	M	60	E2GZ 10346-C *GL-212				1
E1ZF 10346-AA	103.1D	M	40	E1ZZ 10346-A *GL-204-A				1
E2HF 10346-AA	103.2C	M	75	E2HZ 10346-B *GL-215				2
E2HF 10346-BA	103.2D	M	90	E2HZ 10346-C *GL-216				2
E2HF 10346-CA	103.2C	M	75	E2HZ 10346-D *GL-217				2
E2HF 10346-DA	103.2D	M	90	E2HZ 10346-E *GL-218				2
E4HS 10346-DA	103.5F	D	90	E8HZ 10346-A *GL-259				7
E7PF 10346-AAA		M	75	E8PZ 10346-AA *GL-264				
E7PF 10346-DA	103.10A	M	60	E7PZ 10346-K *GL-244-A				
A001090753	103.6D	L/N	90	E8HZ 10346-J *GL-188-A				8
A001090752	103.6E	L/N	105	E8HZ 10346-K *GL-189-A				8
310-277	103.8A	ML	130	E5HZ 10346-A *GL-231				
310-279	103.8A	ML	130	E5HZ 10346-A *GL-231				
310-309	103.8A	ML	130	E5HZ 10346-A *GL-231				
1117067	103.5D	D	90	D8HZ 10346-D *GL-190	D4HZ 10344-A *GP-589	D4HZ 10A310-A *GP-588	D4HZ 10A344-A	7
1117242	103.5A	D	75	D7HZ 10346-A *GL-192				5
1117481	103.5B	D	90	D8HZ 10346-D				7
1117732	103.5C	D	90	D8HZ 10346-E				7
1117736	103.5C	D	90	D8HZ 10346-E *GL-191	D4HZ 10344-A *GP-589	D4HZ 10A310-A *GP-588	D4HZ 10A344-A	7
1117242	103.5E	D	75	D7HZ 10346-A *GL-192				5
1117263	103.5E	D	75	D7HZ 10346-A *GL-192	E6HZ 10344-C *GP-632	D4HZ 10A310-A *GP-588	D4HZ 10A344-A	5
1117804	103.5F	D	90	E8HZ 10346-A *GL-259				7

**1980/  
TRUCK SERIES 600/900**

10346 ALTERNATOR ASSY. — Cont'd

**APPLICATION CHART**

(Also see ALTERNATOR IDENTIFICATION CHART on pages 15 thru 17 of this Section)

Determine year, model, engine, make of alternator and amperage or identification.  
Find service Alternator as well as Voltage Regulator in adjacent column. Parts are listed in order of Make and Amperage.

**APPLICATION CHART**

MODEL	ENGINE		△ MAKE	AMP	REMARKS	PARTS LIST SEC. & NO.	PART NUMBER		ILLUS. SEC. 103 PAGE
	CYL.	C.I.D. (C.C.D.)					ALTERNATOR	VOLTAGE REGULATOR	

NOTE:

Lists

NOTE 1: R/b E2GZ 10346-C alternator, C5TZ 10344-J pulley, E5SZ 10A310-A fan, and C5AZ 10A344-B spacer  
10346 ALTERNATOR ASSY.

**1980/**

F600/800 -- 1980 C-CT600/800 -- 1980 L-LN-LNT-LT-LTS600/800 -- 1980	6&8 8 8	All All All	M	40		103.1A	★ D9ZZ 10346-A *GL-204 r/bE1ZZ 10346-A	FOPZ 10316-A *GR-540-B	1
F-FT600/800 C-CT600/800 L-LN-LNT-LT-LTS600/800	8 8 8	All All All	M	40		103.1D	E1ZZ 10346-A *GL-204-A	FOPZ 10316-A *GR-540-B	1
B-F600/800 -- 1980 C-CT600/800,CL-CLT900 -- 1980 L-LN-LNT-LT-LTS600/800 -- 1980	6&8 6&8 6&8	All All All	M	60		103.1B	★ D9BZ 10346-A *GL-197 r/bE2GZ 10346-C (11/81)	FOPZ 10316-A *GR-540-B	1
B-F-FT600/800 -- 1980/87 C-CT600/800, CL-CLT900 1980/87 L-LN-LNT-LT-LTS600/800 1980/87	6&8 6&8 6&8	All All All	M	60		103.1C	E2GZ 10346-C *GL-212 r/bFOPZ 10316-A	D9PZ 10316-A *GR-540 *GR-540-B	1
B-F-FT600/900 -- 1988/ C-CT800 -- 1988/ L-LN-LNT-LT-LTS-LS800/900 -- 1988/ CF600/700	6&8 6&8 6&8 6	All All All	M	60	I.A.R.	103.10A	E7PZ 10346-K *GL-244-A	E6TZ 10316-A *GR-784-A	
B-F600/800 -- 1980/81 C-CT600/900 -- 1980/81 CL-CLT900 -- 1980/81 L-LN-LNT-LT-LTL-LTS600/900 -- 1980/81	6&8 6&8 6&8 6&8	All All All All	M	70		103.2B	★ E6HZ 10346-A r/b Note 1 ★ D4TZ 10346-B *GL-93-C r/bD4HZ 10346-B	FOPZ 10316-A *GR-540-B	2
CL-CLT900	6&8	All	L/N	70		103.6A	D8HZ 10346-A *GL-187	D8HZ 10316-A *GR-535	8
C-CT900 -- 1980/81 LN-LNT900 -- 1980/85	6&8 6&8	All All	L/N	70		103.3A	D9HZ 10346-A *GL-205	FOPZ 10316-A *GR-540-B	8
CL-CLT900 L-LN-LNT-LT-LTS900	6&8 6&8	All All	D	75		103.5A	D7HZ 10346-A *GL-192	% D4HZ 10316-B *GR-515	5
L-LN-LNT-LT-LTL-LTS900 -- Cumm. diesel CL-CLT900 -- Cumm. L10	6 6	610 610	D	75	E7HT 10300-CA, 1117263	103.5E	★ E7HZ 10346-A *GL-249 r/bD7HZ 10346-A	% D4HZ 10316-B *GR-515	5
L-LN-LNT-LT-LTS800 -- Cat. 3208 diesel -- 1982/ CL-CLT-L-LN-LNT-LT-LTL-LTS900 -- Cat. 3406, NTC Cumm. diesels -- 1982/84	8 6	636 855,893	M	75		103.2C	E2HZ 10346-B *GL-215	FOPZ 10316-A *GR-540-B	2

1980/  
TRUCK SERIES 600/900

APPLICATION CHART

MODEL	ENGINE		Δ MAKE	AMP	REMARKS	PARTS LIST SEC. & NO.	PART NUMBER		ILLUS. SEC. 103 PAGE
	CYL.	C.I.D. (C.C.D.)					ALTERNATOR	VOLTAGE REGULATOR	

NOTE:

% Integral type

NOTE 2: R/b E2HZ 10346-D alternator, E2HZ 10344-A pulley, DOAZ 10A310-A fan and DOAZ 10A344-A spacer

10346 ALTERNATOR ASSY. — Cont'd

1980/

B-C-CT-F-FT-LN600/800 -- Det. 990 diesel -- 1982/87 FT900 -- Det. diesel CL-CLT-L-LN-LNT-LT-LTS900 -- Det. diesels -- 1982/87 B-C-F600/900 -- 1988/ L-LN-LNT-LT-LTS700/900 -- Cat. 3208 diesel	8 8 6&8 All 8	501 501 426,552, 568 636	M	75		103.2C	E2HZ 10346-D *GL-217	F0PZ 10316-A *GR-540-B	2
L-LA-LL-LN-LNT-LL-LTA-LT-LTL-LTS900 -- w/Cum. 10L diesel CF600/700	6 6	610 401	M FB	75		103.2E 103.9B	E8PZ 10346-AA *GL-264 ★ E6HZ 10346-B r/bNote 2	F0PZ 10316-A *GR-540-B	
F800 -- 1980/81 CL-CLT900 -- 1980/81 L-LN-LNT-LT-LTL-LTS900 -- 1980/81	8 6&8 6&8	All All All	M	90		103.2A	D4HZ 10346-B *GL-94-C	F0PZ 10316-A *GR-540-B	2
L-LN-LNT-LT-LTS800 -- Cat. 3208 diesel -- 1982/ CL-CLT-L-LN-LNT-LT-LTS900 -- Cat. 3406, Cum. NTC diesels -- 1982/	8 6	636 855,893	M	90		103.2D	E2HZ 10346-C *GL-216	F0PZ 10316-A *GR-540-B	2
B-C-CT-F-FT-LN600/800, FT900 -- Det. 990 diesel -- 1982/87 CL-CLT-L-LN-LNT-LT-LTS900 -- 6V-92, 8V-71 Det. diesels -- 1982/87 CL-CLT900 -- Cumm. L-10-1989 CF600/800 CL-CLT900-1980/87	8 6&8 6 6 6&8	501 552,568 610 All	M	90		103.2D 103.6B	E2HZ 10346-E *GL-218 ★ D8HZ 10346-B *GL-188 r/bE8HZ 10346-J	F0PZ 10316-A *GR-540-B %D8HZ 10316-A *GR-535	2 8
CL-CLT900-1988/ L-LT800/900 -- Cat. 3406 diesel	6&8 6	All 893	L/N	90		103.6D	E8HZ 10346-J GL-188-A	%D8HZ 10316-A *GR-535	8
CL-CLT-LTL900 -- Cat., Cum. and Det. diesels with 24 volt alt.-30 SI-TR	6&8	552,568, 736,855, 893	D	90		103.5B	D8HZ 10346-D *GL-190	%D8HZ 10316-B *GR-536	7
CL-CLT900, LTL900 -- with 12 volt alt.-30 SI	6&8	All	D	90		103.5C	D8HZ 10346-E *GL-191	%D8HZ 10316-B *GR-536	7
CL-CLT900 -- w/Cum. L10 diesel	6	610	D	90		103.5F	E8HZ 10346-A *GL-259	%D8HZ 10316-B *GR-536	7
B-C-F-FT-L-LN-LNT-LTS600/800 -- 1982/	8	370,429, 501	L/N	90		103.4B	E2HZ 10346-A *GL-213	F0PZ 10316-A *GR-540-B	3
B-F-FT600/800, FT900 C-CT600/900	6&8 8	All All	L/N L/N	105 105		103.4A	D9HZ 10346-B *GL-206	F0PZ 10316-A *GR-540-B	3
CL-CLT900-1980/87 LTL900	6&8 6&8	All All	L/N L/N	105 105		103.6C	D8HZ 10346-C *GL-189	D8HZ 10316-A *GR-535	8
CL-CLT900-1988/ L-LT800/900 -- Cat. 3406 diesel	6&8 6	All 893	L/N	105		103.6E	E8HZ 10346-K *GL-189-A	%D8HZ 10316-A *GR-535	8
B600/700	6&8	All	L/N	130		103.7A	D9HZ 10346-C *GL-207	F0PZ 10316-A *GR-540-B	9
B-C-F600/800	6&8	All	ML	130		103.8A	E5HZ 10346-A *GL-231	F0PZ 10316-A *GR-540-B	

1980/  
TRUCK SERIES 600/900

YEAR	MODEL/RESTRICTIONS	ENGINE		PART NUMBER	DESCRIPTION	QTY.		
		CYL.	C.I.D. (C.C.D.)					
<b>10A346 SHIELD (ALTERNATOR HEAT)</b>								
80/81	CL-CLT900 - - Det. diesel	6&8	552,568	★ D8HZ 10A346-A	#D7HT 10A346-AA-for Motorcraft alternators	1		
80/81	CL-CLT900 - - Det. diesel	6&8	552,568, 736	★ E1HZ 10A346-A	#D7HT 10A346-AB,D7HT 10A346-CA, D8HT 10A346-AA,EDD8HT 10A346-AA, E1HT 10A346-AA for Delco or Leece-Neville alternators	1 1		
<b>10C346 RESISTOR ASSY. (ALTERNATOR WARNING LAMP SHUNT)</b>								
80/	F-FT600/800	8	All	E80Z 10C346-A	Use on instrument cluster w/charge indicator and oil pressure warning lights	1		
87/	CF600/800	All	All	E7HZ 10C346-A		1		
<b>10A355 RETAINER ASSY. (ALTERNATOR)</b>								
Note: △ M-Motorcraft, L/N-Leece Neville-Make and amperage appear on Truck Specification List								
89	L-LA-LL-LN-LNT-LS-LT-LTA-LTL-LTS900 - - Cat. 3306	6	638	E9HZ 10A355-A	#E9HT 10A355-AA	1		
<b>10347-75 Refer to group 10346 for Alternator Parts List Instruction</b>								
<b>10A370 Refer to group 10A313</b>								
YEAR	MODEL/RESTRICTIONS	ENGINE		PART NUMBER	△ MAKE	AMP.	DESCRIPTION	QTY.
		CYL.	C.I.D. (C.C.D.)					
<b>10374 DIODE ASSY.</b>								
87/	CF700/800	6	476	E5RY 10374-A			*GY-1352,3 amps. (in 14398 wire assy)	AR
<b>10A380-3 Refer to group 10346 for Alternator Parts List Instruction</b>								
<b>10B381 GUARD ASSY. (ALTERNATOR PULLEY and BELT)</b>								
80/	CL-CLT900 - - Detroit diesel	6&8	552,568, 736	E4HZ 10B381-A			#E0HT 10B381-AA, E3HT 10B381-AA	1
82/	LTL900 - - Det. diesel	8	736					1
<b>10A396 Refer to Group 10346 for Alternator Parts List Instruction</b>								
<b>10397 Refer to Group 10346 for Alternator Parts list Instruction</b>								
YEAR	MODEL/RESTRICTIONS	ENGINE		PART NUMBER	DESCRIPTION	QTY.		
		CYL.	C.I.D. (C.C.D.)					
<b>10563 PLATE (ALTERNATOR END) Refer to group 10346 for Alternator Parts List Instructions</b>								
<b>10A589 WIRING ASSY. (ALTERNATOR REGULATOR)</b>								
87/	B-F600/800 - - w/two gauge instr. cluster	All	All	E7HZ 10A589-A	#E7HT 10A589-AA,AB	1		
87/	B-F600/800 - - w/four gauge instr. cluster	All	All	E8HZ 10A589-A	#E8HT 10A589-AB	1		
89	L-LN-LNT-LT-LTS800/900 - - w/Cat. 3306	6	638			1		
<b>10604 BRACE (REGULATOR FRAME)</b>								
80/	CL-CLT900 - - w/ Motorcraft alternator	6&8	All	D8HZ 10604-A	#D7HT 10604-AA	1		
<b>10623 Refer to group 10346 for Alternator Parts List Instruction</b>								
<b>10A652 SPACER (BATTERY SUPPORT TO FRAME)</b>								
80/87	CL-CLT900	6&8	All	D8HZ 10A652-A	#D7HT 10A792-AC-(2) req'd w/2 batteries, (4) req'd w/3 or 4 batteries	AR		
82/	LTL900	6&8	All	E1HZ 10A652-A	#E1HT 10A792-AA, E3HT 10A972-AA-use with 3 or 4 85 or 90 amp. batteries R.H. side only	2		
85/	F-FT600/800 - - gas	8	All	E5HZ 10A652-A	#E5HT 10A792-CA	2		
<b>10W652 BRACKET ASSY. (BATTERY CABLE)</b>								
87/	CF600/800	6	All	E7HZ 10W652-A		1		

October, 1993

COPYRIGHT © 1993 - FORD MOTOR - DEARBORN, MICHIGAN  
COMPANY

Final Issue

1980/  
TRUCK SERIES 600/900

10A653 Refer to group 10732

YEAR	MODEL	ENGINE		MOTOR-CRAFT GROUP NO.	DIMENSIONS (INCHES)			TYPE	COLD CRANKING AMPS	MOTORCRAFT SALES NUMBER
		CYL.	C.I.D. (C.C.D.)		WIDTH	LENGTH	HEIGHT			

10653-5 BATTERY CHART										
12 VOLT										
80	All	All	All	24	6 27/32	10 1/4	8 11/16	Super H.D.	525	BX-24-F
80/83		6&8	All	31	6 25/32	13	9 3/8	Commercial	655	BH-29-H (Post)
								Commercial	655	BH-31-A (Stud)
85/	All exc. Det. 8.2L diesel-exc. Canada	6&8	All	31	6 25/32	13	9 3/8	Commercial	655	BH-31A
80/	All -- gas	6&8	All	62	6 3/8	8 15/16	8 7/8	Maintenance free	380	BR-62
80/	All	6&8	All	64	6 3/8"	11 9/16"	8 7/8"	Maintenance free-wet	585	BXT-64-A

YEAR	MODEL/RESTRICTIONS	ENGINE		PART NUMBER	DESCRIPTION	QTY.
		CYL.	C.I.D. (C.C.D.)			

10655 BATTERY ASSY. (RECHARGEABLE TELEPHONE POWER PACK)						
88/	All -- w/cellular telephone			E8LY 10655-A		1

10656 ELECTROLYTE (BATTERY)						
80/		6&8	All	*BB 14	5 gallons-w/attached dispenser hose	1
80/		6&8	All	*BB 16	6 quart-w/attached dispenser hose	1

10656 SPACER (BATTERY) -Improvise from exterior plywood unless listed below						
80/	L-LN-LNT-LT-LTS900 -- diesel-with (4) 12 volt batteries	6&8	All	D7HZ 10656-A	Plastic-1/4" thick x 8 1/8" high x 12 1/4" long-not used w/integral battery box & fuel tank	6
81/	C-CT900 -- gas	8	All	E0HZ 10656-A	Use with (2) or (3) 63 amp. batteries	1
81/	L-LN-LNT-LT-LTS900 -- gas	8	All		Use with (2) or (3) 63 amp. batteries	1
81/	C-L-LN-LNT-LT-LTS700/800 -- Cat. diesel	8	636		Use with frame mounted batteries	1

10B656 COVER KIT (BATTERY CABLE OUTLET)						
80/	CL-CLT900 -- w/integral fuel tanks	6&8	All	E0HZ 10B656-A		AR

Consists of  
 1-E0HT 10B655-AA Cover  
 1-E0HT 10B655-BA Cover  
 1-E0HT 10B656-AA Cover  
 1-E0HT 10B656-BA Cover

82/	LTL900	6&8	All	E1HZ 10B656-B		AR
Consists of 1-E1HT 10B655-AA Cover 1-E1HT 10B655-BA Cover 1-E1HT 10B656-AA Cover 1-E1HT 10B656-BA Cover						

10A659 Refer to group 10732

10A665 WIRE ASSY. (CHARGE INDICATOR)						
80/	All -- w/ammeter warning indicator lights	6&8	All	C3AZ 10A665-C	#C3AB 10A665-C Black-61" long including terminals	1

10A665 WIRING ASSY. (ACCESSORY FEED FROM IGNITION SWITCH RESISTOR)						
80/	All	6&8	All	D9AZ 10A665-A	#D9AB 14A407-AA-8 1/2 OHMS-circuit #297A	1

10K676 REINFORCEMENT (BATTERY TRAY)						
80/	CL-CLT900	6&8	All	D8HZ 10K676-A	#D7HT 10K676-AC-(2) req'd w/2 batteries, (4) req'd w/3 or 4 batteries	AR
82/	LTL900	6&8	All			AR

1980/  
TRUCK SERIES 600/900

YEAR	MODEL/RESTRICTIONS	ENGINE		PART NUMBER	DESCRIPTION	QTY.
		CYL.	C.I.D. (C.C.D.)			
<b>10677 SHIELD ASSY. (BATTERY CABLE)</b>						
82/83	L-LN-LNT-LT-LTS800 -- Cat. 3208 turbo diesel	8	636	E2HZ 10677-A	#E2HT 10677-AA-incl. (2) 389533-S nut and (2) 389534 spacer	1
Consists of						
	1-E0HT 10A772-AA	Latch		1-76335-S	Pin	
	1-E1HT 10708-AA	Bracket		2-382707-S36	Rivet	
	1-358524-S	Clip				
<b>10A679 HOOK (BATTERY BOX COVER)</b>						
80/83	CL-CLT900	6&8	All	D9HZ 10A679-B	Kit-for cyl. or rectangular (integral) tank	AR
82/	LTL900	6&8	All			AR
Consists of						
	(1) E0HT 10A772-AA	Latch		(1) 76335-S	Pin	
	(1) E1HT 10708-AA	Bracket		(2) 382707-S36	Rivet	
	1-358524-S	Clip				
84/87	CL-CLT900	6&8	All	E4HZ 10A679-A		AR
88	CL-CLT900 -- w/rectangular fuel tanks	All	All			AR
87/	CF600/800 -- w/aux. fuel tank	All	All			AR
Consists of						
	1-E4HT 10A785-AA	Latch				
	1-5/16-24 x 1/2 hex. hd.	Stainless steel screw				
	1-5/16-24 hex. hd.	Stainless steel nut				
	2-#10-24 x 1/2 hex. hd.	Stainless steel screw				
	2-#10-24 hex. hd.	Stainless steel nut				
83/	F-FT700/800 -- Cat. 3208 diesel	8	636	E3HZ 10A679-A		1
83/	FT800/900 -- diesel	All	All			
88/	CL-CLT900 -- w/cyl. fuel tanks	All	All			1
86/87	CF600/800 -- diesel-w/ 2 or 3 batteries "Before 11/87"	6	All			1
Consists of						
	1-E0HT 10A772-AA	Latch		1-72000-S36	Cotter pin	
	1-E3HT 10708-AA	Bracket		2-372820-S36	Rivet	
	1-76335-S	Pin				
87/	CF600/800 -- w/2 or 3 batteries "From 11/87"	6	All	E7HZ 10A679-A		1
Consists of						
	1-E5HT 10A772-AA	Latch				
	1-E1HT 10708-AA	Bracket		1-76335-S	Pin	
	1-358524-S	Clip		2-382707-S36	Rivet	
80/87	L-LN-LNT-LT-LTS600/900	6&8	All	C7TZ 10A679-A		1
<b>10A687 Refer to group 10732</b>						
<b>10N698 STEP (BATTERY BOX)</b>						
80/87	CL-CLT900 -- w/cylindrical fuel tanks	6&8	All	E3HZ 10N698-A	#E3HT 10N698-AA	2
88/	CL-CLT900 -- w/cylindrical fuel tanks	6&8	All	E8HZ 10N698-A	#E8HT 10N698-AA	2
<b>10704 LATCH (BATTERY COVER HOLD DOWN)</b>						
80/81	C-CT600/800	6&8	All	D4TZ 10704-A	#D4TA 10755-A-located on carrier	2
80/81	L-LN-LNT-LT-LTS600/900	6&8	All			2

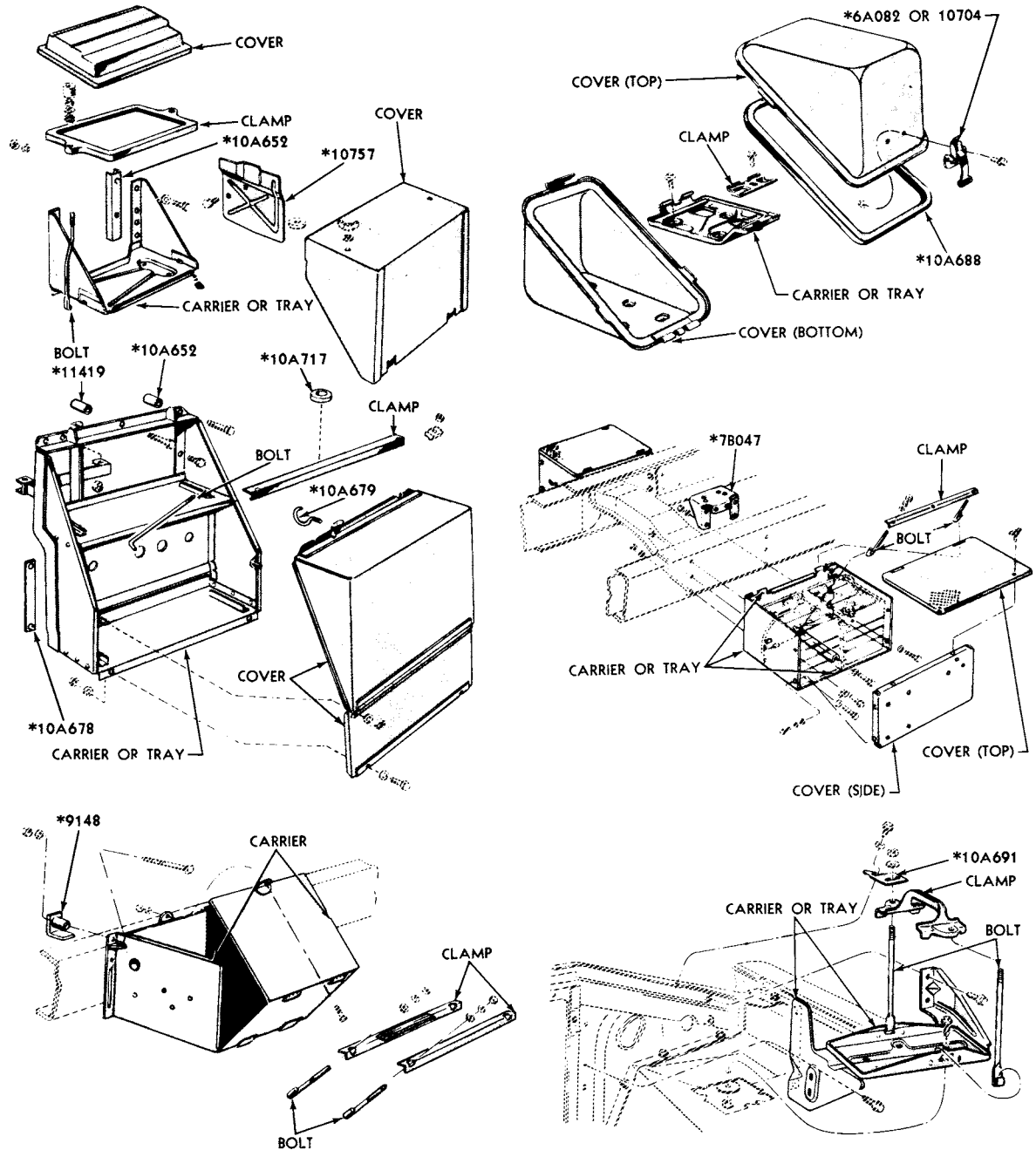
**1980/  
TRUCK SERIES 600/900**

YEAR	MODEL/RESTRICTIONS	ENGINE		PART NUMBER	DESCRIPTION	QTY.
		CYL.	C.I.D. (C.C.D.)			
<b>10704 SPRING (BATTERY COVER RETAINER)</b>						
80/	L-LN-LNT-LT800/900 -- diesel-w/dual integral battery box and fuel tanks	6&8	All	D4HZ 10704-A	Located on top cover	2or4
80/	C-CT600/800 -- Cat. diesel	8	All			2
<b>10708 BRACKET (BATTERY COVER CLAMP)</b>						
83	F-FT700/800 -- Cat. diesel	8	636	★ E3HZ 10708-A	#E3HT 10708-AA	1
83	FT800 -- Det. diesel	8	501	/bE3HZ 10A679-A		1
<b>10A717 WASHER (BATTERY TERMINAL CORROSION ARRESTOR)</b>						
80/	All	6&8	All	C1AZ 10A717-A	11/16" I.D.-felt oil impregnated	2
<b>10718 CLAMP (BATTERY HOLD DOWN)-Also refer to group 10732</b>						
80/	All	6&8	All	A0A 10718-B	Adjustable from 5 1/2" x 9" to 7 1/4" x 14 1/4"	1
Consists of 2-C5RA 10716-A      Clamp                      2-C2RA 10755-A      Bracket                      1-Instr. sheet No. 2077 2-C5RA 10716-B      Clamp                      4-379179-S2              Fastener-stud						
80/86	B-C-CF-CT-F-L	All	All	E0HZ 10718-E		1
<b>10718 BRACKET (BATTERY HOLD DOWN) - Also refer to group 10732</b>						
80/	CL-CLT900 -- w/cyl. fuel tanks	6&8	All	E0HZ 10718-C	#E0HT 10755-A - (4) used with each support (10732)	AR
<b>10K725 WIRING ASSY. (JUNCTION PANEL JUMPER)</b>						
86/	CF600/700	6	401	E7HZ 10K725-A	12 circuits	1
86/	CF600/700	6	401	E7HZ 10K725-B	2 circuits	1
86/	CF600/800	6	All	E9HZ 10K725-A	Used for recall campaign	1
<b>10726 INSULATOR (BATTERY HOLD DOWN)</b>						
80/	CL-CLT900 -- w/ rectangular (integral) fuel tanks	6&8	All	D8HZ 10726-A		8
<b>10A730 CONNECTOR (VOLTAGE REGULATOR)</b>						
80/	All	6&8	All	C4TZ 10A730-A	Nylon-use with Ford alternator	AR

10732 BATTERY MOUNTING PARTS

Battery mounting parts are listed in chart form following the illustrations below. Refer to the illustration to determine the name of the part required. Refer to the chart to select appropriate part number. The chart is listed by year, model and amperage of battery.

Attaching parts such as bolts, nuts, etc. are listed by code number. A listing of code numbers and their corresponding part numbers and descriptions appears at the end of the chart.



\*NOT INCLUDED IN CHART-REFER TO GROUP FOR COMPLETE PART NUMBER

1973/ TYPICAL BATTERY SUPPORT AND CARRIER INSTALLATIONS

P-5309



1980/  
TRUCK SERIES 600/900

COVER SIZE (INCHES)		IDENTIFICATION	MATERIAL	PART NUMBER					
WIDTH	LENGTH								
<b>10732 BATTERY COVER SIZE AND IDENTIFICATION CHART</b>									
<b>NOTE:</b> For vehicle application refer to application chart listed below									
6 7/16	16	none	Steel	D3EZ 10A687-A					
7 3/4	15 3/4	none	Steel	D0HZ 10A653-A					
10 5/8	17 1/3	D4HA 10A659-BB	Steel	D4HZ 10A659-B					
14 13/32	16 11/16	E3HT 10A687-AA	Steel	E3HZ 10A687-A					
14 13/32	23 7/16	E3HT 10A687-BA	Steel	E3HZ 10A687-B					
15 5/8	23	D3HA 10A659-AB	Steel	D9HZ 10A659-B					
15 5/8	24 3/8	E4HT 10A687-AA	Steel	E4HZ 10A687-A					
15 3/4	23	D3HA 10A659-BA	Aluminum	D9HZ 10A659-A					
15 3/4	25 25/64	D7HT 10A687-CD	Aluminum	D8HZ 10A687-A					
16	16 7/8	D7HT 10A659-AC	Plastic	D8HZ 10A687-C					
16	16 7/8	E2HT 10A687-AA,BA	Plastic	E2HZ 10A687-A					
17 5/8	23 1/4	D4HA 10A687-BB	Steel	D4HZ 10A687-B					
17 5/8	28 7/8	D4HA 10A687-EB	Steel	D4HZ 10A687-E					
MODEL	B.C.I. GP. NO.	BOLT-CLAMP		CARRIER OR TRAY		CLAMP-HOLD DOWN		COVER or BRACKET	
		PART NUMBER	●NUTS, BOLTS, ETC.	PART NUMBER	●NUTS, BOLTS, ETC.	PART NUMBER	●NUTS, BOLTS, ETC.	PART NUMBER	●NUTS, BOLTS, ETC.
<b>NOTE:</b> ●REFER TO HARDWARE LISTING AT END OF CHART FOR NUMBER SHOWN IN THIS COLUMN									
<b>10732 BATTERY MOUNTING PARTS (Quantity 1 except where indicated)</b>									

1980

B600/700 -- gas- "Before Ser. HG5,001"	62	D1HZ 10756-C	15	D9HZ 10769-C	36,52	E0HZ 10718-A	15		
B600/700 -- gas- "Before Ser. HG5,001"	24	D1HZ 10756-C	15	D9HZ 10769-C	36,52	E0HZ 10718-B	15		
B600/700 -- gas "From Ser. HG5,001"	62	D0HZ 10756-B(2)	15	E0HZ 10769-A	29,36, 52	E0HZ 10718-D incl. cover	15		
B600/700 -- gas- "From Ser. HG5,001"	64	D1HZ 10756-C	15	E0HZ 10769-A	29,36, 52	E0HZ 10718-E incl. cover	15		
B600/700 -- diesel	24(2), (3)	D9HZ 10756-A(AR)		D9HZ 10732-D (tray) D9HZ 10732-B (carrier)		D8HZ 10718-C(AR)		D4HZ 10A687-B (top) D4HZ 10A659-B (side)	
C-CT600/800 -- gas "Before Ser. HG5,001"	62	E0HZ 10756-C		C5TZ 10732-G		E0HZ 10718-A	1		
C-CT600/800 -- gas	24	E0HZ 10756-C		C5TZ 10732-G		E0HZ 10718-B			
C-CT600/800 -- gas- "From Ser. HG5,001"	62	E0HZ 10756-C(2)	15	E0HZ 10769-C	55,56, 63	E0HZ 10718-D incl. cover	15		
C-CT700/900	24(2), (3)	D9HZ 10756-A(AR)		D9HZ 10732-B (carrier) D9HZ 10732-D (tray)		D8HZ 10718-C(AR)		D4HZ 10A687-B (top) D4HZ 10A659-B (side)	
CL-CLT900 -- w/ cyl. fuel tanks- "Before Ser. HG5,001"	31(2), (3),(4)	E0HZ 10756-D(AR)		E1HZ 10732-C(2)	61	D8HZ 10718-C(AR)	13,15	D8HZ 10A687-C(AR)	
CL-CLT900 -- w/cyl. Fuel tanks "From Ser. HG5,001"	31(2), (3),(4)	E0HZ 10756-B(AR)		E1HZ 10732-C(2)	61	D8HZ 10718-C(AR)	13,15	D8HZ 10A687-C(AR)	
CL-CLT900 -- w/ rectangular fuel tanks-with integral battery box	31(3), (4)	E0HZ 10756-B(AR)		E4HZ 10732-B(AR)		D8HZ 10718-C(AR)	13,15	D8HZ 10A687-A(AR)	
F600/800 -- gas- "Before Ser. HG5,001"	62	D1HZ 10756-C	15	D9HZ 10769-C	36,52	E0HZ 10718-A	15		
F600/800 -- gas- "Before Ser. HG5,001"	24	D1HZ 10756-C	15	D9HZ 10769-C	36,52	E0HZ 10718-B	15		
F600/800 -- gas- "From Ser. HG5,001"	62	D0HZ 10756-B(2)	15	E0HZ 10769-A	29,36, 52	E0HZ 10718-D incl. cover	15		

**1980/  
TRUCK SERIES 600/900**

MODEL	B.C.I. GP. NO.	BOLT-CLAMP		CARRIER OR TRAY		CLAMP-HOLD DOWN		COVER or BRACKET	
		PART NUMBER	●NUTS, BOLTS, ETC.	PART NUMBER	●NUTS, BOLTS, ETC.	PART NUMBER	●NUTS, BOLTS, ETC.	PART NUMBER	●NUTS, BOLTS, ETC.

**NOTE: ●REFER TO HARDWARE LISTING AT END OF CHART FOR NUMBER SHOWN IN THIS COLUMN**

**10732 BATTERY MOUNTING PARTS (Quantity 1 except where indicated) — Cont'd**

**1980**

F600/800 -- gas- "From Ser. HG5,001"	64	D1HZ 10756-C(2)	15	E0HZ 10769-A	29,36, 52	E0HZ 10718-E incl. cover	15		
F600/800 -- Det. 990 diesel	64(2)	D1HZ 10756-C(2) (side) & D0HZ 10756-B(2) (center)	15	E0HZ 10769-B	29,36, 52,55, 56,62	E0HZ 10718-E(2) incl. cover	15		
F600/800 -- Det. 990 diesel	64(3)	D1HZ 10756-C(4) (side) & D0HZ 10756-B(2) (Center)	15	E0HZ 10769-B (L.H. 2 batteries) E0HZ 10769-A (R.H. 1 battery)	29,36, 52,55, 56,62	E0HZ 10718-E(3) incl. cover	15		
LN-LNT600/700 -- gas-L.H. side under running board mounted	24,62	D4SZ 10756-A(2)	15	D3EZ 10732-B	1,6, 10			D3EZ 10A687-A (top) D3EZ 10757-A (side)	
L-LN-LNT-LT-LTS600/ 800 -- gas- "Before Ser. HG5,001"	62	D1HZ 10756-C & D0HZ 10756-B		D1HZ 10732-C		E0HZ 10718-A		D0HZ 10A653-A	
L-LN-LNT-LT-LTS600/ 800 -- gas-	24	D1HZ 10756-C & D0HZ 10756-B		D1HZ 10732-C		E0HZ 10718-B		D0HZ 10A653-A	
L-LN-LNT-LT-LTS600/800 -- gas-"From Ser. HG5,001"	62	D1HZ 10756-C & D0HZ 10756-B	8,15	E0HZ 10769-D	29,36, 44,52	E0HZ 10718-D	15	D0HZ 10A653-A	8
L-LN-LNT-LT-LTS700/800	24(2), (3)	D9HZ 10756-A(AR)		D9HZ 10732-B (carrier) D9HZ 10732-D (tray)		D8HZ 10718-C(AR)		D4HZ 10A687-B (top) D4HZ 10A659-B (side)	
L-LN-LNT-LT-LTS900 -- diesel-w/frame mounted batteries	31(4)	D4HZ 10756-A(2)& D4HZ 10756-B(2)		E3HZ 10732-A (carrier) E0HZ 10732-C (tray)		D9HZ 10718-B		D4HZ 10A687-E (top) D4HZ 10A659-B (side)	
L-LN-LNT-LT-LTS900 -- diesel-w/frame mounted batteries	31(2), (3)	D9HZ 10756-A(AR)		E3HZ 10732-A (carrier) E0HZ 10732-C (tray)		D8HZ 10718-C(AR)		D4HZ 10A687-E (top) D4HZ 10A659-B (side)	
L-LN-LNT-LT800/900 -- diesel-w/integral battery box and steel fuel tanks	31(3), (4)	D0HZ 10756-B(AR)		E1HZ 10732-A(2)		D8HZ 10718-C(AR)		D9HZ 10A659-B(2) (steel)	
L-LN-LNT-LT800/900 -- diesel-w/integral battery box and aluminum fuel tanks	31(3), (4)	D0HZ 10756-B(AR)		E1HZ 10732-A(2)		D8HZ 10718-C(AR)		D9HZ 10A659-A(2) (aluminum)	

**1981/**

B600/700 -- gas "Before 2/16/81"	62	D0HZ 10756-B(2)	15	E0HZ 10769-A	29,36, 52	E0HZ 10718-D incl. cover	15		
B600/700 -- gas- "From 2/16/81"	62	D0HZ 10756-B(2)	15	E3HZ 10769-C	29,36, 52	E0HZ 10718-D incl. cover	15		
B600/700 -- gas "Before 2/16/81"	64	D1HZ 10756-C	15	E0HZ 10769-A	29,36, 52	E0HZ 10718-E incl. cover	15		
B600/700 -- gas- "From 2/16/81"	64	D1HZ 10756-C	15	E3HZ 10769-C	29,36, 52	E0HZ 10718-E incl. cover	15		
B600/700 -- diesel	64A(2)	D1HZ 10756-C(2) (Side) & D0HZ 10756-B(2) (center)	15	E0HZ 10769-B	29,36, 52,55, 56,62	E0HZ 10718-E incl. cover	15		

1980/  
TRUCK SERIES 600/900

MODEL	B.C.I. GP. NO.	BOLT-CLAMP		CARRIER OR TRAY		CLAMP-HOLD DOWN		COVER or BRACKET	
		PART NUMBER	●NUTS, BOLTS, ETC.	PART NUMBER	●NUTS, BOLTS, ETC.	PART NUMBER	●NUTS, BOLTS, ETC.	PART NUMBER	●NUTS, BOLTS, ETC.
<b>NOTE: ●REFER TO HARDWARE LISTING AT END OF CHART FOR NUMBER SHOWN IN THIS COLUMN</b>									
<b>10732 BATTERY MOUNTING PARTS (Quantity 1 except where indicated) — Cont'd</b>									

1981/

B600/700 -- diesel	64A(3)	D1HZ 10756-C(4) (side) & D0HZ 10756-B(2) (center)	15	E0HZ 10769-B (LH 2 batteries) E3HZ 10769-C (RH 1 battery)	29,36, 52,55, 56,62	E0HZ 10718-E(3) incl. cover	15		
C-CT600/800 -- gas	62	E0HZ 10756-C(2)	15	E0HZ 10769-C	55,56 63	E0HZ 10718-D incl. cover	15		
C-CT600/900 -- gas	64A	C1TT 10756-C(2)	15	E0HZ 10769-C	55,56 63	E0HZ 10718-E incl. cover	15		
C-CT700/900-1981/83 "Before 6/83"	64A(2)	D9HZ 10756-A(4)	15	E3HZ 10732-A (carrier) E0HZ 10732-C (tray)	55,56 62,64	D8HZ 10718-C(2)	15	D4HZ 10A687-E (top) D4HZ 10A659-B (side)	55,56, 62,64
C-CT700/900 -- 1983/ "From 6/83"	31A, 64A(2)	D9HZ 10756-A(4)	15	E3HZ 10732-A (carrier) E0HZ 10732-C (tray)	55,56, 62,64	D8HZ 10718-C(2)	15	D4HZ 10A687-E (top) D4HZ 10A659-B (side)	55,56, 62,64
C-CT700/900-1981/83 "Before 6/83"	64A(3)	D9HZ 10756-A(6)	15	E3HZ 10732-A (carrier) E0HZ 10732-C (tray)	55,56 62,64	D8HZ 10718-C(3)	15	D4HZ 10A687-E (top) D4HZ 10A659-B (side)	55,56, 62,64
C-CT700/900 -- 1983/ "From 6/83"	31A, 64A(3)	D9HZ 10756-A(6)	15	E3HZ 10732-A (carrier) E0HZ 10732-C (tray)	55,56, 62,64	D8HZ 10718-C(3)	15	D4HZ 10A687-E (top) D4HZ 10A659-B (side)	55,56, 62,64
CF600/800	64A(2)	E8HZ 10756-A(2) 7 1/4" L. (offset)		E3HZ 10769-A		E8HZ 10718-A		★ E3HZ 10A687-A /bF2HZ 10A687-C eff. 9/91	
CF600/800 "Before 4/88"	64A(3)	D0HZ 10756-B(2) 10 3/4" L.		E3HZ 10769-B		E3HZ 10718-D		E3HZ 10A687-B	
CF600/800 "From 4/88"	64A(3)	D0HZ 10756-B(2) 10 3/4" L.		E3HZ 10769-B		E8HZ 10718-B		E3HZ 10A687-B	
CF600/800 w/aux. fu./tnk.	64A	E0HZ 10756D(AR)		E4HZ 10732-A(AR)		D8HZ 10718-C(AR)		E4HZ 10A687-A(AR)	
CL-CLT900 -- w/cyl. fuel tanks -- 1981/87	31(3), (4)	E0HZ 10756-B(AR)		E8HZ 10732-B(2) "Before 5/10/82" E2HZ 10732-A(2) "From 5/10/82"	61	D8HZ 10718-C(AR)	13,15	D8HZ 10A687-C(AR) "Before 5/10/82" E2HZ 10A687-A(AR) "From 5/10/82"	
CL-CLT900 -- w/cyl. fuel tanks -- 1988/	31(2), (4)	D1HZ 10756-C(AR)		E8HZ 10732-A(AR)	61	E4HZ 10718-A(AR)	13,15	★ E3HZ 10A687-A(AR) /bF2HZ 10A687-C eff. 9/91	
CL-CLT900 -- w/cyl. fuel tanks-1988/	31(3)	E0HZ 10756-B(1) & D1HZ 10756-C(3)		E8HZ 10732-A(AR)	61	E4HZ 10718-A(1) & E7HZ 10718-A(1)		E8HZ 10732-A(2)	
CL-CLT900 -- w/rectangular fuel tanks-w/integral aluminum cover battery box	31(3), (4)	E0HZ 10756-B(AR)		E4HZ 10732-B(AR)		D8HZ 10718-C(AR)	13,15	D8HZ 10A687-A(AR)	
CL-CLT900 -- w/rectangular fuel tanks-w/integral steel cover battery box	31(3), (4)	E0HZ 10756-B(AR)		E4HZ 10732-A(AR)		D8HZ 10718-C(AR)		E4HZ 10A687-A(AR)	
F600/800 -- gas "Before 2/16/81"	62	D0HZ 10756-B(2)	15	E0HZ 10769-A	29,36, 52	E0HZ 10718-D incl. cover	15		

**1980/  
TRUCK SERIES 600/900**

MODEL	B.C.I. GP. NO.	BOLT-CLAMP		CARRIER OR TRAY		CLAMP-HOLD DOWN		COVER or BRACKET	
		PART NUMBER	●NUTS, BOLTS, ETC.	PART NUMBER	●NUTS, BOLTS, ETC.	PART NUMBER	●NUTS, BOLTS, ETC.	PART NUMBER	●NUTS, BOLTS, ETC.

**NOTE: ●REFER TO HARDWARE LISTING AT END OF CHART FOR NUMBER SHOWN IN THIS COLUMN**

**10732 BATTERY MOUNTING PARTS (Quantity 1 except where indicated) — Cont'd**

**1981/**

F-FT600/800 -- gas- "From 2/16/81"	62	D0HZ 10756-B(2)	15	E6HZ 10769-A	29,36, 52	E0HZ 10718-D incl. cover	15		
F600/800 -- gas "Before 2/16/81"	64A	D1HZ 10756-C(2)	15	E0HZ 10769-A	29,36, 52	E0HZ 10718-E incl. cover	15		
F-FT600/800 -- gas- "From 2/16/81"	64A	D1HZ 10756-C(2)	15	E6HZ 10769-A	29,36, 52	E0HZ 10718-E incl. cover	15		
F600/800 -- Det. diesel	64A(2)	D1HZ 10756-C(2) (side) & D0HZ 10756-B(2) (center)	15	E3HZ 10769-D	29,36, 52,55, 56,62	E0HZ 10718-E(2) incl. cover	15		
F-FT700/800 -- Cat. 3208 diesel "Before 7/84"	31, 64A(2)	D1HZ 10756-C(2)		E3HZ 10769-A		E3HZ 10718-A		★ E3HZ 10A687-A /bF2HZ 10A687-C eff. 9/91	
F-FT700/800 -- Cat. 3208 diesel "From 7/84 to 1986"	31, 64A(2)	D1HZ 10756-C(2)		E3HZ 10769-A		E4HZ 10718-A		★ E3HZ 10A687-A /bF2HZ 10A687-C eff. 9/91	
F-FT700/800-Cat. 3208 diesel-1987	31(2)	D1HZ 10756-C(2)		E7HZ 10769-A		E4HZ 10718-A		★ E3HZ 10A687-A /bF2HZ 10A687-C eff. 9/91	
F-FT600/900 -- FTO diesel	31(2)	D0HZ 10756-B(2)		E7HZ 10769-A		E8HZ 10718-A		★ E3HZ 10A687-A /bF2HZ 10A687-C eff. 9/91	
F-FT600/900 -- FTO diesel	31(3)	D0HZ 10756-B(2)		E3HZ 10769-B		E3HZ 10718-D		E3HZ 10A687-B	
FT800/900 -- Det. diesel	31, 64A(2)	D1HZ 10756-C(2)		E3HZ 10769-A		E8HZ 10718-A (clamp)		★ E3HZ 10A687-A /bF2HZ 10A687-C eff. 9/91	
F600/800 -- Det. diesel	64A(3)	D1HZ 10756-C(4) (side) & D0HZ 10756-B(2) (center)	15	E3HZ 10769-D (LH 2 batteries) E6HZ 10769-A (RH 1 battery)	29,36, 52,55, 56,62	E0HZ 10718-E(3) incl. cover	15		
F-FT700/800 -- Cat. 3208 diesel "Before 7/84"	31, 64A(3)	D1HZ 10756-C(2)		E3HZ 10769-B		E4HZ 10718-B		E3HZ 10A687-B	
F-FT700/800 -- Cat. 3208 diesel "From 7/84"	31, 64A(3)	D1HZ 10756-C(2)		E3HZ 10769-B		E4HZ 10718-B		E3HZ 10A687-B	
FT800/900 -- Det. diesel	31, 64A(3)	D1HZ 10756-C(2)		E3HZ 10769-B		E3HZ 10718-D		E3HZ 10A687-B	
LN-LNT600/700 -- gas-L.H. side under running board mounted	62, 64A	D4SZ 10756-A(2)	15	D3EZ 10732-B	1,6, 10			D3EZ 10A687-A (top) D3EZ 10757-A (side)	
L-LN-LNT-LT-LTS600/800 -- gas	62	D1HZ 10756-C & D0HZ 10756-B	8,15	E0HZ 10769-D	29,36, 44,52	E0HZ 10718-D	15	D0HZ 10A653-A	8
L-LN-LNT-LT-LTS600/800 -- gas	64A	D1HZ 10756-C & D0HZ 10756-B	8,15	E0HZ 10769-D	29,36, 44,52	E0HZ 10718-E	15	D0HZ 10A653-A	8
L-LN-LNT-LT-LTS700/900- 1981/83 "Before 6/83"	64A (2),(3)	D9HZ 10756-A(AR)	15	E3HZ 10732-A (carrier) E0HZ 10732-C (tray)	55,56, 62,64	D8HZ 10718-C(AR)	15	D4HZ 10A687-E (top) D4HZ 10A659-B (side)	55,56, 62,64
L-LN-LNT-LT-LTS700/900 -- 1983/ "From 6/83"	64A (2),(3)	D9HZ 10756-A(AR)	15	E3HZ 10732-A (carrier) E0HZ 10732-C (tray)	55,56, 62,64	D8HZ 10718-C(AR)	15	D4HZ 10A687-E (top) D4HZ 10A659-B (side)	55,56, 62,64

**1980/  
TRUCK SERIES 600/900**

MODEL	B.C.I. GP. NO.	BOLT-CLAMP		CARRIER OR TRAY		CLAMP-HOLD DOWN		COVER or BRACKET	
		PART NUMBER	●NUTS, BOLTS, ETC.	PART NUMBER	●NUTS, BOLTS, ETC.	PART NUMBER	●NUTS, BOLTS, ETC.	PART NUMBER	●NUTS, BOLTS, ETC.
<b>NOTE: ●REFER TO HARDWARE LISTING AT END OF CHART FOR NUMBER SHOWN IN THIS COLUMN</b>									
<b>10732 BATTERY MOUNTING PARTS (Quantity 1 except where indicated) — Cont'd</b>									

**1981/**

L-LN-LNT-LT-LTS900 - diesel-w/frame mounted batteries-1981/83 "Before 6/83"	31(2) (3)	D9HZ 10756-A(AR)		E3HZ 10732-A (carrier) E0HZ 10732-C (tray)		D8HZ 10718-C(AR)		D4HZ 10A687-E (top) D4HZ 10A659-B (side)	
L-LN-LNT-LT-LTS900 - diesel-w/frame mounted batteries "From 6/83/1986"	31(2) (3)	D9HZ 10756-A(AR)		E3HZ 10732-A (carrier) E0HZ 10732-C (tray)		D8HZ 10718-C(AR)		D4HZ 10A687-E (top) D4HZ 10A659-B (side)	
L-LN-LNT-LS-LT-LTS900 - - Cum. and Cat. 3406 diesel-w/frame mounted 93 amp. batteries-1987/	31A(2) (3)	D9HZ 10756-A(AR)		E3HZ 10732-A (carrier) E0HZ 10732-C (tray)		D8HZ 10718-C(AR)		D4HZ 10A687-E (top) D4HZ 10A659-B (side)	
L-LN-LNT-LS-LT-LTS800 - - Cat. 3208 and FTO diesel-w/frame mounted 71 amp. batteries-1987/	64A(2)	D0HZ 10756-B(2)		E7HZ 10769-A		E8HZ 10718-A		★ E3HZ 10A687-A /bF2HZ 10A687-C eff. 9/91	
L-LN-LNT-LS-LT-LTS800 - - Cat. 3208 and FTO diesel-w/frame mounted 93 amp. batteries -1987/	31A(2)	D1HZ 10756-C(2)		E7HZ 10769-A		E4HZ 10718-A			
L-LN-LNT-LS-LT-LTS800 - - Cat. 3208 and FTO diesel-w/ 2 R.H. and 1 L.H. frame mounted 71 amp. batteries-1987/	64A(3)	D0HZ 10756-B(3) & E7HZ 10756-A		E7HZ 10769-A(2)		E8HZ 10718-A(R.H.) E7HZ 10718-B(L.H.)		★ E3HZ 10A687-A(2) /bF2HZ 10A687-C eff. 9/91	
L-LN-LNT-LS-LT-LTS800 - - Cat. 3208 and FTO diesel-w/3 R.H. frame mounted 71 amp. batteries -1987/	64A(3)	D0HZ 10756-B(2)		E3HZ 10769-B		E3HZ 10718-D		E3HZ 10A687-B	
L-LN-LNT-LS-LT-LTS800 - - Cat. 3208 and FTO diesel-w/2 R.H. and 1 L.H. frame mounted 93 amp. batteries-1987/	31A(3)	D1HZ 10756-C(3) & E0HZ 10756-B		E7HZ 10769-A(2)		E4HZ 10718-A(R.H.) E7HZ 10718-A(L.H.)		★ E3HZ 10A687-A(2) /bF2HZ 10A687-C eff. 9/91	
L-LN-LNT-LS-LT-LTS800 - - Cat. 3208 and FTO diesel-w/3 R.H. mounted 93 amp. batteries-1987/	31A(3)	D1HZ 10756-C(2)		E3HZ 10769-B		E4HZ 10718-B		E3HZ 10A687-B	
L-LN-LNT-LT-LTS900 - diesel-w/frame mounted batteries-1981/83 "Before 6/83"	31(4)	D4HZ 10756-A(2) & D4HZ 10756-B(2)		E3HZ 10732-A (carrier) E0HZ 10732-C (tray)		D9HZ 10718-B		D4HZ 10A687-E (top) D4HZ 10A659-B (side)	
L-LN-LNT-LT-LTS900 - diesel-w/frame mounted batteries-1983/86 "From 6/83"	31(4)	D4HZ 10756-A(2) & D4HZ 10756-B(2)		E3HZ 10732-A (carrier) E0HZ 10732-C (tray)		D9HZ 10718-B		D4HZ 10A687-E (top) D4HZ 10A659-B (side)	

**1980/  
TRUCK SERIES 600/900**

MODEL	B.C.I. GP. NO.	BOLT-CLAMP		CARRIER OR TRAY		CLAMP-HOLD DOWN		COVER or BRACKET	
		PART NUMBER	●NUTS, BOLTS, ETC.	PART NUMBER	●NUTS, BOLTS, ETC.	PART NUMBER	●NUTS, BOLTS, ETC.	PART NUMBER	●NUTS, BOLTS, ETC.
<b>NOTE: ●REFER TO HARDWARE LISTING AT END OF CHART FOR NUMBER SHOWN IN THIS COLUMN</b>									
10732 BATTERY MOUNTING PARTS (Quantity 1 except where indicated) — Cont'd									

**1981/**

L-LA-LN-LNT-LT LTA800/900 -- diesel- w/integral battery box and steel fuel tanks	31(3), (4)	DOHZ 10756-B(AR)		E1HZ 10732-A(2)		D8HZ 10718-C(AR) "Before 12/8/80" D9HZ 10718-B(AR) "From 12/8/80"		D9HZ 10A659-B(2) (steel)	
L-LA-LN-LNT-LT-LTA 800/900 -- diesel-w/ integral battery box and aluminum fuel tanks	31(3), (4)	DOHZ 10756-B(AR)		E1HZ 10732-A(2)		D8HZ 10718-C(AR) "Before 12/8/80" D9HZ 10718-B(1) "From 12/8/80"		D9HZ 10A659-A(2) (aluminum)	
LTL900-1981/86	31(3), (4)	EOHZ 10756-B(AR)	15	E7HZ 10732-A(2) "Before 5/10/82" E2HZ 10732-A(2) "From 5/10/82"		D8HZ 10718-C(AR)		D8HZ 10A687-B(2) "Before 5/10/82" E2HZ 10A687-A(2) "From 5/10/82"	
LL-LTL900-1987	31A(2) (3)(4)	EOHZ 10756-B(AR)	15	E7HZ 10732-A		D8HZ 10718-C(AR)		★ E3HZ 10A687-A(2) /bF2HZ 10A687-C eff. 9/91	

**CODE NUMBER TO PART NUMBER LISTING—Quantity As Required**

CODE NO.	PART NUMBER	DESCRIPTION	CODE NO.	PART NUMBER	DESCRIPTION
<b>10732 BATTERY MOUNTING PARTS—NUTS, BOLTS, ETC.</b>					
1	20346-S8(B-50)	Bolt-hex.head-5/16"-18 x 3/4"	26	★ 34980-S4	Nut-hex.-9/16"-12
2	20388-S8(B-80)	Bolt-hex.head-3/8"-16 x 1"	27	384353-S4 (MM-173-X)	Nut-hex.-7/16"-14
3	★ 20428-S7-8(B-82)	Bolt-hex.head-3/8"-16 x 1 1/4"	28	34976-S4 (M-89-CA)	Nut-hex.-5/16"-18
4	20470-S8(B-107)	Bolt-hex.head-7/16"-14 x 1 1/2"		34989-S2 (M-89-FA)	Nut-hex.-1/2"-13
5	20472-S7-8 (B-122-A)	Bolt hex.head-1/2"-13 x 1 1/2"	29	384931-S36 (BB-867-K)	Screw & washer 5/16"-18 x 1 1/16"
6	33797-S7(M-50)	Nut-hex.-5/16"-18		31	23378-S8(B-3)
7	33799-S2(M-52)	Nut-hex.-3/8"-16	30	55697-S8(M-89-F)	Nut-hex.-1/2"-13
8	33896-S8(M-182)	Nut-wing-5/16"-18	32	34991-S2(M-89-GH)	Nut-hex.-5/8"-11
9	33922-S8(M-27)	Nut-hex.-5/16"-18	33	44735-S8(X-32)	Washer-flat-1/2"
10	34806-S7(X-64)	Lockwasher-spring-5/16"	34	★ 56120-S4	Bolt-hex. head-5/16"-18 x 3/4"
11	34807-S8(X-66)	Lockwasher-spring-3/8"	35	58676-S2(B-123-B)	Bolt-hex.head.-1/2"-13 x 1 3/4"
12	34809-S8(X-68)	Lockwasher-spring-1/2"	36	58720-S2(B-138-B)	Bolt-hex.head-5/8"-11 x 1 3/4"
13	44722-S8(X-19)	Washer-flat-5/16"	37	★ 58721-S2	Bolt-hex.head-5/8"-11 x 2"
14	44725-S8(X-22)	Washer-flat-5/16"	38	★ 58722-S2	Bolt-hex.hd.-5/8"-11 x 2 1/4"
15	33770-S4(M-89-K)	Nut-hex.-5/16"-18	39	★ 58723-S2	Bolt-hex.head-5/8"-11 x 2 1/2"
16	56320-S4 (B-318-GD)	Bolt-hex. washer head- 5/16"-18 x 7/8"	40	★ 58727-S2	Bolt-hex.head-5/8"-11 x 3 1/2"
17	357450-S(BB-172)	Bolt-hex.head-7/16"-14 x 7/8"	41	★ 58730-S2	Bolt-hex.head-5/8"-11 x 4 1/4"
18	354959-S (XX-178-C)	Washer-flat-7/16" (rubber)	42	★ 383949-S2	Bolt-hex.head-5/8"-11 x 4 3/4"
19	359615-S8(BB-833)	Screw-wing-5/16"-18 x 11/16"	43	★ 58675-S2	Bolt-hex.head-1/2"-13 x 1 1/2"
20	370444-S7(XX-132)	Washer-flat-3/8"	44	33845-S8(M57)	Nut-hex.-1/2"-13
21	371613-S7-8 (XX-202)	Washer-flat-9/16"	45	★ 375275-S2	Washer-flat
22	21008-S18(B-131)	Bolt-hex.head-9/16"-12 x 1 1/2"	46	23438-S8(B-4)	Bolt-carriage-5/16"-18 x 1 1/4"
23	373781-S40 (MM-216)	Washer-flat-5/8"	47	379930-S (MM-173-M)	Nut- washer lock-5/16"-18
24	378178-S39 (BB-412-BA)	Bolt & washer-5/16"-18 x 1"	48	351405-S7(XX-147)	Washer 3/8"
25	379831-S2 (MM-192-M)	Nut & Retainer-5/16"-18	49	44881-S2 (X-40-G)	Washer-flat
			50	★ 56319-S	Bolt-5/8"-18 x .62"

1980/  
TRUCK SERIES 600/900

CODE NUMBER TO PART NUMBER LISTING—Quantity As Required

CODE NO.	PART NUMBER	DESCRIPTION	CODE NO.	PART NUMBER	DESCRIPTION
10732 BATTERY MOUNTING PARTS-NUTS, BOLTS, ETC. — Cont'd					
52	44879-S2(X-31-G)	Washer-flat	59	376838-S2 (MM-296-AF)	Nut & washer -5/16"-18
53	383406-S100 (MM-173-MY)	Nut-hex. lock-3/8"-16	60	N800290-S (AM-76-E)	Nut-wing-M8
54	357235-S(BB-136)	Bolt-hex. hd.-5/16"-18 x 7/8"	61	389057-S36 (SS-47-G)	Rivet-1/4" x 3/4" blind
55	★44877-S2	Washer-flat	62	58634-S2 (B-80-B)	Bolt-3/8"-16 x 1"
56	34987-S4 (M-89-CF)	Nut-hex.lock-3/8"-16	63	58636-S2 (B-85-D)	Bolt-3/8"-16 x 1 1/2"
57	20448-S8(B-83)	Bolt-hex. hd.-3/8"-16 x 1 3/8"	64	★56719-S	Bolt-5/16"-18 x .62"
58	42998-S8(B-254-A)	Bolt-hex. hd.-3/8"-16 x 1"			

YEAR	MODEL/RESTRICTIONS	ENGINE		PART NUMBER	DESCRIPTION	QTY.
		CYL.	C.I.D. (C.C.D.)			

10733 BUSHING (BATTERY CABLE SUPPORT)						
80/	C-CT-L-LN-LNT-LT-LTS600/900	6&8	All	D5HZ 10733-A	Rubber- # D3HF 10733-AA- 2 1/2" x 3 1/4" x 3/4" - used on edge of battery box to route cable	1
80/	CL-CLT900	6&8	All	D8HZ 10733-A	# D7HT 10733-AC-rubber-at rear of battery box	AR
87/	CF600/800 -- w/aux. fuel tank	All	All			AR
83/	F-FT700/800 -- Cat. diesel	8	636	E3HZ 10733-A	# E3HT 10733-AA	1
83/87	FT800 -- Det. diesel	8	501			1
86/87	CF600/800 -- diesel "Before 11/87"	6	All			1
87/	LL-LTL900	6&8	All			1
87/	CF600/800 "From 11/87"	6	All	E7HZ 10733-A		1
82/86	LTL900	6&8	All	E1HZ 10733-A	# E1HT 10733-AA	1

10747 SPACER (BATTERY HOLD DOWN)						
80/	L-LN-LNT-LT-LTS600/900	6&8	All	D0HZ 10747-B	Steel and rubber-1" O.D. x 11/32" I.D. x 1/2" thick	AR
80/	CL-CLT900	6&8	All			AR
80/	C-CT600/900	8	All			AR
80/	B-F-FT600/800 -- gas	8	All			1
82/	LTL900	6&8	All			AR

10753 BRACKET (BATTERY SUPPORT)						
80/87	F600/800 -- Det. 990 diesel with 3 63 amp. batteries	8	501	E5HZ 10753-A	# E5HT 10753-AA-R.H.	1
85/	F600/800 -- gas	8	All			1
80/87	F600/800 -- Det. 990 diesel	8	501	E0HZ 10753-B	# E0HT 10753-FB-Center	1
80/87	F600/800 -- Det. 990 diesel	8	501	E3HZ 10753-G	# E0HT 10753-GB, # E3HT 10753-GA,L.H.	1or2
85/	F600/800 -- gas	8	All			1
83/	F-FT700/800 -- Cat. diesel	8	636	E3HZ 10753-A	# E3HT 10753-AA-R.H.-use with 2-63 or 93 amp. batteries	1
83/87	FT800 -- Det. diesel	8	501			1
86/	CF600/800 -- diesel	6	All		Use with 2-63 amp. batteries	1
87/	F-FT600/900 -- FTO diesel	6&8	All		Use with 2 batteries	1
83/	F-FT700/800 -- Cat. diesel	8	636	E3HZ 10753-B	# E3HT 10753-BA-L.H.-use with 2-63 or 93 amp. batteries	1
83/87	FT800 -- Det. diesel	8	501		Use with 2-63 amp. batteries	1
86/	CF600/800 -- diesel	6	All		Use with 2 batteries	1
87/	F-FT600/900 -- FTO diesel	6&8	All			1
83/	F-FT700/800 -- Cat. diesel	8	636	E3HZ 10753-C	# E3HT 10753-CA,CB-L.H. front-use with 3-63 or 93 amp. batteries	1
83/87	FT800 -- Det. diesel	8	501			1
83/	F-FT700/800 -- Cat. diesel	8	636	E3HZ 10753-D	# E3HT 10753-DA,DB-L.H. rear-use with 3-63 or 93 amp. batteries	1
83/87	FT800 -- Det. diesel	8	501			1
83/	F-FT700/800 -- Cat. diesel	8	636	E3HZ 10753-E	# E3HT 10753-EA,EB-R.H. front-use with 3-63 or 93 amp. batteries	1
83/87	FT-800 -- Det. diesel	8	501			1
86/	CF600/800 -- diesel	6	All			1
87/	F-FT600/900 -- FTO diesel	6&8	All			1

1980/  
TRUCK SERIES 600/900

YEAR	MODEL/RESTRICTIONS	ENGINE		PART NUMBER	DESCRIPTION	QTY.
		CYL.	C.I.D. (C.C.D.)			
<b>10753 BRACKET (BATTERY SUPPORT) — Cont'd</b>						
83/	F-FT700/800 -- Cat. diesel	8	636	E3HZ 10753-F	#E3HT 10753-FA,FB-R.H. rear-use	1
83/87	FT800 -- Det. diesel	8	501		with 3-63 or 93 amp. batteries	1
86/	CF600/800 -- diesel	6	All			1
87/	F-FT600/900 -- FTO diesel	6&8	All			1
87/	L-LN-LNT-LS-LT-LTS800 -- Cat. 3208 and FTO diesel- w/frame mounted batteries	6&8	636,476	E7HZ 10753-A	#E7HT 10753-AA-R.H.	1or2
				E7HZ 10753-B	#E7HT 10753-BA-L.H.	1or2
88/	L-LN-LNT-LS-LT-LTL-LTS800/900 -- w/4 batteries	6&8	All	E8HZ 10753-A	#E7HT 10752-BA	
88/	LA-LTA900	6&8	All	E8HZ 10753-D	#E8HT 10753-AA	1
82/87	LTL900	6&8	All	E1HZ 10753-A	#E1HT 10752-AA	2
<b>10756 Refer to group 10732</b>						
<b>10757 SHIELD (BATTERY)-If not listed below improvise</b>						
80/	C-CT600/900 -- gas	6&8	All	B7T 10757-A		1
80/83	F-FT600/800 -- Det. 900 diesel "Before 2/83"	8	501	★ E0HZ 10757-B	#E0HT 10757-BA	1
83/87	F-FT600/800 -- Det. diesel - "From 2/83"	8	501	E3HZ 10757-A	#E3HT 10757-AB	1
80/	B-F-FT600/800 -- gas "From Ser. HG5,001"	8	370,429	E4HZ 10757-A	#E0HT 10757-AC, E3HT 10A791-AA	1
80/	LTS800/900 -- gas and under hood mounted battery	8	All	D0HZ 10757-B	#D0HA 10757-N-heat shield	1
80/	L-LN-LNT-LT800/900 -- gas and under hood mounted battery	8	All	E0HZ 10757-A	#D9HT 10757-AA, E0HT 10757-AA	1
80/	LN600/750	6&8	All	D3EZ 10757-A	Located under L.H. running board	1
80	B-F600/800 -- gas- with frame mounted battery- "Before Ser. HG5,001"	8	All	E0HZ 10757-A	#E0HT 10757-AB	1
80	L-LN-LNT-LT800/900 -- gas and under hood mounted battery	8	All			1
80/87	L-LN-LNT-LT800/900 -- diesel-w/dual integral battery box and steel fuel tank	6&8	All	E8HZ 10757-A	R.H.-side-#D3HA 10B650-AA, AB-E8HT 10650-AA-steel	1
				E8HZ 10757-B	L.H.-side-#D3HA 10B651-AA, AB, E8HT 10B651-AB-steel	1
				D3HZ 10757-C	R.H.-rear-#D3HA 10B652-AA, AB-steel	1
				D3HZ 10757-D	L.H.-rear-#D3HA 10B653-AA, AB-steel	1
88/	L-LA-LN-LNT-LS-LT-LTA-LTS 800/900 -- diesel w/dual integral battery box and steel fuel tanks	6&8	All	E8HZ 10757-A	R.H.-side-#E8HT 10B650-AA-steel	1
				E8HZ 10757-B	L.H.-side-#E8HT 10B651-AA-steel	1
				D3HZ 10757-C	R.H.-rear-#D3HA 10B652-AB-steel	1
				D3HZ 10757-D	L.H.-rear-#D3HA 10B653-AB-steel	1
80/87	L-LN-LNT-LT800/900 -- diesel- w/dual integral battery box and aluminum fuel tanks	6&8	All	E8HZ 10757-C	R.H.-side-#D3HA 10B650-BA E8HT 10B650-BB-aluminum	1
				E8HZ 10757-D	L.H.-side-#D3HA 10B651-BA-E8HT 10B651-BA aluminum	1
				D4HZ 10757-C	R.H.-rear-#D3HA 10B652-BA-aluminum	1
				D4HZ 10757-D	L.H.-rear-#D3HA 10B653-BA-aluminum	1
88/	L-LA-LN-LNT-LS-LT-LTA-LTS800/900 -- diesel-w/dual integral battery box and aluminum fuel tanks	6&8	All	E8HZ 10757-C	R.H.-side-#E8HT 10B650-BA-aluminum	1
				E8HZ 10757-D	L.H.-side-#E8HT 10B651-BA-aluminum	1
				D4HZ 10757-C	R.H.-rear-#D3HA 10B652-BA-aluminum	1
				D4HZ 10757-D	L.H.-rear-#D3HA 10B653-BA-aluminum	1



1980/  
TRUCK SERIES 600/900

YEAR	MODEL/RESTRICTIONS	ENGINE		PART NUMBER	DESCRIPTION	QTY.
		CYL.	C.I.D. (C.C.D.)			
<b>10757 SHIELD (BATTERY)-If not listed below improvise — Cont'd</b>						
87/	L-LN-LNT-LS-LT-LTS800 -- w/Cat. 3208, FTO diesel w/2 or 3 frame mounted batteries	6&8	476,636	E7HZ 10757-A	#E7HT 10757-AA	1
88/	B-F700/800,FT800/900 -- diesel-w/2 batteries	6&8	All			1
87/	L-LN-LNT-LS-LT-LTS800 -- w/Cat. 3208, FTO diesel-w/3 R.H. frame mounted batteries	6&8	476,636	E7HZ 10757-B	#E7HT 10757-BA	1
88/	B-F700/800,FT800/900 -- diesel-w/3 batteries	6&8	All			1
82/	LTL900	6&8	All exc. Cat 3406	E1HZ 10757-A	#E1HT 10757-AA,AB,AC-(1) used with 2 100 amp. batteries-(2) used with 3 or 4 85 or 90 amp. batteries	AR
82/	LTL900 -- Cat. 3406	6	893	E2HZ 10757-A	#E2HT 10757-AA	AR
80/	C-CT600/900	6&8	All	42742-S7-8	(U-2-A)-screw and washer-hex.head-1/4" - 20 x 1/2"	2
				33846-S8	(M-69)-nut-hex.-1/2"-20	2
<b>10769 SUPPORT (BATTERY TRAY)-Also refer to group 10732</b>						
80/82	B-F600/800 -- gas	8	All	E1HZ 10769-A	#E0HT 10761-FA, E1HT 10761-AA-use with (1) 45,63 or 71 amp. battery	1
83/86	B-F-FT600/800 -- gas "Before 10/85"	8	All	E6HZ 10769-A	#E3HT 10761-CB, E5HT 10761-CA,CB	1
83/86	F600/800 -- Det. diesel "Before 10/85"	8	501			1
80/83	F600/800 -- Det. 990 diesel "Before 2/83"	8	501	E3HZ 10769-D	#E0HT 10761-JB, E3HT 10761-EA	1
80	C-CT800/900	8	All	D9HZ 10769-B	#D9HT 10761-BA	2
80/	L-LN-LNT-LT-LTS900 -- diesel	6&8	All	D9HZ 10769-A	#D9HT 10761-AA-use with (2,3 or 4) 63,80,85 or 90 amp. batteries	2
81/	C-CT700/900	6&8	All			2
80/	C-CT600/900 -- gas	8	All	E0HZ 10769-C	Use with (1) 63 amp. battery	1
80	L-LN-LNT-LT-LTS800/900 -- gas	8	All	D9HZ 10769-C	#D9HT 10761-CB-use with (1or2) 53 or 68 amp. batteries	1
80/	L-LN-LNT-LT-LTS600/900 -- gas	8	All	E0HZ 10769-D	#E0HT 10761-LA-use with (1) 45 or 63 amp. battery	1
80/	All	6&8	All	★58721-S2	Bolt (support to frame) No. 8-5/8"-11 x 2"	AR
80/	All	6&8	All	34991-S2	(M-89-GH)-nut (support to frame) No. 8-5/8"-11	AR
80/	All	6&8	All	385948-S2	(XX-132-E) Washer (support to frame) 5/8" flat	AR
80/	All	6&8	All	58722-S2	(B-139-E) Bolt (support to frame) 5/8"-11 x 2 1/4"	AR
<b>10A779 BRACKET (BATTERY CABLE)-Unless listed-improvise from steel strap</b>						
81/	C-CT800 -- Det. diesel	8	501	E1HZ 10A779-C	#E1HT 10A779-DA	1
83/	F-FT700/900 -- diesel	6&8	All	E3HZ 10A779-A	#E3HT 10A779-AA	1
82/	LTL900 -- Cummins diesel	6	855	E1HZ 10A779-A	#E1HT 10A779-AB	1
82/85	LTL900 -- Cat. 3406 diesel	6	893	E1HZ 10A779-B	#E1HT 10A779-EA	1
86/	LTL900 -- Cat. 3406 diesel	6	893	E6HZ 10A779-C	#E6HT 10A779-BA	1
87/	L-LN-LNT-LS-LT-LTS800 -- w/50 or 75 gal. fuel tanks	6&8	All	F1HZ 10A779-A	#E7HT 10A779-AA	1
86	All -- with cat. 3208 diesel	8	636	E6HZ 10A779-A	#E6HT 10A779-AA	1
86/87	CF600/700 -- w/dual batteries	6	401	E6HZ 10A779-B		1
88/	CF700/800 -- T/T-w/aux. fuel tanks	6	476	E8HZ 10A779-A		1
87/	L-LN-LNT-LTS900	6&8	All	E7HZ 10A779-B	#E7HT 10A779-BA	AR
<b>10797 VOLT METER ASSY. (INSTRUMENT CLUSTER)</b>						
80/81	L-LN-LNT-LT-LTL-LTS900 -- diesel	6&8	All	D4TZ 10797-A	#D4TF 10797-AA,D5HF 10797-BA, D5TF 10797-AA or E0HT 10797-AA	1
80	B600/700	8	All			1

**1980/  
TRUCK SERIES 600/900**

YEAR	MODEL/RESTRICTIONS	ENGINE		PART NUMBER	DESCRIPTION	QTY.
		CYL.	C.I.D. (C.C.D.)			
<b>10797 VOLT METER ASSY. (INSTRUMENT CLUSTER) — Cont'd</b>						
81/85	B600/700 "Before 1/85"	8	All	E1HZ 10797-A	#E0HT 10797-AB,E1HT 10797-AA	1
85/	B600/700 "From 1/85"	8	All	E5HZ 10797-A	#E4HT 10797-AA	1
80/81	CL-CLT900	6&8	All	E2HZ 10797-B	"10-12-14-16 VOLTMETER"	1
82/	CL-CLT900	6&8	All	E2HZ 10797-B		1
82/87	L-LN-LNT-LT-LTL-LTS800/900 -- w/line haul instrument cluster "Before 8/87"	6&8	All	E2HZ 10797-A	#E2HT 10797-AA,AB-round	1
84/87	L-LN-LNT-LT-LTS800/900 -- w/fleet instrument panel "Before 8/87"	8	All			1
87/	L-LL-LN-LNT-LS-LT-LTL- LTS800/900 -- w/full or fleet instrument panel "From 8/87"	6&8	All	E7HZ 10797-A	#E7HT 10797-AA-round	1
<b>10800 RELAY (RETARDER OIL TEMPERATURE WARNING)</b>						
80/89	L-LN-LNT-LT-LTL-LTS800/900	8	All	B7T 10800-A		2
<b>10804 REGULATOR (INSTRUMENT CLUSTER VOLTAGE)</b>						
80/	B-F-FT600/800	6&8	All	DIAZ 10804-A	*GR-513	1
80/	C-CT600/900	6&8	All			1
80/	L-LN-LNT-LT-LTS600/900 -- w/city delivery instrument panel	6&8	All			1
80/	B-F-FT600/800	6&8	All	52012-S8	(U-202)-screw (regulator to cluster back plate)-No. 8-15 x 1/2"	1
80/	C-CT600/900	6&8	All	55907-S2	(U-54-B)-screw (regulator to cluster back plate)-No. 8-18 x 1/2"	1
80/	F-FT600/800	6&8	All	*374080-S100	Clip (use at regulator)	AR
<b>10817 WIRING ASSY. (INSTRUMENT CLUSTER FEED)-Unless listed improvise from bulk wiring (14296)</b>						
88/	L-LA-LL-LN-LNT-LS-LT-LTA- LTL-LTS900 -- w/pyrometer gauge and oil temp light	6&8	All	E8HZ 10817-B	#E8HT 10817-AD	1
<b>10A826 CABLE (BATTERY COVER RETAINING)</b>						
80/	L-LN-LNT-LT800/900 -- diesel-w/dual integral battery box and fuel tanks	6&8	All	D3HZ 10A826-AA		1
<b>10838 HOUSING (INSTRUMENT CLUSTER)</b>						
80/	C-CT600/900	6&8	All	E2HZ 10838-A	#E1HF 10841-AA	1
<b>10C838 RELAY ASSY. (WARNING INDICATOR)</b>						
80/	L-LN-LNT-LT-LTL-LTS900 -- w/line haul instrument panel	6&8	All	DIAZ 10C838-A	#D1AB 10C838-A	1
80/	C-CT900	6&8	All			1
84/	L-LN-LNT-LT-LTS900 -- w/ fleet instrument panel	6&8	All			1
<b>10D839 WIRE AND SOCKET ASSY. (INSTRUMENT CLUSTER CONTROL LAMP)</b>						
85/	L-LN-LNT-LT-LTS900 -- w/fleet instrument cluster	6&8	All	E5HZ 10D839-A	#E4HT 10D839-AA	1
<b>10A840 BEZEL and LENS (INSTRUMENT PANEL PARKING BRAKE WARNING LAMP)</b>						
80/	B600/700 -- w/dual hydraulic brakes	6&8	All	D7HZ 10A840-A	"BRAKE"--straight lettering on red lens-also serviced in D7HZ 10A962-A assy.	1

**1980/  
TRUCK SERIES 600/900**

YEAR	MODEL/RESTRICTIONS	ENGINE		PART NUMBER	DESCRIPTION	QTY.
		CYL.	C.I.D. (C.C.D.)			
<b>10A840 BEZEL and LENS (INSTRUMENT PANEL PARKING BRAKE WARNING LAMP) — Cont'd</b>						
80/81	CL-CLT900	6&8	All	E0HZ 10A840-G	"WATER TEMP"—red lens	1
				E0HZ 10A840-H	"OIL PRESS"—blue lens	1
				E0HZ 10A840-F	"OIL TEMP"—red lens	1
				E0HZ 10A840-E	HI BEAM—blue lens	1
				E0HZ 10A840-D	"BRAKE SYST"—blue lens	1
				E0HZ 10A840-C	"ANTI SKID"—amber lens	1
				E0HZ 10A840-B	"TRLR HK-UP"—red lens	1
				E0HZ 10A840-A	"DIFF LOCK OUT"	1
				D8HZ 10A840-M	"ENG STOP"	1
82/	CL-CLT900	6&8	All	E2HZ 10A840-A	"WATER TEMP" w/symbol—red lens	1
				E2HZ 10A840-B	"OIL PRESSURE" w/symbol	1
				E2HZ 10A840-C	HI BEAM	1
				E0HZ 10A840-B	"TRLR HR-UP"—red lens	1
				E0HZ 10A840-C	"ANTI SKID"—amber lens	1
				E0HZ 10A840-D	"BRAKE SYST"—blue lens	1
				E0HZ 10A840-F	"OIL TEMP"—red lens	1
<b>10B841 RETAINER (INSTRUMENT CONTROL CABLE GROMMET)</b>						
80/83	C-CT600/900	6&8	All	C1TF 10B841-A	At floor pan— use w/C1TF 10A898-A	1
				40918-S8	(U-260)—screw-hex. washer-head—No. 10-24 x 1/2"	4
84/	C-CT600/800	8	All	E4HZ 10B841-A		1
				385558-S	(KK-56VF)—grommet—1.42" O.D.—.31" I.D.	1
				371840-S	(KK-26-C)—grommet—1/4" holes	1
<b>10W842 MODULE AND DISSIPATOR ASSY. (INSTRUMENT PANEL CLUSTER)</b>						
86/	CF600/800	6	All	E6HZ 10W842-B		1
<b>10K843 CIRCUIT ASSY. (INSTRUMENT CLUSTER PRINTED)</b>						
80/	CL-CLT900	6&8	All	★ D8HZ 10K843-A	Main module—for gauges — service in assy.	1
				★ D8HZ 10K843-D	R.H. module—for gauges — service in assy.	1
80/88	CL-CLT900	6&8	All	E2HZ 10K843-A	R.H. module upper switch bank—with circuits for speed control, power windows, eng. brake and/or heated/marker mirrors	1
80/88	CL-CLT900	6&8	All	E2HZ 10K843-B	R.H. module lower switch bank	1
89	CL-CLT900	6&8	All	E9HZ 10K843-A	R.H. module upper switch bank	1
89	CL-CLT900	6&8	All	E9HZ 10K843-B	R.H. module lower switch bank	1
80/	CL-CLT900	6&8	All	D8HZ 10K843-J	Use w/axle temp. gauge	1
80/	CL-CLT900	8	All	D9HZ 10K843-A	Support & circuit assy. R.H. module—flex bus—for warning lights	1
80/	CL-CLT900	8	All	D9HZ 10K843-B	Support & circuit assy. Main module —flex bus—for warning lights	1
80/86	B600/700	8	All	D8HZ 10K843-H		1
80/86	C-CT600/900 -- w/o direct reading gauges	6&8	All			1
80/86	L-LN-LNT-LT-LTS600/900 -- w/city delivery instrument panel w/o direct reading gauges	6&8	All			1
80/86	C-CT600/900 -- w/direct reading gauges	6&8	All	D8HZ 10K843-G	# D8HF 10C956-AA,AB	1
80/86	L-LN-LNT-LT-LTS600/900 -- w/city delivery instrument panel w/direct reading gauges	6&8	All			1
87/	B-F600/800(84)	6&8	All	E7HZ 10K843-A	# E7HF 10K843-AA	1
87/	C-CT800	6&8	All			1
87/	L-LN-LNT-LS-LT-LTS800 -- w/city delivery instrument panel	6&8	All			1
80	F600/800	8	All	E0TZ 10K843-A	# E0TF 10C956-AA—use on instrument cluster w/charge indicator and oil pressure warning lights	1

**1980/  
TRUCK SERIES 600/900**

YEAR	MODEL/RESTRICTIONS	ENGINE		PART NUMBER	DESCRIPTION	QTY.
		CYL.	C.I.D. (C.C.D.)			
<b>10K843 CIRCUIT ASSY. (INSTRUMENT CLUSTER PRINTED) — Cont'd</b>						
80	F600/800 -- w/tachometer	8	All	E0TZ 10K843-B	#E0TF 10C956-BB-use on instrument cluster w/ammeter and oil pressure gauges	1
80	F600/800 -- w/o tachometer	8	All	E0TZ 10K843-C	#E0TF 10C956-CB-use on instrument cluster w/ammeter and oil pressure gauges	1
81/	F-FT600/800,FT900	8	All	E1TZ 10K843-B	#E1TF 10C956-BA-use on instrument cluster w/ammeter, tachometer and oil pressure gauges	1
81/	F-FT600/800,FT900	8	All	E1TZ 10K843-A	#E1TF 10C956-AA-use on instrument cluster w/charge indicator and oil pressure warning lights	1
89	L-LA-LN-LL-LNT-LT-LTL-LTS 800/900 -- w/fleet or full instrument panel	6&8	All	E9HZ 10K843-D	#E9HT 10C956-DA-used with warning indicator panel	1
89	L-LN-LNT-LS-LT-LTS800 -- w/City Delivery instr. panel	6&8	All	E9HZ 10K843-E	#E9HT 10C956-EA-used with warning indicator panel	1
<b>10K845 WIRE ASSY. (BRAKE WARNING LAMP)</b>						
80/	C600/900-w/dual hydraulic brakes	6&8	All	D5HZ 10K845-A	#D5HB 2B396-AA	1
80/	C-CT600/900 -- w/air/hyd. brakes w/o eng. alarm	6&8	All	D5HZ 10K845-C	#D5HB 2B396-EB,EC	1
<b>10B846 WIRING ASSY. (POWER DIVIDER DIFFERENTIAL LOCKOUT WARNING LAMP)</b>						
80/86	LNT-LT-LTL-LTS900 -- diesel	6&8	All	D0HZ 10B846-A	#D0HB 10B846-A	1
80/86	LNT-LT-LTS800/900 -- gas	8	All	D0HZ 10B846-C	#D0HB 10B846-C	1
80/86	LNT-LT-LTS800 -- diesel	8	636			1
84/88	LNT-LT-LTS600/900 -- w/city delivery instruments panel	6&8	All	E4HZ 10B846-A	#E4HT-10B846-AA,AB	1
83/86	FT800/900 -- w/hydraulic brakes	8	All	E3HZ 10B846-A	#E3HT 10B846-AA,AB	1
83/86	FT800/900 -- w/air brakes	8	All	E3HZ 10B846-B	#E3HT 10B846-BA	1
87	B-F-FT600/900 -- diesel-w/hyd. brakes	6&8	All	E7HZ 10B846-A	#E7HT 10B846-AA	1
88/	FT800/900 -- w/hyd. brakes	6&8	All			1
87	B-F-FT600/900 -- diesel-w/air brakes	6&8	All	E7HZ 10B846-B	#E7HT 10B846-BA	1
88/	FT800/900 -- w/air brakes	6&8	All			1
88/	B-F600/800	6&8	All	E8HZ 10B846-A	#E8HT 10B846-AA	1
84/88	L-LN-LNT-LT-LTS900 -- w/fleet instrument panel	6&8	All	E4HZ 10B846-B	#E4HT 10B846-BA	1
<b>10W846 BRACKET ASSY. (INDICATOR WARNING SYSTEM CONTROL)</b>						
88	CF600/800	6	All	E7HZ 10W846-A		1
<b>10B847 WARNING ASSY. (LOW VACUUM WARNING INDICATOR JUMPER)</b>						
89	CLT900 -- w/173", 186" W/B and locking main diff.	6&8	All	E9HZ 10B847-A	#E9HT 10B847-AA	1
89	CLT900 -- w/204", 246" W/B and locking main diff.	6&8	All	E9HZ 10B847-B	#E9HT 10B847-BA	1
89	CLT900 -- 142, 145, 148, 152" W/B and locking main diff.	6&8	All	E9HZ 10B847-C	#E9HT 10B847-CA	1
<b>10848 PLATE (INSTRUMENT CLUSTER BACK)-Also refer to groups 10B978 and 04428</b>						
80/81	C-CT600/900 -- w/direct reading gauges	6&8	All	D8HZ 10848-A	#D8HF 10848-AA	1
80/81	L-LN-LNT-LT-LTS600/900 -- w/city delivery instrument panel w/direct reading gauges	6&8	All			1
80/86	F-FT600/800,FT900	8	All	E7HZ 10848-A	#E0TF 10848-AA,AB, E7HF 10848-AA use on instrument cluster w/charge indicator and oil pressure warning lights	1

1980/  
TRUCK SERIES 600/900

YEAR	MODEL/RESTRICTIONS	ENGINE		PART NUMBER	DESCRIPTION	QTY.
		CYL.	C.I.D. (C.C.D.)			
<b>10848 PLATE (INSTRUMENT CLUSTER BACK)-Also refer to groups 10B978 and 04428 — Cont'd</b>						
82/86	C-CT600/900 -- w/direct reading gauges	6&8	All	E2HZ 10848-A	#E2HF 10848-AB	1
82/86	L-LN-LNT-LT-LTS600/900 -- w/city delivery instrument panel-w/ direct reading gauges	6&8	All			1
80/86	B600/700	8	All	E2TZ 10848-B	#E2TF 10848-BA	1
80/86	C-CT600/900 -- w/o direct reading gauges	6&8	All			1
80/86	L-LN-LNT-LT-LTS600/900 -- w/city delivery instrument panel-w/o direct reading gauges	6&8	All			1
80/86	F-FT600/800	8	All	E2TZ 10848-A	#E2TF 10848-AA-use on instrument cluster w/ammeter and oil pressure gauges	1
85	FT900 -- diesel	8	501			1
87/	F-FT600/900	6&8	All	E7HZ 10848-A	#E7HF 10848-A-use on instrument cluster w/charge indicator and oil pressure warning lights	1
87/	F-FT600/900	6&8	All	E7HZ 10848-B	#E7HF 10848-B-use on instrument cluster w/ammeter and oil pressure gauges	1
87/	B-F600/800(84)	6&8	All	E7HZ 10848-C	#E7HF 10848-AA	1
87/	C-CT800	6&8	All			1
87/	L-LN-LNT-LS-LTS800 -- w/city delivery instrument panel	6&8	All			1
<b>10A848 SPRING (INSTRUMENT PANEL PARKING WARNING LAMP RETAINING)</b>						
80/	B-F600/700 -- w/dual vacuum brake	6&8	All	B9FM 10A848-A		1
80/	C600/900 -- w/dual vacuum brake	6&8	All			1
<b>10850 AMMETER (INSTRUMENT CLUSTER)</b>						
80/86	L-LN-LNT-LT-LTS600/900 -- w/city delivery instrument panel	6&8	All	E1HZ 10850-A	"D-C"-incl. symbol	1
80/86	B600/700	8	All			1
80/86	C-CT600/900	6&8	All			1
87/	B-F600/800(84)	6&8	All	E7HZ 10850-B	8"-18" w/symbol	1
87/	C-CT800	6&8	All			1
87/	L-LN-LNT-LS-LT-LTS800 -- w/city delivery instrument panel	6&8	All			1
80/	F-FT600/800,FT900	8	All	E0TZ 10850-A	White symbol-"D-C"-incl.-batt. symbol	1
80/81	L-LN-LNT-LT-LTL-LTS800/900-w/line haul instrument panel	6&8	All	E2HZ 10850-A	#D4HF 10670-AA, D5HF 10670-AA-push-on terminals	1
82/	L-LN-LNT-LT-LTL-LTS800/900 -- w/line haul instrument panel	6&8	All	E2HZ 10850-A	#E2HT 10670-AA,AB-"AMPS-D-C" w/symbol	1
86/	CF600/800	6	All	E6HZ 10850-A		1
80/	B-F-FT600/800	6&8	All	379618-S7-8	(MM-291-E)-nut (ammeter to back plate)-No. 10-32	2
<b>10C851 WIRING ASSY. (PARKING BRAKE WARNING INDICATOR JUMPER)</b>						
85/86	C-F-L-LN-LNT-LT-LTS600/900 -- w/hydraulic brakes	6&8	All	E5HZ 10C851-A	#E4HT 10C851-AA	1
<b>10852 BEZEL (INSTRUMENT CLUSTER CONTROL)</b>						
80/	B-F-FT600/800,C-CT600/900, FT900	6&8	All	D3TZ 10852-D C1TF 10852-A C1TF 10852-B	"LIGHTS" "L FUEL TANKS R" "CARB. PRIMER-HOLD 10 SECONDS"	1 1 1
80/	C-CT 600/900	6&8	All	D3TZ 10852-C	Wiper control	1
80/83	C600/800 -- diesel "Before 1/83"	8	636	E3HZ 10852-A	Throttle control	1
80/83	L-LN-LNT-LT-LTS600/900 "Before 1/83"	6&8	All		Throttle control and fuel shutoff control	2
82/83	LTL900 "Before 1/83"	6&8	All			AR

1980/  
TRUCK SERIES 600/900

YEAR	MODEL/RESTRICTIONS	ENGINE		PART NUMBER	DESCRIPTION	QTY.
		CYL.	C.I.D. (C.C.D.)			
<b>10852 BEZEL (INSTRUMENT CLUSTER CONTROL) — Cont'd</b>						
83/	C-CT600/800 -- diesel - "From 1/83"	8	636	E3HZ 10852-A	Throttle control	1
83/	L-LN-LNT-LTS600/900	6&8	All		Throttle control and fuel shutoff control	2
83/	LTL900	6&8	All			AR
87/	B-F600/800,FT900,LN700 -- FTO diesel	6	All			1
80/	L-LN-LNT-LT-LTS600/900 -- w/o Trico air wiper system	6&8	All	D0HZ 10852-A		1
80/	CL-CLT900	6&8	All	★ D8HZ 10852-C	Shroud for 10A840 lens (oil press., oil temp., water temp., trlr hook-up, diff. lockout)-service assy.	AR
80/	CL-CLT900	6&8	All	D8HZ 10852-A	Used on instrument panel lamp dimmer switch	1
80/	B-F-FT600/800	8	All	E3HZ 10852-B	Hand control throttle	1
84/86	L-LN-LNT-LT-LTS900 -- w/fleet instrument panel -- w/o Vernier hand throttle	6&8	All			1
89	LN-LNT900 -- w/Cat. 3306 diesel	6	638			1
84/86	L-LN-LNT-LT-LTS900 -- w/fleet instrument panel-w/Vernier hand throttle	6&8	All	E4HZ 10852-A	"THROTTLE"	1
87/	L-LL-LN-LNT-LS-LT-LTL-LTS900	6&8	All	E7HZ 10852-A		1
<b>10852 BEZEL (STARTER PUSH BUTTON SWITCH)</b>						
80/	L-LN-LNT-LT-LTL-LTS900	6&8	All	D3HZ 10852-B	"ENGINE START-ENGINE START"	1
80/	CL-CLT900	6&8	All	D8HZ 10852-B	"ENGINE START"	1
<b>10K852 BRACKET (BRAKE AIR PRESSURE GAUGE)-Unless listed cut to fit from strap steel (1 1/8" x 3/32")</b>						
80/	C-CT600/800	6&8	All	E4HZ 10K852-A	1-Used w/vacuum gauge and 1-used w/air gauge	1
80/	F-FT600/800(81)	8	All	E0HZ 10K852-A	#E0HT 10K852-AA	1
80/82	B600/700	8	All	E0HZ 10K852-B	#E0HT 10K852-BA	1
83/	B-F600/700(84)	6&8	All			1
<b>10B853 SWITCH ASSY. (DIFFERENTIAL LOCKOUT INDICATOR LAMP)</b>						
80/88	LNT-LT800/900	6&8	All	E9HZ 10B853-A	Use w/air controlled differential lockout	1
80/88	LNT-LT-LTL-LTS800/900	6&8	All		Use w/air brakes	1
80/88	CLT900	6&8	All			1
80/88	CT800/900	6&8	All			1
80/	LT-LTL-LTS800/900	8	All	D9HZ 10B853-A	Use w/vacuum controlled differential lockout	1
89	L-LA-LL-LN-LNT-LT-LTA-LTL- LTS800/900	6&8	All	E9HZ 10B853-A	Use w/air controlled differential lockout	1
89	CL-CLT900	6&8	All			1
80/	LNT-LT-LTS800/900	8	All	372268-S	(II-162-E)-elbow-5/16"-1/4"-18	1
80/	LT-LTL-LTS800/900	8	All	357943-S	(II-155-A) elbow -5/16"-1/8"-27 female thread-1/4"-18 Male thread	1
80/	LNT-LT-LTL-LTS800/900	8	All	371334-S	(II-146-B)-tee-1/8" x 1/8" x 1/8"	1
<b>10A855 COVER (INSTRUMENT CLUSTER HOUSING)</b>						
80/88	C-CT600/900	6&8	All	D5KZ 10A855-A	Use when air vacuum or tachometer gauges are not used	2
80/	CL-CLT900	6&8	All	D8HZ 10A855-B	Use on R.H. inst. cluster module-for unused gauge openings	AR
82/	L-LN-LNT-LT-LTL-LTS600/900	6&8	All	E1HZ 10A855-A	#D5HS 10A862-BA - use with C.B. radio hot jack	2
<b>10A858 HOUSING ASSY. (INSTRUMENT PANEL CONTROL)</b>						
80	L-LN-LNT-LT-LTS600/900-w/ mechanical fuel pump and dual fuel tanks	8	All	★ D4HZ 10A858-B	Tobacco (tan)- use with city delivery instrument panel	1
80	L-LN-LNT-LT-LTS600/900 -- w/ electric fuel pump and dual fuel tanks	8	All	D4HZ 10A858-D	Tobacco (tan)-use with city delivery instrument panel	1

1980/  
TRUCK SERIES 600/900

YEAR	MODEL/RESTRICTIONS	ENGINE		PART NUMBER	DESCRIPTION	QTY.
		CYL.	C.I.D. (C.C.D.)			
<b>10A858 HOUSING ASSY. (INSTRUMENT PANEL CONTROL) — Cont'd</b>						
80/83	L-LN-LNT-LT-LTS600/900 -- w/mechanical fuel pump-w/o dual fuel tanks	8	All	E1HZ 10A858-A	Tobacco (tan)-use with city delivery instrument panel	1
81/83	L-LN-LNT-LT-LTS600/900 -- w/mechanical fuel pump and dual fuel tanks	8	All	E1HZ 10A858-B	Tobacco (tan)-use with city delivery instrument panel	1
80/83	L-LN-LNT-LT-LTS600/900 -- w/electric fuel pump-w/o dual fuel tanks	8	All	E1HZ 10A858-C	Tobacco (tan)-use with city delivery instrument panel	1
81/83	L-LN-LNT-LT-LTS600/900 -- w/electric fuel pump and dual fuel tanks	8	All	E1HZ 10A858-D	Tobacco (tan)-use with city delivery instrument panel	1
84/86	L-LN-LNT-LT-LTS600/900 -- w/mechanical fuel pump-w/o dual fuel tanks	8	All	E4HZ 10A858-A	Black-use with city delivery or fleet instrument panel	1
84/	L-LN-LNT-LT-LTS600/900 -- w/mechanical fuel pump and dual fuel tanks	8	All	E4HZ 10A858-B	Black-use with city delivery instrument	1
84/	L-LN-LNT-LT-LTS600/900 -- w/electric fuel pump-w/o dual fuel tanks	8	All	E4HZ 10A858-C	Black-use with city delivery or fleet instrument panel	1
84/	L-LN-LNT-LT-LTS600/900 -- w/electric fuel pump and dual fuel tanks	8	All	E4HZ 10A858-D	Black-use with city delivery instrument panel	1
84/	L-LN-LNT-LT-LTS900 -- w/fleet instrument panel	6&8	All	E4HZ 10A858-E	Black	1
<b>10B858 WIRING ASSY. (DIFFERENTIAL TEMPERATURE SENDER)</b>						
80/88	CLT900 -- w/Hendrickson susp.	6&8	All	D8HZ 10B858-A	#D7HT 10B858-AB-rr. axle temp. sender to 14A313 wire	1
80/88	CLT900 -- w/Reyco susp.	6&8	All	D8HZ 10B858-B	#D7HT 10B858-BB,BC-rr. axle temp sender to 14A313 wire	1
80/88	CLT900 -- w/Neway susp.	6&8	All	D8HZ 10B858-C	#D7HT 10B858-CC-rr. axle temp sender to 14A313 wire	1
89	CLT900 "Before 6/89"	6&8	All	E9HZ 10B858-A	#E9HT 10B858-ADA-also used to replace E9HT 10B858-ABA and ACA-tape excess wire	1
89	CLT900 "From 6/89"	6&8	All	E9HZ 10B858-AA	#E9HT 10B858-ADB- also used to replace E9HT 10B858-ABB and ACB-tape excess wire	1
88/	F600/800 -- with 196" or 207" W/B	6&8	All	E8HZ 10B858-AA	#E8HT 10B858-AAA-also used to replace E8HT 10B858-ABA-tape excess wire	1
88/	F600/800 -- with 129", 141" or 142" W/B	6&8	All	E8HZ 10B858-L	#E8HT 10B858-LA-also used to replace E8HT 10B858-MA-tape excess wire	1
88/	F600/800 -- with 225" W/B	6&8	All	E8HZ 10B858-N	#E8HT 10B858-NA	1
88/	F600/800 -- with 171", 177", 178", 189" or 190" W/B	6&8	All	E8HZ 10B858-R	#E8HT 10B858-RA-also used to replace E8HT 10B858-SA,TA-tape excess wire	1
88/	F600/800 -- with 214" W/B	6&8	All	E8HZ 10B858-V	#E8HT 10B858-VA	1
88/	F600/800 -- with 153", 154" W/B	6&8	All	E8HZ 10B858-Y	#E8HT 10B858-YA	1
88/	F600/800 -- with 237", 238" W/B	6&8	All	E8HZ 10B858-Z	#E8HT 10B858-ZA	1
89	F600/800 -- with 255" W/B	6&8	All	E9HZ 10B858-E	#E9HT 10B858-EA	1
82/86	LTL900 -- with 174,186 or 204" W/B	6&8	All	E5HZ 10B858-B	#E4HT 10B858-CA-E1HT10B858-CB-162 1/2" long-also used to replace E4HT 10B858-DA,EA-tape excess wire	1
82/86	LTL900 -- with 222 or 246" W/B	6&8	All	E5HZ 10B858-A	#E4HT 10B858-AA-204 1/2" long-also used to replace E1HT 10B858-AB,BB, E4HT 10B858-BA-tape excess wire	1
87	L-LN-LS800/900 -- with 138", 150" or 162"	6&8	All	E8HZ 10B858-A	#E7HT 10B858-CA,CB-also used to replace E7HT 10B858-AA,AB,BA,BB-tape excess wire	1
87	L-LL-LN-LS900 -- with 174" or 186" W/B	6&8	All	E8HZ 10B858-B	#E7HT 10B858-EA,EB-also used to replace E7HT 10B858-DA,DB-tape excess wire	1
87	LS900 -- 167" W/B	6&8	All			1

**1980/  
TRUCK SERIES 600/900**

YEAR	MODEL/RESTRICTIONS	ENGINE		PART NUMBER	DESCRIPTION	QTY.
		CYL.	C.I.D. (C.C.D.)			
<b>10B858 WIRING ASSY. (DIFFERENTIAL TEMPERATURE SENDER) — Cont'd</b>						
87	L-LL-LN-LS900 -- with 185", 186", 204" or 222"	6&8	All	E8HZ 10B858-C	#E7HT 10B858-HA,HB,E8HT 10B858-HB-also used to replace E7HT 10B858-FA,FB,GA,GB-tape excess wire	1
87/88	LNT-LT-LTL-LTS900 -- with 138", 144", 150" or 162"	6&8	All	E7HZ 10B858-DD	#E7HT 10B858-KA,KB-also used to replace E7HT 10B858-JA,JB-tape excess wire	1
87/88	LNT-LT-LTL-LTS900 -- with 155", 167", 174", 186" or 204" W/B	6&8	All	E7HZ 10B858-EE	#E7HT 10B858-MA,MB-also used to replace E7HT 10B858-LA,LB-tape excess wire	1
87/88	LT-LTL-LTS900 -- with 185", 203", 204", 222" or 246" W/B	6&8	All	E7HZ 10B858-FF	#E7HT 10B858-RA,RB-also used to replace E7HT 10B858-NA,NB,SA,SB-tape excess wire	1
87	L-LN-LS900 -- with 246" W/B	6&8	All	E8HZ 10B858-U	#E7HT 10B858-TA,TB, E8HT 10B858-UB	1
88	L-LN-LS800/900 -- with 138", 150" or 162" W/B	6&8	All	E8HZ 10B858-A	#E8HT 10B858-CA,CB-also used to replace E8HT 10B858-AA,AB,BA,BB-tape excess wire	1
88	L-LL-LN-LS900 -- with 174" or 186" W/B	6&8	All	E8HZ 10B858-B	#E8HT 10B858-EA,EB-also used to replace E8HT 10B858-DA,DB-tape excess wire	1
88	L-LL-LN-LS900 -- with 185", 186", 204" or 222" W/B	6&8	All	E8HZ 10B858-C	#E8HT 10B858-HA,HB-also used to replace E8HT 10B858-FA,FB,GA,GB-tape excess wire	1
88	L-LN-LS900 -- with 246" W/B	6&8	All	E8HZ 10B858-U	#E8HT 10B858-UA,UB	1
89	LNT-LT-LTA-LTL-LTS700/900 -- 239", 258" W/B	6&8	All	E9HZ 10B858-Z	#E9HT 10B858-ZA,ZB	1
89	L-LA-LN-LNT-LT-LTS700/900 -- w/227",232",236",239", 246",258" W/B	6&8	All	E9HZ 10B858-HB	#E9HT 10B858-HA,HB,HC-also used to replace E9HT 10B858-FB,FC and GB,GC-tape excess wire	1
89	L-LN-LNT-LT-LTS800/900 -- w/138", 153", 162" W/B	6&8	All	E9HZ 10B858-M	#E9HT 10B858-MA,MB-also used to replace E9HT 10B858-KA,KB,LA,LB-tape excess wire	1
89	L-LN-LS700/900 -- w/174", 196" W/B	6&8	All	E9HZ 10B858-R	#E9HT 10B858-RA,RB-also used to replace E9HT 10B858-NA,NB-tape excess wire	7
89	L-LL-LN-LS900 -- w/136", 204", 222" W/B	6&8	All	E9HZ 10B858-S	#E9HT 10B858-SA,SB-also used to replace E9HT 10B858-TA,TB-tape excess wire	1
89	LN-LNT700/900 -- w/144" W.B	6&8	All	E9HZ 10B858-U	#E9HT 10B858-UA,UB	1
89	L-LA-LN-LNT-LT-LTA-LTS800/900 -- w/167", 174", 185" W/B	6&8	All	E9HZ 10B858-Y	#E9HT 10B858-YA,YB-also used to replace E9HT 10B858-VA,VB-tape excess wire	1
<b>10A860 PLATE (RADIO MOUNTING)</b>						
80/86	CL-CLT900	6&8	All	D8HZ 10A860-A		1
80/86	F-FT600/800,FT900	8	All	E0TZ 10A860-A	#E0TF 19A179-AA,AB	1
87	B-F600/800,FT900	6&8	All	E7HZ 10A860-A	#E7HT 19A179-AB	1
88	B-F600/800,FT900 -- W/ electronic radio	6&8	All			1
88	B-F600/800,FT900 -- w/o electronic radio	6&8	All	E8HZ 10A860-A	#E8HF 19A179-AA	1
89	B-F600/800,FT900	6&8	All			1
87/	CL-CLT900	6&8	All	E7HZ 10A860-C	#E7HF 19A004-AB,AC	1
80/	CL-CLT900			57014-S36	(B-39-D)Screw (plate to inst. panel)-No. 8 -32 x 1/2"	1
<b>10B860 WIRING ASSY. (DIFFERENTIAL TEMPERATURE GAUGE FEED)</b>						
82/	LTL900	6&8	All	E1HZ 10B860-A	#D0HS 10B860-A	1
<b>10A862 COVER (INSTRUMENT CLUSTER OPENING INDICATOR)-Also refer to group 10C979</b>						
87/88	L-LN-LNT-LT-LTS800/900 -- exc. full instrument panel	6&8	All	E7HZ 10A862-A		1
87/	L-LL-LN-LNT-LS-LT-LTL-LTS 900 -- w/full instr. panel	6&8	All	E7HZ 10A862-B		1
89	L-LA-LN-LNT-LL-LS-LTL-LTS800/900 -- w/o trailer hookup lights or w/o heated mirrors "Before 4/88"	6&8	All	E9HZ 10A862-A		1
89	L-LA-LN-LNT-LL-LS-LTA-LTL-LTS600/900 -- w/o trailer hookup lights or w/o heated mirrors "From 4/89"	6&8	All	E9HZ 10A862-B		1
89	LL-LTL900 -- w/full instr. panel	All	All	E9HZ 10A862-C		1

October, 1993

COPYRIGHT © 1993 - FORD MOTOR - DEARBORN, MICHIGAN

COMPANY

Final Issue



**1980/  
TRUCK SERIES 600/900**

YEAR	MODEL/RESTRICTIONS	ENGINE		PART NUMBER	DESCRIPTION	QTY.
		CYL.	C.I.D. (C.C.D.)			
<b>10B862 SENDER (REAR AXLE and TRANSMISSION OIL TEMPERATURE INDICATOR)</b>						
80/	CL-CLT900	6&8	All	E2HZ 10B862-A	#139608,142823,144899-(1) used on single rear axle, (2) used on tandem rear axle, (1) used on transmission, (1) used on engine	AR AR
81/	L-LN-LNT-LT-LTL-LTS800/900 -- w/line haul instrument panel	6&8	All			
80/	CL-CLT900 -- Det. diesel	6&8	All	388737-S100	(11-237-H) Tee-1/2" x 1/4"- oil sender to oil gauge	1
<b>10N862 BRACKET (INSTRUMENT PANEL SHIELD FRONT)</b>						
84/	L-LN-LNT-LT-LTS900 -- w/ fleet instrument panel	6&8	All	E4HZ 10N862-A	#E2HS 10N862-CA	1
<b>10B864 GAUGE (REAR AXLE TEMPERATURE)</b>						
80/	CL-CLT900	6&8	All	D8HZ 10B864-A	"AXLE TEMP 140-230-320"-on RH inst. panel module	1
82/87	LTL900 "Before 8/87"	6&8	All	E1HZ 10B864-A	#E1HT 10B864-AA-forward rear axle-white illumination	1
87/	LTL900 "From 8/87"	6&8	All	E7HZ 10B864-B	#E7HT 10B864-BA-forward rear axle- green illumination	1
82/87	LTL900 "Before 8/87"	6&8	All	E1HZ 10B864-B	#E1HT 10B864-BA-rear rear axle-white illumination	1
87/	LTL900 "From 8/87"	6&8	All	E7HZ 10B864-C	#E7HT 10B864-CA-rear rear axle- green illumination	1
87	L-LN-LNT-LS-LTS900 -- w/ full instrument panel "Before 8/87"	All	All	E7HZ 10B864-A	#E7HT 10B864-AA-white illumination	1
87/	L-LN-LNT-LS-LTS900 -- w/ full instrument panel "From 8/87"	6&8	All	E7HZ 10B864-D	#E7HT 10B864-AB-green illumination	1
<b>10B870 FILTER (INSTRUMENT CLUSTER LAMP)</b>						
80/86	F-FT600/800	8	All	D9AZ 10B870-A		5
87/	F-FT600/900	All	All	E5SZ 10B870-A		5
89	C-CT800	6&8	All			1
89	L-LN-LNT-LS-LT-LTS800 -- w/city delivery instrument panel	6&8	All			1
86/	CF600/800	6	401	E6HZ 10B870-A		AR
<b>10C871 SENDER (EXHAUST TEMPERATURE)</b>						
80	CL-CLT900 -- exc. Cat. 3406 diesel- "Before Ser. GJ5,001"	6&8	All	D8HZ 10C871-C	#D7HT 10C871-AC-use w/pyrometer gauge -9 ft. 7 in. long.-revise wire routing when used to replace D7HT 10C871-AB-12 ft. 6 in. long	1
80/89	CL-CLT900 -- exc. Cat. 3406 diesel-and Cum. 10L "From Ser. GJ5,001 to 11/88"	6&8	All	E0HZ 10C871-A	# E0HT 10C871-AA	1
80/89	CL-CLT900 -- Cat. 3406 diesel "Before 11/88"	6	893	E0HZ 10C871-B	E0HT 10C871-BA	1
89	CL-CLT900 -- exc. Cat. 3406 and Cum. 10L diesels "From 11/88"	6&8	All	E9HZ 10C871-A		1
89	CL-CLT900 -- Cat. 3406 diesel "From 11/88"	6	893	E9HZ 10C871-B		1
88/89	CL-CLT900 -- Cum. 10L diesel "Before 11/88"	6	610	E8HZ 10C871-B	#E8HT 10C871-BA	1
89	CL-CLT900 -- Cum. 10L diesel "From 11/88"	6	610	E9HZ 10C871-C		1
87/88	LL-LTL900 -- Cum. NTC-w/ full instrument panel	6	855	E7HZ 10C871-A	97" long-straight	1
87	LL-LTL900 -- Cat. 3406-w/ full instrument panel	6	893	E7HZ 10C871-B	93" long-straight	1
87/88	L-LN-LNT-LS-LT-LTS900 -- w/ Cat. 3406, Cum. diesel	6	855,893			1

1980/  
TRUCK SERIES 600/900

YEAR	MODEL/RESTRICTIONS	ENGINE		PART NUMBER	DESCRIPTION	QTY.
		CYL.	C.I.D. (C.C.D.)			
<b>10C871 SENDER (EXHAUST TEMPERATURE) — Cont'd</b>						
88/	LL-LTL900 -- Cum. NTC-w/ full instrument panel	6	855	E8HZ 10C871-C	97" long—"L" shape	1
88/	LL-LTL900 -- Cat. 3406-w/ full instrument panel	6	893	E8HZ 10C871-D	91" long—"L" shape	1
88/	L-LN-LNT-LS-LT-LTS900 -- w/ Cat. 3406, Cum. diesel	6	855,893			1
89	LN-LNT900 -- Cat. 3306 diesel	6	638	E8HZ 10C871-A	67" long	1
<b>10B873 ADAPTER (EXHAUST TEMPERATURE INDICATOR)</b>						
80/	CL-CLT900	6&8	A11	D8HZ 10B873-A	1 Use w/pyrometer gauge	1
87/	LL-LTL900	6	All			1
87/	L-LN-LNT-LS-LT-LTS900					
<b>10876 BEZEL (INSTRUMENT CLUSTER)—Also refer to BNT group 044D90</b>						
80	B-F600/800 (84)	8	All	★ E0TZ 10876-A		1
81/83	B-F600/800(84)	8	All	E1TZ 10876-A		1
84/86	B-F600/800(84)	8	All	E4HZ 10876-B	When used w/tachometer drill 3.86" hole in bezel	1
87/88	B-F600/800	All	All	E7HZ 10876-A		1
89	B-F600/900	All	All			1
80/81	L-LN-LNT-LT-LTS800/900 -- w/city delivery instrument panel "Before 2/2/81"	6&8	All	D4HZ 10876-B	Beige - incl. holes for warning lamps, speedometer and 3 gauges	1
80/81	L-LN-LNT-LT-LTS800/900 -- w/line haul instrument panel	6&8	All			1
81/83	L-LN-LNT-LT-LTS600/900 -- w/city delivery instrument panel "From 2/2/81"	6&8	All	E1HZ 10876-H	Tan over corinthian grain	1
84/86	L-LN-LNT-LTS600/900 -- w/city delivery instrument panel	6&8	All	E4HZ 10876-A	Black-over corinthian grain	1
87/88	L-LN-LNT-LS-LTS800 -- w/city delivery instrument panel	All	All	E7HZ 10876-C	#E7HF 10876-BWC-black over Montana grain	1
89	L-LN-LNT-LS-LT-LTS700/800 -- w/city delivery instr. panel- w/o rear wheel lockout switch	6&8	All	E9HZ 10876-AA	#E9HF 10876-AAW-black	1
89	L-LN-LNT-LS-LT-LTS700/800 -- w/city delivery instr. panel- w/rear wheel lockout switch	6&8	All	E9HZ 10876-B	#E9HF 10876-BAW-black	1
80/84	L-LN-LNT-LT-LTL-LTS800/900 -- w/line haul instrument panel and standard cab "Before 10/83"	6&8	All	E1HZ 10876-G	Tan-incl. holes for speedometer and tachometer	1
84/	L-LN-LNT-LT-LTL-LTS800/900 -- w/line haul instrument panel and standard cab. "From 10/83"	6&8	All	E4HZ 10876-H	Black-incl. holes for speedometer and tachometer	1
80/81	L-LN-LNT-LT-LTS800/900 -- w/line haul instrument panel and custom cab "Before 2/2/81"	6&8	All	D1HZ 10876-B	Dark teak wood-incl. holes for speedometer and tachometer	1
80/81	L-LN-LNT-LT-LTS800/900 -- w/ line haul instrument panel-	6&8	All	E0HZ 10876-B	Incl. holes for speedometer and tachograph-beige	1
80/81	L-LN-LNT-LT-LTL-LTS800/900 -- w/ line haul instrument panel-	6&8	All	E0HZ 10876-C	Incl. holes for tachometer and tachograph-beige	1

1980/  
TRUCK SERIES 600/900

YEAR	MODEL/RESTRICTIONS	ENGINE		PART NUMBER	DESCRIPTION	QTY.
		CYL.	C.I.D. (C.C.D.)			
<b>10876 BEZEL (INSTRUMENT CLUSTER)-Also refer to body group 044D90 — Cont'd</b>						
80	L-LN-LNT-LT-LTS800/900 -- w/ line haul instrument panel- "Before Ser. JA5,001"	6&8	All	D9HZ 10876-A	Incl. holes for speedograph and tachograph- beige-paint gray to replace bezel	1
80/81	L-LN-LNT-LT-LTL-LTS800/900 -- w/ line haul instrument panel- "From Ser. JA5,001"	6&8	All	E0HZ 10876-A	Incl. holes for speedograph and tachograph-beige-paint gray to replace bezel	1
82	LTL900 -- w/Hi level trim -- w/o heated-lighted mirrors	6&8	All	E1HZ 10876-A	Coca Bola -- incl. holes for speedometer and tachometer	1
81/82	L-LN-LNT-LT-LTS800/900 -- w/line haul instrument panel and Hi level trim "From 2/2/81"	6&8	All			1
86	L-LN-LNT-LT-LTS800/900 -- w/line haul instrument panel and std. trim	6&8	All	E6HZ 10876-A	Black with corinthian grain-incl. holes for speedometer and tachometer	1
86	LTL900 -- w/std. trim	6&8	All			1
86	L-LN-LNT-LT-LTS800/900 -- w/line haul instrument panel and Hi level trim	6&8	All	E6HZ 10876-B	Black with walnut supreme woodgrain- incl. holes for speedometer and tachometer	1
86	LTL900 -- w/Hi level trim	6&8	All			1
82/84	L-LN-LNT-LT-LTS800/900 -- w/line haul instrument panel and Hi level trim "Before 10/83"	6&8	All	E2HZ 10876-A	Red-incl. holes for speedometer and tachometer	1
82/84	LTL900 -- w/Hi level trim- w/o heated-lighted mirrors "Before 10/83"	6&8	All	E4HZ 10876-D	Caramel-with woodgrain	1
84	L-LN-LNT-LT-LTS800/900 -- w/line haul instrument panel and Hi level trim "From 10/83 to 2/84"	6&8	All	E4HZ 10876-D	Caramel-with woodgrain trim-incl. holes for speedometer and tachometer now serviced only in black	1
84	LTL900 -- w/Hi level trim- w/o heated-lighted mirrors "From 10/83 to 2/84"	6&8	All			1
84/85	L-LN-LNT-LT-LTS800/900 -- w/line haul instrument panel and Hi level trim "From 2/84"	6&8	All	E5HZ 10876-A	Black-with woodgrain-incl. holes for speedometer and tachometer	1
84/85	LTL900 -- w/Hi level trim- w/o heated-lighted mirrors- "From 2/84"	6&8	All			1
82	LTL900 -- w/Hi level trim -- w/heated-lighted mirrors	6&8	All	E1HZ 10876-F	Coca Bola -- incl. holes for speedometer and tachometer	1
82/84	LTL900 -- w/Hi level trim- w/heated-lighted mirrors	6&8	All	E2HZ 10876-C	Red-incl. holes for speedometer and tachometer- now serviced only in black	1
82/84	LTL900 -- w/Hi level trim-w/ heated-lighted mirrors "Before 2/84"	6&8	All	E4HZ 10876-F	Caramel-with Coca Bola trim-incl. holes for speedometer and tachometer	1
84/85	LTL900 -- w/Hi level trim- w/heated-lighted mirrors- "From 2/84"	6&8	All	E5HZ 10876-B	Black-with woodgrain-incl. holes for speedometer and tachometer	1
82/83	LTL900 -- w/Hi level trim	6&8	All	E1HZ 10876-B	Tan and corinthian grain -- incl. holes for speedograph and tachograph	1
82/83	L-LN-LNT-LT-LTS800/900 -- w/line haul instrument panel	6&8	All			1
84/86	LTL900 -- w/Hi level trim	6&8	All	E4HZ 10876-K	Black-incl. holes for speedograph and tachograph	1
84/86	L-LN-LNT-LT-LTS800/900 -- w/line haul instrument panel	6&8	All			1

1980/  
TRUCK SERIES 600/900

YEAR	MODEL/RESTRICTIONS	ENGINE		PART NUMBER	DESCRIPTION	QTY.
		CYL.	C.I.D. (C.C.D.)			
<b>10876 BEZEL (INSTRUMENT CLUSTER)-Also refer to body group 044D90 - Cont'd</b>						
82/83	LTL900 -- w/Hi level trim	6&8	All	E1HZ 10876-D	Tan and corinthian grain - incl. holes for tachometer and tachograph	1
82/83	L-LN-LNT-LT-LTS800/900 -- w/line haul instrument panel	6&8	All			1
84/86	LTL900 -- w/Hi level trim	6&8	All	E4HZ 10876-M	Black-incl. holes for tachometer and tachograph	1
84/86	L-LN-LNT-LT-LTS800/900 -- w/line haul instrument panel	6&8	All			1
82/83	LTL900 -- w/Hi level trim	6&8	All	E1HZ 10876-C	Tan and corinthian grain - incl. holes for speedometer and tachograph	1
82/83	L-LN-LNT-LT-LTS800/900 -- w/line haul instrument panel	6&8	All			1
84/86	LTL900 -- w/Hi level trim	6&8	All	E4HZ 10876-L	Black-incl. holes for speedometer and tachograph	1
84/86	L-LN-LNT-LT-LTS800/900 -- w/line haul instrument panel	6&8	All			1
84/	L-LN-LNT-LT-LTS900 -- w/fleet instrument panel	6&8	All	E4HZ 10876-J		1
82/84	LTL900 -- w/Standard trim-w/heated-lighted mirrors "Before 10/83"	6&8	All	E1HZ 10876-E	Tan	1
84/85	LTL900 -- w/standard trim-w/heated-lighted mirrors "From 10/83"	6&8	All	E4HZ 10876-G	Black	1
<b>10C876 BODY ASSY. (WARNING INDICATOR LAMP)</b>						
80/	L-LN-LNT-LT-LTS800/900 -- T/M-w/city delivery instrument panel	6&8	All	DOHZ 10C876-B	"RETARD"	1
80/	L-LT-LTS800/900 -- gas	8	All	DOHZ 10C876-F	"LOW VAC."	1
80/	LN-LNT800 -- gas	8	All			1
80/	LN600/750	6&8	All			1
80/	L-LN-LNT-LT-LTS600/900 -- w/hydraulic vacuum brakes	6&8	All	★ D5HB 10C876-AA	"BRAKES" -Serviced only in D5HZ 10A962-A	1
80/	L-LN-LNT-LT-LTL-LTS600/900	6&8	All	DOHZ 10C876-L	"DIFF. LOCK"	1
80/	L-LN-LNT-LT-LTS900 -- diesel	6	855	DOHZ 10C876-J	"GLO PLUG"	1
80/81	L-LN-LNT-LT-LTL-LTS800/900 -- diesel	6&8	All	DOHZ 10C876-K	"OIL PRESSURE"	1
82/	L-LN-LNT-LT-LTL-LTS800/900 -- diesel	6&8	All	E2HZ 10C876-A	"OIL PRESSURE"-w/symbol	1
80/81	L-LN-LNT-LT-LTL-LTS800/900 -- diesel	6&8	All	DOHZ 10C876-M	"WATER"	1
82/	L-LN-LNT-LT-LTL-LTS800/900 -- diesel	6&8	All	E2HZ 10C876-B	"WATER"-w/symbol	1
80/	L-LN-LNT-LT-LTS600/800 -- A/C	6&8	All	D3HZ 10C876-A	"A/C MOTOR"	1
80/	LT-LTL-LTS800/900 -- MT 650 T/M	6&8	All	D3HZ 10C876-E	"TRAN TEMP"	1
80/	L-LN-LNT-LT-LTL-LTS600/900 -- air brakes or air/hyd. brakes	6&8	All	D5HZ 10C876-A	"ANTI-LOCK" - also serviced in assy. - group 10A962	1
80/	B-F600/800(84)	8	All			1
<b>10C876 HOUSING ASSY. (INSTRUMENT PANEL LAMP)</b>						
80/	B-F600/700(84)	6&8	All	D4TZ 10C876-A	"CL-LPS"	1
80/87	C-CT600/900 "Before 9/87"	8	All	E1HZ 10C876-B	"WIPER, CL-LPS" with symbol	1
87/	C-CT700/800 "From 9/87"	All	All	E8HZ 10C876-A		1
80/	F600/800(81) -- without T/T	6&8	All	D3TZ 10C876-C	"WIPER"	1
80/	F-FT600/800(81) -- T/T	6&8	All	D3TZ 10C876-A	"WIPER", "CL-LPS"	1
85	FT900 -- Det. diesel-T/T	8	501			1
80	L-LN-LNT-LT-LTS600/900	6&8	All	D3HZ 10C876-C	"WIPER"	1

1980/  
TRUCK SERIES 600/900

YEAR	MODEL/RESTRICTIONS	ENGINE		PART NUMBER	DESCRIPTION	QTY.
		CYL.	C.I.D. (C.C.D.)			
<b>10C876 HOUSING ASSY. (INSTRUMENT PANEL LAMP) — Cont'd</b>						
81/83	L-LN-LNT-LT-LTL-LTS600/900	6&8	All	E1HZ 10C876-A	Wiper graphics	1
84/86	L-LN-LNT-LT-LTS600/800	6&8	All			1
84/86	L-LN-LNT-LT-LTS900 -- w/o fleet instr. panel	6&8	All			1
82/	LTL900	6&8	All			1
84/86	L-LN-LNT-LT-LTS900 -- w/ fleet instrument panel	6&8	All	E4HZ 10C876-A	Wiper graphics-white illumination	1
87/88	L-LN-LNT-LS-LT-LTS600/900 "Before 12/87"	6&8	All			1
88/	L-LA-LN-LNT-LL-LS-LT-LTA-LTS 600/900	6&8	All	E8HZ 10C876-A	Wiper graphics	1
80/	L-LN-LNT-LT-LTL-LTS900 -- diesel	6&8	426, 552, 568.893	D3HZ 10C876-D		1
<b>10C876 HOUSING ASSY. (WARNING INDICATOR)</b>						
80/	L-LN-LNT-LT-LTS900 -- diesel	6&8	426, 568	D3HZ 10C876-B		1
<b>10880 GLASS (INSTRUMENT CLUSTER)</b>						
80/	B600/700	8	All	C7TZ 10880-A		1
80/	C-CT600/900	6&8	All			1
80/	L-LN-LNT-LT-LTS600/900 -- w/city delivery instrument panel	6&8	All			1
80/	C-CT600/900	6&8	All	B7C 10880-A	Approx. 4 3/8" x 9 1/8"	1
<b>10883 GAUGE (INSTRUMENT CLUSTER TEMPERATURE)—Also refer to group 10K892</b>						
80/81	B600/700 "Before 2/16/81"	8	All	E1HZ 10883-E	"TEMP-C-H"—head only	1
80/81	L-LN-LNT-LT-LTS600/900 -- w/city delivery instrument panel w/o direct reading gauges "Before 2/16/81"	6&8	All			1
80/81	C-CT600/900 -- w/o direct reading gauges "Before 2/16/81"	6&8	All			1
81/86	B600/700 "From 2/16/81"	8	All	E1HZ 10883-E	"C-H"—also has symbol	1
81	L-LN-LNT-LT-LTS600/900 -- w/city delivery instrument panel w/o direct reading gauges "From 2/16/81"	6&8	All			1
81	C-CT600/900 -- w/o direct reading gauges "From 2/16/81"	6&8	All			1
82/86	C-CT600/900	6&8	All			1
82/86	L-LN-LNT-LT-LTS600/900 -- w/ city delivery instrument panel	6&8	All			1
84/	L-LN-LNT-LT-LTS800/900 -- fleet instrument panel	8	All			1
87/	B-F600/800(84)	6&8	All	E7HZ 10883-A	"C-H" with temp. symbol	1
87/	C-CT800	6&8	All			1
87/	L-LN-LNT-LS-LT-LTS800 -- w/city delivery	6&8	All			1
80/	CL-CLT900	6&8	All	E2HZ 10883-B	"WATER TEMP 100-175-250"—also has symbol—in L.H. instr. panel module	1
80/	CL-CLT900	6&8	All	E0HZ 10883-A	#D9HT 10883-AB, EOHT 10883-DA—"PYROMETER"	1
80/82	F600/800	8	All	E0TZ 10883-A	"C-NORMAL-H"—with symbol	1
83/	F-FT600/800,FT900	6&8	All	E3TZ 10883-B	"C-NORMAL-H"—with symbol	1
80/81	L-LN-LNT-LT-LTS600/900 -- w/city delivery instrument panel and direct reading gauges	6&8	All	E1HZ 10883-F	"C-H"—with symbol—incl. tube 110 1/2" long	1
80/81	C-CT600/900 -- w/direct reading gauges	6&8	All	★ D8HZ 10883-C /bE1HZ 10883-F	#D8HF 10883-AA,—incl. tube— 81 1/2" long	1

**1980/  
TRUCK SERIES 600/900**

YEAR	MODEL/RESTRICTIONS	ENGINE		PART NUMBER	DESCRIPTION	QTY.
		CYL.	C.I.D. (C.C.D.)			
<b>10883 GAUGE (INSTRUMENT CLUSTER TEMPERATURE)-Also refer to group 10K892 - Cont'd</b>						
80/81	L-LN-LNT-LT-LTL-LTS800/900 -- Cum. V555 & 903, Cat. 3406 & 8V-71 Detroit diesels w/line haul instrument panel & direct reading gauges "Before 2/2/81"	6&8	555,568, 893,903	D0HZ 10883-A	#D4HF 10883-A1A,A2A-incl. tube-(91" long) and sender -1 1/4" long from eng blk. thread to bulb end- "WATER TEMP - 100 thru 250"	1
80/81	L-LN-LNT-LT-LTS 800/900 -- gas & (Cat. MR, Cum. and Det. 6-71 diesels) w/line haul instrument panel & direct reading gauges "Before 2/2/81"	6&8	426,477, 534,636, 855	D0HZ 10883-D	#D0HF 10883-B,C or D-incl. tube (111" long) and sender-2 1/4" long from eng. blk. thread to bulb end - "WATER TEMP - 100 thru 250"	1
81/87	L-LN-LNT-LT-LTL-LTS800/900 -- w/line haul instrument panel "From 2/2/81 to 8/87"	6&8	All	E1HZ 10883-D	#E1HT 10883-CA, E2HT 10883-AA,CA "ENGINE-WATER TEMP 100-175-250"-also has symbol-white illumination	1
87/	L-LN-LNT-LS-LT-LTS800/900 -- w/full or fleet instrument panel "From 8/87"	6&8	All	E7HZ 10883-B	#E7HT 10883-BA-100-250°-green illumination	1
82/87	LTL900 "Before 8/87"	6&8	All	E1HZ 10883-A	#E1HT 10883-AA-"TRANS TEMP"-white illumination	1
87/	LL-LTL900 "From 8/87"	6&8	All	E7HZ 10883-C	#E7HT 10883-AA-"TRANS TEMP"-green illumination	1
86/	CF600/700	6	401	E6HZ 10883-A		1
80/	B-F-FT600/800	6&8	All	379618-S7-8	(MM-291-E)-nut (gauge to back plate)- No. 10-32	2
80/	L-LN-LNT-LT900	8	568	380162-S39	(II-50-A)-reducer pipe 1/772"-14 female pipe thread and 1" 11 1/2" male pipe thread	1
<b>10884 SWITCH ASSY. (WATER TEMPERATURE INDICATOR LAMP)</b>						
80/	C-CT900 -- gas	8	All	E7HZ 10884-A	*SW-2139-218°	1
80/81	L-LN-LNT-LT-LTS900 -- gas	8	All			1
80/81	L-LT-LTS900 -- diesel	6	893			1
80/81	C-LN700 -- Cat. diesel	8	636			1
80/81	L-LN800/900 -- w/Audible warning gauges	6	426			1
80/81	C-CT800 -- Cat. diesel	8	636		With engine warning light	1
80/81	L-LN-LNT-LT-LTS900 -- diesel w/o Kysor eng. shutdown system	6&8	426, 855,			1
80/81	CL-CLT900 -- Cat. diesel	6	893	E7HZ 10884-A	*SW-2139-218°	1
81/	All -- with eng. warning system (exc. Kysor) (exc. NTC444)	6&8	All			1
80/	B-C-F-FT600/800 -- gas	8	All	D9HZ 10884-A		1
80/	L-LN-LNT-LT-LTS800/900 -- diesel - w/Kysor eng. shutdown system	6&8	426,552, 636,855	D8HZ 10884-D	*SW-1516 - 3/8" -18 pipe thread	1
82/	LTL900 -- Det. 8V-92 diesel-w/Kysor eng. shutdown system	8	736			1
80/81	CL-CLT900 -- Cummins & Det. diesels- "Before 9/1/80"	6&8	552,568, 736,855, 1150	D8HZ 10884-A	*SW-1426-#205-for light	1
80/81	B-F600/800 -- Det. 990 diesel "Before 9/1/80"	8	501		With engine warning	1
81	C-CT800 -- Det. diesel "Before 9/1/80"	8	501			1
81	LN600/700 -- Det. diesel "Before 9/1/80"	8	501			1

1980/  
TRUCK SERIES 600/900

YEAR	MODEL/RESTRICTIONS	ENGINE		PART NUMBER	DESCRIPTION	QTY.
		CYL.	C.I.D. (C.C.D.)			
<b>10884 SWITCH ASSY. (WATER TEMPERATURE INDICATOR LAMP) — Cont'd</b>						
81	CL-CLT900 -- Cum. & Det. diesel- "From 9/1/80 to 12/8/80"	6&8	552,568, 736,855, 1150	E1HZ 10884-A	*SW-1426-A-#205°-for light	1
81	B-F600/800 -- Det. 990 diesel "From 9/1/80 to 12/8/80"	8	501		with engine warning	1
81	C-CT800 -- Det. 990 diesel- "From 9/1/80 to 12/8/80"	8	501			1
81	LN600/700 -- Det. 990 diesel- "From 9/1/80 to 12/8/80"	8	501			1
89	CLT-LTL900 -- w/Cum. NTC 444	6	855	E9HZ 10884-A	Use for field fix 4338-HT	1
81/	All -- w/Kysor eng. warning "From 12/8/80"	6&8	All	E1HZ 10884-D	*SW-683-B-210°	1
86	CF600/800	6	All	E7HZ 10884-A		1
87/88	CF600/800 "Before 3/88"	6	All	E7HZ 10884-C		1
88/	CF600/800 "From 3/88"	6	All	E7HZ 10884-D		1
80/	CL-CLT900	6	855,1150	358243-S	(II-48)-adapter-pipe-3/8"-18 I.D. x 1/2"-14 O.D.	1
<b>10884 SENDER (WATER TEMPERATURE INDICATOR ENGINE UNIT)</b>						
80/82	B-F600/800 -- diesel	8	All	DOTZ 10884-A	*SW-923 #230-1/8"-27 pipe thread-incl. blue insulator	1
83/87	B-F-FT600/800 -- Det. diesel	8	501		Used w/o direct-reading gauges	1
80/81	LN-LNT600/900 -- diesel- exc. Det. 990- "Before 9/1/80"	6&8	All			1
80/81	C-CT600/900 -- diesel "Before 9/1/80"	6&8	All			1
80/81	C-CT800/900 -- gas	8	477,534			1
80/81	L-LT-LTS800/900 -- gas	8	477,534			1
80/81	LN-LNT800/900 -- gas	8	477,534			1
81/87	LN600/700 -- Det. 990 diesel	8	501			1
80/	B-F-L-LN-LNT-LT-LTS600/800 -- gas	8	370,429	F1SZ 10884-A	*SW-924 #270-3/8"-18 pipe thread-incl. green insulator	1
81	L-LN-LNT-LT-LTS700/800 -- diesel- "From 9/1/80"	6&8	All			1
81/	C-CT700/800 -- diesel- "From 9/1/80"	8	All			1
82/	C600/800 -- gas	8	370,429			1
82/	C-CT-L-LN-LNT-LT-LTS700/800 -- diesel	8	All	DOHZ 10884-A	*SW-921 #230-3/8"-18 pipe thread -incl. blue insulator	1
83/	B-F-FT700/800 -- Cat. diesel	8	636		Sender D2HF 10884-AA	1
87/	B-F700/800 -- FTO diesel	6	All			1
80/	CL-CLT900 "Before 2/1/82"	6&8	All	E2HZ 10884-A	*SW-1493-A #139607, 142822; 144900 for gauge	1
81/	L-LN-LNT-LT-LTL-LTS800/900 -- panel "From 2/2/81"	6&8	All		-- white insulator	1
86/87	CF600/700 "Before 11/86"	6	401	E6HZ 10884-A		1
87/89	CF600/800 "From 11/86 to 3/88"	6	All	E7HZ 10884-B		1
81	LN600/700 -- w/engine Warning lights-w/Det. 990 diesel	8	501	351795-S100	(II-53-E)-Reducing busing- 3/4" to 3/8"-(Water temp sender to engine)-steel	1
81	C-LN600/700 -- Det. 990 diesel-w/eng. warning lights	8	501	358267-S100	(II-47-A) reducer 1/4" to 1/8"- sender to water pump	1
<b>10A885 PLATE (INSTRUMENT CLUSTER CONTROL MOUNTING)</b>						
80/	B-F600/700(84)	6&8	All	C7TZ 10A885-B	For ignition switch	1
80/	F-FT600/800(81)	6&8	All	C7TZ 10A885-A	For ignition switch	1
80/	F-FT600/800(81)	6&8	All	COAF 10A885-A	Use as spacer to secure throttle control	1
80/89	L-LN-LNT-LT-LTL-LTS600/900	6&8	All	E9HZ 10A885-E	Retainer-for ignition switch	1
80/89	CL-CLT900 "Before 3/89"	6&8	All			1
89	CL-CLT900 "From 3/89"	6&8	All	E9HZ 10A885-E	Retainer-for ignition switch	1

**1980/  
TRUCK SERIES 600/900**

YEAR	MODEL/RESTRICTIONS	ENGINE		PART NUMBER	DESCRIPTION	QTY.
		CYL.	C.I.D. (C.C.D.)			
<b>10A885 PLATE (INSTRUMENT CLUSTER CONTROL MOUNTING) — Cont'd</b>						
80/86	L-LN-LNT-LT-LTS600/900 -- w/city delivery or fleet instrument panel	6&8	All	DOHZ 10A885-A	#D0HB 10A860-GW or HW-paint to match	1
80/81	L-LN-LNT-LT-LTS900 -- gas w/line haul instrument panel "Before 2/2/81"	8	All	D3HZ 10A885-B	#D3HB 10A860-BB- "THROTTLE"	1
80/81	L-LN-LNT-LT-LTS800 -- Cat. diesel-w/line haul instrument panel "Before 2/2/81"	8	636			1
80/81	L-LN-LNT-LT-LTS900 -- Cum. diesel w/line haul instrument panel "Before 2/2/81"	6	855			1
80/81	L-LN-LNT-LT900 -- w/line haul instrument panel and Kysor eng. wrng. system "Before 2/2/81"	6	426			1
80/81	L-LN-LNT-LT-LTS900 -- Detroit diesel w/line haul instrument panel-w/o Kysor eng. wrng. system "Before 2/2/81"	6&8	426, 568	★ D3HZ 10A885-A	#D3HB 10A860-AC- "THROTTLE" "COLD START"	1
80/81	L-LT900 -- Cat. diesel-w/line haul instrument panel "Before 2/2/81"	6	893			1
81/83	L-LN-LNT-LT-LTS900 -- gas-w/line haul instrument panel "From 2/2/81"	8	All	E1HZ 10A885-A	#E1HT 10A860-A60ZA-saddle-"THROTTLE"	1
81/83	L-LN-LNT-LT-LTS800 -- Cat. diesel-w/line haul instrument panel "From 2/2/81"	8	636	E1HZ 10A885-B	#E1HT 10A860-A69BA-gray-"THROTTLE"	1
81/83	L-LN-LNT-LT-LTL-LTS900 -- Cum. diesel-w/line haul instrument panel "From 2/2/81"	6	855			1
81/83	L-LN-LNT-LT900 -- w/line haul instrument panel and Kysor eng. wrng. system "From 2/2/81"	6	426			1
81/83	L-LN-LNT-LT-LTS900 -- Det. diesel w/line haul instrument panel-w/o Kysor eng. wrng. system- "From 2/2/81"	6&8	426,568	E1HZ 10A885-C	#E1HT 10A860-B60ZA-saddle-"THROTTLE, COLD START"	1
81/83	L-LT-LTL900 -- Cat. diesel - w/line haul instrument panel "From 2/2/81"	6	893	E1HZ 10A885-D	#E1HT 10A860-B69PA-gray-"THROTTLE, COLD START"	1
84/86	L-LN-LNT-LT-LTS800/900 -- gas-w/line haul instrument panel	8	All	E4HZ 10A885-A	#E1HT 10A860-A26ZA-Tan-"THROTTLE"	1
84/86	L-LN-LNT-LT-LTS800 -- Cat. diesel-w/line haul instrument panel	8	636	E4HZ 10A885-B	#E1HT 10A860-A33PA-dark gray-"THROTTLE"	1
84/86	L-LN-LNT-LT-LTL-LTS900 -- Cum. diesel-w/line haul instrument panel	6	855			1
84/86	L-LN-LNT-LT900 -- w/line haul instrument panel and Kysor eng. wrng. system	6	426			1
84/86	L-LN-LNT-LT-LTS900 -- Det. diesel w/line haul instrument panel-w/o Kysor eng. wrng. system	6&8	426,568	E4HZ 10A885-C	#E1HT 10A860-B26ZA-Tan-"THROTTLE, COLD START"	1
84/86	L-LT-LTL900 -- Cat. diesel-w/line haul instrument panel	6	893	E4HZ 10A885-D	#E1HT 10A860-B33PA-dark gray-"THROTTLE, COLD START"	1



1980/  
TRUCK SERIES 600/900

YEAR	MODEL/RESTRICTIONS	ENGINE		PART NUMBER	DESCRIPTION	QTY.
		CYL.	C.I.D. (C.C.D.)			
<b>10A885 PLATE (INSTRUMENT CLUSTER CONTROL MOUNTING) -- Cont'd</b>						
84/86	L-LN-LNT-LT-LTS900 -- Det. diesel-w/fleet instrument panel-w/o Kysor eng. wrng. system	6&8	426,568	E4HZ 10A885-E	Tan	1
				E4HZ 10A885-F	Dark gray	1
84/86	L-LN-LNT-LT-LTS900 -- Cat. 3208,3406, Cum.-w/fleet instrument panel	6&8	610,636, 855,893			1
84/86	L-LN-LNT-LT-LTS900 -- Det. diesel-w/fleet instrument panel-w/Kysor eng. wrng system	6&8	426,568	★ E4HZ 10A885-G	Tan-not replaced 1/92-SL406	1
				★ E4HZ 10A885-H	Dark gray-not replaced 1/92-SL406	
87	L-LL-LN-LNT-LS-LT-LTL-LTS 800/900 -- exc. full instrument panel "Before 9/87"	6&8	All	E7HZ 10A885-B	#E7HT 10A860-A43UB-Montana grain- chestnut	1
87/	L-LL-LN-LNT-LS-LT-LTL-LTS 800/900 -- exc. full instrument panel	6&8	All	E7HZ 10A885-E	#E7HT 10A860-A33PC-Montana grain- charcoal	1
87/	L-LL-LN-LNT-LS-LT-LTL-LTS 800/900 -- exc. full instrument panel "From 9/87"	6&8	All	E7HZ 10A885-F	#E7HT 10A860-A43UC-Montana grain chestnut	1
87/	L-LA-LL-LN-LNT-LS-LT-LTA-LTL-LTS900 -- w/full instrument panel	6&8	All	E9HZ 10A885-C	#E7HT 10A860-C33PC-Montana grain- charcoal	1
87/	L-LA-LL-LN-LNT-LS-LT-LTA-LTL-LTS900 -- w/full instrument panel	6&8	All	E9HZ 10A885-D	#E7HT 10A860-C43UC-Montana grain- chestnut	1
80/	C-CT600/900	6&8	All	D4HZ 10A885-A	Retainer-for ignition switch-has 1 slot incl. brkt. for switch	1
80/88	CL-CLT900	6&8	All	D8HZ 10A885-A	"OFF-ON" (repeated 5 times)- for lower switch bank on RH inst. cluster module	1
80/	CL-CLT900	6&8	All	E2HZ 10A885-A	#E2HT 10A885-AA-"FORWARD REAR-MIN MAX-ON-OFF-UP DOWN-SPEED CONTROL"-for upper switch bank on R.H. inst. cluster module	1
89	CL-CLT900	6&8	All	E9HZ 10A885-B	#E9HT 10A885-BA-"ON-OFF"	1
<b>10B886 WIRE ASSY. (WATER TEMPERATURE INDICATOR)-Improvise from bulk wiring (14296)</b>						
<b>10887 LENS (INSTRUMENT CLUSTER MAIN)</b>						
80/	F-FT600/800	8	All	E0TZ 10887-A	#E0TF 10B885-AA	1
<b>10890 MASK (INSTRUMENT CLUSTER)</b>						
80/81	B600/700	8	All	D0HZ 10890-A	Steel	1
80/81	L-LN-LNT-LT-LTS600/900 -- w/city delivery instrument panel "Before 2/2/81"	6&8	All			1
80/81	C-CT600/900	6&8	All			1
81/86	L-LN-LNT-LT-LTS600/900 -- Electric gauges-w/ city delivery instrument panel "From 2/2/81"	6&8	All	E1HZ 10890-A		1
82/86	B600/700	8	All			1
82/86	C-CT600/900	6&8	All			1
82/86	L-LN-LNT-LT-LTS600/900 -- Direct reading gauges-w/city delivery instrument	6&8	All			1
81	L-LN-LNT-LT-LTS600/900 -- Direct reading gauges-w/city delivery instrument panel "From 2/2/81"	6&8	All	E1HZ 10890-B		1
84/	L-LN-LNT-LT-LTS900 -- w/ fleet instrument panel	6&8	All	E4HZ 10890-A	3 lens openings	1

1980/  
TRUCK SERIES 600/900

YEAR	MODEL/RESTRICTIONS	ENGINE		PART NUMBER	DESCRIPTION	QTY.
		CYL.	C.I.D. (C.C.D.)			
<b>10890 MASK (INSTRUMENT CLUSTER) — Cont'd</b>						
80/82	F-FT600/800	8	All	E0TZ 10890-B	#E0TE 10894-AB	1
83/	F-FT600/800 -- gas	8	All			1
83/	F-FT600/800/900 -- diesel	8	All	E3TZ 10890-C	#E3TF 10894-AA	1
87/	B-F600/800(84)	All	All	E7HZ 10890-E		1
87/	C-CT800	All	All			1
87/	L-LN-LNT-LS-LT-LTS800 -- w/city delivery instrument panel	6&8	All			1
89	L-LN-LNT-LS-LT-LTS800 -- w/city delivery instrument panel	6&8	All	E9HZ 10890-G	5 lens openings	1
89	L-LA-LL-LN-LNT-LS-LT-LTA-LTL-LTS800/900 -- w/fleet or city delivery instrument panel	6&8	All	E9HZ 10890-A	4 lens openings	1
89	L-LA-LL-LN-LNT-LS-LT-LTA-LTL-LTS800/900 -- w/fleet or city delivery instrument panel	6&8	All	E9HZ 10890-B	8 lens openings	1
89	L-LA-LL-LN-LNT-LS-LT-LTA-LTL-LTS800/900 -- w/full instrument panel and w/bumper lights	6&8	All	E9HZ 10890-C	12 lens openings	1
89	L-LA-LL-LN-LNT-LS-LT-LTA-LTL-LTS800/900 -- w/fleet or full instr. panel	6&8	All	E9HZ 10890-D	16 lens openings	1
<b>10890 MASK (INSTRUMENT CLUSTER WARNING LIGHT MODULE)</b>						
87/	F600/800,FT900 -- diesel	All	All	E7HZ 10890-A		1
87/	L-LN-LNT-LS-LT-LTS800 -- w/city delivery instrument panel	6&8	All			1
<b>10890 MASK (INSTRUMENT CLUSTER LENS)</b>						
87/	F600/800,FT900 -- diesel	6&8	All	E7HZ 10890-B		1
87/	L-LL-LN-LNT-LS-LT-LTL-LTS900	6&8	All		Located in center panel	1
87/	L-LL-LN-LNT-LS-LT-LTL-LTS900	6&8	All	E7HZ 10890-C	Located in R.H. panel	1
87/	B600/700	All	All	E7HZ 10890-D		1
89	CL-CLT900 -- w/stainless Western heated mirrors	6&8	All	E9HZ 10890-E	Clear	1
89	CL-CLT900 -- w/stainless Western heated mirrors	6&8	All	E9HZ 10890-F	Opaque	1
<b>10K892 INDICATOR ASSY. (EXHAUST GAS-PYROMETER)—Also refer to group 10883</b>						
87	L-LL-LN-LNT-LS-LT-LTL-LTS900 -- w/full instrument panel "Before 8/87"	All	All	E7HZ 10K892-A	#E7HT 10K892-AA-300-1500° F-white illumination	1
87/	L-LL-LN-LNT-LS-LT-LTL-LTS900 -- w/full instrument panel "From 8/87"	6&8	All	E7HZ 10K892-B	#E7HT 10K892-AB-300-1500° F-green illumination	1
<b>10B894 BEZEL (INSTRUMENT CLUSTER WARNING LAMP OPENING)</b>						
87/	B-F600/800 -- with FTO diesel	6	401,476	E7HZ 10B894-A		1
87/	L-LL-LN-LNT-LS-LT-LTL-LTS800/900 -- with fleet or full instrument panel	All	All		Center panel	1
87/	L-LL-LN-LNT-LS-LT-LTL-LTS800/900 -- with fleet or full instrument panel	All	All	E7HZ 10B894-C	R.H. panel	1
87/	L-LN-LNT-LS-LT-LTS800 -- w/city delivery instrument panel	All	All	E7HZ 10B894-B	Center panel	2
89	L-LA-LL-LN-LNT-LS-LT-LTA-LTL-LTS800/900 -- w/fleet or city delivery instr. panel	6&8	All	E9HZ 10B894-AA	1" x 4 3/4" long	1
89	L-LA-LL-LN-LNT-LS-LT-LTA-LTS800/900 -- w/fleet or city delivery instr. panel	6&8	All	E9HZ 10B894-B	1 1/8" x 4" long	1

OCTOBER, 1993

COPYRIGHT ©1993

FORD MOTOR  
COMPANY

—DEARBORN, MICHIGAN

FINAL ISSUE

1980/  
TRUCK SERIES 600/900

YEAR	MODEL/RESTRICTIONS	ENGINE		PART NUMBER	DESCRIPTION	QTY.
		CYL.	C.I.D. (C.C.D.)			
<b>10B894 BEZEL (INSTRUMENT CLUSTER WARNING LAMP OPENING) — Cont'd</b>						
89	L-LA-LL-LN-LNT-LS-LT-LTA LTL-LTS800/900 -- w/full instr. panel-w/bumper lights	6&8	All	E9HZ 10B894-C	7 7/8" long	1
89	L-LA-LL-LN-LNT-LS-LT-LTA- LTL-LTS800/900 -- w/fleet or full instr. panel	All	All	E9HZ 10B894-E	4 1/2" square	1
89	L-LN-LNT-LS-LT-LTS800 -- w/ city delivery instr. panel	6&8	All	E9HZ 10B894-G	1 3/8" x 5 1/8" long	1
<b>10C894 BRACKET (WARNING INDICATOR PANEL)</b>						
87/	B-F600/800,FT900 -- with FTO diesel	6	401,476	E7HZ 10C894-A	#E7HT 10C894-AA	1
87/	L-LL-LN-LNT-LS-LT-LTL-LTS 800/900	6&8	All	E7HZ 10C894-B	#E7HT 10C894-BA,BB, BC,BD	1
86/	CF600/700	6	All	E7HZ 10C894-C		1
<b>10K895 CONTROL ASSY. (LOW COOLANT LEVEL WARNING)</b>						
82/	B-F-FT700/900 -- Cat. diesel	8	All	E3HZ 10K895-A	#E2HT 10K895-AA, E3HT 10K895-AA	1
87/	B-F700 -- with FTO diesel	6	401,476	E7HZ 10K895-B		1
87/	B-F-FT600/900 -- Det. diesel	8	501			1
87/	L-LN-LNT-LT700/900	All	All			1
<b>10C896 HOUSING and JEWEL ASSY. (INSTRUMENT CLUSTER)</b>						
87	L-LL-LN-LNT-LS-LT-LTL-LTS 900 -- with full instrument panel "Before 9/87"	All	All	E7HZ 10C896-B	#E7HT 10C896-AC	1
87/	L-LL-LN-LNT-LS-LT-LTL-LTS900 -- with full instrument panel	All	All	E7HZ 10C896-C	#E8HT 10C896-AA-green illumination- lights/blink-dome/light-road lamps- trl. hk. up-fog lamps-diff. lk. on/off- eng. brk. on/off-eng. brk min./max.- heated mirrors	1
89	L-LA-LL-LN-LNT-LS-LT-LTA-LTL- LTS800/900 -- w/fleet or full instr. panel	6&8	All	E9HZ 10C896-F	#E9HT 10C896-GA-"LIGHTS/BLINK- HTD MIRROR-DOME/TRL HK UP-BRAKE ON/OFF MAX/MIN-SP CNTRL ON/OFF SET ACC RSM/CST"	1
89	L-LA-LL-LN-LNT-LS-LT-LTA-LTL- LTS800/900 -- w/full instr. panel	6&8	All	E9HZ 10C896-E	#E9HT 10C896-FA-"LIGHTS-BLINK- ROAD LPS-FOG LPS-HTD MIRROR- DOME/TRL HK UP-BRAKE ON/OFF MAX/MIN-SPD CNTRL ON/OFF SET ACC RSM/CST"	1
<b>10A898 GROMMET (INSTRUMENT CONTROL CABLE)</b>						
80/	C-CT600/900	6&8	All	C1TF 10A898-A	At floor pan-use w/C1TF 10B841-A	1
<b>10N905 PLATE ASSY. (INSTRUMENT CLUSTER)</b>						
87/	L-LL-LN-LNT-LS-LT-LTL-LTS 800/900	All	All	E7HZ 10N905-A		1
<b>10911 ADAPTER (WATER TEMPERATURE INDICATOR SENDER)-Also refer to group 18271</b>						
80/	All	6&8	Exc.568	C3AZ 10911-A	*SW-347-screw in type-1/4"-18 external pipe thread x 1/8"-27 internal pipe thread x 13/32" long-use w/senders (10884) having 1/8"-27 male ends	1
81/	C-CT800 -- Det. 990 diesel	8	501	E1HZ 10911-A	*SW-1651-oil pressure and water temp.	1
80/	L-LTL-LT900 -- diesel	8	568	351795-S7-8	(11-53)-screw in type-3/4"-14 external pipe thread x 3/8"-18 internal pipe thread	1

**1980/  
TRUCK SERIES 600/900**

YEAR	MODEL/RESTRICTIONS	ENGINE		PART NUMBER	DESCRIPTION	QTY.
		CYL.	C.I.D. (C.C.D.)			
<b>10C911 GAUGE (INSTRUMENT CLUSTER ENGINE OIL TEMPERATURE)</b>						
80/	CL-CLT900	6&8	All	D8HZ 10C911-B	"OIL TEMP 140-230-320"-in LH inst. panel module	1
80/81	L-LN-LNT-LT900 -- diesel- "Before 2/2/81"	6&8	426,855	D4HZ 10C911-A	#D3HF 10C911-BA - incl. tube-(145" long)-replaces gauges marked DOHF 10C911-A,B, or C	1
80/81	LTL-LTS900 -- diesel- "Before 2/2/81"	6	855			1
80/81	L-LN-LNT-LT900 -- diesel- "Before 2/2/81"	8	568			1
<b>10C911 INDICATOR ASSY. (TRANSMISSION OIL TEMPERATURE)-Also refer to group 10883</b>						
80/	L-LN-LNT-LT-LTS800/900 -- T/M	8	All	DOHZ 10C911-B	#DOHF 10N852-A-incl. tube (66" long) and sender	1
80/	C-CT700/900 -- T/M	8	All	D1KZ 10C911-A	#D1KF 10N852-AA-incl. tube (142 1/2" long) and sender	1
80/	CL-CLT900	6&8	All	D8HZ 10C911-A	"TRANS TEMP 140-230-320"-in RH inst. panel module	1
81/87	L-LN-LNT-LT-LTL-LTS900 -- w/line haul instrument panel "From 2/2/81 to 8/87"	6&8	All	E1HZ 10C911-B	#E1HT 10C911-AA-"ENGINE OIL TEMP-140-230-320"-white illumination	1
87/	L-LL-LN-LNT-LS-LT-LTL-LTS900 -- w/full instrument panel- "From 8/87"	6&8	All	E7HZ 10C911-A	#E7HT 10C911-AA-"ENGINE OIL TEMP-140-230-320"-green illumination	1
<b>10C912 DIODE ASSY. (LAMP FAILURE INDICATOR)</b>						
80/	LNT-LT-LTS800/900 -- with M/T650 Allison T/M	6&8	All	C7SZ 10C912-A	#C7SB 10C912-A, C8SB 10C912-A-1 amp. black-also serviced in 14A313 Assy.-IN 4001, 4719	1
80/	B-F-FT600/900 -- w/ air brakes	8	All		Use w/low air pressure warning	1
80/	C-CT600/900 -- w/air brakes	6&8	All	D3AZ 10C912-A	Also serviced in 14401 assy. - lamp-blue-1 amp. IN-4004	AR
80/	B-F-FT600/800,FT900	8	All	E0HZ 10C912-A	#E0HT 10C912-AA-use for brake warning-6 amp.-MR-754, M12887	1
<b>10C914 INSULATOR (AMMETER)</b>						
80/	B600/700	8	All	C9ZZ 10C914-A		1
80/	C-CT600/900	6&8	All			1
80/	L-LN-LNT-LT-LTS600/900 -- w/city delivery instrument panel	6&8	All			1
<b>10C915 LAMP and WIRING (WARNING INDICATOR)</b>						
80/82	L-LN-LNT-LT-LTL-LTS600/900 -- A/C	6&8	All	D3HZ 10C915-B	"A/C MOTOR"	1
80	C-CT800 -- MT 650 T/M "Before Ser. GJ5,001"	8	636	★ D3HZ 10C915-A	"A/C MOTOR" - not req'd. on vehicles built after "Ser. GJ5,001"	1
80/	LT-LTS800/900 -- MT 650 T/M	6&8	All	E4HZ 10C915-B	#E4HT 10C924-FA-"TRAN TEMP"	1
80/83	LN-LNT800 -- M/T 650 T/M	6&8	All			1
80/	C900 -- MT 640, 643 T/M	6&8	All	D3KZ 10C915-A	#D3KB 10C915-AA-"TRAN TEMP"	1
80/	C-CT800 -- MT 643, 650 T/M	6&8	All		"TRAN TEMP"	1
83/	FT800/900	8	All	E3HZ 10C915-A	#E3HT 10C915-AA-"DIFF LOCK"	1
83/	FT800/900	8	All	E3HZ 10C915-B	#E3HT 10C915-BA "TRANS TEMP"	1
84/	B-F600/800 -- diesel	8	All	E4HZ 10C915-A	#E4HT 10C915-BA	1
85/	B-F600/800 -- gas	8	All	E5HZ 10C915-A	#E5HT 2B318-BA-"EGR"	1
87/	F600/800,FT900 -- diesel	All	All	E7HZ 10C915-A	Symbol for oil and temp.	1
87/	F600/800,FT900 -- diesel	All	All	E7HZ 10C915-B	"LOW COOL LEVEL-WATER IN FUEL"	1
87/	F600/800,FT900 -- diesel- w/MT A/T	All	All	E7HZ 10C915-C	"DIFF. LOCK-TRANS. TEMP"	1
85/	C-CT600/800 -- gas	8	All	E5HZ 10C915-B	#E5HT 2B318-AA-"EGR"	1
<b>10918 RETAINER (WARNING INDICATOR BULB)</b>						
80/	L-LN-LNT-LT-LTL-LTS800/900 -- w/line haul instrument panel	6&8	All	DOHZ 10918-A		1
80/	CL-CLT900	6&8	All	D9HZ 10918-A		1

**1980/  
TRUCK SERIES 600/900**

YEAR	MODEL/RESTRICTIONS	ENGINE		PART NUMBER	DESCRIPTION	QTY.
		CYL.	C.I.D. (C.C.D.)			
<b>10A919 BRACKET (INSTRUMENT CLUSTER SUPPORT)</b>						
88/	L-LA-LL-LN-LNT-LS-LT-LTA-LTS 700/900 -- exc. full instrument panel	6&8	All	E8HZ 10A919-A		1
<b>10A920 WIRING ASSY. (LOW VACUUM WARNING INDICATOR)</b>						
80/	B-F-FT600/800,FT900	6&8	All	C8TZ 10A920-A	#C8TB 10A920-A	1
80/	C600/900	6&8	All			1
80/	L-LN-LNT-LT-LTS600/800 -- gas	6&8	All	DOHZ 10A920-A	#D0HB 10A920-A	1
80/	LN600/750 -- diesel	8	636			1
<b>10B921 SWITCH ASSY. (OIL TEMPERATURE WARNING)</b>						
80/	CL-CLT900	6&8	All	E1HZ 10B921-A		1
83/	FT800/900 -- MT653	8	All			1
83/	C-CT600/800 -- MT A/T	8	All			1
83/	L-LN-LNT-LT-LTS600/900 -- MT A/T	8	All			1
87/	CF600/800-A/T	6	All			1
80/82	C900 -- MT640 T/M	6&8	All	D4HZ 10B921-A	300° - 2 5/8" long - 3/8-18 thread -on transmission	1
80/82	LT-LTS800 -- MT650 T/M	6&8	All			1
80/82	LT-LTS900 -- gas-MT650 T/M	6&8	All			1
80/82	C-CT800, LN800 -- MT 650 T/M	6&8	All			1
80/	CL-CLT900	6&8	568,736, 893,1150	388988-S100	(II-48-A)- adapter-pipe-3/8"-18 pipe thread-brass	1
80/	CL-CLT900	6	893,1150	380162-S39	(II-50-A)-adapter-pipe-1/2-14& 1"-11 1/2	1
81/	L-LN-LNT-LT-LTS900	8	568			1
80/	CL-CLT900	6&8	All	388154-S100	(II-146-JA) Tee - 1/2" x 3/8" x 1/8" x 3/4"	1
83/	B-F600/800 (84) -- MT 643 trans.	6&8	All	87838-S101	(P-15-F)-Plug-use in place of 10B921	1
<b>10A922 SWITCH ASSY. (LOW VACUUM WARNING INDICATOR)</b>						
80/	B-F-FT600/800,FT900	6&8	All	C5TZ 10A922-A	#C5TB 10A922-A	1
80/	C600/900	6&8	All			1
80/	L-LN-LNT-LT-LTS800/900 -- gas	8	All			1
80/	LN600/750	6&8	All			1
				370817-S	(II-52)-adapter-pipe-1/4"-18 I.D. x 3/8"-18 (brass)	1
<b>10B924 SWITCH ASSY. (BRAKE WARNING BUZZER)</b>						
84/86	B-C-F-FT-L-LN-LNT-LT-LTS- 600/800 -- hyd. brakes	6&8	All	E4HZ 10B924-A	*SW-1921-#EDD7AB 10B924-AA-use for brake warning buzzer	1
85/86	FT900 -- hyd. brakes	8	501			1
<b>10C924 LAMP AND WIRING ASSY. (HEATED MIRROR INDICATOR)</b>						
84/86	LTL900 -- w/heated mirrors	6&8	All	E4HZ 10C924-A	#E4HT 10C924-GA	1
<b>10C924 LAMP AND WIRE ASSY. (WARNING INDICATOR)</b>						
87/	L-LA-LL-LN-LNT-LS-LT-LTA- LTL-LTS800/900	All	All	E7HZ 10C924-A	1 used for tractor trailer hook-up 1 used for heated mirrors	2
<b>10B926 RELAY ASSY. (BRAKE SYSTEM WARNING)</b>						
80/	B700/750	6&8	All	D5TZ 10B926-A	#D5TA 2B244-A	1
80/	C-CT600/900	6&8	All			1
80/	F-FT600/800,FT900	6&8	All			1
80/	L-LN-LNT-LT-LTL-LTS600/900	6&8	All			1
<b>10927 TERMINAL (INDICATOR)</b>						
87/	All	All	All	E6DZ 10927-A		AR
<b>10C935 BRACKET (INSTRUMENT PANEL)</b>						
80/	CL-CLT900	6&8	All	E0HZ 10C935-A	#E0HT 10C935-AB-use on vehicles w/o 5th wheel slide. lever control	1

**1980/  
TRUCK SERIES 600/900**

YEAR	MODEL/RESTRICTIONS	ENGINE		PART NUMBER	DESCRIPTION	QTY.
		CYL.	C.I.D. (C.C.D.)			
<b>10A936 LENS (INSTRUMENT CLUSTER WARNING LAMP)</b>						
80/	L-LN-LNT-LS-LT-LTS600/900 -- w/city delivery instrument panel	6&8	All	D1FZ 10A936-C	Turn signal jewel	2
80/	C-CT600/900	6&8	All		Turn signal Jewel	2
80/	B600/700	8	All			2
80/	F-FT600/800	8	All	E0TZ 10A936-A	#E0TF-10A936-AA-graphics for	1
85/87	FT900 -- Det. diesel	8	501		oil and alt. warning lights-white symbol	1
<b>10A936 LENS (INSTRUMENT PANEL CONTROL IDENTIFICATION)</b>						
89	CL-CLT900	6&8	All	E9HZ 10A936-H	Hole for ignition switch and for push button start switch	1
80	L-LN-LNT-LT-LTS800/900 -- diesel-without T/T	6&8	All	D3HZ 10A936-A	Use w/line haul instrument panel-"CAB CL LPS"	1
80	L-LN-LNT-LT-LTS800/900 -- diesel-with T/T	6&8	All	D3HZ 10A936-B	Use w/line haul instrument panel-"CAB CL LPS-TRAILER CL LPS"	1
80	L-LN-LNT-LT-LTS900 -- gas-T/T w/single fuel tank	8	All	* D3HZ 10A936-C	Use w/line haul instrument panel-"CAB CL LPS-TRAILER CL LPS-FUEL PRIMER"	1
80	L-LN-LNT-LT-LTS900 -- gas-T/T w/dual fuel tanks	8	All	* D3HZ 10A936-D	Use w/line haul instrument panel-"CAB CL LPS-TRAILER CL LPS-FUEL PRIMER-L FUEL TANKS R"	1
80	L-LN-LNT-LT-LTS900 -- gas-without T/T w/single fuel tank	8	All	* D3HZ 10A936-E	Use w/line haul instrument panel-"CAB CL LPS-FUEL PRIMER"	1
80	L-LN-LNT-LT-LTS900 -- gas-without T/T w/dual fuel tanks	8	All	* D3HZ 10A936-F	Use w/line haul instrument panel-"CAB CL LPS-FUEL PRIMER - L FUEL TANKS R"	1
81/86	L-LN-LNT-LT-LTS800/900 -- diesel-without T/T	6&8	All	E1HZ 10A936-A	Use w/line haul instrument panel-"CAB"	1
81/86	L-LN-LNT-LT-LTS800/900 -- diesel-with T/T	6&8	All	E1HZ 10A936-B	Use w/line haul instrument panel-"CAB-TRAILER"	1
81/86	L-LN-LNT-LT-LTS900 -- gas-T/T w/single fuel tank	8	All	E1HZ 10A936-C	Use w/line haul instrument panel-"CAB-TRAILER-FUEL PRIMER"	1
81/86	L-LN-LNT-LT-LTS900 -- gas-T/T w/dual fuel tanks	8	All	E1HZ 10A936-D	Use w/line haul instrument panel-"CAB-TRAILER-FUEL PRIMER-L FUEL TANKS R"	1
81/86	L-LN-LNT-LT-LTS900 -- gas-without T/T-w/single fuel tank	8	All	E1HZ 10A936-E	Use w/line haul instrument panel-"CAB-FUEL PRIMER"	1
81/86	L-LN-LNT-LT-LTS900 -- gas-without T/T	8	All	E1HZ 10A936-F	Use w/line haul instrument panel-"CAB-FUEL PRIMER-L FUEL TANKS R"	1
82/85	LTL "Before 2/85"	6&8	All	E1HZ 10A936-G	"CAB-TRAILER-FOG-LPS-ROAD LPS-OFF-ON"	1
85/86	LTL900 -- w/headed mirrors-w/fog lps. "From 2/85"	6&8	All	E5HZ 10A936-A	"CL-HTD MIRROR-FOG LPS-ROAD LPS-OFF-ON"	1
85/86	LTL900 -- w/o headed mirror w/fog lps. "From 2/85"	6&8	All	E5HZ 10A936-B	"CL-FOG LPS-ROAD LPS-OFF-ON"	1
85/88	LTL900 -- w/headed mirrors w/o fog lps. "From 2/85"	6&8	All	E5HZ 10A936-C	"CL-HTD MIRROR"	1
88	L-LA-LL-LN-LNT-LS-LT-LTA-LTL-LTS800/900 -- w/full instr. panel-w/headed mirrors	6&8	All			1
84/88	L-LN-LNT-LT-LTS900 -- w/fleet instrument panel-w/o heated mirrors	6&8	All	E4HZ 10A936-A	"DOME LAMP-BLINK"	1
84/87	L-LN-LNT-LS-LT-LTS900 -- w/fleet instrument panel-w/headed mirrors "Before 8/87"	6&8	All	E4HZ 10A936-B	"ROAD LPS-FOG LPS-HEATED MIRRORS"-white illumination	1
87	LL-LTL900 -- w/fleet instrument panel "Before 8/87"	All	All			1
87/	L-LN-LNT-LS-LT-LTS900 -- w/fleet instr. panel-w/headed mirrors "From 8/87"	6&8	All	E7HZ 10A936-N	"ROAD LPS-FOG LPS-HEATED MIRRORS"-green illumination	1
87/	LL-LTL900 -- w/fleet instr. panel	All	All			1

OCTOBER, 1993

COPYRIGHT ©1993

FORD MOTOR  
COMPANY

-DEARBORN, MICHIGAN

FINAL ISSUE

1980/  
TRUCK SERIES 600/900

YEAR	MODEL/RESTRICTIONS	ENGINE		PART NUMBER	DESCRIPTION	QTY.
		CYL.	C.I.D. (C.C.D.)			
<b>10A936 LENS (INSTRUMENT PANEL CONTROL IDENTIFICATION) — Cont'd</b>						
87	L-LL-LN-LNT-LS-LT-LTL-LTS800/900 -- w/fleet instrument panel "Before 9/87"	All	All	E7HZ 10A936-A	"BLINK-DOME LP/TLR HK-UP"--also symbol for lights-hi beam-white illumination	1
87/	L-LL-LN-LNT-LS-LT-LTL-LTS800/900 -- w/fleet instrument panel "From 9/87"	6&8	All	E7HZ 10A936-L	"BLINK-DOME LP/TLR HK-UP"--also symbol for lights-hi-beam-green illumination	1
87/	L-LN-LNT-LS-LT-LTS800 -- w/city delivery instr. panel	All	All	E7HZ 10A936-B	Clear	2
87	L-LL-LN-LNT-LS-LT-LTL-LTS600/900 -- exc. w/full instr. panel "Before 9/87"	6&8	All	E7HZ 10A936-K	"BLINK-DOME LAMP"--also has symbol for lights, hi beam-white illumination	1
87/	L-LL-LN-LNT-LS-LT-LTL-LTS700/900 -- exc. full instr. panel "From 9/87"	6&8	All	E7HZ 10A936-M	"BLINK-DOME LAMP"--also has symbol for lights, hi beam-green illumination	1
87/	B700	All	All	E7HZ 10A936-C	Clear-2 1/2" x 3 7/16"	1
87/	L-LL-LN-LNT-LS-LT-LTL-LTS800/900 -- exc. city delivery instr. panel	All	All			1
87/	L-LL-LN-LNT-LS-LT-LTL-LTS900 -- w/full instr. panel	All	All	E7HZ 10A936-D	Clear-1 1/3" x 6.00"	1
88/	L-LL-LN-LNT-LS-LT-LTS800/900 -- w/fleet instrument panel	6&8	All	E8HZ 10A936-A	"ENG BRK ON/OFF-ENG BRK MIN/MAX-HEATED MIRRORS"	1
89	L-LL-LN-LNT-LS-LT-LTL-LTS800/900 -- w/full instr. panel and w/bumper lights	6&8	All	E9HZ 10A936-A	Clear-1 3/8" x 7 1/4"	1
89	L-LA-LL-LN-LNT-LS-LT-LTA-LTL-LTS800/900 -- w/fleet or city delivery instr. panel	6&8	All	E9HZ 10A936-B	Clear-1 1/16" x 4"	1
89	L-LA-LL-LN-LNT-LS-LT-LTA-LTL-LTS800/900 -- w/fleet or city delivery instr. panel and stainless heated Western mirrors	6&8	All	E9HZ 10A936-C	"LIGHTS-BLINK-HTD MIRROR-DOME/TRL HK UP"--green illumination	1
89	L-LA-LL-LN-LNT-LS-LT-LTL-LTS800/900 -- w/fleet or full instr. panel	6&8	All	E9HZ 10A936-D	Clear-3 7/16" square	1
89	L-LN-LNT-LT-LTS800/900 -- w/city delivery instr. panel	6&8	All	E9HZ 10A936-E	R.H. & L.H.-clear-7/8" x 4 1/16"	1
89	L-LA-LL-LN-LNT-LS-LT-LTA-LTL-LTS800/900 -- w/fleet or city delivery instr. panel	6&8	All	E9HZ 10A936-F	"LIGHTS-BLINK-EXH BRAKE-DOME/TRL HK UP"	1
89	L-LA-LL-LN-LNT-LS-LT-LTA-LTL-LTS800/900	6&8	All	E9HZ 10A936-G	Clear 5/8" x 4"	1
<b>10B939 WIRE ASSY. (TRANSMISSION TEMPERATURE SENDER)</b>						
80/	C900 -- MT 640 T/M	8	All	D3KZ 10B939-B		1
80/	C-CT800 -- MT 650 T/M	8	636			1
80/	CL-CLT900	6&8	All	D8HZ 10B939-A	#D7HT 10B939-AA,AB	1
83/84	FT800/900 -- diesel	8	501	E3HZ 10B939-B	#E3HT 10B939-AA,BA,CA,DA	1
85/	B-F-FT600/800 -- MT643	6&8	All			1
80/	LNT-LTS800/900 -- MT 650 T/M	6&8	All	D3HZ 10B939-A	#D3HB 10B939-AA	1
80/	LN800 -- MT650 T/M	6&8	All			1
<b>10B942 WIRING (INSTRUMENT CLUSTER)-Also refer to group 9272, 14398, 14A313</b>						
80/82	B-F600/800	6&8	All	DOTZ 10B942-A	#DOTB 10B942-A	1

1980/  
TRUCK SERIES 600/900

YEAR	MODEL/RESTRICTIONS	ENGINE		PART NUMBER	DESCRIPTION	QTY.
		CYL.	C.I.D. (C.C.D.)			
<b>10B942 WIRING (INSTRUMENT CLUSTER)-Also refer to group 9272, 14398, 14A313 - Cont'd</b>						
83/	F-FT600/900	8	All	E9HZ 10B942-D	#E9HT 10B942-DA-use on instrument cluster w/charge indicator and oil pressure lights	1
83/ 85/	F-FT600/800(81) FT900	8 8	All All	E9HZ 10B942-C	#E9HT 10B942-CA-use on instrument cluster w/ammeter and oil pressure gauges	1
80/87	L-LN-LNT-LT-LTS600/900 -- w/ city delivery instrument panel	6&8	All	D0HZ 10B942-A	#D0HB 10B942-B	1
80/87	C-CT600/900	6&8	All	D0TZ 10B942-A	#D0TB 10B942-A-"Before Ser. U20,001"- refer to group 9272	1
84/87	L-LN-LNT-LT-LTS900 -- w/ fleet instrument panel	6&8	All	E5HZ 10B942-A	#E4HT 10B942-CB	1
88	L-LL-LN-LNT-LS-LT-LTL-LTS900 -- w/fleet instrument panel	6&8	All	E8HZ 10B942-A	#E8HT 10B942-AA,AB,AC	1
89	L-LA-LL-LN-LNT-LS-LT-LTL-LTS 800/900 -- w/fleet instr. panel-w/hydraulic brakes	6&8	All			1
87	L-LL-LN-LNT-LS-LT-LTL-LTS900 -- w/full instrument panel-with M/T	All	All	E7HZ 10B942-A	#E7HT 10B942-AA	1
88	L-LL-LN-LNT-LS-LT-LTL-LTS900 -- w/full instrument panel	6&8	All	E8HZ 10B942-B	#E8HT 10B942-BA,BB	1
89	L-LA-LL-LN-LNT-LS-LT-LTA- LTL-LTS800/900 -- w/fleet or full instr. panel-with air brakes	6&8	All	E9HZ 10B942-B	#E9HT 10B942-AB	1
<b>10960 DIAL (INSTRUMENT CLUSTER WARNING LAMP)</b>						
80/	F-FT600/800	8	All	E0TZ 10960-A	Graphics for oil and alt.	1
<b>10A960 LAMP ASSY. (POWER DIVIDER DIFFERENTIAL LOCKOUT WARNING)-Also refer to group 10B987</b>						
80/	CL-CLT900		All	E0HZ 10A960-A		1
80	CT800/900 -- air shift	8	All	C1TF 10A960-A	"INTER-AXLE DIFFERENTIAL-LOCKED"	1
80/86	L-LN-LNT-LT-LTL-LTS600/900	6&8	All	E4HZ 10A960-A	#D0HB 10C924-AB-E4HT 10C924-EA- "DIFF. LOCK"	1
80/	CT800/900 -- electric shift	8	All	C3TZ 10A960-A		1
<b>10A961 LAMP ASSY. (TRANSMISSION RETARDER OIL TEMPERATURE WARNING)-Also refer to group 7A070</b>						
80/	L-LN-LNT-LT-LTS800/900 -- T/M-w/city delivery instrument panel	6&8	All	D0HZ 10A961-A	#D0HB 10C924-AC-"RETARD"	1
<b>10A962 LAMP ASSY. (OIL PRESSURE WARNING)</b>						
80/81	C-CT900 -- gas	8	All	* C3TZ 10A962-A	With engine warning system	1
80/81	C-LN700 -- Cat. diesel	8	636			1
80/81	C-CT800 -- Cat. diesel	8	636		With engine warning light	1
80/81	L-LN-LNT-LT-LTL-LTS800/900 -- diesel	6&8	All	E2HZ 10A962-A	#D0HB 10C924-AA-"OIL PRESS"	1
80/81	C-LN700 -- Cat. diesel	8	636			1
80/81	C-CT800 -- Cat. diesel	8	636		With engine warning light	1
82/	L-LN-LNT-LT-LTL-LTS600/900 -- diesel	6&8	All	E4HZ 10A962-J	#E4HT 10C924-CA-"OIL PRESSURE"	1
82/	C-CT600/900	6&8	All	E2HZ 10A962-B	#E2HT 10A962-AA-oil pressure symbol	1
84/	L-LN-LNT-LT-LTS600/900	6&8	All	E4HZ 10A962-A	#E4HT 10C924-AA-"OIL TEMP"	1
<b>10A962 LAMP and WIRING ASSY. (BRAKE WARNING)</b>						
80/83	C600/900 -- w/dual hydraulic brakes	6&8	All	C8TZ 10A962-A	#C8TB 2B318-A-"Brake"-curved lettering on bezel	1
84/	C600/800 -- w/hydraulic brakes	6&8	All	E4HZ 10A962-B	#E4HT 2B318-BA "DUAL LMP - BRAKE- BRAKE MTR"	1



1980/  
TRUCK SERIES 600/900

YEAR	MODEL/RESTRICTIONS	ENGINE		PART NUMBER	DESCRIPTION	QTY.
		CYL.	C.I.D. (C.C.D.)			
<b>10A962 LAMP ASSY. (OIL PRESSURE WARNING) — Cont'd</b>						
84/	C600-800 -- w/hydraulic brakes	6&8	All	E4HZ 10A962-C	#E4HT 2B318-CA - "PARKING BRAKE"	1
80/	B-F-FT600/800 -- w/air brakes	6&8	All	D5KZ 10A962-A	#D5HB-2B318-.CA-EB, E0HT 2B318-DA- "BRAKE WARNING - ANTI-LOCK" - "LOW AIR-BRAKE"	1
80/	C-CT600/900 -- w/air brakes	6&8	All			1
85	FT900 -- Det. diesel	8	501			1
80/	B-F600/800(84) -- w/hydraulic brakes	8	All	E4HZ 10A962-G	#E4HT 2B318-GA-"BRK E-MOT"	1
80/	C-CT600/900 -- w/air over hydraulic brakes	6&8	All	D5KZ 10A962-B	#D5HB 2B318-DA-FB, E0HT 2B318-CA "LOW AIR-BRAKE-LOW FLUID" - "BRAKE WARNING-ANTI-LOCK"	1
80/83	L-LN-LNT-LT-LTL-LTS600/900- all brakes	6&8	All	E4HZ 10A962-F	#D5HB 2B318-AA,AB- "BRAKES"	1
80/83	B-F600/800(84)	8	All			1
84/	B-F600/800(84)	8	All	E4HZ 10A962-F	#E4HT 2B318-FA-"BRAKE"	1
84/	L-LN-LNT-LT-LTL-LTS600/900	6&8	All			1
80/	L-LN-LNT-LT-LTL-LTS600/900 -- air brakes	6&8	All	D5HZ 10A962-B	#D5HB 2B318-BA,BB,BC- "ANTI- LOCK" - incl. D5HZ 10C876-A body	1
80/	B-F-FT600/900 -- w/air brakes	8	All			1
84/	L-LN-LNT-LT-LTL-LTS600/900 -- w/hydraulic brakes	6&8	All	E4HZ 10A962-D	#E4HT 2B318-DB-"BRK E-MOT"	1
84/	B-F600/800(84) -- w/hydraulic brakes	6&8	All	E4HZ 10A962-E	#E4HT 2B318-EB-"PARK BRK"	1
84/	L-LN-LNT-LT-LTL-LTS600/900 -- w/hydraulic brakes	6&8	All			1
<b>10A962 LAMP AND WIRE ASSY. (ALTERNATOR WARNING INDICATOR)</b>						
84/	L-LN-LNT-LT-LTL-LTS600/900 -- w/fleet instrument panel	6&8	All	E4HZ 10A962-H	#E4HT 10C924-BA-"ALT"	1
<b>10C962 LAMP and WIRING ASSY. (LOW VACUUM WARNING INDICATOR)</b>						
80/	L-LT-LTS800/900 -- gas	8	All	D0HZ 10C962-A	#D0HB 10C924-Z-"LOW VAC."	1
80/	LN-LNT800 -- gas	8	All			1
80/	LN600/750	6&8	All			1
<b>10A963 LAMP ASSY. (WATER TEMPERATURE WARNING)</b>						
80/81	C-CT900 -- gas	8	All	C3TZ 10A963-A	With engine warning system	1
80/81	C-LN700 -- Cat. diesel	8	636			1
80/83	L-LN-LNT-LT-LTL-LTS700/900 -- diesel	6&8	All	E4HZ 10A963-A	"WATER" also has symbol	1
82/83	B-F-FT700/800 (84) -- diesel-w/low coolant level warning	8	All			1
80/81	C-CT800 -- Cat. diesel	8	636		Use with eng. warning light	1
84/	B-F-FT600/800(84) -- diesel w/low coolant level warning	8	All	E4HZ 10A963-A	#E4HT 10C924-DA-"WATER"	1
84/	L-LN-LNT-LT-LTL-LTS700/900 -- diesel	6&8	All			1
82/	C-CT600/900	6&8	All	E2HZ 10A963-B	With engine warning lights-has water temp. symbol	1
<b>10A968 RELAY ASSY. (ALTERNATOR WARNING LAMP)</b>						
86/	CF600/700	6	401	E6HZ 10A968-A		1
<b>10D968 SENSOR ASSY. (LOW COOLANT LEVEL WARNING)</b>						
82/84	B-C-CT-F-FT700/800 -- Diesel	8	All	E2HZ 10D968-A		1
84	L-LN-LNT-LT-LTS600/900 -- diesel	8	All			1

1980/  
TRUCK SERIES 600/900

YEAR	MODEL/RESTRICTIONS	ENGINE		PART NUMBER	DESCRIPTION	QTY.
		CYL.	C.I.D. (C.C.D.)			
<b>10D968 SENSOR ASSY. (LOW COOLANT LEVEL WARNING) — Cont'd</b>						
85/	L-LA-LL-LN-LNT-LS-LT-LTA-LTL-LTS700/900	All	All	E9HZ 10D968-A		1
85/	B-C-CL-CLT-F-FT600/900 -- diesel	All	All			1
86/	CF600/800	All	All	E5HZ 10D968-A		1
86/	CF600/800	All	All	E9HZ 10D968-B	Use for recall campaign	1
<b>10C969 BRACKET (INSTRUMENT PANEL DIMMER SWITCH)</b>						
80/	CL-CLT900	6&8	All	D9HZ 10C969-A		1
<b>10D969 WIRE ASSY. (LOW COOLANT LEVEL WARNING)</b>						
82/87	F-FT700/800 (81) -- diesel	8	All	E2HZ 10D969-A	#E2HT 10D969-AA, EDE2HT 10D969-AA-use with instrument cluster w/charge indicator and oil pressure warning lights	1
82/87	F-FT700/800 (81) -- diesel	8	All	E2HZ 10D969-B	#E2HT 10D969-BA, EDE2HT 10D969-BA-use on instrument cluster w/ammeter, and oil pressure gauge	1
82/87	B-F-FT700/800 (84) -- diesel	8	All	E2HZ 10D969-C	#E2HT 10D969-CA, EDE2HT 10D969-CA	1
84	L-LT-LTS800/900 -- w/Cat. diesel	8	636	E4HZ 10D969-A	#E4HT 10D969-AA	1
85/	L-LT-LTS800/900	All	All	E5HZ 10D969-A	#E4HT 10D969-AC-also used to service E4HT 10D969-CC	1
85/	LN-LNT600/900 -- w/heavy duty radiator	All	All			
84	LN-LNT600/800 -- diesel	8	All	E4HZ 10D969-B	#E4HT 10D969-BA	1
85/87	LN-LNT600/800 -- w/med. duty radiator	All	All	E5HZ 10D969-B	#E4HT 10D969-BC	1
88/	LL-LTL900	6&8	All	E8HZ 10D969-A	#E8HT 10D969-AA	1
88/	LN-LNT700/900	All	All	E8HZ 10D969-B	#E8HT 10D969-DA	1
<b>10B978 PLATE (INDICATOR MOUNTING INSTRUMENT CLUSTER)-Also refer to group 10848</b>						
80/	CL-CLT900	6&8	All	D8HZ 10B978-A	Seven openings-"ENG OIL TEMP-ENG OIL PRESS-VOLTMETER-WATER TEMP-FUEL-DUAL AIR-DUAL APPL AIR"-in LH inst. cluster module	1
80/	CL-CLT900	6&8	All	D8HZ 10B978-B	Three openings-"AXLE TEMP-TRANS TEMP-PYRO"-in RH inst. cluster module	1
80/	L-LN-LNT-LT-LTS600/900	6&8	All	D0HZ 10B978-A	For air pressure and vacuum gauge	1
80/86	L-LN-LNT-LT-LTL-LTS800/900 -- w/line haul instrument panel	6&8	All	D0HZ 10B978-B	For speedometer	1
80/86	L-LN-LNT-LT-LTL-LTS800/900 -- w/line haul instrument panel	6&8	All	D0HZ 10B978-C	For tachometer	1
<b>10A979 INDICATOR ASSY. (ENGINE USE)</b>						
87/	L-LL-LN-LNT-LS-LT-LTL-LTS800/900	All	All	E7HZ 10A979-A	#E7HT 10A979-AA, F3HT 10A979-AA-total hours	1
<b>10B979 PLATE (INSTRUMENT CLUSTER OPENING) - Improve</b>						
<b>10C979 PLUG (WARNING INDICATOR LAMP OPENING INSTRUMENT CLUSTER)</b>						
80/	CL-CLT900	6&8	All	D8HZ 10C979-A	For unused holes in plate 10A885-rectangular-31/32" x 1 13/32"	AR
				D8HZ 10C979-B	For unused holes in face of RH inst. cluster module 04346-15/16" dia.-2 prongs	AR
				D8HZ 10C979-C	For unused holes in RH INST. cluster module 04346-1 1/4" dia.	AR
				D8HZ 10C979-D	For unused antenna lead hole in side of RH inst. cluster module 04346-15/16" dia.-6 prongs	1

**1980/  
TRUCK SERIES 600/900**

YEAR	MODEL/RESTRICTIONS	ENGINE		PART NUMBER	DESCRIPTION	QTY.
		CYL.	C.I.D. (C.C.D.)			
<b>10C979 PLUG (WARNING INDICATOR LAMP OPENING INSTRUMENT CLUSTER) — Cont'd</b>						
80/86	L-LN-LNT-LT-LTS600/900 -- w/city delivery instrument panel	6&8	All	D0HZ 10C979-A	Use to plug unused warning lamp holes-- round plastic-13/16" O.D.	AR
80/86	L-LN-LNT-LT-LTL-LTS800/900 -- w/line haul instrument panel	6&8	All	D0HZ 10C979-B	Use to plug unused warning lamp holes	AR
<b>10C979 PLUG (WARNING INDICATOR TOGGLE SWITCH OPENING)</b>						
87/88	L-LL-LN-LNT-LS-LT-LTS800/900- w/Fleet instr. panel	All	All	E7HZ 10C979-A	Used to plug toggle switch opening on vehicle w/o heated mirrors, w/o fog lamps or w/o road lamps	AR
89	L-LA-LL-LN-LNT-LS-LT-LTA- LTL-LTS800/900 -- w/fleet or full instr. panel	All	All	E9HZ 10C979-B		AR
<b>10C981 COVER (WARNING INDICATOR PANEL)</b>						
80/	L-LN-LNT-LT-LTL-LTS800/900 -- diesel-w/Kysor eng. shutdown system	6&8	426,552, 636,736, 855	D8HZ 10C981-A		1
<b>10C984 RETAINER (INSTRUMENT CLUSTER OPENING COVER)</b>						
80/	L800/900 -- gas-w/vacuum brakes-less vacuum reservoir tank	8	All	D0HZ 10C984-A		1
80/	LN600/800 -- gas-w/vacuum brakes-less vacuum reservoir tank	6&8	All			1
<b>10C985 RECTIFIER ASSY. (ENGINE WARNING INDICATOR)</b>						
80/	L-LN-LNT-LT-LTL-LTS900 -- Cum. NTC diesel w/Kysor eng. shutdown system	6	855	D8HZ 10C985-A		3
<b>10B987 PANEL ASSY. (WARNING INDICATOR)</b>						
86/	CF600/800	6	401	E6HZ 10B987-B	R.H.	1
86/	CF600/700	6	401	E6HZ 10B987-A	L.H.	1
87	L-LN-LNT-LS-LT-LTS800 -- w/city delivery instrument panel w/hyd. brakes	All	All	E7HZ 10B987-A	"BRAKE-BRAKE E MOTOR-PARK-TRANS. TEMP"	1
88/	L-LN-LNT-LS-LT-LTL800 -- w/city delivery instrument panel- w/hyd. brakes	All	All	E8HZ 10B987-A	#E8HT 10B987-AA-"BRAKE-BRAKE E MOTOR-PACK-TRANS TEMP"	1
87/	L-LN-LNT-LS-LT-LTS800 -- w/ city delivery instrument panel-w/air brakes	All	All	E7HZ 10B987-B	"BRAKE-TRANS. TEMP-DIFF. LOCK"	1
87/	L-LN-LNT-LS-LT-LTS800 -- w/ city delivery instrument panel	All	All	E7HZ 10B987-C	"LOW COOL LEVEL-WATER IN FUEL" also symbol for temp. and oil	1
87/	L-LL-LN-LNT-LS-LT-LTL-LTS800/ 900 -- w/fleet or full instrument panel-w/air brakes	All	All	E7HZ 10B987-D	"BRAKE-LOW COOL LEVEL-WATER IN FUEL- ENG. OIL TEMP. TRANS. TEMP. DIFF. LOCK" also symbols for turn signal, hi beam, temp., and add oil	1
87/	L-LL-LN-LN-LNT-LS-LT-LTL-LTS800/ 900 -- w/fleet or full instrument panel-w/hyd. brakes	All	All	E7HZ 10B987-E	"BRAKE E MOTOR-LOW COOL LEVEL-WATER IN FUEL-PARK-BRAKE-TRANS. TEMP- also turn signal, hi beam and symbol for temp. and add oil	1
87	B600/800	6&8	All	E7HZ 10B987-G	Symbol for eng. temp.--"ADD OIL-BRAKE-	1
87/88	LN-LNT600/900	6&8	All		MOTOR-PARK-EGR-LOW COOL LEVEL-	1
87/88	L-LT-LTL-LTS800/900	6&8	All		WATER IN FUEL"	1

1980/  
TRUCK SERIES 600/900

YEAR	MODEL/RESTRICTIONS	ENGINE		PART NUMBER	DESCRIPTION	QTY.
		CYL.	C.I.D. (C.C.D.)			
<b>10B987 PANEL ASSY. (WARNING INDICATOR) — Cont'd</b>						
88/	B600/800	All	All	E8HZ 10B987-B	#E8HT 10B987-BA-symbol for eng. temp.-"ADD OIL-BRAKE-BRAKE E MOTOR-PARK-CHECK ENGINE-LOW COOL LEVEL-WATER IN FUEL"	1
89	CL-CLT900 -- w/heated mirrors	All	All	E9HZ 10B987-C	"STOP ENG-ENG WARN-HTD MIRROR"	1
89	CL-CLT900	All	All	E9HZ 10B987-H	"LOW COOL LVL-WTR IN FUEL-CHECK A/C"	1
89	L-LA-LL-LN-LNT-LS-LT-LTA-LTL-LTS800/900 -- w/fleet or full instrument panel-with air brakes	All	All	E9HZ 10B987-A	#E9HT 10B987-AA-symbols for R.H. & L.H. turn signals-hi beam-temp-oil-"BRAKE-EXH BRAKE-DIFF LOCK-OIL TEMP-TRANS TEMP-LOW COOL LEVEL-WATER IN FUEL-DAY LAMPS-CHECK A/C-ENG. WARN-STOP ENG"	1
89	L-LN-LNT-LS-LT-LTS800 -- w/fleet instrument panel and hyd. brakes	All	All	E9HZ 10B987-B	#E9HT 10B987-BA-symbols for R.H. & L.H. turn signals- hi beam-temp-oil-"BRAKE-EXH BRAKE-PARK-BRAKE E MTOR-TRANS TEMP-LOW COOL LEVEL-WATER IN FUEL-DAY LAMPS-CHECK A/C-ENG WARN-STOP ENG"	1
89	L-LN-LNT-LS-LT-LTS800/900 -- w/city delivery instr. panel-w/air brakes	All	All	E9HZ 10B987-E	#E9HT 10B987-EA-"BRAKE-EXH BRAKE-DIFF LOCK-TRANS TEMP-DAY LAMPS"	1
89	L-LN-LNT-LS-LT-LTS800/900 -- w/city delivery instr. panel w/hyd. brakes	All	All	E9HZ 10B987-F	#E9HT 10B987-FA-"BRAKE-BRAKE & MOTOR-PARK-TRANS TEMP DAY LAMPS"	1
89	L-LN-LNT-LS-LT-LTS800/900 -- w/city delivery instr. panel	All	All	E9HZ 10B987-G	#E9HT 10B987-GA-symbols for temp. & oil-"LOW COOL-WATER IN FUEL-CHECK A/C"	1
<b>10A988 PLATE ASSY. (INSTRUMENT CLUSTER)</b>						
86/	CF600/700	6	All	E6HZ 10A988-B	R.H.	1
86/	CF600/700	6	All	F0HZ 10A988-A	L.H.	1
86/	CF600/700	6	All	E6HZ 10A988-C	Center front-used for speedometer	1
86/	CF600/800,CFT800	6	All	E6HZ 10A988-D	Center back-used for tachometer	1
<b>10989 GASKET (INSTRUMENT CLUSTER ANTI-SQUEAK)</b>						
80/	C-CT600/900	6&8	All	D5KZ 10989-A		1
<b>10A997 WIRING (OIL PRESSURE and WATER TEMPERATURE INDICATOR)</b>						
80	C-CT900 -- gas-w/engine warning system	8	All	★ D5HZ 10A997-A	#D5HB 10A997-AA	1
80	C-LN700 -- Cat. diesel	8	636			1
80	C-CT800 -- Cat. diesel	8	636		With engine warning light	1
81/83	C-CT600/900 -- w/engine warning lights	8	All			1
80/83	L-LN-LNT-LT-LTS800 -- diesel-w/engine warning system	8	555, 636	★ D5HZ 10A997-C	#D5HB 10A997-CA-use w/city delivery instrument panel	1
80	C-LN700 -- Cat. diesel	8	636			1
81/83	LN700 -- Cat. diesel	8	636			1
81/83	L-LN-LNT-LT-LTS900 -- gas-with engine warning lights	8	All		Use w/city delivery instrument panel	1
84/	LN-LNT600/700 -- diesel	8	All	E4HZ 10A997-A	#E4HT 10A997-AA-use w/city delivery instrument panel	1
84/	L-LN-LNT-LT-LTS800 -- diesel	8	All			1
80/	L-LN-LNT-LT-LTS600/900 -- gas-w/engine warning system	8	All	D5HZ 10A997-D	#D0HB 10A997-E, D5HB 10A997-DA,DB-use w/line haul instrument panel	1
80/	L-LN-LNT-LT-LTS700/800 -- diesel-w/engine warning system	8	555,636		Use w/line haul instrument panel	1
80/	L-LT-LTL-LTS900 -- Cat. diesel -w/engine warning system	6	893			1
81/	L-LN-LNT-LT-LTL-LTS900 -- diesel-with engine warning lights-w/o engine shut down	6&8	All		Use w/line haul instrument panel	1

OCTOBER, 1993

COPYRIGHT ©1993

FORD MOTOR  
COMPANY

—DEARBORN, MICHIGAN

FINAL ISSUE

1980/  
TRUCK SERIES 600/900

YEAR	MODEL/RESTRICTIONS	ENGINE		PART NUMBER	DESCRIPTION	QTY.
		CYL.	C.I.D. (C.C.D.)			
<b>10A997 WIRING (OIL PRESSURE and WATER TEMPERATURE INDICATOR) — Cont'd</b>						
80	L-LN-LNT-LT-LTS900 -- diesel-w/engine warning system	6&8	All	★ D4HZ 10A997-B	#D4HB 10A997-BA-use w/line haul instrument panel	1
80/83	L-LN-LNT-LT-LTS800/900 -- diesel w/Kysor engine shutdown system	6&8	All	D8HZ 10A997-A	#D4HS 10A997-AA -use w/line haul instrument panel	1
80/84	L-LN-LNT-LT800 -- diesel w/Kysor engine shutdown system	8	All	D8HZ 10A997-B	#D6HS 10A997-CA -use w/city delivery instrument panel	1
85/	L-LN-LNT-LT800 -- diesel w/Kysor engine shutdown system	8	All	E5HZ 10A997-B	#E5HT 10A997-BA-use w/city delivery instrument panel	1
80/82	L-LN-800/900 -- w/audible engine warning "Before 10/1/81"	6&8	All	D8HZ 10A997-C	#D5HS 10A997-CA-use w/line haul instrument panel	1
82/	L-LN800/900 -- w/audible engine warning "From 10/1/81"	6&8	All	E2HZ 10A997-A	#E2HT 10A997-AA	1
84/	L-LN-LNT-LT-LTS800/900 -- Cat. 3208 diesel	8	636	E6HZ 10A997-A	#E4HT 10A997-BA, EDE4HT 10A997-BA-use w/line haul instrument panel	
84/	L-LN-LNT-LT-LTS900 -- w/fleet instrument panel-w/o engine warning system	6&8	All	E4HZ 10A997-C	#E4HT 10A997-CA	1
84/85	L-LN-LNT-LT-LTS900 -- w/fleet instrument-w/engine warning system "Before 10/84"	6&8	All	E4HZ 10A997-D	#E4HT 10A997-DA	1
85/	L-LN-LNT-LT-LTS900 -- w/fleet instrument-w/engine warning system "From 10/84"	6&8	All	E5HZ 10A997-A	#E5HT 10A997-AA	1
84/	L-LN-LNT-LT-LTS900 -- w/warning lights and buzzers	6&8	All	E4HZ 10A997-E	#E4HT 10A997-EA-w/line haul instrument panel	1
<b>10A998 WIRING (OIL PRESSURE and WATER TEMPERATURE INDICATOR SENDER)-Unless listed improvise</b>						
80	C-CT900	8	All	★ D5KZ 10A998-B	#D5HB 10A998-BA	1
80/83	C-CT800 -- Cat. diesel	8	636		With engine warning light	1
84/88	C-CT700/800 -- Cat. diesel	8	636	E4HZ 10A998-C	#E4HT 10A998-CA-with engine warning lights	1
81/83	C-CT700/800 -- Det. diesel	8	501	★ E1HZ 10A998-B	#E1HT 10A998-BA-use w/eng. warning system	1
84/87	C-CT600/800 -- Det. diesel	8	501	E4HZ 10A998-D	#E4HT 10A998-DA-use with engine warning lights	1
81/87	LN600/700 -- Det. diesel	8	501	E1HZ 10A998-C	#E1HT 10A998-CA-use w/eng. warning system	1
80/	L-LN-LNT-LT-LTS900 -- gas	8	All	E1HZ 10A998-H	#D0EB 10A998-A,B,E1HT 10A998-HA use w/engine warning system	1
80/	L-LN-LNT-LT900 -- diesel-	6	855, 927	E1HZ 10A998-F	#D0EB 10A998-C, D0HB 10A998-C, D4HB 10A998-BA, E2HT 10A998-FA, GA-w/engine warning system	1
80/	L-LT-LTS900 -- Cat. diesel-	6	893		Use w/engine warning system	1
80/87	L-LN-LNT-LT-LTS900 -- Det. diesel	6	426		Use w/engine warning system (exc. Kysor)	1
80/	All -- Cat. V636 diesel-	8	636	E1HZ 10A998-J	#D0HB 10A998-B, E1HT 10A998-JA-use w/engine warning system	1
80/	L-LN-LNT-LT-LTS900 -- w/Det. 71 diesel and Kysor engine shutdown system	6	426	D8HZ 10A998-A	#D4HS 10A998-AA	1
80/87	L-LN-LNT-LT-LTS900 -- w/Det. diesel and Kysor engine shutdown system	8	552,568	D8HZ 10A998-B	#D4HS 10A998-BA	1
82/87	LTL900 -- Det. 8V-92 diesel-w/Kysor eng. shutdown system	8	736			1
80/	L-LN-LNT-LT-LTS900 -- Cum. NTC diesel and Kysor engine shutdown system	6	855	D8HZ 10A998-C	#D4HS 10A998-CA	1

**1980/  
TRUCK SERIES 600/900**

YEAR	MODEL/RESTRICTIONS	ENGINE		PART NUMBER	DESCRIPTION	QTY.
		CYL.	C.I.D. (C.C.D.)			
<b>10A998 WIRING (OIL PRESSURE and WATER TEMPERATURE INDICATOR SENDER)-Unless listed improvise — Cont'd</b>						
80/	L-LN-LT800 -- diesel and Kysor engine shutdown system	8	All	D8HZ 10A998-D	#D6HS 10A998-LA	1
81/87	L-LN-LNT-LT-LTS900 -- Det. diesels	6&8	552,568	E1HZ 10A998-K	#D0HB 10A998-A, E1HT 10A998-KA-use w/engine warning system	1
82/	LTL900 -- Det. 8V-92, Cummins NTC diesels "Before 10/1/81"	6&8	736,855	E1HZ 10A998-A	#E1HT 10A998-AA,AB, E1HT 10A998-DA- tape up excess wire when req'd.	1
82/87	LTL900 -- Det. 8V-92- "From 10/1/81"	8	736			1
82/	LTL900 -- Cummins NTC diesel "From 10/1/81"	6	855	E2HZ 10A998-A	#E2HT 10A998-AA	1
82/	LTL900 -- Cat. 3406	6	893	E1HZ 10A998-E	#E1HT 10A998-EA	1

DESCRIPTION/RESTRICTIONS	PART NUMBER	ALTERNATOR PARTS LISTS 1A THRU 1M												
		A	B	C	D	E	F	G	H	J	K	L	M	
<b>Note:</b> Refer to group 10346 in Section 103 for ALTERNATOR COMPONENT INFORMATION														
PRINTED CIRCUIT BOARD KIT	DOAZ 10B301-A *GY-900-A	A	B	C	D									
Consists of														
1-C8AF 10B301-A	Board assy.-circuit	2-383255-S8												
9-C9AF 10B306-A	Ring-solder	2-383758-S8B												
2-374412-S100	Washer													
BEARING (FRONT) 10A303														
	C9ZZ 10094-A *GE-21	A	B	C	D									
RECTIFIER KIT 10304														
	D6AZ 10304-A *GY-1306-A	A	B	C	D									
Consists of														
1-D0ZF 10304-B	Rectifier assy.	6-383255-S8 or -S36												
1-C7AF 10A383-A	Insulator	2-383256-S8 or -S36												
1-D0AF 10A383-A	Insulator	2-383758-S8B												
2-374412-S100	Washer													
Screw-No. 10-24 x 1 37/64"	383758-S (BB-817-CE)	2	2	2	2									
Screw-No. 10-24 x 29/32"	383759-S (BB-390-JY)	A	B											
BEARING (REAR)-21/32" I.D. x 15/16" O.D. x 11/16" wide	D20Z 10A304-A *GE-31	A	B	C	D									
RING (ROTOR SLIP)	★ C3SZ 10328-A	A	B	C	D									
INSULATOR (TERMINAL) 10329														
Orange	C5AZ 10329-D *GY-912	A	B	C	D									
Approx. 1/16" x 3/4" x 1"	C5AZ 10329-C *GY-911	A	B	C	D									
SHAFT (ROTOR)	C5AZ 10330-A	A	B	C	D									
HOUSING (FRONT) 10333														
	E6AZ 10333-A *GD-364	A	B	C	D									
HOUSING (REAR) 10334														
	D7ZZ 10334-A *GH-318-A	A		C	D									
	D7AZ 10334-A *GH-317-A		B											
Bolt-hex. washer head-No. 10-24 x 2 1/8"	378466-S100 (BB-550-D)		3	3	3									
ROTOR ASSY. 10335														
	E5SZ 10335-A *GM-473		B	C										
	E1ZZ 10335-A *GM-465-A	A			D									
STATOR ASSY. 10336														
	E43Z 10336-A *GC-375	A			D									
Incl. coil	E3FZ 10336-A *GC-374		B	C										

**1980/  
TRUCK SERIES 600/900**

DESCRIPTION/RESTRICTIONS	PART NUMBER	ALTERNATOR PARTS LISTS 1A THRU 1M											
		A	B	C	D	E	F	G	H	J	K	L	M

**Note:** Refer to group 10346 in Section 103 for ALTERNATOR COMPONENT INFORMATION

BRUSH and TERMINAL SET	C6VY 10347-A *GB-111	A	B	C	D											
Consists of																
1-C6VF 10A367-A	Brush and terminal	1-C6VF 10A367-B				Brush and terminal										
Screw-No. 10 - 24 x 5/8"	383757-S(BB-841-A)		B	C	D											
Nut-No. 10-24 (terminal)	383255-S(MM-296-AC)		B	C	D											
SPRING (BRUSH)	C5AZ 10349-A *GY-913	2	2	2	2											
HOLDER (BRUSH)	C5AZ 10351-A *GY-1011	A	B	C	D											
Screw & washer (brush holder) No. 6-32 x 1/2"	377284-S7(UU-52-TH)	2	2	2	2											
RETAINER (FRONT BEARING)	D20Z 10A355-A *GY-693	A	B	C	D											
Screw-hex. head-No. 10-32 x 3/8"	★ 379201-S100	3	3	3	3											
STOP (ROTOR)	C5AZ 10A360-A	A	B	C	D											
DIODE ASSY. (POSITIVE)	D2HZ 10374-A			3	3											
DIODE ASSY. (NEGATIVE)	D2HZ 10378-A			3	3											
TERMINAL INSULATOR KIT	C9SZ 10A383-A *GY-937	A	B	C	D											
Consists of																
1-C7AF 10329-D	Insulator-terminal	1-C9SF 10A883-A				Insulator-Diode Plate										
1-C7AF 10A383-A	Insulator-Diode plate															
CAPACITOR (RADIO)	C6AZ 18827-A	A	B	C	D											

**NOTICE:** When the parts list suffix is shown in the quantity required column, the quantity is one (1).



DESCRIPTION/RESTRICTIONS	PART NUMBER	ALTERNATOR PARTS LISTS 2A THRU 2M										
		A	B	C	D	E	F	G	H	J	K	L
<b>Note:</b> Refer to group 10346 in Section 103 for ALTERNATOR COMPONENT INFORMATION												
BEARING (FRONT)	10A303											
	E2HZ 10A303-A *GE-36-A	A	B	C	D	E						
RECTIFIER ASSY.	10304											
	D4HZ 10304-A *GY-1303	A										
	D4TZ 10304-A *GY-1304		B									
	E2HZ 10304-A *GY-1345			C		E						
	E2HZ 10304-B *GY-1346				D							
Nut-hex. No. -10-24	383255-S8 (MM-296-AC)	5	5									
BEARING (REAR)	10A304-A											
	D4HZ 10A304-A *GE-39	A	B									
	D20Z 10A304-A *GE-31			C	D	E						
INSULATOR (RECTIFIER)-Use 10304	★ C7TZ 10310-A	2	2									
RING ASSY. (ROTOR SLIP)	★ C7TZ 10328-A	A	B									
	★ C3SZ 10328-A			C	D	E						
INSULATOR (TERMINAL)	10329											
Red-1/4" I.D. x 7/8" O.D. x 7/32" thick (battery) r/b DIAZ 10A383-A	★ C5AZ 10329-A *GY-910	2	2									
White-3/16" I.D. x 5/8" O.D. x 7/32" thick	C7TZ 10329-B	A	B	C	D	E						
Nut-1/4" - 20 Hex. Hd. (Battery terminal)	383256-S (MM-296-AE)	A	B									
SHAFT (ROTOR) use 10335	★ C7TZ 10330-A	A	B									
PLATE (POSITIVE CONDUCTOR)	D4TZ 10304-A (70 amp) or D4HZ 10304-A (90 amp)	A	B									
HOUSING (FRONT)-incl. bearing	10333											
	D4HZ 10333-A *GD-351	A	B									
	E2HZ 10333-A *GD-360			C	D	E						
HOUSING (REAR)	10334-A											
	D4HZ 10334-A *GH-316	A	B									
	E2HZ 10334-A *GH-364			C	D	E						
Nut - No. 10-24 (terminal)	383255-S(MM-296-AC)	A										
ROTOR ASSY.	10335											
	C7TZ 10335-A *GM-342	A	B									
	E2HZ 10335-A *GM-467			C		E						
	E2HZ 10335-B *GM-468				D							
STATOR ASSY.	10336											
	D4HZ 10336-A *GC-314	A										
	D4TZ 10336-A *GC-315		B									
	E2HZ 10336-A *GC-371			C		E						
	E2HZ 10336-B *GC-372				D							

1980/  
TRUCK SERIES 600/900

DESCRIPTION/RESTRICTIONS	PART NUMBER	ALTERNATOR PARTS LISTS 2A THRU 2M											
		A	B	C	D	E	F	G	H	J	K	L	M
<b>Note: Refer to group 10346 in Section 103 for ALTERNATOR COMPONENT INFORMATION</b>													
<b>BRUSH SET</b>	<b>10347</b>												
Consists of 2-D4HF 10A367-AA brush assy. & 1-D4HZ 10B368-A gasket	D4HZ 10347-B GB-304	A	B										
Consists of (2) E6HF 10A367-AA-brush & terminal	E6HZ 10347-A *GB-310-A			C	D	E							
SPRING (BRUSH)	D4HZ 10349-A	2	2	2	2	2							
HOLDER (BRUSH)	D4HZ 10351-A	A	B										
	E2HZ 10351-A			C	D	E							
Bolt-square neck-No. 24 x 31/32"	383704-S (BB-705-A)	2	2										
RETAINER (FRONT BEARING)	C7TZ 10A355-A *GY-840	A	B										
Bolt-hex. hd. -No. 10-32 x 3/8"	379201-S100 (UU-52-E)	3	3										
COVER and BRUSH ASSY.	D4HZ 10B363-A *GB-303	A	B										
	E6HZ 10B363-A *GB-309-A			C	D	E							
COVER (BRUSH)	D4HZ 10B367-A	A	B										
	E2HZ 10B367-A			C	D	E							
GASKET (BRUSH COVER)	D4HZ 10B368-A	A	B										
	E2HZ 10B368-A			C	D								
PLATE (NEGATIVE CONDUCTOR)	D4TZ 10304-A (70 amp) or D4HZ 10304-A (90 amp)	A	B										
DIODE ASSY. (POSITIVE)	D2HZ 10374-A			3	3	3							
DIODE ASSY. (NEGATIVE)	D2HZ 10378-A			3	3	3							
INSULATOR (DIODE PLATE)	<b>10A383</b>												
Red-3/16" x 19/32"-43/64"	C9AZ 10A383-A *GY-843-A	A	B										
Red-1/4" x 3/4" x 1 27/32"	C7TZ 10A383-A	2	2										
	E2HZ 10A383-A *GY-1347			C	D	E							
TERMINAL KIT (ALTERNATOR)	D1AZ 10A383-A	A											
Consists of 1-D0AZ 10329-A Insulator 1-D0AZ 10A383-A Insulator													
Consists of (1) C7AF 10329-D insulator, (1) C7AF 10A383-A insulator (1) C9SF 10A383-A insulator	C9SZ 10A383-A			C	D	E							
Bolt (thru)-hex. hd. -No. 12-24 x 3"- (incl. washer)	C7TZ 10A396-A *GY-841	3	3	4	4	4							
CAPACITATOR (RADIO)	D1AZ 18827-A	A	B										
	D20Z 18827-A			C	D	E							

**NOTICE:** When the parts list suffix is shown in the quantity required column, the quantity is one (1).

DESCRIPTION/RESTRICTIONS	PART NUMBER	ALTERNATOR PARTS LISTS 3A THRU 3M												
		A	B	C	D	E	F	G	H	J	K	L	M	
Note: Refer to group 10346 in Section 103 for ALTERNATOR COMPONENT INFORMATION														
BEARING (FRONT)-25/32" I.D. x 2 1/32" O.D. x 19/32" wide ident. 99604 (New Departure) or 304-SZZ (Marlin Rockwell) or 304-NPP (Fafnir)	B9AZ 10A303-A *GE-8	A												
BEARING (REAR)	D8HZ 10A304-E *GE-50	A												
FAN ASSY.	C2AZ 10A310-A	A												
SPACER (FRONT END HOUSING)	D9HZ 10K312-A	A												
RING ASSY. (SLIP)	D8HZ 10328-A *GY-1331	A												
HOUSING (FRONT)	C5TZ 10333-C *GD-306	A												
HOUSING (REAR)	D9HZ 10334-A *GH-360	A												
ROTOR ASSY.	C5TZ 10335-B *GM-329	A												
STATOR ASSY.	D9HZ 10336-A *GC-370	A												
BRUSH and SPRING SET	D9HZ 10347-A *GB-306	A												
HOLDER (BRUSH)	C2TZ 10351-A	A												
RETAINER (FRONT BEARING) Screw-round hd. slotted-No. 10-32 x 1/2"	C5TZ 10A355-A 27081-S8 (U-175)	A 4												
PLATE and DIODE ASSY. (POSITIVE)	D9HZ 10373-A *GY-1334	A												
PLATE and DIODE ASSY. (NEGATIVE)	D9HZ 10377-A *GY-1335	A												
CAPACITOR Bolt-hex. hd.-No. 6-32 x 3/8"	C5TZ 10A380-A 43250-S (U-70)	A 3												
BUSHING (RECTIFIER INSULATOR)	10A381													
5/16" I.D. x 13/16" O.D. x 7/32" thick	C5TZ 10A381-B	2												
INSULATOR (DIODE PLATE)-3/16" I.D. x 5/8" O.D. x 3/8" thick	C5TZ 10A383-A *GY-876	2												

DESCRIPTION/RESTRICTIONS	PART NUMBER	ALTERNATOR PARTS LISTS 4A THRU 4M												
		A	B	C	D	E	F	G	H	J	K	L	M	
<b>Note: Refer to SECTION 103, Page 1 for PARTS LISTS INSTRUCTIONS</b>														
RING (BEARING OIL SEAL)	★ C1AF 10121-A	A	B											
Stud-brush terminal	374933-S7(WW-116)	2	2											
BEARING (FRONT)	D8HZ 10A303-D *GE-49	A	B											
BEARING (REAR)	D8HZ 10A304-E *GE-50	A												
FAN ASSY.	D1HZ 10A310-A *GP-505	A	B											
SLEEVE (ALTERNATOR MOUNTING BRACKET ADJUSTING)	D3HZ 10K312-A	2	2											
RING ASSY. (SLIP)	D8HZ 10328-A *GY-1331	A	B											
INSULATOR (TERMINAL)	C4TZ 10329-A	A	B											
HOUSING (FRONT)	D1HZ 10333-A *GD-321	A	B											
Washer-lock-No. 10	34803-S7(X-60)	3												
HOUSING (REAR)	D8HZ 10334-E *GH-359	A	B											
ROTOR ASSY.	10335													
	D1HZ 10335-A *GM-441	A	B											
STATOR ASSY.	10336													
	D8HZ 10336-C *GC-365	A												
	D8HZ 10336-D *GC-364		B											
COVER (BRUSH SPRING)	C1AF 10A340-A	A	B											
JUMPER (BRUSH SPRING TO FIELD TERMINAL)	C1AF 10A342-A	2	2											
BRUSH SET	D1HZ 10347-A *GB-124	A	B											
HOLDER (BRUSH)	C2TZ 10351-A	A	B											
Washer-flat-1/4"	44719-S8(X-17)	A	B											
RETAINER (FRONT BEARING)	10A355													
	C5TZ 10A355-A	A	B											
Screw-flat head-No. 10-32 x 7/16"	★ 27073-S7	4												
RETAINER (ROTOR SLIP RING)	★ C6TZ 10A372-A	A	B											
PLATE and DIODE ASSY. (POSITIVE)	10373													
	D8HZ 10373-A *GY-1317	A	B											
Washer-ground - 1/4"	356208-S2(XX-92)	A												
PLATE and DIODE ASSY. (NEGATIVE)	10377													
	D8HZ 10377-A *GY-1318	A	B											
CAPACITOR	C5TZ 10A380-A	A	B											
BUSHING (RECTIFIER INSULATOR)	10A381													
5/16" I.D. x 13/16" x 7/32" thick	C5TZ 10A381-B	2	2											
1/4" I.D. x 13/16" O.D. x 7/32" thick	C5TZ 10A381-A		2											
	D9HZ 10A381-A *GE-51	2												
INSULATOR (DIODE PLATE)	10A383													
3/16" I.D. x 5/8" O.D. x 3/8" thick	C5TZ 10A383-A *GY-876	2	2											

1980/  
TRUCK SERIES 600/900

DESCRIPTION/RESTRICTIONS	PART NUMBER	ALTERNATOR PARTS LISTS 5A THRU 5M												
		A	B	C	D	E	F	G	H	J	K	L	M	
<b>Note: Refer to SECTION 103, Page 1 for PARTS LISTS INSTRUCTIONS</b>														
TRANSFORMER ASSY. (RECTIFIER)	E1HZ 10301-A		B		D									
BEARING (FRONT)	10A303													
Use to replace Delco-Remy 908055	E2HZ 10A303-A *GE-36-A	A				E								
	D8HZ 10A303-B *GE-46		B	C										
RECTIFIER KIT- incl. negative diodes. Positive diodes are incl. in D4HZ 10C323-A Consists of 1-Heat sink assy. 1-Insulation 1-Instruction sheet 4-Insulators 1-Screw	D4HZ 10304-B	A				E								
RECTIFIER ASSY.	D8HZ 10304-B *GY-1342		B	C	D									
BEARING (REAR)	10A304													
Outer	D8HZ 10A304-B *GE-45		B	C	D	E	F							
Inner	D8HZ 10A304-C *GE-44		B	C	D	E	F							
GROMMET (REAR HOUSING)	D4HZ 10K308-A	A				E								
BUSHING (MOUNTING)	D4HZ 10B310-A	A		C	D									
SEAL (BEARING)	10K310													
Oil seal	D4HZ 10K310-A	A				E								
Steel cover-1 9/16" base dia.	D4HZ 10K310-B	A				E								
BUSHING (SHAFT)	D4HZ 10C313-A	A	B	C	D	E								
REGULATOR	D4HZ 10316-B	A				E								
	D8HZ 10316-B *GR-536		B	C	D		F							
CAP ASSY. (REGULATOR)	D8HZ 10A317-A		B	C	D									
WASHER (PULLEY)	E7HZ 10N322-A					E								
RECTIFIER and HOUSING ASSY.	D4HZ 10C323-B	A				E								
GASKET (FRONT BEARING)	D4HZ 10C326-A	A	B	C	D	E								
COIL ASSY. (ROTOR)	D4HZ 10327-A	A				E								
	D8HZ 10327-A *GC-366		B	C	D		F							
TERMINAL KIT	10K330													
Relay Consists of 1-Terminal stud 3-Washers 1-Bushing 2-Nuts	D4HZ 10K330-A *GY-1308	A	B	C	D	E								
Relay	E8HZ 10K330-A *GY-1383						F							
Output Consists of 1-Terminal 2-Washers 2-Gaskets 1-Nut	D4HZ 10K330-B *GY-1309	A				E								
Output	D8HZ 10K330-A *GY-1321		B	C	D		F							
HOUSING ASSY. (DRIVE END.)	D8HZ 10333-B *GD-356		B	C	D	E	F							
HOUSING ASSY. (REAR)	D8HZ 10334-B *GH-356		B											
	D8HZ 10334-C *GH-357			C	D		F							
HOUSING (TRANSFORMER)	D8HZ 10A334-A *GH-361		B		D									
ROTOR ASSY.	D4HZ 10335-A *GM-452	A	B	C	D	E	F							

1980/  
TRUCK SERIES 600/900

DESCRIPTION/RESTRICTIONS	PART NUMBER	ALTERNATOR PARTS LISTS 5A THRU 5M												
		A	B	C	D	E	F	G	H	J	K	L	M	
<b>Note:</b> Refer to SECTION 103, Page 1 for PARTS LISTS INSTRUCTIONS														
STATOR & LEAD ASSY.	D4HZ 10336-B *GC-358	A				E								
	D8HZ 10336-B *GC-367		B	C	D		F							
SEAL (ROTOR SHAFT)	D4HZ 10B346-A	A	B	C	D	E								
COVER (RECTIFIER)	D4HZ 10353-A	A				E								
RETAINER (FRONT BEARING)	D4HZ 10A355-A	A	B	C	D	E								
PLATE & DIODE ASSY.	D8HZ 10373-E *GY-1322-A		B	C										
TERMINAL ASSY. (OUTPUT)	D4HZ 10B373-A	A				E								
CAPACITOR ASSY. (REGULATOR)	D8HZ 10A380-A		B	C	D		F							
SEAL	D4HZ 10B380-A	A	B	C	D	E	F							
TERMINAL ASSY. (TRANSFORMER)	D8HZ 10383-A		B		D									
TERMINAL ASSY. (RECTIFIER)	D8HZ 10383-B		B											
BOLT (THRU) - No. 10-24 x 3.60 Hex. hd.	D4HZ 10A396-A	A	B	C	D	E	F							
WIRE ASSY. (RECTIFIER)	D4HZ 10397-A	A												
	D8HZ 10397-A		B	C	D		F							
WIRE (REGULATOR LEAD.)	D8HZ 10A560-A		B	C	D									
	E8HZ 10A560-A						F							
PLATE (END)	D4HZ 10563-A	A				E								
	D8HZ 10563-A			C			F							
CONNECTOR ASSY. (REGULATOR)	D8HZ 10A568-A		B	C	D									
DIODE ASSY. (REGULATOR)	D8HZ 10A590-A		B	C	D		F							
GASKET (RECTIFIER COVER)	D4HZ 10623-A	A				E								

NOTICE: When the parts list suffix is shown in the quantity required column, the quantity is one (1).

DESCRIPTION/RESTRICTIONS	PART NUMBER	ALTERNATOR PARTS LIST 6A THRU 6M												
		A	B	C	D	E	F	G	H	J	K	L	M	
BEARING (FRONT)	D8HZ 10A303-A *GE-41	A	B	C	D	E								
RECTIFIER ASSY.	D8HZ 10304-A *GY-1319	A	B	C										
BEARING (REAR)	D8HZ 10A304-A *GE-40	A	B	C										
BUSHING (MOUNTING)-split	D8HZ 10B310-A	A	B	C										
REGULATOR ASSY.	D8HZ 10316-A *GR-535	A	B	C	D	E								
SCREW (ALTERNATOR REGULATOR)	E9HZ 10N319-A				D	E								
HOLDER ASSY. (BRUSH)	D8HZ 10320-A	A	B	C	D	E								
RING ASSY. (SLIP)	E9HZ 10328-A *GY-1389				D	E								
HOUSING (FRONT)	D8HZ 10333-A *GD-355	A	B	C	D	E								
HOUSING (REAR)	D8HZ 10334-A *GH-355	A	B	C	D	E								
ROTOR ASSY.	D8HZ 10335-A *GM-460	A	B											
	E9HZ 10335-A *GM-492				D	E								
	D8HZ 10335-B *GM-459			C										
STATOR ASSY	10336													
	D8HZ 10336-A *GC-363	A												
	D8HZ 10336-D *GC-364		B											
	D8HZ 10336-C *GC-365			C										
	E9HZ 10336-A *GC-399				D									
	E9HZ 10336-B *GC-400					E								
BRUSH SET	D8HZ 10347-A *GB-305	A	B	C										
RETAINER (FRONT BEARING)	C5TZ 10A355-A	A	B	C	D	E								
GASKET (BRUSH HOLDER)	D8HZ 10B368-A	A	B	C	D	E								
PLATE and DIODE ASSY. (POSITIVE)	D8HZ 10373-A *GY-1317	A	B	C	D									
	E9HZ 10373-A *GY-1392					E								
LEAD ASSY. (POSITIVE)	E9HZ 10374-A *GY-1391				D	E								
PLATE and DIODE ASSY. (NEGATIVE)	D8HZ 10377-A *GY-1318	A	B	C	D									
	E9HZ 10377-A *GY-1393					E								
LEAD ASSY. (NEGATIVE)	E9HZ 10378-A *GY-1390				D	E								
CAPACITOR	C5TZ 10A380-A	A	B	C										

1980/  
TRUCK SERIES 600/900

DESCRIPTION/RESTRICTIONS	PART NUMBER	ALTERNATOR PARTS LIST 6A THRU 6M												
		A	B	C	D	E	F	G	H	J	K	L	M	
BUSHING (RECTIFIER INSULATOR)		10A381												
1/4" I.D. x 13/16" O.D. x 7/32" thick	C5TZ 10A381-A	A	B	C										
5/16" I.D. x 13/16" O.D. x 7/32" thick	C5TZ 10A381-B	A	B	C	D	E								
5/16" I.D. x 7/16" O.D. x 1/2" thick- used in positive plate & diode	D8HZ 10A381-A *GE-43	A	B	C	D	E								
1/4" I.D. x 3/8" O.D. x 1/2" thick- used in negative plate & diode	D8HZ 10A381-B *GE-42	A	B	C										
	E9HZ 10A381-A *GE-321					E								
INSULATOR (DIODE PLATE)		10A383												
3/16" I.D. x 5/8" O.D. x 3/8" thick	C5TZ 10A383-A *GY-876	2	2	2	2	2								
POST (REGULATOR RELAY CONTACT)	D8HZ 10A522-A *GY-1320	A	B	C										

NOTICE: When the parts list suffix is shown in the quantity required column, the quantity is one (1).



DESCRIPTION/RESTRICTIONS	PART NUMBER	ALTERNATOR PARTS LIST 7A THRU 7M												
		A	B	C	D	E	F	G	H	J	K	L	M	
BEARING (FRONT)	D8HZ 10A303-D *GE-49	A												
BEARING (REAR)	D8HZ 10A304-E *GE-50	A												
SLEEVE (MOUNTING BRACKET ADJUSTING)	D3HZ 10K312-A	2												
RING-(BEARING OIL SEAL)	★ C1AF 10121-A	A												
RING ASSY. (SLIP)	D8HZ 10328-A *GY-1331	A												
INSULATOR (TERMINAL)	C4TZ 10329-A	A												
HOUSING ASSY. (FRONT)	D1HZ 10333-A *GD-358	A												
HOUSING ASSY. (REAR)-incl. "O" ring	D8HZ 10334-E *GH-359	A												
ROTOR ASSY. - incl. slip ring	D8HZ 10335-D *GM-466	A												
STATOR & TERMINAL ASSY.	D8HZ 10336-F *GC-369	A												
COVER (BRUSH SPRING)	C1AF 10A340-A	A												
JUMPER (BRUSH SPRING TO FIELD TERMINAL)	C1AF 10A342-A	2												
BRUSH SET	D1HZ 10347-A *GB-124	A												
HOLDER (BRUSH)	C2TZ 10351-A	A												
RETAINER (FRONT BEARING)	C5TZ 10A355-A	A												
RETAINER (ROTOR SLIP RING)	★ C6TZ 10A372-A	A												
PLATE & DIODE ASSY. (POSITIVE)	D8HZ 10373-D *GY-1332	A												
PLATE & DIODE ASSY. (NEGATIVE)	D8HZ 10377-B *GY-1333	A												
Nut-rectifier to housing-No. 10-32 x 3/8"	373235-S7(MM-169)	3												
CAPACITOR	C5TZ 10A380-A	A												
Screw-capacitor-No. 6-32 x 1/2"	379252-S7(UU-51-C)	3												
BUSHING (RECTIFIER INSULATOR)	10A381													
1/4" I.D. x 13/16" O.D. x 7/32" thick	C5TZ 10A381-A	2												
5/16" I.D. x 13/16" O.D. x 7/32" thick	C5TZ 10A381-B	2												
INSULATOR (DIODE PLATE)	C5TZ 10A383-A *GY-876	2												
DIODE ASSY.	10A590													
Nut-terminal screw-5/16"-18	★ 386196-S100(MM-173-MB)	A												

1980/  
TRUCK SERIES 600/900

DESCRIPTION/RESTRICTIONS	PART NUMBER													
		A	B	C	D	E	F	G	H	J	K	L	M	
BEARING (FRONT)	E5HZ 10A303-A *GE-311	A												
BEARING (REAR)	E5HZ 10A304-A *GE-310	A												
GASKET (FRONT BEARING)	E5HZ 10C326-A	A												
RING ASSY. (SLIP)	E5HZ 10328-A *GY-1359	A												
HOUSING (FRONT)	E5HZ 10333-A *GD-363	A												
HOUSING AND "O" RING ASSY. (REAR)	E5HZ 10334-A *GH-371	A												
ROTOR ASSY.	E5HZ 10335-A *GM-475	A												
STATOR ASSY.	E5HZ 10336-A *GC-381	A												
SEAL (ROTOR SHAFT)-FRONT	E5HZ 10B346-A	A												
SEAL (ROTOR SHAFT)-REAR	E5HZ 10B346-B	A												
BRUSH ASSY.	E5HZ 10347-A *GB-315	A												
COVER (RECTIFIER)	E5HZ 10353-A	A												
RETAILER ASSY. (FRONT BEARING)	E5HZ 10A355-A *GY-1356	A												
PLATE AND DIODE ASSY. (POSITIVE)	E5HZ 10373-A *GY-1355	A												
DIODE ASSY. (POSITIVE)	E5HZ 10374-A *GY-1357	A												
PLATE AND DIODE ASSY. (NEGATIVE)	E5HZ 10377-A *GY-1354	A												
DIODE ASSY. (NEGATIVE)	E5HZ 10378-A *GY-1358	A												
BOLT AND WASHER ASSY. (THRU)	E5HZ 10A396-A	A												

## 1980/ TRUCK SERIES 600/900

DESCRIPTION/RESTRICTIONS	PART NUMBER	ALTERNATOR PARTS LIST 7A THRU 7M													
		A	B	C	D	E	F	G	H	J	K	L	M		
FAN	E6HZ 10A310-A	A													
	E6HZ 10A310-B		B												
BRUSH AND HOLDER ASSY.	E6HZ 10320-A	A													
	E6HZ 10320-B		B												
PULLEY	E6HZ 10344-A	A													
	E6HZ 10344-B		B												
SPACER (FAN)	E6HZ 10A344-A	A													
	E6HZ 10A344-B		B												
DIODE (POSITIVE)	E7HZ 10374-A	A	B												
DIODE (NEGATIVE)	E7HZ 10378-A	A	B												

DESCRIPTION/RESTRICTIONS	PART NUMBER	ALTERNATOR PARTS LIST 10A THRU 10M												
		A	B	C	D	E	F	G	H	J	K	L	M	
BEARING (FRONT)	C9ZZ 10094-A *GE-21	A												
RECTIFIER KIT	E43Z 10304-A *GY-1351	A												
Screw (rectifier to housing)	N803090-S7MA	4												
BEARING (REAR)	D20Z 10A304-A *GE-31	A												
REGULATOR ASSY.	E73Z 10316-A *GR-784-B	A												
Screw (attaches regulator)	N803090-S7MA(AU-64-C)	4												
HOLDER ASSY. (BRUSH AND TERMINAL)- incl. brushes	E43Z 10320-A	A												
Screw (brush and terminal)	N803706-S36(AU-64-J)	2												
Nut and washer (brush and terminal)	N621900-S36(AM-29-H)	2												
HOUSING (FRONT)	E6AZ 10333-A *GD-364	A												
HOUSING (REAR)	E6FZ 10334-A *GH-369	A												
Bolt-hex. washer head-no. 10-24 x 2 1/8"	378466-S100(BB-550-D)	3												
ROTOR ASSY.	E43Z 10335-A *GM-469	A												
STATOR ASSY.	E69Z 10336-B *GC-383	A												
SPRING (BRUSH)	C5AZ 10349-A *GY-913	2												
HOLDER (BRUSH)	E43Z 10320-A	A												
RETAINER (FRONT BEARING)	D20Z 10A355-A *GY-693	A												
STOP (ROTOR)	C5AZ 10A360-A	A												
RING (ROTOR STOP)	E6AZ 10370-A *GY-1361	A												

11001-2 STARTER MOTOR

HOW TO FIND STARTERS and COMPONENTS

By IDENTIFICATION:

1. Refer to Identification chart below.
2. Check marking (on starter housing) against Identification numbers.
3. Select and refer to appropriate Parts List Section and Number.
4. If basic number is not known refer to Illustration Page shown, or to the Alphabetical Index which follows the General Information section of this catalog.
5. Select part number shown for affected Parts List. If more than one part number is shown refer to Description and Restrictions for clarification.
6. Quantity of parts shown in columns A, B or C etc.
7. Parts are listed numerically.

By MODEL APPLICATION:

1. Refer to Model Application Chart beginning on page 4.
2. Refer to appropriate Year, Model and Engine.

Identification Example D9HT 11001-AA is listed in Parts List Section 110.1, Column A.

Model Application Example 1980 F600 (8 cylinder Gas) uses starter D9HZ 11002-A. Internal parts for this starter are listed in Parts List Section 110.1, column A.

IDENTIFICATION CHART

IDENTIFICATION	MAKE	PARTS LIST SEC. & NO.	TYPE	PART NUMBER		ILLUS Sec. 110 PAGE
				SERVICE STARTER ASSEMBLY	REPLACED BY	
<b>11001-2 STARTER MOTOR</b>						
Note: ▲ To follow in subsequent change						
ML 4358	Prestolite	110.2A	Inertia	★ B8QH 11002-A *SA-68	★ D4HZ 11002-A *SA-695	1
C9HS 11000-C	Delco Remy	110.3D	Positive engagement	D4TZ 11002-A *SA-689		2
D3HF 11000-AA	Delco Remy	110.3D	Positive engagement	D4TZ 11002-A *SA-689		2
D3TF 11000-AA	Delco Remy	110.3D	Positive engagement	D4TZ 11002-A *SA-689		2
D3TF 11000-BA	Delco Remy	110.3A	Positive engagement	★ D4TZ 11002-B *SA-690	E6HZ 11002-D *SA-756-A	2
D3TF 11000-CA	Delco Remy	110.3B	Positive engagement	D4TZ 11002-E *SA-655-B		2
E0HT 11000-AA	Delco Remy	110.3C	Positive engagement	★ E0HZ 11002-A *SA-730	E0HZ 11002-B *SA-730-A	2
E0HT 11000-AB	Delco Remy	110.3C	Positive engagement	★ E0HZ 11002-A *SA-730	E0HZ 11002-B *SA-730-A	2
★ D4HF 11001-AA	Prestolite	110.2A	Inertia	★ D4HZ 11002-A *SA-695		1
D7HT 11001-BA	Delco Remy	110.4A	Positive engagement	★ D8HZ 11002-C *SA-721	E3HZ 11002-C *SA-747	2
D9HT 11001-AA	Ford	110.1A	Positive engagement	★ D9HZ 11002-A *SA-727	E1HZ 11002-A *SA-727-A	4
E1HF 11001-AA	Ford	110.1B	Positive engagement	E1HZ 11002-A *SA-727-A		4
E1HT 11001-AB	Delco Remy	110.3E	Positive engagement	D4TZ 11002-A *SA-689		2
E1HT 11001-BB	Delco Remy	110.3F	Positive engagement	★ D4TZ 11002-B *SA-690	E6HZ 11002-D *SA-756-A	2
E1HT 11001-CB	Delco Remy	110.3G	Positive engagement	★ D4TZ 11002-F *SA-655-C	D9PZ 11002-A *SA-655-D	2
E1HT 11001-DB	Delco Remy	110.4B	Positive engagement	★ D8HZ 11002-C *SA-721	E3HZ 1102-C *SA-747	2
E1HT 11001-EB	Delco Remy	110.4C	Positive engagement	★ D8HZ 11002-C *SA-721	E3HZ 11002-C *SA-747	2

1980/  
TRUCK SERIES 600/900

**IDENTIFICATION CHART**

IDENTIFICATION	MAKE	PARTS LIST SEC. & NO.	TYPE	PART NUMBER		ILLUS Sec. 110 PAGE
				SERVICE STARTER ASSEMBLY	REPLACED BY	
<b>11001-2 STARTER MOTOR — Cont'd</b>						
Note: ▲ To follow in subsequent change						
E1HT 11001-FB	Delco Remy	110.3H	Positive engagement	★ E0HZ 11002-A *SA-730	E0HZ 11002-B *SA-730-A	2
E2HT 11001-AA	Delco Remy	110.3N	Positive engagement	★ E2HZ 11002-A *SA-736	E6HZ 11002-B *SA-757	2
E2HT 11001-BA	Delco Remy	110.3P	Positive engagement	★ E4HZ 11002-A *SA-750	E4HZ 11002-B *SA-750-A	2
E2HT 11001-CA	Delco Remy	110.4E	Positive engagement	★ E3HZ 11002-B *SA-745	E3HZ 11002-C *SA-747	2
E2HT 11001-DA	Delco Remy	110.4E	Positive engagement	★ E3HZ 11002-A *SA-744	E3HZ 11002-C *SA-747	2
E5HT 11001-AA	Delco Remy	110.5A	Positive engagement	★ E6HZ 11002-A	E7HZ 11002-A *SA-764	
E6HT 11001-AA	Delco Remy	110.3R	Positive engagement	E6HZ 11002-B *SA-757		2
E6HT 11001-CA	Delco Remy	110.3S	Positive engagement	★ E6HZ 11002-C *SA-756	E6HZ 11002-D *SA-756-A	2
E6HT 11001-DA	Delco Remy	110.5C	Positive engagement	E7HZ 11002-B *SA-766		2
E6HT 11001-EA	Delco Remy	110.5B	Positive engagement	★ E7HZ 11002-A *SA-764(1/90)		
E8HT 11001-AA	Delco Remy	110.3U	Positive engagement	E8HZ 11002-A *SA-768-A		2
E9HT 11001-BA	Delco Remy	110.5D	Positive engagement	E9HZ 11002-A *SA-764-A		
87HU 11001-AA	Delco Remy			★ E7HZ 11002-A *SA-764(1/90)		
1109840	Delco Remy	110.4D	Positive engagement	★ D8HZ 11002-C *SA-721	E3HZ 11002-C *SA-747	2
1109845	Delco Remy	110.4B	Positive engagement	★ D8HZ 11002-C *SA-721	E3HZ 11002-C *SA-747	2
1109846	Delco Remy	110.4C	Positive engagement	★ D8HZ 11002-C *SA-721	E3HZ 11002-C *SA-747	2
1109979	Delco Remy	110.4A		★ D8HZ 11002-C *SA-721	E3HZ 11002-C *SA-747	2
1114109	Delco Remy	110.3B	Positive engagement	D4TZ 11002-E *SA-655-B		2
1114165	Delco Remy	110.3D	Positive engagement	D4TZ 11002-A *SA-689		2
1114722	Delco Remy	110.3D	Positive engagement	D4TZ 11002-A *SA-689		2
1114723	Delco Remy	110.3D	Positive engagement	D4TZ 11002-A *SA-689		2
1114771	Delco Remy	110.3C	Positive Engagement	★ E0HZ 11002-A *SA-730	E0HZ 11002-B *SA-730-A	2
1114796	Delco Remy	110.3C	Positive Engagement	★ E0HZ 11002-A *SA-730	E0HZ 11002-B *SA-730-A	2
1114813	Delco Remy	110.3E	Positive engagement	D4TZ 11002-A *SA-689		2
1114816	Delco Remy	110.3F	Positive engagement	★ D4TZ 11002-B *SA-690	E6HZ 11002-D *SA-756-A	2
1114824	Delco Remy	110.3G	Positive engagement	★ D4TZ 11002-F *SA-655-C	D9PZ 11002-A *SA-655-D	2
1114896	Delco Remy	110.3J	Positive engagement	★ D4TZ 11002-B *SA-690	E6HZ 11002-D *SA-756-A	2

1980/  
TRUCK SERIES 600/900

**IDENTIFICATION CHART**

IDENTIFICATION	MAKE	PARTS LIST SEC. & NO.	TYPE	PART NUMBER		ILLUS Sec. 110 PAGE
				SERVICE STARTER ASSEMBLY	REPLACED BY	
11001-2	<b>STARTER MOTOR — Cont'd</b>					
Note:	▲ To follow in subsequent change					
1114897	Delco Remy	110.3K	Positive engagement	D4TZ 11002-A *SA-689		2
1114920	Delco Remy	110.3H	Positive engagement	★ E0HZ 11002-A *SA-730	E0HZ 11002-B *SA-730-A	2
1114927	Delco Remy	110.3L	Positive engagement	★ E0HZ 11002-A *SA-730	E0HZ 11002-B *SA-730-A	2
1114934	Delco Remy	110.3M	Positive engagement	E0HZ 11002-B *SA-730-A		2
1990221	Delco Remy	110.3N	Positive engagement	★ E2HZ 11002-A *SA-736	E6HZ 11002-B *SA-757	2
1990261	Delco Remy	110.3Q	Positive engagement	E4HZ 11002-B *SA-750-A		2
1990273	Delco Remy	110.4E	Positive engagement	★ E3HZ 11002-B *SA-745	E3HZ 11002-C *SA-747	2
1990274	Delco Remy	110.4E	Positive engagement	★ E3HZ 11002-A *SA-744	E3HZ 11002-C *SA-747	2
1990269	Delco Remy	110.4F	Positive engagement	E3HZ 11002-C *SA-747		2
1990298	Delco Remy	110.3P	Positive engagement	★ E4HZ 11002-A *SA-750	E4HZ 11002-B *SA-750-A	2
1990347	Delco Remy	110.5A	Positive engagement	★ E6HZ 11002-A	E7HZ 11002-A *SA-764	
1990483	Delco Remy	110.3T	Positive engagement	E6HZ 11002-D *SA-756-A		2
1993767	Delco Remy	110.5B	Positive engagement	★ E7HZ 11002-A *SA-764(1/90)		
1993789	Delco Remy	110.5C	Positive engagement	E7HZ 11002-B *SA-766		2
1993854	Delco Remy	110.5D	Positive engagement	E9HZ 11002-A *SA-764-A		
1993855	Delco Remy	110.5C	Positive engagement	E7HZ 11002-B *SA-766		
1993856	Delco Remy	110.3U	Positive engagement	E8HZ 11002-A *SA-768-A		2

1980/  
TRUCK SERIES 600/900

11001-2 STARTER MOTOR cont'd.

Determine year, model, engine and/or identification. Find service Starter as well as Armature, Brushes, Drive and Bearings in adjacent columns.

(Also see Page 1 of this section for PARTS LISTS instructions and STARTER IDENTIFICATION CHART)

APPLICATION CHART

MODEL	ENGINE		IDENT.	PARTS LIST SEC. & NO.	SERVICE STARTER ASSEMBLY	STARTER COMPONENTS				ILL. SEC. 110 PAGE
	CYL.	C.I.D. (C.C.D.)				DRIVE	CODE ☆			
							ARMA-TURE	BRUSH SET	BEARING FRT. REAR	

☆ Refer to the Code Cross Reference Chart following this listing

11001-2 STARTER MOTOR — Cont'd

Note: ▲ To follow in subsequent change

1980/												
B-F600/800 -- gas-1980/81 "Before 10/5/80"	8	All	D9HT	11001-AA	110.1A	★ D9HZ 11002-A *SA-727 /bE1HZ 11002-A	D6PZ 11350-B *SD-302	z	q	h	y	4
C-CT-L-LN-LNT-LT600/800 -- gas-1980/81 "Before 10/5/80"	8	370,429										
B-F-FT600/800 -- gas-1981/88 "From 10/5/80"	8	All	E1HF	11001-AA	110.1B	E1HZ 11002-A *SA-727-A	D6PZ 11350-B *SD-302	z	q	h	y	4
C-CT-L-LN-LNT-LT-LTS600/800 -- gas-1981/88 "From 10/5/80"	8	All										
C-CT900 -- gas-1980/81	8	477,534	D4HF	11001-AA	110.2A	★ D4HZ 11002-A *SA-695	B8QH 11350-A *SD-11	c	m	d	n	1
L-LN-LNT-LT-LTS900-1980/81	8	477,534				/bNone 1/92						
B-F600/800 -- diesel-1980/81	8	All		1114771, 1114796	110.3C	★ E0HZ 11002-A *SA-730 /bE0HZ 11002-B	C8TZ 11350-A *SD-180	e	n	g		2
C-CT800, LN 600/700 -- Det. 990 diesel	8	501										
B-F-FT600/900 -- Det. diesel-1982/87	8	501		1114934	110.3M	E0HZ 11002-B *SA-730-A	E1HZ 11350-D *SD-318	e	aa	g	s	
LTS800 -- Cum. VT 225 diesel	8	555	D3TF	11000-AA	110.3D	D4TZ 11002-A *SA-689	C3TZ 11350-A *SD-181	e	n	g	s	2
L-LN-LNT-LT-LTS900 -- Det. diesel	6&8	552,568										
B-C-CT-F-FT-L-LN-LNT-LT-LTS700/800 -- Cat. diesel -- 1980/85	8	636	E2HT	11001-AA, 1990221	110.3N	★ E2HZ 11002-A *SA-736 /bE6HZ 11002-B	E1HZ 11350-B *SD-316	e	aa	g	s	2
B-C-CT-F-FT-L-LN-LNT-LTS700/800 -- cat. diesel	8	6&8	E6HT	11001-AA	110.3R	E6HZ 11002-B *SA-757	E1HZ 11350-B *SD-316	ag	ah			2
CL-CLT900, LTL900 Det., Cum. diesel "Before 12/6/82"	6&8	552,736, 1150		1109979	110.4A	★ D8HZ 11002-C *SA-721 /bE3HZ 11002-C	C3TZ 11350-A *SD-181	r				2
CL-CLT900, LTL900 -- Det. Cum. diesel-24 volt starter "From 12/6/82"	6&8	552,736, 1150	E2HT	11001-DA	110.4F	E3HZ 11002-C *SA-747	E1HZ 11350-A *SD-315	r	ab			2
CL-CLT900 -- Det. 92TA diesel-12 volt starter-1984qBefore 2/84"	8	736	E2HT	11001-BA, 1990298	110.3P	★ E4HZ 11002-A *SA-750 /bE4HZ 11002-B	E1HZ 11350-A *SD-315	ac	ad		S	2



1980/  
TRUCK SERIES 600/900

APPLICATION CHART

MODEL	ENGINE		IDENT.	PARTS LIST SEC. & NO.	SERVICE STARTER ASSEMBLY	STARTER COMPONENTS					ILL. SEC. 110 PAGE
	CYL.	C.I.D. (C.C.D.)				DRIVE	CODE ☆				
							ARMA-TURE	BRUSH SET	BEARING FRT.	BEARING REAR	

☆ Refer to the Code Cross Reference Chart following this listing

11001-2 STARTER MOTOR — Cont'd  
Note: ▲ To follow in subsequent change

1980/											
CL-CLT900 -- Det. 92TA diesel-12 volt starter-1984 "From 2/84"	8	736	1990261	110.3Q	E4HZ 11002-B *SA-750-A	E1HZ 11350-A *SD-315	ac	ad			2
L-LN-LNT-LT-LTL-LTS 800/900 -- diesel CL-CLT900 -- Cum. 16 Cat. 3406. Det. diesels -- 1980/85	6&8	426,568, 855,893	D3TF 11000-BA	110.3A	★ D4TZ 11002-B *SA-690 /bE6HZ 11002-D	C3TZ 11350-A *SD-181	e	n	g	s	2
CL-CLT900 -- diesel	6&8	552,568, 855,893	E6HT 11001-CA	110.3S	★ E6HZ 11002-C *SA-756 /bE6HZ 11002-D	E1HZ 11350-A *SD-315	ag	ah			2
CL-CLT900  LN-LNT900 -- Det. diesel	6&8	552,855, 893	1990483	110.3T	E6HZ 11002-D *SA-756-A	E1HZ 11350-C *SD-317	ag	ah			2
CF600/700	6	401	E5HT 11001-AA 1990347	110.5A	★ E6HZ 11002-A /bE7HZ 11002-A	E6HZ 11350-A	ae	af			
B-F600/800, FT900, CF600/800, L-LN-LNT-LT-LTS800 "Before 10/88"	6	401, 476	E6HT 11001-EA, 1993767	110.5B	★ E7HZ 11002-A *SA-764 /bE9HZ 11002-A eff. (1/90)	E6HZ 11350-A	ae	af			
B-F600/800, FT900, CF600/800, L-LN-LNT-LT-LTS800 "From 10/88"	6	401,476	E9HT 11001-BA 1993854	110.5D	E9HZ 11002-A *SA-764-A	E6HZ 11350-A	ae	aj			
LN-LNT900 -- Cat. 3306 diesel	6	638	E8HT 11001-AA	110.3U	E8HZ 11002-A *SA-768-A	E1HZ 11350-B *SD-316	ag	ah			2

CODE NUMBER TO PART NUMBER LISTING—Quantity As Required

CODE NO.	PART NUMBER	DESCRIPTION	CODE NO.	PART NUMBER	DESCRIPTION
c	B8QH 11005-A	*SM-37 Armature	y	★ D6AZ 11135-A	Bearing
d	B8TF 11052-A	*MC-3 Bearing	z	D7AZ 11005-A	*SM-335-A Armature
e	C3TZ 11005-A	Armature	aa	E1HZ 11057-A	Brush set
g	C3TZ 11052-A	Bearing	ab	E3HZ 11057-A	Brush set
h	D3AZ 11052-A	*MC-220 Bearing	ac	E4HZ 11005-A	*SM-464 Armature
m	B8QH 11057-A	*SB-4 Brush set	ad	E4HZ 11057-A	*SB-317 Brush Set
n	C3TZ 11056-A	Brush set	ae	E6HZ 11005-A	Armature
q	D7AZ 11057-A	*SB-176 Brush set	af	E6HZ 11057-A	Brush set
r	D8HZ 11005-A	*SM-451 Armature	ag	E6HZ 11005-B	*SM-472 Armature
s	C3TZ 11135-A	Bearing (1) req'd	ah	E6HZ 11057-B	*SB-326 Brush set
	and		aj	E9HZ 11057-A	*SB-336 Brush set
	C3TZ 11135-B	Bearing (2) req'd			

YEAR	MODEL/RESTRICTIONS	ENGINE		PART NUMBER	DESCRIPTION	QTY.
		CYL.	C.I.D. (C.C.D.)			
80/	B-C-CT-F-FT-L-LN-LNT-LT LTS600/800 -- gas	8	All	352464-S8	(BB-139)-bolt (use w/starter)-hex. hd.- 5/16"-18 x 1 1/8"	3
80/81	C-CT-L-LN-LNT-LT- LTS900 -- gas	8	477,534	20448-S8	(B-83)-bolt (use w/starter B8QH 11002-A)- hex. hd.-3/8"-16 x 1 3/8"	3
80/	B-F600/700, C600/800 -- Cat. diesel	8	636	376973-S7-8	(BB-815-D)-bolt-12 point hd.-5/8"-11 x 2"	3

**1980/  
TRUCK SERIES 600/900**

YEAR	MODEL/RESTRICTIONS	ENGINE		PART NUMBER	DESCRIPTION	QTY.
		CYL.	C.I.D. (C.C.D.)			
80/	B-C-CT-F-L-LN-LNT-LT-LTS600/800 -- gas	8	All	34806-S7	(X-64)-lockwasher (use w/starter)-spring-5/16"	3
86/	CF600/700	6	All	U350339-S8	(BB-815F)-bolt (str. mtr. to clutch hsg.) 5/8" x 12 point hd.	
81/	All -- w/gas	8	370,429	388466-S36	(BB-557-E) 3/8"-16-1 1/2" hex. head	2
<b>11W002 BRACKET ASSY. (STARTER RELAY MOUNTING)</b>						
87/	CF600/800	6	All	E7HZ 11W002-A		1
<b>11003 Refer to group 11001-2 for Starter Parts List instruction</b>						
<b>11A003 WIRING ASSY. (STARTER MOTOR RELAY TO STARTER)-if not listed below improvise from bulk wire (14296)</b>						
80/83	L-LN-LNT-LT-LTL-LTS900	6&8	All	E1HZ 11A003-B	#EDD5HB 11A003-BA, E1HT 11A003-BA EDE1HT 11A003-BA-use with 75,90 amp. Delco alternator	1 1
80/83	CL-CLT900	6&8	All	★ E1HZ 11A003-C	#D7HT 11A003-AA,BA, EDD7HT 11A003-AA	1
84/	L-LN-LNT-LT-LTL-LTS900 -- diesel	6&8	All	E4HZ 11A003-B	#E3HT 11A003-EA-use w/Delco and/or L/N alternator	1
<b>11005 Refer to group 11001-2 for Starter Parts List instruction</b>						
<b>11006 SHIELD (STARTER MOTOR HEAT)</b>						
80/	C-CT600/800 -- gas	8	370,429	D9HZ 11006-A		1
80/	B-F-FT600/800 -- gas	8	370,429			1
80/	L-LN-LNT-LT600/800 -- gas	8	370,429			1
80/81	C-CT900 -- gas	8	534	D4HZ 11006-A		1
80/	L-LN-LNT-LT-LTS900 -- gas	8	All			1
80/82	C-CT700/800-Cat 3208 diesel "Before 11/1/81"	8	636	D8HZ 11006-A		1 1
81/82	L-LN-LNT-LT-LTS700/800 -- Cat. 3208 diesel "Before 11/1/81"	8	636			1
82/85	L-LN-LNT-LT-LTS800 -- Cat. 3208 exc. turbo diesel "From 11/1/81"	8	636			1
82/85	L-LN-LNT-LT-LTS800 -- Cat. 3208 turbo diesel	8	636	E2HZ 11006-A	#E2HT 11A059-AA,AB	1
82/85	LN700 -- Cat. 3208 diesel "From 11/1/81"	8	636	E4HZ 11006-B		1
82/85	C-CT700/800 -- Cat. 3208 diesel "From 11/1/81"	8	636			1
83/85	B-F-FT700/800 -- Cat. 3208 diesel	8	636			1
80/	B-C-CT-F-FT-LN600/800 -- Det. diesel	8	501	E4HZ 11006-C	#E0HT 11A059-CA,CB, E1HT 11A059-AA, E4HT 11A059-CA-mounts on brush end plate	1
80/87	B-F-FT600/800 -- Det. diesel	8	501	E4HZ 11006-A	#E0HT 11A059-BA, E4HT 11A059-AA-mounts on solenoid	1 1
81/87	C-CT800, LN600/700 -- Det. diesel	8	501			
86	B-C-F-FT-L-LN-LNT-LT-LTS700/800 -- Cat. 3208 diesel	8	636	E6HZ 11006-A	#E6HT 11A059-AA	1
80/87	B-C-CT-F-FT-LN600/800 -- Det. diesel	8	501	378774-S(EE-11)	Clamp-6" diameter heat shield to starter motor	1
<b>11A006 TUBE (AIR SUPPLY LINE TO AIR STARTER MOTOR PRESSURE)-Improvise from bulk tubing (2269)</b>						
<b>11K013 Refer to group 11001-2 for Starter Parts List instructions</b>						
<b>11036-91 Refer to group 11001-2 for Starter Parts List instructions</b>						
<b>11077-11102 Refer to group 11001-2 for Starter Parts List instruction</b>						
<b>11A103 WIRE ASSY. (STARTER MOTOR CIRCUIT JUMPER EXTENSION)-Improvise from bulk wire (14296)</b>						

1980/  
TRUCK SERIES 600/900

YEAR	MODEL/RESTRICTIONS	ENGINE		PART NUMBER	DESCRIPTION	QTY.
		CYL.	C.I.D. (C.C.D.)			
11104-07 Refer to group 11001-2 for Starter Parts List instructions						
<b>11A111 SHIELD (STARTER MOTOR RELAY SWITCH)</b>						
80/	CL-CLT900	6&8	All	D8HZ 11A111-A	#D7HT 11A111-AA	1
83/	B-F600/800 -- w/tilt cab	8	All	E3HZ 11A111-A	#E3HT 11A111-AA	1
11A120-11223 Refer to group 11001-2 for Starter Parts List instructions						
11350-11449 Refer to group 11001-2 for Starter Parts List instructions						
<b>11450 SWITCH (STARTER MOTOR RELAY SOLENOID)</b>						
80/	All	6&8	All	E7HZ 11450-A	*SW-1507-B-#D8DF 11450-AA, E7HZ 11450-AA	1
<b>11500 SWITCH ASSY. (PUSH BUTTON STARTER)</b>						
80/	L-LN-LNT-LT-LTL-LTS900 -- diesel	6&8	All	D3HZ 11500-A	*SW-1163	1
80/	CL-CLT900	6&8	All			1
<b>11K505 BRACKET ASSY. (STARTER MOTOR SOLENOID MOUNTING)</b>						
80/	L-LN-LNT-LT-LTL-LTS800/900	6&8	All	E0HZ 11K505-A	#E0HT 11K505-AA	1
84/	B-F600/800 -- w/tilt cab	8	All	E5HZ 11K505-A	#E5HT 11K505-AA, EDE3HT 11K505-AC, E4HT 11K505-AA,AB	1
85/86	B-F600/800 -- w/front tilt cab.	6&8	All exc. 476	E5HZ 11K505-B	#E5HT 11K505-BA-use with 2 or 3 batteries	1
87/	B-F600/800 -- w/front tilt cab	6&8	All (exc. 476)	E7HZ 11K505-A	Use with 2 or 3 batteries	1
86/	CF600/700	6	401	E6HZ 11K505-A		1
<b>11509 BRACKET (STARTER MOTOR RELAY MOUNTING)</b>						
81/	C-CT700/900 -- diesel	6&8	All	E1HZ 11509-A	#E1HT 11470-AA	1
<b>11523 SWITCH ASSY. (CAB LATCH)</b>						
86/	CF600/800 -- w/cab lock warning	6	All	E7HZ 11523-A		1
<b>11572 SWITCH ASSY. (IGNITION)</b>						
80/	L-LN-LNT-LT-LTL-LTS600/900	6&8	All	D0TZ 11572-A	*SW-944-6 blade terminals	1
80/	C-CT600/900	6&8	All			1
80/	CL-CLT900	6&8	All			1
80/	B-F-FT600/800	6&8	All	D7AZ 11572-A	*SW-1379-#D7AA 11572-AA	1
86/	CF600/700	6	401	E6HZ 11572-A		1
<b>11581 SPRING (IGNITION SWITCH RETAINING)</b>						
80/81	C-CT600/900	6&8	All	1A 11581-B	Coil type	1
<b>11582 CYLINDER and KEYS ASSY. (IGNITION SWITCH LOCK)</b>						
NOTE: SERVICE KEYS FOR VEHICLE LOCK & IGNITION CYLINDERS. REFER TO SECTION "P" OF THE CURRENT ROTUNDA EQUIPMENT CATALOG (ROTUNDA DEALERSHIP SUPPLIES CATALOG) OR CALL 1-800-762-6181 FOR INFORMATION						
80/	C-CT600/900	6&8	All	C9AZ 11582-A	*SW-814	1
80/	L-LN-LNT-LT-LTL-LTS600/900	6&8	All			1
80/	CL-CLT900	6&8	All			1
80	B-F600/800	8	All	E0TZ 11582-A	*SW-1609	1
81/84	B-F600/800	8	All	E4TZ 11582-B	*SW-1647-B	1
83/84	FT800	8	All			1
85/86	B-F-FT600/800(81)	8	All	E5HZ 11582-A	*SW-2062	1
86	B-F600/700(84)	All	All			1
87/	B-F-FT600/900	All	All	E6HZ 11582-A	*SW-2000	1
86/	CF600/800	6	401	E6HZ 11582-B		1
<b>11584 BEZEL (IGNITION SWITCH)</b>						
80/	B-F-FT600/800	6&8	All	C60Z 11584-A	Has 8 ribs	1
80/	C-CT600/900	6&8	All			1
80/	CL-CLT900	6&8	All	D8HZ 11584-A		1
80/	L-LN-LNT-LT-LTL-LTS600/900	6&8	All	C9AZ 11584-A		1
<b>11A599 ROD (IGNITION SWITCH ACTUATOR)</b>						
80/	F-FT600/800	8	All	E3HZ 11A599-A		1
80/	B600/700	8	All	E3HZ 11A599-B		1

**1980/  
TRUCK SERIES 600/900**

YEAR	MODEL/RESTRICTIONS	ENGINE		PART NUMBER	DESCRIPTION	QTY.
		CYL.	C.I.D. (C.C.D.)			
<b>11A610 BRACKET (STARTER PUSH BUTTON SWITCH)</b>						
80/	L-LN-LNT-LT-LTL-LTS900 -- diesel	6&8	All	D3HZ 11A610-A	Paint to match	1
<b>11648 SWITCH &amp; WIRE ASSY. (LIGHT) - Refer to group 13A709</b>						
<b>11A648 BLOCK (HEADLAMP SWITCH JUNCTION)</b>						
80/	B-F600/750	6&8	All	D3TZ 11A648-A	#D3TB 11A648-AA, D9AB 11A648-AA	1
80/	L-LN-LNT-LT-LTL-LTS600/900	6&8	All			1
<b>11650 NUT (HEADLAMP SWITCH)-Also refer to group 9A389 or 15443</b>						
80/	B-F600/800(84)	8	All	C2TZ 11650-B	5/8" O.D. x 5/8" long	1
80/	C-CT600/900	6&8	All			1
80/	F-FT600/800(81)	8	All	D3AZ 11650-A		1
80/	L-LN-LNT-LT-LTL-LTS600/900	6&8	All	DOHZ 11650-A		1
<b>11654 SWITCH ASSY. (HEADLAMP ON INSTRUMENT PANEL)-Also refer to 9A050 and 15443</b>						
80/	B-F600/800(84)	8	All	D3TZ 11654-A	*SW-1157-#D3TB 11654-AA or AB	1
80/	C-CT600/900	6&8	All			1
80/86	L-LN-LNT-LT-LTS600/900 exc. Fleet instrument panel	6&8	All			1
80/	CL-CLT900	6&8	All	D8HZ 11654-A	*SW-1444-toggle type	1
80/	F-FT600/800(81)	8	All	EOHZ 11654-A	#EOHT 11654-AA	1
82/86	LTL900	6&8	All	E1HZ 11654-A	#E1HT 11654-AA	1
86/	CF600/700	6	401	E6HZ 11654-A	Used for light & heater	1
<b>11661 KNOB and SHAFT ASSY. (HEADLAMP SWITCH)</b>						
80	B600/700	8	All	★ C8TZ 11661-B	Black knob-shaft 2 5/8" long	1
80	F600/800(84)	8	All	r/bE1HZ 11661-A		1
80	C-CT600/900	6&8	All	(9/83)		1
80	L-LN-LNT-LT-LTS600/900	6&8	All	DOHZ 11661-A	"Lights"-shaft 3 27/32" long	1
81/87	C-CT600/900 "Before 9/87"	6&8	All	E1HZ 11661-A		1
81/87	B600/700 "Before 9/87"	8	All			1
81/87	F600/800(84) "Before 9/87"	8	All			1
87/	B-C-CT600/800 "From 9/87"	All	All	E7HZ 11661-A		1
87/	F600/800(84) "From 9/87"	All	All			1
81/	L-LN-LNT-LT-LTL-LTS600/900	6&8	All	E1HZ 11661-B		1
<b>11663 SHAFT (HEADLAMP SWITCH KNOB)</b>						
80/87	F-FT600/800(81)	8	All	E0TZ 11663-A		1
88/	F-FT600/900	All	All	E7TZ 11663-B		1
<b>11666 KNOB ASSY. (HEADLAMP SWITCH)</b>						
80/	F-FT600/800(81)	6&8	All	D7LY 11666-B		1
86/	CF600/700	6	401	E6HZ 11666-A		1
<b>11994 BRACKET (HEATER HOSE CLAMP SUPPORT)</b>						
80/	L-LN-LNT-LT-LTS600/800 -- gas	6&8	All	DOHZ 11994-B	#DOHA 11994-B - use to support 2917 tube at rear of engine	1

DESCRIPTION/RESTRICTIONS	PART NUMBER	STARTER PARTS LISTS 1A THRU 1M										
		A	B	C	D	E	F	G	H	J	K	L
<b>NOTE: Refer to SECTION 110, PAGE 1 for PARTS LISTS INSTRUCTIONS</b>												
ARMATURE	D7AZ 11005-A *SM-335-A	A	B									
WASHER	11036											
Drive thrust	C6VY 11036-A *SZ-640	A	B									
PLATE and BUSHING (BRUSH END)	11049											
	D7AZ 11049-A *SH-183	A	B									
Screw & washer (cable to plate)-1/4"- 20 x 5/8" w/pilot	385022-S100 (BB-551-DB)	A	B									
BUSHING (BRUSH END PLATE) - copper - 5/8" I.D. x 3/4" O.D. x 9/16" long	D3AZ 11052-A *MC-170	A	B									
BRUSH SET	11057											
	D7AZ 11057-A *SB-176	A	B									
Consists of 1-D8AF 11055-BA Brush 1-Instruction sheet		2-D8AF 11056-AA Brush		2-50399-S36				Screw				
SPRING (BRUSH)	11059											
	D7AZ 11059-A *MS-519	4	4									
COVER (PLUNGER)	11060											
	D8AZ 11060-A *SZ-749	A										
	E1AZ 11060-A *SZ-765		B									
Screw (cover to housing) No. 10-32 x .62"	388015-S100 (UU-52-AT)		B									
HOLDER (BRUSH)	D7AZ 11061-A *SB-177	A	B									
INSULATOR (BRUSH HOLDER)	D7AZ 11062-A *SZ-737	A	B									
GASKET (PLUNGER COVER)	C0DF 11065-A *SZ-591	A										
LEVER (DRIVE)	11067											
	D7AZ 11067-A *SZ-736	A										
	E1AZ 11067-A *SZ-764		B									
Pin (lever to frame)-flat hd. solid	378962-S(NN-62-A)	A										
Pin (lever to frame)-flat head solid	389130-S (NN-126-E)		B									
COIL (FIELD)	11082											
	D7AZ 11082-B *SC-528	A	B									
BOLT (THRU)	11091											
Bolt-hex. head-1/4"-20 x 9/16"	C3AZ 10120-A *GY-740	2	2									
SPRING (PLUNGER RETURN)	C1VF 11103-A *SZ-630	A	B									
SLEEVE (COIL RETAINING)	C0DF 11105-A	A										
	E1AZ 11105-B		B									
FLANGE (COIL RETAINING)	C0DF 11106-A	A	B									
GROMMET	D7AZ 11A120-A *SZ-742	A	B									

**1980/  
TRUCK SERIES 600/900**

FORD 12 VOLT 4 1/2"  
POSITIVE ENGAGEMENT

DESCRIPTION/RESTRICTIONS	PART NUMBER	STARTER PARTS LISTS 1A THRU 1M												
		A	B	C	D	E	F	G	H	J	K	L	M	

**NOTE:** Refer to SECTION 110, PAGE 1 for PARTS LISTS INSTRUCTIONS

HOUSING (DRIVE END)	11130													
	D9HZ 11130-A *SE-260	A												
	E1HZ 11130-A *SE-269		B											
POINT KIT (CONTACT)	11134													
	D7AZ 11134-A *SZ-740	A	B											

Consists of  
 1-D8AF 11068-AA Insulator 1-D8AF 11177-AA Post 1-387446-S Rivet  
 1-D8AF 11071-AA Terminal 1-D8AF 11181-AA Insulator 1-387447-S2 Rivet  
 1-D8AF 11116-AA Spring

BEARING or BUSHING (DRIVE END)	★ D6AZ 11135-A *MC-189-A	A	B											
--------------------------------	-----------------------------	---	---	--	--	--	--	--	--	--	--	--	--	--

RETAINER ASSY. (COVER)	11A143													
Screw-10-32 x 5/8"-hex. washer head	388015-S100 (UU-52-AT)	A												

RING (DRIVE STOP)	C2DZ 11222-A *SZ-604	A	B											
-------------------	-------------------------	---	---	--	--	--	--	--	--	--	--	--	--	--

RETAINER (DRIVE STOP RING)	11223													
	D6AZ 11223-A *SZ-730	A	B											
Drive kit	D6PZ 11350-B *SD-302	A	B											

Consists of  
 1-D1PF 11A130-AA Lube 1-C2DZ 11223-A Retainer 1-Instruction sheet  
 1-C2DZ 11222-A Ring 1-D5AF 11350-AA Drive

SCREW (POLE PIECE)	11415													
	C2DF 11415-A	3	3											

**NOTICE:** When the parts list suffix is shown in the quantity required column, the quantity is one (1).

DESCRIPTION/RESTRICTIONS	PART NUMBER	STARTER PARTS LISTS 2A THRU 2M												
		A	B	C	D	E	F	G	H	J	K	L	M	
<b>Note: Refer to SECTION 110, PAGE 1 for PARTS LISTS INSTRUCTIONS</b>														
ARMATURE	B8QH 11005-A *SM-37	A												
Washer-flat-1/2" I.D. x 3/4" thick (fibre)	★ 371768-S	AR												
Washer-flat-1/2" I.D. x 1/16" thick (steel)	371692-S34(XX-191)	AR												
Washer-flat-7/8" I.D. x 1/64" thick (fibre)	371769-S(XX-249)	AR												
Washer-flat-7/8" I.D. x 1/32" thick (fibre)	371770-S(XX-250)	AR												
Washer-flat-7/8" I.D. x 3/64" thick (steel)	371771-S(XX-251)	AR												
Washer-flat-7/8" I.D. x 1/16" thick (steel)	371681-S8(XX252)	AR												
Key (woodruff)	74175-S(L-7)	A												
PLATE and BUSHING (BRUSH END)	B8QH 11049-A *SH-4	A												
Screw (plate to frame)-rd. hd. -No. 10-32 x 1/2"	27081-S8(U-175)	6												
Lockwasher-No. 10	34803-S7(X-60)	6												
BUSHING (BRUSH END PLATE)	★ B8TF 11052-A *MC-3	A												
BRUSH (insulated)	B8QH 11055-A *SB-147	A												
BRUSH SET (grounded)	B8QH 11056-A	A												
Consists of 2-2701500 Brush														
BRUSH SET	B8QH 11057-A *SB-4	A												
Consists of 1-B8QH 11055-A Brush (insulated) 2-2701500 Brush (grounded)														
SPRING (BRUSH)	B8QH 11059-A	4												
COIL (FIELD)	11083-6													
R.H. -upper	B8QH 11086-B *SC-12-A	A												
R.H. -lower	B8QH 11085-A *SC-8	A												
L.H.-upper	B8TZ 11083-B *SC-407	A												
L.H.-lower	B8TZ 11083-A *SC-406	A												
BOLT (THRU)-hex. head-5/16" -18 x 7 3/8"	B8QH 11091-A	2												
Lockwasher (thru bolt)-5/16"	34806-S7(X-64)	2												
WASHER (FIELD TERMINAL SCREW)- 3/8" I.D. x 3/4" O.D.	★ B8QH 11095-A	A												
TERMINAL (FIELD)	B8QH 11102-A	A												
Washer (insulator-terminal stud)-3/8" (laminated fabric)	371693-S(XX-154)	2												
Flat-washer (terminal stud)-3/8"	354861-S(XX-137)	A												
Nut (terminal stud)-hex.-3/8"-16	371683-S8(MM-121-Z)	2												
Lockwasher (terminal stud)-3/8"	34807-S8(X-66)	2												
BAND (COVER)	B8TZ 11126-A	A												
Screw (cover band) rd. hd. -No. 10-32 x 1 5/8"	27185-S2(U-177-A)	A												
Nut (cover band)-No. 10-32	34141-S8(M-147)	A												

1980/  
TRUCK SERIES 600/900

PRESTOLITE 12 VOLT INERTIA

DESCRIPTION/RESTRICTIONS	PART NUMBER	STARTER PARTS LISTS 2A THRU 2M												
		A	B	C	D	E	F	G	H	J	K	L	M	
Note: Refer to SECTION 110, PAGE 1 for PARTS LISTS INSTRUCTIONS														
HOUSING and BUSHING (DRIVE END)	B8QH 11130-A *SE-2	A												
BEARING (CENTER)	B8QH 11132-A *MC-205	A												
BUSHING (DRIVE END HOUSING)	B8TF 11135-A *MC-8	A												
DRIVE ASSY.	B8QH 11350-A *SD-11	A												
SCREW (POLE PIECE)	11415													
Screw (flat head)-slotted-3/8" -16 x 21/32"	359189-S8(BB-88)	6												

NOTICE: When the parts list suffix is shown in the quantity required column, the quantity is one (1).



DESCRIPTION/RESTRICTIONS	PART NUMBER	STARTER PARTS LISTS 3A THRU 3M												
		A	B	C	D	E	F	G	H	J	K	L	M	
<b>Note:</b> Refer to SECTION 110, PAGE 1 for PARTS LISTS INSTRUCTIONS														
GASKET (REAR END HOUSING)	C3TZ 11003-A	A	B	C	D									
ARMATURE	11005													
CUP (DRIVE KIT)	C3TZ 11005-A	A	B	C	D	E	F	G	H	J	K	L	M	
Consists of														
2-Washer-split	1-Washer-flat	1-Retainer	1-Instruction sheet											
CUP (DRIVE SPRING RETAINING)	11A016													
	C3TZ 11A016-A	2												
BRAKE (DRIVE)	C3TZ 11A018-A	A		C		E	F	G	H	J	K	L	M	
CASE and COIL ASSY. (SOLENOID)	C3TZ 11A026-A	A	B		D									
	*SZ-667													
CONTACT (SOLENOID)	C3TZ 11A027-A	A	B		D									
	*SZ-660													
LEAD (TO SOLENOID)	C3TZ 11A028-A	A	B	C	D									
	E1HZ 11A028-B					E	F	G	H	J	K	L		
	*ML-326													
	E2PZ 11A028-A													M
	*ML-327													
PLATE (SOLENOID TERMINAL)	C3TZ 11A029-A	A	B		D									
GASKET (SOLENOID TERMINAL PLATE)	11A030													
Rubber (replaces earlier fiber gasket)	C3TZ 11A030-B	A	B		D									
TERMINAL (SOLENOID COIL)	C3TZ 11A031-A	A	B		D									
SCREW (SOLENOID TERMINAL MOTOR)	C3TZ 11A032-A	A	B		D									
Nut-hex.-1/2"-13	33845-S8(M-57)	A	B		D	E	F	G	H					
Lockwasher-spring-1/2"	34809-S8(X-68)	2	2		2	2	2	2	2					
SCREW (SOLENOID TERMINAL BATTERY)	C3TZ 11A033-A	A	B		D									
Nut-hex.-1/2"-13	33845-S8(M-57)	A	B		D	E	F	G	H					
Lockwasher-spring-1/2"-13	34809-S8(X-68)	2	2		2	2	2	2	2					
SCREW (SOLENOID TERMINAL)	C3TZ 11A034-A	2	2		2									
SEAL (SOLENOID TERMINAL)	C3TZ 11A035-A	2	2		2									
WASHER (ARMATURE THRUST)	C3TZ 11036-A	A		C		E	F	G	H	J	K	L	M	
CLIP (SOLENOID SWITCH LOCK)	C3TZ 11A036-A	2	2		2									
HOLDER and TERMINAL (PLATE ASSY.-BRUSH)	C3TZ 11A037-A	A	B	C	D									
TERMINAL and PLATE ASSY. (BRUSH)	C3TZ 11A038-A	A	B		D									
	E1HZ 11A038-A					E	F	G	H	J	K	L	M	
	*SZ-770													
Nut-hex.-1/2"-13	33845-S8(M-57)	A	B		D									
Lockwasher-spring-1/2"	34809-S8(X-68)	2	2		2									
PLATE (BRUSH HOLDER CONNECTOR)	C3TZ 11A039-A	A	B		D									
INSULATOR (GROUNDED BRUSH PLATE)	11A040													
	C6TZ 11A040-A	2	2		2									
INSULATOR (INSULATED BRUSH PLATE)	C3TZ 11A041-A	A	B		D									
SPACER (INSULATED BRUSH HOLDER)	C3TZ 11A042-A	2	2		2									
SPACER (GROUNDED BRUSH HOLDER)	C3TZ 11A043-A	2	2		2									
PIN (GROUNDED BRUSH SPRING)	C3TZ 11A044-A	2	2		2									
INSULATOR (GROUNDED BRUSH SPRING PIN)	C3TZ 11A045-A	8	8		8									
SCREW (BRUSH HOLDER)	C3TZ 11A046-A	2	2		2									
Brush holder	E1HZ 11A046-A					2	2	2	2	2	2	2	2	2
Brush lead	*SZ-771					4	4	4	4	4	4	4	4	4
GASKET (TERMINAL FIELD) r/b C6TZ 11102-B	★ C3TZ 11A047-A	A												
	★ D8HZ 11A047-A			C		E	F	G	H	J	K	L	M	
PIN (INSULATED BRUSH SPRING)	C3TZ 11A048-A	2	2		2									
PLATE and BUSHING (FRONT END)	C3TZ 11049-A	A	B	C	D									
	E1HZ 11049-A					E	F	G	H	J	K	L	M	
	*SH-193													
Plug-hex. head-1/8"-27 x 3/8"	357916-S(PP-35)		B		D									

1980/  
TRUCK SERIES 600/900

DESCRIPTION/RESTRICTIONS	PART NUMBER	STARTER PARTS LISTS 3A THRU 3M												
		A	B	C	D	E	F	G	H	J	K	L	M	
<b>Note: Refer to SECTION 110, PAGE 1 for PARTS LISTS INSTRUCTIONS</b>														
SPRING (YOKE RETURN)	C3TZ 11A049-A	A	B	C	D	E	F	G	H	J	K	L	M	
PLUG (LEVER HOUSING)	C3TZ 11A050-A	A	B	C	D	E	F	G	H	2	2	2	2	
SPACER (ARMATURE)	C3TZ 11A051-A	A		C		E	F	G	H	J	K	L	M	
BUSHING (FRONT END PLATE)-35/64" I.D. x 3/4" O.D. x 31/32" long	C3TZ 11052-A	A	B		D									M
GASKET (LEVER HOUSING)	C3TZ 11A052-A	A		2		2	2	2	2	2	2	2	2	
NUT (TERMINAL PLATE SEALING)-nut hex.-No. 10-32 (incl. seal)	C3TZ 11A053-A	4	4		4									
SEAL (LEVER HOUSING OIL)	C3TZ 11A054-A	A		C		E	F	G	H	J	K	L	M	
SCREW (COVER BAND)-screw-flat head, slotted-1/4"-20 x 1/2"	★ C3TZ 11A055-A	4												
BRUSH (SET)	C3TZ 11056-A *SB-146	A	B	C	D									
Consists of 8-C3TF 11056-A		Brush												
	E1HZ 11057-A *SB-182					E	F	G	H	J	K			M
Consists of 4-1852884		Brush												
	E1HZ 11057-C *SB-186												L	
Consists of 4-1852883		Brush												
GASKET (GROUND TERMINAL)	C3TZ 11A056-A	A												
RETAINER (SOLENOID PLUNGER SPRING REAR)-r/b C6TZ 11183-A	★ C3TZ 11A057-A	A				E	F	G	H	J	K	L	M	
SCREW (HOUSING)	11A058													
Screw-round socket head-5/16" -18 x 1 13/16"	C3TZ 11A058-A	4		5		5	5	5	5	5	5	5	5	5
Screw-round socket head-5/16" -18 x 1 3/16"	C3TZ 11A058-B	2												
SPRING (BRUSH HOLDER)	C3TZ 11059-A	8	8	8	8									
	E1HZ 11059-A *MS-525					4	4	4	4	4	4	4	4	4
HOLDER (BRUSH)-Brass	C3TZ 11061-A	4	4		4									
CONNECTOR (SWITCH)	C3TZ 11072-B	A	B	C	D	E	F	G	H	J	K	L	M	
PLUG (OIL)	E1HZ 11A072-A					2	2	2	2	2	2	2	2	2
YOKE (DRIVE)	C3TZ 11077-A	A	B	C	D	E	F	G	H	J	K	L	M	
PIN (YOKE CENTER)	C3TZ 11079-A	A	B	C	D	E	F	G	H	J	K	L	M	
Ring-retaining-3/8"	97515-S(Q-1-D)	A	B		D									
COIL-complete	E1HZ 11083-A *SC-542	A	B	C	D	E	F	G	H	J	K			M
	E1HZ 11083-B *SC-543												L	
TERMINAL (FIELD)	11102													
	C6TZ 11102-A	A	B	C	D	E	F	G	H	J	K	L	M	
INSULATOR KIT (FIELD TERMINAL)	C6TZ 11102-B	A		C		E	F	G	H	J	K	L	M	
Consists of 1-Support-insulator		1-Washer-insulator												

NOTICE: When the parts list suffix is shown in the quantity required column, the quantity is one (1).

DESCRIPTION/RESTRICTIONS	PART NUMBER	STARTER PARTS LISTS 3A THRU 3M												
		A	B	C	D	E	F	G	H	J	K	L	M	
<b>Note:</b> Refer to SECTION 110, PAGE 1 for PARTS LISTS INSTRUCTIONS														
<b>INSULATOR (FIELD TERMINAL)</b> 11107														
Fibre-1 1/2" x 2 15/16" x 1/8"	C3TZ 11107-C	A	B		D									
Ground terminal-plastic-33/64" I.D. x 1 3/16" O.D. x 1/2" thick	C3TZ 11107-D	A		C		E	F	G	H	J	K	L	M	
Solenoid terminal-plastic-33/64" I.D. x 1 3/16" O.D. x 9/16" thick	C3TZ 11107-E	2	2		2	2		2						
Ground terminal-fibre-33/64" I.D. x 7/8" O.D. x 3/32" thick	★ C3TZ 11107-F	2		2		2	2	2	2	2	2	2	2	2
Field terminal-fibre-33/64" I.D. x 1" O.D. x 3/32" thick	C3TZ 11107-G	2		2		2	2	2	2	2	2	2	2	2
BAND (COVER)	C3TZ 11126-A	2												
GASKET (COVER BAND)	C3TZ 11129-A	2												
HOUSING and BUSHING (REAR END)	D4TZ 11130-A *SE-243	A	B		D									
	E0HZ 11130-A *SE-261			C										
	E1HZ 11130-B *SE-272					E	F		H	J	K	L	M	
	E1HZ 11130-D *SE-277							G						
<b>BUSHING (REAR END PLATE)</b> 11135														
5/8" I.D. x 3/4" O.D. x 15/16" long	C3TZ 11135-A	A		C		E	F	G	H	J	K	L	M	
5/8" I.D. x 11/16" O.D. x 3/4" long	C3TZ 11135-B	2												
HOUSING ASSY. (LEVER)	E1HZ 11138-A *SE-271					E	F	G	H	J	K	L	M	
BUSHING (LEVER HOUSING)	C3TZ 11142-A	A		C		E	F	G	H	J	K	L	M	
RETAINER (SOLENOID PLUNGER SPRING FRONT)	C3TZ 11183-A	A												
DRIVE ASSY.	C6TZ 11183-A			C		E	F	G	H	J	K	L	M	
<b>DRIVE ASSY.</b> 11350														
	C8TZ 11350-D *SD-183		B											
	E1HZ 11350-A *SD-315	A			D	E	F			J	K			
	E1HZ 11350-B *SD-316							G						
	E1HZ 11350-D *SD-318			C					H			L	M	
<b>PINION (DRIVE)</b> 11363														
	C3TZ 11363-A	A												
<b>SPRING (DRIVE)</b> 11375-A														
	C3TZ 11375-A	A												
<b>SOLENOID ASSY.</b> 11390														
	E1HZ 11390-A *SW-1720	A	B	C	D	E	F	G	H	J	K	L	M	
PLUNGER (SOLENOID)	C3TZ 11393-A	A	B	C	D	E	F	G	H	J	K	L	M	
Ring-retaining-3/8"	97515-S(Q-1-D)	A			D									
Nut-hex.-5/16"-24	357181-S(MM-135)	A			D									M
BOOT (SOLENOID YOKE)	C3TZ 11410-A *SW-1287	A	B	C	D	E	F	G	H	J	K	L	M	
SCREW (POLE PIECE)-screw-flat head slotted-3/8"-24 x 11/16"	E3PZ 11415-A *SZ-810	8												
SPRING (SOLENOID SHAFT)	C3TZ 11416-A	A	B		D									

1980/  
TRUCK SERIES 600/900

DESCRIPTION/RESTRICTIONS	PART NUMBER	STARTER PARTS LISTS 3N THU 3Z												
		N	P	Q	R	S	T	U	V	W	X	Y	Z	
<b>NOTE: Refer to SECTION 110, PAGE 1 for PARTS LISTS INSTRUCTIONS</b>														
GASKET (REAR END HOUSING)	C3TZ 11003-A	N												
ARMATURE	11005													
	C3TZ 11005-A	N												
	E4HZ 11005-A *SM-464		P	Q										
	E6HZ 11005-B *SM-472				R	S	T	U						
WASHER (BRAKE)	C3TZ 11A018-A		P	Q	R	S								
LEAD (TO SOLENOID)	E1HZ 11A028-B *ML-326	N	P	Q	R	S		U						
WASHER (ARMATURE THRUST)	C3TZ 11036-A	N												
	E1HZ 11036-A *SZ-773		P	Q										
	E6HZ 11036-A				R		T	U						
TERMINAL and PLATE ASSY. (BRUSH)	E1HZ 11A038-A *SZ-770	N												
	E3HZ 11A038-A *SZ-795		P	Q										
	E6HZ 11A038-B				R	S	T	U						
Nut-hex.-1/2"-13	33845-S8(M-57)	N	P					T						
Lockwasher-spring-1/2"	34809-S8(X-68)	2	2					2						
SCREW (BRUSH HOLDER)	11A046													
Brush holder	E1HZ 11A046-A	2			4	4	4	4						
Brush lead	*SZ-771	4			4	4	4	4						
GASKET (TERMINAL FIELD)	★ D8HZ 11A047-A	N	P	Q	R	S	T	U						
PLATE and BUSHING (FRONT END)	E1HZ 11049-A *SH-193	N												
	E1HZ 11049-B *SH-194		P	Q										
	E6HZ 11049-B *SH-218				R	S	T	U						
SPRING (YOKE RETURN)	C3TZ 11A049-A	N	P	Q	R	S		U						
PLUG (LEVER HOUSING)	C3TZ 11A050-A	2	3	3	R	S	T	U						
SPACER (ARMATURE)	C3TZ 11A051-A	N	P	Q	R	S	T	U						
BUSHING (FRONT END PLATE)-35/64" I.D. x 3/4" O.D. x 31/32" long	C3TZ 11052-A	N												
GASKET (LEVER HOUSING)	C3TZ 11A052-A	2	3	3	R	S	T	U						
SEAL (LEVER HOUSING OIL)	C3TZ 11A054-A	N	P	Q	R	S		U						
BRUSH (SET)	E1HZ 11057-A *SB-182	N												
Consists of 4-1852884 Brush														
Consists of 6-1852887 Brush	E4HZ 11057-A *SB-317		P	Q										
	E6HZ 11057-B *SB-326				R	S	T	U						
RETAINER (SOLENOID PLUNGER SPRING REAR)-r/b C6TZ 11183-A	★ C3TZ 11A057-A	N												
	★ C6TZ 11A057-A		P	Q	R	S		U						
SCREW (HOUSING)	11A058													
Screw-round socket head-5/16"-18 x 1 13/16"	C3TZ 11A058-A	5	5	5										
	C3TZ 11A058-B							6						
SPRING (BRUSH HOLDER)	E2HZ 11059-A *MS-527	4												
	E6HZ 11059-A				4	4								
LEVER ASSY.	E6HZ 11067-B *SZ-838				R	S		U						

**NOTICE:** When the parts list suffix is shown in the quantity required column, the quantity is one (1).

DESCRIPTION/RESTRICTIONS	PART NUMBER	STARTER PARTS LISTS 3N THU 3Z												
		N	P	Q	R	S	T	U	V	W	X	Y	Z	
<b>NOTE: Refer to SECTION 110, PAGE 1 for PARTS LISTS INSTRUCTIONS</b>														
CONNECTOR (SWITCH)	C3TZ 11072-B	N												
	E6HZ 11072-A *SZ-836				R	S								
	E8HZ 11072-A *SZ-853									U				
PLUG (OIL)	E1HZ 11A072-A	N	2	2	R	S				U				
	E6HZ 11A072-A				R	S				U				
YOKE (DRIVE)	C3TZ 11077-A	N	P	Q										
PIN (YOKE CENTER)	C3TZ 11079-A	N	P	Q	R	S				U				
COIL ASSY. (FIELD)	E6HZ 11082-B *SC-566				R	S				U				
COIL-complete	E1HZ 11083-A	N												
	E4HZ 11083-A *SC-554		P	Q										
TERMINAL (FIELD)	11102													
INSULATOR KIT (FIELD TERMINAL)	C6TZ 11102-A	N	P	Q										
	C6TZ 11102-B	N	P	Q										
Consists of 1-Support-insulator                      1-Washer-insulator														
TERMINAL AND LEAD ASSY.	E6HZ 11102-A *SZ-834				R	S	T	U						
INSULATOR (FIELD TERMINAL)	11107													
Ground terminal-plastic-33/64" I.D. x 1 3/16" O.D. x 1/2" thick	C3TZ 11107-D	N	2	2										
Ground terminal-fibre-33/64" I.D. x 7/8" O.D. x 3/32" thick	★ C3TZ 11107-F	2	P	Q										
Field terminal-fibre-33/64" I.D. x 1" O.D. x 3/32" thick	C3TZ 11107-G	2	2	2										
HOUSING and BUSHING (REAR END)	E1HZ 11130-B *SE-272	N												
	E1HZ 11130-C *SE-274		P	Q										
	E6HZ 11130-B *SE-304				R	S								
	E8HZ 11130-A *SE-312									U				
BUSHING (REAR END PLATE)	11135													
5/8" I.D. x 3/4" O.D. x 15/16" long	C3TZ 11135-A	N	P	Q	R	S				U				
HOUSING ASSY. (LEVER)	E1HZ 11138-A *SE-271	N												
	E3HZ 11138-A *SE-284		P	Q										
	E6HZ 11138-B *SE-303				R	S	T	U						
BUSHING (LEVER HOUSING)	C3TZ 11142-A	N	P	Q										
	E6HZ 11142-B *SZ-837				R	S		U						
INSULATOR KIT	E6HZ 11K175-B *SK-345				R	S		U						
BUSHING KIT	E6HZ 11K175-C *SK-346				R	S		U						
RETAINER (SOLENOID PLUNGER SPRING FRONT)	C6TZ 11183-A	N	P	Q	R	S		U						

1980/  
TRUCK SERIES 600/900

DELCO REMY 12 VOLT  
POSITIVE ENGAGEMENT

DESCRIPTION/RESTRICTIONS	PART NUMBER	STARTER PARTS LISTS 3N THU 3Z												
		N	P	Q	R	S	T	U	V	W	X	Y	Z	
NOTE: Refer to SECTION 110, PAGE 1 for PARTS LISTS INSTRUCTIONS														
DRIVE ASSY.	E1HZ 11350-B *SD-316	N			R			U						
	E1HZ 11350-A *SD-315		P	Q		S								
	E1HZ 11350-C *SD-317						T							
SOLENOID ASSY.	E1HZ 11390-A *SW-1720	N	P	Q										
	E6HZ 11390-B *SW-2081				R	S								
	E6HZ 11390-C *SW-2195						T	U						
PLUNGER (SOLENOID)	C3TZ 11393-A	N	P	Q										
	E6HZ 11393-B *SZ-839				R	S		U						
Nut-hex.-5/16"-24	357181-S(MM-135)	N					T							
BOOT (SOLENOID YOKE)	C3TZ 11410-A *SW-1287	N	P	Q										
	E6HZ 11410-A				R	S		U						

NOTICE: When the parts list suffix is shown in the quantity required column, the quantity is one (1).

DESCRIPTION/RESTRICTIONS	PART NUMBER	STARTER PARTS LISTS 4A THRU 4M												
		A	B	C	D	E	F	G	H	J	K	L	M	
<b>NOTE:</b> Refer to Section 110, Page 1 for PARTS LIST INSTRUCTIONS														
GASKET (REAR END HOUSING)	C3TZ 11003-A	A												
ARMATURE	D8HZ 11005-A *SM-451	A	B	C	D	E	F							
BRAKE (DRIVE)	C3TZ 11A018-A	A	B	C	D	E	F							
LEAD (TO SOLENOID)	C3TZ 11A028-A	A												
	E1HZ 11A028-B *ML-326		B	C	D	E	F							
WASHER (ARM THRUST)	E1HZ 11036-A *SZ-773		B	C	D	E	F							
TERMINAL & PLATE ASSY. (BRUSH)	D8HZ 11A038-A *SZ-748	A	B	C	D									
	E3HZ 11A038-A *SZ-795					E	F							
INSULATOR (GROUNDED BRUSH PLATE)	C6TZ 11A040-A	3	3	3	3									
SCREW (BRUSH HOLDER)	C3TZ 11A046-A	6	6	6	6									
GASKET (FIELD TERMINAL)	★ D8HZ 11A047-A	A	B	C	D	E	F							
PLATE ASSY. (COMMUTATOR END)	E1HZ 11049-B *SH-194	A	B	C	D	E	F							
SPRING (YOKE RETURN)	C3TZ 11A049-A	A	B	C	D	E	F							
PLUG (LEVER HOUSING)	C3TZ 11A050-A	A	3	3	3	3	3							
SPACER (ARMATURE)	C3TZ 11A051-A	A	B	C	D	E	F							
GASKET (LEVER HOUSING)	C3TZ 11A052-A	A	3	3	3	3	3							
SEAL (LEVER HOUSING OIL)	C3TZ 11A054-A	A	B	C	D	E	F							
BRUSH SET - incl. 12 - 1906989 brush	E1HZ 11057-B *SB-183		B	C	D									
Incl. 6-1852888	E3HZ 11057-A *SB-312					E	F							
RETAINER (SOLENOID PLUNGER SPRING)	★ C6TZ 11A057-A	A	B	C	D	E	F							
SCREW (HOUSING)	C3TZ 11A058-A	A	5	5	5	5								
SPRING (BRUSH HOLDER)	C3TZ 11059-A	12	12	12	12									
	E1HZ 11059-A *MS-525					6								
HOLDER (BRUSH)	E1HZ 11061-A *SB-184		6	6	6									
CONNECTOR (TERMINAL SWITCH)	E1HZ 11072-A *SZ-772		B	C	D	E								
PLUG (OIL RESERVOIR)	E1HZ 11A072-A		2	2	2	E	F							
YOKE ASSY. (DRIVE)	C3TZ 11077-A	A	B	C	D	E	F							
PIN (YOKE CENTER)	C3TZ 11079-A	A	B	C	D	E	F							
COIL ASSY. (FIELD)	D8HZ 11083-A *SC-531	A	B	C	D	E	F							
STUD (FIELD TERMINAL)	C6TZ 11102-A		B	C	D	E	F							
INSULATOR KIT (FIELD TERMINAL)	C6TZ 11102-B	A	B	C	D	E	F							
Consists of														
1- Support-insulator 1- Washer-insulator														
INSULATOR (FIELD TERMINAL)	11107													
Ground	C3TZ 11107-D	A	B	C	D	E	F							
Field terminal	C3TZ 11107-G	A	2	2	2	2	2							
Ground terminal - fibre - 33/64" I.D. x 7/8" O.D. x 3/32" thick	★ C3TZ 11107-F	A	B	C	D	E	F							
HOUSING ASSY. (DRIVE END)	D4TZ 11130-A *SE-243	A												
	E1HZ 11130-C *SE-274			C	D			E	F					
Use on starter #E2HT 11001-DA	E1HZ 11130-B *SE-282		B					E	F					
Use on starter #E2HT 11001-CA						E	F							

**1980/  
TRUCK SERIES 600/900**

DELCO REMY 24 VOLT  
POSITIVE ENGAGEMENT

DESCRIPTION/RESTRICTIONS	PART NUMBER	STARTER PARTS LISTS 4A THRU 4M												
		A	B	C	D	E	F	G	H	J	K	L	M	
<b>NOTE:</b> Refer to Section 110, Page 1 for PARTS LIST INSTRUCTIONS														
BUSHING (DRIVE END PLATE)	C3TZ 11135-A	A	B	C	D	E	F							
HOUSING (LEVER)	E3HZ 11138-A *SE-284		B	C	D	E	F							
BUSHING (LEVER HOUSING)	C3TZ 11142-A	A	B	C	D	E	F							
RETAINER (SOLENOID PLUNGER SPRING FRONT)	C3TZ 11183-A	A												
	C6TZ 11183-A		B	C	D	E	F							
DRIVE ASSY.	E1HZ 11350-A *SD-315	A	B	C	D	E	F							
SOLENOID ASSY.	E1HZ 11390-B *SW-1723	A	B	C	D	E	F							
PLUNGER (SOLENOID)	C3TZ 11393-A	A	B	C	D	E	F							
BOOT (SOLENOID PLUNGER)	C3TZ 11410-A	A	B	C	D	E	F							

**NOTICE:** When the parts list suffix is shown in the quantity required column, the quantity is one (1).



DESCRIPTION/RESTRICTIONS	PART NUMBER													
		A	B	C	D	E	F	G	H	J	K	L	M	
SPACER	E6HZ 11N004-A	A	B	C	D									
ARMATURE ASSY.	E6HZ 11005-A	A	B	C	D									
WASHER (ARMATURE THRUST)	E6HZ 11036-A	A	B	C	D									
TERMINAL AND PLATE ASSY. (BRUSH)	E6HZ 11A038-A	A	B	C										
	E9HZ 11A038-A *SZ-854				D									
SCREW (BRUSH HOLDER)	E6HZ 11A046-A	A	4	4										
FIELD COIL LEAD TO BRUSH HOLDER	E1HZ 11A046-A			2	2									
PLATE ASSY. (COMMUTATOR END)	E6HZ 11049-A	A	B	C										
	E9HZ 11049-A *SH-221				D									
SPRING (YOKE RETURN)	C3TZ 11A049-A		B	C	D									
PLUG (LEVER HOUSING)	C3TZ 11A050-A		B	C	D									
GASKET (LEVER HOUSING PLUG)	C3TZ 11A052-A		B	C	D									
SEAL (LEVER HOUSING OIL)	E6HZ 11A054-A	A	B	C	D									
BRUSH KIT	E6HZ 11057-A	A	B	C										
	E9HZ 11057-A *SB-336				D									
RETAINER (SOLENOID PLUNGER SPRING)	★ C6TZ 11A057-A		B	C	D									
SPRING (BRUSH)	E6HZ 11059-A	A	4	4	4									
LEVER ASSY.	E6HZ 11067-A	A	B	C	D									
CONNECTOR (FIELD TERMINAL TO SWITCH)	E9HZ 11072-A *SZ-855				D									
PLUG (OIL)	E6HZ 11A072-A	A	B	C	D									
SHAFT (SHIFT LEVER)	C3TZ 11079-A		B	C										
	E9HZ 11079-A *SZ-856				D									
COIL ASSY. (FIELD-COMPLETE)	E6HZ 11082-A	A												
	E7HZ 11082-A *SC-568		B	C										
	E9HZ 11082-A *SC-573				D									
TERMINAL (FIELD)	E7HZ 11102-A *SZ-840		B	C										
HOUSING ASSY. (DRIVE END)	E6HZ 11130-A	A	B	C	D									
HOUSING ASSY. (LEVER)	E6HZ 11138-A	A	B	C										
	E9HZ 11138-A				D									
BUSHING (LEVER HOUSING)	E6HZ 11142-A	A	B	C	D									
BUSHING KIT	E6HZ 11K175-A	A	B	C										
	E9HZ 11K175-A *SK-347				D									
RETAINER (SOLENOID PLUNGER SPRING)	C6TZ 11183-A		B	C	D									
DRIVE ASSY. (MOTOR)	E6HZ 11350-A	A	B	C	D									
SOLENOID ASSY. (SOLENOID)	E6HZ 11390-A	A												
	E7HZ 11390-A *SW-2114		B		D									
	E7HZ 11390-B *SW-2157			C										
PLUNGER ASSY. (SOLENOID)	11393													
	E6HZ 11393-B *SZ-839	A	B	C	D									
BOOT (SOLENOID YOKE)	E6HZ 11410-A	A	B	C	D									

**1980/  
TRUCK SERIES 600/900**

YEAR	MODEL/RESTRICTIONS	ENGINE		PART NUMBER	DESCRIPTION	QTY.
		CYL.	C.I.D. (C.C.D.)			
<b>12029 COIL ASSY. (IGNITION LESS MOUNTING STRAP)</b>						
80/	All	6&8	All	D5AZ 12029-A	*DG-314	1
80/	All	6&8	All	34079-S7	(M-163)-nut (ignition coil terminal)-No. 10-32	AR
				34803-S7	(X-60)-lockwasher-No. 10	AR
<b>12043 STRAP (IGNITION COIL MOUNTING)</b>						
80/85	L-LN-LNT-LT-LTS600/800 - - P/S "Before 1/85"	8	All	B8S 12043-B	*DY-52-w/o capacitor-mtg. brkt.	1
80/85	B-F-FT600/800 "Before 1/85"	8	All	D4TZ 12043-A	*DY-159-incl. capacitor-mtg. brkt.	1
80/85	C-CT600/900 "Before 1/85"	8	All			1
80/84	L-LN-LNT-LT-LTS600/800 - - without P/S "Before 1/85"	8	All			1
85/	B-C-F-FT600/800 "From 1/85"	8	370,429	E5TZ 12043-A		1
80/81	C-CT-F-L-LN-LNT-LT-LTS900	8	477,534	D6HZ 12043-A	*DY-185	1
80/	B-F-FT600/800, C-CT600/900	6&8	All	20326-S7	(B-49)-bolt (strap to engine)-5/16"-18 x 5/8"	2
				34806-S7	(X-64)-lockwasher-5/16"	1
80/	B-C-CT-F-FT700/800	8	All	27185-S2	(U-177-A)-screw (strap clamping round head)-No. 10-32 x 1 5/8"	1
				34079-S7	(M-163)-nut-No. 10-32	1
				34803-S7	(X-60)-lockwasher-No. 10	1
<b>12060 WIRE ASSY. (IGNITION JUMPER)-Improvise from bulk wiring (14296)</b>						
<b>12K060 BRACKET (IGNITION MODULE MOUNTING)</b>						
84/	B-F-FT600/800 - - tilt front end	8	370,429	E4HZ 12K060-A	#E4HT 12K060-AA-mounts on air cleaner duct	1
<b>12A072 BRACKET (IGNITION CURRENT AMPLIFIER)</b>						
80/	L-LN-LNT-LT-LTS600/800	8	All	D9HZ 12A072-A	#D9HT 12A072-AA	1

**1980/  
TRUCK SERIES 600/900**

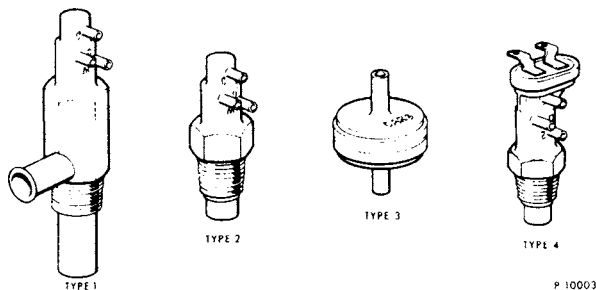
**12A091 VALVE ASSY. (DISTRIBUTOR VACUUM CONTROL)**—Also refer to group 12A208

To select the correct VACUUM CONTROL valve by knowing the identification number only:

- Check the VACUUM CONTROL valve, taken from the vehicle, for an identification part number.
- Refer to the Identification Chart below.
- Find the VACUUM CONTROL valve identification part number (sequenced numerically) and find the service part number in the adjacent column.

For example:

The service part number for VACUUM CONTROL valve identified D5TE-BA is D5TZ 12A091-A



For Model Application, refer to Calibration Parts Lists in Section 93A.

**IDENTIFICATION CHART**

TYPE	IDENTIFICATION	SERVICE PART NUMBER	COLOR	TYPE	IDENTIFICATION	SERVICE PART NUMBER	COLOR
2	D5VE-AA	D5VY 12A091-A *DY-165		2	E1SE-A1A	D7AZ 12A091-A *DY-165-A	
2	D7AE-A1A	D7AZ 12A091-A *DY-165-A		2	E1SE-A2A	D7AZ 12A091-A *DY-165-A	
2	D7AE-A2A	D7AZ 12A091-A *DY-165-A		3	D3AE-AA	D3AZ 12A091-A *DY-116-A	black and yellow
2	E1AE-A2A	D7AZ 12A091-A *DY-165-A		3	D3AE-BA	D3AZ 12A091-B *DY-120-A	black and red

1980/  
TRUCK SERIES 600/900

**IDENTIFICATION CHART**

TYPE	IDENTIFICATION	SERVICE PART NUMBER	COLOR	TYPE	IDENTIFICATION	SERVICE PART NUMBER	COLOR
3	D3DE-AB	D3DZ 12A091-B *DY-139-A	black and brown	3	D8AE-CA	D8AZ 12A091-A *DY-239	white and white
3	D30E-BA	D30Z 12A091-B *DY-137-A	black and orange	3	D9TE-AA	★ D9TZ 12A091-C *DY-259 Not replaced	orange and orange
3	D3TE-AA	D3TZ 12A091-C *DY-138-A	gray and black	3	D9TE-BA	D9TZ 12A091-A *DY-257	pink and pink
3	D3TE-AB	D3TZ 12A091-C *DY-138-A	black and gray	3	D9TE-CA	D9TZ 12A091-B *DY-258	black and blue
3	D32E-AA	D3FZ 12A091-A *DY-135	black and white	3	D9TE-DA	D9TZ 12A091-D *DY-262	brown and brown
3	D32E-BA	D3FZ 12A091-B *DY-136	black and green	3	E3AE-BA	E3AZ 12A091-B *DY-413	black and gold
3	D5TE-BA	D5TZ 12A091-A *DY-181	black and green	3	E3AE-DA	E3AZ 12A091-D *DY-435	black and brown
2	D7AE-B1A	D7AZ 12A091-A *DY-165-A		3	E3AE-EA	E3AZ 12A091-E *DY-444	black and white
2	D7AE-B2A	D7AZ 12A091-A *DY-165-A		3	E3AE-GA	E3AZ 12A091-G *DY-448	black and blue
2	E1AE-A1A	D7AZ 12A091-A *DY-165-A		3	E3AE-HA	E3AZ 12A091-H *DY-420	black and green
3	D8AE-BA	E0TZ 12A091-A *DY-271	yellow and yellow	3	E3AE-JA	E3AZ 12A091-J *DY-423	black and red

YEAR	MODEL/RESTRICTIONS	ENGINE		PART NUMBER	DESCRIPTION	QTY.
		CYL.	C.I.D. (C.C.D.)			
<b>12A099 ARMATURE</b>						
80/	All	8	All	D3AZ 12A099-A	*DT-1	1
				305015-S	(NN-84-G) pin (secure armature)	1
<b>12106 CAP ASSY. (DISTRIBUTOR)-Also refer to group 12127</b>						
80/81	All	8	475.477, 534	D7TZ 12106-A	*DH-370	1
80/	All	8	370.429	E2ZZ 12106-A	*DH-411	1
<b>12A112 STATOR ASSY.</b>						
80/	All	8	All	D4PZ 12A112-A	*DU-1-A	1
				351826-S	(XX-2) washer (att. stator to diaphragm rod)	
<b>12113 SEAL (WIRE TERMINAL WEATHER)</b>						
80/	All	8	370.429	E3PZ 12113-C	*WT-5620-A-115°-2-1/8" long	AR

1980/  
TRUCK SERIES 600/900

12127 DISTRIBUTOR ASSY.

HOW TO FIND DISTRIBUTORS and COMPONENTS

To find Distributor Parts:

By IDENTIFICATION:

- (1) Refer to Identification Chart below.
- (2) Check marking (on distributor) against identification numbers to determine part numbers of service distributor, adaptor, cap, diaphragm assembly and rotor.
- (3) If group number is not known refer to illustration page shown, or to the Alphabetical Index which follows the General Information Section of this catalog.

By MODEL APPLICATION:

- (1) For model application, refer to Calibration Parts Lists in Section 93A.

Serviceable distributor components which do not show in the chart below are cataloged in the normal group sequence in Section 120 providing they do not affect distributor calibration.

Those parts which do affect distributor calibration are available only to authorized rebuilders.

IDENTIFICATION		SERVICE REPLACEMENT and MOTORCRAFT NUMBERS		ADAPTOR		CAP		DIAPHRAGM ASSY.		ROTOR		ILLUS. SEC. 120 PAGE
D6HE	12127-FA	D7HZ	12127-A *DA-1610	NONE		D7TZ	12106-A *DH-370	D6HZ	12370-A *DD-766	D5PZ	12200-A *DR-5-B	1
D6HE	12127-GA	D6HZ	12127-E *DA-1525	NONE		D7TZ	12106-A *DH-370	D6HZ	12370-A *DD-766	D5PZ	12200-A *DR-5-B	1
D9TE	12127-APA	D9TZ	12127-AP	E2ZZ	12A217-B *DJ-6	E2ZZ	12106-A *DH-411			E6TZ	12200-C *DR-380-A	
D9TE	12127-ASA	D9HZ	12127-AU *DA-1770	E2ZZ	12A217-B *DJ-6	E2ZZ	12106-A *DH-411	D4TZ	12370-B *DD-690	E6TZ	12200-C *DR-380-A	1
D9TE	12127-AUA	D9HZ	12127-AU *DA-1770	E2ZZ	12A217-B *DJ-6	E2ZZ	12106-A *DH-411	D4TZ	12370-B *DD-690	E6TZ	12200-C *DR-380-A	1
D9TE	12127-AVA	E0HZ	12127-AV *DA-1783	E2ZZ	12A217-B *DJ-6	E2ZZ	12106-A *DH-411	D4TZ	12370-B *DD-690	E6TZ	12200-C *DR-380-A	1
E2TE	12127-ZA	E2TZ	12127-Z									
E4HE	12127-CA	E7HZ	12127-A *DA-1985-A	E2ZZ	12A217-B *DJ-6	E2ZZ	12106-A *DH-411	E7HZ	12370-A *DD-924	E6TZ	12200-C *DR-380-A	
E4HE	12127-DA	E4HZ	12127-D *DA-1986	E2ZZ	12A217-B *DJ-6	E2ZZ	12106-A *DH-411	E4HZ	12370-B *DD-914	E6TZ	12200-C *DR-380-A	
E5HE	12127-AA	E5HZ	12127-A *DA-1994	E2ZZ	12A217-B *DJ-6	E2ZZ	12106-A *DH-411	E5HZ	12370-A *DD-917	E6TZ	12200-C *DR-380-A	
E5HE	12127-BA	E5HZ	12127-B *DA-1995	E2ZZ	12A217-B *DJ-6	E2ZZ	12106-A *DH-411	E4HZ	12370-B *DD-914	E6TZ	12200-C *DR-380-A	
E7HE	12127-AA	E7HZ	12127-A *DA-1985-A	E2ZZ	12A17-B *DJ-6	E2ZZ	12106-A *DH-411	E7HZ	12370-A *DD-924	E6TZ	12200-C *DR-380-A	

YEAR	MODEL/RESTRICTIONS	ENGINE		PART NUMBER	DESCRIPTION	QTY.
		CYL.	C.I.D. (C.C.D.)			
12143	"O" RING (SEAL)					
80/	All	8	370,429	B9TF 12143-A	*DZ-3	1
80/81	All	8	477,534	B9QH 12143-A	*DZ-2	1

1980/  
TRUCK SERIES 600/900

YEAR	MODEL/RESTRICTIONS	ENGINE		PART NUMBER	DESCRIPTION	QTY.
		CYL.	C.I.D. (C.C.D.)			
<b>12144 CLAMP (DISTRIBUTOR CAP HOLD DOWN)</b>						
80/	All	8	All	7RA 12144		2
<b>12A182 SWITCH ASSY. (DISTRIBUTOR MODULATOR VALVE)</b>						
80/81	C-CT-F-L-LN-LNT-LT-LTS900	8	477,534	D9HZ 12A182-A	*SW-1551-#D9HE 12A182-AA-black	1
<b>12A197 VALVE ASSY. (DISTRIBUTOR VACUUM CONTROL CHECK)</b>						
80/81	CL-CLT900	6&8	All	D8DZ 12A197-A	*DY-243-#D8DE-AA - black and white-	1
80/81	B-F-FT600/800	8	501		part of A/C voc. pump (18D322)	1
84/	B-F-FT600/800 - - air brakes	8	501			
80/81	C-CT-F-L-LN-LNT-LT-LTS900	8	477,534	D8TZ 12A197-A	*DY-247-#"VAC"-black and red	1
<b>12A199 MODULATOR ASSY.-IGNITION (BREAKERLESS)</b>						
80/	All	8	370,429, 477,534	D9VZ 12A199-A	*DY-184-C #D8VE 12A199-A1C,A2C	1
84/	All	8	6.1L,7.0L 7.8L,8.8L	E9VZ 12A199-A	*DY-611-#D8VE 12A199-A1C	1
80/	B-F-FT-L-LN-LNT600/800	6&8	All	42151-S8	(U-247)-screw (modulator to fender apron)-No. 8-15 x 1" washer head	3
<b>12200 ROTOR (DISTRIBUTOR)-Also refer to group 12127</b>						
80/	All	6&8	All	E6TZ 12200-C	*DR-380-A	1
<b>12A208 VALVE ASSY. (DISTRIBUTOR RETARD CONTROL)-Also refer to group 12A091</b>						

**For Model Application, refer to Calibration Parts Lists in Section 93A.**

**IDENTIFICATION CHART**

IDENTIFICATION	SERVICE PART NUMBER	COLOR	IDENTIFICATION	SERVICE PART NUMBER	COLOR
D3HE-AA	D4HZ 12A208-A	Brown/white	E3AE-CA	E3AZ 12A208-C *DY-421	Grey/white
D5HE-AA	D5HZ 12A208-A	Gray/white	E3AE-DA	E3AZ 12A208-D *DY-431	Brown/white
D5VE-AA	D5VY 12A208-A	Green/white		E3AE-EA	E3AZ 12A208-E *DY-433
D7AE-AA	D7AZ 12A208-A *DY-207	Pink/white	E3AE-FA	E3AZ 12A208-F *DY-412	Yellow/white
D8AE-AA	D8AZ 12A208-A *DY-242	Yellow/white			
E3AE-BA	E3AZ 12A208-B *DY-390	Gold/white			

YEAR	MODEL/RESTRICTIONS	ENGINE		PART NUMBER	DESCRIPTION	QTY.
		CYL.	C.I.D. (C.C.D.)			
<b>12A209 WIRE (JUMPER-IGNITION MODULE)</b>						
84/	B-F-FT600/800 - - tilt front end	8	370,429	E4HZ 12A209-A	#E4HT 12A209-AA,AB	1
<b>12A210 SHIELD (DISTRIBUTOR FREQUENCY SUPPRESSOR)</b>						
80/	B-F-FT600/800 - - gas	8	All	D5TZ 12A210-A		1
80/	C-CT600/900 - - gas	8	All			1
80/	L-LN-LNT-LT-LTS 600/900 - - gas	8	All			1
<b>12A217 ADAPTOR ASSY. (DISTRIBUTOR)-Also refer to group 12127</b>						
80/	All	8	370,429	E2ZZ 12A217-B	*DJ-6	1
80/81	All	8	475,477, 534	None		
<b>12A225 RESTRICTOR ASSY (DISTRIBUTOR VACUUM)</b>						
80/	L-LN-LNT-LT-LTS600/800	8	370,429	E0HZ 12A225-A	Also functions as vacuum control to A/T	1
<b>12226 TUBE (VACUUM DISTRIBUTOR STEEL)-Improvise from bulk tubing (2269)</b>						
<b>12226 TUBE (VACUUM DISTRIBUTOR RUBBER)</b>						
80/	All	6&8	All	D0PZ 12226-A	*KDV-1-bulk hose-7/64" I.D. x 50 feet spool	AR
80/	All	6&8	All	D0PZ 12226-B	*KDV-2-bulk hose-5/32" I.D. x 50 feet spool	AR
80/	All	6&8	All	D0PZ 12226-C	*KDV-3-bulk hose-7/32" I.D. x 50 feet spool	AR
80/	All	6&8	All	D6ZZ 12226-A	5/32" I.D. x 38 1/4" long-cut to req'd length	AR

1980/  
TRUCK SERIES 600/900

YEAR	MODEL/RESTRICTIONS	ENGINE		PART NUMBER	DESCRIPTION	QTY.
		CYL.	C.I.D. (C.C.D.)			
<b>12226 TUBE (VACUUM DISTRIBUTOR RUBBER) — Cont'd</b>						
80/	All	6&8	All	351112-S	(MM-109)-nut (distributor vacuum tube)- 3/8"-24	2or3
80/81	All	8	477,534	359546-S8B	(II-67)-connector (distributor vacuum tube to distributor)-3/16" threaded sleeve	1
<b>12250 RESISTOR ASSY. (IGNITION COIL)</b>						
80/	B-F-FT600/800,C-CT600/900, LN600/750	6&8	All	COLF 12250-A	*DY-37-No. 20 gauge wire-color code pink- 61 1/2" long	1
80/	L-LN-LNT-LT-LTS800/900	6&8	All	D1HZ 12250-A	*DY-109-#D1HB 12250-AA-No. 20 gauge	1
<b>12259 WIRE SET (SPARK PLUG)</b>						
Note: Important-wire sets are to be used only for years and models as cataloged						
82/84	All	8	370,429	E8PZ 12259-L	*WR-4039	
85/87	All	8	370,429	★ E6PZ 12259-J /bE8PZ 12259-M	*WR-4016-A	1
88/	All	8	370,429	E8PZ 12259-M	*WR-4016-B	1
80/81	All	8	477,534	E1PZ 12259-CR	*WR-2881-BR	1
<b>12270 CLAMP (DISTRIBUTOR TO CYLINDER HEAD)</b>						
80/	All	8	370,429	C3AZ 12270-A	*DZ-410	1
80/81	All	8	477,534	B9TF 12270-A	*DZ-406	1
<b>12286 WIRE ASSY. (DISTRIBUTOR TO SPARK PLUG RADIO RESISTANCE)</b>						
Note: Important-wire assy's are to be used only for years and models as cataloged						
80/81	All	8	477,534	D5PZ 12286-D	*WR-1004-33 3/4" long	AR
80/84	All	8	370,429	E3PZ 12286-S	*WR-1067-A-31 1/4" long	1
80/84	All	8	370,429	E3PZ 12286-R	*WR-1041A-28 1/4" long	AR
83	All	8	370,429	E3PZ 12286-V	*WR-1049-A-28-1/4" long	AR
80/83	All	8	370,429	E3PZ 12286-U	*WR-1032-A-25-1/2" long	AR
80/82	All	8	370,429	E3PZ 12286-V	*WR-1042-A-34-1/4" long	AR
83	All	8	370,429	E3PZ 12286-DA	*WR-1048-A-34-1/4" long	AR
83	All	8	370,429	E3PZ 12286-AAA	#WR-1153-20 1/4" long	1
85/	All	8	370,429	E8PZ 12286-AA	*WR-1272-21 1/2" long	2
85/	All	8	370,429	E8PZ 12286-BA	*WR-1273-25 1/2" long	1
85/	All	8	370,429	E3PZ 12286-AAA	*WR-1153-27" long	1
85/	All	8	370,429	E3PZ 12286-R	*WR-1041-A-28" long	1
85/	All	8	370,429	E6PZ 12286-X	*WR-1067-B-30 1/2" long	1
85/	All	8	370,429	E6PZ 12286-Z	*WR-1154-A-33 1/2" long	1
85/	All	8	370,429	E8PZ 12286-LA	*WR-1274-34 1/2" long	1
<b>12297 SEPARATOR (IGNITION WIRE)</b>						
80/	All	8	370,429, 477,534	B8Q 12297-A	Comb shaped-2 3/16" long-located on rocker cover	1
80/	All	8	370,429, 477,534	B6A 12297-A	Comb shaped-8 prongs-3/32" thick	2
80/	All	8	370,429	D7AZ 12297-A		1
80/	All	8	370,429	D7AZ 12297-B	Comb shaped-for (4) wires	2
<b>12298 WIRING ASSY. (IGNITION COIL TO DISTRIBUTOR HIGH TENSION)</b>						
NOTE: Important - wire assy's are to be used only for years and models as cataloged						
80/81	All	8	477,534	D6HZ 12298-A	13" long-right angle terminals	1
80/82	All	8	370,429	D7PZ 12298-K	*WR-1056	1
83/85	All	8	370,429	E3PZ 12298-D	*WR-1056-A	1
86/	All	8	370,429	E3PZ 12298-K	*WR-1116-A	

**1980/  
TRUCK SERIES 600/900**

YEAR	MODEL/RESTRICTIONS	ENGINE		PART NUMBER	DESCRIPTION	QTY.
		CYL.	C.I.D. (C.C.D.)			
<b>12370 DIAPHRAGM (DISTRIBUTOR)-Refer to group 12127</b>						
80/	All	8	All	351826-S	(XX-2)-"C" retainer (secures diaphragm rod)	1
				382331-S	(BB-635)-screw (att. diaphragm to distributor)	2
<b>12405 SPARK PLUG ASSY.</b>						
<b>Note:</b> Important - Canadian regulations require that vehicles and other devices (other than aircraft) equipped with internal combustion engines using spark ignition systems and manufactured in or imported into Canada on or after September 1, 1976 be operated in conformance with restrictions on radio frequency interference. Use of non-resistor or non-inductive type spark plugs may cause such vehicles or devices to be out of compliance with these regulations.						
80/81	All	8	477,534	*BYSF-31-4		8
80/	All	8	370,429	*ASF-32		8
<b>12450 GOVERNOR ASSY. (ENGINE)</b>						
80/81	All	8	477,534	D4HZ 12450-C	#D4HE 12450-CA-3400 R.P.M. - mechanical type	1
<b>12K454 WIRING ASSY. (ENGINE GOVERNOR VALVE EXTENSION)</b>						
89	L-N-LNT-LT-LTS700/900	6	370,476	E9HZ 12K454-A	#E9HT 12K454-AA-engine retarder, exhaust brake/engine brake	1
<b>12A458 CONTROL ASSY. (ENGINE GOVERNOR)</b>						

For Model Application, refer to Calibration Parts Lists in Section 93A.

**IDENTIFICATION CHART**

(Arranged according to Identification Number)

IDENTIFICATION	PART NUMBER	IDENTIFICATION	PART NUMBER
D9HE 12A458-AA	D9HZ 12A458-A *DX-44	E1PF 12A458-AA	E1PZ 12A458-A *DX-47
D9HE 12A458-BA	D9HZ 12A458-B *DX-43	E1PF 12A458-BA	E1PZ 12A458-B *DX-48
D9TE 12A458-AA	D9TZ 12A458-A *DX-45	E1PF 12A458-CA	E1PZ 12A458-C *DX-49
D9TE 12A458-BA	D9HZ 12A458-C *DX-46	E1PZ 12A458-DA	E1PZ 12A458-D *DX-50

YEAR	MODEL/RESTRICTIONS	ENGINE		PART NUMBER	DESCRIPTION	QTY.
		CYL.	C.I.D. (C.C.D.)			
<b>12A468 LEVER ASSY. (GOVERNOR CONTROL)</b>						
87	B-F700/800, FT900 - - FTO diesel	6	476	★ E7HZ 12A468-A /bE9HZ 12A468-A	#E7HT 12A468-AA, AB, D1E7HT 12A468-AB, EDE7HT 12A468-AC, E7HT 12A468-AD	1
87	L-LN-LS-LT-LNT-LTS800 - - FTO diesel	6	476			1
80/	LT-LTL-LTS900 - - Cat. 3406 diesel	6	893	C6TZ 12A468-B		1
80/	LN-LNT900 - - Cat. 3406 diesel	6	893	E0HZ 12A468-A	#D7HS 12A468-AA	1
86	B-C-F-FT-LN600/800 - - Detroit 990 diesel "From 11/85"	8	501	E6HZ 12A468-A	#E4HT 12A468-AA-ED-E4HT 12A468-AA refer basic 12A485 for usage from 11/85	1
89	B-F700/800	6	476	E9HZ 12A468-A	#E9HT 12A468-AA	1
89	L-LN-LS-LT-LTS800	6	476			1
<b>12A477 SPRING (ENGINE GOVERNOR THROTTLE CONTROL)-Also refer to group 18222</b>						
80/81	All	8	477,534	B9TE 12A477-A	2500-3000 R.P.M.-painted light brown	1
80/81	All	8	477,534	B9TE 12A477-B	3000-3600 R.P.M.-painted pink	1
<b>12B482 BRACKET (ENGINE GOVERNOR CONTROL)</b>						
80/	B-F-FT600/800 - - gas	8	All	D8TZ 12B482-A	For 12A458 control	1
80/	C-CT-L-LN-LNT-LT-LTL- LTS600/800 - - gas	8	All	D9HZ 12B482-A	For 12A458 control	1
80/	B-F600/800	8	370,429	E0TZ 12B482-A		1
82/	B-F600/800 - - Det. 990 diesel engine	8	501			1





**1980/  
TRUCK SERIES 600/900**

YEAR	MODEL/RESTRICTIONS	PART NUMBER	DESCRIPTION	QTY.
<b>13A004-5 BRACKET (HEADLAMP BRACE)</b>				
80/	CL-CLT900-Det. 6V-92T diesel-552 C.I.D.	D9HZ 13A004-C	R.H.-#D9HT 13C081-AA	1
		★ D8HZ 13A005-A	L.H.-#D7HT 13C080-AD	
80/	CL-CLT900 -- Exc. with Detroit 6V-92T diesel-552 C.I.D.	D9HZ 13A004-C	R.H.-#D9HT 13C081-AA	1
		★ D8HZ 13A005-A	L.H.-#D7HT 13C080-AD	1
<b>13A006 WIRING ASSY. (HEADLAMP)-Also refer to group 13076</b>				
80/	C-CT600/900	D5HZ 13A006-A	#D5HB 13A006-AA	1
80/	C-CT600/900	★ 372737-S100	(GG-153-A)-clip	2
<b>13007 BULB ASSY. (HEADLAMP SEALED BEAM)</b>				
▲ U.S. only ● Canada only-unique Canadian Motorcraft part number				
80	C-CT600/900	▲ D2ZZ 13007-A ● CLH-6014	12 volt-Type No. 6014	2
80/87	B-F-FT600/800	▲ D8BZ 13007-A ● CLH-6052	Trade No. 6052-Retangular-use w/single rectangular headlamps	2
80/	L-LN-LNT-LT-LTS600/900	▲ D6HZ 13007-A ● CLH-6015	12 volt-Type No. 6015	2
80/	CL-CLT900		Use w/single round headlamps	2
81/	C-CT600/900			2
80/	CL-CLT-LL-LTL900	▲ D70Z 13007-A ● CLH-4652	12 volt-type No. 4652- low-beam-use w/dual rectangular headlamps	2
80/	CL-CLT-LL-LTL900	▲ D70Z 13007-B ● CLH-4651	12 volt-type No. 4651-hi- beam-use w/dual rectangular headlamps	2
86/	CF600/700,L-LN-LNT-LT-LTS900	★▲E1FZ 13007-A r/bF3UZ 13007-A	12 volt Halogen-rectangular-	2
88/	B-F-FT600/900	● CLH-H6054	Trade No. H6054	2
<b>13007 HEADLAMP BODY &amp; LENS ASSY. (LESS BULB)</b>				
88/	LA-LTA900	★ E8HZ 13007-A r/bFOHZ 13007-A	R.H.-less filament	1
88/	LA-LTA900	★ E8HZ 13007-B r/bFOHZ 13007-B	L.H.-less filament	1
<b>13008 HEADLAMP ASSY. (LESS BULB and WIRING)-Also refer to group 13100</b>				
80/	B-F-FT600/800	E0HZ 13008-A	R.H.-kit-single rectangular	1
Consists of				
	1-D8BZ 13015-A	Ring-ret.	2-D8BZ 13032-A	Screw & nut
	1-D5UZ 13031-A	Spring	1-D8BZ 13118-A	Ring-adj.
				3-D5UZ 13B160-A
				Bearing
				4-385324-S
				Screw
80/	B-F-FT600/800	E0HZ 13008-B	L.H.-kit-single rectangular	
Consists of				
	1-D8BZ 13015-A	Ring-ret.	2-D8BZ 13032-A	Screw & nut
	1-D5UZ 13031-A	Spring	1-D8BZ 13119-A	Ring-adj.
				3-D5UZ 13B160-A
				Bearing
				4-385324-S
				Screw
88/	CF-CFT700/800 -- w/aero headlamps	E8HZ 13008-C	R.H.-aero type headlamp	1
88/	CF-CFT700/800 -- w/aero headlamps	E8HZ 13008-D	L.H.-aero type headlamp	1
80/	C-CT600/900	D3KZ 13008-A	Incl. attaching parts	2
		32937-S8	(U-339)-screw (headlamp to fender)-No. 8-15 x 3/4"	8
		45174-S8	(M-138)-nut (lamp to reinforcement)- 8	
			spring type-No. 8-15	
		34938-S8	(X-85)-lockwasher-3/8"	2
80/	L-LL-LN-LS-LNT-LTS600/900	E6HZ 13008-A	L.H.-single round	1
Consists of				
	1-D3TZ 13015-A	Ring retainer	1-C9TZ 13118-B	Ring adjusting
	1-D0HZ 13031-A	Spring	3-D0HZ 13B160-A	Bearing
	2-D0DZ 13032-A	Screw & nut	1-D0HZ 13088-A	Clip
	2-D2HB 13121-AA	Bracket	7-385324-S	Screw
80/	L-LL-LN-LS-LNT-LTS600/900	E6HZ 13008-B	R.H.-single round	1
Consists of				
	1-D3TZ 13015-A	Ring retainer	1-C9TZ 13119-A	Ring adjusting
	1-D0HZ 13031-A	Spring	3-D0HZ 13B160-A	Bearing
	2-D0DZ 13032-A	Screw & nut	1-D0HZ 13088-A	Clip
	2-D2HB 13121-AA	Bracket	7-385324-S	Screw

1980/  
TRUCK SERIES 600/900

YEAR	MODEL/RESTRICTIONS	PART NUMBER	DESCRIPTION	QTY.
<b>13008 HEADLAMP ASSY. (LESS BULB and WIRING)-Also refer to group 13100 -- Cont'd</b>				
86/	L-LL-LN-LNT-LS-LT-LTS700/900	E6HZ 13008-E	R.H.-single rectangular	1
Consists of				
	1-D8BZ 13015-A	Ring retainer	1-D8BZ 13118-A	Ring-adjusting
	1-D5UZ 13031-A	Spring	3-E25Y 13B160-B	Bearing
	2-D8BZ 13032-B	Screw & nut	4-385324-S	Screw
86/	L-LL-LN-LNT-LS-LT-LTS700/900	E6HZ 13008-F	L.H.-single rectangular	1
Consists of				
	1-D8BZ 13015-A	Ring retainer	1-D8BZ 13119-A	Ring adjusting
	1-D5UZ 13031-A	Spring	3-E25Y 13B160-B	Bearing
	2-D8BZ 13032-B	Screw & nut	4-385324-S	Screw
82/	LL-LTL900	E6HZ 13008-C	R.H.-dual rectangular	1
Consists of				
	2-D7OZ 13015-A	Ring retainer	1-D7OZ 13119-A	Ring-high beam
	2-D8HZ 13031-A	Spring	6-E25Y 13B160-AA	Bearing
	4-D7OZ 13032-AA	Screw & nut	1-D0HZ 13088-A	Clip
	4-E2HZ 13121-A	Bracket	8-385324-S	Screw
	1-D7OZ 13118-A	Ring-low beam		
82/	LL-LTL900	E6HZ 13008-D	L.H.-dual rectangular	
Consists of				
	2-D7OZ 13015-A	Ring-retainer	1-D7OZ 13119-A	Ring low beam
	2-D8HZ 13031-A	Spring	6-E25Y 13B160-A	Bearing
	4-D7OZ 13032-A	Screw & nut	1-D0HZ 13088-A	Clip
	4-E2HZ 13121-A	Bracket	8-385324-S	Screw
	1-D7OZ 13118-B	Ring-high beam		
88/	LA-LTA900	★ E8HZ 13008-E r/bF1HZ 13008-A	R.H.-aero type headlamp	1
88/	LA-LTA900	★ E8HZ 13008-F r/bF1HZ 13008-B	L.H.-aero type headlamp	1
<b>13015 RING (HEADLAMP BULB RETAINING)</b>				
80/	C-CT600/900	D3TZ 13015-A	Use w/single round headlamps	2
80/	CL-CLT900			2
80/	L-LN-LNT-LT-LTS600/900			2
80/	CL-CLT-LL-LTL900	D7OZ 13015-A	Use w/dual rectangular headlamps	4
80/84	B-F-FT600/800	E69Z 13015-A	Use w/single rectangular lamps	2
85/	B-F-FT600/800	E69Z 13015-A	Use w/single rectangular lamps	2
86/	CF600/700L-LN-LNT-LT-LTS600/900			2
<b>13N019 RETAINER (HEADLAMP BULB-HALOGEN)</b>				
88/	CF-CFT700/800	E6HZ 13N019-A	Use w/aero type headlamps	2
88/	LA-LTA900	E7SZ 13N019-A	Use w/aero type headlamp	2
<b>13021 BRACKET ASSY. (HEADLAMP ADJUSTING NUT)</b>				
80/	C-CT600/900	C1DZ 13021-A		4
80/	L-LN-LNT-LT-LTL-LTS600/900	D2HZ 13021-B	Kit	1
80/	CL-CLT900			1
Consists of				
	4-D2HZ 13021-A	Bracket	4-D0DZ 13032-A	Screw & Nut
80/	L-LN-LNT-LT-LTL-LTS600/900	382735-S	(MM-228-CA)Nut-insert-No. 8 x 7/8"	AR
<b>13N021 BULB AND RETAINER ASSY. (HEADLAMP)</b>				
88/	CF-CFT700/800	E6HZ 13N021-A	Use w/aero type headlamp	2
88/	LA-LTA900	E5LY 13N021-A		2
<b>13A024 SWITCH ASSY. (HEADLAMP DIMMER)</b>				
80/	All	COTZ 13A024-A	(SW-263)	1
80/	B-F-FT600/800	★42141-S8	(U-250)-screw (switch to dash panel or front floor pan)-No. 10-12 x 3/4"	2
		★34903-S8	(X-96)-lockwasher-No. 10	2
80/	C-CT600/900	★54541-S2	Screw and washer assy. (switch to dash panel)-No. 10-24 x 1/2"	2
		★34079-S7	(M-163)-nut-No. 10-32	2
80/	L-LN-LNT-LT-LTL-LTS600/900	★357849-S100	(RR-40)-retainer-No. 8-32 (switch to floor)	2
80/	L-LN-LNT-LT-LTL-LTS600/900	★45270-S36	Nut-stamped-No. 8-32	2

1980/  
TRUCK SERIES 600/900

YEAR	MODEL/RESTRICTIONS	PART NUMBER	DESCRIPTION	QTY.
<b>13A025 RELAY ASSY. (ACCESSORY SAFETY)-Also refer to group 14677</b>				
85/	B-F600/800	E3AZ 13A025-B	#E3AB 13A025-B2A	1
85/	L-LN-LNT-LTS800	★ E3UZ 13A025-A r/bE4FZ 13A025-A	#E3UB 13A025-AA	1
<b>13A025 RELAY ASSY. (HOUR METER)</b>				
87	L-LN-LNT-LT-LTL-LTS600/900	E4FZ 13A025-A	#E3UB 13A025-A1A,A2A,A3A-E4EB 13A025-A1A,A2A	1
<b>13K025 BRACKET ASSY. (TURN INDICATOR MOUNTING)</b>				
80/	L-LN-LNT-LT-LTL-LTS800/900 -- w/ line haul instrument panel	★ D0HZ 13K025-B	For switch-mounted on steering column	1
80/	L-LN-LNT-LT-LTS600/900 -- w/ city delivery instrument panel-w/T/T			1
80/	CL-CLT900			1
80/	B-F-FT600/800 -- non unitized tractor package			1
80/	CL-CLT900	D8HZ 13K025-B	For turn ind. lamp-on outside of cab- chrome-also replaces argent brkt.	2
80/	B-F-FT600/800 -- non unitized tractor package	E0HZ 13K025-B	#E0HT 13A344-AB	1
80/	L-LN-LNT-LT-LTL-LTS600/900	★384908-S100	(BB-429-WH)-screw hex. washer head-No. 8-32 x 1/2"	2
<b>13N024 WIRING ASSY. (WARNING LAMP TO GROUND)</b>				
89	CL-CLT900 -- with A/C and FS6 compressor	E9HZ 13N024-A		1
<b>13K029 PIVOT ASSY. (HEADLAMP ADJUSTMENT)</b>				
88/	LA-LTA900	E8HZ 13K029-A		2
<b>13031 SPRING (HEADLAMP BALL RING)</b>				
86/	CF600/800	D5UZ 13031-A		4
80/	C-CT600/900	C1DZ 13031-A		2
80/	L-LN-LNT-LT-LTS600/900	D0HZ 13031-A		2
80/	CL-CLT900	D5UZ 13031-A	Use w/single round headlamps	2
80/	B-F-FT600/800			2
80/	CL-CLT-LTL900	D8HZ 13031-A	Use w/dual rectangular headlamps	4
<b>13032 SCREW (HEADLAMP ADJUSTING)</b>				
80/	C-CT600/900	D10Z 13032-A	Screw only	4
80/	L-LN-LNT-LT-LTS600/900			4
80/	B-F-FT600/800	★ D8BZ 13032-A r/bD8BZ 13032-B	Screw and nylon push-in nut	4
86/	CF600/800 -- w/o aero headlamps	E6HZ 13032-B	Screw & nut assy.	4
88/	CF-CFT700/800 -- w/aero headlamp	E6HZ 13032-A		2
80/	L-LN-LNT-LT-LTS600/900	D0DZ 13032-A	Screw and nut assy.-use w/round headlamp	4
80/	L-LN-LNT-LT-LTS600/900	D8BZ 13032-B	Use with rectangular headlamps	4
80/	CL-CLT-LTL900	D70Z 13032-A	Screw and nut assy.	4or8
<b>13K040 SCREW ASSY. (HEADLAMP ADJUSTMENT)</b>				
88/	LA-LTA900	E8HZ 13K040-A	Vertical	2
88/	LA-LTA900	E8HZ 13K040-B	Horizonal	2
<b>13044 GASKET (HEADLAMP MOUNTING)</b>				
80/	C-CT600/900	B7A 13044-A		2
<b>13N056 RING (HEADLAMP PIVOT RETAINER)</b>				
88/	LA-LTA900	E8HZ 13N056-A		6
<b>13064 DOOR (HEADLAMP)</b>				
80/	B600/700	E0TZ 13064-C	R.H.	1
80/	F-FT600/800			1
		E0TZ 13064-D	L.H.	1
80/	C-CT600/900	D1KZ 13064-A	R.H. and L.H.	2
80/	CL-CLT900 "Before Ser. GG5,001"	D8HZ 13064-A	R.H. and L.H.-use w/round headlamps	2
80/	CL-CLT900 "From Ser. GG5,001"	D9HZ 13064-A	R.H. and L.H.-use w/round headlamp -painted argent	2
80/	CL-CLT900	D8HZ 13064-B	R.H. and L.H.-use w/dual rectangular headlamps -painted argent w/bright finish border	2
80/	L-LN-LNT-LT-LTS600/900	★ D1UZ 13064-A r/bE8HZ 13064-D(11/88)	#D1UB 13052-AA, E6HT 13052-AA-R.H. and L.H.-use /single round headlamps	2
87/	L-LL-LN-LT-LNT900	E7HZ 13064-A	#E8HT 13052-AA-R.H. & L.H.-use w/ single rectangular headlamps	2
87	LST800/900			2

OCTOBER, 1993

COPYRIGHT © 1993-

FORD MOTOR  
COMPANY

—DEARBORN, MICHIGAN

FINAL ISSUE

1980/  
TRUCK SERIES 600/900

YEAR	MODEL/RESTRICTIONS	PART NUMBER	DESCRIPTION	QTY.
<b>13064 DOOR (HEADLAMP) — Cont'd</b>				
88/	LS-LST800/900	E8HZ 13064-D		2
82	LTL900 "Before 5/81"	★ E1HZ 13064-A r/bE1HZ 13064-C	R.H.-#E1HT 13064-AA	1
		E1HZ 13064-D	L.H.-#E1HT 13052-AB	1
82/	LTL900 "From 5/81"	E1HZ 13064-C	R.H.-#ED-E1HT 13064-AC, E1HT 13064-AD	1
		E1HZ 13064-D	L.H.-#ED-E1HT 13052-AC, E1HT 13052-AD	1
88/	LA-LTA900	E8HZ 13064-C	R.H.-#E8HT 13052-BB	1
		E8HZ 13064-B	L.H.-#E8HT 13064-AB	1
80/	C-CT600/900	★52554-S8	(U-230)-screw (door to front body panel)- No. 8-15 x 5/8"	4
80/	C-CT600/900	★359487-S32	(MM-275)-nut-spring-No. 8-15	4
80/	L-LN-LNT-LT-LTS600/900	55978-S46	(U-317-D)-screw-tapping (door to headlamp)- No. 8-18 x 1 3/4"	AR
80/	CL-CLT900	★388327-S45	(BB-601-L)-Screw (door to grille panel)- No. 8-32 x 1 1/4 oval hd. (stainless steel)	4
80/	CL-CLT900	379830-S	(MM-216-PB) Nut (headlamp door to grille panel) No. 8 or 10	8
82/	LTL900	★381578-S45	(BB-601-F)-screw (door to front body)- No. 8-32 x 3/4"	10
<b>13076 WIRING ASSY. (HEADLAMP LEADS)—Also refer to group 13A006</b>				
80/	C-CT600/900	C3TZ 13076-D	#C8HB 13076-B,C, D3KB 13076-AA	2
87/89	B-F600/900 -- tilt hood "Before 11/88"	E8HZ 13076-C	#E8HT 13076-DA	1
89	B-F600/900 -- tilt hood "From 11/88"	E9HZ 13076-A	#E9HT 13076-AA	1
80/86	L-LN-LNT-LT-LTS600/900	E8HZ 13076-D	#D3HB 13105-BA-E8HT 13105-DB-103 1/4" long	1
80/86	L-LN-LNT-LT-LTS600/900	D0HZ 13076-A	#D3HB 13076-AA-51 1/4" long	1
87	L-LL-LN-LS-LT-LNT- LTS600/900	E7HZ 13076-A	R.H.-#E7HT 13076-AA, E8HT 13076-BA	1
		E7HZ 13076-B	L.H.	1
88/	LS-LTS900	E8HZ 13076-D	#E8HT 13105-DB	1
88/	LA-LTA900	E8HZ 13076-A	#E8HT 13076-AB-R.H.	1
		E8HZ 13076-B	#E8HT 13105-AB-L.H.	1
80/	CL-CLT900	D8HZ 13076-B	#D7HT 13076-CC,CD,CE-use w/single round headlamps	2
80/	CL-CLT900	D8HZ 13076-C	#D7HT 13076-DC,DD-use w/dual rectangular headlamps	2
82/	LTL900	E1HZ 13076-A	R.H.-#E1HT 13076-AA, ED-E1HT 13076-AA, E2HT 13076-AA	1
82/	LTL900	E1HZ 13076-B	L.H.-#E1HT 13105-AA, ED-E1HT 13105-AA, E2HT 13105-AA	1
<b>13C080-1 Refer to group 13A004-5</b>				
<b>13C082 RETAINER (HEADLAMP OPENING MOLDING)</b>				
88/89	LA-LTA900 "Before 1/89"	★ E8HZ 13C082-A r/bE9HZ 13C082-A		12
89	LA-LTA900 "From 1/89"	★ E9HZ 13C082-A r/bF2HZ 13C082-A		1
<b>13088 CLIP (HEADLAMP SPRING ANCHOR)</b>				
80/	C-CT600/900	C1DF 13088-A		2
80/	L-LN-LNT-LT-LTL-LTS600/900	D0HZ 13088-A		2
80/	CL-CLT900			2
<b>13L098-99 PANEL &amp; HOUSING ASSY. (HEADLAMP)</b>				
86/	CF600/700	(RH) E6HZ 13L098-B	(LH) E6HZ 13L099-B	1
<b>13100-1 HOUSING (HEAD LAMP)</b>				
81/	LTL900	(RH) E1HZ 13100-A	(LH) E1HZ 13101-B	1
88/	LA-LTA900	(RH) E8HZ 13100-A	(LH) E8HZ 13101-A	1
<b>13105 Refer to group 13076</b>				

1980/  
TRUCK SERIES 600/900

YEAR	MODEL/RESTRICTIONS	PART NUMBER	DESCRIPTION	QTY.
<b>13118-9 RING ASSY. (HEADLAMP ADJUSTING)</b>				
80/86	B-F-FT600/800	(RH) ★ D8BZ 13118-A	(LH) ★ D8BZ 13119-A	Single rectangular headlamps
86/	CF600/700	r/bE69Z 13118-A	r/bE69Z 13119-A	1
87/	B-F-FT600/800	(RH) ★ E69Z 13118-A	(LH) ★ E69Z 13119-A	1
		r/bE99Z 13118-A	r/bE99Z 13119-A	
80/	L-LN-LNT-LT-LTS600/900	(RH) C9TZ 13119-A	(LH) C9TZ 13118-B	Single round headlamps
87/	L-LN-LNT-LT600/900	(RH) ★ E69Z 13118-A	(LH) ★ E69Z 13119-A	Single rectangular headlamps
		r/bE99Z 13118-A	r/bE99Z 13119-A	1
87/	LS-LTS800/900	(RH) ★ E69Z 13119-A	(LH) ★ E69Z 13119-A	1
		r/bE99Z 13118-A	r/bE99Z 13119-A	
80/	C-CT600/900	(RH) C9DZ 13118-A	(LH) C9DZ 13118-A	Single round headlamps
80/	CL-CLT900	(RH) D4ZZ 13119-A	(LH) D4ZZ 13118-A	Single round lamps
80/	CL-CLT900/LTL900	(RH) D70Z 13118-A	(LH) D70Z 13119-A	Low beam-dual lamps
80/	CL-CLT900/LTL900	(RH) D70Z 13119-B	(LH) D70Z 13118-B	High beam-dual lamps
<b>13121 BRACKET (HEADLAMP ADJUSTING)</b>				
82/	LL-LTL900	E2HZ 13121-A		4
80/	All	★375452-S100	(BB-630-D)-screw (ring to bulb retaining ring)- No. 8-18 x 7/16"	6
<b>13A138 COVER (HEADLAMP)</b>				
88/	LA-LTA900	(RH) E8HZ 13A138-A	(LH) E8HZ 13A138-A	1
<b>13B160 BEARING (HEADLAMP ADJUSTING RING)</b>				
80/	L-LN-LNT-LT-LTS600/900	DOHZ 13B160-A		6
80/	CL-CLT-LTL900	★ E25Y 13B160-A		AR
80/	B-F-FT600/800	D5UZ 13B160-B	Plastic	6
86/	CF600/800	E6HZ 13B160-A	#Plastic	6
<b>13181 NUT (HEADLAMP ADJUSTING PIVOT)</b>				
88/	CF-CFT700/800	E8HZ 13181-A		2
<b>13200 LAMP ASSY. (PARKING)-also refer to group 13368</b>				
80/81	B-F600/800 "Before 11/30/80"	★ E0TZ 13200-A	R.H. & L.H.-clear lens-does not have locator pin	2
		r/bE0TZ 13200-B		
81/	B-F-FT600/800 "From 11/20/80"	E0TZ 13200-B	R.H. & L.H.-clear lens-has locator pin	2
86/	CF600/700	(RH) E6HZ 13200-C	(LH) E6HZ 13200-D	1
<b>13217 PAD (PARKING LAMP)</b>				
88/	L-LL-LN-LNT-LS-LT-LTS800/900	(RH) E8HZ 13217-A	(LH) E8HZ 13217-B	1
<b>13M232 BRACKET (TURN SIGNAL LAMP)</b>				
88/	LA-LTA-LTS900 - - w/western mirrors	★ E8HZ 13M232-A		2
		r/bF1HZ 13N232-F		
<b>13N232 BRACKET (LAMP MOUNTING-FRONT)</b>				
82/	LTL900	E1HZ 13N232-A	#E1HT 13N232-CA,CB, E4HT 13N232-AA	1
87	L-LN-LNT-LS-LT-LTS900 - - 116" BBC	E7HZ 13N232-A	#E7HT 13N232-AA	1
<b>13234 WIRE and SOCKET ASSY. (PARKING LAMP)</b>				
82/	B-F-FT600/800	D4ZZ 13234-A		2
80/	B-F600/800	E1FZ 13234-A	Turn signal	1
86/	CF600/700	E6HZ 13234-A		2
<b>13256 BRACKET (PARKING LAMP MOUNTING)</b>				
80/	L-LA-LN-LNT-LT-LTA-LTL-LTS600/900	D3HZ 13256-A		2
<b>13B302 Refer to group 13341</b>				
<b>13305 LEVER ASSY. (TURN INDICATOR)</b>				
80/	C-CT600/900	D3TZ 13305-B	Chrome handle - use with steering	1
80/	L-LN-LNT-LT-LTL-LTS600/900		wheel hub mounted turn signal & warning flasher switch	1
80/	B-F600/800	E0HZ 13305-A	Chrome	1
<b>13318 CAM (TURN INDICATOR TURN OFF)</b>				
80/84	B-F-FT-C-CT600/900	★ C7TZ 13318-A	Also serviced in 3600 assy.	1
80/84	L-LN-LNT-LT-LTL-LTS600/900	r/bC7TZ 13318-B		1
80/84	CL-CLT900	(5/86)		1
85/	B-C-CT-F-FT600/900	C7TZ 13318-B	Also serviced in 3600 assy.	1
85/	CL-CLT900			
85/	L-LN-LNT-LT-LTS600/900			
86/	CF-CFT600/800	★	Serviced only in 13K359 assy.	1

1980/  
TRUCK SERIES 600/900

YEAR	MODEL/RESTRICTIONS	PART NUMBER	DESCRIPTION	QTY.
<b>13A318 WIRING ASSY. (TURN SIGNAL JUMPER)</b>				
80/	CL-CLT900	★ D7HT 13A318-AB	#D7HT 13A318-AB-make from B6A 14296-C wire, (2) D4AZ 14A468-A spacer, (2) D4AZ 14489-J connector and (4) D1AZ 14461-B terminal	1
<b>13B320 STRAP (TURN and EMERGENCY INDICATOR SWITCH MOUNTING)</b>				
80/	F-FT700/800 -- with T/T	DOTZ 13B320-A	Steel	1
80/	C-CT700/900 -- gas-with T/T	D0HZ 13B320-B	Steel	1
80/	C800 -- diesel			1
80/	L-LN-LNT-LT-LTL-LTS800/900 -- diesel			1
80/	L-LN-LNT-LT-LTL-LTS700/900 -- gas-with T/T			1
80/	CL-CLT900	D8HZ 13B320-A	Steel	1
<b>13B321 CLIP (TURN and EMERGENCY INDICATOR SWITCH MOUNTING)</b>				
80/	F-FT700/800 -- with T/T	DOTZ 13B321-A		2
80/	C-CT700/900 -- gas-with T/T			2
80/	C800 -- diesel			2
80/	L-LN-LNT-LT-LTL-LTS800/900 -- diesel			2
80/	L-LN-LNT-LT-LTL-LTS700/900 -- gas-with T/T			2
80/	CL-CLT900			2
<b>13B322 ANCHOR (TURN and EMERGENCY INDICATOR SWITCH MOUNTING STRAP)</b>				
80/	F-FT700/800-with T/T	DOTZ 13B322-A		2
80/	C-CT700/900 -- gas-with T/T			2
80/	C800 -- diesel			2
80/	L-LN-LNT-LT-LTL-LTS800/900 -- diesel			2
80/	L-LN-LNT-LT-LTL-LTS700/900 -- gas-with T/T			2
80/	CL-CLT900			2
<b>13A323 WIRE ASSY. (TURN SIGNAL JUMPER)</b>				
82/	L-LN-LNT-LT-LTL600/900	(RH) E2HZ 13A323-B	(LH) E2HZ 13A323-A	
<b>13328 LENS (FRONT TURN INDICATOR LAMP-AMBER)</b>				
80/	B-F-FT600/800	D3TZ 13328-A	Incl. attaching parts	2
88/	CF-CFT700/800 -- w/ T/T-FTO diesel	E7HZ 13328-A	R.H. & L.H.	2
80/83	L-LN-LNT-LT-LTL-LTS600/900	D3HZ 13328-A		2
80/	C-CT600/900	E0HZ 13328-A	R.H. & L.H.	2
80/	CL-CLT900	D8HZ 13328-A	Square -- front of lamp	2
80/	CL-CLT900	D8HZ 13328-C	Rectangular -- outboard side of lamp	2
<b>13A328 REINFORCEMENT (FRONT TURN INDICATOR OUTBOARD LAMP)</b>				
80/	B-F-FT600/800	(RH) D3TZ 13A328-A	(LH) D3TZ 13A328-A	1
80/	LTS800/900	(RH) D0HZ 13A328-C	(LH) D0HZ 13A328-D	1
<b>13329 LENS (FRONT TURN INDICATOR LAMP-RED)</b>				
80/	B-F-FT600/800	D3TZ 13329-A	Incl. attaching parts	2
80/	C-CT600/900	E0HZ 13329-A	R.H. & L.H.	2
80/	B-F-FT600/900	E3HZ 13329-A	R.H. & L.H.-use on outboard mounted lamp	2
80/	L-LN-LNT-LT-LTL-LTS600/900			2
80/	CL-CLT900	D8HZ 13329-A	For rear of lamp	2
<b>13A329 WIRING ASSY. (TURN INDICATOR JUMPER)-Improvise from bulk wire (14296)</b>				
<b>13330 GASKET (FRONT TURN INDICATOR LAMP LENS)</b>				
80/	C-CT600/900	★ C1TF 13330-A	Use on lamps w/snap on type lens	4
88/	CF-CFT700/800 -- w/ T/T-FTO diesel	E7HZ 13330-A		2
<b>13332 PAD (FRONT TURN INDICATOR LAMP)-See also 13217</b>				
80/	C-CT600/900	(RH) C1TZ 13332-A	(LH) C1TZ 13332-B	1
80/82	B-F-FT600/800 "Before 11/81"	(RH) ★ D1TZ 13332-A r/bE2HZ 13332-A	(LH) ★ D1TZ 13332-B r/bE2HZ 13332-B	1

1980/  
TRUCK SERIES 600/900

YEAR	MODEL/RESTRICTIONS	PART NUMBER	DESCRIPTION	QTY.
<b>13332 PAD (FRONT TURN INDICATOR LAMP)-See also 13217 - Cont'd</b>				
82/89	B-F-FT600/800 "From 11/81 to 11/88"	(RH) ★ E2HZ 13332-A r/bE9HZ 13332-A	(LH) ★ E2HZ 13332-B r/bE9HZ 13332-B	1
89	B-F-FT600/900 "From 11/88"	(RH) E9HZ 13332-A	(LH) E9HZ 13332-B	1
88/	CF-CFT700/800 -- w/ T/T-FTO diesel	(RH) E7HZ 13332-A	(LH) E7HZ 13332-A	1
80/	CL-CLT900	(RH) D8HZ 13332-C	(LH) D8HZ 13332-C	1
<b>13341 SWITCH and MOUNTING PLATE ASSY. (TURN INDICATOR)</b>				
80/83	F-FT600/800 -- M/T	★ E1HZ 13341-J r/bE1HZ 13341-K(9/83)	#E0HT 13B302-DC,E1HT 13B302-EA -internally mounted in steering column	1
80/83	F-FT600/800 -- A/T	E1HZ 13341-G r/bE1HZ 13341-K(9/83)	#E1HT 13B302-GA-internally mounted in steering column	1
80/	B-F-FT600/800 -- w/ fender mounted parking lamps	★ E1HZ 13341-A	#E1HT 13B302-BA,BB-externally mounted on steering column	1
80/84	C-CT600/900 -- Gas without T/T	E1HZ 13341-D	#E1HT 13B302-JA-internally mounted in steering column-includes instruction sheet	1
80/84	C-CT600 -- diesel			1
80/84	B600/700			1
80/84	F-FT600/800 -- without T/T			1
85/	C-F600/800 -- w/o T/T	E5HZ 13341-B	#E4HT 13B302-BA E7HT 13B302-AA-internally mounted on steering column	1
80/84	C800 -- diesel	E1HZ 13341-B	#E1HT 13B302-CA,CB, E3HT 13B302-AA-externally -mounted on steering column	1
80/84	C-CT700/900 -- gas with T/T			1
80/84	F-FT700/800 -- T/T			1
80/84	L-LN-LNT-LT-LTL-LTS800/900 line haul instrument panel			1
80/84	L-LN-LNT-LT-LTS600/900 -- w/city delivery instrument panel with T/T			1
85/	C-CT700/900 -- w/TT	★ E5HZ 13341-A	#E4HT 13B302-AA, E5HT 13B302-AA-externally mounted on steering column	1
85/	L-LN-LNT-LT-LTL-LTS 600/900 -- w/TT			1
86/	CF600/700 -- diesel	★ E6HZ 13341-A r/bFOHZ 13341-C		1
80/84	L-LN-LNT-LT-LTS600/900 -- w/city delivery instrument panel-without T/T	E1HZ 13341-E	#D0HA 13B302-B,C-D2HA 13B302-AA- E1HT 13B302-KA-internally mounted in steering column	1
85/	L-LN-LNT-LT-LTL-LTS 600/900 -- w/city delivery instrument panel-w/o TT	E5HZ 13341-C	#E4HT 13B302-CA, E7HT 13B302-BA-internally mounted in steering column	1
81/ 83/	B600/700 F-FT600/900	E1HZ 13341-K	#E1HT 13B302-HA-includes (1) switch & (1) IS-5204 instruction sheet-for use on internally mounted switches	1
80	CL-CLT900	★ D8HZ 13341-A r/bE1HZ 13341-C	#D7HT 13B302-AA-externally mounted on steering column	1
81/	CL-CLT900	E1HZ 13341-C	#E1HT 13B302-DA,DB-externally mounted on steering column	1
89	C-CT800 -- w/hand control air brakes	E9HZ 13341-A	#E9HT 13B302-AA-externally mounted on steering column	1
89	L-LA-LL-LN-LNT-LS-LT-LTA- LTL-LTS800/900 -- w/fleet instr. panel-with T/T			1
89	L-LA-LL-LN-LNT-LS-LT-LTA-LTL- LTS800/900 -- w/full or city delivery instr. panel-w/o T/T	E9HZ 13341-B	Internally mounted in steering column	1
80/	B600/700	372047-S100	(GG-217)-clip (wiring to instrument panel)	1
80/	F-FT600/800			1
80/	All	★57439-S	Screw-pan head (switch to column)-No. 8-32 x 1/2"	2
80/	B-C-CT-F-FT600/900	★52720-S8	(U-380)-screw-self tapping (switch to steering hub)-No. 8-18 x 3/8"	AR



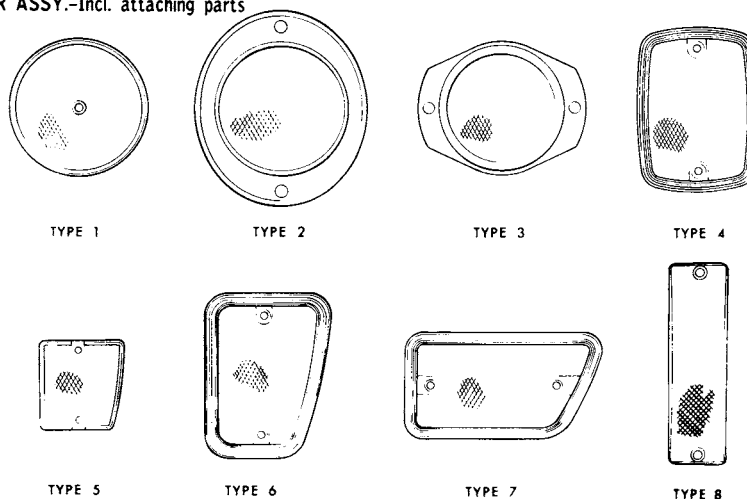
1980/  
TRUCK SERIES 600/900

YEAR	MODEL/RESTRICTIONS	PART NUMBER	DESCRIPTION	QTY.
<b>13342 GASKET (TURN SIGNAL LAMP MOUNT)</b>				
80/	CL-CLT900	D8HZ 13342-A	R.H. and L.H.	2
<b>13350 FLASHER ASSY. (TURN &amp; EMERGENCY INDICATOR)</b>				
80/	C-CT600/900	★ D4TZ 13350-A	*SF-555-A-#D3TB 13350-AA,D4TB 13350-AA	1
80/	L-LN-LNT-LT-LTL-LTS600/900	r/bF3HZ 13350-A		1
80/	B600/800			1
87	CF700/800 -- 6 cyl. 401,476 FTO diesel			1
88/	CF700/800 -- T/T- FTO diesel			1
80/	CL-CLT900			1
80/	F-FT600/800 -- w/tractor package			1
80	F600/800 -- w/o tractor package- "Before 5/1/80"			1
89	F-FT600/800 -- w/o tractor package			1
86/	CF600/800 -- FTO diesel	E6HZ 13350-B		1
80/88	F-FT600/800 -- w/o tractor package "From 5/1/80"	D1FZ 13350-A	*SF-552-B	1
84/	N600/700 -- w/2 sp. axle			1
<b>13A350 SWITCH ASSY. (EMERGENCY)</b>				
86	CF600/700	E6HZ 13A350-B	#85HB 13A350-BA	1
87/	CF600/800 -- FTO diesel	E7HZ 13A350-A		1
<b>13K359 SWITCH ASSY. (HEADLAMP DIMMER, HORN, TURN SIGNAL &amp; WINDSHIELD WIPER)</b>				
86/88	CF600/800 -- w/std. wipers "Before 10/87"	★ E6HZ 13K359-A	#E5HT 11K661-AA	1
88/	CF600/800 -- w/std. wipers "From 10/87"	★ E8HZ 13K359-B		1
86/	CF600/800 -- w/Flick option wipers	★ E8HZ 13K359-A r/bFOHZ 13K359-B		1
<b>13368 LAMP ASSY. (FRONT TURN INDICATOR OUTBOARD TYPE)</b>				
80/82	B-F-FT600/800 "Before 11/81"	(RH) E0TZ 13368-A	(LH) E0TZ 13368-B	1
			Single lead wire- use as parking lamp, turn indicator lamp and marker lamp	
80/	C-CT600/900	(RH) E0HZ 13368-A	(LH) E0HZ 13368-A	1
			Front lens amber- rear lens red-use as parking lamp and turn indicator lamp	
80/	CL-CLT900	(RH) D8HZ 13368-A	(LH) D8HZ 13368-A	1
			Use as parking lamp and turn indicator lamp	
86/	CF-CFT600/800	(RH) E6HZ 13368-B	(LH) E6HZ 13368-B	1
87/	CF700/800	(RH) E7HZ 13368-A	(LH) E7HZ 13368-A	2
80/82	L-LN-LNT-LT-LTL600/900 "Before 9/1/81"	(RH) D3HZ 13368-A	(LH) D3HZ 13368-B	1
			Fender mounted- use as parking lamp, turn indicator lamp and marker lamp	
82	L-LN-LNT-LT-LTL600/900 "From 9/81"	(RH) ★ E1HZ 13368-A r/bE3HZ 13368-A(5/86)	(LH) ★ E1HZ 13368-B r/bE3HZ 13368-B	1
			Painted black-fender mounted-use as parki lamp, turn indicator lamp and marker lamp	
83/87	L-LN-LNT-LT-LTL600/900	(RH) E3HZ 13368-A	(LH) E3HZ 13368-B	
82/89	B-F-FT600/800 "From 11/81 to 11/88"			
			Painted black- use as parking lamp, turn indicator lamp and marker lamp	
89	B-F-FT600/900 "From 11/88"	(RH) E9HZ 13368-A	(LH) E9HZ 13368-B	1
			Black-dual face fender mounted	

**1980/  
TRUCK SERIES 600/900**

YEAR	MODEL/RESTRICTIONS	PART NUMBER	DESCRIPTION	QTY.
<b>13368 LAMP ASSY. (FRONT TURN INDICATOR OUTBOARD TYPE) — Cont'd</b>				
88/	LA-LTA900 -- w/o heated/lighted Western mirrors	(RH) ★ E8HZ 13368-A	(LH) E8HZ 13368-A	1
88/	LA-LTA900 -- w/heated/lighted Western mirrors	(RH) ★ E8HZ 13368-B	(LH) E8HZ 13368-B	1
88/	LS-LTS800/900 -- w/o aeromax pkg.	(RH) E8HZ 13368-C	(LH) E8HZ 13368-D	1
80/	LS-LTS800/900	(RH) D3HZ 13368-C	(LH) D3HZ 13368-D	1
83	L-LN-LNT-LT-LTL600/900 "Before 2/83"	(RH) ★ E2HZ 13368-C	(LH) ★ E2HZ 13368-D	1
		r/bE3HZ 13368-C(5/86)	r/bE3HZ 13368-D	
82/	L-LN-LNT-LT-LTL600/900 "From 2/83"	(RH) E3HZ 13368-C	(LH) E3HZ 13368-D	1
80/	B-F-FT600/800	33846-S8	(M-69)-nut (lamp to front fender or body)-1/2"-20	2
80/	C-CT600/900	34809-S8	(X-68)-lockwasher-1/2"	2
		44735-S8	(X-32)-washer-flat-1/2"	2or4
		★31497-S8	(U-254)-screw (lamp wire and clip 358350-S to dash panel)-No. 14-14 x 1/2"	1
		★358350-S	(GG-172)-clip	1
<b>13376 COVER (TURN SIGNAL SWITCH MOUNTING)</b>				
80	B-F600/800 -- fender mounted parking lamp "Before Ser. HJ0,001"	★ E0HZ 13376-A r/bE0HZ 13376-B	#E0HT 13377-AA	1
80/	B-F-FT600/800 -- fender mounted parking lamp "From Ser. HJ0,001"	E0HZ 13376-B	#E0HT 13376-AB	1
<b>13377 CLIP (TURN INDICATOR COVER)</b>				
80/	B-F-FT600/800	C7TZ 13377-A	#E3HT 13377-AA	1
80/	C-CT600/900			2
80/	CL-CLT900		Attach 14401 wire to strg. column	1
80/	B-F-FT600/800 -- fender mounted parking lamp	E0HZ 13377-A	#E0HT 13377-AA,AB	1

**13380 REFLECTOR ASSY.-Incl. attaching parts**



**1980/  
TRUCK SERIES 600/900**

YEAR	MODEL / RESTRICTIONS	LOCATION	TYPE	COLOR	REMARKS	QTY.	PART NUMBER
<b>13380 REFLECTOR ASSY. - Incl. attaching parts-Also refer to group 15A448-9</b>							
<b>Note: \$Must be used in states legally requiring Class "A" reflectors</b>							
80/86	L-LN-LNT-LT-LTS600/900	Front fender	4	Amber		2	\$C7TZ 13380-D
87/	L-LN-LNT-LT-LTS600/900	Front fender	8	Amber		2	D8HZ 13380-B
82/89	LL-LTL900 "Before 4/89"	Front fender		Amber	adhesive	12	E1HZ 13380-A
89	LL-LTL900 "From 4/89"	Front fender		Amber	adhesive	AR	E9HZ 13380-A
YEAR	MODEL/RESTRICTIONS	PART NUMBER	DESCRIPTION				QTY.
80/	C-CT600/900	★53866-S7-8	(U-169-A)-screw (reflector to windshield wiper motor access cover)				4
80/	CL-CLT900	385884-S45	(BB-637-XJ) Screw (attach reflector) No. 8-32 x 1" pan head				4
<b>13A398 SPACER (TURN INDICATOR SWITCH)</b>							
80/	CL-CLT900	C6TZ 13A398-A	Rubber				1
<b>13K401 PAD (PEDAL STOP)</b>							
86/	CF-CFT600/800	★ E6HZ 13K401-A r/bF2HZ 13K401-A					2
<b>13404-5 LAMP ASSY. (REAR)</b>							
80	C-CT600/900 "Before Ser. HG5,001"	(RH) ★ D3KZ 13404-A r/bD3KZ 13405-A(5/86)	(LH) D3KZ 13405-A	Square type-incl. back up lamp		1	
80	B-F600/800 "Before HJ0,001"					1	
86	CF600/700 -- w/24" mounting bracket	(RH) E6HZ 13404-A	(LH) E6HZ 13405-A			1	
87/	CF600/800	(RH) E7HZ 13404-A	(LH) E7HZ 13405-A			1	
86	CF600/800 -- w/20" mounting bracket	(RH) ★ E6HZ 13404-B	(LH) E7HZ 13405-A			1	
80	L-LN-LNT-LT-LTS600/900 -- 204",222" W/B	(RH) D8HZ 13405-B	(LH) D8HZ 13405-B			1	
80/	CL-CLT900	(RH) D9HZ 13404-B	(LH) D9HZ 13405-B			1	
80/	C-CT-L-LN-LNT-LT-LTL-LTS 600/900 "From Ser. HG5,001"					1	
80/	B-F-FT600/800 "From HJ0,001"					1	
<b>13406 BRACKET (REAR LICENSE PLATE)</b>							
80/	B-F-FT600/800	★ C7TZ 13406-A					1
80	C-CT600/900 "Before Ser. HG5,001"	r/bD8HZ 13406-A					1
80	L-LN-LNT-LT-LTS600/900 "Before Ser. HG5,001"						1
86	CF600/800	★ E6HZ 13406-A					1
87/	CF600/800 -- exc. T/T	E7HZ 13406-A					1
80/	CL-CLT900	D8HZ 13406-A					1
80/	C-CT-L-LN-LNT-LT-LTL-LTS 600/900 -- "From Ser. HG5,001"						1
<b>13A409 WIRING ASSY. (REAR LAMP CONNECTOR)-If not listed below improvise from bulk wiring (14296)</b>							
80/	B600/700 -- 198", 222", 260" W/B	C8TZ 13A409-E	#C8TB 13A409-E-66" long				1
80/	B600/700 -- 242" W/B	★ C8TZ 13A409-D r/bC8TZ 13A409-E	#C8TB 13A409-D-48" long				1
81/	B-F-FT600/800 (84)	E1HZ 13A409-A	#E1HT 13A409-AA, ED-E1HT 13A409				
80/	C700/900	D5HZ 13A409-B	#D5HB 13A409-BA				1
80/85	CL-CLT900 -- exc. Canada	D8HZ 13A409-E	#D7HT 13A409-AG-use with 52" beams and Hendrickson susp.				1
86/88	CL-CLT900	★ E6HZ 13A409-A r/bE9HZ 13A409-A	#E6HT 13A409-AA-use w/52" beams				
89	CL-CLT900	E9HZ 13A409-A	#E9HT 13A409-AA-use w/52" beams				1
80/85	CL-CLT900 -- exc. Canada	D8HZ 13A409-A	#D7HT 13A409-DD,DF-use with 60" beams and Hendrickson susp. - fold back and tape excess wire when necessary				1
86	CL-CLT900	E6HZ 13A409-B	#E6HT 13A409-BA-use w/60" beams				1
80/88	CL-CLT900 -- exc. Canada	D8HZ 13A409-B	#D7HT 13A409-BD,BF-use w/Reyco susp.				1
80/85	CL-CLT900 -- exc. Canada	★ D8HZ 13A409-C	#D7HT 13A409-CD,CF-use w/Neway Air susp.				1
86/88	CL-CLT900	E6HZ 13A409-C	#E6HT 13A409-CA-use w/Neway air suspension				1
80/87	CL-CLT900 -- Canada	D8HZ 13A409-A	#D7HT 13A409-DF,FC,FE,GC,GE,HC, HE-fold back and tape excess wire when necessary				1

1980/  
TRUCK SERIES 600/900

YEAR	MODEL/RESTRICTIONS	PART NUMBER	DESCRIPTION	QTY.
<b>13A409 WIRING ASSY. (REAR LAMP CONNECTOR)-If not listed below improvise from bulk wiring (14296) — Cont'd</b>				
80/	CT800/900	D5HZ 13A409-A	#D5HB 13A409-AA	1
80/87	CT800/900	C8HZ 13A409-A	#C8HB 13A409-A or F	1
80/87	F600 (81, 84) -- 134", 146", 158", 188", 194" W/B	C8TZ 13A409-C	#C8TB 13A409-C-40" long	1
80/87	F-FT700/800(81,84) -- 134" 146", 158", 188", 194", W/B			1
80/87	F-FT600/800(81,84) -- 212" W/B			1
80/87	F600/700 -- 260" W/B	C8TZ 13A409-E	#C8TB 13A409-E-66" long	1
80/87	F-FT600/800(81, 84) -- 176", 182" W/B	C8TZ 13A409-E	#C8TB 13A409-D-48" long	1
80/88	L-LN-LNT-LT-LTL-LTS600/900	E0HZ 13A409-A	#E0HT 13A409-JA-ED-E0HT 13A409-JA, E8HT 13A409-JA fold back and tape excess wire when necessary	1
80/	C-CT600/900	E0HZ 13A409-B	#E0HT 13A409-KA-fold back and tape excess wire when necessary	1
86/87	LN700 -- 166", 202", 220" W/B	E6HZ 13A409-D	#E6HT 13A409-DA-ED E6HT 13A409-DA	1
86/87	LN700 -- 124", 136", 148", 184", 250" W/B	E6HZ 13A409-E	#E6HT 13A409-EA-ED E6HT 13A409-EA	
86/87	LN700 -- 124", 136", 148", 184" W/B	E6HZ 13A409-F	#E6HT 13A409-FA-ED E6HT 13A409-FA	1
86/87	LN700 -- 166", 202", 220", 250" W/B	E6HZ 13A409-G	#E6HT 13A409-GA-ED E6HT 13A409-GA	1
88	L-LL-LN-LNT-LS-LTS800/900	E8HZ 13A409-A	#E8HT 13A409-DB-50" long-also used to service E8HT 13A409-CA,HB-fold back and tape excess wire when necessary	1
88	L-LL-LN-LNT-LS-LTS700/900	E8HZ 13A409-B	#E8HT 13A409-FB-75" long-also used to service E8HT 13A409-EC,KA-fold back and tape excess wire when necessary	1
88	L-LL-LN-LNT-LS-LTS800/900 -- w/Hendrickson susp.	E8HZ 13A409-C	#E8HT 13A409-MA-98" long-also used to service E8HT 13A409-LA-fold back and tape excess wire when necessary	1
88	L-LL-LN-LNT-LT-LS-LTS800/900 -- w/Neway air susp.	E8HZ 13A409-D	#E8HT 13A409-NA-65" long	1
80/	F600 -- w/dual rear lamps	★20387-S8	(B-157)-bolt (wiring and ground wire to R.H. or L.H. frame-side member)-5/16"-24 x 1"	1or2
80/	B-F600/700	★374311-S	Clip (wire to frame)	AR
80/	B-F600/700	★373829-S100	(GG-267)-clip (connector and wire assy. to rear frame cross member)	4or6
80/	CL-CLT900	★45338-S2	(M-89-P)-nut (wiring to side rail) -5/16"-18 lock	2
<b>13410 WIRE and SOCKET ASSY.</b>				
82/	B-F-FT600/800	E25Y 13410-B	#E25B 13A686-AA-service repair-for rear lamp sockets	AR
86/	CF600/800	E6HZ 13410-A	Inner	AR
86/	CF600/800	E6HZ 13410-B	Center	AR
86/	CF600/800	E6HZ 13410-C	Outer	AR
<b>13A410 Refer to group 13482</b>				
<b>13A411 WIRE ASSY. (STOP LAMP SWITCH)-If not listed below improvise from bulk wire (14296)</b>				
80/	B-F-FT600/800 -- w/hydraulic brakes	★ D2TZ 13A411-B Not replaced	#D2TB 13A411-BA	1
80/	C-CT700/900 -- with T/T	D2KZ 13A411-A	#D2KB 13A411-AA-use w/Berg switch	1
80/	F-FT700/800 -- with T/T	C8TZ 13A411-A	#C8TB 13A411-A-use w/Bendix Westinghouse switch	1
80/83	F-FT700/800 -- with T/T	★ D5TZ 13A411-A Not replaced	#D5TB 13A411-AA,AB	1
80/87	L-LN-LNT-LT-LTL-LTS600/900 -- with T/T	★ D0HZ 13A411-A r/bE8HZ 13A411-A	#D0HB 13A411-B or D	1
88	L-LA-LN-LNT-LS-LT-LTA-LTL-LTS700/900 -- with T/T	★ E8HZ 13A411-A r/bE9HZ 13A411-A		1
89	L-LA-LN-LNT-LS-LT-LTA-LTL-LTS700/900 -- with T/T	E9HZ 13A411-A		1

**1980/  
TRUCK SERIES 600/900**

YEAR	MODEL/RESTRICTIONS	PART NUMBER	DESCRIPTION	QTY.
<b>13A415 SHIELD (REAR LAMP)</b>				
80/	CL-CLT900	D8HZ 13A415-A		2
<b>13N416 SCREW (REAR LAMP-ATTACHING)</b>				
86/	CF600/700	E6HZ 13N416-A		02
<b>13420 PAD (REAR LAMP MOUNTING)</b>				
86/	CF600/700	E6HZ 13420-A		2
<b>13A427 WIRING ASSY. (STOP LAMP SWITCH JUMPER)-If not listed below improvise from bulk wiring (14296)</b>				
80/87	B-F-FT600/800	E6HZ 13A427-A	#ED-EOHT 13A427-AA	1
88/89	B-F-FT700/900	E8HZ 13A427-A	#E8HT 13A427-AA	1
<b>13433 BRACKET ASSY. (REAR LAMP TO FRAME)-Also refer to groups 13469-71</b>				
80/	B700 - - 260" W/B w/outboard mounted lamp on frame	FAA 13433-A	R.H. and L.H.	2
80/	F600/750 (84) - - 176" W/B		R.H. and L.H.	2
86/	CF600/800	E7HZ 13433-A	R.H. and L.H.	2
		20466-S8	(B-61)-bolt (bracket to R.H. or L.H. frame side side member-5/16"-18 x 1 1/2"	2or4
		★34392-S7-8	(M-93)-nut-5/16"-18	2or4
		★34956-S7-8	(X-82)-lockwasher-5/16"	2or4
<b>13434-5 HOUSING ASSY. (REAR LAMP)</b>				
86	CF600/800	(RH) E6HZ 13434-A	(LH) E6HZ 13435-A	1
87/	CF600/800	(RH) E7HZ 13434-A	(LH) E7HZ 13435-A	1
<b>13A435 RELAY ASSY. (TRAILER LIGHTING)-Also refer to group 14677</b>				
80/	L-LN-LNT-LT-LTL-LTS880/900 - - A/C and circuit breaker	C8TZ 13A435-A	#C8TB 13A435-A	1
80/	LN-LNT800 - - Detroit diesel with A/C and circuit breaker			1
<b>13437 REFLECTOR (REAR LAMP)</b>				
86/	CF600/700	E6HZ 13437-A		2
<b>13A439 BRACKET (STOP LAMP SWITCH MOUNTING)-Also refer to group 13A629</b>				
80/	L-LN-LNT-LT-LTL-LTS600/900 - - w/dual vacuum brakes	DOHZ 13A439-A		1
<b>13450-1 LENS (REAR LAMP)</b>				
80	B-F-FT600/800 "Before Ser. HJ0,001"	D7TZ 13450-A	R.H. and L.H.-red/clear-incl. attaching parts	2
80	C-CT600/900 "Before Ser. HG5,001"			2
80	L-LN-LNT-LT-LTS600/900 "Before Ser. HG5,001"			2
86/87	CF600/700 "Before 12/87"	(RH) E6HZ 13450-A	(LH) E6HZ 13450-B	1
87/	CF600/800 "From 12/87"	(RH) E7HZ 13450-A	(LH) E7HZ 13450-A	1
80/	CL-CLT900	D8HZ 13450-A	R.H. and L.H.	2
80/	C-CT600/900 "From Ser. HG5,001"			2
80/	B-F-FT600/800 "From Ser. HJ0,001"			2
80/	L-LN-LNT-LT-LTL-LTS600/900 "From Ser. HG5,001"			2
80/	B-F-FT600/800, C600/750	★372856-S100	(UU-79)-screw (lens and gasket to lamp body)- No. 8-32 x 3/4"	4
80/	C-CT800/900			4
80/	CL-CLT900	★387887-S	(UU-43-M) Screw (attach lens)- No. 8-18 x 1/2" fillister hd.	4
<b>13A455 WIRE ASSY. (REAR LAMP GROUND)-Improvise from bulk wiring (14296)</b>				
<b>13A459 SPACER (REAR LAMP LENS)-Improvise</b>				
<b>13461 GASKET (REAR LAMP LENS)</b>				
80	B-F600/800 "Before Ser. HJ0,001"	D3TZ 13461-B	Square type	2
80	C-CT600/900 "Before Ser. HG5,001"			2
80	L-LN-LNT-LT-LTS600/900 "Before Ser. HG5,001"			2
80/	CL-CLT900	D8HZ 13461-A		2
80/	C-CT600/900 "From Ser. HG5,001"			2
80/	B-F-FT600/800 "From Ser. HJ0,001"			2
80/	L-LN-LNT-LT-LTL-LTS600/900 "From Ser. HG5,001"			2

**1980/  
TRUCK SERIES 600/900**

**IDENTIFICATION CHART**

IND. NO.	BASE	C/PWR	PART NUMBER			IND. NO.	BASE	C/PWR	PART NUMBER		
			U.S.	CANADA					U.S.	CANADA	
<b>13465-6 BULB (MINIATURE)</b>											
37	Miniature wedge	.5	D4AZ	13466-A	*CLB-37	1141	Single	21	B8E	13465-A	*CLB-1141
						1156	Single	32	C3DZ	13466-A	*CLB-1156
67	Single	4	09B	13466-A	*CLB-67	1157	Double	32.3	C8TZ	13466-A	*CLB-1157
97	Single	4	C3AZ	13466-G	*CLB-97	1445 H/D	Single	1	D8TZ	13466-A	*CLB-1445
105	Single	12	D0AZ	13466-A	*CLB-105	1815	Single	1.4	D2TZ	13466-A	*CLB-1815
161	Wedge	1	C3AZ	13466-D	*CLB-161	1816	Single	2.6	B8AZ	13466-A	*CLB-1816
168	Single	3	C7SZ	13466-B	*CLB-168	1891	Single	1.9	B9SZ	13466-A	*CLB-1891
194	Wedge	2	C2AZ	13466-C	*CLB-194	1892	Wedge	1.3	B9MY	13466-A	*CLB-1892
211-2	Double	12	D1FZ	13466-B	*CLB-211-2	1893	Single	1.9	C1VY	13466-A	*CLB-1893
212-2	Double	6	D4MY	13466-A	*CLB-212-2	H2	Single		D9ZZ	13466-A	
561	Double	12	D1AZ	13466-A	*CLB-561	1895	Single	2	C4SZ	13466-B	*CLB-1895
912	Single	12	D7TZ	13466-A	*CLB-912						

**MINIATURE BULB APPLICATION CHART**

FUNCTION	YEAR	INDUSTRY NO.	U.S. ● PART NUMBER	FUNCTION	YEAR	INDUSTRY NO.	U.S. ● PART NUMBER
----------	------	--------------	--------------------	----------	------	--------------	--------------------

● For unique Canadian Motorcraft part numbers, refer to Identification Chart which precedes this Application Chart

<b>13465-6 BULB (MINIATURE)</b>				<b>C-CT600/900 (TILT CAB) — Cont'd</b>			
<b>B600/700 (MODEL 84)</b>				<b>C-CT600/900 (TILT CAB)</b>			
Anti-lock	80/	1445	D8TZ 13466-A	Instrument cluster			
Backup lamp	80/	1156	C3DZ 13466-A	-Fuel level indicator	80/	1895	C3AZ 13466-B
Clearance lamp-illumination	80/	1445	D8TZ 13466-A	-Heater control	80/	1815	D2TZ 13466-A
Clearance lamp	80/	97	C3AZ 13466-G	-Hi-beam	80/	1895	C3AZ 13466-B
Instrument cluster				-Hydraulic brake indicator	80/	1445	D8TZ 13466-A
-Brake	80/	1895	C3AZ 13466-B	-Low air pressure	80/	1445	D8TZ 13466-A
-Hi-beam	80/	1895	C3AZ 13466-B	-Low oil pressure	80/	1445	D8TZ 13466-A
-Odometer	80/	1895	C3AZ 13466-B	-Panel illumination	80/	1895	C3AZ 13466-B
-Panel illumination	80/	1895	C3AZ 13466-B	-Tachometer	80/	1895	C3AZ 13466-B
-Tachometer	80/	1895	C3AZ 13466-B	-Turn indicator	80/	1895	C3AZ 13466-B
-Turn indicator	80/	1895	C3AZ 13466-B	-Water temperature indicator	80/	1445	D8TZ 13466-A
-Vacuum or air	80/	1895	C3AZ 13466-B	-Vacuum or air	80/	1895	C3AZ 13466-B
Marker lamps				Marker lamps			
-Front side	80/	1895	C3AZ 13466-B		80/	168	C7SZ 13466-B
Parking lamp (front)	80/	1816	B8AZ 13466-A	Parking lamp & turn signal (front)			
Rear lamps	80/	1157	C8TZ 13466-A	-California	80/	1156	C3DZ 13466-A
Turn signal (front)	80/	1156	C3DZ 13466-A	-exc. Calif.	80/	1157	C8TZ 13466-A
Voltmeter lamp	80/	1895	C3AZ 13466-B	Power divider diff. lockout indicator lamp	80/	1445	D8TZ 13466-A
<b>C-CT600/900 (TILT CAB)</b>				Radio			
Anti-lock	80/	1445	D8TZ 13466-A	-Dial illumination	80/	1895	C3AZ 13466-B
Backup lamp	80/	1156	C3DZ 13466-A	Rear lamp	80/	1157	C8TZ 13466-A
Cigar lighter lamp	80/	1445	D8TZ 13466-A	Transmission retarder oil temp. indicator lamp	80/	1445	D8TZ 13466-A
Clearance lamp & wiper switch illumination	80/	1892	B9MY 13466-A				
Dome lamp	80/	105	D0AZ 13466-A				

1980/  
TRUCK SERIES 600/900

**MINIATURE BULB APPLICATION CHART**

FUNCTION	YEAR	INDUSTRY NO.	U.S. ● PART NUMBER	FUNCTION	YEAR	INDUSTRY NO.	U.S. ● PART NUMBER
----------	------	--------------	-----------------------	----------	------	--------------	-----------------------

● For unique Canadian Motorcraft part numbers, refer to Identification Chart  
which precedes this Application Chart

13465 BULB (MINIATURE)				CL-CLT900 (HIGHWAY TRUCK) — Cont'd			
CF600/800 (CARGO)				F600/800 (MODEL 81,84)			
Cigar lighter	86/		D2RY 13466-H	Rear lamps	80/	1157	C8TZ 13466-A
Clearance roof	86/		D3RY 13466-B	(license, stop, turn)			
Courtesy lamp	86/		E6HZ 13466-A	Sleeper-cargo	80/	211-2	D1FZ 13466-B
Front turn signal	86/		E6HZ 13466-B	Storage compartment	80/	105	D0AZ 13466-A
	88		E6HZ 13466-F	Utility lamp			
Rear lamp	86/		E6HZ 13466-F	trailer hook-up	80/	573	D9HZ 13466-A
Rear lamp	86/		E6HZ 13466-G				
	86/		D3RY 13466-B	Anti-lock	80/	1445	D8TZ 13466-A
Instrument panel	86/87		E6HZ 13466-K	Backup lamp	80/	1156	C3DZ 13466-A
Instrument panel	88/		E6HZ 13466-J	Clearance lamp &	80/	1892	B9MY 13466-A
Instrument panel	86/		D3RY 13466-B	wiper switch illumination			
CL-CLT900 (HIGHWAY TRUCK)				Dome lamp	80/88	561	D1AZ 13466-A
Backup lamps	80/	1156	C3DZ 13466-A		89	912	D7TZ 13466-A
Courtesy lamp (door)	80/	212-2	D4MY 13466-A	Engine compartment	89	906	D8BZ 13466-A
Dome lamp				Instrument Cluster			
-cab	80/	105	D0AZ 13466-A	Alternator	80/	194	C2AZ 13466-C
-sleeper	80/	105	D0AZ 13466-A	-Brake	80/	194	C2AZ 13466-C
Instrument panel				-Heater control	80/	1895	C3AZ 13466-B
-A/C control	80/	1445	D8TZ 13466-A	-Hi-beam	80/	1895	C3AZ 13466-B
-air pressure indicator	80/	194	C2AZ 13466-C	-Odometer	80/	1895	C3AZ 13466-B
-charge indicator	80/	194	C2AZ 13466-C	Oil-low pressure	80/	194	C2AZ 13466-C
-cigar lighter	80/	1445	D8TZ 13466-A	-Panel illumination	80/	1895	C3AZ 13466-B
-clock illumination	80/	194	C2AZ 13466-C	-Tachometer	80/	1895	C3AZ 13466-B
-diff. lockout	80/	194	C2AZ 13466-C	-Turn indicator	80/	1895	C3AZ 13466-B
-engine stop	80/	1815	D2TZ 13466-A	-Vacuum or air	80/	1895	C3AZ 13466-B
-fuel level indicator	80/	194	C2AZ 13466-C	Marker lamps			
-head lamp (name)	80/	194	C2AZ 13466-C	-Front side	80/88	1895	C3AZ 13466-B
-heater control	80/	1445	D8TZ 13466-A		89	194	C2AZ 13466-C
-hi-beam	80/	194	C2AZ 13466-C	-Roof	80/88	97	C3AZ 13466-G
-low air pressure	80/	194	C2AZ 13466-C		89	194	C2AZ 13466-C
-low oil pressure	80/	194	C2AZ 13466-C	Parking lamp (front)	80/88	1816	B8AZ 13466-A
-odometer/speedometer	80/	194	C2AZ 13466-C		89	1157	C8TZ 13466-A
-oil pressure indicator	80/	194	C2AZ 13466-C	Radio			
-oil temp. indicator	80/	194	C2AZ 13466-C	-Dial illumination	80/	1893	C1VY 13466-A
-tachometer	80/	194	C2AZ 13466-C	Rear lamps	80/	1157	C8TZ 13466-A
-water temp. indicator	80/	194	C2AZ 13466-C	Turn signal (front)	80/	1156	C3DZ 13466-A
-wipe/wash illumination	80/	194	C2AZ 13466-C	L-LN-LNT-LT-LTL-LTS600/900 (L-SERIES)			
Luggage compartment	80/	1141	B8E 13465-A	Anti-lock	80/	1892	B9MY 13466-A
Marker lamps				Auxiliary engine stop	80/	1445	D8TZ 13466-A
-roof	80/	97	C3AZ 13466-G	Backup lamp	80/	1156	C3DZ 13466-A
-roof (torpedo)	80/	67	09B 13466-A	Cigar lighter lamp	80/	1445	D8TZ 13466-A
-side	80/	1895	C3AZ 13466-B	Clearance lamp, fuel tank &	80/	1892	B9MY 13466-A
Parking lamp & turn	80/	1157	C8TZ 13466-A	primer switch illumination			
signal (front)				Dome lamp	80/	105	D0AZ 13466-A
Radio				Engine stop	80/	1445	D8TZ 13466-A
AM	80/	1893	C1VY 13466-A				
AM/tape	80/	1893	C1VY 13466-A				
AM/FM/MPX	80/	1893	C1VY 13466-A				
AM/FM/MPX/tape	80/	37	D4AZ 13466-A				
stereo light	80/	1983	C1VY 13466-A				

1980/  
TRUCK SERIES 600/900

**MINIATURE BULB APPLICATION CHART**

FUNCTION	YEAR	INDUSTRY NO.	U.S. ● PART NUMBER	FUNCTION	YEAR	INDUSTRY NO.	U.S. ● PART NUMBER
----------	------	--------------	--------------------	----------	------	--------------	--------------------

● For unique Canadian Motorcraft part numbers, refer to Identification Chart which precedes this Application Chart

**3465 BULB (MINATURE)**

L-LN-LNT-LT-LTL-LTS600/900 (L-Series) — Cont'd	L-LN-LNT-LT-LTL-LTS600/900 (L-Series) — Cont'd
Instrument cluster	-Trans. retard. 80/ 1891 B9SZ 13466-A
-Charge indicator 80/ 1895 C3AZ 13466-B	-Water temp. 80/ 1895 C3AZ 13466-B
-Fuel level indicator 80/ 1895 C3AZ 13466-B	-Vacuum or air 80/ 1895 C3AZ 13466-B
-Heater control 80/ 1445 D8TZ 13466-A	Marker lamps
-Hi-beam 80/ 1445 D8TZ 13466-A	-Front side 80/ 1895 C3AZ 13466-B
-Low oil pressure lamp 80/ 1891 B9SZ 13466-A	-Roof 80/ 97 C3AZ 13466-G
-Panel illumination 80/ 1892 B9MY 13466-A	Parking lamp & turn signal (front)
-Odometer 80/ 1895 C3AZ 13466-B	-California 80/ 1156 C3DZ 13466-A
-Tachometer 80/ 1895 C3AZ 13466-B	-exc. Calif. 80/ 1157 C8TZ 13466-A
-Warning lamps	PRNDL lamp 80/ 1445 D8TZ 13466-A
-A/C 80/ 1891 B9SZ 13466-A	Radio
-Brakes 80/ 1892 B9MY 13466-A	-Dial illumination 80/ 1891 B9SZ 13466-A
-Diff. lockout 80/86 1891 B9SZ 13466-A	Road & fog 80/ H-2 D9ZZ 13466-A
-Diff. lockout 87/ 37 D4AZ 13466-A	Rear lamps 80/ 1157 C8TZ 13466-A
-Low vacuum 80/ 1891 B9SZ 13466-A	Wiper switch-illumination 80/ 1892 B9MY 13466-A
-Oil 80/ 1891 B9SZ 13466-A	
-Oil temp. 80/ 1895 C3AZ 13466-B	

YEAR	MODEL/RESTRICTIONS	PART NUMBER	DESCRIPTION	QTY.
<b>13469-71 BRACKET (REAR LAMP)—Also refer to group 13433</b>				
80/	B600/700 -- w/outboard mounted lamp on frame	D0HZ 13469-A	R.H. and L.H.—use w/spare tire carrier	2
80/	F-FT600/800 (81) -- w/outboard mounted lamp on frame		R.H. and L.H.	2
80/	F-FT600/800 (84) -- 134", 146", 158", 182", 188", 194", 212" W/B w/outboard mounted lamp on frame		R.H. and L.H.	2
80/	B-F-FT600/800 -- non unitized tractor package	E0TZ 13470-A	R.H. & L.H.	2
80/	L-LT-LTL-LTS900 -- w/Reyco suspension "From Ser. HG5,001"		R.H. & L.H.	2
89	LT-LNT-LTS900 -- Hendrickson suspension		R.H. & L.H.	2
80/	B-F-FT600/800 -- unitized tractor package	E0TZ 13470-B	R.H. & L.H.	2
80/	C-CT600/900 -- exc. w/Reyco suspension w/outboard mounted lamp on frame		R.H. & L.H.	2
80/	L-LN-LNT-LT-LTL-LTS600/900 -- exc. Reyco suspension w/outboard mounted lamp on frame		R.H. & L.H.	2
86/87	CF600/700 "Before 12/87"	★ E6HZ 13470-A	R.H. & L.H.	2
87/	CF600/800 "From 12/87"	E7HZ 13470-A	R.H. & L.H.	2
80/	LNT-LT-LTL800/900 -- Reyco suspension-w/inboard mounted lamps on frame	D3XZ 13470-A	R.H. and L.H.	2
80/	B600/700 -- w/inboard mounted lamp on frame	(RH) D0TZ 13470-A	(LH) D0TZ 13471-A	1
80	C-CT600/900 -- w/inboard mounted lamp on frame "Before Ser. HG5,001"			1
80/	F600/700 (81) -- w/inboard mounted lamp on frame			1
80/	F600/700 (84) -- 134", 146", 158", 182", 188", 194", 212" W/B w/inboard mounted lamp on frame			1



**1980/  
TRUCK SERIES 600/900**

YEAR	MODEL/RESTRICTIONS	PART NUMBER	DESCRIPTION	QTY.
<b>13469-71 BRACKET (REAR LAMP)-Also refer to group 13433 -- Cont'd</b>				
80	L-LN-LNT-LT-LTS600/900 -- exc. w/Reyco suspension- w/inboard mounted lamps on frame "Before Ser. HG5,001"	(RH) DOTZ 13470-A	(LH) DOTZ 13471-A	1
80/ 80/ 80/	CL-CLT900 C-CT600/900 -- w/inboard mounted lamp on frame "From Ser. HG5,001" L-LN-LNT-LT-LTL-LTS600/900 "From Ser. HG5,001"	D8HZ 13469-A		1 1 1
80/83	LNT-LT800/900 -- Reyco suspension- w/outboard mounted lamps on frame	(RH) ★ C1TZ 13469-A	(LH) ★ C1TZ 13471-A Channel iron-approx.	2
		★20453-S7-8	(B-200)-bolt (brkt. to frame side)-1/2"-20 x 1 3/8"	2
		33846-S8	(M-69)-nut-1/2"-20	2
		★374223-S7-8	(XX-348-B)-washer flat-5/8"	2
80/	CL-CLT900	D8HZ 13469-A	R.H. and L.H.	2
<b>13480 SWITCH ASSY. (STOP LIGHT)</b>				
80/	All -- air brakes with T/T		Refer to group 2575	1
87	CF600/800 -- w/air brakes			1
80/81	CL-CLT900	★ D8HZ 13480-A	#ED-D8HT 13480-AA, D9HT 13480-AA E0HT 13480-AA-does not have tie wrap	1
80/	All -- w/air brakes	D8HZ 13480-B	*SW-1606-A-#ED-E0HT 13480-AA, E1HT 13480-AA, E3HT 13480-A1A,A2A-w/tie wrap	1
80/87	C-CT600/900 -- dual hydraulic brakes	D1TZ 13480-A	*SW-1027-#C8TB 13480-A, D1TB 13480-AA or D2TB 13480-AA	1 1
86/	CF600/700	E6HZ 13480-A		1
86/	CF600/800	★ E6HZ 13480-B r/bF1HZ 13480-A	1/4"-18-2 9/32" high-(2) prong	1
80/	L-LN-LNT-LT-LTL-LTS600/900 -- hydraulic brakes	D2TZ 13480-B	*SW-691-A-#D3TB 13480-AA, D2TB 13480-BA, D7TB 13480-AA,BA	1
80/	B-F600/800 -- w/hydraulic brakes			1
80/	C-CT600/900 -- w/single hydraulic brakes			1
80/	C-CT600/900 -- air brakes	D2TZ 13480-A	*SW-1066-#CBTA 13A631-A,D0HA 13A631-A, D2TA 13A631-AA, E3HT 13A631-AA-tractor trailer stop lamp switch-low pressure operated At 2951 valve-located on brake pedal	1 1 1 1
80/	F600(81) -- Diesel w/air brakes			1
80/	F-FT700/800 -- air brakes			1
80/	CL-CLT-LTL900			1
88/	CF-CFT600/800			1
80/	CT800/900 -- 2 speed axle w/air shift	C8HZ 13480-A	*SW-753-#C8HA 13480-A or B, D0HA 13480-A or B	1
80/	LNT-LT-LTL-LTS800/900 -- 2 speed w/air shift			1
80/	C-CT600/900	★376794-S	Elbow (switch to tee) 1/4" street-Bendix Westinghouse No. 202915	1
80/	C-F600/900 -- air brakes	★354338-S	(II-37)-nipple (switch to air protector valve)- 1/8" std.	1
80/	CL-CLT900	★352524-S	(II-72-A) Adapter	1
<b>13481 BOOT (TRAILER STOP LAMP SWITCH)</b>				
80/	C-CT700/900 -- air brakes	D2TZ 13481-A	Used w/Berg stop lamp switch	1
80/	L-LN-LNT-LT-LTL-LTS700/900 -- air brakes			1
80/	F700/800 -- with T/T			1
<b>13482 RELAY ASSY. (STOP LAMP)</b>				
80/	C600/900 -- hydraulic brakes	★ C8HZ 13482-B	#C8HB 13A410-B	1
80/	C600/900 -- hydraulic brakes	★31497-S8	(U-254)-screw (relay to L.H. front fender apron). No. 14-14 x 1/2"	2

**1980/  
TRUCK SERIES 600/900**

YEAR	MODEL/RESTRICTIONS	PART NUMBER	DESCRIPTION	QTY.
<b>13484 BRACKET ASSY. (TRAILER LAMP PLUG HANGER)</b>				
80/	C-CL-CLT-CT700/900	C6TZ 13484-A	#Plastic-w/o unitized tractor package	1
80/	B-F700/800			1
80/	L-LN-LNT-LT-LTL-LTS800/900			1
80/	CL-CLT900 - - w/unitized tractor package	D9HZ 13484-A		1
80/	L-LN-LNT-LT-LTL-LTS800/900 - - w/unitized tractor package	D9HZ 13484-B		1
		★50992-S2	(U-154)-screw and washer (bracket to back panel)- 1/4"-20 x 1/2"	2
		33795-S7	(M-49)-nut-1/4"-20	2
		★44720-S8	(X-18)-washer flat-1/4"	2
<b>13492 COVER (REAR LAMP HOUSING ACCESS)</b>				
80/	CL-CLT900	D8HZ 13492-A		2
80/	C-CT-L-LN-LNT-LT-LTL-LTS-600/900			2
<b>13496 BRACKET (TRAILER LAMP PLUG MOUNTING)-If not listed below improvise</b>				
80/	CL-CLT900	★D8HZ 13A496-A Not replaced		1
<b>13A506 RETAINER (REAR LAMP WIRE)</b>				
80/	All	C7AZ 13A506-B	1 7/16" long curved plate with (2) 1/8" holes & 7/16" long prongs	AR
80/	CL-CLT900	C8TZ 13A506-A	1 7/16" long curved plate with (2) 1/8" holes & 9/16" long prongs	2
87/	CF-CFT600/800	E2VZ 13A506-A		2
<b>13564 LENS (REAR LICENSE PLATE LAMP)</b>				
80/	B-F-FT600/800	C7TZ 13564-A		1
80/	C-CT600/900			1
80/	L-LN-LNT-LT-LTL-LTS600/900			1
80/	All	52336-S13	(U-288)-screw (lens and gasket to lamp body)- No. 6-18 x 3/8"	2
<b>13566 DOOR (REAR LICENSE PLATE LAMP)</b>				
80/	B-F-FT600/800	C7TZ 13566-A	Square type-4 1/2" x 1 1/2"	1
80/	C-CT600/900			1
80/	L-LN-LNT-LT-LTL-LTS600/900			1
<b>13568 GASKET (REAR LICENSE PLATE LAMP)</b>				
80/	B-F-FT600/800	C7TZ 13568-A		1
80/	C-CT600/900			1
80/	L-LN-LNT-LT-LTL-LTS600/900			1
<b>13A576 WIRING ASSY. (TRACTOR TRAILER LAMP FEED)</b>				
80/	L-LN-LNT-LT-LTL-LTS700/900 - - w/line haul instrument panel	D1HZ 13A576-A		1
80/	CL-CLT900	D9HZ 13A576-A	#D8HT 13A576-AA	1
<b>13A612 WIRE ASSY. (STOP LAMP SWITCH RELAY)-If not listed below improvise from bulk wiring (14296)</b>				
80/	L-LN-LNT-LT-LTL-LTS600/900 - - hydraulic brakes	D0HZ 13A612-A	#DOHB 13A612-C	1
<b>13621 SOCKET and WIRING ASSY. (INSTRUMENT PANEL LAMP)-Also refer to groups 13711, 13A719</b>				
80/	CL-CLT900	D8HZ 13621-A	#D7HT 13621-AA-from 14401 wire to digital clock illumination lamp	1
82/83	B600/700 (84)	D8HZ 13621-B	#C6MB 13621-A, E8HT 13621-AA	1
89	B-F600/900(84)			1
89	L-LA-LL-LN-LNT-LT-LTA-LTL-LTS800/900 - - w/fleet or full instrument cluster			1
<b>13A629 RETAINER (STOP LAMP SWITCH)-Also refer to group 13A439</b>				
80/	B-F600/700 - - w/hydraulic brakes	C8TZ 13A629-A		1
80/	C-CT600/800 - - w/hydraulic brakes			1
80/	L-LN-LNT-LT-LTL-LTS600/900 - - hydraulic brakes			1
80/	C600/900 - - w/hydraulic brakes			1
<b>13A631 Refer to group 13480</b>				

1980/  
TRUCK SERIES 600/900

YEAR	MODEL/RESTRICTIONS	PART NUMBER	DESCRIPTION	QTY.
<b>13655 BRACKET (HEADLAMP DIMMER CONTROL MOUNTING)</b>				
80/	L-LN-LNT-LT-LTL-LTS600/900	D3HZ 13655-A		1
<b>13660 LAMP ASSY. (HEAD LAMP DIMMER CONTROL)</b>				
80/81	L-LN-LNT-LT-LTL-LTS800/900	★ D5HZ 13660-A r/bE2HZ 13660-A	#D5HB 13660-AA-blue	1
82/	L-LN-LNT-LT-LTL-LTS800/900	E2HZ 13660-A	#E2HT 13660-AA-#Blue	1
<b>13A705 WIRING ASSY. (INDICATOR LAMP)</b>				
80/	CL-CLT900 -- Det. 8V- 71TA,92TA diesel	D8HZ 13A705-A	#D7HT 13A705-AA	1
<b>13A706 GASKET (DOME LAMP)</b>				
80/	C-CT600/900 -- w/o sleeper	COTF 13A706-A	Rubber	1
<b>13A709 WIRING ASSY. (INTERIOR LAMP)-- If not listed improvise</b>				
80/	CL-CLT900 -- Sleeper Cab	D9HZ 13A709-E	#D8HT 14334-AB-connector to L.H. sleeper reading lamp. R.H. & L.H. storage compt. lamp to storage compt. lamp sw. & marker lamp wire	1
80/	CL-CLT900 -- Sleeper Cab	D8HZ 13A709-B	#D7HT 14334-CC-connects to R.H. & L.H. sleeper dome lamp,R.H. sleeper reading lamp & marker lamp wire	1
80/	CL-CLT900 -- Sleeper Cab	D8HZ 13A709-C	#D7HT 11648-AA,AB-at L.H. sleeper compt control panel-connects to L.H. sleeper reading lamp & switch & D8HZ 13A709-A wire-incl. D8HZ 13752-A switch	1
80/	CL-CLT900 -- Sleeper Cab	D8HZ 13A709-D	#D7HT 11648-BA,BB-at R.H. sleeper compt control panel-connects R.H. sleeper reading lamp & switch,cigar lighter & D8HZ 13A709-B wire-incl. D8HZ 13752-A switch	1
80/	B-F-FT600/900	E0TZ 13A709-A	#E0TB 14334-AA,AB	1
80/	CL-CLT900	★388025-S	(KK-93-C) Grommet (in roof side rail-to protect wires)-wire	1
<b>13711 SOCKET ASSY. (INSTRUMENT PANEL LAMP)-Also refer to group 13621</b>				
80/	B600/700,C-CT600/900	C7AZ 13711-A		AR
80/	B-F600/700	C80Z 13711-B		AR
80/	C-CT600/900			AR
80/	L-LN-LNT-LT-LTL-LTS600/900		Use w/gauges	AR
80/85	CL-CLT 900		(8) Inst. panel main module, (4) Inst Panel R.H. module-for gauge illumination and switch nomenclature illumination	12
85/	CL-CLT900	D8HZ 13711-A		
86/	CF600/800	E6HZ 13711-A	Use w/instrument panel, roof & side marker lights	AR
86/	CF600/800	E6HZ 13711-B	Use w/instrument panel lights	AR
86/	CF600/800	E6HZ 13711-C	Use w/warning indicator lamp	AR
80/	L-LN-LNT-LT-LTL-LTS600/900	C7SZ 13711-C	Use w/warning indicator lights	AR
87/	L-LL-LS-LT-LTS800/900	E7HZ 13711-A	Use to illuminate oil pressure, water temp, shut down system	AR
87/	LN-LNT600/900		& engine warning system	1
87/	B-F600/700(84)			
<b>13B711 WIRE ASSY. (COURTESY LAMP)-Unless listed improvise from bulk wiring (14296)</b>				
80/	CL-CLT900	D8HZ 13B711-A	#D7HT 13B711-AA-use on vehicles without heated or lighted mirror	AR
80/	CL-CLT900	D8HZ 13B711-B	#D7HT 13B711-BA-use w/lighted mirror	2
80/	CL-CLT900	D8HZ 13B711-C	#D7HT 13B711-CA-use w/heated mirror	2
80/	CL-CLT900	D8HZ 13B711-D	#D7HT 13B711-DA-used on L.H. door (courtesy light)	1
80/	CL-CLT900	382987-S	(YY-4-G)Strap (wire to LH door)-nylon	10
80/	CL-CLT900	★ 31061-S8	(U-50)Screw (strap to LH door)-No. 8-32 x 1/2"	10
80/	CL-CLT900	★ 34052-S7	(M-155)Nut (strap to LH door)-No.8-32	10
<b>13B712 WIRE ASSY. (COURTESY LAMP FEED)-Improvise from bulk wiring (14296)</b>				
<b>13713 SWITCH ASSY. (COURTESY LAMP)</b>				
86/	CF600/800	E6RY 13713-A		1
80/83	L-LN-LNT-LT-LTL-LTS600/900 "Before 2/83"	C80Z 13713-A	*SW-659	1

1980/  
TRUCK SERIES 600/900

YEAR	MODEL/RESTRICTIONS	PART NUMBER	DESCRIPTION	QTY.
<b>13713 SWITCH ASSY. (COURTESY LAMP) — Cont'd</b>				
83/	L-LN-LNT-LT-LTL-LTS600/900 "From 2/83"	E3HZ 13713-A	*SW-1905-#E3HT 13A772-AA	1
80/86	F-FT600/800(81)	E3SZ 13713-A	*SW-1782	1
80/86	CL-CLT900		R.H. & L.H. cab doors	2
87	F-FT600/900(81)	★ E6DZ 13713-A	*SW-2003-R.H. & L.H. cab doors	1
87	CL-CLT900	r/bE8DZ 13713-A		
80/	CL-CLT 900	D8HZ 13713-A	*SW-1508-for sleeper stowage compartment lamps-incl. cemented seal	2
<b>13K713 KNOB ASSY. (RHEOSTAT-INSTRUMENT CLUSTER LAMP)</b>				
86/	CF600/700	★ E6HZ 13K713-A	#E5HT 13W703-AA	1
84/	L-LN-LNT-LT-LTL-LTS 800/900 -- w/fleet instrument panel	E4HZ 13K713-A	"Panel dimmer"	1
80/	L-LN-LNT-LT-LTL-LTS800/900 -- w/ line haul instrument panel	D3HZ 13K713-A		1
80/	CL-CLT900	D8HZ 13K713-A	Use w/dimmer switch	1
<b>13C714 PLATE (COVER)</b>				
80/	CL-CLT900	D8HZ 13C714-A	#D7HT 13C714-AD-plastic-2 7/16" x 4 11/16"-to cover unused holes in sleeper control panels	AR
80/	CL-CLT 900	★ 376362-S101	(UU-56-C) Screw (plate to body panel) No. 8-18 x 3/4" oval head	AR
<b>13A718 WIRE ASSY. (INTERIOR LAMP FEED JUMPER)-If not listed below improvise from bulk wiring (14296)</b>				
80/	F-FT600/800	★ E0HZ 13A718-A r/bF2HZ 13A718-A	#E0HT 13A718-AB,AC-67" long	1
<b>13A719 WIRE ASSY. (INTERIOR LAMP FEED)</b>				
80/	F-FT600/800 -- Conventional Cab-Hydra-Max warning system	★ D3AZ 13A719-A r/bE2HZ 13A719-A	#D3AB 13B743-BA-67" long	1
80/	CL-CLT900 -- Sleeper Cab	D5SZ 13A719-A	#D5SB 14K041-AA-sleeper compt. reading lamps	2
<b>13A719 SOCKET &amp; WIRING ASSY. (INSTRUMENT PANEL LAMP)-if not listed below improvise</b>				
80/	L-LN-LNT-LT-LTL900 -- 6 cyl. 426,552 and 8 cyl. 568 Detroit diesel	D4HZ 13A719-A	#D3HB 13B743-AA	1
82/	B-F-FT600/800 -- Det. 990 diesel-8 cyl. 501	E2HZ 13A719-A	#E0HT 13B743-AA-used for low coolant level warning system	1
87/	B-F600/900	E7HZ 13A719-A	#E7HT 13B743-AA	1
87/	L-LN800/900			1
<b>13A724 WIRE ASSY. (COURTESY LAMP)-Improvise from bulk wiring (14296)</b>				
<b>13K724 SWITCH ASSY. (AUXILIARY EXHAUST BRAKE)</b>				
86/	CF600/700	E6HZ 13K724-B		1
<b>13K726 WIRE ASSY. (EXTENSION-INSTRUMENT PANEL LAMP)</b>				
86/	CF600/800	★ E6HZ 13K726-A	#E5HT 13K726-AA	1
<b>13K732 PLUG (SWITCH HOLE BLANK)</b>				
86/	CF600/700	E6HZ 13K732-B		1
86/	CF600/800	E6HZ 13K732-D	Used to cover switch hole when unit does not have exhaust brake or rear axle electric shift options	1
<b>13734 LENS (COURTESY LIGHT)</b>				
80/	CL-CLT900	D2AZ 13734-A		1
<b>13740 SWITCH ASSY. (INSTRUMENT PANEL LAMP)</b>				
86/	CF600/700	E6HZ 13740-B	Includes rheostat	1
80/87	L-LN-LNT-LT-LTL-LTS800/900 -- w/ line haul & fleet instrument panels	D3HZ 13740-A	#D3HB 13740-AA	1
87/	L-LN-LNT-LL-LTL-LS-LTS800/900	E7HZ 13740-A	#E7HT 13740-AA	1
78/84	CL-CLT900	D8HZ 13740-B	Use on units with on/off switch on dome lamp assy.	1
80/	CL-CLT900	D8HZ 13740-A	#D7HT 13740-AA	1
<b>13A743 WIRE ASSY. (DOME LAMP GROUND)-Improvise from bulk wiring (14296)</b>				
<b>13B743 Refer to group 13A719</b>				
<b>13752 SWITCH ASSY. (INTERIOR LAMP)</b>				
80/	CL-CLT900 -- Sleeper cab	D8HZ 13752-D	Use for R.H. and L.H. sleeper cab reading lamps- incl. black paint near toggle	2
80/	CL-CLT900	D8HZ 13752-B	For sleeper compartment dome lamp	1
80/	CL-CLT900	D8HZ 13752-C	For cab dome lamp on passenger's side	1

1980/  
TRUCK SERIES 600/900

YEAR	MODEL/RESTRICTIONS	PART NUMBER	DESCRIPTION	QTY.
<b>13K752 RHEOSTAT ASSY. (INSTRUMENT CLUSTER ILLUMINATION)</b>				
86/	CF600/700	E6HZ 13K752-A		1
<b>13K753 SWITCH ASSY. (ROOF SIGNAL)</b>				
86	CF600/700	★ E6HZ 13K753-A r/bE7HZ 13K753-A		1
87/	CF600/800	E7HZ 13K753-A		1
<b>13A756 LAMP ASSY. (LUGGAGE COMPARTMENT)</b>				
80/	CL-CLT900 -- Sleeper Cab	D8HZ 13A756-A		2
<b>13B756 Refer to group 13763</b>				
<b>13B757 SHIELD ASSY. (WARNING INDICATOR LAMP LIGHTING)</b>				
80/	F-FT600/800	★ E0TZ 13B757-A	#E0TB 13B757-AA-E6TB 13B757-AA	1
<b>13A759 BOOT (COURTESY LAMP SWITCH)</b>				
80/	L-LN-LNT-LT-LTL-LTS600/900	C2VY 13A759-A		1
<b>13763 BRACKET (READING LAMP)</b>				
80/	CL-CLT900 -- Sleeper Cab	D8HZ 13763-A	Use w/Hi Level trim	2
<b>13763 BRACKET (COURTESY LAMP)</b>				
80/	CL-CLT900	D8HZ 13763-B	On doors--for courtesy lp switches	2
80/	CL-CLT900	D8HZ 13B756-A	On cab door frames--for courtesy lp switches	2
<b>13B766 RETAINER (INSTRUMENT PANEL LAMP SOCKET)</b>				
85/	F-FT600/900	E8TZ 13B766-A	Attaches LH side of instrument panel	1
<b>13A771 SEAL (INSTRUMENT LAMP BODY)</b>				
80/	CL-CLT900	D8HZ 13A771-B		12
<b>13776 LAMP ASSY. (INTERIOR)</b>				
86/	CF600/700	E6HZ 13776-B		1
80/	CL-CLT900	D8HZ 13776-D	Located on cab doors (courtesy light)	2
80/	CL-CLT900	D8HZ 13776-E	Cab dome lamp -- driver's side	1
80/	CL-CLT900	D8HZ 13776-E	Located on passenger side-- includes paddle type handle	1
80/	CL-CLT900 -- Sleeper Cab	D8HZ 13776-C	Sleeper compt. dome lamp	2
80/	CL-CLT900 -- Sleeper Cab	D5SZ 13776-A	Sleeper compt. reading lamps--rectangular	2
80/	CL-CLT900	E0TZ 13776-C	#E0TB 13776-DA	1
80/87	F600/800			1
88/	F600/800 -- exc. alligator hood			1
88/	F600/800 -- w/alligator hood	E1TZ 13776-A		1
88/	L-LA-LL-LN-LNT-LS-LT-LTA-LTL- LTS700/900 -- with std. trim			1
88/	L-LA-LL-LN-LNT-LS-LT-LTA-LTL- LTS700/900 -- with Hi level trim	E0TZ 13776-E		1
<b>13C780 SWITCH ASSY. (DOME AND TRAILER LAMP CONTROL)</b>				
87/	L-LN-LL-LS-LNT-LTL-LTS800/900	E7HZ 13C780-A	#E7HT 13C780-AA	1
<b>13783 LENS (DOME LAMP)</b>				
80/	C-CT600/900	B8S 13783-B		1
80/	F-FT600/800	★ E0TZ 13783-A r/bD9AZ 13783-C		1
80/	L-LN-LNT-LT-LTL-LTS600/900 -- with std. trim	C4TZ 13783-A	Incl. attaching parts	1
88/	L-LA-LL-LN-LNT-LS-LT-LTA- LTL-LTS700/900 -- with Hi Level trim	D2LY 13783-E		1
80/	CL-CLT900 -- Sleeper Cab	E0LY 13783-A	Sleeper compt. reading lamps--rectangular	2
80/	CL-CLT900	D8HZ 13783-A	5 1/8" dia.--used for cab dome lamps, sleeper dome lamps & stowage compt. lamps	AR
80/	C-CT600/900 -- w/o sleeper	★357033-S32	(MM-250)--nut--spring "U" type	2
80/	C-CT600/900 -- w/sleeper	★374611-S100	(UU-82-M)--screw (lens, body and gasket to roof trim panel)--No. 10-12 x 1"	2
80/	C-CT600/900 -- w/sleeper	★45143-S8	(M-129)--nut--spring--No. 10-12	2
<b>13786 BODY and SOCKET ASSY. (INTERIOR LAMP)</b>				
80/87	L-LN-LNT-LT-LTL-LTS600/900	★D5HZ 13786-A		1
80/	CL-CLT900	D8HZ 13786-A	For sleeper compartment dome lamps	2
		D8HZ 13786-B	For stowage compartment lamps	2
		D8HZ 13786-C	For cab dome lamp on driver's side	1
		D8HZ 13786-D	For cab dome lamp on passenger side	1

**1980/  
TRUCK SERIES 600/900**

YEAR	MODEL/RESTRICTIONS	PART NUMBER	DESCRIPTION	QTY.
<b>13787 BODY (DOME LAMP)</b>				
80/	C-CT600/900	COTF 13787-A		1
		★355768-AS2	(MM-77)-nut-spring "U" type-No. 10A	2
		★374611-S100	(UU-82-M)-screw (body to mounting bracket)- No. 10-12 x 1"	2
		52554-S8	(U-230)-screw (body to roof trim center panel)- No. 8-15 x 5/8"	2
		★45143-S8	(M-129)-nut-spring-No. 10-12	2
<b>13788 BODY (INTERIOR LAMP)</b>				
80/	F-FT600/800 (81)	★D1AZ 13788-A r/bD6UZ 13788-A		1
<b>13793 SOCKET ASSY. (DOME LAMP)</b>				
80/	C-CT600/900	D5HZ 13793-A		1
80/	C-CT600/900 -- w/o sleeper	★26457-S7	(U-167)-screw (socket to mounting brkt.)- No. 8-32 x 1/4"	1
80/	C-CT600/900 -- w/sleeper	★32923-S8	(U-338)-screw (socket to roof trim panel or rear roof headlining)-No. 8-15 x 1/2"	1
80/	C-CT600/900 -- w/sleeper	★378603-S2	Nut-spring-No. 6-18	1
80/	C-CT600/900	★45159-S	Nut-"U" shape-No. 6-32	AR
<b>13800 HORN KIT</b>				
80/	All -- 8 cyl. w/o air brake	★D3AZ 13800-A	"Air"-dual horns	1
	Consists of			
	1-D3AJ 2A965-A Insulator	1-D3AZ 13A888-A Reservoir	5-33795-S36 Nut	
	1-DOAZ 5A694-A Bracket	1-D3AJ 13927-AA Wire	5-34790-S36 Washer	
	1-D3AJ 5A739-A Sleeve	1-D3AJ 13930-A Tube	2-44724-S36 Washer	
	1-D3AJ 9A445-AA Hose	1-D6AJ 13932-AA Pad	2-55736-S8 Nut	
	1-C5AZ 13801-B Compressor	2-D3AJ 14462-AA Terminal	1-359922-S100 Washer	
	1-D6AJ 13A803-AA Horn	1-D3AJ 14463-AA Terminal	1-373387-S Washer	
	1-D3AJ 13828-A Bracket	1-C9PJ 14487-A Connector	2-375810-S Grommet	
	1-C9AZ 13A875-B Switch	1-C9AJ 17491-A Connector	4-383800-S Sleeve	
	1-C7RA 13A887-A Fitting	1-D2AJ 18N173-AA Plate	1-383804-S Nut	
		5-26531-S8 Screw	1-I.S. 4172-G Instruction sheet	
80/	All trucks -- w/air brakes	D3HZ 13800-A	"Air"-dual horns - painted body cover	1
	Consists of			
	1-D6AJ 13A803-AA Horn	1-D6HJ 13933-A Plate	1-371176-S Tee	
	1-D3HJ 13910-AA Valve	1-20384-S8 Screw	1-373387-S Washer	
	1-D3HJ 13911-AA Bushing	1-34657-S8 Nut & washer	2-383800-S Sleeve	
	1-D2HJ 13A926-AA Conduit	1-356549-S36 Washer	2-383804-S Nut	
	1-D3HJ 13930-AA Tube	1-359922-S36 Washer	1-383820-S100 Elbow	
	1-D6AJ 13932-AA Pad	2-370962-S2 Washer	1-Installation sheet	
80/	All -- w/air brakes	D7HZ 13800-A	Air-dual horns-deluxe-chrome body cover	1
	Consists of			
	1-D7AJ 13A803-AA Horn	1-D6HJ 13933-AA Plate	1-371176-S Tee	
	1-D3HJ 13910-AA Valve	1-20384-S8 Screw	1-373387-S Washer	
	1-D3HJ 13911-AA Bushing	1-34657-S8 Nut & washer	2-383800-S Sleeve	
	1-D2HJ 13A926-AA Conduit	1-356549-S36 Washer	2-383804-S Nut	
	1-D3HJ 13930-AA Tube	1-359922-S36 Washer	1-383820-S100 Elbow	
	1-D6AJ 13932-AA Pad	2-370962-S2 Washer	1-IS 4173-F Installation sheet	
<b>13801 COMPRESSOR ASSY. (VACUUM AIR HORN)</b>				
80/	All -- w/o air brakes	★C5AZ 13801-B	Use w/vacuum air horns	1
<b>13A805 BUTTON (HORN)</b>				
80/82	C-CT600/900	★D2TZ 13A805-D	#D2TA 13A805-CA or DA button	1
80/82	CL-CLT900 -- Standard	r/bE3HZ 13A805-C(11/84)		1
80/82	L-LN-LNT-LT-LTL-LTS600/900			1
83/85	C-CT600/800 -- standard	★E3HZ 13A805-C	#E3HT 13A805-CA-round	1
83/85	CL-CLT900 -- Standard	r/bD9HZ 13A805-A		1
80/81	B-F600/700			1
83/85	L-LN-LNT-LT-LTL-LTS600/900 -- standard			1

1980/  
TRUCK SERIES 600/900

YEAR	MODEL/RESTRICTIONS	PART NUMBER	DESCRIPTION	QTY.
<b>13A805 BUTTON (HORN) — Cont'd</b>				
80/82	B-F-FT600/800	E0HZ 13A805-A	#E0HT 13A805-AA-square	1
80/82	CL-CLT900 -- Deluxe	★ D8HZ 13A805-A	#D7HT 13A805-AA-use w/Decor group	1
80/82	L-LN-LNT-LT-LTL-LTS600/900			1
83/85	CL-CLT900 -- Deluxe steering wheel	★ E3HZ 13A805-E r/bD9HZ 13A805-B	#E3HT 13A805-EA-round	1
83/85	L-LN-LNT-LT-LTL-LTS600/900 -- Decor group			1
86	All -- w/20", 21", 22" steering wheel	D9HZ 13A805-B		1
82/85	B600/700	★ E3HZ 13A805-D	#E2HT 13A805-BA, BB, E3HT 13A805-DA-round	1
82/85	F-FT600/800	r/bD9HZ 13A805-A(5/88)		1
86	All -- w/18" (2) spoke steering wheel	D9HZ 13A805-A		1
87/	All	E6HZ 13A805-A	#E6HT 13A805-AA, E7HT 13A805-AA- "Ford-oval 3 3/8" dia.	1
86/	CF600/800	E6HZ 13A805-B	Incl. spring-1 req'd for horn-1 req'd for windshield wiper	AR
<b>13A807 SPRING (HORN BLOWING)</b>				
80/82	B-F-FT600/800 "Before 3/15/82"	★ C0DF 13A807-B	For use w/square horn button	1
80/	C-CT600/900	r/bC0DZ 13A807-A		1
80/	CL-CLT900			1
80/85	L-LN-LNT-LT-LTL-LTS600/900			1
82/85	B-F-FT600/800 -- w/P/S "Before 5/85"	★ E2HZ 13A807-B r/bE2HZ 13A807-C	For use w/round horn button	1
85	B-F-FT600/800 -- w/P/S "From 5/85"	E2HZ 13A807-C	For use w/round horn button	1
<b>13A808 PLATE (HORN BUTTON or RING CONTACT)</b>				
80/	B-F-FT600/800	★ D1TZ 13A808-A		1
80/	C-CT600/900			1
80/	CL-CLT900			1
80/	L-LN-LNT-LT-LTL-LTS600/900			1
<b>13A809 PLATE (HORN BUTTON or RING INDEX)</b>				
80/	B-F-FT600/800	★ D2TZ 13A809-B		1
80/	C-CT600/900			1
80/	CL-CLT900			1
80/	L-LN-LNT-LT-LTL-LTS600/900			1
<b>13A811 RING (HORN BLOWING CAM)</b>				
80/	B-F-FT600/800	D2TZ 13A811-A		1
80/	C-CT600/700			1
80/	L-LN-LNT-LT-LTL-LTS600/900			1
80/	CL-CLT900			1
<b>13A813 PAD (HORN BLOWING RING PRESSURE)</b>				
80/	B-F-FT600/800	C0DZ 13A813-A		1
80/	C-CT600/900			1
80/	L-LN-LNT-LT-LTL-LTS600/900			1
80/	CL-CLT900			1
<b>13A819 SHIELD (HORN SPLASH)</b>				
80/	CL-CLT-LTL900	D8HZ 13A819-A	Steel-for dual Grover horns	2
81/	L-LN-LNT-LT-LTL-LTS800/900 -- w/Grover horns	D8HZ 13A819-B		2
86/	CF600/700	E6HZ 13A819-A		1
<b>13A823 PLATE (HORN SWITCH BRUSH)</b>				
80/	B-F-FT600/800 -- fender mounted parking lamps	E0HZ 13A823-A	#E0HT 13A909-AB	1
80/	B-F-FT600/800	C5AZ 13A823-F	Inner	1
80/	C-CT600/900			1
80/	L-LN-LNT-LT-LTL-LTS600/900			1
80/	CL-CLT900			1

1980/  
TRUCK SERIES 600/900

YEAR	MODEL/RESTRICTIONS	PART NUMBER	DESCRIPTION	QTY.
<b>13A823 PLATE (HORN SWITCH BRUSH) — Cont'd</b>				
80/	B-FT600/800	C5AZ 13A823-E	Outer	1
80/	C-CT600/900			1
80/	L-LN-LNT-LT-LTL-LTS600/900			1
80/	CL-CLT900			1
80/84	C-CT700/900 -- with T/T	C7TZ 13A823-B	#C7TA 13A909-B or D2HA 13A909-AA	1
80/84	C800 -- diesel		E7HT 13A909-AA plate and brush assy.	1
80/84	F-FT700/800 -- with T/T			1
80/84	L-LN-LNT-LT-LTL-LTS800/900 -- diesel			1
80/84	L-LN-LNT-LT-LTL-LTS800/900 -- with T/84T			1
80/84	CL-CLT900			1
89	CL-CLT900			1
85/	C-CT700/900 -- with T/T	★ E5HZ 13A823-A	#E4HT 13A909-AA	1
85/88	L-LN-LNT-LT-LTL-LTS800/900 -- with T/T	r/bE9HZ 13A823-A		1
89	C800 -- hand control air brakes	E9HZ 13A823-A		1
89	L-LA-LL-LN-LNT-LS-LT-LTA-LTL-LTS800/900 -- w/signal stat			1
<b>13A826 BRACKET (AIR HORN VALVE)</b>				
80/	CL-CLT900	D8HZ 13A826-B	Has one round tab and one square tab	1
81/	L-LN-LNT-LT-LTL-LTS600/900	E1HZ 13A826-A		1
<b>13K831 TUBE ASSY. (HORN TO CONTROL VALVE)</b>				
80/	CL-CLT900	★ D8HZ 13K831-A Not replaced	3 1/8" nylon tube (3/8" O.D.)	1
<b>13832-3 HORN ASSY.</b>				
80/	All	E3AZ 13832-A	High pitch	1
	Consists of			
	1-E3AF 13A803-BA	Horn and support	1-55736-S36	Nut-5/16"-18
	1-E3AF 13A828-AA	Bracket	1-372289-S36	Screw & washer 1/4"-20 x 3/4"
	1-34791-S36	Lockwasher	1-379915-S36	Nut-7/8"-20
	1-55734-S36	Nut-1/4"-20		
80/		E3AZ 13833-A	Kit-low pitch	1
	Consists of			
	1-E3AF 13A803-AA	Horn and support	1-55736-S36	Nut-5/16"-18
	1-E3AF 13A828-AA	Bracket	1-372289-S36	Screw & washer-1/4"-20 x 3/4"
	1-34791-S36	Lockwasher	1-379915-S36	Nut-7/8"-20
	1-55734-S36	Nut-1/4"-20		
86/	CF600/700	E6HZ 13832-A	Air	1
86/	CF600/800	E8HZ 13832-A	Electric-low pitch	1
80/	F-FT600/800 -- w/air horn	E0HZ 13832-A		1
80/	CL-CLT900 -- w/Grover air horns	D8HZ 13832-A	R.H.-34" long	1
		D8HZ 13832-B	L.H.-37 1/2" long	1
81/85	L-LN-LNT-LT-LTL-LTS800/900 -- w/Grover horns	E1HZ 13832-A	24" long	1
		E1HZ 13832-B	30" long	1
87/	L-LL-LS-LT-LTL-LTS800/900 -- w/Hadley horn option	E7HZ 13832-A	#Rectangular-chromed-L.H. air-22 1/2" o/all length-15" between mounting bracket holes	1
87/	LN-LNT600/900 -- w/Hadley horn option			
87/	L-LL-LS-LT-LTL-LTS800/900 -- w/Hadley horn option	E7HZ 13832-B	#Rectangular-chromed-R.H. air-28" o/all length-20-1/2" between mounting bracket holes	1
87/	LN-LNT600/900 -- w/Hadley horn option			
87	CL-CLT900 -- w/Hadley horn option	E7HZ 13832-C	#Rectangular-chromed-R.H. air-32-1/2" o/all length-25" between mounting bracket holes	1



1980/  
TRUCK SERIES 600/900

YEAR	MODEL/RESTRICTIONS	PART NUMBER	DESCRIPTION	QTY.
<b>13832-3 HORN ASSY. — Cont'd</b>				
87	CL-CLT900 (sleeper cab)-110" BBC-w/Hadley horn option	E7HZ 13832-D	#Rectangular-chromed-L.H. air-36" o/all length-28-1/2" between mounting bracket holes	1
86/	CL-CLT-L-LL-LN-LS-LT-LNT-LTL-LTS700/900	E9HZ 13832-A	Dual single base trumpet horns 13 3/4" and 16 5/16" long	1
80/	CL-CLT900 -- w/Grover air horns	★373387-S	(XX-379) Washer (horn to cab roof) 1/4" sealing	6
<b>13K832 STRAP (HORN CONTROL)</b>				
80/	CL-CLT900	D8HZ 13K832-A	Black braided vinyl-use with D8HZ 13910-B	1
81/	L-LN-LNT-LT-LTL-LTS800/900			1
<b>13A840 WIRE ASSY. (HORN JUMPER)-Improvise from bulk wiring (14296)</b>				
<b>13853 RELAY and BRACKET ASSY. (HORN)</b>				
80/	C900 -- AT540 T/M	D6TZ 13853-A	*HB-112	1
80/	C-CT900 -- 8 cyl. gas-w/engine warning system			1
80/	L-LN-LNT-LT-LTL-LTS600/900 -- w/engine warning system			1
80/	C-CT800 -- Cat. diesel-MT650			1
80/	L-LN800 -- A/T -- 8 cyl. 361,389			1
<b>13864 CONTACT and SPRING ASSY. (HORN BLOWING)</b>				
80/	B-F-FT600/800	★C5ZZ 13864-A		2
80/	C-CT600/900	r/bC5ZZ 13864-B		1
80/	CL-CLT900			1
80/	L-LN-LNT-LT-LTL-LTS600/900			1
<b>13867 INSULATOR (HORN BLOWING CONTACT and SPRING LOWER)</b>				
80/	B-F-FT600/800	C5AZ 13867-A	Nylon	2
80/	C-CT600/900			1
80/	CL-CLT900			1
80/	L-LN-LNT-LT-LTL-LTS600/900			1
<b>13A875 SWITCH ASSY. (HORN BLOW)</b>				
80/	All -- w/o air brakes	C9AZ 13A875-B	Use w/vacuum air horns	1
<b>13A888 RESERVOIR ASSY. (AIR HORN)</b>				
80/	All -- w/o air brakes	D3AZ 13A888-A	Use w/vacuum air horns	1
<b>13910 VALVE (AIR HORN CONTROL)</b>				
80/	C-CT600/900 -- air brakes	DOHZ 13910-A		1
80/	F-FT600/880 -- air brakes			1
80/81	L-LN-LNT-LT-LTL-LTS600/900 -- air brakes "Before 2/2/81"			1
81/	L-LN-LNT-LT-LTL-LTS600/900 -- air brakes "From 2/2/81"	E1HZ 13910-A	Includes strap	1
		52726-S13	(U-381)-screw (valve to w/shield header)-No. 8-15 x 1/2" Screw (valve to L.H.-head lining bow)	1
80/	CL-CLT900	D8HZ 13910-B	Less pull strap-use w/D8HZ 13K832-A (vinyl) strap	1
81/	L-LN-LNT-LT-LTL-LTS800/900			1
80/	B-F-FT600/800 -- w/dual air horn	E0HZ 13910-A		1
86/	CF600/700	E6HZ 13910-A		1
<b>13A910 VALVE SEAT ASSY. (AIR HORN CONTROL)</b>				
86/	L-LN-LNT-LT-LTL-LTS600/900	E4HZ 13A910-A		1
<b>13925 SPACER (HORN MOUNTING)</b>				
80/	CL-CLT900	D8HZ 13925-A	Use w/Grover horns	2
<b>13A928 BRACKET (HORN WARNING ACTUATOR)</b>				
80/	CL-CLT900	D8HZ 13A928-A		1
80/	CL-CLT900	31061-S8	(U-50) Screw (bracket to body)-No. 8-32 x 1/2" fillister head	2

1980/  
TRUCK SERIES 600/900

YEAR	MODEL/RESTRICTIONS	PART NUMBER	DESCRIPTION	QTY.
13930	TUBING (AIR HORN)-Improvise from bulk tubing (2269)			
13932	PAD (HORN MOUNTING BRACKET)			
86/	CL-CLT900	E6HZ 13932-A		1
86/	L-LA-LL-LN-LNT-LTA-LTL-LTS 700/900 -- single base dual trumpet horns			1
80/	B-F-FT600/800 -- w/dual air horn	E0HZ 13932-A		1
80/	CL-CLT900 -- w/Grover air horns	D8HZ 13932-A	Round-use w/spacer (13925)	4
81/	L-LN-LNT-LT-LTL-LTS800/900 -- w/Grover horns			1
81/	L-LN-LNT-LT-LTL-LTS800/900 -- w/Grover horns	D8HZ 13932-D		2
87/	CL-CLT900 -- w/rectangular air horns	E7HZ 13932-A	Rear	2
87/	L-LL-LN-LNT-LS-LT-LTL-LTS 600/900 -- w/rectangular air horns			2
87/	CL-CLT900 -- w/rectangular air horns	E7HZ 13932-C	Front	2
87/	L-LL-LN-LNT-LS-LT-LTL- LTS600/900 -- w/rectangular air horns			2
13933	PLATE (HORN MOUNTING)			
86/	CF600/700	E6HZ 13933-A		1
80/	CL-CLT900	★ D8HZ 13933-A r/bE7HZ 13933-A	Front-use w/Grover horn	2
80/	CL-CLT900	★ D8HZ 13933-B r/bE7HZ 13933-B	Rear-use (1) w/dual horn (single mount); use (2) w/dual horn (dual mount)	1or2
87/	CL-CLT900	E7HZ 13933-A	Front-use w/Hadley horns	2
87/	L-LN-LNT-LS-LT-LTL800/900			2
87/	CL-CLT900	E7HZ 13933-B	Rear-use w/Hadley horns	2
87/	L-LN-LNT-LS-LT-LTL800/900			2
87/	CL-CLT900 -- w/rectangular air horns	E7HZ 13933-C	Used as reinforcement	1
87/	L-LN-LNT-LS-LT-LTL800/900 -- w/rectangular air horns			AR

**1980/  
TRUCK SERIES 600/900**

YEAR	MODEL/RESTRICTIONS	ENGINE		PART NUMBER	DESCRIPTION	QTY.
		CYL.	C.I.D. (C.C.D.)			
<b>14A003 COVER ASSY. (FUSE JUNCTION PANEL)-Also refer to group 14A076, 14456</b>						
86/87	CF600/700 -- diesel "Before 12/87"	6	402,476	E6HZ 14A003-A		1
88/	CF600/800 -- diesel w/o tractor pkg. "From 12/87"	6	402,476	E7HZ 14A003-A		1
				★E866032-S	(AY-46-C) retainer (attaches cover to fuse junction panel)	2
				E866054-SW	(AH-5) fastener	2
<b>14K024 WIRING ASSY. (INSTRUMENT PANEL GAUGE)</b>						
83/86	LTL900 -- diesel w/rear axle or trans. temp gauges	6&8	All	★	#E4HT 14K024-AA-14" long (18 gauge) cut from bulk wire and use (4) B9A 14294-A terminals	1
<b>14N028 SPACER (FUSE BOX MOUNTING)</b>						
86/	CF600/700 -- diesel	6	402,476	E6HZ 14N028-A		1
86/	CF600/700 -- diesel	6	402,476	E6HZ 14N028-B	Fuse and relay module support to cover	1
<b>14A033 BUS BAR ASSY.</b>						
80/84	C-CT600/900	6&8	All	C7TZ 14A033-C		1
86/	CF600/700 -- w/roof lamp	6	402,476	E6HZ 14A033-A	For roof signal switch	1
<b>14A034 TERMINAL ASSY. (FUSE HOLDER)</b>						
80/84	C-CT600/900	6&8	All	★ C0TF 14A034-B /bC0TZ 14A034-B		1
<b>14A035 WIRE ASSY. (IGNITION COIL)-Improvise from bulk wiring (14296)</b>						
<b>14064 WIRE &amp; SOCKET ASSY. (SPEEDOMETER OR TACHOMETER LAMP)</b>						
80/	All	6&8	All	C3TZ 14064-B	#D0HF 14064-A-12 1/2" long	AR
<b>14A065 CIRCUIT BREAKER ASSY-refer to group 14526</b>						
<b>14A066 BRACKET (CIRCUIT BREAKER MOUNTING)</b>						
80/	C-CT600/900	6&8	All	D5HZ 14A066-A	#D5HA 14A066-AA	1
80/84	L-LN-LNT-LT-LTL-LTS600/900 (gas) "Before 2/84"	6&8	All	★ D5HZ 14A066-B	#D5HA 14A066-BA-use w/city delivery instrument panel	1
84/86	L-LN-LNT-LT-LTL-LTS600/900 (gas) "From 2/84"	6&8	All	★ E4HZ 14A066-B	#E4HT 14A066-BA-use w/city delivery instrument panel	1
81/86	LN700 -- (diesel)	8	501	★ E1HZ 14A066-A	#E1HT 14A066-AA, E4HT 14A066-AA	1
83/86	LN600/800 -- diesel	8	636			1
80/	C-CT600/900	6&8	All	20384-S8	(B-43)-bolt (bracket to battery tray or cab frame rear support reinforcement)-1/4"-20 x 1"	2
				33795-S7	(M-49)-nut-1/4"-20	2
				34805-S8	(X-62)-lockwasher-1/4"	2
87/	L-LL-LN-LNT-LS-LTS800/900 -- w/fleet instr. panel	6&8	All	E7HZ 14A066-A	Black-located at fuse junction panel	1
<b>14A067 PANEL ASSY. (FUSE JUNCTION)</b>						
80/	B-F-FT600/900	6&8	All	E0HZ 14A067-B	#D9ZB 14A068-AB	1
80/81	CL-CLT900 "Before 12/80"	6&8	All	★ D9HZ 14A067-A		1
81/	CL-CLT900 "From 12/80"	6&8	All	★ E1HZ 14A067-A /bE9HZ 14A067-C		1
89/	CL-CLT900 -- w/dual painted, stainless or lighted western mirrors, w/w/o A/C	6&8	All	★ E9HZ 14A067-B /bE9HZ 14A067-C	#E9HT-14A067-BA	1
89/	CL-CLT900 -- w/dual painted, stainless or lighted western mirrors, w/manual A/C w/w/o power front window	6&8	All	E9HZ 14A067-C	#E9HT-14A067-CA	1
80	C-CT600/900	6&8	All	D5HZ 14A067-B		1
80	L-LN-LNT-LT-LTS600/900 "Before 10/79"	6&8	All		Use w/city delivery instrument panel	1
81/84	C-CT600/900	6&8	All	E0HZ 14A067-A		1
80/84	L-LN-LNT-LT-LTL-LTS600/900 -- "From 10/79"	6&8	All		Use w/city delivery instrument panel	1

1980/  
TRUCK SERIES 600/900

YEAR	MODEL/RESTRICTIONS	ENGINE		PART NUMBER	DESCRIPTION	QTY.
		CYL.	C.I.D. (C.C.D.)			
<b>14A067 PANEL ASSY. (FUSE JUNCTION) — Cont'd</b>						
85	C-CT600/900 "Before 3/85"	6&8	All	★ E5HZ 14A067-A		1
85	L-LN-LNT-LT-LTL-LTS600/900 -- w/city del. instr. pnl. "Before 3/85"	6&8	All	/bE5HZ 14A067-B		1
85/ 85/	C-CT600/900 "From 3/85" L-LN-LNT-LT-LTL-LTS600/900 -- w/city del. instr. pnl. "From 3/85"	6&8 6&8	All All	E5HZ 14A067-B		1 1
80/81	L-LN-LNT-LT-LTL-LTS800/900 "Before 2/81"	6&8	All	D5HZ 14A067-A	#D9HT 14A067-AA, E0HT 14A067-BA-use w/line haul instrument panel	1
81/	L-LN-LNT-LT-LTL-LTS800/900 -- diesel "From 2/81"	6&8	All	E1HZ 14A067-B	#E1HT 14A067-BA, BB-use w/line haul instrument panel	1
84/	L-LL-LN-LNT-LS-LT-LTL- LTS600/900	6&8	All	★ E4HZ 14A067-A	Use with "Fleet" or "Full" instrument panel	1
84/	L-LL-LN-LT-LTL-LNT-LTS600/900 -w/"Fleet or Full" instr. panel	6&8	All	E9HZ 14A067-A		1
82/84	LNT900 -- diesel	6&8	All	★ E2HZ 14A067-A	#E2HS 14A067-AA-"Yellow Freight"	1
80/	CL-CLT900	6&8	All	383255-S	(MM-296-AC)-nut & washer (panel to panel assy.) 10-24	23
80/	CL-CLT900	6&8	All	383256-S	(MM-296-AE)-nut (panel to panel assy.) 1/4-20	6
85/	L-LN-LNT-LT-LTL-LTS600/900	6&8	All	★379180-S2	(UU-81-C) Screw (fuse panel and bracket to instrument panel)-No. 10-24 x 2.50"	2
<b>14B067 WIRING ASSY. (PARKING BRAKE WARNING INDICATOR LAMP JUMPER)</b>						
84	B-C-F-FT600/900 -- w/hyd. brakes	6&8	All	★ E4HZ 14B067-A	#E4HT 14B067-AA	1
84	L-LN-LNT-LT-LTL-LTS600/900 -- w/hyd. brakes	6&8	All			1
<b>14K067 WIRE ASSY. (TRANSMISSION TRANSFER CASE WARNING LAMP FEED JUMPER)</b>						
87/	B600/700 -- diesel	6	All	E7HZ 14K067-B	#E7HT 14K067-BA	1
87/	F-FT600/900 -- diesel	6	All	E7HZ 14K067-A	#E7HT 14K067-AB	1
87/	F-FT600/900	6	A12	E7HZ 14K067-C	E7HT 14K067-AA	1
89/	B-F600/900 -- cowl w/FNH eng.	6&8	All	E9HZ 14K067-A	#E9HT 14K067-AA	1
87/	L-LN600/900	6&8	All	E8HZ 14K067-B	#E8HT 14K067-BA-use with "Fleet" or "Full" instr. panel	1
88	L-LL-LN-LNT-LS-LT-LTL-LTS 600/900	6&8	All	E8HZ 14K067-X	#E8HT 14K067-XL-use with "Fleet" or "Full" instrument panel	1
88/	L-LN-LNT-LT-LTL-LTS700/900 -- w/M/T	6&8	All	E8HZ 14K067-D	#E8HT 14K067-DC-used w/ E8HZ 15525-D	1
<b>14A068 PANEL (FUSE JUNCTION)</b>						
80/84	L-LN-LNT-LT-LTS800/900	6&8	All	D5HZ 14A068-A	Use w/line haul instrument panel-not used on trucks built prior to Ser. W40,001"	1
86	CF600/700 -- diesel "Before 12/85"	6	402,476	★ E6HZ 14A068-A /bE6HZ 14A068-B		1
86/	CF600/700 -- diesel w/o tractor pkg. "From 12/85"	6	402,476	E6HZ 14A068-B		1
87/	CF600/800 -- diesel w/ tractor pkg.	6	402,476	E7HZ 14A068-A		1
86/	CF600/700 -- diesel	6	402,476	E866046-S100	(H-54-N) Receptacle-quick release fastener	2
86/	CF600/700 -- diesel	6	402,476	E863220-S	(H-161) Strap-wiring hold down	12
<b>14N072 BRACKET—refer to group 14A254</b>						
<b>14K073 WIRE ASSY. (TEMPERATURE SENDER EXTENSION)</b>						
82/83	LTL900 "Before 11/82"	6&8	All	★ E1HZ 14K073-A /bE2HZ 14K073-A	#ED E1HT 14K073-AA, BA	1
83/86	LTL900 "From 11/82"	6&8	All	★ E2HZ 14K073-A	#E2HT 14K073-AA, BA, CA	1
87/	LNT-LT-LTL-LTS800/900 -- w/Henderson susp. and walk beam	6&8	All	E7HZ 14K073-A	#E7HT 14K073-AA	1
87/	LNT-LT-LTL-LTS900 -- w/Neway susp.	6&8	All	E7HZ 14K073-C	#E7HT 14K073-CA	1
87/	LNT-LT-LTL-LTS900 -- w/Henderson susp. and four spring	6&8	All	E7HZ 14K073-D	#E7HT 14K073-DA	1

**1980/  
TRUCK SERIES 600/900**

YEAR	MODEL/RESTRICTIONS	ENGINE		PART NUMBER	DESCRIPTION	QTY.
		CYL.	C.I.D. (C.C.D.)			
<b>14K073 WIRE ASSY. (TEMPERATURE SENDER EXTENSION) — Cont'd</b>						
87/	L-LN900 -- w/single axle and axle temp. sender	6&8	All	E7HZ 14K073-B	#E7HT 14K073-BA	1
88	L-LL-LN-LS600/900 -- w/w/o rear axle temp. indicator or w/w/o wheel diff. lock position switch	6&8	All	E8HZ 14K073-B	#E8HT 14K073-BA,BB	1
88	B600/900 -- w/single axle w/locking main diff.	6&8	All	E8HZ 14K073-C	#E8HT 14K073-CA	1
89	L-LN800/900 -- w/single rr axle, w/w/o rr axle temp. gauge, w/w/o locking main diff.	6&8	All	E9HZ 14K073-C	#E9HT 14K073-CA,CB,CC	1
89	LT-LTL-LNT-LTS800/900 -- w/tandem rr axle, w/w/o rr axle temp. gauge, w/w/o locking main diff.	6&8	All	E9HZ 14K073-D	#E9HT 14K073-DA,DD	1
89/	L-LL-LN-LNT-LT-LTL-LTS 600/900 -- w/Tandem rr axle, w/limited slip rr axle	6&8	All	E9HZ 14K073-H	#E9HT 14K073-HA	1
89/	L-LL-LN-LNT-LT-LTL-LTS700/900 w/Tandem rr axle, w/ rr axle oil temp. gauge	6&8	All	E9HZ 14K073-J	#E9HT 14K073-JA	1
89/	L-LL-LN-LNT-LT-LTL-LTS700/900 w/single rr axle, w/ limited slip rr axle	6&8	All	E9HZ 14K073-K	#E9HT 14K073-KA	1
89/	L-LL-LN-LNT-LT-LTL-LTS700/900 w/single rr axle, w/ rr axle oil temp. gauge	6&8	All	E9HZ 14K073-L	#E9HT 14K073-LA	1
<b>14A076 COVER ASSY. (FUSE JUNCTION BLOCK)—Also refer to group 14A003</b>						
88	CF600/800 -- diesel w/tractor pkg.	6	402,476	E8HZ 14A076-A	Black	1
89	CF700/800	6	402,476	E6HZ 14A076-A	#85HB 14A076-AAW	1
<b>14088 RELAY (ACCESSORY SAFETY)—refer to group 14677</b>						
<b>14K095 WIRE ASSY. (FAN MOTOR)—also refer to group 7K177</b>						
<b>14A099 SHIELD (WIRING)—Also refer to group 14A177</b>						
80/	All -- w/western type outside mirror w/marker lamp	6&8	All	★ D0HB 14A099-A /bFOHZ 14A099-C	R.H.	1
80/	All	6&8	All	D4AZ 14A099-A	25 ft. roll-3/4" I.D.	AR
80/	All	6&8	All	★ D4FZ 14A099-B	25 ft. roll-1/4" I.D.	AR
80/	All	6&8	All	★ D4SZ 14A099-F	25 ft. roll-3/8" I.D.	AR
80/	C-CT600/900 -- w/air brakes	6&8	All	D5HZ 14A099-A	R.H.—#D5HA 14A099-AA	1
80/	C-CT600/900 -- w/hyd. brakes	6&8	All	D5HZ 14A099-B	L.H.—#D5HA 14A177-AA	1
81/	C-CT600/900	8	501	E1HZ 14A099-C	Protect back-up lamp switch from heat	1
80/	CL-CLT900	6&8	All	D8HZ 14A099-A	#D7HT 14A099-AB	AR
80/	CL-CLT900	6&8	All	D8HZ 14A099-B	Connect 14305,14398 and 14405 to firewall	AR
80/	CL-CLT900	6&8	All	D8HZ 14A099-C	Used in storage compartment	1
80/83	CL-CLT900	6&8	All	D8HZ 14A099-E	#D7HT 14A099-EWA-tan	1
81/83	CL-CLT900	6&8	All	D9HZ 14A099-A	#D7HT 14A099-EWA-saddle	1
83/89	CL-CLT900	6	All	E9HZ 14A099-A	Located at R.H. rear floor, chestnut-color, for charcoal-paint to match	
80/	CL-CLT900 -- w/R.H. power window	6&8	All	D8HZ 14A099-F	Plastic-mounted in R.H. door	1
80/	CL-CLT900 -- w/sleeper	6&8	All	D8HZ 14A099-H	Plastic-rectangular-84 3/8" x 1 1/4" -- protect wiring from mattress supports and bunk rail screws, also used in stowage compt.	AR
80/	CL-CLT900 -- w/sleeper	6&8	All	E3HZ 14A099-F	Retains 14401 to dash panel	1
81/83	CL-CLT900 "Before 12/82"	6	893	★ E1HZ 14A099-A	#E0HT 14A099-HA-retains wire above valve ccover	1
83/	CL-CLT900 "From 12/82"	6	893	E3HZ 14A099-D	#E3HT 14A099-DA-retains 14305 wiring above engine valve cover	1

**1980/  
TRUCK SERIES 600/900**

YEAR	MODEL/RESTRICTIONS	ENGINE		PART NUMBER	DESCRIPTION	QTY.
		CYL.	C.I.D. (C.C.D.)			
<b>14A099 SHIELD (WIRING)-Also refer to group 14A177 -- Cont'd</b>						
81/	CL-CLT900	6	893	E1HZ 14A099-B	#E0HT 14A099-JA-retains wire above valve cover	1
80/82	B-F600/800	6&8	All	★ E0HZ 14A099-A /bE3HZ 14A099-A	#E0HT 14A099-AA,AB-Black-8" long-attaches 14405 to frame	1
83/	B-F-FT600/900	6&8	All	E3HZ 14A099-A	#E3HT 14A099-AA-Black-8" long-attaches 14405 to frame	1
80/84	B-F600/800 -- w/turbo exhaust	8	501	★	#E0HT 14A099-EA-.079" thick-Improvise from flat stock steel	1
80/	B-F600/800 -- w/CM-50 series transmissions	8	501	E0HZ 14A099-B	#E0HT 14A099-GA-attach to trans. to shield wire and back-up lamp switch	1
80/	LN600/750	6&8	All	D0EZ 14A099-A	Located on L.H. hood hinge	1
80/	L-LN-LNT-LT800/900	6&8	All	D0HZ 14A099-C	Located on L.H. hood hinge	1
80/	LTS-LTL800/900 -- diesel	6&8	All	D0HZ 14A099-D	Located on L.H. frame side member	1
80/	L-LN-LNT-LT-LTS-LTL800/900 -- w/air brakes	6&8	All	D5HZ 14A099-C	R.H.-#D5HA 14A099-CA, E4HT 14A099-B-use w/vertical exhaust only-paint to match color	1
80/84	L-LN-LNT-LT-LTS600/900 -- w/air brakes	6&8	All	D5HZ 14A099-D	R.H.-#D5HA 14A099-BA-use w/o vertical exhaust	1
87	L-LN-LNT-LTS-LTL600/900	6&8	All	E7HZ 14A099-A	Located at lwr. heater housing	1
86/	CF600/700 -- diesel	6	402,476	E6HZ 14A099-A	Component part of 14401 wiring	AR
86/	CF600/700 -- diesel	6	402,476	E6HZ 14A099-B		1
87/	CF600/800 "From 7/87"	6	402,476	E7HZ 14A099-B	Located at instrument panel	1
88/	L-LL-LN-LNT-LT-LTL-LTS 600/900 -- w/Cat. 3406	6&8	All	★ E8HZ 14A099-B	E8HT 14A099-AA	AR
84/	B-F-FT700/800 -- w/clark trans.	6&8	All	★	#E4HT 14A099-CA-Improvise	1
84/	LN700 -- w/clark trans.	6&8	All			
80/	C-CT600/900	6&8	All	40927-S8	(U-262)-screw (shield to dash brace)-1/4"-20 x 1/2"	AR
<b>14A104 WIRING ASSY. (INSTRUMENT CLUSTER)</b>						
80/	CL-CLT900	6&8	All	D8HZ 14A104-B	#D7HT 14A104-BB,ED D7HT 14A104-BA-primary (L.H.) module	1
80/	CL-CLT900 -- w/power windows speed control or heated mirror	6&8	All	D8HZ 14A104-D	#D7HT 14A104-AB,AC,AD,AE D8HT 14A104-AA-R.H. RR module	1
80/	CL-CLT900 -- w/o power windows speed control or heated mirror	6&8	All	D8HZ 14A104-C	#D7HT 14A104-CC, D8HT 14A104-BA-R.H. RR module	1
89	CL-CLT900 -- w/heated mirrors, w/o pyrometer rr axle temp. or trans. temp. gauges	6&8	All	E9HZ 14A104-A	#E9HT 14A104-AA-R.H.	1
89	CL-CLT900	6&8	All	E9HZ 14A104-B	#E9HT 14A104-BA-L.H.	1
<b>14A107 WIRING ASSY. (REAR AXLE CONTROL-JUMPER)</b>						
84/	FT800/900 -- w/hyd. brakes w/2 speed Eaton or Rockwell axle	6&8	All	E4HZ 14A107-G	#E3HT 14A107-GA-used with E3HZ 14667-C wiring	1
<b>14A146 BRACKET SUPPORT ASSY. FUSE PANEL</b>						
86/	CF-CF600/800	6	All	E6HZ 14A146-A		1
<b>14A157 Refer to group 14529</b>						
<b>14A163 RETAINER (WIRING HARNESS)-If not listed below improvise</b>						
80/82	F600/800	6&8	All	★ D3TZ 14A163-B	To secure horn wiring	1
80/82	B-F600/800 "Before 12/81"	6&8	All	★ E0HZ 14A163-B	Black-retains 14405-14290 to firewall	1
82/	B-F-FT600/800 "From 12/81"	6&8	All	★ E2HZ 14A163-B	Mates w/14603 in firewall	1
80/82	B-F600/800 "Before 12/81"	6&8	All	★ E0HZ 14A163-D /bE2HZ 14A163-A	Mates w/14603 in firewall	1
82/	B-F-FT600/800 "From 12/81"	6&8	All	E2HZ 14A163-A	Retains 14405-14290 to firewall	1
81/82	B-F600/800	6&8	All	★ D9HZ 14A163-A	Clamps around bulkhead connectors	AR
80/83	F-FT600/800	6&8	All	E0TZ 14A163-C	Retains 14401 to instrument panel	1
80/	CL-CLT900	6&8	All	D8HZ 14A163-A	Red-retains wiring in doors	AR
80/	CL-CLT900	6&8	All	D8HZ 14A163-B	Yellow-retains 14A313 and 14405 to cab	AR
80/	CL-CLT900	6&8	All	D8HZ 14A163-C	Retains 14630 or 13B711 to door	2
80/	L-LN-LNT-LT-LTS800/900 -- w/line haul instrument panel	6&8	All	D0HZ 14A163-C	Located at cowl side inner panel, also used in place of E4HT 14A163-AA-cut to size	1

**1980/  
TRUCK SERIES 600/900**

YEAR	MODEL/RESTRICTIONS	ENGINE		PART NUMBER	DESCRIPTION	QTY.
		CYL.	C.I.D. (C.C.D.)			
<b>14A163 RETAINER (WIRING HARNESS)-If not listed below improvise - Cont'd</b>						
80/	L-LN-LNT-LT-LTS800/900 -- w/line haul instrument panel	6&8	All	N610962-S36BX	(AU-3-T) screw (attach retainer to side of cab)-1/4"-14 x .75	2or3
81/	LN600/700 -- diesel	8	501	E1HZ 14A163-A	Retain wire assy. tachometer sensor	1
82/86	LTL900	8	All	E1HZ 14A163-B	Clamps around connection at head lamp junction wiring	1
83/	B-F-FT600/900	6&8	All	E3HZ 14A163-A	#E3HT 14A004-AA, EDE3HT 14A004-AA-located at dash panel	1
83/	F-FT600/900(81)	6&8	All	C3SZ 14A163-B	Retains 14A313 wiring to instrument panel	2
80/	C-CT600/900	6&8	All		Retains 13A006 wiring to cab	5
84/	C-CT600/900	6&8	All		Attach 13A709 wiring to back window upper frame	2
<b>14A169 CLIP (WIRE RETAINER)-Improvise</b>						
<b>14176 WIRE ASSY. (FUEL GAUGE TANK UNIT GROUND)-Improvise from bulk wiring (14296)</b>						
<b>14A177 SHIELD ASSY. (WIRING)-Also refer to group 14A099</b>						
80/	All -- w/western type outside mirror w/marker lamp	6&8	All	★ DOHB 14A177-A r/bFOHZ 14A099-C	L.H.	1
80/	C-CT600/900	6&8	All	D5HZ 14A177-A	R.H.	1
				★31498-S8	(U-253-B)-screw (shield to body front lower pillar reinforcement)-No. 14-10 x 5/8"	2
				44719-S8	(X-17)-flat washer-1/4"	2
				★375478-S	Flat washer-nylon-1/4"-improvise	2
				40927-S	(U-262) screw (attach shield to cowl side panel) 1/4" - 20 x 1/2"	AR
<b>14A194 SUPPORT (WIRING)</b>						
80/	CL-CLT900	6&8	All	D8HZ 14A194-A	Mounted inside L.H. instr. cluster	3
<b>14A195 WIRING ASSY. (IGNITION RELAY TO STARTING MOTOR RELAY)-Improvise from bulk wiring (14296)</b>						
<b>14A199 INSULATOR (WIRING)</b>						
84/	C-F-L-LN600/800 -- w/single rear axle	6&8	All	E6HZ 14A199-A		3
86/	CF600/700 -- diesel	6	402,476			3
<b>14204 NUT (WIRE CONDUIT RETAINER)</b>						
80/	CL-CLT900	6&8	All	D8HZ 14204-A	Used with D8HZ 14489-DA,EA,FA bulkhead connectors	AR
89	CL-CLT900	6&8	All	E9HZ 14204-A		AR
<b>14A215 PLATE ASSY. (WIRING SHIELD)</b>						
86/	CF600/700 -- diesel	6	402,476	E6HZ 14A215-B	#E5HT 14A215-AA,BA	1
<b>14A217 BRACKET (WIRING SHIELD)-Improvise</b>						
<b>14A219 WIRE ASSY. (ENGINE GAUGE FEED JUMPER)-Improvise from bulk wiring (14296)</b>						
<b>14A240 INSULATOR (NON-METALLIC WIRING CONDUIT)</b>						
80/	All	6&8	All	★ C1AZ 14A240-A	3/8" I.D. x 15 ft. roll	AR
80/	All	6&8	All	★ C1AZ 14A240-B	3/16" I.D. x 15 ft. roll	AR
<b>14A254 BRACKET (FUSE PANEL MOUNTING)</b>						
80/	B-F-FT600/800	6&8	All	E0HZ 14A254-A	#E0HT 14N072-AA-Black-4" long	1
80/	B-F-FT600/800	6&8	All	E0HZ 14A254-B	#E0HT 14N072-BA-Black-2" long	1
85/	C-CT600/900	6&8	All	E5HZ 14A254-A	#E4HT 14N072-AA-L.H.-upper	1
85/86	L-LN-LNT-LT-LTL-LTS600/900 "Before 10/85"	6&8	All			2
86/	L-LN-LNT-LT-LTL-LTS600/900 "From 10/85"	6&8	All	E6HZ 14A254-B	#E5HT 14N072-BA	1
85/	C-CT600/900	6&8	All	E5HZ 14A254-C	#E4HT 14N072-CA-R.H.-lower	1
81/84	LN700 -- diesel	8	501	★ E1HZ 14A254-A	#E1HT 14N072-AA, E3HT 14N072-AA, E4HT	1
83/84	LN600/800 -- diesel	8	636		14N072-BA	1

1980/  
TRUCK SERIES 600/900

YEAR	MODEL/RESTRICTIONS	ENGINE		PART NUMBER	DESCRIPTION	QTY.
		CYL.	C.I.D. (C.C.D.)			
<b>14A240 INSULATOR (NON-METALLIC WIRING CONDUIT) — Cont'd</b>						
85/86	LN700 -- diesel	8	501	★ E5HZ 14A254-D	#E4HT 14N072-DA	1
85/86	LN-LNT600/800 -- diesel w/ line haul instrument panel "Before 10/85"	8	501			1
86/	L-LN-LNT-LT-LTL-LTS600/900 -- diesel "From 10/85"	8	501	E6HZ 14A254-A	#E5HT 14N072-AA	1
87/	L-LL-LN-LNT-LS-LT-LTS800/900 -- w/city delivery instr. panel	6&8	All	E7HZ 14A254-A	#E7HT 14N072-AA	1
<b>14A257 COVER ASSY. (RELAY &amp; CIRCUIT BREAKER)</b>						
87/	L-LL-LN-LNT-LS-LT-LTS600/900 -- w/fleet or city del. instr. pnl.	6&8	All	E7HZ 14A257-A	#E7HT 14A396-charcoal	1
87	L-LL-LN-LNT-LS-LT-LTS600/900 -- w/fleet or city del. instr. pnl.	6&8	All	E7HZ 14A257-B	#E7HT 14A396-chestnut	1
<b>14A258 BUS BAR (RELAY TO CIRCUIT BREAKER)-Improvise from brass stripping</b>						
<b>14A272 BRACKET (STARTER CABLE SUPPORT) - Improvise</b>						
<b>14277 COVER (BATTERY TERMINAL INSULATING)</b>						
80/	CL-CLT900	6&8	All	D8HZ 14277-A	Used w/Delco 1200 or Motorcraft group 31 batteries	AR
<b>14A284 BRACKET (WIRING CLIP)-If not listed improvise</b>						
80	CL-CLT900 "Before 10/79"	6&8	All	★ D8HZ 14A284-A	"L" shaped 4 3/4" x 3 1/2" #D7HT 14A284-AB	1
80/	CL-CLT900 "From 10/79"	6&8	All	E0HZ 14A284-A	#D9HT 14A284-AA	1
80/86	CL-CLT900	6&8	All	D8HZ 14A284-B	"L" shaped 3 1/4" x 1" #D7HT 14A284-BA, D8HT 14A284-AA	1
80/	CL-CLT900	6&8	All	D8HZ 14A284-C	Flat 5 1/4" long-#D7HT 14A284-CA	1
80/	CL-CLT900	6&8	All	55916-S2	(U-254-H)-screw-(attach bracket to heater case)- 1/4-14 x 1.25	1
81/	CL-CLT900	6&8	All	33770-S2	(M-89-K)-nut (attach 14398 to bracket)- 5/16"-18	2
				56520-S2	(B-319-J)-bolt (attach 14398 to bracket)- 5/16-18 x 3/4"	2
				351635-S8	(GG-143-AA)-clip (attach 14398 to front bumper impact bar)	2
84/	L-LL-LN-LNT-LS-LT-LA-LTA LTS600/900 -- (diesel)	6&8	All	E4HZ 14A284-C	#E3HT 14A284-CA, E4HT 14A284-DA	1
88	LL-LTL900 -- diesel	6	893	E8HZ 14A284-A	#E8HT 14A284-AC,AD	1
88/	LTL900 -- diesel	6	855	E8HZ 14A284-B	#E8HT 14A284-BA,BC	1
88/	L-LN900 -- diesel	6	610			
88/	L-LL-LN-LNT-LS-LT- LTL700/900 -- (Ford engine)/ Cummins-w/manual A/C	6&8	All	E8HZ 14A284-C	#E8HT 14A284-CA	
<b>14A285 WIRE ASSY. (CIRCUIT BREAKER FEED)</b>						
80/82	B-F600/800 -- w/anti skid			★	Improvise from: 1-D0HZ 14296-B wire 100mm long 1-D20Z 14474-D Terminal 1-B9A 14294-A Eyelet Terminal 1-D3AZ 14489-CA Sleeve	1



14289 WIRE ASSY. (DASH PANEL TO ENGINE GAUGE FEED)

WIRING MARKING or TAG NUMBER TO SERVICE WIRING PART NUMBER GUIDE

The purpose of this guide is to facilitate the identification of the Service Wiring Part Number. The chart that follows lists the Wiring Markings or Tag Numbers in numerical sequence. For many vehicles the Service Wiring Part Number will be the same as the Wiring Marking or Tag Number. This type of replacement will cause little or no installation problems. However, when the Service Wiring differs from the Wiring Marking or Tag Number it will be necessary to match lead wires and to tape up those lead wires which are not required. This is necessary when the Service Wiring has a more general application than the original wiring installed by the factory. Following this guide chart, Service Wiring Part Numbers are listed by model year and vehicle usage which will permit the identification of replacement wiring when the wiring identification marking or tag number is not known.

IMPORTANT Always furnish appropriate warranty or rating plate information and DSO number if applicable when ordering parts not listed in the catalog.

IDENTIFICATION CHART

Wiring Marking or Tag No.	Service Wiring Part Number	Wiring Marking or Tag No.	Service Wiring Part Number
<b>14289 WIRE ASSY. (DASH PANEL TO ENGINE GAUGE FEED) — Cont'd</b>			
D7HT 14289-ME	D8HZ 14289-C	E5HT 14289-DB	E5HZ 14289-D
D9HT 14289-AC	D9HZ 14289-A	E5HT 14289-EB	E5HZ 14289-E
EDD9HT 14289-AD	D9HZ 14289-A	E5HT 14289-FB	E5HZ 14289-F
D9HT 14289-AE	D9HZ 14289-A	E5HT 14289-GA	E5HZ 14289-A
D9HT 14289-BB	D9HZ 14289-B	E5HT 14289-HA	E4HZ 14289-G
D9HT 14289-BC	D9HZ 14289-B	E5HT 14289-JA	E5HZ 14289-J
D9HT 14289-CB	D9HZ 14289-C	E5HT 14289-JB	E6HZ 14289-B
D9HT 14289-CC	D9HZ 14289-C	E5HT 14289-KA	E4HZ 14289-F
E0HT 14289-BC	E0HZ 14289-B	EDE7HT 14289-AD	E7HZ 14289-A
E0HT 14289-BD	E0HZ 14289-B	E7HT 14289-AE	E7HZ 14289-A
E0HT 14289-CD	E0HZ 14289-C	E7HT 14289-BB	E7HZ 14289-B
E1HT 14289-CA	E0HZ 14289-C	E7HT 14289-CB	E7HZ 14289-C
E1HT 14289-CB	E1HZ 14289-A	E7HT 14289-EB	E7HZ 14289-E
EDE1HT 14289-CB	E1HZ 14289-B	E7HT 14289-FB	E7HZ 14289-F
E2HT 14289-AA	E2HZ 14289-A	E7HT 14289-GA	E7HZ 14289-G
E2HT 14289-BA	E3HZ 14289-C	E7HT 14289-HA	E7HZ 14289-H
E3HT 14289-AB	E3HZ 14289-A	E9HT 14289-NA	E7HZ 14289-H
E3HT 14289-BF	E3HZ 14289-B	E8HT 14289-AA	E8HZ 14289-A
E3HT 14289-DB	E3HZ 14289-D	E8HT 14289-AB	E8HZ 14289-A
EDE3HT 14289-DB	E3HZ 14289-D	E8HT 14289-BA	E8HZ 14289-B
E4HT 14289-BA	E4HZ 14289-B	E8HT 14289-JA	E8HZ 14289-J
E4HT 14289-BB	E4HZ 14289-G	E8HT 14289-JB	E8HZ 14289-J
E4HT 14289-CA	E4HZ 14289-C	E8HT 14289-KA	E8HZ 14289-K
E4HT 14289-DA	E4HZ 14289-D	E8HT 14289-LA	E8HZ 14289-L
EDE4HT 14289-DA	E4HZ 14289-D	E8HT 14289-NA	E8HZ 14289-N
E4HT 14289-DC	E4HZ 14289-D	E8HT 14289-RA	E5HZ 14289-D
E4HT 14289-DD	E5HZ 14289-A	E9HT 14289-DA	E9HZ 14289-D
E4HT 14289-EA	E4HZ 14289-E	E9HT 14289-DB	E9HZ 14289-D
E4HT 14289-FB	E4HZ 14289-F	E9HT 14289-EA	E9HZ 14289-E
E4HT 14289-FC	E4HZ 14289-F	E9HT 14289-EB	★ E9HZ 14289-EB
E9HT 14289-RA	E4HZ 14289-F	E9HT 14289-EB	E9HZ 14289-H
E4HT 14289-GA	E5HZ 14289-B	E9HT 14289-FA	E9HZ 14289-F
E5HT 14289-AE	E5HZ 14289-G	E9HT 14289-FB	E9HZ 14289-F
E5HT 14289-AF	E6HZ 14289-A	E9HT 14289-GA	E9HZ 14289-G
E5HT 14289-BD	E5HZ 14289-H	E9HT 14289-GB	E9HZ 14289-G

1980/  
TRUCK SERIES 600/900

YEAR	MODEL/RESTRICTIONS	ENGINE		PART NUMBER	DESCRIPTION	QTY.
		CYL.	C.I.D. (C.C.D.)			
<b>14289 WIRE ASSY. (DASH PANEL TO ENGINE GAUGE FEED)</b>						
80/82	B-F600/800 -- gas "Before 12/81"	8	370,429	★ E0HZ 14289-B /bE2HZ 14289-A		1
82	B-F600/800 -- gas "From 12/81"	8	370,429	E2HZ 14289-A		1
83/84	B-F-FT600/800 -- gas	8	370,429	★ E3HZ 14289-A		1
80/81	B-F600/800 -- diesel- "Before 11/80"	8	501	★ E0HZ 14289-C		1
81	B-F600/800 -- diesel "From 11/80 to 7/81"	8	501	★ E1HZ 14289-A /bE1HZ 14289-B		1
81/82	B-F600/800 -- diesel "From 7/81"	8	501	E1HZ 14289-B		1
83	B-F-FT600/800 -- diesel	8	501	★ E3HZ 14289-D		1
84	B-F600/800(84) -- diesel	8	501	E4HZ 14289-D		1
85/86	B-F600/900(84) -- diesel	8	501	E5HZ 14289-A		1
83	B-F-FT600/800 -- diesel	8	636	E3HZ 14289-B		1
80/83	C-CT600/800 "Before 10/82"	8	370,429	D9HZ 14289-A		1
83/84	C-CT600/800 "From 10/82"	8	370,429	E3HZ 14289-C		1
85	C-CT600/900 "Before 3/85"	8	370,429	E5HZ 14289-B		1
85/	C-CT600/800 "From 3/85"	8	370,429	E5HZ 14289-H		1
80/81	C-CT800/900	8	475,477 534	★ D9HZ 14289-C		1
80/83	L-LT-LTS-LN-LNT600/900 "Before 10/82"	8	370,429	D9HZ 14289-A		1
83/	L-LT-LTS-LN-LNT600/900 "From 10/82"	8	370,429	E3HZ 14289-C		1
84	B-F-FT600/900 -- diesel "Before 11/84"	8	636	E4HZ 14289-B		1
84/86	B-F-FT600/900 -- diesel "From 11/84"	8	636	E4HZ 14289-G		1
87/	B-F-FT600/900 -- diesel	8	636	E7HZ 14289-C		1
85	B-F600/800 "Before 12/85"	8	370,429	E4HZ 14289-C		1
85/86	B-F600/900 -- exc. Calif. "From 3/85 to 12/85"	8	370,429	E5HZ 14289-G		1
86	B-F600/800 -- exc. Calif. "From 12/85"	8	370,429	E6HZ 14289-A		1
87	B-F600/900 -- exc. Calif.	8	370,429	E7HZ 14289-E		1
85/86	B-F600/900 -- Calif. "From 3/85 to 12/85"	8	370,429	E5HZ 14289-J		1
86	B-F600/800 -- Calif. "From 12/85"	8	370,429	E6HZ 14289-B		1
87	B-F600/900 -- Calif.	8	370,429	E7HZ 14289-F		1
87	B-F600/800 -- FT0 diesel	6	402,476	E7HZ 14289-A		1
87	B-F600/800 -- diesel	8	501	E7HZ 14289-B		1
88	B-F600/900 -- w/air brakes & tilt hood-exc. Calif.	6&8	300,370, 429	E8HZ 14289-A	Use with IAR alternator-60 amp.	1
88	B-F600/900 -- w/air brakes & tilt hood-Calif.	6&8	300,370, 429	E8HZ 14289-B	Use with IAR alternator	1
88	B-F600/900 -- diesel	6	402,476	E8HZ 14289-J	Use with IAR alternator-60 amp.	1
88/	B-F600/800 -- FNH diesel	6	401,474	E8HZ 14289-L	Use w/75, 90 amp. Motorcraft alt. or 130 amp. Motorola alt.	1
88/	B-F600/800 -- gas	8	370,429	E8HZ 14289-N	Use with 40, 75, 90 amp. Motorcraft alt or 130 amp. Motorola alt.	1
89	B-F600/900 -- gas	6&8	All	E9HZ 14289-D	Use w/60 amp. Motorcraft	1
89	B-F600/900 -- diesel "Before 2/89"	6	402,476	E9HZ 14289-E	Use w/75/90 amp. Motorcraft or 130 amp. Motorola alt.	1
89	B-F600/900 -- diesel- "From 2/89"	6	402,476	★ E9HZ 14289-EB /bE9HZ 14289-H	Use w/75/90 amp. Motorcraft or Motorola 130 amp. alt.	1
89	B-F600/900 -- diesel	6	402,476	E9HZ 14289-F	Use w/60 amp. Motorcraft ait.	1
89	B-F600/900 -- gas	6&8	All	E9HZ 14289-G	Use w/75/90 amp. Motorcraft alt. or 130 amp. Motorola	1

1980/  
TRUCK SERIES 600/900

YEAR	MODEL/RESTRICTIONS	ENGINE		PART NUMBER	DESCRIPTION	QTY.
		CYL.	C.I.D. (C.C.D.)			
<b>14289 WIRE ASSY. (DASH PANEL TO ENGINE GAUGE FEED) — Cont'd</b>						
84/	LN-LNT900 -- Cummins L10 diesel	6	610	E4HZ 14289-F		1
85/	LN-LNT600/900 -- diesel	6	855	E5HZ 14289-D		1
85/	L-LT-LTL-LTS800/900 -- 105" BBC diesel	6	855	E5HZ 14289-E		1
85/	L-LN-LNT-LT-LTL-LTS800/900 -- 105 BBC w/Cummins L-10 diesel	6	610			1
85/	L-LT-LTL-LTS800/900 -- 116" BBC diesel	6	855	E5HZ 14289-F		1
85/	L-LN-LNT-LT-LTL-LTS800/900 -- 116 BBC w/Cummins L-10 diesel	6	610			1
87	L-LT-LTS900 -- diesel	6	610	E7HZ 14289-G		1
87/	LTL900 -- diesel	6	610	E7HZ 14289-H		1
88/	L-LL-LN-LNT-LS-LT-LTL-LTS 600/900 -- diesel	6	610	E8HZ 14289-K	Use with IAR alternator	1
80/	C-CT600/900 -- gas	6&8	All	★40936-S8	(U-265)-screw (wiring to frame rear support) -5/16"-18 x 5/8"	1
80/	C-CT600/900	6&8	All	★373415-S100	(GG-199)-clip (wiring to upper rail of L.H. frame side member)	1
80/	C-CT600/900	6&8	All	★352999-S32	(GG-17)-clip (wiring to R.H. frame side member)	1
80/	C-CT600/900	6&8	All	★20344-S8	(B-42)-bolt (wiring & clip 357946-S8 to rear frame support)-1/4"-20 x 3/4"	1
80/81	C-CT900	8	401,477, 534		Bolt (wiring & clip 357946-S8, fuel pump wiring & tachometer cable to rear frame support)	1
80/	C-CT600/800	8	361,391	★58652-S2	(B-99-X)-bolt-hex. (used with electric fuel pump, attach 14289 wire to L.H. side of block) -7/16"-14 x 3/4"	1
80/	C-CT600/800	6&8	All	★353547-S2	(GG-173)-clip (wire to existing bolts of R.H. or L.H. cyl. head valve cover)	2or3
80/	C600/800	8	All	20328-S8	(B-76)-bolt (wiring & clip 353547-S2 to L.H. cyl. head)-3/8"-16 x 5/8"	1
				34807-S8	(X-66)-lockwasher-3/8"	1
83	F-FT600/800	8	501	384213-S	(YY-7-E)-strap-(attach wiring to 14305 wiring)	1
86/	L-LN-LNT-LT-LTL-LTS800/900 -- diesel	6	610	390550-S36	(WW-97-K) stud 1/4"-20-7/16" x 1.06" hex shoulder-(wiring to alternator)	1
<b>14290 WIRE ASSY. (DASH PANEL TO HEADLAMP JUNCTION)</b>						
80/82	B-F600/800 "Before 12/81"	6&8	All	E1HZ 14290-B	#E0HT 14290-AH,BH, EME0HT 14290-BJ, ED E0HT 14290-BJ	1
82	B-F600/800 "From 12/81"	6&8	All	E2HZ 14290-A	#E2HT 14290-AB	1
83/84	B-F-FT600/900 -- w/fixd hood "Before 2/84"	6&8	All	★ E3HZ 14290-B r/bE4HZ 14290-B	#E3HT 14290-BB	1
84/86	B-F-FT600/900 -- w/fixd hood "From 2/84"	6&8	All	E4HZ 14290-B	#E4HT 14290-BA	1
87/	B-F-FT600/900 -- w/fixd hood	6&8	All	E7HZ 14290-B	#E7HT 14290-BA	1
84/86	B-F-FT600/900 -- w/tilt hood	6&8	All	E4HZ 14290-A	#E4HT 14290-AA,AB,AC	1
87/	B-F-FT600/900 -- w/tilt hood	6&8	All	E7HZ 14290-A	#E7HT 14290-AB	1
88/	B-F-FT600/900 -- w/tilt hood	6&8	All	E8HZ 14290-F	#E8HT 14290-FA	1
89/	B-F-FT600/900	6&8		E9HZ 14290-A	E9HT 14290-AB	
80/	L-LN-LNT-LT600/900	6&8	All	D4HZ 14290-A	#D3EB 14290-AB, D3HB 14290-AB	1
80/	LTS800/900	6&8	All	D4HZ 14290-B	#D3HB 14290-BB	1
82/87	LL-LTL900	6&8	All	★ E1HZ 14290-A r/bE8HZ 14290-C	#E1HT 14290-AB,AC	1
88	LL-LTL900	6&8	All	E8HZ 14290-C	#E8HT 14290-CB	1
89	L-LN-LNT-LNT600/900	6&8	All	★ E9HZ 14290-K	#E9HT 14290-KA r/b F0HZ 14290-D	1
89	L-LT-LTL-LTS-LTA800/900	6&8	All	★ E9HZ 14290-L	#E9HT 14290 LA r/b F0HZ 14290-C	1
80/	L-LN-LNT-LT-LTS600/900	6&8	All	★95873-S	Strap (wire to frame)	AR
80/	L-LN-LNT-LT-LTS600/900	6&8	All	★378042-S	(GG-213 G) clip (for wires 14290)	AR
<b>14294 WIRE TERMINAL KIT</b>						
80/	All	6&8	All	C4AZ 14294-A		AR

OCTOBER, 1993

COPYRIGHT © 1993—

FORD MOTOR  
COMPANY

—DEARBORN, MICHIGAN

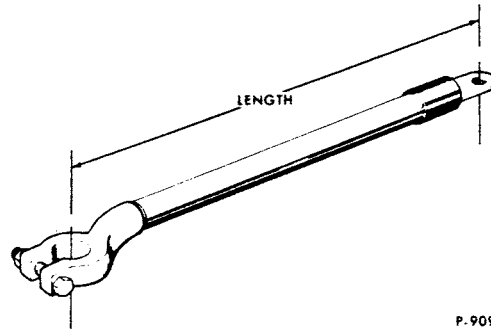
FINAL ISSUE

**1980/  
TRUCK SERIES 600/900**

YEAR	MODEL/RESTRICTIONS	ENGINE		PART NUMBER	DESCRIPTION	QTY.
		CYL.	C.I.D. (C.C.D.)			
<b>14294 TERMINAL (ELECTRIC WIRING SOLDERLESS CRIMP ON TYPE)-Also refer to group 14474</b>						
80/	All	6&8	All	B9A 14294-A	Eyelet-No. 10 stud-for No. 16, 18, 20 & 22 gauge wire	AR
				B9A 14294-B	*WT-5530-eyelet-No. 6 stud-for No. 14 & 16 gauge wire	AR
				B9A 14294-C	Eyelet-No. 10 stud-for No. 14 & 16 gauge wire	AR
				B9A 14294-D	Eyelet-1/4" stud-for No. 14 & 16 gauge wire	AR
				★ B9A 14294-N	Spade type-for No. 14 & 16 gauge wire	AR
				B9A 14294-F	Eyelet-No. 10 stud-for No. 10 & 12 gauge wire	AR
				B9A 14294-G	Eyelet-1/4" stud-for No. 10 & 12 gauge wire	AR
				B9A 14294-H	Eyelet-3/8" stud-for No. 10 & 12 gauge wire	AR
				B9A 14294-J	Snap-on-male-for No. 14, 16 & 18 gauge wire	AR
				B9A 14294-K	Bullet type (non-insulated bullet)-for No. 14, 16 & 18 gauge wire	AR
				B9A 14294-L	Snap-on-female-for No. 14, 16 & 18 gauge wire	AR
				B9A 14294-M	Bullet type (insulated bullet)-for No. 14 & 16 gauge wire	AR
				C5AZ 14294-A	Eyelet-No. 10 stud-for No. 8 gauge wire	AR
				C5AZ 14294-B	Bullet type (insulated bullet)-for No. 14 & 16 gauge wire	AR
				C5AZ 14294-C	Faston tab-for No. 14 or 16 gauge wire	AR
				C5ZZ 14294-A	Eyelet-1/2" stud-for No. 14, 16 & 18 gauge wire	AR
				D4HZ 14294-A	Eyelet-37/64" stud-for No. 8 gauge wire	AR
86/	CF600/700 -- diesel	6	402,476	E6HZ 14294-A	Eyelet-010.5 MM	1
				E6HZ 14294-B	Eyelet-013.0 MM	1
<b>14296 WIRE-Also refer to group 12286</b>						
80/	All	6&8	All	B3A 14296-B	Wire-8 gauge-50 ft. spool	AR
				B6A 14296-A	*512-B-primary-12 gauge-100 ft. spool	AR
				B6A 14296-B	*514-B-primary-14 gauge-100 ft. spool	AR
				B6A 14296-C	*516-B-primary-16 gauge-100 ft. spool	AR
				8A 14296-B	High tension-16 gauge-100 ft. spool	AR
				★ D0HZ 14296-A	*318-B-wire-18 gauge-100 ft. spool	AR
				★ D0HZ 14296-B	*316-B-wire-16 gauge-100 ft. spool	AR
				★ D0HZ 14296-C	*314-B-wire-14 gauge-100 ft. spool	AR
				★ D0HZ 14296-D	*312-B-wire-12 gauge-100 ft. spool	AR
				★ D0HZ 14296-E	*310-B-wire-10 gauge-100 ft. spool	AR
<b>14A297 GASKET (WIRING CONNECTOR)</b>						
86/	CF600/700 -- diesel	6	402,476	E6HZ 14A297-B		1
<b>14A298 BRACKET (JUNCTION BLOCK)-If not listed below improvise</b>						
80/84	C-CT600/900 -- w/air brakes	6&8	All	★ D5TZ 14A298-D	Use with rear axles	AR
80/84	L-LN-LNT-LT-LTS600/900 -- w/air brakes	6&8	All			AR
				355920-S32	(MM-276-B)-nut-spring (bracket to junction block)	AR
80/84	CT800/900 -- w/air brakes	6&8	All	★ D5HZ 14A298-A	#D5HA 14A298-AA-use w/FWD rear axles	1
80/84	LNT-LT800/900 -- w/air brakes	6&8	All			1
80/	L-LN-LNT-LT-LTS-LTL600/900	6&8	All	D3HZ 14A298-A	For 3 stud junction block mounted under instrument panel	1
80/	L-LN-LNT-LT-LTS600/900	6&8	All	★20384-S	(B-43)-bolt (attach bracket to body back panel)-1/4"-20 x 1"	2
82/	B-F600/800 (84)	6&8	All	E2HZ 14A298-A	#E1HT 14A298-AA	1

1980/  
TRUCK SERIES 600/900

14300 CABLE ASSY. (BATTERY UNIVERSAL TYPE)



P. 9098

Battery cable terminals (battery end) are universal and may be used on either the positive or negative battery post. Battery cable length is determined by distance between hole centers.

SIZE CHART

LENGTH (INCHES)	WIRE GAUGE	IDENTIFICATION	SERVICE PART NUMBER	MOTORCRAFT NUMBER	LENGTH (INCHES)	WIRE GAUGE	IDENTIFICATION	SERVICE PART NUMBER	MOTORCRAFT NUMBER
10	4	D1PF 14300-AGA	D1PZ 14300-AG	*WC-8118	30	4	D1PF 14300-HA	D1PZ 14300-H	*7304
10	6	D1PF 14300-AA	D1PZ 14300-A	*7106	34	1	D1PF 14300-SA	D1PZ 14300-S	*6341
12.50	1	D1PF 14300-MA	D1PZ 14300-M	*6121	40	1	D1PF 14300-TA	D1PZ 14300-T	*6401
13	4	D1PF 14300-DA	D1PZ 14300-D	*7134	41	4	D1PF 14300-JA	★ D1PZ 14300-J	*7414
16	4	D1PF 14300-EA	D1PZ 14300-E	*7164	48	4	D1PF 14300-KA	★ D1PZ 14300-K	*7484
16.50	1	D1PF 14300-NA	D1PZ 14300-N	*6161				/bD1PZ 14300-AB	
19	4	D1PF 14300-FA	D1PZ 14300-F	*7194	53	4	D1PF 14300-ADA	D1PZ 14300-AB	*7534
20	6	D1PF 14300-BA	★ D1PZ 14300-B	*7206	53	1	D1PF 14300-UA	★ D1PZ 14300-U	*6531
21	1	D1PF 14300-PA	D1PZ 14300-P	*6211	56	4	D1PF 14300-LA	★ D1PZ 14300-L	*7564
23	4	D1PF 14300-GA	D1PZ 14300-G	*7234	65	1	D1PF 14300-VA	★ D1PZ 14300-V	*6651
24	6	D1PF 14300-CA	★ D1PZ 14300-C	*7246	75	1	D1PF 14300-XA	D1PZ 14300-X	*6751
27	1	D1PF 14300-RA	★ D1PZ 14300-R	*WC-6271	104	6	D1PF 14300-AFA	★ D1PZ 14300-AF	*WC-8085

BATTERY CABLE IDENTIFICATION CHART

IDENTIFICATION	PART NUMBER	MOTORCRAFT NO.	IDENTIFICATION	PART NUMBER	MOTORCRAFT NO.
----------------	-------------	----------------	----------------	-------------	----------------

14300-1 CABLE ASSY. (BATTERY)

The following chart will provide quick identification of the service part numbers when the identification marking is known. Also battery cables may be selected by model, year and description under group number 14300 which follows the chart.

D1PF 14300-DA	D1PZ 14300-D	*7134	D5HF 14300-AA	★D1PZ 14300-K	*7484
D1PF 14300-FA	D1PZ 14300-F	*7194	D5HF 14300-CA	★D1PZ 14300-J	*7414
D1PF 14300-GA	D1PZ 14300-G	*7234	D5HF 14300-DA	★D5HZ 14300-K	*WC-8308
D1PF 14300-JA	D1PZ 14300-J	*7414	D5HF 14300-EA	★D1HZ 14300-G	*WC-8078-A
D1PF 14300-KA	D1PZ 14300-K	*7484	D5HF 14300-FA	D0HZ 14300-BC	*WC-8079
D1PF 14300-ACA	D1PZ 14300-AD	*7424	D5HF 14300-GA	D5HZ 14300-G	*WC-8307
D2HF 14300-BJA	D1HZ 14300-G	*WC-8078-A	D5HF 14300-HA	★D1HZ 14300-G	*WC-8078-A
D2HF 14300-BKA	D0HZ 14300-BC	*WC-8079	D5HF 14300-JA	D0HZ 14300-BC	*WC-8079
D2HF 14300-BLA	D0HZ 14300-BC	*WC-8079	D5HF 14300-KA	D5HZ 14300-K	*WC-8308
D2HF 14300-BMA	D1HZ 14300-G	*WC-8078-A	D6HS 14300-CKA	★D1PZ 14300-K	*7484
D2HF 14300-BNA	D1HZ 14300-G	*WC-8078-A	D7HT 14300-AB	D8HZ 14300-A	*WC-8364
D2HF 14300-BUA	D1PZ 14300-J	*7414	D7HT 14300-DB	D8HZ 14300-D	*WC-8366
D2HF 14300-BXA	D1PZ 14300-J	*7414	D7HT 14300-FC	D9HZ 14300-CD	*WC-8368-A
D2TF 14300-BA	D1PZ 14300-K	*7484	D7HT 14300-FD	D9HZ 14300-CD	*WC-8368-A
D2TF 14300-KA	D1HZ 14300-G	*WC-8078-A	D7HT 14300-GB	D8HZ 14300-G	*WC-8369
D3HF 14300-ANA	D1PZ 14300-K	*7484	D7HT 14300-HB	D8HZ 14300-H	*WC-8370
D4HF 14300-SA	D1HZ 14300-G	*WC-8078-A	D7HT 14300-RB	D8HZ 14300-R	*WC-8374
D4HF 14300-ACA	D4HZ 14300-AC	*WC-8273	D7HT 14300-SB	D8HZ 14300-S	*WC-8375
D4HF 14300-ADA	D4HZ 14300-AC	*WC-8273	D7HT 14300-TA	D8HZ 14300-T	*WC-8389

1980/  
TRUCK SERIES 600/900

**BATTERY CABLE IDENTIFICATION CHART**

IDENTIFICATION		PART NUMBER		MOTORCRAFT NO.	IDENTIFICATION		PART NUMBER		MOTORCRAFT NO.
14300-1 CABLE ASSY. (BATTERY) — Cont'd									
D7HT	14300-VA	D8HZ	14300-X	*WC-8399	D9HT	14300-ARC	D9HZ	14300-AM	*WC-8419
D7HT	14300-YA	D9HZ	14300-AU	*WC-8398	D9HT	14300-ASA	D9HZ	14300-AY	*WC-8418
D7HT	14300-ZA	D8HZ	14300-Z	*WC-8397	D9HT	14300-ASB	D9HZ	14300-AY	*WC-8418
D9HT	14300-CA	D1PZ	14300-F	*7194	D9HT	14300-ATA	D9HZ	14300-AT	*WC-8422
D9HT	14300-DA	D1PZ	14300-K	*7484	D9HT	14300-ATB	D9HZ	14300-AT	*WC-8422
D9HT	14300-EA	D9HZ	14300-A	*WC-8402	D9HT	14300-AUA	D9HZ	14300-AU	*WC-8436
D9HT	14300-GA	E1HZ	14300-C	*WC-8492	D9HT	14300-AUB	D9HZ	14300-AU	*WC-8436
D9HT	14300-GB	E1HZ	14300-C	*WC-8492	D9HT	14300-AVA	D9HZ	14300-S	*WC-8439
D9HT	14300-HB	D9HZ	14300-AA	*WC-8432	D9HT	14300-AVB	D9HZ	14300-S	*WC-8439
D9HT	14300-JA	D9HZ	14300-J	*WC-8427	D9HT	14300-AYA	D9HZ	14300-AY	*WC-8418
D9HT	14300-JB	D9HZ	14300-J	*WC-8427	D9HT	14300-AYB	D9HZ	14300-AY	*WC-8418
D9HT	14300-KB	D9HZ	14300-K	*WC-8434	D9HT	14300-AZA	D9HZ	14300-AZ	*WC-8435
D9HT	14300-LA	D9HZ	14300-L	*WC-8413	D9HT	14300-AZB	D9HZ	14300-AZ	*WC-8435
D9HT	14300-LB	D9HZ	14300-L	*WC-8413	D9HT	14300-AZC	D9HZ	14300-AZ	*WC-8435
D9HT	14300-MA	D9HZ	14300-M	*WC-8425	D9HT	14300-BAA	D9HZ	14300-AZ	*WC-8435
D9HT	14300-MB	D9HZ	14300-M	*WC-8425	D9HT	14300-BAB	D9HZ	14300-AZ	*WC-8435
D9HT	14300-NA	D9HZ	14300-N	*WC-8424	D9HT	14300-BBA	D9HZ	14300-BB	*WC-8421
D9HT	14300-NB	D9HZ	14300-N	*WC-8424	D9HT	14300-BBB	D9HZ	14300-BB	*WC-8421
D9HT	14300-NC	D9HZ	14300-N	*WC-8424	D9HT	14300-BCA	D9HZ	14300-BC	*WC-8420
D9HT	14300-RA	D9HZ	14300-R	*WC-8412	D9HT	14300-BCB	D9HZ	14300-BC	*WC-8420
D9HT	14300-RB	D9HZ	14300-R	*WC-8412	D9HT	14300-BDA	D9HZ	14300-BB	*WC-8421
D9HT	14300-RC	D9HZ	14300-R	*WC-8412	D9HT	14300-BDB	D9HZ	14300-BB	*WC-8421
D9HT	14300-SA	D9HZ	14300-S	*WC-8439	D9HT	14300-BDC	D9HZ	14300-BB	*WC-8421
D9HT	14300-SB	D9HZ	14300-S	*WC-8439	D9HT	14300-BEA	D9HZ	14300-BC	*WC-8420
D9HT	14300-TB	D9HZ	14300-T	*WC-8423	D9HT	14300-BEB	D9HZ	14300-BC	*WC-8420
D9HT	14300-UA	D9HZ	14300-U	*WC-8415	D9HT	14300-BFA	D9HZ	14300-BB	*WC-8421
D9HT	14300-UB	D9HZ	14300-U	*WC-8415	D9HT	14300-BFB	D9HZ	14300-BB	*WC-8421
D9HT	14300-VA	D9HZ	14300-AZ	*WC-8435	D9HT	14300-BGA	D9HZ	14300-BG	*WC-8416
D9HT	14300-VB	D9HZ	14300-AZ	*WC-8435	D9HT	14300-BGB	D9HZ	14300-BG	*WC-8416
D9HT	14300-YA	D9HZ	14300-Y	*WC-8433	D9HT	14300-BHA	D9HZ	14300-AG	*WC-8417
D9HT	14300-YB	D9HZ	14300-Y	*WC-8433	D9HT	14300-BHB	D9HZ	14300-AG	*WC-8417
D9HT	14300-ZA	D9HZ	14300-BB	*WC-8421	D9HT	14300-BJA	D9HZ	14300-BJ	*WC-8411
D9HT	14300-ZB	D9HZ	14300-BB	*WC-8421	D9HT	14300-BJB	D9HZ	14300-BJ	*WC-8411
D9HT	14300-AAB	D9HZ	14300-AA	*WC-8432	D9HT	14300-BKA	D9HZ	14300-BK	*WC-8410
D9HT	14300-ABB	D9HZ	14300-K	*WC-8434	D9HT	14300-BKB	D9HZ	14300-BK	*WC-8410
D9HT	14300-ACA	D9HZ	14300-AM	*WC-8419	D9HT	14300-BLA	D9HZ	14300-BL	*WC-8431
D9HT	14300-ACB	D9HZ	14300-AM	*WC-8419	D9HT	14300-BLB	D9HZ	14300-BL	*WC-8431
D9HT	14300-ADB	D9HZ	14300-K	*WC-8434	D9HT	14300-BMA	D9HZ	14300-BN	*WC-8426
D9HT	14300-AEA	D9HZ	14300-AE	*WC-8414	D9HT	14300-BMB	D9HZ	14300-BN	*WC-8426
D9HT	14300-AEB	D9HZ	14300-AE	*WC-8414	D9HT	14300-BNA	D9HZ	14300-BN	*WC-8426
D9HT	14300-AFA	D9HZ	14300-AM	*WC-8419	D9HT	14300-BNB	D9HZ	14300-BN	*WC-8426
D9HT	14300-AFB	D9HZ	14300-AM	*WC-8419	D9HT	14300-BRA	D9HZ	14300-J	*WC-8427
D9HT	14300-AGA	D9HZ	14300-AG	*WC-8417	D9HT	14300-BRB	D9HZ	14300-J	*WC-8427
D9HT	14300-AGB	D9HZ	14300-AG	*WC-8417	D9HT	14300-BSA	D9HZ	14300-BT	*WC-8429
D9HT	14300-AHA	D9HZ	14300-AT	*WC-8422	D9HT	14300-BSB	D9HZ	14300-BT	*WC-8429
D9HT	14300-AHB	D9HZ	14300-AT	*WC-8422	D9HT	14300-BTA	D9HZ	14300-BT	*WC-8429
D9HT	14300-AJA	D9HZ	14300-L	*WC-8413	D9HT	14300-BTB	D9HZ	14300-BT	*WC-8429
D9HT	14300-AJB	D9HZ	14300-L	*WC-8413	D9HT	14300-BUA	D9HZ	14300-BU	*WC-8430
D9HT	14300-AKA	D9HZ	14300-AE	*WC-8414	D9HT	14300-BUB	D9HZ	14300-BU	*WC-8430
D9HT	14300-AKB	D9HZ	14300-AE	*WC-8414	D9HT	14300-BVA	D9HZ	14300-BY	*WC-8437
D9HT	14300-ALA	D9HZ	14300-Y	*WC-8433	D9HT	14300-BVB	D9HZ	14300-BY	*WC-8437
D9HT	14300-ALB	D9HZ	14300-Y	*WC-8433	D9HT	14300-BYA	D9HZ	14300-BY	*WC-8437
D9HT	14300-AMA	D9HZ	14300-AM	*WC-8419	D9HT	14300-BYB	D9HZ	14300-BY	*WC-8437
D9HT	14300-AMB	D9HZ	14300-AM	*WC-8419	D9HT	14300-BZA	D9HZ	14300-CA	*WC-8438
D9HT	14300-ANA	D9HZ	14300-AU	*WC-8436	D9HT	14300-BZB	D9HZ	14300-CA	*WC-8438
D9HT	14300-ANB	D9HZ	14300-AU	*WC-8436	D9HT	14300-CAA	D9HZ	14300-CA	*WC-8438
D9HT	14300-ARA	D9HZ	14300-AM	*WC-8419	D9HT	14300-CAB	D9HZ	14300-CA	*WC-8438
D9HT	14300-ARB	D9HZ	14300-AM	*WC-8419	D9HT	14300-CBA	D1PZ	14300-R	*WC-6271

1980/  
TRUCK SERIES 600/900

BATTERY CABLE IDENTIFICATION CHART

IDENTIFICATION		PART NUMBER		MOTORCRAFT NO.		IDENTIFICATION		PART NUMBER		MOTORCRAFT NO.	
14300-1 CABLE ASSY. (BATTERY) — Cont'd											
D9HT	14300-CCA	D9HZ	14300-CC	*WC-8367-A	E2HT	14300-AGA	E2HZ	14300-AG	*WC-9296		
D9HT	14300-CCB	D9HZ	14300-CC	*WC-8367-A	E2HT	14300-AHA	D9HZ	14300-BK	*WC-8410		
D9HT	14300-CDA	D9HZ	14300-CD	*WC-8368-A	E2HT	14300-AJA	D9HZ	14300-BJ	*WC-8411		
D9HT	14300-CDB	D9HZ	14300-CD	*WC-8368-A	E2HT	14300-AA0300	D8HZ	14300-R	*WC-8374		
D9HT	14300-CEA	D1PZ	14300-K	*7484	E2HT	14300-AA0430	D8HZ	14300-T	*WC-8389		
D9HT	14300-CFA	D1HZ	14300-G	*WC-8078-A	E2HT	14300-AA0570	D8HZ	14300-S	*WC-8375		
D9HT	14300-CGA	D5HZ	14300-G	*WC-8307	E2HT	14300-AA0640	D8HZ	14300-D	*WC-8366		
D9HT	14300-CHA	D8HZ	14300-A	*WC-8364	E2HT	14300-AA0660	D8HZ	14300-Z	*WC-8397		
D9HT	14300-CJA	D8HZ	14300-D	*WC-8366	E2HT	14300-AA1010	D9HZ	14300-BY	*WC-8437		
D9HT	14300-CKA	D8HZ	14300-G	*WC-8369	E2HT	14300-AA1130	D9HZ	14300-BY	*WC-8437		
D9HT	14300-CLA	D8HZ	14300-H	*WC-8370	E2HT	14300-AA1190	D9HZ	14300-S	*WC-8439		
D9HT	14300-CMA	D8HZ	14300-R	*WC-8374	E2HT	14300-AA1240	D9HZ	14300-S	*WC-8439		
D9HT	14300-CNA	D8HZ	14300-S	*WC-8375	E2HT	14300-AA1340	D9HZ	14300-CA	*WC-8438		
D9HT	14300-CRA	D8HZ	14300-T	*WC-8389	E2HT	14300-FA0270	D9HZ	14300-CD	*WC-8368-A		
D9HT	14300-CSA	D8HZ	14300-X	*WC-8399	E2HT	14300-FA0340	D9HZ	14300-CC	*WC-8367-A		
D9HT	14300-CTA	D8HZ	14300-Z	*WC-8397	E2HT	14300-FA0350	D9HZ	14300-CC	*WC-8367-A		
EOHT	14300-AB	E0HZ	14300-A	*WC-8481	E2HT	14300-FA0470	D9HZ	14300-AT	*WC-8422		
EOHT	14300-AC	E0HZ	14300-A	*WC-8481	E2HT	14300-FA0570	D9HZ	14300-AT	*WC-8422		
EOHT	14300-BB	E0HZ	14300-B	*WC-8482	E2HT	14300-FA0660	D9HZ	14300-BC	*WC-8420		
EOHT	14300-BC	E0HZ	14300-B	*WC-8482	E2HT	14300-FA0720	D9HZ	14300-BC	*WC-8420		
EOHT	14300-CB	E0HZ	14300-C	*WC-8483	E2HT	14300-FA0790	D9HZ	14300-BB	*WC-8421		
EOHT	14300-CC	E0HZ	14300-C	*WC-8483	E2HT	14300-FA0850	D9HZ	14300-BB	*WC-8421		
EOHT	14300-FA	D5HZ	14300-G	*WC-8307	E2HT	14300-FA0900	D9HZ	14300-BB	*WC-8421		
EOHT	14300-FB	E0HZ	14300-F	*WC-8489	E2HT	14300-FA0960	D9HZ	14300-BB	*WC-8421		
EOHT	14300-GA	D1PZ	14300-F	*7194	E2HT	14300-FA1090	E2HZ	14300-B	*WC-8513		
EOHT	14300-HA	E0HZ	14300-H	*WC-8491	E2HT	14300-FA1200	E2HZ	14300-D	*WC-8515		
EOHT	14300-JA	E0HZ	14300-K	*WC-8490	E2HT	14300-FA1300	E2HZ	14300-D	*WC-8515		
EOHT	14300-KA	E0HZ	14300-K	*WC-8490	E2HT	14300-GA0610	D9HZ	14300-AY	*WC-8418		
EOHT	14300-LA	E0HZ	14300-F	*WC-8489	E2HT	14300-GA0710	D9HZ	14300-AY	*WC-8418		
EOHT	14300-MA	D5HZ	14300-G	*WC-8307	E2HT	14300-GA0800	D9HZ	14300-AG	*WC-8417		
EOHT	14300-NA	D0HZ	14300-BC	*WC-8079	E2HT	14300-GA0860	D9HZ	14300-AG	*WC-8417		
EOHT	14300-RA	D0HZ	14300-BC	*WC-8079	E2HT	14300-GA0930	D9HZ	14300-AM	*WC-8419		
EOHT	14300-TA	D5HZ	14300-G	*WC-8307	E2HT	14300-GA0990	D9HZ	14300-AM	*WC-8419		
EOHT	14300-UA	D9HZ	14300-BJ	*WC-8411	E2HT	14300-GA1040	D9HZ	14300-AM	*WC-8419		
EOHT	14300-VA	D9HZ	14300-BK	*WC-8410	E2HT	14300-GA1100	D9HZ	14300-AM	*WC-8419		
E1HT	14300-CA	E1HZ	14300-C	*WC-8492	E3HT	14300-CB	E3HZ	14300-C	*WC-8526		
E1HT	14300-BA	D8HZ	14300-S	*WC-8388	E3HT	14300-DB	E3HZ	14300-D	*WC-8528		
E1HT	14300-DA	E1HZ	14300-D	*WC-8493	E3HT	14300-GA	D1PZ	14300-AG	*WC-8118		
E1HT	14300-EA	E1HZ	14300-C	*WC-8492	E3HT	14300-HA	D9HZ	14300-BJ	*WC-8411		
E1HT	14300-FA	E1HZ	14300-D	*WC-8493	E3HT	14300-JA	D9HZ	14300-BK	*WC-8410		
E1HT	14300-LA	D9HZ	14300-BK	*WC-8410	E3HT	14300-KA0300	D8HZ	14300-R	*WC-8374		
E1HT	14300-MA	D9HZ	14300-BJ	*WC-8411	E3HT	14300-KA0430	D8HZ	14300-T	*WC-8389		
E1HT	14300-NA	D9HZ	14300-N	*WC-8424	E3HT	14300-KA0570	D8HZ	14300-S	*WC-8375		
E1HT	14300-RA	D9HZ	14300-R	*WC-8412	E3HT	14300-KA0640	D8HZ	14300-D	*WC-8366		
E1HT	14300-SA	D1PZ	14300-F	*7194	E3HT	14300-KA0660	D8HZ	14300-Z	*WC-8397		
E2HT	14300-NA	E2HZ	14300-A	*WC-8512	E3HT	14300-KA1010	D9HZ	14300-BY	*WC-8437		
E2HT	14300-RA	D9HZ	14300-CC	*WC-8367-A	E3HT	14300-KA1130	D9HZ	14300-BY	*WC-8437		
E2HT	14300-SA	E2HZ	14300-D	*WC-8515	E3HT	14300-KA1190	D9HZ	14300-BY	*WC-8437		
E2HT	14300-TA	*E2HZ	14300-B	*WC-8513	E3HT	14300-KA1240	D9HZ	14300-BY	*WC-8437		
E2HT	14300-UA	E2HZ	14300-C	*WC-8514	E3HT	14300-KA1340	D9HZ	14300-CA	*WC-8438		
E2HT	14300-VA	E2HZ	14300-D	*WC-8515	E4HT	14300-AA	D9HZ	14300-AZ	*WC-8435		
E2HT	14300-YA	D9HZ	14300-J	*WC-8427	E4HT	14300-BA	D9HZ	14300-BK	*WC-8410		
E2HT	14300-ZA	D9HZ	14300-L	*WC-8413	E4HT	14300-CA	D9HZ	14300-BJ	*WC-8411		
E2HT	14300-AAA	E0HZ	14300-A	*WC-8481	E5HT	14300-BA	E6HZ	14300-B	*WC-8625		
E2HT	14300-ABA	E0HZ	14300-B	*WC-8482	E5HT	14300-CA	E6HZ	14300-C	*WC-8622		
E2HT	14300-ACA	E0HZ	14300-C	*WC-8483	E5HT	14300-DA	D1PZ	14300-F	*7194		
E2HT	14300-ADA	E2HZ	14300-AD	*WC-9295	E5HT	14300-EA	E5HZ	14300-E	*WC-8610		
E2HT	14300-AEA	E1HZ	14300-C	*WC-8492	E5HT	14300-FA	E5HZ	14300-F	*WC-8611		
E2HT	14300-AFA	E1HZ	14300-D	*WC-8493	E5HT	14300-GA	E5HZ	14300-G	*WC-8612		

October, 1993

COPYRIGHT © 1993 - FORD MOTOR - DEARBORN, MICHIGAN

COMPANY

Final Issue

1980/  
TRUCK SERIES 600/900

**BATTERY CABLE IDENTIFICATION CHART**

IDENTIFICATION		PART NUMBER		MOTORCRAFT NO.		IDENTIFICATION		PART NUMBER		MOTORCRAFT NO.	
14300-1 CABLE ASSY. (BATTERY) — Cont'd											
E5HT	14300-HB	E5HZ	14300-H	*WC-8613		EDD9HT	14300-BNA	D9HZ	14300-BN	*WC-8426	
E5HT	14300-JA	E6HZ	14300-C			EDD9HT	14300-BRA	D9HZ	14300-J	*WC-8427	
E5HT	14300-KA	E6HZ	14300-B			EDD9HT	14300-BSA	D9HZ	14300-BT	*WC-8429	
E6HT	14300-HA	E5HZ	14300-G			EDD9HT	14300-BTA	D9HZ	14300-BT	*WC-8429	
E7HT	14300-AA	E7HZ	14300-A			EDD9HT	14300-BUA	D9HZ	14300-BU	*WC-8430	
E7HT	14300-BA	E7HZ	14300-B			EDD9HT	14300-CCA	D9HZ	14300-CC	*WC-8367-A	
E7HT	14300-CA	E7HZ	14300-C			EDD9HT	14300-CDA	D9HZ	14300-CD	*WC-8368-A	
E7HT	14300-DA	E7HZ	14300-D			ED E0HT	14300-AB	E0HZ	14300-A	*WC-8481	
E7HT	14300-EA	E7HZ	14300-E			ED E0HT	14300-BB	E0HZ	14300-B	*WC-8482	
E7HT	14300-FA	E7HZ	14300-F			ED E0HT	14300-CB	E0HZ	14300-C	*WC-8483	
E7HT	14300-HA	E7HZ	14300-H			ED E2HT	14300-AHA	D9HZ	14300-BJ	*WC-8411	
E7HT	14300-JA	E7HZ	14300-J			ED E2HT	14300-AJA	D9HZ	14300-BJ	*WC-8411	
E7HT	14300-KA	E7HZ	14300-K			ED E3HT	14300-AH	D9HZ	14300-BK	*WC-8410	
E7HT	14300-LA	E7HZ	14300-D	*WC-8639		ED E3HT	14300-AJ	D9HZ	14300-BK	*WC-8410	
E7HT	14300-MA	E7HZ	14300-M	*WC-8745		D2HF	14301-BEA	D1PZ	14300-D	*7134	
E7HT	14300-NA	E7HZ	14300-N	*WC-8746		D2HF	14301-BJA	D0HZ	14301-BC	*WC-8085	
E7HT	14300-RA	E7HZ	14300-R	*WC-8747		D2TF	14301-CA	D1PZ	14300-J	*7414	
E7HT	14300-TA	E7HZ	14300-T	*WC-8748		D2TF	14301-EA	D1PZ	14300-J	*7414	
E7HT	14300-UA	E7HZ	14300-U	*WC-8749		D2TF	14301-GA	D1PZ	14300-D	*7134	
E7HT	14300-VA	E7HZ	14300-V	*WC-8750		D2TF	14301-HA	D1PZ	14300-D	*7134	
E7HT	14300-YA127	E7HZ	14300-W	*WC-8752		D7HT	14301-AB	D8HZ	14301-A	*WC-8376	
E7HT	14300-YA138	E7HZ	14300-X	*WC-8753		D7HT	14301-AC	D8HZ	14301-A	*WC-8376	
E7HT	14300-YA156	E7HZ	14300-Y	*WC-8754		D7HT	14301-BB	D8HZ	14301-B	*WC-8377	
E7HT	14300-BAA	E7HZ	14300-BA	*WC-8759A		D7HT	14301-BC	D8HZ	14301-B	*WC-8377	
E7HT	14300-CAA	E7HZ	14300-CA	*WC-8760		D7HT	14301-DB	D8HZ	14301-D	*WC-8378	
E7HT	14300-DAA	E7HZ	14300-DA	*WC-8761		D7HT	14301-DC	D8HZ	14301-D	*WC-8378	
E7HT	14300-EAA	E7HZ	14300-EA	*WC-8762		D7HT	14301-EB	D8HZ	14301-E	*WC-8379	
E8HT	14300-AA	E8HZ	14300-A	*WC-8779		D7HT	14301-EC	D8HZ	14301-E	*WC-8379	
E8HT	14300-BA	E8HZ	14300-B	*WC-8780		D7HT	14301-GC	D9HZ	14301-BT	*WC-8381-A	
E8HT	14300-JA	E8HZ	14300-J	*WC-8853		D7HT	14301-GD	D9HZ	14301-BT	*WC-8381-A	
87HU	14300-BA	E8HZ	14300-FA	*WC-8789		D7HT	14301-GE	D9HZ	14301-BT	*WC-8381-A	
87HU	14300-CA	E7HZ	14300-GA	*WC-8790		D7HT	14301-HC	D8HZ	14301-H	*WC-8382	
87HU	14300-DA	E7HZ	14300-HA			D7HT	14301-JB	D8HZ	14301-J	*WC-8383	
EDD4HF	14300-ACA	D4HZ	14300-AC	*WC-8273		D7HT	14301-JC	D8HZ	14301-J	*WC-8383	
EDD4HF	14300-ADA	D4HZ	14300-AC	*WC-8273		D7HT	14301-LB	D8HZ	14301-L	*WC-8384	
EDD9HT	14300-CA	D1PZ	14300-F	*7194		D7HT	14301-LC	D8HZ	14301-L	*WC-8384	
EDD9HT	14300-GA	E1HZ	14300-C	*WC-8492		D7HT	14301-MB	D9HZ	14301-AU	*WC-8385	
EDD9HT	14300-JA	D9HZ	14300-J	*WC-8427		D7HT	14301-MC	D9HZ	14301-AU	*WC-8385	
EDD9HT	14300-MA	D9HZ	14300-M	*WC-8425		D7HT	14301-RB	D8HZ	14301-R	*WC-8387	
EDD9HT	14300-NA	D9HZ	14300-N	*WC-8424		D7HT	14301-RC	D8HZ	14301-R	*WC-8387	
EDD9HT	14300-NB	D9HZ	14300-N	*WC-8424		D7HT	14301-SB	D8HZ	14301-S	*WC-8388	
EDD9HT	14300-RA	D9HZ	14300-R	*WC-8412		D7HT	14301-SC	D8HZ	14301-S	*WC-8388	
EDD9HT	14300-UA	D9HZ	14300-U	*WC-8415		D7HT	14301-UA	D8HZ	14301-U	*WC-8400	
EDD9HT	14300-VA	D9HZ	14300-AZ	*WC-8435		D7HT	14301-UB	D8HZ	14301-U	*WC-8400	
EDD9HT	14300-YA	D9HZ	14300-Y	*WC-8433		D7HT	14301-VA	D9HZ	14301-AZ	*WC-8401	
EDD9HT	14300-AEA	D9HZ	14300-AE	*WC-8414		D7HT	14301-VB	D9HZ	14301-AZ	*WC-8401	
EDD9HT	14300-AED	D9HZ	14300-AE	*WC-8414		D9HT	14301-DA	D9HZ	14301-AR	*WC-8454	
EDD9HT	14300-AJA	D9HZ	14300-L	*WC-8413		D9HT	14301-DB	D9HZ	14301-AR	*WC-8454	
EDD9HT	14300-AKA	D9HZ	14300-AE	*WC-8414		D9HT	14301-EA	D9HZ	14301-N	*WC-8446	
EDD9HT	14300-ALA	D9HZ	14300-Y	*WC-8433		D9HT	14301-EB	D9HZ	14301-N	*WC-8446	
EDD9HT	14300-ANA	D9HZ	14300-AU	*WC-8436		D9HT	14301-FA	D9HZ	14301-F	*WC-8457	
EDD9HT	14300-AUA	D9HZ	14300-AU	*WC-8436		D9HT	14301-FB	D9HZ	14301-F	*WC-8457	
EDD9HT	14300-ATA	D9HZ	14300-AT	*WC-8422		D9HT	14301-HA	D9HZ	14301-H	*WC-8461	
EDD9HT	14300-AZA	D9HZ	14300-AZ	*WC-8435		D9HT	14301-HB	D9HZ	14301-H	*WC-8461	
EDD9HT	14300-BAA	D9HZ	14300-AZ	*WC-8435		D9HT	14301-JA	D9HZ	14301-J	*WC-8456	
EDD9HT	14300-BCA	D9HZ	14300-BC	*WC-8420		D9HT	14301-JB	D9HZ	14301-J	*WC-8456	
EDD9HT	14300-BEA	D9HZ	14300-BC	*WC-8420		D9HT	14301-KA	D9HZ	14301-K	*WC-8455	
EDD9HT	14300-BGA	D9HZ	14300-BG	*WC-8416		D9HT	14301-KB	D9HZ	14301-K	*WC-8455	
EDD9HT	14300-BLA	D9HZ	14300-BL	*WC-8431		D9HT	14301-KC	D9HZ	14301-K	*WC-8455	
EDD9HT	14300-BMA	D9HZ	14300-BN	*WC-8426		D9HT	14301-LA	D9HZ	14301-L	*WC-8460	



1980/  
TRUCK SERIES 600/900

**BATTERY CABLE IDENTIFICATION CHART**

IDENTIFICATION	PART NUMBER	MOTORCRAFT NO.	IDENTIFICATION	PART NUMBER	MOTORCRAFT NO.
14300-1 CABLE ASSY. (BATTERY) — Cont'd					
D9HT 14301-LB	D9HZ 14301-L	*WC-8460	D9HT 14301-AZB	D9HZ 14301-AZ	*WC-8441
D9HT 14301-LC	D9HZ 14301-L	*WC-8460	D9HT 14301-BBA	D9HZ 14301-AS	*WC-8444
D9HT 14301-MA	D9HZ 14301-M	*WC-8445	D9HT 14301-BBB	D9HZ 14301-AS	*WC-8444
D9HT 14301-MB	D9HZ 14301-M	*WC-8445	D9HT 14301-BCA	D9HZ 14301-AV	*WC-8450
D9HT 14301-NA	D9HZ 14301-N	*WC-8446	D9HT 14301-BCB	D9HZ 14301-AV	*WC-8450
D9HT 14301-NB	D9HZ 14301-N	*WC-8446	D9HT 14301-BDA	D9HZ 14301-AZ	*WC-8441
D9HT 14301-RB	D9HZ 14301-AJ	*WC-8458	D9HT 14301-BDB	D9HZ 14301-AZ	*WC-8441
D9HT 14301-SA	D9HZ 14301-S	*WC-8462	D9HT 14301-BEA	D9HZ 14301-AE	*WC-8448
D9HT 14301-SB	D9HZ 14301-S	*WC-8462	D9HT 14301-BEB	D9HZ 14301-AE	*WC-8448
D9HT 14301-TA	D9HZ 14301-F	*WC-8457	D9HT 14301-BFA	D9HZ 14301-S	*WC-8462
D9HT 14301-TB	D9HZ 14301-F	*WC-8457	D9HT 14301-BFB	D9HZ 14301-AF	*WC-8449
D9HT 14301-UA	D9HZ 14301-H	*WC-8461	D9HT 14301-BGA	D9HZ 14301-AL	*WC-8464
D9HT 14301-UB	D9HZ 14301-H	*WC-8461	D9HT 14301-BGB	D9HZ 14301-AL	*WC-8464
D9HT 14301-VA	D9HZ 14301-S	*WC-8462	D9HT 14301-BHA	D9HZ 14301-BH	*WC-8452
D9HT 14301-VB	D9HZ 14301-S	*WC-8462	D9HT 14301-BHB	D9HZ 14301-BH	*WC-8452
D9HT 14301-VC	D9HZ 14301-S	*WC-8462	D9HT 14301-BJB	D9HZ 14301-BJ	*WC-8451
D9HT 14301-YA	D9HZ 14301-Y	*WC-8463	D9HT 14301-BKA	D9HZ 14301-BL	*WC-8453
D9HT 14301-YB	D9HZ 14301-Y	*WC-8463	D9HT 14301-BKB	D9HZ 14301-BL	*WC-8453
D9HT 14301-ZA	D9HZ 14301-Z	*WC-8459	D9HT 14301-BLA	D9HZ 14301-BL	*WC-8453
D9HT 14301-ZB	D9HZ 14301-Z	*WC-8459	D9HT 14301-BLB	D9HZ 14301-BL	*WC-8453
D9HT 14301-AAA	D9HZ 14301-AH	*WC-8443	D9HT 14301-BMA	D9HZ 14301-BM	*WC-8447
D9HT 14301-AAB	D9HZ 14301-AH	*WC-8443	D9HT 14301-BMB	D9HZ 14301-BM	*WC-8447
D9HT 14301-ABA	D9HZ 14301-AC	*WC-8442	D9HT 14301-BNA	D9HZ 14301-BM	*WC-8447
D9HT 14301-ABB	D9HZ 14301-AC	*WC-8442	D9HT 14301-BNB	D9HZ 14301-BM	*WC-8447
D9HT 14301-ACA	D9HZ 14301-AC	*WC-8442	D9HT 14301-BTA	D9HZ 14301-BT	*WC-8381-A
D9HT 14301-ACB	D9HZ 14301-AC	*WC-8442	D9HT 14301-BTB	D9HZ 14301-BT	*WC-8381-A
D9HT 14301-ADA	D9HZ 14301-S	*WC-8462	D9HT 14301-BUA	D9HZ 14301-BU	*WC-8380-A
D9HT 14301-ADB	D9HZ 14301-S	*WC-8462	D9HT 14301-BUB	D9HZ 14301-BU	*WC-8380-A
D9HT 14301-AEA	D9HZ 14301-AE	*WC-8448	D9HT 14301-BVA	D8HZ 14301-A	*WC-8376
D9HT 14301-AEB	D9HZ 14301-AE	*WC-8448	D9HT 14301-BYA	D8HZ 14301-B	*WC-8377
D9HT 14301-AEC	D9HZ 14301-AE	*WC-8448	D9HT 14301-BZA	D8HZ 14301-D	*WC-8378
D9HT 14301-AFA	D9HZ 14301-AF	*WC-8449	D9HT 14301-CAA	D8HZ 14301-E	*WC-8379
D9HT 14301-AFB	D9HZ 14301-AF	*WC-8449	D9HT 14301-CBA	D8HZ 14301-H	*WC-8382
D9HT 14301-AGA	D9HZ 14301-AE	*WC-8448	D9HT 14301-CCA	D8HZ 14301-J	*WC-8383
D9HT 14301-AGB	D9HZ 14301-AE	*WC-8448	D9HT 14301-CDA	D8HZ 14301-L	*WC-8384
D9HT 14301-AHA	D9HZ 14301-AH	*WC-8443	D9HT 14301-CEA	D8HZ 14301-N	*WC-8386
D9HT 14301-AHB	D9HZ 14301-AH	*WC-8443	D9HT 14301-CFA	D8HZ 14301-R	*WC-8387
D9HT 14301-AJA	D9HZ 14301-AJ	*WC-8458	D9HT 14301-CGA	D8HZ 14301-S	*WC-8388
D9HT 14301-AJB	D9HZ 14301-AJ	*WC-8458	D9HT 14301-CHA	D8HZ 14301-U	*WC-8400
D9HT 14301-AKA	D9HZ 14301-Y	*WC-8463	E0HT 14301-AB	E0HZ 14301-A	*WC-8484
D9HT 14301-AKB	D9HZ 14301-Y	*WC-8463	E0HT 14301-AC	E0HZ 14301-A	*WC-8484
D9HT 14301-ALA	D9HZ 14301-AL	*WC-8464	E0HT 14301-BB	E0HZ 14301-B	*WC-8485
D9HT 14301-ALB	D9HZ 14301-AL	*WC-8464	E0HT 14301-BC	E0HZ 14301-B	*WC-8485
D9HT 14301-AMA	D9HZ 14301-Z	*WC-8459	E0HT 14301-CB	E0HZ 14301-C	*WC-8486
D9HT 14301-AMB	D9HZ 14301-Z	*WC-8459	E0HT 14301-CC	E0HZ 14301-C	*WC-8486
D9HT 14301-ANA	D9HZ 14301-AF	*WC-8449	E0HT 14301-EA	D1PZ 14300-D	*7134
D9HT 14301-ANB	D9HZ 14301-AF	*WC-8449	E0HT 14301-FA	D9HZ 14301-BH	*WC-8452
D9HT 14301-ARA	D9HZ 14301-AR	*WC-8454	E0HT 14301-GA	D9HZ 14301-BJ	*WC-8451
D9HT 14301-ARB	D9HZ 14301-AR	*WC-8454	E1HT 14301-AA	D9HZ 14301-AU	*WC-8440
D9HT 14301-ASA	D9HZ 14301-AS	*WC-8444	E1HT 14301-CA	E1HZ 14301-C	*WC-8494
D9HT 14301-ASB	D9HZ 14301-AS	*WC-8444	E1HT 14301-CB	E1HZ 14301-C	*WC-8494
D9HT 14301-ATA	D9HZ 14301-AF	*WC-8449	E1HT 14301-DA	E1HZ 14301-D	*WC-8495
D9HT 14301-ATB	D9HZ 14301-AF	*WC-8449	E1HT 14301-DB	E1HZ 14301-D	*WC-8495
D9HT 14301-AUA	D9HZ 14301-AU	*WC-8440	E1HT 14301-EA	E1HZ 14301-C	*WC-8494
D9HT 14301-AUB	D9HZ 14301-AU	*WC-8440	E1HT 14301-FA	E1HZ 14301-D	*WC-8495
D9HT 14301-AVA	D9HZ 14301-AV	*WC-8450	E1HT 14301-LA	E1HZ 14301-L	*WC-8413
D9HT 14301-AVB	D9HZ 14301-AV	*WC-8450	E1HT 14301-KA	E1HZ 14301-K	*WC-8455
D9HT 14301-AYA	D9HZ 14301-AC	*WC-8442	E2HT 14301-MA	E2HZ 14301-A	*WC-8516
D9HT 14301-AYB	D9HZ 14301-AC	*WC-8442	E2HT 14301-NA	E2HZ 14301-B	*WC-8517
D9HT 14301-AZA	D9HZ 14301-AZ	*WC-8441	E2HT 14301-RA	E2HZ 14301-C	*WC-8518

1980/  
TRUCK SERIES 600/900

**BATTERY CABLE IDENTIFICATION CHART**

IDENTIFICATION		PART NUMBER		MOTORCRAFT NO.		IDENTIFICATION		PART NUMBER		MOTORCRAFT NO.	
14300-1 CABLE ASSY. (BATTERY) — Cont'd											
E2HT	14301-SA	E2HZ	14301-E	*WC-8520		E5HT	14301-CA	E6HZ	14301-C	*WC-8624	
E2HT	14301-TA	E2HZ	14301-D	*WC-8519		E5HT	14301-EA	E5HZ	14301-E	*WC-8615	
E2HT	14301-UA	E2HZ	14301-E	*WC-8520		E5HT	14301-FA	E6HZ	14301-C		
E2HT	14301-AA0250	D8HZ	14301-S	*WC-8388		E5HT	14301-GA	E6HZ	14301-B		
E2HT	14301-AA0350	D8HZ	14301-N	*WC-8386		E6HT	14301-HA	E5HZ	14301-D	WC-8614	
E2HT	14301-AA0410	D8HZ	14301-D	*WC-8378		E7HT	14301-AA	E7HZ	14301-A		
E2HT	14301-AA0570	D8HZ	14301-J	*WC-8383		E7HT	14301-BA	E7HZ	14301-B		
E2HT	14301-AA0630	D8HZ	14301-R	*WC-8387		E7HT	14301-CA	E7HZ	14301-T		
E2HT	14301-AA0730	D8HZ	14301-E	*WC-8379		E7HT	14301-DA	E7HZ	14301-D		
E2HT	14301-AA0790	D8HZ	14301-U	*WC-8400		E7HT	14301-EA	E7HZ	14301-E		
E2HT	14301-AA1060	D9HZ	14301-BM	*WC-8447		E7HT	14301-KA	E7HZ	14301-K		
E2HT	14301-AA1180	D9HZ	14301-BM	*WC-8447		E7HT	14301-LA	E7HZ	14301-L		
E2HT	14301-AA1240	D9HZ	14301-N	*WC-8446		E7HT	14301-NA	E7HZ	14301-N		
E2HT	14301-AA1290	D9HZ	14301-N	*WC-8446		E7HT	14301-RA	E7HZ	14301-R		
E2HT	14301-AA1380	D9HZ	14301-M	*WC-8445		E7HT	14301-TA	E7HZ	14301-T		
E2HT	14301-FA0200	D9HZ	14301-BT	*WC-8381-A		E7HT	14301-VA	E7HZ	14301-V		
E2HT	14301-FA0280	D9HZ	14301-BU	*WC-8380-A		E7HT	14301-YA	E7HZ	14301-Y		
E2HT	14301-FA0380	E2HZ	14301-C	*WC-8518		E7HT	14301-ZA	E7HZ	14301-Z		
E2HT	14301-FA0520	D9HZ	14301-AL	*WC-8464		E7HT	14301-DAA	E7HZ	14301-DA		
E8HT	14301-AA	E8HZ	14301-A	*WC-8781		E7HT	14301-EAA	E7HZ	14301-EA		
87HU	14301-AA	E7HZ	14301-AA			E7HT	14301-FAA	E7HZ	14301-FA		
87HU	14301-BA	E7HZ	14301-HA	*WC-8791		E7HT	14301-GAA	E7HZ	14301-GA		
87HU	14301-CA	E7HZ	14301-JA	*WC-8792		E7HT	14301-SAA	D9HZ	14301-AJ		
87HU	14301-DA	E7HZ	14301-BA			E8HT	14301-GA	E8HZ	14301-G	*WC-8854	
87HU	14301-EA	E7HZ	14301-KA	WC-8813		EDD9HT	14301-DA	D9HZ	14301-AR	*WC-8454	
87HU	14301-FA	E7HZ	14301-LA	WC-8814		EDD9HT	14301-FA	D9HZ	14301-F	*WC-8457	
E2HT	14301-FA0620	D9HZ	14301-AL	*WC-8464		EDD9HT	14301-JA	D9HZ	14301-J	*WC-8456	
E2HT	14301-FA0710	D9HZ	14301-Y	*WC-8463		EDD9HT	14301-KA	D9HZ	14301-K	*WC-8455	
E2HT	14301-FA0770	D9HZ	14301-Y	*WC-8463		EDD9HT	14301-KB	D9HZ	14301-K	*WC-8455	
E2HT	14301-FA0840	D9HZ	14301-S	*WC-8462		EDD9HT	14301-LA	D9HZ	14301-L	*WC-8460	
E2HT	14301-FA0900	D9HZ	14301-AF	*WC-8449		EDD9HT	14301-RA	D9HZ	14301-AJ	*WC-8458	
E2HT	14301-FA0950	D9HZ	14301-S	*WC-8462		EDD9HT	14301-UA	D9HZ	14301-H	*WC-8461	
E2HT	14301-FA1010	D9HZ	14301-S	*WC-8462		EDD9HT	14301-VB	D9HZ	14301-S	*WC-8462	
E2HT	14301-FA1090	E2HZ	14301-A	*WC-8516		EDD9HT	14301-ZA	D9HZ	14301-Z	*WC-8459	
E2HT	14301-FA1200	E2HZ	14301-E	*WC-8520		EDD9HT	14301-AAA	D9HZ	14301-AH	*WC-8443	
E2HT	14301-FA1300	E2HZ	14301-E	*WC-8520		EDD9HT	14301-ABA	D9HZ	14301-AC	*WC-8442	
E2HT	14301-GA0560	D9HZ	14301-AV	*WC-8450		EDD9HT	14301-ACA	D9HZ	14301-AC	*WC-8442	
E2HT	14301-GA0660	D9HZ	14301-AV	*WC-8450		EDD9HT	14301-ADA	D9HZ	14301-S	*WC-8462	
E2HT	14301-GA0750	D9HZ	14301-AE	*WC-8448		EDD9HT	14301-AHA	D9HZ	14301-AH	*WC-8443	
E2HT	14301-GA0810	D9HZ	14301-AE	*WC-8448		EDD9HT	14301-AJA	D9HZ	14301-AJ	*WC-8458	
E2HT	14301-GA0880	D9HZ	14301-AE	*WC-8448		EDD9HT	14301-AKA	D9HZ	14301-Y	*WC-8463	
E2HT	14301-GA0940	D9HZ	14301-AF	*WC-8449		EDD9HT	14301-ALA	D9HZ	14301-AL	*WC-8464	
E2HT	14301-GA0990	D9HZ	14301-AF	*WC-8449		EDD9HT	14301-AMA	D9HZ	14301-Z	*WC-8459	
E2HT	14301-GA1050	D9HZ	14301-AF	*WC-8449		EDD9HT	14301-ARA	D9HZ	14301-AR	*WC-8454	
E3HT	14301-CB	E3HZ	14301-C	*WC-8527		EDD9HT	14301-ASA	D9HZ	14301-AS	*WC-8444	
E3HT	14301-DB	E3HZ	14301-D	*WC-8529		EDD9HT	14301-AUA	D9HZ	14301-AU	*WC-8440	
E3HT	14301-KA0250	D8HZ	14301-S	*WC-8388		EDD9HT	14301-AYA	D9HZ	14301-AZ	*WC-8442	
E3HT	14301-KA0350	D8HZ	14301-N	*WC-8386		EDD9HT	14301-AZA	D9HZ	14301-AZ	*WC-8441	
E3HT	14301-KA0410	D8HZ	14301-D	*WC-8378		EDD9HT	14301-BBA	D9HZ	14301-AS	*WC-8444	
E3HT	14301-KA0570	D8HZ	14301-J	*WC-8383		EDD9HT	14301-BDA	D9HZ	14301-AZ	*WC-8441	
E3HT	14301-KA0630	D8HZ	14301-R	*WC-8387		EDD9HT	14301-BFA	D9HZ	14301-S	*WC-8462	
E3HT	14301-KA0730	D8HZ	14301-E	*WC-8379		EDD9HT	14301-BGA	D9HZ	14301-BL	*WC-8464	
E3HT	14301-KA0790	D8HZ	14301-U	*WC-8400		EDD9HT	14301-BHA	D9HZ	14301-BH	*WC-8452	
E3HT	14301-KA1060	D9HZ	14301-BM	*WC-8447		EDD9HT	14301-BKA	D9HZ	14301-BL	*WC-8453	
E3HT	14301-KA1180	D9HZ	14301-BM	*WC-8447		EDD9HT	14301-BLA	D9HZ	14301-BL	*WC-8453	
E3HT	14301-KA1240	D9HZ	14301-N	*WC-8446		EDD9HT	14301-BTA	D9HZ	14301-BT	*WC-8381-A	
E3HT	14301-KA1290	D9HZ	14301-N	*WC-8446		EDD9HT	14301-BUA	D9HZ	14301-BU	*WC-8380-A	
E3HT	14301-KA1380	D9HZ	14301-M	*WC-8445		EDE0HT	14301-AB	E0HZ	14301-A	*WC-8484	
E4HT	14301-AA	D9HZ	14301-AC	*WC-8442		EDE0HT	14301-BB	E0HZ	14301-B	*WC-8485	
E5HT	14301-BA	E6HZ	14301-B	*WC-8623		EDE0HT	14301-CB	E0HZ	14301-C	*WC-8486	

**1980/  
TRUCK SERIES 600/900**

YEAR	MODEL/RESTRICTIONS	ENGINE		PART NUMBER				
		CYL.	C.I.D. (C.C.D.)	TO STARTER RELAY		TO GROUND		
				SERVICE	MOTORCRAFT	SERVICE	MOTORCRAFT	
<b>APPLICATION CHART</b>								
<b>14300-1 BATTERY CABLE</b>								
<b>GAS</b>								
<b>(1) 12 VOLT BATTERY</b>								
80/85	B-F600/800 -- fixed hood	"Before 3/85"	6&8	All	D1PZ 14300-F	*7194	D1PZ 14300-D	*7134
85/	F600/800 -- fixed hood	"From 3/85"	6&8	All	E5HZ 14300-H	*WC-8613	E5HZ 14301-E	*WC-8615
83/85	B-F600/800 -- tilt hood	"Before 3/85"	6&8	All	D1PZ 14300-AG	*WC-8118	D1PZ 14300-D	*7134
85/	B600/800 -- tilt hood	"From 3/85"	6&8	All	E5HZ 14300-G	*WC-8612	E5HZ 14301-D	*WC-8614
80/	C-CT600/800		8	370,429	D1PZ 14300-F	*7194	D1PZ 14300-D	*7134
80/81	C-CT800/900		8	475,477, 534	D1PZ 14300-R	*WC-6271	D1PZ 14300-D	*7134
80	L800/900 -- 162" W/B-w/o aux. trans.	"Before 3/80"	8	All	D1HZ 14300-G	*WC-8078-A	D1PZ 14300-D	*7134
80/	L800/900 -- 162" W/B-w/o aux. trans.	"From 3/80"	8	All	D5HZ 14300-G	*WC-8307	D1PZ 14300-D	*7134
80	L800/900 -- exc. 162" W/B-w/o aux. trans.	"Before 3/80"	8	All	D5HZ 14300-G	*WC-8307	D1PZ 14300-D	*7134
80/	L800/900 -- exc. 162" W/B-w/o aux. trans.	"From 3/80"	8	All	E0HZ 14300-F	*WC-8489	D1PZ 14300-D	*7134
80	L-LT800/900 -- w/battery under hood	"Before 3/80"	8	All	D9HZ 14300-A	*WC-8402	D1PZ 14300-D	*7134
80/	L-LT800/900 -- w/battery under hood	"From 3/80"	8	All	E0HZ 14300-H	*WC-8491	D1PZ 14300-D	*7134
80	L-LT800/900 -- w/162",174",204",222" W/B w/ aux. trans.	"Before 3/80"	8	All	D1HZ 14300-G	*WC-8078-A	D1PZ 14300-D	*7134
80/	L-LT800/900 -- w/174",204",222" W/B w/aux. trans.	"From 3/80"	8	All	D5HZ 14300-G	*WC-8307	D1PZ 14300-D	*7134
80/	L-LT800/900 -- w/162" W/B-w aux. trans. and battery behind cab	"From 3/80"	8	All	E0HZ 14300-F	*WC-8489	D1PZ 14300-D	*7134
80	LT800/900 -- w/186" W/B-w/o aux. trans.	"Before 3/80"	8	All	D0HZ 14300-BC	*WC-8079	D1PZ 14300-D	*7134
80/	LT800/900 -- w/186" W/B-w/o aux. trans.	"From 3/80"	8	All	E0HZ 14300-F	*WC-8489	D1PZ 14300-D	*7134
80	LT800/900 -- exc. 186" W/B-w/o aux. trans.	"Before 3/80"	8	All	D5HZ 14300-G	*WC-8307	D1PZ 14300-D	*7134
80/	LT800/900 -- exc. 186" W/B-w/o aux. trans.	"From 3/80"	8	All	E0HZ 14300-F	*WC-8489	D1PZ 14300-D	*7134
80	LTS800/900 -- 155",167",185" W/B	"Before 3/80"	8	All	D0HZ 14300-BC	*WC-8079	D1PZ 14300-D	*7134
80/	LTS800/900 -- 155",167",185" W/B	"From 3/80"	8	All	E0HZ 14300-F	*WC-8489	D1PZ 14300-D	*7134
80	LTS800/900 -- 142",203" W/B	"Before 3/80"	8	All	D0HZ 14300-BC	*WC-8079	D1PZ 14300-D	*7134
80/	LTS800/900 -- 142",203" W/B	"From 3/80"	8	All	D5HZ 14300-G	*WC-8307	D1PZ 14300-D	*7134
80	LTS800/900 -- w/battery under hood-w/o shocks	"Before 3/80"	8	All	D1PZ 14300-AD	*7424	D1PZ 14300-D	*7134
80/	LTS800/900 -- w/battery under hood-w/o shocks	"From 3/80 to 11/80"	8	All	E0HZ 14300-K	*WC-8490	D1PZ 14300-D	*7134
81	LTS800/900 -- w/battery under hood-w/o shocks w/155",167",185" W/B	"From 11/80"	8	All	E0HZ 14300-F	*WC-8489	D1PZ 14300-D	*7134
81	LTS800/900 -- w/battery under hood-w/o shocks w/143",203" W/B	"From 11/80"	8	All	D5HZ 14300-G	*WC-8307	D1PZ 14300-D	*7134
80	LN600/700 -- w/50 gal. rectangular fuel tank and battery behind cab	"Before 3/80"	8	All	D5HZ 14300-K	*WC-8308	D1PZ 14300-D	*7134
80/	LN600/700 -- w/50 gal. rectangular fuel tank and battery behind cab	"From 3/80"	8	All	D0HZ 14300-BC	*WC-8079	D1PZ 14300-D	*7134
80	LN600/700 -- w/25 gal. rectangular fuel tank and battery behind cab	"Before 3/80"	8	All	D5HZ 14300-K	*WC-8308	D1PZ 14300-D	*7134
80/	LN600/700 -- w/25 gal. rectangular fuel tank and battery behind cab	"From 3/80"	8	All	D0HZ 14300-BC	*WC-8079	D1PZ 14300-D	*7134

**1980/  
TRUCK SERIES 600/900**

YEAR	MODEL/RESTRICTIONS	ENGINE		PART NUMBER			
		CYL.	C.I.D. (C.C.D.)	TO STARTER RELAY		TO GROUND	
				SERVICE	MOTORCRAFT	SERVICE	MOTORCRAFT
<b>APPLICATION CHART — Cont'd</b>							
<b>14300-1 BATTERY CABLE</b>							
<b>GAS</b>							
<b>(1) 12 VOLT BATTERY</b>							
80/	LN600/700 -- w/Van or platform body	8	All	D0HZ 14300-BC	*WC-8079	D1PZ 14300-H	*7304
80/	LN-LNT800/900 -- w/battery under hood "Before 3/80"	8	All	D1PZ 14300-AB	*7534	D1PZ 14300-D	*7134
80/	LN-LNT800/900 -- w/battery under hood "From 3/80"	8	All	E0HZ 14300-K	*WC-8490	D1PZ 14300-D	*7134
<b>DIESEL</b>							
<b>(1) 12 VOLT BATTERY</b>							
80	LNT800/900 -- 186" W/B-w/battery behind cab "Before 3/80"	8	All	D0HZ 14300-BC	*WC-8079	D1PZ 14300-D	*7134
80/	LNT800/900 -- 186" W/B-w/battery behind cab "From 3/80"	8	All	E0HZ 14300-F	*WC-8489	D1PZ 14300-D	*7134
80	LNT800/900 -- exc. 186" W/B-w/battery behind cab "Before 3/80"	8	All	D5HZ 14300-G	*WC-8307	D1PZ 14300-D	*7134
80/	LNT800/900 -- exc. 186" W/B-w/battery behind cab "From 3/80"	8	All	E0HZ 14300-F	*WC-8489	D1PZ 14300-D	*7134
<b>(1) 12 VOLT BATTERY MOUNTED ON L.H. FRAME</b>							
87/	L-LN800/900 -- 138" W/B	6	402,476	E7HZ 14300-V	*WC-8750	E7HZ 14301-Z	*WC-8735
87/	LNT-LT800/900 -- 162" W/B	6	402,476	E7HZ 14300-V	*WC-8750	E7HZ 14301-Z	*WC-8735
87/	LT800/900 -- 150" W/B	6	402,476	E7HZ 14300-U	*WC-8749	E7HZ 14301-Y	*WC-8734
87/	LS-LTS800/900 -- 143" W/B	6	402,476	E7HZ 14300-T	*WC-8748	E7HZ 14301-V	*WC-8733
87/	LS-LTS800/900 -- 143" W/B	8	636	E7HZ 14300-W	*WC-8752	E7HZ 14301-K	*WC-8728
87/	LNT-LT800/900 -- 162" W/B	8	636	E7HZ 14300-W	*WC-8752	E7HZ 14301-K	*WC-8728
87/	LT800/900 -- 150" W/B	8	636	E7HZ 14300-X	*WC-8753	E7HZ 14301-K	*WC-8728
87/	L-LN800/900 -- 138" W/B	8	636	E7HZ 14300-Y	*WC-8754	E7HZ 14301-K	*WC-8728
<b>(2) 12 VOLT MAINTENANCE FREE BATTERIES</b>							
80/85	B600/700 "Before 3/85"	6&8	All	D9HZ 14300-BJ	*WC-8411	D9HZ 14301-BH	*WC-8452
85/	B600/700 "From 3/85"	6&8	All	E5HZ 14300-E	*WC-8610	D9HZ 14301-BH	*WC-8452
80/81	C-CT800/900	8	475,477, 534	D9HZ 14300-M	*WC-8425	D9HZ 14301-J	*WC-8456
80/81	L800/900	8	475,477, 534	D9HZ 14300-BT	*WC-8429	D9HZ 14301-J	*WC-8456
80/81	LN800/900 -- exc. 162" W/B	8	475,477, 534	D9HZ 14300-BT	*WC-8429	D9HZ 14301-J	*WC-8456
80/81	LN800/900 -- 162" W/B	8	475,477, 534	D9HZ 14300-BU	*WC-8430	D9HZ 14301-J	*WC-8456
80/81	LNT800/900 -- exc. 150" W/B	8	475,477, 534	D9HZ 14300-BU	*WC-8430	D9HZ 14301-J	*WC-8456
80/81	LNT800/900 -- 150" W/B	8	475,477, 534	D9HZ 14300-BT	*WC-8429	D9HZ 14301-J	*WC-8456
80/81	LT800/900	8	475,477, 534	D9HZ 14300-BT	*WC-8429	D9HZ 14301-J	*WC-8456
80/81	LTS800/900 -- 143",155" W/B	8	475,477, 534	D9HZ 14300-BT	*WC-8429	D9HZ 14301-J	*WC-8456
80/81	LTS800/900 -- 165",185",205" W/B	8	475,477, 534	D9HZ 14300-BU	*WC-8430	D9HZ 14301-J	*WC-8456
<b>DIESEL</b>							
<b>(2) 12 VOLT-MAINTENANCE FREE BATTERIES MOUNTED ON FRAME</b>							
80/	B700	8	636	D9HZ 14300-J	*WC-8427	D9HZ 14301-F	*WC-8457
<b>(2) 12 VOLT MAINTENANCE FREE BATTERIES MOUNTED ON R.H. FRAME</b>							
80	C-CT700/800	8	636	D9HZ 14300-N	*WC-8424	D9HZ 14301-K	*WC-8455
86/	CF600/800 -- diesel (000 gauge)	6	402,476	E6HZ 14300-B	*WC-8625	E7HZ 14301-LA	*WC-8814
87/	CF600/800 -- diesel	6	402,476	E6HZ 14300-C	WC-8622	E7HZ 14301-KA	WC-8624
88/	CF600/800 -- diesel w/tractor pkg.	6	402,476	E7HZ 14300-FA	*WC-8789	E7HZ 14301-HA	*WC-8791
87/	L-LN800/900 -- 138",150",162", 174",186",204",222" W/B	6	402,476	E7HZ 14300-D	*WC-8639	E7HZ 14301-D	*WC-8726
	LNT-LT800/900 -- 162" W/B	6	402,476	E7HZ 14300-D	*WC-8639	E7HZ 14301-D	*WC-8726

1980/  
TRUCK SERIES 600/900

YEAR	MODEL/RESTRICTIONS	ENGINE		PART NUMBER			
		CYL.	C.I.D. (C.C.D.)	TO STARTER RELAY		TO GROUND	
				SERVICE	MOTORCRAFT	SERVICE	MOTORCRAFT
<b>APPLICATION CHART — Cont'd</b>							
<b>14300-1 BATTERY CABLE</b>		<b>DIESEL</b>					
<b>(2) 12 VOLT MAINTENANCE FREE BATTERIES MOUNTED ON L.H. FRAME</b>							
87/	LNT-LT800/900 -- 150" W/B	6	402,476	E7HZ 14300-H	*WC-8642	E7HZ 14301-A	*WC-8723
87/	LNT-LT800/900 -- 174",186",204", 222" W/B	6	402,476	E7HZ 14300-J	*WC-8643	E7HZ 14301-K	*WC-8728
87/	LS800/900 -- 143" W/B	6	402,476	E7HZ 14300-K	*WC-8644	E7HZ 14301-L	*WC-8729
87/	LS800/900 -- 155" W/B	6	402,476	E7HZ 14300-K	*WC-8644	E7HZ 14301-L	*WC-8729
87/	LTS800/900 -- 155" W/B	6	402,476	E7HZ 14300-J	*WC-8643	E7HZ 14301-K	*WC-8728
87/	LTS800/900 -- 167",185" W/B	6	402,476	E7HZ 14300-K	*WC-8644	E7HZ 14301-L	*WC-8729
87/	LS-LTS800/900 -- 203" W/B	6	402,476	E7HZ 14300-K	*WC-8644	E7HZ 14301-L	*WC-8729
<b>(2) 12 VOLT MAINTENANCE FREE BATTERIES MOUNTED ON L.H. FRAME</b>							
80/	F600/800(81)	8	501	E0HZ 14300-A	*WC-8481	E0HZ 14301-A	*WC-8484
80/	B-F600/800(84)	8	501	D9HZ 14300-J	*WC-8427	D9HZ 14301-F	*WC-8457
83	FT800	8	501	E3HZ 14300-C	*WC-8526	E3HZ 14301-C	*WC-8527
83/	F-FT-L-LN600/900 -- 234"-258" WB	8	636	D9HZ 14300-AZ	*WC-8435	D9HZ 14301-AC	*WC-8442
87	F600/900(81)	6	402,476	E7HZ 14300-A	*WC-8736	E7HZ 14301-A	*WC-8723
87/	B-F600/900(84)	6	402,476	E7HZ 14300-F	*WC-8641	E7HZ 14301-L	*WC-8729
80/82	C-CT700/800 "Before 12/81"	8	501	D9HZ 14300-N	*WC-8424	D9HZ 14301-K	*WC-8455
82	C-CT700/800 "From 12/81"	8	501	E2HZ 14300-AD	*WC-9295	D9HZ 14301-K	*WC-8455
82/	C-CT700/800	8	636	E2HZ 14300-A	*WC-8512	D9HZ 14301-AU	*WC-8440
80/	CL-CLT900	6	855	D8HZ 14300-H	*WC-8370	D8HZ 14301-H	*WC-8382
80/86	L800	8	636	D9HZ 14300-BN	*WC-8426	D9HZ 14301-BL	*WC-8453
80/	L900 -- 150" W/B	6	855	D9HZ 14300-AU	*WC-8436	D9HZ 14301-AZ	*WC-8441
80/	L900 -- 162" W/B	6	855	D9HZ 14300-AZ	*WC-8435	D9HZ 14301-AC	*WC-8442
80/	L900 -- 174", 186", 204", 222" W/B	6	855	D9HZ 14300-AZ	*WC-8435	D9HZ 14301-AZ	*WC-8441
81/	LN700	8	501	E1HZ 14300-C	*WC-8492	E1HZ 14301-C	*WC-8494
80/86	LN700	8	636	D9HZ 14300-BL	*WC-8431	★ D9HZ 14301-AR r/bD9HZ 14301-BL	*WC-8454
80/86	LN800	8	636	D9HZ 14300-BN	*WC-8426	D9HZ 14301-BL	*WC-8453
80/	LN900 -- 162" W/B	6	855	D9HZ 14300-AZ	*WC-8435	D9HZ 14301-AC	*WC-8442
80/	LN900 -- 138", 150", 222" W/B	6	855	D9HZ 14300-AU	*WC-8436	D9HZ 14301-AZ	*WC-8441
80/81	LNT800 -- 150" W/B	8	636	D9HZ 14300-BL	*WC-8431	★ D9HZ 14301-AR r/bD9AZ 14301-BL	*WC-8454
82	LNT800 -- 150" W/B	8	636	D9HZ 14300-Y	*WC-8433	E2HZ 14301-B	*WC-8517
80/86	LNT800 -- exc. 150" W/B	8	636	D9HZ 14300-BN	*WC-8426	D9HZ 14301-BL	*WC-8453
80/	LNT900 -- 138", 144", 150" W/B	6	855	D9HZ 14300-AU	*WC-8436	D9HZ 14301-AU	*WC-8440
80/	LNT900 -- 162", 222", W/B	6	855	D9HZ 14300-AZ	*WC-8435	D9HZ 14301-AZ	*WC-8441
84/	LNT900	6	610	D9HZ 14300-AU	*WC-8436	D9HZ 14301-AZ	*WC-8441
80/86	LT800	8	636	D9HZ 14300-BN	*WC-8426	D9HZ 14301-BL	*WC-8453
80/	LT900 -- 150" W/B	6	855	D9HZ 14300-AU	*WC-8436	D9HZ 14301-AZ	*WC-8441
80/	LT900 -- 162",174",204",222" W/B	6	855	D9HZ 14300-AZ	*WC-8435	D9HZ 14301-AZ	*WC-8441
80/86	LT900 -- 186" W/B	6	855	D9HZ 14300-AZ	*WC-8435	D9HZ 14301-AC	*WC-8442
81/86	LTL900	6	855	D8HZ 14300-G	*WC-8369	D9HZ 14301-AU	*WC-8440
80/86	LTS800 -- 143", 155" W/B	8	636	D9HZ 14300-BN	*WC-8426	D9HZ 14301-BL	*WC-8453
80/81	LTS800 -- 167", 185", 203" W/B	8	636	D9HZ 14300-J	*WC-8427	D9HZ 14301-F	*WC-8457
82/	LTS800 -- 167", 185" 203" W/B	8	636	E2HZ 14300-C	*WC-8514	E2HZ 14301-D	*WC-8519
80/	LTS900 -- 143" W/B	6	855	D9HZ 14300-AZ	*WC-8435	D9HZ 14301-AZ	*WC-8441
80/	LTS900 -- 167",185", 203", 155" W/B	6	855	D9HZ 14300-AZ	*WC-8435	D9HZ 14301-AC	*WC-8442
87/	LNT-LT800/900 -- 150" W/B	8	636	E7HZ 14300-BA	*WC-8759	E7HZ 14301-DA	*WC-8755
87/	LNT-LT800/900 -- 162" W/B	8	636	E7HZ 14300-CA	*WC-8760	E7HZ 14301-EA	*WC-8756
87/	LTS800/900 -- 143" W/B	8	636	E7HZ 14300-CA	*WC-8760	E7HZ 14301-EA	*WC-8756
87/	L-LN800/900 -- 138", 150", 162", 174", 186", 204", 222" W/B	8	636	E7HZ 14300-CA	*WC-8760	E7HZ 14301-EA	*WC-8756
87/	LTS800/900 -- 155" W/B	8	636	E7HZ 14300-DA	*WC-8761	E7HZ 14301-FA	*WC-8757
	LNT-LT800/900 -- 174", 186", 204", 222" W/B	8	636	E7HZ 14300-DA	*WC-8761	E7HZ 14301-FA	*WC-8757
87/	LS800/900 -- 143", 155", 167", 185", 203" W/B	8	636	E7HZ 14300-EA	*WC-8762	E7HZ 14301-GA	*WC-8758
87/	LTS800/900 -- 167", 185", 203" W/B	8	636	E7HZ 14300-EA	*WC-8762	E7HZ 14301-GA	*WC-8758

**1980/  
TRUCK SERIES 600/900**

YEAR	MODEL/RESTRICTIONS	ENGINE		PART NUMBER				
		CYL.	C.I.D. (C.C.D.)	TO STARTER RELAY		TO GROUND		
				SERVICE	MOTORCRAFT	SERVICE	MOTORCRAFT	
<b>APPLICATION CHART — Cont'd</b>								
<b>14300-1 BATTERY CABLE</b>								
<b>DIESEL</b>								
<b>(2) 12 VOLT MAINTENANCE FREE BATTERIES MOUNTED ON R.H. AND L.H. FRAME</b>								
80/	F700	8	636	LH/D9HZ 14300-BN RH/E1HZ 14300-C	*WC-8426 *WC-8492	D9HZ 14301-BL D9HZ 14301-AR r/bD9HZ 14301-BL	*WC-8453 *WC-8454	
<b>(3) 12 VOLT MAINTENANCE FREE BATTERIES MOUNTED UNDER DRIVERS SEAT</b>								
80/	B700	8	636	D9HZ 14300-L	*WC-8413	D9HZ 14301-H	*WC-8461	
<b>(3) 12 VOLT-MAINTENANCE FREE BATTERIES MOUNTED ON L.H. FUEL TANK</b>								
80/	CL-CLT900	6&8	552,568	D9HZ 14300-CC	*WC-8367-A	D9HZ 14301-BU	*WC-8380-A	
80/	CL-CLT900	6	855,893	D9HZ 14300-CD	*WC-8368-A	D9HZ 14301-BT	*WC-8381-A	
<b>(3) 12 VOLT-MAINTENANCE FREE BATTERIES MOUNTED ON R.H. AND L.H. FRAME</b>								
80/	CL-CLT900	6	552	LH/D8HZ 14300-G RH/D8HZ 14300-Z	*WC-8369 *WC-8397	D8HZ 14301-L D8HZ 14301-E	*WC-8384 *WC-8379	
80/	CL-CLT900	8	568	LH/D8HZ 14300-G RH/D8HZ 14300-Z	*WC-8369 *WC-8397	D8HZ 14301-H D8HZ 14301-R	*WC-8382 *WC-8387	
80/	CL-CLT900	6	855	LH/D8HZ 14300-H RH/D8HZ 14300-S	*WC-8370 *WC-8375	D8HZ 14301-H D8HZ 14301-J	*WC-8382 *WC-8383	
80/	CL-CLT900	6	893	LH/D8HZ 14300-H RH/D8HZ 14300-S	*WC-8370 *WC-8375	D8HZ 14301-L D8HZ 14301-J	*WC-8384 *WC-8383	
89	CL900	6	610	E8HZ 14301-G	*WC-8854			
82	LTL900	6	855,893	LH/D8HZ 14300-G RH/D8HZ 14300-Z	*WC-8369 *WC-8397	D9HZ 14301-AU D8HZ 14301-R	*WC-8440 *WC-8387	
<b>(3) 12 VOLT MAINTENANCE FREE BATTERIES MOUNTED ON R.H. FRAME</b>								
80/	C-CT700/800	8	636	D9HZ 14300-R	*WC-8412	D9HZ 14301-L	*WC-8460	
87/	CF600/800	6	402,476	E6HZ 14300-C	*WC-8622	E6HZ 14301-C	*WC-8624	
87/	CF600/800 -- diesel w/ trailer pkg	6	402,476	E7HZ 14300-GA		E7HZ 14301-JA		
87/	CF600/800 -- diesel w/aux. fuel tank & w/trailer pkg.	6	402,476	E7HZ 14300-HA		E7HZ 14301-BA		
87/	L-LN800/900 -- 138" W/B	6	402,476	E7HZ 14300-B	*WC-8637	E7HZ 14301-N	*WC-8730	
87/	L-LN800/900 -- 150",162",174", 222" W/B	6	402,476	E7HZ 14300-M	*WC-8745	E7HZ 14301-R	*WC-8731	
87/	LNT800/900 -- 150" W/B	6	402,476	E7HZ 14300-E	*WC-8640	E7HZ 14301-E	*WC-8727	
87/	LNT-LT800/900 -- 162" W/B	6	402,476	E7HZ 14300-M	*WC-8745	E7HZ 14301-R	*WC-8731	
87/	LNT-LT800/900 -- 174",186",204", 222" W/B	6	402,476	E7HZ 14300-N	*WC-8746	E7HZ 14301-T	*WC-8732	
87/	LS800/900 -- 143" W/B	6	402,476	E7HZ 14300-N	*WC-8746	E7HZ 14301-T	*WC-8732	
87/	LTS800/900 -- 143" W/B	6	402,476	E7HZ 14300-M	*WC-8745	E7HZ 14301-R	*WC-8731	
87/	LS800/900 -- 155" W/B	6	402,476	E7HZ 14300-R	*WC-8747	E7HZ 14301-T	*WC-8732	
87/	LTS800/900 -- 155" W/B	6	402,476	E7HZ 14300-N	*WC-8746	E7HZ 14301-T	*WC-8732	
87/	LS-LTS800/900 -- 167",185",203" W/B	6	402,476	E7HZ 14300-R	*WC-8747	E7HZ 14301-T	*WC-8732	
<b>(3) 12 VOLT MAINTENANCE FREE BATTERIES MOUNTED ON L.H. FRAME</b>								
80/85	B600/700	"Before 3/85"	8	370,429	★ D9HZ 14300-BK	*WC-8410	D9HZ 14301-BJ	*WC-8451
85/	B600/700	"From 3/85"	8	370,429	E5HZ 14300-F	*WC-8611	D9HZ 14301-BJ	*WC-8451
80/	B-F600/800(84)		8	501	D9HZ 14300-L	*WC-8413	D9HZ 14301-H	*WC-8461
83	F-FT600/800 (81)		8	636	D9HZ 14300-BB	*WC-8421	E2HZ 14301-B	*WC-8517
87/	F600/900(81)		6	402,476	E7HZ 14300-B	*WC-8637	E7HZ 14301-B	*WC-8724
87/	B-F600/900(84)		6	402,476	E7HZ 14300-C	*WC-8638	E7HZ 14301-T	*WC-8738
80/82	C-CT600/900	"Before 12/81"	8	501,636	D9HZ 14300-R	*WC-8412	D9HZ 14301-L	*WC-8460
82/	C-CT600/900	"From 12/81"	8	501,636	E2HZ 14300-AG	*WC-8296	D9HZ 14301-L	*WC-8460
80/	F600/800 -- exc. 188.9" W/B		8	501	E0HZ 14300-B	*WC-8482	E0HZ 14301-B	*WC-8485
80/	F600/800 -- 188.9" W/B		8	501	E0HZ 14300-C	*WC-8483	E0HZ 14301-C	*WC-8486
83	FT800		8	501	E3HZ 14300-D	*WC-8528	E3HZ 14301-D	*WC-8529
80/	L900 -- 162" W/B		6	426	D9HZ 14300-BB	*WC-8421	D9HZ 14301-S	*WC-8462
80/	L900 -- exc. 162" W/B		6	426	D9HZ 14300-BC	*WC-8420	D9HZ 14301-Y	*WC-8463
80/	L900		8	568	D9HZ 14300-BB	*WC-8421	D9HZ 14301-S	*WC-8462
80/81	L800		8	636	D9HZ 14300-AE	*WC-8414	D9HZ 14301-Z	*WC-8459
80/	L900 -- 150" W/B		6	855	D9HZ 14300-AT	*WC-8422	★ D9HZ 14301-AL	*WC-8464
80/82	L900 -- 150" W/B		6	893	D9HZ 14300-AT	*WC-8422	★ D9HZ 14301-AL	*WC-8464
80/	L900 -- 162" W/B		6	855	D9HZ 14300-BB	*WC-8421	D9HZ 14301-S	*WC-8462

**1980/  
TRUCK SERIES 600/900**

YEAR	MODEL/RESTRICTIONS	ENGINE		PART NUMBER				
		CYL.	C.I.D. (C.C.D.)	TO STARTER RELAY		TO GROUND		
				SERVICE	MOTORCRAFT	SERVICE	MOTORCRAFT	
<b>APPLICATION CHART — Cont'd</b>								
<b>14300-1 BATTERY CABLE</b>								
<b>DIESEL</b>								
<b>(3) 12 VOLT MAINTENANCE FREE BATTERIES MOUNTED ON L.H. FRAME — Cont'd</b>								
80/82	L900 -- 162" W/B	6	893	D9HZ	14300-BB	*WC-8421	D9HZ 14301-S	*WC-8462
83	L900 -- 174", 186", 204", 222" W/B	6	893	D9HZ	14300-BB	*WC-8421	D9HZ 14301-S	*WC-8462
80/	L900 -- 174", 186", 204", 222" W/B	6	855	D9HZ	14300-BC	*WC-8420	D9HZ 14301-Y	*WC-8463
80/82	L900 -- 174", 186", 204", 222" W/B	6	893	D9HZ	14300-BC	*WC-8420	D9HZ 14301-Y	*WC-8463
83	LT900 -- 150" W/B	6	893	D9HZ	14300-BC	*WC-8420	D9HZ 14301-Y	*WC-8463
81/	LN700	8	501	E1HZ	14300-D	*WC-8493	E1HZ 14301-D	*WC-8495
80/	LN900 -- 162" W/B	6	426	D9HZ	14300-BB	*WC-8421	D9HZ 14301-S	*WC-8462
80/	LN900 -- 138", 150", 222" W/B	6	426	D9HZ	14300-BC	*WC-8420	D9HZ 14301-Y	*WC-8463
80/	LN900	8	568	D9HZ	14300-BB	*WC-8421	D9HZ 14301-S	*WC-8462
80/81	LN700	8	636	D9HZ	14300-BG	*WC-8416	D9HZ 14301-AJ	*WC-8458
80/81	LN800	8	636	D9HZ	14300-AE	*WC-8414	D9HZ 14301-Z	*WC-8459
80/	LN900 -- 162" W/B	6	855,893	D9HZ	14300-BB	*WC-8421	D9HZ 14301-S	*WC-8462
80/	LN900 -- 138", 150", 222" W/B	6	855	D9HZ	14300-AT	*WC-8422	D9HZ 14301-AL	*WC-8464
80/82	LN900 -- 138", 150", 222" W/B	6	893	D9HZ	14300-AT	*WC-8422	D9HZ 14301-AL	*WC-8464
80/	LNT900 -- 138", 144", 150" W/B	6	426	D9HZ	14300-AT	*WC-8422	D9HZ 14301-AL	*WC-8464
80/	LNT900 -- 168", 222" W/B	6	426	D9HZ	14300-BC	*WC-8420	D9HZ 14301-Y	*WC-8463
80/	LNT900 -- 138", 144", 150" W/B	8	568	D9HZ	14300-AT	*WC-8422	D9HZ 14301-AL	*WC-8464
80/	LNT900 -- 162", 222" W/B	8	568	D9HZ	14300-BB	*WC-8421	D9HZ 14301-S	*WC-8462
80/	LNT800 -- 150" W/B	8	636	D9HZ	14300-BG	*WC-8416	D9HZ 14301-AJ	*WC-8458
80/	LNT800 -- exc. 150" W/B	8	636	D9HZ	14300-AE	*WC-8414	D9HZ 14301-Z	*WC-8459
80/	LNT900 -- 138", 144", 150" W/B	6	855,893	D9HZ	14300-AT	*WC-8422	D9HZ 14301-AL	*WC-8464
80/	LNT900 -- 162", 222" W/B	6	855,893	D9HZ	14300-BC	*WC-8420	D9HZ 14301-Y	*WC-8463
80/	LT900 -- 150" W/B	6	426	D9HZ	14300-AT	*WC-8422	D9HZ 14301-AL	*WC-8464
80/	LT900 -- 162", 174", 204", 222" W/B	6	426	D9HZ	14300-BC	*WC-8420	D9HZ 14301-Y	*WC-8463
80/	LT900 -- 186" W/B	6	426	D9HZ	14300-BB	*WC-8421	D9HZ 14301-S	*WC-8463
80/	LT900 -- 150" W/B	8	568	D9HZ	14300-BC	*WC-8420	D9HZ 14301-Y	*WC-8463
80/	LT900 -- exc. 150" W/B	8	568	D9HZ	14300-BB	*WC-8421	D9HZ 14301-S	*WC-8462
80/81	LT800	8	636	D9HZ	14300-AE	*WC-8414	D9HZ 14301-Z	*WC-8459
80/	LT900 -- 150" W/B	6	855,893	D9HZ	14300-AT	*WC-8422	D9HZ 14301-AL	*WC-8464
80/	LT900 -- 162", 174", 204", 222" W/B	6	855,893	D9HZ	14300-BC	*WC-8420	D9HZ 14301-Y	*WC-8463
80/	LT900 -- 186" W/B	6	855,893	D9HZ	14300-BB	*WC-8421	D9HZ 14301-S	*WC-8462
80/	LTS900 -- 143" W/B	6	426	D9HZ	14300-BC	*WC-8420	D9HZ 14301-Y	*WC-8463
80/	LTS900 -- 155", 185", 203" W/B	6	426	D9HZ	14300-BB	*WC-8421	D9HZ 14301-S	*WC-8462
80/81	LTS800 -- 143", 155" W/B	8	636	D9HZ	14300-AE	*WC-8414	D9HZ 14301-Z	*WC-8459
80/81	LTS800 -- 167", 185", 203" W/B	8	636	D9HZ	14300-L	*WC-8413	D9HZ 14301-H	*WC-8461
80/	LTS900 -- 143" W/B	6	855	D9HZ	14300-BC	*WC-8420	D9HZ 14301-Y	*WC-8463
80/	LTS900 -- 155", 167", 185", 203" W/B	6	855,893	D9HZ	14300-BB	*WC-8421	D9HZ 14301-S	*WC-8462
82	L-LN,LNT,LT,LTS600/900 -- 138", 174", 186", 204", 222" W/B	8	636	E2HZ	14300-B	*WC-8513	E2HZ 14301-A	*WC-8516
82	LTS 800 -- 167", 185", 203" W/B	8	636	E2HZ	14300-D	*WC-8515	E2HZ 14301-E	*WC-8520
<b>(3) 12 VOLT MAINTENANCE FREE BATTERIES MOUNTED ON R.H. AND L.H. FUEL TANKS</b>								
80/	L-LT900 -- exc. w/130 gal. deep fuel tank	6	426	(LH) D9HZ	14300-AZ	*WC-8435	D9HZ 14301-AC	*WC-8442
				(RH) D9HZ	14300-S	*WC-8439	D9HZ 14301-N	*WC-8446
80/	LT900 -- w/130 gal. deep fuel tank	6	426	(LH) D9HZ	14300-Y	*WC-8433	D9HZ 14301-AC	*WC-8442
				(RH) D9HZ	14300-S	*WC-8439	D9HZ 14301-N	*WC-8446
80/	L-LT900 -- exc. w/130 gal. deep fuel tank	8	568	(LH) D9HZ	14300-Y	*WC-8433	D9HZ 14301-AC	*WC-8442
				(RH) D9HZ	14300-CA	*WC-8438	D9HZ 14301-M	*WC-8445
80/	LT900 -- w/130 gal. deep fuel tank	8	568	(LH) D9HZ	14300-Y	*WC-8433	D9HZ 14301-AS	*WC-8444
				(RH) D9HZ	14300-CA	*WC-8438	D9HZ 14301-M	*WC-8445
80/	L-LT800	8	636	(LH) D9HZ	14300-CA	*WC-8438	D9HZ 14301-M	*WC-8445
				(RH) D9HZ	14300-Y	*WC-8433	D9HZ 14301-AS	*WC-8444
80/	L-LT900 -- w/75 and 100 gal. shallow fuel tanks	6	855,893	(LH) D9HZ	14300-AZ	*WC-8435	D9HZ 14301-AC	*WC-8442
				(RH) D9HZ	14300-BY	*WC-8437	D9HZ 14301-BM	*WC-8447
80/	L-LT900 -- w/100 and 130 gal. deep tanks	6	855,893	(LH) D9HZ	14300-AZ	*WC-8435	D9HZ 14301-AC	*WC-8442
				(RH) D9HZ	14300-S	*WC-8439	D9HZ 14301-N	*WC-8446

1980/  
TRUCK SERIES 600/900

YEAR	MODEL/RESTRICTIONS	ENGINE		PART NUMBER			
		CYL.	C.I.D. (C.C.D.)	TO STARTER RELAY		TO GROUND	
				SERVICE	MOTORCRAFT	SERVICE	MOTORCRAFT

APPLICATION CHART — Cont'd

14300-1 BATTERY CABLE

DIESEL

(3) 12 VOLT MAINTENANCE FREE BATTERIES MOUNTED ON R.H. AND L.H. FUEL TANKS — Cont'd

80/	LN-LNT900 -- w/75 gal. shallow and 100 gal. deep fuel tanks	6	426	LH: D9HZ 14300-AZ RH: D9HZ 14300-BY	*WC-8435 *WC-8437	D9HZ 14301-AZ D9HZ 14301-BM	*WC-8441 *WC-8447
80/	LN-LNT900 -- w/100 gal. shallow and 130 gal. deep fuel tanks	6	426	LH: D9HZ 14300-AZ RH: D9HZ 14300-S	*WC-8435 *WC-8439	D9HZ 14301-AC D9HZ 14301-N	*WC-8442 *WC-8446
80/	LN-LNT900	6	552	LH: D9HZ 14300-AZ RH: D9HZ 14300-S	*WC-8435 *WC-8439	D9HZ 14301-AC D9HZ 14301-N	*WC-8442 *WC-8446
80/	LN-LNT900 -- w/75 gal. shallow and 100 gal. deep fuel tanks	8	568	LH: D9HZ 14300-AZ RH: D9HZ 14300-S	*WC-8435 *WC-8439	D9HZ 14301-AC D9HZ 14301-N	*WC-8442 *WC-8446
80/	LN-LNT900 -- w/130 gal. deep fuel tanks	8	568	LH: D9HZ 14300-Y RH: D9HZ 14300-CA	*WC-8433 *WC-8438	D9HZ 14301-AC D9HZ 14301-M	*WC-8442 *WC-8445
80/	LN900 -- w/100 gal. shallow fuel tanks	8	568	LH: D9HZ 14300-Y RH: D9HZ 14300-S	*WC-8433 *WC-8439	D9HZ 14301-AC D9HZ 14301-N	*WC-8442 *WC-8446
80/	LN-LNT800 -- w/75 gal. shallow and 100 gal. deep fuel tanks	8	636	LH: D9HZ 14300-S RH: D9HZ 14300-AZ	*WC-8439 *WC-8435	D9HZ 14301-N D9HZ 14301-AC	*WC-8446 *WC-8442
80/	LN800 -- w/100 gal. shallow fuel tanks	8	636	LH: D9HZ 14300-CA RH: D9HZ 14300-Y	*WC-8438 *WC-8433	D9HZ 14301-N D9HZ 14301-AC	*WC-8446 *WC-8442
80/	LNT800 -- w/130 gal. deep fuel tank	8	636	LH: D9HZ 14300-CA RH: D9HZ 14300-Y	*WC-8438 *WC-8433	D9HZ 14301-M D9HZ 14301-AS	*WC-8445 *WC-8444
80/	LN-LNT900 -- w/75 gal. shallow and 100 gal. deep fuel tanks	6	855,893	LH: D9HZ 14300-AU RH: D9HZ 14300-BY	*WC-8436 *WC-8437	D9HZ 14301-AZ D9HZ 14301-BM	*WC-8441 *WC-8447
80/	LN-LNT900 -- w/130 gal. deep fuel tanks	6	855,893	LH: D9HZ 14300-AZ RH: D9HZ 14300-BY	*WC-8435 *WC-8437	D9HZ 14301-AC D9HZ 14301-BM	*WC-8442 *WC-8447
80/	LN900 -- w/100 gal. shallow fuel tanks	6	855,893	LH: D9HZ 14300-AZ RH: D9HZ 14300-BY	*WC-8435 *WC-8437	D9HZ 14301-AZ D9HZ 14301-BM	*WC-8441 *WC-8447
84	LNT900 -- w/75 gal. shallow and 100 gal deep fuel tanks	6	610	RH: D9HZ 14300-BY	*WC-8437	D9HZ 14301-BM	*WC-8447

(4) 12 VOLT MAINTENANCE FREE BATTERIES MOUNTED ON L.H. FRAME

80/	L900 -- 162" W/B	6	426	D9HZ 14300-AM	*WC-8419	D9HZ 14301-AF	*WC-8449
80/	L900 -- exc. 162" W/B	6	426	D9HZ 14300-AG	*WC-8417	D9HZ 14301-AE	*WC-8448
80/	L900 -- 150" W/B	8	568	D9HZ 14300-AM	*WC-8419	D9HZ 14301-AE	*WC-8448
80/	L900 -- exc. 150" W/B	8	568	D9HZ 14300-AM	*WC-8419	D9HZ 14301-AF	*WC-8449
80/	L900 -- 150" W/B	6	855,893	D9HZ 14300-AY	*WC-8418	D9HZ 14301-AV	*WC-8450
80/	L900 -- 162" W/B	6	855,893	D9HZ 14300-AM	*WC-8419	D9HZ 14301-AE	*WC-8448
80/	L900 -- 174", 186", 204", 222" W/B	6	855,893	D9HZ 14300-AG	*WC-8417	D9HZ 14301-AE	*WC-8448
80/	LN900 -- 162" W/B	6	426	D9HZ 14300-AM	*WC-8419	D9HZ 14301-AF	*WC-8449
80/	LN900 -- 138", 150", 222" W/B	6	426	D9HZ 14300-AG	*WC-8417	D9HZ 14301-AE	*WC-8448
80/	LN900 -- 162" W/B	8	568	D9HZ 14300-AM	*WC-8419	D9HZ 14301-AF	*WC-8449
80/	LN900 -- 138", 150", 222" W/B	8	568	D9HZ 14300-AM	*WC-8419	D9HZ 14301-AE	*WC-8448
80/	LN900 -- 162" W/B	6	855,893	D9HZ 14300-AM	*WC-8419	D9HZ 14301-AE	*WC-8448
80/	LN900 -- 138", 150", 222" W/B	6	855,893	D9HZ 14300-AY	*WC-8418	D9HZ 14301-AV	*WC-8450
80/	LNT900 -- 138", 144", 150" W/B	6	426	D9HZ 14300-AY	*WC-8418	D9HZ 14301-AV	*WC-8450
80/	LNT900 -- 162", 222" W/B	6	426	D9HZ 14300-AG	*WC-8417	D9HZ 14301-AE	*WC-8448
80/	LNT900 -- 138", 144", 150" W/B	8	568	D9HZ 14300-AY	*WC-8418	D9HZ 14301-AV	*WC-8450
80/	LNT900 -- 162", 222" W/B	8	568	D9HZ 14300-AM	*WC-8419	D9HZ 14301-AE	*WC-8448
80/	LNT900 -- 138", 144", 150" W/B	6	855	D9HZ 14300-AY	*WC-8418	D9HZ 14301-AV	*WC-8450
80/	LNT900 -- 162", 222" W/B	6	855,893	D9HZ 14300-AG	*WC-8417	D9HZ 14301-AE	*WC-8448
80/	LNT900 -- 138", 144", 150" W/B	6	893	D9HZ 14300-AY	*WC-8418	D9HZ 14301-BL	*WC-8453
80/	LT900 -- 150" W/B	6	426	D9HZ 14300-AY	*WC-8418	D9HZ 14301-AV	*WC-8450
80/	LT900 -- 162", 174", 204", 222" W/B	6	426	D9HZ 14300-AM	*WC-8417	D9HZ 14301-AE	*WC-8448
80/	LT900 -- 186" W/B	6	426	D9HZ 14300-AM	*WC-8419	D9HZ 14301-AF	*WC-8449
80/	LT900 -- 150" W/B	8	568	D9HZ 14300-AG	*WC-8417	D9HZ 14301-AE	*WC-8448
80/	LT900 -- 162", 174", 222" W/B	8	568	D9HZ 14300-AM	*WC-8419	D9HZ 14301-AE	*WC-8448
80/	LT900 -- 186", 204", W/B	8	568	D9HZ 14300-AM	*WC-8419	D9HZ 14301-AF	*WC-8449
80/	LT900 -- 150" W/B	6	855,893	D9HZ 14300-AY	*WC-8418	D9HZ 14301-AV	*WC-8450
80/	LT900 -- 162", 174", 204", 222" W/B	6	855,893	D9HZ 14300-AG	*WC-8417	D9HZ 14301-AE	*WC-8448



**1980/  
TRUCK SERIES 600/900**

YEAR	MODEL/RESTRICTIONS	ENGINE		PART NUMBER							
		CYL.	C.I.D. (C.C.D.)	TO STARTER RELAY		TO GROUND					
				SERVICE	MOTORCRAFT	SERVICE	MOTORCRAFT				
<b>APPLICATION CHART — Cont'd</b>											
<b>14300-1 BATTERY CABLE</b>											
<b>DIESEL</b>											
<b>(4) 12 VOLT MAINTENANCE FREE BATTERIES MOUNTED ON L.H. FRAME — Cont'd</b>											
80/	LT900 -- 186" W/B	6	855,893	D9HZ	14300-AM	*WC-8419	D9HZ 14301-AE	*WC-8448			
80/	LTS900 -- 143" W/B	6	426	D9HZ	14300-AG	*WC-8417	D9HZ 14301-AE	*WC-8448			
80/	LTS900 -- 155", 185", 203" W/B	6	426	D9HZ	14300-AM	*WC-8419	D9HZ 14301-AF	*WC-8448			
80/	LTS900 -- 143" W/B	6	855	D9HZ	14300-AG	*WC-8417	D9HZ 14301-AE	*WC-8448			
80/	LTS900 -- 167", 185", 203", 155" W/B	6	855,893	D9HZ	14300-AM	*WC-8419	D9HZ 14301-AE	*WC-8448			
<b>(4) 12 VOLT - MAINTENANCE FREE BATTERIES MOUNTED ON R.H. AND L.H. FRAME</b>											
80/	CL-CLT900 -- w/12 volt start system	6	552	(LH) D8HZ 14300-G	*WC-8369	D8HZ 14301-L	*WC-8384	(RH) D8HZ 14300-X	*WC-8399	D8HZ 14301-B	*WC-8377
80/	CL-CLT900 -- w/24 volt start system	6	552	(LH) D8HZ 14300-R	*WC-8374	D8HZ 14301-N	*WC-8386	(RH) D8HZ 14300-Z	*WC-8397	D8HZ 14301-E	*WC-8379
80/	CL-CLT900 -- w/12 volt start system	8	568	(LH) D8HZ 14300-G	*WC-8369	D8HZ 14301-H	*WC-8382	(RH) D8HZ 14300-X	*WC-8399	D8HZ 14301-B	*WC-8377
80/	CL-CLT900 -- w/24 volt start system	8	568	(LH) D8HZ 14300-R	*WC-8374	D8HZ 14301-S	*WC-8388	(RH) D8HZ 14300-Z	*WC-8397	D8HZ 14301-R	*WC-8387
84	CL-CLT900 -- w/12 volt start system	8	736	(LH) D8HZ 14300-G	*WC-8369	D8HZ 14301-H	*WC-8382	(RH) D8HZ 14300-X	*WC-8399	D8HZ 14301-B	*WC-8377
80/	CL-CLT900 -- w/24 volt start system	8	736	(LH) D8HZ 14300-D	*WC-8366	D8HZ 14301-S	*WC-8388	(RH) D8HZ 14300-Z	*WC-8397	D8HZ 14301-R	*WC-8387
80/	CL-CLT900 -- w/12 volt start system	6	855	(LH) D8HZ 14300-H	*WC-8370	D8HZ 14301-H	*WC-8382	(RH) D9HZ 14300-AU	*WC-8436	D9HZ 14301-AU	*WC-8440
80/	CL-CLT900 -- w/24 volt start system	6	855	(LH) D8HZ 14300-D	*WC-8366	D8HZ 14301-S	*WC-8388	(RH) D8HZ 14300-S	*WC-8375	D8HZ 14301-J	*WC-8383
80/	CL-CLT900 -- w/12 volt start system	6	893	(LH) D8HZ 14300-H	*WC-8370	D8HZ 14301-L	*WC-8384	(RH) D9HZ 14300-AU	*WC-8436	D9HZ 14301-AU	*WC-8440
80/	CL-CLT900 -- w/24 volt start system	6	893	(LH) D8HZ 14300-D	*WC-8366	D8HZ 14301-N	*WC-8386	(RH) D8HZ 14300-S	*WC-8375	D8HZ 14301-J	*WC-8383
80/	CL-CLT900 -- w/24 volt start system	8	1150	(LH) D8HZ 14300-Z	*WC-8397	D8HZ 14301-U	*WC-8400	(RH) D8HZ 14300-D	*WC-8366	D8HZ 14301-S	*WC-8388
84	LTL900 -- w/12 volt start system	8	736	(LH) D8HZ 14300-G	*WC-8369	D8HZ 14301-L	*WC-8384	(RH) D9HZ 14300-AU	*WC-8398	D9HZ 14301-AZ	*WC-8401
82/	LTL900 -- w/24 volt start system	6	855,893	(LH) D8HZ 14300-G	*WC-8369	D9HZ 14301-AU	*WC-8440	(RH) D9HZ 14300-AU	*WC-8398	D8HZ 14301-B	*WC-8377
82/	LTL900 -- w/24 volt start system	8	736	(LH) D8HZ 14300-R	*WC-8374	D8HZ 14301-N	*WC-8386	(RH) D8HZ 14300-S	*WC-8375	D8HZ 14301-E	*WC-8379
<b>(4) 12 VOLT - MAINTENANCE FREE BATTERIES MOUNTED ON R.H. AND L.H. FUEL TANKS</b>											
80/	CL-CLT900 -- w/12 volt start system	6	552	(LH) D8HZ 14300-A	*WC-8364	D8HZ 14301-A	*WC-8376	(RH) D8HZ 14300-X	*WC-8399	D9HZ 14301-AZ	*WC-8401
80/	CL-CLT900 -- w/24 volt start system	6	552	(LH) D8HZ 14300-T	*WC-8389	D8HZ 14301-D	*WC-8378	(RH) D8HZ 14300-Z	*WC-8397	D8HZ 14301-U	*WC-8400
80/	CL-CLT900 -- w/12 volt start system	8	568	(LH) D8HZ 14300-A	*WC-8364	D8HZ 14301-A	*WC-8376	(RH) D9HZ 14300-AU	*WC-8398	D9HZ 14301-AZ	*WC-8401
80/	CL-CLT900 -- w/24 volt start system	8	568	(LH) D8HZ 14300-T	*WC-8369	D8HZ 14301-N	*WC-8386	(RH) D8HZ 14300-S	*WC-8375	D8HZ 14301-E	*WC-8379
84	CL-CLT900 -- w/12 volt start system	8	736	(LH) D8HZ 14300-A	*WC-8364	D8HZ 14301-A	*WC-8376	(RH) D9HZ 14300-AU	*WC-8398	D9HZ 14301-AZ	*WC-8401
80/	CL-CLT900 -- w/24 volt start system	8	736	(LH) D8HZ 14300-T	*WC-8369	D8HZ 14301-N	*WC-8386	(RH) D8HZ 14300-S	*WC-8375	D8HZ 14301-E	*WC-8379
80/	CL-CLT900 -- w/12 volt start system	6	855	(LH) D8HZ 14300-A	*WC-8376	D8HZ 14301-L	*WC-8384	(RH) D9HZ 14300-AU	*WC-8398	D8HZ 14301-B	*WC-8377
80/	CL-CLT900 -- w/24 volt start system	6	855	(LH) D8HZ 14300-T	*WC-8389	D8HZ 14301-N	*WC-8386	(RH) D8HZ 14300-S	*WC-8375	D8HZ 14301-R	*WC-8387
80/	CL-CLT900 -- w/12 volt start system	6	893	(LH) D8HZ 14300-A	*WC-8376	D8HZ 14301-L	*WC-8384	(RH) D9HZ 14300-AU	*WC-8398	D8HZ 14301-B	*WC-8377

1980/  
TRUCK SERIES 600/900

YEAR	MODEL/RESTRICTIONS	ENGINE		PART NUMBER			
		CYL.	C.I.D. (C.C.D.)	TO STARTER RELAY		TO GROUND	
				SERVICE	MOTORCRAFT	SERVICE	MOTORCRAFT

APPLICATION CHART — Cont'd

14300-1 BATTERY CABLE

DIESEL

(4) 12 VOLT-MAINTENANCE FREE BATTERIES ON R.H. AND L.H. FUEL TANKS

80/	CL-CLT900 -- w/24 volt start system	6	893	LHD8HZ 14300-T RHD8HZ 14300-S	*WC-8389 *WC-8375	D8HZ 14301-N D8HZ 14301-R	*WC-8386 *WC-8387
80/	CL-CLT900 -- w/24 volt start system	8	1150	LHD8HZ 14300-Z RHD8HZ 14300-D	*WC-8397 *WC-8366	D8HZ 14301-E D8HZ 14301-D	*WC-8379 *WC-8378
88/	CL-CLT900 -- w/w/o dual tanks	6	610	E8HZ 14300-J	*WC-8853		
80/	L-LT900 -- w/75 and 100 gal. fuel tanks	6	426	LHD9HZ 14300-AZ RHD9HZ 14300-K	*WC-8435 *WC-8434	D9HZ 14301-AC D9HZ 14301-AH	*WC-8442 *WC-8443
80/	LT900 -- w/130 gal. fuel tanks	6	426	LHD9HZ 14300-Y RHD9HZ 14300-K	*WC-8433 *WC-8434	D9HZ 14301-AC D9HZ 14301-AH	*WC-8442 *WC-8443
80/	L-LT900 -- w/75 and 100 gal. shallow fuel tanks	8	568	LHD9HZ 14300-Y RHD9HZ 14300-K	*WC-8433 *WC-8434	D9HZ 14301-AC D9HZ 14301-AH	*WC-8442 *WC-8443
80/	L-LT900 -- w/100 gal. deep fuel tanks	8	568	LHD9HZ 14300-Y RHD9HZ 14300-AA	*WC-8433 *WC-8432	D9HZ 14301-AC D9HZ 14301-AH	*WC-8442 *WC-8443
80/	LT900 -- w/130 gal. deep fuel tanks	8	568	LHD9HZ 14300-Y RHD9HZ 14300-AA	*WC-8433 *WC-8432	D9HZ 14301-AS D9HZ 14301-AH	*WC-8444 *WC-8443
80/	L-LT800	8	636	LHD9HZ 14300-AA RHD9HZ 14300-Y	*WC-8432 *WC-8433	D9HZ 14301-AH D9HZ 14301-AS	*WC-8443 *WC-8444
80/	L-LT900 -- w/75 gal. and 100 gal. fuel tanks	6	855	LHD9HZ 14300-AZ RHD9HZ 14300-K	*WC-8435 *WC-8434	D9HZ 14301-AC D9HZ 14301-AS	*WC-8442 *WC-8444
80/	L-LT-LS-LTS900 -- w/75, 95, 100, 125 gal. fuel tank	6&8	855,893				
80/82	L-LT900 -- w/75 gal. shallow and 100 gal. deep fuel tanks	6	893	D9HZ 14300-AZ	*WC-8435		
83/	LT900 -- w/130 gal. deep fuel tank	6	893	D9HZ 14300-Y	*WC-8433		
80/	LN-LNT900 -- w/75 gal. shallow and 100 gal. deep fuel tanks	6	426	LHD9HZ 14300-AZ RHD9HZ 14300-Y	*WC-8435 *WC-8433	D9HZ 14301-AZ D9HZ 14301-AS	*WC-8441 *WC-8444
80/	LN-LNT900 -- w/130 gal. deep fuel tanks	6	426	LHD9HZ 14300-AZ RHD9HZ 14300-K	*WC-8435 *WC-8434	D9HZ 14301-AC D9HZ 14301-AH	*WC-8442 *WC-8443
80/	LN-LNT900 -- w/100 gal. shallow fuel tanks	6	426	LHD9HZ 14300-AZ RHD9HZ 14300-K	*WC-8435 *WC-8434	D9HZ 14301-AC D9HZ 14301-AS	*WC-8442 *WC-8444
80/	LN-LNT900	6	552	LHD9HZ 14300-AZ RHD9HZ 14300-K	*WC-8435 *WC-8434	D9HZ 14301-AC D9HZ 14300-AH	*WC-8442 *WC-8443
80/	LN-LNT900 -- w/75 gal. shallow and 100 gal. deep fuel tanks	8	568	LHD9HZ 14300-AZ RHD9HZ 14300-K	*WC-8435 *WC-8434	D9HZ 14301-AC D9HZ 14301-AS	*WC-8442 *WC-8444
80/	LN-LNT900 -- w/100 gal. shallow and 130 gal. deep fuel tanks	8	568	LHD9HZ 14300-Y RHD9HZ 14300-K	*WC-8433 *WC-8434	D9HZ 14301-AC D9HZ 14301-AH	*WC-8442 *WC-8443
80/	LN-LNT800 -- w/75 gal. shallow and 100 gal. deep fuel tanks	8	636	LHD9HZ 14300-K RHD9HZ 14300-AZ	*WC-8434 *WC-8435	D9HZ 14301-AS D9HZ 14301-AC	*WC-8444 *WC-8442
80/	LN800 -- w/100 gal. shallow fuel tanks	8	636	LHD9HZ 14300-AA RHD9HZ 14300-Y	*WC-8432 *WC-8433	D9HZ 14301-AH D9HZ 14301-AC	*WC-8443 *WC-8442
80/	LNT800 -- w/130 gal. deep fuel tanks	8	636	LHD9HZ 14300-AA RHD9HZ 14300-Y	*WC-8432 *WC-8433	D9HZ 14301-AH D9HZ 14301-AS	*WC-8443 *WC-8444
80/	LN-LNT900 -- w/75 gal. shallow and 100 gal. deep fuel tanks	6	855	LHD9HZ 14300-AU RHD9HZ 14300-Y	*WC-8436 *WC-8433	D9HZ 14301-AZ D9HZ 14301-AC	*WC-8441 *WC-8442
80/	LN-LNT900 -- w/130 gal. deep fuel tanks	6	855,893	LHD9HZ 14300-AZ RHD9HZ 14300-K	*WC-8435 *WC-8434	D9HZ 14301-AC D9HZ 14301-AS	*WC-8442 *WC-8444
80/	LN900 -- w/100 gal. shallow fuel tanks	6	855,893	LHD9HZ 14300-AZ RHD9HZ 14300-Y	*WC-8435 *WC-8433	D9HZ 14301-AZ D9HZ 14301-AS	*WC-8441 *WC-8444

YEAR	MODEL/RESTRICTIONS	ENGINE		PART NUMBER	DESCRIPTION	QTY.
		CYL.	C.I.D. (C.C.D.)			
80/	All	6&8	All	20317-S16	(B-296)-bolt (cable to battery terminal)- 5/16"-18 x 1 1/4"	1or2
				33797-S7	(M-51)-nut-5/16-18	1or2
80/	C600/800	6&8	All	376906-S100	(GG-234)-clip (cable to 3A158 bracket)	2
80/	C600/800	6&8	All	383701-S100	(GG-282-A)-clip (cable to frame)	AR

**1980/  
TRUCK SERIES 600/900**

YEAR	MODEL/RESTRICTIONS	ENGINE		PART NUMBER	DESCRIPTION	QTY.
		CYL.	C.I.D. (C.C.D.)			
14A301	BRACKET (RELAY MOUNTING)-If not listed below improvise					
14303	CABLE ASSY. (DASH TO ENGINE GROUND) - Also refer to group 14431 - IF NOT LISTED BELOW IMPROVISE FROM BULK WIRE (14296)					
83/	C-L-LN600/800 -- diesel	8	636	E3HZ 14303-B	#E3HT 14303-BA	1
80/81	C-CT900	8	All	★ C1TF 14303-B	11" long-not used with Trans/ign.	1
86/	CF600/800 -- diesel	6	402,476	E6HZ 14303-C	#E5HT 14303-CA	1
87/	CF600/800 -- diesel	6	402,476	★ E7HZ 14303-B r/bFOHZ 14303-A	#87HU 14303-BA-use w/2 batteries	1
87/	CF600/800 -- diesel	6	402,476	E7HZ 14303-C	#87HU 14303-CA-use w/3 batteries	1
80/81	C-CT900	8	401,477, 534	★20427-S8	(B-158)-bolt (cable to frame side) 5/16"-24 x 1 1/4"	1
				★33923-S7	(M-32)-nut-5/16"-24	1
				34806-S7	(X-64)-lockwasher-5/16"	1
80/	C-CT600/800 -- gas	6&8	All	★20386-S8	(B-53)-bolt (cable to L.H. frame side member) 5/16"-18 x 1"	1
				★33797-S7	(M-50)-nut-5/16"-18	1
				34806-S7	(X-64)-lockwasher-5/16"	1
87/	B-F600/800 -- diesel	6	402,476	E7HZ 14303-A	19" long	1
87/	L-LN600/800 -- diesel	6	402,476			1
14304	CABLE ASSY. (DUAL BATTERY LESS SUPPORTS)					
80/	CL-CLT900 -- w/24V start sys.	6&8	855,893, 1150	D8HZ 14304-D	*WC-8392 #D7HT 14304-DA-90" long for RH mtd batteries	1
80/	CL-CLT900 -- w/24V start sys.	6&8	855,893, 1150	D8HZ 14304-E	*WC-8393 #D7HT 14304-EA-122" long for LH mtd batteries	1
80/86	CL-CLT900 -- w/24V start sys.	8	568,736	D8HZ 14304-F	*WC-8394 #D7HT 14304-FA, E1HT 14304-AA-75"	2
82/86	LTL900 -- w/24V start sys.	6&8	All		long for RH & LH mtd batteries	2
80/	CL-CLT900	6&8	All	★372182-S100	(GG-213-E) Clip (attach cable and 14305 to engine cover)	AR

**1980/  
TRUCK SERIES 600/900**

**14305 WIRING ASSY. (ALTERNATOR TO VOLTAGE REGULATOR)**

**WIRING MARKING or TAG NUMBER TO SERVICE WIRING PART NUMBER GUIDE**

The purpose of this guide is to facilitate the identification of the Service Wiring Part Number. The chart that follows lists the Wiring Markings or Tag Numbers in numerical sequence. For many vehicles the Service Wiring Part Number will be the same as the Wiring Marking or Tag Number. This type of replacement will cause little or no installation problems. However, when the Service Wiring differs from the Wiring Marking or Tag Number it will be necessary to match lead wires and to tape up those lead wires which are not required. This is necessary when the Service Wiring has a more general application than the original wiring installed by the factory. Following this guide chart, Service Wiring Part Numbers are listed by model year and vehicle usage which will permit the identification of replacement wiring when the wiring identification marking or tag number is not known.

**IDENTIFICATION CHART**

Marking or Tag Number	Part Number	Marking or Tag Number	Part Number
<b>14305 WIRING ASSY. (ALTERNATOR TO VOLTAGE REGULATOR)</b>			
D5HB 14305-EA	E1HZ 14305-G	E0HT 14305-AGB	D9HZ 14305-T
D5HB 14305-FA	E1HZ 14305-G	E0HT 14305-AHA	D9HZ 14305-W
D5HB 14305-GA	E1HZ 14305-E	E1HT 14305-CA	E1HZ 14305-A
D5HB 14305-HA	E1HZ 14305-F	E1HT 14305-CB	E1HZ 14305-K
D5HB 14305-JA	E1HZ 14305-F	E1HT 14305-CC	E1HZ 14305-K
D5HB 14305-KA	E1HZ 14305-E	E1HT 14305-DA	E1HZ 14305-C
D7HT 14305-CG	D8HZ 14305-EA	E1HT 14305-DB	E1HZ 14305-L
D7HT 14305-ADD	D8HZ 14305-M	E1HT 14305-EA	E1HZ 14305-A
D7HT 14305-ADG	D8HZ 14305-M	E1HT 14305-EB	E1HZ 14305-M
D7HT 14305-AEC	D8HZ 14305-N	E1HT 14305-EC	E1HZ 14305-M
D7HT 14305-AEG	D8HZ 14305-N	E1HT 14305-FA	D8HZ 14305-H
D7HT 14305-AFD	D8HZ 14305-R	E1HT 14305-GA	D8HZ 14305-EA
D7HT 14305-AFG	D8HZ 14305-R	E1HT 14305-HA	D8HZ 14305-M
D7HT 14305-AFH	D8HZ 14305-R	E1HT 14305-JA	D8HZ 14305-R
D8HT 14305-EA	D8HZ 14305-CA	E1HT 14305-KA	E1HZ 14305-B
D8HT 14305-FA	D8HZ 14305-DA	EDE1HT 14305-KA	E1HZ 14305-B
D8HT 14305-HB	D9HZ 14305-R	E1HT 14305-KB	E1HZ 14305-B
D8HT 14305-JA	D8HZ 14305-EA	EDE1HT 14305-KB	E2HZ 14305-A
D8HT 14305-LB	D9HZ 14305-T	E1HT 14305-LA	D9HZ 14305-R
D8HT 14305-NB	D9HZ 14305-Y	E1HT 14305-MA	D9HZ 14305-Y
D8HT 14305-RA	D8HZ 14305-H	E1HT 14305-NA	D9HZ 14305-AA
D8HT 14305-TB	D9HZ 14305-AA	E1HT 14305-RA	D9HZ 14305-U
D8HT 14305-UA	D8HZ 14305-M	E1HT 14305-SA	D9HZ 14305-X
D8HT 14305-VA	D8HZ 14305-N	E1HT 14305-TA	D9HZ 14305-Z
D8HT 14305-YA	D8HZ 14305-R	E1HT 14305-UA	D8HZ 14305-N
D9HT 14305-RA	D9HZ 14305-U	E1HT 14305-VA	D9HZ 14305-T
D9HT 14305-RB	D9HZ 14305-U	EDE1HT 14305-VA	E2HZ 14305-B
D9HT 14305-SA	D9HZ 14305-W	E1HT 14305-YA	D9HZ 14305-W
D9HT 14305-SB	D9HZ 14305-W	EDE1HT 14305-YA	E2HZ 14305-C
D9HT 14305-TA	D9HZ 14305-X	E1HT 14305-ZA	E1HZ 14305-J
D9HT 14305-TB	D9HZ 14305-X	E1HT 14305-AAA	E1HZ 14305-D
D9HT 14305-UA	D9HZ 14305-Z	E1HT 14305-ABA	E1HZ 14305-E
D9HT 14305-UB	D9HZ 14305-Z	E1HT 14305-ACA	E1HZ 14305-E
D9HT 14305-ADB	D9HZ 14305-J	E1HT 14305-ADA	E1HZ 14305-F
EDD9HT 14305-AEB	D9HZ 14305-K	E1HT 14305-AEA	E1HZ 14305-H
D9HT 14305-AEC	D9HZ 14305-K	E1HT 14305-AGA	E1HZ 14305-G
EDD9HT 14305-AFD	D9HZ 14305-P	E2HT 14305-AA	E2HZ 14305-D
D9HT 14305-AGA	D9HZ 14305-L	E3HT 14305-AA	E3HZ 14305-A
D9HT 14305-AHA	E1HZ 14305-D	E3HT 14305-BA	E3HZ 14305-B
D9HT 14305-AJA	E1HZ 14305-J	E3HT 14305-CA	E3HZ 14305-C
E0HT 14305-YA	E0HZ 14305-A	E3HT 14305-DA	E3HZ 14305-D
E0HT 14305-ZA	D9HZ 14305-L	E4HT 14305-AC	E4HZ 14305-A
E0HT 14305-ABA	D8HZ 14305-EA	E4HT 14305-CB	E4HZ 14305-C
E0HT 14305-ACA	D8HZ 14305-H	E4HT 14305-DB	E4HZ 14305-D
E0HT 14305-ADA	D8HZ 14305-M	E4HT 14305-EB	E4HZ 14305-E
E0HT 14305-AEA	D8HZ 14305-N	E5HT 14305-AA	E5HZ 14305-A
E0HT 14305-AEB	D8HZ 14305-N	E5HT 14305-AB	E6HZ 14305-B
E0HT 14305-AFA	D8HZ 14305-R	E5HT 14305-BA	E5HZ 14305-B
E0HT 14305-AGA	D9HZ 14305-T	E5HT 14305-BB	E6HZ 14305-B

1980/  
TRUCK SERIES 600/900

**IDENTIFICATION CHART**

Marking or Tag Number	Part Number	Marking or Tag Number	Part Number
<b>14305 WIRING ASSY. (ALTERNATOR TO VOLTAGE REGULATOR) — Cont'd</b>			
E5HT 14305-CA	E5HZ 14305-C	E8HT 14305-ACA	E8HZ 14305-AC
E5HT 14305-CB	E6HZ 14305-C	E8HT 14305-ADA	E8HZ 14305-AD
E5HT 14305-DA	E5HZ 14305-D	E8HT 14305-ADB	E8HZ 14305-AD
EDE7HT 14305-BC	E7HZ 14305-B	E8HT 14305-AEA	E8HZ 14305-AE
E7HT 14305-FA	E7HZ 14305-F	E8HT 14305-AEB	E8HZ 14305-AE
E7HT 14305-GA	E7HZ 14305-G	E8HT 14305-AFA	E8HZ 14305-AF
E7HT 14305-HA	E7HZ 14305-H	E8HT 14305-AGA	E8HZ 14305-AGA
E7HT 14305-JA	E7HZ 14305-J	E8HT 14305-AGC	E8HZ 14305-AGA
E7HT 14305-KA	E7HZ 14305-K	E8HT 14305-AMA	E8HZ 14305-AM
E7HT 14305-LA	E7HZ 14305-L	E8HT 14305-ARA	E8HZ 14305-AR
E7HT 14305-MA	E7HZ 14305-M	E8HT 14305-ASA	E8HZ 14305-AS
E7HT 14305-NA	E7HZ 14305-N	E9HT 14305-AA	E9HZ 14305-A
E7HT 14305-RA	E7HZ 14305-R	E9HT 14305-CA	E9HZ 14305-C
EDE7HT 14305-RA	E7HZ 14305-R	E9HT 14305-DA	E9HZ 14305-D
E8HT 14305-AB	E8HZ 14305-A	E9HT 14305-EA	E9HZ 14305-E
E8HT 14305-MB	E8HZ 14305-M	E9HT 14305-FA	E9HZ 14305-F
E8HT 14305-UA	E8HZ 14305-U	E9HT 14305-GA	E9HZ 14305-G
E8HT 14305-YA	E8HZ 14305-Y	E9HT 14305-HA	E9HZ 14305-H
E8HT 14305-ZA	E8HZ 14305-Z	E9HT 14305-BBB	F0HZ 14305-W
E8HT 14305-AAA	E8HZ 14346-B	E9HT 14305-DBA	F0HZ 14305-W
E8HT 14305-ABA	E8HZ 14346-A		

YEAR	MODEL/RESTRICTIONS	ENGINE		PART NUMBER	DESCRIPTION	QTY.
		CYL.	C.I.D. (C.C.D.)			

**APPLICATION CHART**

<b>14305 WIRING ASSY. (ALTERNATOR TO VOLTAGE REGULATOR)</b>						
B-F SERIES						
(Refer to Group 14289)						
C-CT SERIES						
80/	C-CT600/900 -- w/non-unitized tractor package	6&8	All	D9HZ 14305-K		1
80/	C-CT600/900 -- w/o non-unitized tractor package	6&8	All	D9HZ 14305-J		1
CL-CLT SERIES						
80/83	CL-CLT900 -- w/24V strt. sys.	8	1150	★ D8HZ 14305-EA	Use w/Delco 90 amp. alternator	1
80/86	CL-CLT900 -- w/24V strt. sys.	8	568,736	★ D8HZ 14305-H	Use w/Delco 90 amp. alternator	1
80/	CL-CLT900 -- w/24V strt sys.	6	855	D8HZ 14305-M		1
80/84	CL-CLT900 -- w/24V strt sys. "Before 12/83"	6	893	D8HZ 14305-N		1
84/	CL-CLT900 -- w/24 volt start system "From 12/83"	6	893	E4HZ 14305-C		1
80/86	CL-CLT900 -- w/24V strt sys.	6	552	★ D8HZ 14305-R		1
80/82	CL-CLT900 -- w/12V strt sys. "Before 10/81"	6	893	★ D9HZ 14305-T	Use w/Delco 75 or 90 amp. or L/N 70,90 or 105 amp. alternator	1
82/84	CL-CLT900 -- w/12V strt. sys. "From 10/81 to 12/83"	6	893	E2HZ 14305-B	Use w/delco 75 or 90 amp or L/N 70,90 or 105 amp alternator	1
84/	CL-CLT900 -- w/12 volt start system "From 12/83"	6	893	E4HZ 14305-D	Use w/delco or 90 amp or LN 70 or 90 amp or 105 amp alternator	1
80/86	CL-CLT900 -- w/12V strt sys.	8	568	D9HZ 14305-Y	Use w/Delco 75 or 90 amp. or L/N 70,90 or 105 amp. alternator	1
80/86	CL-CLT900 -- w/12V strt sys.	6	552	★ D9HZ 14305-AA	Use w/Delco 75 or 90 amp. or L/N 70,90 or 105 amp. alternator	1
80/	CL-CLT900 -- w/12V strt sys.	6	855	D9HZ 14305-R	Use w/Delco 75 or 90 amp. or L/N 70,90 or 105 amp. alternator	1
80/	CL-CLT900 -- w/12V strt sys.	6	855	D9HZ 14305-U	Use w/Ford 70 or 90 amp. alternator	1
80/82	CL-CLT900 -- w/12V strt sys. "Before 10/81"	6	893	★ D9HZ 14305-W /bE2HZ 14305-C	Use w/Ford 70 or 90 amp. alternator	1

1980/  
TRUCK SERIES 600/900

YEAR	MODEL/RESTRICTIONS	ENGINE		PART NUMBER	DESCRIPTION	QTY.
		CYL.	C.I.D. (C.C.D.)			

**APPLICATION CHART**

**14305 WIRING ASSY. (ALTERNATOR TO VOLTAGE REGULATOR) — Cont'd**

**CL-CLT SERIES**

82/84	CL-CLT900 -- w/12V strt. sys. "From 10/81 to 12/83"	6	893	★ E2HZ	14305-C	Use w/Ford 70 or 90 amp. alternator	1
84/	CL-CLT900 -- w/12 volt start sys. "From 12/83"	6	893	E4HZ	14305-E	Use with Ford 70 or 90 amp alternator	1
80/86	CL-CLT900 -- w/12V strt. sys.	8	568	★ D9HZ	14305-X	Use w/Ford 70 or 90 amp. alternator	1
80/86	CL-CLT900	6	552	★ D9HZ	14305-Z	Use w/Ford 70 or 90 amp. alternator	1
84	CLT900 -- w/12 volt start sys.	8	736	★ E3HZ	14305-D	Use with Ford 75 amp alternator	1
88/	CL-CLT900 -- diesel	6	610	E8HZ	14305-A	Use with IAR alternator	1
88/	CL-CLT900 -- diesel	6	610	E8HZ	14305-M	Use with non IAR alternator	1
88/	CL-CLT900			E8HZ	14305-Y	Use with non IRA alternator	1
88/	CL-CLT900			E8HZ	14305-Z	Use with IRA alternator	1
89	CL-CLT900 -- diesel w/Cummins L10	6	611	E9HZ	14305-A	Use with 75, 90 amp. Delco amp. or 90, 105 amp. L/N alt	1
89	CL-CLT900 -- diesel w/Cummins NTC	6	855	E9HZ	14305-C	Use with 75, 90 amp. Delco amp. or 90, 105 amp. L/N alt.	1
89	CL-CLT900 -- diesel w/Cummins NTC	6	855	E9HZ	14305-D	Use with 75, 90 amp. Motorcraft alt.	1
89	CL-CLT900 -- diesel w/Cat. 3406	6	893	E9HZ	14305-E	Use with 75, 90 amp. Motorcraft alt.	1
89	CL-CLT900 -- diesel w/Cat. 3406	6	893	E9HZ	14305-F	Use with 75, 90 amp. Delco alt. or 90, 105 amp. L/N alt.	1
89	CL-CLT900 -- diesel w/Cumm. NTC	6	855	E9HZ	14305-G	Use with 75, 90 amp. Motorcraft alt.	1
89	CL-CLT900 -- diesel w/Cumm. NTC	6	855	E9HZ	14305-H	Use with 75, 90 amp. Delco alt. or 90, 105 amp. L/N alt.	1

**L SERIES**

81/	L-LN-LNT-LT-LTS600/900 --	6	426	E1HZ	14305-F	Use with 75 amp. Delco alternator	1
81/86	L-LN-LNT-LT-LTS900 -- diesel	6	855,893	E1HZ	14305-E	Use with 75 amp. Delco alternator	1
81/83	L-LN-LNT-LT900 -- diesel "Before 12/83"	6&8	552,568	★ E1HZ	14305-G	Use with 75 amp. Delco alternator	1
83/86	L-LN-LNT-LT900 -- diesel "From 12/83"	6&8	552,568	★ E3HZ	14305-C	Use with 75 amp Delco alternator	1
80/81	L-LN-LNT-LT-LTS700/800 -- diesel "Before 11/80"	8	636	★ D9HZ /bE1HZ	14305-L 14305-B	Use with all alternators	1
81	L-LN-LNT-LT-LTS700/800 -- diesel "From 11/80"	8	501,636	E1HZ	14305-B	Use with all alternators	1
82	L-LN700 -- diesel	8	501				1
82	L-LN-LNT-LT-LTS800 -- diesel w/city delivery instr. panel	8	636				1
82	L-LN-LNT-LT-LTS800 -- diesel w/line haul instr. panel "Before 9/81"	8	636				1
82	L-LN-LNT-LT-LTS800 -- diesel w/line haul instr. panel "From 9/81 to 11/81"	8	636	★ E2HZ /bE2HZ	14305-A 14305-D	Use with all alternator--must be used in conjunction w/E1HT 14K725-AA wiring	1
82/86	L-LN-LNT-LT-LTS800 -- diesel w/line haul instr. panel "From 11/81"	8	636	E2HZ	14305-D	Use with all alternators	1
81/86	L-LN-LNT-LT-LTS900 -- diesel	6	426,893	E1HZ	14305-H	Except w/Delco 75 amp. alternator	1
81/86	L-LN-LNT-LT-LTS900 -- diesel	6	855	E1HZ	14305-J	Except w/Delco 75 amp. alternator	1
81/83	L-LN-LNT-LT-LTS900 -- diesel "Before 12/82"	6&8	552,568	★ E1HZ	14305-D	Except w/Delco 75 amp. alternator	1
83/86	L-LN-LNT-LT-LTS900 -- diesel "From 12/82"	6&8	552,568	★ E3HZ	14305-B	Except w/Delco 75 amp alternator	1

1980/  
TRUCK SERIES 600/900

YEAR	MODEL/RESTRICTIONS	ENGINE		PART NUMBER	DESCRIPTION	QTY.
		CYL.	C.I.D. (C.C.D.)			

**APPLICATION CHART — Cont'd**

14305 WIRING ASSY. (ALTERNATOR TO VOLTAGE REGULATOR)							
L SERIES							
80	L-LN-LNT-LT-LTS800/900 -- gas "Before 10/79"	8	475,477 534	★ D9HZ	14305-P	Use with all alternators	1
80/81	L-LN-LNT-LT-LTS800/900 -- gas "From 10/79"	8	475,477 534	★ E0HZ	14305-A	Use with all alternators	1
82/86	LTL900 -- diesel	6	855	E1HZ	14305-M		1
82/86	LTL900 -- diesel	6	893	E1HZ	14305-K		1
82/83	LTL900 -- diesel "Before 12/82"	8	736	E1HZ	14305-L	w/24 volt start system	1
83/86	LTL900 -- diesel "From 12/82"	8	736	★ E3HZ	14305-A		1
84	LTL900 -- diesel w/12 volt start sys.	8	736	★ E3HZ	14305-D	Use with Ford 75 amp alternator	1
84/86	LN-LNT900 -- L10 diesel	6	610	★ E4HZ	14305-A		1
85	LN-LNT600/900 -- Cummins NTC-LTA diesel "Before 3/85"	6	610	★ E5HZ	14305-A		1
85/	LN-LNT-LTL900 -- Cummins L-10 diesel "From 3/85"	6	610	E5HZ	14305-D		1
85	L-LT-LTL-LTS800/900(105" BBC) -- Cummins NTC-LTA diesel	6	610	★ E5HZ /bE6HZ	14305-B 14305-B		1
86/	L-LT-LTL-LTS800/900(105" BBC) -- Cummins NTC-LTA diesel	6	610	E6HZ	14305-B		1
85	L-TL900(116" BBC) -- Cummins diesel	6	610	★ E5HZ /bE6HZ	14305-C 14305-C		1
86/	L-LT-LTL-LTS800/900(116" BBC) -- Cummins NTC-LTA diesel	6	610	E6HZ	14305-C		1
87	L-LT-LTS600/900 -- FTO diesel	6	402,476	E7HZ	14305-B		1
87	LN-LNT600/900 -- FTO diesel	6	402,476				1
87/	L-LS-LT-LTS600/900(105" BBC) -- L10 Cummins diesel	6	610	E7HZ	14305-F	Use w/Ford 70 or 90 amp. alternator	1
87/	L-LS-LT-LTS600/900(116" BBC) -- L10 Cummins diesel	6	610	E7HZ	14305-G	Use w/Ford 70 or 90 amp. alternator	1
87/	L-LT-LTS600/900 -- L10 Cummins diesel	6	610	E7HZ	14305-J	Use w/Delco 75 amp. alternator	1
87/	LN-LNT600/900 -- L10 Cummins diesel	6	610	E7HZ	14305-H	Use w/Delco 75 amp. alternator	1
87/	LTL900 -- L10 Cummins diesel	6	610	E7HZ	14305-K	Use w/Delco 75 amp. alternator	1
87/	LTL900 -- diesel	6	893	E7HZ	14305-L		1
87/	L-LN-LNT-LT900 -- diesel	6	893	E7HZ	14305-M	Use with 75 amp Delco alternator	1
87/	L-LN-LNT-LT900 -- diesel	6	893	E7HZ	14305-N	Use with Ford alternator	1
87	L-LN-LS800 -- diesel	8	636	E7HZ	14305-R		1
88	LTL900 -- diesel	6	855	E8HZ	14305-U		1
88/	L-LL-LN-LNT-LS-LT-LTL-LTS600/900 -- diesel	8	636	E8HZ	14305-AC	Use with IAR alternator	1
88/	L-LL-LN-LNT-LS-LT-LTL-LTS600/900 -- diesel	6	476	E8HZ	14305-AD	Use with IAR alternator-w/75 amp. alt.	1
88/	L-LL-LN-LNT-LS-LT-LTL-LTS600/900 -- diesel	6	476	E8HZ	14305-AE	Use with non IAR alternator-w/60 amp. alt.	1
88/	LTL900 -- diesel	6	893	E8HZ	14305-AF	Use with non IAR alternator	1
88/	L-LL-LN-LNT-LS-LT-LTL-LTS600/900 -- diesel	6	638	E8HZ	14305-AGA		
88/	L-LT-LTL-LTS800/900 diesel-Cummins	6	611,855	E8HZ	14305-AM		1
88/	LN-LNT700/900 -- diesel 3406 Cat.	6	893	E8HZ	14305-AR	Use w/75/90 amp. Motorcraft alt.	1
88/	L-LL-LN-LNT-LS-LT-LTL-LTS600/900 -- diesel 3406 Cat.	6	893	E8HZ	14305-AS	Use w/75/90 amp. Motorcraft alt.	1

**1980/  
TRUCK SERIES 600/900**

YEAR	MODEL/RESTRICTIONS	ENGINE		PART NUMBER	DESCRIPTION	QTY.
		CYL.	C.I.D. (C.C.D.)			
<b>APPLICATION CHART — Cont'd</b>						
<b>14305 WIRING ASSY. (ALTERNATOR TO VOLTAGE REGULATOR)</b>						
<b>L SERIES</b>						
89	L-LN-LNT-LT-LTS-LTL700/900	6	638 629 893	FOHZ 14305-W	W/75 amp. or 90 amp. Motorcraft alternators must order jumpers 9F291-9E295 9E306-10B923-14A382 as required	1
80/	L-LN-LNT700/900	8	636	★ 357946-S8	(GG-152)-clip (alternator wiring to alternator) (alternator wiring to solenoid on front of engine)	1
80/	L-LN-LNT-700/900	8	636	★ 20312-S	(B-75)-bolt (attach wiring to engine block) 3/8"-16 x 1/2"	AR
80/	CL-CLT900	6&8	All	95874-S	(Y-6) strap (attach wiring to 6B018) (Attach wiring to ambient switch lead)	1
80/	C-CT600/900	6&8	All	20324-S8	(B-150)-bolt (wiring & clip 377722-S to cab body support) -1/4-28" x 1/2"	1
		6&8	All	33795-S7	(M-49)-nut-1/4"-20	1
		6&8	All	★ 34940-S7	(X-88)-lockwasher-1/4"	1
		6&8	All	★ 357947-S8	(GG-153)-clip	2
80/	C-CT600/900	6&8	All	★ 20308-S	(B-40)-bolt (alternator wiring to L.H. side of cab floor) 1/4"-20 x 1/2"	2
80/	C-CT600/900	6&8	All	★ 31498-S8	(U-253-B)-screw (wiring & clip 377722-S to front floor cross member)-No. 14-10 x 5/8"	1
80/	C-CT600/900	6&8	All	★ 20428-S7	(B-82)-bolt (wiring to floor pan) 3/8"-16 x 1 1/4"	1
80/	C-CT600/900	6&8	All	★ 34394-S	(M-93-A)-nut (wiring to floor pan) 3/8"-16	1
80/	C-CT600/900	6&8	All	376219-S	(GG-151)-clip (wiring to floor pan)	1
80/	C-CT600/900	6&8	All	★ 357946-S	(GG-152)clip(attach wiring to engine water pump)	AR
80/	L-LN-LNT-LT-LTS600/900	6&8	All			AR
80/	CL-CLT900	6	893	58633-S2	(BB-77-D) bolt (attach wire and 14304 cable to engine)	2
80/	CL-CLT900	8	1150		(attach wire and 12A294 to engine)	1
80/	CL-CLT900	6	893	384044-S100	(GG-399-G) Clip (attach wire and 14304 cable to engine)	6
80/	CL-CLT900	8	1150		(attach wire and 12A294 to engine)	3
80/	CL-CLT900	6&8	All	55736-S2	(M-96-F) Nut (attach wire to engine cover)	AR
80/	CL-CLT900	6&8	All	★ 372182-S100	(GG-213-E) Clip (attach wire to engine cover)	AR
80/	L-LN-LNT-LT-LTS600/900	6&8	All	★ 378042-S	(GG-213-G)-clip	AR
80/	L-LN-LNT-LT-LTS600/900	6&8	All	★ 351487-S	(XX-291)-lockwasher-external tooth-3/8"	AR
80/	L-LT900 -- diesel	8	903	377695-S100	(GG-213-D)-clip (wire to engine)	1
80/	L-LN-LNT-LT-LTS600/900	6&8	All	★ 379392-S	(BB-574-F)-screw (attach wiring to alternator mounting bracket)-1/4"-20 x 1 1/4"	1
80/	L-LN-LNT-LT-LTS600/900	6&8	All	★ 33795-S	(M-49)-nut (attach wiring to alternator mounting bracket)-1/4"-20	1
80/	L-LN-LNT-LT-LTS600/900	6&8	All	★ 33771-S4	(M-89-L)-nut (attach wiring to top of engine) -3/8"-16 Hx	1
80/	CL-CLT900	6&8	All	★ 388298-S	(WW-155-C)-stud adapter (for 75 amp. alt.) -1/4"-20-7/16"-14 x 1.06	1
86	L-LN-LNT-LT-LTL-LTS800/900 -- diesel	6	610	390550-S36	(WW-97-K) stud 1/4"-20-7/16" x 1.06 hex. shoulder-(wiring to alternator)	1
<b>14308 WIRE ASSY. (HORN SWITCH)</b>						
80/	C-CT600/900 -- std. cab	6&8	All	★ B7T 14308-A	15" long	1
<b>14A309 SHELL (WIRE CONNECTOR)</b>						
80/	C-F600/750 -- w/dual vacuum brakes	6&8	All	C8TZ 14A309-C	Nylon	AR
80/	B-CF-F600/800	6&8	All	C9TZ 14A309-A	Nylon	AR
80/82	All	6&8	All	D3AZ 14A309-C	Gray-3 cavities	AR



**1980/  
TRUCK SERIES 600/900**

YEAR	MODEL/RESTRICTIONS	ENGINE		PART NUMBER	DESCRIPTION	QTY.
		CYL.	C.I.D. (C.C.D.)			
<b>14A313 WIRE ASSY. (WARNING INDICATOR)</b>						
80	C-CT800/900 -- with M/T640, M/T650 Allison T/M "Before 12/80"	6&8	All	★ D5HZ 14A313-A	#D5HB 14A313-AA,AB use with oil temperature indicator	1
80/83	C-CT800/900 -- w/A/T "From 12/80"	6&8	All	★ E0HZ 14A313-A	#E0HT 14A313-AA-use with oil temperature indicator	1
84/	C-CT800 -- diesel w/ M/T 653 Allison trans.	6&8	All	E4HZ 14A313-B	#E4HT 14A313-BA	1
80/	C-CT600/900 -- Canada	6&8	All	D6HZ 14A313-F	#D6HS 14A313-FA-air brakes	1
80/	CL900 -- 110", 120", 126", 134" and 142" W/B	6&8	All	D8HZ 14A313-D	#D7HT 14A313-AC,BC,CC,DC, D8HT 14A313-AA- axle temp.	1
80/	CLT900 -- 142", 145", 148", 152" and 164" W/B	6&8	All	D8HZ 14A313-P	#D7HT 14A313-GB,HB,JB,KB,LB,-axle temp.	1
80/	CLT900 -- 178",186",204", and 246" W/B	6&8	All	D8HZ 14A313-B	#D7HT 14A313-MB,MC, D8HT 14A313-BA,CA,DA- axle temp.	1
88/	CL900 -- 126" W/B with single axle	6&8	All	E8HZ 14A313-B	#E8HT 14A313-BA	1
88/	CL900 -- 120" W/B with single axle	6&8	All	E8HZ 14A313-C	#E8HT 14A313-CA	1
88/	CL900 -- 134" W/B with single axle	6&8	All	E8HZ 14A313-D	#E8HT 14A313-DA	1
88/	CL900 -- 142" W/B with single axle	6&8	All	E8HZ 14A313-E	#E8HT 14A313-EA	1
83/	B-F-FT700/800 -- diesel w/M/T 643, M/T 653 Allison trans.	8	501	E3HZ 14A313-A	#E3HT 14A313-AA	1
84/	B-F-FT700/800 -- diesel w/ M/T 653 Allison trans.	6&8	All	E4HZ 14A313-C	#E4HT 14A313-CA	1
87/88	B-F-FT600/900	6	402,476	E7HZ 14A313-A	#E7HT 14A313-AA,AB, ED-E7HT 14A313-AA- contains (1) C7SZ 10C912-A diode	1
87/	B-F-FT600/900 -- w/A/T	8	370,429	E7HZ 14A313-D	#E7HT 14A313-DA	1
80/84	L-LN-LNT-LT900	6&8	426,568	★ D3HZ 14A313-A	#D3HB 14A313-AA	1
80/83	LNT-LT-LTS800/900 -- w/ M/T 653 Allison trans.	6&8	All	★ D5HZ 14A313-B	#D5HB- 14A313-BA, E0HT 14A313-BA-use with oil temperature indicator	1
84/	L800/900 -- 105" BBC w/M/T 653 Allison trans.	6&8	All	E4HZ 14A313-A	#E4HT 14A313-AC,AD, EDE4HT 14A313-AC	1
	LN-LNT600/900 -- w/653 M/T Allison trans.	6&8	All			1
80/	L-LT-LTS-LN-LNT600/900 -- Canada	6&8	All	D6HZ 14A313-E	#D6HS 14A313-EA	1
84/	L-LN-LNT-LT-LTS600/900 -- w/o Fleet instrument panel					1
87	L-LN-LNT-LT-LTS600/900 -- w/Fleet or City del. instr. panel w/A/T	6&8	All	E7HZ 14A313-C	#E7HT 14A313-CA-contains (1) C7SZ 10C912-A diode	1
84/86	C-CT600/800 -- w/M/T 653 Allison trans.	8	370,429	E4HZ 14A313-D	#E4HT 14A313-DA	1
88/	L-LL-LN-LNT-LS-LT-LTL-LTS 600/900 -- w/A/T	6&8	All	E8HZ 14A313-A	#E8HT 14A313-AA,AB	1
80/	CL-CLT900	6&8	All	55736-S2	(M-96-F) nut (attach wire to side rail)	AR
80/	CL-CLT900 -- Canada only	6&8	All	45338-S2	(M-89-P) nut (attach wire to 5016)	1
<b>14A318 WIRING ASSY. (ACCESSORY FEED)</b>						
88/	L-LL-LN-LNT-LS-LT-LTL- LTS600/900 -- city delivery w/air brakes	6&8	All	E8HZ 14A318-B	#E8HT 14A318-BB,BC,BD	1
88/	L-LL-LN-LNT-LS-LT-LTL- LTS600/900 -- fleet instr. pnl. w/air brakes	6&8	All	E8HZ 14A318-D	#E8HT 14A318-DB,DC,DD	1

**1980/  
TRUCK SERIES 600/900**

YEAR	MODEL/RESTRICTIONS	ENGINE		PART NUMBER	DESCRIPTION	QTY.
		CYL.	C.I.D. (C.C.D.)			
<b>14A318 WIRING ASSY. (ACCESSORY FEED) — Cont'd</b>						
88/	L-LL-LN-LNT-LS-LT-LTL-LTS600/900 -- fuel instr. pnl. w/air brakes	6&8	All	E8HZ 14A318-E	#E8HT 14A318-EB,EC,ED	1
89/	L-LN-LT-LNT-LTL-LTS 800/900 -- w/fleet or full instr. panel	6&8	All	E9HZ 14A318-A	#E9HT 14A318-AA,AB	1
89/	L-LN-LT-LNT-LTL-LTS 800/900 -- w/city del. instr. panel	6&8	All	E9HZ 14A318-B	#E9HT 14A318-BA	1
<b>14323 WIRE ASSY. (HEATER SWITCH TO FUSE PANEL) - Improve from bulk wiring (14296)</b>						
<b>14A323 BRACKET ASSY. (RELAY MOUNTING)</b>						
80	CL-CLT900 "Before 5/80"	6&8	All	D8HZ 14A323-A		1
80/	CL-CLT900 -- "From 5/80"	6&8	All	E0HZ 14A323-A		1
<b>14324 WIRING ASSY. (ENGINE TO FRAME) - Improve from bulk wiring (14296)</b>						
<b>14A333 WIRE ASSY. (BODY MAIN EXTENSION) - Improve from bulk wiring (14296)</b>						
<b>14334-5 Refer to group 13A709</b>						
<b>14A336 Refer to group 7E464</b>						
<b>14A341 OUTLET and WIRING ASSY. (TRAILER)</b>						
88/	CF600/800 -- w/tractor pkg.	6	402,476	E8HZ 14A341-A	#E8HT 14A341-AA	1
80/	CL-CLT900 -- 64" BBC exc. sleeper	6&8	All	D8HZ 14A341-A	#D7HT 14A341-AC,FB E0HT 14A341-BA,DA	1
80/	CL-CLT900 -- 110" BBC, sleeper	6&8	All	D8HZ 14A341-B	#D7HT 14A341-BB,BC, E0HT 14A341-CA	1
80/	CL-CLT900 -- 76" and 88" BBC Sleeper	6&8	All	D8HZ 14A341-D	#D7HT 14A341-GA, E0HT 14A341-EA	1
89	CL-CLT900 -- 110" BBC	6	855,893	E9HZ 14A341-B	#E9HT 14A341-BA	1
89	CL-CLT900 -- 88" BBC	6	610,855,893	E9HZ 14A341-C	#E9HT 14A341-CA	1
89	CL-CLT900 -- 64" BBC	6	610,855,893	E9HZ 14A341-F	#E9HT 14A341-AA	1
80/82	F-FT600/800 (81)	6&8	All	★ E0HZ 14A341-A	#ED-E0HT 14A341-AD,AE, E0HT 14A341-AE	1
83/	F-FT600/800(81)	6&8	All	E3HZ 14A341-A	#E3HT 14A341-AA	1
88/	B-F600/900 -- w/non-unitized tractor pkg.	6&8	All	E8HZ 14A341-D	#E8HT 14A341-DA	1
80/88	L-LN-LNT-LT-LTS600/900 -- w/o unitized tractor package	6&8	All	D5HZ 14A341-C	#D5HB 14A341-CA	1
87/	L-LN-LNT-LT-LTL-LTS600/900 -- w/o unitized tractor package	6&8	All	E7HZ 14A341-B	#E7HT 14A341-BA	1
80/88	L-LT-LTS-LN-LNT600/900 -- w/unitized tractor package	6&8	All	D9HZ 14A341-A	#D8HS 14A341-BA, ED D8HS 14A341-BA	1
87	L-LN-LNT-LT-LTL-LTS600/900 -- w/unitized tractor package	6&8	All	E7HZ 14A341-A	#ED-E7HT 14A341-AA, D1E7HT 14A341-AA	1
88/	L-LL-LN-LNT-LS-LT-LTL-LTS 600/900 -- w/unitized tractor pkg.	6&8	All	E8HZ 14A341-B	#E8HT 14A341-BA	1
88/	L-LN-LNT-LT-LTS600/900 -- w/unitized tractor pkg.	6&8	All	E9HZ 14A341-G	#E9HT 14A341-GA	1
88/	L-LN-LNT-LT-LTS600/900 -- w/unitized tractor pkg.	6&8	All	E9HZ 14A341-H	#E9HT 14341-HA	1
80/	L-LN-LNT600/900	6&8	All	378674-S	(GG-150-H)-clip (attach wiring to floor pan)	3
80/	L-LN-LNT600/900	6&8	All	★376389-S	(UU-82-D)-screw (attach wiring to floor pan) No. 8-18 x 3/4"	3
80/	L-LN-LNT-LT-LTS600/900	6&8	All	★56305-S	(B-318-GC)-bolt (attach wiring to rear of cab) 1/4"-20 x 1"	2

**1980/  
TRUCK SERIES 600/900**

YEAR	MODEL/RESTRICTIONS	ENGINE		PART NUMBER	DESCRIPTION	QTY.
		CYL.	C.I.D. (C.C.D.)			
<b>14346 WIRING ASSY. (LOW AIR PRESSURE BUZZER TO SWITCH)</b>						
80/	CL-CLT900	6&8	All	D8HZ 14346-A	#D7HT 14346-BA,D8HT 14346-AA	1
88/	C-CT600/800 -- w/air brakes, IAR alternator & tractor pkg.	6&8	All	E8HZ 14346-A	#E8HT 14305-ABA	1
88/	C-CT600/800 -- w/air brakes, IAR alternator w/o tractor pkg.	6&8	All	E8HZ 14346-B	#E8HT 14305-AAA	1
<b>14359 ADAPTER (WIRING)</b>						
80/84	C-CT600/900 -- gas	8	370.429	D9HZ 14359-A	Connect 14401 and 14305	1
<b>14380 WIRE ASSY. (JUNCTION BLOCK TO ENGINE SENDER UNIT)</b>						
81	L-LT-LTS-LTL-LN-LNT600/900	6&8	All	*	Improvise	1
<b>14A382 WIRING ASSY. (WARNING INDICATOR EXTENTION)</b>						
88	L900	6&8	All	*	#E8HT 14A382-AA-improvise from 18 gauge bulk wire	1
88/	L-LL-LN-LNT-LS-LT-LTL- LTS600/900 -- w/trans. or rear axle temp. warning system	6&8	All	E8HZ 14A382-B	#E8HT 14A382-BB,BC,BD	1
<b>14A390 COVER (WIRING SHIELD)</b>						
80/	CL-CLT900	6&8	All	D8HZ 14A390-A	L.H. Instr. cluster module	1
80/	CL-CLT900	6&8	All	D8HZ 14A390-B	R.H. Instr. cluster module	1
<b>14396 Cover Assy.-refer to group 14A257</b>						

**14398 WIRING ASSY. (DASH PANEL TO ENGINE)  
WIRING IDENTIFICATION and/or T.S.L. CROSS-REFERENCE GUIDE**

1. How to use the Truck Specification List (T.S.L.) to locate a dash panel-to-engine wiring service part number:
  - a. Locate the dash panel-to-engine wiring part number shown on the Truck Specification List.
  - b. Use the Cross-Reference below to find the correct service part number. NOTE: when the service wiring differs from the original wiring, it will be necessary to tape up unused lead wires.
  
2. How to use tag numbers or markings to locate a dash panel-to-engine wiring service part number:
  - a. Locate a tag number or marking on the dash panel-to-engine wiring of the truck.
  - b. Use the Cross-Reference below to find the correct service part number. NOTE: when the service wiring differs from the original wiring, it will be necessary to tape up the unused lead wires.
  
3. If a T.S.L. or marking is not available, obtain the truck model and year and refer to the model application listing below to locate the correct wiring part number.

**IMPORTANT** Always furnish appropriate warranty or rating plate information and DSO number if applicable when ordering parts not listed in the catalog.

**IDENTIFICATION CHART**

WIRING IDENT. or T.S.L. NO.	SER. WIRING PART NO.	WIRING IDENT. or T.S.L. NO.	SER. WIRING PART NO.
<b>14398 WIRING ASSY. (DASH PANEL TO ENGINE)</b>			
EDD7HT 14398-EH	E0HZ 14398-V	EXE0HT 14398-BG	E0HZ 14398-B
EDD7HT 14398-FJ	E0HZ 14398-V	ED2E0HT 14398-BG	*E1HZ 14398-F
D9HT 14398-BC	D9HZ 14398-B	E0HT 14398-CF	E0HZ 14398-C
D9HT 14398-EB	D9HZ 14398-E	EXE0HT 14398-CF	E0HZ 14398-C
D9HT 14398-FB	D9HZ 14398-F	E0HT 14398-DF	E0HZ 14398-D
D9HT 14398-GA	D9HZ 14398-G	EXE0HT 14398-DF	E0HZ 14398-D
D9HT 14398-HA	D9HZ 14398-H	E0HT 14398-LA	E0HZ 14398-L
E0HT 14398-AF	E0HZ 14398-A	EDE0HT 14398-LA	E0HZ 14398-L
EXE0HT 14398-AF	E0HZ 14398-A	E0HT 14398-NA	D9HZ 14398-G
ED2E0HT 14398-AF	*E1HZ 14398-E	E0HT 14398-MA	E0HZ 14398-M
EDE0HT 14398-BF	E0HZ 14398-B	E0HT 14398-RA	D9HZ 14398-E
E0HT 14398-BG	E0HZ 14398-B	E0HT 14398-SA	D9HZ 14398-E

1980/  
TRUCK SERIES 600/900

**IDENTIFICATION CHART**

WIRING IDENT. or T.S.L. NO.	SER. WIRING PART NO.	WIRING IDENT. or T.S.L. NO.	SER. WIRING PART NO.
<b>14398 WIRING ASSY. (DASH PANEL TO ENGINE) — Cont'd</b>			
E0HT 14398-TA	E0HZ 14398-T	E4HT 14398-ED	E5HZ 14398-E
E0HT 14398-YB	★ E0HZ 14398-V	E4HT 14398-FA	E4HZ 14398-F
E0HT 14398-VB	★ E0HZ 14398-V	EDE4HT 14398-FA	E4HZ 14398-F
E1HT 14398-BD	E1HZ 14398-A	E4HT 14398-FB	E4HZ 14398-R
E1HT 14398-BG	★ E2HZ 14398-E	E4HT 14398-FD	E5HZ 14398-F
E1HT 14398-DA	E0HZ 14398-L	E4HT 14398-GB	E4HZ 14398-G
E1HT 14398-EA	★ E0HZ 14398-M	EDE4HT 14398-GB	E4HZ 14398-G
EDE1HT 14398-EA	★ E0HZ 14398-M	E4HT 14398-GC	E4HZ 14398-G
E1HT 14398-FA	D9HZ 14398-F	E4HT 14398-GE	E5HZ 14398-G
E1HT 14398-GA	D9HZ 14398-E	E4HT 14398-HB	E4HZ 14398-H
E1HT 14398-JA	★ E0HZ 14398-D	E4HT 14398-HC	E4HZ 14398-S
E1HT 14398-JB	★ E1HZ 14398-C	E4HT 14398-HD	E5HZ 14398-H
ED2E1HT 14398-JB	E1HZ 14398-H	E4HT 14398-JC	★ E4HZ 14398-J
E1HT 14398-KA	E1HZ 14398-D	E4HT 14398-JE	E5HZ 14398-J
ED2E1HT 14398-KA	E1HZ 14398-G	E4HT 14398-KB	★ E4HZ 14398-K
E1HT 14398-LA	E0HZ 14398-V	EDE4HT 14398-KC	★ E5HZ 14398-K
E1HT 14398-MA	E0HZ 14398-V	E4HT 14398-LB	E4HZ 14398-L
EDE2HT 14398-AA	E2HZ 14398-A	EDE4HT 14398-LB	★ E4HZ 14398-L
EDE2HT 14398-AB	E2HZ 14398-A	E4HT 14398-LC	★ E4HZ 14398-L
EDE2HT 14398-BA	E2HZ 14398-B	E4HT 14398-LD	E5HZ 14398-L
EDE2HT 14398-BB	E2HZ 14398-B	E4HT 14398-MB	★ E4HZ 14398-M
EDE2HT 14398-CA	E2HZ 14398-C	EDE4HT 14398-MB	★ E4HZ 14398-M
ED1E2HT 14398-CB	E2HZ 14398-C	E4HT 14398-MC	★ E4HZ 14398-M
EDE2HT 14398-DA	E2HZ 14398-D	E4HT 14398-MD	E5HZ 14398-M
ED1E2HT 14398-DB	E2HZ 14398-D	E4HT 14398-NA	E4HZ 14398-N
E2HT 14398-EA	E3HZ 14398-E	E4HT 14398-NB	E4HZ 14398-T
E2HT 14398-FA	E3HZ 14398-F	E4HT 14398-NC	E5HZ 14398-N
E2HT 14398-GA	E0HZ 14398-V	E5HT 14398-AC	E6HZ 14398-A
E2HT 14398-HA	E0HZ 14398-V	E5HT 14398-BA	E5HZ 14398-B
E3HT 14398-AA	E3HZ 14398-A	EDE5HT 14398-BA	E5HZ 14398-B
E3HT 14398-BA	E3HZ 14398-B	E5HT 14398-BB	E5HZ 14398-B
E3HT 14398-CB	E3HZ 14398-C	EDE5HT 14398-BB	E5HZ 14398-B
EDE3HT 14398-CB	E3HZ 14398-C	E5HT 14398-CA	E5HZ 14398-C
E3HT 14398-CC	E3HZ 14398-C	EDE5HT 14398-CA	E5HZ 14398-C
EDE3HT 14398-CD	E3HZ 14398-L	EDE5HT 14398-CB	E5HZ 14398-C
E3HT 14398-CD	E3HZ 14398-L	E5HT 14398-CB	E5HZ 14398-C
E3HT 14398-DB	E3HZ 14398-D	E5HT 14398-FB	E5HZ 14398-R
EDE3HT 14398-DB	E3HZ 14398-D	E5HT 14398-GB	E5HZ 14398-S
E3HT 14398-DC	E3HZ 14398-D	E5HT 14398-LA	E6HZ 14398-B
EDE3HT 14398-DC	E3HZ 14398-D	E6HT 14398-AC	E7HZ 14398-B
E3HT 14398-JA	E3HZ 14398-J	E7HT 14398-AA	E7HZ 14398-A
EDE3HT 14398-JA	E3HZ 14398-J	E7HT 14398-AB	E9HZ 14398-T
E3HT 14398-JB	E3HZ 14398-J	EDE7HT 14398-CA	E7HZ 14398-C
E3HT 14398-JC	E3HZ 14398-M	E7HT 14398-DA	E7HZ 14398-D
EDE3HT 14398-JC	E3HZ 14398-M	E7HT 14398-EA	E7HZ 14398-E
E3HT 14398-KA	E3HZ 14398-K	EDE7HT 14398-FB	E7HZ 14398-F
E3HT 14398-LA	E3HZ 14398-N	E7HT 14398-GB	E7HZ 14398-G
E4HT 14398-AB	★ E4HZ 14398-A	EDE7HT 14398-HB	E7HZ 14398-H
EDE4HT 14398-AB	★ E4HZ 14398-A	E7HT 14398-HC	E7HZ 14398-H
E4HT 14398-AC	E5HZ 14398-A	E7HT 14398-JB	E7HZ 14398-J
E4HT 14398-CD	★ E4HZ 14398-C	E8HT 14398-BA	E8HZ 14398-B
E4HT 14398-CF	E5HZ 14398-P	E8HT 14398-KA	E8HZ 14398-K
E4HT 14398-DB	★ E4HZ 14398-D	E8HT 14398-KB	E8HZ 14398-K
EDE4HT 14398-DB	★ E4HZ 14398-D	E8HT 14398-LA	E8HZ 14398-L
E4HT 14398-DC	★ E4HZ 14398-D	E8HT 14398-LB	E8HZ 14398-L
E4HT 14398-DE	E5HZ 14398-D	E8HT 14398-MA	E8HZ 14398-M
E4HT 14398-EA	E4HZ 14398-E	E9HT 14398-AA	E9HZ 14398-A
EDE4HT 14398-EA	E4HZ 14398-E	E9HT 14398-BA	E9HZ 14398-B
E4HT 14398-EB	★ E4HZ 14398-P	E9HT 14398-CA	E9HZ 14398-C

1980/  
TRUCK SERIES 600/900

**IDENTIFICATION CHART**

WIRING IDENT. or T.S.L. NO.	SER. WIRING PART NO.	WIRING IDENT. or T.S.L. NO.	SER. WIRING PART NO.
<b>14398 WIRING ASSY. (DASH PANEL TO ENGINE) — Cont'd</b>			
E9HT 14398-CB	E9HZ 14398-C	E9HT 14398-FA	E9HZ 14398-F
E9HT 14398-DA	E9HZ 14398-D	E9HT 14398-FB	E9HZ 14398-F
E9HT 14398-DB	E9HZ 14398-D	E9HT 14398-RA	E9HZ 14398-R
E9HT 14398-EA	E9HZ 14398-E	E9HT 14398-SA	E9HZ 14398-S
E9HT 14398-EB	E9HZ 14398-E	86HU 14398-EB	E9HZ 14398-H

YEAR	MODEL/RESTRICTIONS	ENGINE		PART NUMBER	DESCRIPTION	QTY.
		CYL.	C.I.D. (C.C.D.)			

**APPLICATION CHART**

14398 WIRING ASSY. (DASH PANEL TO ENGINE)						
Notes: L/N-Leece-Neville						
80/81	F600/800 (81) -- gas "Before 6/81"	6&8	All	E0HZ 14398-A	Use w/ammeter and oil pressure warning lights	1
81/82	F600/800(81) -- gas "From 6/81 to 12/81"	6&8	All	E1HZ 14398-E	Use w/ammeter and oil pressure warning lights	1
82	F600/800(81) -- gas "From 12/81"	6&8	All	★ E2HZ 14398-A	Use w/ammeter and oil pressure warning lights	1
80/81	B-F600/800 -- gas "Before 6/81"	6&8	All	★ E0HZ 14398-B	Use w/ammeter and oil pressure gauges	1
81/82	B-F600/800 -- gas "From 6/81 to 12/81"	6&8	All	★ E1HZ 14398-F	Use w/ammeter and oil pressure gauges	1
82	F600/800(81) -- gas "From 12/81"	6&8	All	E2HZ 14398-B	Use w/ammeter and oil pressure gauges	1
80/81	F600/800 (81) -- diesel "Before 11/80"	8	501	★ E0HZ 14398-C	Use w/ammeter and oil pressure warning lights	1
81	F600/800(81) -- diesel "From 11/80 to 6/81"	8	501	★ E1HZ 14398-D	Use w/ammeter and oil pressure warning lights	1
81/82	F600/800(81) -- diesel "From 6/81 to 12/81"	8	501	★ E1HZ 14398-G	Use w/ammeter and oil pressure warning lights	1
82	F600/800(81) -- diesel "From 12/81"	8	501	★ E2HZ 14398-D	Use w/ammeter and oil pressure warning lights	1
80/81	B-F600/800 -- diesel "Before 11/80"	8	501	★ E0HZ 14398-D	Use w/ammeter and oil pressure gauges	1
81	B-F600/800 -- diesel "From 11/80 to 6/81"	8	501	★ E1HZ 14398-C	Use w/ammeter and oil pressure gauges	1
81/82	B-F600/800 -- diesel "From 6/81 to 12/81"	8	501	★ E1HZ 14398-H	Use w/ammeter and oil pressure gauges	1
82	B-F600/800 -- diesel "From 12/81"	8	501	★ E2HZ 14398-C	Use w/ammeter and oil pressure gauges	1
83	F-FT600/800(81) "Before 1/83"	6&8	All	★ E3HZ 14398-C /bE3HZ 14398-L	Use w/ammeter and oil pressure warning lights	1
83	F-FT600/800(81) "From 1/83"	6&8	All	★ E3HZ 14398-L	Use w/ammeter and oil pressure warning lights	1
84	F-FT600/800(81) -- diesel w/tilt hood	6&8	All	★ E4HZ 14398-D	Use with ammeter and oil pressure warning lights	1
85/86	F-FT600/900(81) -- diesel w/tilt hood	6&8	All	E5HZ 14398-D	Use w/ammeter and oil pressure warning lights	1
84	F-FT600/800(81) -- diesel w/fixed hood "Before 2/84"	6&8	All	★ E4HZ 14398-E	Use with ammeter and oil pressure warning lights	1
84	F-FT600/800(81) -- diesel w/fixed hood "From 2/84"	6&8	All	★ E4HZ 14398-P	Use with ammeter and oil pressure warning lights	1
85/86	F-FT600/900(81) -- diesel w/fixed hood	6&8	All	E5HZ 14398-E	Use w/ammeter and oil pressure warning lights	1
87/	B-F-FT600/900 -- diesel w/fixed hood	6&8	All	E7HZ 14398-J		1

1980/  
TRUCK SERIES 600/900

YEAR	MODEL/RESTRICTIONS	ENGINE		PART NUMBER	DESCRIPTION	QTY.
		CYL.	C.I.D. (C.C.D.)			
<b>APPLICATION CHART</b>						
<b>14398 WIRING ASSY. (DASH PANEL TO ENGINE) — Cont'd</b>						
<b>NOTES: L/N-Leace-Neville</b>						
83	B-F-FT600/800(81-84) "Before 1/83"	6&8	All	★ E3HZ 14398-J /bE3HZ 14398-M	Use w/ammeter and oil pressure gauges	1
83	B-F-FT600/800(81-84) -- gas w/fixed hood "From 1/83"	6&8	All	E3HZ 14398-M	Use w/ammeter and oil pressure gauges	1
84	B-F-FT600/800(81-84) -- gas w/fixed hood "Before 2/84"	8	370,429	★ E4HZ 14398-H /bE4HZ 14398-S	Use with ammeter and oil pressure gauges	1
84	B-F-FT600/800(81-84) -- gas w/fixed hood "From 2/84"	8	370,429	E4HZ 14398-S	Use with ammeter and oil pressure gauges	1
85/86	B-F-FT600/900(81-84) -- gas w/fixed hood	8	370,429	E5HZ 14398-F	Use w/ammeter and oil pressure gauges	1
87/	B-F-FT600/900 -- gas w/fixed hood	8	370,429	E7HZ 14398-G		1
84	B-F-FT600/800(81-84) -- gas w/tilt hood	8	370,429	E4HZ 14398-A /bE5HZ 14398-L	Use with ammeter and oil pressure gauges	1
85/86	F-FT600/900(81-84) -- gas w/tilt hood	8	370,429	E5HZ 14398-L	Use w/ammeter and oil pressure gauges	1
84	B-F-FT600/800(81-84) -- gas w/fixed hood "Before 2/84"	8	370,429	★ E4HZ 14398-N /bE4HZ 14398-T	Use with ammeter and oil pressure warning lights	1
84	F-FT600/800(81) -- gas w/fixed hood "From 2/84"	8	370,429	E4HZ 14398-T	Use with oil pressure warning lights	1
85/86	F-FT600/900(81) -- gas w/fixed hood	6&8	370,429	E5HZ 14398-N	Use w/ammeter and oil pressure warnings lights	1
84	B-F-FT600/800(81-84) -- gas w/tilt hood	8	370,429	★ E4HZ 14398-M	Use with ammeter and oil pressure warning lights	1
85/86	F-FT600/900(81) -- gas w/tilt hood	8	370,429	E5HZ 14398-M	Use w/ammeter and oil pressure warning lights	1
87/	B-F-FT600/900 -- gas w/tilt hood	8	370,429	E7HZ 14398-F		1
83	B-F-FT600/800(81-84) -- diesel w/fixed hood	6&8	All	★ E3HZ 14398-D	Use w/ammeter and oil pressure gauges	1
84	B-F-FT600/800(81-84) -- diesel w/fixed hood "Before 2/84"	6&8	All	★ E4HZ 14398-F	Use with ammeter and oil pressure gauges	1
84	B-F-FT600/800(81-84) -- diesel w/fixed hood "From 2/84"	6&8	All	★ E4HZ 14398-R	Use with ammeter and oil pressure gauges	1
85/86	B-F-FT600/900(81-84) -- diesel w/fixed hood	6&8	All	E5HZ 14398-F	Use with ammeter and oil pressure gauges	1
84	B-F-FT600/800(81-84) -- diesel w/tilt hood	6&8	All	E4HZ 14398-G	Use with ammeter and oil pressure gauges	1
85/86	B-F-FT600/900(81-84) -- diesel w/tilt hood	6&8	All	E5HZ 14398-G	Use with ammeter and oil pressure gauges	1
87/	B-F-FT600/900 -- diesel w/tilt hood	6&8	All	E7HZ 14398-H		1
89	B-F600/900 -- gas w/ tilt hood	6&8	All	E9HZ 14398-C		1
89	B-F600/900 -- gas w/ alligator hood	6&8	All	E9HZ 14398-D		1
89	B-F600/900 -- diesel w/ tilt hood	6&8	All	E9HZ 14398-E		1
89	B-F600/900 -- diesel w/Alligator hood	6&8	All	E9HZ 14398-F		1
89	B-F600/900 -- diesel w/fixed hood	6&8	All	E9HZ 14398-R		1
89	B-F600/900 -- gas w/fixed hood	6&8	All	E9HZ 14398-S		1

**1980/  
TRUCK SERIES 600/900**

YEAR	MODEL/RESTRICTIONS	ENGINE		PART NUMBER	DESCRIPTION	QTY.
		CYL.	C.I.D. (C.C.D.)			
<b>APPLICATION CHART</b>						
<b>14398 WIRING ASSY. (DASH PANEL TO ENGINE) — Cont'd</b>						
Notes: L/N-Leece-Neville						
80/81	C-CT800/900 -- gas	8	475,477, 534	★ D9HZ 14398-F	Use with all alternators	1
80	C-CT700/800 -- diesel	8	636	★ D9HZ 14398-G	Use with all alternators	1
81/82	C-CT600/900 -- diesel "Before 12/81"	6&8	All	★ E1HZ 14398-A	Use with all alternators	1
82/83	C-CT600/900 -- diesel "From 12/81 to 6/83"	6&8	All	★ E2HZ 14398-E	Use with all alternators	1
84	C-CT600/800 -- diesel w/hyd brakes	6&8	All	★ E4HZ 14398-C	Use with all alternators	1
85/86	C-CT600/900 -- diesel w/hyd. brakes	6&8	All	E5HZ 14398-P	Use with all alternators	1
87/	C-CT600/900 -- diesel w/hyd. brakes	6&8	All	E7HZ 14398-D		1
84	C-CT600/800 -- diesel w/air brakes	6&8	All	★ E4HZ 14398-J	Use with all alternators	1
85/86	C-CT600/900 -- diesel w/air brakes	6&8	All	E5HZ 14398-J	Use with all alternators	1
87/	C-CT600/900 -- diesel w/air brakes	6&8	All	E7HZ 14398-E		1
88/	C-CT600/900 -- w/air brakes & IAR alternator	6&8	All	E8HZ 14398-B		1
80	C-CT600/900 -- gas "Before 3/80"	8	370,429	★ D9HZ 14398-B	Use with all alternators	1
80/83	C-CT600/900 -- gas "From 3/80 to 10/82"	8	370,429	★ E0HZ 14398-M	Use with all alternators	1
83	C-CT600/800 -- gas "From 10/82"	8	370,429	★ E3HZ 14398-F	Use with all alternators	1
84	C-CT600/800 -- gas w/hyd brakes	8	370,429	★ E4HZ 14398-A	Use with all alternators	1
85/86	C-CT600/900 -- gas w/hyd. brakes	8	370,429	★ E5HZ 14398-A	Use with all alternators	1
84	C-CT600/800 -- gas w/air brakes	8	370,429	★ E4HZ 14398-K	Use with all alternators	1
85/86	C-CT600/900 -- gas w/air brakes	6&8	All	E5HZ 14398-K	Use with all alternators	1
86/87	CF600/700 -- diesel "Before 4/87"	6	402,476	E6HZ 14398-A		1
87/	CF600/800 "From 4/87"	6	402,476	E7HZ 14398-A	Use with 60 amp. alternator	1
87/	CF600/800 "Before 11/24/87"	6	402,476	E7HZ 14398-A	Use w/60 amp. alternator	1
87/	CF600/800 "From 11/24/87"	6	402,476	E9HZ 14398-T		1
89	CF600/700 -- 117" WB	6	402,476	★ E9HZ 14398-H		1
80	CL-CLT900 "Before 9/80"	6&8	All	★ D9HZ 14398-N(6-80)	Repl. by E0HZ 14398-V	1
80/84	CL-CLT900 -- "From 9/80"	6&8	All	★ E0HZ 14398-V		1
85/87	CL-CLT900 -- diesel w/o axle or transmission temperature gauges	6&8	All	E5HZ 14398-B	Use with all alternators	1
85/87	CL-CLT900 -- diesel w/axle or transmission temperature gauges	6&8	All	E5HZ 14398-C	Use with all alternators	1
88	CL-CLT900 -- diesel w/o trans. or oil temp. warning system	6&8	All	E8HZ 14398-K		1
88	CL-CLT900 -- diesel w/trans. or oil temp. warning system	6&8	All	E8HZ 14398-L		1
89	CL-CLT900 -- w/o rr axle temp. gauge, w/o trans. temp. gauge, w/o engine retarder	6&8	All	E9HZ 14398-A		1
89	CL-CLT900	6&8	All	E9HZ 14398-B		1

1980/  
TRUCK SERIES 600/900

YEAR	MODEL/RESTRICTIONS	ENGINE		PART NUMBER	DESCRIPTION	QTY.
		CYL.	C.I.D. (C.C.D.)			
<b>APPLICATION CHART</b>						
<b>14398 WIRING ASSY. (DASH PANEL TO ENGINE) — Cont'd</b>						
<b>Notes: L/N-Leece-Neville</b>						
88/	L-LN-LNT-LT-LTS800/900 -- diesel	6&8	All	E8HZ 14398-M	Use w/75 or 90 amp. Motorcraft alt.	1
80/83	L-LT-LTS-LN-LNT600/800 "Before 10/82"	8	370,429	E0HZ 14398-L	Use with all alternators	1
83/86	L-LT-LTS-LN-LNT600/800 "From 10/82"	8	370,429	E3HZ 14398-E	Use with all alternators	1
87/	L-LN-LNT-LT-LTL-LTS600/900	8	370,429	E7HZ 14398-C		1
80/81	L-LT-LTS-LN-LNT-LTL600/900	8	475,477, 534	D9HZ 14398-E	Use with all alternators exc. Delco 75 and 105 L/N. Refer to 11A003 for these appl.	1
80/86	L-LT-LTS-LN-LNT-LTL600/900	6&8	All			
86/	L-LT-LTL-LTS800/900 -- Cummins L-10 diesel-NTC	6	610,855	E6HZ 14398-B	W/75/90 amp. Delco or 105 amp. Leece/Neville alt.	1
80/	C600/700	6&8	All	★358350-S	(GG-172)-clip (wire to engine)	1
80/	C600/700 -- diesel	6	330	★353547-S2	(GG-173)-clip (wire to engine)	1or3
80/	C-CT600/900	6&8	All	★31497-S8	(U-254)-screw (wiring thru grille support bracket)	2
80/	C-CT600/900	8	All	★20384-S8	(B-43)-bolt (alternator wiring to R.H. frame side member)-1/4"-20 x 1"	1or2
80/	C-CT600/900	6&8	All	★33795-S7	(M-49)-nut-1/4"-20	AR
80/	C-CT600/900	6&8	All	★34905-S7	(X-97)-lockwasher-1/4"	AR
80/	C-CT600/900	6&8	All	★44719-S8	(X-71)-washer-flat-1/4"	AR
80/	C-CT600/900	6&8	All	★374108-S	(KK-56-P)-grommet (wiring thru grille support bracket) -split-1 31/32" O.D.	1
80/	C700/750	8	All	★352999-S32	(GG-17)-clip	1
80/	C-CT600/900	6&8	All	★357946-S8	(GG-152)-clip (wiring to R.H. frame side member)	1or2
80/	C-CT600/900	6&8	All	★20424-S7-8	(B-43-E)-bolt (wiring to No. 1 frame cross member)-1/4"-20 x 1 1/4"	1
		6&8	All	★33799-S7	(M-52)-nut-3/8"-16	1
80/	C-CT600/900	6&8	All	★34079-S7	(M-163)-nut (wiring to fuel tank sender)	1
		6&8	All	★34903-S8	(X-96)-lockwasher-internal tooth-No. 10	AR
80/	C600/700 -- Diesel	6	330	★42718-S7-8	(U-9)-screw & washer (wiring to engine)- 5/16"-18 x 1/2"	1
80/	C-CT600/900	6&8	All	★20309-S8	(B-150)-bolt (wiring & starter relay to circuit breaker)-1/4"-20 x 1/2"	2
80/	C-CT600/900	6&8	All	★34940-S7-8	(X-88)-lockwasher-external tooth-1/4"	2
80/	C-CT600/900	6&8	All	★356628-S	(GG-175)-clip (wiring to R.H. frame side member)	2
80/	C600/800	8	All		Clip (wiring to alternator mounting bracket)	1
80/	C-CT600/900	6&8	All	★383255-S	(MM-296-AC)-nut (attach wiring to rear of alternator) No. 10-32	1
80/	C-CT600/900	6&8	All	★383256-S	(MM-296-AE)-nut (attach wiring to rear of alternator) 1/4"-20	1
80/	CL-CLT900	6&8	All	55736-S2	(M-96-F) Nut (attach wire to engine cover)	AR
80/	L-LN-LNT-LT-LTS600/900	6&8	All	★376588-S	Clip (wire to relay)	AR
80/	L-LN-LNT-LT-LTS600/900	6&8	All	357946-S	(GG-152)-clip (attach wiring to engine assy.)	1
80/	L-LN-LNT-LT-LTS600/900	6&8	All	20349-S	(B-170)-bolt (attach wiring to engine assy.)	1



1980/  
TRUCK SERIES 600/900

14401 WIRING ASSY. (INSTRUMENT PANEL TO DASH PANEL)  
WIRING IDENTIFICATION and/or T.S.L. CROSS-REFERENCE GUIDE

1. How to use the Truck Specification List (T.S.L.) to locate a cowl wiring service part number:

- a. Locate the cowl wiring part number shown on the Truck Specification List.
- b. Use the Cross-Reference below to find the correct service part number.

NOTE: When the service wiring differs from the original wiring, it will be necessary to tape up unused lead wires.

2. How to use tag numbers or markings to locate a cowl wiring service part number:

- a. Locate a tag number or marking on the cowl wiring of the truck.
- b. Use the Cross-Reference below to find the correct service number.

NOTE: When the service wiring differs from the original wiring, it will be necessary to tape up unused lead wires.

3. If a T.S.L. or marking is not available, obtain the truck model and year and refer to the model application chart which follows the Identification Chart.

**IMPORTANT**

Always furnish appropriate warranty or rating plate information and DSO number if applicable when ordering parts not listed in the catalog.

**IDENTIFICATION CHART**

(Arranged according to Identification Number)

IDENTIFICATION	PART NUMBER	IDENTIFICATION	PART NUMBER
D5HB 14401-CA	D5HZ 14401-C	D5- E0HT 14401-CJ	EOHZ 14401-V
D5HB 14401-CB	D5HZ 14401-C	D6- E0HT 14401-CJ	EOHZ 14401-V
D5HB 14401-CC	D5HZ 14401-C	E0HT 14401-CL	EOHZ 14401-V
D5HB 14401-CD	D5HZ 14401-C	E0HT 14401-CS	EOHZ 14401-V
D5HB 14401-CE	D5HZ 14401-C	EB- E0HT 14401-CT	EOHZ 14401-V
D5HB 14401-CF	D5HZ 14401-C	EX- E0HT 14401-CT	EOHZ 14401-V
D6HS 14401-AVA	D5HZ 14401-C	ED- E0HT 14401-DK	EOHZ 14401-W
D7HT 14401-VA	D5HZ 14401-C	D5- E0HT 14401-DK	EOHZ 14401-W
D7HT 14401-AAA	D5HZ 14401-C	D6- E0HT 14401-DL	EOHZ 14401-W
D8HT 14401-EB	D9HZ 14401-N	E0HT 14401-DL	EOHZ 14401-W
D1- D8HT 14401-EB	E1HZ 14401-S	E0HT 14401-DS	EOHZ 14401-W
D8HT 14401-GB	D9HZ 14401-N	EB- E0HT 14401-DS	EOHZ 14401-W
D8HT 14401-HB	D9HZ 14401-N	EX- E0HT 14401-DS	EOHZ 14401-W
ED- D8HT 14401-HB	D9HZ 14401-N	D2- E0HT 14401-EF	EOHZ 14401-X
D1- D8HT 14401-HB	E1HZ 14401-S	D5- E0HT 14401-EF	EOHZ 14401-X
D8HT 14401-JB	D9HZ 14401-N	D6- E0HT 14401-EF	EOHZ 14401-X
ED- D8HT 14401-JB	D9HZ 14401-N	E0HT 14401-EH	EOHZ 14401-X
D1- D8HT 14401-JB	E1HZ 14401-S	E0HT 14401-EM	EOHZ 14401-X
ED- D9HT 14401-BB	E0HZ 14401-J	E0HT 14401-EN	EOHZ 14401-X
D9HT 14401-BD	E0HZ 14401-J	EB- E0HT 14401-EN	EOHZ 14401-X
D9HT 14401-GC	E0HZ 14401-L	EX- E0HT 14401-EN	EOHZ 14401-X
D9HT 14401-HC	E0HZ 14401-M	ED- E0HT 14401-FG	EOHZ 14401-Y
D9HT 14401-MB	D9HZ 14401-M	D5- E0HT 14401-FG	★ EOHZ 14401-Y
D2- E0HT 14401-AF	E0HZ 14401-T	D6- E0HT 14401-FG	★ EOHZ 14401-Y
D5- E0HT 14401-AF	E0HZ 14401-T	E0HT 14401-FH	★ EOHZ 14401-Y
D6- E0HT 14401-AF	E0HZ 14401-T	E0HT 14401-FM	★ EOHZ 14401-Y
E0HT 14401-AL	E0HZ 14401-T	E0HT 14401-FN	★ EOHZ 14401-Y
E0HT 14401-AS	E0HZ 14401-T	EB- E0HT 14401-FN	★ EOHZ 14401-Y
EB- E0HT 14401-AT	E0HZ 14401-T	EX- E0HT 14401-FN	★ EOHZ 14401-Y
EX- E0HT 14401-AT	E0HZ 14401-T	D1- E0HT 14401-GF	EOHZ 14401-Z
D1- E0HT 14401-BG	E0HZ 14401-U	D5- E0HT 14401-GF	EOHZ 14401-Z
D5- E0HT 14401-BG	E0HZ 14401-U	D6- E0HT 14401-GF	EOHZ 14401-Z
D6- E0HT 14401-BG	E0HZ 14401-U	E0HT 14401-GK	EOHZ 14401-Z
E0HT 14401-BL	E0HZ 14401-U	E0HT 14401-GR	EOHZ 14401-Z
E0HT 14401-BS	E0HZ 14401-U	EB- E0HT 14401-GR	EOHZ 14401-Z
EB- E0HT 14401-BS	E0HZ 14401-U	EX E0HT 14401-GR	EOHZ 14401-Z
EX- E0HT 14401-BS	E0HZ 14401-U	E0HT 14401-HA	EOHZ 14401-H
ED- E0HT 14401-CJ	E0HZ 14401-V		

1980/  
TRUCK SERIES 600/900

**IDENTIFICATION CHART**

(Arranged according to Identification Number)

IDENTIFICATION	PART NUMBER	IDENTIFICATION	PART NUMBER
EOHT 14401-HB	EOHZ 14401-H	ED- E1HT 14401-TA	EOHZ 14401-X
EOHT 14401-HC	EOHZ 14401-N	ED2 E1HT 14401-TA	E1HZ 14401-Z
EOHT 14401-HD	EOHZ 14401-N	E1HT 14401-UA	E1HZ 14401-AD
EOHT 14401-JA	EOHZ 14401-K	E1HT 14401-VA	E1HZ 14401-AD
EOHT 14401-JB	EOHZ 14401-P	E1HT 14401-YA	E1HZ 14401-AD
EOHT 14401-JC	EOHZ 14401-P	ED E2HT 14401-AA	E1HZ 14401-AA
EOHT 14401-KA	EOHZ 14401-K	ED E2HT 14401-BA	E1HZ 14401-C
EOHT 14401-KB	EOHZ 14401-P	ED E2HT 14401-CA	E1HZ 14401-AC
EOHT 14401-KC	EOHZ 14401-P	ED E2HT 14401-CB	E1HZ 14401-AC
EOHT 14401-LA	EOHZ 14401-L	ED E2HT 14401-DA	EOHZ 14401-AA
EOHT 14401-LB	EOHZ 14401-R	ED E2HT 14401-EA	E2HZ 14401-E
EOHT 14401-LC	EOHZ 14401-AA	ED1 E2HT 14401-EA	E2HZ 14401-E
EOHT 14401-MB	EOHZ 14401-M	ED2 E2HT 14401-EA	E2HZ 14401-E
EOHT 14401-MC	EOHZ 14401-S	ED E2HT 14401-FA	E2HZ 14401-F
EOHT 14401-MD	EOHZ 14401-S	ED1 E2HT 14401-FA	E2HZ 14401-F
EOHT 14401-NA	EOHZ 14401-J	ED2 E2HT 14401-FA	E2HZ 14401-F
EOHT 14401-RA	E1HZ 14401-S	ED E2HT 14401-GA	E2HZ 14401-G
EOHT 14401-SA	E1HZ 14401-S	ED1 E2HT 14401-GA	E2HZ 14401-G
EOHT 14401-TA	E1HZ 14401-S	ED2 E2HT 14401-GA	E2HZ 14401-G
EOHT 14401-UA	E1HZ 14401-S	ED E2HT 14401-HA	E2HZ 14401-H
E1HT 14401-AA	E1HZ 14401-A	ED1 E2HT 14401-HA	E2HZ 14401-H
E1HT 14401-AB	E1HZ 14401-A	ED2 E2HT 14401-HA	E2HZ 14401-H
E1HT 14401-AD	E1HZ 14401-AA	ED E2HT 14401-JA	E2HZ 14401-J
E1HT 14401-BC	E1HZ 14401-B	ED1 E2HT 14401-JA	E2HZ 14401-J
E1HT 14401-BD	E2HZ 14401-A	ED2 E2HT 14401-JA	E2HZ 14401-J
E1HT 14401-CC	E1HZ 14401-C	ED E2HT 14401-KA	E2HZ 14401-K
E1HT 14401-CD	E1HZ 14401-C	ED1 E2HT 14401-KA	E2HZ 14401-K
E1HT 14401-DB	E1HZ 14401-D	ED E2HT 14401-LA	E2HZ 14401-L
E1HT 14401-DC	E1HZ 14401-D	ED1 E2HT 14401-LA	E2HZ 14401-L
E1HT 14401-DE	E1HZ 14401-AB	ED2 E2HT 14401-LA	E2HZ 14401-L
E1HT 14401-EA	EOHZ 14401-J	ED E2HT 14401-MA	E1HZ 14401-AB
E1HT 14401-EB	E2HZ 14401-B	E2HT 14401-NA	E3HZ 14401-A
E1HT 14401-HA	E1HZ 14401-E	E3HT 14401-EB	E3HZ 14401-E
E1HT 14401-HC	E1HZ 14401-AC	ED E3HT 14401-EC	E3HZ 14401-E
E1HT 14401-JA	EOHZ 14401-AA	E3HT 14401-ED	E3HZ 14401-E
E1HT 14401-JC	EOHZ 14401-AA	ED E3HT 14401-ED	E3HZ 14401-AA
E1HT 14401-KA	E1HZ 14401-K	ED3 E3HT 14401-ED	E3HZ 14401-AA
E1HT 14401-KB	E1HZ 14401-K	E3HT 14401-FB	E3HZ 14401-F
ED- E1HT 14401-KB	E1HZ 14401-K	ED E3HT 14401-FC	E3HZ 14401-F
ED2 E1HT 14401-KB	E1HZ 14401-T	E3HT 14401-FD	E3HZ 14401-F
E1HT 14401-LA	E1HZ 14401-L	ED E3HT 14401-FD	E3HZ 14401-AB
E1HT 14401-LB	E1HZ 14401-L	E3HT 14401-GB	E3HZ 14401-G
ED- E1HT 14401-LB	E1HZ 14401-L	ED E3HT 14401-GC	E3HZ 14401-G
ED2 E1HT 14401-LB	★ E1HZ 14401-U	E3HT 14401-GD	E3HZ 14401-G
E1HT 14401-MA	E1HZ 14401-M	ED E3HT 14401-GD	E3HZ 14401-AC
E1HT 14401-MB	E1HZ 14401-M	E3HT 14401-HB	E3HZ 14401-H
ED- E1HT 14401-MB	E1HZ 14401-M	ED E3HT 14401-HC	E3HZ 14401-H
ED2 E1HT 14401-MB	E1HZ 14401-V	E3HT 14401-HD	E3HZ 14401-H
E1HT 14401-NA	E1HZ 14401-N	ED3 E3HT 14401-HD	E3HZ 14401-AD
E1HT 14401-NB	E1HZ 14401-N	E3HT 14401-LA	E3HZ 14401-L
ED- E1HT 14401-NB	E1HZ 14401-N	ED2 E3HT 14401-MA	E3HZ 14401-J
ED2 E1HT 14401-NB	E1HZ 14401-W	E3HT 14401-TA	E3HZ 14401-T
E1HT 14401-RA	E1HZ 14401-R	E3HT 14401-UA	E3HZ 14401-U
E1HT 14401-RB	E1HZ 14401-R	E3HT 14401-VA	E3HZ 14401-B
ED- E1HT 14401-RB	E1HZ 14401-R	E3HT 14401-YA	E3HZ 14401-Y
ED2 E1HT 14401-RB	★ E1HZ 14401-X	E3HT 14401-YB	E3HZ 14401-YB
E1HT 14401-SA	EOHZ 14401-Y	E3HT 14401-ZA	E3HZ 14401-Z
ED- E1HT 14401-SA	EOHZ 14401-Y	E3HT 14401-AAA	E3HZ 14401-AJ
ED2 E1HT 14401-SA	E1HZ 14401-Y	ED E3HT 14401-AAA	E3HZ 14401-AJ
E1HT 14401-TA	EOHZ 14401-X	E4HT 14401-AF	E4HZ 14401-A

1980/  
TRUCK SERIES 600/900

**IDENTIFICATION CHART**

(Arranged according to Identification Number)

IDENTIFICATION	PART NUMBER	IDENTIFICATION	PART NUMBER
ED E4HT 14401-AG	E4HZ 14401-A	E4HT 14401-AAB	E5HZ 14401-AA
ED1 E4HT 14401-AG	E4HZ 14401-A	E4HT 14401-ACA	E5HZ 14401-AC
ED E4HT 14401-AH	E4HZ 14401-AA	E4HT 14401-AEA	E5HZ 14401-AE
E4HT 14401-BE	E4HZ 14401-B	ED E4HT 14401-AEA	E5HZ 14401-AE
ED E4HT 14401-BE	E4HZ 14401-B	E4HT 14401-AFA	E4HZ 14401-AF
ED E4HT 14401-BF	★ E4HZ 14401-AB	ED E4HT 14401-AFA	E4HZ 14401-AF
E4HT 14401-CD	E4HZ 14401-C	E5HT 14401-EC	E6HZ 14401-E
ED E4HT 14401-CD	E4HZ 14401-C	E5HT 14401-FB	E5HZ 14401-F
ED2 E4HT 14401-CD	E4HZ 14401-C	ED E5HT 14401-FB	E5HZ 14401-F
E4HT 14401-CE	E5HZ 14401-C	E5HT 14401-GB	E5HZ 14401-G
E4HT 14401-DF	E4HZ 14401-D	ED E5HT 14401-GB	E5HZ 14401-G
ED E4HT 14401-DF	E4HZ 14401-D	E5HT 14401-HA	E5HZ 14401-AF
ED2 E4HT 14401-DF	E4HZ 14401-D	E5HT 14401-HB	E5HZ 14401-AF
E4HT 14401-DG	E4HZ 14401-D	E5HT 14401-JA	E5HZ 14401-AG
E4HT 14401-EF	E4HZ 14401-E	E5HT 14401-JB	E5HZ 14401-AG
ED E4HT 14401-EF	E4HZ 14401-E	E5HT 14401-KC	E5HZ 14401-AH
ED2 E4HT 14401-EF	E4HZ 14401-E	ED E5HT 14401-KC	E5HZ 14401-AH
E4HT 14401-EH	E4HZ 14401-E	E5HT 14401-NA	E5HZ 14401-AJ
E4HT 14401-FE	E4HZ 14401-F	E5HT 14401-NC	E5HZ 14401-AJ
ED E4HT 14401-FE	E4HZ 14401-F	ED1 E5HT 14401-NC	E5HZ 14401-AJ
E4HT 14401-FF	E4HZ 14401-F	E5HT 14401-RA	E5HZ 14401-AK
E4HT 14401-GD	E4HZ 14401-G	E5HT 14401-RC	E5HZ 14401-AK
ED E4HT 14401-GD	E4HZ 14401-G	ED1 E5HT 14401-RC	E5HZ 14401-AK
ED2 E4HT 14401-GD	E4HZ 14401-G	E5HT 14401-SC	E5HZ 14401-AL
E4HT 14401-GE	E5HZ 14401-J	E5HT 14401-TA	E5HZ 14401-H
ED E4HT 14401-GE	E5HZ 14401-J	E5HT 14401-UA	E5HZ 14401-E
E4HT 14401-KF	★ E4HZ 14401-K	E5HT 14401-UB	E6HZ 14401-F
ED E4HT 14401-KG	★ E4HZ 14401-AC	E5HT 14401-VA	E5HZ 14401-A
E4HT 14401-KH	E5HZ 14401-K	ED E5HT 14401-VA	E5HZ 14401-A
E4HT 14401-MA	E4HZ 14401-M	E5HT 14401-YA	E5HZ 14401-B
ED E4HT 14401-MA	E4HZ 14401-M	ED E5HT 14401-YA	E5HZ 14401-B
E4HT 14401-MC	E4HZ 14401-M	E5HT 14401-ZA	E5HZ 14401-AB
E4HT 14401-NA	E4HZ 14401-N	E5HT 14401-AAA	E5HZ 14401-AD
ED E4HT 14401-NA	E4HZ 14401-N	ED1 E5HT 14401-AAA	E5HZ 14401-AD
E4HT 14401-ND	E4HZ 14401-N	E5HT 14401-AAB	E5HZ 14401-AM
E4HT 14401-NE	E5HZ 14401-N	E5HT 14401-ABA	E5HZ 14401-L
ED E4HT 14401-NE	E5HZ 14401-N	E5HT 14401-ACA	E5HZ 14401-D
E4HT 14401-RC	E4HZ 14401-R	E5HT 14401-AFA	E6HZ 14401-G
ED E4HT 14401-RD	E4HZ 14401-AD	E5HT 14401-AGB	E5HZ 14401-J
E4HT 14401-RE	E5HZ 14401-R	ED E5HT 14401-AGB	E5HZ 14401-J
ED E4HT 14401-SA	★ E4HZ 14401-S	E5HT 14401-AHB	E5HZ 14401-S
E4HT 14401-SC	E5HZ 14401-S	E5HT 14401-AJA	E5HZ 14401-AN
ED E4HT 14401-SC	E5HZ 14401-S	E6HT 14401-AB	E6HZ 14401-A
ED E4HT 14401-TA	E4HZ 14401-T	E6HT 14401-BB	E6HZ 14401-B
E4HT 14401-TC	E5HZ 14401-T	ED E6HT 14401-CB	E6HZ 14401-C
E4HT 14401-UA	E4HZ 14401-U	ED E6HT 14401-CC	E6HZ 14401-C
ED E4HT 14401-UA	E4HZ 14401-U	ED E6HT 14401-DB	E6HZ 14401-D
E4HT 14401-VA	E4HZ 14401-V	E6HT 14401-HA	E7HT 14401-H
E4HT 14401-YA	E4HZ 14401-Y	★ ED E6HT 14401-JA	E7HZ 14401-H
E4HT 14401-ZA	E4HZ 14401-Z	E7HT 14401-AE	E7HZ 14401-A
ED E4HT 14401-ZA	E4HZ 14401-AE	ED E7HT 14401-AE	E7HZ 14401-A
ED2 E4HT 14401-ZA	E4HZ 14401-Z	D1 E7HT 14401-AE	E7HZ 14401-A
ED3 E4HT 14401-ZA	E4HZ 14401-AE	D1 E7HT 14401-AF	E7HZ 14401-A
ED E4HT 14401-ZB	E4HZ 14401-AE	E7HT 14401-BE	E7HZ 14401-B
ED E4HT 14401-ZB	E4HZ 14401-AE	ED E7HT 14401-BE	E7HZ 14401-B
E4HT 14401-AAA	E3HZ 14401-U	D1 E7HT 14401-BE	E7HZ 14401-B

1980/  
TRUCK SERIES 600/900

**IDENTIFICATION CHART**

(Arranged according to Identification Number)

IDENTIFICATION		PART NUMBER		IDENTIFICATION		PART NUMBER	
D1	E7HT 14401-BF	E7HZ	14401-B	E8HT	14401-HD	E8HZ	14401-H
	E7HT 14401-CA	E7HZ	14401-CAA	E8HT	14401-HF	E8HZ	14401-H
	E7HT 14401-CD	E7HZ	14401-C	E8HT	14401-JB	E8HZ	14401-J
ED	E7HT 14401-CE	E7HZ	14401-C	E8HT	14401-JC	E8HZ	14401-J
D1	E7HT 14401-CE	E7HZ	14401-C	E8HT	14401-JF	E8HZ	14401-J
D1	E7HT 14401-CF	E7HZ	14401-C	E8HT	14401-KB	E8HZ	14401-K
	E7HT 14401-DD	E7HZ	14401-D	E8HT	14401-AZB	E8HZ	14401-AB
ED	E7HT 14401-DE	E7HZ	14401-D	E8HT	14401-AEA	E8HZ	14401-AE
D1	E7HT 14401-DE	E7HZ	14401-D	E8HT	14401-AGA	E8HZ	14401-AG
	E7HT 14401-DF	E7HZ	14401-D	E8HT	14401-AHA	E8HZ	14401-AH
D1	E7HT 14401-DF	E7HZ	14401-D	E8HT	14401-ASA	E8HZ	14401-AS
	E7HT 14401-ED	E7HZ	14401-E	E8HT	14401-ASB	E8HZ	14401-AS
	E7HT 14401-EE	E7HZ	14401-E	E8HT	14401-ATB	E8HZ	14401-AT
D2	E7HT 14401-EE	E7HZ	14401-E	E8HT	14401-AUB	E8HZ	14401-AU
D1	E7HT 14401-EF	E7HZ	14401-E	E8HT	14401-AVB	E8HZ	14401-AV
ED	E7HT 14401-FG	E7HZ	14401-F	E8HT	14401-AYC	E8HZ	14401-AY
D3	E7HT 14401-FG	E7HZ	14401-F	E8HT	14401-AZC	E8HZ	14401-AB
D4	E7HT 14401-FG	E7HZ	14401-F	E8HT	14401-BAB	E8HZ	14401-AD
ED	E7HT 14401-GG	E7HZ	14401-G	E8HT	14401-BBB	E8HZ	14401-AE
D4	E7HT 14401-GG	E7HZ	14401-G	E8HT	14401-BCB	E8HZ	14401-AF
D5	E7HT 14401-GG	E7HZ	14401-G	E8HT	14401-BCC	E8HZ	14401-AF
	E7HT 14401-GH	E7HZ	14401-G	E8HT	14401-BDA	E7HZ	14401-AE
ED	E7HT 14401-JF	E7HZ	14401-J	E9HT	14401-AB	E9HZ	14401-A
D3	E7HT 14401-JF	E7HZ	14401-J	E9HT	14401-AD	E9HZ	14401-A
	E7HT 14401-JG	E7HZ	14401-J	E9HT	14401-HB	E9HZ	14401-H
ED	E7HT 14401-KF	E7HZ	14401-K	E9HT	14401-JB	E9HZ	14401-J
D2	E7HT 14401-KF	E7HZ	14401-K	E9HT	14401-JC	E9HZ	14401-J
D3	E7HT 14401-KF	E7HZ	14401-K	E9HT	14401-RB	E9HZ	14401-R
	E7HT 14401-KG	E7HZ	14401-K	E9HT	14401-SB	E9HZ	14401-S
ED1	E7HT 14401-ZE	E7HZ	14401-Z	E9HT	14401-ABB	E9HZ	14401-AB
D2	E7HT 14401-ZE	E7HZ	14401-Z	E9HT	14401-ABC	E9HZ	14401-AB
	E7HT 14401-ZF	E7HZ	14401-Z	E9HT	14401-ACB	E9HZ	14401-AC
ED1	E7HT 14401-AAE	E7HZ	14401-AA	E9HT	14401-ACC	E9HZ	14401-AC
D2	E7HT 14401-AAE	E7HZ	14401-AA	E9HT	14401-AEA	E9HZ	14401-BG
	E7HT 14401-AAF	E7HZ	14401-AA	E9HT	14401-AEC	E9HZ	14401-AE
	E7HT 14401-AAG	E7HZ	14401-AA	E9HT	14401-AED	E9HZ	14401-AE
ED	E7HT 14401-ABC	E7HZ	14401-AB	E9HT	14401-AFA	E9HZ	14401-FF
D1	E7HT 14401-ABC	E7HZ	14401-AB	E9HT	14401-AFB	E9HZ	14401-FF
	E7HT 14401-ABD	E7HZ	14401-AB	E9HT	14401-AFC	E9HZ	14401-FF
	E7HT 14401-ABE	E7HZ	14401-AB	E9HT	14401-AFD	E9HZ	14401-FF
ED	E7HT 14401-ACC	E7HZ	14401-AC	E9HT	14401-AGA	E9HZ	14401-AG
D1	E7HT 14401-ACC	E7HZ	14401-AC	E9HT	14401-AGB	E9HZ	14401-AG
	E7HT 14401-ACD	E7HZ	14401-AC	E9HT	14401-AHA	E9HZ	14401-AH
	E7HT 14401-ADA	E7HZ	14401-AD	E9HT	14401-AHB	E9HZ	14401-AH
	E7HT 14401-AEA	E7HZ	14401-AE	E9HT	14401-AJA	E9HZ	14401-AJ
	E7HT 14401-AFB	E7HZ	14401-AF	E9HT	14401-AJB	E9HZ	14401-AJ
	E7HT 14401-AGB	E7HZ	14401-AG	E9HT	14401-AKA	E9HZ	14401-AK
	E7HT 14401-AHB	E7HZ	14401-L	E9HT	14401-AKB	E9HZ	14401-AK
	E8HT 14401-FB	E8HZ	14401-F	E9HT	14401-ASA	E9HZ	14401-AS
	E8HT 14401-FC	E8HZ	14401-F	E9HT	14401-ATA	E9HZ	14401-AT
	E8HT 14401-FE	E8HZ	14401-F	E9HT	14401-BBA	E9HZ	14401-BB
	E8HT 14401-GB	E8HZ	14401-G	E9HT	14401-BCA	E9HZ	14401-BC
	E8HT 14401-GC	E8HZ	14401-G	E9HT	14401-BDB	E9HZ	14401-BD
	E8HT 14401-GE	E8HZ	14401-G	E9HT	14401-BEA	E9HZ	14401-BE
	E8HT 14401-HC	E8HZ	14401-H				

1980/  
TRUCK SERIES 600/900

**APPLICATION CHART**

YEAR	MODEL/RESTRICTIONS	ENGINE		PART NUMBER	DESCRIPTION	QTY.
		CYL.	C.I.D. (C.C.D.)			
<b>14401 WIRING ASSY. (INSTRUMENT PANEL TO DASH PANEL)</b>						
80	F600/800 (81) -- w/hydraulic brakes	6&8	All	★ E0HZ 14401-T	Use w/ammeter and oil pressure warning lights and A/T, A/C, dual fuel tanks or mirror marker lamps	1
80	F600/800(81) -- w/single hydraulic brakes-M/T	6&8	All		Use w/ammeter and oil pressure warning lights w/deluxe heater, dual fuel tanks w/o lighted O/S mirror marker lamps	1
81	F600/800 (81) -- w/split hydraulic brakes "Before 6/81"	6&8	All	★ E1HZ 14401-K	Use w/ammeter and oil pressure warning lights and A/T, A/C, dual fuel tanks or mirror marker lamps	1
81/82	F600/800(81) -- w/split hydraulic brakes "From 6/81 to 12/81"	6&8	All	★ E1HZ 14401-T	Use w/ammeter and oil pressure warning lights and A/T, A/C, dual fuel tanks or mirror marker lamps	1
82	F600/800(81) -- w/split hydraulic brakes "From 12/81"	6&8	All	★ E2HZ 14401-E	Use w/ammeter and oil pressure warning lights and A/T, A/C, dual fuel tanks or mirror marker lamps	1
80	F600/800(81) -- w/air brakes	6&8	All	★ E0HZ 14401-U	Use w/ammeter and oil pressure warning lights	1
81	F600/800(81) -- w/air brakes "Before 6/81"	6&8	All	★ E1HZ 14401-L	Use w/ammeter and oil pressure warning lights	1
81/82	F600/800(81) -- w/air brakes "From 6/81 to 12/81"	6&8	All	★ E1HZ 14401-U	Use w/ammeter and oil pressure warning lights	1
82	F600/800(81) -- w/air brakes "From 12/81"	6&8	All	★ E2HZ 14401-F	Use w/ammeter and oil pressure warning lights	1
80	F600/800(81) -- w/hydraulic brakes	6&8	All	★ E0HZ 14401-V	Use w/ammeter and oil pressure gauges	1
81	F600/800(81) -- w/hydraulic brakes "Before 6/81"	6&8	All	E1HZ 14401-M	Use w/ammeter and oil pressure gauges	1
81/82	F600/800(81) -- w/hydraulic brakes "From 6/81 to 12/81"	6&8	All	E1HZ 14401-V	Use w/ammeter and oil pressure gauges	1
82	F600/800(81) -- w/hydraulic brakes "From 12/81"	6&8	All	E2HZ 14401-G	Use w/ammeter and oil pressure gauges	1
80	F600/800(81) -- w/air brakes	6&8	All	★ E0HZ 14401-W	Use w/ammeter and oil pressure gauges	1
81	F600/800(81) -- w/air brakes "Before 6/81"	6&8	All	★ E1HZ 14401-N	Use w/ammeter and oil pressure gauges	1
81/82	F600/800(81) -- w/air brakes "From 6/81 to 12/81"	6&8	All	★ E1HZ 14401-W	Use w/ammeter and oil pressure gauges	1
82	F600/800(81) -- w/air brakes "From 12/81"	6&8	All	★ E2HZ 14401-H	Use w/ammeter and oil pressure gauges	1
80	F600/800(81) -- w/single hydraulic brakes	6&8	All	★ E0HZ 14401-Z	Use w/ammeter and oil pressure warning lights, w/o, A/T, A/C, dual fuel tanks mirror marker lamps	1
81	F600/800(81) -- w/single hydraulic brakes "Before 6/81"	6&8	All	★ E1HZ 14401-R	Use w/ammeter and oil pressure warning lights w/o A/T, A/C, dual fuel tanks or mirror marker lamps	1
81/82	F600/800(81) -- w/single hydraulic brakes "From 6/81 to 12/81"	6&8	All	★ E1HZ 14401-X	Use w/ammeter and oil pressure warning lights w/o A/T, A/C, dual fuel tanks or mirror marker lamps	1
82	F600/800(81) -- w/single hydraulic brakes "From 12/81"	6&8	All	★ E2HZ 14401-J	Use w/ammeter and oil pressure warning lights w/o A/T, A/C dual fuel tanks or mirror marker lamps	1
80/81	B-F600/800 (84) -- w/hydraulic brakes "Before 6/81"	6&8	All	E0HZ 14401-X		1
81/82	B-F600/800(84) -- w/hydraulic brakes "From 6/81 to 12/81"	6&8	All	★ E1HZ 14401-Z		1
82	B-F600/800(84) -- w/hydraulic brakes "From 12/81"	6&8	All	★ E2HZ 14401-L		1
80/81	B-F600/800 (84) -- w/air brakes "Before 6/81"	6&8	All	★ E0HZ 14401-Y		1
81/82	B-F600/800(84) -- w/air brakes "From 6/81 to 12/81"	6&8	All	★ E1HZ 14401-Y		1
82	B-F600/800(84) -- w/air brakes "From 12/81"	6&8	All	★ E2HZ 14401-K		1

**1980/  
TRUCK SERIES 600/900**

YEAR	MODEL/RESTRICTIONS	ENGINE		PART NUMBER	DESCRIPTION	QTY.
		CYL.	C.I.D. (C.C.D.)			
<b>14401 WIRING ASSY. (INSTRUMENT PANEL TO DASH PANEL) — Cont'd</b>						
83	B-F600/800(84) -- w/hyd. brakes "Before 3/83"	6&8	All	★ E3HZ 14401-E /bE3HZ 14401-E		1
83	B-F600/800(84) -- w/hyd. brakes "From 3/83 to 5/83"	6&8	All	★ E3HZ 14401-AA		1
84	B-F600/800(84) -- w/hyd. brakes "Before 5/84"	6&8	All	★ E4HZ 14401-B		1
84	B-F600/800(84) -- w/hyd. brakes "From 5/84"	6&8	All	★ E4HZ 14401-AB		1
85	B-F600/800(84) -- gas w/hyd. brakes "Before 3/85"	8	370,429	★ E5HZ 14401-B		1
85/86	B-F600/800(84) -- gas w/hyd. brakes "From 3/85"	8	370,429	E5HZ 14401-AJ		1
87/	B-F-FT600/900(84) -- gas	8	370,429	E7HZ 14401-AB		1
85	B-F600/800(84) -- diesel w/hyd. brakes "Before 6/85"	6&8	All	★ E5HZ 14401-AD		1
85/86	B-F600/800(84) -- diesel w/hyd. brakes "From 6/85"	6&8	All	E5HZ 14401-AM		1
87/	B-F600/800(84) -- diesel w/hyd. brakes	6&8	All	E7HZ 14401-J		1
83	B-F600/800(84) -- w/air brakes "Before 3/83"	6&8	All	★ E3HZ 14401-F		1
83	B-F600/800(84) -- w/air brakes "From 3/83 to 5/83"	6&8	All	★ E3HZ 14401-AB		1
84	B-F600/800(84) -- w/air brakes "Before 5/84"	6&8	All	★ E4HZ 14401-R		1
84	B-F600/800(84) -- w/air brakes "From 5/84"	6&8	All	★ E4HZ 14401-AD		1
85	B-F600/800(84) -- gas w/air brakes "Before 3/85"	8	370,429	E5HZ 14401-R		1
85/86	B-F600/800(84) -- gas w/air brakes "From 3/85"	8	370,429	★ E5HZ 14401-AK		1
87/	B-F-FT600/900(84) -- gas	8	370,429	E7HZ 14401-AC		1
85	B-F600/800(84) -- diesel w/air brakes "Before 6/85"	6&8	All	E5HZ 14401-AE		1
85/86	B-F600/800(84) -- diesel w/air brakes "From 6/85"	6&8	All	E5HZ 14401-AN		1
87/	B-F600/800(84) -- diesel w/air brakes	6&8	All	E7HZ 14401-K		1
88/	B-F600/800(84) -- gas w/hyd. brakes	6&8	All	E8HZ 14401-AT		1
88/	B-F600/800(84) -- gas w/air brakes	6&8	All	E8HZ 14401-AU		1
88/	B-F600/800(84) -- diesel w/hyd. brakes	6&8	All	E8HZ 14401-AV		1
88/	B-F600/800(84) -- diesel w/air brakes	6&8	All	E8HZ 14401-AY		
89	B-F600/900 -- diesel reg. cab w/hyd. brakes	6&8	All	E9HZ 14401-AB		1
89	B-F600/900(81) -- diesel w/hyd. brakes	6&8	All	E9HZ 14401-AC		1
89	B-F600/800(84) -- gas w/air brakes	6&8	All	E9HZ 14401-AG		1
89	B-F600/800(84) -- diesel w/hyd. brakes.	6&8	All	E9HZ 14401-AH		1
89	B-F600/800(84) -- gas w/hyd. brakes	6&8	All	E9HZ 14401-AJ		1
89	B-F600/800(84) -- diesel w/air brakes	6&8	All	E9HZ 14401-AK		1

1980/  
TRUCK SERIES 600/900

YEAR	MODEL/RESTRICTIONS	ENGINE		PART NUMBER	DESCRIPTION	QTY.
		CYL.	C.I.D. (C.C.D.)			
<b>14401 WIRING ASSY. (INSTRUMENT PANEL TO DASH PANEL) — Cont'd</b>						
83	F-FT600/800(81) -- w/hyd. brakes "Before 3/83"	6&8	All	★ E3HZ 14401-G		1
83	F-FT600/800(81) -- w/hyd. brakes "From 3/83 to 5/84"	6&8	All	★ E3HZ 14401-AC		1
84	F-FT600/800(81) -- w/hyd. brakes "Before 5/84"	6&8	All	E4HZ 14401-A		1
84	F-FT600/900(81) -- w/hyd. brakes "From 5/84"	6&8	All	★ E4HZ 14401-AA		1
85	F-FT600/900(81) -- gas w/hyd. brakes "Before 3/85"	8	370,429	E5HZ 14401-A		1
85/86	F-FT600/900(81) -- gas w/hyd. brakes "From 3/85"	8	370,429	E5HZ 14401-AG		1
87	F-FT600/900(81) -- gas w/hyd. brakes	8	370,429	E7HZ 14401-Z		1
88	F-FT600/900(81) -- w/hyd brakes	8	370,429	E8HZ 14401-AF		1
85/86	F-FT600/900(81) -- diesel w/hyd. brakes	6&8	All	E5HZ 14401-AB		1
87	F-FT600/900(81) -- diesel w/hyd. brakes	6&8	All	E7HZ 14401-F		1
88/	F-FT600/900(81) -- diesel w/hyd brakes	6&8	All	E8HZ 14401-AD		1
83	F-FT600/800(81) -- w/air brakes "Before 3/83"	6&8	All	★ E3HZ 14401-H		1
83	F-FT600/800(81) -- w/air brakes "From 3/83 to 5/84"	6&8	All	★ E3HZ 14401-AD		1
84	F-FT600/800(81) -- w/air brakes "Before 5/84"	6&8	All	★ E4HZ 14401-K /bE5HZ 14401-K		1
84	F-FT600/900(81) -- w/air brakes "From 5/84"	6&8	All	★ E4HZ 14401-AC		1
85	F-FT600/900(81) -- gas w/air brakes "Before 3/85"	8	370,429	E5HZ 14401-K		1
85/86	F-FT600/900(81) -- gas w/air brakes "From 3/85"	8	370,429	E5HZ 14401-AF		1
87	F-FT600/900(81) -- gas w/air brakes	8	370,429	E7HZ 14401-AA		1
88	F-FT600/900(81) -- gas w/air brakes	8	370,429	E8HZ 14401-AB		1
85/86	F-FT600/900(81) -- diesel w/air brakes	6&8	All	E5HZ 14401-AC		1
87	F-FT600/900(81) -- diesel w/air brakes	6&8	All	E7HZ 14401-G		1
88/	F-FT600/900(81) -- diesel w/air brakes	6&8	All	E8HZ 14401-AE		1
89	F-FT600/900 -- gas w/hydraulic brakes "Before 2/89"	8	370,429	E9HZ 14401-BG		1
89	F-FT600/900(81) -- gas w/hyd. brakes "From 2/89"	6&8	All	E9HZ 14401-AE		1
89	F-FT600/900 -- gas w/air brakes "Before 2/89"	6&8	All	E9HZ 14401-BF		
89	F-FT600/900(81) -- gas w/air brakes "From 2/89"	6&8	All	E9HZ 14401-FF		1
80	C-CT600/900 "Before 3/80"	8	370,429	★ D9HZ 14401-B		1
80/82	C-CT600/900 "From 3/80 to 11/81"	8	370,429	★ E0HZ 14401-J		1
82/83	C-CT600/900 "From 11/81 to 10/82"	8	370,429	★ E2HZ 14401-B		1
83	C-CT600/800 "From 10/82"	8	370,429	★ E3HZ 14401-A		1
84	C-CT600/800 -- gas w/hyd. brakes	8	370,429	★ E4HZ 14401-C		1
85	C-CT600/800 -- gas w/hyd. brakes "Before 3/85"	8	370,429	★ E5HZ 14401-C		1

1980/  
TRUCK SERIES 600/900

YEAR	MODEL/RESTRICTIONS	ENGINE		PART NUMBER	DESCRIPTION	QTY.
		CYL.	C.I.D. (C.C.D.)			
<b>14401 WIRING ASSY. (INSTRUMENT PANEL TO DASH PANEL) — Cont'd</b>						
85/86	C-CT600/800 -- gas w/hyd. brakes "From 3/85"	8	370,429	E5HZ 14401-AH		1
84	C-CT600/800 -- gas w/air brakes	8	370,429	★ E4HZ 14401-T		1
85	C-CT600/800 -- gas w/air brakes "Before 3/85"	8	370,429	★ E5HZ 14401-T		1
85/86	C-CT600/800 -- gas w/air brakes "From 3/85"	8	370,429	E5HZ 14401-AL		1
84	C-CT600/800 -- diesel w/hyd. brakes	6&8	All	★ E4HZ 14401-G		1
85/86	C-CT600/800 -- diesel w/hyd. brakes	6&8	All	E5HZ 14401-J		1
87/	C-CT600/900 -- diesel w/hyd. brakes	6&8	All	E7HZ 14401-AD		1
84	C-CT600/800 -- diesel w/air brakes	6&8	All	★ E4HZ 14401-S		1
85/86	C-CT600/800 -- diesel w/air brakes	6&8	All	E5HZ 14401-S		1
87/	C-CT600/900 -- diesel w/air brakes	6&8	All	E7HZ 14401-AE		1
80	C-CT700/800	8	475,477, 534,636	★ D9HZ 14401-M		1
81/82	C-CT600/900 "Before 11/81"	8	475,477, 534,636	★ E1HZ 14401-B		1
82/83	C-CT600/900 "From 11/81 to 11/82"	8	All	★ E2HZ 14401-A		1
86	CF600/700 -- diesel "Before 11/16/86"	6	402	E6HZ 14401-E		1
87	CF600/700 -- diesel w/TM AT545 trans. "Before 4/87"	6	402,476	★ E7HZ 14401-H		1
87/	CF600/800 "From 4/87"	6	402,476	E7HZ 14401-L		1
87/	CF600/800 -- diesel w/tractor pkg.	6	402,476	E7HZ 14401-CAA		1
88	CF600/800 -- w/tractor pkg.	6	402,476	★ E8HZ 14401-AG		1
88	CF600/800	6	402,476	E8HZ 14401-AH		1
89	CF600/800	6	402,476	E9HZ 14401-AS	W/van	1
89	CF600/800	6	402,476	E9HZ 14401-AT	W/T/T	1
80/81	CL-CLT900 "Before 12/80"	6&8	All	D9HZ 14401-N	Refer to TSB #175	1
81	CL-CLT900 "From 12/80 to 7/81"	6&8	All	★ E1HZ 14401-S	Repl. by E1HZ 14401-AD (3/83)	1
81/83	CL-CLT900 "From 7/81 to 11/82"	6&8	All	★ E1HZ 14401-AD	Discard existing D9HZ 14A411-A jumper wiring when using to replace E1HZ 14401-S	1
83/84	CL-CLT900 "From 11/82 to 12/83"	6&8	All	★ E3HZ 14401-L		1
84	CL-CLT900 -- w/skid control "From 12/83"	6&8	All	★ E4HZ 14401-V		1
85	CL-CLT900 -- w/skid control	6&8	All	★ E5HZ 14401-F		1
86	CL-CLT900 -- w/skid control	6&8	All	E6HZ 14401-C		1
87	CL-CLT900 -- w/skid control	6&8	All	E7HZ 14401-AF		1
84	CL-CLT900 -- w/o skid control "From 12/83"	6&8	All	★ E4HZ 14401-Y		1
85	CL-CLT900 -- w/o skid control	6&8	All	★ E5HZ 14401-G		1
86	CL-CLT900 -- w/o skid control	6&8	All	★ E6HZ 14401-D		1
87	CL-CLT900 -- w/o skid control	6&8	All	★ E7HZ 14401-AG		1
88	CL-CLT900 -- diesel	6&8	All	E8HZ 14401-AS		1
89	CL-CLT900 -- all w.b.	6&8	All	E9HZ 14401-A		1
80	L-LN-LNT-LT-LTS600/900 -- gas "Before 2/80"	8	370,429	★ E0HZ 14401-H	Use w/city delivery instrument panel	1
80	L-LN-LNT-LT-LTS600/900 -- gas "From 2/80"	8	370,429	★ E0HZ 14401-N	Use w/city delivery instrument panel	1
81	L-LN-LNT-LT-LTS600/900 -- gas "Before 7/81"	8	370,429	★ E1HZ 14401-E	Use w/city delivery instrument panel	1



1980/  
TRUCK SERIES 600/900

YEAR	MODEL/RESTRICTIONS	ENGINE		PART NUMBER	DESCRIPTION	QTY.
		CYL.	C.I.D. (C.C.D.)			
<b>14401 WIRING ASSY. (INSTRUMENT PANEL TO DASH PANEL) — Cont'd</b>						
81/83	L-LN-LNT-LT-LTS600/900 -- gas "From 7/81 to 11/82"	8	370,429	★ E1HZ 14401-AC	Use w/city delivery instrument panel	1
83/84	L-LN-LNT-LT-LTS600/900 "From 11/82"	8	370,429	★ E3HZ 14401-U	Use w/city delivery instrument panel	1
85	L-LN-LNT-LT-LTS600/800 -- gas w/air brakes	8	370,429	★ E5HZ 14401-AA	Use w/city delivery instrument panel	1
84	L-LN-LNT-LT-LTL-LTS600/800 -- gas w/hyd brakes	8	370,429	★ E4HZ 14401-F	Use w/city delivery instrument panel	1
85	L-LN-LNT-LT-LTS600/800 -- gas w/hyd. brakes	8	370,429	★ E5HZ 14401-H	Use w/city delivery instrument panel	1
80	L-LN-LNT-LT-LTS600/900 gas and diesel "Before 2/80"	8	475,477, 534,636	★ E0HZ 14401-M	Use w/city delivery instrument panel	1
80	L-LN-LNT-LT-LTS600/900 -- gas and diesel "From 2/80"	8	475,477, 534,636	★ E0HZ 14401-S	Use w/city delivery instrument panel	1
81	L-LN-LNT-LT-LTS600/900 -- gas and diesel "Before 7/81"	8	475,477, 534,636	★ E1HZ 14401-A	Use w/city delivery instrument panel	1
81/83	L-LN-LNT-LT-LTS600/900 -- gas and diesel "From 7/81 to 11/82"	8	All	E1HZ 14401-AA	Use w/city delivery instrument panel	1
83	L-LN-LNT-LT-LTL-LTS600/900 -- diesel w/o turbo exhaust "From 11/82"	8	501,636	★ E3HZ 14401-Z	Use w/city delivery instrument panel	1
84	L-LN-LNT-LT-LTL-LTS600/900 -- diesel w/hyd. brakes w/o turbo exhaust	8	501,636	★ E4HZ 14401-D	Use w/city delivery instrument panel	1
84	L-LN-LNT-LT-LTL-LTS600/900 -- diesel w/air brakes w/o turbo exhaust	8	501,636	E4HZ 14401-M	Use w/city delivery instrument panel	1
81	L-LN600/800 -- diesel w/turbo exhaust "Before 7/81"	8	501,636	★ E1HZ 14401-D	Use w/city delivery instrument panel	1
81/83	L-LN600/800 -- diesel w/turbo exhaust w/o A/C "From 7/81 to 11/82"	8	501,636	★ E1HZ 14401-AB	Use w/city delivery instrument panel	1
83	L-LN600/800 -- diesel w/turbo exhaust w/o A/C "From 11/82 to 7/83"	8	501,636	★ E3HZ 14401-Y	Use w/city delivery instrument panel	1
83/84	L-LN600/800 -- diesel w/turbo exhaust w/o A/C "From 7/83"	8	501,636	★ E3HZ 14401-YB	Use w/city delivery instrument panel	1
84	L-LN-LNT-LT-LTL-LTS600/900 -- diesel w/hyd. brakes w/o turbo exhaust	8	501,636	★ E4HZ 14401-E	Use w/city delivery instrument panel	1
85/86	L-LN-LNT-LT-LTS600/900 -- diesel w/hyd. brakes "Before 10/85"	6&8	All	★ E5HZ 14401-E /bE6HZ 14401-F	Use w/city delivery instrument panel	1
86	L-LN-LNT-LT-LTL-LTS600/900 -- diesel w/hyd. brakes w/turbo exhaust "From 10/85"	6&8	All	E6HZ 14401-F	Use w/city delivery instrument panel	1
84	L-LN-LNT-LT-LTL-LTS600/900 -- diesel w/air brakes w/turbo exhaust	8	501,636	★ E4HZ 14401-N	Use w/city delivery instrument panel	1
85/86	L-LN-LNT-LT-LTS600/900 -- diesel w/air brakes "Before 10/85"	6&8	All	★ E5HZ 14401-N /bE6HZ 14401-G	Use w/city delivery instrument panel	1
86	L-LN-LNT-LT-LTL-LTS600/900 -- diesel w/air brakes w/turbo exhaust "From 10/85"	6&8	All	E6HZ 14401-G	Use w/city delivery instrument panel	1
83	L-LN600/800 -- diesel w/turbo exhaust w/A/C	8	501,636	★ E3HZ 14401-J	Use w/city delivery instrument panel	1
80	L-LN-LNT-LT-LTS900 -- Diesel- w/ push button starter "Before 1/80"	6&8	426,568, 855,893 903,927	★ D5HZ 14401-C	Use w/line haul instrument panel	1
80/81	L-LN-LNT-LT-LTS600/900 -- diesel "From 1/80 to 2/80"	6&8	426,568 855,893 903,927	★ E0HZ 14401-K	Use w/line haul instrument panel	1
80/81	L-LN-LNT-LT-LTS600/900 -- diesel "From 2/80 "To 4/81"	6&8	426,568 855,893 903,927	★ E0HZ 14401-P	Use w/line haul instrument panel	1

1980/  
TRUCK SERIES 600/900

YEAR	MODEL/RESTRICTIONS	ENGINE		PART NUMBER	DESCRIPTION	QTY.
		CYL.	C.I.D. (C.C.D.)			
<b>14401 WIRING ASSY. (INSTRUMENT PANEL TO DASH PANEL) -- Cont'd</b>						
80	L-LN-LNT-LT-LTS600/900 gas and diesel "Before 2/80"	8	477,534 636	★ E0HZ 14401-L	Use w/line haul instrument panel	1
80	L-LN-LNT-LT-LTS600/900 -- gas and diesel "From 2/80 to 3/80"	8	477,534 636	E0HZ 14401-R	Use w/line haul instrument panel	1
80/82	L-LN-LNT-LT-LTS600/900 -- gas & diesel "From 3/80"	8	477,534 636	★ E0HZ 14401-AA /bE3HZ 14401-B	Use w/line haul instrument panel	1
83	L-LN-LNT-LT-LTS800/900 -- diesel	6&8	All	★ E3HZ 14401-B	Use w/line haul instrument panel	1
84/86	L-LN-LNT-LT-LTS800/900 -- diesel	6&8	All	E4HZ 14401-U	Use w/line haul instrument panel	1
82	LTL900 -- diesel "Before 11/82"	6&8	All	★ E1HZ 14401-C	Use w/line haul instrument panel	1
81/83	L-LT-LTS-LN-LNT900 -- diesel "From 4/81"	6&8	426,568, 855,893 903,927			1
83/85	L-LT-LTL-LTS-LN-LNT900 -- diesel "From 11/82 to 11/84"	6&8	All	★ E3HZ 14401-T /bE4HZ 14401-AF	Use w/line haul instrument panel	1
85	L-LT-LTL-LTS-LN-LNT900 -- diesel "From 11/84 to 2/85"	6&8	All	E4HZ 14401-AF	Use w/line haul instrument panel	1
85	L-LT-LTL-LTS-LN-LNT900 -- diesel "From 2/85"	6&8	All	★ E5HZ 14401-L /bE6HZ 14401-A	Use w/line haul instrument panel	1
86	L-LN-LNT-LT-LTL-LTS900 -- diesel	6&8	All	E6HZ 14401-A	Use w/line haul instrument panel	1
83/84	L-LN-LNT-LT-LTS600/900 -- diesel "Before 2/84"	6&8	All	★ E3HZ 14401-AJ	Use w/fleet instrument panel	1
84	L-LN-LNT-LT-LTS600/900 -- diesel "From 2/84 to 6/84"	6&8	All	★ E4HZ 14401-Z /bE4HZ 14401-AE	Use w/fleet instrument panel	1
84/85	L-LN-LNT-LT-LTS600/900 -- diesel "From 6/84 to 2/85"	6&8	All	★ E4HZ 14401-AE	Use w/fleet instrument panel	1
85	L-LN-LNT-LT-LTS600/900 -- diesel "From 2/85"	6&8	All	★ E5HZ 14401-D /bE6HZ 14401-B	Use w/fleet instrument panel	1
86	L-LN-LNT-LT-LTL-LTS900 -- diesel	6&8	All	E6HZ 14401-B	Use w/fleet instrument panel	1
87	L-LL-LN-LNT-LS-LT-LTL-LTS600/900 -- w/air brakes	6&8	All	E7HZ 14401-A	Use w/city delivery instrument panel	1
87/	L-LL-LN-LNT-LS-LT-LTL-LTS600/900 -- w/hyd. brakes	6&8	All	E7HZ 14401-B	Use w/city delivery instrument panel	1
87/	L-LL-LN-LNT-LS-LT-LTL-LTS600/900 -- w/air brakes	6&8	All	E7HZ 14401-C	Use w/fleet instrument panel	1
87	L-LL-LN-LNT-LS-LT-LTL-LTS600/900 -- w/hyd. brakes	6&8	All	E7HZ 14401-D	Use w/fleet instrument panel	1
87/	L-LL-LN-LNT-LS-LT-LTL-LTS -- diesel	6&8	All	E7HZ 14401-E	Use w/fleet instrument panel	1
88	L-LL-LN-LNT-LS-LT-LTL- LTS600/900 -- w/air brakes	6&8	All	E8HZ 14401-F	Use w/city delivery instrument panel	1
88	L-LL-LN-LNT-LS-LT-LTL- LTS600/900 -- w/hyd. brakes	6&8	All	E8HZ 14401-G	Use w/city delivery instrument panel	1
88	L-LL-LN-LNT-LS-LT-LTL- LTS600/900 -- w/air brakes	6&8	All	E8HZ 14401-H	Use w/fleet or full instrument panel	1
88	L-LL-LN-LNT-LS-LT-LTL- LTS600/900 -- w/hyd. brakes	6&8	All	E8HZ 14401-J	Use w/fleet instrument panel	1
89	L-LN-LNT-LT-LTL-LTS 600/900 -- w/air brakes	6&8	All	E9HZ 14401-BB	Use w/fleet or full instr. panel	1
89	L-LN-LNT-LT-LTL-LTS 600/900 -- w/hyd. brakes	6&8	All	E9HZ 14401-BC	Use w/fleet instr. panel	1
89	L-LN-LNT-LT-LTL-LTS 600/900 -- w/air brakes	6&8	All	E9HZ 14401-BD	Use w/city delivery instr. panel	1
89	L-LN-LNT-LT-LTL-LTS 600/900 -- w/hyd. brakes	6&8	All	E9HZ 14401-BE	Use w/city delivery instr. panel	1

**1980/  
TRUCK SERIES 600/900**

YEAR	MODEL/RESTRICTIONS	ENGINE		PART NUMBER	DESCRIPTION	QTY.
		CYL.	C.I.D. (C.C.D.)			
<b>14401 WIRING ASSY. (INSTRUMENT PANEL TO DASH PANEL) — Cont'd</b>						
89	L-LN-LNT-LT-LTL-LTS 800/900 -- w/air brakes	6&8	All	E9HZ 14401-H	Use w/"fleet" or "full" instr. panel	1
89	L-LN-LNT-LT-LTL-LTS 800/900 -- w/hyd. brakes	6&8	All	E9HZ 14401-J	Use w/"fleet" instr. panel	1
89	L-LN-LNT-LT-LTS700/800 -- w/air brakes	6	402,476	E9HZ 14401-R	Use w/"city delivery" instr. panel	1
89	L-LN-LNT-LT-LTS800/900 -- w/hyd. brakes	6&8	All	E9HZ 14401-S	Use w/"city delivery" instr. panel	1
80/ 80/	C-CT600/900 C600	6&8 8	All All	★31497-S8	(U-254)-screw (wiring to dash panel) Screw (wiring and electric fuel pump selector wiring and turn signal flasher mounting bracket to cowl side)	5or8 1
80/	C-CT600/900	6&8	All	★357946-S8	(GG-152)-clip (dimmer switch leads of wiring to dash panel)	2
80/	C-CT700/900	6&8	All	★374108-S	(KK-56-P)-grommet (wiring thru dash panel to floor pan extension)	1
80/	C-CT600/900 F-B600	6&8 6&8	All All	★358350-S	(GG-172)-clip (wiring to dash panel)	3 1
80/	L-LN-LNT-LT-LTS600/900	6&8	All	★33795-S	(M-49)-nut (attach wiring to junction block on R.H. front fender)1/4"-20 (Wire to console)	AR
				★34940-S7	(X88)-washer-1/4"	AR
80/	L-LN-LNT-LT-LTS600/900	6&8	All	★380319-S	Clip (wire to fire wall)	AR
80/	L-LN-LNT-LT-LTS600/900	6&8	All	★55875-S	Screw (clip & wire to fire wall)-tap- No. 8-32 x 5/8"	AR
80/	L-LN-LNT-LT-LTS600/900	6&8	All	★45260-S2	Nut-spring -No. 8-18	AR
82	B-F600/800(84)	6&8	All	N802175-S	(AP-41-F) plug button-(use to plug hole in firewall)	1
80/	L-LN-LNT-LT-LTS600/900	6&8	All	★352598-S	Clip (wire to bracket)	AR
80/	L-LN-LNT-LT-LTS600/900	6&8	All	★57358-S	Screw (bracket to frame)-oval head- No. 6-32 x 3/4"	AR
80/	L-LN-LNT-LT-LTS600/900	6&8	All	★383572-S	Screw (wire to fuse panel)-hex. head- No. 8-18 x 2 1/4"	AR
80/	L-LN-LNT-LT-LTS600/900	6&8	All	★355920-S32	(MM-276-B)-receptacle stud (cover junction block to bracket junction block)	2
80/	CL-CLT900	6&8	All	378674-S	(GG-150-H)-clip (wire to console) (wire to instrument panel)	1
80/	L-LN-LNT-LT-LTS600/900	6&8	All	★34655-S	(M-107)-nut (attach wiring to circuit breaker) No. 10-24 (attach wiring to 14448 junction block)	2
80/	L-LN-LNT-LT-LTS600/900	6&8	All	372807-S100	(GG-213-A) clip attach 14401 wiring to weld stud on dash panel	2
80/	L-LN-LNT-LT-LTS600/900	6&8	All	378674-S	(GG-150-H)-clip (attach wiring to upper side panel)	1
83	B-F-FT600/700	6&8	All	377696-S	(GG-213-B) clip (attach 14401 wiring to floor at dimmer switch)	1
83	B-F-FT600/700	6&8	All	56910-S2	(U-413) screw (attach 14401 wiring to floor at dimmer switch)	1

## 1980/ TRUCK SERIES 600/900

### 14405 WIRING ASSY. (REAR LAMP)

#### WIRING MARKING or TAG NUMBER TO SERVICE WIRING PART NUMBER GUIDE

The purpose of this guide is to facilitate the identification of the Service Wiring Part Number. The chart that follows lists in numerical sequence the Wiring Markings or Tag Numbers. For many vehicles the Service Wiring Part Number will be the same as the Wiring Marking or Tag Part Number. This type of replacement will cause little or no installation problems. However, when the Service Wiring differs from the Wiring Marking or Tag Number it will be necessary to match lead wires and to tape up those lead wires which are not required. This is necessary when the Service Wiring has a more general application than the original wiring installed by the factory.

Following this guide chart, Service Wiring Part Numbers are listed by model year and vehicle usage which will permit the identification of replacement wiring when the wiring identification marking or tag number is not known.

### IDENTIFICATION CHART

(Arranged according to Identification Number)

IDENTIFICATION	PART NUMBER	IDENTIFICATION	PART NUMBER
D0EB 14405-J	D0HZ 14405-D	D7HT 14405-JD	D8HZ 14405-L
D0EB 14405-K	D0EZ 14405-N	D7HT 14405-JE	D8HZ 14405-L
D0EB 14405-L	D0EZ 14405-N	D7HT 14405-KC	D8HZ 14405-L
D0EB 14405-M	D0HZ 14405-X	D7HT 14405-KD	D8HZ 14405-L
D0EB 14405-N	D0EZ 14405-N	D7HT 14405-KE	D8HZ 14405-L
D0EB 14405-P	D0HZ 14405-D	D7HT 14405-LC	D8HZ 14405-L
D0HB 14405-E	D0HZ 14405-T	D7HT 14405-LD	D8HZ 14405-L
D0HB 14405-H	D0HZ 14405-B	D7HT 14405-LE	D8HZ 14405-L
D0HB 14405-J	D0HZ 14405-B	D7HT 14405-MC	D8HZ 14405-M
D0HB 14405-K	D0EZ 14405-P	D7HT 14405-MD	D8HZ 14405-M
D0HB 14405-M	D0HZ 14405-D	D7HT 14405-ME	D8HZ 14405-M
D0HB 14405-N	D0HZ 14405-D	D7HT 14405-AVC	D8HZ 14405-D
D0HB 14405-P	D0HZ 14405-D	D7HT 14405-AVD	D8HZ 14405-D
D0HB 14405-T	D0HZ 14405-X	D7HT 14405-AVE	D8HZ 14405-D
D0HB 14405-U	D0HZ 14405-X	D7HT 14405-AYC	D8HZ 14405-D
D0HB 14405-V	D0HZ 14405-D	D7HT 14405-AYD	D8HZ 14405-D
D0HB 14405-X	D0HZ 14405-X	D7HT 14405-AYE	D8HZ 14405-D
D4HB 14405-AA	D5HZ 14405-A	D7HT 14405-AZC	D8HZ 14405-D
D5HB 14405-AA	D5HZ 14405-H	D7HT 14405-AZD	D8HZ 14405-D
D5HB 14405-BA	D5HZ 14405-B	D7HT 14405-AZE	D8HZ 14405-D
D5HB 14405-CA	D5HZ 14405-H	D7HT 14405-BAC	D8HZ 14405-D
D5HB 14405-DA	D5HZ 14405-D	D7HT 14405-BAD	D8HZ 14405-D
D5HB 14405-EA	D5HZ 14405-D	D7HT 14405-BAE	D8HZ 14405-D
D5HB 14405-FA	D5HZ 14405-G	D7HT 14405-BDB	D8HZ 14405-L
D5HB 14405-GA	D5HZ 14405-G	D7HT 14405-BDC	D8HZ 14405-L
D5HB 14405-HA	D5HZ 14405-J	D7HT 14405-BDD	D8HZ 14405-L
D5HB 14405-JA	D5HZ 14405-J	D7HT 14405-BEB	D8HZ 14405-L
D7HT 14405-AD	D8HZ 14405-D	D7HT 14405-BEC	D8HZ 14405-L
D7HT 14405-AE	D8HZ 14405-D	D7HT 14405-BED	D8HZ 14405-L
D7HT 14405-AG	D8HZ 14405-D	D7HT 14405-BFB	D8HZ 14405-L
D7HT 14405-BD	D8HZ 14405-D	D7HT 14405-BFC	D8HZ 14405-L
D7HT 14405-BE	D8HZ 14405-D	D7HT 14405-BFD	D8HZ 14405-L
D7HT 14405-BG	D8HZ 14405-D	D7HT 14405-BGB	D8HZ 14405-L
D7HT 14405-CD	D8HZ 14405-D	D7HT 14405-BGC	D8HZ 14405-L
D7HT 14405-CE	D8HZ 14405-D	D7HT 14405-BGD	D8HZ 14405-L
D7HT 14405-CG	D8HZ 14405-D	D7HT 14405-BHB	D8HZ 14405-L
D7HT 14405-DD	D8HZ 14405-D	D7HT 14405-BHC	D8HZ 14405-L
D7HT 14405-DE	D8HZ 14405-D	D7HT 14405-BHD	D8HZ 14405-L
D7HT 14405-DG	D8HZ 14405-D	D7HT 14405-BJB	D8HZ 14405-M
D7HT 14405-GC	D8HZ 14405-L	D7HT 14405-BJC	D8HZ 14405-M
D7HT 14405-GD	D8HZ 14405-L	D7HT 14405-BJD	D8HZ 14405-M
D7HT 14405-GE	D8HZ 14405-L	D8HT 14405-AA	D8HZ 14405-M
D7HT 14405-HC	D8HZ 14405-L	D8HT 14405-AB	D8HZ 14405-M
D7HT 14405-HD	D8HZ 14405-L	D8HT 14405-BA	D8HZ 14405-M
D7HT 14405-HE	D8HZ 14405-L	D8HT 14405-BB	D8HZ 14405-M
D7HT 14405-JC	D8HZ 14405-L	D8HT 14405-CA	D8HZ 14405-M

1980/  
TRUCK SERIES 600/900

**IDENTIFICATION CHART**

(Arranged according to Identification Number)

IDENTIFICATION	PART NUMBER	IDENTIFICATION	PART NUMBER
D8HT 14405-CB	D8HZ 14405-M	EM EOHT 14405-KF	EOHZ 14405-BR
D8HT 14405-DA	D8HZ 14405-D	EX EOHT 14405-KF	EOHZ 14405-BR
D8HT 14405-DB	D8HZ 14405-D	EOHT 14405-LE	EOHZ 14405-BT
D8HT 14405-EA	D8HZ 14405-D	EM EOHT 14405-LF	EOHZ 14405-BT
D8HT 14405-EB	D8HZ 14405-D	EX EOHT 14405-LF	EOHZ 14405-BT
D8HT 14405-FA	D8HZ 14405-M	EOHT 14405-ME	EOHZ 14405-BT
D8HT 14405-FB	D8HZ 14405-M	EM EOHT 14405-MF	EOHZ 14405-BT
D8HT 14405-GA	D8HZ 14405-M	EX EOHT 14405-MF	EOHZ 14405-BT
D8HT 14405-GB	D8HZ 14405-M	EOHT 14405-NE	EOHZ 14405-BT
D8HT 14405-HA	D8HZ 14405-M	EM EOHT 14405-NF	EOHZ 14405-BT
D8HT 14405-HB	D8HZ 14405-M	EX EOHT 14405-NF	EOHZ 14405-BT
D8HT 14405-JA	D8HZ 14405-D	EOHT 14405-RE	EOHZ 14405-S
D8HT 14405-KA	D8HZ 14405-D	EM EOHT 14405-RF	EOHZ 14405-S
D8HT 14405-LA	D8HZ 14405-D	EX EOHT 14405-RF	EOHZ 14405-S
D8HT 14405-MA	D8HZ 14405-D	EOHT 14405-SE	EOHZ 14405-S
D8HT 14405-NA	D8HZ 14405-L	EM EOHT 14405-SF	EOHZ 14405-S
D8HT 14405-RA	D8HZ 14405-L	EX EOHT 14405-SF	EOHZ 14405-S
D8HT 14405-SA	D8HZ 14405-L	EOHT 14405-TE	EOHZ 14405-BV
D8HT 14405-TA	D8HZ 14405-L	EM EOHT 14405-TF	EOHZ 14405-BV
D8HT 14405-UA	D8HZ 14405-L	EX EOHT 14405-TF	EOHZ 14405-BV
D8HT 14405-VA	D8HZ 14405-M	EOHT 14405-UE	EOHZ 14405-BV
D8HT 14405-YA	D8HZ 14405-D	EM EOHT 14405-UF	EOHZ 14405-BV
D8HT 14405-ZA	D8HZ 14405-D	EX EOHT 14405-UF	EOHZ 14405-BV
D8HT 14405-AAA	D8HZ 14405-D	EOHT 14405-VE	EOHZ 14405-BY
D8HT 14405-ABA	D8HZ 14405-D	EM EOHT 14405-VF	EOHZ 14405-BY
D8HT 14405-ACA	D8HZ 14405-L	EX EOHT 14405-VF	EOHZ 14405-BY
D8HT 14405-ADA	D8HZ 14405-L	EOHT 14405-ZE	EOHZ 14405-BY
D8HT 14405-AEA	D8HZ 14405-L	EM EOHT 14405-ZF	EOHZ 14405-BY
D8HT 14405-AFA	D8HZ 14405-L	EX EOHT 14405-ZF	EOHZ 14405-BY
D8HT 14405-AGA	D8HZ 14405-L	EOHT 14405-AAD	EOHZ 14405-AA
D8HT 14405-AHA	D8HZ 14405-M	EM EOHT 14405-AAE	EOHZ 14405-AA
EOHT 14405-AE	EOHZ 14405-BJ	EX EOHT 14405-AAE	EOHZ 14405-AA
EM EOHT 14405-AF	EOHZ 14405-BJ	EOHT 14405-ABD	E1HZ 14405-H
EX EOHT 14405-AF	EOHZ 14405-BJ	EM EOHT 14405-ABE	E1HZ 14405-H
EOHT 14405-BE	EOHZ 14405-BJ	EX EOHT 14405-ABE	E1HZ 14405-H
EM EOHT 14405-BF	EOHZ 14405-BJ	EOHT 14405-ACD	E1HZ 14405-H
EX EOHT 14405-BF	EOHZ 14405-BJ	EM EOHT 14405-ACE	E1HZ 14405-H
EOHT 14405-CE	EOHZ 14405-BJ	EX EOHT 14405-ACE	E1HZ 14405-H
EM EOHT 14405-CF	EOHZ 14405-BJ	EOHT 14405-ADD	E1HZ 14405-K
EX EOHT 14405-CF	EOHZ 14405-BJ	EM EOHT 14405-ADE	E1HZ 14405-K
EOHT 14405-DE	EOHZ 14405-BK	EX EOHT 14405-ADE	E1HZ 14405-K
EM EOHT 14405-DF	EOHZ 14405-BK	EOHT 14405-AED	E1HZ 14405-K
EX EOHT 14405-DF	EOHZ 14405-BK	EM EOHT 14405-AEE	E1HZ 14405-K
EOHT 14405-EE	EOHZ 14405-BK	EX EOHT 14405-AEE	E1HZ 14405-K
EM EOHT 14405-EF	EOHZ 14405-BK	EOHT 14405-AFD	EOHZ 14405-AF
EX EOHT 14405-EF	EOHZ 14405-BK	EM EOHT 14405-AFE	EOHZ 14405-AF
EOHT 14405-FE	EOHZ 14405-BM	EX EOHT 14405-AFE	EOHZ 14405-AF
EM EOHT 14405-FF	EOHZ 14405-BM	EOHT 14405-AGD	EOHZ 14405-AG
EX EOHT 14405-FF	EOHZ 14405-BM	EM EOHT 14405-AGE	EOHZ 14405-AG
EOHT 14405-GE	EOHZ 14405-BM	EX EOHT 14405-AGE	EOHZ 14405-AG
EM EOHT 14405-GF	EOHZ 14405-BM	EOHT 14405-AHD	EOHZ 14405-AH
EX EOHT 14405-GF	EOHZ 14405-BM	EM EOHT 14405-AHE	EOHZ 14405-AH
EOHT 14405-HE	EOHZ 14405-BR	EX EOHT 14405-AHE	EOHZ 14405-AH
EM EOHT 14405-HF	EOHZ 14405-BR	EOHT 14405-AJD	EOHZ 14405-AJ
EX EOHT 14405-HF	EOHZ 14405-BR	EM EOHT 14405-AJE	EOHZ 14405-AJ
EOHT 14405-KE	EOHZ 14405-BR	EX EOHT 14405-AJE	EOHZ 14405-AJ

1980/  
TRUCK SERIES 600/900

**IDENTIFICATION CHART**

(Arranged according to Identification Number)

IDENTIFICATION	PART NUMBER	IDENTIFICATION	PART NUMBER
EOHT 14405-AKA	E1HZ 14405-S	EX E1HT 14405-RA	E1HZ 14405-R
EOHT 14405-ALA	E1HZ 14405-S	E1HT 14405-SA	E2HZ 14405-AA
EOHT 14405-AMA	E1HZ 14405-S	E1HT 14405-ARA	E1HZ 14405-B
EOHT 14405-ANA	E1HZ 14405-S	E2HT 14405-AA	E2HZ 14405-A
EOHT 14405-ARA	E1HZ 14405-S	E2HT 14405-BA	E2HZ 14405-B
EOHT 14405-ASA	E1HZ 14405-S	E2HT 14405-CA	E2HZ 14405-C
EOHT 14405-ATA	E1HZ 14405-S	E2HT 14405-DA	E2HZ 14405-D
EOHT 14405-AUA	E1HZ 14405-S	E2HT 14405-EA	E2HZ 14405-E
EOHT 14405-AVA	E1HZ 14405-S	E2HT 14405-FA	E2HZ 14405-F
EOHT 14405-AYA	E1HZ 14405-S	E2HT 14405-GA	E2HZ 14405-G
EOHT 14405-AZA	E1HZ 14405-S	E2HT 14405-HA	E2HZ 14405-H
EOHT 14405-BAA	E1HZ 14405-S	E2HT 14405-JA	E2HZ 14405-J
EOHT 14405-BBA	E1HZ 14405-S	★ E3HT 14405-AA	E3HZ 14405-C
EOHT 14405-BCA	E1HZ 14405-S	★ E3HT 14405-BA	E3HZ 14405-C
EOHT 14405-BDA	E1HZ 14405-S	★ E3HT 14405-CA	E3HZ 14405-C
EOHT 14405-BEA	E1HZ 14405-S	★ E3HT 14405-DA	E3HZ 14405-E
EOHT 14405-BFA	E1HZ 14405-S	★ E3HT 14405-EA	E3HZ 14405-E
EOHT 14405-BHA	E0HZ 14405-BJ	★ E3HT 14405-FA	E3HZ 14405-G
EM EOHT 14405-BHB	E0HZ 14405-BJ	★ E3HT 14405-GA	E3HZ 14405-G
EOHT 14405-BJA	E0HZ 14405-BJ	★ E3HT 14405-HA	E3HZ 14405-J
EM EOHT 14405-BJB	E0HZ 14405-BJ	★ E3HT 14405-JA	E3HZ 14405-J
EOHT 14405-BKA	E0HZ 14405-BK	★ E3HT 14405-UA	E3HZ 14405-U
EM EOHT 14405-BKB	E0HZ 14405-BK	★ E3HT 14405-VA	E3HZ 14405-V
EOHT 14405-BLA	E0HZ 14405-BM	E3HT 14405-YA	E3HZ 14405-Z
EM EOHT 14405-BLB	E0HZ 14405-BM	E3HT 14405-ZA	E3HZ 14405-Z
EOHT 14405-BMA	E0HZ 14405-BM	E3HT 14405-AAA	E3HZ 14405-AA
EM EOHT 14405-BMB	E0HZ 14405-BM	E3HT 14405-ABA	E3HZ 14405-AA
EOHT 14405-BNA	E0HZ 14405-BR	E3HT 14405-ACA	E3HZ 14405-AC
EM EOHT 14405-BNB	E0HZ 14405-BR	E3HT 14405-ADA	E3HZ 14405-C
EOHT 14405-BRA	E0HZ 14405-BR	E3HT 14405-AEA	E3HZ 14405-C
EX EOHT 14405-BRB	E0HZ 14405-BR	E3HT 14405-AFA	E3HZ 14405-C
EOHT 14405-BSA	E0HZ 14405-BT	E3HT 14405-AGA	E3HZ 14405-E
EM EOHT 14405-BSB	E0HZ 14405-BT	E3HT 14405-AHA	E3HZ 14405-E
EOHT 14405-BTA	E0HZ 14405-BT	E3HT 14405-AJA	E3HZ 14405-G
EM EOHT 14405-BTB	E0HZ 14405-BT	E3HT 14405-AKA	E3HZ 14405-G
EOHT 14405-BUA	E0HZ 14405-BV	E3HT 14405-ALA	E3HZ 14405-J
EM EOHT 14405-BUB	E0HZ 14405-BV	E3HT 14405-AMA	E3HZ 14405-J
EOHT 14405-BVA	E0HZ 14405-BV	E3HT 14405-ANA	E3HZ 14405-U
EM EOHT 14405-BVB	E0HZ 14405-BV	E3HT 14405-ARA	E3HZ 14405-V
EOHT 14405-BYA	E0HZ 14405-BY	E3HT 14405-ASA	E3HZ 14405-Z
EM EOHT 14405-BYB	E0HZ 14405-BY	E3HT 14405-ATA	E3HZ 14405-Z
E1HT 14405-AA	E1HZ 14405-A	E4HS 14405-AUA	E7HZ 14405-B
E1HT 14405-BA	E1HZ 14405-B	E4HS 14405-AVA	E7HZ 14405-C
E1HT 14405-BB	E1HZ 14405-B	E4HS 14405-BVA	E7HZ 14405-D
E1HT 14405-CA	E1HZ 14405-B	E4HT 14405-BA	E4HZ 14405-B
E1HT 14405-CB	E1HZ 14405-B	E4HT 14405-DA	E4HZ 14405-D
E1HT 14405-DA	E1HZ 14405-B	E4HT 14405-HA	E4HZ 14405-H
E1HT 14405-EA	E1HZ 14405-B	E4HT 14405-KA	E4HZ 14405-M
EX E1HT 14405-FA	E1HZ 14405-F	E4HT 14405-LA	E4HZ 14405-M
EX E1HT 14405-GA	E1HZ 14405-H	E4HT 14405-MA	E4HZ 14405-M
EX E1HT 14405-HA	E1HZ 14405-H	E4HT 14405-NA	E4HZ 14405-R
EX E1HT 14405-JA	E1HZ 14405-K	E4HT 14405-RA	E4HZ 14405-R
EX E1HT 14405-KA	E1HZ 14405-K	E4HT 14405-SA	E4HZ 14405-T
EX E1HT 14405-LA	E1HZ 14405-L	E4HT 14405-TA	E4HZ 14405-T
EX E1HT 14405-MA	E1HZ 14405-N	E4HT 14405-UA	E4HZ 14401-U
EX E1HT 14405-NA	E1HZ 14405-N	E4HT 14405-VA	E4HZ 14405-Y

1980/  
TRUCK SERIES 600/900

**IDENTIFICATION CHART**

(Arranged according to Identification Number)

IDENTIFICATION	PART NUMBER	IDENTIFICATION	PART NUMBER
E4HT 14405-YA	E4HZ 14405-Y	E7HT 14405-HB	E7HZ 14405-HB
E4HT 14405-ZA	E4HZ 14405-M	E7HT 14405-JA	E7HZ 14405-G
E4HT 14405-AAA	E4HZ 14405-AB	E7HT 14405-JB	E7HZ 14405-JB
E4HT 14405-ABA	E4HZ 14405-AB	E7HT 14405-KA	E7HZ 14405-L
E4HT 14405-ACA	E4HZ 14405-AF	E7HT 14405-KB	E7HZ 14405-KB
E4HT 14405-ADA	E4HZ 14405-AF	E7HT 14405-LA	E7HZ 14405-K
E4HT 14405-AEA	E4HZ 14405-AE	E8HT 14405-SA	E8HZ 14405-T
E4HT 14405-AFA	E4HZ 14405-AF	E8HT 14405-TA	E8HZ 14405-T
E4HT 14405-AHA	E4HZ 14405-AM	E8HT 14405-TB	E8HZ 14405-T
E4HT 14405-AJA	E4HZ 14405-AT	E8HT 14405-UA	E8HZ 14405-T
E4HT 14405-AKA	E4HZ 14405-AU	E8HT 14405-VA	E8HZ 14405-T
E4HT 14405-ALA	E4HZ 14405-T	E8HT 14405-YA	E8HZ 14405-Y
E4HT 14405-AMA	E4HZ 14405-AM	E8HT 14405-ZA	E8HZ 14405-Z
E4HT 14405-ANA	E4HZ 14405-AN	E8HT 14405-AAA	E8HZ 14405-A
E4HT 14405-ARA	E4HZ 14405-AN	E8HT 14405-ABA	E8HZ 14405-B
E4HT 14405-ASA	E4HZ 14405-AY	E8HT 14405-ACA	E8HZ 14405-C
E4HT 14405-ATA	E4HZ 14405-AT	E8HT 14405-ADA	E8HZ 14405-D
E4HT 14405-AUA	E4HZ 14405-AU	E8HT 14405-AEA	E8HZ 14405-AA
E4HT 14405-AVA	E4HZ 14405-AV	E8HT 14405-AFA	E8HZ 14405-BB
E4HT 14405-AYA	E4HZ 14405-AY	E8HT 14405-AGA	E8HZ 14405-BB
E4HT 14405-BAA	E5HZ 14405-BC	E8HT 14405-AHA	E8HZ 14405-AA
E4HT 14405-BBA	E5HZ 14405-BD	E8HT 14405-AJA	E8HZ 14405-AA
E4HT 14405-BCA	E5HZ 14405-BC	E8HT 14405-AKA	E8HZ 14405-CC
E4HT 14405-BDA	E5HZ 14405-BD	E9HT 14405-AA	E9HZ 14405-A
E5HT 14405-AC	E6HZ 14405-A	E9HT 14405-BA	E9HZ 14405-B
E5HT 14405-BC	E6HZ 14405-E	E9HT 14405-CA	E9HZ 14405-C
E5HT 14405-CA	E5HZ 14405-K	E9HT 14405-DA	E9HZ 14405-D
E5HT 14405-DA	E5HZ 14405-D	E9HT 14405-EA	E9HZ 14405-E
E5HT 14405-EA	E5HZ 14405-F	E9HT 14405-FA	E9HZ 14405-F
E5HT 14405-FA	E5HZ 14405-F	E9HT 14405-GA	E9HZ 14405-G
E5HT 14405-HA	E5HZ 14405-K	E9HT 14405-HA	E9HZ 14405-H
E5HT 14405-JA	E5HZ 14405-K	E9HT 14405-JA	E9HZ 14405-J
E5HT 14405-KA	E5HZ 14405-K	E9HT 14405-KA	E9HZ 14405-K
E5HT 14405-RA	E5HZ 14405-D	E9HT 14405-LB	E9HZ 14405-L
E5HT 14405-SA	E5HZ 14405-D	E9HT 14405-LC	E9HZ 14405-L
E5HT 14405-TA	E5HZ 14405-T	E9HT 14405-MC	E9HZ 14405-M
E5HT 14405-UC	E6HZ 14405-C	E9HT 14405-NB	E9HZ 14405-N
E5HT 14405-AMA	E8HZ 14405-AM	E9HT 14405-NC	E9HZ 14405-N
E6HT 14405-AA	E6HZ 14405-G	E9HT 14405-RB	E9HZ 14405-R
E6HT 14405-BB	E6HZ 14405-B	E9HT 14405-RC	E9HZ 14405-R
E6HT 14405-CB	E6HZ 14405-D	E9HT 14405-SB	E9HZ 14405-S
E6HT 14405-DB	E6HZ 14405-D	E9HT 14405-SC	E9HZ 14405-S
E6HT 14405-EA	E6HZ 14405-G	E9HT 14405-TB	E9HZ 14405-T
E6HT 14405-FA	E6HZ 14405-G	E9HT 14405-TC	E9HZ 14405-T
E6HT 14405-GA	E6HZ 14405-G	E9HT 14405-UB	E9HZ 14405-U
E6HT 14405-HB	E6HZ 14405-B	E9HT 14405-UC	E9HZ 14405-U
E6HT 14405-JB	E6HZ 14405-B	E9HT 14405-AAB	E9HZ 14405-AA
E6HT 14405-KB	E6HZ 14405-K	E9HT 14405-AAC	E9HZ 14405-AA
E6HT 14405-LA	E4HZ 14405-U	E9HT 14405-ABB	E9HZ 14405-AB
E6HT 14405-MA	E4HZ 14405-U	E9HT 14405-ABC	E9HZ 14405-AB
E6HT 14405-NA	E4HZ 14405-U	E9HT 14405-ACB	E9HZ 14405-AC
E6HT 14405-RA	E4HZ 14405-U	E9HT 14405-ACD	E9HZ 14405-AC
E6HT 14405-SA	E4HZ 14405-U	E9HT 14405-ADB	E9HZ 14405-AD
E6HT 14405-TA	E4HZ 14405-U	E9HT 14405-ADC	E9HZ 14405-AD
E6HT 14405-UA	E4HZ 14405-U	E9HT 14405-AEB	E9HZ 14405-AE
E7HT 14405-AA	E7HZ 14405-A	E9HT 14405-AED	E9HZ 14405-AE
E7HT 14405-GA	E7HZ 14405-H	E9HT 14405-AGA	E9HZ 14405-AG
E7HT 14405-GB	E7HZ 14405-GB	E9HT 14405-AGB	E9HZ 14405-AG
E7HT 14405-HA	E7HZ 14405-J	E9HT 14405-AHA	E9HZ 14405-AH

**1980/  
TRUCK SERIES 600/900**

**IDENTIFICATION CHART**

(Arranged according to Identification Number)

IDENTIFICATION	PART NUMBER	IDENTIFICATION	PART NUMBER
E9HT 14405-AHB	E9HZ 14405-AH	E9HT 14405-ARA	E9HZ 14405-AR
E9HT 14405-AJA	E9HZ 14405-AJ	E9HT 14405-ARB	E9HZ 14405-AR
E9HT 14405-AJB	E9HZ 14405-AJ	E9HT 14405-ASA	E9HZ 14405-AS
E9HT 14405-AKA	E9HZ 14405-AK	E9HT 14405-BKA	E9HZ 14405-BK
E9HT 14405-AKB	E9HZ 14405-AK	E9HT 14405-BLA	E9HZ 14405-BL
E9HT 14405-ALA	E9HZ 14405-AL	E9HT 14405-BMA	E9HZ 14405-BM
E9HT 14405-ALB	E9HZ 14405-AL	E9HT 14405-BNA	E9HZ 14405-BN
E9HT 14405-AMA	E9HZ 14405-AM	E9HT 14405-BRA	E9HZ 14405-BR
E9HT 14405-AMB	E9HZ 14405-AM	E9HT 14405-CKA	E9HZ 14405-AG
E9HT 14405-ANA	E9HZ 14405-AN	E9HT 14405-CRA	E9HZ 14405-AT
E9HT 14405-ANB	E9HZ 14405-AN		

YEAR	MODEL/RESTRICTIONS	ENGINE		PART NUMBER	DESCRIPTION	QTY.
		CYL.	C.I.D. (C.C.D.)			

**APPLICATION CHART**

**14405 WIRING ASSY. (REAR LAMP)**

B SERIES						
80/81	B600 -- 151" W/B "Before 10/80"	6&8	All	★ E1HZ 14405-K /bE0HZ 14405-BR		1
81/82	B600 -- 151" W/B "From 10/80 to 12/81"	6&8	All	★ E1HZ 14405-F		1
80/82	B600 -- 217" and 193" W/B "Before 12/81"	6&8	All	★ E1HZ 14405-H		1
80/81	B600/700 -- w/hydraulic brakes and 237" or 255" W/B	6&8	All	★ E0HZ 14405-BR		1
80/81	B700 -- w/hydraulic brakes and 275" W/B "Before 10/80"	6&8	All	★ E0HZ 14405-AF		1
81/82	B700 -- w/hydraulic brakes and 275" W/B "From 10/80 to 12/81"	6&8	All	★ E1HZ 14405-L		1
80/81	B600/700 -- w/air brakes and 237", or 255" W/B "Before 10/80"	6&8	All	★ E0HZ 14405-AH /bE1HZ 14405-N		1
81/82	B600/700 -- w/air brakes and 237", or 255" W/B "From 10/80 to 12/81"	6&8	All	★ E1HZ 14405-N		1
80/81	B700 -- w/air brakes and 275" W/B "Before 10/80"	6&8	All	★ E0HZ 14405-AJ /bE1HZ 14405-R		1
81/82	B700 -- w/air brakes and 275" W/B "From 10/80 to 12/81"	6&8	All	★ E1HZ 14405-R		1
82	B600/700 "From 12/81"	6&8	All	★ E2HZ 14405-AA		1
83/	B600/700	6&8	All	★	Supplied by Body Builders	

**C-CT SERIES**

80/	C600/900 -- 99" W/B	6&8	All	D5HZ 14405-G		1
80/83	C600/900 -- 111" W/B	6&8	All			1
84/	C600/800 -- 111" W/B w/air brakes	6&8	All			1
84/	C600/800 -- 111" W/B w/hyd. brakes	6&8	All	E4HZ 14405-B		1
80/	C600/900 -- 175" W/B	6&8	All	D5HZ 14405-H		1
80/82	CT800/900 -- 161" W/B	6&8	All			1
80/83	C600/900 -- 135" and 153" W/B	6&8	All	D5HZ 14405-J		1
84/	C600/800 -- 135" W/B w/air brakes	6&8	All			1
84/	C600/800 -- 153" W/B w/air brakes	6&8	All			1
80/82	CT800/900 -- 135" and 153" W/B	6&8	All	★ D5HZ 14405-D		1
80/83	C700/800 -- 206" W/B	6&8	All	D5HZ 14405-B		1
84/	C700/800 -- 206" W/B w/air brakes	6&8	All			1
84/	C700/800 -- 206" W/B w/hyd. brakes	6&8	All	E4HZ 14405-H		1
84/	C-CT600/800 -- 175" W/B w/hyd. brakes	6&8	All			1



1980/  
TRUCK SERIES 600/900

YEAR	MODEL/RESTRICTIONS	ENGINE		PART NUMBER	DESCRIPTION	QTY.
		CYL.	C.I.D. (C.C.D.)			
<b>APPLICATION CHART — Cont'd</b>						
<b>14405 WIRING ASSY. (REAR LAMP) — Cont'd</b>						
<b>C-CT SERIES</b>						
83/	C-CT800 -- 153", 161" W/B	6&8	All	E3HZ 14405-AA		1
83/	C-CT800 -- 135" W/B	6&8	All	E3HZ 14405-AC		1
84/	C600/800 -- 135" W/B w/hyd. brakes	6&8	All	E4HZ 14405-D		1
84/	C600/800 -- 153" W/B w/hyd. brakes	6&8	All			1
<b>CF SERIES</b>						
86	CF600/700 -- 153" W/B	6	All	★ E6HZ 14405-A		1
87	CF600/700 -- 153" W/B "Before 4/87"	6	All	E6HZ 14405-G		1
87/	CF600/800 -- 153" W/B "From 4/87"	6	All	E7HZ 14405-H		1
87/	CF600/800 -- 153" W/B	6	All	E7HZ 14405-GB		1
86	CF600/700 -- 171" W/B	6	All	★ E6HZ 14405-E		1
87	CF600/700 -- 171" W/B "Before 4/87"	6	All	E6HZ 14405-B		1
87/	CF600/800 -- 171" W/B "From 4/87"	6	All	E7HZ 14405-J		1
87/	CF600/800 -- 171" W/B	6	All	E7HZ 14405-HB		1
86	CF600/700 -- 189" W/B	6	All	★ E6HZ 14405-C		1
87	CF600/700 -- 189" W/B "Before 4/87"	6	All	E6HZ 14405-D		1
87/	CF600/800 -- 189" W/B "From 4/87"	6	All	E7HZ 14405-G		1
87/	CF600/800 -- 189" W/B	6	All	E7HZ 14405-JB		1
87/	CF600/800 -- 207" W/B	6	All	E7HZ 14405-L		1
87/	CF600/800 -- 207" W/B "Before 12/87"	6	All	E7HZ 14405-KB		1
87/	CF600/800 -- 207" W/B "From 12/87"	6	All	E7HZ 14405-LB		
87/	CF600/800 -- 225" W/B	6	All	E7HZ 14405-K		1
89	CF600/700 -- 117" W/B	6	All	E9HZ 14405-AS		1
<b>CL-CLT SERIES</b>						
80/84	CL900 -- 110", 120", 126", 134" and 142" W/B	6&8	All	★ D8HZ 14405-D		1
80/84	CLT900 -- 142", 145", 148", 152" and 163" W/B	6&8	All	★ D8HZ 14405-L		1
80/84	CLT900 -- 178", 186", 204", 246" W/B	6&8	All	★ D8HZ 14405-M		1
85	CL-CLT900 -- 142", 145", 148", 152", 163", 178" W/B	6&8	All	★ E5HZ 14405-D		1
85	CL-CLT900 -- 204" W/B	6&8	All	★ E5HZ 14405-F		1
85	CL-CLT900 -- 120", 126", 134", 142" W/B	6&8	All	★ E5HZ 14405-K		1
85	CLT900 -- 246" W/B	6&8	All	★ E5HZ 14405-T		1
86/87	CL900	6&8	All	E6HZ 14405-G		1
88/	CL-CLT900	6&8	All	E8HZ 14405-T		1
86/	CLT900 -- 142", 152", 163", 178" W/B	6&8	All	E6HZ 14405-B		1
86/	CLT900 -- 168", 184", W/B	6&8	All	E6HZ 14405-D		1
86/	CLT900 -- 246" W/B	6&8	All	E6HZ 14405-K		1
88/	CLT900 -- 142", 152", 163", 178" W/B	6&8	All	E8HZ 14405-AA		1
88/	CLT900 -- 186"-204" W/B	6&8	All	E8HZ 14405-BB		1
88/	CLT900 -- 246" W/B	6&8	All	E8HZ 14405-CC		1
89	CL900 -- 120" W/B w/ single rr axle	6&8	All	E9HZ 14405-A		1
89	CL900 -- 126" W/B w/single rr axle	6&8	All	E9HZ 14405-C		
89	CL900 -- 134" W/B w/single rr axle	6&8	All	E9HZ 14405-D		

1980/  
TRUCK SERIES 600/900

YEAR	MODEL/RESTRICTIONS	ENGINE		PART NUMBER	DESCRIPTION	QTY.
		CYL.	C.I.D. (C.C.D.)			
<b>APPLICATION CHART — Cont'd</b>						
<b>14405 WIRING ASSY. (REAR LAMP) — Cont'd</b>						
<b>CL-CLT SERIES</b>						
89	CL900 -- 142" W/B w/single rr axle	6&8	All	E9HZ 14405-B		1
89	CLT900 -- 142",145",148",152" W/B w/Tandem rr axle	6&8	All	E9HZ 14405-H		1
89	CLT900 -- 163" W/B w/Tandem rr axle	6&8	All	E9HZ 14405-J		1
89	CLT900 -- 176" W/B w/Tandem rr axle	6&8	All	E9HZ 14405-E		1
89	CLT900 -- 186" W/B w/Tandem rr axle	6&8	All	E9HZ 14405-F		1
89	CLT900 -- 204" W/B w/Tandem rr axle	6&8	All	E9HZ 14405-G		1
89	CLT900 -- 246" W/B w/Tandem rr axle	6&8	All	E9HZ 14405-K		1
80/82	F600/800 -- w/hydraulic brakes and 129",141", 153", 171" WB "Before 12/81"	6&8	All	E0HZ 14405-BJ		1
80/82	F600/800 -- w/hydraulic brakes and 171", or 177" W/B "Before 12/81"	6&8	All	★ F0HZ 14405-BK		1
80/82	F600/800(81) -- w/hydraulic brakes and 189" or 207" W/B "Before 12/81"	6&8	All	★ E0HZ 14405-BM		1
80/82	F600/800 -- w/hydraulic brakes and 225", or 237" W/B exc. model 81 w/501 diesel "Before 12/81"	6&8	All	★ E0HZ 14405-BR		1
80/82	F600/800 -- w/air brakes and 129",141", or 153" W/B exc. model 81 w/501 diesel "Before 12/81"	6&8	All	★ E0HZ 14405-BT		1
80/82	F600/800 -- w/air brakes and 171", or 177" W/B exc. model 81 w/501 diesel "Before 12/81"	6&8	All	★ E0HZ 14405-S		1
80/82	F600/800 -- w/air brakes and 207" or 189" W/B exc. model 81 w/501 diesel "Before 12/81"	6&8	All	★ E0HZ 14405-BV		1
80/82	F600/800 -- w/air brakes and 225", or 237" W/B "Before 12/81"	6&8	All	★ E0HZ 14405-BY		1
82	F600/800(84) "From 12/81"	6&8	All	★ E2HZ 14405-AA		1
82	F600/800(81) -- 129" W/B "From 12/81"	6&8	All	★ E2HZ 14405-A		1
82	F600/800(81) -- 140" W/B "From 12/81"	6&8	All	★ E2HZ 14405-B /bE2HZ 14405-C		1
82	F600/800(81) -- 153" W/B "From 12/81"	6&8	All	★ E2HZ 14405-C		1
82	F600/800(81) -- 170" W/B "From 12/81"	6&8	All	★ E2HZ 14405-D		1
82	F600/800(81) -- 177" W/B "From 12/81"	6&8	All	★ E2HZ 14405-E		1
82	F600/800(81) -- 189" W/B "From 12/81"	6&8	All	★ E2HZ 14405-F /bE2HZ 14405-G		1

**1980/  
TRUCK SERIES 600/900**

YEAR	MODEL/RESTRICTIONS	ENGINE		PART NUMBER	DESCRIPTION	QTY.
		CYL.	C.I.D. (C.C.D.)			
<b>APPLICATION CHART — Cont'd</b>						
<b>14405 WIRING ASSY. (REAR LAMP) — Cont'd</b>						
<b>CL-CLT SERIES</b>						
82	F600/800(81) -- 207" W/B "From 12/81"	6&8	All	★ E2HZ 14405-G		1
82	F600/800(81) -- 225" W/B "From 12/81"	6&8	All	★ E2HZ 14405-H /bE2HZ 14405-J		1
82	F600/800(81) -- 237" W/B "From 12/81"	6&8	All	E2HZ 14405-J		1
83/	F600/800(81) -- 129",140",153" W/B	6&8	All	★ E3HZ 14405-C /bF2HZ 14405-D		1
83/	F600/800(81) -- 170",177" W/B	6&8	All	★ E3HZ 14405-E /bF2HZ 14405-E		1
83/	F600/800(81) -- 189",207" W/B	6&8	All	★ E3HZ 14405-G /bF2HZ 14405-F		1
83/	F600/800(81) -- 225",237" W/B	6&8	All	★ E3HZ 14405-J /bF2HZ 14405-G		1
83/	FT800(81) -- 154" W/B	6&8	All	★ E3HZ 14405-U /bF2HZ 14405-K		1
83/84	FT800(81) -- 178" W/B	6&8	All	★ E3HZ 14405-V		1
83/	F-FT600/800(81) -- 196", 214" W/B	6&8	All	E3HZ 14405-Z		1
83/	F600/800(84)	6&8	All	★	Supplied by Body Builders	
89	F600/900(81) -- 255",256" W/B	6&8	All	E9HZ 14405-F		1
89	F600/800 -- 255" W/B	6&8	All	★ E9HZ 14405-AG /bF2HZ 14405-H		1
80	LNT800/900 -- 144", 150" and 162" W/B	6&8	All	★ D0HZ 14405-B 736,855 /bE1HZ 14405-S		1
80	LTS800/900 -- 155" W/B	6&8	All			1
80	L800/900 -- 155" W/B	6&8	All			1
80	LT900 -- 150" and 162" W/B w/air suspension	6&8	All			1
80	LT800/900 -- 150" W/B	6&8	All	★ D0HZ 14405-X		1
80	LN800/900 -- 150" and 162" W/B	6&8	All			1
80	LNT880900 -- 138" W/B	6&8	All			1
80	L800/900 -- 138" and 150" W/B	6&8	All			1
80	LN600/750 -- 124" and 136" W/B	6&8	All			1
80	L-LT800/900 -- 174" W/B	6&8	All	★ D0HZ 14405-D		1
80	LTS800/900 -- 167" W/B	6&8	All			1
80	LN600/750 -- 166" W/B	6&8	All			1
80	LN-LNT800 -- 174" W/B	6&8	All			1
80	LNT900 -- W/150" and 162" W/B w/air suspension	6&8	All			1
80	LTS800/900 -- 167" and 186" W/B	6&8	All			1
80	LN600/750 -- 184" W/B	6&8	All			1
80	L-LNT800/900 -- 222" W/B	6&8	All			1
80	LTS800/900 -- 203" W/B	6&8	All			1
80	L-LT900 -- 204" W/B	6&8	All			1
80	LN-LNT800 -- 204" W/B	6&8	All			1
80	LNT800/900 204" and 222" W/B	6&8	All			1
80	LN600/750 -- 203" and 222" W/B	6&8	All	★ D0EZ 14405-N		1
80	LT800/900 -- 236" W/B	6&8	All			1
80/83	LN600/750 -- 250" W/B	6&8	All	D5HZ 14405-A		1
81/83	L-LT-LTS-LN-LNT600/900 exc. 250" W/B	6&8	All	E1HZ 14405-S		1
84/	LN600/700 -- 124",136",148" W/B	6&8	All	E4HZ 14405-M		1
84/	L-LN800 -- 138",150" W/B	6&8	All			1

**1980/  
TRUCK SERIES 600/900**

YEAR	MODEL/RESTRICTIONS	ENGINE		PART NUMBER	DESCRIPTION	QTY.
		CYL.	C.I.D. (C.C.D.)			
<b>APPLICATION CHART — Cont'd</b>						
<b>14405 WIRING ASSY. (REAR LAMP) — Cont'd</b>						
<b>L SERIES</b>						
84/	LN600/700 -- 166",184" W/B	6&8	All	★ E4HZ 14405-R		1
84/	LN600/700 -- 202",220" W/B	6&8	All	★ E4HZ 14405-T		1
84/	LN800 -- 222 W/B "From 11/83"	6&8	All			1
84/	LNT800/900 -- 222" W/B "Before 10/85"	6&8	All			1
84/	LN600/700 -- 250" W/B	6&8	All	E4HZ 14405-U		1
84/	L800 -- 162" W/B	6&8	All	E4HZ 14405-Y		1
84	LN800 -- 150" W/B	6&8	All			1
84/	L800 -- 174" W/B	6&8	All	E4HZ 14405-AB		1
84/	LN800 -- 186" W/B	6&8	All			1
84	LN800 -- 222" W/B "Before 11/83"	6&8	All	E4HZ 14405-AE		1
84/	L800 -- 222" W/B	6&8	All	E4HZ 14405-AF		1
84/	L-LN800 -- 204" W/B	6&8	All			1
84/	LNT800 -- 204" W/B	6&8	All	E4HZ 14405-AM		1
84/	LT-LTL800/900 -- 204" W/B	6&8	All			1
84/	LNT800 -- 174",186" W/B	6&8	All	E4HZ 14405-AN		1
85/	LN800/900 -- 204" W/B	6&8	All			1
84/	LNT800/900 -- 150" W/B	6&8	All	E4HZ 14405-AT		1
84/	LT-LTL800/900 -- 162" W/B	6&8	All			1
86/	LNT800/900 -- 222" W/B	6&8	All			1
84/	LNT800/900 -- 138" W/B	6&8	All	E4HZ 14405-AU		1
84/	LT800/900 -- 150" W/B	6&8	All			1
84/	LT-LTL800/900 -- 222" W/B	6&8	All	E4HZ 14405-AV		1
84/	LT-LTL800/900 -- 186" W/B	6&8	All	E4HZ 14405-AY		1
84/	LNT800/900 -- 162" W/B	6&8	All			1
84/	LT800 -- 174" W/B	6&8	All			1
82/	LTL900 -- 246" W/B	6&8	All	E1HZ 14405-A		1
82/	LTL900 -- 174",186",204", 222" W/B	6&8	All	E1HZ 14405-B		1
85/	LN800/900 -- 174",222" W/B- w/city delivery instr. panel	6&8	All	E5HZ 14405-BC		1
85/	LN800/900 -- 138",186" W/B- w/city delivery instr. panel	6&8	All	E5HZ 14405-BD		1
87/	LL900 -- 174",186" W/B	6&8	All	E7HZ 14405-B		1
87/	LL900 -- 204" W/B	6&8	All	E7HZ 14405-C		1
87/	LL900 -- 224" W/B	6&8	All	E7HZ 14405-D		1
87/	LL900 -- 246" W/B	6&8	All	E7HZ 14405-A		1
88/	LTL900 -- 204" W/B w/E4 Hendrikson suspension	6&8	All	E8HZ 14405-A		1
88/	L-LN700/900 -- 150" WB w/Neway air suspension w/tandem rr axle	6&8	All	E8HZ 14405-AM		1
88/	L-LN800/900 -- 174" W&B w/Tandem axle	6&8	All	E8HZ 14405-Y		1
88/	L-LN800/900 -- 186" W/B w/Tandem axle w/ Hendrikson suspension	6&8	All	E8HZ 14405-Z		1
88/	L-LN800/900 -- 204" W/B w/Tandem axle	6&8	All	E8HZ 14405-B		1
88/	L LN800/900 -- 222" W/B	6&8	All	E8HZ 14405-C		1
88/	L-LN800/900 -- 246" W/B w/Tandem axle	6&8	All	E8HZ 14405-D		1
89	L800 -- 138" W/B w/ single rr axle	6&8	All	E9HZ 14405-N		1
89/	L LN700/900 234" W/B	6&8	All	E9HZ 14405-BK		1
89	L LN700/900 258" W/B	6&8	All	E9HZ 14405-BR		1

1980/  
TRUCK SERIES 600/900

YEAR	MODEL/RESTRICTIONS	ENGINE		PART NUMBER	DESCRIPTION	QTY.
		CYL.	C.I.D. (C.C.D.)			
<b>APPLICATION CHART — Cont'd</b>						
<b>14405 WIRING ASSY. (REAR LAMP) — Cont'd</b>						
<b>L SERIES</b>						
89/	L-LN700/900 -- 258" W/B	6&8	All	E9HZ 14405-AR		1
89	L800/900 -- 131" W/B w/setback axle	6&8	All	E9HZ 14405-M		1
89	L-LN800/900 -- 138",150" W/B w/single rr axle	6&8	All			1
89	LN-LNT800/900 -- 186" W/B diesel	6&8	All	E9HZ 14405-AE		1
89/	L-LL-LN-LNT700/900 -- 131" 144" 150" w/setback axle, single rr axle or w/ E4 suspension, rr Tandem axle					1
89	LTL900 -- 204" W/B w/Tandem axle	6&8	All			1
89/	L-LL-LN-LT-LS-LTL-LTS 800/900 -- 234", 239", 246" W/B	6&8	All	E9HZ 14405-BL		1
89	L-LT-LN-LNT800/900 -- 234" W/B	6&8	All	E9HZ 14405-R		1
89	L-LT-LN-LNT-LTL800/900 -- 136", 246" W/B	6&8	All	E9HZ 14405-S		1
89/	L-LL-LN-LT-LNT-LTL700/900 -- 246" W/B	6&8	All	E9HZ 14405-BM		1
89/	L-LL-LN-LT-LNT-LTL-LTS 700/900 -- 227," 239", 258" w/setback axle	6&8	All	E9HZ 14405-BN		1
89	LN-LNT-LTL800/900 -- 246" W/B	6&8	All	E9HZ 14405-AN		1
89	LTL900 -- 204" W/B	6&8	All	E9HZ 14405-AK		1
89	LN-LNT-LTL800/900 -- 204", 222" W/B	6&8	All	E9HZ 14405-AL		1
89	LN-LNT800/900 -- 222" W/B	6&8	All	E9HZ 14405-T		1
89	LN-LNT800/900 -- 136" W/B	6&8	All	E9HZ 14405-AM		1
89	L-LT-LN-LNT-LTL800/900 -- 258" W/B	6&8	All	E9HZ 14405-U		1
89	L800/900 -- 143", 162" W/B w/single rr axle	6&8	All	E9HZ 14405-L		1
89	LT800/900 -- 150" W/B w/Tandem rr axle	6&8	All			1
89	LNT800/900 -- 138" W/B w/Tandem rr axle	6&8	All			1
89	LN800/900 -- 162" W/B w/single rr axle	6&8	All	E9HZ 14405-AH		1
89	LT-LTL800/900 -- 162" W/B w/Tandem rr axle	6&8	All			1
89	LNT800/900 -- 144", 150" W/B w/Tandem rr axle	6&8	All			1
89	LTS800/900 -- 143" W/B w/Tandem rr axle	6&8	All			1
89	L-LT800/900 -- 174" W/B	6&8	All	E9HZ 14405-AJ		1
89	LTL900 -- 186" W/B	6&8	All			1
89	LTS800/900 -- 155" W/B	6&8	All			1
89	L-LT800/900 -- 204" W/B w/reg. axle	6&8	All	E9HZ 14405-AA		1
89	LTS800/900 -- 185" W/B w/setback axle	6&8	All			1

1980/  
TRUCK SERIES 600/900

YEAR	MODEL/RESTRICTIONS	ENGINE		PART NUMBER	DESCRIPTION	QTY.
		CYL.	C.I.D. (C.C.D.)			
<b>APPLICATION CHART — Cont'd</b>						
<b>14405 WIRING ASSY. (REAR LAMP) — Cont'd</b>						
<b>L SERIES</b>						
89	LN800/900 -- 162" W/B w/single rr axle	6&8	All	E9HZ 14405-AB		1
89	LT800/900 -- 162" W/B w/Tandem rr axle	6&8	All			1
89	LNT800/900 -- 144", 150 W/B, w/Tandem rr axle	6&8	All			1
89	LTS800/900 -- 143" W/B w/Tandem rr axle	6&8	All			1
89	L-LT800/900 -- 162, 222" W/B	6&8	All	E9HZ 14405-AC		1
89	LN-LNT800/900 -- 144, 150, 204" W/B	6&8	All			1
89	LTS800/900 -- 143, 203" W/B	6&8	All			1
89	L-LT800/900 -- 186" W/B	6&8	All	E9HZ 14405-AD		1
89	LN-LNT800/900 -- 174" W/B	6&8	All			1
89	LTS800/900 -- 167" W/B w/setback axle	6&8	All			1
<b>14A405 Refer to group 14456</b>						
<b>14406 WIRING ASSY. (FUEL TANK SENDER)-If not listed below improvise from bulk wire (14296)</b>						
80/85	F600/800 (81) exc. 501 diesel and R.H. mechanical fuel pump "Before 3/85"	6&8	All	★ E0HZ 14406-C	#E0HT 14406-AC,BC,CC, ED-E0HT 14406-AC, E3HT 14406-AA,AB,BA	1
81/84	F600/800 -- w/R.H. mechanical fuel pump	6&8	All	★ E1HZ 14406-A	#ED E1HT 14406-CA, E3HT 14406-CA	1
85/	B-F-T600/900 -- w/R.H. mechanical fuel pump	6&8	All	E5HZ 14406-A	#E4HT 14406-DA	1
85/	C-CT600/900 -- diesel	6&8	All			1
80	F600/800(81) -- w/turbo exhaust	8	501	★ E0HZ 14406-D	#E0HT 14406-MA,NA	1
82/85	B-F600/800(84) -- w/R.H. 18 gal. under Cab fuel tank "Before 3/85"	6&8	All	★ E2HZ 14406-A	#E1HT 14406-EA,FA-also used with R.H. 30/60 gal. rectangular fuel tanks	1
85/	F600/800(81) -- diesel w/R.H. or L.H. fuel tanks "From 3/85"	8	All	E5HZ 14406-C	#E5HT 14406-BB,CB	1
85/	B-F600/800(84) -- diesel w/R.H. fuel tank "From 3/85"	8	All	E5HZ 14406-G	#E5HT 14406-EB,GB	1
89	B600/800 -- diesel	6&8	All	E9HZ 14406-C	#E9HT 14406-CA	1
89	F600/900(81) -- diesel w/RH single fuel tank or dual mounted tanks	6&8	All	E9HZ 14406-A	#E9HT 14406-AA	1
89	F600/900(81) -- diesel w/LH mounted single fuel tanks or dual mounted tanks	6&8	All	E9HZ 14406-D	#E9HT 14406-DA	1
89	F600/800(84) -- diesel	6&8	All	E9HZ 14406-B	#E9HT 14406-BA	1
86/87	CF700/800	6&8	All	E6HZ 14406-J	E5HT 14405-JA,JB	
87/	CF600/800	6&8	All	E7HZ 14406-B	E7HT 14406-BA	
85/	C-CT600/900 -- gas w/R.H. or L.H. 30 or 50 gal. fuel tank "From 3/85"	8	370,429	E5HZ 14406-D	R.H. or L.H. #E5HT 14406-DA, E8HT 14405-CA	1or2
87/	C-CT600/900 -- diesel "Before 12/86"	6&8	All		R.H.&L.H. usage prior 12/86-L.H. usage only from 12/86	1or2
87/	C-CT600/900 -- diesel "From 12/86"	6&8	All	E7HZ 14406-A	#ED 170774-R.H.	1
85/	C-CT600/900 -- gas w/50 gal. fuel tanks "From 3/85"	8	370,429	E5HZ 14406-F	#E5HT 14406-FA	1
88/	C-CT600/800 -- Roadway	6&8	501	E8HZ 14405-B	#E8HT 14406-BA	1

1980/  
TRUCK SERIES 600/900

YEAR	MODEL/RESTRICTIONS	ENGINE		PART NUMBER	DESCRIPTION	QTY.
		CYL.	C.I.D. (C.C.D.)			
<b>14406 WIRING ASSY. (FUEL TANK SENDER)-If not listed below improvise from bulk wire (14296) — Cont'd</b>						
86/	CF600/700 -- diesel "Before 4/87"	6	402,476	E6HZ 14406-J	#E5HT 14406-JB	1
87/	CF600/800 "From 4/87"	6	402,476	E7HZ 14406-B	#E7HT 14406-BA	1
89	L-LN-LNT-LT-LTL-LTS600/900 -- w/setback axle, w/75,95,125 gal. dual fuel tanks	6&8	All	E8HZ 14406-D	#E8HT 14406-DA	1
89	LTS800/900 -- w/125 gal. dual fuel tank	6&8	All	E9HZ 14406-F	#E8HT 14406-FA	1
<b>14W407 WIRING ASSY. (EXHAUST BRAKE CONTROL VALVE ACTUATING)</b>						
86/87	CF600/700 -- diesel w/o tractor pkg. "Before 10/87"	6	402,476	★ E6HZ 14W407-A /bE7HZ 14W407-A		1
87/	CF600/800 -- diesel w/o tractor pkg. "From 10/87"	6	402,476	E7HZ 14W407-A		1
87/	CF600/800 -- diesel w/tractor	6	402,476	E8HZ 14W407-A		1
<b>14A408 WIRE ASSY. (DASH PANEL TO HEAD LAMP JUNCTION EXTENSION)</b>						
81/	LTL900	6&8	All	E1HZ 14A408-A	#E1HT 14A408-AA	1
<b>14W408 WIRING ASSY. (EXHAUST BRAKE CONTROL)</b>						
86/	CF600/800 -- diesel	6	401,476	E6HZ 14W408-A		1
<b>14A411 WIRING ASSY. (MAIN JUMPER)</b>						
80/83	CL-CLT900	6&8	All	★ D9HZ 14A411-A	#Dev. 103426 -- connects 14401 to 2C013 headlamp relays and instrument cluster	1
83	B-F-FT600/800	6&8	All	★ E3HZ 14A411-A	Connected 14401 to 13A024 headlamp dimmer switch	11
86/	CF600/800 -- diesel	6	402,476	E7HZ 14A411-A	#E7HT 14A411-AA-includes (1) E0VB 14A601-AA resistor (470 OHMs)-black	1
<b>14A413 WIRING ASSY. (RELAY FEED EXTENSION)</b>						
80/83	CL-CLT900 -- w/anti skid "Before 12/82"	6&8	All	★ D8HZ 14A413-A	#D7HT 14A413-AB,AC, D8HT 14A413-AA	1
83/84	CL-CLT900 -- w/anti skid "From 12/82"	6&8	All	★ E3HZ 14A413-A	#E3HT 14A413-AA	1
80/83	CL-CLT900 -- w/o anti skid "Before 12/82"	6&8	All	★ D8HZ 14A413-C	#D7HT 14A413-BB, D8HT 14A413-BA	1
83/84	CL-CLT900 -- w/o anti skid "From 12/82 to 12/83"	6&8	All	★ E3HZ 14A413-B	#E3HT 14A413-BA	1
84/	CL-CLT900 "From 12/83"	6	893	E4HZ 14A413-A	#E4HT 14A413-AA	1
85/88	CL-CLT900 -- exc. 893 diesel	6&8	All	E5HZ 14A413-A	#E5HT 14A413-AA	1
89	CL-CLT900 -- exc. 893 diesel	6&8	All	E9HZ 14A413-B	#E9HT 14A413-CA	1
84	CL-CLT900 "From 12/83"	6&8	552,568	★ E4HZ 14A413-B	#E4HT 14A413-BA	1
88/	L-LS-LN800/900 -- w/single rr axle & locking main diff.	6&8	All	E9HZ 14A413-A	For connecting interlock solenoid if 10B858 is too short	1
<b>14417 HOLDER (FUSE)</b>						
80/	B-F600/800	6&8	All	★ E0TZ 14417-A	Use to repair all terminations with 10 or 12 ga. wire at fuse panel	AR
80/84	C-CT600/900	6&8	All	★ D6TZ 14417-A		9
86/	CF600/800 -- diesel	6	402,476	E6HZ 14417-A	2 terminal	1
86/	CF600/800 -- diesel	6	402,476	E6HZ 14417-B	3 terminal	5
86/	CF600/800 -- diesel	6	402,476	E6HZ 14417-D	9 terminal	1
<b>14431 CABLE ASSY. (RELAY TO STARTER)-If not listed below improvise from bulk wire (14296)</b>						
80/84	B-F600/800 -- gas	6&8	All	E0HZ 14431-A	*WC-8469- #ED-E0HT 14431-AB,AC,AD-52" long 4 ga.	1
85	B-F600/900 -- fixed hood "Before 7/85"	6&8	All			1
85/	B-F600/900 -- fixed hood "From 7/85"	8	370,429	E5HZ 14431-C	*WC-8617-EDE5HT 14431-CA	1
85	B-F600/900 -- tilt hood "Before 7/85"	6&8	All	E3HZ 14431-A	*WC-8598-E3HT 14431-AA-41" long-4 ga.	1
85/	B-F600/800 -- tilt hood "From 7/85"	8	370,429	E5HZ 14431-B	*WC-8616-EDE5HT 14431-BA	1

1980/  
TRUCK SERIES 600/900

YEAR	MODEL/RESTRICTIONS	ENGINE		PART NUMBER	DESCRIPTION	QTY.
		CYL.	C.I.D. (C.C.D.)			
<b>14431 CABLE ASSY. (RELAY TO STARTER)-If not listed below improvise from bulk wire (14296) — Cont'd</b>						
80	L-LN-LNT-LT-LTS600/900	6&8	All	D1PZ 14431-A	*7136- #D1PF-14431-AA- universal-15" long 6 gauge-dash to engine ground Use as a ground cable to correct poor blower motor and gauge operations (body to frame) Use as engine ground	1 1 1 1
80/	C-CT600/800 -- gas	6&8	All			1
80/	B-F600/800 -- gas & diesel	6&8	All			1
83	FT800 -- diesel	8	501			1
80/	CL-CLT900 -- w/Delco alternator	6&8	All		Use as alternator to engine ground	1
80/	C600	6	All	★ D1PZ 14431-C	*7284- #D1PF-CA, D4HF-BA-universal-28" long 4 gauge	1
80/81	C-CT800/900	8	401,477 534	D1PZ 14431-H	*WC-8094- #D1PF 14431-HA-universal-51" long- 1 gauge	1
80/	L-LN-LNT-LT-LTS-LTL600/900 -- gas	8	All	D1PZ 14431-B	*7244- #D1PF 14431-BA-universal -23 1/2" long- 4 gauge-use as engine ground Use as alternator to ground	1 1
80/	L-LN-LNT-LT-LTL900 -- diesel and 65,70 amp. L/N alternator	8	903			1
80/	B-F600/800 -- diesel	8	501		Use as frame to ground	1
83	C-CT600/900 -- diesel	6&8	All			1
83	CL-CLT900 -- diesel	6&8	All			1
80/81	L-LT-LTS800/900 -- gas "Before 4/80"	8	475,477, 534	★ D5HZ 14431-C	*WC-8309- #D5HF- 14431-CA, D9HT 14431-GA 53" long-4 gauge-use as relay to starter	1
80	LN-LNT800/900 -- gas "Before 4/80"	8	475,477, 534	★ D1PZ 14431-J	*WC-8096- #D1PF 14431-JA,D5HF 14431-AA universal 43" long-4 gauge-use as battery to starter	1
80/	CL-CLT900	6&8	All	D1PZ 14431-F	*WC-6181- #D1PF 14431-FA-universal 20" long- 1 gauge-use as dash to engine ground Use as engine ground cable	2 1 1
80/	B-F600/880 -- gas	6&8	All			1
80/	L-LN-LNT-LT-LTS-LTL800/900 -- diesel	6&8	All			1
83	C-CT600/900 -- gas	8	370,429			1
83	L-LN-LNT-LT-LTS600/900 -- gas	6&8	All			1
80/83	C-CT600/800 "Before 6/83"	8	370,429	★ D9HZ 14431-A	*WC-8403- #D9HT 14431-AB,BB,DB-ED D9HT 14431-AB,BB,DB-42" long 4 gauge	1 1
80	LN-LNT600/800 "Before 4/80"	8	370,429			1
80	L-LT-LTS800 "Before 4/80"	8	370,429	★ D9HZ 14431-B /bE3HZ 14431-B	*WC-8404- #D9HT 14431-CB-EDD9HT 14431-CB 48" long 4 gauge	1
83/	C-CT600/900 -- gas "From 6/83"	8	370,429	E3HZ 14431-B	*WC-8564- #E3HT 14431-BA 44" long-4 gauge	1
80/	B-F600/800 -- diesel	8	501	D9HZ 14431-C	*WC-8467- #D9HT 14431-EA-E0HT 14431-FA- 9" long Use as engine ground	1 1 1 1
83	B-F600/800 -- diesel	8	501			1
83	C-CT800 -- diesel	8	501			1
83	LN600/700 -- diesel	8	501			1
80/83	L-LT-LTS-LN-LNT600/800	8	370,429	★ E0HZ 14431-B	*WC-8487- #E0HT 14431-BA,DA,EA-66" long- 4 gauge-use as relay to starter motor	1 1
80/81	LN-LNT800 "From 4/80"	8	475,477, 534			1
84/	L-LN-LNT-LT-LTS600/800	8	370,429	E4HZ 14431-A	*WC-8587- #E4HT 14431-AA,BA-66" long- 4 gauge	1
80/81	L-LT-LTS800 "From 4/80"	8	475,477, 534	★ E0HZ 14431-C	*WC-8488- #E0HT 14431-CA 73" long-4 gauge use as relay to starter motor	1
80/	C-CT600/900	8	All	★20314-S8	(B-98)-bolt (relay to starter cable to cyl. block) 7/16" -14 x 1/2"	1
				★34808-S8	(X-67)-lockwasher-7/16"	1
80/	LN600/750	6&8	All	★20308-S7	(B-40)-bolt (relay to starter cable to R.H. frame brace gusset) 1/4"-20 x 1/2"	1
80/	C600 -- gas	6	All	★20384-S8	(B-43)-bolt (relay to starter cable to frame) 1/4" -20 x 1"	1
80/	C600	8	All			1
		6&8	All	★33795-S7	(M-49)-nut 1/4" -20	1



**1980/  
TRUCK SERIES 600/900**

YEAR	MODEL/RESTRICTIONS	ENGINE		PART NUMBER	DESCRIPTION	QTY.
		CYL.	C.I.D. (C.C.D.)			
<b>14431 CABLE ASSY. (RELAY TO STARTER)-If not listed below improvise from bulk wire (14296) — Cont'd</b>						
80/	LN-LNT800/900 -- gas	8	All	★20386-S8	(B-53)-bolt (relay to starter cable to R.H. frame side member)-5/16" -18 x 1"	1
				★33797-S7	(M-50)-nut-5/16" -18	1
				★34806-S7	(X-64)-lockwasher-5/16"	1
<b>14A434 SPACER (WIRING CONNECTOR)</b>						
82/	B-F-FT600/800(81)	6&8	All	★E2HZ 14A434-A	#E2HT 14A468-AA-Required in bulk head wiring connector 14489 to maintain alignment of terminals	1
83/	C-CL-CLT-CT600/900	6&8	All			1
83/	L-LN-LNT-LT-LTS600/900	6&8	All			1
<b>14439 WIRE ASSY. (STARTER MOTOR RELAY TO JUNCTION BLOCK)</b>						
84/	L-LN-LNT-LT-LTL-LTS600/900 -- w/hyd. brakes	6&8	All	E4HZ 14439-A	#E4HT 14439-AA-includes 7" long (12 ga.) fuse link	1
<b>14A439 BUS BAR</b>						
80/	C-CT600/900 -- w/air brakes	6&8	All	D5HZ 14A439-A	Located at circuit breaker mounting bracket	1
80/	L-LN-LNT-LT-LTS600/900- w/ air brakes	8	All		Use w/city delivery instrument panel	1
86/	CF600/800 -- diesel w/o intermittent wipers	6	402,476	E6HZ 14A439-A	Wiper relay	1
<b>14A441 TERMINAL ASSY. (WIRING)-Improvise from bulk wire (14296)</b>						

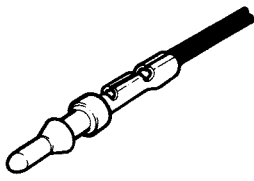

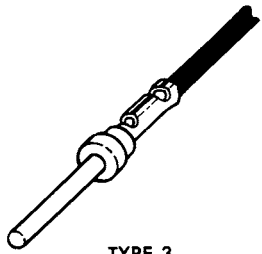
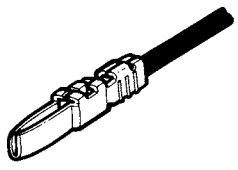
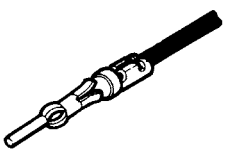
YEAR	MODEL / RESTRICTIONS	ENGINE		PART NUMBER	BASE SIZE (INCHES)	STUDS	THREAD SIZE (INCHES)	PAINT MARKING	QTY.
		CYL.	C.I.D.						
<b>14448 BLOCK ASSY. (JUNCTION)</b>									
Notes: ⊕ Includes (1) or (2) 34053-S8 nut									
80/	B-F-FT600/800	6&8	All	D3TZ 14448-A	2 23/32 x 29/32	1	1/4 x 20	Yellow	AR
84/	L-LN-LNT-LT-LTL-LTS600/900	6&8	All	*DY-141					AR
86/	CF600/800	6	402,476			1			1
80/	CL-CLT900	6&8	All	D8HZ 14448-A	3 x 5/8	3	No. 10-24		1
80/	L-LN-LNT-LT-LTS600/900	6&8	All	C6TZ 14448-B	12 x 1	14	No. 10-24		2
80/	L-LN-LNT-LT-LTS600/900	6&8	All	D0HZ 14448-F	9 1/2 long	11	No. 10-24		1
82/	B-F600/800(84)	6&8	All			1			
80/	L-LN-LNT-LT-LTS600/900	6&8	All	D0HZ 14448-A *DY-86	5 7/8 x 1/2	6	No. 10-24		1
80/	L-LN-LNT-LT-LTS-LTL600/900	6&8	All	D0HZ 14448-B	5 5/8 x 1 1/4	4	No. 10-24		1
80/88	L-LN-LNT-LT-LTS600/900 -- w/city delivery instrument panel	6&8	All	D0HZ 14448-E	3 x 5/8	3	No. 10-24		1
80/88	C-CT600/900 -- w/dual electric horns-with L/N 60 and 65 amp. alternators	6&8	All						1
88/	L-LL-LN-LT-LTL-LNT700/900	6&8	All	E8HZ 14448-A				#E8HT-14448-AA	1
89	L-LN-LNT-LT-LTL-LTS800/900	6&8	All	★E9HZ 14448-A r/bFOHZ 14448-A					1
89	L-LN-LNT-LT-LTL-LTS800/900	6&8	All	E9HZ 14448-B					1

YEAR	MODEL/RESTRICTIONS	ENGINE		PART NUMBER	DESCRIPTION	QTY.
		CYL.	C.I.D. (C.C.D.)			
80/	C-CT600/900	6&8	All	★52541-S8	(U-232)-screw (block to panel)-self tapping No. 10-16 x 3/8"	AR
80/	L-LN-LNT-LT-LTS600/900	6&8	All	★33795-S	(M-49)-nut (attach junction block to inst. panel) 1/4"-20	2
80/	L-LN-LNT-LT-LTS600/900	6&8	All	★56703-S	(B-318-GG)-bolt (attach block to body back panel) 1/4"-20 x 1"	2
80/	All	6&8	All	★386455-S	(BB-541-BH)-screw (attach block to rear axle) 1/4"-20 x 1 3/4"	AR
80/	L-LN-LNT-LT-LTS600/900	6&8	All	★55915-S	Screw (block to plate)-tapping-1/4"-14 x 1"	AR
<b>14456 COVER (JUNCTION BLOCK)</b>						
80/	L-LN-LNT-LT-LTS600/900	6&8	All	D0HZ 14456-G	Located on R.H. frame side	1
81/	L-LN-LNT-LT-LTS-LTL800/900	6&8	All	★E1HZ 14456-B /bE9HZ 14456-B	Located on back of cab-Saddle-plastic-paint to match	1

1980/  
TRUCK SERIES 600/900

YEAR	MODEL/RESTRICTIONS	ENGINE		PART NUMBER	DESCRIPTION	QTY.
		CYL.	C.I.D. (C.C.D.)			
<b>14456 COVER (JUNCTION BLOCK) — Cont'd</b>						
81/86	L-LN-LNT-LT-LTS-LTL800/900	6&8	All	E1HZ 14456-C	Located on back of cab-Saddle-carpeted	1
81/86	L-LN-LNT-LT-LTS-LTL800/900	6&8	All	E1HZ 14456-D	Located on back of cab-Red-carpeted	1
83/	LN-LNT-LTL900	6&8	All	E3HZ 14456-A	Located on back of cab-Charcoal-carpeted	1
89/	L-LL-LN-LNT-LT-LTL-LTS800/900	6&8	All	E9HZ 14456-A	Charcoal-base custom level interior trim	1
89/	L-LL-LN-LNT-LT-LTL-LTS800/900	6&8	All	E9HZ 14456-B	Tan/chestnut-base/custom level interior trim	1
89/	L-LL-LN-LNT-LT-LTL-LTS800/900	6&8	All	E9HZ 14456-C	Tan/chestnut-high level interior trim w/carpet	1
89/	L-LL-LN-LNT-LT-LTL-LTS800/900	6&8	All	E9HZ 14456-D	Charcoal-high level interior trim w/carpet	1
80/	L-LN-LNT-LT-LTS600/900	6&8	All	★57033-S	Screw (cover to junction block plate)-hex. head 1/4" -20 x 1 1/4"	AR
				★355920-S32	(MM-276-B)-nut-spring (cover to bracket)	2
80/	All	6&8	All	★33795-S	(M-49)-nut (attach cover to junction block) 1/4"-20	AR
82/	B-F600/800(84)	6&8	All	E2HZ 14456-A	#E1HT 14A405-CA	1
<b>14461 TERMINAL (WIRE)-Also refer to group 14294</b>						
80/	All	6&8	All	C4TZ 14461-A	Male ends-bullet type	AR
				C8AZ 14461-A	Male ends-bullet type	AR
				C8AZ 14461-B	For 18, 20 or 24 gauge wire-bullet type	AR
				C8AZ 14461-C	For 14 or 16 gauge wire-bullet type	AR
				C80Z 14461-B	For 18 or 20 gauge wire-bullet type	AR
				C7AZ 14461-B	For 14 or 16 gauge wire-bullet type	AR
				D1AZ 14461-B	Male-bullet type-14 or 16 gauge wire	AR
80/	L-LN-LNT-LT-LTS800/900	6&8	All	D5HZ 14461-A	Male - bullet type-14,16 or 18 gauge wire	AR
86/	CF600/800	6	402,476			4
80/	CL-CLT900	6&8	All	D8HZ 14461-B	Male Type (1) used in D8HZ 14489-E,F,G,H,B,D,T connectors	AR
86/	CF600/800					AR
80/	CL-CLT900			D8HZ 14461-C	Male type (3) -used in D8HZ 14489-DA,EA,FA connectors	AR
				D8HZ 14461-D	Male Type (3) -used in D8HZ 14489-EA connector	AR
				D8HZ 14461-E	Male Type (2) -used in D8HZ 14489-EA connector	AR
				D8HZ 14461-F	Male Type (2) -used in D8HZ 14489-FA connector	AR
				D8HZ 14461-L	Male type (5) -used in D8HZ 14489-GA,HA connector	AR
				D8HZ 14461-N	Male type (4) -used in D8HZ 14489-GA,JA connector	AR
86/	CF600/800	6	402,476	E6HZ 14461-A		AR
86/	CF600/800	6	402,476	D9AZ 14461-U	Male end-bullet type for 16 gauge wire	AR
88/	CF600/900	6	402,476	E69Z 14461-A		AR

14461 TERMINAL (WIRE)-Also refer to group 14294

 <p style="text-align: center;">TYPE 1</p>	 <p style="text-align: center;">TYPE 2</p>	 <p style="text-align: center;">TYPE 3</p>	 <p style="text-align: center;">TYPE 4</p>
 <p style="text-align: center;">TYPE 5</p>			
			P-13990

**1980/  
TRUCK SERIES 600/900**

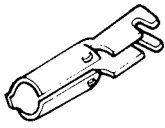
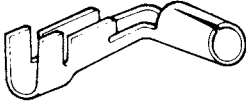
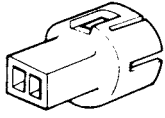
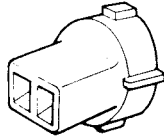
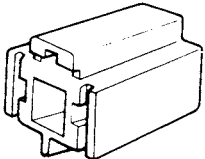
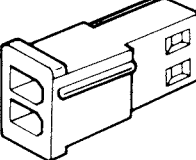
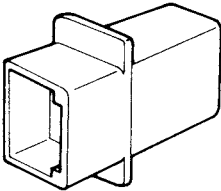
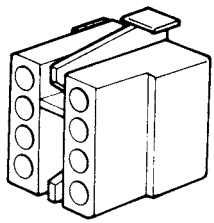
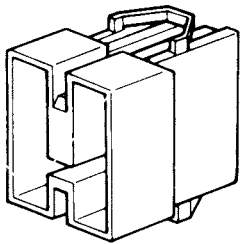
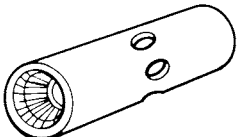
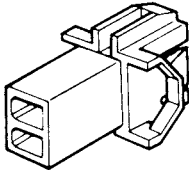
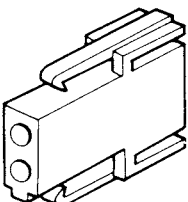

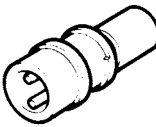
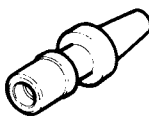





YEAR	MODEL/RESTRICTIONS	ENGINE		PART NUMBER	DESCRIPTION	QTY.
		CYL.	C.I.D. (C.C.D.)			
<b>14466 TERMINAL (HIGH TENSION WIRE)</b>						
80/	All	6&8	All	D4AZ 14466-A	Use w. radio resistor type wiring J shape at distributor end	AR
80/	All	6&8	All	C5TZ 14466-A	*5301 clamp on type	AR
80/81	All	8	401.475 477.534		Use with coil to distributor wire	AR
<b>14468 TERMINAL (WIRE)</b>						
80/	All	6&8	All	C3TZ 14468-B	Snap on flag type	AR
<b>14A468 SPACER (WIRE CONNECTOR)</b>						
80/	L-LN-LT-LTS 800/900 - 162 W B gas and diesel	6&8	All	D5HZ 14A468-A	2 way female Red Mates with D5HZ 14489 B and D5HZ 14A468B	2
80/	LNT 850/900 - - gas	8	All			2
80/	LNT 900 - - diesel	6&8	All			2
80/	L-LN-LT-LTS 800/900 - 162 W B gas and diesel	6&8	All	D8FZ 14A468-A	2 way male Red Mates with D5HZ 14489A and D5HZ 14A468 A	2
80/	LNT 850/900 gas	8	All			2
80/	LNT 900 - - diesel	6&8	All			2
86/	CF600/800	6	402.476			AR
80/	B-F600/800	6&8	All	E0AZ 14A468-A	Female 37/64" yellow mates with E0AZ 14489 A	AR
86/	CF600/800	6	402.476	D7AZ 14A468-A	Red or purple mates with D7LY 14489 B	1
87	L-LL-LN-LNT-LS-LT-LTS600/900 w/fleet instrument panel	6&8	All	E7HZ 14A468-A	Mates with E7HZ 14489 A connector sleeve	4
86/	CF600/800	6	402.476	D2SZ 14A468-A	Red mates with D2SZ 14489-E sleeve	AR
86/	CF600/800	6	402.476	D2SZ 14A468-B	Red-mates with D2SZ 14489-D sleeve	AR
86/	CF600/800	6	402.476	E4DZ 14A468-A	Red-mates with E4DZ 14489 B sleeve	AR
86/	CF600/800	6	402.476	E4DZ 14A468-B	Red-mates with E4DZ 14489-A sleeve	AR
<b>14474 TERMINAL (WIRE)-Also refer to group 14294</b>						
80/	All	6&8	All	B8E 14474-A	Snap on type-female	AR
				C1AF 14474-A	Snap on type-female	AR
				C8AZ 14474-A	Snap on type female	AR
				D1TZ 14474-A	Snap on type female	AR
				D8BZ 14474-A	Snap on type female	AR
				D9AZ 14474-F	Snap on type-female	AR
				D8BZ 14474-C	Snap on type-female	AR
				D8BZ 14474-D	Snap on type female	AR
84/	L-LN-LNT-LT-LTL-LTS600/900 w/hyd. brakes	6&8	All	E4HZ 14474-A	Used with 14489 connector sleeve to hydra-max relay	AR
84/	B-F-FT600/800(81-84) - - w/hyd. brakes	6&8	All	E4HZ 14474-B	Used with 14489 connector sleeve. part of 14401 wiring	AR
84/	C-CT600/800 - - w/hyd. brakes	6&8	All			AR
84/	L-LN-LNT-LT-LTL-LTS600/900 - - w/hyd. brakes	6&8	All			AR
86/	CF600/700 - - diesel	6	402.476	E6HZ 14474-A		AR
86/	CF600/700 - - diesel	6	402.476	E6HZ 14474-B		AR
87/	L-LL-LN-LNT-LS-LT-LTS600/900 - - w/fleet instrument panel	6&8	All	E7HZ 14474-A	Snap on type-female for 18 or 20 gauge wire repair mates w/E7HZ 14489-A connector sleeve	1
87/	L-LL-LN-LNT-LS-LT-LTS600/900 - - w/fleet instrument panel	6&8	All	E7HZ 14474-B	Snap on type-female for 14 or 16 gauge wire repair-mates w/E7HZ 14489-A connector sleeve	15
86/	CF600/800	6	402.476			AR
87/	B-CF-F-FT600/800	6	402.476	E7HZ 14474-C	Used with E7HZ 14489-B sleeve at fuel shut off solenoid	2
88	L-LL-LN-LNT-LS-LT-LTL-LTS600/900	6&8	All	E8HZ 14474-A	Snap on type female	AR
<b>14A480 JUMPER WIRE (CIRCUIT BREAKER TO A/C RELAY)</b>						
80/86	L-Series - - all w/o A/C	6&8	All	F0HZ 14A480-B	To accomodate upgraded switch	1
80/86	L-Series - - all w/AC	6&8	All	F0HZ 14A480-D	To accomodate upgraded switch	1
87/	L-Series - - all w/o A/C	6&8	All	F0HZ 14A480-A	To accomodate upgraded switch	1
87/	L-Series - - all w/AC	6&8	All	F0HZ 14A480-C	To accomodate upgraded switch	1

**1980/  
TRUCK SERIES 600/900**

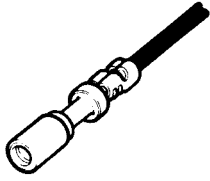
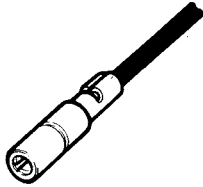
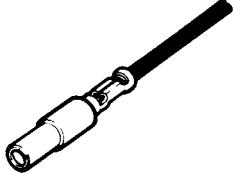
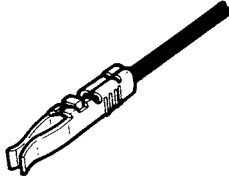
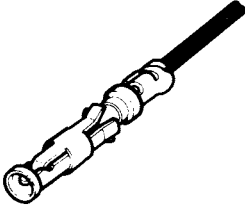
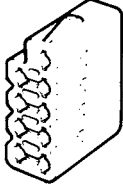

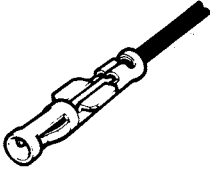
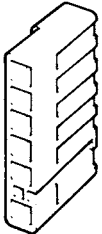
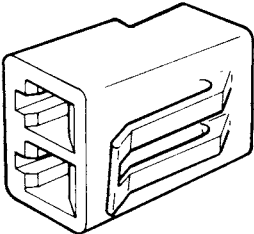
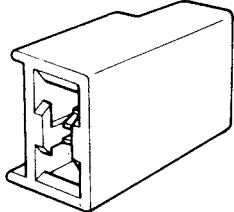
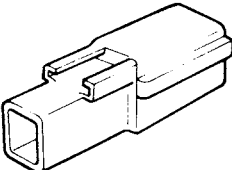
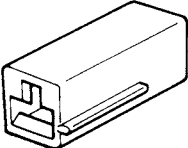
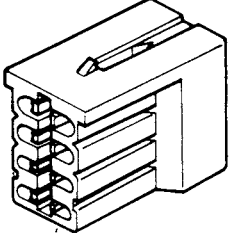
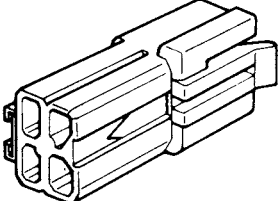
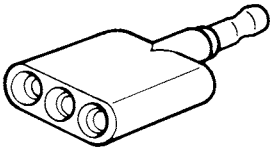
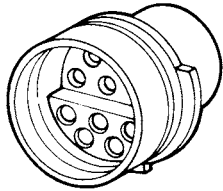
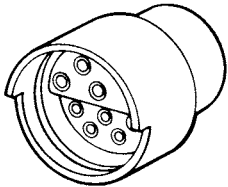
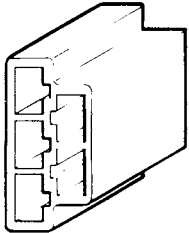
YEAR	MODEL/RESTRICTIONS	ENGINE		PART NUMBER	DESCRIPTION	QTY.
		CYL.	C.I.D. (C.C.D.)			
<b>14487 CONNECTOR ASSY. (WIRING)</b>						
80/	All	6&8	All	B6A 14487-A	4 way plug in-for No. 14, 16 & 18 gauge wire	AR
				B7A 14487-A	2 way plug in-for No. 14, 16 & 18 gauge wire	AR
				E0AZ 14487-A	2 way crimp-on-for No. 16, 18, 20 & 22 gauge wire	AR
				E0AZ 14487-B	2 way crimp-on-for No. 14 & 16 gauge wire	AR
86/	CF600/800 - - diesel	6	402.476	E6HZ 14487-A	Use with exhaust brake wiring 14W407	1
86/	CF600/800	6	402.476	D20Z 14487-A	1 way crimp-on-located at fuel tank sender	AR

1980/  
TRUCK SERIES 600/900

14488-9 FEMALE TERMINALS and SLEEVES (WIRE)

 <p>TYPE 1</p>	 <p>TYPE 2</p>	 <p>TYPE 3</p>	 <p>TYPE 4</p>
 <p>TYPE 5</p>	 <p>TYPE 6</p>	 <p>TYPE 7</p>	 <p>TYPE 8</p>
 <p>TYPE 9</p>	 <p>TYPE 10</p>	 <p>TYPE 11</p>	 <p>TYPE 12</p>
 <p>TYPE 13</p>	 <p>TYPE 14</p>	 <p>TYPE 15</p>	 <p>TYPE 16</p>
 <p>TYPE 17</p>	 <p>TYPE 18</p>	 <p>TYPE 19</p>	 <p>TYPE 20</p>
P-11455			

14488-9 FEMALE TERMINALS and SLEEVES (WIRE) — Cont'd

 <p>TYPE 21</p>	 <p>TYPE 22</p>	 <p>TYPE 23</p>	 <p>TYPE 24</p>
 <p>TYPE 25</p>	 <p>TYPE 26</p>	 <p>TYPE 27</p>	 <p>TYPE 28</p>
 <p>TYPE 29</p>	 <p>TYPE 30</p>	 <p>TYPE 31</p>	 <p>TYPE 32</p>
 <p>TYPE 33</p>	 <p>TYPE 34</p>	 <p>TYPE 35</p>	 <p>TYPE 36</p>
 <p>TYPE 37</p>	 <p>TYPE 38</p>	 <p>TYPE 39</p>	

P-13989

1980/  
TRUCK SERIES 600/900

YEAR	MODEL/RESTRICTIONS	ENGINE		PART NUMBER	TYPE	DESCRIPTION	QTY.
		CYL.	C.I.D. (C.C.D.)				
<b>14488-9 CONNECTORS and SLEEVES (WIRE) — Cont'd</b>							
80/	All	6&8	All	B6A 14488-A	2	For 12,14,16 and 18 gauge wire	AR
				B7A 14488-C	1		AR
				C8AZ 14488-A	1	For 10 or 12 gauge wire	AR
				C8AZ 14488-B	1	For 16,18,20,22 gauge wire	AR
				D1AZ 14488-B		For 18 or 20 gauge wire	AR
				D9AZ 14488-K		For 18 gauge wire (gold/nickel plated)	AR
				D9AZ 14488-L		For 14 gauge wire (tin/nickel plated)	AR
				C80Z 14488-A	36	3 female terminal adapter	AR
				D3AZ 14488-Y	10	For 10 or 12 gauge wire	AR
				D3AZ 14488-Z	10	For 14 or 16 gauge wire	AR
89/	F-F7600/900 -- all w/d/r installed A/C	6&8	All	★ E6FZ 14488-C /bF2AZ 14488-C		For 10 or 12 gauge wire	AR
80/	L-LN-LNT-LT-LTS800/900 -- 162" W/B	6&8	All	D5HZ 14488-A		For 14,16,18 or 19 gauge wire-female type	3
80/	CL-CLT900	6&8	All	D8HZ 14488-A	21	Female -used in D8HZ 14489-A,B,D,F,G,H,T connectors	AR
				D8HZ 14488-B	28	Female -used in D8HZ 14489-P,U connectors	AR
				D8HZ 14488-H	23	Female -used in D8HZ 14489-BA connector	AR
				D8HZ 14488-J	22	Female -used in D8HZ 14489-BA connector	AR
				D8HZ 14488-K	22	Female -used in D8HZ 14489-CA connector	AR
				D8HZ 14488-M	25	Female -used in D8HZ 14489-KA,LA connectors	AR
				D8HZ 14488-R	24	Female -used in D8HZ 14489-C,KA connector	AR
				D8HZ 14488-S	23	Female -used in D8HZ 14489-AA,BA,CA connectors	AR
86/	CF600/800 -- diesel	6	402,476	E6HZ 14488-A		Female-2 way	2
				E6HZ 14488-B		Female-4 way (exhaust brake control)	1
				E6HZ 14488-C		Female-2 way (rear axle shift control switch)	1
				E6HZ 14488-D		Female-6 way (exhaust brake control)	1
				E6HZ 14488-E		Female-2 way (exhaust brake control)	2
				E6HZ 14488-F		Female-4 way (heater)	1
				E6HZ 14488-G		Female-2 way (cab latch switch)	1
				E6HZ 14488-J		Female-1 way (interior lamp)	15
				E6HZ 14488-K		Female-1 way (interior lamp)	1
				E6HZ 14488-L		Female-2 way (turn signal lamp)	2
				E6HZ 14488-M		Female-6 way (windshield wiper motor)	1
				E6HZ 14488-N		Female-2 way (windshield washer pump)	1
				E6HZ 14488-P		Female-2 way (illumination)	10
				★ E6HZ 14488-S		Female-4 way (heater control)	1
				E6HZ 14488-T		Female-2 way (low coolant level warning sender)	1
				E6HZ 14488-U		Female-2 way (low fluid level warning switch)	2
				E6HZ 14488-V		Female-3 way (coolant temperature sender switch)	1
				E6HZ 14488-W		Female-1 way	1
				E6HZ 14488-X		Female-6 way (windshield wiper)	1
				E6HZ 14488-Y		Female-6 way (rheostat illumination)	1
				E6HZ 14488-Z		Female-8 way (ignition switch)	1
				E6HZ 14488-AA		Female-8 way (windshield wiper and washer switch)	1
				E6HZ 14488-AB		Female-9 way (turn signal and emergency warning indicator)	1
				E6HZ 14488-AC		Female-10 way (lighting turn signal and horn switch)	1
				E6HZ 14488-AD		Female-6 way (roof marker lamps blinker switch)	1
				E6HZ 14488-AE		Female-4 way (turn signal indicator lamp)	2



**1980/  
TRUCK SERIES 600/900**

YEAR	MODEL	WIRING CIRCUIT	COLOR	TYPE	MATING PART	TYPE	PART NUMBER	QTY
<b>14488-9 CONNECTORS and SLEEVES (WIRE) — Cont'd</b>								
80/	All	1	Brown	33	D3AZ 14489-P	32	D3AZ 14489-BA	AR
		1	Brown	32	D3AZ 14489-BA	33	D3AZ 14489-P	AR
		1	Black	16	D8HZ 14489-A	15	D8HZ 14489-E	AR
		1	Black	15	D8HZ 14489-E	16	D8HZ 14489-A	AR
		2	Black	7	C5AZ 14489-E	6	C5AZ 14489-F	AR
		2	Black	6	C5AZ 14489-F	7	C5AZ 14489-E	AR
		2	Blue	11	C7AZ 14489-B	12	C7AZ 14489-A	AR
		2	Blue	12	C7AZ 14489-A	11	C7AZ 14489-B	AR
		2	Natural	4	C8AZ 14489-L	3	C8AZ 14489-K	AR
		2	Natural	3	C8AZ 14489-K	4	C8AZ 14489-L	AR
		2	Green	31	D3AZ 14489-U	30	D3AZ 14489-DA	AR
		2	Green	30	D3AZ 14489-DA	31	D3AZ 14489-U	AR
		2	Black	13	D8HZ 14489-B	14	D8HZ 14489-F	AR
		2	Black	14	D8HZ 14489-F	13	D8HZ 14489-B	AR
80/	CL-CLT900	2			D8HZ 15000-A		D8HZ 14489-W	1
80/	B-F600/800	2	Natural		Fuel shutoff solenoid		E0HZ 14489-C	1
84/	L-LN-LNT-LT-LTL-LTS600/900 -- w/hyd. brakes	2	Black		Hydra-max relay		E4HZ 14489-A	1
84/	B-F-FT600/800(81-84) -- w/hyd. brakes	2	Natural				E4HZ 14489-C	AR
84/	C-CT600/800 -- w/hyd. brakes							
84/	L-LN-LNT-LT-LTL-LTS600/900 -- w/hyd. brakes							
80/82	B-F600/800	2	Blue				E0AZ 14489-A	AR
80/87	L-LN-LNT-LT-LTL-LTS600/900	3			3-way plug-accessory relay		D2AZ 14489-J	1
80/	CL-CLT900	3	Black		To plug-in resistor on wire assy. 18A586		★F1HZ 14489-F	1
80/	All	3			Headlamp wiring to bulb	5	C8AZ 14489-Y	2
		3	Natural		D5HZ 14489-A		D5HZ 14489-B	1
		3	Black	13	D8HZ 14489-T	14	D8HZ 14489-G	AR
		3	Black	14	D8HZ 14489-G	13	D8HZ 14489-T	AR
		3	Black		Rear of A/C compressor		D8HZ 14489-V	1
86/	CF600/800	3			Tachometer Fuel gauge Oil pressure gauge Temperature guage		E6HZ 14489-A	1 1 1 1
		3			Headlamp		E6HZ 14489-N	2
		3			Parking lamp		E6HZ 14489-P	2
86/	CF600/800	3	Black		Instrument Panel Lamp		★E6HZ 14489-R	1
80/	All	4	Black	14	D8HZ 14489-H	13	D8HZ 14489-D	AR
		4	Black	13	D8HZ 14489-D	14	D8HZ 14489-H	AR
		4	Grey		Rear R.H. Instrument cluster	27	D8HZ 14489-U	1
		4or6	Black	9	C5AZ 14489-H	8	C5AZ 14489-G	AR
		4or6	Black	8	C5AZ 14489-G	9	C5AZ 14489-H	AR
86/	CF600/700	4			Tachograph		E6HZ 14489-B	1
80/82	B-F600/800	4	Black		E3SZ 14489-B		E3SZ 14489-A	AR
86	CF600/700							1
80/82	B-F600/800	4	Black		E3SZ 14489-A		E3SZ 14489-B	AR
86/	CF600/800							1
86/	CF600/800	4	Black		D7LY 14489-A		D7LY 14489-B	1
86/	CF600/800	4	Black		D7LY 14489-B		D7LY 14489-A	1
80/	All	5	Black	3	Htr. or A/C switch	39	D9HZ 14489-C	1
84/	B-F-FT600/800(81-84) -- w/hyd. brakes	5	Natural				E4HZ 14489-B	1
84/	C-CT600/800 -- w/hyd. brakes							1
84/	L-LN-LNT-LT-LTL-LTS600/900 -- w/hyd. brakes							1
80/	All	5	Grey		9A050 Switch		D5AZ 14489-C	1
80/	All	6		33	D2SZ 14489-E	34	D2SZ 14489-D	AR
		6	Brown	34	D2SZ 14489-D	33	D2SZ 14489-E	AR

**1980/  
TRUCK SERIES 600/900**

YEAR	MODEL	WIRING CIRCUIT	COLOR	TYPE	MATING PART	TYPE	PART NUMBER	QTY
<b>14488-9 CONNECTORS and SLEEVES (WIRE) — Cont'd</b>								
80/	L-LN-LNT-LT-LTS-LTL600/900	6	Grey		Ignition switch		DOTZ 14489-A	1
		6	Black	37	E1HZ 14489-B	38	★E1HZ 14489-A	1
		6	Black	38	E1HZ 14489-A	37	E1HZ 14489-B	1
	CL900,L-LT-LTL-LTS800/900				14405		E9HZ 14489-D	1
87/	L-LL-LN-LNT-LS-LT-LTS600/900 w/fleet instrument panel	6	Black		Accessory or tail lamp relay		E7HZ 14489-A	2
80/	CL-CLT900	6	Grey		Lower R.H. I/C printed circuit- space between 3rd and 4th circuits	29	D8HZ 14489-N	1
		6	Grey		Lower R.H. I/C printed circuit- space between 2nd and 3rd circuits	29	D8HZ 14489-R	1
		6	Grey		Upper R.H. I/C printed circuit- space between 5th and 6th circuits	29	D8HZ 14489-L	1
		6	Grey		Upper R.H. I/C printed circuit- space between 4th and 5th circuits	29	D8HZ 14489-M	1
		6	Grey		Upper R.H. I/C printed circuit- space between 1st and 2nd circuits	29	D8HZ 14489-S	1
		7	Black	19	D8HZ 14489-JA	20	D8HZ 14489-C	1
		7	Black	20	D8HZ 14489-C	19	D8HZ 14489-JA	1
89	CL-CLT900				14305		E9HZ 14489-C	1
80/	All	8	Black	9	C4AZ 14489-F	8	C4AZ 14489-E	AR
		8	Black	8	C4AZ 14489-E	9	C4AZ 14489-F	AR
		9			L.H. I/C printed circuit	26	D8HZ 14489-P	1
		10	Black	9	C5SZ 14489-B	8	C5SZ 14489-A	AR
		10	Black	8	C5SZ 14489-A	9	C5SZ 14489-B	AR
		10	Black	38	D9HZ 14489-B	37	D9HZ 14489-A	AR
		10	Black	37	D9HZ 14489-A	38	D9HZ 14489-B	AR
		12	Black	17	D8HZ 14489-CA	18	D8HZ 14489-FA	1
		12	Black	18	D8HZ 14489-FA	17	D8HZ 14489-CA	1
		14	Black	17	D8HZ 14489-AA	18	D8HZ 14489-DA	1
		14	Black	18	D8HZ 14489-DA	17	D8HZ 14489-AA	1
80/82	B-F600/800 "Before 12/81"	14	Black	37	E0HZ 14489-A	38	★E0HZ 14489-B	AR
82/	B-F600/800 "From 12/81"	14	Black	37	E2HZ 14489-B	38	★E2HZ 14489-A	1
80/82	B-F600/800 "Before 12/81"	14	Black	38	E0HZ 14489-B	37	★E0HZ 14489-A	AR
82/	B-F600/800 "From 12/81"	14	Black	38	E2HZ 14489-A	37	E2HZ 14489-B	1
88/89	F-B-L - - w/FTO diesel				18B604		E8HZ 14489-D	1
80/	All	15	Black	17	D8HZ 14489-BA	18	D8HZ 14489-EA	1
		15	Black	18	D8HZ 14489-EA	17	D8HZ 14489-BA	1
		16	Black	19	D8HZ 14489-HA	20	D8HZ 14489-LA	1
		16	Black	20	D8HZ 14489-LA	19	D8HZ 14489-HA	1
		22	Black	19	D8HZ 14489-GA	20	D8HZ 14489-KA	1
		22	Black	20	D8HZ 14489-KA	19	D8HZ 14489-GA	1
86/	CF600/700	22					E6HZ 14489-E	1
86/	CF600/700	22					E6HZ 14489-H	1
86/	CF600/700	22					E6HZ 14489-M	1
86/	CF600/700						E6HZ 14489-L	1
86/	CF600/700						E6HZ 14489-D	1
86/	CF600/700						E6HZ 14489-K	1
86/	CF600/700						E6HZ 14489-G	1
86/	CF600/700						E6HZ 14489-J	1
86/	CF600/700						E6HZ 14489-AF	1
88	CF600/700				18B604		E8HZ 14489-D	1
89	CF600/700				E6HZ 14401-E		E9HZ 14489-A	AR
YEAR	MODEL/RESTRICTIONS	ENGINE		PART NUMBER		DESCRIPTION		QTY.
		CYL.	C.I.D. (C.C.D.)					
<b>14490 BOOT (WIRING CONNECTOR SLEEVE)</b>								
86/	CF600/800 - - diesel	6	401	★ E6HZ 14490-A				1

**1980/  
TRUCK SERIES 600/900**

YEAR	MODEL/RESTRICTIONS	ENGINE		PART NUMBER	DESCRIPTION	QTY.
		CYL.	C.I.D. (C.C.D.)			
<b>14512 RELAY ASSY. (VOLT METER INSTRUMENT CLUSTER)</b>						
80/	L-LN-LNT-LT-LTS800/900	6&8	All	D2LY 14512-A	#D2LB 14C690-AA, D5AB 14C690-AA,BA,CA	AR
80/	B600/700 - - w/air brakes	6&8	All		also used to replace D6HT 14C690-AA,BA,CA	1
80/	CL-CLT-F-L-LN-LNT-LS LTS-LT-LTL-LL600/900	6&8	All	FOHZ 14512-A	Replacement for power window kit only	1
<b>14517 WIRING ASSY. (FUSE HOLDER JUMPER)</b>						
80/	All - - w/blade type fuses	6&8	All	E5FZ 14517-A	#E5EB 14517-AA in line fuse holder	AR
<b>14526 BREAKER ASSY. (ELECTRICAL CIRCUIT GLASS TUBE FUSE)</b>						

**GLASS TUBE TYPE FUSE**



AMPERAGE	LENGTH	INDUSTRY NUMBER	COLOR STRIPE	PART NUMBER	AMPERAGE	LENGTH	INDUSTRY NUMBER	COLOR STRIPE	PART NUMBER
<b>NOTE 1</b> Required with or without electric fuel pump									
1	.62"	AGA-1 or AG-1	Dk Green	B6AZ 14526-D	7.5	.62"	1AG-7.5or AGA-7.5	Brown	D4AZ 14526-L
2	1.00"	8AG-2 or AGX-2	Gray	D4AZ 14526-B	9	.88"	SFE-9	Orange	A6AZ 14526-B
2	.62"	1AG-2 or AGA-2	Gray	D4AZ 14526-C	10	1.25"	AGC-10 or 3AG 10	Red	B8TZ 14526-A
2	1.25"	3AG-2 "Slo Blo"		E3HZ 14526-A	14	1.06"	SFE 14	Black	A0AZ 14526-A
2.5	.62"	1AG-2.5 or AGA-2.5	Purple	C4GY 14526-A	15	1.25"	AGC-15 or 3AG 15	LT Blue	A2AZ 14526-A
3	1.00"	8AG-3 or AGX-3	Violet	D4AZ 14526-E	15	.88"	AGW-15 or 7AG 15	LT Blue	C4SZ 14526-B
3	.62"	1AG-3 or AGA-3	Violet	A6AZ 14526-A	20	1.00"	AGX-20 or 8AG-20	Yellow	C5AZ 14526-B
4	.84"	AGW-4 or 7AG-4	Pink	C0LY 14526-B	20	1.25"	SFE-20	Yellow	A0AZ 14526-B
4	.62"	SFE-4	Pink	C9SZ 14526-C	20	.87"	7AG-20or AGW-20	Yellow	D4AZ 14526-V
5	.62"	AGA-5 or 1AG-5	Tan	B6AZ 14526-B	25	1.25"	3AG-25or AGC 25	White	C6TZ 14526-AB
6	.75"	SFE-6	Gold	C1VY 14526-A	30	1.25"	AGC-30 or 3AG 30	LT Green	A9AZ 14526-A
7.5	.88"	SFE-7.5	Brown	B6AZ 14526-A	30	1.00"	AGX-30 or 8AG-30	LT Green	C8OZ 14526-A
7.5	1.25"	AGC-7.5 or 3AG-7.5	Brown	D0VY 14526-D	30	.88"	7AG 30or AGW 30	LT Green	C6TZ 14526-AA

**GLASS TUBE FUSE APPLICATION CHART**

FUNCTION	C CT 600/900	L-LN-LNT LT-LTS	LN-LNT LT-LTS	LTL	F B 600/800	INDUSTRY NUMBER	PART NUMBER
		600/900 CITY DELIVERY	800/900 LINE HAUL				
Back-up lamps			80/	81/86 81/86		AGC 7.5 AGC 10 AGC 15	D0VY 14526-D B8TZ 14526-A A2AZ 14526-A
Cigar lighter feed	80/83	80/				AGW 15 AGX 20	C4SZ 14526-B C5AZ 14526-B
Courtesy lamp		80/				AGW 15	C4SZ 14526-B
Dome lamp	80/					SFE 7.5 AGW 15	B6AZ 14526-A C4SZ 14526-B
Dual brake warning		80/				AGW 15	C4SZ 14526-B
Emergency warning system	80/83	80/				AGX 20	C5AZ 14526-B
Fuel pump	80/83	80/				AGW 15 SFE 7.5	C4SZ 14526-B B6AZ 14526-A
Heater/Defroster	80/83	80/				8AG 30 SFE 14	C8OZ 14526-A A0AZ 14526-A
Instrument panel illuminated	80/83	80/				1AG 2 1AG 2.5 SFE 7.5	D4AZ 14526-C C4GY 14526-A B6AZ 14526-A
Low air buzzer		80/	80/	81/86		AGW 15	C4SZ 14526-B
Radio		80/				AGW 15	C4SZ 14526-B
Stop lamps		80/				AGW 15	C4SZ 14526-B
Turn signals	80/83	80/				AGX 20 AGW 15	C5AZ 14526-B C4SZ 14526-B
Vacuum motor pump (2A451)					83	AG 2 (SLO BLO)	E3HZ 14526-A

1980/  
TRUCK SERIES 600/900

14526 FUSE ASSY. (BLADE TYPE)



**BLADE TYPE FUSE IDENTIFICATION CHART**

AMPERAGE	INDUSTRY NUMBER	COLOR	PART NUMBER	AMPERAGE	INDUSTRY NUMBER	COLOR	PART NUMBER
4	ATO-4	Pink	D9ZZ 14526-A	20	ATO-20	Yellow	D9ZZ 14526-E
5	ATO-5	Tan	D8ZZ 14526-B	25	ATO-25	Natural	D9ZZ 14526-F
10	ATO-10	Red	D9ZZ 14526-C	30	ATO-30	Lt. green	D9ZZ 14526-G
15	ATO-15	Lt. blue	D9ZZ 14526-D				

YEAR	MODEL/RESTRICTIONS	ENGINE		PART NUMBER	DESCRIPTION	QTY.
		CYL.	C.I.D. (C.C.D.)			
14526	BREAKER ASSY. (FUSE ELECTRICAL CIRCUIT)					



84/	L-LN600/800 -- w/2 speed axle (air shift)	6&8	All	D9ZZ 14526-H	6 amp #D9ZB 14526-AA-w/2 blade terminals	1
80/	L-LN-LNT-LT-LTS600/900 -- w/city delivery instrument panel w/2 speed axle (air shift)	6&8	All	D5HZ 14526-D	6 amp -- w/threaded studs	1
80/84	C-CT600/900 -- w/electric wipers, electric tach. breakerless ignition, emission controls	6&8	All	★ D5HZ 14526-A	7 amp. -- #D5HB 14526-AA -- w/threaded studs	AR
85/	C-CT600/900 -- w/electric wipers or governor			E5HZ 14526-A	7.5 amp	2
86/	CF600/800 -- diesel	6	402,476	D9AZ 14526-C	8.25 amp.	2
80/	CL-CLT900 -- for Radio & C.B., speed control, alternator rectifier fuel solenoid, heated mirror, electric horn	6&8	All	D0HZ 14526-A	10 amp. -- #White dot -- snap-on type	AR
80/	L-LN-LNT-LT-LTL-LTS600/900 -- w/line haul instrument panel for alternator rectifier, fuel solenoid, fuel pump, 2 speed axle (air shift), fuel gauge	6&8	All			AR
87/	L-LN-LNT-LT-LTL-LTS700/900 w/city delivery instr. panel	6&8	All	E7HZ 14526-A	12 amp.	AR
85/	C-CT600/800 -- w/2 speed air axle shift	6&8		E2HZ 14526-C	10 amp.	1
85/	L-LN-LNT-LT-LTL-LTS600/900 -- w/2 speed air axle shift	6&8	All			1
80/	CL-CLT900 -- for instrument lights, clock & cigar lighter, tail & park lamps, anti-skid	6&8	All	D0VY 14526-A	15 amp. -- #Green dot -- snap on type	AR
80/	L-LN-LNT-LT-LTL-LTS600/900 -- w/line haul instrument panel for anti skid					1
80/	CL-CLT900 -- w/single head lamps	6&8	All	D8HZ 14526-A	15 amp. automatic resetting type w/(1) male & (1) female terminal	1
87/	L-LN-LNT-LL-LT-LTL-LS-LTS 600/900 -- w/single headlamps	6&8	All			1

1980/  
TRUCK SERIES 600/900

YEAR	MODEL/RESTRICTIONS	ENGINE		PART NUMBER	DESCRIPTION	QTY.
		CYL.	C.I.D. (C.C.D.)			
<b>14526 BREAKER ASSY. (FUSE ELECTRICAL CIRCUIT) — Cont'd</b>						
80/	C-CT600/900 -- for anti skid (cab)	6&8	All	D5TZ 14526-A	15 amp. - w/threaded studs. - alternate with D5HZ 14526-G	AR
80/	L-LT-LTS-LN-LNT600/900 w/city delivery instrument panel for anti skid (cab)	6&8	All			AR
80/	C-CT600/900 -- for anti skid (cab)	6&8	All	D5HZ 14526-G	15 amp.- w/threaded studs - alternate w/D5TZ 14526-A	AR
80/	L-LT-LTS-LN-LNT600/900 -- w/city delivery instrument panel for anti skid (cab)	6&8	All			AR
86/	CF600/800 -- diesel	6	402,476	E6HZ 14526-L	15 amp	2
86/	CF600/800 -- diesel	6	402,476	E6HZ 14526-M	15 amp-blue	1
87/	L-LL-LN-LNT-LS-LT-LTS800 -- w/city delivery instrument panel	6&8	All	E7HZ 14526-A	15 amp.-#E7HT 14526-AA	1
83/	L-LN-LNT-LT-LTS600/900 -- w/fleet instrument panel for headlamp	6&8	All	D5HZ 14526-E	20 amp	1
80/	CL-CLT900 -- stop & instrument panel lights, turn signal & flasher, fog lamps	6&8	All	D0VY 14526-B	20 amp. - #Red dot - snap on type	AR
80/	C-CT600/900 -- w/2 speed axle	6&8	All	D5HZ 14526-C	20 amp. - w/threaded studs	AR
80/	L-LT-LTS-LN-LNT600/900 -- w/city delivery instrument panel for electric 2 speed axle					
80/	B-F600/800(81)(84) -- for anti-skid, 2 speed axle	6&8	All	D9AZ 14526-B	20 amp. - w/blade type terminals	AR
80/	B-F600/800(84) -- for headlamp switch & horn	6&8	All			1
85/	L-LN-LNT-LT-LTL-LTS600/900	6&8	All			1
80/	B-F600/800	6&8	All	E0HZ 14526-A	20 amp.-use w/anti skid	1
80/	CL-CLT900 -- w/dual headlamps	6&8	All	D8HZ 14526-B	22 amp - w/(1) male & (1) female terminals	1
87/	L-LL-LN-LNT-LS-LT-LTL-LTS600/900 -- w/dual headlamps	6&8	All			1
80/	C-CT600/900 -- for marker lamps	6&8	All	★ D5TZ 14526-B	25 amp. - w/threaded studs	AR
80/	L-LT-LTS-LN-LNT600/900 -- w/city delivery instrument panel for marker lamps and air conditioning	6&8	All			AR
80/	C-CT600/900 -- for head lamps	6&8	All	D5HZ 14526-B	25 amp. - w/threaded studs	1
80/	CL-CLT900 -- for sleeper blower and marker lamps	6&8	All	D0HZ 14526-B	25 amp. - snap on type	AR
80/	L-LT-LTS-LTL-LN-LNT600/900 -- w/line haul instrument panel for 2 speed axle (electric shift) marker lamp feed, stop lamps heater & air conditioning cigar lighter, dome lamp, tail & park lamps, turn signal & flasher	6&8	All			AR
80/	CL-CLT900 -- R.H. & L.H. heaters power windows, trailer anti-skid	6&8	All	D0VY 14526-C	30 amp. - #Orange dot	AR
80/	L-LT-LTS-LTL-LNT600/900 -- w/line haul instrument panel for fog & roadlamps & trailer anti-skid	6&8	All			AR
80/	F600/800(81-84) -- for headlamp switch & horn	6&8	All	D9AZ 14526-A	30 amp. - w/blade type terminals	AR
84/	L-LN600/800 -- w/2 speed axle	6&8	All			1
84/	FT800 -- w/single speed axle & differential lockout	6&8	All			1
86/	CF600/800	6	402,476			1

**1980/  
TRUCK SERIES 600/900**

YEAR	MODEL/RESTRICTIONS	ENGINE		PART NUMBER	DESCRIPTION	QTY.
		CYL.	C.I.D. (C.C.D.)			
<b>14526 BREAKER ASSY. (FUSE ELECTRICAL CIRCUIT) — Cont'd</b>						
80/	CL-CLT900	6&8	All	D8HZ 14526-C	*YH-309-Thermal limiter mounted on rear of A/C compressor	1
80/	CL-CLT900	6&8	All	31093-S7-8	(U-52)-screw (breaker to console)-No. 8-32 x 3/4" (breaker to air compressor)	1
80/	CL-CLT900	6&8	All	381664-S2	(MM-192-AF) U-Nut-No. 8-32 x 3/4" (breaker to air compressor)	1
<b>14526 BREAKER ASSY. - FUSIBLE LINK - WIRE TYPE FUSE</b>						



80/	All	6&8	All	D3AZ 14526-H	#D3AB 14A600 - EA - - 9" long 14 gauge wire-color green with eyelet	AR
80/	All	6&8	All	D3AZ 14526-T	#D3AB 14A600-BA - - 9" long 16 gauge wire-color orange with eyelet	AR
80/	All	6&8	All	D3AZ 14526-L	#D3AB 14A600-CA - - 9" long 18 gauge wire-color red with eyelet	AR
80/	All	6&8	All	D3AZ 14526-S	#D3AB 14A600-DA - - 9" long 20 gauge wire-color blue with eyelet	AR
80/	All	6&8	All	D3AZ 14526-M	#D3AB 14A600-JA - - 9" long 20 gauge wire-color blue with stripped ends	AR
80/	All	6&8	All	F1HZ 14526-C	10 ga. service only-for replacement of 10 ga. links only	AR
86/	CF600/800 - - diesel	6	402,476	E6HZ 14526-A	0.75 MM-battery post connection-circuit #61-3	1
				E6HZ 14526-B	4.0 MM-battery post connection-circuit #51-1	1
				E6HZ 14526-C	0.75 MM	1
				E6HZ 14526-E	1.0 MM	1
				E6HZ 14526-F	2.5 MM-power junction black-circuit #30-10	1
				E6HZ 14526-G	0.75 MM-ignition switch-circuit #50-2	1
				E6HZ 14526-H	1.0 MM-fuse panel bus bar circuit #30-16	1
				E6HZ 14526-J	0.75 MM-alternator battery terminal-circuit #61-2	1
87/	CF600/800	6	402,476	E7HZ 14526-B	1.0 MM-ignition switch-circuit #75-1	1
<b>14529 SWITCH ASSY. (WINDOW ACTUATOR)</b>						
80/	CL-CLT900	6&8	All	D8HZ 14529-A	R.H.	1
80/	CL-CLT-F-L-LN-LNT-LT-LS-LTS-LTL-LL600/900	6&8	All	F0HZ 14529-A	For dealer add on window kit replacement only-R.H.	1
80/	CL-CLT-F-L-LN-LNT-LT-LS-LTS-LTL-LL600/900	6&8	All	F0HZ 14529-B	For dealer add on window kit replacement only-L.H.	1
<b>14536 BRACKET (INSTRUMENT PANEL TO TRAILER LAMP WIRING SUPPORT)</b>						
80/	C-CT600/900	6&8	All	C3TZ 14536-A		1
80/	C-CT600/900	6&8	All	★20408-S7	(B-81)-bolt (bracket to gearshift mount plate bottom)-3/8"-16 x 1 1/8"	1
				33799-S2	(M-52)-nut-3/8"-16	1
				34807-S8	(X-66)-lockwasher-3/8"	1
<b>14550 SUPPORT ASSY. (RELAY TO STARTER CABLE)-Improvise</b>						
<b>14603 BUSHING (TERMINAL) - If not listed below improvise</b>						
80/	L-LN-LNT-LT-LTS600/900 - - w/city delivery instrument panel	6&8	All	C7ZZ 14603-A	Use on instrument cluster	1
80/	C-CT600/900	6&8	All			2
<b>14603 GROMMET (WIRING)</b>						
80/84	L-LN-LNT-LT-LTS600/800 - - diesel	8	All	D0HZ 14603-A	Routes 11A003 wire to R.H. frame	1

**1980/  
TRUCK SERIES 600/900**

YEAR	MODEL/RESTRICTIONS	ENGINE		PART NUMBER	DESCRIPTION	QTY.
		CYL.	C.I.D. (C.C.D.)			
<b>14603 GROMMET (WIRING) — Cont'd</b>						
80/	L-LN-LNT-LT-LTS600/900 -- w/adjustable steering column	6&8	All	D0HZ 14603-B	Routes turn signal wiring leads thru steering column support bracket - Also use w/tachometer	1
80/82	B-F600/800 "Before 12/81"	6&8	All	E0HZ 14603-A	Protects 14401 connection to 14405 and 14290 at firewall	2
82	B-F600/800 "From 12/81"	6&8	All	★ E2HZ 14603-A	Protects 14401 connection to 14405 and 14290 wiring at firewall	1
80/82	B-F600/800 "Before 12/81"	6&8	All	★ E0HZ 14603-B	Protects 14401 connection to 14405 at firewall	1
82	B-F600/800 "From 12/81"	6&8	All	★ E2HZ 14603-B	Protects 14401 connection to 14405 at firewall	1
86/	CF600/800 -- diesel	6	402,476	E6HZ 14603-A		2
86/	CF600/800 -- diesel	6	402,476	E6HZ 14603-B		2
<b>14605 GROMMET (WIRING)</b>						
86/	CF600/800 -- diesel	6	402,476	E6HZ 14605-B		1
<b>14A604 DIODE ASSY.-Also refer to group 10C912</b>						
80/	All	6&8	All	★ E0VB 14A604-AA	Cut from E0VY 11A001-A	1
84/	B-F600/700(84) -- w/hyd. brakes	6&8	All	E4HZ 14A604-A	#E4HT 14A604-AA-10 amp. located left of steering column next to turn signal flasher	1
84/	B-F600/700(84) -- w/hyd. brakes	6&8	All	★ E4HZ 14A604-B /bE4HZ 14A604-A	Diode kit-stop lamp switch circuit repair	1
Consists of (1) E4HZ 14A604-A Diode assy. 10 amp. (2) D8BZ 14474-C Terminal (1) D2AB 14489-CA sleeve						
<b>14A606 THERMISTOR (PROBE)</b>						
89	F-FT600/900 -- w/dlr. installed A/C	6&8	All	E43Z 14A606-A		1
<b>14608 RETAINER ASSY. (COWL WIRING GROMMET THRU DASH)</b>						
80/	C-CT600/900	6&8	All	★ 8A 14608	Retainer to engine cover	1
80/	C-CT600/800 -- diesel	8	522,573, 636		Battery cables thru battery box	1
80/	LN600/750 -- gas	6&8	All		Use with L.H. side under running board mounted battery	1
80/	All	6&8	All	★ PB9M 14608-A	Rectangular	AR
80/	All	6&8	All	55981-S2	(U-254-E)-screw (retainer to dash)-No. 1/4-14 x 1/2"	2
80/	C-CT600/900	6&8	All		Screw (retainer to dash panel to floor pan extension)	2
<b>14612 GROMMET (CARBURETOR CHOKE) - Improve</b>						
<b>14613 RETAINER (BATTERY CABLE)</b>						
80/	LN600/750 -- gas	8	All	C4TZ 14613-A	Use with L.H. side under running board mounted battery	1
<b>14A618 PANEL (CIRCUIT BREAKER MOUNTING)</b>						
80/	F600/880	6&8	All	D5TZ 14A618-A	#D5TA-14A618-AA, E0HT 14A618-AA	1
80/	C-CT600/900	6&8	All			1
80/	L-LN-LNT-LT-LTS600/900	6&8	All			1
<b>14630 WIRE ASSY. (WINDOW REGULATOR)</b>						
80/	CL-CLT900	6&8	All	D8HZ 14630-A	R.H. #D7HT 14630-AC,AD	1
80/	CL-CLT900	6&8	All	D8HZ 14630-B	R.H. #D7HT 14630-BA,BC connect D8HZ 14630-A to power window motor	1
<b>14665 WIRING ASSY. (REAR AXLE SHIFT-CIRCUIT BREAKER TO IGNITION)</b>						
80/84	L-LN800/900 -- line haul w/2 speed axle-electric shift "Before 1/84"	6&8	All	★ D0HZ 14665-D /bE4HZ 14665-A	#D0HB 14665-D	1
84/	L-LN-LNT-LT-LTS600/900 -- line haul w/2 speed electric shift "From 1/84"	6&8	All	E4HZ 14665-A	#EDD0HB 14665-D, ED2D0HB 14665-D	1
80/84	L-LN600/900 -- city delivery-w/2 speed axle -air shift "Before 1/84"	6&8	All	★ D5HZ 14665-A /bE4HZ 14665-B	#D5HB 14665-AA, ED2D5HB 14665-AA	1
84/	L-LN-LNT-LT-LTS600/900 -- city delivery w/2 speed air shift "From 1/84"	6&8	All	E4HZ 14665-B	#EDD5HB 14665-AA	1

1980/  
TRUCK SERIES 600/900

YEAR	MODEL/RESTRICTIONS	ENGINE		PART NUMBER	DESCRIPTION	QTY.
		CYL.	C.I.D. (C.C.D.)			
<b>14665 WIRING ASSY. (REAR AXLE SHIFT-CIRCUIT BREAKER TO IGNITION) — Cont'd</b>						
85/	L-LN-LNT-LT-LTL-LTS800/900 -- city delivery w/2 speed electric shift	6&8	All	E5HZ 14665-A	#E4HT 14665-AA	1
87	L-LN-LNT-LT-LTL-LTS600/900	6&8	All	E7HZ 14665-A	#E7HT 14665-AA	1
88/	L-LN-LNT-LT-LTL-LTS800/900 w/2 spd. elec. shift axle, w/city or fleet instr. panel	6&8	All	E8HZ 14665-A	#E8HT 14665-AA	1
<b>14667 WIRING ASSY. (REAR AXLE SHIFT MOTOR TO CONTROL SWITCH)</b>						
80/	B-F600/800 -- w/2 speed axle	6&8	All	E0HZ 14667-A	#E0HT 14667-KA,KB, EDE0HT 14667-KB, E4HT 14667-DA,SA,BLA	1
80/	CT800 -- w/2 speed axle w/air shift and diff. lockout switch	6&8	All	D5HZ 14667-A	#D5HB 14667-AA	1
80/84	C600/900 -- w/2 speed axle	6&8	All	C9HZ 14667-B	#C9HB 14667-A	1
80/84	LNT900 -- diesel with TT	6&8	All			1
83/84	FT800 -- w/hyd. brakes, w/2 speed axle "Before 12/83"	6&8	All	E3HZ 14667-A	#E3HT 14667-A, ED1E3HT 14667-AA	1
84/	FT800/900(81) -- w/hyd. brakes w/2 spd. Eaton or Rockwell rear axle	6&8	All	E3HZ 14667-C	#EDE3HT 14667-CA used with E3HZ 14A107-A wiring	1
83/84	FT800(81) -- w/hyd brakes w/electric 2 speed axle	6&8	All	★ E3HZ 14667-B	#ED 14667-BL (jumper)	1
84/	B-F-FT600/800 -- w/2 speed axle w/o shock absorbers	6&8	All	E4HZ 14667-A	#E4HT 14667-AA	1
84/	C-CT600/800 -- w/2 speed axle w/o shock absorbers	6&8	All	E4HZ 14667-B	#E4HT 14667-BA	1
84/	L-LN-LNT-LT-LTS600/800 -- w/2 speed axle w/o shock absorbers	6&8	All	E4HZ 14667-C	#E4HT 14667-CA	1
86/	CF600/800	6	402,476	E6HZ 14667-A		1
80/	All -- w/2 speed axle	6&8	All	357179-S	(MM-134)-nut (fiber lock)-No. 8-32	2
<b>14668 WIRING ASSY. (REAR AXLE SHIFT CONTROL SWITCH)</b>						
80/84	B-F600/800 -- w/2 speed axle	6&8	All	★ E0HZ 14668-A	#ED-E0HT 14668-AA	1
83/84	FT800	6&8	All			1
80/84	C600/900 -- w/2 speed axle	6&8	All	D5HZ 14668-B	#D5HB 14468-BA	1
80/84	CT800/900 -- w/2 speed axle air shift-w/o diff. lockout switch	8	All	★ D5HZ 14668-C	#D5HB 14468-CA	1
85/86	C600/900 -- w/electric shift 2 speed axle	6&8	All	E5HZ 14668-B	#E4HT 14668-BA	1
85/86	CT800/900 -- w/air shift 2 speed axle	6&8	All	E5HZ 14668-C	#E4HT 14668-CA	1
87/	C600/900 -- w/elect. 2 speed axle	6&8	All	E7HZ 14668-F	#E7HT 14668-FA	1
87/	CT800/900 -- w/elect. 2 speed axle	6&8	All	E7HZ 14668-G	#E7HT 14668-GA	1
80/	L-LN600/800 -- w/2 speed axle-electric shift	6&8	All	★ DOHZ 14668-A r/bFOHZ 14668-A	#DOHB 14668-A	1
80/84	LNT-LT-LTS800/900 -- line haul-w/2 speed axle-air shift "Before 1/84"	6&8	All	★ DOHZ 14668-D r/bE4HZ 14668-C	#DOHB 14668-D	1
84/	L-LN-LNT-LT-LTS600/900 -- line haul-w/2 speed axle-air shift "From 1/84"	6&8	All	E4HZ 14668-C	#EDDOHB 14668-D	1
80/84	LNT-LT-LTS800/900 -- city delivery-w/2 speed axle-air shift "Before 1/84"	6&8	All	★ D5HZ 14668-D	#D5HB 14668-DA	1
84	L-LN-LNT-LT-LTS600/900 -- city delivery w/2 speed axle-air shift "From 1/84"	6&8	All	★ E4HZ 14668-B	#EDE5HB 14668-DA	1



1980/  
TRUCK SERIES 600/900

YEAR	MODEL/RESTRICTIONS	ENGINE		PART NUMBER	DESCRIPTION	QTY.
		CYL.	C.I.D. (C.C.D.)			
<b>14668 WIRING ASSY. (REAR AXLE SHIFT CONTROL SWITCH) — Cont'd</b>						
87/	L-LL-LN-LNT-LS-LT-LTL-LTS600/900 -- A/T w/2 speed axle	6&8	All	E7HZ 14668-H	#E5HS 14668-AA	1
88/	L-LL-LN-LNT-LS-LT-LTL-LTS600/900 -- w/wheel interlock	6&8	All	E8HZ 14668-B	#E8HT 14668-BA,BB	1
83/84	F600/800 -- w/hyd. brakes, Allison M/T w/2 speed axle	6&8	All	★ E3HZ 14668-A	#EDE3HT 14668-AA	1
83/86	F-FT600/800 -- w/2 speed axle & Spicer 5510 trans. "Before 6/85"	6&8	All	★ E4HZ 14668-A	#E4HT 14668-AA	1
85/	F-FT600/800 -- w/2 speed axle & Spicer 5510 trans. exc. FTO eng. "From 6/85"	6&8	All	E5HZ 14668-G	#E5HT 14668-DA	1
84	FT800(81) -- Allison trans. w/2 speed axle and air brakes	6&8	All	★ E4HZ 14668-D	#EDE3HT 14668-BC	1
85/	FT800/900 -- Allison trans. w/2 speed axle-exc. FTO eng.	6&8	All	E5HZ 14668-D	#E4HT 14668-DA, ED E4HT 14668-DA	1
83/86	F600/800 -- Allison A/T w/2 speed axle "Before 6/85"	6&8	All	E3HZ 14668-C	#E3HT 14668-CB	1
85/	F600/800 -- Allison A/T w/2 speed axle-exc. FTO eng. "from 6/85"	6&8	All	E5HZ 14668-F	#E5HT 14668-CA	1
83/	FT800 -- w/air brakes, M/T w/2 speed axle-exc. FTO eng.	6&8	All	E3HZ 14668-D	#E3HT 14668-DB, ED E3HT 14668-DB	1
83/	B-F600/800 -- w/2 speed axle-exc. FTO eng.	6&8	All	E3HZ 14668-E	#E3HT 14668-EA	1
83/	FT800(81) -- w/10 speed Spicer 5510 trans. w/electric 2 speed axle exc. FTO eng.	6&8	All	E3HZ 14668-F	#E3HT 7E433-AA	1
87/	B-F-FT600/800 -- w/hyd. brakes, M/T w/elect. 2 speed axle	6	402,476	E7HZ 14668-A	#E7HT 14668-AA	1
87/	F-FT600/800 -- A/T w/elect. 2 speed axle (single axle)	6	402,476	E7HZ 14668-B	#E7HT 14668-BA	1
87/	FT800/900 -- w/air brakes A/T w/elect. 2 speed axle	6	402,476	E7HZ 14668-C	#E7HT 14668-CA	1
87/	FT800/900 -- w/air brakes M/T w/air 2 speed axle	6	402,476	E7HZ 14668-D	#E7HT 14668-DA	1
87	B-F600/800 -- M/T w/elect 2 speed axle	6	402,476	E7HZ 14668-E	#E7HT 14668-EB, EDE7HT 14668-EB, E7HT 14668-EC	1
80/	C-CT600/900	8	All	★357946-S8	(GG-152)-clip (wiring to existing bolt that attaches gearshift lever support bracket to floor pan)	1
80/	C-CT600/900	6&8	All	★34079-S7	(M-163)-nut (wiring to circuit breaker or adapter)-No. 10-32	1or2
		6&8	All	★34803-S7	(X-60)-lockwasher-No. 10	1or2
<b>14671 RETAINER (REAR AXLE SHIFT WIRING)</b>						
80/	B-F-FT600/800	6&8	All	C3TZ 14671-A		AR
	C-CT600/900	6&8	All			AR
	L-LT-LTS-LN-LNT600/900	6&8	All			AR
<b>14674 WIRING ASSY. (REAR AXLE SHIFT MOTOR TO CONTROL EXTENSION)</b> If not listed below improvise from bulk wire (14296)						
80/84	B-F600/800	6&8	All	E0HZ 14674-A	#E0HT 14674-AB,BB,CB,DB,EB,FB,GB,HB,JB,LB, MB,RB,SB,AEA,AF,AGA,AHA,AJA, E3HT or EDE3HT 14674-LA,MA,NA,RA,SA,TA,UA,VA,YA,ZA,AAA, ABA,AEA	1

**1980/  
TRUCK SERIES 600/900**

YEAR	MODEL/RESTRICTIONS	ENGINE		PART NUMBER	DESCRIPTION	QTY.
		CYL.	C.I.D. (C.C.D.)			
<b>14674 WIRING ASSY. (REAR AXLE SHIFT MOTOR TO CONTROL EXTENSION) — Cont'd</b>						
If not listed below improvise from bulk wire (14296)						
85/	B-F-FT600/900 -- 129",140", 151",153",154",176" W/B	6&8	All	E5HZ 14674-A	#E4HT 14674-RA,SA,TA or E5HT 14674-BA,CA,DA	1
85/	F600/900 -- 170",177", 178",180",190",214" W/B	6&8	All	E5HZ 14674-B	#E4HT 14674-UA,VA,YA or E5HT 14674-EA,FA,GA	1
85/	FT600/900 -- 196" W/B w/Rockwell axle	6&8	All			1
85/	B-F600/900 -- 216",225",237", 238" W/B	6&8	All	E5HZ 14674-C	#E4HT 14674-ZA,AAA,ACA or E5HT 14674-HA,JA,LA	1
85/	B600/700 -- 255",275" W/B	6&8	All	E5HZ 14674-E	#E4HT 14674-ADA,AEA or E5HT 14674-MA,NA	1
83/84	F600/800 -- 196" and 214" W/B w/2 speed axle	6&8	All	E3HZ 14674-B	#E3HT or EDE3HT 14674-AA,BA,ACA,ADA	1
85/	B-F-FT600/900 -- 192",196", 207",214",238" W/B	6&8	All	E5HZ 14674-D	#E4HT 14674-AF,ABA,AGA,AHA, or E5HT 14674-KA,RA,SA,TA	1
89	CF600/900 -- w/2 speed rr axle w/diff. locking sys.	6	All	E9HZ 14674-S	#E8HT 14674-SB	1
83/84	FT800 -- w/air brakes w/ 2 speed axle "Before 5/84"	6&8	All	★ E3HZ 14674-K	#E3HT or EDE3HT 14674-KA,KB or E5HT 14674-AA	1
84/	FT800(81) -- w/air brakes w/ 2 speed axle "From 5/84"	6&8	All	E4HZ 14674-A	#ED1E3HT 14674-KB	1
80/84	LN600/750 -- 250" W/B w/2 speed axle-electric shift	6&8	All	★ D5HZ 14674-A	#D4HB-14674-AA	1
85/	LN600/700 -- 250" W/B	6&8	All	E5HZ 14674-M	#E4HT 14674-MB	1
80/84	L-LT-LTS-LN-LNT600/900 w/2 speed axle - electric shift exc. 250" W/B	6&8	All	★ E1HZ 14674-B	#D0EB 14674-A, D0HB 14674-A,B,C,D,E,F,G,H,K E0HT 14674-TA,VA,YA	1
85/	LN600/700 -- 124" W/B	6&8	All	E5HZ 14674-F	#E4HT 14674-AB	1
85/	L-LN600/800 -- 138",148", 150" W/B	6&8	All	E5HZ 14674-G	#E4HT 14674-BB,CB	1
85/	L-LN600/800 -- 162",166", 174" W/B	6&8	All	E5HZ 14674-H	#E4HT 14674-DB,EB	1
85/	LN600/700 -- 184" W/B	6&8	All	E5HZ 14674-J	#E4HT 14674-FB,GB	1
85/	LN600/700 -- 202" W/B	6&8	All	E5HZ 14674-K	#E4HT 14674-HB,JB	1
85/	LN800 -- 222" W/B	6&8	All	E5HZ 14674-L	#E4HT 14674-KB,LB	1
81/	L-LT-LTS-LN-LNT600/900 w/2 speed axle - air shift	6&8	All	E1HZ 14674-A	#E0HT 14674-ADA, E4HT 14674-AKA	1
88/	L-LL-LN-LNT-LT-LTS700/900 -- 246" & 258" W/B w/hydraulic brakes w/single rear-two speed axle	6&8	All	E9HZ 14674-G	#E9HT 14674-GA	
83/84	FT800 -- gas & diesel w/Spicer 5510 trans. and electric 2 speed axle	6&8	All	★ E3HZ 14674-AF	#E3HT 14674-AFA	1
85/	FT800/900 -- w/Allison trans.	6&8	All	E5HZ 14674-N	#E4HT 14674-NA	1
88	F700/900 -- w/wheel to wheel single axle differential lockout	6&8	All			1
85/	FT800/900 -- w/Spicer 5510 trans.	6&8	All	E5HZ 14674-P	#E4HT 14674-AJA	1
<b>14677 RELAY ASSY. (ACCESSORY SAFETY) — Also refer to group 13A435 and 2F005</b>						
80/83	B-F-FT600/800 -- w/hydraulic brakes	6&8	All	E0HZ 14677-A	#E0HT 14088-AA-for 1984/see 2F005- (Bosch Part No. 0332-002-155)	1
80/	CL-CLT900 -- A/C	6&8	All	D8HZ 14677-A	#D7HT 14088-AA	2
80/83	B-F600/800 -- w/dual fuel tanks	8	501	D2SZ 14677-B	#D3AB 14677-AA	1
84/	B-F600/800 -- tilt hood	8	636			1
80/82	CL-CLT900--w/push button starter	6&8	All	D8HZ 14677-B	#D7HT 14088-BA	1

1980/  
TRUCK SERIES 600/900

YEAR	MODEL/RESTRICTIONS	ENGINE		PART NUMBER	DESCRIPTION	QTY.
		CYL.	C.I.D. (C.C.D.)			
<b>14677 RELAY ASSY. (ACCESSORY SAFETY)-Also refer to group 13A435 and 2F005 -- Cont'd</b>						
83/	CL-CLT900	6&8	All	E3HZ 14677-A	#E3HT 14C690-AA	1
80/84	L-LN-LNT-LT-LTS900 -- diesel	6&8	All	D0HZ 14677-A	#DOHB 14088-B-also required with A/C	1
87/	L-LL-LN-LNT-LT-LTS600/900 -- w/allison A/T	6&8	All	★ E7HZ 14677-A	Bosch part no. 0332-204-101 (automatic transmission warning lamp)	1
87/	CF600/800 -- marker lamps	6	402,476	E7HZ 14677-B	Dull white or green colored Bosch #0332204-101	1
87/	L-LL-LN-LNT-LT-LTS600/900	6&8	All	E8HZ 14677-A	E8HT 14088-AA-Bosch-A332-202-153 or Bosch 0332-204-133-315	AR
<b>14C690 RELAY ASSY. (SAFETY)-Refer to group 14512</b>						
<b>14698 WIRE and SOCKET ASSY. (BRAKE AIR PRESSURE GAUGE)</b>						
80/	All -- air brakes	6&8	All	C3TZ 14698-A	8 1/2" long	1
<b>14K725 WIRE ASSY. (JUNCTION PANEL JUMPER)</b>						
81	L-LT-LTS-LTL-LN-LNT600/900	6&8	All	★	Improvise	1
86	L-LL-LN-LNT-LS-LT-LTL-LTS 600/900 -- w/hyd. brakes	6&8	All	★ E6HZ 14K725-A	#E6HT 14K725-AA-Contains (1) D3AZ 10C912-A diode	1
86	F-FT600/900(81) -- w/hyd. brakes	6&8	All	★ E6HZ 14K725-B	#E6HT 14K725-BA-contains (2) D3AZ 10C912-A diode	1
86	B-F600/800(84) -- w/hyd. brakes	6&8	All	★ E6HZ 14K725-C	#E6HT 14K725-CA-contains (1) E3TZ 13A025-A relay	1
86	C-CT600/900 -- w/hyd. brakes	6&8	All	★ E6HZ 14K725-D	#E6HT 14K725-DA-contains (1) D3AZ 10C912-A diode	1
88/	L-LL-LN-LNT-LS-LT-LTL- LTS600/900 -- diesel w/"C" type brake	6	855	E8HZ 14K725-A	#E8HT 14K725-AA,AB,AC	1
89	L-LN-LNT-LT-LTL-LTS800/900 -- w/engine retarder & Cummins exhaust brake	6	402,476	E9HZ 14K725-A	#E9HT 14K725-AA	1
<b>14739 CONNECTOR (ELECTRICAL CONDUIT)</b>						
86/	CF600/800 -- diesel	6	402,476	E6HZ 14739-A		1
<b>14806 SWITCH ASSY. (ENGINE FAN CONTROL)</b>						
80/	CL-CLT900 -- w/radiator shutter control and fan clutch	6&8	All	D8HZ 14806-A	#D7HT 14806-AB,BA-65°F/275°F	1
81/	L-LT-LTS-LN-LNT-LTL600/900 -- w/116" BBC w/man. A/C					1
84/	L-LN-LNT-LT-LTL-LTS-LA-LS-LTA 600/900 -- diesel w/A/C	6&8	All	E4HZ 14806-A	#E2HT 14806-AA-yellow case-differential 60 P.S.I.G/cut-in 165 P.S.I.G/ cut-out 225 P.S.I.G	
<b>15000 CLOCK ASSY.</b>						
80/87	CL-CLT900	6&8	All	★ D8HZ 15000-A	Digital	1
<b>15A044 CIGAR LIGHTER KIT</b>						
80/	F-FT600/800	6&8	All	E0TZ 15A044-A		1
Consists of						
1-D30Z 15052-A		Knob and element		1-IS 4830		Instruction sheet
1-D9AZ 15055-A		Socket and retainer				
<b>15A046 WIRE ASSY. (CIGAR LIGHTER TO FUSE PANEL) - Improvise from bulk wire (14296)</b>						
<b>15052 KNOB and ELEMENT (CIGAR LIGHTER)</b>						
80/	C-CT600/900	6&8	All	D3TZ 15052-A		1
80/	CL-CLT900	6&8	All	D3AZ 15052-B		1
80/	F-FT600/800	6&8	All	D30Z 15052-A		1
80/	L-LN-LNT-LT-LTS600/900	6&8	All	D3HZ 15052-B		1
<b>15054 ELEMENT ASSY. (CIGAR LIGHTER)</b>						
80/	C-CT600/900	6&8	All	★ D3TZ 15054-A /bD3TZ 15054-B	Incl. bezel	1
80/	L-LN-LNT-LT-LTL-LTS600/900	6&8	All	D3HZ 15054-A		1
80/	CL-CLT900	6&8	All	★ D3AZ 15054-A /bD3AZ 15054-B		1

1980/  
TRUCK SERIES 600/900

YEAR	MODEL/RESTRICTIONS	ENGINE		PART NUMBER	DESCRIPTION	QTY.
		CYL.	C.I.D. (C.C.D.)			
<b>15055 SOCKET and RETAINER ASSY. (CIGAR LIGHTER)</b>						
80/83	C-CT600/900	6&8	All	D3TZ 15055-B		1
80/	F-FT600/800 (81)	6&8	All	D9AZ 15055-A		1
80/	CL-CLT900	6&8	All	D8HZ 15055-A	Instrument panel	1
80/	CL-CLT900	6&8	All	D3AZ 15055-A	Convenience panel	1
80/	L-LN-LNT-LT-LTS600/900	6&8	All	D3HZ 15055-A		1
84/	C-CT600/900	6&8	All			1
<b>15A055 CIGAR LIGHTER ASSY.</b>						
86/	CF600/800 -- diesel	6	402.476	E6HZ 15A055-A		1
<b>15072 LAMP ASSY. (CIGAR LIGHTER)</b>						
80/	All	6&8	All	C3TZ 15072-A		1
<b>15200 LAMP ASSY. (FOG OR ROAD)</b>						
80/	CL-CLT900	6&8	All	D8HZ 15200-A	Per-Lux (Clear replacement)	2
80/	CL-CLT900	6&8	All	D8HZ 15200-B	Dietz (Clear replacement)	2
82/83	LTL900 "Before 12/82"	6&8	All	★ E1HZ 15200-A /bE3HZ 15200-B	Road #959	2
83/	LTL900 "From 12/82"	6&8	All	★ E3HZ 15200-A /bE8HZ 15200-A	Road-#959 tempered glass lens	2
83/	LTL900			E8HZ 15200-A	Road-plastic lens	2
82/83	LTL900 "Before 12/82"	6&8	All	★ E1HZ 15200-B /bE3HZ 15200-B	Fog #950	2
83/	LTL900 "From 12/82"	6&8	All	★ E3HZ 15200-B /bE8HZ 15200-B	Fog-#950 tempered glass lens	2
83/	LTL900			E8HZ 15200-B	Fog-plastic lens	
<b>15200 LAMP ASSY. KIT (ALL WEATHER SEALED BEAM)</b>						
80/	CL-CLT900	6&8	All	D8HZ 15200-C	Per-Lux (DLR.installed)	1
<b>15A201 LAMP ASSY. (MARKER)</b>						
80/	B-F-FT600/800	6&8	All	E0BZ 15A201-A	R.H. and L.H.-front fender-amber	2
88/	LA,LS,LTS -- (Aeromax)	6	All	E8HZ 15A201-B & E8HZ 15A201-A	R.H.-#E8HT 15A425-AB L.H.-#E8HT 15A424-AB	1 1
<b>15L203 LENS (FOG OR ROAD LAMPS)</b>						
80/	CL-CLT900	6&8	All	D3HZ 15L203-A	Per-Lux	2
82/83	LTL900 "Before 12/82"	6&8	All	★ E2HZ 15L203-A /bE3HZ 15L203-A	Fog-#950	2
83/86	LTL900 "From 12/82"	6&8	All	E3HZ 15L203-A	Fog-tempered glass-#950	2
82/83	LTL900 "Before 12/82"	6&8	All	★ E2HZ 15L203-B /bE3HZ 15L203-B	Road-#959	2
83/86	LTL900 "From 12/82"	6&8	All	E3HZ 15L203-B	Road tempered glass-#959	2
<b>15A210 RETAINER (MARKER LAMP)</b>						
80/	B-F600/800	6&8	All	E0TZ 15A210-B		2
<b>15214 DOOR (FOG LAMPS)</b>						
80/	CL-CLT900	6&8	All	D8HZ 15214-A	Use w/Dietz lamps	1
80/	CL-CLT900	6&8	All	D3HZ 15214-A	Used as retaining ring w/Per-Lux	2
<b>15220 BULB ASSY. (SEALED BEAM LAMP)</b>						
80/	CL-CLT900	6&8	6&8	D8HZ 15220-B	No. 4412-Use w/Dietz fog lamp	1
80/	CL-CLT900	6&8	All	D3HZ 15220-A	No. 4421-use w/front mounted fog lamps	2
<b>15K233 COVER (FOG OR ROAD LAMPS)</b>						
82/	LTL900	6&8	All	E3HZ 15K233-A		4
<b>15A236 LOUVER ASSY. (FOG LAMP LENS)</b>						
80/	CL-CLT900	6&8	All	D3HZ 15A236-A	Per-Lux	2
<b>15237 WIRE ASSY. (FOG OR ROAD LAMP FEED)</b>						
81/	L-LN-LNT-LT-LTS-LTL800/900	6&8	All	E1HZ 15237-A	#E1HT 15237-AB	1
88/	LL-LTL900 -- w/fog and road lamps	6&8	All	E8HZ 15237-A	#E8HT 15237-AB	1
<b>15A238 GASKET (FOG LAMP LENS)</b>						
80/	CL-CLT900	6&8	All	D3HZ 15A238-A	Per-Lux	2
<b>15K243 GASKET (FOG LAMP HOUSING)</b>						
80/	CL-CLT900	6&8	All	D3HZ 15K243-A	Per-Lux	2
<b>15244 WIRE ASSY. (ROAD LAMP LEAD)</b>						
82/	LTL900	6&8	All	E1HZ 15244-A	#E1HT 15244-AA, E5HT 15244-AA	1

**1980/  
TRUCK SERIES 600/900**

YEAR	MODEL/RESTRICTIONS	ENGINE		PART NUMBER	DESCRIPTION	QTY.
		CYL.	C.I.D. (C.C.D.)			
<b>15A245 BEZEL (FOG or ROAD LAMP)</b>						
82/86	LTL900	6&8	All	E2HZ 15A245-A		2
<b>15266 BRACKET (FOG LAMP MOUNTING)</b>						
80/	CL-CLT900	6&8	All	D8HZ 15266-A	use w/Per Lux lamp	1
<b>15312 SPOT LAMP KIT (HANDHELD)</b>						
81/	All	6&8	All	★ E1AZ 15312-A		AR
<b>15320 BRACKET ASSY. (SPOTLAMP)</b>						
80/84	C-CT600/900	6&8	All	★ A8AZ 15320-A	L.H.-inside	1
<b>15330 BULB (SEALED BEAM)</b>						
80/84	C-CT600/900	6&8	All	★ B6C 15330-A	5 21/32" diameter-12 volt type No. 4435 spotlight	1
80/84	F-FT600/880	6&8	All	★ B6A 15330-B	4 13/32" diameter-12 volt type No. 4405 spotlight	1
81/	All	6&8	All	★ E1AZ 15330-A	Use w/E1AZ 15312-A handheld spotlamp	AR
<b>15A402 GASKET (MARKER LAMP LENS)</b>						
80/	C-CT600/900	6&8	All	D6TZ 15A402-A	Rectangular design	5
80/	L-LN-LNT-LT-LTL-LTS600/900	6&8	All			5
80/	F-FT600/800 (81)	6&8	All	E0TZ 15A402-A	Rectangular design	5
<b>15A403 PAD (MARKER LAMP MOUNTING)</b>						
80/	CL-CLT900	6&8	All	D8HZ 15A403-B	Torpedo design	5
81/	L-LT-LTL-LTS-LN-LNT600/800	6&8	All	E1HZ 15A403-A	Torpedo design-for 3 inboard lamps	3
81/	L-LT-LTL-LTS-LN-LNT600/800	6&8	All	E1HZ 15A403-B	Torpedo design-for 2 outboard lamps	2
80/	L-LN-LNT-LTS600/900	6&8	All	C8HZ 15A403-B	Rubber-rectangular design	5
<b>15A403 BASE (ROOF MARKER LAMP)</b>						
86/	CF600/800 -- diesel	6	402,476	E6HZ 15A403-A	Center-lower half of marker lamps	3
				E6HZ 15A403-B	Used upper half of marker lamps	5
				E6HZ 15A403-C	R.H.-lower half of marker lamps	1
				E6HZ 15A403-D	L.H.-lower half of marker lamps	1
<b>15A404 WIRING ASSY. (MARKER LAMP TO SWITCH)</b>						
80/	C-CT600/900	6&8	All	D6HZ 15A404-A	#D5HB 15A404-AA, DD7HT 15A404-AA	1
80/	CL-CLT900 -- w/sleeper	6&8	All	E1HZ 15A404-A	#E0HT 15A404-BA, ED E1HT 15A404-BA, E2HT 15A404-AA	1
80/	CL-CLT900 -- w/o sleeper	6&8	All	E1HZ 15A404-B	#E0HT 15A404-CA, ED E1HT 15A404-CA, E2HT 15A404-BA	1
80/	F600/800(81)	6&8	All	E1TZ 15A404-A	#E0TB 15A404-AC, E1TB 15A404-AA	1
80/83	L-LN-LNT-LT-LTS600/900 "Before 2/83"	6&8	All	★ D5HZ 15A404-A	#D2HB 15A404-AA	1
83/	L-LN-LNT-LT-LTS600/900 "From 2/83"	6&8	All	E3HZ 15A404-A	#E3HT 15A404-AA	1
86/	CF600/800 -- diesel	6	402,476	E6HZ 15A404-A		1
86/	CF600/800 -- diesel	6	402,476	E6HZ 15A404-B	#85HU 15A404-AA (2 lamp)	1
87	L-LL-LN-LNT-LS-LT-LTS600/900	6&8	All	E7HZ 15A404-A	#E7HT 15A404-AA	1
88/	B-F600/900 -- w/medium reg. cab or service cab	6&8	All	E8HZ 15A404-D		1
88	L-LL-LN-LNT-LS-LT-LTL- LTS600/900	6&8	All	E8HZ 15A404-A	#E8HT 15A404-AB,AC,AD	1
<b>15A406 WIRE ASSY. (MARKER LAMP TO SWITCH)-Improvise from bulk wire (14296)</b>						
<b>15A407 WIRE ASSY. (MARKER LAMP SWITCH JUMPER) - Improvise from bulk wire (14296)</b>						
<b>15A408 PLUG ASSY. (TRAILER LAMPS)</b>						
80/	All -- T/T	6&8	All	D8HZ 15A408-A	Part of 15436 wiring	2
<b>15A410 WIRING ASSY. (MARKER LAMP FRONT TO REAR) - If not listed improvise from bulk wire (14296)</b>						
<b>15A411-2 WIRING ASSY. (MARKER LAMPS) - If not listed improvise from bulk wire (14296)</b>						
<b>15B417 SEAL (TORPEDO MARKER LAMP)</b>						
81/	L-LT-LTL-LTS-LN-LNT600/800	6&8	All	E1HZ 15B417-A		10
<b>15A428-9 REFLECTOR ASSY (FRONT FENDER SIDE)-refer to group 15A448</b>						

**1980/  
TRUCK SERIES 600/900**

YEAR	MODEL/RESTRICTIONS	ENGINE		PART NUMBER	DESCRIPTION	QTY.
		CYL.	C.I.D. (C.C.D.)			
<b>15436 WIRING and PLUG ASSY. (TRAILER LAMPS)</b>						
80/	C-CT600/900 -- w/o air hose	6&8	All	D5HZ 15436-B	#D5HB 15436-BA	1
80/	C-CT600/900 -- w/air hose	6&8	All	D5HZ 15436-C	#D5HB 15436-CA	1
80/	CL-CLT900 -- w/o 246" W/B TDM	6&8	All	D8HZ 15436-C	#E2HT 15436-AA, E3HT 15436-AA,	1
80/	L-LT-LTS-LN-LNT600/900 -- w/unitized tractor package	6&8	All		D9HT 15436-AA	1
86/	CF600/800	6	402,476			1
80/	CLT900 -- 246" W/B	6&8	All	D8HZ 15436-B	#D7HT 15436-DA	1
80/	L-LN-LNT-LT-LTS600/900 -- T/T w/air hose w/o unitized tractor package	6&8	All	D5HZ 15436-A	#D5HB 15436-AA	1
80/	L-LN-LNT-LT-LTS600/900 -- w/o air hose w/o unitized tractor package "From Ser. W40,001"	6&8	All	D5HZ 15436-D	#D5HB 15436-DA, E1HT 15436-AA	1
80/	C-CT750/900	8	All	31497-S8	(U-254)-screw (wiring and plug to cab back panel) No. 14-14 x 1/2"	1
80/	C-CT600/900	6&8	All	34079-S7	Screw (wiring and plug to L.H. body side member)	1
				34803-S7	(MM-163)-nut-No. 10-32	1or3
					(X-60)-lockwasher-No. 10	1or3
80/	C-CT-F600/900	6&8	All	★ 357918-S	Screw (wiring and plug to air hose support bracket)	3
				34053-S8	(M-156)-nut-No. 10-24	1or3
80/	C-CT600/900	6&8	All	34940-S7-8	(X-88)-washer-lock-external tooth-1/4"	1
<b>15442 LAMP ASSY. (MARKER)</b>						
80/	F-FT600/880	6&8	All	E0TZ 15442-D	Amber-tear drop design roof mounted less socket and wiring	5
80/	C-CT600/900					5
80/	L-LN-LNT-LT-LTL-LTS600/900	6&8	All			5
80/86	CL-CLT900	6&8	All	D8HZ 15442-A	Amber-torpedo design-roof mounted	5
81/86	L-LT-LTS-LTL-LN-LNT600/800	6&8	All			5
87	L-LL-LN-LNT-LT-LTL-LTS600/900	6&8	All	E7HZ 15442-A	Amber-torpedo design-roof mounted	5
87	CL-CLT900	6&8	All			5
87	CF600/800	6&8	All			5
80/	L-LN-LNT-LT-LTS600/900	6&8	All	D8HZ 15442-B	Amber-pedestal design-roof mounted	5
80/	CL-CLT	6&8	All			5
86/	CF600/800 -- diesel	6	402,476	E6HZ 15442-A	Amber	5
80/	All	6&8	All	26483-S7	(U-172)-screw (lamp to roof)-1/4"-20 x 1/2"	AR
				34905-S7	(X-97)-washer-lock-1/4"	AR
				33795-S7	(M-49)-nut-1/4"-20	AR
				55974-S45X	(U-316-D)-screw (lamp to roof)-oval head-No. 8-18 x 3/4"	4
				★50828-S	Screw (lamp to roof)-external tooth washer pan head-1/4"-20 x 3/4"	AR
80/	CL-CLT900			373556-S100	(MM-291-F)-Nut 1/4-20 (lamp to roof)	2
<b>15A442 SOCKET AND WIRING ASSY. (BODY SIDE LAMP OR ROOF MARKER)</b>						
80/	C-CT600/900	6&8	All	D6TZ 15A442-A	#D5TB 15460-AA,D7TB 15460-AA, D8TB 15460-AA	5
80/	F-FT600/800(81)	6&8	All			5
80/	L-LN-LNT-LT-LTL-LTS600/900	6&8	All			5
<b>15443 SWITCH ASSY. (MARKER LAMP BLINKER) - Also refer to groups 9A050, 9A389 and 13K753</b>						
80/	C-CT600/900	6&8	All	D3TZ 15443-C	#D3TB 15443-AB-also used as differential lock out switch, fog lamp and/or road lamp switch	1
80/	L-LN-LNT-LT-LTS-LTL600/900 w/fleet or city instr. panel	6&8	All			3
89	F600/900	All			Used for heated, lighted mirrors	1
80/	CL-CLT900	6&8	All	D8HZ 15443-A	#D7HT 15443-AA-trailer hook-up lamp, clearance lamps, fog lamps or heated mirror	1
80/	CL-CLT900	6&8	All	D8HZ 15443-B	#D7HT 15443-BA-clearance lamp blinker	1

1980/  
TRUCK SERIES 600/900

YEAR	MODEL/RESTRICTIONS	ENGINE		PART NUMBER	DESCRIPTION	QTY.
		CYL.	C.I.D. (C.C.D.)			
<b>15443 SWITCH ASSY. (MARKER LAMP BLINKER)-Also refer to groups 9A050, 9A389 and 13K753</b>						
80/	CL-CLT900	6&8	All	D8HZ 15443-C	#D7HT 15443-CA-rear axle temp.	1
89/	CL-CLT900 -- w/Jacobs engine brake pkg.	6	855,893	★ E9HZ 15443-B /bF0HZ 15443-B	#E9HT 15443-BA	1
89	CL-CLT900	6&8	All	E9HZ 15443-C	#E9HT 15443-CA	1
82/	LNT900 -- "yellow freight"	6&8	All	E2HZ 15443-A		1
83/	FT800 -- w/hyd. brakes	6&8	All	E3HZ 15443-A	#E3HT 15443-AA (differential lookout)	1
88	F700/900 -- w/wheel to wheel single axle differential lockout	6&8	All			1
83/	FT800 -- A/T w/2 speed axle	6&8	All	E3HZ 15443-B	#E3HT 15K218-AA	1
<b>15A448 REFLECTOR ASSY. (FRONT FENDER SIDE-AMBER)</b>						
84/	B-F600/800 -- w/tilt hood	6&8	All	E4HZ 15A448-A	R.H. - #E4HB 15A428-AA	1
84/	B-F600/800 -- w/tilt hood	6&8	All	E4HZ 15A448-B	L.H. - #E4HB 15A429-AA	1
<b>15451 GASKET (MARKER LAMP BODY)</b>						
80/	L-LN-LNT-LT-LTS600/900	6&8	All	D0HZ 15451-A	Used w/pedestal design roof mounted lamps	5
86/	CF600/800 -- diesel	6	402,476	E6HZ 15451-A	Center lamps	3
				E6HZ 15451-B	R.H. & L.H. lamps	2
87/	L-LL-LN-LNT-LS-LT-LTS600/900	6&8	All	E7HZ 15451-A	3/4" I.D. x 1 1/2" O.D.-used with Dietz marker lamps	5
<b>15460 WIRE AND SOCKET ASSY. (MARKER LAMP)-refer to group 15A442</b>						
<b>15464 LENS ASSY. (MARKER LAMP)</b>						
80/	CL-CLT900	6&8	All	D8HZ 15464-A	Amber-torpedo design-roof mounted	5
80/	L-LN-LNT-LT-LTS600/900	6&8	All	D0HZ 15464-A	Amber-pedestal design-roof mounted	5
<b>15469 BEZEL (MARKER LAMP SWITCH)</b>						
80/	C-CT600/900	6&8	All	D3TZ 15469-A	Also used as differential lockout bezel	1or2
<b>15A486 RETAINER (MARKER LAMP) - Improvise</b>						
<b>15510 GASKET (UTILITY LAMP LENS)</b>						
80/	CL-CLT900			E1HZ 15510-A	Used with 15550 lamp	1
<b>15514 LENS (UTILITY LAMP)</b>						
80/	CL-CLT900			E1HZ 15514-A	Clear-used with 15550 lamp	1
<b>15517 BRACKET (BACK UP LAMP SWITCH MOUNTING)-Improvise</b>						
<b>15520 SWITCH and BRACKET ASSY. (BACKUP LAMP)-also refer to group 7A247</b>						
80/	B-F600/700 -- M/T	6&8	All	C9TZ 15520-C	*SW-840-#C9TB 15520-B, E5HT 15520-BA	1
80/	C-CT600/900 -- M/T	6&8	All			1
80/	CL-CLT900	6&8	All			1
80/	L-LN-LNT-LT-LTL-LTS600/900 -- M/T	6&8	All			1
80/	B-F600/800 -- w/o lever parking brake	6&8	All		Used as power hydraulic parking brake switch	1
86/	CF600/800 -- diesel	6	402,476			1
80/	B-F600/800 -- A/T	6&8	All	★ E0HZ 15520-A /b★E9HZ 15520-A /bF3HZ 15520-A	*SW-1577	1
84/	B-F600/800 -- w/Spicer CM40 trans. "Before 4/85"	6&8	All	E4HZ 15520-A	*SW-1923	1
85/	B-C-F-L-LN600/800 -- w/Spicer CM40 trans. "From 4/85"	6&8	All	E5HZ 15520-A	*SW-2064-#E5HT 15520-AA	1
89	B-F600/800 -- A/T	6&8	All	★ E9HZ 15520-A /bF3HZ 15520-A		1
87/	CF600/700 -- w/Fuller trans.	6&8	All	E9HZ 15520-B	*SW-2213	1
86/	CF600/800 -- diesel	6	402,476	E6HZ 15520-A		1
86/	CF600/800 -- diesel	6	402,476	U800857-S71	(AM-13-Y)-nut (switch to clutch pedal) M18	1
88/	CF600/800	6	All	E8HZ 15520-A	Alternate for E5HT 15520-BA	1
<b>15525 WIRE ASSY. (BACKUP LAMP SWITCH TO REAR LAMP FEED) -If not listed improvise from bulk wire (14296)</b>						
80/82	B-F600/800 -- M/T "Before 2/80"	6&8	All	★ E0HZ 15525-E	#E0HT 15525-AB,CB,EA,FA,JA-repl. by E1HZ 15525-A	1

1980/  
TRUCK SERIES 600/900

YEAR	MODEL/RESTRICTIONS	ENGINE		PART NUMBER	DESCRIPTION	QTY.
		CYL.	C.I.D. (C.C.D.)			
<b>15525 WIRE ASSY. (BACKUP LAMP SWITCH TO REAR LAMP FEED)-If not listed improvise from bulk wire (14296) — Cont'd</b>						
80/83	B-F-FT600/800 -- w/CM-50 M/T "From 2/80 to 2/84"	8	501	★ E0HZ 15525-F	#E0HT 15525-FB,JB-repl by E1HZ 15525-A	1
80/82	B-F600/800 -- A/T	6&8	All	★ E0HZ 15525-G	#E0HT 15525-DB,GA,GB,HA,HB, E3HT 15525-AA,CA	1
83/84	B-F600/800 -- A/T w/gas- 636 Cat.-501 Det. diesels "Before 2/84"	6&8	All			1
82/83	B-F-FT600/800 -- M/T exc. CM50	6&8	All	★ E1HZ 15525-A /bE3HZ 15525-E	#E1HT 15525-AA,CA	1
82/83	B600/700 -- A/T	6&8	All	★ E1HZ 15525-B	#E1HT 15525-BA	1
83/84	B-F600/800 -- 4-5 M/T- 10 M/T (fuller 6610) "Before 2/84"	6&8	All	E3HZ 15525-E	#E3HT 15525-BA,EA,DA	1
82/	L-LN-LNT-LT-LTL-LTS600/900 M/T	6&8	All	E2HZ 15525-A	#E2HT 15525-AA	1
86	L-LL-LN-LNT-LS-LT-LTL-LTS900 -- 105"-116" BBC w/MT	6&8	All	E6HZ 15525-A	#E6HT 15525-AA	1
84/	B-F-FT600/800 -- MT "From 2/84"	6&8	All	E4HZ 15525-A	#E4HT 15525-AA,EA	1
84/	B-F-FT600/800 -- A/T "From 2/84"	6&8	All	E4HZ 15525-C	#E4HT 15525-CA,DA	1
87/	L-LL-LN-LNT-LS-LT-LTL- LTS600/900-- w/M/T	6&8	All	E7HZ 15525-F	#E7HT 15525-FA	1
88/	L-LL-LN-LNT-LS-LT-LTL- LTS600/900 -- w/M/T	6&8	All	E8HZ 15525-B	#E8HT 15525-BA,BB,BC	1
88/	L-LN-LL-LNT700/900 -- w/M/T	6&8	All	E8HZ 15525-D	#E8HT 15525-DA-used w/E8HZ 144K067-D warning lamp fd jumper	1
87/	L-LL-LN-LNT-LS-LT-LTL- -- w/A/T	6&8	All	E7HZ 15525-G	#E7HT 15525-GA	1
89	L-LL-LN-LNT-LS-LT-LTL- LTS600/900 -- w/A/T	6&8	All	E8HZ 15525-E	#E8HT 15525-EB,EC,ED	1
87/	B-F-FT600/900 -- 402,476 diesel w/M/T	6	All	E7HZ 15525-A	#E7HT 15525-AA	1
87/	B-F-FT600/900 -- 501 diesel w/A/T	8	All	E7HZ 15525-C	#E7HT 15525-CB, DE7HT 15525-CB	1
87/	B-F-FT600/900 -- exc. 501 diesel w/A/T	6&8	All	E7HZ 15525-D	#E7HT 15525-DA, E8HT 15525-CA	1
87/	B-F-FT600/900 -- exc. CM 550 & RT 6600 w/M/T	6&8	All	E7HZ 15525-E	#E7HT 15525-EA	1
<b>15A545 WIRE ASSY. (BACKUP LAMP SWITCH EXTENSION) - Improvise from bulk wire (14296)</b>						
<b>15A546 ADAPTER ASSY. (BACKUP LAMP SWITCH WIRE)</b>						
80/	C700/900, CT800 -- T/M	8	All	C9HZ 15A546-A	#C9HB 15A546-A	1
<b>15550 LAMP ASSY. (UTILITY)</b>						
80/83	CL-CLT900	6&8	All	★ D8HZ 15550-B	mounted on rear of cab for trailer hook up illumination	1
80/83	L-LT-LTS-LN-LNT600/900 -- w/unitized tractor package "Before 11/82"	6&8	All	/bE3HZ 15550-A		1
83/	CL-CLT900	6&8	All	E3HZ 15550-A	Mounted on rear of cab for trailer hook up illumination	1
83/	L-LN-LNT-LT-LTS600/900 "From 11/82"	6&8	All			
<b>15689 WIRE ASSY. (SPOTLAMP SWITCH JUMPER) - Improvise from bulk wire (14296)</b>						
<b>15A801 LAMP ASSY. OR WIRE AND SOCKET (TRANSMISSION CONTROL SELECTOR)</b>						
80/	All -- T/M	8	All	★ C1TB 15A801-B	Lamp	1
80/	B-F600/800 -- A/T	6&8	All	E0HZ 15A801-B	Wire and socket	1
				26457-S7	(U-167)-screw (lamp to control selector) No. 8-32 x 1/4"	2
<b>15805 DIAL (TRANSMISSION GEARSHIFT INDICATOR) - Refer to group 7B033</b>						



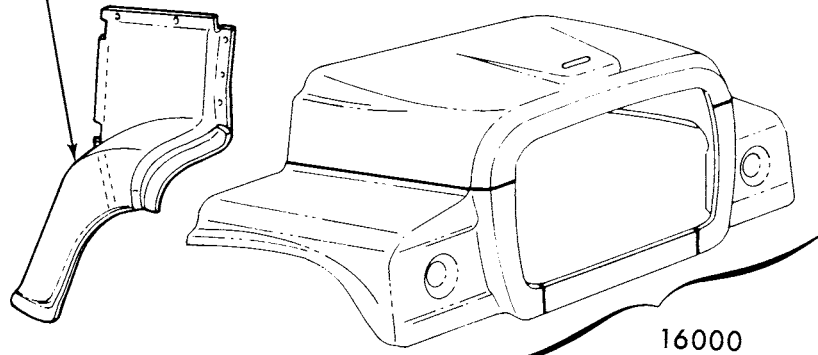
1980/  
TRUCK SERIES 600/900

YEAR	MODEL/RESTRICTIONS	ENGINE		PART NUMBER	DESCRIPTION	QTY.
		CYL.	C.I.D. (C.C.D.)			
<b>15840 MASK (TRANSMISSION CONTROL SELECTOR DIAL)</b>						
80/	All -- T/M	8	All	B7T 15840-A		1
<b>15A851 SWITCH AND BRACKET ASSY. (PARKING BRAKE SIGNAL)- also refer to group 2B257 or 2B264</b>						
80/83	B600/700 -- A/T	6&8	All	★ E1FZ 15A851-A /bE9FZ 15A851-A		1
84/	B-F-FT600/800 -- w/hyd. brakes "Before 4/85"	6&8	All	★ E4HZ 15A851-A /bE6HZ 15A851-A		2
84/	C-CT600/800 -- w/hyd. brakes "Before 4/85"	6&8	All			2
84/	L-LN-LNT-LT-LTL-LTS600/900 -- w/hyd. brakes "Before 4/85"	6&8	All			2
86/	B-F-FT600/900 -- w/hyd. brakes "From 4/85"	6&8	All	★ E6HZ 15A851-A /bE9HZ 15A851-A		2
86/	C-CT600/900 -- w/hyd. brakes "From 4/85"	6&8	All			2
86/	L-LN-LNT-LT-LTL-LTS600/900 -- w/hyd. brakes "From 4/85"	6&8	All			2
89	B-F600/800 -- w/hyd. brakes	6&8	All	E9HZ 15A851-A	Use w/single speed rr axles	1
89	L-LN700/800 -- w/hyd. brakes	6&8	All			1
84/	B-C-CT-F-FT-L-LN-LNT-LT-LTL- LTS600/900 w/hyd. brakes	6&8	All	★389996-S101	(II-261)-elbow (instrument panel control valve)- 1/8" internal pipe x 1/8" pipe-90° external	1
84/	B-C-CT-F-FT-L-LN-LNT-LT-LTL- LTS600/900 w/hyd. brakes	6&8	All	★389997-S101	(II-48)- bushing (instrument panel control valve)	1
<b>15857 BRACKET (ENGINE STOP WARNING LAMP)</b>						
80/	CL-CLT900	6	552,568 736	D8HZ 15857-A		1
<b>15A857 SUPPORT (PARKING BRAKE SIGNAL SWITCH BRACKET)</b>						
86/	CF600/700 -- diesel	6	401	★ E6HZ 15A857-A		1
<b>15K857 WIRE ASSY. (PARKING BRAKE SWITCH)</b>						
80	B600/700 -- M/T "Before 2/80"	6&8	All	★ D7HZ 15K857-A	#D7HT 15K857-AA,E0HT 15K857-CB	1
80/81	B600/700 -- M/T w/hydraulic brakes "From 2/80 to 9/81"	6&8	All	★ E0HZ 15K857-A	#E0HT 15K857-CC	1
82/83	B600/700 -- M/T w/hydraulic parking brake "From 9/81"	6&8	All	★ E1HZ 15K857-A	#E1HT 15K857-AA	1
84/	B-F600/800(84) -- w/hyd. brakes	6&8	All	★	#E4HT 15K857-AA-improvise	1

1980/  
TRUCK SERIES 600/900

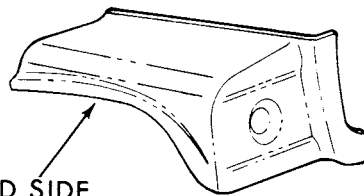
16000

FRONT END ASSY. (FIBERGLAS)  
FENDER  
16005-R.H.  
16006-L.H.



16000

HOOD SIDE  
16005-R.H.  
16006-L.H.



16C876

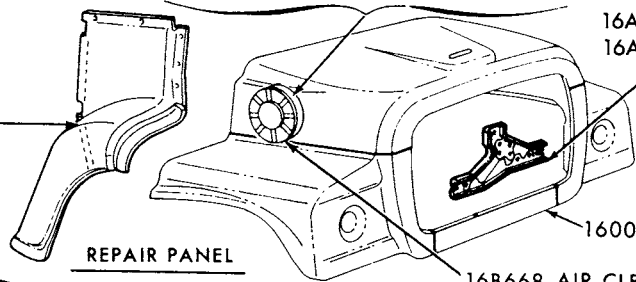
P-10426

FRONT END REPAIR PANELS  
1980/ LN-LNT600/750

AIR CLEANER

1973/ EXC. 568,903 ENG..R.H. SIDE  
1973/75 568,903 ENG..R.H. SIDE  
1975/ 568,903 ENG.-L.H. SIDE

FENDER  
16005-R.H.  
16006-L.H.



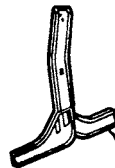
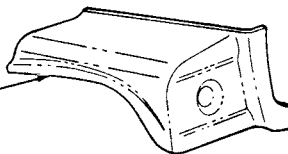
16A602 - L.H.  
16A603 - R.H.

16000

REPAIR PANEL

16B668 AIR CLEANER  
PANEL 1977/

HOOD SIDE  
16005-R.H.  
16006-L.H.



16C876

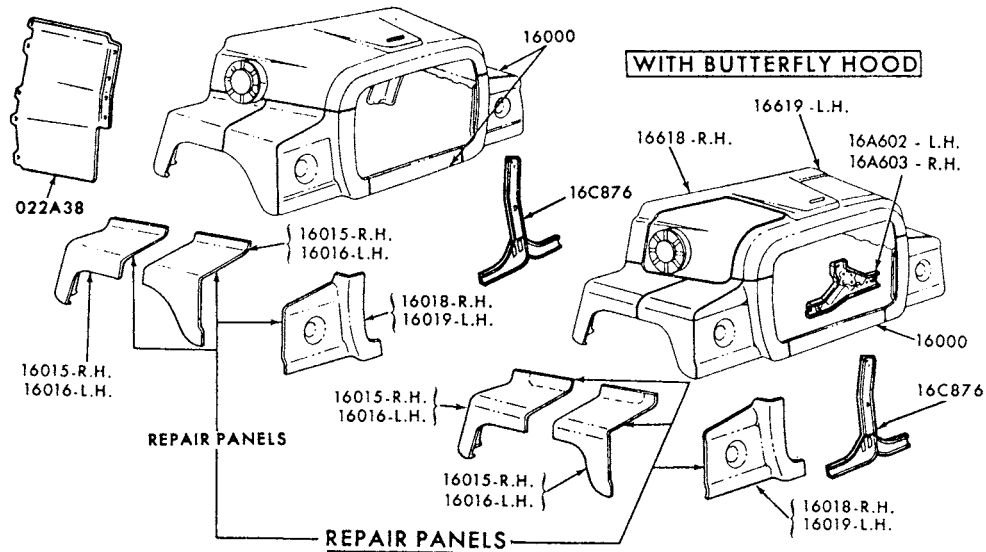
P-9110

FRONT END REPAIR PANELS  
1980/ LN-LNT800/900

# 1980/ TRUCK SERIES 600/900

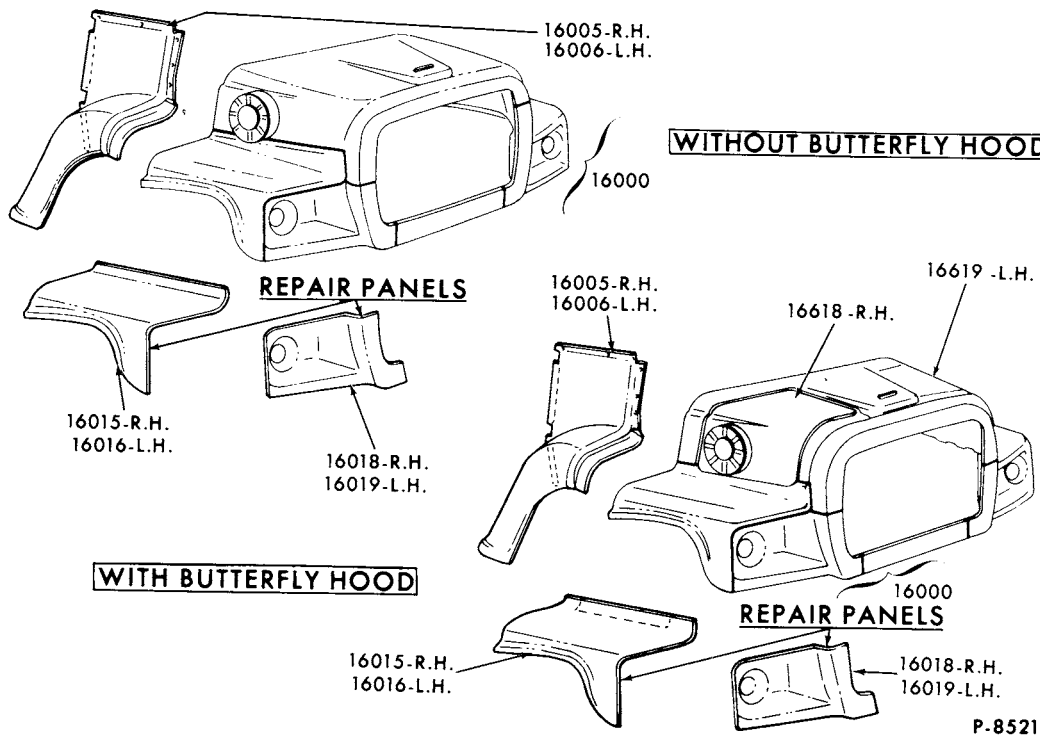
16000 FRONT END ASSY. (FIBERGLAS) — Cont'd

**WITHOUT BUTTERFLY HOOD**



FRONT END REPAIR PANELS  
1980/ L-LT800/900

**WITHOUT BUTTERFLY HOOD**

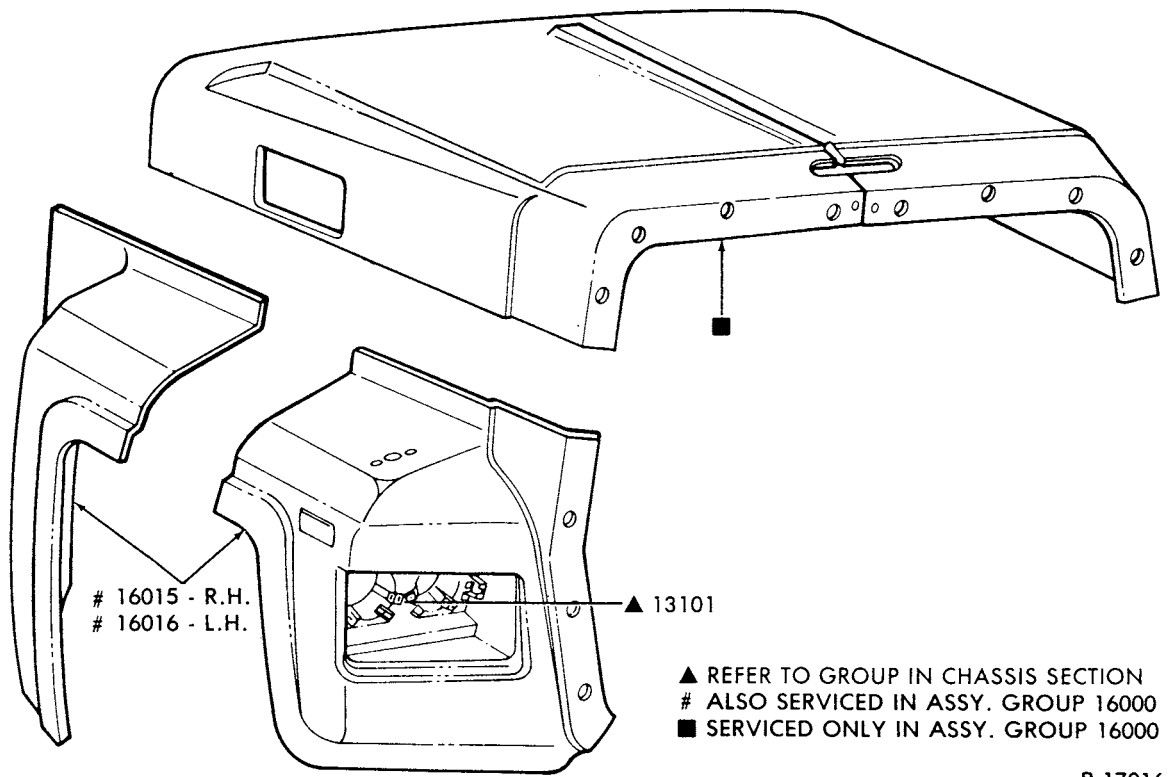


**WITH BUTTERFLY HOOD**

FRONT END REPAIR PANELS  
1980/ LTS800/900

1980/  
TRUCK SERIES 600/900

16000 FRONT END ASSY. (FIBERGLAS) — Cont'd



P-17016

1982/ LTL900

1980/  
TRUCK SERIES 600/900

YEAR	MODEL/RESTRICTIONS	PART NUMBER	DESCRIPTION	QTY.	
<b>16000 FRONT END ASSEMBLY (FIBERGLAS)</b>					
80/87	LN-LNT 600/750 "Before 12/86"	D7HZ 16000-C	Approx. 39 3/4" from cowl to grille-round headlamps	1	
80/86	LN-LNT800/900 -- 8 cyl. 568-71T Det. diesel and 8 cyl. 903 cum. diesel and 6V92 6 cyl. Det.	D7HZ 16000-B	Rectangular air intake on L.H. side use w/9B636 screen and 9B685 moulding-round air intake on R.H. side Approx. 39 3/4" from cowl to grille	1	
80/	LN-LNT700/900 -- diesel	F0HZ 16000-A	Rectangular headlamps	1	
80/	L-LT800/900 -- Butterfly hood	E7HZ 16000-A		1	
80/	L-LT800/900 -- w/o Butterfly hood	E7HZ 16000-C		1	
80/	LS-LTS800/900 -- w/Butterfly hood	E8HZ 16000-C		1	
80/	LS-LTS800/900 -- w/o Butterfly hood	E8HZ 16000-B		1	
82/	LTL900 -- w/painted grille	★ E1HZ 16000-A	R/b F0HZ 16000-C	1	
84/	LL-LTL900 -- w/bright grille	★ E6HZ 16000-A	R/b F0HZ 16000-B	1	
88/	LA-LTA900	E8HZ 16000-A		1	
<b>16005-6 FENDER (FRONT)</b>					
80/	B-F600/800 -- exc. tilt front end	(RH) E0TZ 16005-B	(LH) E0TZ 16006-B	Fiberglass	1
83/	FT800/900				1
84/	B-F600/800 -- w/tilt front end	(RH) E4HZ 16005-A	(LH) E4HZ 16006-A		1
<b>16005-6 FENDER-REPAIR-FRONT (FIBERGLAS)</b>					
80/87	LN-LNT600/750 "Before 12/86"	(RH) E3HZ 16005-B	(LH) E3HZ 16006-B	Fender	1
		(RH) D7HZ 16005-B	(LH) D7HZ 16006-B	Hood side	1
87/	LN-LNT700/750 "From 12/86"	(RH) E3HZ 16005-B	(LH) E3HZ 16006-B	Fender	1
		(RH) E7HZ 16005-A	(LH) E7HZ 16006-A	Hood side	1
80/83	LN-LNT800/900 "Before 4/83"	(RH) E3HZ 16005-A	(LH) D4HZ 16006-A	Fender	1
		(RH) D7HZ 16005-A	(LH) D7HZ 16006-A	Hood side	1
83/87	LN-LNT800/900 "From 4/83 to 12/86"	(RH) E3HZ 16005-A	(LH) E3HZ 16006-A	Fender	1
		(RH) D7HZ 16005-A	(LH) D7HZ 16006-A	Hood side	1
87/	LN-LNT800/900 "From 12/86"	(RH) E3HZ 16005-A	(LH) E3HZ 16006-A	Fender	1
		(RH) E7HZ 16005-A	(LH) E7HZ 16006-A	Hood side	1
80/83	LTS800/900 "Before 4/83"	(RH) D5HZ 16005-A	(LH) E3HZ 16006-C	Fender	1
83/84	LTS800/900 "From 4/83 to 12/83"	(RH) E4HZ 16005-C	(LH) E3HZ 16006-C	Fender	1
84/88	LS-LTS800/900 "From 12/83 to 12/87"	(RH) E4HZ 16005-C	(LH) E4HZ 16006-C	Fender	1
88/	LA-LS-LTA-LTS800/900 "From 12/87"	(RH) E8HZ 16005-A	(LH) E8HZ 16006-A		1
80/	L-LN-LNT-LT-LTS600/900	376838-S2	(MM-296-AF)-nut & washer assy.-hex.-5/16"-18		2
80/	L-LN-LNT-LT-LTS600/900	★378438-S40	Screw-truss head-5/16"-18 x 7/8"		AR
<b>16E008 BRACE (FRONT FENDER TO WHEELHOUSE)</b>					
84/	B-F600/800 -- w/tilt front end	E4HZ 16E008-A	R.H. and L.H.		2
<b>16E012-3 BRACE (FRONT FENDER TO DASH)</b>					
84/	B-F600/800 -- w/tilt front end and step tanks	(RH) E4HZ 16E012-A	(LH) E4HZ 16E013-A		1
<b>16B014-5 GRILLE OPENING REPAIR KIT</b>					
85/	LL-LTL900	(RH) E5HZ 16B014-A	(LH) E5HZ 16B015-A		1
<b>16015-6 FENDER-REPAIR-FRONT (FIBERGLAS)</b>					
80/87	L-LT800/900 "Before 12/86"	(RH) D7HZ 16015-B	(LH) D7HZ 16016-B	Front	1
		(RH) D7HZ 16015-A	(LH) D7HZ 16016-A	Rear	1
87/	L-LT800/900 "From 12/86"	(RH) E7HZ 16015-B	(LH) E7HZ 16016-B	Front	1
		(RH) D7HZ 16015-A	(LH) D7HZ 16016-A	Rear	1
80/	LA-LS-LTA-LTS800/900	(RH) E7HZ 16015-A	(LH) E7HZ 16016-A	Front	1
82/	LL-LTL900	(RH) E1HZ 16015-A	(LH) E1HZ 16016-A	Front	1
82/	LL-LTL900	(RH) E1HZ 16015-B	(LH) E1HZ 16016-B	Rear	1
<b>16015-6 PANEL (FRONT FENDER)</b>					
80/	C-CT600/900	D3KZ 16015-A			2
		378178-S39	(BB-412-BA)-screw & washer assy.-5/16"-18 x 1"		AR
		33797-S7	(M-50)-washer-flat-5/16"		AR
		370328-S2	(MM-188)-nut-retainer-5/16"-18		AR
86	CF600/700	(RH) E6HZ 16015-A	(LH) E6HZ 16016-A	Front	1
		(RH) E6HZ 16015-B	(LH) E6HZ 16016-B	Rear	1

1980/  
TRUCK SERIES 600/900

YEAR	MODEL/RESTRICTIONS	PART NUMBER	DESCRIPTION	QTY.
<b>16015-6 PANEL (FRONT FENDER) — Cont'd</b>				
87	CF-CFT600/800	(RH) E6HZ 16015-A	(LH) E6HZ 16016-A Front	1
		(RH) E6HZ 16015-B	(LH) E7HZ 16016-C Rear	1
88/	CF-CFT600/800	(RH) E6HZ 16015-A	(LH) E6HZ 16016-A Front	1
		(RH) E6HZ 16015-B	(LH) E6HZ 16016-B Rear	1
<b>16A016-7 FILLER (FRONT FENDER REAR)</b>				
80/	B-F600/800	(RH) E0TZ 16A016-A	(LH) E0TZ 16A017-A	1
<b>16018-9 PANEL (HEADLAMP REPAIR)-FIBERGLAS</b>				
80/87	L-LT800/900 "Before 12/86"	(RH) D7HZ 16018-A	(LH) D7HZ 16019-A	1
87/	L-LT800/900 "From 12/86"	(RH) E7HZ 16018-A	(LH) E7HZ 16019-A	1
80/87	LTS800/900 "Before 12/86"	(RH) D7HZ 16018-B	(LH) D7HZ 16019-B	1
87/	LS-LTS800/900 "From 12/86"	(RH) E7HZ 16018-B	(LH) E7HZ 16019-B	1
88/	LA-LTA900	(RH) E8HZ 16018-A	(LH) E8HZ 16019-A	1
<b>16A023-4 BRACE (FRONT FENDER TO RADIATOR SUPPORT)</b>				
80/	LN600/750 -- w/step tank	D4HZ 16A023-B	R.H. and L.H.	2
80/	LN-LNT800/900 -- w/running boards or step tank	D4HZ 16A023-A	R.H. and L.H.	2
80/	LA-LS-LT-LTA-LTS800/900 -- w/step tank	(RH) D0HZ 16A023-A	(LH) D0HZ 16A024-A	1
80/	LN-LNT-LTS600/900	★45263-S101	Nut-spring-"U" shaped-1/4"-20	AR
		33769-S2	(M-89-J)-nut-lock-1/4"-20	AR
		★57030-S2	Screw & washer assy.-1/4"-20 x 29/32"	AR
<b>16D030 REINFORCEMENT (FRONT FENDER UPPER)</b>				
86/	CF-CFT600/700 -- w/wide fenders	E6HZ 16D030-A	R.H. and L.H.	2
<b>16K038-9 BRACKET ASSY. (FRONT FENDER REAR LOWER)</b>				
86/	CF-CFT600/700 -- w/horizontal stack	(RH) E6HZ 16K038-A	(LH) E6HZ 16K039-B	1
88/	CF-CF600/800 -- w/vertical stack	(RH) E8HZ 16K038-A	(LH) E6HZ 16K039-B	1
<b>16K039-40 BRACKET (FRONT FENDER UPPER)</b>				
86/	CF-CFT600/700 -- w/wide fenders	(RH) E6HZ 16K039-A	(LH) E6HZ 16K040-A	1
<b>16A052-3 BRACE ASSY. (FRONT FENDER APRON TO DASH)</b>				
80/	B-F600/800	(RH) E0TZ 16A052-A	(LH) E0TZ 16A053-B	1
83/	FT800/900			1
<b>16054-5 APRON (FRONT FENDER)</b>				
80	F600/800(81)	(RH) E0TZ 16054-B	(LH) E0TZ 16055-B	1
81/	F600/800(81)	(RH) E1TZ 16054-A	(LH) E1TZ 16055-A	Brkt. at 3:00
83/	FT800			1
80/	B-F600/800(84)	(RH) E4HZ 16054-A	(LH) E1TZ 16055-B	Brkt. at 12:00
<b>16K059 INSULATOR (FRONT FENDER SOUND)</b>				
86/	CF-CFT600/700	E6HZ 16K059-A	R.H. and L.H.-1 1/4" x 30 7/8"	2
		E6HZ 16K059-B	R.H. and L.H.-1 1/4" x 5 1/4"	2
<b>16B072-3 REINFORCEMENT (FRONT FENDER TO RADIATOR SUPPORT)</b>				
85/	F600/750	(RH) E5TZ 16B072-A	(LH) E5TZ 16B073-A	1
<b>16C078 BRACKET (FRONT FENDER MOUNTING REAR)</b>				
86/	CF-CFT600/700	E6HZ 16C078-A	R.H. and L.H.-lower	2
80/	F600/800 -- exc. tilt front end	E0TZ 16C078-A	Lower-R.H. and L.H.	2
83/	FT800/900		Lower-R.H. and L.H.	2
84/	F600/800 -- w/tilt front end	E4HZ 16C078-A	R.H. and L.H.	2
<b>16D082 REINFORCEMENT (FRONT FENDER UPPER)</b>				
86/	CF-CFT600/700	E6HZ 16D082-A	R.H. and L.H.	2
<b>16C088 BRACKET (FRONT FENDER REAR FILLER)</b>				
80/	B-F600/800(84)	E4HZ 16C088-A	R.H. and L.H.	2
<b>16102-3 SHIELD (FRONT FENDER SPLASH)</b>				
80/	B-F600/800	(RH) E0TZ 16102-A	(LH) E0TZ 16103-A	1
83/	FT800/900			1
<b>16D104-5 REINFORCEMENT ASSY. (TURN SIGNAL LAMP)</b>				
80/	CL-CLT900	(RH) D8HZ 16D104-A	(LH) D8HZ 16D105-A	1
<b>16D110-1 BRACE (FRONT FENDER TO DASH)</b>				
80/	B-F600/800	(RH) E0TZ 16D110-A	(LH) E0TZ 16D111-A	1
83/	FT800/900			1
<b>16112-3 SUPPORT (HOOD AIR SCOOP GRILLE)</b>				
82/	LTL900	(RH) E1HZ 16112-A	(LH) E1HZ 16113-A	Front
		(RH) E1HZ 16112-B	(LH) E1HZ 16113-B	Rear

1980/  
TRUCK SERIES 600/900

YEAR	MODEL/RESTRICTIONS	PART NUMBER	DESCRIPTION	QTY.
<b>16B116 BRACKET (FRONT FENDER WIRING)</b>				
86/	CF-CFT600/700	E6HZ 16B116-A	R.H. and L.H.	2
<b>16A121-2 BRACKET (FRONT FENDER APRON TO RADIATOR SUPPORT)</b>				
80/	B-F600/800	(RH) E0TZ 16A121-A	(LH) E0TZ 16A122-A	1
83/	FT800/900			1
<b>16126 SEAL (FRONT FENDER TO ROCKER PANEL)</b>				
86/	CF-CFT600/800	E6HZ 16126-A	R.H. and L.H.--used to cover underbody weld holes	2
<b>16D130 SEAL (FRONT FENDER FRONT EXTENSION)</b>				
86/	CF-CFT600/800	E6HZ 16D130-A	R.H. and L.H.	2
<b>16138 SUPPORT (RADIATOR)</b>				
84/	B-F600/800 -- w/tilt front end	E4HZ 16138-A		1
88/	CL-CLT900	E8HZ 16138-A		1
<b>16A140-1 SUPPORT (FRONT FENDER REAR LOWER)</b>				
86/	CF-CFT600/800	(RH) E6HZ 16A140-A	(LH) E6HZ 16A141-A	1
<b>16A142-3 BRACKET (FRONT FENDER SPLASH SHIELD SUPPORT)</b>				
80/	LT-LS-LTS800/900	(RH) D1HZ 16A142-A	(LH) D1HZ 16A143-A	1
		383532-S100	(BB-551-CK)-screw & washer-1/4"-20 x 3/4"	2
		*45334-S2	Nut-conical washer-1/4"-20	2
<b>16144 REINFORCEMENT (FRONT FENDER FRONT)</b>				
86/	CF-CFT600/800	E6HZ 16144-A	R.H. and L.H.	2
<b>16D162 SHIM</b>				
80/	B-F600/800	*	Improvise from LA-3043 or flat washer's	AR
83/	FT800/900			AR
<b>16C176 BRACKET (FRONT FENDER MOUNTING REAR)</b>				
86/	CF-CFT600/800	E6HZ 16C176-A	R.H. and L.H.	2
<b>16B184 ROD ASSY. (HOOD SIGHT)--Incl. attaching parts</b>				
80/	L-LL-LN-LNT-LT-LTL-LS-LTS600/900	D0HZ 16B184-B		2
		302359-S40	(B-6)-bolt-round head-5/16"-18 x 1 1/2"	4
		376838-S2	(MM-296-AF)-nut & washer assy.-5/16"-18	4
<b>16B188-9 BRACE (FRONT FENDER TO ROCKER PANEL)</b>				
84/	F600/800 -- w/tilt front end & step tank	(RH) E6HZ 16B188-A	(LH) E6HZ 16B189-A	1
<b>16240 SEAL ASSY. (FRONT FENDER APRON TO FRAME)</b>				
80/	B-F600/800	(RH) E6HZ 16240-A	(LH) E6HZ 16241-A	1
83/	FT800/900			1
<b>16264-5 BRACKET (FRONT FENDER REAR SPLASH SHIELD)</b>				
80/84	L-LN-LNT-LT600/900	* D1HZ 16264-B	R.H. and L.H.--r/b D1HZ 16264-C (10/85)	2
85/	L-LN-LNT-LT600/900	D1HZ 16264-C	R.H. and L.H.	2
80/	LT-LTS800/900	(RH) D1HZ 16264-A	(LH) D1HZ 16265-A	1
<b>16A266-7 SHIELD ASSY. (FRONT WHEEL SPLASH)</b>				
80/	L-LT800 -- gas w/o butterfly hood	(RH) D0HZ 16A266-C	(LH) D0HZ 16A267-A	1
80/	L-LT800 -- diesel, L-LT900 -- w/o butterfly hood	(RH) E2HZ 16A266-C	(LH) D0HZ 16A267-A	1
80/	L-LT800/900 -- w/butterfly hood	(RH) D0HZ 16A266-F	(LH) D0HZ 16A267-C	1
80/	LN-LNT600/800	(RH) D0EZ 16A266-A	(LH) D0EZ 16A267-A	1
80/	LN-LNT900 -- Det. diesel	(RH) D0EZ 16A266-A	(LH) D5HZ 16A267-A	1
80/82	LN-LNT900 -- Cum. diesel	(RH) D0EZ 16A266-C	(LH) D5HZ 16A267-A	1
82/	LN-LNT900 -- Cum. diesel & FNH diesel	(RH) E2HZ 16A266-B	(LH) E2HZ 16A267-B	1
80/	LS-LTS800/900 -- w/o butterfly hood	(RH) D0HZ 16A266-B	(LH) D0HZ 16A267-B	1
80/	LS-LTS800/900 -- w/butterfly hood	(RH) D0HZ 16A266-F	(LH) D0HZ 16A267-D	1
88/	LA-LTA900	(RH) E8HZ 16A266-A	(LH) E8HZ 16A267-A	1
80/85	CL-CLT900	(RH) D8HZ 16A266-A	(LH) D8HZ 16A267-A	1
82	LTL900			1
88/	CL900 -- w/aeromax	E8HZ 16A266-B	R.H. and L.H.	2
82/	LTL900	E2HZ 16A266-A	R.H. and L.H.--rear	2
80/	L-LN-LNT-LT-LTS600/900	378622-S2	(MM-192-AC)-nut & retainer assy.-1/4"-20	AR
88/	LA-LTA900	(RH) E8HZ 16A266-A	(LH) E8HZ 16A267-A	1
<b>16277 WEATHERSTRIP (FRONT FENDER TO WHEELHOUSE)</b>				
80/	C-CT600/900	B7T 16277-A		2

1980/  
TRUCK SERIES 600/900

SECTION 160 7

YEAR	MODEL/RESTRICTIONS	PART NUMBER	DESCRIPTION	QTY.
<b>16308-9 SEAL (FRONT FENDER)</b>				
84/	B-F600/800 -- w/tilt front end	(RH) E4HZ 16308-C	(LH) E4HZ 16309-C	1
86/	CF-CFT600/700	E6HZ 16308-A	R.H. and L.H.	2
80/	LN600/750	(RH) D0EZ 16308-B	(LH) D0EZ 16309-B	1
80/	LA-LN-LNT-LS-LTA-LTS800/900	(RH) D0HZ 16308-A	(LH) D0HZ 16309-A	1
80/	LA-LN-LNT-LS-LTA-LTS600/900	34653-S36	(M-106-X)-nut & washer-No. 8-32	8
<b>16A322 REINFORCEMENT (FRONT WHEEL SPLASH SHIELD)</b>				
83/	LTL9000	E3HZ 16A322-A	R.H. and L.H.	2
<b>16A324-5 SHIELD ASSY. (FRONT WHEEL SPLASH REAR)</b>				
80/85	CL-CLT900	(RH) D8HZ 16A324-A	(LH) D8HZ 16A325-A	1
88/	LA-LTA900	(RH) E8HZ 16A324-A	(LH) E8HZ 16A325-A	1
<b>16A330-1 INSULATOR (FRONT FENDER APRON SOUND)</b>				
88/	F-FT600/900	(RH) E8HZ 16A330-A	(LH) E8HZ 16A331-A	Front
		(RH) E8HZ 16A330-B	(LH) E8HZ 16A331-B	Rear
<b>16N348 SHIELD (SPLASH REAR WHEEL AND CAB)</b>				
80/85	CL-CLT900	(RH) ★ D8HZ 16N348-A Not repl'd. (2/85)	(LH) ★ D8HZ 16N348-B Not repl'd. (2/85)	1
<b>16364-5 REINFORCEMENT (HEADLAMP OPENING)</b>				
80/	C-CT600/900	(RH) B7T 16364-A	(LH) B7T 16365-A	1
<b>16449 SPRING ASSY. (HOOD RELEASE ASSIST)</b>				
82/	LL-LTL900	E1HZ 16449-A	R.H. and L.H.	2
<b>16450-1 BOARD (RUNNING)</b>				
80/	C-CT600/900	(RH) D8HZ 16450-A	(LH) D8HZ 16451-A	Exterior
80/87	F-FT600/900,F600/800(81)	(RH) E8HZ 16450-D	(LH) E8HZ 16451-D	Exterior
83/87	FT800/900			1
80/	L-LT-LTL800/900	(RH) E8HZ 16450-A	(LH) E8HZ 16451-A	Exterior-32" step
80/	LA-LS-LTA-LTS800/900	(RH) E8HZ 16450-C	(LH) E8HZ 16451-C	Exterior
80/87	LN-LNT600/900 -- w/ & w/o battery under running board	(RH) E8HZ 16450-B	(LH) E8HZ 16451-B	Exterior- 22" step
88/	LN-LNT600/900	(RH) E8HZ 16450-B	(LH) E8HZ 16451-B	Exterior-22" step
80/	L-LA-LN-LNT-LS-LT-LTA- LTS600/900	379114-S2	(MM-192-AD)-nut & retainer assy.-5/16"-18	8
		376838-S2	(MM-296-AF)-nut & washer assy.-5/16"-18	8
		★57041-S2	Screw & washer assy.-5/16"-18 x 1"	8
		★378438-S40	Screw-truss head-5/16"-18 x 7/8"	12
<b>16458 SUPPORT ASSY. (RUNNING BOARD FRONT)</b>				
80/	L-LA-LN-LNT-LS-LT-LTA- LTS600/900	D0HZ 16458-A		2or4
		56320-S4	(B-318-GD)-bolt-5/16"-18 x 3/4"	4
		33770-S4	(M-89-K)-nut & washer-5/16"-18	4
<b>16A470 STEP (RUNNING BOARD)</b>				
83/	F-FT600/800	E3HZ 16A470-A	16" long aux. fuel tank	1
83/	FT800/900	E3HZ 16A470-B	23" long	1
<b>16474 BRACE ASSY. (RUNNING BOARD)</b>				
80/	F600/800(81)	(RH) E0TZ 16474-A	(LH) E0TZ 16474-B	Rear
83/	FT800/900			Rear
80/	F600/800(81)	(RH) E0TZ 16474-C	(LH) E0TZ 16474-D	Front
83/	FT800/900			Front
<b>16A484-5 REINFORCEMENT (RUNNING BOARD APRON PANEL)</b>				
80/	C-CT600/900	(RH) C8HZ 16A484-A	(LH) C8HZ 16A485-A	1
<b>16A486 SUPPORT ASSY. (RUNNING BOARD REAR)</b>				
80/	L-LA-LN-LNT-LT-LS-LTA- LTS600/900	D0HZ 16A486-A		1or2
		33770-S4	(M-89-K)-nut & washer-5/16"-18	2
		56320-S4	(B-318-GD) bolt 5/16"-18 x 3/4"	2
<b>16490-1 MAT (RUNNING BOARD)</b>				
80/	CL-CLT900	(RH) D8HZ 16490-A	(LH) D8HZ 16491-A	Black
<b>16501 RETAINER (HOOD HINGE ANCHOR PLATE)</b>				
88/	LA-LTA900	E8HZ 16501-B	R.H. and L.H.	2
<b>16A502 REINFORCEMENT (RUNNING BOARD UPPER)</b>				
80/	L-LA-LN-LNT-LT-LS-LTA- LTS600/900	D0HZ 16A502-A	R.H.	1
80/	L-LA-LN-LNT-LT-LS-LTA- LTS600/900	379930-S2	(MM-173-M)-nut-hex. washer lock-5/16"-18	2
		★57041-S2	Screw and washer assy.-5/16"-18 x 1"	2

OCTOBER, 1993

Copyright © 1993

FORD MOTOR  
COMPANY

—DEARBORN, MICHIGAN

FINAL ISSUE



**1980/  
TRUCK SERIES 600/900**

YEAR	MODEL/RESTRICTIONS	PART NUMBER	DESCRIPTION	QTY.
<b>16506-7 PANEL (RUNNING BOARD APRON)</b>				
80/	C-CT600/900	(RH) D8HZ 16506-A	(LH) D8HZ 16507-A	1
<b>16520 SPACER (RUNNING BOARD)</b>				
88/	F600/900	E8HZ 16520-A		2
<b>16544-5 BRACE (RUNNING BOARD)</b>				
80/83	L-LN-LNT-LT-LTS600/900 -- hydraulic and air brakes w/8" dia. air brake reservoir "Before 10/82"	D5HZ 16544-B	R.H.-front	1
		D0HZ 16544-B	R.H.-rear	1
83	L-LN-LNT-LT-LTS600/900 -- hydraulic and air brakes w/8" dia. air brake reservoir "From 10/82 to 7/83"	E3HZ 16544-C	R.H.-front	1
		E3HZ 16544-D	R.H.-rear	1
83/	L-LA-LN-LNT-LT-LTL-LS-LTA-LTS600/900 -- hydraulic and air brakes w/8" dia. air brake reservoir "From 7/83"	E3HZ 16544-D	R.H.-front and rear	2
80/83	L-LN-LNT-LT-LTS600/900 -- hydraulic brakes and air brakes with 9 1/2" dia. air reservoir "Before 10/82"	D5HZ 16544-A	R.H.-front	1
		D0HZ 16544-C	R.H.-rear	1
83/	L-LA-LN-LNT-LT-LS-LTA-LTS600/900 -- hydraulic and air brakes with 9 1/2" dia. air reservoir "From 10/82"	E3HZ 16544-A	R.H.-front	1
		E3HZ 16544-B	R.H.-rear	1
80/	L-LA-LN-LNT-LT-LS-LTA-LTS600/900 -- air or single hydraulic brakes	D5HZ 16544-A	L.H.-front	1
		D5HZ 16545-A	L.H. intermediate	1
		D0HZ 16545-A	L.H. rear	1
80/	L-LA-LN-LNT-LT-LS-LTA-LTS600/900 -- split hydraulic brakes	D5HZ 16544-A	L.H.-front	1
		D5HZ 16545-A	L.H.-intermediate	1
		D1HZ 16545-A	L.H.-rear	1
80/	L-LA-LN-LNT-LT-LS-LTA-LTS600/900	33771-S4	(M-89-L)-nut-hex.-3/8"-16	1
		45265-S2	(M-141-K)-nut-spring-3/8"-16	8
		*57048-S2	Screw and washer assy.-hex. head-3/8"-16 x 1"	8
<b>16546 REINFORCEMENT (RUNNING BOARD)</b>				
80/	L-LA-LN-LNT-LT-LS-LTA-LTS600/900	D0HZ 16546-A	R.H.-w/18 gal. tank	1
80/	F600/800(81)	E0TZ 16546-A		4
83/	FT800/900			4
80/	L-LA-LN-LNT-LT-LS-LTA-LTS600/900	379930-S2	(MM-173-M)-nut-hex. washer lock-5/16"-18	4
		*57041-S2	screw and washer assy.-hex. head-5/16"-18 x 1"	4
<b>16A550 GUARD ASSY. (REAR WHEEL SPLASH)</b>				
Note: ± 1 Pair				
80/82	C-CT-F-L-LN600/900	* C7TZ 16A550-A	24" x 24" - kit-not replaced (1/80)	±1
80/82	CL-CLT900	* C7TZ 16A550-B	24" x 30" - kit-not replaced (5/80)	±1
80/82	CL-CLT900 "Before 2/82"	* D8HZ 16A550-A	24" x 24" -white plastic w/blue "FORD" oval-not repl.	2
82/	LTL900	E1HZ 16A550-A	24" x 29" -black-rubber	2
<b>16G554-5 SHIELD (FRONT FENDER OPENING SPLASH REAR) - Also refer to group 16F570-1</b>				
80/	L-LA-LT-LS-LTA-LTS800/900	(RH) D0HZ 16G554-A	(LH) D0HZ 16G555-A	Mud flap
		34976-S4	(M-89-CA)-nut-hex. lock-5/16"-18	8
<b>16E556 SHIELD ASSY. (ENGINE SPLASH REAR)</b>				
80/	LN-LNT600/800	D1HZ 16E556-A	R.H.	1
80/	LA-LS-LTA-LTS800/900 -- exc. Cum. diesel			1
80/	LN-LNT900 -- 8 cyl. Cum. 903 & 8 cyl. Det. 568	D5HZ 16E556-A	L.H.	1
80/	L-LT-LTL800/900	D0HZ 16E556-B	R.H.-2 piece welded assy.	1
80/	LN-LNT900	D1HZ 16E556-A	R.H.-1 piece shield	1
80/	LN-LNT-LTS800/900	D0HZ 16E556-A	R.H.-2 piece welded assy.	1

**1980/  
TRUCK SERIES 600/900**

YEAR	MODEL/RESTRICTIONS	PART NUMBER	DESCRIPTION	QTY.
<b>16E556 SHIELD ASSY. (ENGINE SPLASH REAR) — Cont'd</b>				
80/	LN-LNT600/900 -- gas	DOHZ 16E556-D	L.H.	1
80/	LN-LNT600/900 -- diesel-exc.8 cyl. Cum. 903 & 8 cyl. Det. 568		L.H.	1
80/	L-LA-LN-LNT-LT-LS-LTA- LTS600/900	383532-S100	(BB-551-CK)-screw & washer assy.-1/4"-20 x 3/4"	2
<b>16562-3 EXTENSION (RUNNING BOARD APRON PANEL)</b>				
80/	C-CT600/900	(RH) B7T 16562-A	(LH) B7T 16563-A	1
<b>16B568-9 SHIELD (FRONT FENDER SPLASH REAR)</b>				
80/	LN-LNT600/900	(RH) DOEZ 16B568-A	(LH) DOEZ 16B569-A	1
80/	L-LA-LT-LS-LTA-LTS800/900	(RH) DOHZ 16B568-A	(LH) DOHZ 16B569-A	1
82/	LL-LTL900	(RH) E1HZ 16B568-A	(LH) E1HZ 16B569-A	1
80/	L-LN-LNT-LT-LTS600/900	55971-S2	(U-254-E)-screw & washer assy.-hex. washer head- 1/4"-14 x 5/8"	4
<b>16C568 SHIELD SPLASH KIT (REAR WHEEL MOUNTING)</b>				
80/85	CL-CLT900 -- steel frame- 246" W.B.	★ D8HZ 16C568-A	R.H. and L.H.-not replaced (2/85)	2
80/85	CL-CLT900 -- aluminum frame - 246" W.B.	★ D8HZ 16C568-B	R.H. and L.H.-not replaced (2/85)	2
<b>16C569 SUPPORT (SPLASH GUARD)</b>				
80/82	CL-CLT900 "Before 2/82"	D8HZ 16C569-A	R.H. and L.H.-rear	2
82/84	LTL900 "Before 3/82"	E1HZ 16C569-A	R.H. and L.H.-front mud flaps	2
84/86	LL-LTL900 "From 3/82 to 6/86"	E4HZ 16C569-A	R.H. and L.H.	2
86/	LL-LTL900 "From 6/86"	E7HZ 16C569-A	R.H. and L.H.-one piece design	2
<b>16F570-1 SHIELD (FRONT FENDER OPENING SPLASH FRONT)-Also refer to group 16G554-5</b>				
80/	L-LN-LNT-LT800/900	(RH) DOHZ 16F570-A	(LH) DOHZ 16F571-A	1
80/	LA-LS-LTA-LTS800-900	(RH) DOHZ 16F570-B	(LH) DOHZ 16F571-B	1
80/	L-LN-LNT-LT-LTS800/900	34976-S4	(M-89-CA)-nut-hex. lock-5/16"-18	12
<b>16K572 BRACKET (SPLASH GUARD)</b>				
80/82	CL-CLT900 "Before 2/82"	D8HZ 16K572-A	R.H. and L.H. - chrome-rear	2
82/84	LTL900 "Before 3/82"	E1HZ 16K572-A	R.H. and L.H.-front mud flaps	2
84/86	LTL900 "From 3/82 to 6/86"	E4HZ 16K572-A	R.H. and L.H.	2
86/	LL-LTL900 "From 6/86"		Refer to group 16C569	
<b>16575 BRACKET (RUNNING BOARD BRACE PEDAL)</b>				
80/	L-LN-LNT-LT600/900	DOHZ 16575-A		1
<b>16A580 BRACE (ENGINE REAR SPLASH SHIELD EXTENSION)</b>				
80/	L-LA-LT-LS-LTA-LTS800/900 -- w/fresh air intake and/or butterfly hood	DOHZ 16A580-A		1
80/	LN-LNT600/800 -- w/16" fresh air intake			1
80/	LN-LNT900 -- w/ 16" fresh air intake - exc. Cum. 903 & Det. 568 diesels			1
80/	LN-LNT900 -- w/16" fresh air intake - Cum. 903 & Det. 568 diesel	D5HZ 16A580-A		1
<b>16A582-3 SUPPORT (ENGINE REAR SPLASH SHIELD)</b>				
80/	L-LT-LS-LTS800/900 -- w/fresh air intake and/or butterfly hood	(RH) DOHZ 16A582-A	(LH) DOHZ 16A583-A	1
80/	LN-LNT600/900 -- w/16" fresh air intake			1
<b>16B582 PLATE ASSY. (RUNNING BOARD MOUNTING)</b>				
80/	B-F600/800	E0TZ 16B582-A	Plate 1/2" x 4 1/8" and 2 welded studs	2
83/	FT800/900			2
<b>16583 SHIM (HOOD STABILIZER)</b>				
80/	L-LA-LN-LNT-LT-LS-LTA- LTS600/900	DOHZ 16583-A	2 slots-center	AR
		DOHZ 16583-B	1 slot	AR
82	LTL900 "Before 11/81"	★ E1HZ 16583-B	2 slots-not replaced (9/87)	AR
82/	LL-LTL900 "From 11/81"	E2HZ 16583-A		AR

**1980/  
TRUCK SERIES 600/900**

YEAR	MODEL/RESTRICTIONS	PART NUMBER	DESCRIPTION	QTY.
<b>16A584 BRACKET (ENGINE REAR SPLASH SHIELD)</b>				
80/	L-LA-LT-LS-LTA-LTS800/900 - - w/fresh air intake and/or butterfly hood	D0HZ 16A584-A		1
80/	LN-LNT600/900 - - w/16" fresh air intake			1
80/83	LN-LNT900 - - Cum. 903 & Det. 568,552 diesels	D5HZ 16A584-A		1
<b>16586 BRACKET (FRONT WHEEL SPLASH SHIELD)</b>				
80/	LA-LS-LTA-LTS800/900	D0HZ 16586-A	Tire carcass - 7" long - 4 1/2" wide - (6) 3/8" holes	2
80/	L-LN-LNT-LT-LTL600/900		Improvise-cut D0HZ 16586-A to a length of 4 1/4"	2
82/	LL-LTL900	(RH) E1HZ 16586-A	(LH) E1HZ 16586-B	"U" shaped steel bracket w/(2) holes each end
<b>16A586 SHIELD (FRONT WHEEL SPLASH REAR)</b>				
80/	LN-LNT600/900	D0HZ 16A586-A	R.H. and L.H.-4 1/2" x 16 1/8"	2
80/	L-LT800/900 - - w/o butterfly hood		R.H.	1
80/	L-LN-LNT600/900	D1HZ 16A586-B	R.H. and L.H.-mud flap-16" x 16"	2
80/	LA-LT-LS-LTA-LTS800/900	★ D1HZ 16A586-A	R.H. and L.H.-mud flap-15 3/8" x 18"-r/b F1HZ-C	2
80/	L-LA-LL-LN-LNT-LS-LT-LTA- LTL-LTS800/900	★57326-S40	Screw & washer-1/4"-20 x 1 1/4"	3
		★45334-S2	Nut-conical washer-1/4"-20	3
<b>16A588-9 SHIELD (FRONT WHEEL SPLASH OUTER)</b>				
80/	L-LT900 - - gas	D0HZ 16A588-A	R.H. and L.H.	2
80/	L-LT900 - - diesel	(RH) D0HZ 16A588-A	(LH) D0HZ 16A588-B	1
80/	LN-LNT800/900 - all gas	D0EZ 16A588-A	R.H. and L.H.	2
80/	LN-LNT800/900 - - 903 Cum., 568 Det. & Cat. diesel		R.H.	1
80/	LN-LNT800/900 - - 903 Cum., 568 Det. & Cat. diesel	D5HZ 16A588-A	L.H.	1
80/	LN-LNT800/900 - - Cum. diesel exc. 8 cyl. 903	(RH) D0EZ 16A588-B	(LH) D0EZ 16A588-A	1
80/	LA-LS-LTA-LTS800/900	D0HZ 16A588-C	R.H. and L.H.	2
82/	LTL900 "From 3/82"	(RH) E2HZ 16A588-A	(LH) E2HZ 16A589-A	1
80/	L-LA-LL-LN-LNT-LS-LT-LTA- LTL-LTS800/900	★384051-S	Pin-drive-1/4" x 19/32"	14
<b>16A590 SHIELD (FRONT WHEEL SPLASH INNER)</b>				
80/	L-LT-LTS800/900	D0HZ 16A590-A	R.H.-12" x 4"	1
80/	LN-LNT900 - - Cum. diesel			1
<b>16A592 RETAINER (FRONT WHEEL SPLASH GUARD)</b>				
80/85	CL-CLT900	D8HZ 16A592-A	R.H. and L.H.	2
<b>16594 SHIELD (ENGINE SPLASH REAR SIDE)</b>				
80/	L-LL-LTL800/900	D0HZ 16594-B	L shaped	1
80/	LA-LN-LNT-LS-LTA-LTS600/900	D0HZ 16594-A	Rectangular shaped	2
<b>16A601-3 REINFORCEMENT (HOOD HINGE ON HOOD)</b>				
82/	L-LL-LN-LNT-LT-LTL800/900	(RH) E2HZ 16A603-A	(LH) E2HZ 16A602-A	1
84/	B-F600/800 - - w/ tilt front end	(RH) E8HZ 16A601-C	(LH) E8HZ 16A602-C	1
80/87	LS-LTS800/900	(RH) E7HZ 16A602-A	(LH) E7HZ 16A601-A	1
88/	LA-LTA900	(RH) E8HZ 16A602-A	(LH) E8HZ 16A601-A	1
88/	LS-LTS800/900	(RH) E8HZ 16A602-B	(LH) E8HZ 16A601-B	1
<b>16606 LETTER-also refer to group 16637</b>				
80/	B F600/800	D9TZ 16606-A	"F"-hood-incl. attaching parts	1
83/	FT800/900			1
		D9TZ 16606-B	"O"-incl. attaching parts	1
		D9TZ 16606-C	"R"-incl. attaching parts	1
		D9TZ 16606-D	"D"-incl. attaching parts	1
80/84	C CT600/900	D2KZ 16606-A	"F"-chrome finish-incl. attaching parts	1
		D2KZ 16606-B	"O"-incl. attaching parts	1
		D2KZ 16606-C	"R"-incl. attaching parts	1
		D2KZ 16606-D	"D"-incl. attaching parts	1

**1980/  
TRUCK SERIES 600/900**

SECTION 160 11

YEAR	MODEL/RESTRICTIONS	PART NUMBER	DESCRIPTION	QTY.
<b>16606 LETTER-also refer to group 16637 - Cont'd</b>				
80/82	L-LA-LL-LN-LNT-LT-LS-LTA-LTS-LTL600/900	DOHZ 16606-A	"F"-bright finish-hood-adhesive back	1
		DOHZ 16606-B	"O"-adhesive back	1
		DOHZ 16606-C	"R"-adhesive back	1
		DOHZ 16606-D	"D"-adhesive back	1
80/84	L-LA-LL-LN-LNT-LT-LS-LTA-LTS600/900	D2HZ 16606-A	"F"-painted-hood-adhesive back	1
		D2HZ 16606-B	"O"-adhesive back	1
		D2HZ 16606-C	"R"-adhesive back	1
		D2HZ 16606-D	"D"-adhesive back	1
82/	LL-LTL900	E1HZ 16606-A	"O"-incl. attaching parts	3
		E1HZ 16606-B	"9"-between grilles-incl. attaching parts	1
80/	CL-CLT900	D8HZ 16606-A	"F"-between grilles-chrome-adhesive back	1
		D8HZ 16606-B	"O"-adhesive back	1
		D8HZ 16606-C	"R"-adhesive back	1
		D8HZ 16606-D	"D"-adhesive back	1
		D8HZ 16606-E	"9"-adhesive back	1
		D8HZ 16606-B	"O"-adhesive back	3
<b>16606 LETTER KIT (HOOD TRANSFER)</b>				
80/	C-CT600/900	D1HZ 16606-A	Consists of white Ford letters	1
80/	L-LA-LN-LNT-LT-LS-LTA-LTS600/900			1
80/	L-LA-LN-LNT-LT-LS-LTA-LTS600/900	D1HZ 16606-B	Consists of red Ford letters	1
<b>16C606 FILLER (HOOD PANEL)</b>				
80/	L-LT-LS-LTS800/900 -- w/butterfly hood	DOHZ 16C606-A		1
<b>16612 HOOD</b>				
80/	B-F-FT600/900 -- exc. tilt front end	E3TZ 16612-B		1
84/85	B-F600/900 -- w/tilt front end	★ E4HZ 16612-A	Less holes for handle-r/b E5HZ 16612-A (10/86)	1
85/	B-F-FT600/900 -- w/tilt front end	E5HZ 16612-A	Includes holes for handle	1
86	CF600/800	E6HZ 16612-A		1
87/	CF-CFT600/800	E7HZ 16612-A		1
<b>16618-9 PANEL (HOOD SIDE)</b>				
80/87	L-LT800/900 -- Butterfly hood "Before 12/86"	(RH) D7HZ 16618-A	(LH) D7HZ 16619-A	1
87/	L-LT800/900 "From 12/86"	(RH) E7HZ 16618-B	(LH) E7HZ 16619-B	1
80/85	LL-LTL900	(RH) ★ E6HZ 16618-A Not replaced	(LH) ★ E6HZ 16619-A Not replaced	1
80/86	LTS800/900 -- Butterfly hood	(RH) D7HZ 16618-B	(LH) D7HZ 16619-B	1
87/	LA-LS-LTA-LTS900 -- Butterfly hood	(RH) E7HZ 16618-A	(LH) E7HZ 16619-A	1
<b>16A628 STOP (HOOD HINGE ARM)</b>				
86/	CF-CFT600/800	E6HZ 16A628-A		1
<b>16637 ORNAMENT (HOOD FRONT)</b>				
80/83	CL-CLT900 "Before 10/82"	D8HZ 16637-A	"FORD" - attached to radiator fill door	1
83/84	CL-CLT900 "From 10/82 to 4/84"	★ E3HZ 16637-A	9 1/2" wide-r/b E4HZ 16637-A (5/86)	1
82/83	LTL900 "Before 10/82"	E1HZ 16637-A	Ford oval mounted above grille	1
83/86	LTL900 "From 10/82 to 3/86"	E3HZ 16637-B	7 1/2" wide	1
86/	LL-LTL900 "From 3/86"	E6HZ 16637-A		1
84	C-CT600/800	★ E4HZ 16637-A	Ford oval-3 7/8" x 9 1/2"-r/b E6HZ 16637-A (4/87)	1
84/86	CL-CLT900 "From 4/84 to 3/86"			1
84/86	B-F-FT600/900 "Before 3/86"			1
86/	CL-CLT900 "From 3/86"	E6HZ 16637-B	Ford oval-on grille	1
86/	B-F-FT600/800 "From 3/86"		On grille	1
84/86	L-LN-LNT-LT-LTS600/800 "Before 3/86"	★ E4HZ 16637-B	Ford oval-3 5/32" x 7 5/8"-r/b E6HZ 16637-C(4/87)	1
86/87	L-LN-LNT-LT-LTS600/900 "From 3/86 to 12/86"	E6HZ 16637-C	Ford oval	1
87/	L-LA-LN-LNT-LT-LS-LTA-LTS700/900 "From 12/86"	E7HZ 16637-A		1

OCTOBER, 1993

COPYRIGHT ©1993

FORD MOTOR  
COMPANY

-DEARBORN, MICHIGAN

FINAL ISSUE

**1980/  
TRUCK SERIES 600/900**

YEAR	MODEL/RESTRICTIONS	PART NUMBER	DESCRIPTION	QTY.
<b>16C638-9 BUMPER ASSY. (HOOD HINGE)</b>				
80/82	L-LN-LNT-LT-LTS800/900 "Before 3/82"	(RH) ★ E2HZ 16C638-A r/bE3HZ 16C638-A (4/84)	(LH) DOHZ 16C639-A	1
82/	L-LA-LL-LN-LNT-LS-LT-LTA- LTL-LTS800/900 "From 3/82"	(RH) E3HZ 16C638-A	(LH) E3HZ 16C639-A	1
80/	L-LA-LL-LN-LNT-LS-LT-LTA- LTL-LTS800/900	33773-S2	(M-89-M)-nut-hex.-1/2"-13	2
<b>16A642 REINFORCEMENT ASSY. (HOOD LATCH)</b>				
80/	L-LA-LL-LN-LNT-LS-LT- LTA-LTL-LTS600/900	DOHZ 16A642-C		2
<b>16C644 SPRING (HOOD ASSIST)</b>				
80/	B-F600/800	E0TZ 16C644-A		1
83/	FT800/900			1
<b>16C658-9 STABILIZER ASSY. (HOOD)</b>				
84/	B-F600/800 -- w/tilt front end	E4HZ 16C658-A	R.H. and L.H.	2
80/	L-LA-LN-LNT-LT-LS-LTA-LTS600/900	DOHZ 16C658-D	Rectangular shaped-incl. (1) stud	2
80/	L-LA-LN-LNT-LT-LS-LTA- LTS600/900	E3HZ 16C658-A	Rectangular shaped-less studs	2
80/	L-LA-LN-LNT-LS-LT- LTA-LTS600/900	E3HZ 16C658-B	Pyramid shaped-incl. (2) studs	1
82/	LL-LTL900	E1HZ 16C658-A	#E1HT 16C658-CA-includes (2) studs	1
82	LTL900 "Before 11/81"	(RH) E1HZ 16C658-B	(LH) E2HZ 16C659-A includes (3) studs	1
82/	LL-LTL900 "From 11/81"	(RH) E2HZ 16C658-A	(LH) E2HZ 16C659-A Includes (2) studs	1
80/	L-LA-LL-LN-LNT-LS-LT-LTA- LTL-LTS800/900	33771-S4	(M-89-L)-nut-hex.-3/8"-16	4
<b>16N664 HANDLE ASSIST (HOOD TILT)</b>				
85/	B-F600/800 -- w/tilt front end	E5HZ 16N664-A		1
<b>16A668 COVER (AIR CLEANER VENT)</b>				
80/	LN-LT800	D8HZ 16A668-A	Round	1
82/86	LTL900 "Before 3/86"	★ E1HZ 16A668-A	Rectangular-r/b E6HZ 16A668-A	2
86/	LL-LTL900 "From 3/86"	E6HZ 16A668-A	R.H. and L.H.	2
<b>16B668 PANEL AIR CLEANER (HOOD SIDE)</b>				
80/	LN-LNT800/900	D8HZ 16B668-A	W/o air intake openings	1
<b>16670-1 REINFORCEMENT (HOOD REAR OUTER)</b>				
80/	L-LA-LN-LNT-LS-LT-LTA- LTS800/900 -- w/butterfly hood	(RH) DOHZ 16670-A	(LH) DOHZ 16671-A	1
<b>16675 PAD (HOOD ORNAMENT)</b>				
80	CL-CLT900 "Before Ser. BA0,001"	★ D8HZ 16675-A	Nylon-9 x 4 1/2"-5/32" thick-not used "From Ser. BA0,001"- Not replaced (7/84)	1
<b>16676 REINFORCEMENT (HOOD REAR)</b>				
80/	L-LT800/900 -- w/o butterfly hood	DOHZ 16676-A		1
80/	L-LT800/900 -- w/butterfly hood	DOHZ 16676-C		1
80/	LN600/750	DOEZ 16676-A		1
80/	LN-LNT800/900	DOEZ 16676-B		1
80/	LA-LS-LTA-LTS800/900 -- w/o butterfly hood	DOHZ 16676-B		1
80/	LA-LS-LTA-LTS800/900 -- w/ butterfly hood	DOHZ 16676-D		1
<b>16C680-1 CATCH ASSY. (HOOD LATCH) - Incl. attaching parts</b>				
86/	CF-CFT600/700	E6HZ 16C680-A	R.H. and L.H.	2
80/	L-LA-LN-LNT-LS-LT- LTA-LTS600/900 -- w/o butterfly hood	E2HZ 16C680-D	R.H. and L.H.-bright-front end hold down	2
80/	L-LT800/900 -- w/butterfly hood	(RH) DOHZ 16C680-C	(LH) DOHZ 16C681-B Painted-hood panel hold down	2
<b>16A681 REINFORCEMENT (HOOD HINGE)</b>				
80/	L-LT-LTS800/900 -- w/butterfly hood	DOHZ 16A681-A	R.H. and L.H.	2
<b>16C682-3 SUPPORT (HOOD LATCH)</b>				
80/	L-LT800/900 -- w/butterfly hood	(RH) DOHZ 16C682-A	(LH) DOHZ 16C683-A Rear	1
80/	LA-LS-LTA-LTS800/900 -- w/butterfly hood	(RH) DOHZ 16C682-C	(LH) DOHZ 16C683-C Rear	1

1980/  
TRUCK SERIES 600/900

YEAR	MODEL/RESTRICTIONS	PART NUMBER	DESCRIPTION	QTY.
<b>16C682-3 SUPPORT (HOOD LATCH) — Cont'd</b>				
80/	L-LT800/900 -- w/butterfly hood	(RH) DOHZ 16C682-B	(LH) DOHZ 16C683-B Front	1
80/	LA-LS-LTA-LTS800/900 -- w/butterfly hood	(RH) DOHZ 16C682-D	(LH) DOHZ 16C683-D Front	1
<b>16690-1 REINFORCEMENT (HOOD FRONT)</b>				
80/	L-LA-LT-LTA-LTS800/900	(RH) DOHZ 16690-A	(LH) DOHZ 16691-A	1
<b>16A692 PIN (PIVOT HOOD HINGE)</b>				
80/	LN600/750	D8HZ 16A692-A		1
80/	L-LA-LN-LNT-LS-LT-LTA-LTS800/900	D8HZ 16A692-B		1
<b>16A694-5 FILLER (HOOD PANEL REAR)</b>				
80/	L-LT800/900 -- w/butterfly hood	(RH) DOHZ 16A694-A	(LH) DOHZ 16A695-A	1
80/	LA-LS-LTA-LTS800/900 -- w/butterfly hood	(RH) DOHZ 16A694-B	(LH) DOHZ 16A695-B	1
<b>16A698 RETAINER (HOOD LATCH SUPPORT)</b>				
80/	L-LA-LT-LTA-LTS800/900 -- w/butterfly hood	DOHZ 16A698-A	R.H. and L.H.	4
<b>16700 HANDLE ASSY. (HOOD LATCH) - Incl. attaching parts</b>				
80/	L-LA-LT-LTA-LTS800/900 -- w/butterfly hood	DOHZ 16700-C	Hood panel hold down	4
<b>16700 LATCH (HOOD)</b>				
80/	B-F600/800 -- exc. tilt front end	E0TZ 16700-A		1
83/	FT800/900			1
84/	B-F600/800 -- w/tilt front end	E4HZ 16700-A	R.H. and L.H.	2
82/86	L-LN-LNT-LT-LTL-LTS600/900	E2HZ 16700-A	Painted finish	2
80/	L-LA-LN-LNT-LS-LT-LTA-LTS600/900	★ E2HZ 16700-B r/bF1HZ 16700-A	Bright finish	2
80/	L-LA-LN-LNT-LS-LT-LTA-LTS600/900	★ F1HZ 16700-A	Steel-r/b F3HZ 16700-A	1
80/	L-LA-LN-LNT-LS-LT-LTA-LTS600/900	F3HZ 16700-A	Rubber-when replacing F1HZ-A must replace both sides	
<b>16C700 PLATE (HOOD STABILIZER)</b>				
80/	L-LA-LN-LNT-LS-LT-LTA-LTS600/900	DOHZ 16C700-A	Approx. 5" x 5 3/4"-stabilizer to hood rear	1
80/	L-LA-LL-LN-LNT-LS-LT-LTA-LTL-LTS800/900	DOHZ 16C700-B	Approx. 3/4" x 5"-stabilizer to hood side	2
<b>16B702 BRACKET (HOOD STABILIZER)</b>				
80/	L-LA-LL-LN-LNT-LS-LT-LTA-LTL-LTS600/900	DOHZ 16B702-A	Center	1
80/	L-LA-LN-LNT-LS-LT-LTA-LTS600/900	DOHZ 16B702-B	R.H. and L.H.	2
82	LTL900 "Before 11/81"	E1HZ 16B702-B	R.H. only	1
82/	LL-LTL900 "From 11/81"	E2HZ 16B702-A		1
82/	LL-LTL900	E1HZ 16B702-A	#F0HT 16B702-AA - L.H. only	1
80/	L-LA-LN-LNT-LS-LT-LTA-LTS600/900	56138-S4	(B-319-V)-bolt-3/8"-16 x 3/4"	8
<b>16C702 SEAL (HOOD STABILIZER BRACKET)</b>				
80/	L-LA-LL-LN-LNT-LS-LT-LTA-LTL-LTS800/900	DOHZ 16C702-A		1
<b>16C704 BRACE (HOOD STABILIZER BRACKET)</b>				
80/	L-LA-LL-LN-LNT-LS-LT-LTA-LTL-LTS800/900	DOHZ 16C704-A		1
<b>16A706 PLATE (FRONT BODY ORNAMENT MOUNTING)</b>				
80/	CL-CLT900 -- w/o air conditioning	D8HZ 16A706-A	Used between grilles	1
80/82	CL-CLT900 -- w/air conditioning "Before 10/81"	D8HZ 16A706-B	Used between grilles-36 13/16" long	1
82/	CL-CLT900 -- w/air conditioning "From 10/81"	E2HZ 16A706-A	Used between grilles-35 13/16" long	1
<b>16720-1 PLATE (NAME) - Incl. attaching parts - also refer to 020A74 in Body Section</b>				
80/85	B600 -- gas "Before 6/85"	(RH) E1HZ 16720-C	(LH) ★ E1HZ 16721-C r/bE5HZ 16721-F(4/87)	"FORD B-600"-cowl 1

1980/  
TRUCK SERIES 600/900

YEAR	MODEL/RESTRICTIONS	PART NUMBER	DESCRIPTION	QTY.
16720-1 PLATE (NAME) - Incl. attaching parts - also refer to 020A74 in Body Section - Cont'd				
85/86	B600 -- gas "From 6/85"	(RH) E5HZ 16720-F	(LH) E5HZ 16721-F "FORD B-600"	1
87/	B600 -- gas	(RH) E7HZ 16720-J	(LH) E7HZ 16721-J "B600"	1
80/86	B600 -- diesel	(RH) E1HZ 16720-D	(LH) E1HZ 16721-D "FORD B-600 DIESEL"-cowl	1
87/	B600 Ford -- diesel	(RH) E7HZ 16720-K	(LH) E7HZ 16721-K "B600 Ford Diesel"	1
80/86	B700 -- gas	(RH) E5HZ 16720-C	(LH) E5HZ 16721-C "FORD B-700"	1
87/	B700 -- gas	(RH) E7HZ 16720-L	(LH) E7HZ 16721-L "B700"	1
80/86	B700 -- diesel	(RH) E1HZ 16720-H	(LH) E1HZ 16721-H "FORD B-700 DIESEL"-cowl	1
87/	B700 -- diesel	(RH) E7HZ 16720-M	(LH) E7HZ 16721-M "B700 Ford Diesel"	1
87/89	B800 -- gas	(RH) ★ E7HZ 16720-N Not replaced	(LH) ★ E7HZ 16721-N Not replaced	1
87/	B800 -- diesel	(RH) ★ E7HZ 16720-P Not replaced	(LH) E7HZ 16721-P "B800 Ford Diesel"	1
87/	B700 -- diesel	(RH) E7HZ 16720-R	(LH) E7HZ 16721-R "B7000"	1
80/	C600 -- gas	(RH) C8TZ 16720-M	(LH) C8TZ 16721-M "Ford 600"-door	1
80/	C600 -- diesel	(RH) C8TZ 16720-S	(LH) ★ C8TZ 16721-S "Ford 6000"-door	1
			Not repl'd (2/85)	
80/	C700 -- gas	(RH) C8TZ 16720-N	(LH) C8TZ 16721-N "Ford 700"-door	1
80/	C700 -- diesel	(RH) C8TZ 16720-R	(LH) C8TZ 16721-R "Ford 7000"-door	1
80	C750	(RH) C8TZ 16720-P	(LH) C8TZ 16721-P "Ford 750"-door	1
80/	C800 -- gas, CT800	(RH) C8TZ 16720-AC	(LH) C8TZ 16721-AC "Ford 800"-door	1
80/	C800 -- diesel	(RH) C8TZ 16720-K	(LH) C8TZ 16721-K "Ford 8000"-door	1
80	C900	(RH) D0KZ 16720-B	(LH) D0KZ 16721-B "Ford 900"-door	1
80/	F600(81) -- gas	(RH) E5HZ 16720-E	(LH) E5HZ 16721-E "FORD F-600"	1
80/	F600(81) -- diesel	(RH) E1HZ 16720-B	(LH) E1HZ 16721-B "FORD F-600 DIESEL"-cowl	1
80/	F700(81) -- gas	(RH) E5HZ 16720-B	(LH) E5HZ 16721-B "FORD F-700"	1
80/86	F700(81) -- diesel	(RH) E1HZ 16720-F	(LH) E1HZ 16721-F "FORD F-700 DIESEL"-cowl	1
87/	F700 -- diesel	(RH) E7HZ 16720-S	(LH) E7HZ 16721-S "F7000 Ford Diesel"	1
86/	F-FT800 -- gas	(RH) E6HZ 16720-A	(LH) E6HZ 16721-A "FORD F-800"	1
80/86	F800(81) -- diesel	(RH) E1HZ 16720-K	(LH) E1HZ 16721-K "FORD F-800 DIESEL"-cowl	1
83/86	FT800 -- diesel			1
87/	F800 -- diesel	(RH) E7HZ 16720-T	(LH) E7HZ 16721-T "F8000 Ford"	1
85/	FT900	(RH) E5HZ 16720-N	(LH) E5HZ 16721-N "FORD F-900"	1
80/85	F600(84) -- gas "Before 6/85"	(RH) E1HZ 16720-L	(LH) ★ E1HZ 16721-L r/bE5HZ 16721-G(6/86)	1
85/86	F600(84) -- gas "From 6/85"	(RH) E5HZ 16720-G	(LH) E5HZ 16721-G "FORD F-600"	1
87/	F600(84) -- gas	(RH) E7HZ 16720-A	(LH) E7HZ 16721-A "F600"	1
80/86	F600(84) -- diesel	(RH) E1HZ 16720-M	(LH) E1HZ 16721-M "FORD F-600 DIESEL"-cowl	1
87/	F600(84) -- diesel	(RH) E7HZ 16720-B	(LH) E7HZ 16721-B "F600 Ford Diesel"	1
80/86	F700(84) -- gas	(RH) E5HZ 16720-D	(LH) E5HZ 16721-D "FORD F-700"	1
87/	F700(84) -- gas	(RH) E7HZ 16720-C	(LH) E7HZ 16721-C "F700"	1
80/86	F700(84) -- diesel	(RH) E1HZ 16720-P	(LH) E1HZ 16721-P "FORD F-700 DIESEL"-cowl	1
87/	F700(84) -- diesel	(RH) E7HZ 16720-D	(LH) E7HZ 16721-D "F700 Ford Diesel"	1
87/	F800(84) -- gas	(RH) E7HZ 16720-E	(LH) E7HZ 16721-E "F800"	1
83/86	F700(81) -- w/Cat. 3208	(RH) E5HZ 16720-H	(LH) E5HZ 16721-H "FORD F-7000"	1
83/86	F700(84) -- w/Cat. 3208 "From 6/85"	(RH) E5HZ 16720-J	(LH) E5HZ 16721-J "FORD F-7000"	1
83/	B700 -- w/Cat. 3208	(RH) E5HZ 16720-K	(LH) E5HZ 16721-K "FORD B-7000"	1
85/86	F800(84) -- w/Cat. 3208	(RH) E5HZ 16720-L	(LH) E5HZ 16721-L "FORD F-8000"	1
87/	F800(84) -- diesel	(RH) E7HZ 16720-F	(LH) E7HZ 16721-F "F800 Ford Diesel"	1
83/	F-FT800(81) -- w/Cat. 3208	(RH) E5HZ 16720-M	(LH) E5HZ 16721-M "FORD F-8000"	1
87/	F900(84) -- gas	(RH) E7HZ 16720-G	(LH) E7HZ 16721-G "F900"	1
87/	F900(84) -- diesel	(RH) E7HZ 16720-H	(LH) E7HZ 16721-H "F900 Ford Diesel"	1
16C728 SPRING (HOOD CHECK CABLE)				
80/	L-LA-LL-LN-LNT-LS-LT-LTA- LTL-LTS600/900 -- exc. w/extended bumper	E5HZ 16C728-A		2
84/	B-F600/800 -- w/tilt front end			2
86	L-LT-LTS800/900 -- w/ extended bumper	E6HZ 16C728-A	R.H. and L.H.	2

1980/  
TRUCK SERIES 600/900

YEAR	MODEL/RESTRICTIONS	PART NUMBER	DESCRIPTION	QTY.
<b>16C732 REINFORCEMENT (HOOD SUPPORT ROD)</b>				
80/	L-LA-LT-LTA-LTS800/900 -- w/butterfly hood	D0HZ 16C732-A	R.H. and L.H.	2
<b>16A734-5 PLATE (HOOD HINGE MOUNTING)</b>				
86/	CF-CFT600/700	E6HZ 16A734-A	R.H. and L.H.	2
80/	L-LL-LN-LNT-LT-LTL600/900	(RH) D6HZ 16A734-A	(LH) D6HZ 16A735-A	1
80/87	LS-LTS800/900	(RH) D0HZ 16A734-C	(LH) D0HZ 16A735-C	1
88	LA-LS-LTA-LTS900	(RH) E8HZ 16A734-A	(LH) E8HZ 16A735-A	1
<b>16736 HOOD REPAIR KIT (CENTER)</b>				
81/88	LTL900	E8HZ 16736-A		1
<b>16738 INSULATOR (HOOD-SOUND)</b>				
80/	L-LA-LT-LTA-LTS800/900 -- Diesel-exc. butterfly hood	(RH) D5HZ 16738-A	(LH) D5HZ 16738-B	1
80/	L-LA-LT-LTA-LTS800/900 -- diesel w/butterfly hood	(RH) D5HZ 16738-C	(LH) D5HZ 16738-D	1
80/	L-LA-LT-LTA-LTS800/900 -- diesel w/butterfly hood	D5HZ 16738-E	Center	1
80/	LN-LNT800/900 -- diesel	(RH) D5HZ 16738-F	(LH) D5HZ 16738-G	1
80/	LN600/700 -- diesel	(RH) D5HZ 16738-H	(LH) D5HZ 16738-G	1
88/	LL-LTL900	(RH) E8HZ 16738-A	(LH) E8HZ 16738-B	Front-top
		(RH) E8HZ 16738-C	(LH) E8HZ 16738-E	Rear-top
		E8HZ 16738-F	R.H. & L.H.-Front-side	2
		E8HZ 16738-D	R.H. & L.H.-Rear-side	2
80/	B-F600/800 -- diesel-exc. tilt front end	E0TZ 16738-A		1
83/	FT800-diesel			1
84/	B-F600/800 -- w/tilt front end	E4HZ 16738-A		1
<b>16740 PAD (HOOD)</b>				
80/	L-LA-LL-LN-LNT-LS-LT- LTA-LTL-LTS600/900	D0HZ 16740-A	Approx. 65" long	1
<b>16746 BRACE (RADIATOR SUPPORT TO DASH)</b>				
88/	L-LA-LL-LN-LNT-LS- LT-LTA-LTL-LTS900 -- w/Cat. 340 eng.	E8HZ 16746-A		1
80/87	LN-LNT600/900	D1HZ 16746-A		1
88/	LN-LNT700/900	E8HZ 16746-C		1
80/87	L-LT-LTS800/900 -- w/o extended bumper	D1HZ 16746-B		1
88/	L-LT-LTA-LS-LTS800/900	E8HZ 16746-B		1
80/81	L-LT-LTS800/900 -- w/extended bumper	D0HZ 16746-C		1
82/	LL-LTL900	E1HZ 16746-A	#E1HT 8A491-AC - center	1
82/	LL-LTL900	E1HZ 16746-D	R.H.-#E1HT 8A491-FA	1
		E1HZ 16746-C	L.H.-#E1HT 8A491-DA	1
85	LTL900	E5HZ 16746-A	#E4HT 8A491-CB	1
<b>16C748 RETAINER (HOOD ASSIST SPRING)</b>				
82/	LL-LTL900	E1HZ 16C748-A		1
<b>16C750 BRACKET (HOOD LATCH MOUNTING)</b>				
86/	CF-CFT600/700	E6HZ 16C750-A	R.H. and L.H.	2
86/	CF-CFT600/700	E852060-S	Bumper	2
		U801092-S205	Retainer	2
<b>16C756-7 SUPPORT ASSY. (HOOD REAR REINFORCEMENT)</b>				
80/	L-LA-LL-LN-LNT-LS-LT- LTA-LTL-LTS600/900	(RH) ★ D0HZ 16C756-A	(LH) ★ D0HZ 16C757-A	1
		r/bF1HZ 16C756-B	r/bF1HZ 16C757-B	
<b>16758-63 BUMPER (HOOD)</b>				
80/82	B-F600/800	E0TZ 16758-D		2
83/85	B-F600/800 -- exc. tilt front end "Before 2/85"	★ E0TZ 16758-A	Replaced by E0TZ 16758-D (12/85)	2
83/85	FT800/900 "Before 2/85"			2
85/	B-F-FT600/900 -- exc. tilt front end "From 2/85"	E5HZ 16758-A	1 1/2" x 1"	2
		E5HZ 16758-B	Hood to fender front-3/8" x 5/8"	2



1980/  
TRUCK SERIES 600/900

YEAR	MODEL/RESTRICTIONS	PART NUMBER	DESCRIPTION	QTY.
<b>16758-63 BUMPER (HOOD) — Cont'd</b>				
84/	B-F600/800 -- w/tilt front end	★ E4HZ 16758-A	Single stud-repl'd by E4HZ 16758-B	2
		E4HZ 16758-B	Two studs	2
80/	B-F600/800, L-LN-LNT-LT600/900 -- M/T	C5ZZ 16763-B	Stud-w/rubber tip-5/16"-18-used as clutch pedal stop	1
83/	FT800/900			1
80/	L-LA-LT-LTA-LTS800/900 -- w/butterfly hood	D0HZ 16758-B		8
<b>16774 SUPPORT (HOOD LATCH)</b>				
80/	L-LN-LNT-LT600/900	D0HZ 16774-A		2
<b>16775 RETAINER (HOOD INSULATOR)</b>				
83/	B-F600/800 -- w/tilt front end	E6HZ 16775-A	Outer	2
		E6HZ 16775-B	Inner	2
<b>16776 RETAINER (HOOD INSULATION)</b>				
80/	L-LS-LT-LTS800/900 -- diesel- exc. butterfly hood	D5HZ 16776-A	Center-spring wire-approx. 44" lg. w/20 loops	6
80/	LN600/700, LNT800/900 -- diesel	D5HZ 16776-B	Center-spring wire-approx. 35" lg. w/16 loops	7
80/	L-LA-LT-LTA-LTS800/900 -- diesel w/butterfly hood	D5HZ 16776-D	R.H. and L.H. front-spring wire-approx. 30" lg. w/15 loops	3
80/83	L-LA-LT-LTA-LTS800/900 -- diesel w/butterfly hood	D5HZ 16776-E	R.H. and L.H. rear-spring wire-approx. 33" lg. w/18 loops	4
80/	L-LA-LT-LTA-LTS800/900 -- diesel exc. butterfly hood	D5HZ 16776-F	L.H.-spring wire-approx. 6" high w/ 1 loop	1
80/	LN-LNT800/900 -- exc. w/ L.H. air intake			1
80/	LN-LNT800/900 -- diesel w/L.H. air intake	D5HZ 16776-G	L.H. -- spring wire-approx. 4 1/2" high w/1 loop	1
<b>16C778-9 PLATE (HOOD REAR REINFORCEMENT)</b>				
80/	LN600/750	(RH) D0EZ 16C778-B	(LH) D0EZ 16C779-B	1
80/	LN-LNT800/900	(RH) D0EZ 16C778-A	(LH) D0EZ 16C779-A	1
80/	LA-LS-LTA-LTS800/900	(RH) D0HZ 16C778-A	(LH) D0HZ 16C779-A	1
<b>16B792 SHIM (HOOD HINGE)</b>				
80/83	L-LN-LNT-LT600/900 "Before 12/82"	D6HZ 16B792-A		2
<b>16796-7 HINGE (HOOD)-Less spring</b>				
80	B-F600/800	(RH) E0TZ 16796-B	(LH) E0TZ 16797-B	1
81/84	B-F600/800 -- exc. tilt front end "Before 5/84"	(RH) E4TZ 16796-A	(LH) E1TZ 16797-A	1
83/84	FT800 "Before 5/84"			1
84/	B-F-FT600/900 -- exc. tilt front end "From 5/84"	(RH) E4TZ 16796-A	(LH) E4TZ 16797-A	1
84/	B-F600/800 -- w/tilt front end	(RH) E4HZ 16796-A	(LH) E4HZ 16797-A	1
86/	CF-CFT600/800	(RH) E6HZ 16796-A	(LH) E6HZ 16797-A	1
80/87	L-LN-LNT-LS-LT-LTS800/900	(RH) E3HZ 16796-C	(LH) E3HZ 16797-C	1
88/	L-LA-LN-LNT-LS-LT-LTA- LTS800/900	(RH) E8HZ 16796-B	(LH) E8HZ 16797-B	1
80/	LN600/750	(RH) D8HZ 16796-A	(LH) D8HZ 16797-A	1
82/	LL-LTL900	(RH) E3HZ 16796-A	(LH) E3HZ 16797-A	1
80/	L-LT800/900 -- w/butterfly hood	D0HZ 16796-B	R.H. and L.H.-on hood panel side	2
80/	L-LN-LNT-LS-LT-LTS800/900	34981-S4	(M-89-H)-nut-5/8"-11	2
80/	L-LN-LNT-LS-LT-LTS800/900	★372820-S36	Rivet-oval head blind-1/4"	4
<b>16C802-3 PAD (NAME PLATE)</b>				
80/	C-CT600/900	(RH) D8HZ 16C802-A	(LH) D8HZ 16C803-A	1
<b>16A812 INSULATION (HOOD AIR INLET SOUND)</b>				
80/	L-LN-LNT-LS-LT-LTS800/900 -- diesel	D3HZ 16A812-A		1
<b>16813 COVER (HOOD UPPER OPENING HINGE)</b>				
86	CF-CFT600/700	★ E6HZ 16813-A	R.H. and L.H.-repl'd by E7HZ 16813-A	2
87/	CF-CFT600/800	E7HZ 16813-A	R.H. and L.H.	2
<b>16826 ROD (HOOD SUPPORT)</b>				
80/	L-LT800/900 -- w/butterfly hood	D0HZ 16826-A		2
80/	B-F600/800	(RH) E0TZ 16826-C	(LH) E0TZ 16826-D	1
83/	FT800/900		Hinge type	1
86/	CF-CFT600/800	E6HZ 16826-A	Hinge type	1

1980/  
TRUCK SERIES 600/900

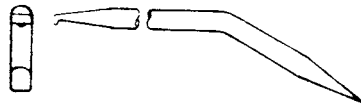
YEAR	MODEL/RESTRICTIONS	PART NUMBER	DESCRIPTION	QTY.
<b>16828 BRACKET (HOOD SUPPORT ROD)</b>				
86/	CF-CFT600/800	E6HZ 16828-A	Support bracket	1
86	CF600/800 "Before 7/86"	★ E6HZ 16828-B r/bDORY 16828-A	Used to retain 5L384 tilt handle to seat base	2
86/	CF-CFT600/800	DORY 16828-A	Clip-attaches to hood	1
86/	CF-CFT600/800 "From 7/86"		Used to retain 5L384 tilt handle to seat base	1
<b>16830-1 PANEL (HOOD SIDE LOWER)</b>				
88/	LS-LTS800/900 -- w/o butterfly hood	(RH) E8HZ 16830-A	(LH) E8HZ 16831-A	1
<b>16832 SPRING (HOOD SUPPORT ROD)</b>				
80/	CL-CLT900	8A 16832		1
<b>16C836-7 BRACKET ASSY. (HOOD ASSIST SPRING RETAINER)</b>				
82/	LL-LTL900	(RH) E1HZ 16C836-A	(LH) E1HZ 16C837-A	1
<b>16C838-9 BRACKET ASSY. (HOOD LIFT)</b>				
82/	LL-LTL900	(RH) E1HZ 16C838-A	(LH) E1HZ 16C839-A	1
<b>16C842 STABILIZER ASSY. (HOOD ON HOOD LOWER)</b>				
82/	LL-LTL900	E1HZ 16C842-A		2
<b>16844-5 REINFORCEMENT (HOOD SIDE)</b>				
80/	LN600/750	(RH) D0EZ 16844-B	(LH) D0EZ 16845-B	1
80/	LN-LNT800/900	(RH) D0EZ 16844-A	(LH) D0EZ 16845-A	1
80/	L-LT800/900 -- w/o butterfly hood	(RH) D0HZ 16844-C	(LH) D0HZ 16845-C	1
80/	L-LT800/900 -- w/butterfly hood	(RH) D0HZ 16844-D	(LH) D0HZ 16845-D	1
80/	LS-LTS800/900 -- w/o butterfly hood	(RH) D0HZ 16844-B	(LH) D0HZ 16845-B	1
80/	LS-LTS800/900 -- w/butterfly hood	(RH) D0HZ 16844-A	(LH) D0HZ 16845-A	1
<b>16C844-5 STABILIZER ASSY. (HOOD ON BODY LOWER)</b>				
82/	LL-LTL900	(RH) E1HZ 16C844-A	(LH) E1HZ 16C845-B	1
<b>16C846-7 PLATE (HOOD STABILIZER LOWER ON HOOD MOUNTING)</b>				
82/	LL-LTL900	(RH) E1HZ 16C846-A	(LH) E1HZ 16C847-A	1
<b>16C848-9 PLATE (HOOD STABILIZER LOWER ON BODY MOUNTING)</b>				
82/	LL-LTL900	(RH) E1HZ 16C848-A	(LH) E1HZ 16C849-A	1
<b>16C850-1 BRACKET ASSY. (STABILIZER ON BODY MOUNTING PLATE)</b>				
82/	LL-LTL900	(RH) E1HZ 16C850-A	(LH) E1HZ 16C851-A	1
<b>16C852 PLATE ASSY. (HOOD FRONT ORNAMENT MEDALLION RETAINER)</b>				
82/	LL-LTL900	E1HZ 16C852-A	Mounts between grille panels	1
<b>16A864 REINFORCEMENT (HOOD TOP FRONT)</b>				
80/	LN-LNT600/900	D7HZ 16A864-B		2
80/	L-LA-LS-LT-LTA-LTS800/900	D7HZ 16A864-A		2
<b>16C866 STRIKER (HOOD BUMPER)</b>				
84/	B-F600/800 -- w/tilt front end	E4HZ 16C866-A		2
<b>16874 PLATE (HOOD CATCH)</b>				
80/	LN600/750	D0HZ 16874-A		2
<b>16C876-7 PLATE (HOOD HINGE ON HOOD ANCHOR)</b>				
82/	L-LA-LN-LNT-LS-LT-LTA-LTS800/900	(RH) E2HZ 16C876-A	(LH) E2HZ 16C877-A	1
<b>16C886-7 PLATE-HOOD STABILIZER</b>				
84/	B-F600/800 -- w/tilt front end	(RH) E8HZ 16C886-A	(LH) E8HZ 16C887-A	1
<b>16888-9 SUPPORT (HOOD HINGE MOUNTING BRACKET)</b>				
80/	L-LN-LNT-LT600/750	(RH) D6HZ 16888-B	(LH) D6HZ 16889-B	1
80/	L-LN-LNT-LT800/900	(RH) D6HZ 16888-A	(LH) D6HZ 16889-A	1
88/	LA-LS-LTA-LTS900	(RH) E8HZ 16888-A	(LH) E8HZ 16889-A	1
<b>16892 HOOK ASSY. (HOOD AUXILIARY CATCH)</b>				
80/	B-F600/800	E0TZ 16892-B		1
83/	FT800/900			1
<b>16B898 CABLE ASSY. (HOOD CHECK)-Incl. attaching parts</b>				
80/84	L-LN-LNT-LT-LTS600/900 -- w/o front end tilt checking device "Before 2/84"	D0HZ 16B898-A	Approx. 35" long	2
84/	L-LA-LN-LNT-LS-LT-LTA-LTS600/900 "From 2/84"	E4HZ 16B898-A		2
84/	B-F600/800 -- w/tilt front end	E4HZ 16B898-B		2
82/89	LL-LTL900 "Before 7/89"	E1HZ 16B898-A	Approx. 56" long	1
89	LL-LTL900 "From 7/89"	★ E9HZ 16B898-A	Repl'd by F0HZ 16B898-A	1

1980/  
TRUCK SERIES 600/900

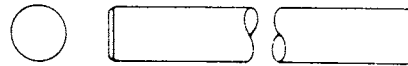
YEAR	MODEL/RESTRICTIONS	PART NUMBER	DESCRIPTION	QTY.
<b>16B900-1 REINFORCEMENT (HOOD FRONT GRILLE OPENING SUPPORT)</b>				
80/	LA-LS-LTA-LTS800/900	(RH) DOHZ 16B900-A	(LH) DOHZ 16B901-A	1
<b>16B906 STRIPE KIT (HOOD)</b>				
82/	LL-LTL900	E1HZ 16B906-A	Contains R.H. and L.H. transfers	1
<b>16B908-9 BRACKET (HOOD CHECK CABLE)</b>				
84/	B-F600/800 -- w/tilt front end	(RH) E4HZ 16B908-A	(LH) E4HZ 16B909-A	1
<b>16B910 REINFORCEMENT (HOOD SIDE AIR CLEANER EXTENSION)</b>				
80/	LN-LNT800/900	DOEZ 16B910-A		1
<b>16B914 REINFORCEMENT (HOOD SIDE PANEL UPPER)</b>				
80/	LN-LNT600/900	D1EZ 16B914-A		2
80/	LA-LS-LTA-LTS800/900 -- w/o butterfly hood	D1HZ 16B914-C		2
80/	L-LT800/900 -- w/butterfly hood	D1HZ 16B914-A		2
80/	L-LT800/900 -- w/o butterfly hood	D1HZ 16B914-D		2
80/	LA-LS-LTA-LTS800/900 -- w/butterfly hood	D1HZ 16B914-B		2
<b>16B920 RETAINER (HOOD CHECK CABLE)</b>				
80/84	L-LN-LNT-LT-LTS-LTL600/900	★ DOHZ 16B920-A	R/b DOHZ 16B920-B (6/85)	4
84	B-F600/800 -- w/tilt front end			4
85/	L-LA-LL-LN-LNT-LS-LT-LTA-LTL-LTS600/900	DOHZ 16B920-B		4
85/	B-F600/800 -- w/tilt front end			4
<b>16B926 CLAMP (HOOD CHECK CABLE STORAGE SPRING)</b>				
80/84	L-LN-LNT-LT-LTS-LTL600/900 "Before 2/84"	DOHZ 16B926-A		2
84/	LL-LTL900 "From 2/84"			2
<b>16B928 BRACKET (HOOD CHECK CABLE STORAGE SPRING)</b>				
80/84	L-LN-LNT-LT-LTS-LTL600/900 "Before 2/84"	DOHZ 16B928-A		2
84/	LL-LTL900 "From 2/84"			2
<b>16B930 SPRING (HOOD CHECK CABLE STORAGE)</b>				
80/84	L-LN-LNT-LT-LTS-LTL600/900 "Before 2/84"	DOHZ 16B930-A		2
84/	LL-LTL900 "From 2/84"			2
<b>16A932 BRACKET (HOOD ROD SUPPORT MOUNTING)</b>				
80/	L-LT800/900 -- w/butterfly hood	DOHZ 16A932-A		1
<b>16B940-1 RETAINER ASSY. (HOOD SUPPORT ROD)</b>				
80/	L-LT800/900 -- w/butterfly hood	(RH) DOHZ 16B940-A	(LH) DOHZ 16B941-A	1
<b>16A944-5 STRIKER (HOOD LATCH)</b>				
84/	B-F600/800 -- w/tilt front end	(RH) E4HZ 16A944-A	(LH) E4HZ 16A945-A	1
<b>16B950-1 EXTENSION (HOOD REAR QUARTER REINFORCEMENT)</b>				
80/	L-LT800/900	(RH) DOHZ 16B950-A	(LH) DOHZ 16B951-A	1
<b>16B958 REINFORCEMENT (HOOD SIDE PANEL UPPER REAR)</b>				
80/	LT800/900	D1HZ 16B958-A		2
<b>16995 REINFORCEMENT (HOOD CENTER)</b>				
80/	LN600/700 -- diesel	DOEZ 16995-A		1
80/	L-LA-LS-LTA-LTS800/900	DOHZ 16995-A		1

1980/  
TRUCK SERIES 600/900

YEAR	MODEL/RESTRICTIONS	PART NUMBER	DESCRIPTION	QTY.
<b>17W001 BRACKET (TOOL SUPPORT)</b>				
86/	CF600/800 - diesel	E6HZ 17W001-A		1
<b>17003 KIT (HIGHWAY TRAVEL)</b>				
80/	All	F0HZ 17003-A		1
<b>17008 BAG (CLOTHES)</b>				
80/83	CL900	D8HZ 17008-A		1
17016 Refer to group 17A732				
<b>17018 TOOL (ELECTRICAL TERMINAL CRIMPING)</b>				
80/	All	B9A 17018-A		1
80/	All	C4AZ 17018-B	Terminal extraction tool	1
17034 HANDLE (WHEEL NUT WRENCH) - Also refer to group 17081				



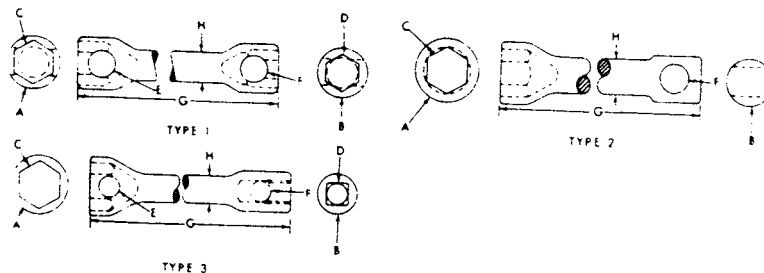
TYPE 1



TYPE 2

P.7762

17034 HANDLE - WHEEL NUT WRENCH				
80/	All	C2TZ 17034-A	Type 2-3/4" dia. x 27" long-use w/wrenches listed below	1
86/	CF600/800 - diesel	E6HZ 17034-A		1
17035 WRENCH (WHEEL NUT)				



P.7761

TYPE	17035 WRENCH - WHEEL NUT								DESCRIPTION	PART NUMBER
	DIMENSIONS (INCHES)									
	A	B	C	D	E	F	G	H		
1	1 9/16	1 3/4	1 3/32	1 9/32	25/32	25/32	13 3/4	3/4	Use with 1 3/32" and 1 9/32" hex. nuts	C7TZ 17035-A
3	2 3/32	1 1/2	1 1/2	13/16	3/4	25/32	13 1/2	1	Use with 1 1/2" hex. nuts and 13/16" square nuts	D3TZ 17035-A

YEAR	MODEL/RESTRICTIONS	PART NUMBER	DESCRIPTION	QTY.
80/	B-C-CT-F-FT-L-LN-LNT600/900 - - w/cast sport wheels	C7TZ 17035-A		1
80/	B-F600/750 - - w/disc wheels	D3TZ 17035-A		1
80/	C-CT-L-LN-LNT-LT600/900			1
86/	CF600/800 - - diesel	E6HZ 17035-C	Double hexagon ends	1
86/	CF600/800 - - diesel	E6HZ 17035-D	Single hexagon end	1
<b>17A038 RETAINER (JACK HANDLE)</b>				
86/	CF600/700 - - diesel	E6HZ 17A038-A	Use with wrench	1
86/87	CF600/700 - - diesel "Before 7/86"	E6HZ 17A038-B		1
87/	CF600/800 "From 9/86"	E6HZ 17A038-C		1

October, 1993

COPYRIGHT © 1993 - FORD MOTOR - DEARBORN, MICHIGAN  
COMPANY

Final Issue

1980/  
TRUCK SERIES 600/900

YEAR	MODEL/RESTRICTIONS	PART NUMBER	DESCRIPTION	QTY.
17042	BRACKET (JACK HOLD DOWN CLAMP)-Refer to group 17A056			
17A056	BRACKET (JACK HOLD DOWN)			
80/	B-F-FT600/800 -- w/8-12 ton jack	E0HZ 17A056-A	#E0HT 17A056-AA-behind passenger seat	1
80/82	B-F600/800 -- w/8-12 ton jack	E0HZ 17A056-B	Behind passenger seat	1
86/	CF600/800 -- diesel	E6HZ 17A056-A		1
17059	Refer to group 17A736			
17081	HANDLE (JACK) - Also refer to group 17034			
80/82	C-CT-L-LN-LNT-LT600/900 -- w/hydraulic jack	7EQ 17081-B		1
17A143	TUBE (JACK HANDLE)			
86/	CF600/800 -- diesel	E6HZ 17A143-A		1
17187	COVER (TACHOMETER OPENING)			
80/	B-F-FT600/800	E0TZ 17187-A		1
80/	LN600/750 -- 8 cyl. gas	D0HZ 17187-A		1
17K253	BUSHING (SPEEDOMETER DRIVE GEAR)			
80/	CL-CLT900	D1TZ 17K253-A		1
17A254	KIT (SPEEDOMETER TIP)			
80/	All	B9AF 17A254-A	Use w/universal speedometer cable core w/1/8" diameter	AR
80/	All	B9TF 17A254-A	Use w/universal speedometer cable core w/5/32" diameter	AR
17255	SPEEDOMETER ASSY.			
NOTE:	Canada only • Dual band-description will show the last number(s) on the dial and will list bold number first			
80/	B-F600/800(84) C-CT600/900 L-LN-LNT-LT-LTL-LTS600/900 -- w/city delivery instrument panel	E1HZ 17255-A	• Dual band-round 75 M.P.H./140 Km.P.H.	1 1 1
83/	B600/800(84)	E3TZ 17255-N	• Dual band-round 85 M.P.H./140Km.P.H.- million mile odometer	1 1 1
83/	C-CT600/900			
83/	L-LN-LNT-LT-LTL-LTS600/900 -- w/city delv. instrument panel			
80/81	B-F600/800(84)	• D9HZ 17255-B	• Dual band-round 80 MPH/130 KmPH-odometer registers in kilometers-cable screw on	1
80	C-CT600/900 -- "Before 11/80"	• E0HZ 17255-B	• Dual band-80 M.P.H./130 Km.P.H.-odometer registers in kilometers-accepts push on cable	1 1
80	C-CT600/900 "From 11/80"			
80	L-LT-LTS-LN-LNT600/900 -- w/City delivery instrument panel			
81/	B-F600/800(84)	• E1HZ 17255-B	• Dual band-round 80 M.P.H./140 Km.P.H.-odometer registers in kilometers-accepts push on cable-	1 1 1
81/	C-CT600/900			
81/	L-LN-LNT-LT-LTL-LTS600/900 -- w/city delivery instrument panel			
83/	B-F600/800(84)	• E3TZ 17255-E	• Dual band-round 140 Km.P.H./80 M.P.H.- odometer registers in kilometers-accepts push on cable-million kilometer odometer	1 1 1
83/	C-CT600/900			
83/	L-LN-LNT-LT-LTL-LTS600/900 -- w/city delivery instrument panel			
86/	CF600/800 -- diesel	• E6HZ 17255-G	130/80-K.M.H./M.P.H.-w/tripodometer	1
		E6HZ 17255-H	80/130-M.P.H./K.M.H.-w/tripodometer	1
80/85	L-LN-LNT-LT-LTL-LTS800/900 -- w/line haul instrument panel	E0HZ 17255-E	80 M.P.H.-#E0HT 17255-CB,CC	1
80/82	L-LN-LNT-LT-LTS 800/900 -- w/line haul instrument panel	• D7HZ 17255-C	• Dual band - 75 mph/120 kmP.H. - accepts screw on cable	1
80/	L-LN-LNT-LT-LTL-LTS800/900 -- w/line haul instrument panel	• E0HZ 17255-F	Km.P.H.-#E0HT 17255-DA,DB-accepts push on cable.	1
86/87	L-LN-LNT-LT-LTL-LTS800/900	E6HZ 17255-J	Electric-80 M.P.H.-#D2E7HT 17255-CA	1
		• E6HZ 17255-B	Electric-130/80 K.M.H./M.P.H.	1
80	F600/800(81)	• E0TZ 17255-B	• Dual band-130 Km.P.H./80 M.P.H.	1
80/86	F-FT600/800(81)	E1TZ 17255-B	• Dual band-80 M.P.H./130 Km.P.H. w/trip	1
83/89	F-FT600/800(81)	E3HZ 17255-A	• Dual band-85 M.P.H./120 Km.P.H.- million mile odometer	1

**1980/  
TRUCK SERIES 600/900**

YEAR	MODEL/RESTRICTIONS	PART NUMBER	DESCRIPTION	QTY.
<b>17255 SPEEDOMETER ASSY. — Cont'd</b>				
<b>NOTE:</b> ♪ Canada only ● Dual band—description will show the last number(s) on the dial and will list bold number first				
81/86	F-FT600/800(81)	♪ E1TZ 17255-D	● Dual band-130 Km.P.H./80 M.P.H.-100,000 kilometer odometer	1
83/86	F-FT600/800(81)	♪ E3TZ 17255-F	● Dual band-120 Km.P.H./85 M.P.H.-odometer registers in kilometers—million kilometer odometer	1
87/	F-FT600/900(81) -- exc. Canada	★ E7HZ 17255-C	#E7HF 17282-A1A,A2A-E8HF 17282-AA-Electric-square-75 M.P.H. resetable coding switch	1
87/	F-FT600/900(81) -- exc. Canada	E9HZ 17255-E	Electric-square-85 M.P.H. resetable coding switch—#EDE9HF 17282-AA	1
87/	B-F-FT600/900(84) -- exc. Canada	★ E7HZ 17255-E	Electric-oval-75 M.P.H./120 K.M.H.-resetable coding switch E7HF 17282-CB	1
87/	C-CT600/900 -- exc. Canada		#E8HF 17282-CA	1
87/	L-LL-LN-LNT-LS-LT-LTS600/900 -- exc. Canada			1
87/	B-F-FT600/900(84) -- exc. Canada	E9HZ 17255-C	Electric-oval 80 M.P.H./140 KMPH resetable coding switch	1
87/	Canada		#EDE9HF 17282-CA	
87/	C-CT600/900 -- exc. Canada			
87/	L-LL-LN-LA-LNT-LS-LT-LTA-LTS600/900 -- exc. Canada			
87/	B-F-FT600/900 -- Canada	★ ♪ E7HZ 17255-F	Electric-oval-120 K.M.H./75 M.P.H.-resetable coding switch—#E7HF 17282-DA,DB,E8HF	1
87/	C-CT600/900 -- Canada		17282-DA	1
87/	L-LL-LN-LNT-LS-LTS600/900 -- Canada			1
87/	B-F-FT600/900 -- Canada	★ ♪ E9HZ 17255-D	Electric-oval-140 KMPH/80 M.P.H. resetable coding switch	1
87/	C-CT600/900 -- Canada		#EDE9HF 17282-DA	
87/	L-LL-LN-LNT-LS-LTS-LA-LTA 600/900 -- Canada			
80/85	CL-CLT900	E0HZ 17255-C	● Dual band - 80 M.P.H./130 Km.P.H. #E0HT 17255-AB,AC	1
80/85	CL-CLT900	♪ E0HZ 17255-D	● Dual band - 120 Km.P.H./65 M.P.H. #E0HT 17255-BA,BB	1
86/	CL-CLT900	E6HZ 17255-C	Electric-80 M.P.H.	1
		♪ E6HZ 17255-D	Electric-120 K.P.H.	1
87/	L series -- exc. Canada	★ E7HZ 17255-A	Electric-round 75 MPH/120 KMPH	1
87/	L series -- exc. Canada	★ E7HZ 17255-G	Electric-80 MPH #D2E7HT 17255-AA-D3E7HT 17255-AA	1
		r/bF2HZ 17255-C	resetable coding switch	
89/	L series -- exc. Canada	★ E9HZ 17255-A	Electric-80 MPH-green lighting	1
		r/bF2HZ 17255-A	resetable coding switch—#D3E7HT 17255-AB	
87/	L series -- Canada	★ E7HZ 17255-B	Electric-round 120 KMPH/75 MPH	1
87/	L series -- Canada	★ ♪ E7HZ 17255-H	Electric-130 KMH #D2E7HT 17255-BA-	1
		r/bF2HZ 17255-D	resetable coding switch—D3E7HT 17255-BA	
89/	L series -- Canada	★ ♪ E9HZ 17255-B	Electric-130 KMH-green lighting	1
		r/bF2HZ 17255-B	resetable coding switch—#D3E7HT 17255-BB	
87/	F-FT600/900(81) -- Canada	★ ♪ E7HZ 17255-D	Electric-square 120 KMPH/75 MPH—#E7HF 17282-BB, #E8HF 17282-BA	1
87/	F-FT600/900(81) -- Canada	♪ E9HZ 17255-F	Electric-square 130 KMPH—#EDE9HF 17282-BA—resetable coding switch	1
<b>17K255 RING DISTANCE (SPEEDOMETER)</b>				
86/	CF600/800 -- diesel	E6HZ 17K255-A		1
<b>17A259 KEY (SPEEDOMETER or TACHOMETER DRIVE)</b>				
80/	CL-CLT900	D9HZ 17A259-A	1.20" long x .184" O.D.-use w/D8HZ 17294-A (D7HT 17375-BA) adapter	1
80/	All -- w/2 speed axle	E1HZ 17A259-A	1.75" long x .098" square-use w/E0HZ 17294-BL E2HZ 17K302-A	1
80/	All	C8TZ 17A259-B	1.18" long x .25" round-use w/C8TZ 7A270-C adapter-identification #C8TA 17375-C1	1
80/	All	E3HZ 17A259-A	1.37" long x .184" O.D.-use w/C8TZ 17A270-C adapter-identification #C8TA 17375-C2	1
80/	All	E3HZ 17A259-B	1.31" long x .184" O.D. round end and .104" square end-use w/all E0HZ, E1HZ, E3HZ 17294's exc. E0HZ 17294-BL	1
86/	CF600/800	B9TF 17A259-B	3/32" square x 1 1/2" long-use w/B9TF 172194-E adapter	1

**1980/  
TRUCK SERIES 600/900**

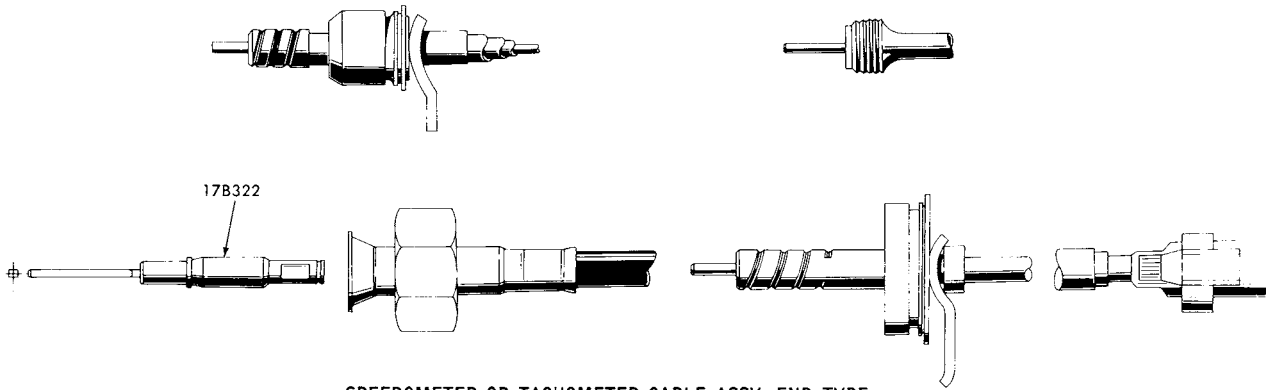
**IDENTIFICATION CHART**

(Arranged according to Identification Number)

IDENTIFICATION	PART NUMBER	IDENTIFICATION	PART NUMBER
<b>17260 CABLE ASSY. (SPEEDOMETER or TACHOMETER)–Also refer to group 9A820</b>			
The following chart will provide quick identification when the production speedometer or tachometer cable number is known, speedometer or tachometer cables may also be selected by model, year and description under Group 17260 or 17365.			
D6HA 17260-CA	D6HZ 17260-C	D0HA 17B351-AL	D0HZ 17260-Y
D7HT 17260-CA	D8HZ 17260-C	D0HA 17B351-AM	D3HZ 17365-B
D7HT 17260-DA	D8HZ 17260-A	D0HA 17B351-CA	D0HZ 17260-AE
D7HT 17260-EA	D6HZ 17260-A	D0TA 17B351-A	D0TZ 17260-E
D7HT 17260-FA	D2HZ 17260-B	D0TA 17B351-E	D0HZ 17260-U
D7HT 17260-HA	D0HZ 17365-W	D3HA 17B351-BA	D3HZ 17365-B
E0HT 17260-EA	E0HZ 17260-F	D7HT 17B351-HA	D0HZ 17260-E
E0HT 17260-FA	E0HZ 17260-F	D7HT 17B351-JA	D0HZ 17260-H
E0HT 17260-FB	E0HZ 17260-E	E0HT 17B351-FA	E0HZ 17260-T
E0HT 17260-GA	E0HZ 17260-G	E0HT 17B351-GA	E0HZ 17260-T
E0HT 17260-GA	E0HZ 17260-G	E0HT 17B351-HA	E0HZ 17260-U
E0HT 17260-HA	E0HZ 17260-J	E0HT 17B351-JA	E0HZ 17260-R
E0HT 17260-JA	E0HZ 17260-J	E0HT 17B351-KA	E0HZ 17260-U
E0HT 17260-KA	E0HZ 17260-K	E0HT 17B351-LA	E0HZ 17260-V
ED E0HT 17260-KA	E0HZ 17260-K	E0HT 17B351-RA	E0HZ 17260-W
E1HT 17260-AA	E1HZ 17260-A	E0HT 17B351-TA	E0HZ 17260-V
E1HT 17260-BA	E0HZ 17260-K	E0HT 17B351-YA	E0HZ 17260-W
E1HT 17260-CA	D8HZ 17260-C	E0HT 17B351-VA	E0HZ 17260-X
E1HT 17260-DA	D8HZ 17260-A	E0HT 17B351-ZA	E0HZ 17260-X
E4HT 17260-AA	E4HZ 17260-A	E0HT 17B351-AAA	E0HZ 17260-Y
E4HT 17260-B2A	E4HZ 17260-B	E0HT 17B351-ABA	E0HZ 17260-Y
E5HT 17260-BA	E6HZ 17260-C	E0HT 17B351-ACA	E0HZ 17260-Z
E5HT 17260-CA	E6HZ 17260-B	E0HT 17B351-ADA	E0HZ 17260-Z
E7HT 17260-AA	E7HZ 17260-A	E4HT 17B351-CA	E4HZ 17260-C
87HU 17260-AA	E7HZ 17260-A	E4HT 17B351-DA	E4HZ 17260-D
D0HA 17B351-E	D1HZ 17260-B	E4HT 17B351-BA	E4HZ 17260-E
D0HA 17B351-G	D0HZ 17260-F	D2HA 17365-AA	D2HZ 17365-A
D0HA 17B351-H	D0HZ 17260-G	D7HT 17365-DA	D0HZ 17365-K
D0HA 17B351-N	D0HZ 17260-H	E0HT 17365-DA	E0HZ 17365-D
D0HA 17B351-T	D0HZ 17260-K	E0HT 17365-EA	E0HZ 17365-C
D0HA 17B351-U	D0HZ 17365-U	E0HT 17365-GA	E0HZ 17365-B
D0HA 17B351-AA	D0HZ 17260-H	E0HT 17365-GB	E0HZ 17365-B
D0HA 17B351-AG	D0HZ 17260-U	E4HT 17365-BA	E0HZ 17365-C
D0HA 17B351-AJ	D0HZ 17260-V	E4HT 17365-CA	E0HZ 17365-B
D0HA 17B351-AK	D0HZ 17260-W		

# 1980/ TRUCK SERIES 600/900

17260 CABLE ASSY. (SPEEDOMETER OR TACHOMETER) - Also refer to group 9A820 - Cont'd  
TYPE A TYPE B



SPEEDOMETER OR TACHOMETER CABLE ASSY. END TYPE  
TYPE C TYPE D TYPE E

END TYPE	LENGTH (INCHES)	PART NUMBER	END TYPE	LENGTH (INCHES)	PART NUMBER
<b>17260 CABLE ASSY. (SPEEDOMETER or TACHOMETER) - Also refer to group 9A820</b>					
C,E	12	EOHZ 17365-B	C,C	40	DOHZ 17260-F
C,E	15	EOHZ 17365-C	C,C	45	DOTZ 17260-E
C,E	17	EOHZ 17365-D	C,C	45	EOHZ 17260-T
C,C	18.5	D2HZ 17260-B	C,E	54	EOHZ 17260-E
C,C	20	D3HZ 17365-B	C,C	55	EOHZ 17260-U
C,C	20	E4HZ 17260-E	C,C	56	E1HZ 17260-A
C,C	25	DOHZ 17260-Y	C,C	60	DOHZ 17260-U
C,C	25	E4HZ 17260-C	C,C	65	EOHZ 17260-V
C,E	26	E4HZ 17260-B	C,B	70	DOHZ 17365-U
C,E	28	D8HZ 17260-A	C,C	75	EOHZ 17260-W
C,E	28	D8HZ 17260-C	C,C	80	DOHZ 17260-G
C,C	30	DOHZ 17260-V	C,C	80	EOHZ 17260-K
C,C	30	DOHZ 17365-K	C,C	82	E4HZ 17260-A
C,E	30	EOHZ 17260-J	C,C	85	EOHZ 17260-X
C,C	30	E4HZ 17260-D	C,C	86	D6HZ 17260-C
B,E	31	EOHZ 17260-G	C,C	95	EOHZ 17260-Y
C,C	31	D6HZ 17260-A	C,B	105	DOHZ 17260-K
C,C	35	DOHZ 17260-W	C,C	105	EOHZ 17260-Z
C,C	35	D2HZ 17365-A	C,C	113	D1HZ 17260-B
C,E	35	EOHZ 17260-F	C,C	120	DOHZ 17260-H
C,C	35	EOHZ 17260-R	C,C	141	DOHZ 17260-AE
C,E	37	★ E6HZ 17260-C			

YEAR	MODEL	TRANSMISSION		LENGTH INCHES	CASING and CORE PART NUMBER	CORE PART NUMBER
		MAKE	SPEED			
17260	CABLE ASSY. (SPEEDOMETER)					

**APPLICATION CHART**

FIND TRUCK SERIES, THEN MODEL YEAR, THEN TRANSMISSION

**NOTES:** A-Allison, A/T-Automatic Transmission, C-Clark, F-Fuller, N.P.-New Process, S-Spicer, W-Warner

**B SERIES**

YEAR	MODEL	TRANSMISSION	LENGTH INCHES	PART NUMBER	PART NUMBER
80/86	B600/800 - - upper	ALL	54	EOHZ 17260-E	D4AZ 17262-A
80/86	B600/800 - - lower	N.P. 4 435	45	EOHZ 17260-T	B9T 17262-D
		W 5 T-19			
		C 5 390			
		N.P. 5 542			
		A 4 AT-540			
80/	B600/800 - - lower	S 5 5000-40CM	55	EOHZ 17260-U	B9T 17262-D
		A 4-5 MT-643,MT-653			
		C 5 280			



**1980/  
TRUCK SERIES 600/900**

YEAR	MODEL	TRANSMISSION			LENGTH INCHES	CASING and CORE	
		MAKE	SPEED	MODEL		PART NUMBER	CORE PART NUMBER

17260 CABLE ASSY. (SPEEDOMETER)

APPLICATION CHART

FIND TRUCK SERIES, THEN MODEL YEAR, THEN TRANSMISSION

NOTES: A-Allison, A/T-Automatic Transmission, C-Clark, F-Fuller, N.P.-New Process, S-Spicer, W-Warner

C-CT SERIES

80/82	C-CT600/900 -- (upper)- "Before 11/79 for Canada only"	ALL			31	D6HZ 17260-A	D4AZ 17262-A
80/86	C-CT600/900 -- (upper) "From 11/79 for Canada only"	ALL			31	E0HZ 17260-G	D4AZ 17262-A
80/82	C-CT600/900 -- (center) "Before 11/80"	ALL			86	D6HZ 17260-C	C5AZ 17262-B
83/87	C-CT600/900 -- (center) w/o correctors	ALL			82	E4HZ 17260-A	C5AZ 17262-B
80/83	C-CT600/900 -- (lower)	ALL			35	E0HZ 17260-R	B9T 17262-D
84/86	C-CT600/900 -- w/501, 3208 diesel- 370, 429 gas-single or 2 spd. axle	A	4	AT545	25	E4HZ 17260-C	B9T 17262-D
		C	5	280, 390			
		S	5	CM50, CM60			
84/86	C-CT600/900 -- w/370, 429 gas- single or 2 spd. axle	NP	4	NP-435	20	E4HZ 17260-E	B9T 17262-D
		NP	5	NP-542			
84/86	C-CT600/900 -- w/501, 3208 diesel- 370, 429 gas-2 spd. axle	F	10	6610	30	E4HZ 17260-D	B9T 17262-D
		A	4-5	MT643, MT653			
84/86	C-CT600/900 -- w/501, 3208 diesel- 370, 429 gas-single spd. axle	F	10	6610	35	E0HZ 17260-R	B9T 17262-D
		A	4-5	MT643, MT653			

CF SERIES

86/87	CF600/800 -- diesel "Before 4/87"	ALL				E6HZ 17260-B	
87/	CF600/800 -- diesel w/tractor pkg.	ALL				E7HZ 17260-B	
87/	CF600/800 -- diesel "From 4/87"	ALL				E7HZ 17260-A	

CL-CLT SERIES

80/86	CL-CLT900-upper -- w/o speed control	ALL			28	D8HZ 17260-A	D4AZ 17262-A
80/86	CL-CLT900-upper -- w/speed control	ALL			28	D8HZ 17260-C	D4AZ 17262-A
80/86	CL-CLT900 -- 6 cyl. 855, 893 and 1150 NTC, KT and 3406 diesel-(lower)	ALL			141	D0HZ 17260-AE	
80/86	CL-CLT900 -- 8 cyl. 736,568 and 6 cyl. 552 diesel-(lower)	ALL			120	D0HZ 17260-H	C5AZ 17262-B

F SERIES

80/86	F-FT600/800(84) -- (upper) w/grommet	ALL			54	E0HZ 17260-E	D4AZ 17262-A
80/86	F-FT600/800(81) -- (upper) w/grommet	All w/17294 adapter			35	E0HZ 17260-F	D4AZ 17262-A
85/86	F-FT600/900(81) -- (upper) w/o grommet	All w/o 17294 adapter			37	E6HZ 17260-C	D4AZ 17262-A
80/86	F-FT600/800 -- (lower)	N.P.	4	435	45	E0HZ 17260-T	B9T 17262-D
		W	5	T-19			
		C	5	390			
		N.P.	5	542			
		A	5	AT-540			
80/86	F-FT600/900 -- (lower)	S	5	5000-40CM	55	E0HZ 17260-U	B9T 17262-D
		A	4-5	MT-643, MT-653			
		C	5	280,390,550			
		F	10	6610			
83/86	FT800/900 -- (lower)	F	13	6613	65	E0HZ 17260-V	B9T 17262-D

L SERIES

80/82	L-LT-LTS-LN-LNT600/900 -- (upper) w/speedograph or speedometer w/screw on cable connection	ALL			30	D0HZ 17365-K	D4AZ 17262-A
80/86	L-LT-LTS-LN-LNT600/900 -- w/speedometer (upper)-w/push on cable connection	ALL			30	E0HZ 17260-J	D4AZ 17262-A

**1980/  
TRUCK SERIES 600/900**

YEAR	MODEL	TRANSMISSION			LENGTH INCHES	CASING and CORE PART NUMBER	CORE PART NUMBER
		MAKE	SPEED	MODEL			
17260	CABLE ASSY. (SPEEDOMETER) — Cont'd						
APPLICATION CHART							
FIND TRUCK SERIES, THEN MODEL YEAR, THEN TRANSMISSION							
NOTES: A—Allison, A/T—Automatic Transmission, C—Clark, F—Fuller, N.P.—New Process, S—Spicer, W—Warner							
L SERIES							
84/86	L-LN-LNT-LT-LTL-LTS600/900 -- (upper) w/line haul or fleet instrument panel	ALL			26	E4HZ 17260-B	D4AZ 17262-A
86	L-LN-LNT-LT-LTL-LTS600/900 -- w/speedograph (diesel)	ALL					
80/86	L-LT-LTS600/900 -- (lower)	A	4	AT-540	35	E0HZ 17260-R	B9T 17262-D
80/86	LN-LNT600/900 -- (lower)	A	4	AT-540	45	E0HZ 17260-T	B9T 17262-D
80/86	LN600/700 -- (lower) w/o aux. trans.	NP	4	NP-435	35	E0HZ 17260-R	B9T 17262-D
80/86	LN600/700 -- w/370 eng. (lower) w/o aux. trans.	C	5	280 series	45	E0HZ 17260-T	B9T 17262-D
80/86	LN-LNT800 -- gas (lower) w/o aux. trans.						
80/86	L-LT-LTS800 -- w/o aux. trans.	C	5	280 series	35	E0HZ 17260-R	B9T 17262-D
80/86	L-LT-LTS800/900 -- (gas) w/o aux. trans. (lower)	S	5	50CM	45	E0HZ 17260-T	B9T 17262-D
80/86	L-LT-LTS800 -- (diesel) w/o aux. trans. (lower)	S	5	50CM	35	E0HZ 17260-R	B9T 17262-D
80/86	LN-LNT700/900 -- w/o aux. trans. (lower)	S	5	50CM	55	E0HZ 17260-U	B9T 17262-D
80/86	L-LT-LTS800/900 -- w/o aux. trans. (lower)	S	5	60CM	45	E0HZ 17260-T	B9T 17262-D
80/86	LN-LNT800 -- (diesel) w/o aux. trans. (lower)	S	5	60CM	65	E0HZ 17260-V	B9T 17262-D
80/86	LN-LNT700 -- (diesel) w/o aux. trans. (lower)	S	5	60CM	55	E0HZ 17260-U	B9T 17262-D
80/86	LN-LNT800/900 -- (gas) w/o aux. trans. (lower)						
83/86	LN700 -- (diesel) lower	S	5	CM5552 CM5852	45	E0HZ 17260-T	B9T 17262-D
80/86	LN-LNT900 -- 552 Det. dsl. (lower)	S	6	1062-6B	65	E0HZ 17260-V	B9T 17262-D
80/86	L-LT-LTS900 -- 855 Cum. dsl. (lower)	S	7	1007-7A, 1107-2A	85	E0HZ 17260-X	B9T 17262-D
80/86	LN-LNT900 -- 855 Cum. dsl. (lower)	S	7	1007-7A, 1107-2A	95	E0HZ 17260-Y	B9T 17262-D
82/86	L-LNT900 -- 552 Det. dsl.	S	7	1372	65	E0HZ 17260-V	B9T 17262-D
82/86	L-LT900 -- 855 Cum. dsl.	S	7	1372	75	E0HZ 17260-W	B9T 17262-D
	L-LN-LNT-LT900 -- 568 Det. dsl.						
82/86	LN-LNT900 -- 855 Cum. dsl.	S	7	1372	85	E0HZ 17260-X	B9T 17262-D
84/86	LTS900 -- 893 Cat. dsl. or 855 Cum. dsl.	S	7	1372	55	E0HZ 17260-U	B9T 17262-D
82/86	L-LT-LTS-LN-LNT900 -- 568 Det. dsl. and 855 Cum. dsl.	F	5	905/11605	105	E0HZ 17260-Z	B9T 17262-D
81/86	LT-LTS800/900 -- 893 Cat. dsl., 855 Cum. and 426 Det. dsl. engines (lower)	F	7	1157-11607	95	E0HZ 17260-Y	B9T 17262-D
81/	LNT800/900 -- 893 Cat., 855 Cum. dsl. and 426 Det. diesel engines (lower)	F	7	1157-11607	105	E0HZ 17260-Z	B9T 17262-D
82/86	L-LT-LTS-LN-LNT900 -- 568 Det. dsl.	F	8	11608	75	E0HZ 17260-W	B9T 17262-D
82/83	L-LT-LTS-LN-LNT900 -- 426, 552 Det. dsl. and 855 Cum. dsl. w/o aux. trans.	F	8	11608	85	E0HZ 17260-X	B9T 17262-D
82/86	LN900 -- w/426 Det. dsl. w/aux. trans.	F	8	11608	95	E0HZ 17260-Y	B9T 17262-D
82/86	L-LT-LTS-LN-LNT-900 -- 893 Cat. dsl. and 855 Cum. dsl. w/aux. trans.	F	8	11608	105	E0HZ 17260-Z	B9T 17262-D
84/86	LTS900 -- 736 Det. dsl.	F	8	14608	65	E0HZ 17260-V	D9T 17262-D
84/86	LTS900 -- 736 Det. dsl.	F	9	14609	65	E0HZ 17260-V	B9T 17262-D

**1980/  
TRUCK SERIES 600/900**

YEAR	MODEL	TRANSMISSION		LENGTH INCHES	CASING and CORE PART NUMBER	CORE PART NUMBER
		MAKE   SPEED	MODEL			
17260	CABLE ASSY. (SPEEDOMETER) — Cont'd					
APPLICATION CHART						
FIND TRUCK SERIES, THEN MODEL YEAR, THEN TRANSMISSION						
NOTES: A—Allison, A/T—Automatic Transmission, C—Clark, F—Fuller, N.P.—New Process, S—Spicer, W—Warner						
L SERIES						
80/86	L-LT-LTS900 -- 568 Det. dsl., 893 Cat. dsl. (lower)	F	10-13	910-11610-9513 11613	85	E0HZ 17260-X B9T 17262-D
80/86	L-LT-LTS900 -- 426 Det. dsl. (lower)	F	10-13	910-11610-9513 11613	75	E0HZ 17260-W B9T 17262-D
80/86	L-LT-LTL-LTS900 -- 855 Cum. dsl. (lower)	F	10-13	910-11610-9513 11613	95	E0HZ 17260-Y B9T 17262-D
80/86	LN-LNT900 -- 568 Det. dsl., or 855 Cum. dsl. (lower)	F	10-13	910-11610-9513 11613	105	E0HZ 17260-Z B9T 17262-D
80/86	LN-LNT900 -- 426 Det. dsl. (lower)	F	10-13	910-11610-9513 11613	95	E0HZ 17260-Y B9T 17262-D
82/86	L-LT-LTS-LN-LNT900 -- 855 Cum. dsl. 893 Cat. dsl. or 426 Det. dsl.	F	10	958-11608	95	E0HZ 17260-Y B9T 17262-D
82/86	LN900 -- 426 Det. dsl., or 893 Cat. dsl.	F	10	958-11608	105	E0HZ 17260-Z B9T 17262-D
82/86	L-LT-LTS-LN-LNT900 -- 855 Cum. dsl.	F	10	11610	105	E0HZ 17260-Z B9T 17262-D
84/86	LTS900 -- 736 Det. dsl.	F	10	14610	65	E0HZ 17260-V B9T 17262-D
84/86	LTS900 -- 736 Det. dsl.	F	13	14613	65	E0HZ 17260-V B9T 17262-D
82/86	L-LT-LTS-LN-LNT900 -- 893 Cat. diesel	F	13	14613	85	E0HZ 17260-X B9T 17262-D
82/83	L-LT-LTS-LN-LNT900 -- 855 Cum. dsl.	F	15	11615	95	E0HZ 17260-Y B9T 17262-D
80/86	L-LT-LTS-LN-LNT900 -- (lower)	F	6	906	95	E0HZ 17260-Y B9T 17262-D
80/86	L-LT-LTS800 -- (lower)	F	10	610-6610	45	E0HZ 17260-T B9T 17262-D
80/86	LN-LNT900 -- gas (lower)	F	10	610-6610	65	E0HZ 17260-V B9T 17262-D
80/86	L-LT-LTS900 -- (lower)	F	10	610-6610	55	E0HZ 17260-U B9T 17262-D
80/86	LN-LNT700/800 -- (lower)	F	10	610-6610	55	E0HZ 17260-U B9T 17262-D
80/86	L-LT-LTS800 -- (diesel) w/o aux. trans. (lower)	C	5	390	45	E0HZ 17260-T B9T 17262-D
80/86	L-LT-LTS800 -- (gas) w/o aux. trans. (lower)	C	5	390	35	E0HZ 17260-R B9T 17262-D
80/86	L-LT-LTS900 -- (gas) w/o aux. trans. (lower)	C	5	390	45	E0HZ 17260-T B9T 17262-D
80/86	LN-LNT700/800 -- (diesel) w/o aux. trans. (lower)	C	5	390	55	E0HZ 17260-U B9T 17262-D
80/86	LN-LNT900 -- (gas) w/o aux. trans. (lower)	C	5	390	55	E0HZ 17260-U B9T 17262-D
80/86	LN-LNT700/800 -- (gas) w/o aux. trans. (lower)	C	5	390	45	E0HZ 17260-T B9T 17262-D
80/86	L-LT-LTS900 -- w/o aux. trans. (lower)	F	5	T905-11605	85	E0HZ 17260-X B9T 17262-D
80/86	LN-LNT900 -- w/o aux. trans. (lower)	F	5	T905-11605	95	E0HZ 17260-Y B9T 17262-D
82/86	LTL900 -- 736 Det. dsl. (lower)	F	10	12510-14610	75	E0HZ 17260-W B9T 17262-D
82/86	LTL900 -- 893 Cat. dsl. (lower)	F	10	12510-14610	55	E0HZ 17260-U B9T 17262-D
82/86	LTL900 -- 855 Cum. dsl. (lower)	F	10	12510-14610	95	E0HZ 17260-Y B9T 17262-D
80/86	L-LT-LTS900 -- (lower)	F	10,13	12510,15213	95	E0HZ 17260-Y B9T 17262-D
80/86	LN-LNT900 -- (lower)	F	10,13	12510,15213	105	E0HZ 17260-Z B9T 17262-D
82/86	LTL900 -- 855 Cum. dsl. or 893 Det. dsl. (lower)	F	13	12513	75	E0HZ 17260-W B9T 17262-D
82/86	LTL900 -- 855 Cum. dsl. (lower)	F	15	12515	95	E0HZ 17260-Y B9T 17262-D
80/84	LN-LNT900 -- gas & diesel (lower)	F	13	6613	85	E0HZ 17260-X B9T 17262-D
85/86	LN-LNT900	F	13	6613	65	E0HZ 17260-V B9T 17262-D
80/84	LT-LTS900 -- gas & diesel (lower)	F	13	6613	75	E0HZ 17260-W B9T 17262-D
85/86	L-LT-LTS900	F	13	6613	45	E0HZ 17260-T B9T 17262-D
80/86	L-LTS900 -- 855 Cum. dsl. (lower)	F	10	958-11608	85	E0HZ 17260-X B9T 17262-D
80/86	LNT900 -- 855 Cum. dsl. (lower)	F	10	958-11608	105	E0HZ 17260-Z B9T 17262-D
80/86	L-LT-LTS900 -- 568 Det. dsl. (lower)	F	10	1110	75	E0HZ 17260-W B9T 17262-D
80/86	L-LT-LTS900 -- 893 dsl. or 855 Cum. dsl. (lower)	F	10	1110	85	E0HZ 17260-X B9T 17262-D
82/86	LTL900 -- 855 Cum. dsl. (lower)	F	10	1110	95	E0HZ 17260-Y B9T 17262-D

**1980/  
TRUCK SERIES 600/900**

YEAR	MODEL	TRANSMISSION			LENGTH INCHES	CASING and CORE PART NUMBER	CORE PART NUMBER
		MAKE	SPEED	MODEL			
17260	CABLE ASSY. (SPEEDOMETER) — Cont'd						

APPLICATION CHART

FIND TRUCK SERIES, THEN MODEL YEAR, THEN TRANSMISSION

NOTES: A-Allison, A/T-Automatic Transmission, C-Clark, F-Fuller, N.P.-New Process, S-Spicer, W-Warner

L SERIES

80/86	LN-LNT900 -- 568 Det. dsl. (lower)	F	10	1110	85	E0HZ 17260-X	B9T 17262-D
80/86	LN-LNT900 -- 855 Cum. dsl. (lower)	F	10	1110	105	E0HZ 17260-Z	B9T 17262-D
80/86	LN-LNT900 -- 426 Det. dsl. (lower)	F	10	1110	95	E0HZ 17260-Y	B9T 17262-D
81/86	LN-LNT9000 (lower)	F	8	9508-11608	105	E0HZ 17260-Z	B9T 17262-D
80/86	L-LT-LTS900 -- 893 Det. dsl. and 855 Cum. dsl. (lower)	F	9	9509-1109	85	E0HZ 17260-X	B9T 17262-D
80/86	L-LT-LTS900 -- 568 Det. dsl. (lower)	F	9	9509-11609	75	E0HZ 17260-W	B9T 17262-D
82/86	LTL900 -- 855 Cum. dsl. (lower)	F	9	9509-11609	75	E0HZ 17260-W	B9T 17262-D
80/86	LN-LNT900 -- 568 Det. dsl. (lower)	F	9	9509-11609	85	E0HZ 17260-X	B9T 17262-D
80/81	LN-LNT900 -- 855 Cum. dsl. (lower) "Before 6/81"	F	9	9509-11609	105	E0HZ 17260-Z	B9T 17262-D
81/86	LN-LNT900 -- 855 Cum. dsl. (lower) "From 6/81"	F	9	9509-11609	85	E0HZ 17260-X	B9T 17262-D
80/86	LN-LNT900 -- 552 Det. dsl. (lower)	F	9	9509-11609	65	E0HZ 17260-V	B9T 17262-D
84	LNT900 -- 855 Cum. dsl. or L10 dsl. (lower)	F	All	All	105	E0HZ 17260-Z	B9T 17262-D
80/86	L-LT-LTS800/900 -- (gas) lower	A	4-5	MT643, MT653	45	E0HZ 17260-T	B9T 17262-D
80/86	L-LT-LTS800 -- (diesel) lower	A	4-5	MT643, MT653	55	E0HZ 17260-U	B9T 17262-D
80/86	LN-LNT800 -- (gas) lower	A	4-5	MT643, MT653	55	E0HZ 17260-U	B9T 17262-D
80/86	LN-LNT800 -- (diesel) lower	A	4-5	MT643, MT653	65	E0HZ 17260-V	B9T 17262-D
80/86	LN-LNT900 -- (gas) lower	A	4-5	MT643, MT653	65	E0HZ 17260-V	B9T 17262-E
80/86	L-LT-LTS800/900 -- (gas) lower			Aux. Trans.	95	E0HZ 17260-Y	B9T 17262-D
80/83	L-LT-LTS800/900 -- (diesel) lower			Aux. Trans.	105	E0HZ 17260-Z	B9T 17262-D
80/83	LN-LNT800/900 -- (diesel) lower			Aux. Trans.	105	E0HZ 17260-Z	B9T 17262-D
84/86	L-LT-LTS800/900 -- (diesel) lower			Aux. Trans.	85	E0HZ 17260-X	B9T 17262-D
84/86	LN-LNT800/900 -- (diesel) lower			Aux. Trans.	85	E0HZ 17260-X	B9T 17262-D

YEAR	MODEL/RESTRICTIONS	PART NUMBER	DESCRIPTION	QTY.
------	--------------------	-------------	-------------	------

17260 CABLE ASSY. (SPEEDOMETER)

80/86	C-CT-L-LN-LNT-LT-LTS900	56322-S2	(B-318-GF)-bolt-5/16"-18 x 1"	1
80/86	L-LN-LNT-LTS900	56320-S2	(B-318-GD)-bolt-5/16"-18 x 3/4"	1
80/86	C-CT600/900	352204-S100	(GG-148)-clip	AR
80/86	L-LN-LNT-LT-LTS600/900	★377671-S8	Clip	AR
80/86	L-LN-LNT-LT-LTS600/800	★353691-S	Clip	1
80/86	L-LN-LNT-LT-LTS900	385069-S100	(GG-382)-clip-2 1/4" x 3 1/4"	1
80/86	B-C-CT-F-FT-L-LN-LNT-LT- LTS600/900	33770-S4	(M-89-K)-nut and washer assy.-5/16"-18	AR
80/86	L-LN-LNT-LT-LTS600/900	33947-S7	(M-73)-nut hex.-5/8"-18	AR
80/86	L-LT-LTS800/900	55981-S2	(U-254-E)-screw & washer-1/4"-14 x 1/2"	2
80/86	L-LN-LNT-LT-LTS900	57140-S2	(B-340-H)-screw & washer-5/16"-18 x 1"	1
80/86	C-CT-L-LT-LTS600/900	★95873-S	Strap-adjustable	AR
80/86	L-LN-LNT-LT-LTS600/900	356610-S2	(XX-293)-washer-lock-5/8"	AR
84/86	LNT900 -- Cum. dsl. or L10 dsl. w/fuller trans.	389778-S100	(GG-433)-clip-attaches speedo cable to cowl	1

17262 CORE (SPEEDOMETER DRIVE) - Also refer to group 17260

80/86	All	D4AZ 17262-A	Universal-1/8" dia. x 81" long	1
		C5AZ 17262-B	Universal-1/8" dia. x 135" long	1
		B9T 17262-D	Universal-5/32" dia. x 125" long	1

17263 BRACKET (SPEEDOMETER CABLE SUPPORT)

80/86	B-F600/800	E0HZ 17263-A	Mounted next to steering column at firewall	1
80/86	C-CT600/900		Mounted at inner frame to left of transmission	1
80/86	L-LN-LNT-LT-LTS600/900		Mounted at L.H. firewall above frame	1
80/82	B-F600/800	★E0TZ 17263-A	Mounted on floor pan assy. near trans.-r/b E3HZ 17263-A (9/82)	1
83/86	B-F-FT600/800	E3HZ 17263-A	Riveted to floor pan	1
81/86	C-CT600/900 -- w/501 dsl.	E1HZ 17263-B		1

1980/  
TRUCK SERIES 600/900

YEAR	MODEL/RESTRICTIONS	PART NUMBER	DESCRIPTION	QTY.
<b>17263 BRACKET (SPEEDOMETER CABLE SUPPORT) — Cont'd</b>				
82/	C-CT600/900 -- 990T and 3208T diesel	E2HZ 17263-A		1
86/	CF600/800			1
84/86	LN-LNT900 -- Cum. dsl. or dsl. L-10	E4HZ 17263-A		1
83/86	B-F600/800 -- w/Cat. 3208 diesel and A/T	E6HZ 17263-A	#E3HT 17263-AB-mounted to frame--retains speedometer and transmission cable	1
<b>17C263 CONNECTOR ASSY. (SPEEDOMETER CABLE)</b>				
80/86	B-C-CT-F FT-LN-LT-LNT-LTS 600/900	E2HZ 17C263-A	2" long 7/8-18 (2) ends-1" hex shoulder #E2HT 17C263-B1A,B2A,B3A	1
<b>17A266 SPEEDOGRAPH or TACHOGRAPH ASSY.</b>				
NOTE: ⚡ Canada only				
80/83	L-LN-LNT-LT-LTS600/900 "Before 3/83"	E0HZ 17A266-A	Speedograph-70 M.P.H./110 Km.P.H.-cable mounts to rear surface	1
83/86	L-LN-LNT-LT-LTL-LTS900 "From 3/83"	E3HZ 17A266-A	Speedograph-12 to 24 hour clock--speedo dial registers M.P.H. and Km.P.H. and miles on odometer	1
80/86	L-LN-LNT-LT-LTS600/900	D9HZ 17A266-A	Tachograph- 2300 R.P.M.-rear cable mounts to rear surface	1
80/86	L-LN-LNT-LT-LTS900	*⚡D7HZ 17A266-A Not replaced(3/83)	Speedograph-Km.P.H./ M.P.H. -odometer registers in kilometers--drive cable mounts to bottom surface	1
80	L-LN-LNT-LT-LTS600/900 "Before 6/80"	*⚡D9HZ 17A266-C Not replaced(3/83)	Speedograph- Km.P.H./M.P.H.-odometer registers in kilometers--drive cable mounts to rear surface	1
80/83	L-LN-LNT-LT-LTS600/900 "From 6/80 to 3/83"	*⚡E0HZ 17A266-B	Speedograph - Km.P.H./M.P.H. odometer registers in kilometers	1
83/86	L-LN-LNT-LT-LTL-LTS900 "From 3/83"	⚡ E3HZ 17A266-B	Speedograph-12 to 24 hour clock--speedo dial registers Km.P.H. and M.P.H. and kilos on odometer	1
<b>17K267 CONNECTOR (TACHOMETER CABLE)</b>				
80/86	L-LN-LNT-LT-LTS600/900	D0HZ 17K267-B	2" long-5/8-18 (2) ends-3/4" hex shldr.	1
80/86	CL-CLT900	D8HZ 17K267-A	2 1/2" long-5/8"-18 one end-quick connect other end	1
<b>17A270 Refer to group 17294</b>				
<b>17A273 BRACKET (SPEEDOMETER MOUNTING)</b>				
80/85	L-LN-LNT-LT-LTS800/900 -- with 1,000,000 odometer	D0HZ 17A273-A		1
<b>17B280 WIRING ASSY. (TACHOMETER FEED)</b>				
84/86	LN-LNT600/900 -- Cummins L-10 diesel	E4HZ 17B280-A	#E4HT 17B280-AA,AB	1
85/86	L-LN800 -- Cat. diesel 636			1
<b>17285 Refer to Section 172</b>				
<b>17K285 Grommet (Speedometer Cable)</b>				
81/86	L-LN-LNT-LT-LTL-LTS	E2HZ 17K285-A	Seals at sited runner at firewall	1
<b>17288 SPACER (SPEEDOMETER DRIVE GEAR)-Also refer to Transmission Parts Lists</b>				
80/84	B-F-FT700/800 -- Spicer 5 speed trans.	C4TZ 17288-A	Steel-1 3/4" I.D. x 2 1/8" O.D. x 13/64" thick	1
80/84	L-LN-LNT-LT800/900 - Spicer 5 speed trans. "Before 1/84"			1
<b>17N290 GROMMET (TACHOMETER CABLE)</b>				
86/	CF600/800 -- diesel	E6HZ 17N290-A		1
<b>17292 RETAINER (SPEEDOMETER DRIVEN GEAR)</b>				
86/	CF600/800	*8A 17292	Steel-use 97515-S retainer	1

17294 ADAPTER (SPEEDOMETER and TACHOMETER)

**HOW TO FIND SPEEDOMETER and TACHOMETER ADAPTERS**

There are three ways of determining the part number of a speedometer or tachometer adapter.

BY PHYSICAL SHAPE, IDENTIFICATION or BY APPLICATION

BY PHYSICAL SHAPE

YOU MUST KNOW-            Physical shape  
   Ratio

BY IDENTIFICATION

YOU MUST KNOW-            Identification number

EXAMPLE

Physical shape conforms to-  
TYPE-9A  
RATIO-1.11  
IDENTIFICATION NUMBER-D2TA 17294-AA or 777-AL  
PART NUMBER listed is-D2TZ 17294-A

BY APPLICATION

SPEEDOMETER ADAPTER

TACHOMETER ADAPTER

YOU MUST KNOW-            Year  
   Model  
   Transmission  
   Ratio  
   Single or Two Speed Axle

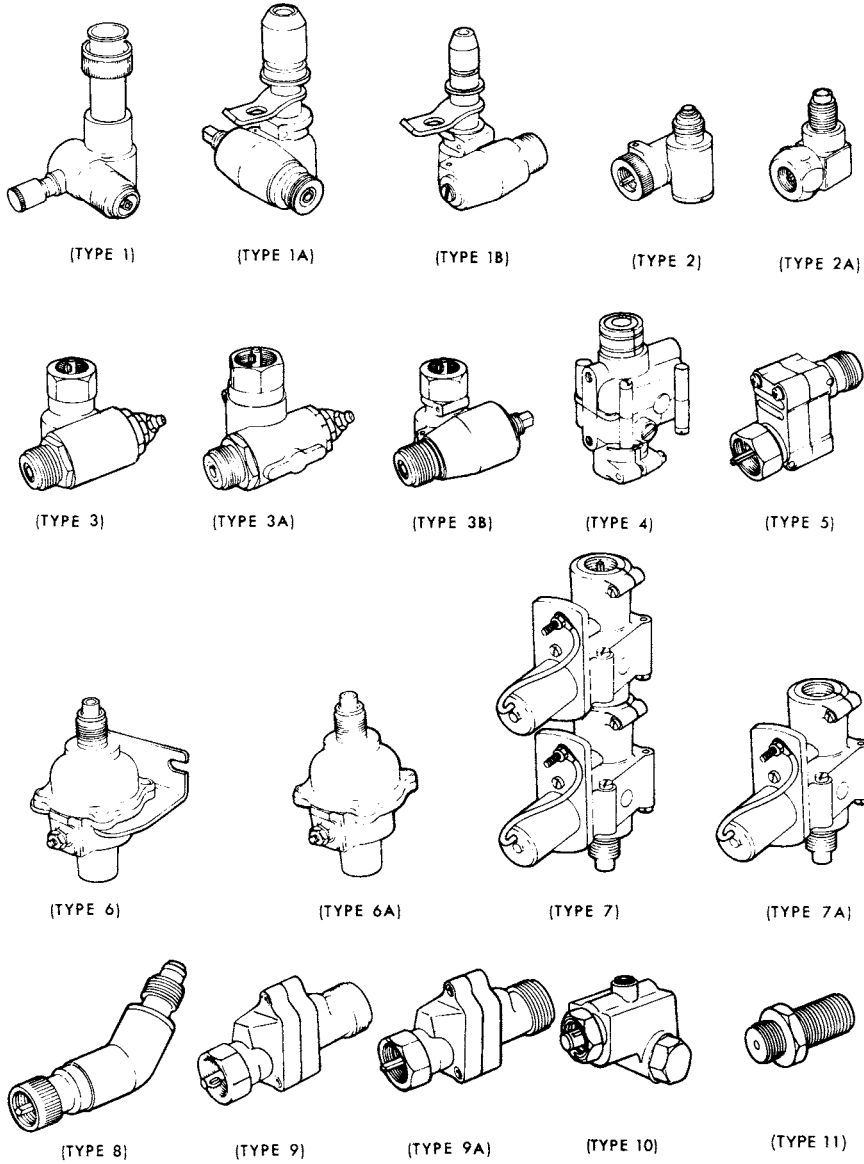
Year  
Model  
Engine  
Ratio  
Location

EXAMPLE

YEAR-1980  
MODEL-LN700  
TRANSMISSION-AT-540  
RATIO-1.11 to 1  
SINGLE or TWO SPEED AXLE-Single  
PART NUMBER listed is-D2TZ 17294-A

YEAR-1980  
MODEL-L900 -- line haul instrument panel  
ENGINE-Detroit 8V-71  
RATIO-1.05 to 1  
LOCATION-Located on cowl  
PART NUMBER listed is-D0HZ 17294-D

1980/  
TRUCK SERIES 600/900

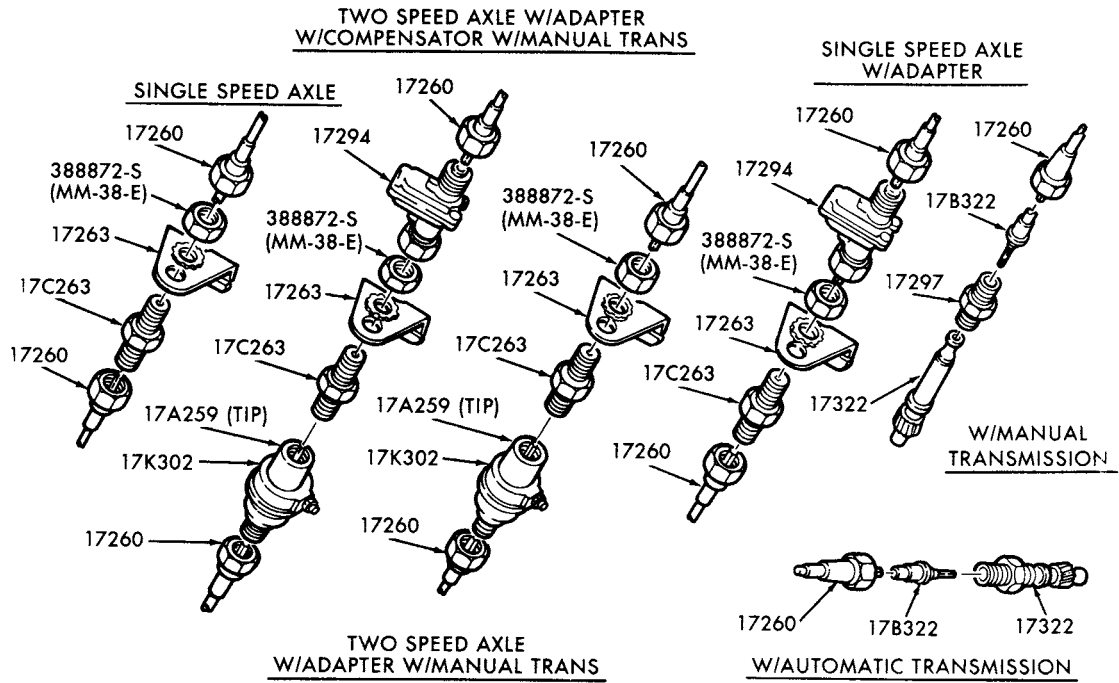


NOTE: REFER TO GROUP 17A259 FOR DRIVE KEY REPLACEMENT

P-10684

● Refer to 17A259 for drive key replacement

SPEEDOMETER and TACHOMETER GEAR ADAPTERS



P-17877

**SPEEDOMETER CABLE AND ADAPTERS**

---



---



---



---



---



---



---



---



**1980/  
TRUCK SERIES 600/900**

TYPE	RATIO	IDENTIFICATION NUMBER	DESCRIPTION	PART NUMBER
<b>17294 ADAPTER (SPEEDOMETER and TACHOMETER)</b>				
(Arranged according to Type)				
1B		D1HA 17375-AA		★D1HZ 17A270-A
1B		667-AF		★D1HZ 17A270-A
2	1.00	DOHA 17294-A		DOHZ 17294-C
2	1.00	326725-G61		DOHZ 17294-C
2	1.00	C6TA 17B304-B		C6TZ 17A270-D
2	1.00	778-K1.000		C6TZ 17A270-D
2		E1HT 17375-AA		E2HZ 17375-B
2A	1.05	DOHA 17294-B		DOHZ 17294-D
2A	1.05	326725-G62		DOHZ 17294-D
3	.50	C7TA 17375-A		C7TZ 17A270-C
3	.50	652-x.5000		C7TZ 17A270-C
3	1.00	C8TA 17375-C		C8TZ 17A270-C
3	1.00	651-R1.0000		C8TZ 17A270-C
3	1.00	EDC8TA 17375-C2		E3HZ 17375-A
3	1.00	D3HA 17375-AA		D3HZ 17A270-A
4	.68	D1TA 17294-AB	Brown	D1TZ 17294-G
4	.68	675-EB.6857	Brown	D1TZ 17294-G
4	.86	D1TA 17294-BB	Red	D1TZ 17294-H
4	.86	675-EB.8653	Red	D1TZ 17294-H
4	.87	D1TA 17294-CB	Orange	D1TZ 17294-J
4	.87	675-EB.8750	Orange	D1TZ 17294-J
4	.89	C1TT 17294-E		C2TZ 17294-E
4	.89	675-DT.8930		C2TZ 17294-E
4	.91	D1TA 17294-DB	Yellow	D1TZ 17294-K
4	.91	675-EB.9143	Yellow	D1TZ 17294-K
4	1.14	D1TA 17294-EB	Green	D1TZ 17294-L
4	1.14	675-EB1.1471	Green	D1TZ 17294-L
4	1.20	C1TT 17294-D		C2TZ 17294-D
4	1.20	675-DS1.2000		C2TZ 17294-D
4	1.36	C1TT 17294-C		C2TZ 17294-C
4	1.36	675-DR1.3636		C2TZ 17294-C
4	1.50	C5TA 17294-B		C5TZ 17294-B
4	1.50	675-DX1.5000		★C5TZ 17294-B
4	1.62	675-DY1.6250		C5TZ 17294-C
4	1.62	C5TA 17294-C		C5TZ 17294-C
4	.73	D4TA 17294-A		D4TZ 17294-A
4	.73	675-EB.7333		D4TZ 17294-A
5	.66	D4HA 17294-MA		D4HZ 17294-F
5	.67	D4HA 17294-KA		D4HZ 17294-D
5	.72	D4HA 17294-LA		D4HZ 17294-E
5	.76	D4HA 17294-JA		D4HZ 17294-C
5	.80	D3HA 17294-JA		D3HZ 17294-J
5	.82	D4HA 17294-GA		D4HZ 17294-A
5	.86	D1TD 17B317-AA		D1TZ 17294-A
5	.86	666-F.8626		D1TZ 17294-A
5	.8653	E0HT 17294-AVA		E0HZ 17294-AV
5	.8653	ES-666S-0.8653		E0HZ 17294-AV
5	.8653	TA2525-0.8653		E0HZ 17294-AV
5	.87	D7HT 17294-CA		D8HZ 17294-B
5	.87	666-S.08653		D8HZ 17294-B
5	.8888	E0HT 17294-AYA		E0HZ 17294-AY
5	.8888	ES-666S-0.8888		E0HZ 17294-AY
5	.8888	TA2525-0.8888		E0HZ 17294-AY
5	.89	D7HT 17294-DA		E0HZ 17294-AY
5	.89	666S 0.8888		E0HZ 17294-AY
5	.8974	E0HT 17294-AZA		E0HZ 17294-AZ
5	.8974	ES-666S-0.8974		E0HZ 17294-AZ

**1980/  
TRUCK SERIES 600/900**

TYPE	RATIO	IDENTIFICATION NUMBER	DESCRIPTION	PART NUMBER
17294 ADAPTER (SPEEDOMETER and TACHOMETER) — Cont'd (Arranged according to Type)				
5	.8974	TA2525-0.8974		E0HZ 17294-AZ
5	.90	D4HA 17294-HA		D4HZ 17294-B
5	.90	D7HT 17294-EA		D8HZ 17294-D
5	.90	666S-0.8974		D8HZ 17294-D
5	.93	D4TA 17B317-AA		D4TZ 17294-P
5	.94	D4TA 17B317-BA		D4TZ 17294-N
5	1.00	C4TS 17375-A		C7TZ 17A270-A
5	1.00	649X		C7TZ 17A270-A
5	1.02	D4TA 17B317-EA		D4TZ 17294-R
5	1.05	D7HT 17294-FA		D8HZ 17294-E
5	1.05	666S-1.0500		D8HZ 17294-E
5	1.0500	E0HT 17294-BAA		E0HZ 17294-BA
5	1.0500	ES-666S-1.0500		E0HZ 17294-BA
5	1.0500	TA2525-1.0500		E0HZ 17294-BA
5	1.11	D7HT 17294-GA		D8HZ 17294-F
5	1.11	666S 1.1111		D8HZ 17294-F
5	1.1111	E0HT 17294-BBA		E0HZ 17294-BB
5	1.1111	ES-666S-1.1111		E0HZ 17294-BB
5	1.1111	ES-666S-1.1111		E0HZ 17294-BB
5	1.20	D7HT 17294-HA		D8HZ 17294-G
5	1.20	666S 1.2020		D8HZ 17294-G
5	1.2020	E0HT 17294-BCA		E0HZ 17294-BC
5	1.2020	666S-1.2020		E0HZ 17294-BC
5	1.2020	TA2525-1.2020		E0HZ 17294-BC
5	1.2500	E0HT 17294-CTA		E0HZ 17294-CT
5	1.2500	666S-1.2500		E0HZ 17294-CT
5	1.2500	TA2525-1.2500		E0HZ 17294-CT
5	1.36	D7HT 17294-JA		D8HZ 17294-H
5	1.36	666S 1.3636		D8HZ 17294-H
5	1.3636	E0HT 17294-BDA		E0HZ 17294-BD
5	1.3636	666S-1.3636		E0HZ 17294-BD
5	1.3636	TA2525-1.3636		E0HZ 17294-BD
5	1.5555	E0HT 17294-CSA		E0HZ 17294-CS
5	1.5555	666S-1.5555		E0HZ 17294-CS
5	1.5555	TA2525-1.5555		E0HZ 17294-CS
5	1.6152	E0HT 17294-BEA		E0HZ 17294-BE
5	1.6152	666S-1.6152		E0HZ 17294-BE
5	1.6152	TA2525-1.6152		E0HZ 17294-BE
5	1.62	D7HT 17294-KA		D8HZ 17294-J
5	1.62	666S 1.6152		D8HZ 17294-J
6		C8TF 17338-A	Less drive key—incl. solenoid and bracket	B9TZ 17294-A
6		49155	Less drive key—incl. solenoid and bracket	B9TZ 17294-A
6		D0HF 17338-A		D0HZ 17294-A
6A		B9TF 17294-E	Incl. drive key and solenoid	B9TF 17294-E
6A	2 speed	E0HT 17294-BLA		E0HZ 17294-BL
6A	2 speed	109453		E0HZ 17294-BL
6A		E2HT 17K302-AA		E2HZ 17K302-A
7A		FEM 17294-A		B7T 17294-A
7A		779-D		B7T 17294-A
8		D8HT 17375-AA		D8HZ 17294-K
8		778-A		D8HZ 17294-K
8		D8HT 17375-AA		E2HZ 17375-A
9A	.45	D2HA 17294-BA		D2HZ 17294-B
9A	.45	777-AL.4561		D2HZ 17294-B
9A	.47	D2HA 17294-CA		D2HZ 17294-C
9A	.47	777-AL.4761		D2HZ 17294-C

**1980/  
TRUCK SERIES 600/900**

TYPE	RATIO	IDENTIFICATION NUMBER	DESCRIPTION	PART NUMBER
17294 ADAPTER (SPEEDOMETER and TACHOMETER) — Cont'd (Arranged according to Type)				
9A	.50	C9HS 17294-G		C9HZ 17294-G
9A	.50	777-AL.500		C9HZ 17294-G
9A	.5000	E0HT 17294-CMA		E0HZ 17294-CM
9A	.5000	777-AL-0.5000		E0HZ 17294-CM
9A	.5000	TB2525-0.5000		E0HZ 17294-CM
9A	.6037	E0HT 17294-CHA		E0HZ 17294-CH
9A	.6037	777-AL-0.6037		E0HZ 17294-CH
9A	.6037	TB2525-0.6037		E0HZ 17294-CH
9A	.66	D3HA 17294-GA		D3HZ 17294-G
9A	.66	777-AL.6617		D3HZ 17294-G
9A	.6617	E0HT 17294-ACA		E0HZ 17294-AC
9A	.6617	777-AL-0.6617		E0HZ 17294-AC
9A	.6617	TB2525-0.6617		E0HZ 17294-AC
9A	.6666	E0HT 17294-CRA		E0HZ 17294-CR
9A	.6666	777-AL-0.6666		E0HZ 17294-CR
9A	.6666	TB2525-0.6666		E0HZ 17294-CR
9A	.6740	E0HT 17294-AAA		E0HZ 17294-AA
9A	.6740	777-AL-0.6740		E0HZ 17294-AA
9A	.6740	TB2525-0.6740		E0HZ 17294-AA
9A	.7222	E0HT 17294-ABA		E0HZ 17294-AB
9A	.7222	777-AL-0.7222		E0HZ 17294-AB
9A	.7222	TB2525-0.7222		E0HZ 17294-AB
9A	.7333	E0HT 17294-CGA		E0HZ 17294-CG
9A	.7333	777-AL-0.7333		E0HZ 17294-CG
9A	.7333	TB2525-0.7333		E0HZ 17294-CG
9A	.76	D3HA 17294-EA		D3HZ 17294-E
9A	.76	777-AL.7647		D3HZ 17294-E
9A	.7647	E0HT 17294-ZA		E0HZ 17294-Z
9A	.7647	777-AL-0.7647		E0HZ 17294-Z
9A	.7647	TB2525-0.7647		E0HZ 17294-Z
9A	.80	D3HA 17294-FA		D3HZ 17294-F
9A	.80	777-AL.8000		D3HZ 17294-F
9A	.8000	E0HT 17294-UA		E0HZ 17294-U
9A	.8000	777-AL-0.8000		E0HZ 17294-U
9A	.8000	TB2525-0.8000		E0HZ 17294-U
9A	.8095	E3HT 17294-CVA		E3HZ 17294-B
9A	.8095	1B10471-.8095		E3HZ 17294-B
9A	.8241	E0HT 17294-VA		E0HZ 17294-V
9A	.8241	777-AL-0.8241		E0HZ 17294-V
9A	.8241	TB2525-0.8241		E0HZ 17294-V
9A	.8319	E0HT 17294-CJA		E0HZ 17294-CJ
9A	.8319	777-AL-0.8319		E0HZ 17294-CJ
9A	.8319	TB2525-0.8319		E0HZ 17294-CJ
9A	.8653	E0HT 17294-KA		E0HZ 17294-K
9A	.8653	777-AL-0.8653		E0HZ 17294-K
9A	.8653	TB2525-0.8653		E0HZ 17294-K
9A	.8723	E0HT 17294-TA		E0HZ 17294-T
9A	.8723	777-AL-0.8723		E0HZ 17294-T
9A	.8723	TB2525-0.8723		E0HZ 17294-T
9A	.8797	E0HT 17294-LA		E0HZ 17294-L
9A	.8797	777-AL-0.8797		E0HZ 17294-L
9A	.8797	TB2525-0.8797		E0HZ 17294-L
9A	.8888	E0HT 17294-RA		E0HZ 17294-R
9A	.8888	777-AL-0.8888		E0HZ 17294-R
9A	.8888	TB2525-0.8888		E0HZ 17294-R
9A	.90	D2TA 17294-FA		D3TZ 17294-A

1980/  
TRUCK SERIES 600/900

TYPE	RATIO	IDENTIFICATION NUMBER	DESCRIPTION	PART NUMBER
17294		ADAPTER (SPEEDOMETER and TACHOMETER) — Cont'd (Arranged according to Type)		
9A	.90	777-AL.9000		D3TZ 17294-A
9A	.9000	E0HT 17294-YA		E0HZ 17294-Y
9A	.9000	777-AL-0.9000		E0HZ 17294-Y
9A	.9000	TB2525-0.9000		E0HZ 17294-Y
9A	.9122	E0HT 17294-HA		E0HZ 17294-H
9A	.9122	777-AL-0.9122		E0HZ 17294-H
9A	.9122	TB2525-0.9122		E0HZ 17294-H
9A	.9183	E0HT 17294-JA		E0HZ 17294-J
9A	.9183	777-AL-0.9183		E0HZ 17294-J
9A	.9183	TB2525-0.9183		E0HZ 17294-J
9A	.9743	E0HT 17294-CKA		E0HZ 17294-CK
9A	.9743	777-AL-0.9743		E0HZ 17294-CK
9A	.9743	TB2525-0.9743		E0HZ 17294-CK
9A	.9908	E0HT 17294-SA		E0HZ 17294-S
9A	.9908	777-AL-0.9908		E0HZ 17294-S
9A	.9908	TB2525-0.9908		E0HZ 17294-S
9A	1.0090	E0HT 17294-MA		E0HZ 17294-M
9A	1.0090	777-AL-1.0090		E0HZ 17294-M
9A	1.0090	TB2525-1.0090		E0HZ 17294-M
9A	1.0181	E0HT 17294-AHA		E0HZ 17294-AH
9A	1.0181	777-AL-1.0181		E0HZ 17294-AH
9A	1.0181	TB2525-1.0181		E0HZ 17294-AH
9A	1.02	D4TA 17294-JA		D4TZ 17294-E
9A	1.0263	E0HT 17294-CLA		E0HZ 17294-CL
9A	1.0263	777-AL-1.0263		E0HZ 17294-CL
9A	1.0263	TB2525-1.0263		E0HZ 17294-CL
9A	1.0370	E0HT 17294-DA		E0HZ 17294-D
9A	1.0370	777-AL-1.0370		E0HZ 17294-D
9A	1.0370	TB2525-1.0370		E0HZ 17294-D
9A	1.05	D2HA 17294-AA		D2HZ 17294-A
9A	1.05	777-AL1.0588		D2HZ 17294-A
9A	1.05	D4TA 17294-GA		D4TZ 17294-D
9A	1.0500	E0HT 17294-AGA		E0HZ 17294-AG
9A	1.0500	777-AL-1.0500		E0HZ 17294-AG
9A	1.0500	TB2525-1.0500		E0HZ 17294-AG
9A	1.0888	E0HT 17294-ANA		E0HZ 17294-AN
9A	1.0888	777-AL-1.0888		E0HZ 17294-AN
9A	1.0888	TB2525-1.0888		E0HZ 17294-AN
9A	1.09	D4TA 17294-UA		D4TZ 17294-K
9A	1.0961	E0HT 17294-EA		E0HZ 17294-E
9A	1.0961	777-AL-1.0961		E0HZ 17294-E
9A	1.0961	TB2525-1.0961		E0HZ 17294-E
9A	1.11	D2TA 17294-AA		D2TZ 17294-A
9A	1.11	777-AL1.1111		D2TZ 17294-A
9A	1.1111	E0HT 17294-CCA		E0HZ 17294-CC
9A	1.1111	777-AL-1.1111		E0HZ 17294-CC
9A	1.1111	TB2525-1.1111		E0HZ 17294-CC
9A	1.1555	E0HT 17294-ASA		E0HZ 17294-AS
9A	1.1555	777-AL-1.1555		E0HZ 17294-AS
9A	1.1555	TB2525-1.1555		E0HZ 17294-AS
9A	1.16	D4TA 17294-YA		D4TZ 17294-M
9A	1.1763	E0HT 17294-FA		E0HZ 17294-F
9A	1.1763	777-AL-1.1763		E0HZ 17294-F
9A	1.1763	TB2525-1.1763		E0HZ 17294-F
9A	1.1890	E0HT 17294-GA		E0HZ 17294-G
9A	1.1890	777-AL-1.1890		E0HZ 17294-G
9A	1.1890	TB2525-1.1890		E0HZ 17294-G
9A	1.20	D4TA 17294-DA		D4TZ 17294-C

**1980/  
TRUCK SERIES 600/900**

TYPE	RATIO	IDENTIFICATION NUMBER	DESCRIPTION	PART NUMBER
17294 ADAPTER (SPEEDOMETER and TACHOMETER) — Cont'd (Arranged according to Type)				
9A	1.2000	E0HT 17294-BGA		E0HZ 17294-BG
9A	1.2000	777-AL-1.2000		E0HZ 17294-BG
9A	1.2000	TB2525-1.2000		E0HZ 17294-BG
9A	1.2020	E0HT 17294-AFA		E0HZ 17294-AF
9A	1.2020	777-AL-1.2020		E0HZ 17294-AF
9A	1.2020	TB2525-1.2020		E0HZ 17294-AF
9A	1.2133	E0HT 17294-CA		E0HZ 17294-C
9A	1.2133	777-AL-1.2133		E0HZ 17294-C
9A	1.2133	TB2525-1.2133		E0HZ 17294-C
9A	1.25	D4TA 17294-VA		D4TZ 17294-L
9A	1.2500	E0HT 17294-ARA		E0HZ 17294-AR
9A	1.2500	777-AL-1.2500		E0HZ 17294-AR
9A	1.2500	TB2525-1.2500		E0HZ 17294-AR
9A	1.30	D2TA 17294-BA		D2TZ 17294-B
9A	1.30	777-AL1.3000		D2TZ 17294-B
9A	1.3000	E0HT 17294-CDA		E0HZ 17294-CD
9A	1.3000	777-AL-1.3000		E0HZ 17294-CD
9A	1.3000	TB2525-1.3000		E0HZ 17294-CD
9A	1.3077	E0HT 17294-AEA		E0HZ 17294-AE
9A	1.3077	777-AL-1.3077		E0HZ 17294-AE
9A	1.3077	TB2525-1.3077		E0HZ 17294-AE
9A	1.31	D4TA 17294-BA		D4TZ 17294-B
9A	1.3235	E0HT 17294-AMA		E0HZ 17294-AM
9A	1.3235	777-AL-1.3235		E0HZ 17294-AM
9A	1.3235	TB2525-1.3235		E0HZ 17294-AM
9A	1.33	D4TA 17294-RA		D4TZ 17294-H
9A	1.3313	E0HT 17294-ALA		E0HZ 17294-AL
9A	1.3313	777-AL-1.3313		E0HZ 17294-AL
9A	1.3313	TB2525-1.3313		E0HZ 17294-AL
9A	1.3393	E0HT 17294-BA		E0HZ 17294-B
9A	1.3393	777-AL-1.3393		E0HZ 17294-B
9A	1.3393	TB2525-1.3393		E0HZ 17294-B
9A	1.36	D4TA 17294-NA		D4TZ 17294-F
9A	1.3636	E0HT 17294-AKA		E0HZ 17294-AK
9A	1.3636	777-AL-1.3636		E0HZ 17294-AK
9A	1.3636	TB2525-1.3636		E0HZ 17294-AK
9A	1.38	D4TA 17294-SA		D4TZ 17294-J
9A	1.44	D4TA 17294-MA		D4TZ 17294-G
9A	1.4400	E0HT 17294-AJA		E0HZ 17294-AJ
9A	1.4400	777-AL-1.4400		E0HZ 17294-AJ
9A	1.4400	TB2525-1.4400		E0HZ 17294-AJ
9A	1.4615	E3HT 17294-CYA		E3HZ 17294-C
9A	1.4615	1B10471-1.4615		E3HZ 17294-C
9A	1.4835	1B10471-1.4835		E4HZ 17294-A
9A	1.4835	E4HT 17294-BTA		E4HZ 17294-A
9A	1.5000	E0HT 17294-CEA		E0HZ 17294-CE
9A	1.5000	777-AL-1.5000		E0HZ 17294-CE
9A	1.5000	TB2525-1.5000		E0HZ 17294-CE
9A	1.5454	1B10471-1.5454		E4HZ 17294-B
9A	1.5454	E4HT 17294-BUA		E4HZ 17294-B
9A	1.6152	E0HT 17294-CNA		E0HZ 17294-CN
9A	1.6152	777-AL-1.6152		E0HZ 17294-CN
9A	1.6152	TB2525-1.6152		E0HZ 17294-CN
9A	1.6863	1B10471-1.6863		E4HZ 17294-C
9A	1.6863	E4HT 17294-BVA		E4HZ 17294-C
9A	1.7307	1B10471-1.7307		E4HZ 17294-D
9A	1.7307	E4HT 17294-BYA		E4HZ 17294-D

1980/  
TRUCK SERIES 600/900

TYPE	RATIO	IDENTIFICATION NUMBER	DESCRIPTION	PART NUMBER
17294 ADAPTER (SPEEDOMETER and TACHOMETER) — Cont'd (Arranged according to Type)				
9A	1.7515	E3HT 17294-CUA		E3HZ 17294-A
9A	1.7515	TB2525-1.7515		E3HZ 17294-A
9A	1.8000	E3HT 17294-CZA		E3HZ 17294-D
9A	1.8000	1B10471-1.8000		E3HZ 17294-D
9A	1.8285	E6HT 17294-DA1A		E6HZ 17294-G
9A	2.0000	E6HT 17294-DB1A		E6HZ 17294-H
9A	2.1000	E6HT 17294-DC1A		E6HZ 17294-J
9A	2.1360	E6HT 17294-DD1A		E6HZ 17294-K
9A	2.1923	E6HT 17294-DE1A		E6HZ 17294-L
9A	2.2500	E6HT 17294-DF1A		E6HZ 17294-M
10	1.00	D7HT 17375-BA	Uses D9HZ 17A259-A key	C8TZ 17A270-C
10	1.00	SAD1H23CA	Uses D9HZ 17A259-A key	C8TZ 17A270-C
11		E0HT 17294-BJA		E0HZ 17294-BJ
11		S-129		E0HZ 17294-BJ
11		1A158-RS		E0HZ 17294-BJ
11		E2HT 17C263-B1A		E2HZ 17C263-A
11		D7HT 17294-AA		D0HZ 17K267-B
11		E2HT 17K267-AA		D8HZ 17K267-A

IDENTIFICATION	SERVICE NUMBER	RATIO	IDENTIFICATION	SERVICE NUMBER	RATIO
----------------	----------------	-------	----------------	----------------	-------

IDENTIFICATION CHART					
17294 ADAPTER (SPEEDOMETER and TACHOMETER) (Arranged according to Identification Number)					

E2HT 17C263-B1A	E2HZ 17C263-A		D4TA 17294-BA	D4TZ 17294-B	1.31
E2HT 17K267-AA	D8HZ 17K267-A		D4TA 17294-DA	D4TZ 17294-C	1.20
B9TF 17294-E	B9TF 17294-E		D4TA 17294-GA	D4TZ 17294-D	1.05
C1TT 17294-C	C2TZ 17294-C	.73	D4TA 17294-JA	D4TZ 17294-E	1.02
C1TT 17294-D	C2TZ 17294-D	1.36	D4TA 17294-MA	D4TZ 17294-F	1.44
C1TT 17294-E	C2TZ 17294-E	1.20	D4TA 17294-NA	D4TZ 17294-F	1.36
C5TA 17294-B	*C5TZ 17294-B	.89	D4TA 17294-RA	D4TZ 17294-H	1.33
C5TA 17294-C	C5TZ 17294-C	1.50	D4TA 17294-SA	D4TZ 17294-J	1.38
C9HS 17294-G	C9HZ 17294-G	1.62	D4TA 17294-UA	D4TZ 17294-K	1.09
D0HA 17294-A	D0HZ 17294-C	.50	D4TA 17294-VA	D4TZ 17294-L	1.25
D0HA 17294-B	D0HZ 17294-D	1.00	D4TA 17294-YA	D4TZ 17294-M	1.16
D0HF 17294-A	D0HZ 17294-A	1.05	D7HT 17294-AA	D0HZ 17K267-B	
D1TA 17294-AB	D1TZ 17294-G	.68	D7HT 17294-BA	D8HZ 17K267-A	1.00
D1TA 17294-BB	D1TZ 17294-H	.86	D7HT 17294-CA	D8HZ 17294-B	.87
D1TA 17294-CB	D1TZ 17294-J	.87	D7HT 17294-DA	E0HZ 17294-AY	.89
D1TA 17294-DB	D1TZ 17294-K	.91	D7HT 17294-EA	D8HZ 17294-D	.90
D1TA 17294-EB	D1TZ 17294-L	1.14	D7HT 17294-FA	D8HZ 17294-E	1.05
D2HA 17294-AA	D2HZ 17294-A	1.05	D7HT 17294-GA	D8HZ 17294-F	1.11
D2HA 17294-BA	D2HZ 17294-B	.45	D7HT 17294-HA	D8HZ 17294-G	1.20
D2HA 17294-CA	D2HZ 17294-C	.47	D7HT 17294-JA	D8HZ 17294-H	1.36
D2TA 17294-AA	D2TZ 17294-A	1.11	D7HT 17294-KA	D8HZ 17294-J	1.62
D2TA 17294-BA	D2TZ 17294-B	1.30	E0HT 17294-BA	E0HZ 17294-B	1.3393
D2TA 17294-CA	D3TZ 17294-C	1.50	E0HT 17294-CA	E0HZ 17294-C	1.2133
D2TA 17294-EA	D3TZ 17294-E	1.60	E0HT 17294-DA	E0HZ 17294-D	1.0370
D2TA 17294-FA	D3TZ 17294-A	.90	E0HT 17294-EA	E0HZ 17294-E	1.0961
D3HA 17294-EA	D3HZ 17294-E	.76	E0HT 17294-FA	E0HZ 17294-F	1.1763
D3HA 17294-FA	D3HZ 17294-F	.80	E0HT 17294-GA	E0HZ 17294-G	1.1890
D3HA 17294-GA	D3HZ 17294-G	.66	E0HT 17294-HA	E0HZ 17294-H	.9122
D3HA 17294-HA	D3HZ 17294-H	.73	E0HT 17294-JA	E0HZ 17294-J	.9183
D3HA 17294-JA	D3HZ 17294-J	.80	E0HT 17294-KA	E0HZ 17294-K	.8653
D4HA 17294-GA	D4HZ 17294-A	.82	E0HT 17294-LA	E0HZ 17294-L	.8797
D4HA 17294-HA	D4HZ 17294-B	.90	E0HT 17294-MA	E0HZ 17294-M	1.0090
D4HA 17294-JA	D4HZ 17294-C	.76	E0HT 17294-RA	E0HZ 17294-R	.8888
D4HA 17294-KA	D4HZ 17294-D	.67	E0HT 17294-SA	E0HZ 17294-S	.9908
D4HA 17294-LA	D4HZ 17294-E	.72	E0HT 17294-TA	E0HZ 17294-T	.8723
D4HA 17294-MA	D4HZ 17294-F	.66	E0HT 17294-UA	E0HZ 17294-U	.8000
D4HS 17294-B	D4HS 17294-B	1.023	E0HT 17294-VA	E0HZ 17294-V	.8241
D4TA 17294-AA	D4TZ 17294-A	.73	E0HT 17294-YA	E0HZ 17294-Y	.9000

1980/  
TRUCK SERIES 600/900

IDENTIFICATION	SERVICE NUMBER	RATIO	IDENTIFICATION	SERVICE NUMBER	RATIO
<b>IDENTIFICATION CHART — Cont'd</b>					
17294 ADAPTER (SPEEDOMETER and TACHOMETER)					
(Arranged according to Identification Number)					
EOHT 17294-ZA	EOHZ 17294-Z	.7647	E6HT 17294-DE1A	E6HZ 17294-L	2.1923
EOHT 17294-AAA	EOHZ 17294-AA	.6740	E6HT 17294-DF1A	E6HZ 17294-M	2.2500
EOHT 17294-ABA	EOHZ 17294-AB	.7222	FEM 17294-A	B7T 17294-A	
EOHT 17294-ACA	EOHZ 17294-AC	.6617	87HU 17294-GA3A	E7HZ 17294-D	1.1875
EOHT 17294-AEA	EOHZ 17294-AE	1.3077	E2HT 17K302-AA	E2HZ 17K302-A	
EOHT 17294-AFA	EOHZ 17294-AF	1.2020	C6TA 17B304-B	C6TZ 17A270-D	1.00
EOHT 17294-AGA	EOHZ 17294-AG	1.0500	D1TD 17B317-AA	D1TZ 17294-A	.86
EOHT 17294-AHA	EOHZ 17294-AH	1.0181	D4TA 17B317-AA	D4TZ 17294-P	.93
EOHT 17294-AJA	EOHZ 17294-AJ	1.4400	D4TA 17B317-BA	D4TZ 17294-N	.94
EOHT 17294-AKA	EOHZ 17294-AK	1.3636	D4TA 17B317-EA	D4TZ 17294-R	1.02
EOHT 17294-ALA	EOHZ 17294-AL	1.3313	C8TF 17338-A	B9TZ 17294-A	
EOHT 17294-AMA	EOHZ 17294-AM	1.3235	D0HF 17338-A	D0HZ 17294-A	
EOHT 17294-ANA	EOHZ 17294-AN	1.0888	C4TS 17375-A	C7TZ 17A270-A	1.00
EOHT 17294-ARA	EOHZ 17294-AR	1.2500	C7TA 17375-A	C7TZ 17A270-C	.50
EOHT 17294-ASA	EOHZ 17294-AS	1.1555	C8TA 17375-C	C8TZ 17A270-C	1.00
EOHT 17294-AVA	EOHZ 17294-AV	.8653	EDC8TA 17375-C2	E3HZ 17375-A	1.00
EOHT 17294-AYA	EOHZ 17294-AY	.8888	D1HA 17375-AA	D1HZ 17A270-A	1.00
EOHT 17294-AZA	EOHZ 17294-AZ	.8974	D3HA 17375-AA	C8TZ 17A270-C	1.00
EOHT 17294-BAA	EOHZ 17294-BA	1.0500	D7HT 17375-BA	C8TZ 17A270-C	1.00
EOHT 17294-BBA	EOHZ 17294-BB	1.1111	D8HT 17375-AA	D8HZ 17294-K	
EOHT 17294-BCA	EOHZ 17294-BC	1.2020	D8HT 17375-AA	E2HZ 17375-A	1.00
EOHT 17294-BDA	EOHZ 17294-BD	1.3636	E1HT 17375-AA	E2HZ 17375-B	1.00
EOHT 17294-BEA	EOHZ 17294-BE	1.6152	1B10471-.8095	E3HZ 17294-B	.8095
EOHT 17294-BGA	EOHZ 17294-BG	1.2000	1B10471-1.4615	E3HZ 17294-C	1.4615
EOHT 17294-BJA	EOHZ 17294-BJ		1B10471-1.4835	E4HZ 17294-A	1.4835
EOHT 17294-BLA	EOHZ 17294-BL	2 speed	1B10471-1.5454	E4HZ 17294-B	1.5454
EOHT 17294-CCA	EOHZ 17294-CC	1.1111	1B10471-1.6863	E4HZ 17294-C	1.6863
EOHT 17294-CDA	EOHZ 17294-CD	1.3000	1B10471-1.7307	E4HZ 17294-D	1.7307
EOHT 17294-CEA	EOHZ 17294-CE	1.5000	1B10471-1.8000	E3HZ 17294-D	1.8000
EOHT 17294-CGA	EOHZ 17294-CG	.7333	S-129	EOHZ 17294-BJ	
EOHT 17294-CHA	EOHZ 17294-CH	.6037	SAD1H23CA	C8TZ 17A270-C	1.00
EOHT 17294-CJA	EOHZ 17294-CJ	.8319	TA2525-1.2020	EOHZ 17294-BC	1.2020
EOHT 17294-CKA	EOHZ 17294-CK	.9743	TA2525-1.2500	EOHZ 17294-CT	1.2500
EOHT 17294-CLA	EOHZ 17294-CL	1.0263	TA2525-1.3636	EOHZ 17294-BD	1.3636
EOHT 17294-CMA	EOHZ 17294-CM	.5000	TA2525-1.5555	EOHZ 17294-CS	1.1555
EOHT 17294-CNA	EOHZ 17294-CN	1.6152	TA2525-1.6152	EOHZ 17294-BE	1.6152
EOHT 17294-CRA	EOHZ 17294-CR	.6666	TB2525-0.5000	EOHZ 17294-CM	.5000
EOHT 17294-CSA	EOHZ 17294-CS	1.5555	TB2525-0.6037	EOHZ 17294-CH	.6037
EOHT 17294-CTA	EOHZ 17294-CT	1.2500	TB2525-0.6617	EOHZ 17294-AC	.6617
E3HT 17294-CUA	E3HZ 17294-A	1.7515	TB2525-0.6666	EOHZ 17294-CR	.6666
E3HT 17294-CVA	E3HZ 17294-B	.8095	TB2525-0.6740	EOHZ 17294-AA	.6740
E3HT 17294-CYA	E3HZ 17294-C	1.4615	TB2525-0.7222	EOHZ 17294-AB	.7222
E3HT 17294-CZA	E3HZ 17294-D	1.8000	TB2525-0.7333	EOHZ 17294-CG	.7333
E4HT 17294-BTA	E4HZ 17294-A	1.4835	TB2525-0.7647	EOHZ 17294-Z	.7647
E4HT 17294-BUA	E4HZ 17294-B	1.5454	TB2525-0.8000	EOHZ 17294-U	.8000
E4HT 17294-BV2	E4HZ 17294-C	1.6863	TB2525-0.8241	EOHZ 17294-V	.8241
E4HT 17294-BYA	E4HZ 17294-D	1.7307	TB2525-0.8319	EOHZ 17294-CJ	.8319
E5HT 17294-BA	EOHZ 17294-AJ	1.4400	TB2525-0.8653	EOHZ 17294-K	.8653
E5HT 17294-CA	EOHZ 17294-AM	1.3235	TB2525-0.8723	EOHZ 17294-T	.8723
E5HT 17294-EA	EOHZ 17294-BG	1.2000	TB2525-0.8797	EOHZ 17294-L	.8797
E5HT 17294-FA	E4HZ 17294-A	1.4835	TB2525-0.8888	EOHZ 17294-R	.8888
E5HT 17294-GA	EOHZ 17294-CC	1.1111	TB2525-0.9000	EOHZ 17294-Y	.9000
E5HT 17294-CE3A	E6HZ 17294-E	1.5000	TB2525-0.9122	EOHZ 17294-H	.9122
E5HT 17294-G3A	E6HZ 17294-F	1.1875	TB2525-0.9183	EOHZ 17294-J	.9183
E6HT 17294-DA1A	E6HZ 17294-G	1.8285	TB2525-0.9743	EOHZ 17294-CK	.9743
E6HT 17294-DB1A	E6HZ 17294-H	2.0000	TB2525-0.9908	EOHZ 17294-S	.9908
E6HT 17294-DC1A	E6HZ 17294-J	2.1000	TB2525-1.0090	EOHZ 17294-M	1.0090
E6HT 17294-DD1A	E6HZ 17294-K	2.1360	TB2525-1.0181	EOHZ 17294-AH	1.0181

**1980/  
TRUCK SERIES 600/900**

IDENTIFICATION	SERVICE NUMBER	RATIO	IDENTIFICATION	SERVICE NUMBER	RATIO
<b>IDENTIFICATION CHART — Cont'd</b>					
<b>17294 ADAPTER (SPEEDOMETER and TACHOMETER)</b>					
(Arranged according to Identification Number)					
TB2525-1.0263	E0HZ 17294-CL	1.0263	777-AL.5000	C9HZ 17294-G	.50
TB2525-1.0370	E0HZ 17294-D	1.0370	777-AL 0.5000	E0HZ 17294-CM	.5000
TB2525-1.0500	E0HZ 17294-AG	1.0500	777-AL 0.6037	E0HZ 17294-CH	.6037
TB2525-1.0888	E0HZ 17294-AN	1.0888	777-AL.6617	D3HZ 17294-G	.66
TB2525-1.0961	E0HZ 17294-E	1.0961	777-AL 0.6617	E0HZ 17294-AC	.6617
TB2525-1.1111	E0HZ 17294-CC	1.1111	777-AL 0.6666	E0HZ 17294-CR	.6666
TB2525-1.1555	E0HZ 17294-AS	1.1555	777-AL 0.6740	E0HZ 17294-AA	.6740
TB2525-1.1763	E0HZ 17294-F	1.1763	777-AL 0.7222	E0HZ 17294-AB	.7222
TB2525-1.1890	E0HZ 17294-G	1.1890	777-AL 0.7333	E0HZ 17294-CG	.7333
TB2525-1.2000	E0HZ 17294-BG	1.2000	777-AL.7647	D3HZ 17294-E	.76
TB2525-1.2020	E0HZ 17294-AF	1.2020	777-AL 0.7647	E0HZ 17294-Z	.7647
TB2525-1.2133	E0HZ 17294-C	1.2133	777-AL.8000	D3HZ 17294-F	.80
TB2525-1.2500	E0HZ 17294-AR	1.2500	777-AL 0.8000	E0HZ 17294-U	.8000
TB2525-1.3000	E0HZ 17294-CD	1.3000	777-AL 0.8241	E0HZ 17294-V	.8241
TB2525-1.3077	E0HZ 17294-AE	1.3077	777-AL 0.8319	E0HZ 17294-CJ	.8319
TB2525-1.3235	E0HZ 17294-AM	1.3235	777-AL 0.8653	E0HZ 17294-K	.8653
TB2525-1.3313	E0HZ 17294-AL	1.3313	777-AL 0.8723	E0HZ 17294-T	.8723
TB2525-1.3393	E0HZ 17294-B	1.3393	777-AL 0.8797	E0HZ 17294-L	.8797
TB2525-1.3636	E0HZ 17294-AK	1.3636	777-AL 0.8888	E0HZ 17294-R	.8888
TB2525-1.4400	E0HZ 17294-AJ	1.4400	777-AL.9000	D3TZ 17294-A	.90
TB2525-1.5000	E0HZ 17294-CE	1.5000	777-AL 0.9000	E0HZ 17294-Y	.9000
TB2525-1.6152	E0HZ 17294-CN	1.6152	777-AL 0.9122	E0HZ 17294-H	.9122
TB2525-1.7515	E3HZ 17294-A	1.7515	777-AL 0.9183	E0HZ 17294-J	.9183
1A158-RS	E0HZ 17294-BJ		777-AL 0.9743	E0HZ 17294-CK	.9743
649-X	C7TZ 17A270-A		777-AL 0.9908	E0HZ 17294-S	.9908
651-R 1.00	C8TZ 17A270-C	1.00	777-AL 1.0090	E0HZ 17294-M	1.0090
652-X.5000	C7TZ 17A270-C	.50	777-AL 1.0181	E0HZ 17294-AH	1.0181
666-B 1.2020	D2HS 17294-FA		777-AL 1.0263	E0HZ 17294-CL	1.0263
666-F.8626	D1TZ 17294-A	.86	777-AL 1.0370	E0HZ 17294-D	1.0370
666-S 0.8653	D8HZ 17294-B	.87	777-AL 1.0588	D2HZ 17294-A	1.05
666-S 0.8888	E0HZ 17294-AY	.89	777-AL 1.0500	E0HZ 17294-AG	1.0500
666-S 0.8974	D8HZ 17294-D	.90	777-AL 1.0888	E0HZ 17294-AN	1.0888
666-S 1.0500	D8HZ 17294-E	1.05	777-AL 1.0961	E0HZ 17294-E	1.0961
666-S 1.1111	D8HZ 17294-F	1.11	777-AL 1.1111	D2TZ 17294-A	1.11
666-S 1.2020	D8HZ 17294-G	1.20	777-AL 1.1111	E0HZ 17294-CC	1.1111
666-S 1.2020	E0HZ 17294-BC	1.2020	777-AL 1.1555	E0HZ 17294-AS	1.1555
666-S 1.2500	E0HZ 17294-CT	1.2500	777-AL 1.1763	E0HZ 17294-F	1.1763
666-S 1.3636	D8HZ 17294-H	1.36	777-AL 1.1890	E0HZ 17294-G	1.1890
666-S 1.3636	E0HZ 17294-BD	1.3636	777-AL 1.2000	E0HZ 17294-BG	1.2000
666-S 1.3636	E0HZ 17294-CS	1.5555	777-AL 1.2020	E0HZ 17294-AF	1.2020
666-S 1.6152	D8HZ 17294-J	1.6152	777-AL 1.2133	E0HZ 17294-C	1.2133
666-S 1.6152	E0HZ 17294-BE	1.6152	777-AL 1.2500	E0HZ 17294-AR	1.2500
667-MX-1.000	C8TZ 17A270-C	1.00	777-AL 1.3000	D2TZ 17294-B	1.30
675-DR 1.3636	C2TZ 17294-C	1.36	777-AL 1.3000	E0HZ 17294-CD	1.3000
675-DS 1.2000	C2TZ 17294-D	1.20	777-AL 1.3077	E0HZ 17294-AE	1.3077
675-DT.8930	C2TZ 17294-E	.89	777-AL 1.3235	E0HZ 17294-AM	1.3235
675-DX 1.5000	C5TZ 17294-B	1.50	777-AL 1.3313	E0HZ 17294-AL	1.3313
675-DY 1.6250	C5TZ 17294-C	1.62	777-AL 1.3393	E0HZ 17294-B	1.3393
675-FB.6857	D1TZ 17294-G	.68	777-AL 1.3636	E0HZ 17294-AK	1.3636
675-EB.7333	D4TZ 17294-A	.73	777-AL 1.4400	E0HZ 17294-AJ	1.4400
675-EB.8653	D1TZ 17294-H	.86	777-AL 1.5000	E0HZ 17294-CE	1.5000
675-EB.8750	D1TZ 17294-J	.87	777-AL 1.6152	E0HZ 17294-CN	1.6152
675-EB.9143	D1TZ 17294-K	.91	777-AL 1.8285	E6HZ 17294-G	1.8285
675-EB 1.1471	D1TZ 17294-L	1.14	777-AL 2.0000	E6HZ 17294-H	2.0000
777-B 1.0714	D2HS 17294-SA		777-AL 2.1000	E6HZ 17294-J	2.1000
777-AL.4561	D2HZ 17294-B	.45	777-AL 2.1360	E6HZ 17294-K	2.1360
777-AL.4761	D2HZ 17294-C	.47	777-AL 2.1923	E6HZ 17294-L	2.1923
			777-AL 2.2500	E6HZ 17294-M	2.2500



1980/  
TRUCK SERIES 600/900

IDENTIFICATION	SERVICE NUMBER	RATIO	IDENTIFICATION	SERVICE NUMBER	RATIO
<b>IDENTIFICATION CHART — Cont'd</b>					
<b>17294 ADAPTER (SPEEDOMETER and TACHOMETER)</b>					
(Arranged according to Identification Number)					
778-A	D8HZ 17294-K		3277-084	★ 17294	
778-K 1.000	C6TZ 17A270-D	1.00		Order from	
779-D	B7T 17294-A			Cummins engine	
779R	C4TZ 17294-B		6092	C8TZ 17A270-C	
779W	C4TZ 17294-B		49155	B9TZ 17294-A	
779X	C4TZ 17294-B		109453	E0HZ 17294-BL	2 speed
			326725-G61	D0HZ 17294-C	1.00
			326725-G62	D0HZ 17294-D	1.05

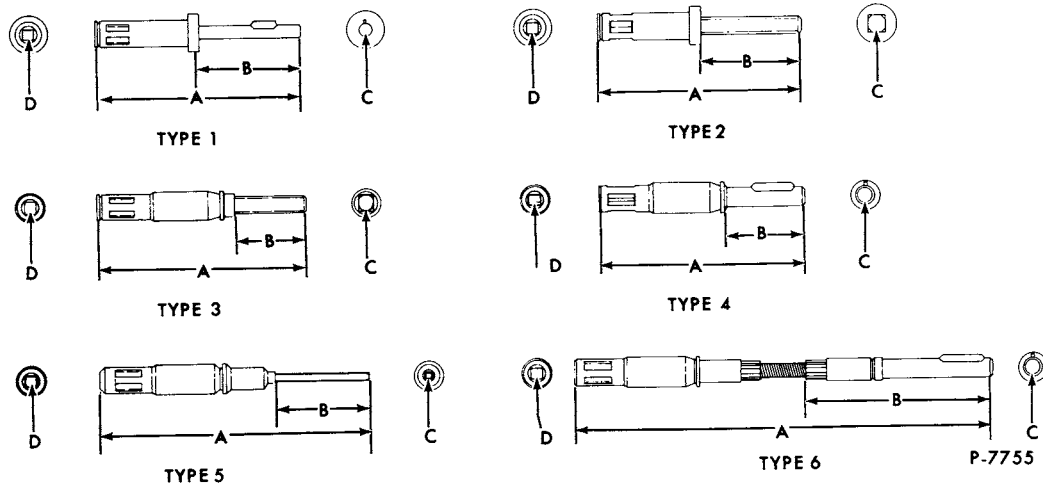
<b>APPLICATION CHART</b>								
<b>17294 ADAPTER (SPEEDOMETER and TACHOMETER) - Refer to gear chart (17285)- in section 172.</b>								
YEAR	MODEL	ENGINE				RATIO INCHES	DESCRIPTION	PART NUMBER
		MAKE	MODEL	CYL	C.I.D.			
<b>17294 ADAPTER</b>								

<b>TACHOMETER-also refer to group 17375</b>								
<b>NOTES: Cat.-Caterpillar, Cum.-Cummins, Det.-Detroit, F-Ford</b>								
80/84	B-C-CT-CL-CLT-F-FT-L-LN LNT LT LTL-LTS600/800 exc. 6V 71	All	All		All	1.00	Located eng -90° -incl. drive key	C8TZ 17375-C
80/86	L-LT-LTL LTS LN LNT800/900	Det.	6V-71	6	426	.50	Located on eng. 90°	C7TZ 17A270-C
80/81	L-LT LTL LTS-LN-LNT900 w/ Tachograph "Before 6/81"		All			1.00	mounted to rear of tachograph-90°	★ D0HZ 17294-C /bE2HZ 17375-B
80/86	L-LN-LNT LT-LTS800/900	Cum.	All				Mounted on fuel pump-order from Cummins engine part number 3277 084	★
80/81	L-LT-LTS-LN LNT600/900 "Before 6/81"	Det.	6V-92,8V-71	6&8	552,568	1.00	90° @ firewall	★ D0HZ 17294-D /bE2HZ 17375-B
81/82	L-LT LTL LTS-LN-LNT900 - - w/ Tachograph "From 6/81"	All	All	All	All	1.00	mounted to rear of tachograph-90°	★ E1HZ 17294-A /bE2HZ 17375-B(2/82)
81/82	L-LT-LTS-LN-LNT600/900 "From 6/81"	All	All	All	All	1.00	90° at firewall	★ E1HZ 17294-A /bE2HZ 17375-B(2/82)
80/82	LN-LNT900	Det.	8V-71N	8	568		Located on eng.-45 °	★ D8HZ 17294-K /bE2HZ 17375-A(2/82)
86/	CF600/800 - - diesel	All		6	402,476		Located behind speedometer	B9TF 17294-E
86/	CF600/800 - - diesel	All		6	402,476	1.1875		E6HZ 17294-F
86/	CF600/800 - - diesel	All		6	402,476	1.5000		★ E6HZ 17294-E
87	CF600/800 - - diesel	All		6	402,476	1.1875		E7HZ 17294-D
87/	CF600/800 - - diesel	All		6	402,476	1.2000		E7HZ 17294-C
87/	CF600/800 - - diesel	All		6	402,476	0.0746		★ E7HZ 17294-E
87/	CF600/800 - - diesel	All		6	402,476	1.3000		E7HZ 17294-G
87/	CF600/800 - - diesel w/tractor pkg.	All		6	402,476	1.0888		E7HZ 17294-H
87/	CF600/800 - - diesel w/tractor pkg.	All		6	402,476	1.5555		E7HZ 17294-J
86/88	CF600/800	All		6	402,476	1.1875		E7HZ 17294-K
88	CF600/800	All		6	402,476	1.5000		E8HZ 17294-A
88	CF600/800	All		6	402,476	1.6152		E8HZ 17294-B
88	CF600/800	All		6	402,476	0.7466		E8HZ 17294-C
88	CF600/800	All		6	402,476	0.8000		E8HZ 17294-D
88	CF600/800	All		6	402,476	0.7333		E8HZ 17294-E
88	CF600/800	All		6	402,476	0.6222		E8HZ 17294-F
88	CF600/800	All		6	402,476	1.25000		E8HZ 17294-G
89	CF600/800 - - w/A/T 545 4.56/6.36 rr axle ratio	All		6&8	All	.8000	(Speedo-type 9A)	E0HZ 17294-U
89	CF600/800 - - w/A/T 545 4.88 rr axle ratio	All		6&8	All	.7333	(Speedo-type 9A)	E0HZ 17294-CG
89	CF600/800 - - w/A/T-545 5.86/8.17 rr axle ratio	All		6&8	All	.6037	(Speedo-Type 9A)	E0HZ 17294-CH

**1980/  
TRUCK SERIES 600/900**

YEAR	MODEL/RESTRICTIONS	PART NUMBER	DESCRIPTION					QTY.
			IDENTIFICATION PART NO.	LENGTH	THREADS	HEX NUT	I.D.	
<b>17297 SLEEVE ASSY. (SPEEDOMETER GEAR)</b>								
80/86	B-C-CT-F-FT-L-LN-LNT-LT-LTL LTS700/900	C8TZ 17297-A	SW-820150	2.09	7/8-18/1-20		.366	1
86/	CF600/800 -- w/Clark 550 series trans.							1
86/	CF600/800 -- w/Clark 450 series trans.	D1TZ 17297-A	SW-93250	1.26	7/8-18/13/16-20	7/8	.375	1
80/86	CL-CLT900							1
80/86	L-LN-LNT-LT-LTL-LTS800/900 -- w/auxiliary trans.	C8TZ 17297-B	SW-820151	2.04	7/8-18/1 1/16		.466	1
80/86	All -- w/Fuller or Spicer 1007-10620 or 5510 trans.	D8HZ 17297-A	SW-90111	1.26	7/8-18/13/16-20	7/8	.408	1
80	CL-CLT900	87016-S91	"O" ring-used with D8HZ 17297-AA sleeve to seal for oil leak					1
87/	CF600/800 -- w/Fuller FS6106 trans.	E9HZ 17297-A	E86016	1.26	7/8-18/13/16-20	7/8	.375	1
YEAR	MODEL/RESTRICTIONS	PART NUMBER	DESCRIPTION					QTY.
<b>17K302 COMPENSATOR ASSY. (SPEEDOMETER 2 SPEED)</b>								
80/86	B-C-CT-F-FT-L-LN-LNT-LT- LTS600/900	E2HZ 17K302-A	#E2HT 17K302-AA					1
<b>17303 GASKET (SPEEDOMETER CASE)</b>								
80/86	C-CT600/900	C2SZ 17303-A						1
81	F600/86800(81)	C9MY 17303-A						1
80/86	F600/750(84)	C7MY 17303-A						1
80/86	L-LN-LNT-LT-LTS600/900 -- w/gauges							1
<b>17304 GROMMET (SPEEDOMETER CASE)</b>								
80/86	C-CT600/900	FDR 17304-A						2
<b>17305 RETAINER (SPEEDOMETER CASE GROMMET)</b>								
80/86	C-CT600/900	FDR 17305-A						2
<b>17K316 DRIVE ASSY. (TACHOMETER)</b>								
80/82	F800 -- 475, 477 & 534 gas	D8HZ 17K316-A						1
<b>17322 Refer to Section 172</b>								

**17B322 DRIVE KEY-SPEEDOMETER OR TACHOMETER CABLE**



**1980/  
TRUCK SERIES 600/900**

TYPE	DIMENSIONS (INCHES)				PART NUMBER	TYPE	DIMENSIONS (INCHES)				PART NUMBER
	A	B	C	D			A	B	C	D	
3	2.22	.85	.124	.128	C7TZ 17B322-E	4	2.22	.88	.244	.128	C7TZ 17B322-D
3	2.22	.85	.104	.128	C7TZ 17B322-G	5	2.89	1.00	.101	.128	C8TZ 17B322-D
3	2.89	1.48	.193	.128	C8TZ 17B322-B	6	4.33	1.56	.205	.128	C8TZ 17B322-A
3	2.22	.79	.193	.128	C7TZ 17B322-F	6	4.50	2.01	.205	.128	C7TZ 17B322-B

YEAR	MODEL	ENGINE				TYPE	DESCRIPTION	QTY	PART NUMBER
		MAKE	MODEL	CYL	C.I.D.				
<b>17B322 ADAPTER (TACHOMETER CABLE DRIVE TIP)</b>									
80/86	C-CT600/800	Cat.	3208	8	636	4		1	C7TZ 17B322-D
80/86	C-CT900	F	GAS	8	477, 534	3		1	C7TZ 17B322-H
80/86	CL-CLT900		All			4		1	C7TZ 17B322-D
80/86	F600/750	Cat.	150, 175, 200	8	522, 573	4		1	C7TZ 17B322-D
80/86	L-LN-LNT-LT-LTS600/900		DIESEL			4		1	C7TZ 17B322-D
80/86	L-LN-LNT-LT-LTS600/900	F	GAS			3		1	C7TZ 17B322-H
YEAR	MODEL	TRANSMISSION				TYPE	DESCRIPTION	QTY	PART NUMBER
MAKE	MODEL								
<b>17B322 ADAPTER (SPEEDOMETER CABLE DRIVE TIP)</b>									

Arranged in order of-SERIES . . . TRANSMISSION . . . MAKE and MODEL.

**NOTES:** A-Allison, A/T-Automatic Transmission, C-Clark, N.P.-New Process, S-Spicer,  
Cat.-Caterpillar, Cum.-Cummins, Det.-Detroit, F-Ford

**B SERIES**

80/86	B600/800	A	AT-540,MT-643	3		1	C7TZ 17B322-H
80/86	B600/800	C	280, 390	5		1	C8TZ 17B322-D
		N.P.	435, 542	5		1	
		S	5000	5		1	
		W	T-19	5		1	

**CL-CLT SERIES**

80/86	CL-CLT900		All	3		1	C7TZ 17B322-F
-------	-----------	--	-----	---	--	---	---------------

**C-CT SERIES**

80/86	C600/900	A	AT-540,MT-653,MT-643	3		1	C7TZ 17B322-H
80/86	C-CT600/800	C	280, 390	5		1	C8TZ 17B322-D
80/86	C-CT700/900	F	RT-610	3		1	C7TZ 17B322-F
80/86	C600	N.P.	435	5		1	C8TZ 17B322-D
80/86	C-CT750/950	S	5652, 5756	5		1	C8TZ 17B322-D
80/86	C-CT800/900	S	6352, 6852	5		1	

**F SERIES**

80/86	F600/800	A	AT-540,MT-643	3		1	C7TZ 17B322-H
80/86	F600/800	C	280, 380	5		1	C8TZ 17B322-D
		N.P.	435, 542	5		1	
		S	5000	5		1	
		W	T-19	5		1	
84/86	FT800/900	F	RT610,RT613,RT6610,RT6613	3		1	C7TZ 17B322-F

**L-LN-LNT-LT-LTS SERIES**

80/86	L-LT-LTS-LN-LNT600/900	A	AT-540,MT-650	3		1	C7TZ 17B322-H
80/86	L-LN-LNT-LT-LTS600/900	C	280, 282, 285, 385, 387	5		1	C8TZ 17B322-D
80/86	L-LT-LTS-LN-LNT - - All	S	7231 Aux.	5		1	
80/86	L-LN-LNT-LT-LTS600/900	F	RT-610, RT-613, RT-906, RT-910 RT0F-9513, T-905,RT-12510-13, RT0-958-LL, RTF-1110, RTF-9509	3		1	C7TZ 17B322-F
80/86	LN600	N.P.	435	3		1	
80/86	L-LN-LNT-LT-LTS700/900	S	5652, 5756, 6352, 6453, 6852	5		1	C8TZ 17B322-D
80/86	L-LT-LTS800/900	S	7041, 8031, 8341	3		1	C8TZ 17B322-B
80/86	L-LN-LNT-LT-LTS900	S	8552, 8516, 8716	3		1	

YEAR	MODEL RESTRICTIONS	PART NUMBER	DESCRIPTION	QTY.
<b>17323 BUSHING (SPEEDOMETER DRIVEN GEAR)</b>				
80/86	L-LN-LNT-LT-LTS900 - - w/Fuller RTOF-9513 trans.	B8QH 17323-A		1

**1980/  
TRUCK SERIES 600/900**

YEAR	MODEL/RESTRICTIONS	PART NUMBER	DESCRIPTION	QTY.
<b>17A324 SPACER (SPEEDOMETER CABLE)</b>				
80/86	LT-LTS900	D3HZ 17A324-A	3" I.D.-3.63" O.D.	1
<b>17A330 ADAPTER KIT (TACHOMETER DRIVE)</b>				
84/86	CL-CLT900 -- 3406 dsl. w/scroll fuel system	E4HZ 17A330-A	#1W9010 (Caterpillar) contains: adapter, clamp, bolt, seal, coupling	1
84/86	L-LN-LNT-LT-LTL-LTS 900 -- 3406 dsl. w/scroll fuel system			1
<b>17335 BRACKET (SPEEDOMETER ADAPTER)</b>				
80/86	B-F-FT600/800	E0HZ 17335-A		1
80/86	C-CT600/900 -- w/correction adapter on dash	D4HZ 17335-A		1
80/84	L-LN-LNT-LT-LTS600/900- w/correction adapter	★ D0HZ 17335-B	R/b E3HZ 17335-A (1/84)	1
80/84	L-LN900 -- w/Spicer 1010 trans. & single speed axle "Before 10/83"			1
84/86	L-LN-LNT-LT-LTL-LTS600/900 -- w/correction adapter "From 10/83"	E3HZ 17335-A	#E3HT 17335-AA, EDE3HT 17335-AA	1
80/86	C-CT-L-LN-LNT-LT-LTS600/900	55981-S2	(U-254-E)-screw-hex. washer head-1/4"-14 x 1/2"	2
		★34790-S2	Washer-lock-1/4"	2
<b>17B351 Refer to group 17260</b>				
<b>17360 TACHOMETER ASSY.</b>				
80/	F-FT600/800 -- (81) gas	F0HZ 17360-A	#F0HF 17360-AA-4500 R.P.M.- electrical-square	1
80/	F-FT600/800 -- (81) diesel w/o AT-540 trans.	E0TZ 17360-E	#E0TF 17360-CC, E6TF 17360-CA-3500 R.P.M. -electrical	1
80/	F-FT600/800 -- (81) diesel w/AT-540 trans.	★ E0TZ 17360-D	#E0TF 17360-DA, E6TF 17360-DA-3500 RPM -electric	1
80/82	B600/800 -- (84) diesel	E0HZ 17360-J	#E0HT 17360-JA, E1HT 17360-FA- 3500 R.P.M.-electrical	1
81/82	C-CT600/900 -- diesel w/allison MT trans.			1
83/84	B-F600/800 -- (84) diesel "Before 12/83"	E3HZ 17360-A	#E3HT 17360-AA-3500 R.P.M.-electrical	1
83/84	C-CT600/800 -- diesel w/Allison MT trans. "Before 12/83"			1
83/84	C-CT600/800 -- diesel "Before 12/83"			1
84/87	B-F600/800 -- (84) diesel	E4HZ 17360-C	#E4HT 17360-CA 3500 R.P.M.-electrical 4 mode switch #1 not used #2 Det. dsl. (501) w/AT 540 trans. #3 Cat. Dsl. (3208) #4 Det. dsl. (501) w/MT 640 trans.-white illumination	1
84/87	C-CT600/800 -- diesel "From 12/83"			1
87/	C-CT600/800 -- diesel	E7HZ 17360-C	#E7HT 17360-CA-3500 RPM-electrical 4 mode switch-green illumination	1
80	C-CT600/900 -- w/screw-on cable connector "Before 3/80"	D5HZ 17360-A	#D5HF 17360-BA-3500 R.P.M. or 4000 R.P.M.-mechanical	1
81	C-CT600/900 -- w/push on cable connection "From 3/80 to 12/80"	★ E0HZ 17360-H	#E0HT 17360-HA-4000 R.P.M.-mechanical- r/b E1HZ 17360-G (8/82)	1
81/82	C-CT600/900 "From 12/80"	★ E1HZ 17360-G	#E1HT 17360-GA-3500 RPM-mechanical	1
80/81	C-CT600/900 "Before 12/80"	★ D8HZ 17360-B	#D7HT 17360-DA-4000 RPM -electrical- r/b E1HZ 17360-E (8/82)	1
80/81	B-F600/800 -- (84)-gas "Before 12/80"			1
81/84	C-CT600/900 -- gas "From 12/80 to 12/83"	E1HZ 17360-E	#E1HT 17360-EA-4500 RPM-electrical	1
81/84	B-F600/800 -- (84)-gas "From 12/80 to 12/83"			1



**1980/  
TRUCK SERIES 600/900**

YEAR	MODEL	ENGINE				LENGTH INCHES	CASING and CORE		CORE	
		MAKE	MODEL	CYL	C.I.D.					
17365 CABLE ASSY. (TACHOMETER)-For Tachometer Cable Cross-Reference List-refer to group 17260- Cont'd										
L SERIES										
80/84	L-LT-LTS-LN-LNT900 -- w/tachograph-(upper) "Before 5/84"				ALL	15	D0HZ	17365-W	D4AZ	17262-A
84/86	L-LN-LNT-LT-LTS900 -- w/tachograph (upper) "From 5/84"				ALL	15	E4HZ	17365-D	D4AZ	17262-A
80/86	L-LT-LTS-LN-LNT600/900 -- (upper) ◊ w/tachometer				ALL	15	E0HZ	17365-C	D4AZ	17262-A
80/82	L-LT-LTS-LN-LNT800/900 -- (upper) ♦ w/tachometer	FD	Gas	8	477,534	30	E0HZ	17260-J	D4AZ	17262-A
80/86	L-LT-LTS-LN-LNT800/900 -- (upper)-♦ exc. 477,534 FD eng. w/tachometer				ALL	12	E0HZ	17365-B	D4AZ	17262-A
80/82	L-LT-LTS-LN-LNT800/900 -- (upper) w/tachograph or tachometer w/screw on cable connection	FD	Gas	8	477,534	30	D0HZ	17365-K	D4AZ	17262-A
80/86	LN-LNT700/800 -- (lower)	Cat.	3208	8	636	45	D0TZ	17260-E	B9T	17262-D
80/86	L-LT-LTS800 -- (lower)	Cat.	3208	8	636	60	D0HZ	17260-U	B9T	17262-D
80/86	L-LT-LTS900 -- (lower)	Cum.	NH-NTC-Form	6	855	25	D0HZ	17260-W	B9T	17262-D
82/	LTL900 -- (lower)	Cum.	NH-NTC-Form	6	855	40	D0HZ	17260-F	B9T	17262-D
80/81	LN-LNT900 -- (lower)-w/o tachograph "Before 6/81"	Cum.	NH-NTC-Form	6	855	35	D2HZ	17365-A	B9T	17262-D
81/84	LN-LNT900 -- (lower)-w/o tachograph "From 6/81 to 6/84"	Cum.	NH-NTC-Form	6	855	30	D0HZ	17260-V	B9T	17262-D
86	LN-LNT900 -- w/mechanical tachometer or tachograph w/drop frame									
84/86	LN-LNT900 -- lower w/o tachograph "From 6/84"	Cum.	NH-NTC-Form	6	855	35	D0HZ	17260-Y	B9T	17262-D
86	LN-LNT900 -- w/mechanical tachometer w/straight frame									
80/86	LN-LNT900 -- (lower)-w/tachograph	Cum.	NH-NTC-Form	6	855	25	D0HZ	17260-W	B9T	17262-D
80/85	L-LT-LTS900 -- (lower)	Det.	6V-71N	6	426	45	D0TZ	17260-E	B9T	17262-D
80/86	LN-LNT900 -- (lower)	Det.	6V-71N	6	426	35	D0HZ	17260-W	B9T	17262-D
80/86	L-LT-LTS600/900 -- (lower)	Det.	6V-92	6	552	35	D0HZ	17260-W	B9T	17262-D
80/86	LN-LNT900 (lower)	Det.	6V-92	6	552	20	D3HZ	17365-B	B9T	17262-D
80/86	L-LT900 -- (lower)-w/tachograph	Det.	8V-71TA	8	568	20	D3HZ	17365-B	B9T	17262-D
80/86	LN-LNT900 -- (lower)-w/o tachograph	Det.	8V-71TA	8	568	35	D2HZ	17365-A	B9T	17262-D
82/86	LTL900 -- (lower)	Det.	8V-92	8	736	25	D0HZ	17260-Y	B9T	17262-D
80/85	L-LT-LTS900 -- (lower)	Cat.	3406	6	893	60	D0HZ	17260-U	B9T	17262-D
82/85	LTL900 -- (lower)	Cat.	3406	6	893	45	D0TZ	17260-E	B9T	17262-D
80/86	LN-LNT900 -- (lower)	Cat.	3406	6	893	40	D0HZ	17260-F	B9T	17262-D

YEAR	MODEL/RESTRICTIONS	PART NUMBER	DESCRIPTION	QTY.
17B365 SHIELD ASSY. (SPEEDOMETER CABLE)				
81/82	C-CT600/900 -- 501 diesel	★ E1HZ 17B365-A	# E1HT 17B365-AA-r/b E2HZ 17B365-A (9/83)	1
82/	C-CT600/900 -- 990T and 3208T dsls. and 8.2L Roadway	E2HZ 17B365-A		1
17368 BRACKET (TACHOMETER MOUNTING)				
80/83	B-F-FT600/800,C-CT600/900	D5HZ 17368-A	Mechanical tachometer	1
80/86	B-F-FT600/800,C-CT600/900	★ D8HZ 17368-B	Electric tachometer	1
80/86	L-LN-LNT-LT-LTS600/900 -- city delivery instrument panel	D0HZ 17368-A	Mechanical tachometer	1
80/86	L-LN-LNT-LT-LTS800/900 -- line haul instrument panel	D0HZ 17368-B	Mechanical tachometer	1
83/86	L-LN-LNT-LT-LTS800 -- diesel w/line haul instrument panel	E3HZ 17368-A	Electric tachometer	1
80/86	L-LN-LNT-LT-LTS600/900	D8HZ 17368-C	Electric tachometer	1

1980/  
TRUCK SERIES 600/900

YEAR	MODEL/RESTRICTIONS	PART NUMBER	DESCRIPTION	QTY.
<b>17374 GEAR (TACHOMETER DRIVEN)</b>				
80/82	B-C-CT-F-FT600/900 -- gas	FAA 17374-A	Mechanical tachometer	1
80/83	L-LN-LNT-LT-LTS600/900			1
<b>17375 ADAPTER ASSY. (TACHOMETER DRIVE GEAR)</b>				
80/86	LN-LNT900 -- w/Det. dsl. (8V-71)	E2HZ 17375-A	45° 1:1 ratio #D8HT 17375-AA	1
80/86	L-LN-LNT-LT-LTS600/900	E2HZ 17375-B	90° 1:1 ratio-mini adapter #E1HT 17375-AA	1
80/84	B-C-CT-CL-CLT-F-FT-L-LN-LNT-LT-LTL-LTS600/900 -- exc. 6V71	C8TZ 17375-C	90° 1:1 ratio #C8TA 17375-C1-R.H. output	1
84/85	L-LN-LNT-LT-LTS800 -- w/Cat. dsl. (3208) "Before 12/84"	E3HZ 17375-A	90° 1:1 ratio #ED-C8TA 17375-C2-L.H. output	1
85/86	L-LN-LNT-LT-LTS800 -- w/Cat. diesel (3208) "From 12/84"	E5HZ 17375-A	90° 1:1 ratio #E5HT 17375-AA-L.H. output	1
<b>17383 "O" RING (TACHOMETER DRIVEN GEAR OIL SEAL)</b>				
80/82	B-C-CT-F-FT600/900 -- gas	B3Q 17383-A		1
80/83	L-LN-LNT-LT-LTS600/900			1
<b>17B384 SENSOR AND RETAINER ASSY. (SPEEDOMETER OR TACHOMETER)</b>				
80/86	B-F-FT600/800 -- dsl. w/electric tachometer	E0HZ 17B384-A	#E0HT 17B384-AB, BB, E2HT 17B384-CA (tachometer)	1
81/82	LN700 -- w/501 dsl. w/electric tachometer	★ E1HZ 17B384-A	#E2HT 17B384-AA (tachometer)- r/b E3HZ 17B384-A (10/83)	
81/	C-CT600/800 -- w/501, 636 dsl. or 3208 Cat.	E1HZ 17B384-B	#E2HT 17B384-BA (tachometer)	1
84/85	LN-LNT900 -- Cummins L-10 dsl. "Before 2/85"	E4HZ 17B384-A	#E4HT 17B384-AB, EDE4HT 17B384-A (tachometer)	1
85	LN-LNT900 -- Cummins L-10 dsl. "From 2/85"	E5HZ 17B384-A	#E4HT 17B384-AC (tachometer)	1
84/	L-LL-LN-LNT-LS-LT-LTL-LTS800/900 -- 893 Cat. dsl. w/scroll fuel system or Cat. 3406	E4HZ 17B384-B	#E4HT 17B384-BA (tachometer)	1
84/86	LN-LNT900 -- 552 Det. dsl.	E4HZ 17B384-C	#E4HT 17B384-CA (tachometer)	1
84/86	LTL900 -- 736 Det. dsl.			1
86/	CF600/800 -- diesel	E6HZ 17B384-A		1
86	L-LN-LNT-LT-LTL-LTS900 -- diesel "Before 6/86"	E6HZ 17B384-B	#E6HT 17345-AA-(speedometer) use with Spicer trans.	1
86	CL-CLT900 -- diesel "Before 6/86"			
86/	L-LL-LN-LNT-LS-LT-LTL-LTS900 -- diesel "From 6/86"	E6HZ 17B384-M	#E6HT 17345-AB (speedometer) use with Spicer trans. #E7HT 17345-NA	1
86/	CL-CLT900 -- diesel w/Spicer trans. "From 6/86"		#F1HT 17345-AA	1
86	L-LN-LNT-LT-LTL-LTS900 -- diesel "Before 6/86"	★ E6HZ 17B384-C r/bE6HZ 17B384-N	#E6HT 17345-BA-(speedometer) use with Fuller trans.	1
86	CL-CLT900 -- diesel "Before 6/86"			
86/	L-LL-LN-LNT-LS-LT-LTL-LTS900 -- diesel "From 6/86"	E6HZ 17B384-N	#E6HT 17345-BB (speedometer) use with Fuller trans. #E7HT 17345-RA #F1HT 17345-BA	1
86/	CL-CLT900 -- diesel "From 6/86"			1
83/	L-LN-LNT-LT-LTL-LTS800 -- w/Cat. diesel 3208	E6HZ 17B384-D	#E6HT 17B384-DA (tachometer)	1
86	L-LN-LNT-LT-LTL-LTS900 -- diesel "Before 5/86"	★ E6HZ 17B384-E	#ED 167816 (speedometer) use with Spice aux. trans.	1
86/	LN-LNT900 -- Cummins 610, 855 diesel, Cat. 3306	★ E6HZ 17B384-F r/bF2HZ 17B384-B	#E6HT 17B384-FA (tachometer)	1
87/	L-LL-LS-LTL-LT-LTS900 -- Cummins 610 diesel			1

**1980/  
TRUCK SERIES 600/900**

YEAR	MODEL/RESTRICTIONS	PART NUMBER	DESCRIPTION	QTY.
<b>17B384 SENSOR AND RETAINER ASSY. (SPEEDOMETER OR TACHOMETER) --- Cont'd</b>				
86/	L-LN-LNT700/900 -- Cummins 855 diesel, 402, 476	E6HZ 17B384-G	#E6HT 17B384-EA (tachometer)	1
86/	CL-CLT900 -- Cummins diesel-610, 855	E6HZ 17B384-H	#E6HT 17B384-AA (tachometer)	1
86/	LTL900 -- Cummins diesel			1
86/87	CL-CLT900 -- Detroit diesel	E6HZ 17B384-J	#E6HT 17B384-BA (tachometer)	1
86/87	LTL900 -- Detroit diesel			1
86/	CL-CLT900 -- Caterpillar diesel-3406	E6HZ 17B384-K	#E6HT 17B384-CA (tachometer)	1
86/	LTL900 -- Caterpillar diesel			1
87/	L-LL-LT-LS-LN-LNT-LTL-LTS700/900 -- 402, 476 diesel	E7HZ 17B384-A	#E7HT 17B384-AA (tachometer)	1
87/	L-LN-LNT800 -- 402, 476 diesel	E7HZ 17B384-B	#E7HT 17B384-BA (tachometer)	1
87/	B-F-FT600/900 -- 402, 476 diesel	E7HZ 17B384-C	#E7HT 17B384-CA (tachometer)	1
87/	B-F-FT600/900 -- 501, 636 diesel	E7HZ 17B384-D	#E7HT 17B384-DA (tachometer)	1
89/	L-LL-LN-LNT700/900 -- Cat.	E9HZ 17B384-B	#E9HT 17B384-BA (tachometer)	
87/	B-F-FT600/900 -- w/FS6 105B, FS5 106, CL450 & 550 series trans. FS3005, FS4005	E7HZ 17B384-E	#E7HT 17345-AA,AB, F1HT 17345-CA (speedometer)	1
87/	L-LL-LN-LNT-LS-LT-LTS600/900 -- w/FS5 105, FS5 106, C450 & 550 series trans.			1
87/	B-F-FT600/900 -- w/FS6 106, RT-6610, RT-6613 trans. NQ435	E7HZ 17B384-F	#E7HT 17345-BA,BB,BC (speedometer)-sealer required for CM40, CM50 and CM60 transmission	1
87/	C-CT600/900 -- CM40, CM50, CM60 trans. "Before 5/87"			1
87/	L-LL-LN-LNT-LS-LT-LTS600/800 -- RT-6610,RT6613,CM40, CM50,CM60,CM6852A trans.			1
87/	B-C-CT-F-FT-L-LL-LN-LNT-LS-LT-LTL-LTS600/900 -- w/CM trans. (CM40,CM50,55,CM60), CM6852A "From 5/87"	E7HZ 17B384-M	#E7HT 17345-MA,MB (speedometer)	1
88/	L-LN800/900 -- 402, 476 diesel	E8HZ 17B384-A	#E8HT 17B384-AA (tachometer)	1
87/	B-F-FT600/900 -- w/AT 545-MT 643 or MT 653 trans.	E7HZ 17B384-G	Speedometer-E7HT 17345-LB	1
87/	L-LL-LN-LNT-LS-LT-LTL-LTS600/900 -- w/AT 545-MT 643 or MT 653 trans.			1
87/	B-F600/900 -- w/new Process 435 or 542 trans.	★ E7HZ 17B384-J r/bE7HZ 17B384-M	Speedometer	1
80/	B-F-FT-C-CT-L LN600/900 -- w/501 Det. dsl. or 636 Cat. dsl. w/o electric tachometer	388873-S100	(PP-41-E)-hex pipe plug 3/4"-16 x 5/16"-use to plug hole in flywheel housing when tachometer sensor is not installed	1
<b>17385 Rotor (Electronic Speedometer Sensor - Refer to section 172)</b>				
<b>17C430 GASKET (WINDSHIELD WIPER MOTOR SEAL)</b>				
80/	F-FT600/800(81)	E0TZ 17C430-B		1
<b>17C431 GROMMET (WINDSHIELD WIPER MOTOR MOUNTING)</b>				
80/	F600/800(81) "Before 6/80"	E0TZ 17C431-A	Contains 3 grommets-use w/E0TZ 17508-A	1
80/	F-FT600/800(81) "From 6/80"	E0TZ 17C431-B	Contains 3 grommets and sleeves-use w/E0TZ 17508-B	1
80/	L-LL-LN-LNT-LS-LT-LTL-LTS600/900 -- w/electric wipers	D2AZ 17C431-A		1
80/	L-LL-LN-LNT-LS-LT-LTL-LTS600/900 -- w/electric wipers	D2AZ 17C431-B	Ground	1
<b>17N433 WINDSHIELD WIPER DRIVE LINK PIVOT KIT</b>				
86/	CF600/800 -- diesel	E6HZ 17N433-A		1
<b>17A434 GEAR and SHAFT ASSY. (WINDSHIELD WIPER MOTOR OUTPUT)</b>				
80/	C-CT600/750 -- w/electric wipers	C6UZ 17A434-A		1
80/	F-FT600/800	E2TZ 17A434-A		1
86/	CF600/800 -- diesel	E6HZ 17A434-A		1



1980/  
TRUCK SERIES 600/900

YEAR	MODEL/RESTRICTIONS	PART NUMBER	DESCRIPTION	QTY.
<b>17A436 ARM (WINDSHIELD WIPER MOTOR OUTPUT)</b>				
80/	C-CT600/900 - - w/arc wipers	(RH) C4TZ 17A436-L	(LH) DOKZ 17A436-A	1
80/	C-CT600/900 - - w/parallel wipers	(RH) C4TZ 17A436-S	(LH) C4TZ 17A436-R	1
80/	F-FT600/800(81)	E0TZ 17A436-A		1
80/	L-LL-LN-LNT-LS-LT-LTL- LTS600/900 - - w/electric wipers	D0HZ 17A436-A		1
Consists of				
	1-D0VF 17C430-A Gasket	1-D0HF 17B500-A Seal	1 Instruction sheet	
	1-D0HF 17A436-A Arm assy.	1-359294-S2 Screw		
<b>17C436 RETAINER (WINDSHIELD WIPER MOTOR BUSHING)</b>				
80/	L-LN-LNT-LT-LTL-LTS600/900 - - w/electric wipers	★ C9AZ 17C436-A	Replaced by C9AZ 17B583-B	1
<b>17K437 THERMOSTAT ASSY. (WINDSHIELD WIPER MOTOR)</b>				
86/	CF600/800 - - diesel	E6HZ 17K437-A		1
<b>17B440 BEARING (WINDSHIELD WIPER MOTOR ARM SHAFT)</b>				
86/	CF600/800 - - diesel	E6HZ 17B440-A		1
<b>17D440 HOUSING ASSY. (INSTRUMENT PANEL LAMP)</b>				
89/	L-LL-LN-LT-LTL700/900 w/fleet or city delivery instr. panel, w/o engine brake, w/o speed control	E9HZ 17D440-A		1
<b>17B448 TUBE (BRAKE MANIFOLD TO AIR WINDSHIELD WIPER CONTROL)-improvise from bulk hose (17543)</b>				
<b>17A449 BRUSH ASSY. (WINDSHIELD WIPER MOTOR)</b>				
86/	CF600/800 - - diesel	E6HZ 17A449-A		1
<b>17B455 SHAFT ASSY. (WINDSHIELD WIPER GUIDE PIVOT)</b>				
80/	C-CT600/900 - - w/parallel wipers	C1TZ 17B455-C	3/8"-24 threaded shaft tip	2
		★374768-S100	Nut-round-7/8"-20	2
<b>17B459-60 COVER (WINDSHIELD WIPER MOTOR ACCESS)</b>				
80/	C-CT600/900 - - w/arc wipers	(RH) C1TZ 17B459-C	(LH) C1TZ 17B460-C	1
80/	C-CT600/900 - - w/parallel wipers	(RH) C1TZ 17B459-D	(LH) C1TZ 17B460-D	1
80/	CL-CLT900	★	Refer to group 023A14 in Body Section	
<b>17B468 VALVE (WINDSHIELD WIPER MOTOR PRESSURE REGULATOR)</b>				
80/81	CL-CLT900	D8HZ 17B468-A	Exhaust valve-white dot fitting end 1/4 x 32	2
82/	CL-CLT900	E2HZ 17B468-A	Exhaust valve-green w/black dot. fitting end 5/16 x 32	2
<b>17470 CONTROL (WINDSHIELD WIPER)-Also refer to group 17A553</b>				
80	C-CT600/900 - - w/air parallel wipers	★ D3KZ 17470-A	#D3KB 17470-AA,AB	1
80	C-CT600/900 - - w/air or arc wipers "From 6/80"	D3KZ 17470-C		1
80/	CL-CLT900	D8HZ 17470-E	Complete assy.	1
80/	CL-CLT900	D8HZ 17470-B	R.H. windshield wiper switch	1
80/	CL-CLT900	D8HZ 17470-D	L.H. windshield wiper/washer switch	1
80/	CL-CLT900	F1HZ 17470-B	Kit	1
80/84	L-LN-LNT-LT-LTL-LTS600/900 air wipers	D0HZ 17470-A		1
85/	L-LL-LN-LNT-LS-LT-LTL- LTS600/900 - - air wipers	E2HZ 17470-A	#E2HT 17470-A1A.A2A, F2HT 17470-AA	1
<b>17C474 RETAINER (WINDSHIELD WIPER MOTOR OUTPUT GEAR)</b>				
80/	C-CT600/900 - - w/electric wipers	C4TZ 17C474-A		1
<b>17A475 SEAL (WINDSHIELD WIPER PIVOT SHAFT TO COWL TOP)</b>				
80/	F-FT600/880(81)	D3TZ 17A475-A		4
86/	CF600/800 - - diesel	E6HZ 17A475-A		2
<b>17479 BRACKET (WINDSHIELD WIPER PIVOT SHAFT MOUNTING)</b>				
80/	C-CT600/900 - - w/parallel wipers	(RH) C5TZ 17479-A	(LH) C5TZ 17479-B	1
		378178-S39	(BB-412-BA)-screw & washer-5/16"-18 x 1"	6
<b>17A479 GEAR and PINION (WINDSHIELD WIPER MOTOR)</b>				
80/	C-CT600/900 - - w/electric wipers	D0PZ 17A479-B		1
Consists of				
	1-C90F 17A482-A Shaft	1-C90F 17B580-A Gear & pinion	1-Instruction sheet	
	1-C5AZ 17B549-A Lever	1-373907-S Nut - spring - 1/4"		

**1980/  
TRUCK SERIES 600/900**

YEAR	MODEL/RESTRICTIONS	PART NUMBER	DESCRIPTION	QTY.
<b>17A479 GEAR and PINION (WINDSHIELD WIPER MOTOR) — Cont'd</b>				
80/	L-LL-LN-LNT-LS-LT-LTS600/900 -- w/electric wipers	C9AZ 17A479-A		1
Consists of 1-C9AF 17B580-A Gear & pinion 1-380444-S Ring-retaining-3/8" 1-Instruction sheet				
<b>17K482 GASKET &amp; SPACER KIT (WINDSHIELD WIPER MOTOR)</b>				
80/	C-CT600/900-w/air arc wipers	D6HZ 17K482-A	Repair kit	1
<b>17B484-7 TUBE (WINDSHIELD WIPER MOTOR)-Improvise from 8QH 2269-D</b>				
<b>17A485 ARMATURE (WINDSHIELD WIPER MOTOR)</b>				
80/	C-CT-F-FT600/900 -- w/electric wipers	C60Z 17A485-B		1
86/	CF600/800 -- diesel	E6HZ 17A485-A		1
<b>17490 GEAR ASSY. (WINDSHIELD WIPER MOTOR)</b>				
80/	C-CT600/900 -- w/electric wipers	C1TB 17490-B		1
<b>17A490 WIRING ASSY. (WINDSHIELD WIPER MOTOR)</b>				
80/	C-CT600/900 -- w/electric wipers	D5HZ 17A490-A	#D5HB 17A477-AA, E0HT 17A477-AA	1
<b>17491 CONNECTOR (WINDSHIELD WIPER VACUUM PUMP TO INTAKE MANIFOLD TUBE) Improvise from bulk hose (17543)</b>				
<b>17K491-2 LINKAGE ASSIST (WINDSHIELD WIPER MOTOR KIT)</b>				
80/	CL-CLT900	(RH) E2HZ 17K491-A	(LH) E2HZ 17K492-A Includes chain drive and transmission housing, mounting screw and instruction sheet-TSB #82-14-22	1
<b>17496-7 BRACKET (WINDSHIELD WIPER MOTOR MOUNTING)</b>				
80/	C-CT600/900 -- w/arc wipers	(RH) D0KZ 17496-E	(LH) D0KZ 17496-F	1
80/	C-CT600/900 -- w/arc wipers	D6HZ 17496-A	R.H. & L.H. 5-5/8" x 1-7/8" x 3/32"	2
80/	C-CT600/900 -- w/parallel wipers	(RH) D0KZ 17496-G	(LH) D0KZ 17496-H	1
80/	L-LN-LNT-LT-LTL-LTS600/900 -- w/air wipers	D0HZ 17496-A		1
80/	C-CT600/900 -- w/arc wipers	43263-S8	(U-3)-bolt (bracket to dash panel)-1/4"-20 x 5/8"	4
<b>17B497 ELBOW ASSY. (WINDSHIELD WIPER MOTOR AIR INTAKE)</b>				
80/	C-CT800/900 -- T/T	C1TB 17B497-B	Used with (2538) tube	1
80/	LN700/750 -- T/T		Used with (2538 or 2539) tube	1
80/	LT900 -- w/rear axle air power divider			2
80/	LT900 -- w/air wipers		wiper motor air intake	1
<b>17499 HOSE (WINDSHIELD WIPER VACUUM PUMP TO BRAKE BOOSTER CHECK VALVE)- improvise from bulk hose (17543)</b>				
<b>17C499 RELAY ASSY. (WINDSHIELD WIPER)</b>				
86/	CF600/800 -- diesel	E6HZ 17C499-A	Use with intermittent wipers	1
<b>17K499 CAPACITOR ASSY. (WINDSHIELD WIPER SUPPRESSION)</b>				
86/	CF600/800 -- diesel	E6HZ 17K499-A		1
<b>17506 ACTUATOR KIT (WINDSHIELD WIPER MOTOR)</b>				
80/	CL-CLT900	E2HZ 17506-A		1
Consists of (1) Valve & shuttle assy. (1) Seal (1) IS 5137A Instruction Sheet				

**IDENTIFICATION CHART**

(Arranged according to Identification Number)

IDENTIFICATION	PART NUMBER	IDENTIFICATION	PART NUMBER
<b>17508 MOTOR ASSY. (WINDSHIELD WIPER)</b>			
The following chart will provide quick identification when the production wiper motor number is known, wiper motors may also be selected by model, year and description under Group 17508.			
D0KF 17C434-A	D0KZ 17508-F	D8HT 17504-AA	D8HZ 17508-C
D7HF 17C434-AA	D0KZ 17508-F	E0HT 17504-AA	D8HZ 17508-C
C1TB 17504-B	C1TZ 17508-A	E0TF 17504-AA	E0TZ 17508-A
D0HB 17504-E	D0HZ 17508-A	E0TF 17504-AB	E0TZ 17508-A
D4HF 17504-AA	D7HZ 17508-A	E0TF 17504-AC	E0TZ 17508-B
D6HA 17504-AA	D6HZ 17508-A	E2TF 17504-AB	E2TZ 17508-A

**1980/  
TRUCK SERIES 600/900**

**IDENTIFICATION CHART**

(Arranged according to Identification Number)

IDENTIFICATION	PART NUMBER	IDENTIFICATION	PART NUMBER
<b>17508 MOTOR ASSY. (WINDSHIELD WIPER) — Cont'd</b>			
The following chart will provide quick identification when the production wiper motor number is known, wiper motors may also be selected by model, year and description under Group 17508.			
D4HF 17504-AA	D7HZ 17508-AA	D2KF 17B571-BA	DOKZ 17508-F
E7HT 17504-AC	E7HZ 17508-A	D2KF 17B571-CA	DOKZ 17508-F
E9HF 17504-AA	E9HZ 17508-A	D2KF 17B571-DA	DOKZ 17508-F
DOKF 17C504-A	DOKZ 17508-F	D7HF 17B571-AA	DOKZ 17508-F
C1TB 17505-B	C1TZ 17508-C	D7HF 17B571-BA	DOKZ 17508-F
D6HA 17505-AA	D6HZ 17508-B	D7HF 17B571-CA	DOKZ 17508-F
D8HT 17505-AA	D8HZ 17508-D	D7HF 17B571-DA	DOKZ 17508-F
E0HT 17505-AA	D8HZ 17508-D	APMP640-2	E2HZ 17508-A
D2KF 17B571-AA	DOKZ 17508-F	APMP640-3	E2HZ 17508-B

**APPLICATION CHART**

YEAR	MODEL/RESTRICTIONS	PART NUMBER	DESCRIPTION	QTY.
<b>17508 MOTOR ASSY. (WINDSHIELD WIPER)</b>				
80/88	F-FT600/800	E2TZ 17508-A	*WM-388	1
80	C-CT600/900 -- w/air arc wipers-- "Before 6/80"	(RH) D6HZ 17508-A *WM-361	(LH) D6HZ 17508-B *WM-362 w/ link assy.	1
80/	C-CT600/900 -- w/electric wipers	DOKZ 17508-F	*WM-252 R.H. and L.H.	2
88/	F-FT600/900	E7TZ 17508-A	*WM-421	1
86/	CF600/800 -- diesel	★ E6HZ 17508-A	*WM-410	1
80/	CL-CLT900	(RH) ★ E2HZ 17508-A r/bF1HZ 17508-E *WM-389	(LH) ★ E2HZ 17508-B r/bF1HZ 17508-E *WM-390 Less chain drive also includes mounting screws and instruction sheet-- TSB-#82-14-22	1
80/	CL-CLT900	(RH) D8HZ 17508-C *WM-364-A	(LH) ★ D8HZ 17508-D r/bF1HZ-E *WM-365-A Includes chain drive assy.	1
80/	CL-CLT900	F1HZ 17508-E	Kit (R.H. & L.H.)--must replace both motors & all components with material supplied in this kit	1
80/	CL-CLT900	F1HZ 17508-D	R.H.	1
80/	CL-CLT900	F1HZ 17508-C	L.H.	1
80/	L-LL-LN-LNT-LS-LT-LTL- LTS600/900 -- w/air wipers	D0HZ 17508-A	*WM-239--must also replace E2HZ 17470-A for w/o windshield wipers of F3HZ 17470-A for w/windshield wipers	
80/88	L-LL-LN-LNT-LS-LT-LTL- LTS600/900 -- w/electric wipers	★ D7HZ 17508-A r/bF2HZ 17508-A	*WM-374	1
88/	L-LL-LN-LNT-LS-LT-LTL-LTS 600/900 -- w/two speed wipers	★ E9HZ 17508-A r/bF2HZ 17508-A	*WM-434	1
80/	L-LL-LN-LNT-LS-LT- LTL-LTS600/900	F2HZ 17508-A	*WM-447	1
80/	C-CT600/900	20344-S8	(B-42)-bolt-1/4"-20 x 3/4"	6
		★384297-S36	Screw & washer-1/4"-20 x 1/2"	8
		★351316-S	Washer-flat	6
80/	L-LL-LN-LNT-LS-LT-LTL-LTS600/900	56105-S	(B-319-D)-screw-1/4"-20 x 3/4"	3
80/	L-LN-LNT-LT-LTS600/800 -- w/air wipers	377901-S	(PP-14-N)-plug bottom-to plug hole in firewall when electric wipers are not used	1
<b>17W508 HARDWARE KIT (W/S WIPER)</b>				
80/	CL-CLT900	F1HZ 17W508-A		1
<b>17511 DRIVER (WINDSHIELD WIPER MOTOR ARM)</b>				
80/	C-CT600/900 -- w/electric arc wipers	B7T 17511-A	Sintered iron-9/16" O.D.-small end-3/16" I.D.	1
80/	C-CT600/900 -- w/electric parallel wipers	C1TB 17511-A	Sintered iron-9/16" O.D.-small end-1/4" I.D.	2or4
80/	L-LL-LN-LNT-LS-LT-LTL- LTS600/900 -- w/air wipers			2or4
<b>17A511 COVER (WINDSHIELD WIPER MOTOR GEAR)</b>				
80/	C-CT-F-FT600/900 -- w/electric wipers	C3AZ 17A511-C		1

**1980/  
TRUCK SERIES 600/900**

YEAR	MODEL/RESTRICTIONS	PART NUMBER	DESCRIPTION	QTY.	
<b>17A511 COVER (WINDSHIELD WIPER MOTOR GEAR) — Cont'd</b>					
80/	L-LL-LN-LNT-LT-LTL-LTS600/900 -- w/electric wipers	D4AZ 17A511-A		1	
Consists of (1) D4AF 17A511-AA Switch & cover Assy (1) 384923-S36 Screw & Washer No. 8-32 x 5/8" (3) 40917-S36 Screw-No. 8-32 x 1/2" (1) Instruction sheet					
<b>17512 NUT (WINDSHIELD WIPER CONTROL)</b>					
80/	C-CT600/900	D7TZ 17512-A	Windshield wiper control	1	
			Heater control	1	
80/	F-FT600/880(81)	D3TZ 17512-A	Windshield wiper control	1	
<b>17513 KNOB ASSY.</b>					
80/	B-F-FT600/800 -- gas	D8VY 17513-A		1	
80/	B-F-FT600/800 -- diesel	D7OZ 17513-A		1	
80/	C-CT600/900, F600/880(81)	C8UZ 17513-A	Heater control Wiper control	2 1	
80/	CL-CLT900	D8HZ 17513-A	For R.H. windshield wiper switch	1	
80/	CL-CLT900	D8HZ 17513-B	For L.H. windshield wiper/washer switch	1	
80/	CL-CLT900	F1HZ 17513-A		1	
80/	L-LL-LN-LNT-LS-LT-LTL- LTS600/900 -- w/electric wipers	D3HZ 17513-B	Windshield wiper control	1	
80/	C-CT600/800 -- w/air wipers	C1TB 17513-A	"Winged" control knob	1	
80/84	L-LN-LNT-LT-LTL-LTS600/900 -- w/air wipers			1	
85/	L-LL-LN-LNT-LS-LT-LTL- LTS600/900 -- w/air wipers	E2HZ 17513-A	Includes socket head set screw	1	
85/	L-LL-LN-LNT-LS-LT-LTL- LTS600/900 -- w/air wipers, sprague control	E2HZ 17513-B		1	
<b>17C513 COVER (WINDSHIELD WIPER ARM)</b>					
86/	CF600/800 -- diesel	E6HZ 17C513-A		2	
<b>17519 SPACER (WINDSHIELD WIPER)</b>					
86/	CF600/800 -- diesel	E6HZ 17519-A		2	
<b>17A520 CIRCUIT (WINDSHIELD WIPER PRINTED)</b>					
80/	C-CT600/900 -- w/electric wipers	C4TZ 17A520-A		1	
<b>17526-7 ARM ASSY. (WINDSHIELD WIPER PIVOT)</b>					
80/	C-CT600/900 -- w/arc wipers	B7TZ 17526-C	15" long	2	
80/	C-CT600/900 -- w/parallel wipers	C1TZ 17526-D	23 1/8" long	2	
86/	CF600/800 -- diesel	E6HZ 17526-A		2	
80/	CL-CLT900	(RH) D8HZ 17526-A	(LH) D8HZ 17527-A	21" long-incl. w/s washer tubing and nozzle	
80/82	F600/800	E0TZ 17526-A	17 3/10" long	2	
83/84	F-FT600/900 "Before 6/84"	E3TZ 17526-B		2	
84/87	F-FT600/900 "From 6/84 to 6/87"	E4TZ 17526-C	Black	2	
87/	B-F-FT600/900 "From 6/87"	E7TZ 17526-B		2	
80/	L-LL-LN-LNT-LS-LT-LTL-LTS600/900	D0HZ 17526-A	16" long	2	
80/	C-CT600/900	377175-S	(BB-5-A)-screw (arm to blade)-fillister head-No. 5-40	2	
80/	C-CT600/900	377176-S40	(MM-133)-nut (arm to blade)-lock-No. 5-40	2	
80/	C-CT600/900 -- w/arc wipers	359695-S13	(MM-5)-nut (arm to bracket & pivot shaft)- acorn-5/16"-32	2	
80/	C-CT600/900 -- w/arc wipers	★34941-S7	Lockwasher-5/16"	2	
80/	C-CT600/900 -- w/parallel wipers	375640-S13	(MM-5-A)-nut (arm to bracket & pivot shaft)- acorn-3/8"-24	4	
80/	C-CT600/900 -- w/parallel wipers	★356200-S7	Lockwasher-3/8"	4	
YEAR	MODEL/RESTRICTIONS	PART NUMBER		DESCRIPTION	QTY.
		BLADE (REFILL)	BLADE ASSY.		
<b>17528 BLADE ASSY. (WINDSHIELD WIPER)</b>					
80	C-CT600/900 -- w/arc wipers	D0HZ 17593-A	★ B7TZ 17528-B	Trico-18" long-r/b D0HZ 17528-B (4/83)	2
80/	C-CT600/900 -- w/parallel wipers	C7TZ 17593-A	C1TZ 17528-C	Trico-16" long	2
86/	CF600/800 -- diesel	E6HZ 17528-A			2

**1980/  
TRUCK SERIES 600/900**

YEAR	MODEL/RESTRICTIONS	PART NUMBER		DESCRIPTION	QTY.
		BLADE (REFILL)	BLADE ASSY.		
<b>17528 BLADE ASSY. (WINDSHIELD WIPER) — Cont'd</b>					
80/	CL-CLT900	D8HZ 17593-A	D8HZ 17528-A	Trico-22" long	2
80	F600/800 (81) "Before 3/80"	D9AZ 17593-A	D9AZ 17528-A	Trico-18" long	2
80/83	F-FT600/800 (81) "From 3/80"	★ E1FZ 17593-A	E3FZ 17528-A	Tridon-18" long	2
84/	F-FT600/800 (81)	★ E3DZ 17593-A	F0AZ 17528-A	Tridon (tear drop)-18" long	2
80/	L-LL-LN-LNT-LS-LT-LTL-LTS600/900	DOHZ 17593-A	DOHZ 17528-B	Trico-18" long	2
YEAR	MODEL/RESTRICTIONS	PART NUMBER		DESCRIPTION	QTY.
86/	CF600/800	F0HZ 17529-A		3mm-black	2
<b>17530 NUT WIPER BLADE ATTACHMENT</b>					
86/	CF600/800	F0HZ 17530-A		3mm black	1
<b>17531 CLIP (WINDSHIELD WIPER ADAPTER and CONNECTING ARM)</b>					
80/	C-CT600/900	C3SZ 17531-A			AR
80/	F-FT600/880(81)	C5ZZ 17531-A			1
80/	L-LL-LN-LNT-LS-LT-LTL-LTS600/900				2
<b>17A534 CUP ASSY. (WINDSHIELD WIPER MOTOR)</b>					
80/	C-CT600/900 - - w/electric wipers	C4TZ 17A534-A			1
<b>17C535 RETAINER (WINDSHIELD WIPER MOTOR CUP) Refer to group 17B583</b>					
<b>17540 ARM (WINDSHIELD WIPER MOUNTING)</b>					
80/	C-CT600/900 - - w/arc wipers	C1TZ 17540-A		4" long	2
<b>17C541 COVER ASSY. (WINDSHIELD WIPER MOTOR)</b>					
80/	L-LL-LN-LNT-LS-LT-LTL-LTS600/900 - - w/electric wipers	D2AZ 17C541-A			1
Consists of					
1-C9AF 17C430-D Gasket		1-C9AZ 17C526-A Cover-output arm		1-Instruction sheet	
1-D2AF 17C430-AA Gasket		1-D2AF 17C541-AA Cover-motor driven			
<b>17542 Refer to group 17B449</b>					
<b>17543 HOSE (WINDSHIELD WIPER-BULK)-Also refer to group 2269</b>					
80/	All	D3PZ 17543-B		*KW-6-B-7/64" I.D. x 50 ft. long	AR
		D3PZ 17543-C		*KW-7-B-5/32" I.D. x 50 ft. long	AR
		D3PZ 17543-A		*KW-5-B-7/32" I.D. x 50 ft. long	AR
		D3PZ 17543-D		*KW-8-A-9/32" I.D. x 50 ft. long	AR
		D9PZ 17543-A		*KW-9-1/4" I.D. x 50 ft. long	AR
<b>17B549 LEVER (WINDSHIELD WIPER MOTOR PARK SWITCH)</b>					
80/	C-CT600/900 - - w/electric wipers	C5AZ 17B549-A			1
80/	L-LL LN-LNT-LS-LT-LTL-LTS600/900 - - w/electric wipers				1
<b>17A553 SWITCH ASSY. (WINDSHIELD WIPER and WASHER)-Also refer to group 17470</b>					
80/	C-CT600/900 - - w/electric wipers	D3KZ 17A553-A		*SW-1158	1
86/	CF600/800 - - diesel w/intermittent wipers	★ E6HZ 17A553-B		R/b E7HZ 17A553-B	1
87/	CF600/800 - - w/intermittent wipers	E7HZ 17A553-B			1
86/	CF600/800 - - w/o intermittent wipers	E6HZ 17A553-C		R/b E7HZ 17A553-A	1
87/	CF600/800 - - w/o intermittent wipers	E7HZ 17A553-A			1
80/86	B-F-FT600/900	★ E0TZ 17A553-A r/bE7TZ 17A553-B		*SW-1571	1
80/	B-F-FT600/900	E7TZ 17A553-B		*SW-1571-A	1
80/	L-LL-LN-LNT-LS-LT-LTL-LTS600/900 - - w/electric wipers	DOHZ 17A553-A		*SW-915	1
<b>17B563 PIN (WINDSHIELD WIPER MOTOR)</b>					
80/	C-CT-F-FT600/900 - - w/electric wipers	C7OZ 17B563-A			1
<b>17566-7 ARM and PIVOT SHAFT ASSY. (WINDSHIELD WIPER MOUNTING)</b>					
80/	C-CT600/900 - - w/arc wipers	C1TZ 17566-J		R.H. and L.H.	2
80/	C-CT600/900 - - w/parallel wipers	(RH) C1TZ 17566-H	(LH) C1TZ 17567-E		1
80/	F-FT600/800 "Before 6/87"	(RH) E0TZ 17566-A	(LH) E0TZ 17567-A		1
87/	B-F-FT600/900 "From 6/87"	(RH) E7TZ 17566-A	(LH) E7TZ 17567-A		1
80/	L-LL-LN-LNT-LS-LT-LTL-LTS600/900	(RH) D3HZ 17566-A	(LH) D3HZ 17567-A		1

**1980/  
TRUCK SERIES 600/900**

YEAR	MODEL/RESTRICTIONS	PART NUMBER	DESCRIPTION	QTY.
<b>17566-7 ARM and PIVOT SHAFT ASSY. (WINDSHIELD WIPER MOUNTING) — Cont'd</b>				
80/	C-CT600/900 -- w/arc wipers	★42817-S	Screw & washer-1/4"-20 x 1/2"	4
		374792-S8B	(MM-54-A)-nut-3/4"-20	2
80/	C-CT600/900 -- w/parallel wipers	373942-S100	(MM-214)-nut-round-7/8" 20	
80/	F600/750(81)	20384-S8	(B-43)-bolt-hex. head-1/4"-20 x 1"	6
<b>17B566 BRUSH and TERMINAL ASSY. (WINDSHIELD WIPER MOTOR)</b>				
80/84	C-CT-F-FT600/900 -- w/electric wipers	C60Z 17B566-A		1
<b>17B583 PLATE and SWITCH ASSY. (WINDSHIELD WIPER MOTOR)</b>				
80/	C-CT600/900 -- w/electric wipers	D9HZ 17B583-A		1
80/	F-FT600/800	E2TZ 17B583-A		1
80/88	L-LN-LNT-LT-LTL-LTS600/900 w/electric wiper	C9AZ 17B583-B	For D7HZ 17508-A motor oil	1
Consists of				
	1-C9AZ 17C436-A	Retainer (motor bearing)	1-D2AF 17B443-A	Plate assy. (motor)
	1-C9AZ 17C535-A	Retainer (motor cup)	1-	Instruction sheet
90/	L series	E9PZ 17B583-A		1
Consists of				
	1-D3AF 17C436-AA	Retainer	1-E7AF 17C475-AA	Retainer
	1-E9UF 17B443-AA	Plate	1-IS 6122	Ins. sheet
<b>17B584 CUP and MAGNET ASSY. (WINDSHIELD WIPER MOTOR)</b>				
80/	C-CT-F-FT600/900 -- w/electric wipers	C70Z 17B584-A		1
<b>17B587 WIRING ASSY. (WINDSHIELD WIPER SWITCH TO MOTOR)</b>				
80/84	L-LN-LNT-LT-LTL-LTS600/900 -- w/electric wipers	★ E1HZ 17B587-B r/bE8HZ 17B587-A		1
85/87	L-LL-LN-LNT-LS-LT-LTL- LTS600/900 -- w/electric wipers	★ E5HZ 17B587-A r/bE8HZ 17B587-A	#E4HT 17B587-AA, E5HT 17B587-AA	1
88/	L-LL-LN-LNT-LS-LT-LTL- LTS600/900 -- w/electric wipers	E8HZ 17B587-A	#E8HT 17B587-AB,AC	1
89/	L-LL-LN-LNT-LS-LT-LTL-LTS600/900 -- w/two speed electric mtr.	E9HZ 17B587-A	#E9HT 17B587-AA	1
80/	L series	F3HZ 17B587-A	Use with F2HZ 17508-A	1
<b>17593 Refer to group 17528</b>				
<b>17B597 FRAME and LINK ASSY. (WINDSHIELD WIPER MOTOR)</b>				
86/	CF600/800 -- diesel	E6HZ 17B597-A		1
		E826013-S72	(AM-51-C) nut & cage (attaches frame and link to dash panel)	2
<b>17B599 SPRING (WINDSHIELD WIPER MOTOR BRUSH)</b>				
80/	C-CT-F-FT600/900 -- w/electric wipers	C5AZ 17B599-A		3

---

17285-17322 SPEEDOMETER GEARS (DRIVE and/or DRIVEN)

---

A. HOW TO FIND MECHANICAL SPEEDOMETER DRIVE and DRIVEN GEAR PART NUMBERS

There are two ways of determining the part number of a speedometer drive or driven gear.

BY IDENTIFICATION or BY APPLICATION

BY IDENTIFICATION

YOU MUST KNOW- Physical shape  
Number of teeth  
Identification number - Listed on Truck Specification List (T.S.L.) or stamped on physical part

EXAMPLE

DRIVEN GEAR (17322)  
(PAGE 2)

Physical shape conforms to-  
TYPE-7  
IDENTIFICATION NUMBER-  
EOHT-17322-BRA  
NUMBER OF TEETH-16  
PART NUMBER listed is-E0HZ 17322-BR

DRIVE GEAR (17285)  
(PAGE 5)

Physical shape conforms to-  
TYPE-9  
IDENTIFICATION NUMBER-  
EOHT-17285-AH  
NUMBER OF TEETH-6  
PART NUMBER listed is-E0HZ 17285-AH

BY APPLICATION

YOU MUST KNOW- Year  
Transmission  
Rear axle Ratio  
Tire Size

EXAMPLE

YEAR-  
TRANSMISSION-  
REAR AXLE RATIO-  
TIRE SIZE-

1980  
Fuller RT-610  
5.83 to 1  
11 x 22

DRIVE GEAR part number listed is E0HZ 17285-AH

DRIVEN GEAR part number listed is E0HZ 17322-BR

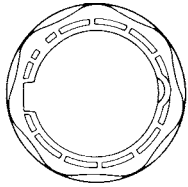
B. HOW TO FIND ELECTRONIC SPEEDOMETER COMPONENTS

1. FOR ROTOR GEARS INSIDE THE TRANSMISSIONS  
REFER TO BASIC GROUP 17385 AT THE END  
OF THIS SECTION.
  2. FOR SENSORS, REFER TO GROUP 17B384 IN  
SECTION 170.
  3. FOR SPEEDOMETER DIALS REFER TO GROUPS 17255.
- 
- 
-

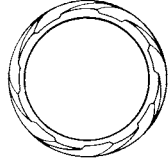
1980/  
TRUCK SERIES 600/900

17285

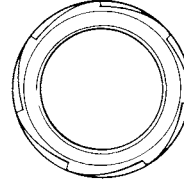
SPEEDOMETER GEAR (DRIVE)



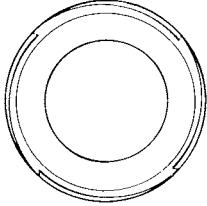
(TYPE 1)



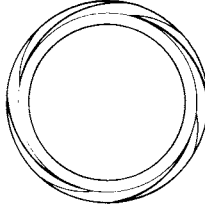
(TYPE 2)



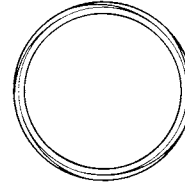
(TYPE 3)



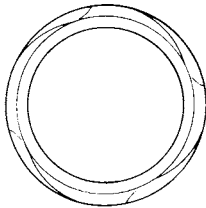
(TYPE 4)



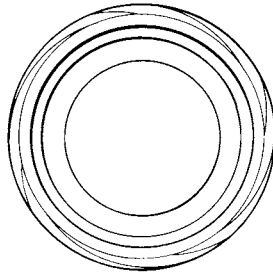
(TYPE 5)



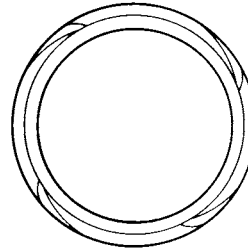
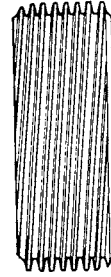
(TYPE 6)



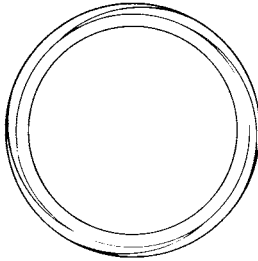
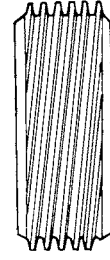
(TYPE 7)



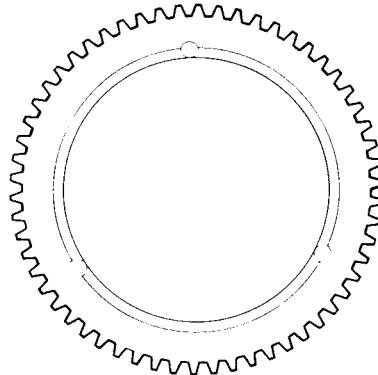
(TYPE 8)



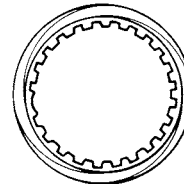
(TYPE 9)



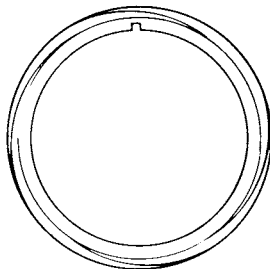
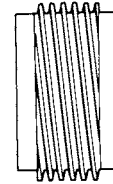
(TYPE 10)



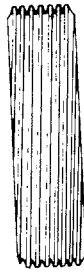
(TYPE 11)



(TYPE 12)



(TYPE 13)



SPEEDOMETER DRIVE GEARS (TYPICAL)



1980/  
TRUCK SERIES 600/900

**TYPE CHART**

(Arranged according To Type)

TYPE	TEETH	IDENTIFICATION NUMBER	DESCRIPTION	PART NUMBER
17285		SPEEDOMETER GEAR (DRIVE)		
4	4	E1HT 17285-AA		E1HZ 17285-A
4	4	EOHT 17285-BKA		EOHZ 17285-BK
4	5	E1HT 17285-BA		E1HZ 17285-B
4	5	EOHT 17285-BLA		EOHZ 17285-BL
7	3	EOHT 17285-EA		EOHZ 17285-E
7	3	EOHT 17285-FA		EOHZ 17285-F
7	4	EOHT 17285-BA		EOHZ 17285-B
7	4	EOHT 17285-CA		EOHZ 17285-C
7	6	EOHT 17285-DA		EOHZ 17285-D
8	4	EOHT 17285-BAA		EOHZ 17285-BA
8	5	EOHT 17285-BBA		EOHZ 17285-BB
8	6	EOHT 17285-BCA		EOHZ 17285-BC
8	6	EOHT 17285-BDA		EOHZ 17285-BD
8	7	EOHT 17285-BEA		EOHZ 17285-BE
8	8	EOHT 17285-BFA		EOHZ 17285-BF
8	8	EOHT 17285-BGA		EOHZ 17285-BG
9	4	EOHT 17285-AA		EOHZ 17285-A
9	4	EOHT 17285-LA		EOHZ 17285-L
9	4	EOHT 17285-AFA		EOHZ 17285-AF
9	5	EOHT 17285-GA		EOHZ 17285-G
9	5	EOHT 17285-MA		EOHZ 17285-M
9	5	EOHT 17285-AGA		EOHZ 17285-AG
9	6	EOHT 17285-HA		EOHZ 17285-H
9	6	EOHT 17285-NA		EOHZ 17285-N
9	6	EOHT 17285-AHA		EOHZ 17285-AH
9	7	EOHT 17285-JA		EOHZ 17285-J
9	7	EOHT 17285-RA		EOHZ 17285-R
9	7	EOHT 17285-AJA		EOHZ 17285-AJ
9	8	EOHT 17285-KA		EOHZ 17285-K
10	4	EOHT 17285-UA		EOHZ 17285-U
10	5	EOHT 17285-VA		EOHZ 17285-V
10	6	EOHT 17285-YA		EOHZ 17285-Y
10	6	EOHT 17285-AEA		EOHZ 17285-AE
10	7	EOHT 17285-ZA		EOHZ 17285-Z
10	7	EOHT 17285-ACA		EOHZ 17285-AC
10	8	EOHT 17285-AAA		EOHZ 17285-AA
10	8	EOHT 17285-ADA		EOHZ 17285-AD
13	4	EOHT 17285-ATA		EOHZ 17285-AT
13	5	EOHT 17285-AMA		EOHZ 17285-AM
13	5	EOHT 17285-AUA		EOHZ 17285-AU
13	6	EOHT 17285-ANA		EOHZ 17285-AN
13	6	EOHT 17285-AVA		EOHZ 17285-AV
13	7	EOHT 17285-ARA		EOHZ 17285-AR
13	7	EOHT 17285-AYA		EOHZ 17285-AY
13	8	EOHT 17285-ASA		EOHZ 17285-AS
13	8	EOHT 17285-AZA		EOHZ 17285-AZ

1980/  
TRUCK SERIES 600/900

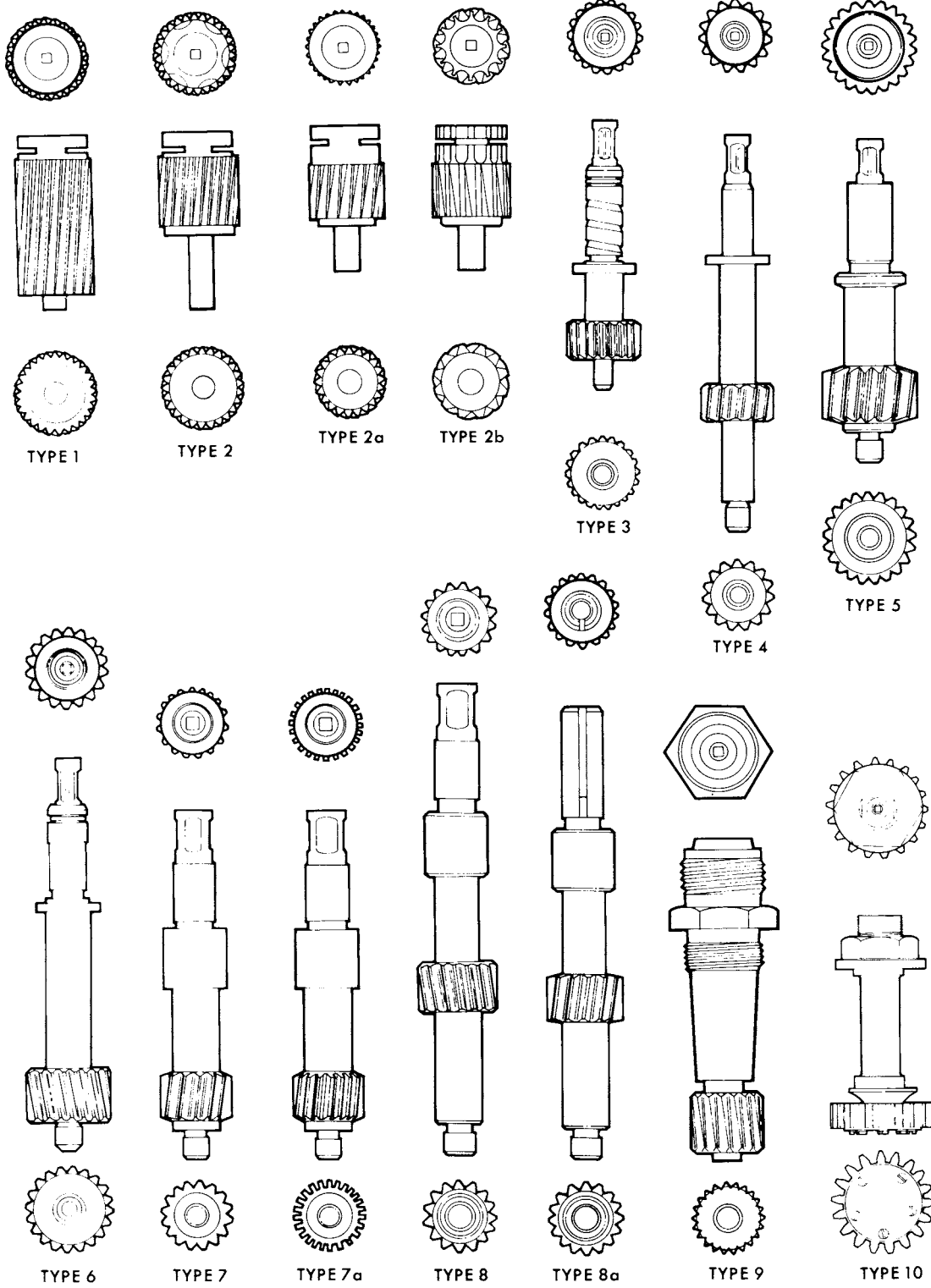
17285 SPEEDOMETER GEAR (DRIVE)

IDENTIFICATION CHART

(Arranged according to Identification Number)

IDENTIFICATION	PART NUMBER	IDENTIFICATION	PART NUMBER
EOHT 17285-AA	EOHZ 17285-A	77TU 17285-A	E7HZ 17285-A
EOHT 17285-BA	EOHZ 17285-B	3316283	E7HZ 17285-D
EOHT 17285-CA	EOHZ 17285-C	EOHT 17285-AFA	EOHZ 17285-AF
EOHT 17285-DA	EOHZ 17285-D	EOHT 17285-AGA	EOHZ 17285-AG
EOHT 17285-EA	EOHZ 17285-E	EOHT 17285-AHA	EOHZ 17285-AH
EOHT 17285-FA	EOHZ 17285-F	EOHT 17285-AJA	EOHZ 17285-AJ
EOHT 17285-GA	EOHZ 17285-G	EOHT 17285-AMA	EOHZ 17285-AM
EOHT 17285-HA	EOHZ 17285-H	EOHT 17285-ANA	EOHZ 17285-AN
EOHT 17285-JA	EOHZ 17285-J	EOHT 17285-ARA	EOHZ 17285-AR
EOHT 17285-KA	EOHZ 17285-K	EOHT 17285-ASA	EOHZ 17285-AS
EOHT 17285-LA	EOHZ 17285-L	EOHT 17285-ATA	EOHZ 17285-AT
EOHT 17285-MA	EOHZ 17285-M	EOHT 17285-AUA	EOHZ 17285-AU
EOHT 17285-NA	EOHZ 17285-N	EOHT 17285-AVA	EOHZ 17285-AV
EOHT 17285-RA	EOHZ 17285-R	EOHT 17285-AYA	EOHZ 17285-AY
EOHT 17285-SA	EOHZ 17285-S	EOHT 17285-AZA	EOHZ 17285-AZ
EOHT 17285-TA	EOHZ 17285-T	EOHT 17285-BAA	EOHZ 17285-BA
EOHT 17285-UA	EOHZ 17285-U	EOHT 17285-BBA	EOHZ 17285-BB
EOHT 17285-VA	EOHZ 17285-V	EOHT 17285-BCA	EOHZ 17285-BC
EOHT 17285-YA	EOHZ 17285-Y	EOHT 17285-BDA	EOHZ 17285-BD
EOHT 17285-ZA	EOHZ 17285-Z	EOHT 17285-BEA	EOHZ 17285-BE
EOHT 17285-AAA	EOHZ 17285-AA	EOHT 17285-BFA	EOHZ 17285-BF
EOHT 17285-ACA	EOHZ 17285-AC	EOHT 17285-BGA	EOHZ 17285-BG
EOHT 17285-ADA	EOHZ 17285-AD	EOHT 17285-BKA	EOHZ 17285-BK
EOHT 17285-AEA	EOHZ 17285-AE	EOHT 17285-BLA	EOHZ 17285-BL
3314356	E6HZ 17285-A	E1HT 17285-AA	E1HZ 17285-A
77TU 17285-A	E7HZ 17285-A	E1HT 17285-BA	E1HZ 17285-BB
3314685	E7HZ 17285-B		

17322 SPEEDOMETER GEARS (DRIVEN)



P-10682

## 1980/ TRUCK SERIES 600/900

### 17322 SPEEDOMETER GEAR (DRIVEN)

1. Locate gears by using the truck specification list (T.S.L.)
  - a. Find the part number of the speedometer driving gear or speedometer driven gear as listed on the T.S.L.
  - b. Use the T.S.L. Cross-reference Guide below to find the gear service part numbers needed.
2. Locate gears by using the Transmission Index.
  - a. Use the transmission index on page 9 to find the page which covers the transmission on the truck you are repairing.
  - b. Turn to the page for that transmission find the proper axle ratio and tire size, then locate the gear service part numbers.

**TYPE CHART**  
(Arranged according to Type)

TYPE	TEETH	IDENTIFICATION NUMBER	DESCRIPTION	PART NUMBER
<b>17322 SPEEDOMETER DRIVEN GEAR</b>				
3	13	E0HT 17322-LA	Alt. w/C1TT 17322-BF	E0HZ 17322-L
3	13	E0HT 17322-CYA	Alt. w/TFPB 17322-A	E0HZ 17322-CY
3	14	E0HT 17322-ABA	Alt. w/C1TT 17322-T	E0HZ 17322-AB
3	14	E0HT 17322-AEA	Alt. w/C1TT 17322-E	E0HZ 17322-AE
3	14	E0HT 17322-CZA	Alt. w/TFBB 17322-B	E0HZ 17322-CZ
3	15	E0HT 17322-AA	Alt. w/C1TT 17322-A	E0HZ 17322-A
3	15	E0HT 17322-CA	Alt. w/C1TT 17322-AC	E0HZ 17322-C
3	15	E0HT 17322-EA	Alt. w/C1TT 17322-AE	E0HZ 17322-E
3	15	E0HT 17322-HA	Alt. w/C1TT 17322-AJ	E0HZ 17322-H
3	15	E0HT 17322-YA	Alt. w/C1TT 17322-K	E0HZ 17322-Y
3	15	E0HT 17322-ACA	Alt. w/C1TT 17322-U	E0HZ 17322-AC
3	15	E0HT 17322-AFA	Alt. w/C1TT 17322-Z	E0HZ 17322-AF
3	15	E0HT 17322-DAA	Alt. w/TFBP 17322-C	E0HZ 17322-DA
3	16	E0HT 17322-BA	Alt. w/C1TT 17322-AA	E0HZ 17322-B
3	16	E0HT 17322-DA	Alt. w/C1TT 17322-AD	E0HZ 17322-D
3	16	E0HT 17322-FA	Alt. w/C1TT 17322-AF	E0HZ 17322-F
3	16	E0HT 17322-JA	Alt. w/C1TT 17322-AK	E0HZ 17322-J
3	16	E0HT 17322-KA	Alt. w/C1TT 17322-B	E0HZ 17322-K
3	16	E0HT 17322-NA	Alt. w/C1TT 17322-D	E0HZ 17322-N
3	16	E0HT 17322-TA	Alt. w/C1TT 17322-G	E0HZ 17322-T
3	16	E0HT 17322-ZA	Alt. w/C1TT 17322-L	E0HZ 17322-Z
3	16	E0HT 17322-ADA	Alt. w/C1TT 17322-V	E0HZ 17322-AD
3	16	E0HT 17322-DBA	Alt. w/TFBP 17322-D	E0HZ 17322-DB
3	17	E0HT 17322-GA	Alt. w/C1TT 17322-AG	E0HZ 17322-G
3	17	E0HT 17322-MA	Alt. w/C1TT 17322-C	E0HZ 17322-M
3	17	E0HT 17322-RA	Alt. w/C1TT 17322-E	E0HZ 17322-R
3	17	E0HT 17322-UA	Alt. w/C1TT 17322-H	E0HZ 17322-U
3	17	E0HT 17322-AAA	Alt. w/C1TT 17322-M	E0HZ 17322-AA
3	17	E0HT 17322-DCA	Alt. w/TFBP 17322-E	E0HZ 17322-DC
3	18	E0HT 17322-SA	Alt. w/C1TT 17322-F	E0HZ 17322-S
3	18	E0HT 17322-VA	Alt. w/C1TT 17322-J	E0HZ 17322-V
7	14	E0HT 17322-AGA	Alt. w/C6TA 17322-A	E0HZ 17322-AG
7	14	E0HT 17322-ANA	Alt. w/C6TA 17322-B	E0HZ 17322-AN
7	14	E0HT 17322-ATA	Alt. w/C6TA 17322-E	E0HZ 17322-AT
7	14	E0HT 17322-BFA	Alt. w/C6TZ 17322-S	E0HZ 17322-BF
7	14	E0HT 17322-BGA	Alt. w/C8HA 17322-A	E0HZ 17322-BG
7	15	E0HT 17322-ARA	Alt. w/C6TA 17322-C	E0HZ 17322-AR
7	15	E0HT 17322-AUA	Alt. w/C6TA 17322-F	E0HZ 17322-AU

**1980/  
TRUCK SERIES 600/900**

TYPE	TEETH	IDENTIFICATION NUMBER	DESCRIPTION	PART NUMBER
<b>17322 SPEEDOMETER GEAR (DRIVEN) — Cont'd</b>				
7	15	EOHT 17322-AZA	Alt. w/C6TA 17322-J	EOHZ 17322-AZ
7	15	EOHT 17322-BCA	Alt. w/C6TA 17322-M	EOHZ 17322-BC
7	15	EOHT 17322-BHA	Alt. w/C8HA 17322-B	EOHZ 17322-BH
7	15	EOHT 17322-BKA	Alt. w/C8HA 17322-D	EOHZ 17322-BK
7	16	EOHT 17322-ASA	Alt. w/C6TA 17322-D	EOHZ 17322-AS
7	16	EOHT 17322-AVA	Alt. w/C6TA 17322-G	EOHZ 17322-AV
7	16	EOHT 17322-BAA	Alt. w/C6TA 17322-K	EOHZ 17322-BA
7	16	EOHT 17322-BDA	Alt. w/C6TA 17322-N	EOHZ 17322-BD
7	16	EOHT 17322-BJA	Alt. w/C8HA 17322-C	EOHZ 17322-BJ
7	16	EOHT 17322-BLA	Alt. w/C8HA 17322-E	EOHZ 17322-BL
7	16	EOHT 17322-BRA	Alt. w/C8HA 17322-H	EOHZ 17322-BR
7	16	EOHT 17322-BTA	Alt. w/C8HA 17322-L	EOHZ 17322-BT
7	17	EOHT 17322-AYA	Alt. w/C6TA 17322-H	EOHZ 17322-AY
7	17	EOHT 17322-BBA	Alt. w/C6TA 17322-L	EOHZ 17322-BB
7	17	EOHT 17322-BEA	Alt. w/C6TA 17322-R	EOHZ 17322-BE
7	17	EOHT 17322-BMA	Alt. w/C8HA 17322-F	EOHZ 17322-BM
7	17	EOHT 17322-BSA	Alt. w/C8HA 17322-J	EOHZ 17322-BS
7A	15	EOHT 17322-AJA	Alt. w/C6TA 17322-AC	EOHZ 17322-AJ
7A	15	EOHT 17322-ALA	Alt. w/C6TA 17322-AE	EOHZ 17322-AL
7A	15	EOHT 17322-AMA	Alt. w/C6TA 17322-AJ	EOHZ 17322-AM
7A	16	EOHT 17322-AHA	Alt. w/C6TA 17322-AB	EOHZ 17322-AH
7A	16	EOHT 17322-AKA	Alt. w/C6TA 17322-AD	EOHZ 17322-AK
8	14	EOHT 17322-CCA	Alt. w/D3HS 17322-EA	EOHZ 17322-CC
8	14	EOHT 17322-CDA	Alt. w/D4HA 17322-AA	EOHZ 17322-CD
8	14	EOHT 17322-CGA	Alt. w/D4HA 17322-DA	EOHZ 17322-CG
8	15	EOHT 17322-CEA	Alt. w/D4HA 17322-BA	EOHZ 17322-CE
8	15	EOHT 17322-CHA	Alt. w/D4HA 17322-EA	EOHZ 17322-CH
8	15	EOHT 17322-CKA	Alt. w/D4HA 17322-GA	EOHZ 17322-CK
8	15	EOHT 17322-CMA	Alt. w/D4HA 17322-JA	EOHZ 17322-CM
8	15	EOHT 17322-CSA	Alt. w/D4HA 17322-MA	EOHZ 17322-CS
8	15	EOHT 17322-CVA	Alt. w/D4HS 17322-BA	EOHZ 17322-CV
8	16	EOHT 17322-CJA	Alt. w/D4HA 17322-FA	EOHZ 17322-CJ
8	16	EOHT 17322-CLA	Alt. w/D4HA 17322-HA	EOHZ 17322-CL
8	16	EOHT 17322-CNA	Alt. w/D4HA 17322-KA	EOHZ 17322-CN
8	16	EOHT 17322-CTA	Alt. w/D4HA 17322-NA	EOHZ 17322-CT
8	16	EOHT 17322-CUA	Alt. w/D4HS 17322-AA	EOHZ 17322-CU
8	17	EOHT 17322-CBA	Alt. w/D3HS 17322-DA	EOHZ 17322-CB
8	17	EOHT 17322-CRA	Alt. w/D4HA 17322-LA	EOHZ 17322-CR
9	17	EOHT 17322-BVA	Alt. w/D2TA 17322-AA	EOHZ 17322-BV
9	18	EOHT 17322-BYA		★EOHZ 17322-BY r/b E1HZ 17322-A
9	19	EOHT 17322-BZA		★EOHZ 17322-BZ r/b E1HZ 17322-B
9	20	EOHT 17322-CAA		★EOHZ 17322-CA r/b E1HZ 17322-C

**IDENTIFICATION CHART**

Arranged according to Identification Number

EOHT 17322-AA	EOHZ 17322-A	EOHT 17322-EA	EOHZ 17322-E
EOHT 17322-BA	EOHZ 17322-B	EOHT 17322-FA	EOHZ 17322-F
EOHT 17322-CA	EOHZ 17322-C	EOHT 17322-GA	EOHZ 17322-G
EOHT 17322-DA	EOHZ 17322-D	EOHT 17322-HA	EOHZ 17322-H

**1980/  
TRUCK SERIES 600/900**

**IDENTIFICATION CHART**

(Arranged according to Identification Number)

IDENTIFICATION	PART NUMBER	IDENTIFICATION	PART NUMBER
<b>17322 SPEEDOMETER DRIVEN GEAR — Cont'd</b>			
EOHT 17322-JA	EOHZ 17322-J	77TU 17322-B	E7HZ 17322-C
EOHT 17322-KA	EOHZ 17322-K	77TU 17322-C	E7HZ 17322-D
EOHT 17322-LA	EOHZ 17322-L	EOHT 17322-BHA	EOHZ 17322-BH
EOHT 17322-MA	EOHZ 17322-M	EOHT 17322-BJA	EOHZ 17322-BJ
EOHT 17322-NA	EOHZ 17322-N	EOHT 17322-BKA	EOHZ 17322-BK
EOHT 17322-RA	EOHZ 17322-R	EOHT 17322-BLA	EOHZ 17322-BL
EOHT 17322-SA	EOHZ 17322-S	EOHT 17322-BMA	EOHZ 17322-BM
EOHT 17322-TA	EOHZ 17322-T	EOHT 17322-BRA	EOHZ 17322-BR
EOHT 17322-UA	EOHZ 17322-U	EOHT 17322-BSA	EOHZ 17322-BS
EOHT 17322-VA	EOHZ 17322-V	EOHT 17322-BTA	EOHZ 17322-BT
EOHT 17322-YA	EOHZ 17322-Y	EOHT 17322-BVA	EOHZ 17322-BV
EOHT 17322-ZA	EOHZ 17322-Z	EOHT 17322-BYA	★EOHZ 17322-BY
EOHT 17322-AAA	EOHZ 17322-AA		r/bE1HZ 17322-A
EOHT 17322-ABA	EOHZ 17322-AB	EOHT 17322-BZA	★EOHZ 17322-BZ
EOHT 17322-ACA	EOHZ 17322-AC		r/bE1HZ 17322-B
EOHT 17322-ADA	EOHZ 17322-AD	EOHT 17322-CAA	★EOHZ 17322-CA
EOHT 17322-AEA	EOHZ 17322-AE		r/bE1HZ 17322-C
EOHT 17322-AFA	EOHZ 17322-AF	EOHT 17322-CBA	EOHZ 17322-CB
EOHT 17322-AGA	EOHZ 17322-AG	EOHT 17322-CCA	EOHZ 17322-CC
EOHT 17322-AHA	EOHZ 17322-AH	EOHT 17322-CDA	EOHZ 17322-CD
EOHT 17322-AJA	EOHZ 17322-AJ	EOHT 17322-CEA	EOHZ 17322-CE
EOHT 17322-AKA	EOHZ 17322-AK	EOHT 17322-CGA	EOHZ 17322-CG
EOHT 17322-ALA	EOHZ 17322-AL	EOHT 17322-CHA	EOHZ 17322-CH
EOHT 17322-AMA	EOHZ 17322-AM	EOHT 17322-CJA	EOHZ 17322-CJ
EOHT 17322-ANA	EOHZ 17322-AN	EOHT 17322-CKA	EOHZ 17322-CK
EOHT 17322-ARA	EOHZ 17322-AR	EOHT 17322-CLA	EOHZ 17322-CL
EOHT 17322-ASA	EOHZ 17322-AS	EOHT 17322-CMA	EOHZ 17322-CM
EOHT 17322-ATA	EOHZ 17322-AT	EOHT 17322-CNA	EOHZ 17322-CN
EOHT 17322-AUA	EOHZ 17322-AU	EOHT 17322-CRA	EOHZ 17322-CR
EOHT 17322-AVA	EOHZ 17322-AV	EOHT 17322-CSA	EOHZ 17322-CS
EOHT 17322-AYA	EOHZ 17322-AY	EOHT 17322-CTA	EOHZ 17322-CT
EOHT 17322-AZA	EOHZ 17322-AZ	EOHT 17322-CUA	EOHZ 17322-CU
EOHT 17322-BAA	EOHZ 17322-BA	EOHT 17322-CVA	EOHZ 17322-CV
EOHT 17322-BBA	EOHZ 17322-BB	EOHT 17322-CYA	EOHZ 17322-CY
EOHT 17322-BCA	EOHZ 17322-BC	EOHT 17322-CZA	EOHZ 17322-CZ
EOHT 17322-BDA	EOHZ 17322-BD	EOHT 17322-DAA	EOHZ 17322-DA
EOHT 17322-BEA	EOHZ 17322-BE	EOHT 17322-DBA	EOHZ 17322-DB
EOHT 17322-BFA	EOHZ 17322-BF	EOHT 17322-DCA	EOHZ 17322-DC
EOHT 17322-BGA	EOHZ 17322-BG	E1HT 17322-AA	E1HZ 17322-A
E1HT 17322-BA	E7HZ 17322-E	E1HT 17322-CA	E1HZ 17322-C
E7HT 17322-AA	E7HZ 17322-A		

1980/  
TRUCK SERIES 600/900

**TRANSMISSION INDEX**

MAKE	MODEL	PAGE NO.	MAKE	MODEL	PAGE NO.
17322	SPEEDOMETER GEAR (DRIVEN) — Cont'd		CF700/800		
EXCEPT CL-CLT			ALLISON	AT-545	67-68
ALLISON	MT-643	09-36	CLARK	CL-450,451,455	67-68
	MT-653	09-40		CL-545,551,558	
	AT-540,545	09-44	EXCEPT CL-CLT — Cont'd		
CLARK and SPICER	Clark 390,550 series, CM 6052, Spicer- 7231 Aux.	09-46	NEW PROCESS and CLARK	NP-542, Clark 280- series	09-66
			NEW PROCESS and WARNER	NP-435, Warner T-19,T-19D	09-70
FULLER	T-905,T-11605-A	09-51	SPICER	7041 Aux., 8341 Aux	10-06
	RT-610,6610	09-51		1007,1372-A,CM3510, 1207-3A,1107-2A	10-11
	12510,12513,12515, RT01157DL/DLL,RT14610, RT14613,RT014615,RT011607L/LL, RT14609,RT14608, RTL4608LL	09-56		CM5510	10-15
				1062,1107-2A	10-18
	RT-910,906,613, 9509,9513,1110, 958LL,6613,9508, 11509,11610,6613 11613,11609A,11609B, 11605A,11608,11615, RTO-11608LL	09-60	CL-CLT		
			FULLER	RT-910,1110,9508, 9509,9513,11610,11608, 11609A,RT011613	10-25
				12509,12510,12513	10-26
			SPICER	1062,11207-A,RT14609A, 14610A,RT014613	10-28

**1980/  
TRUCK SERIES 600/900**

TRANSMISSION MODEL	TIRES	ADAPTER	DRIVE GEAR	DRIVEN GEAR
17285	SPEEDOMETER DRIVE GEAR			

**(EXCEPT CL-CLT)**

**SPEEDOMETER GEAR COMBINATIONS**

For multi-speed axle speedometer gear selection use lowest numerical axle ratio.

**ALLISON**

Notes: \$ Part of transmission output shaft, Δ None, required, Note 1: Michelin tires-275/80R x 22.5, Goodyear tires-295/75R x 22.5  
Note 2: Michelin tires-275/80R x 24.5, Goodyear tires- 285/75R x 24.5

4.56 REAR AXLE RATIO				
Mt-643	8.25 x 20	E4HZ 17294-A	\$	E1HZ 17322-A
	9 x 20, 10 x 22.5	E4HZ 17294-B	\$	E1HZ 17322-A
	10 x 20, 11 x 22.5	E0HZ 17294-CN	\$	E1HZ 17322-A
	10 x 22, 11 x 22	E4HZ 17294-C	\$	E1HZ 17322-A
	11 x 20	E3HZ 17294-A	\$	E1HZ 17322-B
	11 x 24.5	E3HZ 17294-C	\$	E1HZ 17322-A
	12 x 22.5	E4HZ 17294-D	\$	E1HZ 17322-B
4.62 REAR AXLE RATIO				
MT 643	8.25 x 20	E0HZ 17294-CN	\$	E1HZ 17322-C
	9 x 20, 10 x 22.5-Note 1	E0HZ 17294-CN	\$	E1HZ 17322-B
	10 x 20, 11 x 22.5-Note 2	E3HZ 17294-D	\$	E1HZ 17322-C
	10 x 22, 11 x 24.5	E3HZ 17294-D	\$	E1HZ 17322-B
	11 x 20, 12 x 22.5	E0HZ 17294-CN	\$	E1HZ 17322-A
	11 x 22, 12 x 24.5	E3HZ 17294-D	\$	E1HZ 17322-B
4.88 and 4.89 REAR AXLE RATIO				
MT643	8.25 x 20	E1HZ 17294-C	\$	E1HZ 17322-B
	9 x 20	E0HZ 17294-CN	\$	E1HZ 17322-C
	10 x 20, 11 x 22.5-Note 2	E0HZ 17294-CE	\$	E1HZ 17322-A
	10 x 22, 11 x 24.5	E3HZ 17294-D	\$	E1HZ 17322-C
	10 x 22.5-Note 1	E0HZ 17294-AJ	\$	E1HZ 17322-A
	11 x 20, 12 x 22.5	E0HZ 17294-CN	\$	E1HZ 17322-A
	11 x 22	E0HZ 17294-CN	\$	E1HZ 17322-A
12 x 24.5	E3HZ 17294-D	\$	E1HZ 17322-C	
5.29 REAR AXLE RATIO				
MT 643	9 x 20	E0HZ 17294-AL	\$	E1HZ 17322-A
	10 x 20, 11 x 22.5-Note 2	E3HZ 17294-C	\$	E1HZ 17322-B
	10 x 22, 11 x 24.5	E0HZ 17294-CN	\$	E1HZ 17322-C
	10 x 22.5-Note 1	E0HZ 17294-AM	\$	E1HZ 17322-A
	11 x 20, 12 x 22.5	E0HZ 17294-CE	\$	E1HZ 17322-B
	11 x 22, 12 x 24.5	E0HZ 17294-CE	\$	E1HZ 17322-A
5.38 REAR AXLE RATIO				
MT 643	8.25 x 20	E0HZ 17294-AM	\$	E1HZ 17322-B
	9 x 20, 10 x 22.5	E0HZ 17294-AE	\$	E1HZ 17322-A
	10 x 20, 11 x 22.5	E0HZ 17294-AK	\$	E1HZ 17322-A
	11 x 20, 12 x 22.5	E3HZ 17294-CX	\$	E3HZ 17322-B
	11 x 22	E3HZ 17294-CY	\$	E1HZ 17322-B
	11 x 24.5	E0HZ 17294-CE	\$	E1HZ 17322-B
5.43 REAR AXLE RATIO				
MT 643	9 x 20, 10 x 22.5-Note 1	E3HZ 17294-AJ	\$	E1HZ 17322-C
	10 x 20, 11 x 22.5-Note 2	E0HZ 17294-CE	\$	E1HZ 17322-C
	10 x 22, 11 x 24.5	E0HZ 17294-CE	\$	E1HZ 17322-B
	11 x 20, 12 x 22.5	E3HZ 17294-C	\$	E1HZ 17322-B
	11 x 22, 12 x 24.5	E3HZ 17294-CN	\$	E1HZ 17322-C
5.57 REAR AXLE RATIO				
MT-643	8.25 x 20	E0HZ 17294-B	\$	E1HZ 17322-C
	9 x 20	E0HZ 17294-B	\$	E1HZ 17322-B
	10 x 20, 11 x 22.5-Note 2	E0HZ 17294-AM	\$	E1HZ 17322-A
	10 x 22, 11 x 24.5	E3HZ 17294-C	\$	E1HZ 17322-B
	10 x 22.5-Note 1	E0HZ 17294-AL	\$	E1HZ 17322-B
	11 x 20, 12 x 22.5	E0HZ 17294-CE	\$	E1HZ 17322-A
	11 x 22, 12 x 24.5	E0HZ 17294-CE	\$	E1HZ 17322-B



**1980/  
TRUCK SERIES 600/900**

TRANSMISSION MODEL	TIRES	ADAPTER	DRIVE GEAR	DRIVEN GEAR
17285	SPEEDOMETER DRIVE GEAR — Cont'd			
<b>(EXCEPT CL-CLT)</b>				
<b>SPEEDOMETER GEAR COMBINATIONS</b>				
For multi-speed axle speedometer gear selection use lowest numerical axle ratio.				
<b>ALLISON</b>				
Note:	\$ Part of transmission output shaft, Δ None required, Note 1: Michelin tires-275/80R x 22.5, Goodyear tires-295/75R x 22.5			
Note 2:	Michelin tires-275/80R x 24.5, Goodyear tires- 285/75R x 24.5			
<b>5.83</b>	<b>REAR AXLE RATIO</b>			
MT-643	8.25 x 20	E0HZ 17294-C	\$	E0HZ 17322-B
	9 x 20	E0HZ 17294-B	\$	E0HZ 17322-C
	10 x 20, 11 x 22.5-Note 2	E0HZ 17294-AL	\$	E0HZ 17322-A
	10 x 22, 11 x 24.5	E3HZ 17294-C	\$	E0HZ 17322-C
	10 x 22.5-Note 1	E0HZ 17294-AL	\$	E0HZ 17322-C
	11 x 20, 12 x 24.5	E0HZ 17294-AJ	\$	E0HZ 17322-C
	11 x 22	E0HZ 17294-CE	\$	E0HZ 17322-C
	12 x 22.5	E0HZ 17294-AK	\$	E0HZ 17322-B
<b>5.86</b>	<b>REAR AXLE RATIO</b>			
MT-643	8.25 x 20	E0HZ 17294-C	\$	E1HZ 17294-B
	9 x 20, 10 x 22.5-Note 1	E0HZ 17294-AL	\$	E1HZ 17294-C
	10 x 20, 11 x 24.5	E0HZ 17294-AM	\$	E1HZ 17294-B
	10 x 22	E3HZ 17294-C	\$	E1HZ 17294-C
	11 x 20	E0HZ 17294-AK	\$	E1HZ 17294-B
	11 x 22	E0HZ 17294-CE	\$	E1HZ 17294-C
	11 x 24.5	E3HZ 17294-C	\$	E1HZ 17294-C
	12 x 22.5-Note 2	E0HZ 17294-B	\$	E1HZ 17294-B
	12 x 24.5	E0HZ 17294-CE	\$	E1HZ 17294-C
<b>6.14</b>	<b>REAR AXLE RATIO</b>			
MT-643	9 x 20	E0HZ 17294-C	\$	E1HZ 17322-B
	10 x 20, 11 x 22.5-Note 2	E0HZ 17294-AM	\$	E1HZ 17322-C
	10 x 22, 11 x 24.5	E0HZ 17294-AM	\$	E1HZ 17322-B
	10 x 22.5-Note 1	E0HZ 17294-AF	\$	E1HZ 17322-B
	11 x 20, 12 x 22.5	E0HZ 17294-AK	\$	E1HZ 17322-C
	11 x 22	E0HZ 17294-AK	\$	E1HZ 19322-B
	12 x 24.5	E0HZ 17294-CD	\$	E1HZ 17322-A
<b>6.17</b>	<b>REAR AXLE RATIO</b>			
MT-643	8.25 x 20	E0HZ 17294-C	Δ	E1HZ 17322-C
	9 x 20	E0HZ 17294-C	\$	E1HZ 17322-B
	10 x 22.5-Note 1	E0HZ 17294-BG	\$	E1HZ 17322-B
	10 x 20, 11 x 22.5-Note 2	E0HZ 17294-AM	\$	E1HZ 17322-C
	10 x 22, 11 x 24.5	E0HZ 17294-AR	\$	E1HZ 17322-A
	11 x 20, 12 x 22.5	E0HZ 17294-C	\$	E1HZ 71322-A
	11 x 22	E0HZ 17294-B	\$	E1HZ 17322-B
	12 x 24.5	E0HZ 17294-AJ	\$	E1HZ 17322-C
<b>6.50</b>	<b>REAR AXLE RATIO</b>			
MT-643	8.25 x 20, 9 x 22.5	E0HZ 17294-AS	\$	E1HZ 17322-C
	9 x 20	E0HZ 17294-AF	\$	E1HZ 17322-C
	10 x 20, 11 x 22.5-Note 2	E0HZ 17294-AR	\$	E1HZ 17322-C
	10 x 22, 11 x 24.5	E0HZ 17294-AR	\$	E1HZ 17322-B
	10 x 22.5-Note 1	E0HZ 17294-BG	\$	E1HZ 17322-C
	11 x 20	E0HZ 17294-AS	\$	E1HZ 17322-A
	11 x 22	E0HZ 17294-C	\$	E1HZ 17322-A
	12 x 22.5	E0HZ 17294-C	\$	E1HZ 17322-B
	12 x 24.5	E0HZ 17294-AK	\$	E1HZ 17322-C
<b>6.57</b>	<b>REAR AXLE RATIO</b>			
MT-643	8.25 x 20, 9 x 22.5	E0HZ 17294-AN	\$	E1HZ 17322-B
	9 x 20	E0HZ 17294-BG	\$	E1HZ 17322-C
	10 x 20, 11 x 22.5	E0HZ 17294-AR	\$	E1HZ 17322-C
	10 x 22, 11 x 24.5	E0HZ 17294-CD	\$	E1HZ 17322-C
	10 x 22.5	E0HZ 17294-G	\$	E1HZ 17322-C
	11 x 20	E3HZ 17294-C	C	E1HZ 17322-B
	11 x 22, 12 x 24.5	E0HZ 17294-B	\$	E1HZ 17322-C
	12 x 22.5	E0HZ 17294-AF	\$	E1HZ 17322-B

**1980/  
TRUCK SERIES 600/900**

TRANSMISSION MODEL	TIRES	ADAPTER	DRIVE GEAR	DRIVEN GEAR
17285	SPEEDOMETER DRIVE GEAR — Cont'd			
<b>(EXCEPT CL-CLT)</b>				
<b>SPEEDOMETER GEAR COMBINATIONS</b>				
For multi-speed axle speedometer gear selection use lowest numerical axle ratio.				
<b>ALLISON</b>				
Notes:	\$ Part of transmission output shaft, Δ None required, Note 1: Michelin tires-275/80R x 22.5, Goodyear tires-295/75R x 22.5			
Note 2:	Michelin tires-275/80R x 24.5, Goodyear tires- 285/75R x 24.5			
<b>6.67 REAR AXLE RATIO</b>				
MT-643	8.25 x 20	EOHZ 17294-AH	\$	E1HZ 17322-A
	9 x 20, 10 x 22.5-Note 1	EOHZ 17294-AF	\$	E1HZ 17322-C
	10 x 20, 11 x 22.5-Note 2	EOHZ 17294-C	\$	E1HZ 17322-C
	10 x 22, 11 x 24.5	EOHZ 17294-C	\$	E1HZ 17322-B
	11 x 20, 12 x 22.5	EOHZ 17294-AR	\$	E1HZ 17322-C
	11 x 22	EOHZ 17294-AR	\$	E1HZ 17322-B
	12 x 24.5	EOHZ 17294-AM	\$	E1HZ 17322-C
<b>6.83 REAR AXLE RATIO</b>				
MT-643	8.25 x 20	EOHZ 17294-E	\$	E1HZ 17322-C
	9 x 20	EOHZ 17294-AS	\$	E1HZ 17322-C
	10 x 20, 11 x 22.5-Note 2	EOHZ 17294-BG	\$	E1HZ 17322-C
	10 x 22, 11 x 24.5	EOHZ 17294-AR	\$	E1HZ 17322-C
	10 x 22.5-Note 1	EOHZ 17294-AN	\$	E1HZ 17322-B
	11 x 20, 12 x 22.5	EOHZ 17294-C	\$	E1HZ 17322-C
	11 x 22	EOHZ 17294-C	\$	E1HZ 17322-B
12 x 24.5	EOHZ 17294-CD	\$	E1HZ 17322-C	
<b>7.14 REAR AXLE RATIO</b>				
MT 643	8.25 x 20, 9 x 22.5	Δ	\$	EOHZ 17322-B
	9 x 20, 10 x 22.5	EOHZ 17291-E	\$	EOHZ 17322-C
	10 x 20, 11 x 22.5	EOHZ 17291-AN	\$	EOHZ 17322-B
	11 x 20	EOHZ 17291-AG	\$	EOHZ 17322-A
	10 x 22, 11 x 24.5	EOHZ 17291-BG	\$	EOHZ 17322-C
	11 x 22, 12 x 24.5	EOHZ 17291-AS	\$	EOHZ 17322-B
	12 x 22.5	EOHZ 17291-AS	\$	EOHZ 17322-C
<b>7.17 REAR AXLE RATIO</b>				
MT-643 -- bronze gears "From 6/15/81"	8.25 x 20	EOHZ 17294-AG	\$	E1HZ 17322-C
	9 x 20	EOHZ 17294-E	\$	E1HZ 17322-C
	10 x 20, 11 x 22.5-Note 2	EOHZ 17294-CL	\$	E1HZ 17322-A
	10 x 22, 11 x 24.5	EOHZ 17294-G	\$	E1HZ 17322-C
	10 x 22.5-Note 1	EOHZ 17294-AN	\$	E1HZ 17322-C
	11 x 20, 12 x 22.5	EOHZ 17294-AS	\$	E1HZ 17322-C
	12 x 24.5	EOHZ 17294-AG	\$	E1HZ 17322-B
11 x 22	EOHZ 17294-C	\$	E1HZ 17322-B	
<b>7.20 REAR AXLE RATIO</b>				
MT-643	8.25 x 20	EOHZ 17294-AG	\$	E1HZ 17322-C
	9 x 20, 10 x 22.5-Note 1	EOHZ 17294-AN	\$	E1HZ 17322-C
	10 x 20, 11 x 22.5-Note 2	EOHZ 17294-AH	\$	E1HZ 17322-A
	10 x 22, 11 x 24.5	EOHZ 17294-G	\$	E1HZ 17322-C
	11 x 20, 12 x 22.5	EOHZ 17294-AS	\$	E1HZ 17322-C
	11 x 22	EOHZ 17294-C	\$	E1HZ 17322-C
	12 x 24.5	EOHZ 17294-E	\$	E1HZ 17322-A
<b>7.40 REAR AXLE RATIO</b>				
MT-643	8.25 x 20	EOHZ 17294-AH	\$	E1HZ 17322-C
	9 x 20	Δ	\$	E1HZ 17322-B
	10 x 20, 11 x 22.5-Note 2	EOHZ 17294-E	\$	E1HZ 17322-C
	10 x 22.5-Note 1	EOHZ 17294-AG	\$	E1HZ 17322-C
	11 x 20, 12 x 22.5	EOHZ 17294-AH	\$	E1HZ 17322-A
	11 x 20	EOHZ 17294-F	\$	E1HZ 17322-C
	12 x 24.5	EOHZ 17294-BG	\$	E1HZ 17322-C

**1980/  
TRUCK SERIES 600/900**

TRANSMISSION MODEL	TIRES	ADAPTER	DRIVE GEAR	DRIVEN GEAR
17285	SPEEDOMETER DRIVE GEAR — Cont'd			
<b>(EXCEPT CL-CLT)</b>				
<b>SPEEDOMETER GEAR COMBINATIONS</b>				
For multi-speed axle speedometer gear selection use lowest numerical axle ratio.				
<b>ALLISON</b>				
Notes:	\$ Part of transmission output shaft, Δ None required, Note 1: Michelin tires-275/80R x 22.5, Goodyear tires-295/75R x 22.5			
Note 2:	Michelin tires-275/8DR x 24.5, Goodyear tires- 285/75R x 24.5			
<b>4.56 REAR AXLE RATIO</b>				
MT653	8.25 x 20, 9 x 22.5	E0HZ 17294-F	\$	E1HZ 17322-C
	9 x 20	E0HZ 17294-CC	\$	E1HZ 17322-A
	10 x 20, 11 x 22.5	E0HZ 17294-C	\$	E1HZ 17322-B
	10 x 22, 11 x 24.5	E0HZ 17294-AL	\$	E1HZ 17322-C
	10 x 22.5	E0HZ 17294-AS	\$	E1HZ 17322-B
	11 x 20	E0HZ 17294-AE	\$	E1HZ 17322-C
	11 x 22	E0HZ 17294-CD	\$	E1HZ 17322-B
	12 x 22.5	E0HZ 17294-CD	\$	E1HZ 17322-C
<b>4.62 REAR AXLE RATIO</b>				
MT653	8.25 x 20, 9 x 22.5	E0HZ 17294-AS	\$	E1HZ 17322-C
	9 x 20	E0HZ 17294-C	\$	E1HZ 17322-C
	10 x 20, 11 x 22.5-Note 2	E0HZ 17294-AR	\$	E1HZ 17322-C
	10 x 22, 11 x 24.5-Note 1	E0HZ 17294-AM	\$	E1HZ 17322-C
	10 x 22.5-Note 1	E0HZ 17294-BG	\$	E1HZ 17322-C
	11 x 20	E0HZ 17294-CD	\$	E1HZ 17322-C
	11 x 22, 12 x 24.5	E0HZ 17294-AK	\$	E1HZ 17322-C
	12 x 22.5	E0HZ 17294-C	\$	E1HZ 17322-B
<b>4.88 and 4.89 REAR AXLE RATIO</b>				
MT653	8.25 x 20, 9 x 22.5-Note 2	E0HZ 17294-E	\$	E0HZ 17322-C
	9 x 20	E0HZ 17294-AS	\$	E0HZ 17322-C
	10 x 20, 11 x 22.5	E0HZ 17294-BG	\$	E0HZ 17322-C
	10 x 22, 11 x 24.5	E0HZ 17294-AR	\$	E0HZ 17322-C
	10 x 22.5-Note 1	E0HZ 17294-AN	\$	E0HZ 17322-B
	11 x 20, 12 x 22.5	E0HZ 17294-C	\$	E0HZ 17322-C
	11 x 22	E0HZ 17294-C	\$	E0HZ 17322-B
	12 x 24.5	E0HZ 17294-CD	\$	E0HZ 17322-C
<b>5.29 REAR AXLE RATIO</b>				
MT-653	9 x 20	Δ	\$	E1HZ 17322-B
	10 x 22.5-Note 1	Δ	\$	E0HZ 17322-B
	10 x 20, 11 x 22.5-Note 2	E0HZ 17294-E	\$	E1HZ 17322-C
	10 x 22, 11 x 24.5	E0HZ 17294-E	\$	E1HZ 17322-B
	11 x 20, 12 x 22.5	E0HZ 17294-AN	\$	E1HZ 17322-A
	11 x 22	E0HZ 17294-F	\$	E1HZ 17322-C
	12 x 24.5	E0HZ 17294-G	\$	E1HZ 17322-C
<b>5.31 REAR AXLE RATIO</b>				
MT653	8.25 x 20	E0HZ 17294-M	\$	E1HZ 17322-C
	9 x 20, 10 x 22.5-Note 1	Δ	\$	E1HZ 17322-B
	10 x 20, 11 x 22.5-Note 2	E0HZ 17294-E	\$	E1HZ 17322-C
	10 x 22, 11 x 24.5	E0HZ 17294-AS	\$	E1HZ 17322-C
	11 x 20	E0HZ 17294-AH	\$	E1HZ 17322-A
	11 x 22	E0HZ 17294-F	\$	E1HZ 17322-C
	12 x 22.5	Δ	\$	E1HZ 17322-B
	12 x 24.5	E0HZ 17294-G	\$	E1HZ 17322-C
<b>5.38 REAR AXLE RATIO</b>				
MT-653	9 x 20	E0HZ 17294-G	\$	E1HZ 17322-B
	10 x 20, 11 x 22.5-Note 2	E0HZ 17294-CL	\$	E1HZ 17322-B
	10 x 22, 11 x 24.5	E0HZ 17294-CL	\$	E1HZ 17322-A
	10 x 22.5-Note 1	E0HZ 17294-D	\$	E1HZ 17322-C
	11 x 20, 12 x 22.5	E0HZ Δ	\$	E1HZ 17322-A
	11 x 22	E0HZ 17294-AS	\$	E1HZ 17322-C

**1980/  
TRUCK SERIES 600/900**

TRANSMISSION MODEL	TIRES	ADAPTER	DRIVE GEAR	DRIVEN GEAR
17285	SPEEDOMETER DRIVE GEAR — Cont'd			

**(EXCEPT CL-CLT)**

**SPEEDOMETER GEAR COMBINATIONS**

For multi-speed axle speedometer gear selection use lowest numerical axle ratio.

**ALLISON**

**Notes:** \$ Part of transmission output shaft, Δ None required, Note 1: Michelin tires-275/80R x 22.5, Goodyear tires-295/75R x 22.5  
**Note 2:** Michelin tires-275/80R x 24.5, Goodyear tires- 285/75R x 24.5

REAR AXLE RATIO	TIRES	ADAPTER	DRIVE GEAR	DRIVEN GEAR
<b>5.43 REAR AXLE RATIO</b>				
MT-653	10 x 22.5	EOHZ 17294-CL	\$	E1HZ 17322-C
	10 x 20, 11 x 22.5—Note 2	EOHZ 17294-AH	\$	E1HZ 17322-B
	10 x 22, 11 x 24.5	EOHZ 17294-AH	\$	E1HZ 17322-B
	11 x 20, 12 x 22.5	EOHZ 17294-E	\$	E1HZ 17322-C
	11 x 22	EOHZ 17294-D	\$	E1HZ 17322-B
	12 x 24.5	EOHZ 17294-AS	\$	E1HZ 17322-C
<b>5.51 REAR AXLE RATIO</b>				
MT653	9 x 20, 10 x 22.5	Δ	\$	E1HZ 17322-C
	10 x 20, 11 x 22.5	EOHZ 17294-DA	\$	E1HZ 17322-C
	10 x 22, 11 x 24.5	EOHZ 17294-D	\$	E1HZ 17322-B
	11 x 20, 12 x 22.5	EOHZ 17294-M	\$	E1HZ 17322-B
	11 x 22	Δ	\$	E1HZ 17322-B
<b>5.57 REAR AXLE RATIO</b>				
MT-653	9 x 20, 10 x 22.5—Note 1	Δ	\$	E1HZ 17322-C
	10 x 20, 11 x 22.5—Note 2	Δ	\$	E1HZ 17322-B
	10 x 22, 11 x 24.5	EOHZ 17294-E	\$	E1HZ 17322-C
	11 x 20, 12 x 22.5	EOHZ 17294-AH	\$	E1HZ 17322-B
	11 x 22, 12 x 24.5	EOHZ 17294-AH	\$	E1HZ 17322-A
<b>5.61 REAR AXLE RATIO</b>				
MT-653	9 x 20, 10 x 22.5—Note 1	Δ	\$	E1HZ 17322-C
	10 x 20, 11 x 22.5—Note 2	EOHZ 17294-D	\$	E1HZ 17322-DC
	10 x 22, 11 x 24.5	EOHZ 17294-D	\$	E1HZ 17322-B
	11 x 20	EOHZ 17294-M	\$	E1HZ 17322-B
	11 x 22	Δ	\$	E1HZ 17322-A
	12 x 22.5	Δ	\$	E1HZ 17322-B
<b>5.83 REAR AXLE RATIO</b>				
MT-653	9 x 20, 10 x 22.5—Note 1	EOHZ 17294-K	\$	E1HZ 17322-A
	10 x 20, 11 x 22.5—Note 2	Δ	\$	E1HZ 17322-C
	10 x 22, 11 x 24.5	Δ	\$	E1HZ 17322-B
	10 x 22.5	EOHZ 17294-Y	\$	E1HZ 17322-B
	11 x 20	EOHZ 17294-CK	\$	E1HZ 17322-B
	11 x 22	EOHZ 17294-AH	\$	E1HZ 17322-B
	11 x 22.5	EOHZ 17294-AH	\$	E1HZ 17322-C
	12 x 24.5	EOHZ 17294-CK	\$	E1HZ 17322-A
<b>5.86 REAR AXLE RATIO</b>				
MT-653	10 x 20, 11 x 22.5—Note 2	Δ	\$	E1HZ 17322-C
	10 x 22, 11 x 24.5	EOHZ 17294-D	\$	E1HZ 17322-C
	11 x 20, 12 x 22.5	EOHZ 17294-AH	\$	E1HZ 17322-C
	11 x 22	EOHZ 17294-AH	\$	E1HZ 17322-B
	12 x 24.5	EOHZ 17294-CL	\$	E1HZ 17322-B
<b>5.90 REAR AXLE RATIO</b>				
MT-653	10 x 20, 11 x 22.5—Note 2	EOHZ 17294-R	\$	E1HZ 17322-A
	10 x 22, 11 x 24.5	EOHZ 17294-D	\$	E1HZ 17322-C
	10 x 22.5	EOHZ 17294-Y	\$	E1HZ 17322-B
	11 x 20	EOHZ 17294-M	\$	E1HZ 17322-C
	11 x 22	Δ	\$	E1HZ 17322-B
	11 x 24	Δ	\$	E1HZ 17322-A
	12 x 22.5	EOHZ 17294-D	\$	E1HZ 17322-C
	12 x 24.5	EOHZ 17294-AH	\$	E1HZ 17322-B

**1980/  
TRUCK SERIES 600/900**

TRANSMISSION MODEL	TIRES	ADAPTER	DRIVE GEAR	DRIVEN GEAR
17285	SPEEDOMETER DRIVE GEAR — Cont'd			

**(EXCEPT CL-CLT)**

**SPEEDOMETER GEAR COMBINATIONS**

For multi-speed axle speedometer gear selection use lowest numerical axle ratio.

**ALLISON**

**Notes:** \$ Part of transmission output shaft, Δ None required, Note 1: Michelin tires-275/80R x 22.5, Goodyear tires-295/75R x 22.5  
**Note 2:** Michelin tires-275/80R x 24.5, Goodyear tires- 285/75R x 24.5

5.91 REAR AXLE RATIO				
MT-653	10 x 20, 11 x 22.5-Note 2	E0HZ 17294-R	\$	E1HZ 17322-A
	10 x 22, 11 x 24.5	E0HZ 17294-D	\$	E1HZ 17322-C
	10 x 22.5	E0HZ 17294-Y	\$	E1HZ 17322-B
	11 x 20	E0HZ 17294-M	\$	E1HZ 17322-C
	11 x 22	Δ	\$	E1HZ 17322-B
	11 x 24	Δ	\$	E1HZ 17322-A
	12 x 22.5	Δ	\$	E1HZ 17322-C
	12 x 24.5	E0HZ 17322-AH	\$	E1HZ 17322-B
6.14 REAR AXLE RATIO				
MT-653	9 x 20	E0HZ 17294-J	\$	E1HZ 17322-A
	10 x 20, 11 x 22.5-Note 2	E0HZ 17294-Y	\$	E1HZ 17322-B
	10 x 22, 11 x 24.5	Δ	\$	E1HZ 17322-C
	10 x 22.5-Note 1	E0HZ 17294-Y	\$	E1HZ 17322-C
	11 x 20, 12 x 22.5	E0HZ 17294-BK	\$	E1HZ 17322-C
	11 x 22, 12 x 24.5	E0HZ 17294-AH	\$	E1HZ 17322-C
6.17 REAR AXLE RATIO				
MT-653 -- steel gears "Before 6/15/81"	9 x 20	E0HZ 17294-K	\$	E0HZ 17322-BZ
	10 x 20, 11 x 22.5-Note 2	E0HZ 17294-U	\$	E1HZ 17322-B
	10 x 22, 11 x 24.5	E0HZ 17294-S	\$	E1HZ 17322-C
	10 x 22.5-Note 1	E0HZ 17294-Y	\$	E1HZ 17322-C
	11 x 20	E0HZ 17294-CK	\$	E1HZ 17322-C
	11 x 22	E0HZ 17294-AH	\$	E1HZ 17322-C
	12 x 22.5	E0HZ 17294-K	\$	E1HZ 17322-A
	12 x 24.5	E0HZ 17294-CK	\$	E0HZ 17322-BZ
MT-653 -- bronze gears "From 6/15/81"	9 x 20	E0HZ 17294-K	\$	E1HZ 17322-B
	10 x 20, 11 x 22.5	E0HZ 17294-Y	\$	E1HZ 17322-B
	10 x 22, 11 x 24.5	E0HZ 17294-S	\$	E1HZ 17322-C
	10 x 22.5	E0HZ 17294-Y	\$	E1HZ 17322-C
	11 x 20, 12 x 24.5	E0HZ 17294-CK	\$	E1HZ 17322-C
	11 x 22	E0HZ 17294-AH	\$	E1HZ 17322-C
	12 x 22.5	E0HZ 17294-K	\$	E1HZ 17322-A
6.50 REAR AXLE RATIO				
MT-653	9 x 20	E0HZ 17294-K	\$	E1HZ 17322-C
	10 x 20, 11 x 22.5-Note 2	E0HZ 17294-Y	\$	E1HZ 17322-C
	10 x 22, 11 x 24.5	E0HZ 17294-R	\$	E1HZ 17322-B
	10 x 22.5-Note 1	E3HZ 17294-B	\$	E1HZ 17322-B
	11 x 20, 12 x 22.5	E0HZ 17294-V	\$	E1HZ 17322-A
	11 x 22	E0HZ 17294-K	\$	E1HZ 17322-A
	12 x 24.5	E0HZ 17294-CK	\$	E1HZ 17322-C
6.57 REAR AXLE RATIO				
MT653	9 x 20	E0HZ 17294-Z	\$	E1HZ 17322-A
	10 x 20, 11 x 22.5-Note 2	E0HZ 17294-R	\$	E1HZ 17322-C
	10 x 22, 11 x 24.5	E0HZ 17294-R	\$	E1HZ 17322-B
	10 x 22.5-Note 1	E0HZ 17294-U	\$	E1HZ 17322-B
	11 x 20	E0HZ 17294-K	\$	E1HZ 17322-B
	11 x 22, 12 x 22.5	E0HZ 17294-Y	\$	E1HZ 17322-B
	12 x 24.5	E0HZ 17294-K	\$	E1HZ 17322-A

**1980/  
TRUCK SERIES 600/900**

TRANSMISSION MODEL	TIRES	ADAPTER	DRIVE GEAR	DRIVEN GEAR
17285	SPEEDOMETER DRIVE GEAR — Cont'd			

**(EXCEPT CL-CLT)**

**SPEEDOMETER GEAR COMBINATIONS**

For multi-speed axle speedometer gear selection use lowest numerical axle ratio.

ALLISON

**Notes:**     \$ Part of transmission output shaft, Δ None required, Note 1: Michelin tires-275/80R x 22.5, Goodyear tires-295/75R x 22.5  
**Note 2:**     Michelin tires-275/80R x 24.5, Goodyear tires- 285/75R x 24.5

6.67 REAR AXLE RATIO				
MT-653		EOHZ 17294-V	\$	E1HZ 17322-B
	10 x 20, 11 x 22.5-Note 2	EOHZ 17294-V	\$	E1HZ 17322-A
	10 x 22, 11 x 24.5	EOHZ 17294-V	\$	E1HZ 17322-A
	11 x 20, 12 x 22.5	EOHZ 17294-U	\$	E1HZ 17322-A
	11 x 22	EOHZ 17294-R	\$	E1HZ 17322-B
	12 x 24.5	EOHZ 17294-Y	\$	E1HZ 17322-C
6.83 REAR AXLE RATIO				
MT-653	9 x 20	EOHZ 17294-V	\$	E1HZ 17322-C
	10 x 20, 11 x 22.5-Note 2	EOHZ 17294-Z	\$	E1HZ 17322-A
	10 x 22, 11 x 24.5	EOHZ 17294-U	\$	E1HZ 17322-A
	10 x 22.5-Note 1	EOHZ 17294-CG	\$	E1HZ 17322-A
	11 x 20, 12 x 22.5	EOHZ 17294-V	\$	E1HZ 17322-B
	11 x 22	EOHZ 17294-V	\$	E1HZ 17322-A
	12 x 24.5	EOHZ 17294-L	\$	E1HZ 17322-B
7.14 REAR AXLE RATIO				
MT 653	9 x 20, 10 x 22.5	E1HZ 17294-A	\$	E1HZ 17322-B
	10 x 20	EOHZ 17294-CG	\$	E1HZ 17322-A
	10 x 22, 11 x 24.5	EOHZ 17294-Z	\$	E1HZ 17322-B
	11 x 20, 12 x 22.5	EOHZ 17294-CJ	\$	E1HZ 17322-C
	11 x 22	EOHZ 17294-L	\$	E1HZ 17322-C
	11 x 22.5	EOHZ 17294-L	\$	E1HZ 17322-B
	12 x 24.5	EOHZ 17294-R	\$	E1HZ 17322-C
7.17 REAR AXLE RATIO				
MT-653	9 x 20	E1HZ 17294-D	\$	E1HZ 17322-B
	10 x 20, 11 x 22.5-Note 2	EOHZ 17294-CG	\$	E1HZ 17322-A
	10 x 22, 11 x 24.5	EOHZ 17294-Z	\$	E1HZ 17322-A
	10 x 22.5-Note 1	EOHZ 17294-CG	\$	E1HZ 17322-B
	11 x 20	EOHZ 17294-CJ	\$	E1HZ 17322-C
	11 x 22	EOHZ 17294-V	\$	E1HZ 17322-B
	12 x 22.5	EOHZ 17294-V	\$	E1HZ 17322-C
	12 x 24.5	EOHZ 17294-L	\$	E1HZ 17322-C
7.20 REAR AXLE RATIO				
MT-653	8.25 x 20	EOHZ 17294-AA	\$	E1HZ 17322-A
	9 x 20, 10 x 22.5-Note 1	EOHZ 17294-CG	\$	E1HZ 17322-B
	10 x 20, 11 x 22.5-Note 2	EOHZ 17294-Z	\$	E1HZ 17322-B
	10 x 22, 11 x 24.5	EOHZ 17294-U	\$	E1HZ 17322-B
	11 x 20	EOHZ 17294-CJ	\$	E1HZ 17322-C
	11 x 22	EOHZ 17294-K	\$	E1HZ 17322-C
	12 x 22.5	EOHZ 17294-V	\$	E1HZ 17322-C
	12 x 24.5	EOHZ 17294-L	\$	E1HZ 17322-C

**1980/  
TRUCK SERIES 600/900**

TRANSMISSION MODEL	TIRES	ADAPTER	DRIVE GEAR	DRIVEN GEAR
17285	SPEEDOMETER DRIVE GEAR — Cont'd			

**(EXCEPT CL-CLT)**

**SPEEDOMETER GEAR COMBINATIONS**

For multi-speed axle speedometer gear selection use lowest numerical axle ratio.

**ALLISON**

**Notes:** \$ Part of transmission output shaft, Δ None required, Note 1: Michelin tires-275/80R x 22.5, Goodyear tires-295/75R x 22.5  
**Note 2:** Michelin tires-275/80R x 24.5, Goodyear tires- 285/75R x 24.5

REAR AXLE RATIO	TIRES	ADAPTER	DRIVE GEAR	DRIVEN GEAR
<b>7.40</b>	<b>REAR AXLE RATIO</b>			
MT-653	10 x 20, 11 x 22.5-Note 2	E1HZ 17294-A	\$	E1HZ 17322-B
	10 x 22, 11 x 24.5	E0HZ 17294-V	\$	E1HZ 17322-C
	10 x 22.5	E1HZ 17294-A	\$	E1HZ 17322-C
	11 x 20, 12 x 22.5	E0HZ 17294-AB	\$	E1HZ 17322-A
	11 x 22	E0HZ 17294-U	\$	E1HZ 17322-B
	12 x 24.5	E0HZ 17294-Z	\$	E1HZ 17322-A
<b>7.60</b>	<b>REAR AXLE RATIO</b>			
MT-653	9 x 20, 10 x 22.5-Note 1	E0HZ 17294-AC	\$	E1HZ 17322-A
	10 x 20, 11 x 22.5-Note 2	E0HZ 17294-AB	\$	E1HZ 17322-B
	10 x 22, 11 x 24.5	E0HZ 17294-U	\$	E1HZ 17322-C
	11 x 20, 12 x 22.5	E1HZ 17294-D	\$	E1HZ 17322-B
	11 x 22, 12 x 24.5	E0HZ 17294-V	\$	E1HZ 17322-C
<b>7.80</b>	<b>REAR AXLE RATIO</b>			
MT-653	9 x 20	E0HZ 17294-AB	\$	E1HZ 17322-C
	10 x 20, 11 x 22.5-Note 2	E0HZ 17294-AA	\$	E1HZ 17322-A
	10 x 22, 11 x 24.5	E1HZ 17294-D	\$	E1HZ 17322-B
	10 x 22.5-Note 1	E0HZ 17294-AA	\$	E1HZ 17322-B
	11 x 20, 12 x 22.5	E0HZ 17294-AB	\$	E1HZ 17322-B
	11 x 22	E0HZ 17294-U	\$	E1HZ 17322-C
	12 x 24.5	E0HZ 17294-AB	\$	E1HZ 17322-B
<b>8.38</b>	<b>REAR AXLE RATIO</b>			
MT-653	9 x 20	E0HZ 17294-CH	\$	E1HZ 17322-A
	10 x 20, 11 x 22.5-Note 2	E0HZ 17294-AC	\$	E1HZ 17322-B
	10 x 22, 11 x 24.5	E0HZ 17294-CG	\$	E1HZ 17322-C
	10 x 22.5-Note 1	E0HZ 17294-AC	\$	E1HZ 17322-C
	11 x 20, 12 x 22.5	E0HZ 17294-AA	\$	E1HZ 17322-B
	11 x 22, 12 x 24.5	E0HZ 17294-AA	\$	E1HZ 17322-A
<b>4.88 &amp; 4.89</b>	<b>REAR AXLE RATIO</b>			
AT-540,545	7.50 x 20	E0HZ 17294-AL	\$	E1HZ 17322-B
	8.25 x 20, 9 x 22.5	E3HZ 17294-C	\$	E1HZ 17322-B
	9 x 20, 10 x 22.5-Note 1	E0HZ 17294-AJ	\$	E1HZ 17322-A
	10 x 20, 11 x 22.5-Note 2	E0HZ 17294-CE	\$	E1HZ 17322-B
	10 x 22	E3HZ 17294-A	\$	E1HZ 17322-C
<b>5.29</b>	<b>REAR AXLE RATIO</b>			
AT-540,545	10 x 20, 11 x 22.5-Note 2	E3HZ 17294-C	\$	E1HZ 17322-B
	10 x 22	E0HZ 17294-CN	\$	E1HZ 17322-C
	7.5 x 20, 8 x 22.5	E0HZ 17294-CD	\$	E1HZ 17322-B
	8.25 x 20, 9 x 22.5	E0HZ 17294-B	\$	E1HZ 17322-B
	9 x 20, 10 x 22.5	E0HZ 17294-AL	\$	E1HZ 17322-A
<b>5.38</b>	<b>REAR AXLE RATIO</b>			
AT 540,545	7.5 x 20, 8 x 22.5	E0HZ 17294-AF	\$	E1HZ 17322-A
	8.25 x 20, 9 x 22.5	E0HZ 17294-AM	\$	E1HZ 17322-B
	9 x 20	E0HZ 17294-AE	\$	E1HZ 17322-A
	10 x 20, 11 x 22.5-Note 2	E0HZ 17294-AJ	\$	E1HZ 17322-B
	10 x 22	E0HZ 17294-CE	\$	E1HZ 17322-B
	10 x 22.5-Note 1	E0HZ 17294-CE	\$	E1HZ 17322-A
<b>5.57</b>	<b>REAR AXLE RATIO</b>			
AT-540,545	8.25 x 20	E0HZ 17294-C	\$	E1HZ 17322-A
	10 x 22	E0HZ 17294-CN	\$	E1HZ 17322-B
	8 x 22.5, 7.5 x 20	E0HZ 17294-CD	\$	E1HZ 17322-C
	9 x 20, 10 x 22.5	E0HZ 17294-AL	\$	E1HZ 17322-B
	10 x 20, 11 x 22.5	E0HZ 17294-AM	\$	E1HZ 17322-A

**1980/  
TRUCK SERIES 600/900**

TRANSMISSION MODEL	TIRES	ADAPTER	DRIVE GEAR	DRIVEN GEAR
17285	SPEEDOMETER DRIVE GEAR — Cont'd			
<b>(EXCEPT CL-CLT)</b>				
<b>SPEEDOMETER GEAR COMBINATIONS</b>				
For multi-speed axle speedometer gear selection use lowest numerical axle ratio.				
<b>ALLISON</b>				
Notes:	\$ Part of transmission output shaft, Δ None required, Note 1: Michelin tires-275/80R x 22.5, Goodyear tires-295/75R x 22.5			
Note 2:	Michelin tires-275/80R x 24.5, Goodyear tires- 285/75R x 24.5			
<b>5.83 REAR AXLE RATIO</b>				
AT-540,545	7.50 x 20, 8 x 22.5	EOHZ 17294-CC	\$	E1HZ 17322-A
	8.25 x 20, 9 x 22.5	EOHZ 17294-AS	\$	E1HZ 17322-A
	9 x 20	EOHZ 17294-C	\$	E1HZ 17322-A
	10 x 20, 11 x 22.5—Note 2	EOHZ 17294-AM	\$	E1HZ 17322-B
	10 x 22.5	EOHZ 17294-AF	\$	E1HZ 17322-A
<b>5.86 REAR AXLE RATIO</b>				
AT-540,545		EOHZ 17294-AM	\$	E1HZ 17322-B
	7.50 x 20, 8 x 22.5	EOHZ 17294-CC	\$	E1HZ 17322-A
	8.25 x 20, 9 x 22.5	EOHZ 17294-AS	\$	E1HZ 17322-A
	9 x 20	EOHZ 17294-C	\$	E1HZ 17322-A
	10 x 20, 11 x 22.5—Note 2	EOHZ 17294-AR	\$	E1HZ 17322-A
	10 x 22.5—Note 1	EOHZ 17294-AF	\$	E1HZ 17322-A
<b>6.14 REAR AXLE RATIO</b>				
AT-540,545	7.5 x 20	EOHZ 17294-B	\$	E1HZ 17322-C
	10 x 22	EOHZ 17294-AM	\$	E1HZ 17322-B
	7.5 x 20, 8 x 22.5	EOHZ 17294-F	\$	E1HZ 17322-C
	8.25 x 20, 9 x 22.5	EOHZ 17294-AS	\$	E1HZ 17322-B
	9 x 20	EOHZ 17294-C	\$	E1HZ 17322-B
	10 x 20, 11 x 22.5	EOHZ 17294-BG	\$	E1HZ 17322-B
	10 x 22.5	EOHZ 17294-AF	\$	E1HZ 17322-B
<b>6.17 REAR AXLE RATIO</b>				
AT-540,545	10 x 20, 11 x 22.5—Note 2	E9HZ 17294-AM	\$	E1HZ 17322-C
	10 x 22	EOHZ 17294-AM	\$	E1HZ 17294-B
	8.25 x 20, 9 x 22.5	EOHZ 17294-AS	\$	E1HZ 17322-B
	9 x 20	EOHZ 17294-AF	\$	E1HZ 17322-B
	10 x 22.5—Note 1	EOHZ 17294-BG	\$	E1HZ 17322-B
<b>6.29 REAR AXLE RATIO</b>				
AT540,545	7.50 x 20, 8 x 22.5	EOHZ 17294-AS	\$	E1HZ 17322-C
	8.25 x 20, 9 x 22.5	EOHZ 17294-BG	\$	E1HZ 17322-C
	9 x 20, 10 x 22.5—Note 1	EOHZ 17294-F	\$	E1HZ 17322-B
	10 x 20, 11 x 22.5—Note 2	EOHZ 17294-CD	\$	E1HZ 17322-C
	10 x 22	EOHZ 17294-CD	\$	E1HZ 17322-C
<b>6.50 REAR AXLE RATIO</b>				
AT-540,545	7.5 x 20	Δ	\$	E1HZ 17322-A
	8.25 x 20	EOHZ 17294-AS	\$	E1HZ 17322-C
	10 x 22	EOHZ 17294-AM	\$	E1HZ 17322-B
	9 x 20	EOHZ 17294-AF	\$	E1HZ 17322-C
	10 x 20, 11 x 22.5—Note 2	EOHZ 17294-BG	\$	E1HZ 17322-B
	10 x 22.5	EOHZ 17294-BG	\$	E1HZ 17322-C
	11 x 20	EOHZ 17294-C	\$	E1HZ 17322-B
<b>6.57 REAR AXLE RATIO</b>				
AT540,545	7.50 x 20, 8 x 22.5	EOHZ 17294-E	\$	E1HZ 17322-C
	8.25 x 20, 9 x 22.5	EOHZ 17294-AN	\$	E1HZ 17322-B
	9 x 20, 10 x 22	EOHZ 17294-BG	\$	E1HZ 17322-C
	10 x 20, 11 x 22.5—Note 2	EOHZ 17294-F	\$	E1HZ 17322-B
	10 x 22.5—Note 1	EOHZ 17294-G	\$	E1HZ 17322-C
<b>6.83 REAR AXLE RATIO</b>				
AT-540,545	7.5 x 20, 8 x 22.5	Δ	\$	E1HZ 17322-B
	8.25 x 20, 9 x 22.5	EOHZ 17294-E	\$	E1HZ 17322-C
	9 x 20	EOHZ 17294-AS	\$	E1HZ 17322-C
	10 x 20, 11 x 22.5	EOHZ 17294-BG	\$	E1HZ 17322-C
	10 x 22	EOHZ 17294-G	\$	E1HZ 17322-B
	10 x 22.5	EOHZ 17294-AN	\$	E1HZ 17322-B



1980/  
TRUCK SERIES 600/900

TRANSMISSION MODEL	TIRES	ADAPTER	DRIVE GEAR	DRIVEN GEAR
17285	SPEEDOMETER DRIVE GEAR — Cont'd			

**(EXCEPT CL-CLT)**

**SPEEDOMETER GEAR COMBINATIONS**

For multi-speed axle speedometer gear selection use lowest numerical axle ratio.

**ALLISON**

**Notes:** \$ Part of transmission output shaft, Δ None required, Note 1: Michelin tires-275/80R x 22.5, Goodyear tires-295/75R x 22.5  
**Note 2:** Michelin tires-275/80R x 24.5, Goodyear tires- 285/75R x 24.5

7.14 REAR AXLE RATIO				
AT540,545	7.50 x 20, 8 x 22.5	E0HZ 17294-AH	\$	E1HZ 17322-C
	8.25 x 20, 9 x 22.5	Δ	\$	E1HZ 17322-B
	9 x 20, 10 x 22.5	E0HZ 17294-E	\$	E1HZ 17322-C
	10 x 20, 11 x 22.5	E0HZ 17294-AN	\$	E1HZ 17322-B
	10 x 22	E0HZ 17294-BG	\$	E1HZ 17322-C

7.17 REAR AXLE RATIO				
AT-540,545	7.5 x 20, 8 x 22.5	Δ	\$	E1HZ 17322-C
	8.25 x 20, 9 x 22.5	Δ	\$	E1HZ 17322-B
	9 x 20	E0HZ 17294-E	\$	E1HZ 17322-C
	10 x 22	E0HZ 17294-BG	\$	E1HZ 17322-C
	10 x 20, 11 x 22.5	E0HZ 17294-AH	\$	E1HZ 17322-A
	10 x 22.5-Note 1	E0HZ 17294-CK	\$	E1HZ 17322-A

**CLARK and SPICER**

**Note:** Δ None required

3.70 REAR AXLE RATIO				
Clark 390 & 550 Series CM6052, SPICER 7231 AUX	275/80R x 22.5	E0HZ 17294-BG	E0HZ 17285-R	E0HZ 17322-Z
	11 x 22.5-Note 2	E0HZ 17294-AR	E0HZ 17285-R	E0HZ 17322-Z

3.90 REAR AXLE RATIO				
Clark 390 & 550 Series, CM6052, SPICER 7231 AUX	275/80R x 22.5	E0HZ 17294-CE	E0HZ 17285-N	E0HZ 17322-V
	11 x 22.5-Note 2	E0HZ 17294-CC	E0HZ 17285-R	★ E0HZ 17322-Y /bE5HZ 17322-DD E5HZ 17285-BS

4.11 REAR AXLE RATIO				
Clark 390 & 550 Series, CM6052, SPICER 7231 AUX	275/80R X 22.5	E0HZ 17294-AH	E0HZ 17285-R	★ E0HZ 17322-Y /bE5HZ 17322-DD E5HZ 17285-BS
	11 x 22.5-Note 2	E0HZ 17294-BG	E0HZ 17285-R	E0HZ 17322-AA

4.56 REAR AXLE RATIO				
Clark 390 & 550 Series, CM6052, SPICER 7231 AUX.	8.25 x 20, 9 x 22.5	Δ	E0HZ 17285-R	E5HZ 17322-DG
	9 x 20, 10 x 22.5	E0HZ 17294-J	E0HZ 17285-R	★ E0HZ 17322-Y /bE5HZ 17322-DD E5HZ 17285-BS
	10 x 20, 11 x 22.5	E0HZ 17294-AH	E0HZ 17285-R	E0HZ 17322-Z
	10 x 22, 11 x 24.5	Δ	E0HZ 17285-R	★ E0HZ 17322-Y /bE5HZ 17322-DD E5HZ 17285-BS
	11 x 20	E0HZ 17294-CC	E0HZ 17285-R	E5HZ 17322-DG
	11 x 22	E0HZ 17294-CL	E0HZ 17285-R	★ E0HZ 17322-Y /bE5HZ 17322-DD E5HZ 17285-BS
	12 x 22.5	E0HZ 17294-D	E0HZ 17285-R	E0HZ 17322-Z

4.62 REAR AXLE RATIO				
Clark 390 & 550 Series, CM6052,SPICER 7231 AUX	8.25 x 20, 9 x 22.5	E0HZ 17294-C	E0HZ 17285-N	E0HZ 17322-V
	9 x 20, 10 x 22.5-Note 1	E0HZ 17294-CK	E0HZ 17285-R	E5HZ 17322-DG
	10 x 20, 11 x 22.5-Note 2	Δ	E0HZ 17285-R	E0HZ 17322-Z
	10 x 22, 11 x 24.5	E0HZ 17294-AG	E0HZ 17285-R	E0HZ 17322-Z
	11 x 20, 12 x 22.5	E0HZ 17294-AN	E0HZ 17285-R	E5HZ 17322-DG
	11 x 22	E0HZ 17294-AN	E0HZ 17285-R	E0HZ 17322-Z
	12 x 24.5	E0HZ 17294-AJ	E0HZ 17285-N	E0HZ 17322-V

1980/  
TRUCK SERIES 600/900

TRANSMISSION MODEL	TIRES	ADAPTER	DRIVE GEAR	DRIVEN GEAR
17285	SPEEDOMETER DRIVE GEAR — Cont'd			

(EXCEPT CL-CLT)

SPEEDOMETER GEAR COMBINATIONS

For multi-speed axle speedometer gear selection use lowest numerical axle ratio.

CLARK and SPICER

Note:  $\Delta$  None required, Note 1: Michelin tires-275/80R x 22.5, Goodyear tires-295/75R x 22.5

Note 2: Michelin tires-275/80R x 24.5, Goodyear tires-285/75R x 24.5

4.88 and 4.89 REAR AXLE RATIO

Clark 390 & 550 Series, CM6052, SPICER 7231 AUX	8.25 x 20	E0HZ 17294-L	E0HZ 17285-R	E0HZ 17322-Z
	9 x 20, 10 x 22.5-Note 1	E0HZ 17294-AJ	E0HZ 17285-M	E0HZ 17322-S
	9 x 22.5	E0HZ 17294-AN	E0HZ 17285-N	E0HZ 17322-U
	10 x 20, 11 x 22.5-Note 2	E0HZ 17294-AR	E0HZ 17285-N	E0HZ 17322-V
	10 x 22, 11 x 24.5	$\Delta$	E0HZ 17285-R	E0HZ 17322-Z
	11 x 20	E0HZ 17294-CK	E0HZ 17285-R	E0HZ 17322-Z
	11 x 22	E0HZ 17294-AR	E0HZ 17285-R	E5HZ 17322-DG
	12 x 22.5	E0HZ 17294-CK	E0HZ 17285-R	E0HZ 17322-AZ
12 x 24.5	E0HZ 17294-AJ	E0HZ 17285-M	E0HZ 17322-N	

5.29 REAR AXLE RATIO

Clark 390 & 550 Series, CM6052, SPICER 7231 AUX	8.25 x 20	$\Delta$	E0HZ 17285-N	E0HZ 17322-N
	9 x 20	E0HT 17294-Y	E0HZ 17285-R	E5HZ 17322-DG
	10 x 20, 10 x 22.5, 11 x 22.5	E0HZ 17294-AN	E0HZ 17285-N	E0HZ 17322-U
	10 x 22, 11 x 24.5	E0HZ 17294-K	E0HZ 17285-R	E5HZ 17322-DG
	11 x 20, 12 x 22.5	E0HZ 17294-CK	E0HZ 17285-N	E0HZ 17322-T
	11 x 22	$\Delta$	E0HZ 17285-R	E5HZ 17322-DG
	12 x 24.5	E0HZ 17294-AR	E0HZ 17285-N	E0HZ 17322-V

5.31 REAR AXLE RATIO

Clark 390 & 550 Series, CM6052, SPICER 793	10 x 20, 11 x 22.5-Note 2	E0HZ 17294-V	E0HZ 17285-R	★ E0HZ 17322-Y /bE5HZ 17322-DD E5HZ 17285-BS
	AUX			
	10 x 22, 11 x 24.5	E0HZ 17294-K	E0HZ 17285-R	★ E0HZ 17322-Y /bE5HZ 17322-DD E5HZ 17285-BS
	11 x 20	E0HZ 17294-Y	E0HZ 17285-R	E0HZ 17322-Z
	11 x 22	$\Delta$	E0HZ 17285-R	E5HZ 17322-DG
	11 x 24	$\Delta$	E0HZ 17285-R	E0HZ 17322-Z
	12 x 22.5	E0HZ 17294-AG	E0HZ 17285-N	E0HZ 17322-U
	12 x 24.5	E0HZ 17294-CE	E0HZ 17285-M	E0HZ 17322-S

5.38 REAR AXLE RATIO

Clark 550, CM-6052	8.25 x 20, 9 x 22.5	E0HZ 17294-AG	E0HZ 17285-N	E0HZ 17322-V
	9 x 20	E0HZ 17294-CK	E0HZ 17285-N	E0HZ
	10 x 20, 11 x 22.5-Note 2	E0HZ 17294-M	E0HZ 17285-N	E0HZ 17322-T
	10 x 22, 11 x 22	E0HZ 17294-AN	E0HZ 17285-N	E0HZ 17322-T
	10 x 22.5-Note 1	E0HZ 17294-AN	E0HZ 17285-N	E0HZ 17322-V
	11 x 20, 12 x 22.5	E0HZ 17294-R	E0HZ 17285-R	E5HZ 17322-DG
	11 x 24.5	E0HZ 17294-BG	E0HZ 17285-N	E0HZ 17322-V

5.43 REAR AXLE RATIO

Clark 390 & 550 Series CM6052, SPICER 7231 AUX	9 x 20	$\Delta$	E0HZ 17285-M	E0HZ 17322-S
	10 x 20, 11 x 22.5-Note 2	$\Delta$	E0HZ 17285-N	E0HZ 17322-T
	10 x 22, 11 x 24.5	E0HZ 17294-AG	E0HZ 17285-N	E0HZ 17322-T
	11 x 20	E0HZ 17294-AN	E0HZ 17285-N	E0HZ 17322-U
	11 x 22	E0HZ 17294-K	E0HZ 17285-R	E0HZ 17322-Y
	12 x 22.5	E0HZ 17294-AJ	E0HZ 17285-L	E0HZ 17322-A
	12 x 24.5	E0HZ 17294-AN	E0HZ 17285-N	E0HZ 17322-T

5.57 REAR AXLE RATIO

CLARK 390, 550 SERIES, CM6052, SPICER 7231 AUX	8.25 x 20, 9 x 22.5	E0HZ 17294-Y	E0HZ 17285-N	E0HZ 17322-T
	9 x 20	$\Delta$	E0HZ 17285-N	E0HZ 17322-U
	10 x 20, 11 x 22.5-Note 2	E0HZ 17294-CK	E0HZ 17285-N	E0HZ 17322-T
	10 x 22, 11 x 24.5	E0HZ 17294-AJ	E0HZ 17285-L	E0HZ 17322-A
	10 x 22.5-Note 1	E0HZ 17294-AG	E0HZ 17285-N	E0HZ 17322-V
	11 x 20, 12 x 22.5	$\Delta$	E0HZ 17285-N	E0HZ 17322-T
	11 x 22, 12 x 24.5	E0HZ 17294-AG	E0HZ 17285-N	E0HZ 17322-T

1980/  
TRUCK SERIES 600/900

TRANSMISSION MODEL	TIRES	ADAPTER	DRIVE GEAR	DRIVEN GEAR
17285	SPEEDOMETER DRIVE GEAR — Cont'd			

**(EXCEPT CL-CLT)**

**SPEEDOMETER GEAR COMBINATIONS**

For multi-speed axle speedometer gear selection use lowest numerical axle ratio.

CLARK and SPICER

**Note:**     △ None required, Note 1: Michelin tires-275/80R x 22.5, Goodyear tires-295/75R x 22.5

**Note 2:**    Michelin tires-275/80R x 24.5, Goodyear tires-285/75R x 24.5

<b>5.61 REAR AXLE RATIO</b>				
Clark 390, 550 Series, CM6052, SPICER 7231 aux	9 x 20, 10 x 22.5	E0HZ 17294-CE	E0HZ 17285-N	E0HZ 17322-V
	10 x 20, 11 x 22.5	E0HZ 17294-AN	E0HZ 17285-N	E0HZ 17322-V
	10 x 22, 11 x 24.5	E0HZ 17294-AH	E0HZ 17285-N	E0HZ 17322-T
	11 x 20, 12 x 22.5	E0HZ 17294-AG	E0HZ 17285-N	E0HZ 17322-U
	11 x 22	E0HZ 17294-AR	E0HZ 17285-M	E0HZ 17322-N
<b>5.83 REAR AXLE RATIO</b>				
Clark 390, 550 Series, CM6052, SPICER 7231 AUX	8.25 x 20, 9 x 22.5	E0HZ 17294-CG	E0HZ 17285-R	E0HZ 17285-Z
	9 x 20	E0HZ 17294-C	E0HZ 17285-M	E0HZ 17322-S
	10 x 20, 11 x 22.5-Note 2	E0HZ 17294-AG	E0HZ 17285-N	E0HZ 17322-V
	10 x 22, 11 x 24.5	E0HZ 17294-R	E0HZ 17285-R	E5HZ 17322-DG
	10 x 22.5-Note 1	△	E0HZ 17285-N	E0HZ 17322-V
	11 x 20, 12 x 22.5	E0HZ 17294-K	E0HZ 17285-R	E5HZ 17322-DG
	11 x 22	△	E0HZ 17285-N	E0HZ 17322-T
	12 x 24.5	E0HZ 17294-K	E0HZ 17285-R	E0HZ 17322-Z
<b>5.86 REAR AXLE RATIO</b>				
Clark 390, 550 Series, CM6052, SPICER 7231 AUX	8.25 x 20	E0HZ 17294-AS	E0HZ 17285-M	E0HZ 17322-S
	9 x 20	△	E0HZ 17285-N	E0HZ 17322-V
	10 x 22.5-Note 1	△	E0HZ 17285-N	E0HZ 17322-V
	10 x 20, 11 x 22.5-Note 2	E0HZ 17294-S	E0HZ 17285-R	E0HZ 17322-U
	10 x 22, 11 x 24.5	E0HZ 17294-CK	E0HZ 17285-N	E0HZ 17322-T
	11 x 20	E0HZ 17294-K	E0HZ 17285-R	E5HZ 17322-DG
	11 x 22, 12 x 24.5	△	E0HZ 17285-N	E0HZ 17322-T
	12 x 22.5	△	E0HZ 17285-N	E0HZ 17322-U
<b>5.90 REAR AXLE RATIO</b>				
Clark 390, 550 Series CM6052, SPICER 7231 AUX	8.25 x 20	E0HZ 17294-Y	E0HZ 17285-N	E0HZ 17322-U
	9 x 20	△	E0HZ 17285-N	E0HZ 17322-V
	10 x 22.5	E0HZ 17294-N	E0HZ 17285-R	E5HZ 17322-DG
	10 x 20, 11 x 22.5-Note 2	E0HZ 17294-CK	E0HZ 17285-N	E0HZ 17322-U
	10 x 22, 11 x 24.5	E0HZ 17294-L	E0HZ 17285-R	E0HZ 17322-AA
	11 x 20, 12 x 22.5	△	E0HZ 17285-N	E0HZ 17322-U
	11 x 22	E0HZ 17294-Y	E0HZ 17285-R	E5HZ 17322-DG
	11 x 24	△	E0HZ 17285-R	E0HZ 17322-V
12 x 24.5	△	E0HZ 17285-N	E0HZ 17322-T	
<b>5.91 REAR AXLE RATIO</b>				
Clark 390, 550 Series CM6052, SPICER 7231 AUX	8.25 x 20	E0HZ 17294-Y	E0HZ 17285-N	E0HZ 17322-U
	9 x 20	△	E0HZ 17285-N	E0HZ 17322-V
	10 x 22.5	E0HZ 17294-U	E0HZ 17285-R	E5HZ 17322-DG
	10 x 20, 11 x 22.5-Note 2	E0HZ 17294-CK	E0HZ 17285-N	E0HZ 17322-U
	10 x 22, 11 x 24.5	E0HZ 17294-AN	E0HZ 17285-N	E0HZ 17322-V
	11 x 20, 12 x 22.5	△	E0HZ 17285-N	E0HZ 17322-U
	11 x 22	E0HZ 17294-AG	E0HZ 17285-N	E0HZ 17322-U
	11 x 24	△	E0HZ 17285-R	E0HZ 17322-V
12 x 24.5	△	E0HZ 17285-N	E0HZ 17322-T	
<b>6.14 REAR AXLE RATIO</b>				
Clark 390, 550 Series, CM6052, SPICER 7231 AUX	8.25 x 20	E0HZ 17294-AJ	E0HZ 17285-N	E0HZ 17322-V
	9 x 20	E0HZ 17294-AN	E0HZ 17285-M	E0HZ 17322-R
	10 x 20, 11 x 22.5-Note 2	△	E0HZ 17285-N	E0HZ 17322-V
	10 x 22, 11 x 24.5	E0HZ 17294-AG	E0HZ 17285-N	E0HZ 17322-V
	10 x 22.5-Note 1	E0HZ 17294-Y	E0HZ 17285-N	E0HZ 17322-U
	11 x 20	E0HZ 17294-AN	E0HZ 17285-M	E0HZ 17322-N
	11 x 22	E0HZ 17294-K	E0HZ 17285-R	E5HZ 17322-DG
	12 x 22.5	E0HZ 17294-Y	E0HZ 17285-N	E0HZ 17322-T
12 x 24.5	E0HZ 17294-AJ	E0HZ 17285-L	E0HZ 17322-K	

1980/  
TRUCK SERIES 600/900

TRANSMISSION MODEL	TIRES	ADAPTER	DRIVE GEAR	DRIVEN GEAR
17285	SPEEDOMETER DRIVE GEAR — Cont'd			

(EXCEPT CL-CLT)

SPEEDOMETER GEAR COMBINATIONS

For multi-speed axle speedometer gear selection use lowest numerical axle ratio.

CLARK and SPICER

Note: Δ None required, Note 1: Michelin tires-275/80R x 22.5, Goodyear tires-295/75R x 22.5

Note 2: Michelin tires-275/80R x 24.5, Goodyear tires-285/75R x 24.5

6.17 REAR AXLE RATIO				
Clark 390, 550 Series, CM6052, SPICER 7231 AUX	8.25 x 20	E0HZ 17294-K	E0HZ 17285-N	E0HZ 17322-U
	9 x 20, 10 x 22.5-Note 1	E0HZ 17294-Y	E0HZ 17285-N	E0HZ 17322-U
	9 x 22.5	E0HZ 17294-CG	E0HZ 17285-R	E5HZ 17322-DG
	10 x 20, 11 x 22.5-Note 2	E0HZ 17294-U	E0HZ 17285-R	E5HZ 17322-DG
	10 x 22, 11 x 24.5	E0HZ 17294-CC	E0HZ 17285-M	E0HZ 17322-N
	11 x 20	E0HZ 17294-Y	E0HZ 17285-N	E0HZ 17322-T
	11 x 22	Δ	E0HZ 17285-N	E0HZ 17322-U
	12 x 22.5	E0HZ 17294-C	E0HZ 17285-M	E0HZ 17322-S
	12 x 24.5	E0HZ 17294-K	E0HZ 17285-R	E5HZ 17322-DG

6.29 REAR AXLE RATIO				
Clark 390, 550 Series, CM6052, SPICER 7231 AUX	8.25 x 20, 9 x 22.5	E0HZ 17294-Y	E0HZ 17285-N	E0HZ 17322-V
	9 x 20	Δ	E0HZ 17285-M	E0HZ 17322-N
	10 x 20, 11 x 22.5-Note 2	E0HZ 17294-CK	E0HZ 17285-NA	E0HZ 17322-V
	10 x 22, 11 x 24.5	E0HZ 17294-AN	E0HZ 17285-M	E0HZ 17322-N
	10 x 22.5-Note 1	E0HZ 17294-CC	E0HZ 17285-M	E0HZ 17322-S
	11 x 20	E0HZ Δ	E0HZ 17285-N	E0HZ 17322-V
	11 x 22	E0HZ 17294-CC	E0HZ 17285-M	E0HZ 17322-N
	12 x 22.5	E0HZ 17294-U	E0HZ 17285-R	E0HZ 17322-AA
	12 x 24.5	E0HZ Δ	E0HZ 17285-N	E0HZ 17322-U

6.50 REAR AXLE RATIO				
Clark 390, 550 Series, CM6052, SPICER 7231 AUX	8.25 x 20, 9 x 22.5	E0HZ 17294-K	E0HZ 17285-N	E0HZ 17322-V
	9 x 20	E0HZ 17294-CG	E0HZ 17285-R	E5HZ 17322-DG
	10 x 20, 11 x 22.5-Note 2	Δ	E0HZ 17285-M	E0HZ 17322-N
	10 x 22, 11 x 24.5	E0HZ 17294-AG	E0HZ 17285-M	E0HZ 17322-N
	10 x 22.5-Note 1	E0HZ 17294-U	E0HZ 17285-N	E0HZ 17322-T
	11 x 20	E0HZ 17294-CG	E0HZ 17285-R	E0HZ 17322-Z
	11 x 22	E0HZ 17294-C	E0HZ 17285-M	E0HZ 17322-S
	12 x 22.5	E0HZ 17294-AN	E0HZ 17285-M	E0HZ 17322-R
	12 x 24.5	E0HZ 17294-AN	E0HZ 17285-M	E0HZ 17322-N

6.57 REAR AXLE RATIO				
Clark 390, 550 Series, CM6052, SPICER 7231 AUX	8.25 x 20	E0HZ 17294-Y	E0HZ 17285-M	E0HZ 17322-R
	9 x 20, 10 x 22.5-Note 1	E0HZ 17294-V	E0HZ 17285-N	E0HZ 17322-V
	10 x 20, 11 x 22.5-Note 2	E0HZ 17294-U	E0HZ 17285-M	E0HZ 17322-S
	10 x 22, 11 x 24.5	E0HZ 17294-Y	E0HZ 17285-N	E0HZ 17322-V
	11 x 20	E0HZ Δ	E0HZ 17285-M	E0HZ 17322-R
	11 x 22	E0HZ 17294-K	E0HZ 17285-N	E0HZ 17322-U
	12 x 22.5	E0HZ 17294-L	E0HZ 17285-N	E0HZ 17322-V
	12 x 24.5	E0HZ 17294-CC	E0HZ 17285-M	E0HZ 17322-S

6.67 REAR AXLE RATIO				
Clark 390, 550 Series, CM6052, SPICER 7231 AUX	8.25 x 20	E0HZ 17294-U	E0HZ 17285-N	E0HZ 17322-U
	9 x 20	Δ	E0HZ 17285-M	E0HZ 17322-R
	10 x 22.5-Note 1	Δ	E0HZ 17285-M	E0HZ 17322-R
	10 x 20, 11 x 22.5	E0HZ 17294-K	E0HZ 17285-N	E0HZ 17322-U
	10 x 22, 11 x 24.5	E0HZ 17294-AN	E0HZ 17285-M	E0HZ 17322-R
	11 x 20, 12 x 22.5-Note 2	Δ	E0HZ 17285-M	E0HZ 17322-N
	11 x 22	E0HZ 17294-AG	E0HZ 17285-M	E0HZ 17322-N
	12 x 24.5	Δ	E0HZ 17285-N	E0HZ 17322-V

1980/  
TRUCK SERIES 600/900

TRANSMISSION MODEL	TIRES	ADAPTER	DRIVE GEAR	DRIVEN GEAR
17285	SPEEDOMETER DRIVE GEAR — Cont'd			

**(EXCEPT CL-CLT)**

**SPEEDOMETER GEAR COMBINATIONS**

For multi-speed axle speedometer gear selection use lowest numerical axle ratio.

CLARK and SPICER

Note:  $\Delta$  None required, Note 1: Michelin tires-275/80R x 22.5, Goodyear tires-295/75R x 22.5

Note 2: Michelin tires-275/80R x 24.5, Goodyear tires-285/75R x 24.5

6.83 REAR AXLE RATIO				
Clark 390, 550 Series, CM6052, SPICER 7231 AUX	8.25 x 20, 9 x 22.5	E0HZ 17294-CG	E0HZ 17285-N	E0HZ 17322-T
	9 x 20	E0HZ 17294-CK	E0HZ 17285-M	E0HZ 17322-R
	10 x 20, 11 x 22.5-Note 2	E0HZ 17294-U	E0HZ 17285-N	E0HZ 17322-T
	10 x 22, 11 x 24.5	$\Delta$	E0HZ 17285-M	E0HZ 17322-N
	10 x 22.5-Note 1	E0HZ 17294-CL	E0HZ 17285-M	E0HZ 17322-S
	11 x 20	E0HZ 17294-K	E0HZ 17285-N	E0HZ 17322-U
	11 x 22	E0HZ 17294-AN	E0HZ 17285-M	E0HZ 17322-R
	12 x 22.5	E0HZ 17294-CK	E0HZ 17285-M	E0HZ 17322-N
	12 x 24.5	E0HZ 17294-K	E0HZ 17285-N	E0HZ 17322-T
7.17 REAR AXLE RATIO				
Clark 390, 550 Series, CM6052, SPICER 7231 AUX	8.25 x 20	E0HZ 17294-R	E0HZ 17285-M	E0HZ 17322-R
	9 x 20, 10 x 22.5-Note 1	E0HZ 17294-AN	E0HZ 17285-L	E0HZ 17322-K
	9 x 22.5	E0HZ 17294-R	E0HZ 17285-N	E0HZ 17322-U
	10 x 20, 11 x 22.5-Note 2	E0HZ 17294-CL	E0HZ 17285-M	E0HZ 17322-S
	10 x 22, 11 x 24.5	E0HZ 17294-R	E0HZ 17285-N	E0HZ 17322-V
	11 x 20, 12 x 22.5	E0HZ 17294-AN	E0HZ 17285-L	E0HZ 17322-A
	11 x 22	E0HZ 17294-K	E0HZ 17285-N	E0HZ 17322-U
	12 x 24.5	E0HZ 17294-AG	E0HZ 17285-M	E0HZ 17322-R
7.20 REAR AXLE RATIO				
Clark 390, 550 Series, CM6052, SPICER 7231 AUX	8.25 x 20	E0HZ 17294-R	E0HZ 17285-M	E0HZ 17322-R
	9 x 20, 10 x 22.5-Note 1	E0HZ 17294-CK	E0HZ 17285-M	E0HZ 17322-S
	10 x 20, 11 x 22.5-Note 2	E0HZ 17294-Y	E0HZ 17285-M	E0HZ 17322-N
	10 x 22, 11 x 24.5	E0HZ 17294-R	E0HZ 17285-N	E0HZ 17322-V
	11 x 20, 12 x 22.5	E0HZ 17294-K	E0HZ 17285-N	E0HZ 17322-V
	11 x 22, 12 x 24.5	E0HZ 17294-K	E0HZ 17285-N	E0HZ 17322-U
	11 x 24	E0HZ 17294-CG	E0HZ 17285-R	E0HZ 17322-Z
	7.40 REAR AXLE RATIO			
Clark 390, 550 Series, CM6052, SPICER 7231 AUX	8.25 x 20	E0HZ 17294-K	E0HZ 17285-M	E0HZ 17322-R
	9 x 20, 10 x 22.5-Note 1	E0HZ 17294-Y	E0HZ 17285-M	E0HZ 17322-R
	10 x 20, 11 x 22.5-Note 2	E0HZ 17294-CG	E0HZ 17285-N	E0HZ 17285-T
	10 x 22, 11 x 24.5	E0HZ 17294-K	E0HZ 17285-N	E0HZ 17322-V
	11 x 20	E0HZ 17294-U	E0HZ 17285-N	E0HZ 17322-U
	11 x 22	$\Delta$	E0HZ 17285-M	E0HZ 17322-R
	12 x 22.5	E0HZ 17294-Y	E0HZ 17285-M	E0HZ 17322-N
	12 x 24.5	E0HZ 17294-U	E0HZ 17285-N	E0HZ 17322-T
7.60 REAR AXLE RATIO				
Clark 390, 550 Series CM6052, SPICER 7231 AUX	8.25 x 20	E0HZ 17294-R	E0HZ 17285-M	E0HZ 17322-S
	9 x 20	E0HZ 17294-CG	E0HZ 17285-N	E0HZ 17322-U
	10 x 20, 11 x 22.5-Note 2	$\Delta$	E0HZ 17285-L	E0HZ 17322-A
	10 x 22, 11 x 24.5	E0HZ 17294-Y	E0HZ 17285-M	E0HZ 17322-N
	10 x 22.5-Note 1	E0HZ 17294-K	E0HZ 17285-M	E0HZ 17322-R
	11 x 20	E0HZ 17294-CG	E0HZ 17285-N	E0HZ 17322-T
	11 x 22	E0HZ 17294-K	E0HZ 17285-N	E0HZ 17322-V
	11 x 24	E0HZ 17294-CK	E0HZ 17285-M	E0HZ 17322-N
	12 x 22.5	E0HZ 17294-AN	E0HZ 17285-L	E0HZ 17322-K
	12 x 24.5	E0HZ 17294-AN	E0HZ 17285-L	E0HZ 17322-A
7.80 REAR AXLE RATIO				
Clark 390, 550 Series CM6052, SPICER 7231 AUX	8.25 x 20	E0HZ 17294-K	E0HZ 17285-M	E0HZ 17322-S
	9 x 20, 10 x 22.5-Note 1	$\Delta$	E0HZ 17285-L	E0HZ 17322-K
	10 x 20, 11 x 22.5-Note 2	E0HZ 17294-R	E0HZ 17285-M	E0HZ 17322-R
	10 x 22, 11 x 24.5	E0HZ 17294-CG	E0HZ 17285-N	E0HZ 17322-T
	11 x 20, 12 x 22.5	$\Delta$	E0HZ 17285-L	E0HZ 17322-A
	11 x 22	E0HZ 17294-AG	E0HZ 17285-L	E0HZ 17322-A
	12 x 24.5	E0HZ 17294-U	E0HZ 17285-N	E0HZ 17322-U

**1980/  
TRUCK SERIES 600/900**

TRANSMISSION MODEL	TIRES	ADAPTER	DRIVE GEAR	DRIVEN GEAR
17285	SPEEDOMETER DRIVE GEAR — Cont'd			

**(EXCEPT CL-CLT)**

**SPEEDOMETER GEAR COMBINATIONS**

For multi-speed axle speedometer gear selection use lowest numerical axle ratio

**CLARK and SPICER**

**Note:**     △ None required, Note 1: Michelin tires-275/80R x 22.5, Goodyear tires-295/75R x 22.5

**Note 2:**   Michelin tires-275/80R x 24.5, Goodyear tires-285/75R x 24.5

<b>8.38 REAR AXLE RATIO</b>				
Clark 390, 550 Series CM6052, SPICER 7231 AUX	8.25 x 20	EOHZ 17294-U	EOHZ 17285-M	EOHZ 17322-S
	9 x 20	EOHZ 17294-U	EOHZ 17285-M	EOHZ 17322-R
	10 x 20, 11 x 22.5-Note 2	EOHZ 17294-CK	EOHZ 17285-L	EOHZ 17322-K
	10 x 22, 11 x 24.5	EOHZ 17294-K	EOHZ 17285-M	EOHZ 17322-R
	10 x 22.5-Note 1	EOHZ 17294-K	EOHZ 17285-L	EOHZ 17322-A
	11 x 20, 12 x 22.5	△	EOHZ 17285-L	EOHZ 17322-K
	11 x 22	EOHZ 17294-R	EOHZ 17285-M	EOHZ 17322-R
	12 x 24.5	EOHZ 17294-AG	EOHZ 17285-L	EOHZ 17322-K

**FULLER**

**Note:**     △ None required, Note 1: Michelin tires-275/80R x 22.5, Goodyear tires-295/75R x 22.5

**Note 2:**   Michelin tires-275/80R x 24.5, Goodyear tires-285/75R x 24.5

<b>4.11 REAR AXLE RATIO</b>				
T-905, T-11605-A	10 x 20, 11 x 22.5	EOHZ 17294-S	EOHZ 17285-AD	EOHZ 17322-AK
	10 x 22, 11 x 24.5	EOHZ 17294-CK	EOHZ 17285-AD	EOHZ 17322-AL
	11 x 20, 12 x 22.5	EOHZ 17294-AN	EOHZ 17285-AC	EOHZ 17322-AM
	11 x 22, 12 x 24.5	△	EOHZ 17285-AD	EOHZ 17322-AL

<b>4.33 REAR AXLE RATIO</b>				
T-905, T-11605-A	10 x 20, 11 x 22.5	△	EOHZ 17285-AC	EOHZ 17322-AM
	10 x 22, 11 x 24.5	EOHZ 17294-AG	EOHZ 17285-AC	EOHZ 17322-AM
	11 x 20, 12 x 22.5	EOHZ 17294-Y	EOHZ 17285-AD	EOHZ 17322-AL
	11 x 22	EOHZ 17294-AN	EOHZ 17285-AC	EOHZ 17322-AM
	12 x 24.5	EOHZ 17294-AK	EOHZ 17285-AE	EOHZ 17322-AH

<b>5.43 REAR AXLE RATIO</b>				
T-905, T-11605-A	10 x 20, 11 x 22.5	△	EOHZ 17285-AE	EOHZ 17322-AH
	10 x 22, 11 x 24.5	EOHZ 17294-AG	EOHZ 17285-AE	EOHZ 17322-A
	11 x 20	EOHZ 17294-CL	EOHZ 17285-AE	EOHZ 17322-AH
	11 x 22	△	EOHZ 17285-AE	EOHZ 17322-AJ
	12 x 22.5	EOHZ 17294-AH	EOHZ 17285-AE	EOHZ 17322-AH
	12 x 24.5	EOHZ 17294-AN	EOHZ 17285-AE	EOHZ 17322-AH

<b>4.56 REAR AXLE RATIO</b>				
RT610,6610	8.25 x 20	EOHZ 17294-E	EOHZ 17285-AH	EOHZ 17322-BR
	9 x 20, 10 x 22.5-Note 1	EOHZ 17294-C	EOHZ 17285-AH	EOHZ 17322-BS
	10 x 20, 11 x 22.5-Note 2	EOHZ 17294-G	EOHZ 17285-AH	EOHZ 17322-BR
	10 x 22, 11 x 24.5	EOHZ 17294-AR	EOHZ 17285-AH	EOHZ 17322-BR
	11 x 20, 12 x 22.5	EOHZ 17294-CD	EOHZ 17285-AH	EOHZ 17322-BS
	11 x 22	EOHZ 17294-AL	EOHZ 17285-AH	EOHZ 17322-BS

<b>4.62 REAR AXLE RATIO</b>				
RT 610,6610	8.25 x 20	EOHZ 17294-AS	EOHZ 17285-AH	EOHZ 17322-BS
	9 x 20, 10 x 22.5	EOHZ 17294-BG	EOHZ 17285-AH	EOHZ 17322-BS
	10 x 20, 11 x 22.5	△	EOHZ 17285-AJ	EOHZ 17322-BT
	10 x 22, 11 x 24.5	EOHZ 17294-AG	EOHZ 17285-AJ	EOHZ 17322-BT
	11 x 20	EOHZ 17294-D	EOHZ 17285-AJ	EOHZ 17322-BT
	11 x 22	EOHZ 17294-B	EOHZ 17285-AH	EOHZ 17322-BS
	12 x 22.5	EOHZ 17294-CL	EOHZ 17285-AJ	EOHZ 17322-BT
	12 x 24.5	EOHZ 17294-E	EOHZ 17285-AJ	EOHZ 17322-BT

1980/  
TRUCK SERIES 600/900

TRANSMISSION MODEL	TIRES	ADAPTER	DRIVE GEAR	DRIVEN GEAR
17285	SPEEDOMETER DRIVE GEAR — Cont'd			
<b>(EXCEPT CL-CLT)</b>				
<b>SPEEDOMETER GEAR COMBINATIONS</b>				
For multi-speed axle speedometer gear selection use lowest numerical axle ratio.				
FULLER				
Note: $\Delta$ None required, Note 1: Michelin tires-275/80R x 22.5, Goodyear tires-295/75R x 22.5				
Note 2: Michelin tires-275/80R x 24.5, Goodyear tires-285/75R x 24.5				
<b>4.88 and 4.89 REAR AXLE RATIO</b>				
RT 610,6610	8.25 x 20	E0HZ 17294-E	E0HZ 17285-AH	E0HZ 17322-BS
	9 x 20	E0HZ 17294-C	E0HZ 17285-AG	E0HZ 17322-BK
	10 x 20, 11 x 22.5-Note 2	E0HZ 17294-B	E0HZ 17285-AG	E0HZ 17322-BL
	10 x 22, 11 x 24.5	$\Delta$	E0HZ 17285-AJ	E0HZ 17322-BT
	10 x 22.5-Note 1	E0HZ 17294-BG	E0HZ 17285-AG	E0HZ 17322-BK
	11 x 20, 12 x 22.5	E0HZ 17294-C	E0HZ 17285-AH	E0HZ 17322-BS
	11 x 22, 12 x 24.5	E0HZ 17294-CL	E0HZ 17285-AJ	E0HZ 17322-BT
<b>5.29 REAR AXLE RATIO</b>				
RT-610,6610	8.25 x 20	$\Delta$	E0HZ 17285-AH	E0HZ 17322-BS
	10 x 22.5-Note 1	E0HZ 17294-AG	E0HZ 17285-AH	E0HZ 17322-BS
	10 x 20, 11 x 22.5-Note 2	E0HZ 17294-AS	E0HZ 17285-AG	E0HZ 17322-BK
	10 x 22, 11 x 24.5	E0HZ 17294-C	E0HZ 17285-AG	E0HZ 17322-BK
	11 x 20, 12 x 22.5	E0HZ 17294-B	E0HZ 17285-AG	E0HZ 17322-BM
	11 x 22	E0HZ 17294-AM	E0HZ 17285-AG	E0HZ 17322-BL
	12 x 24.5	E0HZ 17294-AR	E0HZ 17285-AG	E0HZ 17322-BK
<b>5.31 REAR AXLE RATIO</b>				
RT 610,6610	8.25 x 20	$\Delta$	E0HZ 17205-AH	E0HZ 17322-BS
	9 x 20	E0HZ 17294-AG	E0HZ 17285-AH	E0HZ 17322-BS
	10 x 20, 11 x 22.5-Note 2	E0HZ 17294-AN	E0HZ 17285-AH	E0HZ 17322-BS
	10 x 22, 11 x 24.5	E0HZ 17294-C	E0HZ 17285-AG	E0HZ 17322-BK
	10 x 22.5-Note 1	E0HZ 17294-D	E0HZ 17285-AH	E0HZ 17322-BS
	11 x 20, 12 x 22.5	E0HZ 17294-B	E0HZ 17285-AG	E0HZ 17322-BM
	11 x 22	E0HZ 17294-E	E0HZ 17285-AH	E0HZ 17322-BR
12 x 24.5	E0HZ 17294-B	E0HZ 17285-AG	E0HZ 17322-BL	
<b>5.38 REAR AXLE RATIO</b>				
RT610, 6610	8.25 x 20	E0HZ 17294-S	E0HZ 17285-AH	E0HZ 17322-BS
	9 x 20	E0HZ 17294-D	E0HZ 17285-AH	E0HZ 17322-BS
	10 x 20, 11 x 22.5-Note 2	E0HZ 17294-M	E0HZ 17285-AH	E0HZ 17322-BR
	10 x 22, 11 x 24.5	E0HZ 17294-H	E0HZ 17285-AJ	E0HZ 17322-BT
	10 x 22.5-Note 1	E0HZ 17294-CL	E0HZ 17285-AH	E0HZ 17322-BS
	11 x 20, 12 x 22.5	E0HZ 17294-D	E0HZ 17285-AH	E0HZ 17322-BR
	11 x 22	E0HZ 17294-AN	E0HZ 17285-AH	E0HZ 17322-BR
<b>5.43 REAR AXLE RATIO</b>				
RT-610,6610	8.25 x 20	E0HZ 17294-CK	E0HZ 17285-AH	E0HZ 17322-BS
	9 x 20	E0HZ 17294-AS	E0HZ 17285-AJ	E0HZ 17322-BL
	10 x 22.5-Note 1	E0HZ 17294-V	E0HZ 17285-AJ	E0HZ 17322-BT
	10 x 20, 11 x 22.5-Note 2	$\Delta$	E0HZ 17285-AH	E0HZ 17322-BR
	10 x 22, 11 x 24.5	E0HZ 17294-B	E0HZ 17285-AG	E0HZ 17322-BM
	11 x 20	E0HZ 17294-AN	E0HZ 17285-AH	E0HZ 17322-BS
	11 x 22	E0HZ 17294-C	E0HZ 17285-AG	E0HZ 17322-BK
	12 x 22.5	E0HZ 17294-B	E0HZ 17285-AF	E0HZ 17322-BG
	12 x 24.5	E0HZ 17294-CD	E0HZ 17285-AG	E0HZ 17322-BL
<b>5.57 REAR AXLE RATIO</b>				
RT-610,6610	8.25 x 20	E0HZ 17294-Y	E0HZ 17285-AH	E0HZ 17322-BR
	9 x 20	$\Delta$	E0HZ 17285-AH	E0HZ 17322-BS
	10 x 20, 11 x 22.5-Note 2	E0HZ 17294-CK	E0HZ 17285-AH	E0HZ 17322-BR
	10 x 22, 11 x 24.5	E0HZ 17294-AN	E0HZ 17285-AH	E0HZ 17322-BS
	10 x 22.5-Note 1	E0HZ 17294-U	E0HZ 17285-AJ	E0HZ 17322-BT
	11 x 20, 12 x 22.5	$\Delta$	E0HZ 17285-AH	E0HZ 17322-BR
	11 x 22, 12 x 24.5	E0HZ 17294-B	E0HZ 17285-AG	E0HZ 17322-BM

1980/  
TRUCK SERIES 600/900

TRANSMISSION MODEL	TIRES	ADAPTER	DRIVE GEAR	DRIVEN GEAR
17285	SPEEDOMETER DRIVE GEAR — Cont'd			
<b>(EXCEPT CL-CLT)</b>				
<b>SPEEDOMETER GEAR COMBINATIONS</b>				
For multi-speed axle speedometer gear selection use lowest numerical axle ratio.				
<b>FULLER</b>				
<b>Note:</b>	△ None required, Note 1: Michelin tires-275/80R x 22.5, Goodyear tires-295/75R x 22.5			
<b>Note 2:</b>	Michelin tires-275/80R x 24.5, Goodyear tires-285/75R x 24.5			
<b>5.61</b>	<b>REAR AXLE RATIO</b>			
RT610,6610	9 x 20, 10 x 22.5-Note 1	E0HZ 17294-S	E0HZ 17285-AH	E0HZ 17322-BS
	10 x 20, 11 x 22.5-Note 2	E0HZ 17294-CL	E0HZ 17285-AH	E0HZ 17322-BS
	10 x 22, 11 x 24.5	E0HZ 17294-AH	E0HZ 17285-AH	E0HZ 17322-BR
	11 x 20, 12 x 22.5	E0HZ 17294-S	E0HZ 17285-AH	E0HZ 17322-BR
	11 x 20	E0HZ 17294-D	E0HZ 17285-AH	E0HZ 17322-BR
<b>5.83</b>	<b>REAR AXLE RATIO</b>			
RT-610,6610	8.25 x 20	E0HZ 17294-E	E0HZ 17285-AG	E0HZ 17322-BM
	9 x 20	E0HZ 17294-B	E0HZ 17285-AF	E0HZ 17322-BJ
	9 x 22.5	E0HZ 17294-CL	E0HZ 17285-AG	E0HZ 17322-BL
	10 x 20, 11 x 22.5-Note 2	E0HZ 17294-CD	E0HZ 17285-AF	E0HZ 17322-BH
	10 x 22, 11 x 24.5	E0HZ 17294-D	E0HZ 17285-AH	E0HZ 17322-BS
	10 x 22.5-Note 1	△	E0HZ 17285-AG	E0HZ 17322-BK
	11 x 20	E0HZ 17294-B	E0HZ 17285-AF	E0HZ 17322-BH
	11 x 22	△	E0HZ 17285-AH	E0HZ 17322-BR
	12 x 22.5	E0HZ 17294-C	E0HZ 17285-AG	E0HZ 17322-BM
	12 x 24.5	E0HZ 17294-AM	E0HZ 17285-AF	E0HZ 17322-BG
	<b>5.86</b>	<b>REAR AXLE RATIO</b>		
RT-610,6610	8.25 x 20	E0HZ 17294-Y	E0HZ 17285-AH	E0HZ 17322-BS
	9 x 20, 10 x 22.5-Note 1	△	E0HZ 17285-AG	E0HZ 17322-BK
	10 x 20, 11 x 22.5-Note 2	E0HZ 17294-CD	E0HZ 17285-AF	E0HZ 17322-BH
	10 x 22, 11 x 24.5	E0HZ 17294-CK	E0HZ 17285-AH	E0HZ 17322-BR
	11 x 22, 12 x 24.5	△	E0HZ 17285-AH	E0HZ 17322-BR
	11 x 20	E0HZ 17294-AR	E0HZ 17285-AF	E0HZ 17322-BG
	12 x 22.5	△	E0HZ 17285-AH	E0HZ 17322-BS
<b>5.90</b>	<b>REAR AXLE RATIO</b>			
RT-610,6610	8.25 x 20	E0HZ 17294-Y	E0HZ 17285-AH	E0HZ 17322-BS
	9 x 20	△	E0HZ 17285-AG	E0HZ 17322-BK
	10 x 22.5-Note 1	E0HZ 17294-S	E0HZ 17285-AG	E0HZ 17322-BK
	10 x 20, 11 x 22.5-Note 2	E0HZ 17294-D	E0HZ 17285-AH	E0HZ 17322-BK
	10 x 22, 11 x 24.5	E0HZ 17294-CL	E0HZ 17285-AH	E0HZ 17322-BS
	11 x 20, 12 x 22.5	△	E0HZ 17285-AH	E0HZ 17322-BS
	11 x 22	E0HZ 17294-AG	E0HZ 17285-AH	E0HZ 17322-BS
	11 x 24	E0HZ 17294-AR	E0HZ 17285-AG	E0HZ 17322-BL
	12 x 24.5	△	E0HZ 17285-AH	E0HZ 17322-BR
<b>5.91</b>	<b>REAR AXLE RATIO</b>			
RT-610,6610	8.25 x 20	E0HZ 17294-Y	E0HZ 17285-AH	E0HZ 17322-BS
	9 x 20	△	E0HZ 17285-AG	E0HZ 17322-BK
	10 x 22.5-Note 1	E0HZ 17294-AG	E0HZ 17285-AG	E0HZ 17322-BL
	10 x 20, 11 x 22.5-Note 2	E0HZ 17294-CK	E0HZ 17285-AH	E0HZ 17322-BS
	10 x 22, 11 x 24.5	E0HZ 17294-AS	E0HZ 17285-AG	E0HZ 17322-BL
	11 x 20, 12 x 22.5	△	E0HZ 17285-AH	E0HZ 17322-BS
	11 x 22	E0HZ 17294-CD	E0HZ 17285-AF	E0HZ 17322-BG
	11 x 24	E0HZ 17294-AR	E0HZ 17285-AG	E0HZ 17322-BL
	12 x 24.5	△	E0HZ 17285-AH	E0HZ 17322-BR
<b>6.14</b>	<b>REAR AXLE RATIO</b>			
RT-610,6610	8.25 x 20	E0HZ 17294-K	E0HZ 17285-AH	E0HZ 17322-BS
	9 x 20	E0HZ 17294-BG	E0HZ 17285-AF	E0HZ 17322-BH
	10 x 20, 11 x 22.5-Note 2	△	E0HZ 17285-AG	E0HZ 17322-BK
	10 x 22, 11 x 24.5	E0HZ 17294-CD	E0HZ 17285-AF	E0HZ 17322-BH
	10 x 22.5-Note 1	E0HZ 17294-AH	E0HZ 17285-AG	E0HZ 17322-BL
	11 x 20	E0HZ 17294-AS	E0HZ 17285-AG	E0HZ 17322-BM
	11 x 22	E0HZ 17294-C	E0HZ 17285-AG	E0HZ 17322-BM
	12 x 22.5	E0HZ 17294-AH	E0HZ 17285-AG	E0HZ 17322-BK
	12 x 24.5	E0HZ 17294-AH	E0HZ 17285-AH	E0HZ 17322-BS



1980/  
TRUCK SERIES 600/900

TRANSMISSION MODEL	TIRES	ADAPTER	DRIVE GEAR	DRIVEN GEAR
17285	SPEEDOMETER DRIVE GEAR — Cont'd			

**(EXCEPT CL-CLT)**

**SPEEDOMETER GEAR COMBINATIONS**

For multi-speed axle speedometer gear selection use lowest numerical axle ratio.

**FULLER**

Note:  $\Delta$  None required, Note 1: Michelin tires-275/80R x 22.5, Goodyear tires-295/75R x 22.5

Note 2: Michelin tires-275/80R x 24.5, Goodyear tires-285/75R x 24.5

<b>6.17 REAR AXLE RATIO</b>				
RT-610,6610	8.25 x 20	EOHZ 17294-CK	EOHZ 17285-AG	EOHZ 17322-BL
	9 x 20, 10 x 22.5-Note 1	EOHZ 17294-AH	EOHZ 17285-AG	EOHZ 17322-BL
	9 x 22.5	EOHZ 17294-C	EOHZ 17285-AF	EOHZ 17322-BJ
	10 x 20, 11 x 22.5-Note 2	EOHZ 17294-AS	EOHZ 17285-AF	EOHZ 17322-BG
	10 x 22, 11 x 24.5	EOHZ 17294-C	EOHZ 17285-AF	EOHZ 17322-BG
	11 x 20	EOHZ 17294-AH	EOHZ 17285-AG	EOHZ 17322-BK
	11 x 22	$\Delta$	EOHZ 17285-AH	EOHZ 17322-BS
	12 x 22.5	EOHZ 17294-B	EOHZ 17285-AF	EOHZ 17322-BJ
12 x 24.5	EOHZ 17294-AR	EOHZ 17285-AF	EOHZ 17322-BG	
<b>6.50 REAR AXLE RATIO</b>				
RT-610,6610	8.25 x 20	EOHZ 17294-V	EOHZ 17285-AH	EOHZ 17322-BS
	9 x 20	EOHZ 17294-CL	EOHZ 17285-AG	EOHZ 17322-BM
	10 x 20, 11 x 22.5-Note 2	$\Delta$	EOHZ 17285-AG	EOHZ 17322-BL
	10 x 22, 11 x 24.5	EOHZ 17294-AS	EOHZ 17285-AF	★ EOHZ 17322-BG Not replaced
	10 x 22.5-Note 1	EOHZ 17294-BG	EOHZ 17285-AF	EOHZ 17322-BJ
	11 x 20	EOHZ 17294-CL	EOHZ 17285-AG	EOHZ 17322-BL
	11 x 22	EOHZ 17294-B	EOHZ 17285-AF	EOHZ 17322-BJ
	12 x 22.5	EOHZ 17294-BG	EOHZ 17285-AF	EOHZ 17322-BH
12 x 24.5	EOHZ 17294-AH	EOHZ 17285-AG	EOHZ 17322-BK	
<b>6.57 REAR AXLE RATIO</b>				
RT 610,6610	8.25 x 20, 9 x 22.5	$\Delta$	EOHZ 17285-AF	EOHZ 17322-BG
	9 x 20	EOHZ 17294-AH	EOHZ 17285-AG	EOHZ 17322-BM
	10 x 20, 11 x 22.5-Note 2	EOHZ 17294-L	EOHZ 17285-AH	EOHZ 17322-BS
	10 x 22	EOHZ 17294-J	EOHZ 17285-AH	EOHZ 17322-BS
	10 x 22.5-Note 1	EOHZ 17295-D	EOHZ 17285-AF	★ EOHZ 17322-BG Not replaced
	11 x 20	EOHZ 17294-AN	EOHZ 17285-AG	EOHZ 17322-BM
	11 x 22, 12 x 24.5	$\Delta$	EOHZ 17285-AG	EOHZ 17322-BK
	11 x 24.5	EOHZ 17294-K	EOHZ 17285-AH	EOHZ 17322-BR
12 x 22.5	EOHZ 17294-Y	EOHZ 17285-AH	EOHZ 17322-BS	
<b>6.67 REAR AXLE RATIO</b>				
RT-610,6610	8.25 x 20	EOHZ 17294-U	EOHZ 17285-AH	EOHZ 17322-BS
	10 x 22.5-Note 1	$\Delta$	EOHZ 17285-AG	EOHZ 17322-BM
	10 x 20, 11 x 22.5-Note 2	EOHZ 17294-D	EOHZ 17285-AG	EOHZ 17322-BM
	10 x 22, 11 x 24.5	EOHZ 17294-AN	EOHZ 17285-AG	EOHZ 17322-BM
	11 x 20, 12 x 22.5	$\Delta$	EOHZ 17285-AF	EOHZ 17322-BL
	11 x 22	EOHZ 17294-AS	EOHZ 17285-AF	★ EOHZ 17322-BG Not replaced
	12 x 24.5	$\Delta$	EOHZ 17285-AG	EOHZ 17322-BK
<b>6.83 REAR AXLE RATIO</b>				
RT-610,6610	8.25 x 20, 9 x 22.5	EOHZ 17294-E	EOHZ 17285-AF	EOHZ 17322-BJ
	9 x 20, 10 x 22.5-Note 1	$\Delta$	EOHZ 17285-AF	★ EOHZ 17322-BG Not replaced
	10 x 20, 11 x 22.5-Note 2	EOHZ 17294-AH	EOHZ 17285-AG	EOHZ 17322-BM
	10 x 22, 11 x 24.5	$\Delta$	EOHZ 17285-AG	EOHZ 17322-BL
	11 x 20	EOHZ 17294-D	EOHZ 17285-AG	EOHZ 17322-BM
	11 x 22	EOHZ 17294-AN	EOHZ 17285-AG	EOHZ 17322-BM
	12 x 22.5	EOHZ 17294-CK	EOHZ 17285-AG	EOHZ 17322-BL
	12 x 24.5	EOHZ 17294-C	EOHZ 17285-AF	EOHZ 17322-BH

1980/  
TRUCK SERIES 600/900

TRANSMISSION MODEL	TIRES	ADAPTER	DRIVE GEAR	DRIVEN GEAR
17285	SPEEDOMETER DRIVE GEAR — Cont'd			

## (EXCEPT CL-CLT)

## SPEEDOMETER GEAR COMBINATIONS

For multi-speed axle speedometer gear selection use lowest numerical axle ratio.

## FULLER

Note:  $\Delta$  None required, Note 1: Michelin tires-275/80R x 22.5, Goodyear tires-295/75R x 22.5

Note 2: Michelin tires-275/80R x 24.5, Goodyear tires-285/75R x 24.5

7.14 REAR AXLE RATIO				
RT610,6610	8.25 x 20	E0HZ 17294-Y	E0HZ 17285-AG	E0HZ 17322-BM
	9 x 20, 10 x 22.5-Note 1	E0HZ 17294-L	E0HZ 17285-AG	E0HZ 17322-BL
	9 22.5	E0HZ 17294-AG	E0HZ 17285-AF	E0HZ 17322-BJ
	10 x 20, 11 x 22.5-Note 2	$\Delta$	E0HZ 17285-AF	★ E0HZ 17322-BG Not replaced
	10 x 22, 11 x 24.5	E0HZ 17294-AH	E0HZ 17285-AG	E0HZ 17322-BM
	11 x 20	$\Delta$	E0HZ 17285-AG	E0HZ 17322-BM
	11 x 22	E0HZ 17294-K	E0HZ 17285-AH	E0HZ 17322-BS
	12 x 22.5	E0HZ 17294-V	E0HZ 17285-AH	E0HZ 17322-BS
12 x 24.5	E0HZ 17294-L	E0HZ 17285-AH	E0HZ 17322-BS	
7.17 REAR AXLE RATIO				
RT-610,6610	8.25 x 20, 9 x 22.5	E0HZ 17294-CK	E0HZ 17285-AF	E0HZ 17322-BH
	9 x 20	E0HZ 17294-CL	E0HZ 17285-AF	E0HZ 17322-BH
	10 x 20, 11 x 22.5	$\Delta$	E0HZ 17285-AF	★ E0HZ 17322-BG Not replaced
	10 x 22, 11 x 24.5	E0HZ 17294-AH	E0HZ 17285-AG	E0HZ 17322-BM
	10 x 22.5	E0HZ 17294-AN	E0HZ 17285-AF	E0HZ 17322-BJ
	11 x 20	E0HZ 17294-AH	E0HZ 17285-AF	★ E0HZ 17322-BG Not replaced
	11 x 22	E0HZ 17294-D	E0HZ 17285-AG	E0HZ 17322-BM
	12 x 22.5	E0HZ 17294-AN	E0HZ 17285-AF	E0HZ 17322-BH
12 x 24.5	E0HZ 17294-AS	E0HZ 17285-AF	E0HZ 17322-BH	
7.20 REAR AXLE RATIO				
RT 610,6610	8.25 x 20	E0HZ 17294-AG	E0HZ 17285-AS	E0HZ 17322-BJ
	9 x 20, 10 x 22.5-Note 1	E0HZ 17294-K	E0HZ 17285-AH	E0HZ 17322-BS
	10 x 20, 11 x 22.5-Note 2	E0HZ 17294-U	E0HZ 17285-AH	E0HZ 17322-BS
	10 x 22, 11 x 24.5	E0HZ 17294-D	E0HZ 17285-AF	★ E0HZ 17322-BG Not replaced
	11 x 20, 12 x 22.5	E0HZ 17294-V	E0HZ 17285-AH	E0HZ 17322-BS
	11 x 22	E0HZ 17294-D	E0HZ 17285-AG	E0HZ 17322-BM
	11 x 24	E0HZ 17294-CL	E0HZ 17285-AG	E0HZ 17322-BL
	12 x 24.5	E0HZ 17294-K	E0HZ 17285-AH	E0HZ 17322-BS
7.40 REAR AXLE RATIO				
RT-610,6610	8.25 x 20	E0HZ 17294-AH	E0HZ 17285-AF	E0HZ 17322-BJ
	10 x 22.5	E0HZ 17294-Y	E0HZ 17285-AG	E0HZ 17322-BM
	10 x 20, 11 x 22.5	E0HZ 17294-E	E0HZ 17285-AF	E0HZ 17322-BJ
	10 x 22, 11 x 24.5	E0HZ 17294-AS	E0HZ 17285-AF	E0HZ 17322-BJ
	11 x 20	E0HZ 17294-Y	E0HZ 17285-AG	E0HZ 17322-BL
	11 x 22	$\Delta$	E0HZ 17285-AG	E0HZ 17322-BM
	12 x 22.5	E0HZ 17294-S	E0HZ 17285-AF	★ E0HZ 17322-BG Not replaced
	12 x 24.5	E0HZ 17294-AH	E0HZ 17285-AG	E0HZ 17322-BM
7.60 REAR AXLE RATIO				
RT-610,6610	8.25 x 20	E0HZ 17294-S	E0HZ 17285-AF	E0HZ 17322-BJ
	9 x 20	E0HZ 17294-D	E0HZ 17285-AF	E0HZ 17322-BJ
	10 x 20, 11 x 22.5	$\Delta$	E0HZ 17285-AF	E0HZ 17322-BH
	10 x 22, 11 x 24.5	E0HZ 17294-S	E0HZ 17285-AF	E0HZ 17322-BG
	10 x 22.5	E0HZ 17294-CL	E0HZ 17285-AF	E0HZ 17322-BJ
	11 x 20	E0HZ 17294-E	E0HZ 17285-AF	E0HZ 17322-BJ
	11 x 22	$\Delta$	E0HZ 17285-AF	★ E0HZ 17322-BG Not replaced
	11 x 24	E0HZ 17294-C	E0HZ 17285-AF	E0HZ 17322-BJ
	12 x 22.5	E0HZ 17294-CL	E0HZ 17285-AF	E0HZ 17322-BH
	12 x 24.5	E0HZ 17294-AN	E0HZ 17285-AF	E0HZ 17322-BH

1980/  
TRUCK SERIES 600/900

TRANSMISSION MODEL	TIRES	ADAPTER	DRIVE GEAR	DRIVEN GEAR
17285	SPEEDOMETER DRIVE GEAR — Cont'd			
<b>(EXCEPT CL-CLT)</b>				
<b>SPEEDOMETER GEAR COMBINATIONS</b>				
For multi-speed axle speedometer gear selection use lowest numerical axle ratio.				
<b>FULLER</b>				
<b>Note:</b>	△ None required, Note 1: Michelin tires-275/80R x 22.5, Goodyear tires-295/75R x 22.5			
<b>Note 2:</b>	Michelin tires-275/80R x 24.5, Goodyear tires-285/75R x 24.5			
<b>7.80 REAR AXLE RATIO</b>				
RT-610,6610	8.25 x 20	E0HZ 17294-V	E0HZ 17285-AJ	E0HZ 17322-BM
	9 x 20, 10 x 22.5	△	E0HZ 17285-AF	E0HZ 17322-BJ
	10 x 22, 11 x 24.5	E0HZ 17294-E	E0HZ 17285-AF	E0HZ 17322-BJ
	10 x 20, 11 x 22.5	E0HZ 17294-CK	E0HZ 17285-AF	E0HZ 17322-BH
	11 x 20, 12 x 22.5	△	E0HZ 17285-AF	E0HZ 17322-BH
	11 x 22	E0HZ 17294-CK	E0HZ 17285-AF	★ E0HZ 17322-BG Not replaced
	12 x 24.5	E0HZ 17294-S	E0HZ 17285-AF	★ E0HZ 17322-BG Not replaced
<b>8.38 REAR AXLE RATIO</b>				
RT-610,6610	8.25 x 20	E0HZ 17294-Y	E0HZ 17285-AF	E0HZ 17322-BJ
	9 x 20	E0HZ 17294-V	E0HZ 17285-AF	★ E0HZ 17322-BG Not replaced
	10 x 20, 11 x 22.5	E0HZ 17294-CK	E0HZ 17285-AF	E0HZ 17322-BJ
	10 x 22, 11 x 24.5	E0HZ 17294-AH	E0HZ 17285-AF	E0HZ 17322-BJ
	10 x 22.5	E0HZ 17294-AC	E0HZ 17285-AH	E0HZ 17322-BS
	11 x 20, 12 x 22.5	△	E0HZ 17285-AF	E0HZ 17322-BJ
	11 x 22	E0HZ 17294-CK	E0HZ 17285-AF	E0HZ 17322-BH
	12 x 24.5	E0HZ 17294-AG	E0HZ 17285-AF	E0HZ 17322-BJ
<b>3.70 REAR AXLE RATIO</b>				
12510,12513,12515, RT0-1157-DL/DLL,RT14610, RT14613,RT014615, RT011607L/LL,RT14609, RT14608,RT15608LL	9 x 20	△	E0HZ 17285-BF	E0HZ 17322-BC
	10 x 20, 11 x 22.5-Note 2	E0HZ 17294-B	E0HZ 17285-BE	E0HZ 17322-BB
	10 x 22, 11 x 24.5	E0HZ 17294-AS	E0HZ 17285-BF	E0HZ 17322-BD
	10 x 22.5-Note 1	E0HZ 17294-AF	E0HZ 17285-BE	E0HZ 17322-BA
	11 x 20, 12 x 22.5	E0HZ 17294-BG	E0HZ 17285-BF	E0HZ 17322-BE
	11 x 22	E0HZ 17294-D	E0HZ 17285-BG	E0HZ 17322-BF
	12 x 24.5	E0HZ 17294-BG	E0HZ 17285-BF	E0HZ 17322-BD
<b>3.73 REAR AXLE RATIO</b>				
12510,12513,12515, RT0-1157-DL/DLL,RT14610, RT14613,RT014615, RT011607L/LL,RT14609, RT14608,RT15608LL	9 x 20	E0HZ 17294-AF	E0HZ 17285-BE	E0HZ 17322-BA
	10 x 20, 11 x 22.5	E0HZ 17294-AR	E0HZ 17285-BE	E0HZ 17322-BA
	10 x 22, 11 x 24.5	E0HZ 17294-C	E0HZ 17285-BF	E0HZ 17322-BE
	10 x 22.5	E0HZ 17294-BG	E0HZ 17285-BE	E0HZ 17322-BA
	11 x 20, 12 x 22.5	E0HZ 17294-BG	E0HZ 17285-BE	E0HZ 17322-AZ
11 x 22	E0HZ 17294-AR	E0HZ 17285-BF	E0HZ 17322-BE	
<b>3.90 and 3.91 REAR AXLE RATIO</b>				
12510,12513,12515, RT0-1157-DL/DLL,RT14610, RT14613,RT014615, RT011607L/LL,RT14609, RT011607L/LL,RT14609, RT14608,RT14608LL	10 x 22.5-Note 1	△	E0HZ 17285-BF	E0HZ 17322-BD
	10 x 20, 11 x 22.5-Note 2	E0HZ 17294-C	E0HZ 17285-BD	E0HZ 17322-AT
	10 x 22, 11 x 24.5	E0HZ 17294-E	E0HZ 17285-BF	E0HZ 17322-BD
	10 x 22.5	△	E0HZ 17285-AA	E0HZ 17322-BC
	11 x 20, 12 x 22.5	△	E0HZ 17285-BF	E0HZ 17322-BC
	11 x 22	E0HZ 17294-AF	E0HZ 17285-BE	E0HZ 17322-AZ
	11 x 24	E0HZ 17294-D	E0HZ 17285-BG	E0HZ 17322-BF
	12 x 24.5	E0HZ 17294-C	E0HZ 17285-BE	E0HZ 17322-AZ
<b>4.10 REAR AXLE RATIO</b>				
12510,12513,12515, RT0-1157-DL/DLL,RT14610, RT14613,RT014615, RT011607L/LL,RT14609, RT14608,RT15608LL	9 x 20	E0HZ 17294-E	E0HZ 17285-BE	E0HZ 17322-BA
	10 x 20, 11 x 22.5	E0HZ 17294-AF	E0HZ 17285-BE	E0HZ 17322-BB
	10 x 22, 11 x 24.5	E0HZ 17294-CC	E0HZ 17285-BE	E0HZ 17322-AZ
	10 x 22.5	E0HZ 17294-AS	E0HZ 17285-BE	E0HZ 17322-BB
	11 x 20	E0HZ 17294-AH	E0HZ 17285-BF	E0HZ 17322-BD
	1 x 22	E0HZ 17294-CA	E0HZ 17285-BE	E0HZ 17322-BA
	12 x 22.5	E0HZ 17294-AS	E-HZ 17285-BE	E0HZ 17322-BA

1980/  
TRUCK SERIES 600/900

TRANSMISSION MODEL	TIRES	ADAPTER	DRIVE GEAR	DRIVEN GEAR
17285	SPEEDOMETER DRIVE GEAR — Cont'd			

(EXCEPT CL-CLT)

SPEEDOMETER GEAR COMBINATIONS

For multi-speed axle speedometer gear selection use lowest numerical axle ratio.

FULLER

Note:  $\Delta$  None required, Note 1: Michelin tires-275/80R x 22.5, Goodyear tire-295/75R x 22.5

Note 2: Michelin tires-275/80R x 24.5, Goodyear tires-285/75R x 24.5

4.11 REAR AXLE RATIO				
12510,12513,12515, RT0-1157-DL/DLL,RT14610, RT14613,RT014615, RT011607L/LL,RT14609, RT14608,RT14608LL	9 x 20	E0HZ 17294-AN	E0HZ 17285-BE	E0HZ 17322-BA
	10 x 20, 11 x 22.5-Note 2	E0HZ 17294-AS	E0HZ 17285-BD	E0HZ 17322-AT
	10 x 22, 11 x 24.5	E0HZ 17294-C	E0HZ 17285-BD	E0HZ 17322-AT
	10 x 22.5-Note 1	$\Delta$	E0HZ 17285-BF	E0HZ 17322-BE
	11 x 20	E0HZ 17294-AN	E0HZ 17285-BE	E0HZ 17322-AZ
	11 x 22, 12 x 24.5	$\Delta$	E0HZ 17285-BF	E0HZ 17322-BC
	11 x 24	E0HZ 17294-AF	E0HZ 17285-BE	E0HZ 17322-AZ
	12 x 22.5	E0HZ 17294-AS	E0HZ 17285-BE	E0HZ 17322-BA
4.30 REAR AXLE RATIO				
12510,12513,12515, RT0-1157-DL/DLL,RT14610, RT14613,RT014615, RT011607L/LL,TR14609 RT14608,RT15608LL	9 x 20, 10 x 22.5	E0HZ 17294-CK	E0HZ 17285-BE	E0HZ 17322-AZ
	10 x 20, 11 x 22.5	E0HZ 17294-AS	E0HZ 17285-BE	E0HZ 17322-BB
	10 x 22, 11 x 24.5	E0HZ 17294-AF	E0HZ 17285-BE	E0HZ 17322-BB
	11 x 20, 12 x 22.5	E0HZ 17294-D	E0HZ 17285-BE	E0HZ 17322-AZ
	11 x 22	E0HZ 17294-AS	E0HZ 17285-BE	E0HZ 17322-BA
4.33 REAR AXLE RATIO				
12510,12513,12515, RT0-1157-DL/DLL,RT14610, RT14613,RT014615, RT011607L/LL,RT14609, RT14608,RT14608LL	9 x 20	E0HZ 17294-D	E0HZ 17285-BE	E0HZ 17322-BA
	10 x 20, 11 x 22.5-Note 2	$\Delta$	E0HZ 17285-BF	E0HZ 17322-BE
	10 x 22, 11 x 24.5	E0HZ 17294-BG	E0HZ 17285-BE	E0HZ 17322-BB
	10 x 22.5-Note 1	E0HZ 17294-BG	E0HZ 17285-BD	E0HZ 17322-AV
	11 x 20	E0HZ 17294-CL	E0HZ 17285-BF	E0HZ 17322-BE
	11 x 22	E0HZ 17294-AS	E0HZ 17285-BE	E0HZ 17322-BA
	11 x 24	$\Delta$	E0HZ 17285-BF	E0HZ 17322-BC
	12 x 22.5	E0HZ 17294-BG	E0HZ 17285-BD	E0HZ 17322-AU
12 x 24.5	E0HZ 17294-AH	E0HZ 17285-BF	E0HZ 17322-BD	
4.44 REAR AXLE RATIO				
12510,12513,12515, RT0-1157-DL/DLL,RT14610, RT14613,RT014615, RT011607L/LL,RT14609, RT14608,RT14608LL	9 x 20	E0HZ 17294-AM	E0HZ 17285-BB	E0HZ 17322-AR
	10 x 20, 11 x 22.5-Note 2	E0HZ 17294-CD	E0HZ 17285-BC	E0HZ 17322-AY
	10 x 22, 11 x 24.5	E0HZ 17294-AF	E0HZ 17285-BD	E0HZ 17322-AU
	10 x 22.5-Note 1	$\Delta$	E0HZ 17285-BE	E0HZ 17322-BA
	11 x 20	$\Delta$	E0HZ 17285-BF	E0HZ 17322-BE
	11 x 22	E0HZ 17294-BG	E0HZ 17285-BE	E0HZ 17322-BB
	12 x 22.5	$\Delta$	E0HZ 17285-BE	E0HZ 17322-AZ
	12 x 24.5	$\Delta$	E0HZ 17285-BF	E0HZ 17322-BD
4.56 REAR AXLE RATIO				
12510,12513,12515, RT0-1157-DL/DLL,RT14610 RT14613,RT014615, RT011607L/LL,RT14609A, RT14608,RT14608LL	9 x 20, 10 x 22.5-Note 1	$\Delta$	E0HZ 17285-BD	E0HZ 17322-AT
	10 x 20, 11 x 22.5-Note 2	E0HZ 17294-AR	E0HZ 17285-BB	E0HZ 17322-AN
	10 x 22, 11 x 24.5	$\Delta$	E0HZ 17285-BE	E0HZ 17322-AZ
	11 x 20	E0HZ 17294-CK	E0HZ 17285-BF	E0HZ 17322-BE
	11 x 22	E0HZ 17294-BG	E0HZ 17285-BD	E0HZ 17322-AU
	12 x 22.5	E0HZ 17294-C	E0HZ 17285-BD	E0HZ 17322-AV
	12 x 24.5	E0HZ 17294-D	E0HZ 17285-BE	E0HZ 17322-AZ
4.62 REAR AXLE RATIO				
12510,12513,12515, RT0-1157-DL/DLL,RT14610, RT14613,RT014615, RT011607L/LL,RT14609, RT14608,RT14608LL	10 x 20, 11 x 22.5	$\Delta$	E0HZ 17285-BE	E0HZ 17322-BA
	10 x 22, 11 x 24.5	E0HZ 17294-AS	E0HZ 17285-BD	E0HZ 17322-AU
	11 x 20	E0HZ 17294-AF	E0HZ 17285-BD	E0HZ 17522-AV
	11 x 22	$\Delta$	E0HZ 17285-BF	E0HZ 17322-BE
	12 x 22.5	E0HZ 17294-CL	E0HZ 17285-Z	E0HZ 17322-BA
4.63 REAR AXLE RATIO				
12510,12513,12515, RT0-1157-DL/DLL,RT14610, RT14613,RT014615, RT0116074L/LL,RT14609A, RT14608,RT14608LL	10 x 22.5-Note 1	E0HZ 17294-CL	E0HZ 17285-BE	E0HZ 17322-BB
	10 x 20, 11 x 22.5-Note 2	$\Delta$	E0HZ 17285-BE	E0HZ 17322-BA
	10 x 22, 11 x 24.5	E0HZ 17294-AS	E0HZ 17285-BD	E0HZ 17322-AU
	11 x 20	E0HZ 17294-AF	E0HZ 17285-BD	E0HZ 17322-AV
	11 x 22	$\Delta$	E0HZ 17285-BF	E0HZ 17322-BE
	11 x 24	$\Delta$	E0HZ 17285-BF	E0HZ 17322-BD
	12 x 22.5	E0HZ 17294-CL	E0HZ 17285-BE	E0HZ 17322-BA
12 x 24.5	E0HZ 17294-AN	E0HZ 17285-BE	E0HZ 17322-BA	

**1980/  
TRUCK SERIES 600/900**

TRANSMISSION MODEL	TIRES	ADAPTER	DRIVE GEAR	DRIVEN GEAR
17285	SPEEDOMETER DRIVE GEAR — Cont'd			

**(EXCEPT CL-CLT)**

**SPEEDOMETER GEAR COMBINATIONS**

For multi-speed axle speedometer gear selection use lowest numerical axle ratio.

**FULLER**

**Note:**     △ None required, Note 1: Michelin tires-275/80R x 22.5, Goodyear tires-295/75R x 22.5

**Note 2:**   Michelin tires-275/80R x 24.5, Goodyear tires-285/75R x 24.5

REAR AXLE RATIO				
<b>4.88</b>				
12510,12513,12515, RT0-1157-DL/DLL,RT14610, RT14613,RT014615, RT0116074L/LL,RT14609A, RT14608,RT14608LL	10 x 22.5-Note 1	△	EOHZ 17285-BD	EOHZ 17322-AU
	10 x 20, 11 x 22.5-Note 2	EOHZ 17294-CK	EOHZ 17285-BD	EOHZ 17322-AT
	11 x 20, 12 x 22.5	△	EOHZ 17285-BD	EOHZ 17322-AT
	10 x 22, 11 x 24.5	△	EOHZ 17285-BE	EOHZ 17322-BA
	11 x 22	EOHZ 17294-AN	EOHZ 17285-BE	EOHZ 17322-BB
	11 x 24	△	EOHZ 17285-BF	EOHZ 17322-BE
	12 x 24.5	EOHZ 17294-E	EOHZ 17285-BE	EOHZ 17322-BB
<b>5.05</b>				
12510,12573,12515, RT0-1157-DL/DLL,RT14610, RT14613,RT014615, RT0116074L/LL,RT14609A, RT14608,RT14608LL	10 x 22.5-Note 1	EOHZ 17294-E	EOHZ 17285-BC	EOHZ 17322-AY
	10 x 20, 11 x 22.5-Note 2	EOHZ 17294-C	EOHZ 17285-BB	EOHZ 17322-AR
	10 x 22, 11 x 24.5	EOHZ 17294-BG	EOHZ 17285-BC	EOHZ 17322-AY
	11 x 20, 12 x 22.5	△	EOHZ 17285-BE	EOHZ 17322-BB
	11 x 22	EOHZ 17294-AS	EOHZ 17285-BD	EOHZ 17322-AV
	11 x 24	EOHZ 17294-CK	EOHZ 17285-BF	EOHZ 17322-BE
	12 x 24.5	△	EOHZ 17285-BE	EOHZ 17322-BA
<b>5.29</b>				
12510,12513,12515, RT0-1157-DL/DLL,RT14610, RT14613,RT014615, RT14613,RT014615 RT011607L/LL,RT14609A, RT14608,RT14608LL	10 x 22.5-Note 1	EOHZ 17294-D	EOHZ 17285-BC	EOHZ 17322-AY
	10 x 20, 11 x 22.5-Note 2	EOHZ 17294-AS	EOHZ 17285-BB	EOHZ 17322-AR
	10 x 22, 11 x 24.5	EOHZ 17294-C	EOHZ 17285-BB	EOHZ 17322-AR
	11 x 20	EOHZ 17294-CC	EOHZ 17285-BB	EOHZ 17322-AN
	11 x 22	△	EOHZ 17285-BE	EOHZ 17322-BB
	11 x 24	△	EOHZ 17285-BE	EOHZ 17322-BA
	12 x 22.5	EOHZ 17294-E	EOHZ 17285-BB	EOHZ 17322-AN
12 x 24.5	EOHZ 17294-CK	EOHZ 17285-BD	EOHZ 17322-AT	
<b>5.31</b>				
12510,12513,12515, RT0-1157-DL/DLL,RT14610, RT0 1157-DL/DLL,RT14610, RT14613,RT014615 RT011607L/LL,RT14609A, RT14608,RT14608LL	10 x 22.5-Note 1	EOHZ 17294-D	EOHZ 17285-BC	EOHZ 17322-AY
	10 x 20, 11 x 22.5-Note 2	EOHZ 17294-AN	EOHZ 17285-BC	EOHZ 17322-AY
	10 x 22, 11 x 24.5	△	EOHZ 17285-BD	EOHZ 17322-AU
	11 x 20	EOHZ 17294-CC	EOHZ 17285-BC	EOHZ 17322-AY
	11 x 22	△	EOHZ 17285-BE	EOHZ 17322-BB
	11 x 24	△	EOHZ 17285-BE	EOHZ 17322-BA
	12 x 22.5	EOHZ 17294-E	EOHZ 17285-BB	EOHZ 17322-AN
12 x 24.5	EOHZ 17294-D	EOHZ 17285-BD	EOHZ 17322-AU	
<b>5.38</b>				
12510,12513,12515, RT0-1157-DL/DLL,RT14610, RT14613,RT014615, RT011607L/LL,RT14609, RT14608,RT15608LL	9 x 20	EOHZ 17294-E	EOHZ 17285-BB	EOHZ 17322-AR
	10 x 20, 11 x 22.5	EOHZ 17294-M	EOHZ 17285-BD	EOHZ 17322-AV
	10 x 22, 11 x 24.5	EOHZ 17294-CC	EOHZ 17285-BB	EOHZ 17322-AN
	10 x 22.5	EOHZ 17294-AH	EOHZ 17285-BB	EOHZ 17322-AN
	11 x 20	EOHZ 17294-AN	EOHZ 17285-BB	EOHZ 17322-AN
	11 x 22	EOHZ 17294-CA	EOHZ 17285-BB	EOHZ 17322-AR
	11 x 24.5	EOHZ 17294-CC	EOHZ 17285-BB	EOHZ 17322-AN
12 x 22.5	EOHZ 17294-AS	EOHZ 17285-BB	EOHZ 17322-AR	
<b>5.43</b>				
12510,12513,12515, RT0-1157-DL/DLL,RT14610, RT14613,RT014615, RT0116074L/LL,RT14609A, RT14608,RT14608LL	10 x 22.5-Note 1	△	EOHZ 17285-BB	EOHZ 17322-AN
	10 x 20, 11 x 22.5-Note 2	△	EOHZ 17285-BD	EOHZ 17322-AV
	10 x 22, 11 x 24.5	EOHZ 17294-E	EOHZ 17285-BB	EOHZ 17322-AN
	11 x 20	EOHZ 17294-AN	EOHZ 17285-BC	EOHZ 17322-AY
	11 x 22	△	EOHZ 17285-BD	EOHZ 17322-AU
	12 x 22.5	EOHZ 17294-B	EOHZ 17285-BA	EOHZ 17322-AG
	12 x 24.5	EOHZ 17294-AH	EOHZ 17285-BD	EOHZ 17322-AU

1980/  
TRUCK SERIES 600/900

TRANSMISSION MODEL	TIRES	ADAPTER	DRIVE GEAR	DRIVEN GEAR
17285	SPEEDOMETER DRIVE GEAR — Cont'd			
<b>(EXCEPT CL-CLT)</b>				
<b>SPEEDOMETER GEAR COMBINATIONS</b>				
For multi-speed axle speedometer gear selection use lowest numerical axle ratio.				
FULLER				
Note:	△ None required, Note 1: Michelin tires-275/80R x 22.5, Goodyear tires-295/75R x 22.5			
Note 2:	Michelin tires-275/80R x 24.5, Goodyear tires-285/75R x 24.5			
<b>5.57 REAR AXLE RATIO</b>				
12510,12513,12515, RT0-1157-DL/DLL,RT14610, RT14613,RT014615, RT011607L/LL,RT14609A, RT14608,RT14608LL	9 x 20	△	EOHZ 17285-BC	EOHZ 17322-AY
	10 x 20, 11 x 22.5-Note 2	EOHZ 17294-CK	EOHZ 17285-BD	EOHZ 17322-AV
	10 x 22, 11 x 24.5	EOHZ 17294-AN	EOHZ 17285-BC	EOHZ 17322-AY
	10 x 22.5-Note 1	EOHZ 17294-CK	EOHZ 17285-BB	EOHZ 17322-AN
	11 x 20, 12 x 22.5	△	EOHZ 17285-BD	EOHZ 17322-AV
	11 x 22	EOHZ 17294-E	EOHZ 17285-BB	EOHZ 17322-AN
	12 x 24.5	EOHZ 17294-G	EOHZ 17285-BB	EOHZ 17322-AR
<b>5.61 REAR AXLE RATIO</b>				
12510,12513,12515, RT0-1157-DL/DLL,RT14610, RT14613,RT014615, RT011607L/LL,RT14609A, RT14608,RT14608LL	9 x 20, 10 x 22.5-Note 1	EOHZ 17294-SA	EOHZ 17285-BC	EOHZ 17322-AY
	10 x 20, 11 x 22.5-Note 2	EOHZ 17294-CL	EOHZ 17285-BL	EOHZ 17322-AY
	10 x 22, 11 x 24.5	EOHZ 17294-AH	EOHZ 17285-BD	EOHZ 17322-AV
	11 x 20, 12 x 22.5	EOHZ 17294-D	EOHZ 17285-BB	EOHZ 17322-AN
	11 x 22	EOHZ 17294-AN	EOHZ 17285-BB	EOHZ 17322-AN
<b>5.76 REAR AXLE RATIO</b>				
12510,12513,12515, RT0-1157-DL/DLL,RT14610, RT14613,RT014615, RT011607L/LL,RT14609A, RT14608,RT14608LL	12 x 24	EOHZ 17294-AS	EOHZ 17285-BC	EOHZ 17322-AY
<b>5.78 REAR AXLE RATIO</b>				
12510,12513,12515, RT01157DL/DLL,RT14610, RT14613,RT014615, RT0116074L/LL,RT14609A, RT011607L/LL,RT14609A, RT14608,RT14608LL	10 x 22.5-Note 1	EOHZ 17294-AH	EOHZ 17285-BB	EOHZ 17322-AR
	10 x 20, 11 x 22.5-Note 2	△	EOHZ 17285-BC	EOHZ 17322-AY
	10 x 22, 11 x 24.5	EOHZ 17294-D	EOHZ 17285-BB	EOHZ 17322-AN
	11 x 20	EOHZ 17294-AN	EOHZ 17285-BB	EOHZ 17322-AR
	11 x 22	EOHZ 17294-AM	EOHZ 17285-BA	EOHZ 17322-AG
	11 x 24	△	EOHZ 17285-BD	EOHZ 17322-AU
	12 x 22.5	△	EOHZ 17285-BB	EOHZ 17322-AN
	12 x 24.5	EOHZ 17294-AH	EOHZ 17285-BD	EOHZ 17322-AV
<b>5.83 REAR AXLE RATIO</b>				
12510,12513,12515, RT0-1157-DL/DLL,RT14610, RT14613,RT014615, RT011607L/LL,RT14609A, RT14608,RT14608LL	9 x 20	EOHZ 17294-B	EOHZ 17285-BA	EOHZ 17322-CU
	10 x 20, 11 x 22.5-Note 2	EOHZ 17294-CK	EOHZ 17285-BB	EOHZ 17322-AN
	10 x 22, 11 x 24.5	EOHZ 17294-CL	EOHZ 17285-BB	EOHZ 17322-AN
	10 x 22.5-Note 1	△	EOHZ 17285-BB	EOHZ 17322-AR
	11 x 20	△	EOHZ 17285-BB	EOHZ 17322-AN
	11 x 22	△	EOHZ 17285-BD	EOHZ 17322-AV
	12 x 24.5	EOHZ 17294-AM	EOHZ 17285-BA	EOHZ 17322-AG
<b>5.86 REAR AXLE RATIO</b>				
12510,12513,12515, RT0-1157-DL/DLL,RT14610, RT14613,RT014615, RT011607L/LL,RT14609, RT14608,RT15608LL	9 x 20, 10 x 22.5	△	EOHZ 17294-BB	EOHZ 17322-AR
	10 x 20, 11 x 22.5	EOHZ 17294-CK	EOHZ 17294-BB	EOHZ 17322-AN
	10 x 22, 11 x 24.5	EOHZ 17294-E	EOHZ 17294-BB	EOHZ 17322-AR
	11 x 20, 12 x 22.5	△	EOHZ 17294-BB	EOHZ 17322-AN
	11 x 22	△	EOHZ 17294-BD	EOHZ 17322-AV
<b>5.90 REAR AXLE RATIO</b>				
12510,12513,12515, RT01157DL/DLL,RT14610, RT14613,RT014615, RT0116074L/LL,RT14609A, RT011607L/LL,RT14609A, RT14608,RT14608LL	10 x 22.5-Note 1	EOHZ 17294-AM	EOHZ 17285-BA	EOHZ 17322-CU
	10 x 20, 11 x 22.5-Note 2	EOHZ 17294-D	EOHZ 17285-BB	EOHZ 17322-AR
	10 x 22, 11 x 24.5	EOHZ 17294-CL	EOHZ 17285-BC	EOHZ 17322-AY
	11 x 20	△	EOHZ 17285-BC	EOHZ 17322-AY
	11 x 22	EOHZ 17294-D	EOHZ 17285-BB	EOHZ 17322-AN
	11 x 24	EOHZ 17294-E	EOHZ 17285-BB	EOHZ 17322-AN
	11 x 22.5	△	EOHZ 17285-BC	EOHZ 17322-AY
	11 x 24.5	△	EOHZ 17285-BD	EOHZ 17322-AV

**1980/  
TRUCK SERIES 600/900**

TRANSMISSION MODEL	TIRES	ADAPTER	DRIVE GEAR	DRIVEN GEAR
17285	SPEEDOMETER DRIVE GEAR — Cont'd			

**(EXCEPT CL-CLT)**

**SPEEDOMETER GEAR COMBINATIONS**

For multi-speed axle speedometer gear selection use lowest numerical axle ratio.

**FULLER**

**Note:**        △ None required, Note 1: Michelin tires-275/80R x 22.5, Goodyear tires-295/75R x 22.5

**Note 2:**     Michelin tires-275/80R x 24.5, Goodyear tires-285/75R x 24.5

5.91 REAR AXLE RATIO				
12510,12513,12515, RTO1157DL/DLL,RT14610, RT14613,RT014615, RTO116074L/LL,RT14609A, RTO11607L/LL,RT14609A, RT14608,RT14608LL	10 x 22.5—Note 1	EOHZ 17294-AM	EOHZ 17285-BA	EOHZ 17322-CU
	10 x 20, 11 x 22.5—Note 2	EOHZ 17294-CK	EOHZ 17285-BC	EOHZ 17322-AY
	10 x 22, 11 x 24.5	EOHZ 17294-CL	EOHZ 17285-BC	EOHZ 17322-AY
	11 x 20, 12 x 22.5	△	EOHZ 17285-BC	EOHZ 17322-AY
	11 x 22	EOHZ 17294-D	EOHZ 17285-BB	EOHZ 17322-AN
	11 x 24	EOHZ 17294-E	EOHZ 17285-BB	EOHZ 17322-AN
	12 x 24.5	△	EOHZ 17285-BD	EOHZ 17322-AV

5.96 REAR AXLE RATIO				
12510,12513,12515, RTO-1157-DL/DLL,RT14610, RT14613,RT014615, RTO11607L/LL,RT14609A, RT14608,RT14608LL	12 x 24	EOHZ 17294-E	EOHZ 17285-BB	EOHZ 17322-AN

3.70 REAR AXLE RATIO				
RT-910,906,613,9509, 9513,1110,958LL,6613, 9508,11509,11610,6613, 11613,11608,11609A,11609, 11605,11615,RTO11608LL	9 x 20	△	EOHZ 17285-AA	EOHZ 17322-BC
	10 x 20, 11 x 22.5—Note 2	EOHZ 17294-B	EOHZ 17285-Z	EOHZ 17322-BB
	10 x 22, 11 x 24.5	EOHZ 17294-AS	EOHZ 17285-AA	EOHZ 17322-BD
	10 x 22.5—Note 1	EOHZ 17294-AF	EOHZ 17285-Z	EOHZ 17322-BA
	11 x 20	EOHZ 17294-BG	EOHZ 17285-AA	EOHZ 17322-BE
	11 x 22	EOHZ 17294-AR	EOHZ 17285-AA	EOHZ 17322-BE
	11 x 24	△	EOHZ 17285-Z	EOHZ 17322-AZ
	12 x 22.5	EOHZ 17294-AF	EOHZ 17285-Z	EOHZ 17322-AZ
	12 x 24.5	EOHZ 17294-BG	EOHZ 17285-AA	EOHZ 17322-BD

3.73 REAR AXLE RATIO				
RT-910,906,613,9508, 9509,9513,1110,958LL, 6613,11509,11610,6613, 11613,11609A,11610B, 11605A,11608,11615, RTO11608LL	9 x 20	EOHZ 17294-AF	EOHZ 17285-Z	EOHZ 17322-BA
	10 x 20, 11 x 22.5	EOHZ 17294-AR	EOHZ 17285-Z	EOHZ 17322-BA
	10 x 22, 11 x 24.5	EOHZ 17294-BG	EOHZ 17285-AA	EOHZ 17322-BE
	10 x 22.5	EOHZ 17294-BG	EOHZ 17285-Z	EOHZ 17322-BA
	11 x 20, 12 x 22.5	EOHZ 17294-BG	EOHZ 17285-Z	EOHZ 17322-AZ
	11 x 22	EOHZ 17294-AR	EOHZ 17285-AA	EOHZ 17322-BE

3.90 and 3.91 REAR AXLE RATIO				
RT-910,906,613,9508, 9509,9513,1110,958LL, 6613,11509,11610,6613, 11613,11609A,11610B, 11605A,11608,11615, RTO11608LL	10 x 22.5—Note 1	△	EOHZ 17285-AA	EOHZ 17322-BD
	10 x 20, 11 x 22.5—Note 2	EOHZ 17294-C	EOHZ 17285-Y	EOHZ 17322-AT
	10 x 22, 11 x 24.5	EOHZ 17294-E	EOHZ 17285-AA	EOHZ 17322-BD
	11 x 20, 12 x 22.5	△	EOHZ 17285-AA	EOHZ 17322-BC
	11 x 22	EOHZ 17294-AF	EOHZ 17285-Z	EOHZ 17322-AZ
	11 x 24	EOHZ 17294-AR	EOHZ 17285-AA	EOHZ 17322-BE
	12 x 24.5	EOHZ 17294-AF	EOHZ 17285-AA	EOHZ 17322-BE

4.10 REAR AXLE RATIO				
RT-910,906,613,9508, 9509,9513,1110,958LL, 6613,11509,11610,6613, 11613,11609A,11610B, 11605A,11608,11615, RTO11608LL	9 x 20	EOHZ 17294-E	EOHZ 17285-Z	EOHZ 17322-BA
	10 x 20, 11 x 22.5	EOHZ 17294-AF	EOHZ 17285-Z	EOHZ 17322-BB
	10 x 22, 11 x 24.5	EOHZ 17294-CC	EOHZ 17285-Z	EOHZ 17322-AZ
	10 x 22.5	EOHZ 17294-AS	EOHZ 17285-Z	EOHZ 17322-BB
	11 x 20	EOHZ 17294-AH	EOHZ 17285-AA	EOHZ 17322-BD
	11 x 22	EOHZ 17294-AF	EOHZ 17285-Z	EOHZ 17322-BA
	12 x 22.5	EOHZ 17294-AS	EOHZ 17285-Z	EOHZ 17322-BA

1980/  
TRUCK SERIES 600/900

TRANSMISSION MODEL	TIRES	ADAPTER	DRIVE GEAR	DRIVEN GEAR
17285	SPEEDOMETER DRIVE GEAR — Cont'd			

(EXCEPT CL-CLT)

SPEEDOMETER GEAR COMBINATIONS

For multi-speed axle speedometer gear selection use lowest numerical axle ratio.

FULLER

Note: Δ None required, Note 1: Michelin tires-275/80R x 22.5, Goodyear tires-295/75R x 22.5

Note 2: Michelin tires-275/80R x 24.5, Goodyear tires-285/75R x 24.5

4.11 REAR AXLE RATIO				
RT-910,906,613,9508, 9509,9513,1110,958LL, 6613,11509,11610,6613, 11613,11609A,11610B, 11605A,11608,11615, RT011608LL	9 x 20	EOHZ 17294-AN	EOHZ 17285-Z	EOHZ 17322-BA
	10 x 20, 11 x 22.5-Note 2	EOHZ 17294-AS	EOHZ 17285-Y	EOHZ 17322-AT
	10 x 22, 11 x 24.5	EOHZ 17294-C	EOHZ 17285-Y	EOHZ 17322-AT
	10 x 22.5-Note 1	Δ	EOHZ 17285-AA	EOHZ 17322-BE
	11 x 20	EOHZ 17294-AN	EOHZ 17285-Z	EOHZ 17322-AZ
	11 x 22, 12 x 24.5	Δ	EOHZ 17285-AA	EOHZ 17322-BC
	11 x 24	EOHZ 17294-AF	EOHZ 17285-Z	EOHZ 17322-AZ
12 x 22.5	EOHZ 17294-AS	EOHZ 17285-Z	EOHZ 17322-BA	
4.30 REAR AXLE RATIO				
RT-910,906,613,9508, 9509,9513,1110,958LL, 6613,11509,11610,6613, 11613,11609A,11610B, 11605A,11608,11615, RT011608LL	9 x 20, 10 x 22.5	EOHZ 17294-CK	EOHZ 17285-Z	EOHZ 17322-AZ
	10 x 20, 11 x 22.5	EOHZ 17294-AS	EOHZ 17285-Z	EOHZ 17322-BB
	10 x 22, 11 x 24.5	EOHZ 17294-AF	EOHZ 17285-Z	EOHZ 17322-BB
	11 x 20, 12 x 22.5	EOHZ 17294-D	EOHZ 17285-Z	EOHZ 17322-AZ
	11 x 22	EOHZ 17294-AS	EOHZ 17285-Z	EOHZ 17322-BA
4.33 REAR AXLE RATIO				
RT-910,906,613,9508, 9509,9513,1110,958LL, 6613,11509,11610,6613, 11613,11609A,11610B, 11605A,11608,11615, RT011608LL	9 x 20	EOHZ 17294-D	EOHZ 17285-Z	EOHZ 17322-BA
	10 x 20, 11 x 22.5-Note 2	Δ	EOHZ 17285-AA	EOHZ 17322-BE
	10 x 22, 11 x 24.5	EOHZ 17294-BG	EOHZ 17285-Z	EOHZ 17322-BB
	10 x 22.5-Note 1	EOHZ 17294-BG	EOHZ 17285-Y	EOHZ 17322-AV
	11 x 20	EOHZ 17294-CL	EOHZ 17285-AA	EOHZ 17322-BE
	11 x 22	EOHZ 17294-AS	EOHZ 17285-Z	EOHZ 17322-BA
	11 x 24	Δ	EOHZ 17285-AA	EOHZ 17322-BC
	12 x 22.5	EOHZ 17294-BG	EOHZ 17285-Y	EOHZ 17322-AU
12 x 24.5	EOHZ 17294-AH	EOHZ 17285-AA	EOHZ 17322-BD	
4.44 REAR AXLE RATIO				
RT-910,906,613,9508, 9509,9513,1110,958LL, 6613,11509,11610,6613, 11613,11609A,11610B, 11605A,11608,11615, RT011608LL	9 x 20	EOHZ 17294-AM	EOHZ 17285-V	EOHZ 17322-AR
	10 x 20, 11 x 22.5-Note 2	EOHZ 17294-CK	EOHZ 17285-AA	EOHZ 17322-BE
	10 x 22, 11 x 24.5	EOHZ 17294-AF	EOHZ 17285-Y	EOHZ 17322-AU
	10 x 22.5-Note 1	Δ	EOHZ 17285-Z	EOHZ 17322-BA
	11 x 20	Δ	EOHZ 17285-AA	EOHZ 17322-BE
	11 x 22	EOHZ 17294-BG	EOHZ 17285-Z	EOHZ 17322-BB
	12 x 22.5	Δ	EOHZ 17285-Z	EOHZ 17322-AZ
	12 x 24.5	Δ	EOHZ 17285-AA	EOHZ 17322-BD
4.56 REAR AXLE RATIO				
RT-910,906,613,9508, 9509,9513,1110,958LL, 6613,11509,11610,6613, 11613,11609A,11610B, 11605A,11608,11615, RT011608LL	9 x 20, 10 x 22.5-Note 1	Δ	EOHZ 17285-Y	EOHZ 17322-AT
	10 x 20, 11 x 22.5-Note 2	EOHZ 17294-AR	EOHZ 17285-V	EOHZ 17322-AN
	10 x 22, 11 x 24.5	Δ	EOHZ 17285-Z	EOHZ 17322-AZ
	11 x 20	EOHZ 17294-CK	EOHZ 17285-AA	EOHZ 17322-BE
	11 x 22	EOHZ 17294-BG	EOHZ 17285-Y	EOHZ 17322-AU
	12 x 22.5	EOHZ 17294-C	EOHZ 17285-Y	EOHZ 17322-AV
	12 x 24.5	EOHZ 17294-C	EOHZ 17285-Y	EOHZ 17322-AU
4.62 REAR AXLE RATIO				
RT-910,906,613,9508, 9509,9513,1110,958LL, 6613,11509,11610,6613, 11613,11609A,11610B, 11605A,11608,11615, RT011608LL	9 x 20, 10 x 22.5-Note 1	EOHZ 17294-CL	EOHZ 17285-Z	EOHZ 17322-BB
	10 x 20, 11 x 22.5-Note 2	★	EOHZ 17285-Z	EOHZ 17322-BA
	10 x 22, 11 x 24.5	EOHZ 17294-AS	EOHZ 17285-Y	EOHZ 17322-AU
	11 x 20	EOHZ 17294-AF	EOHZ 17285-Y	EOHZ 17322-AV
	11 x 22	★	EOHZ 17285-AA	EOHZ 17322-BE
	12 x 22.5	EOHZ 17294-D	EOHZ 17285-Z	EOHZ 17322-BA



**1980/  
TRUCK SERIES 600/900**

TRANSMISSION MODEL	TIRES	ADAPTER	DRIVE GEAR	DRIVEN GEAR
17285	SPEEDOMETER DRIVE GEAR — Cont'd			

**(EXCEPT CL-CLT)**

**SPEEDOMETER GEAR COMBINATIONS**

For multi-speed axle speedometer gear selection use lowest numerical axle ratio.

**FULLER**

Note: Δ None required, Note 1: Michelin tires-275/80R x 22.5, Goodyear tires-295/75R x 22.5

Note 2: Michelin tires-275/80R x 24.5, Goodyear tires-285/75R x 24.5

<b>4.63 REAR AXLE RATIO</b>				
RT-910,906,613,9508, 9509,9513,1110,958LL, 6613,11509,11610,6613, 11613,11609A,11609B, 11605A,11608,11615, RT011608LL	9 x 20, 10 x 22.5-Note 1	E0HZ 17294-CL	E0HZ 17285-Z	E0HZ 17322-BB
	10 x 20, 11 x 22.5-Note 2	Δ	E0HZ 17285-Z	E0HZ 17322-BA
	10 x 22, 11 x 24.5	E0HZ 17294-AS	E0HZ 17285-Y	E0HZ 17322-AU
	11 x 20	E0HZ 17294-AF	E0HZ 17285-Y	E0HZ 17322-AV
	11 x 22	Δ	E0HZ 17285-AA	E0HZ 17322-BE
	11 x 24	Δ	E0HZ 17285-AA	E0HZ 17322-BD
	12 x 22.5	E0HZ 17294-CL	E0HZ 17285-Z	E0HZ 17322-BA
	12 x 24.5	E0HZ 17294-AN	E0HZ 17285-Z	E0HZ 17322-BA
<b>4.88 REAR AXLE RATIO</b>				
RT-910,906,613,9508, 9509,9513,1110,958LL, 6613,11509,11610,6613, 11613,11609A,11609B, 11605A,11608,11615, RT011608LL	9 x 20, 10 x 22.5-Note 1	Δ	E0HZ 17285-Y	E0HZ 17322-AU
	10 x 20, 11 x 22.5-Note 2	E0HZ 17294-CK	E0HZ 17285-Y	E0HZ 17322-AT
	10 x 22, 11 x 24.5	Δ	E0HZ 17285-Z	E0HZ 17322-BA
	11 x 20, 12 x 22.5	Δ	E0HZ 17285-Y	E0HZ 17322-AT
	11 x 22	E0HZ 17294-AN	E0HZ 17285-Z	E0HZ 17322-BB
	11 x 24	Δ	E0HZ 17285-AA	E0HZ 17322-BE
	12 x 24.5	E0HZ 17294-E	E0HZ 17285-Z	E0HZ 17322-BB
<b>5.05 REAR AXLE RATIO</b>				
RT-910,906,613,9508, 9509,9513,1110,958LL, 6613,11509,11610,6613, 11613,11609A,11609B, 11605A,11608,11615, RT011608LL	10 x 22.5-Note 1	E0HZ 17294-DA	E0HZ 17285-Y	E0HZ 17322-AV
	10 x 20, 11 x 22.5-Note 2	E0HZ 17294-C	E0HZ 17285-V	E0HZ 17322-AR
	10 x 22, 11 x 24.5	E0HZ 17294-CL	E0HZ 17285-Z	E0HZ 17322-BB
	11 x 20, 12 x 22.5	Δ	E0HZ 17285-Z	E0HZ 17322-BB
	11 x 22	E0HZ 17294-AS	E0HZ 17285-Y	E0HZ 17322-AV
	11 x 24	E0HZ 17294-CK	E0HZ 17285-AA	E0HZ 17322-BE
	12 x 24.5	Δ	E0HZ 17285-Z	E0HZ 17322-BA
<b>5.29 REAR AXLE RATIO</b>				
RT-910,906,613,9508, 9509,9513,1110,958LL, 6613,11509,11610,6613, 11613,11609A,11609B, 11605A,11608,11615, RT011608LL	9 x 20, 10 x 22.5-Note 1	E0HZ 17294-D	E0HZ 17285-V	E0HZ 17322-AN
	10 x 20, 11 x 22.5-Note 2	E0HZ 17294-AS	E0HZ 17285-V	E0HZ 17322-AR
	10 x 22, 11 x 24.5	E0HZ 17294-C	E0HZ 17285-V	E0HZ 17322-AR
	11 x 20	E0HZ 17294-CC	E0HZ 17285-V	E0HZ 17322-AN
	11 x 22	Δ	E0HZ 17285-Z	E0HZ 17322-BB
	11 x 24	Δ	E0HZ 17285-Z	E0HZ 17322-BA
	12 x 22.5	E0HZ 17294-E	E0HZ 17285-V	E0HZ 17322-AN
	12 x 24.5	E0HZ 17294-CK	E0HZ 17285-Y	E0HZ 17322-AT
<b>5.31 REAR AXLE RATIO</b>				
RT-910,906,613,9508, 9509,9513,1110,958LL, 6613,11509,11610,6613, 11613,11609A,11609B, 11605A,11608,11615, RT011608LL	10 x 22.5-Note 1	E0HZ 17294-CK	E0HZ 17285-Y	E0HZ 17322-AV
	10 x 20, 11 x 22.5-Note 2	E0HZ 17294-B	E0HZ 17285-U	E0HZ 17322-AG
	10 x 22, 11 x 24.5	Δ	E0HZ 17285-Y	E0HZ 17322-AU
	11 x 20, 12 x 22.5	E0HZ 17294-E	E0HZ 17285-V	E0HZ 17322-AN
	11 x 22	Δ	E0HZ 17285-Z	E0HZ 17322-BB
	11 x 24	Δ	E0HZ 17285-Z	E0HZ 17322-BA
	12 x 24.5	E0HZ 17294-D	E0HZ 17285-Y	E0HZ 17322-AU

1980/  
TRUCK SERIES 600/900

TRANSMISSION MODEL	TIRES	ADAPTER	DRIVE GEAR	DRIVEN GEAR
17285	SPEEDOMETER DRIVE GEAR — Cont'd			

(EXCEPT CL-CLT)

SPEEDOMETER GEAR COMBINATIONS

For multi-speed axle speedometer gear selection use lowest numerical axle ratio.

FULLER

Note: Δ None required, Note 1: Michelin tires-275/80R x 22.5, Goodyear tires-295/75R x 22.5

Note 2: Michelin tires-275/80R x 24.5, Goodyear tires-285/75R x 24.5

5.43 REAR AXLE RATIO				
RT-610,906,613,9508, 9509,9513,1110,958LL, 6613,11509,11610,6613, 11613,11609A,11609B, 11605A,11608,11615, RT011608LL	10 x 22.5—Note 1	Δ	EOHZ 17285-V	EOHZ 17322-AN
	10 x 20, 11 x 22.5—Note 2	Δ	EOHZ 17285-Y	EOHZ 17322-AV
	10 x 22, 11 x 24.5	EOHZ 17294-E	EOHZ 17285-V	EOHZ 17322-AN
	11 x 20	EOHZ 17294-AN	EOHZ 17285-Y	EOHZ 17322-AV
	11 x 22	Δ	EOHZ 17285-Y	EOHZ 17322-AU
	12 x 22.5	EOHZ 17294-B	EOHZ 17285-U	EOHZ 17322-AG
	12 x 24.5	EOHZ 17294-AH	EOHZ 17285-Y	EOHZ 17322-AU
5.57 REAR AXLE RATIO				
RT-910,906,613,9508, 9509,9513,1110,958LL, 6613,11509,11610,6613, 11613,11609A,11609B, 11605A,11608,11605, RT011608LL	9 x 20	EOHZ 17294-AM	EOHZ 17285-U	EOHZ 17322-CV
	10 x 20, 11 x 22.5—Note 2	EOHZ 17294-CK	EOHZ 17285-Y	EOHZ 17322-AV
	11 x 20, 12 x 22.5	Δ	EOHZ 17285-Y	EOHZ 17322-AV
	10 x 22, 11 x 24.5	EOHZ 17294-B	EOHZ 17285-U	EOHZ 17322-AG
	10 x 22.5	EOHZ 17294-CK	EOHZ 17285-V	EOHZ 17322-AN
	11 x 22	EOHZ 17294-E	EOHZ 17285-V	EOHZ 17322-AN
	12 x 24.5	EOHZ 17294-G	EOHZ 17285-V	EOHZ 17322-AR
5.61 REAR AXLE RATIO				
RT-910,906,613,9508,9509, 9513,1110,958LL,6613, 11509,11610,6613,11613 11609A,11609B,11605A, 11608,11615,RT0-1108LL	9 x 20, 10 x 22.5—Note 1	EOHZ 17294-U	EOHZ 17285-Z	EOHZ 17322-BA
	10 x 20, 11 x 22.5—Note 2	EOHZ 17294-CK	EOHZ 17285-Y	EOHZ 17322-AV
	11 x 20, 12 x 22.5	EOHZ 17294-S	EOHZ 17285-Y	EOHZ 17322-AV
	11 x 22	EOHZ 17294-D	EOHZ 17285-Z	EOHZ 17322-AV
	11 x 24.5	EOHZ 17294-AH	EOHZ 17285-Y	EOHZ 17322-AV
5.76 REAR AXLE RATIO				
RT-910,906,613,9508, 9509,9513,1110,958LL, 6613,11509,11610,6613, 11613,11609A,11609B, 11605A,11608,11615,RT011608LL	12 x 24	EOHZ 17294-AH	EOHZ 17285-Y	EOHZ 17322-AU
5.78 REAR AXLE RATIO				
RT-910,906,613,9508, 9509,9513,1110,958LL, 6613,11509,11610,6613, 11613,11609A,11609B, 11613,11608LL,11609A,11609B, RT011608LL	10 x 22.5—Note 1	EOHZ 17294-AH	EOHZ 17285-V	EOHZ 17322-AR
	10 x 20, 11 x 22.5—Note 2	EOHZ 17294-AM	EOHZ 17285-U	EOHZ 17322-CV
	10 x 22, 11 x 24.5	EOHZ 17294-D	EOHZ 17285-V	EOHZ 17322-AN
	11 x 20	EOHZ 17294-AN	EOHZ 17285-V	EOHZ 17322-AR
	11 x 22	EOHZ 17294-AM	EOHZ 17285-U	EOHZ 17322-AG
	11 x 24	Δ	EOHZ 17285-Y	EOHZ 17322-AU
	12 x 22.5	Δ	EOHZ 17285-V	EOHZ 17322-AN
	12 x 24.5	EOHZ 17294-AH	EOHZ 17285-Y	EOHZ 17322-AV
5.83 REAR AXLE RATIO				
RT-910,906,613,9508, 9509,9513,1110,958LL, 6613,11509,11610,6613, 11613,11609A,11609B, 11605A,11608,11615, RT011608LL	9 x 20	EOHZ 17294-B	EOHZ 17285-U	EOHZ 17322-CU
	10 x 20, 11 x 22.5—Note 2	EOHZ 17294-CK	EOHZ 17285-V	EOHZ 17322-AN
	10 x 22, 11 x 24.5	EOHZ 17294-CL	EOHZ 17285-V	EOHZ 17322-AN
	10 x 22.5—Note 1	Δ	EOHZ 17285-V	EOHZ 17322-AR
	11 x 20	Δ	EOHZ 17285-V	EOHZ 17322-AN
	11 x 22	Δ	EOHZ 17285-Y	EOHZ 17322-AV
	12 x 22.5	Δ	EOHZ 17285-V	EOHZ 17322-AN
	12 x 24.5	EOHZ 17294-AM	EOHZ 17285-U	EOHZ 17322-AG
5.86 REAR AXLE RATIO				
RT-910,906,613,9508, 9509,9513,1110,958LL, 6613,11509,11610,6613, 11613,11609A,11610B, 11605A,11608,11615, RT011608LL	9 x 20, 10 x 22.5	★	EOHZ 17285-V	EOHZ 17322-AR
	10 x 20, 11 x 22.5	EOHZ 17294-CK	EOHZ 17285-V	EOHZ 17322-AN
	10 x 22, 11 x 24.5	EOHZ 17294-E	EOHZ 17285-V	EOHZ 17322-AR
	11 x 20, 12 x 22.5	★	EOHZ 17285-V	EOHZ 17322-AN
	11 x 22	★	EOHZ 17285-Y	EOHZ 17322-AV

**1980/  
TRUCK SERIES 600/900**

TRANSMISSION MODEL	TIRES	ADAPTER	DRIVE GEAR	DRIVEN GEAR
17285	SPEEDOMETER DRIVE GEAR — Cont'd			
<b>(EXCEPT CL-CLT)</b>				
<b>SPEEDOMETER GEAR COMBINATIONS</b>				
For multi-speed axle speedometer gear selection use lowest numerical axle ratio.				
FULLER				
Note:	△ None required, Note 1: Michelin tires-275/80R x 22.5, Goodyear tires-295/75R x 22.5			
Note 2:	Michelin tires-275/80R x 24.5, Goodyear tires-285/75R x 24.5			
<b>5.90 REAR AXLE RATIO</b>				
RT-910,906,613,9508, 9509,9513,1110,958LL, 6613,11509,11610,6613 11613,11609A,11609B 11605A,11608,11615, RT011608LL	9 x 20	E0HZ 17294-AN	E0HZ 17285-U	E0HZ 17322-CU
	10 x 22.5-Note 1	E0HZ 17294-S	E0HZ 17285-V	E0HZ 17322-AR
	10 x 20, 11 x 22.5-Note 2	E0HZ 17294-D	E0HZ 17285-V	E0HZ 17322-AR
	10 x 22, 11 x 24.5	E0HZ 17294-AN	E0HZ 17285-V	E0HZ 17322-AR
	11 x 20	E0HZ 17294-S	E0HZ 17285-V	E0HZ 17322-AN
	11 x 22	E0HZ 17294-D	E0HZ 17285-V	E0HZ 17322-AN
	11 x 24	E0HZ 17294-E	E0HZ 17285-V	E0HZ 17322-AN
	12 x 22.5	E0HZ 17294-AM	E0HZ 17285-U	E0HZ 17322-CV
	12 x 24.5	△	E0HZ 17285-Y	E0HZ 17322-AV
<b>5.91 REAR AXLE RATIO</b>				
RT-900,906,613,9508, 9509,9513,1110,958LL, 6613,11509,11610,6613, 11613,11609A,11609B, 11605A,11608,11615, RT011608LL	10 x 22.5-Note 1	E0HZ 17294-S	E0HZ 17285-V	E0HZ 17322-AR
	10 x 20, 11 x 22.5-Note 2	E0HZ 17294-D	E0HZ 17285-V	E0HZ 17322-AR
	10 x 22, 11 x 24.5	E0HZ 17294-AN	E0HZ 17285-V	E0HZ 17322-AR
	11 x 20, 12 x 22.5	E0HZ 17294-AM	E0HZ 17285-U	E0HZ 17322-CV
	11 x 22	E0HZ 17294-D	E0HZ 17285-V	E0HZ 17322-AN
	11 x 24	E0HZ 17294-E	E0HZ 17285-V	E0HZ 17322-AN
	12 x 24.5	△	E0HZ 17285-Y	E0HZ 17322-AV
<b>5.96 REAR AXLE RATIO</b>				
RT-910,906,613,9508, 9509,9513,1100,958LL, 6613,11509,11610,6613, 11613,11609A,11609B, 11605A,11608,11615, RT011608LL	10 x 22	△	E0HZ 17285-V	E0HZ 17322-AN
	10 x 22.5-Note 1	E0HZ 17294-CK	E0HZ 17285-V	E0HZ 17322-AR
	12 x 24	E0HZ 17294-E	E0HZ 17285-V	E0HZ 17322-AN
<b>6.14 REAR AXLE RATIO</b>				
RT-910,906,613,9508, 9509,9513,1110,958LL, 6613,11509,11610,6613, 11613,11608LL,11609A,11609B, 11605A,11608,11605,RT011608LL	9 x 20, 10 x 22.5-Note 1	E0HZ 17294-BG	E0HZ 17285-U	E0HZ 17322-CV
	10 x 20, 11 x 22.5-Note 2	△	E0HZ 17285-V	E0HZ 17322-AR
	11 x 20, 12 x 22.5	E0HZ 17294-AH	E0HZ 17285-V	E0HZ 17322-AR
	10 x 22, 11 x 24.5	E0HZ 17294-CK	E0HZ 17285-V	E0HZ 17322-AN
	11 x 22, 12 x 24.5	△	E0HZ 17285-V	E0HZ 17322-AN
<b>6.17 REAR AXLE RATIO</b>				
RT-910,906,613,9508, 9509,9513,1110,958LL, 6613,11509,11610,6613, 11613,11609A,11609B, 11605A,11608,11605, RT011608LL	9 x 20	E0HZ 17294-BG	E0HZ 17285-U	E0HZ 17322-CV
	10 x 20, 11 x 22.5-Note 2	E0HZ 17294-AS	E0HZ 17285-U	E0HZ 17322-AG
	10 x 22, 11 x 24.5	E0HZ 17294-C	E0HZ 17285-U	E0HZ 17322-AG
	10 x 22.5-Note 1	E0HZ 17294-CC	E0HZ 17285-U	E0HZ 17322-AG
	11 x 20	E0HZ 17294-AH	E0HZ 17285-V	E0HZ 17322-AR
	11 x 22	E0HZ 17294-AM	E0HZ 17285-U	E0HZ 17322-CV
	12 x 22.5	E0HZ 17294-B	E0HZ 17285-U	E0HZ 17322-CU
	12 x 24.5	△	E0HZ 17285-V	E0HZ 17322-AN
<b>6.50 REAR AXLE RATIO</b>				
RT-910,906,613,9508, 9509,9513,1110,958LL, 6613,11509,11610,6613, 11613,11609A,11609B, 11605A,11608,11605, RT011608LL	9 x 20	E0HZ 17294-AF	E0HZ 17285-U	E0HZ 17322-CU
	10 x 20, 11 x 22.5-Note 2	E0HZ 17294-E	E0HZ 17285-U	E0HZ 17322-AG
	10 x 22, 11 x 24.5	E0HZ 17294-AS	E0HZ 17285-U	E0HZ 17322-AG
	10 x 22.5-Note 1	E0HZ 17294-BG	E0HZ 17285-U	E0HZ 17322-CU
	11 x 20	E0HZ 17294-AF	E0HZ 17285-U	E0HZ 17322-CV
	11 x 22	E0HZ 17294-B	E0HZ 17285-U	E0HZ 17322-CU
	12 x 22.5	E0HZ 17294-BG	E0HZ 17285-U	E0HZ 17322-CV
	12 x 24.5	E0HZ 17294-AH	E0HZ 17285-V	E0HZ 17322-AR

1980/  
TRUCK SERIES 600/900

TRANSMISSION MODEL	TIRES	ADAPTER	DRIVE GEAR	DRIVEN GEAR
17285	SPEEDOMETER DRIVE GEAR — Cont'd			

(EXCEPT CL-CLT)

SPEEDOMETER GEAR COMBINATIONS

For multi-speed axle speedometer gear selection use lowest numerical axle ratio.

FULLER

Note: Δ None required, Note 1: Michelin tires-275/80R x 22.5, Goodyear tires-295/75R x 22.5

Note 2: Michelin tires-275/80R x 24.5, Goodyear tires-285/75R x 24.5

6.83 REAR AXLE RATIO				
RT-910,906,613,9508, 9509,9513,1110,958LL, 6613,11509,11610,6613, 11613,11609A,11609B, 11605A,11608,11605, RT011608LL	9 x 20, 10 x 22.5-Note 1	Δ	E0HZ 17285-U	E0HZ 17322-AG
	10 x 20, 11 x 22.5-Note 2	E0HZ 17294-BG	E0HZ 17285-U	E0HZ 17322-CU
	10 x 22	E0HZ 17294-E	E0HZ 17285-U	E0HZ 17322-AG
	11 x 20, 12 x 22.5	E0HZ 17294-C	E0HZ 17285-U	E0HZ 17322-CU
	11 x 22	E0HZ 17294-AF	E0HZ 17285-U	E0HZ 17322-CV
	11 x 24.5	E0HZ 17294-E	E0HZ 17285-U	E0HZ 17322-AG
	12 x 24.5	E0HZ 17294-C	E0HZ 17285-U	E0HZ 17322-CV
7.17 REAR AXLE RATIO				
RT-910,906,613,9508, 9509,9513,1110,958LL, 6613,11509,11610,6613, 11613,11609A,11609B, 11605A,11608,11605, RT011608LL	9 x 20	E0HZ 17294-CL	E0HZ 17285-U	E0HZ 17322-CV
	10 x 20, 11 x 22.5-Note 2	Δ	E0HZ 17285-U	E0HZ 17322-AG
	10 x 22, 11 x 24.5	E0HZ 17294-D	E0HZ 17285-U	E0HZ 17322-AG
	10 x 22.5-Note 1	E0HZ 17294-AN	E0HZ 17285-U	E0HZ 17322-CU
	11 x 20	E0HZ 17294-AH	E0HZ 17285-U	E0HZ 17322-AG
	11 x 22	E0HZ 17294-C	E0HZ 17285-U	E0HZ 17322-CU
	12 x 22.5	E0HZ 17294-AN	E0HZ 17285-U	E0HZ 17322-CV
	12 x 24.5	E0HZ 17294-AS	E0HZ 17285-U	E0HZ 17322-CV
7.20 REAR AXLE RATIO				
RT-910,906,613,9508, 9509,9513,1110,958LL, 6613,11509,11610,6613, 11613,11609A,11609B, 11605A,11608,11605, RT011608LL	9 x 20, 10 x 22.5-Note 1	E0HZ 17294-AN	E0HZ 17285-U	E0HZ 17322-CU
	10 x 20, 11 x 22.5-Note 2	E0HZ 17294-S	E0HZ 17285-U	E0HZ 17322-AG
	10 x 22, 11 x 24.5	E0HZ 17294-D	E0HZ 17285-U	E0HZ 17322-AG
	11 x 20	E0HZ 17294-AN	E0HZ 17285-U	E0HZ 17322-CV
	11 x 22	E0HZ 17294-C	E0HZ 17285-U	E0HZ 17322-CU
	11 x 24	E0HZ 17294-AF	E0HZ 17285-U	E0HZ 17322-CV
	12 x 22.5	E0HZ 17294-AS	E0HZ 17285-U	E0HZ 17322-CU
	12 x 24.5	E0HZ 17294-AS	E0HZ 17285-U	E0HZ 17322-CV
7.60 REAR AXLE RATIO				
RT-910,906,613,9508, 9509,9513,1110,958LL, 6613,11509,11610,6613, 11613,11609A,11609B, 11605A,11608,11605, RT011608LL	9 x 20	E0HZ 17294-D	E0HZ 17285-U	E0HZ 17322-CU
	10 x 20, 11 x 22.5-Note 2	Δ	E0HZ 17285-U	E0HZ 17322-CV
	10 x 22, 11 x 24.5	E0HZ 17294-S	E0HZ 17285-U	E0HZ 17322-AG
	10 x 22.5-Note 1	E0HZ 17294-CL	E0HZ 17285-U	E0HZ 17322-CU
	11 x 20	E0HZ 17294-E	E0HZ 17285-U	E0HZ 17322-CU
	11 x 22	Δ	E0HZ 17285-U	E0HZ 17322-AG
	11 x 24	E0HZ 17294-C	E0HZ 17285-U	E0HZ 17322-CU
	12 x 22.5	E0HZ 17294-CL	E0HZ 17285-U	E0HZ 17322-CV
	12 x 24.5	E0HZ 17294-AN	E0HZ 17285-U	E0HZ 17322-CV
7.80 REAR AXLE RATIO				
RT-910,906,613,9508, 9509,9513,1110,958LL, 6613,11509,11610,6613, 11613,11609A,11609B, 11605A,11608,11605, RT011608LL	9 x 20, 10 x 22.5-Note 1	Δ	E0HZ 17285-U	E0HZ 17322-CU
	10 x 20, 11 x 22.5-Note 2	E0HZ 17294-CK	E0HZ 17285-U	E0HZ 17322-CV
	10 x 22, 11 x 24.5	E0HZ 17294-E	E0HZ 17285-U	E0HZ 17322-CU
	11 x 22	E0HZ 17294-CK	E0HZ 17285-U	E0HZ 17322-AG
	11 x 20, 12 x 22.5	Δ	E0HZ 17285-U	E0HZ 17322-CV
	12 x 24.5	E0HZ 17294-S	E0HZ 17285-U	E0HZ 17322-AG

**1980/  
TRUCK SERIES 600/900**

TRANSMISSION MODEL	TIRES	ADAPTER	DRIVE GEAR	DRIVEN GEAR
17285	SPEEDOMETER DRIVE GEAR — Cont'd			

**(EXCEPT CL-CLT)**

**SPEEDOMETER GEAR COMBINATIONS**

For multi-speed axle speedometer gear selection use lowest numerical axle ratio.

**FULLER**

**Note:**     △ None required, Note 1: Michelin tires-275/80R x 22.5, Goodyear tires-295/75R 22.5

**Note 2:**   Michelin tires-275/80R x 24.5, Goodyear tires-285/75R x 24.5

<b>8.38 REAR AXLE RATIO</b>				
RT-910,906,613,9508, 9509,9513,1110,958LL, 6613,11509,11610,6613, 11613,11609A,11609B, 11605A,11608,11605, RT011608LL	9 x 20, 10 x 22.5-Note 1	EOHZ 17294-CM	EOHZ 17285-Z	EOHZ 17322-AZ
	10 x 20, 11 x 22.5-Note 2	EOHZ 17294-CK	EOHZ 17285-U	EOHZ 17322-CU
	10 x 22, 11 x 24.5	EOHZ 17294-AH	EOHZ 17285-U	EOHZ 17322-CU
	11 x 20, 12 x 22.5	△	EOHZ 17285-U	EOHZ 17322-CU
	11 x 22	EOHZ 17294-CK	EOHZ 17285-U	EOHZ 17322-CV
	12 x 24.5	EOHZ 17294-S	EOHZ 17285-U	EOHZ 17322-CV

**NEW PROCESS and CLARK**

**Note:**     △ None required, Note 1: Michelin tires-275/80R x 22.5, Goodyear tires-295/75R x 22.5

**Note 2:**   Michelin tires-275/80R x 24.5, Goodyear tires-285/75R x 24.5

<b>4.88 &amp; 4.89 REAR AXLE RATIO</b>				
NP-542-Clark 280 Series	7.5 x 20	EOHZ 17294-G	E1HZ 17285-BL	DOHZ 17322-DB
	8.25 x 20	EOHZ 17294-AE	DOHZ 17285-BL	DOHZ 17322-DC
	9 x 20, 10 x 22.5-Note 1	EOHZ 17294-BG	DOHZ 17285-BL	DOHZ 17322-DC
	9 x 22.5	EOHZ 17294-CD	DOHZ 17285-BL	DOHZ 17322-DA
	10 x 20, 11 x 22.5-Note2	EOHZ 17294-AL	DOHZ 17285-BL	DOHZ 17322-DB
	10 x 22, 11 x 24.5	EOHZ 17294-BT	DOHZ 17285-BL	DOHZ 17322-DB
	11 x 20	EOHZ 17294-BG	DOHZ 17285-BL	DOHZ 17322-CZ
	11 x 22	EOHZ 17294-AR	DOHZ 17285-BL	DOHZ 17322-CZ
	12 x 22.5	EOHZ 17294-AK	DOHZ 17285-BL	DOHZ 17322-DB

<b>5.29 REAR AXLE RATIO</b>				
NP-542, Clark 280 Series	7.50 x 20, 8 x 22.5	EOHZ 17294-BG	EOHZ 17285-BK	EOHZ 17322-CZ
	8.25 x 20	△	EOHZ 17285-BL	EOHZ 17322-CZ
	9 x 20, 10 x 22.5-Note 1	EOHZ 17294-BG	EOHZ 17285-BK	EOHZ 17322-CY
	9 x 22.5	EOHZ 17294-BG	EOHZ 17285-BL	EOHZ 17322-DC
	10 x 20, 11 x 22.5-Note 2	EOHZ 17294-AJ	EOHZ 17285-BK	EOHZ 17322-DA
	10 x 22, 11 x 24.5	EOHZ 17294-C	EOHZ 17285-BL	EOHZ 17322-DA
	11 x 20	EOHZ 17294-F	EOHZ 17285-BL	EOHZ 17322-DA
	11 x 22	EOHZ 17294-AL	EOHZ 17285-BL	EOHZ 17322-DB
	12 x 22.5	EOHZ 17294-F	EOHZ 17285-BL	EOHZ 17322-DA
	12 x 24.5	EOHZ 17294-AK	EOHZ 17285-BK	EOHZ 17322-CY

<b>5.38 REAR AXLE RATIO</b>				
NP-542-Clark 280 Series	7.5 x 20	△	EOHZ 17285-BL	EOHZ 17322-DA
	8.25 x 20, 9 x 22.5	EOHZ 17294-G	EOHZ 17285-BL	EOHZ 17322-DC
	9 x 20, 10 x 22.5-Note 1	EOHZ 17294-AK	EOHZ 17285-BK	EOHZ 17322-CZ
	10 x 20, 11 x 22.5-Note 2	EOHZ 17294-CA	EOHZ 17285-BL	EOHZ 17322-DB
	10 x 22, 11 x 24.5	EOHZ 17294-CC	EOHZ 17285-BL	EOHZ 17322-CZ
	11 x 20	EOHZ 17294-AK	EOHZ 17285-BK	EOHZ 17322-CZ
	11 x 22	EOHZ 17294-CD	EOHZ 17285-BL	EOHZ 17322-DB
	12 x 22.5	EOHZ 17294-AJ	EOHZ 17285-BK	EOHZ 17322-DA

<b>5.43 REAR AXLE RATIO</b>				
NP-542-Clark 280 Series	7.5 x 20	EOHZ 17294-AH	EOHZ 17285-BL	EOHZ 17322-DA
	8.25 x 20, 9 x 20	EOHZ 17294AH	EOHZ 17285-BL	EOHZ 17322-CL
	10 x 22.5-Note 1	△	EOHZ 17285-BL	EOHZ 17322-CZ
	10 x 20, 11 x 22.5-Note 2	EOHZ 17294-BG	EOHZ 17285-BL	EOHZ 17322-DC
	10 x 22, 11 x 24.5	EOHZ 17294-AL	EOHZ 17285-BL	EOHZ 17322-DC
	11 x 20, 12 x 22.5	EOHZ 17294-AE	EOHZ 17285-BL	EOHZ 17322-DC
	11 x 22	EOHZ 17294-BG	EOHZ 17285-BL	EOHZ 17322-DA
	12 x 24.5	EOHZ 17294-CD	EOHZ 17285-BL	EOHZ 17322-DB

**1980/  
TRUCK SERIES 600/900**

TRANSMISSION MODEL	TIRES	ADAPTER	DRIVE GEAR	DRIVEN GEAR
17285	SPEEDOMETER DRIVE GEAR — Cont'd			

**(EXCEPT CL-CLT)**

**SPEEDOMETER GEAR COMBINATIONS**

For multi-speed axle speedometer gear selection use lowest numerical axle ratio.

**NEW PROCESS and CLARK**

Note:  $\Delta$  None required, Note 1: Michelin tires-275/80R x 22.5, Goodyear tires-295/75R x 22.5

Note 2: Michelin tires-275/80R x 24.5, Goodyear tires-285/75R x 24.5

<b>5.57 REAR AXLE RATIO</b>					
NP-542-Clark 280 Series	8.25 x 20		EOHZ 17294-AH	EOHZ 17285-BL	EOHZ 17322-DA
	9 x 20		EOHZ 17294-BG	EOHZ 17285-BL	EOHZ 17322-DC
	9 x 22.5		EOHZ 17294-F	EOHZ 17285-BK	EOHZ 17322-CZ
	10 x 20, 11 x 22.5-Note 2		EOHZ 17294-AH	EOHZ 17285-BL	EOHZ 17322-CZ
	10 x 22, 11 x 24.5		EOHZ 17294-AE	EOHZ 17285-BL	EOHZ 17322-DC
	10 x 22.5-Note 1		EOHZ 17294-G	EOHZ 17285-BL	EOHZ 17322-DC
	11 x 20, 12 x 22.5		EOHZ 17294-BG	EOHZ 17285-BL	EOHZ 17322-DB
	11 x 22		EOHZ 17294-AL	EOHZ 17285-BL	EOHZ 17322-DC
	12 x 24.5		EOHZ 17294-G	EOHZ 17285-BL	EOHZ 17322-DA
7.5 x 20		EOHZ 17294-E	EOHZ 17285-BL	EOHZ 17322-DC	
<b>5.83 REAR AXLE RATIO</b>					
NP-542-Clark 280 Series	7.50 x 20, 8 x 22.5		$\Delta$	EOHZ 17285-BK	EOHZ 17322-CY
	8.25 x 20, 9 x 22.5		EOHZ 17294-BG	EOHZ 17285-BK	EOHZ 17322-DA
	9 x 20		EOHZ 17294-F	EOHZ 17285-BK	EOHZ 17322-CZ
	10 x 20, 11 x 22.5-Note 2		EOHZ 17294-GA	EOHZ 17285-BL	EOHZ 17322-DC
	10 x 22		EOHZ 17294-F	EOHZ 17285-BL	EOHZ 17322-DB
	10 x 22.5		$\Delta$	EOHZ 17285-BL	EOHZ 17322-DA
<b>5.86 REAR AXLE RATIO</b>					
NP-542-Clark 280 Series	7.50 x 20, 8 x 22.5		$\Delta$	EOHZ 17285-BK	EOHZ 17322-CY
	8.25 x 20, 9 x 22.5		EOHZ 17294-BG	EOHZ 17285-BK	EOHZ 17322-DA
	9 x 20		EOHZ 17294-F	EOHZ 17285-BK	EOHZ 17322-CZ
	10 x 22.5-Note 1		$\Delta$	EOHZ 17285-BK	EOHZ 17322-DA
<b>6.14 REAR AXLE RATIO</b>					
NP-542-Clark 280 Series	7.50 x 20, 8 x 22.5		$\Delta$	EOHZ 17285-BL	EOHZ 17322-DC
	8.25 x 20		$\Delta$	EOHZ 17285-BK	EOHZ 17322-CY
	9 x 20		EOHZ 17294-BG	EOHZ 17285-BK	EOHZ 17322-DA
	9 x 22.5		EOHZ 17294-H	EOHZ 17285-BL	EOHZ 17322-DA
	10 x 20, 11 x 22.5-Note 2		$\Delta$	EOHZ 17285-BL	EOHZ 17322-DA
	10 x 22, 11 x 24.5		EOHZ 17294-CC	EOHZ 17285-BL	EOHZ 17322-DB
	10 x 22.5-Note 1		EOHZ 17294-AH	EOHZ 17285-BL	EOHZ 17322-DB
	11 x 20, 12 x 22.5		EOHZ 17294-AH	EOHZ 17285-BL	EOHZ 17322-DA
	11 x 22, 12 x 24.5		$\Delta$	EOHZ 17285-BL	EOHZ 17322-CZ
<b>6.17 REAR AXLE RATIO</b>					
NP-542,Clark 280 Series	7.5 x 20		$\Delta$	EOHZ 17285-BL	EOHZ 17322-DC
	8.25 x 20, 9 x 22.5		EOHZ 17294-H	EOHZ 17285-BL	EOHZ 17322-DA
	9 x 20		EOHZ 17294-AH	EOHZ 17285-BL	EOHZ 17322-DB
	10 x 20, 11 x 22.5-Note 2		EOHZ 17294-J	EOHZ 17285-BL	EOHZ 17322-CZ
	10 x 22, 11 x 24.5		EOHZ 17294-CD	EOHZ 17285-BK	EOHZ 17322-DA
	10 x 22.5-Note 1		EOHZ 17294-CC	EOHZ 17285-BK	EOHZ 17322-CZ
	11 x 20, 12 x 22.5		EOHZ 17294-AH	EOHZ 17285-BL	EOHZ 17322-DA
	11 x 22		EOHZ 17294-BG	EOHZ 17285-BL	EOHZ 17322-DC
	12 x 24.5		$\Delta$	EOHZ 17285-BL	EOHZ 17322-CZ
<b>6.20 REAR AXLE RATIO</b>					
NP-542,Clark 280 Series	7.50 x 20, 8 x 22.5		EOHZ 17294-AH	EOHZ 17285-BK	EOHZ 17322-CZ
	8.25 x 20		EOHZ 17294-H	EOHZ 17285-BL	EOHZ 17322-DA
	9 x 20		EOHZ 17294-AH	EOHZ 17285-BL	EOHZ 17322-DB
	9 x 22.5		EOHZ 17294-BG	EOHZ 17285-BK	EOHZ 17322-DB
	10 x 22		EOHZ 17294-F	EOHZ 17285-BL	EOHZ 17322-DC
	10 x 22.5-Note 1		$\Delta$	EOHZ 17285-BL	EOHZ 17322-DB
	11 x 22.5-Note 2		EOHZ 17294-CC	EOHZ 17285-CL	EOHZ 17322-DC

**1980/  
TRUCK SERIES 600/900**

TRANSMISSION MODEL	TIRES	ADAPTER	DRIVE GEAR	DRIVEN GEAR
17285	SPEEDOMETER DRIVE GEAR — Cont'd			

**(EXCEPT CL-CLT)**

**SPEEDOMETER GEAR COMBINATIONS**

For multi-speed axle speedometer gear selection use lowest numerical axle ratio.

**NEW PROCESS and CLARK**

**Note:**       △ None required, Note 1: Michelin tires-275/80R x 22.5, Goodyear tires-295/75R 22.5

**Note.2:**    Michelin tires-275/80R x 24.5, Goodyear tires-285/75R x 24.5

REAR AXLE RATIO				
<b>6.29 REAR AXLE RATIO</b>				
NP542,Clark 280 Series	7.50 x 20, 8 x 22.5	△	E0HZ 17285-BK	E0HZ 17322-CZ
	8.25 x 20, 9 x 22.5	E0HZ 17294-AM	E0HZ 17285-BL	E0HZ 17322-DC
	9 x 20	△	E0HZ 17285-BL	E0HZ 17322-DB
	10 x 20, 11 x 22.5-Note 2	E0HZ 17294-CD	E0HZ 17285-BK	E0HZ 17322-DB
	10 x 22.5-Note 1	E0HZ △	E0HZ 17285-BK	E0HZ 17322-CY
<b>6.33 REAR AXLE RATIO</b>				
NP-542,Clark 280 Series	7.50 x 20, 8 x 22.5	△	E0HZ 17285-BK	E0HZ 17322-CZ
	8.25 x 20, 9 x 22.5	△	E0HZ 17285-BL	E0HZ 17322-DC
	9 x 20, 10 x 22.5-Note 1	△	E0HZ 17285-BK	E0HZ 17322-CY
	10 x 22	△	E0HZ 17285-BK	E0HZ 17322-DC
	11 x 22.5-Note 2	E0HZ 17294-Y	E0HZ 17285-BL	E0HZ 17322-CZ
<b>6.50 REAR AXLE RATIO</b>				
NP-542,Clark 280 Series	7.50 x 20	E0HZ 17294-R	E0HZ 17285-BL	E0HZ 17322-DB
	8.25 x 20, 9 x 22.5	E0HZ 17294-K	E0HZ 17285-BL	E0HZ 17322-DA
	9 x 20, 10 x 22.5-Note 1	E0HZ 17294-BG	E0HZ 17285-BK	E0HZ 17322-DB
	10 x 20, 11 x 22.5	△	E0HZ 17285-BL	E0HZ 17322-DB
	10 x 22, 11 x 24.5	E0HZ 17294-J	E0HZ 17285-BL	E0HZ 17322-CZ
	11 x 20, 12 x 22.5-Note 2	E0HZ 17294-BG	E0HZ 17285-BK	E0HZ 17322-DA
	11 x 22	E0HZ 17294-F	E0HZ 17285-BK	E0HZ 17322-CZ
	12 x 24.5	E0HZ 17294-AH	E0HZ 17285-BL	E0HZ 17322-DA
<b>6.57 REAR AXLE RATIO</b>				
NP-542,Clark 280 Series	7.50 x 20, 8 x 22.5	E0HZ 17294-FA	E0HZ 17285-BK	E0HZ 17322-DC
	8.25 x 20, 9 x 22.5	△	E0HZ 17285-BK	E0HZ 17322-CZ
	9 x 20	E0HZ 17294-AH	E0HZ 17285-BL	E0HZ 17322-DC
	10 x 20, 11 x 22.5-Note 2	△	E0HZ 17285-BK	E0HZ 17322-CY
	10 x 22.5-Note 1	E0HZ 17294-G	E0HZ 17285-BK	E0HZ 17322-DB
<b>6.67 REAR AXLE RATIO</b>				
NP-542,Clark 280 Series	7.5 x 20	E0HZ 17294-KA	E0HZ 17285-BL	E0HZ 17322-DB
	8.25 x 20	E0HZ 17294-Y	E0HZ 17284-BL	E0HZ 17322-DB
	9 x 20	△	E0HZ 17285-BL	E0HZ 17322-DC
	10 x 20, 11 x 22.5	△	E0HZ 17285-BK	E0HZ 17322-CY
	10 x 22, 11 x 24.5	E0HZ 17294-BG	E0HZ 17285-BK	E0HZ 17322-DA
	11 x 20, 12 x 22.5-Note 2	△	E0HZ 17285-BL	E0HZ 17322-DB
	11 x 22	E0HZ 17294-J	E0HZ 17285-BL	E0HZ 17322-CZ
	12 x 24.5	△	E0HZ 17285-BL	E0HZ 17322-DA
<b>6.80 REAR AXLE RATIO</b>				
NP-542,Clark 280 Series	7.50 x 20, 8 x 22.5	△	E0HZ 17285-BK	E0HZ 17322-DA
	8.25 x 20	E0HZ 17294-F	E0HZ 17285-BK	E0HZ 17322-DC
	9 x 20	E0HZ 17294-K	E0HZ 17285-BL	E0HZ 17322-DA
	10 x 22.5-Note 1	△	E0HZ 17285-BL	E0HZ 17322-DC
	9 x 22.5	E0HZ 17294-L	E0HZ 17285-BL	E0HZ 17322-DB
	10 x 22	△	E0HZ 17285-BL	E0HZ 17322-DB
	10 x 22.5-Note 1	△	E0HZ 17285-BK	E0HZ 17322-CZ
	11 x 22.5-Note 2	E0HZ 17294-Y	E0HZ 17285-BL	E0HZ 17322-DA
<b>6.83 REAR AXLE RATIO</b>				
NP-542,Clark 280 Series	7.50 x 20, 8 x 22.5	E0HZ 17294-K	E0HZ 17285-BK	E0HZ 17322-CY
	8.25 x 20, 9 x 22.5	E0HZ 17294-L	E0HZ 17285-BL	E0HZ 17322-DB
	10 x 22, 11 x 24.5	△	E0HZ 17285-BL	E0HZ 17322-DB
	9 x 20, 10 x 22.5-Note 1	△	E0HZ 17285-BK	E0HZ 17322-CZ
	10 x 20, 11 x 22.5-Note 2	E0HZ 17294-AH	E0HZ 17285-BL	E0HZ 17322-DC
	11 x 20	△	E0HZ 17285-BK	E0HZ 17322-CY
	11 x 22	E0HZ 17294-BG	E0HZ 17285-BK	E0HZ 17322-DA
	12 x 22.5	E0HZ 17294-H	E0HZ 17285-BL	E0HZ 17322-DA
	12 x 24.5	E0HZ 17294-Y	E0HZ 17285-BL	E0HZ 17322-CZ

**1980/  
TRUCK SERIES 600/900**

TRANSMISSION MODEL	TIRES	ADAPTER	DRIVE GEAR	DRIVEN GEAR
17285	SPEEDOMETER DRIVE GEAR — Cont'd			

**(EXCEPT CL-CLT)**

**SPEEDOMETER GEAR COMBINATIONS**

For multi-speed axle speedometer gear selection use lowest numerical axle ratio.

**NEW PROCESS and CLARK**

**Note:** Δ None required, Note 1: Michelin tires-275/80R x 22.5, Goodyear tires-295/75R x 22.5

**Note 2:** Michelin tires-275/80R x 24.5, Goodyear tires-285/75R x 24.5

<b>7.14 REAR AXLE RATIO</b>				
NP-542,Clark 280 Series	7.50 x 20, 8 x 22.5	EOHZ 17294-K	EOHZ 17285-BL	EOHZ 17322-DC
	8.25 x 20	EOHZ 17294-Y	EOHZ 17285-BL	EOHZ 17322-DC
	9 x 20, 10 x 22.5	EOHZ 17294-L	EOHZ 17285-BL	EOHZ 17322-DB
	9 x 22.5	EOHZ 17294-CC	EOHZ 17285-BK	EOHZ 17322-DC
	10 x 20, 11 x 22.5	Δ	EOHZ 17285-BK	EOHZ 17322-DA
<b>7.17 REAR AXLE RATIO</b>				
NP-542,Clark 280 Series	7.50 x 20, 8 x 22.5	Δ	EOHZ 17285-BK	EOHZ 17322-DB
	8.25 x 20, 9 x 22.5	EOHZ 17294-CG	EOHZ 17285-BL	EOHZ 17322-CZ
	9 x 20	EOHZ 17294-L	EOHZ 17285-BL	EOHZ 17322-DB
	10 x 20, 11 x 22.5-Note 2	Δ	EOHZ 17285-BK	EOHZ 17322-CZ
	10 x 22, 11 x 24.5	EOHZ 17294-AH	EOHZ 17285-BL	EOHZ 17322-DC
	10 x 22.5-Note 1	EOHZ 17294-AH	EOHZ 17285-BK	EOHZ 17322-DA
	11 x 20	EOHZ 17294-AH	EOHZ 17285-BK	EOHZ 17322-CZ
	11 x 22	EOHZ 17294-H	EOHZ 17285-BL	EOHZ 17322-DA
	12 x 22.5	EOHZ 17294-AH	EOHZ 17285-BK	EOYZ 17322-CZ
	12 x 24.5	Δ	EOHZ 17285-BK	EOHZ 17322-CY
<b>7.20 REAR AXLE RATIO</b>				
NP-542-Clark 280 Series	8.25 x 20, 9 x 22.5	EOHZ 17294-L	EOHZ 17285-BL	EOHZ 17322-DC
	9 x 20	EOHZ 17294-K	EOHZ 17285-BL	EOHZ 17322-DB
	10 x 20, 11 x 22.5-Note 2	EOHZ 17294-BG	EOHZ 17285-BK	EOHZ 17322-DC
	10 x 22, 11 x 24.5	EOHZ 17294-GA	EOHZ 17285-BK	EOHZ 17322-DB
	10 x 22.5-Note 1	EOHZ 17294-J	EOHZ 17285-BL	EOHZ 17322-DC
	11 x 20	EOHZ 17294-K	EOHZ 17285-BL	EOHZ 17322-DA
	11 x 22	EOHZ 17294-CD	EOHZ 17285-BK	EOHZ 17322-DC
	12 x 22.5	EOHZ 17294-J	EOHZ 17285-BL	EOHZ 17322-DB
	12 x 24.5	Δ	EOHZ 17285-BK	EOHZ 17322-CY
<b>7.40 REAR AXLE RATIO</b>				
NP-542,Clark 280 Series	7.5 x 20			
	8.25 x 20	EOHZ 17294-K	EOHZ 17285-BL	EOHZ 17322-DC
	10 x 22.5, 9 x 20-Note 1	EOHZ 17294-Y	EOHZ 17285-BL	EOHZ 17322-DC
	10 x 20, 11 x 22.5	EOHZ 17294-L	EOHZ 17285-BL	EOHZ 17322-DB
	10 x 22, 11 x 24.5-Note 2	EOHZ 17294-K	EOHZ 17285-BL	EOHZ 17322-DA
	11 x 20, 12 x 22.5	EOHZ 17294-BG	EOHZ 17285-BK	EOHZ 17322-DC
	11 x 22	Δ	EOHZ 17285-BL	EOHZ 17322-DC
	12 x 24.5	EOHZ 17294-AH	EOHZ 17285-BL	EOHZ 17322-DC
<b>7.60 REAR AXLE RATIO</b>				
NP-542,Clark 280 Series	7.50 x 20	EOHZ 17294-CV	EOHZ 17285-BL	EOHZ 17322-DC
	8.25 x 20, 9 x 22.5	EOHZ 17294-K	EOHZ 17285-BK	EOHZ 17322-CZ
	9 x 20	EOHZ 17294-L	EOHZ 17285-BL	EOHZ 17322-DC
	10 x 20, 11 x 22.5-Note 2	Δ	EOHZ 17285-BK	EOHZ 17322-DA
	10 x 22, 11 x 24.5	EOHZ 17294-H	EOHZ 17285-BK	EOHZ 17322-CY
	10 x 22.5-Note 1	EOHZ 17294-AH	EOHZ 17285-BK	EOHZ 17322-DB
	11 x 20, 12 x 22.5	EOHZ 17294-L	EOHZ 17285-BL	EOHZ 17322-DB
	11 x 22	Δ	EOHZ 17285-BK	EOHZ 17322-CZ
	12 x 24.5	EOHZ 17294-AH	EOHZ 17285-BK	EOHZ 17322-CZ



**1980/  
TRUCK SERIES 600/900**

TRANSMISSION MODEL	TIRES	ADAPTER	DRIVE GEAR	DRIVEN GEAR
17285	SPEEDOMETER DRIVE GEAR — Cont'd			

**(EXCEPT CL-CLT)**

**SPEEDOMETER GEAR COMBINATIONS**

For multi-speed axle speedometer gear selection use lowest numerical axle ratio.

**NEW PROCESS and CLARK**

Note:  $\Delta$  None required, Note 1: Michelin tires-275/80R x 22.5, Goodyear tires-295/75R x 22.5

Note 2: Michelin tires-275/80R x 24.5, Goodyear tires-285/75R x 24.5

7.80 REAR AXLE RATIO				
NP-542,Clark 280 Series	7.50 x 20	E0HZ 17294-L	E0HZ 17285-BK	E0HZ 17322-DA
	8.25 x 20, 9 x 22.5	E0HZ 17294-AH	E0HZ 17285-BK	E0HZ 17322-DC
	11 x 22, 12 x 24.5	E0HZ 17294-BG	E0HZ 17285-BK	E0HZ 17322-DC
	9 x 20, 10 x 22.5-Note 1	$\Delta$	E0HZ 17285-BK	E0HZ 17322-DB
	10 x 20, 11 x 22.5-Note 2	E0HZ 17294-CG	E0HZ 17285-BL	E0HZ 17322-CZ
	10 x 22, 11 x 24.5	E0HZ 17294-L	E0HZ 17285-BL	E0HZ 17322-DB
	11 x 20, 12 x 22.5	$\Delta$	E0HZ 17285-BK	E0HZ 17322-DA

**NEW PROCESS and WARNER**

5.29 REAR AXLE RATIO				
NP-435,Warner T-19,T-19D	7.50 x 20, 8 x 22.5	E0HZ 17294-BG	E1HZ 17285-A	E0HZ 17322-CZ
	8.25 x 20	$\Delta$	E1HZ 17285-B	E0HZ 17322-CZ
	9 x 20, 11 x 22.5-Note 2	E0HZ 17294-BG	E1HZ 17285-A	E0HZ 17322-CY
	9 x 22.5	E0HZ 17294-BG	E1HZ 17285-B	E0HZ 17322-DC
	10 x 22.5-Note 1	E0HZ 17294-E	E1HZ 17285-B	E0HZ 17285-DA

5.57 REAR AXLE RATIO				
NP-435,Warner T-19,T-19D	7.50 x 20	E0HZ 17294-KA	E1HZ 17285-B	E0HZ 17322-CZ
	7.50 x 20	E0HZ 17294-KA	E1HZ 17285-B	E0HZ 17322-CZ
	8.25 x 20, 9 x 22.5	E0HZ 17294-M	E1HZ 17285-B	E0HZ 17322-DA
	9 x 20	E0HZ 17294-BG	E1HZ 17285-B	E0HZ 17322-DC
	10 x 22.5-Note 1	E0HZ 17294-G	E1HZ 17285-B	E0HZ 17322-DC
	10 x 20, 11 x 22.5-Note 2	E0HZ 17294-E	E1HZ 17285-B	E0HZ 17322-DA

5.83 REAR AXLE RATIO				
NP-435,Warner T-19,T-19D	7.50 x 20, 8 x 22.5	E0HZ 17294-K	E1HZ 17285-B	E0HZ 17322-CZ
	8.25 x 20, 9 x 22.5	E0HZ 17294-BG	E1HZ 17285-A	E0HZ 17322-DA
	9 x 20	E0HZ 17294-M	E1HZ 17285-B	E0HZ 17322-DA
	10 x 22.5-Note 1	$\Delta$	E1HZ 17285-B	E0HZ 17322-DA

5.86 REAR				
NP-435,Warner T19,T19D	7.50 x 20, 8 x 22.5	E0HZ 17294-K	E1HZ 17285-B	E0HZ 17322-CZ
	8.25 x 20, 9 x 22.5	E0HZ 17294-BG	E1HZ 17285-A	E0HZ 17322-DA
	9 x 20	E0HZ 17294-M	E1HZ 17285-B	E0HZ 17322-DA
	10 x 22.5-Note 1	$\Delta$	E1HZ 17285-B	E0HZ 17322-DA

6.14 REAR AXLE RATIO				
NP-435,Warner T-19,T-19D	7.50 x 20, 8 x 22.5	$\Delta$	E1HZ 17285-B	E0HZ 17322-DC
	8.25 x 20	$\Delta$	E1HZ 17285-A	E0HZ 17322-CY
	9 x 20	E0HZ 17294-BG	E1HZ 17285-A	E0HZ 17322-DA
	9 x 22.5	E0HZ 17294-H	E1HZ 17285-B	E0HZ 17322-DA
	10 x 20, 11 x 22.5-Note 2	$\Delta$	E1HZ 17285-B	E0HZ 17322-DA
	10 x 22.5-Note 1	E0HZ 17294-AH	E1HZ 17285-B	E0HZ 17322-DB

6.17 REAR AXLE RATIO				
NP-435,Warner T-19,T-19D	7.50 x 20	$\Delta$	E1HZ 17285-B	E0HZ 17322-DC
	8.25 x 20, 9 x 22.5	E0HZ 17294-H	E1HZ 17285-B	E0HZ 17322-DA
	9 x 20	E0HZ 17294-AH	E1HZ 17285-B	E0HZ 17322-DB
	10 x 22.5-Note 1	E0HZ 17294-M	E1HZ 17285-B	E0HZ 17322-DB

6.20 REAR AXLE RATIO				
NP-435,Warner T-19,T19D	7.50 x 20, 8 x 22.5	E0HZ 17294-AH	E1HZ 17285-A	E0HZ 17322-CZ
	8.25 x 20	E0HZ 17294-H	E1HZ 17285-B	E0HZ 17322-DA
	9 x 22.5	E0HZ 17294-BG	E1HZ 17285-A	E0HZ 17322-DB
	10 x 22.5-Note 1	$\Delta$	E1HZ 17285-B	E0HZ 17322-DB
	11 x 22.5-Note 2	E0HZ 17294-H	E1HZ 17285-B	E0HZ 17322-CZ

**1980/  
TRUCK SERIES 600/900**

TRANSMISSION MODEL	TIRES	ADAPTER	DRIVE GEAR	DRIVEN GEAR
17285	SPEEDOMETER DRIVE GEAR — Cont'd			

**(EXCEPT CL-CLT)**

**SPEEDOMETER GEAR COMBINATIONS**

For multi-speed axle speedometer gear selection use lowest numerical axle ratio.

**NEW PROCESS and WARNER**

**Note:** Δ None required, Note 1: Michelin tires-275/80R x 22.5, Goodyear tires-295/75R x 22.5

**Note 2:** Michelin tires-275/80R x 24.5, Goodyear tires-285/75R x 24.5

<b>6.29 REAR AXLE RATIO</b>				
NP-435,Warner, T19,T19D	7.50 x 20, 8 x 22.5		E1HZ 17285-A	E0HZ 17322-CZ
	8.25 x 20, 9 x 22.5	E0HZ 17294-AH	E1HZ 17285-B	E0HZ 17322-DC
	9 x 20	Δ	E1HZ 17285-B	E0HZ 17322-DB
	10 x 20, 11 x 22.5-Note 2	E0HZ 17294-DA	E1HZ 17285-B	E0HZ 17322-DB
	10 x 22.5-Note 1	Δ	E1HZ 17285-A	E0HZ 17322-CY
<b>6.33 REAR AXLE RATIO</b>				
NP-435,Warner T-19,T-19D	7.50 x 20, 8 x 22.5	Δ	E1HZ 17285-A	E0HZ 17322-CZ
	8.25 x 20, 9 x 22.5	Δ	E1HZ 17285-B	E0HZ 17322-DC
	9 x 20, 10 x 22.5-Note 1	Δ	E1HZ 17285-A	E0HZ 17322-CY
	11 x 22.5-Note 2	E0HZ 17294-E	E1HZ 17285-B	E0HZ 17322-DC
<b>6.50 REAR AXLE RATIO</b>				
NP-435,Warner T-19,T-19D	8.25 x 20	E0HZ 17294-K	E1HZ 17285-B	E0HZ 17322-DA
	9 x 20, 10 x 22.5	E0HZ 17294-BG	E1HZ 17285-A	E0HZ 17322-DB
	9 x 22.5	E0HZ 17294-M	E1HZ 17285-A	E0HZ 17322-CZ
	10 x 20, 11 x 22.5	Δ	E1HZ 17285-B	E0HZ 17322-DB
<b>6.57 REAR AXLE RATIO</b>				
NP-435,Warner T10,T19D	7.50 x 20, 8 x 22.5	E0HZ 17294-L	E1HZ 17285-B	E0HZ 17322-DB
	8.25 x 20, 9 x 22.5	Δ	E1HZ 17285-A	E0HZ 17322-CZ
	9 x 20	E0HZ 17294-AH	E0HZ 17285-B	E0HZ 17322-DC
	10 x 20, 11 x 22.5-Note 2	Δ	E1HZ 17285-A	E0HZ 17322-CY
	10 x 22.5-Note 1	E0HZ 17294-M	E1HZ 17285-B	E0HZ 17322-DC
<b>6.80 REAR AXLE RATIO</b>				
NP-435,Warner T-19,T19D	7.50 x 20, 8 x 22.5-Note 1	Δ	E1HZ 17285-A	E0HZ 17322-DA
	8.25 x 20, 9 x 22.5	E0HZ 17294-L	E1HZ 17285-B	E0HZ 17322-DB
	10 x 22.5	Δ	E1HZ 17285-A	E0HZ 17322-CZ
	11 x 22.5-Note 2	E0HZ 17294-AH	E1HZ 17285-B	E0HZ 17271-DC
<b>6.83 REAR AXLE RATIO</b>				
NP-435,Warner T-19,T-19D	7.50 x 20, 8 x 22.5	E0HZ 17294-K	E1HZ 17285-A	E0HZ 17322-CY
	8.25 x 20, 9 x 22.5	E0HZ 17294-L	E1HZ 17285-B	E0HZ 17322-DB
	9 x 20, 10 x 22.5-Note 1	Δ	E1HZ 17285-A	E0HZ 17322-CZ
	10 x 20, 11 x 22.5-Note 2	E0HZ 17294-AH	E1HZ 17285-B	E0HZ 17322-DC
<b>7.17 REAR AXLE RATIO</b>				
NP-435,Warner T-19,T-19D	7.50 x 20, 8 x 22.5	Δ	E1HZ 17285-A	E0HZ 17322-DB
	8.25 x 20, 9 x 22.5	E0HZ 17294-CG	E1HZ 17285-B	E0HZ 17322-CZ
	9 x 20	E0HZ 17294-L	E1HZ 17285-B	E0HZ 17322-DB
	10 x 20, 11 x 22.5-Note 2	Δ	E1HZ 17285-A	E0HZ 17322-CZ
	10 x 22.5-Note 1	E0HZ 17294-AH	E1HZ 17285-A	E0HZ 17322-DA
<b>7.20 REAR AXLE RATIO</b>				
NP-435,Warner T19 & T19D	7.50 x 20, 8 x 22.5	E0HZ 17294-L	E1HZ 17285-B	E0HZ 17322-DC
	8.25 x 20, 9 x 22.5	E0HZ 17294-CG	E1HZ 17285-B	E0HZ 17322-CZ
	9 x 20, 10 x 22.5	E0HZ 17294-L	E1HZ 17285-B	E0HZ 17322-DB
	10 x 20, 11 x 22.5	Δ	E1HZ 17285-A	E0HZ 17322-CZ
<b>SPICER</b>				
<b>3.73 REAR AXLE RATIO</b>				
7041 AUX.,8341 AUX.	9 x 20	E0HZ 17294-AF	E0HZ 17285-J	E0HZ 17322-F
	10 x 20, 11 x 22.5	E0HZ 17294-AR	E0HZ 17285-J	E0HZ 17322-F
	10 x 22, 11 x 24.5	E0HZ 17294-AE	E0HZ 17285-J	E0HZ 17322-F
	10 x 22.5	E0HZ 17294-BG	E0HZ 17285-J	E0HZ 17322-F
	11 x 20, 12 x 22.5	E0HZ 17294-BG	E0HZ 17285-J	E0HZ 17322-E
	11 x 22	E0HZ 17294-BA	E0HZ 17285-J	E0HZ 17322-F

**1980/  
TRUCK SERIES 600/900**

TRANSMISSION MODEL	TIRES	ADAPTER	DRIVE GEAR	DRIVEN GEAR
17285	SPEEDOMETER DRIVE GEAR — Cont'd			

**(EXCEPT CL-CLT)**

**SPEEDOMETER GEAR COMBINATIONS**

For multi-speed axle speedometer gear selection use lowest numerical axle ratio.

**SPICER**

Note:  $\Delta$  None required, Note 1: Michelin tires-275/80R x 22.5, Goodyear tires-295/75R x 22.5

Note 2: Michelin tires-275/80R x 24.5, Goodyear tires-285/75R x 24.5

4.10 REAR AXLE RATIO				
7041 AUX.,8341 AUX.	9 x 20	EOHZ 17294-E	EOHZ 17285-J	EOHZ 17322-F
	10 x 20, 11 x 22.5	EOHZ 17294-AF	EOHZ 17285-J	EOHZ 17322-G
	10 x 22, 11 x 24.5	EOHZ 17294-AF	EOHZ 17285-J	EOHZ 17322-G
	10 x 22.5	EOHZ 17294-AS	EOHZ 17285-J	EOHA 17322-G
	11 x 20	EOHZ 17294-AH	EOHZ 17285-K	EOHZ 17322-J
	11 x 22	EOHZ 17294-C	EOHZ 17285-J	EOHZ 17322-F
4.11 REAR AXLE RATIO				
7041 AUX.,8341 AUX.	9 x 20	EOHZ 17294-AN	EOHZ 17285-J	EOHZ 17322-F
	10 x 20, 11 x 22.5-Note 2	EOHZ 17294-AF	EOHZ 17285-J	EOHZ 17322-G
	10 x 22, 11 x 24.5	EOHZ 17294-CK	EOHZ 17285-K	EOHZ 17322-H
	10 x 22.5-Note 1	EOHZ 17294-R	EOHZ 17285-K	EOHZ 17322-H
	11 x 20, 12 x 22.5	EOHZ 17294-AN	EOHZ 17285-J	EOHZ 17322-E
	11 x 22, 12 x 24.5	$\Delta$	EOHZ 17285-K	EOHZ 17322-H
4.30 REAR AXLE RATIO				
7041 AUX.,8341 AUX.	9 x 20, 10 x 22.5	EOHZ 17294-CK	EOHZ 17285-J	EOHZ 17322-E
	10 x 20, 11 x 22.5	EOHZ 17294-AS	EOHZ 17285-J	EOHZ 17322-G
	10 x 22, 11 x 24.5	EOHZ 17294-AF	EOHZ 17285-J	EOHZ 17322-G
	11 x 20, 12 x 22.5	EOHZ 17294-D	EOHZ 17285-J	EOHZ 17322-E
	11 x 22	EOHZ 17294-AS	EOHZ 17285-J	EOHZ 17322-F
4.33 REAR AXLE RATIO				
7041 AUX.,8341 AUX.	9 x 20	EOHZ 17294-AK	EOHZ 17285-G	EOHZ 17322-AF
	10 x 20, 11 x 22.5-Note 2	$\Delta$	EOHZ 17285-J	EOHZ 17322-E
	10 x 22, 11 x 24.5	EOHZ 17294-AG	EOHZ 17285-J	EOHZ 17322-E
	10 x 22.5-Note 1	EOHZ 17294-AJ	EOHZ 17285-G	EOHZ 17322-B
	11 x 20, 12 x 22.5	EOHZ 17294-AJ	EOHZ 17285-G	EOHZ 17322-AF
	11 x 22	EOHZ 17294-AN	EOHZ 17285-J	EOHZ 17322-E
	12 x 24.5	EOHZ 17294-AK	EOHZ 17285-H	EOHZ 17322-D
4.44 REAR AXLE RATIO				
7041 AUX.,8341 AUX.	9 x 20	EOHZ 17294-R	EOHZ 17285-K	EOHZ 17322-J
	10 x 20, 11 x 22.5-Note 2	EOHZ 17294-AG	EOHZ 17285-J	EOHZ 17322-F
	10 x 22, 11 x 24.5	EOHZ 17294-AJ	EOHZ 17285-G	EOHZ 17322-AF
	10 x 22.5-Note 1	$\Delta$	EOHZ 17285-J	EOHZ 17322-F
	11 x 20, 12 x 22.5	$\Delta$	EOHZ 17285-J	EOHZ 17322-E
	11 x 22	EOHZ 17294-AG	EOHZ 17285-J	EOHZ 17322-E
	12 x 24.5	$\Delta$	EOHZ 17285-K	EOHZ 17322-J
4.56 REAR AXLE RATIO				
7041 AUX.,8341 AUX.	9 x 20	EOHZ 17294-CE	EOHZ 17285-A	EOHZ 17322-AB
	10 x 20, 11 x 22.5-Note 2	EOHZ 17294-AR	EOHZ 17285-G	EOHZ 17322-AE
	10 x 22, 11 x 24.5	$\Delta$	EOHZ 17285-J	EOHZ 17322-E
	10 x 22.5-Note 1	EOHZ 17294-U	EOHZ 17285-K	EOHZ 17322-H
	11 x 20	EOHZ 17294-AG	EOHZ 17285-J	EOHZ 17322-F
	11 x 22	EOHZ 17294-AJ	EOHZ 17285-G	EOHZ 17322-AF
	12 x 22.5	EOHZ 17294-CK	EOHZ 17285-J	EOHZ 17322-E
	12 x 24.5	EOHZ 17294-AK	EOHZ 17285-G	EOHZ 17322-AE
4.62 REAR AXLE RATIO				
7041 AUX.,8341 AUX.	10 x 20, 11 x 22.5-Note 2	$\Delta$	EOHZ 17285-J	EOHZ 17322-F
	10 x 22, 11 x 24.5	EOHZ 17294-K	EOHZ 17285-K	EOHZ 17322-H
	10 x 22.5-Note 1	EOHZ 17294-AH	EOHZ 17285-J	EOHZ 17322-G
	11 x 20	EOHZ 17294-AJ	EOHZ 17285-G	EOHZ 17322-B
	11 x 22	EOHZ 17294-R	EOHZ 17285-K	EOHZ 17322-H
	12 x 22.5	EOHZ 17294-AN	EOHZ 17285-J	EOHZ 17322-G

**1980/  
TRUCK SERIES 600/900**

TRANSMISSION MODEL	TIRES	ADAPTER	DRIVE GEAR	DRIVEN GEAR
17285	SPEEDOMETER DRIVE GEAR — Cont'd			

**(EXCEPT CL-CLT)**

**SPEEDOMETER GEAR COMBINATIONS**

For multi-speed axle speedometer gear selection use lowest numerical axle ratio.

**SPICER**

Note:  $\Delta$  None required, Note 1: Michelin tires-275/80R x 22.5, Goodyear tire-295/75R x 22.5

Note 2: Michelin tires-275/80R x 24.5, Goodyear tires-285/75R x 24.5

<b>4.63 REAR AXLE RATIO</b>				
7041 AUX.,8341 AUX.	10 x 20	$\Delta$	EOHZ 17285-JA	EOHZ 17322-K
	10 x 20, 11 x 22.5-Note 2	$\Delta$	EOHZ 17285-J	EOHZ 17322-F
	10 x 22, 11 x 24.5	EOHZ 17294-K	EOHZ 17285-K	EOHZ 17322-H
	11 x 20	EOHZ 17294-AJ	EOHZ 17285-G	EOHZ 17322-B
	11 x 22	EOHZ 17294-R	EOHZ 17285-K	EOHZ 17322-H
	12 x 22.5	EOHZ 17294-AN	EOHZ 17285-J	EOHZ 17322-G
	12 x 24.5	EOHZ 17294-AN	EOHZ 17285-J	EOHZ 17322-F
<b>4.88 REAR AXLE RATIO</b>				
7041 AUX.,8341 AUX.	9 x 20, 10 x 22.5-Note 1	$\Delta$	EOHZ 17285-H	EOHZ 17322-C
	10 x 20, 11 x 22.5-Note 2	EOHZ 17294-AR	EOHZ 17285-G	EOHZ 17322-AF
	10 x 22, 11 x 24.5	$\Delta$	EOHZ 17285-J	EOHZ 17322-F
	11 x 20	EOHZ 17294-CE	EOHZ 17285-A	EOHZ 17322-AB
	11 x 22	EOHZ 17294-AN	EOHZ 17285-J	EOHZ 17322-G
	12 x 22.5	EOHZ 17294-AK	EOHZ 17285-G	EOHZ 17322-B
	12 x 24.5	EOHZ 17294-AK	EOHZ 17285-G	EOHZ 17322-AF
<b>5.05 REAR AXLE RATIO</b>				
7041 AUX.,8341 AUX.	10 x 22.5-Note 1	EOHZ 17294-R	EOHZ 17285-JA	EOHZ 17322-FA
	10 x 20, 11 x 22.5-Note 2	EOHZ 17294-K	EOHZ 17285-J	EOHZ 17322-E
	10 x 22, 11 x 24.5	EOHZ 17294-AK	EOHZ 17285-G	EOHZ 17322-B
	11 x 20, 12 x 22.5	$\Delta$	EOHZ 17285-J	EOHZ 17322-G
	11 x 22	EOHZ 17294-K	EOHZ 17285-K	EOHZ 17322-J
	11 x 24	EOHZ 17294-AG	EOHZ 17285-J	EOHZ 17322-F
	12 x 24.5	$\Delta$	EOHZ 17285-J	EOHZ 17322-F
<b>5.29 REAR AXLE RATIO</b>				
7041 AUX.,8341 AUX.	9 x 20	EOHZ 17294-D	EOHZ 17285-G	EOHZ 17322-AF
	10 x 22.5-Note 1	EOHZ 17294-CG	EOHZ 17285-K	EOHZ 17322-J
	10 x 20, 11 x 22.5-Note 2	EOHZ 17294-AJ	EOHZ 17285-A	EOHZ 17322-AC
	10 x 22, 11 x 24.5	EOHZ 17294-K	EOHZ 17285-J	EOHZ 17322-E
	11 x 20, 12 x 22.5	EOHZ 17294-AG	EOHZ 17285-H	EOHZ 17322-D
	11 x 22	$\Delta$	EOHZ 17285-J	EOHZ 17322-G
	12 x 24.5	EOHZ 17294-AR	EOHZ 17285-G	EOHZ 17322-AF
<b>5.31 REAR AXLE RATIO</b>				
7041 AUX.,8341 AUX	8.25 x 20	EOHZ 17294-R	EOHZ 17285-H	EOHZ 17322-C
	9 x 20	EOHZ 17294-Y	EOHZ 17285-J	EOHZ 17322-G
	10 x 20, 11 x 22.5-Note 2	EOHZ 17294-AH	EOHZ 17285-H	EOHZ 17322-D
	10 x 22, 11 x 24.5	$\Delta$	EOHZ 17285-H	EOHZ 17322-C
	10 x 22.5-Note 1	EOHZ 17294-R	EOHZ 17285-J	EOHZ 17322-G
	11 x 20, 12 x 22.5	EOHZ 17294-Y	EOHZ 17285-J	EOHZ 17322-F
	11 x 22	$\Delta$	EOHZ 17285-J	EOHZ 17322-G
	11 x 24	$\Delta$	EOHZ 17285-J	EOHZ 17322-F
	12 x 24.5	EOHZ 17294-AR	EOHZ 17285-B	EOHZ 17322-AF
<b>5.38 REAR AXLE RATIO</b>				
7041 AUX.,8341 AUX.	9 x 20	EOHZ 17294-E	EOHZ 17285-G	EOHZ 17322-AF
	10 x 20, 11 x 22.5	EOHZ 17294-M	EOHZ 17285-H	EOHZ 17322-D
	10 x 22, 11 x 24.5	EOHZ 17294-CC	EOHZ 17285-G	EOHZ 17322-AE
	10 x 22.5	EOHZ 17294-AH	EOHZ 17285-G	EOHZ 17322-AE
	11 x 20	EOHZ 17294-AN	EOHZ 17285-G	EOHZ 17322-AE
	11 x 22	EOHZ 17294-C	EOHZ 17285-G	EOHZ 17322-AF
	12 x 22.5	EOHZ 17294-AS	EOHZ 17285-G	EOHZ 17322-AF

**1980/  
TRUCK SERIES 600/900**

TRANSMISSION MODEL	TIRES	ADAPTER	DRIVE GEAR	DRIVEN GEAR
17285	SPEEDOMETER DRIVE GEAR — Cont'd			

**(EXCEPT CL-CLT)**

**SPEEDOMETER GEAR COMBINATIONS**

For multi-speed axle speedometer gear selection use lowest numerical axle ratio.

**SPICER**

Note:  $\Delta$  None required, Note 1: Michelin tires-275/80R x 22.5, Goodyear tires-295/75R x 22.5

Note: Michelin tires-275/80R x 24.5, Goodyear tires-285/75R x 24.5

<b>5.43 REAR AXLE RATIO</b>				
7041 AUX.,8341 AUX.	10 x 22.5-Note 1	$\Delta$	E0HZ 17285-G	E0HZ 17322-AE
	10 x 20, 11 x 22.5-Note 2	$\Delta$	E0HZ 17285-H	E0HZ 17322-D
	10 x 22, 11 x 24.5	E0HZ 17294-AG	E0HZ 17285-H	E0HZ 17322-D
	11 x 20, 12 x 22.5	E0HZ 17294-AJ	E0HZ 17285-A	E0HZ 17322-AC
	11 x 22	$\Delta$	E0HZ 17285-H	E0HZ 17322-C
	12 x 24.5	E0HZ 17294-AN	E0HZ 17285-H	E0HZ 17322-D
<b>5.57 REAR AXLE RATIO</b>				
7041 AUX.,8341 AUX.	9 x 20, 10 x 22.5-Note 1	E0HZ 17294-AG	E0HZ 17285-G	E0HZ 17322-AF
	10 x 20, 11 x 22.5-Note 2	E0HZ 17294-CK	E0HZ 17285-H	E0HZ 17322-D
	10 x 22, 11 x 24.5	E0HZ 17294-AJ	E0HZ 17285-A	E0HZ 17322-AC
	11 x 20, 12 x 22.5	$\Delta$	E0HZ 17295-H	E0HZ 17322-D
	11 x 22, 12 x 24.5	E0HZ 17294-AG	E0HZ 17285-H	E0HZ 17322-D
<b>5.61 REAR AXLE RATIO</b>				
7041 AUX.,8341 AUX.	10 x 20, 11 x 22.5-Note 2	E0HZ 17294-AN	E0HZ 17285-G	E0HZ 17322-F
	10 x 22, 11 x 24.5	E0HZ 17294-AH	E0HZ 17285-H	E0HZ 17322-D
	10 x 22.5-Note 1	E0HZ 17294-K	E0HZ 17285-H	E0HZ 17322-C
	11 x 20	$\Delta$	E0HZ 17285-H	E0HZ 17322-D
	11 x 22	E0HZ 17294-CK	E0HZ 17285-H	E0HZ 17322-C
	12 x 22.5	E0HZ 17294-Y	E0HZ 17285-J	E0HZ 17322-G
<b>5.83 REAR AXLE RATIO</b>				
7041 AUX.,8341 AUX.	9 x 20	E0HZ 17294-Y	E0HZ 17285-H	E0HZ 17322-D
	10 x 20, 11 x 22.5-Note 2	E0HZ 17294-AG	E0HZ 17285-G	E0HZ 17322-AF
	10 x 22, 11 x 24.5	E0HZ 17294-CG	E0HZ 17285-K	E0HZ 17322-J
	10 x 22.5-Note 1	$\Delta$	E0HZ 17285-G	E0HZ 17322-AF
	11 x 20, 12 x 22.5	$\Delta$	E0HZ 17285-G	E0HZ 17322-AE
	11 x 22	$\Delta$	E0HZ 17285-H	E0HZ 17322-D
	12 x 24.5	E0HZ 17294-K	E0HZ 17285-J	E0HZ 17322-F
<b>5.86 REAR AXLE RATIO</b>				
7041 AUX.,8341 AUX.	9 x 20, 10 x 22.5	$\Delta$	E0HZ 17285-G	E0HZ 17322-AF
	10 x 20, 11 x 22.5	E0HZ 17294-CK	E0HZ 17285-G	E0HZ 17322-AE
	10 x 22, 11 x 24.5	E0HZ 17294-E	E0HZ 17285-G	E0HZ 17322-AF
	11 x 20, 12 x 22.5	$\Delta$	E0HZ 17285-G	E0HZ 17322-AE
	11 x 22	$\Delta$	E0HZ 17285-H	E0HZ 17322-D
<b>5.90 REAR AXLE RATIO</b>				
7041 AUX.,8341 AUX.	9 x 20	$\Delta$	E0HZ 17285-G	E0HZ 17322-AF
	10 x 22.5-Note 1	E0HZ 17294-AG	E0HZ 17285-G	E0HZ 17322-B
	10 x 20, 11 x 22.5-Note 2	E0HZ 17294-K	E0HZ 17285-H	E0HZ 17322-C
	10 x 22, 11 x 24.5	E0HZ 17294-AN	E0HZ 17285-G	E0HZ 17322-AF
	11 x 20	E0HZ 17294-R	E0HZ 17285-H	E0HZ 17322-C
	11 x 22	E0HZ 17294-Y	E0HZ 17285-J	E0HZ 17322-G
	11 x 24	E0HZ 17294-CG	E0HZ 17285-K	E0HZ 17322-H
	12 x 22.5	E0HZ 17294-AG	E0HZ 17285-G	E0HZ 17322-AF
	12 x 24.5	$\Delta$	E0HZ 17285-H	E0HZ 17322-D
<b>5.91 REAR AXLE RATIO</b>				
7041 AUX.,8341 AUX.	9 x 20	$\Delta$	E0HZ 17285-G	E0HZ 17322-AF
	10 x 22.5-Note 1	E0HZ 17294-U	E0HZ 17285-J	E0HZ 17322-G
	10 x 20, 11 x 22.5-Note 2	E0HZ 17294-CE	E0HZ 17285-F	E0HZ 17322-L
	10 x 22, 11 x 24.5	E0HZ 17294-AN	E0HZ 17285-G	E0HZ 17322-AF
	11 x 20	E0HZ 17294-R	E0HZ 17285-H	E0HZ 17322-C
	11 x 22	E0HZ 17294-Y	E0HZ 17285-J	E0HZ 17322-G
	11 x 24	E0HZ 17294-AR	E0HZ 17285-G	E0HZ 17322-B
	12 x 22.5	E0HZ 17294-AG	E0HZ 17285-G	E0HZ 17322-AF
	12 x 24.5	$\Delta$	E0HZ 17285-H	E0HZ 17322-D

1980/  
TRUCK SERIES 600/900

TRANSMISSION MODEL	TIRES	ADAPTER	DRIVE GEAR	DRIVEN GEAR
17285	SPEEDOMETER DRIVE GEAR — Cont'd			

(EXCEPT CL-CLT)

SPEEDOMETER GEAR COMBINATIONS

For multi-speed axle speedometer gear selection use lowest numerical axle ratio.

SPICER

Note: Δ None required, Note 1: Michelin tires-275/80R x 22.5, Goodyear tires-295/75R x 22.5

Note 2: Michelin tires-275/80R x 24.5, Goodyear tires-285/75R x 24.5

6.14 REAR AXLE RATIO				
7041 AUX.,8341 AUX.	9 x 20	E0HZ 17294-U	E0HZ 17285-H	E0HZ 17322-C
	10 x 20, 11 x 22.5-Note 2	Δ	E0HZ 17285-G	E0HZ 17322-AF
	10 x 22, 11 x 24.5	E0HZ 17294-CK	E0HZ 17285-G	E0HZ 17322-AE
	10 x 22.5-Note 1	E0HZ 17294-R	E0HZ 17285-G	E0HZ 17322-AE
	11 x 20	E0HZ 17294-AN	E0HZ 17285-G	E0HZ 17322-B
	11 x 22, 12 x 24.5	Δ	E0HZ 17285-G	E0HZ 17322-AE
	12 x 22.5	E0HZ 17294-Y	E0HZ 17285-H	E0HZ 17322-D
6.17 REAR AXLE RATIO				
7041 AUX.,8341 AUX.	9 x 20	E0HZ 17294-R	E0HZ 17285-G	E0HZ 17322-AE
	10 x 20, 11 x 22.5	E0HZ 17294-U	E0HZ 17285-J	E0HZ 17322-G
	10 x 22, 11 x 24.5	E0HZ 17294-CE	E0HZ 17285-F	E0HZ 17322-L
	10 x 22.5	E0HZ 17294-AK	E0HZ 17285-F	E0HZ 17322-L
	11 x 20, 12 x 22.5	E0HZ 17294-Y	E0HZ 17285-H	E0HZ 17322-D
	11 x 22, 12 x 24.5	Δ	E0HZ 17285-G	E0HZ 17322-AE
6.50 REAR AXLE RATIO				
7041 AUX.,8341 AUX.	9 x 20	E0HZ 17294-CG	E0HZ 17285-J	E0HZ 17322-G
	10 x 20, 11 x 22.5	Δ	E0HZ 17285-G	E0HZ 17322-B
	10 x 22, 11 x 24.5	E0HZ 17294-AG	E0HZ 17285-G	E0HZ 17322-B
	10 x 22.5	E0HZ 17294-Y	E0HZ 17285-G	E0HZ 17322-AF
	11 x 20	E0HZ 17294-Y	E0HZ 17285-G	E0HZ 17322-AE
	11 x 22	E0HZ 17294-Y	E0HZ 17285-H	E0HZ 17322-D
	12 x 22.5	E0HZ 17294-U	E0HZ 17285-H	E0HZ 17322-C
	12 x 24.5	E0HZ 17294-AN	E0HZ 17285-G	E0HZ 17322-B
6.67 REAR AXLE RATIO				
7041 AUX.,8341 AUX.	10 x 22.5-Note 1	E0HZ 17294-CG	E0HZ 17285-H	E0HZ 17322-C
	10 x 20, 11 x 22.5-Note 2	E0HZ 17294-CK	E0HZ 17285-G	E0HZ 17322-B
	11 x 20, 12 x 22.5	Δ	E0HZ 17285-G	E0HZ 17322-B
	10 x 22, 11 x 24.5	E0HZ 17294-U	E0HZ 17285-H	E0HZ 17322-C
	11 x 22	E0HZ 17294-AG	E0HZ 17285-G	E0HZ 17322-B
	12 x 24.5	Δ	E0HZ 17285-G	E0HZ 17322-AF
6.83 REAR AXLE RATIO				
7041 AUX.,8341 AUX.	9 x 20, 10 x 22.5	Δ	E0HZ 17285-A	E0HZ 17322-AB
	10 x 20, 11 x 22.5	E0HZ 17294-AG	E0HZ 17285-A	E0HZ 17322-AB
	10 x 22, 11 x 24.5	Δ	E0HZ 17285-G	E0HZ 17322-B
	11 x 20, 12 x 22.5	E0HZ 17294-CK	E0HZ 17285-G	E0HZ 17322-B
	11 x 22	E0HZ 17294-U	E0HZ 17285-H	E0HZ 17322-C
	12 x 24.5	E0HZ 17294-K	E0HZ 17285-H	E0HZ 17322-D
7.17 REAR AXLE RATIO				
7041 AUX.,8341 AUX.	9 x 20, 10 x 22.5	E0HZ 17294-AN	E0HZ 17285-A	E0HZ 17322-AD
	10 x 20, 11 x 22.5	Δ	E0HZ 17285-A	E0HZ 17322-AB
	10 x 22, 11 x 24.5	E0HZ 17294-R	E0HZ 17285-G	E0HZ 17322-AF
	11 x 20, 12 x 22.5	E0HZ 17294-AN	E0HZ 17285-A	E0HZ 17322-AC
	11 x 22	E0HZ 17294-CK	E0HZ 17285-G	E0HZ 17322-B
	12 x 24.5	E0HZ 17294-K	E0HZ 17285-G	E0HZ 17322-AE
7.20 REAR AXLE RATIO				
7041 AUX.,8341 AUX.	8.25 x 2	E0HZ 17294-AG	E0HZ 17285-A	E0HZ 17322-AD
	9 x 20, 10 x 22.5-Note 1	E0HZ 17294-K	E0HZ 17285-G	E0HZ 17322-B
	10 x 20, 11 x 22.5-Note 2	E0HZ 17294-Y	E0HZ 17285-G	E0HZ 17322-B
	10 x 22, 11 x 24.5	E0HZ 17294-R	E0HZ 17285-G	E0HZ 17322-AF
	11 x 20, 12 x 22.5	E0HZ 17294-K	E0HZ 17285-G	E0HZ 17322-AF
	11 x 22	E0HZ 17294-CG	E0HZ 17285-J	E0HZ 17322-G
	11 x 24	E0HZ 17294-CG	E0HZ 17285-J	E0HZ 17322-F
	12 x 24.5	E0HZ 17294-CK	E0HZ 17285-G	E0HZ 17322-B

**1980/  
TRUCK SERIES 600/900**

TRANSMISSION MODEL	TIRES	ADAPTER	DRIVE GEAR	DRIVEN GEAR
17285	SPEEDOMETER DRIVE GEAR — Cont'd			

**(EXCEPT CL-CLT)**

**SPEEDOMETER GEAR COMBINATIONS**

For multi-speed axle speedometer gear selection use lowest numerical axle ratio.

**SPICER**

Note:  $\Delta$  None required, Note 1: Michelin tires-275/80R x 22.5, Goodyear tires-295/75R x 22.5

Note 2: Michelin tires-275/80R x 24.5, Goodyear tires-285/75R x 24.5

REAR AXLE RATIO					
<b>7.60</b>	7041 AUX.,8341 AUX.	9 x 20, 10 x 22.5-Note 1	E0HZ 17294-Y	E0HZ 17285-A	E0HZ 17322-AB
		10 x 20, 11 x 22.5-Note 2	$\Delta$	E0HZ 17285-A	E0HZ 17322-AC
		10 x 22, 11 x 24.5	E0HZ 17294-Y	E0HZ 17285-G	E0HZ 17322-B
		11 x 20	E0HZ 17294-CG	E0HZ 17285-H	E0HZ 17322-D
		11 x 22	$\Delta$	E0HZ 17285-A	E0HZ 17322-AB
		11 x 24	E0HZ 17294-CK	E0HZ 17285-G	E0HZ 17322-B
		12 x 22.5	E0HZ 17294-AN	E0HZ 17285-A	E0HZ 17322-AD
		12 x 24.5	E0HZ 17294-AN	E0HZ 17285-A	E0HZ 17322-AC
<b>7.80</b>	7041 AUX.,8341 AUX.	9 x 20, 10 x 22.5-Note 1	$\Delta$	E0HZ 17285-A	E0HZ 17322-AD
		10 x 20, 11 x 22.5-Note 2	E0HZ 17294-CG	E0HZ 17285-G	E0HZ 17322-AE
		10 x 22, 11 x 24.5	E0HZ 17294-CG	E0HZ 17285-H	E0HZ 17322-D
		11 x 20, 12 x 22.5	$\Delta$	E0HZ 17285-A	E0HZ 17322-AC
		11 x 22	E0HZ 17294-AG	E0HZ 17285-A	E0HZ 17322-AC
		12 x 24.5	E0HZ 17294-Y	E0HZ 17285-G	E0HZ 17322-B
<b>8.38</b>	7041 AUX.,8341 AUX.	9 x 20	E0HZ 17294-AH	E0HZ 17285-F	E0HZ 17322-L
		10 x 20, 11 x 22.5-Note 2	E0HZ 17294-CK	E0HZ 17285-A	E0HZ 17322-AD
		10 x 22, 11 x 24.5	E0HZ 17294-R	E0HZ 17285-A	E0HZ 17322-AB
		10 x 22.5-Note 1	$\Delta$	E0HZ 17285-F	E0HZ 17322-L
		11 x 20, 12 x 22.5	$\Delta$	E0HZ 17285-A	E0HZ 17322-AD
		11 x 22	E0HZ 17294-CG	E0HZ 17285-G	E0HZ 17322-AE
		12 x 24.5	E0HZ 17294-AG	E0HZ 17285-A	E0HZ 17322-AD
<b>3.70</b>	1007,1207-3A,1362-C 1372-A,1107-2A, CM5510	9 x 20	$\Delta$	E0HZ 17285-AZ	E0HZ 17322-CS
		10 x 20, 10 x 22.5-Note 1	E0HZ 17294-AR	E0HZ 17285-AY	E0HZ 17322-CN
		10 x 22, 11 x 24.5	E0HZ 17294-CN	E0HZ 17285-AU	E0HZ 17322-CG
		11 x 20, 12 x 22.5	E0HZ 17294-AK	E0HZ 17285-AY	E0HZ 17322-CR
		11 x 22	E0HZ 17294-CC	E0HZ 17285-AZ	E0HZ 17322-CS
		11 x 22.5-Note 2	E0HZ 17294-AR	E0HZ 17285-AY	E0HZ 17322-CN
		12 x 24.5	E0HZ 17294-AK	E0HZ 17285-AY	E0HZ 17322-CN
<b>3.73</b>	1007,1207-3A, 1372-A,1107-2A, CM5510	9 x 20	E0HZ 17294-AF	E0HZ 17285-AY	E0HZ 17322-CN
		10 x 20, 11 x 22.5	E0HZ 17294-AR	E0HZ 17285-AY	E0HZ 17322-CN
		10 x 22, 11 x 24.5	E0HZ 17294-AE	E0HZ 17285-AY	E0HZ 17322-CN
		10 x 22.5	E0HZ 17294-BG	E0HZ 17285-AY	E0HZ 17322-CN
		11 x 20	E0HZ 17294-BG	E0HZ 17285-AY	E0HZ 17322-CM
		11 x 22	E0HZ 17294-B	E0HZ 17285-AY	E0HZ 17322-CN
		12 x 22.5	E0HZ 17294-BG	E0HZ 17285-AY	E0HZ 17322-CM
<b>3.90 and 3.91</b>	1007,1207-3A, 1372-A,1107-2A, CM5510	10 x 22.5-Note 1	$\Delta$	E0HZ 17285-AZ	E0HZ 17322-CT
		10 x 20, 11 x 22.5-Note 2	E0HZ 17294-CK	E0HZ 17285-AZ	E0HZ 17322-CS
		10 x 22, 11 x 24.5	E0HZ 17294-AR	E0HZ 17285-AY	E0HZ 17322-CN
		10 x 22.5	$\Delta$	E0HZ 17285-AZ	E0HZ 17322-CT
		11 x 20, 12 x 22.5	$\Delta$	E0HZ 17285-AZ	E0HZ 17322-CS
		11 x 22	E0HZ 17294-AK	E0HZ 17285-AY	E0HZ 17322-CR
		11 x 24	E0HZ 17294-AJ	E0HZ 17285-AY	E0HZ 17322-CR
		12 x 24.5	E0HZ 17294-CE	E0HZ 17285-AV	E0HZ 17322-CL

**1980/  
TRUCK SERIES 600/900**

TRANSMISSION MODEL	TIRES	ADAPTER	DRIVE GEAR	DRIVEN GEAR
17285	SPEEDOMETER DRIVE GEAR — Cont'd			
<b>(EXCEPT CL-CLT)</b>				
<b>SPEEDOMETER GEAR COMBINATIONS</b>				
For multi-speed axle speedometer gear selection use lowest numerical axle ratio.				
SPICER				
Note:	△ None required, Note 1: Michelin tires-275/80R x 22.5, Goodyear tires-295/75R x 22.5			
Note 2:	Michelin tires-275/80R x 24.5, Goodyear tires-285/75R x 24.5			
<b>4.10 REAR AXLE RATIO</b>				
1007,1207-3A, 1372-A,1107-2A, CM5510	9 x 20	E0HZ 17294-EA	E0HZ 17285-AY	E0HZ 17322-CR
	10 x 20, 11 x 22.5	E0HZ 17294-AF	E0HZ 17285-AY	E0HZ 17322-CR
	10 x 22, 11 x 24.5	E0HZ 17294-CC	E0HZ 17285-AY	E0HZ 17322-CM
	10 x 22.5	E0HZ 17294-AS	E0HZ 17285-AY	E0HZ 17322-CR
	11 x 20	E0HZ 17294-AH	E0HZ 17285-AZ	E0HZ 17322-CT
	11 x 22	E0HZ 17294-C	E0HZ 17285-AY	E0HZ 17322-CN
	12 x 22.5	E0HZ 17294-AS	E0HZ 17285-AY	E0HZ 17322-CN
<b>4.11 REAR AXLE RATIO</b>				
1007,1207-3A, 1372-A,1107-2A, CM5510	9 x 20	E0HZ 17294-AN	E0HZ 17285-AY	E0HZ 17322-CN
	10 x 20, 11 x 22.5-Note 2	E0HZ 17294-AF	E0HZ 17285-AY	E0HZ 17322-CR
	10 x 22, 11 x 24.5	E0HZ 17294-CK	E0HZ 17285-AZ	E0HZ 17322-CS
	10 x 22.5-Note 1	E0HZ 17294-R	E0HZ 17285-AZ	E0HZ 17322-CS
	11 x 22, 12 x 24.5	△	E0HZ 17285-AZ	E0HZ 17322-CS
	11 x 24	E0HZ 17294-AK	E0HZ 17285-AY	E0HZ 17322-CR
	11 x 20, 12 x 22.5	E0HZ 17294-AN	E0HZ 17285-AY	E0HZ 17322-CM
<b>4.30 REAR AXLE RATIO</b>				
1007,1207-3A, 1372-A,1107-2A, CM5510	9 x 20, 10 x 22.5	E0HZ 17294-CK	E0HZ 17285-AY	E0HZ 17322-CM
	10 x 20, 11 x 22.5	E0HZ 17294-AS	E0HZ 17285-AY	E0HZ 17322-CR
	10 x 22, 11 x 24.5	E0HZ 17294-AF	E0HZ 17285-AY	E0HZ 17322-CR
	11 x 20, 12 x 22.5	E0HZ 17294-D	E0HZ 17285-AY	E0HZ 17322-CM
	11 x 22	E0HZ 17294-AS	E0HZ 17285-AY	E0HZ 17322-CN
<b>4.33 REAR AXLE RATIO</b>				
1007,1207-3A,1732-A, 1107-2A, CM5510	9 x 20	E0HZ 17294-AK	E0HZ 17285-AU	E0HZ 17322-CH
	10 x 20, 11 x 22.5-Note 2	△	E0HZ 17285-AY	E0HZ 17322-CM
	10 x 22, 11 x 24.5	E0HZ 17294-AG	E0HZ 17285-AY	E0HZ 17322-CM
	10 x 22.5-Note 1	E0HZ 17294-AJ	E0HZ 17285-AU	E0HZ 17322-CJ
	11 x 20	E0HZ 17294-AK	E0HZ 17285-AV	E0HZ 17322-CB
	11 x 22	E0HZ 17294-AN	E0HZ 17285-AY	E0HZ 17322-CM
	11 x 24	△	E0HZ 17285-AZ	E0HZ 17322-CS
	12 x 22.5	E0HZ 17294-AJ	E0HZ 17285-AU	E0HZ 17322-CH
	12 x 24.5	E0HZ 17294-AK	E0HZ 17285-AV	E0HZ 17322-CL
<b>4.44 REAR AXLE RATIO</b>				
1007,1207-3A, 1372-A, 1107-2A, CM5510	9 x 20	E0HZ 17294-AR	E0HZ 17285-AV	E0HZ 17322-CB
	10 x 20, 11 x 22.5-Note 2	E0HZ 17294-AG	E0HZ 17285-AY	E0HZ 17322-CN
	10 x 22, 11 x 24.5	E0HZ 17294-AK	E0HZ 17285-AV	E0HZ 17322-CB
	10 x 22.5-Note 1	△	E0HZ 17285-AY	E0HZ 17322-CN
	11 x 20, 12 x 22.5	△	E0HZ 17285-AY	E0HZ 17322-CM
	11 x 22	E0HZ 17294-AG	E0HZ 17285-AY	E0HZ 17322-CM
	12 x 24.5	△	E0HZ 17285-AZ	E0HZ 17322-CT
<b>4.56 REAR AXLE RATIO</b>				
1007,1207-3A, 1372-A, 1107-2A, CM5510	9 x 20, 10 x 22.5-Note 1	E0HZ 17294-CE	E0HZ 17285-AT	E0HZ 17322-CD
	10 x 20, 11 x 22.5-Note 2	E0HZ 17294-AR	E0HZ 17285-AU	E0HZ 17322-CG
	10 x 22, 11 x 24.5	△	E0HZ 17285-AY	E0HZ 17322-CM
	11 x 20	E0HZ 17294-AG	E0HZ 17285-AY	E0HZ 17322-CN
	11 x 22	E0HZ 17294-AJ	E0HZ 17285-AU	E0HZ 17322-CH
	12 x 22.5	E0HZ 17294-CK	E0HZ 17285-AY	E0HZ 17322-CM
	12 x 24.5	E0HZ 17294-AK	E0HZ 17285-AV	E0HZ 17322-CB
<b>4.62 REAR AXLE RATIO</b>				
1007,1207-3A,1372-A, 1107-2A, CM5510	10 x 20, 11 x 22.5	△	E0HZ 17285-AY	E0HZ 17322-CN
	10 x 22, 11 x 24.5	E0HZ 17294-KA	E0HZ 17285-AZ	E0HZ 17322-CS
	11 x 20	E0HZ 17294-AF	E0HZ 17285-AV	E0HZ 17322-CL
	11 x 22	E0HZ 17294-R	E0HZ 17285-AV	E0HZ 17322-CL
	12 x 22.5	E0HZ 17294-AN	E0HZ 17285-AY	E0HZ 17322-CR



**1980/  
TRUCK SERIES 600/900**

TRANSMISSION MODEL	TIRES	ADAPTER	DRIVE GEAR	DRIVEN GEAR
17285	SPEEDOMETER DRIVE GEAR — Cont'd			

**(EXCEPT CL-CLT)**

**SPEEDOMETER GEAR COMBINATIONS**

For multi-speed axle speedometer gear selection use lowest numerical axle ratio.

**SPICER**

**Note:**        △ None required, Note 1: Michelin tires-275/80R x 22.5, Goodyear tires-295/75R x 22.5

**Note 2:**     Michelin tires-275/80R x 24.5, Goodyear tires-285/75R x 24.5

<b>4.63 REAR AXLE RATIO</b>				
1007,1207-3A, 1372-A, 1107-2A, CM5510,	10 x 22.5-Note 1	E0HZ 17294-Y	E0HZ 17285-AY	E0HZ 17322-CM
	10 x 20, 11 x 22.5-Note 2	△	E0HZ 17285-AY	E0HZ 17322-CN
	10 x 22, 11 x 24.5	E0HZ 17294-K	E0HZ 17285-AZ	E0HZ 17322-CS
	10 x 22.5	△	E0HZ 17285-AY	E0HZ 17322-CM
	11 x 20	E0HZ 17294-AJ	E0HZ 17285-AU	E0HZ 17322-CJ
	11 x 22	E0HZ 17294-R	E0HZ 17285-AZ	E0HZ 17322-CS
	11 x 24	△	E0HZ 17285-AZ	E0HZ 17322-CT
	12 x 22.5	E0HZ 17294-AN	E0HZ 17285-AY	E0HZ 17322-CR
12 x 24.5	E0HZ 17294-AN	E0HZ 17285-AY	E0HZ 17322-CN	
<b>4.88 REAR AXLE RATIO</b>				
1007,1207-3A, 1372-A, 1107-2A, CM5510	9 x 20	△	E0HZ 17285-AV	E0HZ 17322-CK
	10 x 22.5-Note 1	△	E0HZ 17285-AV	E0HZ 17322-CK
	10 x 20, 11 x 22.5-Note 2	E0HZ 17294-AR	E0HZ 17285-AU	E0HZ 17322-CH
	10 x 22, 11 x 24.5	△	E0HZ 17285-AY	E0HZ 17322-CN
	10 x 22.5	△	E0HZ 17285-AY	E0HZ 17322-CK
	11 x 20	E0HZ 17294-CE	E0HZ 17285-AT	E0HZ 17322-CD
	11 x 22	E0HZ 17294-AN	E0HZ 17285-AY	E0HZ 17322-CR
	11 x 24	E0HZ 17294-R	E0HZ 17285-AZ	E0HZ 17322-CS
12 x 22.5, 12 x 24.5	E0HZ 17294-AK	E0HZ 17285-AU	E0HZ 17322-CH	
<b>5.05 REAR AXLE RATIO</b>				
1007,1207-3A, 1372-A,1107-2A, CM5510	10 x 22.5-Note 1	E0HZ 17294-RA	E0HZ 17285-AY	E0HZ 17322-CN
	10 x 20, 11 x 22.5-Note 2	E0HZ 17294-K	E0HZ 17285-AY	E0HZ 17322-CM
	10 x 22, 11 x 24.5	E0HZ 17294-AK	E0HZ 17285-AU	E0HZ 17322-CJ
	10 x 22.5	E0HZ 17294-R	E0HZ 17285-AY	E0HZ 17322-CN
	11 x 20, 12 x 22.5	△	E0HZ 17285-AY	E0HZ 17322-CR
	11 x 22	E0HZ 17294-K	E0HZ 17285-AZ	E0HZ 17322-CT
	11 x 24	E0HZ 17294-AG	E0HZ 17285-AY	E0HZ 17322-CN
	12 x 24.5	△	E0HZ 17285-AY	E0HZ 17322-CN
<b>5.29 REAR AXLE RATIO</b>				
1007,1207-3A, 1372-A,1107-2A, CM5510	9 x 20	E0HZ 17294-CC	E0HZ 17285-AU	E0HZ 17322-CH
	10 x 22.5-Note 1	E0HZ 17294-CG	E0HZ 17285-AZ	E0HZ 17322-CT
	10 x 20, 11 x 22.5-Note 2	E0HZ 17294-AN	E0HZ 17285-AV	E0HZ 17322-CB
	10 x 22, 11 x 24.5	E0HZ 17294-K	E0HZ 17285-AY	E0HZ 17322-CM
	10 x 22.5	E0HZ 17294-CG	E0HZ 17285-AZ	E0HZ 17322-CT
	11 x 20, 12 x 22.5	E0HZ 17294-AG	E0HZ 17285-AV	E0HZ 17322-CL
	11 x 22	△	E0HZ 17285-AY	E0HZ 17322-CR
	11 x 24	△	E0HZ 17285-AY	E0HZ 17322-CN
12 x 24.5	E0HZ 17294-AR	E0HZ 17285-AU	E0HZ 17322-CH	
<b>5.31 REAR AXLE RATIO</b>				
1007,1207-3A, 1372-A,1107-2A, CM5510	10 x 22.5-Note 1	E0HZ 17294-CG	E0HZ 17285-AZ	E0HZ 17322-CT
	10 x 20, 11 x 22.5-Note 2	E0HZ 17294-AJ	E0HZ 17285-AT	E0HZ 17322-CE
	10 x 22, 11 x 24.5	△	E0HZ 17285-AV	E0HZ 17322-CK
	10 x 22.5	E0HZ 17294-CG	E0HZ 17285-AZ	E0HZ 17322-CT
	11 x 20	E0HZ 17294-AG	E0HZ 17285-AV	E0HZ 17322-CL
	11 x 22	△	E0HZ 17285-AY	E0HZ 17322-CR
	11 x 24	△	E0HZ 17285-AY	E0HZ 17322-CN
	12 x 22.5	E0HZ 17294-CG	E0HZ 17285-AZ	E0HZ 17322-CS
12 x 24.5	E0HZ 17294-AR	E0HZ 17285-AU	E0HZ 17322-CH	
<b>5.38 REAR AXLE RATIO</b>				
1007,1207-3A, 1372-A,1107-2A, CM5510	9 x 20	E0HZ 17294-E	E0HZ 17285-AU	E0HZ 17322-CH
	10 x 20, 11 x 22.5	E0HZ 17294-M	E0HZ 17285-AN	E0HZ 17322-CL
	10 x 22, 11 x 24.5	E0HZ 17294-CC	E0HZ 17285-AU	E0HZ 17322-CG
	10 x 22.5	E0HZ 17294-AH	E0HZ 17285-AU	E0HZ 17322-CG
	11 x 20	E0HZ 17294-AN	E0HZ 17285-AU	E0HZ 17322-CG
	11 x 22	E0HZ 17294-C	E0HZ 17285-AU	E0HZ 17322-CH
	12 x 22.5	E0HZ 17294-AS	E0HZ 17285-AU	E0HZ 17322-CH

**1980/  
TRUCK SERIES 600/900**

TRANSMISSION MODEL	TIRES	ADAPTER	DRIVE GEAR	DRIVEN GEAR
17285	SPEEDOMETER DRIVE GEAR — Cont'd			
<b>(EXCEPT CL-CLT)</b>				
<b>SPEEDOMETER GEAR COMBINATIONS</b>				
For multi-speed axle speedometer gear selection use lowest numerical axle ratio.				
SPICER				
Note:	△ None required, Note 1: Michelin tires-275/80R x 22.5, Goodyear tires-295/75R x 22.5			
Note 2:	Michelin tires-275/80R x 24.5, Goodyear tires-285/75R x 24.5			
<b>5.43 REAR AXLE RATIO</b>				
1007,1207-3A, 1372-A,1107-2A, CM5510	10 x 22.5-Note 1	△	EOHZ 17285-AU	EOHZ 17322-CG
	10 x 20, 11 x 22.5-Note 2	△	EOHZ 17285-AV	EOHZ 17322-CL
	10 x 22, 11 x 24.5	EOHZ 17294-AG	EOHZ 17285-AV	EOHZ 17322-CL
	10 x 22.5	△	EOHZ 17285-AU	EOHZ 17322-CG
	11 x 20	EOHZ 17294-AN	EOHZ 17285-AV	EOHZ 17322-CB
	11 x 22	△	EOHZ 17285-AV	EOHZ 17322-CK
	12 x 22.5	EOHZ 17294-AJ	EOHZ 17285-AT	EOHZ 17322-CE
	12 x 24.5	EOHZ 17294-AN	EOHZ 17285-AV	EOHZ 17322-CL
<b>5.57 REAR AXLE RATIO</b>				
1007,1207-3A, 1372-A,1107-2A, CM5510	9 x 20	△	EOHZ 17285-AV	EOHZ 17322-CB
	10 x 20, 11 x 22.5-Note 2	EOHZ 17294-CK	EOHZ 17285-AV	EOHZ 17322-CL
	10 x 22, 11 x 24.5	EOHZ 17294-AJ	EOHZ 17285-AT	EOHZ 17322-CE
	10 x 22.5-Note 1	EOHZ 17294-AG	EOHZ 17285-AU	EOHZ 17322-CH
	11 x 20	△	EOHZ 17285-AV	EOHZ 17322-CL
	11 x 22, 12 x 24.5	EOHZ 17294-AG	EOHZ 17285-AV	EOHZ 17322-CL
	12 x 22.5	△	EOHZ 17285-AV	EOHZ 17322-CL
<b>5.61 REAR AXLE RATIO</b>				
1007,1207-3A,1372-A,1107-2A, CM5510	10 x 20, 11 x 22.5	EOHZ 17294-CK	EOHZ 17285-AV	EOHZ 17322-CL
	10 x 22, 11 x 24.5	EOHZ 17294-K	EOHZ 17285-AY	EOHZ 17322-CN
	11 x 20, 12 x 22.5	EOHZ 17294-Y	EOHZ 17285-AY	EOHZ 17322-CR
	11 x 22	EOHZ 17294-R	EOHZ 17285-AY	EOHZ 17322-CN
	9 x 20, 10 x 22.5	EOHZ 17294-S	EOHZ 17285-AV	EOHZ 17322-CB
<b>5.83 REAR AXLE RATIO</b>				
1007,1207-3A, 1372-A,1107-2A, CM5510	9 x 20	EOHZ 17294-Y	EOHZ 17285-AV	EOHZ 17322-CL
	10 x 20, 11 x 22.5-Note 2	EOHZ 17294-AG	EOHZ 17285-AU	EOHZ 17322-CH
	10 x 22, 11 x 24.5	EOHZ 17294-CG	EOHZ 17285-AZ	EOHZ 17322-CT
	10 x 22.5-Note 1	△	EOHZ 17285-AU	EOHZ 17322-CH
	11 x 20, 12 x 22.5	△	EOHZ 17285-AU	EOHZ 17322-CG
	11 x 22	△	EOHZ 17285-AV	EOHZ 17322-CL
	12 x 24.5	EOHZ 17294-K	EOHZ 17285-AY	EOHZ 17322-CN
<b>5.86 REAR AXLE RATIO</b>				
1007,1207-3A, 1372-A,1107-2A, CM5510	9 x 20, 10 x 22.5	△	EOHZ 17285-AU	EOHZ 17322-CH
	10 x 20, 11 x 22.5	EOHZ 17294-CK	EOHZ 17285-AU	EOHZ 17322-CG
	10 x 22, 11 x 24.5	EOHZ 17294-E	EOHZ 17285-AU	EOHZ 17322-CH
	11 x 20, 12 x 22.5	△	EOHZ 17285-AV	EOHZ 17322-CG
	11 x 22	△	EOHZ 17285-AV	EOHZ 17322-CL
<b>5.90 REAR AXLE RATIO</b>				
1007,1207-3A, 1372-A,1107-2A, CM5510	10 x 22.5-Note 1	EOHZ 17294-AG	EOHZ 17285-AU	EOHZ 17322-CJ
	10 x 20, 11 x 22.5-Note 2	EOHZ 17294-K	EOHZ 17285-AV	EOHZ 17322-CK
	10 x 22, 11 x 24.5	EOHZ 17294-AN	EOHZ 17285-AU	EOHZ 17322-CH
	10 x 22.5	EOHZ 17294-AG	EOHZ 17285-AU	EOHZ 17322-CJ
	11 x 20, 12 x 22.5	△	EOHZ 17285-AV	EOHZ 17322-CB
	11 x 22	EOHZ 17294-AG	EOHZ 17285-AV	EOHZ 17322-CB
	11 x 24	EOHZ 17294-CG	EOHZ 17285-AZ	EOHZ 17322-CS
	12 x 24.5	△	EOHZ 17285-AV	EOHZ 17322-CL
<b>5.91 REAR AXLE RATIO</b>				
1007,1207-2A, 1372-A,1107-2A, CM5510	10 x 22.5-Note 1	EOHZ 17294-AG	EOHZ 17285-AU	EOHZ 17322-CJ
	10 x 20, 11 x 22.5-Note 2	EOHZ 17294-CK	EOHZ 17285-AV	EOHZ 17322-CB
	10 x 22, 11 x 24.5	EOHZ 17294-AN	EOHZ 17285-AU	EOHZ 17322-CH
	10 x 22.5	EOHZ 17294-AG	EOHZ 17285-AU	EOHZ 17322-CJ
	11 x 10, 12 x 22.5	△	EOHZ 17285-AV	EOHZ 17322-CB
	11 x 22	EOHZ 17294-AG	EOHZ 17285-AV	EOHZ 17322-CB
	11 x 24	EOHZ 17294-AR	EOHZ 17285-AU	EOHZ 17322-CJ
	12 x 24.5	△	EOHZ 17285-AV	EOHZ 17322-CL

**1980/  
TRUCK SERIES 600/900**

TRANSMISSION MODEL	TIRES	ADAPTER	DRIVE GEAR	DRIVEN GEAR
17285	SPEEDOMETER DRIVE GEAR — Cont'd			
<b>(EXCEPT CL-CLT)</b>				
<b>SPEEDOMETER GEAR COMBINATIONS</b>				
For multi-speed axle speedometer gear selection use lowest numerical axle ratio.				
<b>SPICER</b>				
Note:	△ None required, Note 1: Michelin tires-275/80R x 22.5, Goodyear tires-295/75R x 22.5			
Note 2:	Michelin tires-275/80R x 24.5, Goodyear tires-285/75R x 24.5			
<b>6.14 REAR AXLE RATIO</b>				
1007,1207-3A,1372-A, 1107-2A,CM5510	9 x 20	E0HZ 17294-CG	E0HZ 17285-AY	E0HZ 17322-CN
	10 x 20, 11 x 22.5-Note 2	△	E0HZ 17285-AU	E0HZ 17322-CH
	10 x 22, 11 x 24.5	E0HZ 17294-KA	E0HZ 17285-AV	E0HZ 17322-CK
	10 x 22.5-Note 1	E0HZ 17294-YA	E0HZ 17285-AV	E0HZ 17322-CB
	11 x 22, 12 x 24.5	△	E0HZ 17285-AU	E0HZ 17322-CG
	11 x 24	△	E0HZ 17285-AV	E0HZ 17322-CL
<b>6.17 REAR AXLE RATIO</b>				
1007,1207-3A,1372-A, 11207-2A,CM5510	9 x 20, 10 x 22.5-Note 1	E0HZ 17294-Y	E0HZ 17285-AV	E0HZ 17322-CB
	10 x 20, 11 x 22.5-Note 2	E0HZ 17294-AG	E0HZ 17285-AU	E0HZ 17322-CJ
	10 x 22, 11 x 24.5	E0HZ 17294-CK	E0HZ 17285-AV	E0HZ 17322-CB
	11 x 20, 12 x 22.5	E0HZ 17294-Y	E0HZ 17285-AV	E0HZ 17322-CL
	11 x 22	△	E0HZ 17285-AV	E0HZ 17322-CB
	11 x 24	△	E0HZ 17285-AV	E0HZ 17322-CL
	12 x 24.5	△	E0HZ 17285-AU	E0HZ 17322-CG
<b>6.50 REAR AXLE RATIO</b>				
1007,1207-3A, 1372-A,1107-2A, CM5510	9 x 20, 10 x 22.5	E0HZ 17294-Y	E0HZ 17285-AU	E0HZ 17322-CH
	10 x 20, 11 x 22.5	△	E0HZ 17285-AU	E0HZ 17322-CJ
	10 x 22, 11 x 24.5	E0HZ 17294-AG	E0HZ 17285-AU	E0HZ 17322-CJ
	11 x 20, 12 x 22.5	E0HZ 17294-Y	E0HZ 17285-AU	E0HZ 17322-CG
	11 x 22	E0HZ 17294-Y	E0HZ 17285-AU	E0HZ 17322-CL
<b>6.83 REAR AXLE RATIO</b>				
1007,1207-3A 1372-A,1107-2A, CM5510	9 x 20, 10 x 22.5	△	E0HZ 17285-AT	E0HZ 17322-CD
	10 x 20, 11 x 22.5	E0HZ 17294-Y	E0HZ 17285-AU	E0HZ 17322-CH
	10 x 22, 11 x 24.5	△	E0HZ 17285-AU	E0HZ 17322-CJ
	11 x 20, 12 x 22.5	E0HZ 17294-K	E0HZ 17285-AV	E-HZ 17322-CB
	11 x 22	E0HZ 17294-AF	E0HZ 17285-AT	E0HZ 17322-CD
<b>7.17 REAR AXLE RATIO</b>				
1007,1207-3A, 1372-A,1107-2A, CM5510	9 x 20	E0HZ 17294-CR	E0HZ 17285-AY	E0HZ 17322-CR
	10 x 20, 11 x 22.5	△	E0HZ 17285-AT	E0HZ 17322-CD
	10 x 22, 11 x 24.5	E0HZ 17294-Y	E0HZ 17285-AU	E0HZ 17322-CH
	10 x 22.5	E0HZ 17294-K	E0HZ 17285-AU	E0HZ 17322-CJ
	11 x 20	E0HZ 17294-CR	E0HZ 17285-AY	E0HZ 17322-CN
	11 x 22	E0HZ 17294-CK	E0HZ 17285-AU	E0HZ 17322-CJ
<b>7.20 REAR AXLE RATIO</b>				
1007,1207-3A 1372-A,1107-2A, CM5510	9 x 20	E0HZ 17294-CR	E0HZ 17285-AY	E0HZ 17322-CR
	10 x 20, 11 x 22.5	E0HZ 17294-Y	E0HZ 17285-AY	E0HZ 17322-CR
	10 x 22, 11 x 24.5	E0HZ 17294-CC	E0HZ 17285-AT	E0HZ 17322-CE
	10 x 22.5	E0HZ 17294-K	E0HZ 17285-AU	E0HZ 17322-CJ
	11 x 20	E0HZ 17294-AN	E0HZ 17285-AT	E0HZ 17322-CE
	11 x 22	E0HZ 17294-CK	E0HZ 17284-AU	E0HZ 17322-CJ
	12 x 22.5	E0HZ 17294-AB	E0HZ 17285-AV	E0HZ 17322-CK
	12 x 24.5	E0HZ 17294-AB	E0HZ 17285-AV	E0HZ 17322-CK
<b>3.70 REAR AXLE RATIO</b>				
1062,1107-2A	9 x 20	△	E0HZ 17285-AS	E0HZ 17322-CS
	10 x 20, 11 x 22.5	E0HZ 17294-AR	E0HZ 17285-AR	E0HZ 17322-CN
	10 x 22, 11 x 24.5	E0HZ 17294-CN	E0HZ 17285-AM	E0HZ 17322-CG
	10 x 22.5	E0HZ 17294-AF	E0HZ 17285-AR	E0HZ 17322-CN
	11 x 20, 12 x 22.5	E0HZ 17294-AK	E0HZ 17285-AR	E0HZ 17322-CR
	11 x 22	E0HZ 17294-CC	E0HZ 17285-AS	E0HZ 17322-CS
	12 x 24.5	E0HZ 17294-AK	E0HZ 17285-AR	E0HZ 17322-CN

**1980/  
TRUCK SERIES 600/900**

TRANSMISSION MODEL	TIRES	ADAPTER	DRIVE GEAR	DRIVEN GEAR
17285	SPEEDOMETER DRIVE GEAR — Cont'd			

**(EXCEPT CL-CLT)**

**SPEEDOMETER GEAR COMBINATIONS**

For multi-speed axle speedometer gear selection use lowest numerical axle ratio.

**SPICER**

**Note:**     △ None required, Note 1: Michelin tires-275/80R x 22.5, Goodyear tires-295/75R x 22.5

**Note 2:**   Michelin tires-275/80R x 24.5, Goodyear tires-285/75R x 24.5

<b>3.90 REAR AXLE RATIO</b>				
1062, 1107-2A	9 x 20, 10 x 22.5-Note 1	EOHZ 17294-AR	EOHZ 17285-AN	EOHZ 17322-CK
	10 x 20, 11 x 22.5-Note 2	EOHZ 17294-AG	EOHZ 17285-AS	EOHZ 17322-CT
	10 x 22, 11 x 24.5	EOHZ 17294-AK	EOHZ 17285-AN	EOHZ 17322-CK
	11 x 20, 12 x 22.5	△	EOHZ 17285-AS	EOHZ 17322-CS
	11 x 22	EOHZ 17294-AF	EOHZ 17285-AR	EOHZ 17322-CM
	11 x 24	EOHZ 17294-AK	EOHZ 17285-AK	EOHZ 17322-CN
	12 x 24.5	EOHZ 17294-CN	EOHZ 17285-AN	EOHZ 17322-CB
<b>4.11 REAR AXLE RATIO</b>				
1062, 1107-2A	9 x 20	EOHZ 17294-R	EOHZ 17285-AN	EOHZ 17322-CK
	10 x 20, 11 x 22.5-Note 2	EOHZ 17294-AF	EOHZ 17285-AR	EOHZ 17322-CR
	10 x 22, 11 x 24.5	EOHZ 17294-CC	EOHZ 17285-AR	EOHZ 17322-CM
	10 x 22.5-Note 1	EOHZ 17294-R	EOHZ 17285-AS	EOHZ 17322-CS
	11 x 20	EOHZ 17294-R	EOHZ 17285-AS	EOHZ 17322-CC
	11 x 22, 12 x 24.5	△	EOHZ 17285-AS	EOHZ 17322-CS
	11 x 24	EOHZ 17294-AF	EOHZ 17285-AK	EOHZ 17322-CM
12 x 22.5	EOHZ 17294-AS	EOHZ 17285-AR	EOHZ 17322-CN	
<b>4.33 REAR AXLE RATIO</b>				
1062, 1107-2A	9 x 20	EOHZ 17294-AK	EOHZ 17285-AM	EOHZ 17322-CH
	10 x 20, 11 x 22.5-Note 2	△	EOHZ 17285-AR	EOHZ 17322-CM
	10 x 22, 11 x 24.5	EOHZ 17294-AF	EOHZ 17285-AR	EOHZ 17322-CR
	10 x 22.5-Note 1	EOHZ 17294-AF	EOHZ 17285-AN	EOHZ 17322-CL
	11 x 20	EOHZ 17294-AK	EOHZ 17285-AN	EOHZ 17322-CB
	11 x 22	EOHZ 17294-AS	EOHZ 17285-AR	EOHZ 17322-CN
	11 x 24	△	EOHZ 17285-AS	EOHZ 17322-CS
	12 x 22.5	EOHZ 17294-AF	EOHZ 17285-AN	EOHZ 17322-CK
	12 x 24.5	EOHZ 17294-AK	EOHZ 17285-AN	EOHZ 17322-CL
<b>4.44 REAR AXLE RATIO</b>				
1062, 1107-2A	9 x 20	EOHZ 17294-AR	EOHZ 17285-AN	EOHZ 17322-CB
	10 x 20, 11 x 22.5-Note 2	EOHZ 17294-AG	EOHZ 17285-AR	EOHZ 17322-CN
	10 x 22, 11 x 24.5	EOHZ 17294-AK	EOHZ 17285-AN	EOHZ 17322-CB
	10 x 22.5-Note 1	△	EOHZ 17285-AR	EOHZ 17322-CN
	11 x 20, 12 x 22.5	△	EOHZ 17285-AR	EOHZ 17322-CM
	11 x 22	EOHZ 17294-AF	EOHZ 17285-AR	EOHZ 17322-CR
	12 x 24.5	△	EOHZ 17285-AS	EOHZ 17322-CT
<b>4.56 REAR AXLE RATIO</b>				
1062, 1107-2A	9 x 20, 10 x 22.5-Note 1	EOHZ 17294-AF	EOHZ 17285-AM	EOHZ 17322-CG
	10 x 20, 11 x 22.5-Note 2	EOHZ 17294-AR	EOHZ 17285-AM	EOHZ 17322-CG
	10 x 22, 11 x 24.5	△	EOHZ 17285-AR	EOHZ 17322-CM
	11 x 20	EOHZ 17294-CC	EOHZ 17285-AR	EOHZ 17322-CR
	11 x 22	EOHZ 17294-AF	EOHZ 17285-AN	EOHZ 17322-CK
	11 x 24.5	△	EOHZ 17285-AR	EOHZ 17322-CM
	12 x 22.5	EOHZ 17294-AK	EOHZ 17285-AM	EOHZ 17322-CH
	12 x 24.5	EOHZ 17294-CC	EOHZ 17285-AR	EOHZ 17322-CN

**1980/  
TRUCK SERIES 600/900**

TRANSMISSION MODEL	TIRES	ADAPTER	DRIVE GEAR	DRIVEN GEAR
17285	SPEEDOMETER DRIVE GEAR — Cont'd			
<b>(EXCEPT CL-CLT)</b>				
<b>SPEEDOMETER GEAR COMBINATIONS</b>				
For multi-speed axle speedometer gear selection use lowest numerical axle ratio.				
<b>SPICER</b>				
<b>Note:</b>	△ None required, Note 1: Michelin tires-275/80R x 22.5, Goodyear tires-295/75R x 22.5			
<b>Note 2:</b>	Michelin tires-275/80R x 24.5, Goodyear tires-285/75R x 24.5			
<b>4.63 REAR AXLE RATIO</b>				
1062, 1107-2A	10 x 20	△	E0HZ 17285-AR	E0HZ 17322-CN
	10 x 22, 11 x 24.5	E0HZ 17294-AS	E0HZ 17285-AN	E0HZ 17322-CK
	11 x 20, 12 x 22.5	E0HZ 17294-AF	E0HZ 17285-AN	E0HZ 17322-CL
	11 x 22	E0HZ 17294-RA	E0HZ 17285-AS	E0HZ 17322-CS
	11 x 22.5	△	E0HZ 17285-AR	E0HZ 17322-CN
	11 x 24	△	E0HZ 17285-AS	E0HZ 17322-CT
	12 x 24.5	E0HZ 17294-AS	E0HZ 17285-AR	E0HZ 17322-CR
<b>4.88 REAR AXLE RATIO</b>				
1062, 1107-2A	10 x 20, 11 x 22.5	E0HZ 17294-AR	E0HZ 17285-AM	E0HZ 17322-CH
	10 x 22, 11 x 24.5	△	E0HZ 17285-AR	E0HZ 17322-CN
	11 x 20	E0HZ 17294-AF	E0HZ 17285-AM	E0HZ 17322-CG
	11 x 22	E0HZ 17294-AR	E0HZ 17285-AM	E0HZ 17322-CG
	11 x 24	E0HZ 17294-RA	E0HZ 17285-AS	E0HZ 17322-CS
	12 x 22.5	E0HZ 17294-AF	E0HZ 17285-AN	E0HZ 17322-CB
	12 x 24.5	E0HZ 17294-AF	E0HZ 17285-AN	E0HZ 17322-CL
<b>5.05 REAR AXLE RATIO</b>				
1062, 1107-2A	10 x 20, 11 x 22.5	E0HZ 17294-AF	E0HZ 17285-AM	E0HZ 17322-CH
	10 x 22, 11 x 24.5	E0HZ 17294-AF	E0HZ 17285-AN	E0HZ 17322-CB
	11 x 20, 12 x 22.5	△	E0HZ 17285-AR	E0HZ 17322-CR
	11 x 22	E0HZ 17294-AS	E0HZ 17285-AN	E0HZ 17322-CL
	12 x 24.5	△	E0HZ 17285-AR	E0HZ 17322-CN
<b>5.29 REAR AXLE RATIO</b>				
1062, 1107-2A	10 x 22, 11 x 22.5	E0HZ 17294-AS	E0HZ 17285-AM	E0HZ 17322-CH
	10 x 22, 11 x 24.5	E0HZ 17294-C	E0HZ 17285-AM	E0HZ 17322-CH
	11 x 20, 12 x 22.5	E0HZ 17294-AG	E0HZ 17285-AN	E0HZ 17322-CL
	11 x 22	△	E0HZ 17285-AR	E0HZ 17322-CR
	11 x 24	△	E0HZ 17285-AR	E0HZ 17322-CN
	12 x 24.5	E0HZ 17294-AR	E0HZ 17285-AM	E0HZ 17322-CH
<b>5.31 REAR AXLE RATIO</b>				
1062, 1107-2A	10 x 20, 11 x 22.5	E0HZ 17294-AS	E0HZ 17285-AM	E0HZ 17322-CH
	10 x 22, 11 x 24.5	△	E0HZ 17285-AN	E0HZ 17322-CK
	11 x 20	E0HZ 17294-AG	E0HZ 17285-AN	E0HZ 17322-CL
	11 x 22	△	E0HZ 17285-AR	E0HZ 17322-CR
	11 x 24	△	E0HZ 17285-AR	E0HZ 17322-CN
	12 x 22.5	E0HZ 17294-CC	E0HZ 17285-AN	E0HZ 17322-CB
	12 x 24.5	E0HZ 17294-AR	E0HZ 17285-AM	E0HZ 17322-CH
	<b>5.43 REAR AXLE RATIO</b>			
1062, 1107-2A	10 x 20, 11 x 22.5	△	E0HZ 17285-AN	E0HZ 17322-CL
	10 x 22, 11 x 24.5	E0HZ 17294-AG	E0HZ 17285-AN	E0HZ 17322-CL
	11 x 20, 12 x 22.5	E0HZ 17294-AS	E0HZ 17285-AM	E0HZ 17322-CH
	11 x 22	△	E0HZ 17285-AN	E0HZ 17322-CK
	12 x 24.5	E0HZ 17294-AS	E0HZ 17285-AN	E0HZ 17322-CB
<b>5.57 REAR AXLE RATIO</b>				
1062, 1107-2A	9 x 20	△	E0HZ 17285-AN	E0HZ 17322-CB
	10 x 20, 11 x 22.5	E0HZ 17294-R	E0HZ 17285-AR	E0HZ 17322-CR
	10 x 22, 11 x 24.5	E0HZ 17294-AS	E0HZ 17285-AM	E0HZ 17322-CH
	10 x 22.5	E0HZ 17294-AG	E0HZ 17285-AM	E0HZ 17322-CH
	11 x 20, 12 x 22.5	△	E0HZ 17285-AN	E0HZ 17322-CL
	11 x 22	E0HZ 17294-CC	E0HZ 17285-AN	E0HZ 17322-CB
	11 x 24	△	E0HZ 17285-AR	E0HZ 17322-CR
	12 x 24.5	E0HZ 17294-CC	E0HZ 17285-AM	E0HZ 17322-CG

1980/  
TRUCK SERIES 600/900

TRANSMISSION MODEL	TIRES	ADAPTER	DRIVE GEAR	DRIVEN GEAR
17285	SPEEDOMETER DRIVE GEAR — Cont'd			
<b>(EXCEPT CL-CLT)</b>				
<b>SPEEDOMETER GEAR COMBINATIONS</b>				
For multi-speed axle speedometer gear selection use lowest numerical axle ratio.				
SPICER				
Note:	△ None required, Note 1: Michelin tires-275/80R x 22.5, Goodyear tires-295/75R x 22.5			
Note 2:	Michelin tires-275/80R x 24.5, Goodyear tires-285/75R x 24.5			
<b>5.83 REAR AXLE RATIO</b>				
1062, 1107-2A	9 x 20	E0HZ 17294-M	E0HZ 17285-AM	E0HZ 17322-CH
	10 x 20, 11 x 22.5	E0HZ 17294-AG	E0HZ 17285-AM	E0HZ 17322-CH
	10 x 22, 11 x 24.5	E0HZ 17294-R	E0HZ 17285-AR	E0HZ 17322-CR
	10 x 22.5	△	E0HZ 17285-AM	E0HZ 17322-CH
	11 x 20, 12 x 22.5	△	E0HZ 17285-AM	E0HZ 17322-CG
	11 x 22	△	E0HZ 17285-AN	E0HZ 17322-CL
	12 x 24.5	E0HZ 17294-M	E0HZ 17285-AN	E0HZ 17322-CL
<b>5.90 REAR AXLE RATIO</b>				
1062, 1107-2A	10 x 20, 11 x 22.5	E0HZ 17294-CK	E0HZ 17285-AN	E0HZ 17322-CB
	10 x 22, 11 x 24.5	E0HZ 17294-CL	E0HZ 17285-AN	E0HZ 17322-CB
	11 x 20, 12 x 22.5	△	E0HZ 17285-AN	E0HZ 17322-CB
	11 x 22	E0HZ 17294-AG	E0HZ 17285-AN	E0HZ 17322-CB
	12 x 24.5	△	E0HZ 17285-AN	E0HZ 17322-CL
<b>4.55 REAR AXLE RATIO</b>				
CM-5552,5852,CM40	7.50 x 20	E0HZ 17294-G	E3HZ 17285-BN	E0HZ 17322-V
	8.25 x 20	△	E3HZ 17285-BR	E5HZ 17322-DG
	9 x 20, 10 x 22.5-Note 1	E0HZ 17294-J	E3HZ 17285-BR	★ E0HZ 17322-Y /bE5HZ 17322-DD E5HZ 17285-BS
	9 x 22.5	△	E3HZ 17285-BR	E5HZ 17322-DG
	10 x 20, 11 x 22.5-Note 2	E0HZ 17294-AN	E3HZ 17285-BR	E5HZ 17322-DG
	10 x 22, 11 x 24.5	△	E3HZ 17285-BR	E0HZ 17322-Y /bE5HZ 17322-DD E5HZ 17285-BS
	11 x 20, 12 x 22.5	E0HZ 17294-CC	E3HZ 17285-BR	E5HZ 17322-DG
	11 x 22	E0HZ 17294-E	E3HZ 17285-BR	E0HZ 17322-Z
<b>4.62 REAR AXLE RATIO</b>				
CM-5052,5252	8.25 x 20, 9 x 22.5	E0HZ 17294-C	E0HZ 17285-D	E0HZ 17322-V
	9 x 20	E0HZ 17294-D	E0HZ 17285-E	E5HZ 17322-DG
	10 x 20, 11 x 22.5	E0HZ 17294-AM	E0HZ 17285-D	E0HZ 17322-V
	10 x 22, 11 x 24.5	E0HZ 17294-AE	E0HZ 17285-D	E0HZ 17322-U
	10 x 22.5	E0HZ 17294-CL	E0HZ 17285-E	E5HZ 17322-DG
	11 x 20	E0HZ 17294-E	E0HZ 17285-E	E5HZ 17322-DG
	11 x 22, 12 x 24.5	E0HZ 17294-AS	E0HZ 17285-E	E5HZ 17322-DG
	12 x 22.5	E0HZ 17294-BA	E0HZ 17285-D	E0HZ 17322-V
<b>4.62 REAR AXLE RATIO</b>				
CM-5552,5852,CM40	7.5 x 20	E0HZ 17294-CC	E3HZ 17285-BN	E0HZ 17322-U
	8.25 x 20, 9 x 22.5	E0HZ 17294-CK	E3HZ 17285-BN	E0HZ 17322-VA
	9 x 20	E0HZ 17294-CK	E3HZ 17285-BR	E0HZ 17322-Z
	10 x 20, 11 x 22.5-Note 2	△	E3HZ 17285-BR	E0HZ 17322-Z
	10 x 22, 11 x 24.5	E0HZ 17294-AG	E3HZ 17285-BR	E0HZ 17322-Z
	10 x 22.5-Note 1	E0HZ 17294-CL	E3HZ 17285-BR	E5HZ 17322-DG
	11 x 20, 12 x 22.5	E0HZ 17294-AN	E3HZ 17285-BR	E5HZ 17322-DG
11 x 22	E0HZ 17294-AN	E3HZ 17285-BR	E0HZ 17322-Z	
<b>4.88 REAR AXLE RATIO</b>				
CM-5052,5252	8.25 x 20, 9 x 22.5	E0HZ 17294-AS	E0HZ 17285-D	E0HZ 17322-V
	9 x 20	E0HZ 17294-C	E0HZ 17285-D	E0HZ 17322-V
	10 x 20, 11 x 22.5	E0HZ 17294-AR	E0HZ 17285-D	E0HZ 17322-V
	10 x 22, 11 x 24.5	E0HZ 17294-AM	E0HZ 17285-D	E0HZ 17322-V
	10 x 22.5	E0HZ 17294-BG	E0HZ 17285-D	E0HZ 17322-V
	11 x 20, 11 x 22.5	E0HZ 17294-D	E0HZ 17285-E	E5HZ 17322-DG
	11 x 22	E0HZ 17294-AR	E0HZ 17285-D	E0HZ 17322-V
12 x 22.5	E0HZ 17294-E	E0HZ 17285-E	E5HZ 17322-DG	

**1980/  
TRUCK SERIES 600/900**

TRANSMISSION MODEL	TIRES	ADAPTER	DRIVE GEAR	DRIVEN GEAR
17285	SPEEDOMETER DRIVE GEAR — Cont'd			

**(EXCEPT CL-CLT)**

**SPEEDOMETER GEAR COMBINATIONS**

For multi-speed axle speedometer gear selection use lowest numerical axle ratio.

**SPICER**

Note:  $\Delta$  None required, Note 1: Michelin tires-275/80R x 22.5, Goodyear tires-295/75R x 22.5

Note 2: Michelin tires-275/80R x 24.5, Goodyear tires-285/75R x 24.5

**4.88 and 4.89 REAR AXLE RATIO**

CM-5552,5852,CM40	7.5 x 20	E0HZ 17294-CC	E3HZ 17285-BN	E0HZ 17322-V
	8.25 x 20	E0HZ 17294-V	E3HZ 17285-BR	★ E0HZ 17322-Y /bE5HZ 17322-DD E5HZ 17285-BS
	9 x 20, 10 x 22.5-Note 1	E0HZ 17294-AJ	E3HZ 17285-BM	E0HZ 17322-S
	9 x 22.5	E0HZ 17294-AN	E3HZ 17285-BR	E0HZ 17322-U
	10 x 20, 11 x 22.5-Note 2	E0HZ 17294-Y	E3HZ 17285-BR	★ E0HZ 17322-Y /bE5HZ 17322-DD E5HZ 17285-BS
	10 x 22, 11 x 24.5	$\Delta$	E3HZ 17285-BR	E0HZ 17322-Z
	11 x 20, 12 x 22.5	E0HZ 17294-CK	E3HZ 17285-BR	E0HZ 17322-Z
	11 x 22	E0HZ 17294-AN	E3HZ 17285-BR	E5HZ 17322-DG

**5.29 REAR AXLE RATIO**

CM-5052,5252	7.25 x 20, 8 x 22.5	E0HZ 17294-CL	E0HZ 17285-D	E0HZ 17322-V
	8.25 x 20, 9 x 22.5	E0HZ 17294-BG	E0HZ 17285-C	E0HZ 17322-R
	9 x 20	E0HZ 17294-B	E0HZ 17285-C	E0HZ 17322-S
	10 x 20, 11 x 22.5	E0HZ 17294-AS	E0HZ 17285-D	E0HZ 17322-V
	10 x 22, 11 x 24.5	E0HZ 17294-C	E0HZ 17285-D	E0HZ 17322-V
	10 x 22.5	E0HZ 17294-AR	E0HZ 17285-C	E0HZ 17322-R
	11 x 20, 12 x 22.5	E0HZ 17294-B	E0HZ 17285-C	E0HZ 17322-R
	11 x 22	$\Delta$	E0HZ 17285-E	E5HZ 17322-DG
12 x 24.5	E0HZ 17294-AR	E0HZ 17285-D	E0HZ 17322-V	

**5.29 REAR AXLE RATIO**

CM-5552,5852,CM40	7.5 x 20, 8 x 22.5	E0HZ 17294-V	E3HZ 17285-BR	E5HZ 17322-DG
	8.25 x 20, 9 x 22.5	E0HZ 17294-K	E3HZ 17285-BR	E5HZ 17322-DG
	9 x 20, 10 x 22.5-Note 1	E0HZ 17294-Y	E3HZ 17285-BR	E5HZ 17322-DG
	10 x 20, 11 x 22.5-Note 2	E0HZ 17294-AS	E3HZ 17285-BN	E0HZ 17322-V
	10 x 22, 11 x 22	E0HZ 17294-K	E3HZ 17285-BR	★ E0HZ 17322-Y /bE5HZ 17322-DD E5HZ 17285-BS
	11 x 20, 12 x 22.5	E0HZ 17294-Y	E3HZ 17285-BR	E0HZ 17322-Z
	11 x 24.5	E0HZ 17294-K	E3HZ 17285-BR	★ E0HZ 17322-Y /bE5HZ 17322-DD /bE5HZ 17285-BS

**5.38 REAR AXLE RATIO**

CM-5552,5852,CM40	7.5 x 20	$\Delta$	E0HZ 17285-BN	E0HZ 17322-V
	8.25 x 20, 9 x 22.5	E0HZ 17294-AG	E0HZ 17285-BN	E0HZ 17322-V
	9 x 20, 10 x 22.5-Note 1	E0HZ 17294-CL	E0HZ 17285-BN	E0HZ 17322-U
	10 x 20, 11 x 22.5-Note 2	E0HZ 17294-M	E0HZ 17285-BN	E0HZ 17322-T
	10 x 22, 11 x 24.5	E0HZ 17294-G	E0HZ 17285-BN	E0HZ 17322-V
	11 x 20, 12 x 22.5	E0HZ 17294-E	E0HZ 17285-BN	E0HZ 17322-U
	11 x 22	E0HZ 17294-AS	E0HZ 17285-BN	E0HZ 17322-U

**5.43 REAR AXLE RATIO**

CM-5052,5252	8.26 x 20	E0HZ 17294-D	E0HZ 17285-D	E0HZ 17322-V
	10 x 22.5	E0HZ 17294-T	E0HZ 17285-E	E5HZ 17322-DG
	10 x 20, 11 x 22.5	$\Delta$	E0HZ 17285-D	E0HZ 17322-T
	10 x 22, 11 x 24.5	E0HZ 17294-B	E0HZ 17285-C	E0HZ 17322-R
	11 x 20	E0HZ 17294-AN	E0HZ 17285-D	E0HZ 17322-U
	11 x 22	E0HZ 17294-C	E0HZ 17285-D	E0HZ 17322-V
	12 x 22.5	E0HZ 17294-CD	E0HZ 17285-C	E0HZ 17322-R
	12 x 24.5	E0HZ 17294-CD	E0HZ 17285-C	E0HZ 17322-N

1980/  
TRUCK SERIES 600/900

TRANSMISSION MODEL	TIRES	ADAPTER	DRIVE GEAR	DRIVEN GEAR
17285	SPEEDOMETER DRIVE GEAR — Cont'd			
<b>(EXCEPT CL-CLT)</b>				
<b>SPEEDOMETER GEAR COMBINATIONS</b>				
For multi-speed axle speedometer gear selection use lowest numerical axle ratio.				
SPICER				
<b>Note:</b>	△ None required, Note 1: Michelin tires-275/80R x 22.5, Goodyear tires-295/75R x 22.5			
<b>Note 2:</b>	Michelin tires-275/80R x 24.5, Goodyear tires-285/75R x 24.5			
<b>5.43 REAR AXLE RATIO</b>				
CM-5552,5852-CM40	7.5 x 20	△	E3HZ 17285-BN	E0HZ 17322-V
	9 x 20	E0HZ 17294-AN	E3HZ 17285-BN	E0HZ 17322-V
	10 x 20, 11 x 22.5	E0HZ 17294-U	E3HZ 17285-BR	★ E0HZ 17322-Y /bE5HZ 17322-DD E5HZ 17285-BS
	10 x 22	△	E3HZ 17285-BN	E0HZ 17322-T
	10 x 22.5-Note 1	E0HZ 17294-K	E3HZ 17285-BR	E5HZ 17322-DG
	11 x 20	E0HZ 17294-AN	E3HZ 17285-BN	E0HZ 17322-U
	11 x 22	E0HZ 17294-K	E3HZ 17285-BR	★ E0HZ 17322-Y /bE5HZ 17322-DD E5HZ 17285-BS
	11 x 24.5 11 x 22.5-Note 2	E0HZ 17294-AG E0HZ 17294-V	E3HZ 17285-BN E3HZ 17285-BR	E0HZ 17322-T ★ E0HZ 17322-Y /bE5HZ 17322-DD E5HZ 17285-BS
<b>5.57 REAR AXLE RATIO</b>				
CM-5052,5252	7.50 x 20	E0HZ 17294-D	E0HZ 17285-D	E0HZ 17322-V
	8.25 x 20, 9 x 22.5	E0HZ 17294-C	E0HZ 17285-C	E0HZ 17322-S
	9 x 20	△	E0HZ 17285-D	E0HZ 17322-U
	10 x 20, 11 x 22.5	E0HZ 17294-CK	E0HZ 17285-D	E0HZ 17322-T
	10 x 22, 11 x 24.5	E0HZ 17294-AN	E0HZ 17285-D	E0HZ 17322-U
	10 x 22.5	E0HZ 17294-AR	E0HZ 17285-C	E0HZ 17322-S
	11 x 20, 12 x 22.5	△	E0HZ 17285-D	E0HZ 17322-T
	11 x 22, 12 x 24.5	E0HZ 17294-B	E0HZ 17285-C	E0HZ 17322-R
<b>5.57 REAR AXLE RATIO</b>				
CM-5552,5852-CM40	7.50 x 20, 8 x 22.5	E0HZ 17294-CK	E3HZ 17285-BN	E0HZ 17322-VA
	8.25 x 20, 9 x 22.5	E0HZ 17294-Y	E3HZ 17285-BN	E0HZ 17322-T
	9 x 20	△	E3HZ 17285-BN	E0HZ 17322-U
	10 x 20, 11 x 22.5-Note 2	E0HZ 17294-CK	E3HZ 17285-BN	E0HZ 17322-T
	10 x 22, 11 x 24.5	E0HZ 17294-AN	E3HZ 17285-BN	E0HZ 17322-U
	10 x 22.5-Note 1	E0HZ 17294-AG	E3HZ 17285-BN	E0HZ 17322-V
	11 x 20, 12 x 22.5	△	E3HZ 17285-BN	E0HZ 17322-T
	11 x 22	E0HZ 17294-AG	E3HZ 17285-BN	E0HZ 17322-T
<b>5.61 REAR AXLE RATIO</b>				
CM-5552,5852,CM40	8.25 x 20	△	E3HZ 17285-BN	E0HZ 17322-V
	7.50 x 20	E0HZ 17294-CL	E3HZ 17285-BM	E0HZ 17322-N
	9 x 20, 10 x 22.5-Note 1	E0HZ 17294-S	E3HZ 17285-BN	E0HZ 17322-U
	10 x 20, 11 x 22.5	E0HZ 17294-CK	E3HZ 17285-BN	E0HZ 17322-T
	10 x 22, 11 x 24.5	E0HZ 17294-K	E3HZ 17285-BR	E0HZ 17322-Z
	11 x 20, 12 x 22.5-Note 2	E0HZ 17294-Y	E3HZ 17285-BR	E5HZ 17322-DG
	11 x 22	E0HZ 17294-R	E3HZ 17285-BR	E0HZ 17322-Z
<b>5.83 REAR AXLE RATIO</b>				
CM-5052,5252	7.50 x 20, 8 x 22.5	E0HZ 17294-AS	E0HZ 17285-B	E0HZ 17322-A
	8.25 x 20	E0HZ 17294-E	E0HZ 17285-C	E0HZ 17322-R
	9 x 20	E0HZ 17294-C	E0HZ 17285-C	E0HZ 17322-S
	9 x 22.5	E0HZ 17294-AS	E0HZ 17285-C	E0HZ 17322-S
	10 x 20, 11 x 22.5	E0HZ 17294-AR	E0HZ 17285-C	E0HZ 17322-S
	10 x 22, 11 x 24.5	E0HZ 17294-D	E0HZ 17285-D	E0HZ 17322-U
	10 x 22.5	△	E0HZ 17285-D	E0HZ 17322-V
	11 x 20	E0HZ 17294-B	E0HZ 17285-B	E0HZ 17322-A
	11 x 22	△	E0HZ 17285-D	E0HZ 17322-T
	12 x 22.5	E0HZ 17294-C	E0HZ 17285-C	E0HZ 17322-R
	12 x 24.5	E0HZ 17294-C	E0HZ 17285-C	E0HZ 17322-N



1980/  
TRUCK SERIES 600/900

TRANSMISSION MODEL	TIRES	ADAPTER	DRIVE GEAR	DRIVEN GEAR
17285	SPEEDOMETER DRIVE GEAR — Cont'd			

**(EXCEPT CL-CLT)**

**SPEEDOMETER GEAR COMBINATIONS**

For multi-speed axle speedometer gear selection use lowest numerical axle ratio.

**SPICER**

Note:       △ None required, Note 1: Michelin tires-275/80R x 22.5, Goodyear tires-295/75R x 22.5

Note 2:     Michelin tires-275/80R x 24.5, Goodyear tires-285/75R x 24.5

5.83 REAR AXLE RATIO				
CM-5552,5852-CM40	7.50 x 20, 8 x 22.5	E0HZ 17294-CC	E3HZ 17285-BM	E0HZ 17322-S
	8.25 x 20, 9 x 22.5	E0HZ 17294-AS	E3HZ 17285-BM	E0HZ 17322-S
	9 x 20	E0HZ 17294-C	E3HZ 17285-BM	E0HZ 17322-S
	10 x 20	E0HZ 17294-AG	E3HZ 17285-BN	E0HZ 17322-V
	10 x 22, 11 x 24.5	E0HZ 17294-RA	E3HZ 17285-BR	E5HZ 17322-DG
	10 x 22.5-Note 1	△	E3HZ 17285-BN	E0HZ 17322-V
	11 x 20, 12 x 22.5	E0HZ 17294-K	E3HZ 17285-BR	E5HZ 17322-DG
	11 x 22	△	E3HZ 17285-BN	E0HZ 17322-T
11 x 22.5-Note 2	E0HZ 17294-AN	E3HZ 17285-BM	E0HZ 17322-V	
5.86 REAR AXLE RATIO				
CM-5052,5252	8.25 x 20	E0HZ 17294-A	E0HZ 17285-C	E0HZ 17322-S
	10 x 22.5-Note 1	△	E0HZ 17285-D	E0HZ 17322-V
	10 x 20, 11 x 22.5-Note 2	E0HZ 17294-AR	E0HZ 17285-C	E0HZ 17322-S
	10 x 22, 11 x 24.5	E0HZ 17294-CK	E0HZ 17285-D	E0HZ 17322-T
	11 x 22, 12 x 24.5	△	E0HZ 17285-D	E0HZ 17322-T
	11 x 20	E0HZ 17294-C	E0HZ 17285-C	E0HZ 17322-R
12 x 22.5	△	E0HZ 17285-D	E0HZ 17322-U	
5.90 REAR AXLE RATIO				
CM-5552,5552	9 x 20	E0HZ 17294-R	E3HZ 17285-BN	E0HZ 17322-T
	10 x 20, 11 x 22.5	E0HZ 17294-CK	E3HZ 17285-BN	E0HZ 17322-U
	10 x 22, 11 x 24.5	E0HZ 17294-V	E3HZ 17285-BR	E0HZ 17322-Z
	10 x 22.5	E0HZ 17294-S	E3HZ 17285-BN	E0HZ 17322-V
	11 x 20	E0HZ 17294-K	E3HZ 17285-BR	E5HZ 17322-DG
	11 x 22	E0HZ 17294-Y	E3HZ 17285-BR	E5HZ 17322-DG
	12 x 22.5	E0HZ 17294-J	E3HZ 17285-BR	E0HZ 17322-Z
5.86 REAR AXLE RATIO				
CM-5552,5852-CM40	7.50 x 20	E0HZ 17294-VA	E3HZ 17285-BN	E0HZ 17322-T
	8.25 x 20	E0HZ 17294-AS	E3HZ 17285-BM	E0HZ 17322-S
	10 x 20, 11 x 22.5	E0HZ 17294-S	E3HZ 17285-BN	E0HZ 17322-U
	10 x 22, 11 x 24.5	E0HZ 17294-CK	E3HZ 17285-BN	E0HZ 17322-T
	10 x 22.5, 9 x 20	△	E3HZ 17285-BN	E0HZ 17322-V
	11 x 20	E0HZ 17294-K	E3HZ 17285-BR	E5HZ 17322-DG
	11 x 22	△	E3HZ 17285-BN	E0HZ 17322-T
12 x 22.5	△	E3HZ 17285-BN	E0HZ 17322-U	
5.90 REAR AXLE RATIO				
CM5552,5852,CM40	8.25 x 20	E0HZ 17294-Y	E3HZ 17285-BN	E0HZ 17322-U
	7.50 x 20	E0HZ 17294-K	E3HZ 17285-BN	E0HZ 17322-U
	9 x 20	E0HZ 17294-R	E3HZ 17285-BN	E0HZ 17322-T
	10 x 20, 11 x 22.5-Note 2	E0HZ 17294-CK	E3HZ 17285-BN	E0HZ 17322-U
	10 x 22, 11 x 24.5	E0HZ 17294-V	E3HZ 17285-BR	E0HZ 17322-Z
	10 x 22.5-Note 1	E0HZ 17294-S	E3HZ 17285-BN	E0HZ 17322-V
	11 x 20	E0HZ 17294-K	E3HZ 17285-BR	E5HZ 17322-DG
	11 x 22	E0HZ 17294-R	E3HZ 17285-BR	E5HZ 17322-DG
	12 x 22.5	E0HZ 17294-U	E3HZ 17285-BR	E0HZ 17322-Z

1980/  
TRUCK SERIES 600/900

TRANSMISSION MODEL	TIRES	ADAPTER	DRIVE GEAR	DRIVEN GEAR
17285	SPEEDOMETER DRIVE GEAR — Cont'd			

(EXCEPT CL-CLT)

SPEEDOMETER GEAR COMBINATIONS

For multi-speed axle speedometer gear selection use lowest numerical axle ratio.

SPICER

Note:  $\Delta$  None required, Note 1: Michelin tires-275/80R x 22.5, Goodyear tires-295/75R x 22.5

Note 2: Michelin tires-275/80R x 24.5, Goodyear tires-285/75R x 24.5

6.14 REAR AXLE RATIO					
CM-5052,5252	7.50 x 20, 8 x 22.5	$\Delta$	E0HZ 17285-C	E0HZ 17322-R	
	8.25 x 20	E0HZ 17294-CD	E0HZ 17285-B	E0HZ 17322-M	
	8.25 x 20, 9 x 20	E0HZ 17294-BG	E0HZ 17285-B	E0HZ 17322-A	
	9 x 22.5	E0HZ 17294-D	E0HZ 17285-C	E0HZ 17322-R	
	10 x 20, 11 x 22.5	$\Delta$	E0HZ 17285-D	E0HZ 17322-V	
	10 x 22, 11 x 24.5	E0HZ 17294-AR	E0HZ 17285-C	E0HZ 17322-S	
	10 x 22.5	E0HZ 17294-AH	E0HZ 17285-C	E0HZ 17322-N	
	11 x 20	E0HZ 17294-AS	E0HZ 17285-C	E0HZ 17322-R	
	11 x 22	E0HZ 17294-C	E0HZ 17285-C	E0HZ 17322-R	
	12 x 22.5	E0HZ 17294-AH	E0HZ 17285-D	E0HZ 17322-V	
	12 x 24.5	E0HZ 17294-AH	E0HZ 17285-D	E0HZ 17322-U	
	6.14 REAR AXLE RATIO				
	CM-5552,5852,CM40	7.5 x 20, 8 x 22.5	E0HZ 17294-CJ	E3HZ 17285-BN	E0HZ 17322-U
10 x 22		E0HZ 17294-AG	E3HZ 17285-BN	E0HZ 17322-V	
8.25 x 20, 9 x 20		E0HZ 17294-AN	E3HZ 17285-BM	E0HZ 17322-R	
9 x 22.5		E0HZ 17294-J	E3HZ 17285-BN	E0HZ 17322-V	
10 x 20, 11 x 24.5		E0HZ 17294-AG	E3HZ 17285-BN	E0HZ 17322-V	
10 x 22.5-Note 1		E0HZ 17294-Y	E3HZ 17285-BN	E0HZ 17322-U	
11 x 20		E0HZ 17294-AN	E3HZ 17285-BM	E0HZ 17322-N	
11 x 22		E0HZ 17294-K	E3HZ 17285-BR	E5HZ 17322-DG	
11 x 22.5-Note 2		$\Delta$	E3HZ 17285-BN	E0HZ 17322-V	
12 x 22.5		E0HZ 17294-Y	E3HZ 17285-BN	E0HZ 17322-T	
6.17 REAR AXLE RATIO					
CM-5052,5252	7.50 x 20	E0HZ 17294-AG	E0HZ 17285-D	E0HZ 17322-V	
	8.25 x 20	E0HZ 17294-CK	E0HZ 17285-C	E0HZ 17322-N	
	9 x 20	E0HZ 17294-AH	E0HZ 17285-C	E0HZ 17322-N	
	9 x 22.5	E0HZ 17294-C	E0HZ 17285-B	E0HZ 17322-K	
	10 x 20, 11 x 22.5-Note 2	E0HZ 17294-AM	E0HZ 17285-B	E0HZ 17322-K	
	10 x 22, 11 x 24.5	E0HZ 17294-CD	E0HZ 17285-B	E0HZ 17322-A	
	10 x 22.5-Note 1	E0HZ 17294-B	E0HZ 17285-B	E0HZ 17322-M	
	11 x 20	E0HZ 17294-AH	E0HZ 17285-D	E0HZ 17322-V	
	11 x 22	$\Delta$	E0HZ 17285-D	E0HZ 17322-U	
	12 x 22.5	E0HZ 17294-C	E0HZ 17285-C	E0HZ 17322-S	
	12 x 24.5	E0HZ 17294-B	E0HZ 17285-B	E0HZ 17322-A	
	6.17 REAR AXLE RATIO				
CM-5552,55852,CM40	7.5 x 20, 8 x 22.5	E0HZ 17294-V	E3HZ 17285-BN	E0HZ 17322-U	
	8.25 x 20	E0HZ 17294-K	E3HZ 17285-BN	E0HZ 17322-U	
	9 x 20, 10 x 22.5	E0HZ 17294-Y	E3HZ 17285-BN	E0HZ 17322-U	
	9 x 22.5	E0HZ 17294-CG	E3HZ 17285-BR	E5HZ 17322-DG	
	10 x 20, 11 x 22.5	E0HZ 17294-U	E3HZ 17285-BN	E5HZ 17322-DG	
	11 x 20	E0HZ 17294-Y	E3HZ 17285-BN	E0HZ 17322-T	
	10 x 22, 11 x 24.5	E0HZ 17294-CC	E3HZ 17285-BM	E0HZ 17322-N	
	11 x 22	$\Delta$	E3HZ 17285-BR	E0HZ 17322-U	
	12 x 22.5	E0HZ 17294-C	E3HZ 17285-BM	E0HZ 17322-S	
	6.33 REAR AXLE RATIO				
CM-5052,5252	7.50 x 20, 8 x 22.5	E0HZ 17294-CL	E0HZ 17285-C	E0HZ 17322-S	
	8.25 x 20, 9 x 22.5	$\Delta$	E0HZ 17285-C	E0HZ 17322-R	
	9 x 20	E0HZ 17294-AM	E0HZ 17285-B	E0HZ 17322-M	
	10 x 22	E0HZ 17294-AH	E0HZ 17285-D	E0HZ 17322-V	
	10 x 22.5	E0HZ 17294-AS	E0HZ 17285-B	E0HZ 17322-A	

1980/  
TRUCK SERIES 600/900

TRANSMISSION MODEL	TIRES	ADAPTER	DRIVE GEAR	DRIVEN GEAR
17285	SPEEDOMETER DRIVE GEAR — Cont'd			

(EXCEPT CL-CLT)

SPEEDOMETER GEAR COMBINATIONS

For multi-speed axle speedometer gear selection use lowest numerical axle ratio.

SPICER

Note:  $\Delta$  None required, Note 1: Michelin tires-275/80R x 22.5, Goodyear tires-295/75R x 22.5

Note 2: Michelin tires-275/80R x 24.5, Goodyear tires-285/75R x 24.5

6.50	REAR AXLE RATIO			
CM-5052,5252	8.25 x 20	E0HZ 17294-AS	E0HZ 17285-B	E0HZ 17322-K
	9 x 20	E0HZ 17294-CL	E0HZ 17285-C	E0HZ 17322-R
	9 x 22.5	E0HZ 17294-D	E0HZ 17285-C	E0HZ 17322-S
	10 x 20, 11 x 22.5	$\Delta$	E0HZ 17285-C	E0HZ 17322-N
	10 x 22, 11 x 24.5	E0HZ 17294-AM	E0HZ 17285-B	E0HZ 17322-K
	10 x 22.5	E0HZ 17294-BG	E0HZ 17285-B	E0HZ 17322-K
	11 x 20	E0HZ 17294-AS	E0HZ 17285-C	E0HZ 17322-S
	11 x 22	E0HZ 17294-C	E0HZ 17285-C	E0HZ 17322-S
	12 x 22.5	E0HZ 17294-BG	E0HZ 17285-B	E0HZ 17322-A
	12 x 24.5	E0HZ 17294-AS	E0HZ 17285-C	E0HZ 17322-S

6.50	REAR AXLE RATIO			
CM-5852,CM40,5852,CM40	7.50 x 20	E0HZ 17294-R	E3HZ 17285-BM	E0HZ 17322-N
	8.25 x 20, 8 x 22.5	E0HZ 17294-K	E3HZ 17285-BN	E0HZ 17322-V
	9 x 20, 11 x 20	E0HZ 17294-CG	E3HZ 17285-BR	E0HZ 17322-AA
	10 x 20, 11 x 22.5-Note 2	E0HZ 17294-R	E3HZ 17285-BN	E0HZ 17322-U
	10 x 22	E0HZ 17294-S	E3HZ 17285-BN	E0HZ 17322-V
	10 x 22.5-Note 1	E0HZ 17294-U	E3HZ 17285-BN	E0HZ 17322-T
	11 x 22	E0HZ 17294-C	E3HZ 17285-BM	E0HZ 17322-S
	11 x 24.5	E0HZ 17294-U	E3HZ 17285-BR	E5HZ 17322-DG
	12 x 22.5	E0HZ 17294-AS	E3HZ 17285-BM	E0HZ 17322-S

6.57	REAR AXLE RATIO			
CM-5552,5852,CM40	7.50 x 20	E0HZ 17294-V	E3HZ 17285-BM	E0HZ 17322-V
	8.25 x 20, 9 x 22.5	E0HZ 17294-CL	E3HZ 17285-BM	E0HZ 17322-S
	9 x 20	E0HZ 17294-Y	E3HZ 17285-BN	E0HZ 17322-V
	10 x 22, 11 x 24.5	E0HZ 17294-CK	E3HZ 17285-BN	E0HZ 17322-V
	10 x 22.5-Note 1	E0HZ 17294-AR	E3HZ 17285-BN	E0HZ 17322-V
	11 x 20, 12 x 22.5	E0HZ 17294-Y	E3HZ 17285-BN	E0HZ 17322-U
	11 x 22	$\Delta$	E3HZ 17285-BN	E0HZ 17322-V
	11 x 22.5, 11 x 20-Note 2	E0HZ 17294-CC	E3HZ 17285-BM	E0HZ 17322-S

6.67	REAR AXLE RATIO			
CM-5052,5252	8.25 x 20	E0HZ 17294-AH	E0HZ 17285-C	E0HZ 17322-S
	10 x 22.5	$\Delta$	E0HZ 17285-C	E0HZ 17322-R
	10 x 20, 11 x 22.5	E0HZ 17294-D	E0HZ 17285-C	E0HZ 17322-R
	10 x 22, 11 x 24.5	E0HZ 17294-AN	E0HZ 17285-C	E0HZ 17322-R
	11 x 20, 12 x 22.5	$\Delta$	E0HZ 17285-C	E0HZ 17322-N
	11 x 22	E0HZ 17294-AE	E0HZ 17285-B	E0HZ 17322-K
	12 x 24.5	$\Delta$	E0HZ 17285-D	E0HZ 17322-V

6.67	REAR AXLE RATIO			
CM5552,5852,40	7.50 x 20	E0HZ 17294-CK	E3HZ 17285-BM	E0HZ 17322-S
	8.25 x 20	E0HZ 17294-Y	E3HZ 17285-BM	E0HZ 17322-N
	9 x 20, 10 x 22.5-Note 1	$\Delta$	E3HZ 17285-BM	E0HZ 17322-R
	10 x 20, 11 x 22.5-Note 2	E0HZ 17294-K	E3HZ 17285-BN	E0HZ 17322-U
	10 x 22, 11 x 24.5	E0HZ 17294-AN	E3HZ 17285-BM	E0HZ 17322-R
	11 x 20, 12 x 22.5	$\Delta$	E3HZ 17285-BM	E0HZ 17322-N
	11 x 22	E0HZ 17294-U	E3HZ 17285-BR	E0HZ 17322-AA
	12 x 24.5	$\Delta$	E3HZ 17285-BN	E0HZ 17322-V

1980/  
TRUCK SERIES 600/900

TRANSMISSION MODEL	TIRES	ADAPTER	DRIVE GEAR	DRIVEN GEAR
17285	SPEEDOMETER DRIVE GEAR — Cont'd			

(EXCEPT CL-CLT)

SPEEDOMETER GEAR COMBINATIONS

For multi-speed axle speedometer gear selection use lowest numerical axle ratio.

SPICER

Note:  $\Delta$  None required, Note 1: Michelin tires-275/80R x 22.5, Goodyear tires-295/75R x 22.5

Note 2: Michelin tires-275/80R x 24.5, Goodyear tires-285/75R x 24.5

6.83 REAR AXLE RATIO				
CM-5552,5852,40	7.50 x 20	E0HZ 17294-Y	E3HZ 17285-BM	E0HZ 17322-R
	7.50 x 20, 8 x 22.5	E0HZ 17294-AG	E0HZ 17285-B	E0HZ 17322-K
	8.25 x 20, 9 x 22.5	E0HZ 17294-E	E0HZ 17285-B	E0HZ 17322-K
	9 x 20	E0HZ 17294-CK	E0HZ 17285-C	E0HZ 17322-R
	10 x 20, 11 x 22.5	E0HZ 17294-AH	E0HZ 17285-C	E0HZ 17322-R
	10 x 22, 11 x 24.5	$\Delta$	E0HZ 17285-C	E0HZ 17322-N
	10 x 22.5	E0HZ 17294-C	E0HZ 17285-B	E0HZ 17322-M
	11 x 20	E0HZ 17294-CD	E0HZ 17285-B	E0HZ 17322-M
	11 x 22	E0HZ 17294-AN	E0HZ 17285-C	E0HZ 17322-R
	12 x 22.5	E0HZ 17294-CK	E0HZ 17285-C	E0HZ 17322-N
	12 x 24.5	E0HZ 17294-C	E0HZ 17285-B	E0HZ 17322-A
	6.83 REAR AXLE RATIO			
CM-5552,5852,40	8.25 x 20, 9 x 22.5	E0HZ 17294-CG	E3HZ 17285-BN	E0HZ 17322-T
	9 x 20	E0HZ 17294-CK	E3HZ 17285-BM	E0HZ 17322-R
	10 x 20, 11 x 22.5-Note 2	E0HZ 17294-U	E3HZ 17285-BN	E0HZ 17322-T
	10 x 22, 11 x 24.5	$\Delta$	E3HZ 17285-BM	E0HZ 17322-N
	10 x 22.5-Note 1	E0HZ 17294-CL	E3HZ 17285-BM	E0HZ 17322-S
	11 x 20	E0HZ 17294-K	E3HZ 17285-BN	E0HZ 17322-U
	11 x 22	E0HZ 17294-AN	E3HZ 17285-BM	E0HZ 17322-R
	12 x 22.5	E0HZ 17294-CK	E3HZ 17285-BM	E0HZ 17322-N
7.14 REAR AXLE RATIO				
CM-5552,5852	8.25 x 20	E0HZ 17294-Y	E3HZ 17285-BM	E0HZ 17322-R
	9 x 20, 10 x 22.5	E0HZ 17294-V	E3HZ 17285-BN	★ E0HZ 17322-Y /bE5HZ 17322-DD E5HZ 17285-BS
	9 x 22.5	E0HZ 17294-R	E3HZ 17285-BM	E0HZ 17322-R
	10 x 20, 11 x 22.5	E0HZ 17294-CL	E3HZ 17285-BM	E0HZ 17322-S
	10 x 22, 11 x 24.5	E0HZ 17294-Y	E3HZ 17285-BN	E0HZ 17322-V
	11 x 20	$\Delta$	E3HZ 17285-BM	E0HZ 17322-R
	11 x 22	E0HZ 17294-K	E3HZ 17285-BN	E0HZ 17322-U
	12 x 22.5	E0HZ 17294-V	E3HZ 17285-BN	E0HZ 17322-U
7.17 REAR AXLE RATIO				
CM-5052,5252	8.25 x 20, 9 x 22.5	E0HZ 17294-CK	E0HZ 17285-B	E0HZ 17322-A
	9 x 20	E0HZ 17294-CL	E0HZ 17285-B	E0HZ 17322-A
	10 x 20, 11 x 22.5	E0HZ 17294-CL	E0HZ 17285-C	E0HZ 17322-S
	10 x 22, 11 x 24.5	E0HZ 17294-AH	E0HZ 17285-C	E0HZ 17322-R
	10 x 22.5	E0HZ 17294-AS	E0HZ 17285-B	E0HZ 17322-M
	11 x 20, 12 x 22.5	E0HZ 17294-AN	E0HZ 17285-B	E0HZ 17322-A
	11 x 22	E0HZ 17294-D	E0HZ 17285-C	E0HZ 17322-R
	12 x 24.5	E0HZ 17294-AS	E0HZ 17285-B	E0HZ 17322-A
7.17 REAR AXLE RATIO				
CM-5552,5852,40	7.50 x 20	E0HZ 17294-U	E3HZ 17285-BM	E0HZ 17322-N
	8.25 x 20	E0HZ 17294-R	E3HZ 17285-BM	E0HZ 17322-R
	9 x 20	E0HZ 17294-V	E3HZ 17285-BN	E0HZ 17322-V
	9 x 22.5	E0HZ 17294-R	E3HZ 17285-BN	E0HZ 17322-U
	10 x 20, 11 x 22.5-Note 2	E0HZ 17294-CL	E3HZ 17285-BM	E0HZ 17322-S
	10 x 22, 11 x 24.5	E0HZ 17294-R	E3HZ 17285-BN	E0HZ 17322-V
	10 x 22.5-Note 1	E0HZ 17294-CK	E3HZ 17285-BM	E0HZ 17322-S
	11 x 20, 12 x 22.5	E0HZ 17294-S	E3HZ 17285-BM	E0HZ 17322-R
	11 x 22	E0HZ 17294-K	E3HZ 17285-BN	E0HZ 17322-U

1980/  
TRUCK SERIES 600/900

TRANSMISSION MODEL	TIRES	ADAPTER	DRIVE GEAR	DRIVEN GEAR
17285	SPEEDOMETER DRIVE GEAR — Cont'd			

**(EXCEPT CL-CLT)**

**SPEEDOMETER GEAR COMBINATIONS**

For multi-speed axle speedometer gear selection use lowest numerical axle ratio.

**SPICER**

Note:  $\Delta$  None required, Note 1: Michelin tires-275/80R x 22.5, Goodyear tires-295/75R x 22.5

Note 2: Michelin tires-275/80R x 24.5, Goodyear tires-285/75R x 24.5

<b>7.20 REAR AXLE RATIO</b>				
CM-5552,5852,CM40	8.25 x 20	E0HZ 17294-R	E3HZ 17285-BM	E0HZ 17322-R
	7.50 x 20	E0HZ 17294-Y	E3HZ 17285-BM	E0HZ 173222-S
	9 x 20, 10 x 22.5-Note 1	E0HZ 17294-CK	E3HZ 17285-BM	E0HZ 17322-S
	10 x 20, 11 x 22.5-Note 2	E0HZ 17294-U	E3HZ 17285-BN	E0HZ 17322-V
	10 x 22, 11 x 24.5	E0HZ 17294-R	E3HZ 17285-BN	E0HZ 17322-V
	11 x 20	E0HZ 17294-V	E3HZ 17285-BN	E0HZ 17322-U
	11 x 22	E0HZ 17294-K	E3HZ 17285-BN	E0HZ 17322-U
	12 x 22.5	E0HZ 17294-K	E3HZ 17285-BN	E0HZ 17322-V
<b>7.40 REAR AXLE RATIO</b>				
CM-5052,5252	8.25 x 20	E0HZ 17294-AH	E0HZ 17285-B	E0HZ 17322-K
	10 x 22.5	E0HZ 17294-AG	E0HZ 17285-B	E0HZ 17322-K
	10 x 20, 11 x 22.5	E0HZ 17294-E	E0HZ 17285-B	E0HZ 17322-K
	10 x 22, 11 x 24.5	E0HZ 17294-AS	E0HZ 17285-B	E0HZ 17322-K
	11 x 20, 12 x 22.5	E0HZ 17294-BG	E0HZ 17285-B	E0HZ 17322-M
	11 x 22	$\Delta$	E0HZ 17285-C	E0HZ 17322-R
	12 x 24.5	E0HZ 17294-AH	E0HZ 17285-C	E0HZ 17322-R
<b>7.40 REAR AXLE RATIO</b>				
CM5552,5852,40	8.25 x 20	E0HZ 17294-CG	E3HZ 17285-N	E0HZ 17322-V
	7.50 x 20	E0HZ 17294-K	E3HZ 17285-M	E0HZ 17322-S
	9 x 20, 10 x 22.5-Note 1	E0HZ 17294-Y	E3HZ 17285-BM	E0HZ 17322-R
	10 x 20, 11 x 22.5-Note 2	E0HZ 17294-CG	E3HZ 17285-BN	E0HZ 17322-T
	10 x 22, 11 x 24.5	E0HZ 17294-K	E3HZ 17285-BN	E0HZ 17322-V
	11 x 20	E0HZ 17294-U	E3HZ 17285-BN	E0HZ 17322-U
	11 x 22	$\Delta$	E3HZ 17285-BM	E0HZ 17322-R
	12 x 22.5	E0HZ 17294-Y	E3HZ 17285-BM	E0HZ 17322-N
<b>7.60 REAR AXLE RATIO</b>				
CM-5052,5252	8.25 x 20	E0HZ 17294-AS	E0HZ 17285-B	E0HZ 17322-M
	9 x 20	E0HZ 17294-E	E0HZ 17285-B	E0HZ 17322-M
	10 x 20, 11 x 22.5	$\Delta$	E0HZ 17285-B	E0HZ 17322-A
	10 x 22, 11 x 24.5	E0HZ 17294-BG	E0HZ 17285-B	E0HZ 17322-M
	10 x 22.5	E0HZ 17294-CL	E0HZ 17285-B	E0HZ 17322-K
	11 x 20	E0HZ 17294-E	E0HZ 17285-B	E0HZ 17322-K
	11 x 22	E0HZ 17294-D	E0HZ 17285-C	E0HZ 17322-S
	12 x 22.5	E0HZ 17294-CL	E0HZ 17285-B	E0HZ 17322-A
	12 x 24.5	E0HZ 17294-AN	E0HZ 17285-B	E0HZ 17322-A
<b>7.80 REAR AXLE RATIO</b>				
CM-5052,5252	8.25 x 20	E0HZ 17294-T	E0HZ 17285-C	E0HZ 17322-S
	9 x 20, 10 x 22.5	$\Delta$	E0HZ 17285-B	E0HZ 17322-K
	10 x 22, 11 x 24.5	E0HZ 17294-E	E0HZ 17285-B	E0HZ 17322-K
	10 x 20, 11 x 22.5	E0HZ 17294-CK	E0HZ 17285-B	E0HZ 17322-A
	11 x 20, 12 x 22.5	$\Delta$	E0HZ 17285-B	E0HZ 17322-A
	11 x 22	E0HZ 17294-BG	E0HZ 17285-B	E0HZ 17322-M
	12 x 24.5	E0HZ 17294-AH	E0HZ 17285-C	E0HZ 17322-S
<b>8.38 REAR AXLE RATIO</b>				
CM-5052,5252	8.25 x 20	E0HZ 17294-Y	E0HZ 17285-B	E0HZ 17322-K
	9 x 20	$\Delta$	E0HZ 17285-B	E0HZ 17322-M
	10 x 20, 11 x 22.5	E0HZ 17294-CK	E0HZ 17285-B	E0HZ 17322-K
	10 x 22, 11 x 24.5	E0HZ 17294-AH	E0HZ 17285-B	E0HZ 17322-K
	10 x 22.5	E0HZ 17294-T	E0HZ 17285-B	E0HZ 17322-A
	11 x 20, 12 x 22.5	$\Delta$	E0HZ 17285-B	E0HZ 17322-K
	11 x 22	E0HZ 17294-CK	E0HZ 17285-B	E0HZ 17322-A
	12 x 24.5	E0HZ 17294-AG	E0HZ 17285-B	E0HZ 17322-K

1980/  
TRUCK SERIES 600/900

TRANSMISSION MODEL	TIRES	ADAPTER	DRIVE GEAR	DRIVEN GEAR
<b>CL-CLT900</b>				
<b>SPEEDOMETER GEAR COMBINATIONS</b>				
For multi-speed axle speedometer gear selection use lowest numerical axle ratio.				
<b>FULLER</b>				
<b>Note:</b>	△ None required, Note 1: Michelin tires-275/80R x 22.5, Goodyear tires-295/75R x 22.5			
<b>Note 2:</b>	Michelin tires-275/80R x 24.5, Goodyear tires-285/75R x 24.5			
<b>3.70 REAR AXLE RATIO</b>				
RT-910,1110,9508,9509, 9513,RT11610,RT11608,RT11609, RT011613	9 x 20	△	EOHZ 17285-AA	EOHZ 17322-BC
	10 x 20, 11 x 22.5-Note 2	EOHZ 17294-CT	EOHZ 17285-Z	EOHZ 17322-BA
	10 x 22, 11 x 24.5	EOHZ 17294-BE	EOHZ 17285-V	EOHZ 17322-AN
	10 x 22.5-Note 1	EOHZ 17294-BC	EOHZ 17285-Z	EOHZ 17322-BA
	11 x 20	EOHZ 17294-BC	EOHZ 17285-AA	EOHZ 17322-BE
	11 x 22	EOHZ 17294-BB	EOHZ 17285-AA	EOHZ 17322-BC
	11 x 24	EOHZ 17294-CT	EOHZ 17285-AA	EOHZ 17322-BD
	12 x 22.5	EOHZ 17294-BD	EOHZ 17285-Z	EOHZ 17322-BB
	12 x 24.5	EOHZ 17294-BD	EOHZ 17285-Z	EOHZ 17322-BA
<b>3.73 REAR AXLE RATIO</b>				
RT-910,1110,9508,9509, 9513,RT11610,RT11608,RT11609, RT011613	10 x 20, 11 x 22.5-Note 2	EOHZ 17294-CT	EOHZ 17285-BE	EOHZ 17322-BA
	10 x 22, 11 x 24.5	△	EOHZ 17285-BG	EOHZ 17322-BF
	10 x 22.5-Note 1	EOHZ 17294-BB	EOHZ 17285-BE	EOHZ 17322-AZ
	11 x 20, 12 x 22.5	EOHZ 17294-BC	EOHZ 17285-BE	EOHZ 17322-AZ
	11 x 22	EOHZ 17294-CT	EOHZ 17285-BF	EOHZ 17322-BE
<b>3.90 and 3.91 REAR AXLE RATIO</b>				
RT-910,1110,9508,9509, 9513,RT11610,RT11608,RT11609, RT011613	10 x 20, 11 x 22.5	EOHZ 17294-BB	EOHZ 17285-AA	EOHZ 17285-BE
	10 x 22, 11 x 24.5	EOHZ 17294-BD	EOHZ 17285-Y	EOHZ 17322-AU
	11 x 20, 12 x 22.5	△	EOHZ 17285-AA	EOHZ 17322-BC
	11 x 22	EOHZ 17294-BC	EOHZ 17285-Z	EOHZ 17322-AZ
	11 x 24	EOHZ 17294-BB	EOHZ 17285-AA	EOHZ 17322-BC
	12 x 24.5	EOHZ 17294-BC	EOHZ 17285-AA	EOHZ 17322-BE
<b>4.10 REAR AXLE RATIO</b>				
RT-910,1110,9508,9509, 9513,RT11610,RT11608,RT11609, RT011613	10 x 20, 11 x 22.5-Note 2	EOHZ 17294-BC	EOHZ 17285-BE	EOHZ 17322-BB
	10 x 22, 11 x 24.5	EOHZ 17294-BB	EOHZ 17285-BE	EOHZ 17322-AZ
	10 x 22.5-Note 1	EOHZ 17294-CS	EOHZ 17285-BE	EOHZ 17322-BB
	11 x 20, 12 x 22.5	EOHZ 17294-CS	EOHZ 17285-BE	EOHZ 17322-BA
	11 x 22	△	EOHZ 17285-BF	EOHZ 17322-BC
<b>4.11 REAR AXLE RATIO</b>				
RT-910,1110,9508,9509, 9513,RT011610,RT11608,RT11609, RT011613	9 x 20	EOHZ 17294-BB	EOHZ 17285-Y	EOHZ 17322-AT
	10 x 20, 11 x 22.5	EOHZ 17294-BC	EOHZ 17285-Z	EOHZ 17322-BB
	10 x 22, 11 x 24.5	EOHZ 17294-BB	EOHZ 17285-Z	EOHZ 17322-AZ
	10 x 22.5	△	EOHZ 17285-AA	EOHZ 17322-BE
	11 x 20	EOHZ 17294-BD	EOHZ 17285-Y	EOHZ 17322-AV
	11 x 22, 12 x 24.5	△	EOHZ 17285-AA	EOHZ 17322-BC
	11 x 24	EOHZ 17294-BD	EOHZ 17285-Z	EOHZ 17322-BB
	12 x 22.5	EOHZ 17294-CS	EOHZ 17285-Z	EOHZ 17322-BA
<b>4.30 REAR AXLE RATIO</b>				
RT-910,1110,9508,9509, 9513,RT11610,RT11608,RT11609A, RT011613	10 x 20, 11 x 22.5	EOHZ 17294-CS	EOHZ 17285-Z	EOHZ 17322-BB
	10 x 22, 11 x 24.5	EOHZ 17294-BC	EOHZ 17285-Z	EOHZ 17322-BB
	10 x 22.5	EOHZ 17294-BC	EOHZ 17285-Y	EOHZ 17322-AV
	11 x 20, 12 x 22.5	EOHZ 17294-BB	EOHZ 17285-Z	EOHZ 17322-BA
	11 x 22	EOHZ 17294-CS	EOHZ 17285-Z	EOHZ 17322-BA
<b>4.33 REAR AXLE RATIO</b>				
RT-910,1110,9508,9509, 9513,RT11610,RT11608,RT11609, RT011613	9 x 20	EOHZ 17294-BD	EOHZ 17285-V	EOHZ 17322-AR
	10 x 20, 11 x 22.5	△	EOHZ 17285-AA	EOHZ 17322-BE
	10 x 22, 11 x 24.5	EOHZ 17294-BA	EOHZ 17285-AA	EOHZ 17322-BE
	10 x 22.5	EOHZ 17294-BA	EOHZ 17285-Y	EOHZ 17322-AT
	11 x 20, 12 x 22.5	EOHZ 17294-BC	EOHZ 17285-Y	EOHZ 17322-AU
	11 x 22	EOHZ 17294-CS	EOHZ 17285-Z	EOHZ 17322-BA
	11 x 24	△	EOHZ 17285-AA	EOHZ 17322-BC
	12 x 24.5	EOHZ 17294-BD	EOHZ 17285-Y	EOHZ 17322-AV

1980/  
TRUCK SERIES 600/900

TRANSMISSION MODEL	TIRES	ADAPTER	DRIVE GEAR	DRIVEN GEAR
17285	SPEEDOMETER DRIVE GEAR — Cont'd			

**CL-CLT900**

**SPEEDOMETER GEAR COMBINATIONS**

For multi-speed axle speedometer gear selection use lowest numerical axle ratio.

**FULLER**

**Note:**       △ None required, Note 1: Michelin tires-275/80R x 22.5, Goodyear tires-295/75R x 22.5

**Note 2:**     Michelin tires-275/80R x 24.5, Goodyear tires-285/75R x 24.5

REAR AXLE RATIO					
<b>4.44</b>	RT-910,1110,9508,9509,9513,RT11610,RT11608,RT11609,RT011613	9 x 20	E0HZ 17294-AY	E0HZ 17285-AA	E0HZ 17322-BD
		10 x 20, 11 x 22.5-Note 2	E0HZ 17294-BA	E0HZ 17285-Z	E0HZ 17322-BA
		10 x 22, 11 x 24.5	E0HZ 17294-BC	E0HZ 17285-Y	E0HZ 17322-AU
		10 x 22.5-Note 1	△	E0HZ 17285-Z	E0HZ 17322-BA
		11 x 20	△	E0HZ 17285-AA	E0HZ 17322-BE
		11 x 22	E0HZ 17294-BA	E0HZ 17285-AA	E0HZ 17322-BE
		12 x 22.5	△	E0HZ 17285-Z	E0HZ 17322-AZ
	12 x 24.5	△	E0HZ 17285-AA	E0HZ 17322-BD	
<b>4.56</b>	RT-910,1110,9508,9509,9513,RT11610,RT11608,RT11609A,RT011613	10 x 20, 11 x 22.5	E0HZ 17294-CT	E0HZ 17285-V	E0HZ 17322-AN
		10 x 22, 11 x 24.5	△	E0HZ 17285-Z	E0HZ 17322-AZ
		10 x 22.5	△	E0HZ 17285-Y	E0HZ 17322-AT
		11 x 20, 12 x 22.5	E0HZ 17294-BB	E0HZ 17285-Z	E0HZ 17322-BB
		11 x 22	E0HZ 17294-BC	E0HZ 17285-Y	E0HZ 17322-AU
<b>4.63</b>	RT-910,1110,9508,9509,9513,RT11610,RT11608,RT11609A,RT011613	10 x 20, 11 x 22.5-Note 2	△	E0HZ 17285-Z	E0HZ 17322-BA
		10 x 22, 11 x 24.5	E0HZ 17294-AV	E0HZ 17285-AA	E0HZ 17322-BC
		10 x 22.5	E0HZ 17294-BA	E0HZ 17285-YA	E0HZ 17322-AU
		11 x 20	E0HZ 17294-BC	E0HZ 17285-Y	E0HZ 17322-AV
		11 x 22	△	E0HZ 17285-AA	E0HZ 17322-BE
		11 x 24	△	E0HZ 17285-AA	E0HZ 17322-BD
		12 x 22.5	E0HZ 17294-AZ	E0HZ 17285-AA	E0HZ 17322-BD
	12 x 24.5	E0HZ 17294-BB	E0HZ 17285-Y	E0HZ 17322-AT	
<b>3.70</b>	12509,12510,12513,RT14608,RT14609,RT14610,RT014613	10 x 20, 11 x 22.5-Note 2	E0HZ 17294-CT	E0HZ 17285-BE	E0HZ 17322-BA
		10 x 22, 11 x 24.5	E0HZ 17294-BE	E0HZ 17285-BB	E0HZ 17322-AN
		10 x 22.5-Note 1	E0HZ 17294-BC	E0HZ 17285-BE	E0HZ 17322-BA
		11 x 20	E0HZ 17294-BC	E0HZ 17285-BF	E0HZ 17322-BE
		11 x 22	E0HZ 17294-BB	E0HZ 17285-BF	E0HZ 17322-BC
		12 x 22.5	E0HZ 17294-BD	E0HZ 17285-BE	E0HZ 17322-BB
		12 x 24.5	E0HZ 17294-BD	E0HZ 17285-BE	E0HZ 17322-BA
<b>3.90 and 3.91</b>	12509,12510,12513,RT14608,RT14609,RT14610,RT014613	10 x 20, 11 x 22.5	E0HZ 17294-BB	E0HZ 17285-BF	E0HZ 17285-BE
		10 x 22, 11 x 24.5	E0HZ 17294-BD	E0HZ 17285-BD	E0HZ 17322-AU
		10 x 22.5	E0HZ 17294-CT	E0HZ 17285-BD	E0HZ 17322-AV
		11 x 20, 12 x 22.5	△	E0HZ 17285-BF	E0HZ 17322-BC
		11 x 22	E0HZ 17294-BC	E0HZ 17285-BE	E0HZ 17322-AZ
		12 x 24.5	E0HZ 17294-BC	E0HZ 17285-BF	E0HZ 17322-BE
<b>4.11</b>	12509,12510,12513,RT14609,RT14610,RT014613	9 x 20	E0HZ 17294-BB	E0HZ 17285-BD	E0HZ 17322-AT
		10 x 20, 11 x 22.5-Note 2	E0HZ 17294-BC	E0HZ 17285-BE	E0HZ 17322-BB
		10 x 22, 11 x 24.5	E0HZ 17294-BB	E0HZ 17285-BE	E0HZ 17322-AZ
		10 x 22.5-Note 1	△	E0HZ 17285-BF	E0HZ 17322-BE
		11 x 20	E0HZ 17294-AY	E0HZ 17285-BG	E0HZ 17322-BF
		11 x 22, 12 x 24.5	△	E0HZ 17285-BF	E0HZ 17322-BC
		11 x 24	E0HZ 17294-BD	E0HZ 17285-BE	E0HZ 17322-BB
	12 x 22.5	E0HZ 17294-CS	E0HZ 17285-BE	E0HZ 17322-BA	
<b>4.30</b>	12509,12510,12513,RT14609,RT14610,RT014613	10 x 20, 11 x 22.5	E0HZ 17294-CS	E0HZ 17285-BE	E0HZ 17322-BB
		10 x 22, 11 x 24.5	E0HZ 17294-BC	E0HZ 17285-BE	E0HZ 17322-BB
		10 x 22.5	E0HZ 17294-BC	E0HZ 17285-BD	E0HZ 17322-AV
		11 x 20, 12 x 22.5	E0HZ 17294-BB	E0HZ 17285-BE	E0HZ 17322-BA
		11 x 22	E0HZ 17294-CS	E0HZ 17285-BE	E0HZ 17322-BA

1980/  
TRUCK SERIES 600/900

TRANSMISSION MODEL	TIRES	ADAPTER	DRIVE GEAR	DRIVEN GEAR
17285	SPEEDOMETER DRIVE GEAR — Cont'd			

**CL-CLT900**

**SPEEDOMETER GEAR COMBINATIONS**

For multi-speed axle speedometer gear selection use lowest numerical axle ratio.

**FULLER**

**Note:**     △ None required, Note 1: Michelin tires-275/80R x 22.5, Goodyear tires-295/75R x 22.5

**Note 2:**   Michelin tires-275/80R x 24.5, Goodyear tires-285/75R x 24.5

4.33 REAR AXLE RATIO				
12509,12510,12513,RT14608, RT14609,RT14610,RT014613	10 x 20, 11 x 22.5-Note 2	△	E0HZ 17285-BF	E0HZ 17322-BE
	10 x 22, 11 x 24.5	E0HZ 17294-BA	E0HZ 17285-BF	E0HZ 17322-BE
	10 x 22.5-Note 1	E0HZ 17294-BA	E0HZ 17285-BD	E0HZ 17322-AT
	11 x 20	E0HZ 17294-BD	E0HZ 17285-BC	E0HZ 17322-AY
	11 x 22	E0HZ 17294-CS	E0HZ 17285-BE	E0HZ 17322-BA
	12 x 22.5	E0HZ 17294-BC	E0HZ 17285-BD	E0HZ 17322-AU
	12 x 24.5	E0HZ 17294-BD	E0HZ 17285-BD	E0HZ 17322-AV

4.44 REAR AXLE RATIO				
12509,12510,12513,RT14608, RT14609A,RT14610,RT14613	10 x 20, 11 x 22.5-Note 2	E0HZ 17294-BA	E0HZ 17285-BE	E0HZ 17322-BA
	10 x 22, 11 x 24.5	E0HZ 17294-BD	E0HZ 17285-BC	E0HZ 17322-AY
	10 x 22.5-Note 1	△	E0HZ 17285-BE	E0HZ 17322-BA
	11 x 20	△	E0HZ 17285-BF	E0HZ 17322-BE
	11 x 22	E0HZ 17294-BA	E0HZ 17285-BF	E0HZ 17322-BE
	12 x 22.5	△	E0HZ 17285-BE	E0HZ 17322-AZ
	12 x 24.5	△	E0HZ 17285-BF	E0HZ 17322-BD

4.56 REAR AXLE RATIO				
12509,12510,12513,RT14608, RT14609,RT14610,RT014613	10 x 20, 11 x 22.5	E0HZ 17294-CT	E0HZ 17285-BB	E0HZ 17322-AN
	10 x 22, 11 x 24.5	△	E0HZ 17285-BE	E0HZ 17322-AZ
	10 x 22.5	△	E0HZ 17285-BD	E0HZ 17322-AT
	11 x 20, 12 x 22.5	E0HZ 17294-BB	E0HZ 17285-BE	E0HZ 17322-BB
	11 x 22	E0HZ 17294-BC	E0HZ 17285-BD	E0HZ 17322-AU

4.63 REAR AXLE RATIO				
12509,12510,12513,RT14608, RT14609A,RT14610,RT014613	10 x 20, 11 x 22.5-Note 2	△	E0HZ 17285-BE	E0HZ 17322-BA
	10 x 22, 11 x 24.5	E0HZ 17294-AV	E0HZ 17285-BF	E0HZ 17322-BC
	10 x 22.5	E0HZ 17294-BC	E0HZ 17285-BC	E0HZ 17322-AY
	11 x 20	E0HZ 17294-BC	E0HZ 17285-BD	E0HZ 17322-AV
	11 x 22	△	E0HZ 17285-BF	E0HZ 17322-BE
	12 x 22.5	E0HZ 17294-AZ	E0HZ 17285-BF	E0HZ 17322-BD
	12 x 24.5	E0HZ 17294-BB	E0HZ 17285-BD	E0HZ 17322-AT

**SPICER**

**Note:**     △ None required, Note 1: Michelin tires-275/80R x 22.5, Goodyear tires-295/75R x 22.5

**Note 2:**   Michelin tires-275/80R x 24.5, Goodyear tires-285/75R x 24.5

3.70 REAR AXLE RATIO				
1062,1372-A,1107-2A	9 x 20	△	E0HZ 17285-AZ	E0HZ 17322-CS
	10 x 20, 11 x 22.5-Note 2	E0HZ 17294-CT	E0HZ 17285-AY	E0HZ 17322-CN
	10 x 22, 11 x 24.5	E0HZ 17294-BE	E0HZ 17285-AU	E0HZ 17322-CG
	10 x 22.5-Note 1	E0HZ 17294-BC	E0HZ 17285-AY	E0HZ 17322-CN
	11 x 20, 12 x 22.5	E0HZ 17294-BD	E0HZ 17285-AY	E0HZ 17322-CR
	11 x 22	E0HZ 17294-BB	E0HZ 17285-AZ	E0HZ 17322-CS
	11 x 24	E0HZ 17294-CT	E0HZ 17285-AZ	E0HZ 17322-CT
	12 x 24.5	E0HZ 17294-BD	E0HZ 17285-AY	E0HZ 17322-CN

3.73 REAR AXLE RATIO				
1062,1372-A,1107-2A	10 x 20, 11 x 22.5-Note 2	E0HZ 17294-CT	E0HZ 17285-AY	E0HZ 17322-CN
	10 x 22, 11 x 24.5	△	E0HZ 17285-AZ	E0HZ 17322-CC
	10 x 22.5-Note 1	E0HZ 17294-BB	E0HZ 17285-AY	E0HZ 17322-CM
	11 x 20, 12 x 22.5	E0HZ 17294-BC	E0HZ 17285-AY	E0HZ 17322-CM
	11 x 22	E0HZ 17294-CT	E0HZ 17285-AY	E0HZ 17322-CM

3.90 and 3.91 REAR AXLE RATIO				
1062,1372-A,1107-2A	10 x 20, 11 x 22.5	E0HZ 17294-BA	E0HZ 17285-AZ	E0HZ 17322-CT
	10 x 22	E0HZ 17294-BD	E0HZ 17285-AV	E0HZ 17322-CK
	10 x 22.5-Note 1	E0HZ 17294-CT	E0HZ 17285-AV	E0HZ 17322-CK
	11 x 20, 12 x 22.5	△	E0HZ 17285-AZ	E0HZ 17322-CS
	11 x 22	E0HZ 17294-BC	E0HZ 17285-AY	E0HZ 17322-CM
	11 x 24	E0HZ 17294-BB	E0HZ 17285-AZ	E0HZ 17322-CS
	11 x 24.5	E0HZ 17294-BD	E0HZ 17285-AV	E0HZ 17322-CK
	12 x 24.5	E0HZ 17294-BE	E0HZ 17285-AV	E0HZ 17322-CB



1980/  
TRUCK SERIES 600/900

TRANSMISSION MODEL	TIRES	ADAPTER	DRIVE GEAR	DRIVEN GEAR
17285	SPEEDOMETER DRIVE GEAR — Cont'd			

**CL-CLT900**

**SPEEDOMETER GEAR COMBINATIONS**

For multi-speed axle speedometer gear selection use lowest numerical axle ratio

**SPICER**

Note:     △ None required, Note 1: Michelin tires-275/80R x 22.5, Goodyear tires-295/75R x 22.5

Note 2:   Michelin tires-275/80R x 24.5, Goodyear tires-285/75R x 24.5

4.10 REAR AXLE RATIO				
1062,1372A,1107-2A	10 x 20, 11 x 22.5-Note 2	EOHZ 17294-BC	EOHZ 17285-AY	EOHZ 17322-CR
	10 x 22, 11 x 24.5	EOHZ 17294-BB	EOHZ 17285-AY	EOHZ 17322-CM
	10 x 22.5-Note 1	EOHZ 17294-CS	EOHZ 17285-AY	EOHZ 17322-CR
	11 x 20	EOHZ 17294-AZ	EOHZ 17285-AZ	EOHZ 17322-CC
	11 x 22	△	EOHZ 17285-AZ	EOHZ 17322-CS
	12 x 22.5	EOHZ 17294-CS	EOHZ 17285-AY	EOHZ 17322-CN
4.11 REAR AXLE RATIO				
1062,1372-A,1107-2A	9 x 20	EOHZ 17294-AZ	EOHZ 17285-AZ	EOHZ 17322-CS
	10 x 20, 11 x 22.5-Note 2	EOHZ 17294-BC	EOHZ 17285-AY	EOHZ 17322-CR
	10 x 22, 11 x 24.5	EOHZ 17294-BB	EOHZ 17285-AY	EOHZ 17322-CM
	10 x 22.5-Note 1	EOHZ 17294-AY	EOHZ 17285-AZ	EOHZ 17322-CS
	11 x 20	EOHZ 17294-AY	EOHZ 17285-AZ	EOHZ 17322-CC
	11 x 22, 12 x 24.5	△	EOHZ 17285-AZ	EOHZ 17322-CS
	11 x 24	EOHZ 17294-BD	EOHZ 17285-AY	EOHZ 17322-CR
	12 x 22.5	EOHZ 17294-CS	EOHZ 17285-AY	EOHZ 1322-CN
4.30 REAR AXLE RATIO				
1062,1372A,1107-2A	9 x 20	EOHZ 17294-BA	EOHZ 17285-AY	EOHZ 17322-CN
	10 x 20, 11 x 22.5	EOHZ 17294-CS	EOHZ 17285-AY	EOHZ 17322-CR
	10 x 22, 11 x 24.5	EOHZ 17294-BC	EOHZ 17285-AY	EOHZ 17322-CR
	10 x 22.5	EOHZ 17294-BC	EOHZ 17285-AV	EOHZ 17322-CL
	11 x 20, 12 x 22.5	EOHZ 17294-BB	EOHZ 17285-AY	EOHZ 17322-CN
	11 x 22	EOHZ 17294-CS	EOHZ 17285-AY	EOHZ 17322-CN
4.33 REAR AXLE RATIO				
1062,1372-A-1107-2A	9 x 20	EOHZ 17294-BD	EOHZ 17285-AU	EOHZ 17322-CH
	10 x 20, 11 x 22.5-Note 2	△	EOHZ 17285-AY	EOHZ 17322-CM
	10 x 22, 11 x 24.5	EOHZ 17294-AV	EOHZ 17285-AZ	EOHZ 17322-CC
	10 x 22.5-Note 1	EOHZ 17294-BC	EOHZ 17285-AV	EOHZ 17322-CL
	11 x 20	EOHZ 17294-BD	EOHZ 17285-AV	EOHZ 17322-CB
	11 x 22	EOHZ 17294-CS	EOHZ 17285-AY	EOHZ 17322-CN
	11 x 24	△	EOHZ 17285-AZ	EOHZ 17322-CS
	12 x 22.5	EOHZ 17294-BC	EOHZ 17285-AV	EOHZ 17322-CK
	12 x 24.5	EOHZ 17294-BD	EOHZ 17285-AY	EOHZ 17322-CL
4.44 REAR AXLE RATIO				
1062,1372-A,11207-A	9 x 20	EOHZ 17294-AY	EOHZ 17285-AZ	EOHZ 17322-CT
	10 x 20	EOHZ 17294-BA	EOHZ 17285-AY	EOHZ 17322-CN
	10 x 22, 11 x 24.5	EOHZ 17294-BD	EOHZ 17285-AV	EOHZ 17322-CB
	10 x 22.5-Note 1	△	EOHZ 17285-AY	EOHZ 17322-CN
	11 x 20	△	EOHZ 17285-AY	EOHZ 17322-CM
	11 x 22	EOHZ 17294-AY	EOHZ 17285-AZ	EOHZ 17322-CC
	11 x 22.5-Note 2	EOHZ 17294-BA	EOHZ 17285-AY	EOHZ 17322-CN
	12 x 22.5	△	EOHZ 17285-AY	EOHZ 17322-CM
	12 x 24.5	△		
4.56 REAR AXLE RATIO				
1062,1372-A,1107-2A	10 x 20, 11 x 22.5	EOHZ 17294-CT	EOHZ 17285-AU	EOHZ 17322-CG
	10 x 22, 11 x 24.5	△	EOHZ 17285-AY	EOHZ 17322-CN
	10 x 22.5	EOHZ 17294-BC	EOHZ 17285-AU	EOHZ 17322-CG
	11 x 20, 12 x 22.5	EOHZ 17294-BB	EOHZ 17285-AY	EOHZ 17322-CR
	11 x 22	EOHZ 17294-BC	EOHZ 17285-AN	EOHZ 17322-CK

1980/  
TRUCK SERIES 600/900

TRANSMISSION MODEL	TIRES	ADAPTER	DRIVE GEAR	DRIVEN GEAR
17285	SPEEDOMETER DRIVE GEAR — Cont'd			

**CL-CLT900**

SPEEDOMETER GEAR COMBINATIONS

For multi-speed axle speedometer gear selection use lowest numerical axle ratio.

SPICER

Note:  $\Delta$  None required, Note 1: Michelin tires-275/80R x 22.5, Goodyear tires-295/75R x 22.5

Note 2: Michelin tires-275/80R x 24.5, Goodyear tires-285/75R x 24.5

4.63 REAR AXLE RATIO				
1062,1372-A,1107-2A	10 x 20, 11 x 22.5-Note 2	$\Delta$	E0HZ 17285-AY	E0HZ 17322-CN
	10 x 22, 11 x 24.5	E0HZ 17294-AV	E0HZ 17285-AZ	E0HZ 17322-CS
	10 x 22.5 Note 1	E0HZ 17294-BC	E0HZ 17285-AV	E0HZ 17322-CB
	11 x 20	E0HZ 17294-BC	E0HZ 17285-AV	E0HZ 17322-CL
	11 x 22	E0HZ 17294-AY	E0HZ 17285-AZ	E0HZ 17322-CS
	11 x 24	$\Delta$	E0HZ 17285-AZ	E0HZ 17322-CT
	12 x 22.5	E0HZ 17294-AZ	E0HZ 17285-AZ	E0HZ 17322-CT
	12 x 24.5	E0HZ 17294-AZ	E0HZ 17285-AZ	E0HZ 17322-CS

**CF700/800**

5/15 3 to 1 REAR AXLE RATIO				
4.56 FS5106 18 teeth				E7HZ 17322-D
Fuller Trans.-FS6106 15 teeth				E8HZ 17322-A
4.56 REAR AXLE RATIO				
CL-450,455	10 x 22.5	E7HZ 17294-B	★	E6HZ 17271-B
CL-551,558		E7HZ 17294-C	★	E7HZ 17271-A
AT-545		E8HZ 17294-B	★	E7HZ 17322-E
CL-551	11 x 22.5	E7HZ 17294-C	★	E7HZ 17322-C
4.5/6.3 REAR AXLE RATIO				
CL-558	11 x 22.5	E7HZ 17294-C	★	E7HZ 17322-C
4.88 REAR AXLE RATIO				
CL-450,455	10 x 22.5	E6HZ 17294-F	★	E6HZ 17271-A
CL-551,558		E7HZ 17294-K	★	E7HZ 17271-C
CL-551,558		E7HZ 17294-D	★	E7HZ 17271-B
AT-545		E8HZ 17294-B	★	E7HZ 17322-E
4.88 REAR AXLE RATIO				
CL-455	11 x 22.5	E7HZ 17294-D	★	E6HZ 17271-A
CL-551		E7HZ 17294-C		E7HZ 17322-C
4.8/6.8 REAR AXLE RATIO				
AT-545	11 x 22.5	E8HZ 17294-A	★	E1HZ 17322-B
CL-558		E7HZ 17294-C	★	E7HZ 17322-D
5.8/8.1 REAR AXLE RATIO				
AT-545	10/11 x 22.5	E8HZ 17294-A	★	E8HZ 17294-G
YEAR	MODEL/RESTRICTIONS	PART NUMBER	DESCRIPTION	QTY.
17285 DRIVE GEAR				
86/86	CF600/700	E6HZ 17285-A	use w/model E5HT 7004-FA,GA Clark trans. 5 teeth	1
86/88	CF600/800	E7HZ 17285-A	use w/model E7HT 7004-BMA 6 teeth	1
87/87	CF600/800	E7HZ 17285-B	use w/model E7HT 7004-BJA 6 teeth	1
87/87	CF600/800	E7HZ 17285-C	CL 551/558 5 spd. trans. Clark/Fuller	1
87/87	CF600/800	E7HZ 17285-D	use w/model E7HT 7004-BMA 6 teeth	1
87/87	CF600/800	E7HZ 17285-D	use w/model E7HT 7004-EA 6 teeth FS-5106 trans.	1
87	F700 Spicer CM4054	E7HZ 17385-G		1
87/89	CF600/800	E8HZ 17285-B	Use w/model E7HT 7003-RA	1
			Fuller 5 teeth FS-5106 trans.	
17385 ROTOR (ELECTRONIC SPEEDOMETER SENSOR)-Also refer to group 17B384				
86/	All - w/Dana trans.	E6HZ 17385-A		1
	All - w/Fuller/Eaton trans.	E6HZ 17385-B		1
	All - w/Spicer trans.	E6HZ 17385-C		1

1980/  
TRUCK SERIES 600/900

YEAR	MODEL/RESTRICTIONS	PART NUMBER	DESCRIPTION	QTY.
17385 ROTOR (ELECTRONIC SPEEDOMETER SENSOR)-Also refer to group 17B384 — Cont'd				
87/	All w/5 spd. Fuller trans.	E7HZ 17385-A	Use w/model 6105 & FS5106-A,E7HT 7003-CA	1
		E7HZ 17385-E	Use w/model 6106	1
	All w/5 spd. Clark trans.	E7HZ 17385-D	Use w/model CL-450, FS4005-B, FS3005-A	1
		E7HZ 17385-C	Use w/model CL-558 FS5005	1
87/	F700 Spicer CM4054	E7HZ 17385-G		1
87/	B FT600/900 w/5 spd. New Process 542 trans.	E7HZ 17385-H	16 teeth	1
87/	B-F-FT600/800 w/gas eng. New Process 455 4 spd. & 435 New Process 542 5 spd.	E7HZ 17385-J	16 teeth (trans. E7HT 7004-MA)	1
88	C8000	E8HZ 17385-A	Use w/model E7HT 7003 BJA, Spicer CM60-52A	1
87	C8000	E7HZ 17385-F	Use w/model	1
87	LN LNT w/3208 eng.		Fuller-RT 6610	
87	L LT LTS700/900 w/3208 eng.			

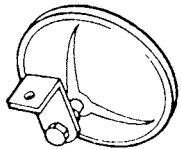
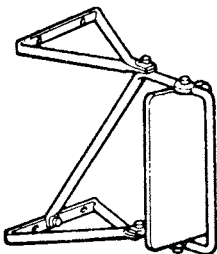
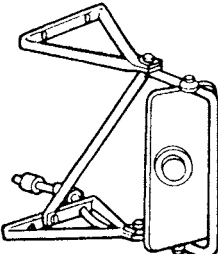
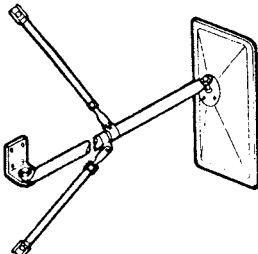
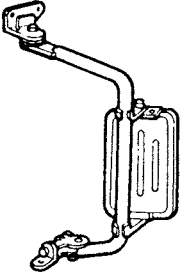
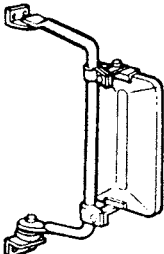
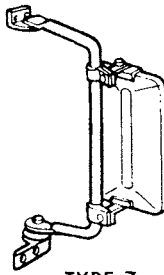
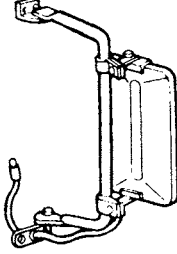
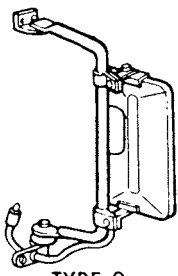
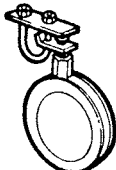
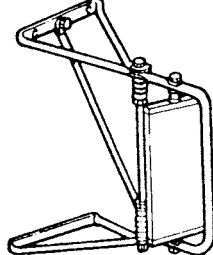
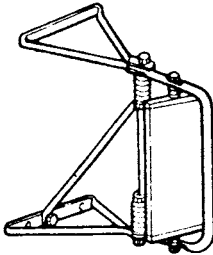

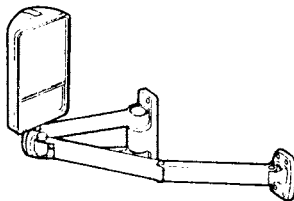
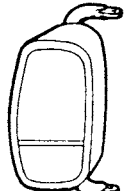
1980/  
TRUCK SERIES 600/900

YEAR	MODEL/RESTRICTIONS	PART NUMBER	DESCRIPTION	QTY.
<b>17A601 TEE (WINDSHIELD WASHER HOSE)</b>				
80/	C-CT-L-LNT-LT-LTS600/900	C8UZ 17A601-A		1
<b>17A602 NOZZLE (WINDSHIELD WASHER)</b>				
80/	C-CT600/900	COMB 17A602-A		2
80/	CL-CLT900	D8HZ 17A602-A		2
<b>17603 JET ASSY. (WINDSHIELD WASHER)</b>				
80/	C-CT600/900	D3XZ 17603-A		2
86/	CF600/800	E6HZ 17603-A		1
80/	F-FT600/900	E0TZ 17603-A		1
80/	L-LN-LNT-LT-LTS600/900	D3HZ 17603-A		2
82/	LTL900			2
87/	LL-LS900			2
<b>17A605 HOSE (WINDSHIELD WASHER) - If not listed improvise required length from bulk hose 17543</b>				
86/	CF600/800	E6HZ 17A605-A		1
<b>17K605 HOSE ASSY. (WINDSHIELD WASHER)</b>				
82/	LTL900	E1HZ 17K605-A		1
87/	LL900			1
<b>17B609 RETAINER (WINDSHIELD WASHER PUMP)</b>				
80/	L-LN-LNT-LT-LTS600/900	D0HZ 17B609-A		1
82/	LTL900			1
87/	LL-LS900			1
<b>17B610 SEAL (WINDSHIELD WASHER PUMP TO RESERVOIR)</b>				
84/	F-FT600/900 -- w/tilt frt. end	E3SZ 17B610-A		1
<b>17614 Refer to group 17651</b>				
<b>17618 RESERVOIR (WINDSHIELD WASHER)</b>				
80/	B-F-FT600/800 -- exc. tilt frt. end	E4UZ 17618-A		1
84/	B-F-FT600/900 -- w/tilt frt. end	★ E4HZ 17618-B	R/b F1HZ 17618-A	1
84/	B-F-FT600/900 -- w/tilt frt. hood	F1HZ 17618-A		
80/	C-CT600/900 -- w/switch actuated system	C8TZ 17618-A		1
80/	C-CT600/900 -- w/foot actuated system	D5HZ 17618-A		1
80/	CL-CLT900	D8HZ 17618-A	Complete assy.	1
86/	CF600/800	E6HZ 17618-B		1
80/	L LN LNT LT LTS600/900	D0HZ 17618-A		1
87/	LS900			1
82/	LTL900	E1HZ 17618-B		1
87/	LL			1
80/	CL-CLT900	357466-S	((I-153) Elbow-att. air lines to "rear" & "park" parts	1
<b>17A624 HOSE (WINDSHIELD WASHER RESERVOIR TO FOOT CONTROL)</b> Improvise required length from bulk hose 17543				
<b>17632 COVER (WINDSHIELD WASHER RESERVOIR)</b>				
80/	C-CT600/900 -- w/foot actuated system	D5HZ 17632-A		1
80/	CL-CLT900	D8HZ 17632-A		1
86/	CF600/700	E6HZ 17632-A		
84/	B-F-FT600/900 -- w/tilt frt. end	E3SZ 17632-A		1
80/	L-LN-LNT-LT-LTS600/900	D0HZ 17632-A		1
82/	LTL900			1
87/	LL-LS900			1
<b>17651 BRACKET (WINDSHIELD WASHER RESERVOIR MOUNTING)</b>				
80/	B-F-FT600/900	E0HZ 17651-B		1
80/	C-CT-F600/900	C8TZ 17614-A		1
80/	L LN LNT LT-LTS600/900	D0HZ 17651-A		1
80/	CL-CLT900			
87/	LS900			1
80/	L-LN-LNT-LT-LTS900 -- w/unitized tractor package	D9HZ 17651-A		1



1980/  
TRUCK SERIES 600/900

17682-3 MIRROR (REAR VIEW OUTSIDE)

 <p>TYPE 1</p>	 <p>TYPE 2</p>	 <p>TYPE 3</p>	 <p>TYPE 4</p>
 <p>TYPE 5</p>	 <p>TYPE 6</p>	 <p>TYPE 7</p>	 <p>TYPE 8</p>
 <p>TYPE 9</p>	 <p>TYPE 10</p>	 <p>TYPE 11</p>	 <p>TYPE 12</p>
 <p>TYPE 13</p>	 <p>TYPE 14</p>	 <p>TYPE 15</p>	
			<p>P.13987</p>

1980/  
TRUCK SERIES 600/900

YEAR	MODEL/RESTRICTIONS	PART NUMBER			DESCRIPTION
		ASSEMBLY	△ KIT	■ HEAD	
17682-3	MIRROR ASSY. (REAR VIEW OUTSIDE) Refer to page 3 of this section for mirror illustration △ Refer to section 176A for a listing of kit components Note: ■ Canada only, ■ For glass replacement refer to group 17A700				
TYPE 1- Panaramic-flat mount					
80/82	CL-CLT900	D8HZ 17682-L		not available	R.H. and L.H.-painted
80/82	CL-CLT900		E0HZ 17696-A	not available	R.H. and L.H.-stainless
80/	L-LN-LNT-LT-LTS600/900	D8HZ 17682-L		not available	R.H. and L.H.-painted
80/	All L series		E0HZ 17696-A	not available	R.H. and L.H.-stainless
TYPE 2- Western-swing non lock-high profile					
80/87	C-CT600/900	C9TZ 17682-B		C9TZ 17723-A	R.H. and L.H.-stainless-7" x 16"
80/87	C-CT600/900	C9HZ 17682-B		C1TZ 17723-A	R.H. and L.H.-painted-7" x 16"
80/	F-FT600/900	E0TZ 17682-F	E3TZ 17696-C	D0HZ 17723-A	R.H. 7" x 16" painted argent
80/	F-FT600/900	E0TZ 17682-F	E3TZ 17696-D	D0HZ 17723-A	L.H. 7" x 16" painted argent
80/	F-FT600/900	E0TZ 17682-J	E0HZ 17696-B	D0HZ 17723-B	R.H.-stainless-7" x 16"
80/	F-FT600/900	E0TZ 17682-J	E0HZ 17696-C	D0HZ 17723-B	L.H.-stainless-7" x 16"
80/	All L series		D3HZ 17696-B	D0HZ 17723-B	R.H.-stainless-7" x 16"
			D3HZ 17696-A	D0HZ 17723-B	L.H.
TYPE 3- Western-swing-non lock-high profile-marker lamp					
80/87	F-FT600/900	E0TZ 17682-H		E0TZ 17723-B	R.H.-7" x 16"
		E0TZ 17682-G		E0TZ 17723-C	L.H.-7" x 16"
80/	All L series w/marker lamps	E1HZ 17682-F	★&E0HZ 17696-H Not replaced	E1HZ 17723-F	R.H. painted 7" x 16"
		E1HZ 17682-E	★&E0HZ 17696-G Not replaced	E1HZ 17723-E	L.H. painted 7" x 16"
80/	C-CT600/900 -- w/marker lamps	E1HZ 17682-D		E1HZ 17723-D	R.H. painted 7" x 16"
		E1HZ 17682-C		E1HZ 17723-C	L.H. painted 7" x 16"
TYPE 6- Western-swing lock-low profile-window observation					
80/	CL-CLT900	D9HZ 17682-L		D8HZ 17723-G	
TYPE 7- Western-swing lock-high profile					
80/	CL-CLT900	D9HZ 17682-A		★ D8HZ 17723-A	R.H.-painted-r/b D0HZ 17723-A
		D9HZ 17682-B		★ D8HZ 17723-A	L.H.-painted-r/b D0HZ 17723-A
80/	CL-CLT900	D9HZ 17682-C		★ D8HZ 17723-E	R.H.-stainless-r/b D0HZ 17723-B
		D9HZ 17682-D		★ D8HZ 17723-E	L.H.-stainless-r/b D0HZ 17723-B
TYPE 8- Western-swing lock-high profile-heated					
80/	CL-CLT	D9HZ 17682-K		D8HZ 17723-F	L.H.-stainless-7" x 16"
80/	CL-CLT	D9HZ 17682-J		D8HZ 17723-F	R.H.-stainless-7" x 16"
81/87	All L series heated w/marker lamp	E1HZ 17682-A		E1HZ 17723-A	R.H.-stainless-7" x 16"
		E1HZ 17682-B		E1HZ 17723-B	L.H.-stainless-7" x 16"
88/	L-LL-LN-LNT-LS- LT-LTL-LTS600/900 -- w/marker lamp/HTD	E8HZ 17682-A			R.H.-stainless 7" x 16"
		E8HZ 17682-B			L.H.-stainless 7" x 16"
TYPE 9- Western-swing lock-high profile-marker lamp					
88/89	B-F600/800 CL-CLT L-LL-LS-LT-LTL-LTS 600/900 LN-LNT w/marker lamp/HTD	E8HZ 17682-E	E8HZ 17682-G		R.H. stainless steel (use E8HZ 17B720-B wiring assy.) less arms
80/87	CL-CLT900	D9HZ 17682-E		D8HZ 17723-B	R.H.
		D9HZ 17682-F		D8HZ 17723-K	L.H.
80/	CL-CLT900	D9HZ 17682-G		D8HZ 17723-C	R.H.
		D9HZ 17682-H		D8HZ 17723-D	L.H.
80/	F-FT600/900		★&E0HZ 17696-K	Not replaced	R.H.-7" x 16"
80/	F-FT600/900		&E0HZ 17696-J		L.H.-7" x 16"

**1980/  
TRUCK SERIES 600/900**

YEAR	MODEL/RESTRICTIONS	PART NUMBER			DESCRIPTION
		ASSEMBLY	△ KIT	■ HEAD	

**17682-3 MIRROR ASSY. (REAR VIEW OUTSIDE)**  
Refer to page 3 of this section for mirror illustration  
△ Refer to section 176A for a listing of kit components  
Note: ■ Canada only, ■ For glass replacement refer to group 17A700

TYPE 10- Panaramic-circular mount					
88/	L-LL-LN-LNT-LS LT-LTS-LTL600/900 w/marker lamp/htd.	E8HZ 17682-F	E8HZ 17682-H		R.H. stainless steel (use E8HZ 17B720-B wiring assy.) less arms
80/	C-CT-F600/900		C5TZ 17696-A	Not available	4-1/2" dia.
80/	All L series				
80/	All		E0HZ 17696-A	Not Available	5" dia.

TYPE 11- Retractable-high profile					
80/	L-LN-LNT-LT-LTS600/900			D8HZ 17723-L	R.H. and L.H.-6" x 16"

TYPE 12- Retractable-high profile					
80/	C-CT600/900			D8HZ 17723-L	R.H. and L.H.-6" x 16"

YEAR	MODEL/RESTRICTIONS	PART NUMBER			DESCRIPTION
		ASSEMBLY	△ KIT	■ HEAD	

**TYPE 13- Panaramic-Stick-on Type**  
**NOTE** ⊕ To conform to FMVSS #111 requirements, installation of a Convex Mirror must not decrease the reflective surface area of the mirror to which it is attached to an area less than indicated below:  
● All vehicles, except school buses of 10,000 lb. GVWR or less - 19.5 in<sup>2</sup>  
● All school buses and vehicles over 10,000 lb. GVWR - 50 in<sup>2</sup>

80/	All		⊕ E0TZ 17696-A		3 3/4" dia.
80/	All		⊕ E0TZ 17696-B		3" dia.
80/	All		⊕ E0TZ 17696-C		2" dia.

TYPE 14 Retractable-High Profile					
86/	CF600/800	E6HZ 17682-A		E6HZ 17723-B	R.H.-non-convex
		E6HZ 17682-B		E6HZ 17723-A	R.H.-convex
		E6HZ 17682-D		E6HZ 17723-B	L.H.-non-convex
		E6HZ 17682-C		E6HZ 17723-C	L.H.-convex
89	CF600/700	FOHZ 17682-H			O/S R.H.
		FOHZ 17682-J			O/S R.H. (Kit)
		FOHZ 17682-K			O/S L.H. (Kit)
		FOHZ 17683-A			O/S L.H.
88/	LS-LTS900 all w/aeromax pkg. LS-LTS900 all w/aeromax pkg.			E6HZ 17723-A	R.H. convex
				E6HZ 17723-C	L.H. convex

YEAR	MODEL/RESTRICTIONS	PART NUMBER	DESCRIPTION	QTY.
80/	CL-CLT900	388042-S	(BB-807-FB)-bolt-T head-1/4"-20 x 5/8"-stainless steel-att. mirror assy. to door	AR
80/	CL-CLT900	388082-S	(MM-118-N)-nut-crown-1/4"-20-stainless steel-att. mirror assy. to door	AR
80/	CL-CLT900	388083-S	(MM-5-B)-nut crown-3/8"-16-stainless steel-att. mirror assy. to door	AR
80/	CL-CLT900	388084-S	(XX-312-C)-washer-flat-7/8"-stainless steel-att. mirror assy. to door	AR
80/	CL-CLT900	388085-S	(XX-302-E)-washer-spring lock-1/4"-stainless steel-att. mirror assy. to door	AR
80/	CL-CLT900	388086-S	(XX-303-E)-washer-spring lock-3/8"-stainless steel-att. mirror assy. to door	AR
80/	CL-CLT900	388089-S	(BB-551-CL)-screw & washer-hex head-1/4"-20 x 1"-stainless steel-att. mirror assy. to door	AR

YEAR	MODEL/RESTRICTIONS	PART NUMBER			DESCRIPTION
		ASSEMBLY	△ KIT	■ HEAD	

TYPE 15-Western					
88/	LS-LTS900 all w/aeromax pkg.	E8HZ 17682-J			R.H. painted black
	LS-LTS900 all w/aeromax pkg.	E8HZ 17682-K			L.H. painted black



1980/  
TRUCK SERIES 600/900

YEAR	MODEL/RESTRICTIONS	PART NUMBER	DESCRIPTION	QTY.
<b>17D690 GLASS AND HEATER ASSY (REAR VIEW OUTSIDE MIRROR)</b>				
81/	CL-CLT900	E1HZ 17D690-A		1
<b>17B692 PLATE (R/R VW O/S MIRROR)</b>				
89	CF700/800	FOHZ 17B692-A	Front lwr. brkt.	1
		FOHZ 17C703-B	Bracket (LH)	1
		FOHZ 17C704-A	Bracket (RH)	1
<b>17B693 PLATE (REAR VIEW OUTSIDE MIRROR)</b>				
86/	CF600/800	(RH) E6HZ 17B693-A	(LH) E6HZ 17B693-B	1
<b>17700 MIRROR (REAR VIEW INSIDE)</b>				
86/	CF600/800	★ E6HZ 17700-A	Not replaced	1
<b>17A700 MIRROR (REAR VIEW OUTSIDE)</b>				
Note: ☞ Canada only				
80/	C-CT-L-LN-LNT-LT600/900 w/Western mirror	☞ C4HZ 17A700-A	15 1/2 x 6 1/2	AR
80/	C-CT600/900	D6HZ 17A700-A	15 1/2" x 6-1/4"--use as replacement for 7" x 16 mirror w/(1) retaining screws	AR
<b>17C702 HEAD (REAR VIEW OUTSIDE MIRROR)</b>				
Note: ☞ Canada only				
80/	C-CT-W-WT600/900 - - w/Western mirror and marker lamps	★ C8HZ 17C702-A Not replaced	L.H.-painted	1
<b>17B713 BRACKET (REAR VIEW OUTSIDE MIRROR)</b>				
80/	CL-CLT900	D8HZ 17B713-A	R.H. and L.H.-lower-painted- use with D8HZ 17682--A,B	2
80/	CL-CLT900	D8HZ 17B713-B	R.H. and L.H.-lower-stainless- use with D8HZ 17682--E,F,N	2
<b>17A717 PLATE (REAR VIEW OUTSIDE MIRROR MOUNTING)</b>				
80/	C-CLT900	D8HZ 17A717-A	W/R.H. observation mirror	1
<b>17B719-20 WIRING ASSY. (REAR VIEW OUTSIDE MIRROR FEED)</b>				
Note: ☞ Canada only				
80/	CL-CLT900 - - heated and marker lamp mirror head	D8HZ 17B719-A	R.H. and L.H. -feed to main wire-- #D7HT 17B719-BC	2
80/	C CT600/900 - - marker lamp	E1HZ 17B720-A		1
80/	L-LN-LNT-LT-LTL-LTS - - marker lamp	E1HZ 17B720-B		1
88/	L-LS-LT-LTS-LL-LTL LN & LNT - - w/stainless Western heated/lighted mirror	E8HZ 17B719-A		
88/	L-LL-LN-LNT-LS-LT- LTL-LTS600/900 - - w/ lighted mirror/heated	E8HZ 17B720-A		1
	L-LL-LS-LT-LTL-LTS-LN-LNT- 600/900 - - w/Western heated/ lighted stainless mirror	E9HZ 17B719-A		1
88/	L-LL-LN-LNT-LS-LT LTL LTS600/900 - - w/turn signal/heated/lighted mirror aeromat	E8HZ 17B720-B		1
<b>17D720 CAP (REAR VIEW OUTSIDE MIRROR)</b>				
87/	CF600/800	E7HZ 17D720-A	R.H.-used to cover arm opening in 17B730 cover	2
87/	CF600/800	E7HZ 17D720-B	L.H.-used to cover arm opening in 17B730 cover	2
<b>17722 LAMP ASSY (MIRROR MARKER CLEARANCE)</b>				
80/	All - - Mirrors with marker lamps	E0HZ 17722-A		1
<b>17A722 LENS (MIRROR MARKER CLEARANCE LAMP)</b>				
80/	All - - Mirrors with marker lamps	E0HZ 17A722-A		1
<b>17723 HEAD (REAR VIEW OUTSIDE MIRROR)-Also refer to group 17682-3</b>				
<b>17C723 GASKET (RR VW O/S Mirror)</b>				
89	CF700/800	FOHZ 17C723-A	Upper R.H.	2
<b>17K723 PAD (RR VW O/S MIRROR MOUNTING)</b>				
89	CF700/800	FOHZ 17K723-A		2

1980/  
TRUCK SERIES 600/900

YEAR	MODEL/RESTRICTIONS	PART NUMBER	DESCRIPTION	QTY.
<b>17724 GASKET (REAR VIEW OUTSIDE MIRROR)</b>				
86/	CF600/800	E6HZ 17724-A	"Large"	2
86/	CF600/700	E6HZ 17724-B	"Small"	2
89	CF700/800	F0HZ 17724-B		2
<b>17C725 WIRING ASSY. (REAR VIEW OUTSIDE MIRROR HEATED)-If not listed improvise</b>				
84/	LN LNT9000 - - fleet option	E4HZ 17C725-A		1
85/86	L LN LNT-LT LTS-LTL - - All	E5HZ 17C725-A		1
87/	L LN LNT LT LTL-LTS600/900	E7HZ 17C725-A		1
<b>17727 BRACKET (REAR VIEW OUTSIDE MIRROR)</b>				
80/82	C-CT600/900 - - w/non-telescoping mirror	B7T 17727-A		2
80/	CL CLT900	D8HZ 17727-A	R.H. and L.H. painted- use with D8HZ 17682 A,B	2
80/	CL CLT900	D8HZ 17727-B	R.H. and L.H.-stainless- use with D8HZ 17682-E,F,N	2
80/	All L series w/Western mirror	D0HZ 17727-A	Stainless steel	1
		D0HZ 17727-B	Painted	1
<b>17729 CAP (REAR VIEW OUTSIDE MIRROR ARM)</b>				
86/	CF600/800	E6HZ 17729-A		1
		(RH) F0HZ 17A732-A	(LH) F0HZ 17A132-A	1
89	CF700/800	(RH) F0HZ 17A732-B	(LH) F0HZ 17A736-B	1
89	CF700/800	(RH) F0HZ 17A734-A	(LH) F0HZ 17A734-B	1
<b>17B730 COVER (REAR VIEW OUTSIDE MIRROR)</b>				
86/	CF600/800	E6HZ 17B730-B		2
88/	LS-LTS900 w/aeromax pkg.			1
<b>17A732 SUPPORT ASSY. (REAR VIEW OUTSIDE MIRROR UPPER)</b>				
80/	C CT600/900 - - w/Western mirror-swing non lock-high profile-type 2 and 3	C8HZ 17A732-A	R.H. and L.H. painted	2
		C9HZ 17016-A	R.H. and L.H.-stainless steel	2
80/	C-CT600/900 w/Retractable mirror high profile type 12	(RH) D8HZ 17A732-C	(LH) D8HZ 17A732-D	1
80/	F600/900 - - w/Western mirror type 2 and 3	(RH) E0TZ 17A732-A	(LH) E0TZ 17A732-B	7" x 16"-painted
		(RH) E0TZ 17A732-C	(LH) E0TZ 17A732-D	7" x 16"-stainless
80/	All L series - - w/Western mirror type 3 & Type 2	(RH) D0HZ 17A732-C	(LH) D0HZ 17A732-A	Painted
		(RH) D0HZ 17A732-D	(LH) D0HZ 17A732-B	Stainless steel
80/	All L series - w/Retractable mirror-high profile type 11	(RH) D8HZ 17A732-A	(LH) D8HZ 17A732-A	1
88/	LS LTS900 w/aeromax pkg. type 15 painted	(RH) E8HZ 17A732-A	(LH) E8HZ 17A732-B	1
<b>17C732 MIRROR and GUARD ASSY. (REAR VIEW OUTSIDE) LESS ARMS-Also refer to group 17B717</b>				
Note: 2 Canada only				
<b>17A734 BRACE (REAR VIEW OUTSIDE MIRROR SUPPORT)</b>				
89	CF700/800	(RH) F0HZ 17A734-A	(LH) F0HZ 17A734-B	1
80/	C CT600/900 w/Western mirror-swing non lock high profile-type 2 and 3	C8HZ 17A734-A	R.H. and L.H.-painted	2
		C9HZ 17A734-B	R.H. and L.H. stainless steel	2
80/	C-CT600/900 - - w/Retractable mirror high profile type 12	D8HZ 17A734-C	R.H. and L.H.	2
86/	CF600/800	(RH) E6HZ 17A734-A	(LH) E6HZ 17A734-B	1
80/	F600/900 - - w/Western mirror	(RH) E0TZ 17A734-A	(LH) E0TZ 17A734-B	Painted-7" x 16"
		(RH) E0TZ 17A734-C	(LH) E0TZ 17A734-D	Stainless-7" x 16"
80/	All L series - - w/Western mirror	(RH) D0HZ 17A734-C	(LH) D0HZ 17A734-D	Painted
		(RH) D0HZ 17A734-A	(LH) D0HZ 17A734-B	Stainless steel
80/	All L series w/Retractable mirror high profile type 11	(RH) D8HZ 17A734-A	(LH) D8HZ 17A734-B	1
88/	LS LTS900 w/aeromax pkg. type 15 painted	(RH) E8HZ 17A734-B	(LH) E8HZ 17A734-A	1

1980/  
TRUCK SERIES 600/900

YEAR	MODEL/RESTRICTIONS	PART NUMBER	DESCRIPTION	QTY.	
<b>17A736 SUPPORT ASSY. (REAR VIEW OUTSIDE MIRROR LOWER)</b>					
89	CF700/800	(RH) F0HZ 17A736-A F0HZ 17A732-B	(LH) F0HZ 17A732-A F0HZ 17A736-B	1	
80/	C-CT600/900 w/Western mirror swing-non lock-high profile-type 2 and 3	(RH) C8HZ 17A736-A (RH) C9HZ 17059-A	(LH) C8HZ 17A736-B (LH) C9HZ 17A736-A	Painted Stainless steel	1 1
80/	C-CT600/900 w/Retractable mirror-high profile type 12	(RH) D8HZ 17A736-C	(LH) D8HZ 17A736-D		1
80/	F FT600/800 Western mirror	(RH) E3HZ 17A736-A (RH) E3HZ 17A736-C	(LH) E3HZ 17A736-B (LH) E3HZ 17A736-D	Painted 7" x 16" Stainless 7" x 16"	1 1
80/	All L series w/Western mirror	(RH) D0HZ 17A736-C (RH) D0HZ 17A736-D	(LH) D0HZ 17A736-A (LH) D0HZ 17A736-B	Painted Stainless steel	1 1
80/	All L series w/Retractable mirror-high profile type 11	(RH) D8HZ 17A736-A	(LH) D8HZ 17A736-B		1
88/	LS-LTS900 w/aeromax pkg.	(RH) E8HZ 17A736-A	(LH) E8HZ 17A736-B		1
<b>17C736 ROD ASSY. (REAR VIEW OUTSIDE MIRROR PIVOT)</b>					
80/	C-CT600/900 w/Retractable mirror-high profile type 12	D8HZ 17C736-A	R.H. and L.H.		2
80/	All L series w/Retractable mirror-high profile-type 11				2
<b>17742 ARM ASSY. (REAR VIEW OUTSIDE MIRROR)</b>					
80/	C-CT600/900 w/Retractable mirror-high profile type 12	D8HZ 17742-A	R.H. and L.H.		2
86/	CF600/700	(RH) E6HZ 17742-A	(LH) E6HZ 17742-B		1
80/	All L series w/Western mirror	D0HZ 17742-A	R.H. and L.H. painted		2
80/	All L series w/Western mirror	D0HZ 17742-B	R.H. and L.H. Stainless steel		2
80/	F700/880 w/Western mirror				2
80/	All L series w/Retractable mirror-high profile type 12	D8HZ 17742-A	R.H. and L.H.		2
<b>17743 ARM ASSY. (REAR VIEW OUTSIDE MIRROR TO MIRROR HEAD)</b>					
80/82	C-CT600/900 w/non telescoping mirror	B7T 17743-A			1
<b>17C748 PIVOT ASSY. (REAR VIEW OUTSIDE MIRROR)</b>					
80/	CL-CLT900	D8HZ 17C748-A			1
<b>17B749 BRACKET ASSY. (FRONT BUMPER)</b>					
80/	L-LT-LN-LNT600/900 w/ext. bumper w/o ext. frame	D4HZ 17B749-A			1
87/	L-LL-LN-LNT-LT-LTL w/extended frame & extended bumper	E7HZ 17B749-A	R.H. and L.H.		2
88/	L-LL-LT-LTL-LS-LTS-LN-LNT800/900 w/ext. frt. bumper	E9HZ 17B749-A	R.H. and L.H.		1
88/	All L Series & LN-LNT900 w/ext. bumper w/set back axle	(RH) E8HZ 17B749-A	(LH) E8HZ 17B749-B	Bracket assy. frt. bmpr. mntg.	2
88/	L-LS-LT-LTS-LN-LNT800/900 w/ext. bumper w/reg. front axle	★ E8HZ 17B749-C	L.H. & R.H. replaced E9HZ 17B749-A		2
80/	LTS600/900 w/ext. bumper	D3HZ 17B749-A			2
82/	LTL9000 w/18" ext. bumper	★ E4HZ 17B749-A	Replaced by D4HZ 17B749-A		2
<b>17K749 SPACER (REAR BUMPER)</b>					
86/	CF600/700	E6HZ 17K749-A			1
17750 Refer to group 17757					
<b>17752-3 BRACKET (FRONT BUMPER)</b>					
80/83	B-F600/800	(RH) E0HZ 17752-A	(LH) E0HZ 17753-A		1
84/	B-F-FT600/900	(RH) E3HZ 17752-A	(LH) E3HZ 17753-A		1
80/	CL-CLT900	(RH) D8HZ 17752-A	(LH) D8HZ 17753-A		1
88/	All CL-CLT900	(RH) E8HZ 17752-A	(LH) E8HZ 17753-B		1
86/	CF600/700	E6HZ 17752-A	R.H. & L.H.		2
80/86	LTS800/900	(RH) D0HZ 17752-A	(LH) D0HZ 17753-A		1
88/	LS-LTS800/900 all w/extended frt. bumpers				
82/86	LTL900	(RH) E1HZ 17752-A	(LH) E1HZ 17753-A		1

1980/  
TRUCK SERIES 600/900

YEAR	MODEL/RESTRICTIONS	PART NUMBER	DESCRIPTION	QTY.
<b>17752-3 BRACKET (FRONT BUMPER) — Cont'd</b>				
87/	ALL L SERIES 900 -- w/o extended bumper & w/o extended frame	(RH) E7HZ 17752-A	(LH) E7HZ 17753-A	1
	All L series 900 -- w/extended bumper & w/extended frame	E7HZ 17753-B	R.H. and L.H.	2
88/	All -- L Series 900- w/extended bumper	(RH) E8HZ 17752-C	(LH) E8HZ 17753-D	1
88/	All L Series 900 & LN-LNT -- w/extd. frame w/non extd. bumper	(RH) E8HZ 17752-D	(LH) E8HZ 17753-C	2
89	L-LS-LT-LTS-LN-LNT w/cat. 3306 17" bumper	(RH) E8HZ 17752-F	(LH) E8HZ 17753-E	1
<b>17757 BUMPER (FRONT)</b>				
80/83	B-F-FT600/800	E1HZ 17757-E	Primed-with step hole	1
81/83	F-FT600/800	★ E1HZ 17757-D	Chrome-replaced by E4HZ 17757-B	1
84/	B600/700	★ E4HZ 17757-C	Primed-r/b F3HZ 17757-B	1
81/	F-FT600/900	E4HZ 17757-B	Chrome	1
89/	F-FT600/800	E9HZ 17757-C	Steel-primed	1
80/	C-CT600/900	B7T 17750-B	Primed-incl. brackets with 2 7/8" rise	1
80/	C-CT800/900	B8QH 17750-A	Primed-incl. brackets with 3 1/8" rise	1
80/	C-CT800/900	D7TZ 17757-A	Chrome-incl. brackets with 3 1/8" rise	1
		58635-S37	Bolt-hex head-3/8"-16 x 1-1/4"-chrome	2
		58676-S37	Bolt-hex head-1/2-13 x 1-3/4"-chrome	2
		372408-S37	Washer-flat-1/2"-1-1/16" O.D.-chrome	8
		373231-S37	Washer-flat-3/8"-3/4" O.D.-chrome	2
80/87	CL-CLT900	D8HZ 17757-A	Steel-55 1/2" long	1
80/87	CL-CLT900	D8HZ 17757-D	Steel-94 1/2" long	1
80/	CL-CLT900	D8HZ 17757-E	Steel-chrome	1
80/	CL-CLT900	D8HZ 17757-B	Aluminum-bright anodized	1
88/	CL-CLT900	E8HZ 17757-D	Front bright-aluminum (less air dam)	1
88/	CL-CLT900	E8HZ 17757-C	Front steel-painted	1
88/	CL-CLT900	E8HZ 17757-E	Front steel-short cut-off	1
88/	CL-CLT900	E8HZ 17757-F	Front steel-short cut-off w/flex ends	1
86/	CF600/700	E6HZ 17757-A		1
80/	LN600/750	D0HZ 17757-A	Steel-painted prime	1
80/86	L-LN-LNT-LT800/900	D4HZ 17757-A	Steel-painted prime	1
		D3HZ 17757-G	Aluminum	1
87/	L-LN-LNT-LT800/900			
	w/extended front end of the frame	E7HZ 17757-B	Aluminum	1
		D0HZ 17757-D	Steel-painted prime	1
		E7HZ 17757-A	Steel-painted	1
		E7HZ 17757-B	Aluminum	1
88/	L-LL-LN-LS-LT-LTS-LNT-LTL-LTS800/900	E8HZ 17757-B	Front steel cut-off argent	1
80/	LTS			
87/	LS-LL -- w/o extended bumper	D0HZ 17757-D	Steel-pained prime	1
		D2HZ 17757-B	Steel-chromed	1
87/	LS-LTS -- w/extended bumper	E7HZ 17757-A	Steel-painted	1
		E7HZ 17757-B	Aluminum	1
88/	L-LS-LT-LTA-LTS800/900	★ E8HZ 17757-G	Front steel-w/set back front axle primed-replaced by F1HZ 17757-M	1
88/	L-LS-LT-LTA-LTS800/900	F1HZ 17757-M	Front steel-w/set back front axle primed	1
88/	L-LS-LT-LTS800/900 -- w/set back axle only	★ E8HZ 17757-H	Frnt. bumper aluminum-replaced by F1HZ 17757-C	1
88/	L-LL LS-LT-LTS-LTL-LN-LNT-LA8000	F1HZ 17757-C	Frnt. bumper aluminum	1
82/	LL-LTL900	E1HZ 17757-B	18" wide aluminum	1
		E7HZ 17757-A	17" wide steel-painted	1
		E7HZ 17757-B	17" wide aluminum	1

1980/  
TRUCK SERIES 600/900

YEAR	MODEL/RESTRICTIONS	PART NUMBER	DESCRIPTION	QTY.
<b>17757 BUMPER (FRONT) -- Cont'd</b>				
88/	L-LL-LN-LS-LT-LTS-LNT-LTL-LTS900	E8HZ 17757-A	Front primed steel cut-off	1
80/	C-CT600/900	379027-S2	(BB-194-M)-bolt-hex. head-1/2"-13 x 1 9/16"	8
		55697-S8	(M-89-F)-nut-1/2"-13	8
		44733-S8	(X-32)-washer-flat-1/2"	8
80/	L-LN-LNT-LT-LTS800/900	357451-S	(BB-195)-bolt-hex. head-1/2"-13 x 1 3/4"	12
		55697-S8	(M-89-F)-nut-1/2"-13	12
		44735-S8	(X-32)-washer-flat-1/2"	12
80/	LN600/750	383896-S2	(BB-195-E)-bolt-hex. head-1/2"-13 x 2"	8
		55697-S8	(M-89-F)-nut-1/2"-13	8
		44735-S8	(X-32)-washer-flat-1/2"	8
89	L-LL-LS-LT-LTL-LTS- LN-LNT -- w/setback axle LS-LTS9000 -- w/aeromax pkg w/setback axle	★ E9HZ 17757-A	Aluminum-replaced by F1HZ 17757-B	1
89/	L-LL-LS-LT-LTL-LTS- LN-LNT -- aeromax package w/set back axle	F1HZ 17757-B	Aluminum	1
89	L-LL-LS-LT-LTL-LTS LN-LNT -- w/setback axle LS-LTS9000 -- w/aeromax pkg. w/setback axle	E9HZ 17757-B	Steel-painted	1
89	L & LN Series -- all w/ aeromax package, day-time running lamps and front fog lamps	F1HZ 17757-A	Steel painted (titanium)	1
<b>17K759 CLIP (TOWING PIN)</b>				
86/	CF600/800	E6HZ 17K759-A		2
<b>17W763 REINFORCEMENT (FRONT TOWING)-INNER L.H.</b>				
86/	CF600/800 w/long overhang frame	E6HZ 17W763-A	Inner L.H.	1
<b>17W765 REINFORCEMENT (FRONT TOWING) INNER CENTER</b>				
86/	CF600/800 w/long overhang frame	E6HZ 17W765-A	Inner center	1
<b>17W766 REINFORCEMENT (FRONT TOWING) INNER LOWER</b>				
86/88	CF600/800	E6HZ 17W766-B	Inner lower	1
<b>17W769 PIN (FRONT TOWING CROSS MEMBER)</b>				
86/	CF600/800	E6HZ 17W769-A		1
<b>17779 DEFLECTOR ASSY (FRONT BUMPER STONE)</b>				
82	LTL900	★ E1HZ 17779-A	Replaced by 1 pc. each-E3HZ 17779-A (R.H.), E3HZ 17779-B (L.H.), and E3HZ 17779-C (center)	1
83/	LTL900	(RH) E3HZ 17779-A	(LH) E3HZ 17779-B	1
87/	LL900			1
83/	LTL900	E3HZ 17779-C	Center	1
<b>17B783 SPACER (FRONT BUMPER BRACKET)</b>				
80/86	LTS800/900	★ D6HA 17B783-AA	Improvise-steel-15/32" thick -2 1/2" x 3 3/8"-(2) 25/32" dia. holes	2
82/	LTL-9000	E8HZ 17B783-A		2
87/	L-LT-LN-LNT -- w/extended bumper LL-LTL -- w/extended bumper 17"			
87/	L-LN-LS-LT-LNT-LTS900 w/o extended bumper	E7HZ 17B783-A		2
<b>17E784 BUMPER END CAPS</b>				
88/	All -- L Series CL-CLT900-cut-off bumper 17" & flex ends "Eff. 9/19/87"	(RH) E8HZ 17E784-A	(LH) E8HZ 17E785-A	1
<b>17787-8 BRACKET (REAR BUMPER MOUNTING)</b>				
86/	CF600/700	(RH) E6HZ 17787-A	(LH) E6HZ 17788-A	1
<b>17A792 REINFORCEMENT (FRONT BUMPER)</b>				
80/	CL-CLT900	D8HZ 17A792-A	#D7HT 17C862-DA	1

**1980/  
TRUCK SERIES 600/900**

YEAR	MODEL/RESTRICTIONS	PART NUMBER	DESCRIPTION	QTY.
<b>17K794 CROSS MEMBER ASSY. (FRONT TOWING)</b>				
86/	CF600/800	E6HZ 17K794-F	Frame-long over hang	1
<b>17C797 PLATE (FRONT TOW HOOK BOLT LATCH)</b>				
80/	L-LN-LNT-LT-LTL-LTS800/900	D0HZ 17C797-A		2
<b>17B862 REINFORCEMENT (REAR BUMPER MOUNTING BRACKET)</b>				
86/	CF600/700	E6HZ 17B862-A		1
<b>17K864 HOOK (TOW REAR)</b>				
82/	LTL900	(RH) E1HZ 17K864-A	(LH) E1HZ 17K865-A	1
87/	LL900			1
<b>17A900-1 COVER (FRONT BUMPER)</b>				
86/	CF600/700	(RH) E6HZ 17A900-A	(LH) E6HZ 17A901-A	1
<b>17906 BUMPER REAR</b>				
86/	CF600/700	E6HZ 17906-A		1
<b>17D924 BRACKET ASSY. (TOW PIN)</b>				
80/87	CL-CLT900	D8HZ 17D924-B		1
88	CL-CLT900	E8HZ 17D924-A	Center	
<b>17A928 REINFORCEMENT (FRONT BUMPER GUARD)</b>				
80/	LN600/750	D0HZ 17A928-A		2
<b>17D947 RETAINER SPRING (FRONT BUMPER STEP)</b>				
80/	CL-CLT900	D8HZ 17D947-A	R.H. and L.H.	2
<b>17A954-5 HOOK FRONT BUMPER (TOWING)</b>				
80/83	B-F-FT600/800	(RH) E0HZ 17A954-A	(LH) E0HZ 17A955-A	1
84/	B-F-FT600/900	(RH) E4HZ 17A954-A	(LH) E4HZ 17A955-A	1
80/	C-CT600/900	C9TZ 17A954-A	R.H. and L.H.	2
80/	CL-CLT900	D8HZ 17A954-B		1
80/86	L-LN-LNT-LTS700/900	(RH) D0HZ 17A954-A	(LH) D0HZ 17A955-A	1
	All L series			1
82/86	LTL-9000	(RH) E1HZ 17A954-A	(LH) E1HZ 17A955-A	1
87/89	ALL L Series	(RH) E7HZ 17A954-A	(LH) E7HZ 17A955-A	1
<b>17B973 STEP (FRONT BUMPER)</b>				
80/	CL-CLT900	D8HZ 17B973-A	R.H. and L.H.	2
86/	CF600/700	E6HZ 17B973-B		
<b>17B984 MOUNTING PLATE (FRONT BUMPER)</b>				
88/	All L Series CL-CLT900	E8HZ 17B984-A		2

**1980/  
TRUCK SERIES 600/900**

QTY.	PART NUMBER	DESCRIPTION	QTY.	PART NUMBER	DESCRIPTION
	<b>C5TZ 17696-A</b>			<b>D3HZ 17696-B</b>	
1	C4RA 17386-B	Bolt	1	D6HT 17A717-FA	Mirror and Guard assy.
1	C4RA 17723-G	Mirror	1	DOHZ 17A732-D	Support - upper
1	C4RA 17C687-C	Bracket - upper arm	1	DOHZ 17A734-A	Brace
1	C4RA 17C688-C	Bracket - lower arm	1	DOHZ 17A736-D	Support - lower
1	380491-S100	Bolt-carriage - 1/4"-28	1	DOAZ 6455180-A	Fastener
1	380492-S100	Lockwasher - 1/4"	1	33797-S8	Nut-hex - 5/16"-18
1	380493-S100	Flatwasher - 1/4"	3	34162-S40	Nut-crown - 1/4"-20
1	380494-S100	Nut-hex - 1/4"-28	2	34164-S40	Nut-crown - 3/8"-16
1		Instruction sheet	3	34940-S39 or	Lockwasher - 1/4"
	<b>D3HZ 17696-A</b>		3	372871-S	
1	D6HT 17A717-FA	Mirror and Guard assy.	3	34780-S40	Lockwasher - 1/4"
1	DOHZ 17A732-B	Support - upper	2	34827-S40	Lockwasher - 3/8"
1	DOHZ 17A734-B	Brace	3	57032-S40	Screw & washer-hex - 1/4"-20 x 1
1	DOHZ 17A736-B	Support - lower	1	304718-S2	Bolt-hex hd. - 1/4"-20 x 1-1/4"
1	DOAZ 6455180-A	Fastener	2	352665-S40	Bolt-crown hd. - 3/8"-16 x 1-1/16"
1	33797-S8	Nut-hex - 5/16"-18	1	372871-S	Lockwasher - 1/4"
3	34162-S40	Nut-crown - 1/4"-20	1	373231-S40	Flatwasher - 3/8"
2	34164-S40	Nut-crown - 3/8"-16	3	376668-S	Washer-nylon - 1/4"
3	34940-S39 or	Lockwasher - 1/4"	3	383100-S40	Bolt-tee - 1/4"-20
3	372871-S		1		Instruction sheet
3	34780-S40	Lockwasher - 1/4"		<b>D3TZ 17696-G</b>	
2	34827-S40	Lockwasher - 3/8"	1	C9HZ 17682-B	Mirror and Guard assy.
3	57032-S40	Screw & washer-hex - 1/4"-20 x 1	1	D3TZ 17A732-A	Support - upper
1	304718-S2	Bolt-hex hd. - 1/4"-20 x 1-1/4"	1	D3TZ 17A734-A	Brace
2	352665-S40	Bolt-crown hd. - 3/8"-16 x 1-1/16"	1	D3TZ 17A736-A	Support - lower
1	372871-S	Lockwasher - 1/4"	3	DOAZ 6455180-A	Fastener
1	373231-S40	Flatwasher - 3/8"	1	33797-S8	Nut-hex - 5/16"-18
3	376668-S	Washer-nylon - 1/4"	3	34162-S40	Nut-crown - 1/4"-20
3	383100-S40	Bolt-tee - 1/4"-20	2	34164-S40	Nut-crown - 3/8"-16
1		Instruction sheet	3	34781-S40	Lockwasher - 5/16"
			2	34790-S2	Lockwasher - 1/4"
			2	34827-S40	Lockwasher - 3/8"
			1	44720-S2	Flatwasher - 1/4"
			3	55613-S39	Screw & washer - 1/4"-20 x 3/4"
			1	304718-S2	Bolt-hex hd. - 1/4"-20 x 1-1/4"
			2	352665-S40	Bolt-crown hd. - 3/8"-16 x 1-1/16"
			1	373231-S40	Flatwasher - 3/8"
			4	376668-S	Washer-nylon - 1/4"
			3	383100-S40	Bolt-tee - 1/4"-20
			1		Instruction sheet

1980/  
TRUCK SERIES 600/900

YEAR	MODEL/RESTRICTIONS	PART NUMBER	DESCRIPTION	QTY.
<b>18A000 MEMBER ASSY. (REAR SHOCK ABSORBER MOUNTING)</b>				
80/	CL-CLT900 -- neway susp.	D9HZ 18A000-A		1
<b>18036 STUD (FRONT SHOCK ABSORBER MOUNTING LOWER)</b>				
80/	C700/900 -- with 9M front axle, 4040 lb. front springs and 9.5" frame	C6TZ 18036-C		2
80/	C600/750 -- with 6M or 7M, 12M front axle and 9.5" frame	D3HZ 18036-A		2
80/81	F-B600/800 "Before 1/81"	E1HZ 18036-A		2
81/	F-FT-B600/900 "From 1/81"			
80/	LN600/750 -- 5M, 5.5M, 6M and 7M front axle			
80/	LN700 -- 9M front axle			2
<b>18A045 BRACKET (REAR SHOCK ABSORBER TO FRAME)</b>				
80/	LN600/750	C1TT 18A045-A		2
		34988-S4	(M-89-D)-nut-7/16"-14	4
		351521-S	(XX-237)-washer-flat	2
		380079-S2	(XX-173-C)-washer-flat-7/16"	8
<b>18080 Refer to group 18125</b>				

<b>18112-3 BRACKET ASSY. (FRONT SHOCK ABSORBER LOWER)-Also refer to groups 18126-7, 5320</b>				
80/	C-CT 600/900 -- 6M, 7M, 9M axle	(RH) C0TT 18112-B	(LH) C0TT 18113-B	1
80/	C-CT800/900 -- 15M front axle	(RH) C0TT 18112-D	(LH) C0TT 18113-D	1
80/	C-CT800/900 -- 11M or 12M front axle	(RH) C4TZ 18112-B	(LH) C4TZ 18113-B	1
80/	C-CT800/900 -- 16M frt. axle	(RH) D6HZ 18112-A	(LH) D6HZ 18113-A	1
80/	CL-CLT900	(RH) D8HZ 18112-B	(LH) D8HZ 18113-B	1
86/	CF600/800	(RH) E6HZ 18112-A	(LH) E6HZ 18113-A	1
80/	L-LN-LNT-LT-LTS800/900 -- 6M,7M,9M front axle	(RH) D3HZ 18112-D	(LH) D3HZ 18113-D	1
83/	F800	(RH) D3HZ 18112-B	(LH) D3HZ 18113-B	1
80/	L-LN-LNT-LT-LTL-LTS800/900 -- 12M front axle			1
80/	L-LN-LNT-LT-LTL-LTS800/900 -- 16M front axle	(RH) D3HZ 18112-C	(LH) D3HZ 18113-C	1



**1980/  
TRUCK SERIES 600/900**

18124-5 SHOCK ABSORBER KIT (FRONT or REAR)

## SHOCK ABSORBER IDENTIFICATION CHART

The production number is stamped on the barrel of each shock absorber as an identification marking. The following chart will provide quick identification of the service kit number when the identification marking is known. Also shock absorber kits may be selected by model, year and description under group numbers 18124 and 25 which follow the chart. Shock absorber kits include insulators, bolts, nuts and washers.

IDENTIFICATION	PART NUMBER		IDENTIFICATION	PART NUMBER	
	SERVICE KIT	MOTORCRAFT		SERVICE KIT	MOTORCRAFT
D2EF 18045-AA	D2TZ	18124-E	E0HT 18045-AA	E0HZ	18124-A
D2HF 18045-AA	D2TZ	18124-G	E0HT 18045-AB	E0HZ	18124-A
D2HF 18045-BA	D2TZ	18124-F	E5HT 18045-AA	E6HZ	18124-A
D2HF 18045-DA	D0HZ	18124-B	E5HT 18045-DA	E6HZ	18124-D
D2KF 18045-AA	D2TZ	18124-J	E5HT 18045-EA	E6HZ	18124-D
D2TF 18045-FA	D1TZ	18124-F	E8HT 18045-EA	E8HZ	18124-A
D4HA 18080-AA	D8HZ	18125-A	87HU 18045-BA	E7HZ	18124-B
D4TF 18045-AA	D4TZ	18124-J	D2TF 18080-LA	D2TZ	18125-K
D7HT 18045-CA	D2TZ	18124-G	D3TF 18080-GA	D3TZ	18125-G
D7HT 18045-DA	D2TZ	18124-F	D7HA 18080-AA	D8HZ	18125-B
D7HT 18045-EA	D0HZ	18124-B	D7HF 18080-AA	D7HZ	18125-A
D7HT 18045-FA	D2TZ	18124-J	D7HT 18080-BA	D1TZ	18125-E
D7HT 18045-GA	D1TZ	18124-D	D7HT 18080-DA	D7HZ	18125-A
D7HT 18045-JA	D4TZ	18124-J	E5HT 18125-EA	E6HZ	18125-E
D7HT 18045-NA	D8HZ	18124-A	E5HT 18125-DA	E6HZ	18125-F
			E6HT 18080-AA	E6HZ	18080-D

YEAR	MODEL/RESTRICTIONS	PART NUMBER	DESCRIPTION	QTY.
------	--------------------	-------------	-------------	------

## APPLICATION CHART

18124 SHOCK ABSORBER KIT (FRONT)	
<b>B SERIES</b>	
80/ B600/800	C4HZ 18124-E 2
<b>CF SERIES</b>	
86/ CF600/700 - - 9000#	E6HZ 18124-A 2
86/87 CF600/700	E6HZ 18124-D 2
87 CF700/800 - - 12,000# & 13,000#	E7HZ 18124-A 2
<b>C-CT SERIES</b>	
80/ C-CT600/800 - - 16M & 18M axle	C4HZ 18124-E 2
80/ C-CT600/800 - - 4040# & 5400# springs, and 7M,9M& 12M axle	D2TZ 18124-E 2
80/ C-CT600/800 - - 3100# spring and 7M axle	C4TZ 18124-AB 2
<b>CL-CLT SERIES</b>	
80/ CL-CLT900	F1HZ 18124-H 2
<b>F SERIES</b>	
80/ F-FT600/900	C4HZ 18124-E 2
80/ F600/900 - - 10M & 12M axle	★ D2TZ 18124-G r/bC4HZ 18124-E 2
<b>L-LN-LNT-LT-LTS SERIES</b>	
80/ LN-LNT600/800 - - with 3000# & 3300# springs and 5M,5.5M,6M & 7M axle	C4TZ 18124-AB 2
80/ LN-LNT600/900 - - with 4040# springs & 7M & 9M axle	C4HZ 18124-E 2

1980/  
TRUCK SERIES 600/900

YEAR	MODEL/RESTRICTIONS	PART NUMBER	DESCRIPTION	QTY.
18124	SHOCK ABSORBER KIT (FRONT) — Cont'd			

**L-LN-LNT-LT-LTS SERIES**

80/	L-LNT900 -- 6M, 7M, 9M, 12M axle-single rear axle, w/o reinf. frame and w/o drop frame	C4HZ 18124-E		2
80/	L-LT-LTL900 -- 12M axle, single rear axle-w/o reinf. frame	C4HZ 18124-E		2
80/	L-LT900 -- 16M axle, Tandem rear axle, with reinf. frame and w/o drop frame			2
80/	LTS900 -- 16M axle	D0HZ 18124-B		2
80/	LTS900 -- 9M & 16M axle	C4HZ 18124-E		2
80/	L-LT-LTL900 -- 7M, 9M & 12M axle, Tandem rear axle & single r/axle w/3406 cat. & VT555, w/o reinf. frame and w/o drop frame			2

18125 SHOCK ABSORBER KIT (REAR)

**B SERIES**

80/	B600/800	B7TZ 18125-C		2
80/	B600/800	B7TZ 18125-C	Replaces D7HZ 18125-A	2
86/	B600/800	E6HZ 18125-D	Located forward of r/axle-AX-320	2

**CF SERIES**

86/	CF600	E6HZ 18125-F		2
	CF700	E6HZ 18125-E		2

**CL-CLT SERIES**

80/	CL-CLT -- Single axle Neway suspension	D8HZ 18125-A		2
80/	CL-CLT -- Tandem axle -- Neway suspension	D8HZ 18125-B		4

**F SERIES**

80/	F600/900 -- 13M & 15M axle	* B7TZ 18125-C		2
80/	F600/900 -- 17M & 18M axle	B7TZ 18125-C		2
86/	F-FT600/800	E6HZ 18125-D	Located forward of r/axle-*AX-320	2
89/	F FT600/900 -- all med. low profile height	E9HZ 18124-A		2

**L-LN-LNT-LT-LTS SERIES**

80/	LN600/750 -- 11M, 13M, 15M and 17.5M axle	B7TZ 18125-C		2
80/	LNT-LT900 -- w/Neway air susp.	D8HZ 18125-A		4
86/	LN-LNT600/900	E6HZ 18125-D	Located forward of r/axle	2

18126-7 PLATE (FRONT SHOCK ABSORBER BRACKET LOWER) — Also refer to group 18112-3

80/	C600/750 -- exc. 6M and 7M front axle	C6TZ 18126-A	R.H. and L.H.	2
80/	C800/900 -- gas			2
80/	C800 -- diesel, 9 1/2" frame and 9M front axle			2
80/	C800 -- 12M front axle	C6TZ 18126-D	R.H. and L.H.—steel	2
80/	C-CT600/900 -- 6M, 7M, 9M, 12M and 15M front axle	D3HZ 18126-A	R.H. and L.H.—iron	2
80/	C-CT800/900 -- 11M 9 3/4" frame			2

18130 STUD (SHOCK ABSORBER)

89/	F600/700/800 -- low profile	F0HZ 18130-A		1
-----	-----------------------------	--------------	--	---

1980/  
TRUCK SERIES 600/900

YEAR	MODEL/RESTRICTIONS	PART NUMBER	DESCRIPTION	QTY.	
<b>18A131 SHIELD ASSY. (FRONT SHOCK ABSORBER HEAT)</b>					
80/	CL-CLT900 -- exc. NTC 315	D8HZ 18A131-A		2	
80/	L-LT-LN-LNT800/900	D9HZ 18A131-A	6 holes	1	
80/	All L-series	E1HZ 18A131-A	3 holes	1	
86/	CL-CLT -- w/NTC 315 H.P. eng.				
<b>18132-3 BRACKET ASSY. (REAR SHOCK ABSORBER LOWER)</b>					
80/83	B-F-FT600/900 -- 18M axle	(RH) D7TZ 18132-A	(LH) D7TZ 18133-B	Lower	1
80	B-F-FT600/900 -- 13M,15M & 17M axle	(RH) D3TZ 18132-A	(LH) D3TZ 18133-A	Lower	1
85/88	B-F-FT600/900	(RH) E6HZ 18132-B	(LH) E6HZ 18133-B		2
86/	CF600/800				
89/	F-FT600/900	(RH) E9HZ 18132-A	(LH) E9HZ 18133-A	Low profile	2
<b>18A160 ABSORBER ASSY. (CAB SUSPENSION SHOCK)</b>					
80/	CL-CLT900	D8HZ 18A160-A		4	
<b>18169 BRACKET ASSY. (REAR SHOCK ABSORBER UPPER)</b>					
80/	B-F-FT600/800	E0HZ 18169-A	R.H. & L.H.	2	
80/	CF600/800	★ E6HZ 18169-A	R.H. & L.H.-replaced by E6HZ 18183-B	2	
80/	CL-CLT900 -- single axle	D8HZ 18169-A	R.H. and L.H.	2	
80/	CL-CLT900 -- dual axle			4	
80/	LNT-LT-WT900 -- Neway air susp.	D2HZ 18169-A		4	
<b>18A169 SPACER (CAB SUSPENSION ABSORBER)</b>					
86/	CF600/800	E6HZ 18A169-A		AR	
<b>18183-4 BRACKET ASSY. (FRONT SHOCK ABSORBER TO FRAME UPPER)</b>					
80/81	B-F600/800 "Before 1/81"	(RH) E0HZ 18183-A	(LH) D0HZ 18184-A		1
81/	B-F-FT600/900 -- exc. 9.5# (HD) & 12# frt axle-	(RH) E1HZ 18183-A	(LH) E1HZ 18184-A		1
	"From 1/81"				
83/	B-F-FT800/900 -- 9.5# (HD) & 12# frt axle	(RH) E3HZ 18183-A	(LH) E3HZ 18184-A		1
80/	C-CT600/800 -- w/o 9 3/4" frame	(RH) C6TZ 18183-A	(LH) C6TZ 18184-A		1
80/	C900 -- 99", 111, 135", 153" and 161" W/B				1
80/	C900 -- 175" W/B	(RH) C0TT 18183-C	(LH) C0TT 18184-A		1
80/	CT800/900	(RH) C0TT 18183-A	(LH) C0TT 18184-A		1
80/	C800 -- diesel, 9 3/4" frame				1
80/	CL-CLT900	(RH) C6TZ 18183-D	(LH) C6TZ 18183-D		2
86/	CF600/800 -- w/6.6L eng.	(RH) E6HZ 18183-B	(LH) E6HZ 18184-B		2
80/	LN600/750	(RH) D0HZ 18183-A	(LH) D0HZ 18184-A		1
80/	L-LN-LNT-LT-LTL-LTS800/900	(RH) F1HZ 18183-A	(LH) F1HZ 18184-A		1
<b>18192 BRACKET (REAR SHOCK ABS. UPPER)</b>					
86/	CF600/700	E6HZ 18192-A		2	
<b>18193 STUD (REAR SHOCK ABSORBER TO SPRING SEAT CAP)</b>					
83/	C800	IT 18193-A		2	
<b>18196 STUD (REAR SHOCK ABSORBER TO FRAME)</b>					
80/	B-LN600/750, F600 -- 2/W/D, F700/750	CITT 18196-A	5 1/8" long-3/4"-16 threaded ends	2	
80/	B-LN600/750, F600 -- 2/W/D, F700/750	34405-S7	(M-106-A)-nut-lock-3/4"-16	2	
86/	CF600/800	E6HZ 18196-A		2	
<b>18198 BUSHING REPAIR KIT (SHOCK ABSORBER)</b>					
80/	B600/800	D3TZ 18198-A	*AD-94-Rear	AR	
80/	F-FT600/900			AR	
80/	LN600/750			AR	
80/	B-F-FT600/900	E0HZ 18198-A	*AD-201-Front	AR	
80/	L-LN-LNT-LTL-LT-LTS800/900			1	
86/	CF600/800	E6HZ 18198-B		2	
<b>18199 SPACER (SHOCK ABSORBER BRACKET TO SIDE MEMBER REAR)</b>					
80/	C600/750	C6TZ 18199-A	Front shock	2	
80/	C800 -- gas			2	
80/	C800 -- diesel and 9 1/2" frame			2	
80/	C900 -- gas exc. 175" W/B			2	

1980/  
TRUCK SERIES 600/900

YEAR	MODEL/RESTRICTIONS	PART NUMBER	DESCRIPTION	QTY.
<b>18205 SHAFT ASSY. (ENGINE GOVERNOR)</b>				
80/81	All -- 8 cyl. 401, 475, 477, 534	B8QH 18205-A		1
		370065-S7	(QQ-37)-snap ring (driveshaft to retain washer)	1
		371703-S	(XX-179)-washer (driveshaft at bottom of spider)-flat-1/2"	1
		371704-S	(NN-82)-pin (throttle control lever adjusting screw)-3/16" x 1 3/8"	1
		353823-S2	(XX-8)-washer (control weight retainers)-"C" type	2
<b>18208 BODY ASSY. (ENGINE GOVERNOR)</b>				
80/81	All -- 8 cyl. 401, 475, 477, 534	B8QH 18208-A	Upper	1
<b>18209 LEVER and SHAFT ASSY. (ENGINE GOVERNOR THROTTLE CONTROL)</b>				
80/81	All -- 8 cyl. 401, 475, 477, 534	B8QH 18209-A		1
<b>18210 WEIGHT (ENGINE GOVERNOR)</b>				
80/81	All -- 8 cyl. 401, 475, 477, 534	B8QH 18210-A		2
<b>18211 YOKE (ENGINE GOVERNOR THROTTLE CONTROL)</b>				
80/81	All -- 8 cyl. 401, 475, 477, 534	B8QH 18211-A		1
<b>18212 SLEEVE (ENGINE GOVERNOR SHAFT THRUST)</b>				
80/81	All -- 8 cyl. 401, 475, 477, 534	B8QH 18212-A		1
<b>18213 GEAR (ENGINE GOVERNOR DRIVE)</b>				
80/81	All -- 8 cyl. 401, 475, 477, 534	B8QH 18213-A		1
		370121-S7	(NN-107)-pin (gear to driveshaft)-5/32" x 1"	1
<b>18214 LEVER and SPRING ASSY. (ENGINE GOVERNOR THROTTLE CONTROL AUXILIARY)</b>				
80/81	All -- 8 cyl. 401, 475, 477, 534	B8QH 18214-B	Includes (1) D4HZ 18222-A spring	1
		371722-S8	(B-207)-bolt (aux. lever to control lever and shaft)-hex. head-1/4"-28 x 3/4"	1
<b>18214 TUBE ASSY. (CARBURETOR AIR HORN TO GOVERNOR)-improvise from 2269 tubing and (1) 351095-S8 Connector</b>				
<b>18215 SEAL (ENGINE GOVERNOR THROTTLE CONTROL SHAFT)</b>				
80/81	All -- 8 cyl. 401, 475, 477, 534	B8QH 18215-A		1
<b>18217 SEAL (ENGINE GOVERNOR SHAFT)</b>				
80/81	All -- 8 cyl. 401, 475, 477, 534	B8QH 18217-A	Rubber	1
<b>18218 RETAINER (ENGINE GOVERNOR SHAFT SEAL)</b>				
80/81	All -- 8 cyl. 401, 475, 477, 534	★ B8QH 18218-A	Not replaced	1
<b>18219 BUSHING (ENGINE GOVERNOR SHAFT)</b>				
80/81	All -- 8 cyl. 401, 475, 477, 534	B8QH 18219-A		1
<b>18219 Refer to group 9989</b>				
<b>18222 SPRING (ENGINE GOVERNOR THROTTLE CONTROL AUXILIARY LEVER)</b>				
80/81	All -- 8 cyl. 401,475,477,534	D4HZ 18222-A	#Purple	1
<b>18223 BEARING (ENGINE GOVERNOR THROTTLE CONTROL SHAFT)</b>				
80/81	All -- 8 cyl. 401, 475, 477, 534	B8QH 18223-A		1
<b>18224 BEARING ASSY. (ENGINE GOVERNOR SHAFT THRUST SLEEVE)</b>				
80/81	All -- 8 cyl. 401, 475, 477, 534	B8QH 18224-A		2
<b>18226 TUBE (CARBURETOR TO DISTRIBUTOR EXTENSION)-Improvise from bulk tubing (2269)</b>				
<b>18226 BUSHING (ENGINE GOVERNOR THROTTLE CONTROL SHAFT)</b>				
80/81	All -- 8 cyl. 401, 475, 477, 534	B8QH 18226-A		1
<b>18229 GASKET (ENGINE GOVERNOR BODY)</b>				
80/81	All -- 8 cyl. 401, 475, 477, 534	B8QH 18229-A		1
<b>18246 WINDOW SHADE KIT</b>				
80/	F-FT600/900	E0TZ 18246-A	Replaced by E8TZ 18246-A	1
80/	F-FT600/900	E8TZ 18246-A		1
<b>18W248 RING ASSY. (HEATER BLOWER SWITCH KNOB)</b>				
86/	CF600/700	E6HZ 18W248-A		1
<b>18N249 DOOR AND SEAL ASSY. (HEATER OUTLET)</b>				
80/83	F-FT600/800	E0TZ 18N249-A		1
84/	F-FT600/900	E4TZ 18N249-A		1
<b>18K253 LEVER (HEATER CONTROL)</b>				
86/	CF600/700	E8HZ 18K253-A		1

1980/  
TRUCK SERIES 600/900

YEAR	MODEL/RESTRICTIONS	PART NUMBER	DESCRIPTION	QTY.
<b>18B258 BRACKET (AIR CONDITIONER AND HEATER CONTROL VACUUM MOTOR MOUNTING)</b>				
80/	CL-CLT900 -- heater or man. A/C	D8HZ 18B258-A	R.H. & L.H.-3 holes	2
80/	CL-CLT900 -- heater or man. A/C	D8HZ 18B258-E	R.H. - 5 holes	1
80/	CL-CLT900 -- heater or man. A/C	D8HZ 18B258-C	L.H. - 5 holes	1
80/	CL-CLT900 -- w/sleeper	D8HZ 18B258-D		1
80/	CL-CLT900 -- A.T.C.	D8HZ 18B258-B	Use with servo assy 19D669	1
<b>18B259 DUCT ASSY. (HEATER AIR INLET)-Also refer to groups 18A568 and 18A594</b>				
80/	C-CT600/900	D9HZ 18B259-A	Shutter type	1
<b>18C260 GASKET (AIR CONDITIONER and HEATER CONTROL LENS)</b>				
80/	L-LN-LNT-LT-LTL-LTS800/900	D3HZ 18C260-A		1
<b>18271 ADAPTER (WATER TEMPERATURE SWITCH TO INTAKE MANIFOLD)</b>				
80/81	All -- 8 cyl. 401, 475, 477, 534 - with eng. warning system	C1TF 18271-A		1
<b>18B278 LINK (HEATER AND AIR CONDITIONER AIR OUTLET DOOR)</b>				
80/	CL-CLT900	D8HZ 18B278-A	R.H. plenum & def. nozzle	1
<b>18D284 SHAFT (HEATER DOOR DEFROSTER)</b>				
87/	All L-series	E7HZ 18D284-A		
<b>18A292 SHAFT (WINDSHIELD DEFROSTER DOOR CONTROL)</b>				
80/	F-FT600/900 -- integral A/C or Hi-Low vent system	E0TZ 18A292-A		1
<b>18B299 COVER ASSY. (HEATER CORE CASE)</b>				
80/	F-FT600/900 -- Integral A/C or Hi-Low vent	E0TZ 18B299-A		1
84/	F-FT600/900 -- w/7.0L	E3TZ 18B299-A		1
<b>18C298-9 DUCT (HEATER AND AIR CONDITIONER OUTLET)</b>				
80/	CL-CLT900	D8HZ 18C298-A	R.H. - front	1
80/81	CL-CLT900 -- Heater or manual A/C "Before 5/15/81"	* D8HZ 18C299-A	L.H. Front-not replaced	1
81/	CL-CLT900 -- Heater or manual A/C "From 5/15/81"	D8HZ 18C299-B	L.H. Front	1
80/	CL-CLT -- A.T.C.			1
80/	CL-CLT900	D8HZ 18C298-B	R.H. - rear	1
80/81	CL-CLT900 "Before 5/15/81"	★ D8HZ 18C299-C	L.H. - rear not replaced	1
81/	CL-CLT900 "From 5/15/81"	E1HZ 18C299-A	L.H. Rear	1
<b>18K300 SEAL (HEATER AND AIR CONDITIONER DUCT ADAPTER)</b>				
80/	CL-CLT900 -- w/sleeper	D8HZ 18K300-A		1
80/	L-LL-LS-LT-LTS-LN LNT -- w/integral A/C	F1HZ 18K300-A	Fits into F1HZ 18472-B hose	1
<b>18B303 WIRING ASSY. (HEATER AND AIR CONDITIONER MOTOR SWITCH FEED)</b>				
80/86	CL-CLT900	D8HZ 18B303-B		1
87/	CL-CLT900	E7HZ 18B303-A	#E7HT 18B303-AA	1
88/89	CL-CLT900	E8HZ 18B303-A	#E8HT 18B303-AA	1
<b>18C306 REGISTER ASSY. (AIR DISTRIBUTION)</b>				
86/	CF600/800	E6HZ 18C306-A	Upper instr. panel	2
<b>18K312 CABLE ASSY. (HEATER AND AIR CONDITIONER CONTROL INNER)</b>				
80/	CL-CLT900 -- heater or man. A/C	D8HZ 18K312-A		1
<b>18C313 COVER ASSY. (HEATER HOUSING FRONT)</b>				
80/	L-LN-LNT-LT-LTL-LTS600/900	E4HZ 18C313-A		1
<b>18B315 WASHER</b>				
80/	L-LL-LS-LT-LTS- LN-LNT -- w/integral A/C	F1HZ 18B315-A	Fits between F1HT 9K791-AA and F1HT 15277-AA hose	1
<b>18A318 VACUUM MOTOR (HEATER AND AIR CONDITIONER CONTROL)</b>				
80/	CL-CLT900	D20Z 18A318-A	*YH-244 located in instr pnl-3 req'd drivers side (defrost, outboard pnl door, inboard hi-low door) 1 req'd pass. side	4
80/	CL-CLT900	D8HZ 18A318-B	*YH-333 located in instr pnl drivers side - outboard htr door	1
80/	CL-CLT900	D8HZ 18A318-C	*YH-334-located under floor- 2 req'd drivers side, 2 req'd pass side	4
80/	F-FT600/900 -- Integral A/C or Hi-Low vent	D9AZ 18A318-C	*YH-350 A/C panel door -located in plenum chamber	1

1980/  
TRUCK SERIES 600/900

YEAR	MODEL/RESTRICTIONS	PART NUMBER	DESCRIPTION	QTY.
<b>18A318 VACUUM MOTOR (HEATER AND AIR CONDITIONER CONTROL) — Cont'd</b>				
80/	F-FT600/900 -- Integral A/C or Hi-Low vent	E0TZ 18A318-A	*YH-362 A/C mode door	1
80/	F-FT600/900 -- Integral A/C or Hi-Low vent	E0TZ 18A318-B	*YH-363 recirc. door	1
87/	F FT600/900	E8TZ 18A318-A	*YH-486 evap.	1
<b>18D322 VACUUM PUMP ASSY. (HEATER AND AIR CONDITIONER) - Also refer to 2A451</b>				
80/	CL-CLT900	★ D8HZ 18D322-B	Replaced by 1 pc. each of D9HZ 18767-A, D8HZ 19C747-A D8DZ 12A197-A, 383007-S and 383820-S100	1
<b>18A324 SEAL (HEATER CHAMBER TO AIR CONDITIONER CHAMBER)</b>				
80/	C-CLT900 -- w/sleeper	D8HZ 18A324-A		1
<b>18N331 BRACKET (HEATER TUBE MOUNTING)</b>				
84/	F-FT600/900 -- w/det. diesel 501 (8.2L) eng.	E4HZ 18N331-A	Attaches 18B402 to eng.-frt.	1
84/	LN600/700 -- w/det. diesel 501 (8.2L) eng.			1
84/	F-FT600/900 -- w/det. diesel 501 (8.2L) eng.	E4HZ 18N331-B	Attaches 18B402 to eng.-rear	1
84/	LN600/700 -- w/det. diesel 501 (8.2L) eng.			1
87/	ALL L-series 800 -- w/FTO eng.	E7HZ 18N331-A		1
87/	F-FT600/900 -- w/FTO eng.			
89	L-LT-LTL-LTS800/900 w/6.6L dsl. & 7.8L F.N.H. eng. LN-LNT800/900 w/6.6L gas/diesel & 7.8L FNH eng.	E9HZ 18N331-A		1
<b>18C332 COVER (HEATER PLENUM CHAMBER OPENING)</b>				
87/	All L-series 800 -- w/fleet option	E7HZ 18C332-A		1
87/	All L-series 800 -- w/fleet option	E7HZ 18C332-B		1
<b>18A334 BRACKET (HEATER AND AIR CONDITIONER PLENUM CHAMBER)</b>				
80/	CL-CLT900	D8HZ 18A334-A	L.H.	1
80/	CL-CLT900	★ D8HZ 18A334-B	R.H.-not replaced	1
<b>18A345 BRACKET (HEATING AND AIR CONDITIONER PLENUM CHAMBER CENTER)</b>				
80/	CL-CLT900	D8HZ 18A345-A		1
<b>18K358 COVER (HOUSING REAR)</b>				
80/86	ALL L-series	D0HZ 18K358-C	Hi-output heater	1
80/	ALL L-series	D0HZ 18K358-B	Standard heater	1
80/86	ALL L-series -- integral A/C	D0HZ 18K358-A		1
87/	ALL L-series	E7HZ 18K358-A	Hi-output heater	1
87/	ALL L-series -- w/integral A/C	E7HZ 18K358-B		
<b>18A361 DOOR ASSY. (AIR DAMPER)</b>				
86/	CF600/800	E6HZ 18A361-A		1
80/	F-FT600/900 -- integral A/C or Hi-Low vent system	E0TZ 18A361-A		1
80/	L-LN-LNT-LT-LTL-LTS600/900 -- integral A/C	D0HZ 18A361-A		1
<b>18A363 COVER ASSY. (HEATER AND AIR CONDITIONER CONTROL MOTOR)</b>				
80/	CL-CLT900 -- w/sleeper	D8HZ 18A363-A		1
<b>18C366 LOUVER (HEATER AIR REG.)</b>				
86/	CF600/800	E6HZ 18C366-A	Instr. panel	1
86/	CF600/800	E6HZ 18C366-B	Floor	1
86/	CF600/800	E6HZ 18C366-C	R.H., L.H. center-instr pni air	2
<b>18K369 COVER (AIR CONDITIONER and HEATER HOUSING UPPER)- Refer to group 18C447</b>				
<b>18A372 SEAL (HEATER CORE TO AIR CONDITIONER BLOWER HOUSING)</b>				
80/	L-LN-LNT-LT-LTL-LTS800/900 -- integral A/C	D2HZ 18A372-A		1
<b>18D372 COVER ASSY. (HEATER OUTLET DUCT)</b>				
81/	CL-CLT900 -- w/o Aux. heater and/or A/C	★ E1HZ 18D372-A	R.H.-not replaced	1

October, 1993

COPYRIGHT © 1993 - FORD MOTOR - DEARBORN, MICHIGAN  
COMPANY

Final Issue

1980/  
TRUCK SERIES 600/900

YEAR	MODEL/RESTRICTIONS	PART NUMBER	DESCRIPTION	QTY.
<b>18K383 Baffle (AIR DISTRIBUTION)</b>				
80/	L-LN-LNT-LT-LTL-LTS600/900 -- w/o integral A/C	D0HZ 18K383-A		1
80/	L-LN-LNT-LT-LTL-LTS800/900 -- integral A/C	D0HZ 18K383-B		1
70/	W-WT900	E7HZ 18K383-A		
<b>18K393 BRACKET (HEATER AND AIR CONDITIONER PLENUM CHAMBER ANTI-FAIL)</b>				
80/	CL-CLT900	D8HZ 18K393-A	L.H.	1
80/	CL-CLT900	D8HZ 18K393-B	R.H.	1
<b>18B396 LENS HEATER CONTROL</b>				
81/88	L-LT-LTS-LN-LNT -- w/heater	E7HZ 18B396-A		1
<b>18C395 ADAPTER (HEATER AIR HOSE OUTLET)</b>				
86/	CF600/800	E6HZ 18C395-A	R.H.	1
86/	CF600/800	E6HZ 18C395-B	L.H.	1
86/	CF600/800	E6HZ 18C395-C	Center (register)	2
86/	CF600/800	E6HZ 18C395-D	Center (defroster)	2
<b>18B396 LENS (CONTROL)</b>				
80/	C-CT600/900	E1HZ 18B396-B	Heater control	1
80/86	L-LN-LNT-LT-LTL-LTS600/900	E1HZ 18B396-A	Heater control	1
87	All L-series	E7HZ 18B396-A	Heater control	1
<b>18B402 TUBE ASSY. (HEATER WATER HOSE)</b>				
85/	C600/800 -- w/429 gas	E8TZ 18B402-A	3/8 female x 3/8 female x 3/8 male-type 17	1
85/	B600/800 -- w/429 gas			1
85/	FT600/800 -- w/429 gas			1
80/81	C600/81900	★ D9HZ 18B402-A	Inlet-not replaced	1
82/83	C600/900 -- Diesel eng.	★ E2HZ 18B402-A	Inlet-not replaced	1
82/83	C600/900 -- Gas eng.	★ E2HZ 18B402-B	Inlet-not replaced	1
80/	C600/900 -- with Detroit DDA- 990 Diesel	★ E0HZ 18B402-B	Not replaced	1
82/	C-CT800 -- w/diesel eng.	E2HZ 18B402-A	Inlet	1
80/	CL-CLT900 -- without EZ Rider	D8HZ 18B402-P		1
80/	CL-CLT900 -- with EZ Rider	D8HZ 18B402-N		1
80/	CL-CLT900 -- integral A/C	D8HZ 18B402-M		1
81/	CL-CLT900	E1HZ 18B402-G	"H" shaped w/2 5/8" side ports and 4 3/4" end ports	1
86/	CF600/800	E6HZ 18B402-A	Inlet	1
86/	CF600/800	E6HZ 18B402-B	Outlet	1
83/85	F-FT600/900 -- Cat. dsl. 3208	E3HZ 18B402-A	Outlet	1
83/85	L-LN-LNT-LT-LTS700/900 -- Cat. dsl. 3208			1
86/	F-FT600/800 -- Cat. Dsl. 3208	E6HZ 18B402-C	Outlet	1
86/	L-LT-LN-LNT600/900 -- Cat. Dsl. 3208			1
83/	F-FT600/800 -- Cat. Dsl. 3208	E6HZ 18B402-D	Inlet	1
83/	L-LT-LN-LNT-LT-LTS600/900 -- Cat. Dsl. 3208			1
84/	F-FT600/900 -- w/det. diesel 501 (8.2L) eng.	E4HZ 18B402-A	Outlet	1
84/	LN600/700 -- w/det. diesel 501 (8.2L) eng.			1
84/	F-FT600/900 -- w/det. diesel 501 (8.2L) eng.	E4HZ 18B402-B	Inlet	1
84/	LN600/800 -- w/det. diesel 501 (8.2L) eng.			1
84/	LN9000 -- w/Cum. L10 engine	E4HZ 18B402-C	Outlet	1
84/	LN9000 -- w/Cum. L10 engine	E4HZ 18B402-D	Inlet	1
88	LN-LNT900 -- Cat. dsl. 3406	E8HZ 18B402-A	Inlet	1
82/	LTL-900 -- Det. dsl. 8V-92	E1HZ 18B402-A	Outlet	1
82/	LTL900 -- Cat. dsl. 3906	E1HZ 18B402-B	Outlet	1
82/	LTL900 -- Cummins dsl. 3406	E1HZ 18B402-C	Outlet	1
82/	LTL900 -- Cat. dsl. 3406	E1HZ 18B402-D	Inlet	1
82/	LTL900 -- Det. dsl. 8V-92	E1HZ 18B402-E	Inlet	1
82/	LTL900 -- Cummins dsl.-NTC	E1HZ 18B402-F	Inlet	1

1980/  
TRUCK SERIES 600/900

YEAR	MODEL/RESTRICTIONS	PART NUMBER	DESCRIPTION	QTY.
<b>18C409 DOOR AND FRAME ASSY. (AIR INLET)</b>				
87/	CL-CLT900 -- Cab	(RH) E7HZ 18C409-B	(LH) E7HZ 18C409-A	1
80/86	CL-CLT900 -- cab	E1HZ 18C409-B	L.H.	1
80	CL-CLT900	D8HZ 18C409-B	R.H.	1
81/86	CL-CLT900 -- cab	E1HZ 18C409-A	R.H.	1
80/	CL-CLT900 -- Sleeper	E1HZ 18C409-C		1
<b>18K409 REINF. HTR. CVR. MTNG. (PANEL TO HTR.)</b>				
88/	All L-series	F2HZ 18K409-A		1
<b>18K412 SEAL (HEATER AND AIR CONDITIONER OUTLET TO PANEL)</b>				
80/	CL-CLT900	D8HZ 18K412-A	L.H.	2
80/	CL-CLT900	D8HZ 18K412-B	R.H.	2
<b>18413 BRACKET (RADIATOR GRILLE and HEADLAMP GUARD MOUNTING)</b>				
80/83	C-CT600/900	★ B7T 18413-A	Not replaced	2
<b>18415 PIN (RADIATOR GRILLE and HEADLAMP GUARD HINGE)</b>				
80/	C-CT600/900	B7T 18415-A		2
		72035-S7-8	(N-51)-cotter pin-3/8" x 1"	4
<b>18416 STUD (RADIATOR GRILLE and HEADLAMP GUARD LATCH)</b>				
80/84	C-CT600/900	★ B7T 18416-A	Not replaced	2
<b>18418 HANDLE (RADIATOR and HEADLAMP GUARD LATCH)</b>				
80/	C-CT600/900	B7T 18418-A	Upper	2
		44727-S8	(X-24)-flat washer-3/8"	2
<b>18420 LINK (RADIATOR and HEADLAMP GUARD LATCH ROCKER)</b>				
80/	C-CT600/900	B7T 18420-A		2
<b>18A420 DOOR ASSY. (HEATER AND AIR CONDITIONER)</b>				
80/	CL-CLT900	D8HZ 18A420-A	L.H. plenum & def. nozzle assy.-air outlet - L.H. duct	1
80/81	CL-CLT900	★ D8HZ 18A420-B	L.H. plenum & def. nozzle assy - air outlet - center frt	1
		Not replaced		
80/	CL-CLT900	D8HZ 18A420-C	L.H. plenum & def. nozzle assy - air outlet - R.H. duct	1
80/	CL-CLT900	D8HZ 18A420-D	L.H. plenum & def. nozzle assy-def. door - center rear	1
80/	CL-CLT900	D8HZ 18A420-E	R.H. plenum & def. nozzle assy - air outlet	1
80/	CL-CLT900	D8HZ 18A420-F	R.H. plenum & def. nozzle assy-air outlet - high-low	1
80/	CL-CLT900	D8HZ 18A420-G	R.H. plenum & def. nozzle assy - defrost door	1
<b>18422 LINK (RADIATOR and HEADLAMP GUARD LATCH HANDLE)</b>				
80/	C-CT600/900	B7T 18422-A		4
		353925-S	(NN-98)-pin-spring-1/8" x 3/4"	4
		72034-S	(N-45)-pin-cotter-3/32" x 5/8"	8
		44727-S8	(X-24)-flat washer-3/8"	2
<b>18K422 CLIP (HOSE DIVIDER)</b>				
80/	All	F3HZ 18K422-A	.875 ID	1
80/	All	F3HZ 18K422-B	.937 ID	1
<b>18C423 BRACKET (HEATER AND AIR CONDITIONER OUTLET)</b>				
80/	CL-CLT900 w/sleeper	D8HZ 18C423-A		1
<b>18C424 HEATER (AIR CONDITIONER CASE AND CONDENSER KIT)</b>				
80	C-CLT900	E1HZ 18C424-A	Refer to T.S.B. 81-19-19 dated 9/23/81	
<b>18K427 ELBOW (HEATER AND AIR CONDITIONER)</b>				
80/	CL-CLT900	(RH) D8HZ 18K427-B	(LH) D8HZ 18K427-A	Located at instr pal
80/	CL-CLT900	(RH) D8HZ 18K427-D	(LH) D8HZ 18K427-C	Located at plenum chamber & def. nozzle
<b>18C433 DUCT ASSY. (HEATER OUTLET TO FLOOR)</b>				
80/86	F-FT600/900 -- w/heater	E0TZ 18C433-A		1
87/	F-FT600/800 -- w/heater	E7HZ 18C433-A		1
80/83	F-FT600/800-with integral A/C or Hi-Low vent	E0TZ 18C433-B		1
84/	F-FT600/900 -- w/integral A/C	E4TZ 18C433-A		1

OCTOBER, 1993

COPYRIGHT ©1993

FORD MOTOR  
COMPANY

-DEARBORN, MICHIGAN

FINAL ISSUE



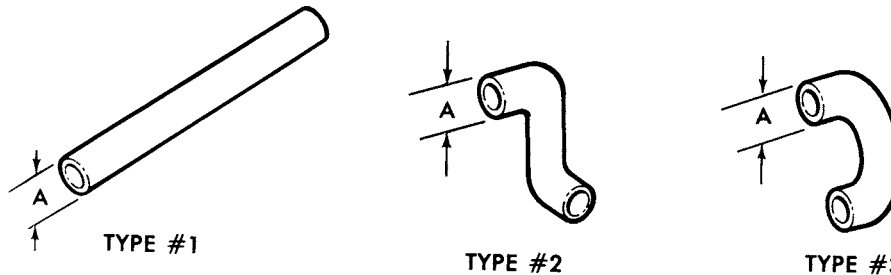
1980/  
TRUCK SERIES 600/900

YEAR	MODEL/RESTRICTIONS	PART NUMBER	DESCRIPTION	QTY.
<b>18B436 REINFORCEMENT (HEATER AND AIR CONDITIONER MOUNTING BRACKET)</b>				
80/	CL-CLT900 - - w/sleeper	D8HZ 18B436-A	2 hole - 1 1/4" long	1
80/	CL-CLT900 - - w/sleeper	D8HZ 18B436-B	3 hole	1
80/	CL-CLT900 w/sleeper	D8HZ 18B436-C	4 hole	1
80/	CL-CLT900 - - w/sleeper	D8HZ 18B436-D	2 hole - 4" long	1
80/	CL-CLT900	D8HZ 18B436-E	2 hole-3 1/2" long - R.H. & L.H. main	2
80/	CL-CLT900	D8HZ 18B436-F	2 hole - 2 3/4" long- L.H. main	1
80/	CL-CLT900	D8HZ 18B436-G	2 hole - 1 3/4" long - R.H. main	1
81/	CL-CLT900	E7HZ 18B436-A	R.H., 2 holes w/studs, "L" shaped	1
81/	CL-CLT900	E1HZ 18B436-B	3 1/2" long with (2) holes and (2) weld nuts	1
<b>18A441 FRAME (HEATER CORE)</b>				
80/82	F600/800	E0TZ 18A441-A		1
<b>18B442 SEAL (HEATER WATER CONTROL)</b>				
86/	CF600/800	E6HZ 18B442-A		1
<b>18C447 PANEL ASSY. (AIR CONDITIONER and HEATER UNIT TOP)-Also refer to group 18K369</b>				
80/	C-CT600/900	D1TZ 18C447-A		1
<b>18A449 OUTLET (WINDSHIELD DEFROSTER)</b>				
80/86	L-LN-LNT-LT-LTL LTS600/900	D4HZ 18A449-A	Dealer-paint to match	1
<b>18A454 WARMER (CAR INTERIOR)</b>				
80/	All-Canada only	ED6AZ 18A454-A		1
<b>18A456 BRACKET ASSY. (HEATER MOUNTING)</b>				
80/	L-LN-LNT-LT-LTL-LTS600/900	D0HZ 18A456-A		1
<b>18457 DUCT ASSY. (HEATER AND AIR CONDITIONER INLET)</b>				
80	CL-CLT900	D8HZ 18457-C	R.H.	1
81/	CL-CLT900	E1HZ 18457-B	R.H.-upper	1
81	CL-CLT900 "Before 5/15/81"	E1HZ 18457-C	R.H.-lower	1
81/	CL-CLT900 "From 5/15/81"	E1HZ 18457-D	R.H. lower	1
80/	CL-CLT900	D8HZ 18457-D	L.H.	1
<b>18A457 BRACKET (HEATER AND AIR CONDITIONER MOUNTING)</b>				
80/	CL-CLT900 - - sleeper	D8HZ 18A457-A	Upper - R.H. & L.H.	2
80/	CL-CLT900 - - sleeper	D8HZ 18A457-B	Lower - L.H.	1
80/	CL-CLT900 - - sleeper	D8HZ 18A457-C	Lower - R.H.	1
80/	CL-CLT900 - - heater only	D8HZ 18A457-D	Lower - L.H.	2
80/	CL-CLT900	D8HZ 18A457-E	R.H. & L.H. - main - upper	2
80/	CL-CLT900	D8HZ 18A457-F	R.H. & L.H. - main-Lower	2
86/	CF600/800	E6HZ 18A457-A		1
86/88	CF600/700	E6HZ 18A457-B		1
88/	CF600/800	E8HZ 18A457-A		1
<b>18A463 COVER (HEATER AND AIR CONDITIONER VACUUM CONTROL MOTOR)</b>				
80/	CL-CLT900 - - sides	D8HZ 18A463-A	R.H. & L.H.-5 1/2" long	2
80/86	CL-CLT900 - - center	★ D8HZ 18A463-C	Replaced by E7HZ 18A463-B cover 383579-S Grommet	1
87/	CL-CLT900 - - center	(RH) E7HZ 18A463-B	(LH) E7HZ 18A463-A	1
<b>18C463 WIRING ASSY. (HEATER MOISTURE EJECTOR)</b>				
85/	LTL9000 - - w/air dryer	E5HZ 18C463-A		1
85/	CL-CLT9000 - - w/air dryer	E5HZ 18C463-B		1
<b>18A465 COVER (HEATER TEMPERATURE REGULATOR)</b>				
86/	CF600/800	E6HZ 18A465-A		1
<b>18B467 PLATE (HEATER COVER)</b>				
80/	C-CT600/900	C7TZ 18B467-A		1
<b>18471 CHAMBER ASSY. (HEATER AIR PLENUM)-Also refer to group 18A484</b>				
86/	CF600/800	E6HZ 18471-A	Front	1
86/	CF600/800	E6HZ 18471-B	Rear	1
86/	CF600/800	E6HZ 18471-C	Center	1
80/86	F-FT600/900 - - w/heater	E0TZ 18471-A	Replaced by E7HZ 18471-A	1
87/	F-FT600/800 - - w/heater	E7HZ 18471-A		1
80/83	F-FT600/800 - - integral A/C or Hi-Low vent "Before 10/82"	E0TZ 18471-B	Lower	1
83/	F-FT600/900 - - integral A/C "From 10/82"	E3TZ 18471-G	Lower	1

**1980/  
TRUCK SERIES 600/900**

YEAR	MODEL/RESTRICTIONS	PART NUMBER	DESCRIPTION		QTY.	
<b>18471 CHAMBER ASSY. (HEATER AIR PLENUM)-Also refer to group 18A484 — Cont'd</b>						
80/	F-FT600/900 -- integral A/C or Hi-Low vent	E0TZ 18471-C	Upper		1	
80/86	L-LN-LNT-LT-LTL-LTS600/900 -- w/o integral A/C	D0HZ 18471-B			1	
80/86	L-LN-LNT-LT-LTL-LTS800/900 -- line haul instrument panel and integral A/C	D1HZ 18471-A			1	
80/86	L-LN-LNT-LT-LTL-LTS800/900 -- city delivery instrument panel and integral A/C	D1HZ 18471-B			1	
84/86	LN-LNT900 -- w/fleet option	E4HZ 18471-A			1	
87/	L-LN-LNT-LT-LTL-LTS600/900 with heater or integral A/C adjustable steering	E7HZ 18471-A			1	
87/	L-LL-LN-LNT-LT-LTL -- all w/fixed steering wheel	E9HZ 18471-B			1	
87/	L-LL-LN-LNT-LT-LTL -- all w/fixed steering wheel	F1HZ 18471-A			1	
87/	L-LL-LN-LNT-LT-LTL -- all w/tilt steering wheel	F1HZ 18471-B			1	
YEAR	MODEL/RESTRICTIONS	PART NUMBER	TYPE	I.D. INCHES A B	DESCRIPTION	QTY.

18472 HOSE (HEATER WATER)-If not listed below improvise from bulk hose  
 Note: ▲ To form 90° bend in 5/8" I.D. hose-use D1AZ 18573-A Big Bend



P-12685

80/	All	D0HZ 18472-H	1	1/4	*KH-8-25 ft.	AR
80/	All	D0HZ 18472-J	1	3/8	*KH-9-25 ft.	AR
80/	All	D0HZ 18472-K	1	1/2	*KH-10-25 ft.	AR
80/	All	C9PZ 18472-D	1	1/2	*KH-5-50 ft.	AR
80/	All	D0HZ 18472-L	1	5/8	*KH-11-25 ft.	AR
80/	All	▲ C9PZ 18472-E	1	5/8	*KH-6-50 ft.	AR
80/	All	D0HZ 18472-M	1	3/4	*KH-12-25 ft.	AR
80/	All	C9PZ 18472-F	1	3/4	*KH-7-50 ft.	AR
80/	All	D0HZ 18472-N	1	1	*KH-13-25 ft.	AR
80/	All	D1PZ 18472-A	1	1	*KH-14-50 ft.	AR
80/	C-CT600/900	D9HZ 18472-A		5/8	Inlet-outlet	AR
86	CF600/700	E6HZ 18472-A			Inlet	1
86/	CF600/700 "Before 2/87"	E6HZ 18472-B			Outlet	1
87	CF600/800 "From 2/1/87"	E7HZ 18472-A			Heater to eng. water/outlet	1
87	CF600/800	E7HZ 18472-B			Heater to eng. water/inlet	1
80/	L-LN-LNT-LT800/900	D0HZ 18472-A	2	5/8	*KHM-52-control valve to heater	1
80/	L-LL-LS-LT-LTS-LTL-LN-LNT -- w/integral A/C	F1HZ 18472-B			Used as A/C drain line on evap. pan	1

YEAR	MODEL/RESTRICTIONS	PART NUMBER		DESCRIPTION/REMARKS	QTY.
		HEATER CORE	HEATER CORE SEAL KIT		
<b>18476 CORE ASSY. (HEATER)</b>					
80/	C-CT600/900	D9HZ 18476-B	Not required	9 7/8" x 10" x 2 1/2"	1

**1980/  
TRUCK SERIES 600/900**

YEAR	MODEL/RESTRICTIONS	PART NUMBER		DESCRIPTION/REMARKS	QTY.
		HEATER CORE	HEATER CORE SEAL KIT		
<b>18476 CORE ASSY. (HEATER) — Cont'd</b>					
86/	CF600/700	E6HZ	18476-A	Not required	
80/	CL-CLT900	E6HZ	18476-B	E3HZ 18658-B	7 3/4" x 6 1/8" x 2" elbow tubes, 1 3/4" between
82/	F-FT600/900 -- w/7.0L	E3TZ	18476-J	E3TZ 18658-H	9" x 6 x 3"
80/	F-FT600/800 -- with std. htr.	E3TZ	18476-H	E3TZ 18658-E	6" x 7 3/4" x 2"
	F-FT600/800 -- with high output heater	E7TZ	18476-A	Includes seal	7 1/4" x 7 3/4" x 2", tubes 4 7/16" long
	F-FT600/800 -- with hi-output heater	E3TZ	18476-F	E3TZ 18658-F	7 1/4" x 7 3/4" x 2", tubes 1 7/8" long
80/	L-LN-LNT-LT-LTS800/900 -- with std. heater "Before HA5,001"	D9HZ	18476-C	E3HZ 18658-A	6" x 7 1/4" 2" tubes are 5/8" x 3/4" dia., 8 3/4" between
80	L-LN-LNT-LT-LTS800/900 with high output heater or integral A/C "Before GA5,001"	E5HZ	18476-B		6" x 9 9/16" x 2", tubes are 5/8" x 3/4" dia., 10 3/4" between
80/	L-LN-LNT-LT-LTL-LTS800/900 with high output heater or integral A/C "From 8/85"	E5HZ	18476-A	E3HZ 18658-A	6" x 9 9/16" x 2" both tubes are 5/8" dia., 10 3/4" between
<b>18478 HEATER ASSY.</b>					
80/	C-CT600/900	E0HT	18478-GA		1
80/	ALL L-series	E5HZ	18478-A	Hi-output	1
<b>18A478 DOOR ASSY. (WINDSHIELD DEFROSTER)</b>					
80/	F-FT600/900 -- integral A/C or Hi-Low vent system	E0TZ	18A478-A		1
87/	All L-series -- w/ integral A/C	E7HZ	18A478-A		1
<b>18481 BRACKET (HEATER HOSE SUPPORT)</b>					
80/	CL-CLT900 -- Heater	D8HZ	18481-A	Located-Lwr. Radiator Center	1
80/	CL-CLT900 -- Heater	D8HZ	18481-B	Located-Lwr. Radiator R.H. Side	1
80/81	CL-CLT900 "Before 5/81"	D8HZ	18481-C	Attaches hoses to R.H. or L.H. heater	2
81/	CL-CLT900 "From 5/81"	E2HZ	18481-A		1
80/	CL-CLT900	★ D8HZ	18481-D	Attaches hoses to R.H. frame not replaced	1
80/	CL-CLT900	D8HZ	18481-E	Attaches hoses to L.H. frame	1
<b>18A484 HOUSING ASSY. (HEATER AND AIR CONDITIONER)—Also refer to group 18471</b>					
80	CL-CLT900	D8HZ	18A484-H	R.H. upper	1
81/	CL-CLT900	E1HZ	18A484-A	R.H.-upper	1
80	CL-CLT900	★ D8HZ	18A484-J	R.H. lower-not replaced	1
81	CL-CLT900 "Before 5/81"	★ E1HZ	18A484-B	R.H. lower-r/b E7HZ 18A484-A	1
81/86	CL-CLT900 "From 5/81"	★ E1HZ	18A484-D	R.H. lower-r/b E7HZ 18A484-A	1
80/	CL-CLT900	D8HZ	18A484-K	L.H. upper	1
80/86	CL-CLT900	★ E1HZ	18A484-C	L.H.-lower-r/b E7HZ 18A484-B	1
81/87	CL-CLT900	(RH) E7HZ	18A484-A	(LH) E7HZ 18A484-B Lower	1
80/	CL-CLT900 -- integral A/C w/sleeper	D8HZ	18A484-E	Lower	1
80/	CL-CLT900 -- heater w/sleeper	D8HZ	18A484-F	Lower	1
80/	CL-CLT900 -- w/sleeper	D8HZ	18A484-G	Upper	1
80/81	F600/800 -- std. heater	E0TZ	18A484-A		1
82	F600/800 -- std. heater "Before 3/82"	E2TZ	18A484-A	R/b 1 pc. each E2TZ 18A484-C, E0TZ 18504-C and E2TZ 18527-A	1
82/83	F-FT600/800 -- std. heater "From 3/82"	E2TZ	18A484-C		1
84/	F-FT600/900 -- std. heater	E4TZ	18A484-C		1
80/81	F600/800 -- Hi-output heater	★ E0TZ	18A484-B	Not replaced	1
82	F600/800 -- Hi-output heater "Before 3/82"	E2TZ	18A484-B		1
82/86	F-FT600/900 -- Hi-output heater "From 3/82"	E4TZ	18A484-D		1
87/	F-FT600/900 -- w/deluxe htr.	E9TZ	18A484-A		1
<b>18A489 PLATE ASSY (BLOWER HOUSING)</b>					
81/	CL-CLT900	E1HZ	18A489-A		1

1980/  
TRUCK SERIES 600/900

YEAR	MODEL/RESTRICTIONS	PART NUMBER	DESCRIPTION	QTY.
<b>18490-91 NOZZLE (WIND SHIELD DEFROSTER)</b>				
80/	C-CT600/900	D4HZ 18490-A	R.H. and L.H.	2
80/	C-CLT900	D8HZ 18490-A	R.H.	1
80/	C-CLT900	D8HZ 18490-B	L.H.	1
86/	CF600/800	(RH) E6HZ 18490-A	(LH) E6HZ 18491-A	
80/	F600/900	E0TZ 18490-A		1
<b>18B490 DUCT (HEATER AND AIR CONDITIONER OUTLET)</b>				
80/	CL-CLT900	D8HZ 18B490-A	R.H.	1
80/	CL-CLT900	D8HZ 18B490-B	L.H.	1
<b>18K490 HOUSING ASSY. (HEATER OR A/C REGISTER)</b>				
87/	ALL L-series	E7HZ 18K490-A	Front and L.H. side	2
<b>18A494 PLATE ASSY. (HEATER HOUSING AIR INLET)</b>				
80/82	F600/800 "Before 3/82"	E0TZ 18A494-A	Replaced by E5TZ 18A494-A	1
82/	F-FT600/900 "From 3/81"	E2TZ 18A494-A		1
80/82	F600/800	E5TZ 18A494-A		1
<b>18495 VALVE (HEATER WATER CONTROL)</b>				
80/	C-CT600/800 -- 8 cyl. 330, 361, 391 gas	D1HZ 18495-A	*YG-127-#D1HA 18495-AA	1
80/	L-LN-LNT-LT-LTL-LTS900 -- diesel			1
80/	C-CT900 -- with Detroit DDA-990 Diesel	E0HZ 18495-B	*YG-225-Manual shut-off	1
80/	C800 -- w/Perry water filter	C4TZ 18495-A	*YG-131	2
80/81	CL-CLT900 -- 2 ports vacuum operated	D8HZ 18495-A	*YG-201-(2) req'd -- (1) L.H. unit and (1) sleeper	AR
80/81	CL-CLT900 -- 5 ports vacuum operated	E0HZ 18495-A	*YG-220-(1) R.H. unit	1
80/81	CL-CLT900 vacuum operated	D8HZ 18495-A	*YG-201	1
81/	CL-CLT900	E1HZ 18495-B	*YG-237 manual shut-off	1
80	CL-CLT900	* E1HZ 18495-C	"PLUMBING KIT" w/o L.H. manifold (18B402)-early 1978 units-refer to T.S.B. 81-19-19 dated 9/23/81	1
80	CL-CLT900	E1HZ 18495-D	"PLUMBING KIT" with L.H. manifold (18B402)-late 1978/units-refer to T.S.B. 81-19-19 dated 9/23/81	1
86/	CF600/800	E6HZ 18495-A	*YG-276	1
80/	LN600 -- 8 cyl. 330 gas	FDA 18495-D	*YG-124	1
80/	L-LN-LNT-LT-LTL-LTS600/800	D0HZ 18495-A	*YG-128	1
80/	L-LN-LNT-LT-LTL-LTS900 -- diesel	D1HZ 18495-B	*YG-126-#D1HA 18495-CA-manual shut-off	1
80/	C-CT600/800			1
80/	ALL L-series with Perry water filter	E0HZ 18495-C	*YG-229 - Manual shut-off	1
80/	All F,FT600/900 w/FNH eng.			
80/	L-LN-LNT-LT-LTL-LTS-W-WT900 -- diesel	353476-S100	(II-173)-elbow-3/8"-18 x 45°	1
80/	L-LN-LNT-LT-LTL-LTS900 -- diesel	351795-S7-8	(II-53)-reducer-3/8"-18 x 3/4"-14	1
87/	L-LL-LS-LT-LTL-LTS-LN-LNT800/900 w/o A/C	* E7HZ 18495-A	*YG-299 replaced by D0HZ 18495-A	1
<b>18C495 SWITCH ASSY. (HEATER AND AIR CONDITIONER SERVO MOTOR)</b>				
80/	CL-CLT900 -- w/sleeper	D8HZ 18C495-A		1
<b>18502 VALVE ASSY. (HEATER AND AIR CONDITIONER TEMPERATURE REGULATOR)</b>				
80/81	CL-CLT900	D5TZ 18502-A	*YG-164	1
<b>18504 FAN ASSY. (BLOWER)-Also refer to group 19834</b>				
80/	C-CT600/900	D9HZ 18504-A	Blade type	1
		D9HZ 18504-B	Wheel type	1
80/	CL-CLT900	D8HZ 18504-A		3
86/	CF600/800	*	Refer to 18527	1
80/	F-FT600/900	E0TZ 18504-C		1
80/	ALL L-series	D1TZ 18504-A	Air conditioner condenser-fan blade type	1
<b>18518 CABLE ASSY. (TEMPERATURE)-Also refer to group 18548 and 19988</b>				
86/	CF600/800	E6HZ 18518-A		1
80/81	F600/800 "Before 11/80"	E0TZ 18518-A		1
81/82	F-FT600/800 "From 11/80"	E1TZ 18518-A	#E2TH 18D306-AA,AB	1

1980/  
TRUCK SERIES 600/900

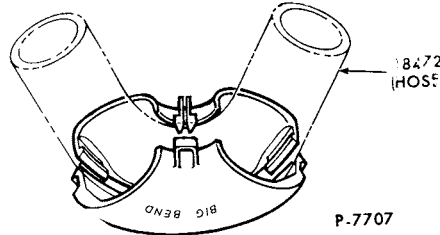
YEAR	MODEL/RESTRICTIONS	PART NUMBER	DESCRIPTION	QTY.
<b>18518 CABLE ASSY. (TEMPERATURE)-Also refer to group 18548 and 19988 — Cont'd</b>				
83/86	F-FT600/900	E3TZ 18518-B	#E3TH 18D306-AA,AB,AC	1
87/	F-FT600/800	E7HZ 18518-B	#E7HT 18D306-AA	1
80/	L-LN-LNT-LT-LTL-LTS600/900 -- w/o integral A/C	E4HZ 18518-A		1
86/	ALL L series -- w/integral A/C	E7HZ 18518-A		1
80/	ALL L series -- w/integral A/C	★ E4HZ 18518-B	Replaced by E7HZ 18518-A	1
80/	L-LN-LNT-LT-LTL-LTS800/900	383230-S	(GG-162-B) Clip-cable control	4
<b>18B518 WIRING (HEATER BLOWER MOTOR)</b>				
80/	C-CT600/900	D3TZ 18B518-A		1
86/	CF600/800	E6HZ 18B518-A		1
87/	F-FT600/900 -- w/Hi-output heater and reg. cab	E7HZ 18B518-A		1
87/	F-FT600/900 -- w/std. heater and reg. cab	E7HZ 18B518-B		1
83/	L-LN-LNT-LT-LTL-LTS600/800	E3HZ 18B518-A		1
<b>18519 KNOB ASSY.-Also refer to group 17513</b>				
80/	CL-CLT900 -- driver & pass. side	C8GY 18519-A		AR
80/	CL-CLT900 -- w/sleeper	D8HZ 18519-A		AR
88/	CL-CLT900	E2ZZ 18519-A		AR
86/	CF600/800	E6HZ 18519-A	Defrost temp.	2
86/	CF600/700	E6HZ 18519-B	Blower switch	1
80/	F-FT600/900	D8AZ 18519-A		3
80/	L-LN-LNT-LT-LTL-LTS800/900	C8GY 18519-A	Blower switch	3
<b>18B519 WIRING ASSY. (HEATER OVER HEAT SWITCH)-Improvise from bulk wiring (14296)</b>				
<b>18B520 WIRING ASSY. (HEATER COIL NEGATIVE)-Improvise from bulk wiring (14296)</b>				
<b>18527 MOTOR ASSY. (HEATER BLOWER)-Also refer to group 19805</b>				
80/	C-CT600/900	D9HZ 18527-A	*MM-389	1
80/	CL-CLT900	D8HZ 18527-A	*MM-371	3
86/	CF600/800	E6HZ 18527-A	Motor & wheel	1
80/81	F600/800	E0TZ 18527-A	*MM-388	1
82/87	F-FT600/900	E2TZ 18527-A	*MM410	1
87/	F-FT600/900 -- w/integral A/C or hi-low vent	F2TZ 18527-A	*MM-527	1
87/	F-FT600/900 -- w/integral A/C	E7TZ 18527-A	*MM-465--replaced by F2TZ 18527-A	1
80	L-LN-LNT-LT-LTS600/900 -- economy heater "Before Ser. HD0,001"	★ D1AZ 18527-A r/bE3PZ 18527-A	*MM-296 *MM-427	1
80	L-LN LNT-LT-LTS600/900 -- Hi-output heater or integral A/C "Before Ser. HD0,001"	C8TZ 18527-A	*MM-267	1
80/	ALL L series -- Hi-output heater or integral A/C "From Ser. HD0,001" LN-LNT-LS-LT-LTS600/900	E0HZ 18527-B	*MM-395	1
<b>18529 SEAL (HEATER CORE TO DASH PANEL)</b>				
80/82	F600/800 "Before 3/81"	E0TZ 18529-A		1
82/	F-FT600/900 "From 3/82"	E2TZ 18529-A		1
80/84	ALL L series	★ D0HZ 18529-A	Replaced by E5HZ 18529-A	2
70/	ALL L-series -- heater	E5HZ 18529-A		1
<b>18531 BRACKET (HEATER AND AIR CONDITIONER CONTROL MOUNTING)</b>				
80/	C-CT600/900 -- Heater	D3HZ 18531-B		1
80/	CL-CLT900 -- w/sleeper	D8HZ 18531-A		1
80/	ALL L series -- Heater	FOHZ 18531-A		1
<b>18535 BRACKET ASSY. (HEATER BLOWER MOTOR MOUNTING)</b>				
80/	ALL L series	E3HZ 18535-A		1

1980/  
TRUCK SERIES 600/900

YEAR	MODEL/RESTRICTIONS	PART NUMBER	DESCRIPTION	QTY.
<b>18541 SOCKET AND WIRE ASSY. (HEATER AND AIR CONDITIONER CONTROL LAMP)</b>				
80/85	CL-CLT900	D3AZ 18541-A		2
80/	F-FT600/900			1
86/	CL-CLT900	E2ZZ 18541-A	R.H. and L.H.	2
87/	CL-CLT900	E5FZ 18541-A	R.H. and L.H.	2
<b>18548 CABLE ASSY. (DEFROSTER AIR)-Also refer to group 18518</b>				
80/86	L-LN-LNT-LT-LTL-LTS800/900	E4HZ 18548-A		1
87/	ALL L-series	E7HZ 18548-A		1
80/84	L-LN-LNT-LT-LTL-LTS800/900	383230-S8	(GG-162-B)-clip-cable control	4
<b>18549 CONTROL ASSY. (HEATER)</b>				
80/81	CL-CLT900 "Before 5/81"	E1HZ 18549-A	Main control-drivers side	1
81/86	CL-CLT900 "From 5/81"	E3HZ 18549-B	Main control-drivers side	1
87/	CL-CLT900	E7HZ 18549-A	Main control-drivers side	1
80/86	CL-CLT900 - - manual A/C or heater	D8HZ 18549-B	Pass. side	1
87/	CL-CLT900	E7HZ 18549-B	Pass. side	1
86/	CF600/800	E6HZ 18549-A		1
80/	F-FT600/900 - - w/o fuel tank with Hi-Lo vent	E0TZ 18549-D		1
80/	F-FT600/900 - - aux. fuel tank with Hi-Low vent	E1HZ 18549-C		1
80/82	F-T600/900 - - w/o aux. fuel tank w/o Hi-Lo vent "Before 3/82"	E0TZ 18549-A		1
82/	F-FT600/900 - - w/o aux. fuel tank and w/o Hi-Low vent "From 3/82"	E2TZ 18549-A		1
80/	F-FT600/900 - - aux. fuel tank and w/c Hi-Low vent	E2HZ 18549-A		1
88/	L-LN-LT-LTL-LNT - - w/Integral A/C	E8HZ 18549-A		1
<b>18552 CABLE ASSY. (HEATER AIR)</b>				
80/	C-CT600/800	E4HZ 18552-A		1
86/	CF600/800	E6HZ 18552-A		1
80/82	F-FT600/800	E0TZ 18552-A		1
83	F-FT600/800	E3TZ 18552-A		1
80/84	ALL L-series "Before 3/84"	D0HZ 18552-A		1
84/	ALL L-series "From 3/84"	E4HZ 18552-B		1
80/84	L-LN-LT-LTL-LTS800/900	383230-S	(GG-162-B) clip-cable control	4
80/84	C-CT600/900	45174-S8	(M-138)-nut-spring-No. 8-15	2
<b>18556 HOSE (WINDSHIELD DEFROSTER)</b>				
80/	C-CT600/900	B5A 18556-C	2 1/2" I.D. x 36" long-cut to fit	AR
88/	C-CT800	E8HZ 18556-A		1
86/	CF600/800	E6HZ 18556-A	R.H. & L.H.-side defrost	2
86/88	CF600/700	E6HZ 18556-B	Windshield	1
87/	CF600/700 (RH)	E7HZ 18556-A	(LH) E7HZ 18557-A	1
<b>18A565 NOZZLE (WINDSHIELD DEFROST INNER)</b>				
86/	CF600/800	E6HZ 18A565-A		4
<b>18C557 PLATE ASSY. (HEATER)</b>				
80/	L-LN-LNT-LT-LTS600/900	D0HZ 18C557-A	"HIGH OUTPUT"	1
<b>18568 HOUSING (HEATER AND AIR CONDITIONER BLOWER MOTOR)</b>				
80/	CL-CLT900 - - sleeper	D8HZ 18568-A		1
87/88	F,FT600/900	E7TZ 18568-A		1
88/89	F,FT600/900 "From 4/1/88"	E9TZ 18568-A		1
<b>18B568 HOUSING ASSY. (HEATER DEFROSTER BLOWER)</b>				
80/	C-CT600/900	D1TZ 18B568-A		1
<b>18570 GASKET (HEATER PLENUM CHAMBER TO DASH)</b>				
80/	F-FT600/900 - - heater	E0TZ 18570-A		1
80/	F-FT600/800 - - integral A/C or Hi-Low vent	E0TZ 18570-B		1
<b>18572 CLAMP</b>				
80/	B-F-FT-C-CT-L-LN-LNT-LT-LTL-LTS600/900	D3HZ 18572-B	Brake booster hose	2

1980/  
TRUCK SERIES 600/900

YEAR	MODEL/RESTRICTIONS	PART NUMBER	DESCRIPTION	QTY.
18573	BENDER (HEATER HOSE)			



80/	All - - with 5/8" I.D. hose	D1AZ 18573-A	*KX-1-A-refer to Group 18472 for hose	1
<b>18K576 SEAL (HEATER and AIR CONDITIONER AIR DAMPER DOOR)</b>				
80/	CL-CLT900	D8HZ 18K576-A	R.H. and L.H.	2
<b>18577 WASHER (HTR. AIR REGULATOR CONTROL)</b>				
87/	CL-CLT900	E8TZ 18577-A		1
<b>18578 SWITCH ASSY. (HEATER)-Also refer to 19986</b>				
80/	C-CT600/900	D3HZ 18578-B		1
86/	CF600/800	E6HZ 18578-B	Knob only, refer to group 11654 for switch	1
80/	L-LN-LNT-LT-LTS600/900	★	Refer to group 19986	1
82/	LTL900 - - heated mirror	E1HZ 18578-A	*YH-384	1
<b>18581 PLATE (BLOWER MOTOR MOUNTING)</b>				
80/	C-CT600/900	D1TZ 18581-B		1
86/	CF600/800 - - w/ dealer installed A/C	E6HZ 18581-A		1
80/	F-FT600/900	E0TZ 18581-A		1
80/	L-LN-LNT-LT-LTL-LTS600/900 - - w/o integral A/C	E0HZ 18581-B		1
80/	ALL L series - - w/integral A/C	E4HZ 18581-A		1
<b>18A581 RING (A/C COND. MOTOR MOUNTING)</b>				
89	F-FT600/900 - - w/dlr. installed A/C	E0TZ 18A581-A		1
<b>18583 GASKET (AIR CONDITIONER BLOWER MOTOR MOUNTING)</b>				
86/	CF600/800	E6HZ 18583-A		2
80/	F600/900	D5UZ 18583-A		1
<b>18A586 WIRING ASSY. (HEATER SWITCH TO BLOWER MOTOR)</b>				
80/82	CL-CLT900 "Before 10/81"	D8HZ 18A586-A		1
82/86	CL-CLT900 "From 11/81"	E2HZ 18A586-A		1
87/	CL-CLT900	E7HZ 18A586-A		1
<b>18591 RESISTOR ASSY. (HEATER SWITCH TO BLOWER MOTOR)</b>				
80	C-CT600/900 "Before 3/80"	D9HZ 18591-A	2-prong	1
80/	C-CT600/800 "From 3/80"	E0HZ 18591-A	5-prong	1
80/	CL-CLT900	F2HZ 18591-A		3
86/	CF600/800	E6HZ 18591-A		1
80/82	F-FT600/880	C9AZ 18591-A		1
83/	F-FT600/900	E3TZ 18591-A		1
80/86	ALL L series	D0HZ 18591-C		1
87/	ALL L-series	E7HZ 18591-A		1
<b>18B591 GRILLE ASSY. (HEATER and AIR CONDITIONER AIR INLET)</b>				
80	CL-CLT9000 - - w/integral A/C "Before 1/80"	★ D8HZ 18B591-A	R.H. & L.H.-not replaced	2
80/	CL-CLT9000 - - Integral A/C "From 1/80"	E0HZ 18B591-A		1
80	CL-CLT9000 - - heater "Before 1/80"	D8HZ 18B591-E	R.H. & L.H.	2
80/	CL-CLT9000 - - heater	E4HZ 18B591-A		1
<b>18592 HOUSING (HEATER BLOWER)</b>				
86/87	CF600/800	★ E6HZ 18592-A	Replaced by E6HZ 18471-A	1
<b>18593 COVER (HEATER BLOWER)</b>				
86/	CF600/800	E6HZ 18593-A		1

1980/  
TRUCK SERIES 600/900

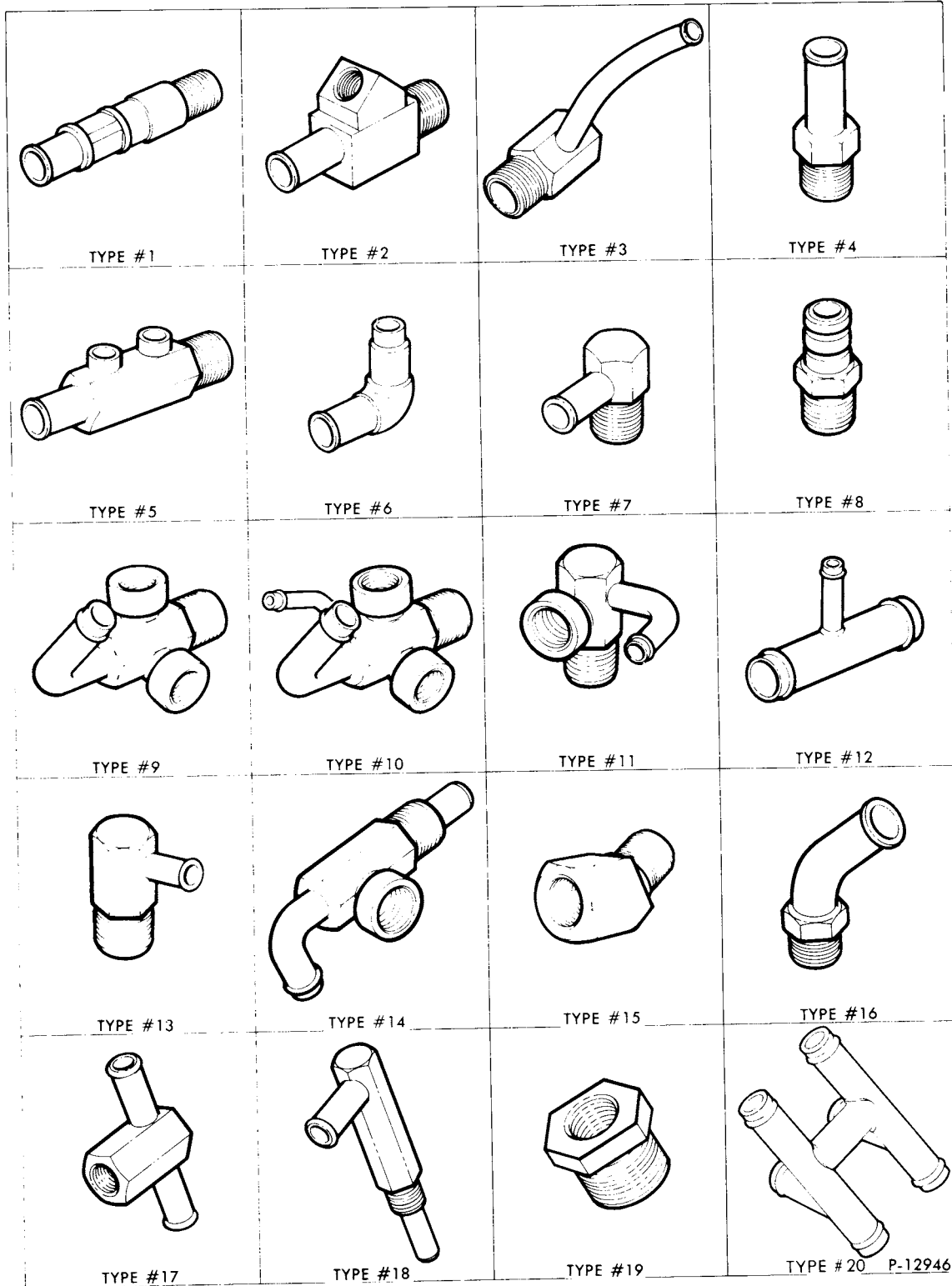
YEAR	MODEL/RESTRICTIONS	PART NUMBER	DESCRIPTION	QTY.	
<b>18596 GASKET (HEATER CORE TUBE)</b>					
80/83	F600/800	★ E0TZ 18596-A	Not replaced	1	
<b>18598 BEZEL</b>					
80/	All -- w/air horn	C5AZ 18598-A	Air horn switch	1	
YEAR	MODEL/RESTRICTIONS	PART NUMBER	TYPE	DESCRIPTION	QTY.
<b>18599 ELBOW-Also refer to group 9A455 or 18663</b>					
80/	All	8A 18599	16	Heater to water pump-45°-3/8"-18-5/8" hose conn.	1
80/	B-C-F-FT-L-LN-LNT-LT600/800 -- 8 cyl. 361, 391-hi fan	D1TZ 18599-A	6	90°-push-in type-3/4" at eng.-3/4" hose conn.	1
80/	C600 -- 6 cyl. gas	8M 18599	8	Straight.-3/8"-18-1/2" hose conn.	1
80/	C-CT900	D6TZ 18599-A	16	Elbow-1/2" eng. conn.-5/8" hose conn.	1
80/	L-LT-LTS600/900 -- gas	D4HZ 18599-B	1	Straight - 1/2" - 14 eng. conn. - 3/4" hose conn.	1
80/	C-CT600/800,L-LN-LNT-LT-LTS800	D5TZ 18599-A	17	T shaped- 3/8" - 18 female (2) 5/8" hose conn.	1
80/	CL-CLT900 -- 893 and 1150 C.I.D.	D8HZ 18599-B	8	Inlet-5/8 hose x 3/4 pipe straight	1
80/	CL-CLT900 -- 893 C.I.D.		8	Outlet -- 5/8 hose x 3/4 pipe straight	1
80/	CL-CLT900 -- w/o E-Z Rider		379428-S	Tee-5/8 x 5/8 x 5/8	1
80/	CL-CLT900 -- E-Z Rider	D8HZ 18599-E	12	Tee-3/4 x 5/8 x 5/8	1
80/	CL-CLT900 -- Detroit diesel	D8HZ 18599-F	16	Elbow-90°	1
85/	CL-CLT9000 -- with LTA eng.	E5HZ 18599-A	4	3/4-14 male conn. x 1.00" MTR hose conn.-straight-screws into 18495 water valve	1
85/	CL-CLT9000 -- with LTA eng.	E5HZ 18599-B	19	1/2 ext. pipe x 3/4 int. pipe-attaches to thermostat	1
86/	CF600/700		U800806-S		1
84/	F-FT600/800 -- w/det. diesel 501 (8.2L) eng. w/air pump	E4HZ 18599-A		2 1/2-14 male eng. conn. 7/8-18 female conn. x 1/2 hose conn.	1
84/	LN600/800 -- w/Det. diesel 501 (8.2L) eng. w/air pump				1
80/	F-FT600/900, L-LT-LTS-LN-LNT 600/900	★ D9HZ 18599-D Not replaced	15	Elbow-1/2 internal pipe x 3/4 external pipe	1
80/	L-LT-LTS-LN-LNT600/900 -- gas	D9HZ 18599-B	16	Elbow-90° -- 3/4 eng. conn. x 3/4 hose conn.	1
80/	L-LT-LTS-LN-LTN600/900	D9HZ 18599-E	1	Connector 5/8 hose x 1/2 external pipe	1
80/	F-FT600/800				1
80/	L-LT-LTS-LN-LNT600/900	D9HZ 18599-F		Connector-3/4 hose x 1/2 external pipe	1
80/	L-LT-LTS-LN-LNT600/900	D9HZ 18599-G	8	Nipple-3/4 hose x 3/8 pipe	1
80/	L-LT-LTS-LN-LNT600/900	D9HZ 18599-L	8	Nipple-3/4 hose x 3/8 pipe	1
80/	C-CT900 -- with Detroit DDA-990 Diesel				1
80/	F-FT600/800				1
80/	L-LT-LTS-LN-LNT600/900	D9HZ 18599-J	6	Elbow-90°-3/4 hose x 3/8 hose	1
80/83	L-LT-LTS-LN-LNT600/900	★ D9HZ 18599-K Not replaced	6	Elbow-90°-5/8 hose x 5/8 hose	1
80/	L-LT-LTS-LN-LNT600/900		384059-S100		1
80/	L-LT-LTS-LN-LNT600/900	D9HZ 18599-H	8	Nipple-3/4 hose x 1/2 pipe	1
81/	L-LT-LTS-LN-LNT600/900	E1HZ 18599-A	15	Elbow 45° x 3/8 pipe	1
81/	L-LT-LTS-LN-LNT600/900	E1HZ 18599-B	15	Elbow 45° x 1/2 pipe	1
81/	L-LT-LTS-LN-LNT600/900	E1HZ 18599-C	19	Reducer 3/4 x 3/8-attaches 18495 valve to engine	1
82/	LTL900	E1HZ 18599-D		Elbow-45° 1/2 x 3/4 pipe-attaches to 9189 hose	1
85/	B-C-F-FT600/800 -- with 429 gas	E5HZ 18599-C	17	3/8 female x 3/8 female x 5/8 male	1
87/	F-FT-L-LN-LNT-LT-LTL-LTS600/900	E7HZ 18599-A	6	45° elbow, 5/8" x 3/4" pipe thread	1



1980/  
TRUCK SERIES 600/900

18599

ELBOW (HOT WATER and AIR CONDITIONER CONNECTION)



1980/  
TRUCK SERIES 600/900

YEAR	MODEL/RESTRICTIONS	PART NUMBER	DESCRIPTION	QTY.
<b>18B604 WIRING ASSY. (HEATER CONTROL)</b>				
87/	all L-series w/Ford dsl. eng.	E8HZ 18B604-A	(Fuel Htr Wiring assy.)	1
87/	FT600/900 w/Ford dsl. eng.	E8HZ 18B604-B	(Fuel Htr Wiring Assy)	1
87/	B,F600/800 Cowl w/Ford dsl. eng.	E8HZ 18B604-C	(Fuel Htr Wiring Assy)	1
87/	CF600/800 w/Ford dsl. eng.	E8HZ 18B604-D	(Fuel Htr Wiring Assy)	1
<b>18A606 PLATE AND BOLT ASSY. (HEATER HOSES)</b>				
80/	CL-CLT900	D8HZ 18A606-A		2
<b>18C615 BRACKET (HEATER BLOWER MOTOR MOUNTING-UPPER)</b>				
80/	C-CT600/900	D9HZ 18C615-A		1
<b>18B616 BRACKET (HEATER and AIR CONDITIONER PLENUM CHAMBER)</b>				
80/	CL-CLT900 - - sleeper	D8HZ 18B616-A		1
<b>18B625 FRAME ASSY. (HEATER and AIR CONDITIONER AIR DAMPER DOOR INLET)</b>				
80/	CL-CLT900	E1HZ 18B625-A	R.H.	1
80/	CL-CLT900	E1HZ 18B625-B	L.H.	1
<b>18C628 DOOR and HANDLE ASSY. (AIR)</b>				
80/	L-LN-LNT-LT-LTS600/900	D1HZ 18C628-A		1
<b>18C629 HARNESS ASSY. (BLOWER MOTOR)</b>				
80/84	L-LN-LNT-LT-LTS600/900	★ D0HZ 18C629-A Not replaced		1
<b>18C632 SPACER (HEATER CORE)</b>				
80/	L-LN-LNT-LT-LTS600/900	D0HZ 18C632-A	Economy	1
<b>18633 COVER (HEATER and AIR CONDITIONER OUTLET DUCT)</b>				
80/81	CL-CLT900 - - sleeper	D8HZ 18633-A	Blue	1
80/81	CL-CLT900 - - sleeper	D8HZ 18633-C	Red	1
80/89	CL-CLT900 - - sleeper	D9HZ 18633-A	Chestnut (Paint to match)	1
<b>18A635 BRACKET (HEATER WATER CONTROL VALVE MTG. R.H. UNIT)</b>				
80/	CL-CLT	E1HZ 18A635-A		1
<b>18C635 COVER (HEATER CONTROL SWITCH OPENING)</b>				
80/	L-LN-LNT-LT-LTS600/900	D0HZ 18C635-A	Paint to match	AR
<b>18C636 PLUG (HEATER CASE)</b>				
80/	F-FT600/900 - - Hi-Low vent	E0TZ 18C636-A	1 inch. long x 5/8 dia.	1
80/	F-FT600/900 - - Hi-Low vent	D9AZ 18C636-A	1 inch. long x 7/8 dia.	1
80/	L-LN-LNT-LT-LTS600/900 - - All			1
<b>18C637 FRAME ASSY. (HEATER BLOWER DOOR)</b>				
80/	F-FT600/900	E0TZ 18C637-A		1
<b>18C638 SHAFT ASSY. (HEATER and AIR CONDITIONER)</b>				
80/	CL-CLT900	D8HZ 18C638-A	L.H. plenum & def nozzle -6" long-vent door	1
80/	CL-CLT900	D8HZ 18C638-B	L.H. plenum & def nozzle 4 1/2" long vent-door	1
80/81	CL-CLT900	D8HZ 18C638-C	L.H. plenum & def nozzle 5 1/8" long-htr outlet door	1
80/	CL-CLT900	D8HZ 18C638-D	L.H. plenum & def nozzle 5 1/4" long-htr outlet door	1
80/	CL-CLT900	D8HZ 18C638-E	R.H. plenum & def nozzle -5 1/4" long-vent door	1
80/	CL-CLT900	D8HZ 18C638-F	R.H. plenum & def nozzle - 8 3/4" long-vent door	1
80/	CL-CLT900	D8HZ 18C638-G	R.H. plenum & def nozzle 6" long- outlet door	1
<b>18C641 RELAY ASSY.</b>				
86	CF600/700	E6HZ 18C641-A	Used as a fuel shut-off relay	1
<b>18B647 REGULATOR ASSY. (HEATER and AIR CONDITIONER CONTROL)</b>				
80/	CL-CLT900 - - heater or manual A/C	E3HZ 18B647-A	Located in main control head	1
80/81	CL-CLT900 - - sleeper with A/C	D8HZ 18B647-B	Located in sleeper compt.	1
82/	CL-CLT900 - - heater or A/C	E3HZ 18B647-B	Located in sleeper compt.	1
<b>18A651 PANEL ASSY. (AIR CONDITIONER and HEATER CONTROL)</b>				
80/82	L-LN-LNT-LT-LTL-LTS800/900 - - city delivery instrument panel "Before 11/81"	★ D4HZ 18A651-A Not replaced	Tobacco	1
80/82	L-LN-LNT-LT-LTL-LTS800/900 - - std. cab and line haul instrument panel "Before 11/81"	★ D4HZ 18A651-B Not replaced	Tobacco	1

**1980/  
TRUCK SERIES 600/900**

YEAR	MODEL/RESTRICTIONS	PART NUMBER	DESCRIPTION	QTY.
<b>18A651 PANEL ASSY. (AIR CONDITIONER and HEATER CONTROL) — Cont'd</b>				
82/	L-LN-LNT-LT-LTL-LTS800/900 -- city delivery instr. pnl.	★ E2HZ 18A651-A Not replaced	Tan	1
82/	L-LN-LNT-LT-LTL-LTS800/900 -- std. cab-line haul instr. pnl.	E2HZ 18A651-B	Black/red	1
82/	L-LN-LNT-LT-LTL-LTS800/900 -- std. cab-line haul instr. pnl.	E2HZ 18A651-C	Black/caramel	1
88/	L-LN-LNT-LT-LTL-LTS800/900 w/city delivery instr. pnl.	E9HZ 18A651-A		1
89/	L-LN-LNT-LT-LTL-LTS 800/900 -- all	E9HZ 18A651-A		1
<b>18658 SEAL (HEATER CORE TO CASE)</b>				
80/	F-FT600/900 -- integral A/C or Hi-Low vent.	E0TZ 18658-A		1
80/	CL-CLT900	E7HZ 18658-A		1
80/	F-FT600/900 -- std. heater	E3TZ 18658-E	Use w/E3TZ 18476-F core	1
80/	F-FT600/900 -- Hi-output heater	E3TZ 18658-G	Use w/E3TZ 18476-H core	1
80/	F-FT600/900 -- integral A/C or Hi-Low vent	E3TZ 18658-F	Use w/E3TZ 18476-G core	1
82/	F-FT600/900 -- w/7.0L	E3TZ 18658-H	Use w/E3TZ 18476-J core	1
80/	L-LN-LNT-LTL-LTS-LT600/900	E3HZ 18658-A	Use w/E3HZ 18476-A and B core	1
<b>18A658 CONNECTOR (HEATER HOSE)</b>				
80/	All	D0HZ 18A658-A	3/4" O.D.	1
<b>18662 SEAL (HEATER and AIR CONDITIONER AIR DUCT TO INLET)</b>				
80/	CL-CLT900 -- sleeper	D8HZ 18662-A	R.H. & L.H.	2
<b>18663 TUBE (HEATER WATER OUTLET)</b>				
88/89	CL-CLT9000 w/cum. L-10 (610) 6 cyl. eng.	E8HZ 18663-B		1
87/	All L-series -- w/Cum. L-10 eng. 6 cyl. 610	E7HZ 18663-F		1
87/	LN-LNT600/800 -- w/402 & 476 FTC engs.	E7HZ 18663-A		1
87	LN-LNT -- w/6.6L and 7.8L FTO eng.	E7HZ 18663-B		1
85/	L-LS-LTA-LTS900 -- with LTA eng. 6 cyl. 300	E5HZ 18663-A		1
85/	LN-LNT8000/9000 -- with LTA eng. 6 cyl. 300	E5HZ 18663-B		1
88/89	LL-LTL-LNT800/900 -- w/Cat. 3306 eng.	E8HZ 18663-D		1
89	L-LT-LTS800/900 -- all FTO eng. LN-LNT800 -- all FTO eng.	E9HZ 18663-A		1
85/86	CL-CLT9000 -- with LTA eng. 6 cyl. 552	E5HZ 18663-C	Inlet	1
85/86	LN-LNT8000/9000 -- with L10 eng. 6 cyl. 610			1
90	L-LL-LS-LTS-LT-LTL -- w/Cat. 3176 diesel eng.	E9HZ 18663-B	Inlet	1
<b>18A668 PANEL (AIR CONDITIONER and HEATER CONTROL INNER)</b>				
80/82	L-LN-LNT-LT-LTL-LTS800/900 -- std. cab and line haul instrument panel "Before 11/1/81"	D4HZ 18A668-A	Tobacco	1
82/	L-LN-LNT-LT-LTS800/900 -- std. cab and line haul instr. panel "From 11/1/81"	E2HZ 18A668-A	Tan	1
80/	L-LN-LNT-LT-LTL-LTS600/900 -- custom cab and line haul instr. panel	E1HZ 18A668-A	Black	1
<b>18A668 BEZEL (HEATER CONTROL)</b>				
80/	C-CT600/900	D3HZ 18A668-C		1
<b>18A672 HOSE (HEATER AIR INSTRUMENT PANEL REGISTER)</b>				
86/	CF600/800	E6HZ 18A672-A		1

1980/  
TRUCK SERIES 600/900

YEAR	MODEL/RESTRICTIONS	PART NUMBER	DESCRIPTION	QTY.
<b>18A677 BRACKET (TEMPERATURE CONTROL CABLE)</b>				
80/	F-FT600/900	E0TZ 18A677-A		1
80/	L-LN-LNT-LT-LTL-LTS600/900	D0HZ 18A677-A		1
87/	L-LL-LS-LT-LTS-LN-LNT 800/900 w/o A/C	E7HZ 18A677-A		1
<b>18B684 PIVOT (AIR DAMPER DOOR)</b>				
86/	CF600/800	E6HZ 18B684-A		1
<b>18696 TUBE ASSY. (HEATER WATER INLET)</b>				
85	CL-CLT900 -- w/LTA engines	E5HZ 18696-A		1
86/87	CL-CLT -- w/LTA engines	E6HZ 18696-A		1
88/89	CL-CLT9000 w/cum. L-10 (610) 6 cyl. eng.	E8HZ 18696-B		1
88/	All CL-CLT900 -- w/Cum. 855 NTC eng.	E8HZ 18696-D		1
87/	L-LS-LT-LTS900 -- w/L-10 eng. 6 cyl. 610	E7HZ 18696-B		1
87/	All L-series 800 -- w/6.6L & 7.8L FTO engs.	E7HZ 18696-A		1
89	L-LL-LS-LTS-LT-LTL-LN- LNT800/900 -- w/Cat. 3306 eng.	E8HZ 18696-E		1
87/	LL-LTL900 -- w/Cum. L10 engs. 6 cyl. 610	E7HZ 18696-C		1
88/	L-LL-LS-LT-LTL-LTS LN-LNT900 -- w/Cat. 3406 SRS 116 BBC	E8HZ 18696-A		1
88/	L-LL-LS-LT-LTL-LTS 900 -- w/Cumm. (855) 444 HP eng. 116 BBC	E8HZ 18696-C		1
87/	LN-LNT900 -- w/Cum. L10 eng. 6 cyl. 610	E7HZ 18696-D		1
89	L-LT-LTS800/900 -- all FTO eng.	E9HZ 18696-A		1
89	LN-LNT800 -- all FTO eng.			
<b>18755 HOUSING (A/C BLOWER MOTOR)</b>				
89	F-FT600/900 -- all w/dir. installed A/C	D4TZ 18755-A	Lower D4TZ 18755-B upper	1
<b>18767 VALVE ASSY. (AIR PRESSURE REGULATOR DRIVE)</b>				
80	CL-CLT900	D9HZ 18767-A		1
81/	CL-CLT900	E1HZ 18767-A		1
84	F-FT600/900 -- w/dsl. eng.			1
<b>18805 RADIO KIT (FOR 1980 ONLY)-Refer to applicable 18806 and 18813 for 1981</b>				
80	C-CT600/900	B7C 18813-B	Antenna-manual	1
		D3TZ 18806-C	Chassis-AM-mono.	1
		D8HZ 18819-A	Speaker & hardware kit-mono.	1
80	F600/800	E0TZ 18813-A	Antenna-manual	1
		D6DZ 18806-C	Chassis-AM	1
		D6DZ 18806-B	Chassis-AM/FM monaural	1
		D7AZ 18806-A	Chassis-AM/FM stereo	1
		D4AZ 18806-C	Chassis-AM/FM stereo tape	1
		E0TZ 18819-A	Speaker & hardware kit-AM or AM/FM mono.	1
		E0TZ 18819-B	Speaker & hardware kit-stereo	1
80	L-LN-LNT-LT-LTS600/900	D0HZ 18813-A	Antenna (manual)	1
80	CL-CLT900	D8HZ 18813-A	Antenna-manual	1
		D8HZ 18806-A	Chassis-AM-monaural	1
		D8HZ 18806-B	Chassis-AM/FM/MPLX stereo	1
		★ D8HZ 18806-C	Chassis-AM/TAPE-stereo-not replaced	1
		D8HZ 18806-D	Chassis-AM/FM/MPLX w/tape-stereo-8 track	1
		D8HZ 18819-B	Speaker & hardware kit-monaural or stereo	1
80/	L-LT-LTS-LTL-LN-LNT800/900	E5HZ 18805-AA	Radio (AM)-incl. antenna	1
80	L-LT-LTS-LTL-LN-LNT800/900	★ E0HZ 18805-BA	Radio (AM/FM-Mono) includes antenna-not replaced	1

1980/  
TRUCK SERIES 600/900

YEAR	MODEL/RESTRICTIONS	PART NUMBER	DESCRIPTION	QTY.
<b>18806 RADIO CHASSIS</b>				
89	B-F600/900	E9TZ 18806-Q	AM-electronic w/clock (snap in)	1
81	C-CT600/900	D3TZ 18806-C	AM-Monaural	1
83	CL-CLT900 "Before 4/83"	E2AZ 18806-A	AM-Monaural	1
87/	CL-CLT900	E7HZ 18806-A	AM-monaural	1
89	CL-CLT900	E9TZ 18806-Q	AM-electronic w/clock (snap-on)	1
89	CL-CLT900	E9TZ 18806-B	AM/FM/mplx cassette w/search w/clock	1
89	CL-CLT900	E9TZ 18806-C	AM/FM/mplx cassette w/clock	1
89	CL-CLT900	★ E9TZ 18806-J	AM/FM/mplx stereo w/search w/clock-not replaced	
83	CL-CLT900 "Before 4/83"	E3AZ 18806-A	AM/FM/MPLX-Stereo	1
83/86	CL-CLT900 "From 4/83"	E4AZ 18806-B	AM/FM/MPLX-stereo	1
87/89	CL-CLT900	F0DZ 18806-C	AM/FMMPLX-electronic-midline	1
81/82	CL-CLT900	D8HZ 18806-D	AM/FM/MPLX-w/8 track tape-stereo	1
83	CL-CLT900 "Before 4/83"	E3AZ 18806-B	AM/FM/MPLX-w/8 track tape-stereo	1
83/	CL-CLT900 "From 4/83"	E4AZ 18806-D	AM/FM/MPLX-w/8 track tape stereo	1
84/86	CL-CLT900	★ E6HZ 18806-E	AM/FM/MPLX-cassette tape-replaced by E7HZ 18806-C	1
84/	CL-CLT900	E7HZ 18806-C	AM/FM/MPLX-cassette tape-electronic-midline	1
86/	CF600/800 "Before 10/85"	E6HZ 18806-C	AM monaural	1
86/87	CF600/800 "From 10/85"	E6HZ 18806-D	AM monaural	1
87/	CF600/700 "From 2/25/87"	E7HZ 18806-D		1
86/	CF600/800	E6HZ 18806-B	AM/FM/MPLX-cassette	1
82/83	ALL L-series "From 6/81 until 4/83"	E2AZ 18806-A	AM-Monaural	1
87	ALL L-series	E7HZ 18806-A	AM-monaural	1
82/83	ALL L-series "From 6/81 until 4/83"	E2AZ 18806-B	AM/FM-monaural	1
83/84	ALL L-series "From 4/83"	E4FZ 18806-A	AM/FM monaural	1
82	ALL L-series "From 6/82"	E2AZ 18806-C	AM/FM/MPLX-Stereo	1
83	ALL L-series "Before 4/83"	E3AZ 18806-A	AM/FM/MPLX-Stereo	1
83/86	ALL L-series "From 4/83"	E4AZ 18806-B	AM/FM/MPLX stereo	1
87/	ALL L-series	F0DZ 18806-C	AM/FM/MPLX-electronic-midline	1
82	ALL L-series "From 6/82"	E2AZ 18806-D	AM/FM/MPLX-w/8 track tape stereo	1
83	ALL L-series "Before 4/83"	E3AZ 18806-B	AM/FM/MPLX-w/8 track tape-stereo	1
83/	ALL L-series "From 4/83"	E4AZ 18806-D	AM/FM/MPLX w/8 track stereo	1
82	ALL L-series	E2AZ 18806-E	AM/FM/MPLX-w/cassette tape stereo	1
83	ALL L-series "Before 4/83"	E3AZ 18806-C	AM/FM/MPLX-cassette tape	1
83/86	ALL L-series "From 4/83"	★ E6HZ 18806-E	AM/FM/MPLX-cassette tape-replaced by E7HZ 18806-C	
83/	ALL L-series	E7HZ 18806-C	AM/FM/MPLX/cassette tape-electronic-midline	1
89	L-LN-LNT-LT-LTL-LTS800/900	E9TZ 18806-Q	AM-electronic midline w/clock (snap-in)	1
89	L-LN-LNT-LT-LTL-LTS800/900	E9TZ 18806-B	AM/FM/mplx cassette w/search w/clock	1
89	L-LN-LNT-LT-LTL-LTS800/900	E9TZ 18806-C	AM/FM/mplx cassette w/clock	1
89	F/B600/900	E9TZ 18806-B	AM/FM/mplx cassette w/search w/clock	1
89	F/B600/900	E9TZ 18806-C	AM/FM/mplx cassette w/clock (midline)	1
89	F/B600/900	★ E9TZ 18806-J	(Midline) AM/FM/mplx w/search w/clock-not replaced	1
81	F600/800 "Before 5/81"	D6DZ 18806-C	AM-Monaural	1
81	F600/800 "From 5/81"	E1AZ 18806-A	AM-monaural	1
82/83	F-FT600/800 "Before 4/83"	E2AZ 18806-A	AM-monaural	1
81	F600/800 "Before 5/81"	D6DZ 18806-B	AM/FM-Monaural	1

1980/  
TRUCK SERIES 600/900

YEAR	MODEL/RESTRICTIONS	PART NUMBER	DESCRIPTION	QTY.
<b>18806 RADIO CHASSIS — Cont'd</b>				
81	F600/800 "From 5/81"	E1AZ 18806-B	AM/FM-monaural	1
83/84	F-FT600/900 "From 4/83"	E4FZ 18806-A	AM/FM monaural	1
81	F600/800 "Before 5/81"	D7AZ 18806-A	AM/FM/MPLX Stereo	1
81	F600/800 "From 5/81"	E1AZ 18806-C	AM/FM/MPLX stereo	1
81	F600/800	E1AZ 18806-D	AM/FM/MPLX-w/8 track tape stereo	1
87/	F-FT600/900	E7HZ 18806-A	AM-monaural	1
82/83	F-FT600/800 "Before 4/83"	E2AZ 18806-B	AM/FM-monaural	1
82	F600/800	E2AZ 18806-C	AM/FM/MPLX stereo	1
83	F-FT600/800 "Before 4/83"	E3AZ 18806-A	AM/FM/MPLX Stereo	1
83/86	F-F600/900 "From 4/83"	E4AZ 18806-B	AM/FM multiplex stereo	1
87/	F-FT600/900	F0DZ 18806-C	AM/FM/MPLX-electronic-midline	1
82	F600/800	E2AZ 18806-D	AM/FM/MPLX-w/8 track tape stereo	1
83	F-FT600/800 "Before 4/83"	E3AZ 18806-B	AM/FM/MPLX-w/8 track tape-stereo	1
83/	F-FT600/800 "From 4/83"	E4AZ 18806-D	AM/FM multiplex w/8 track stereo	1
84/86	F-FT600/900	★E6HZ 18806-E	AM/FM/MPLX-cassette tape-replaced by E7HZ 18806-C	1
84/	F-FT600/900	E7HZ 18806-C	AM/FM/MPLX/cassette tape-electronic-midline	1
<b>18808 SPEAKER (RADIO RECEIVER)</b>				
80/	C-CT600/900	D2HZ 18808-B	5" x 7"	1
80/	CL-CLT900 -- rear-stereo or monaural	D8BZ 18808-C	5 1/2" x 7 1/2"	1
80/83	CL-CLT900 -- front-stereo or monaural "Before 4/83"	D8HZ 18808-A	5 1/4" round	1
83/	CL-CLT900 -- frt. stereo or monaural "From 4/83"	E2AZ 18808-A	5 1/2 RD	1
89	CL-CLT900 -- frt stereo	E9HZ 18808-A	5 1/4" Rd	1
86/	CF600/800	E6HZ 18808-A		1
80/81	F600/800 -- Front monaural	E0TZ 18808-A	5 1/2" x 7 1/2"	1
89	F/B600-900 all stereo	E9AZ 18808-A		2
87/89	F-B all w/electronic AM clock radio	F0HZ 18808-A		1
82/	F-FT600/900 -- front monaural	E2TZ 18808-A	5 1/2" x 7 1/2"	1
80/	F-FT600/800 -- Front stereo	E1SZ 18808-A	5 1/4" round	1
80/82	L-LN-LNT-LT-LTL-LTS600/900 "Before 6/82"	D5FZ 18808-A	5" x 7"	1
82/86	L-LN-LNT-LT-L-LTS600/900 "From 6/82"	E2FZ 18808-A	5" x 7"	1
87/	ALL L-series -- front monaural	E7HZ 18808-A	5 1/2 x 7 1/2	
87/	All L-series -- door stereo	E7SZ 18808-B	5 1/4 round	1
89	L-LL-LN-LNT-LS-LT LTL-LTS800/900 all stereo	E9AZ 18808-A	5 1/4 round	2
<b>18812 CABLE ASSY. (RADIO ANTENNA LEAD-IN)</b>				
80/	CL-CLT900 -- C.B.	D8HZ 18812-A	From "Y" connector to remote C.B. chassis	1
80/	CL-CLT900 -- C.B.	D8HZ 18812-B	From "Y" connector to hot post on package tray	1
80/	CL-CLT900 -- C.B.	D8HZ 18812-C	From "Y" connector to hot post on instr pnl.	1
80/	F-FT600/900	E0TZ 18812-A		1
<b>18A812 CONNECTOR ASSY. (C.B. RADIO ANTENNA LEAD-IN)</b>				
80/	CL-CLT900	D8HZ 18A812-A	"Y" shape	1
<b>18813 ANTENNA ASSY. (RADIO CHASSIS)</b>				
81/82	CL-CLT900 "Before 10/82"	D8HZ 18813-A		1
83/	CL--CLT900 "From 10/82"	E3HZ 18813-A		1
86/87	CF600/700	E6HZ 18813-C		1
86/88	CF600/800	E8HZ 18813-A		1
80/	C-CT600/900	E6HZ 18813-C		1
81/	F-FT600/900 "Before 4/87"	E0TZ 18813-A		1
87/	F600/900 -- all w/radio "From 4/30/87"	E7TZ 18813-A		1

1980/  
TRUCK SERIES 600/900

YEAR	MODEL/RESTRICTIONS	PART NUMBER	DESCRIPTION	QTY.
<b>18813 ANTENNA ASSY (RADIO CHASSIS) — Cont'd</b>				
81/82	L-LT-LTL-LTS-LN-LNT600/900 "Before 5/82"	D0HZ 18813-A		1
82/	L-LT-LTL-LTS-LN-LNT600/800 "From 5/82"	E3HZ 18813-B		1
88/89	L-LL-LN-LNT-LS- LT-LTL-LTS800/900 "From 11/27/87"	E8HZ 18813-B		1
<b>18814 RADIO ASSORTMENT KIT</b>				
82	F600/800 - - stereo	E2TZ 18814-A	Front door mtg.	1
89	F600/800 - - mono/stereo	E9HZ 18814-A	2 spkr. front door mtg.	1
<b>18815 BRACKET (SPEAKER MOUNTING)</b>				
86/	CF600/800	E6HZ 18815-A		1
<b>18815 PLATE ASSY. (C.B. RADIO CONNECTOR)</b>				
80/	CL-CLT900	D8HZ 18815-A	"PWR-GRD" located in package tray	1
<b>18816 PLATE (C.B. RADIO CONNECTION)</b>				
80/	CL-CLT900	D8HZ 18816-A	"PWR-GRD-C/B ANT" locate in instr. pnl.	1
<b>18817 KNOB ASSY. (RADIO RECEIVER)</b>				
80/	C-CT600/900	C8TZ 18817-A		2
80/	CL-CLT900	D3AZ 18817-A		2
80/	C-CT600/900	D4FZ 18817-A		2
88/89	CL-CLT600/900			2
86/	CF600/800	E6HZ 18817-A	Stereo	2
86/	CF600/800	E6HZ 18817-B	AM Monaural control disc	2
86/	CF600/700	E6HZ 18817-C	Vol. control	1
80/	F-FT600/900	D70Z 18817-A		2
80/82	L-LN-LNT-LT-LTL-LTS600/900 "Before 5/31/82"	D0HZ 18817-A		2
82/	L-LN-LNT-LT-LTL-LTS600/900 "From 5/31/82"	D70Z 18817-A		2
86/	CF600/800	E6HZ 18818-A	Stereo	2
86/	CF600/800 "Before 10/85-From 10/85" Refer to 18817	E6HZ 18818-B	AM Monaural	2
<b>18819 ADAPTOR (SPEAKER &amp; HARDWARE)-Refer to group 18806</b>				
<b>18821 RELAY ASSY. (C.B. RADIO SPEAKER)</b>				
80/	CL-CLT900	D8HZ 18821-A	Monaural	1
80/	CL-CLT900	D8HZ 18821-B	Stereo	1
<b>18828 COVER (C.B. RADIO)</b>				
84	LN-LNT9000 - - w/fleet option w/o C.B.	E4HZ 18828-A		1
<b>18830 DISC (RADIO RECEIVER KNOB)</b>				
80/	C-CT600/900	D1AZ 18830-A		2
80/	CL-CLT900	D2SZ 18830-A		2
86/	CF600/800	E6HZ 18830-A	AM/FM/MPLX	2
86/	CF600/800	E6HZ 18830-B	AM/FM/MPLX-cassette	2
86	CF600/800	★ E6HZ 18830-C	AM Monaural-not replaced	1
80/	F-FT600/900	D70Z 18830-A		2
80/82	L-LN-LNT-LT-LTL-LTS600/900 "Before 5/31/82"	C8UZ 18830-A		2
82/	L-LN-LNT-LT-LTL-LTS600/900 "From 5/31/82"	D70Z 18830-A		2
<b>18832 CAPACITOR (RADIO VOLTAGE REGULATOR)</b>				
80/	F-FT600/900 (81), W-WT900	D5AZ 18832-A		1
80/	CL-CLT900			1
80/	C-CT600/900			1

1980/  
TRUCK SERIES 600/900

YEAR	MODEL/RESTRICTIONS	PART NUMBER	DESCRIPTION	QTY.
<b>18832 CAPACITOR (RADIO VOLTAGE REGULATOR) — Cont'd</b>				
86/	CF600/800 w/radio	E6HZ 18832-A		1
86/	CF600/800 w/radio	E6HZ 18832-B	Capacitor assy. alternator	1
86/	CF600/800 - - w/2 speed axle	E6HZ 18832-C	Capacitor speedometer adapter	1
82/	F-FT600/900 - - heater with FM radio	E3TZ 18832-A	Located on RH fender apron	1
80/	L LN LNT-LT-LTL-LTS600/800 - - 8 cyl. 330,361 and 389	D8HZ 18832-A	Located on ignition coil	1
<b>18K832 BRACKET ASSY. (RADIO RECEIVER COVER)</b>				
86	CF600/700	E6HZ 18K832-A		1
88	CF600/700	E8HZ 18K832-A	Support assy. radio rec. frt.	1
<b>18K834 BRACKET (RADIO HOUSING)</b>				
87/	ALL L-series	E7HZ 18K834-A		1
<b>18836 SCREEN (RADIO SPEAKER)</b>				
80/	C CT600/900	D2HZ 18836-A		1
<b>18B838 WIRING ASSY. (CITIZEN BAND)</b>				
86	CF600/700	E6HZ 18B838-A		1
<b>18842 BEZEL (RADIO CONTROL)</b>				
80/	C CT600/900	D8HZ 18842-A		1
86/	CF600/800	E6HZ 18842-A	Stereo	1
86	CF600/700 "Before 10/85"	E6HZ 18842-B	Monaural	1
86/	CF600/800 "From 10/85"	E6HZ 18842-C	Monaural	1
80/81	L LN LNT-LT-LTL-LTS600/900	D3HZ 18842-A	Paint to match	1
82/84	L LN LNT LT LTL-LTS600/900	E2HZ 18842-A	Saddle	1
82/84	L LN LNT-LT-LTL-LTS600/900	E2HZ 18842-B	D/Gray	1
82	L LN LNT-LT-LTL-LTS600/900	E4HZ 18842-D	Saddle w/woodgrain-r/b E2HZ 18842-B	1
82	L LN LNT-LT-LTL-LTS600/900 "Before 5/31/82"	E1HZ 18842-D	Dove gray w/woodgrain	1
82/83	L LN LNT-LT-LTL-LTS600/900 "From 5/31/82"	E2HZ 18842-D	Dove Gray w/woodgrain-r/b E2HZ 18842-B	1
84/87	L LN LNT-LT LTL-LTS600/900	E4HZ 18842-A	Charcoal	1
84	L LN LNT-LT-LTL-LTS600/900 "Before 4/84"	E4HZ 18842-B	Charcoal-coco-bola woodgrain	1
82/84	L LN LNT-LTL-LTS600/900 "Before 4/84"	E4HZ 18842-D	Saddle-coco-bola woodgrain-r/b E2HZ 18842-A	1
84/86	L LN LNT-LT-LTL LTS600/900 "From 4/84"	E4HZ 18842-E	Saddle- supreme-walnut woodgrain	1
87/	All L-series	E7HZ 18842-A	Smoke/charcoal	1
87/	All L-series	E7HZ 18842-B	Chestnut	1
<b>18K850 PLUG (RADIO SPEAKER)</b>				
86/	CF600/800	E6HZ 18K850-A		1
<b>18A886 MAST ASSY. (RADIO ANTENNA REPLACEMENT)</b>				
80/	F-FT600/900	D3AZ 18A886-A		1
80/	C-CT-L LN LNT-LT-LTL-LTS	COAZ 18A886-B		1
80/	CL CLT900 - - Without-C.B.	D3AZ 18A886-A		1
80/	CL-CLT900 - - with C.B.	D8HZ 18A886-A	R.H. & L.H.	1
80/82	L LN LNT-LT-LTL-LTS600/900 "Before 6/82"	D9HZ 18A886-A		1
82/	L LN LNT-LT-LTL-LTS600/900 From 6/82"	D3AZ 18A886-A		1



**1980/  
TRUCK SERIES 600/900**

YEAR	MODEL/RESTRICTIONS	PART NUMBER	DESCRIPTION	QTY.
<b>18888 BRACKET (RADIO RECEIVER MOUNTING)</b>				
80/	C-CT600/900	D8HZ 18888-C	Rear	1
88	CF600/900	E8HZ 18888-A	89HU 18888-AA	1
80/	CL-CLT900	D3AZ 18888-A	Rear-upper-stereo	1
80/	CL-CLT900	D3AZ 18888-B	Rear-upper-monaural	1
80/	CL-CLT900	D3AZ 18888-C	Rear-lower	1
87/	CL-CLT900	E7TZ 18888-A	Rear	1
80/81	F600/800	D9AZ 18888-A	Monaural	1
82	F-FT600/800	E2AZ 18888-A	Monaural	1
83/86	F-FT600/900	E3ZZ 18888-A	Monaural	1
87/	F-FT600/900	E7HZ 18888-A	AM radio	1
80/81	F600/800	D9AZ 18888-B	Stereo	1
82	F-FT600/800	E2AZ 18888-B	Stereo	1
83/	F-FT600/900	E3ZZ 18888-B	Stereo	1
80/84	F600/800 - front	E7SZ 18808-A	5 1/4 round	1
80/86	L-LN-LNT-LT-LTL-LTS600/900	E2HZ 18888-A	Front	1
		D8HZ 18888-D	Rear	1
87/	L-LL-LS-LT-LTL-LTS	E7HZ 18888-B	AM radio-rear support	1
87/	CL-CLT			
87/	All L-series	E7HZ 18888-C	Use w/ all audio equipment	1
87/	L-LL-LS-LTS-LTL-LN-LNT w/stereo radio	E7HZ 18888-D	30.0mm long	1
87/	L-LL-LS-LT-LTS-LTL-LN-LNT w/am radio	E7HZ 18888-E	520mm long	1
<b>18A908 GROMMET (RADIO ANTENNA CABLE)</b>				
80/86	F-FT600/900	E0TZ 18A908-A		1
<b>18A910 GROMMET (EVAP DRAIN PAN)</b>				
80/	L-LL-LS-LT-LTS-LTL-LN-LNT w/A/C integral	F1HZ 18A910-A		1
<b>18A919 WIRING ASSY. (RADIO JACK FEED)</b>				
88/	CF600/800	E8HZ 18A919-A	#E8HT 18A919-DA-*Repl'd by E8HZ 18A919-C	1
88/	CF600/900	E8HZ 18A919-B	#E8HT 18A919-AA (motor)	1
88/	CF600/700	E8HZ 18A919-C	#E8HT 18A919-BA (ETR)	1
80/	CL-CLT900	D8HZ 18A919-A	Located in instr. pni.	1
80/	CL-CLT900	D8HZ 18A919-B	Located in package tray	1
81/	L-LN-LNT-LT-LTL-LTS600/900	E1HZ 18A919-A	Factory installed	1
80	L-LN-LNT-LT-LTL-LTS600/900	E4HZ 18A919-A	With dealer installed radio kit- radio chassis pwr. feed	1
80	L-LN-LNT-LT-LTL-LTS600/900	★E4HZ 18A919-B	With dealer installed radio kit-not replaced	1
<b>18A920 WIRE ASSY. (RADIO SPEAKER BALANCE CONTROL)</b>				
81	F600/800 - - stereo	E1TZ 18A920-A	To function as a LH-RH balance control	1
82/	F-FT600/900 - - stereo	E2TZ 18A920-A	To function as a LH-RH balance control	1
<b>18A927 CAP (RADIO ANTENNA BASE)</b>				
80/	F-FT600/900	E0TZ 18A927-A		1
<b>18A930 JACK ASSY. (RADIO POWER FEED)</b>				
80/	CL-CLT900	D8HZ 18A930-A		1
81/	L-LT-LTS-LN-LNT-LTL600/900			
86/	CF600/800	E6HZ 18A930-A		1
81/	L-LN-LNT-LT-LTL-LTS600/900	E1HZ 18A930-A	Red-positive	1
		E1HZ 18A930-B	Black-negative	1
<b>18936 BASE ASSY. (RADIO ANTENNA)</b>				
80/	F-FT600/900	E0TZ 18936-B		1
<b>18A952 CHOKE (RADIO RECEIVER SUPPRESSION)</b>				
80/	C-CT-L-LN-LNT-LT-LTL-LTS600/900	C3MY 18A952-A	Blade type	1
<b>18A955 PLATE (RADIO ESCUTCHEON MOUNTING)</b>				
80/	C-CT600/900	★D2TZ 18A955-A	Not replaced	1



1980/  
TRUCK SERIES 600/900

SECTION 190 1

YEAR	MODEL/RESTRICTIONS	PART NUMBER	DESCRIPTION	QTY.
<b>19A041 WIRING ASSY. (RADIO SPEAKER)</b>				
86/	CF600/700	E6HZ 19A041-A		1
87	CF600/700	★ E7HZ 19A041-G	R/b E9HZ 19A041-E	1
87/89	CF600/700	E9HZ 19A041-E		1
80/83	CL-CLT900 -- Monaural with 2 speakers "Before 11/82"	D8HZ 19A041-A		1
83/86	CL-CLT900 -- Monaural with 2 speakers "From 11/82"	E3HZ 19A041-A		1
80/83	CL-CLT900 -- Monaural with 4 speakers "Before 11/82"	D8HZ 19A041-D		1
83/86	CL-CLT900 -- Monaural with 4 speakers "From 11/82"	E3HZ 19A041-D		1
80/83	CL-CLT900 -- Stereo with 2 speakers "Before 11/82"	D8HZ 19A041-B		1
83/86	CL-CLT900 -- Monaural with 2 speakers "From 11/82"	E3HZ 19A041-B		1
80/83	CL-CLT900 -- Stereo with 4 speakers "Before 11/82"	D8HZ 19A041-C		1
83/86	CL-CLT900 -- Monaural with 4 speakers "From 11/82"	E3HZ 19A041-C		1
87/88	CL-CLT900 -- AM radio w/2 speakers	E7HZ 19A041-A		1
89	CL-CLT900 -- AM radio electronic w/2 speakers w/clock	E9HZ 19A041-A		1
87/88	CL-CLT900 -- AM radio w/4 speakers	E7HZ 19A041-C		1
89	CL-CLT900 -- AM radio w/4 speakers	E9HZ 19A041-D		1
87/88	CL-CLT900 -- AM/FM midline electronic stereo, 64 BBC	E7HZ 19A041-B		1
89	CL-CLT900 -- AM/FM midline electronic stereo w/2 speakers 64 BBC	E9HZ 19A041-B		1
87/88	CL-CLT900 -- AM/FM midline electronic stereo, 88 & 110 BBC	E7HZ 19A041-D		1
89	CL-CLT900 -- AM/FM midline electronic stereo, 88 & 110 BBC w/4 spkrs.	E9HZ 19A041-C		1
80/86	F-FT600/900 -- stereo	E0TZ 19A041-A		1
80/	F-FT600/900 -- mono	E0TZ 19A041-B		1
87/	F-FT600/900 -- w/stereo	E7HZ 19A041-E		1
87/	All L-series	E7HZ 19A041-F		1
88/	All L series -- w/stereo	E8HZ 19A041-A		1
<b>19A048 SPACER (RADIO CONTROL SHAFT)</b>				
86/	CF600/800	E6HZ 19A048-A		1
<b>19A050 KIT (ELECTRONIC COOLER and WARMER) PORTABLE</b>				
80/	All	E5AZ 19A050-A		1
<b>19A051 POWER ADAPTER (ELECTRONIC COOLER and WARMER)</b>				
80/	All	E5AZ 19A051-A		1
<b>19058 COVER (AIR CONDITIONER EVAPORATOR FRONT)</b>				
80/84	L-LN-LNT-LT-LTL-LTS800/900 -- integral A/C "Before 12/5/83"	D9HZ 19058-A		1
84/86	ALL L-series "From 12/83"	★ E4HZ 19058-A	R/b E7HZ 19058-A	1
84/	ALL L-series	E7HZ 19058-A		1
<b>19A089 CONTAINER ASSY. (STEREO TAPE CARTRIDGE)</b>				
80/	All	E5AZ 19A089-A		1
<b>19092 GASKET (HEATER BLOWER MOTOR MOUNTING)</b>				

1980/  
TRUCK SERIES 600/900

YEAR	MODEL/RESTRICTIONS	PART NUMBER	DESCRIPTION	QTY.
<b>19A095 BOND (RADIO FREQUENCY INTERFERENCE SUPPRESSION)</b>				
80/	F-FT600/900	E0TZ 19A095-A	Located on radio chassis	1
80/	F-FT600/900	E0TZ 19A095-A	Located on cowl top panel	1
<b>19098 DUCT (DEFROSTER)</b>				
80/	C-CT600/900	D9HZ 19098-A		1
<b>19A123 WIRING ASSY. (RADIO SPEAKER EXTENSION)</b>				
80/86	F-FT600/900	E0HZ 19A123-A		1
87	F-FT600/800 -- w/lighted mirrors	E7HZ 19A123-A		2
88	F-FT600/900 -- w/lighted stainless Western mirrors	E8HZ 19A123-A		2
89	F-FT600/900 -- w/lighted stainless Western mirrors	E9HZ 19A123-A		1
87/88	F-FT600/900 -- w/o lighted mirrors	E7HZ 19A123-B		1
89	F-FT600/900 -- w/stereo radio w/o lighted mirror	E9HZ 19A123-B		1
87/	All L-series w/stereo	E7HZ 19A123-C		1
<b>19A145 SHIELD ASSY. (RADIO FREQUENCY SUPPRESSION)</b>				
80/	L-LN-LNT-LT-LTL-LTS800/900 -- 8 cyl. 401, 475, 477 or 534 gas	D8HZ 19A145-A		1
80/	L-LN-LNT-LT-LTL-LTS600/900	358871-S8B	(MM-297-A)-nut-wing-1/4"-20	2
		34940-S7-8	(X-88) washer 1/4" tooth	2
<b>19150 CLIP (AIR CONDITIONER REGISTER SHTR)</b>				
88	CL-CLT & LTL Series -- w/A/C	E9HZ 19150-A	Use with E9HZ 19D556-A filter A/C Lint Control	1
<b>19A154 BRACKET ASSY. (RADIO SUPPRESSION SHIELD)</b>				
80/	LN600 -- 6 cyl. Gas	D0HZ 19A154-A	Front	1
		D0HZ 19A154-B	Rear	1
80/	L-LN-LNT-LT600/800 -- 8 cyl. 330, 361 or 391 gas-w/o integral A/C	(RH) D0HZ 19A154-C	(LH) D0HZ 19A154-D	1
80/	L-LN-LNT-LT600/900 -- 8 cyl. 330, 361 or 391 gas and integral A/C	(RH) D0HZ 19A154-C	(LH) D1HZ 19A154-A	1
80/	ALL L-series	357235-S	(BB-136)-bolt-5/16"-18 x 7/8"	1
		55644-S13	(U-213-E)-bolt-hex head-5/16"-18 x 1 1/8"	1
		358871-S8B	(MM-297-A) nut wing-1/4"-20	2
		34940-S7-8	(X-88)-washer-external tooth-1/4"	2
		351487-S	(XX-291)-washer-external tooth-3/8"	1
<b>19236 CABLE ASSY. (HEATER A/C REGULATOR CONTROL DRIVE)</b>				
87/	CL-CLT900	E7HZ 19236-A	L.H.-64" long	1
		E7HZ 19236-B	R.H.-101" long	1
<b>19A339 HOOK (TIRE CHAIN STORAGE)</b>				
80	CL-CLT900 -- w/owner operator package	★ D8HZ 19A339-A Not replaced		1
<b>19A340 CHASSIS DECK PLATE KIT</b>				
80/	CL-CLT900	D8HZ 19A340-A	w/steel frame sidemembers	1
80/	CL-CLT900	D8HZ 19A340-B	W/Aluminum frame sidemembers	1
<b>19A361 ELECTRONIC ANTI-THEFT KIT</b>				
81/	All	E3AZ 19A361-A		1
<b>19497 KIT AIR CONDITIONER COMPRESSOR CONTROL SWITCH</b>				
80/	CL-CLT900	D8HZ 19497-A		1
<b>19498 KIT (A/C COMPRESSOR THERMAL PROTECTION)</b>				
84/89	All CL-L Series w/FS-6 & Sanden compressor	E9HZ 19498-A		1
<b>19E500 REFLECTOR FLARE KIT</b>				
80/	All	★ D4AZ 19E500-A	Not replaced	1
<b>19F524 REFLECTOR ASSY. (FLARE)</b>				
80/	C-CT600/900, L-LN-LNT-LT-LTL-LTS600/900, W-WT900	D4AZ 19F524-A		AR

1980/  
TRUCK SERIES 600/900

YEAR	MODEL/RESTRICTIONS	PART NUMBER	DESCRIPTION	QTY.
<b>19A525 BRACKET (AIR CONDITIONER and HEATER CONTROL SWITCH MOUNTING)</b>				
80/81	CL-CLT900 -- manual A/C and or heater "Before 5/81"	D8HZ 19A525-A	Main control	1
81/	CL-CLT900 -- manual A/C and/or heater "From 5/81"	E1HZ 19A525-A		1
<b>19B540 FIRE EXTINGUISHER KIT</b>				
80/	All	D6AZ 19B540-A	10 BC 234 lb.	1
<b>19B552 SEAL (AIR CONDITIONER EVAPORATOR CORE TUBE TO CASE)</b>				
80/	F-FT600/900 -- integral A/C or Hi-Lo vent	E0TZ 19A553-A		1
80/	L-LN-LNT-LT-LTL-LTS800/900	★ D0HZ 19B552-A	Not replaced	1
<b>19A553 HOUSING (A/C EVAPORATOR OR HEATER CORE)</b>				
80/83	F-FT600/800 -- integral A/C or Hi-low vent	E4TZ 19A553-A		1
84/86	F-FT600/900 -- w/integral A/C or Hi-low vent	E4TZ 19A553-A		1
87/	F-FT600/900 -- w/integral A/C	F0TZ 19A553-A		1
<b>19D556 FILTER (AIR CONDITIONER-LINT CONTROL)</b>				
80/88	CL-CLT & all L series w/A/C	E9HZ 19D556-A	#E9HT 19D556-AA	1
<b>19E555 ADAPTER (CONDITIONER OUTLET)</b>				
87	F-FT600/900	E0TZ 19E555-A	#E0TH 19E555-AB	1
<b>19A559 HOUSING (AIR CONDITIONER EVAPORATOR CORE)</b>				
80/81	F600/800 -- integral A/C or Hi-Lo vent "Before 4/81"	E0TZ 19A559-A		1
81/	F-FT00/900 -- integral A/C or Hi-low vent "From 4/81"	E2TZ 19A559-A		1
<b>19E561 SWITCH ASSY. (AIR CONDITIONER CLUTCH CYCLING PRESSURE)</b>				
86/	CF600/800	E7DZ 19E561-A		1
80/81	L-LN-LNT-LTL-LTS800/900	E2DZ 19E561-A		1
80/81	F600/800			1
82	L-LN-LNT-LT-LTL-LTS800/900	E2TZ 19E561-A		1
82	F-FT600/800			1
83/	L-LL-LN-LNT-LS-LTL-LTS800/900	E35Y 19E561-A		1
83/	F-FT600/900			1
85/	CL-CLT900			1
<b>19A563 VALVE (AIR CONDITIONER VACUUM CHECK)</b>				
80/	F-FT600/900 -- with integral A/C or Hi-Lo vent	D70Z 19A563-A		1
<b>19A566 TANK and BRACKET (AIR CONDITIONER VACUUM RESERVOIR)</b>				
80/	CL-CLT900	D8HZ 19A566-A		1
80/	F-FT600/900	D9AZ 19A566-A		1
80/	F-FT600/900 -- 500 C.I.D. diesel	D70Z 19A566-A		1
<b>19B573 WIRING ASSY. (AIR CONDITIONER CLUTCH FEED)</b>				
80/	CL-CLT900	D8HZ 19B573-A		1
85/88	CL-CLT900 -- w/Cum. 3406 Cat. diesel & Cum. NTC	E5HZ 19B573-E		1
89	CL,CLT900	E9HZ 19B573-D		1
80/86	F-FT600/900 -- w/o tilt frt. end	E0HZ 19B573-A		1
87/	F-FT600/900 -- w/o tilt frt. end	E7HZ 19B573-E		1
84/	F-FT600/900 -- w/tilt frt. end	E5HZ 19B573-A		1
82/	LL-LTL900 -- w/o FS-6 compr.	E1HZ 19B573-A		1
81/	L-LT-LTS-LN-LNT600/900 -- w/o FS-6 compr.	E1HZ 19B573-B		1
84/	ALL L-series -- w/FS-6 compr. w/CAT 3208 "From 5/85"	E5HZ 19B573-B		1
84/85	All L-series -- w/FS-6 compr. w/o CAT 3208	E5HZ 19B573-C		1

1980/  
TRUCK SERIES 600/900

YEAR	MODEL/RESTRICTIONS	PART NUMBER	DESCRIPTION	QTY.
<b>19B573 WIRING ASSY. (AIR CONDITIONER CLUTCH FEED) -- Cont'd</b>				
89	All L series -- 116 BBC w/Cum. NTC diesel eng. all form	E8HZ 19B573-B		1
89	All L Series -- 116 BBC w/Cum. L-10	E9HZ 19B573-A		1
89	LN-LNT900 -- w/Cum. L-10 diesel & integral A/C	E9HZ 19B573-B		1
89	All L Series 116 BBC w/Cum. NTC eng.	F0HZ 19B573-C		1
89	All L Series w/3306 SRS Cat. 3406 & 7.8L Diesel w/A/C LN-LNT -- w/3306 SRS Cat. 3406 & 7.8L diesel w/A/C	E9HZ 19B573-C		1
84/86	LN-LNT9000 -- w/cum. L10 eng.	E5HZ 19B573-D		1
87	L-LS-LT-LTS800/900	E7HZ 19B573-A		1
87/	LL-LTL900 -- w/Cat. 3406 eng.			
87/	LN-LNT900 -- exc. w/L10 eng.			
87/	LL-LTL900 -- w/Cum. L10 eng. 6 cyl. 610	E7HZ 19B573-B		1
87/	LL-LTL900 -- All exc. Cum. L10 eng.	E7HZ 19B573-C		1
87/	LN-LNT -- w/Cum. L10 eng. 6 cyl. 610	E7HZ 19B573-D		1
88/	L-LL-LT-LTL-LTS900, LN-LNT900 -- w/Cat. 3406 6 cyl.	E8HZ 19B573-A		1
<b>19E574 MANIFOLD and VALVE ASSY. (AIR CONDITIONER COMPRESSOR)</b>				
84/	F-FT600/800 -- w/FT0 eng.	E7HZ 19E574-A	High pressure	1
		E7HZ 19E574-B	Low pressure	1
<b>19D578 SEAL (AIR CONDITIONER EVAPORATOR CORE TO CASE)</b>				
80	CL-CLT900	D8HZ 19D578-A		AR
81/	CL-CLT900	E1HZ 19D578-A		AR
80/	L-LN-LNT-LT-LTL-LTS800/900	D0HZ 19D578-A		1
<b>19E578 REAR HEAD GASKET KIT (AIR CONDITIONER COMPRESSOR)</b>				
84/	F-FT600/900	E1AZ 19E578-A	*YE-24 w/FS-6 compr.	1
84/	L-LT-LTS-LN-LNT-LTL800/900			1
<b>19A579 BRACKET (AIR CONDITIONER EVAPORATOR TUBE SUPPORT)</b>				
81/	CL-CLT900 -- sleeper	E1HZ 19A579-A	R.H. & L.H. side rear	1
82/	CL-CLT900	E2HZ 19A579-B	Lower L.H. side of radiator/shutter	1
<b>19E579 FRONT HEAD GASKET and SHAFT SEAL KIT (A/C COMPRESSOR)</b>				
84/85	F-FT600/800	E1AZ 19E579-A	*YE-25 use w/FS-6 compr.	1
84/85	ALL L-series			1
86	All	E6VY 19E579-A	*YF-1335 use w/FS-6 compr.	1
<b>19D580 VALVE ASSY. (AIR CONDITIONER EVAPORATOR SUCTION THROTTLE)</b>				
80/	CL-CLT900	★ D6DZ 19D580-A	*YG-176-R/b E5HZ 19D735-A	1
<b>19E580 HEAD FRONT KIT (AIR CONDITIONER COMPRESSOR)</b>				
84/85	F-FT600/900	E1AZ 19E580-B	*YE-29 w/FS-6 compr.	1
84/85	ALL L-series			1
86	All	E6VY 19E580-A	*YF-1336 use w/FS-6 compr.	1
86/	All	E8VY 19E580-A	*YE-49-use w/FS-6 compr.	1
<b>19E581 HEAD REAR KIT (AIR CONDITIONER COMPRESSOR)</b>				
84/85	F-FT600/900	E1AZ 19E581-A	*YE-27 w/FS-6 compr.	1
84/85	ALL L-series			1
86	All	E6VY 19E581-A	*YF-1337 use w/FS-6 compr.	1
<b>19D582 SHUTTER ASSY. (AIR CONDITIONER EVAPORATOR CORE)</b>				
80/	L-LN-LNT-LT-LTL-LTS800/900	D9HZ 19D582-B		1

1980/  
TRUCK SERIES 600/900

YEAR	MODEL/RESTRICTIONS	PART NUMBER	DESCRIPTION	QTY.
<b>19E582 MANIFOLD ASSY. DISCHARGE KIT (AIR CONDITIONER COMPRESSOR)</b>				
84/	F-FT600/900	E1AZ 19E582-A	*YF-942 w/FS-6 compr.	1
84/	ALL L-series			1
<b>19E583 MANIFOLD SUCTION KIT (AIR CONDITIONER COMPRESSOR)</b>				
84/	F-FT600/900	E1AZ 19E583-A	*YF-943 w/FS-6 compr.	1
84/	L-LT-LTS-LN-LNT-LTL800/900			1
<b>19D585 COVER (AIR CONDITIONER REGISTER LOUVER OPENING)</b>				
80/82	L-LN-LNT-LT-LTL-LTS800/900 -- custom cab and line haul instrument panel "Before 11/81"	DOHZ 19D585-A r/bE2HZ 19D585-A	Black	1
80/82	L-LN-LNT-LT-LTL-LTS800/900 -- std. cab and line haul instrument panel "Before 11/81"	D4HZ 19D585-A	Saddle	1
82/	L-LN-LNT-LT-LTL-LTS800/900 std. cab and line haul instr. panel	★ E2HZ 19D585-A	Black-replaced by E2HZ 19D585-B	1
82/	L-LN-LNT-LT-LTL-LTS800/900 std. cab and line haul instr. panel	E2HZ 19D585-B	Tan-paint to match	1
<b>19A586 PLATE and BOLT ASSY. (AIR CONDITIONER EVAPORATOR CASE MOUNTING)</b>				
80/81	F600/800 "Before 4/81"	EOTZ 19A586-A		1
81/	F-FT600/900 "From 4/81"	E1TZ 19A586-A		1
<b>19N586 BRACKET ASSY. (AIR CONDITIONER COMPRESSOR)</b>				
86/	CF600/800 -- w/dealer installed A/C	E6HZ 19N586-A		1
<b>19N586 BRACE (AIR COMPRESSOR)</b>				
85/	CLT9000 -- NTC eng.	E4HZ 19N586-D		1
85	CL-CLT9000 -- w/cat. 3406 eng.-FS-6 compr.	E5HZ 19N586-A	Front	1
80/	CL-CLT9000 -- w/cat. 3406 eng.-w/Sanden compr.	E0HZ 19N586-A	Rear	1
84/	F-FT-L-LN-LNT-LT-LTS 800 -- w/gas engs. and A/C	E4HZ 19N586-C		1
84/87	F-FT700/800 -- w/8.2 eng. and A/C	E4HZ 19N586-A		1
88/	B-F-FT600/800 -- 6.6, 7.8 engs. w/Sanden compr.	E8HZ 19N580-A		
84/	LN-LNT-LTL900 -- w/6V-92, 8V-92 engs. and A/C	E4HZ 19N586-B		1
84	L-LN-LNT-LT-LTS900 -- w/6V-71 eng.	E4HZ 19N586-E		1
80/	B-C-CT-L-LN600/800 -- 8 cyl. gas	351428-S7	(XX-166)-washer-flat (brace to intake manifold)-7/16"	1
<b>19B589 RETAINER ASSY. (AIR CONDITIONER HOSE COVER)</b>				
80/81	L-LN-LNT-LT-LTL-LTS800/900	DOHZ 19B589-A		1
<b>19D589 RETAINER ASSY. (AIR CONDITIONER HOSE COVER)</b>				
80/81	L-LN-LNT-LT-LTS900	DOHZ 19D589-B	Roof condenser	1
<b>19E589 EVAP. CASE ASSY.</b>				
89	F-FT600/900 -- all w/dlr. installed A/C	E9HZ 19E589-A		1
<b>19A590 SEAL (AIR CONDITIONER EVAPORATOR CORE)</b>				
80/	CL-CLT900	E1HZ 19A590-A	Top	1
<b>19C590 DUCT ASSY. (AIR CONDITIONER RECIRCULATING AIR)</b>				
80/81	F600/800 "Before 4/81"	EOTZ 19C590-A		1
81/	F-FT600/900 "From 4/81"	E1TZ 19C590-A		1
<b>19D590 Refer to Section 197 for Service Refrigerant Line Assemblies and/or replacement details</b>				
<b>19D592 RELAY ASSY. (AIR CONDITIONER and HEATER TEMPERATURE)</b>				
80/	L-LN-LNT-LTL-LTS800/900	D2LY 19D592-A	*YH-191-#D2LB 19D592-AB	1
80/	B600/700, F600/800		Used as fuel pump relay	1
<b>19B594 BRACKET CONDENSER MOUNTING</b>				
89	F FT600/900 -- All w/dealer installed A/C	E9HZ 19B594-A		1

1980/  
TRUCK SERIES 600/900

YEAR	MODEL/RESTRICTIONS	PART NUMBER	DESCRIPTION	QTY.
19B595-6	Refer to Section 197 for Service Refrigerant Line Assemblies and/or replacement details			
<b>19D595 COVER (AIR CONDITIONER EVAPORATOR EXPANSION VALVE)</b>				
80/	L-LN-LNT-LT-LTL-LTS800/900	D0HZ 19D595-A		1
83/86	CL-CLT900	E3HZ 19D595-A		1
87/	CL-CLT900	E7HZ 19D595-A		1
<b>19A600 LINK (AIR CONDITIONER AIR DAMPER DOOR SHAFT)</b>				
80/	L-LN-LNT-LT-LTL-LTS800/900	D0HZ 19A600-A		1
<b>19C603 WIRING ASSY. (BLOWER MOTOR RESISTOR)</b>				
86/	CF600/800 -- w/dealer installed A/C	E6HZ 19C603-A		1
86/	CF600/800 -- w/dealer installed A/C	E6HZ 19C603-B	Power source	1
89	F-FT600/900 -- All w/dealer installed A/C	E2TZ 19C603-A		1
<b>19D603 WIRE ASSY. (LP SWITCH)</b>				
89	F,FT600/900 -- All w/dealer installed A/C	E9TZ 19D603-A		1
<b>19D607 BRACKET (AIR CONDITIONER ACCUMULATOR)</b>				
80/81	F-FT600/800	E0TZ 19D607-A		1
82/83	F-FT600/800	E1FZ 19D607-A		1
84/	F-FT600/900	E3TZ 19D607-D	Middle and bottom	2
84/	F-FT600/900	E4HZ 19D607-A	Top	1
<b>19A613 GASKET EVAPORATOR</b>				
87/	F-FT600/900	E7TZ 19A613-A		1
<b>19A615 Refer to group 19710</b>				
<b>19618 THERMOSTAT ASSY. (AIR CONDITIONER EVAPORATOR TEMPERATURE CONTROL)</b>				
86/	CF600/800 w/dlr. installed A/C	E6HZ 19618-A		1
80/84	CL-CLT900	D6AZ 19618-A	*YH-304	1
80	L-LN-LNT-LT-LTL-LTS800/900 "Before 4/1/88"	D0HZ 19618-A	*YH-134	1
88/	L-LL-LS-LT-LTL-LTS-LN-LNT800/900	E7HZ 19618-A	*YH-491 (side of htr housing)	
80/	CL-CLT "From 4/1/88"			
<b>19D620 BRACKET (AIR COMPRESSOR ADJUSTING)</b>				
80/	B-F-FT600/900 -- 8 cyl. 370,429 with A/C	E0HZ 19D620-A	#E0HT 19D620-AA	1
80/	B-F-FT600/900 -- 8.2L Det. diesel with A/C	E0HZ 19D620-B	#E0HT 19D620-BB	1
80/	L-LN-LNT-LT-LTL-LTS600/800 -- 8 cyl. 370,429 with A/C	E0HZ 19D620-A	#E0HT 19D620-AA	1
<b>19D624 BRACKET (AIR CONDITIONER COMPRESSOR MOUNTING FRONT)</b>				
86/	CF600/800 -- w/dealer installed A/C	E6HZ 19D624-A		1
82/	CL-CLT900 -- Cum. KT-450 and KTA-525 with A/C "From 4/82"	E2HZ 19D624-A		1
80/	CL-CLT900 -- Detroit 6V-92,8V-71TA and 8V-92TA diesel with A/C	E0HZ 19D624-A	#E0HT 19D624-EA	1
88/	CL900 -- w/Cummins L-10 eng.	E8HZ 19D624-A		1
80/	L800 -- cat. diesel 3208 with A/C	D5HZ 19D624-A	#D5HA 19D624-CA,CB	1
80/83	LN600/800 -- 8.2L dsl. eng.	E3HZ 19D624-A		1
84/	LN600/800 -- 8.2L diesel eng.	E3HZ 19D624-A		1
87/	LN600/800 -- 7.8L dsl. eng.	E7HZ 19D624-A		1
80/	L-LN-LNT-LT-LTS600/800 -- Cat. diesel	D2HZ 19D624-A	#D0HA 2882-R-air brakes	1
80/	L-LT-LTS900 -- 8 cyl. 568 Detroit 8V-71 diesel with A/C	D0HZ 19D624-C	#D0HA 2882-M	1
80/	L-LN-LNT-LT800 -- 8 cyl. gas with A/C	D0TZ 19D624-A	#D0TE 2882-B	1



1980/  
TRUCK SERIES 600/900

YEAR	MODEL/RESTRICTIONS	PART NUMBER	DESCRIPTION	QTY.
<b>19D624 BRACKET (AIR CONDITIONER COMPRESSOR MOUNTING FRONT) -- Cont'd</b>				
80/	L-LN-LNT-LT-LTS800/900 -- 8 cyl. 401, 475, 477, 534 with A/C	D0HZ 19D624-E	#D0HA 2882-S	1
80/	L-LN-LNT-LT-LTS800 -- gas eng. w/A/C	E4HZ 19D624-B		1
80/	L-LN-LNT-LT-LTS900 -- 6 cyl. 426 Detroit 6-71 diesel	D0HZ 19D624-B	#D0HA 2882-F	1
80/	L-LT-LTS900 -- Cat. 3406 diesel diesel with A/C	D4HZ 19D624-A	#D4HA 2882-BA	1
80/	L-LT900 -- 8 cyl. 568 Detroit 8V-71 diesel with A/C	D0HZ 19D624-D	#D0HA 2882-N	1
80/81	L-LN-LNT-LT-LTS900 -- Cum. NTC diesel with A/C "Before 6/15/81"	D9HZ 19D624-A	#D9HT 19D624-DA	1
81/83	L-LN-LNT-LT-LTS900 -- Cum. NTC diesel with A/C "From 6/15/81"	E1HZ 19D624-C		1
84/	L-LN-LNT-LT-LTS900 -- w/Cum. NTC diesel with A/C	E4HZ 19D624-E		1
80/	L-LN-LNT-LT900 -- Cum V-903 diesel with A/C	★ D2HZ 2882-B	#D2HA 19D624-CA	1
80/81	LN-LNT900 -- Cum. NTC350, NTCC290/350 w/drop frame and A/C "Before 6/15/81"	★ E0HZ 2882-C	#E0HT 19D624-DA-not replaced	1
81/	LN-LNT900 -- Cum. NTC350,290, 300 diesel w/drop frame and A/C "From 6/15/81"	E1HZ 19D624-A		1
80/82	L-LN-LNT-LT900 -- 8 cyl.568 Detroit 8V-71TA diesel-Calif. only	★ D5HZ 2882-A	#D5HA 2882-CA-not replaced	1
84	L-LN-LNT-LT-LTS -- w/3208 and A/C	E4HZ 19D624-C		1
84/	LNT900 -- w/L-10 eng.	E4HZ 19D624-F		1
84/	L-LT-LTL-LTS900 -- w/3406 eng. and A/C	E4HZ 19D624-D		1
82	LTL9000 -- 8V-92 eng. with A/C	★ E1HZ 2882-B	#E1HT 19D624-BA-not replaced	1
80/	B-F-FT600/900 -- 8 cyl. 370,429 exc. FS6 A/C	E4HZ 19D624-B		1
80/83	B600/700 -- 8.2L diesel-air brakes	E3HZ 19D624-A		1
84/	B600/700 -- 8.2L diesel-air brakes	E3HZ 19D624-A		1
80/83	B600/700 -- 8.2L diesel with A/C	E0HZ 19D624-B	#E0HT 19D624-AB	1
85/	B600/700 -- gas engs.- California	E5HZ 19D624-C		1
87/	B600/700 -- 7.8L dsl. eng.	E7HZ 19D624-A		1
88/	B600/700 -- 6.6,7.8 engs. w/Sanden compressor	E8HZ 19D624-B	Rear	1
80/83	F-FT600/900 -- 8.2L diesel- air brakes	E3HZ 19D624-A		1
84/	F-FT600/900 -- 8.2L diesel- air brakes	E3HZ 19D624-A		1
80/	F-FT600/900 -- 8.2L diesel with A/C	E0HZ 19D624-B	#E0HT 19D624-AB	1
84/	F-FT600/900 -- gas eng. with FS6 A/C	E4HZ 19D624-B	Bracket	1
84/	F-FT600/900 -- gas eng. with FS6 A/C	E4HZ 19D624-G	Support	1
84/	F-FT700/900 -- w/3208 eng. and A/C	E4HZ 19D624-C		1
85/	F600/700 -- gas engs. California	E5HZ 19D624-C		1
87/	F600/800 -- 7.8L dsl. eng.	E7HZ 19D624-A		1
88/	F-FT600/800 -- 6.6,7.8 engs. w/Sanden compressor	E8HZ 19D624-B	Rear	1

1980/  
TRUCK SERIES 600/900

YEAR	MODEL/RESTRICTIONS	PART NUMBER	DESCRIPTION	QTY
<b>19D624 BRACKET (AIR CONDITIONER COMPRESSOR MOUNTING FRONT) — Cont'd</b>				
80/83	C600/800 -- 8.2L diesel-air brakes	E3HZ 19D624-A		1
84/	C600/800 -- 8.2L diesel-air brakes	E3HZ 19D624-A		1
80/	C-CT600/800 -- Cat. diesel	D1HZ 19D624-B	#D1HA 2882-AA	1
80/	CL-CLT900 -- Cum. NTC 290 and 350 with A/C	D8HZ 19D624-A	#D7HA 19D624-AA	1
85	CL-CLT900 -- Cummins NTC eng. and FS-6 Compr.	E5HZ 19D624-B		1
80/81	CL-CLT900 -- Cum. KT-450 and KTA-525 with A/C "Before 11/24/80"	★ D8HZ 2882-C	#D7HA 19D624-DA-not replaced	1
81/82	CL-CLT900 -- Cum. KT-450 and KTA-525 with A/C "From 11/24/80 to 4/82"	★ E1HZ 2882-A	#E0HT 19D624-FA-not replaced	1
82	LTL9000 -- Cummins NTC eng. & A/C	E1HZ 19D624-A		1
88/	L-LN-LNT600/900 -- 6.6,7.8 engs.-w/Sanden compressor	E8HZ 19D624-B	Rear	1
89	LN-LNT800/900 -- w/3306 Cat. dsl.	E9HZ 19D624-A		1
80/	B-C-F600/800	20408-S7	(B-81)-bolt (compressor to mounting bracket)	4
80/	C700/800, L-LN700/800	43011-S	(B-263)-bolt (bracket to cyl. block)-locking- 3/8"-16 x 2 5/8"	1or2
80/	C700/800	356321-S8	(XX-311)-spacer (compressor to mounting bracket)-13/32" I.D. x 7/8" O.D. x 5/32" thick	4
80/	B-C-F-LN600 -- gas	370807-S	(BB-414)-bolt (bracket to cylinder block)-locking 5/16"-18 x 4 1/8"	4
80/	B-C-F-LN600			1
80/	B-C-F-LN600 -- 6 cyl. 300 H/D	377325-S7-8	(BB-199-F)-bolt (compressor to engine)- 1/2"-13 x 5 1/4"	1
80/	C600/700 -- diesel	20386-S8	(B-53)-bolt (bracket to engine)-5/16"-18 x 1"	1
80/	C700/800	20534-S8	(B-90)-bolt (bracket to cyl. block)-3/8"-16 x 2 1/4"	1or3
80/	C-LN600/700 -- diesel	20427-S8	(B-158)-bolt (bracket to engine front mounting plate)-5/16"-24 x 1 1/4"	1
80/	C600/700 -- diesel	20429-S8	(B-172)-bolt (bracket to engine front mounting plate)-3/8"-24 x 1 1/4"	2
80/	C600/700 -- diesel	20431-S8	(B-186)-bolt (bracket to generator)- 7/16"-20 x 1 1/4"	1
		33798-S8	(M-62)-nut-5/16"-24	
		33800-S8	(M-63)-nut-3/8"-24	
		34671-S8	(M-67)-nut-7/16"-20	
<b>19N624 SPACER A/C COMP (MOUNTING BRACKET)</b>				
88/89	All heavy truck	E8HZ 19N624-A	#E8HT 19N624-AA	1
88/89	All heavy truck	E8HZ 19N624-B	#E8HT 19N624-BA	1
<b>19D625 BRACKET (AIR COMPRESSOR ADJUSTING)</b>				
80/	CL-CLT900 -- Detroit 6V-92 8V-71TA, and 8V-92TA diesel with A/C	E0HZ 19D625-A	#E0HT 19D625-BA	1
85	CL-CLT900 -- Cummins NTC eng. and FS-6 Compr.	E5HZ 19D625-A		1
80/	L-LN-LNT-LT-LTS900 -- Cum diesel with A/C	C8HZ 19D625-A		1
80/	L-LN-LNT-LT-LTS600/800 -- 8 cyl. 370,429 with A/C	E0HZ 2883-A	#E0HT 19D620-AA	1
84/	F-FT-L-LN-LNT-LT-LTS 700/900 -- w/3208 eng. and A/C	E4HZ 19D625-A		1
84/	L-LN-LNT-LT-LTS800/900 -- w/Cummins NTC eng. & A/C	E4HZ 19D625-B		1
84/	LNT9000 -- w/L-10 eng. and A/C			1
84/	LN900 -- w/L-10 eng. and A/C	E4HZ 19D625-C		1
88/	LTL9000 with NTC 444 eng. & A/C	E8HZ 19D625-A		1

**1980/  
TRUCK SERIES 600/900**

YEAR	MODEL/RESTRICTIONS	PART NUMBER	DESCRIPTION	QTY.
<b>19C626-7 CONNECTOR ASSY. (AIR CONDITIONER REGISTER)</b>				
80/	L-LN-LNT-LT-LTL-LTS800/900 -- w/o tilt frt. end	(RH) D0HZ 19C626-A	(LH) D0HZ 19C732-A	2
<b>19D630 COMPRESSOR FITTING</b>				
89	F-FT600/900 -- all w/ dealer installed A/C	E9HZ 19D630-A	(ATCO 1322) 90°	1
89	F-FT600/900 -- all w/ dealer installed A/C	E9HZ 19D630-B	45°	1
89	CF600/800 w/dlr. installed A/C	E9HZ 19D630-C		1
<b>19C633 DUCT ASSY. (AIR CONDITIONER and HEATER OUTLET)</b>				
80/	CL-CLT900 -- w/sleeper	D8HZ 19C633-A		1
<b>19E633 BRACE (AIR COMPRESSOR)</b>				
85/87	CL-CLT9000 -- w/cat. 3406 eng.-w/Sanden compr.	E8HZ 19E633-B	Front	1
85/87	CL-CLT9000 -- w/NTC, L-10 engs. w/Sanden compr.	E8HZ 19E633-C	Front	1
85/87	CL-CLT9000 -- w/ DDA-6V92 eng.-w/Sanden compr.	E8HZ 19E633-D	Front	1
84/	F-FT-L-LN-LNT-LT-LTS 800 -- w/3208 eng. and A/C	E4HZ 19E633-A		1
84/87	F-FT700/800 -- w/8.2	E4HZ 2888-C		1
84/	L-LT-LTL-LTS900 w/3406 eng. and A/C	E4HZ 19E633-B		1
88/	L800/900 with Cat. 3406 diesel and Sanden compr.	E8HZ 19E633-A	Front	1
85/87	L-LN-LNT-LT-LTS800/900 -- w/cat. 3406 eng.-w/Sanden compr.	E8HZ 19E633-B	Front	1
85/87	L-LN-LNT-LT-LTS800/900 -- w/NTC, L-10 eng.-w/Sanden compr.	E8HZ 19E633-C	Front	1
85/87	L-LN-LNT-LT-LTS800/900 -- w/DDA-6V92 eng.-w/Sanden compr.	E8HZ 19E633-D	Front	1
89	LN-LNT800/900 -- w/3306 Cat. dsl.	E9HZ 19E633-A		1
80/	B-C-CT-L-LN600/800 -- 8 cyl. gas	351428-S7	(XX-166)-washer-flat (brace to intake manifold)-7/16"	1
<b>19D643 SEAL (AIR CONDITIONER and HEATER BLOWER MOTOR COVER)</b>				
80/	CL-CLT900 -- w/sleeper	D8HZ 19D643-A		1
<b>19D644 VALVE (AIR CONDITIONING COMPRESSOR PRESSURE RELIEF)</b>				
80/	ALL L-series	D2AZ 19D644-A		1
89	CF600/800 w/6.6 & 7.8L dsl. w/dealer installed A/C	E6FZ 19D644-A	Use w/Sanden 508 & 510 compr.	1
89	F,FT600/900, w/6.6 & 7.8L w/dealer installed A/C			
<b>19D645 TUBE (AIR CONDITIONER COMPRESSOR OIL INLET)</b>				
80/84	CL-CLT900	D1VY 19D645-A		1
<b>19E645 SHIELD ASSY. (AIR CONDITIONER RECEIVER DRYER)</b>				
83/	L-LN-LNT-LT-LTS-LTL800/900	E3HZ 19E645-A		1
<b>19D646-7 HEAD (AIR CONDITIONER COMPRESSOR)</b>				
80/84	CL-CLT900	D1VY 19D646-A	Front	1
		D8HZ 19D647-A	Rear	1
89	CF700/800 w/6.6 & 7.8L dsl. w/dealer installed A/C	E9HZ 19D647-A	Sanden compressor SD-508 #95833	1
89	F,FT600/900 w/6.6 & 7.8L w/dealer installed A/C			
<b>19C648 BOTTOM ASSY. (AIR CONDITIONER CONDENSER)</b>				
80/81	L-LN-LNT-LT-LTL-LTS800/900 integral A/C	C6TZ 19C648-B		1

1980/  
TRUCK SERIES 600/900

YEAR	MODEL/RESTRICTIONS	PART NUMBER	DESCRIPTION	QTY.
<b>19D648 SPACER (AIR CONDITIONER COMPRESSOR CLUTCH HUB)</b>				
80/84	CL-CLT900	D1VY 19D648-A		1
<b>19D648 SHIM KIT (AIR CONDITIONER COMPRESSOR CLUTCH)</b>				
83/	All - - w/FS6 compr.	E3SZ 19D648-A	*YF-1583	1
<b>19C649 HOOD and DOOR ASSY. (AIR CONDITIONER CONDENSER)</b>				
80/	L-LN-LNT-LT-LTL-LTS800/900 - - integral A/C	DOHZ 19C649-A		1
<b>19D651 KEY (AIR CONDITIONER COMPRESSOR CLUTCH HUB)</b>				
80/84	CL-CLT900	D1VY 19D651-A		1
89	CF600/800 w/6.6 & 7.8L dsl. w/dealer installed A/C	E9HZ 19D651-A	SD-508 (Sanden)	1
89	F,FT600/900 w/6.6 & 7.8L dsl. w/dealer installed A/C			
<b>19D652 SCREEN (AIR CONDITIONER COMPRESSOR OIL SUCTION)</b>				
80/84	CL-CLT900	D1VY 19D652-A		1
<b>19D653 PULLEY and BEARING ASSY. (AIR CONDITIONER COMPRESSOR)</b>				
80/	CL-CLT900	D8HZ 19D653-A		1
<b>19D654 CYLINDER and SHAFT ASSY. (AIR CONDITIONER COMPRESSOR)</b>				
80/84	CL-CLT900	D1VY 19D654-A		1
<b>19D655 COVER (AIR CONDITIONER COMPRESSOR SUCTION)</b>				
80/84	CL-CLT900	D1VY 19D655-A		1
<b>19655 SEAL ASSY. (AIR CONDITIONER COMPRESSOR CRANKSHAFT)</b>				
80/84	All - - A/C	C9AZ 19655-A	*YE-2-Tecumseh compressor	1
80/84	All - - A/C	C9AZ 19655-B	*YE-3-York compressor	1
<b>19656 PLATE (AIR CONDITIONER COMPRESSOR VALVE)</b>				
80/84	All - - A/C	C3GY 19656-A	*YE-6-Tecumseh compressor	1
80/84	All - - A/C	D5AZ 19656-A	*YE-7-York compressor	1
<b>19D656-7 PLATE ASSY. (AIR CONDITIONER COMPRESSOR VALVE)</b>				
80/84	CL-CLT900	D1VY 19D656-A	Front	1
		D1VY 19D657-A	Rear	1
<b>19D658 SCREW (AIR CONDITIONER COMPRESSOR CHARGING OIL DRAIN PLUG)</b>				
80/84	CL-CLT900	D1VY 19D658-A		1
<b>19D659 REED (AIR CONDITIONER COMPRESSOR VALVE INLET)</b>				
80/84	CL-CLT900	D1VY 19D659-A		1
<b>19D660 "O" RING KIT (AIR CONDITIONER COMPRESSOR)</b>				
80/84	CL-CLT900	D1VY 19D660-A	*YF-676	1
<b>19D661 GASKET (AIR CONDITIONER COMPRESSOR CHARGING SCREW)</b>				
80/84	CL-CLT900	D1VY 19D661-A		1
<b>19D662 PIN (AIR CONDITIONER COMPRESSOR HEAD LOCATOR)</b>				
80/84	CL-CLT900	D1VY 19D662-A		2
<b>19D663 OIL PUMP ROTOR KIT (AIR CONDITIONER COMPRESSOR)</b>				
80/84	CL-CLT900	D1VY 19D663-A		1
<b>19D664 RETAINER RING KIT (AIR CONDITIONER COMPRESSOR)</b>				
80/84	CL-CLT900	D1VY 19D664-A		1
<b>19D665 SEAL KIT (AIR CONDITIONER COMPRESSOR SHAFT)</b>				
80/84	CL-CLT900	D1VY 19D665-A		1
<b>19D666 BEARING ASSY. (AIR CONDITIONING COMPRESSOR)</b>				
80/	CL-CLT900 - - w/swash plate A/C compressor	D8HZ 19D666-A		1
88	L-LN700/900 - - with 3406 Cat. diesel and Sanden Compr.	E8HZ 19D666-A		1
<b>19D667 NUT KIT (AIR CONDITIONER COMPRESSOR SHAFT)</b>				
80/84	CL-CLT900	D1VY 19D667-A		1
70/	L-LL-LS-LT-LTS-LN- LNT - - w/integral A/C	F1HZ 19D667-A		1
<b>19D668 BRACKET (AUTOMATIC TEMPERATURE CONTROL SENSOR)</b>				
80/	CL-CLT900	D8HZ 19D668-A		1
<b>19D669 SERVO ASSY. (AIR CONDITIONER)</b>				
80/81	CL-CLT900 - - A.T.C. "Before 5/15/81"	D7DZ 19D669-A	*YH-297-R.H. and L.H.- main evaporator	2

**1980/  
TRUCK SERIES 600/900**

YEAR	MODEL/RESTRICTIONS	PART NUMBER	DESCRIPTION	QTY.
<b>19D669 SERVO ASSY. (AIR CONDITIONER) -- Cont'd</b>				
80/	CL-CLT900 -- manual integral A/C or heater	D8HZ 19D669-A	*YH-317	3
81/	CL-CLT900 -- A.T.C. "From 5/15/81"			1
<b>19A672 SEAL (AIR CONDITIONER EVAPORATOR CORE)</b>				
86/	CF600/800 -- w/dealer installed A/C	E6HZ 19A672-A	Upper	1
86/	CF600/800 -- w/dealer installed A/C	E6HZ 19A672-B	Lower	1
80/81	F600/800 -- integral A/C "Before 4/6/81"	E0TZ 19A672-A		1
81/	F-FT600/900 -- integral A/C "From 4/6/81"	E1TZ 19A672-A		1
<b>19B679 CLAMP (AIR CONDITIONER HOSE)</b>				
80/	All trucks-w/push-on fittings	D0TZ 19B679-A	*YF-256	AR
<b>19B680 DUCT ASSY. (AIR CONDITIONER EVAPORATOR TO REGISTER)</b>				
80/86	CL-CLT900	(RH) ★ D8HZ 19B680-A r/bE7HZ 19B680-A	(LH) ★ D8HZ 19B680-B E7HZ 19B680-B	1
80/	CL-CLT900	(RH) E7HZ 19B680-A	(LH) E7HZ 19B680-B	1
80/	F-FT600/900 -- integral A/C or Hi-Lo vent	(RH) E0TZ 19B680-A	(LH) E0TZ 19B680-B	1
80/	L-LN-LNT-LT-LTL-LTS800/900 -- integral A/C and line haul instrument panel	D0HZ 19B680-A	Incl. clamp - round	1
84/	LN-LNT9000 -- w/fleet option	E4HZ 19B680-A		1
<b>19B684 GASKET KIT (AIR CONDITIONER COMPRESSOR)</b>				
80/84	All	C8AZ 19B684-A	*YE-1-York compressor-incl. "O" rings and gaskets	1
<b>19B685 VALVE PLATE (AIR CONDITIONER REPLACEMENT KIT)</b>				
84/85	F-FT600/900	E1AZ 19B685-A	*YE-28 w/FS-6 compr.	1
84/85	L-LT-LTS-LN-LNT-LTL800/900			1
86	All	E6VY 19B685-A	*YF-1338 use w/FS-6 compr.	1
<b>19686 SEAL (AIR CONDITIONER EVAPORATOR LOUVER UPPER)</b>				
80/	L-LN-LNT-LT-LTL-LTS800/900 -- integral A/C	D0HZ 19686-A	Air intake grille	1
<b>19D686 RELAY ASSY. (AIR CONDITIONER MOTOR WARNING LAMP)</b>				
80/	L-LN-LNT-LT-LTL-LTS800/900	D2HZ 19D686-A		1
<b>19C692 CONNECTOR A/C REGISTER (HOUSING)</b>				
89	F-FT600/900 -- w/dlr. installed A/C	F0HZ 19C692-A		1
<b>19D695 Refer to Section 197 for Refrigerant Line Fittings</b>				
89	F-FT600/900 -- All w/dealer installed A/C	E0TZ 19C692-A		1
<b>19D695 KIT-CONVERT FROM MULTIPOL SYSTEM TO SINGLE SYSTEM</b>				
80/86	CL-CLT900	E0HZ 19D695-A		AR
<b>19C700 Refer to Section 197 for Service Refrigerant Line Assemblies and/or replacement details</b>				
<b>19D701 CORE ASSY. (AIR CONDITIONER CHARGING VALVE)</b>				
80/	All	D20Z 19D701-A		1
81/88	CL-CLT900 -- w/integral A/C	★ E69Z 19D701-A	Not replaced	1
<b>19702 Refer to group 19732</b>				
<b>19D702 CAP ASSY. (AIR CONDITIONER CHARGING VALVE)</b>				
80/	All	E1HZ 19D702-A		1
<b>19703 COMPRESSOR ASSY. (AIR CONDITIONER)</b>				
86/	CF600/700 w/dlr installed A/C	* E6HZ 19703-A	*YC-71-FS-6-not replaced	1
80/84	CL-CLT900	D8HZ 19703-B	*YC-22	1
80/85	F-FT600/900 w/o tilt frt. end	D4FZ 19703-B	*YC-19-York	1
80/84	L-LN-LNT-LT-LTL-LTS800/900 "Before 12/83"			1
89	F600/900 -- w/6.1 (370) & 7.0 (429) gas eng. w/dealer installed A/C w/o pwr. stg.	E7GZ 19703-B	Sanden	1

1980/  
TRUCK SERIES 600/900

YEAR	MODEL/RESTRICTIONS	PART NUMBER	DESCRIPTION	QTY.
19703 COMPRESSOR ASSY. (AIR CONDITIONER) — Cont'd				
86/ 84/89 84/87 88	All F-FT600/900 -- w/tilt frt. end L-LT-LTS-LN-LNT-LTL800/900 All "L" series w/integral A/C exc. 3406 Cat. eng.	E6VY 19703-A	*YC-41 FS-6	1   1
88/89  89  89	All L-LN series w/integral A/C & 3406 Cat. eng. & Cum. L-10 & NTC All "L" series w/integral A/C & 3306 Cat. eng. & Cum. L-10 & NTC diesel CL-CLT w/integral A/C & Cum. L10 & NTC diesel	E8HZ 19703-A	*YC-60-Sanden 510 H.D.	1  1
88/90  89/90  89/90	All L-LN Series -- w/SD 510 HD (Sanden) w/Cat. 3406 w/integral A/C All L-LN w/SD 510 HD (Sanden) w/Cat. 3306 L-10 & NTC w/integral A/C CL-CLT -- w/integral A/C w/SD 510 HD (Sanden) L-10 & NTC diesel	E9HZ 19703-D	*YC-74-Sanden 510 HD	1
88  89  89	All L-LN Series w/Cat. 3406 and manual A/C All "L" Series w/integral A/C & 3306 Cat. & Cumm. L-10 & NTC diesel eng. CL-CLT integral A/C w/Cumm. L10 & NTC diesel eng. all B600/800 & F-FT600/900	★ E8HZ 19703-B	*YC-69-Sanden 510 HD-r/b E9HZ 19703-D	1  1  1
89  89  89	All L-LN Series w/FNH engines w/integral A/C F-FT600/900 w/FNH engines, w/integral A/C & DLR A/C CF700/800 w/FNH engines, w/integral A/C & DLR A/C	E9HZ 19703-B	*YC-72-Sanden 508	1  1  1
89	L-LL-LS-LT-LTL-LTS-LN-LNT w/Ford New Holland eng. and integral A/C	E9HZ 19703-A	*YC-68	1
89/	F600/800 -- med. duty w/6.6 & 7.8L dsl. eng. w/dealer installed A/C CF600/800 w/6.6 & 7.8L dsl. eng. w/dealer installed A/C	F2HZ 19703-E	Sanden SD-508 *To retro-fit prior to 3-1-89 also order E9HZ 19B969-A	1
89/	F-FT600/800 -- w/6.6L & 7.8L dsl. eng. & dlr. installed A/C	F0HZ 19703-D	*YC-94	1
89/	CF700/800 -- w/6.6L & 7.8L dsl. eng. & dlr. installed A/C			1
89/	F-FT600/800 -- w/6.6L & 7.8L dsl. eng. & dlr. installed A/C CF700/800 -- w/6.6L & 7.8L dsl. eng. & dlr. installed A/C	F2HZ 19703-E		1
19C705-8 Refer to Section 197 for Service Refrigerant Line Assemblies and/or replacement details				

1980/  
TRUCK SERIES 600/900

YEAR	MODEL/RESTRICTIONS	PART NUMBER	DESCRIPTION	QTY.
<b>19A706 RESISTOR ASSY. (AIR CONDITIONER BLOWER MOTOR)</b>				
86/	CF600/800 -- w/dealer installed A/C	E6HZ 19A706-A		1
80/82	F-FT600/800 -- integral A/C or Hi-Lo vent	E0TZ 19A706-A		1
83/	F-FT600/900 -- integral A/C or Hi-Low vent	E3TZ 19A706-B		1
80/83	CL-CLT900			
	L-LL-LS-LT-LTL-LTS- LN-LNT -- w/integral A/C	E7TZ 19A706-A		1
<b>19C708 HOSE KIT - Refer to group 19B968</b>				
<b>19C708 RUBBER HOSE (BULK) Refer to Section 197 for Service Replacement Line Assemblies and/or replacement details</b>				
<b>19A709 Refer to Section 197 for Service Refrigerant Line Assemblies and/or replacement details</b>				
<b>19710 CONDENSER ASSY. (AIR CONDITIONER ROOF MOUNTED)</b>				
80/81	L-LN-LNT-LT-LTS800/900 -- integral A/C	★ D3HA 19A615-AB Not replaced		1
<b>19712 CORE ASSY. (AIR CONDITIONER CONDENSER)</b>				
86/87	CF600/800 -- w/dealer installed A/C	E6HZ 19712-A	*YJ-244	1
88	CF600/800 -- w/dealer installed A/C	E8HZ 19712-B	*YJ-255	1
89/	CF600/800 -- all w/dealer installed A/C	E9HZ 19712-B	*YJ-285	1
80/82	CL-CLT900 "Before 11/81"	D8HZ 19712-B	*YJ-175	1
82/86	CL-CLT900 "From 11/81"	E1HZ 19712-D	*YJ-195	1
87/89	CL-CLT900	E7HZ 19712-A	*YJ-227, #E7HT 19710-FB	1
88/	CL-CLT w/Cummins L10 & NTC 855 & Cat. 3406 eng. and adtech radiator	E8HZ 19712-A	*YJ-248	1
88/90	CL-CLT -- w/Cummins L10 & NTC 855 & Cat. 3406 eng. and adtech radiator	F0HZ 19712-D	*YJ-248-#F0HT 19710-FA	1
80/86	F-FT600/900 -- w/o tilt frt. end	E0HZ 19712-A	*YJ-183	1
84/86	F-FT600/900 -- w/tilt frt. end	E4HZ 19712-A	*YJ-205	1
87/	F-FT600/900 -- all exc. FTO eng.			1
87/	F-FT600/800 -- w/tilt front end & FTO eng.	E7HZ 19712-D	*YJ-230, #E7HT 19710-DC	1
87/	F-FT600/800 -- w/fixed front end & 7.8L FTO eng. exc. Calif.	E7HZ 19712-C	*YJ-231, #E7HT 19710-GC	1
87/	F-FT600/900 -- w/fixed front end w/FTO eng. w/o air to air cooler			1
87/	F-FT600/800 -- w/fixed front end & FTO eng. &FNH eng. and ATA cooler	E7HZ 19712-B	*YJ-228, #E7HT 19710-EC	1
89	F-FT600/900 -- All w/dir. installed A/C	E9HZ 19712-A		1
80/81	L-LN-LNT-LT-LTS800/900 --	D3HZ 19712-A	*YJ-75-roof mounted	1
81/84	L-LN-LNT-LT-LTS-exc. 9000 "Before 10/83"	E1HZ 19712-B	*YJ-188-Radiator mounted	1
82/86	LTL-LL900	E1HZ 19712-A	*YJ-185	1
84/	L-LN-LNT-LT-LTS Exc. 9000 -- exc. FTO eng. "From 10/83"	E4HZ 19712-B	*YJ-207	1
81/84	L-LN-LNT-LT-LTS-9000 "Before 10/83"	★ E1HZ 19712-C	*YJ-189-Radiator mounted-replaced by E4HZ 19712-C	1
81/86	L-LN-LNT-LT-LTS9000 "From 10/83"	E4HZ 19712-C	*YJ-208	1

1980/  
TRUCK SERIES 600/900

YEAR	MODEL/RESTRICTIONS	PART NUMBER	DESCRIPTION	QTY.
<b>19712 CORE ASSY. (AIR CONDITIONER ROOF MOUNTED) -- Cont'd</b>				
87/	L-LN-LNT-LT-LTS9000 -- w/Cat. & Cum. engs.	E7HZ 19712-G	*YJ-239-#E7HT 19710-HA horizontal fitting	
87/	L-LN-LNT-LT-LTS9000 w/FTO 6.6L & 7.8L engs.	E7HZ 19712-F	*YJ-238-#E7HT 19710-JB	1
87/	LTL/LL9000 -- w/7.8L & 14.6L 893 Cat. dsl. L-LN-LNT-LS-LT-LTS800/900 w/integral A/C	★ E7HZ 19712-E	*YJ-232-#E7HT 19710-CB-replaced by FOHZ 19712-F	1
87/	All L Series -- w/Cat. 3406 & 3176 & Cum. L-10 & Cum. NTC/form dsl. and FNH dsl. 800/900 integral A/C "Before 11/15/90"	FOHZ 19712-F	*YJ-284-#FOHT 19710-EA (vertical fittings)	1
<b>19A719 BRACKET (AIR CONDITIONER PLENUM CHAMBER SUPPORT)</b>				
80/	F-FT600/900 -- with integral A/C or Hi-Lo vent	E0TZ 19A719-A		1
87/	All L-series -- w/hourmeter option	E7HZ 19A719-A	Fleet & C.D. only	1
87/	All L-series -- w/hourmeter option	E7HZ 19A719-B	Owner-operator only	1
<b>19D721 BRACKET (AIR CONDITIONER CONDENSER OUTLET)</b>				
84/	CL-CLT9000 -- w/integral A/C	E4HZ 19D721-A		1
<b>19D727 SHIELD (AIR CONDITIONER TUBE)</b>				
80/	CL-CLT900	D8HZ 19D727-A		1
<b>19732 BRACKET (AIR CONDITIONER CONDENSER MOUNTING)</b>				
89	CF600/800 w/dlr. installed A/C	E9HZ 19732-A		1
80/82	CL-CLT900 "Before 10/81"	(RH) D8HZ 19702-A	(LH) E5HZ 19732-A	Upper & lower 2
82/84	CL-CLT900 "From 10/81"	(RH) E2HZ 19702-A	(LH) E5HZ 19732-A	Upper & lower 2
85/	CL-CLT9000	(RH) E2HZ 19702-A	(LH) E5HZ 19732-A	1
80/	F-FT600/900 -- w/o tilt frt. end	(RH) E0HZ 19702-A	(LH) E0HZ 19732-A	Upper 1
84/86	F-FT600/900 -- w/tilt frt. end	(RH) E0HZ 19702-A	(LH) E4HZ 19732-A	1
87/89	F-FT600/900 -- w/tilt frt. end	(RH) E7HZ 19702-B E7HZ 19735-A	(LH) E7HZ 19732-C E7HZ 19736-A	Upper 1 Lower 1
89/	F600/800 -- all w/dlr. inst. A/C	E9HZ 19702-B		1
80/86	F-FT600/900	(RH) E0HZ 19735-A	(LH) E0HZ 19736-A	Lower 1
87/	F-FT600/900 -- w/FTO 6.6L & 7.8L engs.	E7HZ 19732-A	Upper L.H.	1
87/88	L-LN-LS-LT-LNT-LTS800	E7HZ 19702-A	Exc. 240 eng. & w/charge air cooler	
88/	LL-LTL800/900 -- w/3406 eng. w/integral A/C	E8HZ 19702-A	Lower	1
88/	L-LN-LNT-LT-LTS900 -- w/3406 eng., 7.8L, 477 w/integral A/C	E8HZ 19702-B	Bracket A/C condenser mounting lower	2
88/	L-LL-LN-LNT-LS-LT- LTL-LTS900 -- w/3406 eng., 7.8L, 477 w/integral A/C	E8HZ 19702-C	Upper mounting	1
87/	LL-LTL -- w/Cat. 3306 L10 eng. manual trans.-non adtech radator only	E7HZ 19732-B		4
<b>19C732 CONNECTOR (AIR CONDITIONER REGISTER)-Refer to group 19C626-7</b>				
<b>19C734 SENSOR ASSY (AIR CONDITIONER TEMPERATURE CONTROL)</b>				
80/	CL-CLT900 -- A.T.C.	D9AZ 19C734-A	*YH-351	1
<b>19D734 MANIFOLD and TUBE ASSY. (AIR CONDITIONER)</b>				
80/84	CL-CLT900	★ D8HZ 19D734-B	R/b E5HZ 19D735-A	1
<b>19D735 VALVE ASSY. (AIR CONDITIONER EXPANSION AND SUCTION)</b>				
80/	CL-CLT	E5HZ 19D735-A	*YG-266	1
<b>19735 Refer to group 19732</b>				



1980/  
TRUCK SERIES 600/900

YEAR	MODEL/RESTRICTIONS	PART NUMBER	DESCRIPTION	QTY.
<b>19736 BRACKET (AIR CONDITIONER MOUNTING LOWER L.H.)</b>				
80/	F600/800	E0HZ 19736-A		1
<b>19B736 COVER (AIR CONDITIONER and HEATER EVAPORATOR CASE)</b>				
80/	CL-CLT900 -- heater	D8HZ 19B736-A	R.H. and L.H. -- main evaporator	1
80/86	CL-CLT900 -- integral A/C	D8HZ 19B736-B	R.H. and L.H. -- main evaporator	1
80/	CL-CLT900 -- w/sleeper	D8HZ 19B736-C	26 1/4" long	1
80/	CL-CLT900 -- w/sleeper	D8HZ 19B736-D	3 1/4" long	1
87/	CL-CLT900 -- integral A/C	E7HZ 19B736-A	R.H. and L.H.--main evaporator	1
<b>19D736 PLATE (AIR CONDITIONER MANIFOLD)</b>				
80/	CL-CLT900	D8HZ 19D736-A		1
<b>19B738 SEAL (AIR CONDITIONER EVAPORATOR CASE COVER)</b>				
80/	CL-CLT900 -- w/sleeper	D8HZ 19B738-A		1
80/	CL-CLT900 -- main	D8HZ 19B738-B	R.H. & L.H.	2
<b>19B739 SEAL (AIR CONDITIONER EVAPORATOR DRAIN TUBE)</b>				
80/	F600/900	D9AZ 19B739-A		1
<b>19C739 HOSE (AIR CONDITIONER TEMPERATURE CONTROL SENSOR)</b>				
80/	CL-CLT-900 -- A.T.C.	D9HZ 19C739-A		1
<b>19C741 BRACKET (AIR CONDITIONER EVAPORATOR THERMOSTAT)</b>				
80/	L-LN-LNT-LT-LTL-LTS800/900	DOHZ 19C741-A		1
		42127-S8	(U-248-C)-screw-no.10-12 x 1/2"	2
<b>19744 GRILLE (AIR CONDITIONER AIR INTAKE)</b>				
80/	F-FT600/900 -- with integral A/C or Hi-Lo vent	E0TZ 19744-A		1
80/	L-LN-LNT-LT-LTL-LTS800/900	DOHZ 19744-A		1
<b>19E746 CLIP (A/C TUBE LOCK COUPLING)</b>				
89/	All	E9UZ 19E746-C	5/8 silver color	1
<b>19C747 VENTURI ASSY. (AIR CONDITIONER and HEATER)</b>				
80/	CL-CLT900	D8HZ 19C747-A		1
80/	F-FT600/900 -- 501 C.I.D. diesel			1
<b>19C748 FILTER ASSY. (VENTURI AIR CONDITIONER CONTROL)</b>				
80/	CL-CLT900	E7HZ 19C748-A	Use with 19C747	1
<b>19752 VALVE ASSY. (AIR CONDITIONER COMPRESSOR LOW PRESSURE)-Also refer to Section 197</b>				
80/	F-FT600/900 -- w/o tilt frt. end	E0TZ 19752-A	*YF-914	1
84/	F-FT600/900 -- w/tilt frt. end	E4HZ 19752-A	*YF-1216	1
80/	L-LN-LNT-LT-LTL-LTS800/900	DOAZ 19752-A	*YF-305	1
<b>19751 SNAP SWITCH AND MOUNTING BRACKET ASSY. (AIR CONDITIONER)</b>				
89/	F-FT600/900 -- w/dealer installed A/C	E9HZ 19757-A		1
<b>19E759 GUIDE (A/C DRIVE BELT)</b>				
87/	B-F-FT600/900	F1HZ 19E759-A		1
<b>19B762 SEAL (AIR CONDITIONER AIR INLET DOOR INNER)</b>				
80/	F-FT600/900 -- with integral A/C or Hi-Lo vent	E5TZ 19B762-A		1
<b>19C774 SHAFT ASSY. (AIR CONDITIONER DAMPER DOOR)</b>				
80/	L-LN-LNT-LT-LTL-LTS800/900	DOHZ 19C774-A		1
<b>19D774 BRACE (AIR COMPRESSOR)</b>				
80/	B-F-FT-LN600/900, L800, C600/800, CT800, LT-LTS800 -- 8 cyl. 361, 391 and air brakes	C7TZ 19D774-A		1
80/	CL-CLT900 -- Cum. KT-450 and KTA-255 diesel	D7HZ 19D774-A		
80/82	CL-CLT900 -- Cat. 3406 & Detroit diesel with A/C "Before 1/1/82"	D8HZ 19D774-A	#D7HT 19D774-FA-front lower	1
82/	CL-CLT900 -- Cat. 3406 & Detroit diesel with A/C- "From 1/1/82"	E0HZ 19D774-A	Front lower	1

1980/  
TRUCK SERIES 600/900

YEAR	MODEL/RESTRICTIONS	PART NUMBER	DESCRIPTION	QTY.
<b>19C774 SHAFT ASSY. (AIR CONDITIONER DAMPER DOOR) — Cont'd</b>				
85/	CL-CLT900 -- Cat. 3406 diesel and FS-6 compr.	E5HZ 19D774-A	Upper	1
80/	CL-CLT900 -- Cat. 3406 diesel with A/C	D8HZ 19D774-B	#D7HT 19D774-GA-front upper	1
80/	CL-CLT900 -- Detroit diesel with A/C	D8HZ 19D774-C	#D7HT 19D774-EA-front upper	1
80/82	CL-CLT900 -- Cum. NTC diesel with A/C -- "Before 4/82"	D8HZ 19D774-D	#D7HA 19D774-DA front	1
82/	CL-CLT900 -- Cum. NTC diesel with A/C -- "From 4/82"	E2HZ 19D774-A		1
80/	CL900 -- Cum. VT-903	E0HZ 19D774-A		1
80/	L-LN-LNT-LT-LTS880/900 -- 8 cyl. gas with A/C	D0TZ 19D774-A	Attaches 2875 to 9424	1
80/	L-LN900 -- gas	★ D6HZ 2888-A	#D6HA 19D626-A-with A/C-not replaced	1
<b>19D775 BRACE (AIR COMPRESSOR)</b>				
85/87	CL-CLT9000 -- w/cat. 3406 eng.-w/Sanden compr.	E8HZ 19D775-A	Rear	1
85/87	CL-CLT9000 -- w/NTC, L-10 engs.-w/Sanden compr.	E8HZ 19D775-B	Rear	1
85/87	CL-CLT9000 -- w/DDA-6V92 eng.-w/Sanden compr.	E8HZ 19D775-C	Rear	1
84/	F-FT-L-LN-LNT-LT-LTS800/900 -- w/3208 eng. and A/C	E4HZ 19D775-B		1
84/	L-LT-LTL-LTS900 -- w/3406 eng. and A/C	E4HZ 19D775-A		1
84/	L-LN-LNT-LT-LTS900 -- w/Cummins NTC eng. and A/C	E4HZ 19D775-C		1
84/	LNT900 -- w/L-10 eng. and A/C			1
88	L-LN700/900 -- with Cat. 3406 dsl. and Sanden compr.	E8HZ 19D775-D		1
89	LN-LNT800/900 -- w/3306 Cat. dsl.	E9HZ 19D775-A		1
80/	CL-CLT900 -- Cum KT-450 and KTA-525 diesel with A/C	D8HZ 19D775-A	#D7HA 19D775-BB	1
82/	CL-CLT900 -- 6V-92, 8V-92, 8V-71 diesel with A/C	E2HZ 19D775-A		1
80/82	CL-CLT900 -- Cat. 3406 & Detroit diesel with A/C "Before 1/11/82"	D8HZ 19D775-B	#D7HT 19D775-DA-rear upper	1
82/	CL-CLT900 -- Cat. 3406 & Detroit diesel with A/C "From 1/11/82"	E2HZ 19D775-B		1
80/	CL-CLT900 -- Cum. NTC diesel with A/C	D8HZ 19D775-C	Rear	1
80/	CL900 -- Cum. VT-903	E0HZ 19D775-A	Field Fix	1
<b>19C778 BRACKET (AIR CONDITIONER HOSE SUPPORT)</b>				
88/	CL-CLT900 -- w/cat. 3406 SRS Req'd on all CL series w/adtech rad.	E8HZ 19C778-A		1
83/	F-FT600/900 -- Diesel eng.	E3HZ 19C778-A	Attaches 19867 to 19703	1
84/	L-LN-LNT-LT-LTS800 -- w/diesel eng. w/M/trans.	E4HZ 19C778-A	Located on top LH side of radiator	1
<b>19C784 BEZEL (EVAPORATOR CASE)</b>				
86/	CF600/800 -- w/dealer installed A/C	E6HZ 19C784-A	Less louver and switch	1
89	F-FT600/900 -- w/dealer installed A/C	E9HZ 19C784-A		1

1980/  
TRUCK SERIES 600/900

YEAR	MODEL/RESTRICTIONS	PART NUMBER	DESCRIPTION	QTY.
<b>19D784 PULLEY ASSY. AIR CONDITIONER CLUTCH</b>				
88/	L-LN700/900 -- w/3406 eng. w/Sanden compr.	E8HZ 19D784-A	*YB-364-A	1
89	B-F-L-LN600/900 -- w/6.6L,7.8L engs. and Sanden compr.	E9HZ 19D784-A	*YB-374-A	1
<b>19A786 TUBE (BLOWER HOUSING TO BLOWER MOTOR)</b>				
80/	F-FT600/900 -- without integral A/C or Hi/Lo vent	C7AZ 19A786-A		1
80/	F-FT600/900 -- with integral A/C or Hi-Lo vent	D9AZ 19A786-A		1
<b>19D786 PULLEY (AIR COMPRESSOR) - Also refer to groups 8509, 8678 MODEL APPLICATION</b>				
<b>B SERIES</b>				
80/84	B600/700 -- with A/C-gas eng.	D1HZ 19D786-B	*YB-89-A #D1HA 2981-BA	1
80/84	B600/700 -- with A/C-Diesel engines	D1HZ 19D786-C	*YB-90-A	1
<b>C-CT SERIES</b>				
80/	C-CT800/900 -- sleeper cab with A/C	★†C4TZ 2884-B	*YB-60-A/C clutch assy.	1
80/	C-CT800/900 -- sleeper cab with A/C and M/S	★†C4TZ 2884-C	*YB-61-A/C clutch assy.	1
80/	C-CT800/900 -- sleeper cab with A/C	★†C5TZ 2884-C	A/C clutch assy.-not replaced	1
<b>CL-CLT SERIES</b>				
80/83	CL-CLT900	D1VY 19D786-A	*YB-36-A A/C clutch-use with D1VY 2987-A Field, and D1VY 19D653-A Pulley	1
84/	CL-CLT900 -- w/FS-6 compr.	★ E4HZ 2884-A	*YB-287-Mat 88060	1
<b>F-FT SERIES</b>				
80/83	F-FT600/900 -- with A/C-gas eng.	D1HZ 19D786-B	*YB-89-A #D1HA 2981-BA	1
80/84	F-FT600/900 -- with A/C-Diesel engines	D1HZ 19D786-C	*YB-90-A	1
84/	F-FT600/900 -- w/3208 eng.-and gas engs.-FS-6 compr.	★ E4HZ 2884-A	*YB-287-r/b Mat 88060	1
<b>L-LN-LNT-LT-LTS SERIES</b>				
80/84	L-LT900 -- 8 cyl. 568 Detroit 8V-71 diesel	D1HZ 19D786-C	*YB-90-A #D1HA 2981-CA-A/C clutch assy.	1
80/84	L-LN-LNT-LT900 -- 8 cyl. 568 Detroit 8V-71 diesel			1
80/84	L-LT-LTS800 -- 8 cyl. Cum. V-555 diesel			1
80/84	L-LN-LNT-LT-LTS800 -- 8 cyl. gas			1
80/84	L-LN-LNT-LT-LTS900 -- Cum. diesel	D1HZ 19D786-B	*YB-89-A-#D1HA 2981-BA-A/C clutch assy.	1
80/84	L-LN-LNT-LT-LTS800-Cat. diesel	D1HZ 19D786-D	*YB-91-A #D1HZ 2981-DA-A/C clutch assy.	1
80/84	L-LN-LNT-LT-LTS900 -- w/Cat. 3406 diesel	D1HZ 19D786-A	*YB-88-A-#D1HA 2884-AA-A/C clutch assy.	1
80/84	L-LN-LNT-LT-LTS900 8 cyl. gas	D1HZ 19D786-D	*YB-91-A-#D1HA 2981-DA-A/C clutch assy.	1
80/84	LTS900 -- 6 cyl. 426 Detroit 6-71 diesel	D1HZ 19D786-A	*YB-88-A-#D1HA 2981-AA-A/C clutch assy.	1
84/	L-LN-LNT-LT-LTL-LTS600/900 -- w/3208 eng., and gas engs. LNT900 -- w/L-10 eng.-FS-6 compt.	★ E4HZ 2884-A	*YB-287-r/b Mat 88060	1
88/	L-LN700/900 with Cat. 3406 diesel and Sanden compr.	E8HZ 19D786-A	*YB-360-A	1
80/	C-CT-L-LN-LNT800/900	353650-S100	(QQ-11)-snap ring (pulley to shaft)	2
80/	B-F600	20428-S8	(B-82)-bolt (pulley to damper)-3/8"-16 x 1 1/4"	2
		34807-S8	(X-66)-lockwasher-3/8"	
80/		374411-S8	(BB-435-C)-bolt (pulley to compressor)-hex. hd. lock-5/16"-24 x 1 1/2"	1

1980/  
TRUCK SERIES 600/900

YEAR	MODEL/RESTRICTIONS	PART NUMBER	DESCRIPTION	QTY.
<b>19C791-3 COVER (AIR CONDITIONER HOSE)</b>				
80/	L-LN-LNT-LT-LTL-LTS800/900 -- integral A/C	D4HZ 19C791-A	Upper-Tobacco	1
80/	L-LN-LNT-LT-LTL-LTS800/900 -- integral A/C and line haul instrument panel	D4HZ 19C793-A	Lower-Tobacco	1
80/	L-LN-LNT-LT-LTL-LTS800/900 -- integral A/C and city delivery instrument panel	D4HZ 19C793-B	Lower-Tobacco	1
80/	L-LN-LNT-LT-LTL-LTS900 -- integral A/C-w/owner operator pkg.	D8HZ 19C793-A	Lower-Tobacco	1
<b>19797 BRACKET A/C DRIP PAN (EVAPORATOR DRAIN)</b>				
80/	L-LL-LS-LT-LTS-LTL-LN-LNT -- w/integral A/C	(RH) FOHZ 19797-A	(LH) FOHZ 19797-B	1
<b>19C797 SEAL (AIR CONDITIONER EVAPORATOR CASE DAMPER)</b>				
80/	L-LN-LNT-LT-LTL-LTS800/900 -- integral A/C	DOHZ 19C797-A		1
<b>19D798 FIELD ASSY.(AIR CONDITIONER COMPRESSOR WITH PILOT BUSHING)</b>				
80/	CL-CLT900	D1VY 19D798-A	#YB-45-A	1
80/84	L-LN-LNT-LT-LTS800/900 -- with A/C	D1HZ 19D798-A	*YB-44-A-use with A/C clutches D1HZ 2884-A, B, C, D	1
80/84	B-F-FT600/900 -- with A/C			1
88/	L-LN700/900 -- with 3406 Cat. diesel and Sanden Compr.	E8HZ 19D798-A	*YB-361-A	1
89	B-F-L-LN600/900 -- w/6.6L, 7.8L engs. and Sanden compressor	E9HZ 19D798-A	*YB-375-A	1
84/87	CL-CLT-F-FT-L-LN-LNT-LT-LTL-LTS600/900 -- w/FS-6 compr.	E3AZ 19D798-A	*YB-281-A	1
80/	C-CT800	C8SZ 19D798-A	#C3SA 2979-A, C7AA 2979-A, C7ZA 2987-A	1
<b>19803 PANEL (A/C EVAP CASE LOWER)</b>				
89	F-FT600/900 -- All w/dlr. installed A/C	E0TZ 19803-A		1
<b>19805 MOTOR ASSY. (AIR CONDITIONER BLOWER)-Also refer to group 18527</b>				
86/	CF600/800 -- w/dealer installed A/C	E6HZ 19805-A		1
80/	CL-CLT900		Refer to group 18527	1
80/83	F600/800 -- with integral A/C or Hi-Lo vent "Before 11/82"	E0TZ 19805-A	*MM-390	1
80/86	F-F600/900 -- w/integral A/C or Hi-lo vent	F1VY 19805-B	*MM-517	1
89	F-FT600/900 -- all w/dlr. installed A/C	E0TZ 19805-B		1
83/	F-FT600/900 -- integral A/C or Hi-Low vent "From 11/82"	E2TZ 19805-A	*MM-412	1
80/81	L-LN-LNT-LT-LTL-LTS800/900	D1TZ 19805-B	*MM-298-A-condenser roof MTG.	2
<b>19808 PANEL ASSY. (AIR CONDITIONER CONTROL)-Refer to group 18A651</b>				
<b>19812 BRACKET (AIR CONDITIONER HOSE)</b>				
86/	CF600/800 -- w/dealer installed A/C	E6HZ 19812-A		1
82/	CL-CLT9000	E2HZ 19812-A		1
84/	L-LN-LNT-LT-LTS8000/9000 -- w/Cat. 3208 diesel	E4HZ 19812-A	Located on compr.	1
<b>19C818 COVER (AIR CONDITIONER AUTOMATIC TEMPERATURE CONTROL SENSOR)</b>				
80/	CL-CLT900	D8HZ 19C818-A		1

1980/  
TRUCK SERIES 600/900

YEAR	MODEL/RESTRICTIONS	PART NUMBER	DESCRIPTION	QTY.
<b>19C827 HARNESS ASSY. (VACUUM HOSE)</b>				
80/81	CL-CLT900 -- manual integral A/C "Before 5/81"	D8HZ 19C827-A	R.H. main - located below floor pan	1
81/86	CL-CLT900 -- Manual integral A/C "From 5/81"	E1HZ 19C827-B	R.H. main - located below floor pan	1
87	CL-CLT900 -- w/manual integral A/C	E7HZ 19C827-E	R.H. main-located below floor pan	1
80/81	CL-CLT900 -- manual integral A/C "Before 5/81"	D8HZ 19C827-B	L.H. main - located below floor pan	1
81/	CL-CLT900 -- manual integral A/C "From 5/81"	E1HZ 19C827-D	L.H. main - located below floor pan	1
80/81	CL-CLT900 -- heater "Before 5/81"	D8HZ 19C827-C	R.H. main - located below floor pan	1
81/86	CL-CLT900 -- heater "From 5/81"	E1HZ 19C827-A	R.H. main - located below floor pan	1
87/	CL-CLT900 -- w/heater	E7HZ 19C827-D	R.H. main-located below floor pan	1
80/81	CL-CLT900 -- heater "Before 5/81"	D8HZ 19C827-D	L.H. main - located below floor pan	1
81/	CL-CLT900 -- heater "From 5/81"	E1HZ 19C827-C	L.H. main - located below floor pan	1
80/81	CL-CLT900 -- A.T.C. "Before 5/81"	D8HZ 19C827-E	R.H. main - located below floor pan	1
81/	CL-CLT900 -- A.T.C. "From 5/81"	E1HZ 19C827-B	R.H. main - located below floor pan	1
80/81	CL-CLT900 -- A.T.C. "Before 5/81"	D8HZ 19C827-F	L.H. main - located below floor pan	1
81/	CL-CLT900 -- A.T.C. "From 5/81"	E1HZ 19C827-D	L.H. main - located below floor pan	1
80/81	CL-CLT900 -- manual integral A/C or heater "Before 5/81"	D8HZ 19C827-R	R.H. plenum & def. nozzle assy.-located above floor pan	1
81/86	CL-CLT900 -- manual integral A/C or heater "From 5/81"	E1HZ 19C827-E	R.H. plenum & def. nozzle-located above floor pan	1
80/81	CL-CLT900 -- manual integral A/C or heater "Before 5/81"	D8HZ 19C827-Q	L.H. plenum & def. nozzle assy.-located above floor pan	1
81/86	CL-CLT900 -- manual integral A/C or heater "From 5/81"	E1HZ 19C827-F	L.H. plenum & def. nozzle-located above floor pan	1
87/	CL-CLT900 -- manual integral A/C	(RH) E7HZ 19C827-A	(LH) E7HZ 19C827-C	Plenum & def. nozzle
87/	CL-CLT900 -- heater only	E7HZ 19C827-B	L.H. plenum & def. nozzle-located above floor pan	1
80/81	CL-CLT900 -- A.T.C. "Before 6/81"	D8HZ 19C827-S	R.H. plenum & def. nozzle assy.-located above floor pan	1
81/	CL-CLT900 -- A.T.C. "From 6/81"	E1HZ 19C827-E	R.H. plenum & def. nozzle-located above floor pan	1
80/81	CL-CLT900 -- A.T.C. "Before 6/81"	D8HZ 19C827-P	L.H. plenum & def. nozzle assy.-located above floor pan	1
81/	CL-CLT900 -- A.T.C. "From 6/81"	E1HZ 19C827-F	L.H. plenum & def. nozzle-located above floor pan	1
80/	CL-CLT900 -- w/sleeper	D8HZ 19C827-L	Used from vacuum source to sleeper valve control	1
80/	CL-CLT900 -- manual integral A/C	D8HZ 19C827-M	Located in sleeper compt. L.H.	1
80/81	CL-CLT900 -- heater "Before 5/15/81"	D8HZ 19C827-N	Located in sleeper compt. L.H.	1
81/	C-CLT900 -- heater	E2HZ 19C827-A	Located in sleeper compt. L.H.	1
81/	CL-CLT900 -- A.T.C.	E1HZ 19C827-H	attaches to main harness	1
87/	CL-CLT900 -- w/manual A/C	E7HZ 19C827-C		1
89/	F700			1
80/86	F-FT600/900 -- integral A/C or Hi-Lo vent	E0TZ 19C827-A	2-2 nipples	1
80/86	F-FT600/900 -- integral A/C or Hi-Lo vent	E0TZ 19C827-B	3-1-1-1 nipples	1

**1980/  
TRUCK SERIES 600/900**

YEAR	MODEL/RESTRICTIONS	PART NUMBER	DESCRIPTION	QTY.
<b>19C827 HARNESS ASSY. (VACUUM HOSE) — Cont'd</b>				
80/89	F-FT600/900 -- integral A/C or Hi-Lo vent	E0TZ 19C827-C	9-3-3 nipples	1
87/	F-FT600/900 -- w/gas eng., 8.2L DDA and 3208 CAT.	E7HZ 19C827-A		1
84/	F-FT600/900 -- 8 cyl. 7.0L gas eng.	E3TZ 19C827-A		1
87/	F-FT600/900 -- w/integral A/C gas eng., 8.2L DDA & 3208 Cat.	F2HZ 19C827-G		1
87/	B600/900 -- w/integral A/C gas eng., 8.2L DDA & 3208 Cat.			1
<b>19834 WHEEL ASSY. (BLOWER)—Also refer to group 18504</b>				
86/	CF600/800 -- w/dealer installed A/C	D8AZ 19834-A		2
80/	F-FT600/900 -- with integral A/C or Hi-Lo vent	E0TZ 19834-A		1
89	F-FT600/900 -- all w/dealer installed A/C	D4TZ 19834-A		1
80/	ALL L-series	C8TZ 19834-A		1
<b>19835-7 Refer to Section 197 for Service Refrigerant Line Assemblies and/or replacement details</b>				
<b>19835 LIQUID and SUCTION LINE KIT (AIR CONDITIONER)</b>				
80	CL-CLT900 -- 76" BBC w/sleeper	E1HZ 19835-R	"LIQUID/SUCTION LINE KIT"—refer to T.S.B. 81-19-19 dated 9/23/81	1
80	CL-CLT900 -- 88" BBC w/sleeper	E1HZ 19835-S	"LIQUID/SUCTION LINE KIT" refer to T.S.B. 81-19-19 dated 9/23/81	1
80	CL-CLT900 -- 110" BBC w/sleeper	E1HZ 19835-T	"LIQUID/SUCTION LINE KIT"—refer to T.S.B. 81-19-19 dated 9/23/81	1
88/	CL-CLT900 -- 88" & 110" BBC w/sleeper & integral A/C	E8HZ 19835-K	Tube assy. recovery evap. to junction-A/C evap. to compressor	1
88/	CL-CLT900 -- 110" BBC w/sleeper & integral A/C	E8HZ 19835-J		1
87/	F-FT600/900 -- w/integral A/C	F2TZ 19850-A		1
88/	LN-LNT900 -- w/Cat. 3406 (893) 6 cyl. eng. w/Ad-tek radiator	E8HZ 19835-A		1
88/	CL-CLT900	E8HZ 19835-M	Dehydrator to evap.	1
<b>19C836 ACCUMULATOR ASSY. (AIR CONDITIONER)</b>				
80/81	F600/800	E0TZ 19C836-A	*YF-908	1
82/83	F-FT600/800 "Before 4/83"	E2TZ 19C836-A	*YF-1023	1
83/86	F-FT600/900 "From 4/83"	E3TZ 19C836-B	*YF-1119	1
87/	F-FT600/800	E7TZ 19C836-A	*YF-1429	1
<b>19844 COVER (AIR CONDITIONER GLOVE BOX REPAIR)</b>				
89	F-FT600/900 -- all w/dealer installed A/C	E0TZ 19844-A		1
89	F-FT600/900 -- all w/dealer installed A/C	E0TZ 19844-A		1
<b>19849 VALVE ASSY. (AIR CONDITIONER EVAPORATOR EXPANSION)</b>				
86/	CF600/800 -- w/dealer installed A/C	E6HZ 19849-A		1
80/86	CL-CLT900	E1HZ 19849-A	*YG-236-sleeper	1
87	CL-CLT900	E7HZ 19849-A	*YG-279	1
88/	CL-CLT900	E8HZ 19849-A	*YG-294	1
80/	CL-CLT900	★ D6DZ 19849-A	*YG-175-R.H. and L.H. main-r/b E5HZ 19D735-A	2
80/	L-LN-LNT-LT-LTL-LTS800/900	E1HZ 19849-A	*YG-236	1
89	F-FT600/900 -- w/dlr. installed A/C	E7TZ 19849-A		1

1980/  
TRUCK SERIES 600/900

YEAR	MODEL/RESTRICTIONS	PART NUMBER	DESCRIPTION	QTY.
<b>19850 KIT A/C EVAPORATOR HOUSING (SERVICE ONLY)</b>				
87/89	F-FT600/900 w/integral A/C	E7TZ 19850-A	#E7TH 19851-BD	1
87/	F-FT600/900 - - w/integral A/C	r/bF2TZ 19850-A		1
<b>19D857 ADAPTER (AIR CONDITIONER AUTOMATIC TEMPERATURE CONTROL SENSOR)</b>				
80/81	CL-CLT900	D70Z 19D857-A		1
<b>19858 HOSE (AIR CONDITIONER EVAPORATOR DRAIN)</b>				
86/	CF600/800 - - w/dealer installed A/C	E6HZ 19858-A		2
80/	CL-CLT900	D8HZ 19858-A		1
80/84	L-LN-LNT-LT-LTL-LTS800/900 "Before 12/83" - - From 12/83 use E4HZ 19859-A pan	DOHZ 19858-A		1
<b>19A858 SUMP ASSY. (AIR CONDITIONER EVAPORATOR DRAIN)</b>				
80/	ALL L-series	E6HZ 19A858-A		1
<b>19B858 VALVE (CHECK-AIR CONDITIONER EVAPORATOR DRAIN)</b>				
86/	CF600/800 - - w/dealer installed A/C	E6HZ 19B858-A		1
<b>19859 PAN ASSY. (AIR CONDITIONER EVAPORATOR DRAIN)</b>				
84/	ALL L-series "From 12/83" - - Before 12/83 use DOHZ 19858-A hose	E4HZ 19859-A		1
<b>19860 CORE ASSY. (AIR CONDITIONER EVAPORATOR)</b>				
86/	CF600/800 - - w/dealer installed A/C	E6HZ 19860-A		1
80/86	CL-CLT900 - - main	D8HZ 19860-A	*YK-60-R.H. and L.H.	2
87/	CL-CLT800 - - main	E7HZ 19860-A	*YK-126 R.H. and L.H.	1
80/	CL-CLT900 - - sleeper	D8HZ 19860-B	*YK-61	1
80/81	F600/800 "Before 4/81"	E0TZ 19860-A	*YK-71	1
81	F600/800 "From 4/81"	E1TZ 19860-A	*YK-80	1
82/86	F-FT600/900	E4TZ 19860-A	*YK-93	1
87/	F-FT600/900	E7TZ 19860-A	*YK-110	
89	F-FT600/900 - - w/dlr. installed A/C	E0TZ 19860-B		1
80/	L-LN-LNT-LT-LTL-LTS800/900	DOHZ 19860-A		1
<b>19C861 REINFORCEMENT (AIR CONDITIONER MOUNTING BRACKET)</b>				
80/	CL-CLT900	D8HZ 19C861-A	R.H. main	1
80/	CL-CLT900	D8HZ 19C861-B	L.H. main	1
80/	L-LN-LNT-LT-LTL-LTS800/900	DOHZ 19C861-A		1
<b>19862 Refer to Section 197 for Service Refrigerant Line Assemblies and/or replacement details</b>				
<b>19C862 CLAMP (AIR CONDITIONER TUBE SUPPORT CLIP)</b>				
80/	F-FT600/900 - - integral A/C	E0TZ 19C862-A		1
80/	All L series	DOHZ 19863-A		1
<b>19866 BRACKET (AIR CONDITIONER EVAPORATOR EXPANSION VALVE MOUNTING)</b>				
80/81	CL-CLT900 "Before 3/81"	D8HZ 19866-A	R.H. and L.H.	2
81/86	CL-CLT900 "From 3/81"	E1HZ 19866-A		1
87	CL-CLT900 - - w/integral A/C	E7HZ 19866-A		1
<b>19867 Refer to Section 197 for Service Refrigerant Line Assemblies and/or replacement details</b>				
<b>19C872 BEZEL (AIR CONDITIONER REGISTER)</b>				
80/	L-LN-LNT-LT-LTL-LTS800/900 - - integral A/C and line haul instrument panel	DOHZ 19C872-A		1
<b>19873 PAN (A/C EVAPORATOR DRAIN)</b>				
80/	L-LL-LS-LT-LTS-LTL-LN-LNT - - integral A/C	FOHZ 19873-B		1
<b>19A884 BRACKET ASSY. (AIR CONDITIONER CONTROL MOUNTING)</b>				
80/	L-LN-LNT-LT-LTL-LTS800/900 - - integral A/C	D3HZ 19A884-A		1

1980/  
TRUCK SERIES 600/900

YEAR	MODEL/RESTRICTIONS	PART NUMBER	DESCRIPTION	QTY.
<b>19A885 WIRING ASSY. (AIR CONDITIONER THERMOSTAT to CLUTCH)</b>				
86/	CF600/800 -- w/dealer installed A/C	E6HZ 19A885-A		1
89/	F-FT600/900 -- w/dealer installed A/C	E9HZ 19A885-B		1
80/81	L-LN-LNT-LT-LTS800/900 -- integral A/C and line haul instrument panel "Before 2/81"	D3HZ 19A885-B		1
81/87	L-LN-LNT-LT-LTL-LTS800/900 integral A/C and live haul instrument panel "From 2/80"	E1HZ 19A885-A		1
88/89	L-LL-LN-LNT-LS-LT-LTS 800/900 w/integral A/C	E8HZ 19A885-A	#E8HT 19A885-AA	1
80/81	L-LN-LNT-LT-LTS800/900 -- integral A/C-City delivery instrument panel	D5HZ 19A885-A	#D5HB 19A885-AB	1
<b>19D887 WIRING ASSY. (AIR CONDITIONER JUMPER)</b>				
80/84	CL-CLT900 "Before 5/85"	D8HZ 19D887-A		1
85/86	CL-CLT9000 "From 5/85"	E5HZ 19D887-K		1
87/	CL-CLT900 -- w/integral A/C	E7HZ 19D887-A		1
78/88	CL-CLT900 -- All	D8HZ 19D887-A		1
82/84	LTL900	★ E1HZ 19D887-A	Not replaced	1
83/84	L-LT-LTS-LN-LNT800/900 "Before 10/83"	E1HZ 19D887-A		1
84	L-LT-LTS-LN-LNT800/900 "From 10/83"	E4HZ 19D887-A		1
85/	L-LT-LTS-LN-LNT800/9000 -- w/6 cyl. 426,893	E5HZ 19D887-F		1
85/	L-LT-LTS-LN-LNT -- 6 cyl. 552 & 855 "Before 5/85"	E5HZ 19D887-D		1
85/	L-LT-LTS-LN-LNT -- 6 cyl. 852 & 855 "From 5/85"	E5HZ 19D887-J		1
87/	L-LS-LT-LTS900 -- w/Cum. L-10 eng.	E7HZ 19D887-B		1
85/	LTL9000 -- 6 cyl. 855 & 893 "Before 5/85"	E5HZ 19D887-B		1
85/	LTL-LL900 -- w/6 cyl. 893 & 855 "From 5/85"	E5HZ 19D887-G		1
85/	LTL-LL900 -- 8 cyl. 736	E5HZ 19D887-H		1
87/	LL-LTL900 -- w/Cum. L-10 eng.	E7HZ 19D887-C		1
84/	LN-LNT900 -- w/Cum. L10 engine	E5HZ 19D887-E		1
88/	L-LL-LS-LT-LTL-LTS -- w/Cum. L-10 Cat. 3406 SRS & all Cum. NTC/Form w/integral A/C	E8HZ 19D887-A		1
88/	LN-LNT900 -- w/3406 (893 C.I.D. 14.6L) Cum. NTC & L10	E8HZ 19D887-B		1
88/	L-LL-LS-LT-LTL-LTS800/900 w/AD-Tech. radiator & integral A/C	E8HZ 19D887-C	#E8HT 19D887-KA	1
<b>19B888 VALVE ASSY. (AIR CONDITIONER and HEATER VACUUM SELECTOR)</b>				
86/	CF600/800 -- w/dealer installed A/C	E6HZ 19B888-A		1
80/81	CL-CLT900 -- heater "Before 7/81"	D8HZ 19B888-A	*YH-312	1
81/86	CL-CLT900 -- heater "From 7/81"	D5AZ 19B888-C	*YH-389	1
87	CL-CLT900 -- heater	E1AZ 19B888-A	*YH-379	1
88/	CL-CLT -- w/heater	★ E8HZ 19B888-A	*YH-484	1



**1980/  
TRUCK SERIES 600/900**

YEAR	MODEL/RESTRICTIONS	PART NUMBER	DESCRIPTION	QTY.
<b>19C887 WIRING ASSY. (AIR CONDITIONER JUMPER) — Cont'd</b>				
80/81	CL-CLT900 -- integral A/C "Before 5/81"	D8HZ 19B888-B	*YH-313	1
81/86	CL-CLT900 -- integral A/C "From 5/81"	E0TZ 19B888-B	*YH-361	1
87/	CL-CLT900 -- integral A/C	E1AZ 19B888-B	*YH-380	1
80/	F-FT600/900 -- with Hi-Lo vent	D5AZ 19B888-C	*YH-279	1
80/	F-FT600/900 -- integral A/C	E0TZ 19B888-B	*YH-361	1
<b>19D888 ELBOW ASSY. (AUTOMATIC TEMPERATURE CONTROL SENSOR)</b>				
80/	C-CLT900 -- A.T.C.	D9AZ 19D888-A		1
<b>19B892 LENS (AIR CONDITIONER CONTROL)</b>				
80/86	L-LN-LNT-LT-LTL-LTS800/900 -- integral A/C	★ E1HZ 19B892-A	Replaced by E7HZ 19B892-A	1
87/	All L-series -- w/integral A/C	E7HZ 19B892-A		1
<b>19893 REGISTER</b>				
86/	CF600/800 -- w/dealer installed A/C	E6HZ 19893-A	Small	2
86/	CF600/800 -- w/dealer installed A/C	E6HZ 19893-B	Large	1
80/	CL-CLT900	(RH) D8HZ 19893-B	(LH) D8HZ 19893-A	2
80/	CL-CLT900 -- sleeper	D8HZ 19893-C		4
80/	F-FT600/900 -- integral A/C or Hi-Lo vent	E0TZ 19893-A	L.H.	2
80/	F-FT600/900 -- with integral A/C or Hi-Lo vent	D20Z 19893-A	R.H.	2
89	F-FT600/900 -- w/dlr. installed A/C	E9HZ 19893-A	L.H.	2
	F-FT600/900 -- w/dlr. installed A/C	E9HZ 19893-B	R.H.	2
80/86	L-LN-LNT-LT-LTL-LTS800/900 -- integral A/C and city delivery instrument panel	D0HZ 19893-A	Center	1
80/86	L-LN-LNT-LT-LTL-LTS800/900 -- line haul instrument panel	D0HZ 19893-B	Located in A/C panel	1
80/86	L-LN-LNT-LT-LTL-LTS800/900	D0HZ 19893-D	R.H.	1
80/86	L-LN-LNT-LT-LTL-LTS900	D8HZ 19893-D	L.H.	1
84/86	LN-LNT9000 -- w/fleet option	E4HZ 19893-A	Center	1
84/87	LN-LNT9000 -- w/fleet option	E4HZ 19893-B	L.H.	1
87/	All L-series -- w/integral A/C	E7HZ 19893-A	Square	1
87/	All L-series -- w/integral A/C	E7HZ 19893-B	Round	3
<b>19A893 GASKET (A/C REGISTER TO EVAP. CASE)</b>				
89	F-FT600/900 -- w/dlr. installed A/C	E0TZ 19A893-A		2
<b>19D899 SWITCH ASSY. (A/C COMPRESSOR)</b>				
85/89	All F,FT,LN,LNT, L,LL,LS,LT,LTL,LTS & CL,CLT w/integral A/C w/o compressor protection	E9HZ 19D899-B	FS-6 or Sanden Compressors (prior to E9HT 19D629 CB, BA)	1
89	All LN,LNT,L,LL LS,LT,LTL,LTS & CL,CLT w/Cummins dsl. w/thermal protection pkg. and Sanden compressor	F0HZ 19D899-A		1
<b>19911 INSULATOR (A/C TUBE)</b>				
85/89	All F,FT,L,LL,LS,LT LTL,LTS,LN,LNT & CL CLT w/F/T, & FS 6 compressor	E9HZ 19911-A		1

**1980/  
TRUCK SERIES 600/900**

YEAR	MODEL/RESTRICTIONS	PART NUMBER	DESCRIPTION	QTY.
<b>19C917 BRACKET (A/C CONDENSER TUBE SUPPORT)</b>				
87/	F-FT600/800 w/FTO 6.6L & 7.8L engs. and tilt hood	E7HZ 19C917-A		1
<b>19919 TUBE ASSY. (A/C EVAPORATOR)</b>				
82/	All -- L series 800/900 with integral A/C	E1HZ 19919-A *YF-931	Outlet (from expansion to fire wall)	1
<b>19C925 PANEL and LENS (A/C NAME PLATE)</b>				
89	F-FT600/900 -- w/dlr. installed A/C	E3TZ 19C925-D		1
<b>19926 DUCT EVAP. (TO INSTR. PANEL REGISTER R.H.)</b>				
89	F-FT600/900 -- w/dlr installed A/C	E0TZ 19926-A		1
<b>19C932 DUCT and CONNECTOR ASSY. (AIR CONDITIONER and HEATER)</b>				
80/	CL-CLT900	(RH) D8HZ 19C932-A	(LH) D8HZ 19C932-B	1
80/	CL-CLT900 -- sleeper	(RH) D8HZ 19C932-C	(LH) D8HZ 19C932-D	1
<b>19D933 BRACKET (AIR CONDITIONER INLET MANIFOLD)</b>				
80/	CL-CLT900	D8HZ 19D933-A		1
80/	CL-CLT900	D8HZ 19D933-B		1
80/	F-FT600/800	E0TZ 19D933-A	Inlet-4 1/4" long	1
80/	F-FT600/900	E0TZ 19D933-B	Inlet-7 1/4" long	1
<b>19B934 BRACKET (AIR CONDITIONER and HEATER PLENUM CHAMBER CONTACT CABLE GUIDE)</b>				
80/	CL-CLT900	D8HZ 19B934-A	R.H. main	1
<b>19B937 BRACKET (AIR CONDITIONER DEHYDRATOR MOUNTING)</b>				
86/88	CF600/800 -- w/dealer installed A/C	E6HZ 19B937-A		1
89/	CF600/800 -- w/dealer installed A/C	E9HZ 19B937-A		1
80/86	CL-CLT900	D8HZ 19B937-B		1
87/	CL-CLT900	E7HZ 19B937-A		1
89	F-FT600/900 -- w/dlr. installed A/C	E69Z 19B937-A		1
82/86	LTL900	E1HZ 19B937-A		1
81/86	L-LN-LNT-LTS900	E1HZ 19B937-B	(2) holes w/(2) studs	1
81/86	L-LN-LNT-LT-LTS900 w/893 C.I.D.	E1HZ 19B937-C	(1) hole w/(1) stud	1
81/84	L-LN-LNT-LT-LTS900 -- w/dsl. eng. "Before 10/83"	* E1HZ 19B937-D	(2) holes-not replaced	1
84/86	L-LT-LTS-LN-LNT9000 -- w/diesel eng. "From 10/3/83"	E4HZ 19B937-A	(2) holes	1
87/	L-LN-LS-LT-LNT-LTS800/900	E7HZ 19B937-B		1
87/	LL-LTL900	E7HZ 19B937-C		1
88/	L-LN-LS-LT-LNT-LTS900 -- w/Cat. 3406 eng.	E8HZ 19B937-A		1
88/	LL-LTL900 -- w/Cum. 855 eng. and integral A/C	E8HZ 19B937-B		
88/	L-LN900 -- w/L10 eng.			
<b>19A945 SWITCH ASSY. (AIR CONDITIONER TEMPERATURE CONTROL)</b>				
80/	L-LN-LNT-LT-LTL-LTS800/900	D1HZ 19A945-A	*YH-62	1
89	F-FT600/900 -- all w/ dealer A/C	E2TZ 19A945-A		1
<b>19949 WIRING ASSY. (AIR CONDITIONER BLOWER MOTOR FEED)</b>				
80/	F-FT600/900 -- with integral A/C or Hi-Lo vent	E0HZ 19949-A		1
<b>19959 DEHYDRATOR and RECEIVER TANK ASSY. (AIR CONDITIONER)</b>				
86/	CF600/800 -- w/dealer installed A/C	E6HZ 19959-A		1
80/84	CL-CLT900	E1HZ 19959-B	*YL-131	1
85/86	CL-CLT9000	E5HZ 19959-A		1
87/	CL-CLT900	E7HZ 19959-B	*YL 145	1
80/81	L-LN-LNT-LT-LTS800/900	D3HZ 19959-A	*YL-88-roof mounted	1

**1980/  
TRUCK SERIES 600/900**

YEAR	MODEL/RESTRICTIONS	PART NUMBER	DESCRIPTION	QTY.
<b>19959 DEHYDRATOR and RECEIVER TANK ASSY. (AIR CONDITIONER) — Cont'd</b>				
81/84	L-LN-LT-LTS600/800 -- All gas engines & Caterpillar 3208-636 C.I.D. "Before 12/83"	D8BZ 19959-A	YL-113-radiator mounted	1
81	L-LN-LNT-LT-LTS-LTL900 all diesel engines "Before 2/81"	E1HZ 19959-A	YL-121-radiator mounted	1
82/86	LTL900 "From 2/81"			1
81/84	L-LN-LNT-LT-LTS900 "From 2/1/81 until 12/83"	E1HZ 19959-C	YL-133-radiator mounted	1
84/	L-LT-LTS-LN-LNT800/900 -- exc. FTO engines "From 12/83"	E4HZ 19959-A	*YL-138	1
87	L-LN-LNT-LS-LT-LTL-LTS800/900 -- w/FTO diesel engines & L10 engs. "Before 6/86"	E7HZ 19959-A	*YL 146	1
87	All LL & LTL Series w/Cat. 3406 Cumm. L10	E7HZ 19959-C	*YL-150	1
88/	L-LS-LT-LL-LTL-LN-LNT -- w/3406 Cat. w/integral A/C LTL w/NTC 444 & L10	F0HZ 19959-A	*YL-157	1
88/89	L-LS-LT-LL-LTL-LN-LNT -- w/3406 Cat. w/integral A/C LTL w/NTC 444 & L-10	F2HZ 19959-A	*YL-162	1
<b>19A962 KNOB CONTROL A/C</b>				
89/	CF600/800 -- dealer installed A/C	DIRY 19A962-A		1
<b>19D963 FRAME ASSY. (AIR CONDITIONER AIR TEMPERATURE CONTROL)</b>				
80/	F-FT600/900 -- integral A/C or Hi-Low vent system	E0TZ 19D963-A		1
<b>19B966 Refer to group 19B968-9</b>				

**1986/89 DEALER-INSTALLED FORD AIR CONDITIONER PROGRAM**

1986 MODEL IN-DASH AIR CONDITIONING

MODEL	ENGINE	SPECIAL CONDITIONS	19B968 BASIC KIT	19703 COMPR./ CL. KIT	19708 COND. KIT	19B969 ENGINE KIT	9A567 CARB. FAST IDLE KIT
<b>19B968 KIT (AIR CONDITIONING)-Dealer installed</b>							
*These kits will not fit on Mid-F series with comfort vent option							
86/87	CF600/800	All	None	E9HZ-B	* E6HZ-A	* E9HZ-B	* E6HZ-A
88	CF600/800	All	None	* E9HZ-B	E6HZ-A	* E8HZ-A	* E6HZ-A
89/	CF600/700	All	None	E9HZ-B	E9HZ-C	E9HZ-A	E9HZ-A
89/	F600/700	6.6L & 7.8 diesel eng.	Med. Duty Truck	*E9HZ-A	*E9HZ-C	*	*E9HZ-A
89/	F600/800	370&429 gas eng.	Med. Duty Truck	*E9HZ-A	*E9HZ-C	*	*E9HZ-C

YEAR	MODEL/RESTRICTIONS	PART NUMBER	DESCRIPTION	QTY.
<b>19B970 Refer to Section 197</b>				

**19972** Also refer to Section 197 for Service Refrigerant Line Assemblies and/or replacement details

<b>19972 DISCHARGE and SUCTION LINE KIT (AIR CONDITIONER)</b>				
80	CL-CLT900 -- Cat. 3406	★ E1HZ 19972-R Not replaced	"DISCHARGE/SUCTION LINE KIT" refer to T.S.B. 81-19-19 dated 9/23/81	1
80	CL-CLT900 -- det. dsl 552, 568,736	★ E1HZ 19972-S Not replaced	"DISCHARGE/SUCTION LINE KIT" refer to T.S.B. 81-19-19 dated 9/23/81	1
80	CL-CLT900 -- cummins 230, 250,290,350 NTC	★ E1HZ 19972-T Not replaced	"DISCHARGE/SUCTION LINE KIT" refer to T.S.B. 81-19-19 dated 9/23/81	1
80	CL-CLT900 -- cummins 1150-KT	E1HZ 19972-U	"DISCHARGE/SUCTION LINE KIT" refer to T.S.D.B. 81-19-19 dated 9/23/81	1

**1980/  
TRUCK SERIES 600/900**

YEAR	MODEL/RESTRICTIONS	PART NUMBER	DESCRIPTION	QTY.
<b>19980 CONTROL ASSY. (AIR CONDITIONER)</b>				
80/81	CL-CLT900 -- A.T.C. "Before 5/81"	★ E1HZ 19980-A	Not replaced	1
81/	CL-CLT900 -- A.T.C. "From 5/81"	E1HZ 19980-F		1
80/81	C-CLT900 -- Manual A/C "Before 5/81"	E1HZ 19980-B		1
81/86	CL-CLT900 -- manual A/C "From 5/81"	E3HZ 19980-B		1
87/	CL-CLT900 -- w/manual A/C	E7HZ 19980-A		1
80	F600/800 -- integral A/C w/o aux. fuel tank	E0TZ 19980-A	Control	1
81/	F-FT600/900 -- w/o aux. fuel tank	E1TZ 19980-A		1
80/	F-FT600/900 -- w/aux. fuel tank	E1HZ 19980-D		1
<b>19986 SWITCH ASSY. (AIR CONDITIONER and HEATER BLOWER MOTOR)</b>				
86/	CF600/800 dealer installed A/C	D1RY 19986-A	*YH-210	1
80/	CL-CLT900	D8HZ 19986-B	*YH-311-L.H. main control at R.H. side	1
80/86	CL-CLT900	D5AZ 19986-B	*YH-265-L.H. main control at L.H. side	1
87/	CL-CLT900	D5AZ 19986-A	*YH-264 L.H. main control at L.H. side	1
80/	CL-CLT900	D8HZ 19986-A	*YH-310-R.H. control	1
80/	CL-CLT900	D8HZ 19986-C	Sleeper	1
80/	F-FT600/900	D5AZ 19986-A	*YH-264	1
89	F-FT600/900 -- All w/dealer installed A/C	E4TZ 19986-A		1
80/	ALL L-series	D0HZ 19986-A	*YH-411	1
<b>19988 CABLE ASSY. (AIR CONDITIONER TEMPERATURE)</b>				
80/	CL-CLT900	D8HZ 19988-A	13 3/4" long-pass. side	1
80/	CL-CLT900 -- A.T.C.	D8HZ 19988-B	43" long-drivers side	1
80/	F-FT600/800 -- integral A/C or Hi-Lo vent	E0TZ 19988-A		1
83/	F-FT600/900 -- integral A/C or Hi-Low vent	E3TZ 19988-A		1
84/	L-LN-LNT-LT-LTL-LTS800/900 "From 3/84"	E4HZ 19988-A		1
80/84	L-LN-LNT-LT-LTL-LTS800/900	52012-S8	(U-202)-screw-no.8-15 x 1/2"	6
		★383230-S8	Clip	4
<b>19A990 VALVE ASSY. (AIR CONDITIONER COMPRESSOR HIGH PRESSURE)</b>				
80/86	F-FT600/900	D0AZ 19A990-A	*YF-237	1
80/	L-LN-LNT-LT-LTL-LTS800/900			1
<b>19D990 ORIFICE (AIR CONDITIONER EVAPORATOR CORE)</b>				
80/	F-FT600/900	E0VY 19D990-A		1
80/	L Series	F3XY 19D990-A	*YG-322-blue color	1
<b>19A999 BAFFLE (AIR CONDITIONER EVAPORATOR CASE)</b>				
80/	CL-CLT900	D8HZ 19A999-A	R.H. and L.H. main	1

**19C705-8      REFRIGERANT LINE REPLACEMENT and REPAIR PARTS**

To simplify part number determination and complexity and to reduce look-up time for air conditioning hoses the following summary describes the various service methods:

1. Hose originally used in production is serviced.

Example: Original production part number EOHT 19867-AB is supplied for service as part number EOHZ 19867-A as shown on page 10 of the IDENTIFICATION CHART and on page 8 of the APPLICATION CHART.

2. Hose originally used in production is not supplied for service and has been replaced by detail parts i.e. bulk hose (which must be cut to length) and assorted fittings.

Detail parts include:

Push-on type tube fittings (includes clamps and "o" rings) and bulk hose. Original production hose assemblies are fabricated from bulk hose (cut to length indicated) and add necessary fittings (listed by code number and cross-referenced to part number on page 16).

Example: Original production part number DOHA 19972-AS is replaced by 78 inches of 13/32" I.D. bulk hose (part number D2AZ 19C708-B) and one each of fitting code J44 which cross-references to fitting service part number D2AZ 19D695-AJ and fitting code ZE6 which cross-references to fitting service part number D2AZ 19D695-CD. The original production part number DOHA 19972-AS is shown on page 10 of the IDENTIFICATION CHART and on page 9 of the APPLICATION CHART. The fitting code number to part number CROSS-REFERENCE CHART is shown on pages 11 thru 18

Air Conditioning hose information is listed as follows:

	PAGE
INSTALLATION INSTRUCTIONS	1 through 5
APPLICATION CHART	6 through 12
IDENTIFICATION CHART	13 & 15
FITTING CROSS-REFERENCE CHART	16 through 23

More detailed instructions are included with the IDENTIFICATION CHART, APPLICATION CHART and FITTING CROSS-REFERENCE CHART.

---

---

---

---

---

---

---

---

---

---

---

---

---

---

---

---

---

---

---

---

---

---

---

---

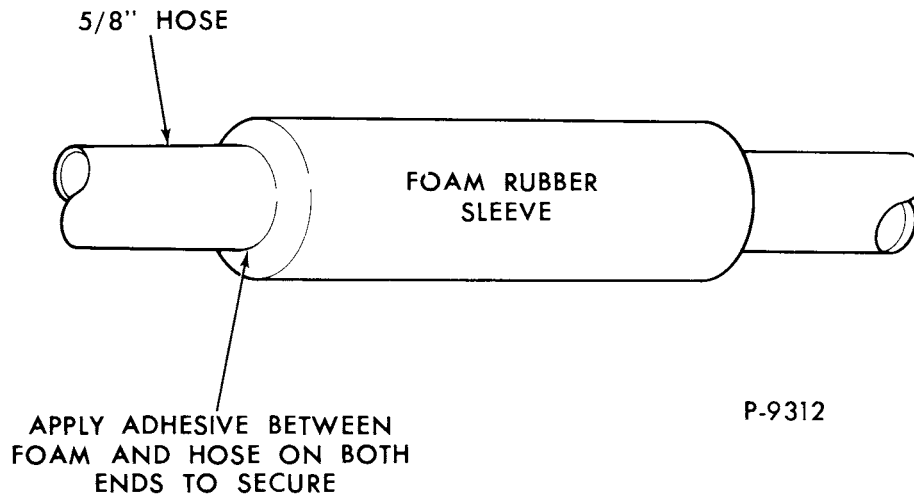
**1980/  
TRUCK SERIES 600/900**

19C705-8 REFRIGERANT LINE REPLACEMENT and REPAIR PARTS cont'd.

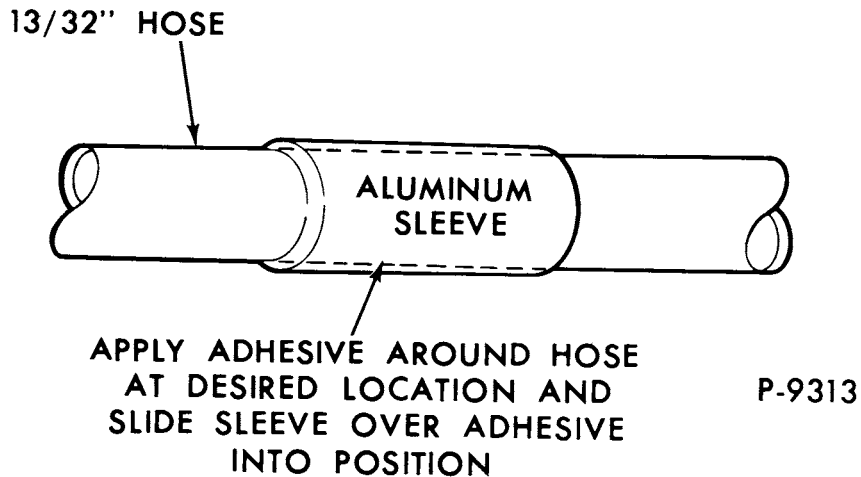
INSTALLATION INSTRUCTIONS

HOSE GUARDS

FOAM RUBBER SLEEVE: To protect 5/8" rubber air conditioner hose from direct rubbing against other parts and to reduce hose vibration noise.



ALUMINUM SLEEVE: To protect 13/32" discharge hose where hose contacts sharp edges in routing through the radiator side support.



1. Slide sleeve on hose before installing end fittings.

NOTE: Sleeve can be cut lengthwise and formed around other hose sizes.

2. Use COAZ 19552-A or 8A 19552-B adhesive to secure sleeve in desired position.

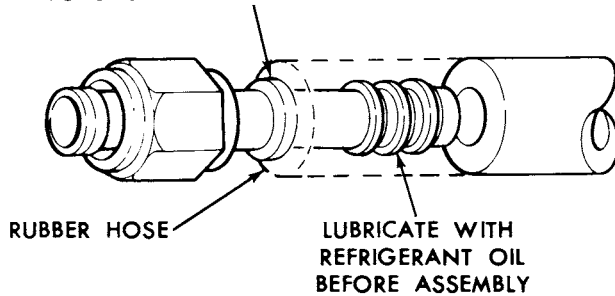
19C705-8 REFRIGERANT LINE REPLACEMENT and REPAIR PARTS cont'd.

INSTALLATION INSTRUCTIONS - continued

DETAIL PARTS and HOSE ASSEMBLIES

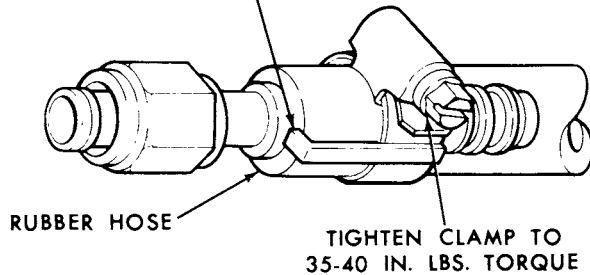
1. Note defective hose routing before removal.
2. Repair existing rubber or nylon hose on vehicle if feasible.
  - a. Repair cuts and similar failures, in otherwise sound existing hose assemblies, by using one push-on hose splicer or two splicers with required length of bulk hose.
3. Remove defective hose if splicing is not acceptable.
  - a. Discharge the system if not completely discharged, following the procedure outlined in the shop manual.
  - b. For those liquid lines (5/16" I.D.) having a self-sealing, quick disconnect coupling on one end, the coupling should be left on the vehicle. The new hose assembly will adapt into this coupling with 1/2"-20 male thread and an external o-ring seal.
4. Assemble the new hose as shown below if component parts are used.

**PUSH FITTING INTO HOSE BY HAND  
WITH ROTATING MOTION  
TO SHOULDER OR BEAD OF FITTING**



- a. Select proper end fittings, splicers, hose guards, and hose size required to replace the original hose assembly. A visual comparison is required for applications not listed.
- b. Cut hose to required length. Keep ends square and remove loose fragments.
- c. Lubricate barbed end of fittings and splicers with a few drops of clean refrigerant oil.

**ALIGN SPACER BAR TO  
END OF HOSE**



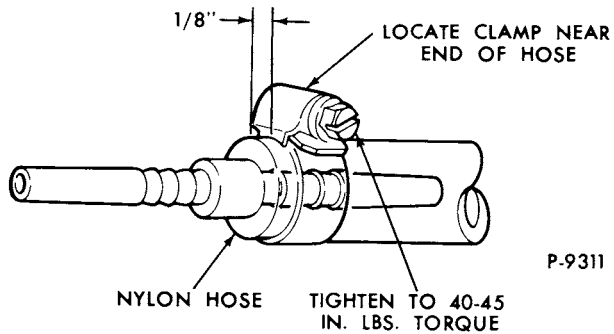
- d. Slide loose clamps on hose, force fittings into hose (by hand) with rotating motion.  
**CAUTION:** Do not go past shoulder or scratch fitting with tools, this fitting must be inserted by hand.
- e. Position clamp so that spacer tab is over end of rubber hose and tighten until clamp starts to cut hose (Tighten to 35-40 in. lbs. torque)

**1980/  
TRUCK SERIES 600/900**

19C705-8 REFRIGERANT LINE REPLACEMENT and REPAIR PARTS cont'd.

## INSTALLATION INSTRUCTIONS – continued

## DETAIL PARTS and HOSE ASSEMBLIES – continued



- f. For nylon hose splicers only, position clamp approx. 1/8" from end of hose (tighten to 40-45 in. lbs. torque)

5. Route the new hose, using the original installation as a guide.

If simplified hose with aluminum tubing and splicer is used, bend the tubing as outlined below:

- a. Bend the aluminum tubing by hand to replace the bends of the original hose, making the bends as simple as possible.
- b. Drill new holes through the radiator support and side shield as required to make the installations using simplified tube bends.

6. Install and torque new hose assembly.

NOTE. When installing assembly, tighten coupling nut finger tight, then torque per chart below using a back-up tube wrench. Further tightening may distort fitting and result in an imperfect seal. Be sure that o-ring is in place on o-ring type fittings. Hoses must be installed with no twist in them.

Fitting Size or Description	Thread Size	RECOMMENDED TORQUE (IN FT. LBS.)	
		O-RING Type	Flare Type
3/8"	5/8"-18	11-13	15-19
1/2"	3/4"-16 or 18	15-20	21-27
5/8"	7/8"-14 or 18	21-27	25-31
3/4"	1 1/16"-14 or 18	28-33	33-40
Adapter for Self-sealing Coupling	1/2"-20 7/8"-20	8-12 21-27	
Compressor fitting and service valve	1"-14	20-40	
Block fitting plate bolt		20-30	
Pressure relief valve (into block) fitting	3/8"-24	4-11	

7. Rework the existing hose support clamps if required

- a. Check for correct installation and proper routing for clearance with other vehicle components.
- b. Evacuate, charge and leak test the system following the procedure outlined in the vehicle shop manual

---



---



---



---



---



---



---

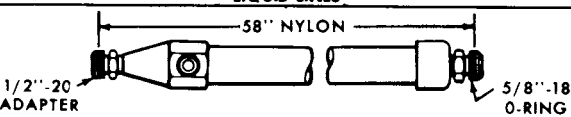
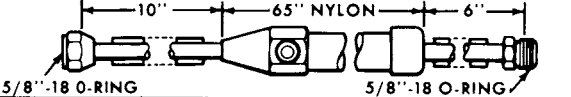
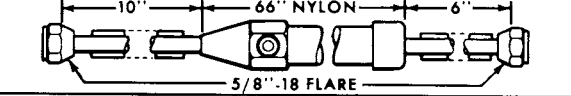
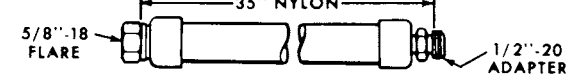
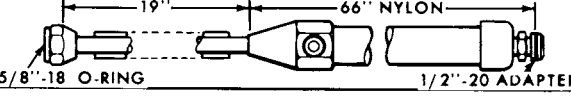
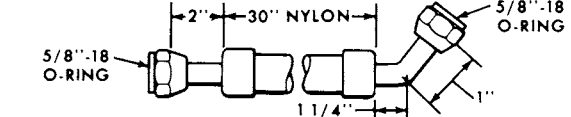
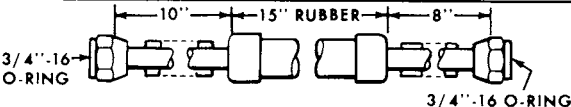
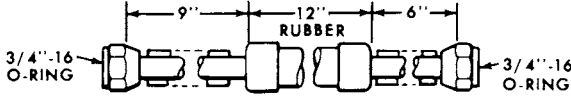
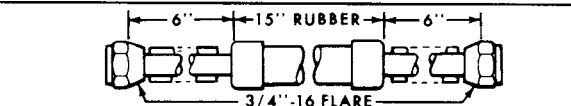
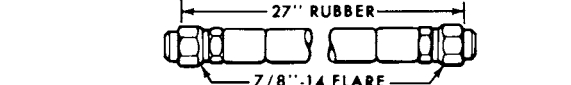
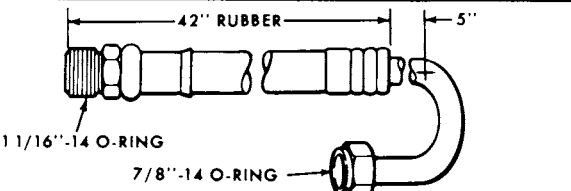


---



19C705-8 REFRIGERANT LINE REPLACEMENT and REPAIR PARTS cont'd.

**SIMPLIFIED HOSE ASSEMBLIES**

PART NUMBER	DESCRIPTION	TOTAL LENGTH INCHES
<b>LIQUID LINES</b>		
D00Z-19837-C *YF-271		58
C80Z-19837-A *YF-270		81
C70Z-19837-A *YF-269		82
C7AZ-19837-A *YF-268		35
C9AZ-19837-A *YF-238		85
D1AZ-19837-B *YF-272		34
<b>DISCHARGE LINES</b>		
C80Z-19972-A *YF-239		33
C9ZZ-19972-C *YF-277		27
C7AZ-19972-A *YF-276		32
<b>SUCTION LINES</b>		
C7AZ-19867-A *YF-285		27
D0AZ-19867-A *YF-286		48

P-9877



1980/  
TRUCK SERIES 600/900

**REFRIGERANT LINE APPLICATION CHART**

YEAR	MODEL	ENGINE		TYPE OF A/C	SERVICE ASSEMBLY	SERVICE DETAILS		
		CYL.	C.I.D. (C.C.D.)			HOSE		FITTINGS REQUIRED
						I.D. (INCHES)	LENGTH (INCHES)	
<b>19C705-8 REFRIGERANT LINE REPLACEMENT and REPAIR PARTS</b>								
<b>CF SERIES</b>								
86/87	CF600/800 -- w/dealer installed A/C, cond. to receiver	All	All	Dealer installed	E6HZ 19835-B			
88/	CF600/800 -- w/dealer installed A/C liquid line	All	All	Dealer installed	E8HZ 19835-N			
88	CF600/800 -- w/dealer installed A/C (cond. to receiver)	All	All	Dealer installed	E8HZ 19835-P			
89/	CF600/800 -- all w/dealer installed A/C	All	All	Dealer installed	E9HZ 19835-B			
86/	CF600/800 -- w/dealer installed A/C, dryer to evap.	All	All	Dealer installed	E6HZ 19837-A			
86/	CF600/800 -- w/dealer installed A/C, suction line	All	All	Dealer installed	E6HZ 19837-B			
86/87	CF600/800 -- w/dealer installed A/C, comp. to evap.	All	All	Dealer installed	E6HZ 19867-B			
88	CF600/800 -- w/dealer installed A/C (suction hose)	All	All	Dealer installed	E8HZ 19867-P			
89	CF600/800	All	All	Dealer installed	E9HZ 19867-K			
86/88	CF600/800 -- w/dealer installed A/C, comp. to cond.	All	All	Dealer installed	E6HZ 19972-A			
89	CF600/900	All	All	Dealer installed	E9HZ 19972-E			
86/	CF600/800 -- w/dealer installed A/C liquid line	All	All	Dealer installed	E6HZ 19972-B			
<b>CL-CLT SERIES</b>								
<b>LIQUID LINE-DRYER TO EVAPORATOR</b>								
80/81	CL-CLT900 -- 110" BBC- from L.H. main evap. to sleeper evap. "Before 7/81"	All	All	Integral	D8HZ 19835-J			
81/	CL-CLT900 -- 110" BBC From L.H. main evap. to sleeper	All	All	Integral	E2HZ 19835-D			
80/82	CL-CLT900 -- cond to dehyd. "Before 11/81"	All	All	Integral	D8HZ 19835-M			
82/84	CL-CLT900 -- cond. to dehyd. "From 11/81"	All	All	Integral	E2HZ 19835-A			
85/86	CL-CLT900 -- cond. to dehyd.	All	All	Integral	E5HZ 19835-B			
87/	CL-CLT900 -- cond. to dehyd. w/Cat. 3406	All	All	Integral	E7HZ 19835-E			
80/86	CL-CLT900 -- att. to dehydrator	All	All	Integral	D8HZ 19835-A			
87/	CL-CLT900 -- att. dehydrator to evap.	All	All	Integral	E7HZ 19835-F			
87/	CL-CLT900 -- att. to E7HZ 19835-F	All	All	Integral	E7HZ 19835-G			
80/81	CL-CLT900 -- att. to evaporator "Before 7/81"	All	All	Integral	D8HZ 19835-K			

1980/  
TRUCK SERIES 600/900

**REFRIGERANT LINE APPLICATION CHART**

YEAR	MODEL	ENGINE		TYPE OF A/C	SERVICE ASSEMBLY	SERVICE DETAILS		
		CYL.	C.I.D. (C.C.D.)			HOSE		FITTINGS REQUIRED
						I.D. (INCHES)	LENGTH (INCHES)	
<b>19C705-8 REFRIGERANT LINE REPLACEMENT and REPAIR PARTS — Cont'd</b>								
<b>CL-CLT SERIES</b>								
<b>LIQUID LINE-DRYER TO EVAPORATOR</b>								
81/85	CL-CLT900 -- from R.H. evaporator to L.H. evaporator	All	All	Integral	E5HZ 19835-D (RH) E5HZ 19835-E (LH) E5HZ 19835-C (Center cross over)			
85/86	CL-CLT900 -- from R.H. evap. to L.H. evap.	All	All	Integral	E5HZ 19835-D (RH) E5HZ 19835-E (LH) E5HZ 19835-C (center crossover)			
87/	CL-CLT900 -- from R.H. evap. to L.H. evap.	All	All	Integral	E7HZ 19835-D			
80/81	CL-CLT900 -- 76" BBC from L.H. main evap. to sleeper evap. "Before 7/81"	All	All	Integral	D8HZ 19835-G			
81/	CL-CLT900 -- 76" BBC From L.H. main evap. to sleeper "From 7/81"	All	All	Integral	E2HZ 19835-B			
81/	CL-CLT900 -- 88" BBC From L.H. main evap. to sleeper "From 7/81"	All	All	Integral	E2HZ 19835-C			
88/	CL-CLT900 -- w/3406B A/C outlet & Cum. L-10 & Cum. NTC	6 6 6	893 610 855	Integral	E8HZ 19835-F			
86/	CL-CLT900	All	All	Integral	E8HZ 19835-M			1 1/16 nut
88/	CL-CLT900 88 BBC w/sleeper BMB	All	All	Integral	E8HZ 19835-H			
88/	CL-CLT900 110 BBC, w/sleeper	All	All	Integral	E8HZ 19835-J			
<b>SUCTION LINE-EVAPORATOR TO COMPRESSOR</b>								
80/86	CL-CLT900 -- from R.H. evaporator to L.H. evaporator		All	Integral	★ E1HZ 19867-L Replaced by 1 pc. each E1HZ 19867-S (LH) E1HZ 19867-R (RH) E1HZ 19867-T (Center crossover)			
87/	CL-CLT900 -- from R.H. evap. to L.H. evap.	All	All	Integral	E7HZ 19867-C			7/8" nut
80/86	CL-CLT900 -- att. to compr.	6	855	Integral	E2HZ 19867-C			
87/	CL-CLT900 -- Cum. NTC eng. att. comp. to E7HZ 19867-E	6	855	Integral	E7HZ 19867-T			
80/	CL-CLT900 -- att. to compr.	6	893	Integral	E2HZ 19867-B			
80/	CL-CLT900 -- att. to compr.	6	568,736	Integral	E2HZ 19867-A			
85/86	CL-CLT9000 -- w/Cat. 3406	6	893	Integral	E5HZ 19867-K			
87/	CL-CLT900 -- compr. to evap. w/Cat. 3406	6	893	Integral	E7HZ 19867-D			
87/	CL-CLT900 -- w/Cat. 3406 -- att. to E7HZ 19867-C	6	893	Integral	E7HZ 19867-E			
80/81	CL-CLT900 -- att. to compressor "Before 12/80"	6	1150	Integral	D8HZ 19867-Y *YF-837			
81/	CL-CLT900 -- att. to compr. "From 12/80"	6	1150	Integral	E2HZ 19867-D			

1980/  
TRUCK SERIES 600/900

**REFRIGERANT LINE APPLICATION CHART**

YEAR	MODEL	ENGINE		TYPE OF A/C	SERVICE ASSEMBLY	SERVICE DETAILS		
		CYL.	C.I.D. (C.C.D.)			HOSE		FITTINGS REQUIRED
						I.D. (INCHES)	LENGTH (INCHES)	

**19C705-8 REFRIGERANT LINE REPLACEMENT and REPAIR PARTS — Cont'd  
CL-CLT SERIES**

**SUCTION LINE-EVAPORATOR TO COMPRESSOR**

80/81	CL-CLT900 -- 76" BBC- att. to evap.-sleeper "Before 7/81"	All	All	Integral	D8HZ 19867-P *YF-747			
81/82	CL-CLT900 -- 76" BBC att. to evap.-sleeper "From 7/81 until 5/82"	All	All	Integral	E1HZ 19867-M			
82/	CL-CLT900 -- 76" BBC att. to evap.-sleeper "From 5/82"	All	All	Integral	E2HZ 19867-E			
80/81	CL-CLT900 -- 88" BBC- att. to evap.-sleeper "Before 7/81"	All	All	Integral	D8HZ 19867-R *YF-748			
81/87	CL-CLT900 -- 88" BBC att. to evap.-sleeper "From 7/81"	All	All	Integral	E2HZ 19867-F			
88/	CL-CLT900 -- 88" BBC att. evap. to sleeper-evap.	All	All	Integral	E8HZ 19867-H			
80/81	CL-CLT900 -- 110" BBC- att. to evap.-sleeper "Before 7/81"	All	All	Integral	D8HZ 19867-S *YF-749			
81/87	CL-CLT900 -- 110" BBC att. to evap.-sleeper "From 7/81"	All	All	Integral	E2HZ-19867-G			
88/	CL-CL900 -- 110" BBC w/BMB & sleeper A/C evap. to junction	All	All	Integral	E8HZ 19867-W			
85/	CL-CLT9000	6	300,350, 400	Integral	E5HZ 19867-J			
85/	CL-CLT -- (DDA ENG.)	8	501	Integral	E5HZ 19867-M			
88/	CL-CLT9000 -- w/L10 Cum. eng.	6	610	Integral	E8HZ 19867-E			
88/	CL-CLT900 -- 110" BBC w/BMB & sleeper (A/C evap. to junction)	All	All	Integral	E8HZ 19867-W			
88/	CL-CLT900 -- w/Cat. 3406	6	893	Integral	E8HZ 19867-K			
88/	CL-CLT900	All	All	Integral	E8HZ 19867-L			
88/	CL-CLT900 w/Cum. NTC eng.	6	855	Integral	E8HZ 19867-M			
88/	CL-CLT900	6	893	Integral	E8HZ 19867-N			
88/89	CL-CLT900 -- 110 BBC- w/BMB & sleeper w/int. A/C	All	All	Integral	E8HZ 19867-W			
88/	CL-CLT	All	All	Integral	F0HZ 19867-E			1 1/16 nut A/C evap. to comp s/o valve

**DISCHARGE LINE-COMPRESSOR TO CONDENSER**

80/82	CL-CLT900 -- att. to compressor "Before 11/81"	6	855	Integral	D8HZ 19972-L *YF-834			
82/84	CL-CLT900 -- att. to compressor "From 11/81"	6	855	Integral	E2HZ 19972-C			
85/86	CL-CLT9000 -- att. to compressor	6	855	Integral	E5HZ 19972-L			
87	CL-CLT900 -- Cum. NTC eng.	6	855	Integral	E7HZ 19972-M			
88/	CL-CLT900 -- w/Cum. NTC eng.	6	855	Integral	E8HZ 19972-B			

1980/  
TRUCK SERIES 600/900

REFRIGERANT LINE APPLICATION CHART

YEAR	MODEL	ENGINE		TYPE OF A/C	SERVICE ASSEMBLY	SERVICE DETAILS		
		CYL.	C.I.D. (C.C.D.)			HOSE		FITTINGS REQUIRED
						I.D. (INCHES)	LENGTH (INCHES)	
19C705-B REFRIGERANT LINE REPLACEMENT and REPAIR PARTS — Cont'd								
CL-CLT SERIES								
DISCHARGE LINE-COMPRESSOR TO CONDENSER								
85/86	CL-CLT9000 -- att. to compressor w/Cat. 3406	6	893	Integral	E5HZ 19972-M			
87	CL-CLT900 -- att. to compressor w/Cat. 3406	6	893	Integral	E7HZ 19972-C			
88/89	CL-CLT900 -- w/Cat. 3406	6	893	Integral	E8HZ 19972-G			
85/	CL-CLT9000 -- att. to compressor	6,8	552,736	Integral	E5HZ 19972-K			
80/82	CL-CLT900 -- att. to compressor "Before 11/81"	6	893	Integral	D8HZ 19972-H *YF-752			
82/84	CL-CLT900 -- att. to compressor "From 11/81"	6	893	Integral	E2HZ 19972-D			
80/81	CL-CLT900 -- att. to compressor "Before 7/81"	8	568,736	Integral	D8HZ 19972-J *YF-753			
81/82	CL-CLT900 -- att. to compressor "From 7/81 until 11/81"	6,8	552,736	Integral	E1HZ 19972-P *YF-1020			
82/84	CL-CLT900 -- att. to compr. "From 11/81"	6,8	552,736	Integral	E2HZ 19972-A			
80/81	CL-CLT900 -- att. to compressor "Before 12/80"	6	1150	Integral	D8HZ 19972-M *YF-835			
82/	CL-CLT900 -- att. to compr. "From 11/81"	6	1150	Integral	E2HZ 19972-B			
85/87	CL-CLT9000 -- w/L10 engine	6	610	Integral	E5HZ 19972-J			
88/	CL-CLT9000 -- w/L10 engine	6	610	Integral	E8HZ 19972-E			
88/	CL-CLT900 -- w/Cat. 3406	6	893	Integral	E8HZ 19972-G			
88/	CL-CLT900 -- 88" BBC att. evap. to sleeper-evap.	All	All	Integral	E8HZ 19867-H			
80/82	CL-CLT900 -- att. to compressor "Before 11/81"	6	893	Integral	D8HZ 19972-H *YF-752			
82/84	CL-CLT900 -- att. to compressor "From 11/81"	6	893	Integral	E2HZ 19972-D			
80/81	CL-CLT900 -- att. to compressor "Before 7/81"	8	568,736	Integral	D8HZ 19972-J *YF-753			
81/82	CL-CLT900 -- att. to compressor "From 7/81 until 11/81"	6,8	552,736	Integral	★ E1HZ 19972-P *YF-1020			Not replaced
82/84	CL-CLT900 -- att. to compr. "From 11/81"	6,8	552,736	Integral	★ E2HZ 19972-A			Not replaced
80/81	CL-CLT900 -- att. to compressor "Before 12/80"	6	1150	Integral	D8HZ 19972-M *YF-835			
82/	CL-CLT900 -- att. to compr. "From 11/81"	6	1150	Integral	E2HZ 19972-B			
85/87	CL-CLT9000 -- w/L10 engine	6	610	Integral	E5HZ 19972-J			
88/	CL-CLT9000 -- w/L10 engine	6	610	Integral	E8HZ 19972-E			
88	CL-CLT900 -- w/Cat. 3406	6	893	Integral	E8HZ 19972-G			

★ Refer to Section 190 page for 10 T.S.B. #81-191-18 dated 9/23/81 for CL Series Climate Control Upgrade

1980/  
TRUCK SERIES 600/900

**REFRIGERANT LINE APPLICATION CHART**

YEAR	MODEL	ENGINE		TYPE OF A/C	SERVICE ASSEMBLY	SERVICE DETAILS		
		CYL.	C.I.D. (C.C.D.)			HOSE		FITTINGS REQUIRED
						I.D. (INCHES)	LENGTH (INCHES)	
<b>19C705-8 REFRIGERANT LINE REPLACEMENT and REPAIR PARTS — Cont'd</b>								
<b>F-FT600/800 SERIES</b>								
<b>LIQUID LINE-DRYER TO EVAPORATOR</b>								
80/	F-FT600/900 -- cond outlet	All	All	Integral	E0HZ 19835-A *YF-893			
87/	F-FT600/800 -- with FTO diesel and fixed hood	6	476	Integral				
80/83	F-FT600/800 "Before 4/83"	All	Diesel	Integral	E0HZ 19837-B *YF-926			
83/84	F-FT600/800 w/o tilt frt. end "From 4/83 until 10/83"	All	Diesel	Integral	E3HZ 19837-A r/bE4HZ 19837-A			
84/86	F-FT600/900 -- with tilt frt. end "From 10/83"	All	Diesel	Integral	E4HZ 19837-A			
87/	F-FT600/900 -- w/FTO diesels and tilt frt. end	6	402(7.8) 476	Integral	E7HZ 19837-A			
87/	F-FT600/800 -- cond. to evap. w/FTO diesels and fixed frt. end w/air cooler	6	402 476	Integral	E7HZ 19837-B			
87/	F-FT600/800 -- cond. to evap. w/FTO diesels and fixed frt. end w/o air cooler	6	402 420 429 476	Integral	E7HZ 19837-C			
89	F-FT600/800	All	All	Dealer installed	★ E9TZ 19835-C			R/b E9HZ 19972-C
<b>SUCTION LINE-EVAPORATOR TO COMPRESSOR</b>								
80/83	F-FT600/800 "Before 4/83"	All	Diesel	Integral	★ E0HZ 19867-B *YF-925			Not replaced
83/86	F-FT600/900 -- w/tilt frt. end "From 4/83"	All	All	Integral	E4HZ 19867-A			
87/	F-FT600/900 -- FTO diesel	All	All	Integral	E7HZ 19867-F			
87/	F-FT600/800 -- FTO diesel w/tilt frt. end	6	402,420 476	Integral	E7HZ 19867-G			
<b>DISCHARGE LINE COMPRESSOR TO CONDENSER</b>								
80/	F-FT600/900 -- w/o tilt front end, exc. FTO eng.	All	All	Integral	E0HZ 19972-B			
84/	F-FT600/900 -- w/tilt front end, exc. FTO eng.	All	All	Integral	E4HZ 19972-A			
87/	F-FT600/800 -- FTO diesel w/fixed hood	6	402,476	Integral	E7HZ 19972-A			
87/	F-FT600/800 -- FTO eng. and w/tilt frt. end	6	402,476	Integral	E7HZ 19972-F			
89	F-FT600/900	All	All	Dealer installed	E9HZ 19972-C			
<b>L-LN-LNT-LT-LTL-LTS SERIES</b>								
<b>DISCHARGE LINE-COMPRESSOR TO CONDENSER</b>								
80/81	L-LN-LNT-LT-LTS800/900 -- tube thru roof	All	All	Integral	D3HZ 19D590-A			

1980/  
TRUCK SERIES 600/900

**REFRIGERANT LINE APPLICATION CHART**

YEAR	MODEL	ENGINE		TYPE OF A/C	SERVICE ASSEMBLY	SERVICE DETAILS		
		CYL.	C.I.D. (C.C.D.)			HOSE		FITTINGS REQUIRED
						I.D. (INCHES)	LENGTH (INCHES)	
<b>19C705-8 REFRIGERANT LINE REPLACEMENT and REPAIR PARTS — Cont'd</b>								
<b>L-LN-LNT-LT-LTL-LTS SERIES</b>								
<b>DISCHARGE LINE-COMPRESSOR TO CONDENSER</b>								
80	LN-LNT750/800	8	361,391	Integral	★	13/32	67	G44,ZE4
80	L-LT-LTS800	8	361,391	Integral	★	13/32	76	G44,ZE4
80	LN-LNT880/900	8	401,475, 477,534	Integral	★	13/32	64	G44,ZE4
80	L-LT-LTS880/900	8	401,475, 477,534	Integral	★	13/32	72	G44,ZE4
80	LN-LNT900 -- Detroit 6-71 diesel	6	426	Integral	★	13/32	37	G44,ZE4
80	L-LT-LTS900 -- Detroit 6-71 diesel	6	426	Integral	★	13/32	49	G44,ZE4
80	L-LT-LTS900 -- Detroit 8V-71 diesel	8	568	Integral	★	13/32	78	G44,ZE4
80	L-LT-LTS900 -- Cum. NH diesel	6	855	Integral	★	13/32	60	G44,ZE4,QF6
80	L-LNT900 -- Cum. NTC diesel and Super 250	6	855	Integral	★	13/32	40	G44,QF6,ZE4
80	L-LT-LTS900 -- Cum. NTC diesel and Super 250	6	927	Integral	★	13/32	53	G44,QF6,ZE4
80	L-LT-LTS800 -- Cum. diesel	8	555	Integral	★	13/32	60	G44,ZE4
80	LN-LNT800 -- Cum. diesel	8	555	Integral	★	13/32	49	G44,ZE4
80	L-LT900 -- Cum. diesel	8	903	Integral	★	13/32	49	G44,ZE4
80	LN-LNT900	8	903	Integral	★	13/32	37	G44,ZE4
80	L-LN-LNT900 -- Detroit 8V-71 diesel	8	568	Integral	★	13/32	75	J44,ZE4
82/84	LTL9000	6	855	Integral	E3HZ 19972-B			
85/	LTL-LL9000	6	855	Integral	E5HZ 19972-B			
82/84	LTL9000 -- w/o FS-6 compressor	6	893	Integral	E1HZ 19972-B *YF-929			
84/	LTL900 -- w/FS-6 compressor	6	893	Integral	E4HZ-19972-J			
82/84	LTL9000	8	736	Integral	★ E1HZ 19972-C *YF-930			Not replaced
85/	LTL-LL9000	8	736	Integral	E5HZ 19972-A			
81/84	L-LN-LNT-LT-LTS9000 (Rad. Cond.) "Before 10/83"	6	855	Integral	E1HZ 19972-D *YF-969			
84	L-LN-LNT-LT-LNS800 -- w/Cum. NTC diesel "From 10/83"	6	855	Integral	E4HZ 19972-D			
85/86	L-LT-LTS-LN-LNT9000	6	855	Integral	E5HZ 19972-C			
81/83	LN-LNT-9000 (Rad. Cond.)	6	552	Integral	E1HZ 19972-E *YF-968			
84	LN-LN9000	6	552	Integral	E4HZ 19972-B			
85/	LN-LNT9000	6	552	Integral	E5HZ 19972-N			
85	L9000 (D.S.O.)	8	736					
84/	L-LN-LNT-LT-LTS900	6	568	Integral	E4HZ 19972-T			
81/84	L-LN-LNT-LT-LTS9000 (Rad. Cond.) "Before 10/83"	6	893	Integral	E1HZ 19972-F *YF-967			
84	L-LN-LNT-LT-LTS9000 -- "From 10/83"	6	893	Integral	E4HZ 19972-C			



**1980/  
TRUCK SERIES 600/900**

**REFRIGERANT LINE APPLICATION CHART**

YEAR	MODEL	ENGINE		TYPE OF A/C	SERVICE ASSEMBLY	SERVICE DETAILS		
		CYL.	C.I.D. (C.C.D.)			HOSE		FITTINGS REQUIRED
						I.D. (INCHES)	LENGTH (INCHES)	
<b>19C705-8 REFRIGERANT LINE REPLACEMENT and REPAIR PARTS — Cont'd</b>								
<b>L-LN-LNT-LT-LTL-LTS SERIES</b>								
<b>DISCHARGE LINE-COMPRESSOR TO CONDENSER</b>								
81/84	L-LN-LNT-LT-LTS9000 (Rad. Cond.) "Before 10/83"	6	426	Integral	E1HZ 19972-G *YF-966			
84	L-LN-LNT-LT-LTS9000 -- "From 10/83"	6	426	Integral	★ E4HZ 19972-F			Not replaced
85/	L-LT-LTS-LN LNT9000	6	426	Integral	E5HZ 19972-H			
81/84	L-LN-LNT-LT-LTS800 -- "Before 10/83"	All	Gas engines	Integral	E1HZ 19972-H *YF-965			
81/84	L-LN-LNT-LT-LTS8000 -- "Before 10/83"	8	636					
84	L-LN-LNT-LT LTS800 -- "From 10/83"	All	Gas engines	Integral	★ E4HZ 19972-G			Not replaced
84	L LN-LNT-LT LTS8000 -- "From 10/83"	8	636					
85/	L-LN-LNT LT LTS800	All	Gas engines	Integral	E5HZ 19972-D			
85/	L LN-LNT-LT-LTS8000	8	636	Integral				
81/	L LN-LNT-LT-LTS 800 (Rad. Cond.)	All	555	Integral	E1HZ 19972-J *YF-964			
81/	L-LN LNT-LT LTS 900 (Rad. Cond.)	All	All gas engines	Integral	E1HZ 19972-K *YF-963			
84/	L LT-LTS-LN-LNT9000	6	893	Integral	E4HZ 19972-L			
88/	L LL-LS-LT LTL LTS-LN-LNT900 w/Cat. 3406	6	893	Integral	E8HZ 19972-A			
88/89	LL-LTL-LN-LS LT LNT-LTS 900 w/cat. 3406	6	893	Integral	E9HZ 19972-D			
84/87	LN9000 Cum. L10	6	610	Integral	E4HZ 19972-A			
87/	L-LN-LS LT LNT-LTS 800/900 FTO diesel	6	476	Integral	E7HZ 19972-B			
87/	LL LTL-9000 -- Cum. L10	6	610	Integral	E7HZ 19972-D			
88/	LL-LTL900 Cat. 3406	6	893	Integral	E8HZ 19972-F			42"
87/	L LN-LS-LT LNT- LTS900 -- Cum. L-10	6	610	Integral	E7HZ 19972-E			Condenser E7HT 19710-HA side connection
88/	All -- L series & LN-LNT w/Cumm. L10 diesel eng. & NTC	6	610	Integral	E9HZ 19972-B			Condenser F0HT 19710-EA top connection
87/	L-LN-LS-LT-LNT- LTS800 -- Cat. 3208	8	636	Integral	E7HZ 19972-J			
87/	L-LN-LS-LT-LNT- LTS900 -- Cum. NTC eng.	6	855	Integral	E7HZ 19972-K			
87/	L-LN-LS-LT LNT-LS800/900 w/FTO eng. non-air to air	6	476	Integral	E7HZ 19972-N			
87	LL-LTL900 -- Cum. NTC eng.	6	855	Integral	E7HZ 19972-G			
87/	L LN LNT LS-LT-LTS900 Cat. 3406 eng.	6	893	Integral	E7HZ 19972-L			
87/	LL LTL900 -- Cat. 3406 eng. air to air	6	893	Integral	E7HZ 19972-H			
88/	LL-LTL900	6	855	Integral	E8HZ 19972-D			
88/	L-LN-LS-LT-LTS-LNT LTS900, 3406	6	893	Integral	* E8HZ 19972-A			R/b E9HZ 19972-D
88/	All L w/3406	6	893	Integral	E8HZ 19972-J			Contains sensor switch

**1980/  
TRUCK SERIES 600/900**

**REFRIGERANT LINE APPLICATION CHART**

YEAR	MODEL	ENGINE		TYPE OF A/C	SERVICE ASSEMBLY	SERVICE DETAILS		
		CYL.	C.I.D. (C.C.D.)			HOSE		FITTINGS REQUIRED
						I.D. (INCHES)	LENGTH (INCHES)	
<b>19C705-8 REFRIGERANT LINE REPLACEMENT and REPAIR PARTS — Cont'd</b>								
<b>L-LN-LNT-LT-LTL-LTS SERIES</b>								
<b>DISCHARGE LINE-COMPRESSOR TO CONDENSER</b>								
88/	LN-LNT900 -- Cat. 3306 diesel	6	638	Integral	E8HZ 19972-H			
88/	L-LL-LN-LNT- LS-LT-LTS-LTL w/FTO eng.	All	All	Integral	E8HZ 19972-K			
89	All L series & LN-LNT NTC diesel	6	855	Integral	★ E9HZ 19972-A			R/B E9HZ 19972-F
89/	All L series w/NTC	6	855	Integral	E9HZ 19972-F			Condensor bulk head pointing up
<b>LIQUID LINE-DEHYD. TO CONDENSER</b>								
82/	LTL-LL9000	All	All	Integral	E1HZ 19835-A *YF-932			
81/84	L-LN-LNT-LT-LTS 900 (Rad. Cond.) "Before 10/83"	All	All	Integral	E1HZ 19835-C *YF-951			
81/84	L-LN-LNT-LT-LTS- exc. 900 (Rad. Cond.) "Before 10/83"	All	All	Integral	E1HZ 19835-D *YF-952			
84/	L-LT-LTS-LN-LNT800- w/gas engines "From 10/83"	All	All	Integral	E4HZ 19835-A			
	L-LT-LTS-LN-LNT800 -- w/Cat. 3406 "From 10/83"	All	All	Integral	E4HZ 19835-B			
84/86	L-LT-LTS-LN-LNT800 --	All	All	Integral	E4HZ 19835-C			
87/	L-LS-LT-LTS-LN- LNT800 -- cond. to dehyd.	All	All	Integral	E7HZ 19835-C			
87/	L-LS-LT-LTS800 -- dehyd. to evap.	All	All	Integral	E7HZ 19835-H			
87/	L-LN-LS-LT-LNT- LTS900 -- cond. to dehyd.	All	All	Integral	E7HZ 19835-J			
87/	LL-LTL900 -- dehyd. to evap. w/L10 eng.	All	All	Integral	E7HZ 19835-K			
87/	L-LS-LT-LTS900 -- evap. to dehyd.	All	All	Integral	E7HZ 19835-L			
87/	LN-LNT900 -- w/Cum. NTC eng. comp. to cond.	6	855	Integral	E7HZ 19835-M			
87/	L-LN-LS-LT-LNT- LTS800 -- w/Cat. 3208 eng. dehyd. to cond.	8	636	Integral	E7HZ 19835-N			
87/	LN-LNT800 -- dehyd. to evap.	All	All	Integral	E7HZ 19835-P			
87/	LL-LTL900 -- dehyd. to cond.	All	All	Integral	E7HZ 19835-R			
87	L-LN-LNT-LS-LT- LTS800 -- all FTO 7.8L non air to air	6	476	Integral	E7HZ 19835-S			
88/	L-LN-LS-LT-LNT LTS900	All	All	Integral	★ E8HZ 19835-E			R/b F0HZ 19835-C
88/	L-LN-LS-LT-LTL-LNT-LTS	All	All	Integral	F0HZ 19835-C			Long tube
88/	LN-LNT900-- w/3406B/ 3306 or L10 eng. w/auto trans. & Cum. NTC eng.	6	893	Integral	E8HZ 19835-G			

1980/  
TRUCK SERIES 600/900

**REFRIGERANT LINE APPLICATION CHART**

YEAR	MODEL	ENGINE		TYPE OF A/C	SERVICE ASSEMBLY	SERVICE DETAILS		
		CYL.	C.I.D. (C.C.D.)			HOSE		FITTINGS REQUIRED
						I.D. (INCHES)	LENGTH (INCHES)	

**19C705-8 REFRIGERANT LINE REPLACEMENT and REPAIR PARTS — Cont'd**

**L-LN-LNT-LT-LTL-LTS SERIES**

**DISCHARGE LINE-COMPRESSOR TO CONDENSER**

88/	L-LT-LS-LTS -- w/Cat. 3176, 3306 NTC, FNH & L10 dsl. eng.	6	629,638	Integral	F0HZ 19835-E			
89	L-LL-LS-LT-LTL-LTS-LN-LNT	All	All w/FNH eng. & Sanden compressor	Integral	E8HZ 19835-Q			
89	L-LL-LS-LT-LTL-LTS-LN-LNT	All	All w/FTO eng. & Sanden compressor 893 (14.6L) Cat. diesel	Integral	E8HZ 19835-R			
87	LTL -- with Cummins engine	6	855					
89	L-LL-LS-LT-LTL-LTS-LN-LNT	All	All w/FNH eng. & Sanden compressor	Integral	E8HZ 19835-S			

**LIQUID LINE DEHYD. TO EXPANSION VALVE**

81/84	L-LT-LTS9000 (Rad. Cond.) "Before 10/83"	All	Diesel eng.	Integral	E2HZ 19835-E			
84/	L-LT-LTS9000 "From 10/85"	All	Diesel eng.	Integral	E4HZ 19835-J			
81/84	LN-LNT9000 (Rad. Cond.) "Before 10/83"	All	Diesel eng.	Integral	E2HZ 19835-F			
84/	LN-LNT9000	All	Diesel eng.	Integral	E4HZ 19835-K			
87/	LN-LNT800 -- with FTO diesel	6	476	Integral	E7HZ 19835-A			
87/	L-LT-LTS800 -- with FTO diesel	6	476	Integral	E7HZ 19835-B			
88/	LT-LTS900 -- (Cat. 3406 eng.)	6	893	Integral	E8HZ 19835-B			
88/	L-LS	6	610	Integral				
81/84	L-LT-LTS800 (Rad. Cond.) "Before 10/83"	All	Gas engine	Integral	E2HZ 19835-E *YF-955			
81/84	L-LT-LTS8000 (Rad. Cond.) "Before 10/83"	8	636					
84/	L-LT-LTS900	All	Gas engines	Integral	E4HZ 19835-M			
84/	L-LT-LTS9000	8	636	Integral				
81/84	LN-LNT800 (Rad. Cond.) "Before 10/83"	All	Gas engines	Integral	E1HZ 19835-H *YF-956			
84/	LN-LNT900	All	Gas engines	Integral	E4HZ 19835-L			
84/	LN-LNT9000	8	636	Integral				

**LIQUID LINE - DEHYD. TO EVAPORATOR**

80/81	L-LN-LNT-LT-LTS800/900 -- evaporator inlet-roof mtg. condenser	All	All	Integral	D3HZ 19862-F *YF-590			
82/	LTL-LL9000 -- from dash panel to expansion valve	All	All	Integral	E4HZ 19835-N			
82/84	LTL900 -- from dash panel to dehydrator	All	All	Integral	E1HZ 19835-K *YF-986			
85/87	LTL-LL9000 -- from dash panel to dehydrator	All	All	Integral	E5HZ 19835-A			
88/	LL-LTL900 w/Cat. 3406 eng. & NTC from dash panel to dehydrator	6	893	Integral	E8HZ 19835-D			Long tube/short rubber

1980/  
TRUCK SERIES 600/900

**REFRIGERANT LINE APPLICATION CHART**

YEAR	MODEL	ENGINE		TYPE OF A/C	SERVICE ASSEMBLY	SERVICE DETAILS		
		CYL.	C.I.D. (C.C.D.)			HOSE		FITTINGS REQUIRED
						I.D. (INCHES)	LENGTH (INCHES)	
<b>19C705-8 REFRIGERANT LINE REPLACEMENT and REPAIR PARTS — Cont'd</b>								
<b>L-LN-LNT-LT-LTL-LTS SERIES</b>								
<b>SUCTION LINE - EVAPORATOR TO COMPRESSOR</b>								
80/	LN-LNT750/800	8	361,391	Integral	★	5/8	53	G56,ZE6
80/	L-LT-LTS800	8	361,391	Integral	★	5/8	63	G56,ZE6
80/	LN-LNT880/900	8	401,475, 477,534	Integral	★	5/8	50	G56,ZE6
80/	L-LT-LTS880/900	8	401,475, 477,534	Integral	★	5/8	60	G56,ZE6
80/	L-LT-LTS900 - - Detroit 8V-71 diesel	8	568	Integral	★	5/8	68	J56,ZE6
80/	LN-LNT900 - Detroit 6-71 diesel	6	426	Integral	★	5/8	29	G56,ZE6
80/	L-LT-LTS900 - - Detroit 6-71 diesel	6	426	Integral	★	5/8	41	G56,ZE6
80/	L-LN-LNT-LT- LTS900 - - Cum. NTC diesel and Super 250	6 6	855 927	Integral				
80/	LN-LNT900 - - Cum. NH diesel	6	855	Integral	★	5/8	34	G56,ZE6
80/	L-LT-LTS900 - - Cum. NH diesel	6	855	Integral	★	5/8	46	G56,ZE6
80/	L-LT-LTS800	8	555	Integral	★	5/8	46	G56,ZE6
80/	LN-LNT800	8	555	Integral	★	5/8	34	G56,ZE6
80/	L-LT900	8	903	Integral	★	5/8	34	G56,ZE6
80/	LN-LNT900	8	903	Integral	★	5/8	29	G56,ZE6
80	L-LT-LTS900 - - Cat. 3406 diesel	6	893	Integral	D5HZ 19867-A *YF-944			
82/84	LTL9000 "Before 1/84"	6	893	Integral	E1HZ 19867-A *YF-933			
84	LTL9000 - - w/FS 6 compr.	6	893	Integral	E4HZ 19867-T			
85/86	LTL-LL9000	6	893	Integral	E5HZ 19867-D			
82/84	LTL9000	6	855	Integral	E1HZ 19867-B *YF-934			
85	LTL9000	6	855	Integral	E5HZ 19867-E			
82/83	LTL9000	8	736	Integral	* E1HZ 19867-C *YF-948			not replaced
84/	LTL9000	8	736	Integral	★ 19867			
81/84	L-LT-LTS900 (Rad. Cond.) "Before 10/83"	6	855	Integral	E1HZ 19869-D *YF-962			
84	L-LT-LTS9000 "From 10/83"	6	855	Integral	★ E4HZ 19867-H			Not replaced
85/	L-LT-LTS9000	6	855	Integral	E5HZ 19867-B			
81/84	L-LT-LTS9000 (Rad. Cond.) "Before 10/83"	8	568	Integral	★ E1HZ 19867-E *YF-961			Not replaced
84/	L-LT-LTS9000 "From 10/83"	6	568	Integral	E4HZ 19867-D			
81/84	LN-LNT9000 (Rad. Cond.) "Before 10/83"	6	552	Integral	E1HZ 19867-F *YF-960			
84	LN-LNT9000 "From 10/83"	6	552	Integral	E4HZ 19867-C			
85/	LN-LNT9000	6	552	Integral	E5HZ 19867-L			

1980/  
TRUCK SERIES 600/900

**REFRIGERANT LINE APPLICATION CHART**

YEAR	MODEL	ENGINE		TYPE OF A/C	SERVICE ASSEMBLY	SERVICE DETAILS		
		CYL.	C.I.D. (C.C.D.)			HOSE		FITTINGS REQUIRED
						I.D. (INCHES)	LENGTH (INCHES)	
<b>19C705-8 REFRIGERANT LINE REPLACEMENT and REPAIR PARTS -- Cont'd</b>								
<b>L-LN-LNT-LT-LTL-LTS SERIES</b>								
<b>SUCTION LINE-EVAPORATOR TO COMPRESSOR</b>								
81/84	L LT LTS9000 (rad cond) "Before 10/83"	6	893	Integral	E4HZ 19867-F			
84	L-LT LTS9000 - with Tech. compr. "From 10/83"							
85/	L LT LTS9000	6	426	Integral	E5HZ 19867-G			
84/	L LT LTS9000 with FS-6 Compr.	6	893	Integral	E4HZ 19867-S			
81/84	LN LNT9000 (Rad. Cond.) "Before 10/83"	6	426,893	Integral	★ E1HZ 19867-H *YF-958			
84/	LN-LNT9000 "From 10/83"	6	893	Integral	r/bE4HZ 19867-E E4HZ 19867-K			
85/86	LN-LNT9000	6	855	Integral	E4HZ 19867-P			
81/84	L N LNT 800/900 - -	All	Gas engines	Integral	E1HZ 19867-J			
81/84	LN-LNT8000/9000	8	636		★YF-957			
84	LN LNT9000 "From 10/83"	6	426	Integral	E4HZ 19867-E			
85/	LN-LN9000	6	426	Integral	E5HZ 19867-H			
84/	LN-LNT9000 "From 10/83"	6	893	Integral	E4HZ 19867-J			
84	L-LT LTS800 "From 10/83"	All	Gas engines	Integral	★ E4HZ 19867-L			Not replaced
84	L LT LTS8000 "From 10/83"	8	636					
85/	L-LT LTS800/900	All	Gas engines	Integral	E5HZ 19867-A			
85/86	L-LT LTS8000/9000	8	636	Integral				
84	LN LNT800 "From 10/83"	All	Gas engines	Integral	★ E4HZ 19867-M			Not replaced
84	LN-LNT8000 "From 10/83"	8	636					
85/	LN-LNT800	All	Gas engines	Integral	E5HZ 19867-C			
85/86	LN-LNT8000	8	636	Integral				
84/86	LN9000 - Cum. L10 eng.	6	610	Integral	E4HZ 19867-R			
85/	LTL-LL9000	8	736	Integral	E5HZ 19867-F			
87/	L LN LNT LT LTS LS - FTO diesel	6	402	Integral	E7HZ 19867-B			
88/	LN LNT9000 w/Cum. NTC diesel	6	855	Integral	E8HZ 19867-F			
87/	L LT LTS FTO diesel	6	476	Integral	E7HZ 19867-B			
87/	LN-LNT800 FTO diesel	6	476	Integral	E7HZ 19867-A			
87/	L-LS LT LTS9000 - Cum. L10 eng.	6	610	Integral	E7HZ 19867-H			
87/	LN LNT900 - Cum. L 10 eng.	6	610	Integral	* E7HZ 19867-J			R/b E9HZ 19867-G
87/	LL-LTL900 - Cum. L 10 eng.	6	610	Integral	E7HZ 19867-U			
87/	L-LS LT LTS800 - Cat. 3208 eng.	8	636	Integral	E7HZ 19867-R			
87/	LN LNT800 Cat. 3208 eng.	8	636	Integral	E7HZ 19867-M			

1980/  
TRUCK SERIES 600/900

REFRIGERANT LINE APPLICATION CHART

YEAR	MODEL	ENGINE		TYPE OF A/C	SERVICE ASSEMBLY	SERVICE DETAILS		
		CYL.	C.I.D. (C.C.D.)			HOSE		FITTINGS REQUIRED
						I.D. (INCHES)	LENGTH (INCHES)	
19C705-8 REFRIGERANT LINE REPLACEMENT and REPAIR PARTS — Cont'd								
L-LN-LNT-LT-LTL-LTS SERIES								
SUCTION LINE-EVAPORATOR TO COMPRESSOR								
87/	L-LL-LS-LT-LTL-LTS900 -- Cum. NTC eng.	6	855	Integral	E7HZ 19867-L			
89	All L series 105 BBC w/Cum. NTC diesel form A/C	6	855	Integral	E9HZ 19867-E			(shut off valve)
86/	LL-LTL900 -- Cum. NTC eng.	6	855	Integral	E7HZ 19867-S			
87/	LN-LNT900 -- Cum. NTC eng.	6	855	Integral	E7HZ 19867-N			
87	L-LS-LT-LTS900 -- Cat. 3406 eng.	6	893	Integral	E7HZ 19867-K			
88/	L-LS-LT-LTS900 -- w/Cat. 3406	6	893	Integral	E8HZ 19867-A			(Evap. to condensor)
88/	L-LS-LT-LTS900 -- w/Cum. NTC diesel	6	855	Integral	E8HZ 19867-G			(Evap. to comp. shut off valve)
87	LL-LTL900 -- Cat. 3406 eng.	6	893	Integral	E7HZ 19867-P			
88/	LL-LTL900 -- w/Cat. 3406	6	893	Integral	E8HZ 19867-B			
88/	L-LT-LS-LTS900 -- w/Cum. L 10 & auto. trans.	6	610	Integral	E8HZ 19867-C			
88/	LN-LNT900	6	893	Integral	★ E8HZ 19867-D			R/b F0HZ 19867-D
88/	LN-LNT900	6	893	Integral	F0HZ 19867-D			
88/	L-LL LN-LNT-LS-LT LTL-LTS w/FTO eng.	All	All	Integral	E8HZ 19867-Q			
88/	LN-LNT(7.8)	6	476	Integral	E8HZ 19867-U			
88/	L-LL LN-LS LNT-LTL-LTS600/900	6	610	Integral	E8HZ 19867-V			
89	ALI L series 105 BBC w/Cum. diesel	6	610	Integral	E9HZ 19867-B			
89/	All L series 116 BBC w/Cum. diesel	6	610	Integral	E9HZ 19867-C			
89/	LN-LNT -- w/Cum. NTC diesel form A/C	6	855	Integral	E9HZ 19867-D			
89	All L series -- 116 BBC w/Cum. NTC diesel	6	855	Integral	E9HZ 19867-F			(shut off valve)
89/	L900 -- w/Cat. 3306 diesel	6	638	Integral	E9HZ 19867-A			
89/	LN-LNT -- w/Cat. 3306 "Before 4/18/89"	6	638	Integral	E8HZ 19867-R			
89/	L-LL LS-LT-LTL-LTS, LN & LNT w/Cat. 3306 dsl. & 3176 dsl.	6	638	Integral	F0HZ 19867-B			
87/	LN-LNT -- w/L10	6	610	Integral	E9HZ 19867-G			

# 1980/ TRUCK SERIES 600/900

## 19C705-8 REFRIGERANT LINE REPLACEMENT and REPAIR PARTS cont'd.

- To determine the correct hose part number or detail part numbers you must either:
1. Know the identification number from the existing hose.  
or
  2. Be able to visually identify the existing hose and select appropriate details from the Fitting Cross-Reference Chart shown on pages 14 thru 16.

Example No. 1: If the identification number is DOHA 19972-AF, the Identification Chart (on page 11) indicates (1) that the service assembly number is DOHZ 19972-K and (2) that the hose may be fabricated from 74" of 13/32" I.D. bulk hose (part number D2AZ 19C708-B), one piece of Fitting Code A44 (part number D2AZ 19D695-E) and one piece of Fitting C44 (part number D2AZ 19D695-N).

Example No. 2: If the identification number is DOHA 19867-AJ, the Identification Chart (on page 11) indicates the hose assembly is not serviced (★) and that the hose must be fabricated from 34" of 5/8" I.D. bulk hose (part number D2AZ 19C708-D), one piece of Fitting Code G56 (part number D2AZ 19D695-AD) and one piece of Fitting Code ZE6 (part number D2AZ 19D695-CE).

### REFRIGERANT LINE IDENTIFICATION CHART

IDENTIFICATION	SERVICE ASSEMBLY	SERVICE DETAILS			IDENTIFICATION	SERVICE ASSEMBLY	SERVICE DETAILS		
		HOSE		FITTINGS REQ'D			HOSE		FITTINGS REQ'D
		I.D.	LENGTH	(CODE NUMBER)			I.D.	LENGTH	(CODE NUMBER)
<b>‡ Simplified Hose Assembly</b>									
EOHT 19N585-AB	EOHZ 19835-A				E1HT 19835-BB	E2HZ 19835-E			
DOHA 19D590-E	D1HZ 19D590-A				EDE1HT 19835-BB	E2HZ 19835-E			
D8HT 19C596-BB	D8HZ 19835-M				E1HT 19835-CA	E2HZ 19835-F			
E1HT 19C596-AA	E1HZ 19835-A				E1HT 19835-CB	E2HZ 19835-F			
E1HT 19C596-AB	E1HZ 19835-A				EDE1HT 19835-CB	E2HZ 19835-F			
E1HT 19C596-BB	E1HZ 19835-C				E1HT 19835-DA	E1HZ 19835-G			
EDE1HT 19C596-BB	E1HZ 19835-C				EDE1HT 19835-DB	E1HZ 19835-G			
E1HT 19C596-CB	E1HZ 19835-D				E1HT 19835-EA	E1HZ 19835-H			
E1HT 19C596-DA	E2HZ 19835-A				E1HT 19835-EB	E1HZ 19835-H			
E2HT 19C596-AA	E4HZ 19835-B				EDE1HT 19835-EB	E1HZ 19835-H			
E2HT 19C596-BA	E4HZ 19835-A				E1HT 19835-FB	E1HZ 19835-J			
E2HT 19C596-CA	E4HZ 19835-C				E1HT 19835-GB	E1HZ 19835-K			
E4HT 19C596-CA	E5HZ 19835-B				E1HT 19835-GC	E1HZ 19835-K			
E7HT 19C596-AA	E7HZ 19835-E				E1HT 19835-HA	E1HZ 19835-L			
E7HT 19C596-BA	E7HZ 19835-C				E1HT 19835-JA	E1HZ 19835-M			
E7HT 19C596-CB	E7HZ 19835-J				E1HT 19835-KA	E1HZ 19835-N			
E7HT 19C596-DA	E7HZ 19835-R				E1HT 19835-LA	E1HZ 19835-P			
E7HT 19C596-EA	E7HZ 19835-N				EDE1HT 19835-LA	E1HZ 19835-P			
E8HT 19C596-JA	E8HZ 19835-F				E1HT 19835-MA	★ E1HZ 19835-U			
EOHT 19N651-AC	E0HZ 19837-A					r/bE3HZ 19835-D			
EOHT 19N651-BA	E0HZ 19837-B				E1HT 19835-NA	★ E1HZ 19835-V			
E1HT 19N651-BA	E0TZ 19837-B					r/bE3HZ 19835-E			
E3HT 19N651-AA	E3HZ 19837-A				E1HT 19835-RA	★ E1HZ 19835-W			
E4HT 19N651-AA	E4HZ 19837-A					r/bE3HZ 19835-C			
E4HT 19N651-AB	E4HZ 19837-A				E2HT 19835-BA	★ E4HZ 19835-D			
E7HT 19N651-BA	E7HZ 19837-A					r/bE4HZ 19835-J			
E7HT 19N651-BC	E7HZ 19837-A				E2HT 19835-CA	E4HZ 19835-E			
E7HT 19N651-CA	E7HZ 19837-B				E2HT 19835-DA	E4HZ 19835-F			
E7HT 19N651-CB	E7HZ 19837-B				E2HT 19835-EA	E4HZ 19835-G			
E7HT 19N651-DA	E7HZ 19837-C				E2HT 19835-JA	★ E3HZ 19835-A			
E7HT 19N651-DB	E7HZ 19837-C					r/bE3HZ 19835-D			
D7HT 19835-CD	D8HZ 19835-G				EDE2HT 19835-JA	E3HZ 19835-D			
D7HT 19835-DD	D8HZ 19835-H				E2HT 19835-KA	★ E3HZ 19835-B			
D7HT 19835-ED	D8HZ 19835-J					r/bE3HZ 19835-E			
D8HT 19835-EA	D8HZ 19835-K				EDE2HT 19835-KA	E3HZ 19835-E			
EOHT 19835-EA	E1HZ 19835-P				E2HT 19835-LA	★ E3HZ 19835-C			
EOHT 19835-FA	E1HZ 19835-L					r/bE5HZ 19835-A			
EOHT 19335-GA	E1HZ 19835-M				E3HT 19835-BA	E4HZ 19835-H			
EOHT 19835-HA	E1HZ 19835-N				E4HT 19835-FA	E5HZ 19835-A			

1980/  
TRUCK SERIES 600/900

**REFRIGERANT LINE IDENTIFICATION CHART**

IDENTIFICATION	SERVICE ASSEMBLY	SERVICE DETAILS				IDENTIFICATION	SERVICE ASSEMBLY	SERVICE DETAILS		
		HOSE		FITTINGS REQ'D (CODE NUMBER)	HOSE			FITTINGS REQ'D (CODE NUMBER)		
		I.D.	LENGTH		I.D.				LENGTH	
‡ Simplified Hose Assembly										
E4HT 19835-GA	E4HZ 19835-J				E0HT 19867-FA	E0HZ 19867-B				
E4HT 19835-HA	E4HZ 19835-K				E0HT 19867-HA	E1HZ 19867-L				
E4HT 19835-JA	E4HZ 19835-L				E0HT 19867-JA	E1HZ 19867-M				
E4HT 19835-MA	E4HZ 19835-M				E0HT 19867-KA	E1HZ 19867-N				
E4HT 19835-NA	E4HZ 19835-N				E0HT 19867-LA	E1HZ 19867-P				
E5HT 19835-BA	E5HZ 19835-C				E1HT 19867-AA	E1HZ 19867-A				
E5HT 19835-BB	E5HZ 19835-C				E1HT 19867-AB	E1HZ 19867-A				
E5HT 19835-CA	E5HZ 19835-D				E1HT 19867-BA	E1HZ 19867-C				
E5HT 19835-DA	E5HZ 19835-E				E1HT 19867-BB	E1HZ 19867-C				
E7HT 19835-AA	E7HZ 19835-A				E1HT 19867-BC	E1HZ 19867-C				
E7HT 19835-BA	E7HZ 19835-D				E1HT 19867-CA	E1HZ 19867-B				
E7HT 19835-BB	E7HZ 19835-D				E1HT 19867-CB	E1HZ 19867-B				
E7HT 19835-CA	E7HZ 19835-B				E1HT 19867-CC	E1HZ 19867-B				
E7HT 19835-EB	E7HZ 19835-K				E1HT 19867-DA	E1HZ 19867-D				
E7HT 19835-GA	E9HZ 19835-A				E1HT 19867-DB	E1HZ 19867-D				
E7HT 19835-HA	E7HZ 19835-F				E1HT 19867-EA	E1HZ 19867-E				
E7HT 19835-JA	E7HZ 19835-G				E1HT 19867-FB	E1HZ 19867-F				
E7HT 19835-MB	E7HZ 19835-L				E1HT 19867-GB	E1HZ 19867-G				
E7HT 19835-NB	E7HZ 19835-M				E1HT 19867-HB	E1HZ 19867-H				
E7HT 19835-RB	E7HZ 19835-H				E1HT 19867-JA	E1HZ 19867-J				
E7HT 19835-SB	E7HZ 19835-P				E1HT 19867-KA	E1HZ 19867-M				
E8HT 19835-AA	E8HZ 19835-A				E1HT 19867-LA	E1HZ 19867-N				
E8HT 19835-CB	E8HZ 19835-D				E1HT 19867-MA	E1HZ 19867-P				
E8HT 19835-KA	E8HZ 19835-H				E1HT 19867-NA	★ E1HZ 19867-L				
E8HT 19835-LA	E8HZ 19835-J					/bE1HZ 19867-S(RH)				
E8HT 19835-RA	E8HZ 19835-S					E1HZ 19867-R(LH)				
E8HT 19835-SA	E8HZ 19835-R					E1HZ 19869-T				
E8HT 19835-TA	E8HZ 19835-M					(Center crossover)				
E8HT 19835-ZA	E8HZ 19835-K				★E1HT 19867-NA	E1HZ 19867-L				
C6TA 19862-D	C6TZ 19862-B					/bE1HZ 19867-S(RH)				
C6TA 19862-F	C6TZ 19862-A					E1HZ 19867-R(LH)				
D4HA 19862-AA	D3HZ 19862-A					E1HZ 19867-T				
D4HA 19862-BA	D3HZ 19862-C	5/16	49	G33,P33		(Center crossover)				
D3HA 19862-EA	D3HZ 19862-E				E1HT 19867-RA	E1HZ 19867-R				
D3HA 19862-FA	D3HZ 19862-F				E1HT 19867-SA	E1HZ 19867-S				
D0HA 19863-C	D0HZ 19863-A				E1HT 19867-TA	E1HZ 19867-T				
D5HA 19867-A	D5HZ 19867-A				E1HT 19867-ASA	E2HZ 19867-B				
D7HT 19867-DC	D8HZ 19867-M				E1HT 19867-ATA	E2HZ 19867-D				
D7HT 19867-FD	D8HZ 19867-P				E1HT 19867-AUA	E2HZ 19867-C				
D7HT 19867-GD	D8HZ 19867-R				E1HT 19867-AVA	E2HZ 19867-A				
D7HT 19867-HD	D8HZ 19867-S				E2HT 19867-GA	E2HZ 19867-D				
D8HT 19867-AA	D8HZ 19867-X				E2HT 19867-HA	E2HZ 19867-E				
D8HT 19867-BA	D8HZ 19867-Y				E2HT 19867-JA	E2HZ 19867-F				
D8HT 19867-CA	D8HZ 19867-W				E3HT 19867-AB	E3HZ 19867-A				
D8HT 19867-GA	★ D8HZ 19867-T				E2HT 19867-AA	E4HZ 19867-C				
	/bE1HZ 19867-R(LH)				E2HT 19867-BA	E4HZ 19867-D				
	E1HZ 19867-S(RH)				E2HT 19867-CA	E4HZ 19867-E				
	and				E2HT 19867-DA	E4HZ 19867-F				
	E1HZ 19867-T				E2HT 19867-EA	E4HZ 19867-G				
	(Center crossover)				E2HT 19867-FA	E4HZ 19867-H				
E0HT 19867-AB	E0HZ 19867-A				E2HT 19867-LA	E4HZ 19867-J				
E0HT 19867-DA	D8HZ 19867-X				E2HT 19867-KA	E2HZ 19867-G				
E0HT 19867-EA	D8HZ 19867-M				E2HT 19867-MA	E4HZ 19867-K				



1980/  
TRUCK SERIES 600/900

REFRIGERANT LINE IDENTIFICATION CHART

IDENTIFICATION	SERVICE ASSEMBLY	SERVICE DETAILS			IDENTIFICATION	SERVICE ASSEMBLY	SERVICE DETAILS				
		HOSE		FITTINGS REQ'D			HOSE		FITTINGS REQ'D		
		I.D.	LENGTH	(CODE NUMBER)			I.D.	LENGTH	(CODE NUMBER)		
‡ Simplified Hose Assembly											
E2HT 19867-TA	E4HZ 19867-L				E8HT 19867-TA	E9HZ 19867-F					
E2HT 19867-UA	E4HZ 19867-M				E8HT 19867-UA	E8HZ 19867-V					
E4HT 19867-AA	E4HZ 19867-R				E8HT 19867-VA	E8HZ 19867-K					
E4HT 19867-BA	E4HZ 19867-T				E8HT 19867-YB	E8HZ 19867-R					
E4HT 19867-BB	E5HZ 19867-T				E8HT 19867-ZA	E8HZ 19867-H					
E4HT 19867-CA	E4HZ 19867-N				E8HT 19867-AAA	E8HZ 19867-F					
E4HT 19867-CB	E5HZ 19867-F				E8HT 19867-ABA	E8HZ 19867-G					
E4HT 19867-DB	E5HZ 19867-E				E8HT 19867-ACA	E8HZ 19867-J					
E4HT 19867-EA	E5HZ 19867-A				E8HT 19867-ACB	E8HZ 19867-W					
E4HT 19867-FA	E5HZ 19867-B				E8HT 19867-ADA	E8HZ 19867-U					
E4HT 19867-GB	E5HZ 19867-L				E8HT 19867-AGA	E9HZ 19867-C					
E4HT 19867-HA	E4HZ 19867-S				E8HT 19867-KA	E8HZ 19867-Q					
E4HT 19867-KA	E5HZ 19867-C				E8HT 19867-AFA	E9HZ 19867-B					
E4HT 19867-LA	E4HZ 19867-A				E9HT 19867-FA	E9HZ 19867-A					
E4HT 19867-LB	E4HZ 19867-A				E9HT 19867-GA	E8HZ 19867-A					
E4HT 19867-MA	E4HZ 19867-P				E9HT 19867-RA	E9HZ 19867-G					
E4HT 19867-NB	E5HZ 19867-H				FOHT 19867-EA	E9HZ 19867-H					
E4HT 19867-NC	E5HZ 19867-H				FOHT 19867-FA	FOHZ 19867-B					
E4HT 19867-RB	E5HZ 19867-G				DOHA 19919-J	D1HZ 19919-A					
E5HT 19867-AA	E5HZ 19867-J				D3HA 19919-BA	★	5/8	122	G56,J56		
EDESHT 19867-AA	E5HZ 19867-J				D3HA 19919-CA	★	5/8	116	G56,H56		
E5HT 19867-AB	E5HZ 19867-J				E1HT 19919-AA	E1HZ 19919-A					
E5HT 19867-BA	E5HZ 19867-K				DOHA 19972-AF	D0HZ 19972-K	13/32	74	A44,C44		
E5HT 19867-BB	E5HZ 19867-K				DOHA 19972-Y	D0HZ 19972-L	13/32	84	A44,A44		
E5HT 19867-CA	E5HZ 19867-M				D1AJ 19972-BA	‡ C80Z 19972-A					
E5HT 19867-EA	E5HZ 19867-A				D1AJ 19972-CA	‡ C9ZZ 19972-C					
E7HT 19867-CA	E7HZ 19867-C				D7HT 19972-CC	D8HZ 19972-H					
E7HT 19867-CC	E7HZ 19867-C				D7HT 19972-DC	D8HZ 19972-J					
E7HT 19867-DA	E7HZ 19867-B				D8HT 19972-AA	D8HZ 19972-L					
E7HT 19867-EA	E7HZ 19867-A				D8HT 19972-AB	D8HZ 19972-L					
E7HT 19867-FB	E7HZ 19867-U				D8HT 19972-BA	D8HZ 19972-M					
E7HT 19867-GA	E7HZ 19867-H				D8HT 19972-CA	D8HZ 19972-H					
E7HT 19867-JA	E7HZ 19867-F				D8HT 19972-DA	D8HZ 19972-J					
E7HT 19867-JC	E7HZ 19867-F				E0HT 19972-AF	E0HZ 19972-B					
E7HT 19867-KB	E7HZ 19867-E				E0HT 19972-CA	E1HZ 19972-P					
E7HT 19867-LB	E7HZ 19867-T				★E0HT 19972-DA	E1HZ 19972-C					
E7HT 19867-LC	E8HZ 19867-M				R/b E2HZ 19972-C						
E7HT 19867-NB	E7HZ 19867-D				E0HT 19972-EA	E1HZ 19972-M					
E7HT 19867-NC	E8HZ 19867-N				E0HT 19972-FA	E1HZ 19972-N					
E7HT 19867-RA	E7HZ 19867-G				E0HT 19972-P	E1HZ 19972-P					
E7HT 19867-TB	E7HZ 19867-L				E1HT 19972-AB	E1HZ 19972-A					
E7HT 19867-UB	E7HZ 19867-N				E1HT 19972-AD	E1HZ 19972-A					
E7HT 19867-VB	E7HZ 19867-K				E1HT 19972-AE	E1HZ 19972-A					
E7HT 19867-YB	E7HZ 19867-P				E1HT 19972-BB	E1HZ 19972-B					
E7HT 19867-ZB	E7HZ 19867-S				E1HT 19972-BD	E1HZ 19972-B					
E7HT 19867-AAA	E7HZ 19867-M				E1HT 19972-BE	E1HZ 19972-B					
E7HT 19867-ABA	E7HZ 19867-R				E1HT 19972-CB	E1HZ 19972-C					
E7HT 19867-ACB	E7HZ 19867-J				E1HT 19972-CD	E1HZ 19972-C					
E7HT 19867-ADA	E8HZ 19867-L				E1HT 19972-CE	E1HZ 19972-C					
E8HT 19867 AC	E8HZ 19867-A				E1HT 19972-DA	E1HZ 19972-D					
E8HT 19867 BB	E8HZ 19867-B				E1HT 19972-DB	E1HZ 19972-D					
E8HT 19867-CB	E8HZ 19867-D				E1HT 19972-EA	E1HZ 19972-E					
E8HT 19867-HA	E8HZ 19867-C				E1HT 19972-FA	E1HZ 19972-F					
E8HT 19867-KA	E8HZ 19867-Q				E1HT 19972-FB	E1HZ 19972-F					
E8HT 19867-RA	E9HZ 19867-D				E1HT 19972-GA	E1HZ 19972-G					
E8HT 19867-SA	E9HZ 19867-E				E1HT 19972-GB	E1HZ 19972-G					



19C705-8 REFRIGERANT LINE REPLACEMENT and REPAIR PARTS cont'd.

**FITTING CROSS-REFERENCE CHART**

There are three ways of selecting hose and fitting part numbers.

1. From Code Number (shown in the Identification or Application Charts) to the Part Number listed below.
2. From a visual inspection of the existing hose and selection of appropriate details using the following instructions:
  - a. Determine Fitting Size.  
Diameter of tube at a point behind the nut indicates fitting size, e.g. 3/8", 1/2", 5/8" or 3/4".

Select Fittings and Splicers from the illustrations and text that follows. The necessary clamps and o-rings are included with all Fittings and Splicers and are also supplied for service as separate parts.

**FITTINGS**

Determine Fitting size from the information shown below:

ORIGINAL TUBE O.D.	FRACTIONAL FITTING SIZE	INDUSTRY SIZE NO.	THREAD SIZE	
			SAE 45° FLARE O-RING (FEMALE) O-RING (MALE FLARE)	O-RING (MALE SWIVEL)
5/16"	3/8"	6	5/8"-18	5/8"-18
13/32"	13/32"	8	3/4"-16	3/4"-18
1/2"	5/8"	10	7/8"-14	7/8"-18

b. Determine Hose Size

e.g. tube O.D. is 5/16" and hose I.D. is 5/16" (size No. 6, part number D2AZ 19C708-A).  
Measure end of tube (not barbs). The tube O.D. matches the I.D. of the required hose

**BULK RUBBER HOSE**

Select the appropriate hose from the sizes listed below:

ORIGINAL TUBE O.D.	REPLACEMENT HOSE I.D.	INDUSTRY SIZE NO.	PART NUMBER	MOTORCRAFT NUMBER
5/16"	5/16"	6	D2AZ 19C708-A (15')	*YF-248
13/32"	13/32"	8	D4AZ 19C708-A (50')	*YF-599
			D2AZ 19C708-B (15')	*YF-249
1/2"	1/2"	10	D4AZ 19C708-B(50')	*YF-600
			D2AZ 19C708-C(15')	*YF-250
5/8"	5/8"	12	D4AZ 19C708-C(50')	&YF-601
			D2AZ 19C708-D(15')	*YF-251
			D4AZ 19C708-D(50')	*YF-602
NYLON HOSE				
Production only				

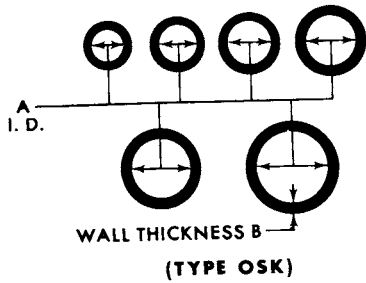
1980/  
TRUCK SERIES 600/900

19C705-8 REFRIGERANT LINE REPLACEMENT and REPAIR PARTS cont'd.

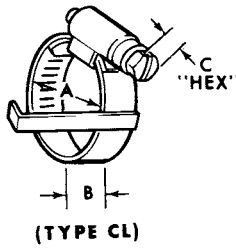
3. The alphabetical characters of the fitting code number can be used for physical identification by referring to the illustrated fittings shown by type on pages 14 thru 16

Examples:

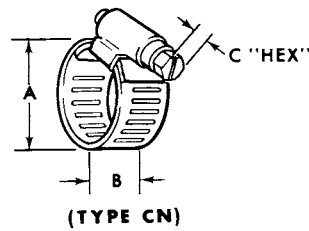
O-RING SEAL KIT (40 PARTS)



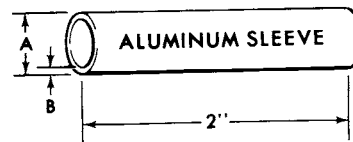
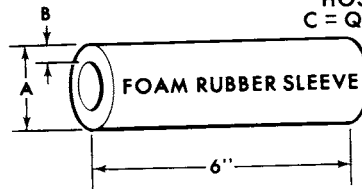
CLAMP-  
RUBBER HOSE



CLAMP-  
NYLON HOSE



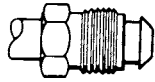
HOSE GUARD KIT  
C = QUANTITY IN KIT



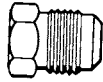
P.9267

19C705-8 REFRIGERANT LINE REPLACEMENT and REPAIR PARTS cont'd.

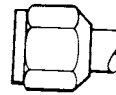
**SAE 45° FLARE FITTINGS**



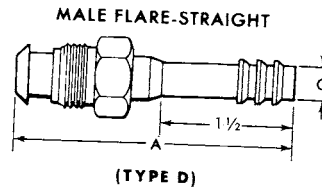
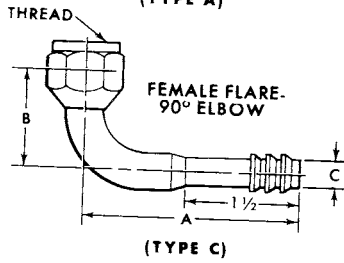
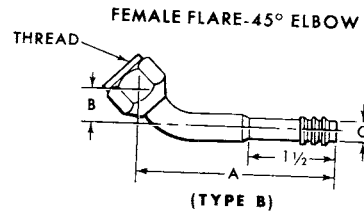
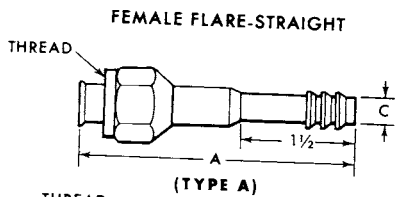
MALE TWO PIECE  
(BULLET NOSE)



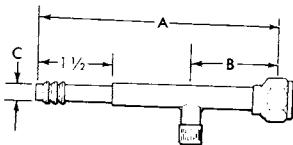
MALE ONE PIECE



FEMALE SWIVEL NUT



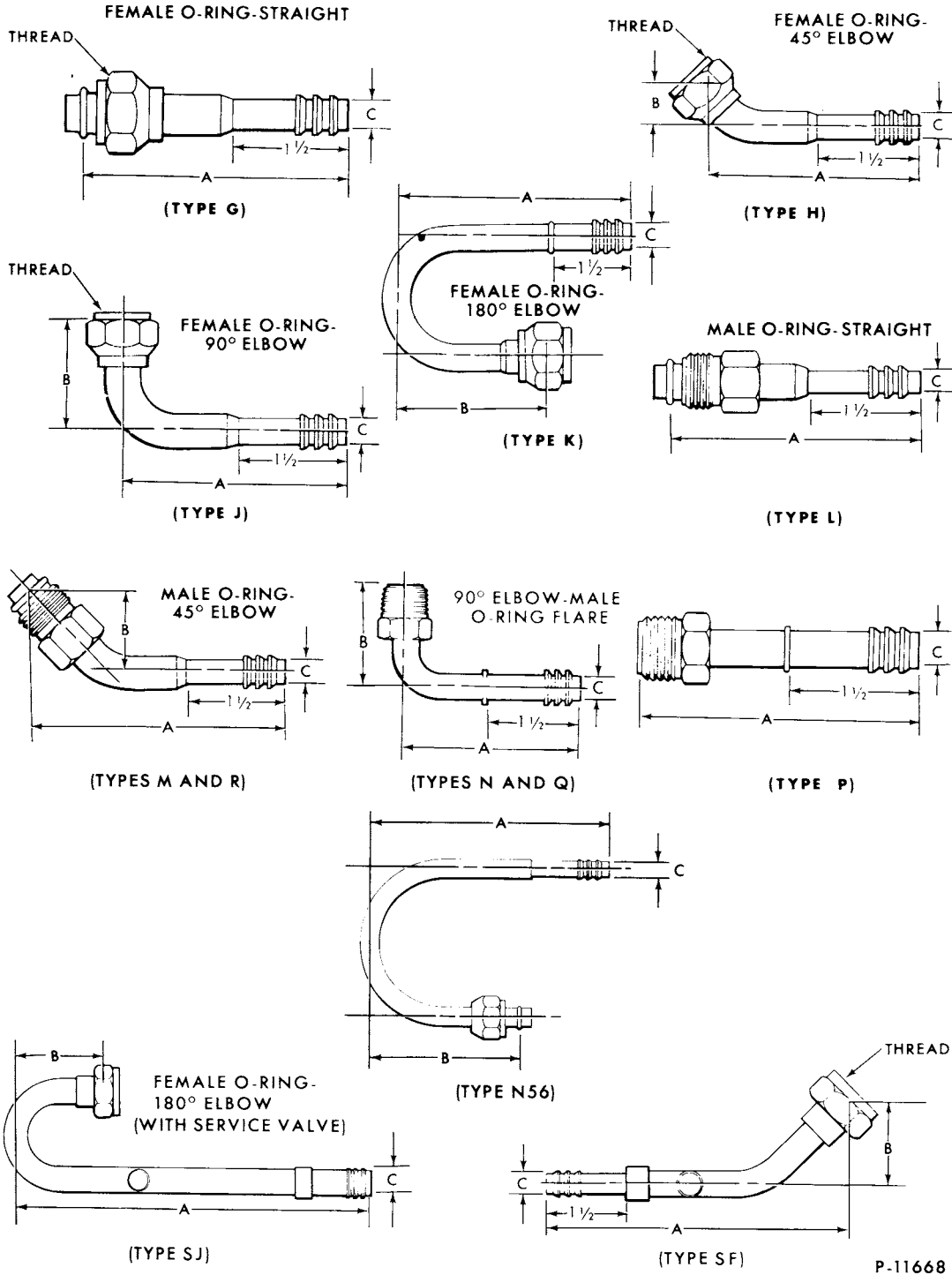
P-9238



REFRIGERANT LINE FITTINGS

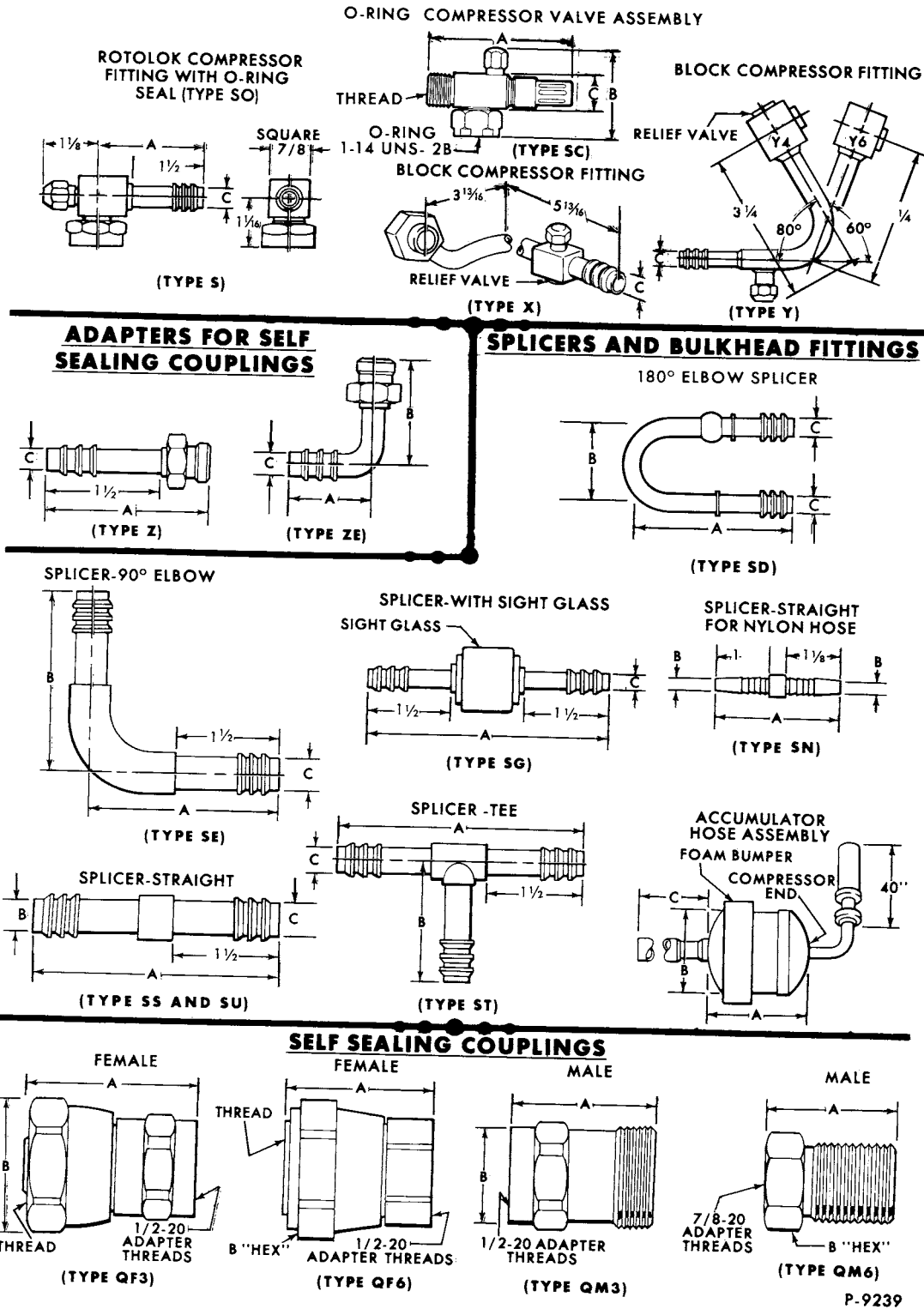
19C705-8 REFRIGERANT LINE REPLACEMENT and REPAIR PARTS cont'd.

**TUBE O-RING FITTINGS**



P-11668

19C705-8 REFRIGERANT LINE REPLACEMENT and REPAIR PARTS cont'd.



P-9239

1980/  
TRUCK SERIES 600/900

REFRIGERANT LINE FITTINGS

CODE	PART NUMBER	MOTORCRAFT NUMBER	DIMENSIONS (INCHES)					
			THREAD	HOSE I.D.	A	B	C	
<b>19C705-8 REFRIGERANT LINE REPLACEMENT and REPAIR PARTS</b>								
<b>ACCUMULATOR HOSE ASSY.</b>								
AC6	D2AZ	19C836-A	*YF-554		5/8	5	4	24
<b>FEMALE FLARE - STRAIGHT</b>								
A33	D2AZ	19D695-D	*YF-357	5/8-18	5/16	3 3/16		5/16
A44	D2AZ	19D695-E	*YF-358	3/4-16	13/32	3 19/32		13/32
A45	D2AZ	19D695-L	*YF-364	3/4-16	1/2	3 1/2		1/2
A55	D2AZ	19D695-F	*YF-359	7/8-14	1/2	3 1/4		1/2
A56	D2AZ	19D695-AZ	*YF-331	7/8-14	5/8	3 1/2		5/8
A66	D2AZ	19D695-G	*YF-360	1 1/16-14	5/8	3 5/16		5/8
<b>FEMALE FLARE - 45° ELBOW</b>								
B33	D2AZ	19D695-H	*YF-361	5/8-18	5/16	3 1/32	15/32	5/16
B44	D2AZ	19D695-J	*YF-362	3/4-16	13/32	3 3/8	19/32	13/32
B54	D2AZ	19D695-AU	*YF-328		13/32			13/32
B55	D2AZ	19D695-K	*YF-363	7/8-14	1/2	3 1/16	5/8	1/2
<b>CLAMP - RUBBER HOSE</b>								
CL6	D0TZ	19B679-A	*YF-256		All	1/2 to 1 1/4	1/2	5/16
<b>CLAMP - NYLON HOSE</b>								
CN4	C9AZ	8287-A			5/16 & 13/32	7/32 to 5/8	5/16	1/4
CN6	D2AZ	19B679-B	*YF-255		1/2 & 5/8	3/8 to 25/32	9/16	5/16
<b>FEMALE FLARE - 90° ELBOW</b>								
C33	D2AZ	19D695-M	*YF-365	5/8-18	5/16	2 9/16	7/8	5/16
C44	D2AZ	19D695-N	*YF-366	3/4-16	13/32	2 13/16	1 1/8	13/32
C45	D2AZ	19D695-AR	*YF-326	3/4-16	1/2	2 13/16	1 1/8	1/2
C54	D2AZ	19D695-CF	*YF-450	7/8-14	13/32	3 15/32	1 1/2	13/32
C55	D2AZ	19D695-P	*YF-367	7/8-14	1/2	3 1/8	1 1/2	1/2
<b>MALE FLARE - STRAIGHT</b>								
D33	D2AZ	19D695-B	*YF-332	5/8-18	5/16	3 1/4		7/8
D44	D2AZ	19D695-A	*YF-311	3/4-16	13/32	3 21/32		13/32
D55	D2AZ	19D695-C	*YF-354	7/8-14	1/2	3 5/16		1/2
<b>FEMALE "O" RING - WITH VALVE</b>								
F33	D4SZ	19D695-B	*YF-632	5/8-18	5/16	4 27/32	1 3/4	5/16
<b>FEMALE "O" RING - STRAIGHT</b>								
G33	D2AZ	19D695-Z	*YF-375	5/8-18	5/16	3		5/16
G44	D2AZ	19D695-AA	*YF-312	3/4-16	13/32	3 13/32		13/32
G45	D2AZ	19D695-AC	*YF-314	3/4-16	1/2	3 3/32		1/2
G55	D2AZ	19D695-AB	*YF-313	7/8-14	1/2	3 1/16		1/2
G56	D2AZ	19D695-AD	*YF-315	7/8-14	5/8	3 3/32		5/8
<b>HOLD DOWN PLATE ASSY.</b>								
4DP	D5AZ	19D695-E	*YF-650					
<b>HOSE GUARD KIT</b>								
HG	D2AZ	19B970-A	*YF-267					
Consists of -								
(4) foam rubber sleeves					All	1 1/8	1/2	
(4) aluminum tubing					All	1	1/32	
<b>FEMALE "O" RING - 45° ELBOW</b>								
H33	D2AZ	19D695-AE	*YF-316	5/8-18	5/16	3 27/32	15/32	5/16
H44	D2AZ	19D695-AF	*YF-317	3/4-16	13/32	3 3/16	19/32	5/16
H45	D2AZ	19D695-BA	*YF-333	3/4-16	1/2	3 7/32	19/32	1/2
H55	D2AZ	19D695-AG	*YF-318	7/8-14	1/2	3 13/16	5/8	1/2
H56	D4AZ	19D695-G	*YF-502	7/8-14	5/8	3 45/64	39/64	5/8
H66	D4AZ	19D695-F	*YF-504	1 1/16-14	5/8	4 13/16	7/8	5/8



1980/  
TRUCK SERIES 600/900

REFRIGERANT LINE FITTINGS

CODE	PART NUMBER	MOTORCRAFT NUMBER	DIMENSIONS (INCHES)					
			THREAD	HOSE I.D.	A	B	C	
19C705-8 REFRIGERANT LINE REPLACEMENT and REPAIR PARTS — Cont'd								
FEMALE "0" RING - 90° ELBOW								
J33	D2AZ 19D695-AH	*YF-319	5/8-18	5/16	2 23/32	1 1/32	5/16	
J44	D2AZ 19D695-AJ	*YF-320	3/4-16	13/32	3 1/4	1 11/32	13/32	
J55	D2AZ 19D695-AK	*YF-321	7/8-14	1/2	2 29/32	1 1/2	1/2	
J56	D2AZ 19D695-AY	*YF-330	7/8-14	5/8	2 13/16	1 1/2	5/8	
J66	D2AZ 19D695-BB	*YF-334	1 1/16-14	5/8	3 11/16	1 31/32	5/8	
J77	D9AZ 19D695-A	*YF-684	1 1/16-14	5/8	4 1/4	3 1/2	5/8	
FEMALE "0" RING - 180° ELBOW								
K33	D5AZ 19D695-D	*YF-649						
K44	D2AZ 19D695-AL	*YF-322	3/4-16	13/32	4 13/16	3 1/8	13/32	
K56	D2AZ 19D695-AM	*YF-323	7/8-14	5/8	4 13/16	3 1/8	5/8	
K66	D2AZ 19D695-AN	*YF-324	1 1/16-14	5/8	4 13/16	3 1/8	5/8	
FEMALE "0" RING - STRAIGHT								
L33	D2AZ 19D695-R	*YF-368	5/8-18	5/16	3		5/16	
L55	D2AZ 19D695-S	*YF-369	7/8-18	1/2	3 1/16		1/2	
L56	D2AZ 19D695-AV	*YF-329	7/8-18	5/8	3 11/32		5/8	
MALE "0" RING - 90° ELBOW								
MA4	D9AZ 19D695-F	*YF-781	3/4-18	13/32	2 1/2	2	13/32	
MUFFLER DISCHARGE LINE								
MU4	D5AZ 19D695-F	*YF-453						
MALE "0" RING - 45° ELBOW								
M33	D2AZ 19D695-T	*YF-370	5/8-18	5/16	3 7/32	25/32	5/16	
M55	D2AZ 19D695-U	*YF-371	7/8-18	1/2	4 1/4	1 1/16	1/2	
M56	D4AZ 19D695-D	*YF-487	7/8-14	5/8	3	2 13/32	5/8	
M57	D9AZ 19D695-D	*YF-865	7/8-18	5/8	5 1/4	1 3/4	5/8	
M84	D4AZ 19D695-B	*YF-515						
MALE "0" RING FLARE - 45° ELBOW								
NA2	D9AZ 19D695-C	*YF-791	3/4-16	13/32	4 3/16	15/16	13/32	
MALE "0" RING FLARE - 180° ELBOW								
N56	D5AZ 19D695-B	*YF-654						
"0" RING KIT								
OSK	D2AZ 19B596-A	*YF-240						
	Consists of-							
	(8)		5/8-18		5/16	1/16		
	(8)		1/2-20		3/8	1/16		
	(8)		3/4-16		7/16	1/16		
	(8)		7/8-14		9/16	1/16		
	(4)		1 1/16-14		11/16	1/16		
	(4)		block fitting		13/16	1/8		
"0" RING KIT - EXPANSION AND STV SEAL								
OST	D6DZ 19B596-A	*YF-667						
MALE "0" RING FLARE - STRAIGHT								
P33	D2AZ 19D695-BD	*YF-336	5/8-18	5/16	3 7/8		5/16	
P44	D2AZ 19D695-BC	*YF-335	3/4-16	13/32	3 23/32		13/32	
P45	D2AZ 19D695-V	*YF-372	3/4-16	1/2	4		1/2	
P46	D2AZ 19D695-AP	*YF-325	3/4-16	5/8	4		5/8	
P56	D2AZ 19D695-W	*YF-373	7/8-14	5/8	4		5/8	
P66	D2AZ 19D695-AS	*YF-327	1 1/16-14	5/8	4		5/8	
MALE "0" RING FLARE - 90° ELBOW								
Q33	D5AZ 19D695-A	*YF-490	5/8-18	5/16	2 3/4	1 3/8	5/16	
Q44	D5AZ 19D695-C	*YF-648						
Q56	D9AZ 19D695-E	*YF-799	7/8-14	5/8	3	2 13/32	5/8	

**1980/  
TRUCK SERIES 600/900**

**REFRIGERANT LINE FITTINGS**

CODE	PART NUMBER	MOTORCRAFT NUMBER	DIMENSIONS (INCHES)				
			THREAD	HOSE I.D.	A	B	C
<b>19C705-8 REFRIGERANT LINE REPLACEMENT and REPAIR PARTS — Cont'd</b>							
<b>COUPLINGS - SELF SEALING</b>							
QF3	C1SZ 19B596-A	*YF-241	5/8-18		1 9/32	27/32	
QF6	D1HZ 19B596-A	*YF-244	1 1/16-12		1 1/2	1 5/16	
QM3	C1SZ 19B595-A	*YF-252	5/8-18		1 3/16	23/32	
QM6	D1HZ 19B595-A	*YF-254	1 1/16-12		1 7/8	1 1/8	
<b>VALVE - COMPRESSOR</b>							
S4	D0TZ 19A990-A	*YF-299	1-14	13/32	2 3/16		13/32
S5	D0TZ 19752-A	*YF-308	1-14	1/2	2 3/16		1/2
<b>"O" RING - COMPRESSOR ROTOLOK FITTING</b>							
S04	D2AZ 19D695-BE	*YF-337	1-14	13/32	2 3/16		13/32
S06	D2AZ 19D695-BF	*YF-338	1-14	5/8	2 3/16		5/8
<b>"O" RING COMPRESSOR VALVE ASSEMBLY</b>							
SC4	D0AZ 19A990-A	*YF-237	3/4-16	13/32	3 3/4	2 11/32	7/8
SC5	D0AZ 19752-A	*YF-305	7/8-14	1/2	3 3/4	2 11/32	7/8
<b>SPLICER - 180° ELBOW</b>							
SD6	D4AZ 19D695-C	*YF-466		5/8	4 1/2	3	5/8
<b>SPLICER - 90° ELBOW</b>							
SE3	D2AZ 19D695-BR	*YF-347		5/16	2 7/16	2 7/16	5/16
SE4	D2AZ 19D695-BS	*YF-348		13/32	2 5/8	2 5/8	13/32
SE6	D4AZ 19D695-E	*YF-471		5/8	3 3/32	3 3/32	5/8
<b>SPLICER - WITH SIGHTGLASS</b>							
SG3	D2AZ 19D695-BK	*YF-342		5/16	4		5/16
<b>"O" RING COMPRESSOR</b>							
SJ6	D4ZZ 19D695-B	*YF-633	1-14	5/8	8 5/8	2 9/32	2 1/4
SF4	D4AZ 19D695-H	*YF-634	1-14	13/32	5 17/32	4	1 17/32
<b>SPLICER - STRAIGHT - NYLON HOSE</b>							
SN3	D2AZ 19D695-BV	*YF-351		5/16	2 5/8	5/16	
SN5	D2AZ 19D695-BY	*YF-352		1/2	2 5/8	1/2	
SN6	D2AZ 19D695-BZ	*YF-353		5/8	2 5/8	5/8	
<b>SPLICER - STRAIGHT - RUBBER HOSE</b>							
SS3	D2AZ 19D695-BL	*YF-343		5/16	3 7/16		5/16
SS4	D2AZ 19D695-BM	*YF-344		13/32	3 7/16		13/32
SS5	D2AZ 19D695-BN	*YF-345		1/2	3 7/16		1/2
SS6	D2AZ 19D695-BP	*YF-346		5/8	4		5/8
<b>SPLICER - TEE</b>							
ST3	D2AZ 19D695-BT	*YF-349		5/16	3 13/16	1 29/32	5/16
ST6	D2AZ 19D695-BU	*YF-350		5/8	4 1/4	2 7/32	5/8
<b>BLOCK - COMPRESSOR FITTING - DOUBLE SWIVEL</b>							
W2	D9AZ 19D695-B	*YF-798					
<b>BLOCK - COMPRESSOR FITTING - STRAIGHT</b>							
X4	D2AZ 19D695-BG	*YF-339		13/32			13/32
<b>BLOCK - COMPRESSOR FITTING - 90° ELBOW</b>							
Y4	D2AZ 19D695-BH	*YF-340		13/32			13/32
Y6	D2AZ 19D695-BJ	*YF-341		5/8			5/8
<b>ADAPTER - FOR SELF SEALING COUPLING - STRAIGHT</b>							
Z23	D2AZ 19D695-Y	*YF-374	1/2-20	5/16	2 1/8		5/16
<b>ADAPTER - FOR SELF SEALING COUPLING - 90° ELBOW</b>							
ZE4	D2AZ 19D695-CD	*YF-355	7/8-20	13/32	2 7/8	1 5/8	13/32
ZE6	D2AZ 19D695-CE	*YF-356	7/8-20	5/8	3 3/8	2 1/8	5/8

1980/  
TRUCK SERIES 600/900

ALPHABETICAL INDEX BODY PARTS

1

INDEX

PART NAME	GROUP NUMBER	PART NAME	GROUP NUMBER
<b>A</b>		<b>B — Cont'd</b>	
Adjuster (front door latch actuating rod)	21816	Bracket (body side panel lower)	29348-9
Adjuster handle kit (front seat)-driver	620A69	Bracket (body side step)	29400-1
Air foil (front)	001A06	Bracket (body side step hinge)	200A08-9
Air spring kit (front seat)-driver	620A68	Bracket (clutch pedal assist spring)	01526
Arm (front seat height adjusting)-driver	620A44	Bracket (cowl bar)	021A88
Arm (front seat suspension equalizer)-driver	620A00-1	Bracket (cowl bar support)	024A18
Arm assy. (body side front rear shock)	27200	Bracket (cowl top to radiator support brace)	020A76-7
Arm & bracket assy. (visor)	04144-5	Bracket (eng. cover front)	105A50
<b>B</b>		Bracket (door vent window frame stablizer)	22288-9
Bar (back window division)	42076	Bracket (eng. cover rear)	10536
Bar (floor pan foot rest)	12002	Bracket (eng. cover side)	101B66
Bar (front door vent window division)	22296-7	Bracket (floor side inner member plate)	101B30
Bar (front seat adjusting front torsion)	617A24	Bracket (front air deflector)	001A08-9
Bar (front seat adjusting rear torsion)	617C62	Bracket (front body lower extension innermounting)	00258-9
Bar (front seat suspension torsion)-driver	62039	Bracket (front body lower extension outer mounting)	002A58-9
Bar (windshield division)	03162	Bracket (front door arm rest mounting)	24116
Bar assy. (cowl)	02402	Bracket (front door check arm on body)	23510
Base (front seat suspension)-driver	62036-7	Bracket (front door outside handle attaching)	224A00-1
Base assy. (front seat suspension complete)-driver	61738	Bracket (front door trim panel)	21032
Bearing (body pivot on body)	00254-5	Bracket (front door vent window division bar lower)	22912
Bearing (front door check roller)	235A60	Bracket (front door vent window lower pivot)	22954
Bearing (front seat shock absorber)-driver	620A48-50	Bracket (front door vent window upper pivot)	21464-5
Bearing (front seat shock absorber lever)-driver	60325	Bracket (front door window glass channel rear)	23296
Bearing (front seat weight adjusting lever)-driver	620A46	Bracket (front seat back adjusting)-driver	610B92-3
Bearing & lever assy. (front seat suspension)-driver	618A63	Bracket (front seat bumper)-passenger	619A78
Belt (sleeping compt. complete)	46892	Bracket (front seat cushion frame to track)	60388
Belt assy. (front seat complete)	611A72	Bracket (front seat mounting)-driver	62570
Belt assy. (front seat complete center)	611B60	Bracket (front seat upper track support)-driver	618A71
Belt & buckle assy. (sleeping compt.)	46830	Bracket (front seat weight adjusting)-driver	620A60
Bezel (front seat back latch handle)	62672	Bracket (instrument panelash receptacle housing)	04557
Bolt (front seat back pivot arm)	60392	Bracket (instrument panel)	04510
Bolt (front seat belt anchor eye)	61212	Bracket (outside assist handle)	403E38
Bolt (front seat suspension)-driver	62065	Bracket (instrument panel brace)	045F10
Boot (door inside handle)	226A06	Bracket (instrument panel to cowl side)	04366
Bow (roof trim panel support center)	51952-5	Bracket (instrument panel to cowl top inner)	044C32-3
Bow (roof trim panel support side)	51952-5	Bracket (instrument panel to engine cover mounting)	044F41
Brace (back panel strainer to back window frame)	40264-5	Bracket (instrument panel lower extension to engine cover)	043A84
Brace (body side extension rear)	11552-3	Bracket (instrument panel flasher mount)	04542
Brace (body side panel front)	28260	Bracket (instrument panel lower extension to floor)	044G22
Brace (body side panel rear)	27726	Bracket (instrument panel lower extension to pillar)	043A73
Brace (brake pedal support)	01524	Bracket (instrument panel to front body pillar)	044B50-1
Brace (cowl side panel)	020A62	Bracket (rear floor cross member upper)	403D32
Brace (dash panel to frame)	01726-7	Bracket (roof bow mounting)	508A16
Brace (front body pillar)	02582	Bracket (roof bow to header)	508A16
Brace (front wheelhouse panel front)	024A40	Bracket (storage compt. door check cable)	279C36
Brace (instrument panel to brake pedal bracket)	04576	Bracket (upper back panel reinforcement)	403D52
Brace (instrument panel to dash)	044F48	Bracket (visor arm)	04122
Brace (side step)	200L52	Bracket (windshield defroster mounting)	01420
Brace (trans. control selector to dash extension)	12208-9	Bracket assy. (clutch pedal support to front panel)	015A12
Bracket (air foil front)	001A26	Bracket assy. (body mounting)	001N01
Bracket (air scoop roof front)	50738	Bracket assy. (door window lower stop)	21742
Bracket (body door check on door)	27218	Bracket assy. (front door window regulator equalizer arm)	23230
Bracket (back panel trim panel)	403D50		
Bracket (body front air deflector upper)	001A10-1	Bracket assy. (roof air deflector support rear)	500K23
Bracket (body lift)	00334	Bumper (front door window stop)	21762
Bracket (body rocker panel)	104K38-9	Bumper (front seat cushion panel)	60578
Bracket (body rear cross member reinforcement)	403E08	Bumper (front seat jounce)-driver	60300

October, 1993

COPYRIGHT © 1993 - FORD MOTOR - DEARBORN, MICHIGAN  
COMPANY

Final Issue

## INDEX

PART NAME	GROUP NUMBER	PART NAME	GROUP NUMBER
<b>B — Cont'd</b>		<b>C — Cont'd</b>	
Bumper (front seat track adjusting)–driver	61783	Cover (instrument panel cluster opening)	04428
Bumper (instrument panel glove compt. door)	06066	Cover (instrument panel control opening)	044F58
Bushing (body pivot pin)	00262	Cover (instrument panel finish panel upper)	044C60
Bushing (front door latch rod)	219A38	Cover (instrument panel heater control opening)	04496
Bushing (front door vent window pivot)	22960	Cover (instrument panel radio opening)	04371
Bushing (front door vent window upper pivot)	229A00	Cover (quarter panel name plate stud)	290B76
Bushing (front seat adjuster actuating)–driver	618A63	Cover (roof drip moulding front center joint)	51796
Bushing (front seat vertical adjusting rod)–driver	618A67	Cover (roof drip moulding joint)	51762-3
Bushing (front seat weight adjusting)–driver	617C98	Cover (roof outer depression joint)	537A22
Button & guide assy. (front door outside handle)	22454	Cover (roof trim panel access hole)	52004
<b>C</b>		Cover (side storage locker trim)	280C22
Cab (skeleton or complete)	00000-1	Cover (visor arm clip opening)	04086
Cable (storage compt. door check)	279C32	Cover (window regulator handle screw)	23362
Cable assy. (instrument panel glove compt. door check)	060A08	Cover (windshield defroster)	044A98
Cabinet assy. (sleeping compartment utility)	46100	Cover (windshield outside moulding joint)	03094
Cam (front seat tilt adjusting)–driver	620A74	Cover assy. (vent air inlet duct hole)	019A22
Cap (door window regulator drive)	23458	Cover assy. (instrument cluster trim)	04680-1
Cam (front seat tilt adjuster without shaft)	620B74	Cover assy. (instrument panel relay access)	044F46
Cap (front body pillar finish)	025A78	Cover assy. (instrument panel steering column opening)	044F08
Cap (roof trim panel retainer)	52126	Cover & spring kit (front door lock cylinder)	21942-3
Catch (instrument panel glove compt. door latch)	06064	Cushion (front body bolt spacer)	00294
Catch assy. (circuit breakerdoor)	044E80	Cylinder & key set (front door & ignition lock)	22050
Channel (front door window latch side)	21550-1	Curtain assy. (roof sun shade)	50132
Channel & retainer assy. (front door glass)	21458-9	<b>D</b>	
Check (front door hinge)	23552	Decal (inside assist handle)	403E44
Check assy. (front seat belt)	611B36	Deflector (back panel side to carb. air cleaner)	40530-1
Clip (instrument panel circuit breaker access panel catch)	045E16	Deflector (body lift stone)	001A04-5
Clip (instrument panel moulding)	04874	Deflector (cowl top water)	02408
Clip (visor pin)	04132	Deflector (door vent window)	22386
Collar (vent air)	01916	Deflector (front air outer)	001A06-7
Compartment (instrument panel glove)	06010	Deflector assy. (body side)	278L00-1
Console assy. (instrument panel)	045A36	Deflector assy. (roof air)	500A26
Control (front door latch lower remote)	219A20-1	Door (body front radiator filler)	021A72
Control (vent air outlet duct)	01890	Door (instrument panel circuit breaker panel)	045D62
Control assy. (cowl vent)	02122	Door (instrument panel glove compt.)	06024
Control assy. (door back)	22168-9	Door assy. (front)	20124-5
Control & link assy. (front door latch remote)	21818-9	Door assy. (front seat back panel eng. access)	60194
Cover (back panel access hole)	405B80	Door assy. (storage compt.)	280A92-3
Cover (battery access)	01619	Door assy. (vent register)	01836
Cover (body rear corner trim panel opening)	410A64	Dovetail (front door lock)	23006
Cover (body rear shock mounting bolt)	001A86	Drive assy. (door)	23394
Cover (body side lower)	32238-9	Duct (vent air)	01454
Cover (console panel radio opening)	045D34	<b>E</b>	
Cover (door vent window pivot adjuster)	23382	Escutcheon (front door inside handle)	22620
Cover (floor side member)	104A12	Escutcheon (front door window regulator handle)	22620
Cover (front body pillar)	03598-9	Extension (body rear corner)	278A28-9
Cover (front body pillar flange)	02620-1	Extension (cowl bar side reinforcement)	021A86
Cover (front door air vent hole)	01920	Extension (cowl side vent air panel)	02096-7
Cover (front door inside panel access)	21130-1	Extension (cowl top inner panel)	021A36-7
Cover (front floor pan body bolt access)	113A18	Extension (cowl top outer)	020A10-1
Cover (front floor pan wire harness)	112A18	Extension (dash panel to clutch pedal support reinforcement)	016A50
Cover (front seat back pivot side outer)	61694-5	Extension (dash panel to floor)	01750
Cover (instrument panel access hole)	044D82	Extension (dash panel to instrument panel)	016A78
Cover (instrument panel air brake control opening)	044E64	Extension (floor pan side)	11142-3, 113A23
Cover (instrument panel brake control speed sensor)	044G18	Extension (floor pan side rear)	11146-7
Cover (instrument panel center opening)	04663	Extension (floor side inner member rear)	105A62
Cover (instrument panel cigar lighter opening)	04648		

1980/  
TRUCK SERIES 600/900

INDEX

PART NAME	GROUP NUMBER	PART NAME	GROUP NUMBER
E — Cont'd		G	
Extension (floor side member front)	10254-5	Gasket (front door inside panel access cover)	21132
Extension (floor side rear)	111A22-3	Gasket (vent air duct)	01999
Extension (front body hinge pillar)	02540	Gear (front seat adjuster)-driver	617C67
Extension (front body pillar lower rear)	02568-9	Glass (back window)	42004-6
Extension (front wheelhouse splash panel upper)	024A04-5	Glass (front door vent window)	21412-3
Extension (instrument panel center)	04597	Glass (front door window)	21410-1
Extension (instrument panel lower)	04644-5	Glass (quarter window)	42024
Extension (rear floor center interior rear member)	106A26	Glass (sun roof)	50054
Extension (roof horn headlining side)	52014	Glass (windshield)	03100-1
Extension (roof panel center reinforcement)	50296-7	Grille (back panel side air scoop opening)	40500-1
Extension (roof side inner rail)	51316-7	Grille (cowl top vent)	02228
Extension (side storage locker floor)	279C78-9	Grommet (front door latch knob)	21999
Extension (side storage locker front panel)	28640	Grommet (hose to front seat base)	625A26
Extension (upper back panel)	403A06	Grommet (instrument panel hand brake opening)	045D40
Extension (windshield header inner panel)	03488-9	Guide (door inside handle)	22628-9
Extension (windshield wiper opening inner panel)	023A18	Gusset (body latch pillar to rear floor)	281A76-7
Extension assy. (body front panel lower)	00190-1	Gusset (floor side inner member plate)	106A60-1
Extension assy. (body side panel lower)	28010-11	Gusset (quarter latch pillar upper)	28292-3
Extension assy. (cowl side panel)	022A44-5	Gusset (rear floor cross member)	403D34-5
Extension assy. (front wheelhouse panel)	02438-9	Gasket (rear floor side inner member)	101A58-9
Extension assy. (roof side rail rear)	513B55	Gusset (roof side rail front)	51258
Extension assy. (seat belt)	611C22	Gusset (roof side rail rear)	51258
F		H	
Filler (back belt side intermediate rail)	41702-3	Handle (back panel outside assist)	40346
Filler (back window frame)	422B40	Handle (body side assist)	20038-9
Filler (back window frame)	422B40	Handle (front body panel outside assist)	40346
Filler (body front pillar lower)	025A00-1	Handle (door inside pull)	26690
Filler (body side lock pillar opening)	279A78-9	Handle (door pull)	22666
Filler (eng. cover side panel)	105A20-1	Handle (front door inside)	22600-1
Filler (front body hinge pillar upper)	025A22-3	Handle (front door inside pull)	26690
Filler (front body lower panel to floor pan extension)	025A96-7	Handle (front door outside)	22404-5
Filler (quarter panel latch pillar)	281A24-5	Handle (front door vent window)	22916-7
Filler (quarter panel upper to roof rear side rail)	28088-9	Handle (front door window regulator)	23342
Filler assy. (front body pillar lower)	025A38-9	Handle (front seat back adjuster)-driver	61199
Floor pan (repair kit)	114A70	Handle (front seat track adjusting)	61753-5
Frame (back window)	42206	Handle (driver seat vertical adjuster)	61735
Frame (back window lower)	42232	Handle assy. (front door outside)	22400-1
Frame (back window side)	42222-3	Handle (passenger assist)	045B15-6
Frame (back window upper)	42220	Handle kit (front door outside)	22488
Frame (door vent opening)	20288-9	Hinge (body side step)	200A04-5
Frame (front door)	211A00-1	Hinge (instrument panel glove compt. door)	06050-1
Frame (front door air vent)	223A62	Hinge assy. (front door)	22800-11
Frame (front door lower)	211A14-5	Hinge assy. (front seat)-passenger	619A76
Frame (front door vent window)	21608-9	Hinge assy. (instrument cluster)	045D04
Frame (front seat)-driver	60094	Hinge Assy. (radiator filler door)	022A10
Frame (roof air vent)	50000	Hinge assy. (roof air deflector front)	500K25
Frame (roof glass)	500A24	Hinge assy. (storage compartment door)	280A70
Frame (roof vent bottom)	500A00	Hook (roof rail coat)	29024-5
Frame (roof vent side)	500A02	Hose (front seat adjuster)-driver	620A66
Frame (sleeping compt. air vent)	30218	Hose assy. (front seat adjusting)-driver	620A19
Frame (upper door window)	22202-3	Hose assy. (front seat cushion check)-driver	620A18
Frame (windshield lower)	03032	Housing (instrument panel ash receptacle)	048B28
Frame (windshield side)	03018-9	Housing (instrument panel cupholder)	048C28
Frame assy. (front seat cushion)-driver	62507	Housing (instrument cluster rear)	042B80-1
Frame assy. (front seat)-passenger	62506	Housing assy. (instrument panel relay access cover)	044F50
Front assy. (body)	00120		

## INDEX

PART NAME	GROUP NUMBER	PART NAME	GROUP NUMBER
<b>I</b>		<b>L</b>	
Insert (instrument panel cluster opening finish panel)	045F56	Loop (front seat belt retaining)	61222
Isolator (front seat track)	61706	Loop (sleeping compt. belt & buckle retaining)	54810
Insulator (floor pan sound)	11172	<b>M</b>	
Insulator (front floor pan heat)	11112	Member (body rear cross)	403C94
Insulation (sleeping compartment)	23706	Member (floor pan center front)	10684-5
	310A28	Member (floor pan corner center)	10624
Insulation (roof panel sound front)	54310	Member (floor pan corner rear)	107A94
Insulator (body bolt no. 1)	00149	Member (floor pan cross rear)	109A68-9
Insulator (body front panel)	00364-5	Member (floor side inner)	10110-1
Insulator (body side step)	20084	Member (floor side outer)	10120-1
Insulator (dash panel)	01670-1	Member (front floor cross front)	10692-3
Insulator (eng. cover side)	10500-1	Member (front floor cross rear)	107A94
Insulator (eng. cover top front)	10296	Member (rear floor cross)	403C96
Insulator (eng. cover top rear)	103A70	Member (rear floor inner cross)	403D12-3
Insulator (floor pan heat)	11112-3	Member assy. (floor cross inner)	10614
Insulator (floor pan lower)	10558	Moulding (back belt)	423A20-1
Insulator repair kit (rear body bolt)	00165	Moulding (back window garnish)	42410
<b>K</b>		Moulding (back window garnish lower)	42456
Key (door & ignition lock blank)	22053	Moulding (back window garnish side)	42416
Key (front door vent window latch handle)	22920	Moulding (console panel rear)	04736
KIT - refer to appropriate noun name		Moulding (console panel upper)	045A20-1
For example		Moulding (driver observation window garnish lower)	222K77
Handle kit (front door outside)	22488	Moulding (door stowage compartment)	20100
Knob (front door latch control rod)	21850	Moulding (door trim center)	20970-1
Knob (front door window regulator handle)	23352	Moulding (door trim upper)	21110-1
Knob (front seat adjusting)	617B70,	Moulding (door trim lower)	20956-7
	61753	Moulding (front body pillar drip)	02512-3
Knob (front seat suspension control)-driver	62038	Moulding (front door trim panel)	20971,
Knob (instrument panel ash receptacle)	04830		20996-7
Knob (instrument panel glove compt. door)	06164	Moulding (front door window garnish)	20904-5
<b>L</b>		Moulding (front door window garnish lower)	21056-7
Latch (front seat back panel eng. access door)	60208	Moulding (instrument panel)	04332-3
Latch (front seat back)	62648	Moulding (instrument panel lower)	04388
Latch (front seat back)-passenger	62130	Moulding (instrument panel upper)	044C26-7
Latch (instrument panel glove compt. door)	06072	Moulding (instrument panel upper cover retaining)	04296-7
Latch (storage compt. door)	280A72-3	Moulding (quarter trim panel)	290A42
Latch assy. (back window)	40860	Moulding (roof bow)	517B90
Latch assy. (front door)	21812-3	Moulding (roof drip finish side)	51726
Latch kit (front seat back adjusting)	60015	Moulding (roof drip front)	51724
Latch kit (seat support glove compt. door)	061A90	Moulding (roof drip rear)	51704
Letter (owner monogram inside)	20342	Moulding (roof drip side)	51700-1
Lever (front door latch actuating rod)	22384-5	Moulding (roof glass garnish)	50092
Lever (front door latch operating)	21970	Moulding (roof side garnish inner)	51752
Lever (front seat adjusting actuating)	617C71	Moulding (roof trim front)	517C08-9
Lever (front seat back cushion adjusting)-driver	611A83	Moulding (roof trim rear)	517C04-5
Lever (front seat shock absorber)-driver	60304,	Moulding (windshield garnish lower)	03626
	603A44	Moulding (windshield garnish upper)	03598-9
Lever (front seat suspension control spring)-driver	620A02	Moulding (windshield outside belt)	03148-9
Lever (front seat weight adjusting)-driver	620A62	Moulding (windshield outside side)	03136-7
Link (cowl vent)	02121	Moulding (windshield outside top)	03144-5
Link (front door latch remote control)	21940-1	Moulding assy. (front air foil)	001B02
Link (front seat suspension equalizer arm)-driver	620A06-7	Moulding kit (front door outside rear edge)	20910
Link (front seat suspension front)-driver	620A08-9	<b>N</b>	
Link (front seat suspension rear)-driver	620A10	Nut (front seat suspension control screw)-driver	62057
Link (front seat weight adjuster)-driver	620A70	<b>O</b>	
Link assy. (console door check)	06117	Ornament (cowl side)	020A74
		Ornament (door identification)	20802

1980/  
TRUCK SERIES 600/900

INDEX

PART NAME	GROUP NUMBER	PART NAME	GROUP NUMBER
<b>P</b>		<b>P — Cont'd</b>	
Pad (door lock cylinder)	22042	Panel (instrument panel end)	04334-5
Pad (door remote control)	264K70	Panel (instrument panel finish)	04338-9
Pad (front door outside handle large)	22428-9	Panel (instrument panel finish lower)	044A10
Pad (front door outside handle small)	22448-9	Panel (instrument panel trim)	04400
Pad (front panel outside assist handle)	403D96	Panel (lower back)	40324-5, 40352
Pad (front seat shock absorber release latch)-driver	620A42	Panel (lower back center)	40262
Pad (front seat weight adjuster)-driver	617C73	Panel (lower back side)	40266-7
Pad & retainer assy. (instrument panel cluster side)	044D42	Panel (package tray)	46506-10
Pan (front floor)	11135, 11140-1	Panel (package tray to back side lower panel)	465A14-5
Pan (front seat back)-driver	61019	Panel (package tray to center back panel)	465A16
Panel (back)	40300	Panel (quarter)	27846-7
Panel (back inner)	40484	Panel (quarter latch pillar inner)	28390-1
Panel (back inner side)	40476-7	Panel (quarter panel inside rear)	278A10-1
Panel (back inner lower)	40492-3	Panel (quarter panel latch pillar)	281A30-1
Panel (back window header)	42034	Panel (roof)	50202
Panel (body front)	00320	Panel (roof header)	50210
Panel (body front repair)	00188	Panel (roof rail end finish)	517A94-5
Panel (body rocker)	10128-9	Panel (sleeping compt.)	403B24
Panel (body side step lower)	101K85-6	Panel (sleeping compt. floor)	310A74
Panel (door opening step)	200A10-1	Panel (storage compt. floor)	279C04-5
Pan (front seat back)-driver	61019	Panel (storage compt. front)	280A66-7
Panel (console)	045A36	Panel (storage compt. inner)	280A68-9
Panel (console panel top)	044D90	Panel (upper back side)	40254-5
Panel (cowl side)	02044-5	Panel (windshield center post outer)	03017
Panel (cowl side inner)	02038-9	Panel (windshield header inner)	03410
Panel (cowl side vent air)	02300-1	Panel (windshield header outer)	03422-3
Panel (cowl top)	02010	Panel (windshield header trim)	03504
Panel (cowl top inner)	02018, 02030	Panel assy. (back side lower)	40252-3
Panel (cowl top outer)	02012	Panel (windshield wipers opening quarter)	023A14-5
Panel (cowl top vent)	022A68	Panel assy. (body side rear corner)	280A58-9
Panel (dash)	01610	Panel assy. (body rear center lower)	403A61
Plate (front door window regulator support)	234A04	Panel assy. (body rear corner)	27824-5
Plate assy. (door check anchor)	235A48	Panel assy. (body side lower)	278B56-7
Panel (engine cover front)	10318	Panel assy. (convenience)	32400-1
Panel (engine cover rear)	10426	Panel assy. (door opening step)	101108-9
Panel (engine cover side)	10420-1	Panel assy. (engine cover top rear)	102A68
Panel (engine cover top)	102A14	Panel assy. (instrument)	04304
Panel (engine cover top)	10401	Panel assy. (instrument cluster)	042A82
Panel (front body pillar outer)	02506-7	Panel assy. (instrument panel cluster opening finish)	044D70
Panel (front body pillar outside finish)	025A52-3	Panel (instrument panel control mounting)	045D12
Panel (front door dispatch container)	44612	Panel assy. (sleeping compartment floor)	31340-1
Panel (front door inside lower)	202A68	Panel assy. (wheelhouse)	02020-1
Panel (front door inside upper)	20214-5	Panel assy. (windshield header)	03408
Panel (front door outside)	20200-1	Panel (windshield wiper opening inner)	03566-7
Panel (front seat back)-passenger	60600	Pillar (front body)	02500-1
Panel (front seat back support)	60170	Pillar (front body inner closing)	02622-3
Panel (front wheelhouse front)	02048-9	Pillar (front body lower rear)	02650-1
Panel (front wheelhouse splash)	02452	Pillar (front body upper)	02718
Panel (instrument)	04320	Pillar (front body upper inner)	02508-9
Panel (instrument panel A/C opening cover)	04474	Pillar (front body upper outer)	02516-7
Panel (instrument panel applique)	045C38	Pillar (rear corner)	41032-3
Panel (instrument panel ash receptacle trim)	04824	Pillar assy. (quarter latch)	28160-1
Panel (instrument panel cluster opening finish)	045C91	Pillar & reinforcement assy. (front body lower)	02514-5
		Pin (body pivot)	00264
		Pin (front door)	22840

## INDEX

PART NAME	GROUP NUMBER	PART NAME	GROUP NUMBER
P — Cont'd		P — Cont'd	
Pin (front door check)	268A76	Plate (radiator filler door anchor)	022A42
Pin (front door hinge)	43030	Plate (rear floor cross member to side member reinforcement)	403D78
Pin (front seat back hinge)—driver	61088-9	Plate (roof air deflector mounting)	500A38-9
Pin (front seat back pivot)	611B24	Plate assy. (clutch pedal support mounting lower)	015A84
Pin (front seat base)—driver	620A24	Plate assy. (cowl top panel access hole cover)	023A82-3
Pin (front seat shock absorber adjusting)—driver	60466	Plate assy. (instrument panel steering column opening cover finish)	045E12
Pin (front seat shock absorber lower)—driver	620A54	Plug (floor pan seat belt anchor opening)	10034
Pin (front seat suspension control spring)—driver	62069	R	
Pin (side storage compartment door hinge)	281A90	Rack assy. (rear)	48000-1
Panel (door inner lower)	23890-1	Rail (back belt side)	41736
Pin (visor anchor)	04114	Rail (back belt side intermediate)	41894-5
Pivot (front door vent window upper)	22952-3	Rail (body side lower)	32218-9
Plate (body mounting)	002A16	Rail (front side inner)	513A30-1, 513A52-3
Plate (pivot anchor)	00284	Rail (roof rear)	513A58
Plate (body front pillar lower closing)	025K00-1	Rail (roof side inner rear)	513A20-1
Plate (cab pivot bearing access cover)	12177-8	Rail (roof side inner rear lower)	513A18-9
Plate (console panel name)	04742	Rail (roof side outer)	513A12-3, 51186-7
Plate (cowl bar end)	021A56	Rail (roof side rear)	513A16-7
Plate (cowl bar support)	021A98	Rail (roof side rear intermediate)	513B80-1
Plate (cowl side panel access hole cover)	02448	Rail assy. (roof rear)	513B06
Plate (cowl side vent mounting)	022A26	Rail assy. (roof side outer)	51218-9
Plate (dash panel opening cover)	017A42	Receptacle (console panel ash)	04810
Plate (eng. cover scuff)	105A76	Receptacle (instrument panel ash)	04810
Plate (floor pan foot rest anchor)	12008	Receptacle assy. (quarter ash)	30702
Plate (floor pan hole cover )	111A74	Register (cowl vent)	01820-1
Plate (floor side center inner member)	105A00	Regulator assy. (front door window)	23200-1
Plate (floor side front inner member)	105A02-3	Regulator assy. (door vent window)	23402-3
Plate (floor side inner member)	105A36-7	Reinforcement (back panel exhaust mounting lower)	403A14-5
Plate (floor side rear extension)	113B04-5	Reinforcement (back panel at brake valve mounting)	403W12
Plate (floor side rear inner member)	105B04-5	Reinforcement (back panel exhaust mounting side)	403E12-3
Plate (floor trans. cover)	12110	Reinforcement (back panel exhaust mounting upper)	403B98-9
Plate (front body pillar hinge anchor)	02638-9	Reinforcement (back panel side air scoop opening)	40278-9
Plate (front door arm rest finger tip)	24142	Reinforcement (back panel upper)	403B48
Plate (front door bottom wedge striker)	20390	Reinforcement (body front panel)	00292
Plate (front door hinge bolt access hole cover)	22826	Reinforcement (body side front step)	20020-2
Plate (front door inside panel cover)	21122	Reinforcement (body front panel center)	001K13
Plate (front door latch striker)	22008-9	Reinforcement (body side ladder)	278A48-9
Plate (front door latch striker tapping)	22024	Reinforcement (body back pillar)	28364-5
Plate (front door outside name)	25622	Reinforcement (body pillar hinge upper)	02554
Plate (front door scuff)	13208-9	Reinforcement (body rocker panel)	100K31-2
Plate (front door top wedge striker)	20368	Reinforcement (body side step center)	20036
Plate (front door window regulator handle)	23370	Reinforcement (brake pedal support dash panel)	01552
Plate (front seat adjusting retaining)	618A46-7	Reinforcement (cab rear)	46566
Plate (front seat back scuff)	61643	Reinforcement (cowl bar side)	021A84-5
Plate (front seat back side arm rest scuff)	64314	Reinforcement (cowl side air vent panel)	018A26-7
Plate (front seat back skid)—driver	61602	Reinforcement (cowl side panel)	024A14-5
Plate (front seat suspension control spring)—driver	62068	Reinforcement (cowl top panel)	02000
Plate (door hinge tapping)	22852	Reinforcement (cowl top outer panel extension)	022A08
Plate (heater opening cover)	01846	Reinforcement (door glass channel)	20196
Plate (instrument panel control name)	04465	Reinforcement (door pull handle)	218N12-3
Plate (instrument panel end)	045A64-5	Reinforcement (door vent window frame lower)	22352-3
Plate (instrument panel glove compt. door name)	04460	Reinforcement (dash panel brake master cylinder)	016B28
Plate (instrument panel hand brake opening cover)	045D42	Reinforcement (dash panel brake valve opening)	016B68
Plate (instrument panel heater control opening)	04477		
Plate (instrument panel stirring column finish lower)	04459		
Plate (quarter panel latch pillar)	281A04-5		



1980/  
TRUCK SERIES 600/900

ALPHABETICAL INDEX BODY PARTS

7

INDEX

PART NAME	GROUP NUMBER	PART NAME	GROUP NUMBER
<b>R — Cont'd</b>		<b>R — Cont'd</b>	
Reinforcement (dash panel to front floor pan)	016A22-3	Reinforcement (sleeping compt. side)	403A90-1
Reinforcement (door frame back opening)	22146	Reinforcement (sleeping compt. strap anchor)	46890
Reinforcement (engine cover panel center)	10422	Reinforcement (sleeping compt. upper)	403B48
Reinforcement (engine cover side)	113K94	Reinforcement (storage compt. opening front)	279C12-3
Reinforcement (eng. side cover panel)	103A43	Reinforcement (storage compt. opening rear)	279C68-9
Reinforcement (eng. top cover panel)	103A86	Reinforcement (upper back panel air hose mounting)	44604
Reinforcement (floor pan at air hose)	112A82	Reinforcement (upper back panel air valve mounting)	44602
Reinforcement (floor pan front)	11271	Reinforcement (upper back panel outer)	403B49
Reinforcement (floor pan front cross member)	10604-5	Reinforcement (upper back panel side)	403A90-1
Reinforcement (floor pan passenger seat track)	11248	Reinforcement (windshield header inner center)	03524
Reinforcement (floor pan rear cross member)	10946	Reinforcement (windshield header inner panel side)	035A24
Reinforcement (floor pan to seat rear)	112B11	Reinforcement (windshield header outer panel)	03444-5
Reinforcement (floor parking brake cable mounting)	11209	Reinforcement (windshield wiper opening side)	03468-9
Reinforcement (floor side inner member at body bolt)	10286-7	Reinforcement assy. (assist handle)	025K06
Reinforcement (floor side inner member plate)	105A30-1	Reinforcement assy. (back panel exhaust mounting lower inner)	403E34
Reinforcement (floor side member inner rear)	101B02	Reinforcement assy. (body front mounting inner)	00L06-7
Reinforcement (floor side outer member)	10132-3	Reinforcement assy. (dash panel clutch pedal support)	016A92
Reinforcement (floor trans. cover)	12118-9	Reinforcement assy. (door hinge on body)	22842-3
Reinforcement (front body hinge pillar)	02680-1	Reinforcement assy. (engine corner side panel front)	103A56-7
Reinforcement (front body pillar)	02690	Reinforcement assy. (floor side inner member front)	10418
Reinforcement (front body pillar upper)	02524-5	Reinforcement assy. (floor side inner member rear)	10562
Reinforcement (front door check arm)	235A62	Reinforcement assy. (front door window regulator plate)	23248
Reinforcement (front door front frame lower)	20196-7	Reinforcement assy. (instrument panel cluster opening)	04318
Reinforcement (front door front frame upper)	20168-9	Reinforcement assy. (side storage locker front)	280C66-7
Reinforcement (front door rear frame upper)	20170-1	Retainer (back panel trim panel center)	403D24
Reinforcement (front door hinge side)	20450	Retainer (back panel trim panel lower)	403D30
Reinforcement (front outside assist handle)	403B30	Retainer (back panel trim panel lower inner)	403D29
Reinforcement (front seat belt anchor)	61239	Retainer (back trim panel)	403D80
Reinforcement (front seat support to floor pan)	61798	Retainer (back trim panel lower side)	403E00
Reinforcement (instrument panel)	04545	Retainer (back window garnish moulding upper)	42468
Reinforcement (instrument panel assist handle)	045B14	Retainer (back window center)	42280
Reinforcement (instrument panel to dash)	04551	Retainer (body front air deflector)	001A12
Reinforcement (instrument panel lower)	04735	Retainer (body front panel seal)	001A88
Reinforcement (lower back panel)	40338	Retainer (body lift stone deflector)	00398
Reinforcement (lower back trim panel)	404A86	Retainer (body rear cover panel trim)	27880
Reinforcement (observation window)	223A66	Retainer (body side ash receptacle)	30742
Reinforcement (observation window frame lower)	223A64-5	Retainer (coat hook)	29232
Reinforcement (outside assist handle)	403D20-1	Retainer (door trim panel upper)	20966
Reinforcement (panel front side)	50232-3	Retainer (door vent window pivot)	22288-9
Reinforcement (quarter latch pillar)	28216-7	Retainer (door window regulator plate)	23324
Reinforcement (quarter latch pillar upper)	28176-7	Retainer (dash front sound absorber)	01691
Reinforcement (quarter panel)	28486-7	Retainer (engine housing side insulator)	101B56
Reinforcement (rear floor cross member)	403D04	Retainer (engine housing top insulator)	101B68
Reinforcement (rear floor cross member end)	403D58	Retainer (floor mat)	13132-3
Reinforcement (rear floor cross member to side member)	403D64	Retainer (floor pan lower heat insulator)	111B36
Reinforcement (rear floor rear cross member)	10760-1, 403D38-9	Retainer (floor pan side)	112B17
Reinforcement (roof air deflector mounting rear)	500A42	Retainer (floor trans. cover plate control cable opening seal)	12225
Reinforcement (roof panel center)	50244, 50290-1	Retainer (floor trans. retarder pedal opening seal)	12203
Reinforcement (roof side rail)	513A06	Retainer (front door bottom wedge)	202A76
Reinforcement (roof side intermediate rail)	513B94-5	Retainer (front door bottom wedge striker plate)	20398
Reinforcement (roof side rail)	513A06-7	Retainer (front door check strap)	235A36, 235A42
Reinforcement (sleeping compt. belt & buckle retaining loop)	54812	Retainer (front door glass run latch side)	21568-71, 222A00-1

## INDEX

PART NAME	GROUP NUMBER	PART NAME	GROUP NUMBER
<b>R — Cont'd</b>		<b>R — Cont'd</b>	
Retainer (front door latch rod)	21952-4	Roller (front seat upper track support)-driver	61824
Retainer (front door latch striker anchor plate)	22021	Run (back window glass lower)	422A20, 422A36
Retainer (front door lock cylinder)	22023	Run (front and rear door glass hinge side)	21546
Retainer (front door outside handle button)	22459	Run (front door glass latch side)	21508
Retainer (front door outside handle button)	22459	Run (front door glass upper)	21536
Retainer (front door vent window)	22988-9	Run & bracket assy. (front door vent window division bar glass)	21538-9
Retainer (front door vent window weatherstrip)	21408-9		
Retainer (front door weatherstrip)	20586		
Retainer (front floor carpet center)	13100	<b>S</b>	
Retainer (front floor carpet front edge)	130A40	Scoop (roof front air vent)	50700
Retainer (front seat track adjusting handle)	618B58	Screen (sleeping compt. air vent)	019A58
Retainer (front seat track adjusting lever handle)	62060	Screen (vent air register)	02314
Retainer (heater console top ash receptacle)	30714	Screw (front seat adjusting)	618A38
Retainer (instrument panel A/C opening cover)	042A92	Screw (front seat adjusting torsion bar)	617C74
Retainer (instrument panel ash receptacle)	04826	Screw (front seat suspension control)-driver	62056
Retainer (instrument panel ash receptacle housing bracket)	048B42	Seal (back panel side to carb. air cleaner deflector)	40538
Retainer (instrument panel moulding)	04439	Seal (back window)	420A28
Retainer (instrument panel steering column finish)	045F945	Seal (back window glass side)	422A68
Retainer (lower back trim panel)	40471	Seal (battery cover access)	01645
Retainer (outside moulding back belt moulding)	40248	Seal (body front panel)	00366
Retainer (rear door glass run front)	25796-7	Seal (cow/top panel to hood side)	02822-3
Retainer (roof rail rear trim)	50924	Seal (eng. cover)	10320
Retainer (roof side inner rail trim panel rear)	52196	Seal (door hinge to body)	228A06
Retainer (roof side upper trim panel)	51952	Seal (floor accelerator pedal opening)	12205
Retainer (roof trim panel)	51989	Seal (floor pan accelerator opening)	113A52
Retainer (roof trim panel at vent)	52128	Seal (floor trans. cover plate)	12122-3
Retainer (roof trim panel front)	50980, 52118	Seal (front door air vent door)	50732
		Seal (front door at belt)	20564
Retainer (roof trim panel front side inner)	519B22-3	Seal (front door inner panel bottom drain)	20700
Retainer (roof trim panel lower side)	52148	Seal (sleeping compt. to cab)	403B54
Retainer (roof trim panel rear)	50982	Shaft (front seat back pivot)-driver	610B69
Retainer (roof trim panel side rear)	52136-7	Shaft (front seat shock absorber release catch upper tube)-driver	620A52
Retainer (side storage locker front panel carpet)	282B14		
Retainer (sleeping compt. curtain rod)	466A02	Shaft (front seat suspension)-driver	620A72
Retainer (sleeping compt. rear trim panel upper)	466A20	Shield (cab safety back cylinder)	23850
Retainer (sleeping compt. side rear trim panel lower)	311A80	Shield (door trim water)	237A04
Retainer (sleeping compt. side upper trim panel)	310A80	Shield (floor pan heat)	11442
Retainer (sleeping compt. strap)	46898	Shield (front door latch remote control mirror opening)	20334
Retainer (sleeping compt. trim panel at air vent)	31122	Shield (front door wiring)	20770
Retainer (windshield upper garnish moulding)	03552	Shield (front seat back)-driver	60762
Retainer assy. (roof headlining)	52006	Shield (vent air splash)	01883
Retainer & bracket (front door vent window division bar glass run)	223A24-5	Shield assy. (body bolt insulator heat)	001A76
		Shim (body mount)	00145
Ring (front seat back adjust handle snap)-driver	611X99	Shim (front door latch striker plate)	265A06
Ring (front seat back hinge pin snap)-driver	610X88	Shim (front door top wedge)	20392
Rivet (front door vent window division bar weatherstrip)	21524	Shock absorber (front seat)-driver	60339
Rod (front door latch actuating)	22152-3	Shock absorber kit (front seat release latch)-driver	60004
Rod (front door latch control to cylinder)	22134-5	Side storage locker (repair kit)	281B36-7
Rod (front door latch push button)	21852-3	Sill (floor side)	10136-7
Rod (front seat adjusting)	617C72	Sill (rear floor cross)	10608-9
Rod (front seat track tie)	61726	Sleeve (visor anchor pin)	04115
Rod (front seat vertical adjusting rod)-driver	620A40	Sleeve (door window front regulator hinge)	23572
Rod (sleeping compt. curtain)	466A00	Slide (front seat track)-driver	619A34
Rod assy. (door latch release)	219A30	Spacer (body bolt no. 1)	00130
Rod assy. (front seat cushion)	618C00	Spacer (body bolt rear)	00226
Roller (front door window regulator arm)	23240	Spacer (body partition bracket front)	001A14

1980/  
TRUCK SERIES 600/900

INDEX

PART NAME	GROUP NUMBER	PART NAME	GROUP NUMBER
S — Cont'd		S — Cont'd	
Spacer (brake pedal support)	01518	Strip (roof trim panel side retaining)	50952
Spacer (door assist handle)	22608	Strip (roof trim retainer)	50966
Spacer (front door scuff plate)	13204-5	Stripe kit (body side)	20000
Spacer (front door vent window retaining screw)	21481	Support (back panel air duct)	452A28
Spacer (front seat back pivot arm)	60394	Support (back panel trim lower outer)	452A08
Spacer (front seat shock absorber lower)-driver	60309	Support (back panel trim upper outer and center)	45240
Spacer (front seat shock absorber upper)-driver	603A24	Support (body side step)	20062-3
Spacer (front seat shoulder strap anchor plate)	60228	Support (back panel upper)	404B22
Spacer (front seat support)	617C46	Support (brake pedal inner)	01544
Spacer (front seat support)-driver	60061-91	Support (brake pedal outer)	01500-8
Spacer (front seat suspension torsion bar)-driver	620A04	Support (door arm rest)	24116
Spacer (instrument panel end lower)	045A32	Support (door arm rest)	24116
Spacer (outside assist handle)	403D22	Support (cowl bar side)	021A90-1
Spacer (rear floor cross member)	403D40	Support (cowl top panel inner)	023A78
Spacer (side storage compartment door latch)	28642	Support (floor pan extension)	113A85
Spring (body side vent door)	019A29	Support (floor side inner member)	105A24-5
Spring (front door latch release lever)	219A74	Support (front floor mat center)	130A64
Spring (front door latch remote control)	21910	Support (front seat back pivot)	617C04
Spring (front door latch toggle)	21872-3	Support (front seat cushion)	62580-1
Spring (front door outside handle button & guide)	22462	Support (front seat)-driver	60094, 620A16
Spring (front door vent window locking handle)	22986	Support (front seat to floor)-passenger	62278
Spring (front door vent window pivot)	22926	Support (front seat track)-driver	61738
Spring (front door window handle)	22624	Support (front seat track outer to floor)-driver	62526
Spring (front seat adjusting actuating lever)	617C78	Support (front seat track upper)	617A38
Spring (front seat adjusting rod)-driver	620A26	Support (front wheel splash panel)	024A22
Spring (front seat back adjusting)	617C76	Support (instrument cluster printed circuit)	044H20-1
Spring (front seat back adjusting handle)-driver	610A15	Support (instrument panel to cowl vent front)	04536
Spring (front seat back latch)	61097	Support (instrument panel to cowl vent front)	04536
Spring (front seat back return)-driver	617C03	Support (quarter trim panel)	27932-3
Spring (front seat back side arm rest support)	64322-3	Support (rear seat cushion lower)	61756
Spring (front seat shock absorber)-driver	60350	Support (rear seat cushion upper)	617A56
Spring (front seat suspension control screw)-driver	62064	Support (roof rear rail trim center)	519B58
Spring (front seat track assist)	61828	Support (roof rear rail trim outer)	519B54
Spring (front seat track latch)	61883	Support (roof trim panel)	52164
Spring (front seat vertical adjusting)-driver	62008	Support (roof trim rear)	52101
Spring (front seat vertical adjusting link)-driver	618C02	Support (roof trim panel front)	52189
Spring (front seat weight adjuster)-driver	62008	Support (seat to floor)	625A88
Spring (instrument panel glove compt. door)	06069	Support (seat track inner)	61902
Spring (instrument panel glove compt. door assist)	06112-3	Support (seat track outer)	62058-9
Spring (visor arm clip)	04134	Support (side storage locker floor)	279C02
Step (body side rear)	20012	Support (side storage locker floor)	279C02
Stop (front door vent window pivot)	22992	Support (side vent trim panel)	279C22-3
Stop (front door window lower)	21758	Support (sleeping compt. floor front)	311A50
Stop (front seat track)	61938	Support (sleeping compt. floor side)	311A46-7
Strainer (back panel)	28288	Support (sleeping compt. rear trim panel)	466A26
Strainer (back panel center)	40260	Support (sleeping compt. side trim panel)	46882
Strainer (door outside panel)	21204	Support (sleeping compartment side trim panel lower)	31140-1
Strainer (quarter panel)	280A50-1	Support (windshield lower garnish moulding)	03638
Strap (front door check)	23504	Support assy. (back panel trim vertical)	452A44
Striker (door vent window)	302A08-9	Support assy. (front seat)	62506-7
Striker (storage compt. door latch)	279C34-5	Support assy. (front seat back side arm rest)	64308-9
Strip (back panel trim retainer)	40366	Support assy. (instrument panel pad)	044E44
Strip (body side skid on battery carrier)	20002	Support assy. (instrument panel radio)	044B94
Strip (instrument panel cluster side pad retainer)	044F28	Support assy. (roof air deflector)	502P68
		Suspension assy. (front seat cushion mounting)	620A87
		Suspension assy. (front seat lower)-driver	62087
		Suspension assy. (front seat upper)-driver	620A14



C and CT Series

**CAB ORDERING INSTRUCTIONS**

- Equipment included with each cab may vary due to ongoing production changes.

Current production cabs are available for service. When ordering a cab the following information must be provided:

- Ordering dealer name, address and P&A code
- "Ship to" name and address (if not ordering dealer)
- Series and model description
- Vehicle serial number
- Cab configuration number
- Engine make, model and displacement
- Type of transmission, model and speeds
- Exterior paint (current colors only)
- Type of brakes (air or hydraulic)

Note: Submit this information by phone to the order processing center

**EXTERIOR PAINT COLORS**

Cabs are available in prime and current production paint colors for U.S. and in prime only for Canada. D.S.O. colors are not available. These cabs must be ordered in an alternative color, and the stripes, etc., must be added locally.

**SKELETON CABS**

YEAR	MODEL	PART NUMBER
80/	C-CT700/800 (diesel) -- w/A/T	★FOHZ 9100001-A

**INCLUDES**

- Primed sheet metal
- Doors

**DOES NOT INCLUDE**

- Glass
- Trim and hardware

**PARTIALLY DRESSED CABS**

YEAR	MODEL	INCLUDES	CONFIGURATION NUMBER
80/	C-CT700/800(diesel)		Not available

**INCLUDES**

- Air vent system
- Brake pedal support
- Doors
- Tinted glass
- Hardware
- Instrument panel pad
- Inside rear view mirror
- Interior trim (roof and door)
- Mouldings (exterior)
- Paint (any current color)
- Arm rests-fold down-R.H. and L.H.

**DOES NOT INCLUDE**

- Fender apron supports
- Floor pan cover plate
- Hood hinges
- Outside mirrors
- Switches
- Windshield wiper mechanism
- Floor coverings
- Fuel tanks
- Instrument cluster
- Parking brake
- Windshield washers
- Wiring
- Seats
- Seat belts
- Visors

**1980/  
TRUCK SERIES 600/900**

**C and CT Series**

**COMPLETE CABS**

YEAR	MODEL	PART NUMBER
80/	C-CT700/800 (diesel) -- w/A/T	★F0HZ 9100000-A
80/	C-CT700/800 (diesel) -- w/M/T	★F0HZ 9100000-B

**INCLUDES**

- Ash receptacle
- Glove Box
- Instrument panel
- Deluxe instrument cluster
- Dual sun visors
- Dome light
- Coat hook
- All-weather ventilation
- Heater and Defroster, fresh air
- Windshield wipers, dual:  
Two-speed electric  
parallel action type
- Windshield washers
- Seat belts
- Primary and secondary door latches
- Push-button outside door handles
- Door lock buttons, push-pull
- Ford oval (between headlamps)
- Reversible key locks-both doors
- Five cab identification and clearance lights
- Horn, electric
- Seats and Trim:  
Full-width with 1/3-2/3 split back-black heavy duty vinyl
- Headlining, simulated perforated pring hardboard
- Foam padding in seat cushion
- Tinted glass all around
- Parking brake on/of control
- Cigar lighter receptacle only
- Bright molding (exterior)
- Custom Cab script on doors
- Arm rests, fold down, RH and LH
- Paint (any current color)
- Inside rear view mirror
- Brake pedal support
- Door vent windows
- Emergency lamp flasher

**DOES NOT INCLUDE**

- Steering wheel
- Floor mats
- Exterior mirrors

Due to the phase out of C-Series models with gasoline engines after the 1986 model year, the following skeleton and complete cabs will be stocked at the National Parts Distribution Center. All cabs will be painted Wimbledon White and will include equipment as described on pages 1 and 2 of this catalog section.

**SKELETON CAB**

YEAR	MODEL/RESTRICTIONS	PART NUMBER	DESCRIPTION	QTY.
80/86	C-CT600/800 -- w/gas engine and M/T	★ E6HZ 9100001-A	R/b Service details	1

**COMPLETE CABS**

YEAR	MODEL/RESTRICTIONS	PART NUMBER	DESCRIPTION	QTY.
80/86	C-CT600/800 -- w/gas engine, A/T and hydraulic brakes	★ E6HZ 9100000-A	R/b Service details	1
80/86	C-CT600/800 -- w/gas engine, M/T and hydraulic brakes	★ E6HZ 9100000-B	R/b Service details	1
80/86	C-CT600/800 -- w/gas engine, A/T and air brakes	★ E6HZ 9100000-C	R/b Service details	1
80/86	C-CT600/800 -- w/gas engine, M/T and air brakes	★ E6HZ 9100000-D	R/b Service details	1



**1980/  
TRUCK SERIES 600/900**

**SKELETON CABS**

° The following skelton cabs are currently available for service.  
The skelton cabs are painted Diamond White and includes doors.  
Do not include hood panel, glass, trim and hardware

YEAR	BODY TYPE	PART NUMBER
86/87	CF600/800	E7HZ 6000001-A
88/	CF-CFT600/800(Except Tractor) -- w/man. trans.	E8HZ 6000001-A
88/	CF-CFT600/800(Except Tractor) -- w/auto. trans.	E8HZ 6000001-B
88/	CF700/800(Tractor) -- w/man. trans.	E8HZ 7000001-A
88/	CF700/800(Tractor) -- w/auto. trans.	E8HZ 7000001-B

**CL-CLT Series**

**CAB ORDERING INSTRUCTIONS**

● Equipment included with each cab may vary due to ongoing production changes.  
Current production cabs are available for service. When ordering a cab, the following information must be provided:

(COMPLETE CAB)

- Ordering dealer name, address and P and A code
- "Ship to" name and address (if not ordering dealer)
- Series and model description
- Cab configuration number
- Vehicle serial number
- Paint (current colors only)
- Trim color (owner/operator interior package only) charcoal or caramel
- Engine make and model

(IN ADDITION FOR SKELETON CABS SPECIFY)

- Type of transmission, model and speeds
- Provisions for air conditioning

Note: Submit this information by phone to the order processing center

**EXTERIOR PAINT COLORS**

Cabs are available in prime and current production paint colors for U.S. and in prime only for Canada. D.S.O. colors are not available. These cabs must be ordered in an alternative color, and the stripes, etc., must be added locally.

Service cabs for the CL-CLT series are equipped with standard cab mountings. If the parts on the original cab are for the Easy Riding Cab Air Suspension System and are not reuseable, the following parts must be ordered as required.

Qty. Req'd.	Part Number	Description
1	EOHZ 5A118-A	Bracket (cab forward hinge)-R.H.
1	EOHZ 5A118-B	Bracket (cab forward hinge)-L.H.
2	D8HZ 5B404-A	Bracket assy. (cab mounting to spring)
2	D8HZ 5B406-A	Gusset (cab mounting spring bracket)
2	D8HZ 5411-B	Bracket (cab to frame suspension arm)

In all instances when the truck is equipped with the Easy Riding Cab Air Suspension System, parts unique to the standard cab must be replaced by either the corresponding original or a new service replacement part. All cabs have pre-drilled holes in the sub-frame for both types of cab mountings.

---



---



---



---



---



**1980/  
TRUCK SERIES 600/900**

**SKELETON CABS**

The following skeleton cabs are currently available for service. These skeleton cabs are primed and include doors, they do not include glass or trim.

YEAR	MODEL	CONFIGURATION NUMBER
80/	64" BBC	SCL-1
80/	88" BBC	SCL-2
80/	110" BBC	SCL-3

**CL-CT SERIES**

**COMPLETE CABS**

The following complete cabs, fully trimmed, plumbed, wired and painted are currently available for service. A listing of equipment which is generally included with each base cab as well as the Owner Operator packages, instrumentation package and sleeper compartment appears on pages (5) and (6) of this section. Equipment which is specified as being included with each cab may vary due to ongoing production changes and deviations.

YEAR	MODEL	INCLUDES	CONFIGURATION NUMBER
80/	64" BBC, standard ride	Bostrom Air driver seat, Bostrom non-suspended Passenger seat, rear window glass, observation glass-R.H. door, base level trim (charcoal)	CL1
80/	88" BBC, standard ride with manual A/C	Sleeper cab, Bostrom Air driver seat, Bostrom non-suspended passenger seat, intermediate trim (Tan/Saddle)	CL2
80/	88" BBC, standard ride and owner/operator interior package	Sleeper cab, Bostrom Air hi-back driver and passenger seats, hi-level interior trim (Chestnut or Charcoal)	CL3
80/	88" BBC, Standard ride, owner/operator interior & exterior packages & instrumentation packages	Sleeper Cab, Bostrom Air hi-back driver and passenger seats, hi-level interior trim (Chestnut or Charcoal)	CL4
80/	110" BBC, Std. ride, owner/operator interior and exterior packages and exterior packages and instrument packages	Sleeper cab, Bostrom Westcoaster III hi-back driver and passenger seats, Hi-Level Interior trim (Chestnut or Charcoal)	CL5

**CL-CLT SERIES**

**BASE CAB W/O SLEEPER**

**INTERIOR**

**INCLUDES**

Manual air conditioner	Eng. cover-16 oz. carpet
Steering column	Observation windows
Arm Rest-RH & LH	Reversible key locks-ignition, doors and compartments
Two-way vent, driver's door	Driver's seat belt
Radio hot-post instrument panel	Charcoal seat trim-vinyl
Coat hook	Instrument cluster panel-walnut woodgrain
Integral molded lower panel map pocket-driver's door	Speedometer
Dispatch box w/light-driver's door	Tachometer
Dome light	Light control-toggle switches
Sun visors-RH/Center/LH	Air brake controls
Headlining and back panel-charcoal vinyl	Heater system
Door lock buttons	All air lines
Control console w/electric controls	All wiring looms
Windshield header package tray	Tractor package-hand control valve
Interior grab rails	Signal stat turn signal switch
	Oil temperature warning light and buzzer

Continued on page 6

1980/  
TRUCK SERIES 600/900

**CL-CLT SERIES**

**BASE CAB W/O SLEEPER**

**INTERIOR — Cont'd**

**INCLUDES**

Suspended clutch pedal	Water temperature warning light and buzzer
Floor mat—vinyl coated rubber	Air cleaner restriction gauge
Turn signal and emergency lamp flasher	Direct reading engine and oil temperature gauges
Windshield washer/wiper control—integral	Accelerator pedal
Cigar lighter—receptacle only	Air brake pedal and valve
Stowage compartment lamp	Clutch pedal
	Eng. cover—16 oz. carpet

**DOES NOT INCLUDE**

Steering wheel

**EXTERIOR**

**INCLUDES**

Dual air horns	Windshield wiper—arms/blades/motors
Exterior grab rails	Turn signal lamps—RH & LH
Flush-mounted door handles	Cab clearance lights—5 pedestal roof mounted
Stowage compartments (88" and 110" BBC)	Trailer light cable—7 wire
Tinted glass—all around—except observation windows	Trailer air lines

**DOES NOT INCLUDE**

Rear view mirrors

**CAB CONSTRUCTION**

**INCLUDES**

All aluminum	Complete cab interior is lined with 7/8" thick sound absorbing temperature insulating material
Floor pan and engine cover—.090 inch	Front cab hinges
Insulated engine cover and floor pan	Back cab supports
Roof back panels/inner and outer doors—.050 inch	
Front and quarter panel—.070 inch	
Corrosion protection on steel reinforcements	

**OWNER OPERATOR INTERIOR PACKAGE**

**INCLUDES**

Unique carmel or charcoal interior	LH reading lamp in sleeper
Brushed aluminum appliques	RH vanity mirror and lamp in sleeper
Sleeper bunk bright finish front moulding	Inner spring mattress
Carpet—floor and engine cover	Sport-type steering wheel (21")
Color keyed sleeper curtains	
Sleeper cigar lighter (receptacle only) and ash tray	
Deluxe door trim panels	
Sleeper compartment convenience tray	
Sleeper compartment wardrobe (110" BBC only)	
Deluxe trimmed sun visors	
Door vent LH and sleeper vents—bright finish	

**OWNER OPERATOR EXTERIOR PACKAGE**

**INCLUDES**

Bright turn signal mounting base	Rectangular Dietz roof marker lights
Dual Hadley air horns w/covers	Dual west coast stainless mirror with stainless auxilliary convex mirrors

**INSTRUMENTATION PACKAGE**

**INCLUDES**

Air pressure application gauge	Rear axle temperature gauge
Exhaust pyrometer gauge	Transmission temperature gauge
Electric digital clock	

**CL-CLT SERIES**

**SLEEPER COMPARTMENT**

**INCLUDES**

- 1" sound absorption material between exterior and interior panels
- Full width 2 piece polyknit curtain
- Two dome lights
- RH/LH fresh air ventilator
- Heater and air conditioner with blower and control
- Insulated exterior stowage compartments with lights
- Two coat hooks
- Stowage compartments (each side under sleeper compartment)

**F SERIES**

**CAB ORDERING INSTRUCTIONS**

- Equipment included with each cab may vary due to ongoing production changes.

Current production cabs are available for service. When ordering a cab, the following information must be provided:

**(COMPLETE CAB)**

- Order dealer name, address and P and A code
- "Ship to" name and address (if not ordering dealer)
- Series and model
- Cab configuration number
- Exterior paint (current colors only)
- Engine make, model and displacement
- Transmission make, model and speeds

**(IN ADDITION FOR SKELETON CABS SPECIFY)**

- Type of brake system
- Provisions for air conditioning

Note: Submit this information by phone to the order processing center

**EXTERIOR PAINT COLORS**

Cabs are available in prime and current production paint colors for U.S. and in prime only for Canada. D.S.O. colors are not available. These cabs must be ordered in an alternative color, and the stripes, etc. must be added locally.

**SKELETON CABS**

The following skeleton cab is currently available for service. This skeleton cab is primed and includes doors

YEAR	MODEL	CONFIGURATION NUMBER
80/	F600/800	SF 1

1980/  
TRUCK SERIES 600/900

F SERIES

COMPLETE CABS

YEAR	MODEL	INCLUDES	CONFIGURATION NUMBER
80/	F600/800 (gas) with hydraulic brakes, std. heater without A/C	Base cab (see description page 8)	F-11
80/	F600/800 (gas) with hydraulic brakes and A/C	Base cab (see description page 8)	F-12
80/	F600/800 (gas) with air brakes, std. heater without A/C	Base cab (see description page 8)	F-13
80/	F600/800 (gas) with air brakes and A/C	Base cab (see description below)	F-14
87/	F600/800 (FNH diesel) with hydraulic brakes, std. heater without A/C	Base cab (see description below)	F-21
87/	F600/800 (FNH diesel) with hydraulic brakes and A/C	Base cab (see description below)	F-22
87/	F600/800 (FNH diesel) with air brakes, std. heater without A/C	Base cab (see description below)	F-23
87/	F600/800 (FNH diesel) with air brakes and A/C	Base cab (see description below)	F-24

BASE CAB

INCLUDES

Standard cab (custom and hi-level not available)  
 Paint-dealer specifies current exterior paint code (one-color)  
 Steering column  
 Cab wiring  
 Wiring for single electric horn  
 Cigar lighter (receptacle only)  
 Right and left hand visors  
 Right and left hand arm rests  
 Power steering  
 Dash mounted parking brake  
 Seat, full bench-standard vinyl (Chestnut or Charcoal)  
 Instrument panel and door trim (Chestnut or Charcoal)  
 Tachometer (electronic)  
 Coat hook  
 Dome light-with door courtesy light switches

Door lock buttons  
 Reversible key-ignition  
 Door latches  
 Door panels (chestnut or charcoal)  
 Deluxe instrument cluster  
 Accelerator pedal (except w/FNH diesel)  
 Parking brake on/off control  
 Tinted glass all around  
 Standard marker cab lights  
 Assist handles R.H. and L.H.  
 Door handles  
 Door locks  
 Windshield moulding-bright finish  
 Windshield wipers and washers-two speed electric  
 Padded dash (chestnut or charcoal)  
 Glove box-integral

DOES NOT INCLUDE

Radio equipment  
 Clock  
 Mirrors  
 Seat belts

Floor mats  
 Hand control throttle  
 Speedometer gears and lower cable  
 Running boards  
 Steering wheel

**L-LL-LN-LNT-LS-LT-LTL-LTS SERIES**

**CAB ORDERING INSTRUCTIONS**

- Equipment included with each cab vary due to ongoing production changes.

Current production cabs are available for service. When ordering a cab the following information must be provided:

**(COMPLETE CAB)**

- Ordering dealer name, address and P and A code
- "Ship to" name and address (if not ordering dealer)
- Series and model description
- Cab configuration number
- Vehicle serial number
- Paint (current colors only)
- Engine make, model and displacement (gas models only)

**(IN ADDITION FOR SKELETON & PARTIALLY DRESSED CABS SPECIFY)**

- Type of brake system
- Type of instrument panel (city delivery or linehaul)
- Provision for air conditioning
- Type of transmission, model and speeds

Note: Submit this information by phone to the order processing center

**EXTERIOR PAINT COLORS**

Cabs are available in prime and current production paint colors for U.S. and in prime only for Canada. D.S.O. colors are not available. These cabs must be ordered in an alternative color, and the stripes etc., must be added locally.

**SKELETON CABS**

The following skeleton cabs are currently available for service. These skeleton cabs are primed and include doors. They do not include glass or trim.

**NOTE: SKELETON CABS AVAILABLE WITH DIESEL ENGINE ONLY**

YEAR	MODEL	CONFIGURATION NUMBER
80/	LN-LNT700/900	SL 1
80/	L-LA-LS-LT-LTS-LTL800/900	SL 2



**1980/  
TRUCK SERIES 600/900**

**L-LL-LN-LNT-LS-LT-LTL-LTS SERIES**

**COMPLETE CABS**

The following complete cabs, fully trimmed, plumbed (for single rear axle vehicles) wired and painted are currently available for service.

A listing of equipment which is generally included with each base custom cab appears on page 12 of this section.

YEAR	MODEL	INCLUDES	CONFIGURATION NUMBER
80/	L-LA-LS-LT-LTS9000 (diesel), with integral A/C	Intermediate Level Trim (Tan/Chestnut)	LT1
80/	L-LA-LS-LT-LTS9000 (diesel), without A/C	Intermediate Level Trim (Tan/Chestnut)	LT2
80/	L-LS-LT-LTS9000 (diesel), without A/C	Base Level Trim (Charcoal)	LT3
82/	LTL9000 Hi-Level Custom Interior Custom Exterior Trim	Bostrum Air-Ride Hi-Back Driver & Passenger Seats Charcoal or Caramel Trim	LTL1
80/	LN-LNT9000, with integral A/C	Intermediate Level Trim (Tan/Chestnut)	LN1
80/	LN-LNT9000, without A/C	Intermediate Level Trim (Tan/Chestnut)	LN2
80/	LN-LNT9000, without A/C	Base Level Trim (Charcoal)	LN3
80/	L-LS-(DS0) LT-LTS8000(diesel) air brakes system without A/C	Fleet Instrument Panel, Bostrum Westcoaster III Lo-Back Driver Seat, Intermediate Level Trim (Tan/Chestnut)	L8A
80/	L-LS-(DS0) LT-LTS8000(Diesel), air brake system without A/C	City Delivery Dash, Bostrum Westcoaster III Lo-Back Driver Seat Delete Tractor Package, Base Level Trim (Charcoal)	L8B
80/	LN-LNT8000 (diesel), air brake system without A/C	Fleet Instrument Panel, Bostrum Westcoaster III Lo-Back Driver Seat, Intermediate Level Trim (Tan/Chestnut)	LN8A
80/	LN-LNT8000 (diesel), air brake system, without A/C	City Delivery Dash, Bostrum Westcoaster III Lo-Back Driver Seat, Delete Tractor Package, Base Level Trim (Charcoal)	LN8B
80/	LN7000 (diesel), with hydraulic brakes, without A/C	Fleet Instrument Panel, Bostrum Westcoaster III Lo-Back Driver Seat, Delete Tractor Package, Intermediate Level Trim (Tan/Chestnut)	LN7A
80/	LN7000 (diesel), with air brakes, without A/C	City Delivery Dash, Bostrum Westcoaster Lo-Back Driver Seat, Base Level Trim (Charcoal)	LN7B

1980/  
TRUCK SERIES 600/900

L-LL-LN-LNT-LS-LT-LTL-LTS SERIES

YEAR	MODEL	INCLUDES	CONFIGURATION NUMBER
------	-------	----------	----------------------

**BASE CUSTOM CAB  
INTERIOR**

**INCLUDES**

<p>Heater Hoses Air Pack Arm Rest-R.H. and L.H.* Coat Hook Dome Light w/L.H. door operated switch* Fresh air heater and defroster (High-output with/diesels and/or air conditioning) All weather ventilation Emergency lamp flasher Padded instrument panel Sun visors-dual vinyl Headling Seats     All 7000s and 8000s-HD vinyl Bostrum Westcoaster III lo-back     All 9000's-Bostrum lo-back drivers seat- knitted vinyl Steering column-adjustable (900 series only) Back of Cab trim panel and junction box cover-     drivers side only Cab back panel insulation*</p>	<p>Reversible key locks-both doors and ignition Double yoke safety door latches Instrument panel     -Linehaul panel (900 Series)-     w/removable air-pac and hinged gauge and     circuit breaker panels     -Fleet panel (optional on 700/900 series)-w/removable air pac     -City panel (optional on 700/900 series)-w/removable air-pac Parking brake on/off control -Map pocket-dual Cigarette lighter *receptacle only Turn signal switch Brake and clutch/pedals Warning lights and buzzer (oil pressure and water temperature) and oil temperature gauge Steering wheel included with LTL Series cab only Assist handles-dual (bright) Doghouse (LTL900 only) Carpeting (LTL900 only)</p>
---	---

**DOES NOT INCLUDE**

Steering wheel (except LTL Series)  
Back of cab trim panel on cabs  
    equipped with driver's seat only  
Provisions for anti-skid  
Floor mats (except LTL Series)  
Seat belts  
Differential lock-out switch for tandem axle vehicles  
(w/air brakes)

**EXTERIOR**

**INCLUDES**

<p>Assist handle-bright finish-R.H. and L.H. Windshield wipers Windshield washers Cab Marker lights-5 Horn-single electric and dual air</p>	<p>Push button exterior door handles Bright windshield moulding Tinted Glass Air tanks (w/air brake models) Firewall electrical junction box Tractor package (optional)</p>
---	---

**DOES NOT INCLUDE**

Running boards  
Cowl side panels (LN Series)

**CAB CONSTRUCTION**

**INCLUDES**

<p>All steel Rust and corrosion protection-electrocoat process</p>	<p>Insulation</p>
--	-------------------

\* Denotes Custom Cab items



**1980/  
TRUCK SERIES 600/900**

YEAR	MODEL/RESTRICTIONS	PART NUMBER	DESCRIPTION	QTY.
<b>000L06-7 REINFORCEMENT ASSY. (BODY FRONT MOUNTING INNER)</b>				
86/	CF-CFT600/800	(RH) E6HZ 6000L06-A (LH) E6HZ 6000L07-A		1
<b>001N01 BRACKET ASSY. (BODY MOUNTING)</b>				
86/	CF-CFT600/800	E6HZ 60001N01-A		2
<b>001A04 KIT (DEFLECTOR ASSY.-ROOF AIR)</b>				
85/	L-LA-LL-LN-LNT-LS-LT-LTA-LTL-LTS600/900 -- w/roof air deflector or aerodynamics package	E5HZ 90001A04-A	For replacement of production installed air deflector only	1
<b>001A06 AIR FOIL ASSY. (FRONT)</b>				
88/89	LA-LTA900	E9HZ 90001A06-A		1
<b>001A08-11 BRACKET (BODY FRONT AIR DEFLECTOR)</b>				
86/	CF-CFT600/800 -- w/body side air deflector	(RH) E6HZ 60001A08-B (LH) E6HZ 60001A09-A	Lower	1
80/88	CL-CLT900 -- w/roof air deflector "Before 4/88"	(RH) E6HZ 60001A10-B (LH) E6HZ 60001A11-A	Upper	1
80/88	L-LN-LNT-LT900 -- w/roof air deflector "Before 4/88"	D7HZ 90001A10-B	Upper-1 3/4" x 25 1/2"	2
82/88	LTL900 -- w/roof air deflector "Before 4/88"			2
88/	CL-CLT900 -- w/roof air deflector "From 4/88"	E8HZ 90001A10-A	Upper-1 3/4" x 35 1/2"	2
88/	L-LA-LL-LN-LNT-LS-LT-LTA-LTL-LTS700/900 -- w/roof air deflector "From 4/88"			2
80/	L-LN-LNT-LT900 -- w/roof air deflector	D7HZ 90001A10-C	Upper-4 1/4" x 7 1/8"	2
82/	LTL900 -- w/roof air deflector			1
<b>001K13 REINFORCEMENT (BODY FRONT PANEL CENTER)</b>				
80	CL-CLT900 "Before Ser. HJ5.001"	★ D8HZ 90001K13-A	Not replaced (10/87)	1
80/	CL-CLT900 "From Ser. HJ5.001"	E0HZ 90001K13-A		1
<b>001A14 SPACER (BODY PARTITION BRACKET FRONT)</b>				
80/	CL-CLT900 -- w/roof air deflector	D8HZ 90001A14-A	Swivel	2
80/	L-LN-LNT-LT-LTS900 -- w/roof air deflector			2
82/	LTL900 -- w/roof air deflector			2
88/	LA-LTA800/900			2
<b>00120 FRONT ASSY. (BODY)</b>				
80/86	B-F600/800(84)	E5TZ 6000120-A		1
87/89	B-F600/800(84) -- except FTO diesel	E8HZ 6000120-A		1
87/89	B-F600/800(84) -- diesel	E9HZ 6000120-A		1
80/83	C-CT600/900	★ D8HZ 6000120-A	Not replaced	1
84/	C-CT800	E7HZ 6000120-C		1
<b>001A24 Refer to group 5A378 in Chassis Section</b>				
<b>001A26 BRACKET (AIR FOIL ASSY. FRONT)</b>				
88/	LA-LTA900	E8HZ 90001A26-A		1

1980/  
TRUCK SERIES 600/900

YEAR	MODEL/RESTRICTIONS	PART NUMBER	DESCRIPTION	QTY.
00130 SPACER (BODY BOLT NO. 1) - Also refer to Body Bolt Chart at the end of Section 100				
80/	F600/800	E0TZ 6000130-A		2
83/	FT800			2
80/	L-LA-LL-LN-LNT-LS-LT-LTA-LTL-LTS600/900	E4HZ 5000130-A		2
00134 Refer to Body Bolt Chart at the end of Section 100				
00149 INSULATOR (BODY BOLT NO. 1) - Also refer to Body Bolt Chart at the end of Section 100				
80/	L-LA-LN-LNT-LT-LTA-LTS600/900	DOHZ 8000149-A	Steel and rubber-round-3" O.D.	2
82/	LTL900			2
001A76 SHIELD ASSY. (BODY BOLT INSULATOR HEAT)				
80/	LN-LNT900 - - diesel	DOHZ 90001A76-A		1
		★55980-S36	Screw-hex. washer head-1/4"-14 x 3/8"	3
001A86 COVER (BODY REAR SHOCK MOUNTING BOLT)				
80/	CL-CLT900 - - 76" BBC - w/ fixed suspension	D8HZ 90001A86-A		1
00188-9 PANEL (BODY FRONT REPAIR)				
80/	C-CT600/900	E4HZ 6000188-A		1
80/	CL-CLT900	(RH) E1HZ 9000188-A (LH) E1HZ 9000189-A		1
00190-1 EXTENSION ASSY. (BODY FRONT PANEL LOWER)				
80	C-CT600/900 "Before Ser. HA0,001"	(RH) E0HZ 6000190-A (LH) B7T 9100191-A		1
80/	C-CT600/900 "From Ser. HA0,001"	(RH) E0HZ 6000190-A (LH) E0HZ 6000191-A		1
80/	CL-CLT900	(RH) D8HZ 9000190-A (LH) D8HZ 9000191-A		1
002A16 PLATE (BODY MOUNTING)				
86/	CF-CFT600/800	E6HZ 60002A16-A		2
00226 SPACER (BODY BOLT REAR)				
80/	LN600/800	DOHZ 5000226-A		2
00228 CUSHION ASSY. (REAR BODY BOLT SPACER)				
80/86	LN600/800	DOHZ 5000228-A	R.H. and L.H.	4
00254-5 BEARING (BODY PIVOT ON BODY)				
80/	C-CT600/900	(RH) D2KZ 6000254-A (LH) B9TZ 9100255-A		1
		★56348-S2	Bolt-hex. head-3/8" -16 x 3 3/16"	4
		382535-S100	(MM-173-MX)-nut-3/8" -16	4
00258-9 BRACKET (FRONT BODY LOWER EXTENSION INNER MOUNTING)				
80/	CL-CLT900	(RH) D8HZ 9000258-A (LH) D8HZ 9000259-A		1
002A58-9 BRACKET (FRONT BODY LOWER EXTENSION OUTER MOUNTING)				
80/	CL-CLT900	(RH) D9HZ 90002A58-A (LH) D8HZ 90002A59-A		1
00262 BUSHING (BODY PIVOT PIN)				
80/	C-CT600/900	B7T 9100262-A		2
00264 PIN (BODY PIVOT)				
80/	C-CT600/900	B7T 9100264-A		1
80/	CL-CLT900		Refer to group 5A372 in Chassis Section	
00284 PLATE (BODY PIVOT ANCHOR)				
86/	CF-CFT600/800	E6HZ 6000284-A	Rear	2
		E6HZ 6000284-B	Front	2
00292 REINFORCEMENT (BODY FRONT PANEL)				
80/	CL-CLT900	D8HZ 9000292-A		1
00294 CUSHION (FRONT BODY BOLT SPACER) - Also refer to Body Bolt Chart at the end of Section 100				
80	B-F600/800(84)	★ E0TZ 6000294-A	Not replaced	1
00320 PANEL (BODY FRONT)				
86/	CF-CFT600/800	E6HZ 6000320-A	Lower	1
		E6HZ 6000320-B	Upper	1
00331 SHIM (BODY BOLT)				
80/	B-F600/800	E2HZ 6000331-A		2
83/	FT800/900			2
00334 BRACKET (BODY LIFT)				
80/	CL-CLT900	D8HZ 9000334-A	R.H.	1
00364-5 INSULATOR (BODY FRONT PANEL)				
80/	CL-CLT900	(RH) D8HZ 9000364-A (LH) D8HZ 9000365-A		1
00366 SEAL (BODY FRONT PANEL)				
86/	CF-CFT600/800	E6HZ 6000366-A	Panel	1
		E6HZ 6000366-B	Hinge	2

1980/  
TRUCK SERIES 600/900

YEAR	MODEL/RESTRICTIONS	PART NUMBER	DESCRIPTION	QTY.
00386	Refer to group 5A367 in Chassis Section			
<b>01454 DUCT (VENT AIR)</b>				
80/88/	L-LL-LN-LNT-LS-LT-LTS600/900 LA-LTA900	D2HZ 6001454-A		1 1
<b>01508 SUPPORT (BRAKE PEDAL OUTER)</b>				
86/89/	CF-CFT600/800 "Before 6/88"	E6HZ 6001508-A		1
89/	CF-CFT600/800 "From 6/88"	E9HZ 6001508-A		1
80/	C-CT600/900	C1TZ 9101508-A	Brake or clutch	1or2
80/82/	B-F600/800 -- w/hydraulic brakes	E0TZ 6001508-A		1
83/	B-F-FT600/900 -- w/hyd. brakes	E3TZ 6001508-A		1
80/	B-F600/800 -- w/air brakes	E3TZ 6001508-B		1
83/	FT600/900 -- w/air brakes			1
80/86/	L-LN-LNT-LT-LTS600/900	D2HZ 8001508-A		1
82/86/	LTL900			1
87/	L-LL-LN-LNT-LS-LT-LTL-LTS700/900	E8HZ 8001508-A		1
88/	LA-LTA900			1
80/	CL-CLT900	D8HZ 9001508-A		1
80/	C-CT600/900	57140-S2	(B-340-H)-screw & washer-5/16" -18 x 1"	AR
		359613-S2	(MM-205)-nut & retainer-5/16" -18	AR
<b>015A12 BRACKET ASSY. (CLUTCH PEDAL SUPPORT TO FRONT PANEL)</b>				
86/	CF-CFT600/800 -- w/exhaust brake	E6HZ 60015A12-A		1
80/	CL-CLT900	D8HZ 90015A12-A		1
<b>01518 SPACER (BRAKE PEDAL SUPPORT)</b>				
80/83/	C-CT600/900	★ B7T 9101518-A	Not replaced	1
84/	C-CT600/800 "Before 4/84"	★ E4HZ 9001518-A	Not replaced	1
84/	C-CT600/800 "From 4/84"	E4HZ 9001518-B		1
<b>01524 BRACE (BRAKE PEDAL SUPPORT)</b>				
80/87/	B-F600/800	E0TZ 1001524-A		1
83/87/	FT800/900			1
88/	B-F600/800, FT800/900	E8HZ 6001524-A		1
80/86/	L-LN-LNT-LT-LTS600/900 -- air brakes "Before 4/86"	D0HZ 8001524-B		1
86/	L-LL-LN-LNT-LS-LT-LTS600/900 "From 4/86"			1
82/	LTL900			1
88/	LA-LTA900			1
80/86/	L-LN-LNT-LT-LTS600/900 -- hydraulic brakes "Before 4/86"	D0HZ 8001524-A		1
<b>01544 SUPPORT (PEDAL INNER)</b>				
80/83/	C-CT600/900 -- single hydraulic or air brakes	★ D4HZ 5001544-A	Brake-not replaced	1
80/83/	C-CT600/900 -- split hydraulic brakes	★ D0KZ 5001544-B	Brake-not replaced	1
84/	C-CT600/800 -- single hydraulic or air brakes	E4HZ 5001544-B	Brake	1
80/84/	C-CT600/900 "Before 4/84"	D0KZ 5001544-A	Clutch	1
84/	C-CT600/800 "From 4/84"	E4HZ 5001544-C	Clutch	1
80/	C-CT600/900	42789-S8	(U-10)-screw & washer-hex. head-5/16"-18 x 3/4"	6
		20426-S8	(B-55)-bolt-hex. head-5/16" -18 x 1 1/4"	1
		359613-S2	(MM-205)-nut & retainer-5/16" -18	6
		33797-S7	(M-50)-nut-hex.-5/16" -18	1
		44722-S8	(X-19)-washer-flat-5/16"	1
<b>01552 REINFORCEMENT (BRAKE PEDAL SUPPORT DASH PANEL)</b>				
80/84/	LN600/750 -- hydraulic brakes and frame mounted booster	★ D0HZ 8001552-A	Not replaced	1
80/84/	L LN-LNT-LT-LTS800/900 -- gas and hydraulic brakes			1
80/83/	LN600/750 -- gas and hydraulic brakes w/dash mounted booster	★ D0HZ 8001552-B	Not replaced	1

1980/  
TRUCK SERIES 600/900

YEAR	MODEL/RESTRICTIONS	PART NUMBER	DESCRIPTION	QTY.
<b>01552 REINFORCEMENT (BRAKE PEDAL SUPPORT DASH PANEL) — Cont'd</b>				
80/88	LN-LNT600/900 -- air brakes "Before 3/88"	DOHZ 8001552-C		1
80/88	L-LT-LTS800/900 -- gas and air brakes "Before 3/88"			1
80/88	L-LT-LTS800/900 -- diesel "Before 3/88"			1
82/88	LTL900 "Before 3/88"			1
88	LA-LTA900 "Before 3/88"			1
84/88	LN600/800 -- w/gas and hydraulic brakes w/dash mounted booster "Before 3/88"	E4HZ 8001552-B		1
88/	L-LA-LN-LNT-LS-LT-LTA-LTL- LTS700/900 -- w/hydraulic brakes "From 3/88"	FOHZ 8001552-B		1
88/	L-LA-LN-LNT-LS-LT-LTA-LTL- LTS700/900 -- w/air brakes "From 3/88"	FOHZ 8001552-A		1
80/	CL-CLT900		Refer to group 016A92	1
<b>015A84 PLATE ASSY. (CLUTCH PEDAL SUPPORT MOUNTING LOWER)</b>				
80/	CL-CLT900	D8HZ 90015A84-A		1
<b>01610 PANEL (DASH)</b>				
80/86	B-F600/800(84)	E3TZ 6001610-C		1
80/86	F600/800(81),FT800/900 -- without A/C	E3TZ 6001610-A		1
83/86	FT800/900			1
80/86	F600/800(81),FT800/900 -- with A/C	E3TZ 6001610-B		1
87/	B-F600/800(84) -- except FTO, FNH diesel	E7HZ 6001610-M		1
87/	B-F600/800(84) -- FTO, FNH diesel	E7HZ 6001610-J		1
87/	F600/800,FT800/900 -- FTO, FNH diesel, without A/C	E7HZ 6001610-G		1
87/	F600/800,FT800/900 -- FTO, FNH diesel, with A/C	E7HZ 6001610-H		1
87/	F600/800,FT800/900 -- except FTO, FNH diesel, without A/C	E7HZ 6001610-K		1
87/	F600/800,FT800/900 -- except FTO, FNH diesel, with A/C	E7HZ 6001610-L		1
80/83	C-CT600/900	★ D5HZ 6001610-A	Not replaced	1
84/	C-CT600/900	E4HZ 6001610-B		1
86/	CF-CFT600/800	E6HZ 6001610-A		1
80	L-LN-LNT-LT-LTS600/800 -- air brakes	★ D9HZ 8001610-A	Not replaced	1
80/83	L-LN-LNT-LT-LTS900 -- gas and air brakes			1
81/83	L-LNT-LT-LTS800 -- air brakes			1
81/83	LN600/800 -- gas and air brakes			1
80	L-LN-LNT-LT-LTS600/800 -- hydraulic brakes	★ D9HZ 8001610-B	Not replaced	1
80/83	L-LN-LNT-LT-LTS900 -- gas and hydraulic brakes			1
81/83	L-LNT-LT-LTS800 -- hydraulic brakes			1
81/83	LN600/800 -- gas and hydraulic brakes			1

1980/  
TRUCK SERIES 600/900

YEAR	MODEL/RESTRICTIONS	PART NUMBER	DESCRIPTION	QTY.
<b>01610 PANEL (DASH) — Cont'd</b>				
80	L-LN-LNT-LT-LTS 900 -- diesel	★ D3HZ 9001610-A	Not replaced	1
81/83	L-LNT-LT-LTL-LTS900 -- diesel			1
81/83	LN800/900 -- diesel	★ E1HZ 8001610-A	Not replaced	1
84/86	L-LT-LTL-LTS800/900(6.1L eng.) -- w/air brakes	★ E4HZ 8001610-A	R/b E8HZ 8001610-A	1
84/86	L-LT-LTL-LTS800(Diesel) -- w/air brakes			1
84/86	LN600/700 -- w/air brakes			1
84/86	LN-LNT800/900(Gas) -- w/air brakes			1
84/86	LN-LNT800(3208 Cat. diesel exc. turbo) -- w/air brakes			1
84/86	L-LT-LTL-LTS800/900(Gas) -- w/hydraulic brakes	★ E4HZ 8001610-B	R/b E7HZ 8001610-B	1
84/86	L-LT-LTL-LTS800(Diesel) -- w/hydraulic brakes			1
84/86	LN-LNT600/900 -- w/hydraulic brakes			1
84/86	LN-LNT600/900(3208 Cat. turbo and Detroit 500 diesel)	★ E4HZ 8001610-C	R/b E7HZ 8001610-C	1
84/86	LN-LNT900(Detroit 6-71N,6V-92, 8V-71 and Cummins diesel)	★ E4HZ 9001610-A	R/b E7HZ 9001610-A	1
84/86	LN-LNT600/900(Detroit 500 diesel) -- w/air brakes			1
84/86	LN-LNT800(Detroit 8V-71 diesel turbo) -- w/air brakes			1
84/86	L-LT-LTL-LTS900(Detroit 8V-71 diesel)			1
87/88	L-LS-LT-LTL-LTS800(diesel) -- w/air brakes "Before 3/88"	★ E7HZ 8001610-A	R/b E8HZ 8001610-A	1
87/88	LN-LNT800/900(Gas) -- w/air brakes "Before 3/88"			1
87/88	LN-LNT800(diesel except FTO and turbo diesel) -- w/air brakes "Before 3/88"			1
87/88	L-LT-LTL-LTS800/900(Gas) -- w/hydraulic brakes "Before 3/88"	E7HZ 8001610-B		1
87/88	L-LS-LT-LTL-LTS800(diesel) -- w/hydraulic brakes "Before 3/88"			1
87/88	LN-LNT800/900(except DDA900T or Cat. 3208 turbo)-w/hydraulic brakes "Before 3/88"			1
87/88	LN-LNT800/900(FTO,DDA990T and Cat. 3208 turbo) -- w/hydraulic brakes "Before 3/88"	E7HZ 8001610-C		1
87/88	L-LS-LT-LTL-LTS900(diesel) "Before 3/88"	E7HZ 9001610-A		1
87/88	LN-LNT900(Cummins 10L) "Before 3/88"			1
87/88	LN-LNT900(Cummins NTC/Form) "Before 3/88"			1
87/88	LN-LNT800(FTO diesel) -- w/air brakes "Before 3/88"			1
87/88	LN-LNT800/900(Cat. 3208 and DDA990T turbo diesel) -- w/air brakes "Before 3/88"			1
88	L-LA-LL-LS-LT-LTA-LTL-LTS 800(diesel) -- w/air brakes "From 3/88"	E8HZ 8001610-A		1
88	LN-LNT800 -- w/Cat. 3208 SRS and air brakes "From 3/88"			1

October, 1993

COPYRIGHT © 1993 - FORD MOTOR - DEARBORN, MICHIGAN  
COMPANY

Final Issue

1980/  
TRUCK SERIES 600/900

YEAR	MODEL/RESTRICTIONS	PART NUMBER	DESCRIPTION	QTY.
<b>01610 PANEL (DASH) — Cont'd</b>				
88	L-LA-LL-LS-LT-LTA-LTL-LTS 800(diesel) -- w/hydraulic brakes "From 3/88"	E8HZ 8001610-B		1
88	LN-LNT800 -- w/Cat. 3208 SRS and hydraulic brakes "From 3/88"			1
88	LN-LNT700/900 -- w/FNH diesel and hydraulic brakes "From 3/88"	E8HZ 8001610-C		1
88	LN-LNT700/900 -- w/Cat. turbo diesel and hydraulic brakes "From 3/88"			1
88/	LN-LNT800/900(diesel) -- w/air brakes "From 3/88"	E8HZ 9001610-A		1
	LN-LNT800/900 -- w/Cat. 3208 turbo diesel and air brakes "From 3/88"			1
89	L-LA-LN-LL-LS-LT-LNT-LTA-LTL- LTS700/900 (diesel) -- w/air brakes	E9HZ 8001610-A		1
89	L-LA-LN-LL-LS-LT-LNT-LTA-LTL- LTS700/900 (diesel) -- w/hydraulic brakes	E9HZ 8001610-B		1
89	LN-LNT700/900 -- w/FNH diesel and hydraulic brakes	E9HZ 8001610-C		1
	LN-LNT700/900 -- w/Cat. turbo diesel and hydraulic brakes			1
80/	C-CT600/900	357042-S	(PP-2)-plug button for 13/16" hole	2
80/	B-F600/800	★359836-S	Plug button for 9/16" x 13/16" hole	6
83/	FT800/900			6
		379286-S	(PP-2-C)-plug button for 3/8" hole	1
		377935-S	(PP-2-D)-plug button for 1/2" hole	3or4
		376966-S	(PP-3-D)-plug button for 5/8" hole	1
		357042-S	(PP-3)-plug button for 13/16" hole	2
		377949-S	(PP-3-F)-plug button for 7/8" hole	2
		378444-S	(PP-3-H)-plug button for 1 1/8" hole	1
<b>01619 COVER (BATTERY ACCESS)</b>				
80/	C-CT600/900	B7T 9101619-A		1
<b>016A22-3 REINFORCEMENT (DASH PANEL TO FRONT FLOOR PAN)</b>				
80/86	B-F600/800 -- hydraulic brakes	E0TZ 60016A22-A		1
83/86	FT800/900 -- hydraulic brakes			1
87/	B-F600/800, FT800/900 -- hydraulic brakes	E7HZ 60016A22-A		1
80/	B-F600/800 -- w/air brakes		Refer to group 016B68	
83/	FT800/900 -- w/air brakes			
86/	CF-CFT600/800	(RH) E7HZ 60016A22-B	(LH) E7HZ 60016A23-A	1
80/	L-LN-LNT-LT-LTL-LTS600/900 -- w/hydraulic brakes	E4HZ 80016A23-A	Parking brake mounting	1
80/	L-LL-LN-LNT-LS-LT-LTL-LTS600/900	(RH) D0HZ 80016A22-A	(LH) D0HZ 80016A23-A	1
88/	LA-LTA900			1
<b>016B28 REINFORCEMENT (DASH PANEL BRAKE MASTER CYLINDER)</b>				
80/86	C600/900 -- split hydraulic brakes	C8HZ 91016B28-A		1
<b>01645 SEAL (BATTERY ACCESS COVER)</b>				
80/	C-CT600/900	B7T 9101645-A		1
<b>016A50 EXTENSION (DASH PANEL TO CLUTCH PEDAL SUPPORT REINFORCEMENT)</b>				
80/	CL-CLT900	D8HZ 90016A50-A		1
<b>016B68 REINFORCEMENT (DASH PANEL BRAKE VALVE OPENING)</b>				
80/	B-F600/800	E0TZ 60016B68-A		1
83/	FT800/900			1
<b>01670-1 INSULATOR (DASH PANEL)</b>				
80/86	B-F600/800	(RH) E0TZ 6001670-A	(LH) E0TZ 6001671-A	1
83/86	FT800/900			1

1980/  
TRUCK SERIES 600/900

BODY SECTION 000 19

YEAR	MODEL/RESTRICTIONS	PART NUMBER	DESCRIPTION	QTY.
<b>01670-1 INSULATOR (DASH PANEL) -- Cont'd</b>				
87/	F600/800,FT800/900 -- FTO or FNH diesel	E7HZ 6001670-E	One piece design	1
87/	B-F600/800(84) -- FTO or FNH diesel	E7HZ 6001670-F	One piece design	1
87/	F600/800,FT800/900 -- except FTO or FNH diesel	E7HZ 6001670-G	One piece design	1
87/89	B-F600/800(84) -- except FTO diesel	E7HZ 6001670-H	One piece design	1
80/86	L-LN-LNT-LT-LTS600/800	★ D3HZ 8001670-A	R/b E7HZ 8001670-B (1/88)	1
80/86	L-LN-LNT-LT-LTS900 -- gas			1
80/86	L-LN-LNT-LT-LTS900 -- diesel	(RH) ★ D0HZ 9001670-A	(LH) ★ D3HZ 9001671-A	1
82/86	LTL900	r/bE7HZ 8001670-A	r/bE7HZ 8001671-A	1
87/	L-LL-LN-LS-LNT-LTS800 -- exc. Cat. 3208T diesel	E7HZ 8001670-B		1
88/	LA-LTA900			1
87/	LN-LNT800 -- w/Cat. 3208T diesel	(RH) E7HZ 8001670-A	(LH) E7HZ 8001671-A	1
87/	L-LL-LN-LS-LNT-LTS900			1
88/	LA-LTA900			1
<b>016A78 EXTENSION (DASH PANEL TO INSTRUMENT PANEL)</b>				
80/	C-CT600/900	C1TZ 91016A78-A		1
		★359836-S	Plug button for 9/16" x 27/32" hole	2
<b>01691 RETAINER (DASH FRONT SOUND ABSORBER)</b>				
80/	F600/800	C8ZZ 6501691-A		AR
83/	FT800/900			1
80/	L-LL-LN-LNT-LS-LT-LTS600/900	D9HZ 8001691-A		1
82/	LTL900			1
88/	LA-LTA900			1
<b>016A92 REINFORCEMENT ASSY. (DASH PANEL CLUTCH PEDAL SUPPORT)</b>				
80/	CL-CLT900	D8HZ 90016A92-A		1
80/	B-F600/800(84)	E4TZ 60016A92-A		1
<b>01726-7 BRACE (DASH PANEL TO FRAME)</b>				
80/	C-CT600/900	(RH) B9TB 9101726-A	(LH) C1TZ 9101727-A	1
<b>017A42 PLATE (DASH PANEL OPENING COVER)</b>				
80/86	LN-LNT800/900 -- gas	D0EZ 90017A42-A		1
86/	CF-CFT600/800	E6HZ 60017A42-A		1
<b>01750 EXTENSION (DASH PANEL TO FLOOR)</b>				
80/83	C-CT600/900	★ D9HZ 6001750-A	Not replaced	1
84/	C-CT600/800	E4HZ 6001750-A		1
<b>01820 REGISTER (VENT AIR)</b>				
80/	C-CT600/900	B7T 9101820-A		1
<b>018A26-7 REINFORCEMENT (COWL SIDE AIR VENT PANEL)</b>				
80/86	F600/800(81)	(RH) E0TZ 60018A26-A	(LH) E0TZ 60018A27-A	1
83/86	FT800/900			1
80/86	B-F600/800(84)	E0TZ 60018A27-B	L.H.	1
<b>01836 DOOR ASSY. (VENT REGISTER)</b>				
80/	C-CT600/900	B7T 9101836-B		1
		★353907-S	Bumper	1
		★56910-S2	Screw-round washer head-No. 8-18 x 1/2"	2
<b>01846 PLATE (HEATER OPENING COVER)</b>				
80/86	C-CT600/900	C9HZ 9101846-A		1
<b>01883 SHIELD (VENT AIR SPLASH)</b>				
80/	LN-LNT600/900	D0EZ 5001883-C		1
<b>01890 CONTROL (VENT AIR OUTLET DUCT)</b>				
80/	C-CT600/900	D3KZ 6001890-A		1
<b>018A90 VENT (AIR)</b>				
80/83	C-CT600/900 -- w/sleeping compt.	★ C2TZ 91018A90-A	11 1/4" x 6 3/4" sleeping compartment	2
		Not replaced		
86/	CF-CFT600/800	E7HZ 60018A90-B		1
80/	L-LN-LNT-LS-LT-LTS600/900	D8HZ 90018A90-B		1
82/	LTL900			1

1980/  
TRUCK SERIES 600/900

YEAR	MODEL/RESTRICTIONS	PART NUMBER	DESCRIPTION	QTY.
<b>018A90 VENT (AIR) — Cont'd</b>				
80/	CL-CLT900	D9HZ 90018A90-A	R.H.-front door-bright finish	1
80/	CL-CLT900 -- 76",88",110" BBC		R.H. and L.H.-quarter panel	2
80/	CL-CLT900	D9HZ 90018A90-B	L.H.-door painted finish	1
<b>018A92 WEATHERSTRIP (BODY SIDE VENT)</b>				
80/	CL-CLT900 -- exc. 76" BBC	D8HZ 90018A92-A	R.H. and L.H.-quarter panel	2
80/83	CL-CLT900 -- 76" BBC	D8HZ 90018A92-B	R.H.-front door	1
<b>01916-7 COLLAR (VENT AIR)</b>				
80/86	L-LN-LNT-LT-LTS600/900	D5HZ 8001916-A		2
82/86	LTL900			2
80/	CL-CLT900	(RH) E0HZ 9001916-A	(LH) E0HZ 9001917-A Door-paint to match	1
80/83	CL-CLT900 -- 76" BBC	★ D9HZ 9001916-B	Saddle-quarter panel-not replaced	1
80/83	CL-CLT900 -- 88", 110" BBC	★ E3HZ 9001916-A	Blue-quarter panel-not replaced	2
		E0HZ 9001916-C	Caramel-quarter panel	2
		★ D8HZ 9001916-D	Red-quarter panel-not replaced	2
		★ D9HZ 9001916-C	Saddle-quarter panel-not replaced	2
		★ E0HZ 9001916-B	Tan/saddle-quarter panel-not replaced	2
84/86	CL-CLT900 -- 88", 110" BBC	E0HZ 9001916-C	Caramel-quarter panel	2
		E4HZ 9001916-A	Dark charcoal-quarter panel	2
		E4HZ 9001916-B	Light charcoal-quarter panel	2
		E4HZ 9001916-C	Tan-quarter panel	2
87/	CL-CLT900 -- 88", 110" BBC	E7HZ 9001916-A	Chestnut-quarter panel	2
		E4HZ 9001916-A	Dark charcoal-quarter panel	2
		E7HZ 9001916-B	Light charcoal-quarter panel	2
		E4HZ 9001916-C	Tan-quarter panel	2
<b>019A29 SPRING (BODY SIDE VENT DOOR)</b>				
80/83	C-CT600/900 -- w/sleeping compt.	★ C2TZ 91019A29-A	Not replaced	2
<b>019A58 SCREEN (SLEEPING COMPARTMENT AIR VENT)</b>				
80/83	C-CT600/900 -- w/sleeping compt.	★	4 7/32" x 4 13/32" -improvise from wire screen	2
<b>01999 GASKET (VENT AIR DUCT)</b>				
80/	F-L-LN-LNT-LS-LT-LTS600/900	C7TZ 8101999-A		1
82/	LTL900			1
83/86	FT800/900			1
<b>02000 REINFORCEMENT (COWL TOP PANEL)</b>				
80/	L-LL-LN-LNT-LS-LT-LTS600/900	D0HZ 8002000-A		1
82/	LTL900			1
<b>02010 PANEL (COWL TOP)</b>				
80/	B-F600/800(84)		Serviced in assy. -refer to group 00120	
80/83	F600/800(81)	E0TZ 1002010-A		1
83	FT800/900			1
84/	F600/800(81),FT800/900	E4TZ 6002010-B		1
<b>020A10-1 EXTENSION (COWL TOP OUTER)</b>				
80/86	B-F600/800	(RH) E6TZ 60020A10-A	(LH) E0TZ 60020A11-A	1
83/86	FT800/900			1
87/	B-F600/800,FT800/900	(RH) E8HZ 60020A10-A	(LH) E0TZ 60020A11-A	1
<b>02012 PANEL (COWL TOP OUTER)</b>				
80/	B-F600/800(84)	E4TZ 6002012-A		1
87	F600/800,FT800/900	E7HZ 6002012-A		1
88/	F600/800,FT800/900	E8HZ 6002012-A		1
80/	L-LL-LN-LNT-LS-LT-LTS600/900	D8HZ 8002012-A		1
82/	LTL900			1
<b>02018 PANEL (COWL TOP INNER)</b>				
80/	F600/800		Refer to groups 02030 and 02408	
83/	FT800/900			
86/	L-LN-LNT-LS-LT-LTL-LTS600/900	E7HZ 8002018-A		1
88/	LA-LTA900			
<b>02020-1 PANEL ASSY. (WHEELHOUSE)</b>				
80	C-CT600/900	(RH) D8HZ 6002020-A	(LH) D8HZ 6002021-A	1
81/	C-CT600/900	(RH) D8HZ 6002020-A	(LH) E1HZ 6002021-A	1
80/	C-CT600/900	379286-S	(PP-2-C)-plug button for 3/8" hole	6



1980/  
TRUCK SERIES 600/900

BODY SECTION 000 21

YEAR	MODEL/RESTRICTIONS	PART NUMBER	DESCRIPTION	QTY.
<b>02030 PANEL (COWL TOP INNER)</b>				
80/86	F600/800	E0TZ 1002030-B		1
83/86	FT800/900			1
<b>02038-9 PANEL (COWL SIDE INNER)</b>				
80/	F600/800(81)	(RH) E0TZ 6002038-A	(LH) E0TZ 6002039-A	1
83/	FT800/900			1
80/	B-F600/800(84)	(RH) E0TZ 6002038-B	(LH) E0TZ 6002039-B	1
80/	L-LN-LNT-LS-LT-LTL-LTS700/900	(RH) E8HZ 8002038-A	(LH) E8HZ 8002039-A	1
88/	LA-LTA900			1
<b>02044-5 PANEL (COWL SIDE)</b>				
80/86	F600/800	(RH) E0TZ 6002044-A	(LH) E0TZ 6002045-A	1
83/86	FT800/900			1
87/	F600/800,FT800/900	(RH) E8HZ 6002044-A	(LH) E8HZ 6002045-A	1
<b>02048-9 PANEL (FRONT WHEELHOUSE FRONT)</b>				
84/	B-F600/800 -- w/tilt front end	(RH) E8HZ 6002048-A	(LH) E8HZ 6002049-A	1
<b>020A50-1 COVER (COWL TOP PANEL ACCESS HOLE)</b>				
80/	F600/800	(RH) E0TZ 10020A50-A	(LH) E0TZ 10020A51-A	1
83/	FT800/900			1
<b>020A62 BRACE (COWL SIDE PANEL)</b>				
80/	L-LT800/900	D0HZ 80020A62-A		2
82/	LTL900			2
<b>020A74 ORNAMENT (COWL SIDE) - Incl. attaching parts</b>				
80/86	B600, C-CT600/900, F600/800,	D9TZ 60020A74-A	"370-2V"	2
83/86	FT800/900, LN-LNT600/900			2
80/86	B600, C-CT600/900, F600/800,	D9TZ 60020A74-B	"370-4V"	2
83/86	FT800/900, LN-LNT600/900			2
80/86	B600, C-CT600/900, F600/800,	D9TZ 60020A74-C	"429-4V"	2
83/86	FT800/900, LN-LNT600/900			2
80/84	B600, C-CT600/900, F600/800,	D9TZ 60020A74-D	"475-4V"	2
83/84	FT800/900, LN-LNT600/900			2
87/	B-F600/800, FT800/900	E7HZ 60020A74-A	"370-2V"	2
		E7HZ 60020A74-B	"370-4V"	2
		E7HZ 60020A74-C	"429-4V"	2
80/84	LN600	E3HZ 80020A74-A	"Ford 600"	2
80/86	LN700 -- gas	E3HZ 80020A74-B	"Ford 700"	2
80/86	LN700 -- diesel	E3HZ 80020A74-C	"Ford 7000"	2
80/86	L-LN-LNT-LT-LTS800 -- gas	E3HZ 80020A74-D	"Ford 800"	2
80/86	L-LN-LNT-LT-LTS800 -- diesel	E3HZ 80020A74-E	"Ford 8000"	2
80/	L-LN-LNT-LT-LTS900 -- gas	D0HZ 90020A74-A	"Ford 900"	2
80/86	L-LN-LNT-LT-LTS900 -- diesel	E3HZ 80020A74-F	"Ford 9000"	2
87/	LN700 -- w/FTO or FNH diesel	E7HZ 70020A74-A	"L7000-Diesel" w/Ford oval	2
82/	LTL900	E7HZ 90020A74-A	"Ford LTL9000"	2
87/	L-LN-LN-LNT-LS-LT-LTS800/900 -- diesel	E7HZ 80020A74-A	"L8000-diesel" w/Ford oval	2
87/	L-LN-LN-LNT-LS-LT-LTS800 -- except FTO or FNH diesel	E7HZ 80020A74-B	"L8000"	2
87/	L-LN-LN-LNT-LS-LT-LTS900 -- diesel	E7HZ 90020A74-B	"L9000"	2
88/	LA-LTA900	E8HZ 90020A74-A	"AEROMAX-L9000"	2
<b>020A76-7 BRACKET (COWL TOP TO RADIATOR SUPPORT BRACKET)</b>				
84/	B,F600/800 -- w/tilt front end	(RH) F0HZ 60020A76-A	(LH) F0HZ 60020A77-A	1
<b>02096-7 EXTENSION (COWL SIDE VENT AIR PANEL)</b>				
80/	L-LN-LNT-LT-LTS600/900	(RH) D0HZ 8002096-A	(LH) D0HZ 8002097-A	1
82/	LTL900			1
<b>02104-5 VENT (COWL SIDE)</b>				
80/	F600/800 -- w/o heater	C5TZ 8102104-A	R.H.	1
83/	FT800/900 -- w/o heater		R.H.	1
80/	L-LN-LNT-LT-LTS600/900	D2TZ 1002105-A	L.H.	1
82/	LTL900			1

October, 1993

COPYRIGHT © 1993 - FORD MOTOR - DEARBORN, MICHIGAN  
COMPANY

Final Issue

1980/  
TRUCK SERIES 600/900

YEAR	MODEL/RESTRICTIONS	PART NUMBER	DESCRIPTION	QTY.
<b>02104-5 VENT (COWL SIDE) — Cont'd</b>				
80	F600/800	(RH) ★ E0TZ 1002104-D Not replaced	(LH) ★ E0TZ 1002105-D Not replaced	Caramel 1
		(RH) ★ E0TZ 1002104-E Not replaced	(LH) ★ E0TZ 1002105-E Not replaced	Pine 1
		(RH) ★ E0TZ 1002104-A Not replaced	(LH) ★ E0TZ 1002105-A Not replaced	Sand 1
80/81	F600/800	(RH) E0TZ 1002104-B	(LH) E0TZ 1002105-G	Black 1
		(RH) ★ E0TZ 1002104-C Not replaced	(LH) ★ E0TZ 1002105-C Not replaced	Blue 1
		(RH) ★ E0TZ 1002104-F Not replaced	(LH) ★ E0TZ 1002105-F Not replaced	Red 1
81	F600/800	(RH) ★ E1TZ 1002104-A Not replaced	(LH) ★ E1TZ 1002105-A Not replaced	Fawn 1
		(RH) ★ E1TZ 1002104-B Not replaced	(LH) ★ E1TZ 1002105-B Not replaced	Nutmeg 1
		(RH) ★ E1TZ 1002104-C Not replaced	(LH) ★ E1TZ 1002105-C Not replaced	Spruce 1
82	F600/800	(RH) E0TZ 1002104-B	(LH) E0TZ 1002105-G	Black 1
		(RH) ★ E2TZ 1002104-A Not replaced	(LH) ★ E2TZ 1002105-A Not replaced	Blue 1
		(RH) ★ E1TZ 1002104-A Not replaced	(LH) ★ E1TZ 1002105-A Not replaced	Fawn 1
		(RH) ★ E1TZ 1002104-B Not replaced	(LH) ★ E1TZ 1002105-B Not replaced	Nutmeg 1
		(RH) E0TZ 1002104-F Not replaced	(LH) E0TZ 1002105-F Not replaced	Red 1
		(RH) ★ E1TZ 1002104-C Not replaced	(LH) E1TZ 1002105-C Not replaced	Spruce 1
83/	F-FT600/900	(RH) E0TZ 1002104-B	(LH) E0TZ 1002105-G	Black 1
<b>02108-9 COVER ASSY. (COWL VENT AIR OPENING)</b>				
86/	CF-CFT600/800	E6HZ 6002108-A	R.H. and L.H.	2
80/	F600/800 -- A/C	E0TZ 6002109-A	L.H.	1
83/	FT800/900 -- A/C			1
80/	F600/800 -- w/o A/C	E0TZ 6002108-A	R.H.	1
83/	FT800/900 -- w/o A/C			1
<b>021A36-7 EXTENSION (COWL TOP INNER PANEL)</b>				
80/86	L-LN-LNT-LT-LTS600/900	(RH) E4HZ 80021A36-A	(LH) ★ E4HZ 80021A37-A	1
82/86	LTL900		r/bE7HZ 80021A37-A	1
87/	L-LN-LNT-LS-LT-LTL-LTS700/900	(RH) E7HZ 80021A36-A	(LH) E7HZ 80021A37-A	1
<b>021A72 DOOR (BODY FRONT RADIATOR FILLER)</b>				
80/	CL-CLT900 "From 10/82"	E4HZ 90021A72-A		1
<b>021A90-1 SUPPORT (COWL BAR SIDE)</b>				
80/	CL-CLT900	(RH) D8HZ 90021A90-A	(LH) D8HZ 90021A91-A	1
<b>02207 TUBE (COWL SIDE VENT DRAIN)</b>				
80/	F600/800(81)	E0TZ 1002207-A		2
83/	FT800/900			2
<b>022A08 REINFORCEMENT (COWL TOP OUTER PANEL EXTENSION)</b>				
80/87	F600/800(81),FT800/900	E5TZ 15022A08-A		1
88/	F600/800,FT800/900	E7TZ 15022A08-A		1
<b>022A10 HINGE ASSY. (RADIATOR FILLER DOOR)</b>				
80/	CL-CLT900	E4HZ 90022A10-A		1
<b>022A26 PLATE (COWL SIDE VENT MOUNTING)</b>				
80/	F600/800 -- w/o heater	C7TZ 81022A26-A	R.H.	1
83/	FT800/900 -- w/o heater			1
		55914-S2	(U-254-F)-screw-1/4" -14 x 3/4"	4
<b>02228 GRILLE (COWL TOP VENT)</b>				
80/	L-LN-LNT-LS-LT-LTS600/900	DOHZ 8002228-A		1
82/	LTL900			1

1980/  
TRUCK SERIES 600/900

YEAR	MODEL/RESTRICTIONS	PART NUMBER	DESCRIPTION	QTY.
022A38-9 PANEL (COWL SIDE FINISH) - Incl. attaching parts				
82/	LTL900	(RH) E7HZ 90022A38-A	(LH) E7HZ 90022A39-A	1
80/	L-LL-LS-LT-LTS700/900	(RH) E8HZ 80022A38-A	(LH) E8HZ 80022A39-A	1
022A44-5 EXTENSION ASSY. (COWL SIDE PANEL)				
80/	L-LN-LNT-LS-LT-LTS600/900	(RH) D0HZ 80022A44-A	(LH) D0HZ 80022A45-A	1
82/	LTL900			1
022A68 PANEL (COWL TOP VENT)				
80/86	B-F600/800(81),FT800/900 -- w/o antenna hole	E5TZ 15022A68-B	Drill antenna hole if required	1
87/	F600/800,FT800/900	E7TZ 15022A68-A	Vehicles w/o radio also require E0BZ 18919-A	1
02300-1 PANEL (COWL SIDE VENT AIR)				
80/	F600/800(81)	(RH) E0TZ 6002300-A	(LH) E0TZ 6002301-A	1
83/	FT800/900			1
80/	B-F600/800(84)	E4TZ 6002301-A	L.H.	1
80/	L-LL-LN-LNT-LS-LT-LTS600/900	(RH) E1HZ 8002300-A	(LH) E1HZ 8002301-A	1
82/	LTL900	E1HZ 8002301-A	L.H.	1
02314 SCREEN (VENT AIR REGISTER)				
80/	C-CT600/900	B7T 9102314-A		1
		32923-S8	(U-338)-screw-pan head slotted-No.6-18 x 1/2"	4
		45003-S2	(M-110)-nut-spring-No.6-18	4
023A14 PANEL (WINDSHIELD WIPER OPENING QUARTER)				
80/	CL-CLT900	D8HZ 90023A14-A	R.H. and L.H.-paint to match	2
023A18 EXTENSION (WINDSHIELD WIPER OPENING INNER PANEL)				
80/	CL-CLT900	D8HZ 90023A18-A		1
023A58-9 EXTENSION ASSY. (COWL BAR)				
81/	CL-CLT900	(RH) E1HZ 90023A58-A	(LH) E1HZ 90023A59-A	1
023A60-1 INSULATOR (COWL SIDE TRIM PANEL SIDE)				
85/	F600/800,FT800/900	(RH) E7TZ 15023A60-A	(LH) E3TZ 10023A61-A	1
023A78 SUPPORT (COWL TOP PANEL INNER)				
80/	F600/800(81)	E0TZ 60023A78-A		1
83/	FT800/900			1
02402 BAR ASSY. (COWL)				
80/	CL-CLT900	D8HZ 9002402-A		1
024A04-5 EXTENSION (FRONT WHEELHOUSE SPLASH PANEL UPPER)				
80/	L-LT800/900 -- w/ butterfly hood	(RH) D0HZ 80024A04-B	(LH) D0HZ 80024A05-B	1
80/	LS-LTS800/900 -- w/ butterfly hood	(RH) D0HZ 80024A04-A	(LH) D0HZ 80024A05-A	1
88/	LA-LTA900			1
02408 DEFLECTOR (COWL TOP WATER)				
80/	F600/800(81)	E0TZ 6002408-A		1
83/	FT800/900			1
024A14-5 Refer to group 02884-5				
02422 Refer to group 02402				
024A22 SUPPORT (FRONT WHEEL SPLASH PANEL)				
80/	L-LT800/900 -- w/butterfly hood	D0HZ 80024A22-C	R.H. and L.H.-front	2
82/	LTL900 -- w/butterfly hood	D0HZ 80024A22-A	R.H.-rear	1
80/	LS-LTS800/900 -- w/butterfly hood	D0HZ 80024A22-C	R.H. and L.H.-front	2
88/	LA-LTA900 -- w/butterfly hood	D0HZ 80024A22-A	R.H. and L.H.-rear	2
02438-9 EXTENSION ASSY. (FRONT WHEELHOUSE PANEL)				
80/	C-CT600/900	(RH) D8HZ 6002438-A	(LH) D8HZ 6002439-A	1
024A40 BRACE (FRONT WHEELHOUSE PANEL FRONT)				
84/	B-F600/800 -- w/tilt front end	E4HZ 60024A40-A	R.H. and L.H.	2

1980/  
TRUCK SERIES 600/900

YEAR	MODEL/RESTRICTIONS	PART NUMBER	DESCRIPTION	QTY.
<b>024A60-1 PANEL (FRONT WHEELHOUSE REAR)</b>				
84/89	B-F600/800(84) - - w/tilt front end	(RH) E9HZ 60024A60-A	(LH) E9HZ 60024A61-A	1
84/89	B-F600/800(81) - - w/tilt front end	(RH) E9HZ 60024A60-B	(LH) E9HZ 60024A61-B	1
<b>02477 FILLER (FRONT BODY PANEL UPPER)</b>				
80/	CL-CLT900	D8HZ 9002477-A	L.H.	1
<b>02500-1 PILLAR (FRONT BODY)</b>				
80/	C-CT600/900		Refer to group 02514-5	
86/	CF-CFT600/800	(RH) E7HZ 6002500-B	(LH) E7HZ 6002501-B	Outer 1
		(RH) E9HZ 6002500-A	(LH) E9HZ 6002501-A	Inner 1
80/	F600/800,FT800/900	(RH) E7HZ 6002500-A	(LH) E7HZ 6002501-A	1
<b>025K00-1 PLATE (BODY FRONT PILLAR LOWER CLOSING)</b>				
86/87	CF-CFT600/800 "Before 7/87"	(RH) E6HZ 60025K00-A	(LH) E6HZ 60025K01-A	1
87/	CF-CFT600/800 "From 7/87"	(RH) E7HZ 60025K00-A	(LH) E7HZ 60025K01-A	1
<b>02506-7 PANEL (FRONT BODY PILLAR OUTER)</b>				
80/	C-CT600/900	(RH) D8HZ 6002506-A	(LH) D8HZ 6002507-A	1
80/	CL-CLT900	(RH) D8HZ 9002506-A	(LH) D8HZ 9002507-A	1
<b>025K06 REINFORCEMENT (ASSIST HANDLE)</b>				
81/83	L-LN-LNT-LT-LTL-LTS800/900 -- w/hi level trim "From 2/81 to 5/83"	E1HZ 80025K06-A		4
83/	L-LL-LN-LNT-LS-LT-LTL-LTS600/900 "From 5/83"	E3HZ 80025K06-A		4
88/	LA-LTA900			4
<b>02508-9 PILLAR (FRONT BODY UPPER INNER)</b>				
80/	F600/800,FT800/900	(RH) E7TZ 1502508-A	(LH) E7TZ 1502509-A	1
80/	L-LL-LN-LNT-LS-LT-LTL-LTS600/900	(RH) D0HZ 8002508-A	(LH) D0HZ 8002509-A	1
82/	LTL900			1
80/	CL-CLT900	(RH) E8HZ 9002508-A	(LH) E8HZ 9002509-A	1
<b>02514-5 PILLAR and REINFORCEMENT ASSY. (FRONT BODY LOWER)</b>				
80/	C-CT600/900	(RH) D8HZ 6002514-A	(LH) D8HZ 6002515-A	1
<b>02516-7 PILLAR (FRONT BODY UPPER OUTER)</b>				
80/	C-CT600/900	(RH) B7T 9102516-A	(LH) B7T 9102517-A	1
80/	L-LN-LNT-LS-LT-LTL-LTS700/900	(RH) F0HZ 8002516-A	(LH) F0HZ 8002517-A	1
88/	LA-LTA900			1
<b>02524-5 REINFORCEMENT (FRONT BODY PILLAR UPPER)</b>				
80/	B-F600/800(81)	(RH) E0TZ 1002524-A	(LH) E0TZ 1002525-A	1
83/	FT800/900			1
<b>02542 REINFORCEMENT (FRONT BODY LOWER PILLAR)</b>				
80/	B-F600/800	E0TZ 6002542-A	R.H. and L.H.	2
83/	FT800/900			2
<b>025A78 CAP (FRONT BODY PILLAR FINISH)</b>				
86/	CF-CFT600/800	E6HZ 60025A78-A		1
<b>02588-9 EXTENSION (FRONT BODY PILLAR LOWER)</b>				
80/	F600/800,FT800/900	(RH) E0TZ 1002588-A	(LH) E7TZ 6002589-A	1
<b>02638-9 PLATE (FRONT BODY PILLAR HINGE ANCHOR)</b>				
80/	F600/800	E0TZ 1002638-A		1
83/	FT800/900			
80/	L-LL-LN-LNT-LS-LT-LTL-LTS600/900	(RH) D0HZ 8002638-A	(LH) D0HZ 8002639-A	1
82/	LTL900			1
88/	LA-LTA900			1
<b>02646-7 REINFORCEMENT (FRONT BODY PILLAR AT APRON MOUNTING)</b>				
80/	B-F600/800(84)	(RH) E0TZ 6002646-A	(LH) E0TZ 6002647-A	1
<b>02650-1 PILLAR (FRONT BODY LOWER REAR)</b>				
80/	B-F600/800(84)	(RH) E0TZ 6002650-A	(LH) E0TZ 6002651-A	1
<b>02718-9 PILLAR (FRONT BODY UPPER REAR)</b>				
80/82	CL900	(RH) E3HZ 9002718-A	(LH) E3HZ 9002719-A	1

1980/  
TRUCK SERIES 600/900

YEAR	MODEL/RESTRICTIONS	PART NUMBER	DESCRIPTION	QTY.		
<b>02824 SEAL ASSY. (COWL TOP PANEL TO HOOD)</b>						
80/	B-F600/800,FT800/900	E7HZ 6002824-A		1		
<b>02855 TUBE ASSY. (COWL SIDE VENT)</b>						
80/	F600/800	E8HZ 6002855-A	L.H.	1		
83/	FT800/900			1		
<b>02884-5 REINFORCEMENT (COWL SIDE PANEL)</b>						
80/	F600/800(81)	(RH) E0TZ 6002884-A	(LH) E0TZ 6002885-A	1		
83/	FT800/900			1		
<b>03017 PANEL (WINDSHIELD CENTER POST OUTER)</b>						
80/	C-CT600/900	B7T 9103017-A		1		
			Inner-refer to group 03162			
<b>03094 COVER (WINDSHIELD OUTSIDE MOULDING JOINT)</b>						
80/	C-CT600/900	B7T 9103094-A	Center top and bottom-4 1/2" long	2		
80/	C-CT600/900	B6C 8103094-A	Side-31/32" long	2		
YEAR	MODEL/RESTRICTIONS	PART NUMBER		NAGS NO.	DESCRIPTION	QTY.
		CLEAR	TINTED			
<b>03100-1 GLASS (WINDSHIELD)</b>						
80/	C-CT600/900		D3HZ 6003100-B	W826	R.H.	1
			D3HZ 6003101-B	W827	L.H.	1
80/	CL-CLT900	Not available	D8HZ 9003100-A	W885	R.H.	1
80/	CL-CLT900	Not available	D8HZ 9003101-A	W886	L.H.	1
86/	CF-CFT600/800		E6HZ 6003100-A	W997		1
80/	F600/800	E0TZ 1003100-A	E0TZ 1003100-B	W911	Less mirror bracket	1
83/	FT800/900					1
80/84	F600/800	★ E0TZ 1003100-C	★ E0TZ 1003100-D	W910	Incl. mirror bracket	1
83/84	FT800/900	Not replaced	Not replaced			1
80/	L-LN-LNT-LS-LT-LTS600/900	D3HZ 8003100-A	D3HZ 8003100-B	W828		1
82/	LTL900					1
88/	LA-LTA900					1
YEAR	MODEL/RESTRICTIONS	PART NUMBER		DESCRIPTION		QTY.
<b>03110 WEATHERSTRIP (WINDSHIELD)-Also refer to group 19562 in Paint Section</b>						
80/	C-CT600/900(91A)	D3HZ 6003110-A				2
80/	C-CT600/900(91B)	D3HZ 6003110-B				2
86/	CF-CFT600/800	E6HZ 6003110-A				1
80/	CL-CLT900	E4HZ 9003110-A				1
80/	L-LN-LNT-LS-LT-LTL-LTS600/900 -- w/windshield mouldings	E2HZ 8003110-A				1
88/	LA-LTA900					1
80/	L-LN-LNT-LS-LT-LTL-LTS600/900 -- w/o windshield mouldings	E2HZ 8003110-B				1
88/	LA-LTA900					1
<b>03136-7 MOULDING (WINDSHIELD OUTSIDE SIDE)</b>						
80/	F600/800(81)	(RH) E0TZ 1003136-A	(LH) E0TZ 1003137-A			1
83/	FT800/900					1
<b>03144-5 MOULDING (WINDSHIELD OUTSIDE TOP)</b>						
80/	C-CT600/900(91B)	(RH) B7T 9103144-A	(LH) B7T 9103145-A			1
80/	F600/800(81)	(RH) E0TZ 1003144-A	(LH) E0TZ 1003145-A			1
83/	FT800/900					1
80/82	L-LN-LNT-LS-LT-LTS600/900 "Before 10/81"	(RH) ★ D0HZ 8003144-A	(LH) ★ D0HZ 8003145-A			1
		r/bE2HZ 8003144-A	r/bE2HZ 8003144-A			
82	LTL900 "Before 10/81"	& E2HZ 8003110-A	& E2HZ 8003110-A			1
82/	L-LN-LNT-LS-LT-LTL-LTS600/900 "From 10/81"	E2HZ 8003144-A		1 pc. design		1
88/	LA-LTA900					1

1980/  
TRUCK SERIES 600/900

YEAR	MODEL/RESTRICTIONS	PART NUMBER	DESCRIPTION	QTY.
<b>03148-9 MOULDING (WINDSHIELD OUTSIDE BELT)</b>				
80/	C-CT600/900(91B)	(RH) B7T 9103148-A	(LH) B7T 9103149-A	1
80/	F600/800(81)	E0TZ 1003148-A		1
83/	FT800/900			1
80/82	L-LN-LNT-LS-LT-LTS600/900 "Before 10/81"	(RH) ★ D0HZ 8003148-A r/bE2HZ 8003144-A and	(LH) ★ D0HZ 8003149-A r/bE2HZ 8003144-A and	2 pc. design 1
82	LTL900 "Before 10/81"	E2HZ 8003110-A	E2HZ 8003110-A	1
82/	L-LN-LNT-LS-LT-LTL-LTS600/900 "From 10/81"		Refer to group 03144-5	1
88/	LA-LTA900			1
<b>03162 BAR (WINDSHIELD DIVISION)</b>				
80/	C-CT600/900	B7T 9103162-A	Inner	1
			Outer-refer to group 03017	
80/	CL-CLT900	D8HZ 9003162-A		1
<b>03410 PANEL (WINDSHIELD HEADER INNER)</b>				
80/	C-CT600/900	B7T 9103410-A		1
80/	L-LN-LNT-LS-LT-LTS600/900	D0HZ 8003410-A		1
82/	LTL900			1
88/	LA-LTA900			1
80/	CL-CLT900	D8HZ 9003410-A		1
<b>03422 PANEL (WINDSHIELD HEADER OUTER)</b>				
80/	C-CT600/900	B7T 9103422-A		1
<b>03488-9 EXTENSION (WINDSHIELD HEADER INNER PANEL)</b>				
86/	CF-CFT600/800	(RH) E7HZ 6003488-A	(LH) E7HZ 6003489-A	1
80/	CL-CLT900	E0HZ 9003488-A		1
<b>03504 PANEL (WINDSHIELD HEADER TRIM)</b>				
82/	LTL900		Refer to group 03598-9	
<b>03524 REINFORCEMENT (WINDSHIELD HEADER INNER CENTER)</b>				
80/	CL-CLT900	D8HZ 9003524-A		1
<b>035A24-5 REINFORCEMENT (WINDSHIELD HEADER INNER PANEL SIDE)</b>				
80/	CL-CLT900	(RH) D8HZ 90035A24-A	(LH) D8HZ 90035A25-A	1
86/	CF-CFT600/800	(RH) E7HZ 60035A24-A	(LH) E7HZ 60035A25-A	1
<b>03552 RETAINER (WINDSHIELD MOULDING GARNISH UPPER)</b>				
80/	F600/800 -- w/o headlining	E0TZ 1003552-A	Paint to match	4
83/	FT800/900 -- w/o headlining			4
80/	F600/800 -- w/headlining	E0TZ 1303552-A	Paint to match	4
83/	FT800/900 -- w/headlining			4
<b>03566-7 PANEL ASSY. (WINDSHIELD WIPER OPENING INNER)</b>				
80/	CL-CLT900	(RH) D8HZ 9003566-A	(LH) D8HZ 9003567-A	1
<b>03598-9 COVER (FRONT BODY PILLAR)</b>				
80/86	F600/800 -- w/o headlining	(RH) E0TZ 1003598-A	(LH) E0TZ 1003599-A	Sand paint to match 1
83/86	FT800/900 -- w/o headlining			1
80/86	F600/800 -- w/headlining	(RH) E0TZ 1003598-B	(LH) E0TZ 1003599-B	Sand-paint to match 1
83/86	FT800/900 -- w/headlining			1
87/	F600/800,FT800/900 -- w/headlining	(RH) E8HZ 6003598-A (RH) E8HZ 6003598-B	(LH) E8HZ 6003599-A (LH) E8HZ 6003599-B	Charcoal Chestnut 1 1
87/	F600/800,FT800/900 -- w/o headlining	(RH) E8HZ 6003598-C	(LH) E8HZ 6003599-C	Black 1
80	L-LN-LNT-LT-LTS600/900 -- w/owner operator pkg.	(RH) ★ D8HZ 9003598-A Not replaced	(LH) ★ D8HZ 9003599-A Not replaced	1
81/83	L-LN-LNT-LS-LT-LTS600/900 -- w/hi-level trim	(RH) ★ E1HZ 8003598-A Not replaced (RH) ★ E1HZ 8003598-B Not replaced	(LH) ★ E1HZ 8003599-A Not replaced (LH) ★ E1HZ 8003599-B Not replaced	Caramel Gray 1 1
82/83	LTL900 -- w/hi level trim			1
84/86	L-LN-LNT-LS-LT-LTL-LTS 600/900 -- w/hi-level trim	(RH) E4HZ 8003598-A (RH) ★ E4HZ 8003598-B Not replaced	(LH) E4HZ 8003599-A (LH) E4HZ 8003599-B	Caramel Charcoal 1 1
87	L-LN-LNT-LS-LT-LTL-LTS700/900	(RH) ★ E4HZ 8003598-B Not replaced (RH) E7HZ 8003598-A	(LH) E4HZ 8003599-B (LH) E7HZ 8003599-A	Charcoal Chestnut 1 1
88/	L-LA-LN-LNT-LS-LT-LTA-LTL- LTS700/900	(RH) E8HZ 8003598-A (RH) E8HZ 8003598-B	(LH) E8HZ 8003599-A (LH) E8HZ 8003599-B	Charcoal Chestnut 1 1

1980/  
TRUCK SERIES 600/900

BODY SECTION 000 27

YEAR	MODEL/RESTRICTIONS	PART NUMBER	DESCRIPTION	QTY.
<b>03606 MOULDING (WINDSHIELD GARNISH UPPER)</b>				
80/86	F600/800	E0TZ 1003606-A	Paint to match	1
83/86	FT800/900			1
87/	F600/800,FT800/900	E8TZ 1503606-A	Paint to match	1
<b>03626 MOULDING (WINDSHIELD GARNISH LOWER)</b>				
80/	C-CT600/900	D9HZ 9103626-A		1
<b>03638 SUPPORT (WINDSHIELD LOWER GARNISH MOULDING)</b>				
80/	C-CT600/900	B8T 9103638-A		5
<b>03744-5 REINFORCEMENT (COWL TOP RADIATOR SUPPORT BRACE)</b>				
88/	B600/700	(RH) E8HZ 6003744-A	(LH) E8HZ 6003745-A	1
<b>04086 COVER (VISOR ARM CLIP OPENING)</b>				
87/	F600/800,FT800/900 -- w/o R.H. visor	E69Z 1104086-A	Paint to match	1
<b>04114 PIN (VISOR ANCHOR)</b>				
80/	L-LN-LNT-LS-LT-LTS600/900	D0HZ 8004114-A	R.H. and L.H.--5 5/8" long--includes tip	2
82/	LTL900			2
88/	LA-LTA900			2
<b>04115 SLEEVE (VISOR ANCHOR PIN)</b>				
80/	L-LN-LNT-LS-LT-LTS600/900 -- w/o radio	D1HZ 8004115-A	R.H. and L.H.	2
82/	LTL900 -- w/o radio		R.H. and L.H.	2
88/	LA-LTA900 -- w/o radio			2
80/	L-LN-LNT-LS-LT-LTS600/900 -- w/radio	D1DZ 6204115-A	R.H. and L.H.--rubber	2
82/	LTL900 -- w/radio		R.H. and L.H.--rubber	2
88/	LA-LTA900 -- w/radio			2
<b>04122 BRACKET (VISOR ARM)</b>				
80/	CL-CLT900	D8HZ 9004122-A	Center	2
<b>04132 CLIP (VISOR PIN)</b>				
80/	C-CT600/900	D0XZ 9004132-A	R.H. and L.H.--prime--paint to match	2
80/	CL-CLT900	D8HZ 9004132-A		2
80/86	F600/800(81B)	D5VY 6004132-D		1
83/86	FT800/900			1
87/	F600/800,FT800/900 -- w/o headlining	E5FZ 5804132-B		2
87/	F600/800,FT800/900 -- w/cloth headlining	E53Z 5404132-B		2
80/	L-LN-LNT-LS-LT-LTS 600/900	D4HZ 8004132-A	Paint to match	1
82/	LTL900			1
88/	LA-LTA900			1
80/	C-CT600/900	*51472-S13	Screw--oval head cross recess--No.10-24 x 5/8"	2or4
<b>04134 SPRING (VISOR ARM CLIP)</b>				
80/	L-LN-LNT-LS-LT-LTS600/900	D1HZ 8004134-A		1
82/	LTL900			1
88/	LA-LTA900			1
<b>04144-5 ARM and BRACKET ASSY. (VISOR) - Paint to match</b>				
80/	C-CT600/900	(RH) B7T 9104144-AP	(LH) B7T 9104145-AP	1
80/86	F600/800(81)	E0TZ 1004144-A	R.H. and L.H.	2
83/86	FT800/900			2
87/	F600/800,FT800/900	E7TZ 1504144-B	R.H. and L.H.	2
80/	L-LN-LNT-LS-LT-LTS600/900	D0HZ 8004144-A	R.H. and L.H.	2
82/	LTL900			2
88/	LA-LTA900			2
80/	CL-CLT900	D8HZ 9004144-A	R.H. and L.H.	2
<b>04196 COVER (INSIDE VISOR MOUNTING HOLE)</b>				
80/	F600/800 -- w/o R.H. visor	E7TZ 6004196-A	Black	1
83/	FT800/900 -- w/o R.H. visor			1
<b>042B80-1 HOUSING ASSY. (INSTRUMENT CLUSTER REAR)</b>				
80/88	CL-CLT900 -- w/hi-level trim	(RH) D8HZ 90042B80-A	(LH) D8HZ 90042B81-A	1
80/88	CL-CLT900 -- w/std. trim	(RH) D8HZ 90042B80-B	(LH) D8HZ 90042B81-A	1
89	CL-CLT900 -- w/hi-level trim	(RH) E9HZ 90042B80-A	(LH) D8HZ 90042B81-A	1
89	CL-CLT900 -- w/std. trim	(RH) E9HZ 90042B80-B	(LH) D8HZ 90042B81-A	1
80/	B-F600/800	E0TZ 60042B80-A		1
83/	FT800/900			1

October, 1993

COPYRIGHT © 1993 -- FORD MOTOR -- DEARBORN, MICHIGAN  
COMPANY

Final Issue

1980/  
TRUCK SERIES 600/900

YEAR	MODEL/RESTRICTIONS	PART NUMBER	DESCRIPTION	QTY.
<b>042A82 PANEL ASSY. (INSTRUMENT CLUSTER)</b>				
80/	B-F600/800(84)	E0TZ 60042A82-A		1
82/	LTL900			1
<b>042A92 RETAINER (INSTRUMENT PANEL AIR CONDITIONER OPENING COVER)</b>				
80/86	L-LN-LNT-LT-LTS600/900	D0HZ 80042A92-A		1
<b>04296-7 MOULDING (INSTRUMENT PANEL UPPER PAD RETAINING)</b>				
80/	C-CT600/900	(RH) D4KZ 6004296-A	(LH) D4KZ 6004297-A	1
<b>04304 PANEL ASSY. (INSTRUMENT)</b>				
86/	CF-CFT600/800	E6HZ 6004304-A		1
<b>04318 REINFORCEMENT ASSY. (INSTRUMENT PANEL CLUSTER OPENING)</b>				
80/	F600/800(81),FT800/900	E4TZ 1504318-A		1
<b>04320-1 PANEL (INSTRUMENT) - Paint to match</b>				
80/	C-CT600/900		Serviced only in assy.-group 00120	
86/	CF-CFT600/800	E8HZ 6004320-A		1
80/	F600/800(81),FT900(81) - - without A/C	F0HZ 6004320-A		1
80/	F600/800(81),FT900(81) - - with A/C	F0HZ 6004320-B		1
80/	B-F600/800(84)	E0TZ 6004320-C		1
80/86	L-LN-LNT-LS-LT-LTS800/900 - - line haul	D0HZ 9004320-A	R.H.	1
82/86	LTL900		R.H.	1
84/86	L-LN800 - - fleet instrument panel, w/o A/C		R.H.	1
84/86	L-LN800 - - fleet instrument panel, w/A/C	E4HZ 9004320-A	R.H.	1
80	L-LN-LNT-LT-LTS600/900 "Before Ser. JA5,001"	D0HZ 8004320-A	L.H.	1
80/86	L-LN-LNT-LS-LT-LTS600/900 "From Ser. JA5,001"	E0HZ 8004320-A	L.H.	1
82/86	LTL900		L.H.	1
84/86	L-LN800 - - fleet instrument panel	E4HZ 8004320-A	L.H.	1
80	CL-CLT900 "Before Ser. JG5,001"	(RH) D8HZ 9004320-A	(LH) E1HZ 9004321-A	1
80	CL-CLT900 "From Ser. JG5,001"	(RH) E0HZ 9004320-A	(LH) D8HZ 9004321-A	1
81/	CL-CLT900	(RH) E0HZ 9004320-A	(LH) E1HZ 9004321-A	1
80/	C-CT600/900	★74245-S13	Plug button for 29/32" hole	1
		★374052-S13	Plug button (1 5/16" dia.) for 7/16" hole	1
		359651-S7	(PP-8)-plug button (1" dia.) for 7/16" hole	1
80/	C800 - - diesel -	359651-S7	(PP-8)-plug button for 3/8" hole	1
<b>04334-5 PANEL (INSTRUMENT PANEL END)</b>				
80/	F600/800(81)	(RH) E0TZ 1004334-A	(LH) E0TZ 1004335-A	1
83/	FT800/900			1
<b>04336 REINFORCEMENT ASSY. (INSTRUMENT PANEL FLANGE)</b>				
80/	F600/800(81)	E0TZ 6004336-A	Incl. R.H. and L.H. reinforcement	1
83/	FT800/900			1
<b>04338-9 PANEL (INSTRUMENT PANEL FINISH)</b>				
80/86	L-LN-LNT-LT-LTS800/900 - - line haul instrument panel	D0HZ 9004338-A	R.H.-paint to match	1
82/86	LTL900			1
84/86	L-LN800 - - fleet instrument panel			1
80/86	L-LN-LNT-LT-LTS600/900 - - line haul instrument panel		Center- refer to group 04282 in Soft Trim Section	
82/86	LTL900			
84/86	L-LN-LNT-LT-LTL-LTS600/900 - - without A/C, fleet instrument panel	E4HZ 8004338-A	R.H.-black	1
84/86	L-LN-LNT-LT-LTL-LTS600/900 - - with A/C, fleet instrument panel	E4HZ 8004338-B	R.H.-black	1
87	L-LN-LNT-LT-LTL-LTS800 - - w/city delivery instrument panel "Before 4/87"	E7HZ 8004338-A	R.H. black-with tachometer opening	1
		E7HZ 8004338-B	R.H. silver-with tachometer opening	1



1980/  
TRUCK SERIES 600/900

BODY SECTION 000 29

YEAR	MODEL/RESTRICTIONS	PART NUMBER	DESCRIPTION	QTY.
04338-9 PANEL (INSTRUMENT PANEL FINISH) — Cont'd				
87	L-LN-LNT-LT-LTL-LTS800 -- w/fleet instrument panel "Before 4/87"	E7HZ 8004338-C	R.H. black-w/three switch mounting holes, w/o tachometer opening	1
		E7HZ 8004338-D	R.H. silver-w/three switch mounting holes, w/o tachometer opening	1
87	L-LN-LNT-LT-LTL-LTS800 -- w/fleet instrument panel "Before 4/87"	E7HZ 8004338-E	R.H. black-w/six switch mounting holes, w/o tachometer opening	1
		E7HZ 8004338-F	R.H. silver-w/six switch mounting holes, w/o tachometer opening	1
87	L-LN-LNT-LT-LTL-LTS800/900 -- w/line haul instrument panel "Before 4/87"	E7HZ 8004338-G	R.H. black-w/full instrumentation	1
		E7HZ 8004338-H	R.H. silver-w/full instrumentation	1
87/88	L-LN-LNT-LS-LT-LTL-LTS700/900 -- w/city delivery instrument panel "From 4/87"	E7HZ 8004338-J	R.H. black-with tachometer opening	1
88	LA-LTA900			1
87/88	L-LN-LNT-LS-LT-LTL-LTS700/900 -- w/fleet instrument panel "From 4/87"	E7HZ 8004338-K	R.H. black-w/three switch mounting holes	1
		E7HZ 8004338-L	R.H. silver-w/three switch mounting holes	1
88	LA-LTA900			1
87/88	L-LN-LNT-LS-LT-LTL-LTS700/900 -- w/fleet instrument panel "From 4/87"	E7HZ 8004338-M	R.H. black-w/six switch mounting holes	1
		E7HZ 8004338-N	R.H. silver-w/six switch mounting holes	1
88	LA-LTA900			1
87/88	L-LN-LNT-LS-LT-LTL-LTS700/900 -- w/full instrumentation "From 4/87"	E7HZ 8004338-P	R.H. black	1
		E7HZ 8004338-R	R.H.-silver	1
87/88	LA-LTA900			1
88	L-LA-LN-LNT-LS-LT-LTA-LTL-LTS800/900 -- with city delivery instrument panel and locking differential	E8HZ 8004338-A	R.H.-black	1
88	L-LA-LN-LNT-LS-LT-LTA-LTL-LTS800/900 -- w/fleet instrument panel and locking differential	E8HZ 8004338-B	R.H. black-w/three switch mounting holes	1
		E8HZ 8004338-C	R.H. silver-w/three switch mounting holes	1
		E8HZ 8004338-E	R.H. silver-w/six switch mounting holes	1
		E8HZ 8004338-F	R.H. black-w/six switch mounting holes	1
89	L-LA-LN-LNT-LS-LT-LTA-LTL-LTS800/900 -- w/full instrumentation	E9HZ 8004338-A	R.H. black-w/12 switch mounting holes	1
89	LL-LTL900(exc. 116" BBC) -- w/full instrumentation	E9HZ 8004338-B	R.H. silver-w/12 switch mounting holes	1
89	LL-LTL900(116" BBC) -- w/full instrumentation	E9HZ 8004338-C	R.H. black-w/8 switch mounting holes	1
		E9HZ 8004338-D	R.H. silver-w/8 switch mounting holes	1
89	L-LN-LNT-LS-LT-LTS700/800 -- w/city delivery instrument panel	E9HZ 8004338-E	R.H. black-w/tachometer opening-ident. E9HT-AAW	1
		E9HZ 8004338-F	R.H. silver-w/tachometer opening-ident. E9HT-AAW	1
89	L-LA-LN-LNT-LS-LT-LTA-LTL-LTS700/900	E9HZ 8004338-G	R.H. black-w/four switch mounting holes and 3 3/4" x 1/2" slot-ident. E9HT-BAW	1
		E9HZ 8004338-H	R.H. silver-w/four switch mounting holes and 3 3/4" x 1/2" slot-ident. E9HT-BAW	1
89	L-LA-LN-LNT-LS-LT-LTA-LTL-LTS700/900	E9HZ 8004338-J	R.H. black-w/eight switch mounting holes and 4" x 1" slot-ident. E9HT-CAW	1
		E9HZ 8004338-K	R.H. silver-w/eight switch mounting holes and 4" x 1" slot-ident. E9HT-CAW	1
80/83	L-LN-LNT-LT-LTS600/900	★ D5HZ 8004339-A	L.H.-paint to match-incl. holes for wiper control	1
82/83	LTL900	Not replaced		1
		★ D5HZ 8004339-B	L.H.-paint to match-incl. holes for wiper control, vacuum or air pressure gauge, air brake parking control valve, power divider differential lockout control and low vacuum warning light	1
		Not replaced		

OCTOBER, 1993

COPYRIGHT © 1993-

FORD MOTOR  
COMPANY

-DEARBORN, MICHIGAN

FINAL ISSUE

1980/  
TRUCK SERIES 600/900

YEAR	MODEL/RESTRICTIONS	PART NUMBER	DESCRIPTION	QTY.
04338-9 PANEL (INSTRUMENT PANEL FINISH) — Cont'd				
80/83	L-LN-LNT-LT-LTS600/900	★ D5HZ 8004339-C Not replaced	L.H. - paint to match - w/air brakes	1
		★ D5HZ 8004339-D Not replaced	L.H.-paint to match-incl. holes for wiper control, vacuum or air pressure gauge, air brake parking control valve, power divider differential lockout control, front wheel limiting valve, air brake valve (Tractor/Trailer) and A/C register-cover (04474) and retainer (042A92) may also be required to cover A/C register hole	1
80/83	L-LN-LNT-LT-LTS600/900	★ D5HZ 8004339-E Not replaced	L.H.-paint to match-incl. holes for wiper control, vacuum or air pressure gauge, power divider differential lockout control, low vacuum warning light and A/C register	1
82/83	LTL900			
80/81	L-LN-LNT-LT-LTS600/900 "Before 2/81"	★ D5HZ 9004339-A Not replaced (10/87)	L.H.-wood grain-incl. holes for wiper control, vacuum or air pressure gauge, air brake parking control valve, power divider differential lockout control and low vacuum warning lights	1
		★ D5HZ 9004339-B Not replaced (10/87)	L.H.-wood grain-incl. holes for wiper control, vacuum or air pressure gauge, air brake parking control valve, power divider differential lockout control, front wheel limiting valve and air brake valve (Tractor/Trailer)	1
80/81	L-LN-LNT-LT-LTS600/900 "Before 2/81"	★ D5HZ 9004339-C Not replaced	L.H.-wood grain-incl. holes for wiper control, vacuum or air pressure gauge, air brake parking control valve, power divider differential lockout control, front wheel limiting valve, air brake valve (Tractor/Trailer) and A/C register	1
		★ D5HZ 9004339-D Not replaced	L.H.-wood grain-incl. holes for wiper control, vacuum or air pressure gauge, power divider differential lockout control, low vacuum warning light and A/C register	1
81/82	L-LN-LNT-LT-LTL-LTS800/900 "From 2/81 to 11/81"	★ E1HZ 9004339-A Not replaced	L.H.- wood grain-w/A/C and brake limit valve w/air brakes and tractor pkg.	1
		★ E1HZ 9004339-B Not replaced	L.H.-wood grain-w/A/C and air brakes, w/o brake limit valve, w/Sno-plow or tractor pkg.	1
		★ E1HZ 9004339-C Not replaced	L.H.-wood grain-w/o A/C, brake limit valve, and tractor pkg., w/air brakes	1
		★ E1HZ 9004339-D Not replaced	L.H.-wood grain-w/A/C and air brakes w/o brake limit valve and tractor pkg.	1
		★ E1HZ 9004339-E Not replaced	L.H.-wood grain-w/brake limit valve and air brakes,-w/o A/C and tractor pkg.	1
		★ E1HZ 9004339-F Not replaced	L.H.-wood grain-w/A/C, brake limit valve and air brakes,-w/o tractor pkg.	1
82/83	L-LN-LNT-LTL-LTS800/900 "From 11/81"	★ E2HZ 9004339-C Not replaced	L.H.-caramel-w/A/C and brake limit valve, w/air brakes, and tractor pkg.	1
		★ E2HZ 9004339-D Not replaced	L.H.-red w/A/C etc.-not replaced	1
		★ E2HZ 9004339-A Not replaced	L.H.-caramel-w/A/C and air brakes-w/o brake limit valve, w/sno-plow or tractor pkg.	1
		★ E2HZ 9004339-B Not replaced	L.H.-red-w/A/C etc.-not replaced	1
		★ E2HZ 9004339-E Not replaced	L.H.-caramel-w/o A/C, brake limit valve, and tractor pkg., w/air brakes	1
		★ E2HZ 9004339-F Not replaced	L.H.-red-w/o A/C etc.-not replaced	1
		★ E2HZ 9004339-G Not replaced	L.H.-caramel-w/A/C and air brakes w/o brake limit valve and tractor pkg.	1
		★ E2HZ 9004339-H Not replaced	L.H.-red-w/A/C etc.-not replaced	1
		★ E2HZ 9004339-J Not replaced	L.H.-caramel-w/brake limit valve and air brakes, -w/o A/C and tractor pkg.	1
		★ E2HZ 9004339-K Not replaced	L.H.-red-w/brake etc.-not replaced	1
		★ E2HZ 9004339-L Not replaced	L.H.-caramel-w/A/C, brake limit valve and air brakes-w/o tractor pkg.	1
		★ E2HZ 9004339-M Not replaced	L.H.-red-w/A/C etc.-not replaced	1

1980/  
TRUCK SERIES 600/900

YEAR	MODEL/RESTRICTIONS	PART NUMBER	DESCRIPTION	QTY.
04338-9 PANEL (INSTRUMENT PANEL FINISH) — Cont'd				
84	L-LN-LNT-LTL-LTS800/900 "Before 2/84"	★ E2HZ 9004339-A Not replaced	L.H.-caramel-w/o A/C and brake limit valve, w/air brakes, line haul instr. panel or tractor package	1
		★ E2HZ 9004339-C Not replaced	L.H.-caramel-w/A/C and brake limit valve, w/air brakes and line haul instrument panel	1
		★ E2HZ 9004339-J Not replaced	L.H.-caramel-w/brake limit valve and air brakes, w/o A/C and tractor pkg.	1
		★ E2HZ 9004339-L Not replaced	L.H.-caramel-w/A/C, air brakes and line haul instr. panel, w/o brake limit valve	1
		★ E4HZ 9004339-B Not replaced	L.H.-caramel-w/line haul instr. panel and air brakes, w/o A/C, brake limit valve and tractor pkg.	1
84/85	L-LN-LNT-LTL-LTS800/900 "From 2/84"	★ E4HZ 9004339-L Not replaced	L.H.-black w/walnut woodgrain-w/A/C, air brakes and line haul instr. panel, w/o brake limit valve	1
		★ E4HZ 9004339-M Not replaced	L.H.-black w/walnut woodgrain-w/A/C, air brakes, line haul instr. panel and w/brake limit valve	1
		★ E4HZ 9004339-N Not replaced	L.H.-black w/walnut woodgrain-w/brake limit valve and air brakes, w/o A/C and tractor pkg.	1
		★ E4HZ 9004339-P Not replaced	L.H.-black w/walnut woodgrain-w/o A/C and brake limit valve, w/air brakes, line haul instr. panel or tractor pkg.	1
		★ E4HZ 9004339-Q Not replaced	L.H.-black w/walnut woodgrain-w/line haul instr. panel and air brakes, w/o A/C, brake limit valve and tractor pkg.	1
84/85	L-LN-LNT-LT-LTL-LTS600/900	★ D5HZ 8004339-C Not replaced	L.H.-paint to match-w/o A/C, brake limit valve and line haul or fleet instr. panel-w/air brakes and tractor pkg.	1
		★ D5HZ 8004339-D Not replaced	L.H.-paint to match-w/A/C and air brakes-w/o brake limit valve and line haul or fleet instr. panel	1
		★ E4HZ 8004339-A Not replaced	L.H.-black-w/gas engine and hydraulic brakes, w/o A/C or line haul instr. panel	1
		★ E4HZ 8004339-B Not replaced	L.H.-black-w/A/C and hydraulic brakes w/o line haul instr. panel	1
		★ E4HZ 8004339-C Not replaced	L.H.-black-w/tandem rear axle and hydraulic brakes, w/o A/C or line haul instr. panel	1
		★ E4HZ 8004339-D Not replaced	L.H.-black-w/air brakes, w/o A/C, brake limit valve, line haul or fleet instr. panel and tractor pkg.	1
84/85	L-LN-LNT-LT-LTL-LTS600/900	★ E4HZ 8004339-E Not replaced	L.H.-black, w/o A/C, w/brake limit valve, w/fleet instrument panel	1
		★ E4HZ 8004339-F Not replaced	L.H.-black, w/A/C, w/o brake limit valve, w/fleet instrument panel	1
		★ E4HZ 8004339-G Not replaced	L.H.-black, w/A/C, w/brake limit valve, w/fleet instrument panel	1
86	L-LN-LNT-LT-LTL-LTS700/900 - - w/fleet instrument panel	★ E4HZ 8004339-E Not replaced	L.H.-black, w/o brake limit valve or tractor package	1
		★ E4HZ 8004339-F Not replaced	L.H.-black, w/o brake limit valve, w/tractor package	1
		★ E4HZ 8004339-G Not replaced	L.H.-black, w/brake limit valve	1
86	L-LN-LNT-LT-LTL-LTS700/900 - - w/hydraulic brake	★ E4HZ 8004339-B Not replaced	L.H.-black, w/A/C	1
		★ E4HZ 8004339-C Not replaced	L.H.-black, w/o A/C w/tandem rear axle	1
		★ E5HZ 8004339-A Not replaced	L.H.-black, w/o A/C, w/single rear axle	1

1980/  
TRUCK SERIES 600/900

YEAR	MODEL/RESTRICTIONS	PART NUMBER	DESCRIPTION	QTY.
<b>04338-9 PANEL (INSTRUMENT PANEL FINISH) — Cont'd</b>				
86	L-LN-LNT-LT-LTL-LTS800/900 -- w/air brakes	★ E5HZ 8004339-B Not replaced	L.H.-black, w/A/C, w/brake limit valve	1
		★ E5HZ 8004339-C Not replaced	L.H.-black, w/o A/C, w/brake limit valve	1
		★ E4HZ 9004339-L Not replaced	L.H.-black w/walnut woodgrain, w/A/C, w/brake limit valve	1
87	L-LN-LNT-LT-LTL-LTS800 -- w/city delivery instrument panel "Before 4/87"	E7HZ 8004339-A	L.H. black-w/o trailer air supply valve and front brake limiting valve	1
		E7HZ 8004339-B	L.H. silver-w/o trailer air supply valve and front brake limiting valve	1
87	L-LN-LNT-LT-LTL-LTS800 -- w/city delivery instrument panel "Before 4/87"	E7HZ 8004339-C	L.H. black-w/trailer air supply valve, w/o front brake limiting valve	1
		E7HZ 8004339-D	L.H. silver-w/trailer air supply valve, w/o front brake limiting valve	1
87	L-LN-LNT-LT-LTL-LTS800 -- w/fleet instrument panel "Before 4/87"	E7HZ 8004339-E	L.H. black-w/trailer air supply valve and front brake limiting valve	1
		E7HZ 8004339-F	L.H. silver-w/trailer air supply valve and front brake limiting valve	1
87	L-LN-LNT-LT-LTL-LTS800/900 -- w/hydraulic brakes "Before 4/87"	E7HZ 8004339-G	L.H.-black	1
		E7HZ 8004339-H	L.H.-silver	
87/	L-LL-LN-LNT-LS-LT-LTL-LTS700/900 -- except tractor package "From 4/87"	E7HZ 8004339-J	L.H. black-w/o trailer air supply valve, w/air brakes	1
88/	LA-LTA900 -- except tractor package	E7HZ 8004339-K	L.H. silver-w/o trailer air supply valve, w/air brakes	1
87/	L-LL-LN-LNT-LS-LT-LTL-LTS700/900 -- w/tractor package "From 4/87"	E7HZ 8004339-L	L.H. black-w/trailer air supply valve, w/air brakes, w/o front brake limiting valve	1
88/	LA-LTA900 -- w/tractor package	E7HZ 8004339-M	L.H.-silver-w/trailer air supply valve, w/air brakes, w/o front brake limiting valve	1
87/	L-LL-LN-LNT-LS-LT-LTL-LTS700/900 -- w/tractor package "From 4/87"	E7HZ 8004339-N	L.H. black-w/trailer air supply valve, w/air brakes, w/front brake limiting valve	1
88/	LA-LTA900 -- w/tractor package	E7HZ 8004339-P	L.H. silver-w/trailer air supply valve, w/air brakes, w/front brake limiting valve	1
87/	L-LL-LN-LNT-LS-LT-LTL-LTS700/900 -- w/hyd. brakes & A/T (XA-R7E) "From 4/87"	E7HZ 8004339-R	L.H.- black	1
		E7HZ 8004339-S	L.H.-silver	1
88/	LA-LTA900 -- w/hyd. brakes & A/T (XA-R7E)			1
87/	L-LL-LN-LNT-LS-LT-LTL-LTS700/900 -- w/hyd. brakes, A/T (XA-R7D) & 2 spd. rear axle "From 4/87"	E7HZ 8004339-T	L.H.- black	1
88/	LA-LTA900 -- w/hyd. brakes, A/T (XA-R7D) & 2 spd. rear axle	E7HZ 8004339-U	L.H.-silver	1
<b>04366 BRACKET (INSTRUMENT PANEL TO COWL SIDE)</b>				
80/86	B-F600/880	C7TZ 8104366-A		2
83/86	FT800/900			2
80/	L-LL-LN-LNT-LT-LTS600/900	D0HZ 8004366-A		1
82/	LA-LTA900, LTL900			1
87/	L-LL-LN-LNT-LT-LTL-LTS800/900	E7HZ 8004366-A	Cowl side extension	1
88/	LA-LTA900			
<b>04371 COVER (INSTRUMENT PANEL RADIO OPENING)- Paint to match</b>				
80/	C-CT600/900	D8HZ 6004371-A		1
80/86	CL-CLT900	D8HZ 9004371-A	Knob openings	2
80/84	CL-CLT900	E4HZ 9004371-A	Radio opening	1
82	L-LN-LNT-LT-LTL-LTS600/900 "Before 2/82"	E2HZ 8004371-A	Radio opening	1
82/	L-LL-LN-LNT-LS-LT-LTL-LTS600/900	E5HZ 8004371-A	Radio opening	1
88/	LA-LTA900			
87/89	LN-LNT800	E9HZ 9004371-A	Radio opening-black	1

1980/  
TRUCK SERIES 600/900

BODY SECTION 000 33

YEAR	MODEL/RESTRICTIONS	PART NUMBER	DESCRIPTION	QTY.
<b>043A73 PIN (INSTRUMENT PANEL FINISH PANEL LOCATING)</b>				
80/	CL-CLT900	D8HZ 90043A73-A		3
<b>043B80 PLATE (INSTRUMENT PANEL CONTROL MOUNTING)</b>				
80/	F600/800	E0TZ 60043B80-A		1
83/	FT800/900			1
<b>043A82 BRACKET (INSTRUMENT PANEL LOWER EXTENSION TO PILLAR)</b>				
80	CL-CLT900 "Before Ser. JD5,001"	★ D8HZ 90043A82-A	Not replaced	1
80/	CL-CLT900 "From Ser. JD5,001"	E0HZ 90043A82-A		1
<b>043A84 BRACKET (INSTRUMENT PANEL LOWER EXTENSION TO ENGINE COVER)</b>				
80/84	CL-CLT900	D8HZ 90043A84-A		1
<b>04388 MOULDING (INSTRUMENT PANEL LOWER) - Incl. attaching parts</b>				
80/86	F600/800 -- without A/C	E0TZ 6004388-A		1
83/86	FT800/900 -- without A/C			1
80/86	F600/800 -- A/C	E0TZ 6004388-B		1
83/86	FT800/900 -- A/C			1
<b>04400 PANEL (INSTRUMENT PANEL TRIM)</b>				
84/86	B-F-FT600/900,C-CT600/700 -- M/T, w/8.2L diesel	★ E1HZ 8004400-B	Not replaced	1
84/86	B-F-FT600/900,C-CT600/700 -- A/T, w/8.2L diesel	★ E1HZ 8004400-C	Not replaced	1
80/86	L-LN-LNT-LT-LTS600/900	379180-S2	(UU-81-C)-screw-pan head-No. 10-24 x 2 1/2"	1
81/83	LN-LNT600/900 -- diesel	★ E4HZ 8004400-B	Not replaced	1
80/83	L-LN-LNT-LT-LTL-LTS600/900 -- M/T and city delivery instrument panel	★ E1HZ 8004400-B	Not replaced	1
80/83	L-LN-LNT-LT-LTL-LTS600/900 -- A/T and city delivery instrument panel	★ E1HZ 8004400-C	Not replaced	1
84/86	LN-LNT600/900 -- diesel	★ E4HZ 8004400-A	Charcoal-not replaced	1
		★ E4HZ 8004400-B	Saddle/Tan-not replaced	1
84/86	L-LN-LNT-LT-LTL-LTS600/900 -- M/T and city delivery instrument panel	★ E4HZ 8004400-C	Charcoal-not replaced	1
		★ E4HZ 8004400-D	Saddle/Tan-not replaced	1
84/86	L-LN-LNT-LT-LTL-LTS600/900 -- A/T and city delivery instrument panel	★ E4HZ 8004400-E	Charcoal-not replaced	1
		★ E4HZ 8004400-F	Saddle/Tan-not replaced	1
84/86	L-LN800 -- fleet instrument panel	★ E4HZ 8004400-G	Saddle/Tan-not replaced	1
		★ E4HZ 8004400-H	Charcoal-not replaced	1
<b>044F08 COVER ASSY. (INSTRUMENT PANEL STEERING COLUMN OPENING)</b>				
80/83	CL-CLT900	★ D8HZ 90044F08-A	Burl walnut finish-not replaced	1
		★ D8HZ 90044F08-B	Bright finish-not replaced	1
		★ E0HZ 90044F08-A	Cocobola finish-not replaced	1
84/	CL-CLT900	E4HZ 90044F08-E	Black w/brushed aluminum insert	1
<b>044A10 PANEL (INSTRUMENT PANEL FINISH LOWER)</b>				
80/	CL-CLT900	D8HZ 90044A10-A	Black	1
		D8HZ 90044A10-B	Black-w/"GLOW PLUG" lettering	1
		D8HZ 90044A10-C	Black with bright bead	1
		D8HZ 90044A10-D	Black with bright bead and "GLOW PLUG" lettering	1
<b>044H20-1 SUPPORT (INSTRUMENT CLUSTER PRINTED CIRCUIT)</b>				
80/	CL-CLT900	D9HZ 90044H20-A	Lower	1
<b>044G22 BRACKET (INSTRUMENT PANEL LOWER EXTENSION TO FLOOR)</b>				
80/	CL-CLT900	D8HZ 90044G22-A		1
<b>044A26 COVER (AIR CONDITIONING CONTROL)</b>				
82/	CL-CLT900 -- 88", 110" BBC, w/o htr. or A/C in sleeper compt	E2HZ 90044A26-A		1
<b>04428 COVER (INSTRUMENT PANEL CLUSTER OPENING)</b>				
80/87	CL-CLT900 -- w/o clock	E4HZ 9004428-A	4 1/4" x 3 11/16"	1
88	CL-CLT900 -- w/non-locking differential			1
89	CL-CLT900 -- w/o heater mirrors			1
88/	CL-CLT900 -- w/single rear locking differential	E8HZ 9004428-A	w/hole for differential lockout switch	1

1980/  
TRUCK SERIES 600/900

YEAR	MODEL/RESTRICTIONS	PART NUMBER	DESCRIPTION	QTY.
<b>04428 COVER (INSTRUMENT PANEL CLUSTER OPENING) — Cont'd</b>				
80/86	L-LN-LNT-LT-LTS800/900 -- line haul instrument panel w/o clock	DOHZ 8004428-A		1
80/86	L-LN-LNT-LT-LTS800/900 -- T/M w/o oil temp. gauge			1
82/86	LTL900 -- w/o clock			1
80/86	L-LN-LNT-LT-LTS600/900 -- city delivery instrument panel w/o clock	DOHZ 8004428-B		1
87/	L-LA-LL-LN-LNT-LS-LT-LTA-LTL- LTS800/900 -- w/full instrument panel	F1HZ 8004428-E	Charcoal	1
		E8HZ 8004428-D	Chestnut	1
87/	L-LA-LL-LN-LNT-LS-LT-LTA-LTL- LTS700/900 -- w/fleet or city delivery instrument panel	E9HZ 8004428-A	Charcoal	1
		F0HZ 8004428-D	Chestnut	1
<b>044F28 STRIP (INSTRUMENT PANEL CLUSTER SIDE PAD RETAINER) - Paint to match</b>				
80/86	L-LN-LNT-LT-LTS800/900 -- line haul instrument panel	DOHZ 90044F28-A	R.H.-smooth finish	1
82/86	LTL900	DOHZ 90044F28-B	R.H.-textured finish	1
<b>044C32-3 BRACKET (INSTRUMENT PANEL TO COWL TOP INNER)</b>				
80/	L-LL-LN-LNT-LS-LT-LTS600/900 -- city delivery instrument panel	(RH) DOHZ 80044C32-A	(LH) DOHZ 80044C33-A	1
84/	L-LN800 -- fleet instrument panel			1
88/	LA-LTA900			1
84/86	L-LN-LNT-LT-LTL-LTS600/900 w/city delivery instrument panel and Cat. 320-8T or Det. diesel DDA990 engine	(RH) E4HZ 80044C32-A	(LH) E4HZ 80044C33-A	1
<b>04439 RETAINER (INSTRUMENT PANEL MOULDING)</b>				
80/86	C-CT600/900	B6A 7004439-A		10
<b>044C40 PANEL (INSTRUMENT PANEL CENTER)</b>				
84/86	L-LN800 -- fleet instrument panel	E4HZ 80044C40-A	Black	1
87	L-LL-LN-LNT-LS-LT-LTL-LTS800/900 "Before 4/87"	E7HZ 80044C40-A	Black	1
		E7HZ 80044C40-B	Silver	1
87/88	L-LL-LNT-LS-LT-LTL-LTS700/900 "From 4/87"	E7HZ 80044C40-C	Black	1
		E7HZ 80044C40-D	Silver	1
88	LA-LTA900			1
89	L-LA-LL-LN-LNT-LS-LT-LTA-LTL- LTS700/900 -- w/o locking differential	E9HZ 80044C40-A	Black	1
		E9HZ 80044C40-B	Silver	1
89	L-LA-LL-LN-LNT-LS-LT-LTA-LTL- LTS700/900 -- w/locking differential	E9HZ 80044C40-C	Black	1
		E9HZ 80044C40-D	Silver	1
<b>044F41 BRACKET (INSTRUMENT PANEL TO ENGINE COVER MOUNTING)</b>				
80/	CL-CLT900	D8HZ 90044F41-A		1
<b>044D42 PAD and RETAINER ASSY. (INSTRUMENT PANEL CLUSTER SIDE)</b>				
80/83	L-LN-LNT-LT-LTS600/900 -- city delivery instrument panel	D4HZ 80044D42-A	Tobacco	1
80/83	L-LN-LNT-LT-LTS600/900 -- line haul instrument panel	D4HZ 90044D42-A	Tobacco	1
80/83	L-LN-LNT-LT-LTS600/900 -- line haul instrument panel	★ D3HZ 90044D42-B	Teakwood grain-not replaced	1
82/86	LTL900	E1HZ 90044D42-A	Cocabolla wood grain	1
		E2HZ 90044D42-A	Caramel	1
		E2HZ 90044D42-B	Red	1
84	L-LN-LNT-LT-LTL-LTS800/900 -- fleet instrument panel and diesel "Before 2/84"	E2HZ 90044D42-A	Caramel	1
		E4HZ 90044D42-A	Black	1
84/86	L-LN-LNT-LT-LTL-LTS800 -- fleet instrument panel and diesel "From 2/84"	E4HZ 90044D42-A	Black	1
84/86	L-LN-LNT-LT-LTL-LTS900 -- diesel "From 2/84"	E4HZ 90044D42-B	Black w/walnut woodgrain	1

1980/  
TRUCK SERIES 600/900

BODY SECTION 000 35

YEAR	MODEL/RESTRICTIONS	PART NUMBER	DESCRIPTION	QTY.
<b>044D42 PAD and RETAINER ASSY. (INSTRUMENT PANEL CLUSTER SIDE) — Cont'd</b>				
84/86	L-LN-LNT-LT-LTL-LTS600/900 -- fleet instrument panel, gas and Cat. 3208 SRS	E4HZ 80044D42-A	Black	1
<b>044E44 SUPPORT ASSY. (INSTRUMENT PANEL PAD)</b>				
80/	F600/800	E0TZ 10044E44-A		1
83/	FT800/900			1
<b>044F46 COVER ASSY. (INSTRUMENT PANEL RELAY ACCESS)</b>				
80/	CL-CLT900	D8HZ 90044F46-A	Paint to match	1
<b>044F48 BRACE (INSTRUMENT PANEL TO DASH)</b>				
80/	F600/800 -- without A/C	E0TZ 10044F48-A		1
83/	FT800/900 -- without A/C			1
80/	F600/800 -- A/C	E0TZ 10044F48-B		1
83/	FT800/900 -- with A/C			1
80/84	L-LN-LNT-LT-LTS800/900 -- line haul instrument panel	D0HZ 90044F48-A		1
82/84	LTL900			1
<b>044B50-1 BRACKET (INSTRUMENT PANEL TO FRONT BODY PILLAR)</b>				
80/	CL-CLT900	(RH) D8HZ 90044B50-A	(LH) D8HZ 90044B51-A	1
<b>044F50 HOUSING ASSY. (INSTRUMENT PANEL RELAY ACCESS COVER)</b>				
80/	CL-CLT900	D8HZ 90044F50-A		1
<b>044F58 COVER (INSTRUMENT PANEL CONTROL OPENING)</b>				
80/83	F600/800 -- w/split hydraulic air brakes	E0TZ 60044F58-A		1
83	FT800 -- w/split hydraulic air brakes			1
84/	F600/800,FT800/900 -- w/air brakes			1
84/	F600/800,FT800/900 -- w/hydraulic brake system	E4HZ 60044F58-A		1
80/86	L-LN-LNT-LT-LTS600/900 -- air brakes, air limiting valve and integral A/C	D4HZ 80044F58-A		1
82/86	LTL900			1
85/86	L-LN-LNT-LTL-LTS600/900 -- w/hydraulic brakes			2
<b>04459 PLATE (INSTRUMENT PANEL STEERING COLUMN FINISH LOWER)</b>				
80/	CL-CLT900	D8HZ 9004459-A	Paint to match	1
80	F600/800 "Before Ser. HD5.001"	E0TZ 6004459-A		1
80/	F600/800,FT800/900	E3TZ 6004459-A	Paint to match	1
85/86	L-LN-LNT-LT-LTL-LTS600/900 -- w/hydraulic brakes			2
<b>04460 PLATE (INSTRUMENT PANEL GLOVE COMPARTMENT DOOR NAME) - Incl. attaching parts</b>				
80/86	F600/800	★ E0TZ 6004460-A	"Ford"--not replaced	1
83/86	FT800/900			1
80/86	F600/800	★ E0TZ 6004460-B	"Custom"--not replaced	1
83/86	FT800/900			1
<b>044C60 COVER (INSTRUMENT PANEL FINISH PANEL UPPER)</b>				
80/	CL-CLT900	D8HZ 90044C60-A	Paint to match	1
<b>044E64 COVER (INSTRUMENT PANEL AIR BRAKE CONTROL OPENING) - Incl. attaching parts</b>				
80/	CL-CLT900	D8HZ 90044E64-A	Paint to match	1
80/86	L-LN-LNT-LT-LTS600/900 -- air brakes, air limiting valve and integral A/C	D0HZ 80044E64-A	Black	1
82/86	LTL900			1
85/86	L-LN-LNT-LTL-LTS600/900 -- w/hydraulic brakes			1
<b>04465 PLATE (INSTRUMENT PANEL CONTROL NAME)</b>				
80/86	L-LN-LNT-LT-LTS600/900 -- w/unitized tractor pkg.	D9HZ 9004465-A		1
82/	LTL900			1

OCTOBER, 1993

COPYRIGHT © 1993—

FORD MOTOR  
COMPANY

—DEARBORN, MICHIGAN

FINAL ISSUE

1980/  
TRUCK SERIES 600/900

YEAR	MODEL/RESTRICTIONS	PART NUMBER	DESCRIPTION	QTY.
<b>04465 PLATE (INSTRUMENT PANEL CONTROL NAME) — Cont'd</b>				
84/88	L-LL-LN-LNT-LS-LT-LTL-LTS600/900 -- w/fleet instr. panel LA-LTA900	★ E4HZ 9104465-A	"Radio" -- "12V-negative" -- r/b E9HZ 9104465-A	1
88				1
87/	L-LL-LN-LNT-LS-LT-LTL-LTS800 -- w/A/T and 2 speed axle LA-LTA900	E7HZ 9104465-A	Black "Rear Axle Shift"	1
88/				1
89	L-LA-LL-LN-LNT-LS-LT-LTA-LTL-LTS700/900	E9HZ 9104465-A	"Radio" -- "12V-negative"	1
<b>044D70 PANEL ASSY. (INSTRUMENT PANEL CLUSTER OPENING FINISH)</b>				
80	B-F600/800 -- without A/C and w/o control	E0TZ 60044D70-A	Center-black w/meshweave	1
80	F600/800 -- without A/C and w/control	★ E0TZ 60044D70-B	Center-black w/meshweave-not replaced	1
80	F600/800 -- without A/C and w/o control	★ E0TZ 60044D70-C	Center-brushed aluminum-not replaced	1
80	F600/800 -- A/C and w/o control	★ E0TZ 60044D70-D	Center-brushed aluminum-not replaced	1
80	F600/800 -- without A/C and w/control	★ E0TZ 60044D70-E	Center-brushed aluminum-not replaced	1
80	F600/800 -- A/C and w/control	★ E0TZ 60044D70-F	Center-brushed aluminum-not replaced	1
81/83	B-F600/800 -- without A/C and w/o control	E1TZ 60044D70-A	Center-black w/meshweave	1
83	FT800 -- without A/C and w/o control			1
81/83	F600/800 -- without A/C and w/control	E1TZ 60044D70-B	Center-black w/meshweave	1
83	FT800 -- without A/C and w/control			1
81/83	F600/800 -- without A/C and w/o control	★ E1TZ 60044D70-C	Center-brushed aluminum-not replaced	1
83	FT800 -- without A/C and w/o control			1
81/83	F600/800 -- A/C and w/o control	★ E1TZ 60044D70-D	Center-brushed aluminum-not replaced	1
83	FT800 -- A/C and w/o control			1
81/83	F600/800 -- A/C and w/control	★ E1TZ 60044D70-E	Center-brushed aluminum-not replaced	1
83	FT800 -- A/C and w/control			1
81/83	F600/800 -- A/C and w/control and parking brake lever	★ E1TZ 60044D70-F	Center-brushed aluminum-not replaced	1
83	FT800 -- A/C and w/control and parking brake lever			1
81/83	F600/800 -- A/C and w/o control with hyd. brakes	★ E1TZ 60044D70-G	Center-black w/ meshweave-not replaced	1
83	FT800 -- A/C and w/o control with hyd. brakes			1
81/83	F600/800 -- A/C and with control and air brakes	★ E1TZ 60044D70-H	Center-black w/ meshweave-not replaced	1
83	FT800 -- A/C and w/control and air brakes			1
84	F600/800, FT800/900 -- w/o A/C, w/control, w/hydraulic brakes	E4HZ 60044D70-A	Center-black w/meshweave-with parking brake warning lens	1
84	F600/800, FT800/900 -- w/A/C, w/control, w/hydraulic brakes	★ E4HZ 60044D70-B	Center-black w/meshweave-with parking brake warning lens-not replaced	1
84	F600/800, FT800/900 -- w/o A/C, w/control, w/hydraulic brakes	★ E4HZ 60044D70-C	Center-brushed aluminum-with parking brake warning lens-not replaced	1
84	F600/800, FT800/900 -- w/A/C, w/control, w/hydraulic brakes	★ E4HZ 60044D70-D	Center-brushed aluminum-with parking brake warning lens-not replaced	1
85/86	F600/800, FT800/900 -- w/o A/C	E6HZ 60044D70-C	Center-brushed aluminum	1
85/86	F600/800, FT800/900 -- w/A/C	E6HZ 60044D70-D	Center-brushed aluminum	1
87/89	F600/800, FT800/900 -- w/A/C	E9HZ 60044D70-A	Center-brushed gray	1
87/89	F600/800, FT800/900 -- w/o A/C	E9HZ 60044D70-B	Center-brushed gray	1
85/89	F600/800, FT800/900 -- w/A/C	E9HZ 60044D70-C	Center-black w/meshweave	1
85/89	F600/800, FT800/900 -- w/o A/C	E9HZ 60044D70-D	Center-black w/meshweave	1
80/	F600/800 -- w/o radio	E0TZ 60044D70-N	R.H.-black w/meshweave-cut holes as required	1
83/	FT800/900 -- w/o radio			1



1980/  
TRUCK SERIES 600/900

BODY SECTION 000 37

YEAR	MODEL/RESTRICTIONS	PART NUMBER	DESCRIPTION	QTY.
<b>044D70 PANEL ASSY. (INSTRUMENT PANEL CLUSTER OPENING FINISH) — Cont'd</b>				
80/86	F600/800 -- w/radio	E0TZ 60044D70-R	R.H.-black w/meshweave-cut holes as required	1
83/86	FT800/900 -- w/radio			1
80/86	F600/800 -- w/o radio	E0TZ 60044D70-S	R.H.-brushed aluminum-cut holes as required	1
83/86	FT800/900 -- w/o radio			1
80/86	F600/800 -- w/radio	E0TZ 60044D70-T	R.H.-brushed aluminum-cut holes as required	1
83/86	FT800/900 -- w/radio			1
87/	F600/800,FT800/900 -- w/radio	E7HZ 60044D70-A	R.H.-black w/meshweave-cut holes as required	1
87/	F600/800,FT800/900 -- w/radio	E7HZ 60044D70-B	R.H.-brushed gray-cut holes as required	1
87/	F600/800,FT800/900 -- w/o radio	E9HZ 60044D70-E	R.H.-brushed gray-cut holes as required	1
86/	CF600/800	E6HZ 60044D70-A		1
<b>044B72 BRACE (INSTRUMENT PANEL TO DASH)</b>				
80/	B-F600/800(84)	E0TZ 60044B72-A		1
<b>04474 PANEL (INSTRUMENT PANEL AIR CONDITIONER OPENING COVER)</b>				
80/86	L-LL-LN-LNT-LS-LT-LTS600/900	★ D0HZ 8004474-A	Incl. opening for warning indicator and gauges--not replaced	1
82/86	LTL900			1
80/83	CL-CLT900	★ E3HZ 9004474-A	Bright-r/b E6HZ 6004474-A	1
		★ E3HZ 9004474-B	Walnut-not replaced	1
		★ E3HZ 9004474-C	Cocabolla-not replaced	1
84/86	CL-CLT900 "Before 2/86"	E4HZ 9004474-A	Cocabolla	1
		★ E4HZ 9004474-B	Brushed aluminum-r/b E6HZ 6004474-A	1
		E4HZ 9004474-C	Black	1
86/	CL-CLT900 "From 2/86"	E4HZ 9004474-A	Cocabolla	1
		E4HZ 9004474-C	Black	1
		E6HZ 6004474-A	Brushed aluminum	1
<b>04477 PLATE (INSTRUMENT PANEL HEATER CONTROL OPENING)</b>				
80/	CL-CLT900	E4HZ 9004477-A	Black	1
<b>044E80 CATCH ASSY. (CIRCUIT BREAKER DOOR)</b>				
80/	CL-CLT900	D8HZ 90044E80-A		1
<b>044D82 COVER (INSTRUMENT PANEL ACCESS HOLE)</b>				
80/	CL-CLT900	E1HZ 90044D82-A		1
<b>044B94 SUPPORT ASSY. (INSTRUMENT PANEL RADIO)</b>				
80/	CL-CLT900	D8HZ 90044B94-A		1
<b>045D04 HINGE ASSY. (INSTRUMENT CLUSTER)</b>				
80/86	L-LL-LN-LNT-LS-LT-LTS800/900 -- Cat. diesel	D0HZ 90045D04-A		1
82/86	LTL900			1
<b>045F10 BRACKET (INSTRUMENT PANEL BRACE)</b>				
84/86	L-LL-LN-LNT-LS-LT-LTL-LTS600/900 -- w/hydraulic brakes and city delivery instrument panel	★ E4HZ 80045F10-A	Not replaced	1
84/86	L-LL-LN-LNT-LS-LT-LTL-LTS600/900 -- w/fleet instrument panel and Cat 320-8T or Det. Dsl. DDA990 engine	E4HZ 80045F10-B		1
<b>045D12 PANEL (INSTRUMENT PANEL CONTROL MOUNTING)</b>				
80/	F600/800(81)	E0TZ 60045D12-A		1
83/	FT800/900			1
<b>045E12 PLATE ASSY. (INSTRUMENT PANEL STEERING COLUMN OPENING COVER FINISH)</b>				
80	F600/800(81) "Before Ser. HD5,001"	★ E0TZ 60045E12-A	R/b E0TZ 60045E12-C	1
80/	F600/800(81) "From Ser. HD5,001"	E0TZ 60045E12-B	Painted finish	1
80/	F600/800(81) "From Ser. HD5,001"	E0TZ 60045E12-C	Bright finish	1
83/	FT800/900 -- w/air brakes	E3TZ 60045E12-A		1
83/	FT800/900 -- w/hydraulic brakes	E3TZ 60045E12-B		1
<b>045B14 REINFORCEMENT (INSTRUMENT PANEL ASSIST HANDLE)</b>				
86/	CF-CFT600/800	E6HZ 60045B14-A		4
<b>045B15-6 HANDLE (PASSENGER ASSIST)</b>				
86/	CF-CFT600/800	(RH) E7HZ 60045B15-A	(LH) E7HZ 60045B15-A	1
<b>045E16 CLIP (INSTRUMENT PANEL CIRCUIT BREAKER ACCESS PANEL CATCH)</b>				
80/	CL-CLT900	D8HZ 90045E16-A		1

OCTOBER, 1993

COPYRIGHT © 1993-

FORD MOTOR  
COMPANY

—DEARBORN, MICHIGAN

FINAL ISSUE

1980/  
TRUCK SERIES 600/900

YEAR	MODEL/RESTRICTIONS	PART NUMBER	DESCRIPTION	QTY.
<b>045D30 REINFORCEMENT (INSTRUMENT PANEL CLUSTER OPENING)</b>				
80/86	F600/800	E0TZ 10045D30-A		1
83/86	FT800/900			1
<b>045A32 SPACER (INSTRUMENT PANEL END LOWER)</b>				
86/	CF-CFT600/800	E6HZ 60045A32-A	Round	4
		E6HZ 60045A32-B	Rectangular	1
<b>045A36 CONSOLE ASSY. (INSTRUMENT PANEL)</b>				
86/	CF-CFT600/800	E6HZ 60045A36-A		1
<b>045C38 PANEL (INSTRUMENT PANEL APPLIQUE)</b>				
80/86	C-CT600/900	D5HZ 60045C38-A	Incl. (1) 5/64" slot	1
		D5HZ 60045C38-B	6 3/4" x 7" long	1
		D5HZ 60045C38-C	9 1/2" long	1
<b>045D40 GROMMET (INSTRUMENT PANEL HAND BRAKE OPENING)</b>				
80/84	C-CT600/900 -- w/Orschelon brake	★ C5TZ 91045D40-A	Black-not replaced	1
<b>04542 BRACKET (INSTRUMENT PANEL FLASHER MOUNT)</b>				
80/	CL-CLT900	D8HZ 9004542-A		1
<b>045D42 PLATE (INSTRUMENT PANEL HAND BRAKE OPENING COVER)</b>				
80/84	C-CT600/900 -- w/o Orschelon brake	★ D4HZ 60045D42-A	Not replaced	1
<b>04545 REINFORCEMENT (INSTRUMENT PANEL)</b>				
86/	CF-CFT600/800	E6HZ 6004545-A		1
<b>04551 REINFORCEMENT (INSTRUMENT PANEL TO DASH)</b>				
80/81	L-LN-LNT-LT-LTS800900 -- line haul instrument panel "Before 2/81"	★ D0HZ 9004551-A	Not replaced	1
81/86	L-LL-LN-LNT-LS-LT-LTL-LTS600/900	E4HZ 9004551-A		1
87/	L-LL-LN-LNT-LS-LT-LTL-LTS800/900	E7HZ 9004551-A		1
88/	LA-LTA900			1
<b>045C54 BRACE (INSTRUMENT PANEL LOWER FLANGE REINFORCEMENT)</b>				
80/	F600/800	E0TZ 10045C54-A		1
83/	FT800/900			1
<b>045F56 INSERT (INSTRUMENT PANEL CLUSTER OPENING FINISH PANEL)</b>				
80/	CL-CLT900	D8HZ 90045F56-A	1 1/16" long	6
		D8HZ 90045F56-B	3 5/16" long	3
		D8HZ 90045F56-C	6 9/16" long	1
<b>045D62 DOOR (INSTRUMENT PANEL CIRCUIT BREAKER PANEL)</b>				
80/	CL-CLT900	E4HZ 90045D62-A	Paint to match	1
<b>045A64-5 PLATE (INSTRUMENT PANEL END)</b>				
86/	CF-CFT600/800	(RH) E6HZ 60045A64-A	(LH) E6HZ 60045A65-A	1
<b>04576 BRACE (INSTRUMENT PANEL TO BRAKE PEDAL BRACKET)</b>				
80/	B-F600/800(84)	E0TZ 6004576-A		1
<b>045C91 PANEL (INSTRUMENT PANEL CLUSTER OPENING FINISH)</b>				
80/86	L-LN-LNT-LT-LTS600/900		R.H.-refer to group 045C84 in Soft Trim Section	
82/86	LTL900		R.H.-refer to group 045C84 in Soft Trim Section	
80/84	L-LN-LNT-LT-LTS600/900 "Before 2/84"	★ D3HZ 80045C91-A	L.H.-not replaced	1
82/84	LTL900 "Before 2/84"			1
84	L-LN-LNT-LT-LTL-LTS800 -- w/line haul instr. pnl. "From 2/84"			1
84	LN-LNT600/700 -- w/line haul instr. pnl. "From 2/84"			1
84/86	L-LL-LN-LNT-LS-LT-LTL-LTS600/900 -- w/o A/C, w/fleet instr. panel	★ E4HZ 80045C91-A	Charcoal-not replaced	1
		★ E4HZ 80045C91-B	Saddle/Tan-not replaced	1
84/86	L-LL-LN-LNT-LS-LT-LTL-LTS600/900 -- w/A/C, w/fleet instr. panel	★ E4HZ 80045C91-C	Charcoal-not replaced	1
		★ E4HZ 80045C91-D	Saddle/Tan-not replaced	1
<b>045F94-5 RETAINER (INSTRUMENT PANEL STEERING COLUMN FINISH)</b>				
80/	CL-CLT900	(RH) D8HZ 90045F94-A	(LH) D8HZ 90045F95-A	1
<b>04597 EXTENSION (INSTRUMENT PANEL CENTER)</b>				
80/	L-LL-LN-LNT-LS-LT-LTL-LTS600/900	E4HZ 8004597-A		1
88/	LA-LTA900			1

1980/  
TRUCK SERIES 600/900

YEAR	MODEL/RESTRICTIONS	PART NUMBER	DESCRIPTION	QTY.
<b>046A04 BEZEL (INSTRUMENT PANEL CONTROL OPENING)</b>				
88/	CL-CLT900 -- w/locking differential	E8HZ 90046A04-A		1
83/	F600/800	E3TZ 60046A04-A		1
88/	L-LA-LL-LN-LNT-LS-LT-LTA-LTL-LTS700-900 -- w/locking differential	E8HZ 70046A04-A		1
<b>04644-5 EXTENSION (INSTRUMENT PANEL LOWER)</b>				
86/	CF-CFT600/800 -- w/ether start and manual handle throttle	E6HZ 6004644-A	R.H.-two holes	1
86/	CF-CFT600/800 -- w/o ether start, w/manual handle throttle	E6HZ 6004644-B	R.H.-one hole	1
86/	CF-CFT600/800 -- w/o ether start or manual handle throttle	E6HZ 6004644-C	R.H.-no holes	1
86/87	CF-CFT600/800 -- w/parking brake valve and tractor protection valve	E6HZ 6004645-A	L.H.-three holes	1
86/87	CF-CFT600/800 -- w/parking brake valve, w/o tractor protection valve	E6HZ 6004645-B	L.H.-one hole	1
86/	CF-CFT600/800 -- w/o parking brake valve or tractor protection valve	E6HZ 6004645-C	L.H.-no holes	1
88/	CF-CFT600/800 -- w/parking brake valve and tractor protection valve	E8HZ 6004645-A		1
88/	CF-CFT600/800 -- w/parking brake valve, w/o tractor protection valve	E8HZ 6004645-B		1
80	CL-CLT900 "Before Ser. JD5,001" (RH) ★	D8HZ 9004644-A Not replaced	(LH) D8HZ 9004645-A	Paint to match 1
80/	CL-CLT900 "From Ser. JD5,001" (RH)	E0HZ 9004644-A	(LH) D8HZ 9004645-A	Paint to match 1
<b>04648 COVER (CIGAR LIGHTER OPENING)</b>				
80/	L-LL-LN-LNT-LS-LT-LTS600/900	D0HZ 8004648-A	Instrument panel	1
82/	LTL900			1
88/	LA-LTA900			1
80/84	CL-CLT900 -- 88",110" BBC	D5UZ 1104648-A	Sleeping compartment	1
<b>04663 COVER (INSTRUMENT PANEL CENTER OPENING)</b>				
80/	C-CT600/900	D0HZ 8004663-A	Choke	1
80/	C-CT600/900		Heater	2
80/	F600/800 -- diesel		Choke	1
83/	FT800/900 -- diesel		Choke	1
88/	B-F600/800,FT800/900 -- w/FNH diesel		Throttle plate	1
80/86	L-LN-LNT-LT-LTS600/900 -- diesel		Choke	1
82/86	LTL900		Choke	1
80/	F600/800 -- w/o hand throttle	D0EZ 5004663-A		1
83/86	FT800/900			1
80/86	L-LN-LNT-LT-LTS600/900 -- gas		Choke	1
87/88	L-LL-LN-LNT-LS-LT-LTL-LTS800/900 "Before 6/88"	E7HZ 8004663-A	Choke	1
88/	L-LA-LL-LN-LNT-LS-LT-LTA-LTL-LTS800/900 "From 6/88"	E8HZ 8004663-A	Choke	1
<b>04680-1 COVER ASSY. (INSTRUMENT CLUSTER TRIM)</b>				
80	CL-CLT900	(RH) ★ E1HZ 9004680-A Not replaced	(LH) ★ D9HZ 9004681-A Not replaced	Paint to match 1
80	CL-CLT900	(RH) ★ D8HZ 9004680-B Not replaced	(LH) ★ D8HZ 9004681-B Not replaced	Blue with bright finish 1
		(RH) ★ E0HZ 9004680-B Not replaced	(LH) ★ E0HZ 9004681-B Not replaced	Caramel with bright finish 1
		(RH) ★ D8HZ 9004680-C Not replaced	(LH) ★ D8HZ 9004681-C Not replaced	Chamois with bright finish 1
		(RH) ★ D8HZ 9004680-D Not replaced	(LH) D8HZ 9004681-D	Red with bright finish 1
		(RH) ★ E1HZ 9004680-E Not replaced	(LH) ★ E0HZ 9004681-A Not replaced	Tan/saddle 1

1980/  
TRUCK SERIES 600/900

YEAR	MODEL/RESTRICTIONS	PART NUMBER	DESCRIPTION	QTY.
<b>04680-1 COVER ASSY. (INSTRUMENT CLUSTER TRIM) — Cont'd</b>				
81/83	CL-CLT900	(RH) ★ E1HZ 9004680-A Not replaced	(LH) D9HZ 9004681-A Saddle Not replaced	1
		(RH) ★ E1HZ 9004680-B Not replaced	(LH) ★ D8HZ 9004681-B Blue Not replaced	1
		(RH) ★ E1HZ 9004680-C Not replaced	(LH) ★ E0HZ 9004681-B Caramel Not replaced	1
		(RH) ★ E1HZ 9004680-D Not replaced	(LH) ★ D8HZ 9004681-D Red Not replaced	1
		(RH) ★ E1HZ 9004680-E Not replaced	(LH) ★ E0HZ 9004681-A Tan/saddle Not replaced	1
84/86	CL-CLT900 "Before 2/86"	(RH) ★ E1HZ 9004680-E Not replaced	(LH) ★ E0HZ 9004681-A Tan/saddle Not replaced	1
		(RH) ★ E4HZ 9004680-A Not replaced	(LH) ★ E4HZ 9004681-A Black Not replaced	1
		(RH) ★ E4HZ 9004680-B Not replaced	(LH) ★ E4HZ 9004681-B Caramel Not replaced	1
		(RH) ★ E4HZ 9004680-C Not replaced	(LH) ★ E4HZ 9004681-C Charcoal Not replaced	1
86	CL-CLT900 "From 2/86"	(RH) ★ E1HZ 9004680-E Not replaced	(LH) ★ E0HZ 9004681-A Tan/saddle Not replaced	1
		(RH) ★ E4HZ 9004680-A Not replaced	(LH) ★ E4HZ 9004681-A Black Not replaced	1
		(RH) ★ E6HZ 9004680-A Not replaced	(LH) ★ E6HZ 9004681-A Caramel Not replaced	1
		(RH) ★ E6HZ 9004680-B Not replaced	(LH) ★ E6HZ 9004681-B Charcoal Not replaced	1
87/88	CL-CLT900	(RH) E8HZ 9004680-A	(LH) ★ E4HZ 9004681-A Black Not replaced	1
		(RH) E8HZ 9004680-B	(LH) E6HZ 9004681-B Charcoal	1
		(RH) E8HZ 9004680-C	(LH) E7HZ 9004681-A Chestnut	1
		(RH) E8HZ 9004680-D	(LH) E7HZ 9004681-B Tan/chestnut	1
89	CL-CLT900	(RH) E9HZ 9004680-D	(LH) ★ E4HZ 9004681-A Black Not replaced	1
		(RH) E9HZ 9004680-A	(LH) E6HZ 9004681-B Charcoal	1
		(RH) E9HZ 9004680-B	(LH) E7HZ 9004681-A Chestnut	1
		(RH) E9HZ 9004680-C	(LH) E7HZ 9004681-B Tan/chestnut	1
<b>04810 RECEPTACLE (INSTRUMENT PANEL ASH)</b>				
80/	B-F600/800(84)	C7TZ 9604810-A	Paint to match	1
80/	C-CT600/900	B7C 8104810-AP		1
86/	CF-CFT600/800	E7HZ 6004810-B		1
80/	F600/800(81)	E0TZ 1004810-B		1
83/	FT800/900			1
80/86	L-LL-LN-LNT-LS-LT-LTS600/900 -- city delivery instrument panel	D0HZ 8004810-A		1
80/86	L-LL-LN-LNT-LS-LT-LTS800/900(81B)			1
82/86	LTL900			1
84/86	L-LN800 -- fleet instrument panel			1
80/86	L-LL-LN-LNT-LS-LT-LTS800/900(81A)	D5HZ 9004810-A		1
82/86	LTL900			1
84/86	L-LN800 -- fleet instrument panel			1
87/	L-LA-LL-LN-LNT-LS-LT-LTA-LTL-- LTS800/900	E8HZ 8004810-A	Charcoal	1
		E8HZ 8004810-B	Chestnut	1
80/	CL-CLT900		Refer to group 30702	
<b>04826 RETAINER (INSTRUMENT PANEL ASH RECEPTACLE)</b>				
80/	C-CT600/900	B7C 8104826-A		1
87/	L-LA-LL-LN-LNT-LS-LT-LTA-LTL-- LTS800/900	E8HZ 8004826-A		1
<b>048B28 HOUSING ASSY. (INSTRUMENT PANEL ASH RECEPTACLE)</b>				
80/	CL-CLT900	D8HZ 90048B28-A	Paint to match	1

1980/  
TRUCK SERIES 600/900

YEAR	MODEL/RESTRICTIONS	PART NUMBER	DESCRIPTION	QTY.
<b>048C28 HOUSING (INSTRUMENT PANEL CUP HOLDER)</b>				
80/	CL-CLT900	D8HZ 90048C28-A	Paint to match	1
<b>048B42 RETAINER (INSTRUMENT PANEL ASH RECEPTACLE HOUSING BRACKET)</b>				
80/	CL-CLT900	D8HZ 90048B42-A		1
<b>04857 BRACKET (INSTRUMENT PANEL ASH RECEPTACLE HOUSING)</b>				
80/	CL-CLT900	D8HZ 9004857-A		1
<b>04878 CLIP (INSTRUMENT PANEL MOULDING)</b>				
80/	C-CT600/900	D4KZ 6004878-A		3
<b>060A08 CABLE ASSY. (GLOVE COMPARTMENT DOOR CHECK)</b>				
80/	CL-CLT900	C7TZ 81060A08-B	4 13/32" long	1
		379203-S2	(UU-81-M)-screw-shoulder head-No. 8-18 x 1/2"	1
		377696-S	(CG-213-B)-clip	1
80/	F600/800	E0TZ 10060A08-A		2
83/	FT800/900			2
<b>06010 COMPARTMENT (GLOVE)</b>				
80/	B600/800	E0TZ 8406010-A	Instrument panel	1
80/	C-CT600/900	C1TZ 9106010-A	Instrument panel	1
86/	CF-CFT600/800	E6HZ 6006010-A	Large	1
		E6HZ 6006010-B	Small	1
80/85	F600/800 -- A/C	"Before 2/85"	E0TZ 1006010-A	Instrument panel
83/85	FT800 -- A/C	"Before 2/85"		Instrument panel
80/85	F600/800 -- without A/C	"Before 2/85"	E0TZ 1006010-B	Instrument panel
83/85	FT800 -- without A/C	"Before 2/85"		Instrument panel
85/	F600/800,FT800/900 -- without A/C or high output heater	"From 2/85"	E5TZ 1506010-A	Instrument panel
85/	F600/800,FT800/900 -- with A/C or high output heater	"From 2/85"	E5TZ 1506010-B	Instrument panel
80/	L-LL-LN-LNT-LS-LT-LTS600/900	D6HZ 8006010-A	Under full width seat	1
82/	LTL900			1
88/	LA-LTA900			1
80/	C-CT600/900	*56920-S2	Screw-washer head-No. 8-18 x 1/2"	7
<b>06024 DOOR (GLOVE COMPARTMENT)-Paint to match</b>				
80/	C-CT600/900	C3TZ 9106024-A	Instrument panel	1
86/	CF-CFT600/800	E6HZ 6006024-A		1
80/	F600/800,FT800/900	E6TZ 1506024-A	Instrument panel	1
80/	L-LL-LN-LNT-LS-LT-LTS600/900	D0HZ 8006024-A	Under driver seat	1
82/	LTL900			1
88/	LA-LTA900			1
80/	F600/880	*353951-S	Bumper	1
83/	FT800/900			1
<b>06050-1 HINGE (GLOVE COMPARTMENT DOOR)</b>				
86/	CF-CFT600/800	(RH) E6HZ 6006050-A	(LH) E6HZ 6006051-A	1
80/	F600/800	E0TZ 1006050-A		1
83/	FT800/900			1
<b>06064 CATCH (COMPARTMENT DOOR LATCH)</b>				
86/	CF-CFT600/800	E6HZ 6006064-A		1
80/	F600/800	E1FZ 6106064-A		1
83/	FT800/900			1
<b>06072 LATCH (INSTRUMENT PANEL GLOVE COMPARTMENT DOOR)</b>				
80/	F600/800	E0TZ 1006072-A	Non-locking	1
81/	F600/800	E1FZ 6106072-A	Non-locking	1
83/	FT800/900			1
<b>06081 Refer to group 22050</b>				

1980/  
TRUCK SERIES 600/900

YEAR	MODEL/RESTRICTIONS	PART NUMBER	DESCRIPTION	QTY.
	06088	RETAINER (GLOVE COMPARTMENT DOOR LOCK)		
80/	F600/800	D8BZ 5406088-B		1or2
83/	FT800/900			1or2
	06112-3	SPRING (INSTRUMENT PANEL GLOVE COMPARTMENT DOOR ASSIST)		
80/	C-CT600/900	(RH) B7C 8106112-A	(LH) B7C 8106113-A	1
	06164	KNOB (INSTRUMENT PANEL GLOVE COMPARTMENT DOOR)		
80/	C-CT600/900	D3KZ 6006164-A		1
	061A90	LATCH KIT (FRONT SEAT SUPPORT GLOVE COMPARTMENT DOOR)		
80/	L-LN-LNT-LT-LTS600/900	DOHZ 80061A90-A	Incl. knob, washers, clips, pawl and nut	1
82/	LTL900			1
88/	LA-LTA900			1

1980/  
TRUCK SERIES 600/900

YEAR	MODEL/RESTRICTIONS	PART NUMBER	DESCRIPTION	QTY.
<b>100K31-2 REINFORCEMENT (BODY ROCKER PANEL)</b>				
86/	CF-CFT600/800	(RH) E6HZ 60100K31-A (LH) E6HZ 60100K32-A		1
<b>10034 PLUG (FLOOR PAN SEAT BELT ANCHOR OPENING)</b>				
80/	C-CT-L-LN-LNT-LT-LTS600/900	C2AZ 6210034-A		4
80/	F700/800 -- w/o Bostrom passenger seat			2
83/	FT800/900 -- w/o Bostrom passenger seat			2
<b>10066 EXTENSION (FLOOR SIDE INNER MEMBER)</b>				
80/85	CL-CLT900 "Before 5/85"	D8HZ 9010066-A	R.H. and L.H.	2
85/	CL-CLT900 "From 5/85"	(RH) D8HZ 9010066-A E5HZ 9010066-B	(LH) E5HZ 9010066-A Rear L.H. front	1
<b>101B02 REINFORCEMENT (FLOOR SIDE MEMBER INNER REAR)</b>				
80/85	CL-CLT900 "Before 5/85"	D8HZ 90101B02-A	R.H. and L.H.	2
<b>10110-1 MEMBER (FLOOR SIDE INNER)</b>				
80/83	CL-CLT900 -- 54" BBC	(RH) ★ D8HZ 9010110-A Not replaced	(LH) ★ D8HZ 9010111 -A Not replaced	1
80/88	CL-CLT900 -- 64" BBC	(RH) D8HZ 9010110-B	(LH) ★ D8HZ 9010111-B r/bE9HZ 9010111-A	1
80/83	CL-CLT900 -- 76" BBC	(RH) ★ D8HZ 9010110-C Not replaced	(LH) D8HZ 9010111-C	1
80/88	CL-CLT900 -- 88" BBC	(RH) E5HZ 9010110-A	(LH) E5HZ 9010111-A	1
80/88	CL-CLT900 -- 110" BBC	(RH) E5HZ 9010110-B	(LH) E5HZ 9010111-B	1
89	CL-CLT900 -- 64" BBC	(RH) E5HZ 9010110-A	(LH) E9HZ 9010111-A	1
89	CL-CLT900 -- 88" BBC	(RH) E5HZ 9010110-B	(LH) E9HZ 9010111-B	1
89	CL-CLT900 -- 110" BBC	(RH) E5HZ 9010110-B	(LH) E9HZ 9010111-C	1
80/	F600/800	(RH) E7HZ 6010110-A	(LH) E7HZ 6010111-A	1
80/88	L-LL-LN-LNT-LS-LT-LTS 600/900 "Before 3/88"	(RH) ★ D5HZ 8010110-A r/bE8HZ 8010110-A	(LH) D5HZ 8010111-A	1
82/88	LTL900 "Before 3/88"			1
88	LA-LTA900 "Before 3/88"			1
88/	L-LA-LN-LNT-LS-LT-LTA-LTL-LTS 700/900 "From 12/87"	(RH) E8HZ 8010110-A	(LH) E8HZ 8010111-A	1
<b>10120-1 MEMBER (FLOOR SIDE OUTER)</b>				
86/	CF-CFT600/800	(RH) E6HZ 6010120-A (RH) E6HZ 6010120-B	(LH) E6HZ 6010121-A (LH) E6HZ 6010121-B	Approx. 46" long Outer-approx. 21" long
80/83	CL-CLT900 -- 54" BBC	(RH) ★ D8HZ 9010120-A Not replaced	(LH) ★ D8HZ 9010121-A Not replaced	1
80/	CL-CLT900 -- 64" BBC	(RH) D8HZ 9010120-B	(LH) D8HZ 9010121-B	1
80/83	CL-CLT900 -- 76" BBC	(RH) ★ D8HZ 9010120-C Not replaced	(LH) ★ D8HZ 9010121 -C Not replaced	1
80/	CL-CLT900 -- 88" BBC	(RH) D8HZ 9010120-D	(LH) D8HZ 9010121-D	1
80/	CL-CLT900 -- 110" BBC	(RH) D8HZ 9010120-E	(LH) D8HZ 9010121-E	1
80/	L-LL-LN-LNT-LS-LT-LTS600/900	(RH) F0HZ 8010120-A	(LH) F0HZ 8010121-A	1
82/	LTL900			1
88/	LA-LTA900			1
<b>10128-9 PANEL (BODY ROCKER)</b>				
80/	C-CT600/900	(RH) B7T 9110128-A	(LH) B7T 9110129-A	1
86/	CF-CFT600/800	(RH) E6HZ 6010128-A	(LH) E6HZ 6010129-A	1
80/	F600/800,FT800/900	(RH) E3TZ 6010128-A	(LH) E3TZ 6010129-A	1
82/	LTL900	(RH) E1HZ 9010128-A	(LH) E1HZ 9010129-A	1
88/	LA-LTA900	(RH) E8HZ 9010128-A	(LH) E8HZ 9010129-A	1
<b>10136-7 SILL (FLOOR SIDE)</b>				
86/	CF-CFT600/800	(RH) E6HZ 6010136-A	(LH) E6HZ 6010137-A	1
<b>101B56 RETAINER (ENGINE HOUSING SIDE INSULATOR)</b>				
80/	CL-CLT900	D8HZ 90101B56-A		1
<b>101A58-9 GUSSET (REAR FLOOR SIDE INNER MEMBER)</b>				
80/85	CL-CLT900 -- 54",64" BBC	(RH) ★ D8HZ 90101A58-A	(LH) ★ D8HZ 90101A59-A	Inner
80/85	CL-CLT900 -- 76",88",110" BBC	r/bE5HZ 90101A58-B	r/bE5HZ 90101A59-B	2
80/85	CL-CLT900 -- 54",64" BBC	(RH) D8HZ 90101A58-B	(LH) D8HZ 90101A59-B	Outer

1980/  
TRUCK SERIES 600/900

YEAR	MODEL/RESTRICTIONS	PART NUMBER	DESCRIPTION	QTY.
<b>101A58-9 GUSSET (REAR FLOOR SIDE INNER MEMBER)—Cont'd</b>				
86/	CL-CLT900 - - 64" BBC	(RH) E5HZ 90101A58-A	(LH) E5HZ 90101A59-A Inner	1
		(RH) E5HZ 90101A58-B	(LH) E5HZ 90101A59-B Outer	1
86/	CL-CLT900 - - 88", 110" BBC	(RH) E5HZ 90101A58-B	(LH) E5HZ 90101A59-B Outer	1
		(RH) E5HZ 90101A59-B	(LH) E5HZ 90101A58-B Inner	1
<b>101B68 RETAINER (ENGINE HOUSING TOP INSULATOR)</b>				
80/	CL-CLT900	D8HZ 90101B68-B		1
<b>101K85-6 PANEL (BODY SIDE STEP LOWER)</b>				
86/	CF CFT600/800	(RH) E6HZ 60101K85-A	(LH) E6HZ 60101K86-A	1
<b>101K98-9 PANEL ASSY. (DOOR OPENING STEP)</b>				
80/	CL-CLT900	(RH) D8HZ 90101K98-A	(LH) D8HZ 90101K99-A	1
<b>102A14 Refer to group 10401</b>				
<b>10254-5 EXTENSION (FLOOR SIDE MEMBER FRONT)</b>				
80/	L-LL-LN-LNT LS-LT-LTS600/900	(RH) D5HZ 8010254-A	(LH) D5HZ 8010255-A	1
82/	LTL900			1
88/	LA LTA900			1
<b>102A55 EXTENSION (FLOOR SIDE MEMBER REAR)</b>				
80/	CL-CLT900	D8HZ 90102A55-A		1
<b>102A68 PANEL ASSY. (ENGINE COVER TOP REAR)</b>				
80/83	CL-CLT900 - - 76" BBC	★ D8HZ 90102A68-A	Not replaced	1
80/	CL-CLT900 - - 88" BBC	D8HZ 90102A68-B		1
80/	CL-CLT900 - - 110" BBC	D8HZ 90102A68-C		1
<b>10296 INSULATOR (ENGINE COVER TOP FRONT)</b>				
80/	CL-CLT900	D8HZ 9010296-A	Front	AR
80/	CL-CLT900		Rear-cut to fit	AR
<b>10318 PANEL (ENGINE COVER FRONT)</b>				
80/	C600/800 - - diesel	C3TZ 9110318-A		1
80/	C-CT900	D6HZ 8010318-A		1
87/	F600/800,FT800/900 FTO diesel	E7HZ 6010318-A	Black	1
80/86	L-LT-LTS900 - - diesel	★ D4HZ 8010318-A	Saddle-not replaced	1
80/86	LN-LNT900 - - diesel	★ D4HZ 9010318-A	Saddle-not replaced	1
83/86	L-LT-LTS900 - w/6 cyl. in line diesel engine	★ E2HZ 8010318-A	Caramel-not replaced	1
		★ E2HZ 8010318-B	Charcoal-not replaced	1
83/86	LN-LNT800/900 - w/3208T or DDA990T diesel engine			1
82/86	LTL900 - w/8V-92	E3HZ 9010318-A		1
87/	L-LL-LS-LT-LTL LTS800/900 - - diesel	E7HZ 8010318-A	Charcoal	1
		E7HZ 8010318-B	Chestnut	1
87/	LN-LNT800 - - w/3208T or FTO diesel engine	E7HZ 8010318-A	Charcoal	1
		E7HZ 8010318-B	Chestnut	1
87/	LN-LNT900 - - diesel	★ E7HZ 9010318-A	Charcoal-r/b F1HZ 9010318-A	1
		E7HZ 9010318-B	Chestnut	1
<b>10320 SEAL (ENGINE COVER)</b>				
87/	F600/800,FT800/900 - - FTO diesel	E7HZ 6010320-A		1
80/	L-LN-LNT-LT LTS900 - - diesel	C8UZ 8910320-A	Cut to fit	1
82/	LTL900			1
<b>103A56-7 REINFORCEMENT ASSY. (ENGINE COVER SIDE PANEL FRONT)</b>				
80/	CL-CLT900	(RH) D8HZ 90103A56-A	(LH) D8HZ 90103A57-A	1
<b>103A70 Refer to group 10296</b>				
<b>10401 PANEL (ENGINE COVER TOP)</b>				
87/	B F600/800(84) - - FTO diesel	E8HZ 6010401-B		1
87/	F600/800(81),FT800/900 - - FTO diesel	E8HZ 6010401-A		1
80/	CL-CLT900 - - 54",76",88",110" BBC	D8HZ 9010401-A		1
80/	CL-CLT900 - - 64" BBC	D8HZ 9010401-B		1
<b>104A12 COVER (FLOOR SIDE MEMBER)</b>				
80/83	CL-CLT900 - - 54" BBC	★ D8HZ 90104A12-A	Not replaced	1
80/	CL-CLT900 - - 64" BBC	D8HZ 90104A12-B		1
80/	CL-CLT900 - - 76",88",110" BBC	D8HZ 90104A12-C		1



1980/  
TRUCK SERIES 600/900

YEAR	MODEL/RESTRICTIONS	PART NUMBER	DESCRIPTION	QTY.
<b>10418 REINFORCEMENT ASSY. (FLOOR SIDE INNER MEMBER FRONT)</b>				
80/85	CL-CLT900 "Before 5/85"	D8HZ 9010418-A	R.H. and L.H.	2
85/	CL-CLT900 "From 8/85"	(RH) D8HZ 9010418-A	(LH) E5HZ 9010418-A	1
<b>10420-1 PANEL (ENGINE COVER SIDE)</b>				
80/83	CL-CLT900 -- 54" BBC	(RH) D8HZ 9010420-A	(LH) E5HZ 9010421-B	1
80/	CL-CLT900 -- 88", 110" BBC			1
80/	CL-CLT900 -- 64" BBC	(RH) D8HZ 9010420-B	(LH) E5HZ 9010421-A	1
<b>10422 REINFORCEMENT (ENGINE COVER PANEL CENTER)</b>				
80/	CL-CLT900	D8HZ 9010422-A		1
89	L-LA-LL-LN-LNT-LS-LT-LTA-LTL-LTS700/900 -- w/FNH diesel engine and Allison MT654 SRS trans.	E9HZ 8010422-A		1
<b>10426 PANEL (ENGINE COVER REAR)</b>				
82/89	LN-LNT700/900 -- w/3208-T engine	E9HZ 9010426-A		1
<b>104K38-9 BRACKET (BODY ROCKER PANEL)</b>				
86/	CF-CFT600/800	(RH) E6HZ 60104K38-A	(LH) E6HZ 60104K39-A	1
82/	LTL900	(RH) E1HZ 90104K38-A	(LH) E1HZ 90104K39-A	1
<b>10444 CATCH ASSY. (ENGINE COVER)</b>				
87/	F600/800, FT800/900 -- FTO diesel	E7HZ 6010444-A		2
<b>10536 BRACKET (ENGINE COVER REAR)</b>				
80/86	L-LL-LN-LNT-LS-LT-LTS900 -- diesel	D0HZ 9010536-A		2
82/88	LTL900			2
<b>105A50 BRACKET (ENGINE COVER FRONT)</b>				
80/86	L-LL-LN-LNT-LS-LT-LTS900 -- diesel	D0HZ 90105A50-A		2
82/86	LTL900			2
<b>10562 REINFORCEMENT ASSY. (FLOOR SIDE INNER MEMBER REAR)</b>				
80/83	CL-CLT900 -- 54" BBC	★ D8HZ 9010562-A	R.H. and L.H.--not replaced	2
80/	CL-CLT900 -- 64" BBC	D8HZ 9010562-B	R.H. and L.H.	2
80/	CL-CLT900 -- 88", 110" BBC	E5HZ 9010562-A	R.H. and L.H.	2
80/83	CL-CLT900 -- 76" BBC	★ D8HZ 9010562-D	R.H. and L.H.--not replaced	2
<b>10604-5 REINFORCEMENT (FLOOR PAN FRONT CROSS MEMBER)</b>				
80/86	FT800/900	(RH) E0TZ 6010604-A	(LH) E0TZ 6010605-A	1
87/	FT800/900 -- except FTO diesel			1
87/88	F600/800, FT800/900 -- FTO diesel "Before 5/88"	(RH) E7HZ 6010604-A	(LH) E7HZ 6010605-A	1
88/	F600/800, FT800/900 -- FNH diesel "From 5/88"	(RH) E7HZ 6010604-A	(LH) E8HZ 6010605-A	1
80/	CL-CLT900	(RH) D8HZ 9010604-A	(LH) D8HZ 9010605-A	1
<b>10608 MEMBER (REAR FLOOR CROSS)</b>				
86/	CF-CFT600/800	E6HZ 6010608-A	Front	1
		E6HZ 6010608-B	Rear	1
		E6HZ 6010608-C	Center	1
		E6HZ 6010608-D	Outer	1
<b>10617 MEMBER (FLOOR CROSS INTERMEDIATE)</b>				
80/	CL-CLT900 -- 88", 110" BBC	D8HZ 9010617-A		1
80/83	CL-CLT900 -- 76" BBC	★ D8HZ 9010617-B	Not replaced	1
<b>10624 MEMBER (FLOOR PAN CORNER CENTER)</b>				
80/	L-LL-LN-LNT-LS-LT-LTL-LTS600/900	E3HZ 8010624-A		1
88/	LA-LTA900			1
83/	LN-LNT-800/900 -- w/320-8T engine	E3HZ 8010624-B		1
<b>106A26 EXTENSION (REAR FLOOR CENTER INTERIM REAR MEMBER)</b>				
80/83	CL-CLT900 -- 76" BBC	★ D8HZ 90106A26-A	Not replaced	1
<b>10654 EXTENSION (FLOOR SIDE SILL)</b>				
80/	CL-CLT900	D8HZ 9010654-A		2

1980/  
TRUCK SERIES 600/900

YEAR	MODEL/RESTRICTIONS	PART NUMBER	DESCRIPTION	QTY.
<b>10684-5 MEMBER (FLOOR PAN CENTER FRONT)</b>				
80/	L-LL-LN-LNT-LS-LT-LTS600/900	(RH) D0HZ 8010684-A	(LH) D0HZ 8010685-A	1
82/	LTL900			1
88/	LA-LTA900			1
80/	CL-CLT900	(RH) E1HZ 9010684-A	(LH) E1HZ 9010685-A	1
<b>106A84 BRACKET (FRONT CROSSMEMBER TO FRONT PANEL LOWER EXTENSION)</b>				
80/	CL-CLT900	E0HZ 90106A84-A		1
<b>10692-3 MEMBER (FRONT FLOOR CROSS FRONT)</b>				
80/	B-F600/800	(RH) E0TZ 6010692-A	(LH) E0TZ 6010693-A	1
83/	FT800/900			1
86/	CF-CFT600/800	E6HZ 6010692-A		1
<b>107A94 MEMBER (FLOOR PAN CORNER REAR)</b>				
80/82	L-LN-LNT-LT-LTS600/900 (exc. slant back cab)	* D5HZ 80107A94-A	Not replaced	1
82/	LTL900			1
83/	L-LA-LL-LN-LNT-LS-LT-LTA-LTL-LTS700/900	F0HZ 80107A94-A		1
80/83	LN-LNT800/900(slant back cab)	* D1HZ 80107A94-A	Not replaced	1
<b>107A94 MEMBER (FRONT FLOOR CROSS REAR)</b>				
80/	F600/800	E3HZ 60107A94-A		1
83/	FT800/900			1
<b>10946 REINFORCEMENT (FLOOR PAN REAR CROSS MEMBER)</b>				
80/83	LN-LNT800/900(slant back cab)	D1HZ 9010946-A		1
80/	L-LL-LN-LNT-LS-LT-LTS800/900(exc. slant back cab) -- w/single vertical pipe and muffler	E0HZ 9010946-A		4
82/	LTL900			4
88/	LA-LTA900			4
<b>109A68-9 MEMBER (FLOOR PAN CROSS REAR)</b>				
86/	CF-CFT600/800	E6HZ 60109A68-A		1
80/83	CL-CLT900 -- 54" BBC	(RH) * D8HZ 90109A68-A Not replaced	(LH) * D8HZ 90109A69 -A Not replaced	1
80/	CL-CLT900 -- 64" BBC	(RH) D8HZ 90109A68-B	(LH) D8HZ 90109A69-B	1
80/83	CL-CLT900 -- 76" BBC	(RH) * D8HZ 90109A68-C Not replaced	(LH) * D8HZ 90109A69-C Not replaced	1
80/	CL-CLT900 -- 88" BBC	(RH) D8HZ 90109A68-D	(LH) D8HZ 90109A69-D	1
80/	CL-CLT900 -- 110" BBC	(RH) D8HZ 90109A68-E	(LH) D8HZ 90109A69-E	1
<b>11112 INSULATION (FRONT FLOOR PAN HEAT)</b>				
82/	L-LL-LN-LNT-LS-LT-LTL-LTS800/900	F1HZ 8011112-A	Cut to fit	1
88/	LA-LTA900			1
<b>111A22-3 EXTENSION (FLOOR SIDE REAR)</b>				
80/	L-LL-LN-LNT-LS-LT-LTS600/900	(RH) D0HZ 80111A22-A	(LH) D0HZ 80111A23-A	1
82/	LTL900			1
88/	LA-LTA900			1
<b>111B28 PAN (FRONT FLOOR FRONT)</b>				
80/86	B-F600/800	* E0TZ 60111B28-A	R/b E8HZ 60111B28-B	1
83/86	FT800/900			1
87/88	B-F600/800,FT800/900 -- except FTO diesel "Before 5/88"			1
88/	B-F600/800,FT800/900 -- except FTO diesel "From 5/88"	E8HZ 60111B28-B		
87/	F600/800,FT800/900 -- FTO diesel	E8HZ 60111B28-A		1

1980/  
TRUCK SERIES 600/900

YEAR	MODEL/RESTRICTIONS	PART NUMBER	DESCRIPTION	QTY.
<b>11135 PAN (FRONT FLOOR)</b>				
80/	C CT600/900	D2KZ 6011135-A		1
80/86	B F600/800	E9HZ 6011135-B	Front	1
83/86	FT800/900	E9HZ 6011135-A	Rear	1
87/	B,F600/800,FT800/900 -- with FTO diesel		Refer to group 11140-1	
87/89	B,F600/800,FT800/900 -- except FNH diesel	E9HZ 6011135-B	Front	1
		E9HZ 6011135-A	Rear	1
80/87	L-LN LNT-LT-LTS600/900(exc. slant back cab) -- gas	★ D9HZ 8011135-A	R/b E8HZ 8011135-A (4/89)	
80/83	L LT-LTS900(exc. slant back cab) diesel	D9HZ 9011135-B		1
82/83	LTL900			1
84/87	LN LNT800/900 -- 3208 Cat. turbo diesel			1
85/87	LN-LNT900			1
80/83	LN LNT900(exc. slant back cab) -- diesel	★ D9HZ 9011135-A	R/b E8HZ 9011135-B	1
83	LN-LNT600/900 -- 8V-71 Detroit diesel			1
84/87	L-LT-LTL900 -- diesel	E4HZ 9011135-A		1
84/87	LN LNT600/900 -- Detroit 8.2 turbo diesel			1
80/83	LN-LNT800/900(slant back cab) -- gas	★ D1HZ 8011135-A	Not replaced	1
88/	L-LL LS-LT LTL-LTS800	E8HZ 8011135-A		1
88/	LN-LNT700/900 -- 3208 Cat. N/A			1
88/	L-LA-LL LS-LT LTL-LTS900	E8HZ 9011135-A		1
88/	LN-LNT800 -- FTO diesel			1
88/	LN-LNT800 -- 3208 Cat. turbo diesel	E8HZ 9011135-B		1
88/	LN-LNT900 -- except 3208 Cat. N/A			1
80/	F600/800	385523-S	(PP-96)-plug button 2 1/16 x 2 19/32	1
83/	FT800/900			1
<b>111B36 RETAINER (FLOOR PAN LOWER HEAT INSULATOR)</b>				
80/	C-CT600/800 -- diesel	D5HZ 60111B36-A		1
80/	C-CT900 -- gas	D6HZ 90111B36-A		1
80/	C-CT600/900 -- gas	31080-S8	(U-60)-screw-fillister head, slotted-1/4" x 5/8"	4
		34805-S8	(X-62)-lockwasher-spring-1/4"	4
80/	C-CT600/900 -- diesel	38294-S8	(U-141)-screw-pan head, slotted-1/4"-20 x 1"	2
		34940-S7-8	(X-88)-lockwasher-external tooth-1/4"	2
		33920-S8	(X-88)-lockwasher-external tooth-1/4"	2
		33920-S8	(M-25)-nut-hex-1/4"-20	2
<b>11140-1 PAN (FRONT FLOOR)</b>				
87/	F600/800,FT800/900 -- FTO diesel	(RH) E8HZ 6011140-A	(LH) E8HZ 6011141-A	Front
		E8HZ 6011140-B	Rear	1
86	CF600/700	(RH) ★ E6HZ 6011140-A	(LH) ★ E6HZ 6011141-A	
		r/bE7HZ 6011140-E(10/88)	r/bE7HZ 6011141-B	
		E6HZ 6011140-B	Center-front	1
		★ E6HZ 6011140-C	Center-rear-r/b E7HZ 6011140-F (10/88)	1

1980/  
TRUCK SERIES 600/900

YEAR	MODEL/RESTRICTIONS	PART NUMBER	DESCRIPTION	QTY.
<b>11140-1 PAN (FRONT FLOOR) — Cont'd</b>				
87	CF-CFT600/800	(RH) E7HZ 6011140-E	(LH) E7HZ 6011141-B	1
		E6HZ 6011140-B	Center-front	1
		E7HZ 6011140-C	Center-rear	1
88/	CF-CFT600/800	(RH) E7HZ 6011140-E	(LH) E7HZ 6011141-B	1
		E6HZ 6011140-B	Center-front	1
		E7HZ 6011140-F	Center-rear	1
80/88	CL-CLT900 -- 88", 110" BBC	(RH) D8HZ 9011140-A	(LH) E5HZ 9011141-A	1
80/88	CL-CLT900 -- 64" BBC	(RH) D8HZ 9011140-B	(LH) E5HZ 9011141-B	1
89	CL-CLT900 -- 88", 110" BBC	E9HZ 9011141-A		1
89	CL-CLT900 -- 64" BBC	E9HZ 9011141-B		1
<b>11142-3 EXTENSION (FLOOR PAN SIDE)</b>				
80/	F600/800(81)	(RH) E0TZ 6011142-A	(LH) E0TZ 6011143-A	1
83/	FT800/900			1
80/	B-F600/800(84)	(RH) E0TZ 6011142-B	(LH) E0TZ 6011143-B	1
80/	CL-CLT900	(RH) D8HZ 9011142-A	(LH) D8HZ 9011143-A	1
<b>11146-7 EXTENSION (FLOOR PANSIDE REAR)</b>				
80/	CL-CLT900 -- 64" BBC	(RH) D8HZ 9011146-A	(LH) D8HZ 9011147-A	1
80/	CL-CLT900 -- 54", 76", 88", 110" BBC	(RH) D8HZ 9011146-B	(LH) D8HZ 9011147-B	1
<b>11172 INSULATOR (FLOOR PAN SOUND)</b>				
86/	CF-CFT600/800	E6HZ 6011172-A	Front floor	1
		E6HZ 6011172-B	Rear floor center	1
<b>111A74 PLATE (FLOOR PAN HOLE COVER)</b>				
80/83	C-CT600/900	★ D5HZ 60111A74-A	Not replaced	1
84/	C-CT600/800	E4HZ 60111A74-A		1
<b>11209 REINFORCEMENT (FLOOR PARKING BRAKE CABLE MOUNTING)</b>				
80/83	L-LN-LNT-LT-LTS600/900 -- gas and hydraulic brakes	★ D5HZ 8011209-A	Not replaced	1
<b>112B10-1 REINFORCEMENT (FLOOR PAN TO SEAT REAR)</b>				
84/86	F600/800 -- w/Viking T-Bar seats	E4TZ 60112B10-A	Driver side	1
		E4TZ 60112B10-B	Passenger side	1
87/	F600/800, FT800/900 -- w/Viking T-Bar seats	(RH) E7HZ 60112B10-A	(LH) E7HZ 60112B11-A	1
80/	LN-LNT600/900	D0HZ 80112B11-A	L.H.	1or2
80/87	L-LT-LTS800/900 -- gas		L.H.	1or2
80/	L-LT-LTS900 -- diesel	D0HZ 90112B11-A	L.H.	2
82/	LTL900		L.H.	2
88/	LA-LTA900			2
<b>112A18 COVER (FRONT FLOOR PAN WIRE HARNESS)</b>				
80/87	L-LN-LNT-LT-LTS600/900	D0HZ 80112A18-A		1
	"Before 3/87"			
82/87	LTL900			1
	"Before 3/87"			
<b>112C18 BRACKET (BODY SHOCK MOUNTING REAR)</b>				
80/	CL-CLT900 -- w/easy rider suspension	D8HZ 90112C18-A		2
<b>11248 REINFORCEMENT (FLOOR PAN PASSENGER SEAT TRACK)</b>				
80/	C-CT600/900	D6HZ 6011248-A		2
80/	CL-CLT900	D8HZ 9011248-A	Front and rear	2
80/	L-LL-LN-LNT-LS-LT-LTS600/900	D0HZ 8011248-A		2
82/	LTL900			2
<b>11271 REINFORCEMENT (FLOOR PAN FRONT)</b>				
85/	CL-CLT900	"From 5/85" E5HZ 9011271-A		1

1980/  
TRUCK SERIES 600/900

BODY SECTION 100 7

YEAR	MODEL/RESTRICTIONS	PART NUMBER	DESCRIPTION	QTY.
<b>113B04-5 PLATE (FLOOR SIDE REAR EXTENSION)</b>				
80/	L LL-LN-LNT-LS-LT LTS600/900	(RH) D0HZ 80113B04-A	(LH) D0HZ 80113B05-A	1
<b>113A52 SEAL (FLOOR PAN ACCELERATOR OPENING)</b>				
87/	F600/800,FT800/900 - - FTO diesel	E7HZ 80113A52-A		1
<b>113K94 REINFORCEMENT (ENGINE COVER SIDE)</b>				
80/	CL-CLT900 - - 64" BBC	D8HZ 90113K94-A	R.H. and L.H.	2
80/	CL-CLT900 - - exc. 64" BBC	D8HZ 90113K94-B		1
<b>11398-9 DEFLECTOR (FRONT FLOOR HEAT)</b>				
83/	F600/800 - w/8.2L or 320-8T diesel eng.	E3HZ 6011398-A	L.H. side	1
83/	FT800/900 - w/8.2L or 320-8T diesel eng.	E3HZ 6011398-B	L.H. side	1
85/	F600/800, FT800/900 "From 3/85"	E5HZ 6011398-A	L.H. side only	1
85/	B600/800	(RH) E5HZ 6011398-A	(LH) E7HZ 6011399-A	1
<b>11442 SHIELD (FLOOR PAN HEAT)</b>				
81/	LN-LNT700	E1HZ 8011442-A		1
<b>114A70 KIT (FLOOR PAN REPAIR)</b>				
80/	CL-CLT900	E5HZ 90114A70-A	L.H. side of vehicle	1
<b>11492 INSULATOR (FRONT FLOOR PAN UNDER FRONT SEAT SOUND)</b>				
86/	F FT600/900	E6HT 6011492-A		1
<b>11552-3 BRACE (BODY SIDE EXTENSION REAR)</b>				
88/	LA LTA900	(RH) E8HZ 9011552-A	(LH) E8HZ 9011553-A	1
<b>12110 PLATE (FLOOR TRANSMISSION COVER)</b>				
80/82	F600/800(81)	E0TZ 6012110-A	Cut hole as required	1
83/86	F FT600/900(81)	E3HZ 6012110-A		1
87/88	F600/800,FT800/900 - - except FTO diesel			1
80/86	B-F600/800(84)	E0TZ 6012110-B	Cut hole as required	1
87/89	B F600/800(84) - except FTO diesel			1
84/86	B-F600/800 - w/8.2L diesel	E3HZ 8012110-A		1
84/86	C-CT600/700 - - w/8.2L diesel			1
87/	B-F600/800(84) - FTO diesel with M/T	E7HZ 6012110-C		1
87/	B-F600/800(84) - - FTO diesel with A/T	E7HZ 6012110-D		1
87/	F600/800,FT800/900 - - FTO diesel with M/T	E7HZ 6012110-A		1
87/	F600/800(81) FT800/900 - - FTO diesel with A/T	E7HZ 6012110-B		1
89	F600/800(81) FT800/900 - except FNH diesel	E9HZ 6012110-A	Cut hole as required	1
80/	L LL-LN-LNT-LS-LT-LTS600/800	E3HZ 8012110-A		1
80/87	L LN-LNT-LT LTS900 - - gas			1
80/	L-LL LN-LNT LS-LT LTL-LTS900 - - diesel	E3HZ 9012110-B	Cut hole as required	1
88	LA LTA900			1
82/	LN800 - with A/T, w/aux. trans. and with 320-8T engine	E3HZ 9012110-A		1
82/83	LN800 - with A/T or M/T, w/o aux. trans. and with 320-8T engine	E3HZ 9012110-C		1
82/	LN800 - with M/T, aux. trans. and 320-8T engine	E3HZ 9012110-D		1
89	L-LL LN-LNT-LS-LT-LTL LTS 700/900 - w/MT654 A/T	E3HZ 8012110-A		1
80/	B F600/800	*57317-S2	Screw and washer 5/16"-18 x 1"	AR
83/	FT800/900			AR
				AR
		356833-S2	(MM-206-A)-nut and retainer caged-5/16"-18	AR
		359613-S2	(MM-205)-nut and retainer-5/16"-18	AR

October, 1993

COPYRIGHT © 1993 - FORD MOTOR - DEARBORN, MICHIGAN  
COMPANY

Final Issue

1980/  
TRUCK SERIES 600/900

YEAR	MODEL/RESTRICTIONS	PART NUMBER	DESCRIPTION	QTY.
<b>12122 SEAL (FLOOR TRANSMISSION COVER PLATE)</b>				
80/	B-F600/800	E0TZ 6012122-A	71" long	1
83/	FT800/900			1
<b>12177-8 PLATE (CAB PIVOT BEARING ACCESS COVER)</b>				
80/	C-CT600/900	(RH) B7T 9112177-A	(LH) B7T 9112178-A	1
		★57315-S2	Screw and washer-pan head-5/16"-18 x 1/2"	4
		★45268-S2	Nut and retainer-5/16"-18	4
<b>12203 RETAINER (FLOOR TRANSMISSION RETARDER PEDAL OPENING SEAL)</b>				
80/	C-CT600/900 -- T/M	B7T 9112203-A		1
		52012-S8	(U-202)-screw-No. 8-18 x 1/2"	2
<b>12205 SEAL (FLOOR ACCELERATOR PEDAL OPENING) - Also refer to group 9793 in Chassis Section</b>				
80/	C-CT600/900	B7T 9112205-A		1
80/	L-LL-LN-LNT-LS-LT-LTS600/800	D5HZ 8012205-A		1
80/87	L-LN-LNT-LT-LTS900 -- gas			1
80/	L-LT-LTS900 -- diesel	D5HZ 9012205-A		1
80/	LN-LNT900 -- diesel exc. 8 cyl. 568 Detroit 8V-71			1
82/	LTL900			1
88/	LA-LTA900			1
80/87	LN-LNT900 -- 8 cyl. 568 Detroit 8V-71 diesel	D5HZ 9012205-B		1
<b>12208-9 BRACE (TRANSMISSION CONTROL SELECTOR TO DASH EXTENSION)</b>				
80/	C-CT600/900 -- T/M	(RH) B7T 9112208-A	(LH) B7T 9112209-A	1
		57140-S2	(B-340-H)-screw and washer assy.-5/16-18 x 1"	2
		359613-S2	(MM-205)-nut and retainer-5/16"-18	2
<b>12225 RETAINER (FLOOR TRANSMISSION COVER PLATE CONTROL CABLE OPENING SEAL)</b>				
80/	C700/800 -- w/Fuller RT-610 trans.	DOKZ 8112225-A		1
<b>130A40 RETAINER (FRONT FLOOR CARPET FRONT EDGE)</b>				
80/84	F600/800	E0TZ 60130A40-A	R.H. and L.H.	2
83/84	FT800/900			2
<b>13068-9 PANEL (HEADLAMP MOUNTING)</b>				
86/	CF-CFT600/800	(RH) E6HZ 6013068-A	(LH) E6HZ 6013069-A	1
<b>13100 RETAINER (FRONT FLOOR CARPET CENTER)</b>				
80/	CL-CLT900	D8HZ 9013100-A		1
<b>13204-5 SPACER (FRONT DOOR SCUFF PLATE)</b>				
80/	L-LL-LN-LNT-LS-LT-LTS600/900	(RH) D0HZ 8013204-A	(LH) D0HZ 8013205-A	1
82/	LTL900			1
88/	LA-LTA900			1
<b>13208-9 PLATE (FRONT DOOR SCUFF)</b>				
86/	CF-CFT600/800	(RH) E6HZ 6013208-A	(LH) E6HZ 6013209-A	Rear
		(RH) E6HZ 6013208-B	(LH) E6HZ 6013209-B	Front
80/	CL-CLT900	(RH) D8HZ 9013208-A	(LH) D8HZ 9013209-A	
80/86	F600/800	E0TZ 1013208-B		R.H. and L.H.-bright finish
83/86	FT800/900			
80/86	F600/800	(RH) E0TZ 1013208-C	(LH) E0TZ 1013209-C	Black
83/86	FT800/900			
87/89	F600/800,FT800/900	E9TZ 1513208-A		R.H. and L.H.-black
80	L-LL-LN-LNT-LS-LT-LTS600/900	(RH) ★ D0HZ 8013208-A	(LH) ★ D0HZ 8013209-A	Dull finish
	-- exc. owner operator pkg.	r/bE8HZ 8013208-A	r/bE8HZ 8013209-A(10/88)	
81/87	L-LL-LN-LNT-LS-LT-LTL-LTS600/900			
	-- exc. hi-level trim			
80	L-LL-LN-LNT-LS-LT-LTS600/900 --	(RH) ★ D8HZ 9013208-B	(LH) ★ D8HZ 9013209-B	Bright finish
	owner operator pkg.	r/bE8HZ 8013208-B(4/89)	r/bE8HZ 8013209-B(4/89)	
81/87	L-LL-LN-LNT-LS-LT-LTL-LTS600/900			
	-- with hi-level trim			
88/	L-LA-LL-LN-LNT-LS-LT-LTL-LTS 700/900 -- exc. high-level trim	(RH) E8HZ 8013208-A	(LH) E8HZ 8013209-A	Cadium finish
88/	L-LA-LL-LN-LNT-LS-LT-LTL-LTS 700/900 -- w/high level trim	(RH) E8HZ 8013208-B	(LH) E8HZ 8013209-B	Bright finish

## BODY BOLT CHART

### INSTRUCTIONS

Truck bodies for Conventional Cabs (body type 81) are assembled to the frame by various bolts and related parts.

The illustrations on the next page show a typical example of a Conventional Cab frame. The body bolt locations are numbered consecutively beginning at the cowl from 1 to 6 as required. For quick identification the related parts used at each location are arranged alphabetically as follows:

Absorbers                  Bolts                  Insulators                  Nuts                  Retainers                  Washers

#### TO USE BODY BOLT CHART

- 1) Determine the location of the parts required by referring to the illustrations.
- 2) Select the necessary parts listed for each location.

For example:

To find the parts necessary to install a 1980/ L 800 Conventional Cab at the front mount:

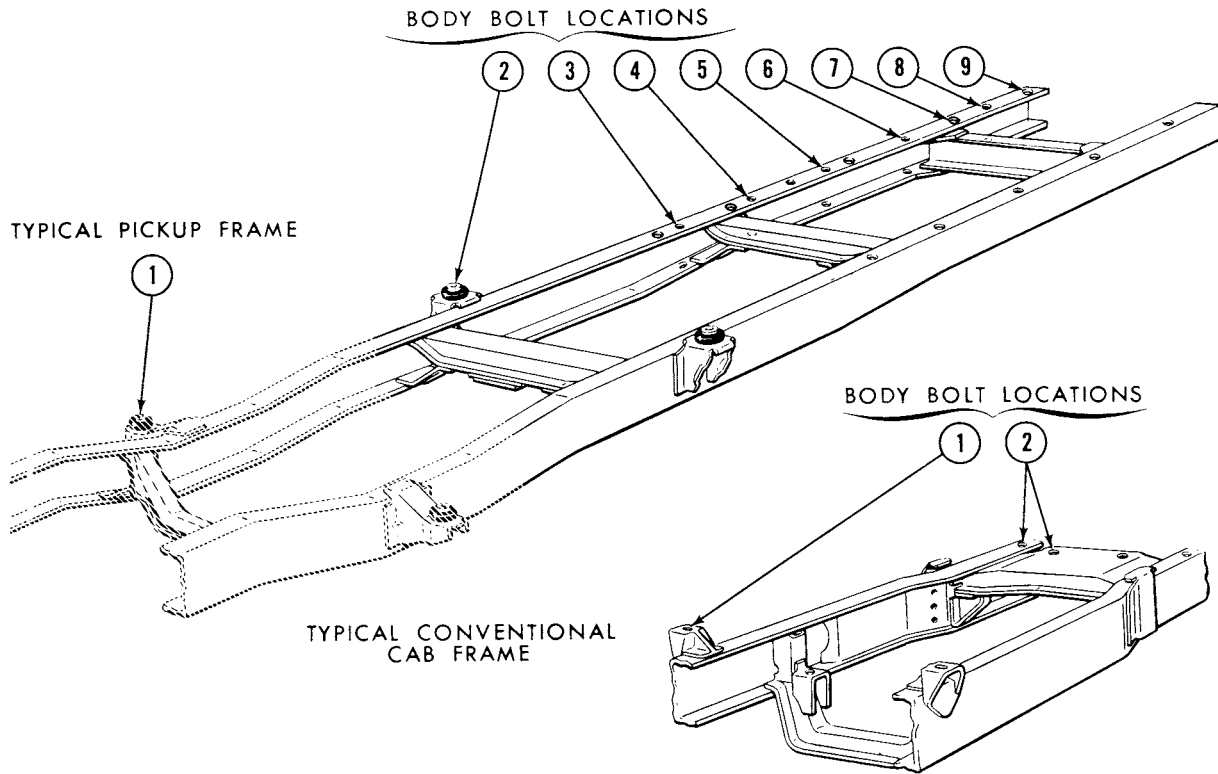
- 1) Refer to the illustration and determine that the front mount is the No. 1 Location.
- 2) Refer to the chart under Body Bolt Location No. 1.
- 3) The parts required are:

NAME	PART NUMBER		PART NUMBER
Bolt	58687-S2	Spacer-square	D0HZ 5000130-A
Insulator	D0HZ 8000149-A	Washer-flat	44735-S8
Nut-hex. 1/2"-13	55697-S8	Washer-flat-9/16"	374049-S
Spacer-round	NS - improvise		

#### PARTS NOT AVAILABLE FOR SERVICE

Parts identified by a black star ★ are not available for service and must be improvised or procured locally.

1980/  
TRUCK SERIES 600/900



P-10082

1980/ TYPICAL TRUCK FRAMES SHOWING BODY BOLT LOCATIONS



**1980/  
TRUCK SERIES 600/900**

BODY BOLT CHART			
YEAR	MODEL	PART NAME	PART NUMBER OR REMARKS
<b>BODY BOLT LOCATION NO. 1 - CAB FRONT</b>			
80/ 83/	B-F600/800(81,84) FT800/900	Bolt-1/2-13 X 6"	58690-S2(B-129-KA)
		Flatwasher	★ 356458-S2
		Spacer	★ 387307-S
		Absorber-upper	D5UZ 1000154-A
		Absorber-lower	D5UZ 1000155-A
		Retainer	★ E3HB 8100282-A
		Nut-1/2-13	34989-S2(M-89-FA)
		Absorber-upper	E0HZ 6000154-A
		Spacer-front	E2HZ 6000134-A
		Absorber-lower	E0HZ 6000155-A
		Shim	E2HZ 6000331-A
80/	L-LN-LNT-LT-LTL-LTS600/900	Bolt-hex. head-1/2" -13 x 4 1/2"	58687-S2(B-129-H)
		Insulator	D0HZ 8000149-A
		Nut-hex.-1/2" -13	55697-S8(M-89-F)
		Spacer-round	★ D0HA 5A076-A
		Spacer-square	E4HZ 5000130-A
		Washer-flat-1/2"	44735-S8(X-32)
		Washer-flat-9/16"	374049-S(XX-198-A)
<b>BODY BOLT LOCATION NO. 2 - CAB REAR</b>			
80/ 83/	F600/800(81) FT800/900	Bolt-1/2 x 13 x 4 1/2"	58687-S2(B-129-H)
		Flatwasher	★ 356458-S2
		Retainer	★ E3HB 8100282-A
		Cushion	★ E0HT 6000228-AA
		Spacer	★ C8TZ 8100226-A
		Nut-1/2-13	34989-S2(M-89-FA)
80/	LN-LNT600/750	Bolt-hex. head-1/2" -13 x 4"	★ 58685-S2
		Cushion	D0HZ 5000228-A
		Nut-hex.-1/2" -13	55697-S8(M-89-F)
		Spacer	D0HZ 5000226-A
		Washer-flat-1/2"	44735-S8(X-32)
80/	L-LN-LNT-LT-LTL-LTS800/900	Bolt-hex. head-1/2" -13 x 2"	383896-S2(BB-195-E)
		Nut-hex.-1/2" -13	55697-S8(M-89-F)
		Washer-flat-1/2"	44735-S8(X-32)
		Washer-flat-9/16"	351321-S8(XX-197)

1980/  
TRUCK SERIES 600/900

YEAR	MODEL/RESTRICTIONS	PART NUMBER	DESCRIPTION	QTY.	
<b>20000-1 STRIPE KIT (BODY SIDE)</b>					
86/	CF-CFT600/800	E6HZ 6020000-D	R.H. door-upper-red, orange, dark red	1	
		E6HZ 6020001-D	L.H. door-upper-red, orange, dark red	1	
		E6HZ 6020000-E	R.H. door-upper-red, med gray, dark gray	1	
		E6HZ 6020001-E	L.H. door-upper-red, med gray, dark gray	1	
		E6HZ 6020000-G	R.H. door-lower-red, orange, dark red	1	
		E6HZ 6020001-G	L.H. door-lower-red, orange, dark red	1	
		E6HZ 6020000-H	R.H. door-lower-red, med gray, dark gray	1	
		E6HZ 6020001-H	L.H. door-lower-red, med gray, dark gray	1	
		E6HZ 6020000-K	R.H. quarter panel-red, orange, dark red	1	
		E6HZ 6020001-K	L.H. quarter panel-med, orange, dark red	1	
		E6HZ 6020000-L	R.H. quarter panel-red, med gray, dark gray	1	
		E6HZ 6020001-L	L.H. quarter panel-red, med gray, dark gray	1	
80	CL-CLT900 -- 64" BBC	★ D8HZ 9020000-N	Coral-tritone wedge not replaced	1	
80/81	CL-CLT900 -- 64" BBC	D8HZ 9020000-P	Gold-tritone wedge-exc. paint code Y	1	
		★ D8HZ 9020000-V	Gold-tritone wedge-with paint code Y	1	
		Not replaced			
		D8HZ 9020000-R	Tangerine-tritone wedge-exc. paint code Y	1	
81	CL-CLT900 -- 64" BBC	E1HZ 9020000-H	Red-tritone wedge-with paint code Y	1	
		E1HZ 9020000-B	Tangerine-tritone wedge-with paint code Y	1	
80	CL-CLT900 -- 64" BBC	★ D8HZ 9020000-S	Coral-tritone fan -not replaced	1	
80/82	CL-CLT900 -- 64" BBC	D8HZ 9020000-T	Gold-tritone fan	1	
		D8HZ 9020000-U	Tangerine-tritone fan	1	
81/82	CL-CLT900 -- 64" BBC	E1HZ 9020000-G	Red-tritone fan	1	
80	CL-CLT900 -- 88" BBC	★ D8HZ 9020000-A	Coral-tritone wedge not replaced	1	
80/81	CL-CLT900 -- 88" BBC	D8HZ 9020000-B	Gold-tritone wedge-exc. paint code Y	1	
		★ D8HZ 9020000-W	Gold-tritone wedge-with paint code Y	1	
		Not replaced			
		D8HZ 9020000-C	Tangerine-tritone wedge	1	
81	CL-CLT900 -- 88" BBC	E1HZ 9020000-C	Red-tritone wedge	1	
80	CL-CLT900 -- 88" BBC	★ D8HZ 9020000-G	Coral-tritone fan -not replaced	1	
80/81	CL-CLT900 -- 88" BBC	D8HZ 9020000-H	Gold-tritone fan	1	
		D8HZ 9020000-J	Tangerine-tritone fan	1	
81	CL-CLT900 -- 88" BBC	E1HZ 9020000-E	Red-tritone fan	1	
80	CL-CLT900 -- 110" BBC	★ D8HZ 9020000-D	Coral-tritone wedge -not replaced	1	
80/81	CL-CLT900 -- 110" BBC	D8HZ 9020000-E	Gold-tritone wedge-exc. paint code Y	1	
		★ D8HZ 9020000-X	Gold-tritone wedge-with paint code Y	1	
		Not replaced			
		D8HZ 9020000-F	Tangerine-tritone wedge	1	
81	CL-CLT900 -- 110" BBC	E1HZ 9020000-D	Red-tritone wedge	1	
80	CL-CLT900 -- 110" BBC	★ D8HZ 9020000-K	Coral-tritone fan -not replaced	1	
80/82	CL-CLT900 -- 110" BBC	★ D8HZ 9020000-L	Gold-tritone fan-not replaced	1	
		D8HZ 9020000-M	Tangerine-tritone fan	1	
81	CL-CLT900 -- 110" BBC	E1HZ 9020000-F	Red-tritone fan	1	
82/87	CL-CLT900 -- 88" BBC	(RH) E2HZ 9020000-A	(LH) E2HZ 9020001-A	Gold-hard fan	1
		(RH) E2HZ 9020000-B	(LH) E2HZ 9020001-B	Red-hard fan	1
		(RH) E2HZ 9020000-C	(LH) E2HZ 9020001-C	Tangerine-hard fan	1
82/87	CL-CLT900 -- 110" BBC	(RH) E2HZ 9020000-D	(LH) E2HZ 9020001-D	Gold-hard fan	1
		(RH) E2HZ 9020000-E	(LH) E2HZ 9020001-E	Red-hard fan	1
		(RH) E2HZ 9020000-F	(LH) E2HZ 9020001-F	Tangerine-hard fan	1
82/87	CL-CLT900 -- w/air ride cab	(RH) E2HZ 9020000-H	(LH) E2HZ 9020001-H	"Air Ride"	1

1980/  
TRUCK SERIES 600/900

YEAR	MODEL/RESTRICTIONS	PART NUMBER	DESCRIPTION	QTY.
20000-1 STRIPE KIT (BODY SIDE) — Cont'd				
82/87	CL-CLT900 -- 88", 110" BBC, w/"Z" stripe design	E6HZ 9020000-A	R.H.-body front panel upper-cert. label code FQ,F5	1
		E6HZ 9020001-A	L.H.-body front panel upper-cert. label code FQ,F5	1
		E6HZ 9020000-B	R.H.-body front panel upper-cert. label code FP,F5	1
		E6HZ 9020001-B	L.H.-body front panel upper-cert. label code FP,F5	1
		E6HZ 9020000-C	R.H.-body front panel upper-cert. label code FR,F5	1
		E6HZ 9020001-C	L.H.-body front panel upper-cert. label code FR,F5	1
		E6HZ 9020000-D	R.H.-body front panel lower-cert. label code FQ,F5	1
		E6HZ 9020001-D	L.H.-body front panel lower-cert. label code FQ,F5	1
		E6HZ 9020000-E	R.H.-body front panel lower-cert. label code FP,F5	1
		E6HZ 9020001-E	L.H.-body front panel lower-cert. label code FP,F5	1
		E6HZ 9020000-F	R.H.-body front panel lower-cert. label code FR,F5	1
		E6HZ 9020001-F	L.H.-body front panel lower-cert. label code FR,F5	1
		E6HZ 9020000-G	R.H.-door-cert. label code FQ,F5	1
		E6HZ 9020001-G	L.H.-door-cert. label code FQ,F5	1
		E6HZ 9020000-H	R.H.-door-cert. label code FP,F5	1
		E6HZ 9020001-H	L.H.-door-cert. label code FP,F5	1
		E6HZ 9020000-J	R.H.-door-cert. label code FR,F5	1
		E6HZ 9020001-J	L.H.-door-cert. label code FR,F5	1
		E6HZ 9020000-Y	Radiator fill door-cert. label code FQ,F5	1
		E6HZ 9020000-Z	Radiator fill door-cert. label code FP,F5	1
E6HZ 9020000-AA	Radiator fill door-cert. label code FR,F5	1		
82/87	CL-CLT900 -- 88" BBC w/"Z" stripe design	E6HZ 9020000-K	R.H.-quarter panel-cert. label code FQ,F5	1
		E6HZ 9020001-K	L.H.-quarter panel-cert. label code FQ,F5	1
		E6HZ 9020000-L	R.H.-quarter panel-cert. label code FP,F5	1
		E6HZ 9020001-L	L.H.-quarter panel-cert. label code FP,F5	1
		E6HZ 9020000-M	R.H.-quarter panel-cert. label code FR,F5	1
		E6HZ 9020001-M	L.H.-quarter panel-cert. label code FR,F5	1
82/87	CL-CLT900 -- 110" BBC w/"Z" stripe design	E6HZ 9020000-N	R.H.-quarter panel upper-cert. label code FQ,F5	1
		E6HZ 9020001-N	L.H.-quarter panel upper-cert. label code FQ,F5	1
		E6HZ 9020000-P	R.H.-quarter panel upper-cert. label code FP,F5	1
		E6HZ 9020001-P	L.H.-quarter panel upper-cert. label code FP,F5	1
		E6HZ 9020000-R	R.H.-quarter panel upper-cert. label code FR,F5	1
		E6HZ 9020001-R	L.H.-quarter panel upper-cert. label code FR,F5	1
		E6HZ 9020000-S	R.H.-quarter panel lower-cert. label code FQ,F5	1
		E6HZ 9020001-S	L.H.-quarter panel lower-cert. label code FQ,F5	1
		E6HZ 9020000-T	R.H.-quarter panel lower-cert. label code FP,F5	1
		E6HZ 9020001-T	L.H.-quarter panel lower-cert. label code FP,F5	1
		E6HZ 9020000-U	R.H.-quarter panel lower-cert. label code FR,F5	1
		E6HZ 9020001-U	L.H.-quarter panel lower-cert. label code FR,F5	1
		E6HZ 9020000-V	R.H. and L.H.-luggage door-cert. label code FQ,F5	2
		E6HZ 9020000-W	R.H. and L.H.-luggage door-cert. label code FP,F5	2
E6HZ 9020000-X	R.H. and L.H.-luggage door-cert. label code FR,F5	2		
80/ 83/	F600/800 FT800/900	E0TZ 6020000-A	White/orange	1
		E0TZ 6020000-B	Gold/black	1
84/	F-FT600/900 -- w/tilt front end "From 7/84"	E5HZ 6020000-A	White/orange	1
		E5HZ 6020000-B	Gold/black	1
80/85	LN-LNT800/900	D7EZ 8020000-A	White-non-reflective-2 stripes	1
82/85	LTL900	D0EZ 8020000-A	Red-non-reflective-2 stripes	1
80/85	L-LT-LTS800/900 -- w/o butterfly hood	D0HZ 8020000-A	Red-non-reflective-2 stripes	1
82/85	LTL900			1

**1980/  
TRUCK SERIES 600/900**

YEAR	MODEL/RESTRICTIONS	PART NUMBER	DESCRIPTION	QTY.
<b>20000-1 STRIPE KIT (BODY SIDE) — Cont'd</b>				
80/85	L-LT-LTS800/900 -- w/o butterfly hood	D7HZ 8020000-A	White-non-reflective-2 stripes	1
82/85	LTL900			1
80/85	L-LT-LTS800/900 -- w/ butterfly hood	D0HZ 8020000-C	Red-non-reflective-2 stripes	1
80/85	L-LT-LTS800/900 -- w/ butterfly hood	D7HZ 8020000-B	White-non-reflective-2 stripes	1
82/87	LTL900	(RH) E1HZ 8020000-A	(LH) E1HZ 8020001A Chromatic	1
<b>200A10-1 PANEL (DOOR OPENING STEP)</b>				
80/	CL-CLT900	(RH) D8HZ 90200A10-A	(LH) D8HZ 90200A11-A	1
<b>20012-3 STEP (BODY SIDE)</b>				
86/	CF-CFT600/800	(RH) E6HZ 6020012-A	(LH) E6HZ 6020013-A Lower	1
		E6HZ 6020012-B	R.H. and L.H.-upper	2
80/83	CL-CLT900 -- 54" BBC	★ D8HZ 9020012-A	R.H. and L.H.-lower-not replaced	2
		★ D8HZ 9020012-C	R.H. and L.H.-upper-not replaced	2
80/	CL-CLT900 -- 64",76",88",110" BBC	D8HZ 9020012-B	R.H. and L.H.-lower	2
		D8HZ 9020012-D	R.H. and L.H.-upper	2
<b>20038-9 HANDLE (BODY SIDE ASSIST)</b>				
80/	CL-CLT900 -- 64",76",88",110" BBC	(RH) D8HZ 9020038-A	(LH) D8HZ 9020039-A	1
80/83	CL-CLT900 -- 54" BBC	(RH) ★ D8HZ 9020038-B Not replaced	(LH) ★ D8HZ 9020039-B Not replaced	1
82/	LTL900	E2HZ 9020038-A	R.H. and L.H. on muffler support	2
<b>200L52 BRACE (SIDE STEP)</b>				
80/	CL-CLT900	D8HZ 90200L52-A		2
<b>20062-5 SUPPORT (BODY SIDE STEP)</b>				
86/	CF-CFT600/800	(RH) E9HZ 6020062-A	(LH) E9HZ 6020063-A Front	1
80/83	CL-CLT900 -- 54" BBC	D8HZ 9020062-A	Front	2
		★ D8HZ 9020063-A	Rear-not replaced	2
80/	CL-CLT900 -- 110" BBC	D8HZ 9020063-B	R.H.-rear	1
80/83	CL-CLT900 -- 54" BBC	★ D8HZ 9020065-A	L.H.-rear-not replaced	1
80/	CL-CLT900 -- 110" BBC	D8HZ 9020065-B	L.H.-rear	1
80/	CL-CLT900 -- 64",76",88",110" BBC -- w/o comfort or easy ride mounting	D8HZ 9020062-B	R.H. and L.H.-front	2
80/	CL-CLT900 -- 64",76" BBC -- w/ comfort or easy ride mounting	D8HZ 9020062-C	R.H. and L.H.-front	2
<b>20084 INSULATOR (BODY SIDE STEP)</b>				
86/	CF-CFT600/800	E6HZ 6020084-A	Approx. 13 1/2" long-four holes	2
		E6HZ 6020084-B	Approx. 7 1/4" long-two holes	4
		E6HZ 6020084-C	Approx. 13 3/4" long-two holes	2
		E6HZ 6020084-D	Approx. 3" long-two holes	2
		E6HZ 6020084-E	Approx. 13" long-five slots	2
<b>20100 MOULDING (DOOR STOWAGE COMPARTMENT)</b>				
80/81	L-LL-LN-LNT-LS-LT-LTS900 "Before 2/81"	D8HZ 9020100-A		1
81/83	L-LL-LN-LS-LT-LNT-LTL-LTS800/900 "From 2/81"	★ E1HZ 8020100-C	Red-not replaced	1
		★ E1HZ 8020100-D	Saddle-not replaced	1
84/86	L-LL-LN-LNT-LS-LT-LTL-LTS800/900	E4HZ 8020100-A	Caramel	1
		E4HZ 8020100-B	Charcoal	1
87/	L-LL-LN-LNT-LS-LT-LTL-LTS800/900 -- w/o stereo radio	E4HZ 8020100-B	Charcoal	1
		E7HZ 8020100-C	Chestnut	1
87/	L-LL-LN-LNT-LS-LT-LTL-LTS800/900 -- w/stereo radio	E7HZ 8020100-A	Charcoal	1
		E7HZ 8020100-B	Chestnut	1
<b>20124-5 DOOR ASSY. (FRONT) - Less paint and trim</b>				
80/	C-CT600/900	(RH) D4HZ 6020124-A	(LH) D4HZ 6020125-A	Also refer to group 21984 1
86/	CF-CFT600/800	(RH) E9HZ 6020124-A	(LH) E9HZ 6020125-A	1
80/	CL-CLT900	(RH) D8HZ 9020124-A	(LH) D8HZ 9020125-A	1
80/86	F600/800	(RH) E4TZ 1520124-A	(LH) E4TZ 1520125-A	1
83/86	FT800/900			1

1980/  
TRUCK SERIES 600/900

YEAR	MODEL/RESTRICTIONS	PART NUMBER	DESCRIPTION	QTY.
<b>20124-5 DOOR ASSY. (FRONT) - Less paint and trim -- Cont'd</b>				
87	F600/800,FT800/900 "Before 12/86"	(RH) ★ E7TZ 1520124-A r/bE8TZ 1520124-A(1/89)	(LH) E7TZ 1520125-C Air vent in R.H. door only	1
87/	F600/800,FT800/900 "From 12/86"	(RH) E8TZ 1520124-A	(LH) ★ E8TZ 1520125-A r/bF1TZ 1520125-A Air vent in both R.H. and L.H. doors	1
80/83	L-LL-LN-LNT-LS-LT-LTS600/900 "Before 5/83"	(RH) D8HZ 8020124-A	(LH) D8HZ 8020125-A	1
82/83	LTL900 "Before 5/83"			1
83/	L-LA-LL-LN-LNT-LS-LT-LTA- LTL-LTS700/900 "From 5/83"	(RH) E8HZ 8020124-A	(LH) E8HZ 8020125-A	1
80/	C-CT600/900	373162-S	(BB-563-A)-screw & washer-hex. head- 3/8"-16 x 1 1/8"	12
<b>20146-7 KIT (DOOR HARDWARE)-Less door and side glass</b>				
80/	L-LL-LN-LNT-LS-LT-LTL-LTS600/900	(RH) E2HZ 8020146-A	(LH) E2HZ 8020147-A	1
80/	LA-LTA900			1
<b>201K56 DEFLECTOR KIT (DOOR AIR)</b>				
85/	L-LA-LL-LN-LNT-LS-LT-LTA-LTL- LTS700/900 -- w/aero package	FOHZ 80201K56-A		1
<b>20168-9 REINFORCEMENT (FRONT DOOR FRONT FRAME UPPER)</b>				
80/	L-LN-LNT-LT-LTS600/900	(RH) DOHZ 8020168-A	(LH) DOHZ 8020169-A	1
82/	LTL900			1
<b>20170-1 REINFORCEMENT (FRONT DOOR REAR FRAME UPPER)</b>				
80/	L-LL-LN-LNT-LS-LT-LTS600/900	(RH) FOHZ 8020170-A	(LH) FOHZ 8020171-A	1
82/	LTL900			1
88/	LA-LTA900			1
<b>20196-7 REINFORCEMENT (FRONT DOOR FRONT FRAME LOWER)</b>				
80/	L-LL-LN-LNT-LS-LT-LTS600/900	(RH) DOHZ 8020196-A	(LH) DOHZ 8020197-A	1
82/	LTL900			1
88/	LA-LTA900			1
<b>20196 REINFORCEMENT (DOOR GLASS CHANNEL)</b>				
86/	CF600/800	E6HZ 6020196-A	R.H. and L.H.	2
<b>20200-1 PANEL (FRONT DOOR OUTSIDE)</b>				
86/	CF-CFT600/800	(RH) E9HZ 6020200-A	(LH) E9HZ 6020201-A	1
80/	CL-CLT900	(RH) D8HZ 9020200-A	(LH) D8HZ 9020201-A	1
80/	F600/800,FT800/900	(RH) E7TZ 1520200-A	(LH) E7TZ 1520201-A	1
80/	L-LA-LL-LN-LNT-LS-LT-LTA- LTL-LTS700/900	(RH) E8HZ 8020200-A	(LH) E8HZ 8020201-A	1
<b>20214-5 PANEL (FRONT DOOR INSIDE UPPER)</b>				
80/	CL-CLT900	(RH) E4HZ 9020214-A	(LH) E4HZ 9020215-A	1
<b>20272 WEATHERSTRIP (DOOR OUTER LOWER)</b>				
86/	CF-CFT600/800	E6HZ 6020272-A	R.H. and L.H.	2
<b>20288-9 FRAME (DOOR VENT OPENING)</b>				
80/	CL-CLT900	(RH) D8HZ 9020288-A	(LH) D8HZ 9020289-A	1
<b>20342 LETTER (OWNER MONOGRAM INSIDE)</b>				
80	L-LN-LNT-LT-LTS600/900 -- w/owner operator pkg.	★ D8HZ 9020342-A	Not replaced (10/87)	1
81	L-LN-LNT-LT-LTS600/900 -- w/hi-level trim "Before 2/81"		--	1
<b>20366 WEDGE (FRONT DOOR TOP)</b>				
80/	C-CT600/900	C2TZ 9120366-A	R.H. and L.H.	2
80/	L-LN-LNT-LT-LTS600/900	DOHZ 8020366-A	R.H. and L.H.	2
82/	LTL900			2
80/	C-CT600/900	★50999-S7	Screw & washer-pan head cross recess No. 12-24 x 5/8"	4
80/	L-LL-LN-LNT-LS-LT-LTL-LTS600/900	57472-S40	(B-339-V)-screw-1/4" -20 x 1/2"	8
<b>20368 PLATE (FRONT DOOR TOP WEDGE STRIKER)</b>				
80/	C-CT600/900	B7T 9120368-A	R.H. and L.H.	2
80/	L-LL-LN-LNT-LS-LT-LTS600/900	DOHZ 8020368-A	R.H. and L.H.	2
82/	LTL900			2
88/	LA-LTA900			2

1980/  
TRUCK SERIES 600/900

YEAR	MODEL/RESTRICTIONS	PART NUMBER	DESCRIPTION	QTY.
<b>20368 PLATE (FRONT DOOR TOP WEDGE STRIKER) — Cont'd</b>				
80/	C-CT600/900	356782-S8	(BB-114)-screw & washer-flat head cross recess- No. 12-24 x 1/2"	4
		34054-S8	(M-157)-nut-hex. -No. 12-24	4
<b>20378 WEDGE (FRONT DOOR BOTTOM)</b>				
80/	C-CT-L-LL-LN-LNT-LS-LT-LTL-LTS 600/900	B7T 9120378-A	R.H. and L.H.	2
88/	LA-LTA900	26515-S7	(U-172-A)-screw-round head slotted- 1/4"-20 x 3/4"	4
		34940-S7-8	(X-88)-lockwasher-external tooth-1/4"	4
		33795-S7	(M-49)-nut-hex.-1/4" -20	4
<b>20390 PLATE (FRONT DOOR BOTTOM WEDGE STRIKER)</b>				
80/	C-CT600/900	B7T 9120390-A	R.H. and L.H.	2
80/	L-LL-LN-LNT-LS-LT-LTS600/900	C6TZ 9120390-A	R.H. and L.H.	2
82/	LTL900			2
88/	LA-LTA900			2
80/	C-CT600/900	*50811-S7	Screw & washer-pan head cross recess- No. 12-24 x 1/2"	8
80/	L-LN-LNT-LT-LTL-LTS600/900	57472-S40	(B-339-V)-screw and washer-hex. hd.-1/4-20 x 21/32"	8
<b>20392 SHIM (FRONT DOOR TOP WEDGE)</b>				
80/	C-CT600/900	B7T 9120392-A		AR
<b>20450 REINFORCEMENT (FRONT DOOR HINGE SIDE)</b>				
86/	CF-CFT600/800	E6HZ 6020450-A	R.H. and L.H.-on door	2
<b>20518-9 WEATHERSTRIP (DOOR UPPER)</b>				
80/	C-CT600/900	D9HZ 6020518-A	R.H. and L.H.	2
86/	CF-CFT600/800	E6HZ 6020518-A	R.H. and L.H.	2
80/87	F600/800	(RH) E0TZ 1020518-A	(LH) E0TZ 1020519-A	1
83/87	FT800/900			1
88/	F600/800,FT800/900	(RH) E9TZ 1520518-A	(LH) E9TZ 1520519-A	1
<b>20530-1 WEATHERSTRIP (DOOR OPENING)</b>				
80/	C-CT600/900	(RH) C1TZ 9120530-B	(LH) C1TZ 9120531-B	Front
86/	CF-CFT600/800	F2HZ 6820530-A	R.H. and L.H.	2
80/	CL-CLT900	D8HZ 9020530-A	R.H. and L.H.	2
80/	L-LL-LN-LNT-LS-LT-LTL-LTS600/900	E3HZ 8020530-A	R.H. and L.H.- front	2
88/	LA-LTA900			2
<b>20564 SEAL (FRONT DOOR AT BELT)</b>				
80/	C-CT600/900	B7C 8120564-A	R.H. and L.H.	4
<b>20586 RETAINER (FRONT DOOR WEATHERSTRIP)</b>				
86/	CF-CFT600/800	E6HZ 6020586-A	R.H. and L.H.	2
80/	F600/800,FT800/900	E8TZ 1520586-A	R.H. and L.H.	2
<b>20700 SEAL (FRONT DOOR INNER PANEL BOTTOM DRAIN)</b>				
86/	CF-CFT600/800	E5RY 6120700-A		6
<b>20708 WEATHERSTRIP ASSY. (DOOR OPENING)</b>				
80/	F600/800	F0TZ 1520708-A	R.H. and L.H.	2
83/	FT800/900			2
<b>20770 SHIELD (FRONT DOOR WIRING)</b>				
80/	C-CT600/900 - - w/mirror marker lamps	B9TF 9120770-A	R.H. and L.H.	2
<b>20802 ORNAMENT (DOOR IDENTIFICATION)</b>				
86/	CF-CFT600/800	E6HZ 6020802-A	"6000"-on door trim panel	2
		E6HZ 6020802-B	"7000"-on door trim panel	2
		E6HZ 6020802-C	"CARGO"-on door trim panel	2
87/	CF-CFT800	E7HZ 8020802-A	"8000"-on door trim panel	2
<b>20892 VALVE ASSY. (DOOR VENT)</b>				
87/	F600/800,FT800/900	E7TZ 1520892-A	R.H. and L.H.	2
<b>20910 MOULDING KIT (FRONT DOOR OUTSIDE REAR EDGE)</b>				
80/	F600/800	E0TZ 1020910-A		1
83/	FT800/900			1
<b>209A20 COVER ASSY. (DOOR VENT VALVE OPENING)</b>				
87/	F600/800,FT800/900	E7HZ 60209A20-A	R.H. and L.H.	2

1980/  
TRUCK SERIES 600/900

YEAR	MODEL/RESTRICTIONS	PART NUMBER	DESCRIPTION	QTY.		
<b>20942-3 MOULDING ASSY. (DOOR TRIM CENTER)</b>						
80/86	F600/800	(RH) E0TZ 1020942-A	(LH) E0TZ 1020943-A	1		
83/86	FT800/900			1		
<b>20956-7 MOULDING (DOOR TRIM LOWER)</b>						
82/87	LTL900 - - w/hi level trim	(RH) E1HZ 8020956-A	(LH) E1HZ 8020957-A	1		
82/87	LTL900 - - w/intermediate trim	E1HZ 8020956-B	R.H. and L.H.	2		
<b>20966 RETAINER (DOOR TRIM PANEL UPPER)</b>						
80/87	CL-CLT900	D8HZ 9020966-A	R.H. and L.H.	2		
<b>20970-1 MOULDING (DOOR TRIM PANEL CENTER)</b>						
80/87	CL-CLT900	(RH) D8HZ 9020970-A	(LH) D8HZ 9020971-A	1		
<b>21056-7 MOULDING (FRONT DOOR WINDOW GARNISH LOWER)</b>						
80/	C-CT600/900	(RH) B7T 9121056-A	(LH) B7T 9121057-A	1		
		52720-S8	(U-380)-screw-pan head cross recess- No. 8-18 x 3/8"	4		
		★52915-S8	Screw-oval head cross recess-No. 8-32 x 1/2"	8		
<b>211A00-1 FRAME (FRONT DOOR)</b>						
80/	L-LA-LL-LN-LNT-LS-LT-LTA- LTL-LTS700/900	(RH) E8HZ 80211A00-A	(LH) E8HZ 80211A01-A	1		
80/	CL-CLT900	(RH) E8HZ 90211A00-A	(LH) E8HZ 90211A01-A	1		
<b>21110-1 MOULDING (DOOR TRIM UPPER)</b>						
82/87	LTL900 - - w/hi level trim	(RH) E1HZ 8021110-A	(LH) E1HZ 8021111-A	1		
82/87	LTL900 - - w/intermediate trim	E1HZ 8021110-B	R.H. and L.H.	2		
<b>21122 PLATE (FRONT DOOR INSIDE PANEL COVER)</b>						
80/87	L-LN-LNT-LT-LTS600/900	D8HZ 8021122-A	R.H. and L.H.	2		
82/87	LTL900			2		
88/	L-LA-LL-LN-LNT-LS-LT-LTA- LTL-LTS700/900	E8HZ 8021122-A		1		
<b>21130-1 COVER (FRONT DOOR INSIDE PANEL ACCESS)</b>						
80/	C-CT600/900	(RH) B7T 9121130-A	(LH) B7T 9121131-A	1		
86/	CF-CFT600/800	E6HZ 6021130-A	R.H. and L.H.	2		
<b>21132 GASKET (FRONT DOOR INSIDE PANEL ACCESS COVER)</b>						
80/	L-LL-LN-LNT-LS-LT-LTS600/900	D0HZ 8021132-A	R.H. and L.H.	2		
82/	LTL900			2		
88/	LA-LTA900			2		
<b>21204 STRAINER (DOOR OUTSIDE PANEL)</b>						
86/	CF-CFT600/800	E6HZ 6021204-A	R.H. and L.H.	2		
<b>21408-9 RETAINER (FRONT DOOR VENT WINDOW WEATHERSTRIP)</b>						
80/	C-CT600/900	(RH) C1TZ 9121408-B	(LH) C1TZ 9121409-B	1		
80/	CL-CLT900	(RH) D9HZ 9021408-A	(LH) D9HZ 9021409-A	1		
80/86	F600/800	(RH) E0TZ 1021408-A	(LH) E0TZ 1021409-A	1		
83/86	FT800/900			1		
87/89	F600/800,FT800/900 "Before 5/89"	(RH) E7TZ 1521408-A	(LH) ★ E7TZ 1521409-A r/bE9TZ 1521409-A	1		
89	F600/800,FT800/900 "From 5/89"	(RH) E9TZ 1521408-A	(LH) E9TZ 1521409-A	1		
80/	L-LL-LN-LNT-LS-LT-LTL-LTS600/900	E2HZ 8021408-A	R.H. and L.H.	2		
88/	LA-LTA900			2		
80/	C-CT600/900	33923-S7	(M-32)-nut-hex. -5/16" -24	2		
		34906-S8	(X-98)-washer-lock internal tooth-5/16"	2		
		★359607-S8	Screw-pan head cross recess-5/16" -24 x 13/16"	2		
80/	L-LL-LN-LNT-LS-LT-LTL-LTS600/900	★379458-S	Screw-pan head-5/16" -18 x 13/16"	2		
YEAR	MODEL/RESTRICTIONS	PART NUMBER		NAGS NO.	DESCRIPTION	QTY.
		CLEAR	TINTED			
<b>21410-1 GLASS (DOOR WINDOW)</b>						
<b>FRONT</b>						
80/87	C-CT600/900	C3TZ 9121410-C	C3TZ 9121410-D	4137T	R.H. and L.H.	2
88/	C-CT600/900		C3TZ 9121410-D	4137T	R.H. and L.H.	2
86/	CF-CFT600/800		E6HZ 6021410-A	D7017	R.H.-lower moveable	1
			E6HZ 6021411-A	D7018	L.H.-lower moveable	1
			E6HZ 6021410-B	2804T	R.H. and L.H.-upper stationary	2

1980/  
TRUCK SERIES 600/900

YEAR	MODEL/RESTRICTIONS	PART NUMBER		NAGS NO.	DESCRIPTION	QTY.
		CLEAR	TINTED			
<b>21410-1 GLASS (DOOR WINDOW) — Cont'd</b>						
<b>FRONT</b>						
80/	CL-CLT900	Not available	D8HZ 9021410-A	D5719	R.H.	1
		Not available	D8HZ 9021411-A	D5720	L.H.	1
80/86	F600/800	E0TZ 1021410-A	E0TZ 1021410-B	D6060	R.H.	1
83/86	FT800/900					1
		E0TZ 1021411-A	E0TZ 1021411-B	D6061	L.H.	1
87/	F600/800,FT800/900		E7TZ 1521410-B	D7210	R.H.	1
			E7TZ 1521411-B	D7211	L.H.	1
80/	L-LL-LN-LNT-LS-LT-LTS600/900	DOHZ 8021410-A	DOHZ 8021410-B	2600T	R.H. and L.H.	2
82/	LTL900					2
88/	LA-LTA900					2
<b>21412-3 GLASS (FRONT DOOR VENT WINDOW)</b>						
80/	C-CT600/900	C2TZ 9121412-A		2367T	R.H. and L.H.	2
87/	CF-CFT600/800		E7HZ 6021412-A	V7282	R.H.	1
			E7HZ 6021413-A	V7283	L.H.	1
80/	CL-CLT900	Not available	D8HZ 9021412-A	V5717	R.H.	1
		Not available	D8HZ 9021413-A	V5718	L.H.	1
80/	F600/800	E0TZ 1021412-A	E0TZ 1021412-B	V6058	R.H.	1
83/	FT800/900					1
		E0TZ 1021413-A	E0TZ 1021413-B	V6059	L.H.	1
80/	L-LL-LN-LNT-LS-LT-LTS600/900	DOHZ 8021412-A	DOHZ 8021412-B	2599T	R.H. and L.H.	2
82/	LTL900					2
88/	LA-LTA900					2
YEAR	MODEL/RESTRICTIONS	PART NUMBER		DESCRIPTION		QTY.
<b>21448-9 WEATHERSTRIP (FRONT DOOR VENT WINDOW)</b>						
80/	C-CT600/900	(RH) C1TB 9121448-A	(LH) C1TB 9121449-A			1
87/	CF-CFT600/800	(RH) E6HZ 6021448-A	(LH) E6HZ 6021449-A			1
80/	CL-CLT900	(RH) D8HZ 9021448-A	(LH) D8HZ 9021449-A			1
80/86	F600/800	(RH) E0TZ 1021448-A	(LH) E0TZ 1021449-A			1
83/86	FT800/900					1
87/	F600/800,FT800/900	(RH) E7TZ 1521448-A	(LH) E7TZ 1521449-A			1
80/	L-LL-LN-LNT-LS-LT-LTS600/900	(RH) DOHZ 8021448-B	(LH) DOHZ 8021449-B			1
82/	LTL900					1
88/	LA-LTA900					1
<b>21450 WEATHERSTRIP (FRONT DOOR VENT WINDOW DIVISION BAR)</b>						
80/	C-CT600/900	B7T 9121450-A			R.H. and L.H.	2
<b>21452-7 WEATHERSTRIP (FRONT DOOR AT BELT) — Incl. clips</b>						
80/	C-CT600/900	B7T 9121452-A			R.H. outer and L.H. inner	2
		B7T 9121453-A			R.H. inner and L.H. outer	2
86/	CF-CFT600/800	(RH) E6HZ 6021452-A	(LH) E6HZ 6021453-A		Complete door	1
		E7HZ 6021452-A			Door at belt	2
		E6HZ 6021456-A			R.H. and L.H.—upper stationary window	2
		E6HZ 6021456-B			R.H. and L.H.—in glass channel	2
80/	CL-CLT900	D8HZ 9021452-A			R.H. and L.H.—outside	2
		D8HZ 9021456-A			R.H. and L.H.—inside	2
80/86	F600/800	(RH) E0TZ 1021452-A	(LH) E0TZ 1021453-A		Outside front	1
83/86	FT800/900					1
		(RH) E0TZ 1021456-A	(LH) E0TZ 1021457-A		Inside front—less clips	1
87/89	F600/800,FT800/900	(RH) E7TZ 1521452-A	(LH) E7TZ 1521453-A		Outside	1
		(RH) E9TZ 1521456-A	(LH) E9TZ 1521457-A		Inside	1
80/	L-LL-LN-LNT-LS-LT-LTS600/900	(RH) DOHZ 8021452-A	(LH) DOHZ 8021453-A		Inside and outside	2
82/	LTL900					2
88/	LA-LTA900					2
80/	C-CT600/900		358457-S32		(GG-65) clip	20
<b>21458-9 CHANNEL and RETAINER (FRONT DOOR GLASS)</b>						
80/	C-CT600/900	(RH) C7TZ 9121458-A	(LH) C7TZ 9121459-A			1
86/	CF-CFT600/800 — w/o vent window	E6HZ 6021458-C			R.H. and L.H.	2
80/	CL-CLT900	D8HZ 9021458-A			R.H. and L.H. — lower	2



1980/  
TRUCK SERIES 600/900

YEAR	MODEL/RESTRICTIONS	PART NUMBER	DESCRIPTION	QTY.
<b>21458-9 CHANNEL and RETAINER (FRONT DOOR GLASS) — Cont'd</b>				
80/	F600/800,FT800/900 "From 4/87"	E7TZ 1521458-B	R.H. and L.H.	2
80/	L-LL-LN-LNT-LS-LT-LTS600/900	(RH) DOHZ 8021458-A	(LH) DOHZ 8021459-A	1
82/	LTL900			1
88/	LA,LTA900			1
<b>21481 SPACER (FRONT DOOR VENT WINDOW RETAINING SCREW)</b>				
80/	C-CT600/900	7C 8121481-A		4
<b>21508 RUN (FRONT DOOR GLASS LATCH SIDE)</b>				
86/	CF-CFT600/800	E6HZ 6021508-A	R.H. and L.H.	2
80/	L-LN-LNT-LT-LTS600/900	DOHZ 8021508-A		2
80/	C-CT600/900			2
82/	LTL900			2
<b>21524 RIVET (FRONT DOOR WINDOW DIVISION BAR WEATHERSTRIP)</b>				
80/	C-CT600/900	0A 7021524	3/32" x 5/32"	10
<b>21536 RUN (DOOR GLASS UPPER)</b>				
86/	CF-CFT600/800	E6HZ 6021536-A	R.H. and L.H.	2
80/	F600/800,FT800/900	E9TZ 1521536-A	R.H. and L.H.	2
<b>21546 RUN (DOOR GLASS HINGE SIDE)</b>				
86/	CF-CFT600/800	E6HZ 6021546-B	R.H. and L.H.	2
80/	CL-CLT900	D8HZ 9021546-A	R.H. and L.H.	2
80/	L-LL-LN-LNT-LS-LT-LTS600/900	DOHZ 8021546-A	R.H. and L.H.-front	2
82/	LTL900			2
88/	LA-LTA900			2
<b>21546 SEAL (DOOR PANEL LINING)</b>				
87/	CF-CFT600/800 "From 1/87"	E7HZ 6021546-A		2
<b>21550-1 CHANNEL (FRONT DOOR WINDOW)</b>				
86/	CF-CFT600/800	(RH) E6HZ 6021550-A	(LH) E6HZ 6021551-A	Rear-incl. run
		(RH) E6HZ 6021550-B	(LH) E6HZ 6021551-B	Front-incl. run
<b>21570-1 RETAINER (FRONT DOOR GLASS RUN LATCH SIDE) - Also refer to group 222A00-1</b>				
80/	C-CT600/900	(RH) C3TZ 9121570-A	(LH) C3TZ 9121571-A	1
		373460-S7	(BB-629)-screw & washer-pan head- 1/4"-20 x 1/2"	6
<b>21608-9 FRAME (FRONT DOOR VENT WINDOW) - Less handle and glass</b>				
80/	C-CT600/900	(RH) C1TZ 9121608-A	(LH) C1TZ 9121609-A	1
80/	F600/800	(RH) E0TZ 1021608-A	(LH) E0TZ 1021609-A	1
83/	FT800/900			1
80/	L-LN-LNT-LT-LTS600/900	(RH) DOHZ 8021608-A	(LH) DOHZ 8021609-A	Painted finish
82/	L-LL-LN-LNT-LS-LT-LTL-LTS600/900	(RH) E2HZ 8021608-A	(LH) E2HZ 8021609-A	Bright finish
88/	LA-LTA900			1
80/	CL-CLT900	(RH) D9HZ 9021608-A	(LH) D9HZ 9021609-A	1
80/	C-CT600/900	371617-S	(XX-149)-washer-flat-3/8" (nylon)	4
<b>21742 BRACKET ASSY. (FRONT DOOR WINDOW LOWER STOP)</b>				
80/	CL-CLT900	D8HZ 9021742-A	R.H. and L.H.	2
<b>21812-3 LATCH ASSY. (FRONT DOOR) - Incl. attaching parts</b>				
80/	C-CT600/900	(RH) E8HZ 6021812-A	(LH) E8HZ 6021813-A	1
86/87	CF600/800 "Before 7/87"	(RH) E6HZ 6021812-A	(LH) E6HZ 6021813-A	Includes handle
87/	CF-CFT600/800 "From 7/87"	(RH) E7HZ 6021812-A	(LH) E7HZ 6021813-A	1
80/	CL-CLT900	(RH) D8HZ 9021812-A	(LH) D8HZ 9021813-A	1
80	F600/800	(RH) E0TZ 1021812-A	(LH) E0TZ 1021813-A	1
81	F600/800 "Before 2/81"	(RH) E9AZ 5421812-A	(LH) E9AZ 5421813-A	1
81/89	F600/800,FT800/900 "From 2/81"	(RH) ★ E9ZZ 6121812-A r/bF1ZZ 6121812-A	(LH) ★ E9ZZ 6121813-A r/bF1ZZ 6121813-A	1
80/	L-LA-LL-LN-LNT-LS-LT-LTA-LTL-LTS 700/900	(RH) E8HZ 8021812-A	(LH) E8HZ 8021813-A	1
<b>218N12-3 REINFORCEMENT (DOOR PULL HANDLE)</b>				
86/	CF-CFT600/800	(RH) E6HZ 60218N12-A	(LH) E6HZ 60218N13-A	Rear-5" x 2"
		E6HZ 60218N12-B	R.H. and L.H.-2 3/4" x 7/8"	2
		E6HZ 60218N12-C	R.H. and L.H. rear-3 1/2" x 2"	2
		E6HZ 60218N12-D	R.H. and L.H.-7 1/2" x 1 1/2"	2

**1980/  
TRUCK SERIES 600/900**

YEAR	MODEL/RESTRICTIONS	PART NUMBER	DESCRIPTION	QTY.
<b>21818-9 CONTROL and LINK ASSY. (FRONT DOOR LATCH REMOTE)</b>				
82/	C-CT600/900	(RH) E1HZ 8021818-A	(LH) E1HZ 8021819-A	1
80/	L-LL-LN-LNT-LS-LT-LTL-LTS600/900			1
88/	LA-LTA900			1
80/	CL-CLT900	(RH) D8HZ 9021818-A	(LH) D8HZ 9021819-A	1
80	F600/800 "Before Ser. HD0,001"	(RH) E0TZ 1021818-A	(LH) E0TZ 1021819-A	1
80/	F600/800 "From Ser. HD0,001"	(RH) E0TZ 1021818-B	(LH) E0TZ 1021819-B	1
83/	FT800/900			1
<b>21850-1 KNOB (FRONT DOOR LATCH CONTROL ROD)</b>				
86/	CF-CFT600/800	E6HZ 6021850-A	R.H. and L.H. knob	2
		(RH) E6HZ 6021850-B	(LH) E6HZ 6021851-A Shaft	1
80/	C-CL-L-LL-LN-LNT-LS-LT-LTS 600/800	D5TZ 1021850-A	R.H. and L.H.- octagonal head-black	2
88/	LA-LTA900			2
87/	F600/800,FT800/900	D9ZZ 6621850-B	R.H. and L.H.-black	2
<b>21852-3 ROD (FRONT DOOR LATCH PUSH BUTTON)</b>				
80/	C-CT600/900	(RH) D2KZ 5021852-A	(LH) D2KZ 5021853-A	1
80/	CL-CLT900	(RH) D8HZ 9021852-A	(LH) D8HZ 9021853-A	1
80/81	F600/800 "Before 2/81"	(RH) E0TZ 1021852-A	(LH) E0TZ 1021853-A	1
81/86	F600/800,FT800/900 "From 2/81"	(RH) E6TZ 1521852-A	(LH) E6TZ 1521853-A Includes knob	1
87/	F600/800,FT800/900	(RH) E7TZ 1521852-A	(LH) E7TZ 1521853-A Includes knob	1
80/	L-LL-LN-LNT-LS-LT-LTS600/900	(RH) D0HZ 8021852-A	(LH) D0HZ 8021853-A	1
82/	LTL900			1
88/	LA-LTA900			1
<b>21872-3 SPRING (FRONT DOOR LATCH TOGGLE)</b>				
80/87	F600/880 "Before 8/87"	(RH) D30Z 6521872-A	(LH) D30Z 6521873-A	1
83/87	FT800/900 "Before 8/87"			1
87/	F600/800,FT800/900 "From 8/87"		Refer to group 21812 3	
80/	C-CT600/900	(RH) D0AZ 6221872-A	(LH) D0AZ 6221873-A	1
80/	L-LL-LN-LNT-LS-LT-LTS600/900			1
82/	LTL900			1
88/	LA-LTA900			1
<b>21910 SPRING (FRONT DOOR LATCH REMOTE CONTROL)</b>				
80/	L-LL-LN-LNT-LS-LT-LTS600/900	C5DZ 6221910-A	R.H. and L.H.	2
82/	LTL900			2
88/	LA-LTA900			2
<b>219A30 ROD ASSY. (DOOR LATCH RELEASE)</b>				
80/	CL-CLT900	D8HZ 90219A30-A	R.H. and L.H.	2
<b>219A38 BUSHING (FRONT DOOR LATCH ROD)</b>				
86/	CF-CFT600/800	E6HZ 60219A38-A		4
80/	F600/880	D2VY 65219A38-B		4
83/	FT800/900			4
<b>21940-1 LINK (FRONT DOOR LATCH REMOTE CONTROL)</b>				
80/	C-CT600/900	D2KZ 5021940-A	R.H. and L.H.	2
86/	CF-CFT600/800	(RH) E6HZ 6021940-A	(LH) E6HZ 6021941-A	1
80/	CL-CLT900		Refer to group 22152	
80/	F600/800	(RH) E0TZ 1021940-A	(LH) E0TZ 1021941-A	1
83/	FT800/900			1
80/	L-LN-LNT-LT-LTS600/900	D0HZ 8021940-A	R.H. and L.H.	2
82/	LTL900			2
<b>21942-3 COVER and SPRING KIT (FRONT DOOR LOCK CYLINDER)</b>				
80/	C-CT600/900	(RH) B2A 7021942-A	(LH) B2A 7021943-A	1
<b>21952 RETAINER (FRONT DOOR LATCH ROD)</b>				
80/	C-CT-L-LN-LNT-LT-LTS600/900	E1FZ 6121952-A		10
82/	LTL900			10
86/	CF-CFT600/800	E6HZ 6021952-A		4
80/	CL-CLT900	E1DZ 5421952-A		AR
80/86	F600/800		Upper	AR
83/86	FT800/900		Upper	AR

1980/  
TRUCK SERIES 600/900

YEAR	MODEL/RESTRICTIONS	PART NUMBER	DESCRIPTION	QTY.
<b>21952 RETAINER (FRONT DOOR LATCH ROD) — Cont'd</b>				
80/	F600/800	D9BZ 5421952-A	Lower	AR
83/	FT800/900		Lower	AR
<b>21970 LEVER (FRONT DOOR LATCH OPERATING)</b>				
80/	L-LN-LNT-LT-LTS600/900	D2AZ 6521970-A	Incl. retaining spring	2
82/	LTL900			2
80/86	F600/800	E3DZ 5421970-A		2
83/86	FT800/900			2
87/	F600/800,FT800/900	F1LY 6321970-A		2
<b>21984 Refer to group 22050</b>				
<b>21999 GROMMET (FRONT DOOR LATCH KNOB)</b>				
80/	C-CT-L-LL-LN-LNT-LS-LT-LTS 600/900	D9FZ 6221999-B		AR
82/	LTL900	D0AZ 6221999-B		AR
<b>22008 PLATE (DOOR LATCH STRIKER)</b>				
80/	C-CT-L-LL-LN-LNT-LS-LT-LTS600/900	C5AZ 6222008-A	Front	2
82/	LTL900			2
88/	LA-LTA900			2
86/	CF-CFT600/800	E7HZ 6022008-A		2
80/	CL-CLT900	D8HZ 9022008-A	Plate	2
80/	CL-CLT900	D8HZ 9022008-B	Striker	2
80/85	F600/800	E0TZ 1022008-A		AR
83/85	FT800/900			AR
86	F600/800,FT800/900	E6VY 5422008-A		2
87/89	F600/800,FT800/900	E9AZ 5422008-A		2
<b>22021 RETAINER (FRONT DOOR LATCH STRIKER ANCHOR PLATE)</b>				
80/	C-CT600/900	D2KZ 5022021-A		2
86/	CF-CFT600/800	E6HZ 6022021-A		2
80/	L-LL-LN-LNT-LS-LT-LTS600/900	D0AZ 6222021-A		2
82/	LTL900			2
88/	LA-LTA900			2
80/	CL-CLT900	D8HZ 9022021-A		2
<b>22023 RETAINER (FRONT DOOR LOCK CYLINDER)</b>				
80/	CL-CLT900	D8HZ 9022023-A	Outer	2
		D8HZ 9022023-B	Inner	2
80/89	F600/880 "Before 12/88"	D1ZZ 6522023-C		2
83/89	FT800/900 "Before 12/88"			2
89	F600/800,FT800/900 "From 12/88"	E9DZ 5422023-A		
80/	L-LL-LN-LNT-LS-LT-LTS600/900	C5AZ 6222023-A		2
80/	C-CT600/900			2
82/	LTL900			2
88/	LA-LTA900			2
<b>22024 PLATE (FRONT DOOR LATCH STRIKER TAPPING)</b>				
80/	C-CT600/900	D2KZ 5022024-A		2
86/	CF-CFT600/800		Serviced in Assy. Group 28160-1 only	
80/	CL-CLT900	D8HZ 9022024-A		2
80/	L-LL-LN-LNT-LS-LT-LTS600/900	D3DZ 6222024-A		2
82/	LTL900			2
88/	LA-LTA900			2
<b>22042 PAD (DOOR LOCK CYLINDER)</b>				
86/	CF-CFT600/800	E6HZ 6022042-A		2

**1980/  
TRUCK SERIES 600/900**

YEAR	MODEL	CONSISTS OF LOCK CYLINDERS AND KEYS FOR						DESCRIPTION	PART NUMBER	QTY.	
		DOOR			G/ COMPT.	IGN.	CON- SOLE				HOOD
		B/D	F/D	S/D							
<b>22050 CYLINDER and KEY SET (DOOR and IGNITION LOCK)</b> Notes: ♦ Key head reads "FORD", ◇ Key head reads "Family of Fine Cars" For replacement key blanks, order through Rotunda Equipment											
80	B600/800						I		E0TZ 11582-A *SW-1609	1	
81/	B600/800						I		E1TZ 11582-A *SW-1647	1	
80/	C-CT600/900		F/D				I		D8TZ 1022050-D	1	
			F/D						D2AZ 6521984-A	2	
86/	CF-CFT600/800					G/C			E6HZ 6006081-A	1	
			F/D				I		E6HZ 6022050-B	1	
			F/D						E6HZ 6021984-B	2	
							I		E6HZ 11582-B	1	
80/	CL-CLT900		F/D						D2AZ 6521984-A	2	
							I		C9AZ 11582-A *SW-814	1	
			F/D				I		D8HZ 9022050-A	1	
80/81	F600/880 "Before 10/81"		F/D						D2AZ 6521984-A	2	
81/86	F600/800 "From 10/81"		F/D					Single cylinders	E1DZ 5421984-C	2	
80	F600/800						I		E0TZ 11582-A *SW-1609	1	
81/86	F600/800						I		E4TZ 11582-B	1	
83/86	FT800/900						I		*SW-1647-B	1	
			F/D					Incl. R.H. and L.H.	E1TZ 1021984-A	1	
80	F600/800		F/D				I		E1TZ 1022050-A	1	
87/	F600/800,FT800/900		F/D				I		E6HZ 11582-A	1	
			F/D				I		E6AZ 5422050-A	1	
						G/C			E7TZ 1506081-A	1	
			F/D						E6TZ 1521984-A	2	
80/	L-LL-LN-LNT-LS- LT-LTS600/900		F/D				I		D8TZ 1022050-D	1	
82/	LTL900									1	
88/	LA-LTA900		F/D						D2AZ 6521984-A	1	
							I		C9AZ 11582-A *SW-814	1	
YEAR	MODEL/RESTRICTIONS	PART NUMBER						DESCRIPTION	QTY.		
<b>22053 KEY BLANK-For replacement key blanks, order through Rotunda Equipment</b>											
<b>22134-5 ROD (FRONT DOOR LATCH CONTROL TO CYLINDER)</b>											
80/	C-CT600/900							D4HZ 6022134-A	R.H. and L.H.	2	
80/86	F600/800						(RH)	E0TZ 1022134-B	(LH) E0TZ 1022135-B	1	
83/86	FT800/900									1	
87/	F600/800,FT800/900						(RH)	E7TZ 6022134-A	(LH) E7TZ 6022135-A	1	
80/	L-LL-LN-LNT-LS-LT-LTS600/900							D0HZ 8022134-A	R.H. and L.H.	2	
82/	LTL900									2	
88/	LA-LTA900									2	
<b>22146-7 REINFORCEMENT (DOOR FRAME LOCK OPENING)</b>											
86/	CF-CFT600/800						(RH)	E6HZ 6022146-A	(LH) E6HZ 6022147-A	1	
80/	CL-CLT900							D8HZ 9022146-A	R.H. and L.H.	2	
<b>22152-3 ROD (FRONT DOOR LATCH ACTUATING)</b>											
86/	CF-CFT600/800						(RH)	E6HZ 6022152-A	(LH) E6HZ 6022153-A	Latch to lock lower	1
80/	CL-CLT900							D8HZ 9022152-A	R.H. and L.H.	2	
80/	F600/800,FT800/900						(RH)	E8TZ 1522152-A	(LH) E8TZ 1522153-A	1	

1980/  
TRUCK SERIES 600/900

YEAR	MODEL/RESTRICTIONS	PART NUMBER	DESCRIPTION	QTY.
<b>22168-9 CONTROL ASSY. (DOOR LOCK)</b>				
80	F600/800	(RH) E0TZ 1022168-G	(LH) E0TZ 1022169-G Black	1
		(RH) E0TZ 1022168-H	(LH) E0TZ 1022169-H Blue	1
		(RH) E0TZ 1022168-J	(LH) E0TZ 1022169-J Caramel	1
		(RH) E0TZ 1022168-K	(LH) E0TZ 1022169-K Pine	1
		(RH) E0TZ 1022168-L	(LH) E0TZ 1022169-L Red	1
		(RH) E0TZ 1022168-M	(LH) E0TZ 1022169-M Sand	1
81	F600/800	(RH) E0TZ 1022168-G	(LH) E0TZ 1022169-G Black	1
		(RH) E0TZ 1022168-H	(LH) E0TZ 1022169-H Blue	1
		(RH) E1TZ 1022168-A	(LH) E1TZ 1022169-A Fawn	1
		(RH) E1TZ 1022168-B	(LH) E1TZ 1022169-B Nutmeg	1
		(RH) E0TZ 1022168-L	(LH) E0TZ 1022169-L Red	1
		(RH) E1TZ 1022168-C	(LH) E1TZ 1022169-C Spruce	1
<b>222A00-1 RETAINER (FRONT DOOR GLASS RUN LATCH SIDE) - Also refer to group 21568</b>				
80/	F600/800,FT800/900	(RH) E7TZ 15222A00-A	(LH) E7TZ 15222A01-A	1
<b>22202-3 FRAME (UPPER DOOR WINDOW)</b>				
86/	CF-CFT600/800	(RH) E9HZ 6022202-A	(LH) E9HZ 6022203-A Upper	1
		E9HZ 6022202-B	R.H. and L.H.-lower	2
<b>222A20-1 SHIELD (DOOR VENT WATER)</b>				
89	F600/800,FT800/900	(RH) E9TZ 15222A20-A	(LH) E9TZ 15222A21-A	1
<b>222K77 MOULDING (DRIVER OBSERVATION WINDOW GARNISH LOWER)</b>				
80/	CL-CLT900 - - 64" BBC	D8HZ 90222K77-A	R.H.-paint to match	1
<b>22288-9 BRACKET (DOOR VENT WINDOW FRAME STABILIZER)</b>				
80/	CL-CLT900	(RH) D8HZ 9022288-A	(LH) D8HZ 9022289-A	1
<b>22288-9 RETAINER (DOOR VENT WINDOW PIVOT)</b>				
87	CF-CFT600/800	(RH) E7HZ 6022288-A	(LH) E7HZ 6022289-A Lower	1
<b>22296-7 BAR (FRONT DOOR VENT WINDOW DIVISION)</b>				
80/	C-CT600/900	(RH) B7T 9122296-A	(LH) B7T 9122297-A	1
80/	CL-CLT900	(RH) D8HZ 9022296-A	(LH) D8HZ 9022297-A	1
80/86	F600/800,FT800/900	(RH) E5TZ 1522296-A	(LH) E5TZ 1522297-A	1
87/	F600/800,FT800/900		Refer to group 21408/9	
80/	L-LL-LN-LNT-LS-LT-LTL-LTS600/900	(RH) E2HZ 8022296-A	(LH) E2HZ 8022297-A Painted finish	1
		(RH) E2HZ 8022296-B	(LH) E2HZ 8022297-B Bright finish	1
88/	LA-LTA900			
80/	C-CT600/900	★50540-S8	Screw-round head cross recess-5/16" -24 x 3/4"	2
		34956-S7-8	(X-82)-lockwasher-external tooth-5/16"	2
		350754-S8	(UU-86)-screw-pan head cross recess tapping- No. 10-16 x 1/2"	4
		★50991-S7	Screw & washer-pan head cross recess- No. 12-24 x 1/2"	2
80/	L-LL-LN-LNT-LS-LT-LTS600/900	★55938-S	Screw-oval head-cross recess-self tapping- No. 8-18 x 1 3/4"	4
		★63751-S	Rivet-oval head-1/8"	2
88/	LA-LTA900			
<b>223A24-5 RETAINER and BRACKET (FRONT DOOR VENT WINDOW DIVISION BAR GLASS RUN)</b>				
80/86	F600/800	(RH) D4TZ 10223A24-A	(LH) D4TZ 10223A25-A	1
83/86	FT800/900			1
80/	L-LL-LN-LNT-LS-LT-LTS600/900	(RH) D0HZ 80223A24-A	(LH) D0HZ 80223A25-A	1
82/	LTL900			1
88/	LA-LTA			1
80/	F600/800	381758-S2	(UU-106-AA)-screw-shoulder-1/4"-20 x 1 1/2"	2
83/	FT800/900			2
		★45336-S2	Nut and washer-hex. -1/4" -20	2
<b>22352-3 REINFORCEMENT (DOOR VENT WINDOW FRAME LOWER)</b>				
80/	CL-CLT900	(RH) D8HZ 9022352-A	(LH) D8HZ 9022353-A	1
<b>223A64-5 REINFORCEMENT (OBSERVATION WINDOW FRAME LOWER)</b>				
86/	CF-CFT600/800	(RH) E6HZ 60223A64-A	(LH) E6HZ 60223A65-A	1
<b>223A66 REINFORCEMENT (OBSERVATION WINDOW)</b>				
86/	CF-CFT600/800	E6HZ 60223A66-A	R.H. and L.H.	2

1980/  
TRUCK SERIES 600/900

YEAR	MODEL/RESTRICTIONS	PART NUMBER	DESCRIPTION	QTY.		
<b>223A70 WEATHERSTRIP (DRIVER OBSERVATION WINDOW)</b>						
86/	CF-CFT600/800 -- w/stationary one piece vent window	(RH) E6HZ 60223A70-C	(LH) E6HZ 60223A71-B	1		
86/	CF-CFT600/800	E6HZ 60223A70-B	R.H. and L.H.-window reinforcement bar	2		
80/	CL-CLT900	D8HZ 90223A70-A	R.H.	1 or 3		
YEAR	MODEL/RESTRICTIONS	PART NUMBER		NAGS NO.	DESCRIPTION	QTY.
		CLEAR	TINTED			
<b>223A88-9 GLASS (DRIVER OBSERVATION WINDOW)</b>						
86/	CF-CFT600/800 -- w/stationary observation window	E6HZ 60223A88-A	V7015	R.H.		1
		E6HZ 60223A89-A	V7016	L.H.		1
87	CF-CFT600/800 -- w/moveable vent window	E7HZ 60223A88-A	V7284	R.H.-lower		1
		E7HZ 60223A89-A	V7285	L.H.-lower		1
80/	CL-CLT900	Not available	D8HZ 90223A88-A	2731T	R.H. and L.H.	2
YEAR	MODEL/RESTRICTIONS	PART NUMBER	DESCRIPTION	QTY.		
<b>224A00-1 BRACKET (FRONT DOOR OUTSIDE HANDLE ATTACHING)</b>						
80/	CL-CLT900	(RH) D8HZ 90224A00-A	(LH) D8HZ 90224A01-A	1		
<b>22404-5 HANDLE (DOOR OUTSIDE) - Incl. attaching parts</b>						
80/	C-CT-L-LL-LN-LNT-LS-LT-LTS600/900	(RH) D0HZ 8022404-A	(LH) D0HZ 8022405-A	Front	1	
82/	LTL900				1	
88/	LA-LTA				1	
86/	CF-CFT600/800	E7HZ 6022404-A	R.H. and L.H.		2	
80/	CL-CLT900	(RH) D8HZ 9022404-A	(LH) D8HZ 9022405-A		1	
80/	F600/800, FT800/900	(RH) E7TZ 1522404-A	(LH) E7TZ 1522405-A		1	
<b>22428-9 PAD (FRONT DOOR OUTSIDE HANDLE LARGE)</b>						
80/	C-CT-L-LL-LN-LNT-LS-LT-LTS600/900	(RH) D0HZ 8022428-A	(LH) D0HZ 8022429-A		1	
82/	LTL900				1	
88/	LA-LTA900				1	
86/	CF-CFT600/800	E6HZ 6022428-A	R.H. and L.H.		2	
80/	CL-CLT900	D8HZ 9022428-A	R.H. and L.H.		2	
80/	F600/800	(RH) E0TZ 1022428-A	(LH) E0TZ 1022429-A		1	
83/	FT800/900				1	
<b>22448-9 PAD (FRONT DOOR OUTSIDE HANDLE SMALL)</b>						
80/	C-CT-L-LL-LN-LNT-LS-LT-LTS600/900	(RH) D0HZ 8022448-A	(LH) D0HZ 8022449-A		1	
82/	LTL900				1	
88/	LA-LTA900				1	
80/	F600/800	E0TZ 1022448-A	R.H. and L.H.		2	
83/	FT800/900				2	
<b>22454 BUTTON and GUIDE ASSY. (FRONT DOOR OUTSIDE HANDLE) - Incl. attaching parts</b>						
80/	C-CT-L-LL-LN-LNT-LS-LT-LTS600/900	D0HZ 8022454-A	R.H. and L.H.		2	
82/	LTL900				2	
88/	LA-LTA900				2	
80/	F600/800	E0TZ 1022454-A	R.H. and L.H.		2	
83/	FT800/900				2	
<b>22459 RETAINER (FRONT DOOR OUTSIDE HANDLE BUTTON)</b>						
80/	C-CT600/900	B5C 8122459-A	R.H. and L.H.		2	
80/	F600/800	E0TZ 1022459-A	R.H. and L.H.		2	
83/	FT800/900				2	
80/	C-CT600/900	*51754-S8	Screw-pan head cross recess-No. 6-18 x 3/8"		4	
<b>22462 SPRING (FRONT DOOR OUTSIDE HANDLE BUTTON and GUIDE)</b>						
80/	C-CT600/900	B7TZ 8122462-A	R.H. and L.H.		2	
80/	F600/800	D3TZ 5022462-A	R.H. and L.H.		2	
83/	FT800/900				2	
<b>22600-1 HANDLE (DOOR INSIDE)</b>						
80/	C-CT600/900	E1HZ 8022600-A	R.H. and L.H.		2	
80/	CL-CLT900				2	
80/	L-LL-LN-LNT-LS-LT-LTL-LTS600/900				2	
88/	LA-LTA900				2	
86/	CF-CFT600/800	E6HZ 6022600-A	R.H. and L.H.		2	
80	F600/800 "Before Ser. HD0,001"	(RH) E0TZ 1022600-A	(LH) E0TZ 1022601-A		1	
80/86	F600/800 "From Ser. HD0,001"	(RH) E0TZ 1022600-B	(LH) E0TZ 1022601-B		1	
83/86	FT800/900				1	
87/	F600/800, FT800/900	(RH) E7TZ 1522600-A	(LH) E7TZ 1522601-A		1	

October, 1993

COPYRIGHT © 1993 - FORD MOTOR - DEARBORN, MICHIGAN  
COMPANY

Final Issue

1980/  
TRUCK SERIES 600/900

YEAR	MODEL/RESTRICTIONS	PART NUMBER	DESCRIPTION	QTY.	
<b>226A06-7 BOOT (DOOR INSIDE HANDLE)</b>					
86/	CF-CFT600/800	E6HZ 60226A06-A	R.H. and L.H.	2	
80	F600/800	E0TZ 10226A06-A	R.H. and L.H.	2	
81	F600/800	(RH) E3TZ 10226A06-A	(LH) E3TZ 10226A07-A	Black	1
		(RH) E0TZ 10226A06-C	(LH) E0TZ 10226A07-C	Blue	1
		(RH) E0TZ 10226A06-F	(LH) E0TZ 10226A07-F	Red	1
		(RH) E1TZ 10226A06-A	(LH) E1TZ 10226A07-A	Fawn	1
		(RH) E1TZ 10226A06-B	(LH) ★ E1TZ 10226A07-B	Nutmeg-not replaced	1
		(RH) E1TZ 10226A06-C	(LH) ★ E1TZ 10226A07-C	Spruce	1
				Not replaced	
82	F600/800	(RH) E3TZ 10226A06-A	(LH) E3TZ 10226A07-A	Black	1
		(RH) E2TZ 10226A06-A	(LH) E2TZ 10226A07-A	Blue	1
		(RH) E1TZ 10226A06-A	(LH) E1TZ 10226A07-A	Fawn	1
		(RH) E1TZ 10226A06-B	(LH) E1TZ 10226A07-B	Nutmeg	1
		(RH) E0TZ 10226A06-F	(LH) E0TZ 10226A07-F	Red	1
		(RH) E1TZ 10226A06-C	(LH) ★ E1TZ 10226A07-C	Spruce	1
				Not replaced	
83	F600/800, FT800	(RH) E3TZ 10226A06-B	(LH) E3TZ 10226A07-B	Blue	1
		(RH) E3TZ 10226A06-C	(LH) E3TZ 10226A07-C	Red	1
		(RH) E3TZ 10226A06-D	(LH) E3TZ 10226A07-D	Tan	1
84/85	F600/800, FT800/900	(RH) E3TZ 10226A06-D	(LH) E3TZ 10226A07-D	Tan	1
		(RH) E4TZ 10226A06-A	(LH) E4TZ 10226A07-A	Charcoal	1
86	F600/800, FT800/900	(RH) E4TZ 10226A06-A	(LH) E4TZ 10226A07-A	Charcoal	1
		(RH) E6TZ 10226A06-A	(LH) E6TZ 10226A07-A	Chestnut	1
87/	F600/800, FT800/900	(RH) E7TZ 15226A06-A	(LH) E7TZ 15226A07-A	1	
<b>22608 SPACER (DOOR ASSIST HANDLE)</b>					
83/	L-LL-LN-LNT-LS-LT-LTL-LTS600/900	E3HZ 8022608-A	R.H. and L.H.	4	
88/	LA-LTA900			4	
<b>22620-1 ESCUTCHEON (FRONT DOOR HANDLE)</b>					
80/	C-CT-L-LL-LN-LNT-LS-LT-LTS600/900	D0HZ 8022620-A	Black-3/4" I.D. x 2" O.D. -inside	2	
82/	LTL900			2	
88/	LA-LTA900			2	
86/	CF-CFT600/800	(RH) E6HZ 6022620-A	(LH) E6HZ 6022621-A	1	
<b>22624 SPRING (FRONT DOOR WINDOW HANDLE)</b>					
80	F600/800	D0AZ 6322624-A	R.H. and L.H.	2	
81/	F600/800	E1TZ 1022624-A	R.H. and L.H.	2	
83/	FT800/900			2	
<b>22628-9 GUIDE (DOOR INSIDE HANDLE)</b>					
86/	CF-CFT600/800	(RH) E7HZ 6022628-A	(LH) E7HZ 6022629-A	1	
<b>22800-11 HINGE ASSY. (FRONT DOOR)</b>					
80/	C-CT600/900	(RH) F0HZ 8022800-A	(LH) F0HZ 8022801-A	Upper	1
		(RH) F0HZ 8022810-A	(LH) F0HZ 8022811-A	Lower	1
86/	CF-CFT600/800	(RH) E6HZ 6022800-A	(LH) E6HZ 6022801-A	Upper	1
		E6HZ 6022800-B		R.H. and L.H.-lower	2
80/	CL-CLT900	(RH) D8HZ 9022800-A	(LH) D8HZ 9022801-A	Upper and lower	2
80/83	F600/800			R.H. and L.H.-lower	2
					2
83	FT800	(RH) E1DZ 5422811-A	(LH) E1DZ 5422810-A	Upper	1
				R.H. and L.H.-lower	2
84/89	F600/800, FT800/900	E9TZ 1522800-A		R.H. and L.H.-lower	2
		(RH) E8TZ 1522811-A	(LH) E8TZ 1522810-A	Upper	1
80/	L-LL-LN-LNT-LS-LT-LTS600/900	(RH) D0HZ 8022800-A	(LH) D0HZ 8022801-A	Upper	1
		(RH) D0HZ 8022810-A	(LH) D0HZ 8022811-A	Lower	1
82/	LTL900				
88/	LA-LTA900				
80/	C-CT600/900	372422-S2	(BB-593)-screw & washer assy. -3/8" -24 x 1 9/32"	24	
<b>22826 PLATE (FRONT DOOR HINGE BOLT ACCESS HOLE COVER)</b>					
80/	C-CT600/900	B7T 9122826-A	R.H. and L.H.	2	
80/	CL-CLT900	D8HZ 9022826-A	R.H. and L.H.	2	
<b>22840 PIN (DOOR HINGE)</b>					
80/	CL-CLT900	D8HZ 9022840-A	R.H. and L.H.-door hinge	4	
		E8UZ 1522840-A	R.H. and L.H.-door check	2	
80/	L-LL-LN-LNT-LS-LT-LTL-LTS600/900	C1UB 8922840-B	Front door	4	
88/	LA-LTA900			4	

**1980/  
TRUCK SERIES 600/900**

BODY SECTION 200 15

YEAR	MODEL/RESTRICTIONS	PART NUMBER	DESCRIPTION	QTY.
<b>22842-3 REINFORCEMENT ASSY. (FRONT DOOR HINGE ON BODY)</b>				
80/	CL-CLT900	(RH) D8HZ 9022842-A	(LH) D8HZ 9022843-A	1
<b>22852-3 PLATE (FRONT DOOR HINGE TAPPING)</b>				
86/	CF-CFT600/800	(RH) E6HZ 6022852-A	(LH) E6HZ 6022853-A	1
80/	CL-CLT900	D8HZ 9022852-A	R.H. and L.H.	2
<b>22912 BRACKET (FRONT DOOR VENT WINDOW DIVISION BAR LOWER)</b>				
80/	C-CT600/900	B7T 9122912-A	R.H. and L.H.	2
80/	L-LL-LN-LNT-LS-LT-LTS600/900	D0HZ 8022912-A	R.H. and L.H.	2
82/	LTL900			2
88/	LA-LTA900			
80/	C-CT600/900	*50991-S7	Screw & washer-pan head cross recess- No. 12-24 x 1/2"	2
		44720-S8	(X-18)-washer-flat-1/4"	2
		34054-S8	(M-157)-nut-hex. -No. 12-24	2
<b>22916-7 HANDLE (FRONT DOOR VENT WINDOW) - Incl. attaching parts</b>				
80/	C-CT600/900	(RH) A9AZ 7022916-A	(LH) A9AZ 7022917-A	1
87/	CF-CFT600/800	(RH) E6HZ 6022916-A	(LH) E6HZ 6022917-A	1
80/	CL-CLT900	D8HZ 9022916-A	R.H. and L.H.	2
80/	L-LL-LN-LNT-LS-LT-LTS600/900	(RH) C80Z 5422916-B	(LH) C80Z 5422917-B	1
82/	LTL900			1
88/	LA-LTA900			1
80/89	F600/800,FT800/900	"From 4/89" (RH) E9TZ 1522916-A	(LH) E9TZ 1522917-A	1
<b>22920 KEY (FRONT DOOR VENT WINDOW LATCHING HANDLE)</b>				
80/	C-CT600/900	8A 7022920	R.H. and L.H.	2
87/	CF-CFT600/900	E6HZ 6022920-A	R.H. and L.H.	2
80/	F600/800	E0TZ 1022920-B	R.H. and L.H.	AR
83/	FT800/900			AR
<b>22926 SPRING (FRONT DOOR VENT WINDOW PIVOT)</b>				
80/	F600/800	B5A 7022926-A	R.H. and L.H.	2
83/	FT800/900			2
80/	L-LL-LN-LNT-LS-LT-LTS600/900	C6TZ 9122926-A	R.H. and L.H.	2
82/	LTL900			2
88/	LA-LTA900			2
<b>22952-3 FRAME and PIVOT ASSY. (DOOR VENT WINDOW)</b>				
87/	CF-CFT600/800	(RH) E7HZ 6022952-A	(LH) E7HZ 6022953-A	Upper
		(RH) E7HZ 6022952-B	(LH) E7HZ 6022953-B	Lower
<b>22954 BRACKET (FRONT DOOR VENT WINDOW LOWER PIVOT)</b>				
80/	C-CT600/900	B7T 9122954-A	R.H. and L.H.	2
<b>22960 BUSHING (FRONT DOOR VENT WINDOW PIVOT)</b>				
80/	C-CT600/900	B7T 9122960-A	R.H. and L.H.	2
87/	CF-CFT600/800	E7HZ 6022960-A	R.H. and L.H.	2
<b>22963 WASHER (FRONT DOOR VENT WINDOW PIVOT FRICTION)</b>				
80/	CL-CLT900	C6TZ 9122963-A	R.H. and L.H.	2
80/	L-LL-LN-LNT-LS-LT-LTS600/900	C2AZ 6222963-A	R.H. and L.H.	2
82/	LTL900			2
88/	LA-LTA900			2
80/82	F600/800	E0TZ 1022963-A	R.H. and L.H.	AR
83/	F600/800,FT800/900	E3TZ 1022963-A	R.H. and L.H.	AR
<b>22982 WASHER (FRONT DOOR VENT WINDOW HANDLE)</b>				
80/	C-CT-L-LN-LNT-LT-LTS600/900	B7A 7022982-A	R.H. and L.H.	2
82/	LTL900			2
<b>22986 SPRING (FRONT DOOR VENT WINDOW LATCH HANDLE)</b>				
80/	C-CT600/900	B9A 6422986-A	R.H. and L.H.	2
87/	CF-CFT600/800	E7HZ 6022986-A	R.H. and L.H.	2
<b>22988-9 RETAINER (FRONT DOOR VENT WINDOW LOWER PIVOT)</b>				
87/	CF-CFT600/800	(RH) E7HZ 6022988-A	(LH) E7HZ 6022989-A	1
<b>22992 STOP (FRONT DOOR VENT WINDOW PIVOT)</b>				
80/	F600/800	E0TZ 1022992-A	R.H. and L.H.	AR
83/	FT800/900			AR
80/	L-LL-LN-LNT-LS-LT-LTS600/900	C60Z 6222992-A	R.H. and L.H.	2
82/	LTL900			2
88/	LA-LTA900			2

October, 1993

COPYRIGHT © 1993 - FORD MOTOR - DEARBORN, MICHIGAN  
COMPANY

Final Issue



1980/  
TRUCK SERIES 600/900

YEAR	MODEL/RESTRICTIONS	PART NUMBER	DESCRIPTION	QTY.
<b>23200-1 REGULATOR ASSY. (FRONT DOOR WINDOW)</b>				
80/	C-CT600/900	(RH) C7TZ 9123200-A	(LH) C7TZ 9123201-A	1
86/	CF-CFT600/800	(RH) E6HZ 6023200-A	(LH) E6HZ 6023201-A	1
80/	CL-CLT900	(RH) D8HZ 9023200-A	(LH) D8HZ 9023201-A	1
80/	F600/800,FT800/900	(RH) E7TZ 1523200-A	(LH) E7TZ 1523201-A	1
80/	L-LL-LN-LNT-LS-LT-LTS600/900	(RH) E0HZ 8023200-A	(LH) E0HZ 8023201-A	1
82/	LTL900			1
88/	LA-LTA900			1
80/	C-CT600/900	*50698-S8	Screw & washer-oval head cross recess- No. 12-24 x 1/2"	8
80/	C-CT600/900	34054-S8	(M-157)-nut-hex.-No. 12-24	8
<b>23212 GEAR AND CAM ASSY. (DOOR WINDOW REGULATOR PINION)</b>				
80/	L-LL-LN-LNT-LS-LT-LTS600/900	D2HZ 8023212-A	R.H. and L.H.	2
82/	LTL900			2
88/	LA-LTA900			2
<b>23227 SEAL (DOOR WINDOW REGULATOR HANDLE)</b>				
87/	F600/800,FT800/900	E6TZ 1023227-A		2
<b>23230 BRACKET ASSY. (FRONT DOOR WINDOW REGULATOR EQUALIZER ARM)</b>				
80/	L-LL-LN-LNT-LS-LT-LTS600/900	D0HZ 8023230-A	R.H. and L.H.	2
82/	LTL900			2
88/	LA-LTA900			2
<b>23240 ROLLER (FRONT DOOR WINDOW REGULATOR ARM)</b>				
80/	C-CT600/900	COAB 6423240-B	Nylon	4
80/	CL-CLT900	D6AZ 5323240-A		AR
<b>23248 REINFORCEMENT ASSY. (FRONT DOOR WINDOW REGULATOR PLATE)</b>				
80/	CL-CLT900 - - w/power window	D8HZ 9023248-A	R.H.	1
<b>23296 BRACKET (FRONT DOOR WINDOW GLASS CHANNEL REAR)</b>				
86/	CF-CFT600/800	E6HZ 6023296-A	R.H. and L.H.	2
80/	L-LL-LN-LNT-LS-LT-LTS600/900	D0HZ 8023296-A	R.H. and L.H.	2
82/	LTL900			2
88/	LA-LTA900			2
<b>23324 RETAINER (FRONT DOOR WINDOW REGULATOR PLATE)</b>				
80/	CL-CLT900 - - w/power window	D8HZ 9023324-A	R.H.	4
<b>23342 HANDLE (FRONT DOOR WINDOW REGULATOR) - Incl. knob and attaching parts</b>				
80/	C-CT600/900	D2KZ 6023342-A	R.H. and L.H.	2
86/	CF-CFT600/800	E0RZ 6423342-C	R.H. and L.H.-incl. knob	2
80/86	F600/800	D3AZ 6523342-A	R.H. and L.H.-incl. knob	2
83/86	FT800/900			2
87/	F,FT600/900	E6DZ 5423342-A	R.H. & L.H.-incl. knob	2
80/	L-LL-LN-LNT-LS-LT-LTS600/900	D2HZ 8023342-A	R.H. and L.H.	2
80/	CL-CLT900			2
82/	LTL900			2
88/	LA-LTA900			2
<b>23362 COVER (WINDOW REGULATOR HANDLE SCREW)</b>				
86/	CF-CFT600/800	E0RZ 6423362-A	R.H. and L.H.	2
<b>23370 PLATE (FRONT DOOR WINDOW REGULATOR HANDLE)</b>				
80/	C-CT-L-LL-LN-LNT-LS-LT-LTS600/900	C5AZ 6223370-AA		4
80/	600/900			AR
80/	CL-CLT900			4
82/	LTL900			4
88/	LA-LTA900			4
86/	CF-CFT600/800	D8RZ 6423370-A		2
80/86	F600/800	C8AZ 6223370-A	R.H. and L.H.	2
83/86	FT800/900			2
87/	F600/800,FT800/900	E73Z 5423370-G		2
<b>23382 COVER (DOOR VENT WINDOW PIVOT ADJUSTER)</b>				
87/	CF-CFT600/800	E6HZ 6023382-A	R.H. and L.H.	2

1980/  
TRUCK SERIES 600/900

BODY SECTION 200 17

YEAR	MODEL/RESTRICTIONS	PART NUMBER	DESCRIPTION	QTY.
<b>23394 DRIVE ASSY. (DOOR WINDOW REGULATOR ELECTRIC)</b>				
80/	CL-CLT900 - - w/power window	D8HZ 9023394-A	R.H.	1
80/	F-FT-C-CT-CL-CLT-L-LA-LL-LN-LNT-LS-LT-LTA-LTL-LTS700/900 - - w/dealer installed accessory power windows	(RH) FOHZ 6023394-A	(LH) FOHZ 6023395-A	1
<b>233A94 WINDOW KIT (POWER)</b>				
80/	F-FT-C-CT-CL-CLT-L-LA-LL-LN-LNT-LS-LT-LTA-LTL-LTS700/900	FOHZ 60233A94-A		
<b>23402-3 REGULATOR ASSY. (DOOR VENT WINDOW)</b>				
80/	CL-CLT900	(RH) D8HZ 9023402-A	(LH) D8HZ 9023403-A	1
<b>234A04 PLATE (FRONT DOOR WINDOW REGULATOR SUPPORT)</b>				
80/	CL-CLT900 - - w/power window	D8HZ 90234A04-A	R.H.	1
<b>234A24 COUPLING KIT (WINDOW REGULATOR DRIVE)</b>				
80/	F-FT-C-CT-CL-CLT-L-LA-LL-LN-LNT-LS-LT-LTA-LTL-LTS700/900 - - w/dealer installed accessory power windows	FOHZ 60234A24-A		1
<b>23458 CAP (DOOR WINDOW REGULATOR DRIVE)</b>				
80/	CL-CLT900 - - w/power windows	D8HZ 9023458-B	R.H.-paint to match	1
<b>23504 STRAP (FRONT DOOR CHECK)</b>				
80/	CL-CLT900		Refer to group 27200	
<b>23510-1 BRACKET (FRONT DOOR CHECK ARM ON BODY)</b>				
86/	CF-CFT600/800	(RH) E6HZ 6023510-A	(LH) E6HZ 6023511-A	1
80/	CL-CLT900	D8HZ 9023510-A	Arm on body	2
80/	L-LL-LN-LNT-LS-LT-LTS600/900	DOHZ 8023510-A	R.H. and L.H.	2
82/	LTL900			2
88/	LA-LTA900			2
<b>23546 BRACKET ASSY. (FRONT DOOR CHECK ARM ON DOOR)</b>				
80/	CL-CLT900	D8HZ 9023546-A	R.H. and L.H.	2
<b>23552 CHECK (FRONT DOOR HINGE)</b>				
80/	C-CT600/900	B7T 9123552-A		2
80/	L-LL-LN-LNT-LS-LT-LTS600/900	DOHZ 8023552-A		2
82/	LTL900			2
88/	LA-LTA900			2
80/	C-CT600/900	*50813-S8	Screw & washer-pan head cross recess-1/4" -28 x 1/2"	4
<b>235A60 BEARING (FRONT DOOR CHECK ROLLER)</b>				
81/	F600/800	E1DZ 54235A60-A	R.H. and L.H.	2
83/	FT800/900		R.H. and L.H.	2
<b>235A62 REINFORCEMENT ASSY. (FRONT DOOR CHECK ARM)</b>				
86/	CF-CFT600/800	E6HZ 60235A62-A	R.H. and L.H.-on body	2
<b>23572 SLEEVE (FRONT DOOR WINDOW FRONT REGULATOR DRIVE)</b>				
80/	CL-CLT900 - - w/power window	D8HZ 9023572-A	R.H.	1
<b>237A04 SHIELD (DOOR FRAME WATER)</b>				
82/	LTL900 - - w/hi level trim	E1HZ 80237A04-A	R.H. and L.H.	2
<b>23706 INSULATION (SLEEPING COMPARTMENT) - cut to fit</b>				
80/	CL-CLT900 - - 76",88",110" BBC	D8HZ 9023706-A	25 25/32" x 24 9/16"	2
80/	CL-CLT900 - - 54",64" BBC	D8HZ 9023706-B	28 3/4" x 24 49/64"	2
80/	CL-CLT900 - - 54",64" BBC	D8HZ 9023706-C	16 7/32" x 14 1/64"	1
<b>23820 REFLECTOR (DOOR TRIM PANEL)</b>				
80/	CL-CLT900	D2AZ 6523820-A	R.H. and L.H.	2
<b>23850 SHIELD (CAB SAFETY LOCK CYLINDER)</b>				
86/	CF-CFT600/800	E6HZ 6023850-A		1
<b>23864-5 INSERT (DOOR TRIM PANEL)</b>				
80/	F600/800	(RH) E1TZ 6023864-A	(LH) E1TZ 6023865-A	1
83/	FT800/900			1
<b>23890-1 PANEL (FRONT DOOR INNER LOWER) - Paint to match</b>				
80/	CL-CLT900	(RH) D8HZ 9023890-A	(LH) D8HZ 9023891-A	1

October, 1993

COPYRIGHT © 1993 - FORD MOTOR - DEARBORN, MICHIGAN  
COMPANY

Final Issue

1980/  
TRUCK SERIES 600/900

YEAR	MODEL/RESTRICTIONS	PART NUMBER	DESCRIPTION	QTY.
<b>24116 BRACKET (FRONT DOOR ARM REST MOUNTING)</b>				
80/	L-LL-LN-LNT-LS-LT-LTS600/900	D0HZ 8024116-A		1
88/	LA-LTA900			1
82/	LTL900	E1HZ 8024116-A	R.H. and L.H.	2
<b>24160 SUPPORT (DOOR ARM REST)</b>				
80/	F600/800	E0TZ 1024160-B	R.H. and L.H.	2
83/	FT800/900		R.H. and L.H.	2
<b>25622 PLATE (FRONT DOOR OUTSIDE NAME)</b>				
80/	C-CT800	C1TZ 8125622-A	"Custom Cab"-incl. attaching parts	2
80/86	L-LN-LNT-LT-LTS600/900			2
		355891-S2	(MM-221) - nut-sleeve-1/8"	12
86/	CF-CFT600/800	E6HZ 6025622-A	"FORD DIESEL"	2
80/81	CL-CLT900 "Before 2/81"	D8HZ 9025622-A	"FORD CL 9000"	2
81/83	CL-CLT900 "From 2/81 to 10/82"	E1HZ 9025622-A	"FORD CL 9000"-red	2
83/87	CL-CLT900 "From 10/82 to 3/87"	E3HZ 9025622-A	"FORD CL9000"-black	2

1980/  
TRUCK SERIES 600/900

BODY SECTION 260 1

YEAR	MODEL/RESTRICTIONS	PART NUMBER	DESCRIPTION	QTY.
<b>264K70 PAD (DOOR REMOTE CONTROL)</b>				
86/	CF-CFT600/800	E7HZ 60264K70-A		2
<b>265A06 SHIM (FRONT DOOR LATCH STRIKER PLATE)</b>				
80/	C-CT-L-LL-LN-LNT-LS-LT-LTS	C4DZ 54265A06-AA		AR
82/	LTL900			AR
88/	LA-LTA900			AR
80/	CL-CLT900	D8HZ 90265A06-A		2
<b>26690 HANDLE (DOOR INSIDE PULL)</b>				
81/87	L-LL-LN-LNT-LS-LT-LTS600/900	★ E1HZ 8026690-A	R.H. and L.H.-r/b E8HZ 8026690-A	2
88/	L-LA-LL-LN-LNT-LS-LT-LTA-LTL-LTS700/900	E8HZ 8026690-A	R.H. and L.H.	2
<b>268A76 PIN (FRONT DOOR CHECK)</b>				
80/	L-LL-LN-LNT-LS-LT-LTS600/900	C6UZ 89268A76-A		2
88/	LA-LTA900			2
<b>27200-1 ARM ASSY. (BODY SIDE FRONT DOOR CHECK)</b>				
86/	CF-CFT600/800	(RH) E8HZ 6027200-A	(LH) E8HZ 6027201-A	1
80/	CL-CLT900	D9HZ 9027200-A	R.H. and L.H.	2
80/	CL-CLT900	74013-S36	Pin-5/16" x 1 15/16" clevis	2
		358883-S7	Retainer spring 1/4" drilled shaft	2
<b>27218 BRACKET (DOOR CHECK ON DOOR)-Refer to group 23546</b>				
<b>27726-7 BRACE (BODY SIDE PANEL REAR)</b>				
80/83	CL-CLT900 -- 54" BBC	(RH) ★ D8HZ 9027726-A Not replaced	(LH) ★ D8HZ 9027727-A Not replaced	1
80/	CL-CLT900 -- 64",76",88",110" BBC	D8HZ 9027726-B	R.H. and L.H.-rear	2
80/	CL-CLT900 -- 64",76",88",110" BBC	D8HZ 9027726-C	R.H. and L.H.-center	2
<b>278L00-1 DEFLECTOR ASSY. (BODY SIDE)</b>				
86/	CF-CFT600/800 -- w/body side air deflector	(RH) E6HZ 60278L00-A	(LH) E6HZ 60278L01-A	1
<b>278L02 DEFLECTOR KIT (BODY SIDE AIR)</b>				
87/	CL-CLT900 -- w/aerodynamic package	(RH) F1HZ 90278L02-A	(LH) F1HZ 90278L03-A	For replacement of production installed air deflector only 1
85/	L-LL-LN-LNT-LS-LT-LTL-LTS600/900 -- w/aerodynamics package	E5HZ 90278L02-A		For replacement of production installed air deflector only-complete kit, incl. 1
88/	LA-LTA900		R.H. and L.H. deflectors	1
85/	L-LA-LN-LNT-LS-LT-LTA-LTL-LTS700/900 -- w/aerodynamics package	(RH) F1HZ 90278L02-B	(LH) F1HZ 90278L03-B	For replacement of production installed air deflector only 1
<b>27824-5 PANEL ASSY. (BODY REAR CORNER)</b>				
80/83	CL-CLT900 -- 76" BBC	(RH) ★ D8HZ 9027824-B Not replaced	(LH) D8HZ 9027825-B	1
80/	CL-CLT900 -- 64" BBC	(RH) E8HZ 9027824-A	(LH) E8HZ 9027825-A	1
80/	CL-CLT900 -- 88" BBC	(RH) E8HZ 9027824-B	(LH) E8HZ 9027825-B	1
80/	CL-CLT900 -- 110" BBC	(RH) E8HZ 9027824-C	(LH) E8HZ 9027825-C	1
<b>278A28-9 EXTENSION (BODY REAR CORNER)</b>				
80/84	LN-LNT800/900(slant back cab)	(RH) ★ D1HZ 80278A28-A Not replaced	(LH) ★ D1HZ 80278A29-A Not replaced	1
<b>27846-7 PANEL (QUARTER)</b>				
80/83	CL-CLT900 -- 54" BBC	(RH) ★ D8HZ 9027846-A Not replaced	(LH) ★ D8HZ 9027847-A Not replaced	1
80/	CL-CLT900 -- 64" BBC	(RH) D8HZ 9027846-B	(LH) D8HZ 9027847-B	1
80/83	CL-CLT900 -- 76" BBC	(RH) ★ D8HZ 9027846-C Not replaced	(LH) ★ D8HZ 9027847-C Not replaced	1
80/	CL-CLT900 -- 88" BBC	(RH) D8HZ 9027846-D	(LH) D8HZ 9027847-D	1
80/	CL-CLT900 -- 110" BBC	(RH) D8HZ 9027846-E	(LH) D8HZ 9027847-E	1

OCTOBER, 1993

COPYRIGHT ©1993

FORD MOTOR  
COMPANY

—DEARBORN, MICHIGAN

FINAL ISSUE

1980/  
TRUCK SERIES 600/900

YEAR	MODEL/RESTRICTIONS	PART NUMBER	DESCRIPTION	QTY.
<b>278A48-9 REINFORCEMENT (BODY SIDE LADDER)</b>				
86/	CF-CFT600/800	(RH) E6HZ 60278A48-A	(LH) E6HZ 60278A49-A	Upper 1
80/83	CL-CLT900 -- 54" BBC	(RH) ★ D8HZ 90278A48-A Not replaced	(LH) ★ D8HZ 90278A49-A Not replaced	Upper 1
		(RH) ★ D8HZ 90278A48-C Not replaced	(LH) ★ D8HZ 90278A49-C Not replaced	Lower 1
80/	CL-CLT900 -- exc. 54" BBC	(RH) D8HZ 90278A48-B	(LH) D8HZ 90278A49-B	Upper 1
		(RH) D8HZ 90278A48-D	(LH) D8HZ 90278A49-D	Lower 1
<b>278B56-7 PANEL ASSY. (BODY SIDE LOWER)</b>				
80/85	CL-CLT900 -- 64",76",88",110" BBC "Before 3/85"	(RH) ★ D8HZ 90278B56-A r/bE5HZ 90278B56-A(7/88)	(LH) ★ D8HZ 90278B57-A r/bE5HZ 90278B57-A(1/87)	1
80/83	CL-CLT900 -- 54" BBC	(RH) ★ D8HZ 90278B56-B Not replaced	(LH) D8HZ 90278B57-B	1
85/	CL-CLT900 "From 3/85"	(RH) E5HZ 90278B56-A	(LH) E5HZ 90278B57-A	1
<b>278A68-9 REINFORCEMENT (BODY REAR CORNER PANEL)</b>				
85/	L-LL-LN-LNT-LS-LT-LTL-LTS600/900 -- w/aerodynamics package	(RH) E5HZ 90278A68-A	(LH) E5HZ 90278A69-A	1
88/	LA-LTA900			1
<b>27880 RETAINER (BODY REAR CORNER PANEL TRIM)</b>				
80/	F600/800,FT800/900	EOTZ 1027880-A	Nylon	AR
80/	F600/800,FT800/900	EOTZ 1027880-B	Steel	AR
<b>279C04-5 PANEL (STORAGE COMPARTMENT FLOOR)</b>				
80/83	CL-CLT900 -- 76" BBC	(RH) ★ D8HZ 90279C04-A Not replaced	(LH) ★ D8HZ 90279C05-A Not replaced	1
80/	CL-CLT900 -- 88" BBC "From 8/85"	(RH) E5HZ 90279C04-A	(LH) E5HZ 90279C05-A	1
80/	CL-CLT900 -- 110" BBC "From 8/85"	(RH) E5HZ 90279C04-B	(LH) E5HZ 90279C05-B	1
<b>27922-3 SUPPORT (SIDE VENT TRIM PANEL)</b>				
80/	CL-CLT900 -- 110" BBC	D8HZ 9027922-A	R.H. and L.H.	4
80/	CL-CLT900 -- 88" BBC	D8HZ 9027922-B		1
80/	CL-CLT900 -- 76",88" BBC	D8HZ 9027923-B	R.H. and L.H.	4
<b>27932-3 SUPPORT (QUARTER TRIM PANEL)</b>				
80/	CL-CLT900 -- 54",64" BBC	(RH) D8HZ 9027932-A	(LH) D8HZ 9027933-A	1
80/	CL-CLT900 -- 76",88",110" BBC	(RH) D8HZ 9027932-B	(LH) D8HZ 9027933-B	1
<b>279C32 CABLE (STORAGE COMPARTMENT DOOR CHECK)</b>				
80/	CL-CLT900 -- 88" BBC	D8HZ 90279C32-A		2
80/	CL-CLT900 -- 110" BBC	D8HZ 90279C32-B		2
<b>279C34-5 STRIKER (STORAGE COMPARTMENT DOOR LATCH)</b>				
80/	CL-CLT900 -- 88",110" BBC	D8HZ 90279C34-A		2
<b>279C48 WEATHERSTRIP (STORAGE COMPARTMENT DOOR OPENING)</b>				
80/	CL-CLT900 -- 88",110" BBC	D8HZ 90279C48-A		2
<b>279C68-9 REINFORCEMENT (STORAGE COMPARTMENT OPENING REAR)</b>				
80/	CL-CLT900 -- 88",110" BBC	D8HZ 90279C68-A	R.H. and L.H.	2
<b>279A78-9 FILLER (BODY SIDE LOCK PILLAR OPENING)</b>				
80/	CL-CLT900 -- 76", 88", 110" BBC	(RH) D8HZ 90279A78-A	(LH) D8HZ 90279A79-A	1
<b>280C22 COVER (SIDE STORAGE LOCKER TRIM)</b>				
80/	CL-CLT900 -- 88",110" BBC	D8HZ 90280C22-A	Front inner	2
		D8HZ 90280C22-B	Front center	2
		D8HZ 90280C22-C	Front outer	2
<b>280A50-1 STRAINER (QUARTER PANEL)</b>				
80/83	CL-CLT900 -- 76" BBC	(RH) ★ D8HZ 90280A50-A Not replaced	(LH) ★ D8HZ 90280A51-A Not replaced	1
80/	CL-CLT900 -- 88" BBC	(RH) D8HZ 90280A50-B	(LH) D8HZ 90280A51-B	1
80/	CL-CLT900 -- 110" BBC	(RH) D8HZ 90280A50-C	(LH) D8HZ 90280A51-C	1
80/	CL-CLT900 -- 110" BBC	D8HZ 90280A50-D	Compt. front panel	1

1980/  
TRUCK SERIES 600/900

YEAR	MODEL/RESTRICTIONS	PART NUMBER	DESCRIPTION	QTY.
<b>280A58-9 PANEL ASSY. (BODY SIDE REAR CORNER)</b>				
86/	CF600/800	(RH) E6HZ 60280A58-A	(LH) E6HZ 60280A59-A	1
80/83	F600/800 "Before 10/82"	(RH) E4TZ 15280A58-A	(LH) E4TZ 15280A59-A	1
83	FT800 "Before 10/82"			1
83/86	F600/800, FT800/900 "From 10/82"	(RH) E4TZ 60280A58-A	(LH) E4TZ 60280A59-A	1
87/	F600/800, FT800/900	(RH) E8HZ 60280A58-A	(LH) E8HZ 60280A59-A	1
80/87	L-LN-LNT-LT-LTS600/900	(RH) D0HZ 80280A58-A	(LH) D0HZ 80280A59-A	1
82/87	LTL900			1
88/	L-LA-LL-LNT-LS-LT-LTA-LTL-LTS700/900	(RH) E8HZ 80280A58-A	(LH) E8HZ 80280A59-A	1
88/	L-LA-LL-LN-LNT-LS-LT-LTA-LTL-LTS700/900 - - w/roof fairing package "From 3/88"	(RH) E8HZ 80280A58-B	(LH) E8HZ 80280A59-B	1
<b>280A66-7 PANEL (STORAGE COMPARTMENT FRONT)</b>				
80/	CL-CLT900	(RH) D8HZ 90280A66-A	(LH) D8HZ 90280A67-A	1
<b>280C66-7 REINFORCEMENT ASSY. (SIDE STORAGE LOCKER FRONT)</b>				
80/	CL-CLT900 - - 88" 110" BBC	(RH) D8HZ 90280C66-A	(LH) D8HZ 90280C67-A	1
<b>280A68-9 PANEL (STORAGE COMPARTMENT INNER)</b>				
80/83	CL-CLT900 - - 76" BBC	(RH) ★ D8HZ 90280A68-A Not replaced	(LH) ★ D8HZ 90280A69-A Not replaced	1
80/	CL-CLT900 - - 88" BBC	(RH) D8HZ 90280A68-B	(LH) D8HZ 90280A69-B	1
80/	CL-CLT900 - - 110" BBC	(RH) D8HZ 90280A68-C	(LH) D8HZ 90280A69-C	1
<b>280A70 HINGE ASSY. (STORAGE COMPARTMENT DOOR)</b>				
80/	CL-CLT900	D8HZ 90280A70-A		1
<b>280A72 LATCH (STORAGE COMPARTMENT DOOR)</b>				
80/	CL-CLT900	D8HZ 90280A72-B	R.H. and L.H.	2
<b>280A92 DOOR ASSY. (STORAGE COMPARTMENT)</b>				
80/	CL-CLT900	D8HZ 90280A92-B		1
<b>280K96-7 DEFLECTOR KIT (BODY SIDE AIR REAR)</b>				
87/	CL-CLT900 - - 64" BBC, w/aero package	(RH) F1HZ 90280K96-C	(LH) F1HZ 90280K97-C	1
87/	CL-CLT900 - - 88" BBC, w/aero package	(RH) F1HZ 90280K96-D	(LH) F1HZ 90280K97-D	1
87/	CL-CLT900 - - 110" BBC, w/aero package	(RH) F1HZ 90280K96-E	(LH) F1HZ 90280K97-E	1
85/	L-LL-LN-LNT-LS-LT-LTL-LTS600/900 - - w/aerodynamics package and vertical mounted muffler	E5HZ 90280K96-A		1
88/	LA-LTA900			1
85/	L-LL-LN-LNT-LS-LT-LTL-LTS600/900 - - w/aerodynamics package and horizontal mounted muffler	E5HZ 90280K96-B		1
88/	LA-LTA900			1
<b>281B14 RETAINER (SIDE STORAGE LOCKER FRONT PANEL CARPET)</b>				
80/87	CL-CLT900 - - 88" 110" BBC	D8HZ 90281B14-A	Bright finish	1
88/	CL-CLT900 - - 88" 110" BBC	E8HZ 90281B14-A	Cloth-chestnut	1
		E8HZ 90281B14-B	Cloth-charcoal	1
		E8HZ 90281B14-C	Steel-paint to match	1
<b>281B36-7 KIT (SIDE STOWAGE LOCKER REPAIR)</b>				
80/	CL-CLT900 - - 88" 110" BBC	(RH) E5HZ 90281B36-A	(LH) E5HZ 90281B37-A	1
<b>28160-1 PILLAR ASSY. (QUARTER LATCH)</b>				
80/	C-CT600/900 - - w/o sleeping compt.	(RH) D2KZ 6028160-A	(LH) D2KZ 6028161-A	1
80/83	C-CT600/900 - - w/sleeping compt.	(RH) ★ D6HZ 7028160-A Not replaced	(LH) ★ D6HZ 7028161-A Not replaced	1
86/	CF-CFT600/800	(RH) E9HZ 6028160-A	(LH) E9HZ 6028161-A	1

1980/  
TRUCK SERIES 600/900

YEAR	MODEL/RESTRICTIONS	PART NUMBER	DESCRIPTION	QTY.
<b>28160-1 PILLAR ASSY. (QUARTER LATCH) — Cont'd</b>				
80/86	F600/800	(RH) E2TZ 1028160-A	(LH) E2TZ 1028161-A	1
83/86	FT800/900			1
87/	F600/800,FT800/900	(RH) E9TZ 1528160-A	(LH) F0TZ 1528161-A	1
<b>28176-7 REINFORCEMENT (QUARTER BODY LATCH PILLAR UPPER)</b>				
80/83	C-CT600/900 -- w/sleeping compt.	(RH) ★ C4TZ 9128176-A Not replaced	(LH) ★ C4TZ 9128177-A Not replaced	1
86/	CF-CFT600/800	(RH) E8HZ 6028176-A	(LH) E8HZ 6028177-A	1
<b>281A76-7 GUSSET (BODY LATCH PILLAR TO REAR FLOOR)</b>				
80/83	CL-CLT900 -- 54" BBC	(RH) ★ D8HZ 90281A76-A Not replaced	(LH) ★ D8HZ 90281A77-A Not replaced	Rear 1
80/83	CL-CLT900 -- 54" BBC	(RH) D8HZ 90281A76-B	(LH) D8HZ 90281A77-B	Front 1
80/	CL-CLT900 -- 64",76",88",110" BBC	(RH) D8HZ 90281A76-C	(LH) D8HZ 90281A77-C	1
<b>28260 BRACE (BODY SIDE PANEL FRONT)</b>				
80/83	CL-CLT900 -- 54" BBC	★ D8HZ 9028260-B	R.H. and L.H.—not replaced	2
80/	CL-CLT900 -- 64",76",88",110" BBC	D8HZ 9028260-A	R.H. and L.H.	2
<b>28288 STRAINER (BACK PANEL)</b>				
80/83	CL-CLT900 -- 54",64",76" BBC "Before 6/83"	★ E0HZ 9028288-A	Not replaced	1
80/83	CL-CLT900 -- 88" BBC "Before 6/83"	★ E0HZ 9028288-B	Not replaced	1
80/83	CL-CLT900 -- 110" BBC "Before 6/83"	E0HZ 9028288-C		1
83	CL-CLT900 -- 54", 76" BBC "From 6/83"	E3HZ 9028288-A		1
83/	CL-CLT900 -- 64", 110" BBC "From 6/83"			1
83/	CL-CLT900 -- 88" BBC "From 6/83"	E3HZ 9028288-B		1
<b>28292-3 GUSSET (QUARTER LATCH PILLAR UPPER)</b>				
80/83	C-CT600/900 -- w/sleeping compt.	(RH) ★ C4TZ 9128292-A Not replaced	(LH) ★ C4TZ 9128293-A Not replaced	1
<b>28364-5 REINFORCEMENT (BODY LOCK PILLER)</b>				
80/	CL-CLT900 -- 76",88",110" BBC	(RH) D8HZ 9028364-A	(LH) D8HZ 9028365-A	1
<b>28642 SPACER (SIDE STORAGE COMPARTMENT DOOR LATCH)</b>				
80/	CL-CLT900	D8HZ 9028642-A		1
<b>29024 HOOK (ROOF RAIL COAT)</b>				
80/	C-CT600 -- w/o sleeper cab	D0AZ 6229024-K	Gray	1
86/	CF-CFT600/800	E6HZ 6029024-A		2
80/	CL-CLT900 -- 76",88",110" BBC	D8HZ 9029024-A	Bright finish- 1" between mounting holes	1
80/84	F600/800	C8AZ 6229024-B1A	Black	AR
83/84	FT800/900			AR
85/	F600/800,FT800/900	E1FZ 6129024-AA	Black	AR
80/	L-LL-LN-LNT-LS-LT-LTS600/900	D8HZ 9029024-B	Bright finish -1 5/16" between mounting holes	1
80/	CL-CLT900 -- 54",64" BBC			1
82/	LTL900			1
<b>290A42 MOULDING (QUARTER TRIM PANEL)</b>				
80/87	CL-CLT900	D8HZ 90290A42-A	R.H. and L.H.—bright finish	2
88/	CL-CLT900 -- 88",110" BBC	E8HZ 90290A42-A	R.H. and L. H. -- paint to match	2
<b>290A66 MOULDING (BACK WINDOW OUTSIDE)</b>				
82/86	F600/800,FT800/900 -- w/sliding back window	D8TZ 99290A66-A		1
<b>290B76 COVER (QUARTER PANEL NAME PLATE STUD)</b>				
80/	CL-CLT900	C6AZ 62290B76-A		AR
<b>29232 RETAINER (COAT HOOK)</b>				
80/87	F600/800	C8AZ 6229232-A		1
83/87	FT800/900			1
80/87	L-LN-LNT-LT-LTS600/900			1
80/87	C-CT600/900			1
82/87	LTL900			1

1980/  
TRUCK SERIES 600/900

YEAR	MODEL/RESTRICTIONS	PART NUMBER	DESCRIPTION	QTY.
<b>29348-9 BRACKET (BODY SIDE LOWER PANEL)</b>				
80/	CL-CLT900	(RH) D8HZ 9029348-A	(LH) D8HZ 9029349-A	1
<b>29400-1 BRACKET (BODY SIDE STEP)</b>				
80/84	CL-CLT900 - - 64",76",88",110" BBC	(RH) ★ D8HZ 9029400-A Not replaced	(LH) ★ D8HZ 9029401-A Not replaced	2 3/4" x 8"
80/84	CL-CLT900	★ D8HZ 9029400-B Not replaced	R.H. and L.H.-2 3/4" x 3 1/4" w/slot	2
80/	CL-CLT900	D8HZ 9029400-C	R.H. and L.H.-2 3/4" x 3 1/4" w/hole	4
80/	CL-CLT900	D8HZ 9029400-D	R.H. and L.H.-2 3/4" x 4 3/4"	2
<b>302A08-9 STRIKER (DOOR VENT WINDOW)</b>				
87/	CF-CFT600/800	(RH) E7HZ 60302A08-A	(LH) E7HZ 60302A09-A	1
<b>30702 RECEPTACLE ASSY. (QUARTER ASH)</b>				
80/84	CL-CLT900 - - 88",110" BBC	★ D8HZ 9030702-A Not replaced	Bronze finish - inst. panel or sleeping compt.	1or2
80/	CL-CLT900 - - 88",110" BBC	D9HZ 9030702-A	Aluminum finish - inst. panel or sleeping comp.	1or2
<b>30742 RETAINER (BODY SIDE ASH RECEPTACLE)</b>				
80/	CL-CLT900 - - 88",110" BBC	D9HZ 9030742-A		1
<b>310A28 INSULATION (SLEEPING COMPARTMENT) - Cut to fit</b>				
80/	CL-CLT900 - - 76",88" BBC	D8HZ 90310A28-A	34 3/8" x 18 27/64"	2
80/	CL-CLT900 - - 76",88" BBC	D8HZ 90310A28-B	22 1/8" x 34 3/8"	2
80/	CL-CLT900 - - 110" BBC	D8HZ 90310A28-C	20" x 20"	2
<b>310A60 INSULATION (QUARTER TRIM PANEL SOUND)</b>				
80/	CL-CLT900 - - 64" BBC	D8HZ 90310A60-A	R.H. and L.H.-position 12	2
<b>31140-1 SUPPORT (SLEEPING COMPARTMENT SIDE TRIM PANEL LOWER)</b>				
80/83	CL-CLT900 - - 76" BBC	(RH) ★ D8HZ 9031140-A Not replaced	(LH) ★ D8HZ 9031141-A Not replaced	1
80/	CL-CLT900 - - 88" BBC	(RH) D8HZ 9031140-B	(LH) D8HZ 9031141-B	1
80/	CL-CLT900 - - 110" BBC	(RH) D8HZ 9031140-C	(LH) D8HZ 9031141-C	1
<b>311A46 SUPPORT (SLEEPING COMPARTMENT FLOOR SIDE)</b>				
80/83	CL-CLT900 - - 76" BBC	★ D8HZ 90311A46-A	Not replaced	1
80/	CL-CLT900 - - 88" BBC	D8HZ 90311A46-B		1
80/	CL-CLT900 - - 110" BBC	D8HZ 90311A46-C		1
<b>311C46 SUPPORT (SLEEPING COMPARTMENT FLOOR FRONT)</b>				
80/	CL-CLT900	D8HZ 90311C46-A		1
<b>31340-1 PANEL ASSY. (SLEEPING COMPARTMENT FLOOR)</b>				
80/83	CL-CLT900 - - 76" BBC	(RH) ★ D8HZ 9031340-A Not replaced	(LH) ★ D8HZ 9031341-A Not replaced	1
80/	CL-CLT900 - - 88" BBC	(RH) D8HZ 9031340-B	(LH) D8HZ 9031341-B	1
80/	CL-CLT900 - - 110" BBC	(RH) D8HZ 9031340-C	(LH) D8HZ 9031341-C	1
80/	CL-CLT900 - - 110" BBC	(RH) D8HZ 9031340-C	(LH) D8HZ 9031341-C	1
<b>31396-492 SUPPORT (TRIM PANEL REAR)</b>				
80/	CL-CLT900 - - 76",110" BBC	(RH) D8HZ 9031396-A	(LH) D8HZ 9031397-A	1
80/	CL-CLT900 - - 88" BBC	(RH) D8HZ 9031396-B	(LH) D8HZ 9031397-B	1
80/	CL-CLT900 - - 54",64" BBC	D8HZ 9031492-A		1
80/	CL-CLT900 - - 76",110" BBC			2
<b>32218-9 RAIL (BODY SIDE LOWER)</b>				
80/	L-LL-LN-LNT-LS-LT-LTS600/900	(RH) D0HZ 8032218-A	(LH) D0HZ 8032219-A	1
82/	LTL900			1
88/	LA-LTA900			1
<b>32238-9 COVER (BODY SIDE LOWER)</b>				
80/	L-LL-LN-LNT-LS-LT-LTS600/900 - - w/ step tank	(RH) D0HZ 8032238-A	(LH) D0HZ 8032239-A	1
82/	LTL900 - - w/step tank			1
88/	LA-LTA900			1
		38294-S8	(U-141)-screw-pan head-1/4" -20 x 1"	8
		33769-S2	(M-89-J)-nut-lock-1/4" -20	8
<b>32400-1 PANEL ASSY. (CONVENIENCE)</b>				
80/82	CL-CLT900 - - 88" BBC - w/o decor group "Before 3/82"	(RH) ★ D9HZ 9032400-D Not replaced (7/87)	(LH) ★ D9HZ 9032401-D Not replaced (7/87)	Saddle 1



1980/  
TRUCK SERIES 600/900

YEAR	MODEL/RESTRICTIONS	PART NUMBER	DESCRIPTION	QTY.
32400-1 PANEL ASSY. (CONVENIENCE) — Cont'd				
80/82	CL-CLT900 -- 88",110" BBC "Before 3/82"	(RH) ★ D9HZ 9032400-A Not replaced (1/87)	(LH) ★ D9HZ 9032401-A Not replaced (1/87)	Blue-incl. mirror 1
		(RH) ★ D9HZ 9032400-B Not replaced (1/87)	(LH) ★ D9HZ 9032401-B Not replaced (1/87)	Chamois-incl. mirror 1
		(RH) ★ D9HZ 9032400-C Not replaced (1/87)	(LH) ★ D9HZ 9032401-C Not replaced (1/87)	Red-incl. mirror 1
80/82	CL-CLT900- 88" BBC- w/decor group "Before 3/82"	(RH) ★ E0HZ 9032400-A Not replaced (1/87)	(LH) ★ E0HZ 9032401-A Not replaced (1/87)	Tan/saddle 1
80/82	CL-CLT900 -- 88",110" BBC "Before 3/82"	(RH) ★ E0HZ 9032400-A Not replaced (1/87)	(LH) ★ E0HZ 9032401-B Not replaced (1/87)	Caramel 1
80/82	CL-CLT900 -- 76" BBC "Before 3/82"	★ D9HZ 9032401-E	L.H.-saddle-not replaced (1/87)	
82/86	CL-CLT900 -- 88",110" BBC "From 3/82 to 2/86"	(RH) ★ E2HZ 9032400-A Not replaced	(LH) ★ E2HZ 9032401-A Not replaced	Black 1
86/	CL-CLT900 -- 88", 110" BBC "From 2/86"	(RH) E6HZ 9032400-A	(LH) E6HZ 9032401-A	1
82	CL-CLT900 -- 76" BBC -- w/o htr. or A/C in sleeper compt. "From 3/82"	★ E2HZ 9032401-B	L.H. -black-not replaced (7/88)	1

1980/  
TRUCK SERIES 600/900

BODY SECTION 400

1

YEAR	MODEL/RESTRICTIONS	PART NUMBER	DESCRIPTION	QTY.
<b>40252-3 PANEL ASSY. (BACK SIDE LOWER)</b>				
80/82	CL-CLT900 -- 64",76",88",110" BBC	(RH) D8HZ 9040252-A	(LH) E3HZ 9040253-A	1
83/84	CL-CLT900 -- 64",76",88",110" BBC -w/o dual exhaust			1
80/82	CL-CLT900 -- 54" BBC	(RH) ★ D8HZ 9040252-B	(LH) ★ E3HZ 9040253-B	1
83	CL-CLT900 -- 54" BBC-w/o dual exhaust	Not replaced	Not replaced	1
83/	CL-CLT900 -- 64",76",88",110" BBC	(RH) D8HZ 9040252-A	(LH) E3HZ 9040253-A	1
	-w/dual exhaust			
83	CL-CLT900 -- 54" BBC-	(RH) D8HZ 9040252-B	(LH) E3HZ 9040253-A	1
	w/dual exhaust			
<b>40254-5 PANEL (UPPER BACK SIDE)</b>				
80/	C-CT600/900	(RH) D8HZ 6040254-A	(LH) D8HZ 6040255-A	1
<b>40262 PANEL (LOWER BACK CENTER)</b>				
80/	C-CT600/900	D8HZ 6040262-A		1
86/	CF-CFT600/800	E6HZ 6040262-A		1
<b>40264-5 BRACE (BACK PANEL STRAINER TO BACK WINDOW FRAME)</b>				
80/	C-CT600/900	(RH) B7T 9140264-A	(LH) B7T 9140265-A	1
86/	CF-CFT600/800	(RH) E6HZ 6040264-A	(LH) E6HZ 6040265-A	1
<b>40266-7 PANEL (LOWER BACK SIDE)</b>				
80/	C-CT600/900	(RH) D8HZ 6040266-A	(LH) D8HZ 6040267-A	1
<b>40278-9 REINFORCEMENT (BACK PANEL SIDE AIR SCOOP OPENING)</b>				
80/	C-CT600/900	(RH) D8HZ 6040278-A	(LH) D8HZ 6040279-A	1
<b>40300 PANEL (BACK)</b>				
86/	CF-CFT600/800 (exc. tractor)	E9HZ 6040300-B		1
88/	CF-CFT600/800 -- w/tractor package	E9HZ 6040300-C		1
80/83	CL-CLT900 -- 54",64" BBC- w/side lite holes	★ E0HZ 9040300-D	Not replaced	1
80/83	CL-CLT900 -- 54" BBC-w/o side lite holes	E3HZ 9040300-A		1
83/	CL-CLT900 -- 64" BBC-w/o side lite holes "From 6/83"			1
80/83	CL-CLT900 -- 76" BBC	E3HZ 9040300-C		1
80/	CL-CLT900 -- 110" BBC			1
80/	CL-CLT900 -- 88" BBC	E3HZ 9040300-D		1
80/89	F600/800,FT800/900	E9HZ 6040300-A		1
80/87	L-LL-LN-LNT-LS-LT-LTS600/900 exc. slant back cab)	D0HZ 8040300-A		1
82/87	LTL900			1
88/	L-LA-LL-LN-LNT-LS-LT- LTA-LTL-LTS700/900	E8HZ 8040300-A		1
80/83	LN-LNT800/900(slant back cab)	D1HZ 8040300-A		1
<b>403E00 RETAINER (BACK TRIM PANEL LOWER SIDE)</b>				
80/87	L-LL-LN-LNT-LS-LT-LTS600/900 "Before 5/87"	D0HZ 90403E00-A	Paint to match	2
82/87	LTL900 "Before 5/87"			2
87	L-LL-LN-LNT-LS-LT-LTL800/900 "From 5/87"		Refer to group 403D30	
<b>403E12-3 REINFORCEMENT (BACK PANEL EXHAUST MOUNTING SIDE)</b>				
80/	L-LL-LN-LNT-LS-LT-LTS800/900 - - diesel	D0HZ 80403E12-A	R.H.	1
82/	LTL900			1
88/	LA-LTA900			1

1980/  
TRUCK SERIES 600/900

YEAR	MODEL/RESTRICTIONS	PART NUMBER	DESCRIPTION	QTY.
<b>403E12-3 REINFORCEMENT (BACK PANEL EXHAUST MOUNTING SIDE) — Cont'd</b>				
80/86	L-LT900 -- 8 cyl. 568 Detroit 8V-71 diesel	D0HZ 80403E13-A	L.H.	1
<b>403W12 REINFORCEMENT (BACK PANEL AT BRAKE VALVE MOUNTING)</b>				
88/	CF-CFT600/800 -- w/back window	E8HZ 60403W12-A		1
<b>403A14-5 REINFORCEMENT ASSY. (BACK PANEL EXHAUST MOUNTING LOWER)</b>				
83/	F600/800,FT800/900 -- diesel w/vertical muffler	(RH) E3TZ 60403A14-A	(LH) E3TZ 60403A15-A	1
87/	F600/800,FT800/900 -- with lap and shoulder seat belts	(RH) E7HZ 60403A14-A	(LH) E7HZ 60403A15-A Lower outer	1
80/	L-LL-LN-LNT-LS-LT-LTS800/900 -- diesel -- w/horizontal muffler	D0HZ 80403A14-A	R.H.	1
82/	LTL900			1
88/	LA-LTA900			1
80/	L-LL-LN-LNT-LS-LT-LTS800/900 -- diesel -- w/vertical muffler	D3HZ 80403A14-A	R.H.	1
82/	LTL900			1
80/86	L-LT900 -- 8 cyl. 568 Detroit 8V-71 diesel	D0HZ 80403A15-A	L.H.	1
80/	L-LL-LN-LNT-LS-LT-LTS800/900 -- diesel	★57048-S2	Screw and washer-hex. head-3/8"-16 x 1"	2
88/	LA-LTA900	★57471-S2	Screw and washer-hex. head-1/4"-20 x 1/2"	2
<b>403D20-1 REINFORCEMENT (OUTSIDE ASSIST HANDLE)</b>				
86/	CF-CFT600/800	E6HZ 60403D20-A	Windshield cleaning assist handle	1
80/	CL-CLT900 -- 76",88",110" BBC	D8HZ 90403D20-A		4
80/	CL-CLT900 -- 54",64" BBC	D8HZ 90403D20-B		4
80/	L-LL-LN-LNT-LS-LT-LTS600/900	(RH) D0HZ 80403D20-A	(LH) D0HZ 80403D21-A	1
82/	LTL900			1
88/	LA-LTA900			1
81/	F600/800	E1TZ 60403D20-A	R.H. and L.H.	2
83/	FT800/900		R.H. and L.H.	2
<b>403D22 SPACER (OUTSIDE ASSIST HANDLE)</b>				
81/	F600/800	E1TZ 60403D22-A	R.H. and L.H.	4
83/	FT800/900		R.H. and L.H.	4
<b>403B24 PANEL (SLEEPING COMPARTMENT)</b>				
80/83	C-CT600/900 -- w/sleeping compt.	★C2TZ 91403B24-A	Not replaced	1
		★57041-S2	Screw and washer-hex. head-5/16"-18 x 1 3/16"	34
		33770-S4	(M-89-K)-nut-hex. lock-5/16"-18	34
		44722-S8	(X-19)-washer-flat-5/16"	34
<b>403D28 RETAINER (BACK PANEL TRIM PANEL LOWER INNER)</b>				
80/	CL-CLT900 -- 54",64" BBC	D8HZ 90403D28-A		1
<b>403B30 REINFORCEMENT (FRONT OUTSIDE ASSIST HANDLE)</b>				
80/	C-CT600/900 -- w/o sleeping compt.	D7HZ 91403B30-A		2
80/	C-CT600/900	D7HZ 91403B30-B	Also refer to group 40346	1
80/	CL-CLT900 -- 76",88",110" BBC	D8HZ 90403B30-A	Lower	1
80/	CL-CLT900 -- 76",88",110" BBC	D8HZ 90403B30-B	Upper	1
82/	LTL900	E1HZ 80403B30-A	R.H. and L.H.	4
<b>403D30-1 RETAINER (BACK PANEL TRIM PANEL LOWER)</b>				
80/	CL-CLT900 -- 54",64" BBC	(RH) D8HZ 90403D30-A	(LH) D8HZ 90403D31-A	1
80/87	L-LN-LNT-LT-LTS600/900 "Before 5/87"	D0HZ 90403D30-A	Paint to match	1
82/87	LTL900 "Before 5/87"			1
87/	L-LL-LN-LNT-LS-LT-LTL800/900 "From 5/87"	D0HZ 90403D30-A		3
88/	LA-LTA900			3
<b>403E34 REINFORCEMENT ASSY. (BACK PANEL EXHAUST MOUNTING LOWER INNER)</b>				
80/89	L-LL-LN-LNT-LS-LT-LTS800/900 -- diesel "Before 5/89"	D3HZ 80403E34-A		1
82/89	LTL900 "Before 5/89"			1
88/89	LA-LTA900 "Before 5/89"			1
89	L-LA-LL-LN-LNT-LS-LT-LTA-LTL- LTS700/900 "From 5/89"	(RH) E9HZ 80403E34-A	(LH) E9HZ 80403E35-A	1

1980/  
TRUCK SERIES 600/900

YEAR	MODEL/RESTRICTIONS	PART NUMBER	DESCRIPTION	QTY.
<b>40338 REINFORCEMENT (LOWER BACK PANEL)</b>				
80/	L-LL-LN-LNT-LS-LT-LTS800/900 -- w/tractor trailer	DOHZ 8040338-A		1
82/	LTL900			1
88/	LA-LTA900			1
<b>403E38 BRACKET (OUTSIDE ASSIST HANDLE)</b>				
80/	CL-CLT900 -- 54",64" BBC	D8HZ 90403E38-B		4
80/	CL-CLT900 -- 76",88",110" BBC	D8HZ 90403E38-A	Incls. (4) mounting holes	4
80/	CL-CLT900 -- 76",88",110" BBC	D8HZ 90403E38-C	Incls. (2) mounting holes	2
82/	LTL900	E1HZ 90403E38-A	R.H. and L.H.	2or4 2or4
82/	L-LL-LN-LNT-LS-LT-LTS800 -- w/ Cat. 3208 engine			
84/	F600/800 -- w/vertical exhaust			2
85/	L-LL-LN-LNT-LS-LT-LTL-LTS600/900 -- w/vertical exhaust			2
88/	LA-LTA900			2or4
<b>403E44 DECAL (INSIDE ASSIST HANDLE)</b>				
80/	CL-CLT900	D8HZ 90403E44-A		2
<b>40346 HANDLE (OUTSIDE ASSIST)-Incl. attaching parts-Also refer to group 26690</b>				
80/	C-CT600/900	DOHZ 8040346-A	Back panel	1
80/	L-LL-LN-LNT-LS-LT-LTS600/900		Quarter panel-19" long	1
82/	LTL900			1
81/	F600/800			2
83/	FT800/900			2
88/	LA-LTA900			1
80/84	C-CT600/900 "Before 10/83"	D7HZ 9140346-A	Quarter panel	2
84/	C-CT600/900 "From 10/83"	E4HZ 6040346-A	Quarter panel	2
86/	CF600/800	E6HZ 6040346-A	Windshield cleaning	1
80/	CL-CLT900 -- 54",64" BBC	D8HZ 9040346-B		2
80/	CL-CLT900 -- 76",88",110" BBC	D8HZ 9040346-C	18 5/8" long	1
80/	CL-CLT900 -- 76",88",110" BBC	D8HZ 9040346-A	46 7/8" long	2
83/	F-FT800 -- w/Cat. 3208 engine	E3HZ 9040346-A	R.H. & L.H.-aluminum-40" long-cut to fit	1
84/	L-LN800 "From 11/83"			1
84/	F600/800 -- w/vertical exhaust			1
85/	L-LL-LN-LNT-LS-LT-LTL-LTS600/900 -- w/vertical exhaust			1
88/	LA-LTA900			1
82/	LTL900	E2HZ 9040346-A	R.H. and L.H. 32 5/16" long-stainless-steel	2
82/84	L-LN800 "From 4/82 to 11/83"			2
<b>403B48 REINFORCEMENT (SLEEPING COMPARTMENT UPPER)</b>				
80/83	C-CT600/900 -- w/sleeping compt.	C1TZ 91403B48-B		1
<b>403B48 REINFORCEMENT (BACK PANEL UPPER)</b>				
86/	CF-CFT600/800	E6HZ 60403B48-A	Center	1
80/	F600/800(81)	D3TZ 25403B48-A		1
83/	FT800/900			1
85/	L-LL-LN-LNT-LS-LT-LTL-LTS600/900 -- w/aerodynamics package and vertical mounted muffler	E5HZ 90403B48-A		1
88/	LA-LTA900			1
<b>403B54 SEAL (SLEEPING COMPARTMENT TO CAB)</b>				
80/83	C-CT600/900 -- w/ sleeping compt.	★ C1TB 91403B54-B	Not replaced	1
<b>403C56-7 BRACKET (LOWER BACK PANEL EXTENSION)</b>				
85/	L-LL-LN-LNT-LS-LT-LTL-LTS600/900 -- w/aerodynamics package	(RH) E5HZ 90403C56-A	(LH) E5HZ 90403C57-A	1
88/	LA-LTA900			1
<b>403A61 PANEL ASSY. (BODY REAR CENTER LOWER)</b>				
80/	CL-CLT900	D8HZ 90403A61-A		1
<b>40366 STRIP (BACK PANEL TRIM RETAINER)</b>				
88/	CL-CLT900 -- w/o sleeper	E8HZ 9040366-A		1
88/	CL-CLT900 -- w/sleeper	E8HZ 9040366-B		1
80	L-LN-LNT-LT-LTS900 -- w/ owner operator pkg.	★ D8HZ 9040366-A	Tobacco-not replaced (1/88)	1
81	L-LN-LNT-LT-LTS900 -- w/hi-level trim "Before 2/81"			1

OCTOBER, 1993

COPYRIGHT ©1993

FORD MOTOR  
COMPANY

--DEARBORN, MICHIGAN

FINAL ISSUE

1980/  
TRUCK SERIES 600/900

YEAR	MODEL/RESTRICTIONS	PART NUMBER	DESCRIPTION	QTY.
<b>40366 STRIP (BACK PANEL TRIM RETAINER) -- Cont'd</b>				
81/83	L-LL-LN-LNT-LS-LT-LTL-LTS800/900 "From 2/81"	E1HZ 8040366-A	Caramel-front and rear	1or2
		E1HZ 8040366-B	Gray-front and rear	1or2
84/86	L-LL-LN-LNT-LTL-LTS600/900	E1HZ 8040366-A	Caramel-front and rear	1or2
		E4HZ 8040366-A	Charcoal-front and rear	1or2
87	L-LL-LN-LNT-LS-LT-LTL-LTS800/900	E4HZ 8040366-A	Charcoal-front and rear	1or2
		E7HZ 8040366-A	Chestnut-front and rear	1or2
88/	L-LA-LL-LN-LNT-LS-LT-LTA-LTL-LTS700/900	E8HZ 8040366-A	Paint to match	1
<b>403A90-1 REINFORCEMENT (SLEEPING COMPARTMENT SIDE)</b>				
80/83	C-CT600/900 -- w/sleeping compt.	(RH) ★ C1TZ 91403A90-B Not replaced	(LH) ★ C1TZ 91403A91-B Not replaced	1
<b>403C94 MEMBER (BODY REAR CROSS)</b>				
80/	CL-CLT900 -- 76",88",110" BBC	D8HZ 90403C94-A		1
80/	CL-CLT900 -- 54",64" BBC	D8HZ 90403C94-B		1
<b>403D96 PAD (FRONT BODY PANEL ASSIST HANDLE)</b>				
80/	CL-CLT900 -- 76",88",110" BBC	D8HZ 90403D96-A	R.H. and L.H.-upper and lower-use with 46 7/8" handle	4
80/	CL-CLT900 -- 54",64" BBC	D8HZ 90403D96-B	R.H. and L.H.-upper and lower	4
80/	CL-CLT900 -- 76",88",110" BBC	D8HZ 90403D96-C	L.H.-lower-use with 18 5/8" handle	1
		D8HZ 90403D96-D	L.H.-upper-use with 18 5/8" handle	1
84/	C-CT600/900	E4HZ 60403D96-A	R.H. and L.H.-upper and lower	4
<b>403B98-9 REINFORCEMENT (BACK PANEL EXHAUST MOUNTING UPPER)</b>				
83/	F600/800,FT800/900 -- diesel	(RH) E3TZ 60403B98-A	(LH) E3TZ 60403B99-A	1
80/	L-LL-LN-LNT-LS-LT-LTS800/900	D3HZ 80403B98-A	R.H.	1
82/	LTL900			1
85/	L-LL-LN-LNT-LS-LT-LTL-LTS600/900 -- w/roof air deflector or aerodynamics package			1
88/	LA-LTA900			1
80/	L-LT900 -- diesel	D3HZ 80403B99-A	L.H.	1
82/	LTL900			1
85/	L-LL-LN-LNT-LS-LT-LTL-LTS600/900 -- w/roof air deflector or aerodynamics package			1
88/	LA-LTA900			1
<b>40408 MOULDING (BACK PANEL TRIM UPPER)</b>				
80/	CL-CLT900 -- 54",64" BBC	D8HZ 9040408-A	Paint to match	1
<b>404B22 SUPPORT (BACK PANEL UPPER)</b>				
80/	C-CT600/900	D2KZ 70404B22-A		1
		★382707-S8	Rivet-oval head blind-1/4" x 19/32"	15
<b>40471 RETAINER (LOWER BACK TRIM PANEL)</b>				
80/	L-LL-LN-LNT-LS-LT-LTS600/900	DOHZ 9040471-A	Paint to match-26 1/4" long	1
82/	LTL900			1
88/	LA-LTA900			1
80/	L-LL-LN-LNT-LS-LT-LTS900	D8HZ 9040471-B	36 1/4" long	2
82/	LTL900			2
88/	LA-LTA900			1
<b>40476-7 PANEL (BACK INNER SIDE)</b>				
80/86	F600/800(81)	(RH) E0TZ 1040476-A	(LH) E0TZ 1040477-A	1
83/86	FT800/900			1
87/	F600/800,FT800/900	(RH) E7TZ 1540476-A	(LH) E7TZ 1540477-A	1
<b>40484 PANEL (BACK INNER)</b>				
80/83	LN-LNT800/900(slant back cab)	D1HZ 8040484-A		1
80/87	L-LL-LN-LNT-LS-LT-LTL-LTS600/900	E3HZ 8040484-A		1
88/89	L-LA-LL-LN-LNT-LS-LT-LTA-LTL-LTS700/900	E9HZ 8040484-A	For model year 80/87 dome lamp (E0TZ 13776-E) also required	1
<b>404A86 REINFORCEMENT (LOWER BACK TRIM PANEL)</b>				
80/	L-LL-LN-LNT-LS-LT-LTS600/900	DOHZ 90404A86-A		1
82/	LTL900			1
88/	LA-LTA900			1

1980/  
TRUCK SERIES 600/900

YEAR	MODEL/RESTRICTIONS	PART NUMBER		DESCRIPTION	QTY.	
<b>40492-3 PANEL (BACK INNER LOWER)</b>						
80/83	F600/800(81)	EOTZ	1040492-A		1	
83	FT800				1	
84/	F600/800(81),FT800/900	E4TZ	1540492-A		1	
80/	L-LL-LN-LNT-LS-LT-LTS600/900	(RH) D0HZ	8040492-A	(LH) D0HZ 8040493-A	1	
82/	LTL900				1	
88/	LA-LTA900				1	
<b>40500-1 GRILLE (BACK PANEL SIDE AIR SCOOP OPENING)</b>						
80/	C-CT600/900	(RH) B7T	9140500-A	(LH) B7T 9140501-A	1	
			52361-S13	(U-303-A)-screw-oval head, cross recess tapping-No. 10-12 x 3/4"	6	
			376378-S101	(UU-97)-screw-oval head, cross recess, tapping-No. 8-32 x 3/8"	2	
<b>40530-1 DEFLECTOR (BACK PANEL SIDE TO CARBURETOR AIR CLEANER)</b>						
80/	C-CT600/900 -- gas w/o sleeping compt.	B7T	9140530-A	R.H.	1	
80/83	C-CT600/900 -- gas w/ sleeping compt.	(RH) ★ C1TB	9140530-A Not replaced	(LH) ★ C1TB 9140531-A Not replaced	1	
80/	C-CT600/900 -- diesel w/o sleeping compt.	(RH) C9HZ	9140530-A	(LH) C9HZ 9140531-A	1	
80/83	C-CT600/900 -- diesel w/ sleeping compt.	(RH) ★ C9HZ	9140530-B Not replaced	(LH) ★ C9HZ 9140531-B Not replaced	1	
80/	C-CT600/900 -- gas w/o sleeping compt.		353483-S2	(BB-588)-screw and washer-hex head-5/16"-24 x 1 1/8"	6	
80/83	C-CT600/900 -- gas w/sleeping compt.		42718-S7-8	(U-9)-screw and washer-hex. head-5/16"-18 x 1/2"	4	
<b>40538 SEAL (BACK PANEL SIDE TO CARBURETOR AIR CLEANER DEFLECTOR)</b>						
80/	C-CT600/900	C1TB	9140538-A	Cut to fit	AR	
<b>405B80 COVER (BACK PANEL ACCESS HOLE)</b>						
88/	CF-CFT700/800 -- w/tractor package	E8HZ	60405B80-A		1	
80/82	CL-CLT900 -- 64" BBC	D8HZ	90405B80-A		1	
<b>40750 FRAME (BACK WINDOW GLASS UPPER)</b>						
82/86	F600/800 -- w/sliding back window	E2TZ	1040750-A		1	
83/86	FT800/900 -- w/sliding back window				1	
<b>40860 LATCH (BACK WINDOW)</b>						
80/86	F600/800 -- w/sliding back window	EOTZ	1040860-A		1	
83/86	FT800/900 -- w/sliding back window				1	
<b>410A64 COVER (BODY REAR CORNER TRIM PANEL OPENING)</b>						
87/	F600/800,FT800/900 -- w/o shoulder harness	E7HZ	60410A64-A	R.H. and L.H.-paint to match	2	
YEAR	MODEL/RESTRICTIONS	PART NUMBER		NAGS NO.	DESCRIPTION	QTY.
		CLEAR	TINTED			
<b>42006 GLASS (BACK WINDOW)</b>						
80/	C-CT600/900	D3HZ	6042006-A	D3HZ 6042006-B	1053T	1
86/	CF-CFT600/800			E6HZ 6042006-A	4633T	R.H. and L.H.
80/	CL-CLT900	Not available		D8HZ 9042006-A	1146T	1
80/81	F600/800(81) -- w/sliding back window			EOTZ 1042006-A	4667T	R.H. and L.H.
83	FT800 -- w/sliding back window			★ EOTZ 1042006-B Not replaced (4/87)	2759TR	R.H.-center-incl. frame
				★ EOTZ 1042006-C Not replaced	2759TL	L.H.-center-incl. frame
82/86	F600/800, FT800/900 -- w/sliding back window			E2TZ 1042006-A	4703T	R.H. and L.H.
				E3TZ 1042006-H	2794TR	R.H.-center-incl. frame
				E3TZ 1042006-J	2794TL	L.H.-center-incl. frame
80/	F600/800(81) -- w/ fixed back window	EOTZ	1042006-F	EOTZ 1042006-G	1115T	1
83/	FT800/900 -- w/ fixed back window					1
80/	L-LL-LN-LNT-LS-LT-LTS600/900	D3HZ	8042006-A	D3HZ 8042006-B	1106T	1
82/	LTL900					1
88/	LA-LTA900					1
<b>42024 GLASS (QUARTER WINDOW)</b>						
80/	C-CT600/900	Not available		B7T 9142024-B	2368T	2
80/	CL-CLT900	Not available		D8HZ 9042024-A	2732T	Backside
						2

October, 1993

COPYRIGHT © 1993 - FORD MOTOR - DEARBORN, MICHIGAN  
COMPANY

Final Issue

1980/  
TRUCK SERIES 600/900

YEAR	MODEL/RESTRICTIONS	PART NUMBER	DESCRIPTION	QTY.
<b>420A28 SEAL (BACK WINDOW)</b>				
80/81	F600/800 -- w/sliding back window	E0TZ 10420A28-A		1
82/83	F600/800 -- w/sliding back window "Before 2/83"	E2TZ 10420A28-A		1
83	FT800 -- w/sliding back window "Before 2/83"			1
<b>42034 PANEL (BACK WINDOW HEADER)</b>				
80/	C-CT600/900	B7T 9142034-A		1
<b>42042 WEATHERSTRIP (QUARTER WINDOW GLASS)</b>				
80/	C-CT600/900	B7T 9142042-A	R.H. and L.H.	2
80/	CL-CLT900 -- 54",64" BBC-w/ fixed corner back window	D8HZ 9042042-A	R.H. and L.H.	2
<b>42052 WEATHERSTRIP (BACK WINDOW)</b>				
80/81	F600/800 -- w/sliding back window	★ E0TZ 1042052-A	Not replaced (4/87)	2
82/86	F600/800 -- w/sliding back window	E3TZ 1042052-B	Use on stationary glass	4
83/86	FT800/900 -- w/sliding back window	E3TZ 1042052-C	Use on moveable glass	2
<b>42076 BAR (BACK WINDOW DIVISION)</b>				
82/86	F600/800 -- w/sliding back window	E2TZ 1042076-A		2
83/86	FT800/900 -- w/sliding back window			2
<b>42084 WEATHERSTRIP (BACK WINDOW GLASS)</b>				
80/	C-CT600/900	D3HZ 6042084-A		1
86/	CF-CFT600/800	E6HZ 6042084-A	R.H. and L.H.	2
80/	CL-CLT900 -- 54",64" BBC	D8HZ 9042084-A		1
80/81	F600/800	E1TZ 1042084-A		1
82/	F600/800 -- w/o sliding back window			1
83/	FT800/900 -- w/o sliding back window			1
82/86	F600/800 -- w/sliding back window	E7TZ 1542084-A		1
83/86	FT800 -- w/sliding back window			1
80/	L-LL-LN-LNT-LS-LT-LTS600/900	D3HZ 8042084-A		1
82/	LTL900			1
88/	LA-LTA900			1
<b>42162 FRAME (BACK WINDOW GLASS LOWER)</b>				
82/86	F600/800,FT800/900 -- w/sliding back window	E3TZ 1042162-B		1
<b>42206 FRAME (BACK WINDOW)</b>				
80/86	F600/800 -- w/sliding back window	E0TZ 1042206-A		1
83/86	FT800/900 -- w/sliding back window			1
<b>42220 FRAME (BACK WINDOW UPPER)</b>				
80/	C-CT600/900	B7T 9142220-A		1
<b>422A20-36 RUN (BACK WINDOW GLASS LOWER)</b>				
80/81	F600/800 -- w/sliding back window	E0TZ 10422A20-B	Lower	1
		★ E0TZ 10422A36-A	Upper-not replaced	1
82/83	F600/800 -- w/sliding back window "Before 2/83"	E2TZ 10422A20-A		1
83	FT800 -- w/sliding back window "Before 2/83"			1
83/86	F600/800,FT800/900 -- w/sliding back window	E3TZ 10422A20-B	Lower	1
	"From 2/83"	E3TZ 10422A36-A	Upper	2
<b>42222-3 FRAME (BACK WINDOW SIDE)</b>				
80/	C-CT600/900	(RH) B7T 9142222-A	(LH) B7T 9142223-A	1
<b>422B30 WINDOW KIT (SLIDING BACK)</b>				
80/81	F600/800	E0TZ 10422B30-A	Tinted	1
82/86	F600/800	E2TZ 10422B30-A	Tinted	1
83/86	FT800/900		Tinted	1
<b>42232 FRAME (BACK WINDOW LOWER)</b>				
80/	C-CT600/900	B7T 9142232-A		1
<b>422A36 Refer to group 422A20</b>				
<b>422B40-1 FILLER (BACK WINDOW FRAME)</b>				
82/86	F600/800,FT800/900 -- w/sliding back window	(RH) E3TZ 10422B40-B	(LH) E3TZ 10422B41-A	1

1980/  
TRUCK SERIES 600/900

YEAR	MODEL/RESTRICTIONS	PART NUMBER	DESCRIPTION	QTY.
<b>422A68 SEAL (BACK WINDOW GLASS SIDE)</b>				
80/81	F600/800 -- w/sliding back window	★ E0TZ 10422A68-A	Not replaced	2
<b>422B68 FILLER (BACK WINDOW GLASS CENTER)</b>				
82/86	F600/800,FT800/900 -- w/sliding back window	E3TZ 10422B68-B		2
<b>42280 RETAINER (BACK WINDOW CENTER)</b>				
80/81	F600/800 -- w/sliding back window	★ E0TZ 1042280-A	Not replaced	1
<b>42310 STOP (BACK WINDOW LOWER)</b>				
82/86	F600/800,FT800/900 -- w/sliding back window	E2TZ 1042310-B		1
<b>42410 MOULDING (BACK WINDOW GARNISH)</b>				
80/	CL-CLT900	D8HZ 9042410-A	Paint to match	1
80/82	F600/800	E0TZ 1042410-A	Sand-paint to match	1
83/	F600/800,FT800/900	E3TZ 1042410-B	Tan-paint to match	1
<b>42416 MOULDING (BACK WINDOW GARNISH SIDE)</b>				
80/	CL-CLT900	D8HZ 9042416-A	Paint to match	1
<b>42430 MOULDING (BACK WINDOW OUTSIDE)</b>				
80/	F600/800,FT800/900 -- w/stationary back window	D7TZ 1042430-A		1
<b>42436 COVER (BACK WINDOW OUTSIDE MOULDING JOINT)</b>				
80/	F600/800,FT800/900	D7TZ 1042436-B	Back window	1
82/	L-LL-LN-LNT-LS-LT-LTL-LTS600/900	D7TZ 1042436-B	Windshield	1
88/	LA-LTA900			1
<b>42456 MOULDING (BACK WINDOW GARNISH LOWER)</b>				
80/87	F600/800,FT800/900 "Before 2/87"	E7TZ 1542456-A	Paint to match	1
87/	F600/800,FT800/900 "From 2/87"	E7TZ 1542456-B	Paint to match	1
<b>42468 RETAINER (BACK WINDOW GARNISH MOULDING UPPER)</b>				
80/	F600/800	E0TZ 1042468-A	Green	1
83/	FT800/900	E0TZ 1042468-B	Clear	1
<b>42598 PAD (LOWER BRACKET FINISH PANEL)</b>				
85/	L-LL-LN-LNT-LS-LT-LTL-LTS600/900 -- w/aerodynamics package	E5HZ 9042598-A		4or8
88/	LA-LTA900			4or8
<b>43030 PIN (FRONT DOOR HINGE)</b>				
80/	C-CT600/900	B9A 5943030-A	Cut to fit	4
<b>45208 SUPPORT (BACK PANEL TRIM LOWER OUTER)</b>				
80/	CL-CLT900 -- 76",88",110" BBC	D8HZ 9045208-A		1
<b>452A08 SUPPORT (BACK PANEL TRIM LOWER OUTER)</b>				
80/	CL-CLT900 -- 76",88",110" BBC	D8HZ 90452A08-A		1
<b>452A28 SUPPORT (BACK PANEL AIR DUCT)</b>				
80/	CL-CLT900	D8HZ 90452A28-A	Outer	1
		D8HZ 90452A28-B	Inner	1
<b>45240 SUPPORT (BACK PANEL TRIM UPPER OUTER AND CENTER)</b>				
80/	CL-CLT900	D8HZ 9045240-A	Cut to length for center	2
<b>452A44 SUPPORT ASSY. (BACK PANEL TRIM VERTICAL)</b>				
80/87	CL-CLT900 -- 54",64",BBC	E8HZ 90452A44-AR		1
80/87	CL-CLT900 -- 88" BBC	D8HZ 90452A44-B		1
80/87	CL-CLT900 -- 76",110BBC	D8HZ 90452A44-C		1
88/	CL-CLT900 -- 64" BBC	E8HZ 90452A44-A		1
88/	CL-CLT900 -- 110" BBC	E8HZ 90452A44-B		1
88/	CL-CLT900 -- 88" BBC	E8HZ 90452A44-C		1
<b>46100 CABINET ASSY. (SLEEPING COMPARTMENT UTILITY)</b>				
80/83	CL-CLT900 -- 88" BBC	★ D8HZ 9046100-K	Blue-not replaced	1
		★ E0HZ 9046100-A	Caramel-not replaced	1
		★ D8HZ 9046100-E	Red-not replaced	1
		★ E0HZ 9046100-B	Tan/saddle-not replaced	1
80/83	CL-CLT900 -- 110" BBC	★ D8HZ 9046100-H	Blue-vertical-not replaced	1
		★ E0HZ 9046100-D	Caramel-vertical-not replaced	1
		★ D8HZ 9046100-A	Red-vertical not replaced	1



1980/  
TRUCK SERIES 600/900

YEAR	MODEL/RESTRICTIONS	PART NUMBER	DESCRIPTION	QTY.
<b>46100 CABINET ASSY. (SLEEPING COMPARTMENT UTILITY) — Cont'd</b>				
80/83	CL-CLT900 -- 110" BBC	★ D8HZ 9046100-M	Blue-horizontal-not replaced	1
		★ E0HZ 9046100-C	Caramel-horizontal-not replaced	1
		★ D8HZ 9046100-C	Red-horizontal-not replaced	1
84/86	CL-CLT900 -- 88" BBC	★ E4HZ 9046100-A	Caramel-not replaced	1
		E4HZ 9046100-B	Charcoal	1
		★ E4HZ 9046100-C	Saddle-not replaced	1
84	CL-CLT900 -- 110" BBC	★ E4HZ 9046100-F	Saddle-vertical-not replaced	1
		★ E4HZ 9046100-J	Saddle-horizontal-not replaced	1
84/86	CL-CLT900 -- 110" BBC	E4HZ 9046100-D	Caramel vertical	1
		E4HZ 9046100-E	Charcoal-vertical	1
84/86	CL-CLT900 -- 110" BBC	★ E4HZ 9046100-G	Caramel-horizontal-not replaced	1
		E4HZ 9046100-H	Charcoal-horizontal	1
87/	CL-CLT900 -- 88" BBC	E4HZ 9046100-B	Charcoal	1
		E7HZ 9046100-A	Chestnut	1
87/	CL-CLT900 -- 110" BBC	E4HZ 9046100-E	Charcoal-vertical	1
		E7HZ 9046100-B	Chestnut-vertical	1
87/	CL-CLT900 -- 110" BBC	E4HZ 9046100-H	Charcoal-horizontal	1
		E7HZ 9046100-C	Chestnut-horizontal	1
<b>46506-10 PANEL (PACKAGE TRAY)</b>				
80/	C-CT600/900	C1TB 9146510-A	Less air duct	1
80/84	C600/800 -- gas, C900, CT800/900 w/o sleeping compt. "Before 11/83"	C1TZ 9146506-B	Incl. air duct	1
80/	C600/800 -- diesel - w/o sleeping compt.	E7HZ 6046506-A	Incl. air duct	1
80/83	C600/800 -- diesel-w/sleeping compt.	D6HZ 9146506-B		1
84/	C-CT600/900 -- gas w/o sleeping compartment "From 11/83"	E4HZ 6046506-A	Incl. air duct	1
<b>465A14-5 PANEL (PACKAGE TRAY TO BACK SIDE LOWER PANEL)</b>				
80/83	C-CT600/900 -- w/sleeping compt.	(RH) ★ C1TB 91465A14-A Not replaced	(LH) ★ C1TB 91465A15-A Not replaced	1
<b>465A16 PANEL (PACKAGE TRAY TO CENTERBACK PANEL)</b>				
80/83	C-CT600/900 -- w/sleeping compt.	★ C1TB 91465A16-A	Not replaced	1
<b>465A18 SUPPORT (SLEEPING COMPARTMENT MATTRESS)</b>				
80/83	CL-CLT900 -- 76" BBC	★ D8HZ 90465A18-A	Not replaced	4
<b>46566 REINFORCEMENT (CAB REAR)</b>				
85	C-CT600/900 "Before 4/85"	E6HZ 6046566-A	For crack repair	1
86/	C-CT600/900	E6HZ 6046566-B		1
<b>46572 RETAINER ASSY. (SLEEPING COMPARTMENT MATTRESS)</b>				
80/	CL-CLT900 -- 88", 110" BBC	D8HZ 9046572-C		1
80/83	CL-CLT900 -- 76" BBC	★ D8HZ 9046572-D	Not replaced	1
<b>466A00-12 ROD (SLEEPING COMPARTMENT CURTAIN)</b>				
80/87	CL-CLT900 -- 76", 110" BBC	D8HZ 90466A00-A		1
80/87	CL-CLT900 -- 88" BBC	E0HZ 90466A00-A		1
88/	CL-CLT900 -- 88", 110" BBC	E8HZ 90466A12-A		1
<b>46830 BELT and BUCKLE ASSY. (SLEEPING COMPARTMENT)-Also refer to group 46892</b>				
80/83	C-CT600/900	D3KZ 6046830-A		1
80/84	CL-CLT900 -- 76", 88", 110" BBC	★ D8HZ 9046830-A	Lower center-r/b E5HZ 9046892-A	1
		★ D8HZ 9046830-B	Upper center-r/b E5HZ 9046892-A	1
		★ D8HZ 9046830-C	R.H. and L.H.-r/b E5HZ 9046892-A	2
85	CL-CLT900		Refer to group 46892	
<b>46890 REINFORCEMENT (SLEEPING COMPARTMENT STRAP ANCHOR)</b>				
80/83	C-CT600/900	D2KZ 7046890-A		2
		★382707-S8	Rivet-oval head-blind-1/4" x 5/8"	8
80/	CL-CLT900 -- 88" BBC	D8HZ 9046890-A		1
80/83	CL-CLT900 -- 76" BBC	★ D8HZ 9046890-B	Not replaced	1
80/	CL-CLT900 -- 110" BBC	D8HZ 9046890-C		1
<b>46892 BELT (SLEEPING COMPARTMENT COMPLETE)-Also refer to group 46830</b>				
80/83	C-CT600/900 -- w/sleeping compt.	★ D6HZ 7046892-A	Black-not replaced	1
		★ D6HZ 7046892-B	Saddle-not replaced	1
85/	CL-CLT900	E5HZ 9046892-A		1
<b>46898 RETAINER (SLEEPING COMPARTMENT STRAP)</b>				
80/83	C-CT600/900 -- w/sleeping compt.	★ D2KZ 8046898-A	Not replaced	2
		★55922-S2	Screw-pan head drill-No. 6-20 x 3/8"	2

**1980/  
TRUCK SERIES 600/900**

YEAR	MODEL/RESTRICTIONS	PART NUMBER	DESCRIPTION	QTY.
<b>500A00 FRAME (ROOF AIR VENT)</b>				
80/	L-LL-LN-LNT-LS-LT-LTS600/900	D5HZ 80500A00-A		2
82/	LTL900			2
88/	LA-LTA900			2
<b>500A02 FRAME (ROOF VENT SIDE)</b>				
80/	L-LL-LN-LNT-LS-LT-LTS600/900	D5HZ 80500A02-A		2
88/	LA-LTA900			2
<b>500A38-9 PLATE (ROOF AIR DEFLECTOR MOUNTING)</b>				
86/	CF-CFT600/800	E6HZ 60500A38-A	R.H. and L.H.-front	2
		E6HZ 60500A39-A	R.H. and L.H.-rear	2
<b>500A42 REINFORCEMENT (ROOF AIR DEFLECTOR MOUNTING REAR)</b>				
86/	CF-CFT600/800	E6HZ 60500A42-A	R.H. and L.H.	2
<b>50202 PANEL (ROOF)</b>				
80/	C-CT600/900	D8HZ 6050202-A	Cut to fit	1
86/	CF-CFT600/800	E9HZ 6050202-A		1
80/83	CL-CLT900 -- 54" BBC	★ D8HZ 9050202-A	Not replaced (4/89)	1
80/	CL-CLT900 -- 64" BBC	D8HZ 9050202-B		1
80/83	CL-CLT900 -- 76" BBC	★ D8HZ 9050202-C	not replaced	1
80/	CL-CLT900 -- 88" BBC	D8HZ 9050202-D		1
80/	CL-CLT900 -- 110" BBC	D8HZ 9050202-E	Front	1
		D8HZ 9050202-F	Rear	1
80/86	F600/800(81)	E0TZ 6050202-A		1
83/86	FT800/900			1
87/88	F600/800,FT800/900 "Before 5/88"	E7HZ 6050202-A		1
88/	F600/800,FT800/900 "From 5/88"	E8HZ 6050202-A		1
80/83	LN-LNT800/900(slant back cab)	D1HZ 8050202-A		1
80/	L-LA-LL-LN-LNT-LS-LT-LTA-LTL-LTS700/900	E8HZ 8050202-A	Cut holes for lamps if required	1
<b>50210 PANEL (ROOF HEADER)</b>				
86/89	CF-CFT600/800 "Before 3/89"	E6HZ 6050210-A	Outer	1
		E6HZ 6050210-B	Inner	1
89/	CF-CFT600/800 "From 3/89"	E9HZ 6050210-A	Outer	1
		E6HZ 6050210-B	Inner	1
<b>50232-3 REINFORCEMENT (PANEL FRONT SIDE)</b>				
82/86	L-LL-LN-LNT-LS-LT-LTL-LTS600/900 (RH) - - w/fuel economy pkg.	E3HZ 9050232-A	(LH) E3HZ 9050233-A	1
<b>50244-5 REINFORCEMENT (ROOF PANEL)</b>				
85/88	L-LL-LN-LNT-LS-LT-LTL-LTS600/900 - - w/roof air deflector or aerodynamics package "Before 4/88"	(RH) E5HZ 9050244-A	(LH) E5HZ 9050245-A	Center 1
		(RH) E5HZ 9050244-B	(LH) E5HZ 9050245-B	Inner 1
88/	LA-LTA900 "Before 4/88"			1
88/	L-LA-LL-LN-LNT-LS-LT-LTA-LTL-LTS700/900 - - w/roof air deflector or aerodynamics package "From 4/88"	(RH) E8HZ 9050244-A	(LH) E8HZ 9050245-A	Center 1
		(RH) E5HZ 9050244-B	(LH) E5HZ 9050245-B	Inner 1
<b>502B84 PANEL (ROOF INNER)</b>				
80/86	F600/800	E0TZ 10502B84-A		1
83/86	FT800/900			1
87/	F600/800,FT800/900	E7TZ 15502B84-A		1
<b>50290-1 REINFORCEMENT (ROOF PANEL)</b>				
80/	L-LL-LN-LNT-LS-LT-LTS600/900 (exc. slant back cab) - - integral A/C, roof air vent and radio	(RH) D0HZ 8050290-A	(LH) D0HZ 8050291-A	Rear 1
82/	LTL900 - - integral A/C, roof air vent and radio			1
88/	LA-LTA900			1

**1980/  
TRUCK SERIES 600/900**

YEAR	MODEL/RESTRICTIONS	PART NUMBER	DESCRIPTION	QTY.
<b>50290-1 REINFORCEMENT (ROOF PANEL) — Cont'd</b>				
80/83	LN-LNT800/900(slant back cab)	(RH) ★ D1HZ 8050290-A Not replaced	(LH) ★ D1HZ 8050291-A Not replaced	1
<b>50296-7 EXTENSION (ROOF PANEL CENTER REINFORCEMENT)</b>				
82/88	LTL900 "Before 4/88"	(RH) D0HZ 8050296-A	(LH) D0HZ 8050297-A	1
88/	LA-LTA900 "Before 4/88"			1
80/	L-LA-LL-LN-LNT-LS-LT-LTA-LTL-LTS700/900	(RH) E8HZ 8050296-A	(LH) E8HZ 8050297-A	1
<b>50398 PLATE (BODY REAR CORNER PANEL NAME)</b>				
80/	F600/800	E0TZ 6050398-A	R.H. and L.H.—"Custom Cab"	2
83/	FT800/900		R.H. and L.H.—"Custom Cab"	2
<b>50732 SEAL (AIR VENT DOOR)</b>				
86/	CF-CFT600/800	E6HZ 6050732-A		1
80/	L-LL-LN-LNT-LS-LT-LTS600/900	C6TZ 9150732-A	Roof	1
82/	LTL900			1
88/	LA-LTA900			1
<b>508A16 BRACKET (ROOF BOW TO HEADER)</b>				
86/	CF-CFT600/800	E6HZ 60508A16-A	Front	2
		E6HZ 60508A16-B	Rear	2
<b>50966 STRIP (ROOF TRIM RETAINER)</b>				
80/87	CL-CLT900	E4HZ 9050966-A	Cut to fit	1
88/	CL-CLT900 -- 88" BBC	E8HZ 9050966-A	Sleeping compartment—paint to match	1
88/	CL-CLT900 -- 110" BBC	E8HZ 9050966-B	Sleeping compartment—paint to match	1
88/	CL-CLT900 -- 64" BBC	E8HZ 9050966-C	Cab—charcoal	1
88/	CL-CLT900 -- 88", 110" BBC	E8HZ 9050966-D	Cab—paint to match	1
80	L-LL-LN-LNT-LS-LT-LTS900 -- w/owner operator pkg.	D8HZ 9050966-C		1
80/81	L-LL-LN-LNT-LS-LT-LTL-LTS900 -- w/hi-level trim			1
80/81	LA-LTA900			1
<b>50980 RETAINER (ROOF TRIM PANEL FRONT)</b>				
80/86	C-CT600/900 "Before 11/85"	B7T 9150980-AP	Cut to fit	2
86/	C-CT600/900 "From 11/85"	E6HZ 6050980-A		1
80/	L-LL-LN-LNT-LS-LT-LTS600/900	D0HZ 8050980-A		1
82/	LTL900			1
88/	LA-LTA900			1
80/	C-CT600/900	52360-S13	(U-294)—screw-oval head, cross recess— No. 8-15 x 3/4"	10or 18
<b>51218-9 RAIL ASSY. (ROOF SIDE OUTER)</b>				
80/	C-CT600/900	(RH) B7T 9151218-A	(LH) B7T 9151219-A Incl. side drip moulding—cut to fit	1
<b>51294 BOW (ROOF TRIM PANEL SUPPORT)</b>				
80/83	C-CT600/900 -- w/sleeping compt.	★ C4TZ 9151294-A	Not replaced	2
80/	C-CT600/900	E6HZ 6051294-C	Center	2
		E6HZ 6051294-B	Side	2
86/	CF-CFT600/800	E6HZ 6051294-A		2
80/	CL-CLT900 -- 54",64",88",110" BBC w/o sun roof	E3HZ 9051294-B	Rear center	1
80/	CL-CLT900	D8HZ 9051294-C	Front	1
80/	CL-CLT900 -- 76",88" BBC w/o sun roof	E3HZ 9051294-A	Rear	1
80/	CL-CLT900 -- 110" BBC w/o sun roof		Rear	2
<b>513A06 REINFORCEMENT (ROOF SIDE RAIL)</b>				
86/	CF-CFT600/800	E6HZ 60513A06-A		4
<b>513A16-7 RAIL (ROOF SIDE REAR)</b>				
80/	L-LL-LN-LNT-LS-LT-LTS600/900	(RH) D0HZ 80513A16-A	(LH) D0HZ 80513A17-A	1
82/	LTL900			1
88/	LA-LTA900			1

1980/  
TRUCK SERIES 600/900

YEAR	MODEL/RESTRICTIONS	PART NUMBER	DESCRIPTION	QTY.
<b>513A30-1 RAIL (ROOF SIDE INNER)</b>				
80/83	LN-LNT800/900(slant back cab)	(RH) ★ D1HZ 80513A30-A Not replaced	(LH) ★ D1HZ 80513A31-A Not replaced	1
80/	L-LL-LN-LNT-LS-LT-LTL-LTS600/900 -- w/o dual air horns	(RH) E5HZ 80513A30-A	(LH) E5HZ 80513A31-A	1
80/	L-LL-LN-LNT-LS-LT-LTL-LTS600/900 -- w/dual air horns	(RH) E5HZ 80513A30-A	(LH) E5HZ 80513A31-B	1
<b>513A52-3 RAIL (ROOF SIDE INNER)</b>				
86/	CF-CFT600/800	(RH) E8HZ 60513A52-A	(LH) E8HZ 60513A53-A	1
80/83	CL-CLT900 -- 54" BBC	(RH) ★ E3HZ 90513A52-A Not replaced	(LH) ★ E3HZ 90513A53-B Not replaced	1
80/83	CL-CLT900 -- 76" BBC	(RH) ★ E3HZ 90513A52-C Not replaced	(LH) ★ E3HZ 90513A5 3-C Not replaced	1
80/	CL-CLT900 -- 64" BBC	(RH) E8HZ 90513A52-A	(LH) E8HZ 90513A53-A	1
80/	CL-CLT900 -- 88" BBC	(RH) E8HZ 90513A52-B	(LH) E8HZ 90513A53-B	1
80/	CL-CLT900 -- 110" BBC	(RH) E8HZ 90513A52-C	(LH) E8HZ 90513A53-C	1
<b>513B55 EXTENSION ASSY. (ROOF SIDE RAIL REAR)</b>				
80/	CL-CLT900	D8HZ 90513B55-A		1
<b>513A58 RAIL (ROOF REAR)</b>				
86/	CF-CFT600/800	E6HZ 60513A58-A		1
80/88	CL-CLT900 "Before 3/88"	D8HZ 90513A58-A		1
88/	CL-CLT900 -- 64" BBC "From 3/88"	D8HZ 90513A58-A		1
88/	CL-CLT900 -- 88",110" BBC "From 3/88"	E8HZ 90513A58-A		1
<b>51416 WEATHERSTRIP (ROOF CENTER)</b>				
80/	CL-CLT900 -- 110" BBC	D9HZ 9051416-A		1
<b>51700-1 MOULDING (ROOF DRIP SIDE)-Also refer to groups 51218-9 and 513A52-3</b>				
80/	F600/800(81)	(RH) E0TZ 1051700-A	(LH) E0TZ 1051701-A	1
83/	FT800/900			1
80/	L-LL-LN-LNT-LS-LT-LTL-LTS600/900	(RH) E4HZ 8051700-A	(LH) E4HZ 8051701-A	1
88/	LA-LTA900			1
<b>51704 MOULDING (ROOF DRIP REAR)</b>				
80/	C-CT600/900	B7T 9151704-A		1
80/83	LN-LNT800/900(slant back cab)	D1HZ 8051704-A		1
80/	L-LL-LN-LNT-LS-LT-LTL-LTS600/900 (exc. slantback cab.)	E4HZ 8051704-A		1
88/	LA-LTA900			1
<b>517C04 MOULDING (ROOF TRIM REAR)-Incl. attaching parts</b>				
80/	L-LN-LNT-LT-LTS900	D5HZ 80517C04-A		1
82/	LTL900			1
<b>51724 MOULDING (ROOF DRIP FRONT)</b>				
80/	C-CT600/900	B7T 9151724-A		1
<b>51752 MOULDING (ROOF SIDE GARNISH INNER)</b>				
80/	F600/800(81)	E0TZ 1051752-A	R.H. and L.H.-sand-paint to match	2
83/	FT800/900		R.H. and L.H.-sand-paint to match	2
<b>51756 RETAINER (ROOF SIDE GARNISH MOULDING INNER FRONT)</b>				
80/	F600/800(81)	E0TZ 1051756-C		4
83/	FT800/900			4
80/	F600/800	E0TZ 1051756-B	Yellow	1
83/	FT800/900		Yellow	1
<b>51762 COVER (ROOF DRIP MOULDING JOINT)</b>				
80/	C-CT600/900	B5A 7051762-A		2or4

1980/  
TRUCK SERIES 600/900

YEAR	MODEL/RESTRICTIONS	PART NUMBER	DESCRIPTION	QTY.
<b>517B90 MOULDING (ROOF BOW)</b>				
88/	CL-CLT- - 88", 110" BBC	E8HZ 90517B90-A	Used to plug holes in curtain rod	2
<b>52004 COVER (ROOF TRIM PANEL ACCESS HOLE)</b>				
80/	L-LN800/900 - - w/air horns	E1HZ 9052004-A	Paint to match	1
81/	CL-CLT900 - - w/air horns			1
<b>52006 RETAINER ASSY. (ROOF HEADLINING REAR)</b>				
80/87	CL-CLT900 - - 54", 64", 76" BBC	D8HZ 9052006-A		1
80/87	CL-CLT900 - - 88" BBC	D8HZ 9052006-E		1
80/87	CL-CLT900 - - 110" BBC	D8HZ 9052006-F		1
<b>52014 EXTENSION (ROOF BOW HEADLINING SIDE)</b>				
86/	CF-CFT600/800	E6HZ 6052014-A		2
<b>52101 SUPPORT (ROOF TRIM REAR)</b>				
80	L-LN-LNT-LT-LTS900 - - w/ owner operator pkg.	D8HZ 9052101-A		1
81/	L-LL-LN-LNT-LS-LTL-LTS900 - - w/hi-level trim			1
88/	LA-LTA900			1
<b>52118 RETAINER (ROOF TRIM PANEL FRONT)</b>				
80/83	L-LN-LNT-LT-LTS600/900	D7HZ 8052118-A		2
82/87	LTL900			2
88/89	L-LA-LL-LN-LNT-LS-LT-LTA- LTL-LTS700/900 "Before 5/89"	E8HZ 8052118-A	Paint to match	2
89	L-LA-LL-LN-LNT-LS-LT-LTA-LTL- LTS700/900 "From 5/89"	E9HZ 8052118-A	Paint to match	2
<b>52124 RETAINER (ROOF HEADLINING FRONT)</b>				
86/	CF-CFT600/800	E6HZ 6052124-A		1
80/83	CL-CLT900 - - 54" BBC	D8HZ 9052124-A		1
80/	CL-CLT900 - - 64" BBC	D8HZ 9052124-B		1
80/	CL-CLT900 - - 76", 88", 110" BBC	D8HZ 9052124-C		1
82/	LTL900			1
81/87	L-LN-LNT-LT-LTL-LTS600/900	E1HZ 8052124-A	2" x 2" push pin	AR
81/	L-LL-LN-LNT-LS-LT-LTL-LTS600/900	E1HZ 8052124-B	1" x 1" push pin	AR
<b>52126 CAP (ROOF TRIM PANEL RETAINER)</b>				
80/	CL-CLT900	D8HZ 9052126-B	Bright finish	AR
<b>52128 RETAINER (ROOF TRIM PANEL AT VENT)</b>				
80/	LN-LNT600/900	D9HZ 8052128-A		2
<b>52136-7 RETAINER (ROOF TRIM PANEL SIDE REAR)</b>				
80/	L-LL-LN-LNT-LS-LT-LTS600/900 (exc. slant back cab)	(RH) D0HZ 8052136-A	(LH) D0HZ 8052137-A	1
82/	LTL900			1
88/	LA-LTA900			1
80/83	LN-LNT800/900(slant back cab)	(RH) ★ D1HZ 8052136-A Not replaced	(LH) ★ D1HZ 8052137-A Not replaced	1
<b>52184 SUPPORT (ROOF TRIM PANEL)</b>				
81/	L-LL-LN-LNT-LS-LT-LTL-LTS800/900	(RH) E7HZ 8052184-A	(LH) E7HZ 8052185-A	1
88/	LA-LTA900		Front	1
88/	L-LA-LL-LN-LNT-LS-LTA- LTL-LTS700/900	E8HZ 8052184-A	Rear-black	1
<b>52188 RETAINER (ROOF TRIM PANEL REAR)</b>				
88/	L-LA-LL-LN-LNT-LS-LTA- LTL-LTS700/900	E8HZ 8052188-A	Paint to match	1
<b>52200 Refer to group 51294</b>				
<b>52872 PAD (TOP BACK QUARTER STAY)</b>				
85/	L-LL-LN-LNT-LS-LT-LTL-LTS600/900 - - w/aerodynamics package and vertical mounted body muffler	E5HZ 9052872-A		1
88/	LA-LTA900			1

1980/  
TRUCK SERIES 600/900

YEAR	MODEL/RESTRICTIONS	PART NUMBER	DESCRIPTION	QTY.
<b>54310 INSULATION (ROOF PANEL SOUND FRONT)</b>				
86/	CF-CFT600/800	E6HZ 6054310-A		2
80/	CL-CLT900	D8HZ 9054310-A	31" long	AR
80/	F600/800(81)	E0TZ 1054310-A		6
83/	FT800/900			6
<b>54810 LOOP (SLEEPING COMPARTMENT BELT AND BUCKLE RETAINING)</b>				
80/83	C-CT600/900 - - w/sleeping compt.	★ C1TB 9154810-A	Not replaced	4
		★50451-S8	Screw-oval head, cross recess-1/4"-20 x 1 1/4"	4
		★50411-S8	Screw-oval head, cross recess-1/4"-20 x 5/8"	4
		33795-S7	(M-49)-nut-hex.-1/4"-20	8
		34940-S7-8	(X-88)-lockwasher-external tooth 1/4"	8
<b>54812 REINFORCEMENT (SLEEPING COMPARTMENT BELT AND BUCKLE RETAINING LOOP)</b>				
80/83	C-CT600/900 - - w/sleeping compt.	★ C1TB 9154812-A	Not replaced	4

1980/  
TRUCK SERIES 600/900

BODY SECTION 600 1

YEAR	MODEL/RESTRICTIONS	PART NUMBER	DESCRIPTION	QTY.
<b>60004 SHOCK ABSORBER KIT (FRONT SEAT RELEASE LATCH)-Driver</b>				
80/	CL-CLT900 -- w/Bostrom Levelair seat	D1XZ 9060004-A		1
81/	L-LN-LNT-LT-LTA-LTL-LTS800/900 -- w/Bostrom Levelaire seat			1
87/	LA-LL-LS800/900 -- w/Bostrom Levelair seat			1
<b>60015 LATCH KIT (FRONT SEAT BACK ADJUSTING)</b>				
80/	L-LN-LNT-LT-LTA-LTS600/900 -- w/Lear Siegler seat	DOHZ 8060015-A		1
87/	LA-LL-LS800/900 -- w/Lear Siegler seat			1
82/	LTL900 -- w/Lear Siegler seat			1
<b>60057 STRIP (FRONT SEAT PASSENGER BEARING)</b>				
86/	CF600/700	E6HZ 6060057-A		3
<b>60061 SPACER (FRONT SEAT SUPPORT)-Driver</b>				
80/	CL-CLT900 -- w/Bostrom Levelair seat	D1XZ 9060061-A		1
81/	L-LN-LNT-LT-LTA-LTL-LTS800/900 -- w/Bostrom Levelaire seat			1
87/	LA-LL-LS800/900 -- w/Bostrom Levelair seat			1
<b>60066 PLATE (FRONT SEAT BACK HINGE DRIVERS SEAT)</b>				
86/	CF600/700	E6HZ 6060066-A		2
<b>60094 SUPPORT (FRONT SEAT)-Driver</b>				
80/	C-CT600/900 -- w/Lear Siegler seat	C1TB 9160094-A		1
<b>60094-5 SUPPORT ASSY. (FRONT SEAT)-Driver and Passenger</b>				
86/	CF600/700	E6HZ 6060094-A	W/double hinged pass. seat-pedestal	1
86/	CF600/700	E6HZ 6060094-B	W/double hinged pass. seat-L.H.	2
86/	CF-CFT600/800	E9HZ 6060095-A	Driver seat	1
87/	F-FT600/900 -- w/Bostrom Viking seat	E7HZ 6060094-A	Driver	1
80/87	CL-CLT900 -- w/Bostrom Westcoaster seat	D9HZ 9060094-A		1
81/87	L-LN-LNT-LT-LTA-LTL-LTS800/900 -- w/Bostrom Westcoaster seat			1
87	LA-LL-LS800/900 -- w/Bostrom Westcoaster seat			1
80	CL-CLT900 -- w/Bostrom Levelair seat "Before Ser. HJ5,001"	★ D8HZ 9060094-B	Not replaced	1
80/87	CL-CLT900 -- w/Bostrom Levelair seat "From Ser. HJ5,001"	E0HZ 9060094-C		1
81/87	L-LN-LNT-LT-LTA-LTL-LTS800/900 -- w/Bostrom Levelair seat			1
87	LA-LL-LS800/900 -- w/Bostrom Levelair seat			1
80/87	CL-CLT900 -- w/Lear Siegler Unison seat	E0HZ 9060094-B	Driver and passenger	1or2
81/87	L-LN-LNT-LT-LTA-LTL-LTS800/900 -- w/Lear Siegler seat		Driver and passenger	1or2
87	LA-LL-LS800/900 -- w/Lear Siegler Unison seat		Driver and passenger	1or2
80/81	CL-CLT900 -- w/National Cush-N-Aire seat	E2HZ 9060094-A	Driver and passenger	1or2
81	L-LN-LNT-LT-LTA-LTS800/900 -- w/National Cush-N-aire seat		Driver and passenger	1or2

1980/  
TRUCK SERIES 600/900

YEAR	MODEL RESTRICTIONS	PART NUMBER	DESCRIPTION	QTY.
<b>60094-5 SUPPORT ASSY. (FRONT SEAT)-Driver and Passenger -- Cont'd</b>				
81	CL CLT900 w National Cush N Aire seat From 2 2 81	★ E1HZ 9060094-A	Driver and passenger not replaced	1or2
81	L LN LNT LTI LTS900 w National Cush N Aire seat From 2 2 81		Driver and passenger	1or2
82 87	CL CLT900 w National Cush N Aire seat	E2HZ 9060094-A	Driver and passenger	2
82 87	L LN LNT LTI LT LTS900 w National Cush N Aire			2
87	LL LS800 900 w National Cush N Aire seat			2
88	CL CLT900 w National Cush N Aire seat	E8HZ 9060094-A	Driver and passenger	2
88	L LA LL LN LNT LT LTA LTI LTS LS 800 900 w National Cush N Aire seat			2
88	CL CLT900 w Bostrom Westcoaster III seat	E8HZ 9060094-B	Driver and passenger	2
88	L LA LL LN LNT LT LTA LTI LTS LS 800 900 w Bostrom Westcoaster III seat			2
88	CL CLT900 w Bostrom Levelaire seat	E8HZ 9060094-C	Driver and passenger	2
88	L LA LL LN LNT LT LTA LTI LTS LS 800 900 w Bostrom Levelaire seat			2
80 82	CL CLT900 w National Fixed seat	★ E0HZ 9060095-A	Driver	1
<b>60170 PANEL (FRONT SEAT BACK SUPPORT)</b>				
80	C CT600 900 w o sleeper compt.	D2KZ 6060170-A		1
80	C CT600 900 w sleeper compt.	D6HZ 6060170-A		1
<b>60194 DOOR ASSY. (FRONT SEAT BACK PANEL ENGINE ACCESS)</b>				
80	C CT600 900	C2TZ 9160194-A	Incl. jack handle attaching clips	1
<b>602A04 5 REINFORCEMENT (FRONT SEAT SHOULDER STRAP GUIDE)</b>				
87	F 600 800 F FT600 900	(RH) E0TZ 13602A04-A	(LH) E0TZ 13602A05-A	1
<b>60206 WEATHERSTRIP (FRONT SEAT BACK PANEL ENGINE ACCESS DOOR)</b>				
80	C CT600 900	B7T 9160206-A		1
<b>60208 LATCH (FRONT SEAT BACK PANEL ENGINE ACCESS DOOR)</b>				
80 89	C CT600	★	Improvise from 1 16 thick steel	4
		359837-S8(BB688)	Screw fillister head shoulder No. 8 32 x 7 16	4
		★352194 S7	Washer spring 7 32	4
		34052-S7(M155)	Nut hex. No. 8 32	4
		34938-S8(X85)	Lockwasher external tooth No. 8	4
<b>602A12 PLATE (FRONT SEAT SHOULDER STRAP)-Paint to match</b>				
80 82	F 600 800	E0TZ 60602A12-A	R.H. and L.H. blue	2
		E0TZ 60602A12-B	R.H. and L.H. caramel	2
		E0TZ 60602A12-C	R.H. and L.H. red	2
83	F FT600 800	E3TZ 60602A12-A	R.H. and L.H. blue	2
		E3TZ 60602A12-B	R.H. and L.H. red	2
		E3TZ 60602A12-C	R.H. and L.H. tan	2
84 86	F FT600 900	E4TZ 60602A12-B	R.H. and L.H. Charcoal	2
		E4TZ 60602A12-D	R.H. and L.H. Tan	2
		E4TZ 60602A12-C	R.H. and L.H. Red	2
87	F FT600 900	E7HZ 60602A12-A	R.H. and L.H.	2
<b>60230 1 COVER (FRONT SEAT SHOULDER STRAP OPENING)-Paint to match</b>				
86	CF600 700	E6HZ 6060230-A		2
80 82	F 600 800	(RH) E0TZ 6060230-A	(LH) E0TZ 6060231-A	1
83 86	F FT600 900			



1980/  
TRUCK SERIES 600/900

YEAR	MODEL RESTRICTIONS	PART NUMBER	DESCRIPTION	QTY.
60230 1 COVER (FRONT SEAT SHOULDER STRAP OPENING)-Paint to match) -- Cont'd				
87	F FT600 900	(RH) E7TZ 1560230-A	(LH) E7TZ 1560231-A	1
87	F600	E7HZ 6060230-A	R.H. and L.H. at quarter trim panel	2
60262 COVER (FRONT SEAT SHOULDER STRAP)				
87 89	L LTS600 900	F0TZ 9860262-D	R.H. and L.H. black	1
60300 BUMPER (FRONT SEAT JOUNCE)-Driver				
80	CL CLT900 w Bostrom Westcoaster seat	C6TZ 9160300-A	Rubber 3 4 x 1 x 1 1 8	1
81	L LN LNT LT LTA LTL LTS800 900 w Bostrom Westcoaster seat			1
87	LA LL LS800 900 w Bostrom Westcoaster seat			1
80	CL CLT900 w Bostrom Levelair seat	DIXZ 9060300-A	Rubber	1
81	L LN LNT LT LTA LTL LTS800 900 w Bostrom Levelair seat			1
87	LA LL LS800 900 w Bostrom Levelair seat			1
80	CL CLT900 w Bostrom Levelair seat	D8HZ 9060300-A	Belting 1 8 x 1 x 1 1 4	2
81	L LN LNT LT LTA LTL LTS800 900 w Bostrom Levelair seat			2
87	LA LL LS800 900 w Bostrom Levelair seat			1
89	CL CLT900 w National Cush N Aire seat	E9HZ 9060300-A		1
89	L LA LL LN LNT LS LT LTA LTL LTS 700 900 w National Cush N Aire seat			1
60304 LEVER (FRONT SEAT SHOCK ABSORBER)-Driver				
80	L LN LNT LT LTA LTS600 900 w Bostrom seat	C6TZ 9160304-A		1
80	CL CLT900 w National Cush N Aire seat			2
82	LTA LTL900 w Bostrom seat			1
87	LA LL LS800 900 w Bostrom seat			1
80	CL CLT900 w Bostrom Westcoaster seat	D8HZ 9060304-A		1
81	L LN LNT LT LTA LTL LTS800 900 w Bostrom Westcoaster seat			1
87	LA LL LS800 900 w Bostrom Westcoaster seat			1
60309 SPACER (FRONT SEAT SHOCK ABSORBER LOWER)-Driver				
80	CL CLT900 w Bostrom Westcoaster seat	C6TZ 9160309-A	Rubber 1 2 I.D. x 1 O.D. x 5 8 thick	1
81	L LN LNT LT LTA LTL LTS800 900 w Bostrom Westcoaster seat			1
87	LA LL LS800 900 w Bostrom Westcoaster seat			1
603A24 SPACER (FRONT SEAT SHOCK ABSORBER UPPER)-Driver				
80	CL CLT900 w Bostrom Westcoaster seat	C6TZ 91603A24-A	Rubber 3 8 I.D. x 1 O.D. x 1 4 thick	2
81	L LN LNT LT LTA LTL LTS800 900 w Bostrom Westcoaster seat			2
87	LA LL LS800 900 w Bostrom Westcoaster seat			2
80	CL CLT900 w National Cush N Aire seat	D8HZ 90603A24-A		2
81	L LN LNT LT LTA LTL LTS800 900 w National Cush N Aire seat			2
87	LA LL LS800 900 w National Cush N Aire seat			2

October, 1993

COPYRIGHT © 1993 - FORD MOTOR - DEARBORN, MICHIGAN  
COMPANY

Final Issue

1980/  
TRUCK SERIES 600/900

YEAR	MODEL RESTRICTIONS	PART NUMBER	DESCRIPTION	QTY.
<b>60325 BEARING (FRONT SEAT SHOCK ABSORBER LEVER)-Driver</b>				
80	CL CLT900 w Bostrom Westcoaster seat	C6TZ 9160325-A	Bronze 5.8" I.D. x 3.4" O.D. x 1.2" long	1
81	L LN LNT LT LTA LTL LTS800 900 w Bostrom Westcoaster seat			1
87	LA LL LS800 900 w Bostrom Westcoaster seat			1
<b>60339 SHOCK ABSORBER (FRONT SEAT)-Driver</b>				
80	L LN LNT LT LTS800 900 w Bostrom seat	C6TZ 9160339-A	#Bostrom 26298	1
80 87	CL CLT900 w Bostrom Levelaire or Westcoaster seat	D1XZ 9060339-A		1
81 87	L LN LNT LT LTA LTL LTS800 900 w Bostrom Levelaire seat			1
87	LA LL LS800 900 w Bostrom Levelair seat			1
80 88	CL CLT900 w National Cush N Aire seat	★ EOHZ 9060339-A r. bE9HZ 9060339-A		1
81 88	L LN LNT LT LTA LTL LTS800 900 w National Cush N Aire seat			1
87 88	LA LL LS800 900 w National Cush N Aire seat			1
89	CL CLT900 w National Cush N Aire seat	E9HZ 9060339-A		1
89	L LA LL LN LNT LS LT LTA LTL LTS 700 900 w National Cush N Aire seat seat			1
80	CL CLT900 w Lear Siegler Air Ride seat	E0HZ 9060339-B		1
81	L LN LNT LT LTA LTL LTS800 900 w Lear Siegler seat			1
87	LA LL LS800 900 w Lear Siegler seat			1
<b>603A44 LEVER (FRONT SEAT SHOCK ABSORBER)-Driver</b>				
80	CL CLT900 w Bostrom Westcoaster seat	C6TZ 91603A44-A		1
81	L LN LNT LT LTA LTL LTS800 900 w Bostrom Westcoaster seat			1
87	LA LL LS800 900 w Bostrom Westcoaster seat			1
<b>60350 SPRING (FRONT SEAT SHOCK ABSORBER)-Driver</b>				
80	CL CLT900 w Bostrom Westcoaster seat	C6TZ 9160350-A	46 coils 4 1 2 free length	2
81	L LN LNT LT LTA LTL LTS800 900 w Bostrom Westcoaster seat			2
87	LA LL LS800 900 w Bostrom Westcoaster seat			2
<b>60388 BRACKET (FRONT SEAT CUSHION FRAME TO TRACK)</b>				
80	L LN LNT LT LTS600 900 w Lear Siegler Unison Action seat	D0HZ 9060388-A	1 4 x 1 3 8 x 4	4
<b>60392 BOLT (FRONT SEAT BACK PIVOT ARM)</b>				
80 82	F600 800 w full width seat	385329-S2	Bolt round socket head shoulder 3 8 16 x 1 1 4	2
83	F FT600 900 w full width seat			2
87	CL CLT900	E7HZ 9060392-A	R.H. and L.H.	2
87	L LA LL LN LS LT LNT700 900			2
<b>60394 SPACER (FRONT SEAT BACK PIVOT ARM)</b>				
80	F600 800	C80Z 6260394-A		2
<b>60434-5 RISER (FRONT SEAT SUPPORT)</b>				
86	F600 900 w Bostrom Viking T bar seat	E6HZ 7060434-A	Passenger	1
		E6HZ 7060435-A	Driver	1

1980/  
TRUCK SERIES 600/900

YEAR	MODEL/RESTRICTIONS	PART NUMBER	DESCRIPTION	QTY.
<b>60466 PIN (FRONT SEAT SHOCK ABSORBER ADJUSTING)-Driver</b>				
80/	L-LN-LNT-LT-LTA-LTS600/900 -- w/Bostrom Westcoaster seat	C6TZ 9160466-A		1
80/	CL-CLT900 -- w/Bostrom Westcoaster seat			1
82/	LTL900 -- w/Bostrom Westcoaster seat			1
87/	LA-LL-LS800/900 -- w/Bostrom Westcoaster seat			1
<b>60600 PANEL (FRONT SEAT BACK)</b>				
80/	C-CT600/900 -- w/full width seat	D2KZ 6060600-A		1
		380934-S101	(UU-67-F)-screw-pan head, cross recess- No. 8-18 x 1/2"	20
<b>610L03 COVER (PILLAR LOOP SEAT BELT)</b>				
87/	CF600/800	E7HZ 60610L03-A	R.H. and L.H.	2
<b>610A15 SPRING (FRONT SEAT BACK ADJUSTING HANDLE)-Driver</b>				
80/	CL-CLT900 -- w/National Cush-N-Aire seat	D8HZ 90610A15-A		1
80/	CL-CLT900 -- w/Lear Siegler Air Ride seat	D8HZ 90610A15-B		1
81/	L-LN-LNT-LT-LTA-LTL-LTS800/900 -- w/National Cush-N-Aire seat	D8HZ 90610A15-A		1
87/	LA-LL-LS800/900 -- w/National Cush-N-Aire seat			1
81/	L-LN-LNT-LT-LTA-LTL-LTS800/900 -- w/Lear Siegler seat	D8HZ 90610A15-B		1
87/	LA-LL-LS800/900 -- w/Lear Siegler seat			1
<b>610L17 PLATE (SEAT BELT ANCHOR)</b>				
87/	CF600/800	E7HZ 60610L17-A		1
<b>61019 PAN (FRONT SEAT BACK)-Driver</b>				
80/	L-LN-LNT-LT-LTA-LTS600/900 -- w/Bostrom Westcoaster seat	D0HZ 8061019-A	Less spring-paint to match	1
80/	CL-CLT900 -- w/Bostrom Westcoaster seat			1
82/	LTL900 -- w/Bostrom Westcoaster seat			1
87/	LA-LL-LS800/900 -- w/Bostrom Westcoaster seat			1
80/	CL-CLT900 -- w/National Cush-N-Aire seat	D8HZ 9061019-A		1
81/	L-LN-LNT-LT-LTA-LTL-LTS800/900 -- w/National Cush-N-Aire seat			1
87/	LA-LL-LS800/900 -- w/National Cush-N-Aire seat			1
<b>610B69 SHAFT (FRONT SEAT BACK PIVOT)-Driver</b>				
80/	CL-CLT900 -- w/Bostrom Westcoaster and Levelair seats	D8HZ 90610B69-A	Rear	1
		D8HZ 90610B69-B	Front	1
81/	L-LN-LNT-LT-LTA-LTL-LTS800/900 -- w/Bostrom Westcoaster and Levelair seats	D8HZ 90610B69-A	Rear	1
87/	LA-LL-LS800/900 -- w/Bostrom Westcoaster and Levelair seats			1
		D8HZ 90610B69-B	Front	1
<b>61088-9 PIN (FRONT SEAT BACK HINGE)-Driver</b>				
80/	CL-CLT900 -- w/National Cush-N-Aire seat	(RH) C9HZ 9161088-A	(LH) C9HZ 9161089-A	1
81/	L-LN-LNT-LT-LTA-LTL-LTS800/900 -- w/National Cush-N-Aire seat			1
87/	LA-LL-LS800/900 -- w/National Cush-N-Aire seat			1

October, 1993

COPYRIGHT © 1993 - FORD MOTOR - DEARBORN, MICHIGAN  
COMPANY

Final Issue

1980/  
TRUCK SERIES 600/900

YEAR	MODEL/RESTRICTIONS	PART NUMBER	DESCRIPTION	QTY.
<b>610X88 RING (FRONT SEAT BACK HINGE PIN SNAP)-Driver</b>				
80/	CL-CLT900 -- w/National Cush-N-Aire seat	C9HZ 91610X88-A		1
81/	L-LN-LNT-LT-LTA-LTL-LTS800/900 -- w/National Cush-N-Aire seat			1
87/	LA-LL-LS800/900 -- w/National Cush-N-Aire seat			1
<b>610B92-3 BRACKET (FRONT SEAT BACK ADJUSTING)-Driver</b>				
80/	CL-CLT900 -- w/Bostrom Westcoaster and Levelair seats	D8HZ 90610B92-A		1
81/	L-LN-LNT-LT-LTA-LTL-LTS800/900 -- w/Bostrom Westcoaster and Levelaire seats			1
87/	LA-LL-LS800/900 -- w/Bostrom Westcoaster and Levelair seats			1
80/88	CL-CLT900 -- w/National Cush-N-Aire seat	(RH) C9HZ 91610B92-A	(LH) C9HZ 91610B93-A	1
80/88	L-LN-LNT-LT-LTA-LTS600/900 -- w/National Cush-N-Aire seat			1
82/88	LTL900 -- w/National Cush-N-Aire seat			1
87/88	LA-LL-LS800/900 -- w/National Cush-N-Air seat			1
89	CL-CLT900 -- w/National Cush-N-Aire seat	E9HZ 90610B92-A		1
89	L-LA-LL-LN-LNT-LS-LT-LTA-LTL-LTS700/900 -- w/National Cush-N-Aire seat			1
<b>61097 SPRING (FRONT SEAT BACK LATCH)</b>				
80/	C-CT600/900 -- gas	D0AZ 6261097-A		1
84/	F-FT600/900 -- w/Viking T-bar seat			2
80/	C-CT600/900 -- diesel	D2KZ 6061097-B		1
80/	L-LN-LNT-LT-LTA-LTS600/900 -- w/Lear Siegler seat	D0HZ 9061097-A		1
82/	LTL900 -- w/Lear Siegler seat			1
87/	LA-LL-LS800/900 -- w/Lear Siegler seat			1
87/	CF600/800	E7HZ 6061097-A	Passenger-w/dual hinge	1
<b>611C22 EXTENSION ASSY. (SEAT BELT)</b>				
Notes: ▲ Incl. bright finish buckle				
80/81	F600/800	▲ E2VZ 54611C22-A	R.H. and L.H.-black-use as extender for 611A72-3 seat belts w/letter "A" on label.	AR
		▲ E0VZ 54611C22-B	R.H. and L.H.-black-use as extender for 611A72-3 seat belts w/letter "H" on label.	AR
		▲ E0VZ 54611C22-C	R.H. and L.H.-black-use as extender for 611A72-3 seat belts w/letter "S" on label.	AR
82	F-FT600/800	▲ E2VZ 54611C22-A	R.H. and L.H.-use as extender for 611A72-3 and/or 613B84-5 seat belts manufactured by Allied Chemical Corp. as shown on label.	AR
		▲ E2VZ 54611C22-B	R.H. and L.H.-use as extender for 611A72-3 and/or 613B84-5 seat belts manufactured by Firestone, Hamill or Decor Division as shown on label.	AR
		▲ E2VZ 54611C22-C	R.H. and L.H.-use as extender for 611A72-3 and/or 613B84-5 seat belts manufactured by American Safety Co. as shown on label.	AR

**1980/  
TRUCK SERIES 600/900**

YEAR	MODEL/RESTRICTIONS	PART NUMBER	DESCRIPTION	QTY.
<b>611C22 EXTENSION ASSY. (SEAT BELT) — Cont'd</b>				
Notes: ▲ Incl. bright finish buckle				
83/	F-FT600/900	▲ E3FZ 61611C22-A	R.H. and L.H.—use as extender for 611A72-3 and/or 613B84-5 seat belts manufactured by Allied Chemical Corp. as shown on label.	AR
		▲ E3FZ 61611C22-B	R.H. and L.H.—use as extender for 611A72-3 and/or 613B84-5 seat belts manufactured by Firestone, Hamill or Decor Division as shown on label.	AR
		▲ E2VZ 54611C22-C	R.H. and L.H.—use as extender for 611A72-3 and/or 613B84-5 seat belts manufactured by American Safety Co. as shown on label.	AR
<b>611B24 PIN (FRONT SEAT BACK PIVOT)</b>				
80/	CL-CLT900 -- w/National Cush-N-Aire seat	D8HZ 90611B24-A	Driver	1
81/	L-LN-LNT-LT-LTA-LTL-LTS800/900 -- w/National Cush-N-Aire seat			1
87/	LA-LL-LS800/900 -- w/National Cush-N-Air seat			1
<b>611B36 CHECK (FRONT SEAT BELT)</b>				
86/	CF600/800	E7HZ 60611B36-A	R.H. and L.H.	2
80/	CL-CLT900	E1HZ 90611B36-A	Black-8" long	2
81/	L-LN-LNT-LT-LTA-LTL-LTS800/900	E1HZ 90611B36-B	Black-10" long	2
87/	LA-LL-LS800/900	E1HZ 90611B36-C	Black-12 1/2" long	2
		E1HZ 90611B36-D	Black-15" long	2
		E1HZ 90611B36-E	Black-18 1/2" long	2
		E1HZ 90611B36-F	Black-20" long	2
84/	F-FT600/900 -- w/Viking T-bar seat	E1HZ 90611B36-A	Black	2
86/	CF600/700	E6HZ 60611B36-A	W/passenger seat	1
<b>61142 BRACKET (DOUBLE PASSENGER SEAT)</b>				
86/	CF600/700 -- w/double passenger seat	E6HZ 6061142-A		1
<b>611B60 Also refer to group 611A72</b>				
<b>611A72-3 BELT ASSY. (FRONT SEAT COMPLETE)</b>				
86/	CF600/700 -- w/o suspension seat	E6HZ 60611A73-A	Driver	1
		E6HZ 60611A72-A	Passenger	1
		E6HZ 60611B60-A	Center	1
86/	CF600/700 -- w/suspension seat	E7HZ 60611A73-F	Driver	1
		E6HZ 60611A72-A	Passenger	1
		E6HZ 60611B60-A	Center	1
86/	CF600/700 -- w/suspension drivers seat	E6HZ 60611A72-C	Incl. lap belt only	1
80/	C-CT600/900	E0HZ 60611A72-A	Black	2
87/	CF600/800 -- w/suspension seat	E7HZ 60611A73-F		1
80	F600/800 -- w/and w/o retractor "Before Ser. GG5,001"	(RH) E0TZ 60611A72-C	(LH) E0TZ 60611A73-C	Black
80/82	F600/800 -- w/o retractor	(RH) E3HZ 60611A72-A	(LH) E3HZ 60611A73-A	Black
80/81	F600/800 -- w/retractor "From Ser. GG5,001 to 6/81"	(RH) E3HZ 60611A72-B	(LH) E0TZ 60611A73-C	Black
81/82	F600/800 -- w/retractor "From 6/81"	(RH) E3HZ 60611A72-B	(LH) E3HZ 60611A73-B	Black
83/	F-FT600/900 -- w/o retractor w/o Viking T-bar seat	(RH) E3HZ 60611A72-A	(LH) E3HZ 60611A73-A	Black
83/	F-FT600/900 -- w/retractor w/o Viking T-bar seat	(RH) E3HZ 60611A72-B	(LH) E3HZ 60611A73-B	Black

1980/  
TRUCK SERIES 600/900

YEAR	MODEL RESTRICTIONS	PART NUMBER	DESCRIPTION	QTY.
611A72-3 BELT ASSY. (FRONT SEAT COMPLETE) -- Cont'd				
88 89	F FT600 900 w bench seat 3 point system	E9HZ 60611A72-E	Passenger R.H. black	
88 89	F FT600 900 w bench seat 3 point system	E9HZ 60611A73-E	Driver L.H. black	
87 89	F FT600 900 w bench seat 3 point system	E7TZ 10611B60-D	Center R.H. & L.H. black	
88 89	F FT600 900 w articulated bucket 3 point system	E9HZ 60611A72-B	Passenger R.H. black	
88 89	F FT600 900 w articulated bucket 3 point system	E9HZ 60611A73-B	Driver L.H. black	
88 89	F FT600 900 w fixed bucket 3 point system	E9HZ 60611A72-C	Passenger R.H. black	
88 89	F FT600 900 w fixed bucket 3 point system	E9HZ 60611A73-D	Driver L.H. black	
80 82	F600 800	E0TZ 10611B60-H	Black center	1
83 86	F FT600 900	E3TZ 10611B60-F	Black center	1
80	L LN LNT LT LT LTA LTS600 900 w full width or Lear Siegler seat	E0HZ 80611A72-A	Black driver center and R.H. passenger w o retractor	3
87	LA LL LS800 900 w full width or Lear Siegler seat			3
80	L LN LNT LT LTA LTS600 900 w Bostrom Westcoaster seat			1
87	LA LL LS800 900 w Bostrom Westcoaster seat			1
80	L LN LNT LT LTA LTS900 w National Cush N Aire			1
87	LA LL LS800 900 w National Cush N Aire seat			3
82	LTL900 w full width seat or Lear Siegler seat			3
82	LTL900 w Bostrom Westcoaster or National Cush N Aire			1
80	L LN LNT LT LTA LTS600 900 w Bostrom Levelair Westcoaster and National Cush N Aire	E0HZ 80611A72-B	Black driver vertical adjusting w o retractor	1
87	LA LL LS800 900			1
82	LTL900			1
80	CL CLT 900 w Bostrom Westcoaster and Levelair Lear Siegler and National Cush N Aire seats and Fixed seats	D8HZ 90611A72-A	Black driver or passenger w retractor	2
82	LTL900			2

1980/  
TRUCK SERIES 600/900

YEAR	MODEL RESTRICTIONS	PART NUMBER	DESCRIPTION	QTY.
<b>611A72-3 BELT ASSY. (FRONT SEAT COMPLETE) — Cont'd</b>				
86	LA L LL LN LNT LT LTA LTL LTS LS 600 900 w Bostrom Companion and Westcoaster III	E8HZ 90611A72-A	R.H. and L.H.	2
86	LA L LL LN LNT LT LTA LTL LTS LS 600 900 w National Cush N Aire and Companion seats			2
87	F FT600 900 w fixed bucket seats National w retractor and 2 point system	(RH) E7HZ 60611A72-B	(LH) E7HZ 60611A73-B Black	1
87	F FT600 900 w bench seat w retractor and 2 point system	(RH) E7HZ 60611A72-C	(LH) E7HZ 60611A73-C Black	1
87	F FT600 900 w fixed bucket seats Bostrom and 2 point system	(RH) E7HZ 60611A72-D	(LH) E7HZ 60611A73-D Black	1
<b>OUTBOARD BELT</b>				
80	C CT L LN LNT LT LTA LTS 600 900 F600 800 CL CLT900	354959-S	(XX 178 C) washer flat head 1 2 x 3 4 x 3 16	2
80	LTL900	382629-S100	(XX 173 AA) washer flat 7 16 x 1 5 16 x 3 16	2
87	LA LL LS800 900	386274-S100	(UL 156 A) bolt pan head tapping 7 16 20 x 1 3 4	2
80 82	F600 800	382627-S100	(UU 156) bolt torque head tapping 7 16 20 x 1 3 4	2
83	F FT600 900			2
<b>INBOARD BELT</b>				
80	C CT600 900 w full width seat	382627-S100	(UU 157) bolt pan hd. tapping 7 16 20 x 1 1 4	2
		382582-S100	(XX 179 A) washer flat steel 1 2	2
		382629-S100	(XX 173 A) washer flat steel 29 64	2
80	C CT600 900 w bucket seats	386582-S100	(UU 170 A) bolt pan hd. tapping 7 16 20 x 1 3 8	2
		382583-S100	(XX 340 AC) washer serrated 17 32	2
80 82	F600 800	386582-S100	(UU 170 A) bolt pan hd. tapping 7 16 20 x 1 3 8	2
83	F FT600 900			2
80	L LN LNT LT LTA LTS600 900 w full width seat	382627-S100	(UU 157) bolt pan hd. tapping 7 16 20 x 1 1 4	2
87	LA LL LS800 900			
82	LTL900	382582-S100	(XX 179 A) washer flat steel 1 2	2
		382629-S100	(XX 173 A) washer flat steel 29 64	2
80	L LN LNT LT LTA LTS600 900 w bucket seats	382627-S100	(UU 157) bolt pan hd. tapping 7 16 20 x 1 1 4	3
87	LA LL LS800 900			
82	LTL900 w bucket seats	354959-S	(XX 178 C) washer flat rubber 7 16	6
		382629-S100	(XX 173 A) washer flat steel 29 64	3
80	CL CLT900	382627-S100	(UU 157) bolt pan hd. tapping 7 16 20 x 1 1 4	1
		354959-S	(XX 178 C) washer flat rubber 7 16	4or6
		382629-S100	(XX 173 A) washer flat steel 29 64	2
<b>61199 HANDLE (FRONT SEAT BACK ADJUSTER)</b>				
80	CL CLT900 w National Cush N Aire seat	E0HZ 9061199-A		1
80	CL CLT900 w Bostrom Westcoaster and Levelair seats	D8HZ 9061199-B		1
80	CL CLT900 Lear Siegler Air Ride seat	E0HZ 9061199-B	R.H. and L.H.	2

1980/  
TRUCK SERIES 600/900

YEAR	MODEL/RESTRICTIONS	PART NUMBER	DESCRIPTION	QTY.
<b>61199 HANDLE (FRONT SEAT BACK ADJUSTER) — Cont'd</b>				
81/	L-LN-LNT-LT-LTA-LTL-LTS800/900 -- w/National Cush-N-Aire seat	E0HZ 9061199-A		1
87/	LA-LL-LS800/900 -- w/National Cush-N-Aire seat			1
81/	L-LN-LNT-LT-LTA-LTL-LTS800/900 -- w/Bostrom Westcoaster and Levelaire seats	D8HZ 9061199-B		1
87/	LA-LL-LS800/900 -- w/Bostrom Westcoaster and Levelair seats			1
81/	L-LN-LNT-LT-LTA-LTL-LTS800/900 -- w/Lear Siegler seat	E0HZ 9061199-B	R.H. and L.H.	2
87/	LA-LL-LS800/900 -- w/Lear Siegler seat			2
<b>611X99 RING (FRONT SEAT BACK ADJUST HANDLE SNAP)-Driver</b>				
80/	CL-CLT900 -- w/National Cush-N-Aire seat	C9HZ 91611X99-A		1
81/	L-LN-LNT-LT-LTA-LTL-LTS800/900 -- w/National Cush-N-Aire seat			1
87/	LA-LL-LS800/900 -- w/National Cush-N-Aire seat			1
<b>61212 BOLT (SEAT BELT ANCHOR)</b>				
86/	CF600/700	E6HZ 6061212-B	Attach driver and passenger seat belts w/double passenger seat	5
		E6HZ 6061212-C	Attach driver and center passenger seat belts	4
87/	CF600/800	E7HZ 6061212-A		2
		E7HZ 6061212-B		2
		E7HZ 6061212-D	To att. check assy. 611B36	2
<b>612C12 BUSHING (FRONT SEAT SHOULDER STRAP)</b>				
87/	CF600/800	E7HZ 60612C12-A	R.H. and L.H.	4
<b>61222 LOOP (FRONT SEAT BELT RETAINING)-Incl. attaching parts</b>				
80/82	F-L-LN-LNT-LT-LTA-LTS600/900	C4AZ 6261222-AAB	Transparent plastic	2
83/	F-FT-L-LN-LNT-LT-LTA-LTS600/900			2
82/	LTL900			2
87/	LA-LL-LS800/900			2
<b>612B22-3 RETAINER (FRONT SEAT SHOULDER BELTS)</b>				
87/	F-FT600/900	E7TZ 15612B22-A	(RH)	1
		E7TZ 15612B23-A	(LH)	1
<b>61239 REINFORCEMENT (FRONT SEAT BELT ANCHOR)</b>				
80/	CL-CLT900	D8HZ 9061239-A	L.H.	1
81/	L-LN-LNT-LT-LTA-LTL-LTS800/900			1
87/	LA-LL-LS800/900			1
<b>612A40-1 REINFORCEMENT ASSY. (SEAT BELT ANCHOR TO BACK PANEL)</b>				
80/	CL-CLT900	(RH) D8HZ 90612A40-A	(LH) D8HZ 90612A41-A	2
81/	L-LN-LNT-LT-LTA-LTL-LTS800/900			2
87/	LA-LL-LS800/900			2
<b>612A64 COVER (FRONT SEAT BELT BUCKLE TONGUE)</b>				
83/	C-CT600/900,F-FT600/900	E7FZ 61612A64-A	Paint to match	AR
<b>61602 PLATE (FRONT SEAT BACK SKID)-Driver</b>				
86/	F-FT600/900 -- w/Viking T-bar seat	E6HZ 8061602-A	3 mounting holes	1
80/83	LN-LNT-LT-LTA-LTS800/900 -- w/Bostrom Westcoaster seat "Before 11/82"	D0HZ 8061602-A	6 mounting holes	1
80/83	L900 -- diesel-w/Bostrom Westcoaster seat "Before 11/82"	D5HZ 8061602-A	5 mounting holes	1
83/	L-LN-LNT-LT-LTA-LTL-LTS600/900 -- w/Bostrom Westcoaster and National Cush-N-Aire seats "From 11/82"	E2HZ 8061602-A	4 mounting holes	1
87/	LA-LL-LS800/900 -- w/Bostrom Westcoaster and Levelair seat			1



1980/  
TRUCK SERIES 600/900

YEAR	MODEL/RESTRICTIONS	PART NUMBER	DESCRIPTION	QTY.
<b>61643 PLATE (FRONT SEAT BACK SCUFF)</b>				
80/	C-CT600/900 -- w/Lear Siegler seat	C1DZ 6461643-A		AR
81/	L-LN-LNT-LT-LTA-LTL-LTS800/900 -- w/Lear Siegler seat			AR
87/	LA-LL-LS800/900 -- w/Lear Siegler seat			2
<b>61694-5 COVER (FRONT SEAT BACK PIVOT SIDE)</b>				
84/86	F-FT600/900 -- w/o Viking T-bar seat	(RH) E3TZ 1061694-A	(LH) E3TZ 1061695-A	Black-paint to match 1
87/	F600/900	(RH) E7HZ 1561694-A	(LH) E7TZ 1561695-A	Black 1
<b>617B00 REINFORCEMENT (SEAT SUPPORT TO FLOOR)</b>				
86/	CF600/800	E6HZ 60617B00-A	At rear	4
		E6HZ 60617B00-B	Drivers seat	2
		E6HZ 60617B00-C	Passenger seat-center position	2
<b>617C03 SPRING (FRONT SEAT BACK RETURN)-Driver</b>				
80/	CL-CLT900 -- w/National Cush-N-Aire seat	D8HZ 90617C03-A	Driver seat	1
81/	L-LN-LNT-LT-LTA-LTL-LTS800/900 -- w/National Cush-N-Aire seat			1
87/	LA-LL-LS800/900 -- w/National Cush-N-Aire seat			1
<b>61704-5 TRACK ASSY. (FRONT SEAT)</b>				
80/	C-CT600/900 -- w/full width seat	(RH) D2KZ 6061704-B	(LH) D2KZ 6061705-B	1
86/	CF600/700 -- drivers seat	(RH) E6HZ 6061704-A	(LH) E6HZ 6061705-A	1
80/	C-CT600/900 -- w/Lear Siegler seat	(RH) C1TZ 8161704-A	(LH) C1TZ 9161705-A	Less latch-driver seat 1
80/82	F600/800 -- w/full width seat	(RH) E0TZ 1061704-A	(LH) E8TZ 1561705-A	1
83/86	F-FT600/900 -- w/full width seat			1
84/86	F-FT600/900 -- w/Viking T-bar seat			1
87/	F-FT600/900 -- w/full width seat	(RH) E7TZ 1561704-A	(LH) E7TZ 1561705-A	1
87/	F-FT600/900 -- w/Viking T-Bar seat			1
80	L-LN-LNT-LT-LTS600/900 -- w/Bostrom seat	D2HZ 8061704-B	R.H. and L.H.-Driver seat	1
80	L-LN-LNT-LT-LTS600/900 -- w/Lear Siegler seat	(RH) D0HZ 8061704-B	(LH) D4HZ 9061705-A	Driver seat 1
80/	L-LN-LNT-LT-LTA-LTL-LTS600/900 -- w/full width seat	(RH) E1HZ 8061704-A	(LH) D4HZ 8061705-A	1
87/	LA-LL-LS800/900 -- w/full width seat			1
82/	LTL900 -- w/full width seat	(RH) E1HZ 8061704-A	(LH) E1HZ 8061705-A	1
80/	CL-CLT900 -- w/Lear Siegler Air Ride seat	E0HZ 9061704-B	R.H. and L.H.	2
81/	L-LN-LNT-LT-LTA-LTL-LTS800/900 -- w/Lear Siegler seat			2
87/	LA-LL-LS800/900 -- w/Lear Siegler seat			2
80/87	CL-CLT900 -- w/National Cush-N-Aire seat	(RH) E0HZ 9061704-A (with handle)	(LH) D8HZ 9061704-A (without handle)	1
81/87	L-LN-LNT-LT-LTA-LTL-LTS800/900 -- w/National Cush-N-Aire seat			
87	LA-LL-LS800/900 -- w/National Cush-N-Aire seat			1
80/87	CL-CLT900 -- w/Bostrom Westcoaster seat	(RH) D8HZ 9061704-B	(LH) D8HZ 9061705-B	1
81/87	L-LN-LNT-LT-LTA-LTL-LTS800/900 -- w/Bostrom Westcoaster seat			
87	LA-LL-LS800/900 -- w/Bostrom Westcoaster seat			1

1980/  
TRUCK SERIES 600/900

YEAR	MODEL/RESTRICTIONS	PART NUMBER	DESCRIPTION	QTY.
<b>61704-5 TRACK ASSY. (FRONT SEAT) — Cont'd</b>				
88/	CL-CLT900 -- w/National Cush-N-Aire seat	FOHZ 9061704-A	R.H. and L.H.	AR
88/	L-LN-LNT-LT-LTA-LTL-LTS800/900 -- w/National Cush-N-Aire seat			AR
88/	LA-LL-LS800/900 -- w/National Cush-N-Aire seat			AR
80/	C-CT600/900 -- w/Lear Siegler seat	384871-S2	(UU-52-AM)-screw and washer-5/16"-18 x 1"	4
		★45268-S2	Nut and retainer-5/16"-18	4
80/82	F600/800	373162-S	(BB-563-A)-bolt and washer-hex. hd.-	8
83/	F-FT600/900		3/8"-16 x 1 1/8"	
80/	L-LN-LNT-LT-LTA-LTL-LTS600/900 -- w/full width seat	★57041-S2	Screw and washer-5/16"-18 x 1"	8
87/	LA-LL-LS800/900 -- w/full width seat			8
<b>617C04 SUPPORT (FRONT SEAT BACK PIVOT)</b>				
86/	CF600/700	E6HZ 60617C04-A	Double hinged passenger seat	2
80/82	F600/800 -- w/full width seat	D3TZ 10617C04-A		1
83/	F-FT600/900 -- w/full width seat	385071-S2	(UU-155-G)-bolt-shoulder hex. head-	2
84/	F-FT600/900 -- w/Viking T-bar seat		7/16"-14 x 1 5/8"	
80/87	CL-CLT900 -- w/National Cush-N-Aire seat	D8HZ 90617C04-A	Driver seat	1
81/87	L-LN-LNT-LT-LTA-LTL-LTS800/900 -- w/National Cush-N-Aire seat			1
87	LA-LL-LS800/900 -- w/National Cush-N-Aire seat			1
<b>61706 ISOLATOR (FRONT SEAT TRACK)</b>				
80/87	CL-CLT900 -- w/National Cushion-N-Aire seat	E0HZ 9061706-A		1
81/87	L-LN-LNT-LT-LTA-LTL-LTS800/900 -- w/National Cush-N-Aire seat			1
87/	LA-LL-LS800/900 -- w/National Cush-N-Aire seat			1
88/	CL-CLT900 -- w/National Cush-N-Aire seat	FOHZ 9061706-A	Driver and passenger	AR
88/	L-LN-LNT-LT-LTA-LTL-LTS800/900 -- w/National Cush-N-Aire seat			AR
88/	LA-LL-LS800/900 -- w/National Cush-N-Aire seat			AR
<b>617A24 BAR (FRONT SEAT ADJUSTING FRONT TORSION)</b>				
80/	CL-CLT900 -- w/Bostrom Westcoaster and Levelair seats	D8HZ 90617A24-A		1
81/	L-LN-LNT-LT-LTA-LTL-LTS800/900 -- w/Bostrom Westcoaster and Levelaire seats			1
87/	LA-LL-LS800/900 -- w/Bostrom Westcoaster and Levelair seats			1
<b>61726 ROD (FRONT SEAT TRACK TIE)</b>				
80/	C-CT600/900 -- w/full width seat	D2KZ 6061726-A	49 1/2" long	1
80/	C-CT600/900 -- w/Lear Siegler seat	C1TB 9161726-A		1
80/82	F600/800 -- w/full width seat	D3TZ 1061726-A		1
83/	F-FT600/900 -- w/full width seat			1
84/	F-FT600/900 -- w/Viking T-bar seat	E0TZ 1061726-A		2
80/	CL-CLT900 -- w/National Cush-N-Aire seat	C9HZ 9161726-A		1
80/	L-LN-LNT-LT-LTA-LTS600/900 -- w/National Cush-N-Aire seat			1
87/	LA-LL-LS800/900 -- w/National Cush-N-Aire seat			1
82/	LTL900 -- w/National Cush-N-Aire seat			1
80/	L-LT-LTA-LTS600/900 -- w/full width seat	E7HZ 8061726-A		1
87/	LA-LL-LS800/900 -- w/full width seat			1

1980/  
TRUCK SERIES 600/900

YEAR	MODEL/RESTRICTIONS	PART NUMBER	DESCRIPTION	QTY.
<b>61726 ROD (FRONT SEAT TRACK TIE) -- Cont'd</b>				
80/	L-LN-LNT-LT-LTA-LTS600/900 -- w/Lear Siegler seat	DOHZ 8061726-A	11 7/8" long	1
87/	LA-LL-LS800/900 -- w/Lear Siegler seat			1
82/	LTL900 -- w/Lear Siegler seat			1
80/	L-LN-LNT-LT-LTA-LTS600/900 -- w/Lear Siegler Unison Action seat	D4HZ 9061726-A	16 1/2" long	1
87/	LA-LL-LS800/900 -- w/Lear Siegler Unison Action Seat			1
82/	LTL900 -- w/Lear Siegler Unison Action seat			1
80/	CL-CLT900 -- w/Lear Siegler Air Ride Seat	D8HZ 9061726-A		1
81/	L-LN-LNT-LT-LTA-LTL-LTS800/900 -- w/Lear Siegler seat			1
87/	LA-LL-LS800/900 -- w/Lear Siegler seat			1
<b>61735 HANDLE (DRIVER SEAT VERTICAL ADJUSTMENT)</b>				
80/	CL-CLT900 -- w/Bostrom Westcoaster seat	D8HZ 9061735-A		1
81/	L-LN-LNT-LT-LTA-LTL-LTS800/900 -- w/Bostrom Westcoaster seat			1
87/	LA-LL-LS800/900 -- w/Bostrom Westcoaster seat			1
<b>61738 SUPPORT (FRONT SEAT TRACK)-Driver-paint to match</b>				
80/	L-LN-LNT-LT-LTA-LTS600/900 -- w/Lear Siegler Unison Action seat	DOHZ 8061738-A		2
87/	LA-LL-LS800/900 -- w/Lear Siegler Unison Action seat			1
82/	LTL900 -- w/Lear Siegler Unison Action seat			2
80/	CL-CLT900 -- w/Bostrom Westcoaster seat	D8HZ 9061738-B	Lower half	1
80/	CL-CLT900 -- w/Bostrom Levelair seat	D8HZ 9061738-C	Lower half	1
80/	CL-CLT900 -- w/Lear Siegler Air Ride seat	D8HZ 9061738-E		1
<b>61738 BASE ASSY. (FRONT SEAT SUSPENSION COMPLETE)</b>				
80	CL-CLT900 -- w/National Cushion-N-Aire seat	D8HZ 9061738-A		1
80	CL-CLT900 -- w/Bostrom Westcoaster and Levelair seats "Before Ser. JA5,001"	E0HZ 9061738-A		1
80/	CL-CLT900 -- w/Bostrom Westcoaster and Levelair seats "From Ser. JA5,001"	E0HZ 9061738-B		1
81/	L-LN-LNT-LT-LTA-LTL-LTS800/900 -- w/Bostrom Westcoaster and Levelaire seats			1
87/	LA-LL-LS800/900 -- w/Bostrom Westcoaster and Levelair seats			1
89	CL-CLT900 -- w/National Cush-N-Aire seat	E9HZ 9061738-A		1
89	L-LA-LL-LN-LNT-LS-LT-LTA-LTL-LTS 700/900 -- w/National Cush-N-Aire seat			1
<b>617A38 SUPPORT (FRONT SEAT TRACK UPPER)</b>				
80/	CL-CLT900 -- w/Lear Siegler Air Ride seat	D8HZ 90617A38-A		1
81/	L-LN-LNT-LT-LTA-LTL-LTS800/900 -- w/Lear Siegler seat			1
87/	LA-LL-LS800/900 -- w/Lear Siegler seat			1

October, 1993

1980/  
TRUCK SERIES 600/900

YEAR	MODEL/RESTRICTIONS	PART NUMBER	DESCRIPTION	QTY.
<b>617C46 SPACER (FRONT SEAT SUPPORT)</b>				
80/	CL-CLT900	C8HZ 91617C46-A	1/8" x 1" x 13 1/4"	2
<b>61753-5 HANDLE (FRONT SEAT TRACK ADJUSTING)</b>				
86/	CF600/700	E6HZ 6061753-A	Drivers seat	1
80/	C-CT700/900 -- w/full width seat	C5AZ 6261753-BA		1
80/82	F600/800 -- w/full width seat	C5AZ 6261753-BA		1
83/	F-FT600/900 -- w/full width seat			1
84/	F-FT600/900 -- w/Viking T-bar seat			2
80/	L-LN-LNT-LT-LTA-LTS600/900 -- w/Lear Siegler seat	D0HZ 8061753-A		1
87/	LA-LL-LS800/900 -- w/Lear Siegler seat			1
82/	LTL900 -- w/Lear Siegler seat			1
80/	CL-CLT900	D0XZ 9061753-A		1
80/	CL-CLT900 -- w/National Cush-N-Aire seat	E0HZ 9061755-A		1
80/	CL-CLT900 -- w/Bostrom Westcoaster and Levelair seats	D8HZ 9061753-A		1
81/	L-LN-LNT-LT-LTA-LTL-LTS800/900 -- w/Bostrom Westcoaster and Levelaire seats			1
87/	LA-LL-LS800/900 -- w/Bostrom Westcoaster and Levelair seat			1
80/	CL-CLT900 -- w/Lear Siegler Air Ride seat	D8HZ 9061753-B	Lumbar back-2 3/8" dia.	2
81/	L-LN-LNT-LT-LTA-LTL-LTS800/900 -- w/Lear Siegler seat			2
87/	LA-LL-LS800/900 -- w/Lear Siegler seat			2
80/	CL-CLT900 -- w/Lear Siegler Air Ride seat	D8HZ 9061753-C	Black-round 1" dia.	4
81/	L-LN-LNT-LT-LTA-LTL-LTS800/900 -- w/Lear Siegler seat			4
87/	LA-LL-LS800/900 -- w/Lear Siegler seat			4
81/	L-LN-LNT-LT-LTA-LTL-LTS800/900 -- w/National Cush-N-Aire seat	E0HZ 9061755-A		1
87/	LA-LL-LS800/900 -- w/National Cush-N-Aire seat			1
<b>617C71 LEVER (FRONT SEAT ADJUSTING ACTUATING)</b>				
80/	CL-CLT900 -- w/Lear Siegler seat	C6TZ 81617C71-A	R.H. and L.H.-cut to fit	1
81/	L-LN-LNT-LT-LTA-LTL-LTS800/900 -- w/Lear Siegler seat			1
87/	LA-LL-LS800/900 -- w/Lear Siegler seat			1
<b>617C72 ROD (FRONT SEAT ADJUSTING)</b>				
80/	CL-CLT900 -- w/Lear Siegler seat	C6TZ 81617C72-A		1
81/	L-LN-LNT-LT-LTA-LTL-LTS800/900 -- w/Lear Siegler seat			1
87/	LA-LL-LS800/900 -- w/Lear Siegler seat			1
<b>617C73 ROD (FRONT SEAT WEIGHT ADJUSTER)-Driver</b>				
80/	CL-CLT900 -- w/Bostrom Levelair seat	D1XZ 90617C73-A		1
81/	L-LN-LNT-LT-LTA-LTL-LTS800/900 -- w/Bostrom Levelair seat			1
87/	LA-LL-LS800/900 -- w/Bostrom Levelair seat			1
89	CL-CLT900 -- w/National Cush-N-Aire seat	E9HZ 90617C73-A		1
89	L-LA-LL-LN-LNT-LS-LT-LTA-LTL-LTS 700/900 -- w/National Cush-N-Aire seat			1

1980/  
TRUCK SERIES 600/900

YEAR	MODEL/RESTRICTIONS	PART NUMBER	DESCRIPTION	QTY.
<b>617C74 SCREW (FRONT SEAT ADJUSTING TORSION BAR)</b>				
80/	CL-CLT900 -- w/Lear Siegler seat	C6TZ 81617C74-A		1
81/	L-LN-LNT-LT-LTA-LTL-LTS800/900 -- w/Lear Siegler seat			1
87/	LA-LL-LS800/900 -- w/Lear Siegler seat			1
<b>617C76 SPRING (FRONT SEAT ADJUSTING)</b>				
80/	C-CT600/900 -- w/Lear Siegler seat	C6TZ 81617C76-A	Passenger seat back	1
80/	CL-CLT900 -- w/Bostrom Westcoaster and Levelair seats	D8HZ 90617C76-A		1
80/	CL-CLT900 -- w/Lear Siegler Air Ride seat	D8HZ 90617C76-B	4 1/4" long, 1 coil	1
81/	L-LN-LNT-LT-LTA-LTL-LTS800/900 -- w/Bostrom Westcoaster and Levelaire seats	D8HZ 90617C76-A		1
87/	LA-LL-LS800/900 -- w/Bostrom Westcoaster and Levelair seats			1
<b>617C81 HANDLE (PASSENGER SEAT LOCK)</b>				
86/	CF600/700	E6HZ 60617C81-A	W/double hinged passenger seat	1
87/	CF600/800	E7HZ 60617C81-A	W/double hinged passenger seat	1
<b>617C78 SPRING (FRONT SEAT ADJUSTING ACTUATING LEVER)</b>				
80/	CL-CLT900 -- w/Lear Siegler seat	C6TZ 81617C78-A		1
80/85/	L-LN-LNT-LT-LTA-LTL-LTS800/900 -- w/Lear Siegler seat			1
<b>61783 BUMPER (FRONT SEAT TRACK ADJUSTING)-Driver</b>				
80/	CL-CLT900 -- w/Bostrom Westcoaster or Levelair seat	D1XZ 9061783-A		1
81/	L-LN-LNT-LT-LTA-LTL-LTS800/900 -- w/Bostrom Westcoaster and Levelair seat			1
87/	LA-LL-LS800/900 -- w/Bostrom Westcoaster and Levelair seat			1
<b>61794 LATCH (FRONT SEAT TRACK ADJUSTING)</b>				
87/	CF600/800	E7HZ 6061794-A	Driver's seat	1
<b>61798 REINFORCEMENT (FRONT SEAT SUPPORT TO FLOOR PAN)</b>				
80/	CL-CLT900	C8TZ 9161798-A		1
81/	L-LN-LNT-LT-LTA-LTL-LTS800/900			1
<b>617C98 BUSHING (FRONT SEAT WEIGHT ADJUSTING)-Driver</b>				
80/	L-LN-LNT-LT-LTA-LTS600/900 -- w/Bostrom Westcoaster seat	C6TZ 91617C98-A	Steel-3/4" I.D. x 1" O.D. x 11/16" long	1
80/	CL-CLT900 -- w/Bostrom Westcoaster seat			1
82/	LTL900 -- w/Bostrom Westcoaster seat			1
87/	LA-LL-LS800/900 -- w/Bostrom Westcoaster seat			1
<b>618C00 ROD ASSY. (FRONT SEAT CUSHION)</b>				
80/	L-LN-LNT-LT-LTS600/900 -- w/Bostrom Westcoaster seat	★ DOHZ 80618C00-A		1
<b>618C02 SPRING (FRONT SEAT VERTICAL ADJUSTING LINK)-Driver</b>				
80/	CL-CLT900 -- w/Bostrom Levelair seat	D1XZ 90618C02-A		1
81/	L-LN-LNT-LT-LTA-LTL-LTS800/900 -- w/Bostrom Levelair seat			1
87/	LA-LL-LS800/900 -- w/Bostrom Levelair seat			1

1980/  
TRUCK SERIES 600/900

YEAR	MODEL/RESTRICTIONS	PART NUMBER	DESCRIPTION	QTY.
<b>61824 ROLLER (FRONT SEAT UPPER TRACK SUPPORT)-Driver</b>				
80/	CL-CLT900 -- w/Bostrom Westcoaster or Levelair seats	D8HZ 9061824-A		4
81/	L-LN-LNT-LT-LTA-LTL-LTS800/900 -- w/Bostrom Westcoaster and Levelaire seats			4
87/	LA-LL-LS800/900 -- w/Bostrom Westcoaster and Levelair seats			4
<b>61828 SPRING (FRONT SEAT TRACK ASSIST)</b>				
80/	CL-CLT900 -- w/Bostrom Westcoaster and Levelair seats	D8HZ 9061828-A		2
81/	L-LN-LNT-LT-LTA-LTL-LTS800/900 -- w/Bostrom Westcoaster and Levelaire seats			2
87/	LA-LL-LS800/900 -- w/Bostrom Westcoaster and Levelair seats			2
<b>618A38 SCREW (FRONT SEAT ADJUSTING)</b>				
80/	CL-CLT900	C6TZ 81618A38-A		1
81/	L-LN-LNT-LT-LTA-LTL-LTS800/900			1
<b>618C40 WASHER (FRONT SEAT TRACK LINK DRIVER)</b>				
80/	CL-CLT900	C6TZ 91618C40-A		1
81/	L-LN-LNT-LT-LTA-LTL-LTS800/900			1
87/	LA-LL-LS800/900			1
<b>618A46-7 PLATE (FRONT SEAT ADJUSTING RETAINING)</b>				
80/	CL-CLT900	(RH) C6TZ 81618A46-A	(LH) C6TZ 81618A47-A	1
81/	L-LN-LNT-LT-LTA-LTL-LTS800/900			1
87/	LA-LL-LS800/900			1
<b>618B58 RETAINER (FRONT SEAT TRACK ADJUSTING HANDLE)- Refer to group 62060</b>				
<b>618A63 BUSHING (FRONT SEAT ADJUSTER ACTUATING)-Driver</b>				
80/	CL-CLT900 -- w/Bostrom Westcoaster seat	C6TZ 91618A63-A	Bronze-5/8" I.D. x 3/4" O.D. x 3/8" long- (flange 7/8" dia.)	4
82/	L-LN-LNT-LT-LTA-LTL-LTS800/900 -- w/Bostrom Westcoaster seat			4
87/	LA-LL-LS800/900 -- w/Bostrom Westcoaster seat			1
		C6TZ 91618A63-B	Bronze-5/8" I.D. x 3/4" O.D. x 13/32" long- (flange 1 1/4" dia.)	1
		C6TZ 91618A63-C	Bronze-1/2" I.D. x 5/8" O.D. x 3/4" long- (flange 25/32" dia.)	2
		C6TZ 91618A63-D	Bronze-5/8" I.D. x 3/4" O.D. x 7/8" long- (flange 1 1/4" dia.)	1
80/	CL-CLT900-w/National Cush-N-aire seat	D8HZ 90618A63-A	Bronze- 5/8" I.D. x 27/32" O.D. x 1.0" long-driver seat	8
81/	L-LN-LNT-LT-LTA-LTL-LTS800/900 -- w/National Cush-N-Aire seat			8
87/	LA-LL-LS800/900 -- w/National Cush-N-Aire seat			8
80/	CL-CLT900 -- w/Bostrom Levelair seat	D8HZ 90618A63-B	Bronze-1/2" I.D. x 25/32" O.D. x 1 1/2" long	4
81/	L-LN-LNT-LT-LTA-LTL-LTS800/900 -- w/Bostrom Levelair seat			4
87/	LA-LL-LS800/900 -- w/Bostrom Levelair seat			4
80/	CL-CLT900 -- w/Bostrom Westcoaster and Levelair seats	D8HZ 90618A63-C	Front seat cushion support	2
81/	L-LN-LNT-LT-LTA-LTL-LTS800/900 -- w/Bostrom Westcoaster and Levelair seats		Front seat cushion support	2
87/	LA-LL-LS800/900 -- w/Bostrom Westcoaster and Levelair seats			2

1980/  
TRUCK SERIES 600/900

YEAR	MODEL/RESTRICTIONS	PART NUMBER	DESCRIPTION	QTY.
<b>618A63 BUSHING (FRONT SEAT ADJUSTER ACTUATING)-Driver - Cont'd</b>				
80/	CL-CLT900 - - w/Lear Siegler Air Ride seat	D8HZ 90618A63-D	Bronze 1/2" I.D. x 21/32 O.D. x 19/32" long	8
81/	L-LN-LNT-LT-LTA-LTL-LTS800/900 - - w/Lear Siegler seat		Bronze-1/2" I.D. x 21/32" O.D. x 19/32" long	8
87/	LA-LL-LS800/900 - - w/Lear Siegler seat			8
<b>618A67 BUSHING (FRONT SEAT VERTICAL ADJUSTING ROD)-Driver</b>				
80/	CL-CLT900 - - w/Bostrom Levelair seat	D1XZ 90618A67-A		1
81/	L-LN-LNT-LT-LTA-LTL-LTS800/900 - - w/Bostrom Levelaire seat			1
87/	LA-LL-LS800/900 - - w/Bostrom Levelair seat			1
<b>61883 SPRING (FRONT SEAT TRACK LATCH)</b>				
86/	CF600/700	E6HZ 6061883-A	Drivers seat	1
80/82	C-CT600/900, F600/800 - - w/full width seat	D1DZ 6261883-A		2
83/	C-CT600/900, F-FT600/900 - - w/full width seat			2
80	L-LN-LNT-LT-LTA-LTL-LTS600/900 - - w/full width seat	C4OZ 6261883-A		2
80/	L-LN-LNT-LT-LTA-LTS600/900 - - w/Lear Siegler seat	D0HZ 8061883-A		2
87/	LA-LL-LS800/900 - - w/Lear Siegler seats			2
82/	LTL900 - - w/Lear Siegler seat			2
80	CL-CLT900 - - w/Bostrom Westcoaster and Levelair seats	D8HZ 9061883-A	Long	1
81/	L-LN-LNT-LT-LTA-LTL-LTS800/900 - - w/Bostrom Westcoaster and Levelair seats			1
87/	LA-LL-LS800/900 - - w/Bostrom Westcoaster and Levelair seats			2
80	CL-CLT900 - - w/Bostrom Westcoaster and Levelair seats	D8HZ 9061883-B	Short	1
81/	L-LN-LNT-LT-LTA-LTL-LTS800/900 - - w/Bostrom Westcoaster and Levelair seats			1
87/	LA-LL-LS800/900 - - w/Bostrom Westcoaster and Levelair seats			1
80	CL-CLT900 - - w/Lear Siegler Air Ride seat	D8HZ 9061883-C	11 Coils-5 7/16 long	1
81/	L-LN-LNT-LT-LTA-LTL-LTS800/900 - - w/Lear Siegler Air Ride seat			1
87/	LA-LL-LS800/900 - - w/Lear Siegler Air Ride seat			1
<b>618C84 KIT (TENSION LOCK-OUT)</b>				
83/	L-LN-LNT-LT-LTA-LTL-LTS800/900 w/National Cush-N-Aire seat	E1HZ 90618C84-A	Passenger seat	1
87/	LA-LL-LS800/900 - - w/National Cush-N-Aire seat			1
<b>61902 SUPPORT (SEAT TRACK INNER)</b>				
80	L-LN-LNT-LT-LTS800/900	D6HZ 8061902-A		2
<b>619K02 REINFORCEMENT (SEAT TRACK SUPPORT)</b>				
86/	CF600/800	E6HZ 60619K02-A	Seat pedestal to outer floor pan	16

1980/  
TRUCK SERIES 600/900

YEAR	MODEL/RESTRICTIONS	PART NUMBER	DESCRIPTION	QTY.
<b>619A34 SLIDE (FRONT SEAT TRACK)-Driver</b>				
80/	CL-CLT900 -- w/Bostrom Westcoaster and Levelair seats	DIXZ 90619A34-A		2
81/	L-LN-LNT-LT-LTA-LTL-LTS800/900 -- w/Bostrom Westcoaster and Levelair seats			2
87/	LA-LL-LS800/900 -- w/Bostrom Westcoaster and Levelair seats			2
<b>61938 STOP (FRONT SEAT TRACK)</b>				
80	CL-CLT900 -- w/Bostrom Westcoaster seat "Before Ser. HJ5,001"	D9HZ 9061938-A		1or2
80/	CL-CLT900 -- w/Bostrom Westcoaster seat "From Ser. HJ5,001"	E0HZ 9061938-A		1or2
81/	L-LN-LNT-LT-LTA-LTL-LTS800/900 w/Bostrom Westcoaster seat			1or2
87	LA-LL-LS800/900 -- w/Bostrom Westcoaster seat			1or2
80/	CL-CLT900 -- w/National Cush-N-Aire seat	D9HZ 9061938-C	Driver	1
81/	L-LN-LNT-LT-LTA-LTL-LTS800/900 -- w/National Cush-N-Aire seat	D9HZ 9061938-B	Passenger	1
87/	LA-LL-LS800/900 -- w/National Cush-N-Aire Seat			1
80/	CL-CLT900 -- w/Lear Siegler Newway air seat	D9HZ 9061938-C		1
81/	L-LN-LNT-LT-LTA-LTL-LTS800/900 -- w/Lear Siegler seat			1
87	LL-LN-LS-LNT700/900 -- w/Bostrom Westcoaster and Levelaire seat	E7HZ 9061938-A	Steel	1
88/	LA-LL-LN-LS-LNT700/900 -- w/Bostrom Westcoaster and Levelaire seat	E8HZ 9061938-A		1
<b>619A76 HINGE ASSY. (FRONT SEAT)-Passenger</b>				
80/	C-CT600/900 -- w/Lear Siegler seat	C1TZ 91619A76-A		2
		350756-S8	(BB-697)-bolt-round head, shoulder-5/16"-24 x 3/4"	3
		44722-S8	(X-19)-washer-flat-5/16"	3
		44735-S8	(X-32)-washer-flat-1/2"	3
		34956-S7-8	(X-82)-lockwasher-external tooth-5/16"	3
		33923-S7	(M-32)-nut-hex.-5/16"-24	3
		359784-S7	(BB-82)-screw and washer-fillister head, cross recess-5/16"-24 x 1 1/2"	2
<b>619A78 BRACKET (FRONT SEAT BUMPER)-Passenger</b>				
80/	C-CT600/900 -- w/Lear Siegler seat	C1TB 91619A78-A		1
		20347-S8	(B-156)-bolt-hex. head-5/16"-24 x 3/4"	2
		34806-S7	(X-64)-lockwasher-spring-5/16"	2
<b>619A80 LATCH ASSY. (PASSENGER SEAT)</b>				
80/	C-CT600/900 -- w/Lear Siegler seat	D2KZ 60619A80-A		1
80/	CL-CLT900 -- w/Lear Siegler seat			1
81/	L-LN-LNT-LT-LTA-LTL-LTS800/900 -- w/Lear Siegler seat			1
87/	LA-LL-LS800/900 -- w/Lear Siegler seat			1



1980/  
TRUCK SERIES 600/900

YEAR	MODEL/RESTRICTIONS	PART NUMBER	DESCRIPTION	QTY.
<b>620A00-1 ARM (FRONT SEAT SUSPENSION EQUALIZER)-Driver</b>				
80	L-LN-LNT-LT-LTS600/900 -- w/Lear Siegler seat	D0HZ 80620A00-A		2
80/ 81/ 87/	CL-CLT900 -- w/Lear Siegler seat L-LN-LNT-LT-LTA-LTL-LTS800/900 -- w/Lear Siegler seat LA-LL-LS800/900 -- w/Lear Siegler seat	(RH) C6TZ 91620A00-A	(LH) C6TZ 91620A01-A	1 1 1
<b>620A02 LEVER (FRONT SEAT SUSPENSION CONTROL SPRING)-Driver</b>				
80/ 81/ 87/	CL-CLT900 -- w/Lear Siegler seat L-LN-LNT-LT-LTA-LTL-LTS800/900 -- w/Lear Siegler seat LA-LL-LS800/900 -- w/Lear Siegler seat	C6TZ 91620A02-A		1 1 1
<b>620A04 SPACER (FRONT SEAT SUSPENSION TORSION BAR)-Driver</b>				
80/ 81/ 87/	CL-CLT900 -- w/Lear Siegler seat L-LN-LNT-LT-LTA-LTL-LTS800/900 -- w/Lear Siegler seat LA-LL-LS800/900 -- w/Lear Siegler seat	C6TZ 91620A04-A		1 1 1
<b>620A06-7 LINK (FRONT SEAT SUSPENSION EQUALIZER ARM)-Driver</b>				
80/ 81/ 87/	CL-CLT900 -- w/Lear Siegler seat L-LN-LNT-LT-LTA-LTL-LTS800/900 -- w/Lear Siegler seat LA-LL-LS800/900 -- w/Lear Siegler seat	(RH) C6TZ 91620A06-A	(LH) C6TZ 91620A07-A	1 1 1
<b>62008 SPRING (FRONT SEAT VERTICAL ADJUSTING)-Driver</b>				
80/ 80/ 82/ 87/ 89 89	L-LN-LNT-LT-LTA-LTS600/900 w/Bostrom Westcoaster seat CL-CLT900 -- w/Bostrom Westcoaster seat LTL900 -- w/Bostrom Westcoaster seat LA-LL-LS800/900 -- w/Bostrom Westcoaster seat CL-CLT900 -- w/National Cush-N-Aire seat L-LA-LL-LN-LNT-LS-LT-LTA-LTL-LTS 700/900 -- w/National Cush-N-Aire seat	C6TZ 9162008-A      E9HZ 9062008-A		1 1 1 1 1 1
<b>62008 SPRING (FRONT SEAT WEIGHT ADJUSTER)-Driver</b>				
80/ 81/ 87/ 80/ 81/ 87/	CL-CLT900 -- w/National Cush-N-Aire seat L-LN-LNT-LT-LTA-LTL-LTS800/900 -- w/National Cush-N-Aire seat LA-LL-LS800/900 -- w/National Cush-N-Aire seat CL-CLT900 -- w/Lear Siegler Air Ride seat L-LN-LNT-LT-LTA-LTL-LTS800/900 -- w/Lear Siegler seat LA-LL-LS800/900 -- w/Lear Siegler seat	C9HZ 9162008-A      D8HZ 9062008-A		1 1 1 1 1 1
<b>620A08-9 LINK (FRONT SEAT SUSPENSION FRONT)-Driver</b>				
80/ 81/ 87/	CL-CLT900 -- w/Lear Siegler seat L-LN-LNT-LT-LTA-LTL-LTS800/900 -- w/Lear Siegler seat LA-LL-LS800/900 -- w/Lear Siegler seat	C6TZ 91620A08-A C6TZ 91620A09-A	Upper Lower	1 1 1

1980/  
TRUCK SERIES 600/900

YEAR	MODEL/RESTRICTIONS	PART NUMBER	DESCRIPTION	QTY.
<b>620A14 SUSPENSION ASSY. (FRONT SEAT UPPER)-Driver</b>				
80/	CL-CLT900 -- w/Bostrom Levelair seat	D1XZ 90620A14-A		1
81/	L-LN-LNT-LT-LTA-LTL-LTS800/900 -- w/Bostrom Levelair seat			1
87/	LA-LL-LS800/900 -- w/Bostrom Levelair seat			1
80/88	CL-CLT900 -- w/National Cush-N-Aire seat	D2XZ 90620A14-A		1
81/88	L-LN-LNT-LT-LTA-LTL-LTS800/900 -- w/National Cush-N-Aire seat			1
87/88	LA-LL-LS800/900 -- w/National Cush-N-Aire seat			1
89	CL-CLT900 -- w/National Cush-N-Aire seat	E9HZ 90620A14-A		1
89	L-LA-LL-LN-LNT-LS-LT-LTA-LTL-LTS 700/900 -- w/National Cush-N-Aire seat			1
80/	CL-CLT900 -- w/Lear Siegler Air Ride seat	E0HZ 90620A14-A		1
81/	L-LN-LNT-LT-LTA-LTL-LTS800/900 -- w/Lear Siegler seat			1
87/	LA-LL-LS800/900 -- w/Lear Siegler seat			1
<b>620A16 SUPPORT (FRONT SEAT)-Driver</b>				
80/	CL-CLT900 -- w/National Cush-N-Aire seat	C9HZ 91620A16-A		1
81/	L-LN-LNT-LT-LTA-LTL-LTS800/900 -- w/National Cush-N-Aire seat			1
87/	LA-LL-LS800/900 -- w/National Cush-N-Aire seat			1
<b>620A24 PIN (FRONT SEAT BASE)-Driver</b>				
80/	CL-CLT900 -- w/National Cush-N-Aire seat	C9HZ 91620A24-A		1
81/	L-LN-LNT-LT-LTA-LTL-LTS800/900 -- w/National Cush-N-Aire seat			1
87/	LA-LL-LS800/900 -- w/National Cush-N-Aire seat			1
<b>620A26 SPRING (FRONT SEAT ADJUSTING ROD)-Driver</b>				
80/	CL-CLT900 -- w/Bostrom Levelair seat	D1XZ 90620A26-A	Incl. arm-11 coils-1 7/8" long	1
81/	L-LN-LNT-LT-LTA-LTL-LTS800/900 -- w/Bostrom Levelair seat			1
80/	CL-CLT900 -- w/Bostrom Westcoaster and Levelair seats	D8HZ 90620A26-A	Seat back latch handle	1
81/	L-LN-LNT-LT-LTA-LTL-LTS800/900 -- w/Bostrom Westcoaster and Levelair seats			1
87/	LA-LL-LS800/900 -- w/Bostrom Westcoaster and Levelair seats			1
<b>62039 BAR (FRONT SEAT SUSPENSION TORSION)-Driver</b>				
80/	CL-CLT900 -- w/National Cush-N-Aire seat	E0HZ 9062039-A		1
81/	L-LN-LNT-LT-LTA-LTL-LTS800/900 -- w/National Cush-N-Aire seat			1
87/	LA-LL-LS800/900 -- w/National Cush-N-Aire seat			1

1980/  
TRUCK SERIES 600/900

YEAR	MODEL/RESTRICTIONS	PART NUMBER	DESCRIPTION	QTY.
<b>620A40 ROD (FRONT SEAT VERTICAL ADJUSTING ROD)-Driver</b>				
80/	CL-CLT900 -- w/Bostrom Levelair seat	D1XZ 90620A40-A		1
81/	L-LN-LNT-LT-LTA-LTL-LTS800/900 -- w/Bostrom Levelair seat			1
87/	LA-LL-LS800/900 -- w/Bostrom Levelair seat			1
<b>620A42 PAD (FRONT SEAT SHOCK ABSORBER RELEASE LATCH)-Driver</b>				
80/	CL-CLT900 -- w/Bostrom Levelair seat	D1XZ 90620A42-A		1
81/	L-LN-LNT-LT-LTA-LTL-LTS800/900 -- w/Bostrom Levelair seat			1
87/	LA-LL-LS800/900 -- w/Bostrom Levelair seat			1
<b>620A44 ARM (FRONT SEAT HEIGHT ADJUSTING)-Driver</b>				
80/	CL-CLT900 -- w/Bostrom Levelair seat	D1XZ 90620A44-A		1
81/	L-LN-LNT-LT-LTA-LTL-LTS800/900 -- w/Bostrom Levelair seat			1
87/	LA-LL-LS800/900 -- w/Bostrom Levelair seat			1
80/	CL-CLT900 -- w/Lear Siegler Air Ride seat	D8HZ 90620A44-A		1
81/	L-LN-LNT-LT-LTA-LTL-LTS800/900 -- w/Lear Siegler seat			1
87/	LA-LL-LS800/900 -- w/Lear Siegler seat			1
<b>620A46 BEARING (FRONT SEAT WEIGHT ADJUSTING LEVER)-Driver</b>				
80/	CL-CLT900 -- w/Bostrom Levelair seat	D1XZ 90620A46-A		1
81/	L-LN-LNT-LT-LTA-LTL-LTS800/900 -- w/Bostrom Levelair seat			1
<b>620A48-50 BEARING (FRONT SEAT SHOCK ABSORBER)-Driver</b>				
80/	CL-CLT900 -- w/Bostrom Levelair seat	D1XZ 90620A48-A	Upper	1
81/	L-LN-LNT-LT-LTA-LTL-LTS800/900 -- w/Bostrom Levelair seat			1
87/	LA-LL-LS800/900 -- w/Bostrom Levelair seat			1
		D1XZ 90620A50-A	Lower	2
<b>620A52 SHAFT (FRONT SEAT SHOCK ABSORBER RELEASE CATCH UPPER TUBE)-Driver</b>				
80/	CL-CLT900	D1XZ 90620A52-A		1
81/	L-LN-LNT-LT-LTA-LTL-LTS800/900 -- w/Bostrom Levelair seat			1
87/	LA-LL-LS800/900			1
<b>620A54 PIN (FRONT SEAT SHOCK ABSORBER LOWER)-Driver</b>				
80/	CL-CLT900 -- w/Lear Siegler Air Ride seat	D8HZ 90620A54-A		1
81/	L-LN-LNT-LT-LTA-LTL-LTS800/900 -- w/Lear Siegler seat			1
87/	LA-LL-LS800/900 -- w/Lear Siegler seat			1
<b>62058-9 SUPPORT (SEAT TRACK OUTER)</b>				
80	L-LN-LNT-LT-LTS800/900	(RH) ★ D6HZ 8062058-A Not replaced (3/89)	(LH) ★ D6HZ 8062059-A Not replaced (3/89)	1
<b>620A58 TUBE (FRONT SEAT SHOCK ABSORBER RELEASE LATCH UPPER SUSPENSION)-Driver</b>				
80/	CL-CLT900 -- w/Bostrom Levelair seat	D1XZ 90620A58-A		1
81/	L-LN-LNT-LT-LTA-LTL-LTS800/900 -- w/Bostrom Levelair seat			1
87/	LA-LL-LS800/900 -- w/Bostrom Levelair seat			1

1980/  
TRUCK SERIES 600/900

YEAR	MODEL/RESTRICTIONS	PART NUMBER	DESCRIPTION	QTY.
<b>62060 RETAINER (FRONT SEAT TRACK ADJUSTING LEVER HANDLE)-Also refer to group 618B58</b>				
87/	CF600/800	E7HZ 6062060-A		3
80/82	F600/800 -- w/full width seat	C6TZ 8162060-A		1
83/	F-FT600/900 -- w/full width seat			1
<b>620A60 BRACKET (FRONT SEAT WEIGHT ADJUSTING)-Driver</b>				
80/	CL-CLT900 -- w/Bostrom Levelair seat	D1XZ 90620A60-A		1
81/	L-LN-LNT-LT-LTA-LTL-LTS800/900 -- w/Bostrom Levelair seat			1
87/	LA-LL-LS800/900 -- w/Bostrom Levelair seat			1
<b>620A62 BRACKET (FRONT SEAT WEIGHT ADJUSTING)-Driver</b>				
80/	CL-CLT900 -- w/Bostrom Levelair seat	D1XZ 90620A62-A		1
81/	L-LN-LNT-LT-LTA-LTL-LTS800/900 -- w/Bostrom Levelair seat			1
87/	LA-LL-LS800/900 -- w/Bostrom Levelair seat			1
<b>620A66 HOSE (FRONT SEAT ADJUSTER)-Driver</b>				
80/	CL-CLT900 -- w/Bostrom Levelair seat	D1XZ 90620A66-A		1
80/	CL-CLT900 -- w/Lear Siegler Air Ride Seat	D8HZ 90620A66-A	Tubing-1/8 O.D. x 9" long	1
81/	L-LN-LNT-LT-LTA-LTL-LTS800/900 -- w/Lear Siegler seat	D8HZ 90620A66-B	Tubing-1/8 O.D. x 11" long	1
87/	LA-LL-LS800/900 -- w/Lear Siegler seat			1
80/88	CL-CLT900 -- w/National Cush-N-Aire seat	E0HZ 90620A66-A		1
81/88	L-LN-LNT-LT-LTA-LTL-LTS800/900 -- w/National Cush-N-Aire seat			1
87/88	LA-LL-LS800/900 -- w/National Cush-N-Aire seat			1
89	CL-CLT900 -- w/National Cush-N-Aire seat	E9HZ 90620A66-A		1
89	L-LA-LL-LN-LNT-LS-LT-LTA-LTL-LTS 700/900 -- w/National Cush-N-Aire seat			
81/	L-LN-LNT-LT-LTA-LTL-LTS800/900 -- w/Bostrom Levelair seat	D1XZ 90620A66-A		1
87/	LA-LL-LS800/900 -- w/Bostrom Levelair seat			1
<b>620A68 AIR SPRING KIT (FRONT SEAT)-Driver</b>				
80/	CL-CLT900 -- w/Bostrom Levelair seat	D1XZ 90620A68-A		1
81/	L-LN-LNT-LT-LTA-LTL-LTS800/900 -- w/Bostrom Levelair seat			1
87/	LA-LL-LS800/900 -- w/Bostrom Levelair seat			1
<b>620A69 ADJUSTER HANDLE KIT (FRONT SEAT)-Driver</b>				
80/	CL-CLT900 -- w/Bostrom Levelair seat	D1XZ 90620A69-A		1
81/	L-LN-LNT-LT-LTA-LTL-LTS800/900 -- w/Bostrom Levelair seat			1
87/	LA-LL-LS800/900 -- w/Bostrom Levelair seat			1
<b>620A70 LINK (FRONT SEAT WEIGHT ADJUSTER)-Driver</b>				
80/	CL-CLT900 -- w/Bostrom Levelair seat	D1XZ 90620A70-A		1
81/	L-LN-LNT-LT-LTA-LTL-LTS800/900 -- w/Bostrom Levelair seat			1
87/	LA-LL-LS800/900 -- w/Bostrom Levelair seat			1

1980/  
TRUCK SERIES 600/900

YEAR	MODEL/RESTRICTIONS	PART NUMBER	DESCRIPTION	QTY.
<b>620A72 SHAFT (FRONT SEAT SUSPENSION)-Driver</b>				
80/	CL-CLT900 -- w/Bostrom Levelair seat	★ D1XZ 90620A72-A r/bD1XZ 90620A72-B		1
81/	L-LN-LNT-LT-LTA-LTL-LTS800/900 -- w/Bostrom Levelair seat			1
87/	LA-LL-LS800/900 -- w/Bostrom Levelair seat			1
80/	CL-CLT900 -- w/Lear Siegler Air Ride seat	D8HZ 90620A72-A		4
81/	L-LN-LNT-LT-LTA-LTL-LTS800/900 -- w/Lear Siegler seat			4
87/	LA-LL-LS800/900 -- w/Lear Siegler seat			4
<b>620A74 CAM (FRONT SEAT TILT ADJUSTING)-Driver</b>				
80/	CL-CLT900 -- w/Bostrom Westcoaster and Levelair seats	D8HZ 90620A74-A	W/shaft	1
81/	L-LN-LNT-LT-LTA-LTL-LTS800/900 -- w/Bostrom Westcoaster and Levelair seats			1
87/	LA-LL-LS800/900 -- w/Bostrom Westcoaster and Levelair seats			1
80/	CL-CLT900 -- w/Lear Siegler Air Ride seat	E0HZ 90620A74-A	R.H. and L.H.	2
81/	L-LN-LNT-LT-LTA-LTL-LTS800/900 -- w/Lear Siegler seat			2
87/	LA-LL-LS800/900 -- w/Lear Siegler seat			2
<b>620B74 CAM (FRONT SEAT TILT ADJ. WITHOUT SHAFT)</b>				
80/	CL-CLT900 -- w/Bostrom Westcoaster and Levelair seats	D8HZ 90620B74-A		1
81/	L-LN-LNT-LT-LTA-LTL-LTS800/900 -- w/Bostrom Westcoaster and Levelair seats			1
87/	LA-LL-LS800/900 -- w/Bostrom Westcoaster and Levelair seats			1
<b>620A76 VALVE (FRONT SEAT WEIGHT ADJUSTING)-Driver</b>				
80/	CL-CLT900 -- w/Bostrom Levelair seat	★ D1XZ 90620A76-A r/bD1XZ 90620A76-B		1
81/	L-LN-LNT-LT-LTA-LTL-LTS800/900 -- w/Bostrom Levelair seat			1
87/	LA-LL-LS800/900 -- w/Bostrom Levelair seat			1
80/	CL-CLT900 -- w/Lear Siegler Air Ride seat	E0HZ 90620A76-A		1
81/	L-LN-LNT-LT-LTA-LTL-LTS800/900 -- w/Lear Siegler seat			1
87/	LA-LL-LS800/900 -- w/Lear Siegler seat			1
<b>62086 VALVE (FRONT SEAT CUSHION CHECK)-Driver</b>				
80/	CL-CLT900 -- w/National Cush-N-Aire seat	C9HZ 9162086-A		1
81/	L-LN-LNT-LT-LTA-LTL-LTS800/900 -- w/National Cush-N-Aire seat			1
87/	LA-LL-LS800/900 -- w/National Cush-N-Aire seat			1
<b>62087 SUSPENSION ASSY. (FRONT SEAT LOWER)-Driver</b>				
80/	CL-CLT900 -- w/Bostrom Levelair seat	D1XZ 9062087-A		1
81/	L-LN-LNT-LT-LTA-LTL-LTS800/900 -- w/Bostrom Levelair seat			1
87/	LA-LL-LS800/900 -- w/Bostrom Levelair seat			1

1980/  
TRUCK SERIES 600/900

YEAR	MODEL/RESTRICTIONS	PART NUMBER	DESCRIPTION	QTY.	
<b>62087 SUSPENSION ASSY. (FRONT SEAT LOWER)-Driver — Cont'd</b>					
80/88	CL-CLT900 -- w/National Cush-N-Aire seat	D2XZ 9062087-A		1	
81/88	L-LN-LNT-LT-LTA-LTL-LTS800/900 -- w/National Cush-N-Aire seat			1	
87/88	LA-LL-LS800/900 -- w/National Cush-N-Aire seat			1	
89	CL-CLT900 -- w/National Cush-N-Aire seat	E9HZ 9062087-A		1	
89	L-LA-LL-LN-LNT-LS-LT-LTA-LTL-LTS 800/900 -- w/National Cush-N-Aire seat			1	
80/	CL-CLT900 -- w/Lear Siegler Air Ride seat	E0HZ 9062087-A		1	
81/	L-LN-LNT-LT-LTA-LTL-LTS800/900 -- w/Lear Siegler seat	E0HZ 9062087-A		1	
87/	LA-LL-LS800/900 -- w/Lear Siegler seat			1	
<b>620A87 SUSPENSION ASSY. (FRONT SEAT CUSHION MOUNTING)</b>					
80/	CL-CLT900 -- w/Lear Siegler Air Ride seat	D8HZ 90620A87-A		1	
81/	L-LN-LNT-LT-LTA-LTL-LTS800/900 -- w/Lear Siegler seat			1	
87/	LA-LL-LS800/900 -- w/Lear Siegler seat			1	
<b>62130 LATCH (FRONT SEAT BACK)-Passenger</b>					
85/	CF600/700	E6HZ 6062130-A	Handle and Lever-w/double hinged passenger seat	1	
80/	C-CT600/900 -- w/full width seat	D2KZ 6062130-A		1	
		★384837-S2	Bolt-shoulder hex. head-5/16"-18 x 3/4"	1	
		356403-S8	(XX-126)-washer-spring-5/16"	2	
<b>62186-7 SHIELD (FRONT SEAT CUSHION SIDE)</b>					
82/83	L-LN-LNT-LT-LTA-LTL-LTS800/900	(RH) ★ E1HZ 9062186-B	(LH) ★ E1HZ 9062187-B	Blue	1
82/83	CL-CLT900 -- w/National seat	(RH) ★ E1HZ 9062186-C	(LH) ★ E1HZ 9062187-C	Caramel	1
		(RH) ★ E1HZ 9062186-D	(LH) ★ E1HZ 9062187-D	Dove gray	1
		(RH) ★ E1HZ 9062186-E	(LH) ★ E1HZ 9062187-E	Red	1
		(RH) ★ E1HZ 9062186-A	(LH) E1HZ 9062187-A	Saddle	1
84/	CL-CLT900	(RH) E4HZ 9062186-A	(LH) E4HZ 9062187-A	Caramel	1
84/	L-LN-LNT-LT-LTA-LTL-LTS800/900 w/National seat	(RH) E4HZ 9062186-B	(LH) E4HZ 9062187-B	Charcoal	1
87/	LA-LL-LS800/900 -- w/National seat	(RH) E4HZ 9062186-C	(LH) E4HZ 9062187-C	Saddle	1
<b>62212 PLATE (FRONT SEAT BACK)</b>					
89	CL-CLT900 -- w/National Cush-N-Aire seat	E9HZ 9062212-A		1	
89	L-LA-LL-LN-LNT-LS-LT-LTA-LTL-LTS 700/900 -- w/National Cush-N-Aire seat			1	
<b>62278 SUPPORT (FRONT SEAT TO FLOOR)-Passenger</b>					
80/	CL-CLT900	C8HZ 9162278-A		1	
81/	L-LN-LNT-LT-LTA-LTL-LTS800/900	C6TZ 9162278-A		1	
87/	LA-LL-LS800/900			1	
<b>62506-7 SUPPORT ASSY. (FRONT SEAT)</b>					
87/	F-FT600/900 -- w/Bostrom Viking seat	E7HZ 6062506-A	Passenger	1	
80/81	L-LN-LNT-LT-LTS600/900 -- w/Lear Siegler Seat	(RH) ★ D0HZ 8062506-C	(LH) ★ D0HZ 8062507-A	Passenger-support use w/E1HZ 8062506-A	1
80	L-LN-LNT-LT-LTS600/900 -- w/Lear Siegler Seat	D0HZ 9062506-A	Driver and passenger	2	
80/	C-CT600/900 -- w/Lear Siegler Seat	C1TZ 9162506-A	Passenger	1	
80	L-LN-LNT-LT-LTS600/900 w/Bostrom Viking Seat	D0HZ 8062506-A	Passenger	1	

1980/  
TRUCK SERIES 600/900

YEAR	MODEL/RESTRICTIONS	PART NUMBER	DESCRIPTION	QTY.
<b>62506-7 SUPPORT ASSY. (FRONT SEAT) — Cont'd</b>				
81/	L-LN-LNT-LT-LTA-LTL-LTS600/900 -- w/Lear Siegler Unison seat	E1HZ 8062506-A	Driver and passenger-w/o tether bar-base use w/DOHZ 8062506-C and DOHZ 8062507-A	2
87/	LA-LL-LS800/900 -- w/Lear Siegler Unison seat			2
88/	L-LA-LL-LN-LNT-LT-LTA-LTL-LTS-LS 600/900 -- w/Lear Seigler Unison seat	E8HZ 8062506-A		2
81/	CL-CLT900	E1HZ 9062506-A	Passenger-w/tether bar	1
81/	L-LN-LNT-LT-LTA-LTL-LTS600/900 -- w/Bostrom, Lear Siegler Neway and National seats			1
87/	LA-LL-LS800/900 -- w/Bostrom Lear Siegler Neway and National seats			1
<b>62526 SUPPORT (FRONT SEAT TRACK OUTER TO FLOOR)</b>				
80	C-CT-L-LN-LNT-LT-LTS600/900	E1HZ 8062506-A	Driver or passenger-incl. door	2
81/	C-CT600/900			2
80/	CL-CLT900 -- w/National Cush-N-Aire seat	D8HZ 9062526-B	Driver	1
81/	L-LN-LNT-LT-LTA-LTL-LTS800/900 -- w/National Cush-N-Aire seat		Driver	1
87/	LA-LL-LS800/900 -- w/National Cush-N-Aire seat		Driver	1
80/	CL-CLT900	E0HZ 9062526-A	Passenger-w/access door	1
80/	CL-CLT900 -- w/Bostrom Levelair seat	D8HZ 9062526-C		1
81/	L-LN-LNT-LT-LTA-LTL-LTS800/900 -- w/Bostrom Levelair seat			1
87/	LA-LL-LS800/900 -- w/Bostrom Levelair seat			1
80/	CL-CLT900 -- w/Lear Siegler Air Ride seat	D8HZ 9062526-D		1
81/	L-LN-LNT-LT-LTA-LTL-LTS800/900 -- w/Lear Siegler seat			1
87/	LA-LL-LS800/900 -- w/Lear Siegler seat			1
86/87	L-LL-LN-LNT-LS-LT-LTL-LTS 800/900 -- w/Bostrom Companion III Fixed Seat	E6HZ 9062526-A	Passenger-w/tether bar	1
88/	L-LA-LL-LN-LNT-LS-LT-LTA-LTL-LTS 800/900 -- w/Bostrom Companion III fixed seat	E8HZ 9062526-A	Passenger-w/tether bar	1
<b>62570 BRACKET (FRONT SEAT MOUNTING)</b>				
80/87	CL-CLT900	D8HZ 9062570-A	Passenger	2
88/	CL-CLT900	E8HZ 9062570-A	Passenger	2
86/	L-LA-LL-LN-LNT-LS-LT-LTA-LTL-LTS 800/900 -- w/Bostrom Companion III Fixed Seat	E7HZ 9062570-A	Passenger	1
<b>62580-1 SUPPORT (FRONT SEAT CUSHION)</b>				
80/	CL-CLT900 -- w/Bostrom Westcoaster and Levelair seats	(RH) D8HZ 9062580-A	(LH) D8HZ 9062581-A	1
81/	L-LN-LNT-LT-LTA-LTL-LTS800/900 -- w/Bostrom Westcoaster and Levelair seats			1
87/	LA-LL-LS800/900 -- w/Bostrom Westcoaster and Levelair seats			1
<b>625A88 SUPPORT (FRONT SEAT TO FLOOR)</b>				
81/	L-LN-LNT-LT-LTL-LTS 600/900 -- w/Bostrom Westcoaster and Lear Siegler Neway or National Cush-N-Aire	E1HZ 80625A88-A	R.H. and L.H.	2

1980/  
TRUCK SERIES 600/900

YEAR	MODEL/RESTRICTIONS	PART NUMBER	DESCRIPTION	QTY.
<b>62638 STRIKER (SEAT LOCK)</b>				
86/	CF600/700	E6HZ 6062638-A	W/double hinged passenger seat	1
<b>62672 BEZEL (FRONT SEAT BACK LATCH HANDLE)</b>				
80/	CL-CLT900 -- w/Bostrom Westcoaster and Levelair seats	D8HZ 9062672-A		1
81/	L-LN-LNT-LT-LTA-LTL-LTS800/900 -- w/Bostrom Westcoaster and Levelair seats			1
87/	LA-LL-LS800/900 -- w/Bostrom Westcoaster and Levelair seats			1
<b>64308-9 SUPPORT ASSY. (FRONT SEAT BACK SIDE ARM REST)</b>				
80/	C-CT600/900	(RH) B7T 9164308-A	(LH) B7T 9164309-A	1
		26515-S7-8	(U-172-A)-screw-round head, slotted-1/4"-	10
		★353523-S8	Screw-slotted head, shoulder-1/4"-20 x 13/32"	4
		33920-S8	(M-25)-nut-hex.-1/4"-20	10
		34805-S8	(X-62)-lockwasher-spring-1/4"	10
80/	CL-CLT900 -- w/Bostrom Westcoaster and Levelair seats	(RH) D8HZ 9064309-A	(LH) D8HZ 9064308-A	1
81/	L-LN-LNT-LT-LTA-LTL-LTS800/900 -- w/Bostrom Westcoaster and Levelair seats			1
87/	LA-LL-LS800/900 -- w/Bostrom Westcoaster and Levelair seats			1
<b>64314 PLATE (FRONT SEAT BACK SIDE ARM REST SCUFF)</b>				
80/	C-CT600/900	B7TZ 9164314-A		2
<b>64322-3 SPRING (FRONT SEAT BACK SIDE ARM REST SUPPORT)</b>				
80/	C-CT600/900	(RH) B7T 9164322-A	(LH) B7T 9164323-A	1
		26515-S7-8	(U-172-A)-screw-round head, slotted-1/4"- 20 x 3/4"	2
		34390-S7-8	(M-92)-nut-hex., lock-1/4"-20	2



## INDEX

PART NAME	GROUP NUMBER	PART NAME	GROUP NUMBER
<b>A</b>		<b>M</b>	
Arm rest (door)	24140-1	Mat (auxiliary floor)	13048
Arm rest assy. (seat door side)	64300-1	Mat (engine cover)	10550
<b>B</b>		Mat (front floor)	13010-1
Back assy. (front seat)	60136-7	Mat (front floor)	13086
Back kit (front seat)	60136-7	Mat (front floor rear)	13016
Button (seat back and cushion)	63500	Mattress (sleeping compt.)	46795
<b>C</b>		<b>P</b>	
Carpet (auxiliary floor)	13048-9	Pad (door arm rest)	24100-1
Carpet (dash)	01762-3	Pad (instrument panel)	04282
Carpet (back panel)	424B10-1	Pad (quarter lock pillar)	281A80
Carpet (engine cover)	10550	Pad (instrument panel cluster)	045C84
Carpet (front floor)	13000-1	Pad (seat back)	64810
Carpet (side storage locker floor)	281B12-3	Pad (seat cushion)	63222
Compartment assy. (door stowage)	20104	Panel (back lower trim)	40352-3, 40374-5
Cover (back panel corner trim)	40447-8	Panel (back side trim upper)	40476-7
Cover (door pocket inner)	23870	Panel (back trim upper)	466A16-7
Cover (door pocket outer)	23866	Panel (body rear corner trim)	278D12-3
Cover (door stowage)	20126	Panel (cowl trim)	02344-5
Cover (door trim lower)	23934-5	Panel (door trim lower)	23902-3
Cover (seat back)	64416-7	Panel (door trim upper)	23942-3
Cover (seat cushion)	62900-1	Panel (package tray trim)	46656
Cover (sleeper compartment mattress)	46832	Panel (quarter trim)	31012-3
Cover (windshield header)	03508-9	Panel (rear window lower trim)	424A68-9
Cover (windshield header corner)	03514-5	Panel (roof side inner rail trim)	519A14-5
Curtain (sleeping compt.)	465A98-9	Panel (roof trim)	51944-5, 51968-9, 519A76
Curtain assy. (utility cabinet sleeping compartment)	643A56	Panel (sleeping compt. header trim)	52404-5
Cushion assy. (seat)	60052-3	Panel (sleeping compt. rear trim)	52402
Cushion kit (seat)	60050-3	Panel (sleeping compt. roof trim)	52400
<b>F</b>		Panel (sleeping compt. roof trim)	519B70-1
Frame (front seat back)	61018	Panel (sleeping compt. side front trim)	31080-1
Frame (front seat cushion and back)	610A00	Panel (sleeping compt. side)	312A10-1
Frame (front seat cushion)	60326	Panel (sleeping compt. side upper trim)	31038-9
<b>I</b>		<b>S</b>	
Insert (door trim panel)	23892-3	Seat assy. (driver)	60012
<b>K</b>		Seat assy. (passenger)	60016
KIT - refer to appropriate noun name	60050-3	<b>V</b>	
For example		Visor (less arm & bracket)	04104-5
Cushion kit (front seat)		Visor assy. (center)	04118

**1980/  
TRUCK SERIES 600/900**

**1980 SOFT TRIM SCHEME CODES**  
as listed on warranty plate

CODE	MODEL	TRIM SCHEME	TYPE OF SEAT
------	-------	-------------	--------------

**C-CT SERIES**

Notes: H/D – Heavy duty

4A	C-CT600/900	Black all vinyl (H/D) with gray appointments	Full width
4B	C-CT600/900	Black all vinyl (H/D) with gray appointments	Full width
4C	C-CT600/900	Black all vinyl with gray appointments	Lear Siegler (Unison Action)
11	C-CT600/900	Gray all vinyl	Full width
12	C-CT600/900	Gray/Multicolor stripe all vinyl	Full width
43	C-CT600/900	Black all vinyl with gray appointments	Lear Siegler (Unison Action)
A2	C-CT600/900	Gray/Multicolor stripe all vinyl	Full width
AS	C-CT600/900	Gray all vinyl	Full width
BS	C-CT600/900	Black all vinyl (H/D) with gray appointments	Full width
CS	C-CT600/900	Gray/Multicolor stripe all vinyl	Full width
D3	C-CT600/900	Black all vinyl with gray appointments	Lear Siegler (Unison Action)
DA	C-CT600/900	Black all vinyl (H/D) with gray appointments	Full width
DC	C-CT600/900	Black all vinyl with gray appointments	Lear Siegler (Unison Action)
DS	C-CT600/900	Black all vinyl with gray appointments	Lear Siegler (Unison Action)

**CL-CLT900 SERIES**

Notes: HB – Hiback, LB – Loback

BB-B1	CL-CLT900	Blue cloth and vinyl	National – HB
BB-B2	CL-CLT900	Blue cloth and vinyl	National – LB
BB-B3	CL-CLT900	Blue cloth and vinyl	Bostrom (Westcoaster) – HB
BB-B5	CL-CLT900	Blue cloth and vinyl	Bostrom (Westcoaster) – LB
BB-B6	CL-CLT900	Blue cloth and vinyl	Bostrom (Levelaire) – LB
BB-B7	CL-CLT900	Blue cloth and vinyl	National (Cush-N-Aire) – LB
BB-B8	CL-CLT900	Blue cloth and vinyl	Bostrom (Levelaire) – HB
BB-B9	CL-CLT900	Blue cloth and vinyl	National (Cush-N-Aire) – HB
BB-BA	CL-CLT900	Blue cloth and vinyl	National – HB
BB-BB	CL-CLT900	Blue cloth and vinyl	National – LB
BB-BE	CL-CLT900	Blue cloth and vinyl	Bostrom (Westcoaster) – LB
BB-BF	CL-CLT900	Blue cloth and vinyl	Bostrom (Levelaire) – LB
BB-BG	CL-CLT900	Blue cloth and vinyl	National – LB
BB-BH	CL-CLT900	Blue cloth and vinyl	Bostrom (Levelaire) – HB
BB-BJ	CL-CLT900	Blue cloth and vinyl	National – HB
BB-BK	CL-CLT900	Blue cloth and vinyl	National – LB
BB-BL	CL-CLT900	Blue cloth and vinyl	Bostrom (Westcoaster) – HB
BB-BN	CL-CLT900	Blue cloth and vinyl	Bostrom (Westcoaster) – LB
BB-BP	CL-CLT900	Blue cloth and vinyl	National – LB
BB-BQ	CL-CLT900	Blue cloth and vinyl	Bostrom (Westcoaster) – HB
BB-BT	CL-CLT900	Blue cloth and vinyl	Bostrom (Westcoaster) – HB
BB-BW	CL-CLT900	Blue cloth and vinyl	Bostrom (Westcoaster) – LB
BB-BY	CL-CLT900	Blue cloth and vinyl	National – HB
BB-BZ	CL-CLT900	Blue cloth and vinyl	National – HB
BD-D1	CL-CLT900	Red cloth and vinyl	National – HB
BD-D2	CL-CLT900	Red cloth and vinyl	National – LB
BD-D3	CL-CLT900	Red cloth and vinyl	Bostrom (Westcoaster) – HB
BD-D5	CL-CLT900	Red cloth and vinyl	Bostrom (Westcoaster) – LB
BD-D6	CL-CLT900	Red cloth and vinyl	Bostrom (Levelaire) – LB
BD-D7	CL-CLT900	Red cloth and vinyl	National (Cush-N-Aire) – LB
BD-D8	CL-CLT900	Red cloth and vinyl	Bostrom (Levelaire) – HB
BD-D9	CL-CLT900	Red cloth and vinyl	National (Cush-N-Aire) – HB
BD-DA	CL-CLT900	Red cloth and vinyl	National – HB
BD-DB	CL-CLT900	Red cloth and vinyl	National – LB
BD-DE	CL-CLT900	Red cloth and vinyl	Bostrom (Westcoaster) – LB
BD-DF	CL-CLT900	Red cloth and vinyl	Bostrom (Levelaire) – LB
BD-DG	CL-CLT900	Red cloth and vinyl	National – LB
BD-DH	CL-CLT900	Red cloth and vinyl	Bostrom (Levelaire) – HB

**1980/  
TRUCK SERIES 600/900**

1980 SOFT TRIM SCHEME CODES

as listed on warranty plate

CODE	MODEL	TRIM SCHEME	TYPE OF SEAT
------	-------	-------------	--------------

CL-CLT900 SERIES — Cont'd

Notes: HB — Hiback, LB — Loback

BD-DJ	CL-CLT900	Red cloth and vinyl	National — HB
BD-DK	CL-CLT900	Red cloth and vinyl	National — LB
BD-DL	CL-CLT900	Red cloth and vinyl	Bostrom (Westcoaster) — HB
BD-DN	CL-CLT900	Red cloth and vinyl	Bostrom (Westcoaster) — LB
BD-DP	CL-CLT900	Red cloth and vinyl	National — LB
BD-DQ	CL-CLT900	Red cloth and vinyl	Bostrom (Westcoaster) — HB
BD-DT	CL-CLT900	Red cloth and vinyl	Bostrom (Westcoaster) — HB
BD-DW	CL-CLT900	Red cloth and vinyl	Bostrom (Westcoaster) — LB
BD-DY	CL-CLT900	Red cloth and vinyl	National — HB
BD-DZ	CL-CLT900	Red cloth and vinyl	National — HB
CP-P2	CL-CLT900	Tan/Saddle cloth and vinyl	National — LB
CP-P4	CL-CLT900	Tan/Saddle cloth and vinyl	Lear Siegler (Neway Air) — LB
CP-P5	CL-CLT900	Tan/Saddle cloth and vinyl	Bostrom (Westcoaster) — LB
CP-P6	CL-CLT900	Tan/Saddle cloth and vinyl	Bostrom (Leveaire) — LB
CP-P7	CL-CLT900	Tan/Saddle cloth and vinyl	National (Cush-N-Aire) — LB
CP-PB	CL-CLT900	Tan/Saddle cloth and vinyl	National — LB
CP-PE	CL-CLT900	Tan/Saddle cloth and vinyl	Bostrom (Westcoaster) — LB
CP-PF	CL-CLT900	Tan/Saddle cloth and vinyl	Bostrom (Leveaire) — LB
CP-PG	CL-CLT900	Tan/Saddle cloth and vinyl	National — LB
CP-PK	CL-CLT900	Tan/Saddle cloth and vinyl	National — LB
CP-PN	CL-CLT900	Tan/Saddle cloth and vinyl	Bostrom (Westcoaster) — LB
CP-PP	CL-CLT900	Tan/Saddle cloth and vinyl	National — LB
CP-PW	CL-CLT900	Tan/Saddle cloth and vinyl	Bostrom (Westcoaster) — LB
BT-T1	CL-CLT900	Caramel cloth and vinyl	National — HB
BT-T2	CL-CLT900	Caramel cloth and vinyl	National — LB
BT-T3	CL-CLT900	Caramel cloth and vinyl	Bostrom (Westcoaster) — HB
BT-T5	CL-CLT900	Caramel cloth and vinyl	Bostrom (Westcoaster) — LB
BT-T6	CL-CLT900	Caramel cloth and vinyl	Bostrom (Leveaire) — LB
BT-T7	CL-CLT900	Caramel cloth and vinyl	National (Cush-N-Aire) — LB
BT-T8	CL-CLT900	Caramel cloth and vinyl	Bostrom (Leveaire) — HB
BT-T9	CL-CLT900	Caramel cloth and vinyl	National (Cush-N-Aire) — HB
BT-TA	CL-CLT900	Caramel cloth and vinyl	National — HB
BT-TB	CL-CLT900	Caramel cloth and vinyl	National — LB
BT-TE	CL-CLT900	Caramel cloth and vinyl	Bostrom (Westcoaster) — LB
BT-TF	CL-CLT900	Caramel cloth and vinyl	Bostrom (Leveaire) — LB
BT-TG	CL-CLT900	Caramel cloth and vinyl	National — LB
BT-TH	CL-CLT900	Caramel cloth and vinyl	Bostrom (Leveaire) — HB
BT-TJ	CL-CLT900	Caramel cloth and vinyl	National — HB
BT-TK	CL-CLT900	Caramel cloth and vinyl	National — LB
BT-TL	CL-CLT900	Caramel cloth and vinyl	Bostrom (Westcoaster) — HB
BT-TN	CL-CLT900	Caramel cloth and vinyl	Bostrom (Westcoaster) — LB
BT-TP	CL-CLT900	Caramel cloth and vinyl	National — LB
BT-TQ	CL-CLT900	Caramel cloth and vinyl	Bostrom (Westcoaster) — HB
BT-TT	CL-CLT900	Caramel cloth and vinyl	Bostrom (Westcoaster) — HB
BT-TW	CL-CLT900	Caramel cloth and vinyl	Bostrom (Westcoaster) — LB
BT-TY	CL-CLT900	Caramel cloth and vinyl	National — HB
BT-TZ	CL-CLT900	Caramel cloth and vinyl	National — HB
AZ-Z2	CL-CLT900	Saddle all vinyl	National — LB
AZ-Z4	CL-CLT900	Saddle all vinyl	Lear Siegler (Neway Air) — LB
AZ-Z5	CL-CLT900	Saddle all vinyl	Bostrom (Westcoaster) — LB
AZ-Z6	CL-CLT900	Saddle all vinyl	Bostrom (Leveaire) — LB
AZ-Z7	CL-CLT900	Saddle all vinyl	National (Cush-N-Aire) — LB

**1980/  
TRUCK SERIES 600/900**

**1980 SOFT TRIM SCHEME CODES**

as listed on warranty plate

CODE	MODEL	TRIM SCHEME	TYPE OF SEAT
------	-------	-------------	--------------------

**CL-CLT900 SERIES — Cont'd**

Notes: HB – Hiback, LB – Loback

AZ-ZB	CL-CLT900	Saddle all vinyl	National – LB
AZ-ZE	CL-CLT900	Saddle all vinyl	Bostrom (Westcoaster) – LB
AZ-ZF	CL-CLT900	Saddle all vinyl	Bostrom (Levelaire) – LB
AZ-ZG	CL-CLT900	Saddle all vinyl	National – LB
AZ-ZK	CL-CLT900	Saddle all vinyl	National – LB
AZ-ZN	CL-CLT900	Saddle all vinyl	Bostrom (Westcoaster) – LB
AZ-ZP	CL-CLT900	Saddle all vinyl	National – LB
AZ-ZW	CL-CLT900	Saddle all vinyl	Bostrom (Westcoaster) – LB

**F SERIES**

Notes: H/D – Heavy duty

AB	F600/800	Blue all vinyl	Full width
AD	F600/800	Red all vinyl	Full width
AT	F600/800	Caramel all vinyl	Full width
BB	F600/800	Blue all vinyl	Full width
BD	F600/800	Red all vinyl	Full width
BT	F600/800	Caramel all vinyl	Full width
CD	F600/800	Red cloth and black vinyl with red appointments	Full width
CT	F600/800	Caramel cloth and vinyl	Full width
DB	F600/800	Black all vinyl (H/D) with blue appointments	Full width
DD	F600/800	Black all vinyl (H/D) with red appointments	Full width
DT	F600/800	Black all vinyl (H/D) with caramel appointments	Full width

**L-LN-LNT-LT-LTS SERIES**

Notes: H/D – Heavy duty

8A	L-LN-LNT-LT-LTS600/900	Black all vinyl (H/D) with tobacco appointments	Full width
8B	L-LN-LNT-LT-LTS600/900	Black all vinyl (H/D) with tobacco appointments	Full width
8C	L-LN-LNT-LT-LTS600/900	Tobacco all vinyl	Lear Siegler (Unison Action)
8E	L-LN-LNT-LT-LTS600/900	Tobacco all vinyl	Bostrom (Westcoaster)
8G	L-LN-LNT-LT-LTS600/900	Tobacco all vinyl	National (Cush-N-Aire)
8H	L-LN-LNT-LT-LTS600/900	Tobacco all vinyl	Bostrom (Levelaire)
8I	L-LN-LNT-LT-LTS600/900	Tobacco all vinyl	National (Cush-N-Aire)
81	L-LN-LNT-LT-LTS600/900	Tobacco all vinyl	Full width
82	L-LN-LNT-LT-LTS600/900	Tobacco all vinyl	Full width
83	L-LN-LNT-LT-LTS600/900	Tobacco all vinyl	Lear Siegler (Unison Action)
85	L-LN-LNT-LT-LTS600/900	Tobacco all vinyl	Bostrom (Westcoaster)
87	L-LN-LNT-LT-LTS600/900	Tobacco all vinyl	National (Cush-N-Aire)
88	L-LN-LNT-LT-LTS600/900	Tobacco all vinyl	Bostrom (Levelaire)
89	L-LN-LNT-LT-LTS600/900	Tobacco all vinyl	National (Cush-N-Aire)
AZ	L-LN-LNT-LT-LTS600/900	Tobacco all vinyl	Full width
BZ	L-LN-LNT-LT-LTS600/900	Black all vinyl (H/D) with tobacco appointments	Full width
CZ	L-LN-LNT-LT-LTS600/900	Tobacco all vinyl	Full width
HB	L-LN-LNT-LT-LTS600/900	Black all vinyl (H/D) with tobacco appointments	Full width
HC	L-LN-LNT-LT-LTS600/900	Tobacco all vinyl	Lear Siegler (Unison Action)
HE	L-LN-LNT-LT-LTS600/900	Tobacco all vinyl	Bostrom (Westcoaster)
HG	L-LN-LNT-LT-LTS600/900	Tobacco all vinyl	National (Cush-N-Aire)
HH	L-LN-LNT-LT-LTS600/900	Tobacco all vinyl	Bostrom (Levelaire)
HI	L-LN-LNT-LT-LTS600/900	Tobacco all vinyl	National (Cush-N-Aire)
H2	L-LN-LNT-LT-LTS600/900	Tobacco all vinyl	Full width
H3	L-LN-LNT-LT-LTS600/900	Tobacco all vinyl	Lear Siegler (Unison Action)
H5	L-LN-LNT-LT-LTS600/900	Tobacco all vinyl	Bostrom (Westcoaster)
H7	L-LN-LNT-LT-LTS600/900	Tobacco all vinyl	National (Cush-N-Aire)
H8	L-LN-LNT-LT-LTS600/900	Tobacco all vinyl	Bostrom (Levelaire)
H9	L-LN-LNT-LT-LTS600/900	Tobacco all vinyl	National (Cush-N-Aire)

1980/  
**TRUCK SERIES 600/900**

1980 SOFT TRIM SCHEME CODES

as listed on warranty plate

CODE	MODEL	TRIM SCHEME	TYPE OF SEAT
------	-------	-------------	--------------

L-LN-LNT-LT-LTS SERIES -- Cont'd

Notes: H/D - Heavy duty

QC	L-LN-LNT-LT-LTS600/900	Tobacco all vinyl	Lear Siegler (Unison Action)
QE	L-LN-LNT-LT-LTS600/900	Tobacco all vinyl	Bostrom (Westcoaster)
QG	L-LN-LNT-LT-LTS600/900	Tobacco all vinyl	National (Cush-N-Aire)
QH	L-LN-LNT-LT-LTS600/900	Tobacco all vinyl	Bostrom (Levelaire)
QI	L-LN-LNT-LT-LTS600/900	Tobacco all vinyl	National (Cush-N-Aire)
Q3	L-LN-LNT-LT-LTS600/900	Tobacco all vinyl	Lear Siegler (Unison Action)
Q5	L-LN-LNT-LT-LTS600/900	Tobacco all vinyl	Bostrom (Westcoaster)
Q7	L-LN-LNT-LT-LTS600/900	Tobacco all vinyl	National (Cush-N-Aire)
Q8	L-LN-LNT-LT-LTS600/900	Tobacco all vinyl	Bostrom (Levelaire)
Q9	L-LN-LNT-LT-LTS600/900	Tobacco all vinyl	National (Cush-N-Aire)

THE SOFT TRIM SECTION INCLUDES ONLY THOSE ITEMS WHICH WERE AVAILABLE FOR SERVICE AT THE TIME OF PRINTING. ITEMS NOT SHOWN OR INDICATED WITH A BLACK STAR (★) IN THE CATALOG MUST BE IMPROVISED OR PROCURED LOCALLY.

A series of horizontal lines for handwritten notes or additional data, starting with a bracket on the left side.

1980/  
TRUCK SERIES 600/900

BODY TYPE	R/L	PART NUMBER LESS SUFFIX	COLORS AND APPLICABLE PART NUMBER SUFFIXES											Q T Y.				
			BLACK	BLUE	CARA- MEL	GINGER	GRAY	RED	SADDLE	TAN	TOBACCO	WHITE	OTHER					
02344-5		PANEL (COWL TRIM)																
CL-CLT900	R		Refer to group 04320 in the Body Section															
-- outer	L	D8HZ 9002345		A														1
-- inner	L	D8HZ 9002345		B														1
03508-9		COVER (WINDSHIELD HEADER)																
CL-CLT900	R	D8HZ 9003508		A														1
-- carpet	L	D8HZ 9003509		A														1
03514-5		COVER (WINDSHIELD HEADER CORNER)																
CL-CLT900	R	D8HZ 9003514		A														1
-- carpet	L	D8HZ 9003515		A														1
04104-5		VISOR ASSY.																
Notes:		▲ Use saddle																
C-CT600/900	R/L			★														
CL-CLT900	R/L			★														
F600/800	R/L	E0TZ 1004104			A7B	★		A6D										2
L-LN-LNT-LT- LTS600/900 (less Owner Operator)	R/L	D4HZ 8004104											A					2
-- w/o radio																		
-- w/radio	R/L	D6HZ 8004104											A					2
04282		PAD (INSTRUMENT PANEL)																
C-CT600/900		D4KZ 6004282		A														1
F600/800		E1TZ 1004282			A2B	★		A0D										1
L-LN-LNT-LT- LTS600/900 -- w/o integral A/C		D4HZ 8004282	44 3/4										A					1
-- integral A/C		D4HZ 9004282	22 1/2										A					1
		★																
045C84		PAD (INSTRUMENT PANEL CLUSTER)																
L-LN-LNT-LT- LTS600/900 -- w/city delivery instrument panel		D4HZ 80045C84											A					1
-- w/line haul instrument panel		★																
13010-1		MAT (FRONT FLOOR)																
C-CT600/900		E4HZ 6013010		A8A														1
CL-CLT900	R/L	★																1
-- 54" BBC																		
-- 64" BBC	R	★																1
	L	E0HZ 9013011						B3Z										1
-- 76",88" BBC	R	E0HZ 9013010						C3Z										1
	L	E0HZ 9013011						C3Z										1
F600/800		E0TZ 6013010		A1A														1
L-LN-LNT-LT- LTS600/900		D3HZ 8013010		A														1
-- full floor		E1HZ 8013010		A5Z									★					1
-- full doghouse		E1HZ 8013010		C5Z									★					1



**1980/  
TRUCK SERIES 600/900**

BODY TYPE	R/L	PART NUMBER LESS SUFFIX	COLORS AND APPLICABLE PART NUMBER SUFFIXES											QTY		
			BLACK	BLUE	CARA-MEL	GINGER	GRAY	RED	SADDLE	TAN	TOBACCO	WHITE	OTHER			
51944-5		PANEL (ROOF TRIM)														
<b>NOTE:</b> \$ R.H. & L.H. panel must be replaced as color is actually charcoal																
C-CT600/900	R	FOHZ 6051944							\$AAF							1
	L	FOHZ 6051945							\$AAF							1
CL-CLT900	R/L	★														
F600/800		★														
L-LN-LNT-LT-LTS600/900 (less Owner Operator)		D4HZ 8051945											A			1
BODY TYPE	R/L	PART NUMBER	DESCRIPTION											QTY		
60050-3		<b>CUSHION KIT (SEAT) - Less cover</b>														
C-CT600/900		E0KZ 6060050-A	Full width seat-standard-with polyurethane foam padding											1		
		D3KZ 6060050-B	Full width seat-heavy duty											1		
	R	D3KZ 6060052-A	Lear Siegler Unison Action											1		
	L	D3KZ 6060053-A	Lear Siegler Unison Action											1		
CL-CLT900	R/L	★	Lear Siegler Neway Air													
F600/800		E7TZ 1063222-A	Pad-full width seat											1		
		E7TZ 1563100-A	Spring-full width seat											1		
L-LN-LNT-LT-LTS 600/900	R	D3HZ 9060052-A	Lear Siegler Unison Action											1		
	L	★	Lear Siegler Unison Action													
		D3HZ 8060050-B	Full width seat-with polyurethane foam padding											1		
60136-7		<b>BACK KIT (SEAT) - Less cover</b>														
C-CT600/900	R	E0KZ 6060136-A	Full width seat-with polyurethane foam padding											1		
	L	E0KZ 6060137-A	Full width seat-with polyurethane foam padding											1		
	R	D3KZ 6060136-B	Lear Siegler Unison Action											1		
	L	D3KZ 6060137-B	Lear Siegler Unison Action											1		
CL-CLT900	R/L	★	Lear Siegler Neway Air											2		
F600/800		E7TZ 1561018-B	Frame-full width seat											1		
		E0TZ 1064810-A	Pad-full width seat											1		
L-LN-LNT-LT-LTS 600/900	R/L	★	Lear Siegler Unison Action											1		
		D3HZ 8060136-A	Full width seat-with polyurethane foam padding											1		
61018		Refer to group 60136-7														
BODY TYPE	R/L	PART NUMBER LESS SUFFIX	TRIM CODES AND APPLICABLE PART NUMBER SUFFIXES											QTY		
62900-1		<b>COVER (SEAT CUSHION)</b>														
			TRIM CODES ▶ ALL													
C-CT600/900 - - Lear Siegler	R	D3KZ 6062900	A													1
	L	D3KZ 6062901	A													1
			TRIM CODES ▶ 8A 8B 81 82 AZ BZ CZ HB H2													
L-LN-LNT-LT-LTS 600/900		D3HZ 8062900	A3L	A3L	★	★	★	A3L	★	A3L	★					1
64416-7		<b>COVER (SEAT BACK)</b>														
			TRIM CODES ▶ ALL													
C-CT600/900 - - Lear Siegler	R	D3KZ 6064416	A													1
	L	D3KZ 6064417	A													1
			TRIM CODES ▶ All													
L-LN-LNT-LT-LTS 600/900		★														
64810		Refer to group 60136-7														



# 1980/ TRUCK SERIES 600/900

## 1981 SOFT TRIM SCHEME CODES

as listed on warranty plate

CODE	MODEL	TRIM SCHEME	TYPE OF SEAT
------	-------	-------------	--------------

### C-CT SERIES

Notes: H/D – Heavy duty

4A	C-CT600/900	Black all vinyl (H/D) with gray appointments	Full width
4B	C-CT600/900	Black all vinyl (H/D) with gray appointments	Full width
4C	C-CT600/900	Black all vinyl with gray appointments	Lear Siegler (Unison Action)
11	C-CT600/900	Gray all vinyl	Full width
12	C-CT600/900	Gray/Multicolor stripe all vinyl	Full width
43	C-CT600/900	Black all vinyl with gray appointments	Lear Siegler (Unison Action)
A2	C-CT600/900	Gray/Multicolor stripe all vinyl	Full width
AS	C-CT600/900	Gray all vinyl	Full width
BS	C-CT600/900	Black all vinyl (H/D) with gray appointments	Full width
CS	C-CT600/900	Gray/Multicolor stripe all vinyl	Full width
D3	C-CT600/900	Black all vinyl with gray appointments	Lear Siegler (Unison Action)
DA	C-CT600/900	Black all vinyl (H/D) with gray appointments	Full width
DC	C-CT600/900	Black all vinyl with gray appointments	Lear Siegler (Unison Action)
DS	C-CT600/900	Black all vinyl with gray appointments	Lear Siegler (Unison Action)

### CL-CLT900 SERIES

Notes: HB – Hiback, LB – Loback

BB, B1	CL-CLT900	Blue cloth and vinyl	National – HB
BB, B2	CL-CLT900	Blue cloth and vinyl	National – LB
BB, B3	CL-CLT900	Blue cloth and vinyl	Bostrom (Westcoaster) – HB
BB, B5	CL-CLT900	Blue cloth and vinyl	Bostrom (Westcoaster) – LB
BB, B6	CL-CLT900	Blue cloth and vinyl	Bostrom (Levelaire) – LB
BB, B7	CL-CLT900	Blue cloth and vinyl	National (Cush-N-Aire) – LB
BB, B8	CL-CLT900	Blue cloth and vinyl	Bostrom (Levelaire) – HB
BB, B9	CL-CLT900	Blue cloth and vinyl	National (Cush-N-Aire) – HB
BB, BA	CL-CLT900	Blue cloth and vinyl	National – HB
BB, BB	CL-CLT900	Blue cloth and vinyl	National – LB
BB, BE	CL-CLT900	Blue cloth and vinyl	Bostrom (Westcoaster) – LB
BB, BF	CL-CLT900	Blue cloth and vinyl	Bostrom (Levelaire) – LB
BB, BG	CL-CLT900	Blue cloth and vinyl	National – LB
BB, BH	CL-CLT900	Blue cloth and vinyl	Bostrom (Levelaire) – HB
BB, BJ	CL-CLT900	Blue cloth and vinyl	National – HB
BB, BK	CL-CLT900	Blue cloth and vinyl	National – LB
BB, BL	CL-CLT900	Blue cloth and vinyl	Bostrom (Westcoaster) – HB
BB, BN	CL-CLT900	Blue cloth and vinyl	Bostrom (Westcoaster) – LB
BB, BP	CL-CLT900	Blue cloth and vinyl	National – LB
BB, BQ	CL-CLT900	Blue cloth and vinyl	Bostrom (Westcoaster) – HB
BB, BT	CL-CLT900	Blue cloth and vinyl	Bostrom (Westcoaster) – HB
BB, BW	CL-CLT900	Blue cloth and vinyl	Bostrom (Westcoaster) – LB
BB, BY	CL-CLT900	Blue cloth and vinyl	National – HB
BB, BZ	CL-CLT900	Blue cloth and vinyl	National – HB
BD, D1	CL-CLT900	Red cloth and vinyl	National – HB
BD, D2	CL-CLT900	Red cloth and vinyl	National – LB
BD, D3	CL-CLT900	Red cloth and vinyl	Bostrom (Westcoaster) – HB
BD, D5	CL-CLT900	Red cloth and vinyl	Bostrom (Westcoaster) – LB
BD, D6	CL-CLT900	Red cloth and vinyl	Bostrom (Levelaire) – LB
BD, D7	CL-CLT900	Red cloth and vinyl	National (Cush-N-Aire) – LB
BD, D8	CL-CLT900	Red cloth and vinyl	Bostrom (Levelaire) – HB
BD, D9	CL-CLT900	Red cloth and vinyl	National (Cush-N-Aire) – HB
BD, DA	CL-CLT900	Red cloth and vinyl	National – HB
BD, DB	CL-CLT900	Red cloth and vinyl	National – LB
BD, DE	CL-CLT900	Red cloth and vinyl	Bostrom (Westcoaster) – LB
BD, DF	CL-CLT900	Red cloth and vinyl	Bostrom (Levelaire) – LB
BD, DG	CL-CLT900	Red cloth and vinyl	National – LB
BD, DH	CL-CLT900	Red cloth and vinyl	Bostrom (Levelaire) – HB

**1980/  
TRUCK SERIES 600/900**

1981 SOFT TRIM SCHEME CODES

as listed on warranty plate

CODE	MODEL	TRIM SCHEME	TYPE OF SEAT
<b>CL-CLT900 SERIES — Cont'd</b>			
<b>Notes: HB — Hiback, LB — Loback</b>			
BD, DJ	CL-CLT900	Red cloth and vinyl	National — HB
BD, DK	CL-CLT900	Red cloth and vinyl	National — LB
BD, DL	CL-CLT900	Red cloth and vinyl	Bostrom (Westcoaster) — HB
BD, DN	CL-CLT900	Red cloth and vinyl	Bostrom (Westcoaster) — LB
BD, DP	CL-CLT900	Red cloth and vinyl	National — LB
BD, DQ	CL-CLT900	Red cloth and vinyl	Bostrom (Westcoaster) — HB
BD, DT	CL-CLT900	Red cloth and vinyl	Bostrom (Westcoaster) — HB
BD, DW	CL-CLT900	Red cloth and vinyl	Bostrom (Westcoaster) — LB
BD, DY	CL-CLT900	Red cloth and vinyl	National — HB
BD, DZ	CL-CLT900	Red cloth and vinyl	National — HB
CP, P2	CL-CLT900	Tan/Saddle cloth and vinyl	National — LB
CP, P4	CL-CLT900	Tan/Saddle cloth and vinyl	Lear Siegler (Neway Air) — LB
CP, P5	CL-CLT900	Tan/Saddle cloth and vinyl	Bostrom (Westcoaster) — LB
CP, P6	CL-CLT900	Tan/Saddle cloth and vinyl	Bostrom (Levelaire) — LB
CP, P7	CL-CLT900	Tan/Saddle cloth and vinyl	National (Cush-N-Aire) — LB
CP, PB	CL-CLT900	Tan/Saddle cloth and vinyl	National — LB
CP, PE	CL-CLT900	Tan/Saddle cloth and vinyl	Bostrom (Westcoaster) — LB
CP, PF	CL-CLT900	Tan/Saddle cloth and vinyl	Bostrom (Levelaire) — LB
CP, PG	CL-CLT900	Tan/Saddle cloth and vinyl	National — LB
CP, PK	CL-CLT900	Tan/Saddle cloth and vinyl	National — LB
CP, PN	CL-CLT900	Tan/Saddle cloth and vinyl	Bostrom (Westcoaster) — LB
CP, PP	CL-CLT900	Tan/Saddle cloth and vinyl	National — LB
CP, PW	CL-CLT900	Tan/Saddle cloth and vinyl	Bostrom (Westcoaster) — LB
BT, T1	CL-CLT900	Caramel cloth and vinyl	National — HB
BT, T2	CL-CLT900	Caramel cloth and vinyl	National — LB
BT, T3	CL-CLT900	Caramel cloth and vinyl	Bostrom (Westcoaster) — HB
BT, T5	CL-CLT900	Caramel cloth and vinyl	Bostrom (Westcoaster) — LB
BT, T6	CL-CLT900	Caramel cloth and vinyl	Bostrom (Levelaire) — LB
BT, T7	CL-CLT900	Caramel cloth and vinyl	National (Cush-N-Aire) — LB
BT, T8	CL-CLT900	Caramel cloth and vinyl	Bostrom (Levelaire) — HB
BT, T9	CL-CLT900	Caramel cloth and vinyl	National (Cush-N-Aire) — HB
BT, TA	CL-CLT900	Caramel cloth and vinyl	National — HB
BT, TB	CL-CLT900	Caramel cloth and vinyl	National — LB
BT, TE	CL-CLT900	Caramel cloth and vinyl	Bostrom (Westcoaster) — LB
BT, TF	CL-CLT900	Caramel cloth and vinyl	Bostrom (Levelaire) — LB
BT, TG	CL-CLT900	Caramel cloth and vinyl	National — LB
BT, TH	CL-CLT900	Caramel cloth and vinyl	Bostrom (Levelaire) — HB
BT, TJ	CL-CLT900	Caramel cloth and vinyl	National — HB
BT, TK	CL-CLT900	Caramel cloth and vinyl	National — LB
BT, TL	CL-CLT900	Caramel cloth and vinyl	Bostrom (Westcoaster) — HB
BT, TN	CL-CLT900	Caramel cloth and vinyl	Bostrom (Westcoaster) — LB
BT, TP	CL-CLT900	Caramel cloth and vinyl	National — LB
BT, TQ	CL-CLT900	Caramel cloth and vinyl	Bostrom (Westcoaster) — HB
BT, TT	CL-CLT900	Caramel cloth and vinyl	Bostrom (Westcoaster) — HB
BT, TW	CL-CLT900	Caramel cloth and vinyl	Bostrom (Westcoaster) — LB
BT, TY	CL-CLT900	Caramel cloth and vinyl	National — HB
BT, TZ	CL-CLT900	Caramel cloth and vinyl	National — HB
AZ, Z2	CL-CLT900	Saddle all vinyl	National — LB
AZ, Z4	CL-CLT900	Saddle all vinyl	Lear Siegler (Neway Air) — LB
AZ, Z5	CL-CLT900	Saddle all vinyl	Bostrom (Westcoaster) — LB
AZ, Z6	CL-CLT900	Saddle all vinyl	Bostrom (Levelaire) — LB
AZ, Z7	CL-CLT900	Saddle all vinyl	National (Cush-N-Aire) — LB

**1980/  
TRUCK SERIES 600/900**

1981 SOFT TRIM SCHEME CODES as listed on warranty plate			
CODE	MODEL	TRIM SCHEME	TYPE OF SEAT

**CL-CLT900 SERIES -- Cont'd**

Notes: HB - Hiback, LB - Loback

AZ,ZB	CL-CLT900	Saddle all vinyl	National - LB
AZ,ZE	CL-CLT900	Saddle all vinyl	Bostrom (Westcoaster) - LB
AZ,ZF	CL-CLT900	Saddle all vinyl	Bostrom (Levelaire) - LB
AZ,ZG	CL-CLT900	Saddle all vinyl	National - LB
AZ,ZK	CL-CLT900	Saddle all vinyl	National - LB
AZ,ZN	CL-CLT900	Saddle all vinyl	Bostrom (Westcoaster) - LB
AZ,ZP	CL-CLT900	Saddle all vinyl	National - LB
AZ,ZW	CL-CLT900	Saddle all vinyl	Bostrom (Westcoaster) - LB

**F SERIES**

Notes: H/D - Heavy duty

AB	F600/800	Blue all vinyl	Full width
AD	F600/800	Red all vinyl	Full width
AT	F600/800	Nutmeg all vinyl	Full width
BB	F600/800	Blue all vinyl	Full width
BD	F600/800	Red all vinyl	Full width
BT	F600/800	Nutmeg all vinyl	Full width
CD	F600/800	Red cloth and black vinyl with red appointments	Full width
CT	F600/800	Nutmeg cloth and vinyl	Full width
DB	F600/800	Black all vinyl (H/D) with blue appointments	Full width
DD	F600/800	Black all vinyl (H/D) with red appointments	Full width
DT	F600/800	Black all vinyl (H/D) with nutmeg appointments	Full width

**L-LN-LNT-LT-LTS SERIES**

Notes: H/D - Heavy duty

8A	L-LN-LNT-LT-LTS600/900	Black all vinyl (H/D) with tobacco appointments	Full width
8B	L-LN-LNT-LT-LTS600/900	Black all vinyl (H/D) with tobacco appointments	Full width
EZ,8C	L-LN-LNT-LT-LTS800/900	Saddle all vinyl with tobacco appointments	Lear Siegler (Unison Action)
EZ,8E	L-LN-LNT-LT-LTS800/900	Saddle all vinyl with tobacco appointments	Bostrom (Westcoaster)
EZ,8G	L-LN-LNT-LT-LTS800/900	Saddle all vinyl with tobacco appointments	National (Cush-N-Aire)
EZ,8H	L-LN-LNT-LT-LTS800/900	Saddle all vinyl with tobacco appointments	Bostrom (Levelaire)
EZ,8I	L-LN-LNT-LT-LTS800/900	Saddle all vinyl with tobacco appointments	National (Cush-N-Aire)
81	L-LN-LNT-LT-LTS600/900	Tobacco all vinyl	Full width
82	L-LN-LNT-LT-LTS600/900	Tobacco all vinyl	Full width
EZ,83	L-LN-LNT-LT-LTS800/900	Saddle all vinyl with tobacco appointments	Lear Siegler (Unison Action)
EZ,85	L-LN-LNT-LT-LTS800/900	Saddle all vinyl with tobacco appointments	Bostrom (Westcoaster)
EZ,87	L-LN-LNT-LT-LTS800/900	Saddle all vinyl with tobacco appointments	National (Cush-N-Aire)
EZ,88	L-LN-LNT-LT-LTS800/900	Saddle all vinyl with tobacco appointments	Bostrom (Levelaire)
EZ,89	L-LN-LNT-LT-LTS800/900	Saddle all vinyl with tobacco appointments	National (Cush-N-Aire)
AZ	L-LN-LNT-LT-LTS600/900	Tobacco all vinyl	Full width
BZ	L-LN-LNT-LT-LTS600/900	Black all vinyl (H/D) with tobacco appointments	Full width
CZ	L-LN-LNT-LT-LTS600/900	Tobacco all vinyl	Full width
HB	L-LN-LNT-LT-LTS600/900	Black all vinyl (H/D) with tobacco appointments	Full width
EZ,HC	L-LN-LNT-LT-LTS800/900	Saddle all vinyl with tobacco appointments	Lear Siegler (Unison Action)
EZ,HE	L-LN-LNT-LT-LTS800/900	Saddle all vinyl with tobacco appointments	Bostrom (Westcoaster)
EZ,HG	L-LN-LNT-LT-LTS800/900	Saddle all vinyl with tobacco appointments	National (Cush-N-Aire)
EZ,HH	L-LN-LNT-LT-LTS800/900	Saddle all vinyl with tobacco appointments	Bostrom (Levelaire)
EZ,HI	L-LN-LNT-LT-LTS800/900	Saddle all vinyl with tobacco appointments	National (Cush-N-Aire)
H2	L-LN-LNT-LT-LTS600/900	Tobacco all vinyl	Full width
EZ,H3	L-LN-LNT-LT-LTS800/900	Saddle all vinyl with tobacco appointments	Lear Siegler (Unison Action)
EZ,H5	L-LN-LNT-LT-LTS800/900	Saddle all vinyl with tobacco appointments	Bostrom (Westcoaster)
EZ,H7	L-LN-LNT-LT-LTS800/900	Saddle all vinyl with tobacco appointments	National (Cush-N-Aire)
EZ,H8	L-LN-LNT-LT-LTS800/900	Saddle all vinyl with tobacco appointments	Bostrom (Levelaire)
EZ,H9	L-LN-LNT-LT-LTS800/900	Saddle all vinyl with tobacco appointments	National (Cush-N-Aire)



**1980/  
TRUCK SERIES 600/900**

BODY TYPE	R/L	PART NUMBER LESS SUFFIX	COLORS AND APPLICABLE PART NUMBER SUFFIXES										Q T Y.				
			BLACK	BLUE	CARA- MEL	GINGER	GRAY	NUTMEG	RED	SADDLE	TAN	TOBACCO		OTHER			
<b>02344-5 PANEL (COWL TRIM)</b>																	
CL-CLT900	R		Refer to group 04320 in the Body Section														
-- outer	L	D8HZ 9002345	A														1
-- inner	L	D8HZ 9002345	B														1
L-LN-LNT-LT-LTS 900 -- carpet "Before 2/81"	L	★															
L-LN-LNT-LT- LTS800/900 (Hi- Level Trim) "From 2/81"	R	E7HZ 8002344	A5A														1
	L	E1HZ 8002345	A5A														1
<b>03508-9 COVER (WINDSHIELD HEADER)</b>																	
CL-CLT900	R	D8HZ 9003508	A														1
-- carpet	L	D8HZ 9003509	A														1
<b>03514-5 COVER (WINDSHIELD HEADER CORNER)</b>																	
CL-CLT900	R	D8HZ 9003514	A														1
-- carpet	L	D8HZ 9003515	A														1
<b>04104-5 VISOR ASSY.</b>																	
C-CT600/900	R/L	★															
CL-CLT900	R/L	★															
F600/800	R/L	E0TZ 1004104		A7B					A6D								2
	R/L	E1TZ 1004104						A3T									2
L-LN-LNT-LT- LTS600/900 (exc. Hi-Level Trim) -- w/o radio -- w/radio	R/L	D4HZ 8004104								★		A					2
L-LN-LNT-LT-LTS 800/900 (Hi-Level Trim)	R/L	D6HZ 8004104								★		A					2
		★															
<b>04282 PAD (INSTRUMENT PANEL)</b>																	
C-CT600/900		D4KZ 6004282	A														1
F600/800		E1TZ 1004282		A2B				A8T	A0D								1
L-LN-LNT-LT- LTS600/900 -- "Before 2/81" w/o integral A/C		D4HZ 8004282	44 3/4									A					1
-- w/integral A/C		D4HZ 9004282	22 1/2									A					1
		★															
L-LN-LNT-LT- LTS600/900 "From 2/81" -- w/o integral A/C		E1HZ 8004282	44 3/4									B0Z					1
-- w/integral A/C		E1HZ 9004282	22 1/2					★				B0Z					1
		★															
<b>045C84 PAD (INSTRUMENT PANEL CLUSTER)</b>																	
L-LN-LNT-LT- LTS600/900 -- w/city delivery instrument panel "Before 2/81"		D4HZ 80045C84										A					1
-- w/line haul instrument panel "Before 2/81"		★															

1980/  
TRUCK SERIES 600/900

BODY TYPE	R/L	PART NUMBER LESS SUFFIX	COLORS AND APPLICABLE PART NUMBER SUFFIXES										OTHER	Q T Y.
			BLACK	BLUE	CARA- MEL	GINGER	GRAY	NUTMEG	RED	SADDLE	TAN	TOBACCO		
<b>045C84 PAD (INSTRUMENT PANEL CLUSTER) — Cont'd</b>														
L-LN-LNT-LT- LTS600/900 "From 2/81" -- w/city delivery instrument panel -- w/line haul instrument panel		E1HZ 80045C84										A0Z		1
		★												
<b>13010-1 MAT (FRONT FLOOR)</b>														
Notes: ▲ Use Chestnut, \$ Chestnut														
C-CT600/900		E4HZ 6013010		A8A										1
CL-CLT900 -- 54" BBC -- 64" BBC	R/L	★												
	R	★												
	L	E0HZ 9013011									B3Z		1	
	R	E0HZ 9013010									C3Z		1	
	L	E0HZ 9013011									C3Z		1	
F600/800		E0TZ 6013010		A1A										1
L-LN-LNT-LT- LTS600/900 "Before 2/81" -- solid floor -- partial doghouse -- full doghouse		D3HZ 8013010		A										1
		E1HZ 8013010		A5Z							★		1	
		★												
		E1HZ 8013010		C5Z							★		1	
L-LN-LNT-LT- LTS900 "From 2/81" -- solid floor -- partial doghouse -- full doghouse		E2HZ 8013010		A6A						▲				1
		E7HZ 8013010										\$A6U		1
		E2HZ 8013010		B6A							B8Z		1	
		E2HZ 8013010		C6A							C8Z		1	
<b>13086 MAT (FRONT FLOOR)</b>														
Notes: † Cut to form twin mats if so desired														
<b>FULL WIDTH</b>														
F600/800	†	D9TZ 8113086		A		★					★			1
<b>20104 COMPARTMENT (DOOR STOWAGE)</b>														
CL-CLT900		E0HZ 9020104									A8Z			1
L-LN-LNT-LT LTS600/900		E8HZ 8020104											B(paint to match)	A/R
<b>20126 COVER (DOOR STOWAGE)</b>														
L-LN-LNT-LT- LTS800/900 -- inner and outer "From 2/81"	R/L	E1HZ 8020126								★	A2Z			A/R
<b>23942-3 PANEL (DOOR TRIM UPPER)</b>														
Notes: ● Use with horizontal sliding door lock, \$ Use with vertical push button door lock														
F600/800 -- w/ vinyl insert -- w/o bright finish mldg.	●R	E1TZ 1023942		A1B						A3T	★			1
	●L	E1TZ 1023943		A1B						A3T	★			1
	\$R	E1TZ 1023942		★						D3T	★			1
	\$L	E1TZ 1023943		★						D3T	★			1
-- w/vinyl insert -- w/bright finish mldg.	●R	E1TZ 1023942		★						★	B6D			1
	●L	★												
-- w/brushed aluminum insert		★												
L-LN-LNT-LT-LTS 600/900	R/L	★												

**1980/  
TRUCK SERIES 600/900**

BODY TYPE	R/L	PART NUMBER LESS SUFFIX	COLORS AND APPLICABLE PART NUMBER SUFFIXES											Q T Y.			
			BLACK	BLUE	CARA- MEL	GINGER	GRAY	NUJMEG	RED	SADDLE	TAN	TOBACCO	OTHER				
24100-1		Refer to group 24140-1															
<b>24140-1</b>		<b>ARM REST (DOOR) - Incl. attaching parts</b>															
		<b>Notes:</b>															
		▲ Use saddle															
CL-CLT900 -- pad	R/L	D9HZ 9024100				★	★					★	A1Z	▲			2
F600/800 -- pad	R	E0TZ 1024100				A1B						A6D					1
	L	E0TZ 1024101				A1B						A6D					1
	R	E1TZ 1024100								A3T							1
	L	E1TZ 1024101								A3T							1
L-LN-LNT-LT-LTS 600/900 "Before 2/81"	R	D8HZ 9024140													A		1
	L	D8HZ 9024141													A		1
L-LN-LNT-LT- LTS600/900 "From 2/81"	R	E1HZ 9024140				▲		★				A7Z	▲				1
	L	E1HZ 9024141				▲		A9P				A7Z	▲				1
<b>281B12-3</b>		<b>CARPET (SIDE STORAGE LOCKER FLOOR)</b>															
CL-CLT900 -- 88" BBC	R	E8HZ 90281B12				A											1
	L	E8HZ 90281B13				A											1
-- 110" BBC	R	E8HZ 90281B12				B											1
	L	E8HZ 90281B13				B											1
<b>40352-3</b>		<b>PANEL (LOWER BACK TRIM)</b>															
CL-CLT900		★															
L-LN-LNT-LT-LTS 600/900 "Before 2/81"	R	E0HZ 8040352													A		1
-- w/o vert. muffler																	
-- w/vert. muffler	R	E0HZ 8040352													B		1
-- w/chassis mtd. by-pass oil filter or single exhaust	L	E0HZ 8040353													A		1
-- w/cab mtd. by- pass oil filter or dual vert. muffler	L	★															1
L-LN-LNT-LT- LTS600/900 -- vinyl "From 2/81"	R	E1HZ 8040352										A					1
--w/o vert. muffler																	
--w/vert. muffler	R	E1HZ 8040352										B					1
--w/chassis mtd. by-pass oil filter or single exhaust	L	E1HZ 8040353										A					1
--w/cab mtd. by- pass oil filter or dual vert. muffler	L	★															1
<b>51944-5</b>		<b>PANEL (ROOF TRIM)</b>															
		<b>Note:</b>															
		\$ R.H. & L.H. panel must be replaced as color is actually charcoal															
C-CT600/900	R	F0HZ 6051944								SAAF							1
	L	F0HZ 6051945								SAAF							1
CL-CLT900		★															
F600/800		★															
L-LN-LNT-LT-LTS 600/900 (exc. Hi-Level Trim) "Before 2/81"		D4HZ 8051945													A		1





1980/  
TRUCK SERIES 600/900

BODY TYPE	R/L	PART NUMBER	DESCRIPTION	QTY
60050-3		CUSHION KIT (SEAT) - Less cover		
C-CT600/900		E0KZ 6060050-A	Full width seat-standard	1
		D3KZ 6060050-B	Full width seat-heavy duty	1
	R	D3KZ 6060052-A	Lear Siegler Unison Action	1
	L	D3KZ 6060053-A	Lear Siegler Unison Action	1
F600/800		E7TZ 1063222-A	Pad-full width seat	1
		E7TZ 1563100-A	Spring-full width seat	1
		E2TZ 1063226-A	Pad support-full width seat	1
L-LN-LNT-LT-LTS 600/900		D3HZ 8060050-B	Full width seat	1
60136-7		BACK KIT (SEAT) - Less cover		
C-CT600/900	R	E0KZ 6060136-A	Full width seat	1
	L	E0KZ 6060137-A	Full width seat	1
	R	D3KZ 6060136-B	Lear Siegler Unison Action	1
	L	D3KZ 6060137-B	Lear Siegler Unison Action	1
F600/800		E7TZ 1561018-B	Frame-full width seat	1
		E0TZ 1064810-A	Pad-full width seat	1
L-LN-LNT-LT-LTS 600/900		D3HZ 8060136-A	Full width seat	1
BODY TYPE	R/L	PART NUMBER LESS SUFFIX	TRIM CODES AND APPLICABLE PART NUMBER SUFFIXES	QTY
61018		Refer to group 60136-7		
62900-1		COVER (SEAT CUSHION)		
TRIM CODES ▶ ALL				
C-CT600/900 - - Lear Siegler	R	D3KZ 6062900	A	1
	L	D3KZ 6062901	A	1
TRIM CODES ▶ 8A 8B 8I 82 AZ BZ CZ HB H2				
L-LN-LNT-LT-LTS 600/900		D3HZ 8062900	A3L A3L * * * A3L * A3L *	1
TRIM CODES ▶ JZ KP KZ LP LZ				
L-LN-LNT-LT-LTS 600/900		D3HZ 8062900	* * * A3L A3L	1
BODY TYPE	R/L	PART NUMBER LESS SUFFIX	COLORS AND APPLICABLE PART NUMBER SUFFIXES BLACK BLUE CARA-GINGER GRAY NUTMEG RED SADDLE TAN TOBACCO OTHER	QTY
64300-1		ARM REST ASSY. (SEAT BACK SIDE)		
C-CT600/900 - - w/full width seat	R	E4HZ 6064300	BFA * *	1
	L	E4HZ 6064301	BFA *	1
CL-CLT900		*		
L-LN-LNT-LT-LTS 800/900		*		
BODY TYPE	R/L	PART NUMBER LESS SUFFIX	TRIM CODES AND APPLICABLE PART NUMBER SUFFIXES	QTY
64416-7		COVER (SEAT BACK)		
Notes:		● Gray, \$ Black		
TRIM CODES ▶ ALL				
C-CT600/900 - - Lear Siegler	R	D3KZ 6064416	A	1
	L	D3KZ 6064417	A	1
TRIM CODES ▶ All				
L-LN-LNT-LT-LTS 600/900		*		
64810		Refer to group 60136-7		

# 1980/ TRUCK SERIES 600/900

1982 SOFT TRIM SCHEME CODES as listed on warranty plate			
CODE	MODEL	TRIM SCHEME	TYPE OF SEAT

**C-CT SERIES**

**Notes:** H/D - Heavy duty

AS	C-CT600/900	Black all vinyl	Full width
BS	C-CT600/900	Black all vinyl (H/D) with gray appointments	Full width
DS	C-CT600/900	Black all vinyl with gray appointments	Full width
ES	C-CT600/900	Black all vinyl	Full width

**CL-CLT900 SERIES**

AZ	CL-CLT900	Saddle all vinyl	Bostrom, National, Lear Siegler
BB	CL-CLT900	Blue cloth and vinyl	Bostrom, National
BD	CL-CLT900	Red cloth and vinyl	Bostrom, National
BT	CL-CLT900	Caramel cloth and vinyl	Bostrom, National
CP	CL-CLT900	Tan/saddle cloth and vinyl	Bostrom, National, Lear Siegler

**F SERIES**

**Notes:** H/D - Heavy duty

AB	F600/800	Blue all vinyl	Full width
AD	F600/800	Red all vinyl	Full width
AT	F600/800	Nutmeg all vinyl	Full width
BB	F600/800	Blue all vinyl	Full width
BD	F600/800	Red all vinyl	Full width
BT	F600/800	Nutmeg all vinyl	Full width
CD	F600/800	Red cloth and black vinyl with red appointments	Full width
CT	F600/800	Nutmeg cloth and vinyl	Full width
DB	F600/800	Black all vinyl (H/D) with blue appointments	Full width
DD	F600/800	Black all vinyl (H/D) with red appointments	Full width
DT	F600/800	Black all vinyl (H/D) with nutmeg appointments	Full width

**L-LN-LNT-LT-LTL-LTS SERIES**

**Notes:** H/D - Heavy duty

F5	L-LN-LNT-LT-LTL-LTS800/900	Gray cloth and vinyl	Bostrom, National
FT	L-LN-LNT-LT-LTL-LTS800/900	Caramel cloth and vinyl	Bostrom, National
GP	L-LN-LNT-LT-LTL-LTS700/900	Tan/saddle cloth and vinyl	Bostrom, National, Lear Siegler
HZ	L-LN-LNT-LT-LTL-LTS700/900	Saddle all vinyl	Bostrom, National, Lear Siegler
JZ	L-LN-LNT-LT-LTS600/800	Saddle all vinyl	Full width
KP	L-LN-LNT-LT-LTS600/800	Tan/saddle cloth and vinyl	Full width
KZ	L-LN-LNT-LT-LTS600/800	Tan/saddle cloth and vinyl	Full width
LP	L-LN-LNT-LT-LTS600/800	Black all vinyl (H/D) with saddle appointments	Full width
LZ	L-LN-LNT-LT-LTS600/800	Black all vinyl (H/D) with saddle appointments	Full width

THE SOFT TRIM SECTION INCLUDES ONLY THOSE ITEMS WHICH WERE  
AVAILABLE FOR SERVICE AT TIME OF PRINTING. ITEMS NOT SHOWN  
OR INDICATED WITH A BLACK STAR (★) IN THE CATALOG MUST BE  
IMPROVISED OR PROCURED LOCALLY.

**1980/  
TRUCK SERIES 600/900**

BODY TYPE	R/L	PART NUMBER LESS SUFFIX	COLORS AND APPLICABLE PART NUMBER SUFFIXES										Q T Y.		
			BLACK	BLUE	CARA- MEL	GINGER	GRAY	NUTMEG	RED	SADDLE	TAN	TOBACCO		OTHER	
<b>02344-5</b>		<b>PANEL (COWL TRIM)</b>													
CL-CLT900	R		Refer to group 04320 in the Body Section												
-- outer	L	D8HZ 9002345	A												1
-- inner	L	D8HZ 9002345	B												1
L-LN-LNT-LT-LTL- LTS800/900 (Hi- Level Trim)	R	E7HZ 8002344	A5A												1
	L	E1HZ 8002345	A5A												1
<b>03508-9</b>		<b>COVER (WINDSHIELD HEADER)</b>													
CL-CLT900	R	D8HZ 9003508	A												1
-- carpet	L	D8HZ 9003509	A												1
<b>03514-5</b>		<b>COVER (WINDSHIELD HEADER CORNER)</b>													
CL-CLT900	R	D8HZ 9003514	A												1
-- carpet	L	D8HZ 9003515	A												1
<b>04104-5</b>		<b>VISOR ASSY.</b>													
C-CT600/900	R/L	★													
CL-CLT900	R/L	★													
F600/800	R/L	E0TZ 1004104							A6D						2
	R/L	E1TZ 1004104						A3T							2
	R/L	E2TZ 1004104	A4B												2
L-LN-LNT-LT-LTL- LTS600/900	R/L	★													
<b>04282</b>		<b>PAD (INSTRUMENT PANEL)</b>													
C-CT600/900		D4KZ 6004282	A												1
F600/800		E1TZ 1004282						A8T	A0D						1
		E2TZ 1004282	A3B												1
L-LN-LNT-LT-LTL- LTS600/900		E1HZ 8004282	44 3/4								B0Z				1
-- w/o integral A/C		E1HZ 9004282	22 1/2					★			B0Z				1
-- w/integral A/C		★													
<b>045C84</b>		<b>PAD (INSTRUMENT PANEL CLUSTER)</b>													
L-LN-LNT-LT-LTL- LTS600/900		E1HZ 80045C84									A0Z				1
-- w/city delivery instrument panel		★													
-- w/line haul instrument panel		★													
<b>13010-1</b>		<b>MAT (FRONT FLOOR)</b>													
Notes:		▲ Use chestnut, \$ Chestnut													
C-CT600/900		E4HZ 6013010	A8A												1
CL-CLT900	R/L	★													
-- 54" BBC	R	★													
-- 64" BBC	L	E0HZ 9013011									B3Z				1
-- 76, 88" BBC	R	E0HZ 9013010									C3Z				1
	L	E0HZ 9013011									C3Z				1
F600/800		E0TZ 6013010	A1A												1
L-LN-LNT-LT- LTS600/900		E2HZ 8013010	A6A								▲				1
exc. 3208T Diesel		E7HZ 8013010												\$A6U	1
-- solid floor		E2HZ 8013010	B6A								B8Z				1
-- partial doghouse		E2HZ 8013010	C6A								C8Z				1
-- full doghouse		E2HZ 8013010	D6A								D8Z				1
LN-LNT800 -- w/3208T Diesel		E2HZ 8013010													1

1980/  
TRUCK SERIES 600/900

BODY TYPE	R/L	PART NUMBER LESS SUFFIX	COLORS AND APPLICABLE PART NUMBER SUFFIXES										Q T Y.	
			BLACK	BLUE	CARA- MEL	GINGER	GRAY	NUTMEG	RED	SADDLE	TAN	TOBACCO		OTHER
13010-1		MAT (FRONT FLOOR) — Cont'd												
Notes:		▲ Use chestnut, \$ Chestnut												
LTL900 (Diesel exc. 8V-92)		E2HZ 8013010	B6A								B8Z			1
LTL900 (Diesel 8V-92)		E2HZ 8013010	E6A								E8Z			1
20104		COMPARTMENT (DOOR STOWAGE)												
CL-CLT900		E0HZ 9020104									A8Z			1
L-LN-LNT-LT-LTL LTS600/900		E8HZ 8020104											B(paint to match)	AR
20126		COVER (DOOR STOWAGE)												
L-LN-LNT-LT- LTL-LTS800/900 -- inner and outer	R/L	E1HZ 8020126								*	A2Z			AR
23942-3		PANEL (DOOR TRIM UPPER)												
F600/800 -- w/ vinyl insert - w/o bright finish mldg.	R	E1TZ 1023942		*				D3T	*					1
	L	E1TZ 1023943		*				D3T	*					1
-- w/vinyl insert -- w/bright finish mldg.		*												
-- w/brushed aluminum insert		*												
24100-1		Refer to group 24140-1												
24140-1		ARM REST (DOOR) - Incl. attaching parts												
Notes:		▲ Use saddle												
CL-CLT900 -- pad	R/L	D9HZ 9024100		*	*				*	A1Z	*			2
F600/800 -- pad	R	E0TZ 1024100								A6D				1
	L	E0TZ 1024101								A6D				1
	R	E1TZ 1024100						A3T						1
	L	E1TZ 1024101						A3T						1
	R	E2TZ 1024100		A4B										1
	L	E2TZ 1024101		A4B										1
L-LN-LNT-LT- LTL-LTS600/900	R	E1HZ 9024140			▲		*			A7Z	▲			1
	L	E1HZ 9024141			▲			A9P		A7Z	▲			1
281B12-3		CARPET (SIDE STORAGE LOCKER FLOOR)												
CL-CLT900 -- 88" BBC	R	E8HZ 90281B12	A											1
	L	E8HZ 90281B13	A											1
-- 110" BBC	R	E8HZ 90281B12	B											1
	L	E8HZ 90281B13	B											1
40352-3		PANEL (LOWER BACK TRIM)												
L-LN-LNT-LT-LTL LTS600/900 - vinyl -w/o vert. muffler	R	E1HZ 8040352								A				1
-w/vert. muffler -w/chassis mtd. by-pass oil filter or single exhaust -w/cab mtd. by pass oil filter or dual vert. muffler	R	E1HZ 8040352								B				1
	L	E1HZ 8040353								A				1
	L	E1HZ 8040353								B				1

**1980/  
TRUCK SERIES 600/900**

BODY TYPE	R/L	PART NUMBER LESS SUFFIX	COLORS AND APPLICABLE PART NUMBER SUFFIXES											QTY		
			BLACK	BLUE	CARA-MEL	GINGER	GRAY	NUTMEG	RED	SADDLE	TAN	TOBACCO	OTHER			
51944-5		PANEL (ROOF TRIM)														
<b>Note:</b> \$ R.H. & L.H. panel must be replaced as color is actually charcoal																
C-CT600/900	R	FOHZ 6051944								\$AAF						1
	L	FOHZ 6051945								\$AAF						1
CL-CLT900		★														
F600/800		★														
L-LN-LNT-LT-LTL-LTS600/900 (Base Trim)		E1HZ 8051945									A1Z					1
L-LN-LNT-LT-LTL-LTS800/900 (Hi-Level Trim)		★														
L-LN-LNT-LT-LTL-LTS600/900 (Intermediate Trim)		★														

BODY TYPE	R/L	PART NUMBER	DESCRIPTION	QTY
60050-3		<b>CUSHION KIT (SEAT) - Less cover</b>		
C-CT600/900		E0KZ 6060050-A	Full width seat-standard	1
		D3KZ 6060050-B	Full width seat-heavy duty	1
	R	D3KZ 6060052-A	Lear Siegler Unison Action	1
	L	D3KZ 6060053-A	Lear Siegler Unison Action	1
F600/800		E7TZ 1063222-A	Pad-full width seat	1
		E7TZ 1563100-A	Spring-full width seat	1
		E2TZ 1063226-A	Pad support-full width seat	1
L-LN-LNT-LT-LTS 600/900		D3HZ 8060050-B	Full width seat	1
60136-7		<b>BACK KIT (SEAT) - Less cover</b>		
C-CT600/900	R	E0KZ 6060136-A	Full width seat	1
	L	E0KZ 6060137-A	Full width seat	1
	R	D3KZ 6060136-B	Lear Siegler Unison Action	1
	L	D3KZ 6060137-B	Lear Siegler Unison Action	1
F600/800		E7TZ 1561018-B	Frame-full width seat	1
		E0TZ 1064810-A	Pad-full width seat	1
L-LN-LNT-LT-LTS 600/900		D3HZ 8060136-A	Full width seat	1

61018 Refer to group 60136-7

BODY TYPE	R/L	PART NUMBER LESS SUFFIX	TRIM CODES AND APPLICABLE PART NUMBER SUFFIXES											QTY		
62900-1		<b>COVER (SEAT CUSHION)</b>														
			TRIM CODES ▶	ALL												
C-CT600/900 -- Lear Siegler	R	D3KZ 6062900	A													1
	L	D3KZ 6062901	A													1
			TRIM CODES ▶	JZ	KP	KZ	LP	LZ								
L-LN-LNT-LT-LTS 600/800		D3HZ 8062900	★	★	★	A3L	A3L									1

BODY TYPE	R/L	PART NUMBER LESS SUFFIX	COLORS AND APPLICABLE PART NUMBER SUFFIXES											QTY		
			BLACK	BLUE	CARA-MEL	GINGER	GRAY	NUTMEG	RED	SADDLE	TAN	TOBACCO	OTHER			
64300-1		<b>ARM REST ASSY. (SEAT BACK SIDE)</b>														
<b>Notes:</b> ▲ Use saddle ● All saddle, △ Tu-tone saddle/tan																
C-CT600/900 -- w/full width seat	R	E4HZ 6064300	BFA													1
	L	E4HZ 6064301	BFA													1
CL-CLT900		★														
L-LN-LNT-LT-LTL-LTS800/900		★														

OCTOBER, 1993

COPYRIGHT ©1993

FORD MOTOR  
COMPANY

—DEARBORN, MICHIGAN

FINAL ISSUE

1980/  
TRUCK SERIES 600/900

BODY TYPE	R/L	PART NUMBER LESS SUFFIX	TRIM CODES AND APPLICABLE PART NUMBER SUFFIXES												QTY	
64416-7		COVER (SEAT BACK)	TRIM CODES ▶ ALL													
C-CT600/900 -- Lear Siegler	R	D3KZ 6064416	A													1
	L	D3KZ 6064417	A													1
			TRIM CODES ▶ All													
L-LN-LNT-LT-LTS 600/800		★														
64810		Refer to group 60136-7														

**1980/  
TRUCK SERIES 600/900**

1983 SOFT TRIM SCHEME CODES as listed on warranty plate			
CODE	MODEL	TRIM SCHEME	TYPE OF SEAT

**C-CT SERIES**

Notes: H/D - Heavy duty

AA	C-CT600/900	Charcoal all vinyl	Full width
AS	C-CT600/900	Black all vinyl	Full width
BS	C-CT600/900	Black all vinyl (H/D) with gray appointments	Full width
DS	C-CT600/900	Black all vinyl with gray appointments	Lear Siegler
EA	C-CT600/900	Charcoal and black knit vinyl	Full width
ES	C-CT600/900	Black all vinyl	Full width
FA	C-CT600/900	Black all vinyl (H/D)	Full width

**CL-CLT900 SERIES**

AZ	CL-CLT900	Saddle all vinyl	Bostrom, National, Lear Siegler
BB	CL-CLT900	Blue cloth and vinyl	Bostrom, National
BD	CL-CLT900	Red cloth and vinyl	Bostrom, National
BT	CL-CLT900	Caramel cloth and vinyl	Bostrom, National
DH	CL-CLT900	Tan/saddle cloth and vinyl	Bostrom, National, Lear Siegler
DP	CL-CLT900	Tan/saddle cloth and vinyl	Bostrom, National, Lear Siegler

**F-FT SERIES**

Notes: H/D - Heavy duty

BB	F-FT600/800	Blue all vinyl	Full width
BD	F-FT600/800	Red all vinyl	Full width
BH	F-FT600/800	Tan all vinyl	Full width
CD	F-FT600/800	Red cloth and black vinyl with red appointments	Full width
CH	F-FT600/800	Tan cloth and vinyl	Full width
EB	F-FT600/800	Black all vinyl (H/D) with blue appointments	Full width
ED	F-FT600/800	Black all vinyl (H/D) with red appointments	Full width
EH	F-FT600/800	Black all vinyl (H/D) with tan appointments	Full width
FB	F-FT600/800	Blue all vinyl	Full width
FD	F-FT600/800	Red all vinyl	Full width
FH	F-FT600/800	Tan all vinyl	Full width

**L-LN-LNT-LT-LTL-LTS SERIES**

Notes: H/D - Heavy duty

AP	L-LN-LNT-LT-LTL-LTS600/900	Tan/saddle cloth and vinyl	Bostrom, National, Lear Siegler
BP	L-LN-LNT-LT-LTL-LTS600/900	Tan/saddle cloth and vinyl	Full width
FS	L-LN-LNT-LT-LTL-LTS800/900	Gray cloth and vinyl	Bostrom, National
FT	L-LN-LNT-LT-LTL-LTS800/900	Caramel cloth and vinyl	Bostrom, National
HZ	L-LN-LNT-LT-LTL-LTS700/900	Saddle all vinyl	Bostrom, National, Lear Siegler
JZ	L-LN-LNT-LT-LTS600/800	Saddle all vinyl	Full width
LP	L-LN-LNT-LT-LTS600/800	Black all vinyl (H/D) with saddle appointments	Full width
LZ	L-LN-LNT-LT-LTS600/800	Black all vinyl (H/D) with saddle appointments	Full width
MA	L-LN-LNT-LT-LTL-LTS600/800	Black all vinyl (H/D)	Full width

THE SOFT TRIM SECTION INCLUDES ONLY THOSE ITEMS WHICH WERE AVAILABLE FOR SERVICE AT TIME OF PRINTING. ITEMS NOT SHOWN OR INDICATED WITH A BLACK STAR (★) IN THE CATALOG MUST BE IMPROVISED OR PROCURED LOCALLY.

**1980/  
TRUCK SERIES 600/900**

1983 SOFT TRIM TEXT SECTION 1

BODY TYPE	R/L	PART NUMBER LESS SUFFIX	COLORS AND APPLICABLE PART NUMBER SUFFIXES										Q T Y.			
			BLACK	BLUE	CARA- MEL	GINGER	GRAY	NUTMEG	RED	SADDLE	TAN	TOBACCO		OTHER		
<b>02344-5</b>		<b>PANEL (COWL TRIM)</b>														
CL-CLT900	R		Refer to group 04320 in the Body Section													
-- outer	L	D8HZ 9002345	A													1
-- inner	L	D8HZ 9002345	B													1
L-LN-LNT-LT-LTL- LTS800/900 (Hi- Level Trim)	R	E7HZ 8002344	A5A													1
	L	E1HZ 8002345	A5A													1
<b>03508-9</b>		<b>COVER (WINDSHIELD HEADER)</b>														
CL-CLT900	R	D8HZ 9003508	A													1
-- carpet	L	D8HZ 9003509	A													1
<b>03514-5</b>		<b>COVER (WINDSHIELD HEADER CORNER)</b>														
CL-CLT900	R	D8HZ 9003514	A													1
-- carpet	L	D8HZ 9003515	A													1
<b>04104-5</b>		<b>VISOR ASSY.</b>														
C-CT600/900	R/L	★														
CL-CLT900	R/L	★														
F-FT600/800	R/L	E3TZ 1004104							A5D							2
	R/L	E4TZ 1504104		A4B							A0U					2
L-LN-LNT-LT-LTL- LTS600/900	R/L	★														
<b>04282</b>		<b>PAD (INSTRUMENT PANEL)</b>														
C-CT600/900		D4KZ 6004282	A													1
F-FT600/800		E3TZ 1004282			B1B				B1D		B5U					1
L-LN-LNT-LT-LTL- LTS600/900		E1HZ 8004282	44 3/4								B0Z					1
-- w/o integral A/C		E1HZ 9004282	22 1/2					★			B0Z					1
-- w/integral A/C		★														
<b>045C84</b>		<b>PAD (INSTRUMENT PANEL CLUSTER)</b>														
L-LN-LNT-LT-LTL- LTS600/900		E1HZ 80045C84									A0Z					1
-- w/city delivery instrument panel		★														
-- w/line haul instrument panel																
<b>13010-1</b>		<b>MAT (FRONT FLOOR)</b>														
<b>Notes:</b>		@ Add transmission hole as required, ▲ Use Chestnut, \$ Chestnut														
C-CT600/900	@	E4HZ 6013010	A8A													1
CL-CLT900	R/L	★														
-- 54" BBC	R	★														
-- 64" BBC	L	E0HZ 9013011									B3Z					1
-- 76, 88" BBC	R	E0HZ 9013010									C3Z					1
	L	E0HZ 9013011									C3Z					1
F-FT600/800		E3HZ 6013010	B8A													1
-- w/o fiber padding		E8HZ 6013010	A8A													1
-- w/fiber padding		E2HZ 8013010	A6A								▲					1
L-LN-LNT-LT- LTS600/900		E7HZ 8013010														
exc. 3208T Diesel		E2HZ 8013010	B6A								B8Z			\$A6U		1
-- solid floor		E2HZ 8013010	C6A								C8Z					1
-- partial doghouse		E2HZ 8013010	D6A								D8Z					1
-- full doghouse		E2HZ 8013010														
LN-LNT800 -- w/3208T Diesel		E2HZ 8013010														



1980/  
TRUCK SERIES 600/900

BODY TYPE	R/L	PART NUMBER LESS SUFFIX	COLORS AND APPLICABLE PART NUMBER SUFFIXES										Q T Y.	
			BLACK	BLUE	CARA- MEL	GINGER	GRAY	NUTMEG	RED	SADDLE	TAN	TOBACCO		OTHER
13010-1		MAT (FRONT FLOOR) — Cont'd												
Notes:		@ Add transmission hole as required, ▲ Use Chestnut, \$ Chestnut												
LTL900 (Diesel exc. 8V-92)		E2HZ 8013010	B6A								B8Z			1
LTL900 (Diesel 8V-92)		E2HZ 8013010	E6A								E8Z			1
13086		MAT (FRONT FLOOR)												
Notes:		† Cut to form twin mats if so desired												
FULL WIDTH														
F-FT600/800	†	E3TZ 8113086		A						D		C		1
	†	D9TZ 8113086		A										1
20104		COMPARTMENT (DOOR STOWAGE)												
CL-CLT900		E0HZ 9020104									A8Z			1
L-LN-LNT-LT-LTL LTS600/900		E8HZ 8020104											B(paint to match)	AR
20126		COVER (DOOR STOWAGE)												
L-LN-LNT-LT- LTL-LTS800/900 -- inner and outer	R/L	E1HZ 8020126								★	A2Z			AR
23942-3		PANEL (DOOR TRIM UPPER)												
F-FT600/800 -- w/ vinyl insert -- w/o bright finish mldg.	R	E3TZ 1023942		A0B						★		A7U		1
	L	E3TZ 1023943		A0B						★		A7U		1
-- w/vinyl insert -- w/bright finish mldg.	R	E3TZ 1023942		★						★		B7U		1
	L	E3TZ 1023943		★						★		B7U		1
-- w/brushed aluminum insert	R/L	★												
24100-1		Refer to group 24140-1												
24140-1		ARM REST (DOOR)												
Notes:		▲ Use saddle												
CL-CLT900 -- pad	R/L	D9HZ 9024100		★	★					★	A1Z	▲		2
F-FT600/800 -- pad	R	E3TZ 1024100		A0B						★		A7U		1
	L	E3TZ 1024101		A0B						★		A7U		1
L-LN-LNT-LT- LTL-LTS600/900	R	E1HZ 9024140			▲			★			A7Z	▲		1
	L	E1HZ 9024141			▲			A9P			A7Z	▲		1
281B12-3		CARPET (SIDE STORAGE LOCKER FLOOR)												
CL-CLT900 -- 88" BBC	R	E8HZ 90281B12		A										1
	L	E8HZ 90281B13		A										1
-- 110" BBC	R	E8HZ 90281B12		B										1
	L	E8HZ 90281B13		B										1
40352-3		PANEL (LOWER BACK TRIM)												
L-LN-LNT-LT-LTL LTS600/900 -- vinyl -w/o vert. muffler -w/vert. muffler -w/chassis mtd. by-pass oil filter or single exhaust -w/cab mtd. by- pass oil filter or dual vert. muffler	R	E1HZ 8040352									A			1
	R	E1HZ 8040352									B			1
	L	E1HZ 8040353									A			1
	L	E1HZ 8040353									B			1

1980/  
TRUCK SERIES 600/900

BODY TYPE	R/L	PART NUMBER LESS SUFFIX	COLORS AND APPLICABLE PART NUMBER SUFFIXES											Q T Y.			
			BLACK	BLUE	CARA- MEL	GINGER	GRAY	NUTMEG	RED	SADDLE	TAN	TOBACCO	OTHER				
51944-5		PANEL (ROOF TRIM)															
Notes:		\$ R.H. & L.H. panel must be replaced as color is actually charcoal															
C-CT600/900	R	FOHZ 6051944								SAAF							1
	L	FOHZ 6051945								SAAF							1
CL-CLT900		★															
F-FT600/800		E3TZ 1051944		★						★		B2U					1
L-LN-LNT-LT- LTL-LTS600/900 (Base Trim)		E1HZ 8051945										A1Z					1
L-LN-LNT-LT- LTL-LTS800/900 (Hi-Level Trim)		★															
L-LN-LNT-LT- LTL-LTS600/900 (Intermediate Trim)		★															
51968-9		Refer to group 51944-5															
60012-16		SEAT ASSY. (DRIVER or PASSENGER)															
Notes:		D-Driver, P-Passenger, ● All saddle, △ Tu-tone saddle/tan															
CL-CLT900 -- National low back-w/o support	D/P	E4HZ 9060012			★	★					★	△AAH	△AAH				AR
CL-CLT900 -- National high back-w/o support	D	E4HZ 9060012			★	★					★	△BAH	△BAH				1
	P	E4HZ 9060016			★	BFT					★	△BAH	△BAH				1
CL-CLT900 -- Bostrom Levelair low back	D/P	★															
C-CLT900 -- Bostrom West Coaster	D/P	★															
CL-CLT900 -- Bostrom Levelair high back	D/P	★															
C-CLT900 -- Bostrom Fix Companion	P	★															
CL-CLT900 -- Lear Siegler	D/P	★															
L-LN-LNT-LT-LTS 700/900 -- Lear Siegler	D/P	★															
L-LN-LNT-LT- LTL-LTS800/900 -- National low back-w/o support	D/P	E4HZ 9060012			★		★					△AAH	△AAH				AR
L-LN-LNT-LT- LTL-LTS800/900 -- National high back-w/o support	D	E4HZ 9060012			★		★					△BAH	△BAH				1
	P	E4HZ 9060016				BFT		★				△BAH	△BAH				1
L-LN-LNT-LT- LTL-LTS800/900 -- Bostrom West Coaster	D/P	★															



**1980/  
TRUCK SERIES 600/900**

BODY TYPE	R/L	PART NUMBER LESS SUFFIX	COLORS AND APPLICABLE PART NUMBER SUFFIXES											Q T Y.			
			BLACK	BLUE	CARA MEL	GINGER	GRAY	NUTMEG	RED	SADDLE	TAN	TOBACCO	OTHER				
<b>64300-1 ARM REST ASSY. (SEAT BACK SIDE)</b>																	
C-CT600/900 -- w/full width seat	R	E4HZ 6064300		BFA													1
	L	E4HZ 6064301		BFA													1
CL-CLT900		★															
L-LN-LNT-LT- LTL-LTS800/900		★															
BODY TYPE	R/L	PART NUMBER LESS SUFFIX	TRIM CODES AND APPLICABLE PART NUMBER SUFFIXES											QTY			
<b>64416-7 COVER (SEAT BACK)</b>																	
			TRIM CODES ▶	AA	AS	BS	EA	ES	FA								
C-CT600/900 "Before 5/83"		★															
	R	E4HZ 6064416	★	★	★	AEA	★	★									1
"From 5/83"	L	E4HZ 6064417	★	★	★	AEA	★	★									1
			TRIM CODES ▶	ALL													
C-CT600/900 -- Lear Siegler	R	D3KZ 6064416	A														1
	L	D3KZ 6064417	A														1
			TRIM CODES ▶	All													
L-LN-LNT-LT-LTS 600/800		★															
64810		Refer to group 60136-7															

# 1980/ TRUCK SERIES 600/900

1984 SOFT TRIM SCHEME CODES as listed on warranty plate			
CODE	MODEL	TRIM SCHEME	TYPE OF SEAT
<b>C-CT SERIES</b>			
Notes: H/D-Heavy Duty			
AA	C-CT600/800	Charcoal all vinyl	Full width
EA	C-CT600/800	Charcoal and black knit vinyl	Full width
FA	C-CT600/800	Black all vinyl (H/D)	Full width
GA	C-CT600/800	Black all vinyl	Lear Siegler
<b>CL-CLT SERIES</b>			
AH	CL-CLT900	Tan/saddle cloth and vinyl	Bostrom, National, Lear Siegler
FA	CL-CLT900	Charcoal cloth and vinyl	Bostrom, National
FT	CL-CLT900	Caramel cloth and vinyl	Bostrom, National
NA	CL-CLT900	Charcoal knit vinyl	Bostrom, National, Lear Siegler
<b>F-FT SERIES</b>			
Notes: H/D-Heavy Duty			
CA	F-FT600/800	Charcoal cloth and vinyl	Full width
CH	F-FT600/800	Tan cloth and vinyl	Full width
FA	F-FT600/800	Charcoal all vinyl	Full width
FH	F-FT600/800	Tan all vinyl	Full width
GA	F-FT600/800	Black all vinyl (H/D)	Full width
GH	F-FT600/800	Black all vinyl (H/D)	Full width
HA	F-FT600/800	Black all vinyl (H/D)	Bostrom
HH	F-FT600/800	Black all vinyl (H/D)	Bostrom
<b>L-LN-LNT-LT-LTL-LTS SERIES</b>			
Notes: H/D-Heavy Duty			
AH	L-LN-LNT-LT-LTL-LTS600/900	Tan/saddle cloth and vinyl	Bostrom, National, Lear Siegler
BH	L-LN-LNT-LT-LTL-LTS600/800	Tan/saddle cloth and vinyl	Full width
FA	L-LN-LNT-LT-LTL-LTS800/900	Charcoal cloth and vinyl	Bostrom, National
FT	L-LN-LNT-LT-LTL-LTS800/900	Caramel cloth and vinyl	Bostrom, National
JA	L-LN-LNT-LT-LTL-LTS600/800	Charcoal all vinyl	Full width
MA	L-LN-LNT-LT-LTL-LTS600/800	Black all vinyl (H/D)	Full width
MH	L-LN-LNT-LT-LTL-LTS600/800	Black all vinyl (H/D)	Full width
NA	L-LN-LNT-LT-LTL-LTS600/900	Charcoal all vinyl	Bostrom, National, Lear Siegler

THE SOFT TRIM SECTION INCLUDES ONLY THOSE ITEMS WHICH WERE  
AVAILABLE FOR SERVICE AT TIME OF PRINTING. ITEMS NOT  
SHOWN OR INDICATED WITH A BLACK STAR (★) IN THE CATALOG  
MUST BE IMPROVISED OR PROCURED LOCALLY.

**1980/  
TRUCK SERIES 600/900**

BODY TYPE	R/L	PART NUMBER LESS SUFFIX	TRIM CODES, COLORS and APPLICABLE PART NUMBER SUFFIXES												Q T Y
			TRIM CODES	SECOND CHARACTER of TRIM CODE						ALL CODES BLACK	ALL CODES WHITE	OTHER			
				A	B	D	H	T							
COLORS	LENGTH INCHES	CHAR- COAL	BLUE	RED	TAN	CARA- MEL									
<b>02344-5</b>		<b>PANEL (COWL TRIM)</b>													
CL-CLT900	R		Refer to group 04320 in the Body Section												
-- outer	L	D8HZ 9002345											A	1	
-- inner	L	D8HZ 9002345											B	1	
L-LN-LNT-LT-LTL-LTS800/900 (Hi-Level trim)	R	E7HZ 8002344											A5A	1	
	L	E1HZ 8002345											A5A	1	
<b>03508-9</b>		<b>COVER (WINDSHIELD HEADER)</b>													
CL-CLT900	R	D8HZ 9003508											A	1	
-- carpet	L	D8HZ 9003509											A	1	
<b>03514-5</b>		<b>COVER (WINDSHIELD HEADER CORNER)</b>													
CL-CLT900	R	D8HZ 9003514											A	1	
-- carpet	L	D8HZ 9003515											A	1	
<b>04104-5</b>		<b>VISOR ASSY.</b>													
Notes:		● Charcoal													
C-CT600/800	R/L	E4HZ 6004104		A5P										2	
CL-CLT900	R/L	E4HZ 9004104		●A5P			*	*						2	
F-FT600/800	R/L	E4TZ 1504104		A3P			A0U						2		
L-LN-LNT-LT-LTL-LTS600/900 (Base Trim) -- w/o radio	R/L	E4HZ 8004104		A5P										2	
-- w/radio	R/L	E4HZ 8004104		B5P										2	
L-LN-LNT-LT-LTL-LTS800/900 (Custom and Hi-Level Trim) -- w/o radio	R/L	*													
-- w/radio	R	E4HZ 8004104		C5P			*	*						1	
	L	E4HZ 8004105		C5P			*	*						1	
<b>04118</b>		<b>VISOR ASSY. (CENTER)</b>													
Notes:		● Charcoal													
CL-CLT900		E4HZ 9004118		●A5P			*	*						1	
<b>04282</b>		<b>PAD (INSTRUMENT PANEL)</b>													
Notes:		▲ Use black													
C-CT600/900		D4KZ 6004282		▲									A	1	
F-FT600/800		E4TZ 1004282		B0P										1	
		E3TZ 1004282					B5U						1		



**1980/  
TRUCK SERIES 600/900**

BODY TYPE	R/L	PART NUMBER LESS SUFFIX	TRIM CODES, COLORS and APPLICABLE PART NUMBER SUFFIXES													Q T Y
			TRIM CODES	SECOND CHARACTER of TRIM CODE						ALL CODES BLACK	ALL CODES WHITE	OTHER				
				A	B	D	H	T								
COLORS	LENGTH INCHES	CHAR- COAL	BLUE	RED	TAN	CARA- MEL										
<b>13010-1</b>		<b>MAT (FRONT FLOOR)</b>														
Notes:		@ Add transmission hole as required, ▲ Use black, ● Use Chestnut, \$ Chestnut														
C-CT600/800	@	E4HZ 6013010		▲									A8A			1
CL-CLT900 64" BBC	R	E4HZ 9013010		B4P			*									1
88" BBC	L	E4HZ 9013011		B4P												1
	L	E0HZ 9013011					B3Z									1
	R	E4HZ 9013010		C4P												1
	L	E4HZ 9013011		C4P												1
	R	E0HZ 9013010					C3Z									1
	L	E0HZ 9013011					C3Z									1
F-FT600/800 -- w/o fiber padding		E3HZ 6013010		▲									B8A			1
-- w/fiber padding		E8HZ 6013010		▲									A8A			1
L-LN-LNT-LT- LTS600/900 (exc. 3208T Diesel) -- solid floor		E2HZ 8013010		▲									A6A			1
		E7HZ 8013010					●								\$ A6U	1
-- partial doghouse		E2HZ 8013010		▲			B8Z						B6A			1
-- full doghouse		E2HZ 8013010		▲			C8Z						C6A			1
LN-LNT800 (w/3208T Diesel)		E2HZ 8013010		▲			D8Z						D6A			1
LTL900 (exc Diesel 8V-92)		E2HZ 8013010		▲			B8Z						B6A			1
LTL900 (w/Diesel 8V-92)		E2HZ 8013010		▲			E8Z						E6A			1
<b>13086</b>		<b>MAT (FRONT FLOOR)</b>														
Notes:		† Cut to form twin mats if so desired														
<b>FULL WIDTH</b>																
F-FT600/800	+	E3TZ 8113086					C									1
	+	D9TZ 8113086											A			1
<b>20104</b>		<b>COMPARTMENT (DOOR STOWAGE)</b>														
CL-CLT900		E4HZ 9020104		A8P												1
L-LN-LNT-LT-LTL- LTS600/900		E8HZ 8020104													B (paint to match)	AR
<b>20126</b>		<b>COVER (DOOR STOWAGE)</b>														
L-LN-LNT-LT-LTL- LTS800/900 -- inner and outer	R/L	E4HZ 8020126		A4P												AR
	R/L	E1HZ 8020126					A2Z									AR
<b>23934-5</b>		<b>PANEL (DOOR TRIM LOWER)</b>														
F-FT600/800	R	E4TZ 1023934		A5P			*									1
	L	E4TZ 1023935		A5P			*									1
<b>23942-3</b>		<b>PANEL (DOOR TRIM UPPER)</b>														
CL-CLT900	R/L	*														
F-FT600/800 -- w/ vinyl insert	R	E4TZ 1023942		A8P												1
	L	E4TZ 1023943		A8P												1
	R	E3TZ 1023942					A7U									1
	L	E3TZ 1023943					A7U									1
-- w/brushed aluminum insert	R	E4TZ 6023942		A8P			*									1
	L	E4TZ 6023943		A8P			*									1



1980/  
TRUCK SERIES 600/900

BODY TYPE	R/L	PART NUMBER LESS SUFFIX	TRIM CODES, COLORS and APPLICABLE PART NUMBER SUFFIXES												Q T Y
			TRIM CODES	SECOND CHARACTER of TRIM CODE						ALL CODES BLACK	ALL CODES WHITE	OTHER			
				A	B	D	H	T							
COLORS	LENGTH INCHES	CHAR- COAL	BLUE	RED	TAN	CARA- MEL									
<b>23942-3</b>															
PANEL (DOOR TRIM UPPER) — Cont'd															
L-LN-LNT-LT-LTL-LTS600/900	R/L	★													
<b>24100-1</b>															
Refer to group 24140-1															
<b>24140-1</b>															
ARM REST (DOOR)															
CL-CLT900	R/L	E4HZ 9024100		A8P			★							AR	
-- pad	R/L	D9HZ 9024100				A1Z								AR	
F-FT600/800	R	E4TZ 1024100		A8P										1	
-- pad	L	E4TZ 1024101		A8P										1	
	R	E3TZ 1024100				A7U								1	
	L	E3TZ 1024101				A7U								1	
L-LN-LNT-LT-LTL-LTS600/900	R	E4HZ 9024140		A7P										1	
	L	E4HZ 9024141		A7P										1	
	R	E1HZ 9024140				A7Z	A7Z							1	
	L	E1HZ 9024141				A7Z	A7Z							1	
<b>281B12-3</b>															
CARPET (SIDE STOWAGE LOCKER FLOOR)															
CL-CLT900	R	E8HZ 90281B12										A		1	
-- 88" BBC	L	E8HZ 90281B13										A		1	
-- 110" BBC	R	E8HZ 90281B12										B		1	
	L	E8HZ 90281B13										B		1	
<b>31012-3</b>															
PANEL (QUARTER TRIM)															
CL-CLT900	R	E4HZ 9031012		B2P										1	
-- 64" BBC	L	E4HZ 9031013		B2P										1	
-- 88" BBC	R	E4HZ 9031012		C2P		D7U								1	
-vinyl	L	E4HZ 9031013		C2P		D7U								1	
-- 88", 110" BBC	R/L	★													
-cloth															
<b>312A10-1</b>															
PANEL (SLEEPING COMPARTMENT SIDE)															
CL-CLT900	R	E4HZ 90312A10		B2P		C7U								1	
-- 88" BBC	L	E4HZ 90312A11		B2P		C7U								1	
-vinyl		★													
-cloth		★													
-- 110" BBC															
<b>40352-3</b>															
Refer to group 40374-5															

**1980/  
TRUCK SERIES 600/900**

BODY TYPE	R/L	PART NUMBER LESS SUFFIX	TRIM CODES, COLORS and APPLICABLE PART NUMBER SUFFIXES											Q T Y
			TRIM CODES	SECOND CHARACTER of TRIM CODE						ALL CODES	ALL CODES	OTHER		
				BLACK	CARA	GINGER	NUTMEG	T		BLACK	WHITE			
COLORS		BLUE	MEL	GRAY	CARA	MEL								
<b>40374-5 PANEL (LOWER BACK TRIM)</b>														
CL-CLT900 - - 88" BBC -vinyl -carpet	R/L	*												
	R	E4HZ 9040374		A4P		*	*							1
	L	E4HZ 9040375		A4P		*	*							1
- - 110" BBC	R	E4HZ 9040374		A4P			*							1
	L	E4HZ 9040375		A4P			*							1
L-LN-LNT-LT-LTL-LTS600/900 - - vinyl -w/o vert. muffler	R	E4HZ 8040352		A8P										1
	R	E1HZ 8040352				A								1
-w/vert. muffler	R	E4HZ 8040352		B8P										1
	R	E1HZ 8040352				B								1
-w/chassis mtd. by-pass oil filter	L	E4HZ 8040353		A8P										1
	L	E1HZ 8040353				A								1
-w/cab mtd. by- pass oil filter	L	E4HZ 8040353		B8P										1
L-LN-LNT-LT-LTL-LTS800/900 - - carpet		E4HZ 8040352		A4P		*	*							1
<b>40447-8 COVER (BACK PANEL CORNER TRIM)</b>														
CL-CLT900 - - 88", 110" BBC -w/o Custom or Hi-Level trim	R	E4HZ 9040447		A8P										1
	L	E4HZ 9040448		A8P										1
-w/Custom or Hi-Level trim	R	E4HZ 9040447		A9P		A7U	A7T							1
	L	E4HZ 9040448		*		A7U	*							1
<b>466A16-7 PANEL (BACK TRIM UPPER)</b>														
Notes: \$ Center														
CL-CLT900 - - 64" BBC	R	E4HZ 90466A16		C2P										1
	L	E4HZ 90466A17		C2P										1
	\$	E4HZ 90466A16		B2P										1
- - 88" BBC -vinyl	R	E4HZ 90466A16		E2P		F7U								1
	L	E4HZ 90466A17		E2P		F7U								1
-cloth		*												
- - 110" BBC		*												

1980/  
TRUCK SERIES 600/900

BODY TYPE	R/L	PART NUMBER LESS SUFFIX		TRIM CODES, COLORS and APPLICABLE PART NUMBER SUFFIXES													Q T Y
				TRIM CODES	SECOND CHARACTER of TRIM CODE							ALL CODES BLACK	ALL CODES WHITE	OTHER			
					A	B	D	H	T								
COLORS	LENGTH INCHES	CHAR- COAL	BLUE	RED	TAN	CARA- MEL											
<b>51944-5 PANEL (ROOF TRIM)</b>																	
C-CT600/800	R	E6HZ	6051944		A3P									1			
	L	E6HZ	6051945		A3P									1			
CL-CLT900 -- 64" BBC  -- 88" BBC -vinyl  -- 88", 110" BBC -cloth	R	E4HZ	9051968		B2P									1			
	L	E4HZ	9051969		B2P									1			
	R	E4HZ	9051968		C2P			D7U						1			
	L	E4HZ	9051969		C2P			D7U						1			
F-FT600/900		E4TZ	1051944		A9P									1			
		E3TZ	1051944					B2U						1			
L-LN-LNT-LT-LTL- LTS600/900 (exc. Hi-Level Trim)		E4HZ	8051945		A5P			*						1			
L-LN-LNT-LT-LTL- LTS800/900 (Hi-Level Trim)		*															
<b>51968-9 Refer to group 51944-5</b>																	
<b>519870-1 PANEL (SLEEPING COMPARTMENT ROOF TRIM)</b>																	
CL-CLT900 -- 88" BBC -vinyl  -cloth -- 110" BBC	R	E4HZ	90519B70		B2P			B7U						1			
	L	E4HZ	90519B71		B2P			B7U						1			
			*														
<b>519A76 Refer to group 51944-5</b>																	
<b>60012-16 SEAT ASSY. (DRIVER or PASSENGER)</b>																	
Notes: D-Driver, P-Passenger																	
CL-CLT900 -- Bostrom Levelair low back -vinyl -cloth and vinyl	D/P	*															
	D/P	E4HZ	9060012		*			GAH	*					AR			
CL-CLT900 -- Bostrom Levelair high back	D	E4HZ	9060012		HFA				HFT					1			
	P	E4HZ	9060016		HFA				HFT					1			
CL-CLT900 -- Bostrom Westcoaster low back -vinyl -cloth and vinyl	D/P	*															
	D/P	E4HZ	9060012		*			EAH	*					AR			

1980/  
TRUCK SERIES 600/900

BODY TYPE	R/L	PART NUMBER LESS SUFFIX	TRIM CODES, COLORS and APPLICABLE PART NUMBER SUFFIXES													Q T Y		
			TRIM CODES			SECOND CHARACTER of TRIM CODE						ALL CODES BLACK	ALL CODES WHITE	OTHER				
			A	B	D	H	T											
			COLORS	LENGTH [INCHES]	CHAR- COAL	BLUE	RED	TAN	CARA- MEL									
60012-16		SEAT ASSY. (DRIVER or PASSENGER) — Cont'd																
Notes:		D-Driver, P-Passenger																
CL-CLT900 -- Bostrom Westcoaster high back	D	E4HZ 9060012			FFA				FFT									1
	P	E4HZ 9060016			FFA				FFT									1
CL-CLT900 -- Lear Siegler Neway air	D/P	E4HZ 9060012			CNA			CAH										AR
CL-CLT900 -- National low back -vinyl	D/P	E4HZ 9060012			ANA													AR
-cloth and vinyl	D/P	E4HZ 9060012			AFA			AAH	★									AR
CL-CLT900 -- National high back -vinyl	D	E4HZ 9060012			BNA													1
	P	E4HZ 9060016			BNA													1
-cloth and vinyl	D	E4HZ 9060012			BFA			BAH	★									1
	P	E4HZ 9060016			BFA			BAH	BFT									1
CL-CLT900 -- Bostrom Fix Companion low back -vinyl	P	E4HZ 9060016			NA													1
-cloth and vinyl	P	E4HZ 9060016			DA			DH	DT									1
CL-CLT900 -- Bostrom Fix Companion high back	P	E4HZ 9060016			EA				ET									1
F-FT600/800 -- Bostrom Viking T-Bar	D	E4HZ 6060012												A				1
	P	E4HZ 6060016												A				1
F-FT600/800 -- Bostrom Fix Companion	P	E4HZ 6060016												B				1
L-LN-LNT-LT- LTL-LTS600/900 -- Lear Siegler Unison Fixed	D/P	E4HZ 8060012			ANA			AAH										AR
L-LN-LNT-LT- LTL-LTS800/900 -- Bostrom Levelair low back -vinyl	D/P	★																
-cloth and vinyl	D/P	E4HZ 9060012			★			GAH	★									AR
L-LN-LNT-LT- LTL-LTS800/900 -- Bostrom Levelair high back	D	E4HZ 9060012			HFA				HFT									1
	P	E4HZ 9060016			HFA				HFT									1

1980/  
TRUCK SERIES 600/900

BODY TYPE	R/L	PART NUMBER LESS SUFFIX	TRIM CODES, COLORS and APPLICABLE PART NUMBER SUFFIXES												Q T Y
			TRIM CODES	SECOND CHARACTER of TRIM CODE						ALL CODES BLACK	ALL CODES WHITE	OTHER			
				A	B	D	H	T							
COLORS	LENGTH INCHES	CHAR- COAL	BLUE	RED	TAN	CARA- MEL									

60012-16 SEAT ASSY. (DRIVER or PASSENGER) — Cont'd  
Notes: D-Driver, P-Passenger

L-LN-LNT-LT- LTL-LTS800/900 -- Bostrom West Coaster low back -vinyl -cloth and vinyl	D/P	*																
L-LN-LNT-LT- LTL-LTS800/900 -- Bostrom West Coaster high back	D/P	E4HZ 9060012		*			EAH	*										AR
L-LN-LNT-LT- LTL-LTS800/900 -- Bostrom West Coaster high back	D	E4HZ 9060012		FFA				FFT										1
L-LN-LNT-LT- LTL-LTS800/900 -- Bostrom Fix Companion low back -vinyl -cloth and vinyl	P	E4HZ 9060016		FFA				FFT										1
L-LN-LNT-LT- LTL-LTS800/900 -- Bostrom Fix Companion low back -vinyl -cloth and vinyl	P	E4HZ 9060016		NA														1
L-LN-LNT-LT- LTL-LTS800/900 -- Bostrom Fix Companion low back -vinyl -cloth and vinyl	P	E4HZ 9060016		DA			DH	DT										1
L-LN-LNT-LT- LTL-LTS800/900 -- Bostrom Fix Companion high back	P	E4HZ 9060016		EA				ET										1
L-LN-LNT-LT- LTL-LTS800/900 -- Lear Siegler Neway air	D/P	E4HZ 9060012		CNA			CAH											AR
L-LN-LNT-LT- LTL-LTS800/900 -- National low back -vinyl -cloth and vinyl	D/P	E4HZ 9060012		ANA														AR
L-LN-LNT-LT- LTL-LTS800/900 -- National low back -vinyl -cloth and vinyl	D/P	E4HZ 9060012		FAA			AAH	*										AR
L-LN-LNT-LT- LTL-LTS800/900 -- National high back-vinyl	D	E4HZ 9060012		BNA														1
L-LN-LNT-LT- LTL-LTS800/900 -- National high back-vinyl -cloth and vinyl	P	E4HZ 9060016		BNA														1
L-LN-LNT-LT- LTL-LTS800/900 -- National high back-vinyl -cloth and vinyl	D	E4HZ 9060012		BFA			BAH	*										1
L-LN-LNT-LT- LTL-LTS800/900 -- National high back-vinyl -cloth and vinyl	P	E4HZ 9060016		BFA			BAH	BFT										1

BODY TYPE	R/L	PART NUMBER	DESCRIPTION	QTY
60050-3		CUSHION KIT (SEAT)-Less cover		
C-CT600/800		E0KZ 6060050-A	Full width seat-standard	1
		D3KZ 6060050-B	Full width seat-heavy duty	1
	R	D3KZ 6060052-A	Lear Siegler Unison Action	1
	L	D3KZ 6060053-A	Lear Siegler Unison Action	1
F-FT600/800		E7TZ 1063222-A	Pad-full width seat	1
		E7TZ 1563100-A	Spring-full width seat	1
		E2TZ 1063226-A	Pad support-full width seat	1
L-LN-LNT-LT-LTS 600/900		D3HZ 8060050-B	Full width seat	1

**1980/  
TRUCK SERIES 600/900**

BODY TYPE	R/L	PART NUMBER LESS SUFFIX	TRIM CODES, COLORS and APPLICABLE PART NUMBER SUFFIXES											Q T Y
		TRIM CODES	SECOND CHARACTER of TRIM CODE							ALL CODES	ALL CODES	OTHER	Y	
		COLORS	LENGTH INCHES	CHAR- COAL	BLUE	RED	TAN	CARA- MEL				BLACK	WHITE	
<b>60052-3</b>		<b>CUSHION ASSY. (SEAT)-Includes cover</b>												
Notes:		D-Driver, P-Passenger												
CL-CLT900 - - Bostrom -vinyl -cloth and vinyl	D/P	E4HZ 9060053		BNA										AR
CL-CLT900 - - National -vinyl -cloth and vinyl	D/P	E4HZ 9060053		ANA			BAH	BFT						AR
L-LN-LNT-LT- LTL-LTS800/900 - - Bostrom -vinyl -cloth and vinyl	D/P	E4HZ 9060053		AFA			AAH	AFT						AR
L-LN-LNT-LT- LTL-LTS800/900 - - National -vinyl -cloth and vinyl	D/P	E4HZ 9060053		BNA										AR
L-LN-LNT-LT- LTL-LTS800/900 - - National -vinyl -cloth and vinyl	D/P	E4HZ 9060053		ANA										AR
L-LN-LNT-LT- LTL-LTS800/900 - - National -vinyl -cloth and vinyl	D/P	E4HZ 9060053		AFA			AAH	AFT						AR
BODY TYPE	R/L	PART NUMBER LESS SUFFIX	DESCRIPTION											QTY
<b>60136-7</b>		<b>BACK (KIT)-Less cover</b>												
C-CT600/800	R	E0KZ 6060136-A	Full width seat											1
	L	E0KZ 6060137-A	Full width seat											1
	R	D3KZ 6060136-B	Lear Siegler Unison Action											1
	L	D3KZ 6060137-B	Lear Siegler Unison Action											1
F-FT600/800		E7TZ 1561018-B	Frame-full width seat											1
		E0TZ 1064810-A	Pad-full width seat											1
L-LN-LNT-LT-LTS 600/900		D3HZ 8060136-A	Full width seat											1
BODY TYPE	R/L	PART NUMBER LESS SUFFIX	TRIM CODES, COLORS and APPLICABLE PART NUMBER SUFFIXES											Q T Y
		TRIM CODES	SECOND CHARACTER of TRIM CODE							ALL CODES	ALL CODES	OTHER	Y	
		COLORS	LENGTH INCHES	CHAR- COAL	BLUE	RED	TAN	CARA- MEL				BLACK	WHITE	
<b>60136-7</b>		<b>BACK ASSY. (SEAT)-Includes cover</b>												
Notes:		D-Driver, P-Passenger												
CL-CLT900 - - Bostrom low back vinyl -cloth and vinyl	D/P	E4HZ 9060136		CNA										AR
CL-CLT900 - - Bostrom high back	D/P	E4HZ 9060136		DFA			CAH	CFT						AR
CL-CLT900 - - National low back -vinyl -cloth and vinyl	D/P	E4HZ 9060136		ANA										AR
CL-CLT900 - - National high back -vinyl -cloth and vinyl	D/P	E4HZ 9060136		AFA			AAH	AFT						AR
CL-CLT900 - - National high back -vinyl -cloth and vinyl	D/P	E4HZ 9060136		BNA										AR
CL-CLT900 - - National high back -vinyl -cloth and vinyl	D/P	E4HZ 9060136		BFA			BAH	BFT						AR



**1980/  
TRUCK SERIES 600/900**

BODY TYPE	R/L	PART NUMBER LESS SUFFIX	TRIM CODES AND APPLICABLE PART NUMBER SUFFIXES												QTY								
64416-7		COVER (SEAT BACK)																					
			TRIM CODES ▶	AA	EA	FA	GA																
C-CT600/800	R	E4HZ 6064416	★	AEA	★																	1	
	L	E4HZ 6064417	★	AEA	★																		1
	R	D3KZ 6064416				A																	1
	L	D3KZ 6064417				A																	1
64810		Refer to group 60136-7																					



# 1980/ TRUCK SERIES 600/900

1985 SOFT TRIM SCHEME CODES as listed on warranty plate			
CODE	MODEL	TRIM SCHEME	TYPE OF SEAT

**C-CT SERIES**

Notes: H/D-Heavy Duty

AA	C-CT600/800	Charcoal all vinyl	Full width
EA	C-CT600/800	Charcoal and black knit vinyl	Full width
FA	C-CT600/800	Black all vinyl (H/D)	Full width
GA	C-CT600/800	Black all vinyl	Lear Siegler

**CL-CLT SERIES**

AH	CL-CLT900	Tan/saddle cloth and vinyl	Bostrom, National, Lear Siegler
FA	CL-CLT900	Charcoal cloth and vinyl	Bostrom, National
FT	CL-CLT900	Caramel cloth and vinyl	Bostrom, National
NA	CL-CLT900	Charcoal knit vinyl	Bostrom, National, Lear Siegler

**F-FT SERIES**

Notes: H/D-Heavy Duty

BA	F-FT600/900	Charcoal all vinyl	Full width
BH	F-FT600/900	Tan all vinyl	Full width
CA	F-FT600/900	Charcoal cloth and vinyl	Full width
CH	F-FT600/900	Tan cloth and vinyl	Full width
GA	F-FT600/900	Black all vinyl (H/D)	Full width
GH	F-FT600/900	Black all vinyl (H/D)	Full width
HA	F-FT600/900	Black all vinyl (H/D)	Bostrom
HH	F-FT600/900	Black all vinyl (H/D)	Bostrom

**L-LN-LNT-LT-LTL-LTS SERIES**

Notes: H/D-Heavy Duty

AH	L-LN-LNT-LT-LTL-LTS600/900	Tan/saddle cloth and vinyl	Bostrom, National, Lear Siegler
BH	L-LN-LNT-LT-LTS600/800	Tan/saddle cloth and vinyl	Full width
FA	L-LN-LNT-LT-LTL-LTS800/900	Charcoal cloth and vinyl	Bostrom, National
FT	L-LN-LNT-LT-LTL-LTS800/900	Caramel cloth and vinyl	Bostrom, National
JA	L-LN-LNT-LT-LTS600/800	Charcoal all vinyl	Full width
MA	L-LN-LNT-LT-LTS600/800	Black all vinyl (H/D)	Full width
MH	L-LN-LNT-LT-LTS600/800	Black all vinyl (H/D)	Full width
NA	L-LN-LNT-LT-LTL-LTS600/900	Charcoal all vinyl	Bostrom, National, Lear Siegler

THE SOFT TRIM SECTION INCLUDES ONLY THOSE ITEMS WHICH WERE  
AVAILABLE FOR SERVICE AT TIME OF PRINTING. ITEMS NOT  
SHOWN OR INDICATED WITH A BLACK STAR (★) IN THE CATALOG  
MUST BE IMPROVISED OR PROCURED LOCALLY.

**1980/  
TRUCK SERIES 600/900**

BODY TYPE	R/L	PART NUMBER LESS SUFFIX	TRIM CODES, COLORS and APPLICABLE PART NUMBER SUFFIXES													Q T Y
			TRIM CODES	SECOND CHARACTER of TRIM CODE						ALL CODES BLACK	ALL CODES WHITE	OTHER				
				A	B	D	H	T								
COLORS	LENGTH INCHES	CHAR- COAL	BLUE	RED	TAN	CARA- MEL										
<b>02344-5</b>		<b>PANEL (COWL TRIM)</b>														
CL-CLT900	R		Refer to group 04320 in the Body Section													
- - outer	L	D8HZ 9002345												A	1	
- - inner	L	D8HZ 9002345												B	1	
L-LN-LNT-LT-LTL-LTS800/900 (Hi-Level trim)	R	E7HZ 8002344												A5A	1	
	L	E1HZ 8002345												A5A	1	
<b>03508-9</b>		<b>COVER (WINDSHIELD HEADER)</b>														
CL-CLT900	R	D8HZ 9003508												A	1	
- - carpet	L	D8HZ 9003509												A	1	
<b>03514-5</b>		<b>COVER (WINDSHIELD HEADER CORNER)</b>														
CL-CLT900	R	D8HZ 9003514												A	1	
- - carpet	L	D8HZ 9003515												A	1	
<b>04104-5</b>		<b>VISOR ASSY.</b>														
Notes:		● All charcoal														
C-CT600/800	R/L	E4HZ 6004104		A5P											2	
CL-CLT900	R/L	E4HZ 9004104		●A5P				★	★						2	
F-FT600/900	R/L	E4TZ 1504104		A3P				A0U							2	
L-LN-LNT-LT-LTL-LTS600/900 (Base Trim) - - w/o radio	R/L	E4HZ 8004104		A5P											2	
- - w/radio	R/L	E4HZ 8004104		B5P											2	
L-LN-LNT-LT-LTL-LTS800/900 (Custom and Hi-Level Trim) - - w/o radio	R/L	★														
- - w/radio	R	E4HZ 8004104		C5P				★	★						1	
	L	E4HZ 8004105		C5P				★	★						1	
<b>04118</b>		<b>VISOR ASSY. (CENTER)</b>														
Notes:		● All charcoal														
CL-CLT900		E4HZ 9004118		●A5P				★	★						1	
<b>04282</b>		<b>PAD (INSTRUMENT PANEL)</b>														
Notes:		▲ Use black														
C-CT600/900		D4KZ 6004282		▲										A	1	
F-FT600/900		E4TZ 1004282		B0P											1	
		E3TZ 1004282							B5U						1	
L-LN-LNT-LTL-LTS600/900 - - w/city delivery instrument panel -w/o integral A/C		E4HZ 8004282	44 3/4	A8A											1	
-w/integral A/C		E1HZ 8004282	44 3/4					B0Z	B0Z						1	
- - w/line haul instrument panel -w/o integral A/C	\$	E1HZ 9004282	22 1/2	★				B0Z	B0Z						1	
-w/integral A/C	\$	★														

1980/  
TRUCK SERIES 600/900

BODY TYPE	R/L	PART NUMBER LESS SUFFIX	TRIM CODES, COLORS and APPLICABLE PART NUMBER SUFFIXES											Q T Y		
			TRIM CODES	SECOND CHARACTER of TRIM CODE						ALL CODES BLACK	ALL CODES WHITE	OTHER				
				A	B	D	H	T								
COLORS	LENGTH INCHES	CHAR- COAL	BLUE	RED	TAN	CARA- MEL										
<b>045C84 PAD (INSTRUMENT PANEL CLUSTER)</b>																
L-LN-LNT-LT-LTL-LTS600/900 - - except fleet -w/city delivery instrument panel -w/line haul instrument panel		E1HZ 80045C84		*			A0Z	A0Z								1
		*														
L-LN-LNT-LT-LTL-LTS800/900 - - fleet		*														
<b>10550 CARPET (ENGINE COVER)</b>																
CL-CLT900 - - 64" BBC		E4HZ 9010550		D4P												1
- - 88" BBC -w/o custom or High-Level trim		E4HZ 9010550		F4P												1
- - 88", 110" BBC -w/Custom or High- Level Trim		E4HZ 9010550		A4P			*	*								1
L-LN-LNT-LT-LTL-LTS800/900		*														
<b>13000-1 CARPET (FRONT FLOOR)</b>																
CL-CLT900 - - 88", 110" BBC	R	E4HZ 9013000		A4P			*									1
	L	E4HZ 9013001		A4P			*									1
L-LN-LNT-LT-LTS800 (exc. 3208T diesel) - - solid floor		E4HZ 8013000		E4P			*									1
LN-LNT800 (w/3208T diesel)		E4HZ 8013000		J4P			*									1
L-LT-LTS900 - - partial doghouse LTL900 (exc. Diesel 8V-92)		E4HZ 8013000		F4P			*									1
LN-LNT900 - - full doghouse		E4HZ 8013000		G4P			*									1
LTL900 (w/Diesel 8V-92)		*														
<b>13010-1 MAT (FRONT FLOOR)</b>																
Notes: @ Add transmission hole as required, ▲ Use black, ● Use Chestnut, \$ Chestnut																
C-CT600/800	@	E4HZ 6013010		▲								A8A				1
CL-CLT900 64" BBC	R	E4HZ 9013010		B4P												1
	L	E4HZ 9013011		B4P												1
88" BBC	R	E4HZ 9013010		C4P												1
	L	E4HZ 9013011		C4P												1
	R	E0HZ 9013010					C3Z									1
	L	E0HZ 9013011					C3Z									1
F-FT600/900 - - w/full width seat - - w/o A/C - - w/A/C		E8HZ 6013010		▲			▲					B8A				1
		E8HZ 6013010		▲			▲					A8A				1

**1980/  
TRUCK SERIES 600/900**

BODY TYPE	R/L	PART NUMBER LESS SUFFIX	TRIM CODES, COLORS and APPLICABLE PART NUMBER SUFFIXES													Q T Y
			TRIM CODES			SECOND CHARACTER of TRIM CODE							ALL CODES	ALL CODES	OTHER	
			A	B	D	H	T					BLACK	WHITE			
COLORS	LENGTH INCHES	CHAR- COAL	BLUE	RED	TAN	CARA- MEL										
<b>13010-1 MAT (FRONT FLOOR) — Cont'd</b>																
Notes: @ Add transmission hole as required, ▲ use black, ● Use Chestnut, \$Chestnut																
F-FT600/800 -- w/individual seats		E8HZ 6013010		▲			▲							A8A		1
L-LN-LNT-LT- LTS600/900 (exc. 3208T Diesel) -- solid floor		E2HZ 8013010		▲										A6A		1
-- partial doghouse		E7HZ 8013010					●								\$ A6U	1
-- full doghouse		E2HZ 8013010		▲			B8Z							B6A		1
LN-LNT800 (w/3208T Diesel)		E2HZ 8013010		▲			C8Z							C6A		1
LTL900 (exc Diesel 8V-92)		E2HZ 8013010		▲			D8Z							D6A		1
LTL900 (w/Diesel 8V-92)		E2HZ 8013010		▲			B8Z							B6A		1
LTL900 (w/Diesel 8V-92)		E2HZ 8013010		▲			E8Z							E6A		1
<b>13086 MAT (FRONT FLOOR)</b>																
Notes: † Cut to form twin mats if so desired																
<b>FULL WIDTH</b>																
F-FT600/900	+	E3TZ 8113086					C									1
	†	D9TZ 8113086												A		1
<b>20104 COMPARTMENT (DOOR STOWAGE)</b>																
CL-CLT900		E4HZ 9020104		A8P												1
L-LN-LNT-LT-LTL- LTS600/900		E8HZ 8020104													B (paint to match)	AR
<b>20126 COVER (DOOR STOWAGE)</b>																
L-LN-LNT-LT-LTL- LTS800/900 -- inner and outer	R/L	E4HZ 8020126		A4P												AR
	R/L	E1HZ 8020126					A2Z									AR
<b>23934-5 PANEL (DOOR TRIM LOWER)</b>																
F-FT600/900	R	E4TZ 1023934		A5P			★									1
	L	E4TZ 1023935		A5P			★									1
<b>23942-3 PANEL (DOOR TRIM UPPER)</b>																
CL-CLT900	R/L	★														
F-FT600/900 -- w/ vinyl insert	R	E4TZ 1023942		A8P												1
	L	E4TZ 1023943		A8P												1
	R	E3TZ 1023942					A7U									1
	L	E3TZ 1023943					A7U									1
-- w/brushed aluminum insert	R	E4TZ 6023942		A8P			★									1
	L	E4TZ 6023943		A8P			★									1
L-LN-LNT-LT-LTL- LTS600/900	R/L	★														



# 1980/ TRUCK SERIES 600/900

BODY TYPE	R/L	PART NUMBER LESS SUFFIX	TRIM CODES, COLORS and APPLICABLE PART NUMBER SUFFIXES													Q T Y
			TRIM CODES	LENGTH INCHES	SECOND CHARACTER of TRIM CODE						ALL CODES BLACK	ALL CODES WHITE	OTHER			
					A CHAR- COAL	B BLUE	D RED	H TAN	T CARA- MEL							
<b>312A10-1 PANEL (SLEEPING COMPARTMENT SIDE)</b>																
CL-CLT900 -- 88" BBC -vinyl	R	E4HZ 90312A10		B2P					C7U						1	
	L	E4HZ 90312A11		B2P					C7U						1	
			★													
-cloth -- 110" BBC		★														
<b>40352-3 Refer to group 40374-5</b>																
<b>40374-5 PANEL (LOWER BACK TRIM)</b>																
CL-CLT900 -- 88" BBC -vinyl -carpet	R/L	★														
	R	E4HZ 9040374		A4P				★	★						1	
	L	E4HZ 9040375		A4P				★	★						1	
-- 110" BBC	R	E4HZ 9040374		A4P					★						1	
	L	E4HZ 9040375		A4P					★						1	
		★														
L-LN-LNT-LT-LTL- LTS600/900 -- vinyl -w/o vert. muffler	R	E4HZ 8040352		A8P											1	
	R	E1HZ 8040352							A						1	
	R	E4HZ 8040352		B8P											1	
	R	E1HZ 8040352							B						1	
	L	E4HZ 8040353		A8P											1	
	L	E1HZ 8040353							A						1	
	L	E4HZ 8040353		B8P											1	
-w/vert. muffler	R	E4HZ 8040352							A						1	
-w/chassis mtd. by-pass oil filter	R	E1HZ 8040352							B						1	
	L	E4HZ 8040353		A8P											1	
	L	E1HZ 8040353							A						1	
-w/cab mtd. by- pass oil filter	L	E4HZ 8040353		B8P										1		
L-LN-LNT-LT-LTL- LTS800/900 -- carpet	L	E1HZ 8040353							B						1	
		E4HZ 8040352		A4P				★	★						1	
<b>40447-8 COVER (BACK PANEL CORNER TRIM)</b>																
CL-CLT900 -- w/o Custom or Hi-Level trim	R	E4HZ 9040447		A8P											1	
	L	E4HZ 9040448		A8P											1	
-- w/Custom or Hi-Level trim	R	E4HZ 9040447		A9P					A7U	A7T					1	
	L	E4HZ 9040448		★					A7U	★					1	

1980/  
TRUCK SERIES 600/900

BODY TYPE	R/L	PART NUMBER LESS SUFFIX	TRIM CODES, COLORS and APPLICABLE PART NUMBER SUFFIXES											Q T Y			
			TRIM CODES	SECOND CHARACTER of TRIM CODE							ALL CODES BLACK	ALL CODES WHITE	OTHER				
				A	B	D	H	T									
COLORS	LENGTH INCHES	CHAR- COAL	BLUE	RED	TAN	CARA- MEL											
466A16-7		PANEL (BACK TRIM UPPER)															
Notes:		\$ Center															
CL-CLT900	R	E4HZ	90466A16		C2P												1
- - 64" BBC	L	E4HZ	90466A17		C2P												1
	\$	E4HZ	90466A16		B2P												1
- - 88" BBC	R	E4HZ	90466A16		E2P				F7U								1
-vinyl	L	E4HZ	90466A17		E2P				F7U								1
-cloth			*														
- - 110" BBC			*														
51944-5		PANEL (ROOF TRIM)															
C-CT600/800	R	E6HZ	6051944		A3P												1
	L	E6HZ	6051945		A3P												1
CL-CLT900	R	E4HZ	9051968		B2P												1
- 64" BBC	L	E4HZ	9051969		B2P												1
- - 88" BBC	R	E4HZ	9051968		C2P				D7U								1
-vinyl	L	E4HZ	9051969		C2P				D7U								1
- - 88", 110" BBC			*														
-cloth																	
F-FT600/900		E4TZ	1051944		A9P												1
		E3TZ	1051944						B2U								1
L-LN-LNT-LT-LTL-		E4HZ	8051945		A5P				*								1
LTS600/900 (exc. Hi-Level Trim)			*														
L-LN-LNT-LT-LTL-			*														
LTS800/900 (Hi-Level Trim)																	
51968-9		Refer to group 51944-5															
519B70-1		PANEL (SLEEPING COMPARTMENT ROOF TRIM)															
CL-CLT900	R	E4HZ	90519B70		B2P				B7U								1
- - 88" BBC	L	E4HZ	90519B71		B2P				B7U								1
-vinyl			*														
-cloth			*														
- - 110" BBC			*														
519A76		Refer to group 51944-5															

1980/  
TRUCK SERIES 600/900

BODY TYPE	R/L	PART NUMBER LESS SUFFIX	TRIM CODES, COLORS and APPLICABLE PART NUMBER SUFFIXES															Q T Y
			TRIM CODES	SECOND CHARACTER of TRIM CODE										ALL CODES BLACK	ALL CODES WHITE	OTHER		
				A	B	D	H	T										
COLORS	LENGTH INCHES	CHAR- COAL	BLUE	RED	TAN	CARA- MEL												
60012-16		SEAT ASSY. (DRIVER or PASSENGER)																
Notes:		D-Driver, P-Passenger																
CL-CLT900 -- Bostrom Levelair low back -vinyl	D/P	★																
-cloth and vinyl	D/P	E4HZ 9060012		★		GAH	★											AR
CL-CLT900 -- Bostrom Levelair high back	D	E4HZ 9060012		HFA			HFT											1
	P	E4HZ 9060016		HFA			HFT											1
CL-CLT900 -- Bostrom Westcoaster low back -vinyl	D/P	★																
-cloth and vinyl	D/P	E4HZ 9060012		★		EAH	★											AR
CL-CLT900 -- Bostrom Westcoaster high back	D	E4HZ 9060012		FFA			FFT											1
	P	E4HZ 9060016		FFA			FFT											1
CL-CLT900 -- Lear Siegler Neway air	D/P	E4HZ 9060012		CNA		CAH												AR
CL-CLT900 -- National low back -vinyl	D/P	E4HZ 9060012		ANA														AR
-cloth and vinyl	D/P	E4HZ 9060012		AFA		AAH	★											AR
CL-CLT900 -- National high back -vinyl	D	E4HZ 9060012		BNA														1
	P	E4HZ 9060016		BNA														1
-cloth and vinyl	D	E4HZ 9060012		BFA		BAH	★											1
	P	E4HZ 9060016		BFA		BAH	BFT											1
CL-CLT900 -- Bostrom Fix Companion low back -vinyl	P	E4HZ 9060016		NA														1
-cloth and vinyl	P	E4HZ 9060016		DA		DH	DT											1
CL-CLT900 -- Bostrom Fix Companion high back	P	E4HZ 9060016		EA			ET											1
F-FT600/900 -- Bostrom Viking T-Bar	D	E4HZ 6060012										A				1		
	P	E4HZ 6060016										A				1		
F-FT600/900 -- Bostrom Fix Companion	P	E4HZ 6060016										B				1		
L-LN-LNT-LT- LTL-LTS600/900 -- Lear Siegler Unison Fixed	D/P	E4HZ 8060012		ANA		AAH												AR





**1980/  
TRUCK SERIES 600/900**

BODY TYPE	R/L	PART NUMBER	DESCRIPTION	QTY
60050-3		CUSHION KIT (SEAT)-Less cover		
C-CT600/800		E0KZ 6060050-A	Full width seat-standard	1
		D3KZ 6060050-B	Full width seat-heavy duty	1
	R	D3KZ 6060052-A	Lear Siegler Unison Action	1
	L	D3KZ 6060053-A	Lear Siegler Unison Action	1
F-FT600/900 "Before 12/84"		E7TZ 1063222-A	Pad-full width seat	1
		E7TZ 1563100-A	Spring-full width seat	1
		E2TZ 1063226-A	Pad-support-full width seat	1
		E5HZ 6060050-A	Full width seat	1
L-LN-LNT-LT-LTS 600/900		D3HZ 8060050-B	Full width seat	1
				1

BODY TYPE	R/L	PART NUMBER LESS SUFFIX	TRIM CODES, COLORS and APPLICABLE PART NUMBER SUFFIXES										Q	
TRIM CODES			SECOND CHARACTER of TRIM CODE						ALL	ALL	OTHER			T
COLORS			LENGTH	CHAR-	BLUE	RED	TAN	CARA-	MEL	BLACK	WHITE			Y
			INCHES	COAL										

60052-3		CUSHION ASSY. (SEAT)-Includes cover													Q	
Notes:		D-Driver, P-Passenger													T	
CL-CLT900 - - Bostrom -vinyl -cloth and vinyl	D/P	E4HZ 9060053		BNA												AR
	D/P	E4HZ 9060053		BFA			BAH	BFT								AR
CL-CLT900 - - National -vinyl -cloth and vinyl	D/P	E4HZ 9060053		ANA												AR
	D/P	E4HZ 9060053		AFA			AAH	AFT								AR
L-LN-LNT-LT- LTL-LTS800/900 - - Bostrom -vinyl -cloth and vinyl	D/P	E4HZ 9060053		BNA												AR
	D/P	E4HZ 9060053		BFA			BAH	BFT								AR
L-LN-LNT-LT- LTL-LTS800/900 - - National -vinyl -cloth and vinyl	D/P	E4HZ 9060053		ANA												AR
	D/P	E4HZ 9060053		AFA			AAH	AFT								AR

BODY TYPE	R/L	PART NUMBER	DESCRIPTION	QTY
60136-7		BACK (KIT)-Less cover		
C-CT600/800	R	E0KZ 6060136-A	Full width seat	1
	L	E0KZ 6060137-A	Full width seat	1
	R	D3KZ 6060136-B	Lear Siegler Unison Action	1
	L	D3KZ 6060137-B	Lear Siegler Unison Action	1
F-FT600/900 "Before 12/84"		E7TZ 1561018-B	Frame-full width seat	1
		E0TZ 1064810-A	Pad-full width seat	1
		E7HZ 6061018-A	Frame-full width seat	1
		E0TZ 1064810-A	Pad-full width seat	1
L-LN-LNT-LT-LTS 600/900		D3HZ 8060136-A	Full width seat	1
				1



1980/  
TRUCK SERIES 600/900

1985 SOFT TRIM TEXT SECTION 11

BODY TYPE	R/L	PART NUMBER LESS SUFFIX	TRIM CODES AND APPLICABLE PART NUMBER SUFFIXES								QTY
64300-1	ARM REST ASSY. (SEAT BACK SIDE)										
TRIM CODES ▶ AA EA FA GA											
C-CT600/800	R	E4HZ 6064300	BFA	BFA	BFA	BFA					1
	L	E4HZ 6064301	BFA	BFA	BFA	BFA					1
TRIM CODES ▶ AH FA FT NA											
CL-CLT900 -- -- National	R	E4HZ 9064300	AAH	AFA	AFT	AFA					1
	L	E4HZ 9064301	AAH	AFA	AFT	AFA					1
TRIM CODES ▶ AH FA FT NA											
L-LN-LNT-LT- LTL-LTS800/900 -- National	R	E4HZ 9064300	AAH	AFA	AFT	AFA					1
	L	E4HZ 9064301	AAH	AFA	AFT	AFA					1
64416-7	COVER (SEAT BACK)										
TRIM CODES ▶ AA EA FA GA											
C-CT600/800	R	E4HZ 6064416	*	AEA							1
	L	E4HZ 6064417	*	AEA							1
	R	E5HZ 6064416			AFA						1
	L	E5HZ 6064417			AFA						1
	R	D3KZ 6064416				A					1
	L	D3KZ 6064417				A					1
TRIM CODES ▶ BA BH CA CH GA GH											
F-FT600/900		E5TZ 1564416	*	*	*	*	AGA	AGA			1
TRIM CODES ▶ BH JA MA MH											
L-LN-LNT-LT- LTS600/800		E5HZ 8064416	*	*	AMA	AMA					1
64810	Refer to group 60136-7										

# 1980/ TRUCK SERIES 600/900

1986 SOFT TRIM SCHEME CODES as listed on warranty plate			
CODE	MODEL	TRIM SCHEME	TYPE OF SEAT

**C-CT SERIES**

Notes: H/D-Heavy Duty

AA	C-CT600/800	Charcoal all vinyl	Full width
EA	C-CT600/800	Charcoal and black knit vinyl	Full width
FA	C-CT600/800	Black all vinyl (H/D)	Full width
GA	C-CT600/800	Black all vinyl	Lear Siegler

**CF SERIES**

	CF600/700	Black/red cloth and vinyl	
	CF600/700	Black/red all vinyl	

**CL-CLT SERIES**

AH	CL-CLT900	Tan/saddle cloth and vinyl	Bostrom, National, Lear Siegler
FA	CL-CLT900	Charcoal cloth and vinyl	Bostrom, National
FT	CL-CLT900	Caramel cloth and vinyl	Bostrom, National
NA	CL-CLT900	Charcoal knit vinyl	Bostrom, National, Lear Siegler

**F-FT SERIES**

Notes: H/D-Heavy Duty

BA	F-FT600/900	Charcoal all vinyl	Full width
BK	F-FT600/900	Chestnut all vinyl	Full width
CA	F-FT600/900	Charcoal cloth and vinyl	Full width
CK	F-FT600/900	Chestnut cloth and vinyl	Full width
GA	F-FT600/900	Black all vinyl (H/D)	Full width
GK	F-FT600/900	Black all vinyl (H/D)	Full width
HA	F-FT600/900	Black all vinyl (H/D)	Bostrom
HK	F-FT600/900	Black all vinyl (H/D)	Bostrom

**L-LN-LNT-LT-LTL-LTS SERIES**

Notes: H/D-Heavy Duty

AH	L-LN-LNT-LT-LTL-LTS700/900	Tan/saddle cloth and vinyl	Bostrom, National, Lear Siegler
BH	L-LN-LNT-LT-LTS700/800	Tan/saddle cloth and vinyl	Full width
FA	L-LN-LNT-LT-LTL-LTS800/900	Charcoal cloth and vinyl	Bostrom, National
FT	L-LN-LNT-LT-LTL-LTS800/900	Caramel cloth and vinyl	Bostrom, National
JA	L-LN-LNT-LT-LTS700/800	Charcoal all vinyl	Full width
MA	L-LN-LNT-LT-LTS700/800	Black all vinyl (H/D)	Full width
MH	L-LN-LNT-LT-LTS700/800	Black all vinyl (H/D)	Full width
NA	L-LN-LNT-LT-LTL-LTS700/900	Charcoal all vinyl	Bostrom, National, Lear Siegler

THE SOFT TRIM SECTION INCLUDES ONLY THOSE ITEMS WHICH WERE AVAILABLE FOR SERVICE AT TIME OF PRINTING. ITEMS NOT SHOWN OR INDICATED WITH A BLACK STAR (★) IN THE CATALOG MUST BE IMPROVISED OR PROCURED LOCALLY.

**1980/  
TRUCK SERIES 600/900**

BODY TYPE	R/L	PART NUMBER LESS SUFFIX	TRIM CODES, COLORS and APPLICABLE PART NUMBER SUFFIXES													Q T Y			
			TRIM CODES		SECOND CHARACTER of TRIM CODE								ALL CODES	ALL CODES	OTHER				
			CHAR-	COAL	A	B	D	G	H	J	K	T	BLACK	WHITE					
COLORS	LENGTH INCHES	BLUE	RED	SMOKE	TAN	GRAY	CHEST- NUT	CARA- MEL											
<b>02344-5</b>		<b>PANEL (COWL TRIM)</b>																	
CL-CLT900	R		Refer to group 04320 in the Body Section																
-- outer	L	D8HZ 9002345														A			1
-- inner	L	D8HZ 9002345														B			1
L-LN-LNT-LT-LTL-LTS800/900 (Hi-Level trim)	R	E7HZ 8002344														A5A			1
	L	E1HZ 8002345														A5A			1
<b>03508-9</b>		<b>COVER (WINDSHIELD HEADER)</b>																	
CL-CLT900	R	D8HZ 9003508														A			1
-- carpet	L	D8HZ 9003509														A			1
<b>03514-5</b>		<b>COVER (WINDSHIELD HEADER CORNER)</b>																	
CL-CLT900	R	D8HZ 9003514														A			1
-- carpet	L	D8HZ 9003515														A			1
<b>04104-5</b>		<b>VISOR ASSY.</b>																	
Notes:		● All charcoal																	
C-CT600/800	R/L	E4HZ 6004104		A5P															AR
CF600/700	R	E6HZ 6004104								B									1
	L	E6HZ 6004105								B									1
CL-CLT900	R/L	E4HZ 9004104		●A5P					*				*						AR
F-FT600/900	R/L	E6TZ 1504104		A7P								A5U							AR
L-LN-LNT-LT-LTL-LTS700/900 (Base Trim) -- w/o radio	R/L	E4HZ 8004104		A5P															AR
-- w/radio	R/L	E4HZ 8004104		B5P															AR
L-LN-LNT-LT-LTL-LTS800/900 (Custom and Hi-Level Trim) -- w/o radio	R/L	*																	
-- w/radio	R	E4HZ 8004104		C5P					*				*						1
	L	E4HZ 8004105		C5P					*				*						1
<b>04118</b>		<b>VISOR ASSY. (CENTER)</b>																	
Notes:		● All charcoal																	
CL-CLT900		E4HZ 9004118		●A5P					*				*						1
<b>04282</b>		<b>PAD (INSTRUMENT PANEL)</b>																	
Notes:		▲ Use black																	
C-CT600/900		D4KZ 6004282		▲												A			1
F-FT600/900		E4TZ 1004282		B0P															1
		E6TZ 1004282										B7U							1

1980/  
TRUCK SERIES 600/900

BODY TYPE	R/L	PART NUMBER LESS SUFFIX	TRIM CODES, COLORS and APPLICABLE PART NUMBER SUFFIXES													Q T Y		
			TRIM CODES	SECOND CHARACTER of TRIM CODE										ALL CODES BLACK	ALL CODES WHITE		OTHER	
				A	B	D	G	H	J	K	T							
LENGTH INCHES	CHAR- COAL	BLUE	RED	SMOKE	TAN	GRAY	CHEST- NUT	CARA- MEL										
<b>04282</b>		<b>PAD (INSTRUMENT PANEL) — Cont'd</b>																
<b>Notes:</b>		\$ Also used for fleet																
L-LN-LNT-LTL- LTS700/900 -- w/city delivery instrument panel -w/o integral A/C  -w/integral A/C -- w/line haul instrument panel -w/o integral A/C -w/integral A/C		E4HZ	8004282	44 3/4	A8A													1
		E1HZ	8004282	44 3/4						BOZ			BOZ					1
			*															
		\$	E1HZ	9004282	22 1/2	*					BOZ			BOZ				
			*															
<b>045C84</b>		<b>PAD (INSTRUMENT PANEL CLUSTER)</b>																
L-LN-LNT-LT-LTL- LTS700/900 -- except fleet -w/city delivery instrument panel -w/line haul instrument panel		E1HZ	80045C84		*					AOZ			AOZ					1
			*															
			*															
L-LN-LNT-LT-LTL- LTS800/900 -- fleet			*															
<b>10550</b>		<b>CARPET (ENGINE COVER)</b>																
CL-CLT900 -- 64" BBC -- 88" BBC -w/o custom or High-Level trim -- 88", 110" BBC -w/Custom or High- Level Trim		E4HZ	9010550		D4P													1
		E4HZ	9010550		F4P													1
		E4HZ	9010550		A4P				*				*					1
			*															
L-LN-LNT-LT-LTL- LTS800/900			*															
<b>13000-1</b>		<b>CARPET (FRONT FLOOR)</b>																
CL-CLT900 -- 88", 110" BBC	R	E4HZ	9013000		A4P								*					1
	L	E4HZ	9013001		A4P								*					1

**1980/  
TRUCK SERIES 600/900**

BODY TYPE	R/L	PART NUMBER LESS SUFFIX	TRIM CODES, COLORS and APPLICABLE PART NUMBER SUFFIXES												Q T Y		
			TRIM CODES	SECOND CHARACTER of TRIM CODE								ALL CODES	ALL CODES	OTHER			
				A	B	D	G	H	J	K	T					BLACK	WHITE
COLORS	LENGTH INCHES	CHAR- COAL	BLUE	RED	SMOKE	TAN	GRAY	CHEST- NUT	CARA- MEL								
<b>13000-1</b>		<b>CARPET (FRONT FLOOR)— Cont'd</b>															
L-LN-LNT-LT- LTS800 (exc. 3208T diesel) -- solid floor		E4HZ 8013000		E4P									*				1
LN-LNT800 (w/3208T diesel)		E4HZ 8013000		J4P									*				1
L-LT-LTS900 -- partial doghouse LTL900 (exc. Diesel 8V-92)		E4HZ 8013000		F4P									*				1
LN-LNT900 -- full doghouse LTL900 (w/Diesel 8V-92)		E4HZ 8013000		G4P									*				1
		*															
<b>13010-1</b>		<b>MAT (FRONT FLOOR)</b>															
<b>Notes:</b>		@ Add transmission hole as required, ▲ Use black, ● Use Chestnut															
C-CT600/800	@	E4HZ 6013010		▲											A8A		1
CF600/700		E7HZ 6013010													A		1
CL-CLT900 -- 64" BBC	R	E4HZ 9013010		B4P													1
-- 88" BBC	L	E4HZ 9013011		B4P													1
	R	E4HZ 9013010		C4P													1
	L	E4HZ 9013011		C4P													1
	R	E0HZ 9013010						C3Z									1
F-FT600/900 -- w/full width seat -- w/o A/C -- w/A/C	L	E0HZ 9013011					C3Z										1
		E8HZ 6013010		▲								▲			B8A		1
F-FT600/900 -- w/individual seats		E8HZ 6013010		▲								▲			A8A		1
L-LN-LNT-LT- LTS700/900 (exc. 3208T Diesel) -- solid floor		E2HZ 8013010		▲											A6A		1
-- partial doghouse -- full doghouse		E7HZ 8013010						●		A6U							1
		E2HZ 8013010		▲				B8Z							B6A		1
LN-LNT800 (w/3208T Diesel)		E2HZ 8013010		▲				C8Z							C6A		1
LTL900 (exc Diesel 8V-92)		E2HZ 8013010		▲				D8Z							D6A		1
LTL900 (w/Diesel 8V-92)		E2HZ 8013010		▲				B8Z							B6A		1
LTL900 (w/Diesel 8V-92)		E2HZ 8013010		▲				E8Z							E6A		1
<b>13016</b>		<b>MAT (FRONT FLOOR REAR)</b>															
CF600/700		E7HZ 6013016													B		1



1980/  
TRUCK SERIES 600/900

BODY TYPE	R/L	PART NUMBER LESS SUFFIX	TRIM CODES, COLORS and APPLICABLE PART NUMBER SUFFIXES											Q T Y			
			TRIM CODES	SECOND CHARACTER of TRIM CODE								ALL CODES	ALL CODES		OTHER		
COLORS	LENGTH INCHES	CHAR- COAL		BLUE	RED	SMOKE	TAN	GRAY	CHEST- NUT	CARA- MEL	BLACK			WHITE			
			<b>13086</b>									<b>MAT (FRONT FLOOR)</b>					
<b>Notes:</b>		† Cut to form twin mats if so desired															
<b>FULL WIDTH</b>																	
F-FT600/900	†	E3TZ 8113086															
	†	D9TZ 8113086												A			
<b>20104</b>		<b>COMPARTMENT (DOOR STOWAGE)</b>															
CF600/700	R	E6HZ 6020104															
	L	E6HZ 6020105															
CL-CLT900		E4HZ 9020104		A8P													
L-LN-LNT-LT-LTL-LTS700/900		E8HZ 8020104															B (paint to match) AR
<b>20126</b>		<b>COVER (DOOR STOWAGE)</b>															
L-LN-LNT-LT-LTL-LTS800/900	R/L	E4HZ 8020126		A4P													AR
- - inner and outer	R/L	E1HZ 8020126												A2Z			AR
<b>23902-3</b>		<b>PANEL (DOOR TRIM LOWER)</b>															
CF600/700	R	E6HZ 6023902															
	L	E6HZ 6023903															
CL-CLT900		★															
F-FT600/900	R	E4TZ 1023934		A5P													
	L	E4TZ 1023935		A5P													
	R	E6TZ 1023934												A9U			
	L	E6TZ 1023935												A9U			
<b>23934-5</b>		Refer to group 23902-3															
<b>23942-3</b>		<b>PANEL (DOOR TRIM UPPER)</b>															
CF600/700	R	E7HZ 6023942															
	L	E7HZ 6023943															
CL-CLT900	R/L	★															
F-FT600/900 - - w/ vinyl insert	R	E4TZ 1023942		A8P													
	L	E4TZ 1023943		A8P													
	R	E6TZ 1023942												A9U			
	L	E6TZ 1023943												A9U			
- - w/brushed aluminum insert	R	E4TZ 6023942		A8P													
	L	E4TZ 6023943		A8P													
	R	E6TZ 6023942												A9U			
	L	E6TZ 6023943												A9U			

# 1980/ TRUCK SERIES 600/900

BODY TYPE	R/L	PART NUMBER LESS SUFFIX	TRIM CODES, COLORS and APPLICABLE PART NUMBER SUFFIXES													Q
		TRIM CODES	SECOND CHARACTER of TRIM CODE								ALL CODES	ALL CODES	OTHER	Y		
		COLORS	LENGTH INCHES	CHAR- COAL	BLUE	RED	SMOKE	TAN	GRAY	CHEST- NUT	CARA- MEL	BLACK	WHITE			
		<b>23942-3</b> PANEL (DOOR TRIM UPPER) — Cont'd														
L-LN-LNT-LT-LTL-LTS700/900	R/L	★														
		24100-1 Refer to group 24140-1														
		<b>24140-1</b> ARM REST (DOOR)														
CF600/700 -- pad	R/L	E7HZ 6024100							A							AR
CL-CLT900 -- pad	R/L	E4HZ 9024100		A8P									★			AR
F-FT600/900 -- pad	R/L	D9HZ 9024100						A1Z								AR
	R	E4TZ 1024100		A8P												1
	L	E4TZ 1024101		A8P												1
	R	E6TZ 1024100								A9U						1
L-LN-LNT-LT-LTL-LTS700/900	L	E6TZ 1024101								A9U						1
	R	E4HZ 9024140		A7P												1
	L	E4HZ 9024141		A7P												1
	R	E1HZ 9024140							A7Z			A7Z				1
L	E1HZ 9024141							A7Z			A7Z				1	
		<b>24144-5</b> BASE (DOOR ARM REST)														
CF600/700	R	E7HZ 6024144							A							1
	L	E7HZ 6024145							A							1
		<b>281B12-3</b> CARPET (SIDE STOWAGE LOCKER FLOOR)														
CL-CLT900 -- 88" BBC	R	E8HZ 90281B12											A			1
	L	E8HZ 90281B13											A			1
-- 110" BBC	R	E8HZ 90281B12											B			1
	L	E8HZ 90281B13											B			1
		<b>31012-3</b> PANEL (QUARTER TRIM)														
CL-CLT900 -- 64" BBC	R	E4HZ 9031012		B2P												1
	L	E4HZ 9031013		B2P												1
-- 88" BBC -vinyl	R	E4HZ 9031012		C2P					D7U							1
	L	E4HZ 9031013		C2P					D7U							1
-- 88", 110" BBC -cloth	R/L	★														



**1980/  
TRUCK SERIES 600/900**

BODY TYPE	R/L	PART NUMBER LESS SUFFIX	TRIM CODES, COLORS and APPLICABLE PART NUMBER SUFFIXES													Q T Y	
			TRIM CODES		SECOND CHARACTER of TRIM CODE								ALL CODES	ALL CODES	OTHER		
			A	B	D	G	H	J	K	T	BLACK	WHITE					
COLORS	LENGTH INCHES	CHAR- COAL	BLUE	RED	SMOKE	TAN	GRAY	CHEST- NUT	CARA- MEL								
<b>40447-8</b>		<b>COVER (BACK PANEL CORNER TRIM)</b>															
CL-CLT900 -- w/o Custom or Hi-Level trim	R	E4HZ 9040447		A8P													1
	L	E4HZ 9040448		A8P													1
-- w/Custom or Hi-Level trim	R	E4HZ 9040447		A9P				A7U				A7T					1
	L	E4HZ 9040448		★				A7U				★					1
<b>466A16-7</b>		<b>PANEL (BACK TRIM UPPER)</b>															
<b>Notes:</b>		<b>\$ Center</b>															
CF600/700 -w/rear speakers		E6HZ 60466A16							B								1
-w/o rear speakers		E6HZ 60466A16							C								1
CL-CLT900 -- 64" BBC	R	E4HZ 90466A16		C2P													1
	L	E4HZ 90466A17		C2P													1
-- 88" BBC -vinyl	R	E4HZ 90466A16		E2P				F7U									1
	L	E4HZ 90466A17		E2P				F7U									1
-cloth		★															
-- 110" BBC		★															
BODY TYPE	R/L	PART NUMBER	DESCRIPTION													QTY	
<b>46795</b>		<b>MATTRESS (SLEEPER COMPARTMENT)</b>															
<b>Notes:</b>		<b>\$ Optional cover</b>															
CL-CLT900 -- 88", 110" BBC		E6HZ 9046795-A	Foam rubber type (80" x 32" x 6")													1	
		E6HZ 9046795-B	Box spring type (80" x 32" x 7")													1	
	\$	★	Gray (80" x 32" x 7")														
	\$	★	Caramel (80" x 32" x 7")														
		E6HZ 9046795-C	Box spring type (80" x 53" x 7")													1	
	\$	★	Gray (80" x 53" x 7")														
	\$	★	Caramel (80" x 53" x 7")														
<b>46832</b>	<b>Refer to group 46795</b>																

1980/  
TRUCK SERIES 600/900

BODY TYPE	R/L	PART NUMBER LESS SUFFIX		TRIM CODES, COLORS and APPLICABLE PART NUMBER SUFFIXES													Q T Y		
				TRIM CODES	SECOND CHARACTER of TRIM CODE										ALL CODES BLACK	ALL CODES WHITE		OTHER	
					LENGTH INCHES	CHAR- COAL	A	B BLUE	D RED	G SMOKE	H TAN	J GRAY	K CHEST- NUT	T CARA- MEL					
<b>51944-5 PANEL (ROOF TRIM)</b>																			
C-CT600/800	R	E6HZ	6051944		A3P														1
	L	E6HZ	6051945		A3P														1
CF600/700		E6HZ	6051944							A									1
- - w/roof vent																			
- - w/o roof vent		*																	
CL-CLT900	R	E4HZ	9051968		B2P														1
- - 64" BBC	L	E4HZ	9051969		B2P														1
- - 88" BBC	R	E4HZ	9051968		C2P					D7U									1
-vinyl	L	E4HZ	9051969		C2P					D7U									1
- - 88", 110" BBC		*																	
-cloth																			
F-FT600/900		E4TZ	1051944		A9P														1
		E6TZ	1551944								A4U								1
L-LN-LNT-LT-LTL-LTS700/900 (exc. Hi-Level Trim)		E4HZ	8051945		A5P				*										1
L-LN-LNT-LT-LTL-LTS800/900 (Hi-Level Trim)		*																	
<b>51968-9 Refer to group 51944-5</b>																			
<b>519B70-1 PANEL (SLEEPING COMPARTMENT ROOF TRIM)</b>																			
CL-CLT900	R	E4HZ	90519B70		B2P					B7U									1
- - 88" BBC	L	E4HZ	90519B71		B2P					B7U									1
-vinyl		*																	
-cloth		*																	
- - 110" BBC		*																	
<b>519A76 Refer to group 51944-5</b>																			
<b>60012-16 SEAT ASSY. (DRIVER or PASSENGER)</b>																			
<b>Notes:</b>																			
D-Driver, P-Passenger																			
CF600/700	D	E6HZ	6060012												A				1
- - suspension																			
CL-CLT900 - - Bostrom Levelair low back	D/P	*																	
-vinyl																			
-cloth and vinyl	D/P	E4HZ	9060012		*					GAH			*						AR
CL-CLT900 - - Bostrom Levelair high back	D	E4HZ	9060012		HFA								HFT						1
	P	E4HZ	9060016		HFA								HFT						1

**1980/  
TRUCK SERIES 600/900**

BODY TYPE	R/L	PART NUMBER LESS SUFFIX	TRIM CODES, COLORS and APPLICABLE PART NUMBER SUFFIXES												Q T Y	
			TRIM CODES	SECOND CHARACTER of TRIM CODE								ALL CODES	ALL CODES	OTHER		
				A	B	D	G	H	J	K	T					
COLORS	LENGTH INCHES	CHAR- COAL	BLUE	RED	SMOKE	TAN	GRAY	CHEST- NUT	CARA- MEL	BLACK	WHITE					
60012-16		SEAT ASSY. (DRIVER or PASSENGER) — Cont'd														
Notes:		D-Driver, P-Passenger														
CL-CLT900 -- Bostrom Westcoaster low back -vinyl	D/P	*														
-cloth and vinyl	D/P	E4HZ 9060012	*					EAH			*					AR
CL-CLT900 -- Bostrom Westcoaster high back	D	E4HZ 9060012	FFA								FFT					1
	P	E4HZ 9060016	FFA								FFT					1
CL-CLT900 -- Lear Siegler Neway air	D/P	E4HZ 9060012	CNA					CAH								AR
CL-CLT900 -- National low back -vinyl	D/P	E4HZ 9060012	ANA													AR
-cloth and vinyl	D/P	E4HZ 9060012	AFA					AAH			*					AR
CL-CLT900 -- National high back -vinyl	D	E4HZ 9060012	BNA													1
	P	E4HZ 9060016	BNA													1
-cloth and vinyl	D	E4HZ 9060012	BFA					BAH			*					1
	P	E4HZ 9060016	BFA					BAH			BFT					1
CL-CLT900 -- Bostrom Fix Companion low back -vinyl	P	E4HZ 9060016	NA													1
-cloth and vinyl	P	E4HZ 9060016	DA					DH			DT					1
CL-CLT900 -- Bostrom Fix Companion high back	P	E4HZ 9060016	EA								ET					1
F-FT600/900 -- Bostrom Viking T-Bar	D	E4HZ 6060012										A				1
	P	E4HZ 6060016										A				1
F-FT600/900 -- Bostrom Fix Companion	P	E4HZ 6060016										B				1
L-LN-LNT-LT- LTL-LTS700/900 -- Lear Siegler Unison Fixed	D/P	E4HZ 8060012	ANA					AAH								AR
L-LN-LNT-LT- LTL-LTS800/900 -- Bostrom Levelair low back -vinyl	D/P	*														
-cloth and vinyl	D/P	E4HZ 9060012	*					GAH			*					AR
L-LN-LNT-LT- LTL-LTS800/900 -- Bostrom Levelair high back	D	E4HZ 9060012	HFA								HFT					1
	P	E4HZ 9060016	HFA								HFT					1

1980/  
TRUCK SERIES 600/900

BODY TYPE	R/L	PART NUMBER LESS SUFFIX	TRIM CODES, COLORS and APPLICABLE PART NUMBER SUFFIXES												QTY	
			TRIM CODES	SECOND CHARACTER of TRIM CODE								ALL CODES BLACK	ALL CODES WHITE	OTHER		
				A	B	D	G	H	J	K	T					
COLORS	LENGTH INCHES	CHAR- COAL	BLUE	RED	SMOKE	TAN	GRAY	CHEST- NUT	CARA- MEL							
60012-16		SEAT ASSY. (DRIVER or PASSENGER) — Cont'd														
Notes:		D-Driver, P-Passenger														
L-LN-LNT-LT- LTL-LTS800/900 -- Bostrom West Coaster low back -vinyl	D/P	*														
-cloth and vinyl	D/P	E4HZ 9060012		*				EAH			*					AR
L-LN-LNT-LT- LTL-LTS800/900 -- Bostrom West Coaster high back	D	E4HZ 9060012		FFA							FFT					1
	P	E4HZ 9060016		FFA							FFT					1
L-LN-LNT-LT- LTL-LTS800/900 -- Bostrom Fix Companion low back -vinyl	P	E4HZ 9060016		NA												1
-cloth and vinyl	P	E4HZ 9060016		DA				DH			DT					1
L-LN-LNT-LT- LTL-LTS800/900 -- Bostrom Fix Companion high back	P	E4HZ 9060016		EA							ET					1
L-LN-LNT-LT- LTL-LTS800/900 -- Lear Siegler Neway air	D/P	E4HZ 9060012		CNA				CAH								AR
L-LN-LNT-LT- LTL-LTS800/900 -- National low back -vinyl	D/P	E4HZ 9060012		ANA												AR
-cloth and vinyl	D/P	E4HZ 9060012		AFA				AAH			*					AR
L-LN-LNT-LT- LTL-LTS800/900 -- National high back-vinyl	D	E4HZ 9060012		BNA												1
	P	E4HZ 9060016		BNA												1
-cloth and vinyl	D	E4HZ 9060012		BFA				BAH			*					1
	P	E4HZ 9060016		BFA				BAH			BFT					1
BODY TYPE	R/L	PART NUMBER	DESCRIPTION												QTY	
60050-3		CUSHION KIT (SEAT)-Less cover														
C-CT600/800		E0KZ 6060050-A	Full width seat-standard												1	
		D3KZ 6060050-B	Full width seat-heavy duty												1	
	R	D3KZ 6060052-A	Lear Siegler Unison Action												1	
	L	D3KZ 6060053-A	Lear Siegler Unison Action												1	
CF600/700		E6HZ 60610A00-A	Frame-cushion and back dual passenger seat												1	
		E6HZ 6063222-B	Pad-cushion dual passenger seat												1	
		E6HZ 6064810-B	Pad-back dual passenger seat												1	
		E7HZ 6060326-A	Frame-non/suspension driver seat												1	
		E6HZ 6063222-A	Pad-non/suspension driver seat												1	
F-FT600/900		E5HZ 6060050-A	Full width seat												1	
L-LN-LNT-LT-LTS 700/900		D3HZ 8060050-B	Full width seat												1	

1980/  
TRUCK SERIES 600/900

BODY TYPE	R/L	PART NUMBER LESS SUFFIX	TRIM CODES, COLORS and APPLICABLE PART NUMBER SUFFIXES													Q T Y
		TRIM CODES	SECOND CHARACTER of TRIM CODE										ALL CODES	ALL CODES	OTHER	
		COLORS	LENGTH INCHES	CHAR- COAL	BLUE	RED	SMOKE	TAN	GRAY	CHEST- NUT	CARA- MEL		BLACK	WHITE		
<b>60052-3</b>		<b>CUSHION ASSY. (SEAT)-Includes cover</b>														
<b>Notes:</b>		<b>D-Driver, P-Passenger</b>														
CL-CLT900 -- Bostrom -vinyl -cloth and vinyl	D/P	E4HZ 9060053		BNA												AR
CL-CLT900 -- National -vinyl -cloth and vinyl	D/P	E4HZ 9060053		ANA												AR
L-LN-LNT-LT- LTL-LTS800/900 -- Bostrom -vinyl -cloth and vinyl	D/P	E4HZ 9060053		BNA												AR
L-LN-LNT-LT- LTL-LTS800/900 -- National -vinyl -cloth and vinyl	D/P	E4HZ 9060053		ANA												AR
L-LN-LNT-LT- LTL-LTS800/900 -- National -vinyl -cloth and vinyl	D/P	E4HZ 9060053		AFA				AAH				AFT				AR
L-LN-LNT-LT- LTL-LTS800/900 -- National -vinyl -cloth and vinyl	D/P	E4HZ 9060053		BFA				BAH				BFT				AR
L-LN-LNT-LT- LTL-LTS800/900 -- National -vinyl -cloth and vinyl	D/P	E4HZ 9060053		ANA												AR
L-LN-LNT-LT- LTL-LTS800/900 -- National -vinyl -cloth and vinyl	D/P	E4HZ 9060053		AFA				AAH				AFT				AR

BODY TYPE	R/L	PART NUMBER LESS SUFFIX	DESCRIPTION													Q T Y
<b>60136-7</b>		<b>BACK KIT (SEAT)-Less cover</b>														
C-CT600/800	R	E0KZ 6060136-A	Full width seat													1
	L	E0KZ 6060137-A	Full width seat													1
	R	D3KZ 6060136-B	Lear Siegler Unison Action													1
	L	D3KZ 6060137-B	Lear Siegler Unison Action													1
CF600/700		E7HZ 6061018-B	Frame-non/suspension driver seat													1
		E6HZ 6064810-A	Pad-non/suspension driver seat													1
		E7HZ 60610A00-B	Frame-cushion and back-dual passenger seat													1
		E6HZ 6064810-B	Pad-back-dual passenger seat													1
		E6HZ 6063222-B	Pad-cushion-dual passenger seat													1
F-FT600/900		E7HZ 6061018-A	Frame-full width seat													1
		E0TZ 1064810-A	Pad-full width seat													1
L-LN-LNT-LT-LTS 700/900		D3HZ 8060136-A	Full width seat													1

BODY TYPE	R/L	PART NUMBER LESS SUFFIX	TRIM CODES, COLORS and APPLICABLE PART NUMBER SUFFIXES													Q T Y
		TRIM CODES	SECOND CHARACTER of TRIM CODE										ALL CODES	ALL CODES	OTHER	
		COLORS	LENGTH INCHES	CHAR- COAL	BLUE	RED	SMOKE	TAN	GRAY	CHEST- NUT	CARA- MEL		BLACK	WHITE		
<b>60136-7</b>		<b>BACK ASSY. (SEAT)-Includes cover</b>														
<b>Notes:</b>		<b>D-Driver, P-Passenger</b>														
CL-CLT900 -- Bostrom low back -vinyl -cloth and vinyl	D/P	E4HZ 9060136		CNA												AR
CL-CLT900 -- Bostrom high back -vinyl -cloth and vinyl	D/P	E4HZ 9060136		CFA				CAH				CFT				AR
CL-CLT900 -- National low back -vinyl -cloth and vinyl	D/P	E4HZ 9060136		DFA								DFT				AR
CL-CLT900 -- National low back -vinyl -cloth and vinyl	D/P	E4HZ 9060136		ANA												AR
CL-CLT900 -- National high back -vinyl -cloth and vinyl	D/P	E4HZ 9060136		AFA				AAH				AFT				AR
CL-CLT900 -- National high back -vinyl -cloth and vinyl	D/P	E4HZ 9060136		BNA												AR
CL-CLT900 -- National high back -vinyl -cloth and vinyl	D/P	E4HZ 9060136		BFA				BAH				BFT				AR





1980/  
**TRUCK SERIES 600/900**

BODY TYPE	R/L	PART NUMBER LESS SUFFIX	TRIM CODES AND APPLICABLE PART NUMBER SUFFIXES										QTY					
62900-1		COVER (SEAT CUSHION) — Cont'd																
Notes:			⊕ Non/suspension driver seat, \$ Dual passenger seat, ● Suspension driver seat															
			TRIM CODES ▶															
			BH	JA	MA	MH												
L-LN-LNT-LT- LTS700/800		E5HZ 8062900	★	★	AMA	AMA												1
63222		Refer to group 60050-3 or 60136-7																
64300-1		ARM REST ASSY. (SEAT BACK SIDE)																
			TRIM CODES ▶															
			AA	EA	FA	GA												
C-CT600/800	R	E4HZ 6064300	BFA	BFA	BFA	BFA												1
	L	E4HZ 6064301	BFA	BFA	BFA	BFA												1
			TRIM CODES ▶															
			AH	FA	FT	NA												
CL-CLT900 -- -- National	R	E4HZ 9064300	AAH	AFA	AFT	AFA												1
	L	E4HZ 9064301	AAH	AFA	AFT	AFA												1
			TRIM CODES ▶															
			AH	FA	FT	NA												
L-LN-LNT-LT- LTL-LTS800/900 -- National	R	E4HZ 9064300	AAH	AFA	AFT	AFA												1
	L	E4HZ 9064301	AAH	AFA	AFT	AFA												1
64416-7		COVER (SEAT BACK)																
Notes:			⊕ Non/suspension driver seat, \$ Dual passenger seat, ● Suspension driver seat															
			TRIM CODES ▶															
			AA	EA	FA	GA												
C-CT600/800	R	E4HZ 6064416	★	AEA														1
	L	E4HZ 6064417	★	AEA														1
	R	E5HZ 6064416			AFA													1
	L	E5HZ 6064417			AFA													1
	R	D3KZ 6064416				A												1
	L	D3KZ 6064417				A												1
			TRIM CODES ▶															
			ALL															
CF600/700 -- cloth	⊕	E6HZ 6064416	A															1
	●	E6HZ 6064416	G															1
	\$	E6HZ 6064416	C															1
-- vinyl	⊕	E7HZ 6064416	C															1
	\$	E7HZ 6064416	D															1
			TRIM CODES ▶															
			BA	BK	CA	CK	GA	GK										
F-FT600/900		E5TZ 1564416			★	★	AGA	AGA										1
		E6TZ 1564416	BBA	ABK														1
			TRIM CODES ▶															
			BH	JA	MA	MH												
L-LN-LNT-LT- LTS700/800		E5HZ 8064416	★	★	AMA	AMA												1
64810		Refer to groups 60050-3 or 60136-7																

# 1980/ TRUCK SERIES 600/900

**1987 SOFT TRIM SCHEME CODES**  
as listed on warranty plate

CODE	MODEL	TRIM SCHEME	TYPE OF SEAT
------	-------	-------------	--------------

**C-CT SERIES**

Notes: H/D-Heavy Duty

EA	C-CT800	Charcoal and black knit vinyl	Full width
FA	C-CT800	Black all vinyl (H/D)	Full width
GA	C-CT800	Black all vinyl	Lear Siegler

**CF SERIES**

	CF600/800	Black/red cloth and vinyl	
	CF600/800	Black/red all vinyl	

**CL-CLT SERIES**

AL	CL-CLT900	Tan/chestnut cloth and vinyl	Bostrom, National, Lear Siegler
FG	CL-CLT900	Smoke/charcoal cloth and vinyl	Bostrom, National
FK	CL-CLT900	Chestnut cloth and vinyl	Bostrom, National
NA	CL-CLT900	Charcoal knit vinyl	Bostrom, National, Lear Siegler

**F-FT SERIES**

Notes: H/D-Heavy Duty

BA	F-FT600/900	Charcoal all vinyl	Full width
BK	F-FT600/900	Chestnut all vinyl	Full width
CA	F-FT600/900	Charcoal cloth and vinyl	Full width
CK	F-FT600/900	Chestnut cloth and vinyl	Full width
GA	F-FT600/900	Black all vinyl (H/D)	Full width
GK	F-FT600/900	Black all vinyl (H/D)	Full width
HA	F-FT600/900	Black all vinyl (H/D)	Bostrom, National
HK	F-FT600/900	Black all vinyl (H/D)	Bostrom, National

**L-LL-LN-LNT-LS-LT-LTL-LTS SERIES**

Notes: H/D-Heavy Duty, ▲ All "L" series vehicles

AL	▲	Tan/chestnut cloth and vinyl	Bostrom, National, Lear Siegler
BL	▲	Tan/chestnut cloth and vinyl	Full width
FG	▲	Smoke/charcoal cloth and vinyl	Bostrom, National
FK	▲	Chestnut cloth and vinyl	Bostrom, National
MA	▲	Black all vinyl (H/D)	Full width
ML	▲	Black all vinyl (H/D)	Full width
NA	▲	Charcoal all vinyl	Bostrom, National, Lear Siegler

THE SOFT TRIM SECTION INCLUDES ONLY THOSE ITEMS WHICH WERE AVAILABLE FOR SERVICE AT TIME OF PRINTING. ITEMS NOT SHOWN OR INDICATED WITH A BLACK STAR (★) IN THE CATALOG MUST BE IMPROVISED OR PROCURED LOCALLY.

# 1980/ TRUCK SERIES 600/900

BODY TYPE	R/L	PART NUMBER LESS SUFFIX	TRIM CODES, COLORS and APPLICABLE PART NUMBER SUFFIXES														
		TRIM CODES ▶	SECOND CHARACTER of TRIM CODE						ALL CODES	ALL CODES	OTHER		Q T Y				
		COLORS ▶	LENGTH INCHES	CHAR- COAL	BLUE	RED	SMOKE	CHEST- NUT	TAN					BLACK	WHITE		
<b>01762-3 CARPET (DASH)</b>																	
L-LN-LNT-LT-LTL- LTS800/900 -- one piece design -- two piece design		F0HZ 8001762												AAJ			1
	R	E7HZ 8001762												A5A			1
	L	E7HZ 8001763												A5A			1
<b>02344-5 PANEL (COWL TRIM)</b>																	
CL-CLT900	R	Refer to group 04320 in the Body Section															
-- outer	L	D8HZ 9002345												A			1
-- inner	L	D8HZ 9002345												B			1
F-FT600/900	R	E7HZ 6002344												A5A			1
	L	E7HZ 6002345												A5A			1
L-LN-LNT-LT-LTL- LTS800/900 (Hi-Level trim)	R	E7HZ 8002344												A5A			1
	L	E1HZ 8002345												A5A			1
<b>03508-9 COVER (WINDSHIELD HEADER)</b>																	
CL-CLT900	R	D8HZ 9003508												A			1
-- carpet	L	D8HZ 9003509												A			1
<b>03514-5 COVER (WINDSHIELD HEADER CORNER)</b>																	
CL-CLT900	R	D8HZ 9003514												A			1
	L	D8HZ 9003515												A			1
<b>04104-5 VISOR ASSY.</b>																	
C-CT800	R/L	E4HZ 6004104		A5P													AR
CF600/800	R	E6HZ 6004104															B(Gray) 1
	L	E6HZ 6004105															B(Gray) 1
CL-CLT900	R/L	E7HZ 9004104					*	*	A5U								AR
	R/L	E4HZ 9004104		A5P													AR
F-FT600/900	R/L	E7TZ 1504104		B7P				B5U									AR
L-LN-LNT-LT-LTL- LTS800/900 (Base Trim) -- w/o radio	R/L	E4HZ 8004104		A5P													AR
	R/L	E4HZ 8004104		B5P													AR
L-LN-LNT-LT-LTL- LTS800/900 (Custom and Hi-Level Trim) -- w/o radio	R	E7HZ 8004104							A5U								1
	L	E7HZ 8004105							A5U								1
-- w/o radio	R	E7HZ 8004104					*	*	B5U								1
	L	E7HZ 8004105					*	*	B5U								1
<b>04118 VISOR ASSY. (CENTER)</b>																	
CL-CLT900		E4HZ 9004118		A5P													1
		E7HZ 9004118					*	*	A5U								1
<b>04282 PAD (INSTRUMENT PANEL)</b>																	
Notes: ▲ Use black																	
C-CT800		D4KZ 6004282		▲										A			1
F-FT600/900		E4TZ 1004282		B0P													1
		E6TZ 1004282							B7U								1

1980/  
TRUCK SERIES 600/900

BODY TYPE	R/L	PART NUMBER LESS SUFFIX	TRIM CODES, COLORS and APPLICABLE PART NUMBER SUFFIXES													Q T Y
			TRIM CODES		SECOND CHARACTER of TRIM CODE							ALL CODES BLACK	ALL CODES WHITE	OTHER		
			COLORS	LENGTH INCHES	A CHAR- COAL	B BLUE	D RED	G SMOKE	K CHEST- NUT	L TAN						
<b>10550 CARPET (ENGINE COVER)</b>																
CL-CLT900		E4HZ 9010550		D4P											1	
-- 64" BBC		E4HZ 9010550		F4P											1	
-- 88" BBC		E4HZ 9010550					A4P								1	
-w/o Custom or High-Level trim		E7HZ 9010550						B0U	A0U						1	
-- 88", 110" BBC		E7HZ 8010550					A4P	A0U							1	
-w/Custom or High-Level Trim		E7HZ 8010550						B4P	B0U						1	
L-LL-LN-LNT-LS-LT-LTL-LTS800/900		E7HZ 8010550													1	
-- partial doghouse		E7HZ 8010550													1	
-- full doghouse		E7HZ 8010550													1	
<b>13000-1 CARPET (FRONT FLOOR)</b>																
CL-CLT900	R	E4HZ 9013000					A4P								1	
-- 88", 110" BBC	L	E4HZ 9013001					A4P								1	
	R	E7HZ 9013000						A0U							1	
	L	E7HZ 9013001						A0U							1	
L-LN-LNT-LS-LT-LTS800 (exc. FTO and 3208T engine)		E4HZ 8013000					E4P								1	
-- solid floor		E7HZ 8013000						F0U							1	
LN-LNT800 (w/3208T diesel)		E4HZ 8013000					J4P								1	
		E7HZ 8013000						J0U							1	
LN-LNT800 (w/FTO engine)		E4HZ 8013000					F4P								1	
		E7HZ 8013000						G0U							1	
L-LL-LS-LT-LTL-LTS900		E4HZ 8013000					F4P								1	
-- partial doghouse		E7HZ 8013000						G0U							1	
LN-LNT900		E4HZ 8013000					G4P								1	
-- full doghouse		E7HZ 8013000						H0U							1	
<b>13010-1 MAT (FRONT FLOOR)</b>																
Notes: @ Add transmission hole as required, ▲ Use black																
C-CT800	@	E4HZ 6013010					▲						A8A		1	
CF600/800		E7HZ 6013010											A		1	
CL-CLT900 -- 64" BBC	R	E4HZ 9013010		B4P											1	
	L	E4HZ 9013011		B4P											1	
-- 88" BBC	R	E4HZ 9013010		C4P											1	
	L	E4HZ 9013011		C4P											1	
	R	E7HZ 9013010							C7U						1	
	L	E7HZ 9013011							C7U						1	

**1980/  
TRUCK SERIES 600/900**

BODY TYPE	R/L	PART NUMBER LESS SUFFIX	TRIM CODES, COLORS and APPLICABLE PART NUMBER SUFFIXES													Q T Y
			TRIM CODES			SECOND CHARACTER of TRIM CODE							ALL CODES BLACK	ALL CODES WHITE	OTHER	
			CHAR-	BLUE	RED	A	B	D	G	K	L					

13010-1		MAT (FRONT FLOOR) — Cont'd																	
Notes:		@ Add transmission hole as required, ▲ Use black																	
F-FT600/900		E8HZ	6013010		▲											B8A			1
- w/full width seat																			
-w/o FTO engine																			
-w/FTO engine		E8HZ	6013010		▲											C8A			1
F-FT600/900		E8HZ	6013010		▲											A8A			1
- w/individual seats																			
-w/o FTO engine																			
-w/FTO engine		F1HZ	6013010		▲											CAJ			1
L-LN-LNT-LS-LT-		E2HZ	8013010		▲											A6A			1
LTS800 (exc. FTO and																			
3208T engine)																			
- solid floor																			
		E7HZ	8013010		▲														
LN-LNT800		E2HZ	8013010		▲								A6U						1
(w/3208T Diesel)																D6A			1
		E7HZ	8013010		▲														
LN-LNT800		E2HZ	8013010		▲								D6U						1
(w/FTO engine)																B6A			1
		E7HZ	8013010		▲														
L-LL-LN-LNT-LS-LT-		E2HZ	8013010		▲											B6A			1
LTL-LTS800/900																			
- partial doghouse																			
		E7HZ	8013010		▲								B6U						1
LN-LNT900		E2HZ	8013010		▲														1
- full doghouse																C6A			1
		E7HZ	8013010		▲								C6U						1

13016		MAT (FRONT FLOOR REAR)																	
CF600/800		E7HZ	6013016													B			1

13086		MAT (FRONT FLOOR)													
Notes:		† Cut to form twin mats if so desired													

		FULL WIDTH																		
F-FT600/900	†	E3TZ	8113086													C				1
	†	D9TZ	8113086																	1

20104		COMPARTMENT (DOOR STOWAGE)																		
CF600/800	R	E6HZ	6020104																A(gray)	1
	L	E6HZ	6020105																A(gray)	1
CL-CLT900		E4HZ	9020104		A8P															1
L-LL-LN-LNT-LS-	R/L	E8HZ	8020104																B(paint	AR
LTL-LTL-LTS800/900																			to match)	
- w/o stereo																				
- w/stereo	R	E8HZ	8020104																A(paint	1
	L	E8HZ	8020105																to match)	1

1980/  
TRUCK SERIES 600/900

BODY TYPE	R/L	PART NUMBER LESS SUFFIX	TRIM CODES, COLORS and APPLICABLE PART NUMBER SUFFIXES													Q T Y	
			TRIM CODES	SECOND CHARACTER of TRIM CODE							ALL CODES BLACK	ALL CODES WHITE	OTHER				
				A	B	D	G	K	L								
COLORS	LENGTH INCHES	CHAR- COAL	BLUE	RED	SMOKE	CHEST- NUT	TAN										
20126		COVER (DOOR STOWAGE)															
L-LL-LN-LNT-LS- LT-LTL-LTS800/900 -- w/o stereo	R/L	E4HZ 8020126					A4P										AR
-- w/stereo	R/L	E7HZ 8020126						A0U									AR
	R/L	E7HZ 8020126					B4P	B0U									AR
23902-3		PANEL (DOOR TRIM LOWER)															
CF600/800	R	E6HZ 6023902														A(gray)	1
	L	E6HZ 6023903														A(gray)	1
CL-CLT900	R	E7HZ 9023902					*	A9U	A9U								1
	L	E7HZ 9023903					*	A9U	A9U								1
F-FT600/900	R	E4TZ 1023934		A5P													1
	L	E4TZ 1023935		A5P													1
	R	E6TZ 1023934						A9U									1
	L	E6TZ 1023935						A9U									1
23934-5		Refer to group 23902-3															
23942-3		PANEL (DOOR TRIM UPPER)															
Notes:		▲ Use tan															
CF600/800	R	E7HZ 6023942														A(gray)	1
	L	E7HZ 6023943														A(gray)	1
CL-CLT900	R/L	*															1
F-FT600/800 -- w/ vinyl insert	R	E7HZ 6023942		B8P				B9U									1
	L	E7HZ 6023943		B8P				B9U									1
-- w/brushed aluminum insert	R	E4TZ 6023942		A8P													1
	L	E4TZ 6023943		A8P													1
	R	E6TZ 6023942						A9U									1
	L	E6TZ 6023943						A9U									1
L-LL-LN-LNT-LS- LT-LTL-LTS800/900 -- w/o stereo	R	E7HZ 8023942		▲			*	*	A9U								1
	L	E7HZ 8023943		▲			*	*	A9U								1
-- w/stereo	R	E7HZ 8023942		▲			*	*	C9U								1
	L	E7HZ 8023943		▲			*	*	C9U								1
24100-1		Refer to group 24140-1															

1980/  
TRUCK SERIES 600/900

BODY TYPE	R/L	PART NUMBER LESS SUFFIX	TRIM CODES, COLORS and APPLICABLE PART NUMBER SUFFIXES												Q T Y
			TRIM CODES	SECOND CHARACTER of TRIM CODE							ALL CODES BLACK	ALL CODES WHITE	OTHER		
				LENGTH INCHES	A	B	D	G	K	L					
<b>24140-1 ARM REST (DOOR)</b>															
CF600/800 -- pad	R/L	E7HZ 6024100												A(gray)	AR
CL-CLT900 -- pad	R/L	E4HZ 9024100		A8P				A8P							AR
F-FT600/900 -- pad	R/L	E7HZ 9024100							A9U	A9U					AR
	R	E4TZ 1024100		A8P											1
	L	E4TZ 1024101		A8P											1
	R	E6TZ 1024100							A9U						1
L-LL-LN-LNT-LS- LT-LTL-LTS800/900	L	E6TZ 1024101							A9U						1
	R	E4HZ 9024140		A7P				A7P							1
	L	E4HZ 9024141		A7P				A7P							1
	R	E7HZ 9024140							A9U	A9U					1
L	R	E7HZ 9024141							A9U	A9U					1
	L	E7HZ 9024141							A9U	A9U					1
<b>24144-5 BASE (DOOR ARM REST)</b>															
CF600/800	R	E7HZ 6024144												A(gray)	1
	L	E7TZ 6024145												A(gray)	1
<b>278D12-3 PANEL (BODY REAR CORNER TRIM)</b>															
F-FT600/900	R	F0TZ 15278D12		AAH					BAF						1
	L	F0TZ 15278D13		AAH					BAF						1
<b>281B12-3 CARPET (SIDE STOWAGE LOCKER FLOOR)</b>															
CL-CLT900 -- 88" BBC	R	E8HZ 90281B12											A		1
	L	E8HZ 90281B13											A		1
	R	E8HZ 90281B12											B		1
	L	E8HZ 90281B13											B		1
<b>31012-3 PANEL (QUARTER TRIM)</b>															
CL-CLT900 -- 64" BBC	R	E4HZ 9031012		B2P											1
	L	E4HZ 9031013		B2P											1
	-- 88" BBC -vinyl	R	E4HZ 9031012		C2P						D7U				1
		L	E4HZ 9031013		C2P						D7U				1
-- 88", 110" BBC -cloth	R/L	★												1	
<b>312A10-1 PANEL (SLEEPING COMPARTMENT SIDE)</b>															
CL-CLT900 -- 88" BBC -vinyl	R	E4HZ 90312A10		B2P							C7U				1
	L	E4HZ 90312A11		B2P							C7U				1
	-cloth	R/L	★												1
-- 110" BBC	R/L	★												1	
40352-3	Refer to group 40374-5														



1980/  
TRUCK SERIES 600/900

BODY TYPE	R/L	PART NUMBER LESS SUFFIX	TRIM CODES, COLORS and APPLICABLE PART NUMBER SUFFIXES													Q T Y				
			TRIM CODES	SECOND CHARACTER of TRIM CODE							ALL CODES BLACK	ALL CODES WHITE	OTHER							
				A	B	D	G	K	L											
COLORS	LENGTH INCHES	CHAR- COAL	BLUE	RED	SMOKE	CHEST- NUT	TAN													
<b>40374-5 PANEL (LOWER BACK TRIM)</b>																				
CL-CLT900 -- 88" BBC -vinyl -carpet	R/L	*																		
	R	E4HZ 9040374						A4P											1	
	L	E4HZ 9040375						A4P											1	
	R	E7HZ 9040374							A0U	*									1	
	L	E7HZ 9040375							A0U	*									1	
-- 110" BBC	R	E4HZ 9040374						A4P											1	
	L	E4HZ 9040375						A4P											1	
	R	E7HZ 9040374							A0U										1	
	L	E7HZ 9040375							A0U										1	
F-FT600/900 -- cloth -- carpet		E6HZ 6040374													A0A				1	
		E6HZ 6040374					A4P		A0U										1	
L-LL-LN-LNT-LS- LT-LTL-LTS800/900 -- vinyl -w/o vert. muffler -w/vert. muffler -w/chassis mtd. by-pass oil filter	R	E4HZ 8040352					A8P				*								1	
	R	E4HZ 8040352					B8P				*								1	
	L	E4HZ 8040353					A8P												1	
	L	E7HZ 8040353										A9U							1	
	L	E4HZ 8040353					B8P												1	
	L	E8HZ 8040353										B9U							1	
L-LL-LN-LNT-LS- LT-LTL-LTS800/900 -- carpet		E4HZ 8040352						A4P	*										1	
<b>40447-8 COVER (BACK PANEL CORNER TRIM)</b>																				
CL-CLT900	R	E4HZ 9040447					A8P					A7U							1	
	L	E4HZ 9040448					A8P					A7U							1	
	R	E7HZ 9040447						A6P	A9U										1	
	L	E7HZ 9040448						A6P	A9U										1	
<b>466A16-7 PANEL (BACK TRIM UPPER)</b>																				
Notes:	\$ Center																			
CF600/800 -- cloth -w/rear speakers		E6HZ 60466A16																	B(gray)	1

1980/  
TRUCK SERIES 600/900

BODY TYPE	R/L	PART NUMBER LESS SUFFIX	TRIM CODES, COLORS and APPLICABLE PART NUMBER SUFFIXES													Q T Y	
			TRIM CODES		SECOND CHARACTER of TRIM CODE							ALL CODES	ALL CODES	OTHER			
			CHAR-	COAL	A	B	D	G	K	L	BLACK	WHITE					
466A16-7		PANEL (BACK TRIM UPPER) — Cont'd															
Notes:		\$Center															
CL-CLT900	R	E4HZ 90466A16		C2P													1
-- 64" BBC	L	E4HZ 90466A17		C2P													1
	\$	E4HZ 90466A16		B2P													1
-- 88" BBC	R	E4HZ 90466A16		E2P						F7U							1
-vinyl	L	E4HZ 90466A17		E2P						F7U							1
-cloth	R/L	*															
-- 110" BBC	R/L	*															
46795		MATTRESS (SLEEPER COMPARTMENT)															
Notes:		\$ Optional cover															
CL-CLT900		E6HZ 9046795-A		Foam rubber type (80" x 32" x 6")											1		
-- 88", 110" BBC		E6HZ 9046795-B		Box spring type (80" x 32" x 7")											1		
	\$	*		Charcoal (80" x 32" x 7")											1		
	\$	*		Tan (80" x 32" x 7")											1		
		E6HZ 9046795-C		Box spring type (80" x 53" x 7")											1		
	\$	*		Charcoal (80" x 53" x 7")											1		
	\$	*		Tan (80" x 53" x 7")											1		
46832		Refer to group 46795															

BODY TYPE	R/L	PART NUMBER LESS SUFFIX	TRIM CODES, COLORS and APPLICABLE PART NUMBER SUFFIXES													Q T Y	
			TRIM CODES		SECOND CHARACTER of TRIM CODE							ALL CODES	ALL CODES	OTHER			
			CHAR-	COAL	A	B	D	G	K	L	BLACK	WHITE					
51944-5		PANEL (ROOF TRIM)															
C-CT800	R	E6HZ 6051944		A3P													1
	L	E6HZ 6051945		A3P													1
CF600/800 -- cloth		E6HZ 6051944														A(gray)	1
-w/roof vent																	
CL-CLT900	R	E4HZ 9051968		B2P													1
-- 64" BBC	L	E4HZ 9051969		B2P													1
-- 88" BBC	R	E4HZ 9051968		C2P						D7U							1
-vinyl	L	E4HZ 9051969		C2P						D7U							1
-- 88", 110" BBC	R	E7HZ 9051968						ATP	A2U								1
-cloth	L	E7HZ 9051969						ATP	A2U								1
F-FT600/900		E7TZ 1551944		A7P					A4U								1
L-LL-LN-LNT-LS-		E4HZ 8051945		A5P													1
LT-LTL-LTS800/900																	
(exc. Hi-Level Trim)		E7HZ 8051968								A5U							1

1980/  
TRUCK SERIES 600/900

BODY TYPE	R/L	PART NUMBER LESS SUFFIX	TRIM CODES, COLORS and APPLICABLE PART NUMBER SUFFIXES													Q T Y
			TRIM CODES		SECOND CHARACTER of TRIM CODE							ALL CODES	ALL CODES	OTHER		
			COLORS	LENGTH INCHES	CHAR- COAL	BLUE	RED	SMOKE	CHEST- NUT	TAN				BLACK	WHITE	
<b>51944-5 PANEL (ROOF TRIM) — Cont'd</b>																
L-LL-LN-LNT-LS- LT-LTL-LTS800/900 (Hi-Level Trim)		★													1	
<b>51968-9 Refer to group 51944-5</b>																
<b>519B70-1 PANEL (SLEEPING COMPARTMENT ROOF TRIM)</b>																
CL-CLT900 -- 88" BBC -vinyl	R	E4HZ 90519B70		B2P									B7U		1	
	L	E4HZ 90519B71		B2P									B7U		1	
-cloth	R	E7HZ 90519B70					ATP	A2U							1	
	L	E7HZ 90519B71					ATP	A2U							1	
-- 110" BBC	R	E7HZ 90519B70					BTP	B2U							1	
	L	E7HZ 90519B71					BTP	B2U							1	
<b>519A76 Refer to group 51944-5</b>																
<b>60012-16 SEAT ASSY. (DRIVER or PASSENGER)</b>																
Notes: D-Driver, P-Passenger, ● Without F.T.O. engine, \$ With F.T.O. engine																
CF600/800 -- suspension -cloth -vinyl	D	E7HZ 6060012												A	1	
	D	E7HZ 6060012												B	1	
-- non/suspension -cloth -vinyl	D	E7HZ 6060012												D	1	
	D	E7HZ 6060012												E	1	
CL-CLT900 -- Bostrom Air 715E low back -vinyl -cloth and vinyl	D/P	★													AR	
	D/P	E7HZ 9060012					★	★	BAL						1	
CL-CLT900 -- Bostrom Air 715E high back	D	E7HZ 9060012					DFG	DFK							1	
	P	E7HZ 9060016					DFG	DFK							1	
CL-CLT900 -- Bostrom Westcoaster low back -vinyl -cloth and vinyl	D/P	E7HZ 9060012		ANA											AR	
	D/P	E7HZ 9060012					AFG	AFK	AAL						AR	
CL-CLT900 -- Bostrom Westcoaster high back	D	E7HZ 9060012					BFG	BFK							1	
	P	E7HZ 9060016					BFG	BFK							1	
CL-CLT900 -- National low back -vinyl -cloth and vinyl	D/P	E4HZ 9060012		ANA											AR	
	D/P	E7HZ 9060012					FFG	FFK	FAL						AR	
CL-CLT900 -- National high back -vinyl	D	E4HZ 9060012		BNA											1	
	P	E4HZ 9060016		BNA											1	
-cloth and vinyl	D	E7HZ 9060012					EFG	EFK	EAL						1	
	P	E7HZ 9060016					EFG	EFK	EAL						1	

1980/  
TRUCK SERIES 600/900

BODY TYPE	R/L	PART NUMBER LESS SUFFIX	TRIM CODES, COLORS and APPLICABLE PART NUMBER SUFFIXES													Q T Y	
			TRIM CODES	SECOND CHARACTER of TRIM CODE							ALL CODES BLACK	ALL CODES WHITE	OTHER				
				A	B	D	G	K	L								
COLORS	LENGTH INCHES	CHAR- COAL	BLUE	RED	SMOKE	CHEST- NUT	TAN										
60012-16		SEAT ASSY. (DRIVER or PASSENGER) — Cont'd															
Notes:		D-Driver, P-Passenger, ● Without F.T.O. engine, \$ With F.T.O. engine															
CL-CLT900 -- Bostrom Fix Companion low back -vinyl	P	E7HZ 9060016															1
-cloth and vinyl	P	E7HZ 9060016					AG	AK	AL								1
CL-CLT900 -- Bostrom Fix Companion high back	P	E7HZ 9060016					BG	BK									1
F-FT600/900 -- Bostrom Viking T-Bar	D	E4HZ 6060012											A				1
F-FT600/900 -- National Fix	D/P	E7HZ 6060012											A A9A				1 AR
F-FT600/900 -- Bostrom Fix Companion	● P	E4HZ 6060016											B				1
F-FT600/900 -- Bostrom Fix Companion	\$P	E7HZ 6060016											A9A				1
L-LL-LN-LNT-LS- LT-LTL-LTS800/900 -- Lear Siegler Unison Fixed	D/P	E4HZ 8060012		ANA													1 AR
L-LL-LN-LNT-LS- LT-LTL-LTS800/900 -- Bostrom Air 715E low back -vinyl	D/P	E7HZ 8060012															AR
L-LL-LN-LNT-LS- LT-LTL-LTS800/900 -- Bostrom Air 715E low back -vinyl	D/P	★															
L-LL-LN-LNT-LS- LT-LTL-LTS800/900 -- Bostrom Air 715E high back	D	E7HZ 9060012					★	★	BAL								AR 1
L-LL-LN-LNT-LS- LT-LTL-LTS800/900 -- Bostrom Air 715E high back	D	E7HZ 9060012					DFG	DFK									1
L-LL-LN-LNT-LS- LT-LTL-LTS800/900 -- Bostrom West Coaster low back -vinyl	P	E7HZ 9060016					DFG	DFK									1
L-LL-LN-LNT-LS- LT-LTL-LTS800/900 -- Bostrom West Coaster low back -vinyl	D/P	E7HZ 9060012		ANA													AR
L-LL-LN-LNT-LS- LT-LTL-LTS800/900 -- Bostrom West Coaster low back -vinyl	D/P	E7HZ 9060012					AFG	AFK	AAL								AR
L-LL-LN-LNT-LS- LT-LTL-LTS800/900 -- Bostrom West Coaster high back	D	E7HZ 9060012					BFG	BFK									1
L-LL-LN-LNT-LS- LT-LTL-LTS800/900 -- Bostrom West Coaster high back	P	E7HZ 9060016					BFG	BFK									1

1980/  
TRUCK SERIES 600/900

BODY TYPE	R/L	PART NUMBER LESS SUFFIX	TRIM CODES, COLORS and APPLICABLE PART NUMBER SUFFIXES											QTY
			TRIM CODES	SECOND CHARACTER of TRIM CODE							ALL CODES	ALL CODES	OTHER	
				A	B	D	G	K	L					
COLORS	LENGTH INCHES	CHAR- COAL	BLUE	RED	SMOKE	CHEST- NUT	TAN							

60012-16 SEAT ASSY. (DRIVER or PASSENGER) — Cont'd		Notes: D-Driver, P-Passenger, ● Without F.T.O. engine, \$ with F.T.O. engine														
L-LL-LN-LNT-LS- LT-LTL-LTS800/900 -- Bostrom Fix Companion low back -vinyl -cloth and vinyl	P	E7HZ 9060016		AA												1
L-LL-LN-LNT-LS- LT-LTL-LTS800/900 -- Bostrom Fix Companion high back	P	E7HZ 9060016					AG	AK	AL							1
L-LL-LN-LNT-LS- LT-LTL-LTS800/900 -- National low back -vinyl -cloth and vinyl	D/P	E4HZ 9060012		ANA												AR
L-LL-LN-LNT-LS- LT-LTL-LTS800/900 -- National high back-vinyl -cloth and vinyl	D	E4HZ 9060012		BNA												1
	P	E4HZ 9060016		BNA												1
	D	E7HZ 9060012					EFG	EFK	EAL							1
	P	E7HZ 9060016					EFG	EFK	EAL							1

BODY TYPE	R/L	PART NUMBER	DESCRIPTION	QTY
60050-3 CUSHION KIT (SEAT)-Less cover				
C-CT800		E0KZ 6060050-A	Full width seat-standard	1
		D3KZ 6060050-B	Full width seat-heavy duty	1
	R	D3KZ 6060052-A	Lear Siegler Unison Action	1
	L	D3KZ 6060053-A	Lear Siegler Unison Action	1
CF600/800		E7HZ 60610A00-B	Frame-cushion and back-dual passenger seat	1
		E6HZ 6063222-B	Pad-cushion-dual passenger seat	1
		E6HZ 6064810-B	Pad-back dual passenger seat	1
		E7HZ 6060326-A	Frame-non/suspension driver seat	1
		E6HZ 6063222-A	Pad-non/suspension driver seat	1
F-FT600/900 -- w/o FTO engine -- w/FTO engine		E5HZ 6060050-A	Full width seat	1
		E7HZ 6060336-A	Frame-full width seat	1
		E7HZ 6063222-A	Pad-full width seat	1
L-LN-LNT-LS-LT- LTS800		D3HZ 8060050-B	Full width seat	1

1980/  
TRUCK SERIES 600/900

BODY TYPE	R/L	PART NUMBER LESS SUFFIX	TRIM CODES, COLORS and APPLICABLE PART NUMBER SUFFIXES													Q T Y	
			TRIM CODES			SECOND CHARACTER of TRIM CODE							ALL CODES BLACK	ALL CODES WHITE	OTHER		
			A	B	D	G	K	L									
		COLORS	LENGTH INCHES	CHAR- COAL	BLUE	RED	SMOKE	CHEST- NUT	TAN								

60052-3 CUSHION ASSY. (SEAT)-Includes cover  
Notes: D-Driver, P-Passenger

CL-CLT900 -- National -vinyl	D/P	E4HZ 9060053		ANA														AR
L-LL-LN-LNT-LS- LT-LTL-LTS800/900 -- National -vinyl	D/P	E4HZ 9060053		ANA														AR

BODY TYPE	R/L	PART NUMBER	DESCRIPTION													QTY
-----------	-----	-------------	-------------	--	--	--	--	--	--	--	--	--	--	--	--	-----

60136-7	BACK KIT (SEAT)-Less cover																
C-CT600/800	R	E0KZ 6060136-A	Full width seat													1	
	L	E0KZ 6060137-A	Full width seat													1	
	R	D3KZ 6060136-B	Lear Siegler Unison Action													1	
	L	D3KZ 6060137-B	Lear Siegler Unison Action													1	
CF600/800		E7HZ 6061018-B	Frame-non/suspension driver seat													1	
		E6HZ 6064810-A	Pad-non/suspension driver seat													1	
		E7HZ 60610A00-B	Frame-cushion and back-dual passenger seat													1	
		E6HZ 6064810-B	Pad-back-dual passenger seat													1	
		E6HZ 6063222-B	Pad-cushion-dual passenger seat													1	
F-FT600/900		E7HZ 6061018-A	Frame-full width seat													1	
		E0TZ 1064810-A	Pad-full width seat													1	
L-LN-LNT-LS-LT-LTS 800		D3HZ 8060136-A	Full width seat													1	

BODY TYPE	R/L	PART NUMBER LESS SUFFIX	TRIM CODES, COLORS and APPLICABLE PART NUMBER SUFFIXES													Q T Y		
			TRIM CODES			SECOND CHARACTER of TRIM CODE							ALL CODES BLACK	ALL CODES WHITE	OTHER			
			A	B	D	G	K	L										
		COLORS	LENGTH INCHES	CHAR- COAL	BLUE	RED	SMOKE	CHEST- NUT	TAN									

60136-7 BACK ASSY. (SEAT)-Includes cover  
Notes: D-Driver, P-Passenger

CL-CLT900 -- National low back -vinyl	D/P	E4HZ 9060136		ANA														AR
CL-CLT900 -- National high back -vinyl	D/P	E4HZ 9060136		BNA														AR



1980/  
TRUCK SERIES 600/900

BODY TYPE	R/L	PART NUMBER LESS SUFFIX	TRIM CODES AND APPLICABLE PART NUMBER SUFFIXES										QTY							
63222			Refer to group 60050-3 or 60136-7																	
64300-1		ARM REST ASSY. (SEAT BACK SIDE)																		
Notes:		#Available only in assy. 60012-16																		
			TRIM CODES ▶	EA	FA	GA														
C-CT800	R	E4HZ 6064300	BFA	BFA	BFA															1
	L	E4HZ 6064301	BFA	BFA	BFA															1
			TRIM CODES ▶	AL	FG	FK	NA													
CL-CLT900 -- Bostrom -- National	R/L	#																		
	R	E4HZ 9064300	#	#	#	AFA														1
L	E4HZ 9064301	#	#	#	AFA															1
			TRIM CODES ▶	AL	FG	FK	NA													
L-L-LN-LNT-LS-LT- LTL-LTLS800/900 -- Bostrom -- National	R/L	#																		
	R	E4HZ 9064300	#	#	#	AFA														1
L	E4HZ 9064301	#	#	#	AFA															1
			TRIM CODES ▶	AL	FG	FK	NA													
64416-7		COVER (SEAT BACK)																		
Notes:		⊕ Non/suspension driver seat, \$ Dual passenger seat, ● Suspension driver seat																		
			TRIM CODES ▶	EA	FA	GA														
C-CT800	R	E4HZ 6064416	AEA																	1
	L	E4HZ 6064417	AEA																	1
	R	E5HZ 6064416		AFA																1
	L	E5HZ 6064417		AFA																1
	R	D3KZ 6064416				A														1
	L	D3KZ 6064417				A														1
			TRIM CODES ▶	ALL																
CF600/800 -- cloth  -- vinyl	⊕	E7HZ 6064416	A																	1
	●	E6HZ 6064416	G																	1
	\$	E7HZ 6064416	B																	1
	⊕	E7HZ 6064416	C																	1
	\$	E7HZ 6064416	D																	1
	●	E7HZ 6064416	E																	1





**1980/  
TRUCK SERIES 600/900**

**1988 SOFT TRIM SCHEME CODES**

as listed on warranty plate

CODE	MODEL	TRIM SCHEME	TYPE OF SEAT
------	-------	-------------	--------------

**C-CT SERIES**

Notes: H/D-Heavy Duty

EA	C-CT800	Charcoal and black knit vinyl	Full width
FA	C-CT800	Black all vinyl (H/D)	Full width
GA	C-CT800	Black all vinyl	Lear Siegler

**CF SERIES**

	CF-CFT600/800	Black/red cloth and vinyl	
	CF-CFT600/800	Black/red all vinyl	

**CL-CLT SERIES**

AL	CL-CLT900	Tan/chestnut cloth and vinyl	Bostrom, National, Lear Siegler
NA	CL-CLT900	Charcoal knit vinyl	Bostrom, National, Lear Siegler
PG	CL-CLT900	Smoke/charcoal cloth and vinyl	Bostrom, National
PK	CL-CLT900	Chestnut cloth and vinyl	Bostrom, National

**F-FT SERIES**

Notes: H/D-Heavy Duty

BA	F-FT600/900	Charcoal all vinyl	Full width
BK	F-FT600/900	Chestnut all vinyl	Full width
CA	F-FT600/900	Charcoal cloth and vinyl	Full width
CK	F-FT600/900	Chestnut cloth and vinyl	Full width
GA	F-FT600/900	Black all vinyl (H/D)	Full width
GK	F-FT600/900	Black all vinyl (H/D)	Full width
HA	F-FT600/900	Black all vinyl (H/D)	Bostrom, National
HK	F-FT600/900	Black all vinyl (H/D)	Bostrom, National

**L-LA-LL-LN-LNT-LS-LT-LTA-LTL-LTS SERIES**

Notes: H/D-Heavy Duty, ▲ All "L" series vehicles

AL	▲	Tan/chestnut cloth and vinyl	Bostrom, National, Lear Siegler
BL	▲	Tan/chestnut cloth and vinyl	Full width
MA	▲	Black all vinyl (H/D)	Full width
ML	▲	Black all vinyl (H/D)	Full width
NA	▲	Charcoal all vinyl	Bostrom, National, Lear Siegler
PG	▲	Smoke/charcoal cloth and vinyl	Bostrom, National
PK	▲	Chestnut cloth and vinyl	Bostrom, National

THE SOFT TRIM SECTION INCLUDES ONLY THOSE ITEMS WHICH WERE AVAILABLE FOR SERVICE AT TIME OF PRINTING. ITEMS NOT SHOWN OR INDICATED WITH A BLACK STAR (★) IN THE CATALOG MUST BE IMPROVISED OR PROCURED LOCALLY.

**1980/  
TRUCK SERIES 600/900**

BODY TYPE	R/L	PART NUMBER LESS SUFFIX	TRIM CODES, COLORS and APPLICABLE PART NUMBER SUFFIXES													Q T Y		
			TRIM CODES		SECOND CHARACTER of TRIM CODE							ALL CODES	ALL CODES	OTHER				
			COLORS	LENGTH INCHES	A CHAR- COAL	B BLUE	D SCAR- LET	G SMOKE	K CHEST- NUT	L TAN			BLACK	WHITE				
<b>01762-3</b>		<b>CARPET (DASH)</b>																
L-LA-LL-LN-LNT-LS-LT- LTA-LTL-LTS700/900 -- one piece design		F0HZ 8001762													AAJ			1
-- two piece design	R	E7HZ 8001762													A5A			1
	L	E7HZ 8001763													A5A			1
<b>02344-5</b>		<b>PANEL (COWL TRIM)</b>																
CL-CLT900 -- outer	R		Refer to group 04320 in the Body Section															
-- inner	L	D8HZ 9002345													A			1
	L	D8HZ 9002345													B			1
F-FT600/900	R	E7HZ 6002344													A5A			1
	L	E7HZ 6002345													A5A			1
L-LA-LL-LN-LNT-LS-LT- LTA-LTL-LTS700/900 (Hi-Level trim)	R	E7HZ 8002344													A5A			1
	L	E1HZ 8002345													A5A			1
<b>03508-9</b>		<b>COVER (WINDSHIELD HEADER)</b>																
CL-CLT900 -- carpet	R	D8HZ 9003508													A			1
	L	D8HZ 9003509													A			1
<b>03514-5</b>		<b>COVER (WINDSHIELD HEADER CORNER)</b>																
CL-CLT900	R	D8HZ 9003514													A			1
	L	D8HZ 9003515													A			1
<b>04104-5</b>		<b>VISOR ASSY.</b>																
C-CT800	R/L	E4HZ 6004104			A5P													AR
CF-CFT600/800	R	E6HZ 6004104															B(Gray)	1
	L	E6HZ 6004105															B(Gray)	1
CL-CLT900	R/L	E7HZ 9004104							A5U	A5U								AR
	R/L	E4HZ 9004104			A5P			A5P										AR
F-FT600/900	R/L	E7TZ 1504104			B7P				B5U									AR
L-LA-LL-LN-LNT-LS-LT- LTA-LTL-LTS700/900 (Base Trim) -- w/o radio	R/L	E4HZ 8004104			A5P													AR
-- w/radio	R/L	E4HZ 8004104			B5P													AR
L-LA-LL-LN-LNT-LS-LT- LTA-LTL-LTS700/900 (Custom and Hi-Level Trim) -- w/o radio	R	E7HZ 8004104								A5U								1
	L	E7HZ 8004105								A5U								1
-- w/radio	R	E7HZ 8004104							B5U	B5U								1
	L	E7HZ 8004105							B5U	B5U								1
	R	E4HZ 8004104						C5P										1
	L	E4HZ 8004105						C5P										1
<b>04118</b>		<b>VISOR ASSY. (CENTER)</b>																
CL-CLT900		E4HZ 9004118			A5P			A5P										1
		E7HZ 9004118							A5U	A5U								1
<b>04282</b>		<b>PAD (INSTRUMENT PANEL)</b>																
<b>Notes:</b>		▲ Use black																
C-CT800		D4KZ 6004282			▲										A			1
F-FT600/900		E4TZ 1004282			B0P													1
		E6TZ 1004282							B7U									1

1980/  
TRUCK SERIES 600/900

BODY TYPE	R/L	PART NUMBER LESS SUFFIX	TRIM CODES, COLORS and APPLICABLE PART NUMBER SUFFIXES											Q T Y
			TRIM CODES	SECOND CHARACTER of TRIM CODE						ALL CODES BLACK	ALL CODES WHITE	OTHER	Y	
				LENGTH INCHES	CHAR- COAL	BLUE	SCAR- LET	SMOKE	CHEST- NUT					
<b>10550 CARPET (ENGINE COVER)</b>														
CL-CLT900		E4HZ 9010550		D4P										1
-- 64" BBC		E4HZ 9010550		F4P										1
-- 88" BBC		E4HZ 9010550					A4P							1
-w/o Custom or High-Level trim		E7HZ 9010550						B0U	A0U					1
-- 88", 110" BBC		E7HZ 8010550					A4P	A0U						1
-w/Custom or High-Level Trim		E7HZ 8010550						B4P	B0U					1
L-LL-LN-LNT-LS-LT-LTL-LTS700/900		E7HZ 8010550												1
-- partial doghouse		E7HZ 8010550												1
-- full doghouse		E7HZ 8010550												1
<b>13000-1 CARPET (FRONT FLOOR)</b>														
CL-CLT900	R	E4HZ 9013000					A4P							1
-- 88", 110" BBC	L	E4HZ 9013001					A4P							1
	R	E7HZ 9013000						A0U						1
	L	E7HZ 9013001						A0U						1
L-LN-LNT-LS-LT-LTS700/800 (exc. FTO and 3208T engine)		E4HZ 8013000					E4P							1
-- solid floor		E7HZ 8013000						F0U						1
LN-LNT700/800 (w/3208T diesel)		E4HZ 8013000					J4P							1
		E7HZ 8013000						J0U						1
LN-LNT700/800 (w/FTO engine)		E4HZ 8013000					F4P							1
		E7HZ 8013000						G0U						1
L-LA-LL-LS-LT-LTA-LTL-LTS900		E4HZ 8013000					F4P							1
-- partial doghouse		E7HZ 8013000						G0U						1
LN-LNT900		E4HZ 8013000					G4P							1
-- full doghouse		E7HZ 8013000						H0U						1
<b>13010-1 MAT (FRONT FLOOR)</b>														
Notes: @ Add transmission hole as required, ▲ Use black														
C-CT800	@	E4HZ 6013010					▲					A8A		1
CF-CFT600/800 (exc. T/T)		E7HZ 6013010										A		1
CF700/800 (T/T)		E8HZ 6013010										A		1
CL-CLT900 -- 64" BBC	R	E4HZ 9013010		B4P										1
	L	E4HZ 9013011		B4P										1
-- 88" BBC	R	E4HZ 9013010		C4P										1
	L	E4HZ 9013011		C4P										1
	R	E7HZ 9013010							C7U					1
	L	E7HZ 9013011							C7U					1

1980/  
TRUCK SERIES 600/900

BODY TYPE	R/L	PART NUMBER LESS SUFFIX	TRIM CODES, COLORS and APPLICABLE PART NUMBER SUFFIXES													Q T Y		
			TRIM CODES			SECOND CHARACTER of TRIM CODE							ALL CODES	ALL CODES	OTHER			
			COLORS	LENGTH INCHES	CHAR- COAL	A	B	D	G	K	L	BLACK	WHITE					
<b>13010-1 MAT (FRONT FLOOR) — Cont'd</b>																		
<b>Notes:</b>			@ Add transmission hole as required, ▲ Use black, \$ Without A/C, ● With A/C															
F-FT600/900 -- w/full width seat -w/o FTO engine		\$ E8HZ 6013010		▲					▲						B8A			1
		● E8HZ 6013010		▲					▲						A8A			1
-w/FTO engine		E8HZ 6013010		▲					▲						C8A			1
F-FT600/900 -- w/individual seats -w/o FTO engine -w/FTO engine		E8HZ 6013010		▲					▲						A8A			1
		E8HZ 6013010		▲					▲						C8A			1
L-LN-LNT-LS-LT- LTS700/800 (exc. FTO and 3208T engine) -- solid floor		E2HZ 8013010		▲											A6A			1
		E7HZ 8013010		▲														1
LN-LNT700/800 (w/3208T Diesel)		E2HZ 8013010		▲											D6A			1
		E7HZ 8013010		▲														1
LN-LNT700/800 (w/FTO engine)		E2HZ 8013010		▲											B6A			1
		E7HZ 8013010		▲														1
L-LA-LL-LN-LNT-LS-LT- LTA-LTL-LTS800/900 -- partial doghouse		E2HZ 8013010		▲											B6A			1
		E7HZ 8013010		▲														1
LN-LNT900 -- full doghouse		E2HZ 8013010		▲											C6A			1
		E7HZ 8013010		▲														1
<b>13016 MAT (FRONT FLOOR REAR)</b>																		
CF-CFT600/800 -- (exc. T/T)		E7HZ 6013016													B			1
CF700/800 (T/T)		E8HZ 6013016													A			1
<b>13086 MAT (FRONT FLOOR)</b>																		
<b>Notes:</b>			† Cut to form twin mats if so desired															
<b>FULL WIDTH</b>																		
F-FT600/900		† E3TZ 8113086																1
		† D9TZ 8113086													A			1
<b>TWIN-CARPET COVERED</b>																		
CL-CLT900		E8HZ 9013086													A			1
L-LA-LL-LN-LNT-LS-LT- LTA-LTL-LTS700/900		E8HZ 8013086													A			1
<b>20104 COMPARTMENT (DOOR STOWAGE)</b>																		
CF-CFT600/800	R	E6HZ 6020104															A(gray)	1
	L	E6HZ 6020105															A(gray)	1
CL-CLT900		E4HZ 9020104																1
L-LA-LL-LN-LNT-LS-LT- LTA-LTL-LTS700/900 -- w/o stereo -- w/stereo	R/L	E8HZ 8020104															B(paint to match)	1
	R	E8HZ 8020104															A(paint to match)	1
	L	E8HZ 8020105															A(paint to match)	1

1980/  
TRUCK SERIES 600/900

BODY TYPE	R/L	PART NUMBER LESS SUFFIX	TRIM CODES, COLORS and APPLICABLE PART NUMBER SUFFIXES											Q T Y		
			TRIM CODES		SECOND CHARACTER of TRIM CODE						ALL CODES	ALL CODES	OTHER			
			COLORS	LENGTH INCHES	A CHAR- COAL	B BLUE	D SCAR- LET	G SMOKE	K CHEST- NUT	L TAN	BLACK	WHITE				
<b>20126 COVER (DOOR STOWAGE)</b>																
L-LA-LL-LN-LNT-LS- LT-LTA-LTL-LTS700/900 -- w/o stereo	R/L	E4HZ 8020126						A4P								AR
	R/L	E7HZ 8020126							A0U							AR
-- w/stereo	R/L	E7HZ 8020126						B4P	B0U							AR
<b>23902-3 PANEL (DOOR TRIM LOWER)</b>																
CF-CFT600/800	R	E6HZ 6023902													A(gray)	1
	L	E6HZ 6023903													A(gray)	1
CL-CLT900	R	E8HZ 9023902						A8P	A9U							1
	L	E8HZ 9023903						A8P	A9U							1
	R	E7HZ 9023902								A9U						1
	L	E7HZ 9023903								A9U						1
F-FT600/900	R	E4TZ 1023934		A5P												1
	L	E4TZ 1023935		A5P												1
	R	E6TZ 1023934							A9U							1
	L	E6TZ 1023935							A9U							1
<b>23934-5 Refer to group 23902-3</b>																
<b>23942-3 PANEL (DOOR TRIM UPPER)</b>																
Notes: ▲ Use tan, ● Use charcoal																
CF-CFT600/800	R	E7HZ 6023942													A(gray)	1
	L	E7HZ 6023943													A(gray)	1
CL-CLT900	R	E8HZ 9023942						BSP	B7U	A7U						1
-- w/o power window	L	E8HZ 9023943						BSP	B7U	A7U						1
-- w/power window	R	E8HZ 9023942						DSP	D7U	C7U						1
	L	E8HZ 9023943						BSP	B7U	A7U						1
F-FT600/800 -- w/ vinyl insert	R	E7HZ 6023942		B8P					B9U							1
	L	E7HZ 6023943		B8P					B9U							1
-- w/brushed aluminum insert	R	E4TZ 6023942		A8P												1
	L	E4TZ 6023943		A8P												1
	R	E6TZ 6023942							A9U							1
	L	E6TZ 6023943							A9U							1
L-LA-LL-LN-LNT-LS- LT-LTA-LTL-LTS700/900 (Base level trim) -- w/o stereo	R	E8HZ 8023942		A							●					1
	L	E8HZ 8023943		A							●					1
-- w/stereo	R	E8HZ 8023942		B							●					1
	L	E8HZ 8023943		B							●					1
L-LA-LL-LN-LNT-LS- LT-LTA-LTL-LTS700/900 (High level and intermediate trim) -- w/o stereo	R	E7HZ 8023942		▲						A9U						1
	L	E7HZ 8023943		▲						A9U						1
	R	E8HZ 8023942						CSP	C7U							1
	L	E8HZ 8023943						CSP	C7U							1
-- w/stereo	R	E7HZ 8023942		▲						C9U						1
	L	E7HZ 8023943		▲						C9U						1
	R	E8HZ 8023942						DSP	D7U							1
	L	E8HZ 8023943						DSP	D7U							1
<b>24100-1 Refer to group 24140-1</b>																

**1980/  
TRUCK SERIES 600/900**

BODY TYPE	R/L	PART NUMBER LESS SUFFIX	TRIM CODES, COLORS and APPLICABLE PART NUMBER SUFFIXES														Q T Y			
			TRIM CODES		SECOND CHARACTER of TRIM CODE							ALL CODES	ALL CODES	OTHER						
			LENGTH INCHES	CHAR- COAL	A	B	D	G	K	L	BLACK	WHITE								
<b>24140-1</b>	<b>ARM REST (DOOR)</b>																			
CF-CFT600/800 -- pad	R/L	E7HZ 6024100															A(gray)	AR		
CL-CLT900 -- pad	R/L	E4HZ 9024100		A8P				A8P										AR		
	R/L	E7HZ 9024100							A9U	A9U								AR		
F-FT600/900 -- pad	R	E4TZ 1024100		A8P														1		
	L	E4TZ 1024101		A8P														1		
	R	E6TZ 1024100							A9U									1		
	L	E6TZ 1024101							A9U									1		
L-LA-LL-LN-LNT-LS- LT-LTA-LTL-LTS700/900	R	E4HZ 9024140		A7P				A7P										1		
	L	E4HZ 9024141		A7P				A7P										1		
	R	E7HZ 9024140							A9U	A9U								1		
	L	E7HZ 9024141							A9U	A9U								1		
<b>24144-5</b>	<b>BASE (DOOR ARM REST)</b>																			
CF-CFT600/800	R	E7HZ 6024144																A(gray)	1	
	L	E7HZ 6024145																	A(gray)	1
<b>278D12-3</b>	<b>PANEL (BODY REAR CORNER TRIM)</b>																			
F-FT600/900	R	F0TZ 15278D12		AAH						BAF									1	
	L	F0TZ 15278D13								BAF									1	
<b>281B12-3</b>	<b>CARPET (SIDE STOWAGE LOCKER FLOOR)</b>																			
CL-CLT900 -- 88" BBC	R	E8HZ 90281B12														A			1	
	L	E8HZ 90281B13														A			1	
-- 110" BBC	R	E8HZ 90281B12														B			1	
	L	E8HZ 90281B13														B			1	
<b>31012-3</b>	<b>PANEL (QUARTER TRIM)</b>																			
CL-CLT900 -- 64" BBC	R	E4HZ 9031012		B2P															1	
	L	E4HZ 9031013		B2P															1	
-- 88" BBC -vinyl	R	E4HZ 9031012		C2P							D7U								1	
	L	E4HZ 9031013		C2P							D7U								1	
-- 88", 110" BBC -cloth	R	E8HZ 9031012						ASP	A7U										1	
	L	E8HZ 9031013						ASP	A7U										1	
<b>312A10-1</b>	<b>PANEL (SLEEPING COMPARTMENT SIDE)</b>																			
CL-CLT900 -- 88" BBC -vinyl	R	E4HZ 90312A10		B2P							C7U								1	
	L	E4HZ 90312A11		B2P							C7U								1	
-cloth	R	E8HZ 90312A10						ASP	A7U										1	
	L	E8HZ 90312A11						ASP	A7U										1	
-- 110" BBC	R	E8HZ 90312A10						BSP	B7U										1	
	L	E8HZ 90312A11						BSP	B7U										1	
<b>40352-3</b>	Refer to group 40374-5																			

1980/  
TRUCK SERIES 600/900

BODY TYPE	R/L	PART NUMBER LESS SUFFIX	TRIM CODES, COLORS and APPLICABLE PART NUMBER SUFFIXES											Q T Y	
			TRIM CODES		SECOND CHARACTER of TRIM CODE						ALL CODES	ALL CODES	OTHER		
			LENGTH INCHES	CHAR- COAL	A	B	D	G	K	L	BLACK	WHITE			
<b>40374-5 PANEL (LOWER BACK TRIM)</b>															
CL-CLT900 -- 88" BBC -vinyl	R	E8HZ 9040374		A2P											1
	L	E8HZ 9040375		A2P											1
-carpet	R	E8HZ 9040374					A4P	A0U	A0U						1
	L	E8HZ 9040375					A4P	A0U	A0U						1
-- 110" BBC	R	E8HZ 9040374					A4P	A0U							1
	L	E8HZ 9040375					A4P	A0U							1
F-FT600/900 -- cloth		E6HZ 6040374										A0A			1
-- carpet		E6HZ 6040374		A4P				A0U							1
L-LA-LL-LN-LNT-LS- LT-LTA-LTL-LTS700/900 -- vinyl	R	E4HZ 8040352		A8P						*					1
-w/o vert. muffler	R	E4HZ 8040352		B8P						*					1
-w/vert. muffler	L	E4HZ 8040353		A8P											1
-w/chassis mtd. by-pass oil filter	L	E7HZ 8040353							A9U						1
-w/cab mtd. by-pass oil filter	L	E4HZ 8040353		B8P											1
	L	E8HZ 8040353							B9U						1
L-LA-LL-LN-LNT-LS- LT-LTA-LTL-LTS700/900 -- carpet		E4HZ 8040352					A4P	*							1
<b>40447-8 COVER (BACK PANEL CORNER TRIM)</b>															
CL-CLT900	R	E4HZ 9040447		A8P						A7U					1
	L	E4HZ 9040448		A8P						A7U					1
	R	E7HZ 9040447					A6P	A9U							1
	L	E7HZ 9040448					A6P	A9U							1
<b>465A98-9 CURTAIN (SLEEPING COMPARTMENT)</b>															
CL-CLT900	R	E8HZ 90465A98		ASP			BSP	B7U	A6U						1
	L	E8HZ 90465A99		ASP			BSP	B7U	A6U						1
<b>466A16-7 PANEL (BACK TRIM UPPER)</b>															
<b>Notes:</b>															
<b>\$ Center</b>															
CF-CFT600/800 (exc. T/T) -- cloth		E6HZ 60466A16												B(gray)	1
-w/rear speakers		E6HZ 60466A16												C(gray)	1
-w/o rear speakers		E8HZ 60466A16												A(gray)	1
CF700/800 (T/T)		E8HZ 60466A16												B(gray)	1
-w/rear speakers		E8HZ 60466A16													1
-w/o rear speakers		E8HZ 60466A16													1
CL-CLT900 -- 64" BBC	R	E4HZ 90466A16		C2P											1
	L	E4HZ 90466A17		C2P											1
	\$	E4HZ 90466A16		B2P											1
-- 88" BBC	R	E4HZ 90466A16		E2P						F7U					1
-vinyl	L	E4HZ 90466A17		E2P						F7U					1
-cloth	R	E8HZ 90466A16					ASP	A7U							1
	L	E8HZ 90466A17					ASP	A7U							1
-- 110" BBC	R	E8HZ 90466A16					BSP	B7U							1
	L	E8HZ 90466A17					BSP	B7U							1



**1980/  
TRUCK SERIES 600/900**

BODY TYPE	R/L	PART NUMBER	DESCRIPTION	QTY
46795		MATTRESS (SLEEPER COMPARTMENT)		
Notes:		\$ Optional cover		
CL-CLT900 -- 88", 110" BBC		E6HZ 9046795-A	Foam rubber type (80" x 32" x 6")	1
		E6HZ 9046795-B	Box spring type (80" x 32" x 7")	1
	\$	E8HZ 9046832-ASP	Smoke (80" x 32" x 7")	1
	\$	E8HZ 9046832-A7U	Chestnut (80" x 32" x 7")	1
		E6HZ 9046795-C	Box spring type (80" x 53" x 7")	1
	\$	E8HZ 9046832-BSP	Smoke (80" x 53" x 7")	1
	\$	E8HZ 9046832-B7U	Chestnut (80" x 53" x 7")	1
46832		Refer to group 46795		

BODY TYPE	R/L	PART NUMBER LESS SUFFIX	TRIM CODES, COLORS and APPLICABLE PART NUMBER SUFFIXES											Q T Y		
			TRIM CODES		SECOND CHARACTER of TRIM CODE						ALL CODES	ALL CODES	OTHER			
			LENGTH INCHES	CHAR- COAL	A	B	D	G	K	L	BLACK	WHITE				
519A14-5		PANEL (ROOF SIDE INNER RAIL TRIM)														
CL-CLT900	R	E8HZ 90519A14					ASP	A7U	A5U							1
	L	E8HZ 90519A15					ASP	A7U	A5U							1
51944-5		PANEL (ROOF TRIM)														
C-CT800	R	E6HZ 6051944		A3P												1
	L	E6HZ 6051945		A3P												1
CF-CFT600/800 -- cloth -w/roof vent		E6HZ 6051944													A(gray)	1
CL-CLT900 -- 64" BBC	R	E4HZ 9051968		B2P												1
	L	E4HZ 9051969		B2P												1
-- 88" BBC -vinyl	R	E4HZ 9051968		C2P						D7U						1
	L	E4HZ 9051969		C2P						D7U						1
-- 88", 110" BBC -cloth	R	E7HZ 9051968					ATP	A2U								1
	L	E7HZ 9051969					ATP	A2U								1
F-FT600/900		E7TZ 1551944		A7P				A4U								1
L-LA-LL-LN-LNT-LS- LT-LTA-LTL-LTS700/900 (exc. Hi-Level Trim)		E4HZ 8051945		A5P												1
		E7HZ 8051968								A5U						1
L-LA-LL-LN-LNT-LS- LT-LTA-LTL-LTS700/900 (Hi-Level Trim)		E8HZ 8051968					A5P	A9U								1
-- front																
-w/air horns																
-w/o air horns		E8HZ 8051968					B5P	B9U								1
-- rear		E8HZ 80519A76					A5P	A9U								1

## 1980/ TRUCK SERIES 600/900

BODY TYPE	R/L	PART NUMBER LESS SUFFIX	TRIM CODES, COLORS and APPLICABLE PART NUMBER SUFFIXES												Q T Y
			TRIM CODES		SECOND CHARACTER of TRIM CODE							ALL CODES	ALL CODES	OTHER	
			LENGTH INCHES	CHAR- COAL	B BLUE	D SCAR- LET	G SMOKE	K CHEST- NUT	L TAN						

51968-9 Refer to group 51944-5

**519B70-1 PANEL (SLEEPING COMPARTMENT ROOF TRIM)**

CL-CLT900 -- 88" BBC -vinyl	R	E4HZ 90519B70		B2P								B7U					1
	L	E4HZ 90519B71		B2P								B7U					1
-cloth	R	E7HZ 90519B70						ATP	A2U								1
	L	E7HZ 90519B71						ATP	A2U								1
-- 110" BBC	R	E7HZ 90519B70						BTP	B2U								1
	L	E7HZ 90519B71						BTP	B2U								1

519A76 Refer to group 51944-5

**60012-16 SEAT ASSY. (DRIVER or PASSENGER)**  
Notes: D-Driver, P-Passenger, ● Without F.T.O. engine, \$ With F.T.O. engine

CF-CFT600/800 -- suspension -cloth -vinyl	D	E7HZ 6060012												A			1
-- non/suspension -cloth -vinyl	D	E7HZ 6060012												B			1
	D	E7HZ 6060012												D			1
	D	E7HZ 6060012												E			1
CL-CLT900 -- Bostrom Air 715E low back -vinyl	D/P	E8HZ 9060012		ENA													AR
-cloth and vinyl	D/P	E8HZ 9060012					EPG	EPK	EAL								AR
CL-CLT900 -- Bostrom Air 715E high back	D	E8HZ 9060012					FPG	FPK									1
	P	E8HZ 9060016					FPG	FPK									1
CL-CLT900 -- Bostrom Westcoaster low back -vinyl	D/P	E8HZ 9060012		CNA													AR
-cloth and vinyl	D/P	E8HZ 9060012					CPG	CPK	CAL								AR
CL-CLT900 -- Bostrom Westcoaster high back	D	E8HZ 9060012					DPG	DPK									1
	P	E8HZ 9060016					DPG	DPK									1
CL-CLT900 -- National low back -vinyl	D/P	E9HZ 9060012		ANA													AR
-cloth and vinyl	D/P	E9HZ 9060012					APG	APK	AAL								AR
CL-CLT900 -- National high back -vinyl	D	E9HZ 9060012		BNA													1
	P	E9HZ 9060016		BNA													1
-cloth and vinyl	D	E9HZ 9060012					BPG	BPK	BAL								1
	P	E9HZ 9060016					BPG	BPK	BAL								1

**1980/  
TRUCK SERIES 600/900**

BODY TYPE	R/L	PART NUMBER LESS SUFFIX	TRIM CODES, COLORS and APPLICABLE PART NUMBER SUFFIXES													Q T Y	
			TRIM CODES			SECOND CHARACTER of TRIM CODE							ALL CODES	ALL CODES	OTHER		
			A	B	D	G	K	L					BLACK	WHITE			
COLORS	LENGTH INCHES	CHAR- COAL	BLUE	SCAR- LET	SMOKE	CHEST- NUT	TAN										
60012-16		SEAT ASSY. (DRIVER or PASSENGER) — Cont'd															
Notes:		D-Driver, P-Passenger, ● Without F.T.O. engine, \$ With F.T.O. engine															
CL-CLT900 -- Bostrom 700E Fix Companion low back -vinyl -cloth and vinyl	P	E8HZ 9060016		CNA													1
	P	E8HZ 9060016					CPG	CPK	CAL								1
CL-CLT900 -- Bostrom 700E Fix Companion high back	P	E8HZ 9060016					APG	APK									1
F-FT600/900 -- Bostrom Viking T-Bar	D	E4HZ 6060012											A				1
	P	E4HZ 6060016											A				1
F-FT600/900 -- National Fix	D/P	E7HZ 6060012											A9A				AR
F-FT600/900 -- Bostrom Fix Companion	●P	E4HZ 6060016											B				1
	\$P	E7HZ 6060016											A9A				1
L-LA-LL-LN-LNT-LS- LT-LTA-LTL-LTS700/900 -- Lear Siegler Unison Fixed	D/P	E4HZ 8060012		ANA													AR
	D/P	E7HZ 8060012							AAL								AR
L-LA-LL-LN-LNT-LS- LT-LTA-LTL-LTS700/900 -- Bostrom Air 715E low back -vinyl -cloth and vinyl	D/P	E8HZ 9060012		ENA													AR
	D/P	E8HZ 9060012					EPG	EPK	EAL								AR
L-LA-LL-LN-LNT-LS- LT-LTA-LTL-LTS700/900 -- Bostrom Air 715E high back	D	E8HZ 9060012					FPG	FPK									1
	P	E8HZ 9060016					FPG	FPK									1
L-LA-LL-LN-LNT-LS- LT-LTA-LTL-LTS700/900 -- Bostrom West Coaster low back -vinyl -cloth and vinyl	D/P	E8HZ 9060012		CNA													AR
	D/P	E8HZ 9060012					CPG	CPK	CAL								AR
L-LA-LL-LN-LNT-LS- LT-LTA-LTL-LTS700/900 -- Bostrom West Coaster high back	D	E8HZ 9060012					DPG	DPK									1
	P	E8HZ 9060016					DPG	DPK									1

1980/  
TRUCK SERIES 600/900

BODY TYPE	R/L	PART NUMBER LESS SUFFIX	TRIM CODES, COLORS and APPLICABLE PART NUMBER SUFFIXES											QTY	
			TRIM CODES	SECOND CHARACTER of TRIM CODE								ALL CODES BLACK	ALL CODES WHITE		OTHER
				A	B	D	G	K	L						
COLORS	LENGTH INCHES	CHAR- COAL	BLUE	SCAR- LET	SMOKE	CHEST- NUT	TAN								

60012-16		SEAT ASSY. (DRIVER or PASSENGER) — Cont'd											QTY				
Notes:		D-Driver, P-Passenger, ● Without F.T.O. engine, \$ with F.T.O. engine															
L-LL-LN-LNT-LS- LT-LTL-LTS700/900 -- Bostrom Fix Companion low back -vinyl -cloth and vinyl	P	E8HZ	9060016		CNA												1
	P	E8HZ	9060016					CPG	CPK	CAL							1
L-LL-LN-LNT-LS- LT-LTL-LTS700/900 -- Bostrom Fix Companion high back	P	E8HZ	9060016					APG	APK								1
L-LA-LL-LN-LNT-LS- LT-LTA-LTL-LTS700/900 -- National low back -vinyl -cloth and vinyl	D/P	E9HZ	9060012		ANA												AR
	D/P	E9HZ	9060012					APG	APK	AAL							AR
L-LA-LL-LN-LNT-LS- LT-LTA-LTL-LTS700/900 -- National high back-vinyl	D	E9HZ	9060012		BNA												1
	P	E9HZ	9060016		BNA												1
	D	E9HZ	9060012					BPG	BPK	BAL							1
	P	E9HZ	9060016					BPG	BPK	BAL							1

BODY TYPE	R/L	PART NUMBER	DESCRIPTION											QTY	
60050-3		CUSHION KIT (SEAT)-Less cover													
C-CT800		E0KZ	6060050-A	Full width seat-standard											1
		D3KZ	6060050-B	Full width seat-heavy duty											1
	R	D3KZ	6060052-A	Lear Siegler Unison Action											1
	L	D3KZ	6060053-A	Lear Siegler Unison Action											1
CF-CFT600/800		E7HZ	60610A00-B	Frame-cushion and back-dual passenger seat											1
		E6HZ	6063222-B	Pad-cushion-dual passenger seat											1
		E6HZ	6064810-B	Pad-back-dual passenger seat											1
		E7HZ	6060326-A	Frame-non/suspension driver seat											1
		E6HZ	6063222-A	Pad-non/suspension driver seat											1
F-FT600/900 -- w/o FTO engine -- w/FTO engine		E5HZ	6060050-A	Full width seat											1
		E7HZ	6060336-A	Frame-full width seat											1
		E7HZ	6063222-A	Pad-full width seat											1
L-LA-LN-LNT-LS-LT- LTA-LTS700/800		D3HZ	8060050-B	Full width seat											1

**1980/  
TRUCK SERIES 600/900**

1988 SOFT TRIM TEXT SECTION 11

BODY TYPE	R/L	PART NUMBER	DESCRIPTION	QTY
<b>60136-7</b>	<b>BACK KIT (SEAT)-Less cover</b>			
C-CT600/800	R	EOKZ 6060136-A	Full width seat	1
	L	EOKZ 6060137-A	Full width seat	1
	R	D3KZ 6060136-B	Lear Siegler Unison Action	1
	L	D3KZ 6060137-B	Lear Siegler Unison Action	1
CF-CFT600/800		E7HZ 6061018-B	Frame-non/suspension driver seat	1
		E6HZ 6064810-A	Pad-non/suspension driver seat	1
		E7HZ 60610A00-B	Frame-cushion and back-dual passenger seat	1
		E6HZ 6064810-B	Pad-back-dual passenger seat	1
		E6HZ 6063222-B	Pad-cushion-dual passenger seat	1
F-FT600/900		E7HZ 6061018-A	Frame-full width seat	1
		E0TZ 1064810-A	Pad-full width seat	1
L-LA-LN-LNT-LS-LT-LTA-LTS700/800		D3HZ 8060136-A	Full width seat	1
<b>60326</b>	Refer to group 60050-3			
<b>60336</b>	Refer to group 60050-3			

<b>60762</b>	<b>PANEL (FRONT SEAT BACK REAR TRIM)</b>				
CL-CLT900 -- National low back	R/L	F1HZ 9060762-B			AR
-- National high back	R/L	F1HZ 9060762-A			AR
L-LA-LL-LN-LNT-LS-LT-LTA-LTL-LTS700/900 -- National low back	R/L	F1HZ 9060762-B			AR
-- National high back	R/L	F1HZ 9060762-A			AR
<b>610A00</b>	Refer to group 60050-3 or 60136-7				
<b>61018</b>	Refer to group 60136-7				

BODY TYPE	R/L	PART NUMBER LESS SUFFIX	TRIM CODES AND APPLICABLE PART NUMBER SUFFIXES												QTY	
<b>62900-1</b>	<b>COVER (SEAT CUSHION)</b>															
Notes:	⊕ Non/suspension driver seat, \$ Dual passenger seat, ● Suspension driver seat															
			<b>TRIM CODES ▶</b>													
			EA	FA	GA											
C-CT800		E4HZ 6062900	AEA													
		E5HZ 6062900		AFA												
	R	D3KZ 6062900			A											
	L	D3KZ 6062901			A											
			<b>TRIM CODES ▶ ALL</b>													
CF-CFT600/800 -- cloth -- vinyl	⊕	E7HZ 6062900	J													1
	●	E6HZ 6062900	G													1
	\$	E7HZ 6062900	L													1
	⊕	E7HZ 6062900	G													1
	\$	E7HZ 6062900	M													1
	●	E7HZ 6062900	E													1
			<b>TRIM CODES ▶</b>													
			BA	BK	CA	CK	GA	GK								
F-FT600/900 -- w/o FTO engine -- w/FTO engine		E6TZ 1562900	BBA	ABK												1
		E7HZ 6062900			ACA	ACK										1
		E5TZ 1562900					AGA	AGA								1
		E7HZ 6062900	ABA	ABK	BCA	BCK	AGA	AGA								1
			<b>TRIM CODES ▶</b>													
			BL	MA	ML											
L-LA-LN-LNT-LS-LT-LTA-LTS700/800		E7HZ 8062900	ABL													1
		E5HZ 8062900		AMA	AMA											1



**1980/  
TRUCK SERIES 600/900**

BODY TYPE	R/L	PART NUMBER LESS SUFFIX	TRIM CODES AND APPLICABLE PART NUMBER SUFFIXES													QTY				
64416-7		COVER (SEAT BACK) — Cont'd																		
Notes:			⊕ Non/suspension driver seat, \$ Dual passenger seat, ● Suspension driver seat																	
			TRIM CODES ▶	BA	BK	CA	CK	GA	GK											
F-FT600/900		E5TZ 1564416						AGA	AGA											1
		E6TZ 1564416	BBA	ABK																1
		E7HZ 6064416			ACA	ACK														1
			TRIM CODES ▶	BL	MA	ML														
L-LA-LN-LNT-LS-LT- LTA-LTS700/800		E7HZ 8064416	ABL																	1
		E5HZ 8064416		AMA	AMA															1
64810		Refer to groups 60050-3 or 60136-7																		

**1980/  
TRUCK SERIES 600/900**

**1989 SOFT TRIM SCHEME CODES**  
as listed on warranty plate

CODE	MODEL	TRIM SCHEME	TYPE OF SEAT
------	-------	-------------	--------------

**C-CT SERIES**

Notes: H/D-Heavy Duty

EA	C-CT800	Charcoal and black knit vinyl	Full width
FA	C-CT800	Black all vinyl (H/D)	Full width
GA	C-CT800	Black all vinyl	Lear Siegler

**CF SERIES**

	CF-CFT600/800	Black/red cloth and vinyl	
	CF-CFT600/800	Black/red all vinyl	

**CL-CLT SERIES**

AL	CL-CLT900	Tan/chestnut cloth and vinyl	Bostrom, National, Lear Siegler
NA	CL-CLT900	Charcoal knit vinyl	Bostrom, National, Lear Siegler
PG	CL-CLT900	Smoke/charcoal cloth and vinyl	Bostrom, National
PK	CL-CLT900	Chestnut cloth and vinyl	Bostrom, National

**F-FT SERIES**

Notes: H/D-Heavy Duty

BA	F-FT600/900	Charcoal all vinyl	Full width
BK	F-FT600/900	Chestnut all vinyl	Full width
CA	F-FT600/900	Charcoal cloth and vinyl	Full width
CK	F-FT600/900	Chestnut cloth and vinyl	Full width
GA	F-FT600/900	Black all vinyl (H/D)	Full width
GK	F-FT600/900	Black all vinyl (H/D)	Full width
HA	F-FT600/900	Black all vinyl (H/D)	Bostrom, National
HK	F-FT600/900	Black all vinyl (H/D)	Bostrom, National

**L-LA-LL-LN-LNT-LS-LT-LTA-LTL-LTS SERIES**

Notes: H/D-Heavy Duty, ▲ All "L" series vehicles

AL	▲	Tan/chestnut cloth and vinyl	Bostrom, National, Lear Siegler
BL	▲	Tan/chestnut cloth and vinyl	Full width
MA	▲	Black all vinyl (H/D)	Full width
ML	▲	Black all vinyl (H/D)	Full width
NA	▲	Charcoal all vinyl	Bostrom, National, Lear Siegler
PG	▲	Smoke/charcoal cloth and vinyl	Bostrom, National
PK	▲	Chestnut cloth and vinyl	Bostrom, National

THE SOFT TRIM SECTION INCLUDES ONLY THOSE ITEMS WHICH WERE AVAILABLE FOR SERVICE AT TIME OF PRINTING. ITEMS NOT SHOWN OR INDICATED WITH A BLACK STAR (★) IN THE CATALOG MUST BE IMPROVISED OR PROCURED LOCALLY.



1980/  
TRUCK SERIES 600/900

BODY TYPE	R/L	PART NUMBER LESS SUFFIX	TRIM CODES, COLORS and APPLICABLE PART NUMBER SUFFIXES													Q T Y	
			TRIM CODES	SECOND CHARACTER of TRIM CODE										ALL CODES BLACK	ALL CODES WHITE		OTHER
				A	B	D	G	J	K	L	P						
COLORS	LENGTH INCHES	CHAR- COAL	BLUE	SCAR- LET	SMOKE	GRAN- ITE	CHEST- NUT	TAN	SANDAL- WOOD								
<b>01762-3 CARPET (DASH)</b>																	
L-LA-LL-LN-LNT-LS-LT LTA-LTL-LTS700/900 -- one piece design		FOHZ 8001762												AAJ			1
-- two piece design	R	E7HZ 8001762												A5A			1
	L	E7HZ 8001763												A5A			1
<b>02344-5 PANEL (COWL TRIM)</b>																	
CL-CLT900 -- outer	R	Refer to group 04320 in the Body Section															
-- inner	L	D8HZ 9002345												A			1
F-FT600/900	R	E7HZ 6002344												B			1
	L	E7HZ 6002345												A5A			1
L-LA-LL-LN-LNT-LS-LT LTA-LTL-LTS700/900 (Hi-Level trim)	R	E7HZ 8002344												A5A			1
	L	E1HZ 8002345												A5A			1
<b>03508-9 COVER (WINDSHIELD HEADER)</b>																	
CL-CLT900 -- carpet	R	D8HZ 9003508												A			1
	L	D8HZ 9003509												A			1
<b>03514-5 COVER (WINDSHIELD HEADER CORNER)</b>																	
CL-CLT900	R	D8HZ 9003514												A			1
	L	D8HZ 9003515												A			1
<b>04104-5 VISOR ASSY.</b>																	
C-CT800	R/L	E4HZ 6004104		A5P													AR
CF-CFT600/800	R	E6HZ 6004104															B(Gray) 1
	L	E6HZ 6004105															B(Gray) 1
CL-CLT900	R/L	E7HZ 9004104							A5U	A5U							AR
F-FT600/900	R/L	E4HZ 9004104		A5P		A5P											AR
L-LA-LL-LN-LNT-LS-LT LTA-LTL-LTS700/900 (Base Trim) -- w/o radio	R/L	E7TZ 1504104		B7P					B5U								AR
-- w/radio	R/L	E4HZ 8004104		A5P													AR
L-LA-LL-LN-LNT-LS-LT LTA-LTL-LTS700/900 (Custom and Hi-Level Trim)	R	E7HZ 8004104							A5U								1
-- w/o radio	L	E7HZ 8004105															1
-- w/radio	R	E7HZ 8004104							B5U	B5U							1
	L	E7HZ 8004105							B5U	B5U							1
	R	E4HZ 8004104															1
	L	E4HZ 8004105															1
<b>04118 VISOR ASSY. (CENTER)</b>																	
CL-CLT900		E4HZ 9004118		A5P		A5P											1
		E7HZ 9004118							A5U	A5U							1
<b>04282 PAD (INSTRUMENT PANEL)</b>																	
Notes: ▲ Use black																	
C-CT800		D4KZ 6004282		▲										A			1
F-FT600/900		E4TZ 1004282		BOP													1
		E6TZ 1004282							B7U								1

1980/  
TRUCK SERIES 600/900

BODY TYPE	R/L	PART NUMBER LESS SUFFIX	TRIM CODES, COLORS and APPLICABLE PART NUMBER SUFFIXES													Q T Y	
			TRIM CODES		SECOND CHARACTER of TRIM CODE									ALL CODES BLACK	ALL CODES WHITE		OTHER
			COLORS	LENGTH INCHES	A	B	D	G	J	K	L	P					
		CHAR- COAL	BLUE	SCAR- LET	SMOKE	GRAN- ITE	CHEST- NUT	TAN	SANDAL- WOOD								
<b>10550 CARPET (ENGINE COVER)</b>																	
CL-CLT900 -- 64" BBC		E4HZ 9010550		D4P											1		
		E9HZ 9010550								A0U					1		
-- 88" BBC		E4HZ 9010550		F4P											1		
-w/o Custom or High-Level trim																	
-- 88", 110" BBC		E4HZ 9010550				A4P									1		
-w/Custom or High- Level Trim		E7HZ 9010550								B0U	A0U				1		
L-LL-LN-LNT-LS- LT-LTL-LTS700/900		E7HZ 8010550				A4P				A0U					1		
-- partial doghouse																	
-- full doghouse		E7HZ 8010550				B4P				B0U					1		
<b>13000-1 CARPET (FRONT FLOOR)</b>																	
CL-CLT900	R	E4HZ 9013000				A4P									1		
-- 88", 110" BBC										A0U					1		
	R	E7HZ 9013000								A0U					1		
	L	E9HZ 9013001				A4P				A0U					1		
L-LN-LNT-LS-LT- LTS700/800 (exc. FTO and 3208T engine)		E4HZ 8013000				E4P									1		
-- solid floor																	
		E7HZ 8013000								F0U					1		
LN-LNT700/800 (w/3208T diesel)		E4HZ 8013000				J4P									1		
										J0U					1		
		E7HZ 8013000													1		
LN-LNT700/800 (w/FTO engine)		E4HZ 8013000				F4P									1		
										G0U					1		
		E7HZ 8013000													1		
L-LA-LL-LS-LT-LTA- LTL-LTS900		E4HZ 8013000				F4P									1		
-- partial doghouse																	
		E7HZ 8013000								G0U					1		
LN-LNT900		E4HZ 8013000				G4P									1		
-- full doghouse																	
		E7HZ 8013000								H0U					1		
<b>13010-1 MAT (FRONT FLOOR)</b>																	
Notes: @ Add transmission hole as required, ▲ Use black																	
C-CT800	@	E4HZ 6013010		▲									A8A		1		
CF-CFT600/800 (exc. T/T)		E7HZ 6013010											A		1		
CF700/800 (T/T)		E8HZ 6013010											A		1		
CL-CLT900 -- 64" BBC	R	E9HZ 9013010		B4E							BB7				1		
	L	E9HZ 9013011		B4E							BB7				1		
-- 88" BBC	R	E9HZ 9013010		C4E							C3U				1		
	L	E9HZ 9013011		C4E							C3U				1		

**1980/  
TRUCK SERIES 600/900**

BODY TYPE	R/L	PART NUMBER LESS SUFFIX	TRIM CODES, COLORS and APPLICABLE PART NUMBER SUFFIXES													Q T Y	
			TRIM CODES			SECOND CHARACTER of TRIM CODE							ALL CODES	ALL CODES	OTHER		
			LENGTH INCHES	CHAR- COAL	BLUE	SCAR- LET	SMOKE	GRAN- ITE	CHEST- NUT	TAN	SANDAL- WOOD	BLACK	WHITE				
<b>13010-1</b>		<b>MAT (FRONT FLOOR) — Cont'd</b>															
<b>Notes:</b>		@ Add transmission hole as required, ▲ Use black, \$ Without A/C, ● With A/C															
F-FT600/900 -- w/full width seat -w/o FTO engine	\$	E8HZ 6013010		▲						▲				B8A			1
	●	E8HZ 6013010		▲						▲				A8A			1
-w/FTO engine		E8HZ 6013010		▲						▲				C8A			1
F-FT600/900 -- w/individual seats -w/o FTO engine		E8HZ 6013010		▲						▲				A8A			1
-w/FTO engine		E8HZ 6013010		▲						▲				C8A			1
L-LN-LNT-LS-LT- LTS700/800 (exc. FTO and 3208T engine)		E2HZ 8013010		▲										A6A			1
-- solid floor		E7HZ 8013010		▲													1
LN-LNT700/800 (w/3208T Diesel)		E2HZ 8013010		▲								A6U		D6A			1
		E7HZ 8013010		▲													1
LN-LNT700/800 (w/FTO engine)		E2HZ 8013010		▲										B6U			1
		E7HZ 8013010		▲													1
L-LA-LL-LN-LNT-LS-LT- LTA-LTL-LTS800/900		E2HZ 8013010		▲										B6A			1
-- partial doghouse		E7HZ 8013010		▲													1
LN-LNT900 -- full doghouse		E2HZ 8013010		▲										C6A			1
		E7HZ 8013010		▲									C6U				1
<b>13016</b>		<b>MAT (FRONT FLOOR REAR)</b>															
CF-CFT600/800 -- (exc. T/T)		E7HZ 6013016												B			1
CF700/800 (T/T)		E8HZ 6013016												A			1
<b>13086</b>		<b>MAT (FRONT FLOOR)</b>															
<b>Notes:</b>		† Cut to form twin mats if so desired															
<b>FULL WIDTH</b>																	
F-FT600/900	†	E3TZ 8113086												C			1
	†	D9TZ 8113086													A		1
<b>TWIN-CARPET COVERED</b>																	
CL-CLT900		E8HZ 9013086												A			1
L-LA-LL-LN-LNT-LS-LT- LTA-LTL-LTS700/900		E8HZ 8013086												A			1
<b>20104</b>		<b>COMPARTMENT (DOOR STOWAGE)</b>															
CF-CFT600/800	R	E6HZ 6020104														A(gray)	1
	L	E6HZ 6020105														A(gray)	1
CL-CLT900		E4HZ 9020104					A8P										1
L-LA-LL-LN-LNT-LS-LT- LTA-LTL-LTS700/900	R/L	E8HZ 8020104														B(paint to match)	AR
-- w/o stereo																	
-- w/stereo	R	E8HZ 8020104														A(paint to match)	1
	L	E8HZ 8020105														A(paint to match)	1

1980/  
TRUCK SERIES 600/900

BODY TYPE	R/L	PART NUMBER LESS SUFFIX	TRIM CODES, COLORS and APPLICABLE PART NUMBER SUFFIXES											Q T Y	
			TRIM CODES	SECOND CHARACTER of TRIM CODE								ALL CODES	ALL CODES		OTHER
				A	B	D	G	J	K	L	P				
COLORS	LENGTH INCHES	CHAR- COAL	BLUE	SCAR- LET	SMOKE	GRAN- ITE	CHEST- NUT	TAN	SANDAL- WOOD						
<b>20126 COVER (DOOR STOWAGE)</b>															
L-LA-LL-LN-LNT-LS- LT-LTA-LTL-LTS700/900 -- w/o stereo	R/L	E4HZ 8020126					A4P								AR
	R/L	E7HZ 8020126						A0U							AR
-- w/stereo	R/L	E7HZ 8020126					B4P		B0U						AR
<b>23902-3 PANEL (DOOR TRIM LOWER)</b>															
CF-CFT600/800	R	E6HZ 6023902												A(gray)	1
	L	E6HZ 6023903												A(gray)	1
CL-CLT900	R	E8HZ 9023902					A8P		A9U						1
	L	E8HZ 9023903					A8P		A9U						1
	R	E7HZ 9023902							A9U						1
	L	E7HZ 9023903							A9U						1
F-FT600/900	R	E4TZ 1023934		A5P											1
	L	E4TZ 1023935		A5P											1
	R	E6TZ 1023934							A9U						1
	L	E6TZ 1023935							A9U						1
<b>23934-5 Refer to group 23902-3</b>															
<b>23942-3 PANEL (DOOR TRIM UPPER)</b>															
<b>Notes:</b>															
▲ Use tan, ● Use charcoal															
CF-CFT600/800	R	E7HZ 6023942												A(gray)	1
	L	E7HZ 6023943												A(gray)	1
CL-CLT900 -- w/o power window	R	E8HZ 9023942					BSP		B7U	A7U					1
	L	E8HZ 9023943					BSP		B7U	A7U					1
-- w/power window	R	E8HZ 9023942					DSP		D7U	C7U					1
	L	E8HZ 9023943					BSP		B7U	A7U					1
F-FT600/800 -- w/ vinyl insert	R	E7HZ 6023942		B8P					B9U						1
	L	E7HZ 6023943		B8P					B9U						1
-- w/brushed aluminum insert	R	E4TZ 6023942		A8P											1
	L	E4TZ 6023943		A8P											1
	R	E6TZ 6023942							A9U						1
	L	E6TZ 6023943							A9U						1
L-LA-LL-LN-LNT-LS- LT-LTA-LTL-LTS700/900 (Base level trim) -- w/o stereo	R	E8HZ 8023942		A						●					1
	L	E8HZ 8023943		A						●					1
-- w/stereo	R	E8HZ 8023942		B						●					1
	L	E8HZ 8023943		B						●					1
L-LA-LL-LN-LNT-LS- LT-LTA-LTL-LTS700/900 (High level or intermediate trim) -- w/o stereo	R	E7HZ 8023942		▲						A9U					1
	L	E7HZ 8023943		▲						A9U					1
	R	E8HZ 8023942					CSP		C7U						1
	L	E8HZ 8023943					CSP		C7U						1
-- w/stereo	R	E7HZ 8023942		▲						C9U					1
	L	E7HZ 8023943		▲						C9U					1
	R	E8HZ 8023942					DSP		D7U						1
	L	E8HZ 8023943					DSP		D7U						1
<b>24100-1 Refer to group 24140-1</b>															

1980/  
TRUCK SERIES 600/900

BODY TYPE	R/L	PART NUMBER LESS SUFFIX	TRIM CODES, COLORS and APPLICABLE PART NUMBER SUFFIXES													Q T Y
			TRIM CODES		SECOND CHARACTER of TRIM CODE								ALL CODES	ALL CODES	OTHER	
			LENGTH INCHES	CHAR- COAL	A	B	D	G	J	K	L	P	BLACK	WHITE		
<b>24140-1 ARM REST (DOOR)</b>																
CF-CFT600/800 -- pad	R/L	E7HZ 6024100													A(gray)	AR
CL-CLT900 -- pad	R/L	E4HZ 9024100		A8P				A8P								AR
F-FT600/900 -- pad	R/L	E7HZ 9024100														AR
	R	E4TZ 1024100		A8P					A9U	A9U						1
	L	E4TZ 1024101		A8P												1
	R	E6TZ 1024100							A9U							1
	L	E6TZ 1024101							A9U							1
L-LA-LL-LN-LNT-LS- LT-LTA-LTL-LTS700/900	R	E4HZ 9024140		A7P				A7P								1
	L	E4HZ 9024141		A7P				A7P								1
	R	E7HZ 9024140							A9U	A9U						1
	L	E7HZ 9024141							A9U	A9U						1
<b>24144-5 BASE (DOOR ARM REST)</b>																
CF-CFT600/800	R	E7HZ 6024144													A(gray)	1
	L	E7HZ 6024145													A(gray)	1
<b>278D12-3 PANEL (BODY REAR CORNER TRIM)</b>																
F-FT600/900	R	F0TZ 15278D12		AAH						BAF						1
	L	F0TZ 15278D13		AAH						BAF						1
<b>281B12-3 CARPET (SIDE STOWAGE LOCKER FLOOR)</b>																
CL-CLT900 -- 88" BBC  -- 110" BBC	R	E8HZ 90281B12											A			1
	L	E8HZ 90281B13											A			1
	R	E8HZ 90281B12											B			1
	L	E8HZ 90281B13											B			1
<b>31012-3 PANEL (QUARTER TRIM)</b>																
CL-CLT900 -- 64" BBC  -- 88" BBC -vinyl  -- 88", 110" BBC -cloth	R	E4HZ 9031012		B2P												1
	L	E4HZ 9031013		B2P												1
	R	E9HZ 9031012								A5U						1
	L	E9HZ 9031013								A5U						1
	R	E4HZ 9031012		C2P							D7U					1
	L	E4HZ 9031013		C2P							D7U					1
	R	E8HZ 9031012					ASP		A7U							1
	L	E8HZ 9031013					ASP		A7U							1
<b>312A10-1 PANEL (SLEEPING COMPARTMENT SIDE)</b>																
CL-CLT900 -- 88" BBC -vinyl  -cloth  -- 110" BBC	R	E4HZ 90312A10		B2P							C7U					1
	L	E4HZ 90312A11		B2P							C7U					1
	R	E8HZ 90312A10					ASP		A7U							1
	L	E8HZ 90312A11					ASP		A7U							1
	R	E8HZ 90312A10					BSP		B7U							1
	L	E8HZ 90312A11					BSP		B7U							1
<b>40352-3 Refer to group 40374-5</b>																

1980/  
TRUCK SERIES 600/900

BODY TYPE	R/L	PART NUMBER LESS SUFFIX	TRIM CODES, COLORS and APPLICABLE PART NUMBER SUFFIXES											Q T Y		
			TRIM CODES		SECOND CHARACTER of TRIM CODE							ALL CODES	ALL CODES		OTHER	
			COLORS	LENGTH INCHES	A	B	D	G	J	K	L	P	BLACK		WHITE	
<b>40374-5 PANEL (LOWER BACK TRIM)</b>																
CL-CLT900 -- 88" BBC -vinyl	R	E8HZ 9040374		A2P												1
	L	E8HZ 9040375		A2P												1
-carpet	R	E8HZ 9040374					A4P		A0U	A0U						1
	L	E8HZ 9040375					A4P		A0U	A0U						1
-- 110" BBC	R	E8HZ 9040374					A4P		A0U							1
	L	E8HZ 9040375					A4P		A0U							1
F-FT600/900 -- cloth -- carpet		E6HZ 6040374										A0A				1
		E6HZ 6040374		A4P					A0U							1
L-LA-LL-LN-LNT-LS- LT-LTA-LTL-LTS700/900 -- carpet		*														
L-LA-LL-LN-LNT-LS- LT-LTA-LTL-LTS700/900 -- vinyl	R	E9HZ 8040352		C8P								C9U				1
-w/o vert. muffler	R	E9HZ 8040352		B8P								B9U				1
-w/vert. muffler	L	E4HZ 8040353		A8P												1
-w/chassis mtd. oil filter	L	E7HZ 8040353										A9U				1
-w/cab mtd. oil filter	L	E4HZ 8040353		B8P												1
	L	E8HZ 8040353										B9U				1
<b>40447-8 COVER (BACK PANEL CORNER TRIM)</b>																
CL-CLT900	R	E4HZ 9040447		A8P								A7U				1
	L	E4HZ 9040448		A8P								A7U				1
	R	E7HZ 9040447					A6P		A9U							1
	L	E7HZ 9040448					A6P		A9U							1
<b>465A98-9 CURTAIN (SLEEPING COMPARTMENT)</b>																
CL-CLT900	R	E8HZ 90465A98		ASP			BSP		B7U	A6U						1
	L	E8HZ 90465A99		ASP			BSP		B7U	A6U						1
<b>466A16-7 PANEL (BACK TRIM UPPER)</b>																
<b>Notes:</b>																
CF-CFT600/800 (exc. T/T) -- cloth -w/rear speakers		E6HZ 60466A16													B(gray)	1
-w/o rear speakers		E6HZ 60466A16													C(gray)	1
CF700/800 (T/T) -w/rear speakers		E8HZ 60466A16													A(gray)	1
-w/o rear speakers		E8HZ 60466A16													B(gray)	1

# 1980/ TRUCK SERIES 600/900

BODY TYPE	R/L	PART NUMBER LESS SUFFIX	TRIM CODES, COLORS and APPLICABLE PART NUMBER SUFFIXES													Q T Y
			TRIM CODES			SECOND CHARACTER of TRIM CODE							ALL CODES BLACK	ALL CODES WHITE	OTHER	
			LENGTH INCHES	CHAR- COAL	BLUE SCAR- LET	D	G	J	K	L	P					
466A16-7 PANEL (BACK TRIM UPPER) — Cont'd																
Notes: \$ Center																
CL-CLT900 -- 64" BBC	R	E4HZ 90466A16		C2P												1
	L	E4HZ 90466A17		C2P												1
	\$	E4HZ 90466A16		B2P												1
-- 88" BBC -vinyl	R	E9HZ 90466A16									A5U					1
	L	E9HZ 90466A17									A5U					1
	\$	E9HZ 90466A16									B5U					1
-- 110" BBC -cloth	R	E4HZ 90466A16		E2P							F7U					1
	L	E4HZ 90466A17		E2P							F7U					1
	R	E8HZ 90466A16					ASP		A7U							1
	L	E8HZ 90466A17					ASP		A7U							1
	R	E8HZ 90466A16					BSP		B7U							1
	L	E8HZ 90466A17					BSP		B7U							1
BODY TYPE R/L PART NUMBER DESCRIPTION QTY																
46795 MATTRESS (SLEEPER COMPARTMENT)																
Notes: \$ Optional cover																
CL-CLT900 -- 88", 110" BBC		E6HZ 9046795-A		Foam rubber type (80" x 32" x 6")												1
		E6HZ 9046795-B		Box spring type (80" x 32" x 7")												1
		\$ E8HZ 9046832-ASP		Smoke (80" x 32" x 7")												1
		\$ E8HZ 9046832-A7U		Chestnut (80" x 32" x 7")												1
		E6HZ 9046795-C		Box spring type (80" x 53" x 7")												1
		\$ E8HZ 9046832-BSP		Smoke (80" x 53" x 7")												1
	\$ E8HZ 9046832-B7U		Chestnut (80" x 53" x 7")												1	
46832 Refer to group 46795																
BODY TYPE	R/L	PART NUMBER LESS SUFFIX	TRIM CODES, COLORS and APPLICABLE PART NUMBER SUFFIXES													Q T Y
			TRIM CODES			SECOND CHARACTER of TRIM CODE							ALL CODES BLACK	ALL CODES WHITE	OTHER	
			LENGTH INCHES	CHAR- COAL	BLUE SCAR- LET	D	G	J	K	L	P					
519A14-5 PANEL (ROOF SIDE INNER RAIL TRIM)																
CL-CLT900	R	E8HZ 90519A14					ASP		A7U	A5U						1
	L	E8HZ 90519A15					ASP		A7U	A5U						1
51944-5 PANEL (ROOF TRIM)																
C-CT800	R	E6HZ 6051944		A3P												1
	L	E6HZ 6051945		A3P												1
CF-CFT600/800 -- cloth -w/roof vent		E6HZ 6051944													A(gray)	1
CL-CLT900 -- 64" BBC	R	E4HZ 9051968		B2P												1
	L	E4HZ 9051969		B2P												1
-- 88" BBC -vinyl	R	E9HZ 9051968								A5U						1
	L	E9HZ 9051969								A5U						1
-- 88", 110" BBC -cloth	R	E4HZ 9051968		C2P						D7U						1
	L	E4HZ 9051969		C2P						D7U						1
F-FT600/900	R	E7HZ 9051968					ATP		A2U							1
	L	E7HZ 9051969					ATP		A2U							1
		E7TZ 1551944		A7P					A4U							1

1980/  
TRUCK SERIES 600/900

BODY TYPE	R/L	PART NUMBER LESS SUFFIX	TRIM CODES, COLORS and APPLICABLE PART NUMBER SUFFIXES													Q T Y	
			TRIM CODES			SECOND CHARACTER of TRIM CODE								ALL CODES BLACK	ALL CODES WHITE		OTHER
			COLORS	LENGTH INCHES	CHAR- COAL	A	B	D	G	J	K	L	P				
<b>51944-5 PANEL (ROOF TRIM) — Cont'd</b>																	
L-LA-LL-LN-LNT-LS- LT-LTA-LTL-LTS700/900 (exc. Hi-Level Trim)		E4HZ 8051945		A5P												1	
		E7HZ 8051968									A5U					1	
L-LA-LL-LN-LNT-LS- LT-LTA-LTL-LTS700/900 (Hi-Level Trim)		E8HZ 8051968					A5P			A9U						1	
-- front																	
-w/air horns																	
-w/o air horns		E8HZ 8051968					B5P			B9U						1	
-- rear		E8HZ 80519A76					A5P			A9U						1	
51968-9 Refer to group 51944-5																	
<b>519B70-1 PANEL (SLEEPING COMPARTMENT ROOF TRIM)</b>																	
CL-CLT900	R	E4HZ 90519B70		B2P							B7U					1	
-- 88" BBC																	
-vinyl	L	E4HZ 90519B71		B2P							B7U					1	
-cloth	R	E7HZ 90519B70					ATP			A2U						1	
	L	E7HZ 90519B71					ATP			A2U						1	
-- 110" BBC	R	E7HZ 90519B70					BTP			B2U						1	
	L	E7HZ 90519B71					BTP			B2U						1	
519A76 Refer to group 51944-5																	
<b>60012-16 SEAT ASSY. (DRIVER or PASSENGER)</b>																	
Notes: D-Driver, P-Passenger																	
CF-CFT600/800	D	E7HZ 6060012											A			1	
-- suspension																	
-cloth	D	E7HZ 6060012											B			1	
-vinyl	D	E7HZ 6060012											D			1	
-- non/suspension																	
-cloth	D	E7HZ 6060012											E			1	
-vinyl																	
CL-CLT900 -- Bostrom Air 715E low back	D/P	E8HZ 9060012		ENA												AR	
-vinyl																	
-cloth and vinyl	D/P	E8HZ 9060012					EPG		EPK	EAL						AR	
CL-CLT900 -- Bostrom Air 715E high back	D	E8HZ 9060012					FPG		FPK							1	
	P	E8HZ 9060016					FPG		FPK							1	
CL-CLT900 -- Bostrom Westcoaster low back	D/P	E8HZ 9060012		CNA												AR	
-vinyl																	
-cloth and vinyl	D/P	E8HZ 9060012					CPG		CPK	CAL						AR	
CL-CLT900 -- Bostrom Westcoaster high back	D	E8HZ 9060012					DPG		DPK							1	
	P	E8HZ 9060016					DPG		DPK							1	



**1980/  
TRUCK SERIES 600/900**

BODY TYPE	R/L	PART NUMBER LESS SUFFIX	TRIM CODES, COLORS and APPLICABLE PART NUMBER SUFFIXES													Q T Y
			TRIM CODES	SECOND CHARACTER of TRIM CODE									ALL CODES	ALL CODES	OTHER	
				A	B	D	G	J	K	L	P					
COLORS	LENGTH INCHES	CHAR- COAL	BLUE	SCAR- LET	SMOKE	GRAN- ITE	CHEST- NUT	TAN	SANDAL- WOOD		BLACK	WHITE				
60012-16		SEAT ASSY. (DRIVER or PASSENGER) — Cont'd														
Notes:		D-Driver, P-Passenger														
CL-CLT900 -- National low back -vinyl	D/P	E9HZ 9060012		ANA												AR
-cloth and vinyl	D/P	E9HZ 9060012				APG		APK	AAL							AR
CL-CLT900 -- National high back -vinyl	D	E9HZ 9060012		BNA												1
-cloth and vinyl	P	E9HZ 9060016		BNA												1
	D	E9HZ 9060012				BPG		BPK	BAL							1
	P	E9HZ 9060016				BPG		BPK	BAL							1
CL-CLT900 -- Bostrom 700E Fix Companion low back -vinyl	P	E8HZ 9060016		CNA												1
-cloth and vinyl	P	E8HZ 9060016				CPG		CPK	CAL							1
CL-CLT900 -- Bostrom 700E Fix Companion high back	P	E8HZ 9060016				APG		APK								1
F-FT600/900 -- Bostrom Viking T-Bar	D	E4HZ 6060012										A				1
	P	E4HZ 6060016										A				1
F-FT600/900 -- National Fix	D/P	E7HZ 6060012										A9A				AR
F-FT600/900 -- Bostrom Fix Companion	P	E7HZ 6060016										A9A				1
L-LA-LL-LN-LNT-LS- LT-LTA-LTL-LTS700/800 -- Lear Siegler Unison Fixed	D/P	E4HZ 8060012		ANA												AR
	D/P	E7HZ 8060012							AAL							AR
L-LA-LL-LN-LNT-LS- LT-LTA-LTL-LTS700/900 -- Bostrom Air 715E low back -vinyl	D/P	E8HZ 9060012		ENA												AR
-cloth and vinyl	D/P	E8HZ 9060012				EPG		EPK	EAL							AR

1980/  
TRUCK SERIES 600/900

BODY TYPE	R/L	PART NUMBER LESS SUFFIX	TRIM CODES, COLORS and APPLICABLE PART NUMBER SUFFIXES											QTY		
			TRIM CODES		SECOND CHARACTER of TRIM CODE								ALL CODES		ALL CODES	OTHER
			A	B	D	G	J	K	L	P		BLACK	WHITE			

60012-16 SEAT ASSY. (DRIVER or PASSENGER) — Cont'd  
Notes: D-Driver, P-Passenger

TRIM CODES	COLORS	LENGTH INCHES	CHAR COAL	BLUE	SCAR-LET	SMOKE	GRAN-ITE	CHEST-NUT	TAN	SANDAL-WOOD	ALL CODES	ALL CODES	OTHER	QTY
L-LA-LL-LN-LNT-LS-LT-LTA-LTL-LTS700/900 - - Bostrom Air 715E high back	D	E8HZ 9060012					FPG		FPK					1
	P	E8HZ 9060016					FPG		FPK					1
L-LA-LL-LN-LNT-LS-LT-LTA-LTL-LTS700/900 - - Bostrom West Coaster low back -vinyl -cloth and vinyl	D/P	E8HZ 9060012		CNA										AR
	D/P	E8HZ 9060012					CPG		CPK	CAL				AR
L-LA-LL-LN-LNT-LS-LT-LTA-LTL-LTS700/900 - - Bostrom West Coaster high back	D	E8HZ 9060012					DPG		DPK					1
	P	E8HZ 9060016					DPG		DPK					1
L-LL-LN-LNT-LS-LT-LTL-LTS700/900 - - Bostrom Fix Companion low back -vinyl -cloth and vinyl		E8HZ 9060016		CNA										1
	P	E8HZ 9060016					CPG		CPK	CAL				1
L-LL-LN-LNT-LS-LT-LTL-LTS700/900 - - Bostrom Fix Companion high back	P	E8HZ 9060016					APG		APK					1
L-LA-LL-LN-LNT-LS-LT-LTA-LTL-LTS700/900 - - National low back -vinyl -cloth and vinyl	D/P	E9HZ 9060012		ANA										AR
	D/P	E9HZ 9060012					APG		APK	AAL				AR
L-LA-LL-LN-LNT-LS-LT-LTA-LTL-LTS700/900 - - National high back -vinyl -cloth and vinyl	D	E9HZ 9060012		BNA										1
	P	E9HZ 9060016		BNA										1
	D	E9HZ 9060012					BPG		BPK	BAL				1
	P	E9HZ 9060016					BPG		BPK	BAL				1

BODY TYPE	R/L	PART NUMBER	DESCRIPTION	QTY
60050-3			CUSHION KIT (SEAT)-Less cover	
C-CT800		E0KZ 6060050-A	Full width seat-standard	1
		D3KZ 6060050-B	Full width seat-heavy duty	1
	R	D3KZ 6060052-A	Lear Siegler Unison Action	1
	L	D3KZ 6060053-A	Lear Siegler Unison Action	1
CF-CFT600/800		E7HZ 60610A00-B	Frame-cushion and back-dual passenger seat	1
		E6HZ 6063222-B	Pad-cushion-dual passenger seat	1
		E6HZ 6064810-B	Pad-back-dual passenger seat	1
		E7HZ 6060326-A	Frame-non/suspension driver seat	1
		E6HZ 6063222-A	Pad-non/suspension driver seat	1

# 1980/ TRUCK SERIES 600/900

BODY TYPE	R/L	PART NUMBER	DESCRIPTION	QTY
<b>60050-3 CUSHION KIT (SEAT)-Less cover — Cont'd</b>				
F-FT600/900		E5HZ 6060050-A	Full width seat	1
- - w/o FTO engine				
- - w/FTO engine		E7HZ 6060336-A	Frame-full width seat	1
		E7HZ 6063222-A	Pad-full width seat	1
L-LA-LN-LNT-LS-LT-LTA-LTS700/800		D3HZ 8060050-B	Full width seat	1
<b>60136-7 BACK KIT (SEAT)-Less cover</b>				
C-CT600/800	R*	E0KZ 6060136-A	Full width seat	1
	L	E0KZ 6060137-A	Full width seat	1
	R	D3KZ 6060136-B	Lear Siegler Unison Action	1
	L	D3KZ 6060137-B	Lear Siegler Unison Action	1
CF-CFT600/800		E7HZ 6061018-B	Frame-non/suspension driver seat	1
		E6HZ 6064810-A	Pad-non/suspension driver seat	1
		E7HZ 60610A00-B	Frame-cushion and back-dual passenger seat	1
		E6HZ 6064810-B	Pad-back-dual passenger seat	1
		E6HZ 6063222-B	Pad-cushion-dual passenger seat	1
F-FT600/900		E7HZ 6061018-A	Frame-full width seat	1
		E0TZ 1064810-A	Pad-full width seat	1
L-LA-LN-LNT-LS-LT-LTA-LTS700/800		D3HZ 8060136-A	Full width seat	1

60326 Refer to group 60050-3

60336 Refer to group 60050-3

<b>60762 PANEL (FRONT SEAT BACK REAR TRIM)</b>				
CL-CLT900 - - National low back	R/L	F1HZ 9060762-B		AR
- - National high back	R/L	F1HZ 9060762-A		AR
L-LA-LL-LN-LNT-LS-LT-LTA-LTL-LTS700/900 - - National low back	R/L	F1HZ 9060762-B		AR
- - National high back	R/L	F1HZ 9060762-A		AR

610A00 Refer to group 60050-3 or 60136-7

61018 Refer to group 60136-7

BODY TYPE	R/L	PART NUMBER LESS SUFFIX	TRIM CODES AND APPLICABLE PART NUMBER SUFFIXES	QTY
-----------	-----	----------------------------	--	-----

62900-1 COVER (SEAT CUSHION)

Notes: ⊕ Non/suspension driver seat, \$ Dual passenger seat, ● Suspension driver seat

		TRIM CODES ↓			EA	FA	GA															
C-CT800		E4HZ	6062900	AEA																	1	
		E5HZ	6062900		AFA																1	
	R	D3KZ	6062900				A														1	
	L	D3KZ	6062901				A														1	
		TRIM CODES ↓			ALL																	
CF-CFT600/800 - - cloth	⊕	E7HZ	6062900		J																1	
	●	E6HZ	6062900		G																1	
	\$	E7HZ	6062900		L																1	
	- - vinyl	⊕	E7HZ	6062900		G																1
		\$	E7HZ	6062900		M																1
	●	E7HZ	6062900		E																1	



1980/  
TRUCK SERIES 600/900

BODY TYPE	R/L	PART NUMBER LESS SUFFIX	TRIM CODES AND APPLICABLE PART NUMBER SUFFIXES										QTY	
64416-7		COVER (SEAT BACK)												
Notes:		⊕ Non/suspension driver seat, \$ Dual passenger seat, ● Suspension driver seat												
			TRIM CODES ▶											
			EA	FA	GA									
C-CT800	R	E4HZ 6064416	AEA										1	
	L	E4HZ 6064417	AEA										1	
	R	E5HZ 6064416		AFA									1	
	L	E5HZ 6064417		AFA									1	
	R	D3KZ 6064416			A								1	
	L	D3KZ 6064417			A								1	
			TRIM CODES ▶ ALL											
CF-CFT600/800 -- cloth	⊕	E7HZ 6064416	A										1	
	●	E6HZ 6064416	G										1	
	\$	E7HZ 6064416	B										1	
	-- vinyl	⊕	E7HZ 6064416	C										1
		\$	E7HZ 6064416	D										1
		●	E7HZ 6064416	E										1
			TRIM CODES ▶											
			BA	BK	CA	CK	GA	GK						
F-FT600/900		E5TZ 1564416					AGA	AGA					1	
		E6TZ 1564416	BBA	ABK									1	
		E7HZ 6064416			ACA	ACK							1	
			TRIM CODES ▶											
			BL	MA	ML									
L-LA-LN-LNT-LS-LT- LTA-LTS700/800		E7HZ 8064416	ABL										1	
		E5HZ 8064416		AMA	AMA								1	
64810		Refer to groups 60050-3 or 60136-7												